

**PARTS
CATALOG**

**Color
imageCLASS
MF735Cdw
MF733Cdw
MF731Cdw**



Canon

**January 19, 2017
Rev. 0**

Index

SNL	PRODUCT CODE NO. /SERIAL NO.
A1A	ASSEMBLY LOCATION DIAGRAM (SINGLE PASS ADF model)
A1B	ASSEMBLY LOCATION DIAGRAM (SINGLE SIDE ADF model)
A2	OPTION PARTS CATALOG LIST
001D	ACCESSORIES (MF735Cx 230V)
001E	ACCESSORIES (MF735Cdw 120V)
001F	ACCESSORIES (MF733Cdw 120V)
001G	ACCESSORIES (MF731Cdw 120V)
100D	EXTERNAL COVERS, PANELS, ETC. (MF735Cx NFC model)
100E	EXTERNAL COVERS, PANELS, ETC. (MF735Cdw NFC model)
100F	EXTERNAL COVERS, PANELS, ETC. (MF733Cdw NFC model)
100G	EXTERNAL COVERS, PANELS, ETC. (MF731Cdw WITHOUT NFC model)
101C	INTERNAL COMPONENTS 1 (MF731Cdw W/O FAX model)
101D	INTERNAL COMPONENTS 1 (MF735Cx FAX, MF735Cdw FAX)
101E	INTERNAL COMPONENTS 1 (MF733Cdw FAX model)
102A	INTERNAL COMPONENTS 2 (100V, 120V)
102B	INTERNAL COMPONENTS 2 (230V)
103	INTERNAL COMPONENTS 3
104	INTERNAL COMPONENTS 4
105B	INTERNAL COMPONENTS 5 (230V)
105C	INTERNAL COMPONENTS 5 (120V)
160A	READER/ADF ASSEMBLY (SINGLE PASS ADF model)
160B	READER/ADF ASSEMBLY (SINGLE SIDE ADF model)
161A	PAPER FEEDER ASSEMBLY (SINGLE PASS ADF model)
161B	PAPER FEEDER ASSEMBLY (SINGLE SIDE ADF model)
400B	READER ASSEMBLY (ADFmodel 230V LTN, AU, SG, HK, IN)
400C	READER ASSEMBLY (ADF model 120V US, CA, LTN)
ZZA	MECHANICAL STANDARD PARTS (HOW TO USE)
ZZB	MECHANICAL STANDARD PARTS (SCREWS)
ZZC	MECHANICAL STANDARD PARTS (BOLTS)
ZZD	MECHANICAL STANDARD PARTS (NUTS)
ZZE	MECHANICAL STANDARD PARTS (RETAINING RINGS)

Figure SNL PRODUCT CODE NO. /SERIAL NO.

	Product Code No.	Model Name	Remarks	Serial No.
1	F17-0441-000	imageCLASS MF735Cx	230V LTN SINGLE PASS ADF model NFC model FAX model	WTJ
2	F17-0431-000	Color imageCLASS MF735Cdw	120V US, CA, LTN SINGLE PASS ADF model NFC model FAX model	WTL
3	F17-0434-000	Color imageCLASS MF733Cdw	120V US, CA, LTN SINGLE PASS ADF model NFC model FAX model	WTQ
4	F17-0436-000	Color imageCLASS MF731Cdw	120V US, CA SINGLE SIDE ADF model WITHOUT NFC model WITHOUT FAX model	WTV

	中オーダー	製品名	備考	シリアル No.
1	F17-0441-000	imageCLASS MF735Cx	230V LTN ワンパス A D F モデル N F C モデル F A X モデル	WTJ
2	F17-0431-000	Color imageCLASS MF735Cdw	120V US, CA, LTN ワンパス A D F モデル N F C モデル F A X モデル	WTL
3	F17-0434-000	Color imageCLASS MF733Cdw	120V US, CA, LTN ワンパス A D F モデル N F C モデル F A X モデル	WTQ
4	F17-0436-000	Color imageCLASS MF731Cdw	120V US, CA 片面 A D F モデル N F C なしモデル F A X なしモデル	WTV

FIGURE & KEY NO.	PART NUMBER	RANK	QTY	DESCRIPTION	SERIAL NUMBER /REMARKS
SNL	NPN		RF	Product Code No./Serial No.	
1	F17-0441-000		1	imageCLASS MF735Cx	WTJ 230V LTN SINGLE PASS ADF model NFC model FAX model
2	F17-0431-000		1	Color imageCLASS MF735Cdw	WTL 120V US, CA, LTN SINGLE PASS ADF model NFC model FAX model
3	F17-0434-000		1	Color imageCLASS MF733Cdw	WTQ 120V US, CA, LTN SINGLE PASS ADF model NFC model FAX model
4	F17-0436-000		1	Color imageCLASS MF731Cdw	WTV 120V US, CA SINGLE SIDE ADF model WITHOUT NFC model WITHOUT FAX model

Figure A1A ASSEMBLY LOCATION DIAGRAM (SINGLE PASS ADF model)

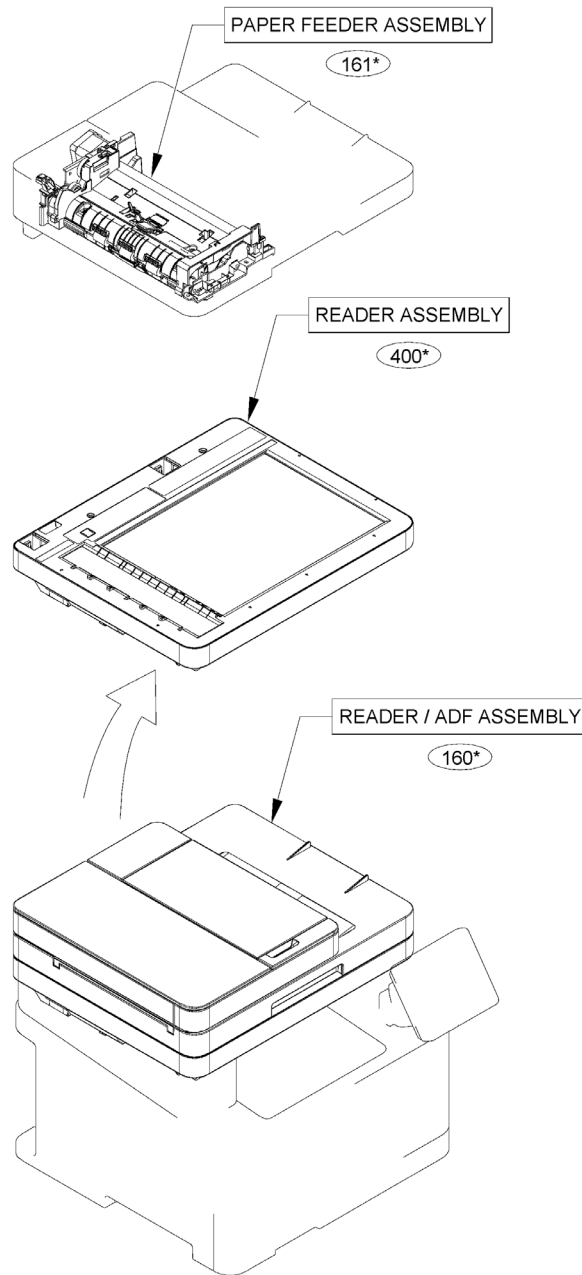


Figure A1B ASSEMBLY LOCATION DIAGRAM (SINGLE SIDE ADF model)

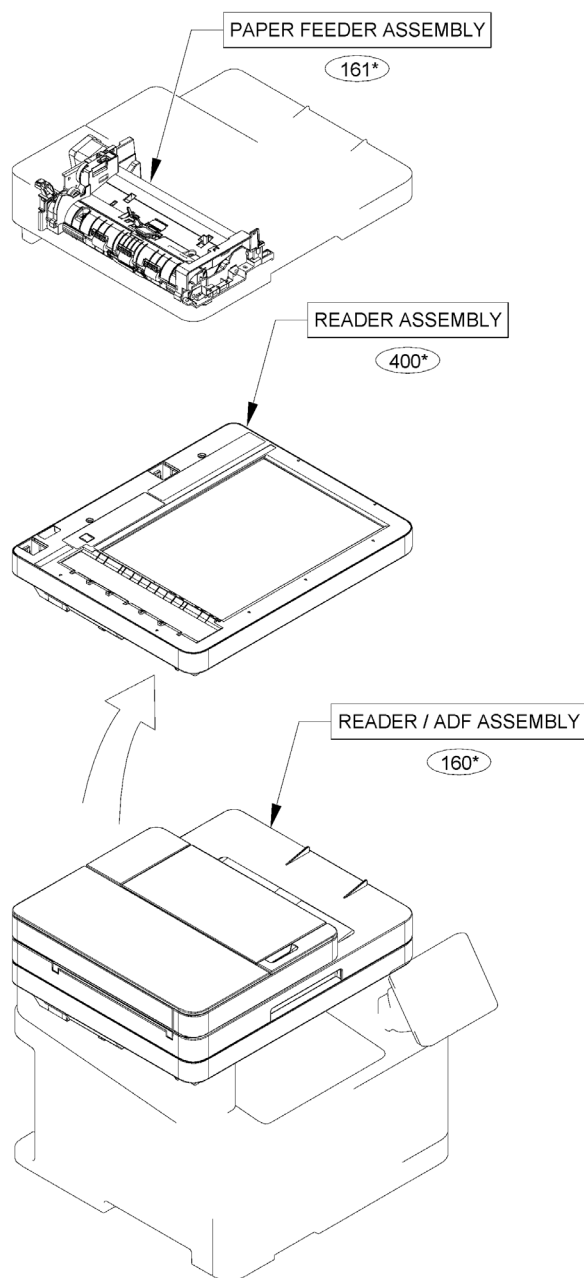


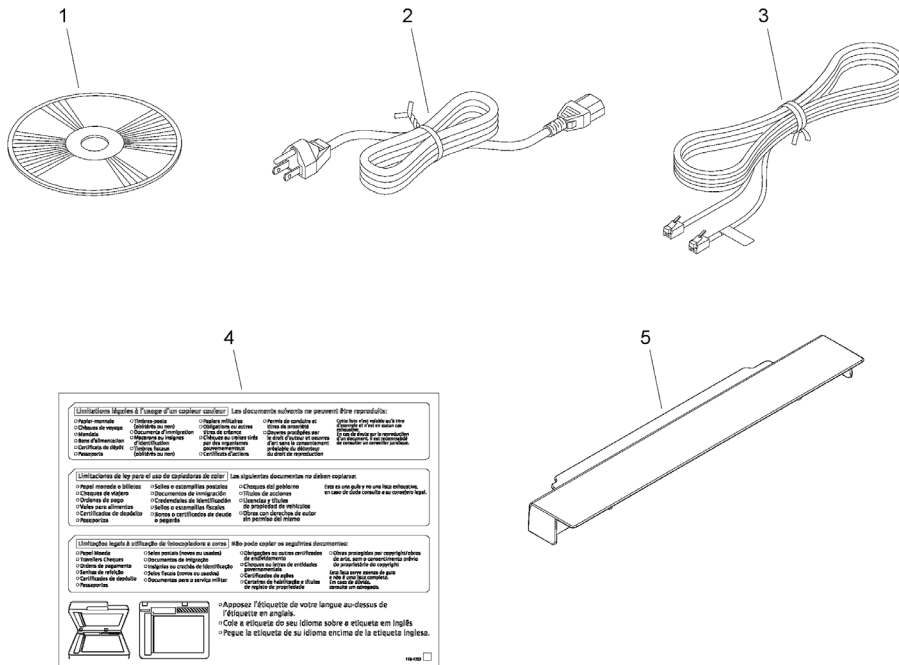
Figure A2 OPTION PARTS CATALOG LIST

This is the table of the machine's options whose parts catalog is issued.
 本機オプションで、パーツカタログが発行されている機種の一覧である。

No.	Model Name(English)	Model Name(Japanese)
1	Cassette Feeding Module-AF1	1 段カセットユニット・A F 1
2	(JAPAN ONLY)	環境ヒーターE H - C 1
3	Copy Card Reader Attachment-J1	(日本仕向けなし)
4	TELEPHONE 6 KIT Long cord Cool White	(日本仕向けなし)
5	(JAPAN ONLY)	ハンドセットキット L 1 1
6	Copy Control Interface Kit-C1	(日本仕向けなし)
7	Copy Card Reader-F1	(日本仕向けなし)
4	MiCARD Attachment Kit-B1	M i C A R D A t t a c h m e n t K i t - B 1

FIGURE & KEY NO.	PART NUMBER	RANK	QTY	DESCRIPTION	SERIAL NUMBER /REMARKS
001D	NPN		RF	ACCESSORIES	MF735Cx 230V
1	FM2-C822-000		1	DVD-ROM, USER SOFTWARE	
2	FK4-1390-000		1	CORD, POWER	
3	FK2-5275-000		1	CORD, MODULAR	
4	FK4-1821-000		1	CABLE, USB	
5	FE8-4203-000		1	LABEL, COPY PROHIBITION	

Figure 001E ACCESSORIES (MF735Cdw 120V)



Instructions relatives à l'usage d'un support compact Les documents suivants ne peuvent être reproduits:

• Carte postale	• Carte postale	• Carte postale	• Carte postale
• Carte de visite	• Carte de visite	• Carte de visite	• Carte de visite
• Carte de visite	• Carte de visite	• Carte de visite	• Carte de visite
• Carte de visite	• Carte de visite	• Carte de visite	• Carte de visite
• Carte de visite	• Carte de visite	• Carte de visite	• Carte de visite

Instructions de base pour les utilisateurs de cette Les siguientes documentos no deben copiarse:

• Manual de usuario	• Manual de usuario	• Manual de usuario	• Manual de usuario
• Manual de usuario	• Manual de usuario	• Manual de usuario	• Manual de usuario
• Manual de usuario	• Manual de usuario	• Manual de usuario	• Manual de usuario
• Manual de usuario	• Manual de usuario	• Manual de usuario	• Manual de usuario
• Manual de usuario	• Manual de usuario	• Manual de usuario	• Manual de usuario

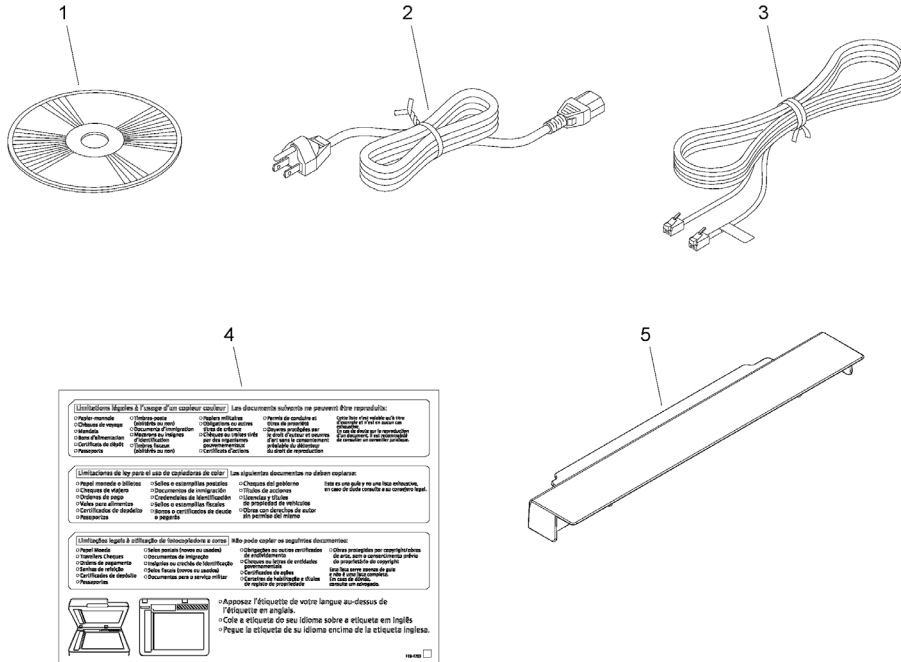
Instructions liées à l'utilisation de l'imprimante et celle-ci Não pode copiar os seguintes documentos:

• Manual de usuário	• Manual de usuário	• Manual de usuário	• Manual de usuário
• Manual de usuário	• Manual de usuário	• Manual de usuário	• Manual de usuário
• Manual de usuário	• Manual de usuário	• Manual de usuário	• Manual de usuário
• Manual de usuário	• Manual de usuário	• Manual de usuário	• Manual de usuário
• Manual de usuário	• Manual de usuário	• Manual de usuário	• Manual de usuário

• Apposez l'étiquette de votre langue au-dessus de l'étiquette en anglais.
 • Cole a etiqueta do seu idioma sobre a etiqueta em inglês.
 • Pegue la etiqueta de su idioma encima de la etiqueta inglesa.

FIGURE & KEY NO.	PART NUMBER	RANK	QTY	DESCRIPTION	SERIAL NUMBER /REMARKS
001E	NPN		RF	ACCESSORIES	MF735Cdw 120V
1	FM2-C819-000		1	DVD-ROM, USER SOFTWARE	
2	FK4-1389-000		1	CORD, POWER	
3	FK2-5275-000		1	CORD, MODULAR	
4	FE8-4203-000		1	LABEL, COPY PROHIBITION	
5	FE8-3012-000		1	COVER, DUST	

Figure 001F ACCESSORIES (MF733Cdw 120V)



Instructions relatives à l'usage d'un support compact Les documents suivants ne peuvent être reproduits:

- Toute œuvre
- Toute œuvre d'art
- Toute œuvre littéraire
- Toute œuvre musicale
- Toute œuvre scientifique
- Toute œuvre technique
- Toute œuvre commerciale
- Toute œuvre administrative
- Toute œuvre juridique
- Toute œuvre médicale
- Toute œuvre religieuse
- Toute œuvre historique
- Toute œuvre géographique
- Toute œuvre scientifique
- Toute œuvre technique
- Toute œuvre commerciale
- Toute œuvre administrative
- Toute œuvre juridique
- Toute œuvre médicale
- Toute œuvre religieuse
- Toute œuvre historique
- Toute œuvre géographique

Instructions de ley para el uso de compactos de disco Los siguientes documentos no deben copiarse:

- Cualquier obra de arte
- Cualquier obra literaria
- Cualquier obra musical
- Cualquier obra científica
- Cualquier obra técnica
- Cualquier obra comercial
- Cualquier obra administrativa
- Cualquier obra jurídica
- Cualquier obra médica
- Cualquier obra religiosa
- Cualquier obra histórica
- Cualquier obra geográfica

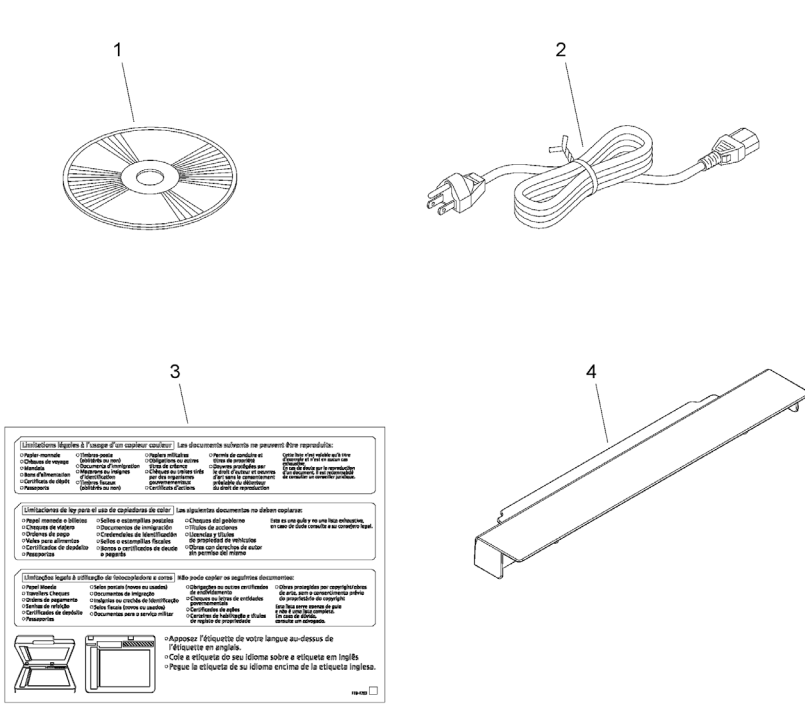
Instructions legati à utilizzazione di supporti ottici I seguenti documenti non possono essere riprodotti:

- Qualsiasi opera d'arte
- Qualsiasi opera letteraria
- Qualsiasi opera musicale
- Qualsiasi opera scientifica
- Qualsiasi opera tecnica
- Qualsiasi opera commerciale
- Qualsiasi opera amministrativa
- Qualsiasi opera giuridica
- Qualsiasi opera medica
- Qualsiasi opera religiosa
- Qualsiasi opera storica
- Qualsiasi opera geografica

• Apóstez etiqueta de votre langue au-dessus de l'étiquette en anglais.
 • Cole e etiqueta do seu idioma sobre e etiqueta em Inglês.
 • Pegue la etiqueta de su idioma encima de la etiqueta inglesa.

FIGURE & KEY NO.	PART NUMBER	RANK	QTY	DESCRIPTION	SERIAL NUMBER /REMARKS
001F	NPN		RF	ACCESSORIES	MF733Cdw 120V
1	FM2-C833-000		1	DVD-ROM, USER SOFTWARE	
2	FK4-1389-000		1	CORD, POWER	
3	FK2-5275-000		1	CORD, MODULAR	
4	FE8-4203-000		1	LABEL, COPY PROHIBITION	
5	FE8-3012-000		1	COVER, DUST	

Figure 001G ACCESSORIES (MF731Cdw 120V)



Limitations légales à l'usage d'un ordinateur couleur Les documents suivants ne peuvent être reproduits:

<ul style="list-style-type: none"> • Carte postale • Chèque de voyage • Identités • Plans d'urbanisme • Certificats de dépôt • Passports 	<ul style="list-style-type: none"> • Contrats bancaires • Documents de crédit • Certificats de mariage • Certificats de naissance • Certificats de décès • Certificats de mariage 	<ul style="list-style-type: none"> • Documents de banque • Titres de propriété • Documents de crédit • Documents de crédit • Documents de crédit • Documents de crédit 	<ul style="list-style-type: none"> • Documents de banque • Documents de crédit • Documents de crédit • Documents de crédit • Documents de crédit • Documents de crédit
--	---	--	--

Limitaciones de ley para el uso de computadores de color Los siguientes documentos no deben copiarse:

<ul style="list-style-type: none"> • Cartas postales • Cheques de viaje • Identidades • Planos urbanos • Certificados de depósito • Pasaportes 	<ul style="list-style-type: none"> • Contratos bancarios • Documentos de crédito • Certificados de matrimonio • Certificados de nacimiento • Certificados de defunción • Certificados de matrimonio 	<ul style="list-style-type: none"> • Documentos de banco • Títulos de propiedad • Documentos de crédito • Documentos de crédito • Documentos de crédito • Documentos de crédito 	<ul style="list-style-type: none"> • Documentos de banco • Documentos de crédito • Documentos de crédito • Documentos de crédito • Documentos de crédito • Documentos de crédito
--	---	---	--

Limitações legais à utilização de computadores a cores Não pode copiar os seguintes documentos:

<ul style="list-style-type: none"> • Cartões postais • Cheques de viagem • Identidades • Planos urbanos • Certificados de depósito • Passaportes 	<ul style="list-style-type: none"> • Contratos bancários • Documentos de crédito • Certificados de casamento • Certificados de nascimento • Certificados de óbito • Certificados de casamento 	<ul style="list-style-type: none"> • Documentos de banco • Títulos de propriedade • Documentos de crédito • Documentos de crédito • Documentos de crédito • Documentos de crédito 	<ul style="list-style-type: none"> • Documentos de banco • Documentos de crédito • Documentos de crédito • Documentos de crédito • Documentos de crédito • Documentos de crédito
--	---	---	--

• Apposez l'étiquette de votre langue au-dessus de l'étiquette en anglais.
 • Cole a etiqueta do seu idioma sobre a etiqueta em Inglês.
 • Pega la etiqueta de su idioma encima de la etiqueta Inglesa.

FIGURE & KEY NO.	PART NUMBER	RANK	QTY	DESCRIPTION	SERIAL NUMBER /REMARKS
001G	NPN		RF	ACCESSORIES	MF731Cdw 120V
1	FM2-C833-000		1	DVD-ROM, USER SOFTWARE	
2	FK4-1389-000		1	CORD, POWER	
3	FE8-4203-000		1	LABEL, COPY PROHIBITION	
4	FE8-3012-000		1	COVER, DUST	

Figure 100D EXTERNAL COVERS, PANELS, ETC. (MF735Cx NFC model)

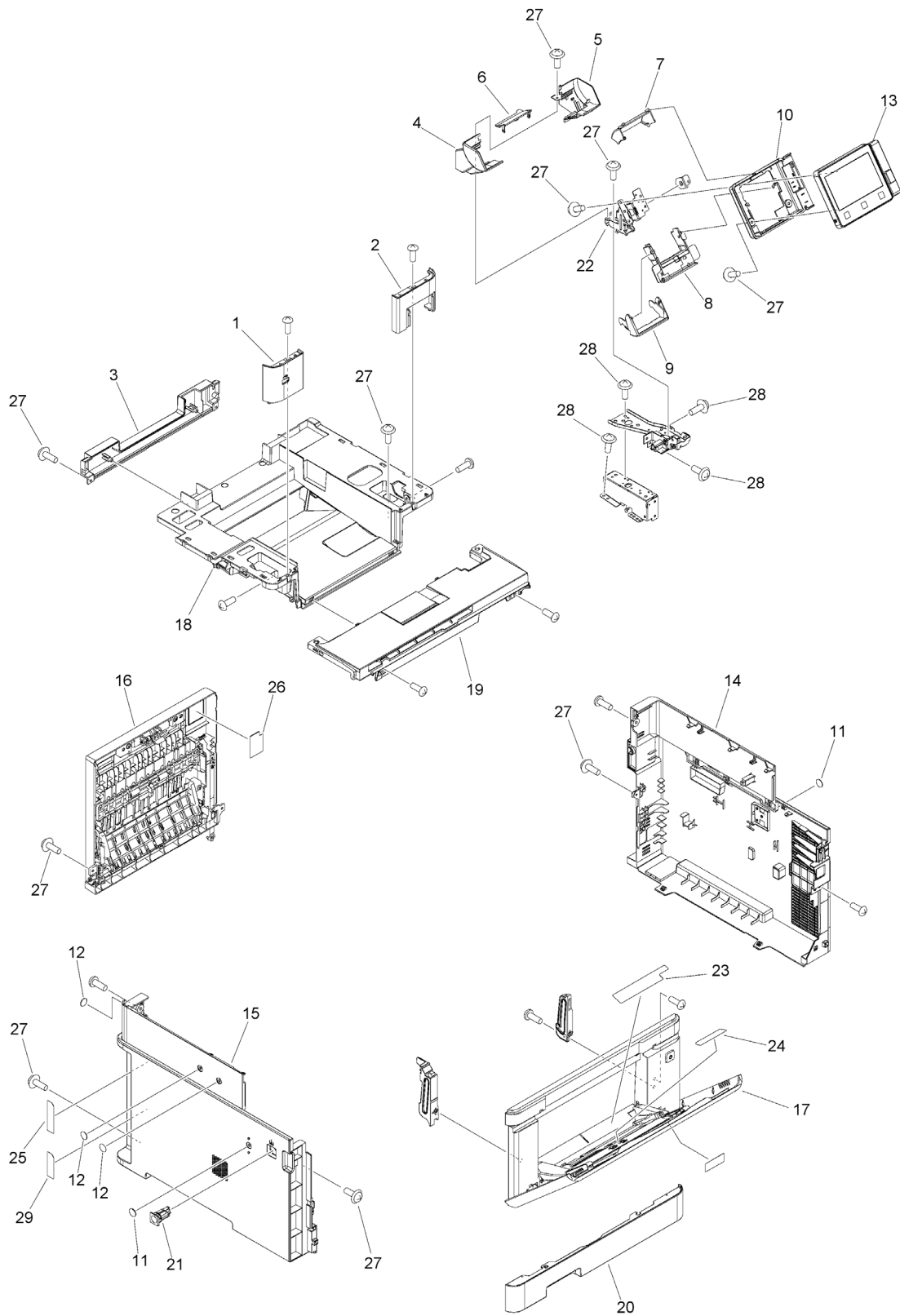


FIGURE & KEY NO.	PART NUMBER	RANK	QTY	DESCRIPTION	SERIAL NUMBER /REMARKS
100D	NPN		RF	EXTERNAL COVERS, PANELS, ETC.	MF735Cx NFC model
1	FE8-2996-000		1	COVER, FRONT, LEFT	
2	FE8-2997-000		1	COVER, FRONT, RIGHT	
3	FE8-2998-000		1	COVER, REAR, UPPER	
4	FE8-3066-000		1	COVER, ARM, LEFT	
5	FE8-3067-000		1	COVER, ARM, RIGHT	
6	FE8-3068-000		1	COVER, ARM, CENTER	
7	FE8-3069-000		1	COVER, PANEL, REAR UPPER	
8	FE8-3070-000		1	COVER, PANEL, REAR UNDER	
9	FE8-3071-000		1	COVER, PANEL, LOWER	
10	FE8-3263-000		1	COVER, PANEL, REAR	
11	FL1-0525-000		2	SHEET, HANDSET	
12	FL1-1416-000		3	SHEET, BLANKING	
13	FM1-P235-000		1	CONTROL PANEL ASSEMBLY	
14	FM1-P402-000		1	COVER ASSEMBLY, RIGHT	
15	FM1-P403-000		1	COVER ASSEMBLY, LEFT	
16	FM1-P404-000		1	DUPLEXING DOOR ASS'Y	
17	FM1-P406-000		1	FRONT DOOR ASS'Y	
18	FM1-P408-000		1	COVER ASSEMBLY, TOP	
19	FM1-P409-000		1	UPPER COVER ASSEMBLY, FRONT	
20	FE8-3007-000		1	COVER, CASSETTE	
21	FE8-3016-000		1	BUTTON, DOOR, FRONT	
22	FM1-P442-000		1	HINGE ASSEMBLY	
23	FU2-1954-000		1	LABEL, MP SIZE	
24	FU2-1956-000		1	LABEL, MP PROHIBITION	
25	FU2-1959-000		1	LABEL, NETWORK	
26	FU2-1962-000		1	LABEL, DUPLEXING JAM	
27	XA9-1671-000		15	SCREW, D, M3X8	
28	XA9-1835-000		6	SCREW, D, M3X6	
29	FU2-1961-000		1	LABEL, MODULAR	

Figure 100E EXTERNAL COVERS, PANELS, ETC. (MF735Cdw NFC model)

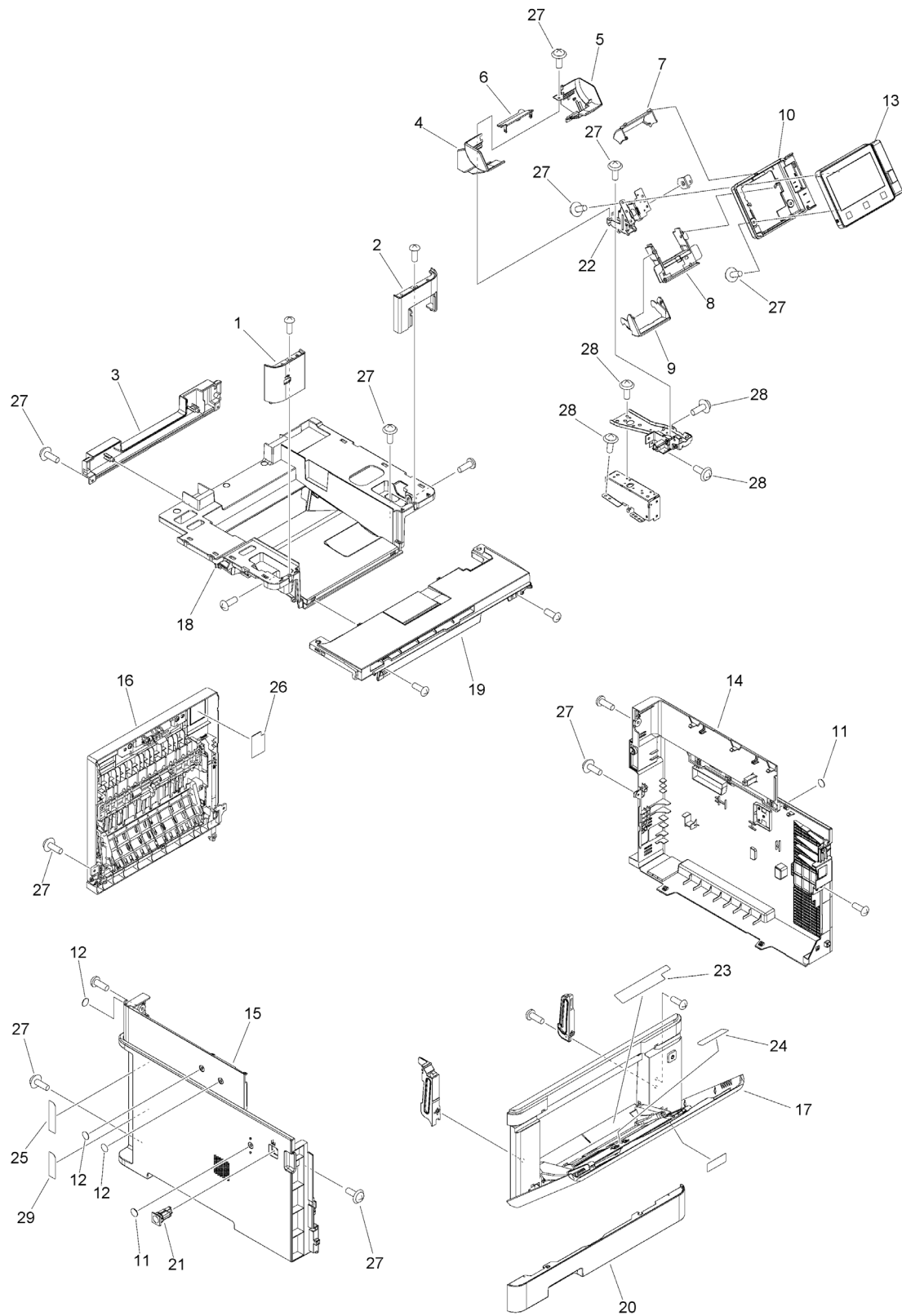


FIGURE & KEY NO.	PART NUMBER	RANK	QTY	DESCRIPTION	SERIAL NUMBER /REMARKS
100E	NPN		RF	EXTERNAL COVERS, PANELS, ETC.	MF735Cdw NFC model
1	FE8-2996-000		1	COVER, FRONT, LEFT	
2	FE8-2997-000		1	COVER, FRONT, RIGHT	
3	FE8-2998-000		1	COVER, REAR, UPPER	
4	FE8-3066-000		1	COVER, ARM, LEFT	
5	FE8-3067-000		1	COVER, ARM, RIGHT	
6	FE8-3068-000		1	COVER, ARM, CENTER	
7	FE8-3069-000		1	COVER, PANEL, REAR UPPER	
8	FE8-3070-000		1	COVER, PANEL, REAR UNDER	
9	FE8-3071-000		1	COVER, PANEL, LOWER	
10	FE8-3263-000		1	COVER, PANEL, REAR	
11	FL1-0525-000		2	SHEET, HANDSET	
12	FL1-1416-000		3	SHEET, BLANKING	
13	FM1-P235-000		1	CONTROL PANEL ASSEMBLY	
14	FM1-P402-000		1	COVER ASSEMBLY, RIGHT	
15	FM1-P403-000		1	COVER ASSEMBLY, LEFT	
16	FM1-P404-000		1	DUPLEXING DOOR ASS'Y	
17	FM1-P406-000		1	FRONT DOOR ASS'Y	
18	FM1-P408-000		1	COVER ASSEMBLY, TOP	
19	FM1-P409-000		1	UPPER COVER ASSEMBLY, FRONT	
20	FE8-3007-000		1	COVER, CASSETTE	
21	FE8-3016-000		1	BUTTON, DOOR, FRONT	
22	FM1-P442-000		1	HINGE ASSEMBLY	
23	FU2-1954-000		1	LABEL, MP SIZE	
24	FU2-1956-000		1	LABEL, MP PROHIBITION	
25	FU2-1959-000		1	LABEL, NETWORK	
26	FU2-1962-000		1	LABEL, DUPLEXING JAM	
27	XA9-1671-000		15	SCREW, D, M3X8	
28	XA9-1835-000		6	SCREW, D, M3X6	
29	FU2-1961-000		1	LABEL, MODULAR	

Figure 100F EXTERNAL COVERS, PANELS, ETC. (MF733Cdw NFC model)

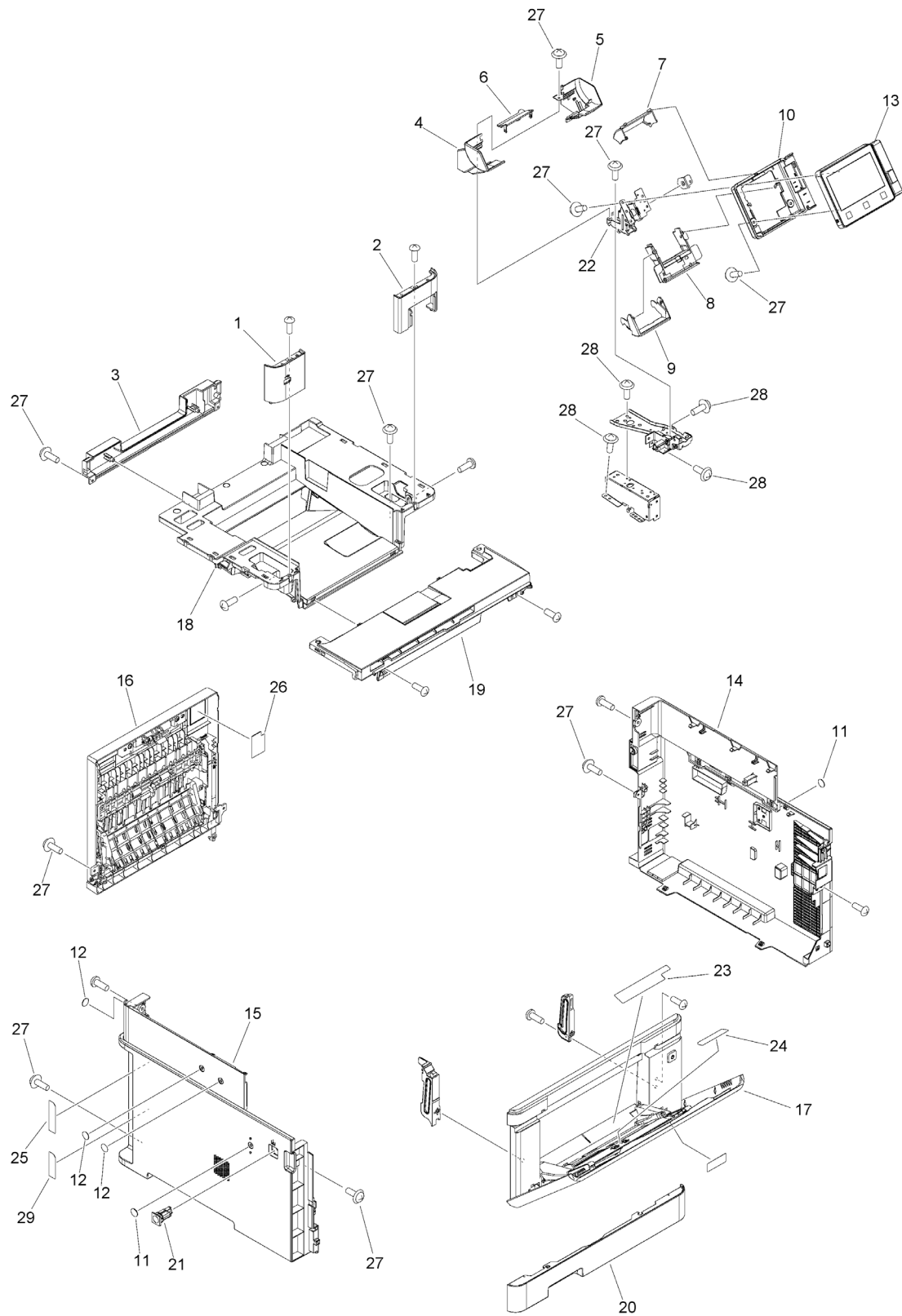


FIGURE & KEY NO.	PART NUMBER	RANK	QTY	DESCRIPTION	SERIAL NUMBER /REMARKS
100F	NPN		RF	EXTERNAL COVERS, PANELS, ETC.	MF733Cdw NFC model
1	FE8-2996-000		1	COVER, FRONT, LEFT	
2	FE8-2997-000		1	COVER, FRONT, RIGHT	
3	FE8-2998-000		1	COVER, REAR, UPPER	
4	FE8-3066-000		1	COVER, ARM, LEFT	
5	FE8-3067-000		1	COVER, ARM, RIGHT	
6	FE8-3068-000		1	COVER, ARM, CENTER	
7	FE8-3069-000		1	COVER, PANEL, REAR UPPER	
8	FE8-3070-000		1	COVER, PANEL, REAR UNDER	
9	FE8-3071-000		1	COVER, PANEL, LOWER	
10	FE8-3263-000		1	COVER, PANEL, REAR	
11	FL1-0525-000		2	SHEET, HANDSET	
12	FL1-1416-000		3	SHEET, BLANKING	
13	FM1-P235-000		1	CONTROL PANEL ASSEMBLY	
14	FM1-P402-000		1	COVER ASSEMBLY, RIGHT	
15	FM1-P403-000		1	COVER ASSEMBLY, LEFT	
16	FM1-P404-000		1	DUPLEXING DOOR ASS'Y	
17	FM1-P406-000		1	FRONT DOOR ASS'Y	
18	FM1-P408-000		1	COVER ASSEMBLY, TOP	
19	FM1-P409-000		1	UPPER COVER ASSEMBLY, FRONT	
20	FE8-3007-000		1	COVER, CASSETTE	
21	FE8-3016-000		1	BUTTON, DOOR, FRONT	
22	FM1-P442-000		1	HINGE ASSEMBLY	
23	FU2-1954-000		1	LABEL, MP SIZE	
24	FU2-1956-000		1	LABEL, MP PROHIBITION	
25	FU2-1959-000		1	LABEL, NETWORK	
26	FU2-1962-000		1	LABEL, DUPLEXING JAM	
27	XA9-1671-000		15	SCREW, D, M3X8	
28	XA9-1835-000		6	SCREW, D, M3X6	
29	FU2-1961-000		1	LABEL, MODULAR	

Figure 100G EXTERNAL COVERS, PANELS, ETC. (MF731Cdw WITHOUT NFC model)

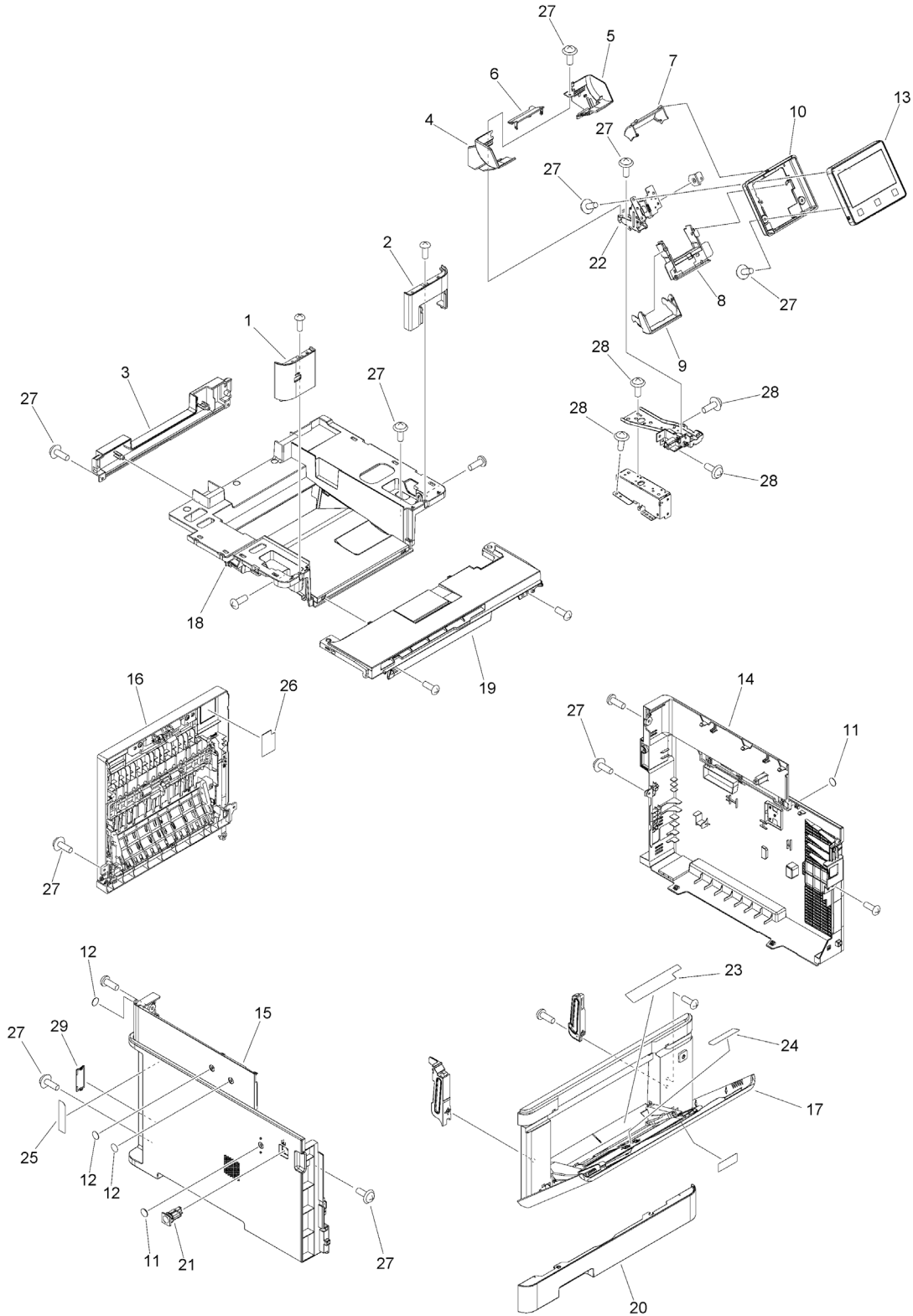


FIGURE & KEY NO.	PART NUMBER	RANK	QTY	DESCRIPTION	SERIAL NUMBER /REMARKS
100G	NPN		RF	EXTERNAL COVERS, PANELS, ETC.	MF731Cdw WITHOUT NFC model
1	FE8-2996-000		1	COVER, FRONT, LEFT	
2	FE8-2997-000		1	COVER, FRONT, RIGHT	
3	FE8-2998-000		1	COVER, REAR, UPPER	
4	FE8-3066-000		1	COVER, ARM, LEFT	
5	FE8-3067-000		1	COVER, ARM, RIGHT	
6	FE8-3068-000		1	COVER, ARM, CENTER	
7	FE8-3069-000		1	COVER, PANEL, REAR UPPER	
8	FE8-3070-000		1	COVER, PANEL, REAR UNDER	
9	FE8-3071-000		1	COVER, PANEL, LOWER	
10	FE8-3262-000		1	COVER, PANEL, REAR	
11	FL1-0525-000		2	SHEET, HANDSET	
12	FL1-1416-000		3	SHEET, BLANKING	
13	FM1-P234-000		1	CONTROL PANEL ASSEMBLY	
14	FM1-P402-000		1	COVER ASSEMBLY, RIGHT	
15	FM1-P403-000		1	COVER ASSEMBLY, LEFT	
16	FM1-P404-000		1	DUPLEXING DOOR ASS'Y	
17	FM1-P406-000		1	FRONT DOOR ASS'Y	
18	FM1-P408-000		1	COVER ASSEMBLY, TOP	
19	FM1-P409-000		1	UPPER COVER ASSEMBLY, FRONT	
20	FE8-3007-000		1	COVER, CASSETTE	
21	FE8-3016-000		1	BUTTON, DOOR, FRONT	
22	FM1-P442-000		1	HINGE ASSEMBLY	
23	FU2-1954-000		1	LABEL, MP SIZE	
24	FU2-1956-000		1	LABEL, MP PROHIBITION	
25	FU2-1959-000		1	LABEL, NETWORK	
26	FU2-1962-000		1	LABEL, DUPLEXING JAM	
27	XA9-1671-000		15	SCREW, D, M3X8	
28	XA9-1835-000		6	SCREW, D, M3X6	
29	FE8-3017-000		1	LID, MODULAR	

Figure 101C INTERNAL COMPONENTS 1 (MF731Cdw W/O FAX model)

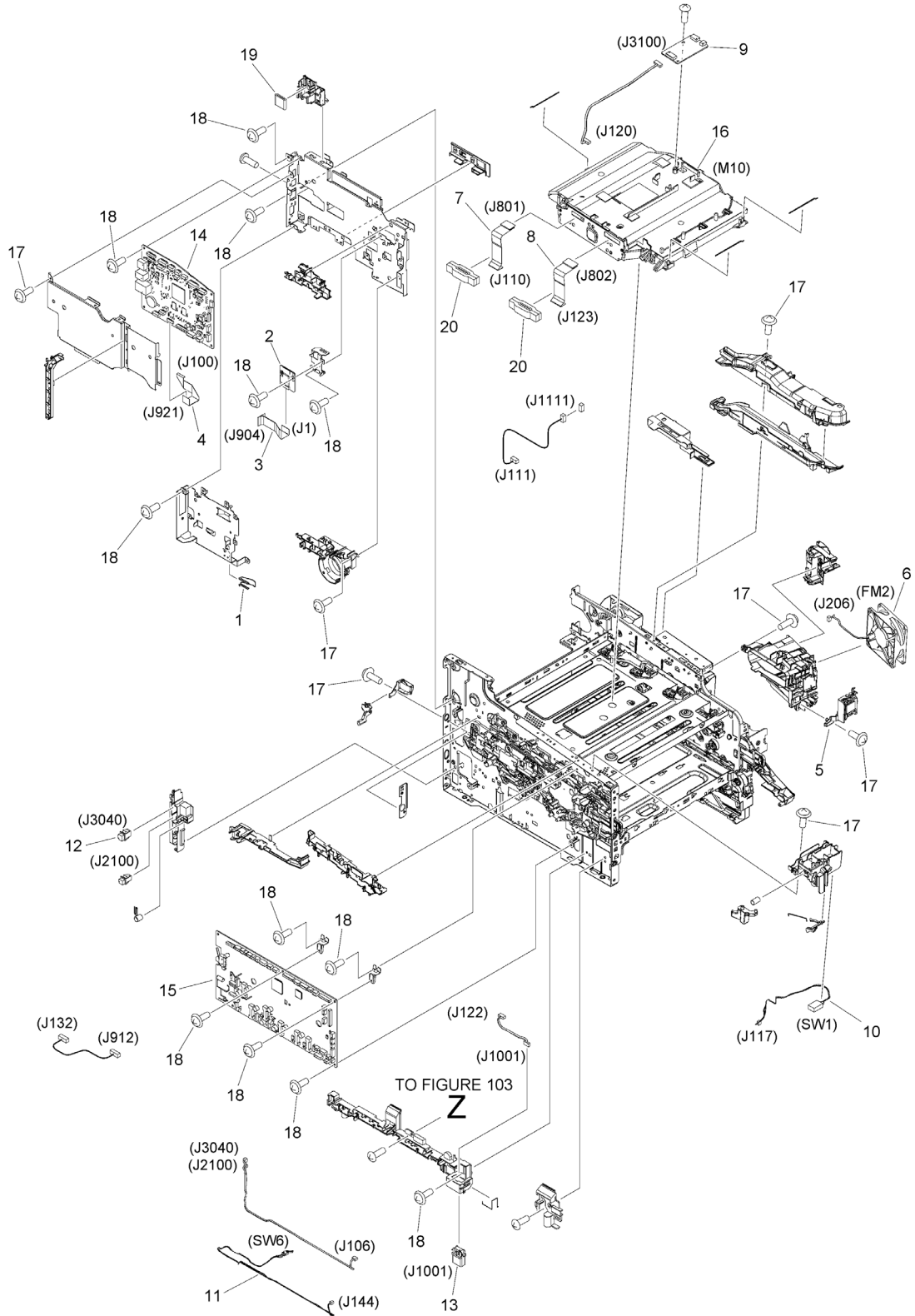


FIGURE & KEY NO.	PART NUMBER	RANK	QTY	DESCRIPTION	SERIAL NUMBER /REMARKS
101C	NPN		RF	INTERNAL COMPONENTS 1	MF731Cdw WITHOUT FAX model
1	FE8-3076-000		1	SPRING, GROUNDING	
2	FK4-1248-020		1	MODULE, WLAN	
3	FL0-8151-000		1	CABLE, FLAT	
4	FL0-8149-000		1	CABLE, FLEXIBLE FLAT	
5	FM1-P414-000		1	POWER SWITCH ASS'Y	
6	FK4-4315-000		1	FAN	FM2
7	FM2-D942-000		1	CABLE, FLEXIBLE FLAT	
8	FM2-D943-000		1	CABLE, FLEXIBLE FLAT	
9	RM2-7374-000		1	MEMORY PCB ASS'Y	
10	RM2-7889-000		1	FRONT DOOR SWITCH CABLE ASS'Y	SW1
11	RM2-7896-000		1	CASSETTE SWITCH CABLE ASS'Y	SW6
12	VS1-7207-003		1	CONNECTOR, SNAP TIGHT, BK	
13	VS1-7258-007		1	CONNECTOR, DRAWER	
14	FM1-Y840-000		1	MAIN CONTROLLER PCB ASS'Y	
15	FM2-D944-000		1	ENGINE CONTROLLER PCB ASS'Y	
16	RM2-5612-000		1	LASER SCANNER ASS'Y	M10
17	XA9-1671-000		15	SCREW, D, M3X8	
18	XA9-1835-000		15	SCREW, D, M3X6	
19	FK2-8767-000		1	CORE, FERRITE	
20	FM1-T672-000		2	FERRITE CORE UNIT	

FIGURE & KEY NO.	PART NUMBER	RANK	QTY	DESCRIPTION	SERIAL NUMBER /REMARKS
101D	NPN		RF	INTERNAL COMPONENTS 1	MF735Cx FAX model, MF735Cdw FAX model
1	FE8-3076-000		1	SPRING, GROUNDING	
2	FK4-1248-020		1	MODULE, WLAN	
3	FL0-8151-000		1	CABLE, FLAT	
4	FL0-8149-000		1	CABLE, FLEXIBLE FLAT	
5	FM1-P414-000		1	POWER SWITCH ASS'Y	
6	FK4-4315-000		1	FAN	FM2
7	FM2-D942-000		1	CABLE, FLEXIBLE FLAT	
8	FM2-D943-000		1	CABLE, FLEXIBLE FLAT	
9	RM2-7374-000		1	MEMORY PCB ASS'Y	
10	RM2-7889-000		1	FRONT DOOR SWITCH CABLE ASS'Y	SW1
11	RM2-7896-000		1	CASSETTE SWITCH CABLE ASS'Y	SW6
12	VS1-7207-003		1	CONNECTOR, SNAP TIGHT, BK	
13	VS1-7258-007		1	CONNECTOR, DRAWER	
14	FM1-T020-000		1	MAIN CONTROLLER PCB ASS'Y SET	
15	FM2-D944-000		1	ENGINE CONTROLLER PCB ASS'Y	
16	RM2-5612-000		1	LASER SCANNER ASS'Y	M10
17	XA9-1671-000		15	SCREW, D, M3X8	
18	XA9-1835-000		15	SCREW, D, M3X6	
19	FK2-8767-000		2	CORE, FERRITE	
20	FK3-3944-000		1	SPEAKER	SP1
21	FL0-8150-000		1	CABLE, FLAT	
22	FM1-R867-000		1	OFFHOOK PCB ASSEMBLY	
23	FM1-X947-000		1	NCU PCB ASSEMBLY	
24	FM1-X955-000		1	CABLE, OFF HOOK	
25	FM1-X957-000		1	CABLE, PSEUDO CI	
26	FM1-T672-000		2	FERRITE CORE UNIT	

FIGURE & KEY NO.	PART NUMBER	RANK	QTY	DESCRIPTION	SERIAL NUMBER /REMARKS
101E	NPN		RF	INTERNAL COMPONENTS 1	MF733Cdw FAX model
1	FE8-3076-000		1	SPRING, GROUNDING	
2	FK4-1248-020		1	MODULE, WLAN	
3	FL0-8151-000		1	CABLE, FLAT	
4	FL0-8149-000		1	CABLE, FLEXIBLE FLAT	
5	FM1-P414-000		1	POWER SWITCH ASS'Y	
6	FK4-4315-000		1	FAN	FM2
7	FM2-D942-000		1	CABLE, FLEXIBLE FLAT	
8	FM2-D943-000		1	CABLE, FLEXIBLE FLAT	
9	RM2-7374-000		1	MEMORY PCB ASS'Y	
10	RM2-7889-000		1	FRONT DOOR SWITCH CABLE ASS'Y	SW1
11	RM2-7896-000		1	CASSETTE SWITCH CABLE ASS'Y	SW6
12	VS1-7207-003		1	CONNECTOR, SNAP TIGHT, BK	
13	VS1-7258-007		1	CONNECTOR, DRAWER	
14	FM1-T023-000		1	MAIN CONTROLLER PCB ASS'Y SET	
15	FM2-D944-000		1	ENGINE CONTROLLER PCB ASS'Y	
16	RM2-5612-000		1	LASER SCANNER ASS'Y	M10
17	XA9-1671-000		15	SCREW, D, M3X8	
18	XA9-1835-000		15	SCREW, D, M3X6	
19	FK2-8767-000		2	CORE, FERRITE	
20	FK3-3944-000		1	SPEAKER	SP1
21	FL0-8150-000		1	CABLE, FLAT	
22	FM1-R867-000		1	OFFHOOK PCB ASSEMBLY	
23	FM1-X947-000		1	NCU PCB ASSEMBLY	
24	FM1-X955-000		1	CABLE, OFF HOOK	
25	FM1-X957-000		1	CABLE, PSEUDO CI	
26	FM1-T672-000		2	FERRITE CORE UNIT	

Figure 102A INTERNAL COMPONENTS 2 (100V, 120V)

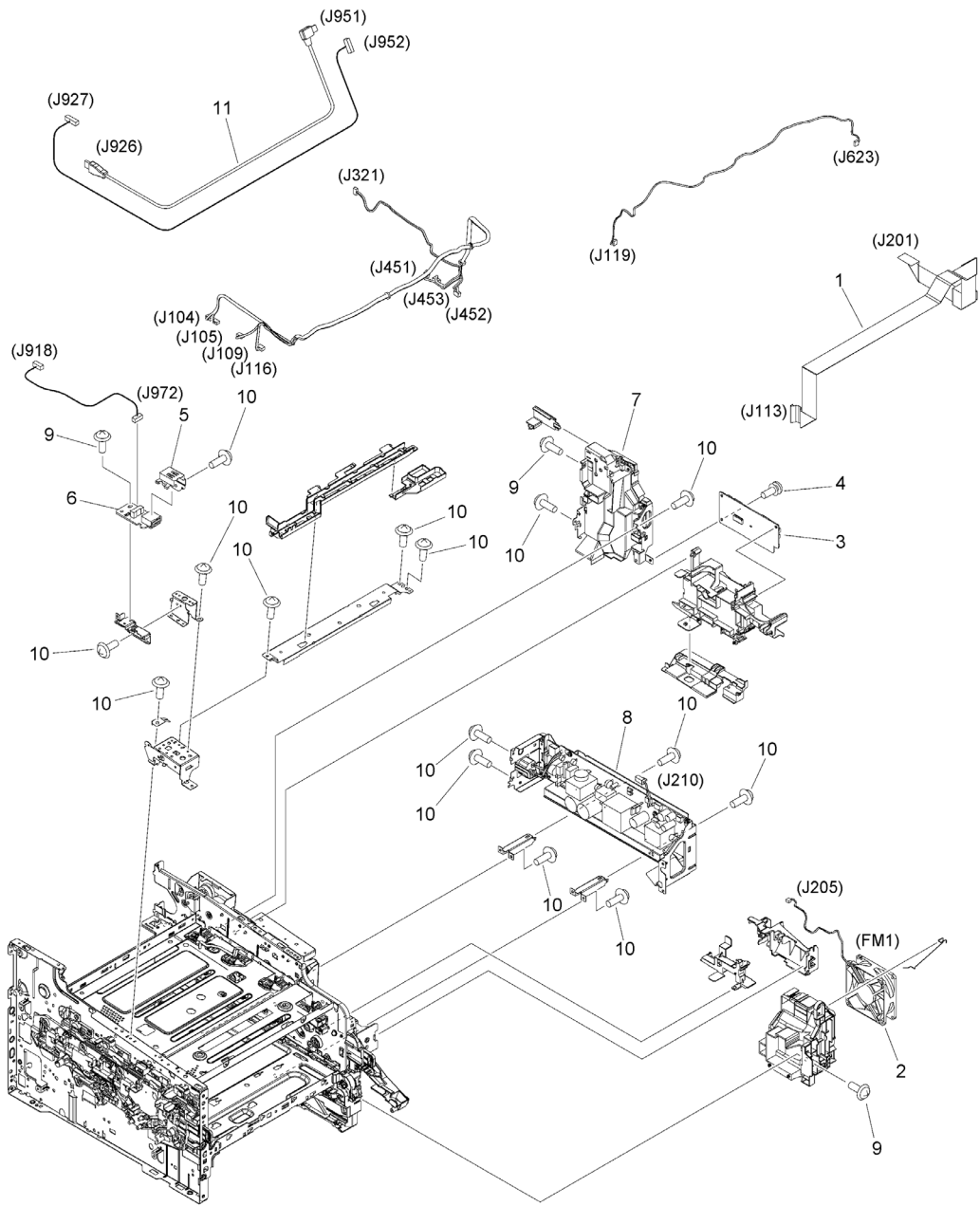


FIGURE & KEY NO.	PART NUMBER	RANK	QTY	DESCRIPTION	SERIAL NUMBER /REMARKS
102A	NPN		RF	INTERNAL COMPONENTS 2	100V, 120V
1	RM2-8661-000		1	CABLE, FLEXIBLE FLAT	
2	FK4-4315-000		1	FAN	FM1
3	RM2-7369-000		1	DRIVER PCB ASS'Y	
4	XA9-1420-000		1	SCREW, W/WASHER, M3X8	
5	FE8-0014-000		1	PLATE, USB, GROUNDING	
6	FM1-R870-000		1	USB RELAY PCB ASSEMBLY	
7	FM1-P474-000		1	FIXING POWER SUPPLY PCB ASS'Y	
8	FM1-Z821-000		1	L.V. POWER SUPPLY PCB ASS'Y	
9	XA9-1671-000		15	SCREW, D, M3X8	
10	XA9-1835-000		15	SCREW, D, M3X6	
11	FK4-4092-000		1	CABLE, MADRID HDMI	

Figure 102B INTERNAL COMPONENTS 2 (230V)

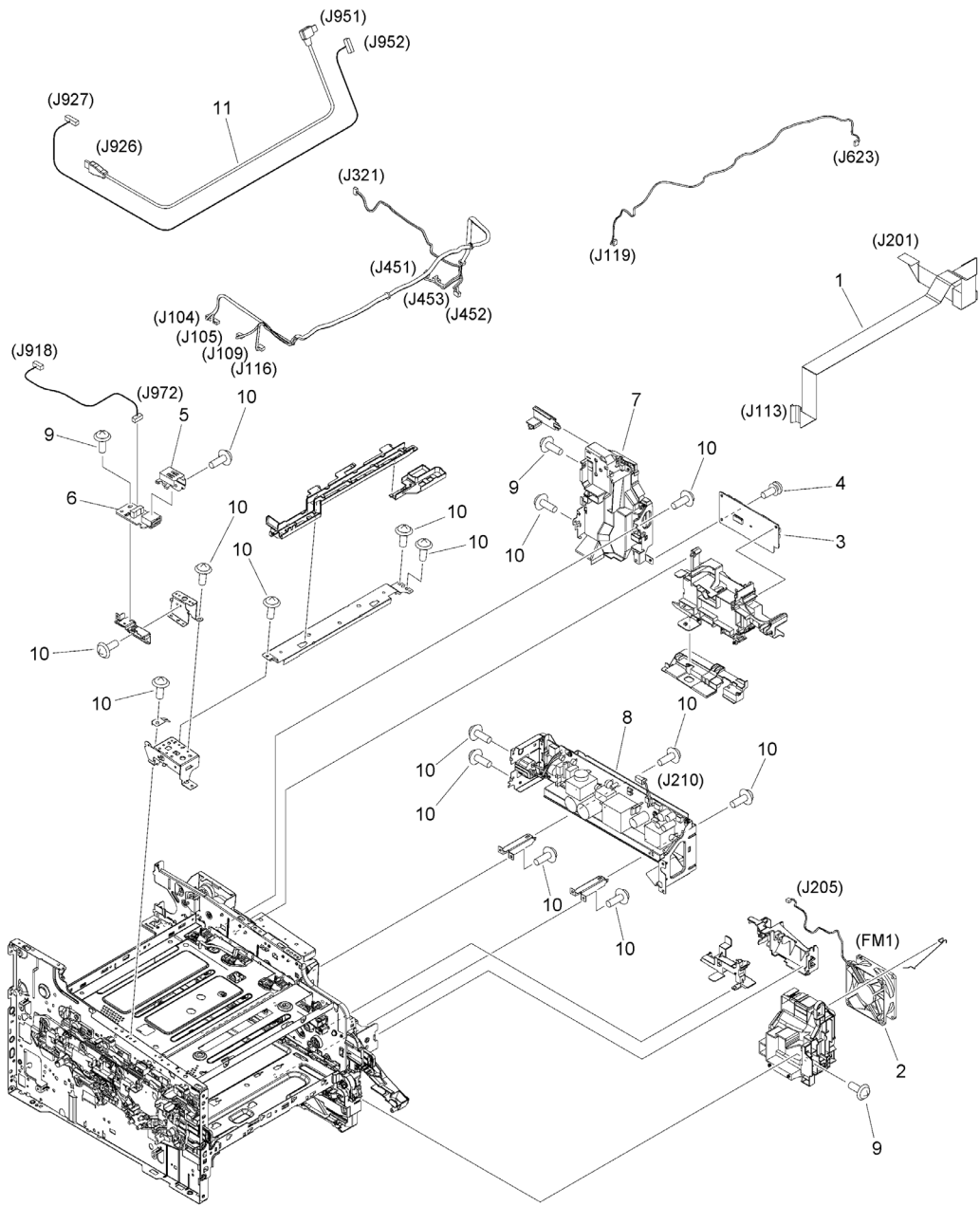


FIGURE & KEY NO.	PART NUMBER	RANK	QTY	DESCRIPTION	SERIAL NUMBER /REMARKS
102B	NPN		RF	INTERNAL COMPONENTS 2	230V
1	RM2-8661-000		1	CABLE, FLEXIBLE FLAT	
2	FK4-4315-000		1	FAN	FM1
3	RM2-7369-000		1	DRIVER PCB ASS'Y	
4	XA9-1420-000		1	SCREW, W/WASHER, M3X8	
5	FE8-0014-000		1	PLATE, USB, GROUNDING	
6	FM1-R870-000		1	USB RELAY PCB ASSEMBLY	
7	FM1-P443-000		1	FIXING POWER SUPPLY PCB ASS'Y	
8	FM1-Z822-000		1	L.V. POWER SUPPLY PCB ASS'Y	
9	XA9-1671-000		15	SCREW, D, M3X8	
10	XA9-1835-000		15	SCREW, D, M3X6	
11	FK4-4092-000		1	CABLE, MADRID HDMI	

Figure 103 INTERNAL COMPONENTS 3

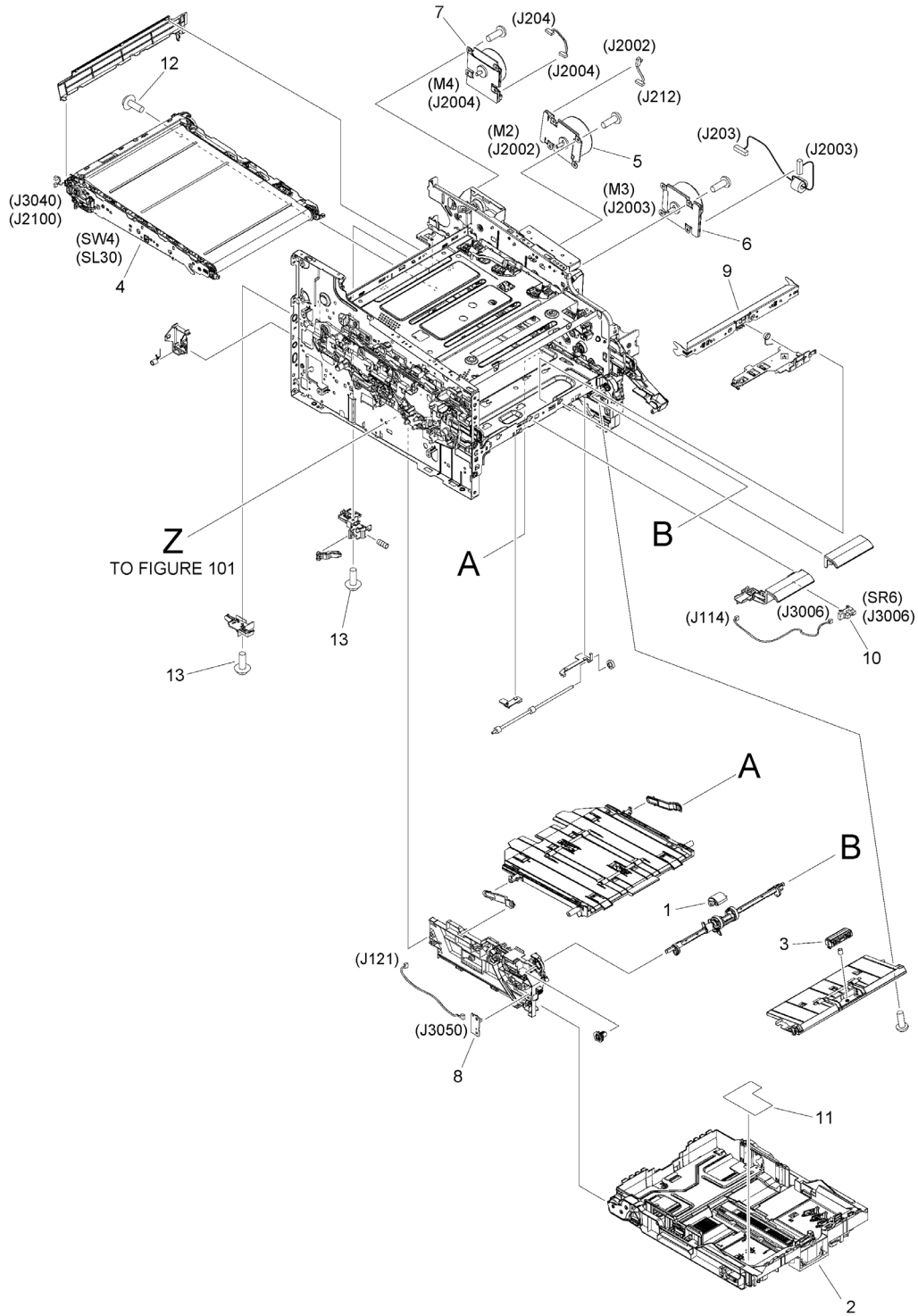


FIGURE & KEY NO.	PART NUMBER	RANK	QTY	DESCRIPTION	SERIAL NUMBER /REMARKS
103	NPN		RF	INTERNAL COMPONENTS 3	
1	RL1-2593-000		1	ROLLER, PAPER PICK-UP	
2	RM2-6377-000		1	CASSETTE ASS'Y	
3	RM2-6406-000		1	SEPARATION PAD ASS'Y	
4	RM2-6454-000		1	INTERMEDIATE TRANS. BELT ASS'Y	SW4, SL30
5	RM2-7342-000		1	DRUM MOTOR ASS'Y	M2
6	RM2-7344-000		1	DEVELOPING MOTOR ASS'Y	M3
7	RM2-7349-000		1	FIXING MOTOR ASS'Y	M4
8	RM2-7376-000		1	ENVIRONMENT SENSOR PCB ASS'Y	
9	RM2-7399-000		1	DENSITY DETECT SENSOR ASS'Y	
10	WG8-5935-000		1	IC, PHOTO INTERRUPTER	SR6
11	FU2-1958-000		1	LABEL, CASSETTE OPERATOR	
12	XA9-1671-000		15	SCREW, D, M3X8	
13	XA9-1835-000		15	SCREW, D, M3X6	

Figure 104 INTERNAL COMPONENTS 4

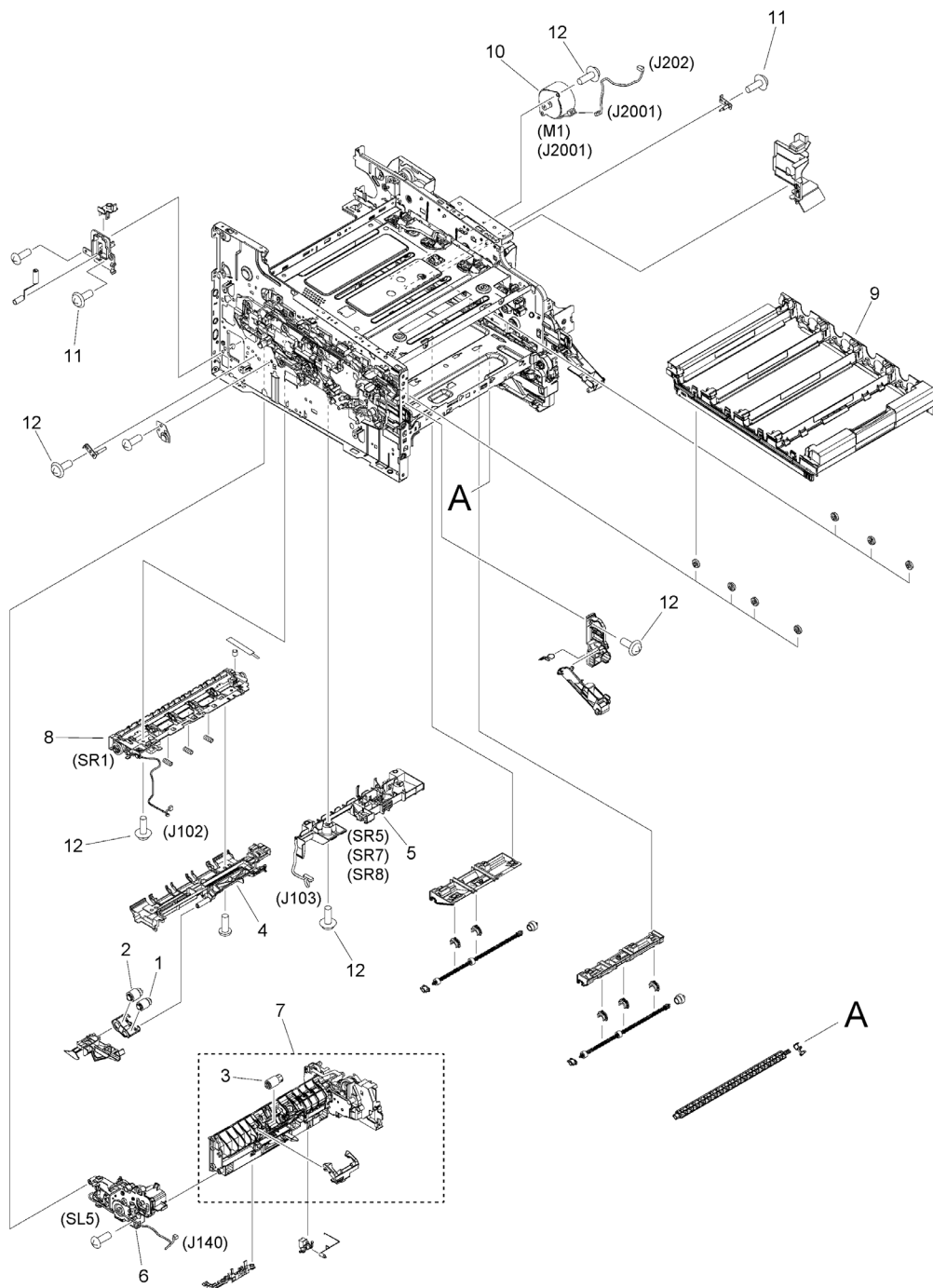


FIGURE & KEY NO.	PART NUMBER	RANK	QTY	DESCRIPTION	SERIAL NUMBER /REMARKS
104	NPN		RF	INTERNAL COMPONENTS 4	
1	RM2-5576-000		1	PAPER PICK-UP ROLLER ASS'Y	
2	RM2-5577-000		1	FEED ROLLER ASS'Y	
3	RM2-5881-000		1	SEPARATION ROLLER ASS'Y	
4	RM2-6366-000		1	FEED GUIDE ASS'Y, REAR	
5	RM2-6368-000		1	FEED GUIDE ASS'Y, FRONT	SR5, SR7, SR8
6	RM2-6370-000		1	LIFTER DRIVE ASS'Y	SL5
7	RM2-6372-000		1	PAPER PICK-UP ASS'Y	
8	RM2-6374-000		1	REGISTRATION ASS'Y	SR1
9	RM2-6401-000		1	CARTRIDGE TRAY ASS'Y	
10	RM2-7350-000		1	PICK-UP MOTOR ASS'Y	M1
11	XA9-1671-000		15	SCREW, D, M3X8	
12	XA9-1835-000		15	SCREW, D, M3X6	

Figure 105B INTERNAL COMPONENTS 5 (230V)

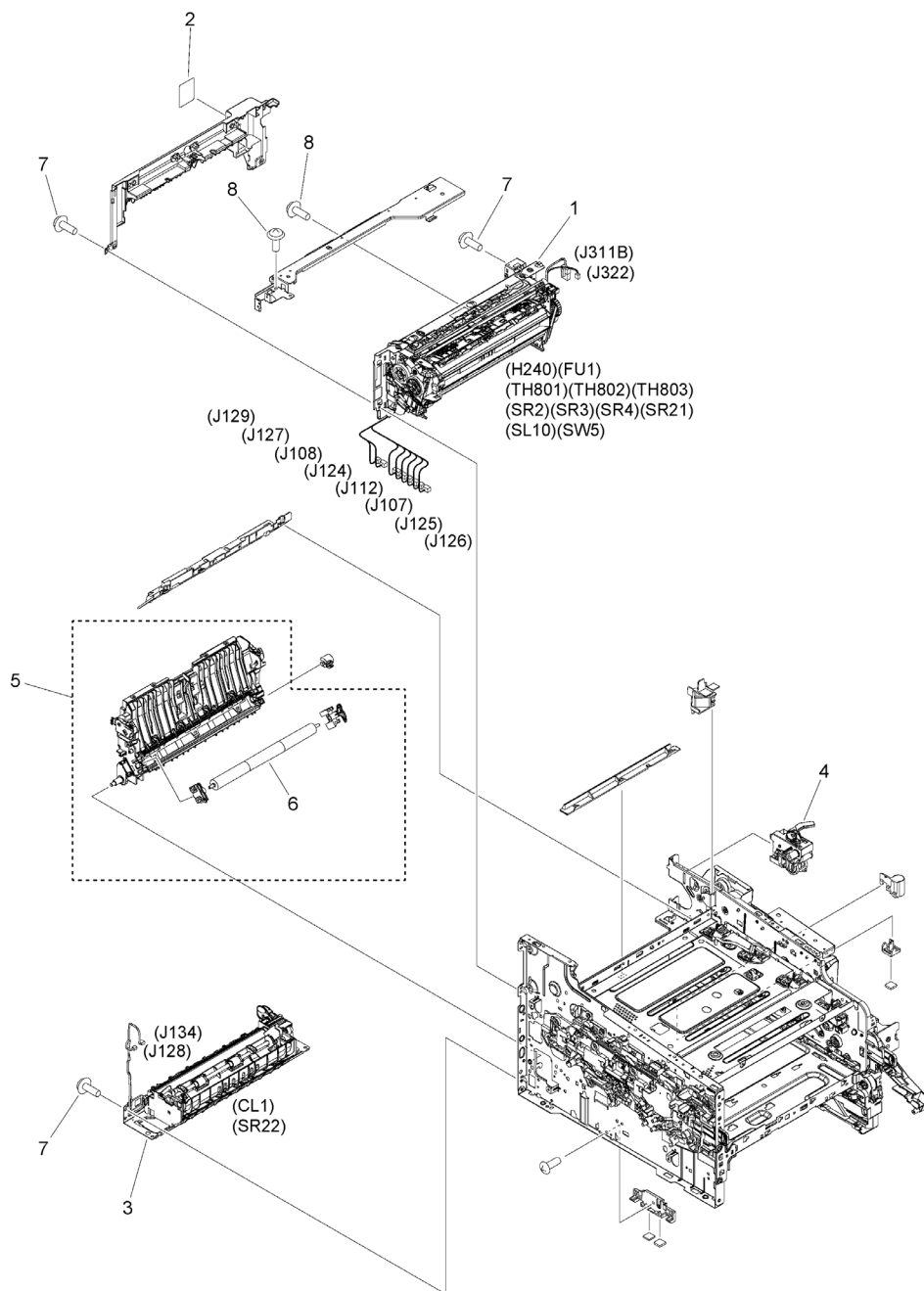


FIGURE & KEY NO.	PART NUMBER	RANK	QTY	DESCRIPTION	SERIAL NUMBER /REMARKS
105B	NPN		RF	INTERNAL COMPONENTS 5	230V
1	RM2-6435-000		1	FIXING ASSY	H240, FU1, TH801, TH802, TH803, SR2, SR3, SR4, SR21, SL10, SW5
2	FU2-1963-000		1	LABEL, HIGH TMP. CAUTION	
3	RM2-6387-000		1	PAPER RE-PICK UP ASS'Y	CL1, SR22
4	RM2-6389-000		1	REVERSE DRIVE ASS'Y	
5	RM2-6397-000		1	SECONDARY TRANSFER ASS'Y	
6	RM2-6455-000		1	2ND TRANSFER ROLLER ASS'Y	
7	XA9-1671-000		15	SCREW, D, M3X8	
8	XA9-1835-000		15	SCREW, D, M3X6	

Figure 105C INTERNAL COMPONENTS 5 (120V)

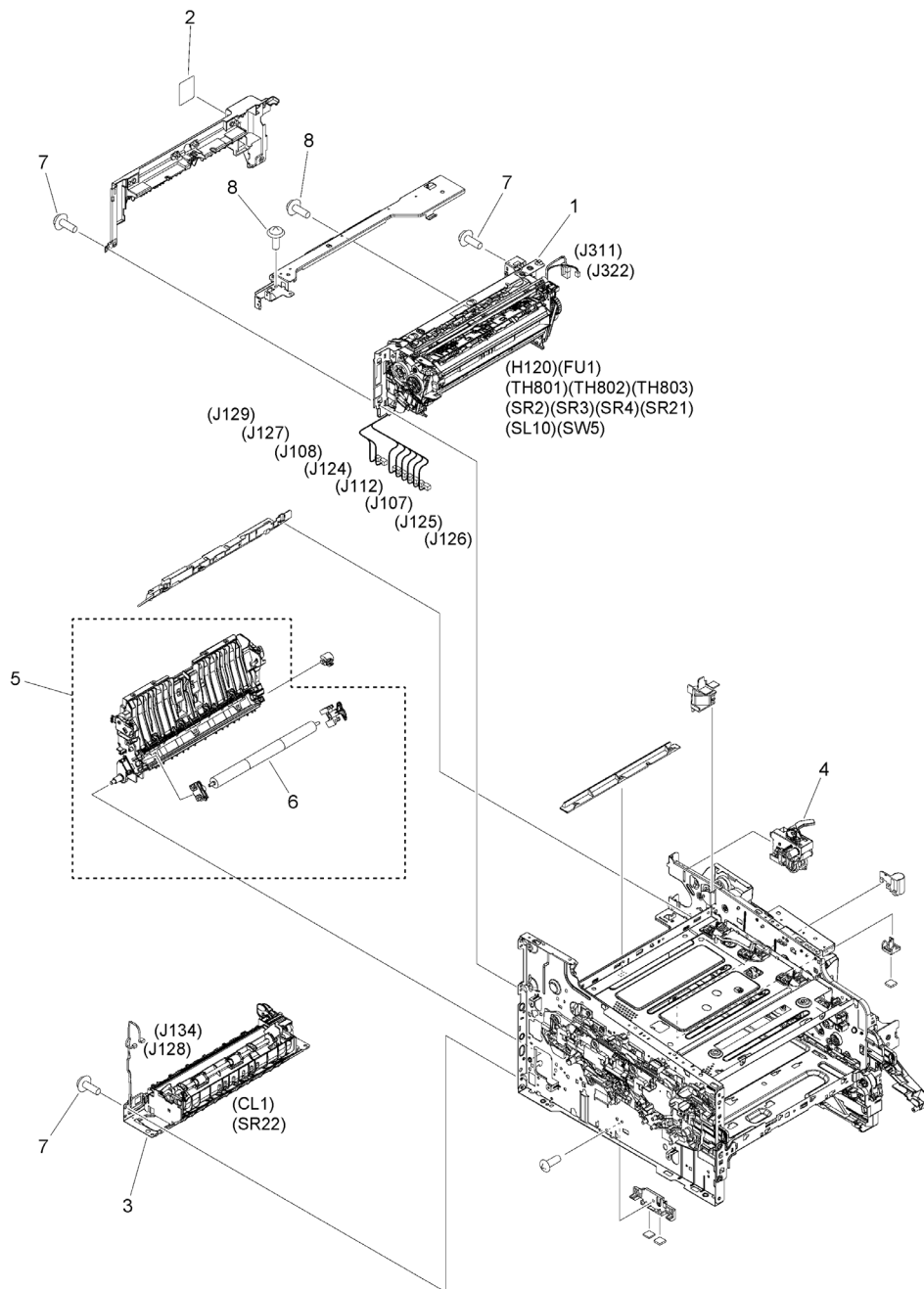


FIGURE & KEY NO.	PART NUMBER	RANK	QTY	DESCRIPTION	SERIAL NUMBER /REMARKS
105C	NPN		RF	INTERNAL COMPONENTS 5	120V
1	RM2-6418-000		1	FIXING ASSY	H120, FU1, TH801, TH802, TH803, SR2, SR3, SR4, SR21, SL10, SW5
2	FU2-1963-000		1	LABEL, HIGH TMP. CAUTION	
3	RM2-6387-000		1	PAPER RE-PICK UP ASS'Y	CL1, SR22
4	RM2-6389-000		1	REVERSE DRIVE ASS'Y	
5	RM2-6397-000		1	SECONDARY TRANSFER ASS'Y	
6	RM2-6455-000		1	2ND TRANSFER ROLLER ASS'Y	
7	XA9-1671-000		15	SCREW, D, M3X8	
8	XA9-1835-000		15	SCREW, D, M3X6	

Figure 160A READER/ADF ASSEMBLY (SINGLE PASS ADF model)

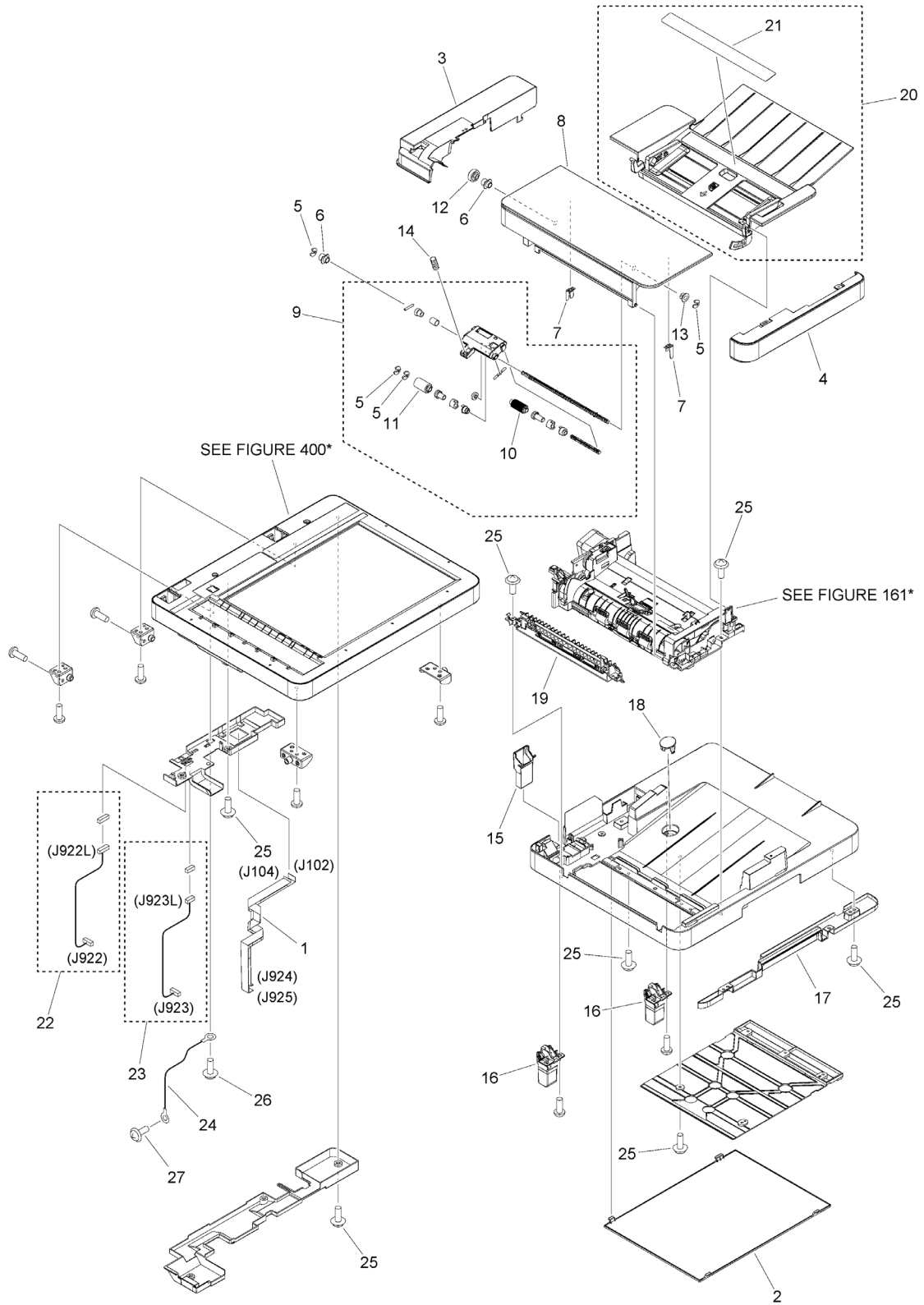


FIGURE & KEY NO.	PART NUMBER	RANK	QTY	DESCRIPTION	SERIAL NUMBER /REMARKS
160A	NPN		RF	READER/ADF ASSEMBLY	SINGLE PASS ADF model
1	FK4-4057-000		1	CABLE, FLAT	
2	FE8-3469-000		1	SHEET, WHITE	
3	FE8-3474-000		1	COVER, REAR	
4	FE8-3475-000		1	COVER, FRONT	
5	FE8-3636-000		4	RING, E	
6	FE8-3643-000		2	BUSHING	
7	FE8-3644-000		2	SPRING, LEAF	
8	FL1-2517-000		1	PANEL, OPEN/CLOSE	
9	FM1-N703-000		1	SEPARATION ROLLER ASSEMBLY	
10	FC8-9251-000		1	ROLLER, PICK-UP	
11	FL3-1023-000		1	ROLLER, SEPARATION	
12	FU2-1865-000		1	GEAR, 23T	
13	FU2-1902-000		1	BUSHING	
14	FU2-1903-000		1	SPRING, COMPRESSION	
15	FE8-3462-000		1	GUIDE, CABLE	
16	FL1-1411-000		2	HINGE	
17	FE8-3467-000		1	COVER, LOWER	
18	FE8-4189-000		1	CAP	
19	FM1-P584-000		1	PAPER FEED GUIDE ASSEMBLY	
20	FM1-N711-000		1	DOCUMENT TRAY ASSEMBLY	
21	FE8-4191-000		1	LABEL, DOCUMENT SIZE	
22	FM1-X901-000		1	CABLE, SIGNAL, DF, 1	
23	FM1-X904-000		1	CABLE, READER SIGNAL, 2	
24	FM1-X906-000		1	CABLE, GROUNDING	
25	XA9-0476-000		15	SCREW, TP M3X8	
26	XA9-1503-000		1	SCREW, TAP, M3X6	
27	XA9-1671-000		1	SCREW, D, M3X8	

Figure 160B READER/ADF ASSEMBLY (SINGLE SIDE ADF model)

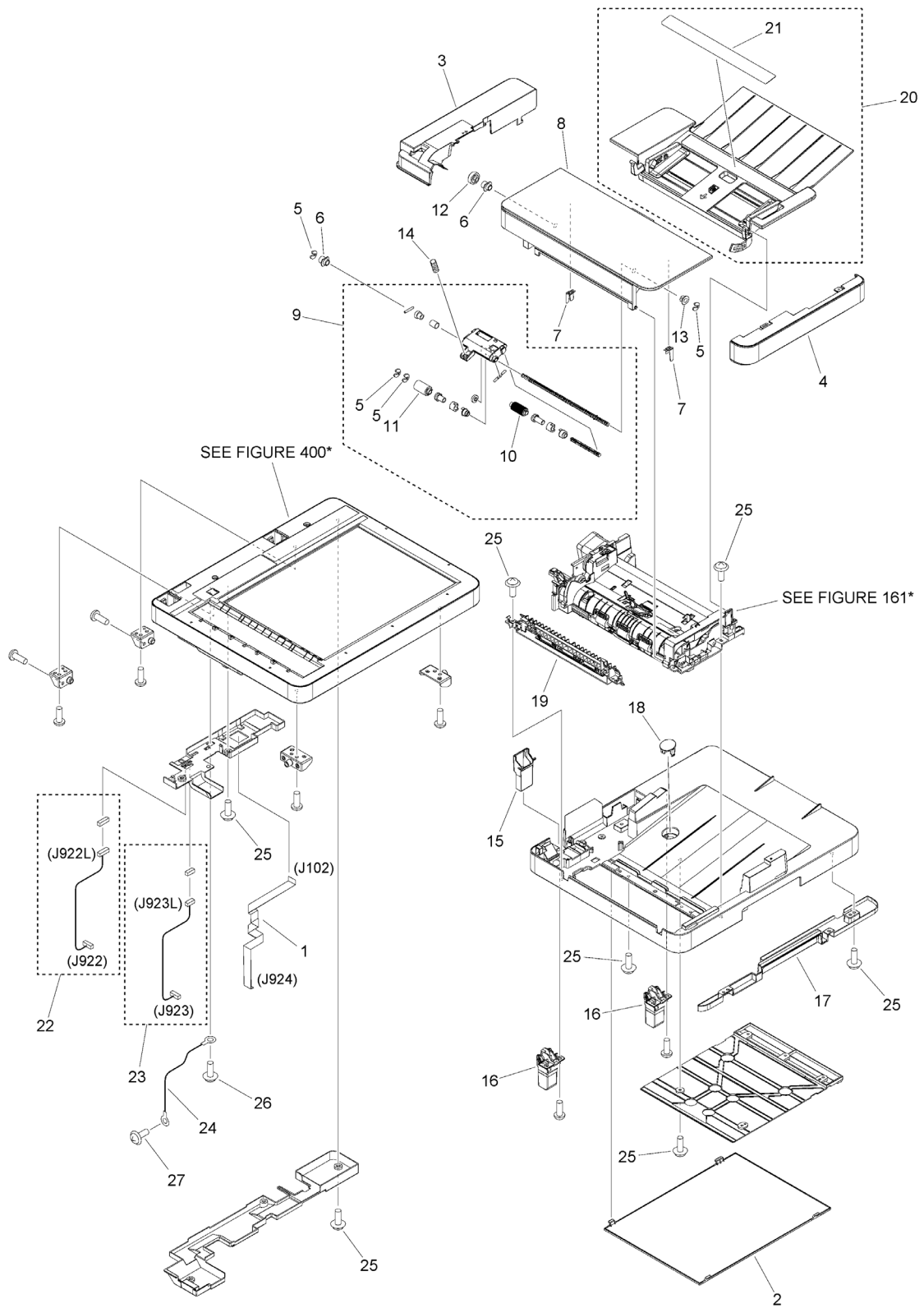


FIGURE & KEY NO.	PART NUMBER	RANK	QTY	DESCRIPTION	SERIAL NUMBER /REMARKS
160B	NPN		RF	READER/ADF ASSEMBLY	SINGLE SIDE ADF model
1	FK4-4052-000		1	CABLE, FLAT	
2	FE8-3469-000		1	SHEET, WHITE	
3	FE8-3474-000		1	COVER, REAR	
4	FE8-3475-000		1	COVER, FRONT	
5	FE8-3636-000		4	RING, E	
6	FE8-3643-000		2	BUSHING	
7	FE8-3644-000		2	SPRING, LEAF	
8	FL1-2517-000		1	PANEL, OPEN/CLOSE	
9	FM1-N703-000		1	SEPARATION ROLLER ASSEMBLY	
10	FC8-9251-000		1	ROLLER, PICK-UP	
11	FL3-1023-000		1	ROLLER, SEPARATION	
12	FU2-1865-000		1	GEAR, 23T	
13	FU2-1902-000		1	BUSHING	
14	FU2-1903-000		1	SPRING, COMPRESSION	
15	FE8-3462-000		1	GUIDE, CABLE	
16	FL1-1411-000		2	HINGE	
17	FE8-3467-000		1	COVER, LOWER	
18	FE8-4189-000		1	CAP	
19	FM1-P584-000		1	PAPER FEED GUIDE ASSEMBLY	
20	FM1-N711-000		1	DOCUMENT TRAY ASSEMBLY	
21	FE8-4191-000		1	LABEL, DOCUMENT SIZE	
22	FM1-X901-000		1	CABLE, SIGNAL, DF, 1	
23	FM1-X904-000		1	CABLE, READER SIGNAL, 2	
24	FM1-X906-000		1	CABLE, GROUNDING	
25	XA9-0476-000		15	SCREW, TP M3X8	
26	XA9-1503-000		1	SCREW, TAP, M3X6	
27	XA9-1671-000		1	SCREW, D, M3X8	

Figure 161A PAPER FEEDER ASSEMBLY (SINGLE PASS ADF model)

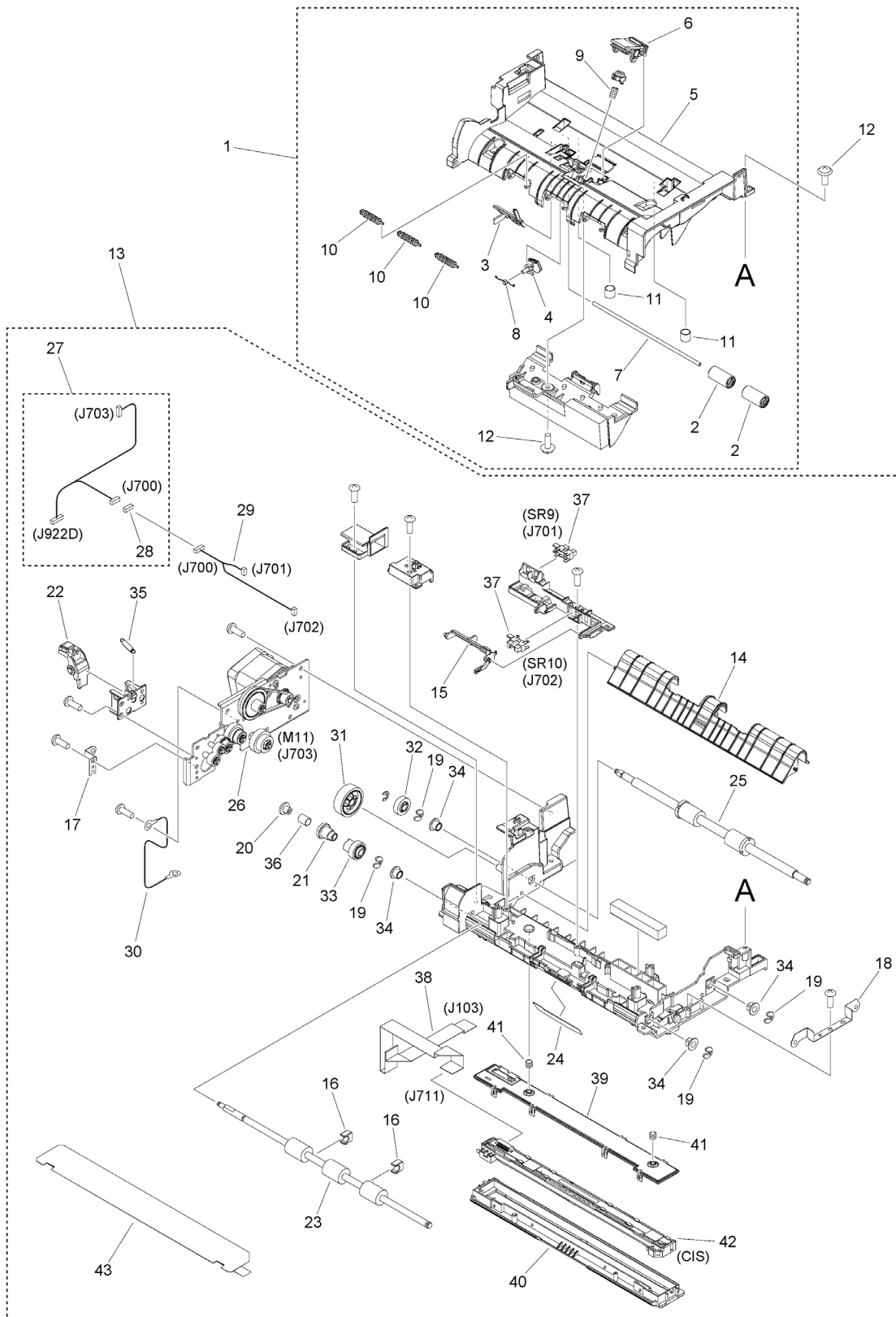


FIGURE & KEY NO.	PART NUMBER	RANK	QTY	DESCRIPTION	SERIAL NUMBER /REMARKS
161A	NPN		RF	PAPER FEEDER ASSEMBLY	SINGLE PASS ADF model
1	FM1-N704-000		1	GUIDE ASSEMBLY, UPPER	
2	FE8-3440-000		2	ROLLER	
3	FE8-3444-000		1	FLAG, SENSOR	
4	FE8-3645-000		1	STOPPER, DOCUMENT	
5	FL1-2518-000		1	GUIDE, UPPER	
6	FM1-P580-000		1	SEPARATION PAD ASSEMBLY	
7	FU2-1875-000		1	SHAFT, TRANSMISSION	
8	FU2-1904-000		1	SPRING, TORSION	
9	FU2-1905-000		1	SPRING, COMPRESSION	
10	FU2-1906-000		3	ROLLER, AUXILIARY	
11	FU2-1922-000		2	SPRING, COMPRESSION	
12	XA9-0476-000		7	SCREW, TP M3X8	
13	FM1-T412-000		1	PAPER FEEDER ASSEMBLY SET	
14	FE8-3446-000		1	GUIDE, PAPER DELIVERY	
15	FE8-3448-000		1	FLAG, SENSOR	
16	FE8-3458-000		2	BUSHING	
17	FE8-3459-000		1	PLATE, GROUNDING	
18	FE8-3460-000		1	PLATE, GROUNDING	
19	FE8-3636-000		4	RING, E	
20	FE8-3655-000		1	STOPPER, RATCHET SPRING	
21	FE8-3656-000		1	RATCHET, PAPER FEED ROLLER	
22	FE8-3657-000		1	LEVER, RELEASE	
23	FL1-1367-000		1	ROLLER, PAPER FEED	
24	FL1-1369-000		1	SHEET, GUIDE	
25	FM1-N407-000		1	ROLLER, PAPER DELIVERY	
26	FM1-N709-000		1	MOTOR DRIVE ASS'Y	M11
27	FM1-X902-000		1	CABLE, SIGNAL, DF, 2	
28	VS1-7207-006		1	CONNECTOR, SNAP TIGHT	
29	FM1-X903-000		1	CABLE, SENSOR	
30	FM1-X906-000		1	CABLE, GROUNDING	
31	FU2-1867-000		1	GEAR, 67T	
32	FU2-1869-000		1	GEAR, 25T	
33	FU2-1870-000		1	GEAR, 38T	
34	FU2-1902-000		4	BUSHING	
35	FU2-1907-000		1	SPRING, TENSION	
36	FU2-1908-000		1	SPRING, COMPRESSION	
37	WG8-5935-000		2	IC, PHOTO INTERRUPTER	SR9, SR10
38	FK4-4053-000		1	CABLE, FLAT	
39	FE8-3450-000		1	HOLDER, CONTACT IMAGE SENSOR	
40	FL1-2502-000		1	GLASS HOLDER UNIT	
41	FU2-1924-000		2	SPRING, COMPRESSION	
42	FM1-T027-000		1	CONTACT IMAGE SENSOR SET	CIS

FIGURE & KEY NO.	PART NUMBER	R A N K	QTY	DESCRIPTION	SERIAL NUMBER /REMARKS
43	FL1-4365-000		1	SHEET, WHITE	

Figure 161B PAPER FEEDER ASSEMBLY (SINGLE SIDE ADF model)

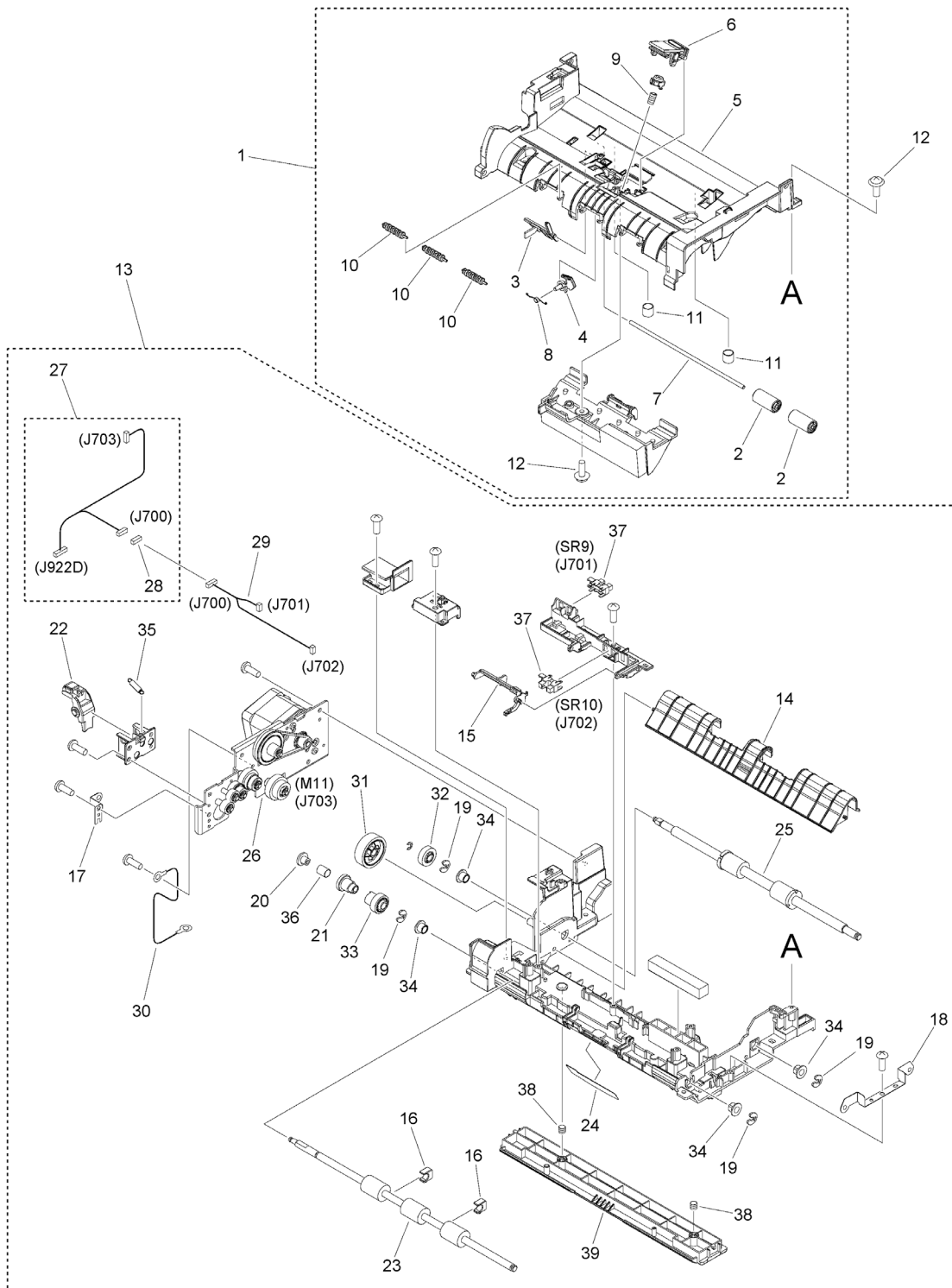


FIGURE & KEY NO.	PART NUMBER	RANK	QTY	DESCRIPTION	SERIAL NUMBER /REMARKS
161B	NPN		RF	PAPER FEEDER ASSEMBLY	SINGLE SIDE ADF model
1	FM1-N704-000		1	GUIDE ASSEMBLY, UPPER	
2	FE8-3440-000		2	ROLLER	
3	FE8-3444-000		1	FLAG, SENSOR	
4	FE8-3645-000		1	STOPPER, DOCUMENT	
5	FL1-2518-000		1	GUIDE, UPPER	
6	FM1-P580-000		1	SEPARATION PAD ASSEMBLY	
7	FU2-1875-000		1	SHAFT, TRANSMISSION	
8	FU2-1904-000		1	SPRING, TORSION	
9	FU2-1905-000		1	SPRING, COMPRESSION	
10	FU2-1906-000		3	ROLLER, AUXILIARY	
11	FU2-1922-000		2	SPRING, COMPRESSION	
12	XA9-0476-000		7	SCREW, TP M3X8	
13	FM1-N706-000		1	PAPER FEEDER ASSEMBLY	
14	FE8-3446-000		1	GUIDE, PAPER DELIVERY	
15	FE8-3448-000		1	FLAG, SENSOR	
16	FE8-3458-000		2	BUSHING	
17	FE8-3459-000		1	PLATE, GROUNDING	
18	FE8-3460-000		1	PLATE, GROUNDING	
19	FE8-3636-000		4	RING, E	
20	FE8-3655-000		1	STOPPER, RATCHET SPRING	
21	FE8-3656-000		1	RATCHET, PAPER FEED ROLLER	
22	FE8-3657-000		1	LEVER, RELEASE	
23	FL1-1367-000		1	ROLLER, PAPER FEED	
24	FL1-1369-000		1	SHEET, GUIDE	
25	FM1-N407-000		1	ROLLER, PAPER DELIVERY	
26	FM1-N709-000		1	MOTOR DRIVE ASS'Y	M11
27	FM1-X902-000		1	CABLE, SIGNAL, DF, 2	
28	VS1-7207-006		1	CONNECTOR, SNAP TIGHT	
29	FM1-X903-000		1	CABLE, SENSOR	
30	FM1-X906-000		1	CABLE, GROUNDING	
31	FU2-1867-000		1	GEAR, 67T	
32	FU2-1869-000		1	GEAR, 25T	
33	FU2-1870-000		1	GEAR, 38T	
34	FU2-1902-000		4	BUSHING	
35	FU2-1907-000		1	SPRING, TENSION	
36	FU2-1908-000		1	SPRING, COMPRESSION	
37	WG8-5935-000		2	IC, PHOTO INTERRUPTER	SR9, SR10
38	FU2-1923-000		2	SPRING, COMPRESSION	
39	FM1-N708-000		1	HOLDER UNIT	

Figure 400B READER ASSEMBLY (ADFmodel 230V LTN, AU, SG, HK, IN)

NOTE : This assembly does not include the parts shown with key No. 16 and 17.

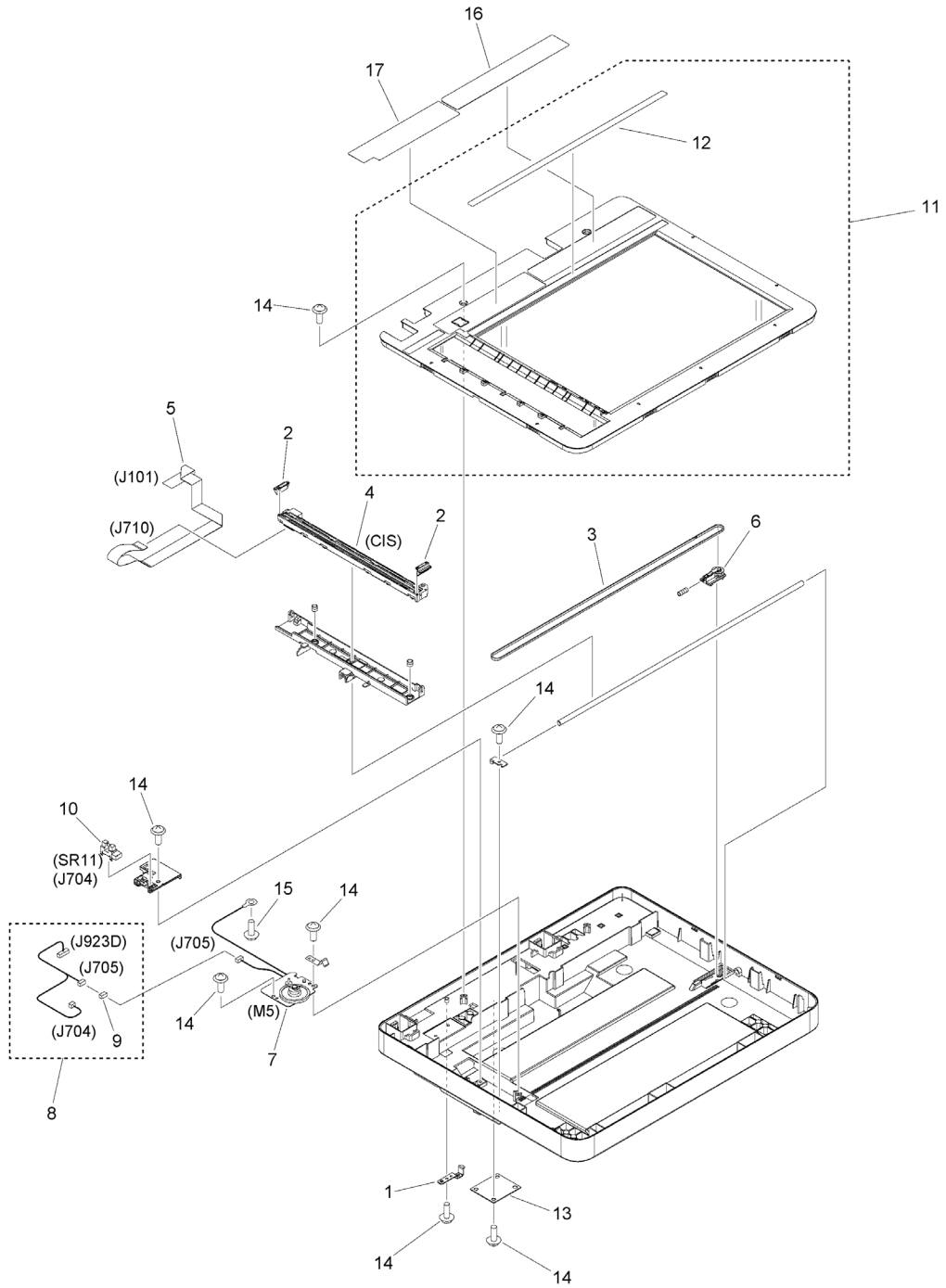


FIGURE & KEY NO.	PART NUMBER	RANK	QTY	DESCRIPTION	SERIAL NUMBER /REMARKS
400B	FM1-T598-000		1	READER ASSEMBLY	ADF model 230V LTN, AU, SG, HK, IN SEE NOTE
1	FE8-3486-000		1	PLATE, GROUNDING	
2	FE8-3479-000		2	SPACER, CIS	
3	FE8-3582-000		1	BELT, TIMING	
4	FK4-4050-000		1	CONTACT IMAGE SENSOR, FA106H-01	CIS
5	FK4-4051-000		1	CABLE, FLAT	
6	FL1-1412-000		1	PULLEY UNIT	
7	FM1-N718-000		1	DC MOTOR ASSEMBLY	M5
8	FM1-X905-000		1	CABLE, READER SIGNAL, 1	
9	VS1-7177-004		1	CONNECTOR, SNAP TIGHT, BK	
10	WG8-5935-000		1	IC, PHOTO INTERRUPTER	SR11
11	FM1-N720-000		1	COPY BOARD GLASS UNIT	
12	FE8-4192-000		1	LABEL, WIDTH SIZE	
13	FM1-X900-000		1	CONNECTING PCB ASSEMBLY	
14	XA9-0476-000		9	SCREW, TP M3X8	
15	XA9-1503-000		1	SCREW, TAP, M3X6	
16	FE8-4198-000		1	LABEL, COPY PROHIBITION	SEE NOTE
17	FE8-4196-000		1	LABEL, GLASS CLEANING	SEE NOTE

Figure 400C READER ASSEMBLY (ADF model 120V US, CA, LTN)

NOTE : This assembly does not include the parts shown with key No. 16 and 17.

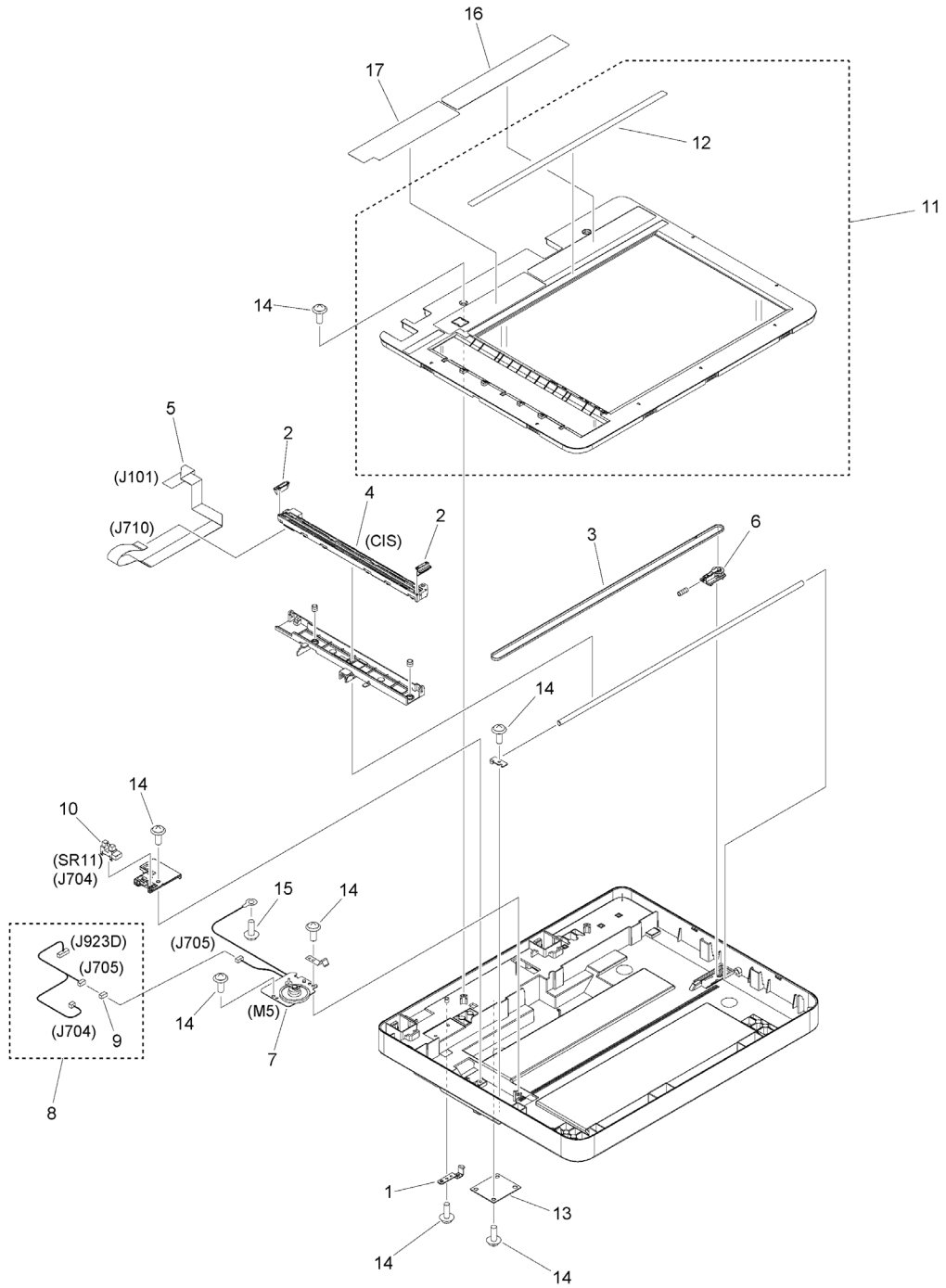


FIGURE & KEY NO.	PART NUMBER	RANK	QTY	DESCRIPTION	SERIAL NUMBER /REMARKS
400C	FM1-T598-000		1	READER ASSEMBLY	ADF model 120V US, CA, LTN SEE NOTE
1	FE8-3486-000		1	PLATE, GROUNDING	
2	FE8-3479-000		2	SPACER, CIS	
3	FE8-3582-000		1	BELT, TIMING	
4	FK4-4050-000		1	CONTACT IMAGE SENSOR, FA106H-01	CIS
5	FK4-4051-000		1	CABLE, FLAT	
6	FL1-1412-000		1	PULLEY UNIT	
7	FM1-N718-000		1	DC MOTOR ASSEMBLY	M5
8	FM1-X905-000		1	CABLE, READER SIGNAL, 1	
9	VS1-7177-004		1	CONNECTOR, SNAP TIGHT, BK	
10	WG8-5935-000		1	IC, PHOTO INTERRUPTER	SR11
11	FM1-N720-000		1	COPY BOARD GLASS UNIT	
12	FE8-4192-000		1	LABEL, WIDTH SIZE	
13	FM1-X900-000		1	CONNECTING PCB ASSEMBLY	
14	XA9-0476-000		9	SCREW, TP M3X8	
15	XA9-1503-000		1	SCREW, TAP, M3X6	
16	FE8-4198-000		1	LABEL, COPY PROHIBITION	SEE NOTE
17	FE8-4194-000		1	LABEL, GLASS CLEANING	SEE NOTE

Figure ZZA MECHANICAL STANDARD PARTS (HOW TO USE)

Mechanical standard parts 機械標準部品

About a mechanical standard parts

A Mechanical standard parts is a mechanical part which not parts peculiar to a product.
They are parts which are common to a Canon product and are used, such as a screw and a washer.
The Fig No. and parts number of the mechanical standard parts are not listed in the product parts catalog.
Refer to the parts catalog of mechanical standard parts when checking the parts number for screw or washer etc. and identify them by part shape or size.

機械標準部品とは

機械標準部品とは、製品特有の部品ではなく、ねじやワッシャなどキヤノン製品共通で使用されている機械部品（メカ部品）のことです。
製品のパーツカタログには、機械標準部品のFig No.や部品番号は記載しておりません。
ねじや、ワッシャ等の部品番号を調べるときは、機械標準部品のパーツカタログを参照し、部品の形状や大きさから判断し、使用している部品を調べてください。

Material and surface treatment of a mechanical standard parts

Material and surface treatment of mechanical standard parts are assigned commonly for each part.
Refer to the Table 1 for the parts which material and surface treatment are assigned as numbers.

機械標準部品の材料および表面処理

機械標準部品の材料および表面処理については、各種部品共通で決められています。
材料および表面処理が番号で決められている部品については、表1を参照してください。

Table 1 Material and Surface treatment
表1 材料および表面処理

No. 番号	Material 材料	Surface treatment 表面処理	Color 色
1	Stainless steel ステンレス	Stainless steel black coloring (BC4) ステンレス黒着色(BC4)	Black 黒
2		not to be given なし	White 白
3	Brass 黄銅	Regular nickel plating (NL) 普通ニッケルメッキ(NL)	White 白
4		Black nickel plating (BN) 黒色ニッケルメッキ(BN)	Black 黒
5	Steel 鋼	White zinc trivalent chromate treating (ZC3) 白色亜鉛3価クロメート(ZC3)	White 白
6		Regular nickel chromium plating (NC) 普通ニッケルクロムメッキ(NC)	White 白
7		Regular nickel plating (NL) 普通ニッケルメッキ(NL)	White 白
8		Iron and steel phosphating (P1) 鉄鋼燐酸塩処理(P1)	Black 黒
9		Black zinc trivalent chromate treating (BZ3) 黒色亜鉛3価クロメート(BZ3)	Black 黒

Figure ZZB (1/7)MECHANICAL STANDARD PARTS (SCREWS)

1. Screws
ねじ

How to read Parts Numbers
部品番号の見方

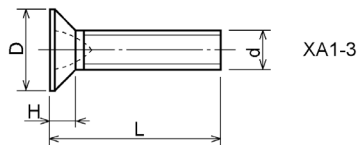
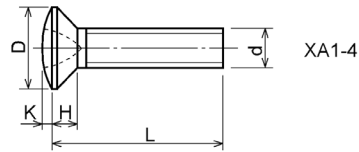
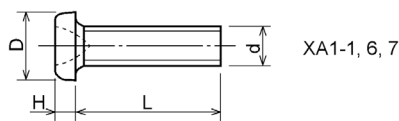
Screws
ねじ

XB1-2400-609

Type No.
類別番号
Normal designation (d)
ねじの呼び (d)
Length (L)
ねじの長さ (L)
Material and Surface treatment
材料および表面処理

XB1-2 expresses Binding head machine screw.
XB1-2は、バインドねじを表す
40 expresses M4.0.
40は、M4.0を表す
0-60 expresses a length of 6.0mm.
0-60は、6.0mmの長さを表す
9 expresses Steel (Black zinc trivalent chromate
treating) from Table 1.
9は、表1より鋼 (黒色亜鉛3価クロメート) を表す

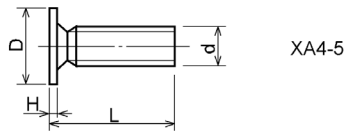
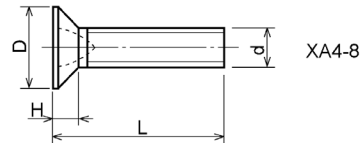
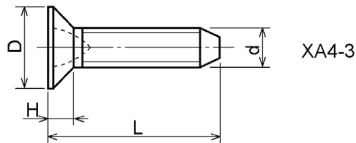
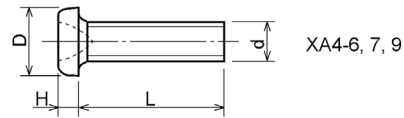
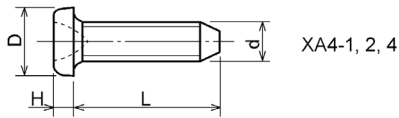
1-1. Cross Recessed Head Screws for Precision Equipments
精密機器用十字穴付き小ねじ



Type No. 類別番号	Type 類別	Head size (mm) 頭部寸法 (mm)						
		M1.4	M1.6	M1.7	M2	M2.5	M2.6	
XA1-1	Pan head Class 1 なべ1種	D	2	2.4	2.5	3	3.8	4
		H	0.5	0.55	0.5	0.6	0.9	0.8
XA1-3	Countersunk head Class 1 さら1種	D	2	2.4	2.5	3	3.8	4
		H	0.48	0.55	0.58	0.73	0.85	0.93
XA1-4	Oval countersunk head Class 1 丸さら1種	D	2	2.4	2.5	3	3.8	4
		H + K	0.68	0.8	0.88	1	1.25	1.3
XA1-6	Pan head Class 3 なべ3種	D	2.5	2.8	3	3.5	4.3	4.5
		H	0.8	0.85	0.9	1	1.3	1.2
XA1-7	Pan head Class 2 なべ2種	D	2.5	2.8	3	3.5	4.3	4.5
		H	0.5	0.55	0.5	0.6	0.9	0.8

Figure ZZB (2/7) MECHANICAL STANDARD PARTS (SCREWS)

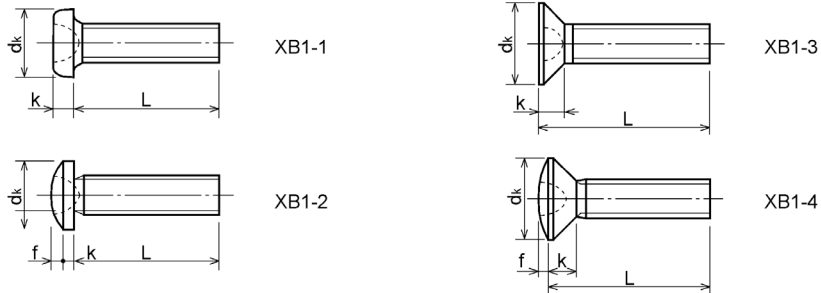
1-2. Precision Tapping Screws
精密用タッピンねじ



Type No. 類別番号	Type 類別	Head size (mm) 頭部寸法 (mm)						
		M1.4	M1.6	M1.7	M2	M2.5	M2.6	
XA4-1	With tapered end pan head Class 1 絞り-なべ1種	D XA4-1	2	2.4	2.5	3	3.8	4
		H XA4-1	0.5	0.55	0.5	0.6	0.9	0.8
XA4-2	With tapered end pan head Class 3 絞り-なべ3種	D XA4-2	2.5	2.8	3	3.5	4.3	4.5
		H XA4-2	0.8	0.85	0.9	1	1.3	1.2
XA4-3	With tapered end countersunk head 絞り-さら	D XA4-3	2	2.4	2.5	3	3.8	4
		H XA4-3	0.48	0.55	0.58	0.73	0.85	0.93
XA4-4	With tapered end pan head Class 2 絞り-なべ2種	D XA4-4	2.5	2.8	3	3.5	4.3	4.5
		H XA4-4	0.5	0.55	0.5	0.6	0.9	0.8
XA4-5	With parallel end ultra thin head ストレート-超薄頭	D XA4-5	2.5	2.8	3	-	-	-
		H XA4-5	0.2	0.2	0.2	-	-	-
XA4-6	With parallel end pan head Class 1 ストレート-なべ1種	D XA4-6	2	2.4	2.5	3	3.8	4
		H XA4-6	0.5	0.55	0.5	0.6	0.9	0.8
XA4-7	With parallel end pan head Class 3 ストレート-なべ3種	D XA4-7	2.5	2.8	3	3.5	4.3	4.5
		H XA4-7	0.8	0.85	0.9	1	1.3	1.2
XA4-8	With parallel end countersunk head ストレート-さら	D XA4-8	2	2.4	2.5	3	3.8	4
		H XA4-8	0.48	0.55	0.58	0.73	0.85	0.93
XA4-9	With parallel end pan head Class 2 ストレート-なべ2種	D XA4-9	2.5	2.8	3	3.5	4.3	4.5
		H XA4-9	0.5	0.55	0.5	0.6	0.9	0.8

Figure ZZB (3/7)MECHANICAL STANDARD PARTS (SCREWS)

1-3. Cross Recessed Head Screws
一般用十字穴付き小ねじ

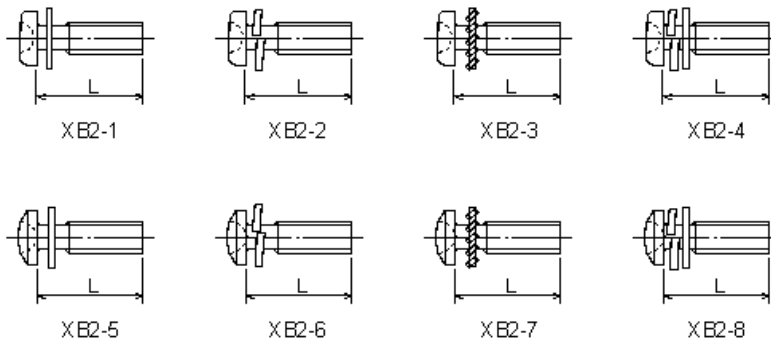


Type No. 類別番号	Type 類別
XB1-1	Pan head なべ
XB1-2	Binding head バインド
XB1-3	Countersunk head さら
XB1-4	Oval countersunk head 丸さら

		Head size (mm) 頭部寸法 (mm)					
		M2	M2.5	M2.6	M3	M4	M5
d _k	XB1-1	3.5	4.5	4.5	5.5	7	9
k	XB1-1	1.3	1.7	1.7	2	2.6	3.3
d _k	XB1-2	4.3	5.3	5.5	6.3	8.3	10.3
k+f	XB1-2	1.2	1.5	1.6	1.9	2.5	3.1
d _k	XB1-3	4	5	-	6	8	10
k	XB1-3	1.2	1.45	-	1.75	2.3	2.8
d _k	XB1-4	4	5	-	6	8	10
k+f	XB1-4	1.6	2	-	2.45	3.2	4
Screw part length ねじ部長さ b		8	12	12	12	16	20

Figure ZZB (4/7) MECHANICAL STANDARD PARTS (SCREWS)

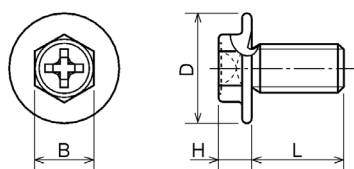
1-4. Cross Recessed Head Screws with Captive Washer
 圧金組込み十字穴付き小ねじ



Type No. 類別番号	Type 類別
XB2-1	Pan head + Plain washer (circular bright) なべねじ+平座金
XB2-2	Pan head + Spring washer なべねじ+ばね座金
XB2-3	Pan head + Toothed lock washer なべねじ+齒付座金
XB2-4	Pan head + Spring washer and plain washer (circular bright) なべねじ+(ばね+平)座金
XB2-5	Binding head + Plain washer (circular bright) バインドねじ+平座金
XB2-6	Binding head + Spring washer バインドねじ+ばね座金
XB2-7	Binding head + Toothed lock washer バインドねじ+齒付座金
XB2-8	Binding head + Spring washer and plain washer (circular bright) バインドねじ+(ばね+平)座金

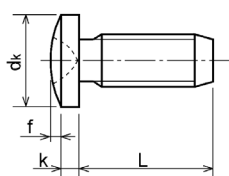
Figure ZZB (5/7) MECHANICAL STANDARD PARTS (SCREWS)

1-5. Hexagon Head Tapping Screws for Matallic Materials
 金属用六角タッピンねじ



Type No. 類別番号	Type 類別	Head size (mm) 頭部寸法 (mm)		
		M3	M4	
XB3-6	For metallic materials 金属用タッピン	D	8	10
		B	5.5	5.5
XB3-7	For metallic materials with clawed 金属用タッピン-つめ付き	H XB3-6	3.1	3.1
		H XB3-7	3.2	3.2

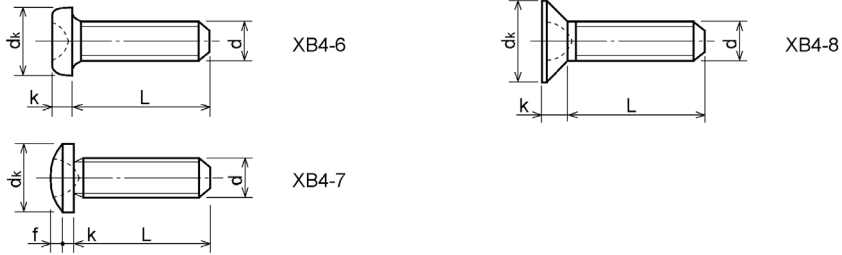
1-6. Special Tapping Screws
 特殊タッピンねじ



Type No. 類別番号	Type 類別	Head size (mm) 頭部寸法 (mm)		
		M3	M4	
XB4-5	Binding head バインド	dk	6.3	8.3
		k	1.3	1.7
		k+f	1.9	2.5

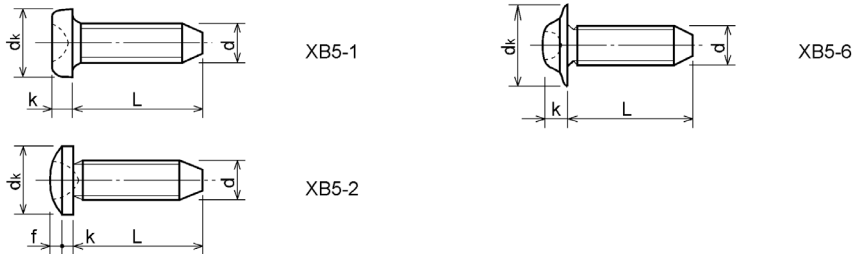
Figure ZZB (6/7) MECHANICAL STANDARD PARTS (SCREWS)

1-7. General Head Tapping Screws
一般用タッピンねじ



Type No. 類別番号	Type 類別	Head size (mm) 頭部寸法 (mm)						
		M2	M2.5	M2.6	M3	M4	M5	
XB4-6	Pan head なべ	dk XB4-6	3.5	4.5	4.5	5.5	7	9
		k XB4-6	1.3	1.7	1.7	2	2.6	3.3
XB4-7	Binding head バインド	dk XB4-7	4.3	5.3	5.5	6.3	8.3	10.3
		k+f XB4-7	1.2	1.5	1.6	1.9	2.5	3.1
XB4-8	Countersunk head さら	dk XB4-8	4	5	5.2	6	8	10
		k XB4-8	1.2	1.45	1.5	1.75	2.3	2.8

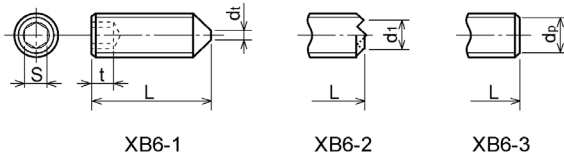
1-8. Tapping Screws for Metallic Materials
金属用タッピンねじ



Type No. 類別番号	Type 類別	Head size (mm) 頭部寸法 (mm)					
		M2.5	M2.6	M3	M4	M5	
XB5-1	Pan head なべ	dk XB5-1	4.5	4.5	5.5	7	9
		k XB5-1	1.7	1.7	2	2.6	3.3
XB5-2	Binding head バインド	dk XB5-2	5.5	5.5	6.3	8.3	10.3
		k+f XB5-2	1.6	1.6	1.9	2.5	3.1
XB5-6	Flanged pan head つば付きなべ	dk XB5-6	6.5	6.5	8	10	12
		k XB5-6	2.1	2.1	1.75	3.2	4

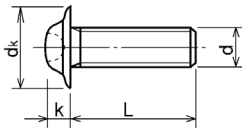
Figure ZZB (7/7) MECHANICAL STANDARD PARTS (SCREWS)

1-9. Hexagon Socket Set Screws
六角穴付き止めねじ



Type No. 類別番号	Type 類別	Head size (mm) 頭部寸法 (mm)						
		M1.6 M1.7	M2	M2.5 M2.6	M3	M5	M5	M6
	S	0.7	0.9	1.3	1.5	2	2.5	3
	t	1.5	1.7	2	2	2.5	3	3.5
	dt max XB6-1	0.4	0.5	0.65	0.75	1	1.25	1.5
	d1 max XB6-2	-	1.2	1.5	1.7	2.2	2.8	3.3
	d1 min XB6-2	-	1	1.2	1.4	1.9	2.4	2.9
	ds max XB6-3	0.8	1	1.5	2	2.5	3.5	4
	ds min XB6-3	0.55	0.75	1.25	1.75	2.25	3.2	3.7

1-10. Flanged Pan Head Machine Screws
つば付きなべ小ねじ



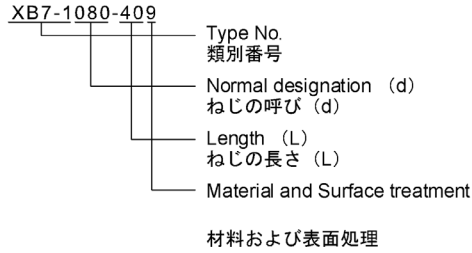
Type No. 類別番号	Type 類別	Head size (mm) 頭部寸法 (mm)				
		M2	M2.5 M2.6	M3	M5	M5
	dk	5	6.5	8	10	12
	k	1.7	2.1	2.5	3.2	4

Figure ZZC MECHANICAL STANDARD PARTS (BOLTS)

2. Bolts (Socket head cap screw)
ボルト

How to read Parts Numbers
部品番号の見方

Bolt (Socket head cap screw)
ボルト



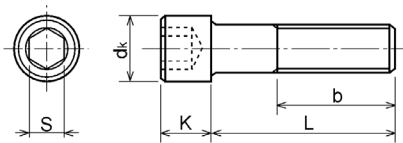
XB7-1 expresses Hexagon socket head cap screws.
XB7-1は、六角穴付きボルトを表す

080 expresses M8.0.
080は、M8.0を表す

40 expresses a length of 40mm.
40は、40mmの長さを表す

9 expresses Steel (Black zinc trivalent chromate treating) from Table 1.
9は、表1より鋼（黒色亜鉛3価クロメート）を表す

2-1. Hexagon socket head cap screws
六角穴付きボルト

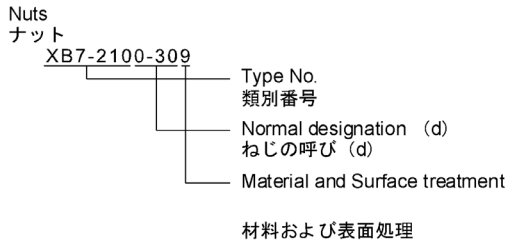


Type No. 類別番号	Type 類別	Head size (mm) 頭部寸法 (mm)						
		M3	M4	M5	M6	M8	M10	M12
S		2.5	3	4	5	6	8	10
dk		5.5	7	8.5	10	13	16	18
K		3	4	5	6	8	10	12
Screw part length ねじ部長さ b_{max}		18	20	22	24	28	32	36

Figure ZZD MECHANICAL STANDARD PARTS (NUTS)

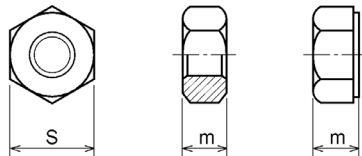
3. Nuts
ナット

How to read Parts Numbers
部品番号の見方



XB7-210 expresses Hexagon nut class 1.
XB7-210は、六角ナット1種を表す
0-30 expresses M3.0.
0-30は、M3.0を表す
9 expresses Steel (Black zinc trivalent chromate treating) from Table 1.
9は、表1より鋼（黒色亜鉛3価クロメート）を表す

3-1. Hexagon Nuts and Hexagon Thin Nuts
六角ナット



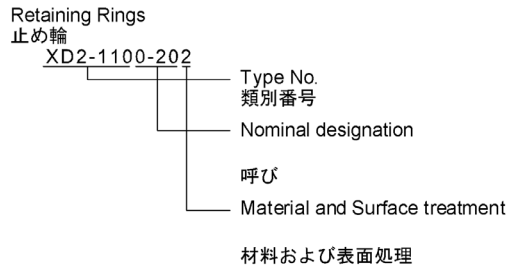
Type No. 類別番号	Type 類別
XB7-210	Hexagon nut Class 1 六角ナット-1種
XB7-220	Hexagon nut Class 3 六角ナット-3種
XB7-230	Hexagon nut Style 1 double chamfered 六角ナット-スタイル1-両面とり
XB7-231	Hexagon nut Style 1 washer faced 六角ナット-スタイル1-座付き
XB7-240	Hexagon nut Style 2 double chamfered 六角ナット-スタイル2-両面とり
XB7-241	Hexagon nut Style 2 washer faced 六角ナット-スタイル2-座付き
XB7-250	Hexagon nut 六角ナット
XB7-260	Hexagon thin nut double chamfered 六角低ナット-両面とり
XB7-270	Hexagon thin nut not chamfered 六角低ナット-面とり無し

	Head size (mm) 頭部寸法 (mm)						
	M2	M2.5	M3	M4	M5	M6	M8
S	4	5	5.5	7	8	10	13
m XB7-210	1.6	2	2.4	3.2	4	5	6.5
m XB7-220	1.2	1.6	1.8	2.4	3.2	3.6	5
m XB7-230, 231	1.6	2	2.4	3.2	4.7	5.2	6.8
m XB7-240, 241	-	-	-	-	5.1	5.7	7.5
m XB7-250	-	-	-	-	5.6	6.1	7.9
m XB7-260	1.2	1.6	1.8	2.2	2.7	3.2	4
m XB7-270	1.2	1.6	1.8	2.2	2.7	3.2	4

Figure ZZE (1/3)MECHANICAL STANDARD PARTS (RETAINING RINGS)

5. Retaining Rings
止め輪

How to read Parts Numbers
部品番号の見方

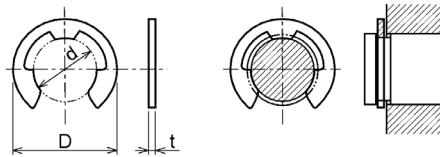


XD2-110 expresses retaining ring-E type (Type1).
XD2-110は、E形止め輪（1種）を表す

0-20 expresses a 020 of nominal designation.
(See Table 5)
0-20は、呼び020を表す（表5参照）

2 expresses Stainless steel (Surface treatment is not to be given) from Table 1.
2は、表1よりステンレス（表面処理なし）を表す

5-1. Retaining Rings - E type
E形止め輪



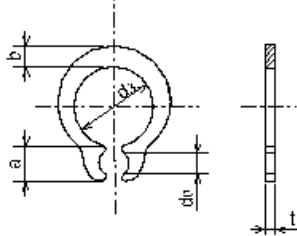
Type No. 類別番号	Type 類別
XD2-110	Retaining ring - E type (Type 1) E形止め輪（1種）
XD2-120	Retaining ring - E type (Type 2) E形止め輪（2種）

Table 5 表5

Type 種類	Nominal designation 呼び	d (mm)	D (mm)	t (mm)
Type 1 1種	007	0.65	2	0.2
	010	0.95	2.8	0.2
	013	1.25	3.3	0.3
	017	1.65	4.2	0.4
	020	1.95	4.6	0.5
	024	2.35	6	0.6
	028	2.74	6.5	0.6
	032	3.14	7.2	0.6
	037	3.64	8	0.7
	040	3.93	10	0.7
	042	4.13	10	0.7
	050	4.93	11	0.7
	058	5.73	12	0.7
	060	5.93	12.7	0.9
064	6.32	13.5	0.9	
074	7.31	15	0.9	
080	7.91	16.5	1	
Type 2 2種	008	0.8	2	0.2
	012	1.2	3	0.3
	015	1.5	4	0.4
	020	2	5	0.4
	025	2.5	6	0.4
	030	3	7	0.6
	040	4	9	0.6
	050	5	11	0.6
	060	6	12	0.8
	070	7	14	0.8
	080	8	16	0.8
	090	9	18	0.8
	100	10	20	1

Figure ZZE (2/3)MECHANICAL STANDARD PARTS (RETAINING RINGS)

5-2. Grip Rings
グリップ止め輪

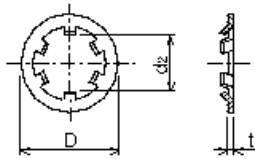


Type No. 類別番号	Type 類別
XD2-210	Grip ring グリップ止め輪

Table 5 表5

Nominal designation 呼び	d_0 (mm)	t (mm)	b (mm)	a (mm)	d_b (mm)
020	1.9	0.5	1	1.8	0.8
025	2.35	0.5	1.2	1.9	0.9
030	2.85	0.6	1.4	1.9	0.9
035	3.3	0.6	1.6	2	0.9
040	3.8	0.8	1.8	2.8	1.2
045	4.25	0.8	2	2.9	1.3
050	4.75	0.8	2.2	2.9	1.3
060	5.7	1	2.4	3.1	1.4
070	6.7	1	2.7	3.3	1.4
080	7.7	1	3	3.5	1.4
090	8.65	1.2	3.3	4.7	1.5
100	9.65	1.2	3.5	4.7	2

5-3. Toothed Retaining Rings
歯付き形止め輪



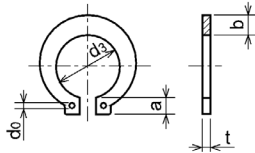
Type No. 類別番号	Type 類別
XD2-230	Toothed retaining ring 歯付き形止め輪

Table 5 表5

Nominal designation 呼び	d_2 (mm)	D (mm)	t (mm)	No of teeth 歯数
015	1.4	5.2	0.25	3
020	1.9	6	0.25	3
024	2.3	6.4	0.25	3
030	2.8	8	0.25	4
040	3.8	9	0.25	4
050	4.8	10	0.25	5
060	5.8	11	0.25	5
080	7.8	13	0.25	5
100	9.8	15.4	0.25	6

Figure ZZE (3/3)MECHANICAL STANDARD PARTS (RETAINING RINGS)

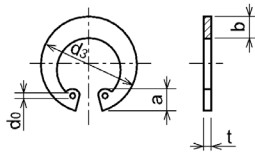
5-4. Retaining Rings - C Type
C形止め輪



Type No. 類別番号	Type 類別
XD2-310	Retaining ring - C type for shaft C形止め輪 軸用

Table 5 表5

Nominal designation 呼び	ds (mm)	t (mm)	b (mm)	a (mm)	d0 (mm)
010	9.3	1	1.6	3	1.2
012	11.1	1	1.8	3.2	1.5
014	12.9	1	2	3.4	1.7
015	13.8	1	2.1	3.5	1.7
016	14.7	1	2.2	3.6	1.7
017	15.7	1	2.2	3.7	1.7
018	16.5	1.2	2.6	3.8	1.7
020	18.5	1.2	2.7	3.9	2
022	20.5	1.2	2.7	4.1	2
025	23.2	1.2	3.1	4.3	2
028	25.9	1.5	3.1	4.6	2
030	27.9	1.5	3.5	4.8	2
032	29.6	1.5	3.5	5	2.5
035	32.2	1.5	4	5.4	2.5



Type No. 類別番号	Type 類別
XD2-320	Retaining ring - C type for hole C形止め輪 穴用

Table 5 表5

Nominal designation 呼び	ds (mm)	t (mm)	b (mm)	a (mm)	d0 (mm)
010	10.7	1	1.8	3.1	1.2
011	11.8	1	1.8	3.2	1.2
012	13	1	1.8	3.3	1.5
014	15.1	1	2	3.6	1.7
016	17.3	1	2	3.7	1.7
018	19.5	1	2.5	4	1.7
019	20.5	1	2.5	4	2
020	21.5	1	2.5	4	2
022	23.5	1	2.5	4.1	2
025	26.9	1.2	3	4.4	2
028	30.1	1.2	3	4.6	2
030	32.1	1.2	3	4.7	2
032	34.4	1.2	3.5	5.2	2.5
035	37.8	1.5	3.5	5.2	2.5
037	39.8	1.5	3.5	5.2	2.5
040	43.5	1.8	4	5.7	2.5
042	45.5	1.8	4	5.8	2.5
045	48.5	1.8	4.5	5.9	2.5
047	50.5	1.8	4.5	6.1	2.5
050	54.2	2	4.5	6.5	2.5
052	56.2	2	5.1	6.5	2.5
055	59.2	2	5.1	6.5	2.5
060	64.2	2	5.1	6.8	2.5
062	66.2	2	5.5	6.9	2.5
068	72.5	2.5	6	7.4	2.5
072	76.5	2.5	6.6	7.4	2.5
075	79.5	2.5	6.6	7.8	2.5
080	85.5	2.5	7	8	2.5
085	90.5	3	7	8	3
090	95.5	3	7.6	8.3	3
095	100.5	3	8	8.5	3