

# PARTS CATALOG

## **imageCLASS MF6160dw/MF6180dw MF5950dw/MF5960dn D1320/D1350/D1370**



# Canon

July 30, 2013  
Rev. 0



## **PREFACE**

This Parts Catalog contains listings of parts used

Diagrams are provided with the listings to aid the service technician in identifying clearly, the item to be ordered.

Whenever ordering parts, consult this Parts Catalog for all of the information pertaining to each item. Be sure to include, in the Parts Request, the full item description, the item part number, and the quantity.

***COPYRIGHT (C) 1999 CANON INC.***

Use of this manual should be strictly supervised to avoid disclosure of confidential information.





# Contents

## NUMERICAL INDEX

MF6880/MF6780/MF6100/MF5900/D1300/DPC995 Series(Numerical Index)..... 1-1

## MF6880/MF6780/MF6100/MF5900/D1300/DPC995 Series(Parts Catalog)

A1	ASSEMBLY LOCATION DIAGRAM .....	2-1
A2	OPTION PARTS CATALOG LIST .....	2-2
001	ACCESSORIES .....	2-3
100	EXTERNAL COVERS, PANELS, ETC.(MF6100,MF5900 Series) 2-6	
100A	EXTERNAL COVERS, PANELS, ETC.(MF6880,MF6780,D1300,DPC995 Series) .....	2-10
101	INTERNAL COMPONENTS 1 .....	2-14
102	INTERNAL COMPONENTS 2 .....	2-16
103	INTERNAL COMPONENTS 3 .....	2-18
104	INTERNAL COMPONENTS 4 .....	2-20
105	INTERNAL COMPONENTS 5 .....	2-22
106	INTERNAL COMPONENTS 6 (MF6100,MF5900 Series) ...	2-25
106A	INTERNAL COMPONENTS 6 (MF6880,MF6780,D1300,DPC995 Series) .....	2-27
160	READER/ADF ASSEMBLY (MF6100,MF5900 Series) .....	2-29
160A	READER/ADF ASSEMBLY (MF6880,MF6780,D1300,DPC995 Series) .....	2-32
162	PAPER FEEDER ASSEMBLY .....	2-35
400	READER ASSEMBLY (MF6100,MF5900 Series) .....	2-38
400A	READER ASSEMBLY (MF6880,MF6780,D1300,DPC995 Series) 2-40	
ZZA	MECHANICAL STANDARD PARTS (HOW TO USE) .....	2-42
ZZB	MECHANICAL STANDARD PARTS (SCREWS) .....	2-43
ZZC	MECHANICAL STANDARD PARTS (BOLTS) .....	2-50
ZZD	MECHANICAL STANDARD PARTS (NUTS) .....	2-51
ZZE	MECHANICAL STANDARD PARTS (RETAINING RINGS) 2-52	



# NUMERICAL INDEX

## MF6880/MF6780/MF6100/MF5900/D1300/DPC995 Series(Numerical Index)

PARTS NUMBER	FIGURE & KEY NO.	PARTS NUMBER	FIGURE & KEY NO.	PARTS NUMBER	FIGURE & KEY NO
FC0-0531-000	100 - 1	FC9-1532-000	160 - 7	FC9-8942-000	104 - 15
FC0-3108-000	100A - 27	FC9-1533-000	160 - 8	FC9-8943-000	100 - 20
FC0-3132-000	100A - 5	FC9-1535-000	160 - 10	FC9-8943-000	100A - 14
FC0-3133-000	100A - 7	FC9-1536-000	160 - 11	FC9-8944-000	100 - 21
FC0-3134-000	100A - 7	FC9-1537-000	162 - 34	FC9-8944-000	100A - 11
FC0-3136-000	100 - 5	FC9-1539-000	160 - 12	FE2-2412-000	100 - 32
FC0-3162-000	100A - 7	FC9-2007-000	100A - 3	FE2-2412-000	100A - 33
FC0-3163-000	100 - 9	FC9-2016-000	100A - 24	FE3-3780-000	100A - 34
FC0-3182-000	105 - 1	FC9-2018-000	100A - 6	FH2-7080-000	001 - 13
FC0-3192-000	100 - 11	FC9-2055-000	100A - 8	FH2-7082-000	001 - 15
FC0-3196-000	100A - 15	FC9-2056-000	100A - 9	FH2-7170-000	001 - 17
FC0-3200-000	001 - 4	FC9-2068-000	106A - 1	FK2-1311-000	001 - 16
FC0-3201-000	001 - 3	FC9-2069-000	106A - 2	FK2-2064-000	104 - 2
FC0-4141-000	100A - 27	FC9-2071-000	106A - 3	FK2-4390-000	001 - 12
FC0-4142-000	100A - 27	FC9-2131-000	100 - 2	FK2-5274-000	001 - 2
FC0-4143-000	100A - 27	FC9-2132-000	100 - 3	FK2-9583-000	001 - 14
FC0-4144-000	100A - 27	FC9-2135-010	100 - 4	FK3-0730-000	103 - 6
FC0-4145-000	100A - 27	FC9-2137-000	100 - 6	FK3-0732-000	104 - 3
FC0-4146-000	100 - 9	FC9-2138-000	100 - 7	FK3-1626-000	105 - 4
FC0-4147-000	100 - 9	FC9-2139-000	100 - 8	FK3-1820-000	105 - 8
FC0-4148-000	100 - 9	FC9-2142-000	104 - 1	FK3-1821-000	105 - 10
FC0-4149-000	100 - 9	FC9-2166-000	100A - 12	FK3-1826-000	105 - 3
FC0-4168-000	100A - 2	FC9-2190-000	001 - 5	FK3-1836-000	001 - 1
FC0-4169-000	100A - 10	FC9-4891-000	106A - 4	FK3-1837-000	001 - 1
FC0-4170-000	100A - 4	FC9-4897-000	100 - 13	FK3-1904-000	400 - 4
FC0-4173-000	100 - 15	FC9-4897-000	100A - 18	FK3-1904-000	400A - 4
FC0-4177-000	400A - 10	FC9-4998-000	160A - 6	FK3-1907-000	400 - 9
FC0-6761-000	100A - 20	FC9-4999-000	160A - 13	FK3-1908-000	400A - 9
FC5-5256-000	100A - 1	FC9-5109-000	160 - 13	FK3-2783-000	001 - 1
FC7-0496-000	100A - 1	FC9-5110-000	160A - 7	FK3-2785-000	001 - 1
FC7-6052-010	162 - 1	FC9-5111-000	160 - 5	FK3-2786-000	001 - 1
FC7-6182-000	162 - 2	FC9-5111-000	160A - 8	FK3-2787-000	001 - 1
FC7-6189-000	160 - 1	FC9-5115-000	160A - 7	FK3-2788-000	001 - 1
FC7-6189-000	160A - 1	FC9-5654-000	162 - 6	FK3-2789-000	001 - 1
FC7-6278-000	162 - 3	FC9-5655-000	160 - 14	FK3-2790-000	001 - 1
FC7-6281-000	162 - 4	FC9-5660-000	160A - 15	FK3-2793-000	001 - 1
FC7-6297-000	162 - 5	FC9-5661-000	160A - 16	FK3-2794-000	001 - 1
FC7-6299-000	162 - 7	FC9-7005-000	100 - 14	FK3-2796-000	001 - 1
FC7-6300-000	162 - 8	FC9-7005-000	100A - 20	FK3-3850-000	001 - 1
FC7-6320-000	160 - 2	FC9-7562-000	160 - 17	FK4-0801-000	001 - 1
FC7-6320-000	160A - 2	FC9-7563-000	160 - 17	FK4-0802-000	001 - 1
FC7-6321-000	160 - 3	FC9-7564-000	160 - 17	FK4-1145-000	105 - 8
FC7-6321-000	160A - 3	FC9-7566-000	160 - 18	FK4-1425-000	001 - 1
FC8-9837-000	100 - 29	FC9-7567-000	160 - 18	FK4-1426-000	001 - 1
FC9-1486-000	160A - 7	FC9-7568-000	160 - 18	FK4-1428-000	001 - 1
FC9-1494-000	160 - 5	FC9-7574-000	400 - 3	FK4-1438-000	001 - 1
FC9-1494-000	160A - 8	FC9-7574-000	400A - 3	FL2-6637-000	160 - 19
FC9-1496-000	160A - 5	FC9-7575-000	160 - 13	FL2-6637-000	160A - 17
FC9-1497-000	160A - 6	FC9-7576-000	160 - 13	FL3-1430-000	160A - 19
FC9-1499-000	160A - 9	FC9-8934-000	100 - 16	FL3-1431-000	162 - 10
FC9-1504-000	160A - 13	FC9-8934-000	100A - 13	FL3-1437-000	162 - 11
FC9-1512-000	162 - 9	FC9-8941-000	100 - 19	FL3-1439-000	160A - 20

# NUMERICAL INDEX

## MF6880/MF6780/MF6100/MF5900/D1300/DPC995 Series(Numerical Index)

PARTS NUMBER	FIGURE & KEY NO.	PARTS NUMBER	FIGURE & KEY NO.	PARTS NUMBER	FIGURE & KEY NO
FL3-2453-000	160 - 20	FM4-8945-000	105 - 6	FU7-0672-000	160 - 24
FL3-2458-000	162 - 18	FM4-8946-000	105 - 6	FU7-0672-000	160A - 24
FL3-3539-000	160 - 21	FM4-8947-000	105 - 6	FU7-0676-000	162 - 26
FL3-3539-000	160A - 18	FM4-8963-000	105 - 7	FU7-0678-000	162 - 27
FL3-5849-000	400A - 2	FM4-8964-000	105 - 7	FU7-2016-000	162 - 28
FL3-5850-000	400 - 2	FM4-8965-000	105 - 7	FU7-2018-000	160 - 25
FL3-5852-000	100A - 6	FM4-8967-000	105 - 5	FU7-2018-000	160A - 25
FL3-5854-000	100 - 10	FM4-8968-000	105 - 5	FU7-2021-000	162 - 29
FL3-6695-000	100A - 1	FM4-9008-000	105 - 9	FU7-8091-000	100A - 16
FM0-3578-000	400 -	FM4-9009-010	104 - 5	FU7-8986-000	160A - 14
FM0-3579-000	400 - 5	FM4-9010-000	104 - 5	FU7-8987-000	160A - 14
FM0-3613-000	100 - 23	FM4-9011-000	104 - 5	FU7-8988-000	160A - 14
FM0-3613-000	100A - 21	FM4-9012-000	104 - 5	FU7-8990-000	160A - 14
FM0-4723-000	106 - 1	FM4-9055-000	102 - 11	FU8-2008-000	162 - 30
FM1-C349-000	100 - 26	FM4-9070-000	400 - 6	HB1-4978-000	001 - 19
FM1-C350-000	100 - 26	FM4-9071-000	400A - 6	HB1-5537-000	100 - 12
FM1-C353-000	100 - 26	FM4-9072-000	400A - 5	HB1-5537-000	100A - 17
FM1-C357-000	100A - 25	FM4-9207-000	105 - 6	HC1-0586-000	160 - 23
FM1-D779-000	100 - 23	FM4-9208-000	105 - 6	HC1-0586-000	160A - 22
FM1-D779-000	100A - 21	FM4-9209-000	105 - 6	HC1-0586-000	162 - 31
FM1-E990-000	105 - 6	FM4-9210-000	105 - 6	HC1-2034-000	001 - 20
FM1-E991-000	105 - 6	FM4-9211-000	105 - 6	HH2-2824-000	001 - 6
FM1-E992-000	105 - 7	FM4-9212-000	105 - 6	HK1-0516-010	001 - 18
FM1-E999-000	105 - 6	FM4-9213-000	105 - 6	HU1-1022-000	160 - 15
FM3-9088-000	101 - 2	FM4-9214-000	105 - 6	HU1-1022-000	160A - 12
FM3-9534-000	160A - 21	FM4-9761-010	100 - 26	HU1-1022-000	162 - 32
FM3-9538-000	160 - 22	FM4-9762-010	100 - 26	NPN	001 -
FM3-9538-000	160A - 23	FM4-9763-010	100 - 26	NPN	100 -
FM3-9541-000	162 - 13	FM4-9764-010	100 - 26	NPN	100A -
FM3-9542-000	162 - 14	FM4-9765-010	100 - 26	NPN	101 -
FM3-9543-000	162 - 15	FM4-9766-010	100 - 26	NPN	102 -
FM3-9793-000	100 - 24	FM4-9767-010	100 - 26	NPN	103 -
FM3-9793-000	100A - 22	FM4-9770-010	100A - 25	NPN	104 -
FM3-9797-000	101 - 1	FM4-9771-010	100A - 25	NPN	105 -
FM3-9798-000	106A - 6	FM4-9772-010	100A - 25	NPN	106 -
FM3-9816-000	100 - 25	FM4-9773-010	100A - 25	NPN	106A -
FM3-9816-000	100A - 26	FM4-9774-010	100A - 25	NPN	160 -
FM4-1605-000	104 - 16	FM4-9775-000	100A - 25	NPN	160A -
FM4-1659-000	103 - 2	FM4-9776-000	100A - 25	NPN	162 -
FM4-1873-000	162 - 17	FM4-9783-000	100A - 23	QK1-6441-000	001 - 8
FM4-1876-000	160 - 4	FM4-9787-000	102 - 10	QK1-6443-000	001 - 9
FM4-1883-000	160 - 26	FM4-9826-010	100 - 26	QK1-6446-000	001 - 10
FM4-1883-000	160A - 26	FM4-9829-000	100A - 22	QK1-6449-000	001 - 11
FM4-1885-000	162 - 12	FM4-9831-000	105 - 11	QK1-6455-000	001 - 7
FM4-1888-000	160A - 21	FM4-9832-010	100 - 26	RC2-1568-000	104 - 18
FM4-2097-000	001 - 18	FU5-6992-000	162 - 19	RC2-6130-000	102 - 1
FM4-3989-000	104 - 4	FU6-2998-000	162 - 20	RC2-6237-000	101 - 10
FM4-5367-000	102 - 10	FU6-2999-000	162 - 21	RC2-6273-000	100 - 17
FM4-5370-000	100 - 27	FU7-0667-000	162 - 22	RC2-6273-000	100A - 28
FM4-5386-000	102 - 11	FU7-0668-000	162 - 23	RC2-8291-000	100 - 18
FM4-8841-000	400A -	FU7-0669-000	162 - 24	RC2-8291-000	100A - 29
FM4-8853-000	162 - 16	FU7-0671-000	162 - 25	RK2-2729-000	104 - 6

# NUMERICAL INDEX

## MF6880/MF6780/MF6100/MF5900/D1300/DPC995 Series(Numerical Index)

PARTS NUMBER	FIGURE & KEY NO.	PARTS NUMBER	FIGURE & KEY NO.	PARTS NUMBER	FIGURE & KEY NO
RK2-2731-000	104 - 7	XA9-1671-000	102 - 9		
RK2-2733-000	104 - 8	XA9-1671-000	103 - 5		
RL1-2111-000	101 - 8	XA9-1671-000	104 - 14		
RL1-2112-000	101 - 9	XA9-1671-000	105 - 2		
RL1-2115-000	102 - 4	XA9-1671-000	106 - 3		
RL1-2120-000	104 - 9	XA9-1671-000	106A - 5		
RM1-1301-000	102 - 5	XD1-3100-407	102 - 501		
RM1-4275-000	104 - 10	XD3-2300-322	101 - 501		
RM1-6350-000	102 - 6	XD9-0219-000	160 - 501		
RM1-6378-000	102 - 7	XD9-0219-000	160A - 501		
RM1-6397-000	106 - 2				
RM1-6402-000	103 - 1				
RM1-6405-000	101 - 2				
RM1-6406-000	101 - 2				
RM1-6414-000	102 - 8				
RM1-6421-000	101 - 1				
RM1-6423-000	104 - 11				
RM1-6424-000	103 - 3				
RM1-6427-000	100 - 31				
RM1-6427-000	100A - 30				
RM1-6441-000	100 - 30				
RM1-6441-000	100A - 32				
RM1-6445-000	101 - 4				
RM1-6450-000	103 - 7				
RM1-6454-000	106A - 7				
RM1-7691-000	101 - 3				
RU5-2895-000	100 - 28				
RU5-2895-000	100A - 31				
RU5-2898-000	102 - 3				
RU6-2610-000	101 - 7				
VS1-7177-002	160 - 6				
VS1-7177-002	160A - 4				
VS1-7177-003	104 - 12				
VS1-7177-004	400 - 1				
VS1-7177-004	400A - 1				
VS1-7207-004	160 - 9				
VS1-7207-004	160A - 10				
WC4-5171-000	104 - 13				
WG8-5696-000	162 - 33				
WG8-5696-000	400 - 7				
WG8-5696-000	400A - 7				
XA9-0476-000	400 - 8				
XA9-0476-000	400A - 8				
XA9-0831-000	160 - 16				
XA9-0831-000	160A - 11				
XA9-0994-000	102 - 2				
XA9-1420-000	103 - 4				
XA9-1503-000	101 - 5				
XA9-1503-000	104 - 17				
XA9-1671-000	100 - 22				
XA9-1671-000	100A - 19				
XA9-1671-000	101 - 6				



# **MF6880/MF6780/MF6100/MF5900/ D1300/DPC995 Series(Parts Catalog)**

## **DPC995**

<b>100V JP</b>	<b>F16-1410-000</b>	<b>HQQ</b>
----------------	---------------------	------------

## **imageCLASS MF6180dw**

<b>120V US</b>	<b>F16-6136-000</b>	<b>QQC</b>
----------------	---------------------	------------

<b>230V LTN,SG</b>	<b>F16-6146-000</b>	<b>QQL</b>
--------------------	---------------------	------------

<b>230V AU</b>	<b>F16-6186-000</b>	<b>QQK</b>
----------------	---------------------	------------

## **imageCLASS MF6160dw**

<b>120V US</b>	<b>F16-6134-000</b>	<b>QPY</b>
----------------	---------------------	------------

## **imageCLASS MF5980dw**

<b>120V US</b>	<b>F16-1334-000</b>	<b>HQJ</b>
----------------	---------------------	------------

<b>120V CA,LTN</b>	<b>F16-1334-000</b>	<b>HQY</b>
--------------------	---------------------	------------

<b>230V LTN,SG</b>	<b>F16-1344-000</b>	<b>HQN</b>
--------------------	---------------------	------------

<b>230V AU</b>	<b>F16-1384-000</b>	<b>HQP</b>
----------------	---------------------	------------

## **imageCLASS MF5960dn**

<b>120V US</b>	<b>F16-1333-000</b>	<b>HQG</b>
----------------	---------------------	------------

<b>120V CA,LTN</b>	<b>F16-1333-000</b>	<b>HQH</b>
--------------------	---------------------	------------

## **imageCLASS MF5950dw**

<b>120V US</b>	<b>F16-1332-000</b>	<b>HPY</b>
----------------	---------------------	------------

120V CA,LTN	F16-1332-000	HQA
230V CN	F16-1352-000	HQE
230V KR	F16-1362-000	HQC

imageCLASS MF5930dn

230V CN	F16-1350-000	KWK
---------	--------------	-----

imageCLASS D1380

230V CN	F16-1455-000	HQX
---------	--------------	-----

imageCLASS D1370

120V US	F16-1433-000	HQV
---------	--------------	-----

imageCLASS D1350

120V TW	F16-1422-000	HQU
---------	--------------	-----

120V US	F16-1432-000	HQS
---------	--------------	-----

120V CA,LTN	F16-1432-000	HQT
-------------	--------------	-----

imageCLASS D1320

120V US	F16-1431-000	HQR
---------	--------------	-----

i-SENSYS MF5980dw

230V EUR1	F16-1394-000	HQK
-----------	--------------	-----

230V EUR2	F16-1394-000	HQL
-----------	--------------	-----

230V EUR3	F16-1394-000	HQM
-----------	--------------	-----



i-SENSYS MF5940dn

230V EUR1      F16-1391-000    HPQ

230V EUR2      F16-1391-000    HPR

230V EUR3      F16-1391-000    HPX

Satera MF6880dw

100V JP          F16-6215-000    QQN

Satera MF6780dw

100V JP          F16-1414-000    HQW



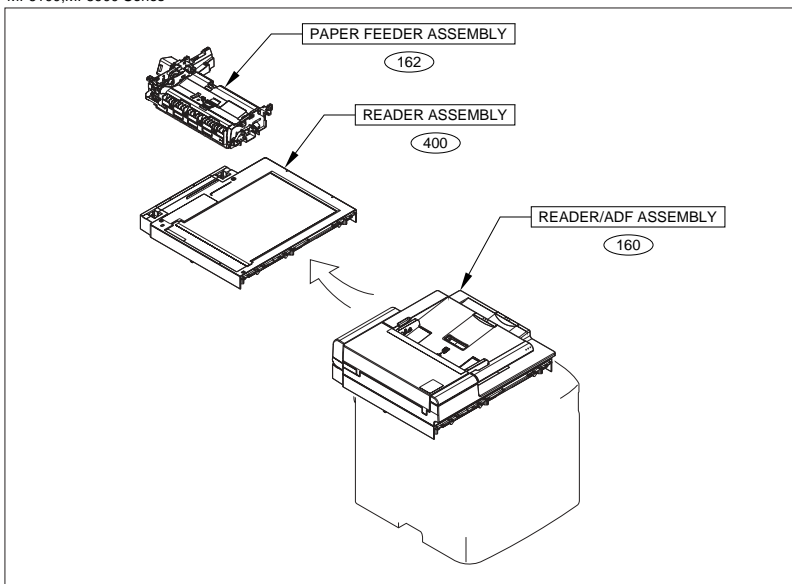
# Contents

A1	ASSEMBLY LOCATION DIAGRAM .....	2-1
A2	OPTION PARTS CATALOG LIST .....	2-2
001	ACCESSORIES .....	2-3
100	EXTERNAL COVERS, PANELS, ETC.(MF6100,MF5900 Series).....	2-6
100A	EXTERNAL COVERS, PANELS, ETC.(MF6880,MF6780,D1300,DPC995 Series).....	2-10
101	INTERNAL COMPONENTS 1 .....	2-14
102	INTERNAL COMPONENTS 2 .....	2-16
103	INTERNAL COMPONENTS 3 .....	2-18
104	INTERNAL COMPONENTS 4 .....	2-20
105	INTERNAL COMPONENTS 5 .....	2-22
106	INTERNAL COMPONENTS 6 (MF6100,MF5900 Series).....	2-25
106A	INTERNAL COMPONENTS 6 (MF6880,MF6780,D1300,DPC995 Series) .....	2-27
160	READER/ADF ASSEMBLY (MF6100,MF5900 Series).....	2-29
160A	READER/ADF ASSEMBLY (MF6880,MF6780,D1300,DPC995 Series) .....	2-32
162	PAPER FEEDER ASSEMBLY .....	2-35
400	READER ASSEMBLY (MF6100,MF5900 Series).....	2-38
400A	READER ASSEMBLY (MF6880,MF6780,D1300,DPC995 Series).....	2-40
ZZA	MECHANICAL STANDARD PARTS (HOW TO USE) .....	2-42
ZZB	MECHANICAL STANDARD PARTS (SCREWS).....	2-43
ZZC	MECHANICAL STANDARD PARTS (BOLTS).....	2-50
ZZD	MECHANICAL STANDARD PARTS (NUTS).....	2-51
ZZE	MECHANICAL STANDARD PARTS (RETAINING RINGS) .....	2-52

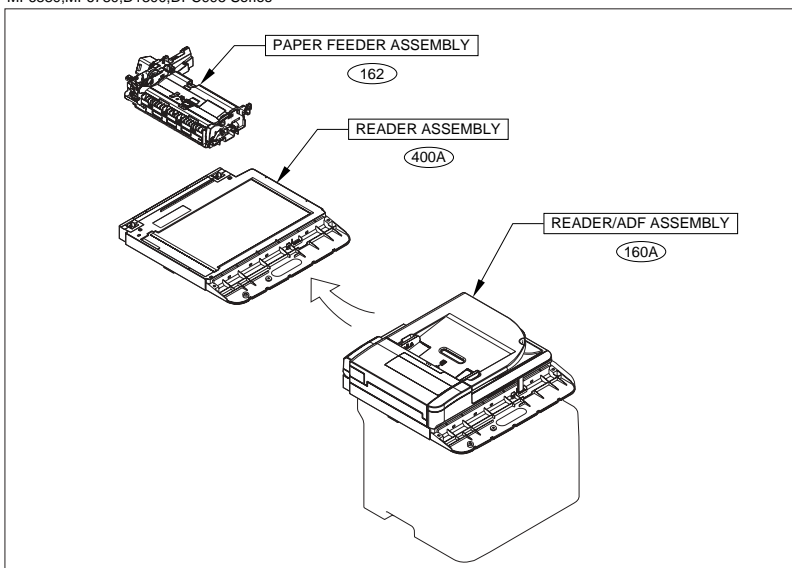


# FIGURE A1 ASSEMBLY LOCATION DIAGRAM

MF6100, MF5900 Series



MF6880, MF6780, D1300, DPC995 Series



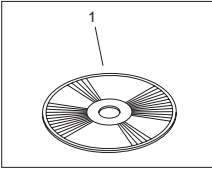
## FIGURE A2 OPTION PARTS CATALOG LIST

This is the table of the machine's options whose parts catalog is issued.  
本機のオプションで、パーツカタログが発行されている機種の一覧である。

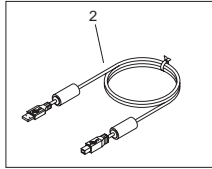
No.	Model Name(English)	Model Name(Japanese)
1	Paper Feeder Unit PF-44	ペーパーフィーダーユニット PF-44
2	Cassette Feeding Module-U1	1段カセットユニット・U1
3	TELEPHONE 6 KIT Long cord	(日本仕向けなし)
4	(JAPAN ONLY)	ハンドセットキット L11

# FIGURE 001 ACCESSORIES

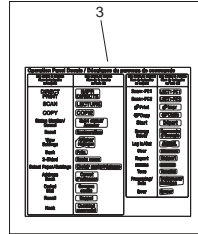
EXCEPT DPC995



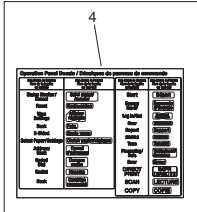
JP HQW,TW,LTN,SG,CN,KR,AU HQP



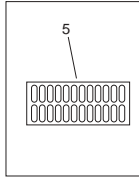
MF6180dw CA,LTN,  
MF6160dw CA,LTN,  
MF5960dn CA,LTN



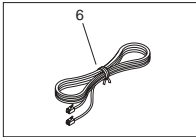
D1350 CA,LTN



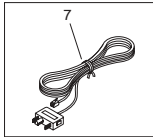
FAX model



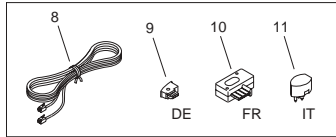
FAX model EXCEPT KR,AU



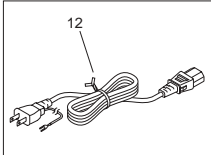
FAX model AU



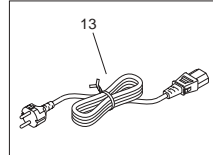
FAX model EUR



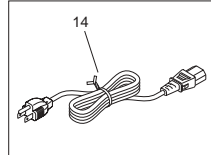
100V



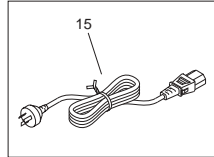
230V LTN,SG,KR,EUR



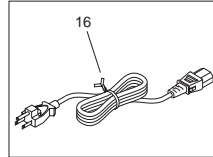
120V US,CA,LTN



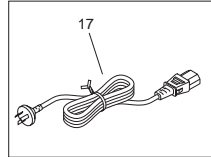
230V AU



120V TW



230V CN



TW,CN

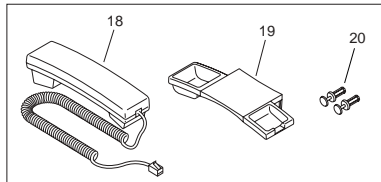
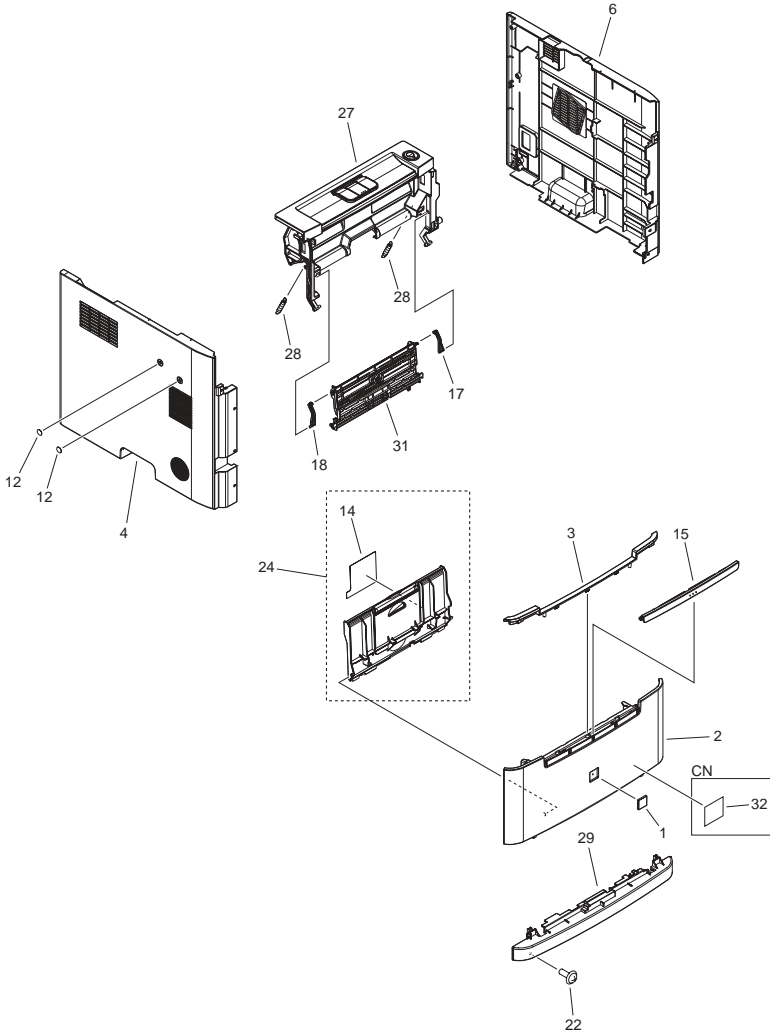


FIGURE & KEY NO.	PARTS NUMBER	R A N K	Q'TY	DESCRIPTION	SERIAL NUMBER/ REMARKS	S V C
Fig.001	NPN		RF	ACCESSORIES		
1	FK4-1438-000		1	CD-ROM, USER SOFTWARE	MF6880dw Japanese	
1	FK3-1837-000		1	CD-ROM, USER SOFTWARE	MF6780dw Japanese	
1	FK4-1425-000		1	CD-ROM, USER SOFTWARE	MF6180dw,MF6160dw US,CA,LTN US English,Spanish	
1	FK4-1426-000		1	CD-ROM, USER SOFTWARE	MF6180dw,MF6160dw US,CA,LTN French,Brazilian Portugese	
1	FK4-1428-000		1	CD-ROM, USER SOFTWARE	MF6180dw LTN,SG,AU UK English	
1	FK3-2783-000		1	CD-ROM, USER SOFTWARE	MF5980dw US,CA,LTN US English	
1	FK3-2785-000		1	CD-ROM, USER SOFTWARE	MF5980dw,MF5960dn,MF 5950dw US,CA,LTN US English,Canadian French	
1	FK3-2789-000		1	CD-ROM, USER SOFTWARE	MF5980dw LTN,SG,AU UK English	
1	FK3-1836-000		1	CD-ROM, USER SOFTWARE	MF5960dn,MF5950dw US,CA,LTN US English	
1	FK4-0801-000		1	CD-ROM, USER SOFTWARE	MF5960dn,MF5950dw US,CA,LTN US English for Mac OS	
1	FK3-2790-000		1	CD-ROM, USER SOFTWARE	MF5950dw CN,KR UK English,Simplified Chinese,Traditional Chinese,Korean	
1	FK3-3850-000		1	CD-ROM, USER SOFTWARE	MF5930dn UK English,Simplified Chinese,Traditional Chinese,Korean	
1	FK3-2786-000		1	CD-ROM, USER SOFTWARE	i-SENSYS Series UK English,French,Italian	
1	FK3-2787-000		1	CD-ROM, USER SOFTWARE	i-SENSYS Series UK English,German,Spanish	
1	FK3-2788-000		1	CD-ROM, USER SOFTWARE	i-SENSYS Series UK English,Russian,Dutch,Pol ish	
1	FK3-2796-000		1	CD-ROM, USER SOFTWARE	D1380,D1350 CN,TW UK English,Simplified Chinese,Traditional Chinese	
1	FK3-2794-000		1	CD-ROM, USER SOFTWARE	D1350 US,CA,LTN US English,Canadian French	



FIGURE & KEY NO.	PARTS NUMBER	R A N K	Q'TY	DESCRIPTION	SERIAL NUMBER/ REMARKS	S V C
1	FK3-2793-000		1	CD-ROM, USER SOFTWARE	D1300 Series US,CA,LTNUS English	
1	FK4-0802-000		1	CD-ROM, USER SOFTWARE	D1300 Series US,CA,LTNUS English for Mac OS	
2	FK2-5274-000		1	CABLE, USB	MF6780dw JPTW,LTN,SG,AU,CN,KR	
3	FC0-3201-000		1	LABEL, CONTROL PANEL	MF6180dw CA,LTN,MF6160dw CA,LTN,MF5960dn CA,LTN	
4	FC0-3200-000		1	LABEL, CONTROL PANEL	D1350 CA,LTN	
5	FC9-2190-000		1	LABEL, DESTINATION	FAX model	
6	HH2-2824-000		1	MODULAR CORD, 2P	FAX model EXCEPT KR,AU	
7	QK1-6455-000		1	CORD, MODULAR	FAX model AU	
8	QK1-6441-000		1	CORD, MODULAR	FAX model EUR	
9	QK1-6443-000		1	PLUG	FAX model DE	
10	QK1-6446-000		1	PLUG	FAX model FR	
11	QK1-6449-000		1	PLUG	FAX model IT	
12	FK2-4390-000		1	CORD, POWER	100V	
13	FH2-7080-000		1	CORD, POWER	230V LTN,SG,KR,EUR	
14	FK2-9583-000		1	CORD, POWER	120V US,CA,LTN	
15	FH2-7082-000		1	CORD, POWER	230V AU	
16	FK2-1311-000		1	CORD, POWER	120V TW	
17	FH2-7170-000		1	CORD, POWER	230V CN	
18	FM4-2097-000		1	HANDSET UNIT	TW	
18	HK1-0516-010		1	HANDSET UNIT	CN	
19	HB1-4978-000		1	HOLDER, HANDSET CRADLE	TW,CN	
20	HC1-2034-000		2	RIVET	TW,CN	

# FIGURE 100 EXTERNAL COVERS, PANELS, ETC.(MF6100,MF5900 Series)



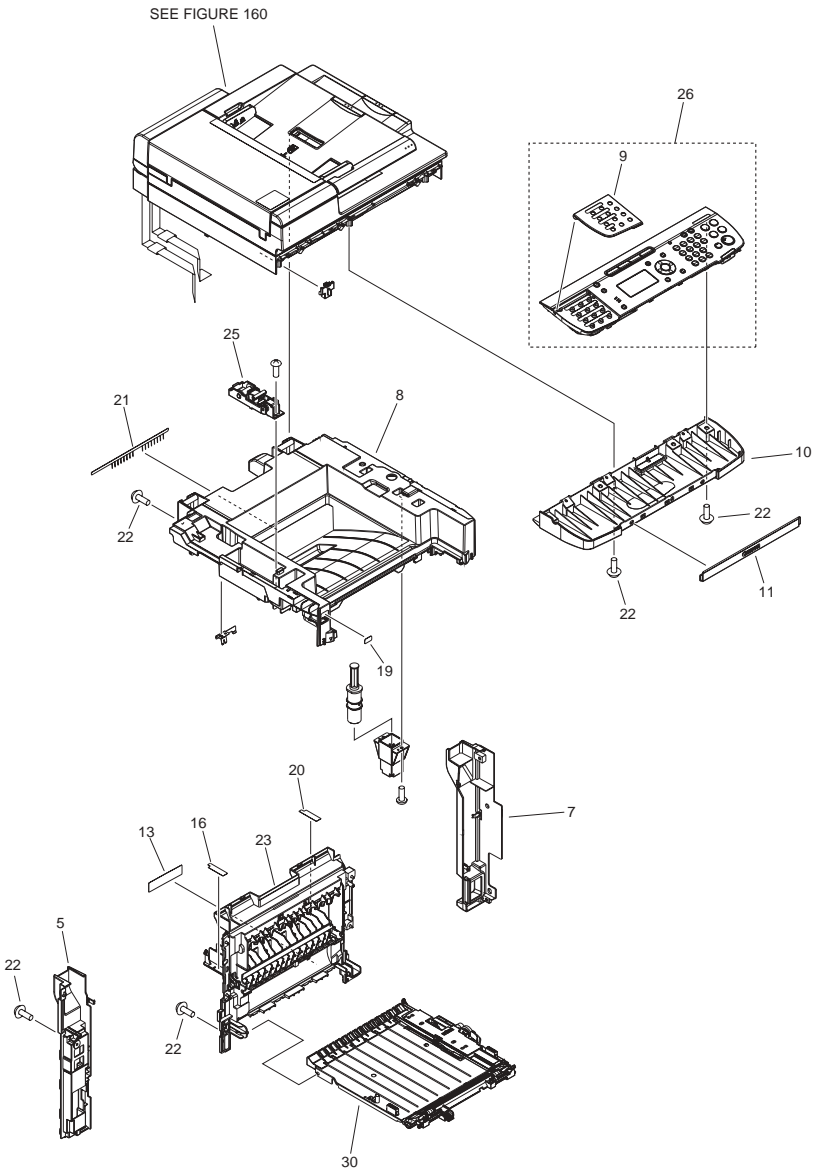
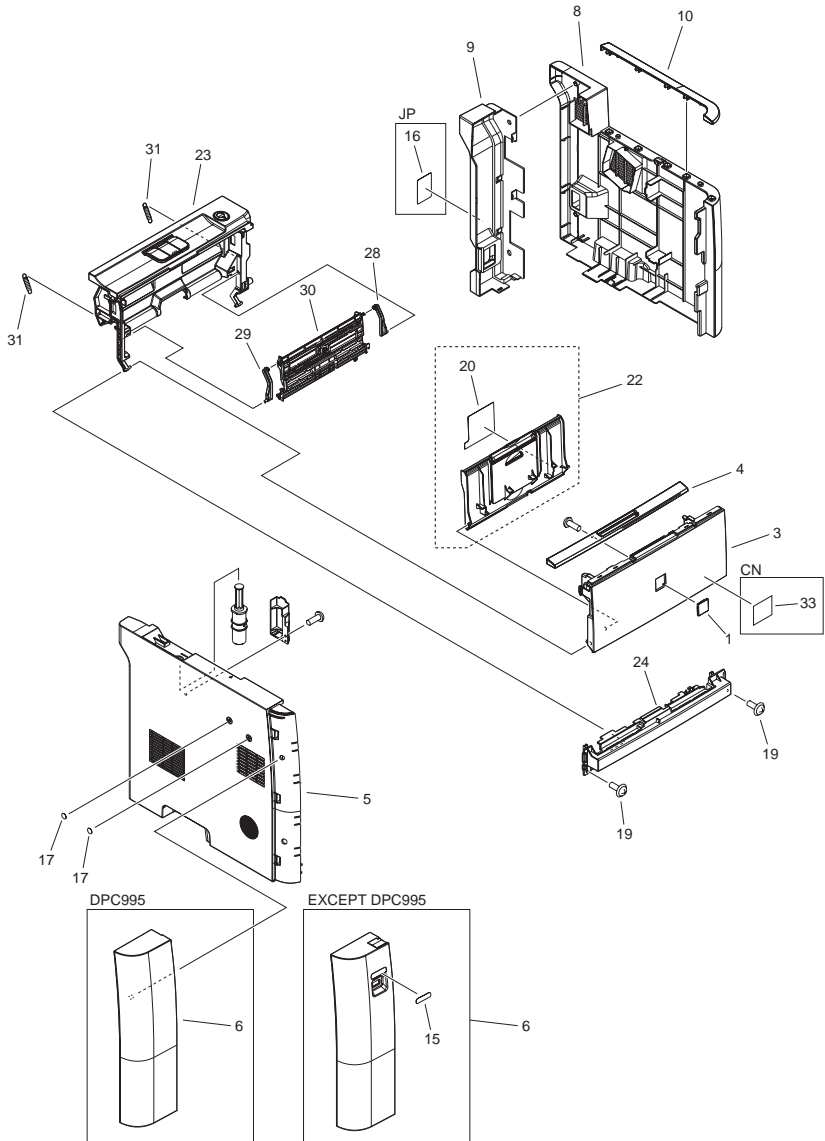


FIGURE & KEY NO.	PARTS NUMBER	R A N K	Q'TY	DESCRIPTION	SERIAL NUMBER/ REMARKS	S V C
Fig.100	NPN		RF	EXTERNAL COVERS, PANELS, ETC.	MF6100,MF5900 Series	
1	FC0-0531-000		1	EMBLEM		
2	FC9-2131-000		1	COVER, MULTI FEED		
3	FC9-2132-000		1	COVER, FRONT UPPER, 2		
4	FC9-2135-010		1	COVER, LEFT		
5	FC0-3136-000		1	COVER, LEFT, REAR		
6	FC9-2137-000		1	COVER, RIGHT		
7	FC9-2138-000		1	COVER, REAR RIGHT		
8	FC9-2139-000		1	COVER, UPPER		
9	FC0-3163-000		1	COVER, ONE-TOUCH	US,CA,LTN	
9	FC0-4146-000		1	COVER, ONE-TOUCH	EUR	
9	FC0-4147-000		1	COVER, ONE-TOUCH	LTN,SG,AU	
9	FC0-4148-000		1	COVER, ONE-TOUCH	CN	
9	FC0-4149-000		1	COVER, ONE-TOUCH	KR	
10	FL3-5854-000		1	PANEL, CONTROL, LOWER		
11	FC0-3192-000		1	PLATE, LOGO		
12	HB1-5537-000		2	SHEET,BLANKING		
13	FC9-4897-000		1	LABEL, SIZE EXCHANGE		
14	FC9-7005-000		1	LABEL, SIZE, MANUAL FEED		
15	FC0-4173-000		1	COVER, FRONT UPPER, 1		
16	FC9-8934-000		1	LABEL, HIGH TMP. CAUTION		
17	RC2-6273-000		1	HINGE, MULTI-PURPOSE, RIGHT		
18	RC2-8291-000		1	HINGE, MULTI-PURPOSE, LEFT		
19	FC9-8941-000		1	LABEL, USB		
20	FC9-8943-000		1	LABEL, HIGH TMP. CAUTION		
21	FC9-8944-000		1	ELIMINATOR, STATIC CHARGE		
22	XA9-1671-000		AR	SCREW, D, M3X8		
23	FM1-D779-000		1	REAR COVER ASSEMBLY	MF6100 Series	
23	FM0-3613-000		1	REAR COVER ASSEMBLY	MF5900 Series	
24	FM3-9793-000		1	EXPANSION TRAY ASSEMBLY		
25	FM3-9816-000		1	HINGE ASSEMBLY		
26	FM1-C350-000		1	CONTROL PANEL ASSEMBLY	MF6180dw US,CA,LTN	

FIGURE & KEY NO.	PARTS NUMBER	R A N K	Q'TY	DESCRIPTION	SERIAL NUMBER/ REMARKS	S V C
26	FM1-C353-000		1	CONTROL PANEL ASSEMBLY	MF6180dw LTN,SG,AU	
26	FM1-C349-000		1	CONTROL PANEL ASSEMBLY	MF6160dw	
26	FM4-9761-010		1	CONTROL PANEL ASSEMBLY	MF5980dw US,CA,LTN	
26	FM4-9763-010		1	CONTROL PANEL ASSEMBLY	MF5980dw EUR	
26	FM4-9765-010		1	CONTROL PANEL ASSEMBLY	MF5980dw LTN,SG,AU	
26	FM4-9762-010		1	CONTROL PANEL ASSEMBLY	MF5960dn	
26	FM4-9826-010		1	CONTROL PANEL ASSEMBLY	MF5950dw US,CA,LTN	
26	FM4-9766-010		1	CONTROL PANEL ASSEMBLY	MF5950dw CN	
26	FM4-9767-010		1	CONTROL PANEL ASSEMBLY	MF5950dw KR	
26	FM4-9764-010		1	CONTROL PANEL ASSEMBLY	MF5940dn	
26	FM4-9832-010		1	CONTROL PANEL ASSEMBLY	MF5930dn	
27	FM4-5370-000		1	INNER COVER ASSEMBLY		
28	RU5-2895-000		2	SPRING, TENSION		
29	FC8-9837-000		1	COVER, FRONT		
30	RM1-6441-000		1	DUPLEXING PAPER FEED ASS'Y		
31	RM1-6427-000		1	MP LIFTING PLATE ASSEMBLY		
32	FE2-2412-000		1	LABEL, CARTRIDGE	CN	

**FIGURE 100A**  
**EXTERNAL COVERS, PANELS,**  
**ETC.(MF6880,MF6780,D1300,DPC995 Series)**



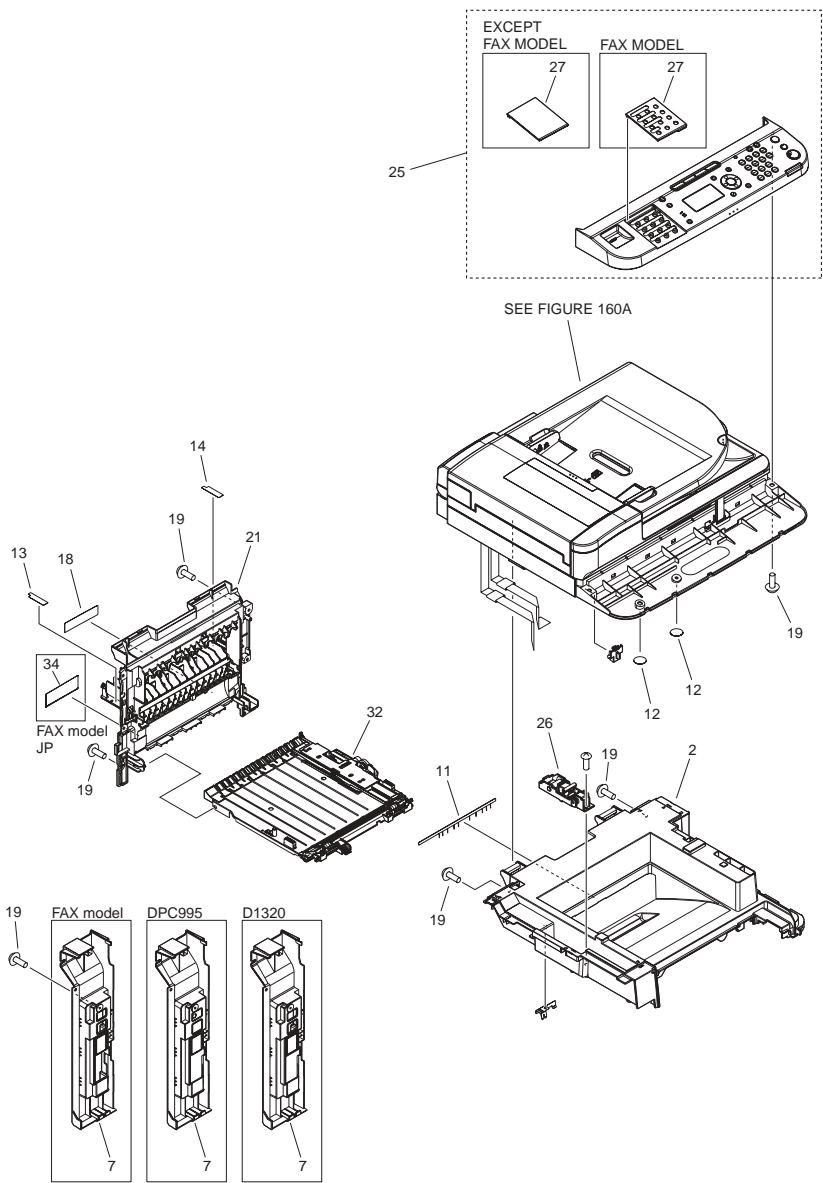


FIGURE & KEY NO.	PARTS NUMBER	R A N K	Q'TY	DESCRIPTION	SERIAL NUMBER/ REMARKS	S V C
Fig.100A	NPN		RF	EXTERNAL COVERS, PANELS, ETC.	MF6880,MF6780,D1300.D PC995 Series	
1	FL3-6695-000		1	EMBLEM	DPC995	
1	FC5-5256-000		1	EMBLEM	Satera	
1	FC7-0496-000		1	EMBLEM	imageCLASS	
2	FC0-4168-000		1	COVER, UPPER		
3	FC9-2007-000		1	COVER, MULTI FEED		
4	FC0-4170-000		1	COVER, MULTI FEED UPPER		
5	FC0-3132-000		1	COVER, LEFT		
6	FC9-2018-000		1	COVER, FRONT, LEFT	DPC995	
6	FL3-5852-000		1	COVER, FRONT, LEFT	EXCEPT DPC995	
7	FC0-3133-000		1	COVER, LEFT, REAR	FAX model	
7	FC0-3134-000		1	COVER, LEFT, REAR	DPC995	
7	FC0-3162-000		1	COVER, LEFT, REAR	D1320	
8	FC9-2055-000		1	COVER, RIGHT		
9	FC9-2056-000		1	COVER, REAR RIGHT		
10	FC0-4169-000		1	COVER, RIGHT, UPPER		
11	FC9-8944-000		1	ELIMINATOR, STATIC CHARGE		
12	FC9-2166-000		2	SHEET, ELES. PREVENTION		
13	FC9-8934-000		1	LABEL, HIGH TMP. CAUTION		
14	FC9-8943-000		1	LABEL, HIGH TMP. CAUTION		
15	FC0-3196-000		1	LABEL, USB	EXCEPT DPC995	
16	FU7-8091-000		1	LABEL,GROUNDING CAUTION	JP	
17	HB1-5537-000		2	SHEET,BLANKING		
18	FC9-4897-000		1	LABEL, SIZE EXCHANGE		
19	XA9-1671-000		AR	SCREW, D, M3X8		
20	FC0-6761-000		1	LABEL, SIZE, MANUAL FEED	JP	
20	FC9-7005-000		1	LABEL, SIZE, MANUAL FEED	EXCEPT JP	
21	FM1-D779-000		1	REAR COVER ASSEMBLY	MF6880dw	
21	FM0-3613-000		1	REAR COVER ASSEMBLY	EXCEPT MF6880dw	
22	FM4-9829-000		1	EXPANSION TRAY ASSEMBLY	JP	
22	FM3-9793-000		1	EXPANSION TRAY ASSEMBLY	EXCEPT JP	



FIGURE & KEY NO.	PARTS NUMBER	R A N K	Q'TY	DESCRIPTION	SERIAL NUMBER/ REMARKS	S V C
23	FM4-9783-000		1	INNER COVER ASSEMBLY		
24	FC9-2016-000		1	COVER, FRONT, LOWER		
25	FM1-C357-000		1	CONTROL PANEL ASSEMBLY	MF6880dw	
25	FM4-9772-010		1	CONTROL PANEL ASSEMBLY	MF6780dw	
25	FM4-9773-010		1	CONTROL PANEL ASSEMBLY	D1380	
25	FM4-9770-010		1	CONTROL PANEL ASSEMBLY	D1370	
25	FM4-9774-010		1	CONTROL PANEL ASSEMBLY	D1350 TW	
25	FM4-9771-010		1	CONTROL PANEL ASSEMBLY	D1350 US,CA,LTN	
25	FM4-9775-000		1	CONTROL PANEL ASSEMBLY	D1320	
25	FM4-9776-000		1	CONTROL PANEL ASSEMBLY	DPC995	
26	FM3-9816-000		1	HINGE ASSEMBLY		
27	FC0-4143-000		1	COVER, ONE-TOUCH	FAX model JP	
27	FC0-4141-000		1	COVER, ONE-TOUCH	FAX model US D1370	
27	FC0-4142-000		1	COVER, ONE-TOUCH	FAX model US,CA,LTN D1350	
27	FC0-4144-000		1	COVER, ONE-TOUCH	FAX model CN	
27	FC0-4145-000		1	COVER, ONE-TOUCH	FAX model TW	
27	FC0-3108-000		1	COVER, ONE-TOUCH	EXCEPT FAX model	
28	RC2-6273-000		1	HINGE, MULTI-PURPOSE, RIGHT		
29	RC2-8291-000		1	HINGE, MULTI-PURPOSE, LEFT		
30	RM1-6427-000		1	MP LIFTING PLATE ASSEMBLY		
31	RU5-2895-000		2	SPRING, TENSION		
32	RM1-6441-000		1	DUPLEXING PAPER FEED ASS'Y		
33	FE2-2412-000		1	LABEL, CARTRIDGE	CN	
34	FE3-3780-000		1	LABEL, PORT	FAX model JP	

# FIGURE 101 INTERNAL COMPONENTS 1

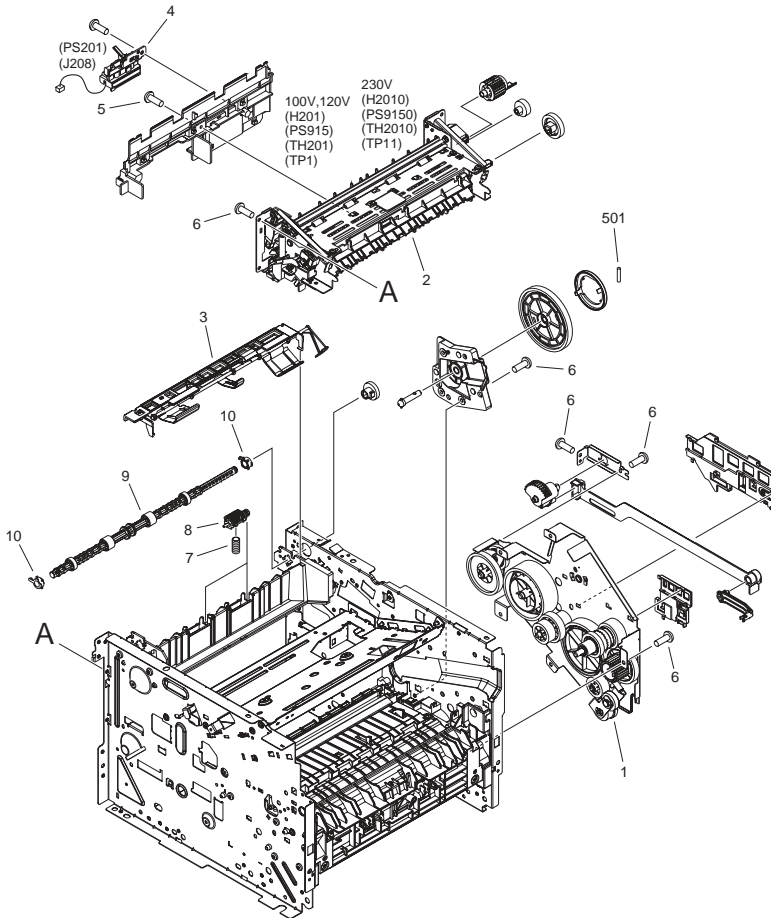


FIGURE & KEY NO.	PARTS NUMBER	RANK	Q'TY	DESCRIPTION	SERIAL NUMBER/REMARKS	SVC
Fig.101	NPN		RF	INTERNAL COMPONENTS 1		
1	RM1-6421-000		1	MAIN DRIVE ASS'Y	MF5900 Series	
1	FM3-9797-000		1	MAIN DRIVE ASSEMBLY	MF6880,MF6780,D1300,D PC995 Series	
2	FM3-9088-000		1	FIXING ASS'Y	100V H201,PS915,TH201,TP1	
2	RM1-6405-000		1	FIXING ASS'Y	120V H201,PS915,TH201,TP1	
2	RM1-6406-000		1	FIXING ASS'Y	230V H2010,PS9150,TH2010,T P11	
3	RM1-7691-000		1	PAPER RETAINING DELIVERY ASS'Y		
4	RM1-6445-000		1	REVERSE SENSOR ASS'Y	PS201	
5	XA9-1503-000		AR	SCREW, TAP, M3X6		
6	XA9-1671-000		AR	SCREW, D, M3X8		
7	RU6-2610-000		2	SPRING, COMPRESSION		
8	RL1-2111-000		2	FACE-DOWN ROLLER UNIT		
9	RL1-2112-000		1	ROLLER, FACE-DOWN		
10	RC2-6237-000		2	BUSHING		
501	XD3-2300-322		1	PIN		



FIGURE & KEY NO.	PARTS NUMBER	R A N K	Q'TY	DESCRIPTION	SERIAL NUMBER/ REMARKS	S V C
Fig.102	NPN		RF	INTERNAL COMPONENTS 2		
1	RC2-6130-000		2	ROLLER, CASSETTE PAPER PICK-UP		
2	XA9-0994-000		1	SCREW, TP, M4X6		
3	RU5-2898-000		1	SPRING, TENSION		
4	RL1-2115-000		1	PAD, MULTI-PURPOSE SEPARATION		
5	RM1-1301-000		1	PAPER PICK-UP GEAR ASS'Y		
6	RM1-6350-000		1	MULTI-PURPOSE SENSOR PCB ASS'Y	PS202	
7	RM1-6378-000		1	MAIN MOTOR ASS'Y	M201	
8	RM1-6414-000		1	PAPER PICK-UP ROLLER ASS'Y		
9	XA9-1671-000		AR	SCREW, D, M3X8		
10	FM4-9787-000		1	MAIN SWITCH UNIT	MF6880dw,MF6780dw SW10	
10	FM4-5367-000		1	MAIN SWITCH UNIT	EXCEPT MF6880dw,MF6780dw SW1	
11	FM4-9055-000		1	INLET CABLE ASSEMBLY	MF6880dw,MF6780dw P10	
11	FM4-5386-000		1	INLET CABLE ASSEMBLY	EXCEPT MF6880dw,MF6780dw P1	
501	XD1-3100-407		1	LOCK-WASHER, SPRING		

FIGURE 103  
INTERNAL COMPONENTS 3

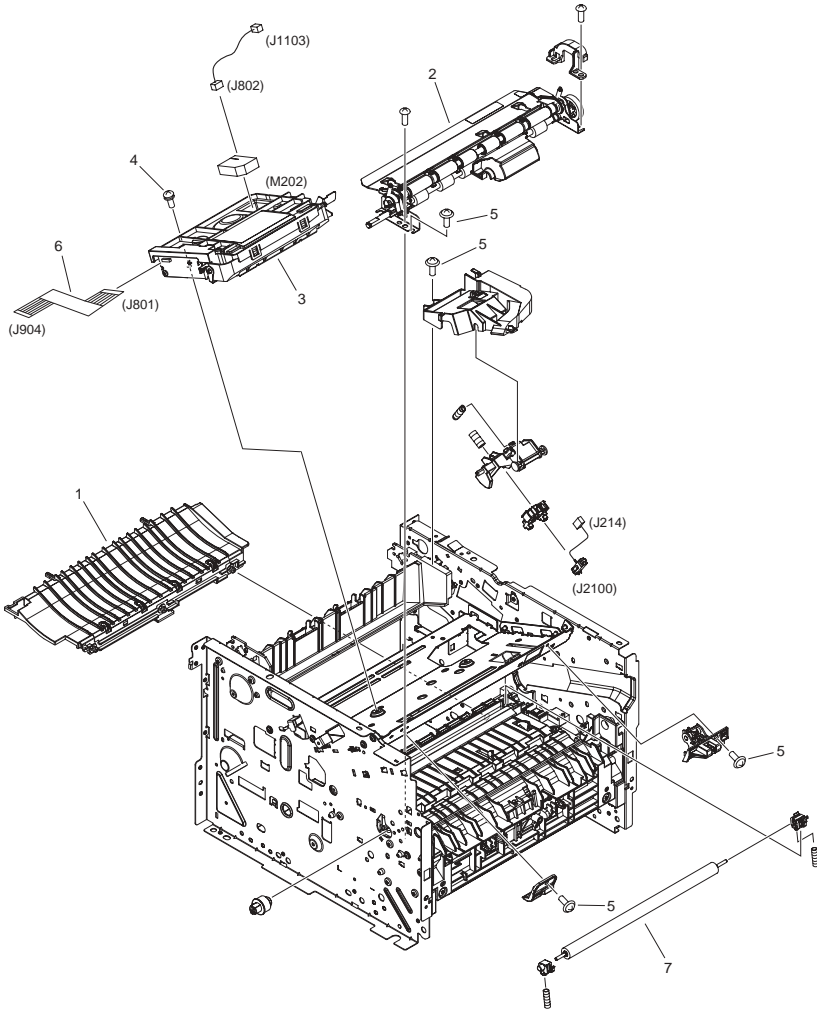
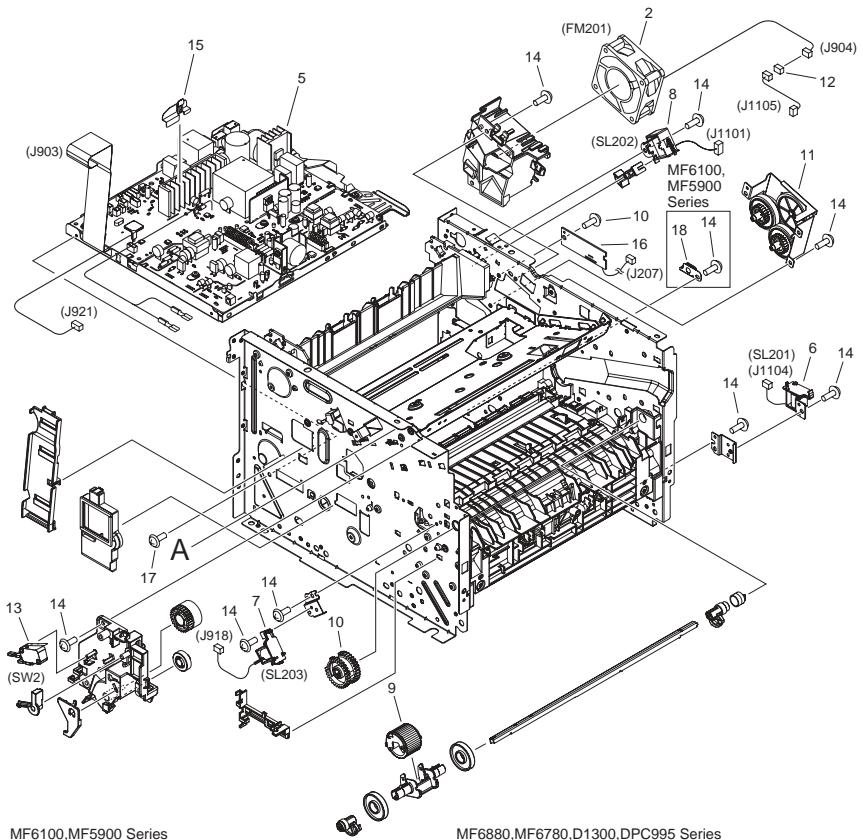
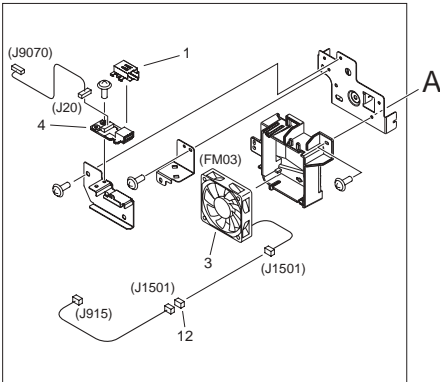


FIGURE & KEY NO.	PARTS NUMBER	RANK	Q'TY	DESCRIPTION	SERIAL NUMBER/REMARKS	SVC
Fig.103	NPN		RF	INTERNAL COMPONENTS 3		
1	RM1-6402-000		1	PAPER FEED GUIDE ASS'Y		
2	FM4-1659-000		1	REGISTRATION ASS'Y		
3	RM1-6424-000		1	SCANNER ASS'Y	M202	
4	XA9-1420-000		AR	SCREW, WWASHER, M3X8		
5	XA9-1671-000		AR	SCREW, D, M3X8		
6	FK3-0730-000		1	CABLE, FLAT		
7	RM1-6450-000		1	TRANSFER ROLLER ASS'Y		

# FIGURE 104 INTERNAL COMPONENTS 4



MF6100, MF5900 Series



MF6880, MF6780, D1300, DPC995 Series

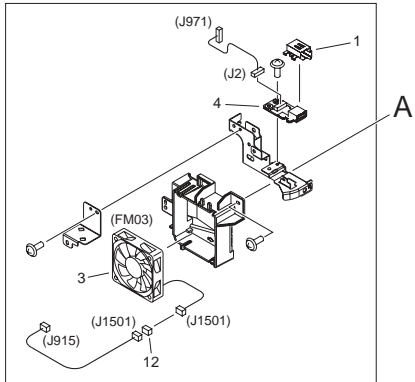




FIGURE & KEY NO.	PARTS NUMBER	R A N K	Q'TY	DESCRIPTION	SERIAL NUMBER/ REMARKS	S V C
Fig.104	NPN		RF	INTERNAL COMPONENTS 4		
1	FC9-2142-000		1	PLATE, USB GROUNDING		
2	FK2-2064-000		1	FAN	FM201	
3	FK3-0732-000		1	FAN	FM03	
4	FM4-3989-000		1	USB PCB ASSEMBLY		
5	FM4-9009-010		1	ENGINE CONTROLLER PCB ASS'Y	MF6100,MF5900 Series 120V	
5	FM4-9010-000		1	ENGINE CONTROLLER PCB ASS'Y	MF6100,MF5900 Series 230V	
5	FM4-9011-000		1	ENGINE CONTROLLER PCB ASS'Y	EXCEPT MF6100,MF5900 Series 100V,120V	
5	FM4-9012-000		1	ENGINE CONTROLLER PCB ASS'Y	EXCEPT MF6100,MF5900 Series 230V	
6	RK2-2729-000		1	SOLENOID	SL201	
7	RK2-2731-000		1	SOLENOID	SL203	
8	RK2-2733-000		1	SOLENOID	SL202	
9	RL1-2120-000		1	ROLLER,MULTI-PURPOSE PICK-UP		
10	RM1-4275-000		1	PAPER PICK-UP GEAR ASS'Y		
11	RM1-6423-000		1	REVERSE DRIVE ASS'Y		
12	VS1-7177-003		1	CONNECTOR, SNAP TIGHT, BK		
13	WC4-5171-000		1	MICROSWITCH	SW2	
14	XA9-1671-000		AR	SCREW, D, M3X8		
15	FC9-8942-000		1	SHEET, PROTECTIVE		
16	FM4-1605-000		1	CONNECTING PCB ASS'Y		
17	XA9-1503-000		AR	SCREW, TAP, M3X6		
18	RC2-1568-000		1	PLATE, GROUNDING	MF6100,MF5900 Series	

# FIGURE 105 INTERNAL COMPONENTS 5

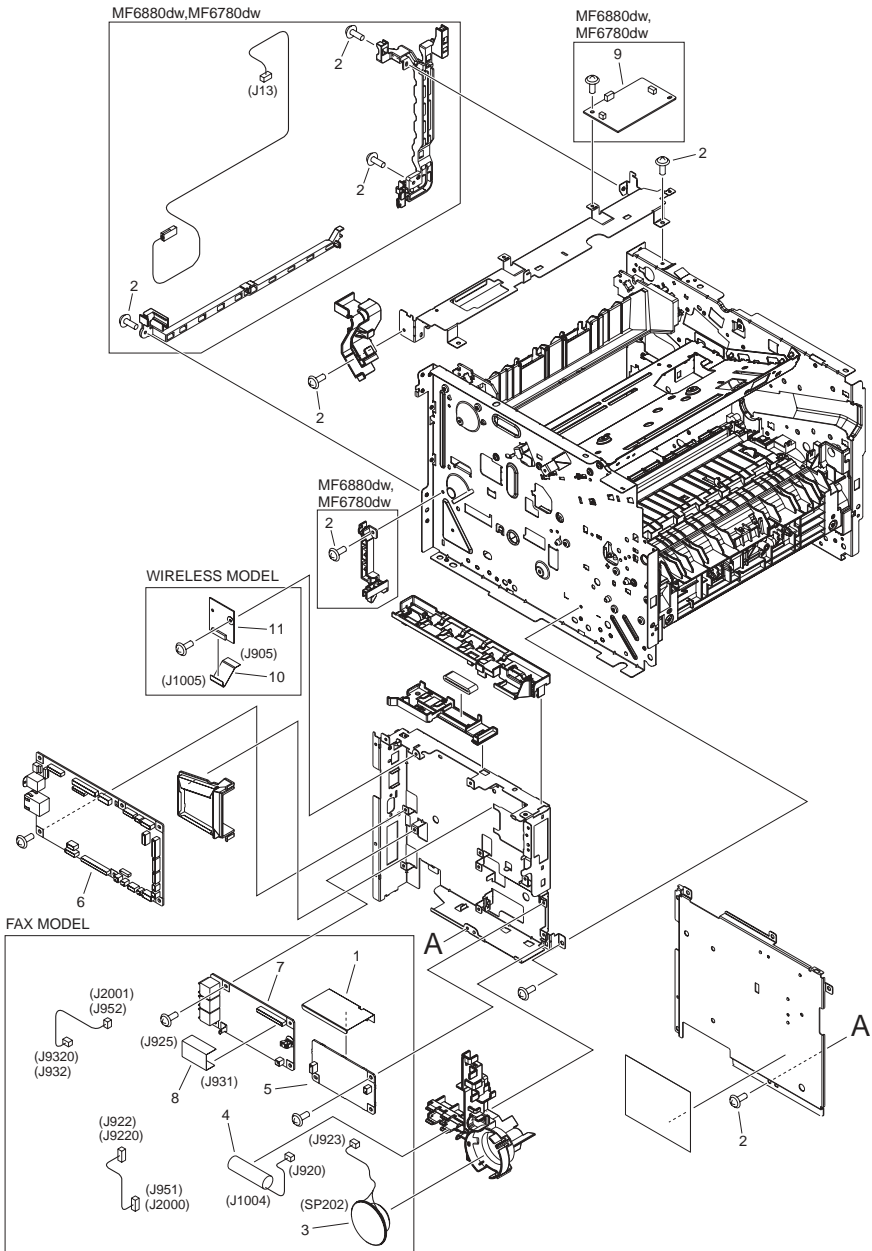


FIGURE & KEY NO.	PARTS NUMBER	R A N K	Q'TY	DESCRIPTION	SERIAL NUMBER/ REMARKS	S V C
Fig.105	NPN		RF	INTERNAL COMPONENTS 5		
1	FC0-3182-000		1	SHEET, CABLE PROTECTION	FAX model	
2	XA9-1671-000		AR	SCREW, D, M3X8		
3	FK3-1826-000		1	SPEAKER	FAX model SP202	
4	FK3-1626-000		1	BATTERY, NI-MH	FAX model	
5	FM4-8967-000		1	P-CI PCB ASSEMBLY	FAX model MF6880dw,MF6780dw	
5	FM4-8968-000		1	OFFHOOK PCB ASSEMBLY	FAX model EXCEPT MF6880dw,MF6780dw	
6	FM1-E999-000		1	MAIN CONTROLLER PCB ASSEMBLY	MF6880dw	
6	FM4-9214-000		1	MAIN CONTROLLER PCB ASSEMBLY	MF6780dw	
6	FM1-E990-000		1	MAIN CONTROLLER PCB ASSEMBLY	MF6180dw	
6	FM1-E991-000		1	MAIN CONTROLLER PCB ASSEMBLY	MF6160dw	
6	FM4-9211-000		1	MAIN CONTROLLER PCB ASSEMBLY	MF5980dw	
6	FM4-9209-000		1	MAIN CONTROLLER PCB ASSEMBLY	MF5960dn	
6	FM4-9210-000		1	MAIN CONTROLLER PCB ASSEMBLY	MF5950dw	
6	FM4-9208-000		1	MAIN CONTROLLER PCB ASSEMBLY	MF5940dn	
6	FM4-9207-000		1	MAIN CONTROLLER PCB ASSEMBLY	MF5930dn	
6	FM4-9212-000		1	MAIN CONTROLLER PCB ASSEMBLY	D1380	
6	FM4-9213-000		1	MAIN CONTROLLER PCB ASSEMBLY	D1370	
6	FM4-8947-000		1	MAIN CONTROLLER PCB ASSEMBLY	D1350	
6	FM4-8946-000		1	MAIN CONTROLLER PCB ASSEMBLY	D1320	
6	FM4-8945-000		1	MAIN CONTROLLER PCB ASSEMBLY	DPC995	
7	FM4-8963-000		1	NCU PCB ASSEMBLY	FAX model JP	
7	FM4-8965-000		1	NCU PCB ASSEMBLY	FAX model EUR	
7	FM4-8964-000		1	NCU PCB ASSEMBLY	FAX model EXCEPT JP,EUR,MF6180dw,MF6160dw	
7	FM1-E992-000		1	NCU PCB ASSEMBLY	FAX model MF6180dw,MF6160dw	
8	FK3-1820-000		1	CABLE, FLAT	FAX model EXCEPT MF6180dw,MF6160dw	
8	FK4-1145-000		1	CABLE, FLAT	FAX model MF6180dw,MF6160dw	
9	FM4-9008-000		1	ARRESTOR PCB ASSEMBLY	MF6780dw	

FIGURE & KEY NO.	PARTS NUMBER	R A N K	Q'TY	DESCRIPTION	SERIAL NUMBER/ REMARKS	S V C
10	FK3-1821-000		1	CABLE, FLAT	WIRELESS model	
11	FM4-9831-000		1	WIRELESS LAN PCB ASSEMBLY	WIRELESS model	

FIGURE 106  
INTERNAL COMPONENTS 6 (MF6100, MF5900 Series)

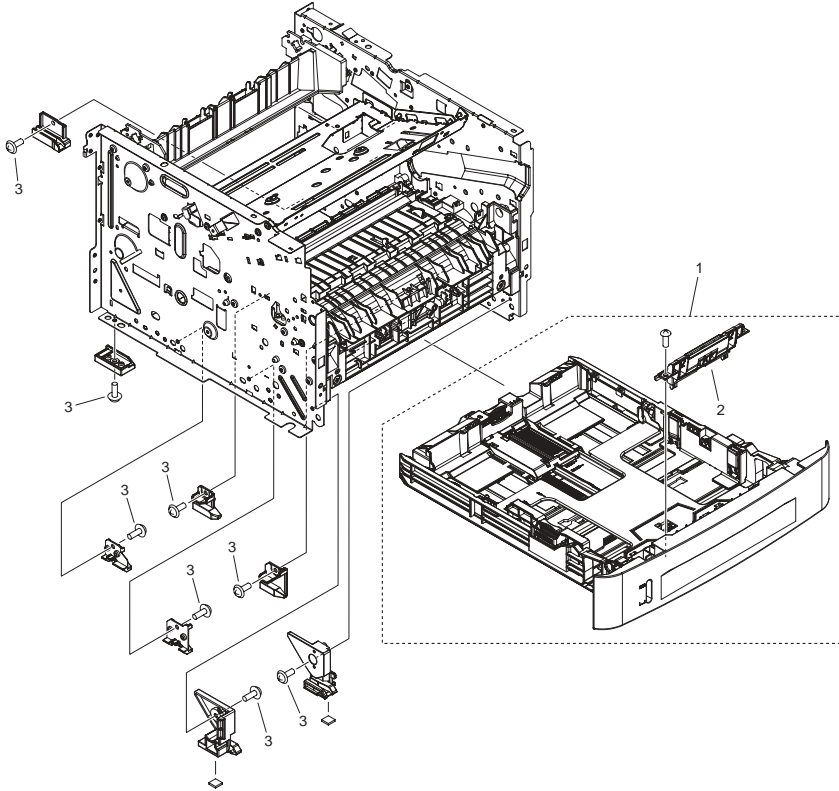


FIGURE & KEY NO.	PARTS NUMBER	RANK	Q'TY	DESCRIPTION	SERIAL NUMBER/REMARKS	SVC
Fig.106	NPN		RF	INTERNAL COMPONENTS 6	MF6100,MF5900 Series	
1	FM0-4723-000		1	CASSETTE ASS'Y		
2	RM1-6397-000		1	SEPARATION PAD HOLDER ASS'Y		
3	XA9-1671-000		AR	SCREW, D, M3X8		

FIGURE 106A  
INTERNAL COMPONENTS 6  
(MF6880, MF6780, D1300, DPC995 Series)

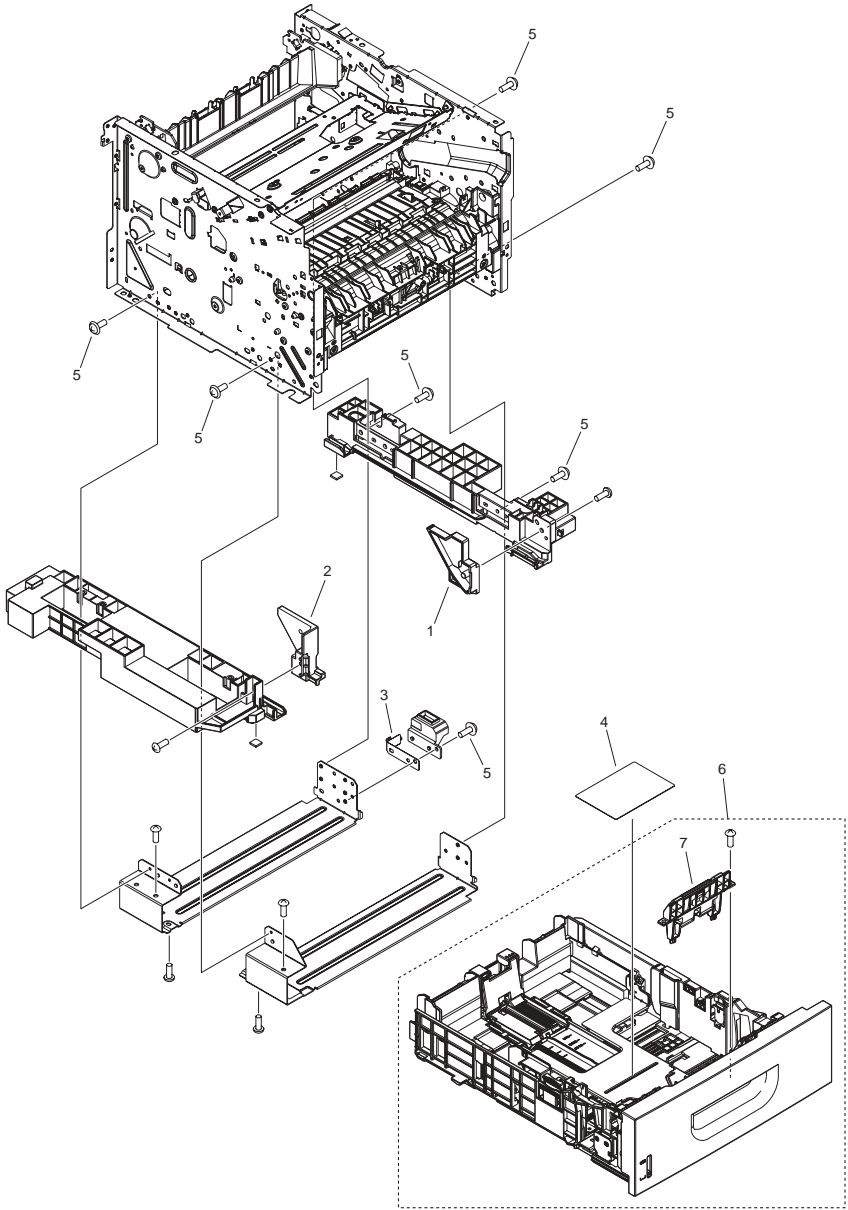


FIGURE & KEY NO.	PARTS NUMBER	RANK	Q'TY	DESCRIPTION	SERIAL NUMBER/REMARKS	SVC
Fig.106A	NPN		RF	INTERNAL COMPONENTS 6	MF6880,MF6780,D1300,D PC995 Series	
1	FC9-2068-000		1	GUIDE, CASSETTE, RIGHT		
2	FC9-2069-000		1	GUIDE, CASSETTE, LEFT		
3	FC9-2071-000		1	SPRING, LEAF		
4	FC9-4891-000		1	LABEL, EXCHANGE CONTROL PANEL		
5	XA9-1671-000		AR	SCREW, D, M3X8		
6	FM3-9798-000		1	CASSETTE ASSEMBLY		
7	RM1-6454-000		1	SEPARATION PAD ASS'Y		



# FIGURE 160 READER/ADF ASSEMBLY (MF6100, MF5900 Series)

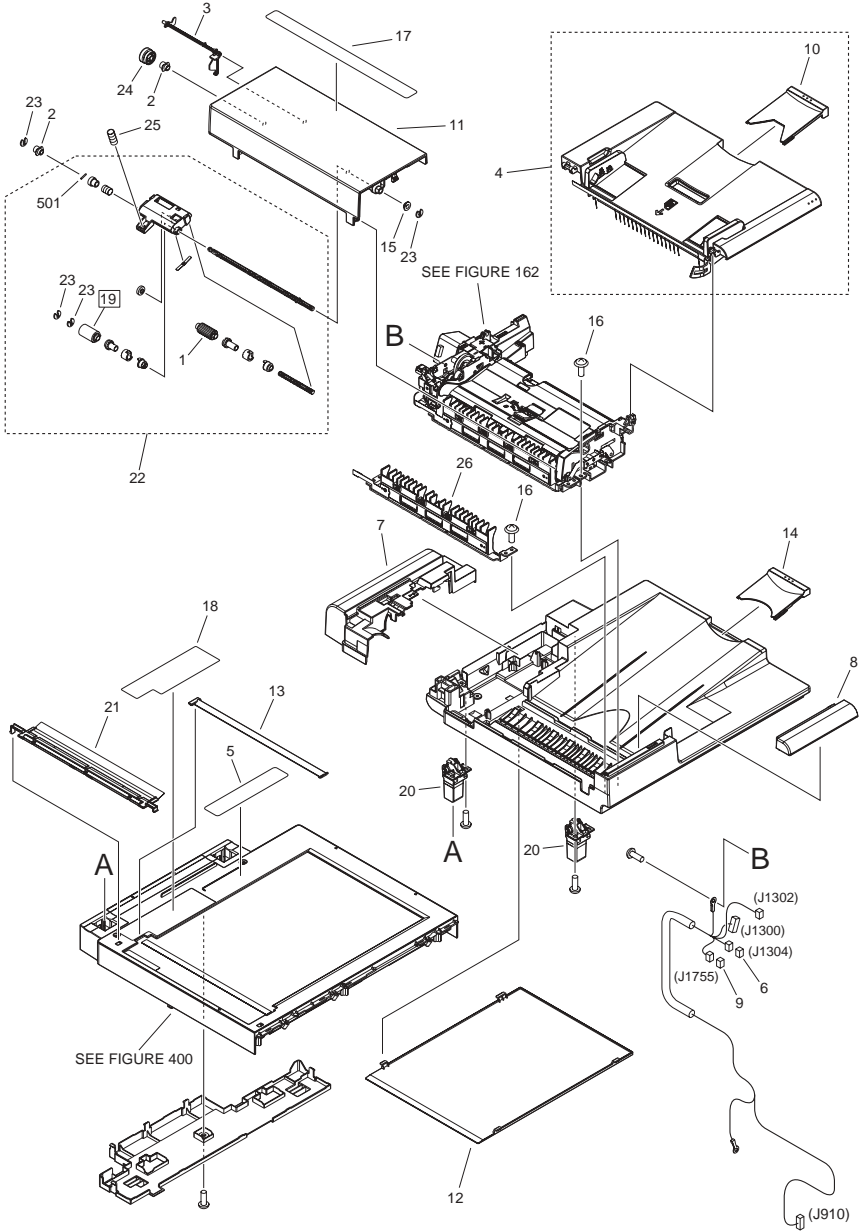


FIGURE & KEY NO.	PARTS NUMBER	R A N K	Q'TY	DESCRIPTION	SERIAL NUMBER/ REMARKS	S V C
Fig.160	NPN		RF	READER/ADF ASSEMBLY	MF6100,MF5900 Series	
1	FC7-6189-000		1	ROLLER, PICK-UP		
2	FC7-6320-000		2	BUSHING		
3	FC7-6321-000		1	FLAG, DOCUMENT SCANNER		
4	FM4-1876-000		1	DOCUMENT TRAY ASSEMBLY		
5	FC9-1494-000		1	LABEL, COPY PROHIBITION	US,CA,LTN,EUR	
5	FC9-5111-000		1	LABEL, COPY PROHIBITION	LTN,SG,AU,CN,KR	
6	VS1-7177-002		1	CONNECTOR, SNAP TIGHT, BK		
7	FC9-1532-000		1	COVER, REAR		
8	FC9-1533-000		1	COVER, FRONT UPPER		
9	VS1-7207-004		1	CONNECTOR, SNAP TIGHT, BK		
10	FC9-1535-000		1	TRAY, SUB DOCUMENT		
11	FC9-1536-000		1	PANEL, OPEN/CLOSE		
12	FC9-1539-000		1	SHEET, WHITE		
13	FC9-5109-000		1	PLATE, PAPER SIZE	A SIZE	
13	FC9-7575-000		1	PLATE, PAPER SIZE	INCH/A SIZE	
13	FC9-7576-000		1	PLATE, PAPER SIZE	INCH/AB SIZE	
14	FC9-5655-000		1	TRAY, SUB		
15	HU1-1022-000		1	BUSHING		
16	XA9-0831-000		7	SCREW,M3X10		
17	FC9-7563-000		1	LABEL, SIZE INDEX	A SIZE	
17	FC9-7562-000		1	LABEL, SIZE INDEX	INCH/A SIZE	
17	FC9-7564-000		1	LABEL, SIZE INDEX	INCH/AB SIZE	
18	FC9-7567-000		1	LABEL, GLASS CLEANING	A SIZE	
18	FC9-7566-000		1	LABEL, GLASS CLEANING	INCH/A SIZE	
18	FC9-7568-000		1	LABEL, GLASS CLEANING	INCH/AB SIZE	
19	FL2-6637-000		1	ROLLER, SEPARATION	[DP]	
20	FL3-2453-000		2	HINGE, ADF		
21	FL3-3539-000		1	HOLDER, DOCUMENT,RELEASE SHEET		
22	FM3-9538-000		1	SEPARATION ROLLER ASSEMBLY		
23	HC1-0586-000		4	RETAINING RING		
24	FU7-0672-000		1	GEAR, 24T		

FIGURE & KEY NO.	PARTS NUMBER	R A N K	Q'TY	DESCRIPTION	SERIAL NUMBER/ REMARKS	S V C
25	FU7-2018-000		1	SPRING, COMPRESSION		
26	FM4-1883-000		1	PAPER FEED GUIDE ASSEMBLY		
501	XD9-0219-000		1	PIN, DOWEL		

**FIGURE 160A**  
**READER/ADF ASSEMBLY**  
**(MF6880, MF6780, D1300, DPC995 Series)**

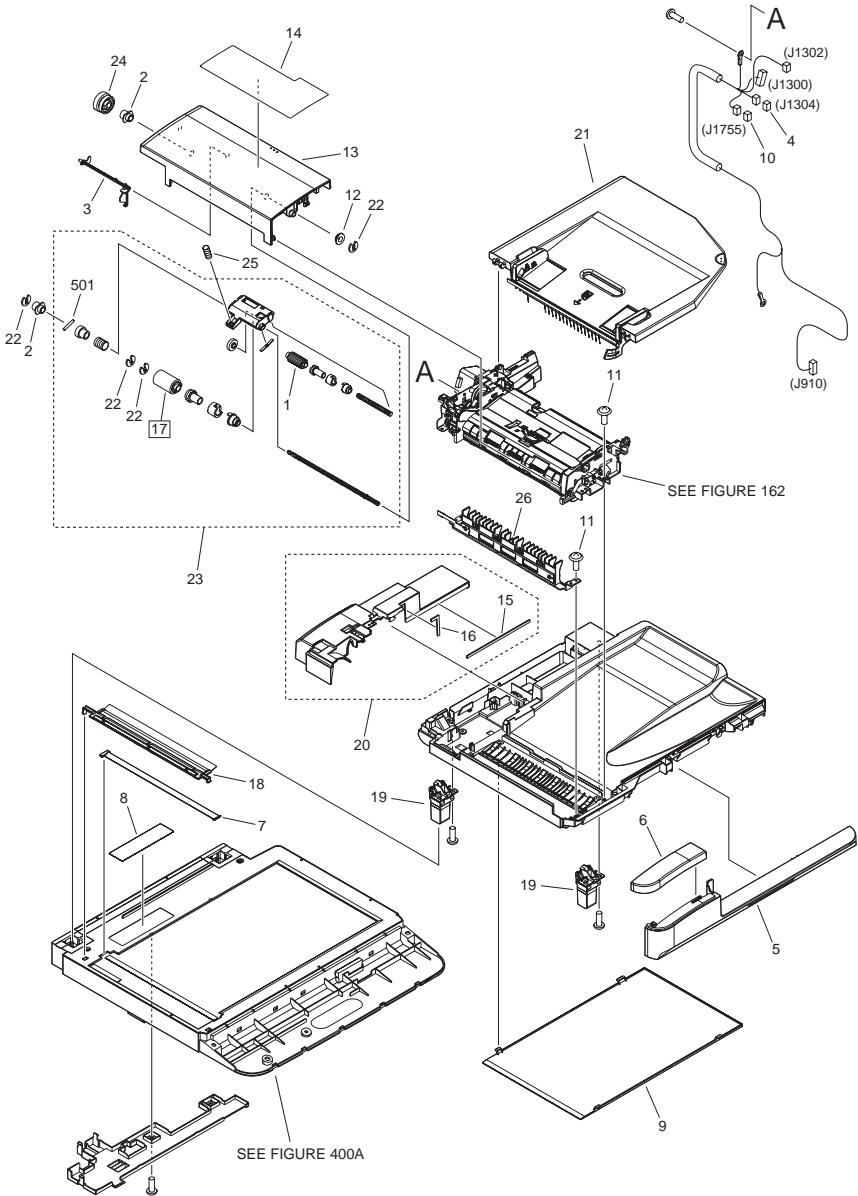


FIGURE & KEY NO.	PARTS NUMBER	R A N K	Q'TY	DESCRIPTION	SERIAL NUMBER/ REMARKS	S V C
Fig.160A	NPN		RF	READER/ADF ASSEMBLY	MF6880,MF6780,D1300.D PC995 Series	
1	FC7-6189-000		1	ROLLER, PICK-UP		
2	FC7-6320-000		2	BUSHING		
3	FC7-6321-000		1	FLAG, DOCUMENT SCANNER		
4	VS1-7177-002		1	CONNECTOR, SNAP TIGHT, BK		
5	FC9-1496-000		1	COVER, ADF, FRONT LOWER		
6	FC9-1497-000		1	COVER, ADF, FRONT UPPER	DPC995	
6	FC9-4998-000		1	COVER, ADF, FRONT UPPER	EXCEPT DPC995	
7	FC9-1486-000		1	PLATE, PAPER SIZE	INCH/A SIZE	
7	FC9-5110-000		1	PLATE, PAPER SIZE	INCH/AB SIZE	
7	FC9-5115-000		1	PLATE, PAPER SIZE	A/B SIZE	
8	FC9-1494-000		1	LABEL, COPY PROHIBITION	US,CA,LTN	
8	FC9-5111-000		1	LABEL, COPY PROHIBITION	JP,TW,CN	
9	FC9-1499-000		1	SHEET, WHITE		
10	VS1-7207-004		1	CONNECTOR, SNAP TIGHT, BK		
11	XA9-0831-000		7	SCREW,M3X10		
12	HU1-1022-000		1	BUSHING		
13	FC9-1504-000		1	PANEL, OPEN/CLOSE	DPC995	
13	FC9-4999-000		1	PANEL, OPEN/CLOSE	EXCEPT DPC995	
14	FU7-8987-000		1	LABEL, GLASS CLEANING	INCH/A SIZE	
14	FU7-8988-000		1	LABEL, GLASS CLEANING	INCH/AB SIZE	
14	FU7-8986-000		1	LABEL, GLASS CLEANING	A/B SIZE MF6780dw	
14	FU7-8990-000		1	LABEL, GLASS CLEANING	A/B SIZE DPC995	
15	FC9-5660-000		1	CUSHION		
16	FC9-5661-000		1	CUSHION		
17	FL2-6637-000		1	ROLLER, SEPARATION	[DP]	
18	FL3-3539-000		1	HOLDER, DOCUMENT,RELEASE SHEET		
19	FL3-1430-000		2	HINGE, ADF		
20	FL3-1439-000		1	ADF REAR COVER ASSY		
21	FM3-9534-000		1	DOCUMENT TRAY ASSEMBLY	DPC995	
21	FM4-1888-000		1	DOCUMENT TRAY ASSEMBLY	EXCEPT DPC995	

FIGURE & KEY NO.	PARTS NUMBER	RANK	Q'TY	DESCRIPTION	SERIAL NUMBER/REMARKS	SVC
22	HC1-0586-000		4	RETAINING RING		
23	FM3-9538-000		1	SEPARATION ROLLER ASSEMBLY		
24	FU7-0672-000		1	GEAR, 24T		
25	FU7-2018-000		1	SPRING, COMPRESSION		
26	FM4-1883-000		1	PAPER FEED GUIDE ASSEMBLY		
501	XD9-0219-000		1	PIN, DOWEL		

# FIGURE 162 PAPER FEEDER ASSEMBLY

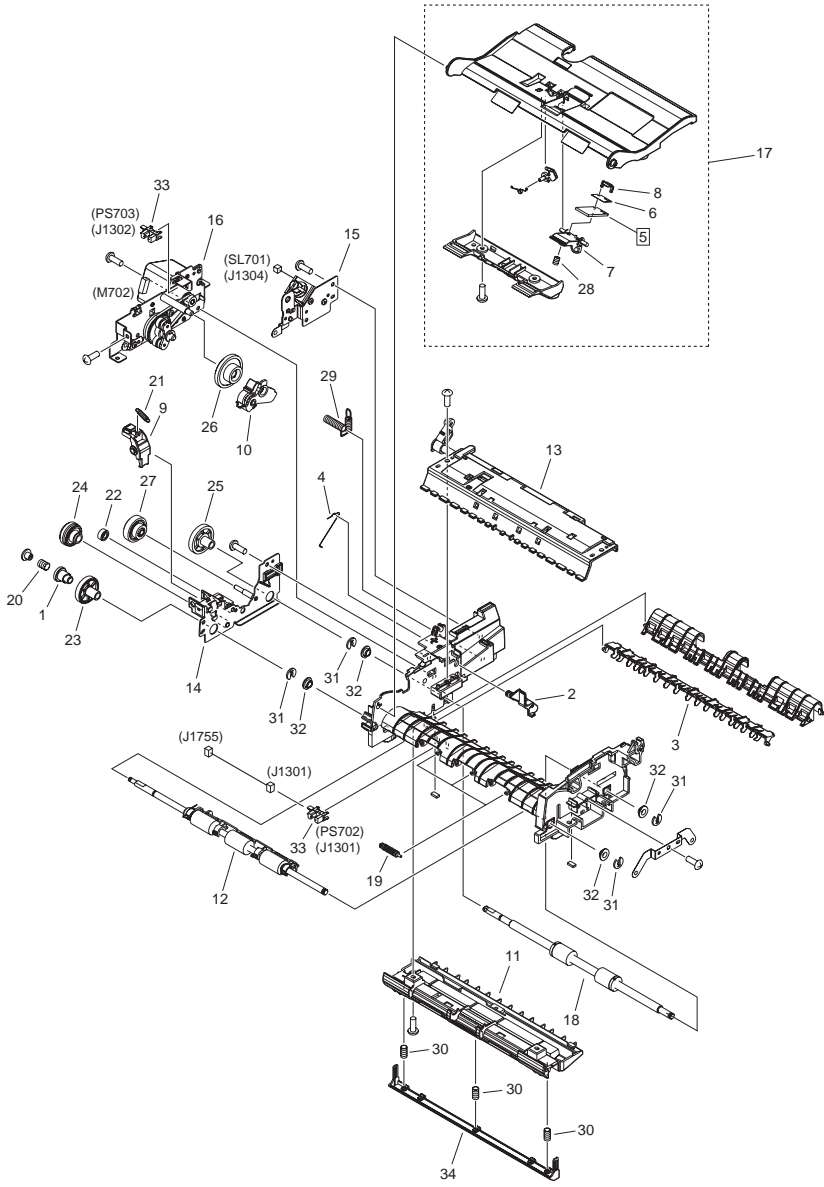


FIGURE & KEY NO.	PARTS NUMBER	R A N K	Q'TY	DESCRIPTION	SERIAL NUMBER/ REMARKS	S V C
Fig.162	NPN		RF	PAPER FEEDER ASSEMBLY		
1	FC7-6052-010		1	RATCHET, PAPER FEED ROLLER		
2	FC7-6182-000		1	LEVER, ROLLER RELEASE		
3	FC7-6278-000		1	FLAPPER, PAPER DELIVERY		
4	FC7-6281-000		1	SPRING, ARM		
5	FC7-6297-000		1	PAD, SEPARATION	[DP]	
6	FC9-5654-000		1	SHEET, SEPARATION PAD		
7	FC7-6299-000		1	HOLDER, SEPARATION PAD		
8	FC7-6300-000		1	CLAMP, SEPARATION PAD		
9	FC9-1512-000		1	LEVER, RELEASE		
10	FL3-1431-000		1	ARM, SEPARATION SWING		
11	FL3-1437-000		1	GUIDE LOWER ASSEMBLY		
12	FM4-1885-000		1	PAPER FEED ROLLER ASSEMBLY		
13	FM3-9541-000		1	PAPER DELIVERY ASSEMBLY		
14	FM3-9542-000		1	DRIVE PLATE ASSEMBLY		
15	FM3-9543-000		1	SOLENOID ASSEMBLY	SL701	
16	FM4-8853-000		1	MOTOR DRIVE ASSEMBLY	M702	
17	FM4-1873-000		1	GUIDE ASSEMBLY, UPPER		
18	FL3-2458-000		1	PAPER DELIVERY ROLLER ASSY		
19	FU5-6992-000		3	ROLLER, AUXILIARY		
20	FU6-2998-000		1	SPRING, COMPRESSION		
21	FU6-2999-000		1	SPRING, TENSION		
22	FU7-0667-000		1	GEAR, 20T		
23	FU7-0668-000		1	GEAR, 54T		
24	FU7-0669-000		1	GEAR, 46T/23T		
25	FU7-0671-000		1	GEAR, 36T		
26	FU7-0676-000		1	GEAR, 21T/42T		
27	FU7-0678-000		1	GEAR, 51T/17T		
28	FU7-2016-000		1	SPRING, COMPRESSION		
29	FU7-2021-000		1	SPRING, COMPRESSION		
30	FU8-2008-000		3	SPRING, COMPRESSION		
31	HC1-0586-000		5	RETAINING RING		



FIGURE & KEY NO.	PARTS NUMBER	R A N K	Q'TY	DESCRIPTION	SERIAL NUMBER/ REMARKS	S V C
32	HU1-1022-000		4	BUSHING		
33	WG8-5696-000		2	PHOTO INTERRUPTER, TLP1243	PS702,PS703	
34	FC9-1537-000		1	PLATE, SEPARATION GUIDE		

# FIGURE 400 READER ASSEMBLY (MF6100, MF5900 Series)

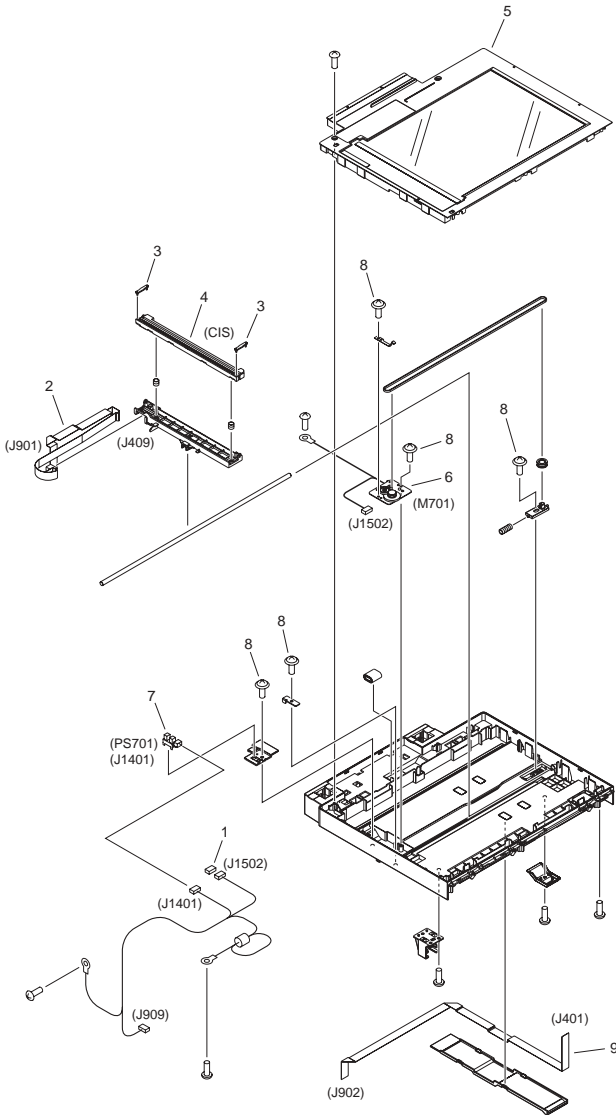


FIGURE & KEY NO.	PARTS NUMBER	RANK	Q'TY	DESCRIPTION	SERIAL NUMBER/REMARKS	SVC
Fig.400	FM0-3578-000		1	READER ASSEMBLY	MF6100,MF5900 Series	
1	VS1-7177-004		1	CONNECTOR, SNAP TIGHT, BK		
2	FL3-5850-000		1	CABLE, FLAT		
3	FC9-7574-000		2	SPACER, CIS		
4	FK3-1904-000		1	CONTACT IMAGE SENSOR	CIS	
5	FM0-3579-000		1	READER COVER UNIT		
6	FM4-9070-000		1	DC MOTOR ASSEMBLY	M701	
7	WG8-5696-000		1	PHOTO INTERRUPTER, TLP1243	PS701	
8	XA9-0476-000		AR	SCREW,TP M3X8		
9	FK3-1907-000		1	CABLE, FLAT		

# FIGURE 400A READER ASSEMBLY (MF6880, MF6780, D1300, DPC995 Series)

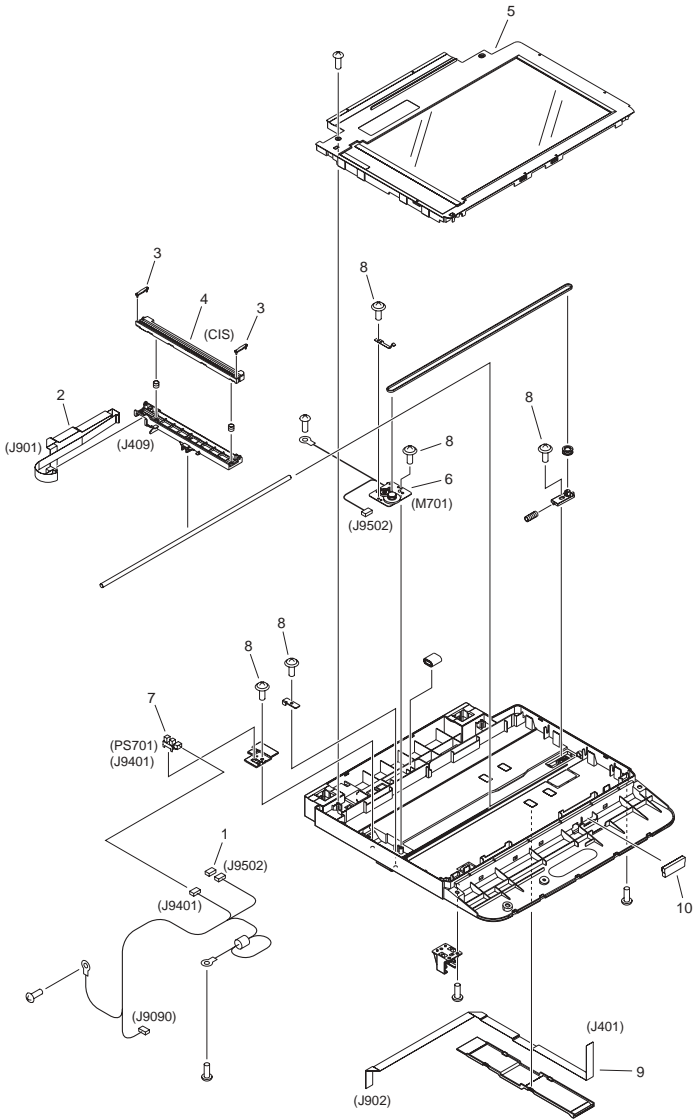


FIGURE & KEY NO.	PARTS NUMBER	R A N K	Q'TY	DESCRIPTION	SERIAL NUMBER/ REMARKS	S V C
Fig.400A	FM4-8841-000		1	READER ASSEMBLY	MF6880,MF6780,D1300.D PC995 Series	
1	VS1-7177-004		1	CONNECTOR, SNAP TIGHT, BK		
2	FL3-5849-000		1	CABLE, FLAT		
3	FC9-7574-000		2	SPACER, CIS		
4	FK3-1904-000		1	CONTACT IMAGE SENSOR	CIS	
5	FM4-9072-000		1	READER COVER UNIT		
6	FM4-9071-000		1	DC MOTOR ASSEMBLY	M701	
7	WG8-5696-000		1	PHOTO INTERRUPTER, TLP1243	PS701	
8	XA9-0476-000		AR	SCREW,TP M3X8		
9	FK3-1908-000		1	CABLE, FLAT		
10	FC0-4177-000		1	SHEET, CABLE PROTECTION		

# FIGURE ZZA

## MECHANICAL STANDARD PARTS (HOW TO USE)

### Mechanical standard parts

#### 機械標準部品

##### About a mechanical standard parts

A Mechanical standard parts is a mechanical part which not parts peculiar to a product. They are parts which are common to a Canon product and are used, such as a screw and a washer. The Fig No. and parts number of the mechanical standard parts are not listed in the product parts catalog. Refer to the parts catalog of mechanical standard parts when checking the parts number for screw or washer etc. and identify them by part shape or size.

##### 機械標準部品とは

機械標準部品とは、製品特有の部品ではなく、ねじやワッシャなどキヤノン製品共通で使用されている機械部品（メカ部品）のことです。  
製品のパーツカタログには、機械標準部品のFig No.や部品番号は記載しておりません。  
ねじや、ワッシャ等の部品番号を調べるときは、機械標準部品のパーツカタログを参照し、部品の形状や大きさから判断し、使用している部品を調べてください。

##### Material and surface treatment of a mechanical standard parts

Material and surface treatment of mechanical standard parts are assigned commonly for each part. Refer to the Table 1 for the parts which material and surface treatment are assigned as numbers.

##### 機械標準部品の材料および表面処理

機械標準部品の材料および表面処理については、各種部品共通で決められています。  
材料および表面処理が番号で決められている部品については、表1を参照してください。

Table 1 Material and Surface treatment

表1 材料および表面処理

No. 番号	Material 材料	Surface treatment 表面処理	Color 色
1	Stainless steel ステンレス	Stainless steel black coloring (BC4) ステンレス黒着色(BC4)	Black 黒
2		not to be given なし	White 白
3	Brass 黄銅	Regular nickel plating (NL) 普通ニッケルメッキ(NL)	White 白
4		Black nickel plating (BN) 黒色ニッケルメッキ(BN)	Black 黒
5	Steel 鋼	White zinc trivalent chromate treating (ZC3) 白色亜鉛3価クロメート(ZC3)	White 白
6		Regular nickel chromium plating (NC) 普通ニッケルクロムメッキ(NC)	White 白
7		Regular nickel plating (NL) 普通ニッケルメッキ(NL)	White 白
8		Iron and steel phosphating (P1) 鉄鋼磷酸塩処理(P1)	Black 黒
9		Black zinc trivalent chromate treating (BZ3) 黒色亜鉛3価クロメート(BZ3)	Black 黒

# FIGURE ZZB MECHANICAL STANDARD PARTS (SCREWS)

## 1. Screws ねじ

How to read Parts Numbers  
部品番号の見方

Screws  
ねじ

XB1-2400-609

Type No.  
類別番号

Normal designation (d)  
ねじの呼び(d)

Length (L)  
ねじの長さ(L)

Material and Surface treatment  
材料および表面処理

XB1-2 expresses Binding head machine screw.  
XB1-2は、バインドねじを表す

40 expresses M4.0.  
40は、M4.0を表す

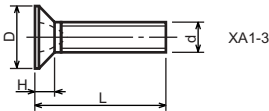
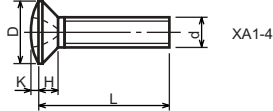
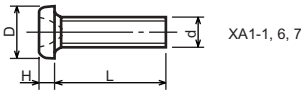
0-60 expresses a length of 6.0mm.  
0-60は、6.0mmの長さを表す

9 expresses Steel (Black zinc trivalent chromate  
treating) from Table 1.

9は、表1より鋼(黒色亜鉛3価クロメート)を表す

### 1-1. Cross Recessed Head Screws for Precision Equipments

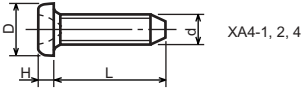
精密機器用十字穴付き小ねじ



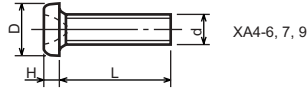
Type No. 類別番号	Type 類別
XA1-1	Pan head Class 1 なべ1種
XA1-3	Countersunk head Class 1 さら1種
XA1-4	Oval countersunk head Class 1 丸さら1種
XA1-6	Pan head Class 3 なべ3種
XA1-7	Pan head Class 2 なべ2種

		Head size (mm) 頭部寸法 (mm)					
		M1.4	M1.6	M1.7	M2	M2.5	M2.6
D	XA1-1	2	2.4	2.5	3	3.8	4
H	XA1-1	0.5	0.55	0.5	0.6	0.9	0.8
D	XA1-3	2	2.4	2.5	3	3.8	4
H	XA1-3	0.48	0.55	0.58	0.73	0.85	0.93
D	XA1-4	2	2.4	2.5	3	3.8	4
H + K	XA1-4	0.68	0.8	0.88	1	1.25	1.3
D	XA1-6	2.5	2.8	3	3.5	4.3	4.5
H	XA1-6	0.8	0.85	0.9	1	1.3	1.2
D	XA1-7	2.5	2.8	3	3.5	4.3	4.5
H	XA1-7	0.5	0.55	0.5	0.6	0.9	0.8

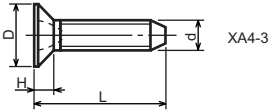
1-2. Precision Tapping Screws  
精密用タッピンねじ



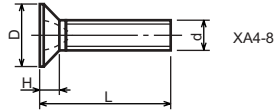
XA4-1, 2, 4



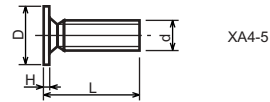
XA4-6, 7, 9



XA4-3



XA4-8

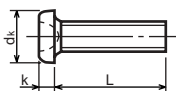


XA4-5

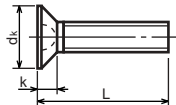
Type No. 類別番号	Type 類別	Head size (mm) 頭部寸法 (mm)						
		M1.4	M1.6	M1.7	M2	M2.5	M2.6	
XA4-1	With tapered end pan head Class 1 絞りなべ1種	D XA4-1	2	2.4	2.5	3	3.8	4
		H XA4-1	0.5	0.55	0.5	0.6	0.9	0.8
XA4-2	With tapered end pan head Class 3 絞りなべ3種	D XA4-2	2.5	2.8	3	3.5	4.3	4.5
		H XA4-2	0.8	0.85	0.9	1	1.3	1.2
XA4-3	With tapered end countersunk head 絞り-さら	D XA4-3	2	2.4	2.5	3	3.8	4
		H XA4-3	0.48	0.55	0.58	0.73	0.85	0.93
XA4-4	With tapered end pan head Class 2 絞りなべ2種	D XA4-4	2.5	2.8	3	3.5	4.3	4.5
		H XA4-4	0.5	0.55	0.5	0.6	0.9	0.8
XA4-5	With parallel end ultra thin head ストレート-超薄頭	D XA4-5	2.5	2.8	3	-	-	-
		H XA4-5	0.2	0.2	0.2	-	-	-
XA4-6	With parallel end pan head Class 1 ストレートなべ1種	D XA4-6	2	2.4	2.5	3	3.8	4
		H XA4-6	0.5	0.55	0.5	0.6	0.9	0.8
XA4-7	With parallel end pan head Class 3 ストレートなべ3種	D XA4-7	2.5	2.8	3	3.5	4.3	4.5
		H XA4-7	0.8	0.85	0.9	1	1.3	1.2
XA4-8	With parallel end countersunk head ストレート-さら	D XA4-8	2	2.4	2.5	3	3.8	4
		H XA4-8	0.48	0.55	0.58	0.73	0.85	0.93
XA4-9	With parallel end pan head Class 2 ストレートなべ2種	D XA4-9	2.5	2.8	3	3.5	4.3	4.5
		H XA4-9	0.5	0.55	0.5	0.6	0.9	0.8



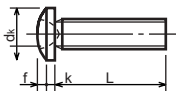
**1-3. Cross Recessed Head Screws**  
 一般用十字穴付き小ねじ



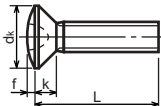
XB1-1



XB1-3



XB1-2

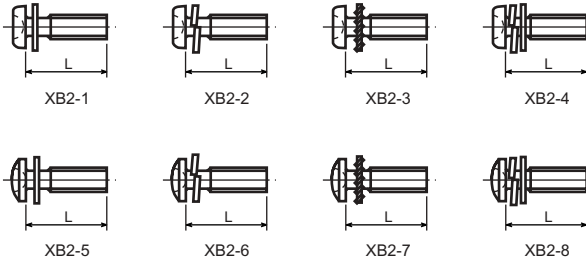


XB1-4

Type No. 類別番号	Type 類別
XB1-1	Pan head なべ
XB1-2	Binding head バインド
XB1-3	Countersunk head さら
XB1-4	Oval countersunk head 丸さら

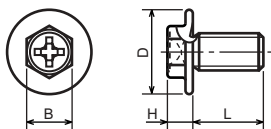
		Head size (mm) 頭部寸法 (mm)					
		M2	M2.5	M2.6	M3	M4	M5
dk	XB1-1	3.5	4.5	4.5	5.5	7	9
k	XB1-1	1.3	1.7	1.7	2	2.6	3.3
dk	XB1-2	4.3	5.3	5.5	6.3	8.3	10.3
k+f	XB1-2	1.2	1.5	1.6	1.9	2.5	3.1
dk	XB1-3	4	5	-	6	8	10
k	XB1-3	1.2	1.45	-	1.75	2.3	2.8
dk	XB1-4	4	5	-	6	8	10
k+f	XB1-4	1.6	2	-	2.45	3.2	4
Screw part length ねじ部長さ b		8	12	12	12	16	20

1-4. Cross Recessed Head Screws with Captive Washer  
座金組み込み十字穴付き小ねじ



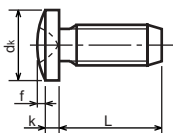
Type No. 類別番号	Type 類別
XB2-1	Pan head + Plain washer (circular bright) なべねじ+平座金
XB2-2	Pan head + Spring washer なべねじ+ばね座金
XB2-3	Pan head + Toothed lock washer なべねじ+歯付座金
XB2-4	Pan head + Spring washer and plain washer (circular bright) なべねじ+(ばね+平)座金
XB2-5	Binding head + Plain washer (circular bright) バインドねじ+平座金
XB2-6	Binding head + Spring washer バインドねじ+ばね座金
XB2-7	Binding head + Toothed lock washer バインドねじ+歯付座金
XB2-8	Binding head + Spring washer and plain washer (circular bright) バインドねじ+(ばね+平)座金

**1-5. Hexagon Head Tapping Screws for Metallic Materials**  
 金属用六角タッピンねじ



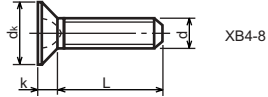
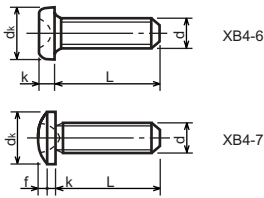
Type No. 類別番号	Type 類別	Head size (mm) 頭部寸法 (mm)	
		M3	M4
XB3-6	For metallic materials 金属用タッピン	D	8 10
		B	5.5 5.5
XB3-7	For metallic materials with clawed 金属用タッピン-つめ付き	H XB3-6	3.1 3.1
		H XB3-7	3.2 3.2

**1-6. Special Tapping Screws**  
 特殊タッピンねじ



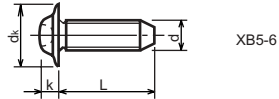
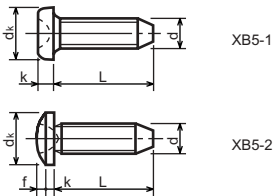
Type No. 類別番号	Type 類別	Head size (mm) 頭部寸法 (mm)	
		M3	M4
XB4-5	Binding head バインド	d <sub>k</sub>	6.3 8.3
		k	1.3 1.7
		k+f	1.9 2.5

1-7. General Head Tapping Screws  
一般用タッピンねじ



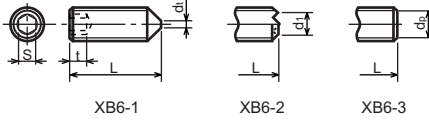
Type No. 類別番号	Type 類別	Head size (mm) 頭部寸法 (mm)						
		M2	M2.5	M2.6	M3	M4	M5	
XB4-6	Pan head なべ	$d_k$ XB4-6	3.5	4.5	4.5	5.5	7	9
		$k$ XB4-6	1.3	1.7	1.7	2	2.6	3.3
XB4-7	Binding head バインド	$d_k$ XB4-7	4.3	5.3	5.5	6.3	8.3	10.3
		$k+f$ XB4-7	1.2	1.5	1.6	1.9	2.5	3.1
XB4-8	Countersunk head さら	$d_k$ XB4-8	4	5	5.2	6	8	10
		$k$ XB4-8	1.2	1.45	1.5	1.75	2.3	2.8

1-8. Tapping Screws for Metallic Materials  
金属用タッピンねじ



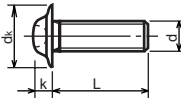
Type No. 類別番号	Type 類別	Head size (mm) 頭部寸法 (mm)					
		M2.5	M2.6	M3	M4	M5	
XB5-1	Pan head なべ	$d_k$ XB5-1	4.5	4.5	5.5	7	9
		$k$ XB5-1	1.7	1.7	2	2.6	3.3
XB5-2	Binding head バインド	$d_k$ XB5-2	5.5	5.5	6.3	8.3	10.3
		$k+f$ XB5-2	1.6	1.6	1.9	2.5	3.1
XB5-6	Flanged pan head つば付きなべ	$d_k$ XB5-6	6.5	6.5	8	10	12
		$k$ XB5-6	2.1	2.1	1.75	3.2	4

**1-9. Hexagon Socket Set Screws**  
六角穴付止めねじ



Type No. 類別番号	Type 類別	Head size (mm) 頭部寸法 (mm)							
		M1.6 M1.7	M2	M2.5 M2.6	M3	M5	M5	M6	
XB6-1	Cone point とがり先	S	0.7	0.9	1.3	1.5	2	2.5	3
		t	1.5	1.7	2	2	2.5	3	3.5
		$d_{t \max}$ XB6-1	0.4	0.5	0.65	0.75	1	1.25	1.5
		$d_{l \max}$ XB6-2	-	1.2	1.5	1.7	2.2	2.8	3.3
		$d_{l \min}$ XB6-2	-	1	1.2	1.4	1.9	2.4	2.9
XB6-3	Flat point 平先	$d_{p \max}$ XB6-3	0.8	1	1.5	2	2.5	3.5	4
		$d_{p \min}$ XB6-3	0.55	0.75	1.25	1.75	2.25	3.2	3.7

**1-10. Flanged Pan Head Machine Screws**  
つば付きなべ小ねじ



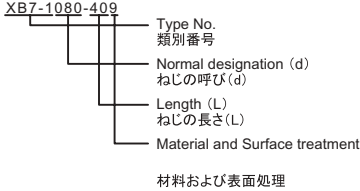
Type No. 類別番号	Type 類別	Head size (mm) 頭部寸法 (mm)					
		M2	M2.5 M2.6	M3	M5	M5	
XB6-7	Flanged pan head つば付きなべ	$d_k$	5	6.5	8	10	12
		k	1.7	2.1	2.5	3.2	4

# FIGURE ZZC MECHANICAL STANDARD PARTS (BOLTS)

## 2. Bolts (Socket head cap screw) ボルト

How to read Parts Numbers  
部品番号の見方

Bolt (Socket head cap screw)  
ボルト



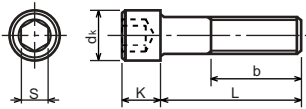
XB7-1 expresses Hexagon socket head cap screws.  
XB7-1は、六角穴付きボルトを表す

080 expresses M8.0.  
080は、M8.0を表す

40 expresses a length of 40mm.  
40は、40mmの長さを表す

9 expresses Steel (Black zinc trivalent chromate treating) from Table 1.  
9は、表1より鋼(黒色亜鉛3価クロメート)を表す

### 2-1. Hexagon socket head cap screws 六角穴付きボルト



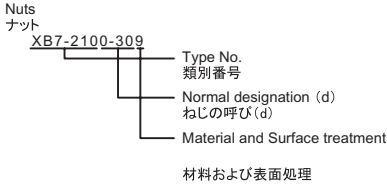
Type No. 類別番号	Type 類別
XB7-1	Hexagon socket head cap screws 六角穴付きボルト

	Head size (mm) 頭部寸法 (mm)						
	M3	M4	M5	M6	M8	M10	M12
S	2.5	3	4	5	6	8	10
d <sub>k</sub>	5.5	7	8.5	10	13	16	18
K	3	4	5	6	8	10	12
Screw part length ねじ部長さ b <sub>max</sub>	18	20	22	24	28	32	36

# FIGURE ZZD MECHANICAL STANDARD PARTS (NUTS)

## 3. Nuts ナット

How to read Parts Numbers  
部品番号の見方

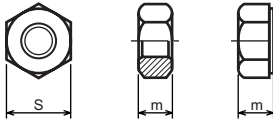


XB7-210 expresses Hexagon nut class 1.  
XB7-210は、六角ナット1種を表す

0-30 expresses M3.0.  
0-30は、M3.0を表す

9 expresses Steel (Black zinc trivalent chromate treating) from Table 1.  
9は、表1より鋼(黒色亜鉛3価クロメート)を表す

### 3-1. Hexagon Nuts and Hexagon Thin Nuts 六角ナット



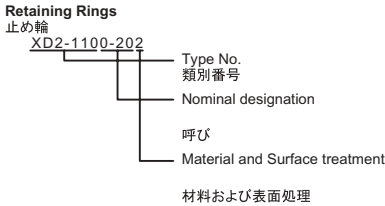
Type No. 類別番号	Type 類別
XB7-210	Hexagon nut Class 1 六角ナット-1種
XB7-220	Hexagon nut Class 3 六角ナット-3種
XB7-230	Hexagon nut Style 1 double chamfered 六角ナット-スタイル1-両面とり
XB7-231	Hexagon nut Style 1 washer faced 六角ナット-スタイル1-座付き
XB7-240	Hexagon nut Style 2 double chamfered 六角ナット-スタイル2-両面とり
XB7-241	Hexagon nut Style 2 washer faced 六角ナット-スタイル2-座付き
XB7-250	Hexagon nut 六角ナット
XB7-260	Hexagon thin nut double chamfered 六角低ナット-両面とり
XB7-270	Hexagon thin nut not chamfered 六角低ナット-面とり無し

	Head size (mm) 頭部寸法 (mm)						
	M2	M2.5	M3	M4	M5	M6	M8
S	4	5	5.5	7	8	10	13
m XB7-210	1.6	2	2.4	3.2	4	5	6.5
m XB7-220	1.2	1.6	1.8	2.4	3.2	3.6	5
m XB7-230, 231	1.6	2	2.4	3.2	4.7	5.2	6.8
m XB7-240, 241	-	-	-	-	5.1	5.7	7.5
m XB7-250	-	-	-	-	5.6	6.1	7.9
m XB7-260	1.2	1.6	1.8	2.2	2.7	3.2	4
m XB7-270	1.2	1.6	1.8	2.2	2.7	3.2	4

# FIGURE ZZE MECHANICAL STANDARD PARTS (RETAINING RINGS)

## 5. Retaining Rings 止め輪

How to read Parts Numbers  
部品番号の見方

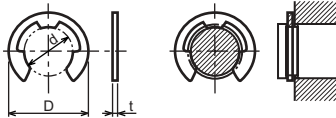


XD2-110 expresses retaining ring-E type (Type1).  
XD2-110は、E形止め輪(1種)を表す

0-20 expresses a 020 of nominal designation.  
(See Table 5)  
0-20は、呼び020を表す(表5参照)

2 expresses Stainless steel (Surface treatment is not to be given) from Table 1.  
2は、表1よりステンレス(表面処理なし)を表す

### 5-1. Retaining Rings - E type E形止め輪



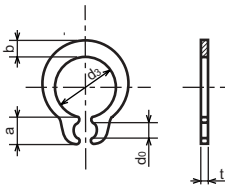
Type No. 類別番号	Type 類別
XD2-110	Retaining ring - E type (Type 1) E形止め輪(1種)
XD2-120	Retaining ring - E type (Type 2) E形止め輪(2種)

Table 5 表5

Type 種類	Nominal designation 呼び	d (mm)	D (mm)	t (mm)
Type 1 1種	007	0.65	2	0.2
	010	0.95	2.8	0.2
	013	1.25	3.3	0.3
	017	1.65	4.2	0.4
	020	1.95	4.6	0.5
	024	2.35	6	0.6
	028	2.74	6.5	0.6
	032	3.14	7.2	0.6
	037	3.64	8	0.7
	040	3.93	10	0.7
	042	4.13	10	0.7
	050	4.93	11	0.7
	058	5.73	12	0.7
	060	5.93	12.7	0.9
	064	6.32	13.5	0.9
	074	7.31	15	0.9
	080	7.91	16.5	1
Type 2 2種	008	0.8	2	0.2
	012	1.2	3	0.3
	015	1.5	4	0.4
	020	2	5	0.4
	025	2.5	6	0.4
	030	3	7	0.6
	040	4	9	0.6
	050	5	11	0.6
	060	6	12	0.8
	070	7	14	0.8
	080	8	16	0.8
	090	9	18	0.8
	100	10	20	1



5-2. Grip Rings  
グリップ止め輪

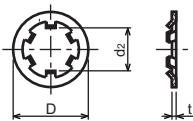


Type No. 類別番号	Type 類別
XD2-210	Grip ring グリップ止め輪

Table 5 表5

Nominal designation 呼び	d <sub>3</sub> (mm)	t (mm)	b (mm)	a (mm)	d <sub>0</sub> (mm)
020	1.9	0.5	1	1.8	0.8
025	2.35	0.5	1.2	1.9	0.9
030	2.85	0.6	1.4	1.9	0.9
035	3.3	0.6	1.6	2	0.9
040	3.8	0.8	1.8	2.8	1.2
045	4.25	0.8	2	2.9	1.3
050	4.75	0.8	2.2	2.9	1.3
060	5.7	1	2.4	3.1	1.4
070	6.7	1	2.7	3.3	1.4
080	7.7	1	3	3.5	1.4
090	8.65	1.2	3.3	4.7	1.5
100	9.65	1.2	3.5	4.7	2

5-3. Toothed Retaining Rings  
歯付き形止め輪



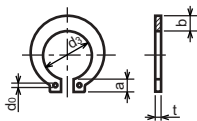
Type No. 類別番号	Type 類別
XD2-230	Toothed retaining ring 歯付き形止め輪

Table 5 表5

Nominal designation 呼び	d <sub>z</sub> (mm)	D (mm)	t (mm)	No of teeth 歯数
015	1.4	5.2	0.25	3
020	1.9	6	0.25	3
024	2.3	6.4	0.25	3
030	2.8	8	0.25	4
040	3.8	9	0.25	4
050	4.8	10	0.25	5
060	5.8	11	0.25	5
080	7.8	13	0.25	5
100	9.8	15.4	0.25	6

### 5-4. Retaining Rings - C Type

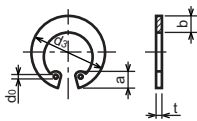
C形止め輪



Type No. 類別番号	Type 類別
XD2-310	Retaining ring - C type for shaft C形止め輪 軸用

Table 5 表5

Nominal designation 呼び	d <sub>3</sub> (mm)	t (mm)	b (mm)	a (mm)	d <sub>0</sub> (mm)
010	9.3	1	1.6	3	1.2
012	11.1	1	1.8	3.2	1.5
014	12.9	1	2	3.4	1.7
015	13.8	1	2.1	3.5	1.7
016	14.7	1	2.2	3.6	1.7
017	15.7	1	2.2	3.7	1.7
018	16.5	1.2	2.6	3.8	1.7
020	18.5	1.2	2.7	3.9	2
022	20.5	1.2	2.7	4.1	2
025	23.2	1.2	3.1	4.3	2
028	25.9	1.5	3.1	4.6	2
030	27.9	1.5	3.5	4.8	2
032	29.6	1.5	3.5	5	2.5
035	32.2	1.5	4	5.4	2.5



Type No. 類別番号	Type 類別
XD2-320	Retaining ring - C type for hole C形止め輪 穴用

Table 5 表5

Nominal designation 呼び	d <sub>3</sub> (mm)	t (mm)	b (mm)	a (mm)	d <sub>0</sub> (mm)
010	10.7	1	1.8	3.1	1.2
011	11.8	1	1.8	3.2	1.2
012	13	1	1.8	3.3	1.5
014	15.1	1	2	3.6	1.7
016	17.3	1	2	3.7	1.7
018	19.5	1	2.5	4	1.7
019	20.5	1	2.5	4	2
020	21.5	1	2.5	4	2
022	23.5	1	2.5	4.1	2
025	26.9	1.2	3	4.4	2
028	30.1	1.2	3	4.6	2
030	32.1	1.2	3	4.7	2
032	34.4	1.2	3.5	5.2	2.5
035	37.8	1.5	3.5	5.2	2.5
037	39.8	1.5	3.5	5.2	2.5
040	43.5	1.8	4	5.7	2.5
042	45.5	1.8	4	5.8	2.5
045	48.5	1.8	4.5	5.9	2.5
047	50.5	1.8	4.5	6.1	2.5
050	54.2	2	4.5	6.5	2.5
052	56.2	2	5.1	6.5	2.5
055	59.2	2	5.1	6.5	2.5
060	64.2	2	5.1	6.8	2.5
062	66.2	2	5.5	6.9	2.5
068	72.5	2.5	6	7.4	2.5
072	76.5	2.5	6.6	7.4	2.5
075	79.5	2.5	6.6	7.8	2.5
080	85.5	2.5	7	8	2.5
085	90.5	3	7	8	3
090	95.5	3	7.6	8.3	3
095	100.5	3	8	8.5	3

Prepared by  
OIP Business Support Group  
CANON INC.

**Canon**