

PARTS CATALOG

**MF4690/4680/4690PL/
4660PL/4270**

Canon

Apr 15 2008

PREFACE

This Parts Catalog contains listings of parts used

Diagrams are provided with the listings to aid the service technician in identifying clearly, the item to be ordered.

Whenever ordering parts, consult this Parts Catalog for all of the information pertaining to each item. Be sure to include, in the Parts Request, the full item description, the item part number, and the quantity.

COPYRIGHT (C) 1999 CANON INC.

Use of this manual should be strictly supervised to avoid disclosure of confidential information.

Contents

NUMERICAL INDEX

MF4690/4680/4690PL/4660PL/4270(Numerical Index) 1-1

MF4690/4680/4690PL/4660PL/4270(Parts Catalog)

A	ASSEMBLY LOCATION DIAGRAM	2-1
001	ACCESSORIES	2-2
100	EXTERNAL COVERS, PANELS, ETC.	2-4
101	INTERNAL COMPONENTS 1	2-8
102	INTERNAL COMPONENTS 2	2-10
103	INTERNAL COMPONENTS 3 (MF4600 Series)	2-12
103A	INTERNAL COMPONENTS 3 (MF4200 Series)	2-15
104	BASE PLATE ASS'Y	2-18
310	PAPER PICK-UP ASS'Y	2-20
400	READER ASS'Y	2-22
810	FIXING ASS'Y	2-24
A10	ADF ASS'Y	2-26

NUMERICAL INDEX

MF4690/4680/4690PL/4660PL/4270(Numerical Index)

PARTS NUMBER	FIGURE & KEY NO.	PARTS NUMBER	FIGURE & KEY NO.	PARTS NUMBER	FIGURE & KEY NO
FC6-5204-000	100 - 1	FC7-3753-000	100 - 15	FK2-3502-000	101 - 9
FC6-5210-000	102 - 5	FC7-3788-000	100 - 28	FK2-3508-000	310 - 1
FC6-5210-000	103 - 22	FC7-3813-000	310 - 11	FK2-3510-000	103 - 11
FC6-5210-000	103A - 22	FC7-3817-000	100 - 30	FK2-3510-000	103A - 11
FC7-3544-000	A10 - 1	FC7-3819-000	100 - 32	FK2-3765-000	400 - 8
FC7-3548-000	A10 - 10	FC7-3821-000	100 - 14	FK2-4389-000	001 - 3
FC7-3549-000	A10 - 2	FC7-3823-000	310 - 8	FK2-4390-000	101 - 18
FC7-3553-000	400 - 12	FC7-3825-000	810 - 13	FK2-4636-000	103 - 39
FC7-3554-010	100 - 4	FC7-3826-000	810 - 12	FK2-4640-000	400 - 8
FC7-3557-000	810 - 1	FC7-7288-000	100 - 6	FK2-4642-000	400 - 7
FC7-3558-000	101 - 1	FC7-7296-000	100 - 5	FK2-4775-000	103 - 48
FC7-3596-000	100 - 23	FC7-7300-000	100 - 26	FK2-4775-000	103A - 48
FC7-3597-000	100 - 24	FC7-7301-000	100 - 19	FK2-5180-000	103 - 42
FC7-3598-000	100 - 25	FC7-7302-000	100 - 13	FK2-5181-000	103 - 42
FC7-3615-000	400 - 1	FC7-7308-000	100 - 29	FK2-5187-010	001 - 1
FC7-3616-000	400 - 2	FC7-7322-000	101 - 19	FK2-5188-000	001 - 1
FC7-3623-000	400 - 3	FC7-7323-000	100 - 7	FK2-5189-000	001 - 1
FC7-3630-000	400 - 4	FC7-7324-000	100 - 7	FK2-5190-000	001 - 1
FC7-3637-000	A10 - 8	FC7-7329-000	100 - 31	FK2-5191-010	001 - 1
FC7-3638-000	100 - 11	FC7-7333-000	100 - 6	FK2-5193-000	001 - 5
FC7-3639-000	100 - 18	FC7-9571-000	102 - 16	FK2-5220-000	103 - 54
FC7-3641-000	810 - 2	FC7-9572-000	100 - 13	FK2-5239-000	103 - 57
FC7-3642-000	810 - 3	FC8-0651-000	100 - 7	FK2-5241-000	400 - 7
FC7-3643-000	810 - 4	FC8-0657-000	400 - 12	FK2-5247-000	101 - 13
FC7-3644-000	810 - 5	FC8-0659-000	100 - 11	FK2-6287-000	103A - 39
FC7-3645-000	810 - 6	FC8-0690-000	100 - 1	FK2-6288-000	101 - 9
FC7-3646-000	102 - 7	FC8-1321-000	102 - 1	FK2-6289-000	101 - 9
FC7-3647-000	103 - 20	FC8-1389-000	100 - 6	FK2-6738-010	001 - 1
FC7-3647-000	103A - 20	FC8-1392-000	100 - 11	FK2-6739-000	001 - 1
FC7-3648-000	100 - 9	FC8-1393-000	100 - 11	FK2-6740-000	001 - 1
FC7-3649-000	100 - 10	FC8-1394-000	100 - 11	FK2-6741-000	001 - 1
FC7-3652-000	810 - 7	FC8-1403-000	100 - 30	FK2-6742-000	001 - 1
FC7-3653-000	103 - 21	FC8-1407-000	A10 - 1	FK2-6743-000	001 - 5
FC7-3653-000	103A - 21	FC8-1408-000	A10 - 2	FL2-5620-000	100 - 3
FC7-3657-000	100 - 20	FC8-1425-000	100 - 7	FL2-5629-000	101 - 3
FC7-3666-000	102 - 4	FC8-1426-000	A10 - 1	FL2-7040-000	100 - 2
FC7-3679-000	101 - 2	FC8-1427-000	A10 - 2	FL2-7041-000	400 - 9
FC7-3690-000	103 - 8	FC8-1541-000	100 - 15	FL2-7042-000	100 - 27
FC7-3690-000	103A - 8	FC8-1542-000	100 - 15	FL2-7043-000	100 - 27
FC7-3700-000	102 - 2	FC8-1543-000	100 - 15	FL2-7044-000	100 - 27
FC7-3702-000	A10 - 9	FC8-1544-000	100 - 29	FL2-8495-000	100 - 3
FC7-3711-000	100 - 11	FC8-1545-000	101 - 19	FL2-8496-000	400 - 9
FC7-3712-000	100 - 11	FC8-1546-000	100 - 31	FM2-8861-000	A10 - 4
FC7-3713-000	400 - 5	FC8-3827-000	001 - 2	FM2-8862-000	A10 - 5
FC7-3714-000	100 - 12	FC8-6307-000	001 - 4	FM2-8864-000	A10 - 6
FC7-3727-000	101 - 17	FK2-1313-000	101 - 12	FM2-8865-000	A10 - 7
FC7-3727-000	102 - 18	FK2-1314-000	101 - 14	FM2-8868-000	400 - 10
FC7-3729-000	100 - 14	FK2-1316-000	101 - 16	FM2-8870-000	100 - 16
FC7-3741-000	A10 - 1	FK2-1317-000	101 - 15	FM2-8871-000	310 -
FC7-3742-000	A10 - 2	FK2-2869-000	400 - 6	FM2-8872-000	310 - 2
FC7-3751-000	100 - 15	FK2-3492-000	101 - 9	FM2-8874-000	101 - 6
FC7-3752-000	100 - 15	FK2-3494-000	101 - 9	FM2-8876-000	104 - 1

NUMERICAL INDEX

MF4690/4680/4690PL/4660PL/4270(Numerical Index)

PARTS NUMBER	FIGURE & KEY NO.	PARTS NUMBER	FIGURE & KEY NO.	PARTS NUMBER	FIGURE & KEY NO
FM2-8877-000	104 - 2	FM3-4099-000	102 - 13	HH2-2824-000	103A - 43
FM2-8879-000	103 - 12	FM3-4103-000	100 - 8	HK1-0544-000	103 - 46
FM2-8879-000	103A - 12	FM3-4488-000	100 - 16	HK1-0544-000	103A - 46
FM2-8882-000	102 - 3	FM3-4491-000	A10 - 4	HK1-0547-000	103 - 44
FM2-8884-010	102 - 13	FM3-4492-000	A10 - 5	HK1-0547-000	103A - 44
FM2-8885-000	810 - 8	FM3-4493-000	A10 - 6	HK1-0550-000	103 - 45
FM2-8890-000	810 -	FM3-4494-000	A10 - 7	HK1-0550-000	103A - 45
FM2-8891-000	810 -	FM3-4495-000	400 -	HK1-0559-000	103 - 47
FM2-8892-000	810 -	FM3-4496-000	100 - 8	HK1-0559-000	103A - 47
FM2-8910-000	104 - 3	FM3-4498-000	100 - 21	NPN	001 -
FM2-8911-000	310 - 3	FM3-4499-000	100 - 21	NPN	100 -
FM2-8912-000	101 - 5	FM3-4500-000	100 - 21	NPN	101 -
FM2-8914-000	101 - 7	FM3-4501-000	100 - 21	NPN	102 -
FM2-8915-000	810 - 9	FM3-4502-000	100 - 21	NPN	103 -
FM2-8916-000	810 - 9	FM3-4503-000	100 - 21	NPN	103A -
FM2-8917-000	810 - 9	FM3-5015-000	103A - 51	NPN	104 -
FM2-8923-000	100 - 8	FM3-5016-000	102 - 12	NPN	A10 -
FM2-8924-000	100 - 8	FM3-5378-000	103A - 52	RA0-1019-000	103 - 1
FM2-9907-000	102 - 6	FM3-5461-000	103A - 5	RA0-1019-000	103A - 1
FM2-9910-000	101 - 8	FM3-5462-000	103A - 5	RA0-1172-000	103 - 18
FM2-9911-000	101 - 8	FM3-5872-000	001 - 3	RA0-1172-000	103A - 18
FM2-9912-000	101 - 8	FU5-1804-000	102 - 9	RC1-1953-000	103 - 2
FM2-9914-000	101 - 10	FU5-1805-000	102 - 10	RC1-1953-000	103A - 2
FM2-9916-000	101 - 11	FU6-2254-000	103 - 27	RC1-1954-000	103 - 3
FM2-9926-000	103 - 50	FU6-2254-000	103A - 27	RC1-1954-000	103A - 3
FM2-9926-000	103A - 50	FU6-2255-000	103 - 28	RC1-1955-000	103 - 4
FM3-0255-000	810 - 10	FU6-2255-000	103A - 28	RC1-1955-000	103A - 4
FM3-1491-000	102 - 12	FU6-2255-000	310 - 14	RC1-1957-000	103 - 6
FM3-1494-000	103 - 49	FU6-2875-000	810 - 11	RC1-1957-000	103A - 6
FM3-1494-000	103A - 49	FU7-0538-000	103 - 29	RC1-1959-000	103 - 7
FM3-1496-000	103 - 51	FU7-0538-000	103A - 29	RC1-1959-000	103A - 7
FM3-1497-000	400 - 13	FU7-0539-000	103 - 30	RC1-1960-000	310 - 4
FM3-1498-000	103 - 55	FU7-0539-000	103A - 30	RC1-1990-000	310 - 5
FM3-1499-000	102 - 17	FU7-0540-000	103 - 31	RC1-1993-000	310 - 6
FM3-1500-000	103 - 56	FU7-0540-000	103A - 31	RC1-1994-000	310 - 7
FM3-1930-000	100 - 17	FU7-0541-000	103 - 23	RC1-2040-000	310 - 9
FM3-1931-000	100 - 22	FU7-0541-000	103A - 23	RC1-2041-000	310 - 10
FM3-1932-000	100 - 21	FU7-0542-000	103 - 32	RC1-2043-000	310 - 12
FM3-1933-000	100 - 21	FU7-0542-000	103A - 32	RC1-2044-000	310 - 13
FM3-1935-000	400 -	FU7-0543-000	103 - 33	RC1-2079-000	810 - 14
FM3-1936-000	400 - 10	FU7-0543-000	103A - 33	RC1-2097-000	810 - 15
FM3-1938-000	100 - 21	FU7-0544-000	103 - 25	RC1-2098-000	810 - 16
FM3-1939-000	100 - 21	FU7-0544-000	103A - 25	RC1-2139-000	810 - 17
FM3-1941-000	100 - 21	FU7-0545-000	103 - 34	RC1-3579-000	103 - 26
FM3-1942-000	100 - 21	FU7-0545-000	103A - 34	RC1-3579-000	103A - 26
FM3-1943-000	100 - 21	FU7-0546-000	103 - 40	RC1-5550-000	310 - 15
FM3-2024-000	103 - 52	FU7-0546-000	103A - 40	RC1-5551-000	310 - 16
FM3-2025-000	103 - 53	FU7-0547-000	103 - 41	RC1-5552-000	310 - 17
FM3-2026-000	102 - 15	FU7-0547-000	103A - 41	RC1-5553-000	310 - 18
FM3-2028-000	103 - 5	HC1-2012-000	001 - 4	RK2-0777-000	103 - 24
FM3-2029-000	103 - 5	HC1-2034-000	001 - 2	RK2-0777-000	103A - 24
FM3-2030-000	103 - 5	HH2-2824-000	103 - 43	RL1-0266-000	310 - 19

NUMERICAL INDEX

MF4690/4680/4690PL/4660PL/4270(Numerical Index)

PARTS NUMBER	FIGURE & KEY NO.	PARTS NUMBER	FIGURE & KEY NO.	PARTS NUMBER	FIGURE & KEY NO.
RL1-0268-000	310 - 20				
RM1-2046-000	310 - 21				
RU5-0174-000	103 - 14				
RU5-0174-000	103A - 14				
RU5-0175-000	103 - 15				
RU5-0175-000	103A - 15				
RU5-0176-000	103 - 16				
RU5-0176-000	103A - 16				
RU5-0179-000	103 - 19				
RU5-0179-000	103A - 19				
RU5-0180-000	310 - 22				
RU5-0312-000	103 - 35				
RU5-0312-000	103A - 35				
RU5-0313-000	103 - 36				
RU5-0313-000	103A - 36				
RU5-0314-000	103 - 37				
RU5-0314-000	103A - 37				
RU5-0315-000	103 - 38				
RU5-0315-000	103A - 38				
RU5-0503-000	103 - 10				
RU5-0503-000	103A - 10				
RU5-0505-000	103 - 13				
RU5-0505-000	103A - 13				
RU5-0506-000	103 - 17				
RU5-0506-000	103A - 17				
RU5-0523-000	810 - 19				
RU5-2178-000	810 - 20				
RU5-2492-000	102 - 11				
WG8-5696-000	400 - 14				
WT8-5076-000	103A - 42				
XA9-0476-000	400 - 11				
XA9-0476-000	A10 - 3				
XA9-1420-000	101 - 4				
XA9-1495-000	102 - 14				
XA9-1495-000	103 - 9				
XA9-1495-000	103A - 9				
XA9-1495-000	104 - 4				
XA9-1501-000	102 - 8				
XA9-1503-000	310 - 23				
XB1-2300-407	102 - 501				
XB1-2300-407	103 - 502				
XB1-2301-409	103 - 501				
XB2-8300-609	810 - 501				
XB4-5401-009	101 - 501				
XB4-5401-009	310 - 501				
XB4-5401-009	A10 - 501				
XB4-7300-807	100 - 501				
XB4-7300-807	A10 - 502				

MF4690/4680/4690PL/4660PL/ 4270(Parts Catalog)

imageCLASS MF4690

120V US	F14-9331-000	UBB
120V CA	F14-9331-000	YBB

i-SENSYS MF4690PL

230V EUR1	F14-9391-000	VBB
230V EUR2	F14-9391-000	WBB
230V EUR3	F14-9391-000	XBB

Satera MF4680

100V JP	F14-9312-000	JBB
----------------	---------------------	------------

imageCLASS MF4680

230V AU	F14-9342-000	RBB
230V ASIA	F14-9345-000	ABB
230V CN	F14-9352-000	CBB
230V KR	F14-9362-000	KBB

i-SENSYS MF4660PL

230V EUR1	F14-9393-000	BBB
230V EUR2	F14-9393-000	EBB

imageCLASS MF4270

120V US	F15-2931-000	CQL
120V CA/LTN	F15-2931-000	CQM
230V AU	F15-2941-000	CPR
230V ASIA	F15-2941-000	CQA
230V CN	F15-2951-000	CQJ
230V KR	F15-2961-000	CQK

Satera MF4270

100V JP	F15-2911-000	CQN
---------	--------------	-----

i-SENSYS MF4270

230V EUR1	F15-2991-000	CPQ
230V EUR2	F15-2991-000	CWX
230V EUR3	F15-2991-000	CWY

Contents

A	ASSEMBLY LOCATION DIAGRAM	2-1
001	ACCESSORIES	2-2
100	EXTERNAL COVERS, PANELS, ETC.	2-4
101	INTERNAL COMPONENTS 1	2-8
102	INTERNAL COMPONENTS 2	2-10
103	INTERNAL COMPONENTS 3 (MF4600 Series).....	2-12
103A	INTERNAL COMPONENTS 3 (MF4200 Series).....	2-15
104	BASE PLATE ASS'Y	2-18
310	PAPER PICK-UP ASS'Y	2-20
400	READER ASS'Y	2-22
810	FIXING ASS'Y	2-24
A10	ADF ASS'Y.....	2-26

FIGURE A ASSEMBLY LOCATION DIAGRAM

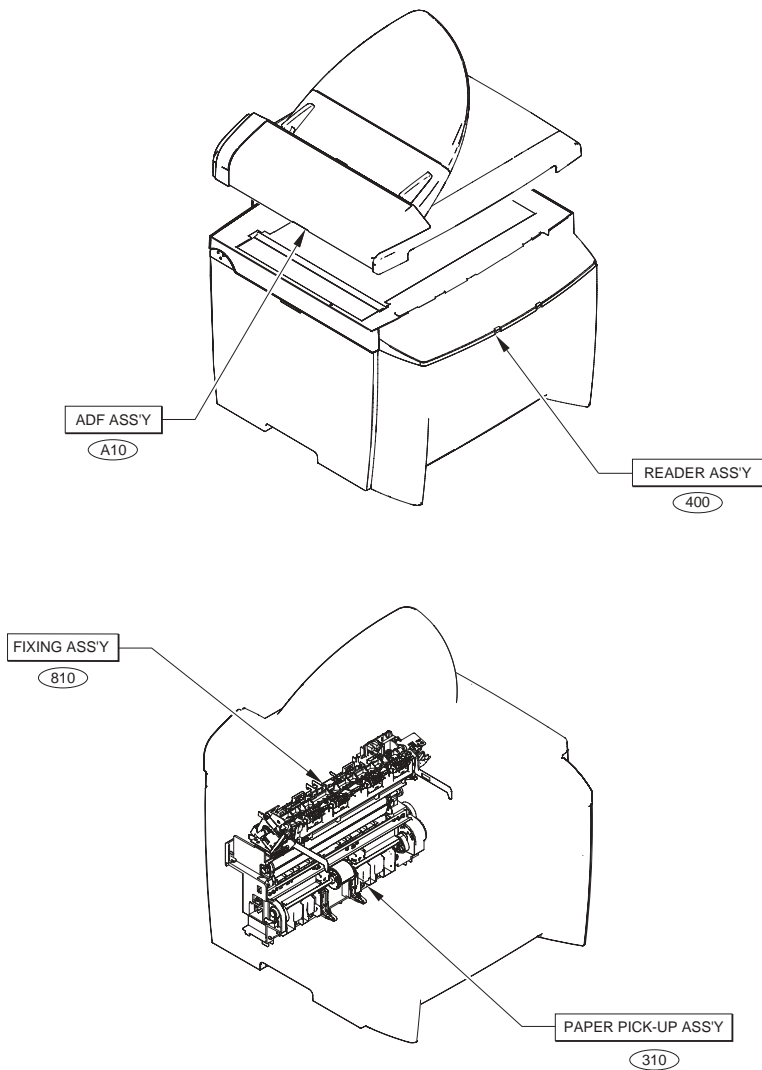
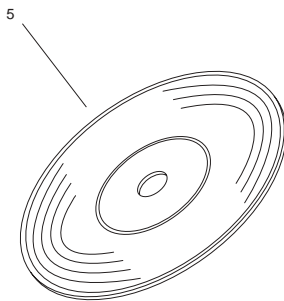
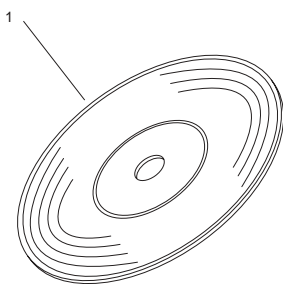


FIGURE 001 ACCESSORIES



CBB/CQJ

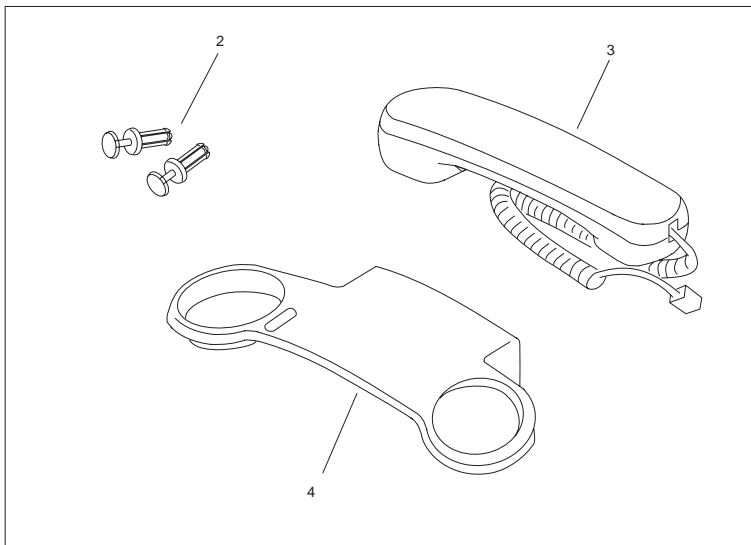


FIGURE & KEY NO.	PARTS NUMBER	R A N K	Q'TY	DESCRIPTION	SERIAL NUMBER/REMARKS	S V C
Fig.001	NPN		RF	ACCESSORIES		
1	FK2-5187-010		1	CD-ROM, USER SOFTWARE	UBB/YBB	
1	FK2-5188-000		1	CD-ROM, USER SOFTWARE	JBB	
1	FK2-5189-000		1	CD-ROM, USER SOFTWARE	BBB/EBB/VBB/WBB/XBB	
1	FK2-5190-000		1	CD-ROM, USER SOFTWARE	BBB/EBB/VBB/WBB/XBB	
1	FK2-5191-010		1	CD-ROM, USER SOFTWARE	ABB/CBB/KBB/RBB	
1	FK2-6742-000		1	CD-ROM, USER SOFTWARE	QA/CPR/CQJ/CQK	
1	FK2-6740-000		1	CD-ROM, USER SOFTWARE	CPQ/CWX/CWY	
1	FK2-6741-000		1	CD-ROM, USER SOFTWARE	CPQ/CWX/CWY	
1	FK2-6739-000		1	CD-ROM, USER SOFTWARE	CQN	
1	FK2-6738-010		1	CD-ROM, USER SOFTWARE	CQL/CQM	
2	HC1-2034-000		2	RIVET	CBB	
2	FC8-3827-000		2	RIVET	CQJ	
3	FK2-4389-000		1	HANDSET UNIT	CBB	
3	FM3-5872-000		1	HANDSET UNIT	CQJ	
4	HC1-2012-000		1	HOLDER,HANDSET CRADLE	CBB	
4	FC8-6307-000		1	HOLDER,HANDSET CRADLE	CQJ	
5	FK2-5193-000		1	CD-ROM, UTILITY	BBB/EBB/VBB/WBB/XBB	
5	FK2-6743-000		1	CD-ROM, UTILITY	CPQ	

FIGURE 100 EXTERNAL COVERS, PANELS, ETC.

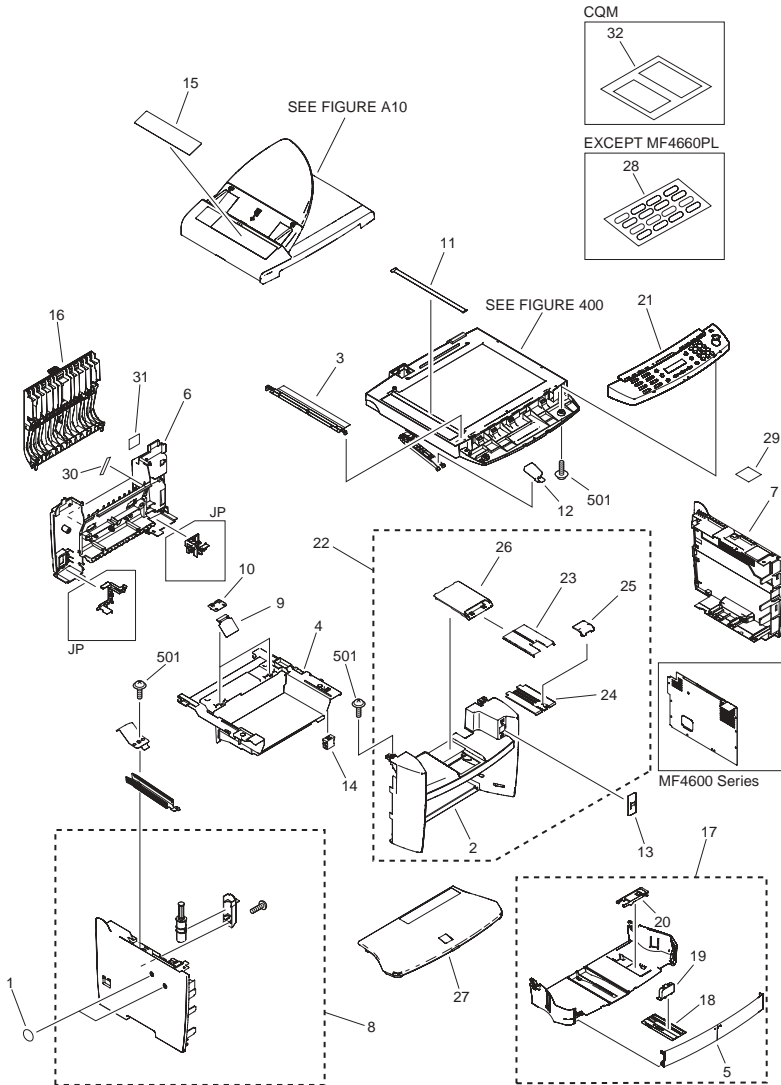


FIGURE & KEY NO.	PARTS NUMBER	R A N K	Q'TY	DESCRIPTION	SERIAL NUMBER/ REMARKS	S V C
Fig.100	NPN		RF	EXTERNAL COVERS, PANELS, ETC.		
1	FC6-5204-000		2	SHEET, HANDSET	MF4600 Series	
1	FC8-0690-000		2	SHEET, HANDSET	MF4200 Series	
2	FL2-7040-000		1	COVER UNIT, FRONT		
3	FL2-5620-000		1	HOLDER, DOCUMENT RELEASE SHEET	MF4600 Series	
3	FL2-8495-000		1	HOLDER, DOCUMENT RELEASE SHEET	MF4200 Series	
4	FC7-3554-010		1	COVER, CRG		
5	FC7-7296-000		1	COVER,FRONT,PAPER SUPPLY TRAY		
6	FC7-7288-000		1	COVER, REAR	MF4600 Series EXCEPT MF4660PL	
6	FC7-7333-000		1	COVER, REAR	MF4660PL	
6	FC8-1389-000		1	COVER, REAR	MF4200 Series	
7	FC7-7324-000		1	COVER, RIGHT	MF4600 Series 100V	
7	FC7-7323-000		1	COVER, RIGHT	MF4600 Series 120/230V	
7	FC8-1425-000		1	COVER, RIGHT	MF4200 Series 100V	
7	FC8-0651-000		1	COVER, RIGHT	MF4200 Series 120/230V	
8	FM2-8924-000		1	LEFT COVER ASS'Y	MF4600 Series 100V	
8	FM2-8923-000		1	LEFT COVER ASS'Y	MF4600 Series 120/230V	
8	FM3-4496-000		1	LEFT COVER ASS'Y	MF4200 Series 100V	
8	FM3-4103-000		1	LEFT COVER ASS'Y	MF4200 Series 120/230V	
9	FC7-3648-000		2	SHEET, PAPER FEED		
10	FC7-3649-000		2	CAP, SHEET		
11	FC7-3638-000		1	PLATE, PAPER SIZE	MF4600 Series AB SIZE	
11	FC7-3711-000		1	PLATE, PAPER SIZE	MF4600 Series INCH SIZE	
11	FC7-3712-000		1	PLATE, PAPER SIZE	MF4600 Series INCH/AB SIZE	
11	FC8-0659-000		1	PLATE, PAPER SIZE	MF4200 Series A SIZE	
11	FC8-1392-000		1	PLATE, PAPER SIZE	MF4200 Series INCH SIZE	
11	FC8-1393-000		1	PLATE, PAPER SIZE	MF4200 Series INCH/AB SIZE	
11	FC8-1394-000		1	PLATE, PAPER SIZE	MF4200 Series AB SIZE	
12	FC7-3714-000		1	RETAINER, STAY		
13	FC7-7302-000		1	COVER, USB	MF4600 Series EXCEPT MF4660PL	

FIGURE & KEY NO.	PARTS NUMBER	R A N K	Q'TY	DESCRIPTION	SERIAL NUMBER/ REMARKS	S V C
13	FC7-9572-000		1	COVER, USB	MF4660PL/MF4200 Series	
14	FC7-3729-000		1	MAGNET	MF4600 Series	
14	FC7-3821-000		1	MAGNET	MF4200 Series	
15	FC7-3753-000		1	SHEET, GLASS CLEANING	MF4600 Series JP/AU/ ASIA/CN/KR	
15	FC7-3752-000		1	SHEET, GLASS CLEANING	MF4600 Series EUR	
15	FC7-3751-000		1	SHEET, GLASS CLEANING	MF4600 Series US/CA	
15	FC8-1541-000		1	SHEET, GLASS CLEANING	MF4200 Series JP/ ASIA/ AU/CN/KR	
15	FC8-1542-000		1	SHEET, GLASS CLEANING	MF4200 Series US/CA/ LTN	
15	FC8-1543-000		1	SHEET, GLASS CLEANING	MF4200 Series EUR	
16	FM2-8870-000		1	DUPLEXING COVER UNIT	MF4600 Series	
16	FM3-4488-000		1	DUPLEXING COVER UNIT	MF4200 Series	
17	FM3-1930-000		1	PAPER PICK-UP TRAY ASS'Y		
18	FC7-3639-000		1	PLATE, EXTENSION		
19	FC7-7301-000		1	STOPPER, PAPER		
20	FC7-3657-000		1	STOPPER, CARD		
21	FM3-1932-000		1	CONTROL PANEL ASS'Y	imageCLASS MF4690	
21	FM3-1933-000		1	CONTROL PANEL ASS'Y	Satera MF4680	
21	FM3-1938-000		1	CONTROL PANEL ASS'Y	i-SENSYS MF4690PL	
21	FM3-1943-000		1	CONTROL PANEL ASS'Y	i-SENSYS MF4660PL	
21	FM3-1939-000		1	CONTROL PANEL ASS'Y	imageCLASS MF4680 AU/ ASIA	
21	FM3-1941-000		1	CONTROL PANEL ASS'Y	imageCLASS MF4680 CN	
21	FM3-1942-000		1	CONTROL PANEL ASS'Y	imageCLASS MF4680 KR	
21	FM3-4498-000		1	CONTROL PANEL ASS'Y	imageCLASS MF4270 KR	
21	FM3-4499-000		1	CONTROL PANEL ASS'Y	imageCLASS MF4270 CN	
21	FM3-4500-000		1	CONTROL PANEL ASS'Y	Satera MF4270	
21	FM3-4501-000		1	CONTROL PANEL ASS'Y	imageCLASS MF4270 AU/ ASIA	
21	FM3-4502-000		1	CONTROL PANEL ASS'Y	i-SENSYS MF4270	
21	FM3-4503-000		1	CONTROL PANEL ASS'Y	imageCLASS MF4270 US/ CA/LTN	
22	FM3-1931-000		1	FRONT COVER ASS'Y		

FIGURE & KEY NO.	PARTS NUMBER	R A N K	Q'TY	DESCRIPTION	SERIAL NUMBER/ REMARKS	S V C
23	FC7-3596-000		1	TRAY, PAPER DELIVERY		
24	FC7-3597-000		1	TRAY, PAPER DELIVERY EXTENSION		
25	FC7-3598-000		1	STOPPER, PAPER DELIVERY		
26	FC7-7300-000		1	COVER, PAPER DELIVERY TRAY		
27	FL2-7042-000		1	DUST COVER ASSEMBLY	US/CA	
27	FL2-7043-000		1	DUST COVER ASSEMBLY	EXCEPT JP	
27	FL2-7044-000		1	DUST COVER ASSEMBLY	JP	
28	FC7-3788-000		1	LABEL, DESTINATION	EXCEPT MF4660PL	
29	FC7-7308-000		1	LABEL, JAM CLEARING	MF4600 Series	
29	FC8-1544-000		1	LABEL, JAM CLEARING	MF4200 Series	
30	FC7-3817-000		1	CAP, COVER, REAR	MF4600 Series	
30	FC8-1403-000		1	CAP, COVER, REAR	MF4200 Series	
31	FC7-7329-000		1	LABEL, JAM CLEARING, ADF2	MF4600 Series	
31	FC8-1546-000		1	LABEL, JAM CLEARING, ADF2	MF4200 Series	
32	FC7-3819-000		1	LABEL, PANEL	MF4200 Series CA/LTN	
501	XB4-7300-807		AR	SCREW, TAP TIGHT, BINDING HEAD		

FIGURE 101 INTERNAL COMPONENTS 1

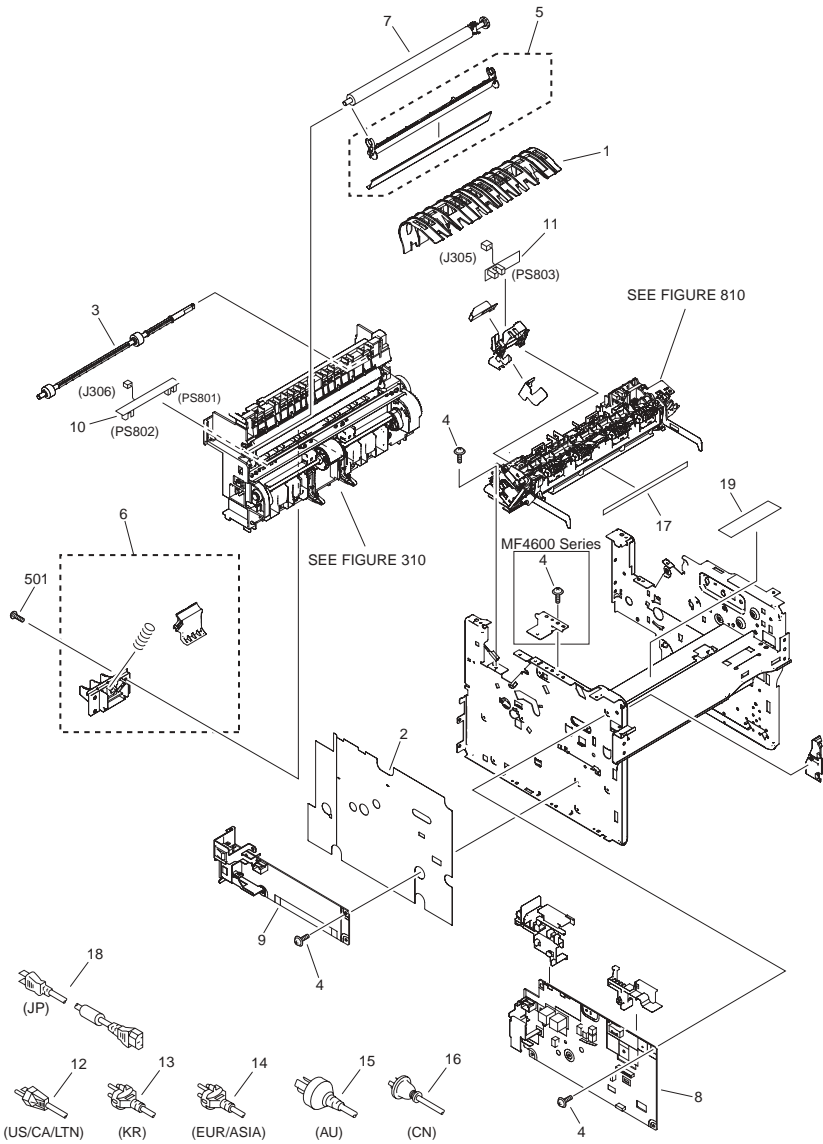
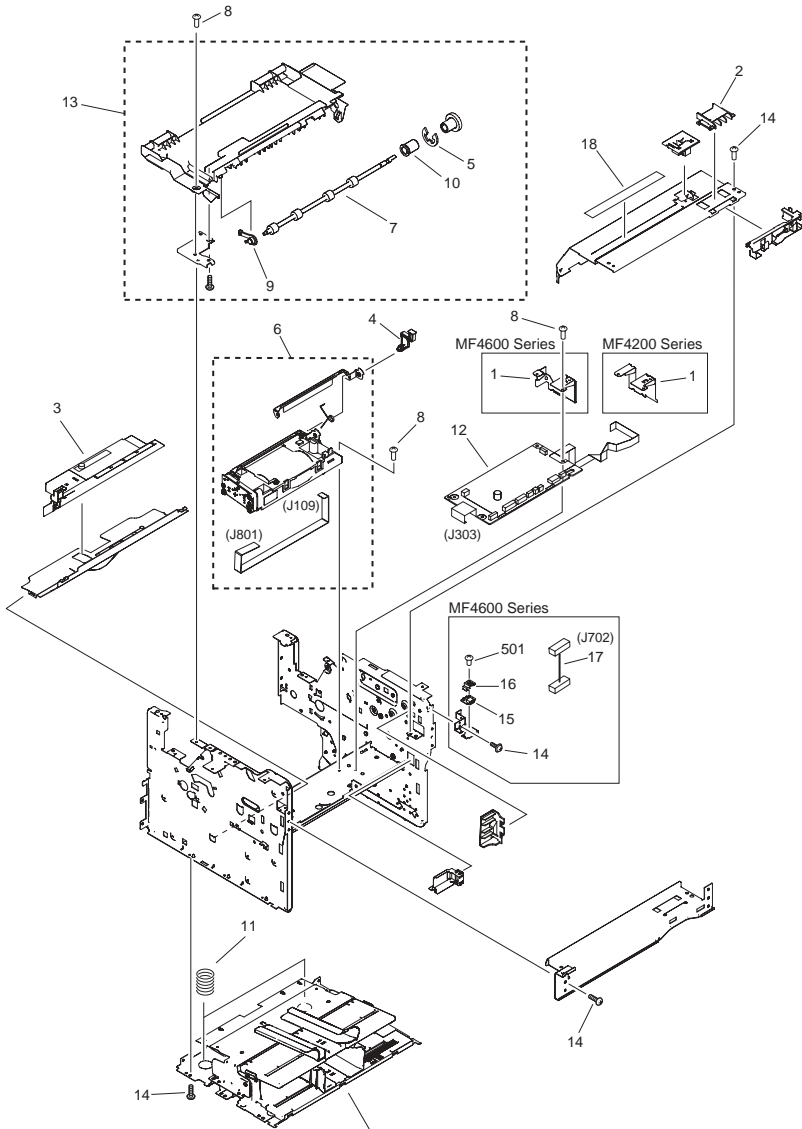


FIGURE & KEY NO.	PARTS NUMBER	R A N K	Q'TY	DESCRIPTION	SERIAL NUMBER/ REMARKS	S V C
Fig.101	NPN		RF	INTERNAL COMPONENTS 1		
1	FC7-3558-000		1	GUIDE, INNER FEED		
2	FC7-3679-000		1	SHEET, INSULATING		
3	FL2-5629-000		1	DUPLEXING FEED ROLLER ASS'Y		
4	XA9-1420-000		11	SCREW, WWASHER, M3X8		
5	FM2-8912-000		1	TRANSFER GUIDE ASS'Y		
6	FM2-8874-000		1	SEPARATION PAD ASS'Y		
7	FM2-8914-000		1	TRANSFER ROLLER ASS'Y		
8	FM2-9910-000		1	HVT PCB ASS'Y	100V	
8	FM2-9911-000		1	HVT PCB ASS'Y	120V	
8	FM2-9912-000		1	HVT PCB ASS'Y	230V	
9	FK2-3492-000		1	POWER SUPPLY ASSEMBLY	100V	
9	FK2-3502-000		1	POWER SUPPLY ASSEMBLY	MF4600 Series 120V	
9	FK2-3494-000		1	POWER SUPPLY ASSEMBLY	MF4600 Series 230V	
9	FK2-6288-000		1	POWER SUPPLY ASSEMBLY	MF4200 Series 120V	
9	FK2-6289-000		1	POWER SUPPLY ASSEMBLY	MF4200 Series 230V	
10	FM2-9914-000		1	SENSOR PCB ASS'Y		
11	FM2-9916-000		1	SENSOR PCB ASS'Y		
12	FK2-1313-000		1	CORD, POWER	US/CA/LTN	
13	FK2-5247-000		1	CORD, POWER	KR	
14	FK2-1314-000		1	CORD, POWER	EUR/ASIA	
15	FK2-1317-000		1	CORD, POWER	AU	
16	FK2-1316-000		1	CORD, POWER	CN	
17	FC7-3727-000		1	LABEL, HIGH TMP. CAUTION		
18	FK2-4390-000		1	POWER CORD	JP	
19	FC7-7322-000		1	LABEL, JAM CLEARING, ADF1	MF4600 Series	
19	FC8-1545-000		1	LABEL, JAM CLEARING, ADF1	MF4200 Series	
501	XB4-5401-009		4	SCREW, TAP, M4X10		

FIGURE 102 INTERNAL COMPONENTS 2



SEE FIGURE 104

FIGURE & KEY NO.	PARTS NUMBER	R A N K	Q'TY	DESCRIPTION	SERIAL NUMBER/REMARKS	S V C
Fig.102	NPN		RF	INTERNAL COMPONENTS 2		
1	FC8-1321-000		1	CROSSMEMBER, ENGINE CONTROLLER		
2	FC7-3700-000		1	COVER, FRONT LOWER		
3	FM2-8882-000		1	TONER SENSOR ASS'Y		
4	FC7-3666-000		1	ARM, SHUTTER		
5	FC6-5210-000		1	RETAINING RING (E-TYRE)		
6	FM2-9907-000		1	LASER SCANNER ASS'Y		
7	FC7-3646-000		1	ROLLER, PAPER FEED		
8	XA9-1501-000		AR	SCREW, RS, M3X10		
9	FU5-1804-000		1	BUSHING, ROLLER, LEFT		
10	FU5-1805-000		1	BUSHING, ROLLER, RIGHT		
11	RU5-2492-000		2	SPRING, COMPRESSION		
12	FM3-1491-000		1	DCNT PCB ASS'Y	MF4600 Series	
12	FM3-5016-000		1	DCNT PCB ASS'Y	MF4200 Series	
13	FM2-8884-010		1	PAPER FEED COVER ASS'Y	MF4600 Series	
13	FM3-4099-000		1	PAPER FEED COVER ASS'Y	MF4200 Series	
14	XA9-1495-000		AR	SCREW, RS, M3X6		
15	FM3-2026-000		1	USB PCB ASS'Y	MF4600 Series	
16	FC7-9571-000		1	PLATE, GROUNDING	MF4600 Series	
17	FM3-1499-000		1	CABLE	MF4600 Series	
18	FC7-3727-000		1	LABEL, HIGH TMP. CAUTION		
501	XB1-2300-407		1	SCREW, BH3X4 (S)		

FIGURE 103 INTERNAL COMPONENTS 3 (MF4600 Series)

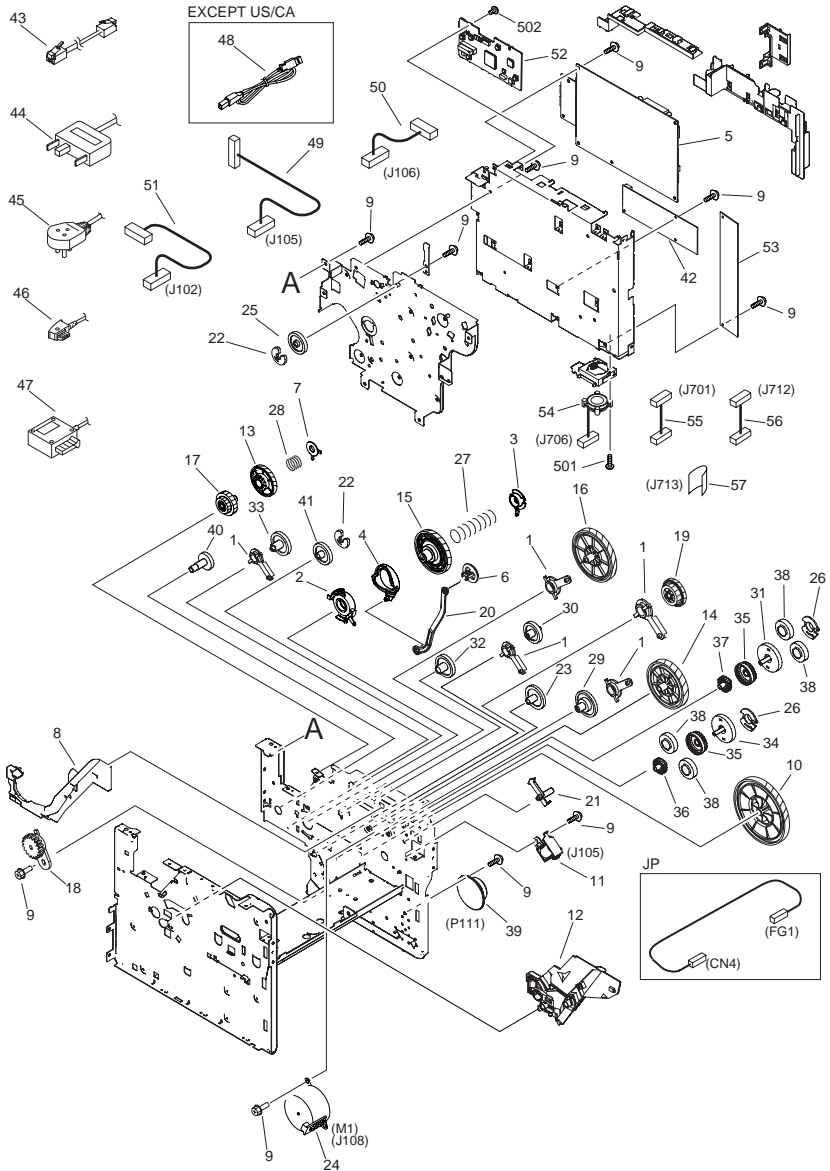


FIGURE & KEY NO.	PARTS NUMBER	R A N K	Q'TY	DESCRIPTION	SERIAL NUMBER/ REMARKS	S V C
Fig.103	NPN		RF	INTERNAL COMPONENTS 3	MF4600 Series	
1	RA0-1019-000		5	BUSHING		
2	RC1-1953-000		1	BUSHING		
3	RC1-1954-000		1	BUSHING		
4	RC1-1955-000		1	CAM, COUPLING		
5	FM3-2028-000		1	SCNT PCB ASS'Y	MF4690/4690PL	
5	FM3-2029-000		1	SCNT PCB ASS'Y	MF4680	
5	FM3-2030-000		1	SCNT PCB ASS'Y	MF4660PL	
6	RC1-1957-000		1	STOPPER		
7	RC1-1959-000		1	BUSHING		
8	FC7-3690-000		1	GUIDE, CARTRIDGE, RIGHT		
9	XA9-1495-000	AR		SCREW, RS, M3X6		
10	RU5-0503-000		1	GEAR, 166T/87T		
11	FK2-3510-000		1	SOLENOID		
12	FM2-8879-000		1	CARTRIDGE GUIDE LEFT ASS'Y		
13	RU5-0505-000		1	GEAR, 74T		
14	RU5-0174-000		1	GEAR, 117T		
15	RU5-0175-000		1	GEAR, 108T		
16	RU5-0176-000		1	GEAR, 129T		
17	RU5-0506-000		1	GEAR, 35T/18T		
18	RA0-1172-000		1	GEAR, 17T		
19	RU5-0179-000		1	GEAR, 66T/25T		
20	FC7-3647-000		1	ARM, CARTRIDGE		
21	FC7-3653-000		1	ARM, SOLENOID		
22	FC6-5210-000		1	RETAINING RING (E-TYRE)		
23	FU7-0541-000		1	GEAR, 32T		
24	RK2-0777-000		1	MOTOR, STEPPING, DC		
25	FU7-0544-000		1	GEAR, 29T		
26	RC1-3579-000		2	BUSHING		
27	FU6-2254-000		1	SPRING, COMPRESSION		
28	FU6-2255-000		1	SPRING, COMPRESSION		
29	FU7-0538-000		1	GEAR, 68/17T		

FIGURE & KEY NO.	PARTS NUMBER	R A N K	Q'TY	DESCRIPTION	SERIAL NUMBER/ REMARKS	S V C
30	FU7-0539-000		1	GEAR, 28T		
31	FU7-0540-000		1	GEAR, 37T		
32	FU7-0542-000		1	GEAR, 30T		
33	FU7-0543-000		1	GEAR, 31T		
34	FU7-0545-000		1	GEAR, 38T		
35	RU5-0312-000		2	GEAR		
36	RU5-0313-000		1	GEAR		
37	RU5-0314-000		1	GEAR		
38	RU5-0315-000		4	GEAR		
39	FK2-4636-000		1	SPEAKER		
40	FU7-0546-000		1	GEAR, 23T		
41	FU7-0547-000		1	GEAR, 29T		
42	FK2-5180-000		1	NCU PCB ASS'Y	Satera MF4680	
42	FK2-5181-000		1	NCU PCB ASS'Y	EXCEPT Satera MF4680	
43	HH2-2824-000		1	MODULAR CORD	ABB/CBB/JBB/UBB/VBB/ WBB/YBB	
44	HK1-0547-000		1	MODULAR CORD	VBB	
45	HK1-0550-000		1	MODULAR CORD	VBB	
46	HK1-0544-000		1	MODULAR CORD	VBB	
47	HK1-0559-000		1	MODULAR CORD	RBB	
48	FK2-4775-000		1	CABLE, USB	EXCEPT US/CA	
49	FM3-1494-000		1	CABLE, DUPLEX		
50	FM2-9926-000		1	CABLE, RELAY BOARD		
51	FM3-1496-000		1	CABLE, DCNT-SCNT		
52	FM3-2024-000		1	ANALOG PROCESSOR PCB ASS'Y		
53	FM3-2025-000		1	MOTOR DRIVER PCB ASS'Y		
54	FK2-5220-000		1	FAN UNIT		
55	FM3-1498-000		1	CABLE		
56	FM3-1500-000		1	CABLE		
57	FK2-5239-000		1	CABLE, FLAT		
501	XB1-2301-409		AR	SCREW, MACHINE M3X14		
502	XB1-2300-407		AR	SCREW, BH3X4 (S)		

FIGURE 103A INTERNAL COMPONENTS 3 (MF4200 Series)

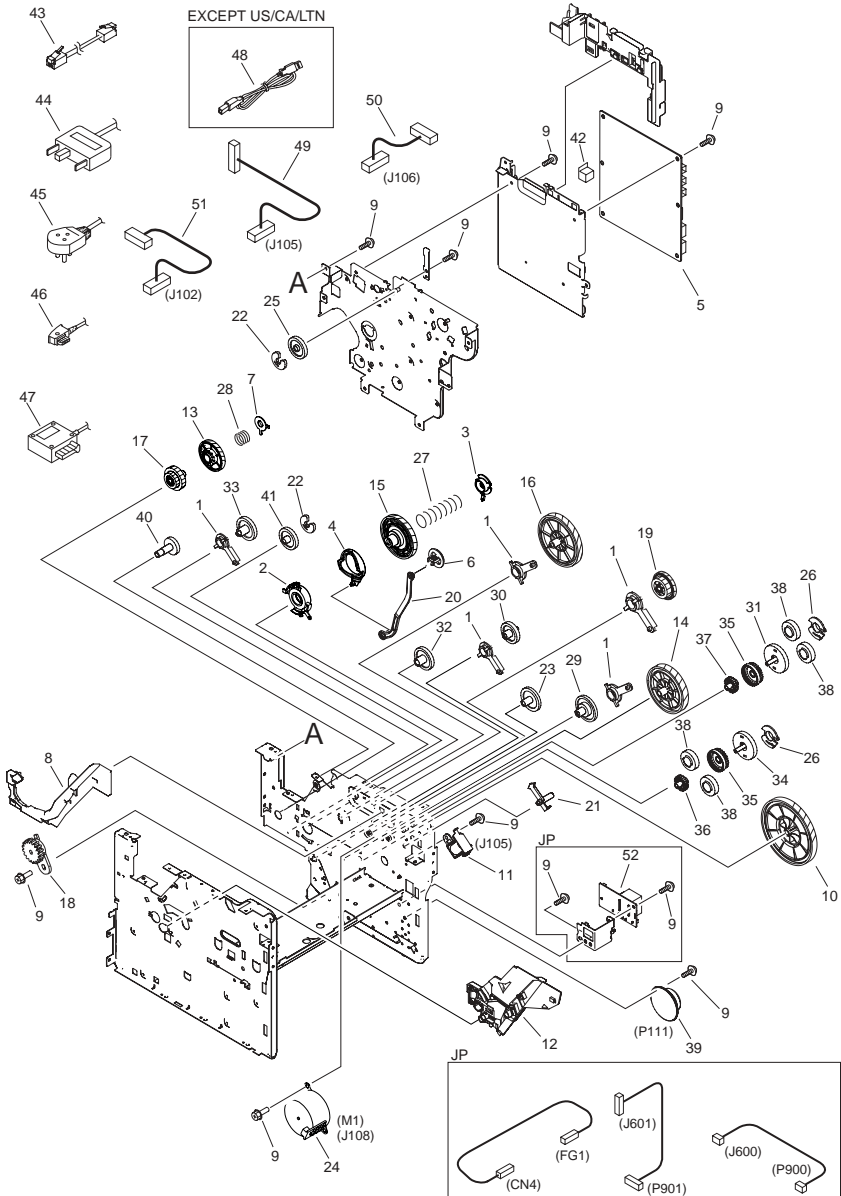


FIGURE & KEY NO.	PARTS NUMBER	R A N K	Q'TY	DESCRIPTION	SERIAL NUMBER/ REMARKS	S V C
Fig.103A	NPN		RF	INTERNAL COMPONENTS 3	MF4200 Series	
1	RA0-1019-000		5	BUSHING		
2	RC1-1953-000		1	BUSHING		
3	RC1-1954-000		1	BUSHING		
4	RC1-1955-000		1	CAM, COUPLING		
5	FM3-5462-000		1	SCNT PCB ASS'Y	Satera MF4270	
5	FM3-5461-000		1	SCNT PCB ASS'Y	EXCEPT Satera MF4270	
6	RC1-1957-000		1	STOPPER		
7	RC1-1959-000		1	BUSHING		
8	FC7-3690-000		1	GUIDE, CARTRIDGE, RIGHT		
9	XA9-1495-000		AR	SCREW, RS, M3X6		
10	RU5-0503-000		1	GEAR, 166T/87T		
11	FK2-3510-000		1	SOLENOID		
12	FM2-8879-000		1	CARTRIDGE GUIDE LEFT ASS'Y		
13	RU5-0505-000		1	GEAR, 74T		
14	RU5-0174-000		1	GEAR, 117T		
15	RU5-0175-000		1	GEAR, 108T		
16	RU5-0176-000		1	GEAR, 129T		
17	RU5-0506-000		1	GEAR, 35T/18T		
18	RA0-1172-000		1	GEAR, 17T		
19	RU5-0179-000		1	GEAR, 66T/25T		
20	FC7-3647-000		1	ARM, CARTRIDGE		
21	FC7-3653-000		1	ARM, SOLENOID		
22	FC6-5210-000		1	RETAINING RING (E-TYRE)		
23	FU7-0541-000		1	GEAR, 32T		
24	RK2-0777-000		1	MOTOR, STEPPING, DC		
25	FU7-0544-000		1	GEAR, 29T		
26	RC1-3579-000		2	BUSHING		
27	FU6-2254-000		1	SPRING, COMPRESSION		
28	FU6-2255-000		1	SPRING, COMPRESSION		
29	FU7-0538-000		1	GEAR, 68/17T		
30	FU7-0539-000		1	GEAR, 28T		

FIGURE & KEY NO.	PARTS NUMBER	R A N K	Q'TY	DESCRIPTION	SERIAL NUMBER/REMARKS	S V C
31	FU7-0540-000		1	GEAR, 37T		
32	FU7-0542-000		1	GEAR, 30T		
33	FU7-0543-000		1	GEAR, 31T		
34	FU7-0545-000		1	GEAR, 38T		
35	RU5-0312-000		2	GEAR		
36	RU5-0313-000		1	GEAR		
37	RU5-0314-000		1	GEAR		
38	RU5-0315-000		4	GEAR		
39	FK2-6287-000		1	SPEAKER		
40	FU7-0546-000		1	GEAR, 23T		
41	FU7-0547-000		1	GEAR, 29T		
42	WT8-5076-000		1	SPACER,MODULAR	CQN/CQL/CQM/CQK	
43	HH2-2824-000		1	MODULAR CORD	CQN/CQL/CQM/CQA/ CQJ/CPQ/CWX	
44	HK1-0547-000		1	MODULAR CORD	CPQ	
45	HK1-0550-000		1	MODULAR CORD	CPQ	
46	HK1-0544-000		1	MODULAR CORD	CPQ	
47	HK1-0559-000		1	MODULAR CORD	CPR	
48	FK2-4775-000		1	CABLE, USB	EXCEPT US/CA/LTN	
49	FM3-1494-000		1	CABLE, DUPLEX		
50	FM2-9926-000		1	CABLE, RELAY BOARD		
51	FM3-5015-000		1	CABLE, DCNT-SCNT		
52	FM3-5378-000		1	PSEUDO CI PCB ASSEMBLY	MF4200 Series JP	

FIGURE 104
BASE PLATE ASS'Y

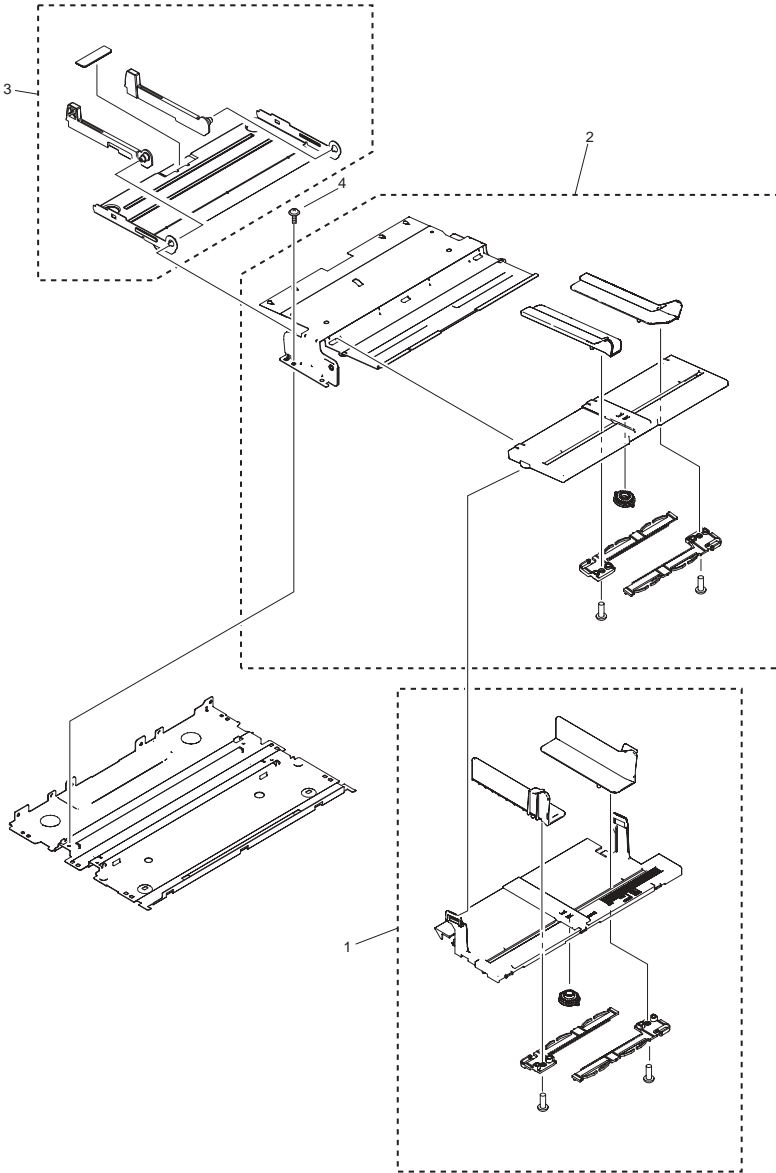


FIGURE & KEY NO.	PARTS NUMBER	RANK	Q'TY	DESCRIPTION	SERIAL NUMBER/REMARKS	SVC
Fig.104	NPN		RF	BASE PLATE ASS'Y		
1	FM2-8876-000		1	CENTER PLATE GUIDE RAIL ASS'Y		
2	FM2-8877-000		1	FEED GUIDE RAIL ASS'Y		
3	FM2-8910-000		1	LIFTING PLATE ASS'Y		
4	XA9-1495-000		4	SCREW, RS, M3X6		

FIGURE 310 PAPER PICK-UP ASS'Y

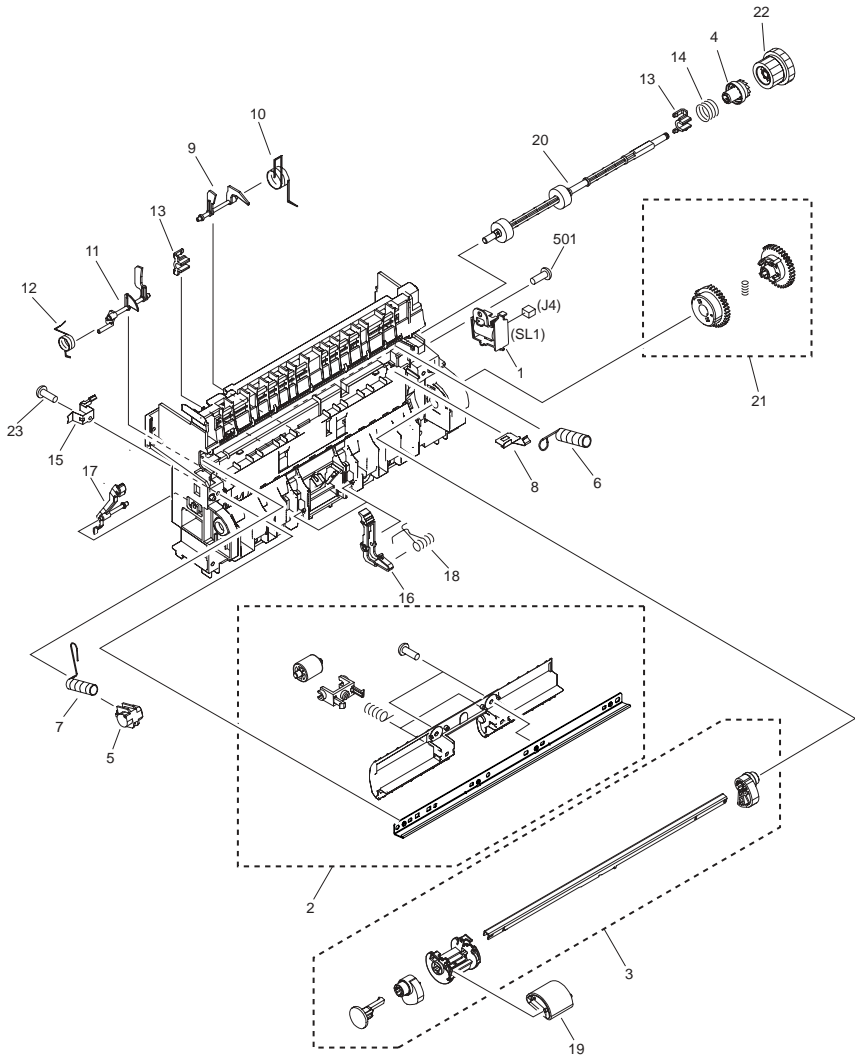


FIGURE & KEY NO.	PARTS NUMBER	R A N K	Q'TY	DESCRIPTION	SERIAL NUMBER/ REMARKS	S V C
Fig.310	FM2-8871-000		1	PAPER PICK-UP ASS'Y		
1	FK2-3508-000		1	SOLENOID		
2	FM2-8872-000		1	FEED CROSSMEMBER ASS'Y		
3	FM2-8911-000		1	PAPER PICK-UP SHAFT ASS'Y		
4	RC1-1960-000		1	RATCHET		
5	RC1-1990-000		1	BUSHING		
6	RC1-1993-000		1	SPRING, TORSION		
7	RC1-1994-000		1	SPRING, TORSION		
8	FC7-3823-000		1	SPRING, LEAF		
9	RC1-2040-000		1	FLAG, REGIST. SENSOR		
10	RC1-2041-000		1	SPRING, TORSION		
11	FC7-3813-000		1	FLAG, PAPER WIDTH SENSOR		
12	RC1-2043-000		1	SPRING, TORSION		
13	RC1-2044-000		2	BUSHING		
14	FU6-2255-000		1	SPRING, COMPRESSION1		
15	RC1-5550-000		1	PLATE,TRANSFER GROUNDING,FRONT		
16	RC1-5551-000		2	PAD, SUB		
17	RC1-5552-000		1	LEVER, CARTRIDGE DETECT		
18	RC1-5553-000		2	SPRING, TORSION		
19	RL1-0266-000		1	ROLLER, PICK-UP		
20	RL1-0268-000		1	ROLLER, FEED		
21	RM1-2046-000		1	PAPER PICK-UP GEAR ASS'Y		
22	RU5-0180-000		1	GEAR, 21T/29T		
23	XA9-1503-000		2	SCREW, TAP, M3X6		
501	XB4-5401-009		1	SCREW, TAP, M4X10		

FIGURE 400 READER ASS'Y

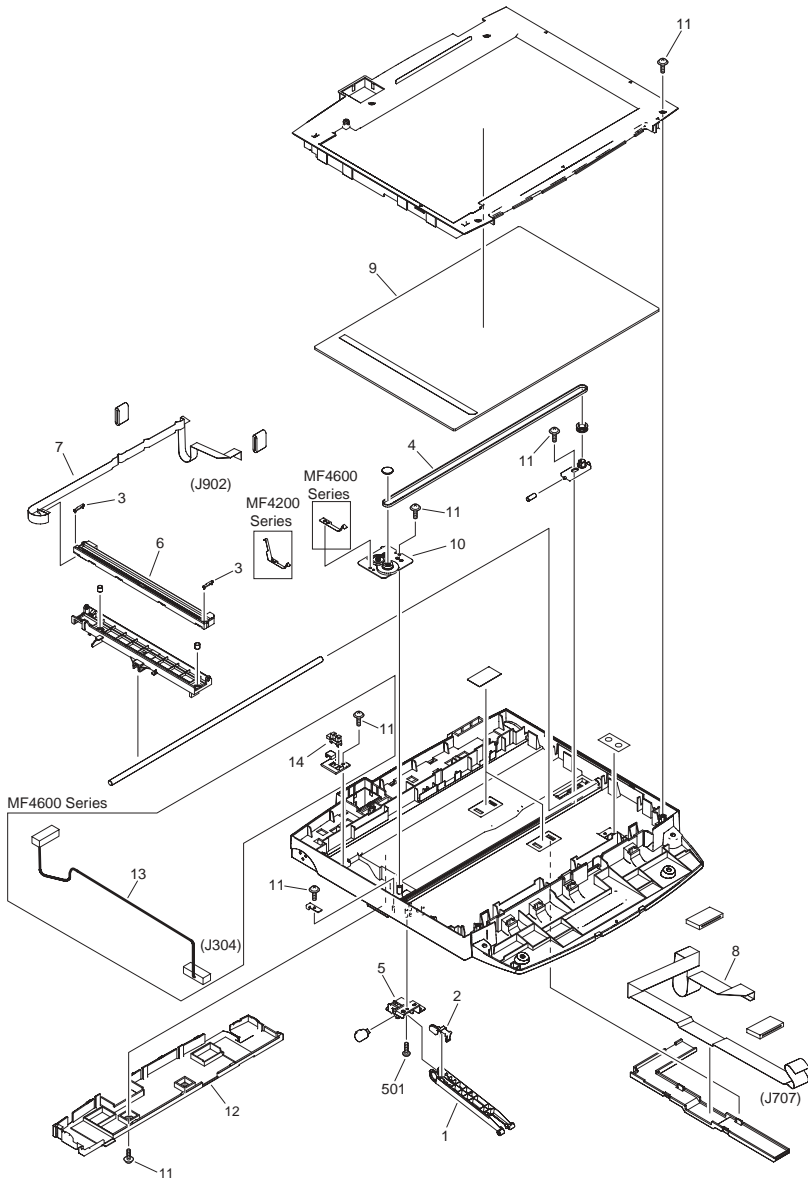


FIGURE & KEY NO.	PARTS NUMBER	R A N K	Q'TY	DESCRIPTION	SERIAL NUMBER/ REMARKS	S V C
Fig.400	FM3-1935-000		1	READER ASS'Y	MF4600 Series	
Fig.400	FM3-4495-000		1	READER ASS'Y	MF4200 Series	
1	FC7-3615-000		1	STAY, READER		
2	FC7-3616-000		1	RETAINER, DAMPER		
3	FC7-3623-000		1	SPACER, CIS		
4	FC7-3630-000		1	BELT, TIMING		
5	FC7-3713-000		1	HOLDER, DAMPER		
6	FK2-2869-000		1	CONTACT IMAGE SENSOR ASS'Y		
7	FK2-5241-000		1	CABLE, FLAT, SCNT-CIS	MF4600 Series	
7	FK2-4642-000		1	CABLE, FLAT, SCNT-CIS	MF4200 Series	
8	FK2-4640-000		1	CABLE, FLAT, SCNT-OP	MF4600 Series	
8	FK2-3765-000		1	CABLE, FLAT, SCNT-OP	MF4200 Series	
9	FL2-7041-000		1	COPYBOARD GLASS ASS'Y	MF4600 Series	
9	FL2-8496-000		1	COPYBOARD GLASS ASS'Y	MF4200 Series	
10	FM3-1936-000		1	CIS DRIVE MOTOR ASS'Y	MF4600 Series	
10	FM2-8868-000		1	CIS DRIVE MOTOR ASS'Y	MF4200 Series	
11	XA9-0476-000		AR	SCREW,TP M3X8		
12	FC7-3553-000		1	GUIDE, CABLE	MF4600 Series	
12	FC8-0657-000		1	GUIDE, CABLE	MF4200 Series	
13	FM3-1497-000		1	CABLE,	MF4600 Series	
14	WG8-5696-000		1	PHOTO INTERRUPTER, TLP1243	MF4600 Series	

FIGURE 810
FIXING ASS'Y

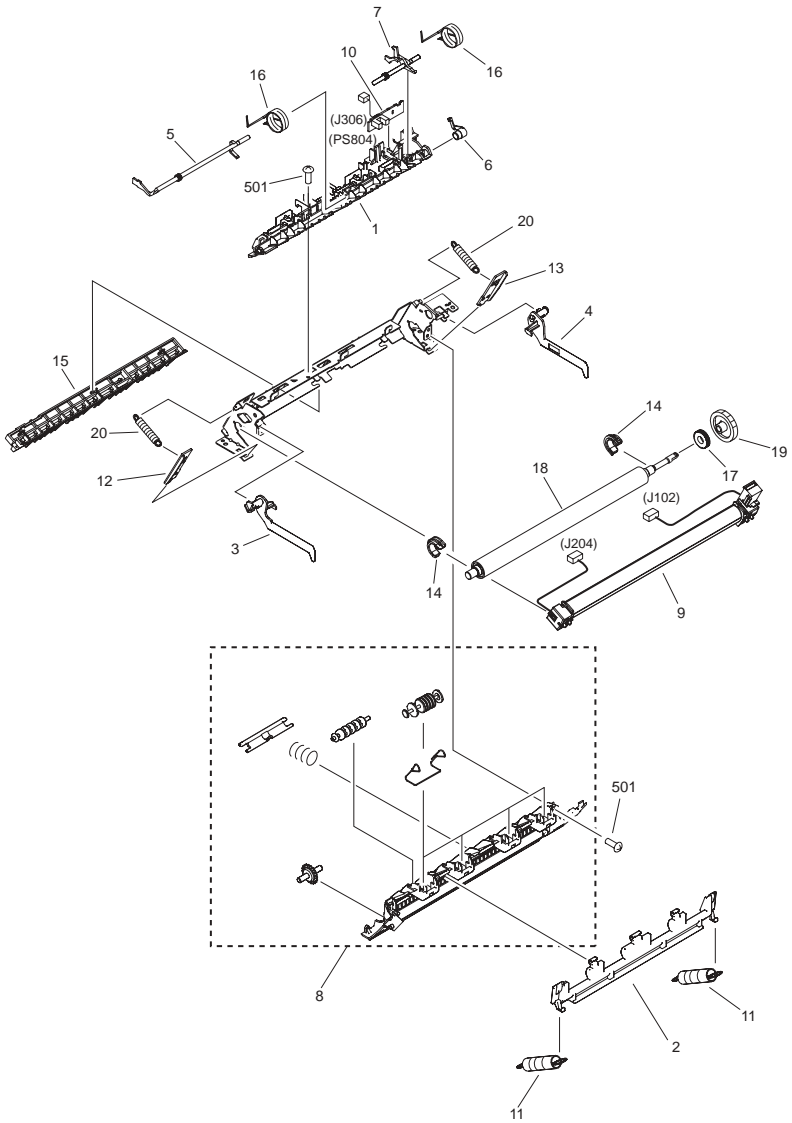


FIGURE & KEY NO.	PARTS NUMBER	R A N K	Q'TY	DESCRIPTION	SERIAL NUMBER/ REMARKS	S V C
Fig.810	FM2-8890-000		1	FIXING ASS'Y	100V	
Fig.810	FM2-8891-000		1	FIXING ASS'Y	120V	
Fig.810	FM2-8892-000		1	FIXING ASS'Y	230V	
1	FC7-3557-000		1	GUIDE, SEPARATION		
2	FC7-3641-000		1	GUIDE, ENTRANCE		
3	FC7-3642-000		1	LEVER, PRESSURE RELEASE, LEFT		
4	FC7-3643-000		1	LEVER, PRESSURE RELEASE, RIGHT		
5	FC7-3644-000		1	FLAG, PAPER DELIVERY SENSOR		
6	FC7-3645-000		1	BUSHING		
7	FC7-3652-000		1	FLAG, PAPER WIDTH SENSOR		
8	FM2-8885-000		1	FIXING COVER UNIT		
9	FM2-8917-000		1	FIXING FILM ASS'Y	100V	
9	FM2-8915-000		1	FIXING FILM ASS'Y	120V	
9	FM2-8916-000		1	FIXING FILM ASS'Y	230V	
10	FM3-0255-000		1	SENSOR PCB ASS'Y		
11	FU6-2875-000		2	SPRING, TENSION		
12	FC7-3826-000		1	PLATE, PRESSURE, LEFT		
13	FC7-3825-000		1	PLATE, PRESSURE, RIGHT		
14	RC1-2079-000		2	BUSHING		
15	RC1-2097-000		1	GUIDE, ENTRANCE		
16	RC1-2098-000		2	SPRING, TORSION		
17	RC1-2139-000		1	BUSHING		
19	RU5-0523-000		1	GEAR, 37T		
20	RU5-2178-000		2	SPRING, TENSION		
501	XB2-8300-609		3	SCREW, RS, M3X6		

FIGURE A10
ADF ASS'Y

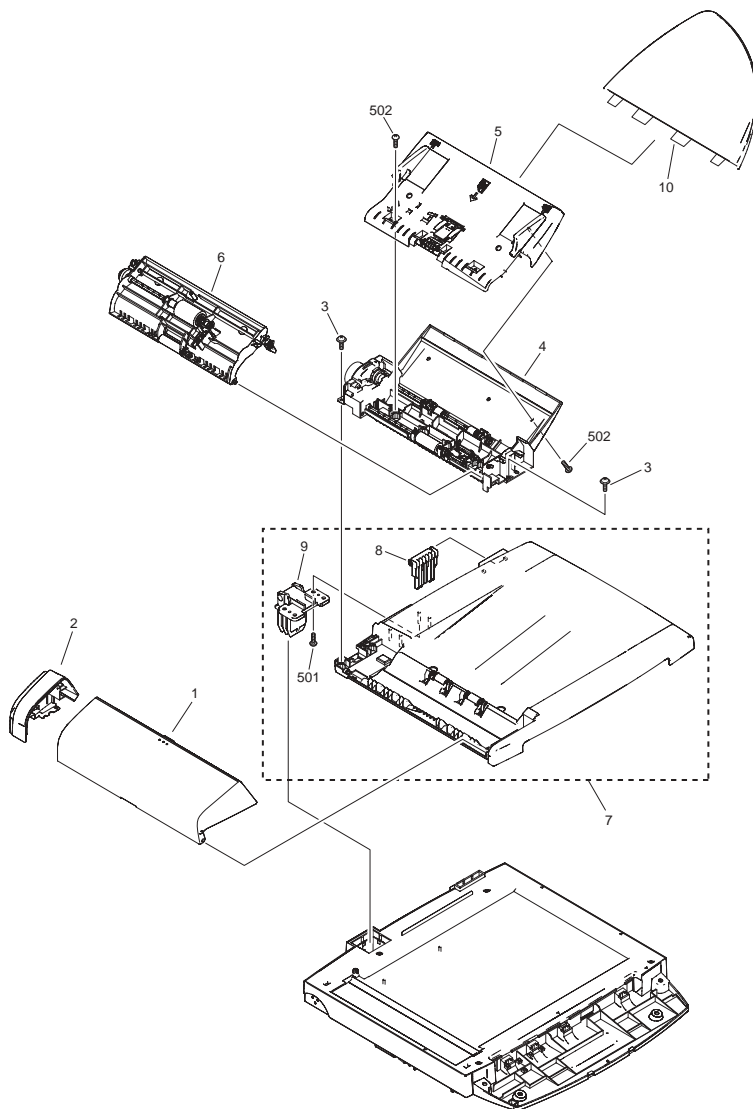


FIGURE & KEY NO.	PARTS NUMBER	R A N K	Q'TY	DESCRIPTION	SERIAL NUMBER/ REMARKS	S V C
Fig.A10	NPN		RF	ADF ASS'Y		
1	FC7-3544-000		1	COVER, ADF, UPPER	MF4600 Series EXCEPT JP	
1	FC7-3741-000		1	COVER, ADF, UPPER	MF4600 Series JP	
1	FC8-1407-000		1	COVER, ADF, UPPER	MF4200 Series EXCEPT JP	
1	FC8-1426-000		1	COVER, ADF, UPPER	MF4200 Series JP	
2	FC7-3549-000		1	COVER, ADF, REAR	MF4600 Series EXCEPT JP	
2	FC7-3742-000		1	COVER, ADF, REAR	MF4600 Series JP	
2	FC8-1408-000		1	COVER, ADF, REAR	MF4200 Series EXCEPT JP	
2	FC8-1427-000		1	COVER, ADF, REAR	MF4200 Series JP	
3	XA9-0476-000		7	SCREW, TP M3X8		
4	FM2-8861-000		1	DOCUMENT FEED UNDER ASS'Y	MF4600 Series	
4	FM3-4491-000		1	DOCUMENT FEED UNDER ASS'Y	MF4200 Series	
5	FM2-8862-000		1	DOCUMENT GUIDE ASS'Y	MF4600 Series	
5	FM3-4492-000		1	DOCUMENT GUIDE ASS'Y	MF4200 Series	
6	FM2-8864-000		1	DOCUMENT FEED UPPER ASS'Y	MF4600 Series	
6	FM3-4493-000		1	DOCUMENT FEED UPPER ASS'Y	MF4200 Series	
7	FM2-8865-000		1	ADF BASE ASS'Y	MF4600 Series	
7	FM3-4494-000		1	ADF BASE ASS'Y	MF4200 Series	
8	FC7-3637-000		1	HINGE, ADF		
9	FC7-3702-000		1	HINGE, ADF		
10	FC7-3548-000		1	TRAY, DOCUMENT		
501	XB4-5401-009		4	SCREW, TAP, M4X10		
502	XB4-7300-807		3	SCREW, TP BH M3X8		

Prepared by
OIP HFE Promotion Center
CANON INC.

Canon