

PARTS CATALOG

**MF4383/4380/4370/4352/
4350/4340/4330/4322/4320,
D480/460/450/440/420**

Canon

Jan 30 2009

PREFACE

This Parts Catalog contains listings of parts used

Diagrams are provided with the listings to aid the service technician in identifying clearly, the item to be ordered.

Whenever ordering parts, consult this Parts Catalog for all of the information pertaining to each item. Be sure to include, in the Parts Request, the full item description, the item part number, and the quantity.

COPYRIGHT (C) 1999 CANON INC.

Use of this manual should be strictly supervised to avoid disclosure of confidential information.

Contents

NUMERICAL INDEX

MF4383/4380/4370/4352/4350/4340/4330/4322/4320, D480/460/450/440/
420(Numerical Index) 1-1

MF4383/4380/4370/4352/4350/4340/4330/4322/4320, D480/460/450/
440/420(Parts Catalog)

A	ASSEMBLY LOCATION DIAGRAM	2-1
001	ACCESSORIES	2-2
100	EXTERNAL COVERS, PANELS, ETC.(ADF model EXCEPT MF4370)	2-5
100A	EXTERNAL COVERS, PANELS, ETC.(ADF model MF4370)	2-9
100B	EXTERNAL COVERS, PANELS, ETC.(COPYBOARD model)	2-12
100C	EXTERNAL COVERS, PANELS, ETC.(DADF model)	2-15
101	INTERNAL COMPONENTS 1	2-19
102	INTERNAL COMPONENTS 2	2-22
103	INTERNAL COMPONENTS 3	2-24
104	BASE PLATE ASS'Y	2-28
160	ADF ASS'Y (ADF model)	2-30
161	ADF ASS'Y (DADF model)	2-32
162	ADF PAPER FEED ASS'Y (DADF model)	2-35
310	PAPER PICK-UP ASS'Y	2-38
400	READER ASS'Y (ADF model)	2-40
401	READER ASS'Y (COPYBOARD model)	2-42
402	READER ASS'Y (DADF model)	2-44
810	FIXING ASS'Y	2-46

NUMERICAL INDEX

MF4383/4380/4370/4352/4350/4340/4330/4322/4320, D480/460/450/440/42

PARTS NUMBER	FIGURE & KEY NO.	PARTS NUMBER	FIGURE & KEY NO.	PARTS NUMBER	FIGURE & KEY NO
FC5-4820-000	100 - 13	FC7-3637-000	160 - 8	FC7-3728-000	100A - 32
FC5-4820-000	100A - 32	FC7-3638-000	100 - 11	FC7-3728-000	100B - 13
FC5-4820-000	100C - 32	FC7-3638-000	100C - 11	FC7-3728-000	100C - 32
FC6-5204-000	100 - 1	FC7-3639-000	100 - 18	FC7-3741-000	160 - 1
FC6-5204-000	100B - 1	FC7-3639-000	100A - 18	FC7-3742-000	160 - 2
FC6-5204-000	100C - 1	FC7-3639-000	100B - 18	FC7-3743-000	100 - 6
FC6-5210-000	102 - 5	FC7-3639-000	100C - 18	FC7-3743-000	100B - 6
FC6-5210-000	103 - 22	FC7-3641-010	810 - 2	FC7-3744-000	100 - 7
FC6-5210-000	161 - 19	FC7-3642-000	810 - 3	FC7-3744-000	100C - 7
FC6-5210-000	162 - 1	FC7-3643-000	810 - 4	FC7-3751-000	100 - 15
FC7-3544-000	160 - 1	FC7-3644-000	810 - 5	FC7-3752-000	100 - 15
FC7-3548-000	160 - 3	FC7-3645-000	810 - 6	FC7-3753-000	100 - 15
FC7-3549-000	160 - 2	FC7-3646-000	102 - 7	FC7-3764-010	100 - 28
FC7-3553-000	400 - 12	FC7-3647-000	103 - 20	FC7-3764-010	100B - 28
FC7-3553-000	401 - 12	FC7-3648-000	100 - 9	FC7-3765-000	101 - 12
FC7-3554-010	100 - 4	FC7-3648-000	100A - 9	FC7-3766-000	100 - 29
FC7-3554-010	100A - 4	FC7-3648-000	100B - 9	FC7-3767-000	101 - 12
FC7-3554-010	100B - 4	FC7-3648-000	100C - 9	FC7-3788-000	001 - 3
FC7-3554-010	100C - 4	FC7-3649-000	100 - 10	FC7-3816-000	100 - 31
FC7-3557-000	810 - 1	FC7-3649-000	100A - 10	FC7-3816-000	100B - 31
FC7-3558-000	101 - 1	FC7-3649-000	100B - 10	FC7-3817-000	100 - 30
FC7-3561-010	100 - 6	FC7-3649-000	100C - 10	FC7-3817-000	100B - 30
FC7-3561-010	100B - 6	FC7-3652-000	810 - 7	FC7-3817-000	100C - 30
FC7-3565-000	100 - 2	FC7-3653-000	103 - 21	FC7-3821-000	100 - 14
FC7-3565-000	100B - 2	FC7-3656-000	100 - 19	FC7-3821-000	100A - 14
FC7-3566-010	100 - 7	FC7-3656-000	100B - 19	FC7-3821-000	100B - 14
FC7-3566-010	100B - 7	FC7-3657-000	100 - 20	FC7-3821-000	100C - 14
FC7-3566-010	100C - 7	FC7-3657-000	100A - 20	FC7-3823-000	310 - 8
FC7-3596-000	100 - 23	FC7-3657-000	100B - 20	FC7-3825-000	810 - 13
FC7-3596-000	100A - 23	FC7-3657-000	100C - 20	FC7-3826-000	810 - 12
FC7-3596-000	100B - 23	FC7-3666-000	102 - 4	FC7-3827-000	100B - 29
FC7-3596-000	100C - 23	FC7-3690-000	103 - 8	FC7-6052-000	162 - 2
FC7-3597-000	100 - 24	FC7-3700-000	102 - 2	FC7-6182-000	162 - 3
FC7-3597-000	100A - 24	FC7-3702-000	160 - 9	FC7-6278-000	162 - 4
FC7-3597-000	100B - 24	FC7-3710-000	100 - 11	FC7-6320-000	161 - 20
FC7-3597-000	100C - 24	FC7-3710-000	100B - 11	FC7-6321-000	161 - 21
FC7-3598-000	100 - 25	FC7-3710-000	100C - 11	FC7-6322-000	161 - 6
FC7-3598-000	100A - 25	FC7-3711-000	100 - 11	FC7-7296-000	100A - 5
FC7-3598-000	100B - 25	FC7-3711-000	100B - 11	FC7-7296-000	100C - 5
FC7-3598-000	100C - 25	FC7-3711-000	100C - 11	FC7-7300-000	100A - 26
FC7-3607-000	160 - 10	FC7-3712-000	100 - 11	FC7-7300-000	100C - 26
FC7-3615-000	400 - 1	FC7-3712-000	100B - 11	FC7-7301-000	100A - 19
FC7-3615-000	401 - 1	FC7-3713-000	400 - 5	FC7-7301-000	100C - 19
FC7-3616-000	400 - 2	FC7-3713-000	401 - 5	FC7-7334-000	100A - 31
FC7-3616-000	401 - 2	FC7-3714-000	100 - 12	FC7-7334-000	100C - 31
FC7-3621-000	103 - 6	FC7-3714-000	100A - 12	FC7-9572-000	100A - 13
FC7-3623-000	400 - 3	FC7-3714-000	100B - 12	FC7-9572-000	100C - 13
FC7-3623-000	401 - 3	FC7-3714-000	100C - 12	FC8-0651-000	100A - 7
FC7-3623-000	402 - 3	FC7-3726-000	100 - 26	FC8-0651-000	100C - 7
FC7-3630-000	400 - 4	FC7-3726-000	100B - 26	FC8-0654-000	100B - 32
FC7-3630-000	401 - 4	FC7-3727-000	101 - 13	FC8-0657-000	400 - 12
FC7-3630-000	402 - 4	FC7-3728-000	100 - 13	FC8-0659-000	100A - 11

NUMERICAL INDEX

MF4383/4380/4370/4352/4350/4340/4330/4322/4320, D480/460/450/440/42

PARTS NUMBER	FIGURE & KEY NO.	PARTS NUMBER	FIGURE & KEY NO.	PARTS NUMBER	FIGURE & KEY NO.
FC8-0659-000	100C - 11	FC8-9300-000	100C - 15	FC9-1296-000	100B - 2
FC8-0690-000	100A - 1	FC8-9301-000	100C - 15	FC9-1297-000	100 - 26
FC8-0690-000	100C - 1	FC8-9303-000	101 - 12	FC9-1297-000	100B - 26
FC8-0697-000	160 - 8	FC8-9304-000	100C - 29	FC9-1299-000	100 - 18
FC8-1321-000	102 - 1	FC8-9305-000	101 - 12	FC9-1299-000	100B - 18
FC8-1389-000	100A - 6	FC8-9307-000	400 - 13	FC9-1299-000	100C - 18
FC8-1390-000	160 - 3	FC8-9307-000	401 - 13	FC9-1319-000	100A - 13
FC8-1392-000	100A - 11	FC8-9307-000	402 - 10	FC9-1319-000	100C - 13
FC8-1392-000	100C - 11	FC9-1253-000	161 - 15	FC9-1320-000	001 - 4
FC8-1393-000	100A - 11	FC9-1254-000	161 - 7	FC9-1321-000	001 - 4
FC8-1393-000	100C - 11	FC9-1255-000	161 - 8	FC9-1322-000	001 - 4
FC8-1394-000	100A - 11	FC9-1256-000	161 - 9	FC9-1324-000	400 - 13
FC8-1394-000	100C - 11	FC9-1257-000	161 - 11	FC9-1324-000	401 - 13
FC8-1403-000	100A - 30	FC9-1258-000	161 - 1	FC9-1324-000	402 - 10
FC8-1403-000	100C - 30	FC9-1259-000	161 - 4	FC9-1325-000	162 - 5
FC8-1407-000	160 - 1	FC9-1260-000	161 - 22	FC9-1337-000	100C - 15
FC8-1408-000	160 - 2	FC9-1261-000	161 - 2	FC9-5031-000	100C - 13
FC8-1425-000	100A - 7	FC9-1262-000	100C - 15	FC9-5032-000	161 - 1
FC8-1425-000	100C - 7	FC9-1263-000	100C - 15	FC9-5033-000	161 - 4
FC8-1426-000	160 - 1	FC9-1264-000	100C - 28	FC9-5034-000	161 - 2
FC8-1427-000	160 - 2	FC9-1266-000	101 - 12	FC9-5075-000	100 - 28
FC8-1541-000	100A - 15	FC9-1267-000	101 - 12	FC9-5075-000	100A - 28
FC8-1542-000	100A - 15	FC9-1268-000	101 - 12	FC9-5075-000	100C - 28
FC8-1543-000	100A - 15	FC9-1269-000	100C - 29	FC9-5077-000	101 - 12
FC8-1544-000	100A - 28	FC9-1270-000	402 - 5	FK2-1311-000	101 - 19
FC8-1544-000	100C - 28	FC9-1271-000	161 - 16	FK2-1316-000	101 - 22
FC8-1546-000	100A - 29	FC9-1274-000	100C - 6	FK2-1317-000	101 - 21
FC8-3826-000	001 - 6	FC9-1275-000	100C - 6	FK2-2869-000	400 - 6
FC8-3827-000	001 - 7	FC9-1276-000	100C - 6	FK2-2869-000	401 - 6
FC8-6307-000	001 - 6	FC9-1278-000	100 - 28	FK2-2869-000	402 - 6
FC8-9172-000	310 - 11	FC9-1278-000	100B - 28	FK2-3508-000	310 - 1
FC8-9207-000	161 - 1	FC9-1281-000	100 - 4	FK2-3510-000	103 - 11
FC8-9208-000	161 - 2	FC9-1281-000	100B - 4	FK2-3764-000	401 - 7
FC8-9209-000	161 - 15	FC9-1281-000	100C - 4	FK2-3765-000	400 - 8
FC8-9210-000	161 - 28	FC9-1283-000	100C - 5	FK2-3765-000	401 - 8
FC8-9211-000	161 - 7	FC9-1285-000	100C - 13	FK2-3765-000	402 - 8
FC8-9212-000	161 - 8	FC9-1287-000	102 - 2	FK2-4389-000	001 - 5
FC8-9213-000	161 - 9	FC9-1288-000	100 - 10	FK2-4390-000	101 - 17
FC8-9214-000	162 - 6	FC9-1288-000	100B - 10	FK2-4392-000	103 - 42
FC8-9231-000	100C - 6	FC9-1288-000	100C - 10	FK2-4393-000	101 - 18
FC8-9233-000	161 - 22	FC9-1289-000	100 - 23	FK2-4642-000	400 - 7
FC8-9234-000	161 - 1	FC9-1289-000	100B - 23	FK2-4642-000	402 - 7
FC8-9235-000	161 - 4	FC9-1289-000	100C - 23	FK2-6287-000	103 - 39
FC8-9237-000	161 - 2	FC9-1290-000	100 - 24	FK2-6890-000	101 - 20
FC8-9239-000	402 - 5	FC9-1290-000	100B - 24	FK2-7595-000	103 - 48
FC8-9241-000	161 - 16	FC9-1290-000	100C - 24	FK2-7608-000	101 - 9
FC8-9242-000	161 - 10	FC9-1291-000	100 - 25	FK2-7609-000	101 - 9
FC8-9243-000	161 - 11	FC9-1291-000	100B - 25	FK2-7610-000	101 - 9
FC8-9251-000	161 - 24	FC9-1291-000	100C - 25	FK2-7611-000	101 - 9
FC8-9259-000	161 - 4	FC9-1292-000	100C - 26	FK2-7612-000	101 - 9
FC8-9295-000	101 - 2	FC9-1293-000	810 - 2	FK2-7613-000	101 - 9
FC8-9299-000	100C - 15	FC9-1296-000	100 - 2	FK2-7617-000	103 - 24

NUMERICAL INDEX

MF4383/4380/4370/4352/4350/4340/4330/4322/4320, D480/460/450/440/42

PARTS NUMBER	FIGURE & KEY NO.	PARTS NUMBER	FIGURE & KEY NO.	PARTS NUMBER	FIGURE & KEY NO.
FK2-7660-000	103 - 5	FM2-8868-000	401 - 10	FM3-4495-000	400 -
FK2-7661-000	103 - 5	FM2-8870-000	100 - 16	FM3-4496-000	100A - 8
FK2-7663-000	103 - 5	FM2-8870-000	100B - 16	FM3-5378-000	103 - 51
FK2-7664-000	103 - 5	FM2-8870-000	100C - 16	FM3-5872-000	001 - 5
FK2-8243-000	001 - 1	FM2-8871-010	310 -	FM3-7014-000	001 - 5
FK2-8244-000	001 - 1	FM2-8872-000	310 - 2	FM3-8649-000	100C - 21
FK2-8245-000	001 - 1	FM2-8874-000	101 - 6	FM3-8650-000	100C - 21
FK2-8246-000	001 - 1	FM2-8877-000	104 - 2	FM3-8651-000	100C - 21
FK2-8247-000	001 - 1	FM2-8879-000	103 - 12	FM3-8654-000	100C - 21
FK2-8248-000	001 - 1	FM2-8882-000	102 - 3	FM3-8656-000	100 - 21
FK2-8249-000	001 - 1	FM2-8883-000	100 - 17	FM3-8657-000	100 - 21
FK2-8250-000	001 - 2	FM2-8883-000	100B - 17	FM3-8658-000	100 - 21
FK2-8251-000	001 - 1	FM2-8884-010	102 - 13	FM3-8660-000	100 - 21
FK2-8252-000	001 - 1	FM2-8885-000	810 - 8	FM3-8661-000	100 - 21
FK2-8253-000	001 - 1	FM2-8890-000	810 -	FM3-8662-000	100 - 21
FK2-8254-000	001 - 1	FM2-8891-000	810 -	FM3-8663-000	100B - 21
FK2-8255-000	001 - 1	FM2-8892-000	810 -	FM3-8664-000	100B - 21
FK2-8256-000	001 - 1	FM2-8908-000	100 - 22	FM3-8665-000	100B - 21
FK2-8257-000	001 - 1	FM2-8908-000	100B - 22	FM3-8670-000	104 - 1
FK2-8258-000	001 - 1	FM2-8910-000	104 - 3	FM3-8672-000	161 - 5
FK2-8259-000	001 - 1	FM2-8911-000	310 - 3	FM3-8675-000	402 -
FK2-8264-000	001 - 1	FM2-8912-000	101 - 5	FM3-8677-000	161 - 18
FK2-8265-000	001 - 1	FM2-8914-000	101 - 7	FM3-8679-000	161 - 23
FK2-8266-000	001 - 1	FM2-8915-000	810 - 9	FM3-8680-000	162 -
FK2-8267-000	001 - 1	FM2-8916-000	810 - 9	FM3-8681-000	162 - 8
FK2-8618-000	103 - 5	FM2-8917-000	810 - 9	FM3-8682-000	162 - 9
FK2-8619-000	103 - 5	FM2-8923-000	100 - 8	FM3-8683-000	162 - 10
FK2-9428-000	001 - 1	FM2-8923-000	100B - 8	FM3-8684-000	162 - 11
FL2-5620-000	100 - 3	FM2-8923-000	100C - 8	FM3-8685-000	162 - 12
FL2-5620-000	100C - 3	FM2-8924-000	100 - 8	FM3-8686-000	162 - 13
FL2-5621-000	401 - 9	FM2-8926-000	160 - 7	FM3-8688-000	402 - 2
FL2-5629-000	101 - 3	FM2-8933-000	100B - 5	FM3-8690-000	162 - 14
FL2-5630-000	100 - 27	FM2-9911-000	101 - 8	FM3-8692-000	400 -
FL2-5630-000	100B - 27	FM2-9912-000	101 - 8	FM3-8693-000	100 - 21
FL2-7040-000	100A - 2	FM2-9914-000	101 - 10	FM3-8694-000	100 - 21
FL2-7040-000	100C - 2	FM2-9916-000	101 - 11	FM3-8695-000	100B - 21
FL2-7043-000	100A - 27	FM3-0255-000	810 - 10	FM3-8696-000	100B - 21
FL2-7043-000	100C - 27	FM3-1494-000	101 - 14	FM3-8697-000	100B - 21
FL2-7044-000	100A - 27	FM3-1930-000	100A - 17	FM3-8698-000	100 - 21
FL2-7044-000	100C - 27	FM3-1930-000	100C - 17	FM3-8729-000	102 - 12
FL2-8495-000	100A - 3	FM3-1931-000	100A - 22	FM3-8733-000	162 - 15
FL2-8495-000	100C - 3	FM3-1931-000	100C - 22	FM3-8736-000	103 - 49
FL2-8496-000	400 - 9	FM3-4099-000	102 - 13	FM3-8739-000	101 - 8
FL2-8496-000	402 - 9	FM3-4103-000	100A - 8	FM3-8742-000	162 - 15
FL3-1018-000	162 - 7	FM3-4107-000	100B - 5	FM3-9066-000	102 - 6
FL3-1021-000	161 - 17	FM3-4111-000	401 -	FM3-9243-000	103 - 5
FL3-1023-000	161 - 25	FM3-4488-000	100A - 16	FM3-9486-000	161 - 5
FL3-1394-000	100C - 2	FM3-4488-000	100C - 16	FM3-9487-000	100C - 22
FM2-8861-000	160 - 4	FM3-4491-000	160 - 4	FM3-9488-000	402 -
FM2-8862-000	160 - 5	FM3-4492-000	160 - 5	FM3-9490-000	162 -
FM2-8864-000	160 - 6	FM3-4493-000	160 - 6	FM3-9491-000	162 - 13
FM2-8868-000	400 - 10	FM3-4494-000	160 - 7	FM3-9494-000	104 - 2

NUMERICAL INDEX

MF4383/4380/4370/4352/4350/4340/4330/4322/4320, D480/460/450/440/42

PARTS NUMBER	FIGURE & KEY NO.	PARTS NUMBER	FIGURE & KEY NO.	PARTS NUMBER	FIGURE & KEY NO.
FM3-9495-000	104 - 1	FU5-1552-000	162 - 16	RA0-1172-000	103 - 18
FM3-9496-000	810 -	FU5-1804-000	102 - 9	RC1-1953-000	103 - 2
FM3-9497-000	810 -	FU5-1805-000	102 - 10	RC1-1954-000	103 - 3
FM3-9498-000	100 - 22	FU6-0831-000	161 - 12	RC1-1955-000	103 - 4
FM3-9498-000	100B - 22	FU6-2248-000	161 - 13	RC1-1959-000	103 - 7
FM3-9499-000	100C - 17	FU6-2249-000	162 - 17	RC1-1960-000	310 - 4
FM3-9500-000	100C - 21	FU6-2254-000	103 - 27	RC1-1990-000	310 - 5
FM3-9501-000	100C - 21	FU6-2255-000	103 - 28	RC1-1993-000	310 - 6
FM3-9502-000	100C - 21	FU6-2255-000	310 - 14	RC1-1994-000	310 - 7
FM3-9503-000	100 - 21	FU6-2875-000	810 - 11	RC1-2040-000	310 - 9
FM3-9504-000	100B - 21	FU6-2998-000	162 - 18	RC1-2041-000	310 - 10
FM3-9505-000	100B - 21	FU6-2999-000	162 - 19	RC1-2043-000	310 - 12
FM3-9506-000	100 - 21	FU7-0538-000	103 - 29	RC1-2044-000	310 - 13
FM3-9507-000	100 - 17	FU7-0539-000	103 - 30	RC1-2079-000	810 - 14
FM3-9507-000	100B - 17	FU7-0540-000	103 - 31	RC1-2097-000	810 - 15
FM3-9509-000	100A - 21	FU7-0541-000	103 - 23	RC1-2098-000	810 - 16
FM3-9510-000	100A - 21	FU7-0542-000	103 - 32	RC1-2139-000	810 - 17
FM3-9511-000	100A - 21	FU7-0543-000	103 - 33	RC1-3579-000	103 - 26
FM3-9512-000	100A - 21	FU7-0544-000	103 - 25	RC1-5550-000	310 - 15
FM3-9513-000	100A - 21	FU7-0545-000	103 - 34	RC1-5551-000	310 - 16
FM3-9514-000	100A - 21	FU7-0546-000	103 - 40	RC1-5552-000	310 - 17
FM3-9515-000	100A - 21	FU7-0547-000	103 - 41	RC1-5553-000	310 - 18
FM3-9520-000	100 - 21	FU7-0667-000	162 - 26	RL1-0266-000	310 - 19
FM3-9522-000	100C - 21	FU7-0668-000	162 - 20	RL1-0268-000	310 - 20
FM4-0140-000	103 - 5	FU7-0669-000	162 - 21	RM1-2046-000	310 - 21
FM4-1265-000	103 - 5	FU7-0671-000	162 - 22	RU5-0174-000	103 - 14
FM4-1267-000	103 - 5	FU7-0672-000	161 - 27	RU5-0175-000	103 - 15
FM4-1268-000	103 - 5	FU7-0676-000	162 - 23	RU5-0176-000	103 - 16
FM4-1269-000	103 - 5	FU7-0678-000	162 - 24	RU5-0179-000	103 - 19
FM4-1270-000	103 - 5	FU7-2018-000	161 - 3	RU5-0180-000	310 - 22
FM4-1271-000	103 - 5	FU7-2021-000	162 - 25	RU5-0312-000	103 - 35
FM4-1272-000	103 - 5	FU8-0470-000	103 - 38	RU5-0313-000	103 - 36
FM4-1273-000	103 - 5	HB1-4978-000	001 - 6	RU5-0314-000	103 - 37
FM4-1274-000	103 - 5	HC1-2012-000	001 - 6	RU5-0503-000	103 - 10
FM4-1275-000	103 - 5	HC1-2034-000	001 - 7	RU5-0505-000	103 - 13
FM4-1276-000	103 - 5	HH2-2824-000	103 - 43	RU5-0506-000	103 - 17
FM4-1277-000	103 - 5	HK1-0544-000	103 - 47	RU5-0523-000	810 - 19
FM4-1278-000	103 - 5	HK1-0547-000	103 - 45	RU5-2178-000	810 - 20
FM4-1643-000	103 - 5	HK1-0550-000	103 - 46	RU5-2492-000	102 - 11
FM4-1993-000	100C - 8	HK1-0559-000	103 - 44	VS1-7177-002	101 - 15
FM4-1994-000	100C - 8	NPN	001 -	WG8-5696-000	162 - 27
FM4-1995-000	100C - 8	NPN	100 -	XA9-0476-000	100 - 32
FM4-1996-000	100C - 8	NPN	100A -	XA9-0476-000	100A - 33
FM4-1997-000	100C - 21	NPN	100B -	XA9-0476-000	100B - 15
FM4-1998-000	810 -	NPN	100C -	XA9-0476-000	100C - 33
FM4-2001-000	100 - 21	NPN	101 -	XA9-0476-000	161 - 14
FM4-2002-000	100B - 21	NPN	102 -	XA9-0476-000	400 - 11
FM4-2003-000	100C - 21	NPN	103 -	XA9-0476-000	401 - 11
FM4-2004-000	100 - 21	NPN	104 -	XA9-0476-000	402 - 1
FM4-2091-000	103 - 5	NPN	160 -	XA9-1420-000	101 - 4
FM4-2098-000	001 - 5	NPN	161 -	XA9-1420-000	102 - 15
FU5-1552-000	161 - 26	RA0-1019-000	103 - 1	XA9-1495-000	100 - 5

NUMERICAL INDEX

MF4383/4380/4370/4352/4350/4340/4330/4322/4320, D480/460/450/440/42

PARTS NUMBER	FIGURE & KEY NO.	PARTS NUMBER	FIGURE & KEY NO.	PARTS NUMBER	FIGURE & KEY NO.
XA9-1495-000	100A - 34				
XA9-1495-000	100B - 3				
XA9-1495-000	100C - 34				
XA9-1495-000	101 - 16				
XA9-1495-000	102 - 14				
XA9-1495-000	103 - 9				
XA9-1495-000	104 - 4				
XA9-1495-000	310 - 23				
XA9-1501-000	102 - 8				
XA9-1503-000	103 - 50				
XB2-8300-609	810 - 501				
XB4-5401-009	101 - 501				
XB4-5401-009	160 - 502				
XB4-5401-009	161 - 502				
XB4-5401-009	310 - 501				
XB4-5401-009	400 - 501				
XB4-5401-009	401 - 501				
XB4-5401-009	402 - 501				
XB4-7300-807	160 - 501				
XB4-7300-807	161 - 501				
XB4-7300-807	162 - 501				
XB4-7300-807	400 - 502				
XB4-7300-807	401 - 502				
XB4-7300-807	402 - 502				

MF4383/4380/4370/4352/4350/4340/ 4330/4322/4320, D480/460/450/440/ 420(Parts Catalog)

imageCLASS MF4383dn

230V KR	F15-6667-000	ETC	DADF/FAX model
----------------	---------------------	------------	-----------------------

imageCLASS MF4380dn

120V US	F15-6631-000	EJW	DADF/FAX model
----------------	---------------------	------------	-----------------------

120V CA,LTN	F15-6631-000	EJY	DADF/FAX model
--------------------	---------------------	------------	-----------------------

230V ASIA	F15-6641-000	EKE	DADF/FAX model
------------------	---------------------	------------	-----------------------

230V KR	F15-6661-000	ERY	DADF/FAX model
----------------	---------------------	------------	-----------------------

230V AU	F15-6681-000	EKF	DADF/FAX model
----------------	---------------------	------------	-----------------------

imageCLASS MF4370dn

120V TW	F15-6622-000	EKV	ADF/FAX model
----------------	---------------------	------------	----------------------

120V US	F15-6632-000	EKH	ADF/FAX model
----------------	---------------------	------------	----------------------

120V CA,LTN	F15-6632-000	EKJ	ADF/FAX model
--------------------	---------------------	------------	----------------------

230V ASIA	F15-6642-000	EKQ	ADF/FAX model
------------------	---------------------	------------	----------------------

230V CN	F15-6652-000	EKT	ADF/FAX model
----------------	---------------------	------------	----------------------

230V KR	F15-6662-000	EKU	ADF/FAX model
----------------	---------------------	------------	----------------------

230V AU	F15-6682-000	EKR	ADF/FAX model
----------------	---------------------	------------	----------------------

imageCLASS MF4352d

230V KR	F15-6668-000	ESU	ADF/FAX model
----------------	---------------------	------------	----------------------

imageCLASS MF4350d

120V TW	F15-6623-000	ELN	ADF/FAX model
120V US	F15-6633-000	EKW	ADF/FAX model
120V CA,LTN	F15-6633-000	EKX	ADF/FAX model
230V ASIA	F15-6643-000	ELD	ADF/FAX model
230V CN	F15-6653-000	ELJ	ADF/FAX model
230V KR	F15-6663-000	ELK	ADF/FAX model
230V AU	F15-6683-000	ELE	ADF/FAX model

imageCLASS MF4340d

230V KR	F15-6664-000	EMB	COPYBOARD/FAX model
230V AU	F15-6684-000	EMA	COPYBOARD/FAX model

imageCLASS MF4330d

230V ASIA	F15-6645-000	EMN	ADF model
230V CN	F15-6655-000	EMP	ADF model
230V KR	F15-6665-000	ERX	ADF model

imageCLASS MF4322d

230V CN	F15-6656-000	EMV	COPYBOARD model
----------------	---------------------	------------	-----------------

imageCLASS MF4320d

230V ASIA	F15-6646-000	EMT	COPYBOARD model
230V CN	F15-6658-000	EMW	COPYBOARD model
230V KR	F15-6666-000	ERW	COPYBOARD model

i-SENSYS MF4380dn

230V EUR1	F15-6691-000	EJZ	DADF/FAX model
230V EUR2	F15-6691-000	EKA	DADF/FAX model
230V EUR3	F15-6691-000	EKD	DADF/FAX model

i-SENSYS MF4370dn

230V EUR1	F15-6692-000	EKK	ADF/FAX model
230V EUR2	F15-6692-000	EKN	ADF/FAX model
230V EUR3	F15-6692-000	EKP	ADF/FAX model

i-SENSYS MF4350d

230V EUR1	F15-6693-000	EKZ	ADF/FAX model
230V EUR2	F15-6693-000	ELA	ADF/FAX model
230V EUR3	F15-6693-000	ELC	ADF/FAX model

i-SENSYS MF4340d

230V EUR1	F15-6694-000	ELU	COPYBOARD/FAX model
230V EUR2	F15-6694-000	ELX	COPYBOARD/FAX model
230V EUR3	F15-6694-000	ELZ	COPYBOARD/FAX model

i-SENSYS MF4330d

230V EUR1	F15-6695-000	EMF	ADF model
230V EUR2	F15-6695-000	EML	ADF model

i-SENSYS MF4320d

230V EUR1	F15-6696-000	EMQ	COPYBOARD model
230V EUR2	F15-6696-000	EMS	COPYBOARD model

Satera MF4380dn

100V JP	F15-6611-000	EKG	DADF/FAX model
----------------	---------------------	------------	----------------

Satera MF4370dn

100V JP	F15-6612-000	EKS	ADF/FAX model
----------------	---------------------	------------	---------------

Satera MF4350d

100V JP	F15-6613-000	ELF	ADF/FAX model
----------------	---------------------	------------	---------------

Satera MF4330d

100V JP	F15-6615-000	EMD	ADF model
----------------	---------------------	------------	-----------

imageCLASS D480

120V US	F15-6931-000	DTG	DADF/FAX model
----------------	---------------------	------------	----------------

120V CA	F15-6931-000	DTJ	DADF/FAX model
----------------	---------------------	------------	----------------

imageCLASS D460

120V US	F15-6932-000	DTK	DADF model
----------------	---------------------	------------	------------

120V CA	F15-6932-000	DTM	DADF model
----------------	---------------------	------------	------------

imageCLASS D440

120V US	F15-6934-000	DTQ	ADF model
----------------	---------------------	------------	-----------

120V CA	F15-6934-000	DTR	ADF model
----------------	---------------------	------------	-----------

imageCLASS D420

120V US	F15-6935-000	DTS	COPYBOARD model
----------------	---------------------	------------	-----------------

120V CA	F15-6935-000	DTT	COPYBOARD model
----------------	---------------------	------------	-----------------

i-SENSYS D450d

230V EUR1	F15-6993-000	DTN	DADF model
230V EUR2	F15-6993-000	DTP	DADF model

Satera D450d

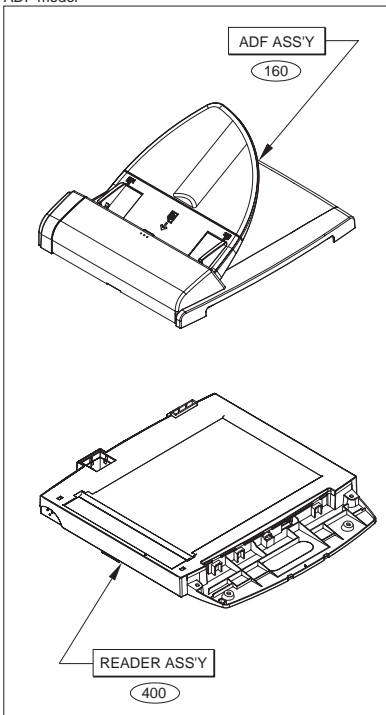
100V JP	F15-6913-000	ERZ	DADF model
----------------	---------------------	------------	------------

Contents

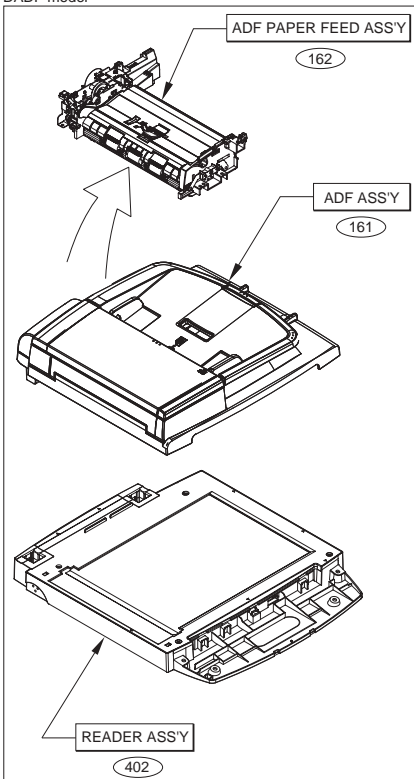
A	ASSEMBLY LOCATION DIAGRAM	2-1
001	ACCESSORIES	2-2
100	EXTERNAL COVERS, PANELS, ETC.(ADF model EXCEPT MF4370).....	2-5
100A	EXTERNAL COVERS, PANELS, ETC.(ADF model MF4370)	2-9
100B	EXTERNAL COVERS, PANELS, ETC.(COPYBOARD model)	2-12
100C	EXTERNAL COVERS, PANELS, ETC.(DADF model).....	2-15
101	INTERNAL COMPONENTS 1	2-19
102	INTERNAL COMPONENTS 2	2-22
103	INTERNAL COMPONENTS 3	2-24
104	BASE PLATE ASS'Y	2-28
160	ADF ASS'Y (ADF model)	2-30
161	ADF ASS'Y (DADF model).....	2-32
162	ADF PAPER FEED ASS'Y (DADF model).....	2-35
310	PAPER PICK-UP ASS'Y	2-38
400	READER ASS'Y (ADF model)	2-40
401	READER ASS'Y (COPYBOARD model).....	2-42
402	READER ASS'Y (DADF model).....	2-44
810	FIXING ASS'Y	2-46

FIGURE A ASSEMBLY LOCATION DIAGRAM

ADF model



DADF model



COPYBOARD model

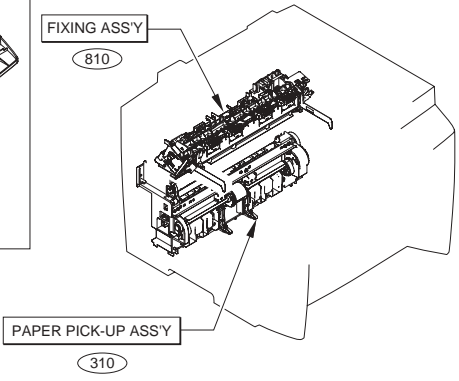
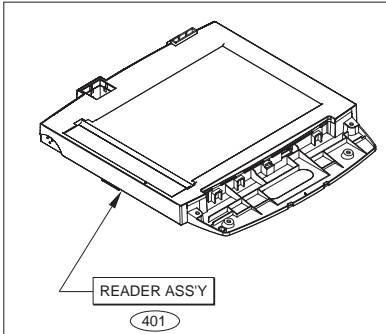
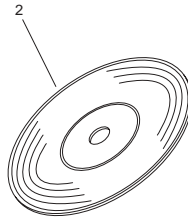
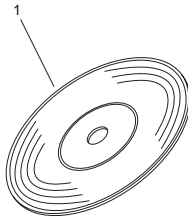
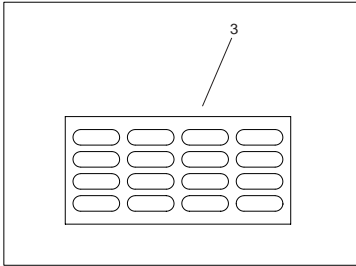


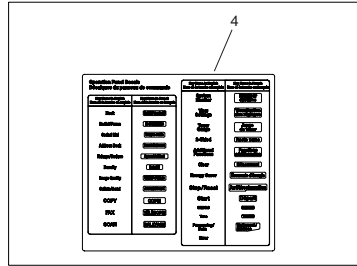
FIGURE 001 ACCESSORIES



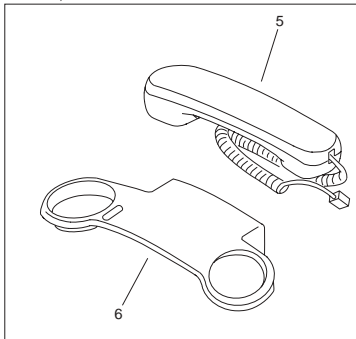
FAX model



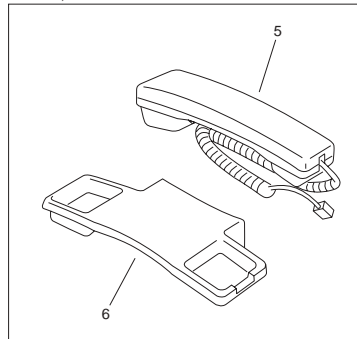
CA,LTN



MF4370,4350 CN



MF4370,4350 TW



MF4370,4350 TW,CN

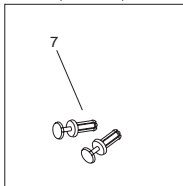


FIGURE & KEY NO.	PARTS NUMBER	RANK	Q'TY	DESCRIPTION	SERIAL NUMBER/REMARKS	SVC
Fig.001	NPN		RF	ACCESSORIES		
1	FK2-8248-000		1	CD-ROM, USER SOFTWARE	UK English EKE,EKF,EKQ,EKR	
1	FK2-8258-000		1	CD-ROM, USER SOFTWARE	UK English ELD,ELE,EMA,EMN,EMT	
1	FK2-8246-000		1	CD-ROM, USER SOFTWARE	English,French,Italian,German,Spanish EJZ,EKA,EKD,EKK,EKN,EKP	
1	FK2-8247-000		1	CD-ROM, USER SOFTWARE	English,Russian,Dutch,Polish EJZ,EKA,EKD,EKK,EKN,EKP	
1	FK2-8256-000		1	CD-ROM, USER SOFTWARE	English,French,Italian,German,Spanish EKZ,ELA,ELC,ELU,ELX,ELZ,EMF,EML,EMQ,EMS	
1	FK2-8257-000		1	CD-ROM, USER SOFTWARE	English,Russian,Dutch,Polish EKZ,ELA,ELC,ELU,ELX,ELZ,EMF,EML,EMQ,EMS	
1	FK2-8266-000		1	CD-ROM, USER SOFTWARE	English,French,Italian,German,Spanish DTN,DTP	
1	FK2-8267-000		1	CD-ROM, USER SOFTWARE	English,Russian,Dutch,Polish DTN,DTP	
1	FK2-8243-000		1	CD-ROM, USER SOFTWARE	US English EJW,EKH	
1	FK2-8244-000		1	CD-ROM, USER SOFTWARE	English,French,Spanish,Portuguese EJY,EKJ	
1	FK2-8251-000		1	CD-ROM, USER SOFTWARE	US English DTG,DTK	
1	FK2-8252-000		1	CD-ROM, USER SOFTWARE	English,French,Spanish,Portuguese DTJ,DTM	
1	FK2-8253-000		1	CD-ROM, USER SOFTWARE	US English EKW	
1	FK2-8254-000		1	CD-ROM, USER SOFTWARE	English,French,Spanish,Portuguese EKX	
1	FK2-8264-000		1	CD-ROM, USER SOFTWARE	UK English DTQ,DTS	
1	FK2-8265-000		1	CD-ROM, USER SOFTWARE	English,French,Spanish,Portuguese DTR,DTT	
1	FK2-8249-000		1	CD-ROM, USER SOFTWARE	UK English,Korean,Simplified Chinese,Traditional Chinese ETC,ERY,EKV,EKT,EKU	

FIGURE & KEY NO.	PARTS NUMBER	RANK	Q'TY	DESCRIPTION	SERIAL NUMBER/REMARKS	SVC
1	FK2-8259-000		1	CD-ROM, USER SOFTWARE	UK English,Korean,Simplified Chinese,Traditional Chinese ESU,ELN,ELJ,ELK,EMB,E MP,ERX,EMV,EMW,ERW	
1	FK2-8245-000		1	CD-ROM, USER SOFTWARE	Japanese EKG,EKS	
1	FK2-8255-000		1	CD-ROM, USER SOFTWARE	Japanese ELF,EMD	
1	FK2-9428-000		1	CD-ROM, USER SOFTWARE	Japanese ERZ	
2	FK2-8250-000		1	CD-ROM, UTILITY	English,French,Italian,Ger man,Spanish i-SENSYS	
3	FC7-3788-000		1	LABEL, DESTINATION	FAX model	
4	FC9-1320-000		1	LABEL, PANEL	MF4380 CA,LTN	
4	FC9-1321-000		1	LABEL, PANEL	MF4370,4350 CA,LTN	
4	FC9-1322-000		1	LABEL, PANEL	D400 Series CA,LTN	
5	FM3-5872-000		1	HANDSET UNIT	MF4370 CN	
5	FM3-7014-000		1	HANDSET UNIT	MF4370 TW	
5	FK2-4389-000		1	HANDSET UNIT	MF4350 CN	
5	FM4-2098-000		1	HANDSET UNIT	MF4350 TW	
6	FC8-3826-000		1	HOLDER, HANDSET CRADLE	MF4370 TW	
6	FC8-6307-000		1	HOLDER, HANDSET CRADLE	MF4370 CN	
6	HB1-4978-000		1	HOLDER, HANDSET CRADLE	MF4350 TW	
6	HC1-2012-000		1	HOLDER, HANDSET CRADLE	MF4350 CN	
7	FC8-3827-000		2	RIVET	MF4370 TW,CN	
7	HC1-2034-000		2	RIVET	MF4350 TW,CN	

FIGURE 100
EXTERNAL COVERS, PANELS, ETC.(ADF model
EXCEPT MF4370)

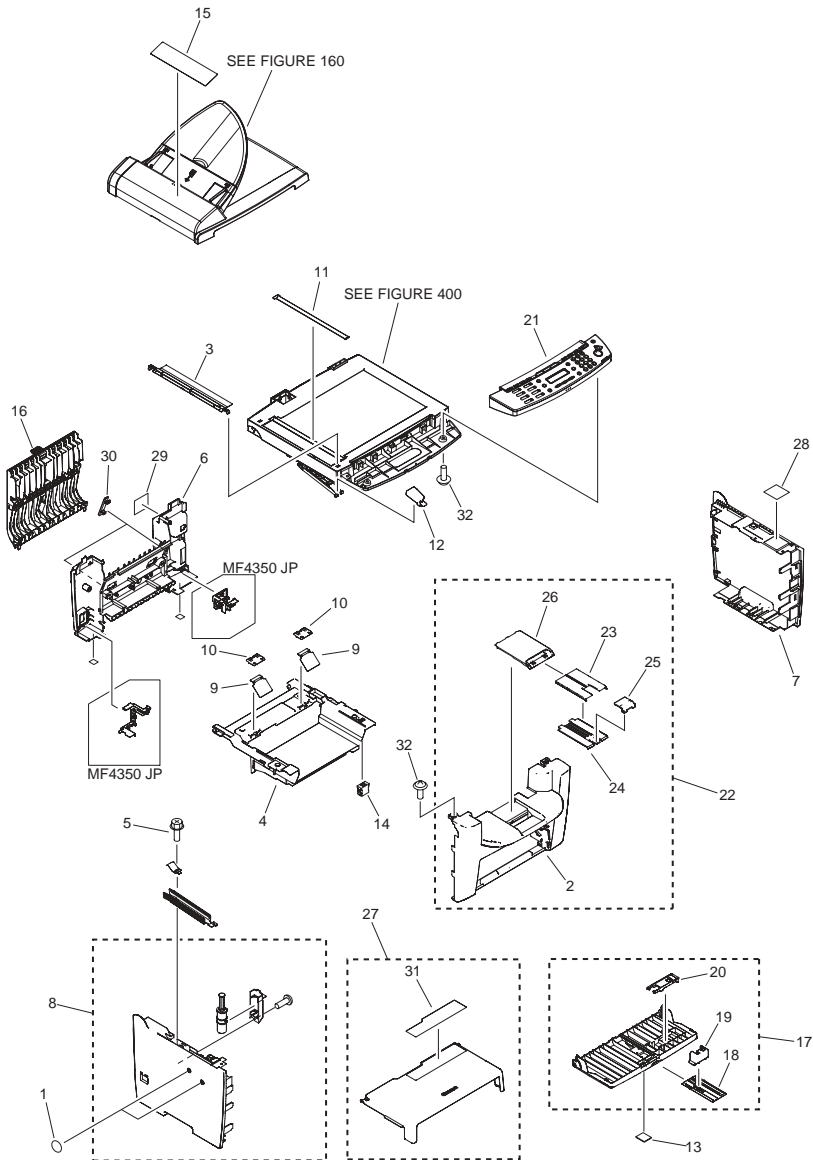


FIGURE & KEY NO.	PARTS NUMBER	R A N K	Q'TY	DESCRIPTION	SERIAL NUMBER/REMARKS	S V C
Fig.100	NPN		RF	EXTERNAL COVERS, PANELS, ETC.	ADF model EXCEPT MF4370	
1	FC6-5204-000		2	SHEET, HANDSET		
2	FC7-3565-000		1	COVER UNIT, FRONT	MF4300 Series	
2	FC9-1296-000		1	COVER UNIT, FRONT	D400 Series	
3	FL2-5620-000		1	HOLDER, DOCUMENT RELEASE SHEET		
4	FC7-3554-010		1	COVER, CRG	MF4300 Series	
4	FC9-1281-000		1	COVER, CRG	D400 Series	
5	XA9-1495-000		1	SCREW, RS, M3X6		
6	FC7-3561-010		1	COVER, REAR	MF4350	
6	FC7-3743-000		1	COVER, REAR	MF4330,D440	
7	FC7-3566-010		1	COVER, RIGHT	EXCEPT JP	
7	FC7-3744-000		1	COVER, RIGHT	JP	
8	FM2-8923-000		1	LEFT COVER ASS'Y	EXCEPT JP	
8	FM2-8924-000		1	LEFT COVER ASS'Y	JP	
9	FC7-3648-000		2	SHEET, PAPER FEED		
10	FC7-3649-000		2	CAP, SHEET	MF4300 Series	
10	FC9-1288-000		2	CAP, SHEET	D400 Series	
11	FC7-3638-000		1	PLATE, PAPER SIZE	MF4350,4330 AB SIZE	
11	FC7-3710-000		1	PLATE, PAPER SIZE	MF4350,4330 A SIZE	
11	FC7-3711-000		1	PLATE, PAPER SIZE	MF4350,D440 A/INCH SIZE	
11	FC7-3712-000		1	PLATE, PAPER SIZE	MF4352,4350,4330 AB/INCH SIZE	
12	FC7-3714-000		1	RETAINER, STAY		
13	FC7-3728-000		1	EMBLEM, LASER SHOT	EXCEPT JP	
13	FC5-4820-000		1	EMBLEM, SATERA	JP	
14	FC7-3821-000		1	MAGNET		
15	FC7-3751-000		1	SHEET, GLASS CLEANING	MF4350,D440 US	
15	FC7-3752-000		1	SHEET, GLASS CLEANING	MF4350,4330 EUR	
15	FC7-3753-000		1	SHEET, GLASS CLEANING	MF4352 KR, MF4350,4330 ASIA,AU,CN,JP,KR,TW	
16	FM2-8870-000		1	DUPLEXING COVER UNIT		
17	FM2-8883-000		1	PAPER PICK-UP TRAY ASS'Y	MF4300 Series	

FIGURE & KEY NO.	PARTS NUMBER	R A N K	Q'TY	DESCRIPTION	SERIAL NUMBER/ REMARKS	S V C
17	FM3-9507-000		1	PAPER PICK-UP TRAY ASS'Y	D400 Series	
18	FC7-3639-000		1	PLATE, EXTENSION	MF4300 Series	
18	FC9-1299-000		1	PLATE, EXTENSION	D400 Series	
19	FC7-3656-000		1	STOPER, PAPER		
20	FC7-3657-000		1	STOPER, CARD		
21	FM4-2004-000		1	CONTROL PANEL ASS'Y	MF4352 KR	
21	FM3-8656-000		1	CONTROL PANEL ASS'Y	MF4350 US	
21	FM3-8657-000		1	CONTROL PANEL ASS'Y	MF4350 EUR	
21	FM3-8658-000		1	CONTROL PANEL ASS'Y	MF4350 ASIA,AU	
21	FM3-8660-000		1	CONTROL PANEL ASS'Y	MF4350 CN	
21	FM3-8661-000		1	CONTROL PANEL ASS'Y	MF4350 KR	
21	FM3-8662-000		1	CONTROL PANEL ASS'Y	MF4350 TW	
21	FM3-9506-000		1	CONTROL PANEL ASS'Y	MF4350 JP	
21	FM3-8693-000		1	CONTROL PANEL ASS'Y	MF4330 ASIA	
21	FM3-8694-000		1	CONTROL PANEL ASS'Y	MF4330 EUR	
21	FM4-2001-000		1	CONTROL PANEL ASS'Y	MF4330 KR	
21	FM3-8698-000		1	CONTROL PANEL ASS'Y	MF4330 CN	
21	FM3-9520-000		1	CONTROL PANEL ASS'Y	MF4330 JP	
21	FM3-9503-000		1	CONTROL PANEL ASS'Y	D440 US	
22	FM2-8908-000		1	FRONT COVER ASS'Y	MF4300 Series	
22	FM3-9498-000		1	FRONT COVER ASS'Y	D400 Series	
23	FC7-3596-000		1	TRAY, PAPER DELIVERY	MF4300 Series	
23	FC9-1289-000		1	TRAY, PAPER DELIVERY	D400 Series	
24	FC7-3597-000		1	TRAY, PAPER DELIVERY EXTENSION	MF4300 Series	
24	FC9-1290-000		1	TRAY, PAPER DELIVERY EXTENSION	D400 Series	
25	FC7-3598-000		1	STOPPER, PAPER DELIVERY	MF4300 Series	
25	FC9-1291-000		1	STOPPER, PAPER DELIVERY	D400 Series	
26	FC7-3726-000		1	COVER, PAPER DELIVERY TRAY	MF4300 Series	
26	FC9-1297-000		1	COVER, PAPER DELIVERY TRAY	D400 Series	
27	FL2-5630-000		1	DUST COVER ASSEMBLY		
28	FC7-3764-010		1	LABEL, JAM CLEARING	MF4300 Series EXCEPT JP	

FIGURE & KEY NO.	PARTS NUMBER	RANK	Q'TY	DESCRIPTION	SERIAL NUMBER/REMARKS	SVC
28	FC9-1278-000		1	LABEL, JAM CLEARING	D400 Series EXCEPT JP	
28	FC9-5075-000		1	LABEL, JAM CLEARING	JP	
29	FC7-3766-000		1	LABEL, JAM CLEARING, ADF2		
30	FC7-3817-000		2	CAP. COVER, REAR		
31	FC7-3816-000		1	LABEL, SIZE INSTRUCTION		
32	XA9-0476-000		4	SCREW,TP M3X8		

FIGURE 100A EXTERNAL COVERS, PANELS, ETC.(ADF model MF4370)

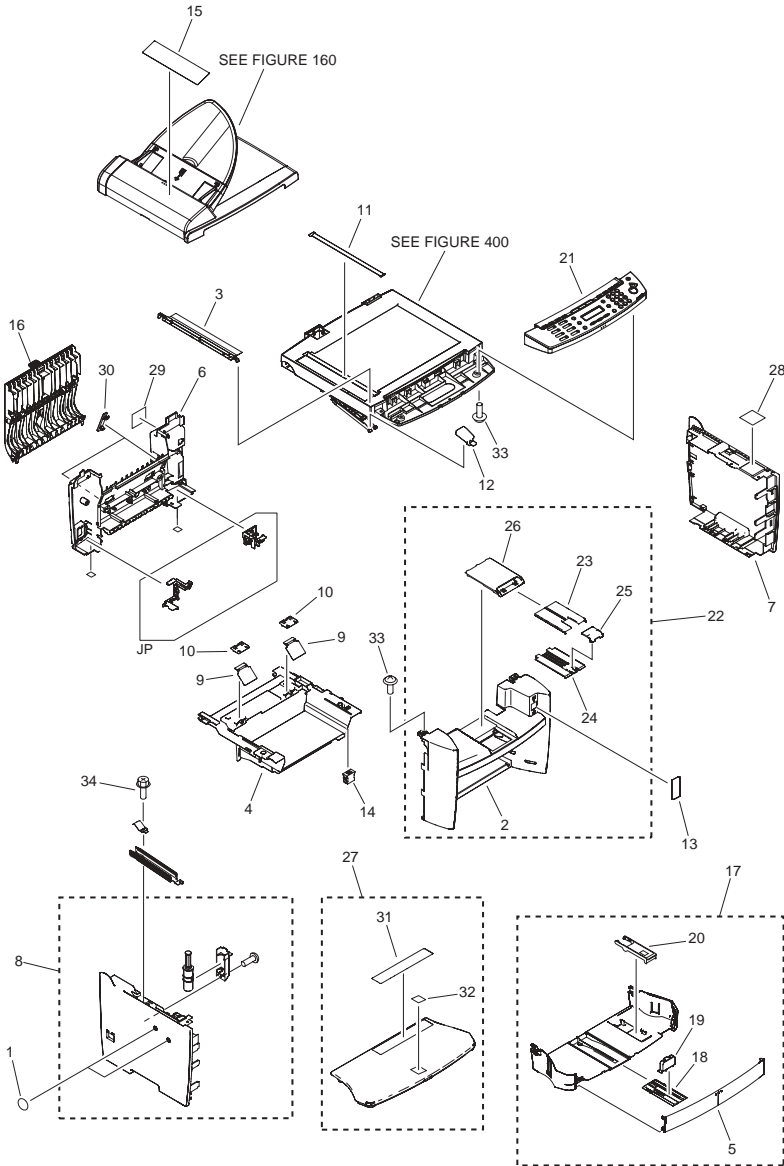


FIGURE & KEY NO.	PARTS NUMBER	R A N K	Q'TY	DESCRIPTION	SERIAL NUMBER/ REMARKS	S V C
Fig.100A	NPN		RF	EXTERNAL COVERS, PANELS, ETC.	ADF model MF4370	
1	FC8-0690-000		2	SHEET, HANDSET		
2	FL2-7040-000		1	COVER UNIT, FRONT		
3	FL2-8495-000		1	HOLDER, DOCUMENT RELEASE SHEET		
4	FC7-3554-010		1	COVER, CRG		
5	FC7-7296-000		1	COVER,FRONT,PAPER SUPPLY TRAY		
6	FC8-1389-000		1	COVER, REAR		
7	FC8-0651-000		1	COVER, RIGHT	EXCEPT JP	
7	FC8-1425-000		1	COVER, RIGHT	JP	
8	FM3-4103-000		1	LEFT COVER ASS'Y	EXCEPT JP	
8	FM3-4496-000		1	LEFT COVER ASS'Y	JP	
9	FC7-3648-000		2	SHEET, PAPER FEED		
10	FC7-3649-000		2	CAP, SHEET		
11	FC8-0659-000		1	PLATE, PAPER SIZE	A SIZE	
11	FC8-1392-000		1	PLATE, PAPER SIZE	A/INCH SIZE	
11	FC8-1393-000		1	PLATE, PAPER SIZE	AB/INCH SIZE	
11	FC8-1394-000		1	PLATE, PAPER SIZE	AB SIZE	
12	FC7-3714-000		1	RETAINER, STAY		
13	FC7-9572-000		1	COVER, USB	EXCEPT JP	
13	FC9-1319-000		1	COVER, USB	JP	
14	FC7-3821-000		1	MAGNET		
15	FC8-1541-000		1	SHEET, GLASS CLEANING	ASIA,AU,CN,JP,KR,TW	
15	FC8-1542-000		1	SHEET, GLASS CLEANING	US	
15	FC8-1543-000		1	SHEET, GLASS CLEANING	EUR	
16	FM3-4488-000		1	DUPLEXING COVER UNIT		
17	FM3-1930-000		1	PAPER PICK-UP TRAY ASS'Y		
18	FC7-3639-000		1	PLATE, EXTENSION		
19	FC7-7301-000		1	STOPER, PAPER		
20	FC7-3657-000		1	STOPER, CARD		
21	FM3-9509-000		1	CONTROL PANEL ASS'Y	TW	
21	FM3-9510-000		1	CONTROL PANEL ASS'Y	US	
21	FM3-9511-000		1	CONTROL PANEL ASS'Y	ASIA,AU	

FIGURE & KEY NO.	PARTS NUMBER	R A N K	Q'TY	DESCRIPTION	SERIAL NUMBER/ REMARKS	S V C
21	FM3-9512-000		1	CONTROL PANEL ASS'Y	CN	
21	FM3-9513-000		1	CONTROL PANEL ASS'Y	KR	
21	FM3-9514-000		1	CONTROL PANEL ASS'Y	JP	
21	FM3-9515-000		1	CONTROL PANEL ASS'Y	EUR	
22	FM3-1931-000		1	FRONT COVER ASS'Y		
23	FC7-3596-000		1	TRAY, PAPER DELIVERY		
24	FC7-3597-000		1	TRAY, PAPER DELIVERY EXTENSION		
25	FC7-3598-000		1	STOPPER, PAPER DELIVERY		
26	FC7-7300-000		1	COVER, PAPER DELIVERY TRAY		
27	FL2-7043-000		1	DUST COVER ASSEMBLY	EXCEPT JP	
27	FL2-7044-000		1	DUST COVER ASSEMBLY	JP	
28	FC8-1544-000		1	LABEL, JAM CLEARING	EXCEPT JP	
28	FC9-5075-000		1	LABEL, JAM CLEARING	JP	
29	FC8-1546-000		1	LABEL, JAM CLEARING, ADF2		
30	FC8-1403-000		2	CAP, COVER, REAR		
31	FC7-7334-000		1	LABEL, SIZE INSTRUCTION		
32	FC7-3728-000		1	EMBLEM, LASER SHOT	EXCEPT JP	
32	FC5-4820-000		1	EMBLEM, SATERA	JP	
33	XA9-0476-000		4	SCREW, TP M3X8		
34	XA9-1495-000		1	SCREW, RS, M3X6		

FIGURE 100B EXTERNAL COVERS, PANELS, ETC.(COPYBOARD model)

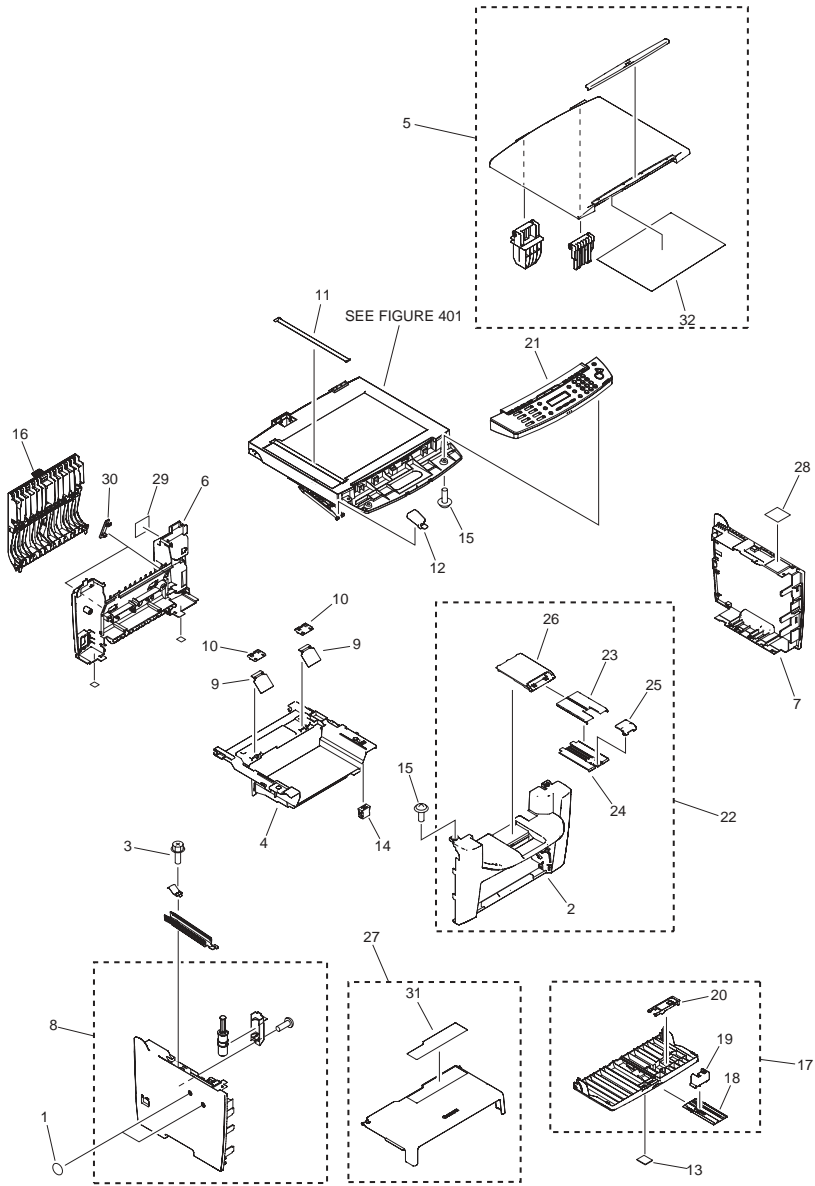


FIGURE & KEY NO.	PARTS NUMBER	R A N K	Q'TY	DESCRIPTION	SERIAL NUMBER/ REMARKS	S V C
Fig.100B	NPN		RF	EXTERNAL COVERS, PANELS, ETC.	COPYBOARD model	
1	FC6-5204-000		2	SHEET, HANDSET		
2	FC7-3565-000		1	COVER UNIT, FRONT	MF4300 Series	
2	FC9-1296-000		1	COVER UNIT, FRONT	D400 Series	
3	XA9-1495-000		1	SCREW, RS, M3X6		
4	FC7-3554-010		1	COVER, CRG	MF4300 Series	
4	FC9-1281-000		1	COVER, CRG	D400 Series	
5	FM2-8933-000		1	COPYBOARD COVER ASS'Y	EXCEPT MF4322	
5	FM3-4107-000		1	COPYBOARD COVER ASS'Y	MF4322	
6	FC7-3561-010		1	COVER, REAR	MF4340	
6	FC7-3743-000		1	COVER, REAR	MF4322,4320,D420	
7	FC7-3566-010		1	COVER, RIGHT		
8	FM2-8923-000		1	LEFT COVER ASS'Y		
9	FC7-3648-000		2	SHEET, PAPER FEED		
10	FC7-3649-000		2	CAP, SHEET	MF4300 Series	
10	FC9-1288-000		2	CAP, SHEET	D400 Series	
11	FC7-3710-000		1	PLATE, PAPER SIZE	MF4340,4320 A SIZE	
11	FC7-3711-000		1	PLATE, PAPER SIZE	D420 A/INCH SIZE	
11	FC7-3712-000		1	PLATE, PAPER SIZE	MF4340,4322,4320 AB/ INCH SIZE	
12	FC7-3714-000		1	RETAINER, STAY		
13	FC7-3728-000		1	EMBLEM, LASER SHOT		
14	FC7-3821-000		1	MAGNET		
15	XA9-0476-000		4	SCREW,TP M3X8		
16	FM2-8870-000		1	DUPLEXING COVER UNIT		
17	FM2-8883-000		1	PAPER PICK-UP TRAY ASS'Y	MF4300 Series	
17	FM3-9507-000		1	PAPER PICK-UP TRAY ASS'Y	D400 Series	
18	FC7-3639-000		1	PLATE, EXTENSION	MF4300 Series	
18	FC9-1299-000		1	PLATE, EXTENSION	D400 Series	
19	FC7-3656-000		1	STOPER, PAPER		
20	FC7-3657-000		1	STOPER, CARD		
21	FM3-8663-000		1	CONTROL PANEL ASS'Y	MF4340 EUR	

FIGURE & KEY NO.	PARTS NUMBER	R A N K	Q'TY	DESCRIPTION	SERIAL NUMBER/ REMARKS	S V C
21	FM3-8664-000		1	CONTROL PANEL ASS'Y	MF4340 AU	
21	FM3-8665-000		1	CONTROL PANEL ASS'Y	MF4340 KR	
21	FM3-8697-000		1	CONTROL PANEL ASS'Y	MF4322 CN	
21	FM3-8695-000		1	CONTROL PANEL ASS'Y	MF4320 EUR	
21	FM3-8696-000		1	CONTROL PANEL ASS'Y	MF4320 ASIA	
21	FM3-9505-000		1	CONTROL PANEL ASS'Y	MF4320 CN	
21	FM4-2002-000		1	CONTROL PANEL ASS'Y	MF4320 KR	
21	FM3-9504-000		1	CONTROL PANEL ASS'Y	D420 US	
22	FM2-8908-000		1	FRONT COVER ASS'Y	MF4300 Series	
22	FM3-9498-000		1	FRONT COVER ASS'Y	D400 Series	
23	FC7-3596-000		1	TRAY, PAPER DELIVERY	MF4300 Series	
23	FC9-1289-000		1	TRAY, PAPER DELIVERY	D400 Series	
24	FC7-3597-000		1	TRAY, PAPER DELIVERY EXTENSION	MF4300 Series	
24	FC9-1290-000		1	TRAY, PAPER DELIVERY EXTENSION	D400 Series	
25	FC7-3598-000		1	STOPPER, PAPER DELIVERY	MF4300 Series	
25	FC9-1291-000		1	STOPPER, PAPER DELIVERY	D400 Series	
26	FC7-3726-000		1	COVER, PAPER DELIVERY TRAY	MF4300 Series	
26	FC9-1297-000		1	COVER, PAPER DELIVERY TRAY	D400 Series	
27	FL2-5630-000		1	DUST COVER ASSEMBLY		
28	FC7-3764-010		1	LABEL, JAM CLEARING	MF4300 Series	
28	FC9-1278-000		1	LABEL, JAM CLEARING	D400 Series	
29	FC7-3827-000		1	LABEL, JAM CLEARING, P2		
30	FC7-3817-000		2	CAP, COVER, REAR		
31	FC7-3816-000		1	LABEL, SIZE INSTRUCTION		
32	FC8-0654-000		1	PANEL, COPYBOARD		

FIGURE 100C EXTERNAL COVERS, PANELS, ETC.(DADF model)

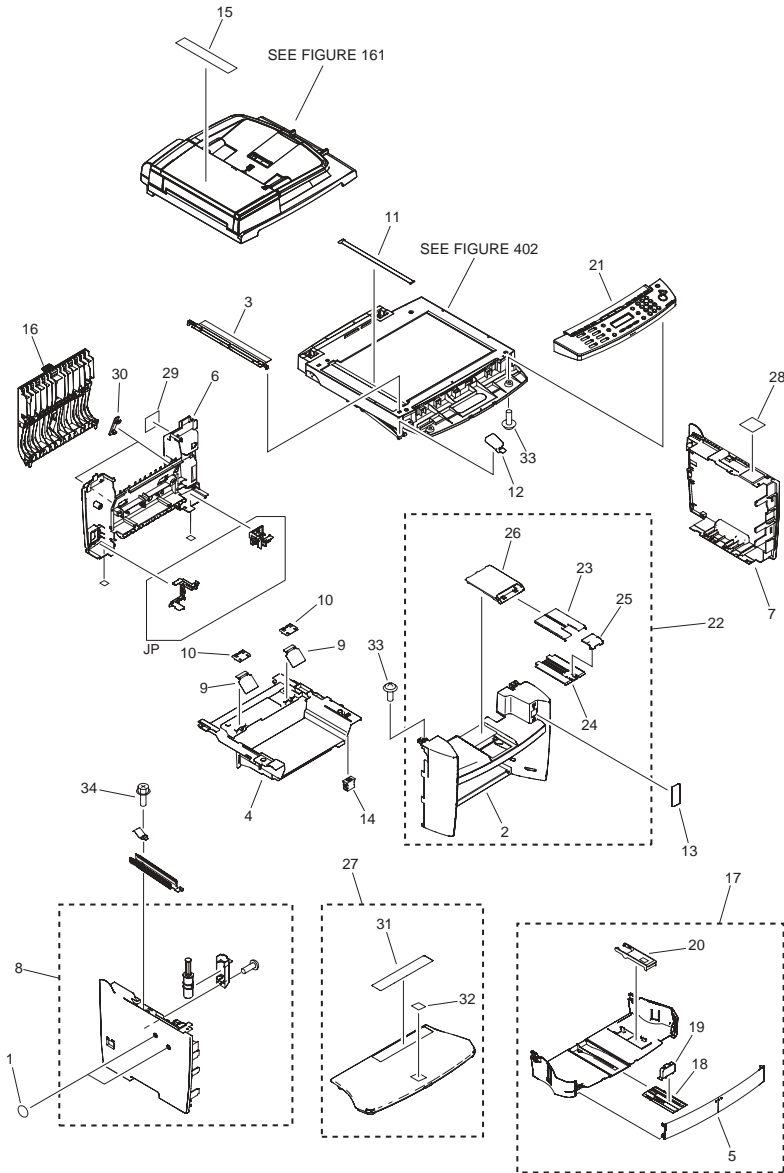


FIGURE & KEY NO.	PARTS NUMBER	R A N K	Q'TY	DESCRIPTION	SERIAL NUMBER/ REMARKS	S V C
Fig.100C	NPN		RF	EXTERNAL COVERS, PANELS, ETC.	DADF model	
1	FC8-0690-000		2	SHEET, HANDSET	MF4300 Series	
1	FC6-5204-000		2	SHEET, HANDSET	D400 Series	
2	FL2-7040-000		1	COVER UNIT, FRONT	MF4300 Series	
2	FL3-1394-000		1	COVER UNIT, FRONT	D400 Series	
3	FL2-8495-000		1	HOLDER, DOCUMENT RELEASE SHEET	MF4300 Series	
3	FL2-5620-000		1	HOLDER, DOCUMENT RELEASE SHEET	D400 Series	
4	FC7-3554-010		1	COVER, CRG	MF4300 Series	
4	FC9-1281-000		1	COVER, CRG	D400 Series	
5	FC7-7296-000		1	COVER,FRONT,PAPER SUPPLY TRAY	MF4300 Series	
5	FC9-1283-000		1	COVER,FRONT,PAPER SUPPLY TRAY	D400 Series	
6	FC8-9231-000		1	COVER, REAR	MF4380	
6	FC9-1274-000		1	COVER, REAR	D480	
6	FC9-1275-000		1	COVER, REAR	D460	
6	FC9-1276-000		1	COVER, REAR	D450	
7	FC8-0651-000		1	COVER, RIGHT	MF4300 Series EXCEPT JP	
7	FC8-1425-000		1	COVER, RIGHT	MF4380 JP	
7	FC7-3566-010		1	COVER, RIGHT	D400 Series EXCEPT JP	
7	FC7-3744-000		1	COVER, RIGHT	D450 JP	
8	FM4-1995-000		1	LEFT COVER ASS'Y	MF4300 Series EXCEPT JP	
8	FM4-1996-000		1	LEFT COVER ASS'Y	MF4380 JP	
8	FM2-8923-000		1	LEFT COVER ASS'Y	D460,450 EXCEPT JP	
8	FM4-1993-000		1	LEFT COVER ASS'Y	D480	
8	FM4-1994-000		1	LEFT COVER ASS'Y	D450 JP	
9	FC7-3648-000		2	SHEET, PAPER FEED		
10	FC7-3649-000		2	CAP, SHEET	MF4300 Series	
10	FC9-1288-000		2	CAP, SHEET	D400 Series	
11	FC8-0659-000		1	PLATE, PAPER SIZE	MF4380 A SIZE	
11	FC8-1392-000		1	PLATE, PAPER SIZE	MF4380 A/INCH SIZE	
11	FC8-1393-000		1	PLATE, PAPER SIZE	MF4380 AB/INCH SIZE	
11	FC8-1394-000		1	PLATE, PAPER SIZE	MF4380 AB SIZE	

FIGURE & KEY NO.	PARTS NUMBER	R A N K	Q'TY	DESCRIPTION	SERIAL NUMBER/ REMARKS	S V C
11	FC7-3711-000		1	PLATE, PAPER SIZE	D480,460 A/INCH SIZE	
11	FC7-3710-000		1	PLATE, PAPER SIZE	D450 A SIZE	
11	FC7-3638-000		1	PLATE, PAPER SIZE	D450 AB SIZE	
12	FC7-3714-000		1	RETAINER, STAY		
13	FC7-9572-000		1	COVER, USB	MF4300 Series EXCEPT JP	
13	FC9-1319-000		1	COVER, USB	MF4380 JP	
13	FC9-1285-000		1	COVER, USB	D400 Series EXCEPT JP	
13	FC9-5031-000		1	COVER, USB	D450 JP	
14	FC7-3821-000		1	MAGNET		
15	FC8-9299-000		1	SHEET, GLASS CLEANING	MF4380 EUR	
15	FC8-9300-000		1	SHEET, GLASS CLEANING	MF4380 US	
15	FC8-9301-000		1	SHEET, GLASS CLEANING	MF4380 ASIA,AU,JP,KR	
15	FC9-1262-000		1	SHEET, GLASS CLEANING	D450 EUR	
15	FC9-1337-000		1	SHEET, GLASS CLEANING	D450 JP	
15	FC9-1263-000		1	SHEET, GLASS CLEANING	D480,460 US	
16	FM3-4488-000		1	DUPLEXING COVER UNIT	MF4300 Series	
16	FM2-8870-000		1	DUPLEXING COVER UNIT	D400 Series	
17	FM3-1930-000		1	PAPER PICK-UP TRAY ASS'Y	MF4300 Series	
17	FM3-9499-000		1	PAPER PICK-UP TRAY ASS'Y	D400 Series	
18	FC7-3639-000		1	PLATE, EXTENSION	MF4300 Series	
18	FC9-1299-000		1	PLATE, EXTENSION	D400 Series	
19	FC7-7301-000		1	STOPER, PAPER		
20	FC7-3657-000		1	STOPER, CARD		
21	FM4-2003-000		1	CONTROL PANEL ASS'Y	MF4383 KR	
21	FM3-8649-000		1	CONTROL PANEL ASS'Y	MF4380 US	
21	FM3-8650-000		1	CONTROL PANEL ASS'Y	MF4380 EUR	
21	FM3-8651-000		1	CONTROL PANEL ASS'Y	MF4380 ASIA,AU	
21	FM3-8654-000		1	CONTROL PANEL ASS'Y	MF4380 KR	
21	FM3-9522-000		1	CONTROL PANEL ASS'Y	MF4380 JP	
21	FM3-9500-000		1	CONTROL PANEL ASS'Y	D460 US	
21	FM3-9501-000		1	CONTROL PANEL ASS'Y	D480 US	

FIGURE & KEY NO.	PARTS NUMBER	R A N K	Q'TY	DESCRIPTION	SERIAL NUMBER/ REMARKS	S V C
21	FM3-9502-000		1	CONTROL PANEL ASS'Y	D450 EUR	
21	FM4-1997-000		1	CONTROL PANEL ASS'Y	D450 JP	
22	FM3-1931-000		1	FRONT COVER ASS'Y	MF4300 Series	
22	FM3-9487-000		1	FRONT COVER ASS'Y	D400 Series	
23	FC7-3596-000		1	TRAY, PAPER DELIVERY	MF4300 Series	
23	FC9-1289-000		1	TRAY, PAPER DELIVERY	D400 Series	
24	FC7-3597-000		1	TRAY, PAPER DELIVERY EXTENSION	MF4300 Series	
24	FC9-1290-000		1	TRAY, PAPER DELIVERY EXTENSION	D400 Series	
25	FC7-3598-000		1	STOPPER, PAPER DELIVERY	MF4300 Series	
25	FC9-1291-000		1	STOPPER, PAPER DELIVERY	D400 Series	
26	FC7-7300-000		1	COVER, PAPER DELIVERY TRAY	MF4300 Series	
26	FC9-1292-000		1	COVER, PAPER DELIVERY TRAY	D400 Series	
27	FL2-7043-000		1	DUST COVER ASSEMBLY	EXCEPT JP	
27	FL2-7044-000		1	DUST COVER ASSEMBLY	JP	
28	FC8-1544-000		1	LABEL, JAM CLEARING	MF4300 Series EXCEPT JP	
28	FC9-1264-000		1	LABEL, JAM CLEARING	D400 Series EXCEPT JP	
28	FC9-5075-000		1	LABEL, JAM CLEARING	JP	
29	FC8-9304-000		1	LABEL, JAM CLEARING, DADF2	MF4300 Series	
29	FC9-1269-000		1	LABEL, JAM CLEARING, DADF2	D400 Series	
30	FC8-1403-000		2	CAP, COVER, REAR	MF4300 Series	
30	FC7-3817-000		2	CAP, COVER, REAR	D400 Series	
31	FC7-7334-000		1	LABEL, SIZE INSTRUCTION		
32	FC7-3728-000		1	EMBLEM, LASER SHOT	EXCEPT JP	
32	FC5-4820-000		1	EMBLEM, SATERA	JP	
33	XA9-0476-000		4	SCREW, TP M3X8		
34	XA9-1495-000		1	SCREW, RS, M3X6		

FIGURE 101 INTERNAL COMPONENTS 1

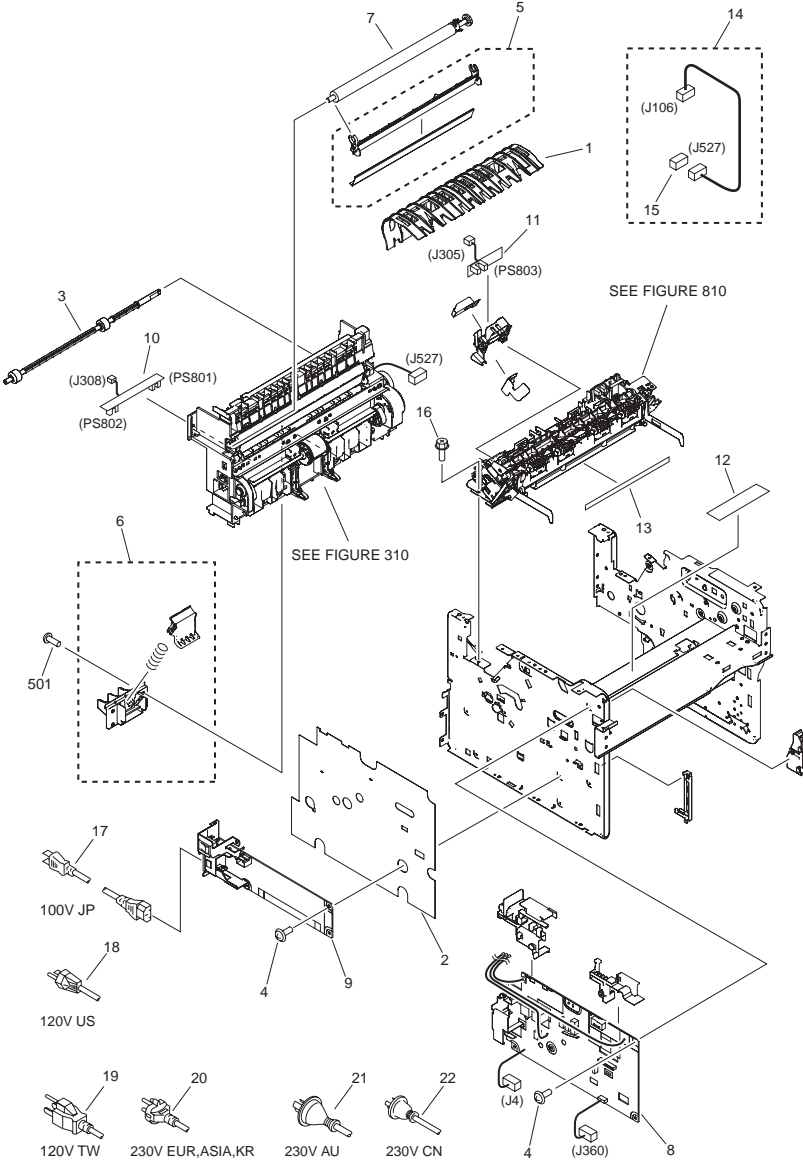
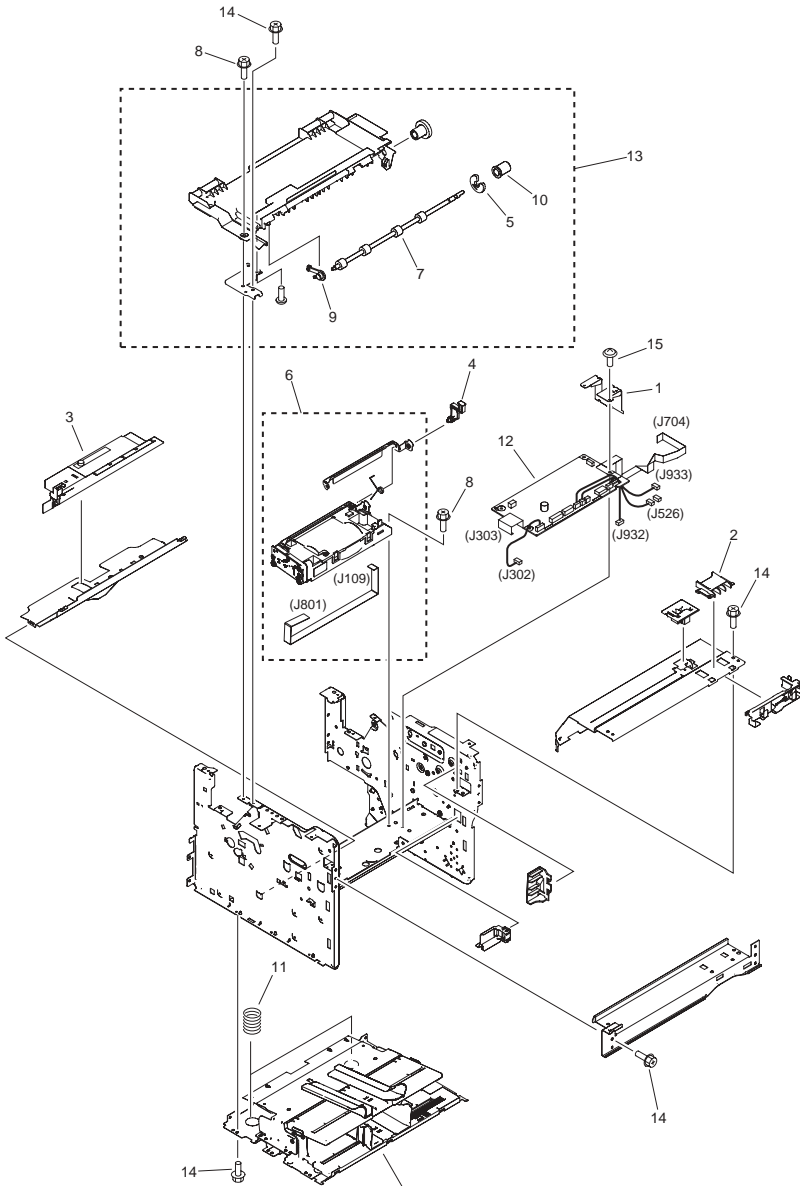


FIGURE & KEY NO.	PARTS NUMBER	R A N K	Q'TY	DESCRIPTION	SERIAL NUMBER/ REMARKS	S V C
Fig.101	NPN		RF	INTERNAL COMPONENTS 1		
1	FC7-3558-000		1	GUIDE, INNER FEED		
2	FC8-9295-000		1	SHEET, INSULATING		
3	FL2-5629-000		1	DUPLEXING FEED ROLLER ASS'Y		
4	XA9-1420-000		11	SCREW, WWASHER, M3X8		
5	FM2-8912-000		1	TRANSFER GUIDE ASS'Y		
6	FM2-8874-000		1	SEPARATION PAD ASS'Y		
7	FM2-8914-000		1	TRANSFER ROLLER ASS'Y		
8	FM3-8739-000		1	HVT PCB ASS'Y	100V	
8	FM2-9911-000		1	HVT PCB ASS'Y	120V	
8	FM2-9912-000		1	HVT PCB ASS'Y	230V	
9	FK2-7608-000		1	POWER SUPPLY ASSEMBLY	100V DADF model	
9	FK2-7609-000		1	POWER SUPPLY ASSEMBLY	120V DADF model	
9	FK2-7610-000		1	POWER SUPPLY ASSEMBLY	230V DADF model	
9	FK2-7611-000		1	POWER SUPPLY ASSEMBLY	100V ADF,COPYBOARD model	
9	FK2-7612-000		1	POWER SUPPLY ASSEMBLY	120V ADF,COPYBOARD model	
9	FK2-7613-000		1	POWER SUPPLY ASSEMBLY	230V ADF,COPYBOARD model	
10	FM2-9914-000		1	SENSOR PCB ASS'Y	PS801,PS802	
11	FM2-9916-000		1	SENSOR PCB ASS'Y	PS803	
12	FC8-9303-000		1	LABEL, JAM CLEARING, DADF1	MF4383,4380 EXCEPT JP	
12	FC9-1266-000		1	LABEL, JAM CLEARING, DADF1	D480,460,450 EXCEPT JP	
12	FC7-3765-000		1	LABEL, JAM CLEARING, ADF1	MF4352,4350,4330 EXCEPT JP	
12	FC8-9305-000		1	LABEL, JAM CLEARING, ADF1	MF4370 EXCEPT JP	
12	FC9-1267-000		1	LABEL, JAM CLEARING, ADF1	D440	
12	FC7-3767-000		1	LABEL, JAM CLEARING, P1	MF4340,4322,4320	
12	FC9-1268-000		1	LABEL, JAM CLEARING, P1	D420	
12	FC9-5077-000		1	LABEL, JAM CLEARING, P1	JP	
13	FC7-3727-000		1	LABEL, HIGH TMP. CAUTION		
14	FM3-1494-000		1	CABLE, SOLENOID		
15	VS1-7177-002		1	CONNECTOR, SNAP TIGHT, BK		

FIGURE & KEY NO.	PARTS NUMBER	RANK	Q'TY	DESCRIPTION	SERIAL NUMBER/REMARKS	SVC
16	XA9-1495-000		3	SCREW, RS, M3X10		
17	FK2-4390-000		1	CORD, POWER	100V JP	
18	FK2-4393-000		1	CORD, POWER	120V US	
19	FK2-1311-000		1	CORD, POWER	120V TW	
20	FK2-6890-000		1	CORD, POWER	230V EUR,ASIA,KR	
21	FK2-1317-000		1	CORD, POWER	230V AU	
22	FK2-1316-000		1	CORD, POWER	230V CN	
501	XB4-5401-009		4	SCREW, TAP, M4X10		

FIGURE 102 INTERNAL COMPONENTS 2



SEE FIGURE 104

FIGURE & KEY NO.	PARTS NUMBER	RANK	Q'TY	DESCRIPTION	SERIAL NUMBER/REMARKS	SVC
Fig.102	NPN		RF	INTERNAL COMPONENTS 2		
1	FC8-1321-000		1	CROSSMEMBER, ENGINE CONTROLLER		
2	FC7-3700-000		1	COVER, FRONT LOWER	MF4300 Series	
2	FC9-1287-000		1	COVER, FRONT LOWER	D400 Series	
3	FM2-8882-000		1	TONER SENSOR ASS'Y		
4	FC7-3666-000		1	ARM, SHUTTER		
5	FC6-5210-000		1	RETAINING RING (E-TYPE)		
6	FM3-9066-000		1	LASER SCANNER ASS'Y		
7	FC7-3646-000		1	ROLLER, PAPER FEED		
8	XA9-1501-000		12	SCREW, RS, M3X10		
9	FU5-1804-000		1	BUSHING, ROLLER, LEFT		
10	FU5-1805-000		1	BUSHING, ROLLER, RIGHT		
11	RU5-2492-000		2	SPRING, COMPRESSION		
12	FM3-8729-000		1	DCNT PCB ASS'Y		
13	FM3-4099-000		1	PAPER FEED COVER ASS'Y	MF4383,4380,4370	
13	FM2-8884-010		1	PAPER FEED COVER ASS'Y	EXCEPT MF4383,4380,4370	
14	XA9-1495-000		AR	SCREW, RS, M3X6		
15	XA9-1420-000		2	SCREW, WWASHER, M3X8		

FIGURE 103 INTERNAL COMPONENTS 3

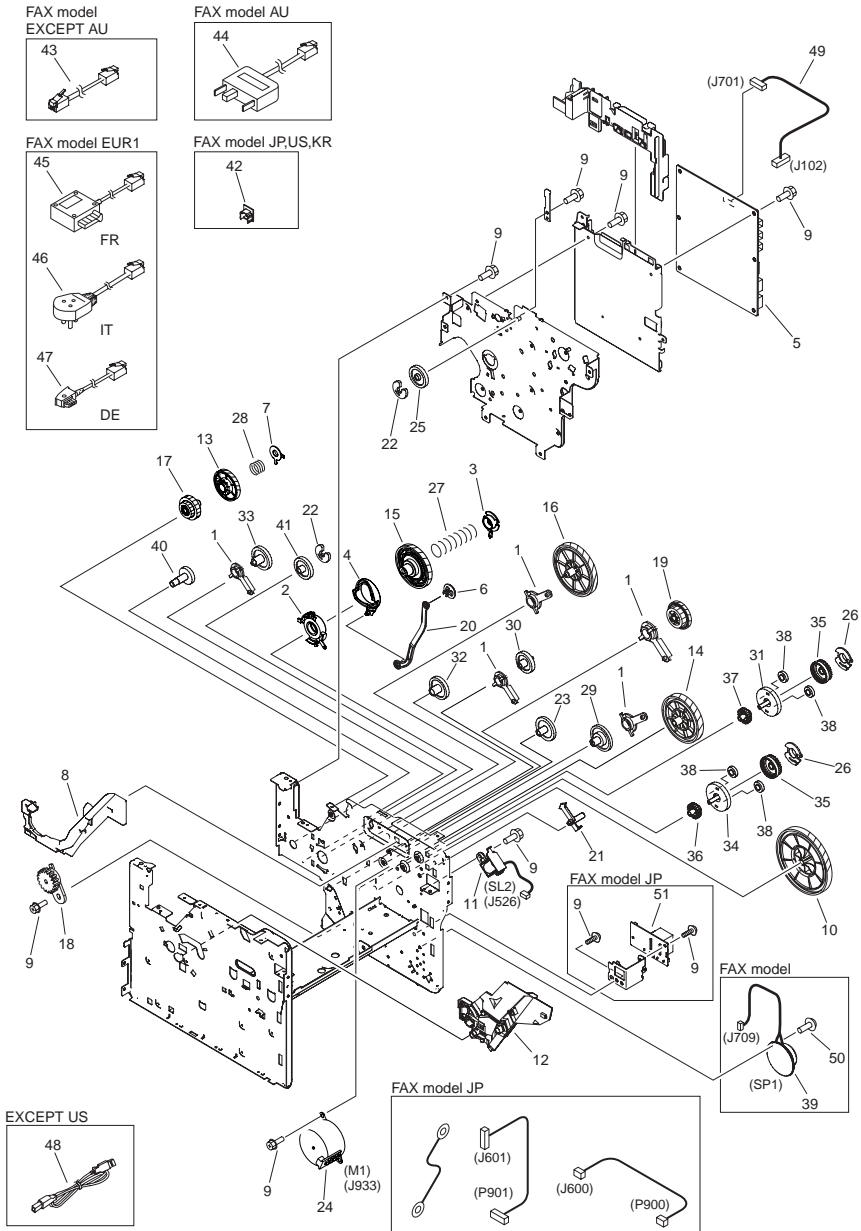


FIGURE & KEY NO.	PARTS NUMBER	R A N K	Q'TY	DESCRIPTION	SERIAL NUMBER/ REMARKS	S V C
Fig.103	NPN		RF	INTERNAL COMPONENTS 3		
1	RA0-1019-000		5	BUSHING		
2	RC1-1953-000		1	BUSHING		
3	RC1-1954-000		1	BUSHING		
4	RC1-1955-000		1	CAM, COUPLING		
5	FM4-1265-000		1	SCNT PCB ASS'Y	MF4383,MF4380 EXCEPT AU,JP	
5	FM4-1267-000		1	SCNT PCB ASS'Y	MF4380 AU	
5	FM4-1268-000		1	SCNT PCB ASS'Y	MF4380 JP	
5	FM4-1269-000		1	SCNT PCB ASS'Y	MF4370 EXCEPT AU,CN,JP	
5	FM4-1270-000		1	SCNT PCB ASS'Y	MF4370 CN	
5	FM4-1271-000		1	SCNT PCB ASS'Y	MF4370 AU	
5	FM4-1272-000		1	SCNT PCB ASS'Y	MF4370 JP	
5	FM4-1273-000		1	SCNT PCB ASS'Y	MF4352,MF4350 EXCEPT AU,CN,JP	
5	FM4-1274-000		1	SCNT PCB ASS'Y	MF4350 CN	
5	FM4-1275-000		1	SCNT PCB ASS'Y	MF4350 AU	
5	FM4-1276-000		1	SCNT PCB ASS'Y	MF4350 JP	
5	FM4-1277-000		1	SCNT PCB ASS'Y	MF4340 EUR,KR	
5	FM4-1278-000		1	SCNT PCB ASS'Y	MF4340 AU	
5	FK2-7660-000		1	SCNT PCB ASS'Y	MF4330 EXCEPT CN	
5	FM4-0140-000		1	SCNT PCB ASS'Y	MF4330 CN	
5	FM3-9243-000		1	SCNT PCB ASS'Y	MF4322	
5	FK2-7661-000		1	SCNT PCB ASS'Y	MF4320 EXCEPT CN	
5	FM4-1643-000		1	SCNT PCB ASS'Y	MF4320 CN	
5	FM4-2091-000		1	SCNT PCB ASS'Y	D480	
5	FK2-7664-000		1	SCNT PCB ASS'Y	D460	
5	FK2-7663-000		1	SCNT PCB ASS'Y	D450	
5	FK2-8618-000		1	SCNT PCB ASS'Y	D440	
5	FK2-8619-000		1	SCNT PCB ASS'Y	D420	
6	FC7-3621-000		1	STOPPER		
7	RC1-1959-000		1	BUSHING		

FIGURE & KEY NO.	PARTS NUMBER	R A N K	Q'TY	DESCRIPTION	SERIAL NUMBER/ REMARKS	S V C
8	FC7-3690-000		1	GUIDE, CARTRIDGE, RIGHT		
9	XA9-1495-000		AR	SCREW, RS, M3X6		
10	RU5-0503-000		1	GEAR, 166T/87T		
11	FK2-3510-000		1	SOLENOID	SL2	
12	FM2-8879-000		1	CARTRIDGE GUIDE LEFT ASS'Y		
13	RU5-0505-000		1	GEAR, 74T		
14	RU5-0174-000		1	GEAR, 117T		
15	RU5-0175-000		1	GEAR, 108T		
16	RU5-0176-000		1	GEAR, 129T		
17	RU5-0506-000		1	GEAR, 35T/18T		
18	RA0-1172-000		1	GEAR, 17T		
19	RU5-0179-000		1	GEAR, 66T/25T		
20	FC7-3647-000		1	ARM, CARTRIDGE		
21	FC7-3653-000		1	ARM, SOLENOID		
22	FC6-5210-000		2	RETAINING RING (E-TYPE)		
23	FU7-0541-000		1	GEAR, 32T		
24	FK2-7617-000		1	MOTOR, STEPPING, DC	M1	
25	FU7-0544-000		1	GEAR, 29T		
26	RC1-3579-000		2	BUSHING		
27	FU6-2254-000		1	SPRING, COMPRESSION		
28	FU6-2255-000		1	SPRING, COMPRESSION		
29	FU7-0538-000		1	GEAR, 68/17T		
30	FU7-0539-000		1	GEAR, 28T		
31	FU7-0540-000		1	GEAR, 37T		
32	FU7-0542-000		1	GEAR, 30T		
33	FU7-0543-000		1	GEAR, 31T		
34	FU7-0545-000		1	GEAR, 38T		
35	RU5-0312-000		2	GEAR		
36	RU5-0313-000		1	GEAR		
37	RU5-0314-000		1	GEAR		
38	FU8-0470-000		4	GEAR		
39	FK2-6287-000		1	SPEAKER	FAX model SP1	

FIGURE & KEY NO.	PARTS NUMBER	R A N K	Q'TY	DESCRIPTION	SERIAL NUMBER/ REMARKS	S V C
40	FU7-0546-000		1	GEAR, 23T		
41	FU7-0547-000		1	GEAR, 29T		
42	FK2-4392-000		1	SPACER,MODULAR	FAX model JP,KR,US	
43	HH2-2824-000		1	MODULAR CORD	FAX model EXCEPT AU	
44	HK1-0559-000		1	MODULAR CORD	FAX model AU	
45	HK1-0547-000		1	MODULAR CORD	FAX model EUR1 FR	
46	HK1-0550-000		1	MODULAR CORD	FAX model EUR1 IT	
47	HK1-0544-000		1	MODULAR CORD	FAX model EUR1 DE	
48	FK2-7595-000		1	CABLE, USB	EXCEPT US	
49	FM3-8736-000		1	CABLE, DCNT-SCNT		
50	XA9-1503-000		1	SCREW, TP, M3X6	FAX model	
51	FM3-5378-000		1	PSEUDO CI PCB ASSEMBLY	FAX model JP	

FIGURE 104
BASE PLATE ASS'Y

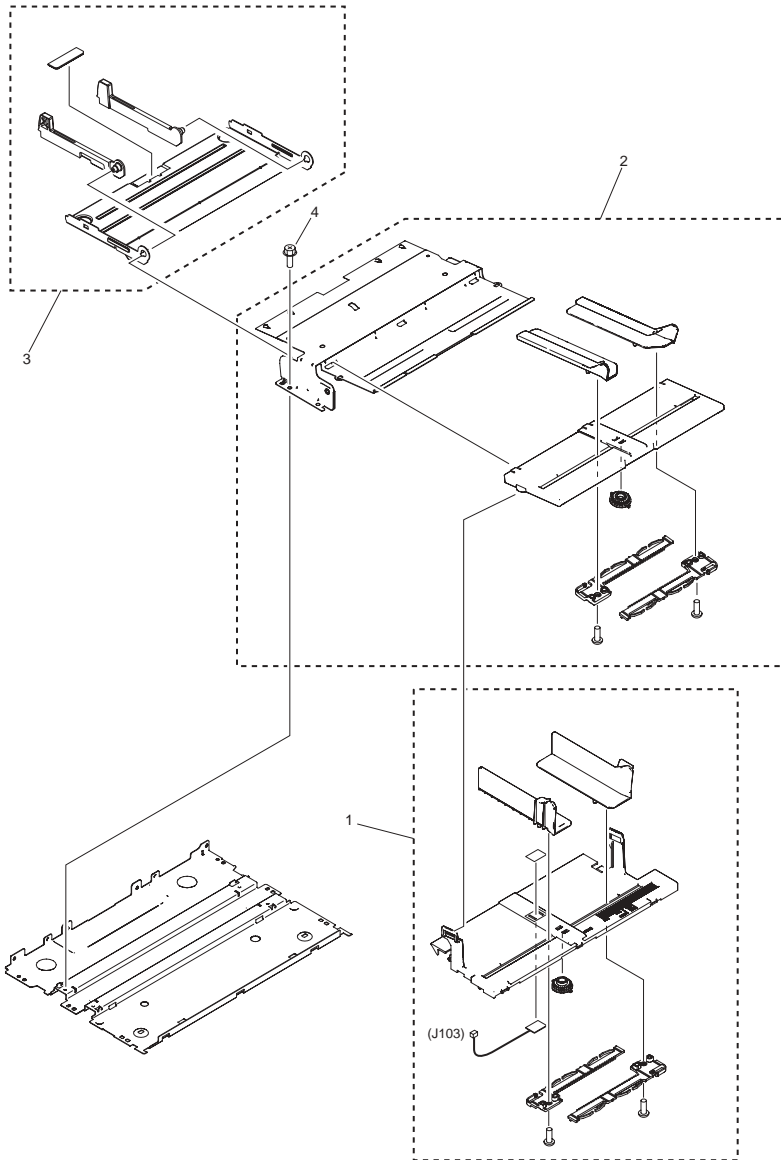


FIGURE & KEY NO.	PARTS NUMBER	RANK	Q'TY	DESCRIPTION	SERIAL NUMBER/REMARKS	SVC
Fig.104	NPN		RF	BASE PLATE ASS'Y		
1	FM3-8670-000		1	CENTER PLATE GUIDE RAIL ASS'Y	MF4300 Series	
1	FM3-9495-000		1	CENTER PLATE GUIDE RAIL ASS'Y	D400 Series	
2	FM2-8877-000		1	FEED GUIDE RAIL ASS'Y	MF4300 Series	
2	FM3-9494-000		1	FEED GUIDE RAIL ASS'Y	D400 Series	
3	FM2-8910-000		1	LIFTING PLATE ASS'Y		
4	XA9-1495-000		4	SCREW, RS, M3X6		

FIGURE 160
ADF ASS'Y (ADF model)

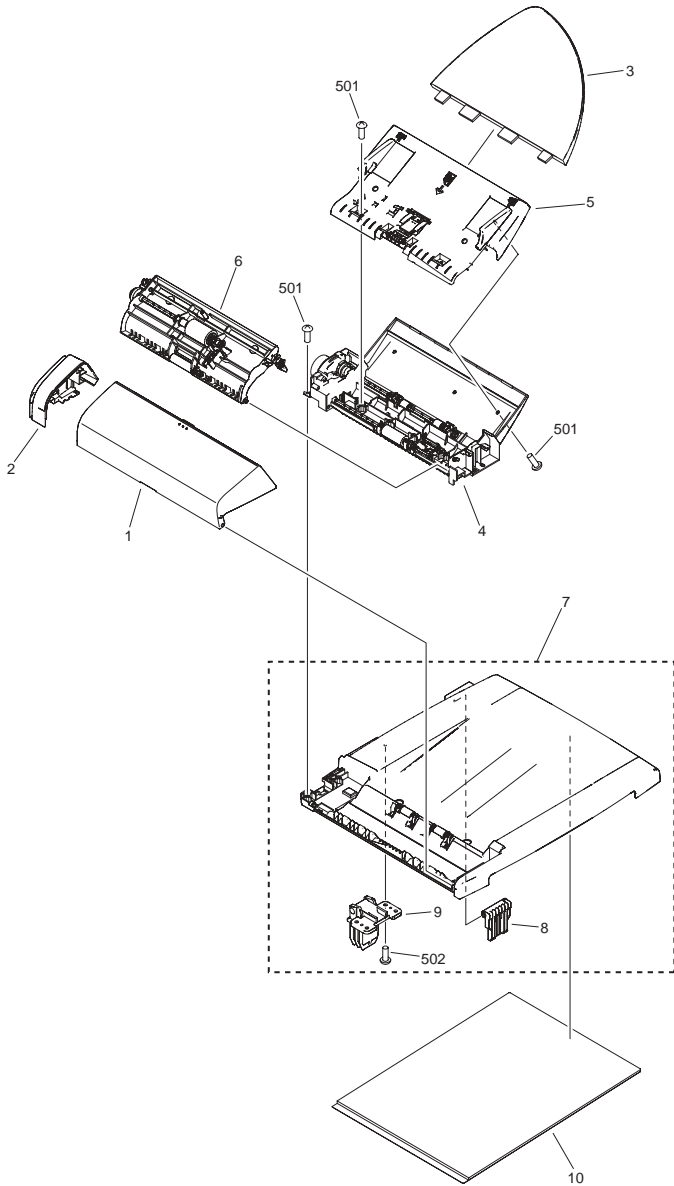


FIGURE & KEY NO.	PARTS NUMBER	R A N K	Q'TY	DESCRIPTION	SERIAL NUMBER/ REMARKS	S V C
Fig.160	NPN		RF	ADF ASS'Y	ADF model	
1	FC8-1407-000		1	COVER, ADF, UPPER	MF4370 EXCEPT JP	
1	FC8-1426-000		1	COVER, ADF, UPPER	MF4370 JP	
1	FC7-3544-000		1	COVER, ADF, UPPER	MF4352,4350,4330 EXCEPT JP D440	
1	FC7-3741-000		1	COVER, ADF, UPPER	MF4350,4330 JP	
2	FC8-1408-000		1	COVER, ADF, REAR	MF4370 EXCEPT JP	
2	FC8-1427-000		1	COVER, ADF, REAR	MF4370 JP	
2	FC7-3549-000		1	COVER, ADF, REAR	MF4352,4350,4330 EXCEPT JP D440	
2	FC7-3742-000		1	COVER, ADF, REAR	MF4350,4330 JP	
3	FC8-1390-000		1	TRAY, DOCUMENT	MF4370	
3	FC7-3548-000		1	TRAY, DOCUMENT	EXCEPT MF4370	
4	FM3-4491-000		1	DOCUMENT FEED UNDER ASS'Y	MF4370	
4	FM2-8861-000		1	DOCUMENT FEED UNDER ASS'Y	EXCEPT MF4370	
5	FM3-4492-000		1	DOCUMENT GUIDE ASS'Y	MF4370	
5	FM2-8862-000		1	DOCUMENT GUIDE ASS'Y	EXCEPT MF4370	
6	FM3-4493-000		1	DOCUMENT FEED UPPER ASS'Y	MF4370	
6	FM2-8864-000		1	DOCUMENT FEED UPPER ASS'Y	EXCEPT MF4370	
7	FM3-4494-000		1	ADF BASE ASS'Y	MF4370	
7	FM2-8926-000		1	ADF BASE ASS'Y	EXCEPT MF4370	
8	FC8-0697-000		1	HINGE, ADF	MF4370	
8	FC7-3637-000		1	HINGE, ADF	EXCEPT MF4370	
9	FC7-3702-000		1	HINGE, ADF		
10	FC7-3607-000		1	PANEL, COPYBOARD		
501	XB4-7300-807		AR	SCREW, TAPPING, BINDING HEAD		
502	XB4-5401-009		4	SCREW, P, M4X10		

FIGURE 161
ADF ASS'Y (DADF model)

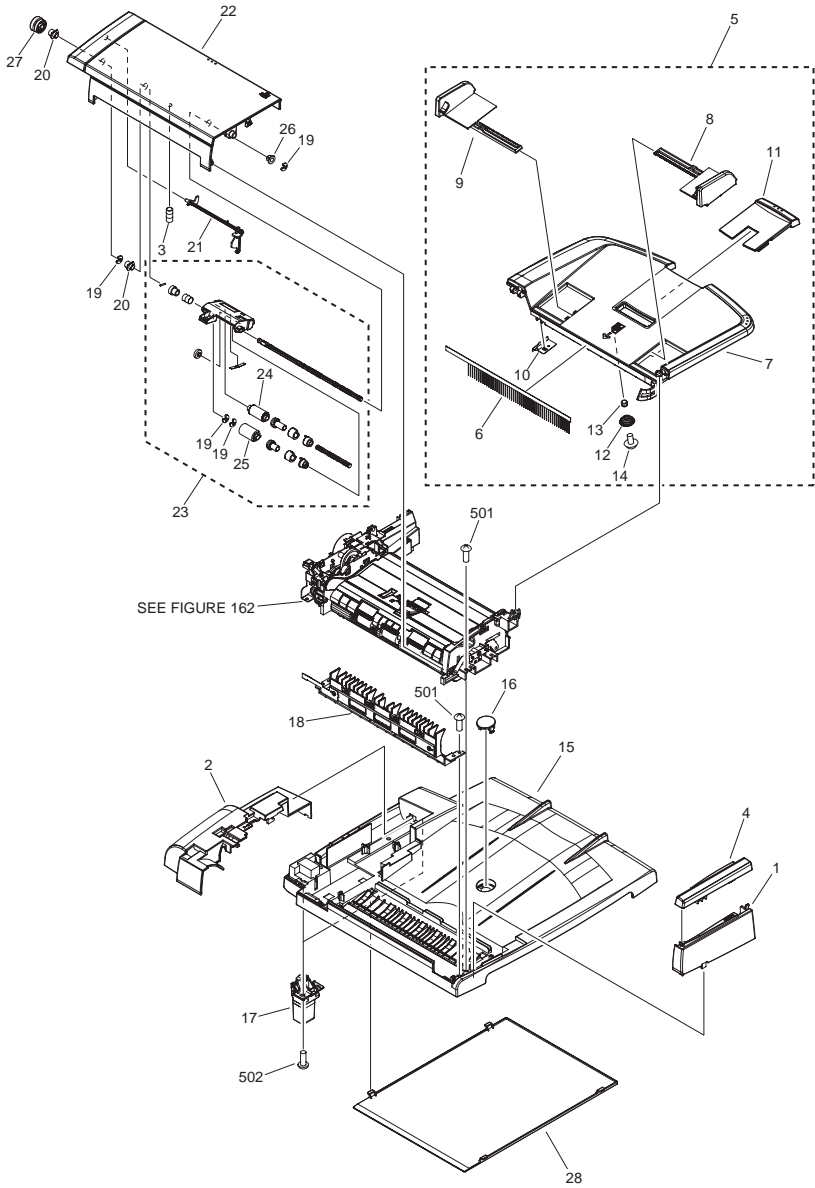


FIGURE & KEY NO.	PARTS NUMBER	R A N K	Q'TY	DESCRIPTION	SERIAL NUMBER/ REMARKS	S V C
Fig.161	NPN		RF	ADF ASS'Y	DADF model	
1	FC8-9207-000		1	COVER, DF, FRONT	MF4300 Series EXCEPT JP	
1	FC8-9234-000		1	COVER, DF, FRONT	MF4380 JP	
1	FC9-1258-000		1	COVER, DF, FRONT	D400 Series EXCEPT JP	
1	FC9-5032-000		1	COVER, DF, FRONT	D450 JP	
2	FC8-9208-000		1	COVER, REAR	MF4300 Series EXCEPT JP	
2	FC8-9237-000		1	COVER, REAR	MF4380 JP	
2	FC9-1261-000		1	COVER, REAR	D400 Series EXCEPT JP	
2	FC9-5034-000		1	COVER, REAR	D450 JP	
3	FU7-2018-000		1	SPRING, COMPRESSION		
4	FC8-9259-000		1	COVER, FRONT UPPER	MF4300 Series EXCEPT JP	
4	FC8-9235-000		1	COVER, FRONT UPPER	MF4380 JP	
4	FC9-1259-000		1	COVER, FRONT UPPER	D400 Series EXCEPT JP	
4	FC9-5033-000		1	COVER, FRONT UPPER	D450 JP	
5	FM3-8672-000		1	DOCUMENT TRAY ASSEMBLY	MF4300 Series	
5	FM3-9486-000		1	DOCUMENT TRAY ASSEMBLY	D400 Series	
6	FC7-6322-000		1	ELIMINATOR, STATIC CHARGE		
7	FC8-9211-000		1	TRAY, DOCUMENT	MF4300 Series	
7	FC9-1254-000		1	TRAY, DOCUMENT	D400 Series	
8	FC8-9212-000		1	GUIDE, DOCUMENT, FRONT	MF4300 Series	
8	FC9-1255-000		1	GUIDE, DOCUMENT, FRONT	D400 Series	
9	FC8-9213-000		1	GUIDE, DOCUMENT, REAR	MF4300 Series	
9	FC9-1256-000		1	GUIDE, DOCUMENT, REAR	D400 Series	
10	FC8-9242-000		1	PLATE, STATIC CHARGE GROUNDING		
11	FC8-9243-000		1	TRAY, DOCUMENT SUB	MF4300 Series	
11	FC9-1257-000		1	TRAY, DOCUMENT SUB	D400 Series	
12	FU6-0831-000		1	GEAR, 18T		
13	FU6-2248-000		1	SPRING, SLIDER		
14	XA9-0476-000		1	SCREW, TP M3X8		
15	FC8-9209-000		1	COVER, UPPER	MF4300 Series	

FIGURE & KEY NO.	PARTS NUMBER	R A N K	Q'TY	DESCRIPTION	SERIAL NUMBER/ REMARKS	S V C
15	FC9-1253-000		1	COVER, UPPER	D400 Series	
16	FC8-9241-000		1	CAP	MF4300 Series	
16	FC9-1271-000		1	CAP	D400 Series	
17	FL3-1021-000		2	HINGE, ADF		
18	FM3-8677-000		1	OPEN/CLOSE PANEL ASSEMBLY		
19	FC6-5210-000		4	RETAINING RING (E-TYPE)		
20	FC7-6320-000		2	BUSHING		
21	FC7-6321-000		1	FLAG, DOCUMENT SCANNER		
22	FC8-9233-000		1	COVER, ADF	MF4300 Series	
22	FC9-1260-000		1	COVER, ADF	D400 Series	
23	FM3-8679-000		1	SEPARATION ROLLER ASS'Y		
24	FC8-9251-000		1	ROLLER, PICK-UP		
25	FL3-1023-000		1	ROLLER, SEPARATION		
26	FU5-1552-000		1	BUSHING		
27	FU7-0672-000		1	GEAR, 24T		
28	FC8-9210-000		1	PANEL, COPYBOARD		
501	XB4-7300-807		AR	SCREW, TAPPING, BINDING HEAD		
502	XB4-5401-009		4	SCREW, P, M4X10		

FIGURE 162
ADF PAPER FEED ASS'Y (DADF model)

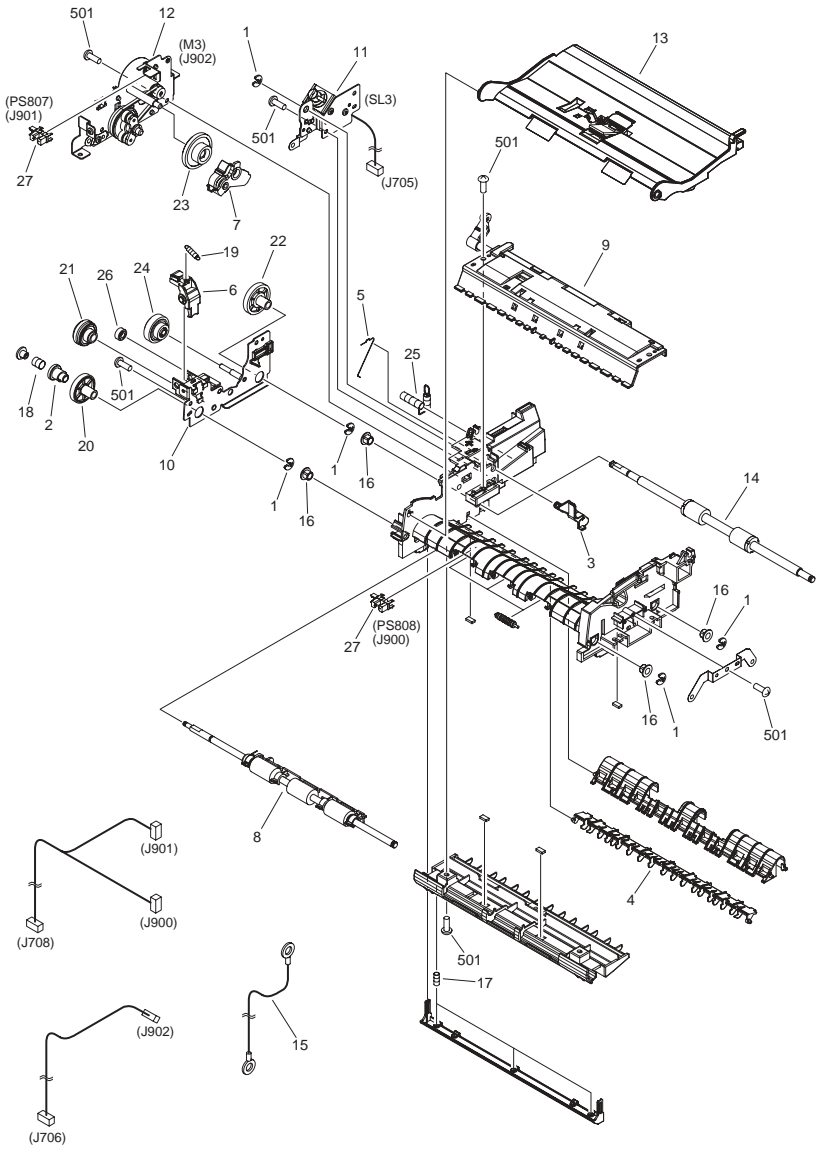


FIGURE & KEY NO.	PARTS NUMBER	R A N K	Q'TY	DESCRIPTION	SERIAL NUMBER/ REMARKS	S V C
Fig.162	FM3-8680-000		1	PAPER FEEDER ASSEMBLY	DADF model MF4300 Series	
Fig.162	FM3-9490-000		1	PAPER FEEDER ASSEMBLY	DADF model D400 Series	
1	FC6-5210-000		5	RETAINING RING (E-TYPE)		
2	FC7-6052-000		1	RATCHET, PAPER FEED ROLLER		
3	FC7-6182-000		1	LEVER, ROLLER RELEASE		
4	FC7-6278-000		1	FLAPPER_PAPER DELIVERY		
5	FC9-1325-000		1	SPRING,SEPARATION SWING ARM		
6	FC8-9214-000		1	LEVER, RELEASE		
7	FL3-1018-000		1	ARM, SEPARATION SWING		
8	FM3-8681-000		1	PAPER FEED ROLLER ASSEMBLY		
9	FM3-8682-000		1	PAPER DELIVERY ASS'Y		
10	FM3-8683-000		1	DRIVE PLATE ASS'Y		
11	FM3-8684-000		1	SOLENOID ASS'Y	SL3	
12	FM3-8685-000		1	MOTOR DRIVE ASS'Y	M3	
13	FM3-8686-000		1	GUIDE ASSEMBLY, UPPER	MF4300 Series	
13	FM3-9491-000		1	GUIDE ASSEMBLY, UPPER	D400 Series	
14	FM3-8690-000		1	PAPER DELIVERY ROLLER ASS'Y		
15	FM3-8733-000		1	CABLE, GROUNDING	MF4300 Series	
15	FM3-8742-000		1	CABLE, GROUNDING	D400 Series	
16	FU5-1552-000		4	BUSHING		
17	FU6-2249-000		3	SPRING, COMPRESSION		
18	FU6-2998-000		1	SPRING, COMPRESSION		
19	FU6-2999-000		1	SPRING, TENSION		
20	FU7-0668-000		1	GEAR, 54T		
21	FU7-0669-000		1	GEAR, 46T/23T		
22	FU7-0671-000		1	GEAR, 36T		
23	FU7-0676-000		1	GEAR, 21T/42T		
24	FU7-0678-000		1	GEAR, 51T/17T		
25	FU7-2021-000		1	SPRING, COMPRESSION		
26	FU7-0667-000		1	GEAR, 20T		
27	WG8-5696-000		2	PHOTO INTERRUPTER, TLP1243	PS808,PS807	

FIGURE & KEY NO.	PARTS NUMBER	R A N K	Q'TY	DESCRIPTION	SERIAL NUMBER/ REMARKS	S V C
501	XB4-7300-807		10	SCREW, TAPPING, BINDING HEAD		

FIGURE 310 PAPER PICK-UP ASS'Y

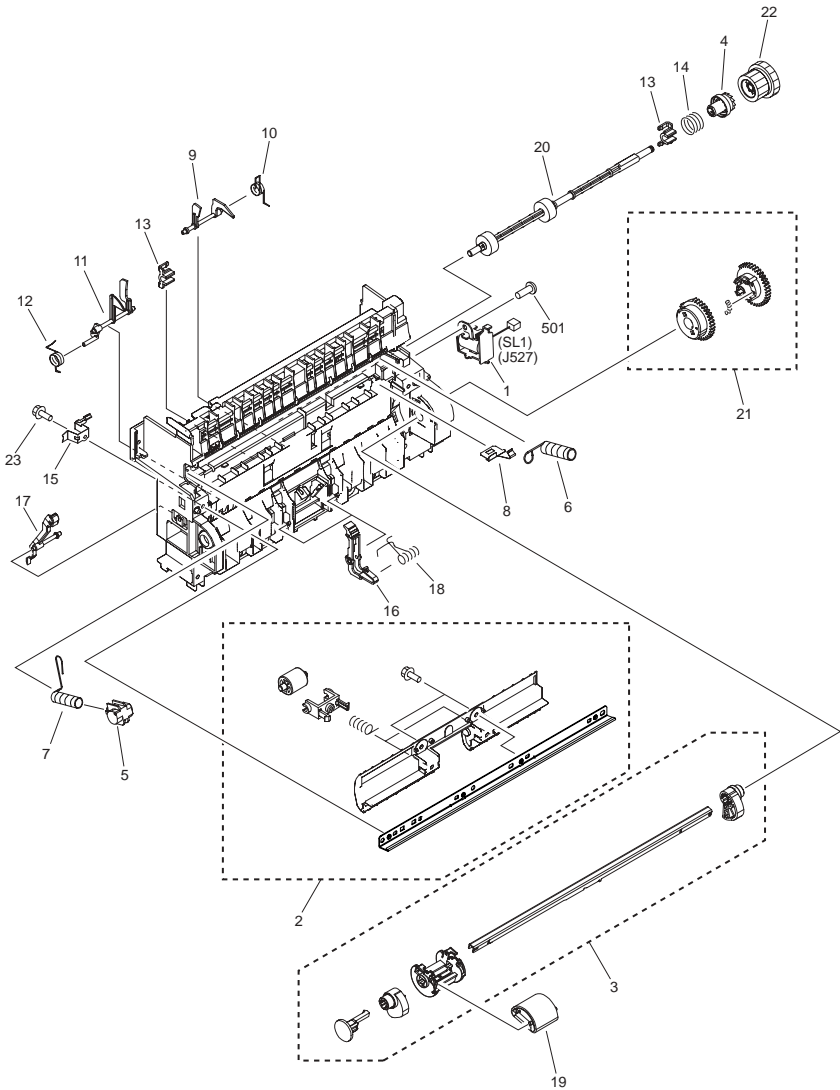


FIGURE & KEY NO.	PARTS NUMBER	R A N K	Q'TY	DESCRIPTION	SERIAL NUMBER/ REMARKS	S V C
Fig.310	FM2-8871-010		1	PAPER PICK-UP ASS'Y		
1	FK2-3508-000		1	SOLENOID	SL1	
2	FM2-8872-000		1	FEED CROSSMEMBER ASS'Y		
3	FM2-8911-000		1	PAPER PICK-UP SHAFT ASS'Y		
4	RC1-1960-000		1	RATCHET		
5	RC1-1990-000		1	BUSHING		
6	RC1-1993-000		1	SPRING, TORSION		
7	RC1-1994-000		1	SPRING, TORSION		
8	FC7-3823-000		1	SPRING, LEAF		
9	RC1-2040-000		1	FLAG, REGIST. SENSOR		
10	RC1-2041-000		1	SPRING, TORSION		
11	FC8-9172-000		1	FLAG, PAPER WIDTH SENSOR		
12	RC1-2043-000		1	SPRING, TORSION		
13	RC1-2044-000		2	BUSHING		
14	FU6-2255-000		1	SPRING, COMPRESSION1		
15	RC1-5550-000		1	PLATE,TRANSFER GROUNDING,FRONT		
16	RC1-5551-000		2	PAD, SUB		
17	RC1-5552-000		1	LEVER, CARTRIDGE DETECT		
18	RC1-5553-000		2	SPRING, TORSION		
19	RL1-0266-000		1	ROLLER, PICK-UP		
20	RL1-0268-000		1	ROLLER, FEED		
21	RM1-2046-000		1	PAPER PICK-UP GEAR ASS'Y		
22	RU5-0180-000		1	GEAR, 21T/29T		
23	XA9-1495-000		2	SCREW, RS, M3X6		
501	XB4-5401-009		1	SCREW, TAP, M4X10		

FIGURE 400
READER ASS'Y (ADF model)

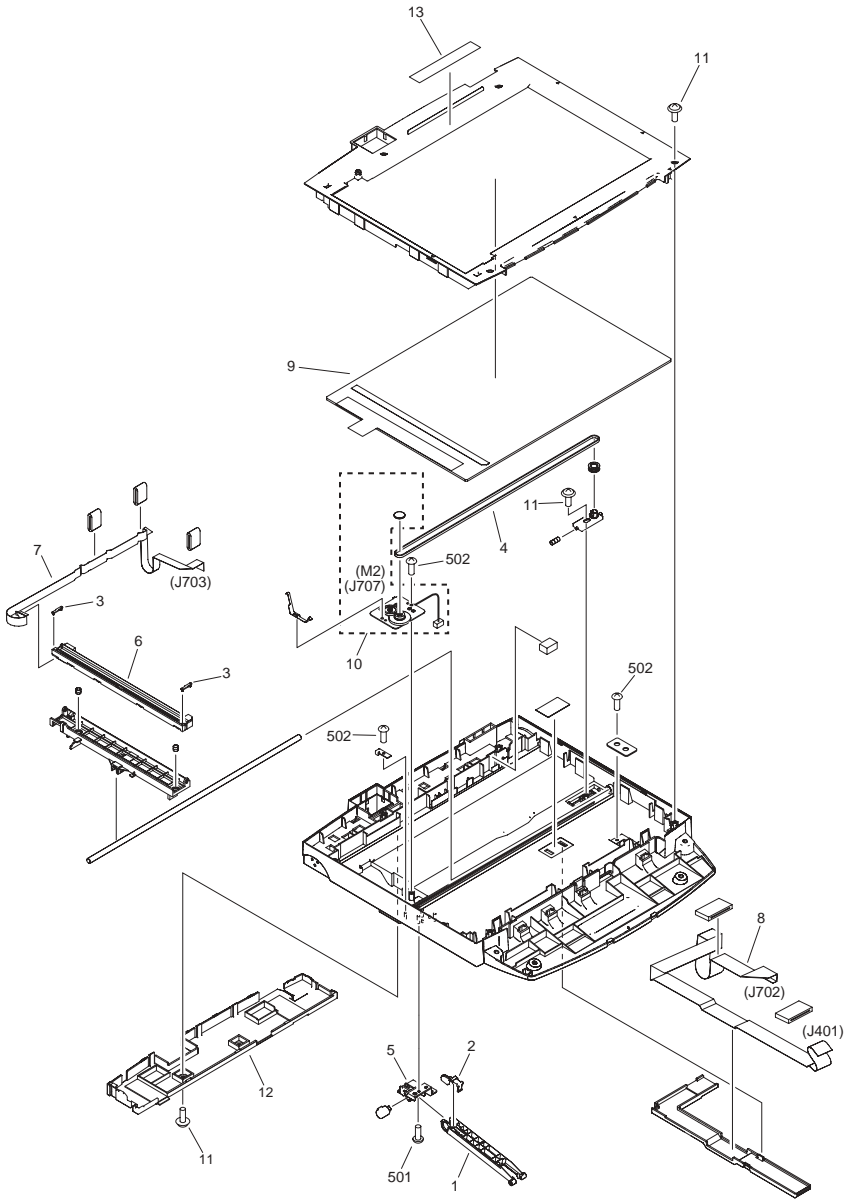


FIGURE & KEY NO.	PARTS NUMBER	R A N K	Q'TY	DESCRIPTION	SERIAL NUMBER/ REMARKS	S V C
Fig.400	FM3-4495-000		1	READER ASS'Y	ADF model MF4370	
Fig.400	FM3-8692-000		1	READER ASS'Y	ADF model EXCEPT MF4370	
1	FC7-3615-000		1	STAY, READER		
2	FC7-3616-000		1	RETAINER, DAMPER		
3	FC7-3623-000		2	SPACER, CIS		
4	FC7-3630-000		1	BELT, TIMING		
5	FC7-3713-000		1	HOLDER, DAMPER		
6	FK2-2869-000		1	CONTACT IMAGE SENSOR ASS'Y		
7	FK2-4642-000		1	CABLE, FLAT, SCNT-CIS		
8	FK2-3765-000		1	CABLE, FLAT, SCNT-OP		
9	FL2-8496-000		1	COPYBOARD GLASS ASS'Y		
10	FM2-8868-000		1	CIS DRIVE MOTOR ASS'Y	M2	
11	XA9-0476-000		6	SCREW,TP M3X8		
12	FC8-0657-000		1	GUIDE, CABLE	MF4370	
12	FC7-3553-000		1	GUIDE, CABLE	EXCEPT MF4370	
13	FC8-9307-000		1	LABEL, COPY PROHIBITION	EXCEPT ASIA,AU,CN,JP,KR,TW	
13	FC9-1324-000		1	LABEL, COPY PROHIBITION	ASIA,AU,CN,JP,KR,TW	
501	XB4-5401-009		4	SCREW, TAP, M4X10		
502	XB4-7300-807		3	SCREW, TAPPING, BINDING HEAD		

FIGURE 401
READER ASS'Y (COPYBOARD model)

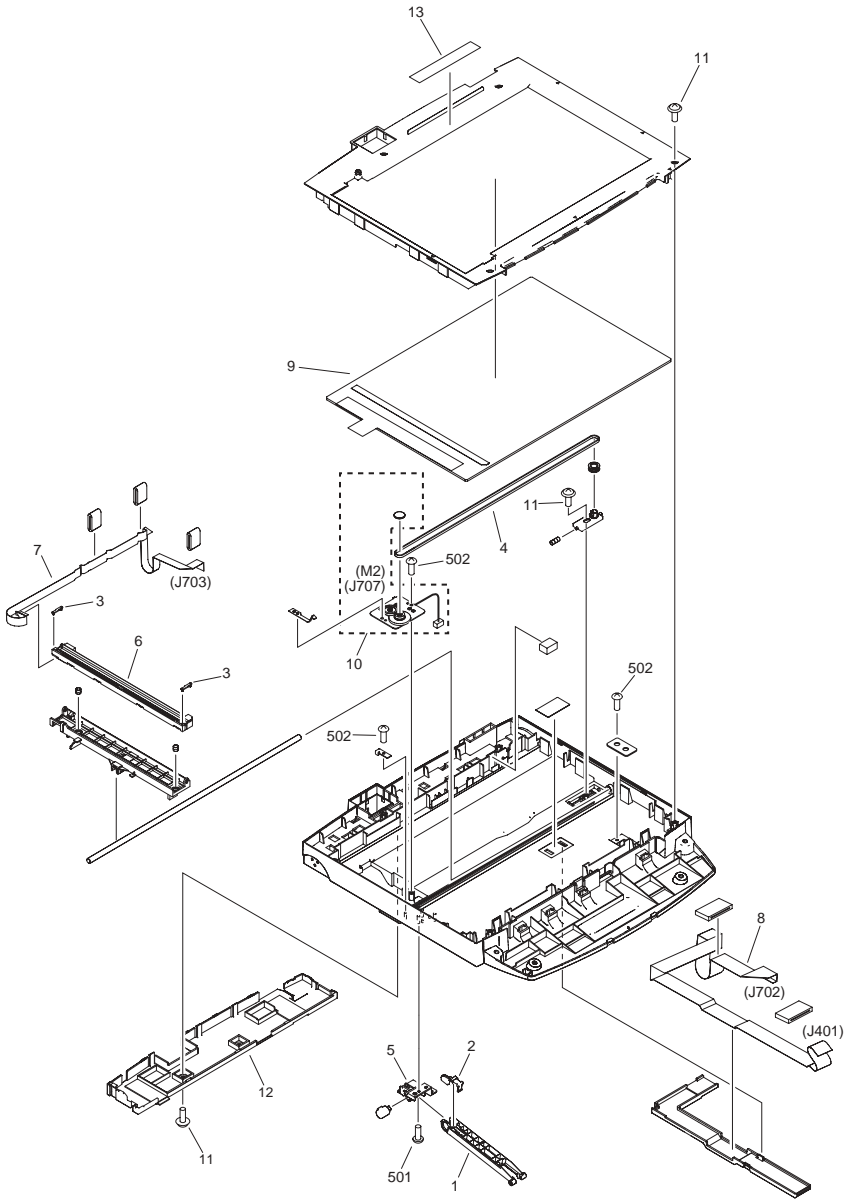


FIGURE & KEY NO.	PARTS NUMBER	R A N K	Q'TY	DESCRIPTION	SERIAL NUMBER/ REMARKS	S V C
Fig.401	FM3-4111-000		1	READER ASS'Y	COPYBOARD model	
1	FC7-3615-000		1	STAY, READER		
2	FC7-3616-000		1	RETAINER, DAMPER		
3	FC7-3623-000		2	SPACER, CIS		
4	FC7-3630-000		1	BELT, TIMING		
5	FC7-3713-000		1	HOLDER, DAMPER		
6	FK2-2869-000		1	CONTACT IMAGE SENSOR ASS'Y		
7	FK2-3764-000		1	CABLE, FLAT, SCNT-CIS		
8	FK2-3765-000		1	CABLE, FLAT, SCNT-OP		
9	FL2-5621-000		1	COPYBOARD GLASS ASS'Y		
10	FM2-8868-000		1	CIS DRIVE MOTOR ASS'Y	M2	
11	XA9-0476-000		6	SCREW,TP M3X8		
12	FC7-3553-000		1	GUIDE, CABLE		
13	FC8-9307-000		1	LABEL, COPY PROHIBITION	EXCEPT ASIA,AU,CN,KR	
13	FC9-1324-000		1	LABEL, COPY PROHIBITION	ASIA,AU,CN,KR	
501	XB4-5401-009		4	SCREW, TAP, M4X10		
502	XB4-7300-807		3	SCREW, TAPPING, BINDING HEAD		

FIGURE 402
READER ASS'Y (DADF model)

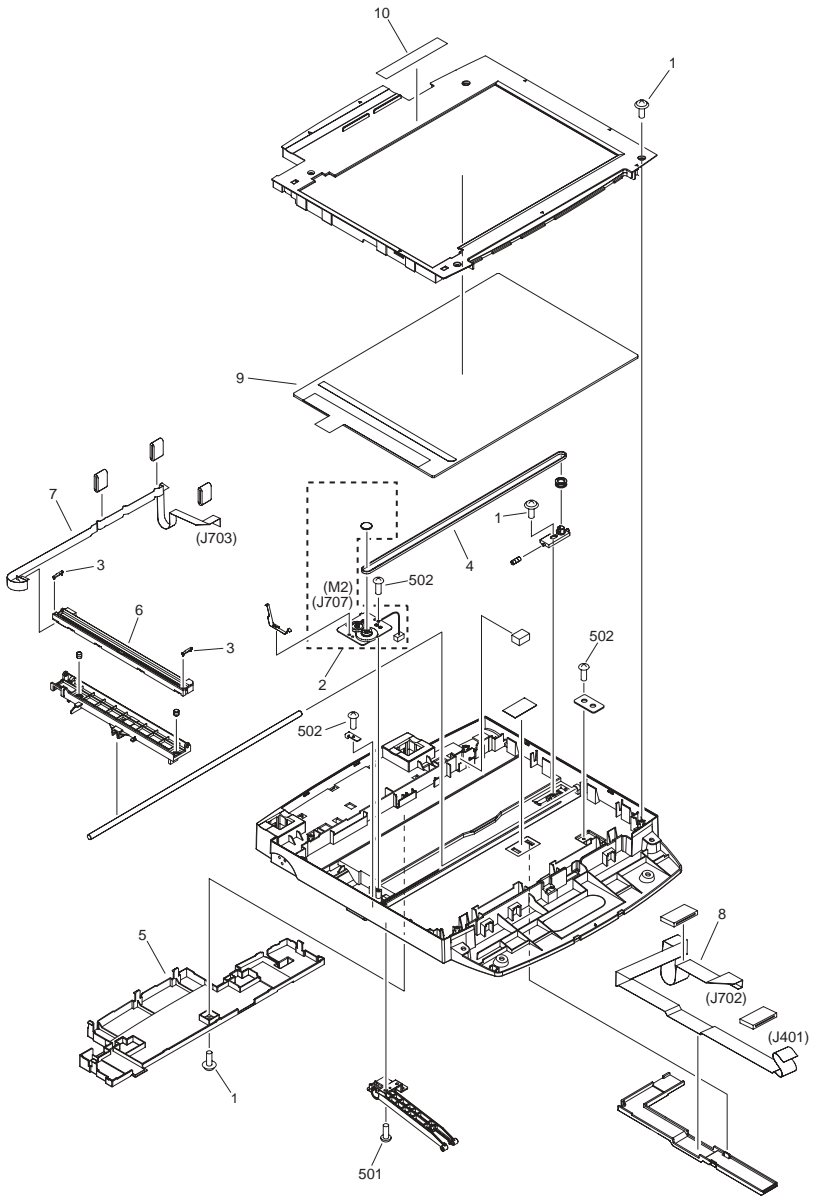


FIGURE & KEY NO.	PARTS NUMBER	R A N K	Q'TY	DESCRIPTION	SERIAL NUMBER/ REMARKS	S V C
Fig.402	FM3-8675-000		1	READER ASS'Y	DADF model MF4300 Series	
Fig.402	FM3-9488-000		1	READER ASS'Y	DADF model D400 Series	
1	XA9-0476-000		6	SCREW,TP M3X8		
2	FM3-8688-000		1	CIS DRIVE MOTOR ASS'Y	M2	
3	FC7-3623-000		2	SPACER, CIS		
4	FC7-3630-000		1	BELT, TIMING		
5	FC8-9239-000		1	GUIDE, CABLE	MF4300 Series	
5	FC9-1270-000		1	GUIDE, CABLE	D400 Series	
6	FK2-2869-000		1	CONTACT IMAGE SENSOR ASS'Y		
7	FK2-4642-000		1	CABLE, FLAT, SCNT-CIS		
8	FK2-3765-000		1	CABLE, FLAT, SCNT-OP		
9	FL2-8496-000		1	COPYBOARD GLASS ASS'Y		
10	FC8-9307-000		1	LABEL, COPY PROHIBITION	EXCEPT ASIA,AU,JP,KR	
10	FC9-1324-000		1	LABEL, COPY PROHIBITION	ASIA,AU,JP,KR	
501	XB4-5401-009		4	SCREW, TAP, M4X10		
502	XB4-7300-807		3	SCREW, TAPPING, BINDING HEAD		

FIGURE 810
FIXING ASS'Y

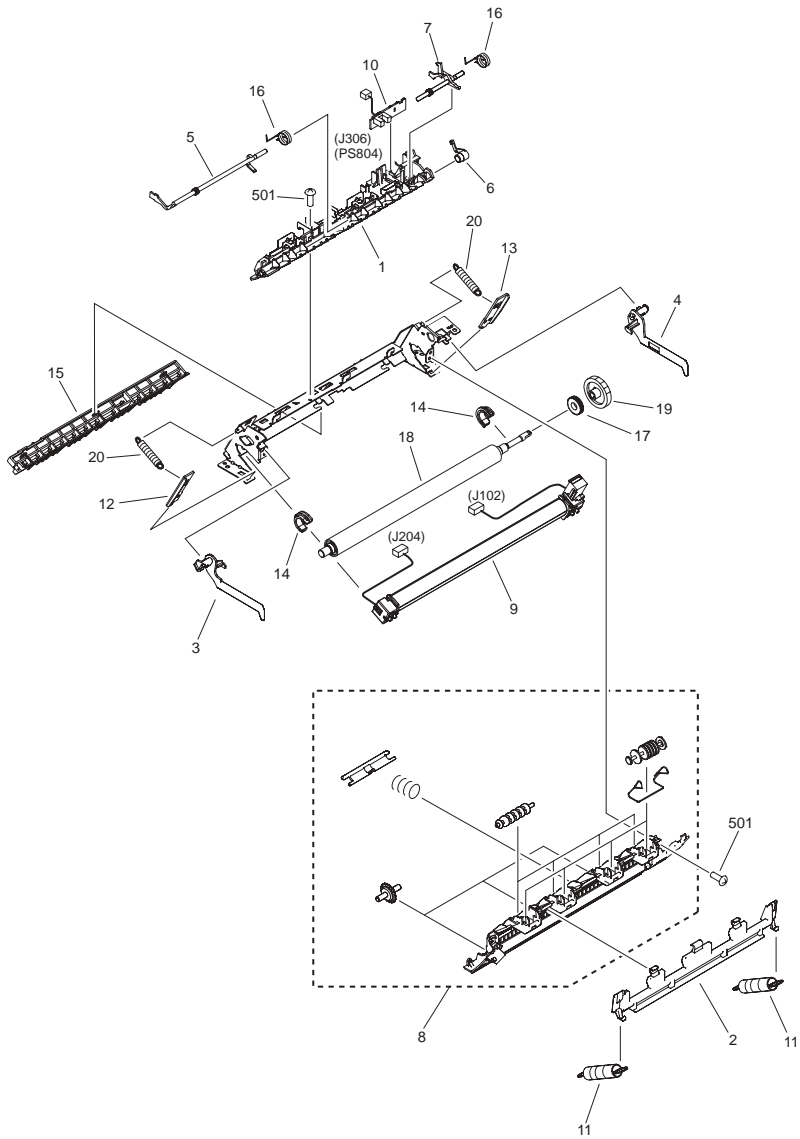


FIGURE & KEY NO.	PARTS NUMBER	RANK	Q'TY	DESCRIPTION	SERIAL NUMBER/REMARKS	SVC
Fig.810	FM2-8890-000		1	FIXING ASS'Y	100V MF4300 Series	
Fig.810	FM2-8891-000		1	FIXING ASS'Y	120V MF4300 Series	
Fig.810	FM2-8892-000		1	FIXING ASS'Y	230V MF4300 Series	
Fig.810	FM4-1998-000		1	FIXING ASS'Y	100V D400 Series	
Fig.810	FM3-9496-000		1	FIXING ASS'Y	120V D400 Series	
Fig.810	FM3-9497-000		1	FIXING ASS'Y	230V D400 Series	
1	FC7-3557-000		1	GUIDE, SEPARATION		
2	FC7-3641-010		1	GUIDE, ENTRANCE	MF4300 Series	
2	FC9-1293-000		1	GUIDE, ENTRANCE	D400 Series	
3	FC7-3642-000		1	LEVER, PRESSURE RELEASE, LEFT		
4	FC7-3643-000		1	LEVER, PRESSURE RELEASE, RIGHT		
5	FC7-3644-000		1	FLAG, PAPER DELIVERY SENSOR		
6	FC7-3645-000		1	BUSHING		
7	FC7-3652-000		1	FLAG, PAPER WIDTH SENSOR		
8	FM2-8885-000		1	FIXING COVER UNIT		
9	FM2-8917-000		1	FIXING FILM ASS'Y	100V	
9	FM2-8915-000		1	FIXING FILM ASS'Y	120V	
9	FM2-8916-000		1	FIXING FILM ASS'Y	230V	
10	FM3-0255-000		1	SENSOR PCB ASS'Y	PS804	
11	FU6-2875-000		2	SPRING, TENSION		
12	FC7-3826-000		1	PLATE, PRESSURE, LEFT		
13	FC7-3825-000		1	PLATE, PRESSURE, RIGHT		
14	RC1-2079-000		2	BUSHING		
15	RC1-2097-000		1	GUIDE, ENTRANCE		
16	RC1-2098-000		2	SPRING, TORSION		
17	RC1-2139-000		1	BUSHING		
19	RU5-0523-000		1	GEAR, 37T		
20	RU5-2178-000		2	SPRING, TENSION		
501	XB2-8300-609		3	SCREW, RS, M3X6		

Prepared by
OIP HFE Promotion Center
CANON INC.

Canon