

**PARTS  
CATALOG**

**imageCLASS**

**MF249dw**

**MF247dw**

**MF244dw**

**MF236n**

**MF232w**



**Canon**

**July 26, 2016  
Rev. 0**

## Index

SNL	PRODUCT CODE NO. /SERIAL NO.
A1A	ASSEMBLY LOCATION DIAGRAM (DADF model)
A1B	ASSEMBLY LOCATION DIAGRAM (ADF model)
A1C	ASSEMBLY LOCATION DIAGRAM (COPYBOARD model)
A2	OPTION PARTS CATALOG LIST
001AE	ACCESSORIES (MF249 120V, MF247)
001AF	ACCESSORIES (MF244 120V)
001AG	ACCESSORIES (MF236)
001AH	ACCESSORIES (MF232)
001AJ	ACCESSORIES (MF249 230V)
001AK	ACCESSORIES (MF244 230V)
100AG	EXTERNAL COVERS, PANELS, ETC. (DADF model 120V)
100AH	EXTERNAL COVERS, PANELS, ETC. (ADF model MF247)
100AJ	EXTERNAL COVERS, PANELS, ETC. (ADF model MF244 120V)
100AK	EXTERNAL COVERS, PANELS, ETC. (ADF model MF236)
100AL	EXTERNAL COVERS, PANELS, ETC. (COPYBOARD model)
100AM	EXTERNAL COVERS, PANELS, ETC. (DADF model 230V)
100AN	EXTERNAL COVERS, PANELS, ETC. (ADF model MF244 230V)
101B	FRONT COVER ASS'Y (120V)
101C	FRONT COVER ASS'Y (230V)
102AE	INTERNAL COMPONENTS 1 (MF249 120V, MF247 120V)
102AF	INTERNAL COMPONENTS 1 (MF244 120V)
102AG	INTERNAL COMPONENTS 1 (MF236)
102AH	INTERNAL COMPONENTS 1 (MF232)
102AJ	INTERNAL COMPONENTS 1 (MF249 230V, MF247 230V)
102AK	INTERNAL COMPONENTS 1 (MF244 230V)
103B	INTERNAL COMPONENTS 2 (MF244 100V/230V, MF242)
103E	INTERNAL COMPONENTS 2 (MF249 120V, MF247 120V)
103F	INTERNAL COMPONENTS 2 (MF244 120V)
103G	INTERNAL COMPONENTS 2 (MF236)
103H	INTERNAL COMPONENTS 2 (MF232)
103M	INTERNAL COMPONENTS 2 (MF249 230V, MF247 230V)
160A	ADF ASS'Y (DADF model)
160B	ADF ASS'Y (ADF model 100V/230V)
160C	ADF ASS'Y (ADF model 120V)
161A	PAPER FEEDER ASSEMBLY (DADF model 100V/230V)
161B	PAPER FEEDER ASSEMBLY (DADF model 120V)
400AE	READER ASSEMBLY (DADF model 120V)
400AF	READER ASSEMBLY (ADF model MF247)
400AG	READER ASSEMBLY (ADF model MF244 120V)

## Index

400AH	READER ASSEMBLY (ADF model MF236)
400AJ	READER ASSEMBLY (COPYBOARD model)
400AK	READER ASSEMBLY (DADF model 230V)
400AL	READER ASSEMBLY (ADF model MF244 230V)
930C	MAIN CONTROLLER PCB ASSEMBLY (MF244)
930F	MAIN CONTROLLER PCB ASSEMBLY (MF232)
930G	MAIN CONTROLLER PCB ASSEMBLY (MF249)
930H	MAIN CONTROLLER PCB ASSEMBLY (MF247)
930J	MAIN CONTROLLER PCB ASSEMBLY (MF236)
ZZA	MECHANICAL STANDARD PARTS (HOW TO USE)
ZZB	MECHANICAL STANDARD PARTS (SCREWS)
ZZC	MECHANICAL STANDARD PARTS (BOLTS)
ZZD	MECHANICAL STANDARD PARTS (NUTS)
ZZE	MECHANICAL STANDARD PARTS (RETAINING RINGS)

Figure SNL PRODUCT CODE NO. /SERIAL NO.

	Product Code No.	Model Name	Remarks	Serial No.
1	F17-3731-000	imageCLASS MF249dw	120V DADF model FAX model WIRELESS model	WPR
2	F17-3781-000	imageCLASS MF249dw	230V DADF model FAX model WIRELESS model	WPN
3	F17-3732-000	imageCLASS MF247dw	120V ADF model FAX model WIRELESS model	WPW
4	F17-3736-000	imageCLASS MF244dw	120V ADF model WIRELESS model	WQG
5	F17-3786-000	imageCLASS MF244dw	230V ADF model WIRELESS model	WQD
6	F17-1933-000	imageCLASS MF236n	120V ADF model FAX model	WQW
7	F17-1938-000	imageCLASS MF232w	120V COPYBOARD model WIRELESS model	WRJ
	中オーダー	製品名	備考	シリアル No.
1	F17-3731-000	imageCLASS MF249dw	120V DADF model FAX model WIRELESS model	WPR
2	F17-3781-000	imageCLASS MF249dw	230V DADF model FAX model WIRELESS model	WPN
3	F17-3732-000	imageCLASS MF247dw	120V ADF model FAX model WIRELESS model	WPW
4	F17-3736-000	imageCLASS MF244dw	120V ADF model WIRELESS model	WQG
5	F17-3786-000	imageCLASS MF244dw	230V ADF model WIRELESS model	WQD
6	F17-1933-000	imageCLASS MF236n	120V ADF model FAX model	WQW
7	F17-1938-000	imageCLASS MF232w	120V COPYBOARD model WIRELESS model	WRJ

FIGURE & KEY NO.	PART NUMBER	RANK	QTY	DESCRIPTION	SERIAL NUMBER /REMARKS
SNL	NPN		RF	Product Code No./Serial No.	
1	F17-3731-000		1	imageCLASS MF249dw	WPR 120V DADF model FAX model WIRELESS model
2	F17-3781-000		1	imageCLASS MF249dw	WPN 230V DADF model FAX model WIRELESS model
3	F17-3732-000		1	imageCLASS MF247dw	WPW 120V ADF model FAX model WIRELESS model
4	F17-3736-000		1	imageCLASS MF244dw	WQG 120V ADF model WIRELESS model
5	F17-3786-000		1	imageCLASS MF244dw	WQD 230V ADF model WIRELESS model
6	F17-1933-000		1	imageCLASS MF236n	WQW 120V ADF model FAX model
7	F17-1938-000		1	imageCLASS MF232w	WRJ 120V COPYBOARD model WIRELESS model

Figure A1A ASSEMBLY LOCATION DIAGRAM (DADF model)

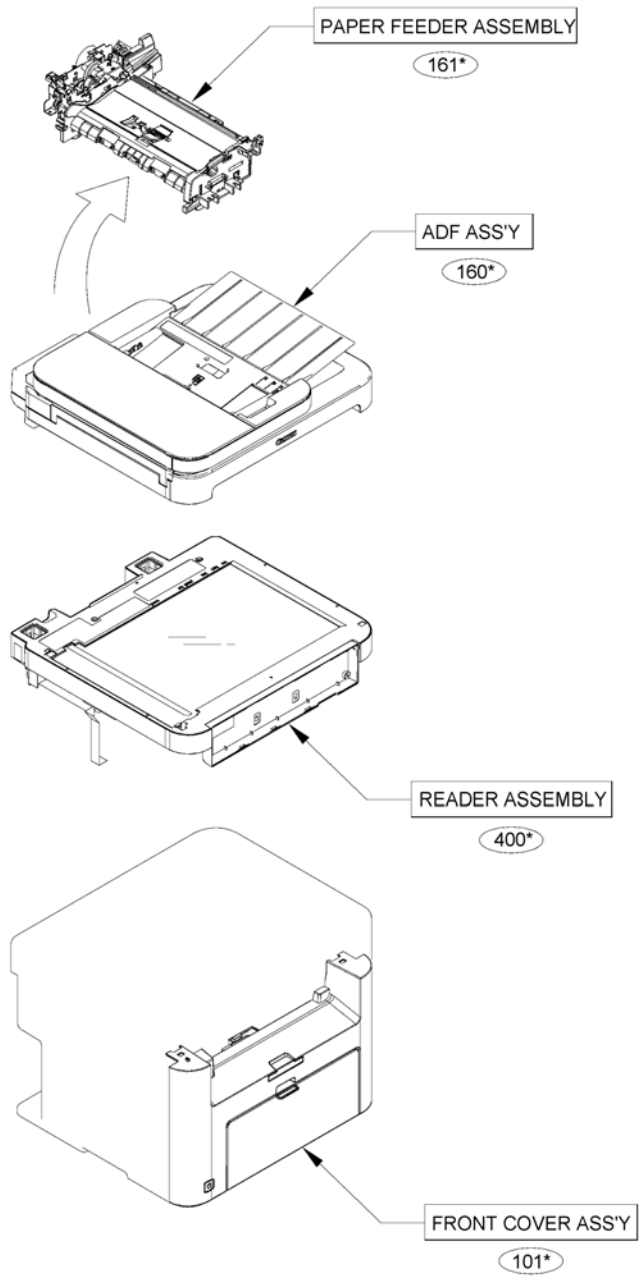


Figure A1B ASSEMBLY LOCATION DIAGRAM (ADF model)

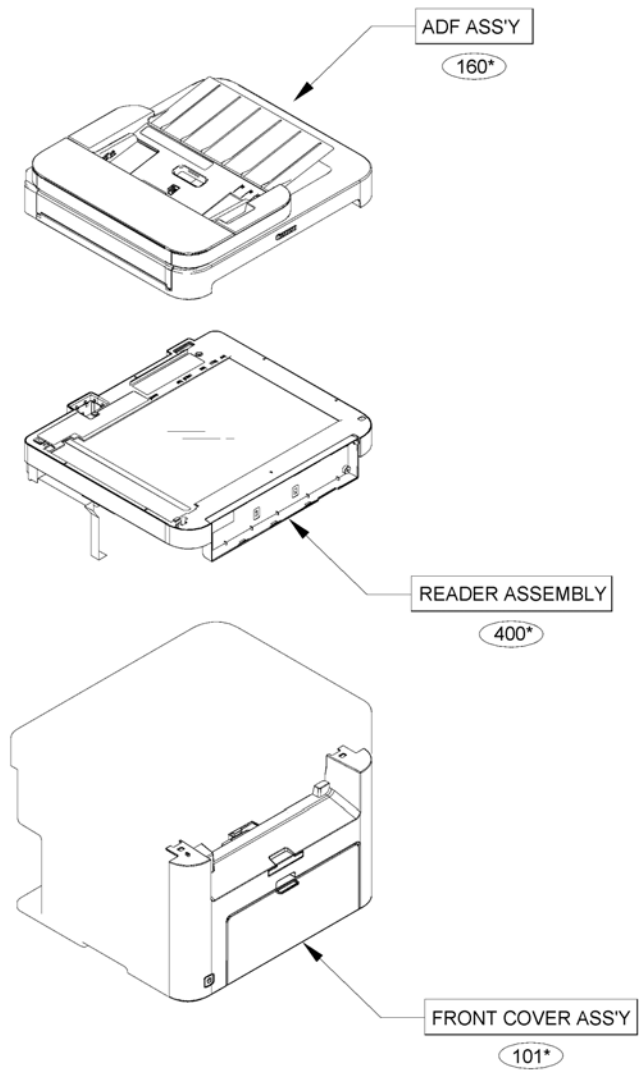


Figure A1C ASSEMBLY LOCATION DIAGRAM (COPYBOARD model)

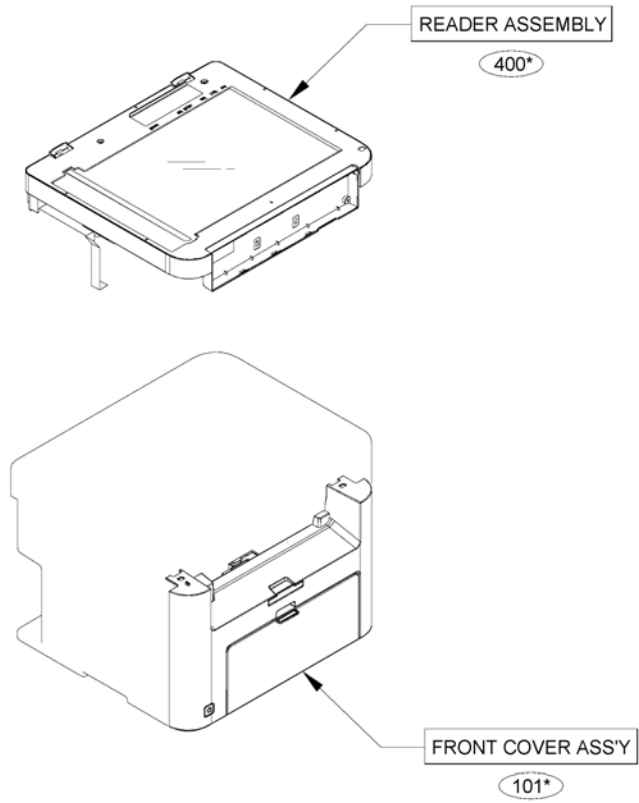




Figure A2      OPTION PARTS CATALOG LIST

This is the table of the machine's options whose parts catalog is issued.  
 本機オプションで、パーツカタログが発行されている機種の一覧である。

No.	Model Name(English)	Model Name(Japanese)
1	TELEPHONE 6 KIT Black	(日本仕向けなし)
2	(JAPAN ONLY)	ハンドセットキット L11

Figure 001AE ACCESSORIES (MF249 120V, MF247)

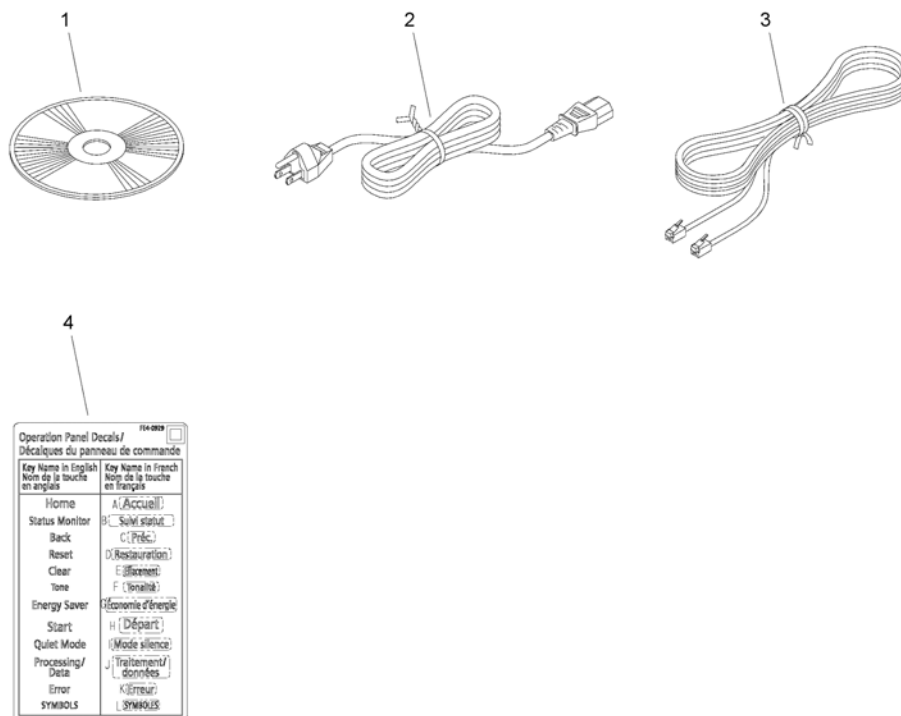


FIGURE & KEY NO.	PART NUMBER	RANK	QTY	DESCRIPTION	SERIAL NUMBER /REMARKS
001AE	NPN		RF	ACCESSORIES	MF249 120V, MF247
1	FK4-4389-000		1	DVD-ROM, USER SOFTWARE	
2	FK2-4393-000		1	CORD, POWER	
3	FK3-2884-000		1	CORD, MODULER	
4	FE4-0929-000		1	LABEL, PANEL	

Figure 001AF ACCESSORIES (MF244 120V)

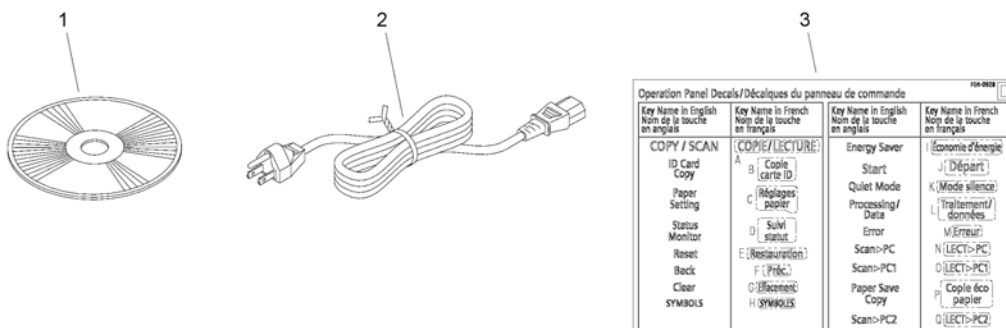


FIGURE & KEY NO.	PART NUMBER	RANK	QTY	DESCRIPTION	SERIAL NUMBER /REMARKS
001AF	NPN		RF	ACCESSORIES	MF244 120V
1	FK4-4389-000		1	DVD-ROM, USER SOFTWARE	
2	FK2-4393-000		1	CORD, POWER	
3	FE4-0928-000		1	LABEL, PANEL	

Figure 001AG ACCESSORIES (MF236)

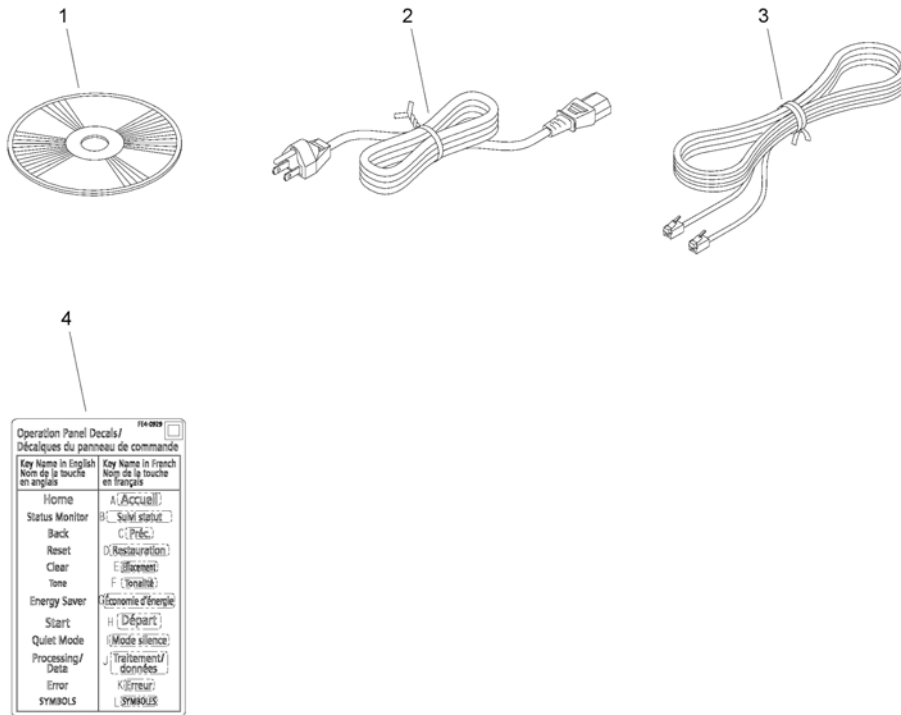


FIGURE & KEY NO.	PART NUMBER	RANK	QTY	DESCRIPTION	SERIAL NUMBER /REMARKS
001AG	NPN		RF	ACCESSORIES	MF236
1	FK4-4409-000		1	DVD-ROM, USER SOFTWARE	
2	FK2-4393-000		1	CORD, POWER	
3	FK3-2884-000		1	CORD, MODULER	
4	FE4-0929-000		1	LABEL, PANEL	

Figure 001AH ACCESSORIES (MF232)

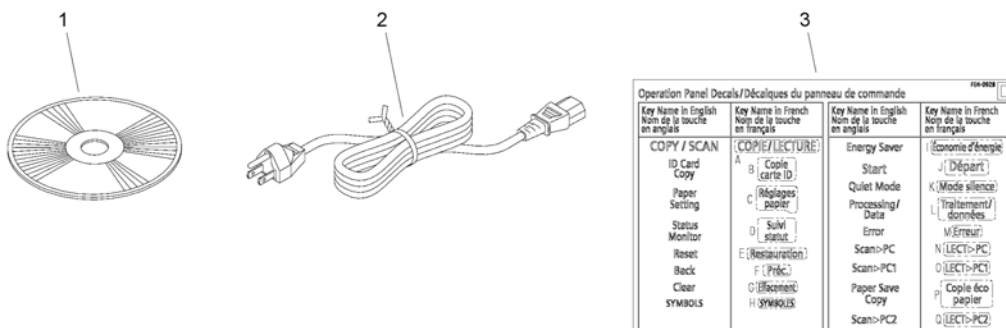




FIGURE & KEY NO.	PART NUMBER	RANK	QTY	DESCRIPTION	SERIAL NUMBER /REMARKS
001AH	NPN		RF	ACCESSORIES	MF232
1	FK4-4409-000		1	DVD-ROM, USER SOFTWARE	
2	FK2-4393-000		1	CORD, POWER	
3	FE4-0928-000		1	LABEL, PANEL	

Figure 001AJ ACCESSORIES (MF249 230V)

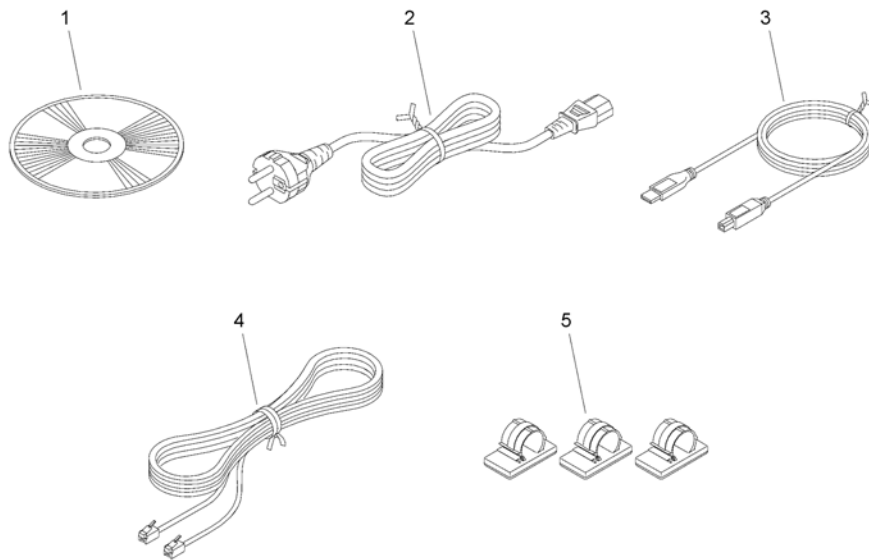


FIGURE & KEY NO.	PART NUMBER	RANK	QTY	DESCRIPTION	SERIAL NUMBER /REMARKS
001AJ	NPN		RF	ACCESSORIES	MF249 230V
1	FK4-4393-000		1	DVD-ROM, USER SOFTWARE	
2	FK2-6890-000		1	CORD, POWER	
3	FK3-1187-000		1	CORD, USB	
4	FK3-2884-000		1	CORD, MODULER	
5	FK2-6291-000		3	CLAMP, CABLE	

Figure 001AK ACCESSORIES (MF244 230V)

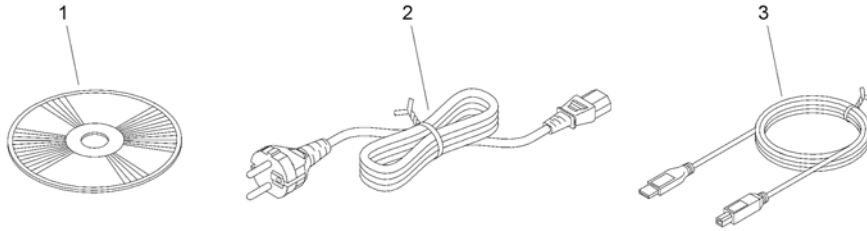


FIGURE & KEY NO.	PART NUMBER	RANK	QTY	DESCRIPTION	SERIAL NUMBER /REMARKS
001AK	NPN		RF	ACCESSORIES	MF244 230V
1	FK4-4393-000		1	DVD-ROM, USER SOFTWARE	
2	FK2-6890-000		1	CORD, POWER	
3	FK3-1187-000		1	CORD, USB	

Figure 100AG EXTERNAL COVERS, PANELS, ETC. (DADF model 120V)

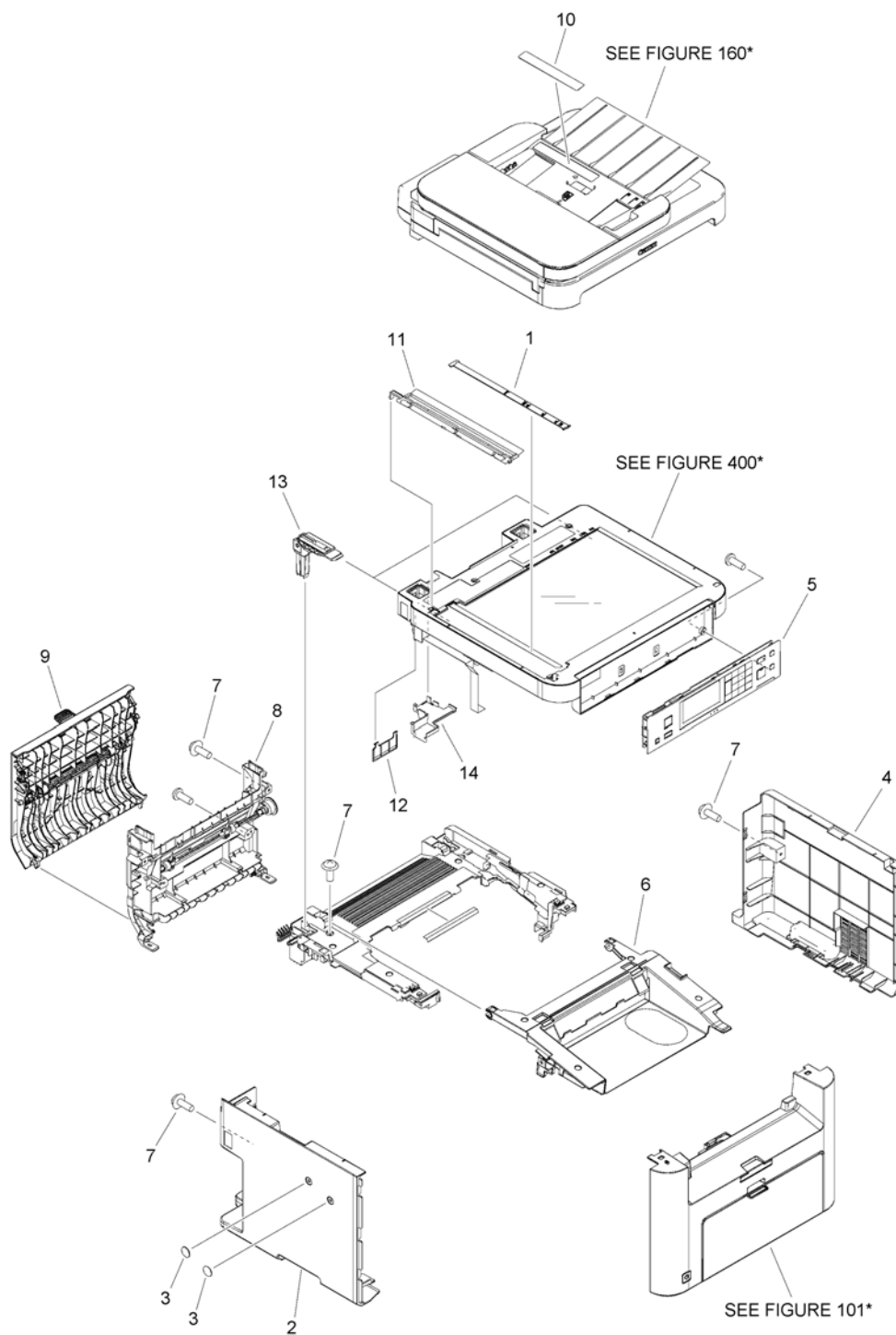


FIGURE & KEY NO.	PART NUMBER	RANK	QTY	DESCRIPTION	SERIAL NUMBER /REMARKS
100AG	NPN		RF	EXTERNAL COVERS, PANELS, ETC.	DADF model 120V
1	FE4-0866-000		1	PLATE, PAPER SIZE	
2	FE4-0909-000		1	COVER, LEFT	
3	FE4-1589-000		2	SHEET, HANDSET	
4	FE4-0911-000		1	COVER, RIGHT	
5	FM1-P148-000		1	CONTROL PANEL ASS'Y	
6	FM1-F357-000		1	CARTRIDGE DOOR ASS'Y	
7	FC8-1370-000		8	SCREW, TP, M3X6	
8	FM1-F392-000		1	DUPLEXING FRAME ASS'Y	
9	FM1-F369-010		1	DUPLEXING DOOR ASS'Y	
10	FE4-1566-000		1	LABEL, DOCUMENT PROHIBITION	
11	FL0-3574-000		1	HOLDER, DOCUMENT GUIDE	
12	FE4-0886-000		1	COVER, HINGE BLANKING	
13	FE4-4951-000		2	HINGE, READER	
14	FE4-0851-000		1	GUIDE, CABLE	

Figure 100AH EXTERNAL COVERS, PANELS, ETC. (ADF model MF247)

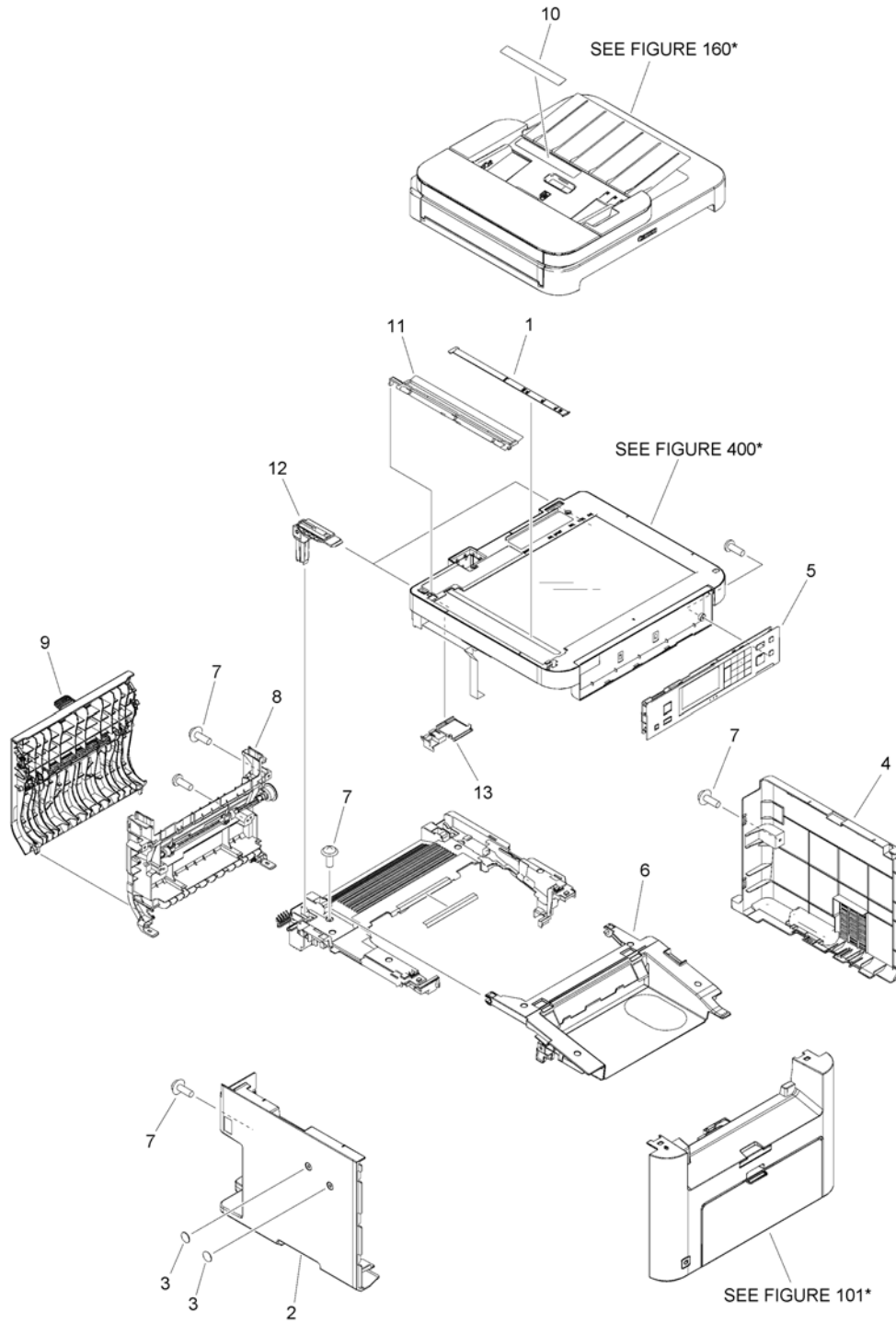




FIGURE & KEY NO.	PART NUMBER	RANK	QTY	DESCRIPTION	SERIAL NUMBER /REMARKS
100AH	NPN		RF	EXTERNAL COVERS, PANELS, ETC.	ADF model MF247
1	FE4-0866-000		1	PLATE, PAPER SIZE	
2	FE4-0909-000		1	COVER, LEFT	
3	FE4-1589-000		2	SHEET, HANDSET	
4	FE4-0911-000		1	COVER, RIGHT	
5	FM1-P154-000		1	CONTROL PANEL ASS'Y	
6	FM1-F357-000		1	CARTRIDGE DOOR ASS'Y	
7	FC8-1370-000		8	SCREW, TP, M3X6	
8	FM1-F392-000		1	DUPLEXING FRAME ASS'Y	
9	FM1-F369-010		1	DUPLEXING DOOR ASS'Y	
10	FE4-1566-000		1	LABEL, DOCUMENT PROHIBITION	
11	FL0-3574-000		1	HOLDER, DOCUMENT GUIDE	
12	FE4-4952-000		2	HINGE, READER	
13	FE4-0856-000		1	GUIDE, CABLE	

Figure 100AJ EXTERNAL COVERS, PANELS, ETC. (ADF model MF244 120V)

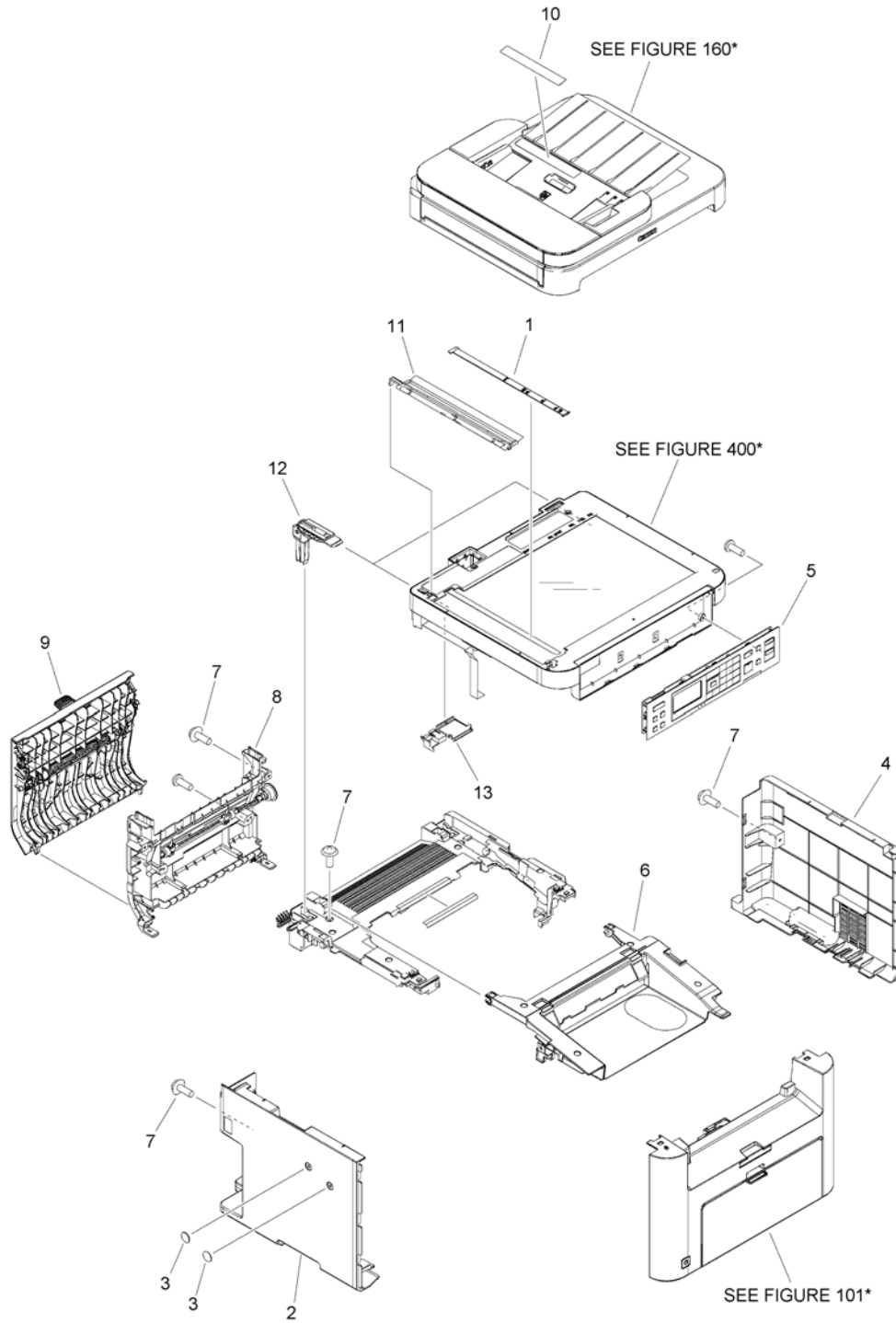


FIGURE & KEY NO.	PART NUMBER	RANK	QTY	DESCRIPTION	SERIAL NUMBER /REMARKS
100AJ	NPN		RF	EXTERNAL COVERS, PANELS, ETC.	ADF model MF244 120V
1	FE4-0866-000		1	PLATE, PAPER SIZE	
2	FE4-0909-000		1	COVER, LEFT	
3	FE4-1589-000		2	SHEET, HANDSET	
4	FE4-0911-000		1	COVER, RIGHT	
5	FM1-P141-000		1	CONTROL PANEL ASS'Y	
6	FM1-F357-000		1	CARTRIDGE DOOR ASS'Y	
7	FC8-1370-000		8	SCREW, TP, M3X6	
8	FM1-F392-000		1	DUPLEXING FRAME ASS'Y	
9	FM1-F369-010		1	DUPLEXING DOOR ASS'Y	
10	FE4-1566-000		1	LABEL, DOCUMENT PROHIBITION	
11	FL0-3574-000		1	HOLDER, DOCUMENT GUIDE	
12	FE4-4952-000		2	HINGE, READER	
13	FE4-0856-000		1	GUIDE, CABLE	

Figure 100AK EXTERNAL COVERS, PANELS, ETC. (ADF model MF236)

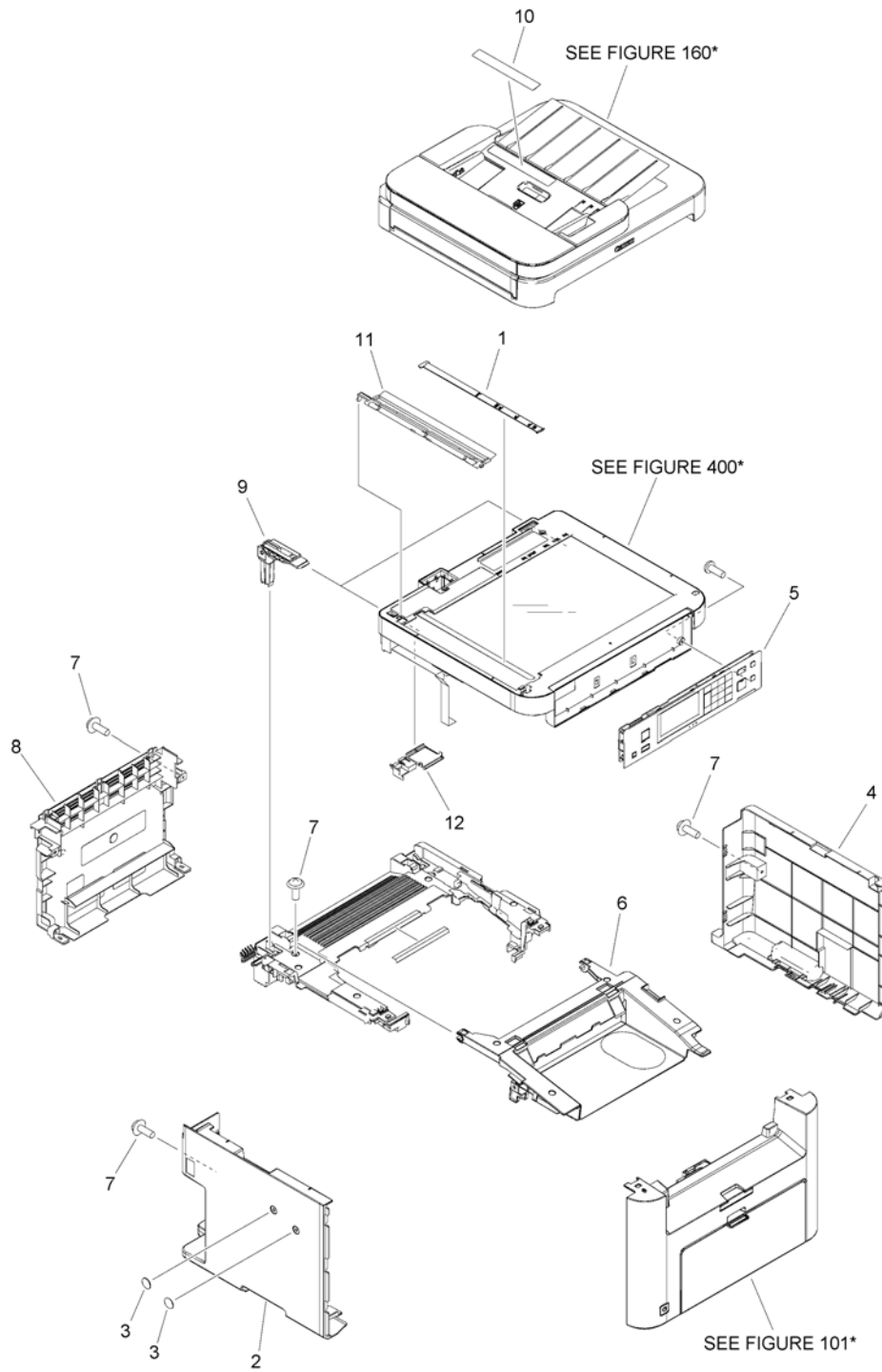


FIGURE & KEY NO.	PART NUMBER	RANK	QTY	DESCRIPTION	SERIAL NUMBER /REMARKS
100AK	NPN		RF	EXTERNAL COVERS, PANELS, ETC.	ADF model MF236
1	FE4-0866-000		1	PLATE, PAPER SIZE	
2	FE4-0909-000		1	COVER, LEFT	
3	FE4-1589-000		2	SHEET, HANDSET	
4	FE4-0913-000		1	COVER, RIGHT	
5	FM1-P130-000		1	CONTROL PANEL ASS'Y	
6	FM1-F357-000		1	CARTRIDGE DOOR ASS'Y	
7	FC8-1370-000		8	SCREW, TP, M3X6	
8	FE4-0926-010		1	COVER, REAR	
9	FE4-4952-000		2	HINGE, READER	
10	FE4-1566-000		1	LABEL, DOCUMENT PROHIBITION	
11	FL0-3574-000		1	HOLDER, DOCUMENT GUIDE	
12	FE4-0856-000		1	GUIDE, CABLE	

Figure 100AL EXTERNAL COVERS, PANELS, ETC. (COPYBOARD model)

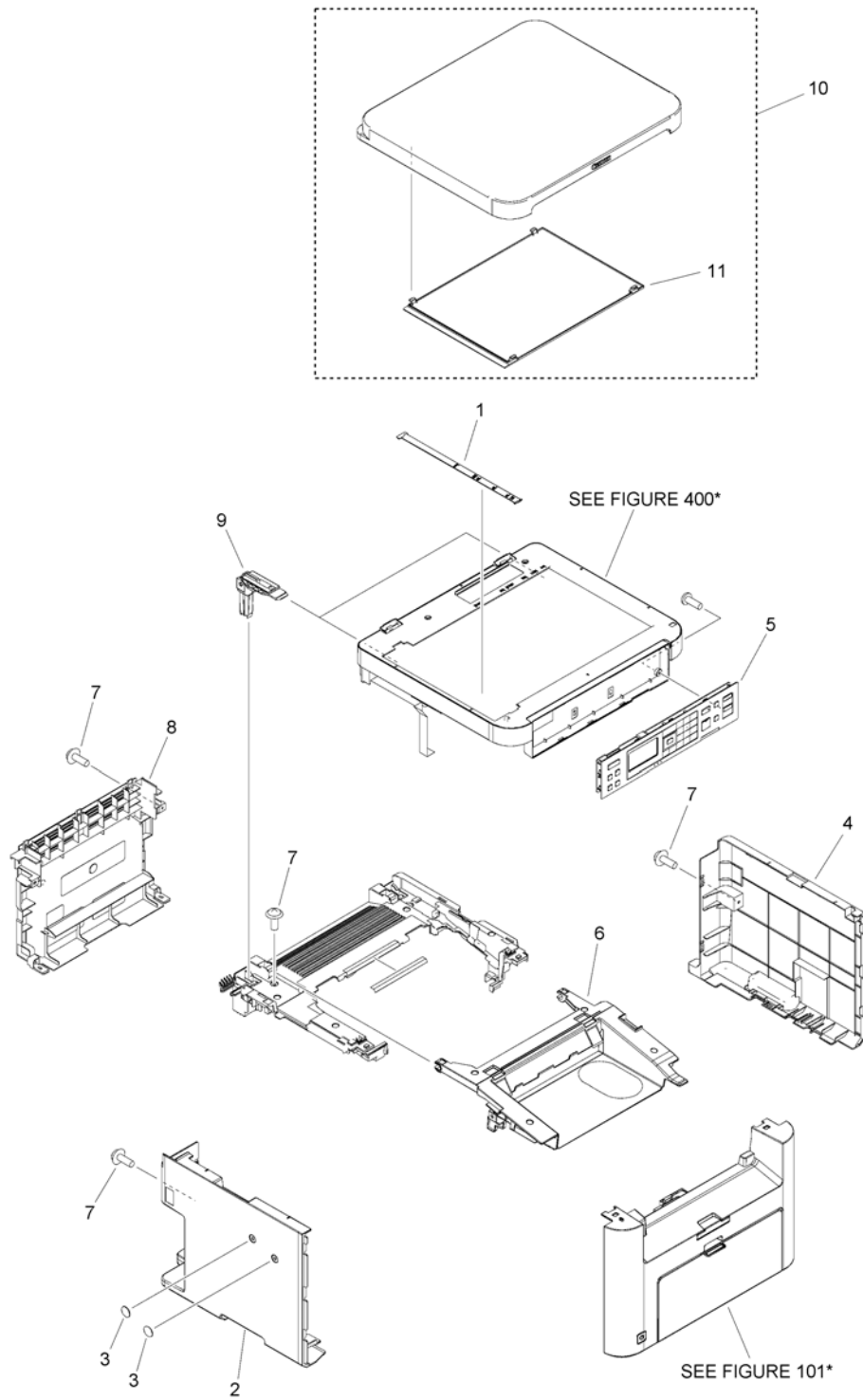


FIGURE & KEY NO.	PART NUMBER	RANK	QTY	DESCRIPTION	SERIAL NUMBER /REMARKS
100AL	NPN		RF	EXTERNAL COVERS, PANELS, ETC.	COPYBOARD model
1	FE4-0866-000		1	PLATE, PAPER SIZE	
2	FE4-0909-000		1	COVER, LEFT	
3	FE4-1589-000		2	SHEET, HANDSET	
4	FE4-0913-000		1	COVER, RIGHT	
5	FM1-P118-000		1	CONTROL PANEL ASS'Y	
6	FM1-F357-000		1	CARTRIDGE DOOR ASS'Y	
7	FC8-1370-000		8	SCREW, TP, M3X6	
8	FE4-0926-010		1	COVER, REAR	
9	FE4-4953-000		2	HINGE, READER	
10	FM1-F377-000		1	PLATEN ASS'Y	
11	FC8-0654-000		1	PANEL, COPYBOARD	

Figure 100AM EXTERNAL COVERS, PANELS, ETC. (DADF model 230V)

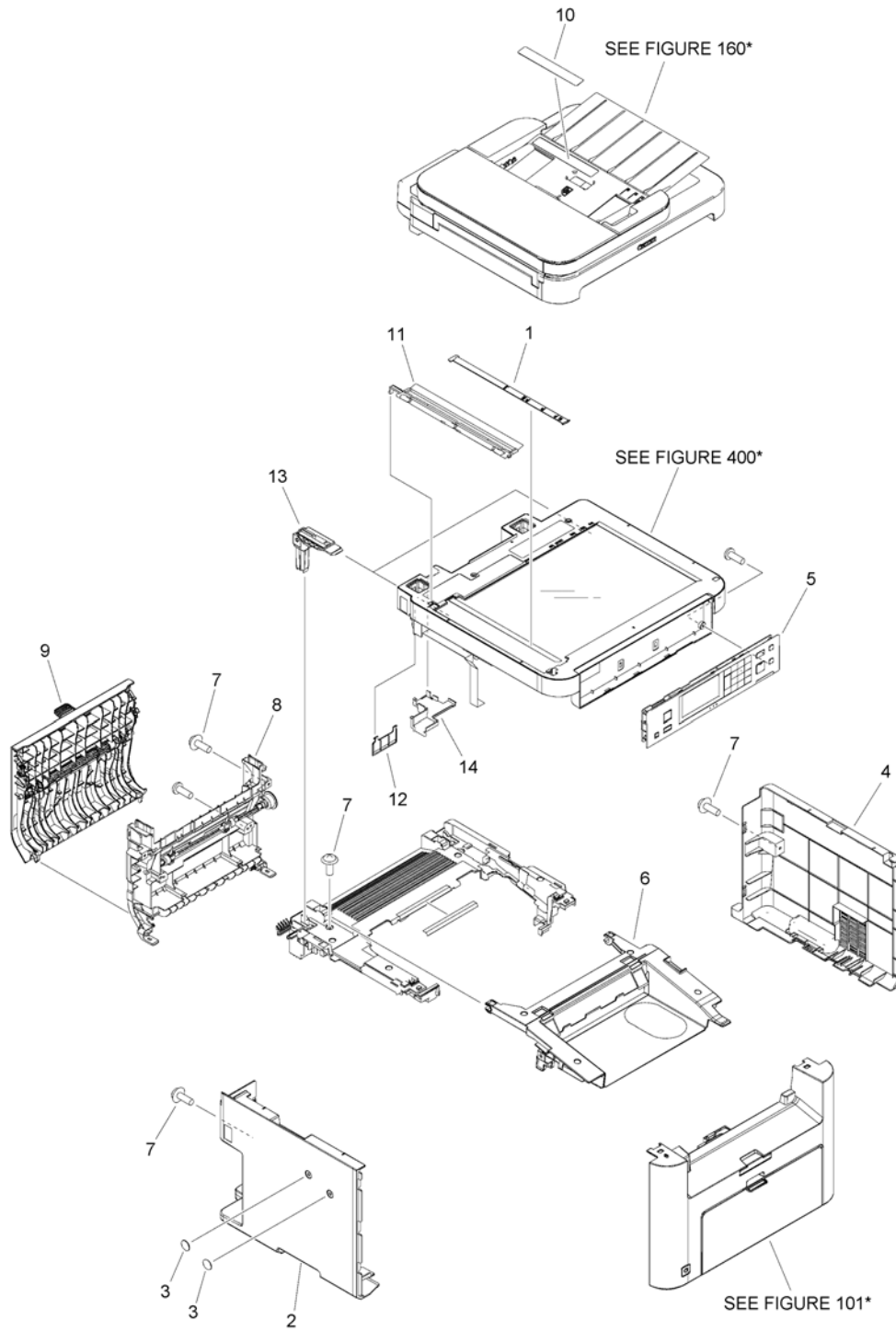




FIGURE & KEY NO.	PART NUMBER	RANK	QTY	DESCRIPTION	SERIAL NUMBER /REMARKS
100AM	NPN		RF	EXTERNAL COVERS, PANELS, ETC.	DADF model 230V
1	FE4-0866-000		1	PLATE, PAPER SIZE	
2	FE4-0908-000		1	COVER, LEFT	
3	FE4-1589-000		2	SHEET, HANDSET	
4	FE4-0910-000		1	COVER, RIGHT	
5	FM1-P148-000		1	CONTROL PANEL ASS'Y	
6	FM1-F356-000		1	CARTRIDGE DOOR ASS'Y	
7	FC8-1370-000		8	SCREW, TP, M3X6	
8	FM1-F392-000		1	DUPLEXING FRAME ASS'Y	
9	FM1-F369-010		1	DUPLEXING DOOR ASS'Y	
10	FE4-1566-000		1	LABEL, DOCUMENT PROHIBITION	
11	FL0-3574-000		1	HOLDER, DOCUMENT GUIDE	
12	FE4-0886-000		1	COVER, HINGE BLANKING	
13	FE4-4951-000		2	HINGE, READER	
14	FE4-0851-000		1	GUIDE, CABLE	

Figure 100AN EXTERNAL COVERS, PANELS, ETC. (ADF model MF244 230V)

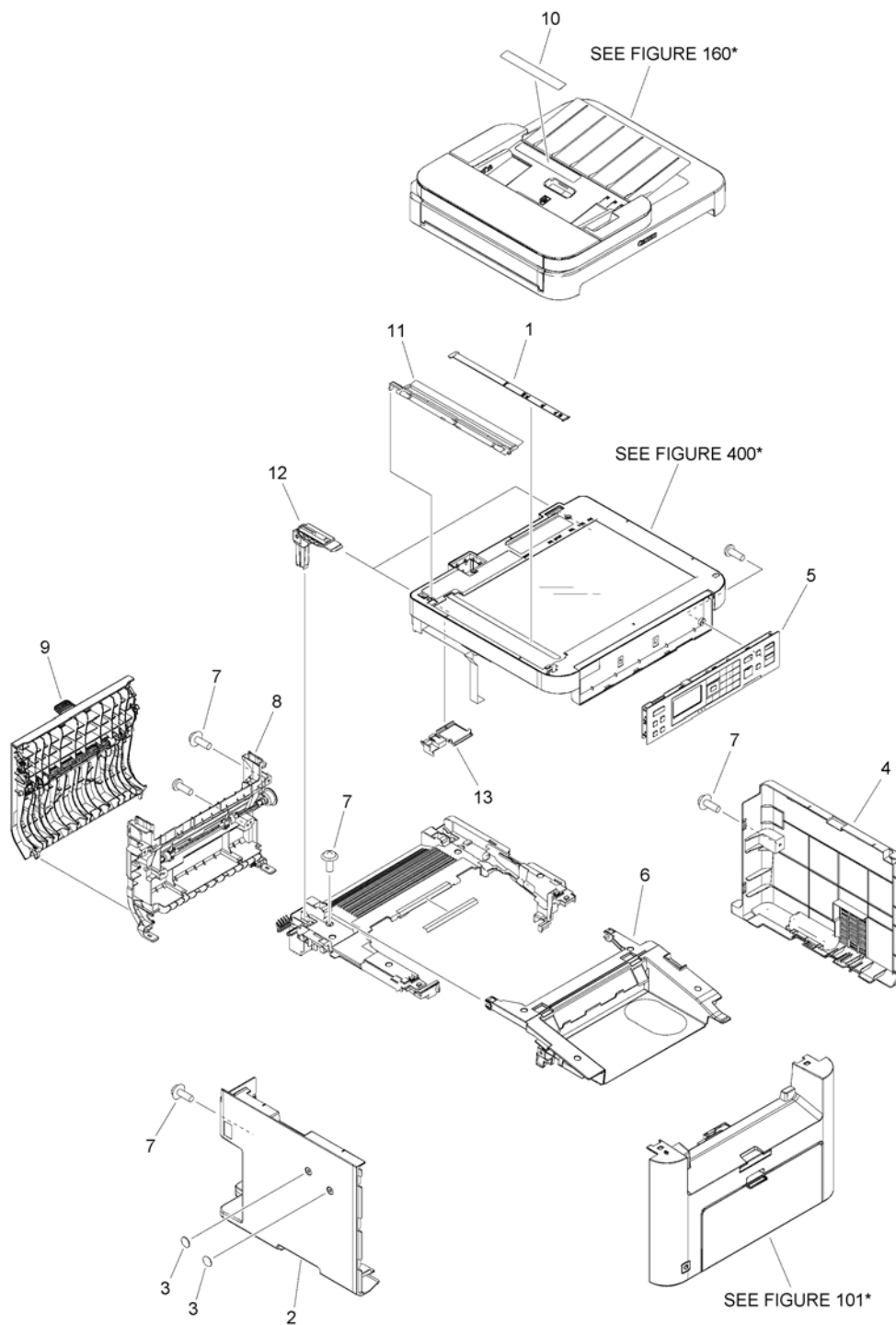


FIGURE & KEY NO.	PART NUMBER	RANK	QTY	DESCRIPTION	SERIAL NUMBER /REMARKS
100AN	NPN		RF	EXTERNAL COVERS, PANELS, ETC.	ADF model MF244 230V
1	FE4-0866-000		1	PLATE, PAPER SIZE	
2	FE4-0908-000		1	COVER, LEFT	
3	FE4-1589-000		2	SHEET, HANDSET	
4	FE4-0910-000		1	COVER, RIGHT	
5	FM1-P139-000		1	CONTROL PANEL ASS'Y	
6	FM1-F356-000		1	CARTRIDGE DOOR ASS'Y	
7	FC8-1370-000		8	SCREW, TP, M3X6	
8	FM1-F392-000		1	DUPLEXING FRAME ASS'Y	
9	FM1-F369-010		1	DUPLEXING DOOR ASS'Y	
10	FE4-1566-000		1	LABEL, DOCUMENT PROHIBITION	
11	FL0-3574-000		1	HOLDER, DOCUMENT GUIDE	
12	FE4-4952-000		2	HINGE, READER	
13	FE4-0856-000		1	GUIDE, CABLE	

Figure 101B FRONT COVER ASS'Y (120V)

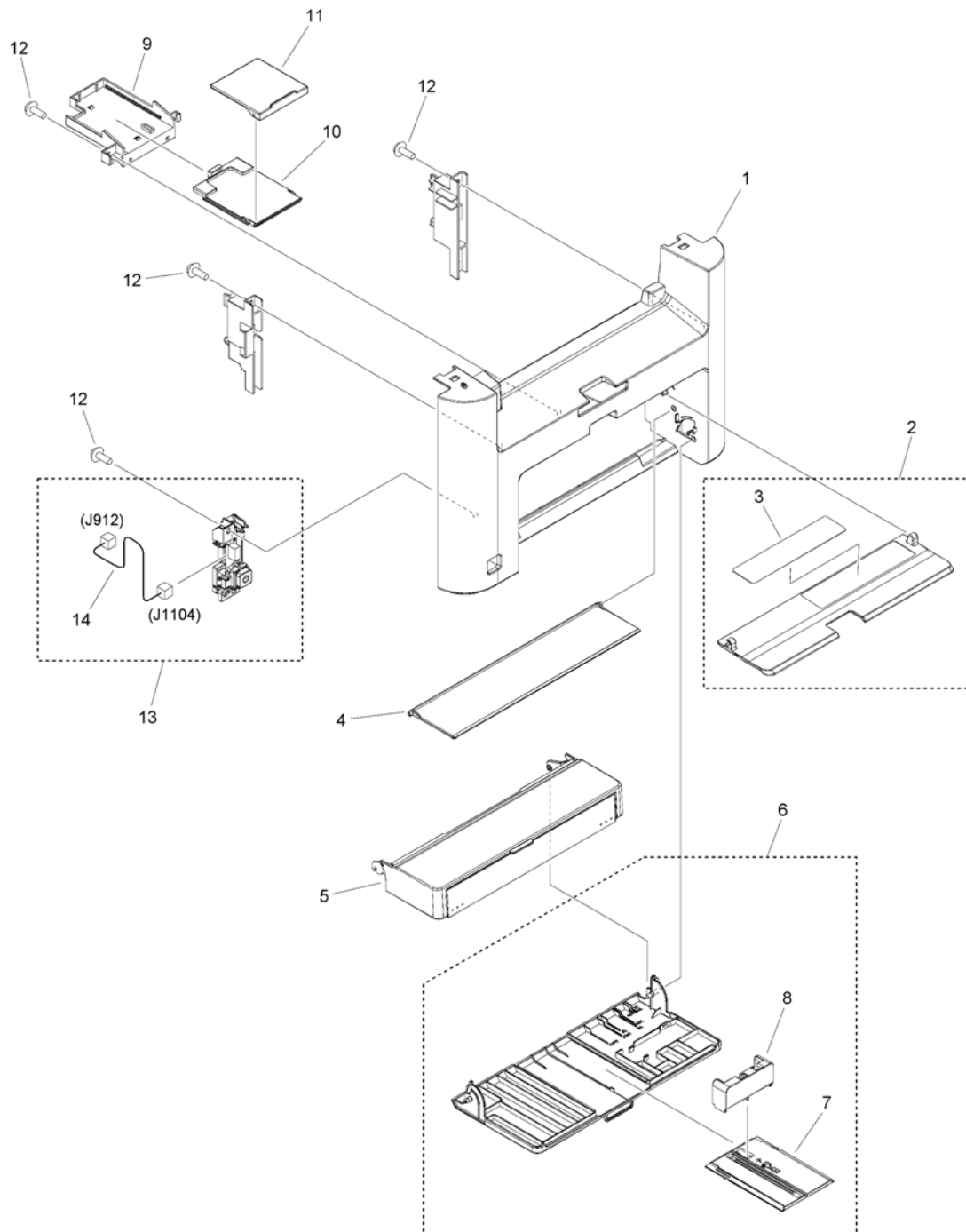


FIGURE & KEY NO.	PART NUMBER	RANK	QTY	DESCRIPTION	SERIAL NUMBER /REMARKS
101B	FM1-F378-000		1	FRONT COVER ASSY	120V
1	FE4-0905-000		1	COVER, FRONT	
2	FL0-3567-000		1	COVER, PAPER PICK-UP	
3	FE4-0927-000		1	LABEL, SIZE INSTRUCTION	
4	FE4-0916-000		1	COVER, DUST, 2	
5	FM1-F366-000		1	DUST COVER ASSEMBLY	
6	FM1-F364-000		1	MULTI TRAY ASSEMBLY	
7	FC0-1663-000		1	PLATE, EXTENSION	
8	FC0-1664-000		1	STOPPER, PAPER	
9	FE4-0948-000		1	HOLDER, TRAY	
10	FE4-0918-000		1	TRAY, PAPER DELIVERY	
11	FE4-0919-000		1	STOPPER, PAPER DELIVERY	
12	XA9-0476-000		7	SCREW, TP M3X8	
13	FM1-G022-000		1	POWER SUPPLY SWITCH ASS'Y	
14	FM1-P833-000		1	CABLE, SWITCH	

Figure 101C FRONT COVER ASS'Y (230V)

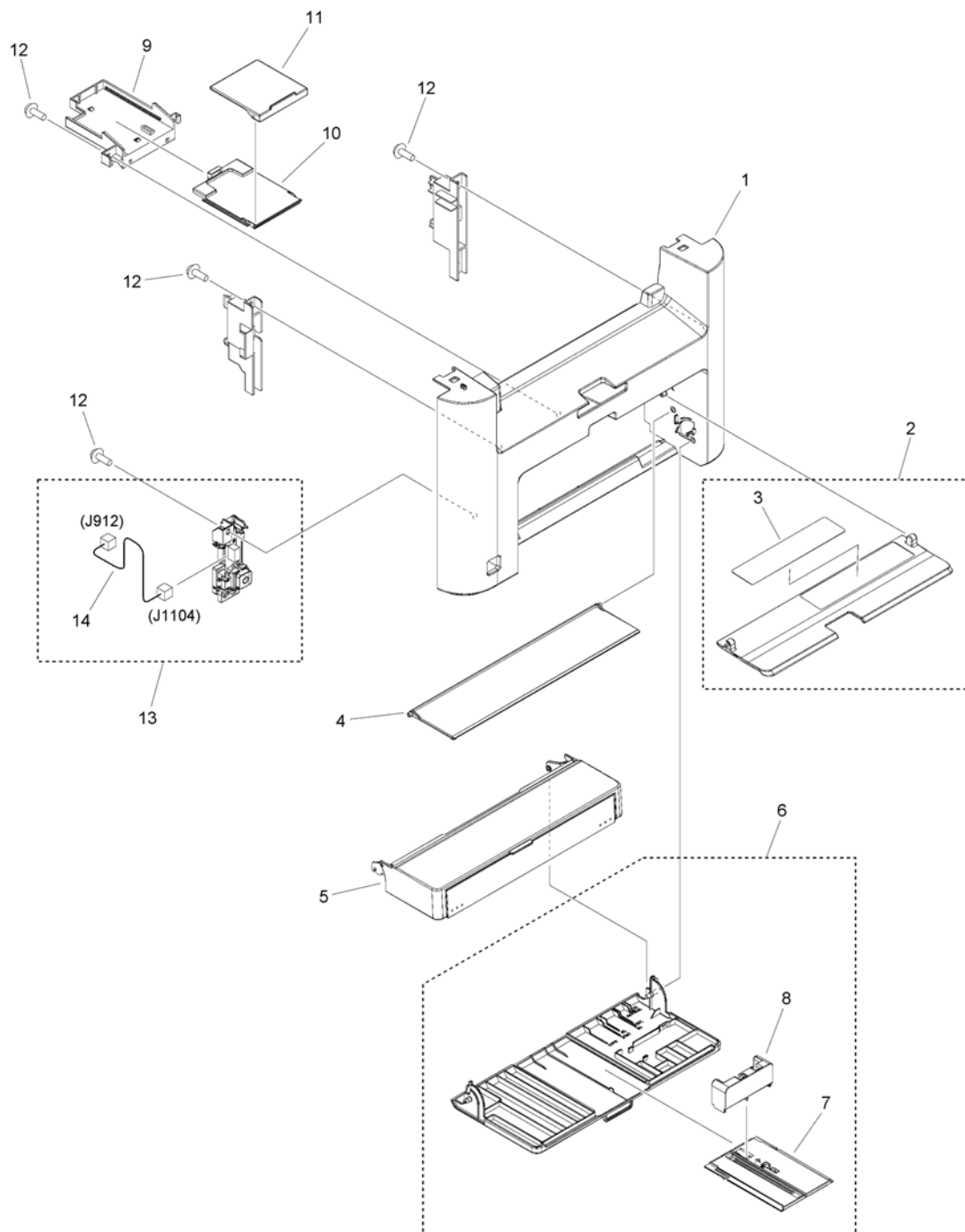


FIGURE & KEY NO.	PART NUMBER	RANK	QTY	DESCRIPTION	SERIAL NUMBER /REMARKS
101C	FM1-F330-000		1	FRONT COVER ASSY	230V
1	FE4-0904-000		1	COVER, FRONT	
2	FL0-3567-000		1	COVER, PAPER PICK-UP	
3	FE4-0927-000		1	LABEL, SIZE INSTRUCTION	
4	FE4-0916-000		1	COVER, DUST, 2	
5	FM1-F366-000		1	DUST COVER ASSEMBLY	
6	FM1-F364-000		1	MULTI TRAY ASSEMBLY	
7	FC0-1663-000		1	PLATE, EXTENSION	
8	FC0-1664-000		1	STOPPER, PAPER	
9	FE4-0917-000		1	HOLDER, TRAY	
10	FE4-0918-000		1	TRAY, PAPER DELIVERY	
11	FE4-0919-000		1	STOPPER, PAPER DELIVERY	
12	XA9-0476-000		7	SCREW, TP M3X8	
13	FM1-F367-000		1	POWER SUPPLY SWITCH ASS'Y	
14	FM0-4130-000		1	CABLE, SWITCH	

Figure 102AE INTERNAL COMPONENTS 1 (MF249 120V, MF247 120V)

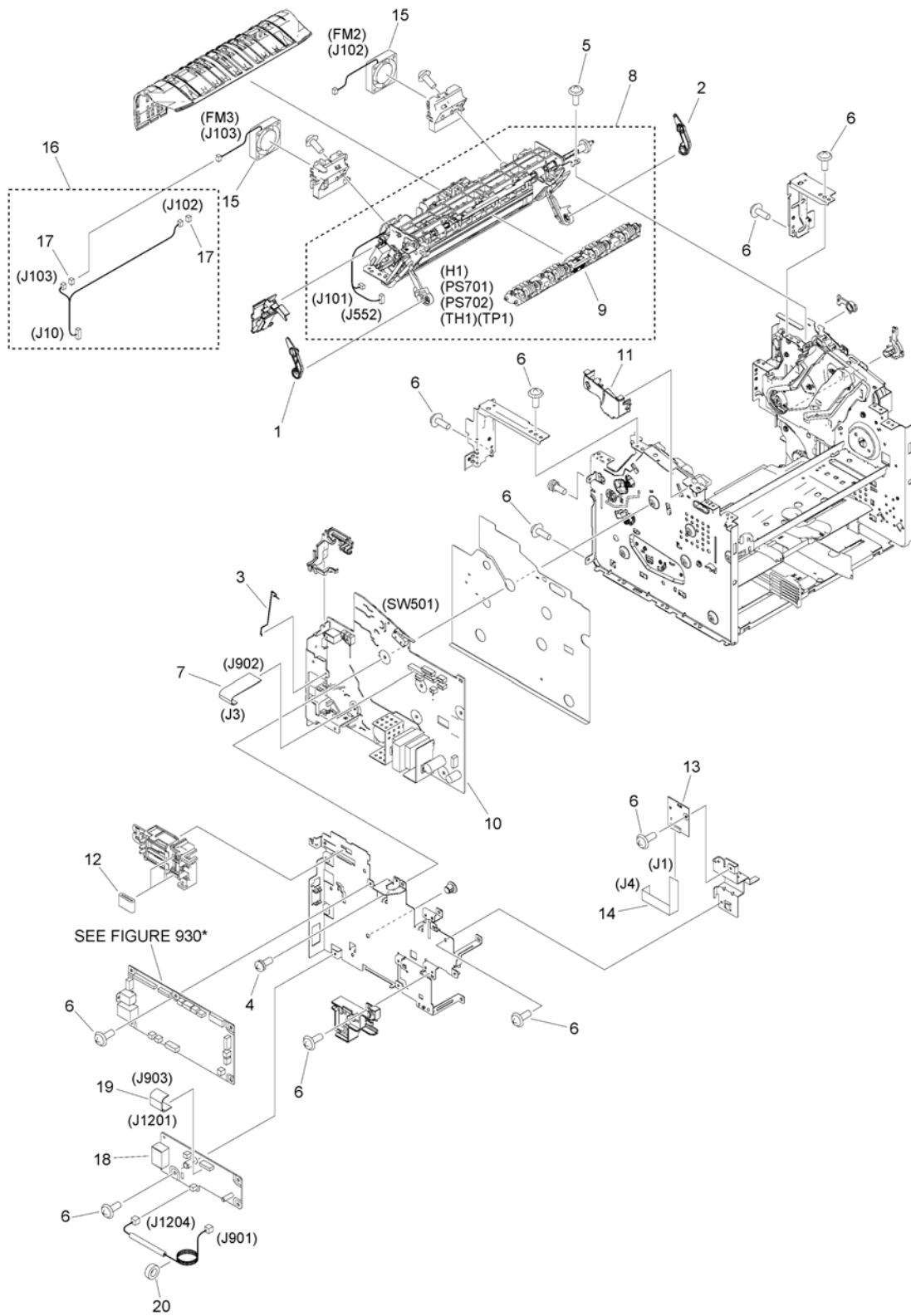




FIGURE & KEY NO.	PART NUMBER	RANK	QTY	DESCRIPTION	SERIAL NUMBER /REMARKS
102AE	NPN		RF	INTERNAL COMPONENTS 1	MF249 120V, MF247 120V
1	FC0-1644-000		1	LINK, PRESSURE RELEASE, LEFT	
2	FC0-1645-000		1	LINK, PRESSURE RELEASE, RIGHT	
3	FC0-1789-000		1	SPRING	
4	FC8-1367-000		6	SCREW, W/WASHER, M3X8	
5	FC8-1368-000		3	SCREW, M3X6	
6	FC8-1370-000		15	SCREW, TP, M3X6	
7	FK4-2081-000		1	CABLE, FLAT	
8	FM1-F264-000		1	FIXING PAPER DELIVERY ASS'Y	H1, PS701, PS702, TH1, TP1
9	FM1-F266-000		1	ROLLER HOLDER ASSEMBLY	
10	FM1-Y811-000		1	ENGINE CONTROL PCB ASS'Y	SW501
11	FM4-6895-000		1	SWITCH LEVER ASS'Y	
12	WE8-6481-000		2	CORE, FERRITE	
13	FK4-1248-020		1	MODULE, WLAN	
14	FK4-2140-000		1	CABLE, FLAT	
15	FK4-3183-000		2	FAN	FM2, FM3
16	FM1-P832-000		1	CABLE, FAN	
17	VS1-7440-003		2	CONNECTOR, SNAP TIGHT	
18	FM0-3932-000		1	NCU PCB ASSEMBLY	
19	FK3-3544-000		1	CABLE, FLAT, SCNT-CIS	
20	WE8-6854-000		1	CORE,RING	

Figure 102AF INTERNAL COMPONENTS 1 (MF244 120V)

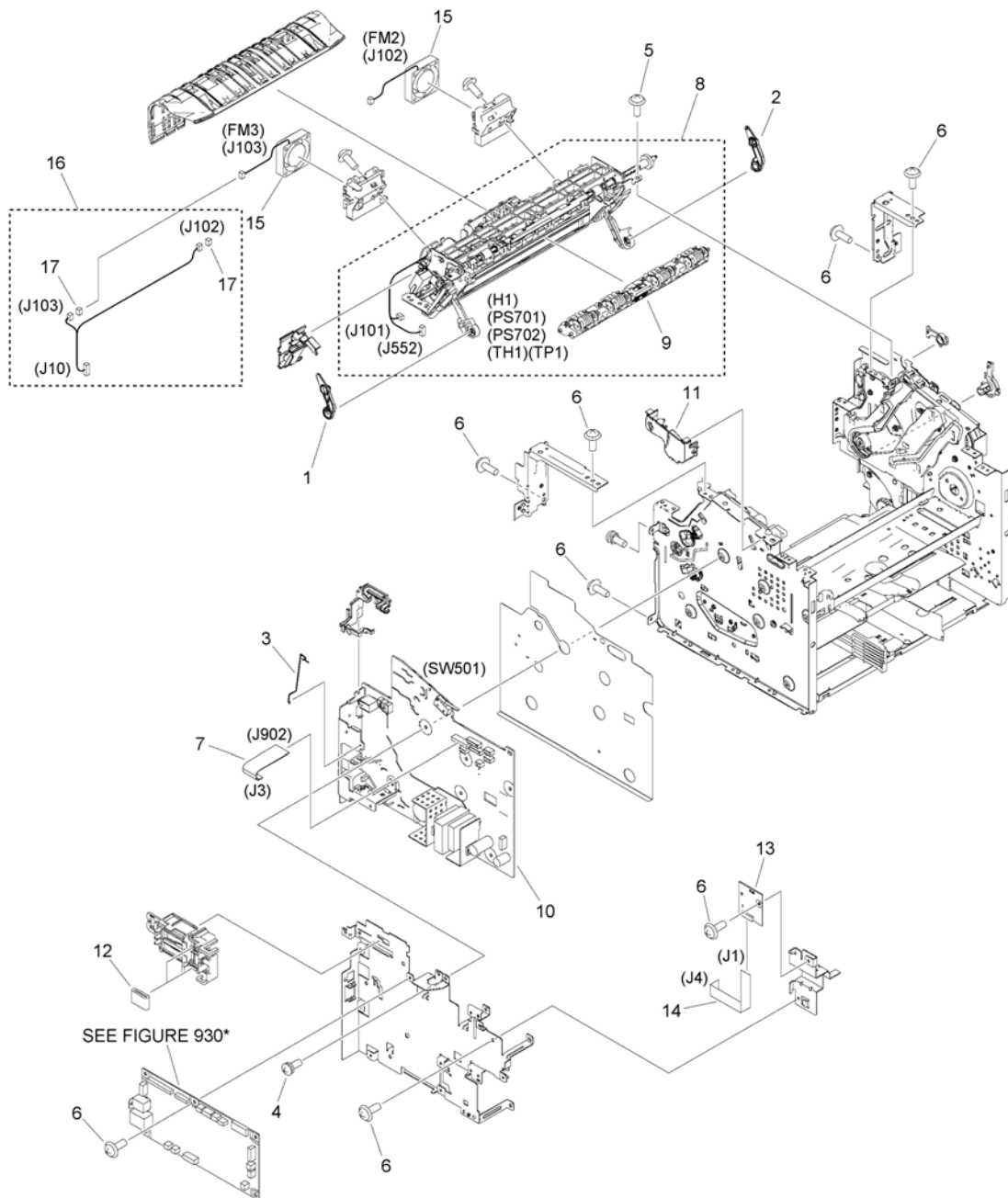


FIGURE & KEY NO.	PART NUMBER	RANK	QTY	DESCRIPTION	SERIAL NUMBER /REMARKS
102AF	NPN		RF	INTERNAL COMPONENTS 1	MF244 120V
1	FC0-1644-000		1	LINK, PRESSURE RELEASE, LEFT	
2	FC0-1645-000		1	LINK, PRESSURE RELEASE, RIGHT	
3	FC0-1789-000		1	SPRING	
4	FC8-1367-000		6	SCREW, W/WASHER, M3X8	
5	FC8-1368-000		3	SCREW, M3X6	
6	FC8-1370-000		15	SCREW, TP, M3X6	
7	FK4-2081-000		1	CABLE, FLAT	
8	FM1-F264-000		1	FIXING PAPER DELIVERY ASS'Y	H1, PS701, PS702, TH1, TP1
9	FM1-F266-000		1	ROLLER HOLDER ASSEMBLY	
10	FM1-Y812-000		1	ENGINE CONTROL PCB ASS'Y	SW501
11	FM4-6895-000		1	SWITCH LEVER ASS'Y	
12	WE8-6481-000		2	CORE, FERRITE	
13	FK4-1248-020		1	MODULE, WLAN	
14	FK4-2140-000		1	CABLE, FLAT	
15	FK4-3183-000		2	FAN	FM2, FM3
16	FM1-P832-000		1	CABLE, FAN	
17	VS1-7440-003		2	CONNECTOR, SNAP TIGHT	

Figure 102AG INTERNAL COMPONENTS 1 (MF236)

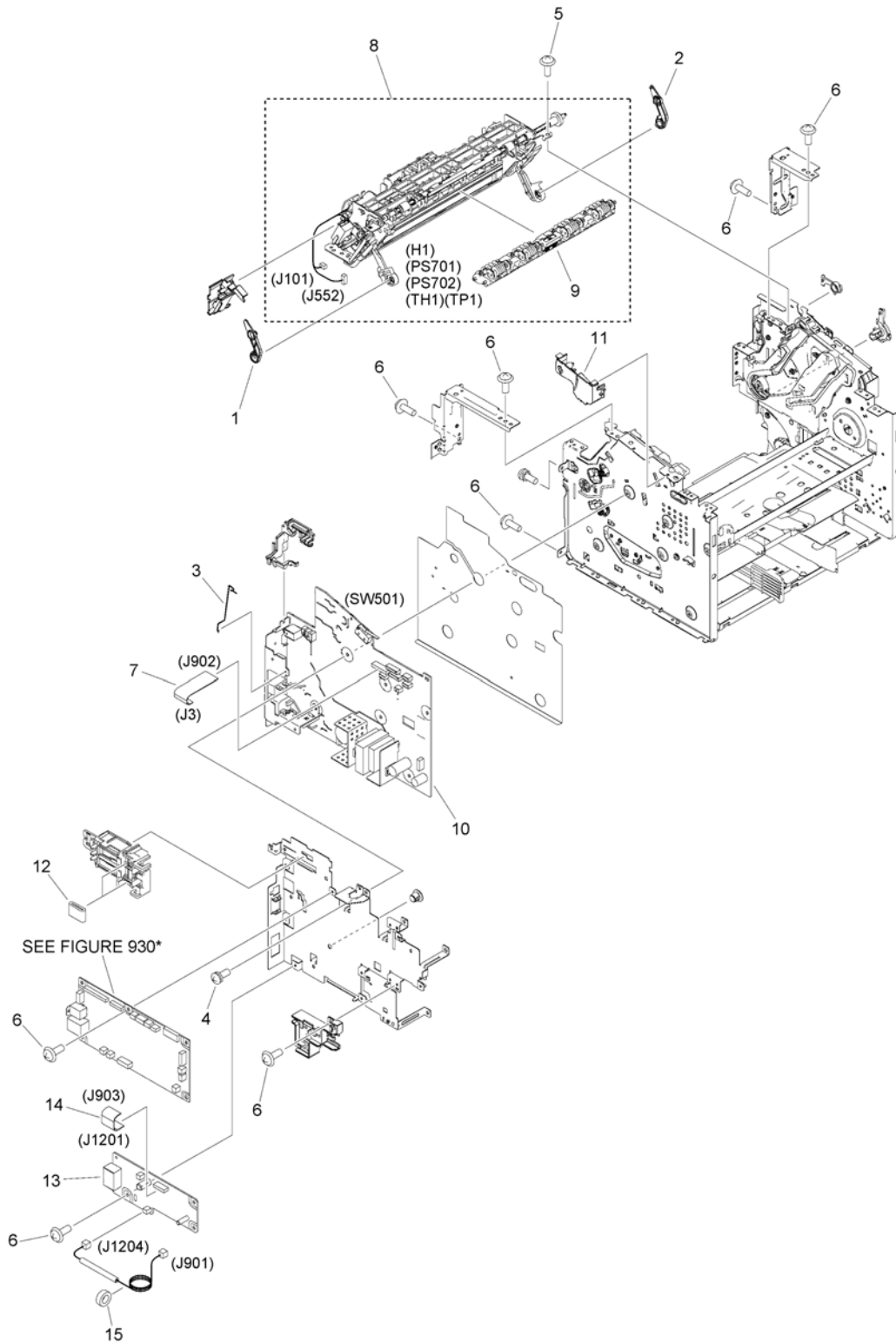


FIGURE & KEY NO.	PART NUMBER	RANK	QTY	DESCRIPTION	SERIAL NUMBER /REMARKS
102AG	NPN		RF	INTERNAL COMPONENTS 1	MF236
1	FC0-1644-000		1	LINK, PRESSURE RELEASE, LEFT	
2	FC0-1645-000		1	LINK, PRESSURE RELEASE, RIGHT	
3	FC0-1789-000		1	SPRING	
4	FC8-1367-000		6	SCREW, W/WASHER, M3X8	
5	FC8-1368-000		3	SCREW, M3X6	
6	FC8-1370-000		15	SCREW, TP, M3X6	
7	FK4-2081-000		1	CABLE, FLAT	
8	FM1-F646-000		1	FIXING PAPER DELIVERY ASS'Y	H1, PS701, PS702, TH1, TP1
9	FM1-F266-000		1	ROLLER HOLDER ASSEMBLY	
10	FM1-Y803-000		1	ENGINE CONTROL PCB ASS'Y	SW501
11	FM4-6895-000		1	SWITCH LEVER ASS'Y	
12	WE8-6481-000		2	CORE, FERRITE	
13	FM0-3932-000		1	NCU PCB ASSEMBLY	
14	FK3-3544-000		1	CABLE, FLAT, SCNT-CIS	
15	WE8-6854-000		1	CORE,RING	

Figure 102AH INTERNAL COMPONENTS 1 (MF232)

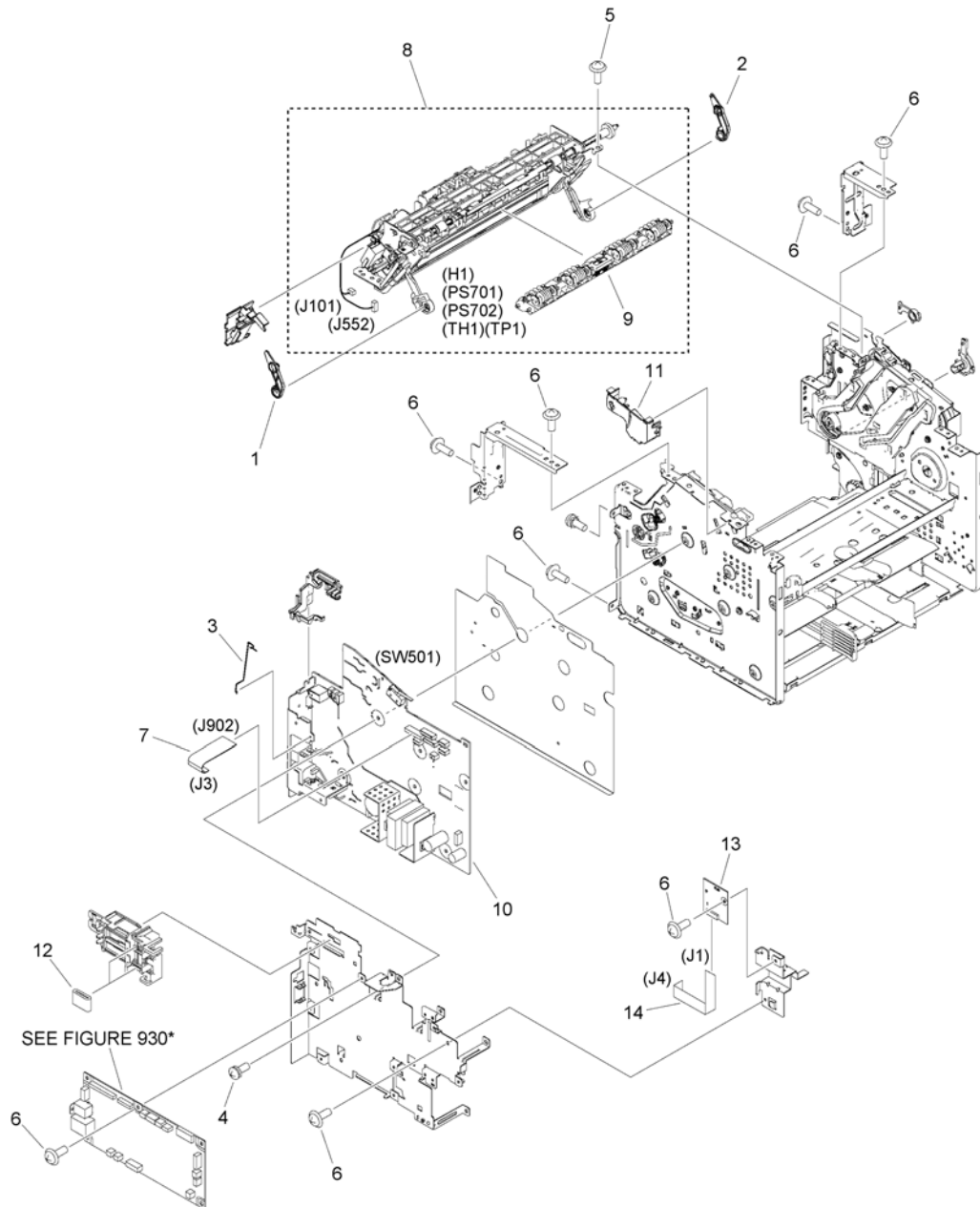


FIGURE & KEY NO.	PART NUMBER	RANK	QTY	DESCRIPTION	SERIAL NUMBER /REMARKS
102AH	NPN		RF	INTERNAL COMPONENTS 1	MF232
1	FC0-1644-000		1	LINK, PRESSURE RELEASE, LEFT	
2	FC0-1645-000		1	LINK, PRESSURE RELEASE, RIGHT	
3	FC0-1789-000		1	SPRING	
4	FC8-1367-000		6	SCREW, W/WASHER, M3X8	
5	FC8-1368-000		3	SCREW, M3X6	
6	FC8-1370-000		15	SCREW, TP, M3X6	
7	FK4-2081-000		1	CABLE, FLAT	
8	FM1-F646-000		1	FIXING PAPER DELIVERY ASS'Y	H1, PS701, PS702, TH1, TP1
9	FM1-F266-000		1	ROLLER HOLDER ASSEMBLY	
10	FM1-Y804-000		1	ENGINE CONTROL PCB ASS'Y	SW501
11	FM4-6895-000		1	SWITCH LEVER ASS'Y	
12	WE8-6481-000		2	CORE, FERRITE	
13	FK4-1248-020		1	MODULE, WLAN	
14	FK4-2140-000		1	CABLE, FLAT	

Figure 102AJ INTERNAL COMPONENTS 1 (MF249 230V, MF247 230V)

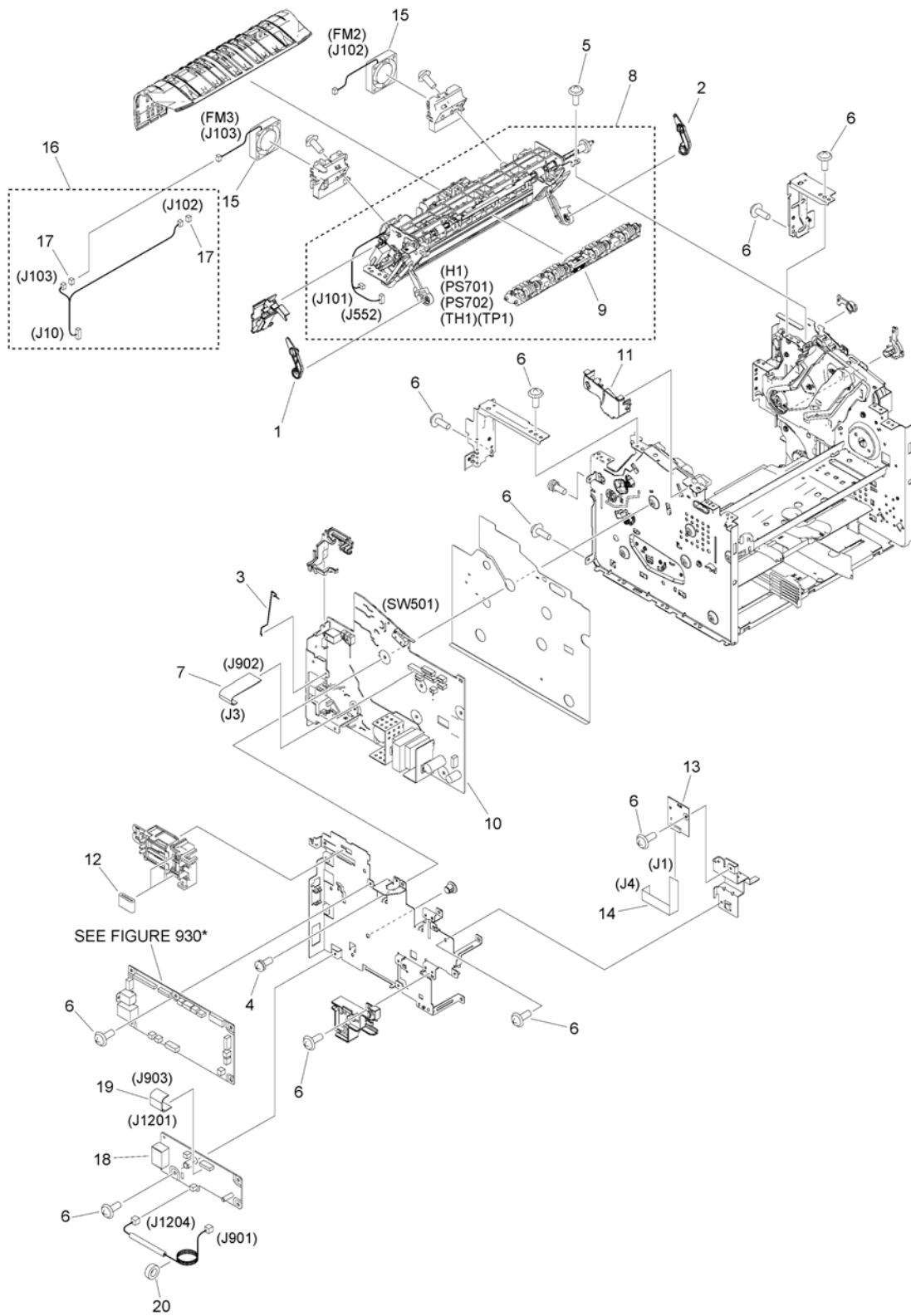




FIGURE & KEY NO.	PART NUMBER	RANK	QTY	DESCRIPTION	SERIAL NUMBER /REMARKS
102AJ	NPN		RF	INTERNAL COMPONENTS 1	MF249 230V, MF247 230V
1	FC0-1644-000		1	LINK, PRESSURE RELEASE, LEFT	
2	FC0-1645-000		1	LINK, PRESSURE RELEASE, RIGHT	
3	FC0-1789-000		1	SPRING	
4	FC8-1367-000		6	SCREW, W/WASHER, M3X8	
5	FC8-1368-000		3	SCREW, M3X6	
6	FC8-1370-000		15	SCREW, TP, M3X6	
7	FK4-2081-000		1	CABLE, FLAT	
8	FM1-F342-000		1	FIXING PAPER DELIVERY ASS'Y	H1, PS701, PS702, TH1, TP1
9	FM1-F266-000		1	ROLLER HOLDER ASSEMBLY	
10	FM1-Y813-000		1	ENGINE CONTROL PCB ASS'Y	SW501
11	FM4-6895-000		1	SWITCH LEVER ASS'Y	
12	WE8-6481-000		2	CORE, FERRITE	
13	FK4-1248-020		1	MODULE, WLAN	
14	FK4-2140-000		1	CABLE, FLAT	
15	FK4-3183-000		2	FAN	FM2, FM3
16	FM1-J960-000		1	CABLE, FAN	
17	VS1-7440-003		2	CONNECTOR, SNAP TIGHT	
18	FM0-3932-000		1	NCU PCB ASSEMBLY	
19	FK3-3544-000		1	CABLE, FLAT, SCNT-CIS	
20	WE8-6854-000		1	CORE,RING	

Figure 102AK INTERNAL COMPONENTS 1 (MF244 230V)

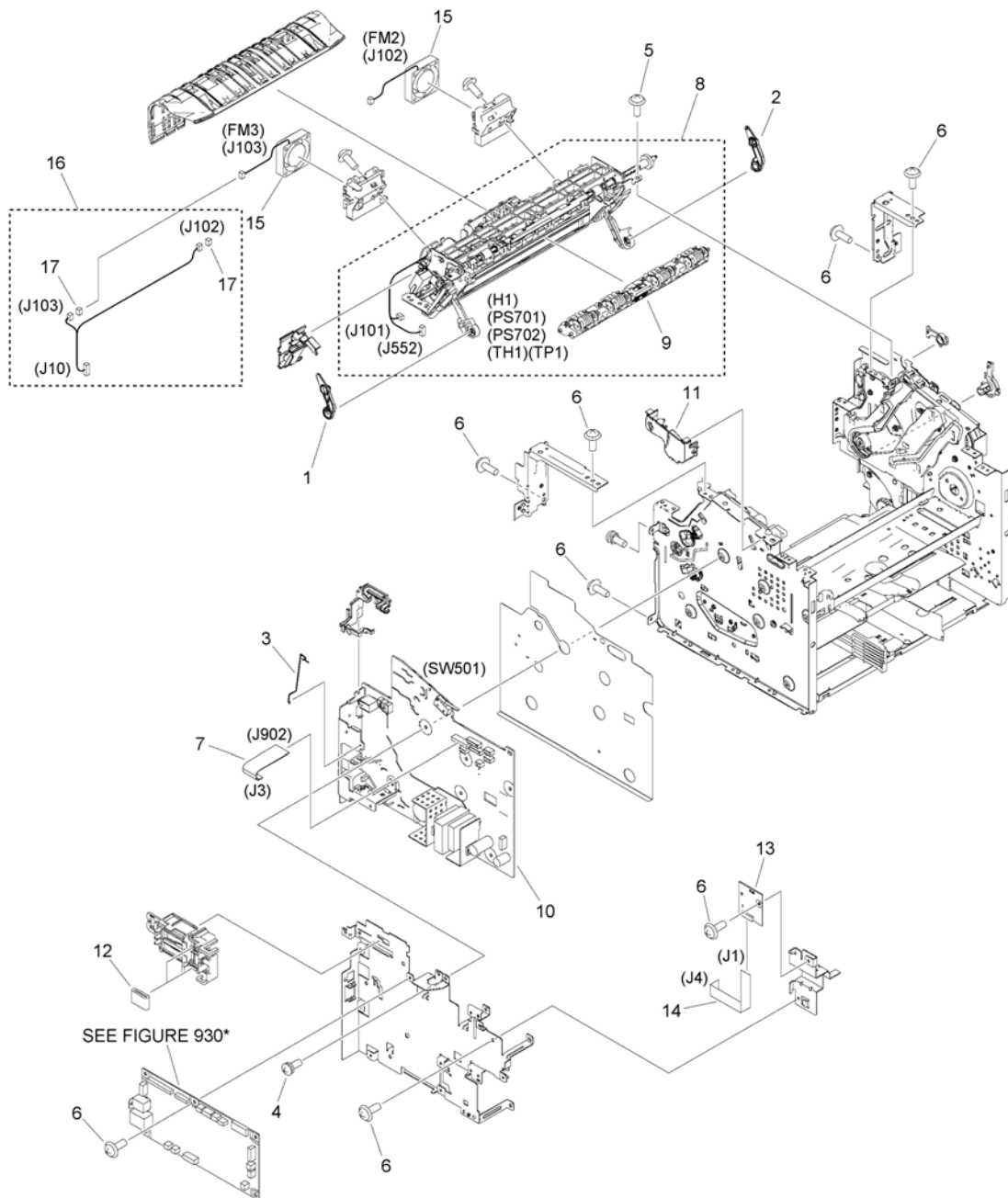


FIGURE & KEY NO.	PART NUMBER	RANK	QTY	DESCRIPTION	SERIAL NUMBER /REMARKS
102AK	NPN		RF	INTERNAL COMPONENTS 1	MF244 230V
1	FC0-1644-000		1	LINK, PRESSURE RELEASE, LEFT	
2	FC0-1645-000		1	LINK, PRESSURE RELEASE, RIGHT	
3	FC0-1789-000		1	SPRING	
4	FC8-1367-000		6	SCREW, W/WASHER, M3X8	
5	FC8-1368-000		3	SCREW, M3X6	
6	FC8-1370-000		15	SCREW, TP, M3X6	
7	FK4-2081-000		1	CABLE, FLAT	
8	FM1-F342-000		1	FIXING PAPER DELIVERY ASS'Y	H1, PS701, PS702, TH1, TP1
9	FM1-F266-000		1	ROLLER HOLDER ASSEMBLY	
10	FM1-Y814-000		1	ENGINE CONTROL PCB ASS'Y	SW501
11	FM4-6895-000		1	SWITCH LEVER ASS'Y	
12	WE8-6481-000		2	CORE, FERRITE	
13	FK4-1248-020		1	MODULE, WLAN	
14	FK4-2140-000		1	CABLE, FLAT	
15	FK4-3183-000		2	FAN	FM2, FM3
16	FM1-J960-000		1	CABLE, FAN	
17	VS1-7440-003		2	CONNECTOR, SNAP TIGHT	

Figure 103B INTERNAL COMPONENTS 2 (MF244 100V/230V, MF242)

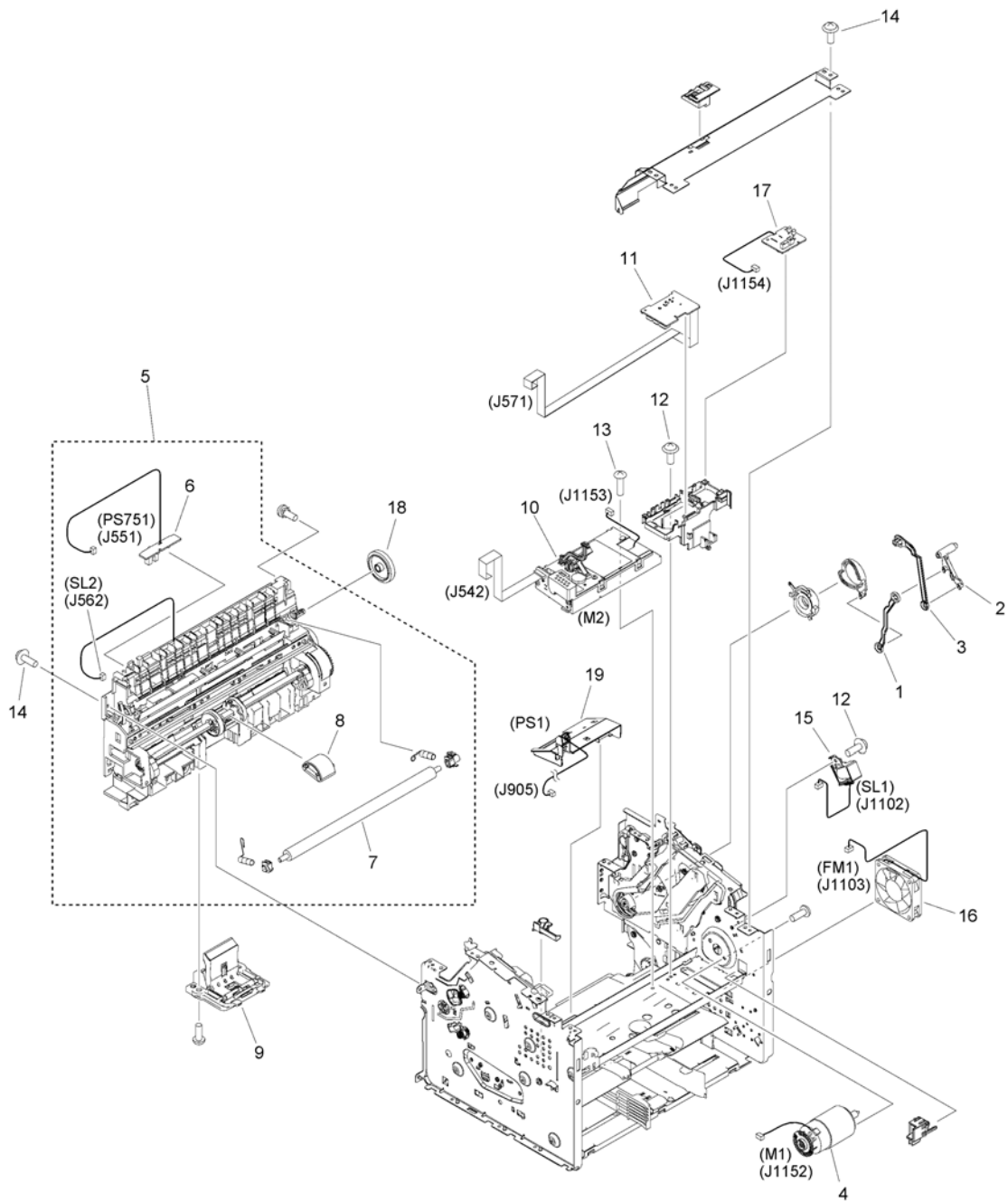


FIGURE & KEY NO.	PART NUMBER	RANK	QTY	DESCRIPTION	SERIAL NUMBER /REMARKS
103B	NPN		RF	INTERNAL COMPONENTS 2	MF244 100V/230V, MF242
1	FC0-1589-000		1	LINK, DOOR 1	
2	FC0-1590-000		1	LINK, DOOR 2	
3	FC0-1646-000		1	LINK, DOOR	
4	FM1-G033-000		1	MOTOR, DC24V	M1
5	FM1-L533-000		1	PAPER PICK-UP ASS'Y	SL2
6	FM0-4133-000		1	PAPER PICK-UP SENSOR PCB ASS'Y	PS751
7	RC2-1182-000		1	ROLLER, TRANSFER	
8	RL1-1497-000		1	ROLLER, PICK-UP	
9	FM4-6893-000		1	SEPARATION PAD ASS'Y	
10	FM0-3723-000		1	LASER SCANNER ASS'Y	M2
11	FM0-4131-000		1	MOTOR PCB ASS'Y	PS1151
12	FC8-1368-000		2	SCREW, M3X6	
13	FC8-1369-000		4	SCREW, M3X10	
14	FC8-1370-000		7	SCREW, TP, M3X6	
15	RK2-0420-000		1	SOLENOID	SL1
16	RK2-3438-000		1	FAN	FM1
17	FM4-7064-000		1	DUPLEXING PCB ASS'Y	
18	FU9-0289-000		1	GEAR, 34T	
19	FM0-3656-000		1	PHOTO SENSOR ASS'Y, MULTI	PS1

Figure 103E INTERNAL COMPONENTS 2 (MF249 120V, MF247 120V)

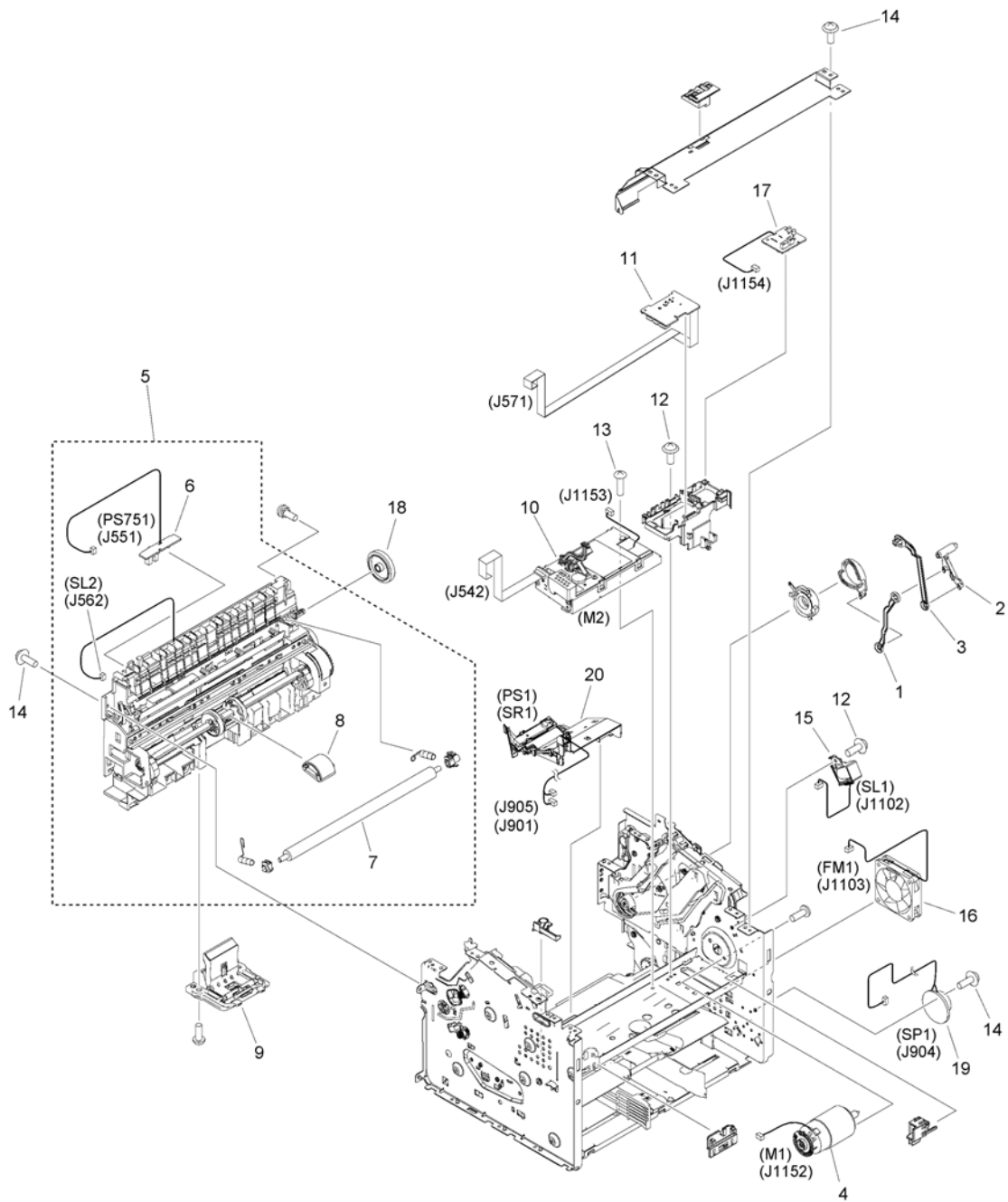


FIGURE & KEY NO.	PART NUMBER	RANK	QTY	DESCRIPTION	SERIAL NUMBER /REMARKS
103E	NPN		RF	INTERNAL COMPONENTS 2	MF249 120V, MF247 120V
1	FC0-1589-000		1	LINK, DOOR 1	
2	FC0-1590-000		1	LINK, DOOR 2	
3	FC0-1646-000		1	LINK, DOOR	
4	FM1-G033-000		1	MOTOR, DC24V	M1
5	FM1-L533-000		1	PAPER PICK-UP ASS'Y	SL2
6	FM0-4133-000		1	PAPER PICK-UP SENSOR PCB ASS'Y	PS751
7	RC2-1182-000		1	ROLLER, TRANSFER	
8	RL1-1497-000		1	ROLLER, PICK-UP	
9	FM4-6893-000		1	SEPARATION PAD ASS'Y	
10	FM1-F328-000		1	LASER SCANNER ASS'Y	M2
11	FM0-4131-000		1	MOTOR PCB ASS'Y	PS1151
12	FC8-1368-000		2	SCREW, M3X6	
13	FC8-1369-000		4	SCREW, M3X10	
14	FC8-1370-000		7	SCREW, TP, M3X6	
15	RK2-0420-000		1	SOLENOID	SL1
16	RK2-3438-000		1	FAN	FM1
17	FM4-7064-000		1	DUPLEXING PCB ASS'Y	
18	FU9-0289-000		1	GEAR, 34T	
19	FK3-3667-000		1	SPEAKER	SP1
20	FM1-F336-000		1	PHOTO SENSOR ASS'Y, TONER	PS1, SR1

Figure 103F INTERNAL COMPONENTS 2 (MF244 120V)

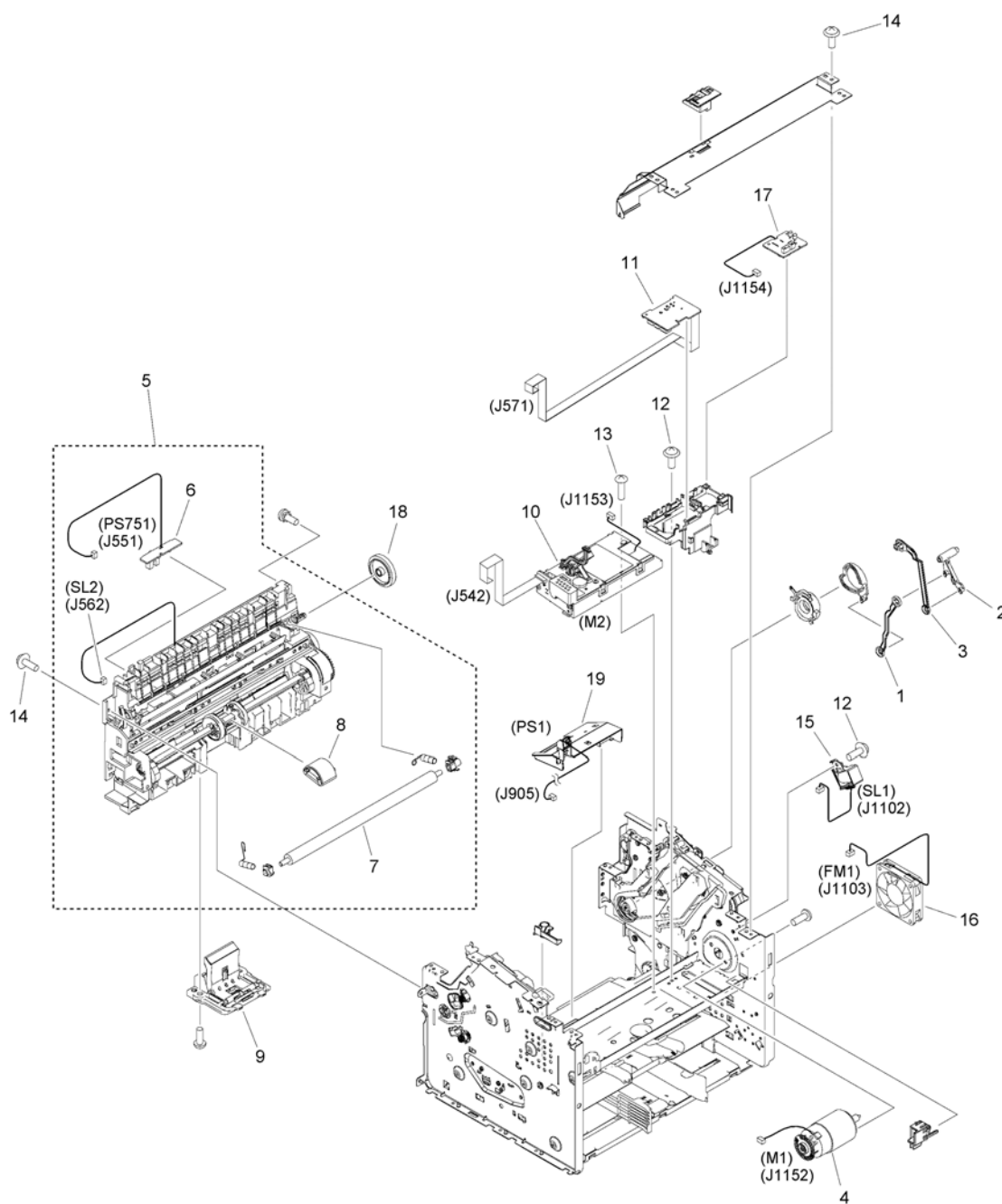




FIGURE & KEY NO.	PART NUMBER	RANK	QTY	DESCRIPTION	SERIAL NUMBER /REMARKS
103F	NPN		RF	INTERNAL COMPONENTS 2	MF244 120V
1	FC0-1589-000		1	LINK, DOOR 1	
2	FC0-1590-000		1	LINK, DOOR 2	
3	FC0-1646-000		1	LINK, DOOR	
4	FM1-G033-000		1	MOTOR, DC24V	M1
5	FM1-L533-000		1	PAPER PICK-UP ASS'Y	SL2
6	FM0-4133-000		1	PAPER PICK-UP SENSOR PCB ASS'Y	PS751
7	RC2-1182-000		1	ROLLER, TRANSFER	
8	RL1-1497-000		1	ROLLER, PICK-UP	
9	FM4-6893-000		1	SEPARATION PAD ASS'Y	
10	FM1-F328-000		1	LASER SCANNER ASS'Y	M2
11	FM0-4131-000		1	MOTOR PCB ASS'Y	PS1151
12	FC8-1368-000		2	SCREW, M3X6	
13	FC8-1369-000		4	SCREW, M3X10	
14	FC8-1370-000		7	SCREW, TP, M3X6	
15	RK2-0420-000		1	SOLENOID	SL1
16	RK2-3438-000		1	FAN	FM1
17	FM4-7064-000		1	DUPLEXING PCB ASS'Y	
18	FU9-0289-000		1	GEAR, 34T	
19	FM1-F653-000		1	PHOTO SENSOR ASS'Y, MULTI	PS1

Figure 103G INTERNAL COMPONENTS 2 (MF236)

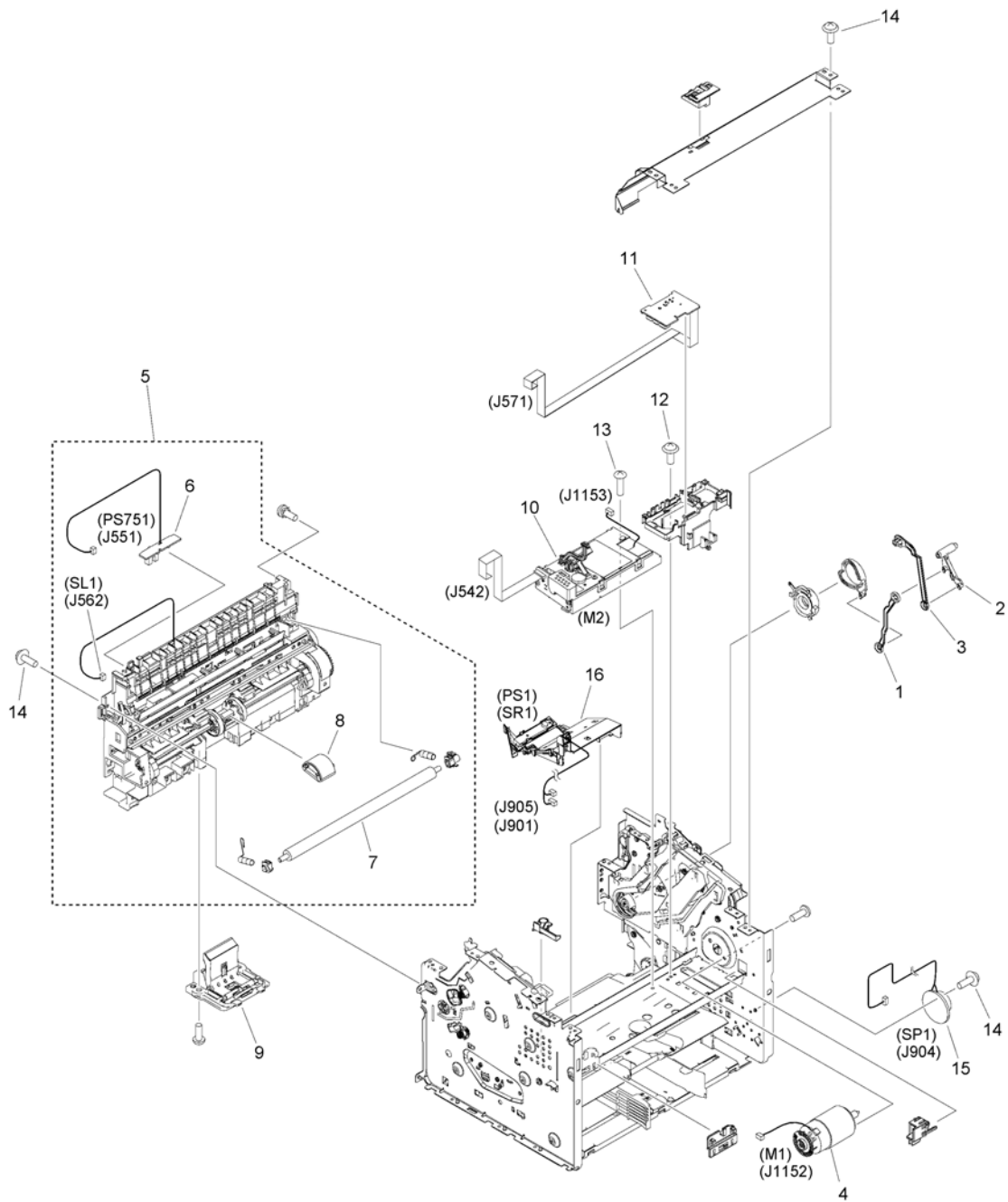


FIGURE & KEY NO.	PART NUMBER	RANK	QTY	DESCRIPTION	SERIAL NUMBER /REMARKS
103G	NPN		RF	INTERNAL COMPONENTS 2	MF236
1	FC0-1589-000		1	LINK, DOOR 1	
2	FC0-1590-000		1	LINK, DOOR 2	
3	FC0-1646-000		1	LINK, DOOR	
4	FM1-G033-000		1	MOTOR, DC24V	M1
5	FM1-N753-000		1	PAPER PICK-UP ASS'Y	SL1
6	FM0-4133-000		1	PAPER PICK-UP SENSOR PCB ASS'Y	PS751
7	RC2-1182-000		1	ROLLER, TRANSFER	
8	RL1-1497-000		1	ROLLER, PICK-UP	
9	FM4-6893-000		1	SEPARATION PAD ASS'Y	
10	FM1-F655-000		1	LASER SCANNER ASS'Y	M2
11	FM0-4132-000		1	MOTOR PCB ASS'Y	PS1151
12	FC8-1368-000		1	SCREW, M3X6	
13	FC8-1369-000		4	SCREW, M3X10	
14	FC8-1370-000		7	SCREW, TP, M3X6	
15	FK3-3667-000		1	SPEAKER	SP1
16	FM1-F336-000		1	PHOTO SENSOR ASS'Y, TONER	PS1, SR1

Figure 103H INTERNAL COMPONENTS 2 (MF232)

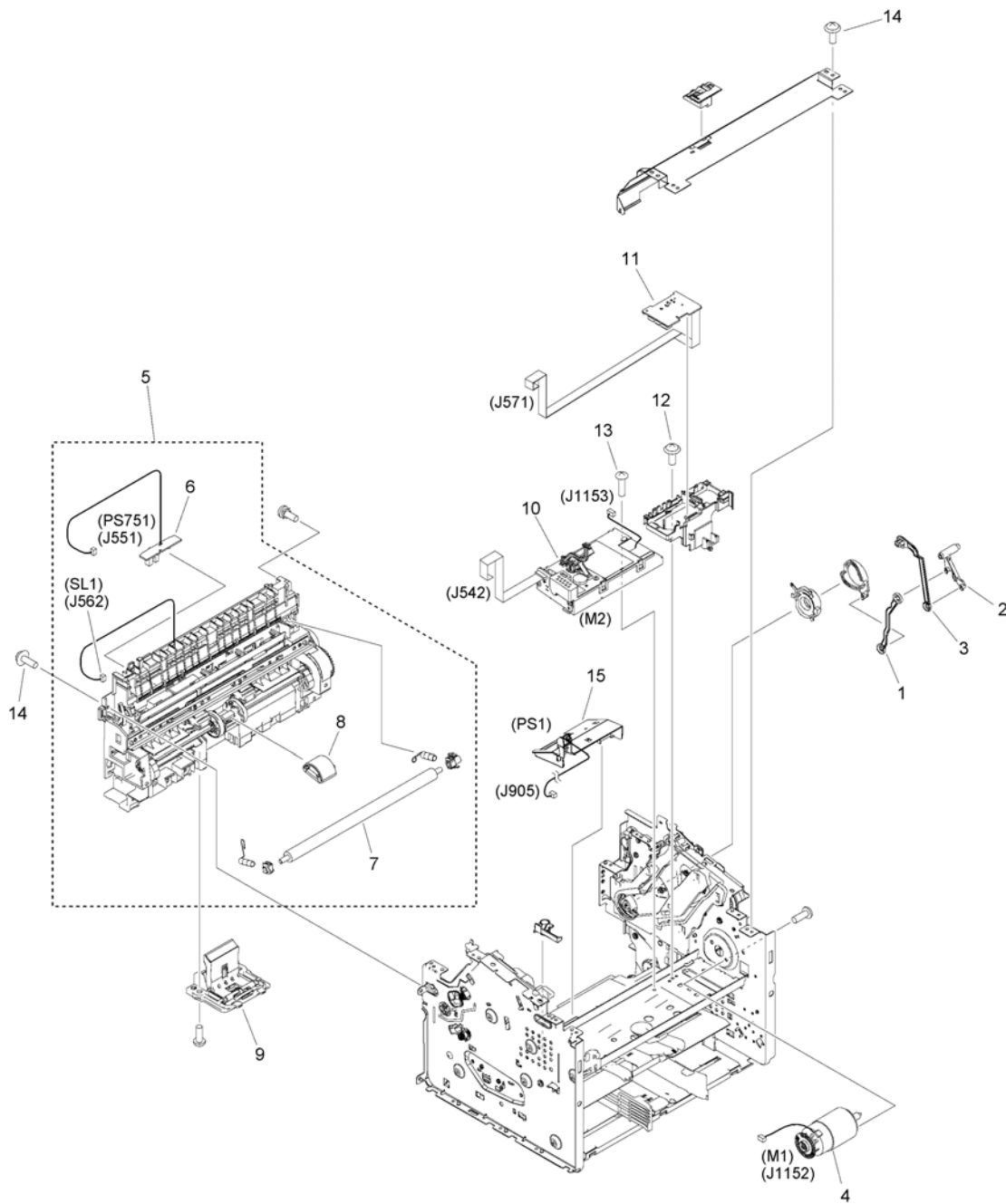


FIGURE & KEY NO.	PART NUMBER	RANK	QTY	DESCRIPTION	SERIAL NUMBER /REMARKS
103H	NPN		RF	INTERNAL COMPONENTS 2	MF232
1	FC0-1589-000		1	LINK, DOOR 1	
2	FC0-1590-000		1	LINK, DOOR 2	
3	FC0-1646-000		1	LINK, DOOR	
4	FM1-G033-000		1	MOTOR, DC24V	M1
5	FM1-N753-000		1	PAPER PICK-UP ASS'Y	SL1
6	FM0-4133-000		1	PAPER PICK-UP SENSOR PCB ASS'Y	PS751
7	RC2-1182-000		1	ROLLER, TRANSFER	
8	RL1-1497-000		1	ROLLER, PICK-UP	
9	FM4-6893-000		1	SEPARATION PAD ASS'Y	
10	FM1-F655-000		1	LASER SCANNER ASS'Y	M2
11	FM0-4132-000		1	MOTOR PCB ASS'Y	PS1151
12	FC8-1368-000		1	SCREW, M3X6	
13	FC8-1369-000		4	SCREW, M3X10	
14	FC8-1370-000		7	SCREW, TP, M3X6	
15	FM1-F653-000		1	PHOTO SENSOR ASS'Y, MULTI	PS1

Figure 103M INTERNAL COMPONENTS 2 (MF249 230V, MF247 230V)

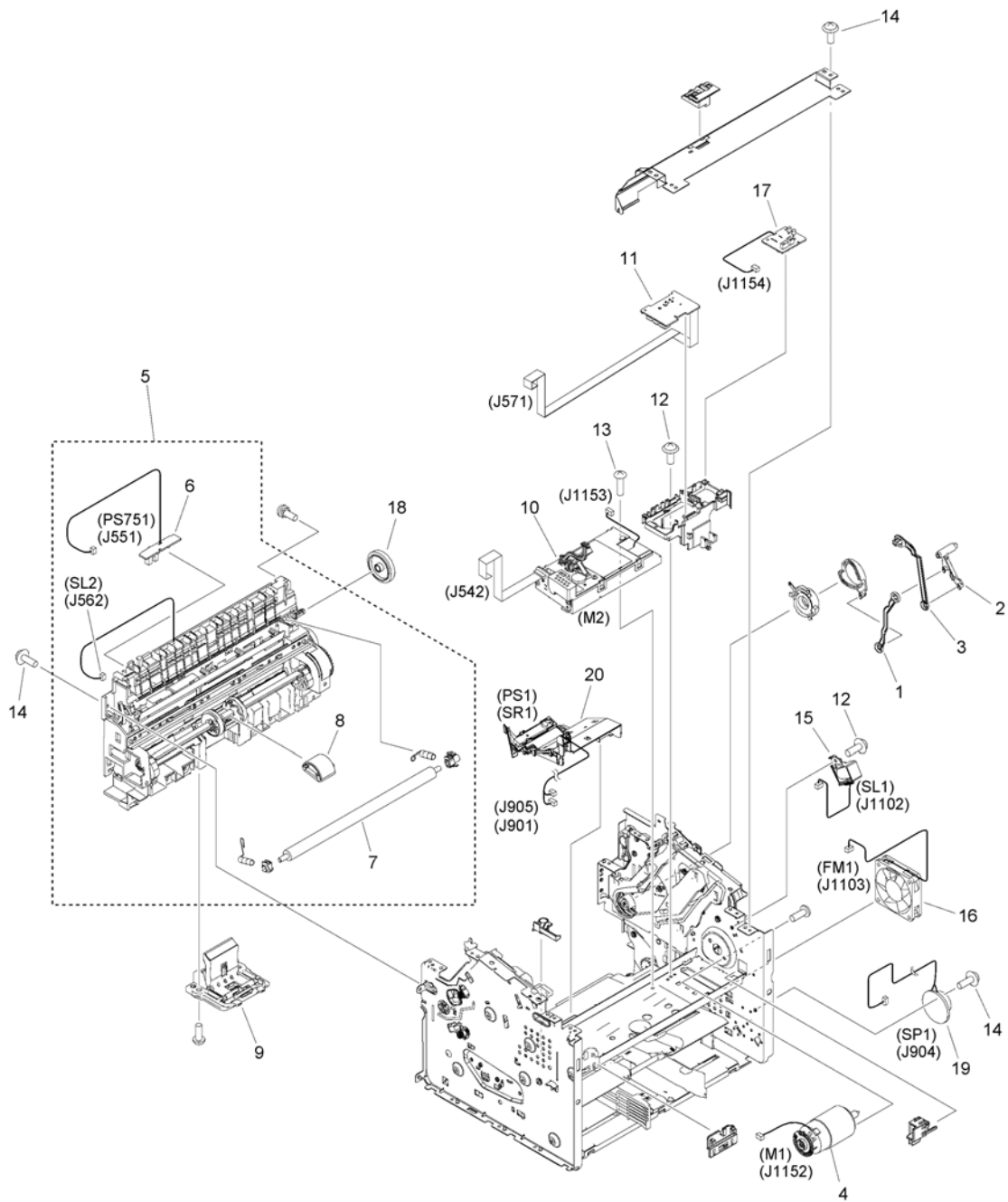


FIGURE & KEY NO.	PART NUMBER	RANK	QTY	DESCRIPTION	SERIAL NUMBER /REMARKS
103M	NPN		RF	INTERNAL COMPONENTS 2	MF249 230V, MF247 230V
1	FC0-1589-000		1	LINK, DOOR 1	
2	FC0-1590-000		1	LINK, DOOR 2	
3	FC0-1646-000		1	LINK, DOOR	
4	FM1-G033-000		1	MOTOR, DC24V	M1
5	FM1-L533-000		1	PAPER PICK-UP ASS'Y	SL2
6	FM0-4133-000		1	PAPER PICK-UP SENSOR PCB ASS'Y	PS751
7	RC2-1182-000		1	ROLLER, TRANSFER	
8	RL1-1497-000		1	ROLLER, PICK-UP	
9	FM4-6893-000		1	SEPARATION PAD ASS'Y	
10	FM0-3723-000		1	LASER SCANNER ASS'Y	M2
11	FM0-4131-000		1	MOTOR PCB ASS'Y	PS1151
12	FC8-1368-000		2	SCREW, M3X6	
13	FC8-1369-000		4	SCREW, M3X10	
14	FC8-1370-000		7	SCREW, TP, M3X6	
15	RK2-0420-000		1	SOLENOID	SL1
16	RK2-3438-000		1	FAN	FM1
17	FM4-7064-000		1	DUPLEXING PCB ASS'Y	
18	FU9-0289-000		1	GEAR, 34T	
19	FK3-3667-000		1	SPEAKER	SP1
20	FM0-4381-000		1	PHOTO SENSOR ASS'Y, TONER	PS1, SR1

Figure 160A ADF ASS'Y (DADF model)

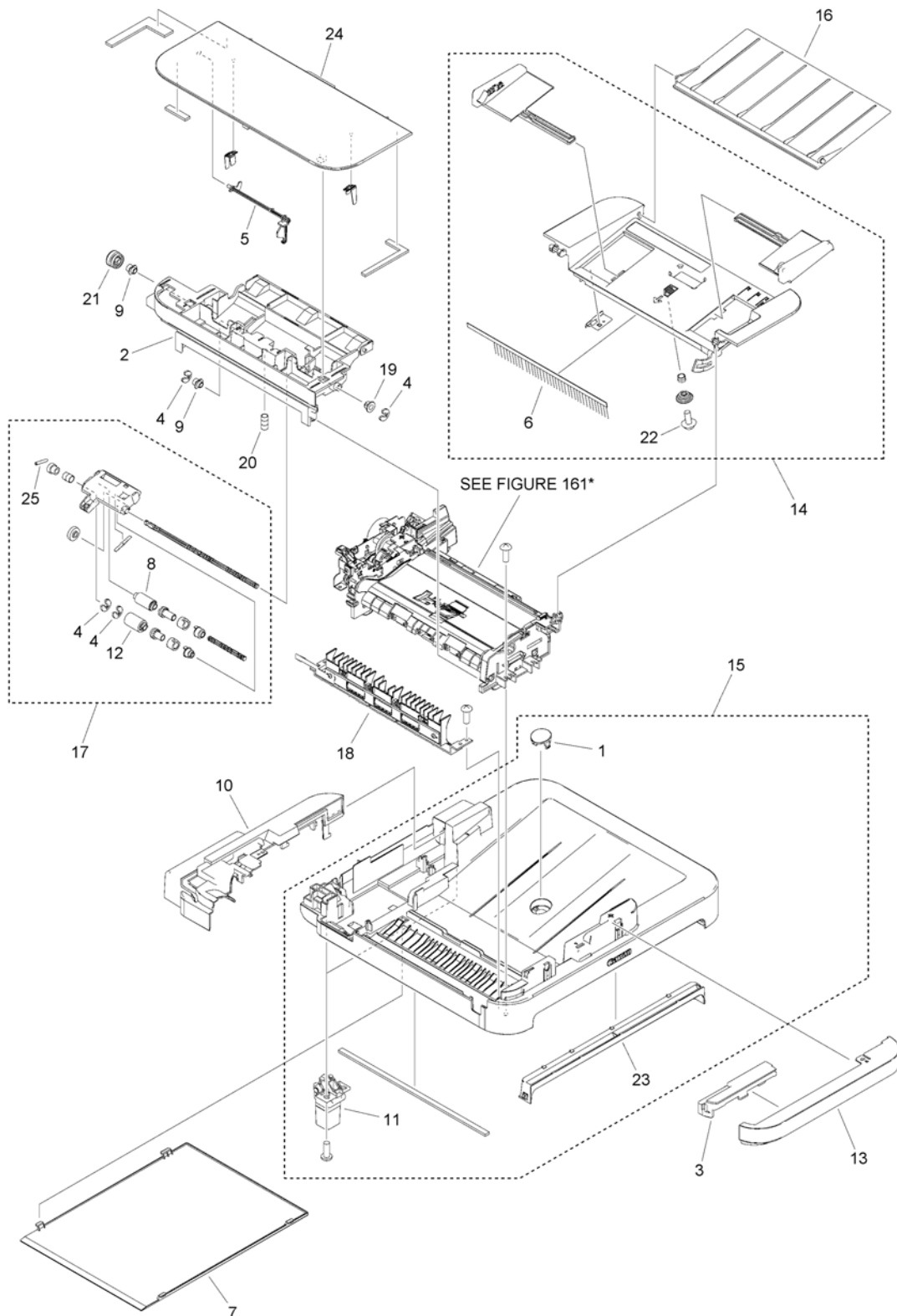




FIGURE & KEY NO.	PART NUMBER	RANK	QTY	DESCRIPTION	SERIAL NUMBER /REMARKS
160A	NPN		RF	ADF ASS'Y	DADF model
1	FE4-0820-000		1	CAP	
2	FE4-0742-000		1	COVER, DF, LOWER	
3	FE4-0806-000		1	COVER, FRONT UPPER	
4	FC6-5210-000		4	RETAINING RING (E-TYRE)	
5	FC7-6321-000		1	FLAG, DOCUMENT SCANNER	
6	FC7-6322-000		1	ELIMINATOR, STATIC CHARGE	
7	FC8-9210-000		1	PANEL, COPYBOARD	
8	FC8-9251-000		1	ROLLER, PICK-UP	
9	FC9-5060-000		2	BUSHING	
10	FL0-3575-000		1	COVER, REAR	
11	FL0-3573-000		2	HINGE, DADF	
12	FL3-1023-000		1	ROLLER, SEPARATION	
13	FE4-0805-000		1	COVER, DF, FRONT	
14	FM1-F346-000		1	DOCUMENT TRAY ASS'Y	
15	FM1-F347-000		1	DADF BASE ASS'Y	
16	FE4-0738-000		1	TRAY, DOCUMENT	
17	FM0-4439-000		1	SEPARATION ROLLER ASS'Y	
18	FM0-4452-000		1	FEED GUIDE ASSEMBLY	
19	FU5-1552-000		1	BUSHING	
20	FU7-2869-000		1	SPRING, COMPRESSION	
21	FU8-0473-000		1	GEAR, 24T	
22	XA9-0476-000		1	SCREW, TP M3X8	
23	FE4-0811-000		1	COVER, HANDLE	
24	FE4-0741-000		1	COVER, DF, UPPER	
25	XD9-0219-000		1	PIN, DOWEL	

Figure 160B ADF ASS'Y (ADF model 100V/230V)

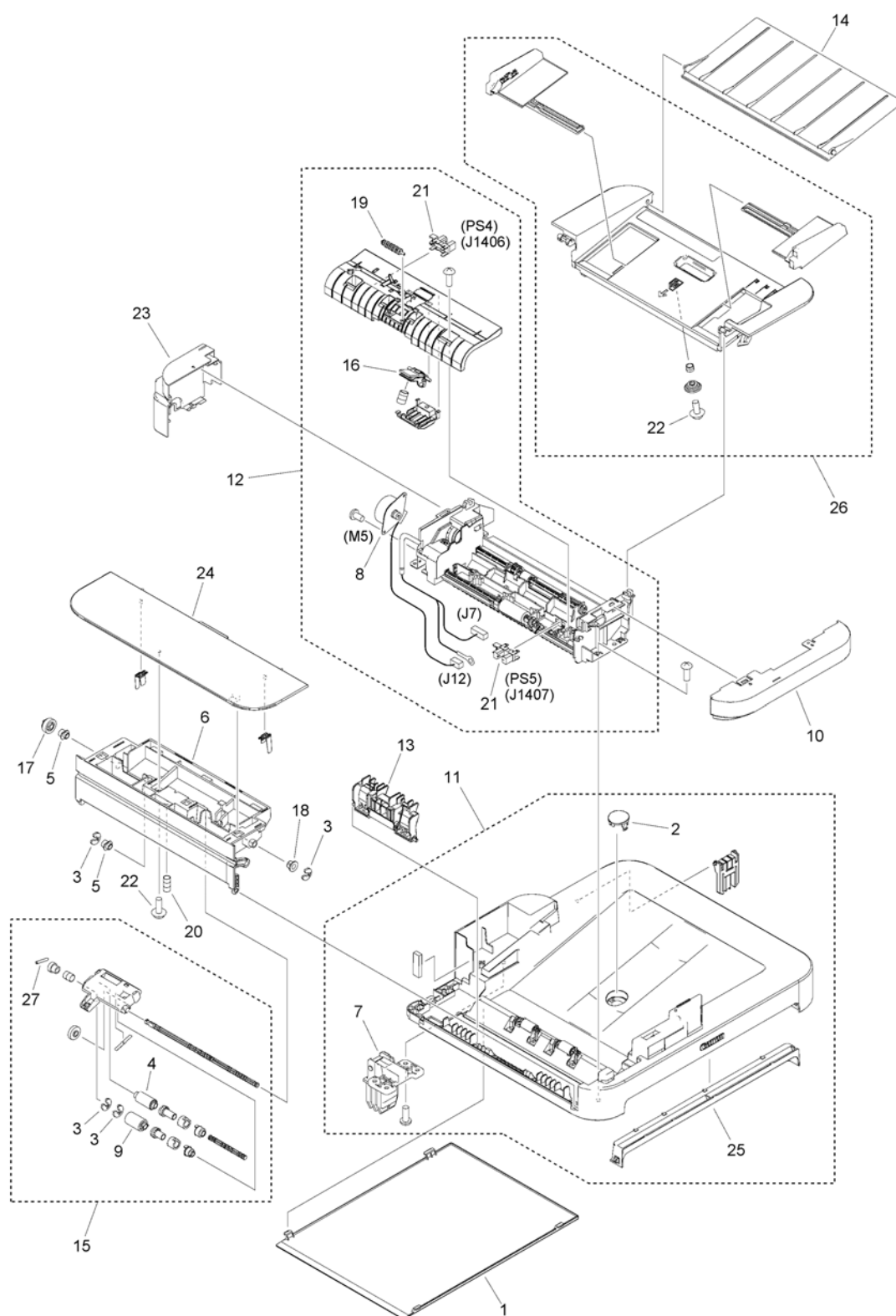


FIGURE & KEY NO.	PART NUMBER	RANK	QTY	DESCRIPTION	SERIAL NUMBER /REMARKS
160B	NPN		RF	ADF ASS'Y	ADF model 100V/230V
1	FC0-1698-000		1	PANEL, COPYBOARD	
2	FE4-0820-000		1	CAP	
3	FC6-5210-000		4	RETAINING RING (E-TYRE)	
4	FC8-9251-000		1	ROLLER, PICK-UP	
5	FC9-5060-000		2	BUSHING	
6	FE4-0893-000		1	COVER, DF, LOWER	
7	FE4-1344-000		1	HINGE, SADP	
8	FK3-3659-000		1	MOTOR, STEPPING	M5
9	FL3-1023-000		1	ROLLER, SEPARATION	
10	FE4-0895-000		1	COVER, DF, FRONT	
11	FM1-F371-000		1	SADP BASE ASSEMBLY	
12	FM1-F373-010		1	AUTO DOCUMENT FEEDER ASSEMBLY	
13	FM0-4413-000		1	FEED ROLLER ASS'Y	
14	FE4-0738-000		1	TRAY, DOCUMENT	
15	FM0-4439-000		1	SEPARATION ROLLER ASS'Y	
16	FM3-8687-000		1	SEPARATION PAD ASSEMBLY	
17	FU0-0204-000		1	GEAR, 21T	
18	FU5-1552-000		1	BUSHING	
19	FU5-6711-000		1	ROLLER, AUXILIARY	
20	FU7-2869-000		1	SPRING, COMPRESSION	
21	WG8-5935-000		2	IC, PHOTO INTERRUPTER	PS4, PS5
22	XA9-0476-000		2	SCREW, TP M3X8	
23	FE4-0889-000		1	COVER, REAR	
24	FE4-0891-000		1	COVER, DF, UPPER	
25	FE4-0811-000		1	COVER, HANDLE	
26	FM1-F374-000		1	DOCUMENT SLIDE ASS'Y	
27	XD9-0219-000		1	PIN, DOWEL	

Figure 160C ADF ASS'Y (ADF model 120V)

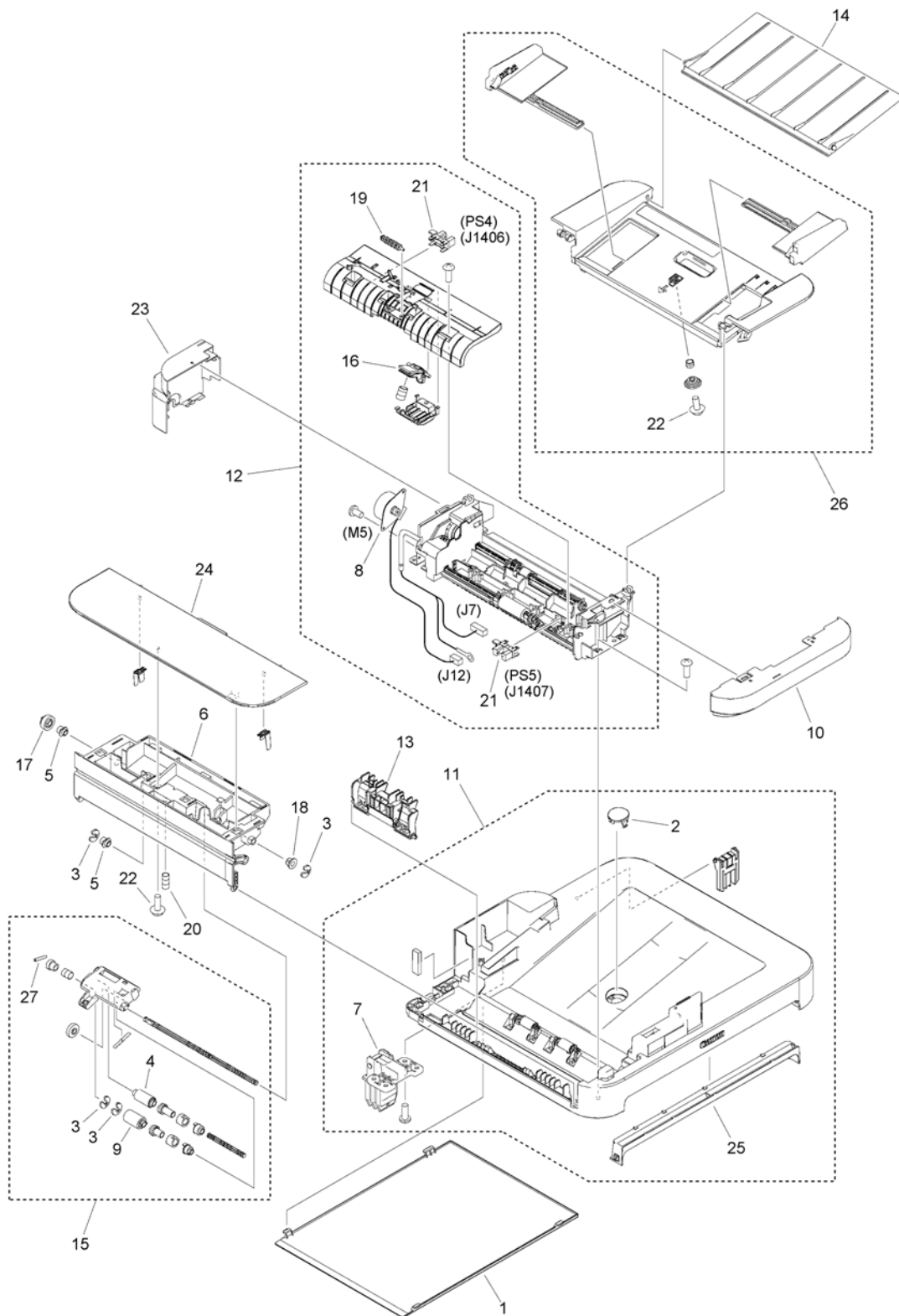


FIGURE & KEY NO.	PART NUMBER	RANK	QTY	DESCRIPTION	SERIAL NUMBER /REMARKS
160C	NPN		RF	ADF ASS'Y	ADF model 120V
1	FC0-1698-000		1	PANEL, COPYBOARD	
2	FE4-0820-000		1	CAP	
3	FC6-5210-000		4	RETAINING RING (E-TYRE)	
4	FC8-9251-000		1	ROLLER, PICK-UP	
5	FC9-5060-000		2	BUSHING	
6	FE4-0892-000		1	COVER, DF, LOWER	
7	FE4-1344-000		1	HINGE, SADP	
8	FK3-3659-000		1	MOTOR, STEPPING	M5
9	FL3-1023-000		1	ROLLER, SEPARATION	
10	FE4-0895-000		1	COVER, DF, FRONT	
11	FM1-F371-000		1	SADP BASE ASSEMBLY	
12	FM1-G023-000		1	AUTO DOCUMENT FEEDER ASSEMBLY	
13	FM0-4413-000		1	FEED ROLLER ASS'Y	
14	FE4-0738-000		1	TRAY, DOCUMENT	
15	FM0-4439-000		1	SEPARATION ROLLER ASS'Y	
16	FM3-8687-000		1	SEPARATION PAD ASSEMBLY	
17	FU0-0204-000		1	GEAR, 21T	
18	FU5-1552-000		1	BUSHING	
19	FU5-6711-000		1	ROLLER, AUXILIARY	
20	FU7-2869-000		1	SPRING, COMPRESSION	
21	WG8-5935-000		2	IC, PHOTO INTERRUPTER	PS4, PS5
22	XA9-0476-000		2	SCREW,TP M3X8	
23	FE4-0889-000		1	COVER, REAR	
24	FE4-0891-000		1	COVER, DF, UPPER	
25	FE4-0811-000		1	COVER, HANDLE	
26	FM1-F374-000		1	DOCUMENT SLIDE ASS'Y	
27	XD9-0219-000		1	PIN, DOWEL	

Figure 161A PAPER FEEDER ASSEMBLY (DADF model 100V/230V)

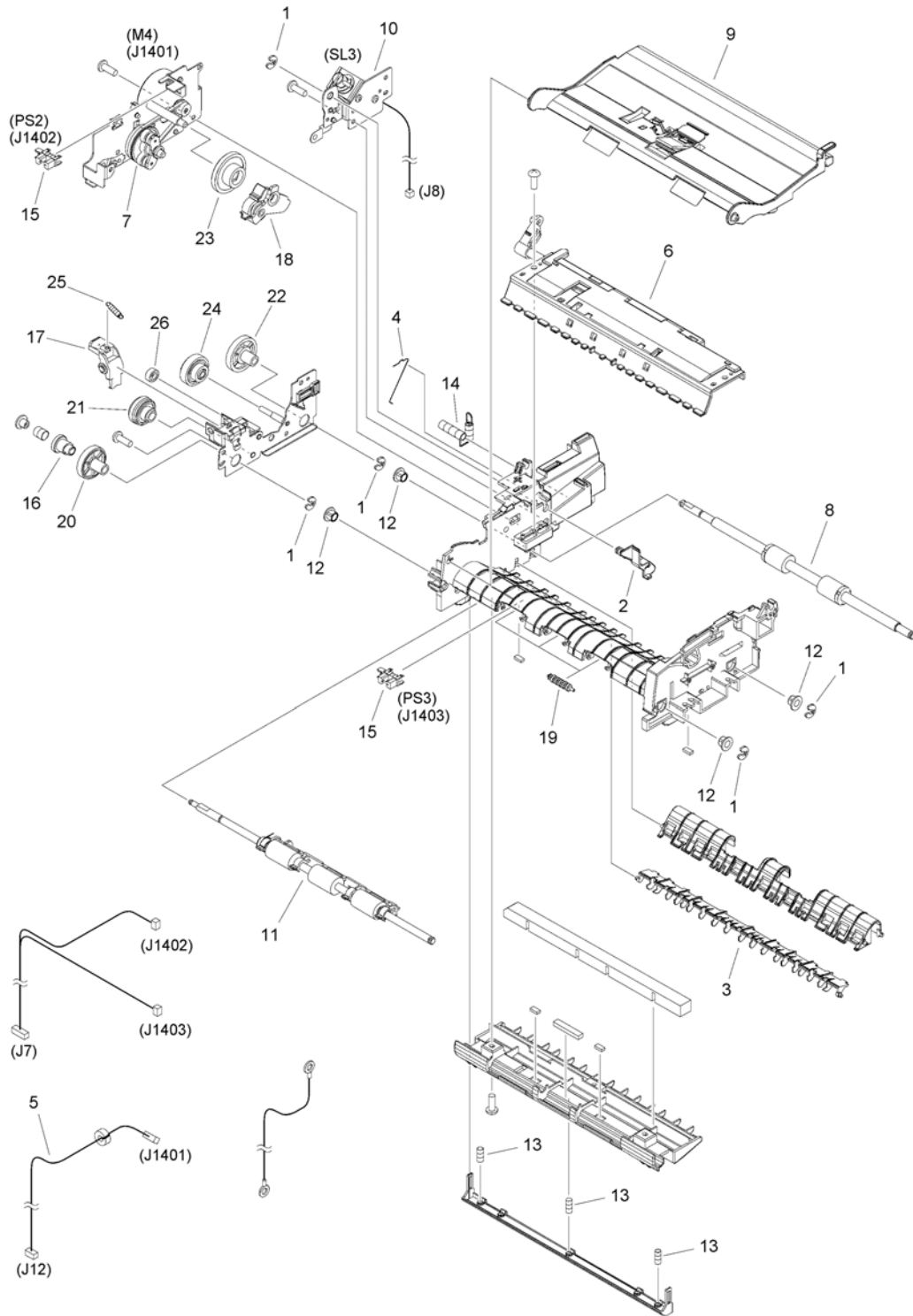


FIGURE & KEY NO.	PART NUMBER	RANK	QTY	DESCRIPTION	SERIAL NUMBER /REMARKS
161A	FM1-F352-000		1	PAPER FEEDER ASSEMBLY	DADF model 100V/230V
1	FC6-5210-000		5	RETAINING RING (E-TYRE)	
2	FC7-6182-000		1	LEVER, ROLLER RELEASE	
3	FC7-6278-000		1	FLAPPER, PAPER DELIVERY	
4	FC9-1325-000		1	SPRING, SEPARATION SWING ARM	
5	FM1-J961-000		1	CABLE, MOTOR	
6	FM3-8682-000		1	PAPER DELIVERY ASS'Y	
7	FM1-G017-000		1	MOTOR DRIVE ASS'Y	M4
8	FM3-8690-000		1	PAPER DELIVERY ROLLER ASS'Y	
9	FM3-8686-000		1	GUIDE ASSEMBLY, UPPER	
10	FM4-6919-000		1	SOLENOID ASS'Y	SL3
11	FM4-7532-000		1	PAPER FEED ROLLER ASSEMBLY	
12	FU5-1552-000		4	BUSHING	
13	FU6-2249-000		3	SPRING, COMPRESSION	
14	FU7-2021-000		1	SPRING, COMPRESSION	
15	WG8-5935-000		2	IC, PHOTO INTERRUPTER	PS2, PS3
16	FC7-6052-010		1	RATCHET, PAPER FEED ROLLER	
17	FC8-9214-000		1	LEVER, RELEASE	
18	FL3-1018-000		1	ARM, SEPARATION SWING	
19	FU5-6711-000		3	ROLLER, AUXILIARY	
20	FU7-0668-000		1	GEAR, 54T	
21	FU7-0669-000		1	GEAR, 46T/23T	
22	FU7-0671-000		1	GEAR, 36T	
23	FU7-0676-000		1	GEAR, 21T/42T	
24	FU7-0678-000		1	GEAR, 51T/17T	
25	FU7-2868-000		1	SPRING, TENSION	
26	FU8-0472-000		1	GEAR, 20T	

Figure 161B PAPER FEEDER ASSEMBLY (DADF model 120V)

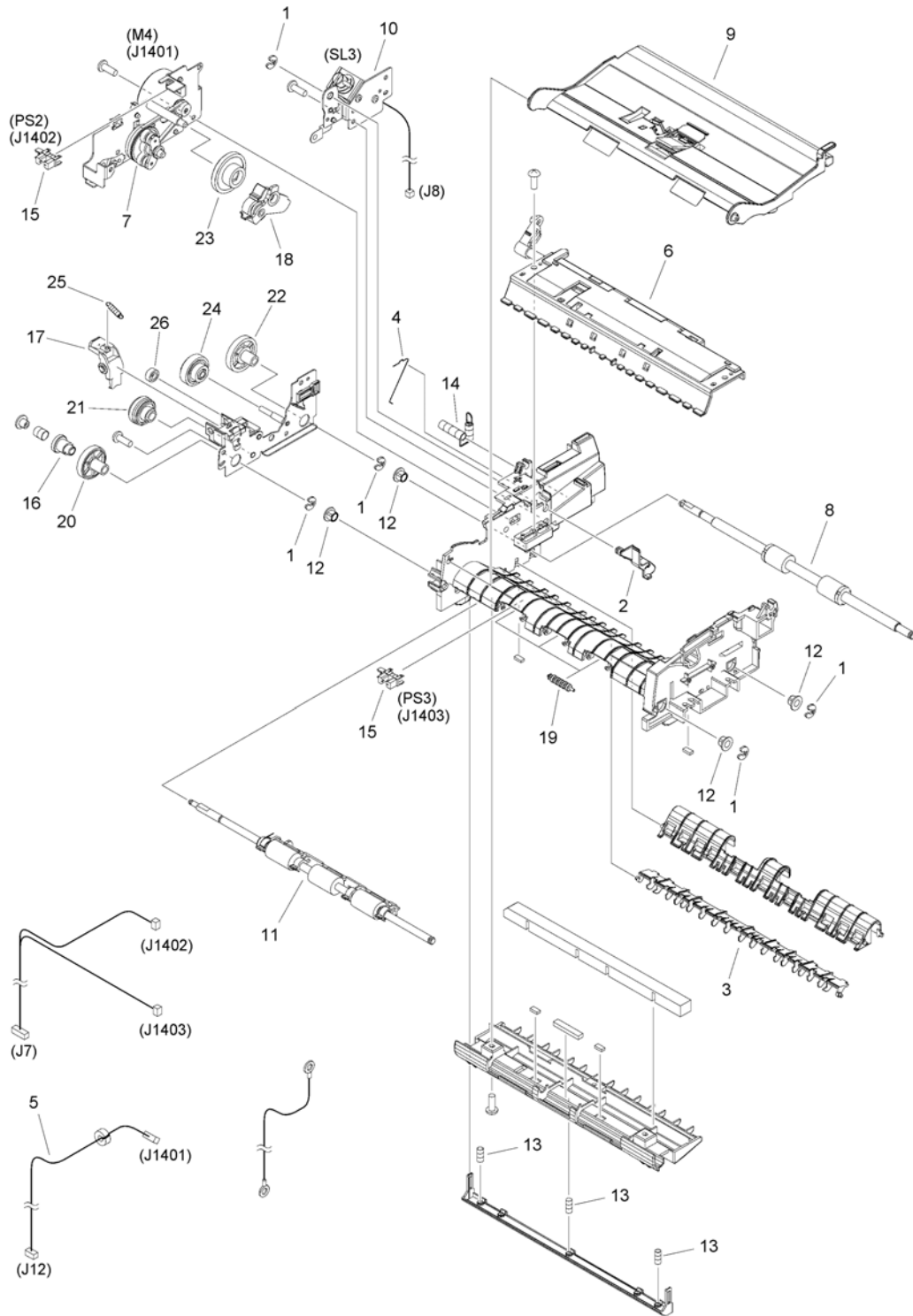




FIGURE & KEY NO.	PART NUMBER	RANK	QTY	DESCRIPTION	SERIAL NUMBER /REMARKS
161B	FM1-G019-000		1	PAPER FEEDER ASSEMBLY	DADF model 120V
1	FC6-5210-000		5	RETAINING RING (E-TYRE)	
2	FC7-6182-000		1	LEVER, ROLLER RELEASE	
3	FC7-6278-000		1	FLAPPER, PAPER DELIVERY	
4	FC9-1325-000		1	SPRING, SEPARATION SWING ARM	
5	FM1-P835-000		1	CABLE, MOTOR	
6	FM3-8682-000		1	PAPER DELIVERY ASS'Y	
7	FM1-G017-000		1	MOTOR DRIVE ASS'Y	M4
8	FM3-8690-000		1	PAPER DELIVERY ROLLER ASS'Y	
9	FM3-8686-000		1	GUIDE ASSEMBLY, UPPER	
10	FM4-6919-000		1	SOLENOID ASS'Y	SL3
11	FM4-7532-000		1	PAPER FEED ROLLER ASSEMBLY	
12	FU5-1552-000		4	BUSHING	
13	FU6-2249-000		3	SPRING, COMPRESSION	
14	FU7-2021-000		1	SPRING, COMPRESSION	
15	WG8-5935-000		2	IC, PHOTO INTERRUPTER	PS2, PS3
16	FC7-6052-010		1	RATCHET, PAPER FEED ROLLER	
17	FC8-9214-000		1	LEVER, RELEASE	
18	FL3-1018-000		1	ARM, SEPARATION SWING	
19	FU5-6711-000		3	ROLLER, AUXILIARY	
20	FU7-0668-000		1	GEAR, 54T	
21	FU7-0669-000		1	GEAR, 46T/23T	
22	FU7-0671-000		1	GEAR, 36T	
23	FU7-0676-000		1	GEAR, 21T/42T	
24	FU7-0678-000		1	GEAR, 51T/17T	
25	FU7-2868-000		1	SPRING, TENSION	
26	FU8-0472-000		1	GEAR, 20T	

Figure 400AE READER ASSEMBLY (DADF model 120V)

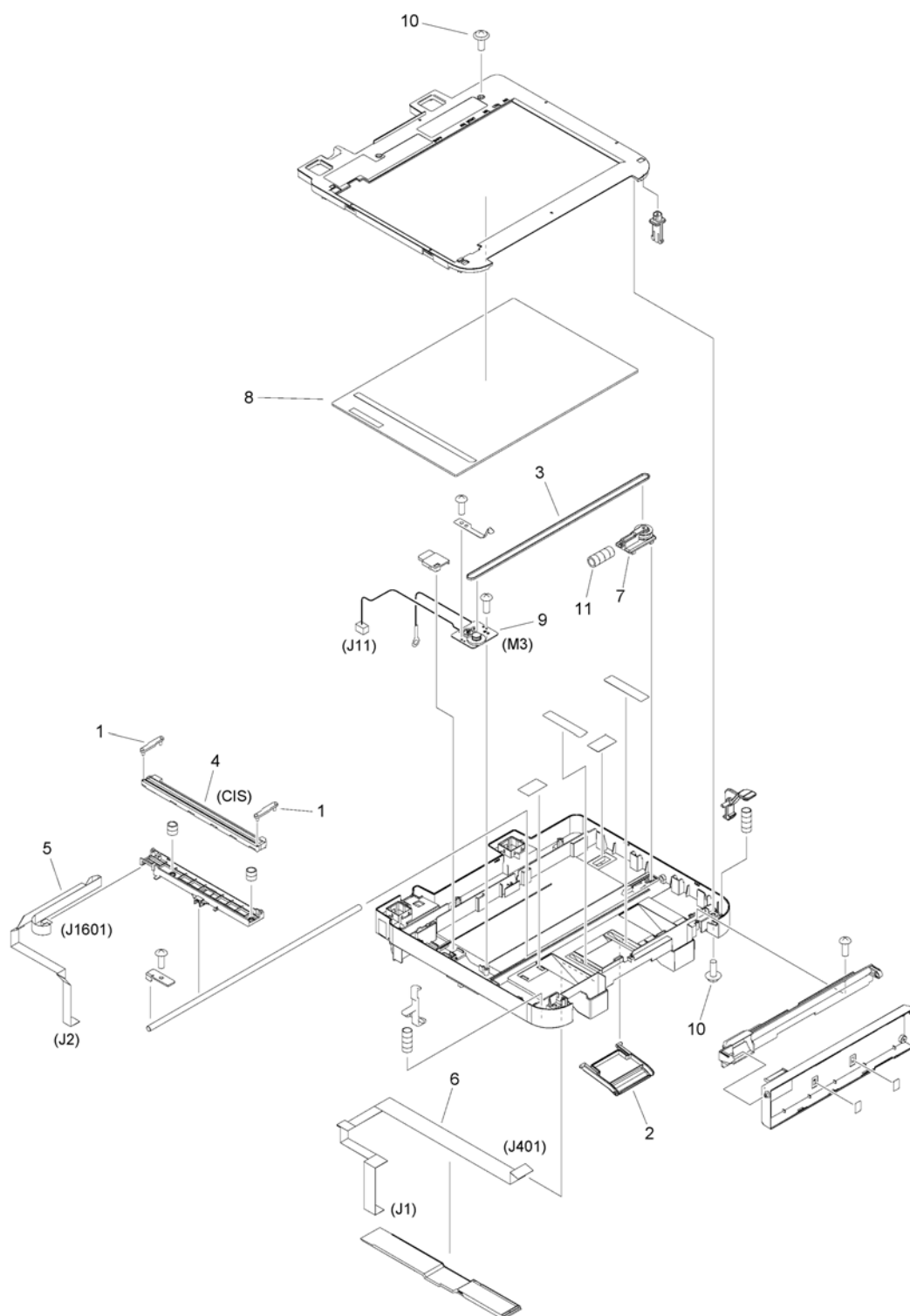


FIGURE & KEY NO.	PART NUMBER	RANK	QTY	DESCRIPTION	SERIAL NUMBER /REMARKS
400AE	FM1-P243-000		1	READER ASSEMBLY	DADF model 120V
1	FC0-1945-000		2	SPACER, CIS	
2	FE2-2498-000		1	LINK, TILT	
3	FE2-3233-000		1	BELT, TIMING	
4	FK4-2086-000		1	CONTACT IMAGE SENSOR,HV12I-V02	CIS
5	FK4-2085-000		1	CABLE, FLAT, SCNT-CIS	
6	FK4-2108-000		1	CABLE, FLAT	
7	FL3-5062-000		1	IDLER PULLEY HOLDER ASS'Y	
8	FL1-2224-000		1	COPYBOARD GLASS ASS'Y	
9	FM1-F355-000		1	MOTOR ASS'Y	M3
10	XA9-0476-000		6	SCREW,TP M3X8	
11	FU6-2873-000		1	SPRING, COMPRESSION	

Figure 400AF READER ASSEMBLY (ADF model MF247)

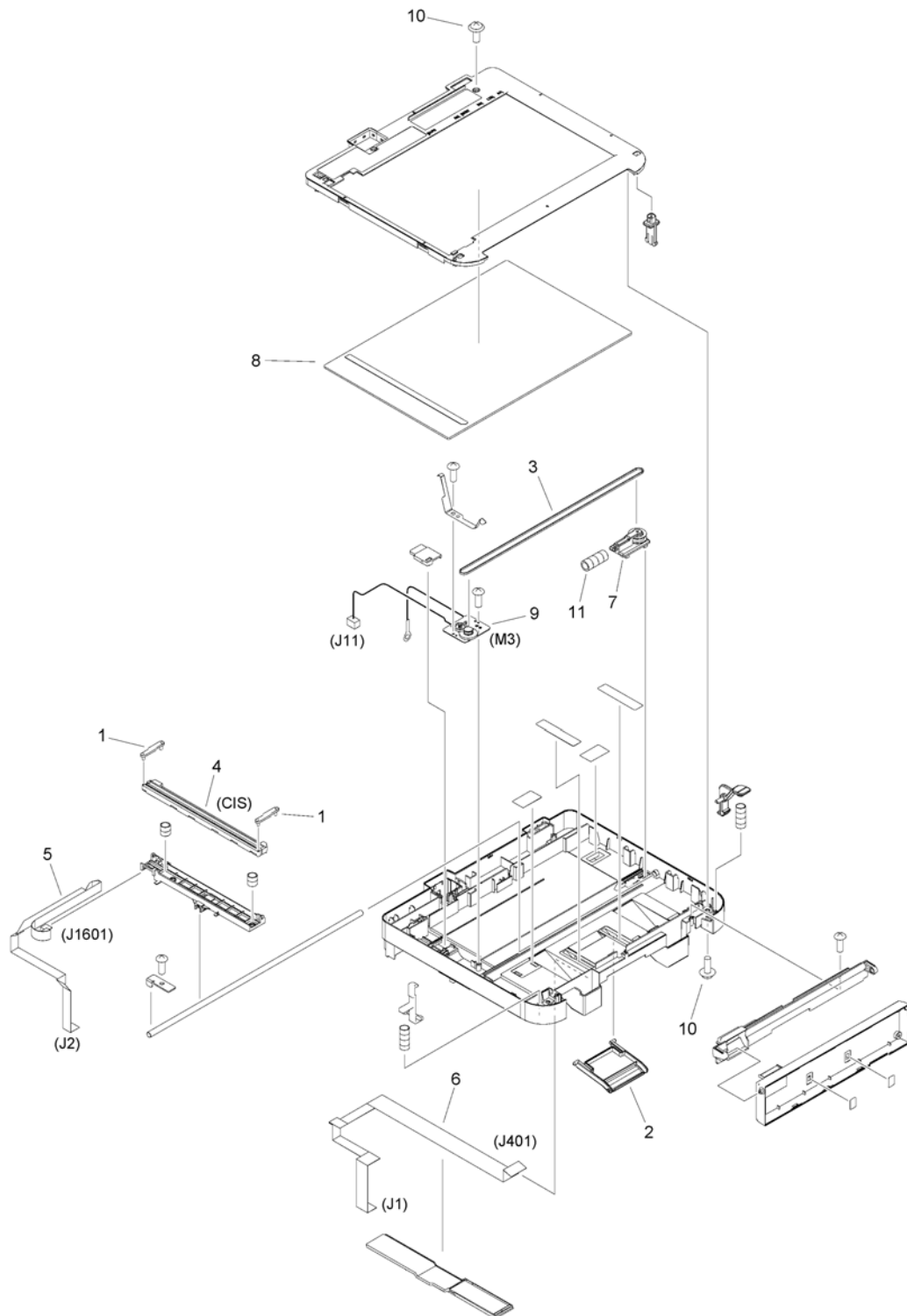


FIGURE & KEY NO.	PART NUMBER	RANK	QTY	DESCRIPTION	SERIAL NUMBER /REMARKS
400AF	FM1-P412-000		1	READER ASSEMBLY	ADF model MF247
1	FC0-1945-000		2	SPACER, CIS	
2	FE2-2498-000		1	LINK, TILT	
3	FE2-3233-000		1	BELT, TIMING	
4	FK4-2086-000		1	CONTACT IMAGE SENSOR,HV12I-V02	CIS
5	FK4-2085-000		1	CABLE, FLAT, SCNT-CIS	
6	FK4-2108-000		1	CABLE, FLAT	
7	FL3-5062-000		1	IDLER PULLEY HOLDER ASS'Y	
8	FL1-2225-000		1	COPYBOARD GLASS ASS'Y	
9	FM1-F355-000		1	MOTOR ASS'Y	M3
10	XA9-0476-000		6	SCREW,TP M3X8	
11	FU6-2873-000		1	SPRING, COMPRESSION	

Figure 400AG READER ASSEMBLY (ADF model MF244 120V)

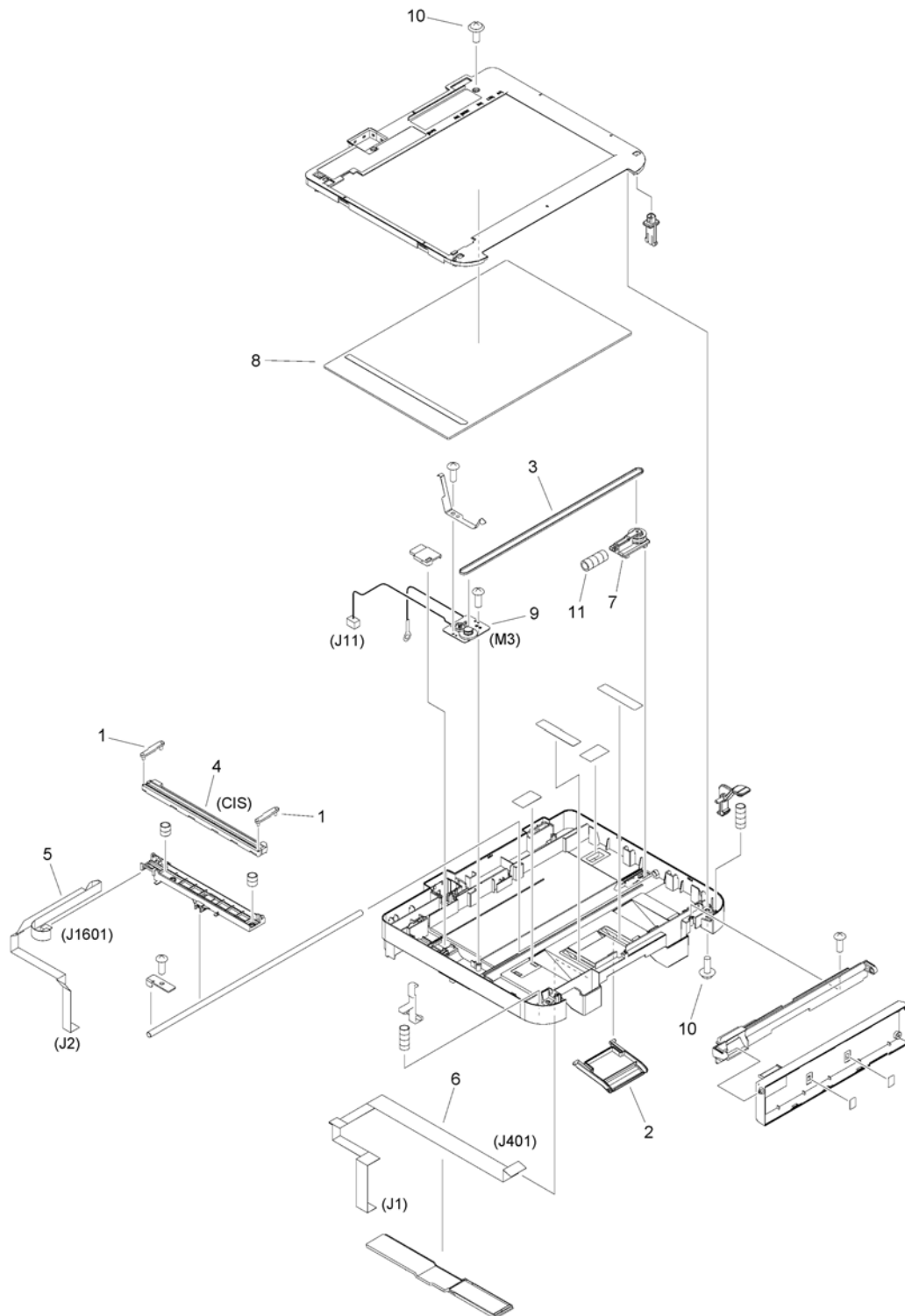


FIGURE & KEY NO.	PART NUMBER	RANK	QTY	DESCRIPTION	SERIAL NUMBER /REMARKS
400AG	FM1-P252-000		1	READER ASSEMBLY	ADF model MF244 120V
1	FC0-1945-000		2	SPACER, CIS	
2	FE2-2498-000		1	LINK, TILT	
3	FE2-3233-000		1	BELT, TIMING	
4	FK4-2086-000		1	CONTACT IMAGE SENSOR,HV12I-V02	CIS
5	FK4-2085-000		1	CABLE, FLAT, SCNT-CIS	
6	FK4-2109-000		1	CABLE, FLAT	
7	FL3-5062-000		1	IDLER PULLEY HOLDER ASS'Y	
8	FL3-5071-000		1	COPYBOARD GLASS ASS'Y	
9	FM1-F355-000		1	MOTOR ASS'Y	M3
10	XA9-0476-000		6	SCREW,TP M3X8	
11	FU6-2873-000		1	SPRING, COMPRESSION	

Figure 400AH READER ASSEMBLY (ADF model MF236)

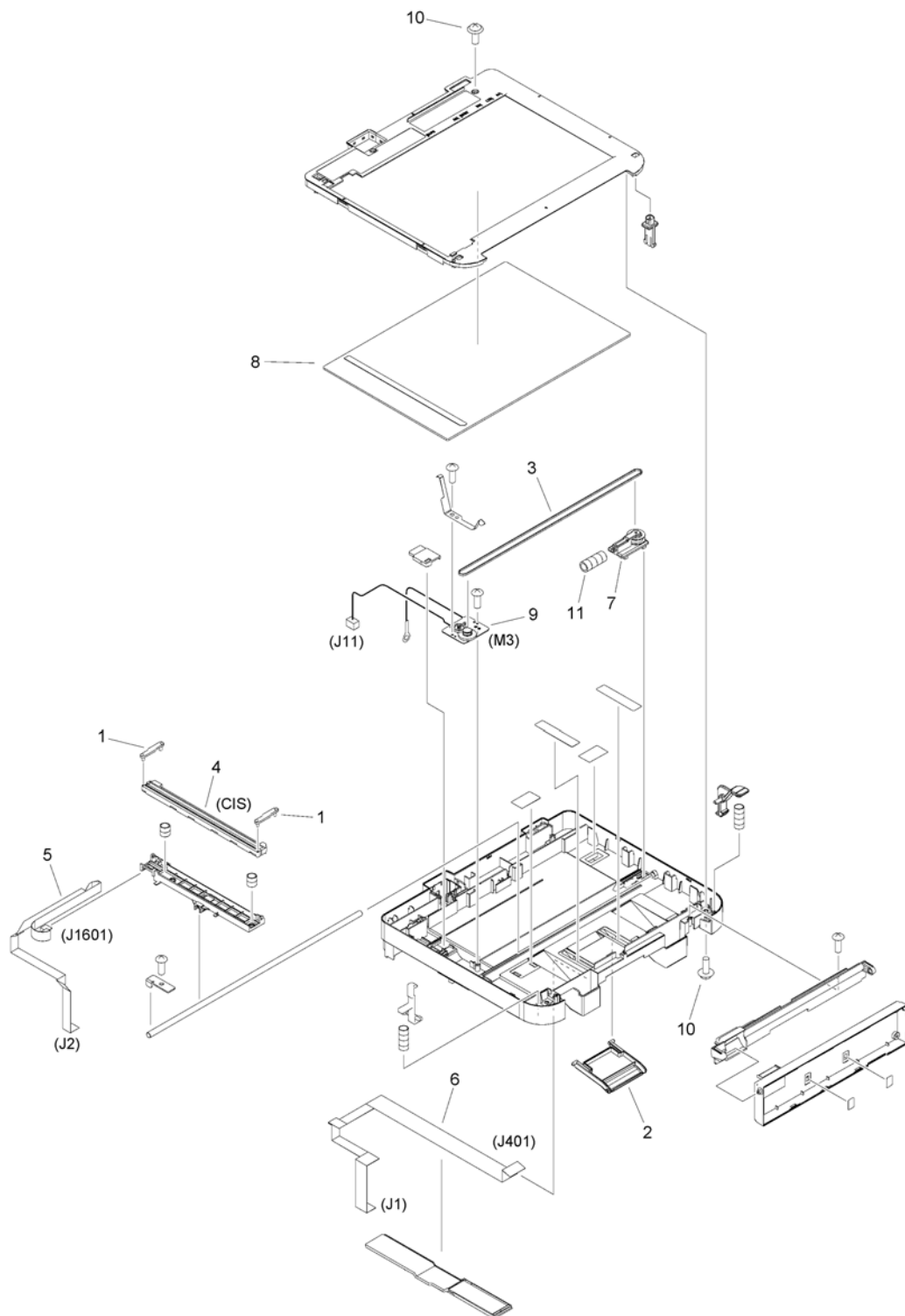




FIGURE & KEY NO.	PART NUMBER	RANK	QTY	DESCRIPTION	SERIAL NUMBER /REMARKS
400AH	FM1-G021-000		1	READER ASSEMBLY	ADF model MF236
1	FC0-1945-000		2	SPACER, CIS	
2	FE2-2498-000		1	LINK, TILT	
3	FE2-3233-000		1	BELT, TIMING	
4	FK4-2086-000		1	CONTACT IMAGE SENSOR,HV12I-V02	CIS
5	FK4-2085-000		1	CABLE, FLAT, SCNT-CIS	
6	FK4-2108-000		1	CABLE, FLAT	
7	FL3-5062-000		1	IDLER PULLEY HOLDER ASS'Y	
8	FL3-5071-000		1	COPYBOARD GLASS ASS'Y	
9	FM1-F355-000		1	MOTOR ASS'Y	M3
10	XA9-0476-000		6	SCREW,TP M3X8	
11	FU6-2873-000		1	SPRING, COMPRESSION	

Figure 400AJ READER ASSEMBLY (COPYBOARD model)

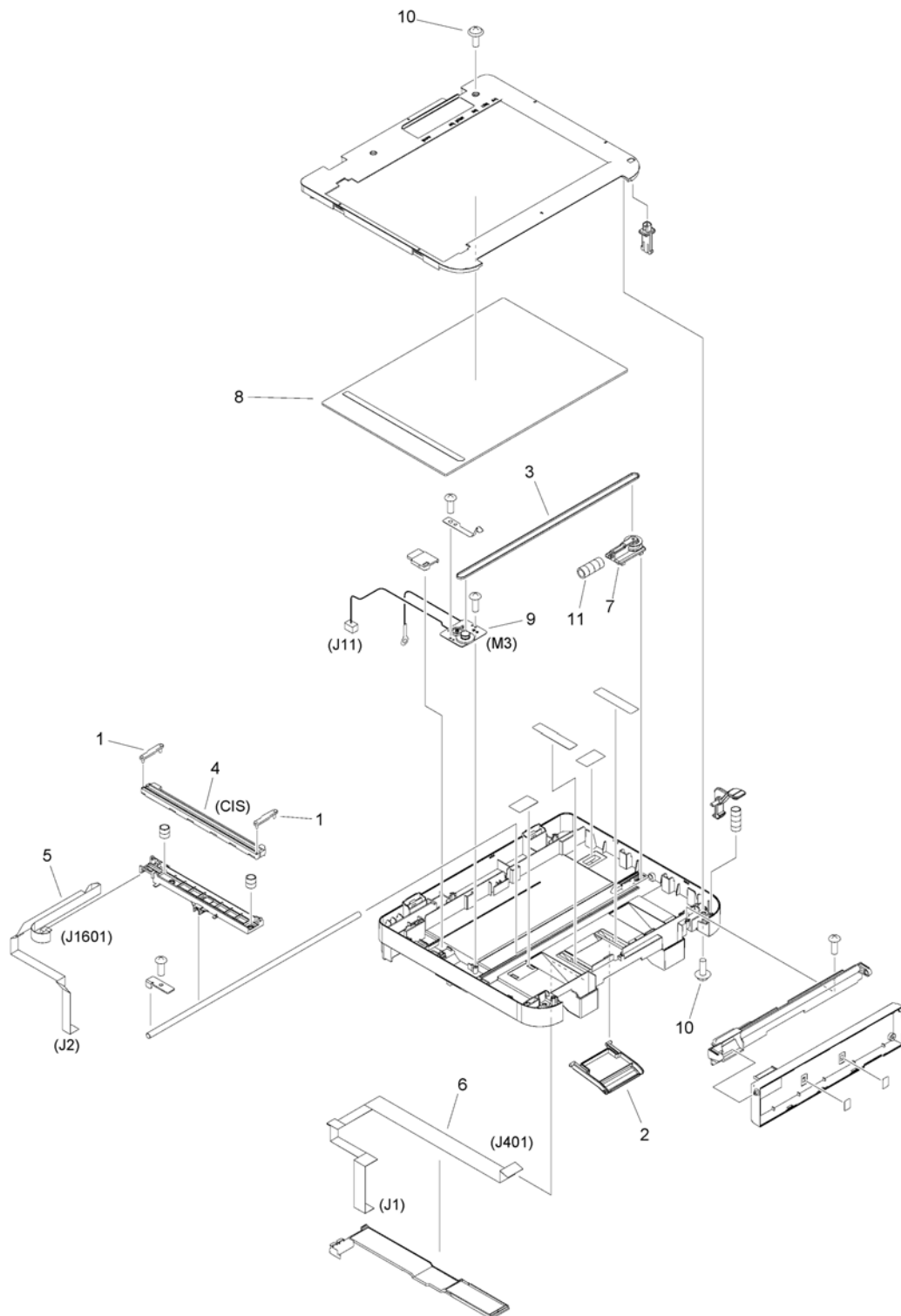


FIGURE & KEY NO.	PART NUMBER	RANK	QTY	DESCRIPTION	SERIAL NUMBER /REMARKS
400AJ	FM1-F656-000		1	READER ASSEMBLY	COPYBOARD model
1	FC0-1945-000		2	SPACER, CIS	
2	FE2-2498-000		1	LINK, TILT	
3	FE2-3233-000		1	BELT, TIMING	
4	FK4-2086-000		1	CONTACT IMAGE SENSOR,HV12I-V02	CIS
5	FK4-2085-000		1	CABLE, FLAT, SCNT-CIS	
6	FK4-2109-000		1	CABLE, FLAT	
7	FL3-5062-000		1	IDLER PULLEY HOLDER ASS'Y	
8	FL3-5072-000		1	COPYBOARD GLASS ASS'Y	
9	FM1-F355-000		1	MOTOR ASS'Y	M3
10	XA9-0476-000		6	SCREW,TP M3X8	
11	FU6-2873-000		1	SPRING, COMPRESSION	

Figure 400AK READER ASSEMBLY (DADF model 230V)

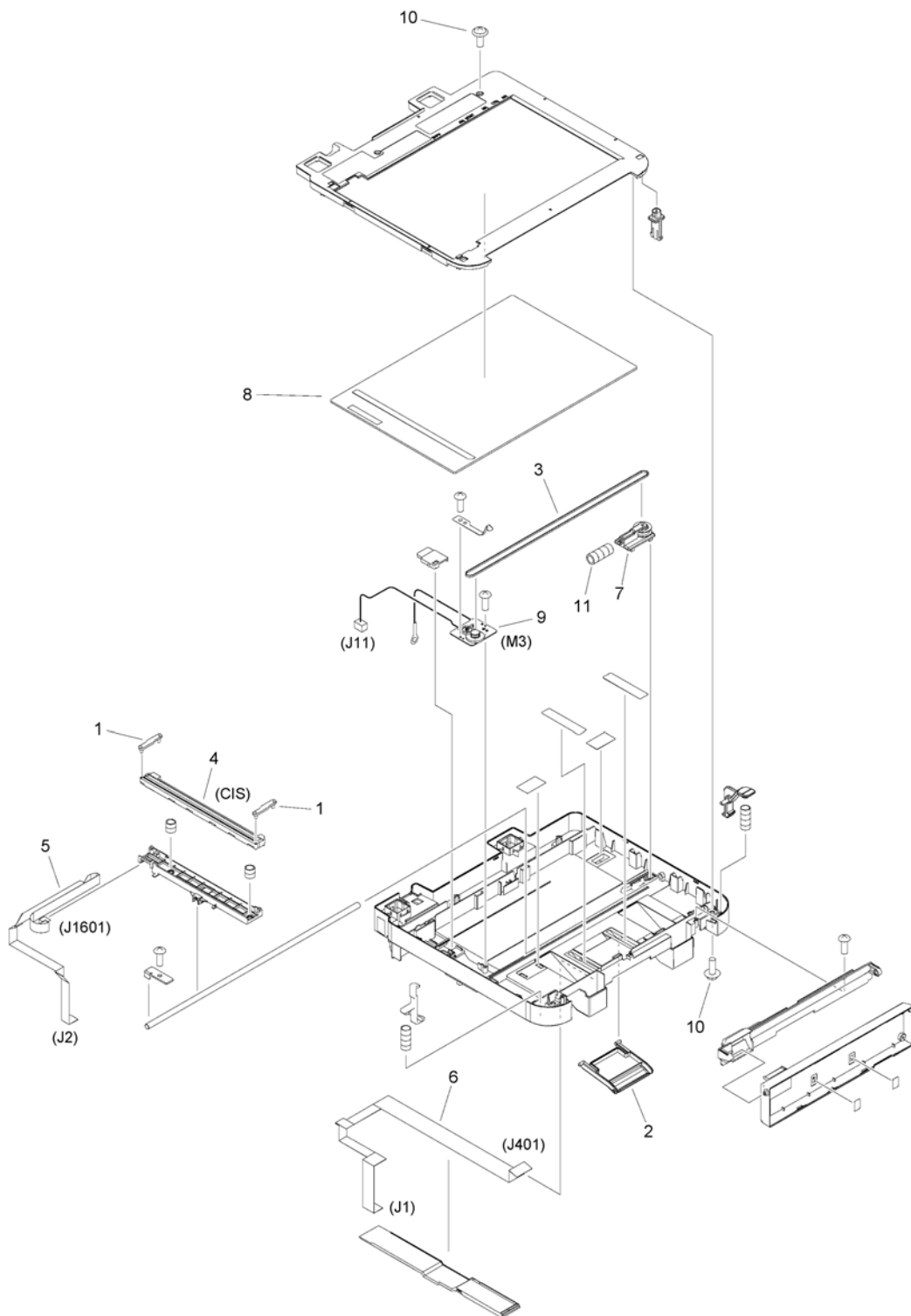


FIGURE & KEY NO.	PART NUMBER	RANK	QTY	DESCRIPTION	SERIAL NUMBER /REMARKS
400AK	FM1-P245-000		1	READER ASSEMBLY	DADF model 230V
1	FC0-1945-000		2	SPACER, CIS	
2	FE2-2498-000		1	LINK, TILT	
3	FE2-3233-000		1	BELT, TIMING	
4	FK4-2086-000		1	CONTACT IMAGE SENSOR,HV12I-V02	CIS
5	FK4-2085-000		1	CABLE, FLAT, SCNT-CIS	
6	FK4-2108-000		1	CABLE, FLAT	
7	FL3-5062-000		1	IDLER PULLEY HOLDER ASS'Y	
8	FL1-2224-000		1	COPYBOARD GLASS ASS'Y	
9	FM0-4434-000		1	MOTOR ASS'Y	M3
10	XA9-0476-000		6	SCREW,TP M3X8	
11	FU6-2873-000		1	SPRING, COMPRESSION	

Figure 400AL READER ASSEMBLY (ADF model MF244 230V)

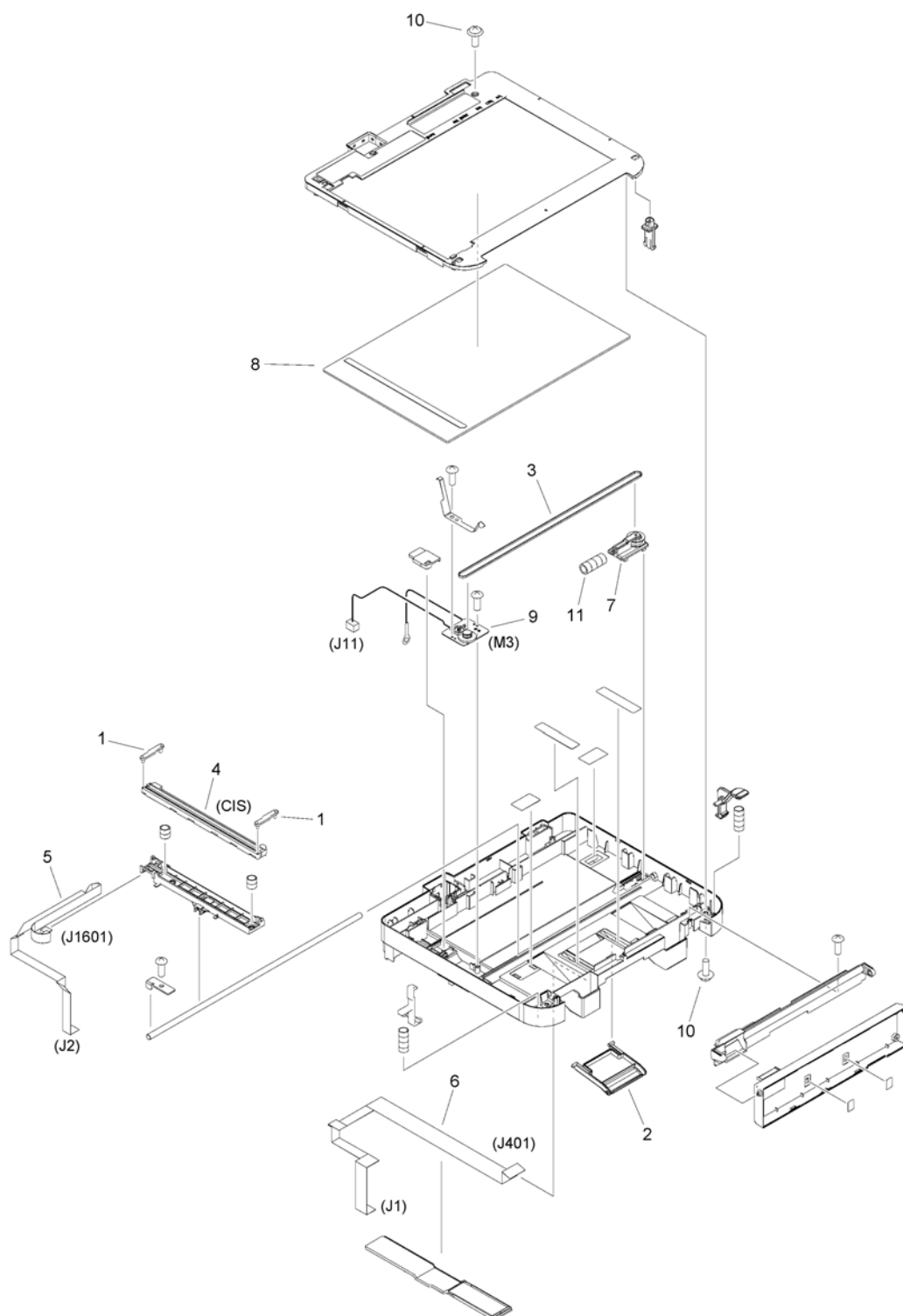
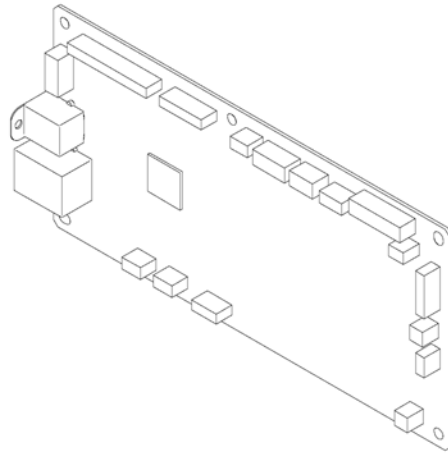


FIGURE & KEY NO.	PART NUMBER	RANK	QTY	DESCRIPTION	SERIAL NUMBER /REMARKS
400AL	FM1-F388-000		1	READER ASSEMBLY	ADF model MF244 230V
1	FC0-1945-000		2	SPACER, CIS	
2	FE2-2498-000		1	LINK, TILT	
3	FE2-3233-000		1	BELT, TIMING	
4	FK4-2086-000		1	CONTACT IMAGE SENSOR,HV12I-V02	CIS
5	FK4-2085-000		1	CABLE, FLAT, SCNT-CIS	
6	FK4-2109-000		1	CABLE, FLAT	
7	FL3-5062-000		1	IDLER PULLEY HOLDER ASS'Y	
8	FL3-5071-000		1	COPYBOARD GLASS ASS'Y	
9	FM0-4434-000		1	MOTOR ASS'Y	M3
10	XA9-0476-000		6	SCREW,TP M3X8	
11	FU6-2873-000		1	SPRING, COMPRESSION	

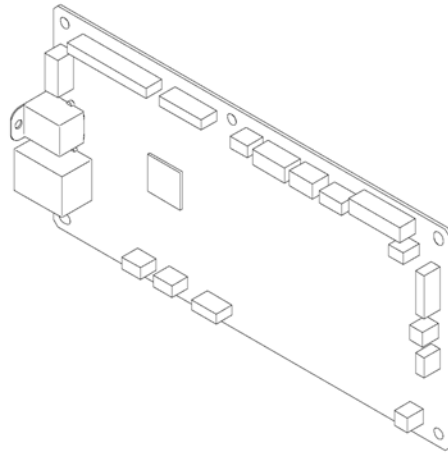
Figure 930C MAIN CONTROLLER PCB ASSEMBLY (MF244)





<b>FIGURE &amp; KEY NO.</b>	<b>PART NUMBER</b>	<b>R A N K</b>	<b>QTY</b>	<b>DESCRIPTION</b>	<b>SERIAL NUMBER /REMARKS</b>
930C	FM1-Y866-000		1	MAIN CONTROLLER PCB ASSY	MF244
IC	FK4-3507-000		1	IC, CSRQ5310C24-CAAC-TF, MPU	IC5

Figure 930F MAIN CONTROLLER PCB ASSEMBLY (MF232)



<b>FIGURE &amp; KEY NO.</b>	<b>PART NUMBER</b>	<b>R A N K</b>	<b>QTY</b>	<b>DESCRIPTION</b>	<b>SERIAL NUMBER /REMARKS</b>
930F	FM1-Y875-000		1	MAIN CONTROLLER PCB ASSY	MF232
IC	FK4-3507-000		1	IC, CSRQ5310C24-CAAC-TF, MPU	IC5

Figure 930G MAIN CONTROLLER PCB ASSEMBLY (MF249)

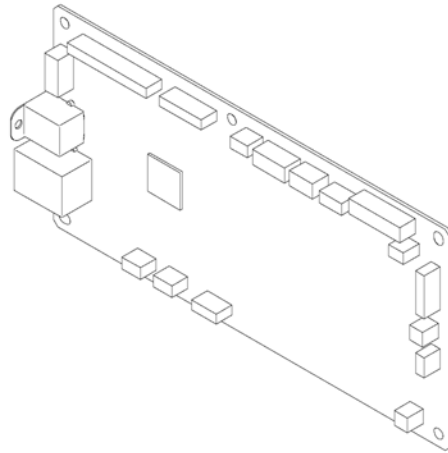
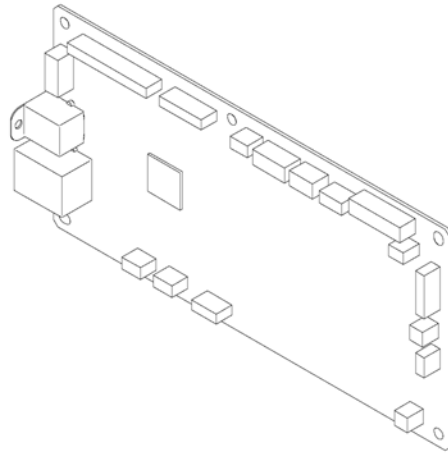


FIGURE & KEY NO.	PART NUMBER	R A N K	QTY	DESCRIPTION	SERIAL NUMBER /REMARKS
930G	FM1-Y861-000		1	MAIN CONTROLLER PCB ASSY	MF249
IC	FK4-3507-000		1	IC, CSRQ5310C24-CAAC-TF, MPU	IC5

Figure 930H MAIN CONTROLLER PCB ASSEMBLY (MF247)



<b>FIGURE &amp; KEY NO.</b>	<b>PART NUMBER</b>	<b>R A N K</b>	<b>QTY</b>	<b>DESCRIPTION</b>	<b>SERIAL NUMBER /REMARKS</b>
930H	FM1-Y863-000		1	MAIN CONTROLLER PCB ASSY	MF247
IC	FK4-3507-000		1	IC, CSRQ5310C24-CAAC-TF, MPU	IC5

Figure 930J MAIN CONTROLLER PCB ASSEMBLY (MF236)

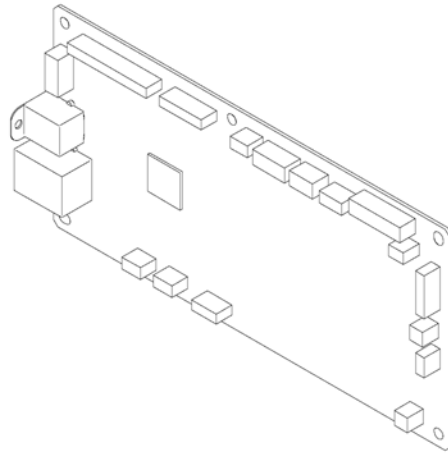




FIGURE & KEY NO.	PART NUMBER	R A N K	QTY	DESCRIPTION	SERIAL NUMBER /REMARKS
930J	FM1-Y871-000		1	MAIN CONTROLLER PCB ASSY	MF236
IC	FK4-3507-000		1	IC, CSRQ5310C24-CAAC-TF, MPU	IC5

Figure ZZA MECHANICAL STANDARD PARTS (HOW TO USE)

Mechanical standard parts  
機械標準部品

About a mechanical standard parts

A Mechanical standard parts is a mechanical part which not parts peculiar to a product.  
They are parts which are common to a Canon product and are used, such as a screw and a washer.  
The Fig No. and parts number of the mechanical standard parts are not listed in the product parts catalog.  
Refer to the parts catalog of mechanical standard parts when checking the parts number for screw or washer etc. and identify them by part shape or size.

機械標準部品とは

機械標準部品とは、製品特有の部品ではなく、ねじやワッシャなどキヤノン製品共通で使用されている機械部品（メカ部品）のことです。  
製品のパーツカタログには、機械標準部品のFig No.や部品番号は記載していません。  
ねじや、ワッシャ等の部品番号を調べる時は、機械標準部品のパーツカタログを参照し、部品の形状や大きさから判断し、使用している部品を調べてください。

Material and surface treatment of a mechanical standard parts

Material and surface treatment of mechanical standard parts are assigned commonly for each part.  
Refer to the Table 1 for the parts which material and surface treatment are assigned as numbers.

機械標準部品の材料および表面処理

機械標準部品の材料および表面処理については、各種部品共通で決められています。  
材料および表面処理が番号で決められている部品については、表1を参照してください。

Table 1 Material and Surface treatment  
表1 材料および表面処理

No. 番号	Material 材料	Surface treatment 表面処理	Color 色
1	Stainless steel ステンレス	Stainless steel black coloring (BC4) ステンレス黒着色(BC4)	Black 黒
2		not to be given なし	White 白
3	Brass 黄銅	Regular nickel plating (NL) 普通ニッケルメッキ(NL)	White 白
4		Black nickel plating (BN) 黒色ニッケルメッキ(BN)	Black 黒
5	Steel 鋼	White zinc trivalent chromate treating (ZC3) 白色亜鉛3価クロメート(ZC3)	White 白
6		Regular nickel chromium plating (NC) 普通ニッケルクロムメッキ(NC)	White 白
7		Regular nickel plating (NL) 普通ニッケルメッキ(NL)	White 白
8		Iron and steel phosphating (P1) 鉄鋼燐酸塩処理(P1)	Black 黒
9		Black zinc trivalent chromate treating (BZ3) 黒色亜鉛3価クロメート(BZ3)	Black 黒

Figure ZZB (1/7)MECHANICAL STANDARD PARTS (SCREWS)

1. Screws  
ねじ

How to read Parts Numbers  
部品番号の見方

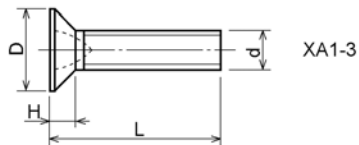
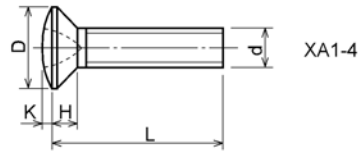
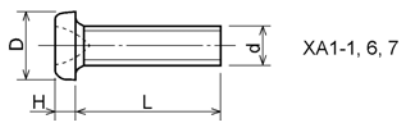
Screws  
ねじ

XB1-2400-609

Type No.  
類別番号  
Normal designation (d)  
ねじの呼び (d)  
Length (L)  
ねじの長さ (L)  
Material and Surface treatment  
材料および表面処理

XB1-2 expresses Binding head machine screw.  
XB1-2は、バインドねじを表す  
40 expresses M4.0.  
40は、M4.0を表す  
0-60 expresses a length of 6.0mm.  
0-60は、6.0mmの長さを表す  
9 expresses Steel (Black zinc trivalent chromate  
treating) from Table 1.  
9は、表1より鋼 (黒色亜鉛3価クロメート) を表す

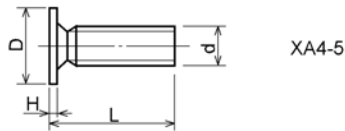
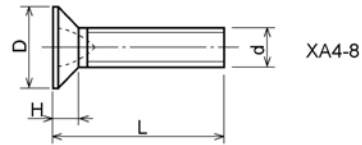
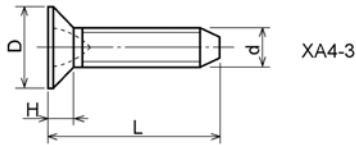
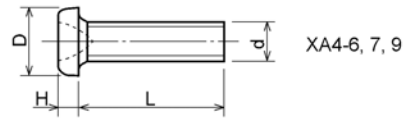
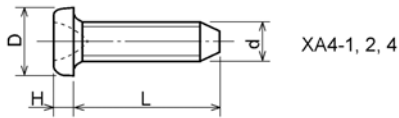
1-1. Cross Recessed Head Screws for Precision Equipments  
精密機器用十字穴付き小ねじ



Type No. 類別番号	Type 類別	Head size (mm) 頭部寸法 (mm)						
		M1.4	M1.6	M1.7	M2	M2.5	M2.6	
XA1-1	Pan head Class 1 なべ1種	D	2	2.4	2.5	3	3.8	4
		H	0.5	0.55	0.5	0.6	0.9	0.8
XA1-3	Countersunk head Class 1 さら1種	D	2	2.4	2.5	3	3.8	4
		H	0.48	0.55	0.58	0.73	0.85	0.93
XA1-4	Oval countersunk head Class 1 丸さら1種	D	2	2.4	2.5	3	3.8	4
		H + K	0.68	0.8	0.88	1	1.25	1.3
XA1-6	Pan head Class 3 なべ3種	D	2.5	2.8	3	3.5	4.3	4.5
		H	0.8	0.85	0.9	1	1.3	1.2
XA1-7	Pan head Class 2 なべ2種	D	2.5	2.8	3	3.5	4.3	4.5
		H	0.5	0.55	0.5	0.6	0.9	0.8

Figure ZZB (2/7) MECHANICAL STANDARD PARTS (SCREWS)

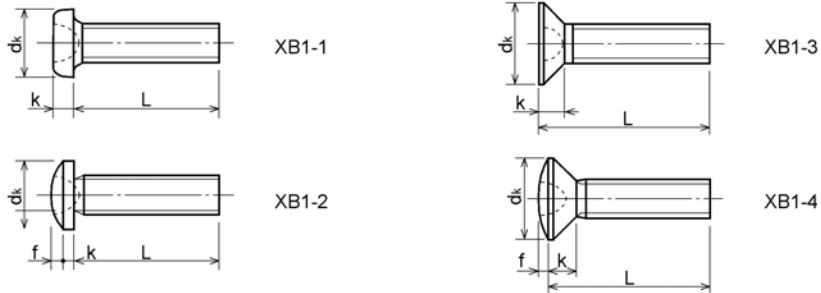
1-2. Precision Tapping Screws  
精密用タッピンねじ



Type No. 類別番号	Type 類別	Head size (mm) 頭部寸法 (mm)						
		M1.4	M1.6	M1.7	M2	M2.5	M2.6	
XA4-1	With tapered end pan head Class 1 絞り-なべ1種	D XA4-1	2	2.4	2.5	3	3.8	4
		H XA4-1	0.5	0.55	0.5	0.6	0.9	0.8
XA4-2	With tapered end pan head Class 3 絞り-なべ3種	D XA4-2	2.5	2.8	3	3.5	4.3	4.5
		H XA4-2	0.8	0.85	0.9	1	1.3	1.2
XA4-3	With tapered end countersunk head 絞り-さら	D XA4-3	2	2.4	2.5	3	3.8	4
		H XA4-3	0.48	0.55	0.58	0.73	0.85	0.93
XA4-4	With tapered end pan head Class 2 絞り-なべ2種	D XA4-4	2.5	2.8	3	3.5	4.3	4.5
		H XA4-4	0.5	0.55	0.5	0.6	0.9	0.8
XA4-5	With parallel end ultra thin head ストレート-超薄頭	D XA4-5	2.5	2.8	3	-	-	-
		H XA4-5	0.2	0.2	0.2	-	-	-
XA4-6	With parallel end pan head Class 1 ストレート-なべ1種	D XA4-6	2	2.4	2.5	3	3.8	4
		H XA4-6	0.5	0.55	0.5	0.6	0.9	0.8
XA4-7	With parallel end pan head Class 3 ストレート-なべ3種	D XA4-7	2.5	2.8	3	3.5	4.3	4.5
		H XA4-7	0.8	0.85	0.9	1	1.3	1.2
XA4-8	With parallel end countersunk head ストレート-さら	D XA4-8	2	2.4	2.5	3	3.8	4
		H XA4-8	0.48	0.55	0.58	0.73	0.85	0.93
XA4-9	With parallel end pan head Class 2 ストレート-なべ2種	D XA4-9	2.5	2.8	3	3.5	4.3	4.5
		H XA4-9	0.5	0.55	0.5	0.6	0.9	0.8

Figure ZZB (3/7)MECHANICAL STANDARD PARTS (SCREWS)

1-3. Cross Recessed Head Screws  
一般用十字穴付き小ねじ

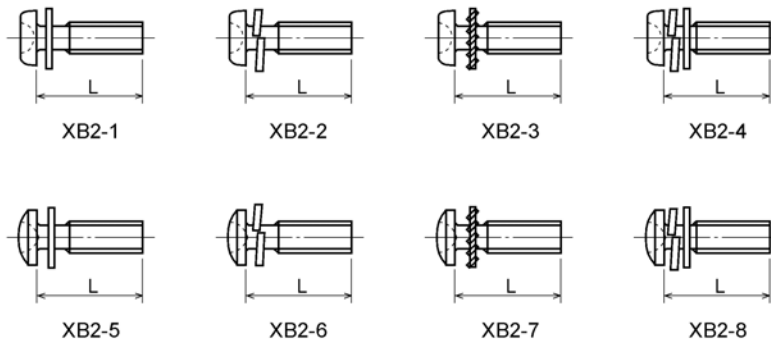


Type No. 類別番号	Type 類別
XB1-1	Pan head なべ
XB1-2	Binding head バインド
XB1-3	Countersunk head さら
XB1-4	Oval countersunk head 丸さら

		Head size (mm) 頭部寸法 (mm)					
		M2	M2.5	M2.6	M3	M4	M5
$d_k$	XB1-1	3.5	4.5	4.5	5.5	7	9
$k$	XB1-1	1.3	1.7	1.7	2	2.6	3.3
$d_k$	XB1-2	4.3	5.3	5.5	6.3	8.3	10.3
$k+f$	XB1-2	1.2	1.5	1.6	1.9	2.5	3.1
$d_k$	XB1-3	4	5	-	6	8	10
$k$	XB1-3	1.2	1.45	-	1.75	2.3	2.8
$d_k$	XB1-4	4	5	-	6	8	10
$k+f$	XB1-4	1.6	2	-	2.45	3.2	4
Screw part length ねじ部長さ $b$		8	12	12	12	16	20

Figure ZZB (4/7) MECHANICAL STANDARD PARTS (SCREWS)

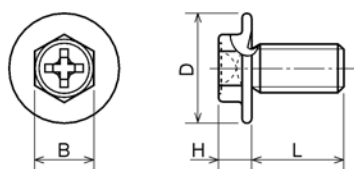
1-4. Cross Recessed Head Screws with Captive Washer  
座金組込み十字穴付き小ねじ



Type No. 類別番号	Type 類別
XB2-1	Pan head + Plain washer (circular bright) なべねじ+平座金
XB2-2	Pan head + Spring washer なべねじ+ばね座金
XB2-3	Pan head + Toothed lock washer なべねじ+歯付座金
XB2-4	Pan head + Spring washer and plain washer (circular bright) なべねじ+(ばね+平)座金
XB2-5	Binding head + Plain washer (circular bright) バインドねじ+平座金
XB2-6	Binding head + Spring washer バインドねじ+ばね座金
XB2-7	Binding head + Toothed lock washer バインドねじ+歯付座金
XB2-8	Binding head + Spring washer and plain washer (circular bright) バインドねじ+(ばね+平)座金

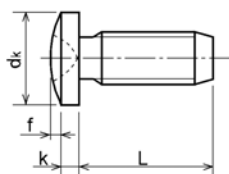
Figure ZZB (5/7) MECHANICAL STANDARD PARTS (SCREWS)

1-5. Hexagon Head Tapping Screws for Matallic Materials  
 金属用六角タッピンねじ



Type No. 類別番号	Type 類別	Head size (mm) 頭部寸法 (mm)		
		M3	M4	
XB3-6	For metallic materials 金属用タッピン	D	8	10
		B	5.5	5.5
XB3-7	For metallic materials with clawed 金属用タッピン-つめ付き	H XB3-6	3.1	3.1
		H XB3-7	3.2	3.2

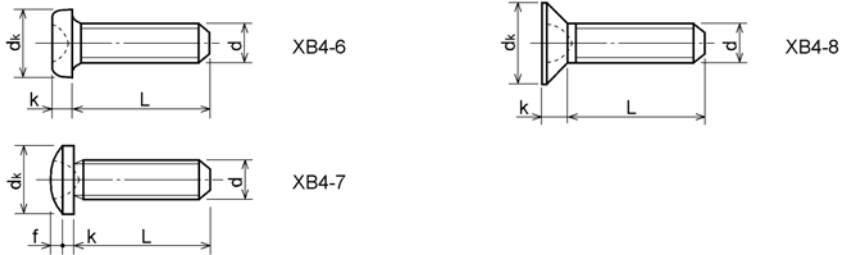
1-6. Special Tapping Screws  
 特殊タッピンねじ



Type No. 類別番号	Type 類別	Head size (mm) 頭部寸法 (mm)		
		M3	M4	
XB4-5	Binding head バインド	dk	6.3	8.3
		k	1.3	1.7
		k+f	1.9	2.5

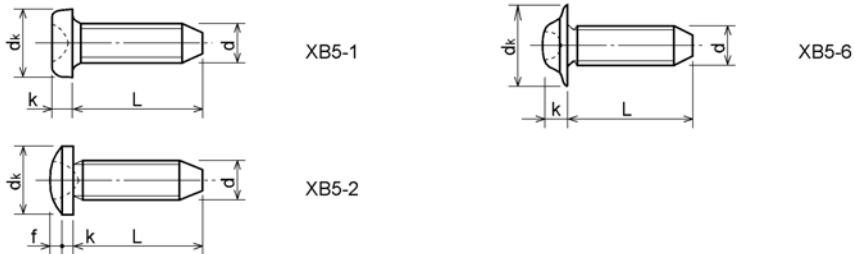
Figure ZZB (6/7) MECHANICAL STANDARD PARTS (SCREWS)

1-7. General Head Tapping Screws  
一般用タッピンねじ



Type No. 類別番号	Type 類別	Head size (mm) 頭部寸法 (mm)						
		M2	M2.5	M2.6	M3	M4	M5	
XB4-6	Pan head なべ	dk	3.5	4.5	4.5	5.5	7	9
		k	1.3	1.7	1.7	2	2.6	3.3
XB4-7	Binding head バインド	dk	4.3	5.3	5.5	6.3	8.3	10.3
		k+f	1.2	1.5	1.6	1.9	2.5	3.1
XB4-8	Countersunk head さら	dk	4	5	5.2	6	8	10
		k	1.2	1.45	1.5	1.75	2.3	2.8

1-8. Tapping Screws for Metallic Materials  
金属用タッピンねじ

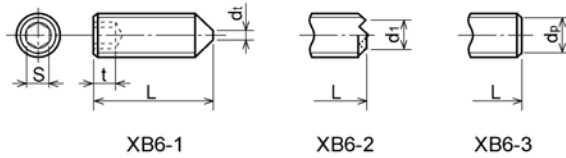


Type No. 類別番号	Type 類別	Head size (mm) 頭部寸法 (mm)					
		M2.5	M2.6	M3	M4	M5	
XB5-1	Pan head なべ	dk	4.5	4.5	5.5	7	9
		k	1.7	1.7	2	2.6	3.3
XB5-2	Binding head バインド	dk	5.5	5.5	6.3	8.3	10.3
		k+f	1.6	1.6	1.9	2.5	3.1
XB5-6	Flanged pan head つば付きなべ	dk	6.5	6.5	8	10	12
		k	2.1	2.1	1.75	3.2	4



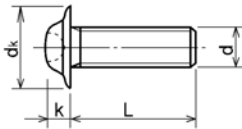
Figure ZZB (7/7) MECHANICAL STANDARD PARTS (SCREWS)

1-9. Hexagon Socket Set Screws  
六角穴付き止めねじ



Type No. 類別番号	Type 類別	Head size (mm) 頭部寸法 (mm)						
		M1.6 M1.7	M2	M2.5 M2.6	M3	M5	M5	M6
	S	0.7	0.9	1.3	1.5	2	2.5	3
	t	1.5	1.7	2	2	2.5	3	3.5
	dt max XB6-1	0.4	0.5	0.65	0.75	1	1.25	1.5
	d1 max XB6-2	-	1.2	1.5	1.7	2.2	2.8	3.3
	d1 min XB6-2	-	1	1.2	1.4	1.9	2.4	2.9
	dp max XB6-3	0.8	1	1.5	2	2.5	3.5	4
	dp min XB6-3	0.55	0.75	1.25	1.75	2.25	3.2	3.7

1-10. Flanged Pan Head Machine Screws  
つば付きなべ小ねじ

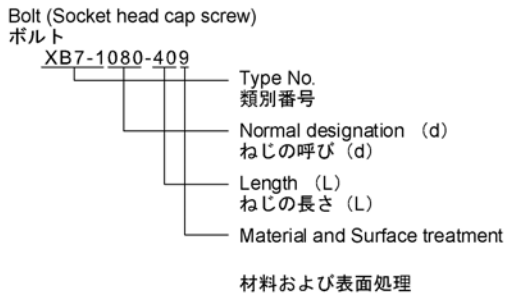


Type No. 類別番号	Type 類別	Head size (mm) 頭部寸法 (mm)				
		M2	M2.5 M2.6	M3	M5	M5
	dk	5	6.5	8	10	12
	k	1.7	2.1	2.5	3.2	4

Figure ZZC MECHANICAL STANDARD PARTS (BOLTS)

2. Bolts (Socket head cap screw)  
ボルト

How to read Parts Numbers  
部品番号の見方



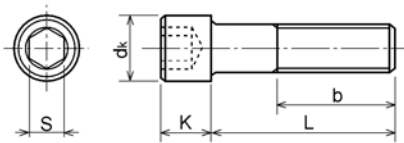
XB7-1 expresses Hexagon socket head cap screws.  
XB7-1は、六角穴付きボルトを表す

080 expresses M8.0.  
080は、M8.0を表す

40 expresses a length of 40mm.  
40は、40mmの長さを表す

9 expresses Steel (Black zinc trivalent chromate treating) from Table 1.  
9は、表1より鋼（黒色亜鉛3価クロメート）を表す

2-1. Hexagon socket head cap screws  
六角穴付きボルト



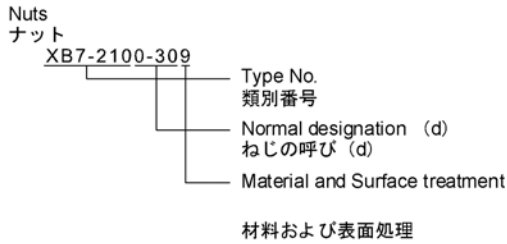
Type No. 類別番号	Type 類別
XB7-1	Hexagon socket head cap screws 六角穴付きボルト

	Head size (mm) 頭部寸法 (mm)						
	M3	M4	M5	M6	M8	M10	M12
S	2.5	3	4	5	6	8	10
dk	5.5	7	8.5	10	13	16	18
K	3	4	5	6	8	10	12
Screw part length ねじ部長さ $b_{max}$	18	20	22	24	28	32	36

Figure ZZD MECHANICAL STANDARD PARTS (NUTS)

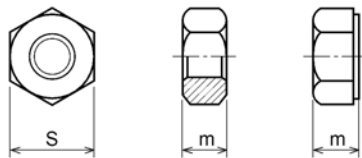
3. Nuts  
ナット

How to read Parts Numbers  
部品番号の見方



XB7-210 expresses Hexagon nut class 1.  
XB7-210は、六角ナット1種を表す  
0-30 expresses M3.0.  
0-30は、M3.0を表す  
9 expresses Steel (Black zinc trivalent chromate  
treating) from Table 1.  
9は、表1より鋼（黒色亜鉛3価クロメート）を表す

3-1. Hexagon Nuts and Hexagon Thin Nuts  
六角ナット

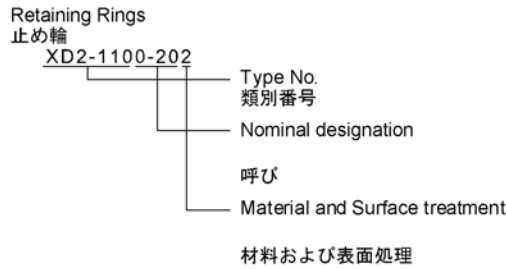


Type No. 類別番号	Type 類別	Head size (mm) 頭部寸法 (mm)						
		M2	M2.5	M3	M4	M5	M6	M8
S		4	5	5.5	7	8	10	13
m XB7-210	Hexagon nut Class 1 六角ナット-1種	1.6	2	2.4	3.2	4	5	6.5
m XB7-220	Hexagon nut Class 3 六角ナット-3種	1.2	1.6	1.8	2.4	3.2	3.6	5
m XB7-230, 231	Hexagon nut Style 1 double chamfered 六角ナット-スタイル1-両面とり	1.6	2	2.4	3.2	4.7	5.2	6.8
m XB7-240, 241	Hexagon nut Style 2 double chamfered 六角ナット-スタイル2-両面とり	-	-	-	-	5.1	5.7	7.5
m XB7-250	Hexagon nut 六角ナット	-	-	-	-	5.6	6.1	7.9
m XB7-260	Hexagon thin nut double chamfered 六角低ナット-両面とり	1.2	1.6	1.8	2.2	2.7	3.2	4
m XB7-270	Hexagon thin nut not chamfered 六角低ナット-面とり無し	1.2	1.6	1.8	2.2	2.7	3.2	4

Figure ZZE (1/3)MECHANICAL STANDARD PARTS (RETAINING RINGS)

5. Retaining Rings  
止め輪

How to read Parts Numbers  
部品番号の見方

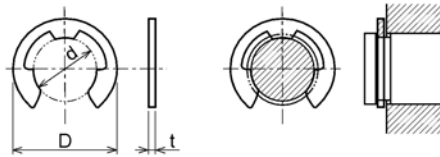


XD2-110 expresses retaining ring-E type (Type1).  
XD2-110は、E形止め輪（1種）を表す

0-20 expresses a 020 of nominal designation.  
(See Table 5)  
0-20は、呼び020を表す（表5参照）

2 expresses Stainless steel (Surface treatment is not to be given) from Table 1.  
2は、表1よりステンレス（表面処理なし）を表す

5-1. Retaining Rings - E type  
E形止め輪



Type No. 類別番号	Type 類別
XD2-110	Retaining ring - E type (Type 1) E形止め輪（1種）
XD2-120	Retaining ring - E type (Type 2) E形止め輪（2種）

Table 5 表5

Type 種類	Nominal designation 呼び	d (mm)	D (mm)	t (mm)
Type 1 1種	007	0.65	2	0.2
	010	0.95	2.8	0.2
	013	1.25	3.3	0.3
	017	1.65	4.2	0.4
	020	1.95	4.6	0.5
	024	2.35	6	0.6
	028	2.74	6.5	0.6
	032	3.14	7.2	0.6
	037	3.64	8	0.7
	040	3.93	10	0.7
	042	4.13	10	0.7
	050	4.93	11	0.7
	058	5.73	12	0.7
	060	5.93	12.7	0.9
064	6.32	13.5	0.9	
074	7.31	15	0.9	
080	7.91	16.5	1	
Type 2 2種	008	0.8	2	0.2
	012	1.2	3	0.3
	015	1.5	4	0.4
	020	2	5	0.4
	025	2.5	6	0.4
	030	3	7	0.6
	040	4	9	0.6
	050	5	11	0.6
	060	6	12	0.8
	070	7	14	0.8
	080	8	16	0.8
	090	9	18	0.8
100	10	20	1	

Figure ZZE (2/3)MECHANICAL STANDARD PARTS (RETAINING RINGS)

5-2. Grip Rings  
グリップ止め輪

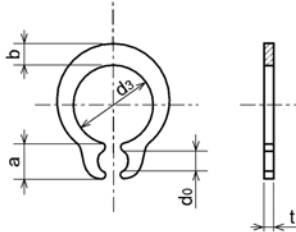


Table 5 表5

Nominal designation 呼び	$d_3$ (mm)	$t$ (mm)	$b$ (mm)	$a$ (mm)	$d_0$ (mm)
020	1.9	0.5	1	1.8	0.8
025	2.35	0.5	1.2	1.9	0.9
030	2.85	0.6	1.4	1.9	0.9
035	3.3	0.6	1.6	2	0.9
040	3.8	0.8	1.8	2.8	1.2
045	4.25	0.8	2	2.9	1.3
050	4.75	0.8	2.2	2.9	1.3
060	5.7	1	2.4	3.1	1.4
070	6.7	1	2.7	3.3	1.4
080	7.7	1	3	3.5	1.4
090	8.65	1.2	3.3	4.7	1.5
100	9.65	1.2	3.5	4.7	2

Type No. 類別番号	Type 類別
XD2-210	Grip ring グリップ止め輪

5-3. Toothed Retaining Rings  
歯付き形止め輪

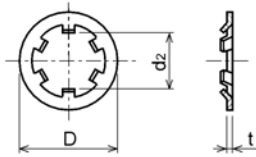


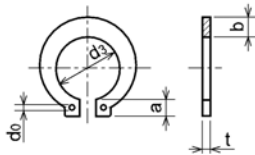
Table 5 表5

Nominal designation 呼び	$d_2$ (mm)	$D$ (mm)	$t$ (mm)	No of teeth 歯数
015	1.4	5.2	0.25	3
020	1.9	6	0.25	3
024	2.3	6.4	0.25	3
030	2.8	8	0.25	4
040	3.8	9	0.25	4
050	4.8	10	0.25	5
060	5.8	11	0.25	5
080	7.8	13	0.25	5
100	9.8	15.4	0.25	6

Type No. 類別番号	Type 類別
XD2-230	Toothed retaining ring 歯付き形止め輪

Figure ZZE (3/3)MECHANICAL STANDARD PARTS (RETAINING RINGS)

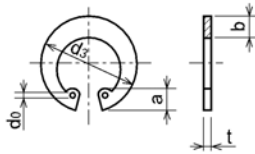
5-4. Retaining Rings - C Type  
C形止め輪



Type No. 類別番号	Type 類別
XD2-310	Retaining ring - C type for shaft C形止め輪 軸用

Table 5 表5

Nominal designation 呼び	ds (mm)	t (mm)	b (mm)	a (mm)	d0 (mm)
010	9.3	1	1.6	3	1.2
012	11.1	1	1.8	3.2	1.5
014	12.9	1	2	3.4	1.7
015	13.8	1	2.1	3.5	1.7
016	14.7	1	2.2	3.6	1.7
017	15.7	1	2.2	3.7	1.7
018	16.5	1.2	2.6	3.8	1.7
020	18.5	1.2	2.7	3.9	2
022	20.5	1.2	2.7	4.1	2
025	23.2	1.2	3.1	4.3	2
028	25.9	1.5	3.1	4.6	2
030	27.9	1.5	3.5	4.8	2
032	29.6	1.5	3.5	5	2.5
035	32.2	1.5	4	5.4	2.5



Type No. 類別番号	Type 類別
XD2-320	Retaining ring - C type for hole C形止め輪 穴用

Table 5 表5

Nominal designation 呼び	ds (mm)	t (mm)	b (mm)	a (mm)	d0 (mm)
010	10.7	1	1.8	3.1	1.2
011	11.8	1	1.8	3.2	1.2
012	13	1	1.8	3.3	1.5
014	15.1	1	2	3.6	1.7
016	17.3	1	2	3.7	1.7
018	19.5	1	2.5	4	1.7
019	20.5	1	2.5	4	2
020	21.5	1	2.5	4	2
022	23.5	1	2.5	4.1	2
025	26.9	1.2	3	4.4	2
028	30.1	1.2	3	4.6	2
030	32.1	1.2	3	4.7	2
032	34.4	1.2	3.5	5.2	2.5
035	37.8	1.5	3.5	5.2	2.5
037	39.8	1.5	3.5	5.2	2.5
040	43.5	1.8	4	5.7	2.5
042	45.5	1.8	4	5.8	2.5
045	48.5	1.8	4.5	5.9	2.5
047	50.5	1.8	4.5	6.1	2.5
050	54.2	2	4.5	6.5	2.5
052	56.2	2	5.1	6.5	2.5
055	59.2	2	5.1	6.5	2.5
060	64.2	2	5.1	6.8	2.5
062	66.2	2	5.5	6.9	2.5
068	72.5	2.5	6	7.4	2.5
072	76.5	2.5	6.6	7.4	2.5
075	79.5	2.5	6.6	7.8	2.5
080	85.5	2.5	7	8	2.5
085	90.5	3	7	8	3
090	95.5	3	7.6	8.3	3
095	100.5	3	8	8.5	3