

PARTS CATALOG

LBP5300/5360/5400

Canon

Feb 27 2007

PREFACE

This Parts Catalog contains listings of parts used

Diagrams are provided with the listings to aid the service technician in identifying clearly, the item to be ordered.

Whenever ordering parts, consult this Parts Catalog for all of the information pertaining to each item. Be sure to include, in the Parts Request, the full item description, the item part number, and the quantity.

COPYRIGHT (C) 1999 CANON INC.

Use of this manual should be strictly supervised to avoid disclosure of confidential information.

Contents

NUMERICAL INDEX

LBP5300/5360/5400(Numerical Index) 1-1

LBP5300/5360/5400(Parts Catalog)

A	ASSEMBLY LOCATION DIAGRAM	2-1
001	ACCESSORIES	2-3
100	EXTERNAL COVERS, PANELS, ETC.	2-4
101	FRONT COVER ASS'Y	2-7
102	INTERNAL COMPONENTS 1	2-9
103	INTERNAL COMPONENTS 2	2-12
104	INTERNAL COMPONENTS 3	2-14
105	INTERNAL COMPONENTS 4	2-17
106	INTERNAL COMPONENTS 5 (LBP5300)	2-20
107	INTERNAL COMPONENTS 6 (LBP5400/5360)	2-22
260	PAPER PICK-UP DRIVE ASS'Y	2-24
265	DUPLEXING FEED DRIVE ASS'Y	2-26
266	DUPLEXING REVERSE DRIVE ASS'Y	2-28
270	DEV. ESTRANGEMENT DRIVE ASS'Y	2-30
280	FIXING DRIVE ASS'Y	2-32
300	CASSETTE	2-34
310	PAPER PICK-UP ASS'Y	2-36
330	ELECT.TRANS.BELT ASS'Y, DUPLEX	2-38
331	ELECT.TRANSPORT BELT ASS'Y	2-40
351	MULTI PURPOSE TRAY ASS'Y	2-42
360	LOWER GUIDE ASS'Y	2-44
810	FIXING ASS'Y	2-46

NUMERICAL INDEX

LBP5300/5360/5400(Numerical Index)

PARTS NUMBER	FIGURE & KEY NO.	PARTS NUMBER	FIGURE & KEY NO.	PARTS NUMBER	FIGURE & KEY NO.
FC5-5256-000	100 - 6	RC1-6462-000	300 - 2	RC1-6653-000	105 - 2
FK2-0697-000	107 - 13	RC1-6465-000	300 - 5	RC1-6668-000	103 - 12
FK2-3538-000	107 - 18	RC1-6492-000	300 - 7	RC1-6670-000	104 - 9
FM2-6644-000	106 - 12	RC1-6493-000	300 - 8	RC1-6673-000	104 - 10
FM3-0628-000	106 - 13	RC1-6494-000	300 - 9	RC1-6674-000	104 - 11
NPN	001 -	RC1-6495-000	300 - 10	RC1-6675-000	104 - 12
NPN	100 -	RC1-6498-000	300 - 11	RC1-6676-000	104 - 13
NPN	102 -	RC1-6499-000	104 - 2	RC1-6677-000	102 - 16
NPN	103 -	RC1-6501-000	104 - 33	RC1-6679-000	102 - 28
NPN	104 -	RC1-6502-000	104 - 3	RC1-6680-000	104 - 14
NPN	105 -	RC1-6540-020	300 - 12	RC1-6681-000	105 - 3
NPN	106 -	RC1-6571-000	102 - 20	RC1-6682-000	103 - 13
NPN	107 -	RC1-6573-000	102 - 21	RC1-6683-000	104 - 15
NPN	300 -	RC1-6574-000	102 - 22	RC1-6684-000	104 - 16
RC1-6229-030	810 - 1	RC1-6575-000	102 - 23	RC1-6694-000	102 - 38
RC1-6230-020	810 - 2	RC1-6579-000	103 - 1	RC1-6700-000	105 - 4
RC1-6234-010	810 - 3	RC1-6580-000	103 - 2	RC1-6701-000	102 - 8
RC1-6235-000	810 - 4	RC1-6581-000	103 - 3	RC1-6702-000	104 - 4
RC1-6237-000	810 - 5	RC1-6582-000	103 - 4	RC1-6744-000	102 - 29
RC1-6245-000	810 - 6	RC1-6583-000	103 - 5	RC1-6771-020	103 - 19
RC1-6254-020	810 - 7	RC1-6584-000	103 - 6	RC1-6772-000	105 - 5
RC1-6257-000	810 - 8	RC1-6589-000	103 - 7	RC1-6773-000	105 - 6
RC1-6258-000	810 - 9	RC1-6593-000	103 - 8	RC1-6776-000	104 - 23
RC1-6259-000	810 - 10	RC1-6594-000	103 - 9	RC1-6777-000	104 - 18
RC1-6260-000	810 - 11	RC1-6596-000	103 - 10	RC1-6780-020	300 - 13
RC1-6261-000	810 - 12	RC1-6605-000	103 - 11	RC1-6786-000	104 - 19
RC1-6262-000	810 - 13	RC1-6607-000	106 - 17	RC1-6787-000	300 - 15
RC1-6263-000	810 - 14	RC1-6607-000	107 - 9	RC1-6788-000	300 - 16
RC1-6264-000	810 - 15	RC1-6609-000	310 - 2	RC1-6795-000	102 - 30
RC1-6265-000	810 - 16	RC1-6611-000	106 - 18	RC1-6823-000	103 - 14
RC1-6266-000	810 - 17	RC1-6611-000	107 - 12	RC1-6824-020	102 - 10
RC1-6267-000	810 - 18	RC1-6612-000	106 - 19	RC1-6825-000	105 - 7
RC1-6268-000	810 - 19	RC1-6612-000	107 - 6	RC1-6833-020	104 - 28
RC1-6269-000	810 - 20	RC1-6618-000	102 - 36	RC1-6839-000	810 - 29
RC1-6270-000	810 - 21	RC1-6619-000	102 - 37	RC1-6840-000	810 - 30
RC1-6275-000	810 - 22	RC1-6624-000	104 - 32	RC1-6841-000	810 - 31
RC1-6276-000	810 - 23	RC1-6629-000	102 - 18	RC1-6843-000	810 - 33
RC1-6277-000	810 - 24	RC1-6631-000	102 - 1	RC1-6845-000	810 - 53
RC1-6281-020	810 - 25	RC1-6632-000	102 - 2	RC1-6854-000	331 - 5
RC1-6285-000	810 - 26	RC1-6633-000	102 - 3	RC1-6875-000	102 - 19
RC1-6303-000	810 - 27	RC1-6634-000	102 - 4	RC1-7544-000	103 - 15
RC1-6308-000	810 - 28	RC1-6636-000	102 - 5	RC1-7545-000	103 - 16
RC1-6323-020	331 - 1	RC1-6638-000	104 - 5	RC1-7546-000	106 - 5
RC1-6324-000	331 - 2	RC1-6639-000	104 - 6	RC1-7546-000	107 - 5
RC1-6350-000	331 - 3	RC1-6640-020	102 - 14	RC1-7547-000	102 - 39
RC1-6370-000	331 - 4	RC1-6641-000	102 - 15	RC1-7548-000	102 - 40
RC1-6381-000	100 - 1	RC1-6643-000	102 - 6	RC1-7549-000	102 - 11
RC1-6382-000	100 - 2	RC1-6645-000	102 - 7	RC1-7551-000	105 - 8
RC1-6383-000	100 - 3	RC1-6646-000	104 - 7	RC1-7552-000	102 - 31
RC1-6405-000	104 - 1	RC1-6650-000	104 - 8	RC1-7554-010	102 - 33
RC1-6420-000	104 - 36	RC1-6651-000	103 - 18	RC1-7555-010	102 - 34
RC1-6461-000	300 - 1	RC1-6652-000	105 - 1	RC1-7562-000	102 - 41

NUMERICAL INDEX

LBP5300/5360/5400(Numerical Index)

PARTS NUMBER	FIGURE & KEY NO.	PARTS NUMBER	FIGURE & KEY NO.	PARTS NUMBER	FIGURE & KEY NO
RC1-7563-000	102 - 42	RK2-0937-000	331 - 6	RM1-2613-000	105 - 16
RC1-7566-000	104 - 17	RK2-0939-000	104 - 25	RM1-2614-000	105 - 17
RC1-7567-000	102 - 35	RK2-0944-000	331 - 12	RM1-2616-000	266 - 1
RC1-7570-000	300 - 17	RK2-0954-000	101 - 1	RM1-2617-000	266 - 4
RC1-7572-000	810 - 34	RK2-0954-000	102 - 13	RM1-2618-000	266 - 3
RC1-7573-000	810 - 35	RK2-0966-000	103 - 20	RM1-2619-000	280 - 1
RC1-7574-000	810 - 36	RK2-0967-000	103 - 21	RM1-2620-000	100 - 15
RC1-7575-000	810 - 37	RK2-0969-000	106 - 3	RM1-2627-000	103 - 29
RC1-7576-000	103 - 17	RK2-0969-000	107 - 3	RM1-2632-000	106 - 14
RC1-7583-000	102 - 12	RK2-0970-000	106 - 4	RM1-2632-000	107 - 14
RC1-7588-000	331 - 13	RK2-0970-000	107 - 4	RM1-2640-000	105 - 24
RC1-7589-000	331 - 14	RK2-1302-000	106 - 1	RM1-2666-050	810 - 43
RC1-7590-000	331 - 11	RK2-1302-000	107 - 1	RM1-2667-070	810 - 44
RC1-7591-000	104 - 20	RK2-1563-040	105 - 20	RM1-2670-000	105 - 30
RC1-7592-000	104 - 21	RK2-1564-040	105 - 20	RM1-2677-000	102 - 24
RC1-7594-000	102 - 32	RK2-1897-000	001 - 1	RM1-2678-000	104 - 29
RC1-7597-000	103 - 26	RK2-1898-000	001 - 1	RM1-2679-020	260 -
RC1-7598-000	103 - 27	RK2-1899-000	001 - 1	RM1-2683-020	102 - 25
RC1-7599-000	106 - 16	RK2-1901-000	001 - 1	RM1-2687-000	270 -
RC1-7599-000	107 - 16	RK2-1911-000	001 - 1	RM1-2689-000	103 - 24
RC1-7601-000	300 - 18	RK2-1913-000	001 - 1	RM1-2692-030	331 - 8
RC1-7602-000	300 - 19	RK2-1914-000	001 - 1	RM1-2693-000	331 - 9
RC1-7606-000	810 - 51	RK2-1915-000	001 - 1	RM1-2694-010	331 - 10
RC1-7618-000	102 - 9	RL1-1064-000	104 - 31	RM1-2699-000	310 - 4
RC1-7632-000	810 - 45	RL1-1067-000	104 - 35	RM1-2702-000	310 - 3
RC1-7644-000	300 - 4	RL1-1068-000	102 - 17	RM1-2704-000	310 - 6
RC1-7645-000	300 - 28	RL1-1069-000	104 - 34	RM1-2706-020	300 - 22
RC1-7649-000	300 - 3	RL1-1074-000	300 - 20	RM1-2707-000	300 - 23
RC2-1597-000	100 - 4	RL1-1760-000	106 - 6	RM1-2708-000	300 - 24
RC2-1601-000	100 - 5	RL1-1761-000	106 - 6	RM1-2709-000	300 - 25
RC2-1605-000	300 - 6	RM1-2576-000	104 - 30	RM1-2710-000	100 - 12
RC2-1606-000	300 - 14	RM1-2578-100	106 - 7	RM1-2711-030	351 -
RC2-1618-000	100 - 8	RM1-2578-100	107 - 7	RM1-2718-000	330 - 1
RC2-1631-000	100 - 17	RM1-2581-000	105 - 11	RM1-2719-000	330 - 2
RC2-1634-000	106 - 2	RM1-2584-000	100 - 10	RM1-2720-000	265 -
RC2-1634-000	107 - 2	RM1-2585-000	103 - 22	RM1-2721-000	266 -
RC2-1644-000	100 - 6	RM1-2586-000	810 - 42	RM1-2722-010	360 -
RC2-1645-000	100 - 7	RM1-2587-000	106 - 10	RM1-2741-000	310 - 1
RC2-1646-000	810 - 50	RM1-2587-000	107 - 10	RM1-2744-050	810 - 43
RC2-1647-000	810 - 52	RM1-2592-000	106 - 11	RM1-2746-000	810 - 46
RC2-1650-000	300 - 26	RM1-2592-000	107 - 11	RM1-2747-020	810 - 48
RC2-1651-000	100 - 18	RM1-2594-000	103 - 23	RM1-2748-000	810 - 49
RC2-1654-000	100 - 21	RM1-2595-000	105 - 12	RM1-2751-000	103 - 28
RC2-1655-000	100 - 20	RM1-2596-000	102 - 43	RM1-2752-060	330 -
RC2-1760-000	100 - 11	RM1-2597-000	105 - 21	RM1-2755-000	310 -
RC2-2745-000	104 - 24	RM1-2601-000	810 - 47	RM1-2758-000	280 -
RC2-2746-000	300 - 29	RM1-2603-000	104 - 26	RM1-2759-000	331 -
RH9-1164-000	105 - 28	RM1-2605-000	105 - 23	RM1-3912-000	106 - 8
RH9-1166-000	105 - 29	RM1-2608-000	105 - 13	RM1-3912-000	107 - 8
RH9-1169-000	105 - 26	RM1-2609-000	105 - 32	RM1-4097-000	105 - 25
RH9-1170-000	105 - 27	RM1-2610-000	105 - 14	RM1-4294-000	100 - 19
RH9-1171-000	105 - 31	RM1-2611-000	105 - 15	RM1-4295-000	100 - 9

NUMERICAL INDEX

LBP5300/5360/5400(Numerical Index)

PARTS NUMBER	FIGURE & KEY NO.	PARTS NUMBER	FIGURE & KEY NO.	PARTS NUMBER	FIGURE & KEY NO
RM1-4296-000	300 - 27	XB4-7401-005	330 - 501		
RM1-4297-000	100 - 16	XB4-7401-005	331 - 501		
RM1-4298-000	101 -	XB6-7301-205	107 - 502		
RM1-4299-000	100 - 13	XD2-1100-242	810 - 501		
RM1-4300-010	810 -	XD3-1200-102	102 - 501		
RM1-4301-000	810 - 43	XD9-0234-000	810 - 39		
RM1-4341-000	100 - 14	XD9-0235-000	810 - 40		
RM1-4347-000	100 - 19	XG9-0572-000	810 - 41		
RM1-4348-010	810 -				
RM1-4349-010	810 -				
RM1-4354-000	102 - 26				
RM1-4355-000	102 - 26				
RM1-4356-000	101 - 2				
RM1-4380-000	102 - 26				
RM1-4381-000	102 - 26				
RM1-4382-000	102 - 26				
RM1-4383-000	102 - 26				
RM1-4384-000	102 - 26				
RM1-4385-000	102 - 26				
RM1-4386-000	101 -				
RM1-4387-000	100 - 19				
RM1-4594-000	107 - 17				
RM1-4680-000	107 - 17				
RM1-4746-000	100 - 19				
RM1-4747-000	100 - 19				
RM1-4829-000	106 - 9				
RM1-4830-000	106 - 9				
RU5-0328-000	300 - 21				
VS1-7177-002	105 - 22				
VS1-7207-020	266 - 2				
VS1-7257-007	331 - 7				
VS1-7258-007	105 - 18				
VS1-7258-014	104 - 27				
WA7-3940-000	107 - 19				
WE8-5689-000	001 - 2				
WP2-5214-000	105 - 9				
XA9-1449-000	103 - 25				
XA9-1449-000	105 - 10				
XA9-1449-000	810 - 38				
XA9-1500-000	102 - 27				
XA9-1500-000	104 - 22				
XA9-1500-000	105 - 19				
XA9-1671-000	106 - 15				
XA9-1671-000	107 - 15				
XA9-1671-000	810 - 32				
XA9-1671-008	310 - 5				
XB1-1300-807	107 - 501				
XB4-7401-005	100 - 501				
XB4-7401-005	102 - 502				
XB4-7401-005	105 - 501				
XB4-7401-005	107 - 503				
XB4-7401-005	300 - 501				

LBP5300/5360/5400(Parts Catalog)

Satera LBP5300

100V JP	R96-2324-000	LSLA
---------	--------------	------

LASER SHOT LBP5300

120V US	R96-2334-000	LSMA
---------	--------------	------

230V ASIA	R96-2448-000	LSPA
-----------	--------------	------

230V AU	R96-2448-000	LSQA
---------	--------------	------

230V CN	R96-2468-000	LSRA
---------	--------------	------

i-SENSYS LBP5300

230V EUR	R96-2338-000	LSNA
----------	--------------	------

i-SENSYS LBP5360

230V EUR	R96-2348-000	LSXA
----------	--------------	------

LASER SHOT LBP5360

230V ASIA	R96-2478-000	LSYA
-----------	--------------	------

230V AU	R96-2478-000	LTAA
---------	--------------	------

230V CN	R96-2498-000	LTBA
---------	--------------	------

Satera LBP5400

100V

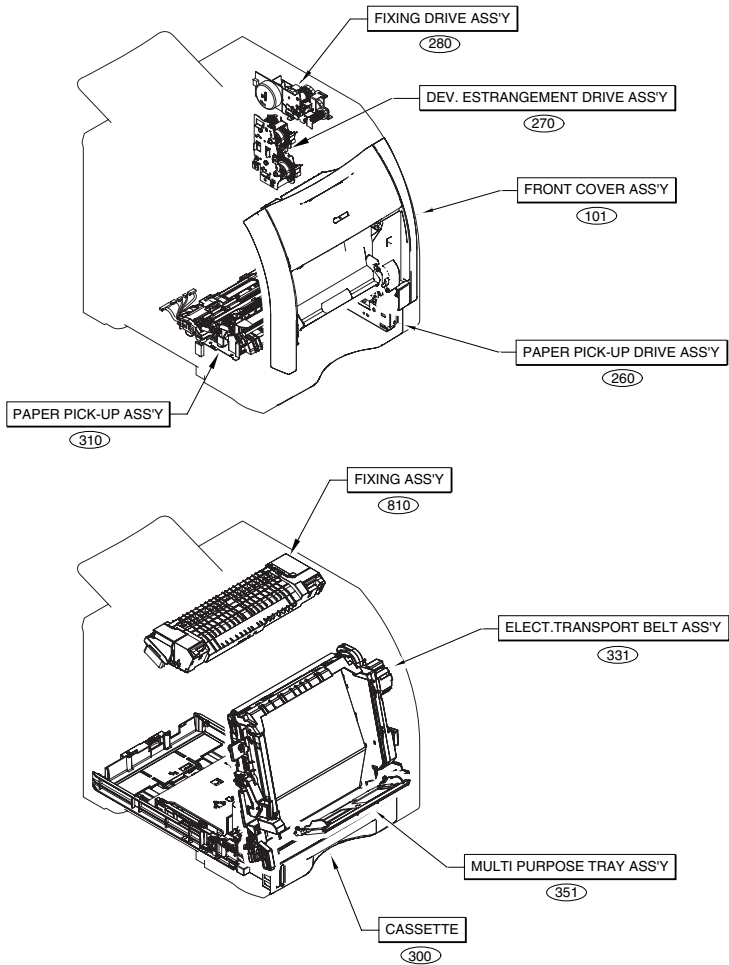
R96-2354-
000

LTCA

Contents

A	ASSEMBLY LOCATION DIAGRAM	2-1
001	ACCESSORIES	2-3
100	EXTERNAL COVERS, PANELS, ETC.	2-4
101	FRONT COVER ASS'Y	2-7
102	INTERNAL COMPONENTS 1	2-9
103	INTERNAL COMPONENTS 2	2-12
104	INTERNAL COMPONENTS 3	2-14
105	INTERNAL COMPONENTS 4	2-17
106	INTERNAL COMPONENTS 5 (LBP5300)	2-20
107	INTERNAL COMPONENTS 6 (LBP5400/5360)	2-22
260	PAPER PICK-UP DRIVE ASS'Y	2-24
265	DUPLEXING FEED DRIVE ASS'Y	2-26
266	DUPLEXING REVERSE DRIVE ASS'Y	2-28
270	DEV. ESTRANGEMENT DRIVE ASS'Y	2-30
280	FIXING DRIVE ASS'Y	2-32
300	CASSETTE	2-34
310	PAPER PICK-UP ASS'Y	2-36
330	ELECT.TRANS.BELT ASS'Y, DUPLEX.....	2-38
331	ELECT.TRANSPORT BELT ASS'Y	2-40
351	MULTI PURPOSE TRAY ASS'Y	2-42
360	LOWER GUIDE ASS'Y	2-44
810	FIXING ASS'Y	2-46

FIGURE A ASSEMBLY LOCATION DIAGRAM



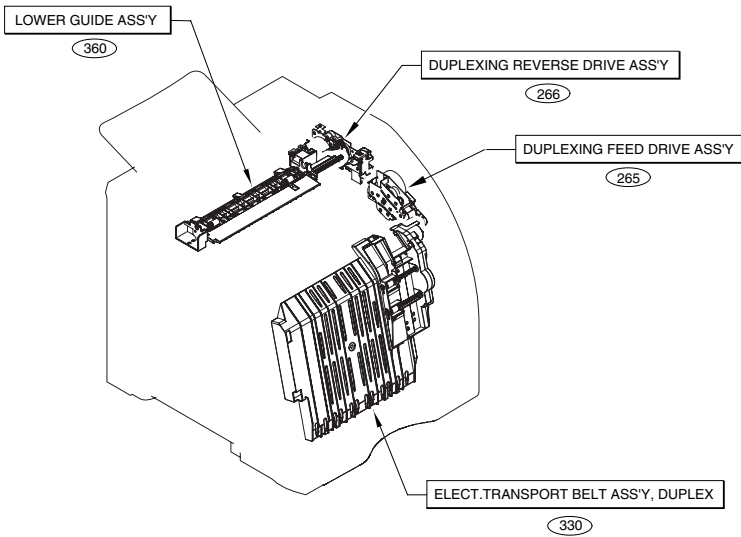


FIGURE 001 ACCESSORIES

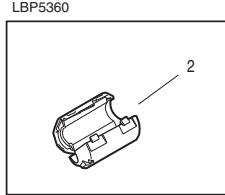
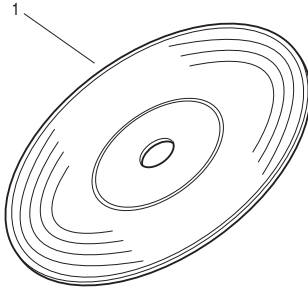
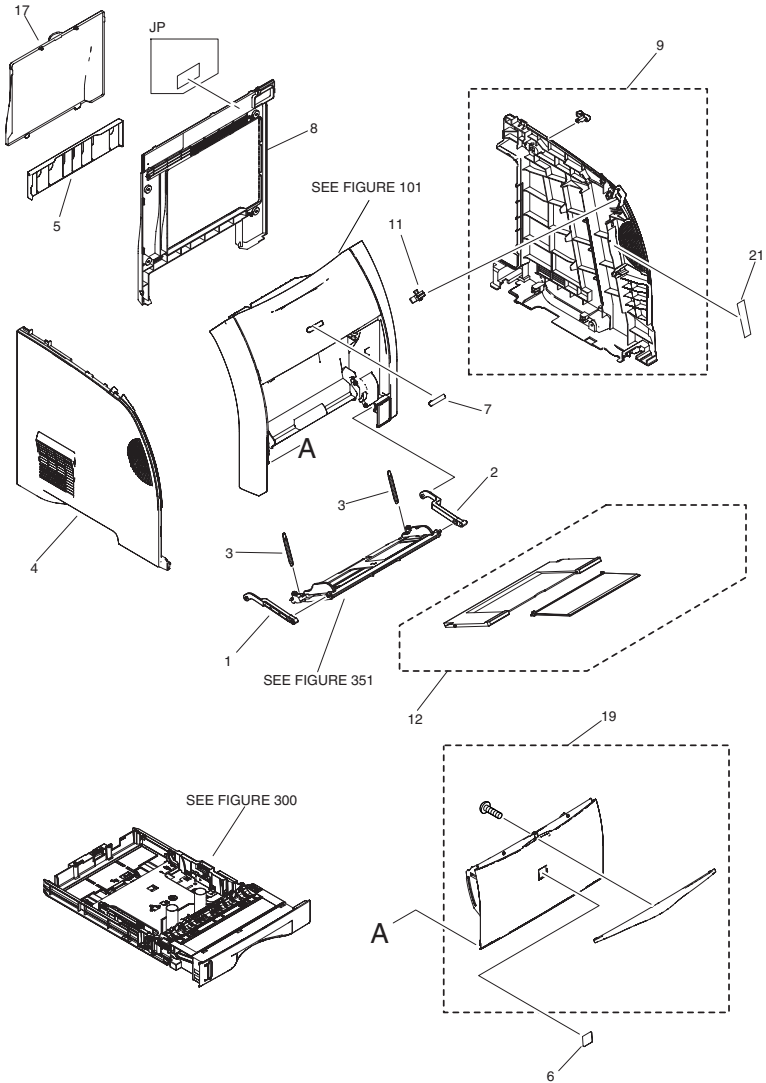


FIGURE & KEY NO.	PARTS NUMBER	R A N K	QTY	DESCRIPTION	SERIAL NUMBER/ REMARKS	S V C
Fig.001	NPN		RF	ACCESSORIES		
1	RK2-1899-000		1	CD-ROM, USER SOFTWARE	LBP5300 English/Spanish	
1	RK2-1898-000		1	CD-ROM, USER SOFTWARE	LBP5300 English/French/ German/Italian	
1	RK2-1897-000		1	CD-ROM, USER SOFTWARE	LBP5300 Japanese	
1	RK2-1901-000		1	CD-ROM, USER SOFTWARE	LBP5300 Chinese	
1	RK2-1914-000		1	CD-ROM, USER SOFTWARE	LBP5360 English/French/ German/Italian	
1	RK2-1913-000		1	CD-ROM, USER SOFTWARE	LBP5360 English	
1	RK2-1915-000		1	CD-ROM, USER SOFTWARE	LBP5360 Chinese	
1	RK2-1911-000		1	CD-ROM, USER SOFTWARE	LBP5400	
2	WE8-5689-000		1	FILTER, NOISE(RING CORE)	LBP5360	

FIGURE 100 EXTERNAL COVERS, PANELS, ETC.



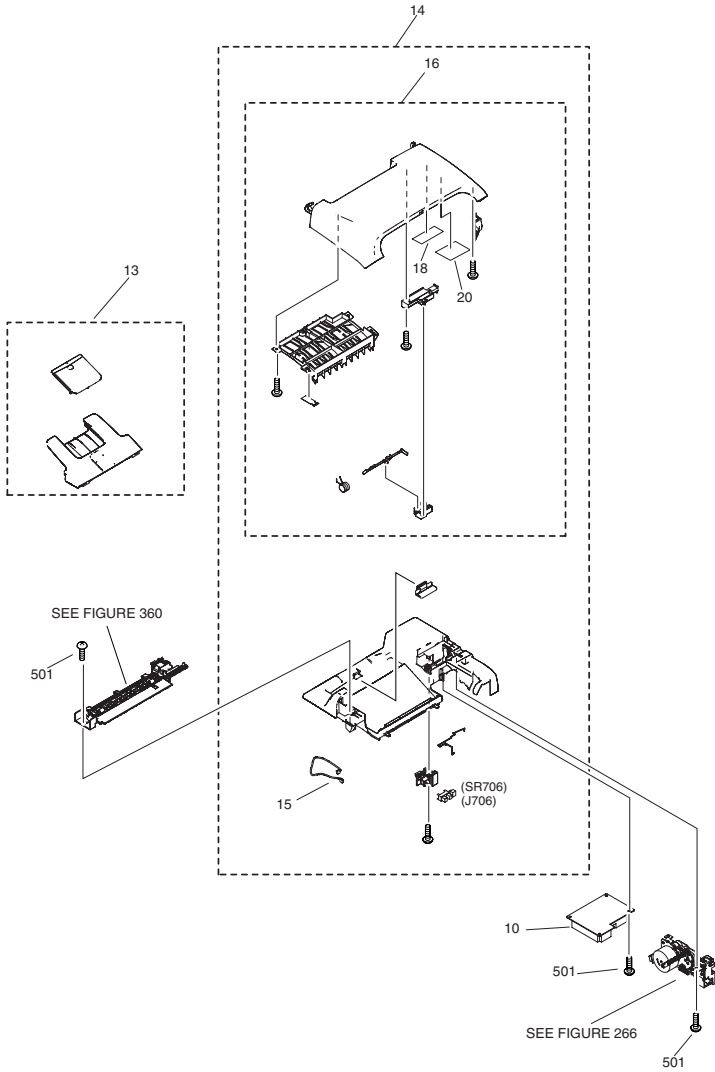


FIGURE & KEY NO.	PARTS NUMBER	R A N K	Q'TY	DESCRIPTION	SERIAL NUMBER/ REMARKS	S V C
Fig.100	NPN		RF	EXTERNAL COVERS, PANELS, ETC.		
1	RC1-6381-000		1	LINK, M.P. HINGE, LEFT		
2	RC1-6382-000		1	LINK, M.P. HINGE, RIGHT		
3	RC1-6383-000		2	SPRING, TENSION		
4	RC2-1597-000		1	COVER, LEFT		
5	RC2-1601-000		1	COVER, CASSETTE, REAR LEFT		
6	RC2-1644-000		1	EMBLEM, ABS	EXCEPT JP	
6	FC5-5256-000		1	EMBLEM	JP	
7	RC2-1645-000		1	PLATE, CANON LOGO		
8	RC2-1618-000		1	COVER, REAR		
9	RM1-4295-000		1	RIGHT COVER ASS'Y		
10	RM1-2584-000		1	DUPLEXING PCB ASS'Y		
11	RC2-1760-000		1	ARM, COVER, RIGHT		
12	RM1-2710-000		1	M.P. EXTENSION TRAY ASS'Y		
13	RM1-4299-000		1	FACE-DOWN TRAY ASS'Y		
14	RM1-4341-000		1	TOP COVER ASS'Y		
15	RM1-2620-000		1	CABLE, PAPER FULL		
16	RM1-4297-000		1	UPPER COVER ASS'Y		
17	RC2-1631-000		1	LID, COVER, REAR		
18	RC2-1651-000		1	LABEL, FIXING JAM CLEARING		
19	RM1-4387-000		1	MULTI COVER ASS'Y	LBP5300 EUR	
19	RM1-4347-000		1	MULTI COVER ASS'Y	LBP5300 EXCEPT EUR	
19	RM1-4294-000		1	MULTI COVER ASS'Y	LBP5360 AU/ASIA/CN	
19	RM1-4746-000		1	MULTI COVER ASS'Y	LBP5360 EUR	
19	RM1-4747-000		1	MULTI COVER ASS'Y	LBP5400	
20	RC2-1655-000		1	LABEL, JAM DISPOSE CAUTION		
21	RC2-1654-000		1	LABEL, CARTRIDGE EXCHANGE		
501	XB4-7401-005		1	SCREW, TAPPING, TRUSS HEAD, M4X10		

FIGURE 101
FRONT COVER ASS'Y

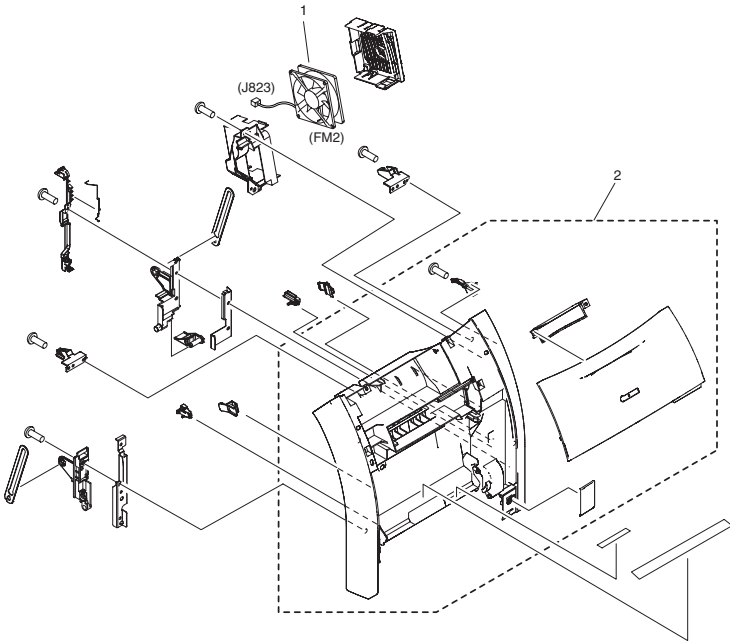


FIGURE & KEY NO.	PARTS NUMBER	RANK	Q'TY	DESCRIPTION	SERIAL NUMBER/REMARKS	SVC
Fig.101	RM1-4298-000		1	FRONT COVER ASS'Y	EXCEPT JP	
Fig.101	RM1-4386-000		1	FRONT COVER ASS'Y	JP	
1	RK2-0954-000		1	FAN		
2	RM1-4356-000		1	HANDLE COVER ASSY		

FIGURE 102
INTERNAL COMPONENTS 1

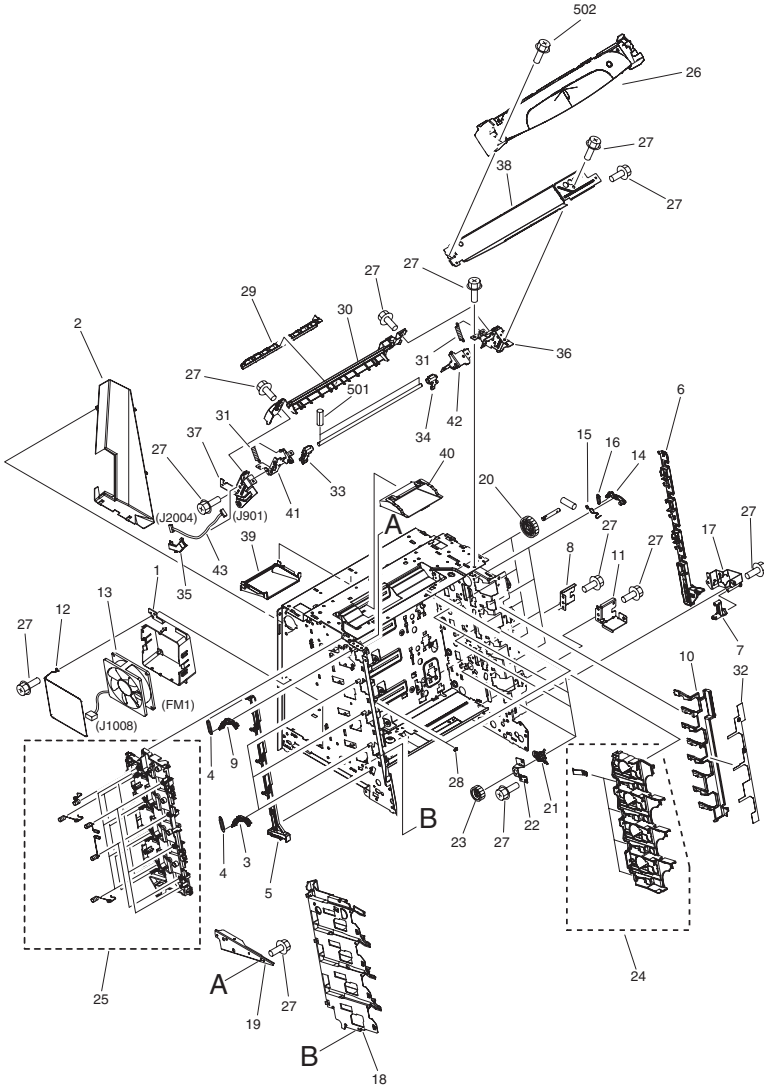


FIGURE & KEY NO.	PARTS NUMBER	R A N K	Q'TY	DESCRIPTION	SERIAL NUMBER/ REMARKS	S V C
Fig.102	NPN		RF	INTERNAL COMPONENTS 1		
1	RC1-6631-000		1	HOLDER, FAN		
2	RC1-6632-000		1	DUCT, FAN		
3	RC1-6633-000		3	LEVER, LOCK, LEFT		
4	RC1-6634-000		4	SPRING, TENSION		
5	RC1-6636-000		1	LEVER, LOCK SLIDE, LEFT		
6	RC1-6643-000		1	LEVER, LOCK SLIDE, RIGHT		
7	RC1-6645-000		1	CAM, SLIDE, RIGHT		
8	RC1-6701-000		1	SUPPORT, RIGHT LOWER, REAR		
9	RC1-7618-000		1	LEVER, LOCK, LEFT UPPER		
10	RC1-6824-020		1	COVER, SIDE PLATE, RIGHT		
11	RC1-7549-000		1	CROSSMEMBER, RIGHT LOWER, FR.		
12	RC1-7583-000		1	SPRING, GROUNDING		
13	RK2-0954-000		1	FAN		
14	RC1-6640-020		4	LEVER, LOCK, RIGHT		
15	RC1-6641-000		4	SPRING, GROUNDING		
16	RC1-6677-000		4	SPRING, TENSION		
17	RL1-1068-000		1	SUPPORT, RACK		
18	RC1-6629-000		1	GUIDE, CARTRIDGE, LEFT		
19	RC1-6875-000		1	PLATE, REINFORCEMENT, LEFT		
20	RC1-6571-000		4	GEAR, 58T		
21	RC1-6573-000		4	BUSHING		
22	RC1-6574-000		4	BASE, DEV. OUTPUT GEAR		
23	RC1-6575-000		4	GEAR, 29T		
24	RM1-2677-000		1	CARTRIDGE GUIDE RIGHT ASS'Y		
25	RM1-2683-020		1	CONTACT HOLDER ASS'Y		
26	RM1-4382-000		1	CONTROL PANEL ASS'Y	LBP5300 Chinese	
26	RM1-4381-000		1	CONTROL PANEL ASS'Y	LBP5300 Illustration	
26	RM1-4380-000		1	CONTROL PANEL ASS'Y	LBP5300 Japanese	
26	RM1-4354-000		1	CONTROL PANEL ASS'Y	LBP5300 English	
26	RM1-4383-000		1	CONTROL PANEL ASS'Y	LBP5400	
26	RM1-4355-000		1	CONTROL PANEL ASS'Y	LBP5360 English	

FIGURE & KEY NO.	PARTS NUMBER	R A N K	Q'TY	DESCRIPTION	SERIAL NUMBER/ REMARKS	S V C
26	RM1-4384-000		1	CONTROL PANEL ASS'Y	LBP5360 Illustration	
26	RM1-4385-000		1	CONTROL PANEL ASS'Y	LBP5360 Chinese	
27	XA9-1500-000		20	SCREW, RS, M3X8		
28	RC1-6679-000		2	COVER, LOCK CLAW		
29	RC1-6744-000		1	GUIDE, DUPLEXING EXTERNAL		
30	RC1-6795-000		1	COVER, GUIDE CROSSMEMBER		
31	RC1-7552-000		2	SPRING, TENSION		
32	RC1-7594-000		1	LABEL, CARTRIDGE POSITIONING		
33	RC1-7554-010		1	LATCH, LEFT		
34	RC1-7555-010		1	LATCH, RIGHT		
35	RC1-7567-000		1	COVER, PANEL CABLE		
36	RC1-6618-000		1	MOUNT, FIXING GUIDE, RIGHT		
37	RC1-6619-000		1	MOUNT, FIXING GUIDE, LEFT		
38	RC1-6694-000		1	FRAME, CONTROL PANEL		
39	RC1-7547-000		1	DUCT, 2		
40	RC1-7548-000		1	DUCT, 3		
41	RC1-7562-000		1	HOLDER, TOGGLE, LEFT		
42	RC1-7563-000		1	HOLDER, TOGGLE, RIGHT		
43	RM1-2596-000		1	CABLE, PANEL		
501	XD3-1200-102		2	PIN, SPRING		
502	XB4-7401-005		2	SCREW,TAPPING,TRUSS HEAD,M4X10		

FIGURE 103 INTERNAL COMPONENTS 2

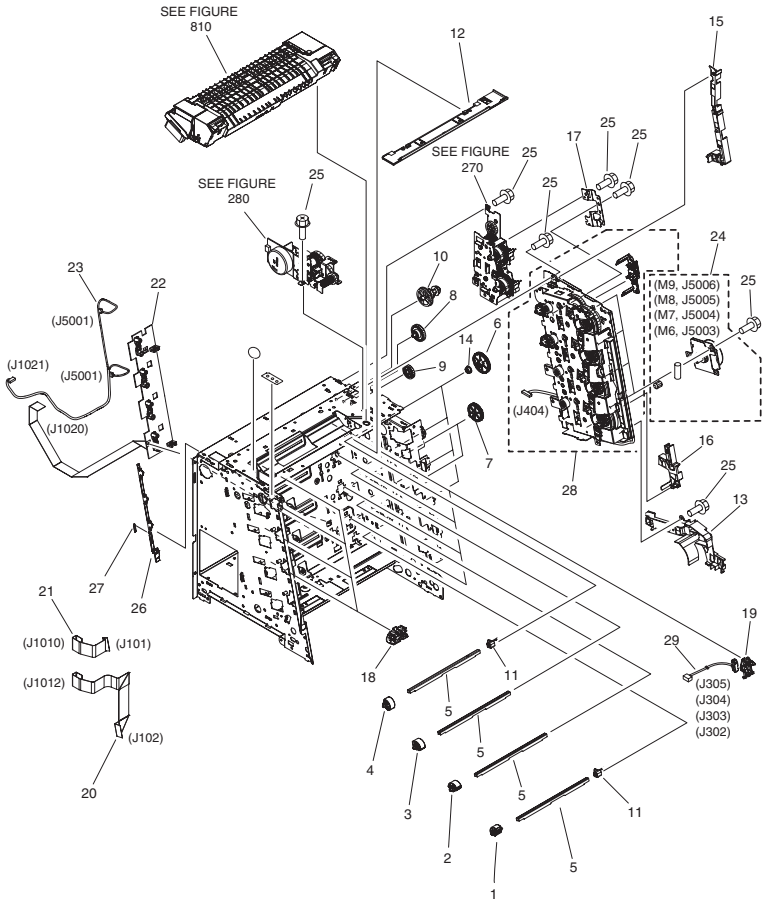


FIGURE & KEY NO.	PARTS NUMBER	RANK	Q'TY	DESCRIPTION	SERIAL NUMBER/REMARKS	SVC
Fig.103	NPN		RF	INTERNAL COMPONENTS 2		
1	RC1-6579-000		1	CAM, DEV.ESTRANGEMENT, 1		
2	RC1-6580-000		1	CAM, DEV.ESTRANGEMENT, 2		
3	RC1-6581-000		1	CAM, DEV.ESTRANGEMENT, 3		
4	RC1-6582-000		1	CAM, DEV.ESTRANGEMENT, 4		
5	RC1-6583-000		4	SHAFT, DEV.ESTRANGEMENT		
6	RC1-6584-000		4	CAM/GEAR, 48T		
7	RC1-6589-000		2	GEAR, 41T		
8	RC1-6593-000		1	GEAR, 19T/30T		
9	RC1-6594-000		1	GEAR, 31T		
10	RC1-6596-000		1	GEAR, 17T/41T		
11	RC1-6605-000		2	FLAG, DEV.ESTRANGEMENT		
12	RC1-6668-000		1	COVER, CROSSMEMBER, UPPER		
13	RC1-6682-000		1	GUIDE, CABLE, RIGHT, 1		
14	RC1-6823-000		4	BUSHING		
15	RC1-7544-000		1	GUIDE, CABLE, RIGHT, 3		
16	RC1-7545-000		1	GUIDE, CABLE, RIGHT, 4		
17	RC1-7576-000		1	CROSSMEMBER, DRIVE SIDE PLATE		
18	RC1-6651-000		4	COVER, SHUTTER, LEFT		
19	RC1-6771-020		4	HOLDER, TONER CARTRIDGE		
20	RK2-0966-000		1	CABLE, SCANNER FLAT		
21	RK2-0967-000		1	CABLE, SCANNER FLAT		
22	RM1-2585-000		1	CARTRIDGE SENSOR PCB ASS'Y		
23	RM1-2594-000		1	CABLE, SCANNER		
24	RM1-2689-000		4	DRIVE MOTOR ASS'Y		
25	XA9-1449-000		10	SCREW, RS, M3X8		
26	RC1-7597-000		1	LEVER, SENSING		
27	RC1-7598-000		1	SPRING, TENSION		
28	RM1-2751-000		1	MAIN DRIVE ASS'Y		
29	RM1-2627-000		4	CABLE, TAG MEMORY		

FIGURE 104 INTERNAL COMPONENTS 3

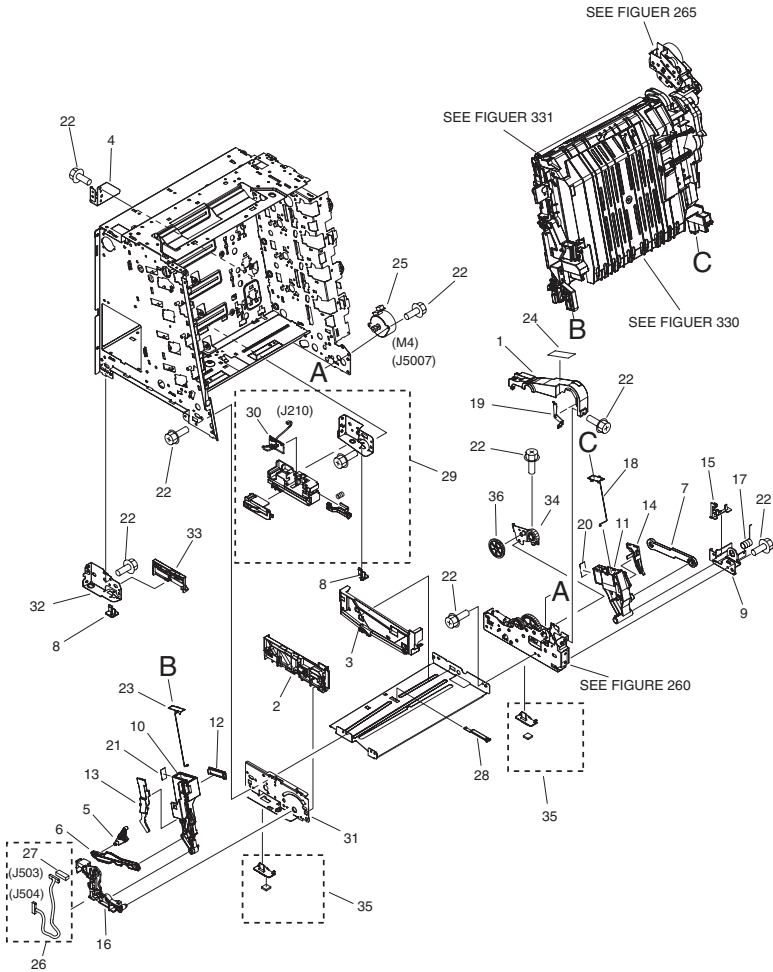


FIGURE & KEY NO.	PARTS NUMBER	R A N K	Q'TY	DESCRIPTION	SERIAL NUMBER/ REMARKS	S V C
Fig.104	NPN		RF	INTERNAL COMPONENTS 3		
1	RC1-6405-000		1	COVER, GEAR		
2	RC1-6499-000		1	GUIDE, CASSETTE FRONT, LEFT		
3	RC1-6502-000		1	GUIDE, CASSETTE FRONT, RIGHT		
4	RC1-6702-000		1	BRACKET, RIGHT REAR		
5	RC1-6638-000		1	CAM, SLIDE, LEFT		
6	RC1-6639-000		1	ROD, LINK, LEFT		
7	RC1-6646-000		1	ROD, LINK, RIGHT		
8	RC1-6650-000		2	FOOT, REAR		
9	RC1-6670-000		1	MOUNT, HINGE, RIGHT		
10	RC1-6673-000		1	HOLDER, E.T.B., LEFT		
11	RC1-6674-000		1	HOLDER, E.T.B., RIGHT		
12	RC1-6675-000		1	COVER, CONNECTOR		
13	RC1-6676-000		1	COVER, E.T.B. HOLDER, LEFT		
14	RC1-6680-000		1	COVER, E.T.B. HOLDER, RIGHT		
15	RC1-6683-000		1	GUIDE, CABLE, RIGHT 2		
16	RC1-6684-000		1	MOUNT, HINGE, LEFT		
17	RC1-7566-000		1	SPRING, COMPRESSION		
18	RC1-6777-000		1	SPRING, GROUNDING		
19	RC1-6786-000		1	PLATE, GROUNDING		
20	RC1-7591-000		1	LABEL, POSITIONING, RIGHT		
21	RC1-7592-000		1	LABEL, POSITIONING, LEFT		
22	XA9-1500-000		10	SCREW, RS, M3X8		
23	RC1-6776-000		1	SPRING, GROUNDING		
24	RC2-2745-000		1	LABEL, JAM CLEARING		
25	RK2-0939-000		1	MOTOR, AC24V, 9W		
26	RM1-2603-000		1	CABLE, SENSOR		
27	VS1-7258-014		1	CONNECTOR, DRAWER		
28	RC1-6833-020		1	PLATE, PLATE LOCK RELEASE, MD.		
29	RM1-2678-000		1	RIGHT REAR BASE ASS'Y		
30	RM1-2576-000		1	CASSETTE SENSOR PCB ASS'Y		
31	RL1-1064-000		1	BASE, LEFT FRONT		

FIGURE & KEY NO.	PARTS NUMBER	R A N K	Q'TY	DESCRIPTION	SERIAL NUMBER/ REMARKS	S V C
32	RC1-6624-000		1	BASE, LEFT REAR		
33	RC1-6501-000		1	GUIDE, CASSETTE REAR, LEFT		
34	RL1-1069-000		1	PLATE, GEAR, 3		
35	RL1-1067-000		2	FOOT RUBBER ASS'Y, FRONT		
36	RC1-6420-000		1	GEAR, 26T/34T		

FIGURE 105 INTERNAL COMPONENTS 4

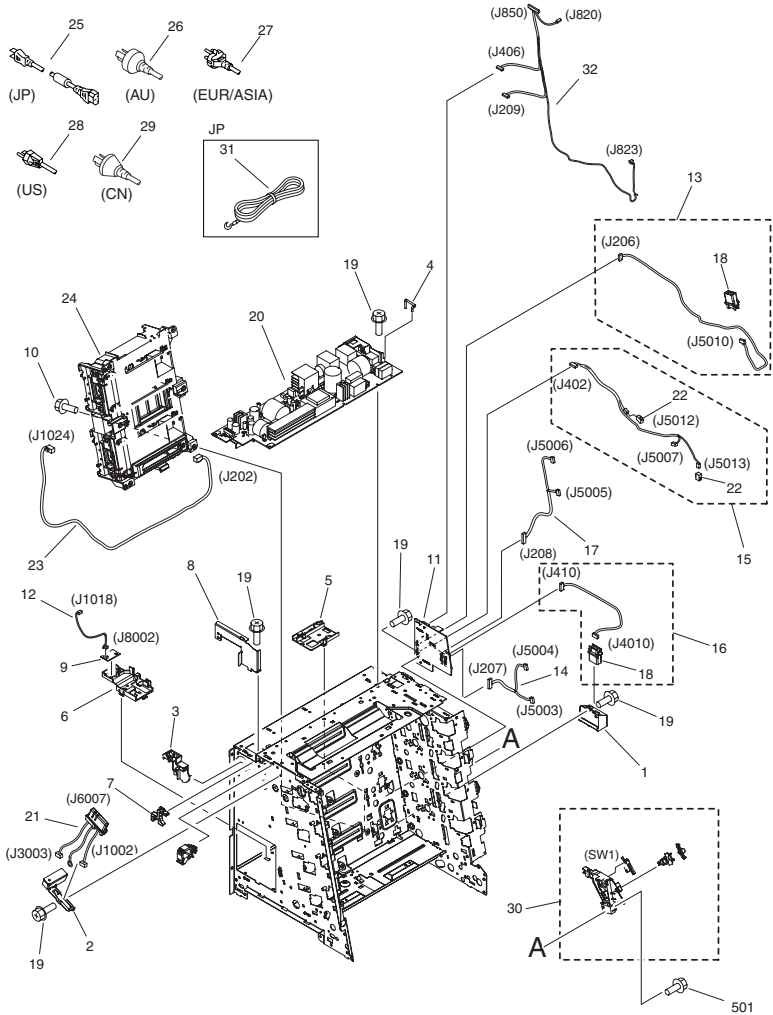


FIGURE & KEY NO.	PARTS NUMBER	R A N K	Q'TY	DESCRIPTION	SERIAL NUMBER/ REMARKS	S V C
Fig.105	NPN		RF	INTERNAL COMPONENTS 4		
1	RC1-6652-000		1	HOLDER, DRAWER CONNECTOR		
2	RC1-6653-000		1	HOLDER, DRAWER		
3	RC1-6681-000		1	GUIDE, CABLE, LEFT		
4	RC1-6700-000		1	ARM, SWITCH LINK		
5	RC1-6772-000		1	GUIDE, FLEXIBLE FLAT CABLE, 1		
6	RC1-6773-000		1	GUIDE, FLEXIBLE FLAT CABLE, 2		
7	RC1-6825-000		1	GUARD, CABLE		
8	RC1-7551-000		1	BRACKET, LEFT, REAR		
9	WP2-5214-000		1	SENSOR UNIT, TEMPERATURE		
10	XA9-1449-000		5	SCREW, RS, M3X8		
11	RM1-2581-000		1	DRIVER PCB ASS'Y		
12	RM1-2595-000		1	CABLE, ENVIRONMENT SENSOR		
13	RM1-2608-000		1	CABLE, E.T.B.		
14	RM1-2610-000		1	CABLE, DRUM MOTOR		
15	RM1-2611-000		1	CABLE, SOLENOID		
16	RM1-2613-000		1	CABLE		
17	RM1-2614-000		1	CABLE, DRUM MOTOR		
18	VS1-7258-007		2	CONNECTOR, DRAWER		
19	XA9-1500-000		10	SCREW, RS, M3X8		
20	RK2-1563-040		1	LOW VOLTAGE POWER PCB ASS'Y	100/120V	
20	RK2-1564-040		1	LOW VOLTAGE POWER PCB ASS'Y	230V	
21	RM1-2597-000		1	FIXING UNIT CABLE ASS'Y		
22	VS1-7177-002		2	CONNECTOR, DRAWER		
23	RM1-2605-000		1	CABLE, DRIVE POWER		
24	RM1-2640-000		1	SCANNER ASS'Y		
25	RM1-4097-000		1	POWER CORD, 100V	JP	
26	RH9-1169-000		1	CORD, POWER	AU	
27	RH9-1170-000		1	CORD, POWER, 230V	EUR/ASIA	
28	RH9-1164-000		1	CORD, POWER	US	
29	RH9-1166-000		1	CORD, POWER	CN	
30	RM1-2670-000		1	INTERLOCK SWITCH ASS'Y		

FIGURE & KEY NO.	PARTS NUMBER	R A N K	Q'TY	DESCRIPTION	SERIAL NUMBER/ REMARKS	S V C
31	RH9-1171-000		1	WIRE, GROUNDING	JP	
32	RM1-2609-000		1	CABLE, DUPLEXING DOCKING		
501	XB4-7401-005		1	SCREW,TAPPING,TRUSS HEAD,M4X10		

FIGURE & KEY NO.	PARTS NUMBER	RANK	Q'TY	DESCRIPTION	SERIAL NUMBER/REMARKS	SVC
Fig.106	NPN		RF	INTERNAL COMPONENTS 5	LBP5300	
1	RK2-1302-000		1	CABLE, USB HOST POWER SUPPLY	ASIA/CN	
2	RC2-1634-000		1	ARM, SWITCH		
3	RK2-0969-000		1	CABLE, DRIVE FLAT, 1		
4	RK2-0970-000		1	CABLE, DRIVE FLAT, 2		
5	RC1-7546-000		1	DUCT, 1		
6	RL1-1760-000		1	IC, S93C66BD01-D8S1G, EEP-ROM	100V	
6	RL1-1761-000		1	IC, S93C66BD01-D8S1G, EEP-ROM	120/230V	
7	RM1-2578-100		1	HIGH-VOLTAGE PCB ASS'Y		
8	RM1-3912-000		1	DC CONTROLLER PCB ASS'Y		
9	RM1-4829-000		1	VIDEO CONTROLLER PCB ASS'Y	100V	
9	RM1-4830-000		1	VIDEO CONTROLLER PCB ASS'Y	120/230V	
10	RM1-2587-000		1	CABLE, PANEL CONNECTING		
11	RM1-2592-000		1	CABLE, POWER CONTROL		
12	FM2-6644-000		1	USB BOARD PCB ASSEMBLY		
13	FM3-0628-000		1	NETWORK BOARD PCB ASS'Y		
14	RM1-2632-000		1	RELAY PCB ASS'Y		
15	XA9-1671-000		AR	SCREW, D, M3X8		
16	RC1-7599-000		1	SHIELD, PCB		
17	RC1-6607-000		1	COVER, CONNECTOR		
18	RC1-6611-000		1	COVER, PAPER SENSOR		
19	RC1-6612-000		1	COVER, REGISTRATION SENSOR		

FIGURE & KEY NO.	PARTS NUMBER	R A N K	Q'TY	DESCRIPTION	SERIAL NUMBER/ REMARKS	S V C
Fig.107	NPN		RF	INTERNAL COMPONENTS 6	LBP5400/5360	
1	RK2-1302-000		1	CABLE, USB HOST POWER SUPPLY	ASIA/CN	
2	RC2-1634-000		1	ARM, SWITCH		
3	RK2-0969-000		1	CABLE, DRIVE FLAT, 1		
4	RK2-0970-000		1	CABLE, DRIVE FLAT, 2		
5	RC1-7546-000		1	DUCT, 1		
6	RC1-6612-000		1	COVER, REGISTRATION SENSOR		
7	RM1-2578-100		1	HIGH-VOLTAGE PCB ASS'Y		
8	RM1-3912-000		1	DC CONTROLLER PCB ASS'Y		
9	RC1-6607-000		1	COVER, CONNECTOR		
10	RM1-2587-000		1	CABLE, PANEL CONNECTING		
11	RM1-2592-000		1	CABLE, POWER CONTROL		
12	RC1-6611-000		1	COVER, PAPER SENSOR		
13	FK2-0697-000		1	FAN		
14	RM1-2632-000		1	RELAY PCB ASS'Y		
15	XA9-1671-000		AR	SCREW, D, M3X8		
16	RC1-7599-000		1	SHIELD, PCB		
17	RM1-4680-000		1	VIDEO CONTROLLER PCB ASS'Y	LBP5360	
17	RM1-4594-000		1	VIDEO CONTROLLER PCB ASS'Y	LBP5400	
18	FK2-3538-000		2	DIMM ASS'Y		
19	WA7-3940-000		1	IC, CAT24AC128L, EEP-ROM		
501	XB1-1300-807		3	SCREW, CROSS-RECESS, FCH		
502	XB6-7301-205		2	SCREW, TP, M3X12		
503	XB4-7401-005		2	SCREW,TAPPING,TRUSS HEAD,M4X10		

FIGURE 260
PAPER PICK-UP DRIVE ASS'Y

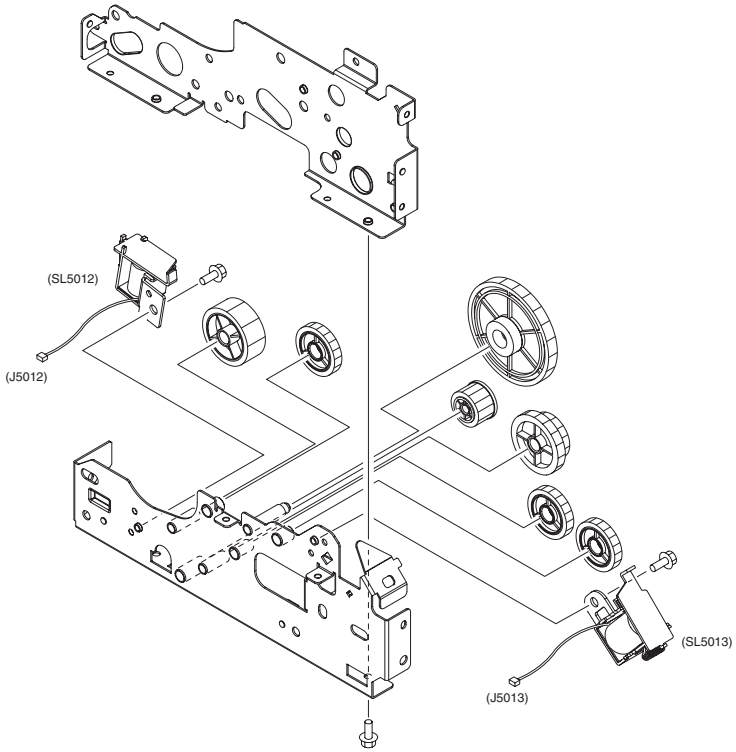


FIGURE & KEY NO.	PARTS NUMBER	R A N K	Q'TY	DESCRIPTION	SERIAL NUMBER/ REMARKS	S V C
Fig.260	RM1-2679-020		1	PAPER PICK-UP DRIVE ASS'Y		

FIGURE 265
DUPLEXING FEED DRIVE ASS'Y

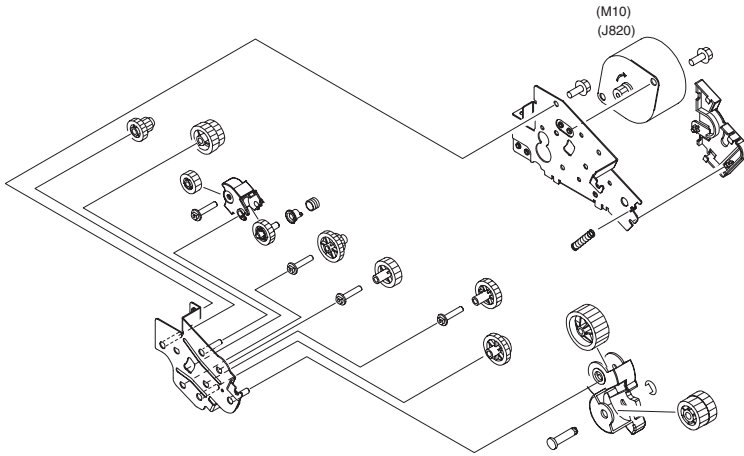


FIGURE & KEY NO.	PARTS NUMBER	R A N K	Q'TY	DESCRIPTION	SERIAL NUMBER/ REMARKS	S V C
Fig.265	RM1-2720-000		1	DUPLEXING FEED DRIVE ASS'Y		

FIGURE 266 DUPLEXING REVERSE DRIVE ASS'Y

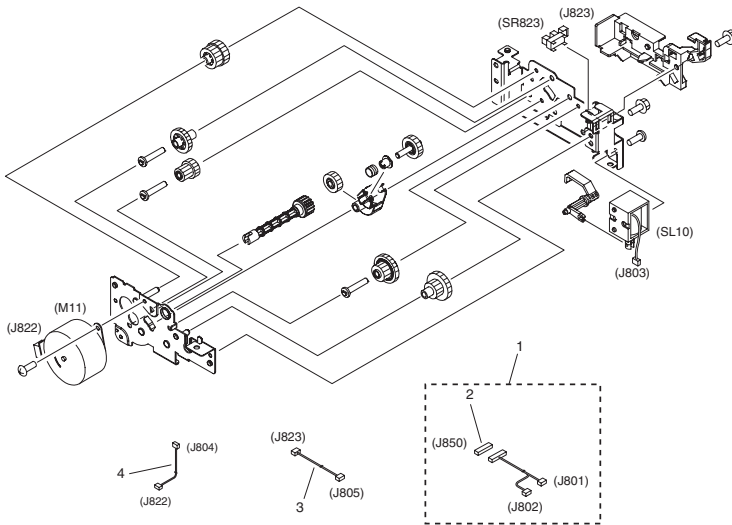


FIGURE & KEY NO.	PARTS NUMBER	RANK	Q'TY	DESCRIPTION	SERIAL NUMBER/REMARKS	SVC
Fig.266	RM1-2721-000		1	DUPLEXING REVERSE DRIVE ASS'Y		
1	RM1-2616-000		1	CABLE, DUPLEXING		
2	VS1-7207-020		1	CONNECTOR, SNAP TIGHT		
3	RM1-2618-000		1	CABLE, DUPLEXING SENSOR		
4	RM1-2617-000		1	CABLE, DUPLEXING		

FIGURE & KEY NO.	PARTS NUMBER	R A N K	Q'TY	DESCRIPTION	SERIAL NUMBER/ REMARKS	S V C
Fig.270	RM1-2687-000		1	DEV. ESTRANGEMENT DRIVE ASS'Y		

FIGURE 280
FIXING DRIVE ASS'Y

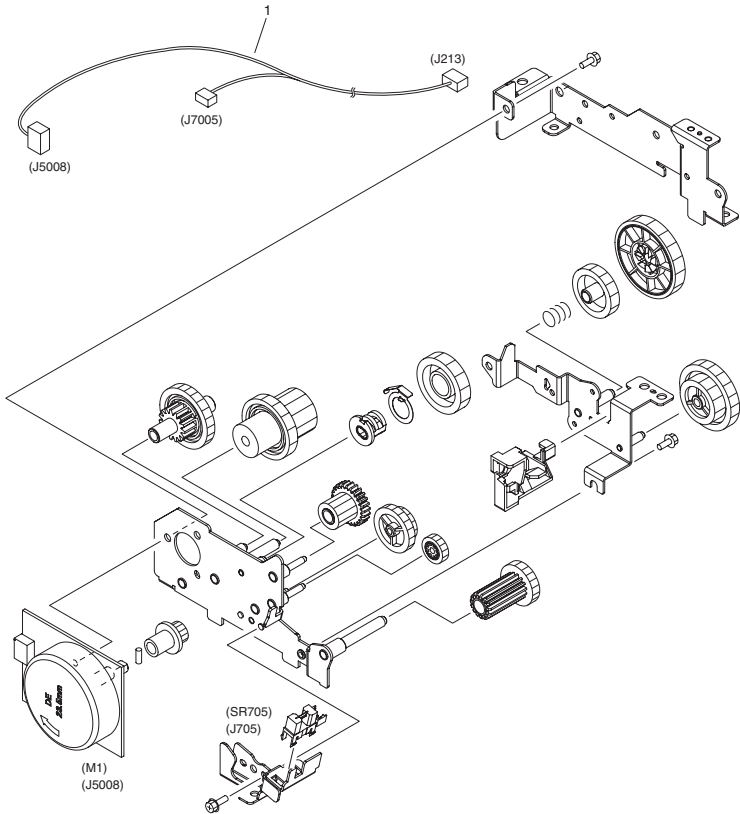


FIGURE & KEY NO.	PARTS NUMBER	R A N K	Q'TY	DESCRIPTION	SERIAL NUMBER/ REMARKS	S V C
Fig.280 1	RM1-2758-000		1	FIXING DRIVE ASS'Y		
	RM1-2619-000		1	CABLE, FIXING DRIVE		

FIGURE 300 CASSETTE

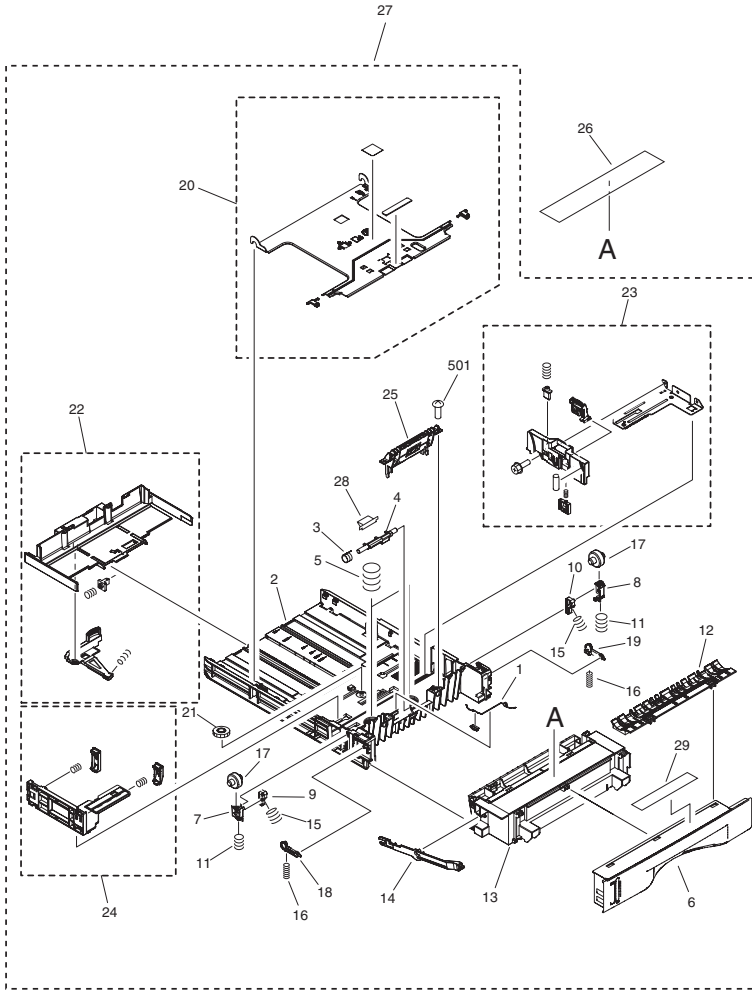


FIGURE & KEY NO.	PARTS NUMBER	R A N K	Q'TY	DESCRIPTION	SERIAL NUMBER/ REMARKS	S V C
Fig.300	NPN		RF	CASSETTE		
1	RC1-6461-000		1	SPRING, GROUNDING		
2	RC1-6462-000		1	BODY, CASSETTE		
3	RC1-7649-000		1	SPRING, COMPRESSION		
4	RC1-7644-000		1	LOCK, PAPER LIFTING PLATE, 1		
5	RC1-6465-000		2	SPRING, COMPRESSION		
6	RC2-1605-000		1	COVER, CASSETTE, FRONT		
7	RC1-6492-000		1	CAM, LEFT		
8	RC1-6493-000		1	CAM, RIGHT		
9	RC1-6494-000		1	RACK, LEFT		
10	RC1-6495-000		1	RACK, RIGHT		
11	RC1-6498-000		2	SPRING, COMPRESSION		
12	RC1-6540-020		1	GUIDE, CASSETTE PAPER		
13	RC1-6780-020		1	FRAME, CASSETTE, FRONT		
14	RC2-1606-000		1	ARM, REMNANT INDICATION		
15	RC1-6787-000		2	SPRING, COMPRESSION		
16	RC1-6788-000		2	SPRING, COMPRESSION		
17	RC1-7570-000		2	ROLLER, CAM		
18	RC1-7601-000		1	STOPPER, CASSETTE, LEFT		
19	RC1-7602-000		1	STOPPER, CASSETTE, RIGHT		
20	RL1-1074-000		1	PLATE, PAPER LIFTING		
21	RU5-0328-000		1	GEAR, 10T		
22	RM1-2706-020		1	BACK END LIMIT ASS'Y		
23	RM1-2707-000		1	PAPER SIDE END RIGHT ASS'Y		
24	RM1-2708-000		1	PAPER SIDE END LEFT ASS'Y		
25	RM1-2709-000		1	SEPARATION HOLDER ASS'Y		
26	RC2-1650-000		1	LABEL, 250 CASSETTE		
27	RM1-4296-000		1	CASSETTE		
28	RC1-7645-000		1	LOCK, PAPER LIFTING PLATE, 2		
29	RC2-2746-000		1	LABEL, JAM CLEARING		
501	XB4-7401-005		2	SCREW,TAPPING,TRUSS HEAD,M4X10		

FIGURE 310
PAPER PICK-UP ASS'Y

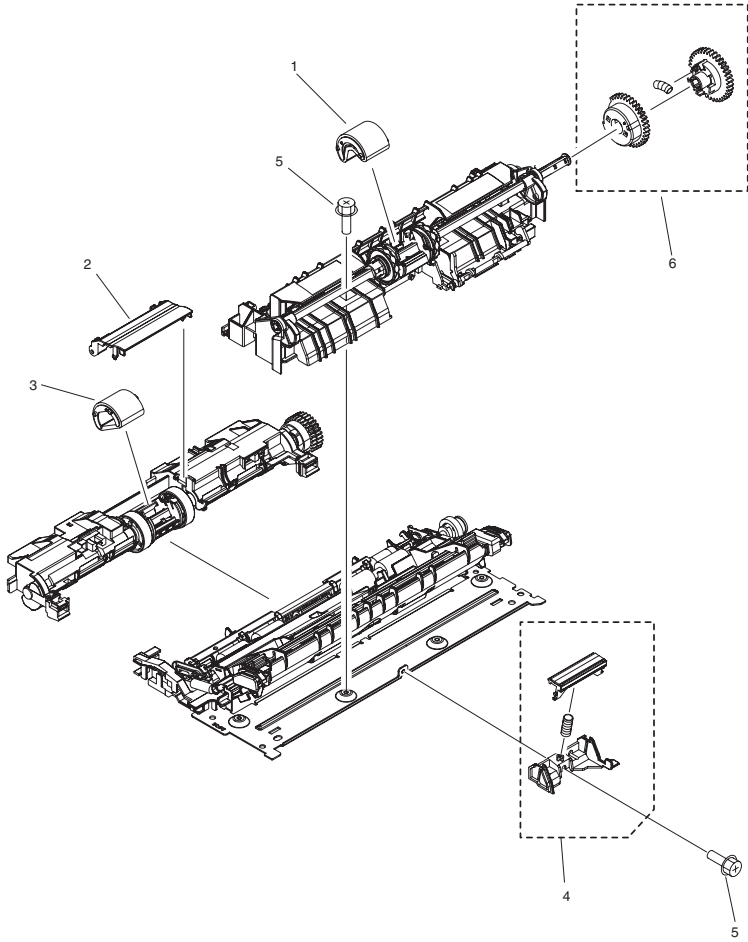
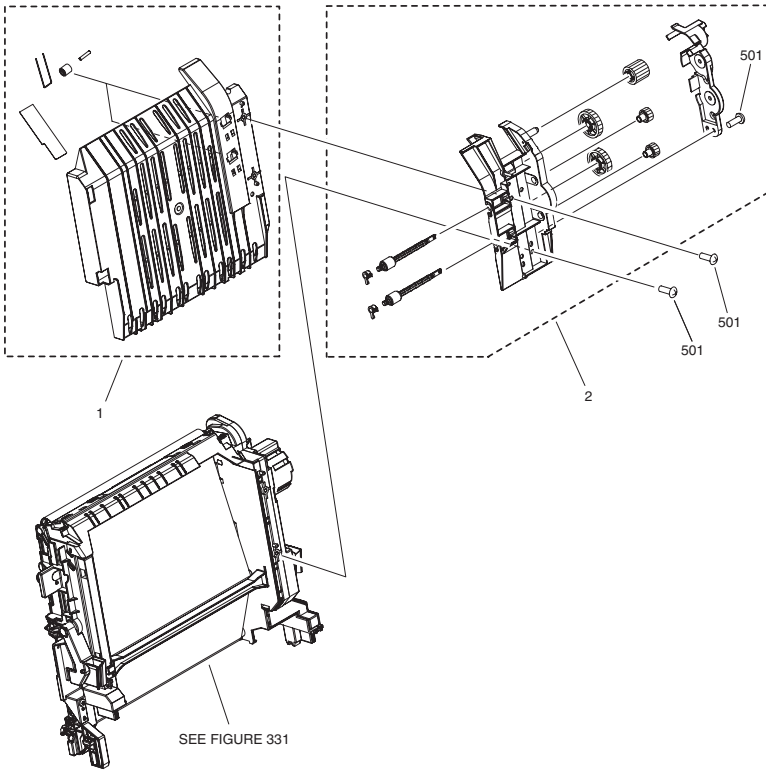


FIGURE & KEY NO.	PARTS NUMBER	RANK	Q'TY	DESCRIPTION	SERIAL NUMBER/REMARKS	SVC
Fig.310	RM1-2755-000		1	PAPER PICK-UP ASS'Y		
1	RM1-2741-000		1	MULTI-PURPOSE ROLLER ASS'Y		
2	RC1-6609-000		1	COVER, CASSETTE ROLLER		
3	RM1-2702-000		1	CST. PICK-UP ROLLER ASS'Y		
4	RM1-2699-000		1	MULTI-PURPOSE SEP. PAD ASS'Y		
5	XA9-1671-008		5	SCREW, D, M3X8		
6	RM1-2704-000		1	M.P. PAPER PICK-UP GEAR ASS'Y		

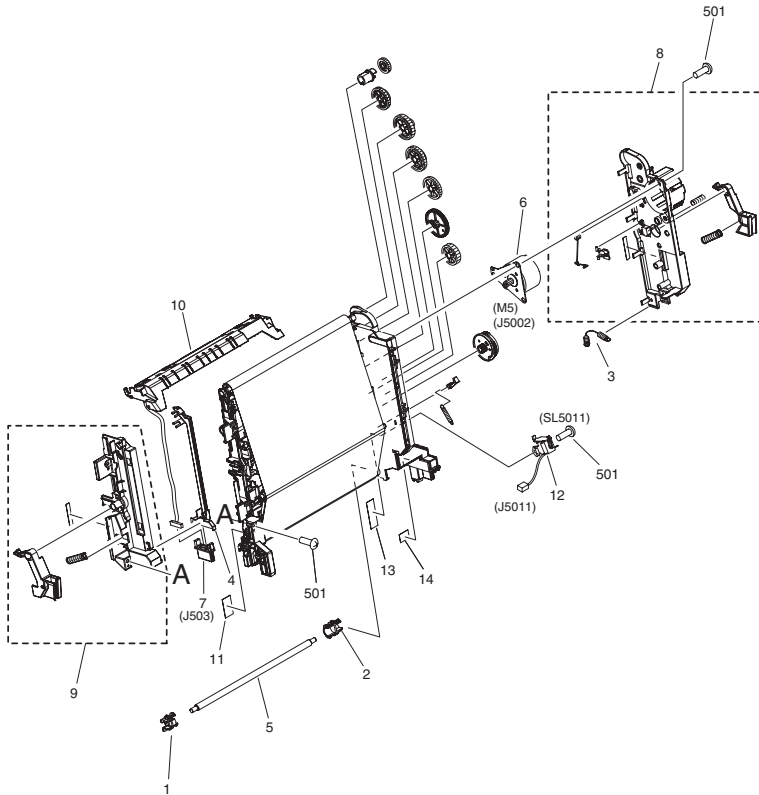
FIGURE 330 ELECT. TRANS. BELT ASS'Y, DUPLEX



NOTE : This assembly includes the assemblies shown in Figure 331.
注 : このユニットはFigure 331のユニットを含みます。

FIGURE & KEY NO.	PARTS NUMBER	RANK	Q'TY	DESCRIPTION	SERIAL NUMBER/REMARKS	SVC
Fig.330	RM1-2752-060		1	ELECT.TRANS.BELT ASS'Y, DUPLEX	SEE NOTE	
1	RM1-2718-000		1	DUPLEXING PAPER FEED ASS'Y		
2	RM1-2719-000		1	POSITION GUIDE ASS'Y		
501	XB4-7401-005		4	SCREW,TAPPING,TRUSS HEAD,M4X10		

FIGURE 331 ELECT. TRANSPORT BELT ASS'Y



NOTE: This assembly is included in the assembly shown in Figure 330.
 注：このユニットはFigure 330のユニットに含まれます。

FIGURE & KEY NO.	PARTS NUMBER	R A N K	Q'TY	DESCRIPTION	SERIAL NUMBER/ REMARKS	S V C
Fig.331	RM1-2759-000		1	ELECT.TRANSPORT BELT ASS'Y	SEE NOTE	
1	RC1-6323-020		1	BUSHING		
2	RC1-6324-000		1	BUSHING		
3	RC1-6350-000		1	SPRING, TENSION		
4	RC1-6370-000		1	COVER, E.T.B. CABLE, LEFT		
5	RC1-6854-000		1	ROLLER, ATTRACTION		
6	RK2-0937-000		1	MOTOR, DC		
7	VS1-7257-007		1	CONNECTOR, DRAWER		
8	RM1-2692-030		1	E.T.B. GEAR COVER ASS'Y		
9	RM1-2693-000		1	E.T.B. LEFT COVER ASS'Y		
10	RM1-2694-010		1	REG. SENSING HOLDER ASS'Y		
11	RC1-7590-000		1	LABEL, E.T.B. INSERT POSITION		
12	RK2-0944-000		1	SOLENOID		
13	RC1-7588-000		1	LABEL, E.T.B.		
14	RC1-7589-000		1	LABEL, E.T.B. INSERT POSITION		
501	XB4-7401-005		10	SCREW,TAPPING,TRUSS HEAD,M4X10		

FIGURE 351
MULTI PURPOSE TRAY ASS'Y

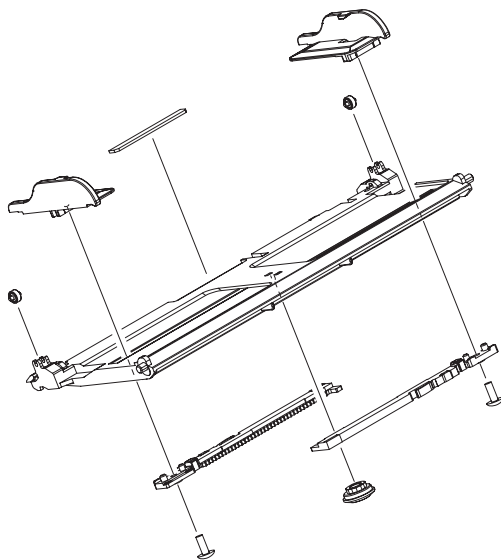


FIGURE & KEY NO.	PARTS NUMBER	R A N K	Q'TY	DESCRIPTION	SERIAL NUMBER/ REMARKS	S V C
Fig.351	RM1-2711-030		1	MULTI PURPOSE TRAY ASS'Y		

FIGURE 360
LOWER GUIDE ASS'Y

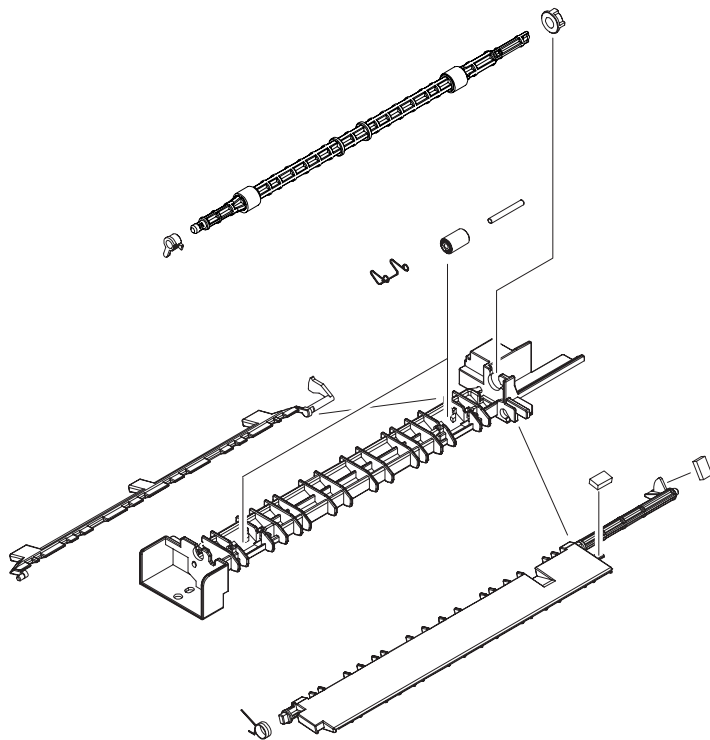


FIGURE & KEY NO.	PARTS NUMBER	R A N K	Q'TY	DESCRIPTION	SERIAL NUMBER/ REMARKS	S V C
Fig.360	RM1-2722-010		1	LOWER GUIDE ASS'Y		

FIGURE 810
FIXING ASS'Y

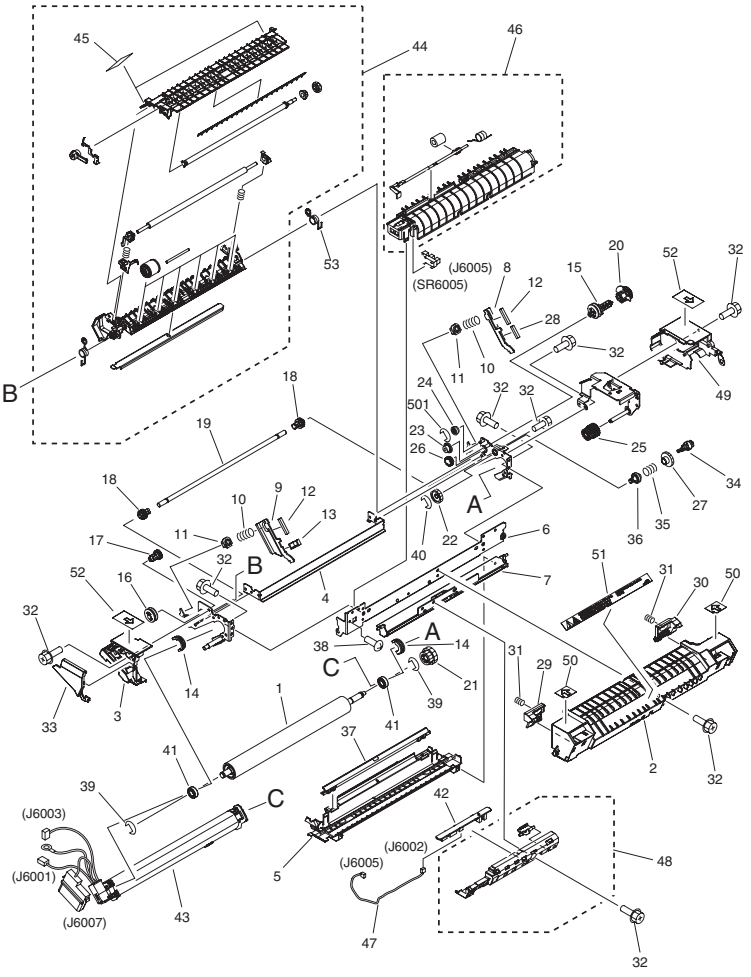


FIGURE & KEY NO.	PARTS NUMBER	R A N K	Q'TY	DESCRIPTION	SERIAL NUMBER/ REMARKS	S V C
Fig.810	RM1-4300-010		1	FIXING ASS'Y	100V	
Fig.810	RM1-4348-010		1	FIXING ASS'Y	120V	
Fig.810	RM1-4349-010		1	FIXING ASS'Y	230V	
1	RC1-6229-030		1	ROLLER, PRESSURE		
2	RC1-6230-020		1	COVER, PRE-FIXING		
3	RC1-6234-010		1	COVER, FIXING, LEFT		
4	RC1-6235-000		1	CROSSMEMBER, FIXING, REAR		
5	RC1-6237-000		1	COVER, FIXING, LOWER		
6	RC1-6245-000		1	PLATE, FIXING BASE		
7	RC1-6254-020		1	GUIDE, FIXING ENTRANCE		
8	RC1-6257-000		1	PLATE, SLEEVE PRESSURE, RIGHT		
9	RC1-6258-000		1	PLATE, SLEEVE PRESSURE, LEFT		
10	RC1-6259-000		2	SPRING, COMPRESSION		
11	RC1-6260-000		2	HOLDER, PRESSURE SPRING		
12	RC1-6261-000		2	SLIDER, CAM, 1		
13	RC1-6262-000		1	GUIDE, CABLE		
14	RC1-6263-000		2	BUSHING		
15	RC1-6264-000		1	CAM, ESTRANGEMENT, RIGHT		
16	RC1-6265-000		1	CAM, ESTRANGEMENT, LEFT		
17	RC1-6266-000		1	GEAR, 15T		
18	RC1-6267-000		2	GEAR, 15T		
19	RC1-6268-000		1	SHAFT, CAM		
20	RC1-6269-000		1	GEAR, 21T		
21	RC1-6270-000		1	GEAR, 23T/23T		
22	RC1-6275-000		1	GEAR, 31T		
23	RC1-6276-000		1	GEAR, 23T/14T		
24	RC1-6277-000		1	GEAR, 14T/17T		
25	RC1-6281-020		1	GEAR, 22T/15T		
26	RC1-6285-000		1	GEAR, 15T		
27	RC1-6303-000		1	GEAR, 25T		
28	RC1-6308-000		1	SLIDER, CAM, 2		
29	RC1-6839-000		1	LOCK, FIXING, LEFT		

FIGURE & KEY NO.	PARTS NUMBER	RANK	Q'TY	DESCRIPTION	SERIAL NUMBER/REMARKS	SVC
30	RC1-6840-000		1	LOCK, FIXING, RIGHT		
31	RC1-6841-000		2	SPRING, COMPRESSION		
32	XA9-1671-000		10	SCREW, D, M3X8		
33	RC1-6843-000		1	COVER		
34	RC1-7572-000		1	RATCHET		
35	RC1-7573-000		1	SPRING, COMPRESSION		
36	RC1-7574-000		1	HOLDER, SPRING		
37	RC1-7575-000		1	COVER, SHAFT		
38	XA9-1449-000		1	SCREW, RS, M3X8		
39	XD9-0234-000		2	RING, E		
40	XD9-0235-000		1	RING, E		
41	XG9-0572-000		2	BEARING, BALL		
42	RM1-2586-000		1	RELAY PCB ASS'Y		
43	RM1-4301-000		1	FIXING FILM GUIDE ASS'Y	100V	
43	RM1-2666-050		1	FIXING FILM GUIDE ASS'Y	120V	
43	RM1-2744-050		1	FIXING FILM GUIDE ASS'Y	230V	
44	RM1-2667-070		1	PAPER DELIVERY GUIDE ASS'Y		
45	RC1-7632-000		2	LABEL, OPEN/CLOSE GUIDE		
46	RM1-2746-000		1	HEAT INSULATING COVER ASS'Y		
47	RM1-2601-000		1	CABLE, FIXING DC		
48	RM1-2747-020		1	LOOP SENSOR HOLDER ASS'Y		
49	RM1-2748-000		1	FIXING RIGHT COVER ASS'Y		
50	RC2-1646-000		2	LABEL, FIXING, 1		
51	RC1-7606-000		1	LABEL, HIGH TMP. CAUTION		
52	RC2-1647-000		2	LABEL, FIXING, 2		
53	RC1-6845-000		1	SPRING, TORSION		
501	XD2-1100-242		1	WASHER, RETAINING		

Prepared by
OIP HFE Promotion Center
CANON INC.

Canon