

Color imageRUNNER LBP5460

PARTS CATALOG



Canon

**JUL 25, 2009
REV. 0**

PREFACE

This Parts Catalog contains listings of parts used

Diagrams are provided with the listings to aid the service technician in identifying clearly, the item to be ordered.

Whenever ordering parts, consult this Parts Catalog for all of the information pertaining to each item. Be sure to include, in the Parts Request, the full item description, the item part number, and the quantity.

COPYRIGHT (C) 1999 CANON INC.

Use of this manual should be strictly supervised to avoid disclosure of confidential information.

Contents

NUMERICAL INDEX

Satera LBP7700C/Color imageRUNNER LBP5460(Numerical Index) 1-1

Satera LBP7700C/Color imageRUNNER LBP5460(Parts Catalog)

A	ASSEMBLY LOCATION DIAGRAM	2-1
001	ACCESSORIES	2-2
100	EXTERNAL PANELS, COVERS, ETC.	2-3
101	FRONT DOOR ASS'Y	2-5
102	RIGHT DOOR ASS'Y	2-7
103	INTERNAL COMPONENTS 1	2-9
104	INTERNAL COMPONENTS 2	2-11
105	INTERNAL COMPONENTS 3	2-14
106	INTERNAL COMPONENTS 4	2-17
107	INTERNAL COMPONENTS 5	2-20
300	CASSETTE	2-22
310	CASSETTE PAPER PICK-UP ASS'Y	2-24
311	M.P. PAPER PICK-UP ASS'Y	2-26
320	REGISTRATION ASS'Y	2-28
330	SECONDARY TRANSFER ASS'Y	2-30
350	PAPER DELIVERY ASS'Y	2-32
360	DUPLEXING PAPER FEED ASS'Y	2-34
810	FIXING ASS'Y	2-36

NUMERICAL INDEX

Color imageRUNNER LBP5460 (Numerical Index)

PARTS NUMBER	FIGURE & KEY NO.	PARTS NUMBER	FIGURE & KEY NO.	PARTS NUMBER	FIGURE & KEY NO.
FC8-9763-000	100 - 3	FM4-1592-000	106 - 15	RC2-5020-000	106 - 5
FC8-9764-000	103 - 8	FM4-1593-000	106 - 28	RC2-5021-000	106 - 4
FC8-9765-000	100 - 7	FM4-1628-000	106 - 20	RC2-5044-000	104 - 3
FC8-9766-000	100 - 2	FM4-1631-000	106 - 20	RC2-5046-000	106 - 12
FC8-9767-000	106 - 7	FM4-1638-000	106 - 20	RC2-5047-000	106 - 8
FC8-9769-000	100 - 8	FM4-3169-000	100 - 9	RC2-5104-000	107 - 9
FC8-9770-000	100 - 5	FM4-4178-000	106 - 28	RC2-5113-000	105 - 13
FC8-9776-000	100 - 6	FM4-5110-000	106 - 28	RC2-5117-000	105 - 16
FC8-9779-000	100 - 1	NPN	001 -	RC2-5118-000	105 - 15
FC8-9783-000	100 - 11	NPN	100 -	RC2-5119-000	105 - 14
FC8-9784-000	100 - 12	NPN	103 -	RC2-5120-000	105 - 10
FC8-9794-000	105 - 19	NPN	104 -	RC2-5121-000	105 - 12
FC8-9800-000	100 - 13	NPN	105 -	RC2-5122-000	105 - 28
FC8-9803-000	105 - 8	NPN	106 -	RC2-5123-000	105 - 11
FC8-9817-000	106 - 11	NPN	107 -	RC2-5148-000	106 - 9
FC8-9819-000	100 - 14	RC2-3972-000	107 - 16	RC2-5160-000	104 - 9
FK2-0515-000	001 - 2	RC2-3983-000	103 - 19	RC2-5898-000	104 - 2
FK2-0993-000	106 - 25	RC2-4377-000	105 - 27	RC2-5900-000	103 - 23
FK2-5321-000	001 - 3	RC2-4378-000	105 - 25	RC2-5909-000	104 - 10
FK2-9225-000	001 - 1	RC2-4406-000	104 - 26	RC2-5910-000	104 - 11
FK2-9228-000	001 - 1	RC2-4407-000	104 - 25	RC2-5912-000	104 - 12
FK2-9229-000	001 - 1	RC2-4413-000	104 - 24	RC2-5913-000	105 - 18
FK2-9230-000	001 - 1	RC2-4415-000	104 - 23	RC2-5930-000	106 - 10
FK2-9231-000	001 - 1	RC2-4426-000	103 - 20	RC2-5932-000	104 - 4
FK2-9232-000	001 - 1	RC2-4428-000	104 - 22	RC2-5933-000	106 - 13
FK2-9570-000	001 - 2	RC2-4541-000	105 - 1	RC2-5937-000	103 - 24
FK2-9571-000	001 - 2	RC2-4734-000	102 - 3	RC2-5950-000	103 - 25
FK2-9572-000	001 - 2	RC2-4780-000	103 - 21	RC2-5951-000	103 - 26
FK2-9904-000	001 - 2	RC2-4783-000	103 - 15	RC2-5954-000	104 - 15
FM3-8793-000	100 - 4	RC2-4820-000	103 - 10	RC2-5954-000	105 - 20
FM3-8794-000	100 - 9	RC2-4824-000	107 - 2	RC2-5955-000	104 - 14
FM3-8796-000	102 -	RC2-4830-000	103 - 9	RC2-5956-000	105 - 23
FM3-8798-000	101 -	RC2-4869-000	105 - 3	RC2-5957-000	105 - 21
FM3-8800-000	300 -	RC2-4870-000	103 - 2	RC2-5958-000	104 - 13
FM3-8805-000	106 - 19	RC2-4871-000	105 - 4	RC2-5958-000	105 - 22
FM3-8809-000	100 - 9	RC2-4872-000	107 - 3	RC2-5959-000	107 - 18
FM3-8812-000	100 - 10	RC2-4875-000	105 - 2	RC2-5960-000	103 - 16
FM3-8813-000	100 - 10	RC2-4894-000	105 - 29	RC2-5961-000	107 - 15
FM3-8814-000	100 - 10	RC2-4895-000	106 - 24	RC2-5962-000	104 - 18
FM3-8815-000	810 -	RC2-4914-000	105 - 5	RC2-5966-000	104 - 16
FM3-8816-000	810 -	RC2-4915-000	105 - 7	RC2-5967-000	104 - 17
FM3-8817-000	105 - 38	RC2-4916-000	105 - 6	RC2-5968-000	107 - 21
FM3-8822-000	100 - 10	RC2-4916-000	106 - 2	RC2-5969-000	104 - 19
FM3-8824-000	810 -	RC2-4918-000	106 - 22	RC2-5970-000	104 - 8
FM3-8827-000	103 - 3	RC2-4924-000	103 - 14	RC2-5971-000	104 - 6
FM3-8828-000	103 - 6	RC2-5006-000	103 - 5	RC2-5993-000	104 - 7
FM3-9067-000	101 -	RC2-5010-000	103 - 7	RC2-6018-000	102 - 1
FM3-9068-000	101 -	RC2-5011-000	103 - 4	RC2-6027-000	106 - 23
FM3-9069-000	101 -	RC2-5015-000	107 - 4	RC2-6028-000	105 - 33
FM4-1580-000	106 - 31	RC2-5016-000	106 - 21	RC2-9069-000	107 - 10
FM4-1584-000	105 - 39	RC2-5017-000	107 - 25	RC2-9073-000	102 - 5
FM4-1585-000	105 - 41	RC2-5019-000	105 - 9	RC2-9074-000	106 - 26

NUMERICAL INDEX

Color imageRUNNER LBP5460 (Numerical Index)

PARTS NUMBER	FIGURE & KEY NO.	PARTS NUMBER	FIGURE & KEY NO.	PARTS NUMBER	FIGURE & KEY NO
RK2-1302-000	001 - 4	RM1-5721-000	106 - 17		
RK2-2229-000	104 - 27	RM1-5730-000	107 - 1		
RK2-2415-000	107 - 27	RM1-5731-000	107 - 5		
RK2-2416-000	106 - 6	RM1-5732-000	105 - 44		
RK2-2418-000	104 - 38	RM1-5737-000	106 - 27		
RK2-2506-000	106 - 16	RM1-5740-000	104 - 34		
RK2-2506-000	106 - 32	RM1-5741-000	104 - 35		
RL1-1920-000	103 - 29	RM1-5742-000	103 - 1		
RL1-1923-000	104 - 30	RM1-5746-000	104 - 1		
RL1-1925-000	105 - 30	RM1-5749-000	104 - 33		
RL1-1926-000	106 - 14	RM1-5752-000	104 - 36		
RL1-1937-000	311 - 2	RM1-5773-000	107 - 26		
RL1-1948-000	106 - 3	RM1-7037-000	103 - 28		
RL1-2144-000	104 - 28	RU6-0509-000	102 - 4		
RL1-2184-000	311 - 1	RU6-0521-000	105 - 24		
RM1-4952-000	330 -	RU6-0536-000	105 - 17		
RM1-4953-000	105 - 36	RU6-2234-000	107 - 17		
RM1-4954-000	107 - 23	RU6-2236-000	103 - 17		
RM1-4959-000	360 -	RU6-2237-000	103 - 18		
RM1-4961-000	311 -	RU6-2245-000	103 - 30		
RM1-4966-000	300 - 1	RU6-2268-000	105 - 26		
RM1-4967-000	310 -	RU6-2316-000	104 - 21		
RM1-4968-000	310 - 1	RU6-2318-000	104 - 20		
RM1-4969-000	320 -	RU6-2405-000	107 - 6		
RM1-4970-000	350 -	RU6-2436-000	104 - 5		
RM1-4973-000	107 - 24	RU6-2567-000	103 - 11		
RM1-4974-000	107 - 22	RU6-2568-000	103 - 27		
RM1-4975-000	107 - 14	RU6-2569-000	102 - 2		
RM1-4976-000	107 - 7	VS1-7258-007	107 - 12		
RM1-4977-000	103 - 13	WC4-5171-000	105 - 43		
RM1-4978-000	107 - 20	WG8-5696-000	105 - 32		
RM1-4979-000	104 - 31	WG8-5696-000	107 - 13		
RM1-4980-000	105 - 37	WG8-5696-000	310 - 2		
RM1-4983-000	107 - 28	XB4-7401-005	106 - 501		
RM1-4984-000	104 - 32				
RM1-4988-000	107 - 8				
RM1-4990-000	105 - 34				
RM1-5012-000	105 - 35				
RM1-5532-000	105 - 42				
RM1-5533-000	105 - 31				
RM1-5588-000	104 - 39				
RM1-5676-000	104 - 37				
RM1-5680-000	106 - 29				
RM1-5681-000	106 - 30				
RM1-5696-000	103 - 12				
RM1-5700-000	104 - 29				
RM1-5704-000	103 - 22				
RM1-5705-000	107 - 19				
RM1-5712-000	107 - 11				
RM1-5714-000	106 - 1				
RM1-5718-000	105 - 40				
RM1-5719-000	106 - 18				

Color imageRUNNER LBP5460 (Parts Catalog)

Satera LBP7700C

JP F15-6111-000 MELA

Color imgeRUNNER LBP5460

US F15-6232-000 MEMA

i-SENSYS LBP7750Cdn

EUR F15-6292-000 MENA

Laser Shot LBP7750Cdn

ASIA F15-6241-000 MEPA

AU F15-6241-000 MERA

CH F15-6251-000 MEQA

Contents

A	ASSEMBLY LOCATION DIAGRAM	2-1
001	ACCESSORIES	2-2
100	EXTERNAL PANELS, COVERS, ETC.	2-3
101	FRONT DOOR ASS'Y	2-5
102	RIGHT DOOR ASS'Y	2-7
103	INTERNAL COMPONENTS 1	2-9
104	INTERNAL COMPONENTS 2	2-11
105	INTERNAL COMPONENTS 3	2-14
106	INTERNAL COMPONENTS 4	2-17
107	INTERNAL COMPONENTS 5	2-20
300	CASSETTE	2-22
310	CASSETTE PAPER PICK-UP ASS'Y	2-24
311	M.P. PAPER PICK-UP ASS'Y	2-26
320	REGISTRATION ASS'Y	2-28
330	SECONDARY TRANSFER ASS'Y	2-30
350	PAPER DELIVERY ASS'Y	2-32
360	DUPLEXING PAPER FEED ASS'Y	2-34
810	FIXING ASS'Y	2-36

FIGURE A ASSEMBLY LOCATION DIAGRAM

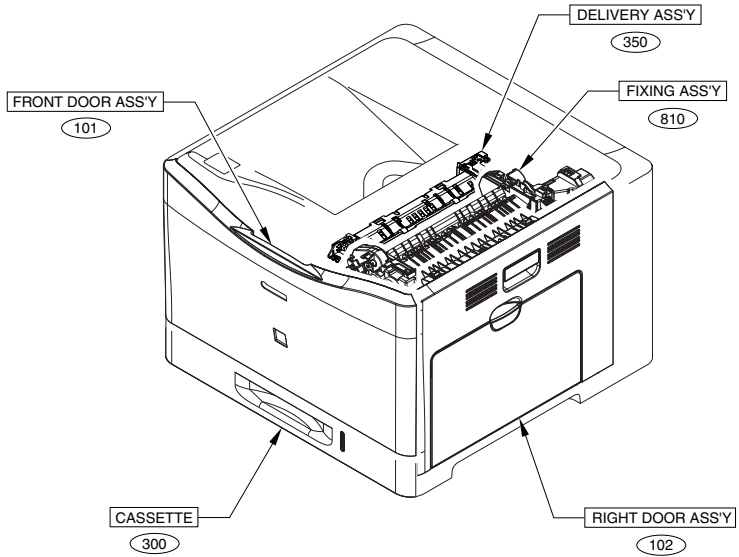
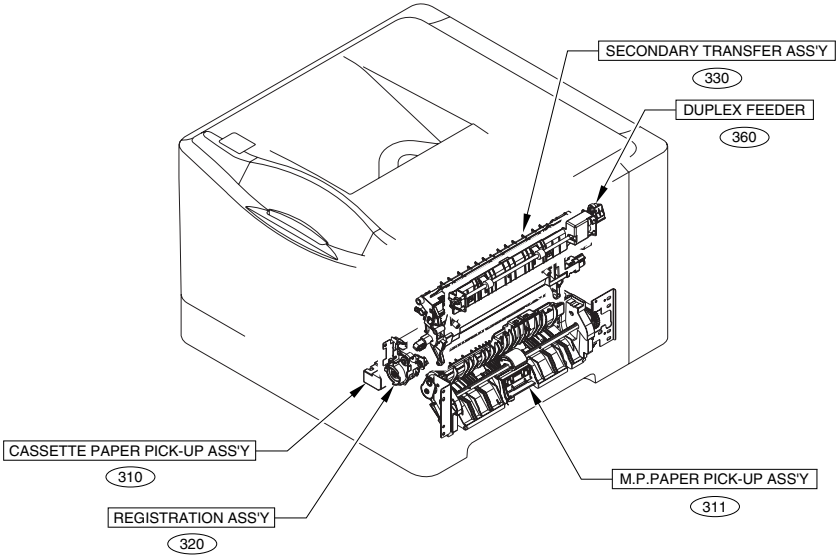
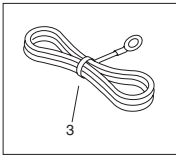
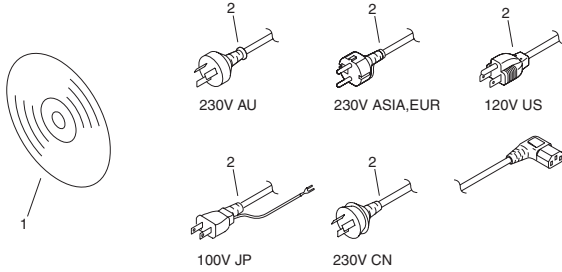
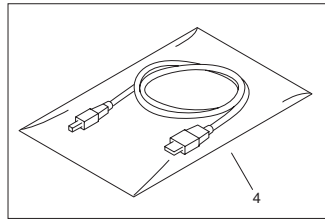


FIGURE 001 ACCESSORIES



JP



ASIA, CN

FIGURE & KEY NO.	PARTS NUMBER	RANK	QTY	DESCRIPTION	SERIAL NUMBER/REMARKS	SVC
Fig.001	NPN		RF	ACCESSORIES		
1	FK2-9225-000		1	CD-ROM, USER SOFTWARE	JP	
1	FK2-9228-000		1	CD-ROM, USER SOFTWARE	US	
1	FK2-9229-000		1	CD-ROM, USER SOFTWARE	EUR	
1	FK2-9230-000		1	CD-ROM, USER SOFTWARE	EUR	
1	FK2-9231-000		1	CD-ROM, USER SOFTWARE	ASIA, AU	
1	FK2-9232-000		1	CD-ROM, USER SOFTWARE	CN	
2	FK2-9570-000		1	CORD, POWER	100V JP	
2	FK2-9904-000		1	CORD, POWER	120V US	
2	FK2-9571-000		1	CORD, POWER	230V EUR, ASIA	
2	FK2-9572-000		1	CORD, POWER	230V CN	
2	FK2-0515-000		1	CORD, POWER	230V AU	
3	FK2-5321-000		1	WIRE, GROUNDING	JP	
4	RK2-1302-000		1	CABLE, USB	ASIA, AU	

FIGURE 100 EXTERNAL PANELS, COVERS, ETC.

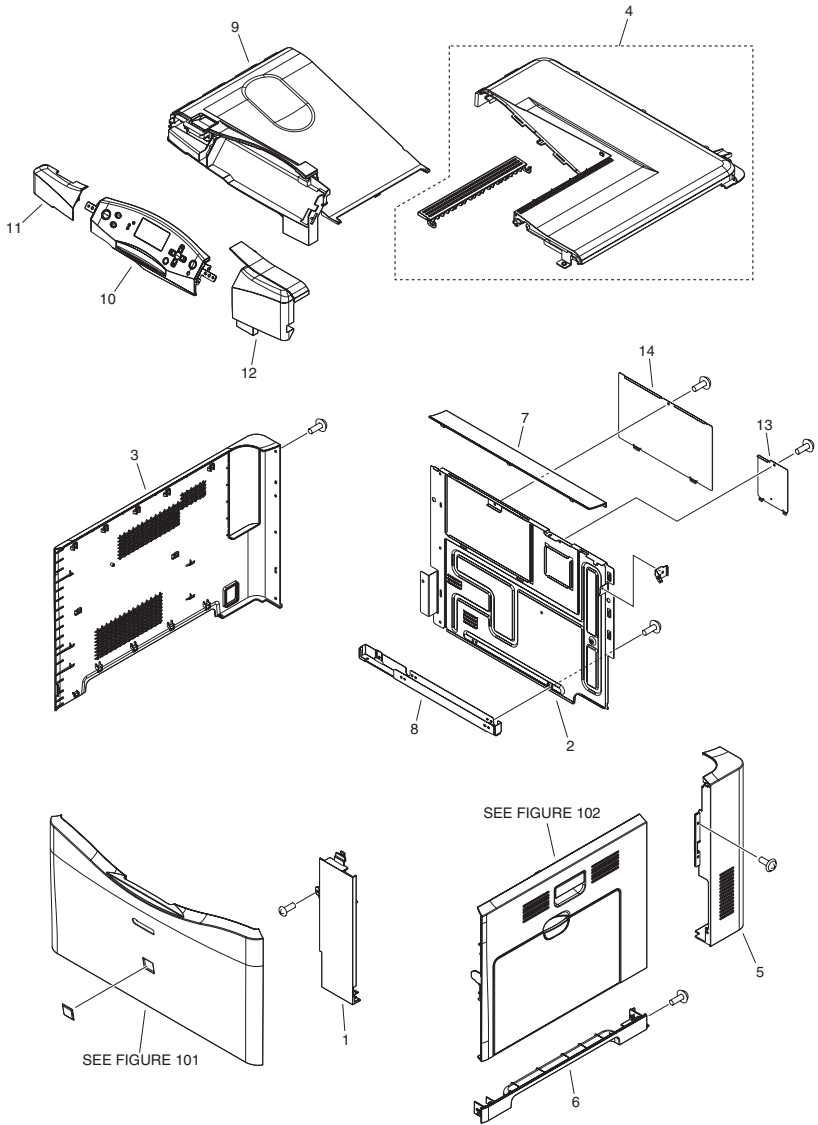


FIGURE & KEY NO.	PARTS NUMBER	RANK	Q'TY	DESCRIPTION	SERIAL NUMBER/REMARKS	SVC
Fig.100	NPN		RF	EXTERNAL PANELS, COVERS, ETC.		
1	FC8-9779-000		1	COVER, RIGHT FRONT		
2	FC8-9766-000		1	COVER, REAR		
3	FC8-9763-000		1	COVER, LEFT		
4	FM3-8793-000		1	COVER, UPPER		
5	FC8-9770-000		1	COVER, REAR RIGHT		
6	FC8-9776-000		1	COVER, RIGHT LOWER		
7	FC8-9765-000		1	COVER, REAR UPPER		
8	FC8-9769-000		1	E, BASE, PANEL, PLATE		
9	FM3-8794-000		1	TRAY, PAPER DELIVERY	JP	
9	FM3-8809-000		1	TRAY, PAPER DELIVERY	US, EUR, ASIA, AU	
9	FM4-3169-000		1	TRAY, PAPER DELIVERY	CN	
10	FM3-8812-000		1	OPERATION PANEL ASS'Y	JP	
10	FM3-8813-000		1	OPERATION PANEL ASS'Y	US, ASIA, AU	
10	FM3-8814-000		1	OPERATION PANEL ASS'Y	EUR	
10	FM3-8822-000		1	OPERATION PANEL ASS'Y	CN	
11	FC8-9783-000		1	COVER, CONTROL PANEL ASS'Y, LT		
12	FC8-9784-000		1	COVER, CONTROL PANEL ASS'Y, RT		
13	FC8-9800-000		1	PLATE, SHIELD		
14	FC8-9819-000		1	PLATE, SHIELD R		

FIGURE 101
FRONT DOOR ASS'Y

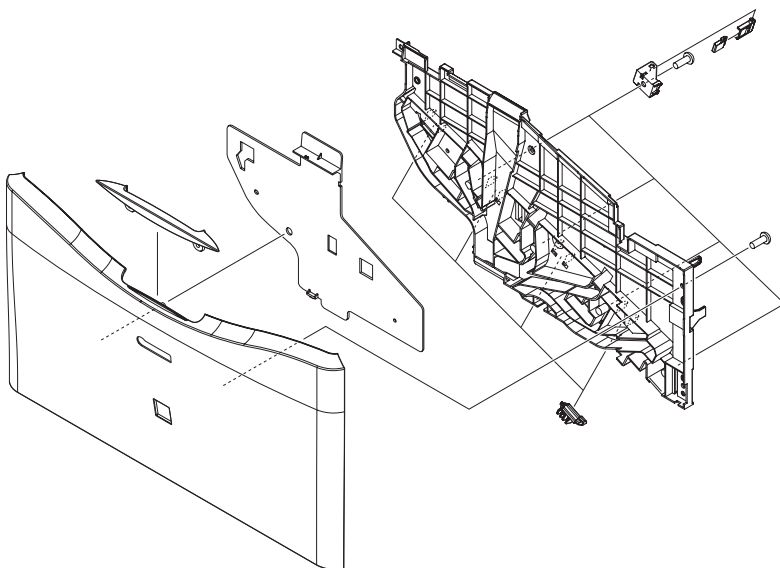


FIGURE & KEY NO.	PARTS NUMBER	RANK	Q'TY	DESCRIPTION	SERIAL NUMBER/REMARKS	SVC
Fig.101	FM3-8798-000		1	FRONT DOOR ASSY	JP	
Fig.101	FM3-9067-000		1	FRONT DOOR ASSY	US	
Fig.101	FM3-9068-000		1	FRONT DOOR ASSY	EUR	
Fig.101	FM3-9069-000		1	FRONT DOOR ASSY	ASIA,CN,AU	

FIGURE 102 RIGHT DOOR ASS'Y

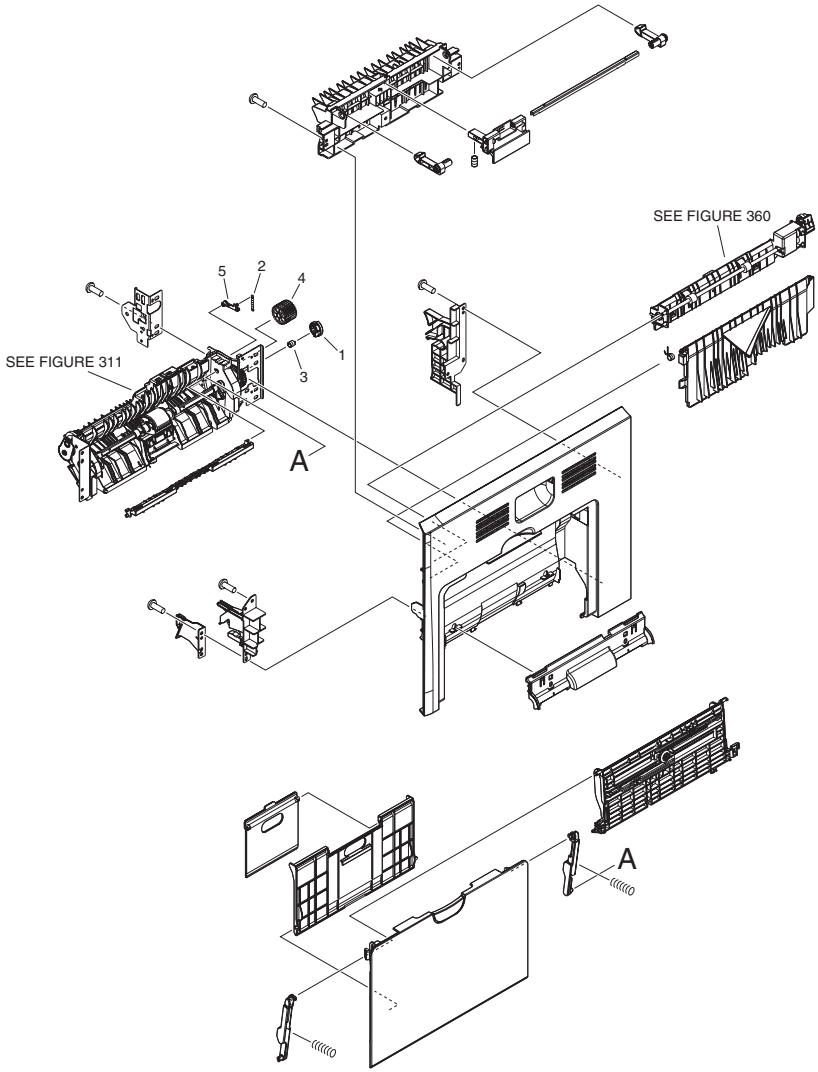


FIGURE & KEY NO.	PARTS NUMBER	R A N K	Q'TY	DESCRIPTION	SERIAL NUMBER/ REMARKS	S V C
Fig.102	FM3-8796-000		1	RIGHT DOOR ASS'Y		
1	RC2-6018-000		1	CAM, STOPPER		
2	RU6-2569-000		1	SPRING, TENSION		
3	RC2-4734-000		1	SPRING, GROUNDING		
4	RU6-0509-000		1	GEAR, 26T		
5	RC2-9073-000		1	LEVER, STOPPER		

FIGURE 103 INTERNAL COMPONENTS 1

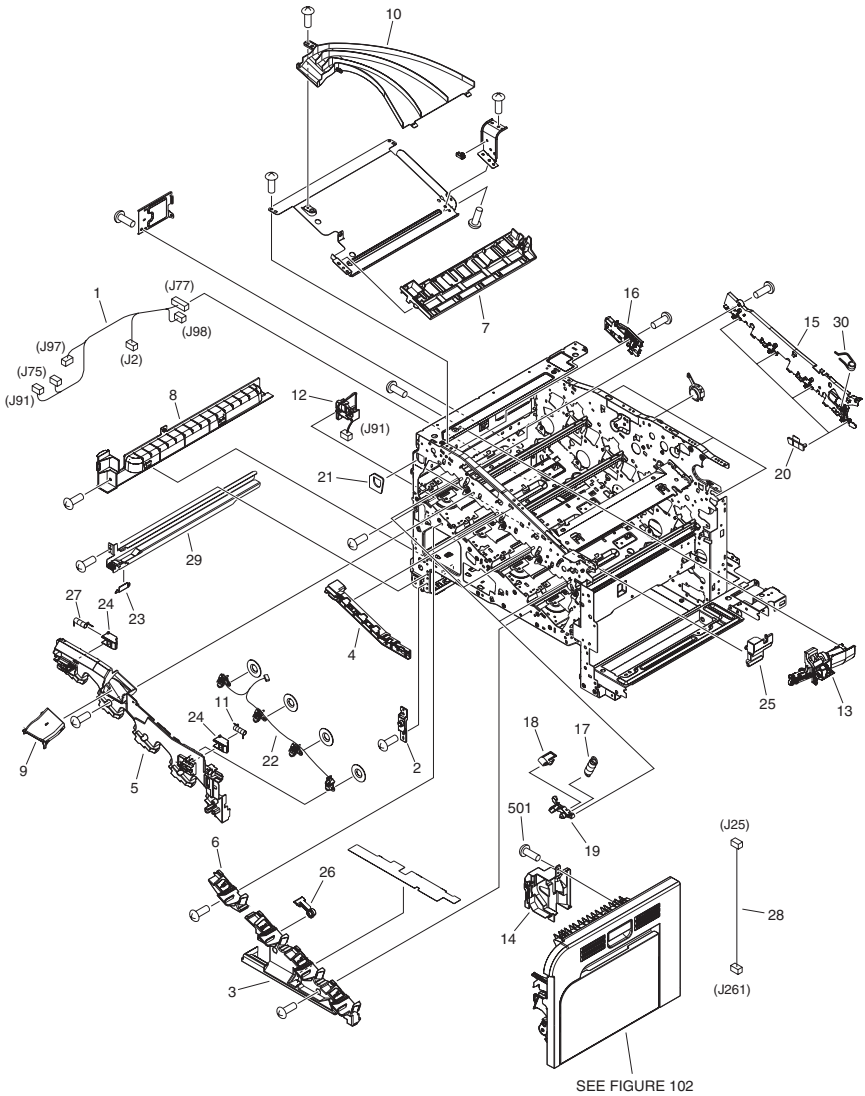


FIGURE & KEY NO.	PARTS NUMBER	R A N K	Q'TY	DESCRIPTION	SERIAL NUMBER/ REMARKS	S V C
Fig.103	NPN		RF	INTERNAL COMPONENTS 1		
1	RM1-5742-000		1	LEFT CABLE ASS'Y		
2	RC2-4870-000		1	PLATE,CST. POSITIONING,FR. LF.		
3	FM3-8827-000		1	COVER, FRONT INNER, LOWER		
4	RC2-5011-000		1	GUIDE, CABLE, FRONT		
5	RC2-5006-000		1	COVER, FRONT INNER, UPPER		
6	FM3-8828-000		1	COVER, FRONT INNER, LOWER		
7	RC2-5010-000		1	GUIDE, CABLE, UPPER		
8	FC8-9764-000		1	COVER, LEFT LOWER		
9	RC2-4830-000		1	COVER, FACE-DOWN DUCT		
10	RC2-4820-000		1	DUCT, PAPER DELIVERY		
11	RU6-2567-000		1	SPRING, COMPRESSION		
12	RM1-5696-000		1	WASTE TONER DETECT ASS'Y		
13	RM1-4977-000		1	WASTE TONER DUCT ASS'Y		
14	RC2-4924-000		1	COVER, RIGHT DOOR GEAR, REAR		
15	RC2-4783-000		1	RAIL, GUIDE, FRONT		
16	RC2-5960-000		1	GUIDE, ROLLER, FRONT		
17	RU6-2236-000		4	SPRING, TENSION		
18	RU6-2237-000		4	SPRING, GROUNDING		
19	RC2-3983-000		4	LEVER, CRG. PRESSURE, FRONT		
20	RC2-4426-000		4	GUIDE, LIGHT		
21	RC2-4780-000		1	SEAL, WASTE TONER BOX		
22	RM1-5704-000		1	FRONT PRE-EXPOSURE PCB ASS'Y		
23	RC2-5900-000		1	PLATE, GROUNDING RESISTOR		
24	RC2-5937-000		2	LOCK, DOOR		
25	RC2-5950-000		1	COVER, CABLE		
26	RC2-5951-000		1	LEVER, BOX PRESENCE DETECT		
27	RU6-2568-000		1	SPRING, COMPRESSION		
28	RM1-7037-000		1	CABLE, DEVELOP		
29	RL1-1920-000		1	RAIL, CASSETTE, LEFT		
30	RU6-2245-000		1	SPRING, TORSION		

FIGURE 104
INTERNAL COMPONENTS 2

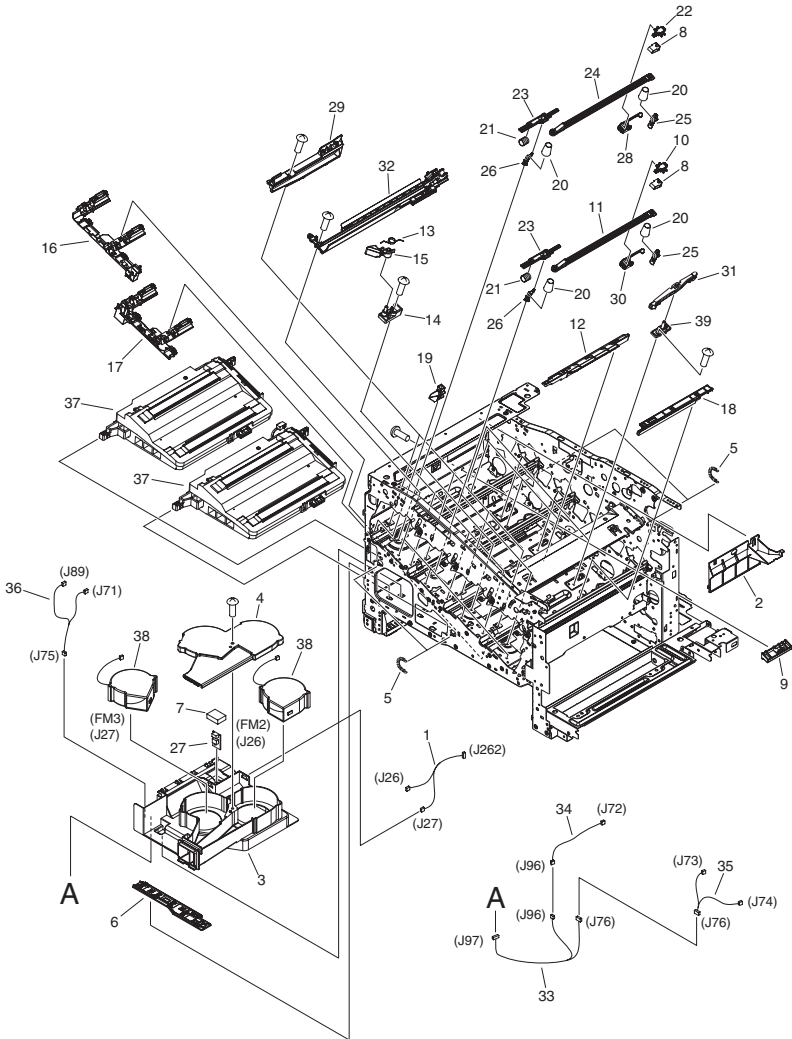


FIGURE & KEY NO.	PARTS NUMBER	R A N K	Q'TY	DESCRIPTION	SERIAL NUMBER/ REMARKS	S V C
Fig.104	NPN		RF	INTERNAL COMPONENTS 2		
1	RM1-5746-000		1	FAN CABLE ASS'Y		
2	RC2-5898-000		1	TRAY, WASTE TONER CATCH		
3	RC2-5044-000		1	HOLDER, CARTRIDGE FAN		
4	RC2-5932-000		1	HOLDER, CARTRIDGE FAN		
5	RU6-2436-000		4	SPRING, TENSION		
6	RC2-5971-000		1	GUIDE, CABLE, LOWER		
7	RC2-5993-000		4	SEAL, CARTRIDGE FAN HOLDER		
8	RC2-5970-000		4	SPRING, LEAF		
9	RC2-5160-000		1	STOPPER, PLATE		
10	RC2-5909-000		2	TAB		
11	RC2-5910-000		2	SHUTTER		
12	RC2-5912-000		3	COVER		
13	RC2-5958-000		3	SPRING, TORSION		
14	RC2-5955-000		3	HOLDER, CRG. LOCK LEVER		
15	RC2-5954-000		3	LEVER, CARTRIDGE LOCK		
16	RC2-5966-000		1	GUIDE, TRANSFER S CABLE, 1		
17	RC2-5967-000		1	GUIDE, TRANSFER S CABLE, 2		
18	RC2-5962-000		1	COVER		
19	RC2-5969-000		1	GUIDE, CARTRIDGE ESTRANGEMENT		
20	RU6-2318-000		8	SPRING, COMPRESSION		
21	RU6-2316-000		4	SPRING, COMPRESSION		
22	RC2-4428-000		2	TAB		
23	RC2-4415-000		4	LEVER, SHUTTER		
24	RC2-4413-000		2	SHUTTER		
25	RC2-4407-000		4	ARM, SHUTTER, REAR		
26	RC2-4406-000		4	ARM, SHUTTER, FRONT		
27	RK2-2229-000		1	SENSOR UNIT, TMP./HUM. SENSING		
28	RL1-2144-000		2	BASE		
29	RM1-5700-000		4	TONER SENSOR HOLDER ASS'Y		
30	RL1-1923-000		2	BASE		
31	RM1-4979-000		4	BASE ASS'Y		

FIGURE & KEY NO.	PARTS NUMBER	RANK	Q'TY	DESCRIPTION	SERIAL NUMBER/REMARKS	SVC
32	RM1-4984-000		4	LOWER CRG. GUIDE ASSY		
33	RM1-5749-000		1	CONNECTING CABLE ASS'Y		
34	RM1-5740-000		1	SENSOR CABLE ASS'Y		
35	RM1-5741-000		1	SENSOR CABLE ASS'Y		
36	RM1-5752-000		1	MOTOR/SENSOR CABLE ASS'Y		
37	RM1-5676-000		2	LASER/SCANNER ASS'Y		
38	RK2-2418-000		2	FAN	FM2,FM3 [DP]	
39	RM1-5588-000		4	STAND ASS'Y		

FIGURE 105 INTERNAL COMPONENTS 3

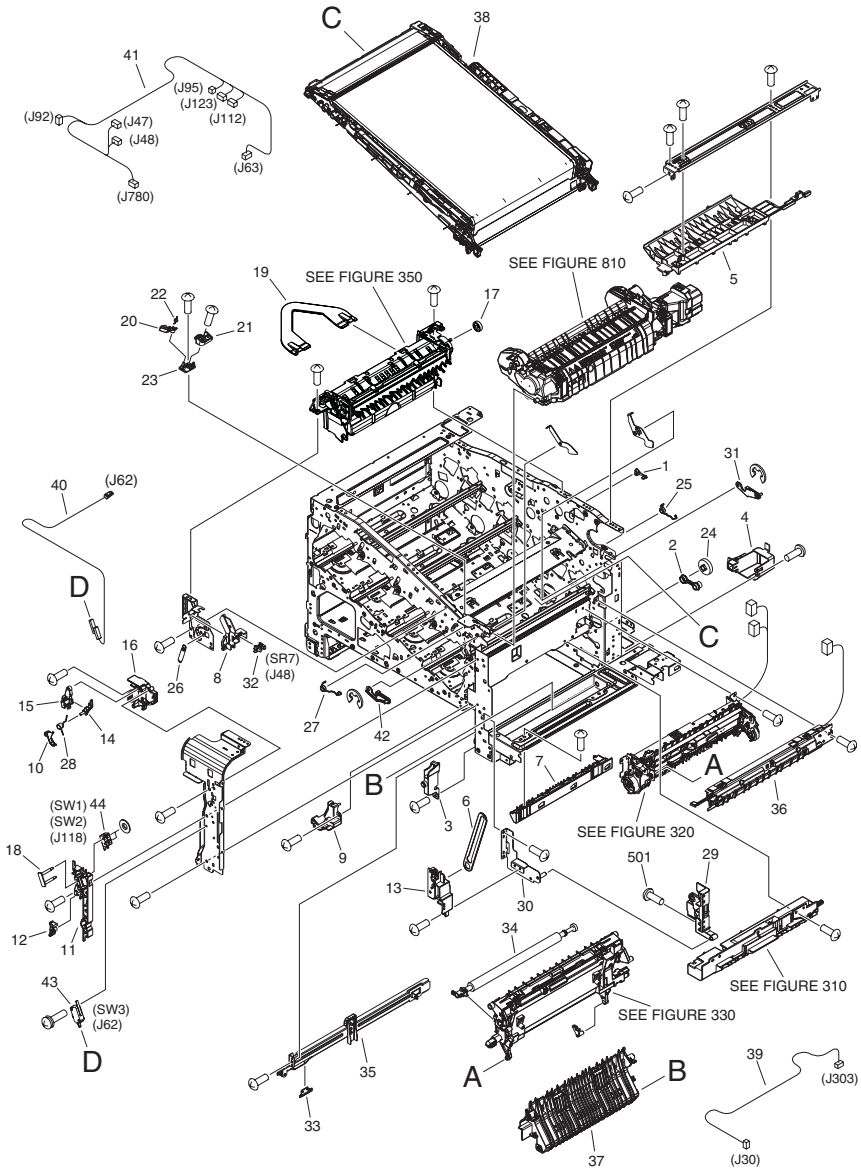


FIGURE & KEY NO.	PARTS NUMBER	R A N K	Q'TY	DESCRIPTION	SERIAL NUMBER/ REMARKS	S V C
Fig.105	NPN		RF	INTERNAL COMPONENTS 3		
1	RC2-4541-000		1	BUSHING		
2	RC2-4875-000		1	BUSHING		
3	RC2-4869-000		1	PLATE,CST. POSITIONING,FR. RT.		
4	RC2-4871-000		1	PLATE,CST. POSITIONING,RR. RT.		
5	RC2-4914-000		1	GUIDE, DOOR LATCH, RIGHT		
6	RC2-4916-000		1	LINK, DOOR STOPPER		
7	RC2-4915-000		1	GUIDE, OPTION ENTRANCE		
8	FC8-9803-000		1	GUIDE, SENSOR CABLE		
9	RC2-5019-000		1	COVER, INNER, RIGHT LOWER		
10	RC2-5120-000		1	LINK, INTERLOCK		
11	RC2-5123-000		1	MOUNT, INTERLOCK SWITCH		
12	RC2-5121-000		1	ARM, INTERLOCK LINK SWITCH		
13	RC2-5113-000		1	HOLDER, SWITCH		
14	RC2-5119-000		1	LINK, INTERLOCK		
15	RC2-5118-000		1	LINK, INTERLOCK		
16	RC2-5117-000		1	FRAME, INTERLOCK		
17	RU6-0536-000		1	GEAR, 19T		
18	RC2-5913-000		1	SHAFT		
19	FC8-9794-000		1	GUIDE, DUPLEXING REVERSE		
20	RC2-5954-000		1	LEVER, CARTRIDGE LOCK		
21	RC2-5957-000		1	HOLDER, CARTRIDGE LOCK LEVER		
22	RC2-5958-000		1	SPRING, TORSION		
23	RC2-5956-000		1	HOLDER, CARTRIDGE LOCK LEVER		
24	RU6-0521-000		1	GEAR, 26T		
25	RC2-4378-000		1	SPRING, TORSION		
26	RU6-2268-000		1	SPRING, TORSION		
27	RC2-4377-000		1	SPRING, TORSION		
28	RC2-5122-000		1	LINK, INTERLOCK		
29	RC2-4894-000		1	HINGE, RIGHT DOOR, FRONT		
30	RL1-1925-000		1	SUPPORT, RIGHT DOOR, FRONT		
31	RM1-5533-000		1	REAR LOCK ARM ASS'Y		

FIGURE & KEY NO.	PARTS NUMBER	RANK	Q'TY	DESCRIPTION	SERIAL NUMBER/REMARKS	SVC
32	WG8-5696-000		1	PHOTO INTERRUPTER, TLP1243	SR7	
33	RC2-6028-000		1	PLATE, GROUNDING RESISTOR		
34	RM1-4990-000		1	2ND TRANSFER ROLLER ASS'Y		
35	RM1-5012-000		1	RIGHT CASSETTE RAIL ASS'Y		
36	RM1-4953-000		1	DENSITY DETECT SENSOR ASS'Y		
37	RM1-4980-000		1	LOWER PICK-UP GUIDE ASS'Y		
38	FM3-8817-000		1	INTERMEDIATE TRANS. BELT ASS'Y		
39	FM4-1584-000		1	CONTROL PANEL CABLE ASS'Y		
40	RM1-5718-000		1	SWITCH CABLE ASS'Y		
41	FM4-1585-000		1	FRONT CABLE ASS'Y		
42	RM1-5532-000		1	FRONT LOCK ARM ASS'Y		
43	WC4-5171-000		1	SWITCH	SW3	
44	RM1-5732-000		1	DOOR SWICH ASS'Y	SW1,SW2	

FIGURE 106 INTERNAL COMPONENTS 4

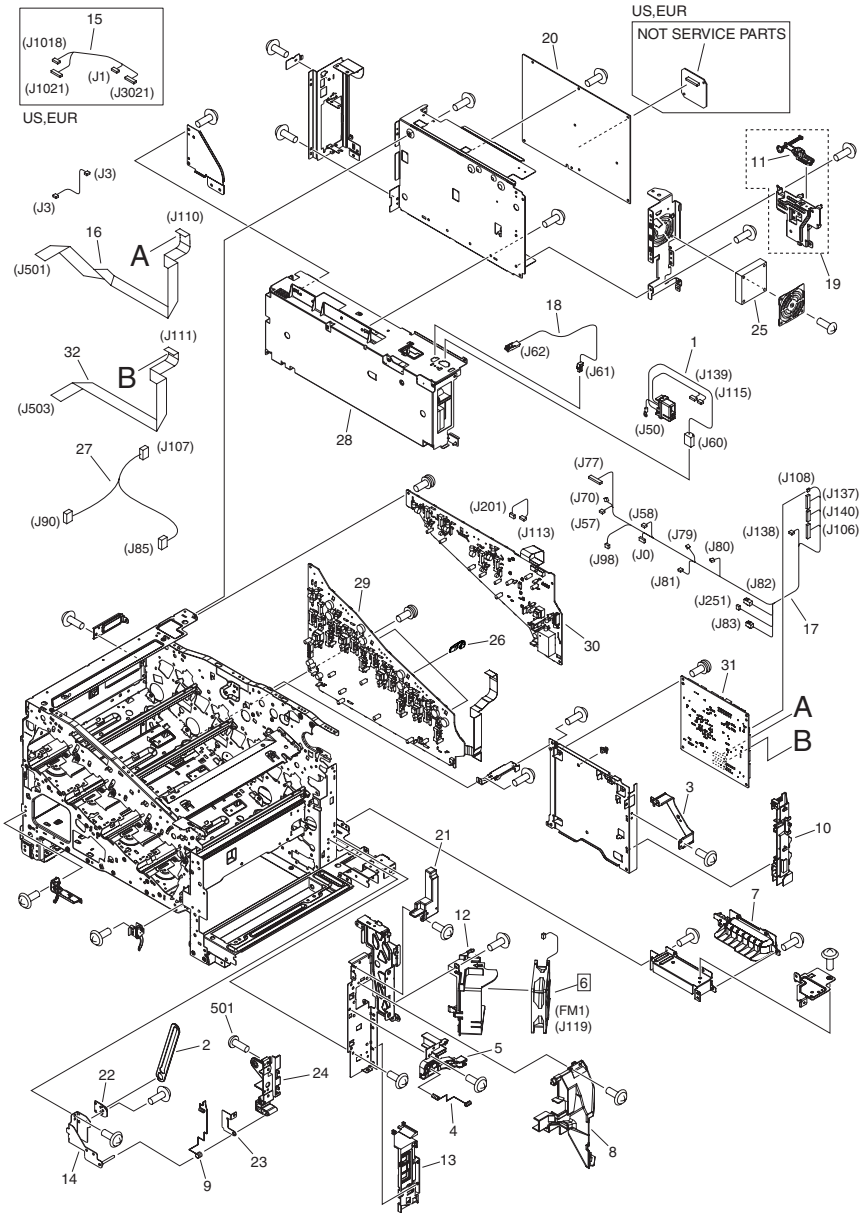


FIGURE & KEY NO.	PARTS NUMBER	R A N K	Q'TY	DESCRIPTION	SERIAL NUMBER/REMARKS	S V C
Fig.106	NPN		RF	INTERNAL COMPONENTS 4		
1	RM1-5714-000		1	FIXING CONNECTING CABLE ASS'Y		
2	RC2-4916-000		1	LINK, DOOR STOPPER		
3	RL1-1948-000		1	PANEL, GUARD		
4	RC2-5021-000		1	SPRING, COMPRESSION		
5	RC2-5020-000		1	HOLDER, 2ND TRNSFR. CONTACT		
6	RK2-2416-000		1	FAN	FM1 [DP]	
7	FC8-9767-000		1	HANDLE, REAR		
8	RC2-5047-000		1	DUCT, DUPLEXING FAN		
9	RC2-5148-000		1	SPRING, GROUNDING		
10	RC2-5930-000		1	GUIDE, CABLE		
11	FC8-9817-000		1	ARM, SWITCH		
12	RC2-5046-000		1	HOLDER, DUPLEXING FAN		
13	RC2-5933-000		1	GUIDE, FLEXIBLE FLAT CABLE		
14	RL1-1926-000		1	SUPPORT, RIGHT DOOR, REAR		
15	FM4-1592-000		1	COUNTER CABLE	US, EUR	
16	RK2-2506-000		2	CABLE, SCANNER FLAT		
17	RM1-5721-000		1	REAR CABLE ASS'Y		
18	RM1-5719-000		1	SWITCH CONNECTING CABLE ASS'Y		
19	FM3-8805-000		1	INNER CONNECTING PCB ASS'Y		
20	FM4-1628-000		1	MAIN CONTROLLER ASS'Y	JP	
20	FM4-1631-000		1	MAIN CONTROLLER ASS'Y	US, EUR	
20	FM4-1638-000		1	MAIN CONTROLLER ASS'Y	ASIA, CN, AU	
21	RC2-5016-000		1	COVER, CROSSMEMBER, RIGHT REAR		
22	RC2-4918-000		1	HOLDER, LINK		
23	RC2-6027-000		1	PLATE, REINFOR		
24	RC2-4895-000		1	HINGE, RIGHT DOOR, REAR		
25	FK2-0993-000		1	FAN		
26	RC2-9074-000		3	SPACER, LOCK		
27	RM1-5737-000		1	M.P. SENSOR CABLE ASS'Y		
28	FM4-4178-000		1	POWER SUPPLY GROUNDING UNIT	JP	
28	FM4-5110-000		1	POWER SUPPLY GROUNDING UNIT	US	

FIGURE & KEY NO.	PARTS NUMBER	RANK	Q'TY	DESCRIPTION	SERIAL NUMBER/REMARKS	SVC
28	FM4-1593-000		1	POWER SUPPLY GROUNDING UNIT	EUR,ASIA,CN,AU	
29	RM1-5680-000		1	LW. H.V.POWER SUPPLY PCB ASS'Y		
30	RM1-5681-000		1	UP. H.V.POWER SUPPLY PCB ASS'Y		
31	FM4-1580-000		1	DC CONROLLER PCB ASS'Y		
32	RK2-2506-000		1	CABLE, SCANNER FLAT		
501	XB4-7401-005		3	SCREW,TAPPING,TRUSS HEAD,M4X10		

FIGURE 107 INTERNAL COMPONENTS 5

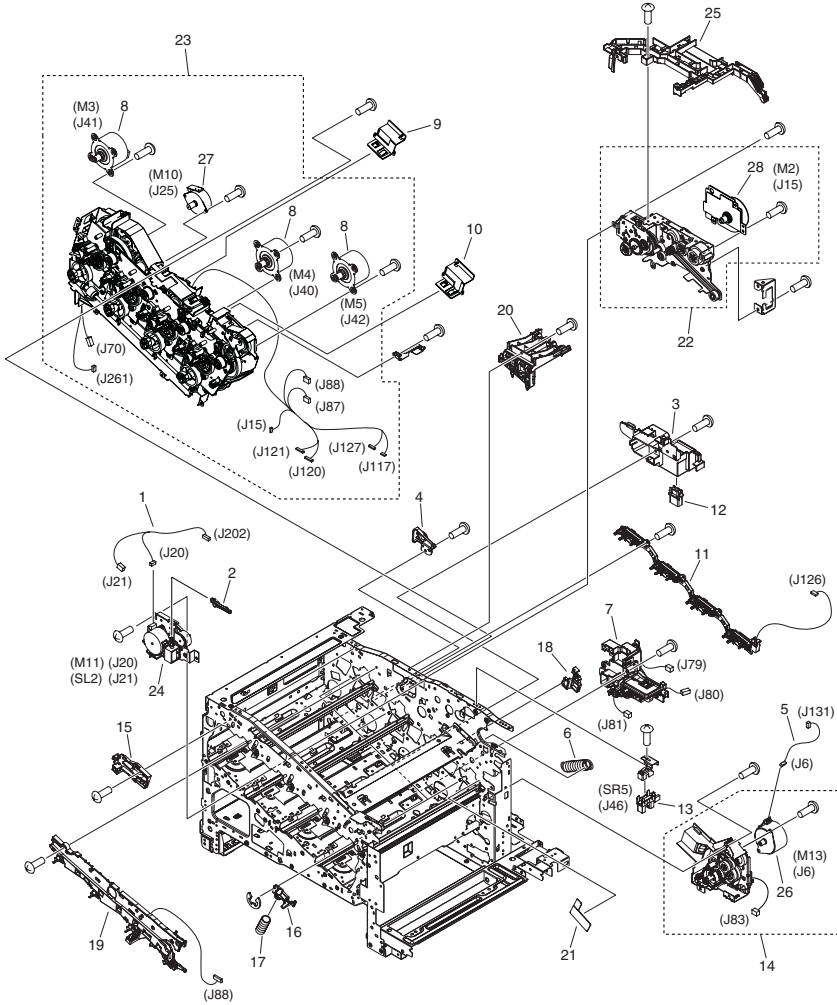


FIGURE & KEY NO.	PARTS NUMBER	R A N K	Q'TY	DESCRIPTION	SERIAL NUMBER/ REMARKS	S V C
Fig.107	NPN		RF	INTERNAL COMPONENTS 5		
1	RM1-5730-000		1	DUPLEXING UNIT CABLE ASS'Y		
2	RC2-4824-000		1	ARM, SOLENOID		
3	RC2-4872-000		1	PLATE,CST. POSITIONING,RR. LF.		
4	RC2-5015-000		1	STOPPER, SCANNER		
5	RM1-5731-000		1	PICK-UP MOTOR CABLE ASS'Y		
6	RU6-2405-000		1	SPRING, TENSION		
7	RM1-4976-000		1	LIFTER DRIVE ASS'Y		
8	RM1-4988-000		3	DRUM MOTOR ASS'Y		
9	RC2-5104-000		1	GUIDE, CABLE		
10	RC2-9069-000		1	GUIDE, CABLE		
11	RM1-5712-000		1	MEMORY TAG DETECT ASS'Y		
12	VS1-7258-007		1	CONNECTOR, DRAWER		
13	WG8-5696-000		1	PHOTO INTERRUPTER, TLP1243		
14	RM1-4975-000		1	CST. PAPER PICK-UP DRIVE ASS'Y		
15	RC2-5961-000		1	GUIDE, ROLLER, REAR		
16	RC2-3972-000		4	LEVER, PRESSURE, REAR		
17	RU6-2234-000		4	SPRING, COMPRESSION		
18	RC2-5959-000		1	GUIDE, PRE-EXPOSURE CABLE		
19	RM1-5705-000		1	REAR PRE-EXPOSURE PCB ASS'Y		
20	RM1-4978-000		1	HIGH VOLTAGE HOLDER ASS'Y		
21	RC2-5968-000		1	SHEET, PRE-EXPOSURE COVER		
22	RM1-4974-000		1	FIXING DRIVE ASS'Y		
23	RM1-4954-000		1	MAIN DRIVE ASS'Y		
24	RM1-4973-000		1	DUPLEXING DRIVE ASS'Y		
25	RC2-5017-000		1	GUIDE, REAR CABLE, RIGHT		
26	RM1-5773-000		1	PICK-UP MOTOR ASS'Y		
27	RK2-2415-000		1	MOTOR, STEPPING, DC		
28	RM1-4983-000		1	FIXING MOTOR ASS'Y		

FIGURE 300
CASSETTE

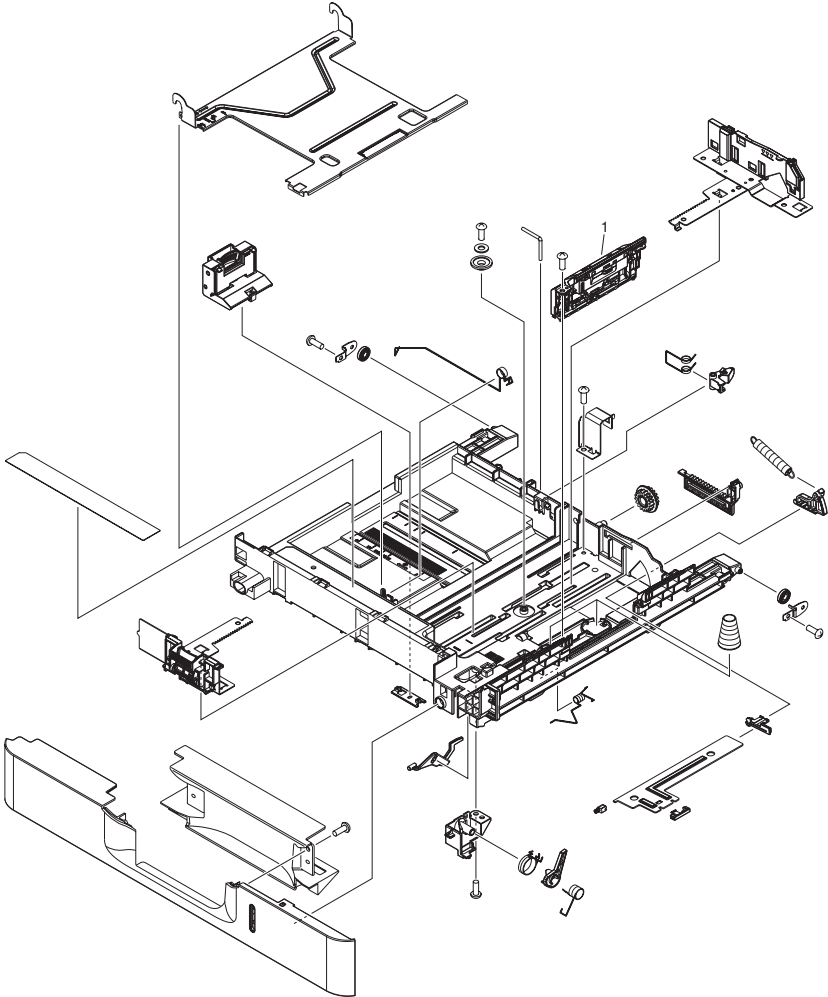


FIGURE & KEY NO.	PARTS NUMBER	R A N K	Q'TY	DESCRIPTION	SERIAL NUMBER/ REMARKS	S V C
Fig.300 1	FM3-8800-000		1	CASSETTE		
	RM1-4966-000		1	SEPARATION ROLLER ASS'Y		

FIGURE 310
CASSETTE PAPER PICK-UP ASS'Y

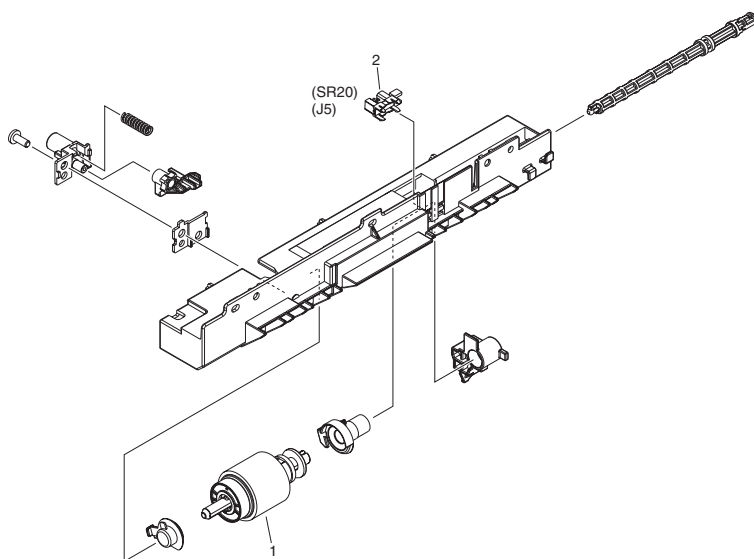


FIGURE & KEY NO.	PARTS NUMBER	RANK	Q'TY	DESCRIPTION	SERIAL NUMBER/REMARKS	SVC
Fig.310	RM1-4967-000		1	CASSETTE PAPER PICK-UP ASS'Y		
1	RM1-4968-000		1	PAPER PICK-UP ROLLER ASS'Y		
2	WG8-5696-000		1	PHOTO INTERPRUPER		

FIGURE 311
M.P. PAPER PICK-UP ASS'Y

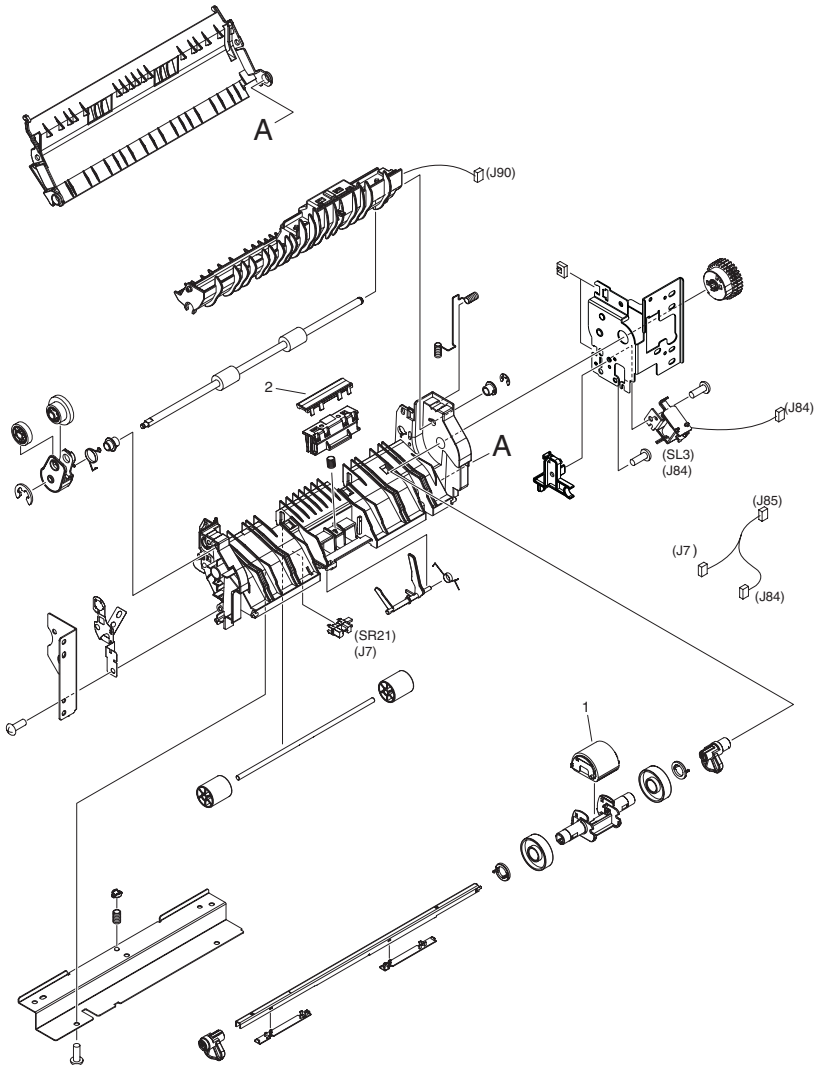


FIGURE & KEY NO.	PARTS NUMBER	R A N K	Q'TY	DESCRIPTION	SERIAL NUMBER/ REMARKS	S V C
Fig.311	RM1-4961-000		1	M.P. PAPER PICK-UP ASS'Y		
1	RL1-2184-000		1	ROLLER, MULTI-PURPOSE PICK-UP		
2	RL1-1937-000		1	PAD, MULTI-PURPOSE SEPARATION		

FIGURE 320 REGISTRATION ASS'Y

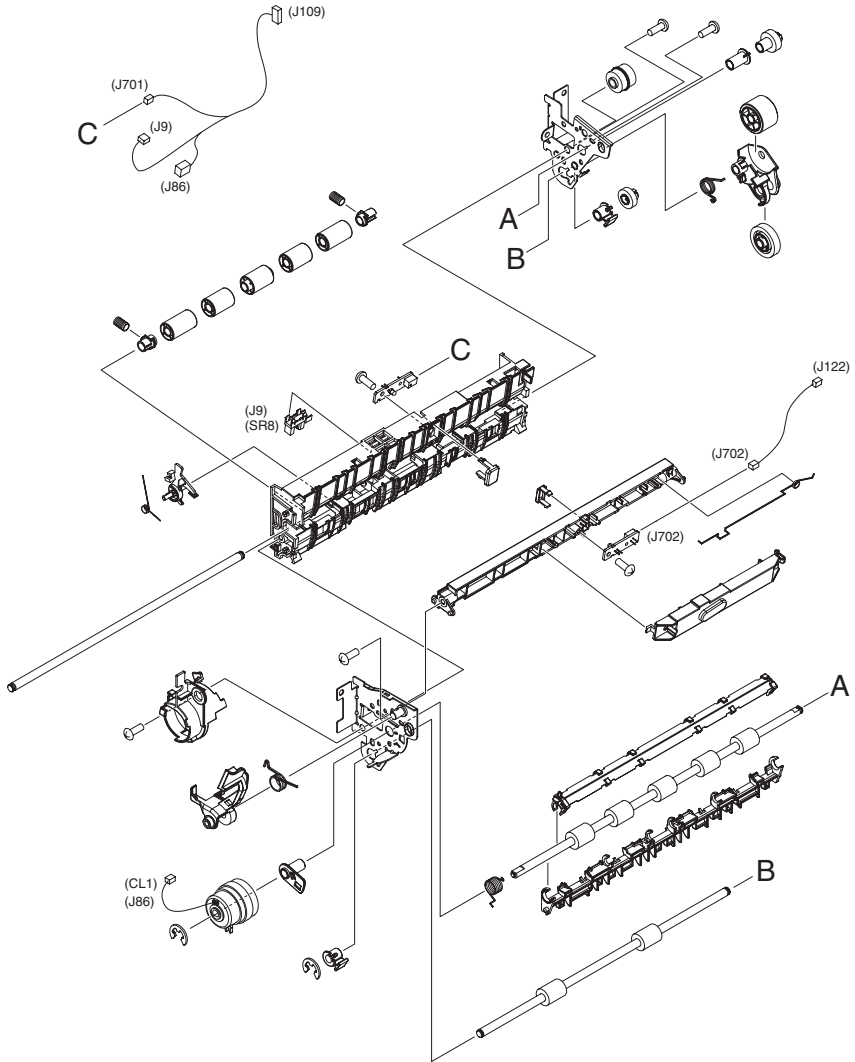


FIGURE & KEY NO.	PARTS NUMBER	R A N K	Q'TY	DESCRIPTION	SERIAL NUMBER/ REMARKS	S V C
Fig.320	RM1-4969-000		1	REGISTRATION ASS'Y		

FIGURE 330
SECONDARY TRANSFER ASS'Y

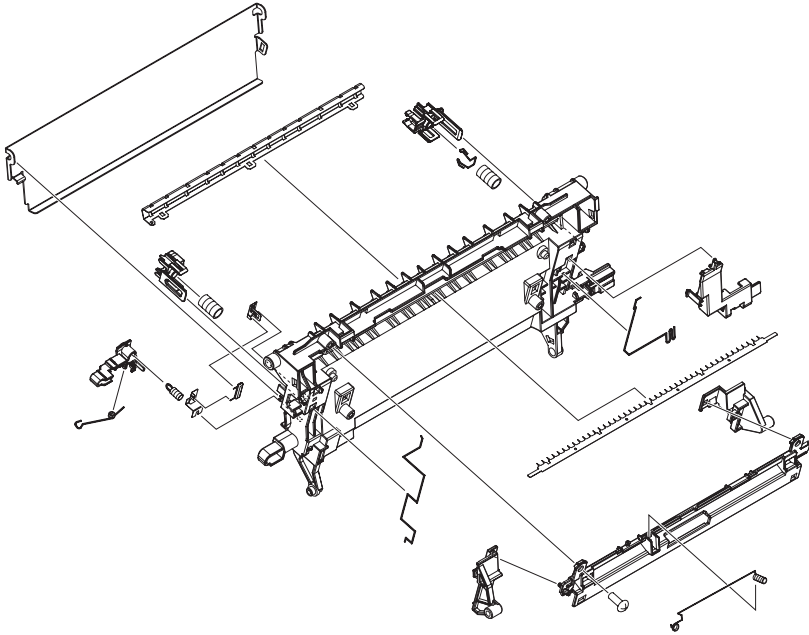


FIGURE & KEY NO.	PARTS NUMBER	R A N K	Q'TY	DESCRIPTION	SERIAL NUMBER/ REMARKS	S V C
Fig.330	RM1-4952-000		1	SECONDARY TRANSFER ASS'Y		

FIGURE 350
PAPER DELIVERY ASS'Y

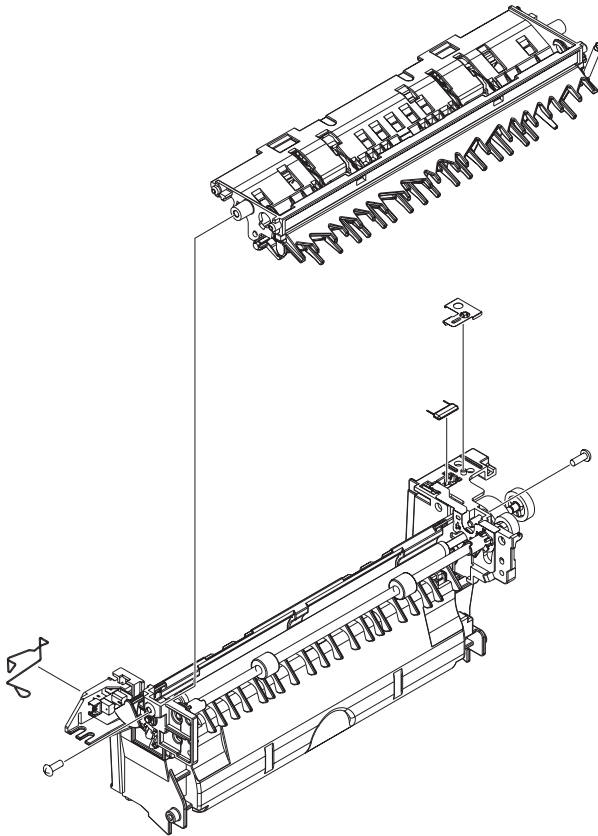


FIGURE & KEY NO.	PARTS NUMBER	R A N K	Q'TY	DESCRIPTION	SERIAL NUMBER/ REMARKS	S V C
Fig.350	RM1-4970-000		1	PAPER DELIVERY ASSY		

FIGURE 360
DUPLEXING PAPER FEED ASS'Y

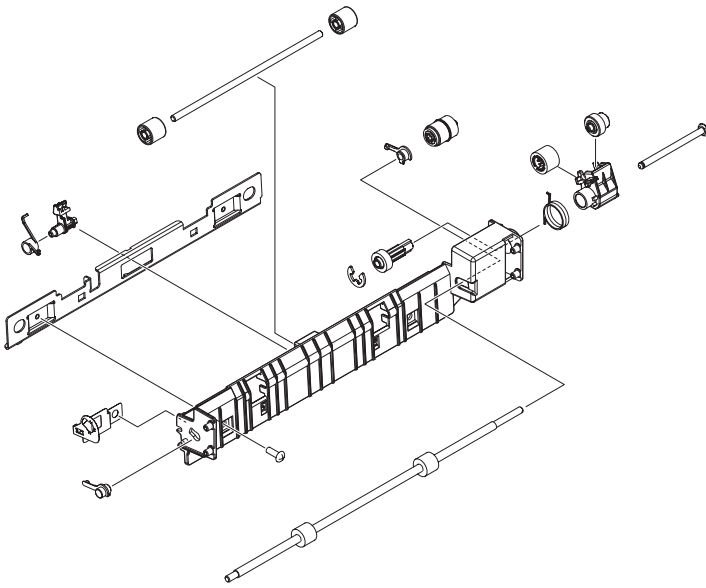
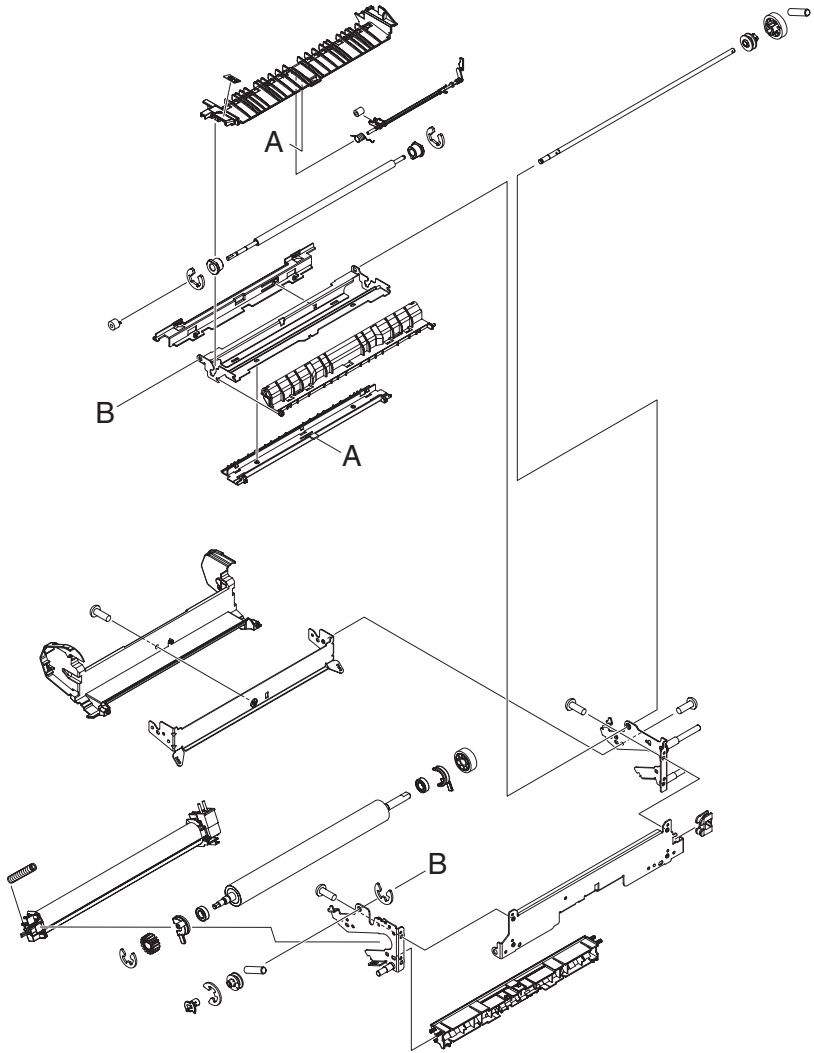


FIGURE & KEY NO.	PARTS NUMBER	R A N K	Q'TY	DESCRIPTION	SERIAL NUMBER/ REMARKS	S V C
Fig.360	RM1-4959-000		1	DUPLEXING PAPER FEED ASS'Y		

FIGURE 810
FIXING ASS'Y



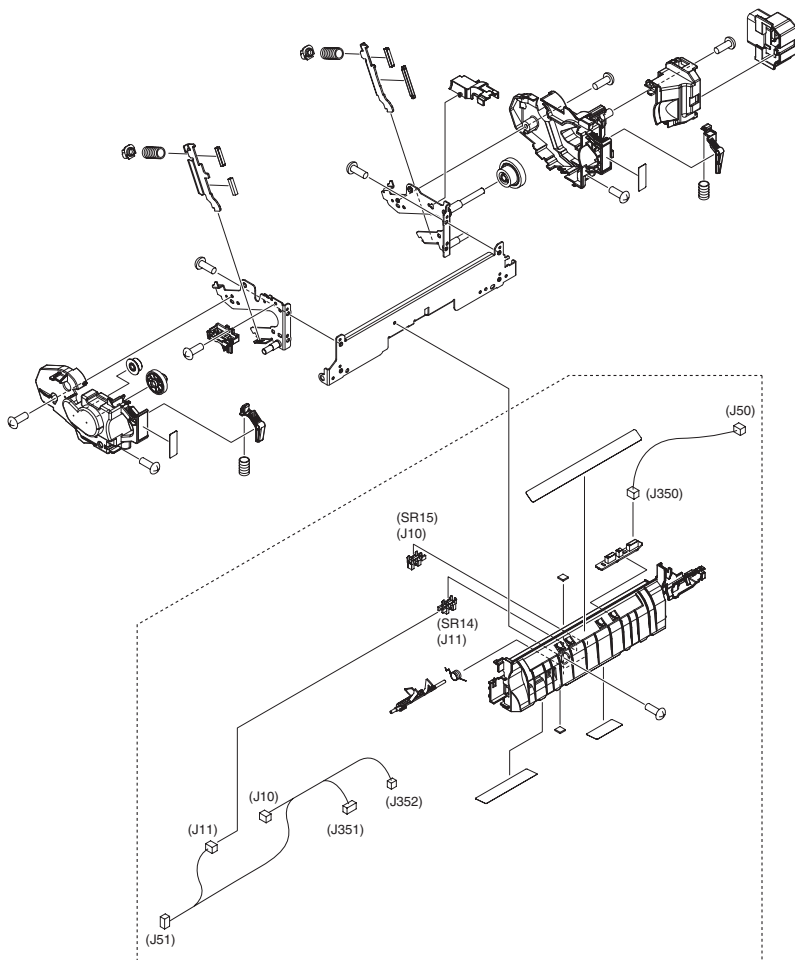


FIGURE & KEY NO.	PARTS NUMBER	RANK	Q'TY	DESCRIPTION	SERIAL NUMBER/REMARKS	SVC
Fig.810	FM3-8815-000		1	FIXING ASS'Y	JP	
Fig.810	FM3-8816-000		1	FIXING ASS'Y	US	
Fig.810	FM3-8824-000		1	FIXING ASS'Y	EUR,ASIA,CN,AU	

Prepared by
OIP Service Management Center
CANON INC.

Canon