

LBP-2460

PARTS CATALOG

REVISION 0

Canon

APR. 1997

RY8-31AM-000

Reference	Qty	Description	Figure	Part number	Note
ELECTRICAL PART					
RG1-3762-05V	1	Video controller PCB ass'y	900	6	
RG5-1844-050	1	DC controller PCB ass'y	900	2	
RG5-1860-000	1	Paper pick up PCB ass'y	310/900	103/3	
RG5-1846-000	1	Switch sensor PCB ass'y	900	1	
RG5-1878-000	1	Power supply ass'y	104	1	
RG5-1891-020	1	High voltage PCB ass'y	151	6	
RG1-3739-020	1	ROM	153	1A	
WA7-0063-000	1	DRAM 4 Mo	153	1B	
MECHANICAL PART					
RG5-1871-190	1	Fixing ass'y	810		
RG5-1895-020	1	Laser/Scanner ass'y	103	6	
RG5-1852-160	1	Paper pick up ass'y	310		
RG5-3683-000	1	DC panel ass'y	100	19	
RG5-1887-000	1	Transfer roller ass'y	101	1	
RH7-5125-020	1	Solenoid SL1	340	29	
RH7-5127-000	1	Solenoid SL2	310	82	
RH7-5123-000	1	Solenoid SL3	141	5	
RH7-5119-020	1	Clutch CL1	320	7	
RH7-5120-020	1	Clutch CL2	310	88	
RH7-5121-020	1	Clutch CL3	340	28	
WG8-0291-000	1	Sensor PS1, PS2, PS3	310/330	52/84/16	
RG5-1860-000	1	Sensor PS1201, PS1202, PS1203 Sensor PS1204, PS1205, PS1206 Sensor PS1207, PS1208	310/900	103/3	
RG5-1884-000	1	Sensor PS1301, PS1302	340/900	45/4	
RG5-1846-000	1	Sensor PS1401, PS1402, PS1403	900	1	
RB1-6940-000	1	Tray face-up	100	22	
RH7-4074-000	1	Heater halogene H1	810	44	
RH7-4075-000	1	Heater halogene H2	810	45	
RH7-7065-000	1	Thermoswitch	810	47	
RH7-7064-000	1	Thermistor	810	46	
RB1-6622-020	1	Roller upper	810	5	
RB1-6623-030	1	Roller lower	810	6	
RG5-1833-040	1	Registration roller ass'y	320		
RF5-1412-000	1	Transfer roller	101	1C	
RB1-6588-000	2	Limiter torque	310	10	
RF5-1426-000	4	Pick up roller	310	20	
RF5-1427-000	2	Pick up roller	310	21	
RB1-6730-000	1	Roller MT tray pick up	340	5	
RF5-1455-000	1	Pad separation	340	18	
MOTOR					
RH7-1266-000	1	Fan FAM1, FAM2	103/104	15/16	
RH7-1271-000	1	Fan FAM3	104	11	
RH7-1289-000	1	Fan FAM4	350	25	
RH7-1260-000	1	Motor MT1	101	10	
RH7-1262-000	1	Motor SMT1	310	87	

Reference	Qty	Description	Figure	Part number	Note
DUPLEX UNIT TP-9					
ELECTRICAL PART					
RG5-1904-050	1	Duplexing driver PCB ass'y	D90	1	
MECHANICAL PART					
RH7-5129-000	1	Solenoid SL21	D10	51	
RH7-5130-000	1	Solenoid SL22	D10	52	
RH7-5122-000	1	Clutch CL21	D10	50	
WG8-0291-000	1	Sensor PS21, PS22, PS23, PS24	D10	76	
RB1-6822-000	1	Roller duplexing 1	D10	10	
RB1-68224-000	1	Roller duplexing 2	D10	12	
MOTOR					
RH7-1263-000	1	Motor SMT21	D10	48	
RH7-1264-000	1	Motor SMT22	D10	49	
ENVELOPE FEEDER EF-9					
ELECTRICAL PART					
RG5-2285-000	1	Envelope feeder PCB ass'y	F90	1	
MECHANICAL PART					
RF5-1776-000	1	Roller upper	F11	33	
RB1-8088-000	1	Limiter torque	F11	34	
RF5-1700-000	1	Roller lower	F11	17	
MOTOR					
RH7-1287-000	1	Motor SMT11	F11	19	
PAPER FEEDER PD-9					
ELECTRICAL PART					
RG5-4198-000	1	DC controller PCB ass'y	R90	1	
RG5-2225-000	1	Paper sensor PCB ass'y	R90	2	
RG5-2226-000	1	Paper size sensing PCB ass'y	R90	3	
MECHANICAL PART					
RH7-5143-000	1	Solenoid SL31	R40	38	
RH7-5142-020	1	Clutch CL31	R20	5	
RH7-5141-020	1	Clutch CL32, CL33	R50	39	
WG8-5210-000	1	Sensor PS31, PS32, PS33, Sensor PS34, PS35	R40/R50	26/33	
RF5-1426-000	2	Roller pick up	R40	40	
RF5-1427-000	1	Roller pick up	R40	41	
RH2-5310-000		Cable interface	R10	54	
MOTOR					
RH7-1169-000	1	Motor MT31	R20	12	
RH7-1173-000	1	Motor SMT31	R40	31	

序

このパーツ・カタログは、LBP-2460、両面ユニット、封筒フィーダ、ペーパーデッキ、オプションコントローラ、およびハードディスクに対するサービス部品調達の手引として発行します。

製品に大きな変更がある場合は、改訂版のパーツ・カタログを発行しますが、その他の場合は随時新しい情報をお届けします。

キヤノン株式会社
周辺機器品質推進部
周辺機器技術資料課

PREFACE

This Parts Catalog contains listings of parts used in the LBP-2460, the duplex unit, the envelope feeder, the paper deck, the option controller, and the hard disk.

Diagrams are provided with the listings to aid the service technician in clearly identifying the item to be ordered.

Whenever ordering parts, consult this Parts Catalog for all of the information pertaining to each item. Be sure to include in the Parts Request the full item description, the item part number, and the quantity. The parts catalog may be revised if there is significant product modification. For minor product

Canon Inc.

Peripheral Products Quality Advancement Div.
Peripheral Products Technical Documentation Dept.
5-1, Hakusan 7-chome, Toride-shi, Ibaraki 302, Japan

版權所有、無斷轉載、引用を禁ず。

COPYRIGHT © 1997 CANON INC.

Printed in Japan

Imprimé au Japon

本マニュアルについては、
機密保持等その取扱には十分
注意してください。

万一取扱を誤りますと法律で
処罰されることがあります。

Use of this manual should be
strictly supervised to avoid dis-
closure of confidential infor-
mation.

LIST OF ORDER AND SERIAL NUMBERS

オーダーナンバー／シリアルナンバー一覧表

NAME	REMARKS	ORDER No.	SERIAL No.
LBP-2460	100-120V 50/60Hz 600DPI	R76-0094	JHT00001-
	220-240V 50Hz 600DPI	R76-0098	KJM00001-
CASSETTE	下段	R77-0013	
	上段	R77-0014	
DUPLEX UNIT		R77-1001	LFA00001-
ENVELOPE FEEDER		R77-1008	LDP00001-
PAPER DECK		R77-1032	LFK00001-
OPTION CONTROLLER		R77-1027	
HARD DISK		R03-0170	

目 次

A. 主要部品配置図	—ペーパー・デッキ—
100. 外装カバー	RA. 主要部品配置図
101. 本体機械内部 (1)	R10. ペーパー・デッキ本体
102. 本体機械内部 (2)	R15. ペーパー・デッキ部
103. 本体機械内部 (3)	R20. 駆動部
104. 本体機械内部 (4)	R40. 給紙部
141. フェースアップ・ソレノイド部	R50. 搬送部
151. 高圧電源部	R90. 回路基板配置図
152. ビデオコントローラ部 (100-120V)	
152A. ビデオコントローラ部 (220-240V)	
153. ビデオコントローラ回路基板 (100-120V)	
250. 駆動部	
300. カセット (下)	—オプションコントローラー—
301. カセット (上)	V10. オプションコントローラ部
310. 給紙部	V90. 回路基板配置図
320. レジストローラ部	
330. 搬送部	
340. マルチ手差しトレイ給紙部	—ハードディスク—
341. マルチ手差しトレイ部	W10. ハードディスク部
350. 排紙部	
351. 排紙フレーム部	
810. 定着器	
900. 回路基板配置図	B. 部品索引表
—両面ユニット—	
D10. 両面ユニット本体	
D90. 回路基板配置図	
—封筒フィーダー—	
FA. 主要部品配置図	
F10. 外装カバー	
F11. 本体機械内部	
F90. 回路基板配置図	

CONTENTS

A. ASSEMBLY LOCATION DIAGRAM

- 100. EXTERNAL COVERS, PANELS, ETC.
- 101. INTERNAL COMPONENTS 1
- 102. INTERNAL COMPONENTS 2
- 103. INTERNAL COMPONENTS 3
- 104. INTERNAL COMPONENTS 4
- 141. FACE-UP SOLENOID ASS'Y
- 151. HIGH VOLTAGE POWER SUPPLY ASS'Y
- 152. VIDEO CONTROLLER ASS'Y (100-120V)
- 152A. VIDEO CONTROLLER ASS'Y (220-240V)
- 153. VIDEO CONTROLLER PCB ASS'Y (100-120V)

250. PRINTER DRIVE ASS'Y

- 300. CASSETTE (LOWER)
- 301. CASSETTE (UPPER)
- 310. PAPER PICK-UP ASS'Y
- 320. REGISTRATION ROLLER ASS'Y
- 330. FEEDER ASS'Y
- 340. MULTI-PURPOSE TRAY PICK-UP ASS'Y
- 341. MULTI-PURPOSE TRAY ASS'Y
- 350. DELIVERY ASS'Y
- 351. DELIVERY FRAME ASS'Y

810. FIXING ASS'Y

900. PCB ASS'Y LOCATION DIAGRAM

—DUPLEX UNIT—

D10. DUPLEX UNIT MAIN BODY

D90. PCB ASS'Y LOCATION DIAGRAM

—ENVELOPE FEEDER—

FA. ASSEMBLY LOCATION DIAGRAM

- F10. EXTERNAL COVERS, PANELS, ETC.
- F11. INTERNAL COMPONENTS

F90. PCB ASS'Y LOCATION DIAGRAM

—PAPER DECK—

RA. ASSEMBLY LOCATION DIAGRAM

R10. PAPER DECK MAIN BODY

R15. PAPER DECK ASS'Y

R20. PAPER DECK DRIVE ASS'Y

R40. PAPER PICK-UP ASS'Y

R50. FEED ASS'Y

R90. PCB ASS'Y LOCATION DIAGRAM

—OPTION CONTROLLER—

V10. OPTION CONTROLLER ASS'Y

V90. PCB ASS'Y LOCATION DIAGRAM

—HARD DISK—

W10. HARD DISK ASS'Y

B. NUMERICAL INDEX

パーツカタログの見方

主要部品配置図について

部品図番号(Figure No)および各アセンブリの位置を
探すとき、主要部品配置図を用います。

図中□内は部品図名称、○内は部品図番号を示し
ています。

部品番号の探し方

どのアセンブリに使用されている部品かを主要部品配
置図で調べ、その部品図番号(Figure No)のページを
めくります。

部品図の中からその部品を見つけ、そのキーNo.を部品番
号リストの中から探し出せば、部品番号・部品名称を知
ることができます。

注：電源電圧・周波数等の仕様が異なる場合は、同一の
キーNo.に複数の部品番号が記されているので
“SERIAL NUMBER/REMARKS欄”を注意して
見るようにしてください。

部品番号リストについて

部品番号リストの内容項目は次のとおりです。

(1) 部品図番号およびキーNo.

(FIGURE&KEY No.)

部品図番号は、各部品番号リスト欄の左上に示して
あり、各部品図に対応しています。

また、キーNo.は、部品図中に示してある個々の部品
に対応します。

(2) 部品番号(PART No.)

リストの2番目の欄には、部品番号が示してありま
す。

部品を発注する際は、必ずこの番号を明示してくだ
さい。

NPNと記載されている部品・アセンブリには部品番
号がなく、在庫もされていません。つまり供給でき
ない部品です。

注：部品番号の末尾3桁を訂番といいます。部品改良等
の目的で部品の一部が変更になった場合、訂番が変
わることがあります。

これらの変更については、技術情報(Service
Information)で随時連絡されますので、常に
これらの情報も注意深く読むよう心がけてください。

(3) ランク(RANK)

Nと記載されている部品はサービスパーツに設定さ
れていますが、在庫はされていません。

注文を受けてからの受注生産になります。

(4) 使用個数(Q'TY)

4番目の使用個数欄に示してある数字は、各部品図中
における各部品の使用数量を示しています。

ただし、アセンブリの使用個数は、機械1台当たり
の数量を示します。

使用個数欄には数字の他に以下のアルファベット文
字も表示されています。

RF……参考としてリストアップしているもの

AR……数量を限定せず、組立時に必要に応じた数
量を使用するもの、および個数の明記でき
ないもの

(5) 部品名称(DESCRIPTION)

部品発注の際、部品名称も必ず明示してください。

電気部品等の主な仕様・型番は、英文の末尾に記し
ているものもあります。

(6) 機体番号/備考

(SERIAL NUMBER/REMARKS)

電源電圧・周波数等の仕様の違いがある場合に、そ
の違いを言葉あるいは機体番号の再上位桁のアル
ファベット(1文字、または2文字または3文字)の
略号で表示しています。

略号の表示例

機体番号 ABC00001
 ↑
 ABCのみ表示する。

また、製品の変更により部品の互換性がない場合に、その部品の適用できる機体番号を表示しています。これらの表示のないものについてはすべての機械に適用できません。

部品索引表(NUMERICAL INDEX)

部品番号の索引が巻末にあります。

部品番号がわかっている、使用箇所を調べる場合に活用できます。

索引表の左の欄が部品番号(PART No.)、右の欄が部品図番号(FIGURE No.)とキーNo.(KEY No.)を示しています。

HOW TO USE PARTS LISTS

Assembly Location Diagrams. These diagrams show the locations of major assemblies of the machine. Their names are identified in rectangular boxes. Below each box is the number of the Figure which shows an exploded view of the assembly.

Finding a Parts Number. Refer to the Assembly Location Diagrams and find the Figure Number of the assembly of interest. Turn to the page(s), locate the part on the exploded view, and find its Key Number. Refer to the Parts List on the page facing the exploded view and find the Key Number, Part Number and quantity required for your type of machine.

Note : While looking for a Part Number, pay particular attention to the voltage listed in the SERIAL NUMBER/REMARKS column to ensure that the Part Number selected is for your type of machine. Immediate shipping or action regarding the part depends on using its correct Part Number.

Parts List pages. The Parts List pages contain the following columns and information.

(1) Figure and Key Number column. The first column shows the Figure Number of the illustration corresponding to the Parts List, and the Key Number that identifies the part on the illustration.

(2) Part Number. The second column shows the Part Number for the part. This Number must be used when ordering replacement parts or assemblies described in the description column do not have a Part Number and are not stocked.

Note : The last three digits (suffix) of the Parts Number are called the Revision Number. The Revision Number is changed if the part is modified. Information regarding such changes will be provided by Service Information Bulletins. These Bulletins should be read carefully.

(3) Rank N. Parts marked "N" are service parts, but are not stock items. They are produced on a special-order basis.

(4) Quantity column. The quantity shown in this column is the number of parts used in the Figure. However, the quantity listed for an assembly indicates the number of that assembly per machine. The letters in this column indicate that the quantity of a parts is not specified, allowing the use of the number of parts needed for assembly and that the quantity cannot be mentioned clearly.

(5) Description column. The Description column lists the description that should be used when ordering the part.

(6) Serial Number/Remarks. When there are differences in the specifications of power supply voltage, frequency, etc., the differences are described in words or indicated by one two or three letters in front of the serial number.

(Example)

Serial number ABC00001
└ This is the descriptive indicator.

If a model modified and a part is no longer interchangeable, the serial number of machines for which the part can be used is shown in this column. If there is no indication the part can be used with all models.

Numerical Index. There is a Numerical Index at the end of this catalog; it lists in numerical order every Part Number contained in the Parts Lists. The Numerical Index contains the following columns and information.

(1) Part Number. The first column shows the Part Number.

(2) Figure and Key Number column. The second column lists the Figure and Key Number for each occurrence of the part in the illustrations.

1

2

3

4

FIGURE A

ASSEMBLY LOCATION DIAGRAM(1/2) 主要部品配置図 (1/2)

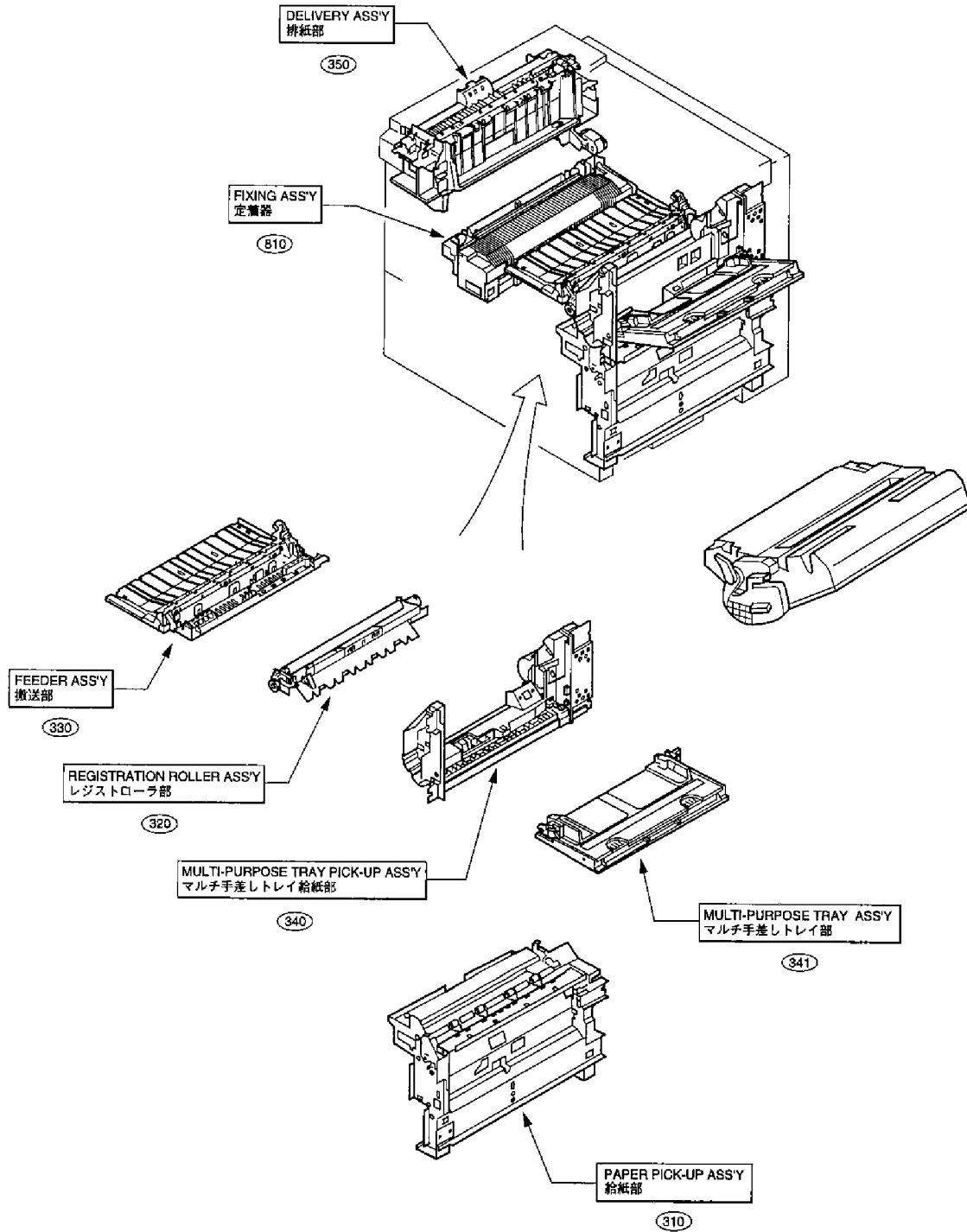


FIGURE A

ASSEMBLY LOCATION DIAGRAM(2/2) 主要部品配置図 (2/2)

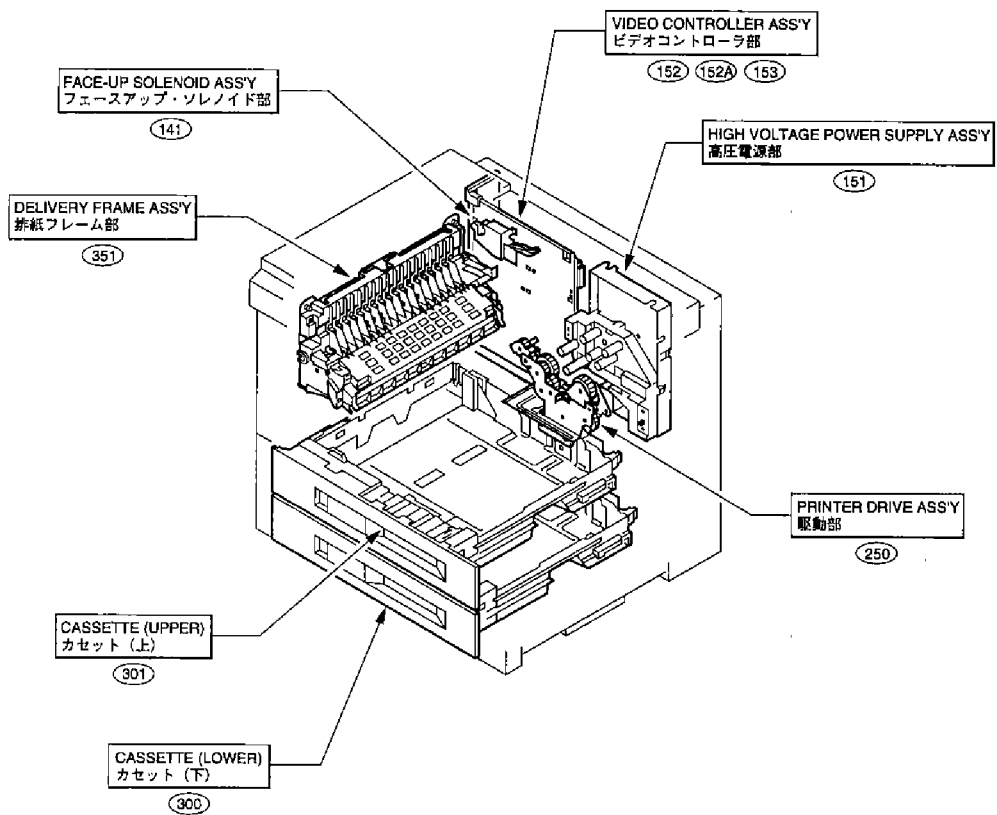


FIGURE 100

EXTERNAL COVERS, PANELS, ETC. 外装カバー

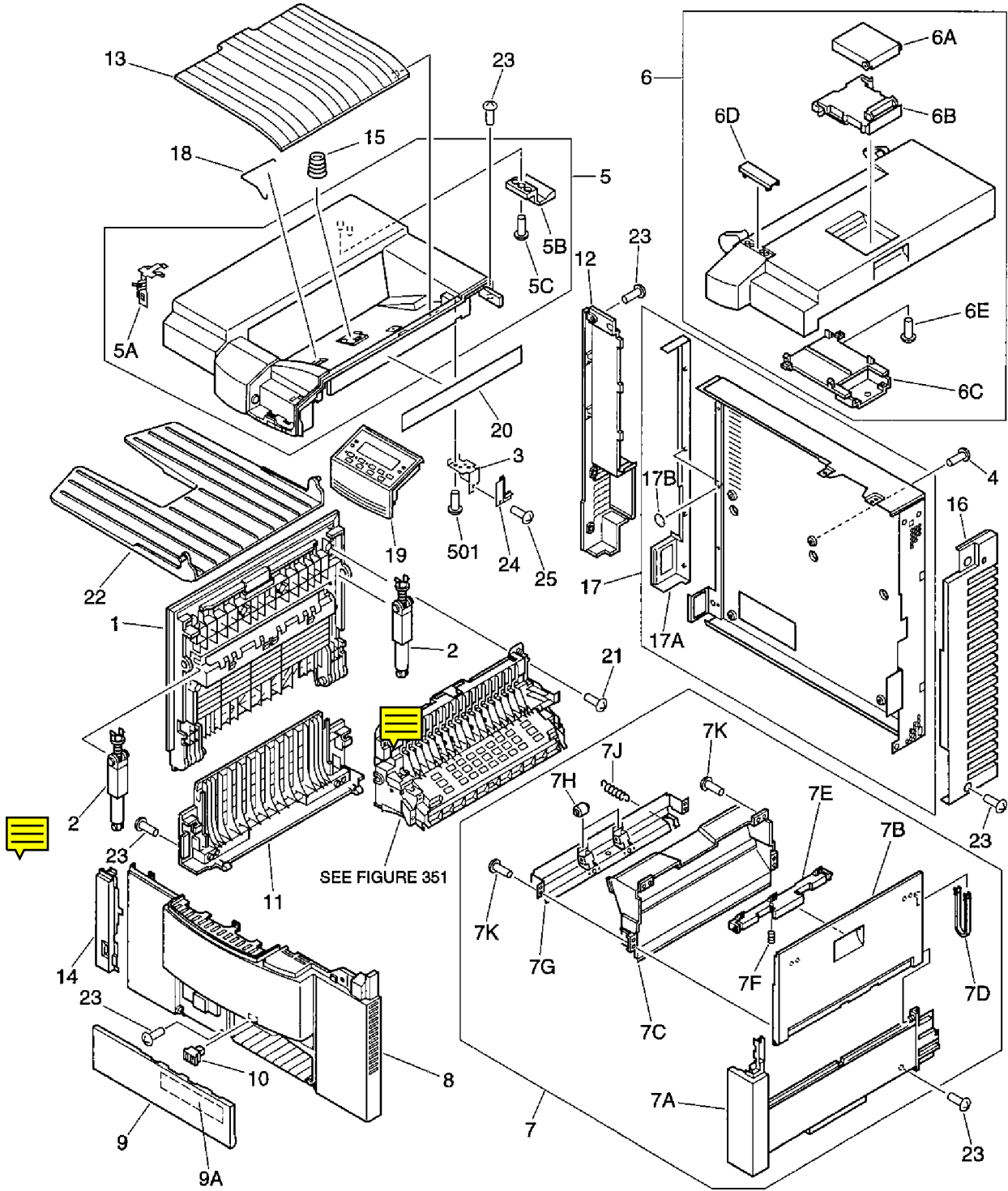


FIGURE & KEY NO.	PART NUMBER	R A N K	Q' T Y	DESCRIPTION	SERIAL NUMBER / REMARKS
100 -	NPN		RF	EXTERNAL COVERS, PANELS, ETC.	
1	RB1-6967-000		1	COVER, DELIVERY	
2	RF5-1440-000		2	HINGE, STOPPER	
3	RB1-6507-000		1	PLATE, HINGE	
4	XA9-0267-000		6	SCREW, TP, M3X6	
5	RF5-1748-000		1	UPPER COVER ASS'Y	
5A	RB1-6936-000		1	PLATE, GROUNDING	
5B	RB1-6985-000		1	COVER, ELCTRICAL	
5C	XB4-7400-807		1	SCREW,TAPPING,TRUSS HEAD,M4X8	
6	RG5-2412-000		1	OPEN/CLOSE COVER, ASS'Y	
6A	RB1-6983-000		1	STOPPER, DELIVERY	
6B	RB1-6984-000		1	TRAY, DELIVERY	
6C	RB1-6935-000		1	TRAY, DELIVERY, SUB	
6D	RB1-6938-000		1	COVER, CRG	
6E	XB4-7400-809		4	SCREW,TAPPING,TRUSS HEAD,M4X8	
7	RG5-2413-000		1	COVER ASS'Y	
7A	RB1-6973-000		1	COVER, RIGHT	
7B	RB1-6974-000		1	COVER, OPEN/CLOSE, RIGHT	
7C	RB1-6975-000		1	GUIDE, COVER	
7D	RB1-6484-000		1	STOPPER, OPEN/CLOSE	
7E	RB1-6976-000		1	LEVER	
7F	RB1-6486-000		1	SPRING, COMPRESSION	
7G	RB1-6487-000		1	PLATE, GUIDE	
7H	RB1-6488-000		2	ROLLER	
7J	RS5-2494-000		1	SPRING, TENSION	
7K	XB4-7400-807		4	SCREW,TAPPING,TRUSS HEAD,M4X8	
8	RB1-7079-000		1	COVER, FRONT	
9	RF5-1438-000		1	COVER, FRONT, SUB	
9A	RS5-8677-000		1	LABEL, JAM REMOVAL	
10	XZ9-0379-000		1	LATCH	
11	RB1-6972-000		1	COVER, LEFT	
12	RB1-6977-000		1	COVER, ELECTRICAL	
13	RB1-6978-000		1	TRAY, FACE-DOWN	
14	RB1-6980-000		1	COVER, SWITCH	
15	RB1-6493-000		1	SPRING, COMPRESSION	
16	RB1-6981-000		1	COVER, RIGHT, LOWER	
17	RF5-1749-000		1	COVER, REAR	
17A	RB1-6939-000		1	GUIDE, COVER	
17B	XA9-0437-000		5	NUT, PUSH	
18	RB1-6509-000		1	SPRING, TORSION	
19	RG5-3683-000		1	PANEL, FRONT	
20	RS5-8676-000		1	LABEL, JAM REMOVAL	
21	XA9-0605-000		6	SCREW, M4X8	
22	RB1-6940-000		1	TRAY, FACE-UP	
23	XA9-0872-000		11	SCREW, W/WASHER, M3X8	
24	RB1-7000-000		1	PLATE, GUARD	
25	XA9-0872-000		1	SCREW, W/WASHER, M3X8	
501	XB4-7400-809		3	SCREW,TAPPING,TRUSS HEAD,M4X8	

FIGURE 101

INTERNAL COMPONENTS 1

本体機械内部 (1)

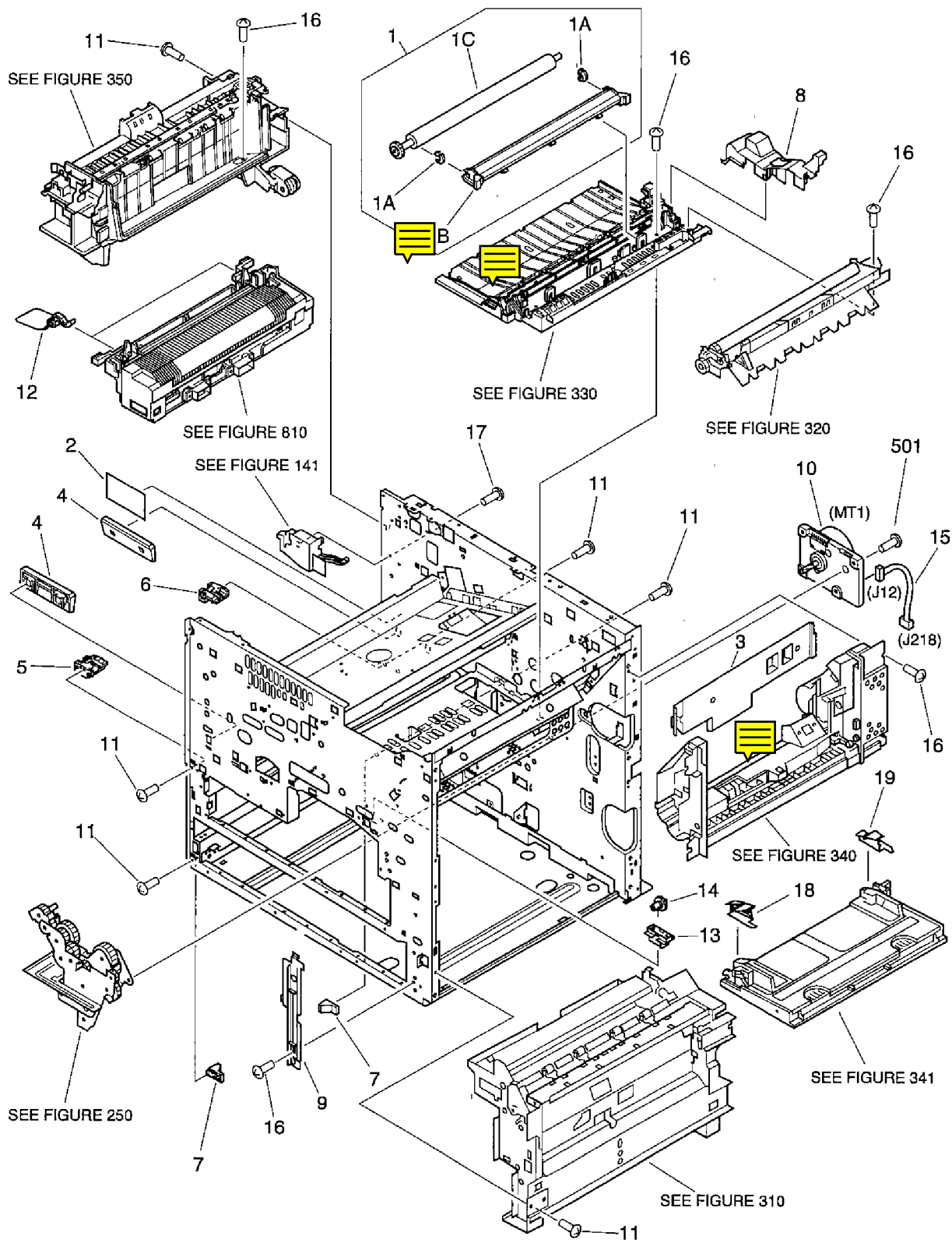


FIGURE & KEY NO.	PART NUMBER	RANK	QTY	DESCRIPTION	SERIAL NUMBER / REMARKS
101 -	NPN		RF	INTERNAL COMPONENTS 1	
1	RG5-1887-000		1	TRANSFER ROLLER ASS'Y	
1A	RB1-6441-000		2	BUSHING	
1B	RF5-1394-000		1	HOLDER, TRANSFER	
1C	RF5-1412-000		1	ROLLER, TRANSFER	
2	RS5-8597-000		1	LABEL, JAM REMOVAL	
3	RB1-6749-000		1	COVER, MP TRAY PICK-UP	
4	RB1-6456-000		2	RAIL, FIXING	
5	RB1-6461-000		1	HOLDER, DAMPER, FRONT	
6	RB1-6462-000		1	HOLDER, DAMPER, REAR	
7	RB1-6466-000		2	GUIDE, OPTION	
8	RB1-6468-000		1	COVER, CLUTCH	
9	RB1-6982-000		1	COVER, FRONT	
10	RH7-1260-000		1	MOTOR, MAIN	MT1, J12
11	XA9-0267-000		10	SCREW, TP, M3X6	
12	RF5-1434-000		2	SPACER	
13	RB1-6403-000		1	STOPPER, PAWL	
14	RS5-0708-000		1	GEAR, 21T	
15	RG5-1919-000		1	MOTOR CABLE	J12, J218
16	XA9-0872-000		13	SCREW, W/WASHER, M3X8	
17	XA9-0605-000		1	SCREW, M4X8	
18	RB1-6708-000		1	PLATE, STOPPER, LEFT	
19	RB1-6709-000		1	PLATE, STOPPER, RIGHT	
501	XB6-7400-807		4	SCREW, TP, M4X8	

FIGURE 102

INTERNAL COMPONENTS 2

本体機械内部 (2)

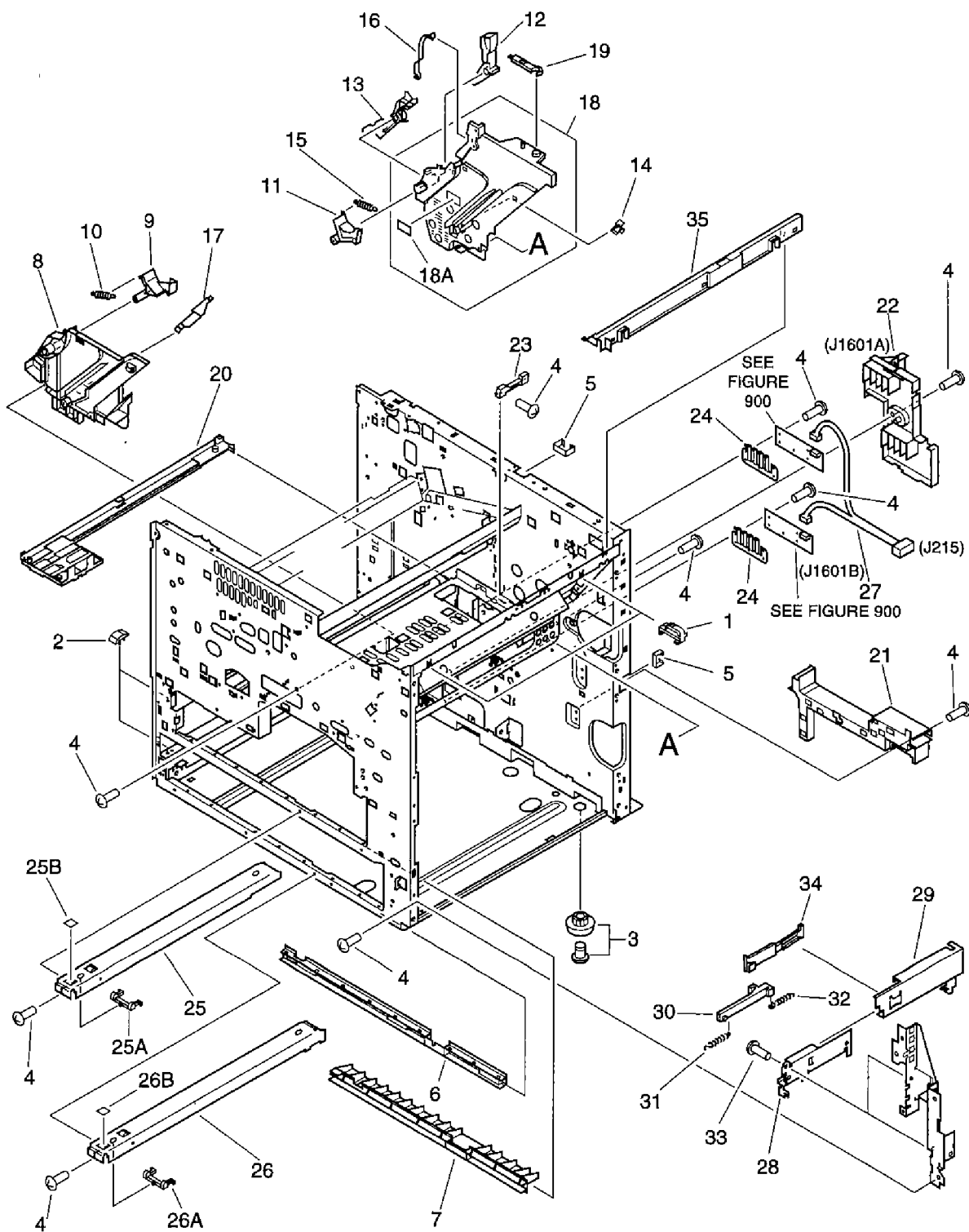


FIGURE & KEY NO.	PART NUMBER	RANK	QTY	DESCRIPTION	SERIAL NUMBER / REMARKS
102 -	NPN		RF	INTERNAL COMPONENTS 2	
1	RB1-6419-000		2	BLOCK, RETAINER	
2	RB1-6430-000		2	CLIP, SLIDE	
3	RB1-6421-000		4	FOOT	
4	XA9-0267-000		17	SCREW, TP, M3X6	
5	WT2-0482-000		2	CLIP, WIRE	
6	RB1-6432-000		1	COVER, EDGE, UPPER	
7	RB1-6433-000		1	COVER, EDGE, LOWER	
8	RB1-6443-020		1	GUIDE, FRONT	
9	RB1-6444-000		1	ARM, PRESSURE, FRONT	
10	RS5-2468-000		1	SPRING, TENSION	
11	RB1-6446-000		1	ARM, PRESSURE, REAR	
12	RB1-6447-000		1	ARM, RELEASE, UPPER	
13	RB1-6448-000		1	ARM, RELEASE, LOWER	
14	RB1-6449-000		1	PLATE, DRUM	
15	RS5-2468-000		1	SPRING, TENSION	
16	RB1-6523-000		1	SPRING, LEAF	
17	RB1-6434-000		1	SPRING, LEAF	
18	RF5-1397-000		1	GUIDE, REAR	
18A	RS5-8428-000		1	LABEL, "CAUTION"	
19	RB1-2260-000		1	BRUSH, CLEANING	
20	RB1-6455-000		1	COVER, FIXING, LOWER	
21	RB1-6470-000		1	COVER, CABLE, LVT	
22	RB1-6474-000		1	COVER, SIZE	
23	RB1-6512-000		1	SPRING, LEAF	
24	RB1-6909-000		2	SPRING, LEAF	
25	RF5-1395-000		1	RAIL, CASSETTE, UPPER	
25A	RB1-6429-000		1	GUARD, EDGE	
25B	RS5-8593-000		1	LABEL	
26	RF5-1396-000		1	RAIL, CASSETTE, LOWER	
26A	RB1-6429-000		1	GUARD, EDGE	
26B	RS5-8593-000		1	LABEL	
27	RG5-1920-000		1	CASSETTE SIZE CABLE	J215, J1601A, J1601B
28	RB1-6776-000		2	GUIDE, RAIL	
29	RB1-6777-000		2	RAIL, TRAY	
30	RB1-6778-000		2	ROD	
31	RS5-2499-000		2	SPRING, TENSION	
32	RS5-2500-000		2	SPRING, TENSION	
33	XA9-0267-000		4	SCREW, TP, M3X6	
34	RB1-6783-000		2	STOPPER, RAIL	
35	RB1-6971-000		1	COVER, RIGHT, UPPER	

FIGURE 103 INTERNAL COMPONENTS 3

本体機械内部 (3)

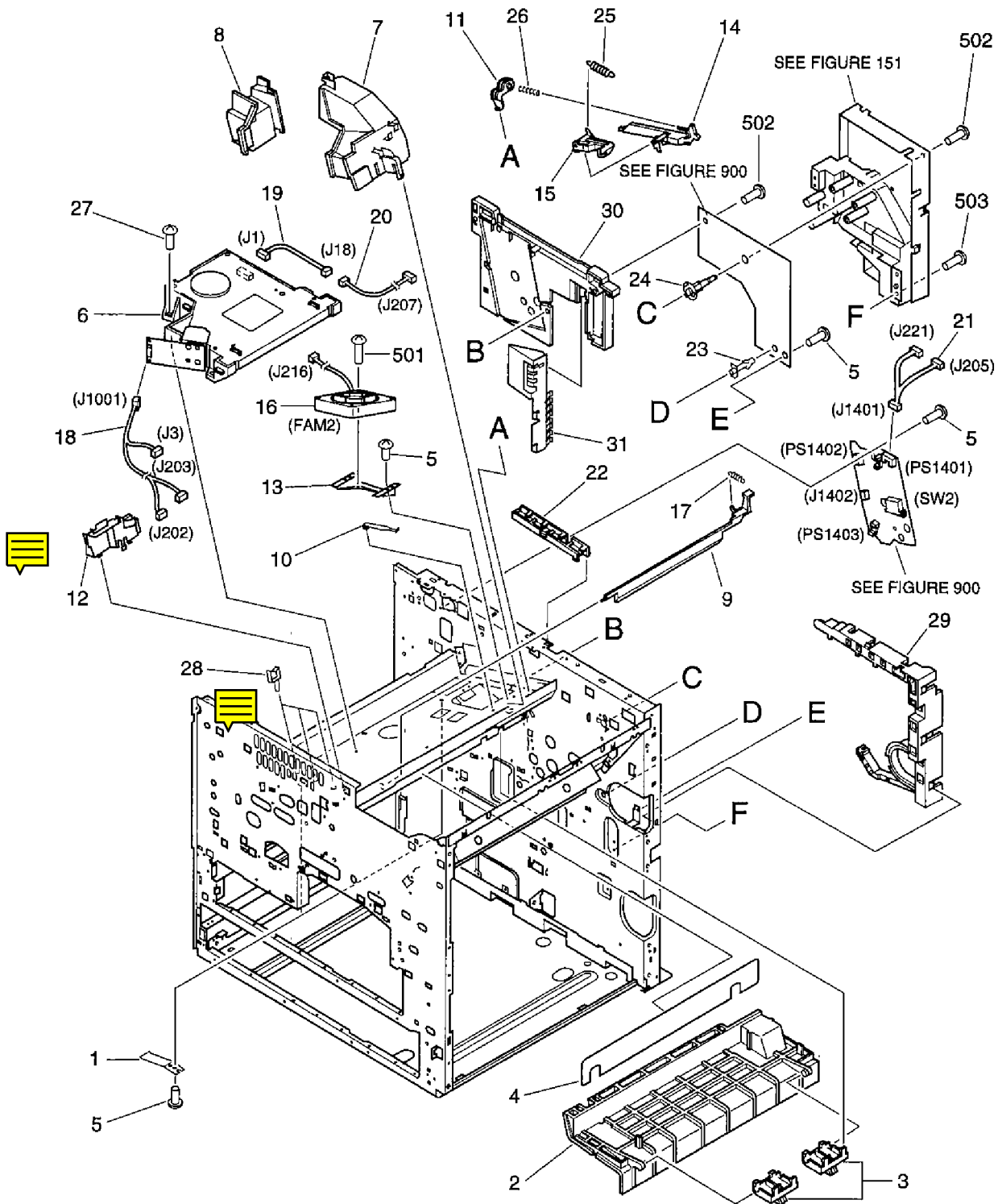


FIGURE & KEY NO.	PART NUMBER	RANK	QTY	DESCRIPTION	SERIAL NUMBER / REMARKS
103 -	NPN		RF	INTERNAL COMPONENTS 3	
1	RB1-6425-000		2	SPRING, LEAF	
2	RB1-6426-000		1	PLATE, FIXING	
3	RB1-6427-000		2	STOPPER, CG	
4	RB1-6428-000		1	SHEET, INSULATION	
5	XA9-0267-000		8	SCREW, TP, M3X6	
6	RG5-1895-020		1	LASER/SCANNER ASS'Y	
7	RB1-6450-000		1	DUCT, SCANNER	
8	RB1-6457-000		1	COVER, COUPLER	
9	RB1-6458-000		1	SHUTTER	
10	RB1-6459-000		1	SPRING, LEAF	
11	RB1-6460-000		1	PLATE, HOLDER	
12	RB1-6465-000		1	PLATE, DUCT, FRONT	
13	RB1-6467-000		1	MOUNT, FAN	
14	RB1-6472-000		1	ARM, LOCK, INTER	
15	RB1-6473-000		1	SHUTTER	
16	RH7-1266-000		1	FAN	FAM2, J216
17	RS5-2467-000		1	SPRING, TENSION	
18	RG5-2542-000		1	LESER CABLE	J3, J202, J203, J1001
19	RG5-1925-000		1	SCANNER MOTOR CABLE	J1, J18
20	RG5-1926-000		1	BD CABLE	J18, J207
21	RG5-1927-000		1	ILS CABLE	J205, J221, J1401
22	RB1-6780-000		1	COVER, CABLE	
23	VT2-0001-010		1	SUPPORT, PCB	
24	RB1-6503-000		1	SUPPORT, PCB	
25	RS5-2469-000		1	SPRING, TENSION	
26	RS5-2470-000		1	SPRING, COMPRESSION	
27	XA9-0817-000		4	SCREW, W/WASHER, M3X20	
28	WT2-0262-000		3	CLIP, CABLE	
29	RB1-6469-000		1	COVER, CABLE, DC	
30	RB1-6471-000		1	MOUNT, CONTROL	
31	RB1-6781-000		1	PLATE, SHIELD	
501	XB5-6303-007		2	SCREW, CT, M3X30	
502	XB4-7300-809		3	SCREW, TAPPING, TRUSS HEAD, M3X8	
503	XB4-7401-009		3	SCREW, TAPPING, PAN HEAD, M4X10	

FIGURE 104

INTERNAL COMPONENTS 4 本体機械内部 (4)

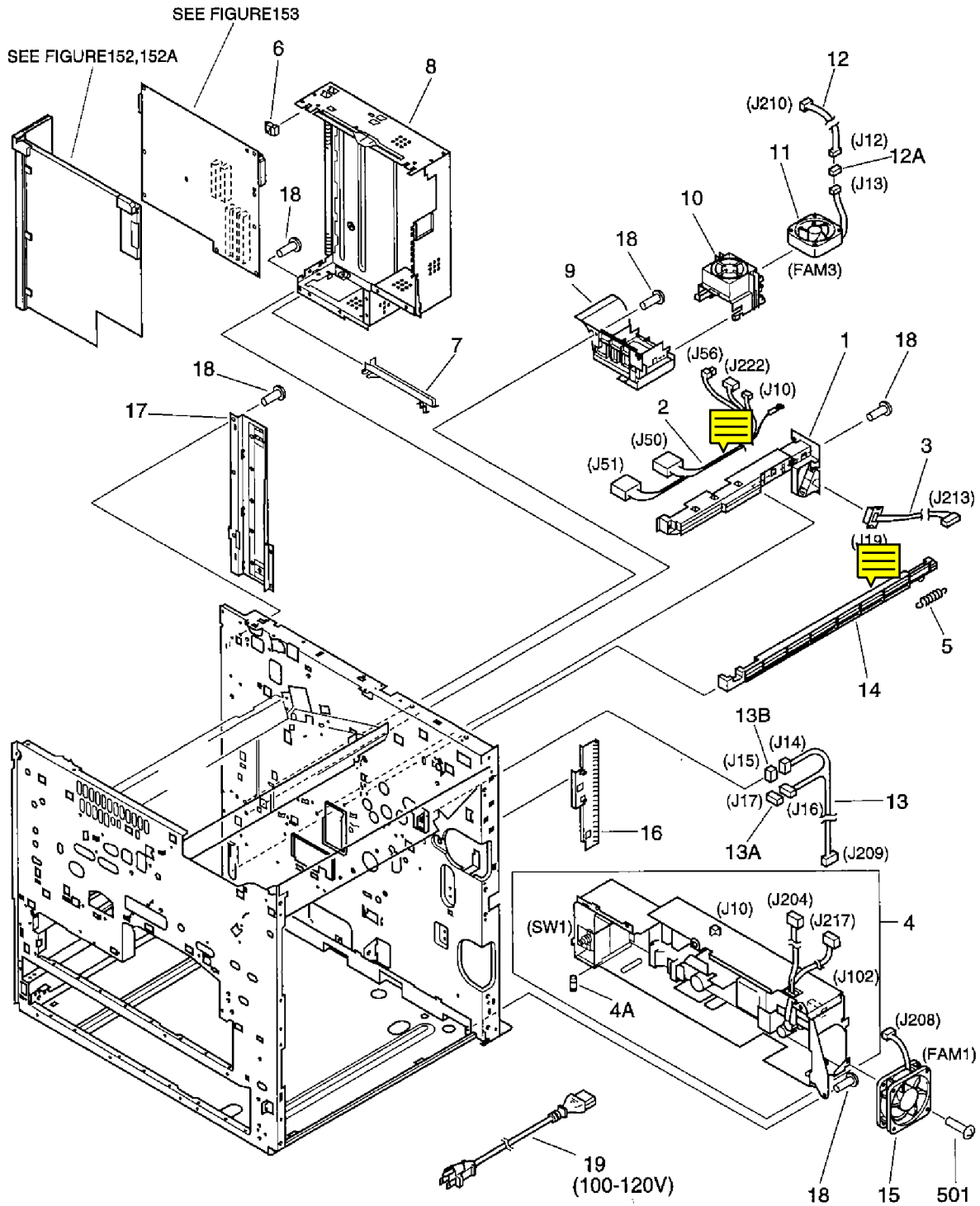


FIGURE & KEY NO.	PART NUMBER	RANK	QTY	DESCRIPTION	SERIAL NUMBER / REMARKS
104 -	NPN		RF	INTERNAL COMPONENTS 4	
1	RB1-6502-000		1	COVER, CABLE	
2	RG5-1849-000		1	FIXING, 1 CABLE	J10, J50, J51, J56, J222
3	RG5-1850-000		1	FIXING, 2 CABLE	J19, J213
4	RG5-1878-000		1	POWER SUPPLY ASS'Y	100-120V SW1
	RG5-1877-000		1	POWER SUPPLY ASS'Y	J10, J102, J204, J217 220-240V SW1 J10, J102, J204, J217
4A	VD7-0644-301		1	FUSE, AC125V, 6.3A	100-120V
	VD5-0066-301		1	FUSE, AC125V, 6.3A	220-240V
5	RS5-2465-000		1	SPRING, TENSION	
6	RB1-6930-000		1	GUIDE, TRAY	
7	RB1-6775-000		1	GUIDE, SLIDE	
8	RF5-1466-030		1	COVER, SHIELD	
9	RB1-6760-000		1	DUCT A	
10	RB1-6761-000		1	DUCT B	
11	RH7-1271-000		1	FAN	FAM3, J13
12	RG5-1921-000		1	CABLE, FAN	J12, J210
12A	VS1-0842-003		1	CONNECTOR, 3P	J13
13	RG5-1928-000		1	REGIST, CABLE	J14, J16, J209
13A	VS1-5057-002		1	CONNECTOR, 2P	J16, J17
13B	VS1-5057-003		1	CONNECTOR, 3P	J14, J15
14	RB1-6970-000		1	ROD, SWITCH	
15	RH7-1266-000		1	FAN	FAM1, J208
16	RB1-6772-000		1	PLATE, SHIELD	
17	RF5-1464-020		1	PLATE, SHIELD	
18	XA9-0872-000		16	SCREW, WWASHER, M3X8	
19	RH2-5263-000		1	CORD, POWER	100-120V
501	XB6-7303-007		4	SCREW, TP, M3X30	

FIGURE 141 FACE-UP SOLENOID ASS'Y
 フェースアップ・ソレノイド部

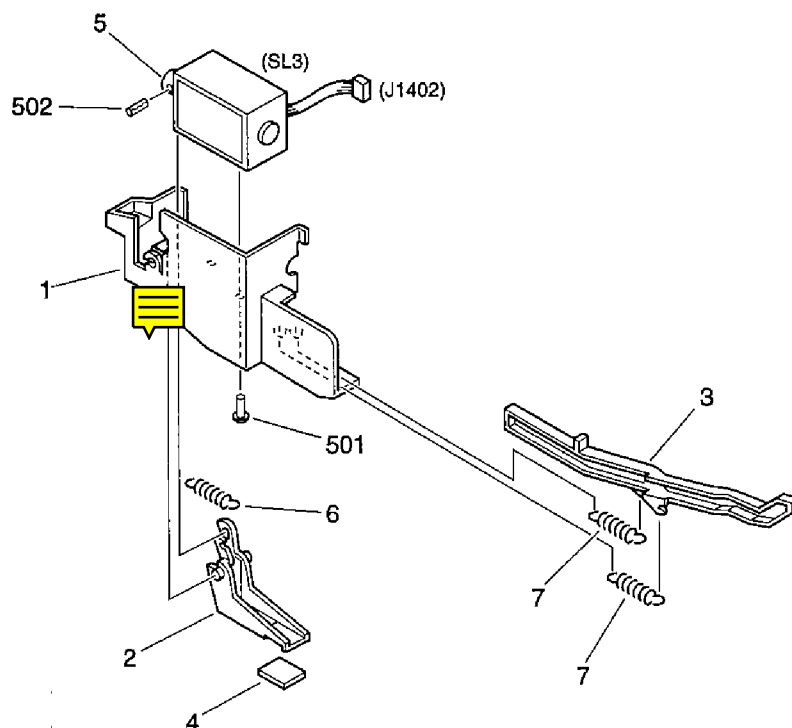


FIGURE & KEY NO.	PART NUMBER	RANK	QTY	DESCRIPTION	SERIAL NUMBER / REMARKS
141 -	RG5-1875-000		1	FACE-UP SOLENOID ASS'Y	
1	RB1-6698-000		1	HOLDER, SOLENOID	
2	RB1-6699-000		1	LEVER, SOLENOID	
3	RB1-6700-000		1	ARM, LOCK, INTER	
4	RB1-6702-000		1	CUSHION, LEVER, 9.5X11	
5	RH7-5123-000		1	SOLENOID	SL3, J1402
6	RS5-2492-000		1	SPRING, TENSION	
7	RS5-2493-000		2	SPRING, TENSION	
501	XB6-7300-409		2	SCREW, TP, M3X4	
502	XD3-1300-082		1	PIN, SPRING	

FIGURE 151 HIGH VOLTAGE POWER SUPPLY ASS'Y
 高压電源部

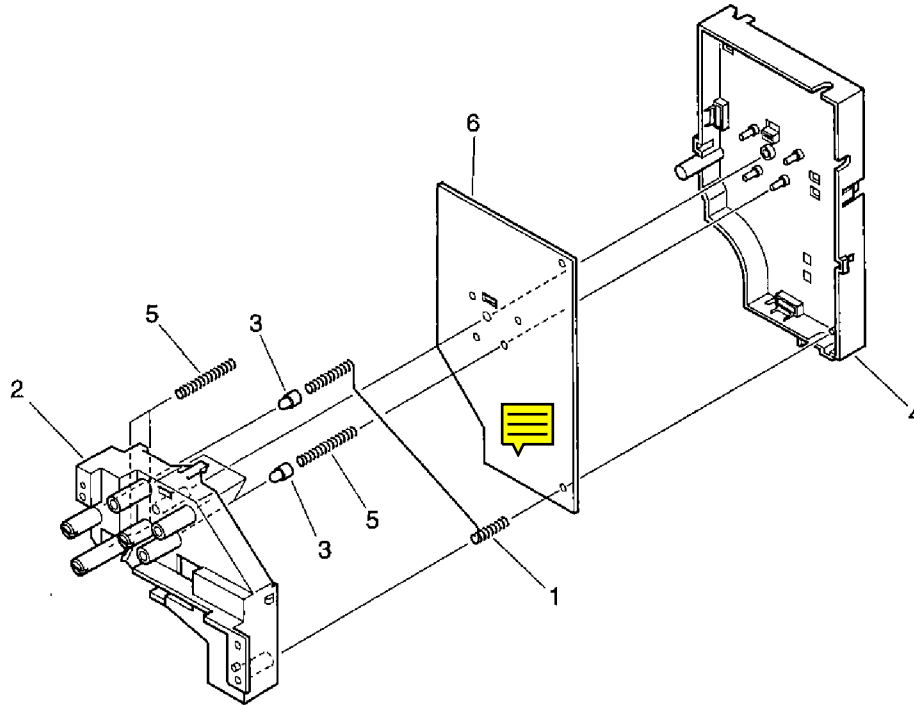


FIGURE & KEY NO.	PART NUMBER	RANK	QTY	DESCRIPTION	SERIAL NUMBER / REMARKS
151 -	RG5-1888-020		1	HIGH VOLTAGE POWER SUPPLY ASS'Y	
1	RB1-6753-000		1	SPRING, COMPRESSION	
2	RB1-6756-000		1	COVER, HVT	
3	RB1-6757-000		3	PIN, CONTACT	
4	RB1-6758-000		1	CASE, HIGH VOLTAGE	
5	RB1-6759-000		5	SPRING, COMPRESSION	
6	RG5-1891-020		1	HIGH VOLTAGE PCB ASS'Y	

FIGURE 152 VIDEO CONTROLLER ASS'Y (100-120V)
ビデオコントローラ部(100-120V)

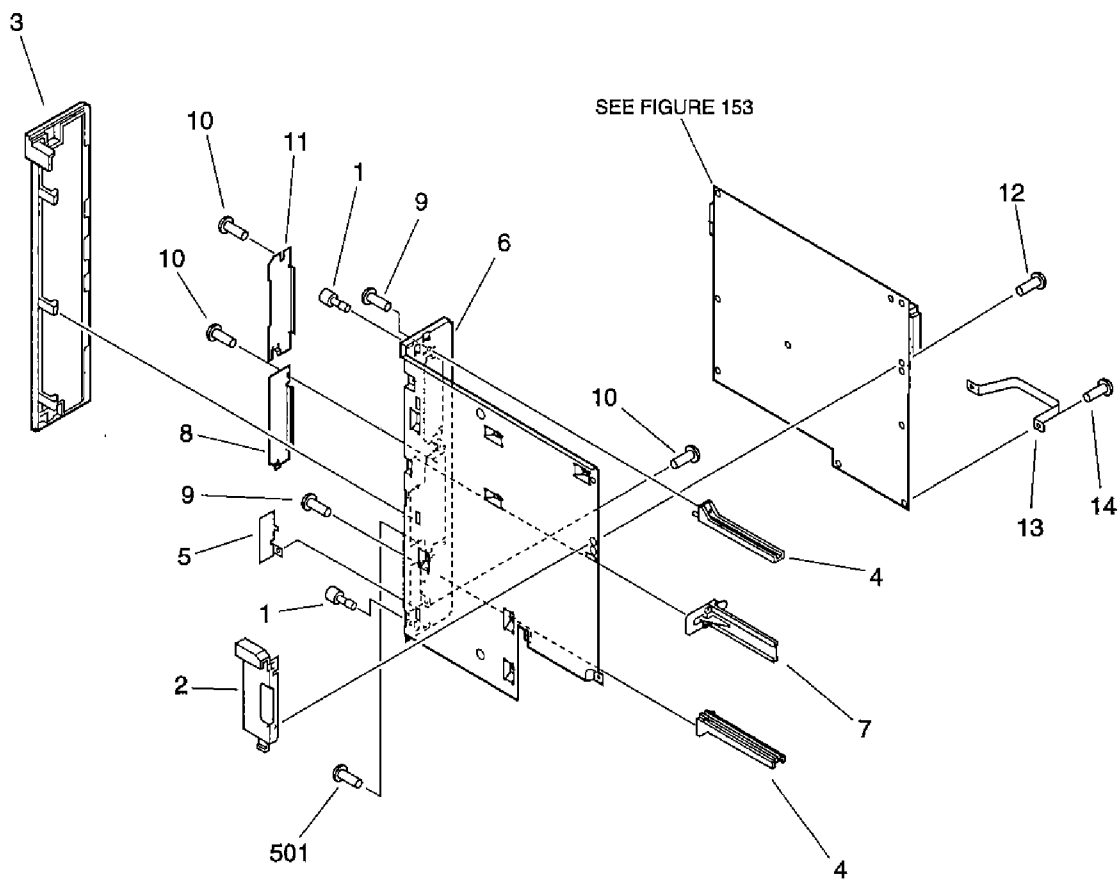


FIGURE & KEY NO.	PART NUMBER	R A N K	Q T Y	DESCRIPTION	SERIAL NUMBER / REMARKS
152 -	RG5-3679-000		1	VIDEO CONTROLLER ASS'Y	100-120V
1	RB1-4886-000		2	SCREW, M4X5	
2	RB1-6927-000		1	GUIDE, SLIDE	
3	RB1-6928-000		1	COVER, SLIDE	
4	RB1-7067-000		2	RAIL, GUIDE	
5	RB1-7069-000		1	PLATE, COVER	
6	RB1-7072-000		1	PLATE, GUIDE	
7	RB1-7073-000		1	RAIL, GUIDE	
8	RB1-7076-000		1	PLATE, COVER	
9	XA9-0615-000		2	SCREW, M4X8	
10	XA9-0836-000		3	SCREW, TP, M3X6	
11	RB1-7075-000		1	PLATE, COVER	
12	XA9-0386-000		6	SCREW, M4X8	
13	RB1-7070-000		1	PLATE, GUARD	
14	XA9-0615-000		2	SCREW, M4X8	
501	XB1-1301-003		2	SCREW, MACH., PAN HEAD, M3X10	

FIGURE 152A VIDEO CONTROLLER ASS'Y (220-240V)
ビデオコントローラ部(220-240V)

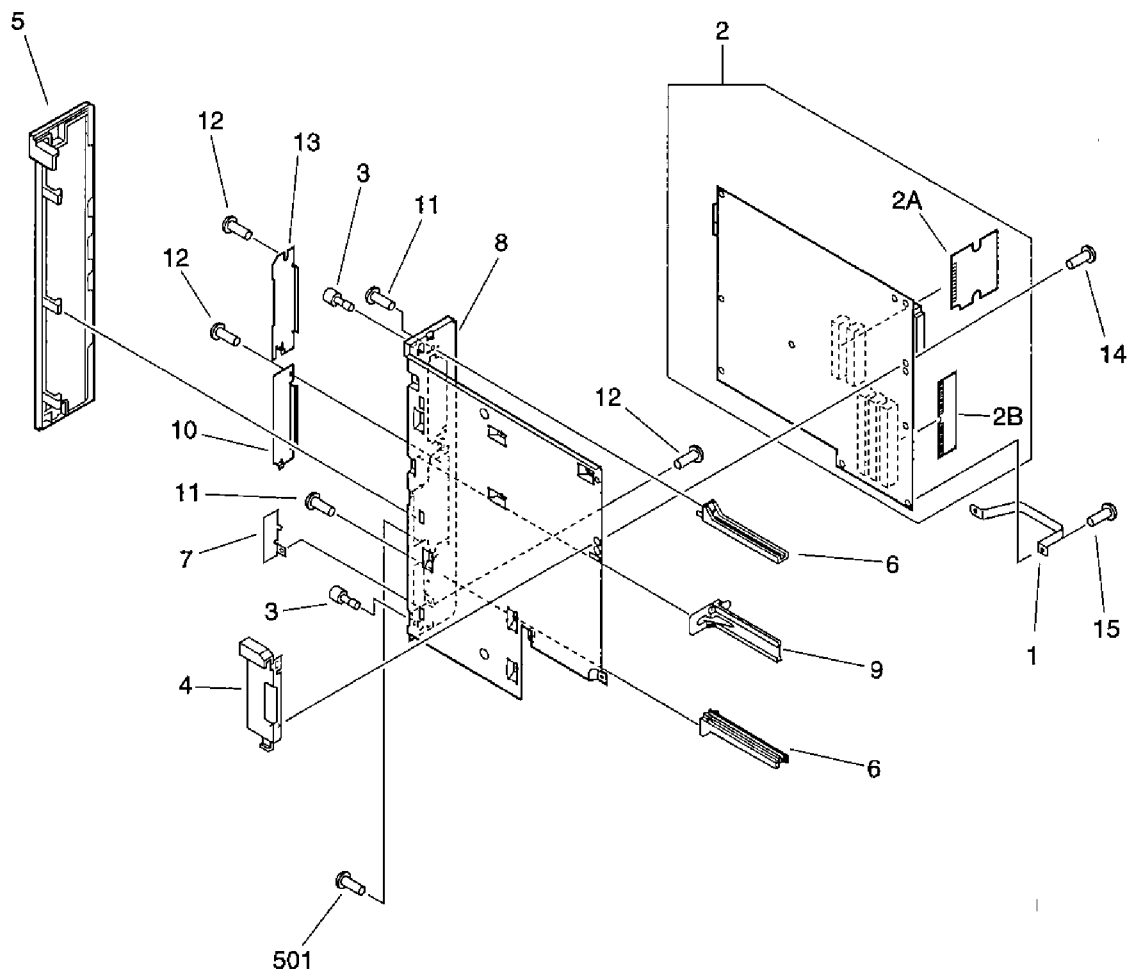


FIGURE & KEY NO.	PART NUMBER	RANK	QTY	DESCRIPTION	SERIAL NUMBER / REMARKS
152A -	RG5-3677-000		1	VIDEO CONTROLLER ASS'Y	220-240V
1	RB1-7070-000		1	PLATE, GUARD	
2	RG1-3762-00V		1	VIDEO CONTROLLER PCB ASS'Y	SEE FIGUER 900 USA ORIG. PARTS (LPS)
2A	RG1-3739-000 V		1	FLASH ROM DIMM PCB ASS'Y	
2B	WA7-0063-000		1	IC, TM124BBK32K-70, DRAM	
3	RB1-4886-000		2	SCREW, M4X5	
4	RB1-6927-000		1	GUIDE, SLIDE	
5	RB1-6928-000		1	COVER, SLIDE	
6	RB1-7067-000		2	RAIL, GUIDE	
7	RB1-7069-000		1	PLATE, COVER	
8	RB1-7072-000		1	PLATE, GUIDE	
9	RB1-7073-000		1	RAIL, GUIDE	
10	RB1-7076-000		1	PLATE, COVER	
11	XA9-0615-000		2	SCREW, M4X8	
12	XA9-0836-000		3	SCREW, TP, M3X6	
13	RB1-7075-000		1	PLATE, COVER	
14	XA9-0615-000		2	SCREW, M4X8	
15	XA9-0386-000		6	SCREW, M4X8	
501	XB1-1301-003		2	SCREW, MACH., PAN HEAD, M3X10	

FIGURE 153 VIDEO CONTROLLER PCB ASS'Y (100-120V)
 ビデオコントローラ回路基板 (100-120V)

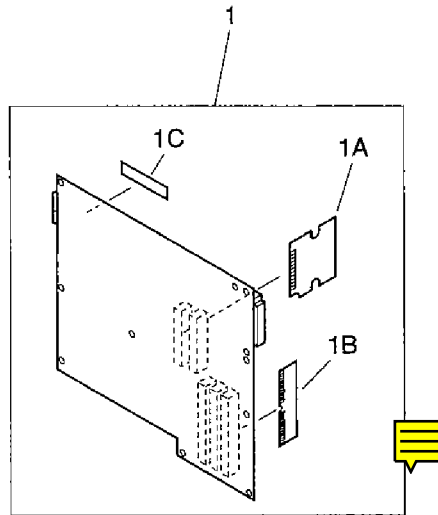


FIGURE & KEY NO.	PART NUMBER	RANK	QTY	DESCRIPTION	SERIAL NUMBER / REMARKS
153 - 1	RG1-3736-00V		1	VIDEO CONTROLLER PCB ASS'Y	100-120V USA ORIG. PARTS (LPS)
1A	RG1-3739-000		1	FLASH ROM DIMM PCB ASS'Y	
1B	WA7-0063-000		1	IC, TM124BBK32K-70, DRAM	
1C	RA2-2372-00V		1	LABEL	USA ORIG. PARTS (LPS)

(

(

(

(

FIGURE 250

PRINTER DRIVE ASS'Y 駆動部

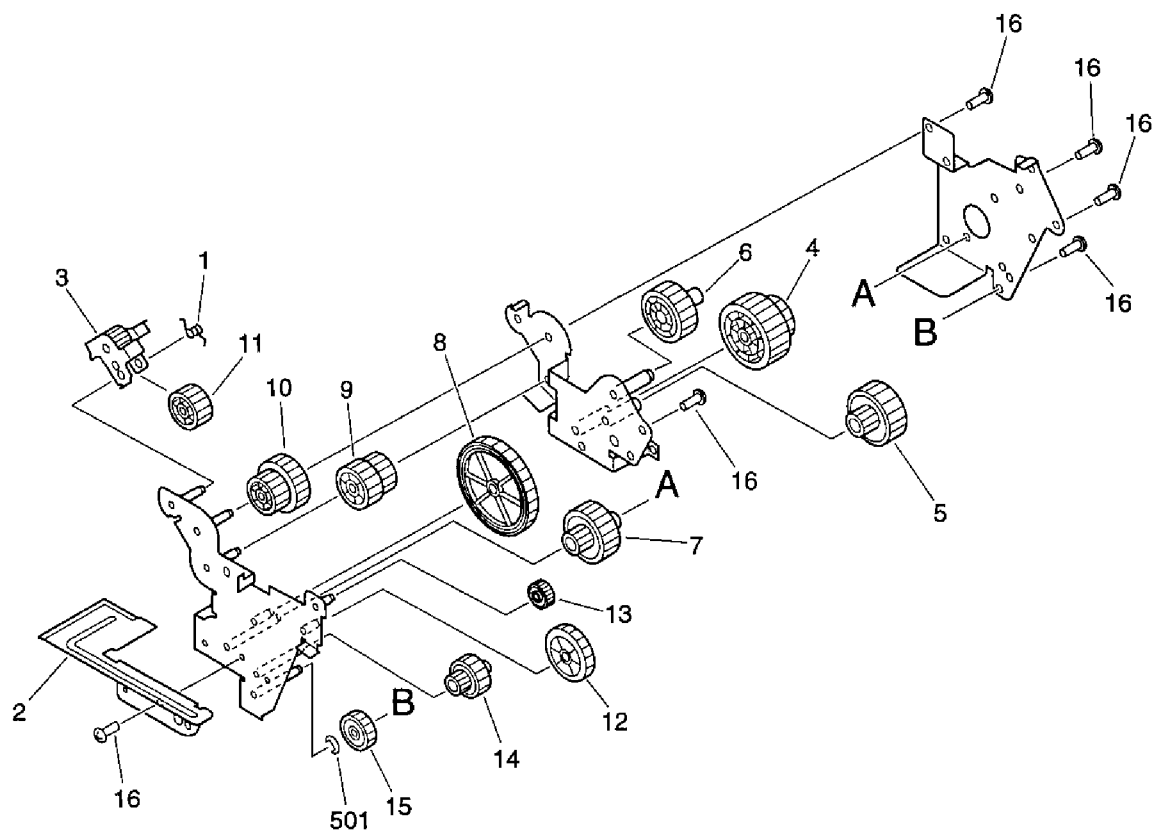


FIGURE & KEY NO.	PART NUMBER	R A N K	Q T Y	DESCRIPTION	SERIAL NUMBER / REMARKS
250 -	RG5-1847-030		1	PRINTER DRIVE ASS'Y	
1	RB1-6517-000		1	SPRING, TORSION	
2	RB1-6518-000		1	PLATE, GUIDE	
3	RF5-1410-000		1	COUPLER, FIXING	
4	RS5-0717-000		1	GEAR, 42T/99T	
5	RS5-0718-000		1	GEAR, 17T/57T	
6	RS5-0729-000		1	GEAR, 41T	
7	RS5-0720-000		1	GEAR, 17T/75T	
8	RS5-0721-000		1	GEAR, 73T	
9	RS5-0722-000		1	GEAR, 27T/30T	
10	RS5-0723-000		1	GEAR, 26T/39T	
11	RS5-0724-000		1	GEAR, 25T	
12	RS5-0725-000		1	GEAR, 39T	
13	RS5-0726-000		1	GEAR, 17T	
14	RS5-0727-000		1	GEAR, 19T/57T	
15	RS5-0728-000		1	GEAR, 31T	
16	XA9-0267-000		6	SCREW, TP, M3X6	
501	XD2-1100-502		1	RING, E	

FIGURE 300

CASSETTE (LOWER)

カセット (下)

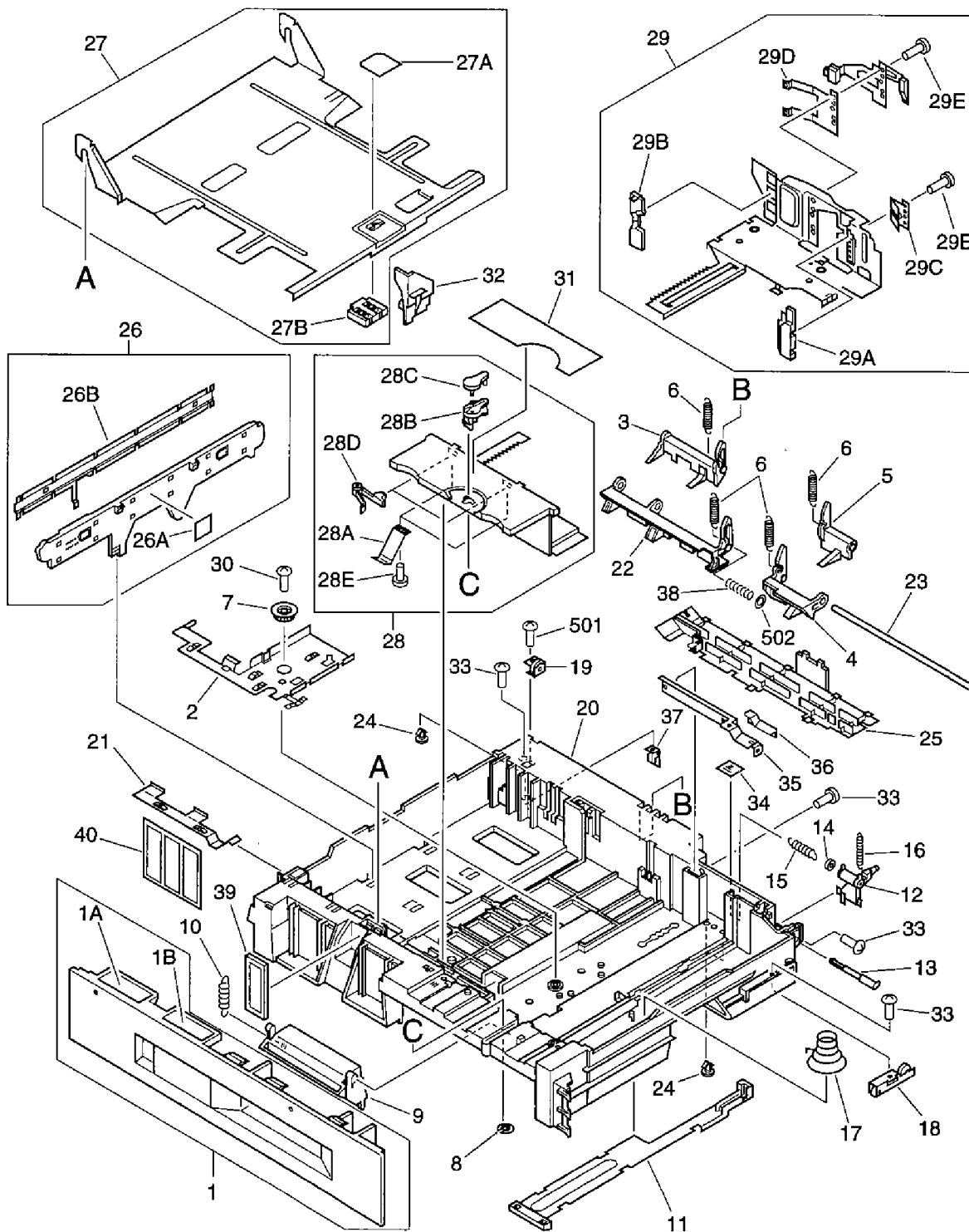


FIGURE & KEY NO.	PART NUMBER	RANK	QTY	DESCRIPTION	SERIAL NUMBER / REMARKS
300 -	NPN		RF	CASSETTE (LOWER)	
1	RF5-1754-000		1	PANEL, FRONT	
1A	RS5-8662-000		1	LABEL, OPERATION	
1B	RS5-8665-000		1	LABEL, CASSETTE SIZE DISPLAY	LTR/A4 LGL/B4 11X17/A3
2	RB1-6875-000		1	PLATE, GROUNDING	
3	RB1-6877-000		1	CAM, SIZE, B	
4	RB1-6878-000		1	CAM, SIZE, C	
5	RB1-6879-000		1	CAM, SIZE, D	
6	RB1-6881-020		4	SPRING, TENSION	
7	RB1-6882-000		1	GEAR, 20T	
8	RB1-6883-000		1	PLATE, LOCK	
9	RB1-6884-000		1	LATCH	
10	RB1-6885-000		1	SPRING, TENSION	
11	RB1-6887-000		1	PLATE, CHANGING	
12	RB1-6888-000		1	ARM, SENSOR	
13	RB1-6889-000		1	SHAFT, LATCH	
14	RB1-6890-000		1	BUSHING	
15	RB1-6891-000		1	SPRING, TENSION	
16	RB1-6892-000		1	SPRING, TENSION	
17	RB1-6893-000		1	SPRING, COMPRESSION	
18	RF5-1486-000		1	ROLLER, 1	
19	RF5-1487-000		1	ROLLER, 2	
20	RB1-6900-040	N	1	BODY, CASSETTE	
21	RB1-6901-000		1	PLATE, GROUNDING	
22	RB1-6902-000		1	CAM, SIZE, A	
23	RB1-6903-000		1	SHAFT, CAM	
24	RB1-6904-000		3	CLIP	
25	RB1-6908-000		1	COVER, SIZE CAM	
26	RF5-1484-000		1	PLATE, END	
26A	RS5-8605-000		1	LABEL, "LIMIT"	
26B	RB1-6869-000		1	PLATE, REINFORCEMENT	
27	RF5-1485-000		1	PLATE, PAPER LIFTING	
27A	RB1-6872-000		1	SHEET, SEPARATION	
27B	RB1-6871-000		1	CUSHION	
28	RG5-1909-000		1	PANEL, LIMIT	
28A	RB1-6858-000		2	SPRING, LEAF	
28B	RB1-6859-000		1	LEVER, LOCK	
28C	RB1-6905-000		1	COVER, LEVER	
28D	RB1-6914-000		2	CLAW	
28E	XB1-2300-406		2	SCREW,MACH.,TRUSS HEAD,M3X4	
29	RG5-1910-000		1	PANEL, LIMIT	
29A	RB1-6861-000		1	PLATE, SIDE, FRONT	
29B	RB1-6863-000		1	PLATE, SIDE, REAR	
29C	RB1-6865-000		1	SPRING, LEAF	
29D	RB1-6867-000		1	SPRING, LEAF	
29E	XB1-2300-406		5	SCREW,MACH.,TRUSS HEAD,M3X4	
30	XA9-0283-000		1	SCREW, TP	
31	RS5-8607-000		1	LABEL, OPERATION	
32	RB1-6784-000		1	PLATE, HOLDER	

FIGURE & KEY NO.	PART NUMBER	RANK	QTY	DESCRIPTION	SERIAL NUMBER / REMARKS
301 -	NPN		RF	CASSETTE (UPPER)	
1	RF5-1753-000		1	PANEL, FRONT	
1A	RS5-8662-000		1	LABEL, OPERATION	
1B	RS5-8664-000		1	LABEL, CASSETTE SIZE DISPLAY	LTR/A4 LGL/B4
2	RB1-6873-040	N	1	BODY, CASSETTE	
3	RB1-6874-000		1	PLATE, GROUNDING	
4	RB1-6875-000		1	PLATE, GROUNDING	
5	RB1-6876-000		1	CAM, SIZE, A	
6	RB1-6877-000		1	CAM, SIZE, B	
7	RB1-6878-000		1	CAM, SIZE, C	
8	RB1-6879-000		1	CAM, SIZE, D	
9	RB1-6880-000		1	SHAFT, CAM	
10	RB1-6881-020		4	SPRING, TENSION	
11	RB1-6882-000		1	GEAR, 20T	
12	RB1-6883-000		1	PLATE, LOCK	
13	RB1-6884-000		1	LATCH	
14	RB1-6885-000		1	SPRING, TENSION	
15	RB1-6887-000		1	PLATE, CHANGING	
16	RB1-6888-000		1	ARM, SENSOR	
17	RB1-6889-000		1	SHAFT, LATCH	
18	RB1-6890-000		1	BUSHING	
19	RB1-6891-000		1	SPRING, TENSION	
20	RB1-6892-000		1	SPRING, TENSION	
21	RB1-6893-000		1	SPRING, COMPRESSION	
22	RF5-1486-000		1	ROLLER, 1	
23	RF5-1487-000		1	ROLLER, 2	
24	RB1-6904-000		3	CLIP	
25	RB1-6907-000		1	COVER, SIZE CAM	
26	RF5-1484-000		1	PLATE, END	
26A	RS5-8605-000		1	LABEL, "LIMIT"	
26B	RB1-6869-000		1	PLATE, REINFORCEMENT	
27	RF5-1485-000		1	PLATE, PAPER LIFTING	
27A	RB1-6872-000		1	SHEET, SEPARATION	
27B	RB1-6871-000		1	CUSHION	
28	RG5-1909-000		1	PANEL, LIMIT	
28A	RB1-6858-000		2	SPRING, LEAF	
28B	RB1-6859-000		1	LEVER, LOCK	
28C	RB1-6905-000		1	COVER, LEVER	
28D	RB1-6914-000		2	CLAW	
28E	XB1-2300-406		2	SCREW, MACH., TRUSS HEAD, M3X4	
29	RG5-1910-000		1	PANEL, LIMIT	
29A	RB1-6861-000		1	PLATE, SIDE, FRONT	
29B	RB1-6863-000		1	PLATE, SIDE, REAR	
29C	RB1-6865-000		1	SPRING, LEAF	
29D	RB1-6867-000		1	SPRING, LEAF	
29E	XB1-2300-406		5	SCREW, MACH., TRUSS HEAD, M3X4	
30	XA9-0283-000		1	SCREW, TP	
31	RS5-8607-000		1	LABEL, OPERATION	
32	RB1-6784-000		1	PLATE, HOLDER	
33	XA9-0236-000		4	SCREW, W/WASHER, M3X10	

FIGURE & KEY NO.	PART NUMBER	RANK	QTY	DESCRIPTION	SERIAL NUMBER / REMARKS
301 - 34	RS5-8593-000		1	LABEL	A4/B4 LTR/LGL
35	RB1-6911-000		1	PLATE, REINFORCEMENT	
36	RB1-6913-000		1	COVER, PROTECTIVE	
37	RB1-6915-000		1	STOPPER, TRAY	
38	RB1-6916-000		1	SPRING, COMPRESSION	
39	RB1-6992-000		1	PLATE, CASSETTE SIZE DISPLAY	
40	RS5-8666-000		1	LABEL, CASSETTE SIZE DISPLAY	
501	XB4-7300-805		1	SCREW, TP	
502	XD1-1105-233		1	WASHER, SHIM	

1

2

3

4

FIGURE 310

PAPER PICK-UP ASS'Y(1/3) 給紙部 (1/3)

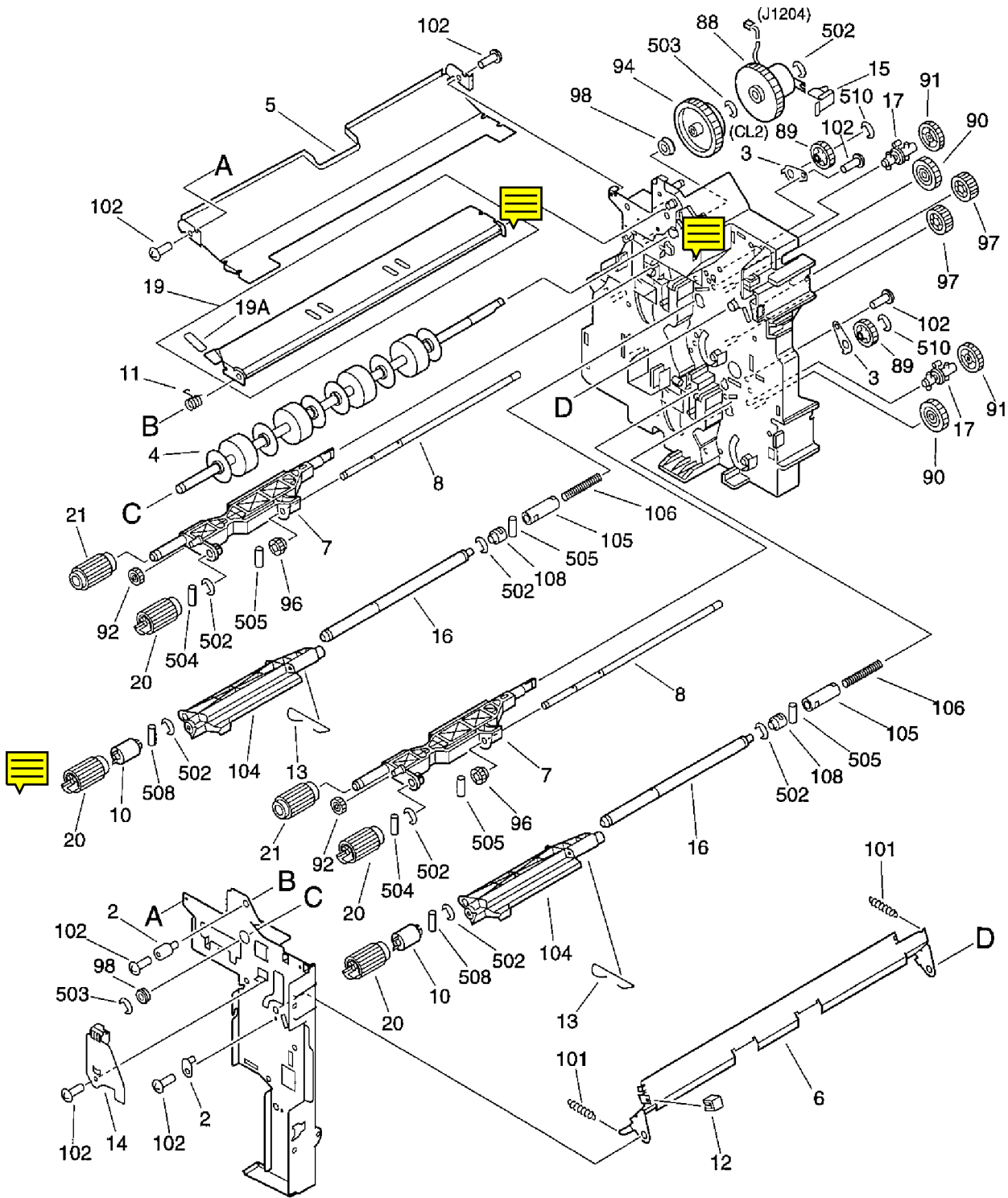


FIGURE 310

PAPER PICK-UP ASS'Y (2/3) 給紙部 (2/3)

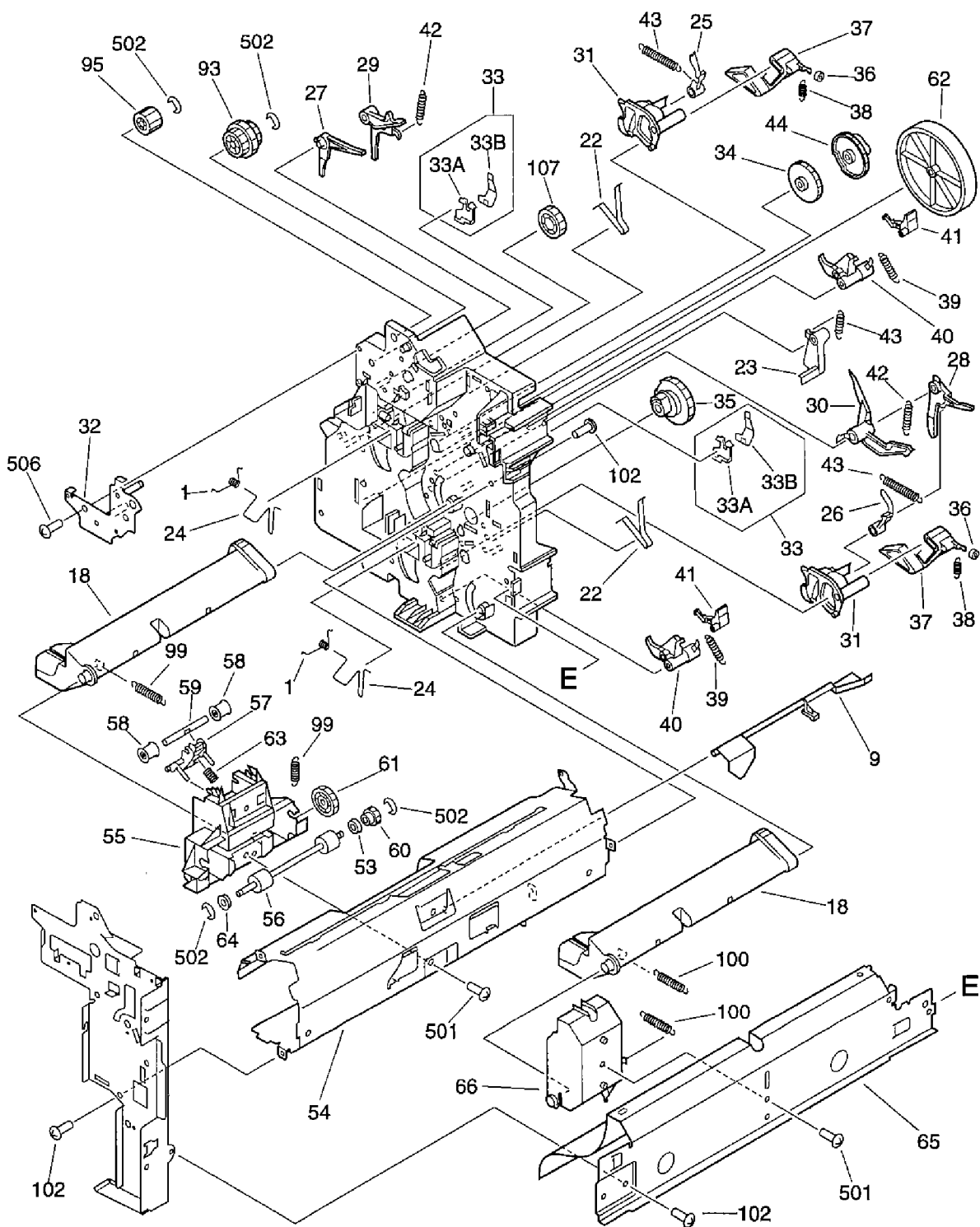


FIGURE 310

PAPER PICK-UP ASS'Y (3/3) 給紙部 (3/3)

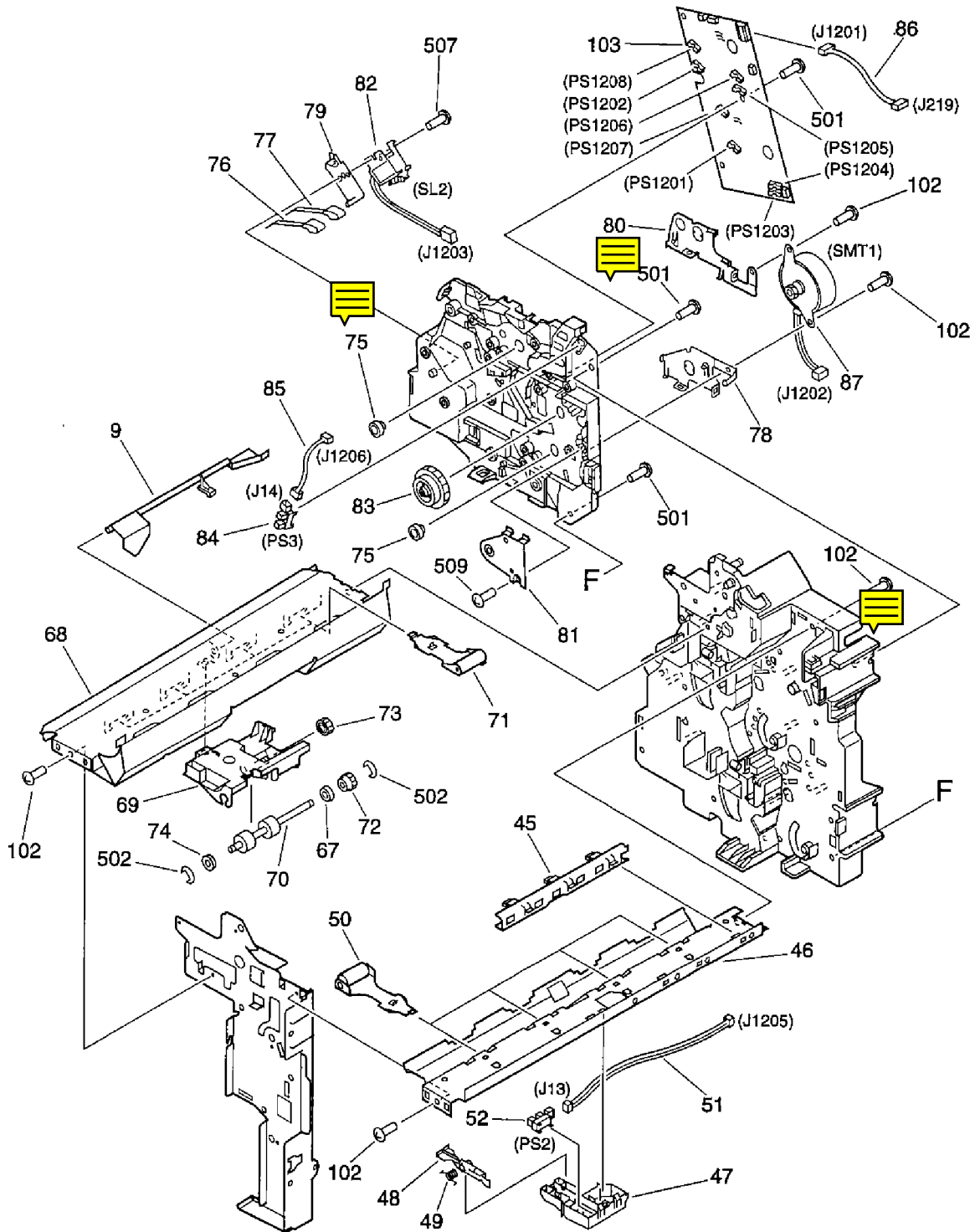


FIGURE & KEY NO.	PART NUMBER	RANK	QTY	DESCRIPTION	SERIAL NUMBER / REMARKS
310 -	RG5-1852-160		1	PAPER PICK-UP ASS'Y	
1	RS5-2477-000		2	SPRING, TORSION	
2	RB1-0153-000		3	PIN	
3	RB1-6580-000		2	PLATE, GROUNDING	
4	RB1-6581-000		1	ROLLER, SECOND-PASS	
5	RB1-6582-000		1	PLATE, GUIDE, UPPER	
6	RB1-6583-000		1	GUIDE, OPEN/CLOSE	
7	RB1-6585-000		2	HOLDER, ROLLER	
8	RB1-6586-000		2	SHAFT, FRONT	
9	RB1-6587-040		2	FLAG, PAPER SENSING	
10	RB1-6588-000		2	LIMITER, TORQUE	
11	RB1-6589-000		1	SPRING, TORSION	
12	RB1-6590-000		1	LEVER, GUIDE	
13	RB1-6591-000		2	ROD, RELEASE	
14	RB1-6600-000		1	PLATE, GROUNDING	
15	RB1-6601-000		1	LEVER, OPEN/CLOSE	
16	RB1-6569-030		2	SHAFT	
17	RF5-1423-000		2	SHAFT, CONNECTING	
18	RF5-1424-000		2	LIFTER	
19	RF5-1425-000		1	GUIDE	
19A	RB1-6593-000		1	LABEL, HANDLE	
20	RF5-1426-000		4	ROLLER, FEED	
21	RF5-1427-000		2	ROLLER, PICK-UP	
22	RB1-6528-000		2	SPRING, LEAF	
23	RB1-6543-000		1	LEVER, OPEN/CLOSE SENSING	
24	RB1-6544-000		2	LINK, LIFTER	
25	RB1-6545-000		1	BLOCK, PICK-UP LOCK, UPPER	
26	RB1-6546-000		1	BLOCK, PICK-UP LOCK, LOWER	
27	RB1-6547-000		1	TRIGGER, LIFTER, UPPER	
28	RB1-6548-000		1	TRIGGER, LIFTER, LOWER	
29	RB1-6549-000		1	ARM, LIFTER, UPPER	
30	RB1-6550-000		1	ARM, LIFTER, LOWER	
31	RB1-6551-000		2	ARM, CONNECTING	
32	RF5-1414-000		1	PLATE, GEAR	
33	RF5-1415-000		2	LEVER, LOCK, REAR	
33A	RB1-6533-000		2	LEVER, LOCK	
33B	RB1-6534-000		2	SPRING, LEAF	
34	RF5-1417-000		1	CAM, LIFT UP, UPPER	
35	RF5-1418-000		1	CAM, LIFT UP, LOWER	
36	RB1-6539-000		2	DAMPER	
37	RB1-6538-000		2	CLAW, LEFTER ARM	
38	RS5-2476-000		2	SPRING, TENSION	
39	RS5-2476-000		2	SPRING, TENSION	
40	RB1-6540-000		2	CLAW, LIFTER LOCK	
41	RB1-6541-000		2	LEVER, LEAD	
42	RS5-2478-000		2	SPRING, TENSION	
43	RS5-2479-000		3	SPRING, TENSION	
44	RB1-6535-000		1	CAM, PAPER PICK-UP	
45	RB1-6552-000		1	GUIDE, CABLE	
46	RB1-6555-000		1	CROSSMEMBER, UPPER	

FIGURE & KEY NO.	PART NUMBER	R A N K	Q T Y	DESCRIPTION	SERIAL NUMBER / REMARKS
310 - 47	RB1-6556-000		1	HOLDER, SENSOR	
48	RB1-6557-000		1	FLAG, PAPER SENSING	
49	RB1-6558-020		1	SPRING, TORSION	
50	RF5-1421-000		4	ROLLER	
51	RG5-1859-000		1	CABLE, PICK-UP SENSOR	J13, J1205
52	WG8-0291-000		1	IC, TLP1230, PHOTO INTERRUPTER	PS2, J13
53	RS5-1179-000		1	BUSHING	
54	RB1-6559-000		1	CROSSMEMBER, GUIDE, UPPER	
55	RB1-6560-000		1	BLOCK, SUPPORT, UPPER	
56	RB1-6561-000		1	ROLLER, PAPER FEED	
57	RB1-6594-000		1	HOLDER, ROLLER	
58	RB1-6595-000		2	ROLLER	
59	RB1-6596-000		1	SHAFT, ROLLER	
60	RS5-0736-000		1	GEAR, 16T	
61	RS5-0737-000		1	GEAR, 40T	
62	RS5-0734-000		1	GEAR, 100T	
63	RS5-2475-000		1	SPRING, COMPRESSION	
64	RS5-1009-000		1	BUSHING	
65	RB1-6562-000		1	CROSSMEMBER, GUIDE, LOWER	
66	RB1-6563-000		1	BLOCK, SUPPORT, LOWER	
67	RS5-1179-000		1	BUSHING	
68	RB1-6564-000		1	GUIDE, PAPER PICK-UP, LOWER	
69	RB1-6597-000		1	BLOCK, ROLLER SUPPORT, UPPER	
70	RB1-6598-000		1	ROLLER, PAPER FEED, UPPER	
71	RF5-1421-000		4	ROLLER	
72	RS5-0736-000		1	GEAR, 16T	
73	RS5-0746-000		1	GEAR, 21T	
74	RS5-1009-000		1	BUSHING	
75	RS5-1179-000		2	BUSHING	
76	RB1-6526-000		1	SPRING, LEAF, 1	
77	RB1-6527-000		1	SPRING, LEAF, 2	
78	RB1-6567-000		1	PLATE, GROUNDING, 2	
79	RB1-6568-000		1	PLATE, GROUNDING, 3	
80	RB1-6579-000		1	PLATE, GROUNDING, 1	
81	RB1-6599-000		1	COVER, SMALL	
82	RH7-5127-000		1	SOLENOID	SL2, J1203
83	RS5-0738-000		1	GEAR, 31T/47T	
84	WG8-0291-000		1	IC, TLP1230, PHOTO INTERRUPTER	PS3, J14
85	RG5-1862-000		1	CABLE, RIGHT DOOR SENSOR	J14, J1206
86	RG5-1861-000		1	CABLE, PAPER PICK-UP	J219, J1201
87	RH7-1262-000		1	MOTOR, STEPPING	SMT1, J1202
88	RH7-5120-020		1	CLUTCH, ELECTROMAGNETIC	CL2, J1204
89	RS5-0732-020		2	GEAR, 31T	
90	RS5-0733-000		2	GEAR, 20T/41T	
91	RS5-0739-000		2	GEAR, 38T	
92	RS5-0740-000		2	GEAR, 18T	
93	RS5-0741-000		1	GEAR, 27T/36T	
94	RS5-0742-000		1	GEAR, 57T	
95	RS5-0743-000		1	GEAR, 20T	
96	RS5-0744-000		2	GEAR, 23T	

FIGURE & KEY NO.	PART NUMBER	R A N K	Q' T Y	DESCRIPTION	SERIAL NUMBER / REMARKS
310 - 97	RS5-0745-000		2	GEAR, 31T	SEE FIGURE 900 PS1201-PS1208, J1201
98	RS5-1004-000		2	BUSHING	
99	RS5-2481-000		2	SPRING, TENSION	
100	RS5-2482-000		4	SPRING, TENSION	
101	RS5-2484-020		2	SPRING, TENSION	
102	XA9-0836-000		17	SCREW,TP,M3X6	
103	RG5-1860-000		1	PAPER PICK-UP PCB ASS'Y	
104	RB1-6570-000		2	ARM, R	
105	RB1-6571-000		2	JOINT	
106	RS5-2480-000		2	SPRING, COMPRESSION	
107	RS5-0735-000		1	GEAR, 32T	
108	RB1-6565-000		2	JOINT	
501	XB4-7401-007		6	SCREW,TAPPING,PAN HEAD,M4X10	
502	XD2-1100-502		13	RING, E	
503	XD2-1100-642		2	RING, E	
504	XD3-1200-122		2	PIN, SPRING	
505	XD3-2200-122		4	PIN, DOWEL	
506	XB4-7400-807		2	SCREW,TAPPING,TRUSS HEAD,M4X8	
507	XB4-7300-809		1	SCREW,TAPPING,TRUSS HEAD,M3X8	
508	XD3-1200-102		2	PIN, SPRING	
509	XB4-7401-009		1	SCREW,TAPPING,PAN HEAD,M4X10	
510	XD2-1100-402		2	RING, E	

FIGURE 320

REGISTRATION ROLLER ASS'Y レジストローラ部

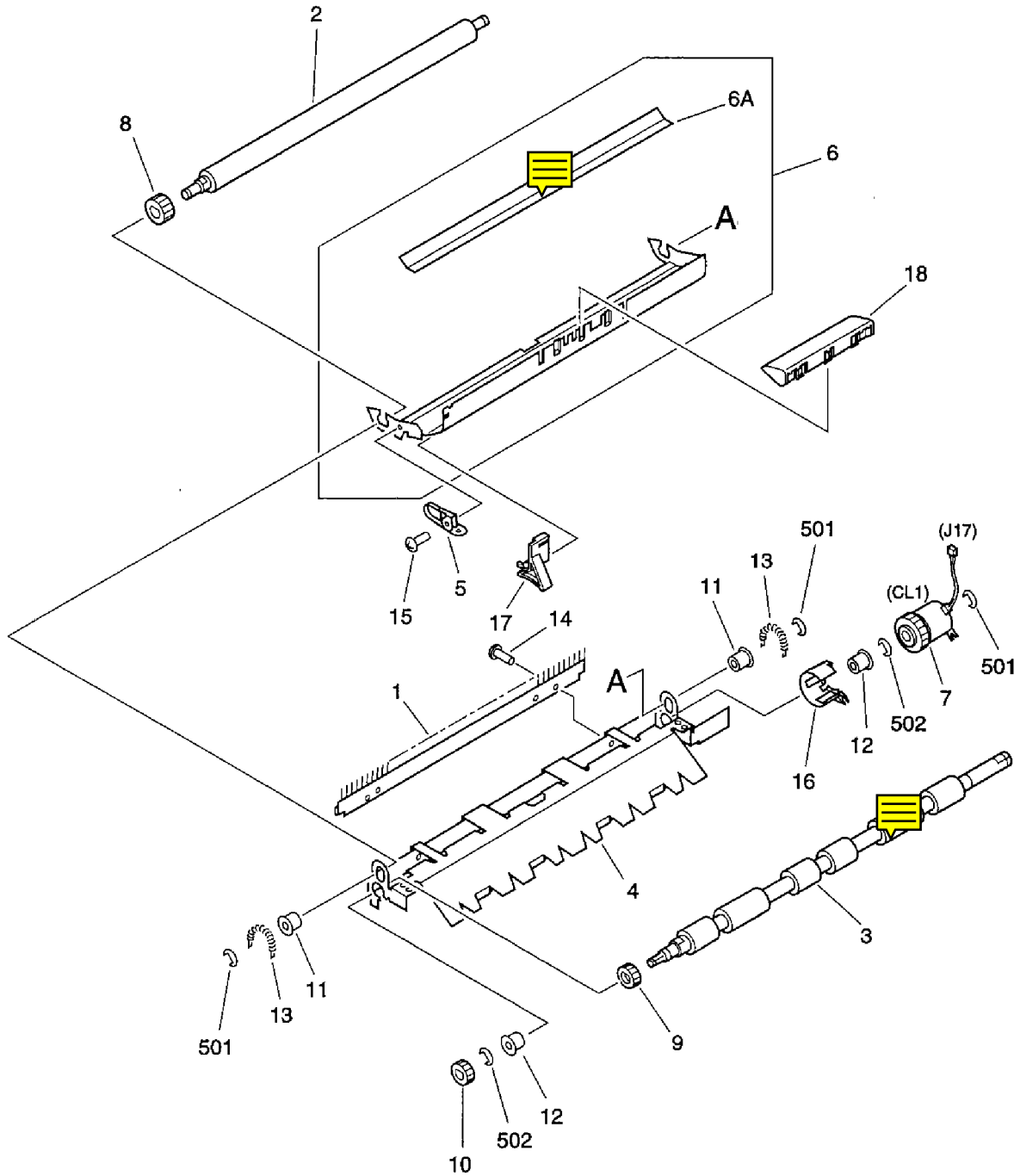


FIGURE & KEY NO.	PART NUMBER	R A N K	Q' T Y	DESCRIPTION	SERIAL NUMBER / REMARKS
320 -	RG5-1833-040		1	REGISTRATION ROLLER ASS'Y	
1	RB1-6402-000		1	ELIMINATOR, STATIC CHARGE	
2	RB1-6404-000		1	ROLLER, REGISTRATION	
3	RB1-6405-000		1	ROLLER, REGISTRATION, LOWER	
4	RB1-6406-000		1	PLATE, GUIDE	
5	RB1-6436-000		1	SPRING, LEAF	
6	RF5-1390-000		1	PLATE, GUIDE	
6A	RB1-6400-000		1	SCRAPER	
7	RH7-5119-020		1	CLUTCH, ELECTROMAGNETIC	CL1, J17
8	RS5-0705-000		1	GEAR, 28T	
9	RS5-0706-000		1	GEAR, 32T	
10	RS5-0707-000		1	GEAR, 18T	
11	RS5-1175-000		2	BUSHING	
12	RS5-1176-000		2	BUSHING	
13	RS5-2461-000		2	SPRING, TENSION	
14	XA9-0434-000		2	SCREW, TP, M3X4	
15	XA9-0702-000		1	SCREW, W/WASHER, M3X6	
16	RB1-6785-000		1	COVER, REGISTRATION	
17	RB1-6786-000		1	RAIL, GUIDE	
18	RB1-6787-000		1	HOLDER, JAM CLEARING	
501	XD2-1100-502		3	RING, E	
502	XD2-1100-642		2	RING, E	

FIGURE 330

FEEDER ASS'Y 搬送部

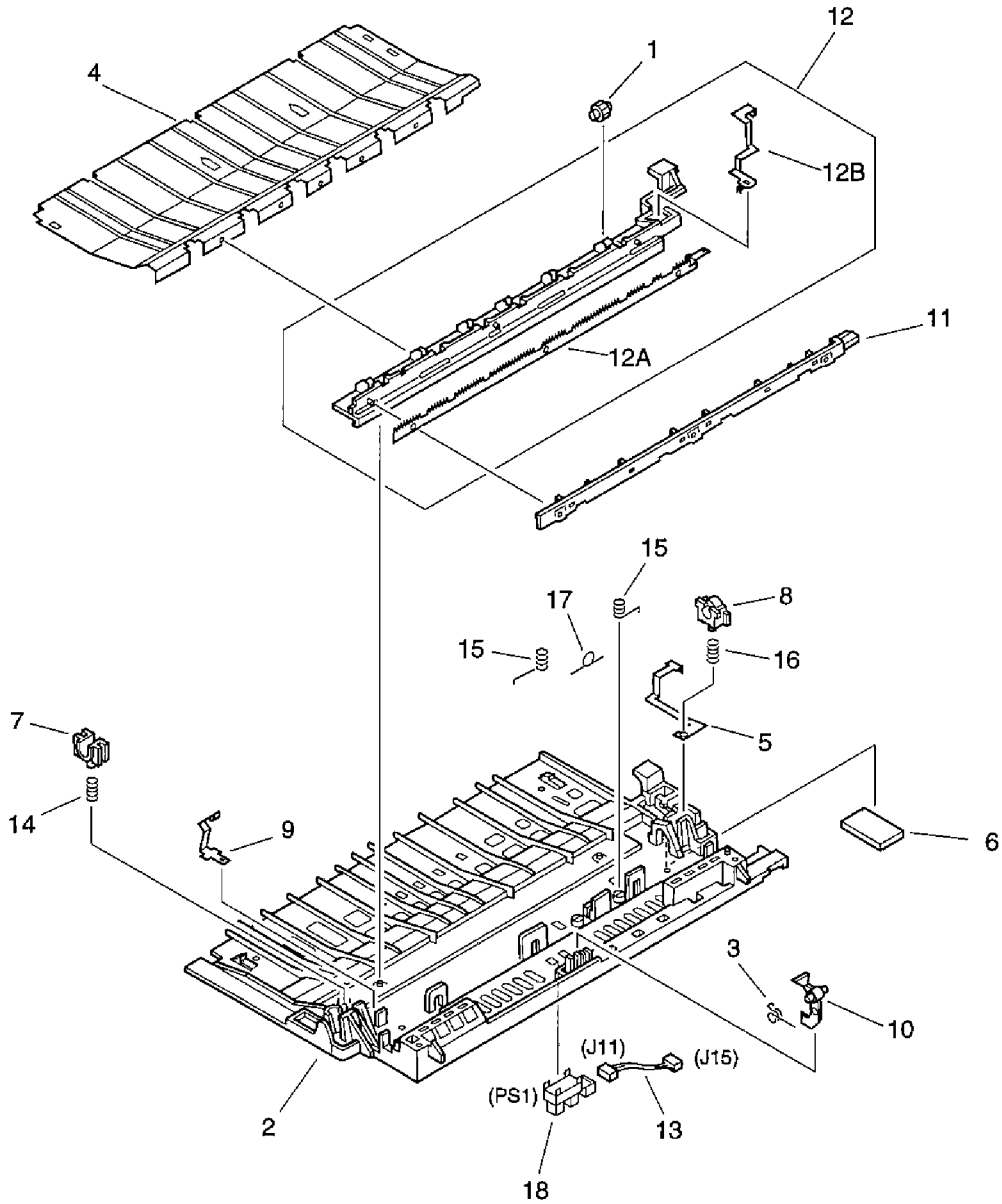


FIGURE & KEY NO.	PART NUMBER	RANK	QTY	DESCRIPTION	SERIAL NUMBER / REMARKS
330 -	RG5-1834-030		1	FEEDER ASS'Y	
1	RB1-2253-000		6	ROLLER, FEED	
2	RB1-6407-000		1	GUIDE, PAPER	
3	RB1-6409-000		1	SPRING, TORSION	
4	RB1-6411-020		1	GUIDE, FEEDER	
5	RB1-6412-000		1	PLATE, TERMINAL	
6	RB1-6413-000		1	SHEET, INSULATING	
7	RB1-6414-000		1	BLOCK, SHAFT HOLDING, FRONT	
8	RB1-6415-000		1	BLOCK, SHAFT HOLDING, REAR	
9	RB1-6416-000		1	SPRING, LEAF	
10	RB1-6417-000		1	ARM, SENSOR	
11	RB1-6438-020		1	COVER, STATIC CHARGE ELIM'R	
12	RF5-1391-000		1	FRAME, TRANSFER	
12A	RB1-6408-000		1	ELIMINATOR, STATIC CHARGE	
12B	RB1-6437-000		1	PLATE, TERMINAL	
13	RG5-1843-000		1	REGIST, SENSOR CABLE ASS'Y	J11, J15
14	RS5-2463-000		1	SPRING, COMPRESSION	
15	RS5-2464-000		2	SPRING, COMPRESSION	
16	RS5-2466-000		1	SPRING, COMPRESSION	
17	RH9-0737-000		1	VARISTOR	
18	WG8-0291-000		1	IC, TLP1230, PHOTO INTERRUPTER	PS1, J11

FIGURE 340

MULTI-PURPOSE TRAY PICK-UP ASS'Y マルチ手差しトレイ給紙部

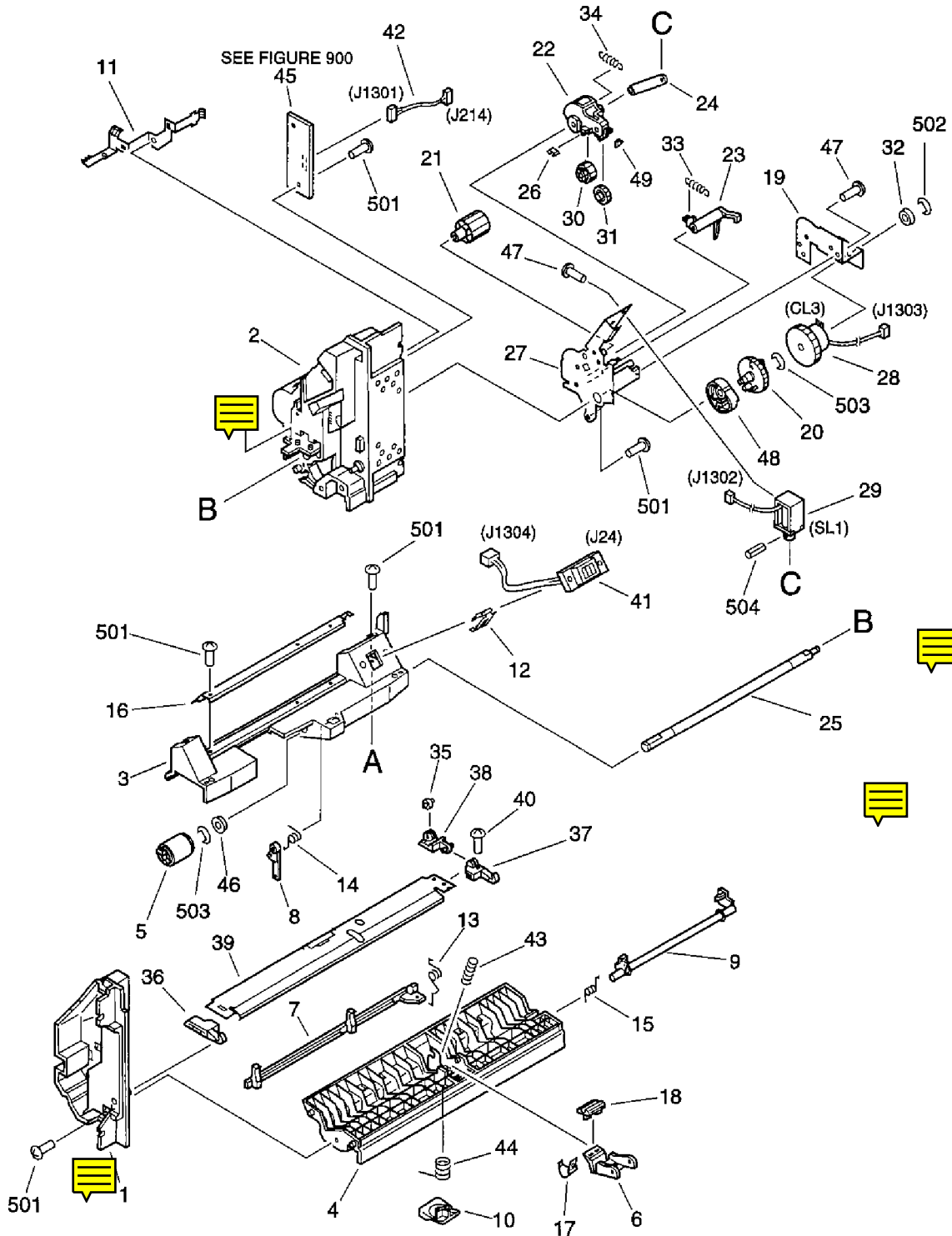


FIGURE & KEY NO.	PART NUMBER	RANK	QTY	DESCRIPTION	SERIAL NUMBER / REMARKS
340 -	RG5-1880-110		1	MULTI-PURPOSE TRAY PICK-UP ASS'Y	
1	RB1-6726-000		1	FRAME, FRONT	
2	RB1-6727-040		1	FRAME, REAR	
3	RB1-6728-000		1	FRAME, UPPER	
4	RB1-6729-000		1	FRAME, LOWER	
5	RB1-6730-000		1	ROLLER, MP TRAY PICK-UP	
6	RF5-1452-000		1	HOLDER, SEPARATION PAD	
7	RB1-6732-000		1	ARM, STOP	
8	RB1-6733-000		1	ARM, SENSOR	
9	RB1-6734-000		1	FLAG, SENSOR	
10	RB1-6735-000		1	COVER, SPRING	
11	RB1-6736-000		1	PLATE, CONTINUITY, 1	
12	RB1-6737-000		1	PLATE, CONTINUITY, 2	
13	RB1-6738-000		1	SPRING, TORSION	
14	RB1-6739-000		1	SPRING, TORSION	
15	RB1-6740-000		1	SPRING, TORSION	
16	RB1-6746-000		1	CROSSMEMBER	
17	RB1-6748-000		1	PLATE, CONTINUITY, 3	
18	RF5-1455-000		1	PAD, SEPARATION	
19	RB1-6712-000		1	PLATE, SIDE	
20	RB1-6713-040		1	CAM	
21	RB1-6714-000		1	GEAR, 23T	
22	RB1-6715-000		1	ARM, SWING	
23	RB1-6716-000		1	ARM, AUXILIARY	
24	RB1-6717-000		1	LINK, SOLENOID	
25	RB1-6718-000		1	SHAFT, PICK-UP	
26	RB1-6747-000		1	DAMPER	
27	RF5-1453-000		1	PLATE, MP	
28	RH7-5121-020		1	CLUTCH, ELECTROMAGNETIC	CL3, J1303
29	RH7-5126-020		1	SOLENOID	SL1, J1302
30	RS5-0762-000		1	GEAR, 31T/31T	
31	RS5-0763-000		1	GEAR, 23T	
32	RS5-1021-000		1	BUSHING	
33	RS5-2495-000		1	SPRING, TENSION	
34	RS5-2496-000		1	SPRING, TENSION	
35	RB1-2152-000		1	ROLLER, ARM	
36	RB1-6721-000		1	ARM, FRONT	
37	RB1-6722-000		1	ARM, REAR	
38	RB1-6723-000		1	HOLDER, ROLLER	
39	RF5-1454-000		1	PLATE, MIDDLE	
40	XA9-0635-000		1	SCREW, W/WASHER, M3X7	
41	RG5-1885-000		1	CABLE, ENVELOPE FEEDER	J24, J1304
42	RG5-1886-000		1	CABLE, MULTI-PURPOSE	J214, J1301
43	RS5-2497-000		1	SPRING, COMPRESSION	
44	RS5-2498-000		1	SPRING, COMPRESSION	
45	RG5-1884-000		1	MULTI-PURPOSE TRAY PCB ASS'Y	SEE FIGURE 900 J1301
46	RS5-1119-000		1	BUSHING	
47	XA9-0434-000		4	SCREW, TP, M3X4	
48	RB1-6710-000		1	CAM	

1

2

3

4

FIGURE 341

MULTI-PURPOSE TRAY ASS'Y マルチ手差しトレイ部

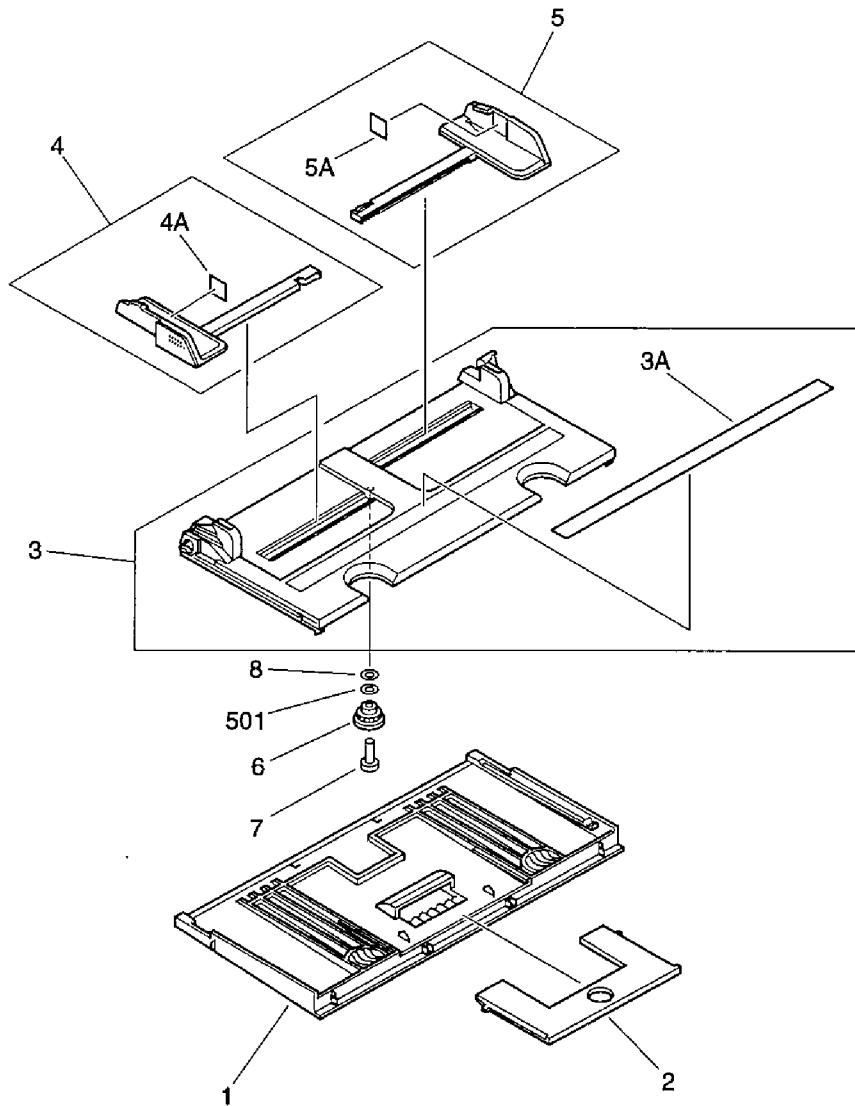


FIGURE & KEY NO.	PART NUMBER	R A N K	Q' T Y	DESCRIPTION	SERIAL NUMBER / REMARKS
341 -	RG5-2407-030		1	MULTI-PURPOSE TRAY ASS'Y	
1	RB1-6962-000		1	COVER, TRAY	
2	RB1-6963-000		1	TRAY, SUB	
3	RF5-1745-020		1	TRAY	
3A	RS5-8660-020		1	LABEL, "SIZE"	
4	RF5-1746-000		1	BLOCK, SIZE, LEFT	
4A	RS2-8073-000		1	LABEL, "LIMIT"	
5	RF5-1747-000		1	BLOCK, SIZE, RIGHT	
5A	RS2-8073-000		1	LABEL, "LIMIT"	
6	RS5-0764-000		1	GEAR, 20T	
7	XA9-0851-000		1	SCREW, TP, M3X8	
8	XD9-0154-000		1	WASHER, SHIM	
501	XD1-1105-231		1	WASHER, SHIM	

FIGURE & KEY NO.	PART NUMBER	R A N K	Q' T Y	DESCRIPTION	SERIAL NUMBER / REMARKS
350 -	RG5-2410-020		1	DELIVERY ASSY	
1	RB1-6662-000		6	ROLLER	
2	RB1-6663-000		6	SPRING	
3	RB1-6666-000		1	ELIMINATOR, STATIC CHARGE	
4	RB1-6968-000		1	FRAME	
5	RB1-6686-000		1	ROLLER, DELIVERY	
6	RB1-6687-000		1	ROLLER, FEEDER	
7	RB1-6688-000		1	PULLEY, IDLER	
8	RB1-6689-000		1	GUIDE, UPPER	
9	RB1-6690-000		1	GUIDE, FEEDER	
10	RB1-6691-000		1	CROSSMEMBER, DELIVERY	
11	RB1-6692-000		1	LEVER, PAPER SENSING	
12	RB1-6693-000		1	LEVER, PAPER HEIGHT	
13	RB1-6694-000		1	PLATE, GROUNDING	
14	RB1-6695-000		1	DUCT, FAN	
15	RB1-6696-000		2	FLANGE, PULLEY	
16	RB1-6969-000		1	COVER, SWING LIMIT	
17	RB1-6701-000		1	PLATE, FAN GROUNDING	
18	RB1-6678-020		6	HOLDER, ROLLER	
19	RB1-6679-000		6	ROLLER	
20	RS5-2491-000		6	SPRING, COMPRESSION	
21	RB1-6681-000		2	HOLDER, ROLLER	
22	RB1-6680-000		2	ROLLER	
23	RS5-2491-000		2	SPRING, COMPRESSION	
24	RF5-1449-020		1	FACE-DOWN DELIVERY DRIVE ASS'Y	
24A	RB1-6684-000		1	LEVER, RELEASE	
24B	RS5-2490-000		2	SPRING, TENSION	
24C	RS5-3093-000		1	GEAR, 24T	
24D	XF9-0564-000		1	BELT, TIMING	
25	RH7-1289-000		1	FAN	FAM4, J26
26	RS5-1060-000		2	BUSHING	
27	RS5-1101-000		2	BUSHING, CONDUCTIVE	
28	RS5-3094-000		1	PULLEY, 14T	
29	RS5-3095-000		1	PULLEY, 15T/GEAR, 20T	
30	XA9-0267-000		2	SCREW, TP, M3X6	
31	RB1-6703-000		2	GUIDE, DELIVERY	
32	VS1-5057-003		1	CONNECTOR, 3P	J25
33	RB1-6704-000		1	PLATE, STATIC CHARGE	
501	XB4-7401-009		1	SCREW, TAPPING, PAN HEAD, M4X10	
502	XD2-1100-402		4	RING, E	

FIGURE 351

DELIVERY FRAME ASS'Y 排紙フレーム部

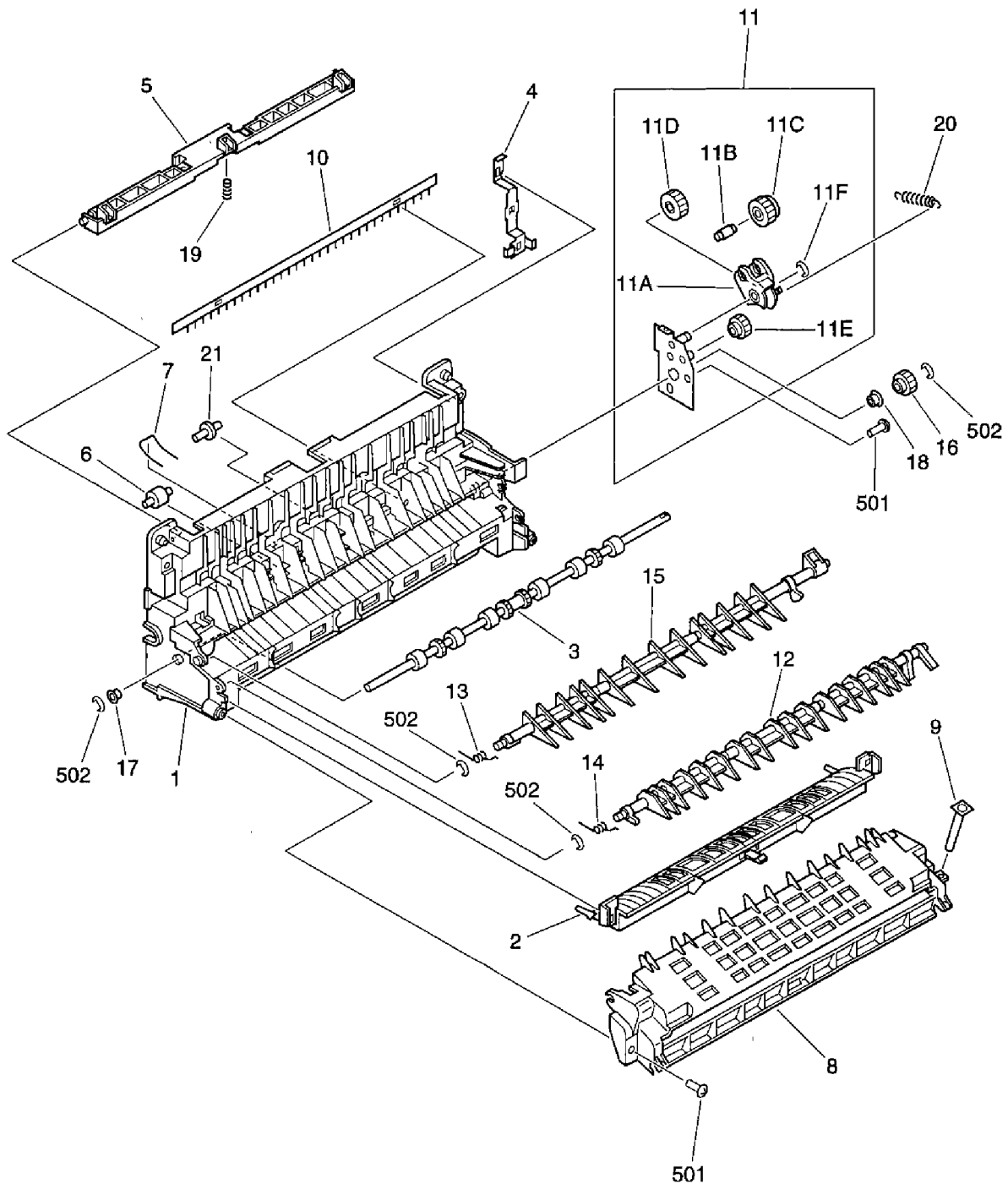


FIGURE & KEY NO.	PART NUMBER	R A N K	Q' T Y	DESCRIPTION	SERIAL NUMBER / REMARKS
351-	RG9-1151-000		1	DELIVERY FRAME ASS'Y	
1	RB9-0248-000		1	FRAME, DELIVERY	
2	RB9-0249-000		1	GUIDE, FEEDER	
3	RB9-0250-000		1	ROLLER, DELIVERY	
4	RB9-0251-000		1	PLATE, STATIC CHARGE	
5	RB1-6966-000		1	LEVER	
6	RB1-6662-000		6	ROLLER	
7	RB1-6663-000		6	SPRING	
8	RB9-0253-000		1	GUIDE, DELIVERY	
9	RB9-0254-000		1	PIN, FLAPPER	
10	RB1-6666-000		1	ELIMINATOR, STATIC CHARGE	
11	RF9-1249-000		1	FACE-UP DELIVERY DRIVE ASS'Y	
11A	RB9-0245-000		1	LEVER, SWING	
11B	RB1-6653-000		1	SHAFT, GEAR	
11C	RA9-1124-000		1	GEAR, 18T	
11D	RA9-1125-000		1	GEAR, 19T	
11E	RA9-1126-000		1	GEAR, 17T	
11F	XD2-1100-502		1	RING, E	
12	RB9-0246-000		1	FLAPPER	
13	RB1-6655-000		1	SPRING, TORSION	
14	RB1-6655-000		1	SPRING, TORSION	
15	RB9-0247-000		1	FLAPPER, FU	
16	RA9-1127-000		1	GEAR, 20T	
17	RS5-1060-000		1	BUSHING	
18	RS5-1101-000		1	BUSHING, CONDUCTIVE	
19	RS5-2489-000		1	SPRING, COMPRESSION	
20	RS5-2490-000		1	SPRING, TENSION	
21	RB9-0255-000		1	ROLLER	
501	XB4-7401-009		3	SCREW, TAPPING, PAN HEAD, M4X10	
502	XD2-1100-402		4	RING, E	

FIGURE 810

FIXING ASS'Y (1/2) 定着器 (1/2)

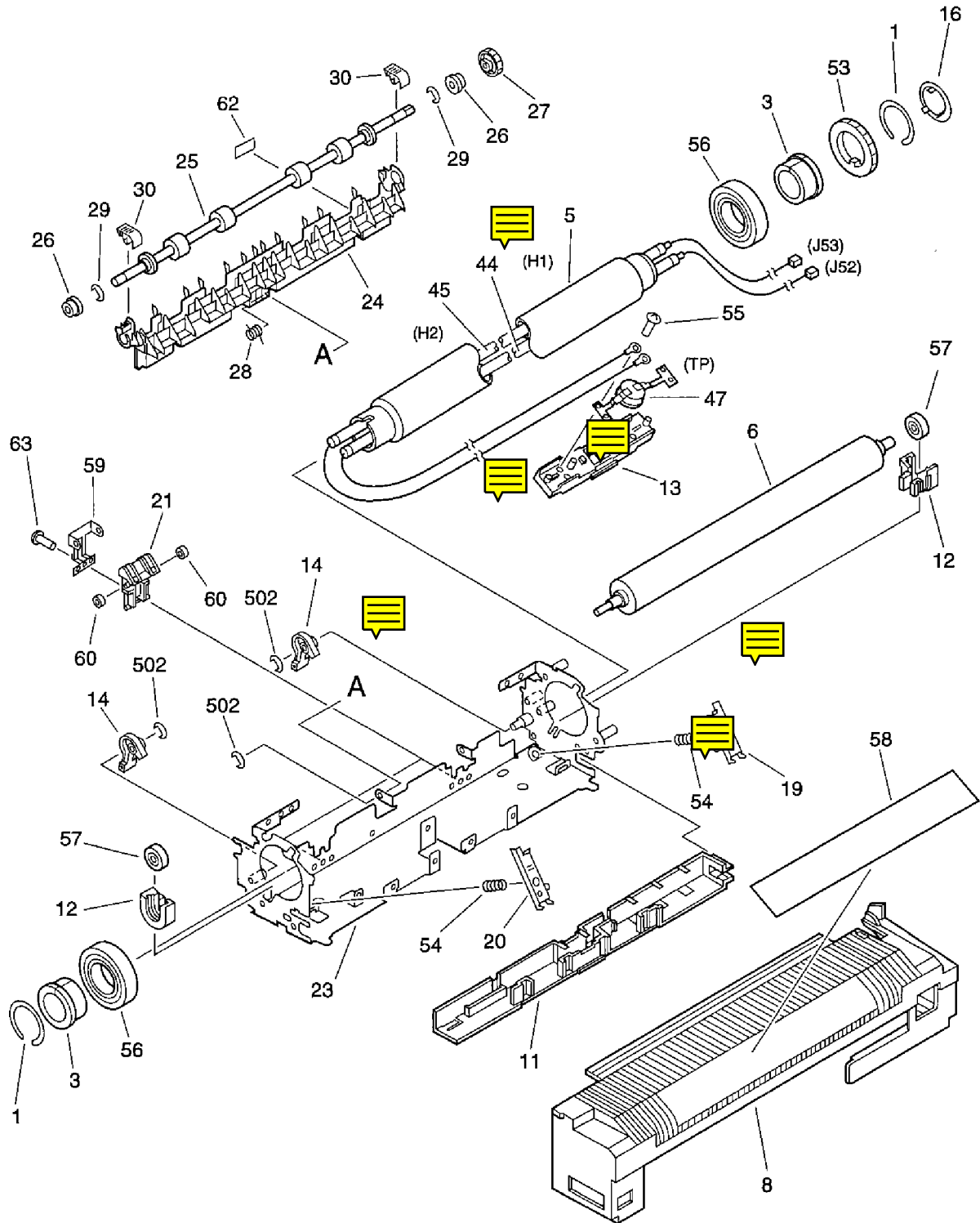


FIGURE 810

FIXING ASS'Y (2/2) 定着器 (2/2)

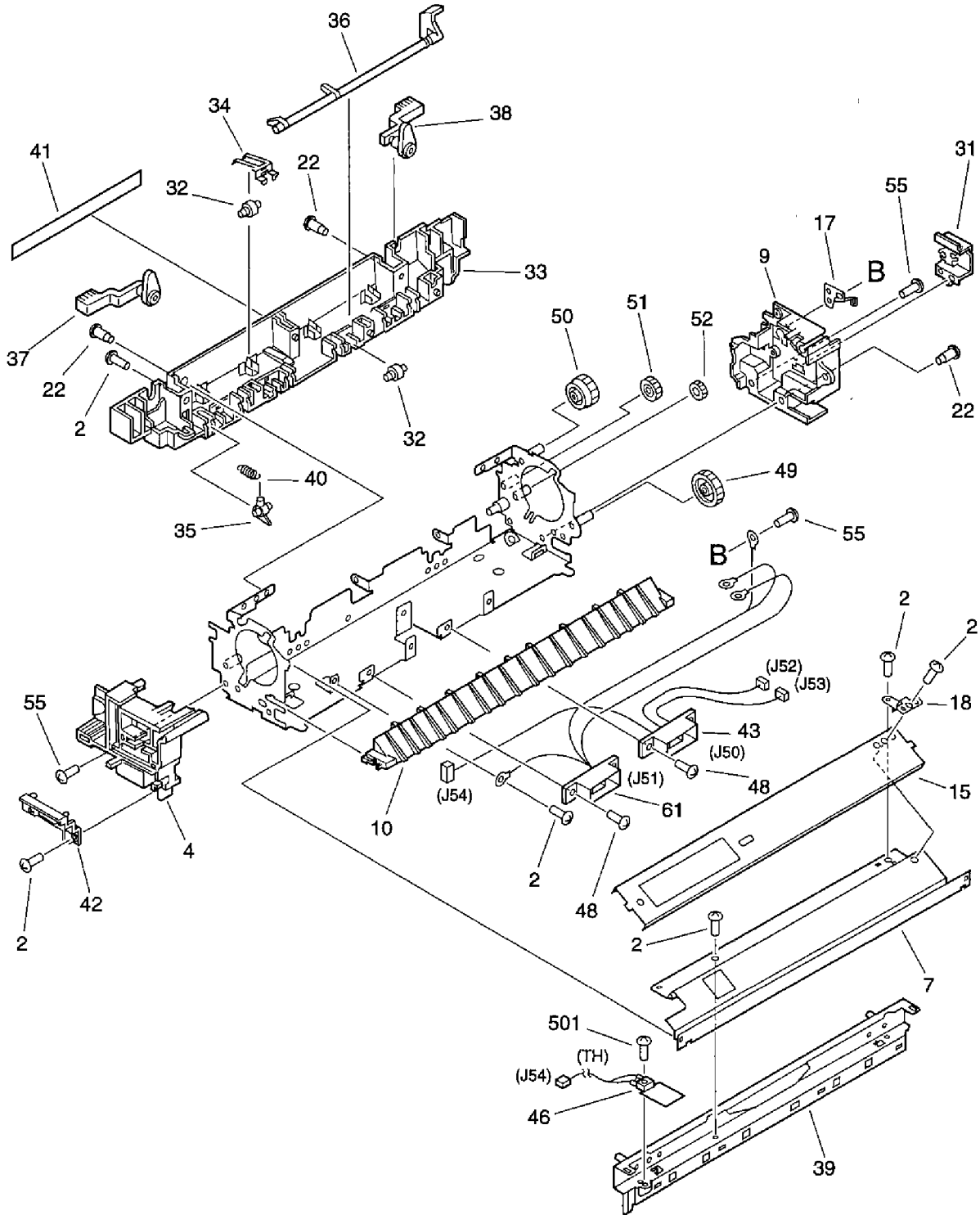


FIGURE & KEY NO.	PART NUMBER	RANK	QTY	DESCRIPTION	SERIAL NUMBER / REMARKS
810-	RG5-1863-200		1	FIXING ASS'Y	100-120V
	RG5-1871-190		1	FIXING ASS'Y	220-240V
1	FA3-8894-000		2	RING, RETAINING	
2	FA9-1449-000		6	SCREW, TRUSS HEAD, W/WASHER	
3	FB1-6823-000		2	BUSHING	
4	RB1-6618-000		1	COVER, RIGHT	
5	RB1-6622-020		1	ROLLER, UPPER	
6	RB1-6623-030		1	ROLLER, LOWER	
7	RB1-6624-000		1	COVER, FIXING ROLLER	
8	RB1-6625-000		1	COVER, UPPER	
9	RB1-6626-000		1	COVER, LEFT	
10	RB1-6627-000		1	GUIDE, ENTRANCE	
11	RB1-6628-000		1	GUIDE, CABLE	
12	RB1-6629-000		2	HOLDER, BUSHING	
13	RB1-6630-000		1	HOLDER, THERMOSTAT	
14	RB1-6631-000		2	LEVER, CONTROL	
15	RB1-6633-000		1	PLATE, THERMOSWITCH	
16	RB1-6634-000		1	RING, GROUNDING	
17	RB1-6635-000		1	PLATE, GROUNDING	
18	RB1-6636-000		1	PLATE, GROUNDING	
19	RB1-6637-000		1	PLATE, RIGHT	
20	RB1-6638-000		1	PLATE, LEFT	
21	RB1-6639-030		2	GUIDE, SEPARATION	
22	RF5-0716-000		3	SCREW, STEPPED, W/WASHER, M3	
23	RF5-1431-000		1	FRAME, FIXING	
24	RB1-6605-030		1	GUIDE, SEPARATION	
25	RB1-6606-000		1	ROLLER, DELIVERY	
26	RS1-1087-000		2	BUSHING	
27	RS5-0748-000		1	GEAR, 20T	
28	RS5-2485-000		1	SPRING, TORSION	
29	XD2-1100-502		2	RING, E	
30	RB1-6642-000		2	GUIDE, SEPARATION	
31	RF5-1433-000		1	HOLDER, HEATER	
32	RB1-1447-000		6	ROLLER, FIXING DELIVERY	
33	RB1-6611-020		1	GUIDE, SEPARATION, UPPER	
34	RB1-6612-000		4	PLATE, ROLLER HOLDER	
35	RB1-6613-000		6	CLAW, SEPARATION	
36	RB1-6614-000		1	LEVER, DELIVERY SENSING	
37	RB1-6615-000		1	LEVER, HOLDING, RIGHT	
38	RB1-6616-000		1	LEVER, HOLDING, LEFT	
39	RF5-1435-000		1	CROSSMEMBER, SEPARATION GUIDE	
40	RS5-2486-020		6	SPRING, TENSION	
41	RS5-8380-000		1	LABEL, "CAUTION"	
42	RG5-1865-000		1	DIODE HOLDER ASS'Y	
43	RG5-1867-000		1	FIXING, CABLE, 2	J50, J52-J54
44	RH7-4070-000		1	HEATER, HALOGEN, 120V 500W	100-120V H1, J52
	RH7-4074-000		1	HEATER, HALOGEN, 240V 500W	220-240V H1, J52
45	RH7-4071-000		1	HEATER, HALOGEN, 120V 500W	100-120V H2, J53
	RH7-4075-000		1	HEATER, HALOGEN, 240V 500W	220-240V H2, J53
46	RH7-7064-000		1	SURFACE TEMP. SENSOR UNIT	TH, J54

FIGURE & KEY NO.	PART NUMBER	R A N K	Q T Y	DESCRIPTION	SERIAL NUMBER / REMARKS
810- 47	RH7-7065-000		1	THERMOSWITCH	TP
48	RS1-9004-000		4	SCREW, STEPPED	
49	RS5-0749-000		1	GEAR, 29T	
50	RS5-0750-000		1	GEAR, 25T	
51	RS5-0751-000		1	GEAR, 18T	
52	RS5-0752-000		1	GEAR, 14T	
53	RS5-0753-000		1	GEAR, 48T	
54	RS5-2487-000		2	SPRING, COMPRESSION	
55	XA9-0233-000		9	SCREW, W/WASHER, M3X6	
56	XG9-0266-000		2	BEARING	
57	XG9-0331-000		2	BEARING, BALL	
58	RS5-8591-000		1	LABEL, CAUTION	
59	RB1-6640-020		2	PLATE, COMPRESSION GUIDE	
60	RB1-6641-000		4	ROLLER	
61	RG5-1872-000		1	FIXING, CABLE, 3	J51
62	RS5-8602-000		1	LABEL	100-120V
	RS5-8603-000		1	LABEL	220-240V
63	XA9-0280-000		2	SCREW, TAP TIGHT, M3X6	
501	XB6-7300-805		1	SCREW, TP, M3X8	
502	XD2-1100-502		3	RING, E	

FIGURE 900 PCB ASS'Y LOCATION DIAGRAM
回路基板配置図

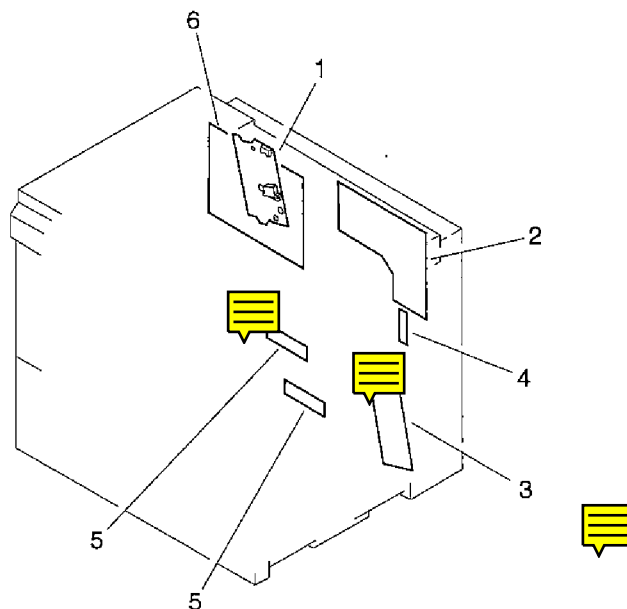


FIGURE & KEY NO.	PART NUMBER	RANK	QTY	DESCRIPTION	SERIAL NUMBER / REMARKS
900 -	NPN		RF	PCB ASS'Y LOCATION DIAGRAM	
1	RG5-1846-000		1	SWITCH/SENSOR PCB ASS'Y	
2	RG5-1844-050		1	DC CONTROLLER PCB ASS'Y	
3	RG5-1860-000		1	PAPER PICK-UP PCB ASS'Y	
4	RG5-1884-000		1	MULTI-PURPOSE TRAY PCB ASS'Y	
5	RG5-1845-000		2	CASSETTE-SIZE SENSING PCB ASSY	
6	RG1-3736-00V		1	VIDEO CONTROLLER PCB ASS'Y	100-120V USA ORIG. PARTS (LPS)
	RG1-3762-00V		1	VIDEO CONTROLLER PCB ASS'Y	220-240V USA ORIG. PARTS (LPS)

DUPLEX UNIT

両面ユニット

DUPLEX UNIT
[R77-1001]

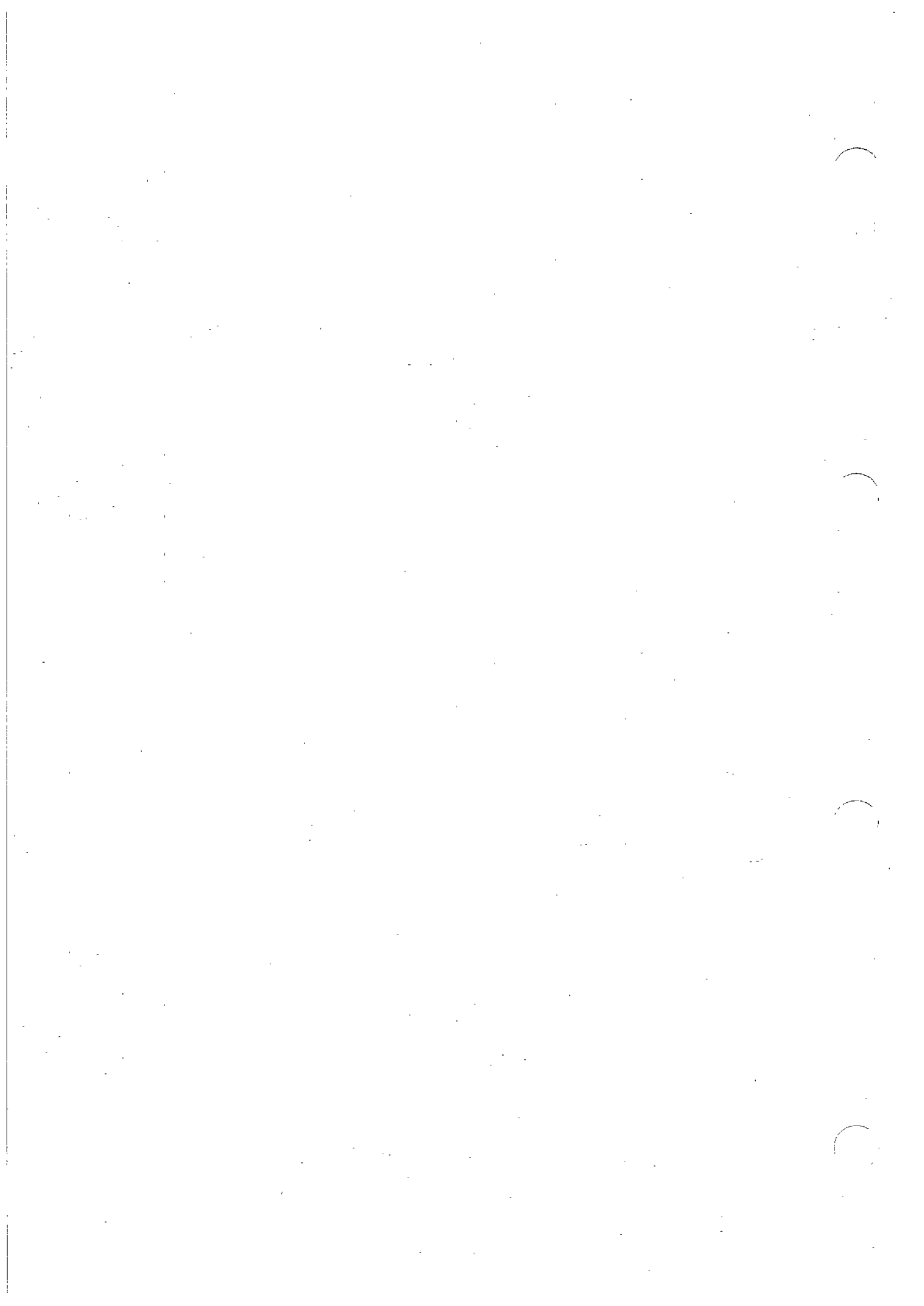


FIGURE D10

DUPLEX UNIT MAIN BODY (1/2)

両面ユニット本体 (1/2)

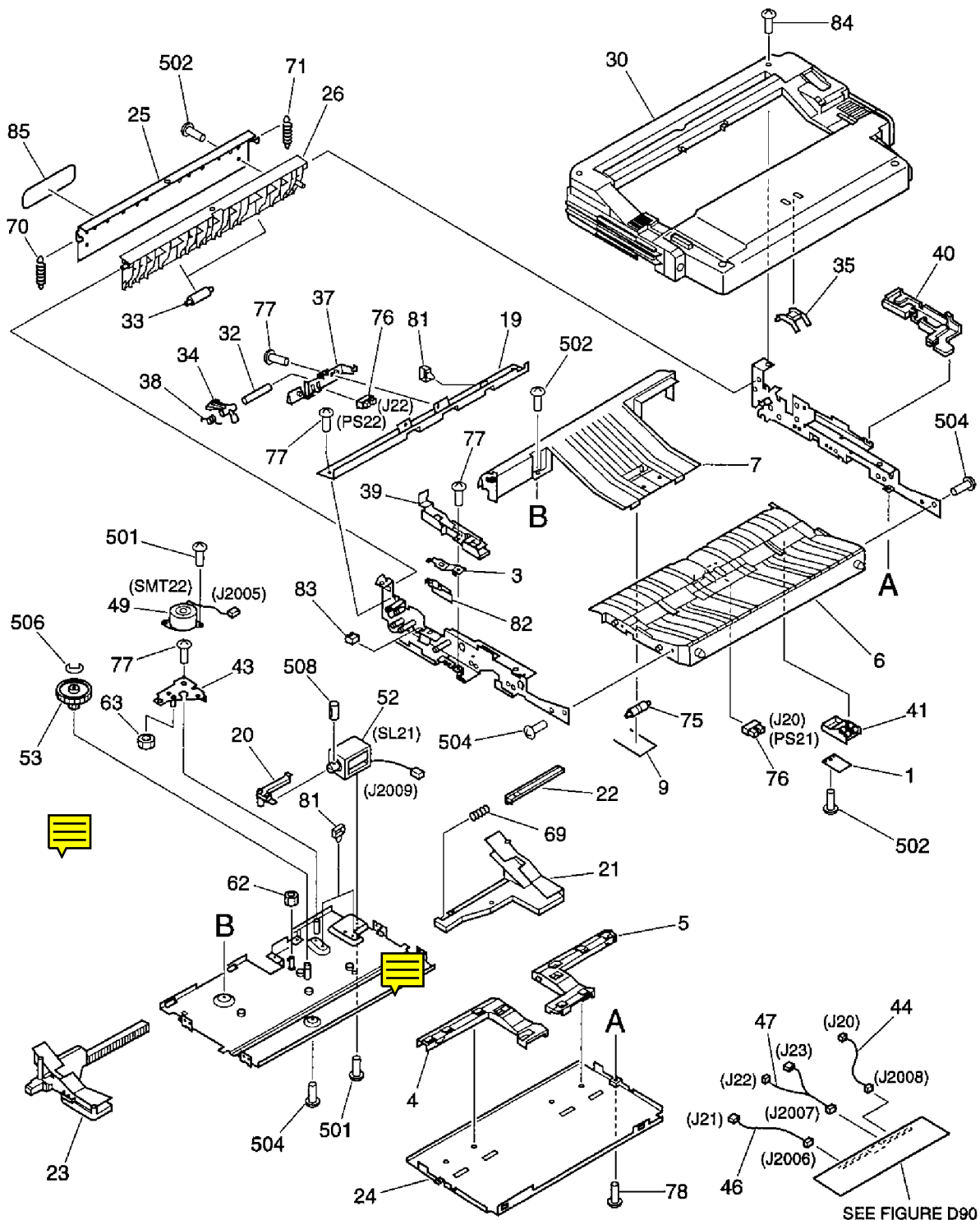


FIGURE D10

DUPLEX UNIT MAIN BODY (2/2) 両面ユニット本体 (2/2)

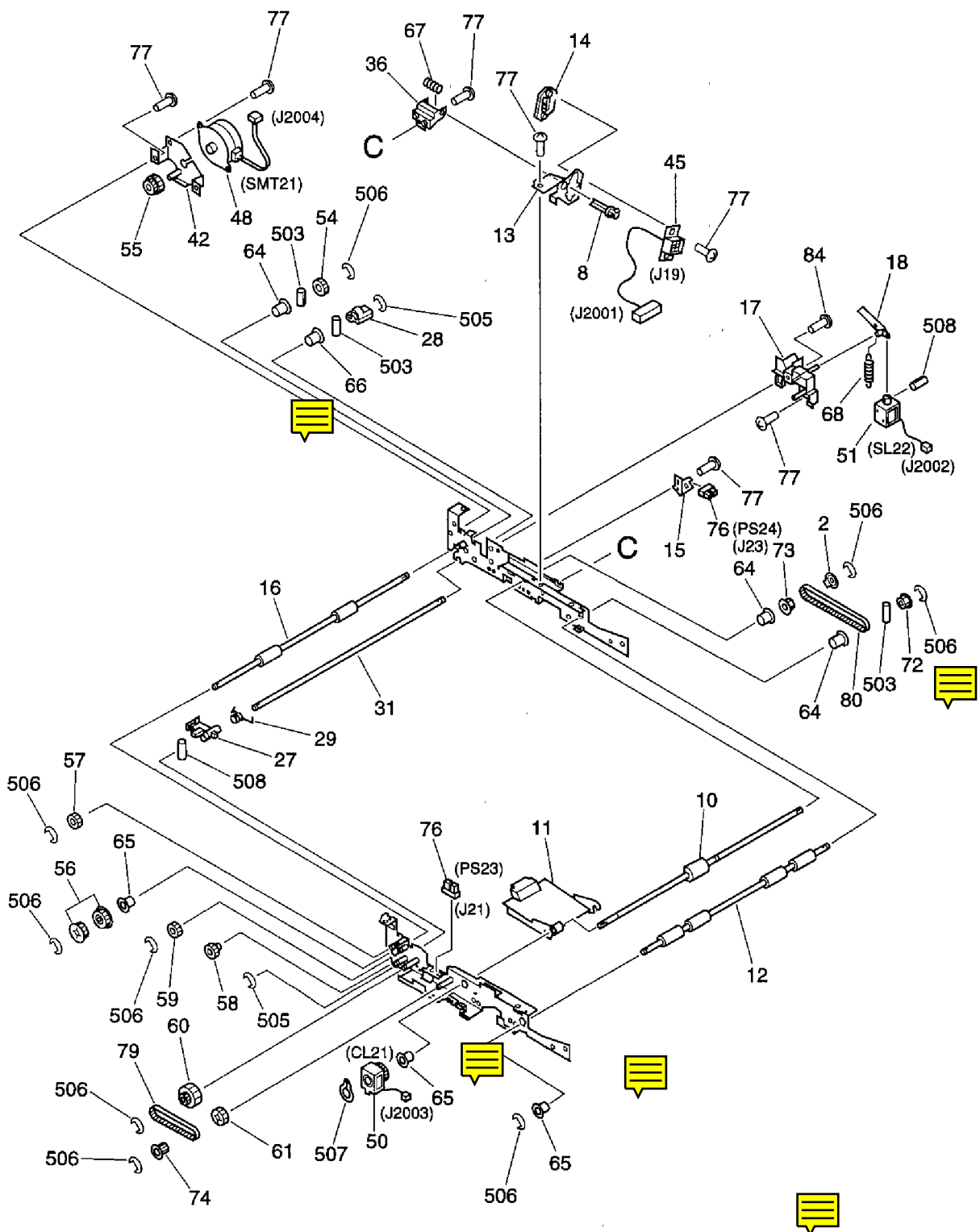


FIGURE & KEY NO.	PART NUMBER	R A N K	Q' T Y	DESCRIPTION	SERIAL NUMBER / REMARKS
D10-	NPN		RF	DUPLEX UNIT MAIN BODY	
1	RB1-6810-000		4	SPRING, LEAF	
2	RB1-6811-000		1	FLAG, SENSOR	
3	RB1-6812-000		1	PLATE, GROUNDING	
4	RB1-6813-000		1	GUIDE, CABLE, FRONT	
5	RB1-6814-000		1	GUIDE, CABLE, REAR	
6	RB1-6815-000		1	GUIDE, LOWER, RIGHT	
7	RB1-6816-000		1	GUIDE, LOWER, LEFT	
8	RB1-6817-000		2	SHAFT	
9	RB1-6819-000		1	SPRING, COMPRESSION	
10	RB1-6822-000		1	ROLLER, DUPLEXING, 1	
11	RB1-6823-000		1	GUIDE, DUPLEXING	
12	RB1-6824-000		1	ROLLER, DUPLEXING, 2	
13	RB1-6825-000		1	PLATE, MOUNT, CONNECTOR	
14	RB1-6826-000		1	HOLDER, CONNECTOR	
15	RB1-6827-000		1	MOUNT, SENSOR	
16	RB1-6828-000		1	ROLLER, REVERSE	
17	RB1-6830-000		1	COVER, SOLENOID	
18	RB1-6831-000		1	LEVER, SWING	
19	RB1-6832-000		1	PLATE, TOP	
20	RB1-6834-000		1	LEVER, PRESSURE	
21	RB1-6835-000		1	GUIDE, SIDE REGISTRATION, REAR	
22	RB1-6836-000		1	RACK, RY	
23	RB1-6837-000		1	GUIDE, SIDE REGISTRATION, FRONT	
24	RB1-6839-000		1	COVER, PCB	
25	RB1-6840-000		1	PLATE, REINFORCEMENT	
26	RB1-6841-000		1	GUIDE, SWITCH	
27	RB1-6842-000		1	KNOB, RF	
28	RB1-6843-000		1	KNOB, RR	
29	RB1-6844-000		1	SPRING, TORSION	
30	RB1-6845-000		1	GUIDE, UPPER	
31	RB1-6846-000		1	SHAFT, KNOB	
32	RB1-6847-000		1	SHAFT, SENSOR	
33	RB1-6848-000		2	ROLLER	
34	RB1-6849-000		1	LEVER, SENSOR, H	
35	RB1-6850-000		1	LEVER, SENSOR, R	
36	RB1-6851-000		1	HOLDER, MOUNT	
37	RB1-6852-000		1	COVER, SENSOR	
38	RB1-6853-000		1	SPRING, TORSION	
39	RB1-6854-000		1	GUIDE, CABLE, FRONT	
40	RB1-6855-000		1	GUIDE, CABLE, REAR	
41	RF5-1476-000		4	ROLLER HOLDER	
42	RF5-1478-000		1	PLATE, MOTOR, H	
43	RF5-1480-000		1	PLATE, MOTOR, Y	
44	RG5-1905-000		1	PAPER SENSOR CABLE ASS'Y	J20, J2008
45	RG5-1906-000		1	DUPLEXING CABLE, 2	J19, J2001
46	RG5-1907-000		1	SIDE REGISTRATION SENSOR CABLE	J21, J2006
47	RG5-1929-000		1	DUPLEXING REVERSE SENSOR CABLE	J22, J23, J2007
48	RH7-1263-000		1	MOTOR, STEPPING	SMT21, J2004
49	RH7-1264-000		1	MOTOR, STEPPING	SMT22, J2005

FIGURE & KEY NO.	PART NUMBER	RANK	QTY	DESCRIPTION	SERIAL NUMBER / REMARKS
D10- 50	RH7-5122-000		1	CLUTCH, ELECTROMAGNETIC	CL21, J2003
51	RH7-5129-000		1	SOLENOID	SL22, J2002
52	RH7-5130-000		1	SOLENOID	SL21, J2009
53	RS5-0068-000		1	GEAR, 17T/70T	
54	RS5-0766-000		1	GEAR, 26T	
55	RS5-0767-000		1	GEAR, 23T/37T	
56	RS5-0768-000		2	GEAR, 27T	
57	RS5-0769-000		1	GEAR, 21T	
58	RS5-0770-000		1	GEAR, 24T	
59	RS5-0771-000		1	GEAR, 20T	
60	RS5-0772-000		1	PULLEY, 16T/GEAR, 37T	
61	RS5-0773-000		1	GEAR, 26T	
62	RS5-0774-000		1	GEAR, 25T	
63	RS5-0775-000		1	GEAR, 33T	
64	RS5-1001-000		3	BUSHING	
65	RS5-1002-000		3	BUSHING	
66	RS5-1021-000		1	BUSHING	
67	RS5-2471-000		2	SPRING, COMPRESSION	
68	RS5-2472-000		1	SPRING, TENSION	
69	RS5-2473-000		1	SPRING, COMPRESSION	
70	RS5-2474-000		1	SPRING, TENSION	
71	RS5-2483-000		1	SPRING, TENSION	
72	RS5-3099-000		1	PULLEY, 15T	
73	RS5-3100-000		1	PULLEY, 20T	
74	RS5-3101-000		1	PULLEY, 14T	
75	RS5-6173-000		1	ROLLER	
76	WG8-0291-000		4	IC, TLP1230, PHOTO INTERRUPTER	PS21-PS24, J20-J23
77	XA9-0267-000		18	SCREW, TP, M3X6	
78	XA9-0527-000		2	SCREW, TP	
79	XF9-0565-000		1	BELT, TIMING	
80	XF9-0566-000		1	BELT, TIMING	
81	WT2-5026-000		4	CLIP, CABLE	
82	RB1-6809-000		1	HOLDER, GROUNDING PLATE	
83	WT2-5056-000		1	CLIP, CABLE	
84	XA9-0547-000		8	SCREW, TP, M3X6	
85	RS5-8595-000		1	LABEL, OPERATION	
501	XB1-2300-407		4	SCREW, MACH., TRUSS HEAD, M3X4	
502	XB4-7300-607		3	SCREW, TAPPING, TRUSS HEAD, M3X6	
503	XD3-2200-102		2	PIN, DOWEL	
504	XB4-7401-007		5	SCREW, TAPPING, PAN HEAD, M4X10	
505	XD2-1100-402		3	RING, E	
506	XD2-1100-502		10	RING, E	
507	XD2-2100-602		1	RING, GRIP	
508	XD3-1160-102		3	PIN, SPRING	

FIGURE D90 PCB ASS'Y LOCATION DIAGRAM
回路基板配置図

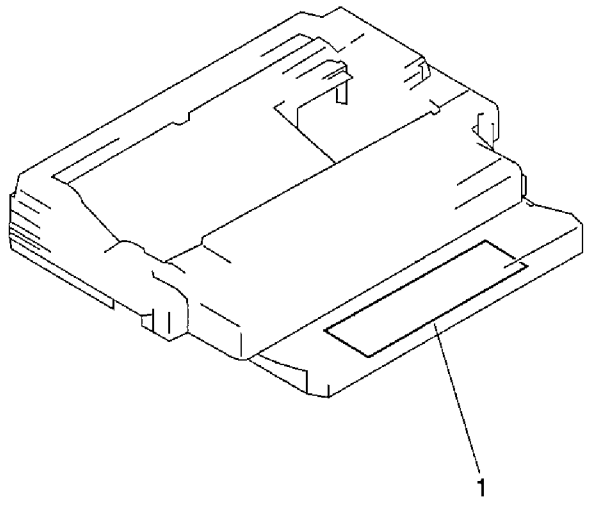


FIGURE & KEY NO.	PART NUMBER	RANK	QTY	DESCRIPTION	SERIAL NUMBER / REMARKS
D90 - 1	NPN RG5-1904-050		RF 1	PCB ASS'Y LOCATION DIAGRAM DUPLEXING DRIVER PCB ASS'Y	



ENVELOPE FEEDER

封筒フィーダ

ENVELOPE FEEDER
[R77-1008]

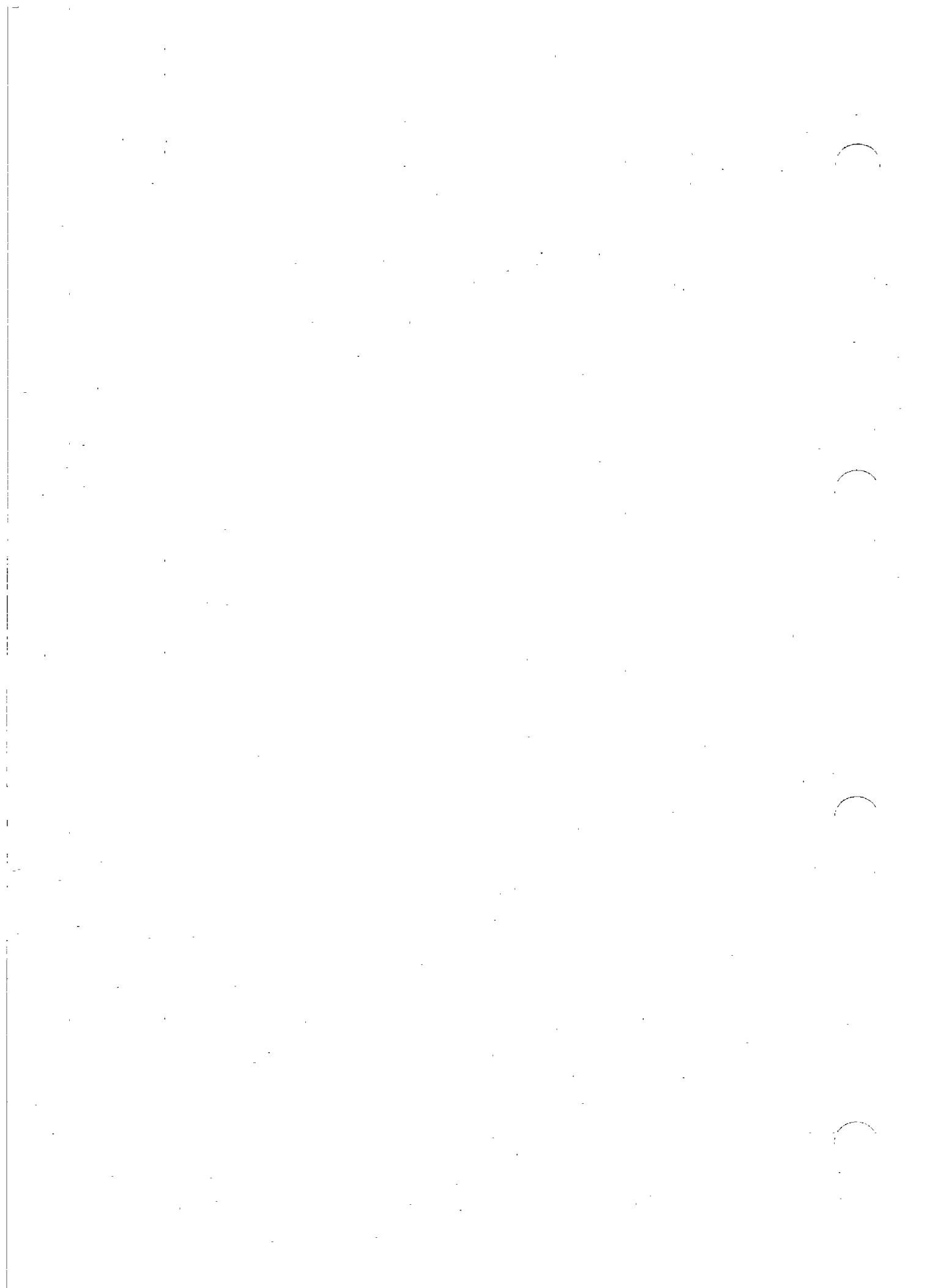


FIGURE FA

ASSEMBLY LOCATION DIAGRAM 主要部品配置図

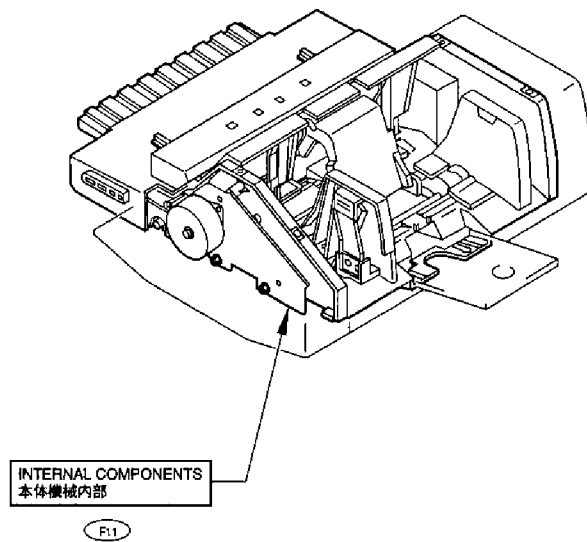


FIGURE F10

EXTERNAL COVERS, PANELS, ETC. 外装カバー

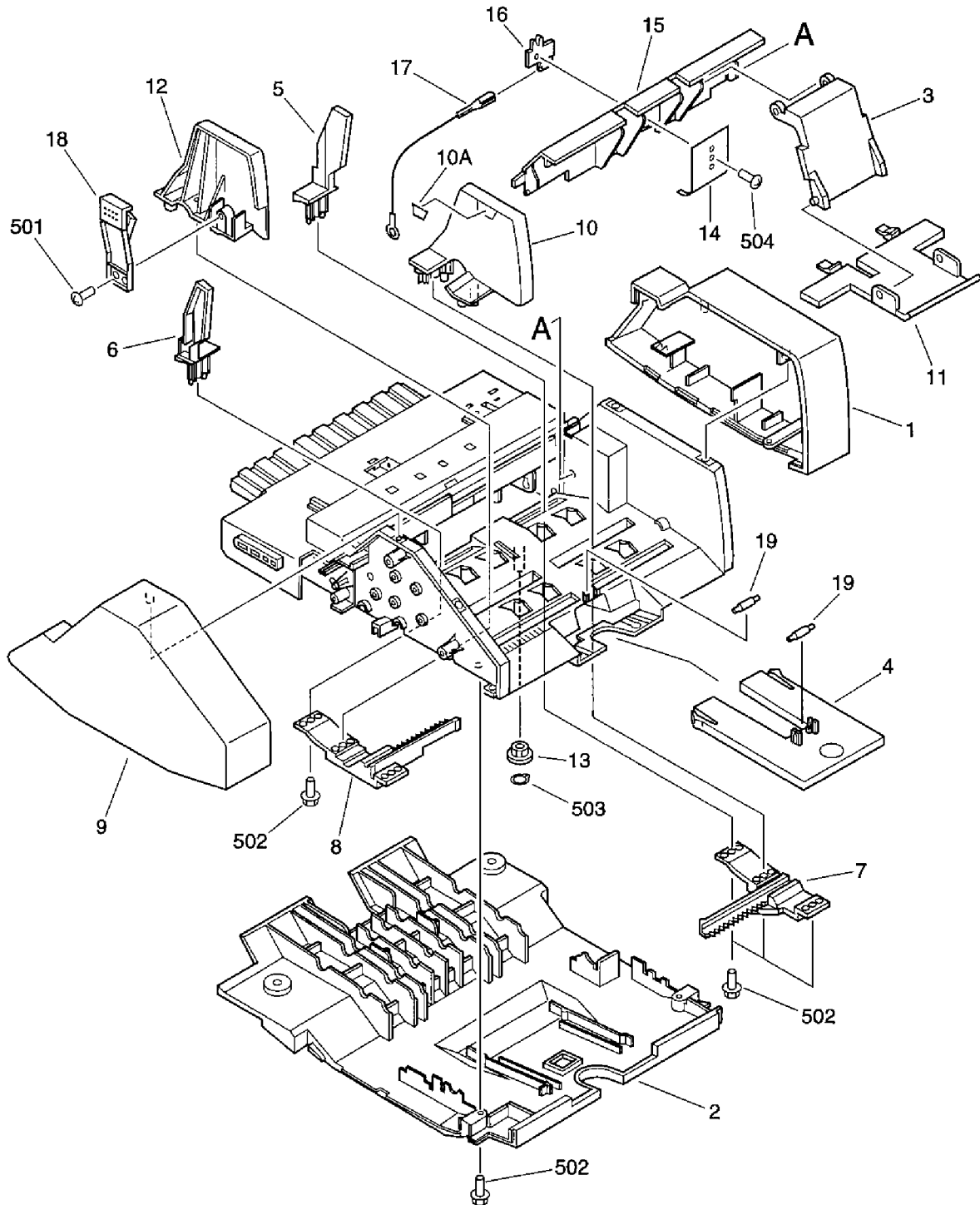


FIGURE & KEY NO.	PART NUMBER	R A N K	Q' T Y	DESCRIPTION	SERIAL NUMBER / REMARKS
F10-	NPN		RF	EXTERNAL COVERS, PANELS, ETC.	
1	RB1-8378-000		1	COVER, RIGHT	
2	RB1-8379-000		1	COVER, LOWER	
3	RB1-8380-000		1	ARM, WEIGHT	
4	RB1-8381-000		1	TRAY, REAR	
5	RB1-8384-000		1	HOLDER, LIMIT, RIGHT, 1	
6	RB1-8386-000		1	HOLDER, LIMIT, LEFT, 1	
7	RB1-8078-000		1	LACK, RIGHT	
8	RB1-8079-000		1	LACK, LEFT	
9	RF5-1786-000		1	COVER, LEFT	
10	RF5-1787-000		1	HOLDER, LIMIT, RIGHT, 2	
10A	RS2-8168-000		1	LABEL, "LIMIT"	
11	RF5-1788-000		1	WEIGHT	
12	RB1-8387-000		1	HOLDER, LIMIT, LEFT, 2	
13	RS5-0880-000		1	GEAR, 16T	
14	RB1-8075-000		1	PLATE, GUIDE	
15	RB1-8390-000		1	PANEL, LIMIT	
16	RA2-1576-000		1	NUT, PLATE	
17	RG5-2287-000		1	FG CABLE	
18	RB1-8393-000		1	LEVER, LIMIT, LEFT, 2	
19	RB1-8394-000		2	ROLLER	
501	XB4-7401-007		2	SCREW, TAPPING, PAN HEAD, M4X10	
502	XB4-7401-207		10	SCREW, TAPPING, PAN HEAD, M4X12	
503	XD2-2100-602		1	RING, GRIP	
504	XB5-6300-807		1	SCREW, TP, M3X8	

FIGURE F11

INTERNAL COMPONENTS(1/2) 本体機械内部(1/2)

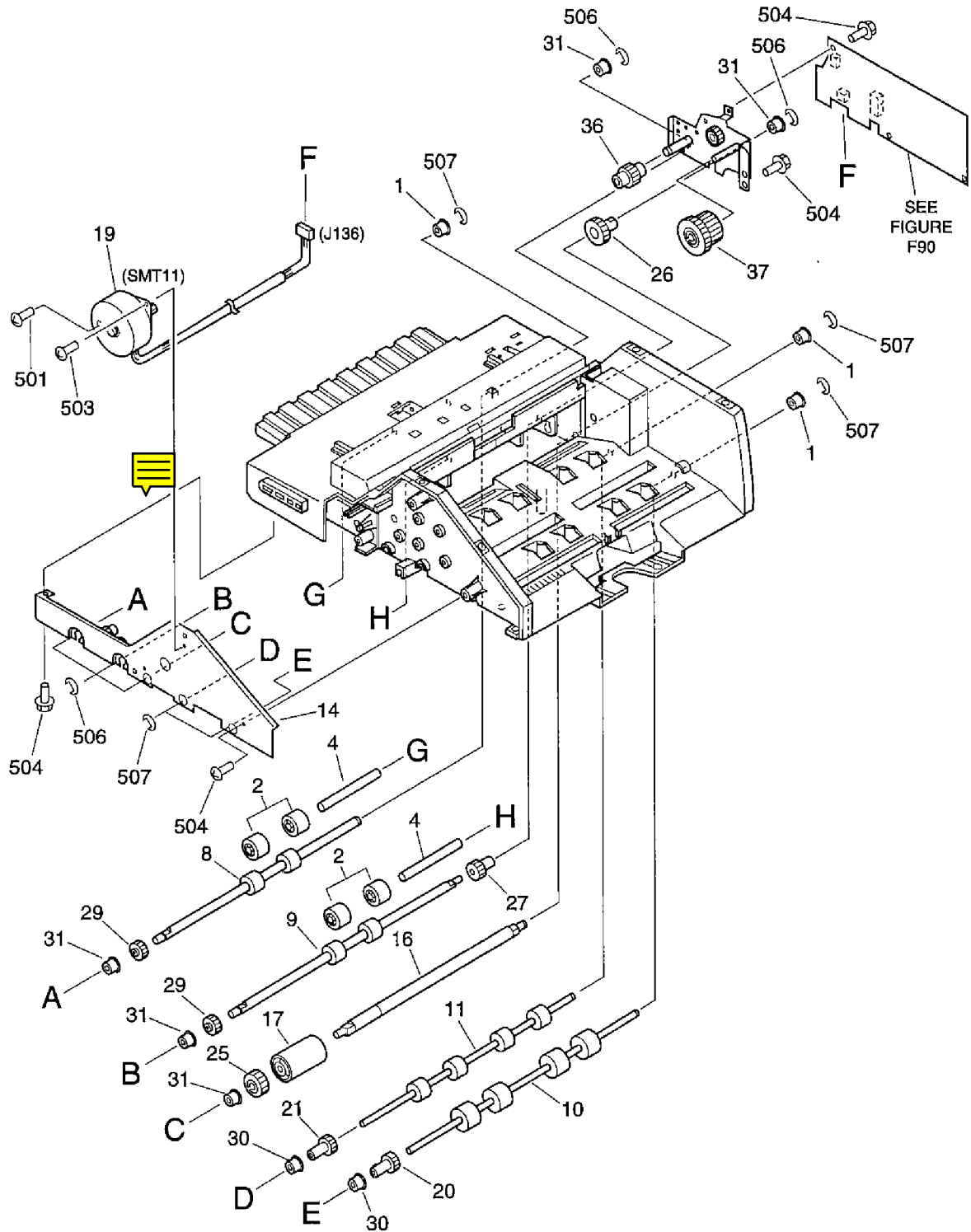


FIGURE F11

INTERNAL COMPONENTS(2/2) 本体機械内部(2/2)

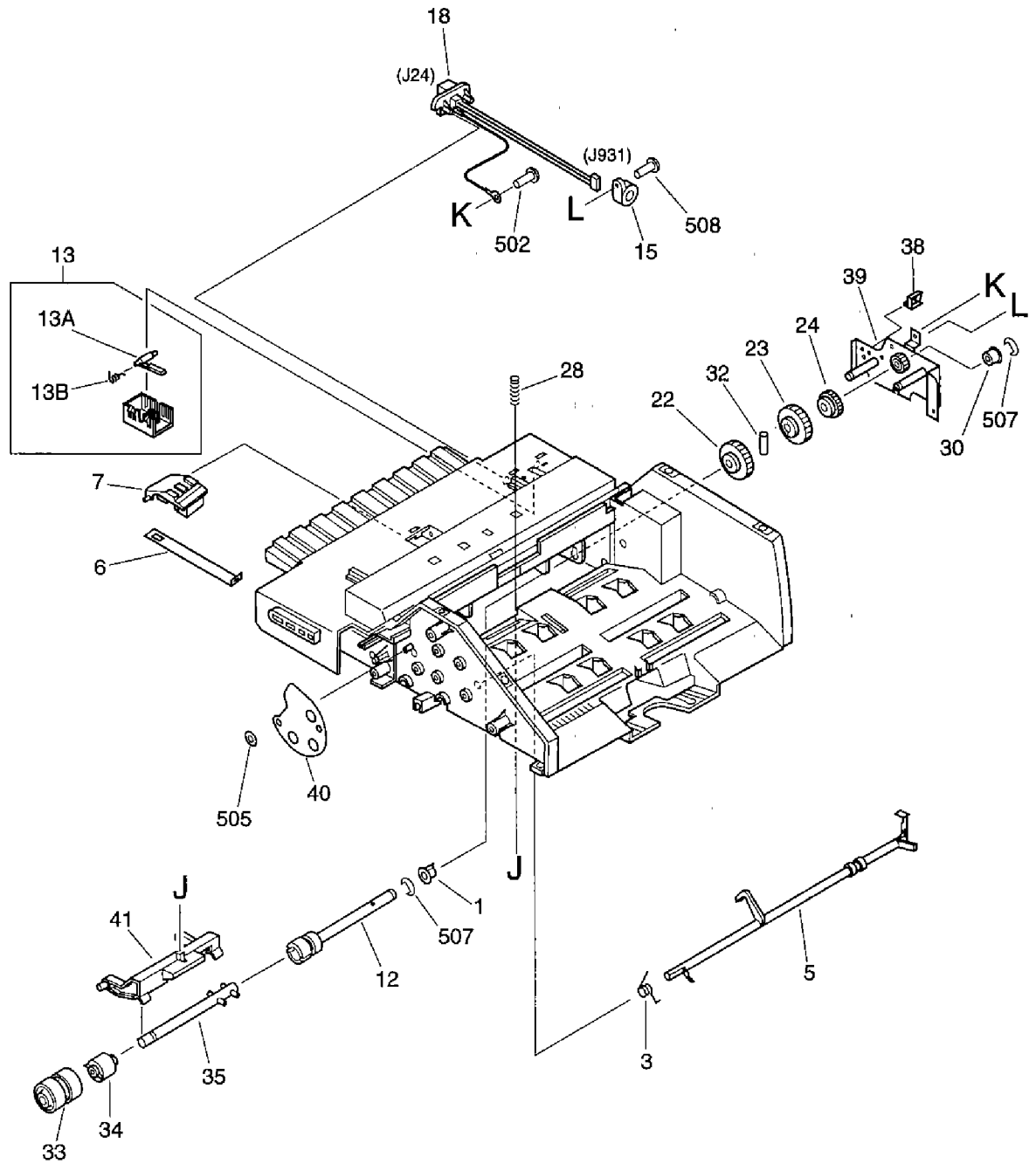


FIGURE & KEY NO.	PART NUMBER	RANK	QTY	DESCRIPTION	SERIAL NUMBER / REMARKS
F11-	NPN		RF	INTERNAL COMPONENTS	
1	FS1-1187-000		4	BUSHING	
2	RA2-1567-000		4	ROLLER	
3	RA2-1571-000		1	SPRING, TORSION	
4	RA2-1572-000		2	SHAFT, PAPER FEED	
5	RB1-8052-000		1	LEVER, SENSOR	
6	RB1-8053-000		1	SPRING, LEAF	
7	RB1-8382-000		1	BLOCK, PRESSURE	
8	RB1-8061-000		1	ROLLER, FEED, 1	
9	RB1-8062-000		1	ROLLER, FEED, 2	
10	RB1-8063-000		1	ROLLER, PAPER PICK-UP, 1	
11	RB1-8064-000		1	ROLLER, PAPER PICK-UP, 2	
12	RF5-1698-000		1	SHAFT, DRIVE	
13	RG5-2502-000		1	BOX, CLICK	
13A	RB1-8392-000		1	LEVER, CLICK	
13B	RB1-8082-000		1	SPRING, TORSION	
14	RF5-1699-000		1	PLATE, DRIVE, LEFT	
15	WE8-5171-000		1	FERRITE CORE	
16	RB1-8074-000		1	SHAFT, SEPARATION, LOWER	
17	RF5-1700-000		1	ROLLER, LOWER	
18	RG5-2286-000		1	FEEDER CABLE	J24, J931
19	RH7-1287-000		1	MOTOR, STEPPING	SMT1, J136
20	RS1-0554-000		1	GEAR, 24T	
21	RS1-0555-000		1	GEAR, 20T	
22	RS1-0556-000		1	GEAR, 36T	
23	RS1-0557-000		1	GEAR, 36T	
24	RS1-0558-000		1	GEAR, 24T	
25	RS1-0559-000		1	GEAR, 22T	
26	RS1-0560-000		1	GEAR, 22T	
27	RS1-0561-000		1	GEAR, 20T	
28	RS5-2586-000		1	SPRING, COMPRESSION	
29	RS5-0882-000		2	GEAR, 20T	
30	RS5-1222-000		3	BUSHING	
31	RS5-6185-000		5	BUSHING	
32	XD9-0103-000		1	PIN, DOWEL	
33	RF5-1776-000		1	ROLLER, UPPER	
34	RB1-8088-000		1	LIMITER, TORQUE	
35	RF5-1777-000		1	SHAFT, SEPARATION ROLLER	
36	RS1-0552-000		1	GEAR, 20T	
37	RS1-0553-000		1	GEAR, 42T/28T	
38	WT2-0434-000		1	CLAMP	
39	FL9-0107-000		1	PLATE, DRIVE, RIGHT	
40	RB1-8087-000		1	PLATE, MAGNET SHIELD	
41	RA2-1579-000		1	ARM, REGISTRATION	
501	XB1-2300-607		1	SCREW, MACH., TRUSS HEAD, M3X6	
502	XB1-2400-607		1	SCREW, MACH., TRUSS HEAD, M4X6	
503	XB2-7300-607		1	SCREW, W/WASHER, M3X6	
504	XB4-7401-007		7	SCREW, TAPPING, PAN HEAD, M4X10	
505	XD2-2300-402		2	SE RING	
506	XD2-1100-322		5	RING, E	

FIGURE & KEY NO.	PART NUMBER	R A N K	Q T Y	DESCRIPTION	SERIAL NUMBER / REMARKS
F11- 507 508	XD2-1100-502 XB5-6300-807		7 1	RING, E SCREW, TP, M3X8	

FIGURE F90 PCB ASS'Y LOCATION DIAGRAM
回路基板配置図

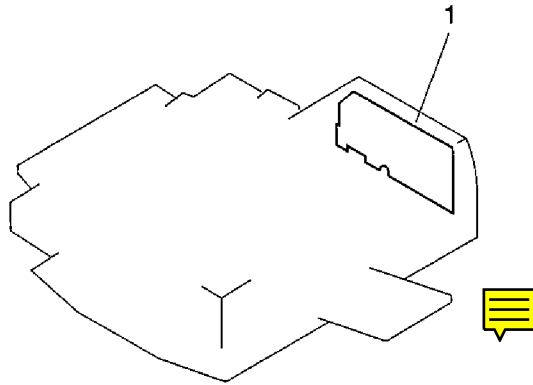


FIGURE & KEY NO.	PART NUMBER	RANK	QTY	DESCRIPTION	SERIAL NUMBER / REMARKS
F90 - 1	NPN RG5-2285-000		RF 1	PCB ASS'Y LOCATION DIAGRAM ENVELOPE FEEDER PCB ASS'Y	

PAPER DECK

ペーパー・デッキ

PAPER DECK
[R77-1032]

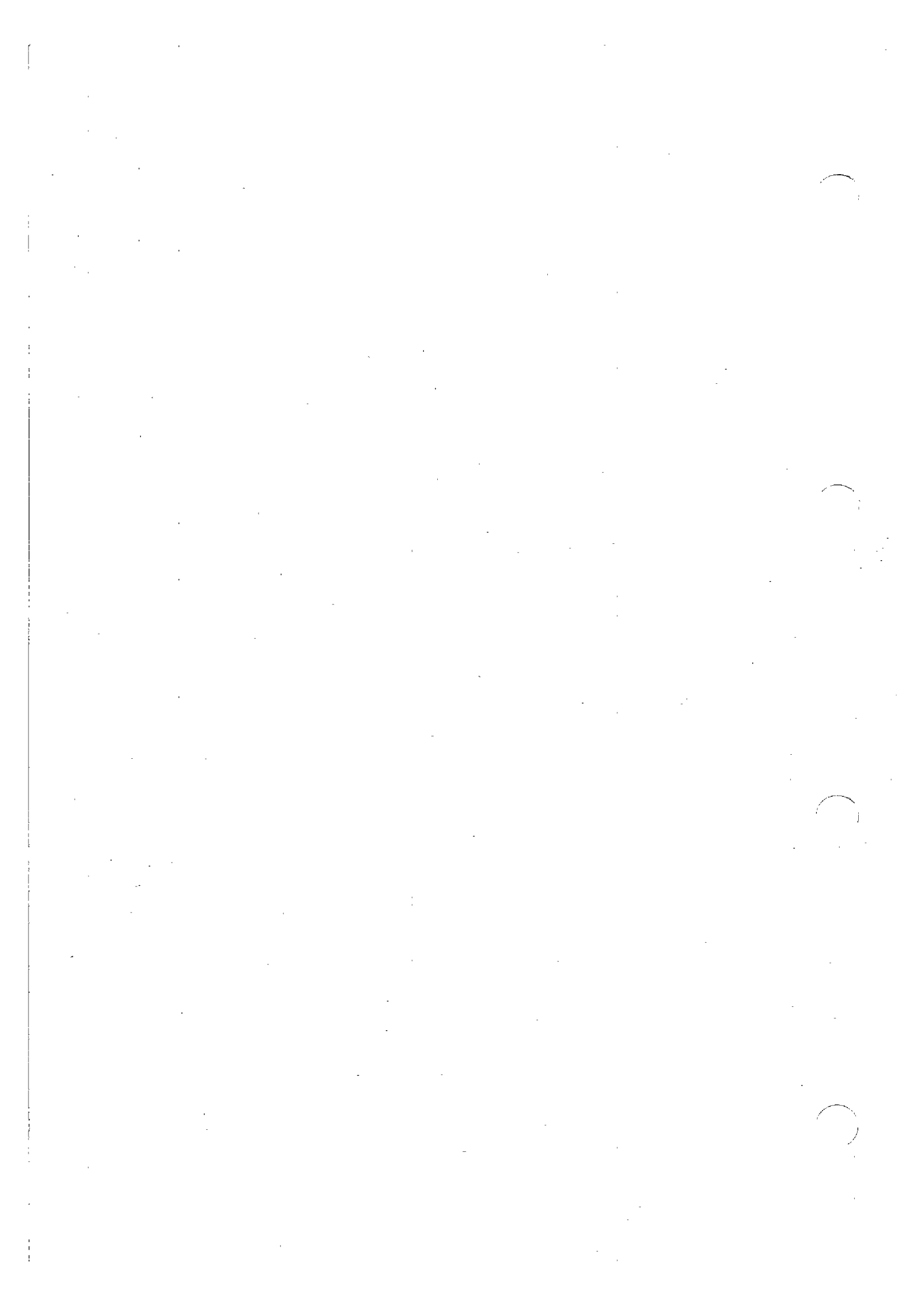


FIGURE RA

ASSEMBLY LOCATION DIAGRAM 主要部品配置図

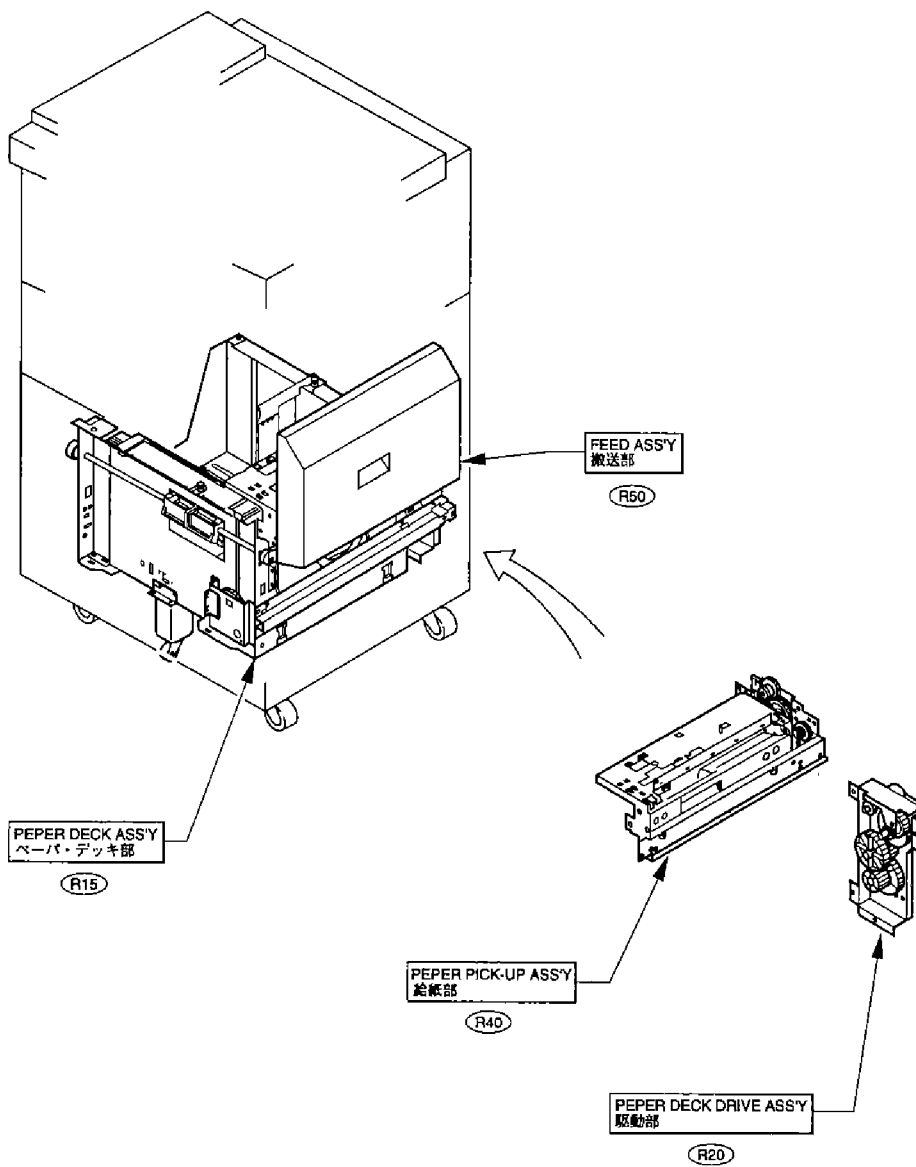


FIGURE R10 PAPER DECK MAIN BODY (1/2)

ペーパー・デッキ本体(1/2)

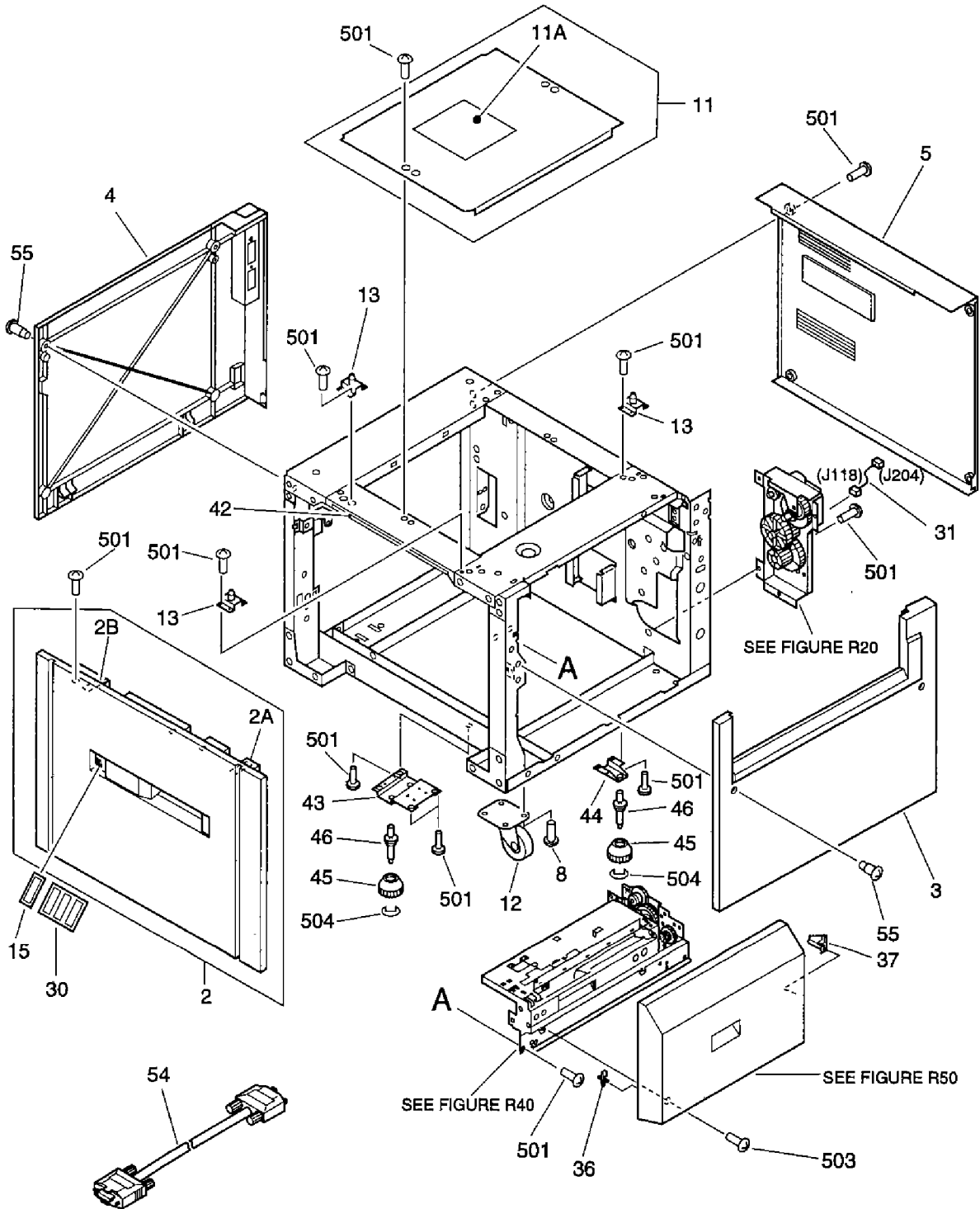


FIGURE R10

PAPER DECK MAIN BODY (2/2)

ペーパーデッキ本体(2/2)

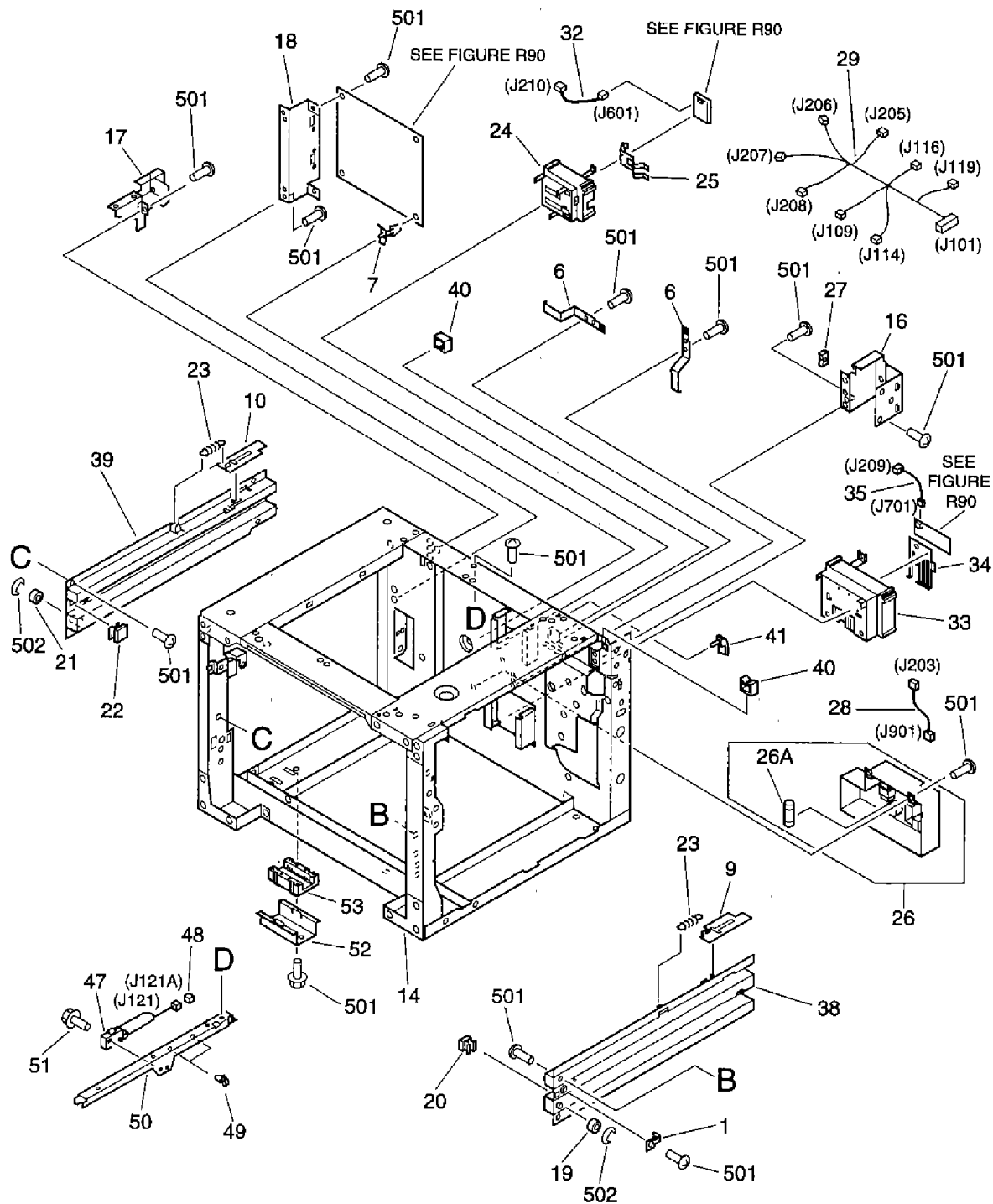


FIGURE & KEY NO.	PART NUMBER	RANK	QTY	DESCRIPTION	SERIAL NUMBER / REMARKS
R10-	NPN		RF	PAPER DECK MAIN BODY	
1	RB1-7677-000		2	PLATE, STOP	
2	RF5-1801-000		1	COVER, FRONT	
2A	RS5-8723-000		1	LABEL, PAPER SIZE	
2B	RS5-8724-000		1	LABEL, PAPER SIZE	
3	RB1-7849-020		1	COVER, RIGHT	
4	RB1-7850-020		1	COVER, LEFT	
5	RB1-7851-000		1	COVER, REAR	
6	RB1-7835-000		2	SPRING, LEAF	
7	VT2-0001-018		2	SUPPORT	
8	FE9-0290-000		16	SCREW, W/WASHER	
9	RB1-7678-000		1	PLATE, PRESSURE, RIGHT	
10	RB1-7679-000		1	PLATE, PRESSURE, LEFT	
11	RF5-1796-000		1	COVER	
11A	RS5-8572-000		1	LABEL, INSTALLATION	
12	RB1-7681-000		4	CASTER	
13	RF5-1618-000		3	PIN, POSITIONING	
14	RG5-2144-000	N	1	FRAME ASS'Y	
15	RB1-6894-000		1	PLATE, CASSETTE SIZE DISPLAY	
16	RB1-7657-000		1	MOUNT, COVER, 1	
17	RB1-7658-000		1	MOUNT, COVER, 2	
18	RB1-7659-000		1	CROSSMEMBER, PCB	
19	RB1-7661-000		1	ROLLER, RAIL	
20	RB1-7662-000		1	SPACER, RAIL	
21	RB1-7661-000		1	ROLLER, RAIL	
22	RB1-7662-000		1	SPACER, RAIL	
23	RS5-2561-000		2	SPRING, TENSION	
24	RB1-7766-000		1	HOLDER, SENSOR	
25	RB1-7767-000		1	SPRING, LEAF	
26	RG5-2281-000		1	DC POWER SUPPLY ASS'Y	
26A	VD7-0643-151		1	FUSE, 250V, 3.15A	
27	WT2-5098-000		1	CLAMP, CABLE	
28	RG5-2227-000		1	PSU CABLE	J203, J901
29	RG5-2228-000		1	CABLE, MAIN	J101, J109, J114, J116, J119, J205-J208
30	RS5-8611-000		1	LABEL, CASSETTE SIZE DISPLAY	A4/B4, LTR/LGL 11X17/A3
31	RG5-2233-000		1	CABLE, DC MOTOR	J118, J204
32	RG5-2236-000		1	CABLE, PAPER-VOLUME	J210, J601
33	RB1-7776-000		1	HOLDER, SIZE	
34	RB1-7777-000		1	SPRING, LEAF	
35	RG5-2235-000		1	CABLE, PAPER-SIZE	J209, J701
36	RB1-7836-000		1	CLAMP, FRONT	
37	RB1-7837-000		1	CLAMP, REAR	
38	RF5-1616-000		1	RAIL, GUIDE, RH	
39	RF5-1617-000		1	RAIL, GUIDE, LH	
40	WT2-0204-000		2	CLIP, CABLE	
41	WT2-5134-000		6	CLAMP, CABLE	
42	RS5-8705-000		1	LABEL, CAUTION	
43	RB1-7682-000		2	MOUNT, ADJUST, A	

FIGURE R15 PAPER DECK ASS'Y(1/2)
 ペーパー・デッキ部(1/2)

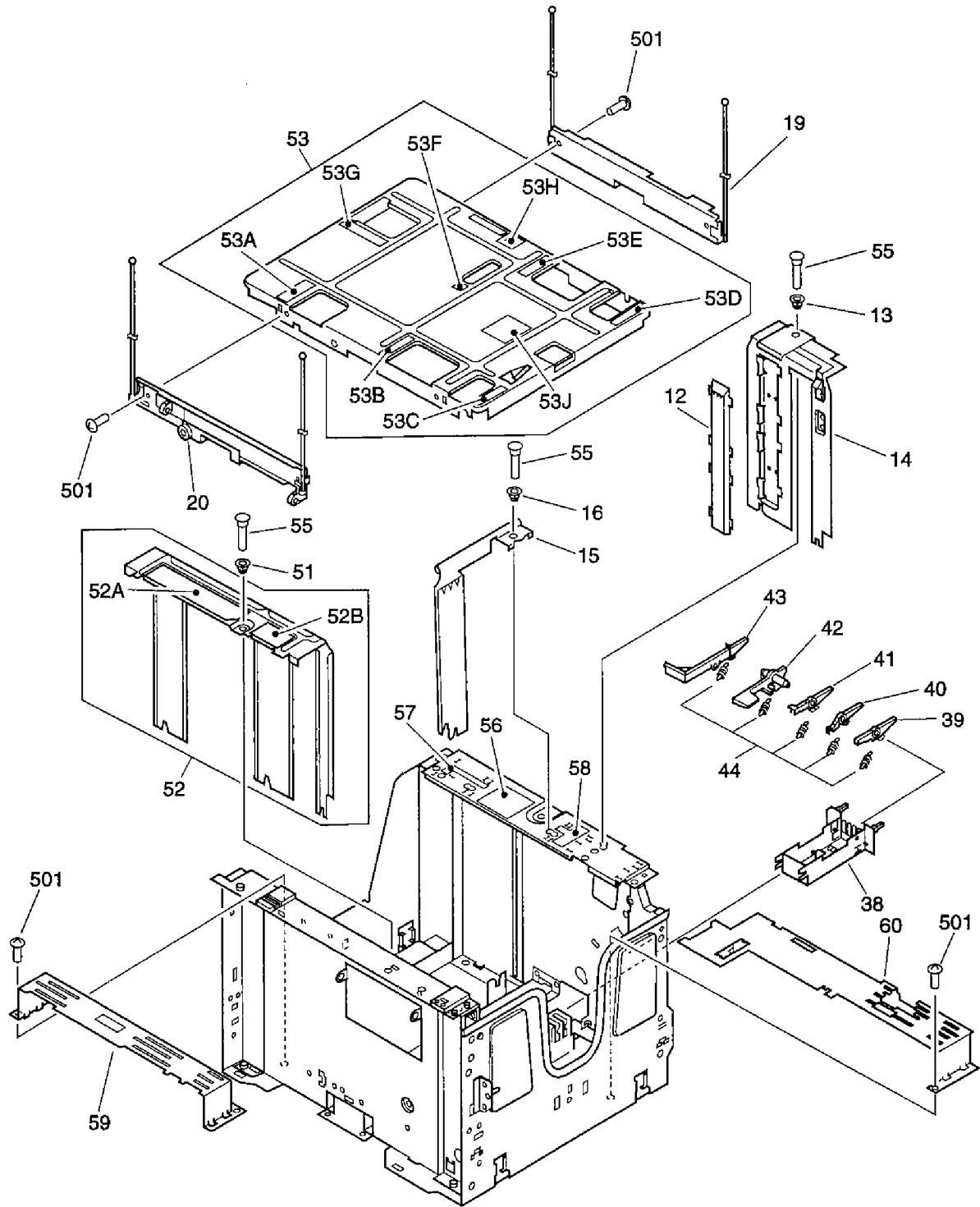


FIGURE R15 PAPER DECK ASS'Y (2/2)

ペーパー・デッキ部 (2/2)

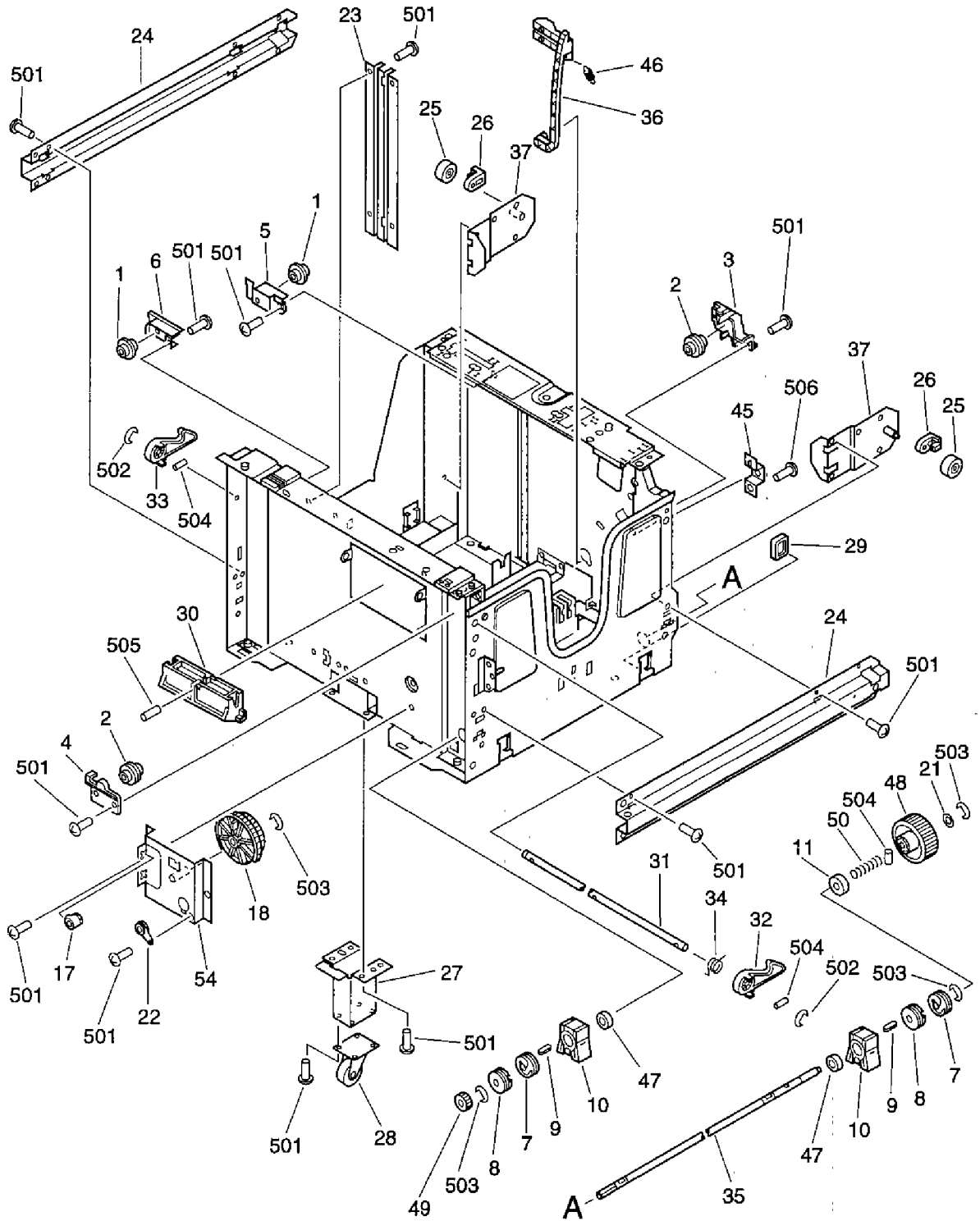


FIGURE & KEY NO.	PART NUMBER	RANK	QTY	DESCRIPTION	SERIAL NUMBER / REMARKS
R15-	RG5-2155-060		1	PAPER DECK ASS'Y	
1	RB1-7727-000		2	PULLEY	
2	RB1-7728-000		2	PULLEY	
3	RB1-7729-000		1	HOLDER, WIRE, RIGHT, REAR	
4	RB1-7730-000		1	HOLDER, WIRE, RIGHT, FRONT	
5	RB1-7731-000		1	HOLDER, WIRE, LEFT, REAR	
6	RB1-7732-000		1	HOLDER, WIRE, LEFT, FRONT	
7	RB1-7735-020		2	DRUM, TAKE-UP, 1	
8	RB1-7736-020		2	DRUM, TAKE-UP, 2	
9	RB1-7737-000		2	KEY, TAKE-UP	
10	RB1-7738-000		2	COVER, DRUM	
11	RB1-7739-000		1	STOP, SPRING	
12	RB1-7693-000		1	PLATE, PAPER	
13	RB1-7743-000		1	LATCH, LIMIT	
14	RF5-1609-000		1	PLATE, PAPER, LIMIT	
15	RB1-7726-000		1	PLATE, LIMIT	
16	RB1-7743-000		1	LATCH, LIMIT	
17	RB1-7742-000		2	GEAR, 11T	
18	RS5-0867-000		1	GEAR, 96T/98T	
19	RF5-1615-020		1	PLATE, TRAY, 2	
20	RG5-2157-020		1	PLATE, WIRE	
21	RB1-7749-000		1	CUSHION, LIFTER	
22	RS5-1207-020		1	BUSHING	
23	RB1-7704-000		1	PLATE, GUIDE	
24	RB1-7705-000		2	RAIL, TRAY	
25	RB1-7706-000		2	ROLLER, RAIL	
26	RB1-7707-000		2	SPACER, RAIL	
27	RB1-7708-000		1	MOUNT, CASTER	
28	RB1-7709-000		1	CASTER	
29	RB1-7710-000		4	DAMPER, TRAY	
30	RB1-7711-060		1	KNOB, HOUSING	
31	RB1-7712-000		1	SHAFT, KNOB	
32	RB1-7713-000		1	LATCH, HOUSING, RIGHT	
33	RB1-7714-000		1	LATCH, HOUSING, LEFT	
34	RB1-7715-000		1	SPRING, TORSION	
35	RB1-7716-020		1	SHAFT, LIFTER	
36	RB1-7717-020		1	ARM, SENSOR	
37	RF5-1613-000		2	PLATE, SUPPORT, RAIL	
38	RB1-7686-000		1	HOLDER, SIZE CAM	
39	RB1-7687-000		1	CAM, SIZE, 1	
40	RB1-7688-000		1	CAM, SIZE, 2	
41	RB1-7689-000		1	CAM, SIZE, 3	
42	RB1-7690-000		1	CAM, SIZE, 4	
43	RB1-7691-000		1	CAM, SIZE, 5	
44	RS5-2558-000		5	SPRING, TENSION	
45	RB1-7745-000		1	PLATE, SUPPORT	
46	RS5-2560-020		1	SPRING, TENSION	
47	XG9-0250-000		2	BEARING, BALL	
48	RS5-0854-000		1	GEAR, 58T	
49	RS5-0866-000		1	GEAR, 22T	

FIGURE & KEY NO.	PART NUMBER	RANK	QTY	DESCRIPTION	SERIAL NUMBER / REMARKS
R15- 50	RS5-2559-000		1	SPRING, COMPRESSION	
51	RB1-7743-000		1	LATCH, LIMIT	
52	RF5-1623-000		1	PLATE, REFERENCE	
52A	RS5-8573-000		1	LABEL, OPERATION	
52B	RS5-8574-000		1	LABEL, OPERATION	
53	RF5-1626-000	N	1	TRAY, PAPER	
53A	RS5-8578-000		1	LABEL, PAPER SIZE, A	
53B	RS5-8579-000		1	LABEL, PAPER SIZE, B	
53C	RS5-8580-000		1	LABEL, PAPER SIZE, C	
53D	RS5-8581-000		1	LABEL, PAPER SIZE, D	
53E	RS5-8582-000		1	LABEL, PAPER SIZE, E	
53F	RS5-8583-000		1	LABEL, PAPER SIZE, F	
53G	RS5-8584-000		1	LABEL, PAPER SIZE, G	
53H	RS5-8585-000		1	LABEL, PAPER SIZE, H	
53J	RS5-8586-000		1	LABEL, PAPER SIZE, I	
54	RF5-1625-000	N	1	PLATE, DAMPER	
55	RB1-7750-000		3	PLUNGER	
56	RS5-8575-000		1	LABEL, LIMIT	
57	RS5-8703-000		1	LABEL, PAPER SIZE, L	
58	RS5-8704-000		1	LABEL, PAPER SIZE, M	
59	RB1-7747-000		1	PLATE, FRONT	
60	RB1-7748-000		1	PLATE, REAR	
501	XB6-7400-607		62	SCREW, TP, M4X6	
502	XD2-1100-502		2	RING, E	
503	XD2-1100-642		6	RING, E	
504	XD3-2200-202		3	PIN, DOWEL	
505	XD3-2300-202		1	PIN, DOWEL	
506	XB6-7400-406		2	SCREW, TP, M4X4	

FIGURE & KEY NO.	PART NUMBER	RANK	QTY	DESCRIPTION	SERIAL NUMBER / REMARKS
R20-	RG5-2164-040		1	PAPER DECK DRIVE ASS'Y	
1	RB1-7757-000		1	PLATE, AUXILLIARY	
2	RB1-7758-000		1	MOUNT, MOTOR	
3	RS5-0861-000		1	GEAR, 25T/55T	
4	RS5-0862-000		1	GEAR, 41T	
5	RH7-5142-020		1	CLUTCH, MAGNETIC	CL31, J119
6	RS5-0864-000		1	GEAR, 24T/63T	
7	RS5-0865-000		1	GEAR, 32T/76T	
8	RS5-1207-020		1	BUSHING	
9	RS5-1208-000		2	BUSHING	
10	RS5-4321-000		1	SHAFT, LIFT GEAR	
11	RS5-5302-000		1	SHAFT, H	
12	RH7-1169-000		1	MOTOR, DC 24V	MT31, J118
13	RB1-7762-000		1	SPACER	
14	RS5-0868-000		1	GEAR, 25T	
15	RS5-0869-000		1	GEAR, 58T	
16	RS5-2567-000		1	SPRING, COMPRESSION	
501	XB6-7300-806		4	SCREW, TP, M3X8	
502	XB6-7400-607		3	SCREW, TP, M4X6	
503	XD2-3100-122		1	RING, C, EXTERNAL	

FIGURE R40 PAPER PICK-UP ASS'Y

給紙部

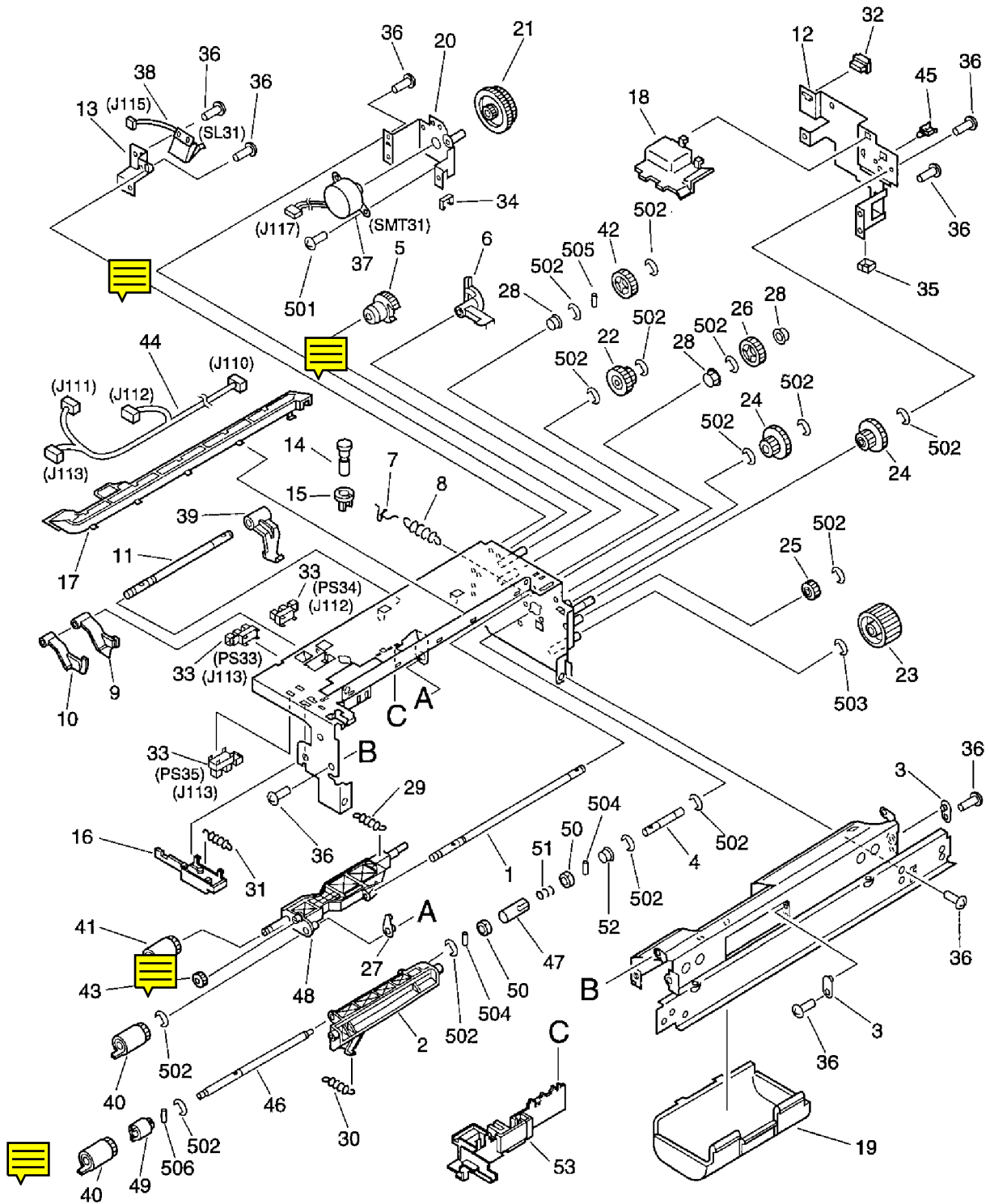


FIGURE & KEY NO.	PART NUMBER	RANK	QTY	DESCRIPTION	SERIAL NUMBER / REMARKS
R40-	RG5-2170-040		1	PAPER PICK-UP ASS'Y	
1	RB1-7778-000		1	SHAFT, FEED ROLLER	
2	RB1-7779-000		1	ARM, R	
3	RB1-7780-000		2	SHAFT, POSITIONING	
4	RB1-7781-000		1	SHAFT, GEAR	
5	RB1-7782-000		1	CAM, ROLLER	
6	RB1-7783-000		1	ARM, ROLLER	
7	RB1-7784-000		1	ARM, ROLLER, P	
8	RS5-2566-000		1	SPRING, TORSION	
9	RB1-7786-000		1	ARM, PAPER SENSOR	
10	RB1-7787-000		1	ARM, PAPER SENSOR	
11	RB1-7788-000		1	SHAFT, PAPER SENSOR	
12	RB1-7792-000		1	PLATE, GEAR	
13	RB1-7793-000		1	PLATE, SOLENOID	
14	RB1-7794-000		1	SHAFT	
15	RB1-7795-000		1	BUSH	
16	RB1-7796-020		1	LEVER, DOOR SENSOR	
17	RB1-7797-000		1	COVER, CABLE	
18	RB1-7798-000		1	COVER, GEAR	
19	RB1-7799-000		1	COVER, ROLLER	
20	RF5-1622-000		1	MOUNT, MOTOR	
21	RS5-0855-000		1	GEAR, 16T/87T/57T	
22	RS5-0856-000		1	GEAR, 45T/18T	
23	RS5-0857-000		1	GEAR, 40T	
24	RS5-0858-000		2	GEAR, 34T/21T	
25	RS5-0859-000		1	GEAR, 17T	
26	RS5-0860-000		1	GEAR, 38T	
27	RS5-1205-000		1	BUSHING	
28	RS5-1206-000		3	BUSHING	
29	RS5-2562-000		1	SPRING, TENSION	
30	RS5-2563-000		1	SPRING, TENSION	
31	RS5-2564-000		1	SPRING, TENSION	
32	VS1-5057-002		1	CONNECTOR, 2P	
33	WG8-5210-000		3	IC, TLP1240, PHOTO-INTERRUPTER	PS33-PS35, J111-J113
34	WT2-0204-000		1	CLIP, CABLE	
35	WT2-5035-000		1	CLIP, CABLE	
36	XA9-0267-000		19	SCREW, TP, M3X6	
37	RH7-1173-000		1	MOTOR, PICK-UP	SMT31, J117
38	RH7-5143-000		1	SOLENOID	SL31, J115
39	RB1-7800-000		1	ARM, PAPER SENSOR, 2	
40	RF5-1426-000		2	ROLLER, FEED	
41	RF5-1427-000		1	ROLLER, PICK-UP	
42	RS5-0739-000		1	GEAR, 38T	
43	RS5-0740-000		1	GEAR, 18T	
44	RG5-2231-000		1	CABLE, PICK-UP	J110-J113
45	WT2-0495-000		1	CLAMP, CABLE	
46	RB1-7802-000		1	SHAFT	
47	RB1-6571-000		1	JOINT	
48	RB1-6585-000		1	HOLDER, ROLLER	
49	RB1-6588-000		1	LIMITER, TORQUE	

(

(

(

(

FIGURE R50 FEED ASS'Y 搬送部

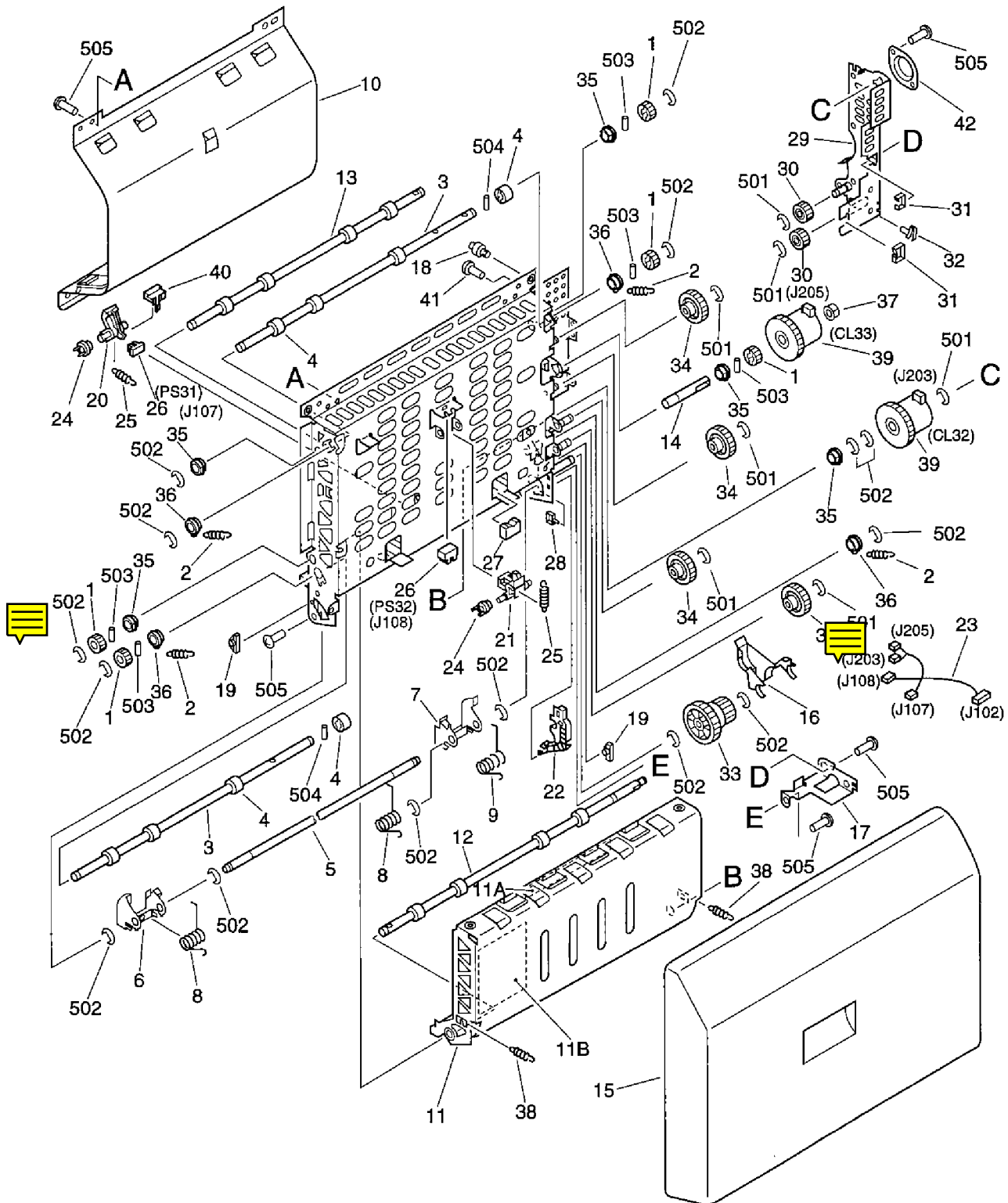


FIGURE & KEY NO.	PART NUMBER	R A N K	Q' T Y	DESCRIPTION	SERIAL NUMBER / REMARKS
R50-	RG5-2172-020		1	FEED ASS'Y	
1	FS5-0338-000		6	GEAR, 16T	
2	RS5-2565-000		4	SPRING, COMPRESSION	
3	RB1-7817-000		2	SHAFT, ROLLER	
4	RB1-7818-000		8	ROLLER, FEED	
5	RB1-7819-000		1	SHAFT, HINGE	
6	RF5-1627-020		1	PLATE, HINGE, FRONT	
7	RF5-1628-020		1	PLATE, HINGE, REAR	
8	RB1-7822-000		2	SPRING, TORSION	
9	RB1-7823-000		1	SPRING, TORSION	
10	RB1-7824-000		1	GUIDE, FEED, OUTER	
11	RF5-1607-000		1	GUIDE, FEED, INNER	
11A	RS5-8570-000		1	LABEL, PROTECTIVE	
11B	RS5-8571-000		1	LABEL, JAM	
12	RB1-7826-000		1	ROLLER, REGIST	
13	RB1-7827-000		1	ROLLER, FEED	
14	RB1-7828-000		1	SHAFT, CLUTCH	
15	RF5-1800-000		1	COVER, FEED	
16	RB1-7830-000		1	COVER, FEED GEAR	
17	RB1-7859-000		1	PLATE, CONNECTING	
18	RB1-3001-000		2	FOOT	
19	RB1-7812-000		2	BLOCK, STOP	
20	RB1-7813-000		1	LEVER, REGIST SENSOR	
21	RB1-7814-000		1	LEVER, JAM SENSOR	
22	RB1-7815-000		1	GUIDE, CABLE	
23	RG5-2229-000		1	CABLE, FEED	J102, J107, J108, J203, J205
24	RS5-1201-000		2	BUSHING	
25	RS5-2556-000		2	SPRING, TENSION	
26	WG8-5210-000		2	IC, TLP1240, PHOTO-INTERRUPTER	PS31, PS32, J107, J108
27	WT2-0204-000		1	CLIP, CABLE	
28	WT2-5134-000		1	CLAMP, CABLE	
29	RF5-1606-000		1	PLATE, CLUTCH	
30	RS5-0850-000		2	GEAR, 16T	
31	WT2-0204-000		2	CLIP, CABLE	
32	WT2-0507-000		1	CLAMP, CABLE	
33	RS5-0851-000		1	GEAR, 24T/44T	
34	RS5-0852-000		4	GEAR, 36T	
35	RS5-1202-000		5	BUSHING	
36	RS5-1203-000		4	BUSHING	
37	RS5-1208-000		1	BUSHING	
38	RS5-2557-000		2	SPRING, TENSION	
39	RH7-5141-020		2	CLUTCH, MAGNETIC	CL32, CL33, J203, J205
40	RB1-7860-000		1	COVER, SENSOR	
41	XA9-0591-000		4	SCREW, M3X8	
42	RB1-7861-000		1	PLATE	
501	XD2-1100-502		2	RING, E	
502	XD2-1200-602		12	RING, E	

FIGURE & KEY NO.	PART NUMBER	R A N K	Q T Y	DESCRIPTION	SERIAL NUMBER / REMARKS
R50-	503		8	PIN, DOWEL	
	504		4	PIN, DOWEL	
	505		13	SCREW, TP, M3X6	

FIGURE R90 PCB ASS'Y LOCATION DIAGRAM
回路基板配置図

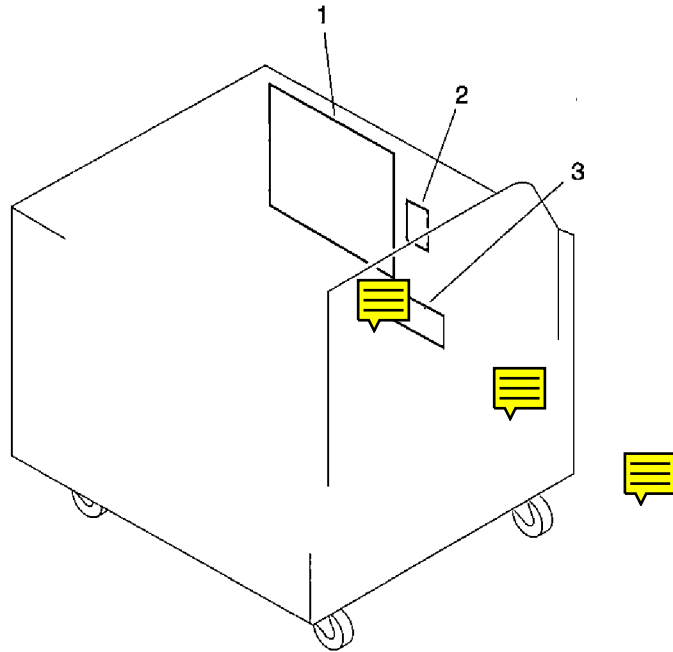


FIGURE & KEY NO.	PART NUMBER	RANK	QTY	DESCRIPTION	SERIAL NUMBER / REMARKS
R90 -	NPN		RF	PCB ASS'Y LOCATION DIAGRAM	
1	RG5-4198-000		1	PAPER DECK DRIVER PCB ASS'Y	
2	RG5-2225-000		1	PAPER SENSOR PCB ASS'Y	
3	RG5-2226-000		1	PAPER-SIZE SENSING PCB ASS'Y	

OPTION CONTROLLER

オプションコントローラ

OPTION CONTROLLER
[R77-1027]

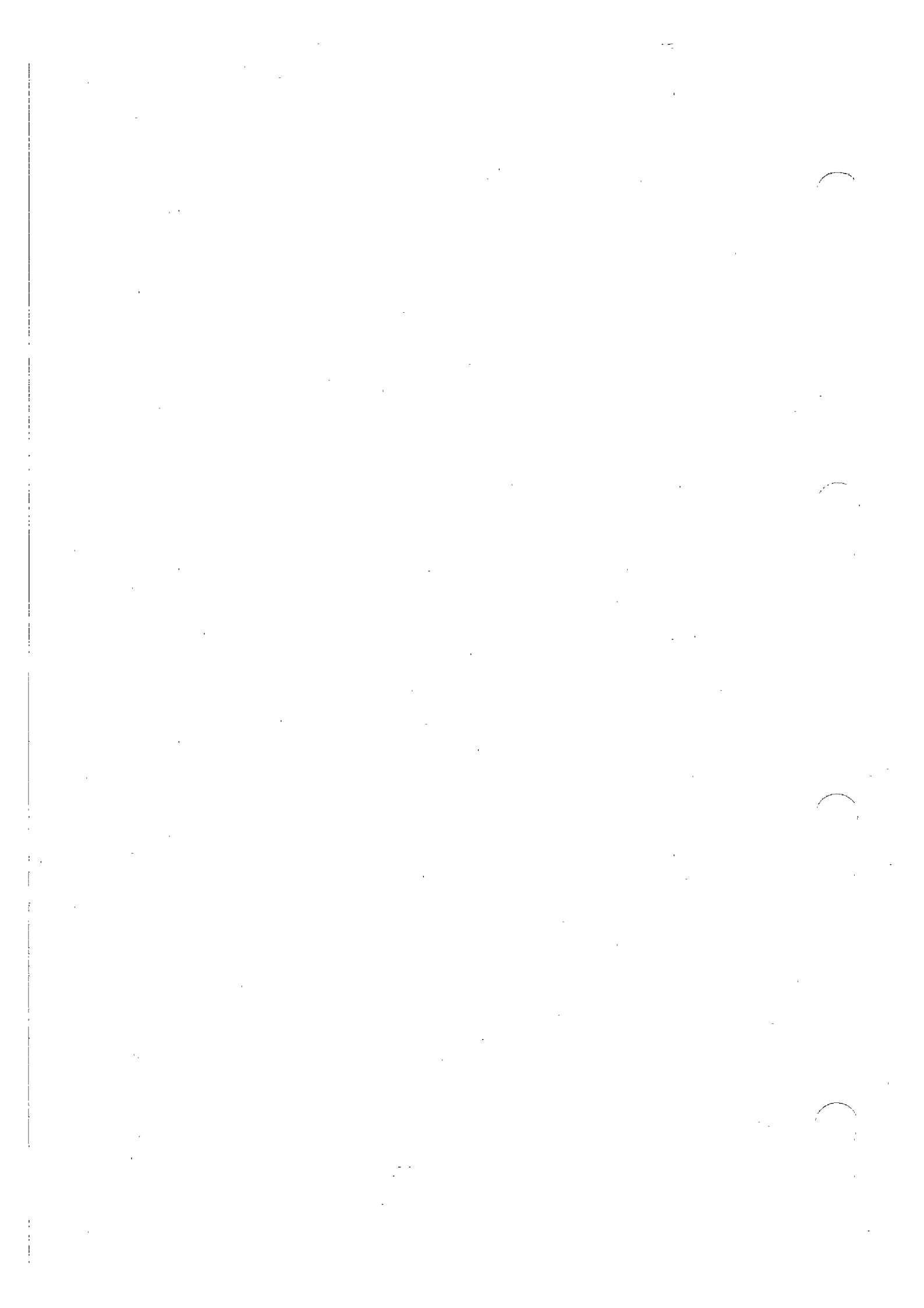


FIGURE V10 OPTION CONTROLLER ASS'Y

オプションコントローラ部

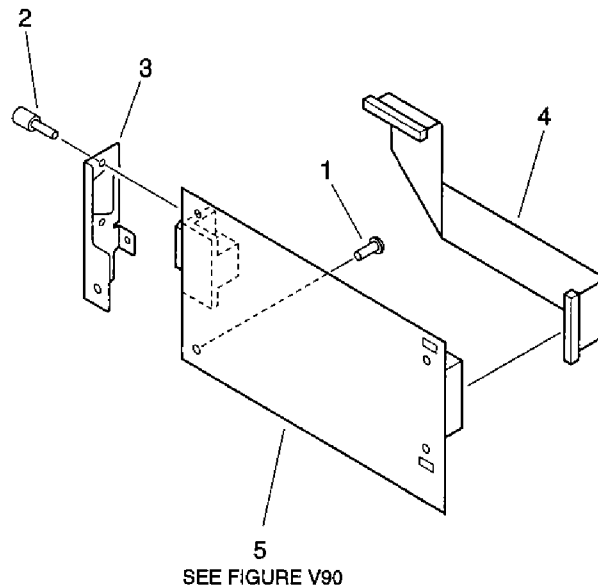


FIGURE & KEY NO.	PART NUMBER	RANK	QTY	DESCRIPTION	SERIAL NUMBER / REMARKS
V10 -	NPN		RF	OPTION CONTROLLER ASS'Y	
1	XA9-0836-000		1	SCREW,TP,M3X6	
2	WT2-5391-000		2	SCREW	
3	RB1-7071-000		1	PLATE, COVER	
4	RG1-3707-000		1	CABLE, FLAT	
5	RG5-3691-000		1	OPTION CONTROLLER PCB ASS'Y	SEE FIGURE V90

FIGURE V90

PCB ASS'Y LOCATION DIAGRAM 回路基板配置図

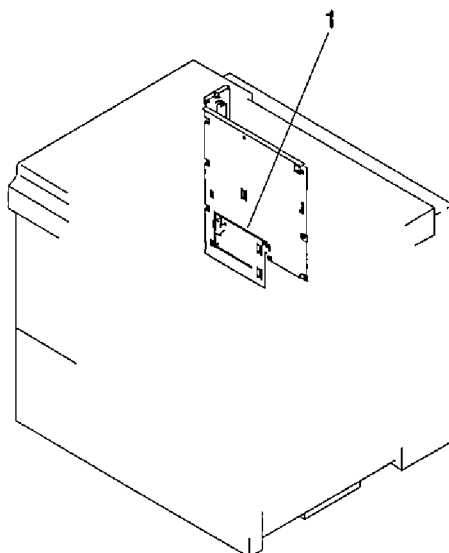


FIGURE & KEY NO.	PART NUMBER	RANK	QTY	DESCRIPTION	SERIAL NUMBER / REMARKS
V90 - 1	NPN RG5-3691-000		RF 1	PCB ASS'Y LOCATION DIAGRAM OPTION CONTROLLER PCB ASS'Y	

HARD DISK

ハードディスク

HARD DISK
[R03-0170]

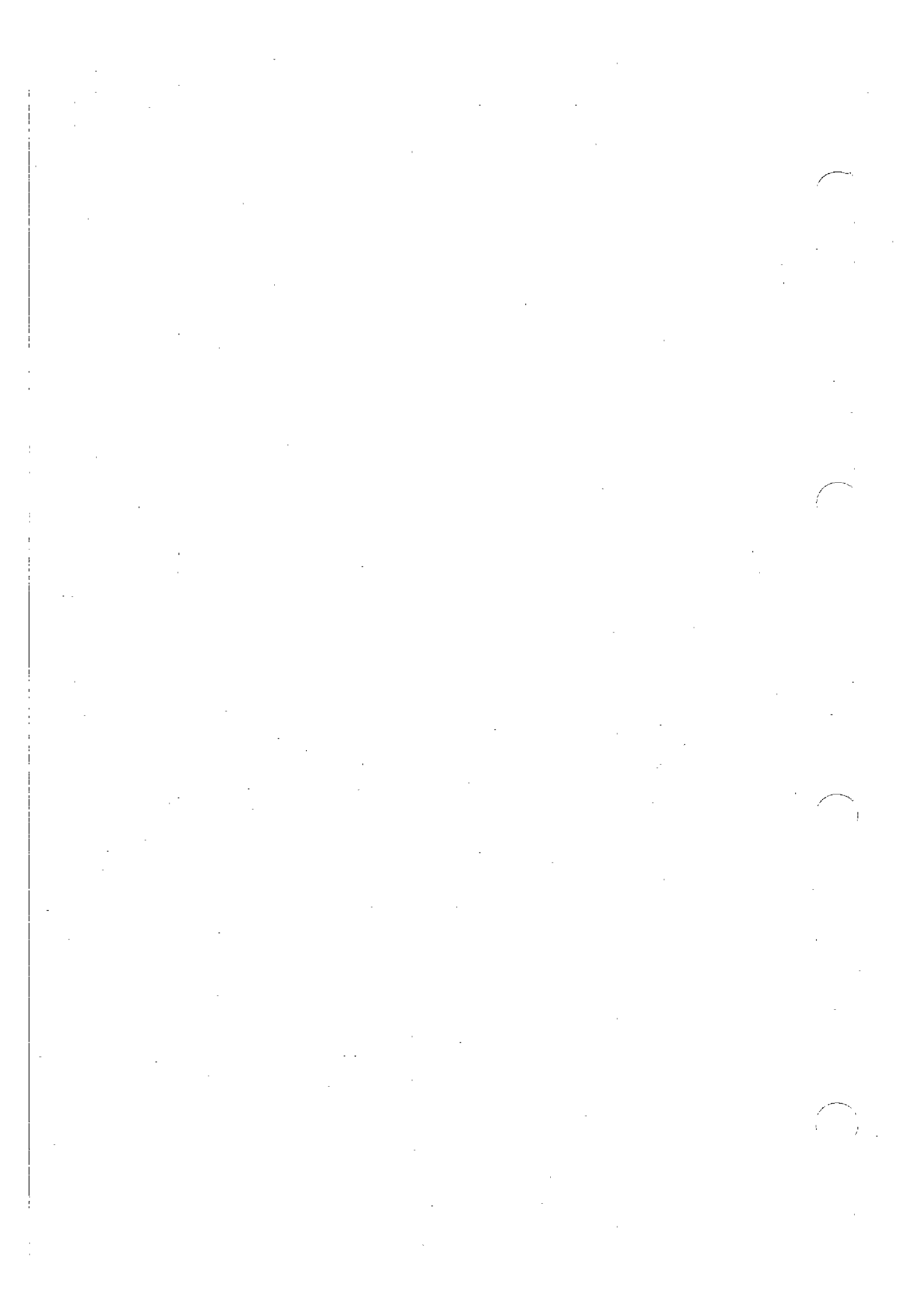


FIGURE W10 HARD DISK ASS'Y ハードディスク部

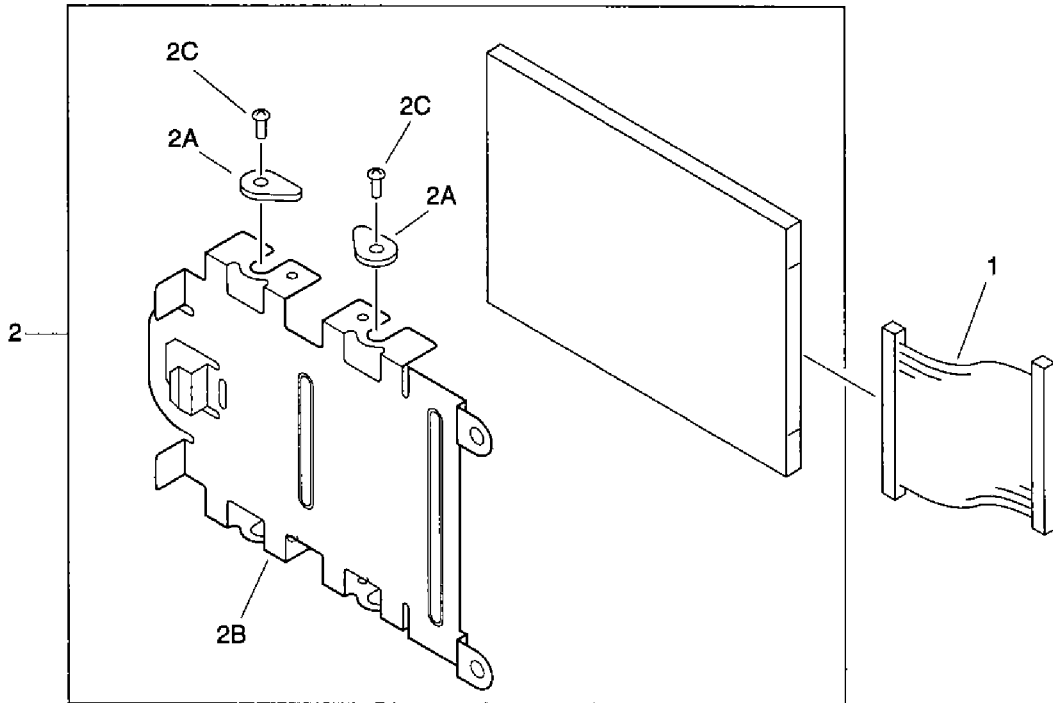


FIGURE & KEY NO.	PART NUMBER	RANK	QTY	DESCRIPTION	SERIAL NUMBER / REMARKS
W10 -	NPN		RF	HARD DISK ASS'Y	
1	RG1-3742-000		1	CABLE, INTER-FACE	
2	RG1-3743-000		1	HARD DISK ASS'Y	
2A	RB1-2952-000		4	SPACER	
2B	RB1-7074-000		1	MOUNT, HARD DISK	
2C	XA9-0836-000		4	SCREW,TP,M3X6	

B NUMERICAL INDEX

部品索引表

PART NUMBER	FIGURE & KEY NO.	PART NUMBER	FIGURE & KEY NO.	PART NUMBER	FIGURE & KEY NO.
FA3-8894-000	810 - 1	RB1-6487-000	100 - 7G	RB1-6626-000	810 - 9
FA9-1449-000	810 - 2	RB1-6488-000	100 - 7H	RB1-6627-000	810 - 10
FB1-6823-000	810 - 3	RB1-6493-000	100 - 15	RB1-6628-000	810 - 11
FE9-0290-000	R10 - 8	RB1-6502-000	104 - 1	RB1-6629-000	810 - 12
FL9-0107-000	F11 - 39	RB1-6503-000	103 - 24	RB1-6630-000	810 - 13
FS1-1187-000	F11 - 1	RB1-6507-000	100 - 3	RB1-6631-000	810 - 14
FS6-0338-000	R50 - 1	RB1-6509-000	100 - 18	RB1-6633-000	810 - 15
RA2-1567-000	F11 - 2	RB1-6512-000	102 - 23	RB1-6634-000	810 - 16
RA2-1571-000	F11 - 3	RB1-6517-000	250 - 1	RB1-6635-000	810 - 17
RA2-1572-000	F11 - 4	RB1-6518-000	250 - 2	RB1-6636-000	810 - 18
RA2-1576-000	F10 - 16	RB1-6523-000	102 - 16	RB1-6637-000	810 - 19
RA2-1579-000	F11 - 41	RB1-6526-000	310 - 76	RB1-6638-000	810 - 20
RA2-2372-00V	153 - 1C	RB1-6527-000	310 - 77	RB1-6639-030	810 - 21
RA9-1124-000	351 - 11C	RB1-6528-000	310 - 22	RB1-6640-020	810 - 59
RA9-1125-000	351 - 11D	RB1-6533-000	310 - 33A	RB1-6641-000	810 - 60
RA9-1128-000	351 - 11E	RB1-6534-000	310 - 33B	RB1-6642-000	810 - 30
RA9-1127-000	351 - 16	RB1-6535-000	310 - 44	RB1-6653-000	351 - 11B
RB1-0153-000	310 - 2	RB1-6538-000	310 - 37	RB1-6655-000	351 - 13
RB1-1447-000	810 - 32	RB1-6539-000	310 - 36		351 - 14
RB1-2152-000	340 - 35	RB1-6540-000	310 - 40	RB1-6662-000	350 - 1
RB1-2253-000	330 - 1	RB1-6541-000	310 - 41		351 - 6
RB1-2260-000	102 - 19	RB1-6543-000	310 - 23	RB1-6663-000	350 - 2
RB1-2952-000	W10 - 2A	RB1-6544-000	310 - 24		351 - 7
RB1-3001-000	R50 - 18	RB1-6545-000	310 - 25	RB1-6666-000	350 - 3
RB1-4886-000	152 - 1	RB1-6546-000	310 - 26		351 - 10
	152A - 3	RB1-6547-000	310 - 27	RB1-6678-020	350 - 18
RB1-6400-000	320 - 6A	RB1-6548-000	310 - 28	RB1-6679-000	350 - 19
RB1-6402-000	320 - 1	RB1-6549-000	310 - 29	RB1-6680-000	350 - 22
RB1-6403-000	101 - 13	RB1-6550-000	310 - 30	RB1-6681-000	350 - 21
RB1-6404-000	320 - 2	RB1-6551-000	310 - 31	RB1-6684-000	350 - 24A
RB1-6405-000	320 - 3	RB1-6552-000	310 - 45	RB1-6686-000	350 - 5
RB1-6406-000	320 - 4	RB1-6555-000	310 - 46	RB1-6687-000	350 - 6
RB1-6407-000	330 - 2	RB1-6556-000	310 - 47	RB1-6688-000	350 - 7
RB1-6408-000	330 - 12A	RB1-6557-000	310 - 48	RB1-6689-000	350 - 8
RB1-6409-000	330 - 3	RB1-6558-020	310 - 49	RB1-6690-000	350 - 9
RB1-6411-020	330 - 4	RB1-6559-000	310 - 54	RB1-6691-000	350 - 10
RB1-6412-000	330 - 5	RB1-6560-000	310 - 55	RB1-6692-000	350 - 11
RB1-6413-000	330 - 6	RB1-6561-000	310 - 56	RB1-6693-000	350 - 12
RB1-6414-000	330 - 7	RB1-6562-000	310 - 65	RB1-6694-000	350 - 13
RB1-6415-000	330 - 8	RB1-6563-000	310 - 66	RB1-6695-000	350 - 14
RB1-6416-000	330 - 9	RB1-6564-000	310 - 68	RB1-6696-000	350 - 15
RB1-6417-000	330 - 10	RB1-6565-000	310 - 108	RB1-6698-000	141 - 1
RB1-6419-000	102 - 1		R40 - 50	RB1-6699-000	141 - 2
RB1-6421-000	102 - 3	RB1-6567-000	310 - 78	RB1-6700-000	141 - 3
RB1-6425-000	103 - 1	RB1-6568-000	310 - 79	RB1-6701-000	350 - 17
RB1-6426-000	103 - 2	RB1-6569-030	310 - 16	RB1-6702-000	141 - 4
RB1-6427-000	103 - 3	RB1-6570-000	310 - 104	RB1-6703-000	350 - 31
RB1-6428-000	103 - 4	RB1-6571-000	310 - 105	RB1-6704-000	350 - 33
RB1-6429-000	102 - 25A		R40 - 47	RB1-6707-000	340 - 49
	102 - 26A	RB1-6579-000	310 - 80	RB1-6708-000	101 - 18
RB1-6430-000	102 - 2	RB1-6580-000	310 - 3	RB1-6709-000	101 - 19
RB1-6432-000	102 - 6	RB1-6581-000	310 - 4	RB1-6710-000	340 - 48
RB1-6433-000	102 - 7	RB1-6582-000	310 - 5	RB1-6712-000	340 - 19
RB1-6434-000	102 - 17	RB1-6583-000	310 - 6	RB1-6713-040	340 - 20
RB1-6436-000	320 - 5	RB1-6585-000	310 - 7	RB1-6714-000	340 - 21
RB1-6437-000	330 - 12B		R40 - 48	RB1-6715-000	340 - 22
RB1-6438-020	330 - 11	RB1-6586-000	310 - 8	RB1-6716-000	340 - 23
RB1-6441-000	101 - 1A	RB1-6587-040	310 - 9	RB1-6717-000	340 - 24
RB1-6443-020	102 - 8	RB1-6588-000	310 - 10	RB1-6718-000	340 - 25
RB1-6444-000	102 - 9		R40 - 49	RB1-6721-000	340 - 36
RB1-6446-000	102 - 11	RB1-6589-000	310 - 11	RB1-6722-000	340 - 37
RB1-6447-000	102 - 12	RB1-6590-000	310 - 12	RB1-6723-000	340 - 38
RB1-6448-000	102 - 13	RB1-6591-000	310 - 13	RB1-6726-000	340 - 1
RB1-6449-000	102 - 14	RB1-6593-000	310 - 19A	RB1-6727-040	340 - 2
RB1-6450-000	103 - 7	RB1-6594-000	310 - 57	RB1-6728-000	340 - 3
RB1-6455-000	102 - 20	RB1-6595-000	310 - 58	RB1-6729-000	340 - 4
RB1-6456-000	101 - 4	RB1-6596-000	310 - 59	RB1-6730-000	340 - 5
RB1-6457-000	103 - 8	RB1-6597-000	310 - 69	RB1-6732-000	340 - 7
RB1-6458-000	103 - 9	RB1-6598-000	310 - 70	RB1-6733-000	340 - 8
RB1-6459-000	103 - 10	RB1-6599-000	310 - 81	RB1-6734-000	340 - 9
RB1-6460-000	103 - 11	RB1-6600-000	310 - 14	RB1-6735-000	340 - 10
RB1-6461-000	101 - 5	RB1-6601-000	310 - 15	RB1-6736-000	340 - 11
RB1-6462-000	101 - 6	RB1-6605-030	810 - 24	RB1-6737-000	340 - 12
RB1-6465-000	103 - 12	RB1-6606-000	810 - 25	RB1-6738-000	340 - 13
RB1-6466-000	101 - 7	RB1-6611-020	810 - 33	RB1-6739-000	340 - 14
RB1-6467-000	103 - 13	RB1-6612-000	810 - 34	RB1-6740-000	340 - 15
RB1-6468-000	101 - 8	RB1-6613-000	810 - 35	RB1-6746-000	340 - 16
RB1-6469-000	103 - 29	RB1-6614-000	810 - 36	RB1-6747-000	340 - 26
RB1-6470-000	102 - 21	RB1-6615-000	810 - 37	RB1-6748-000	340 - 17
RB1-6471-000	103 - 30	RB1-6616-000	810 - 38	RB1-6749-000	101 - 3
RB1-6472-000	103 - 14	RB1-6618-000	810 - 4	RB1-6753-000	151 - 1
RB1-6473-000	103 - 15	RB1-6622-020	810 - 5	RB1-6756-000	151 - 2
RB1-6474-000	102 - 22	RB1-6623-030	810 - 6	RB1-6757-000	151 - 3
RB1-6484-000	100 - 7D	RB1-6624-000	810 - 7	RB1-6758-000	151 - 4
RB1-6486-000	100 - 7F	RB1-6625-000	810 - 8	RB1-6759-000	151 - 5

PART NUMBER	FIGURE & KEY NO.	PART NUMBER	FIGURE & KEY NO.	PART NUMBER	FIGURE & KEY NO.
RB1-6760-000	104 - 9	RB1-6914-000	300 - 28D	RB1-7710-000	R15 - 29
RB1-6761-000	104 - 10		301 - 28D	RB1-7711-060	R15 - 30
RB1-6772-000	104 - 16	RB1-6915-000	300 - 37	RB1-7712-000	R15 - 31
RB1-6775-000	104 - 7		301 - 37	RB1-7713-000	R15 - 32
RB1-6776-000	102 - 26	RB1-6916-000	300 - 38	RB1-7714-000	R15 - 33
RB1-6777-000	102 - 29		301 - 38	RB1-7715-000	R15 - 34
RB1-6778-000	102 - 30	RB1-6927-000	152 - 2	RB1-7716-020	R15 - 35
RB1-6780-000	103 - 22		152A- 4	RB1-7717-020	R15 - 36
RB1-6781-000	103 - 31	RB1-6928-000	152 - 3	RB1-7726-000	R15 - 15
RB1-6783-000	102 - 34		152A- 5	RB1-7727-000	R15 - 1
RB1-6784-000	300 - 32	RB1-6930-000	104 - 6	RB1-7728-000	R15 - 2
	301 - 32	RB1-6935-000	100 - 6C	RB1-7729-000	R15 - 3
RB1-6785-000	320 - 16	RB1-6936-000	100 - 5A	RB1-7730-000	R15 - 4
RB1-6786-000	320 - 17	RB1-6938-000	100 - 6D	RB1-7731-000	R15 - 5
RB1-6787-000	320 - 18	RB1-6939-000	100 - 17A	RB1-7732-000	R15 - 6
RB1-6858-000	300 - 28A	RB1-6940-000	100 - 22	RB1-7735-020	R15 - 7
	301 - 28A	RB1-6962-000	341 - 1	RB1-7736-020	R15 - 8
RB1-6859-000	300 - 28B	RB1-6963-000	341 - 2	RB1-7737-000	R15 - 9
	301 - 28B	RB1-6966-000	351 - 5	RB1-7738-000	R15 - 10
RB1-6861-000	300 - 29A	RB1-6967-000	100 - 1	RB1-7739-000	R15 - 11
	301 - 29A	RB1-6968-000	350 - 4	RB1-7742-000	R15 - 17
RB1-6863-000	300 - 29B	RB1-6969-000	350 - 16	RB1-7743-000	R15 - 13
	301 - 29B	RB1-6970-000	104 - 14		R15 - 16
RB1-6865-000	300 - 29C	RB1-6971-000	102 - 35		R15 - 51
	301 - 29C	RB1-6972-000	100 - 11	RB1-7745-000	R15 - 45
RB1-6867-000	300 - 29D	RB1-6973-000	100 - 7A	RB1-7747-000	R15 - 59
	301 - 29D	RB1-6974-000	100 - 7B	RB1-7748-000	R15 - 60
RB1-6869-000	300 - 26B	RB1-6975-000	100 - 7C	RB1-7749-000	R15 - 21
	301 - 26B	RB1-6976-000	100 - 7E	RB1-7750-000	R15 - 55
RB1-6871-000	300 - 27B	RB1-6977-000	100 - 12	RB1-7757-000	R20 - 1
	301 - 27B	RB1-6978-000	100 - 13	RB1-7758-000	R20 - 2
RB1-6872-000	300 - 27A	RB1-6980-000	100 - 14	RB1-7759-000	R10 - 50
	301 - 27A	RB1-6981-000	100 - 16	RB1-7760-000	R10 - 52
RB1-6873-040	301 - 2	RB1-6982-000	101 - 9	RB1-7761-000	R10 - 53
RB1-6874-000	301 - 3	RB1-6983-000	100 - 6A	RB1-7762-000	R20 - 13
RB1-6875-000	300 - 2	RB1-6984-000	100 - 6B	RB1-7766-000	R10 - 24
	301 - 4	RB1-6985-000	100 - 5B	RB1-7767-000	R10 - 25
RB1-6876-000	301 - 5	RB1-6992-000	300 - 39	RB1-7776-000	R10 - 33
RB1-6877-000	300 - 3		301 - 39	RB1-7777-000	R10 - 34
	301 - 6	RB1-7000-000	100 - 24	RB1-7778-000	R40 - 1
RB1-6878-000	300 - 4	RB1-7067-000	152 - 4	RB1-7779-000	R40 - 2
	301 - 7		152A- 6	RB1-7780-000	R40 - 3
RB1-6879-000	300 - 5	RB1-7069-000	152 - 5	RB1-7781-000	R40 - 4
	301 - 8		152A- 7	RB1-7782-000	R40 - 5
RB1-6880-000	301 - 9	RB1-7070-000	152 - 13	RB1-7783-000	R40 - 6
RB1-6881-020	300 - 6		152A- 1	RB1-7784-000	R40 - 7
	301 - 10	RB1-7071-000	V10 - 3	RB1-7786-000	R40 - 9
RB1-6882-000	300 - 7	RB1-7072-000	152 - 6	RB1-7787-000	R40 - 10
	301 - 11		152A- 8	RB1-7788-000	R40 - 11
RB1-6883-000	300 - 8	RB1-7073-000	152 - 7	RB1-7792-000	R40 - 12
	301 - 12		152A- 9	RB1-7793-000	R40 - 13
RB1-6884-000	300 - 9	RB1-7074-000	W10 - 2B	RB1-7794-000	R40 - 14
	301 - 13	RB1-7075-000	152 - 11	RB1-7795-000	R40 - 15
RB1-6885-000	300 - 10		152A- 13	RB1-7796-020	R40 - 16
	301 - 14	RB1-7076-000	152 - 8	RB1-7797-000	R40 - 17
RB1-6887-000	300 - 11		152A- 10	RB1-7798-000	R40 - 18
	301 - 15	RB1-7079-000	100 - 8	RB1-7799-000	R40 - 19
RB1-6888-000	300 - 12	RB1-7657-000	R10 - 16	RB1-7800-000	R40 - 39
	301 - 16	RB1-7658-000	R10 - 17	RB1-7801-000	R40 - 53
RB1-6889-000	300 - 13	RB1-7659-000	R10 - 18	RB1-7802-000	R40 - 46
	301 - 17	RB1-7661-000	R10 - 19	RB1-7812-000	R50 - 19
RB1-6890-000	300 - 14		R10 - 21	RB1-7813-000	R50 - 20
	301 - 18	RB1-7662-000	R10 - 20	RB1-7814-000	R50 - 21
RB1-6891-000	300 - 15		R10 - 22	RB1-7815-000	R50 - 22
	301 - 19	RB1-7677-000	R10 - 1	RB1-7817-000	R50 - 3
RB1-6892-000	300 - 16	RB1-7678-000	R10 - 9	RB1-7818-000	R50 - 4
	301 - 20	RB1-7679-000	R10 - 10	RB1-7819-000	R50 - 5
RB1-6893-000	300 - 17	RB1-7681-000	R10 - 12	RB1-7822-000	R50 - 8
	301 - 21	RB1-7682-000	R10 - 43	RB1-7823-000	R50 - 9
RB1-6894-000	R10 - 15	RB1-7683-000	R10 - 44	RB1-7824-000	R50 - 10
RB1-6900-040	300 - 20	RB1-7684-000	R10 - 45	RB1-7826-000	R50 - 12
RB1-6901-000	300 - 21	RB1-7685-000	R10 - 46	RB1-7827-000	R50 - 13
RB1-6902-000	300 - 22	RB1-7686-000	R15 - 38	RB1-7828-000	R50 - 14
RB1-6903-000	300 - 23	RB1-7687-000	R15 - 39	RB1-7830-000	R50 - 16
RB1-6904-000	300 - 24	RB1-7688-000	R15 - 40	RB1-7835-000	R10 - 6
	301 - 24	RB1-7689-000	R15 - 41	RB1-7836-000	R10 - 36
RB1-6905-000	300 - 28C	RB1-7690-000	R15 - 42	RB1-7837-000	R10 - 37
	301 - 28C	RB1-7691-000	R15 - 43	RB1-7849-020	R10 - 3
RB1-6907-000	301 - 25	RB1-7693-000	R15 - 12	RB1-7850-020	R10 - 4
RB1-6908-000	300 - 25	RB1-7704-000	R15 - 23	RB1-7851-000	R10 - 5
RB1-6909-000	102 - 24	RB1-7705-000	R15 - 24	RB1-7859-000	R50 - 17
RB1-6911-000	301 - 35	RB1-7706-000	R15 - 25	RB1-7860-000	R50 - 40
RB1-6912-000	300 - 35	RB1-7707-000	R15 - 26	RB1-7861-000	R50 - 42
RB1-6913-000	300 - 36	RB1-7708-000	R15 - 27	RB1-8052-000	F11 - 5
	301 - 36	RB1-7709-000	R15 - 28	RB1-8053-000	F11 - 6

PART NUMBER	FIGURE & KEY NO.	PART NUMBER	FIGURE & KEY NO.	PART NUMBER	FIGURE & KEY NO.
RB1-8061-000	F11 - 8	RF5-1623-000	R15 - 52	RG5-2228-000	R10 - 29
RB1-8062-000	F11 - 9	RF5-1625-000	R15 - 54	RG5-2229-000	R50 - 23
RB1-8063-000	F11 - 10	RF5-1626-000	R15 - 53	RG5-2231-000	R40 - 44
RB1-8064-000	F11 - 11	RF5-1627-020	R50 - 6	RG5-2233-000	R10 - 31
RB1-8074-000	F11 - 16	RF5-1628-020	R50 - 7	RG5-2235-000	R10 - 35
RB1-8075-000	F10 - 14	RF5-1698-000	F11 - 12	RG5-2236-000	R10 - 32
RB1-8078-000	F10 - 7	RF5-1699-000	F11 - 14	RG5-2281-000	R10 - 26
RB1-8079-000	F10 - 8	RF5-1700-000	F11 - 17	RG5-2285-000	F90 - 1
RB1-8082-000	F11 - 13B	RF5-1745-020	341 - 3	RG5-2286-000	F11 - 18
RB1-8087-000	F11 - 40	RF5-1746-000	341 - 4	RG5-2287-000	F10 - 17
RB1-8088-000	F11 - 34	RF5-1747-000	341 - 5	RG5-2407-030	341 -
RB1-8378-000	F10 - 1	RF5-1748-000	100 - 5	RG5-2410-020	350 -
RB1-8379-000	F10 - 2	RF5-1749-000	100 - 17	RG5-2412-000	100 - 6
RB1-8380-000	F10 - 3	RF5-1753-000	301 - 1	RG5-2413-000	100 - 7
RB1-8381-000	F10 - 4	RF5-1754-000	300 - 1	RG5-2502-000	F11 - 13
RB1-8382-000	F11 - 7	RF5-1776-000	F11 - 33	RG5-2542-000	103 - 18
RB1-8384-000	F10 - 5	RF5-1777-000	F11 - 35	RG5-2546-000	R10 - 47
RB1-8386-000	F10 - 6	RF5-1786-000	F10 - 9	RG5-3677-000	152A-
RB1-8387-000	F10 - 12	RF5-1787-000	F10 - 10	RG5-3679-000	152 -
RB1-8390-000	F10 - 15	RF5-1788-000	F10 - 11	RG5-3683-000	100 - 19
RB1-8392-000	F11 - 13A	RF5-1796-000	R10 - 11	RG5-3691-000	V10 - 5
RB1-8393-000	F10 - 18	RF5-1800-000	R50 - 15		V90 - 1
RB1-8394-000	F10 - 19	RF5-1801-000	R10 - 2	RG5-4198-000	R90 - 1
RB9-0245-000	351 - 11A	RF9-1249-000	351 - 11	RG9-1151-000	351 -
RB9-0246-000	351 - 12	RG1-3707-000	V10 - 4	RH2-5263-000	104 - 19
RB9-0247-000	351 - 15	RG1-3736-00V	153 - 1	RH2-5310-000	R10 - 54
RB9-0248-000	351 - 1		900 - 6	RH7-1169-000	R20 - 12
RB9-0249-000	351 - 2	RG1-3739-000	153 - 1A	RH7-1173-000	R40 - 37
RB9-0250-000	351 - 3		152A- 2A	RH7-1260-000	101 - 10
RB9-0251-000	351 - 4	RG1-3742-000	W10 - 1	RH7-1262-000	310 - 87
RB9-0253-000	351 - 8	RG1-3743-000	W10 - 2	RH7-1266-000	103 - 16
RB9-0254-000	351 - 9	RG1-3762-00V	900 - 6		104 - 15
RB9-0255-000	351 - 21		152A- 2	RH7-1271-000	104 - 11
RF5-0716-000	810 - 22	RG5-1833-040	320 -	RH7-1287-000	F11 - 19
RF5-1390-000	320 - 6	RG5-1834-030	330 -	RH7-1289-000	350 - 25
RF5-1391-000	330 - 12	RG5-1843-000	330 - 13	RH7-4070-000	810 - 44
RF5-1394-000	101 - 1B	RG5-1844-050	900 - 2	RH7-4071-000	810 - 45
RF5-1395-000	102 - 25	RG5-1845-000	900 - 5	RH7-4074-000	810 - 44
RF5-1396-000	102 - 26	RG5-1846-000	900 - 1	RH7-4075-000	810 - 45
RF5-1397-000	102 - 18	RG5-1847-030	250 -	RH7-5119-020	320 - 7
RF5-1410-000	250 - 3	RG5-1849-000	104 - 2	RH7-5120-020	310 - 88
RF5-1412-000	101 - 1C	RG5-1850-000	104 - 3	RH7-5121-020	340 - 28
RF5-1414-000	310 - 32	RG5-1852-160	310 -	RH7-5123-000	141 - 5
RF5-1415-000	310 - 33	RG5-1859-000	310 - 51	RH7-5125-020	340 - 29
RF5-1417-000	310 - 34	RG5-1860-000	310 - 103	RH7-5127-000	310 - 82
RF5-1418-000	310 - 35		900 - 3	RH7-5141-020	R50 - 39
RF5-1421-000	310 - 50	RG5-1861-000	310 - 86	RH7-5142-020	R20 - 5
	310 - 71	RG5-1862-000	310 - 85	RH7-5143-000	R40 - 38
RF5-1423-000	310 - 17	RG5-1863-200	810 -	RH7-7064-000	810 - 46
RF5-1424-000	310 - 18	RG5-1865-000	810 - 42	RH7-7065-000	810 - 47
RF5-1425-000	310 - 19	RG5-1867-000	810 - 43	RH9-0737-000	330 - 17
RF5-1426-000	310 - 20	RG5-1871-190	810 -	RS1-0552-000	F11 - 36
	R40 - 40	RG5-1872-000	810 - 61	RS1-0553-000	F11 - 37
RF5-1427-000	310 - 21	RG5-1875-000	141 -	RS1-0554-000	F11 - 20
	R40 - 41	RG5-1877-000	104 - 4	RS1-0555-000	F11 - 21
RF5-1431-000	810 - 23	RG5-1878-000	104 - 4	RS1-0556-000	F11 - 22
RF5-1433-000	810 - 31	RG5-1880-110	340 -	RS1-0557-000	F11 - 23
RF5-1434-000	101 - 12	RG5-1884-000	340 - 45	RS1-0558-000	F11 - 24
RF5-1435-000	810 - 39		900 - 4	RS1-0559-000	F11 - 25
RF5-1438-000	100 - 9	RG5-1885-000	340 - 41	RS1-0560-000	F11 - 26
RF5-1440-000	100 - 2	RG5-1886-000	340 - 42	RS1-0561-000	F11 - 27
RF5-1449-020	350 - 24	RG5-1887-000	101 - 1	RS1-1087-000	810 - 26
RF5-1452-000	340 - 6	RG5-1888-020	151 -	RS1-9004-000	810 - 48
RF5-1453-000	340 - 27	RG5-1891-020	151 - 6	RS2-8073-000	341 - 4A
RF5-1454-000	340 - 39	RG5-1895-020	103 - 6		341 - 5A
RF5-1455-000	340 - 18	RG5-1909-000	300 - 28	RS2-8168-000	F10 - 10A
RF5-1464-020	104 - 17		301 - 28	RS5-0705-000	320 - 8
RF5-1466-030	104 - 8	RG5-1910-000	300 - 29	RS5-0706-000	320 - 9
RF5-1484-000	300 - 26		301 - 29	RS5-0707-000	320 - 10
	301 - 26	RG5-1919-000	101 - 15	RS5-0708-000	101 - 14
RF5-1485-000	300 - 27	RG5-1920-000	102 - 27	RS5-0717-000	250 - 4
	301 - 27	RG5-1921-000	104 - 12	RS5-0718-000	250 - 5
RF5-1486-000	300 - 18	RG5-1925-000	103 - 19	RS5-0720-000	250 - 7
	301 - 22	RG5-1926-000	103 - 20	RS5-0721-000	250 - 8
RF5-1487-000	300 - 19	RG5-1927-000	103 - 21	RS5-0722-000	250 - 9
	301 - 23	RG5-1928-000	104 - 13	RS5-0723-000	250 - 10
RF5-1606-000	R50 - 29	RG5-2144-000	R10 - 14	RS5-0724-000	250 - 11
RF5-1607-000	R50 - 11	RG5-2155-060	R15 -	RS5-0725-000	250 - 12
RF5-1609-000	R15 - 14	RG5-2157-020	R15 - 20	RS5-0726-000	250 - 13
RF5-1613-000	R15 - 37	RG5-2164-040	R20 -	RS5-0727-000	250 - 14
RF5-1615-020	R15 - 19	RG5-2170-040	R40 -	RS5-0728-000	250 - 15
RF5-1616-000	R10 - 38	RG5-2172-020	R50 -	RS5-0729-000	250 - 6
RF5-1617-000	R10 - 39	RG5-2225-000	R90 - 2	RS5-0732-020	310 - 89
RF5-1618-000	R10 - 13	RG5-2226-000	R90 - 3	RS5-0733-000	310 - 90
RF5-1622-000	R40 - 20	RG5-2227-000	R10 - 28	RS5-0734-000	310 - 62

PART NUMBER	FIGURE & KEY NO.	PART NUMBER	FIGURE & KEY NO.	PART NUMBER	FIGURE & KEY NO.
RS5-0735-000	310 - 107	RS5-2480-000	310 - 106	RS5-9099-000	R10 - 55
RS5-0736-000	310 - 60		R40 - 51	VD5-0066-301	104 - 4A
	310 - 72	RS5-2481-000	310 - 99	VD7-0643-151	R10 - 26A
RS5-0737-000	310 - 61	RS5-2482-000	310 - 100	VD7-0644-301	104 - 4A
RS5-0738-000	310 - 89	RS5-2484-020	310 - 101	VS1-0842-003	104 - 12A
RS5-0739-000	310 - 91	RS5-2485-000	810 - 28	VS1-5057-002	104 - 13A
	R40 - 42	RS5-2486-020	810 - 40		R10 - 48
RS5-0740-000	310 - 92	RS5-2487-000	810 - 54		R40 - 32
	R40 - 43	RS5-2489-000	351 - 19	VS1-5057-003	104 - 13B
RS5-0741-000	310 - 93	RS5-2490-000	350 - 24B		350 - 32
RS5-0742-000	310 - 94		351 - 20	VT2-0001-010	103 - 23
RS5-0743-000	310 - 95	RS5-2491-000	350 - 20	VT2-0001-018	R10 - 7
RS5-0744-000	310 - 96		350 - 23	WA7-0063-000	153 - 1B
RS5-0745-000	310 - 97	RS5-2492-000	141 - 6		152A- 2B
RS5-0746-000	310 - 73	RS5-2493-000	141 - 7	WE8-5171-000	F11 - 15
RS5-0748-000	810 - 27	RS5-2494-000	100 - 7J	WG8-0291-000	310 - 52
RS5-0749-000	810 - 49	RS5-2495-000	340 - 33		310 - 84
RS5-0750-000	810 - 50	RS5-2496-000	340 - 34	WG8-0291-000	330 - 18
RS5-0751-000	810 - 51	RS5-2497-000	340 - 43	WG8-5210-000	R40 - 33
RS5-0752-000	810 - 52	RS5-2498-000	340 - 44		R50 - 26
RS5-0753-000	810 - 53	RS5-2499-000	102 - 31	WT2-0204-000	R10 - 40
RS5-0762-000	340 - 30	RS5-2500-000	102 - 32		R40 - 34
RS5-0763-000	340 - 31	RS5-2556-000	R50 - 25		R50 - 27
RS5-0764-000	341 - 6	RS5-2557-000	R50 - 38		R50 - 31
RS5-0850-000	R50 - 30	RS5-2558-000	R15 - 44	WT2-0262-000	103 - 28
RS5-0851-000	R50 - 33	RS5-2559-000	R15 - 50	WT2-0434-000	F11 - 38
RS5-0852-000	R50 - 34	RS5-2560-020	R15 - 46	WT2-0482-000	102 - 5
RS5-0854-000	R15 - 48	RS5-2561-000	R10 - 23	WT2-0495-000	R40 - 45
RS5-0855-000	R40 - 21	RS5-2562-000	R40 - 29	WT2-0507-000	R10 - 49
RS5-0856-000	R40 - 22	RS5-2563-000	R40 - 30		R50 - 32
RS5-0857-000	R40 - 23	RS5-2564-000	R40 - 31	WT2-5035-000	R40 - 35
RS5-0858-000	R40 - 24	RS5-2565-000	R50 - 2	WT2-5098-000	R10 - 27
RS5-0859-000	R40 - 25	RS5-2566-000	R40 - 8	WT2-5134-000	R10 - 41
RS5-0860-000	R40 - 26	RS5-2567-000	R20 - 16		R50 - 28
RS5-0861-000	R20 - 3	RS5-2586-000	F11 - 28	WT2-5391-000	V10 - 2
RS5-0862-000	R20 - 4	RS5-3093-000	350 - 24C	XA9-0233-000	810 - 55
RS5-0864-000	R20 - 6	RS5-3094-000	350 - 28	XA9-0236-000	300 - 33
RS5-0865-000	R20 - 7	RS5-3095-000	350 - 29		301 - 33
RS5-0866-000	R15 - 49	RS5-4321-000	R20 - 10	XA9-0267-000	100 - 4
RS5-0867-000	R15 - 18	RS5-5302-000	R20 - 11		101 - 11
RS5-0868-000	R20 - 14	RS5-6185-000	F11 - 31		102 - 4
RS5-0869-000	R20 - 15	RS5-8380-000	810 - 41		102 - 33
RS5-0880-000	F10 - 13	RS5-8428-000	102 - 18A		103 - 5
RS5-0882-000	F11 - 29	RS5-8570-000	R50 - 11A		250 - 16
RS5-1004-000	310 - 98	RS5-8571-000	R50 - 11B		350 - 30
RS5-1009-000	310 - 64	RS5-8572-000	R10 - 11A		R40 - 36
	310 - 74	RS5-8573-000	R15 - 52A	XA9-0280-000	810 - 63
RS5-1021-000	340 - 32	RS5-8574-000	R15 - 52B	XA9-0283-000	300 - 30
RS5-1060-000	350 - 26	RS5-8575-000	R15 - 56		301 - 30
	351 - 17	RS5-8578-000	R15 - 53A	XA9-0386-000	152 - 12
RS5-1101-000	350 - 27	RS5-8579-000	R15 - 53B		152A- 15
	351 - 18	RS5-8580-000	R15 - 53C	XA9-0434-000	320 - 14
RS5-1119-000	340 - 46	RS5-8581-000	R15 - 53D		340 - 47
RS5-1175-000	320 - 11	RS5-8582-000	R15 - 53E	XA9-0437-000	100 - 17B
RS5-1176-000	320 - 12	RS5-8583-000	R15 - 53F	XA9-0586-000	R10 - 51
RS5-1179-000	310 - 53	RS5-8584-000	R15 - 53G	XA9-0591-000	R50 - 41
	310 - 67	RS5-8585-000	R15 - 53H	XA9-0605-000	100 - 21
	310 - 75	RS5-8586-000	R15 - 53J		101 - 17
RS5-1201-000	R50 - 24	RS5-8591-000	810 - 58	XA9-0615-000	152 - 9
RS5-1202-000	R50 - 35	RS5-8593-000	102 - 25B		152 - 14
RS5-1203-000	R50 - 36		102 - 26B		152A- 11
RS5-1205-000	R40 - 27		300 - 34		152A- 14
RS5-1206-000	R40 - 28		301 - 34	XA9-0635-000	340 - 40
	R40 - 52	RS5-8597-000	101 - 2	XA9-0702-000	320 - 15
RS5-1207-020	R15 - 22	RS5-8602-000	810 - 62	XA9-0817-000	103 - 27
	R20 - 8	RS5-8603-000	810 - 62	XA9-0836-000	152 - 10
RS5-1208-000	R20 - 9	RS5-8605-000	300 - 26A		152A- 12
	R50 - 37		301 - 26A		310 - 102
RS5-1222-000	F11 - 30	RS5-8607-000	300 - 31		V10 - 1
RS5-2461-000	320 - 13		301 - 31		W10 - 2C
RS5-2463-000	330 - 14	RS5-8611-000	R10 - 30	XA9-0851-000	341 - 7
RS5-2464-000	330 - 15	RS5-8660-020	341 - 3A	XA9-0872-000	100 - 23
RS5-2465-000	104 - 5	RS5-8662-000	300 - 1A		100 - 25
RS5-2466-000	330 - 16		301 - 1A		101 - 16
RS5-2467-000	103 - 17	RS5-8664-000	301 - 1B		104 - 18
RS5-2468-000	102 - 10	RS5-8665-000	300 - 1B	XB1-1301-003	152 - 501
	102 - 15	RS5-8666-000	301 - 40		152A- 501
RS5-2469-000	103 - 25	RS5-8667-000	300 - 40	XB1-2300-406	300 - 28E
RS5-2470-000	103 - 26	RS5-8676-000	100 - 20		300 - 29E
RS5-2475-000	310 - 63	RS5-8677-000	100 - 9A		301 - 28E
RS5-2476-000	310 - 38	RS5-8703-000	R15 - 57		301 - 29E
	310 - 39	RS5-8704-000	R15 - 58	XB1-2300-607	F11 - 501
RS5-2477-000	310 - 1	RS5-8705-000	R10 - 42	XB1-2400-607	F11 - 502
RS5-2478-000	310 - 42	RS5-8723-000	R10 - 2A	XB2-6300-607	R40 - 501
RS5-2479-000	310 - 43	RS5-8724-000	R10 - 2B	XB2-7300-607	F11 - 503

PART NUMBER	FIGURE & KEY NO.	PART NUMBER	FIGURE & KEY NO.	PART NUMBER	FIGURE & KEY NO.
XB4-7300-805	300 - 501				
	301 - 501				
XB4-7300-809	103 - 502				
	310 - 507				
XB4-7400-807	100 - 5C				
	100 - 7K				
	310 - 506				
XB4-7400-809	100 - 501				
	100 - 6E				
XB4-7401-007	310 - 501				
	340 - 501				
	F10 - 501				
	F11 - 504				
XB4-7401-009	103 - 503				
	310 - 509				
	350 - 501				
	351 - 501				
XB4-7401-207	F10 - 502				
XB5-6300-807	F10 - 504				
	F11 - 508				
XB5-6303-007	103 - 501				
XB6-7300-409	141 - 501				
XB6-7300-607	R10 - 503				
	R50 - 505				
XB6-7300-805	810 - 501				
XB6-7300-806	R20 - 501				
XB6-7303-007	104 - 501				
XB6-7400-406	R15 - 506				
XB6-7400-607	R10 - 501				
	R15 - 501				
	R20 - 502				
XB6-7400-807	101 - 501				
XD1-1105-231	341 - 501				
XD1-1105-233	300 - 502				
	301 - 502				
XD2-1100-322	F11 - 506				
XD2-1100-402	310 - 510				
	340 - 502				
	350 - 502				
	351 - 502				
XD2-1100-502	250 - 501				
	310 - 502				
	320 - 501				
	351 - 11F				
	810 - 29				
	810 - 502				
	F11 - 507				
	R10 - 504				
	R15 - 502				
	R40 - 502				
	R50 - 501				
XD2-1100-642	310 - 503				
	320 - 502				
	340 - 503				
	R10 - 502				
	R15 - 503				
	R40 - 503				
	R50 - 502				
XD2-1200-602	F10 - 503				
XD2-2100-602	F11 - 505				
XD2-2300-402	R20 - 503				
XD2-3100-122	R40 - 506				
XD3-1160-102	310 - 508				
XD3-1200-102	310 - 504				
XD3-1200-122	R40 - 504				
XD3-1300-082	141 - 502				
	340 - 504				
XD3-2200-102	R50 - 503				
XD3-2200-122	310 - 505				
	R40 - 505				
	R50 - 504				
XD3-2200-202	R15 - 504				
XD3-2300-202	R15 - 505				
XD9-0103-000	F11 - 32				
XD9-0154-000	341 - 8				
XF9-0564-000	350 - 24D				
XG9-0250-000	R15 - 47				
XG9-0266-000	810 - 56				
XG9-0331-000	810 - 57				
XZ9-0379-000	100 - 10				

〒302

茨城県取手市白山7丁目5番地1号

キヤノン株式会社

周辺機器品質推進部

周辺機器技術資料課

1997年4月初版発行

Prepared by
Peripheral Products Quality Advancement Div.
Peripheral Products Technical Documentation Dept.
CANON INC.
Printed in Japan

REVISION 0 [APR. 1997]

5-1, Hakusan 7-chome, Toride-shi, Ibaraki 302, Japan



The printing paper contains
70% waste paper.

Canon