

# LBP-1210

# PARTS CATALOG

REVISION 0

**Canon**

JULY 2002

**RY8-3319-000**

## PREFACE

This Parts Catalog contains listings of parts used in the LBP-1210. Diagrams are provided with the listings to aid the service technician in clearly identifying the item to be ordered.

Whenever ordering parts, consult this Parts Catalog for all of the information pertaining to each item. Be sure to include in the Parts Request the full item description, the item part number, and the quantity. The parts catalog may be revised if there is significant product modification. For minor product modifications, a Service Information Bulletin will be issued.

Canon Inc.

Peripheral Products Quality Planning Div.  
Peripheral Products Technical Documentation Dept  
4202, Fukara, Susono-shi, Shizuoka 410-1196, Japan

*COPYRIGHT © 2002 CANON INC.*

*Printed in Japan*

*Imprimé au Japon*

Use of this manual should be strictly supervised to avoid disclosure of confidential information.

## LIST OF ORDER AND SERIAL NUMBERS

NAME	REMARKS	ORDER No.	MIDDLE ORDER No.	SERIAL No.
LBP-1210	100-127V TAIWAN/LATIN	7317A006AA	R72-8234-000	JKSA000001-
	220-240V EUROPA	7317A002AA	R72-8238-000	KLCA000001-
	220-240V ASIA	7317A003AA	R72-8238-000	KLDA000001-
	220-240V CHINA	7317A004AA	R72-8238-000	KLEA000001-
	220-240V UK	7317A005AA	R72-8238-000	KLFA000001-

# CONTENTS

## A. ASSEMBLY LOCATION DIAGRAM

001. DISK UNIT

100. EXTERNAL COVERS, PANELS, ETC.

102. LEFT PLATE ASS'Y

103. INTERNAL COMPONENTS 1

104. INTERNAL COMPONENTS 2

105. RIGHT PLATE ASS'Y

110. ELECTRICAL COMPONENTS ASS'Y

140. CARTRIDGE COVER ASS'Y

310. PAPER PICK-UP ASS'Y

320. PICK-UP TRAY ASS'Y

330. PAPER PICK-UP COVER ASS'Y

810. FIXING ASS'Y

900. PCB ASS'Y LOCATION DIAGRAM

## B. NUMERICAL INDEX

# HOW TO USE PARTS LISTS

Assembly Location Diagrams. These diagrams show the locations of major assemblies of the machine. Their names are identified in rectangular boxes. Below each box is the number of the Figure which shows an exploded view of the assembly.

Finding a Parts Number. Refer to the Assembly Location Diagrams and find the Figure Number of the assembly of interest. Turn to the page(s), locate the part on the exploded view, and find its Key Number. Refer to the Parts List on the page facing the exploded view and find the Key Number, Part Number and quantity required for your type of machine.

Note : While looking for a Part Number, pay particular attention to the voltage listed in the SERIAL NUMBER/REMARKS column to ensure that the Part Number selected is for your type of machine. Immediate shipping or action regarding the part depends on using its correct Part Number.

Parts List pages. The Parts List pages contain the following columns and information.

(1) Figure and Key Number column. The first column shows the Figure Number of the illustration corresponding to the Parts List, and the Key Number that identifies the part on the illustration.

(2) Part Number. The second column shows the Part Number for the part. This Number must be used when ordering replacement parts or assemblies described in the description column do not have a Part Number and are not stocked.

Note : The last three digits (suffix) of the Parts Number are called the Revision Number. The Revision Number is changed if the part is modified. Information regarding such changes will be provided by Service Information Bulletins. These Bulletins should be read carefully.

(3) Rank N. Parts marked "N" are service parts, but are not stock items. They are produced on a special-order basis.

(4) Quantity column. The quantity shown in this column is the number of parts used in the Figure. However, the quantity listed for an assembly indicates the number of that assembly per machine. The letters in this column indicate that the quantity of a parts is not specified, allowing the use of the number of parts needed for assembly and that the quantity cannot be mentioned clearly.

(5) Description column. The Description column lists the description that should be used when ordering the part.

(6) Serial Number/Remarks. When there are differences in the specifications of power supply voltage, frequency, etc., the differences are described in words or indicated by one two or three letters in front of the serial number.

(Example)

Serial number ABC00001  
    ↑ This is the descriptive indicator.

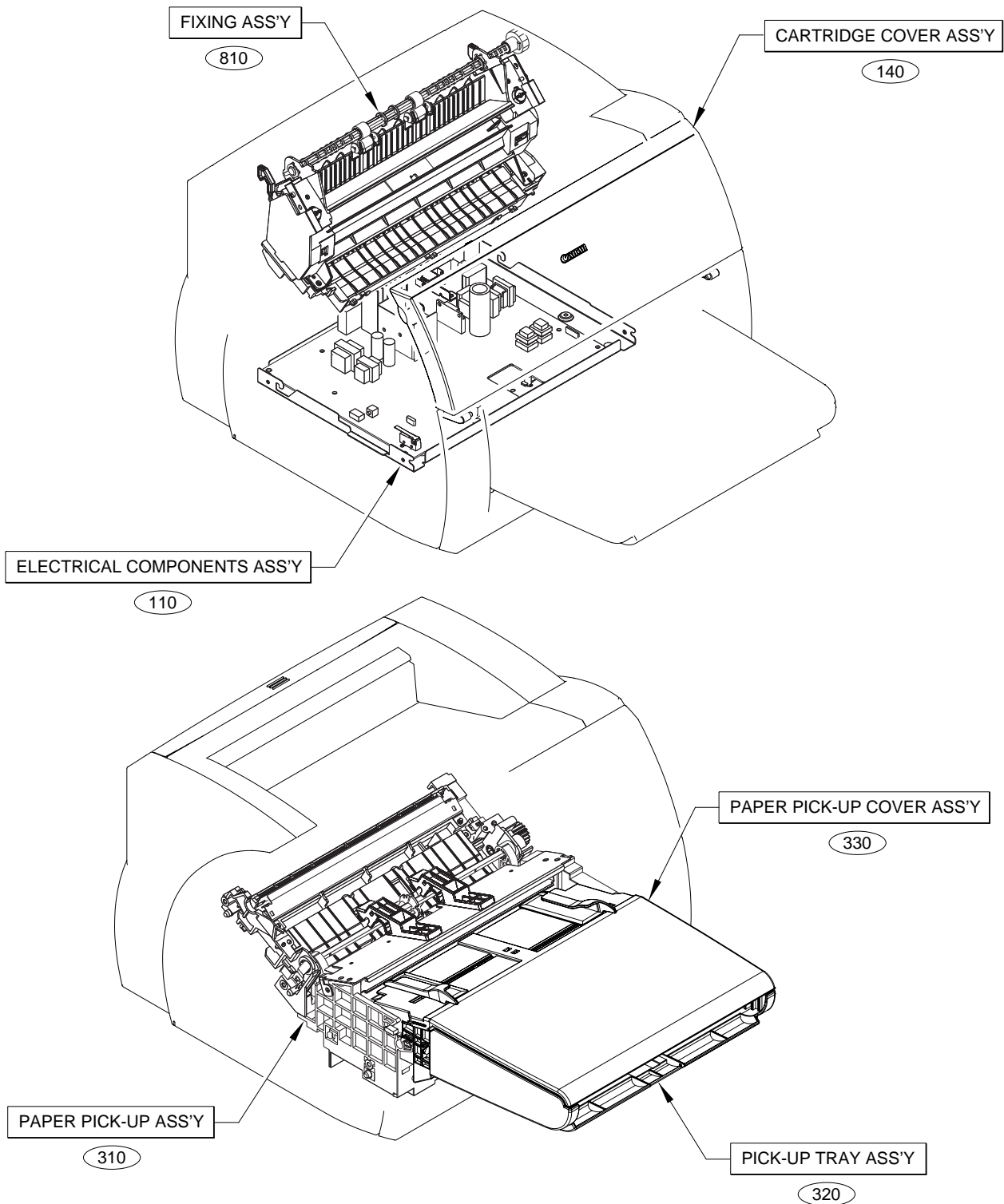
If a model modified and a part is no longer interchangeable, the serial number of machines for which the part can be used is shown in this column. If there is no indication the part can be used with all models.

Numerical Index. There is a Numerical Index at the end of this catalog; it lists in numerical order every Part Number contained in the Parts Lists. The Numerical Index contains the following columns and information.

(1) Part Number. The first column shows the Part Number.

(2) Figure and Key Number column. The second column lists the Figure and Key Number for each occurrence of the part in the illustrations.

# FIGURE A ASSEMBLY LOCATION DIAGRAM



# FIGURE 001 DISK UNIT

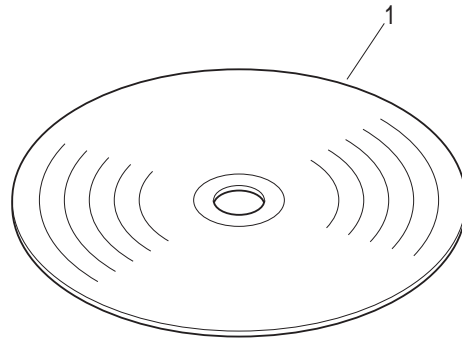


FIGURE & KEY NO.	PART NUMBER	R A N K	Q' T Y	DESCRIPTION	SERIAL NUMBER / REMARKS
001 -  1	NPN RG1-4303-000 RG1-4304-000		RF 1 1	DISK UNIT CD-ROM, USER SOFTWARE CD-ROM, USER SOFTWARE	KLFA KLEA/JKSA/KLCA/KLDA

FIGURE 100 EXTERNAL COVERS, PANELS, ETC.

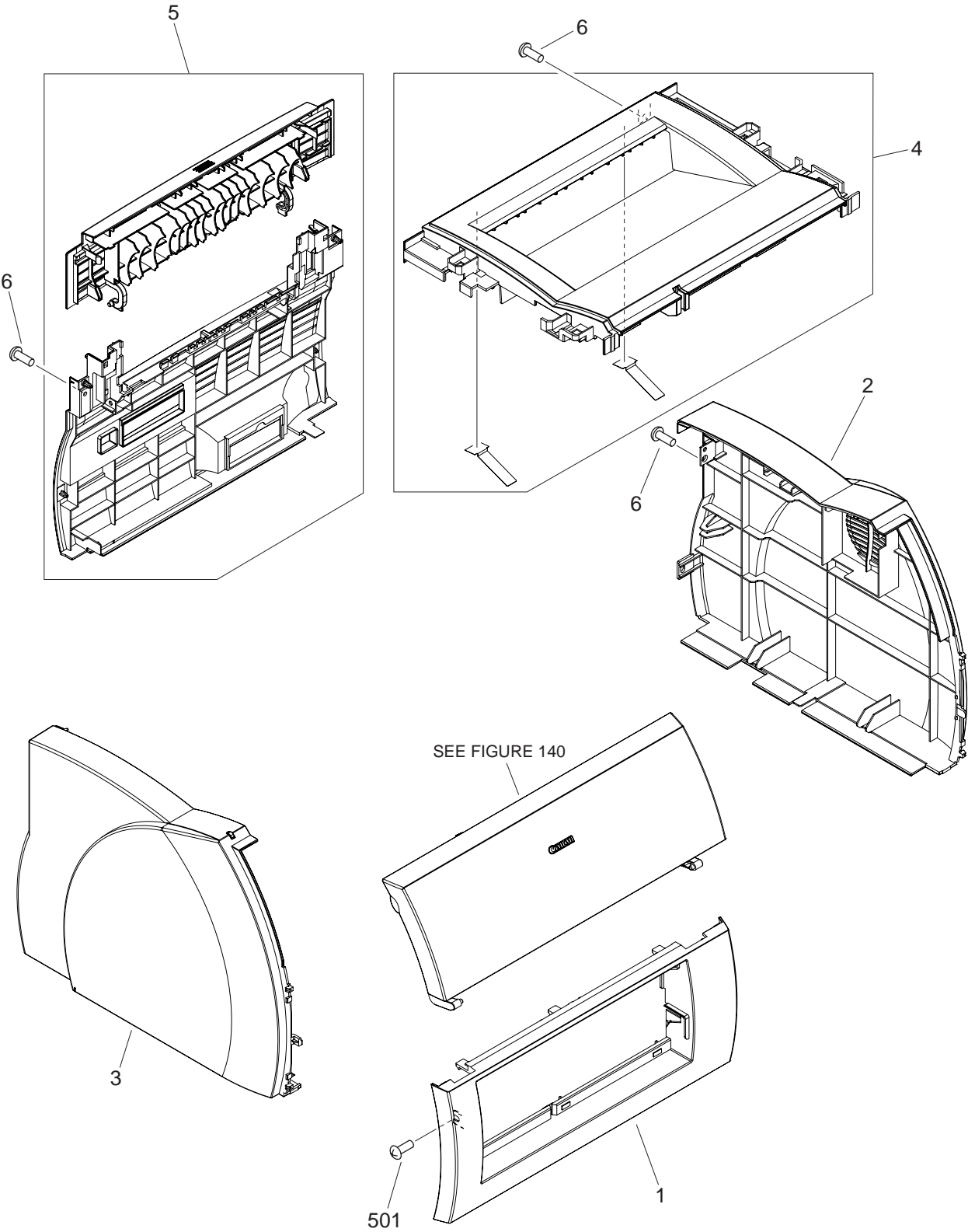




FIGURE & KEY NO.	PART NUMBER	R A N K	Q' T Y	DESCRIPTION	SERIAL NUMBER / REMARKS
100 -	NPN		RF	EXTERNAL COVERS, PANELS, ETC.	
1	RA0-1486-000		1	COVER, FRONT	
2	RA0-1483-000		1	COVER, RIGHT	
3	RF0-1107-000		1	COVER, LEFT	
4	RF0-1108-000		1	COVER, TOP	
5	RG0-1142-000		1	REAR COVER ASS'Y	
6	XA9-0849-000		7	SCREW, RS, M3X6	
501	XB4-7400-805		2	SCREW,TAPPING,TRUSS HEAD,M4X8	

FIGURE 102 LEFT PLATE ASS'Y

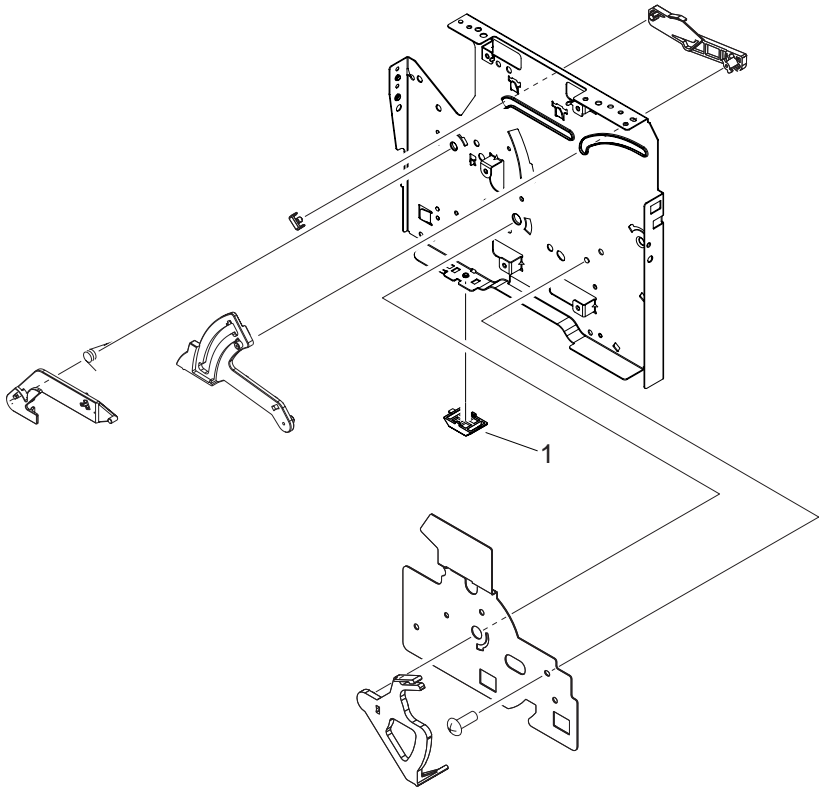


FIGURE & KEY NO.	PART NUMBER	R A N K	Q' T Y	DESCRIPTION	SERIAL NUMBER / REMARKS
102 - 1	RG0-1002-000 RA0-1197-000		1 1	LEFT PLATE ASS'Y FOOT	

# FIGURE 103 INTERNAL COMPONENTS 1

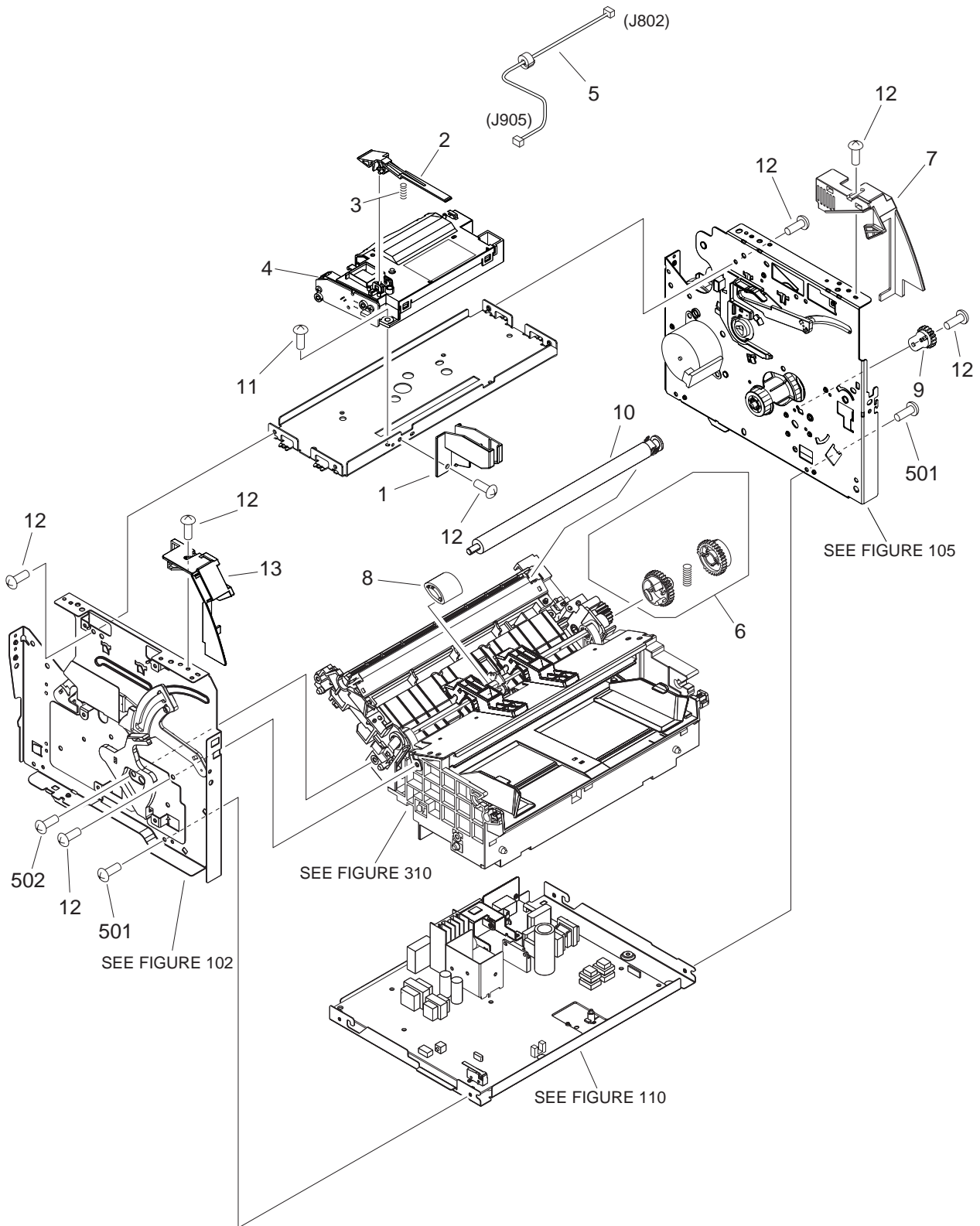


FIGURE & KEY NO.	PART NUMBER	RANK	QTY	DESCRIPTION	SERIAL NUMBER / REMARKS
103 -	NPN		RF	INTERNAL COMPONENTS 1	
1	RA0-1181-000		1	GUIDE, SHUTTER	
2	RA0-1182-000		1	LEVER, SHUTTER	
3	RA0-1169-000		1	SPRING, COMPRESSION	
4	RG9-1486-000		1	SCANNER ASS'Y	
5	RG0-1074-000		1	CABLE, SCANNER MOTOR	J802, J905
6	RG0-1020-000		1	PICK-UP GEAR ASS'Y	
7	RA0-1184-000		1	COVER, SUPPORT	
8	RF0-1008-000		1	ROLLER, PICK-UP	
9	RA0-1172-000		1	GEAR, 17T	
10	RG9-1483-000		1	TRANSFER ROLLER ASS'Y	
11	XA9-1291-000		4	SCREW, RS, M3X8	
12	XA9-0849-000		9	SCREW, RS, M3X6	
13	RA0-1489-000		1	COVER, SUPPORT	
501	XB6-7300-607		4	SCREW, TP, M3X6	
502	XB2-7400-805		10	SCREW,W/WASHER,M4X8	

# FIGURE 104 INTERNAL COMPONENTS 2

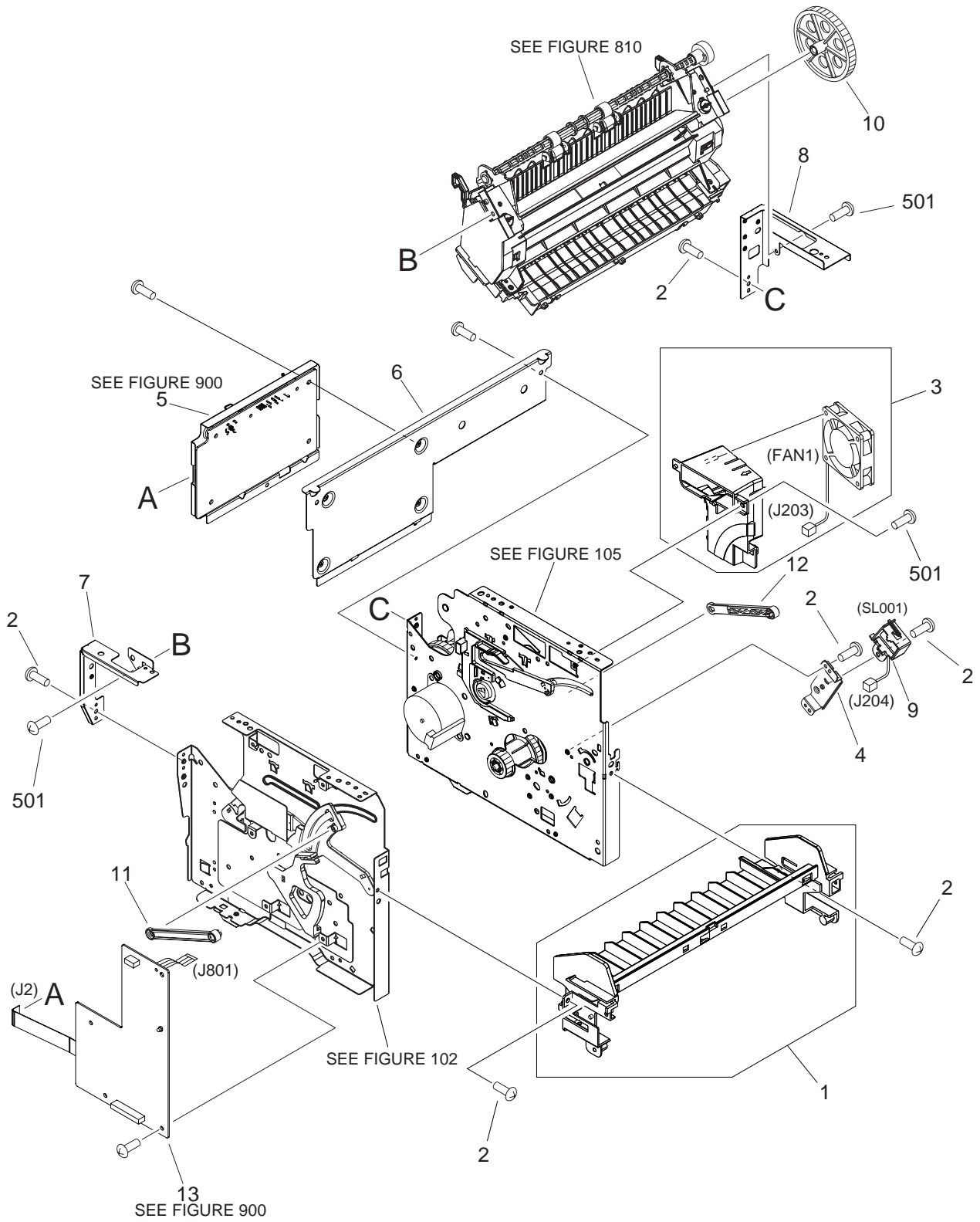
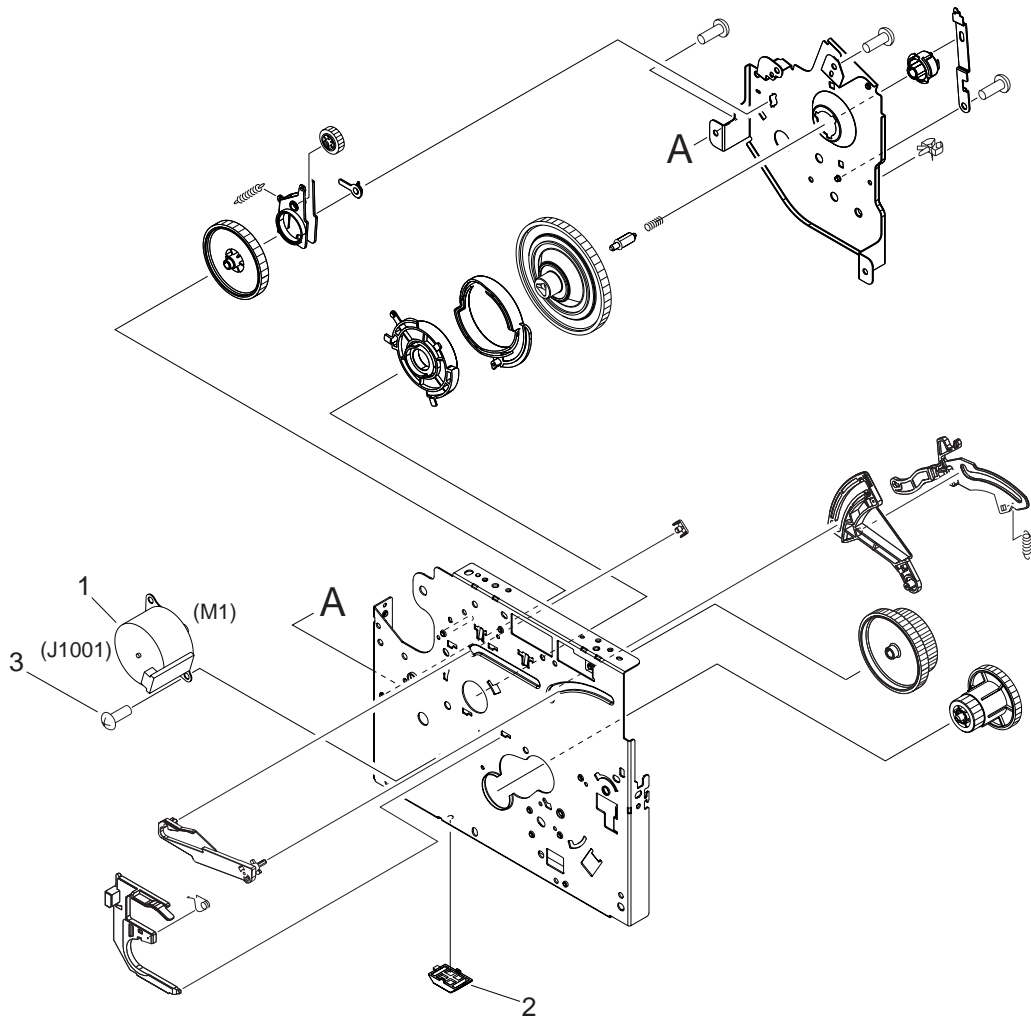


FIGURE & KEY NO.	PART NUMBER	RANK	QTY	DESCRIPTION	SERIAL NUMBER / REMARKS
104 -	NPN		RF	INTERNAL COMPONENTS 2	
1	RG0-1022-000		1	FRONT GUIDE ASS'Y	
2	XA9-0849-000		9	SCREW, RS, M3X6	
3	RG0-1030-000		1	FAN ASS'Y	
4	RA0-1173-000		1	HOLDER, LEVER	
5	RG1-4158-000		1	INTERFACE CONTROLLER PCB ASS'Y	SEE FIGURE 900
6	RA0-1502-000		1	PLATE, PCB MOUNT	
7	RA0-1504-000		1	PLATE	
8	RA0-1505-000		1	PLATE	
9	RH7-5315-000		1	SOLENOID, DC24V	SL001, J204
10	RA0-1176-000		1	GEAR, 69T	
11	RA0-1023-000		1	LINK, CONNECTING	
12	RA0-1023-000		1	LINK, CONNECTING	
13	RG0-1144-000		1	INTERMEDIATE PCB ASS'Y	SEE FIGURE 900
501	XB6-7300-607		3	SCREW, TP, M3X6	

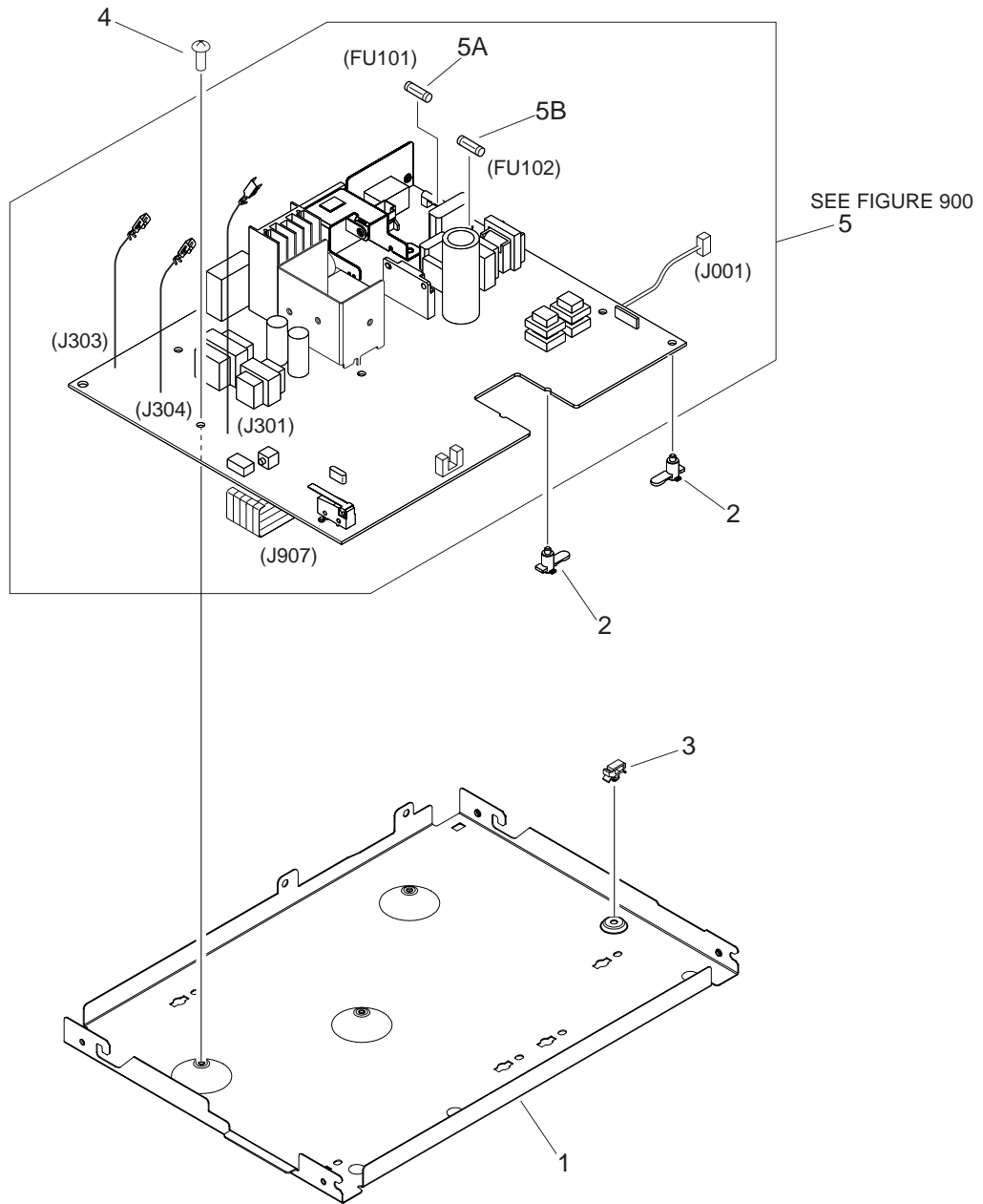
# FIGURE 105 RIGHT PLATE ASS'Y







# FIGURE 110 ELECTRICAL COMPONENTS ASS'Y





# FIGURE 140 CARTRIDGE COVER ASS'Y

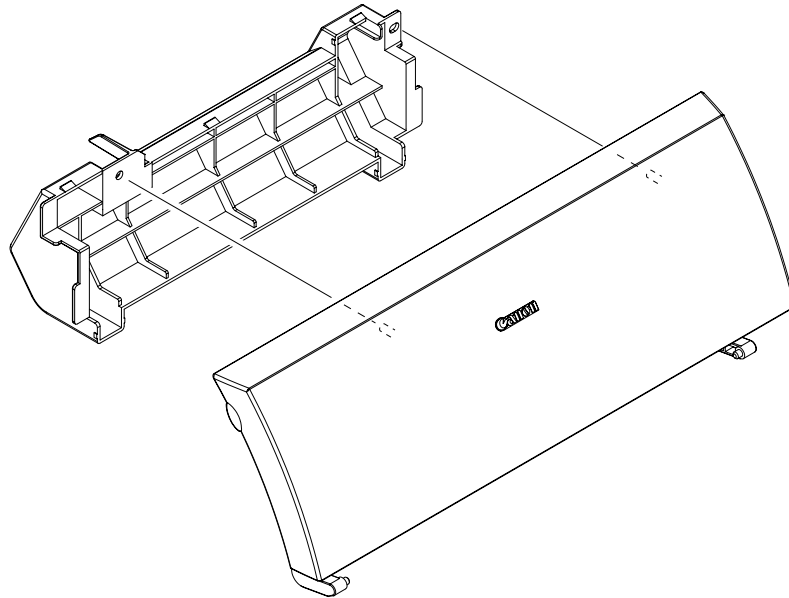


FIGURE & KEY NO.	PART NUMBER	RANK	QTY	DESCRIPTION	SERIAL NUMBER / REMARKS
140 -	RG0-1141-000		1	CARTRIDGE COVER ASS'Y	

# FIGURE 310 PAPER PICK-UP ASS'Y (1/2)

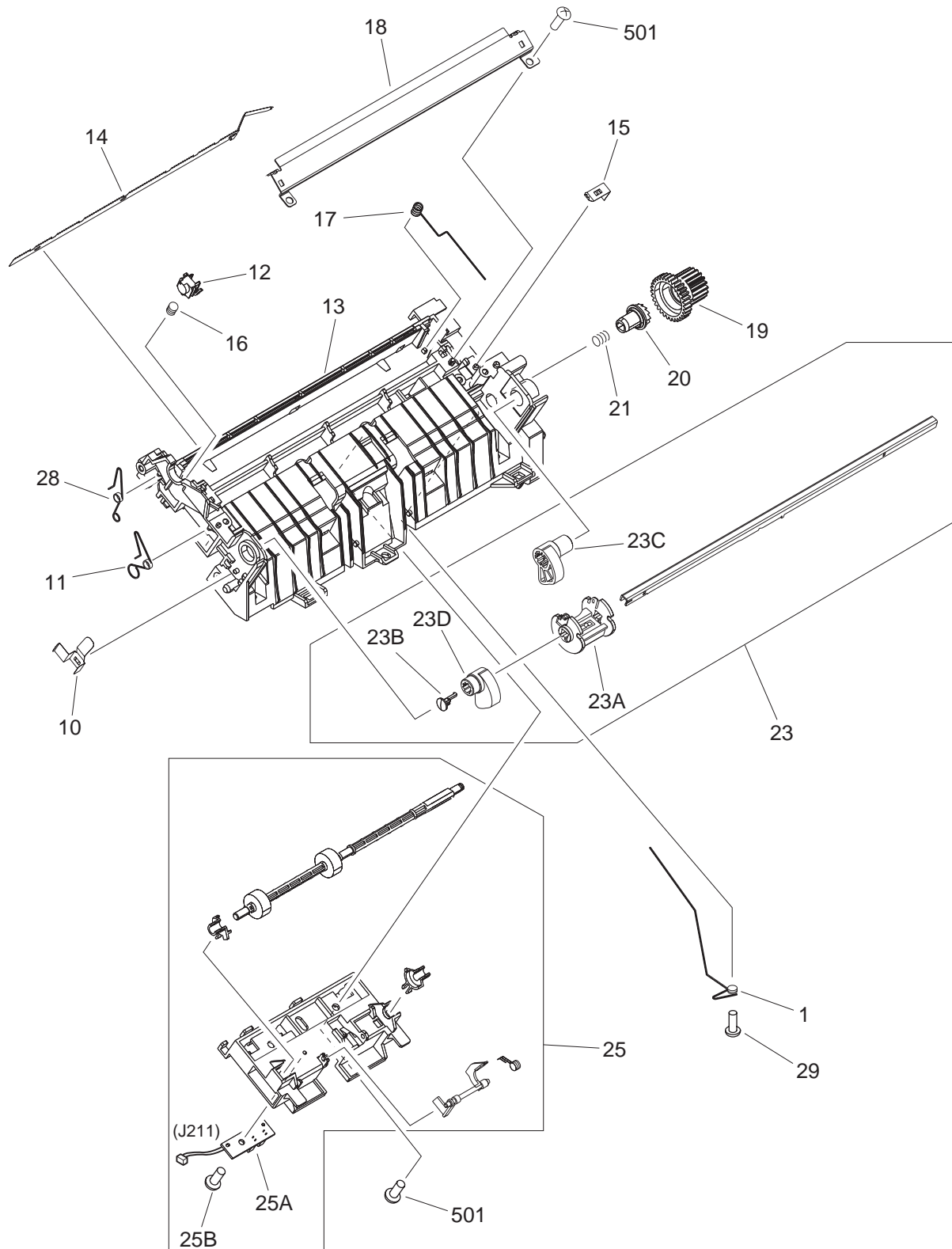


FIGURE 310 PAPER PICK-UP ASS'Y (2/2)

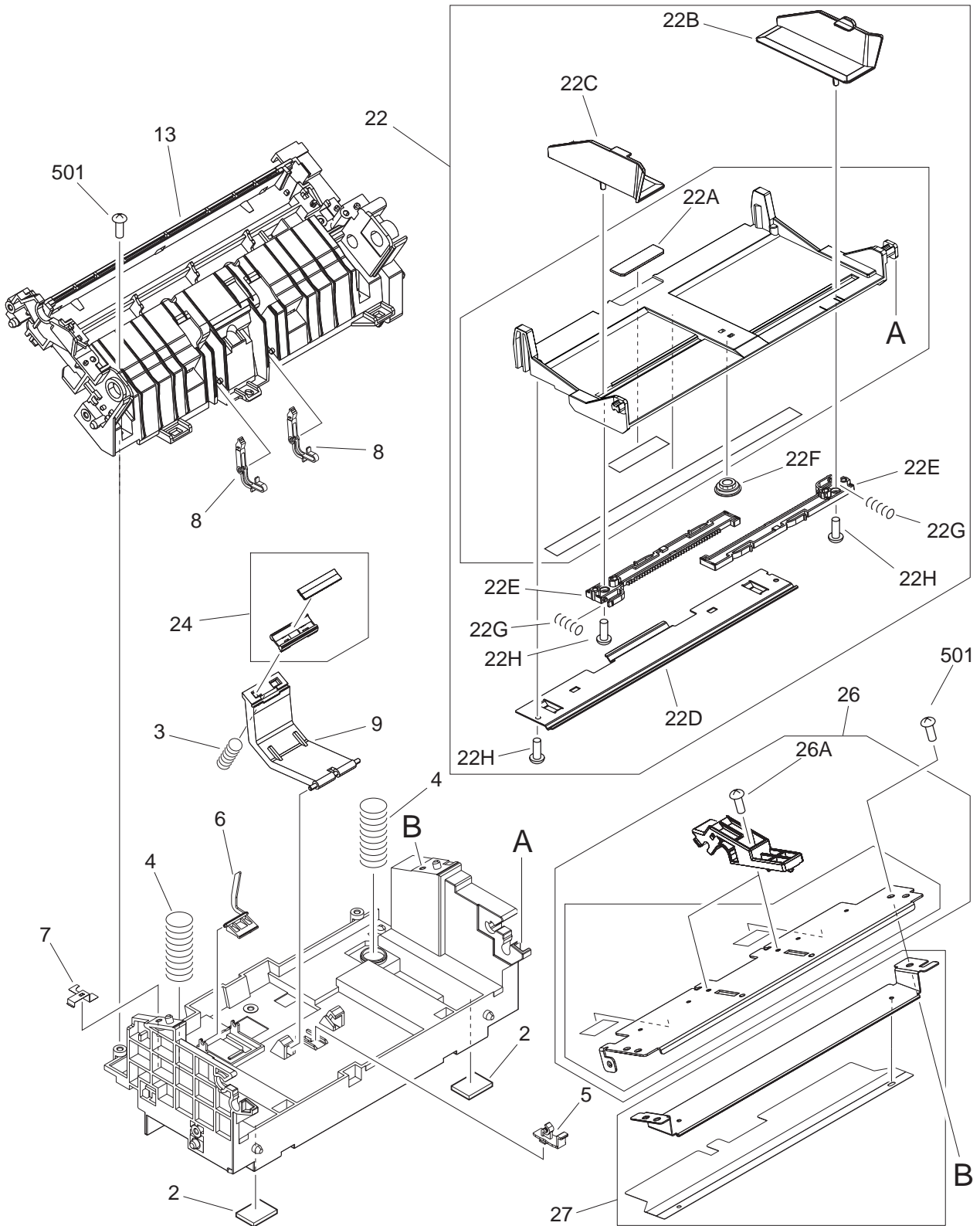


FIGURE & KEY NO.	PART NUMBER	RANK	QTY	DESCRIPTION	SERIAL NUMBER / REMARKS
310 -	RG0-1003-030		1	PAPER PICK-UP ASS'Y	
1	RA0-1057-000		1	SPRING, TORSION	
2	RA0-1003-000		2	FOOT, RUBBER	
3	RA0-1060-000		1	SPRING, COMPRESSION	
4	RA0-1061-000		2	SPRING, COMPRESSION	
5	RA0-1062-000		1	HOOK, PAD	
6	RA0-1063-000		1	LEVER, PAPER SENSOR	
7	RA0-1064-000		1	PLATE, GROUNDING	
8	RA0-1065-000		2	ARM	
9	RA0-1066-000		1	HOLDER, PAD	
10	RA0-1072-000		1	PLATE, GROUNDING	
11	RA0-1035-000		1	SPRING, TORSION	
12	RA0-1036-000		1	BUSHING	
13	RA0-1037-000		1	FRAME	
14	RA0-1038-000		1	ELIMINATOR, STATIC CHARGE	
15	RA0-1039-000		1	PLATE, GROUNDING	
16	RA0-1040-000		1	SPRING, COMPRESSION	
17	RA0-1158-000		1	SPRING, COMPRESSION	
18	RA0-1044-000		1	GUIDE, TRANSFER	
19	RA0-1047-000		1	GEAR, 31T/19T	
20	RA0-1049-000		1	RATCHET	
21	RA0-1050-000		1	SPRING, COMPRESSION	
22	RG0-1006-000		1	PAPER LIFTING PLATE ASS'Y	
22A	RA0-1051-000		1	SHEET, SEPARATION	
22B	RA0-1053-000		1	GUIDE, PAPER, RIGHT	
22C	RA0-1054-000		1	GUIDE, PAPER, LEFT	
22D	RA0-1055-000		1	PLATE	
22E	RA0-1056-000		2	RACK	
22F	RA0-1193-000		1	GEAR, 18T	
22G	RA0-1199-000		2	SPRING, COMPRESSION	
22H	XB4-7300-809		4	SCREW,TAPPING,TRUSS HEAD,M3X8	
23	RG0-1007-020		1	PAPER PICK-UP SHAFT ASS'Y	
23A	RA0-1067-020		1	MOUNT, ROLLER	
23B	RA0-1068-000		1	CAP	
23C	RA0-1070-000		1	CAM	
23D	RA0-1071-000		1	CAM	
24	RF0-1014-020		1	PAD, SEPARATION	
25	RG0-1005-000		1	FEED ROLLER HOLDER ASS'Y	
25A	RG0-1072-000		1	PAPER SENSOR PCB ASS'Y	J211
25B	XB4-7300-809		1	SCREW,TAPPING,TRUSS HEAD,M3X8	
26	RG0-1018-000		1	FRONT STAY ASS'Y	
26A	XA9-0849-000		2	SCREW, RS, M3X6	
27	RF0-1006-000		1	PLATE, MANUAL PAPER FEED GUIDE	
28	RA0-1200-000		1	SPRING, TORSION	
29	XA9-1206-000		2	SCREW, W/WASHER, M4X12	
501	XB4-7401-005		8	SCREW,TAPPING,TRUSS HEAD,M4X10	

# FIGURE 320 PICK-UP TRAY ASS'Y

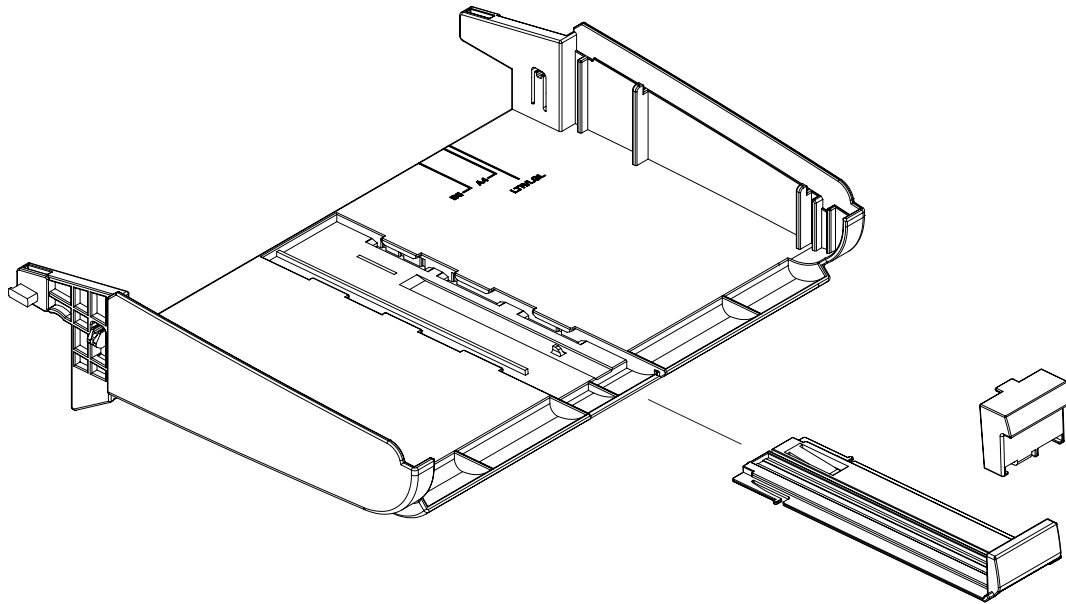


FIGURE & KEY NO.	PART NUMBER	RANK	QTY	DESCRIPTION	SERIAL NUMBER / REMARKS
320 -	RG0-1139-000		1	PICK-UP TRAY ASS'Y	



# FIGURE 330 PAPER PICK-UP COVER ASS'Y

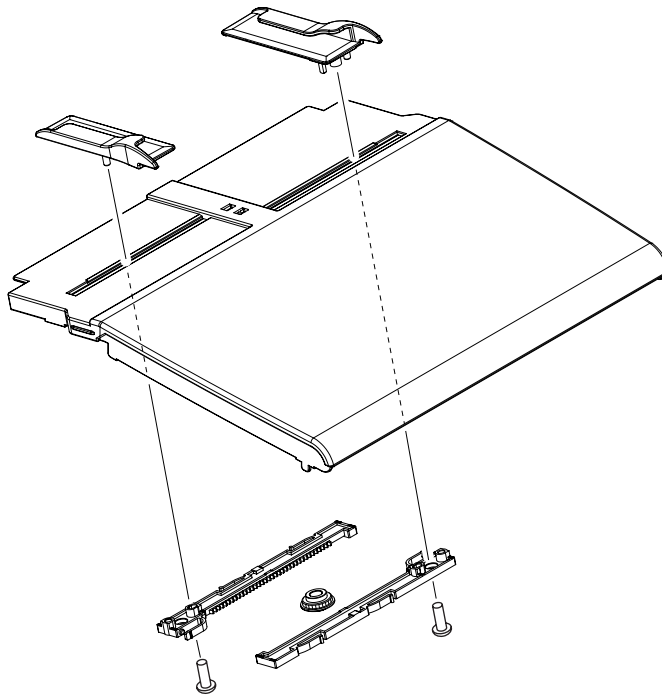


FIGURE & KEY NO.	PART NUMBER	RANK	QTY	DESCRIPTION	SERIAL NUMBER / REMARKS
330 -	RG0-1140-000		1	PAPER PICK-UP COVER ASS'Y	

# FIGURE 810 FIXING ASS'Y

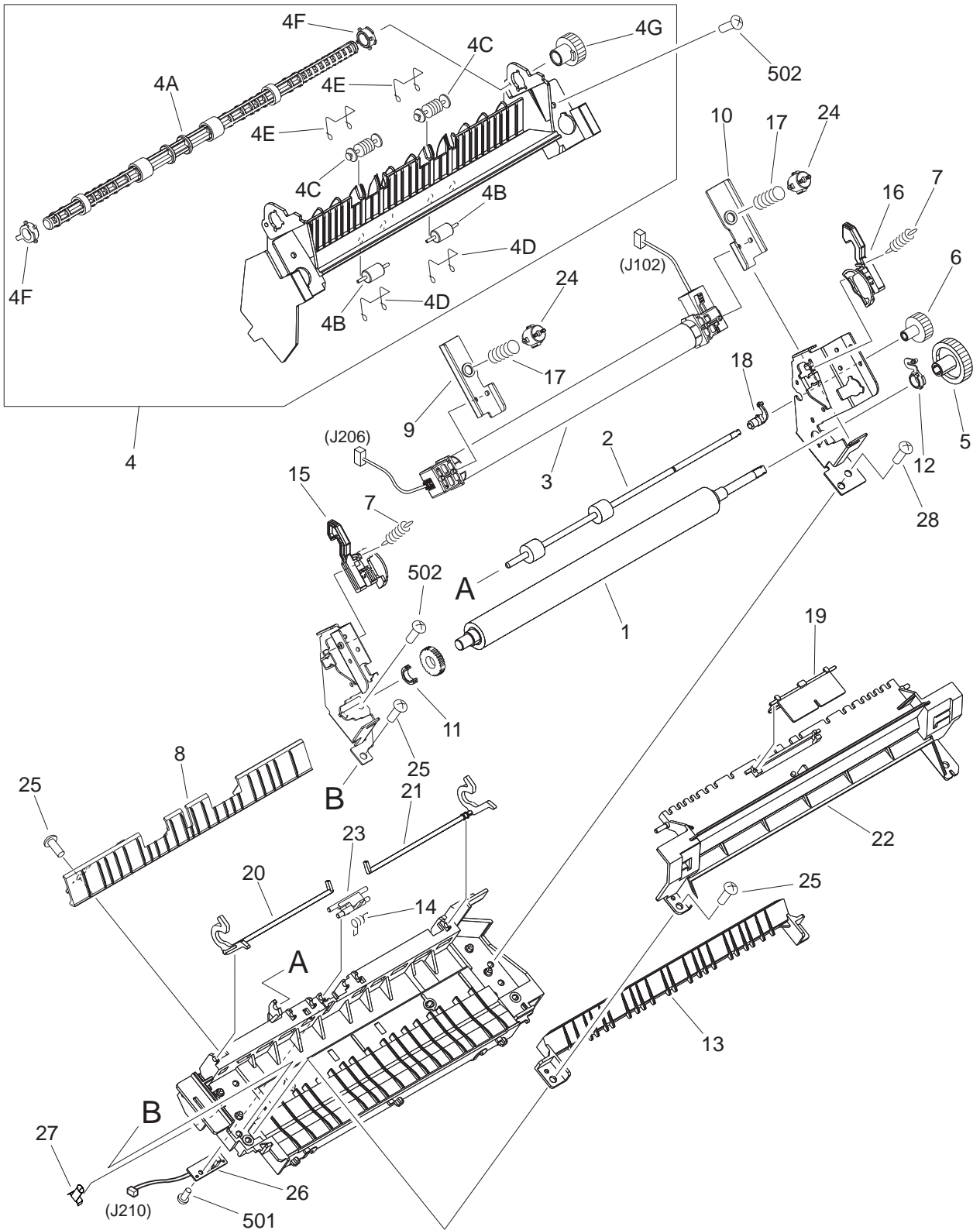


FIGURE & KEY NO.	PART NUMBER	RANK	QTY	DESCRIPTION	SERIAL NUMBER / REMARKS
810 -	RG0-1008-000		1	FIXING ASS'Y	100-127V
	RG0-1026-000		1	FIXING ASS'Y	220-240V
1	RF0-1002-000		1	ROLLER, PRESSURE	
2	RF0-1003-000		1	ROLLER, FACE-UP	
3	RG0-1009-000		1	FIXING FILM ASS'Y	100-127V, J102, J206
	RG0-1027-000		1	FIXING FILM ASS'Y	220-240V, J102, J206
4	RG0-1010-030		1	FACE-DOWN DELIVERY ASS'Y	
4A	RF0-1004-030		1	ROLLER, FACE-DOWN	
4B	RA0-1111-000		2	ROLLER, FACE-UP	
4C	RA0-1112-000		2	ROLLER, FACE-DOWN	
4D	RA0-1115-000		2	SPRING, TORSION	
4E	RA0-1116-000		2	SPRING, TORSION	
4F	RA0-1117-000		2	BUSHING	
4G	RA0-1118-000		1	GEAR, 19T	
5	RA0-1088-000		1	GEAR, 29T	
6	RA0-1089-000		1	GEAR, 17T	
7	RA0-1090-000		2	SPRING, TENSION	
8	RA0-1091-000		1	GUIDE, PAPER DELIVERY	
9	RA0-1092-000		1	PLATE, PRESSURE	
10	RA0-1093-000		1	PLATE, PRESSURE	
11	RA0-1094-000		1	BUSHING	
12	RA0-1095-000		1	BUSHING	
13	RA0-1096-000		1	GUIDE, PAPER	
14	RA0-1099-000		1	SPRING, TORSION	
15	RA0-1100-000		1	LEVER, PRESSURE RELEASE	
16	RA0-1101-000		1	LEVER, PRESSURE RELEASE	
17	RA0-1103-000		2	SPRING, COMPRESSION	
18	RA0-1104-000		1	BUSHING	
19	RA0-1105-000		1	FLAG	
20	RA0-1106-000		1	LEVER, SENSOR	
21	RA0-1107-000		1	LEVER, SENSOR	
22	RA0-1108-000		1	COVER, FIXING	
23	RA0-1110-000		1	FLAG, SENSOR	
24	RA0-1189-000		2	RETAINER, SPRING	
25	XA9-1292-000		4	SCREW, M4X14	
26	RG0-1082-000		1	DELIVERY SENSOR PCB ASS'Y	J210
27	RA0-1121-000		1	PLATE, CONTACT	
28	XA9-1206-000		2	SCREW, W/WASHER, M4X12	
501	XB4-7300-809		1	SCREW, TAPPING, TRUSS HEAD, M3X8	
502	XB6-7300-607		2	SCREW, TP, M3X6	

# FIGURE 900 PCB ASS'Y LOCATION DIAGRAM

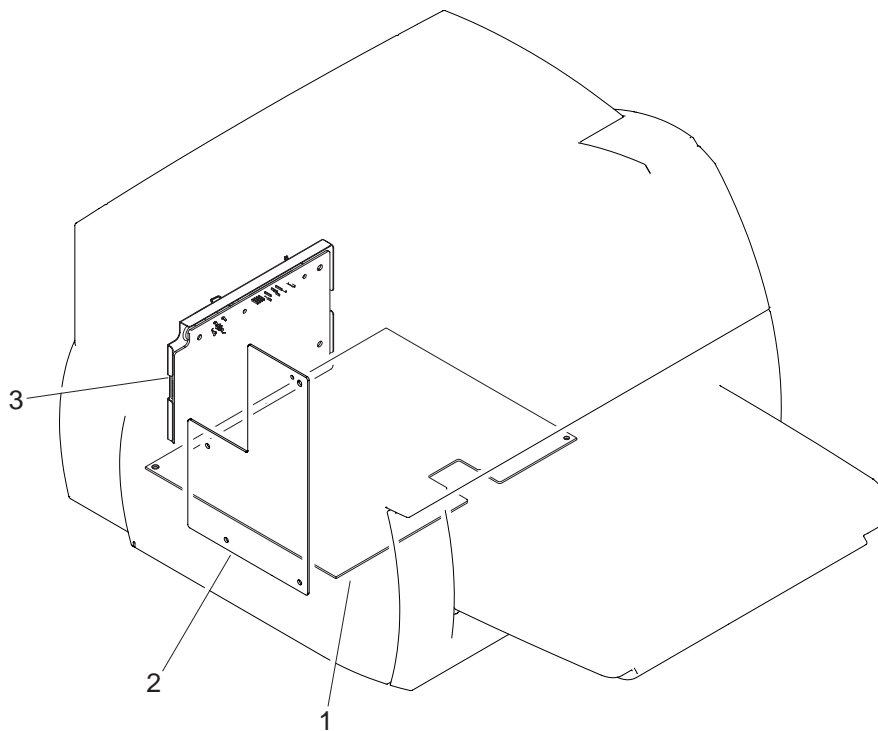


FIGURE & KEY NO.	PART NUMBER	RANK	QTY	DESCRIPTION	SERIAL NUMBER / REMARKS
900 -	NPN		RF	PCB ASS'Y LOCATION DIAGRAM	
1	RG0-1136-000		1	ENGINE CONTROLLER PCB ASS'Y	100-127V
	RG0-1138-000		1	ENGINE CONTROLLER PCB ASS'Y	220-240V
2	RG0-1144-000		1	INTERMEDIATE PCB ASS'Y	
3	RG1-4158-000		1	INTERFACE CONTROLLER PCB ASS'Y	
-----					
-----					

# B NUMERICAL INDEX

PART NUMBER	FIGURE & KEY NO.	PART NUMBER	FIGURE & KEY NO.	PART NUMBER	FIGURE & KEY NO.
RA0-1003-000	310 - 2	RF0-1107-000	100 - 3		
RA0-1023-000	104 - 11	RF0-1108-000	100 - 4		
	104 - 12	RG0-1001-000	105 -		
RA0-1035-000	310 - 11	RG0-1002-000	102 -		
RA0-1036-000	310 - 12	RG0-1003-030	310 -		
RA0-1037-000	310 - 13	RG0-1005-000	310 - 25		
RA0-1038-000	310 - 14	RG0-1006-000	310 - 22		
RA0-1039-000	310 - 15	RG0-1007-020	310 - 23		
RA0-1040-000	310 - 16	RG0-1008-000	810 -		
RA0-1044-000	310 - 18	RG0-1009-000	810 - 3		
RA0-1047-000	310 - 19	RG0-1010-030	810 - 4		
RA0-1049-000	310 - 20	RG0-1018-000	310 - 26		
RA0-1050-000	310 - 21	RG0-1020-000	103 - 6		
RA0-1051-000	310 - 22A	RG0-1022-000	104 - 1		
RA0-1053-000	310 - 22B	RG0-1026-000	810 -		
RA0-1054-000	310 - 22C	RG0-1027-000	810 - 3		
RA0-1055-000	310 - 22D	RG0-1030-000	104 - 3		
RA0-1056-000	310 - 22E	RG0-1072-000	310 - 25A		
RA0-1057-000	310 - 1	RG0-1074-000	103 - 5		
RA0-1060-000	310 - 3	RG0-1082-000	810 - 26		
RA0-1061-000	310 - 4	RG0-1136-000	110 - 5		
RA0-1062-000	310 - 5		900 - 1		
RA0-1063-000	310 - 6	RG0-1138-000	110 - 5		
RA0-1064-000	310 - 7		900 - 1		
RA0-1065-000	310 - 8	RG0-1139-000	320 -		
RA0-1066-000	310 - 9	RG0-1140-000	330 -		
RA0-1067-020	310 - 23A	RG0-1141-000	140 -		
RA0-1068-000	310 - 23B	RG0-1142-000	100 - 5		
RA0-1070-000	310 - 23C	RG0-1144-000	104 - 13		
RA0-1071-000	310 - 23D		900 - 2		
RA0-1072-000	310 - 10	RG1-4158-000	104 - 5		
RA0-1088-000	810 - 5		900 - 3		
RA0-1089-000	810 - 6	RG1-4303-000	001 - 1		
RA0-1090-000	810 - 7	RG1-4304-000	001 - 1		
RA0-1091-000	810 - 8	RG9-1483-000	103 - 10		
RA0-1092-000	810 - 9	RG9-1486-000	103 - 4		
RA0-1093-000	810 - 10	RH3-8002-000	110 - 5B		
RA0-1094-000	810 - 11	RH7-1473-020	105 - 1		
RA0-1095-000	810 - 12	RH7-5315-000	104 - 9		
RA0-1096-000	810 - 13	VD7-0211-002	110 - 5A		
RA0-1099-000	810 - 14	VD7-0645-001	110 - 5A		
RA0-1100-000	810 - 15	WT2-5694-000	110 - 3		
RA0-1101-000	810 - 16	XA9-0849-000	100 - 6		
RA0-1103-000	810 - 17		103 - 12		
RA0-1104-000	810 - 18		104 - 2		
RA0-1105-000	810 - 19		105 - 3		
RA0-1106-000	810 - 20		310 - 26A		
RA0-1107-000	810 - 21	XA9-1016-000	110 - 4		
RA0-1108-000	810 - 22	XA9-1206-000	310 - 29		
RA0-1110-000	810 - 23		810 - 28		
RA0-1111-000	810 - 4B	XA9-1291-000	103 - 11		
RA0-1112-000	810 - 4C	XA9-1292-000	810 - 25		
RA0-1115-000	810 - 4D	XB2-7400-805	103 - 502		
RA0-1116-000	810 - 4E	XB4-7300-809	310 - 22H		
RA0-1117-000	810 - 4F		310 - 25B		
RA0-1118-000	810 - 4G		810 - 501		
RA0-1121-000	810 - 27	XB4-7400-805	100 - 501		
RA0-1127-000	110 - 1	XB4-7401-005	310 - 501		
RA0-1128-000	110 - 2	XB6-7300-607	103 - 501		
RA0-1158-000	310 - 17		104 - 501		
RA0-1169-000	103 - 3		810 - 502		
RA0-1172-000	103 - 9				
RA0-1173-000	104 - 4				
RA0-1176-000	104 - 10				
RA0-1181-000	103 - 1				
RA0-1182-000	103 - 2				
RA0-1184-000	103 - 7				
RA0-1189-000	810 - 24				
RA0-1193-000	310 - 22F				
RA0-1197-000	102 - 1				
	105 - 2				
RA0-1199-000	310 - 22G				
RA0-1200-000	310 - 28				
RA0-1483-000	100 - 2				
RA0-1486-000	100 - 1				
RA0-1489-000	103 - 13				
RA0-1502-000	104 - 6				
RA0-1504-000	104 - 7				
RA0-1505-000	104 - 8				
RF0-1002-000	810 - 1				
RF0-1003-000	810 - 2				
RF0-1004-030	810 - 4A				
RF0-1006-000	310 - 27				
RF0-1008-000	103 - 8				
RF0-1014-020	310 - 24				



**Prepared by  
Peripheral Products Quality Planning Div.  
Peripheral Products Technical Documentation Dept.  
CANON INC.  
Printed in Japan**

**REVISION 0 [ JULY 2002 ]**

**4202, Fukara, Susono-shi, Shizuoka 410-1196, Japan**

**Canon**