

Contents

Parts List Index

PC1000s/1200s/imageCLASS D600s/imageCLASS D800s	1-1	
PC1000s/1200s/imageCLASS D600s/imageCLASS D800s		
A	ASSEMBLY LOCATION DIAGRAM	2-1
100	EXTERNAL COVERS, PANELS, ETC.	2-3
101	INTERNAL COMPONENTS 1	2-7
102	INTERNAL COMPONENTS 2	2-11
103	INTERNAL COMPONENTS 3	2-14
130	CONTROL PANEL ASSEMBLY	2-18
160	COPYBOARD COVER ASSEMBLY (COPYBOARD COVER TYPE) 2-24	
161	ADF ASSEMBLY (ADF TYPE)	2-25
210	READER ASSEMBLY	2-32
220	READER DRIVE ASSEMBLY	2-35
240	ADF DRIVE ASSEMBLY (ADF TYPE)	2-37
250	MAIN DRIVE ASSEMBLY	2-38
300	CASSETTE(250 SHEET UNIVERSAL TYPE)	2-41
301	CASSETTE(250 SHEET A4 TYPE)	2-49
302	CASSETTE(500 SHEET LTR/LGL TYPE)	2-51
303	CASSETTE(500 SHEET A4 TYPE)	2-53
320	REGISTRATION ASSEMBLY	2-55
330	PAPER FEEDER ASSEMBLY	2-57
460	LASER SCANNER ASSEMBLY	2-60
810	FIXING ASSEMBLY	2-61
930	PCB ASSEMBLY	2-64
950	IMAGE PROCESSOR PCB ASSEMBLY	2-67
B	LIST OF CONNECTORS	2-70



NUMERICAL INDEX

PC1000s/1200s/imageCLASS D600s/imageCLASS D800s

PARTS NUMBER	FIGURE & KEY NO.	PARTS NUMBER	FIGURE & KEY NO.	PARTS NUMBER	FIGURE & KEY NO.
FB2-5303-000	102 - 1	FB5-0234-000	302 - 11	FB6-0171-000	210 - 1
FB2-5502-000	103 - 1	FB5-2843-00S	301 - 6	FB6-0172-000	210 - 2
FB2-9653-000	330 - 1	FB5-2844-00S	301 - 7	FB6-0173-000	210 - 3
FB3-3395-000	161 - 1	FB5-8706-000	300 - 17	FB6-0176-000	210 - 4
FB3-3396-000	161 - 2	FB6-0074-000	101 - 1	FB6-0177-000	210 - 5
FB4-9817-030	330 - 22A	FB6-0075-000	103 - 2	FB6-0178-000	210 - 6
FB4-9819-000	330 - 22B	FB6-0076-000	103 - 3	FB6-0179-000	103 - 7
FB4-9820-000	330 - 22C	FB6-0077-000	102 - 2	FB6-0181-000	210 - 7
FB4-9847-000	330 - 22D	FB6-0079-000	330 - 2	FB6-0182-000	210 - 8
FB5-0159-000	300 - 1	FB6-0080-000	330 - 3	FB6-0183-000	210 - 9
FB5-0159-000	301 - 1	FB6-0081-000	330 - 4	FB6-0184-000	210 - 10
FB5-0161-000	300 - 2	FB6-0082-000	330 - 5	FB6-0185-000	210 - 11
FB5-0162-000	301 - 2	FB6-0085-000	100 - 1	FB6-0187-000	161 - 3
FB5-0163-000	301 - 3	FB6-0086-000	102 - 3	FB6-0191-000	210 - 14
FB5-0164-000	301 - 4	FB6-0093-000	103 - 4	FB6-0197-000	210 - 15
FB5-0165-000	300 - 3	FB6-0094-000	103 - 5	FB6-0198-000	210 - 16
FB5-0165-000	300 - 4	FB6-0104-000	250 - 1	FB6-0202-000	210 - 27A
FB5-0167-000	300 - 5	FB6-0114-000	810 - 1	FB6-0203-000	210 - 27B
FB5-0168-000	300 - 6	FB6-0115-000	810 - 2	FB6-0204-000	210 - 6
FB5-0169-000	300 - 7	FB6-0116-000	810 - 3	FB6-0208-000	210 - 18
FB5-0170-000	300 - 8	FB6-0121-000	810 - 4	FB6-0210-000	210 - 20
FB5-0171-000	300 - 9	FB6-0122-000	810 - 5	FB6-0211-020	210 - 21
FB5-0171-000	300 - 10	FB6-0123-020	100 - 2	FB6-0212-000	210 - 22
FB5-0172-000	300 - 11	FB6-0124-020	100 - 3	FB6-0214-000	220 - 1
FB5-0173-000	300 - 12	FB6-0125-000	100 - 4	FB6-0215-000	220 - 2
FB5-0173-000	301 - 5	FB6-0126-000	100 - 5	FB6-0216-000	220 - 3
FB5-0173-000	302 - 1	FB6-0127-000	100 - 6	FB6-0219-000	220 - 4
FB5-0173-000	303 - 1	FB6-0128-000	100 - 7	FB6-0224-000	210 - 23
FB5-0175-000	300 - 13	FB6-0132-000	130 - 1	FB6-0229-000	210 - 24
FB5-0176-000	300 - 14	FB6-0133-000	130 - 2	FB6-0233-000	220 - 5
FB5-0177-000	300 - 15	FB6-0136-000	130 - 3	FB6-0234-000	103 - 8
FB5-0178-000	300 - 20A	FB6-0137-000	130 - 4	FB6-0235-000	220 - 6
FB5-0178-000	300 - 21A	FB6-0138-000	130 - 5	FB6-0237-000	210 - 25
FB5-0180-000	300 - 16	FB6-0139-000	130 - 6	FB6-0241-000	330 - 13
FB5-0181-000	300 - 17	FB6-0140-000	130 - 7	FB6-0242-000	100 - 8
FB5-0218-000	302 - 2	FB6-0141-000	130 - 8	FB6-0243-000	100 - 9
FB5-0218-000	303 - 2	FB6-0142-000	130 - 9	FB6-0245-000	330 - 14
FB5-0219-000	302 - 3	FB6-0143-000	130 - 10	FB6-0248-000	330 - 15
FB5-0219-000	303 - 3	FB6-0144-000	130 - 11	FB6-0249-000	101 - 2
FB5-0220-000	302 - 4	FB6-0145-000	130 - 12	FB6-0250-000	100 - 10
FB5-0220-000	303 - 4	FB6-0147-000	103 - 6	FB6-0251-000	101 - 3
FB5-0221-000	302 - 5	FB6-0157-000	330 - 6	FB6-0252-000	103 - 9
FB5-0221-000	303 - 5	FB6-0158-000	330 - 7	FB6-0253-000	103 - 10
FB5-0222-000	302 - 6	FB6-0160-000	320 - 1	FB6-0256-000	103 - 11
FB5-0222-000	303 - 6	FB6-0162-000	330 - 30	FB6-0258-000	330 - 12
FB5-0229-000	302 - 7	FB6-0163-000	102 - 4	FB6-0260-000	330 - 16
FB5-0229-000	303 - 7	FB6-0164-000	102 - 5	FB6-0261-000	330 - 17
FB5-0230-000	302 - 8	FB6-0165-000	102 - 6	FB6-0265-000	101 - 4
FB5-0230-000	303 - 8	FB6-0166-000	330 - 8	FB6-0268-000	101 - 5
FB5-0231-000	302 - 9	FB6-0167-000	330 - 9	FB6-0269-000	101 - 6
FB5-0231-000	303 - 9	FB6-0168-000	330 - 10	FB6-0274-000	330 - 18
FB5-0232-000	302 - 10	FB6-0169-000	330 - 11	FB6-0276-000	102 - 7

NUMERICAL INDEX

PARTS NUMBER	FIGURE & KEY NO.	PARTS NUMBER	FIGURE & KEY NO.	PARTS NUMBER	FIGURE & KEY NO.
FB6-0277-000	102 - 8	FB6-2313-000	130 - 1	FB6-5829-000	101 - 17C
FB6-0278-000	102 - 9	FB6-2314-000	130 - 1	FB6-5830-000	101 - 17D
FB6-0279-000	100 - 11	FB6-2316-000	130 - 1	FB6-6349-000	320 - 6
FB6-0282-000	100 - 13	FB6-2317-000	130 - 1	FB6-6355-000	161 - 85
FB6-0283-000	100 - 14	FB6-2323-000	130 - 10	FB6-6831-000	330 - 7
FB6-0284-000	100 - 14	FB6-2324-000	130 - 10	FB6-6833-000	100 - 17
FB6-0286-000	330 - 19	FB6-2325-000	130 - 9	FB6-6834-000	100 - 17
FB6-0289-000	102 - 10	FB6-2326-000	161 - 4	FB6-6835-000	100 - 17
FB6-0290-000	930 - 1	FB6-2327-020	161 - 5	FB6-6839-000	100 - 14
FB6-0291-000	101 - 7	FB6-2328-000	161 - 4	FB6-6888-000	810 - 11
FB6-0292-000	930 - 2	FB6-2329-020	161 - 5	FB6-6891-000	250 - 15
FB6-0293-000	930 - 3	FB6-2331-020	161 - 5	FC3-0030-000	330 - 1
FB6-0295-000	930 - 4	FB6-2332-000	161 - 4	FC5-0002-000	161 - 7
FB6-0296-000	330 - 20	FB6-2333-020	161 - 5	FC5-0003-000	161 - 8
FB6-0297-000	330 - 21	FB6-2912-000	130 - 14	FC5-0004-000	161 - 9
FB6-0303-000	102 - 10	FB6-2913-000	130 - 9	FC5-0005-000	161 - 10
FB6-0304-000	103 - 12	FB6-2915-000	130 - 1	FC5-0006-000	161 - 11
FB6-0307-000	102 - 11	FB6-3938-000	130 - 8	FC5-0007-000	161 - 12
FB6-0314-000	101 - 8A	FB6-4216-000	100 - 17	FC5-0009-000	161 - 13
FB6-0321-000	250 - 2	FB6-4217-000	100 - 17	FC5-0011-000	161 - 14
FB6-0323-000	100 - 12	FB6-4218-000	100 - 17	FC5-0013-000	161 - 15
FB6-0324-000	210 - 26	FB6-4219-000	100 - 17	FC5-0014-000	161 - 16
FB6-0327-000	100 - 17	FB6-4220-000	100 - 17	FC5-0018-000	161 - 17
FB6-0328-000	300 - 19	FB6-4221-000	100 - 17	FC5-0019-000	161 - 18
FB6-0328-000	301 - 8	FB6-4222-000	100 - 17	FC5-0020-000	161 - 19
FB6-0329-000	302 - 12	FB6-4223-000	100 - 17	FC5-0021-000	161 - 20
FB6-0329-000	303 - 11	FB6-4225-000	100 - 17	FC5-0022-000	161 - 21
FB6-0330-000	160 - 1	FB6-4226-000	100 - 17	FC5-0023-020	161 - 22
FB6-0332-000	160 - 2	FB6-4227-000	100 - 17	FC5-0024-000	161 - 23
FB6-2285-000	130 - 3	FB6-4228-000	100 - 17	FC5-0025-000	161 - 24
FB6-2286-000	130 - 3	FB6-4230-000	100 - 17	FC5-0026-000	161 - 25
FB6-2287-000	130 - 3	FB6-4232-00S	100 - 18	FC5-0027-000	161 - 26
FB6-2288-000	130 - 3	FB6-4234-00S	100 - 18	FC5-0028-000	161 - 27
FB6-2289-000	130 - 3	FB6-4235-00S	100 - 18	FC5-0029-000	161 - 28
FB6-2289-000	130 - 3	FB6-4237-000	160 - 3	FC5-0034-000	161 - 29
FB6-2290-000	130 - 3	FB6-4556-000	102 - 12	FC5-0035-000	161 - 30
FB6-2292-000	130 - 3	FB6-4557-000	102 - 13	FC5-0036-000	161 - 31
FB6-2293-000	130 - 3	FB6-4783-000	100 - 27	FC5-0037-000	161 - 32
FB6-2294-000	100 - 12	FB6-5504-000	161 - 6	FC5-0038-000	161 - 33
FB6-2298-000	130 - 14	FB6-5505-000	161 - 6	FC5-0039-000	161 - 34
FB6-2299-000	130 - 13	FB6-5506-000	161 - 6	FC5-0047-000	161 - 35
FB6-2300-000	100 - 13	FB6-5507-000	161 - 6	FC5-0052-000	161 - 36
FB6-2301-000	100 - 13	FB6-5509-000	130 - 3	FC5-0054-000	161 - 37
FB6-2302-000	320 - 2A	FB6-5510-000	130 - 9	FC5-0057-000	161 - 38
FB6-2303-000	100 - 14	FB6-5511-000	130 - 1	FC5-0059-000	161 - 84
FB6-2304-000	100 - 15	FB6-5512-000	320 - 4	FC5-0060-000	161 - 43A
FB6-2305-000	100 - 15	FB6-5515-000	161 - 4	FC5-0061-000	161 - 45A
FB6-2306-000	100 - 16	FB6-5519-000	250 - 3	FC5-0063-000	161 - 43B
FB6-2307-000	100 - 16	FB6-5521-000	130 - 3	FC5-0064-000	161 - 43C
FB6-2308-000	100 - 16	FB6-5727-000	100 - 27	FC5-0065-000	240 - 1
FB6-2310-000	130 - 1	FB6-5827-000	101 - 17A	FC5-0066-000	161 - 39
FB6-2312-000	130 - 1	FB6-5828-000	101 - 17B	FC5-0067-000	161 - 83

NUMERICAL INDEX

PARTS NUMBER	FIGURE & KEY NO.	PARTS NUMBER	FIGURE & KEY NO.	PARTS NUMBER	FIGURE & KEY NO.
FC5-0070-000	161 - 40	FF6-1437-000	810 - 6	FG6-8805-000	130 - 15
FC5-6087-000	161 - 44A	FF6-1441-000	320 - 2	FG6-8806-000	950 -
FC5-6088-000	161 - 44B	FF6-1443-000	210 - 28	FG6-8807-000	950 -
FC6-3932-000	130 - 3	FF6-1443-000	B - J317	FG6-8809-000	950 -
FC6-3933-000	130 - 3	FF6-1443-000	B - J501	FG6-8810-000	950 -
FC6-3934-000	130 - 4	FF6-1455-000	103 - 13	FG6-8811-000	950 -
FC6-3935-000	130 - 5	FF6-1456-000	210 - 12	FG6-8812-000	950 -
FC6-3936-000	130 - 6	FF6-1457-000	100 - 4	FG6-8813-000	950 -
FC6-3937-000	130 - 7	FF6-1460-000	101 - 16	FG6-8814-000	950 -
FC6-3939-000	130 - 9	FG3-2279-000	103 - 14	FG6-8816-000	950 -
FC6-3940-000	130 - 10	FG3-3267-000	103 - 15	FG6-8817-000	950 -
FC6-3941-000	130 - 11	FG6-7923-000	250 -	FG6-8818-000	950 -
FC6-3942-000	130 - 14	FG6-7924-000	250 - 4	FG6-8819-000	950 -
FC6-3943-000	130 - 13	FG6-7925-000	460 -	FG6-8821-000	950 -
FC6-3945-000	130 - 12	FG6-7933-020	220 -	FG6-8822-000	950 -
FC6-3946-000	100 - 12	FG6-7934-000	810 -	FG6-8828-000	103 - 17
FC6-3947-000	100 - 28	FG6-7937-000	810 - 7	FG6-8829-000	103 - 17
FC6-3948-000	100 - 28	FG6-7938-000	130 -	FG6-8830-000	103 - 17
FC6-3950-000	130 - 4	FG6-7944-000	160 -	FG6-8831-000	103 - 17
FC6-3951-000	130 - 9	FG6-7945-000	810 -	FG6-8832-000	930 - 8
FC6-3952-000	130 - 14	FG6-7946-000	810 - 7	FG6-8833-000	930 - 9
FE5-3192-000	100 - 25	FG6-7947-000	810 -	FG6-8834-000	250 - 5
FE5-3193-000	100 - 26	FG6-7948-000	810 - 7	FG6-8836-000	161 - 41
FE5-3194-000	810 - 23	FG6-7953-000	101 - 8	FG6-8837-000	103 - 18
FE5-3195-000	101 - 4	FG6-7954-000	330 - 22	FG6-8839-000	210 - 31
FE5-3196-000	100 - 12	FG6-7957-000	130 -	FG6-8840-000	103 - 16
FE5-3197-000	130 - 3	FG6-7958-000	130 -	FG6-8841-000	103 - 19
FE5-3198-000	130 - 3	FG6-7959-000	130 -	FG6-8842-000	103 - 20
FE5-3200-000	130 - 3	FG6-7960-000	130 -	FG6-8844-000	103 - 21
FE5-3201-000	130 - 3	FG6-7961-000	130 -	FG6-8845-000	103 - 22
FE5-3208-000	130 - 1	FG6-7962-000	130 -	FG6-8849-000	810 - 8
FE5-3210-000	130 - 1	FG6-7963-000	130 -	FG6-9438-000	950 -
FE5-3213-000	130 - 9	FG6-7972-000	101 - 9	FG6-9441-020	950 - 1
FE5-3214-000	130 - 9	FG6-8523-000	130 -	FG6-9441-020	950 - 1
FE5-3215-000	130 - 4	FG6-8524-000	130 -	FG6-9442-000	950 -
FE5-3216-000	130 - 11	FG6-8526-000	130 -	FG6-9443-000	950 -
FE5-3217-000	130 - 14	FG6-8527-000	130 -	FG6-9444-000	950 -
FE5-3218-000	100 - 17	FG6-8528-000	130 -	FG6-9445-000	950 -
FE5-3219-000	100 - 17	FG6-8529-000	130 -	FG6-9446-000	950 -
FE5-3221-000	100 - 17	FG6-8530-000	101 - 17	FG6-9447-000	950 -
FE5-3228-000	303 - 10	FG6-8530-000	101 - 17	FG6-9448-000	210 - 31
FE5-3230-000	100 - 17	FG6-8535-000	103 - 21	FG6-9802-000	950 - 1
FE5-3231-000	100 - 17	FG6-8543-000	930 - 5	FG6-9809-020	950 - 1
FF5-9033-030	300 - 18	FG6-8547-000	930 - 6	FG6-9809-020	950 - 1
FF5-9033-030	300 - 18	FG6-8548-000	930 - 7	FG6-9811-020	950 - 1
FF5-9034-000	300 - 20	FG6-8549-000	103 - 16	FG6-9811-020	950 - 1
FF5-9035-000	300 - 21	FG6-8550-000	220 - 7	FG6-9812-000	950 -
FF5-9073-000	302 - 13	FG6-8552-030	950 - 1	FG6-9814-000	950 -
FF5-9073-000	303 - 12	FG6-8800-000	210 - 29	FG6-9823-000	950 - 1
FF5-9074-000	302 - 14	FG6-8801-000	210 - 30	FH2-5276-030	930 - 10
FF5-9074-000	303 - 13	FG6-8804-000	130 - 15	FH2-5288-000	100 - 19
FF6-1435-020	210 - 27	FG6-8805-000	130 - 15	FH2-6577-000	930 - 12

NUMERICAL INDEX

PARTS NUMBER	FIGURE & KEY NO.	PARTS NUMBER	FIGURE & KEY NO.	PARTS NUMBER	FIGURE & KEY NO.
FH2-6578-000	930 - 13	FL2-0008-000	161 - 46	FS7-2689-000	330 - 24
FH2-6929-000	210 - 32	FM1-0579-000	320 -	FS7-2690-000	330 - 25
FH2-6929-000	B - J503	FM2-0002-030	161 - 47	FS7-2691-000	100 - 20
FH2-6929-000	B - J504	FM2-0004-000	240 -	FS7-2692-000	100 - 21
FH2-6931-000	210 - 33	FM2-0015-000	161 - 48	FS7-2693-000	100 - 22
FH2-6931-000	B - J502	FM2-3112-000	130 -	FS7-2694-000	102 - 16
FH2-6931-000	B - J601	FM2-3113-000	130 -	FS7-2695-000	103 - 28
FH2-6932-000	103 - 23	FM5-0992-080	810 -	FS7-2696-000	103 - 29
FH2-6932-000	B - J315	FM5-0992-080	810 -	FS7-2697-000	101 - 10
FH2-6932-000	B - J401	FM5-0994-000	810 -	FS7-2698-000	210 - 37
FH2-6933-000	930 - 14	FM5-0995-000	460 -	FS7-2701-000	220 - 11
FH2-6933-000	B - J204	FM5-0996-000	130 -	FS7-2706-000	101 - 18
FH2-6933-000	B - J303	FM5-0997-000	130 -	FS7-2708-000	250 - 22
FH2-6934-000	102 - 14	FM5-0999-000	130 -	FS7-2709-000	250 - 23
FH2-6934-000	B - J316	FM5-1000-000	130 -	FS7-2989-000	330 - 28
FH2-6934-000	B - J801	FM5-1002-000	950 -	FS7-2990-000	810 - 9
FH2-6935-000	103 - 24	FM5-1004-000	950 -	FS7-2990-000	810 - 9
FH2-6935-000	B - J6	FM5-1005-000	950 -	FU3-0068-000	250 - 7
FH2-6935-000	B - J321	FM5-1006-000	950 - 1	FU3-0069-000	250 - 8
FH2-6936-000	103 - 25	FM5-1010-000	930 - 5	FU3-0070-000	250 - 9
FH2-6936-000	B - J1	FM5-1011-000	930 - 5	FU3-0071-000	320 - 3
FH2-6936-000	B - J320	FM5-1012-000	250 -	FU3-0072-000	101 - 11
FH2-6937-000	103 - 26	FM5-1019-000	950 - 1	FU3-0073-000	330 - 26
FH2-6937-000	B - J318	FM5-1021-000	103 - 14	FU3-0074-000	330 - 27
FH2-6937-000	B - J701	FM5-5275-000	950 -	FU3-0075-020	220 - 12
FH2-7080-000	930 - 11	FM5-5276-000	950 - 1	FU3-0076-020	220 - 13
FH2-7081-000	930 - 15	FM5-5278-000	130 - 15	FU3-0107-000	220 - 14
FH3-2638-000	930 - 16	FM5-5278-000	130 - 15	FU5-0001-000	161 - 53
FH3-2639-000	930 - 16	FM5-5279-000	130 - 15	FU5-0001-000	161 - 54
FH3-2643-000	930 - 16	FM5-5279-000	130 - 15	FU5-0002-000	161 - 55
FH3-2651-000	930 - 16	FM5-5279-000	130 -	FU5-0002-000	240 - 2
FH5-1088-000	250 - 6	FM5-5319-000	930 - 5	FU5-1001-000	161 - 56
FH5-3221-000	130 - 19	FM5-5320-000	950 -	FU5-1002-000	161 - 57
FH5-3408-000	103 - 15	FM5-5321-000	950 - 1	FU5-2001-000	161 - 58
FH5-3413-000	103 - 15	FM5-5323-000	950 -	FU5-2002-000	161 - 59
FH5-3414-000	103 - 15	FM5-5324-000	950 -	FU5-2003-000	161 - 60
FH5-3679-000	103 - 15	FM5-5325-000	950 - 1	FU5-2004-000	161 - 61
FH6-0812-000	130 - 16	FM5-5326-000	103 - 14	FU5-2005-000	161 - 62
FH6-0813-000	130 - 16	FS1-1512-000	161 - 49	FU5-2006-000	161 - 63
FH6-0845-000	130 - 16	FS1-1569-000	161 - 50	FU5-2007-000	161 - 64
FH6-0846-000	130 - 16	FS2-9478-000	220 - 9	FU5-2008-000	161 - 65
FH6-1921-000	102 - 15	FS5-9739-020	220 - 10	FU5-2009-000	161 - 66
FH6-1922-000	220 - 8	FS5-9781-000	161 - 52	FU5-2010-000	161 - 67
FH6-1923-000	250 - 6	FS5-9781-000	210 - 35	FU5-3001-000	161 - 68
FH6-5037-000	330 - 23	FS7-0457-000	300 - 22	FU5-3002-000	161 - 69
FH6-5038-000	103 - 27	FS7-2201-000	300 - 23	FU5-3003-000	161 - 70
FH7-6337-000	130 - 17	FS7-2201-000	301 - 9	FU5-3004-000	240 - 3
FH7-7565-000	210 - 34	FS7-2202-000	300 - 24	FU5-3006-000	161 - 71
FL2-0004-000	161 - 42	FS7-2202-000	301 - 10	FU5-3007-000	161 - 72
FL2-0005-000	161 - 43	FS7-2211-000	302 - 15	FU5-3008-000	161 - 51
FL2-0006-000	161 - 44	FS7-2211-000	303 - 14	FU5-6001-000	161 - 73
FL2-0007-000	161 - 45	FS7-2687-000	210 - 36	FU5-6002-000	161 - 74

NUMERICAL INDEX

PARTS NUMBER	FIGURE & KEY NO.	PARTS NUMBER	FIGURE & KEY NO.	PARTS NUMBER	FIGURE & KEY NO
FU5-6003-000	161 - 75	PCB	B - J102	RB2-2911-000	320 - 7
HB1-3023-000	130 - 18	PCB	B - J103	RB2-2912-000	320 - 8
HG1-4365-000	103 - 30	PCB	B - J104	RB2-2913-000	320 - 9
HG5-1866-000	103 - 30	PCB	B - J105	RB2-2918-000	320 - 10
HG5-2587-000	103 - 30	PCB	B - J106	RB2-2919-000	320 - 11
HG5-2598-000	103 - 30	PCB	B - J107	RB2-2920-000	320 - 12
HH2-2824-000	103 - 31	PCB	B - J108	RB2-2921-000	320 - 13
NPN	100 -	PCB	B - J109	RB2-2922-000	320 - 14
NPN	101 -	PCB	B - J201	RB2-2923-000	320 - 2B
NPN	102 -	PCB	B - J202	RB2-2925-020	330 - 31A
NPN	103 -	PCB	B - J203	RB2-2926-020	330 - 29
NPN	161 -	PCB	B - J204	RB2-2933-000	320 - 15
NPN	210 -	PCB	B - J210	RB2-2935-000	250 - 10
NPN	300 -	PCB	B - J301	RB2-2936-000	250 - 11
NPN	301 -	PCB	B - J302	RB2-2943-000	250 - 12
NPN	302 -	PCB	B - J303	RB2-2947-000	250 - 13
NPN	303 -	PCB	B - J304	RB2-2949-000	250 - 14
NPN	330 -	PCB	B - J305	RB2-2973-000	810 - 10
NPN	930 -	PCB	B - J307	RB2-2977-000	810 - 12
NPN	B -	PCB	B - J308	RB2-2978-000	810 - 13
NPN	B - J307	PCB	B - J309	RB2-2985-000	810 - 14
NPN	B - J309	PCB	B - J310	RB2-2986-000	810 - 15
NPN	B - J402	PCB	B - J311	RB2-3041-020	101 - 12
NPN	B - J403	PCB	B - J312	RB2-3042-020	101 - 13
NPN	B - J404	PCB	B - J314	RB2-3043-000	101 - 14
NPN	B - J504	PCB	B - J315	RB2-3044-000	101 - 15
NPN	B - J801	PCB	B - J316	RB2-3046-000	100 - 23
NPN	B - J1051	PCB	B - J317	RB2-3084-000	101 - 17D
NPN	B - J1102	PCB	B - J318	RB2-6357-000	810 - 17
NPN	B - J3051	PCB	B - J319	RB2-6402-000	810 - 16
NPN	B - J3081	PCB	B - J320	RF5-2601-000	810 - 18
NPN	B - J3111	PCB	B - J321	RF5-2603-000	810 - 19
NPN	B - J3112	PCB	B - J401	RG5-4130-000	330 - 31
NPN	B - J3112	PCB	B - J402	RG9-1473-000	250 - 16
NPN	B - J3113	PCB	B - J403	RS6-0442-000	810 - 20
NPN	B - J3114	PCB	B - J404	RS6-0443-000	810 - 21
NPN	B - J3122	PCB	B - J501	RS6-0446-000	250 - 17
NPN	B - J3123	PCB	B - J502	RS6-0447-000	250 - 18
NPN	B - J3124	PCB	B - J503	RS6-0448-000	250 - 19
NPN	B - J3126	PCB	B - J601	RS6-0449-000	250 - 20
PCB	B - J1	PCB	B - J701	RS6-0450-000	250 - 21
PCB	B - J2	RB2-2831-020	102 - 17	RS6-0458-000	810 - 22
PCB	B - J3	RB2-2837-000	103 - 32	RS6-0459-000	330 - 31B
PCB	B - J3	RB2-2843-000	330 - 28	RS6-2022-000	330 - 32
PCB	B - J4	RB2-2883-000	101 - 17A	RS6-2026-000	320 - 16
PCB	B - J6	RB2-2884-000	101 - 17B	RS6-2029-000	810 - 23
PCB	B - J7	RB2-2885-000	101 - 17C	RS6-2030-000	101 - 18
PCB	B - J7	RB2-2900-000	101 - 8B	RS6-8382-000	460 - 1
PCB	B - J8	RB2-2901-000	101 - 8C	SYS	B - J2101
PCB	B - J8	RB2-2902-000	101 - 8D	VS1-5824-003	B - J3113
PCB	B - J10	RB2-2903-000	101 - 8E	VS1-5824-003	B - J3114
PCB	B - J10	RB2-2909-000	320 - 5	VS1-5824-004	B - J103

NUMERICAL INDEX

PARTS NUMBER	FIGURE & KEY NO.	PARTS NUMBER	FIGURE & KEY NO.	PARTS NUMBER	FIGURE & KEY NO.
VSI-5824-004	B - J301	VS3-5080-006	B - J319	XB1-2300-607	210 - 501
VSI-5824-004	B - J3102	VS3-5118-003	B - J107	XB1-2300-607	210 - 502
VSI-5824-006	B - J3111	WA1-6525-000	330 - 33	XB1-2300-607	250 - 501
VSI-6094-003	B - J3112	WE8-5702-000	103 - 21A	XB1-2300-607	250 - 502
VSI-6302-003	B - J314	WE8-5885-000	210 - 38	XB1-2300-809	302 - 501
VSI-6314-003	B - J308	WE8-5908-000	103 - 33	XB1-2300-809	303 - 501
VSI-6314-004	B - J310	WE8-5941-000	220 - 7A	XB1-2400-609	161 - 502
VSI-6314-008	B - J104	WE8-5947-000	103 - 34	XB2-7300-407	103 - 503
VSI-6314-008	B - J302	WG2-5190-000	103 - 35	XB2-7300-407	240 - 501
VSI-6314-009	B - J108	WG2-5190-000	103 - 35	XB2-7300-407	250 - 503
VSI-6314-009	B - J203	WG8-5309-000	103 - 36	XB3-6300-800	101 - 501
VSI-6314-010	B - J106	WG8-5309-000	810 - 24	XB3-6300-800	102 - 501
VSI-6314-010	B - J202	WG8-5624-000	161 - 76	XB3-6300-800	103 - 504
VSI-6314-010	B - J312	WG8-5624-000	161 - 77	XB4-5300-809	130 - 502
VSI-6320-003	B - J3124	WK1-5112-000	950 - BAT1	XB4-5300-809	161 - 503
VSI-6321-003	B - J3081	WK1-5133-000	950 - BAT2	XB4-5401-007	101 - 502
VSI-6321-003	B - J3123	WS3-1226-000	B - J107	XB4-5401-007	101 - 503
VSI-6321-004	B - J3102	WS3-1309-000	B - J3126	XB4-5401-007	161 - 504
VSI-6321-004	B - J3121	WS3-5358-000	B - J103	XB4-5401-007	161 - 505
VSI-6321-011	B - J210	WS3-5358-000	B - J301	XB4-5401-007	161 - 506
VSI-6321-011	B - J2101	WS3-5358-000	B - J3102	XB4-5401-007	210 - 503
VSI-6757-015	B - J311	WS3-5358-000	B - J3111	XB4-5401-007	330 - 501
VSI-7177-003	250 - 5A	WS3-5358-000	B - J3112	XB4-7400-809	300 - 501
VSI-7177-003	930 - 6A	WS3-5358-000	B - J3113	XB4-7400-809	301 - 501
VSI-7177-003	B - J1101	WS3-5358-000	B - J3114	XB4-7400-809	302 - 502
VSI-7177-003	B - J3124	WS3-5569-000	B - J314	XB4-7400-809	303 - 502
VSI-7177-004	101 - 19	WS3-5721-000	B - J311	XB4-7401-009	101 - 504
VSI-7177-004	210 - 31A	WT1-5155-000	B - J2	XB4-7401-009	101 - 505
VSI-7177-004	930 - 7A	WT1-5155-000	B - J4	XB4-7401-009	103 - 505
VSI-7177-004	B - J1102	WT1-5155-000	B - J102	XB4-7403-509	102 - 502
VSI-7177-004	B - J3102	WT1-5155-000	B - J319	XB6-7300-607	220 - 501
VSI-7177-004	B - J3121	WT2-5565-000	161 - 41B	XB6-7300-807	100 - 501
VSI-7177-011	930 - 8A	WT2-5565-000	210 - 31B	XB6-7300-807	102 - 503
VSI-7177-011	B - J2101	WT3-5106-000	930 - 17	XD1-1104-131	220 - 502
VSI-7178-002	B - J305	X71-7503-000	300 - 25	XD1-1104-635	300 - 502
VSI-7178-002	B - J3051	X71-7503-000	300 - 26	XD2-1100-242	161 - 507
VSI-7178-003	B - J109	XA9-0265-000	161 - 78	XD2-1100-322	161 - 508
VSI-7178-003	B - J201	XA9-0813-000	102 - 18	XD2-1100-322	220 - 503
VSI-7178-003	B - J304	XA9-0836-000	810 - 25	XD2-1100-402	161 - 509
VSI-7178-003	B - J1051	XA9-0903-000	302 - 16	XD2-1100-402	161 - 510
VSI-7178-003	B - J1101	XA9-0903-000	303 - 15	XD2-1100-502	161 - 511
VSI-7178-004	B - J105	XA9-0924-000	810 - 26	XD2-1100-502	161 - 512
VSI-7178-004	B - J1102	XA9-0931-000	100 - 24	XD2-1100-502	161 - 513
VSI-7178-004	B - J3121	XA9-0931-000	102 - 19	XD2-1100-502	161 - 514
VSI-7208-004	B - J3122	XA9-0976-000	102 - 20	XD2-1100-502	330 - 502
VSI-7440-006	161 - 41A	XA9-1164-000	103 - 37	XD2-1100-642	161 - 515
VSI-7440-006	B - J3111	XA9-1164-000	250 - 24	XD2-1100-642	240 - 502
VS3-0320-006	B - J3126	XA9-1164-000	930 - 18	XD2-1200-202	300 - 503
VS3-5080-002	B - J4	XB1-1300-807	103 - 501	XD2-2300-302	330 - 503
VS3-5080-002	B - J102	XB1-2300-607	103 - 502	XD3-1160-142	101 - 506
VS3-5080-002	B - J102	XB1-2300-607	130 - 501	XD3-2200-082	161 - 516
VS3-5080-006	B - J2	XB1-2300-607	161 - 501	XD3-2200-102	161 - 517

NUMERICAL INDEX

PARTS NUMBER	FIGURE & KEY NO.	PARTS NUMBER	FIGURE & KEY NO.	PARTS NUMBER	FIGURE & KEY NO.
XD3-2200-102	161 - 518				
XD3-2200-102	161 - 519				
XD3-2200-122	161 - 520				
XD9-0159-000	101 - 8F				
XF2-1605-240	161 - 79				
XF2-1606-440	240 - 4				
XF2-1611-240	161 - 80				
XF9-0404-000	161 - 81				
XF9-0525-000	161 - 82				



**PC1000s/1200s/imageCLASSD600s/
imageCLASS D800s**

120V 60Hz	F14-1407-000STS
100V 50/60Hz	F14-1411-000LUL
100V 50/60Hz	F14-1412-000LUV
100V 50/60Hz	F14-1413-000LUK
100V 50/60Hz	F14-1414-000LUU
100V 50/60Hz	F14-1415-000LUM
100V 50/60Hz	F14-1417-000LUP
220/240V 50Hz	F14-1428-000QTJ
220/240V 50Hz	F14-1428-000TTG
220/240V 50Hz	F14-1428-000UUK
220/240V 50Hz	F14-1428-000UUU
220/240V 50Hz	F14-1428-000UUV
220/240V 50Hz	F14-1428-000U UW
120V 60Hz	F14-1431-000ZTR
120V 60Hz	F14-1432-000ZTU
120V 60Hz	F14-1434-000ZTQ
120V 60Hz	F14-1434-000ZUE
120V 60Hz	F14-1435-000ZTS
120V 60Hz	F14-1435-000ZUF
120V 60Hz	F14-1436-000ZTV
120V 60Hz	F14-1437-000ZTT
120V 60Hz	F14-1439-000ZTX
220/240V 50Hz	F14-1443-000PVR
220/240V 50Hz	F14-1443-000PVX
120V 60Hz	F14-1445-000STR
220/240V 50Hz	F14-1447-000PVS

220/240V 50Hz	F14-1447-000PVY
220/240V 50Hz	F14-1449-000UGA
220/240V 50Hz	F14-1459-000UHA
220V 50Hz	F14-1460-000RTV
220/240V 50Hz	F14-1469-000UIA
220V 60Hz	F14-1470-000RTX
220/240V 50Hz	F14-1478-000QTK
220/240V 50Hz	F14-1478-000TTH
220/240V 50Hz	F14-1478-000UUM
220/240V 50Hz	F14-1478-000UUX
220/240V 50Hz	F14-1478-000UUY
220/240V 50Hz	F14-1478-000UUZ
220V 50Hz	F14-1480-000RTW
220V 60Hz	F14-1490-000RTY
100V 50/60Hz	F18-8311-000JHQ
100V 50/60Hz	F18-8313-000JHP
120V 60Hz	F18-8333-000JHH
120V 60Hz	F18-8333-000JHM
120V 60Hz	F18-8335-000JHJ
120V 60Hz	F18-8335-000JHN
120V 60Hz	F18-8338-000JHK
120V 60Hz	F18-8633-000JXY
120V 60Hz	F18-8633-000JXZ
120V 60Hz	F18-8635-000KAB
120V 60Hz	F18-8635-000KAC
120V 60Hz	F18-8638-000KAD

Contents

A	ASSEMBLY LOCATION DIAGRAM	2-1
100	EXTERNAL COVERS, PANELS, ETC.	2-4
101	INTERNAL COMPONENTS 1	2-9
102	INTERNAL COMPONENTS 2	2-14
103	INTERNAL COMPONENTS 3	2-18
130	CONTROL PANEL ASSEMBLY	2-23
160	COPYBOARD COVER ASSEMBLY (COPYBOARD	2-29
161	ADF ASSEMBLY (ADF TYPE)	2-31
210	READER ASSEMBLY	2-39
220	READER DRIVE ASSEMBLY	2-43
240	ADF DRIVE ASSEMBLY (ADF TYPE)	2-45
250	MAIN DRIVE ASSEMBLY	2-47
300	CASSETTE(250 SHEET UNIVERSAL TYPE)	2-51
301	CASSETTE(250 SHEET A4 TYPE)	2-60
302	CASSETTE(500 SHEET LTR/LGL TYPE)	2-63
303	CASSETTE(500 SHEET A4 TYPE)	2-66
320	REGISTRATION ASSEMBLY	2-69
330	PAPER FEEDER ASSEMBLY	2-72
460	LASER SCANNER ASSEMBLY	2-75
810	FIXING ASSEMBLY	2-77
930	PCB ASSEMBLY	2-81
950	IMAGE PROCESSOR PCB ASSEMBLY	2-84
B	LIST OF CONNECTORS	2-88



FIGURE A
ASSEMBLY LOCATION DIAGRAM

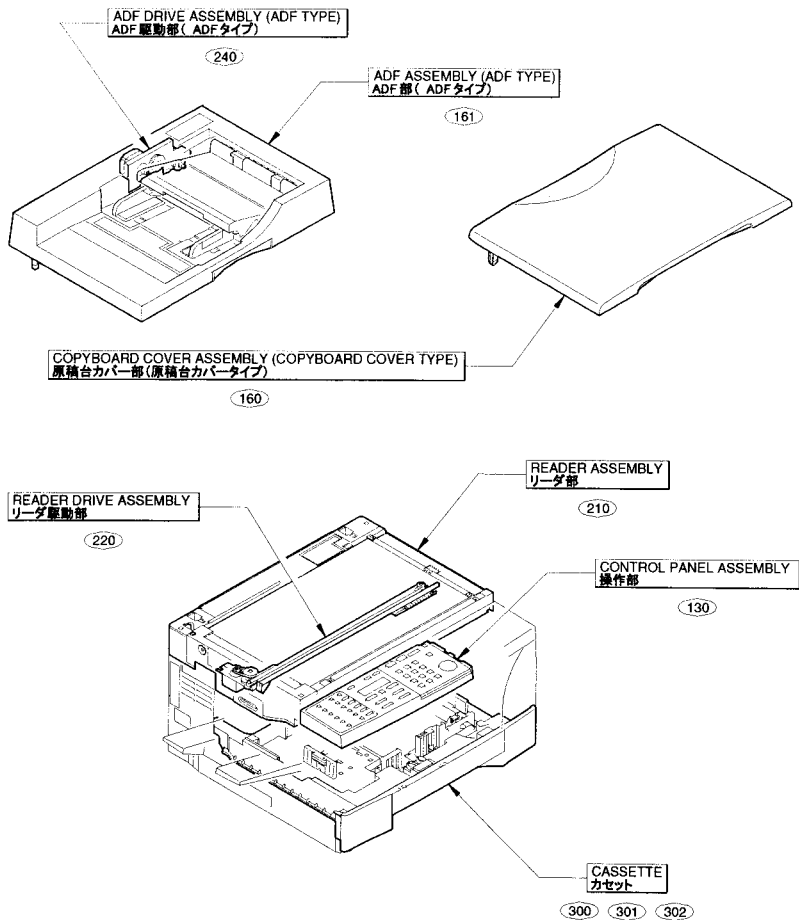


FIGURE A
ASSEMBLY LOCATION DIAGRAM

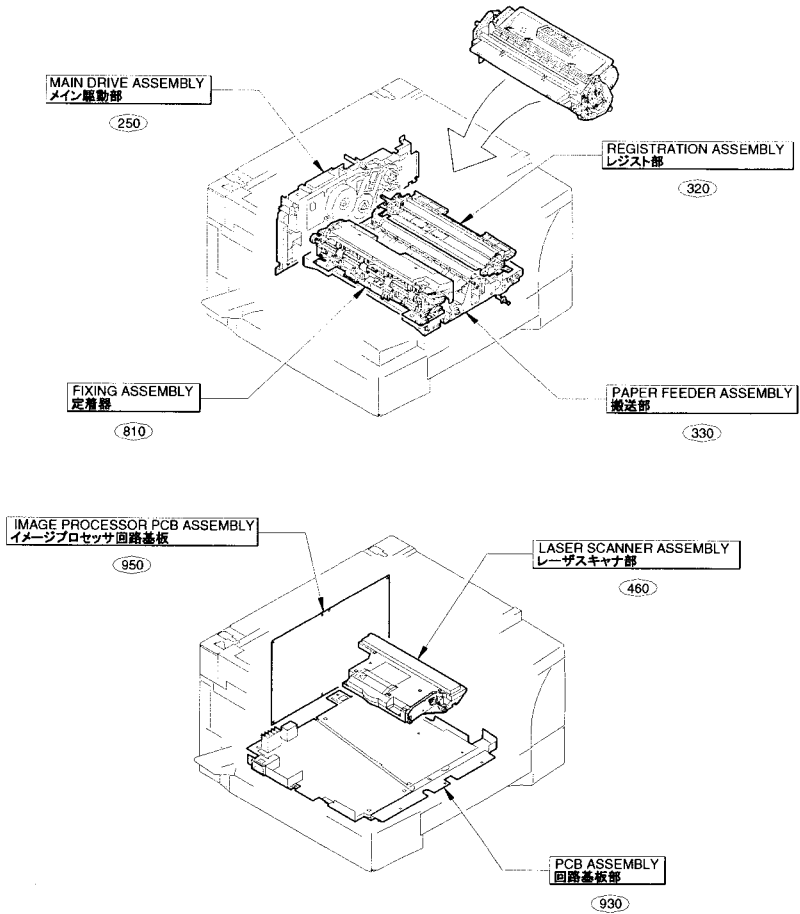


FIGURE 100
EXTERNAL COVERS, PANELS, ETC.

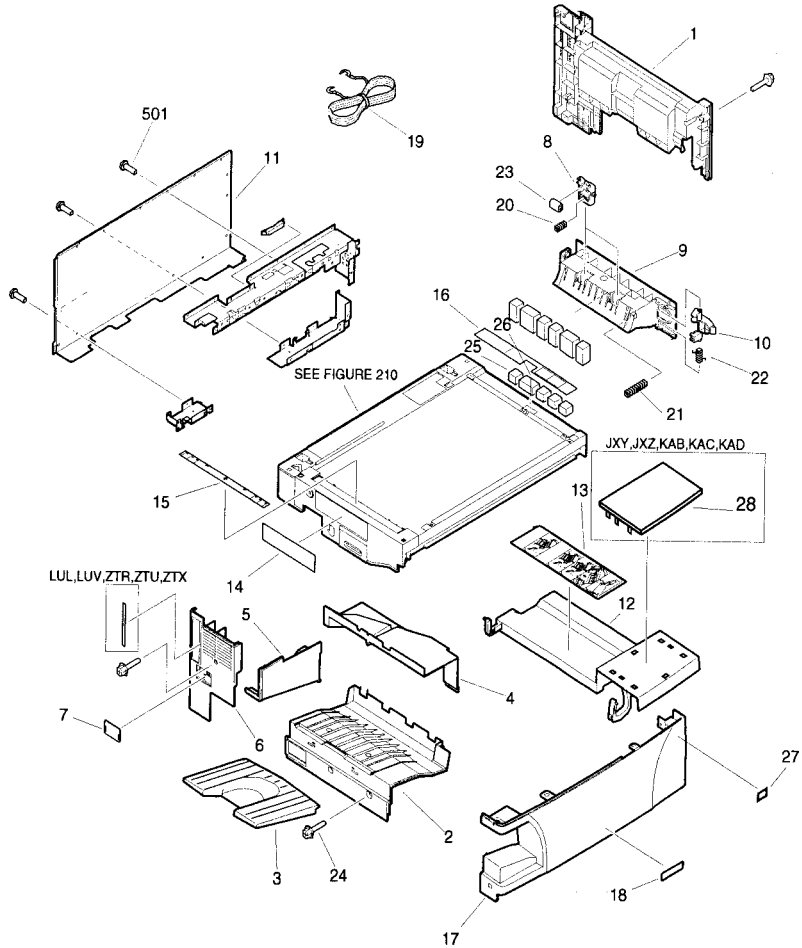




FIGURE & KEY NO.	PARTS NUMBER	R A N K	Q'TY	DESCRIPTION	SERIAL NUMBER/REMARKS	S V C
Fig.100	NPN		RF	EXTERNAL COVERS, PANELS, ETC.		
1	FB6-0085-000		1	PANEL, RIGHT		
2	FB6-0123-020		1	PANEL, PAPER DELIVERY		
3	FB6-0124-020		1	TRAY, PAPER DELIVERY		
4	FF6-1457-000		1	PANEL, PAPER DELIVERY, UPPER		
4	FB6-0125-000		1	PANEL, PAPER DELIVERY, UPPER		
5	FB6-0126-000		1	PANEL, PAPER DELIVERY, REAR		
6	FB6-0127-000		1	PANEL, LEFT		
7	FB6-0128-000		1	LID, MODULAR JACK	LUM,LUP,PVS,PVY,QTJ, QTK,RTW,RTY,STR,STS, TTG,TTH,UGA,UHA,UUK, UUM,UUU,UUV,UUW,UU X, UUY,UUZ,ZTS,ZTT,ZTU, ZTV,ZTX,ZUF,KAB,KAC,K AD	
8	FB6-0242-000		2	ARM, PRESSURE		
9	FB6-0243-000		1	DOOR, RIGHT		
10	FB6-0250-000		1	ARM, LOCK		
11	FB6-0279-000		1	PANEL, REAR		
12	FB6-0323-000		1	PANEL, CARTRIDGE, UPPER	EXCEPT LUU,LUV,ZTQ EXCEPT ZTS,ZUE,ZUF	
12	FB6-2294-000		1	PANEL, CARTRIDGE, UPPER	LUU,LUV,ZTQ,ZTS,ZUE, ZUF	
12	FE5-3196-000		1	PANEL, CARTRIDGE, UPPER	JHP,JHQ,JHH,JHM,JHJ, JHN,JHK	
12	FC6-3946-000		1	PANEL, CARTRIDGE, UPPER	JXY,JXZ,KAB,KAC,KAD	
13	FB6-0282-000		1	LABEL, 'CARTRIDGE REPLACING'	PVR,PVS,PVX,PVY,RTV, RTW,RTX,RTY,STR,STS	
13	FB6-2300-000		1	LABEL, 'CARTRIDGE REPLACING'	LUK,LUL,LUM,LUP,LUU LUV,ZTQ,ZTR,ZTS,ZTT ZTU,ZTV,ZTX,ZUE,ZUF JHP,JHQ,JHH,JHM,JHJ JHN,JHK,JXY,JXZ,KAB KAC,KAD	
13	FB6-2301-000		1	LABEL, 'CARTRIDGE REPLACING'	QTJ,QTK,TTG,TTH,UGA, UHA,UIA,UUK,UUM,UUU, UUV,UUW,UUX,UUY,UUZ	
14	FB6-0283-000		1	LABEL, REMOVAL	QTJ,QTK,TTG,TTH,UGA, UHA,UIA,UUK,UUM,UUU, UUV,UUW,UUX,UUY,UUZ	

FIGURE & KEY NO.	PARTS NUMBER	R A N K	QTY	DESCRIPTION	SERIAL NUMBER/ REMARKS	S V C
14	FB6-0284-000		1	LABEL, REMOVAL	PVR,PVS,PVX,PVY,RTV, RTW,RTX,RTY,STR,STS	
14	FB6-2303-000		1	LABEL, REMOVAL	LUK,LUL,LUM,LUP,LUU LUV,ZTQ,ZTR,ZTS,ZTT ZTU,ZTV,ZTX,ZUE,ZUF JHP,JHQ,JHH,JHM,JHJ JHN,JHK	
14	FB6-6839-000		1	LABEL, REMOVAL	JXY,JXZ,KAB,KAC,KAD	
15	FB6-2304-000		1	LABEL, DOCUMENT SIZE	LUK,LUL,LUM,LUP,LUU LUV,JHP,JHQ,JHH,JHM JHJ,JHN,JHK,JXY,JXZ KAB,KAC,KAD	
15	FB6-2305-000		1	LABEL, DOCUMENT SIZE	EXCEPT LUK,LUL,LUM EXCEPT LUP,LUU,LUV	
16	FB6-2306-000		1	LABEL, READER SLIDE	LUK,LUL,LUM,LUP,LUU LUV,ZTQ,ZTR,ZTS,ZTT ZTU,ZTV,ZTX,ZUE,ZUF JHP,JHQ,JHH,JHM,JHJ JHN,JHK,JXY,JXZ,KAB KAC,KAD	
16	FB6-2307-000		1	LABEL, READER SLIDE	QTJ,QTK,TTG,TTH,UGA, UHA,UIA,UUK,UUM,UUU, UUV,UUW,UUX,UUY,UUZ	
16	FB6-2308-000		1	LABEL, READER SLIDE	PVR,PVS,PVX,PVY,RTV, RTW,RTX,RTY,STR,STS	
17	FB6-0327-000		1	PANEL, FRONT	ZTR	
17	FB6-4216-000		1	PANEL, FRONT	LUL	
17	FB6-4217-000		1	PANEL, FRONT	LUK	
17	FB6-4218-000		1	PANEL, FRONT	LUM	
17	FB6-4219-000		1	PANEL, FRONT	LUP	
17	FB6-4220-000		1	PANEL, FRONT	ZTU	
17	FB6-4221-000		1	PANEL, FRONT	ZTX	
17	FB6-4222-000		1	PANEL, FRONT	PVS,PVY,RTW,RTY,STS, ZTT	
17	FB6-4223-000		1	PANEL, FRONT	STR,ZTS,ZUF	
17	FB6-4225-000		1	PANEL, FRONT	PVR,PVX,RTV,RTX,ZTQ, ZUE	
17	FB6-4226-000		1	PANEL, FRONT	QTJ,QTK,TTG,TTH,UGA, UHA,UIA,UUK,UUM,UUU, UUV,UUW,UUX,UUY,UUZ	
17	FB6-4227-000		1	PANEL, FRONT	ZTV	
17	FB6-4228-000		1	PANEL, FRONT	LUV	

FIGURE & KEY NO.	PARTS NUMBER	R A N K	QTY	DESCRIPTION	SERIAL NUMBER/ REMARKS	S V C
17	FB6-4230-000		1	PANEL, FRONT	LUU	
17	FE5-3218-000		1	PANEL, FRONT	JHH,JHM	
17	FE5-3219-000		1	PANEL, FRONT	JHJ,JHN	
17	FE5-3221-000		1	PANEL, FRONT	JHK	
17	FE5-3230-000		1	PANEL, FRONT	JHP	
17	FE5-3231-000		1	PANEL, FRONT	JHQ	
17	FB6-6833-000		1	PANEL, FRONT	JXY,JXZ	
17	FB6-6834-000		1	PANEL, FRONT	KAB,KAC	
17	FB6-6835-000		1	PANEL, FRONT	KAD	
18	FB6-4232-00S		1	LABEL, MODEL NAME	QTK,TTH,UHA,UUM,UUX, UUY,UUZ	
18	FB6-4234-00S		1	LABEL, MODEL NAME	QTJ,TTG,UGA,UUK,UUU, UUV,UUW	
18	FB6-4235-00S		1	LABEL, MODEL NAME	UIA	
19	FH2-5288-000		1	WIRE, GROUNDING	LUK,LUL,LUM,LUP,LUU LUV,JHP,JHQ,JHH,JHM JHJ,JHN,JHK	
20	FS7-2691-000		2	SPRING, COMPRESSION		
21	FS7-2692-000		1	SPRING, COMPRESSION		
22	FS7-2693-000		1	SPRING, TORSION		
23	RB2-3046-000		2	ROLLER		
24	XA9-0931-000		AR	SCREW, RS, M3X12		
25	FE5-3192-000		4	SHEET, SILENCER 1	JHP,JHQ,JHH,JHM,JHJ JHN,JHK,JXY,JXZ,KAB KAC,KAD	
26	FE5-3193-000		1	SHEET, SILENCER 2	JHP,JHQ,JHH,JHM,JHJ JHN,JHK,JXY,JXZ,KAB KAC,KAD	
27	FB6-4783-000		1	LABEL, 'SUPER G3'	ZTQ, ZUE,JXY,JXZ	
27	FB6-5727-000		1	LABEL, 'SUPER G3'	LUU,LUV,JHP,JHQ,JHH JHM,JHJ,JHN,JHK	
28	FC6-3947-000		1	LID,CRG OPEN/CLOSE COVER UPPER	JXY,JXZ	
28	FC6-3948-000		1	LID,CRG OPEN/CLOSE COVER UPPER	JXY,JXZ	
501	XB6-7300-807		AR	SCREW,TP,M3X8		

FIGURE 101
INTERNAL COMPONENTS 1

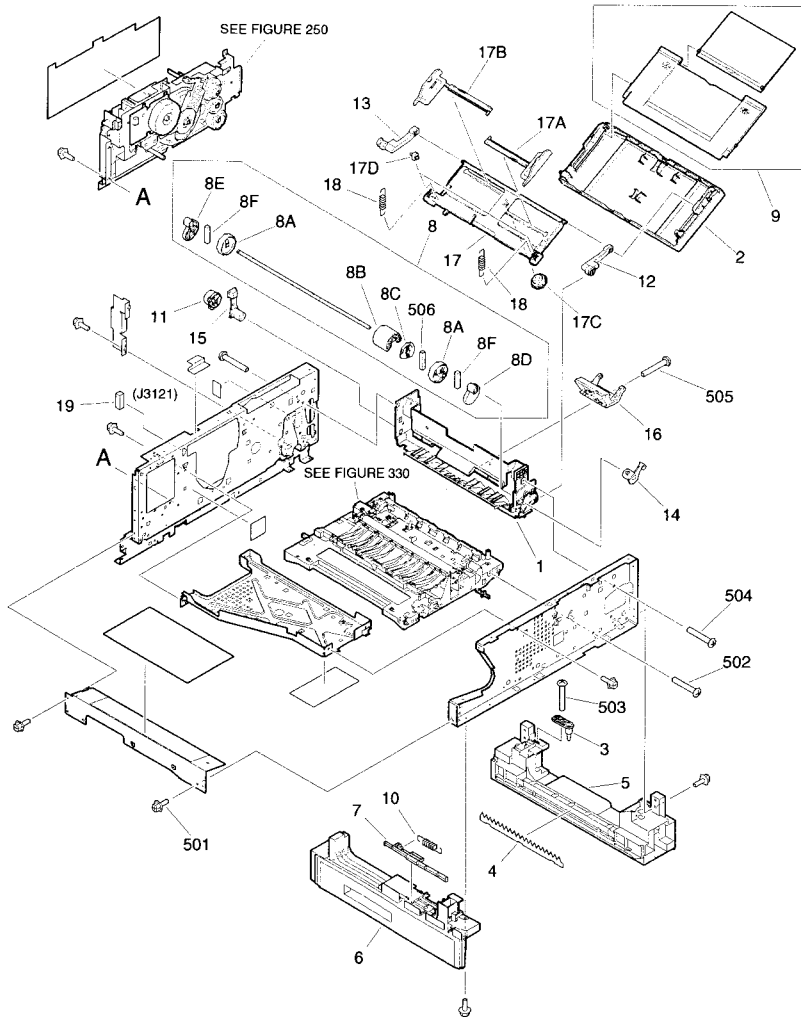


FIGURE & KEY NO.	PARTS NUMBER	RANK	QTY	DESCRIPTION	SERIAL NUMBER/REMARKS	SVC
Fig.101	NPN		RF	INTERNAL COMPONENTS 1		
1	FB6-0074-000		1	FRAME, MULTI FEED		
2	FB6-0249-000		1	PANEL, MULTI PICK-UP		
3	FB6-0251-000		1	PIN, HINGE		
4	FB6-0265-000		1	SHEET, NOISE PREVENTION	LUK,LUL,LUM,LUP,LUU LUV,PVR,PVS,PVX,PVY QTJ,QTK,RTV,RTW,ZTR RTX,RTY,STR,STS,TTG TTH,UGA,UHA,UJA,UJK UUM,UUU,UUV,UUW,UU X UUY,UUZ,ZTQ,ZTS,ZTU ZTT,ZTV,ZTX,ZUE,ZUF	
4	FE5-3195-000		1	SHEET, NOISE PREVENTION	JHP,JHQ,JHH,JHM,JHJ JHN,JHK,JXY,JXZ,KAB KAC,KAD	
5	FB6-0268-000		1	RAIL, CASSETTE, RIGHT		
6	FB6-0269-000		1	RAIL, CASSETTE, LEFT		
7	FB6-0291-000		1	LEVER, CASSETTE SENSOR		
8	FG6-7953-000		1	MP PICK-UP ROLLER UNIT		
8A	FB6-0314-000		2	COLLAR, MP		
8B	RB2-2900-000		1	ROLLER, MP PICK-UP		
8C	RB2-2901-000		1	CAM, ROLLER		
8D	RB2-2902-000		1	CAM, MP, LEFT		
8E	RB2-2903-000		1	CAM, MP, RIGHT		
8F	XD9-0159-000		2	PIN, DOWEL		
9	FG6-7972-000		1	PAPER PICK-UP TRAY UNIT		
10	FS7-2697-000		1	SPRING, TENSION		
11	FU3-0072-000		1	GEAR, 26T		
12	RB2-3041-020		1	HINGE, LEFT		
13	RB2-3042-020		1	HINGE, RIGHT		
14	RB2-3043-000		1	BUSHING, LEFT		
15	RB2-3044-000		1	BUSHING, RIGHT		
16	FF6-1460-000		1	SEPARATION PAD UNIT		

FIGURE & KEY NO.	PARTS NUMBER	RANK	QTY	DESCRIPTION	SERIAL NUMBER/REMARKS	SVC
17	FG6-8530-000		1	MULTI-PURPOSE TRAY ASSY	LUK,LUL,LUM,LUP,LUU LUV,PVR,PVS,PVX,PVY QTJ,QTK,RTV,RTW,ZTR RTX,RTY,STR,STS,TTG TTH,UGA,UHA,UIA,UUK UUM,UUU,UUV,UUW,UU X UUY,UUZ,ZTQ,ZTS,ZTU ZTT,ZTV,ZTX,ZUE,ZUF JHP,JHQ	
17	FG6-8530-000		1	MULTI-PURPOSE TRAY ASSY	JHH,JHM,JHJ,JHN,JHK JXY,JXZ,KAB,KAC,KAD	
17A	FB6-5827-000		1	GUIDE, SLIDE, LEFT	JHH,JHM,JHJ,JHN,JHK JXY,JXZ,KAB,KAC,KAD	
17A	RB2-2883-000		1	GUIDE, SLIDE, LEFT	LUK,LUL,LUM,LUP,LUU LUV,PVR,PVS,PVX,PVY QTJ,QTK,RTV,RTW,ZTR RTX,RTY,STR,STS,TTG TTH,UGA,UHA,UIA,UUK UUM,UUU,UUV,UUW,UU X UUY,UUZ,ZTQ,ZTS,ZTU ZTT,ZTV,ZTX,ZUE,ZUF JHP,JHQ	
17B	FB6-5828-000		1	GUIDE, SLIDE, RIGHT	JHH,JHM,JHJ,JHN,JHK JXY,JXZ,KAB,KAC,KAD	
17B	RB2-2884-000		1	GUIDE, SLIDE, RIGHT	LUK,LUL,LUM,LUP,LUU LUV,PVR,PVS,PVX,PVY QTJ,QTK,RTV,RTW,ZTR RTX,RTY,STR,STS,TTG TTH,UGA,UHA,UIA,UUK UUM,UUU,UUV,UUW,UU X UUY,UUZ,ZTQ,ZTS,ZTU ZTT,ZTV,ZTX,ZUE,ZUF JHP,JHQ	
17C	FB6-5829-000		1	GEAR, 18T	JHH,JHM,JHJ,JHN,JHK JXY,JXZ,KAB,KAC,KAD	
17C	RB2-2885-000		1	GEAR, 18T	LUK,LUL,LUM,LUP,LUU LUV,PVR,PVS,PVX,PVY QTJ,QTK,RTV,RTW,ZTR RTX,RTY,STR,STS,TTG TTH,UGA,UHA,UIA,UUK UUM,UUU,UUV,UUW,UU X UUY,UUZ,ZTQ,ZTS,ZTU ZTT,ZTV,ZTX,ZUE,ZUF JHP,JHQ	
17D	FB6-5830-000		2	COLLAR, MP	JHH,JHM,JHJ,JHN,JHK JXY,JXZ,KAB,KAC,KAD	

FIGURE & KEY NO.	PARTS NUMBER	R A N K	QTY	DESCRIPTION	SERIAL NUMBER/ REMARKS	S V C
17D	RB2-3084-000		2	COLLAR, MP	LUK,LUL,LUM,LUP,LUU LUV,PVR,PVS,PVX,PVY QTJ,QTK,RTV,RTW,ZTR RTX,RTY,STR,STS,TTG TTH,UGA,UHA,UIA,UUK UUM,UUU,UUV,UUW,UU X UUY,UUZ,ZTQ,ZTS,ZTU ZTT,ZTV,ZTX,ZUE,ZUF JHP,JHQ	
18	FS7-2706-000		2	SPRING, TENSION	JHP,JHQ,JHH,JHM,JHJ JHN,JHK,JXY,JXZ,KAB KAC,KAD	
18	RS6-2030-000		2	SPRING, TENSION	LUK,LUL,LUM,LUP,LUU LUV,PVR,PVS,PVX,PVY QTJ,QTK,RTV,RTW,ZTR RTX,RTY,STR,STS,TTG TTH,UGA,UHA,UIA,UUK UUM,UUU,UUV,UUW,UU X UUY,UUZ,ZTQ,ZTS,ZTU ZTT,ZTV,ZTX,ZUE,ZUF JHP,JHQ	
19	VS1-7177-004		1	CONNECTOR, SNAP TIGHT	J3121	
501	XB3-6300-800		21	SCREW,RS,M3X8		
502	XB4-5401-007		AR	SCREW,P,M4X10		
503	XB4-5401-007		14	SCREW,P,M4X10		
504	XB4-7401-009		4	SCREW,TAPPING,TRUSS HEAD,M4X10		
505	XB4-7401-009		AR	SCREW,TAPPING,TRUSS HEAD,M4X10		
506	XD3-1160-142		1	PIN,SPRING		

FIGURE 102
INTERNAL COMPONENTS 2

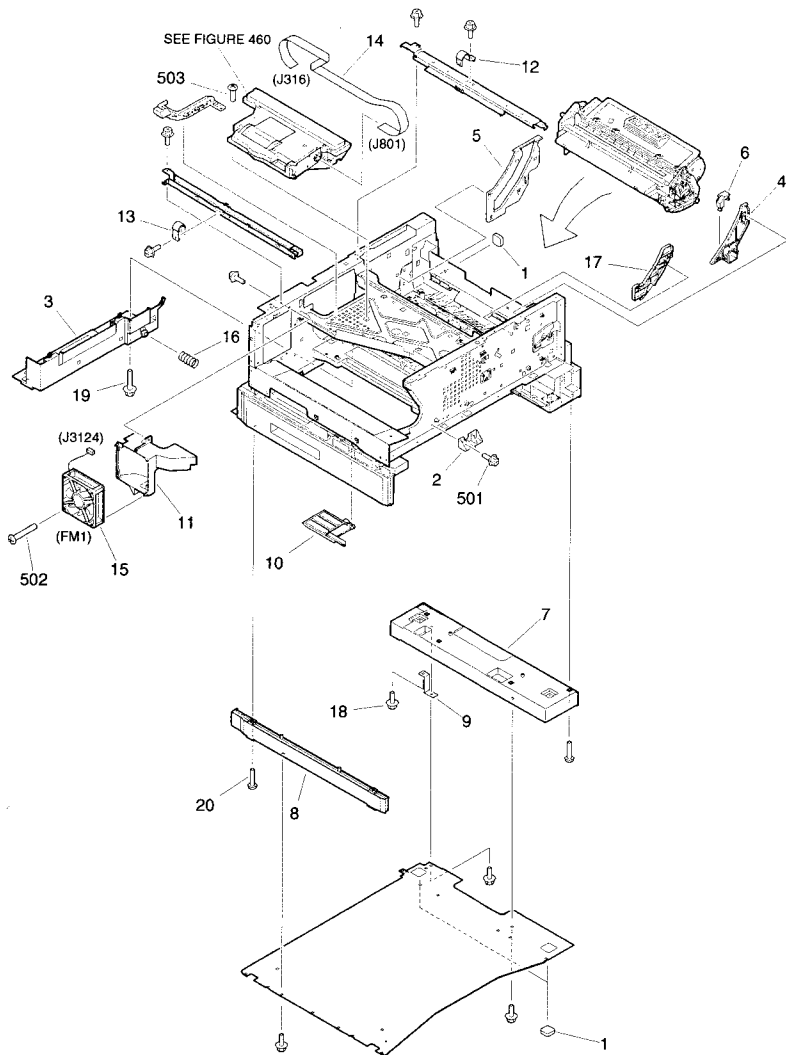


FIGURE & KEY NO.	PARTS NUMBER	RANK	QTY	DESCRIPTION	SERIAL NUMBER/REMARKS	SVC
Fig.102	NPN		RF	INTERNAL COMPONENTS 2		
1	FB2-5303-000		3	FOOT, RUBBER		
2	FB6-0077-000		1	LOCK, CASSETTE		
3	FB6-0086-000		1	PANEL, CABLE HOLDER		
4	FB6-0163-000		1	GUIDE, CARTRIDGE, FRONT		
5	FB6-0164-000		1	GUIDE, CARTRIDGE, REAR		
6	FB6-0165-000		1	RETAINER, SPRING		
7	FB6-0276-000		1	SUPPORT, RAIL, RIGHT	ZTQ,ZTR,ZTS,ZTU,ZTV ZTX,ZUE,ZUF,JXY,JXZ KAB,KAC,KAD	
8	FB6-0277-000		1	SUPPORT, RAIL, LEFT	ZTQ,ZTR,ZTS,ZTU,ZTV ZTX,ZUE,ZUF,JXY,JXZ KAB,KAC,KAD	
9	FB6-0278-000		1	PLATE, GROUNDING	ZTQ,ZTR,ZTS,ZTU,ZTV, ZTX,ZUE,ZUF	
10	FB6-0289-000		1	LEVER, DETECT SENSOR, 1	LUK,LUL,LUM,LUP,LUU LUV,PVR,PVS,PVX,PVY QTJ,QTK,RTV,RTW,RTX RTY,STR,STS,TTG,TTH UGA,UHA,UJA,UJK,UUM UUU,UUV,UUW,UUX,UU Y UUZ,ZTT,JHP,JHQ,JHH JHM,JHJ,JHN,JHK,JXY JXZ,KAB,KAC,KAD	
10	FB6-0303-000		1	LEVER, DETECT SENSOR, 1	ZTQ,ZTR,ZTS,ZTU,ZTV, ZTX,ZUE,ZUF	
11	FB6-0307-000		1	HOLDER, FAN		
12	FB6-4556-000		1	PLATE, GROUNDING		
13	FB6-4557-000		1	PLATE, GROUNDING		
14	FH2-6934-000		1	CABLE, FLAT	J316,801	
15	FH6-1921-000		1	FAN	FM1 J3124	
16	FS7-2694-000		1	SPRING, COMPRESSION		
17	RB2-2831-020		1	GUIDE, CARTRIDGE, LEFT		
18	XA9-0813-000		1	SCREW,RS,M3X8	ZTQ,ZTR,ZTS,ZTU,ZTV, ZTX,ZUE,ZUF	
19	XA9-0931-000		AR	SCREW, RS, M3X12		
20	XA9-0976-000		6	SCREW,P,M4X16	ZTQ,ZTR,ZTS,ZTU,ZTV, ZTX,ZUE,ZUF	
501	XB3-6300-800		AR	SCREW,RS,M3X8		

FIGURE & KEY NO.	PARTS NUMBER	R A N K	QTY	DESCRIPTION	SERIAL NUMBER/ REMARKS	S V C
502	XB4-7403-509		2	SCREW,TAPPING,TRUSS HEAD,M4X35		
503	XB6-7300-807		AR	SCREW,TP,M3X8		



FIGURE & KEY NO.	PARTS NUMBER	R A N K	QTY	DESCRIPTION	SERIAL NUMBER/REMARKS	S V C
Fig.103	NPN		RF	INTERNAL COMPONENTS 3		
1	FB2-5502-000		1	SCREW, STEPPED, M3	EXCEPT JXY, JXZ, KAB, KAC, KAD	
2	FB6-0075-000		1	FLAG, MULTI PICK-UP SENSOR		
3	FB6-0076-000		1	SUPPORT, MULTI PICK-UP SENSOR		
4	FB6-0093-000		1	PANEL, UPPER		
5	FB6-0094-000		2	SUPPORT, READER STOP		
6	FB6-0147-000		1	PLATE, GROUNDING		
7	FB6-0179-000		1	COVER, DF CABLE		
8	FB6-0234-000		4	COLLAR, SWING		
9	FB6-0252-000		1	PLATE, GROUNDING		
10	FB6-0253-000		1	PLATE, GROUNDING		
11	FB6-0256-000		1	DAMPER GEAR UNIT		
12	FB6-0304-000		1	PLATE, BLANKING	LUL, LUV, ZTR, ZTU, ZTX JHP, JHQ, JHH, JHM, JHJ JHN, JHK, JXY, JXZ, KAB KAC, KAD	
13	FF6-1455-000		1	PLATE, GROUNDING		
14	FG3-2279-000		1	PRINTER CONTROLLER PCB ASS'Y	LUK, LUP, LUU, PVR, PVS, PVX, PVY, QTJ, QTK, RTV, RTW, RTX, RTY, STR, STS, TTG, TTH, UGA, UHA, UIA, UUK, UUM, UUU, UVV, UJ W, UUX, UUY, UUZ, ZTQ, ZTS, ZTT, ZTV, ZUE, ZUF	
14	FM5-1021-000		1	PRINTER CONTROLLER PCB ASS'Y	JHP, JHH, JHM, JHJ, JHN JHK	
14	FM5-5326-000		1	PRINTER CONTROLLER PCB ASS'Y	JXY, JXZ, KAB, KAC, KAD	
15	FG3-3267-000		1	CD-ROM, USERSOFTWARE	LUU	
15	FH5-3408-000		1	CD-ROM, USERSOFTWARE	ZTQ, ZTS, ZTT, ZTV, ZUE, ZUF	
15	FH5-3413-000		1	CD-ROM, USERSOFTWARE	LUK, LUM, LUP	
15	FH5-3414-000		1	CD-ROM, USERSOFTWARE	PVR, PVS, PVX, PVY, RTV, RTW, RTX, RTY, STR, STS	
15	FH5-3679-000		1	CD-ROM, USERSOFTWARE	JXY, JXZ, KAB, KAC, KAD	
16	FG6-8549-000		1	CABLE, VH	LUK, LUL, LUU, LUV, JHP JHQ J4, 102	

FIGURE & KEY NO.	PARTS NUMBER	RANK	QTY	DESCRIPTION	SERIAL NUMBER/REMARKS	SVC
16	FG6-8840-000		1	CABLE, PSEUDO, CI	PVR,PVX,RTV,RTX,UIA, ZTQ,ZTR,ZUE JHH,JHM,JXY,JXZ J4,102	
17	FG6-8828-000		1	MODULAR JACK PCB ASSEMBLY	LUK,LUL,LUU,LUV,JHP JHQ	
17	FG6-8829-000		1	MODULAR JACK PCB ASSEMBLY	ZTQ,ZTR,ZUE,JXY,JXZ JHH,JHM	
17	FG6-8830-000		1	MODULAR JACK PCB ASSEMBLY	UIA	
17	FG6-8831-000		1	MODULAR JACK PCB ASSEMBLY	PVR,PVX,RTV,RTX	
18	FG6-8837-000		1	CABLE, GROUNDING	LUK,LUL,LUU,LUV,JHP JHQ	
19	FG6-8841-000		1	CABLE, MULTI PICK-UP	J308,3081	
20	FG6-8842-000		1	CABLE, READER SWITCH	SW1 J314	
21	FG6-8535-000		1	CABLE, NCU ANALOG	LUU,LUV,JHP,JHQ J2,319	
21	FG6-8844-000		1	CABLE, NCU ANALOG	LUK,LUL,PVR,PVX,RTV RTX,UIA,ZTQ,ZTR,ZUE JXY,JXZ,JHH,JHM J2,319	
21A	WE8-5702-000		1	CORE, FERRITE	LUU,LUV,JHP,JHQ,JHH JHM,JHU,JHN,JHK,JXY JXZ,KAB,KAC,KAD	
22	FG6-8845-000		1	CABLE, COUNTER	PVR,PVS,PVX,PVY,RTX, RTY,STR,STS J305,3051	
23	FH2-6932-000		1	CABLE, FLAT	J315,401	
24	FH2-6935-000		1	CABLE, FLAT	PVR,PVX,RTV,RTX,UIA J6,321	
25	FH2-6936-000		1	CABLE, FLAT	LUK,LUL,LUU,LUV,PVR PVX,RTV,RTX,UIA,ZTQ ZTR,ZUE,JHP,JHQ,JHH JHM,JHU,JHN,JHK,JXY JXZ,KAB,KAC,KAD J1,320	
26	FH2-6937-000		1	CABLE, FLAT	LUK,LUP,LUU,PVR,PVS PVX,PVY,QTJ,QTK,RTV RTW,RTX,RTY,STR,STS TTG,TTH,UGA,UHA,UIA UUK,UUM,UUU,UUV,UU W UUX,UUY,UUZ,ZTQ,ZTS ZTT,ZTV,ZUE,ZUF,JXY JXZ,KAB,KAC,KAD J318,701	
27	FH6-5038-000		1	SOLENOID	SL1 J309	
28	FS7-2695-000		1	SPRING, COMPRESSION		
29	FS7-2696-000		1	SPRING, COMPRESSION		

FIGURE & KEY NO.	PARTS NUMBER	RANK	QTY	DESCRIPTION	SERIAL NUMBER/REMARKS	SVC
30	HG1-4365-000		1	NCU PCB ASSEMBLY	ZTQ,ZTR,ZUE,JXY,JXZ JHH,JHM	
30	HG5-1866-000		1	NCU PCB ASSEMBLY	LUK,LUL,LUU,LUV,JHP,J HQ	
30	HG5-2587-000		1	NCU PCB ASSEMBLY	UIA	
30	HG5-2598-000		1	NCU PCB ASSEMBLY	PVR,PVX,RTV,RTX	
31	HH2-2824-000		1	CORD, MODULAR	LUK,LUL,LUU,LUV,PVR PVX,RTV,RTX,UIA,ZTQ ZTR,ZUE,JHP,JHQ,JHH JHM,JXY,JXZ	
32	RB2-2837-000		1	SPRING, TORSION		
33	WE8-5908-000		1	CORE, RING		
34	WE8-5947-000		1	CORE, FERRITE	LUK,LUL,PVR,PVX,RTV, RTX,UIA,ZTQ,ZTR,ZUE	
35	WG2-5190-000		1	COUNTER,ELECTROMAGNETIC	PVR,PVS,PVX,PVY,RTX, RTY,STR,STS	
35	WG2-5190-000		1	COUNTER,ELECTROMAGNETIC	CNT1 J3051	
36	WG8-5309-000		1	PHOTO-INTERRUPTER	PS4 J3081	
37	XA9-1164-000		AR	SCREW,RS,M3X6.5		
501	XB1-1300-807		2	SCREW,MACH.,PAN HEAD,M3X8	LUK,LUP,LUU,PVR,PVS, PVX,PVY,QTJ,QTK,RTV, RTW,RTX,RTY,STR,STS, TTG,TTH,UGA,UHA,UIA, UUK,UUM,UUU,UUV,UU W, UUX,UUY,UUZ,ZTQ,ZTS, ZTT,ZTV,ZUE,ZUF JHP,JHH,JHM,JHJ,JHN JHK,JXY,JXZ,KAB,KAC KAD	
502	XB1-2300-607		5	SCREW,MACH.,TRUSS HEAD,M3X6		
503	XB2-7300-407		1	SCREW,W,WASHER,M3X4		
504	XB3-6300-800		AR	SCREW,RS,M3X8		
505	XB4-7401-009		AR	SCREW,TAPPING,TRUSS HEAD,M4X10		

FIGURE 130
CONTROL PANEL ASSEMBLY

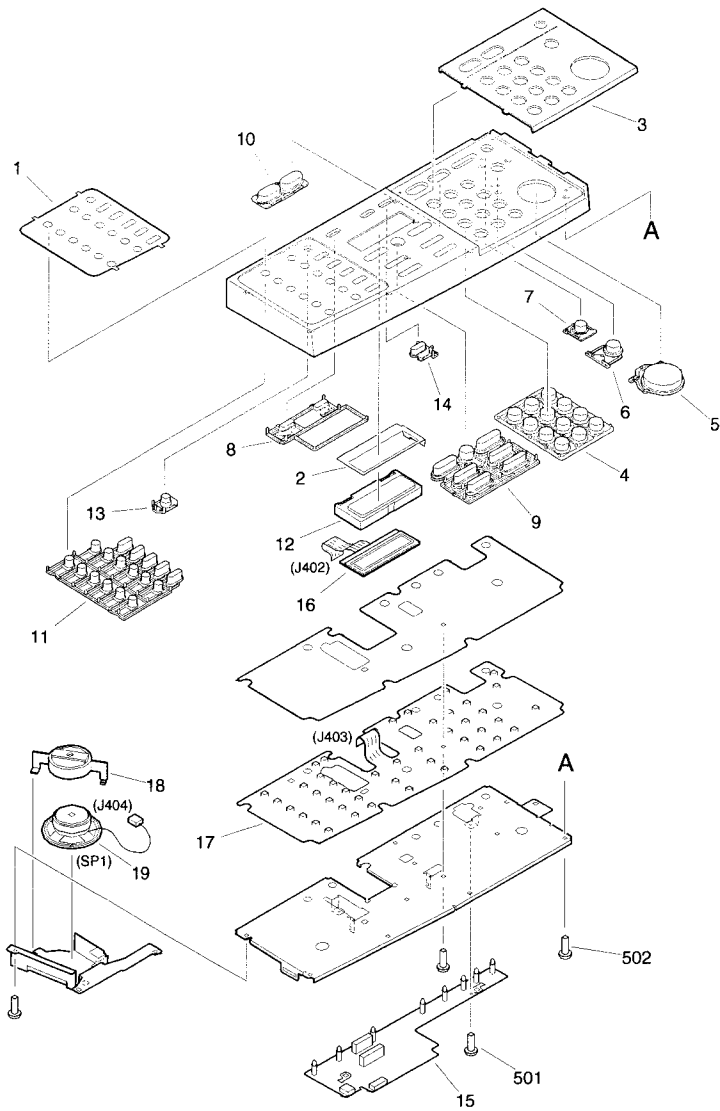


FIGURE & KEY NO.	PARTS NUMBER	RANK	Q'TY	DESCRIPTION	SERIAL NUMBER/ REMARKS	SVC
Fig.130	FG6-7938-000		1	CONTROL PANEL ASSEMBLY	LUK,LUL	
Fig.130	FG6-7957-000		1	CONTROL PANEL ASSEMBLY	LUM,LUP	
Fig.130	FG6-7958-000		1	CONTROL PANEL ASSEMBLY	ZTR	
Fig.130	FG6-7959-000		1	CONTROL PANEL ASSEMBLY	ZTU,ZTV,ZTX	
Fig.130	FG6-7960-000		1	CONTROL PANEL ASSEMBLY	UIA	
Fig.130	FG6-7961-000		1	CONTROL PANEL ASSEMBLY	QTJ,QTK,RTW,RTY,STR, STS,TTG,TTH,UGA,UHA, UUK,UUM,UUU,UUV,UU W,UUX,UUY,UUZ	
Fig.130	FG6-7962-000		1	CONTROL PANEL ASSEMBLY	PVR,PVX	
Fig.130	FG6-7963-000		1	CONTROL PANEL ASSEMBLY	RTV	
Fig.130	FG6-8523-000		1	CONTROL PANEL ASSEMBLY	RTX	
Fig.130	FG6-8524-000		1	CONTROL PANEL ASSEMBLY	PVS,PVY	
Fig.130	FG6-8526-000		1	CONTROL PANEL ASSEMBLY	ZTQ,ZUE	
Fig.130	FG6-8527-000		1	CONTROL PANEL ASSEMBLY	ZTS,ZUF	
Fig.130	FG6-8528-000		1	CONTROL PANEL ASSEMBLY	LUU	
Fig.130	FG6-8529-000		1	CONTROL PANEL ASSEMBLY	LUV	
Fig.130	FM5-0997-000		1	CONTROL PANEL ASSEMBLY	JHJ,JHN,JHK	
Fig.130	FM5-0996-000		1	CONTROL PANEL ASSEMBLY	JHH,JHM	
Fig.130	FM5-0999-000		1	CONTROL PANEL ASSEMBLY	JHP	
Fig.130	FM5-1000-000		1	CONTROL PANEL ASSEMBLY	JHQ	
Fig.130	FM2-3112-000		1	CONTROL PANEL ASSEMBLY	JXY,JXZ	
Fig.130	FM2-3113-000		1	CONTROL PANEL ASSEMBLY	KAB,KAC,KAD	
1	FB6-0132-000		1	SHEET, ONE-TOUCH	LUK,LUL	
1	FB6-2310-000		1	SHEET, ONE-TOUCH	ZTR	
1	FB6-2314-000		1	SHEET, ONE-TOUCH	RTV	
1	FB6-2316-000		1	SHEET, ONE-TOUCH	RTX	
1	FB6-2317-000		1	SHEET, ONE-TOUCH	PVR,PVX,UIA	
1	FB6-2915-000		1	SHEET, ONE-TOUCH	ZTQ,ZUE	
1	FB6-5511-000		1	SHEET, ONE-TOUCH	LUU,LUV	
1	FE5-3208-000		1	SHEET, ONE-TOUCH	JHH,JHM	
1	FE5-3210-000		1	SHEET, ONE-TOUCH	JHP,JHQ	
1	FB6-2312-000		1	SHEET, ONE-TOUCH	UIA:FRENCH	

FIGURE & KEY NO.	PARTS NUMBER	RANK	QTY	DESCRIPTION	SERIAL NUMBER/REMARKS	SVC
1	FB6-2313-000		1	SHEET, ONE-TOUCH	UIA:ITALIAN	
2	FB6-0133-000		1	PLATE, GROUNDING		
3	FB6-0136-000		1	COVER, CONTROL PANEL	LUK,LUL	
3	FB6-2285-000		1	COVER, CONTROL PANEL	ZTR	
3	FB6-2286-000		1	COVER, CONTROL PANEL	RTV,RTX,UIA	
3	FB6-2287-000		1	COVER, CONTROL PANEL	LUM,LUP	
3	FB6-2288-000		1	COVER, CONTROL PANEL	PVS,PVY,ZTT,ZTU,ZTV, ZTX	
3	FB6-2289-000		1	COVER, CONTROL PANEL	QTJ,QTK,RTW,RTY,STR, STS,TTG,TTH,UGA,UHA,	
3	FB6-2289-000		1	COVER, CONTROL PANEL	UUK,UUM,UUU,UUV,UU W,UUX,UUY,UUZ	
3	FB6-2290-000		1	COVER, CONTROL PANEL	PVR,PVX	
3	FB6-2292-000		1	COVER, CONTROL PANEL	ZTQ,ZUE	
3	FB6-2293-000		1	COVER, CONTROL PANEL	ZTS,ZUF	
3	FB6-5509-000		1	COVER, CONTROL PANEL	LUU	
3	FB6-5521-000		1	COVER, CONTROL PANEL	LUV	
3	FE5-3197-000		1	COVER, CONTROL PANEL	JHH,JHM	
3	FE5-3198-000		1	COVER, CONTROL PANEL	JHJ,JHN,JHK	
3	FE5-3200-000		1	COVER, CONTROL PANEL	JHP	
3	FE5-3201-000		1	COVER, CONTROL PANEL	JHQ	
3	FC6-3932-000		1	COVER, CONTROL PANEL	JXY,JXZ	
3	FC6-3933-000		1	COVER, CONTROL PANEL	KAB,KAC,KAD	
4	FB6-0137-000		1	KEY TOP, NUMBERS	LUK,LUL,LUM,LUP,LUU LUV,PVR,PVS,PVX,PVY QTJ,QTK,RTV,RTW,ZTR RTX,RTY,STR,STS,TTG TTH,UGA,UHA,UIA,UUK UUM,UUU,UUV,UUW,UU X UUY,UUZ,ZTQ,ZTS,ZTU ZTT,ZTV,ZTX,ZUE,ZUF	
4	FE5-3215-000		1	KEY TOP, NUMBERS	JHP,JHQ,JHH,JHM,JHJ JHN,JHK	
4	FC6-3950-000		1	KEY TOP, NUMBERS	JXY,JXZ	
4	FC6-3934-000		1	KEY TOP, NUMBERS	KAB,KAC,KAD	
5	FB6-0138-000		1	KEY TOP, START	EXCEPT JXY,JXZ,KAB,KAC,KAD	

FIGURE & KEY NO.	PARTS NUMBER	R A N K	QTY	DESCRIPTION	SERIAL NUMBER/ REMARKS	S V C
5	FC6-3935-000		1	KEY TOP, START	JXY,JXZ,KAB,KAC,KAD	
6	FB6-0139-000		1	KEY TOP, STOP	EXCEPT JXY,JXZ,KAB,KAC,KAD	
6	FC6-3936-000		1	KEY TOP, STOP	JXY,JXZ,KAB,KAC,KAD	
7	FB6-0140-000		1	KEY TOP, ESS	EXCEPT JXY,JXZ,KAB,KAC,KAD	
7	FC6-3937-000		1	KEY TOP, ESS	JXY,JXZ,KAB,KAC,KAD	
8	FB6-0141-000		1	KEY TOP, USER-MODE	EXCEPT JXY,JXZ,KAB,KAC,KAD	
8	FB6-3938-000		1	KEY TOP, USER-MODE	JXY,JXZ,KAB,KAC,KAD	
9	FB6-0142-000		1	KEY TOP, OK	LUK,LUL,LUM,LUP,PVR, PVS,PVX,PVY,QTJ,QTK, RTV,RTW,RTX,RTY,STR, STS,TTG,TTH,UGA,UHA, UIA,UUK,UUM,UUU,UUV, UUV,UUX,UUY,UUZ	
9	FB6-2325-000		1	KEY TOP, OK	ZTR,ZTT,ZTU,ZTV,ZTX	
9	FB6-2913-000		1	KEY TOP, OK	ZTQ,ZTS,ZUE,ZUF	
9	FB6-5510-000		1	KEY TOP, OK	LUU,LUV	
9	FE5-3213-000		1	KEY TOP, OK	JHH,JHM,JHJ,JHN,JHK	
9	FE5-3214-000		1	KEY TOP, OK	JHP,JHQ	
9	FC6-3951-000		1	KEY TOP, OK	JXY,JXZ	
9	FC6-3939-000		1	KEY TOP, OK	KAB,KAC,KAD	
10	FB6-0143-000		1	KEY TOP, CHANGE	LUK,LUL,LUU,LUV	
10	FB6-2323-000		1	KEY TOP, CHANGE	PVR,PVX,ZTQ,ZTR,ZUE JHH,JHM	
10	FB6-2324-000		1	KEY TOP, CHANGE	RTX,UIA	
10	FC6-3940-000		1	KEY TOP, CHANGE	JXY,JXZ	
11	FB6-0144-000		1	KEY TOP, ONE-TOUCH	LUK,LUL,LUU,LUV,PVR, PVX,RTV,RTX,UIA,ZTQ, ZTR,ZUE	
11	FE5-3216-000		1	KEY TOP, ONE-TOUCH	JHP,JHQ,JHH,JHM	
11	FC6-3941-000		1	KEY TOP, ONE-TOUCH	JXY,JXZ	
12	FB6-0145-000		1	CASE, LCD	EXCEPT JXY,JXZ,KAB,KAC,KAD	
12	FC6-3945-000		1	CASE, LCD	JXY,JXZ,KAB,KAC,KAD	
13	FC6-3943-000		1	KEY TOP, FUNCTION	JXY,JXZ	

FIGURE & KEY NO.	PARTS NUMBER	R A N K	QTY	DESCRIPTION	SERIAL NUMBER/ REMARKS	S V C
13	FB6-2299-000		1	KEY TOP, FUNCTION	LUK,LUL,LUU,LUV,PVR, PVX,RTV,RTX,UIA,ZTQ, ZTR,ZUE,JHP,JHQ,JHH JHM	
14	FB6-2298-000		1	KEY TOP, 2 IN 1	EXCEPT LUU,LUV,ZTQ ZTS,ZUE,ZUF,JHP,JHQ,J HH JHM,JHJ,JHN,JHK,JXY,J XZ KAB,KAC,KAD	
14	FB6-2912-000		1	KEY TOP, 2 IN 1	LUU,LUV,ZTQ,ZTS,ZUE, ZUF	
14	FE5-3217-000		1	KEY TOP, 2 IN 1	JHP,JHQ,JHH,JHM,JHJ JHN,JHK	
14	FC6-3952-000		1	KEY TOP, 2 IN 1	JXY,JXZ	
14	FC6-3942-000		1	KEY TOP, 2 IN 1	KAB,KAC,KAD	
15	FG6-8804-000		1	CONTROL PANEL PCB ASSEMBLY	Old Type LUK,LUL,LUU,LUV,PVR, PVX,RTV,RTX,UIA,ZTQ, ZTR,ZUE,JHP,JHQ,JHH,J HM	
15	FG6-8805-000		1	CONTROL PANEL PCB ASSEMBLY	Old Type LUM,LUP,PVS,PVY,QTJ, QTK,RTW,RTY,STR,STS, TTG,TTH,UGA,UHA,UUK, UUM,UUU,UUV,UUW,UU X JHJ,JHN,JHK	
15	FG6-8805-000		1	CONTROL PANEL PCB ASSEMBLY	Old Type UUU,UUZ,ZTS,ZTT,ZTU ZTV,ZTX,ZUF	
15	FM5-5278-000		1	CONTROL PANEL PCB ASSEMBLY	JXY,JXZ	
15	FM5-5279-000		1	CONTROL PANEL PCB ASSEMBLY	KAB,KAC,KAD	
16	FH6-0812-000		1	LCD CONTROL PANEL UNIT	Old Type LUK,LUL,LUM,LUP,LUU, LUV,JHP,JHQ J402	
16	FH6-0813-000		1	LCD CONTROL PANEL UNIT	Old Type EXCEPT LUK,LUL,LUM LUP,LUU,LUV,JHP,JHQ J402	
17	FH7-6337-000		1	SWITCH, MEMBRANE	J403	
18	HB1-3023-000		1	HOLDER, SPEAKER	LUK,LUL,LUU,LUV,PVR, PVX,RTV,RTX,UIA,ZTQ, ZTR,ZUE,JHP,JHQ,JHH JHM	
19	FH5-3221-000		1	SPEAKER	LUK,LUL,LUU,LUV,PVR, PVX,RTV,RTX,UIA,ZTQ, ZTR,ZUE,JHP,JHQ,JHH JHM SP1 J404	

FIGURE & KEY NO.	PARTS NUMBER	RANK	Q'TY	DESCRIPTION	SERIAL NUMBER/REMARKS	S V C
501	XB1-2300-607		2	SCREW,MACH.,TRUSS HEAD,M3X6		
502	XB4-5300-809		12	SCREW,P,M3X8		
15	FM5-5278-000		1	CONTROL PANEL PCB ASSEMBLY	New Type LUK,LUL,LUU,LUP,PVR PVX,RTV,RTX,UJA,ZTQ ZTR,ZUE,JHP,JHQ,JHH JHM,JHJ,JHN,JHK	
15	FM5-5279-000		1	CONTROL PANEL PCB ASSEMBLY	New Type LUM,LUP,PVS,PVY,QTJ, QTK,RTW,RTY,STR,STS, TTG,TTH,UGA,UHA,UUK, UUM,UUU,UUV,UUW,UU X, UUY,UUZ,ZTS,ZTT,ZTU ZTV,ZTX,ZUF	
	FM5-5279-000		1	CONTROL PANEL PCB ASSEMBLY		
16	FH6-0845-000		1	LCD CONTROL PANEL UNIT	New Type LUK,LUL,LUM,LUP,LUU LUV,JHP,JHQ,JHH,JHM JHJ,JHN,JHK J402	
16	FH6-0846-000		1	LCD CONTROL PANEL UNIT	New Type EXCEPT LUK,LUL,LUM EXCEPT LUP,LUU,LUV J402	

FIGURE 160
 COPYBOARD COVER ASSEMBLY (COPYBOARD
 COVER TYPE)

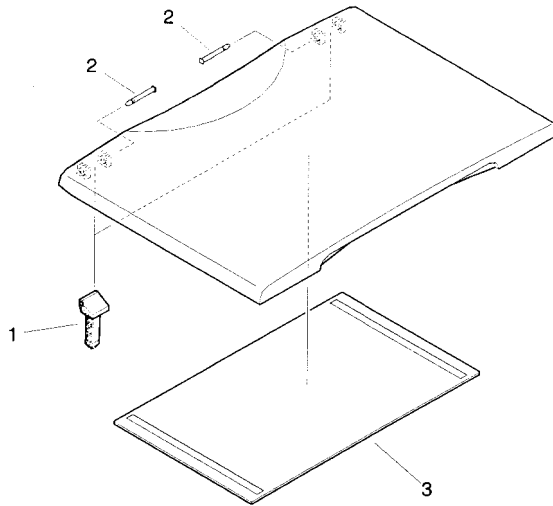


FIGURE & KEY NO.	PARTS NUMBER	RANK	Q'TY	DESCRIPTION	SERIAL NUMBER/REMARKS	SVC
Fig. 160	FG6-7944-000		1	COPYBOARD COVER ASSEMBLY	LUP,UUK,UUU,UUV,UUW ,QTJ,TTG,UGA,ZTT,RTW, PVS,PVY,STS,RTY	
1	FB6-0330-000		2	HINGE, COPYBOARD COVER		
2	FB6-0332-000		2	SHAFT, HINGE		
3	FB6-4237-000		1	SHEET, COPYBOARD		

FIGURE 161
ADF ASSEMBLY (ADF TYPE)

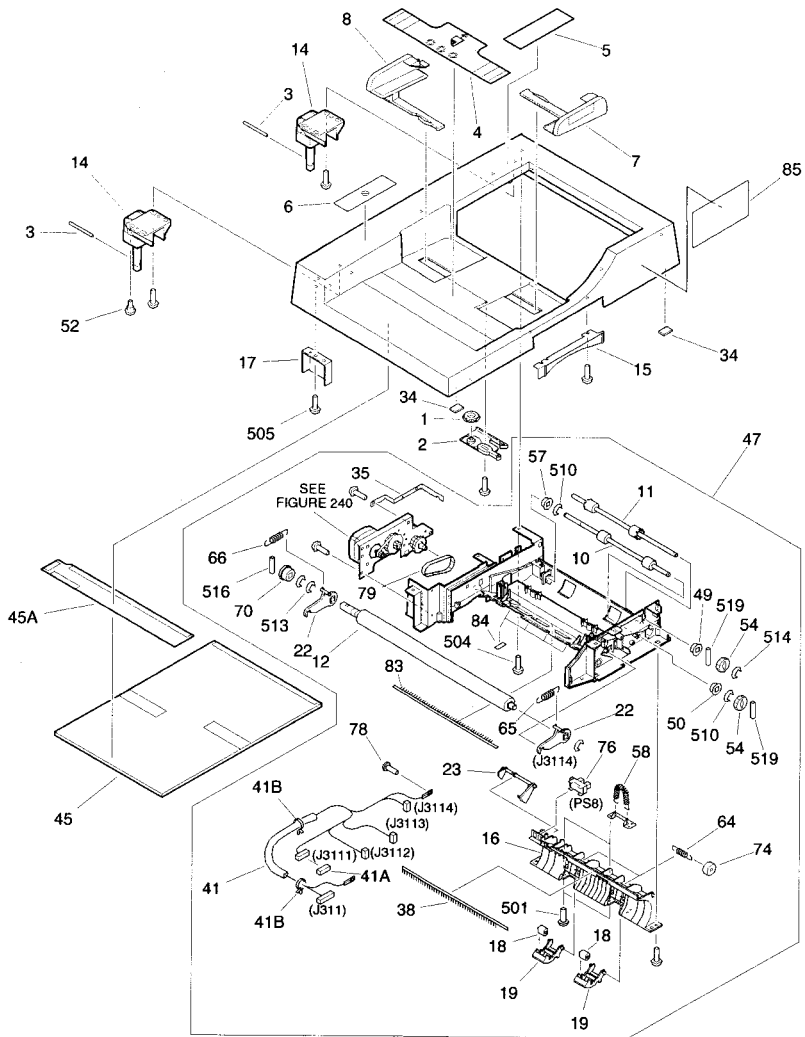


FIGURE & KEY NO.	PARTS NUMBER	RANK	QTY	DESCRIPTION	SERIAL NUMBER/REMARKS	SVC
Fig.161	NPN		RF	ADF ASSEMBLY	LUK,LUL,LUM,LUU,LUV PVR,PVX,QTK,RTV,RTX STR,TTH,UHA,UIA,UUM UUX,UUY,UUZ,ZTQ,ZTR ZTS,ZTU,ZTV,ZTX,ZUE ZUF,JHP,JHQ,JHH,JHM JHN,JHK,JXY,JXZ,KAB KAC,KAD	
1	FB3-3395-000		1	GEAR, 20T		
2	FB3-3396-000		1	PLATE, SLIDE		
3	FB6-0187-000		2	PIN, FIXING, DF HINGE		
4	FB6-2326-000		1	LABEL, 'PAPER SIZE'	LUK,LUL,LUM,LUU,LUV JHP,JHQ,JHH,JHM,JHN JHK,JXY,JXZ,KAB KAC,KAD	
4	FB6-2328-000		1	LABEL, 'PAPER SIZE'	ZTQ,ZTR,ZTS,ZTU,ZTV, ZTX,ZUE,ZUF	
4	FB6-2332-000		1	LABEL, 'PAPER SIZE'	PVR,PVX,RTV,RTX,STR	
4	FB6-5515-000		1	LABEL, 'PAPER SIZE'	QTK,TTH,UHA,UIA,UUM, UUX,UUY,UUZ	
5	FB6-2327-020		1	LABEL, 'COPYBOARD GLASS CLEAN	LUK,LUL,LUM,LUU,LUV,J HP JHQ,JHH,JHM,JHN,J HK JXY,JXZ,KAB,KAC,KAD	
5	FB6-2329-020		1	LABEL, 'COPYBOARD GLASS CLEAN	ZTQ,ZTR,ZTS,ZTU,ZTV, ZTX,ZUE,ZUF	
5	FB6-2331-020		1	LABEL, 'COPYBOARD GLASS CLEAN	QTK,TTH,UHA,UIA,UUM, UUX,UUY,UUZ	
5	FB6-2333-020		1	LABEL, 'COPYBOARD GLASS CLEAN	PVR,PVX,RTV,RTX,STR	
6	FB6-5504-000		1	LABEL, PROHIBITED DOCUMENTS	ZTQ,ZTR,ZTS,ZTU,ZTV, ZTX,ZUE,ZUF	
6	FB6-5505-000		1	LABEL, PROHIBITED DOCUMENTS	LUK,LUL,LUM,LUU,LUV JHP,JHQ,JHH,JHM,JHN JHK,JXY,JXZ,KAB KAC,KAD	
6	FB6-5506-000		1	LABEL, PROHIBITED DOCUMENTS	QTK,TTH,UHA,UIA,UUM, UUX,UUY,UUZ	
6	FB6-5507-000		1	LABEL, PROHIBITED DOCUMENTS	PVR,PVX,RTV,RTX,STR	
7	FC5-0002-000		1	GUIDE, SIDE, FRONT		
8	FC5-0003-000		1	GUIDE, SIDE, REAR		
9	FC5-0004-000		1	TRAY, PAPER DELIVERY		
10	FC5-0005-000		1	ROLLER, PAPER FEED		

FIGURE & KEY NO.	PARTS NUMBER	RANK	QTY	DESCRIPTION	SERIAL NUMBER/REMARKS	SVC
11	FC5-0006-000		1	ROLLER, PAPER DELIVERY		
12	FC5-0007-000		1	ROLLER, WHITE		
13	FC5-0009-000		1	ROLLER, PICK-UP		
14	FC5-0011-000		2	HINGE UNIT		
15	FC5-0013-000		1	HANDLE		
16	FC5-0014-000		1	GUIDE, DELIVERY, EXTERNAL		
17	FC5-0018-000		1	HOLDER, DF DETECT SENSOR		
18	FC5-0019-000		2	COLLAR, PAPER FEED		
19	FC5-0020-000		2	HOLDER, PAPER FEED COLLAR		
20	FC5-0021-000		2	ARM, REGIST. PRESSURE RELEASE		
21	FC5-0022-000		2	LINK, REGIST. PRESSURE RELEASE		
22	FC5-0023-020		2	ARM, SWING		
23	FC5-0024-000		1	FLAG, DELIVERY SENSOR		
24	FC5-0025-000		1	SHUTTER		
25	FC5-0026-000		1	LINK, SHUTTER, 1		
26	FC5-0027-000		1	LINK, SHUTTER, 2		
27	FC5-0028-000		1	LINK, SHUTTER, 3		
28	FC5-0029-000		1	ARM, ROLLER SEPARATION		
29	FC5-0034-000		1	PAD		
30	FC5-0035-000		1	ARM, PAPER PICK-UP, FRONT		
31	FC5-0036-000		1	ARM, PAPER PICK-UP, REAR		
32	FC5-0037-000		2	FLAG, PAPER PICK-UP SENSOR		
33	FC5-0038-000		2	SPRING, TORSION		
34	FC5-0039-000		3	SEAL		
35	FC5-0047-000		1	PLATE, GROUNDING		
36	FC5-0052-000		2	ARM, REGIST COLLAR PRESSURE		
37	FC5-0054-000		2	SHAFT, REGIST PRESSURE ARM		
38	FC5-0057-000		1	ELIMINATOR, STATIC CHARGE		
39	FC5-0066-000		1	SHEET, PAPER PICK-UP SENSOR		
40	FC5-0070-000		1	ROLLER, REGISTRATION		
41	FG6-8836-000		1	CABLE, ADF	J311,3111-3114	
41A	VS1-7440-006		1	CONNECTOR, SNAP TIGHT	J3111	

FIGURE & KEY NO.	PARTS NUMBER	R A N K	Q'TY	DESCRIPTION	SERIAL NUMBER/ REMARKS	S V C
41B	WT2-5565-000		2	CLAMP, CABLE		
43A	FC5-0060-000		1	SHEET, REGIST. LOWER GUIDE		
43B	FC5-0063-000		1	SHEET, PICK-UP		
43C	FC5-0064-000		1	PAD, PICK-UP		
44A	FC5-6087-000		1	PAD, RUBBER		
44B	FC5-6088-000		1	PAD, SPONGE		
45A	FC5-0061-000		1	SHEET, A		
42	FL2-0004-000		1	ARM, TENSION		
43	FL2-0005-000		1	GUIDE, REGISTRATION LOWER		
44	FL2-0006-000		1	PAD MOUNT UNIT		
45	FL2-0007-000		1	WHITE SHEET UNIT		
46	FL2-0008-000		1	PANEL, OPEN/CLOSE		
47	FM2-0002-030	N	1	FRAME, FEEDER ASSEMBLY		
48	FM2-0015-000		1	SEPARATION ROLLER UNIT		
49	FS1-1512-000		2	BUSHING		
50	FS1-1569-000		1	BUSHING		
51	FU5-3008-000		1	PULLEY, 25T		
52	FS5-9781-000		1	SCREW, STEPPED, M4		
53	FU5-0001-000		1	GEAR, 18T		
54	FU5-0001-000		2	GEAR, 18T		
55	FU5-0002-000		1	GEAR, 30T/PULLEY 30T		
56	FU5-1001-000		3	BUSHING		
57	FU5-1002-000		1	BUSHING		
58	FU5-2001-000		2	SPRING, TENSION		
59	FU5-2002-000		1	SPRING, TENSION		
60	FU5-2003-000		1	SPRING, TENSION		
61	FU5-2004-000		1	SPRING, TENSION		
62	FU5-2005-000		2	SPRING, TENSION		
63	FU5-2006-000		2	SPRING, TENSION		
64	FU5-2007-000		2	SPRING, TENSION		
65	FU5-2008-000		1	SPRING, TENSION		
66	FU5-2009-000		1	SPRING, TENSION		

FIGURE & KEY NO.	PARTS NUMBER	R A N K	QTY	DESCRIPTION	SERIAL NUMBER/ REMARKS	S V C
67	FU5-2010-000		1	SPRING, COMPRESSION		
68	FU5-3001-000		1	PULLEY, 18T		
69	FU5-3002-000		1	PULLEY, 18T/24T		
70	FU5-3003-000		1	PULLEY, 18T		
71	FU5-3006-000		1	PULLEY, 14T		
72	FU5-3007-000		1	PULLEY, 16T		
73	FU5-6001-000		3	COLLAR, REGISTRATION		
74	FU5-6002-000		2	COLLAR, PAPER DELIVERY		
75	FU5-6003-000		1	COLLAR, BELT IDLER		
76	WG8-5624-000		1	PHOTO-INTERRUPTER	PS8 J3114	
77	WG8-5624-000		2	PHOTO-INTERRUPTER	PS6,7 J3112,3113	
78	XA9-0265-000		1	SCREW,W/WASHER,TRUSS HEAD		
79	XF2-1605-240		2	BELT, TIMING		
80	XF2-1611-240		1	BELT, TIMING		
81	XF9-0404-000		2	BELT, COGGED DRIVE, 71T		
82	XF9-0525-000		1	BELT, TIMING, 59T		
83	FC5-0067-000		4	ELMILATOR,STATIC CHARGE		
84	FC5-0059-000		1	SHEET, REGIST, ROLLER, FRONT		
85	FB6-6355-000		1	LABEL, READER SLIDE		
501	XB1-2300-607		4	SCREW,MACH.,TRUSS HEAD,M3X6		
502	XB1-2400-609		1	SCREW,MACH.,TRUSS HEAD,M4X6		
503	XB4-5300-809		2	SCREW,P,M3X8		
504	XB4-5401-007		4	SCREW,P,M4X10		
505	XB4-5401-007		11	SCREW,P,M4X10		
506	XB4-5401-007		12	SCREW,P,M4X10		
507	XD2-1100-242		2	RING,E		
508	XD2-1100-322		1	RING,E		
509	XD2-1100-402		1	RING,E		
510	XD2-1100-402		3	RING,E		
511	XD2-1100-502		6	RING,E		
512	XD2-1100-502		1	RING,E		
513	XD2-1100-502		3	RING,E		

FIGURE & KEY NO.	PARTS NUMBER	R A N K	Q'TY	DESCRIPTION	SERIAL NUMBER/ REMARKS	S V C
514	XD2-1100-502		5	RING,E		
515	XD2-1100-642		1	RING,E		
516	XD3-2200-082		1	PIN,DOWEL		
517	XD3-2200-102		1	PIN,DOWEL		
518	XD3-2200-102		1	PIN,DOWEL		
519	XD3-2200-102		3	PIN,DOWEL		
520	XD3-2200-122		1	PIN,DOWEL		

FIGURE 210
READER ASSEMBLY

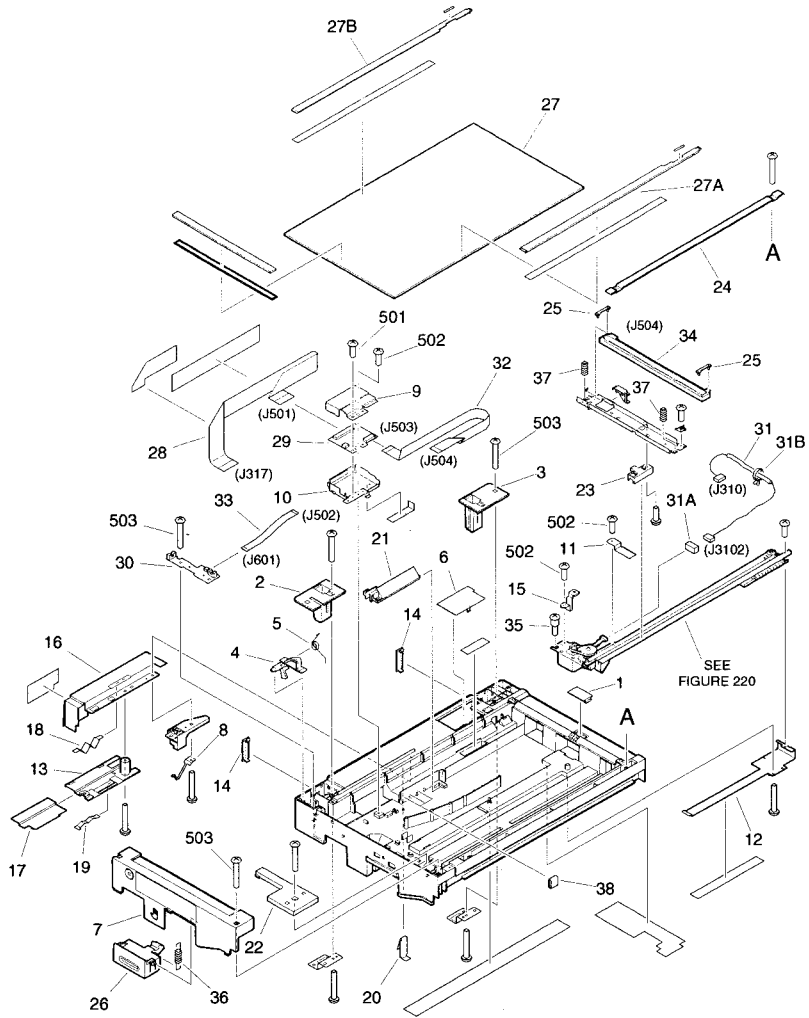


FIGURE & KEY NO.	PARTS NUMBER	R A N K	QTY	DESCRIPTION	SERIAL NUMBER/REMARKS	S V C
Fig.210	NPN		RF	READER ASSEMBLY		
1	FB6-0171-000		1	COVER, BLANKING, SMALL		
2	FB6-0172-000		1	MOUNT, DF, LEFT		
3	FB6-0173-000		1	MOUNT, DF, RIGHT		
4	FB6-0176-000		1	FLAG, SENSOR		
5	FB6-0177-000		1	SPRING, TORSION		
6	FB6-0178-000		1	COVER, READER	LUK,LUL,LUM,LUU,LUV PVR,PVX,QTk,RTV,RTX STR,TTH,UHA,UIA,UUM UUX,UUY,UUZ,ZTQ,ZTR ZTS,ZTU,ZTV,ZTX,ZUE ZUF,JHP,JHQ,JHH,JHM JHJ,JHN,JHK,JXY,JXZ KAB,KAC,KAD	
6	FB6-0204-000		1	COVER, BLANKING	LUP,PVS,PVY,QTJ,RTW, RTY,STS,TTG,UGA,UUK, UUU,UUV,UUW,ZTT	
7	FB6-0181-000		1	GUIDE, DOCUMENT STOP		
8	FB6-0182-000		1	SPRING, LEAF		
9	FB6-0183-000		1	SHIELD, UPPER		
10	FB6-0184-000		1	SHIELD, LOWER		
11	FB6-0185-000		1	PLATE, GROUNDING, LEFT		
12	FF6-1456-000		1	PLATE, GROUNDING, RIGHT		
14	FB6-0191-000		2	COVER, REAR		
15	FB6-0197-000		1	PLATE, GROUNDING		
16	FB6-0198-000		1	COVER, SHIELD		
18	FB6-0208-000		1	SPRING, LEAF		
20	FB6-0210-000		1	SPRING, LEAF		
21	FB6-0211-020		1	GUIDE, PRESS DOWN		
22	FB6-0212-000		1	GUIDE, PRESS DOWN		
23	FB6-0224-000		1	BLOCK, SLIDE		
24	FB6-0229-000		1	COVER, FRONT		
25	FB6-0237-000		2	SPACER		
26	FB6-0324-000		1	LEVER, READER		
27	FF6-1435-020		1	GLASS, COPYBOARD		
27A	FB6-0202-000		1	GUIDE, POSITIONING, FRONT		

FIGURE & KEY NO.	PARTS NUMBER	RANK	QTY	DESCRIPTION	SERIAL NUMBER/REMARKS	SVC
27B	FB6-0203-000		1	GUIDE, POSITIONING, REAR		
28	FF6-1443-000		1	CABLE, FLAT	J317,501	
29	FG6-8800-000		1	ANALOG PROCESSOR PCB ASSEMBLY		
30	FG6-8801-000		1	SENSOR PCB ASSEMBLY		
31	FG6-8839-000		1	CABLE, READER MOTOR CONNECTIN	J310,3102	
31	FG6-9448-000		1	CABLE, READER MOTOR CONNECTIN		
31A	VS1-7177-004		1	CONNECTOR, SNAP TIGHT	J3102	
31B	WT2-5565-000		1	CLAMP, CABLE		
32	FH2-6929-000		1	CABLE, FLAT	J503,504	
33	FH2-6931-000		1	CABLE, FLAT	J502,601	
34	FH7-7565-000		1	CONTACT IMAGE SENSOR UNIT	J504	
35	FS5-9781-000		1	SCREW,STEPPED,M4		
36	FS7-2687-000		1	SPRING, TENSION		
37	FS7-2698-000		2	SPRING, COMPRESSION		
38	WE8-5885-000		3	CORE, FERRITE		
501	XB1-2300-607		2	SCREW,MACH.,TRUSS HEAD,M3X6		
502	XB1-2300-607		5	SCREW,MACH.,TRUSS HEAD,M3X6		
503	XB4-5401-007		20	SCREW,P,M4X10		



FIGURE 220
READER DRIVE ASSEMBLY

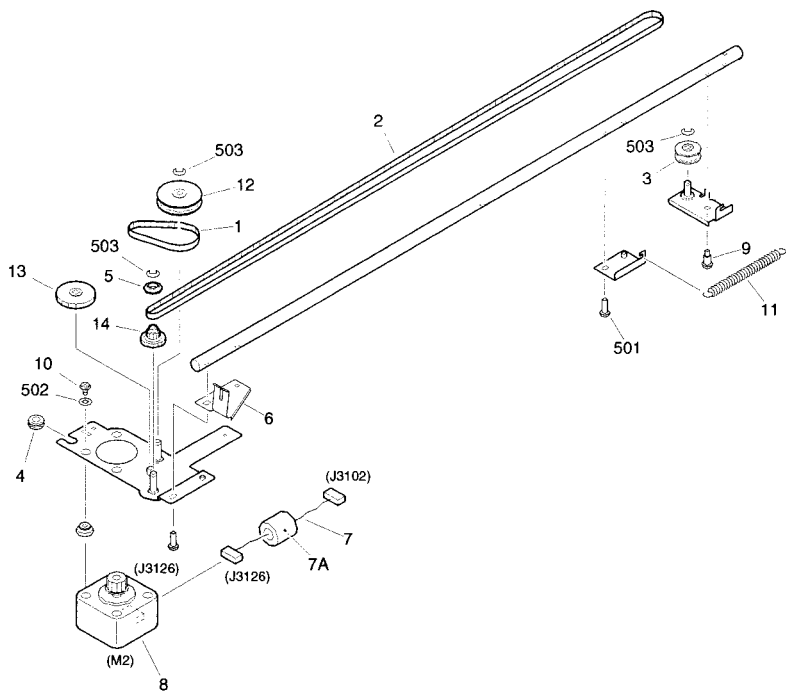


FIGURE & KEY NO.	PARTS NUMBER	R A N K	QTY	DESCRIPTION	SERIAL NUMBER/ REMARKS	S V C
Fig.220	FG6-7933-020		1	READER DRIVE ASSEMBLY		
1	FB6-0214-000		1	BELT, MOTOR DRIVE		
2	FB6-0215-000		1	BELT, TIMING		
3	FB6-0216-000		1	PULLEY, 20T		
4	FB6-0219-000		1	GROMMET		
5	FB6-0233-000		1	FLANGE		
6	FB6-0235-000		1	SPRING, LEAF		
7	FG6-8550-000		1	CABLE, READER MOTOR	J3102,3126	
7A	WE8-5941-000		1	CORE, FERRITE		
8	FH6-1922-000		1	MOTOR, STEPPING	M2 J3126	
9	FS2-9478-000		1	SCREW, STEPPED, M3X3		
10	FS5-9739-020		3	SCREW, STEPPED, M3		
11	FS7-2701-000		1	SPRING, TENSION		
12	FU3-0075-020		1	PULLEY, 37T/GRAR, 16T		
13	FU3-0076-020		1	GEAR, 45T		
14	FU3-0107-000		1	PULLEY, 13T/GEAR, 28T		
501	XB6-7300-607		2	SCREW, TP, M3X6		
502	XD1-1104-131		3	SHIM		
503	XD2-1100-322		3	RING, E		

FIGURE 240
ADF DRIVE ASSEMBLY (ADF TYPE)

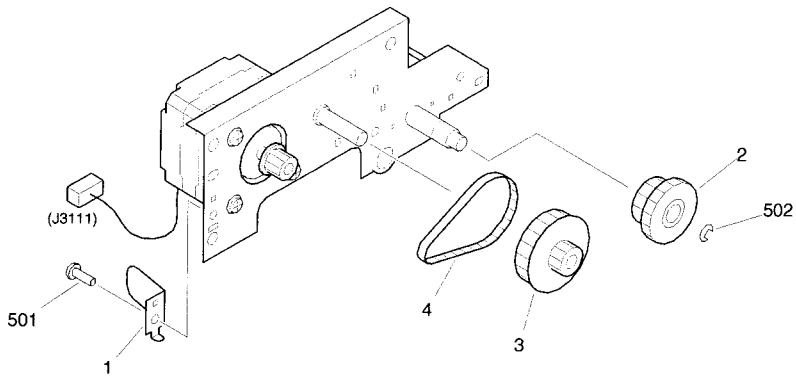


FIGURE & KEY NO.	PARTS NUMBER	RANK	QTY	DESCRIPTION	SERIAL NUMBER/REMARKS	SVC
Fig.240	FM2-0004-000		1	ADF DRIVE ASSEMBLY	ZTR,ZTU,ZTX,LUU,LUK LUV,LUL,LUM,UUM,UUX UUY,UUZ,QTK,TTH,UHA UIA,ZTS,ZUF,STR,ZTV ZTQ,ZUE,RTV,PVR,PVX JHP,JHQ,JHH,JHM,JHJ JHN,JHK,JXY,JXZ,KAB KAC,KAD	
1	FC5-0065-000		1	SPRING, LEAF		
2	FU5-0002-000		1	GEAR, 30T/PULLEY 30T		
3	FU5-3004-000		1	PULLEY, 20T/48T		
4	XF2-1606-440		1	BELT, TIMING		
501	XB2-7300-407		1	SCREW,W/WASHER,M3X4		
502	XD2-1100-642		1	RING,E		



FIGURE 250
MAIN DRIVE ASSEMBLY

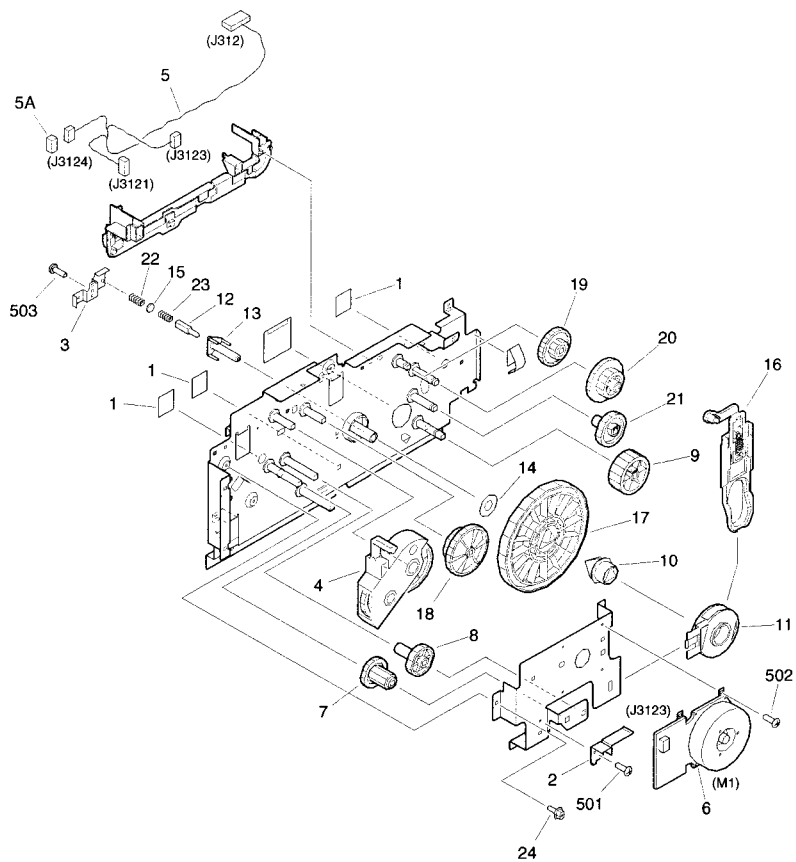


FIGURE & KEY NO.	PARTS NUMBER	RANK	QTY	DESCRIPTION	SERIAL NUMBER/REMARKS	SVC
Fig.250	FG6-7923-000		1	MAIN DRIVE ASSEMBLY	LUK,LUL,LUM,LUP,LUU LUV,PVR,PVS,PVX,PVY QTJ,QTK,RTV,RTW,ZTR RTX,RTY,STR,STS,TTG TTH,UGA,UHA,UIA,UUK UUM,UUU,UUV,UUW,UU X UUY,UUZ,ZTQ,ZTS,ZTU ZTT,ZTV,ZTX,ZUE,ZUF JHQ	
Fig.250	FM5-1012-000		1	MAIN DRIVE ASSEMBLY	JHP,JHH,JHM,JHJ,JHN JHK,JXY,JXZ,KAB,KAC KAD	
1	FB6-0104-000		3	SHEET, BLANKING		
2	FB6-0321-000		1	COVER, GEAR		
3	FB6-5519-000		1	PLATE, SPRING		
4	FG6-7924-000		1	SWING GEAR UNIT		
5	FG6-8834-000		1	CABLE, MOTOR/FAN	J312,3121,3123,3124	
5A	VS1-7177-003		1	CONNECTOR, SNAP TIGHT	J3124	
6	FH5-1088-000		1	MOTOR, DC BRUSHLESS	JHP,JHQ,JHH,JHM,JHJ JHN,JHK,JXY,JXZ,KAB KAC,KAD M1 J3123	
6	FH6-1923-000		1	MOTOR, DC BRUSHLESS	LUK,LUL,LUM,LUP,LUU LUV,PVR,PVS,PVX,PVY QTJ,QTK,RTV,RTW,ZTR RTX,RTY,STR,STS,TTG TTH,UGA,UHA,UIA,UUK UUM,UUU,UUV,UUW,UU X UUY,UUZ,ZTQ,ZTS,ZTU ZTT,ZTV,ZTX,ZUE,ZUF M1 J3123	
7	FU3-0068-000		1	GEAR, 14T/28T		
8	FU3-0069-000		1	GEAR ,28T		
9	FU3-0070-000		1	GEAR, 36T		
10	RB2-2935-000		1	SHAFT, COUPLING		
11	RB2-2936-000		1	BUSHING		
12	RB2-2943-000		1	PIN		
13	RB2-2947-000		1	HOLDER, PIN		
14	RB2-2949-000		1	WASHER		
15	FB6-6891-000		1	FLANGE, SPRING		
16	RG9-1473-000		1	COUPLING ASS'Y		
17	RS6-0446-000		1	GEAR, 201T		

FIGURE & KEY NO.	PARTS NUMBER	R A N K	QTY	DESCRIPTION	SERIAL NUMBER/ REMARKS	S V C
18	RS6-0447-000		1	GEAR, 58T/92T		
19	RS6-0448-000		1	GEAR, 17T/68T		
20	RS6-0449-000		1	GEAR, 25T/41T		
21	RS6-0450-000		1	GEAR, 31T		
22	FS7-2708-000		1	SPRING, COMPRESSION		
23	FS7-2709-000		1	SPRING, COMPRESSION		
24	XA9-1164-000		3	SCREW,RS,M3X6.5		
501	XB1-2300-607		1	SCREW,MACH.,TRUSS HEAD,M3X6		
502	XB1-2300-607		4	SCREW,MACH.,TRUSS HEAD,M3X6		
503	XB2-7300-407		1	SCREW,WWASHER,M3X4		



FIGURE 300
CASSETTE(250 SHEET UNIVERSAL TYPE)

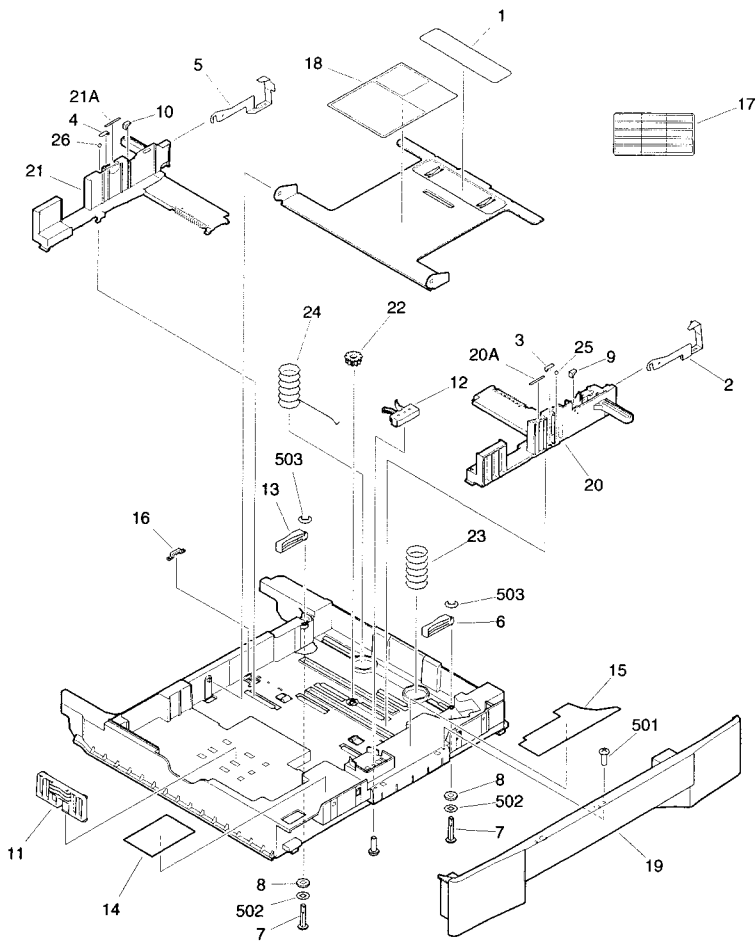


FIGURE & KEY NO.	PARTS NUMBER	RANK	Q'TY	DESCRIPTION	SERIAL NUMBER/REMARKS	SVC
Fig.300	NPN		RF	CASSETTE	LUK,LUL,LUM,LUP,LUU LUV,PVR,PVS,PVX,PVY QTJ,QTk,RTV,RTW,RTX RTY,SL1,SL2,STR,STS TH1,TH2,TTG,TTH,UGA UHA,UIA,UUK,UUM,UUU UUU,UUW,UUX,UUY,UUZ ZTQ,ZTR,ZTS,ZTT,ZTU ZTV,ZTX,ZUE,ZUF,JHH JHM,JHJ,JHN,JHK,JXY JXZ,KAB,KAC,KAD	
1	FB5-0159-000		1	SHEET, SEPARATION	LUK,LUL,LUM,LUP,LUU LUV,PVR,PVS,PVX,PVY QTJ,QTk,RTV,RTW,RTX RTY,SL1,SL2,STR,STS TH1,TH2,TTG,TTH,UGA UHA,UIA,UUK,UUM,UUU UUU,UUW,UUX,UUY,UUZ ZTQ,ZTR,ZTS,ZTT,ZTU ZTV,ZTX,ZUE,ZUF,JHH JHM,JHJ,JHN,JHK,JXY JXZ,KAB,KAC,KAD	
2	FB5-0161-000		1	CLAW, SEPARATION, FRONT	LUK,LUL,LUM,LUP,LUU LUV,PVR,PVS,PVX,PVY QTJ,QTk,RTV,RTW,RTX RTY,SL1,SL2,STR,STS TH1,TH2,TTG,TTH,UGA UHA,UIA,UUK,UUM,UUU UUU,UUW,UUX,UUY,UUZ ZTQ,ZTR,ZTS,ZTT,ZTU ZTV,ZTX,ZUE,ZUF,JHH JHM,JHJ,JHN,JHK,JXY JXZ,KAB,KAC,KAD	
3	FB5-0165-000		1	SPRING, LEAF	LUK,LUL,LUM,LUP,LUU LUV,PVR,PVS,PVX,PVY QTJ,QTk,RTV,RTW,RTX RTY,SL1,SL2,STR,STS TH1,TH2,TTG,TTH,UGA UHA,UIA,UUK,UUM,UUU UUU,UUW,UUX,UUY,UUZ ZTQ,ZTR,ZTS,ZTT,ZTU ZTV,ZTX,ZUE,ZUF,JHH JHM,JHJ,JHN,JHK,JXY JXZ,KAB,KAC,KAD	
4	FB5-0165-000		1	SPRING, LEAF	LUK,LUL,LUM,LUP,LUU LUV,PVR,PVS,PVX,PVY QTJ,QTk,RTV,RTW,RTX RTY,SL1,SL2,STR,STS TH1,TH2,TTG,TTH,UGA UHA,UIA,UUK,UUM,UUU UUU,UUW,UUX,UUY,UUZ ZTQ,ZTR,ZTS,ZTT,ZTU ZTV,ZTX,ZUE,ZUF,JHH JHM,JHJ,JHN,JHK,JXY JXZ,KAB,KAC,KAD	

FIGURE & KEY NO.	PARTS NUMBER	RANK	QTY	DESCRIPTION	SERIAL NUMBER/REMARKS	SVC
5	FB5-0167-000		1	CLAW, SEPARATION, REAR	LUK,LUL,LUM,LUP,LUU LUV,PVR,PVS,PVX,PVY QTJ,QTK,RTV,RTW,RTX RTY,SL1,SL2,STR,STS TH1,TH2,TTG,TTH,UGA UHA,UIA,UUK,UUM,UUU UUU,UUW,UUX,UUY,UUZ ZTQ,ZTR,ZTS,ZTT,ZTU ZTV,ZTX,ZUE,ZUF,JHH JHM,JHJ,JHN,JHK,JXY JXZ,KAB,KAC,KAD	
6	FB5-0168-000		1	LEVER, SIDE PLATE LOCK, FRONT	LUK,LUL,LUM,LUP,LUU LUV,PVR,PVS,PVX,PVY QTJ,QTK,RTV,RTW,RTX RTY,SL1,SL2,STR,STS TH1,TH2,TTG,TTH,UGA UHA,UIA,UUK,UUM,UUU UUU,UUW,UUX,UUY,UUZ ZTQ,ZTR,ZTS,ZTT,ZTU ZTV,ZTX,ZUE,ZUF,JHH JHM,JHJ,JHN,JHK,JXY JXZ,KAB,KAC,KAD	
7	FB5-0169-000		2	SHAFT, LOCK LEVER	LUK,LUL,LUM,LUP,LUU,L UV PVR,PVS,PVX,PVY,QTJ, QTK RTV,RTW,RTX,RTY,SL1, SL2 STR,STS,TH1,TH2,TTG,T TH UGA,UHA,UIA,UUK,UUM, UUU UUU,UUW,UUX,UUY,UUZ ,ZTQ ZTR,ZTS,ZTT,ZTU,ZTV,Z TX ZUE,ZUF,JHH,JHM,JHJ,J HN JHK,JXY,JXZ,KAB,KAC,K AD	
8	FB5-0170-000		2	PAD, RUBBER	LUK,LUL,LUM,LUP,LUU LUV,PVR,PVS,PVX,PVY QTJ,QTK,RTV,RTW,RTX RTY,SL1,SL2,STR,STS TH1,TH2,TTG,TTH,UGA UHA,UIA,UUK,UUM,UUU UUU,UUW,UUX,UUY,UUZ ZTQ,ZTR,ZTS,ZTT,ZTU ZTV,ZTX,ZUE,ZUF,JHH JHM,JHJ,JHN,JHK,JXY JXZ,KAB,KAC,KAD	

FIGURE & KEY NO.	PARTS NUMBER	RANK	QTY	DESCRIPTION	SERIAL NUMBER/REMARKS	SVC
9	FB5-0171-000		1	SUPPORT, CLAW	LUK,LUL,LUM,LUP,LUU,LUV PVR,PVS,PVX,PVY,QTJ, QTK RTV,RTW,RTX,RTY,SL1, SL2 STR,STS,TH1,TH2,TTG,T TH UGA,UHA,UIA,UUK,UUM, UUU UUV,UUW,UUX,UUY,UUZ ZTQ ZTR,ZTS,ZTT,ZTU,ZTV,Z TX ZUE,ZUF,JHH,JHM,JHJ,J HN JHK,JXY,JXZ,KAB,KAC,K AD	
10	FB5-0171-000		1	SUPPORT, CLAW	LUK,LUL,LUM,LUP,LUU LUV,PVR,PVS,PVX,PVY QTJ,QTK,RTV,RTW,RTX RTY,SL1,SL2,STR,STS TH1,TH2,TTG,TTH,UGA UHA,UIA,UUK,UUM,UUU UUV,UUW,UUX,UUY,UUZ ZTQ,ZTR,ZTS,ZTT,ZTU ZTV,ZTX,ZUE,ZUF,JHH JHM,JHJ,JHN,JHK,JXY JXZ,KAB,KAC,KAD	
11	FB5-0172-000		1	PLATE, END SIDE LIMIT	LUK,LUL,LUM,LUP,LUU LUV,PVR,PVS,PVX,PVY QTJ,QTK,RTV,RTW,RTX RTY,SL1,SL2,STR,STS TH1,TH2,TTG,TTH,UGA UHA,UIA,UUK,UUM,UUU UUV,UUW,UUX,UUY,UUZ ZTQ,ZTR,ZTS,ZTT,ZTU ZTV,ZTX,ZUE,ZUF,JHH JHM,JHJ,JHN,JHK,JXY JXZ,KAB,KAC,KAD	
12	FB5-0173-000		1	GUIDE, POSITIONING	LUK,LUL,LUM,LUP,LUU LUV,PVR,PVS,PVX,PVY QTJ,QTK,RTV,RTW,RTX RTY,SL1,SL2,STR,STS TH1,TH2,TTG,TTH,UGA UHA,UIA,UUK,UUM,UUU UUV,UUW,UUX,UUY,UUZ ZTQ,ZTR,ZTS,ZTT,ZTU ZTV,ZTX,ZUE,ZUF,JHH JHM,JHJ,JHN,JHK,JXY JXZ,KAB,KAC,KAD	

FIGURE & KEY NO.	PARTS NUMBER	R A N K	QTY	DESCRIPTION	SERIAL NUMBER/ REMARKS	S V C
13	FB5-0175-000		1	LEVER, SIDE PLATE LOCK, REAR	LUK,LUL,LUM,LUP,LUU LUV,PVR,PVS,PVX,PVY QTJ,QTK,RTV,RTW,RTX RTY,SL1,SL2,STR,STS TH1,TH2,TTG,TTH,UGA UHA,UIA,UUK,UUM,UUU UUV,UUW,UUX,UUY,UUZ ZTQ,ZTR,ZTS,ZTT,ZTU ZTV,ZTX,ZUE,ZUF,JHH JHM,JHJ,JHN,JHK,JXY JXZ,KAB,KAC,KAD	
14	FB5-0176-000		1	LABEL, PAPER INSTRUCTION	LUK,LUL,LUM,LUP,LUU LUV,PVR,PVS,PVX,PVY QTJ,QTK,RTV,RTW,RTX RTY,SL1,SL2,STR,STS TH1,TH2,TTG,TTH,UGA UHA,UIA,UUK,UUM,UUU UUV,UUW,UUX,UUY,UUZ ZTQ,ZTR,ZTS,ZTT,ZTU ZTV,ZTX,ZUE,ZUF,JHH JHM,JHJ,JHN,JHK,JXY JXZ,KAB,KAC,KAD	
15	FB5-0177-000		1	LABEL, SIZE CHANGE INSTRUCTION	LUK,LUL,LUM,LUP,LUU LUV,PVR,PVS,PVX,PVY QTJ,QTK,RTV,RTW,RTX RTY,SL1,SL2,STR,STS TH1,TH2,TTG,TTH,UGA UHA,UIA,UUK,UUM,UUU UUV,UUW,UUX,UUY,UUZ ZTQ,ZTR,ZTS,ZTT,ZTU ZTV,ZTX,ZUE,ZUF,JHH JHM,JHJ,JHN,JHK,JXY JXZ,KAB,KAC,KAD	
16	FB5-0180-000		1	SUPPORT, STOP	LUK,LUL,LUM,LUP,LUU LUV,PVR,PVS,PVX,PVY RTV,RTW,RTX,RTY,STR STS,JHH,JHM,JHJ,JHN JHK,JXY,JXZ,KAB,KAC KAD	
17	FB5-0181-000		1	LABEL, SIZE CHANGE	LUK,LUL,LUM,LUP,LUU LUV,PVR,PVS,PVX,PVY STR,STS,ZTT,JHH,JHM JHJ,JHN,JHK,JXY,JXZ KAB,KAC,KAD	
17	FB5-8706-000		1	LABEL, SIZE CHANGE	RTV,RTW,RTX,RTY	
18	FF5-9033-030		1	PLATE, PAPER LIFTING	LUK,LUL,LUM,LUP,LUU LUV,PVR,PVS,PVX,PVY STR,STS,ZTT,JHH,JHM JHJ,JHN,JHK,JXY,JXZ KAB,KAC,KAD	
18	FF5-9033-030		1	PLATE, PAPER LIFTING	RTV,RTW,RTX,RTY	

FIGURE & KEY NO.	PARTS NUMBER	RANK	Q'TY	DESCRIPTION	SERIAL NUMBER/REMARKS	SVC
19	FB6-0328-000		1	PANEL, CASSETTE, FRONT	LUK,LUL,LUM,LUP,LUU LUV,PVR,PVS,PVX,PVY QTJ,QTK,RTV,RTW,RTX RTY,SL1,SL2,STR,STS TH1,TH2,TTG,TTH,UGA UHA,UIA,UUK,UUM,UUU UUV,UUW,UUX,UUY,UUZ ZTQ,ZTR,ZTS,ZTT,ZTU ZTV,ZTX,ZUE,ZUF,JHH JHM,JHJ,JHN,JHK,JXY JXZ,KAB,KAC,KAD	
20	FF5-9034-000		1	PLATE, SIDE LIMIT, FRONT	LUK,LUL,LUM,LUP,LUU LUV,PVR,PVS,PVX,PVY QTJ,QTK,RTV,RTW,RTX RTY,SL1,SL2,STR,STS TH1,TH2,TTG,TTH,UGA UHA,UIA,UUK,UUM,UUU UUV,UUW,UUX,UUY,UUZ ZTQ,ZTR,ZTS,ZTT,ZTU ZTV,ZTX,ZUE,ZUF,JHH JHM,JHJ,JHN,JHK,JXY JXZ,KAB,KAC,KAD	
20A	FB5-0178-000		1	LABEL, SIDE PLATE OPERATION	LUK,LUL,LUM,LUP,LUU LUV,PVR,PVS,PVX,PVY QTJ,QTK,RTV,RTW,RTX RTY,SL1,SL2,STR,STS TH1,TH2,TTG,TTH,UGA UHA,UIA,UUK,UUM,UUU UUV,UUW,UUX,UUY,UUZ ZTQ,ZTR,ZTS,ZTT,ZTU ZTV,ZTX,ZUE,ZUF,JHH JHM,JHJ,JHN,JHK,JXY JXZ,KAB,KAC,KAD	
21	FF5-9035-000		1	PLATE, SIDE LIMIT, REAR	LUK,LUL,LUM,LUP,LUU LUV,PVR,PVS,PVX,PVY QTJ,QTK,RTV,RTW,RTX RTY,SL1,SL2,STR,STS TH1,TH2,TTG,TTH,UGA UHA,UIA,UUK,UUM,UUU UUV,UUW,UUX,UUY,UUZ ZTQ,ZTR,ZTS,ZTT,ZTU ZTV,ZTX,ZUE,ZUF,JHH JHM,JHJ,JHN,JHK,JXY JXZ,KAB,KAC,KAD	
21A	FB5-0178-000		1	LABEL, SIDE PLATE OPERATION	LUK,LUL,LUM,LUP,LUU LUV,PVR,PVS,PVX,PVY QTJ,QTK,RTV,RTW,RTX RTY,SL1,SL2,STR,STS TH1,TH2,TTG,TTH,UGA UHA,UIA,UUK,UUM,UUU UUV,UUW,UUX,UUY,UUZ ZTQ,ZTR,ZTS,ZTT,ZTU ZTV,ZTX,ZUE,ZUF,JHH JHM,JHJ,JHN,JHK,JXY JXZ,KAB,KAC,KAD	

FIGURE & KEY NO.	PARTS NUMBER	RANK	QTY	DESCRIPTION	SERIAL NUMBER/REMARKS	SVC
22	FS7-0457-000		1	GEAR, 10T	LUK,LUL,LUM,LUP,LUU LUV,PVR,PVS,PVX,PVY QTJ,QTK,RTV,RTW,RTX RTY,SL1,SL2,STR,STS TH1,TH2,TTG,TTH,UGA UHA,UIA,UUK,UUM,UUU UUV,UUW,UUX,UUY,UUZ ZTQ,ZTR,ZTS,ZTT,ZTU ZTV,ZTX,ZUE,ZUF,JHH JHM,JHJ,JHN,JHK,JXY JXZ,KAB,KAC,KAD	
23	FS7-2201-000		1	SPRING, COMPRESSION	LUK,LUL,LUM,LUP,LUU LUV,PVR,PVS,PVX,PVY QTJ,QTK,RTV,RTW,RTX RTY,SL1,SL2,STR,STS TH1,TH2,TTG,TTH,UGA UHA,UIA,UUK,UUM,UUU UUV,UUW,UUX,UUY,UUZ ZTQ,ZTR,ZTS,ZTT,ZTU ZTV,ZTX,ZUE,ZUF,JHH JHM,JHJ,JHN,JHK,JXY JXZ,KAB,KAC,KAD	
24	FS7-2202-000		1	SPRING, COMPRESSION	LUK,LUL,LUM,LUP,LUU LUV,PVR,PVS,PVX,PVY QTJ,QTK,RTV,RTW,RTX RTY,SL1,SL2,STR,STS TH1,TH2,TTG,TTH,UGA UHA,UIA,UUK,UUM,UUU UUV,UUW,UUX,UUY,UUZ ZTQ,ZTR,ZTS,ZTT,ZTU ZTV,ZTX,ZUE,ZUF,JHH JHM,JHJ,JHN,JHK,JXY JXZ,KAB,KAC,KAD	
25	X71-7503-000		1	BALL, SLIDE CLICK FEELING	LUK,LUL,LUM,LUP,LUU LUV,PVR,PVS,PVX,PVY QTJ,QTK,RTV,RTW,RTX RTY,SL1,SL2,STR,STS TH1,TH2,TTG,TTH,UGA UHA,UIA,UUK,UUM,UUU UUV,UUW,UUX,UUY,UUZ ZTQ,ZTR,ZTS,ZTT,ZTU ZTV,ZTX,ZUE,ZUF,JHH JHM,JHJ,JHN,JHK,JXY JXZ,KAB,KAC,KAD	
26	X71-7503-000		1	BALL, SLIDE CLICK FEELING	LUK,LUL,LUM,LUP,LUU LUV,PVR,PVS,PVX,PVY QTJ,QTK,RTV,RTW,RTX RTY,SL1,SL2,STR,STS TH1,TH2,TTG,TTH,UGA UHA,UIA,UUK,UUM,UUU UUV,UUW,UUX,UUY,UUZ ZTQ,ZTR,ZTS,ZTT,ZTU ZTV,ZTX,ZUE,ZUF,JHH JHM,JHJ,JHN,JHK,JXY JXZ,KAB,KAC,KAD	

FIGURE & KEY NO.	PARTS NUMBER	RANK	QTY	DESCRIPTION	SERIAL NUMBER/REMARKS	SVC
501	XB4-7400-809		3	SCREW,TAPPING,TRUSS HEAD,M4X8	LUK,LUL,LUM,LUP,LUU LUV,PVR,PVS,PVX,PVY QTJ,QTK,RTV,RTW,RTX RTY,SL1,SL2,STR,STS TH1,TH2,TTG,TTH,UGA UHA,UIA,UUK,UUM,UUU UUV,UUW,UUX,UUY,UUZ ZTQ,ZTR,ZTS,ZTT,ZTU ZTV,ZTX,ZUE,ZUF,JHH JHM,JHJ,JHN,JHK,JXY JXZ,KAB,KAC,KAD	
502	XD1-1104-635		2	SHIM	LUK,LUL,LUM,LUP,LUU LUV,PVR,PVS,PVX,PVY QTJ,QTK,RTV,RTW,RTX RTY,SL1,SL2,STR,STS TH1,TH2,TTG,TTH,UGA UHA,UIA,UUK,UUM,UUU UUV,UUW,UUX,UUY,UUZ ZTQ,ZTR,ZTS,ZTT,ZTU ZTV,ZTX,ZUE,ZUF,JHH JHM,JHJ,JHN,JHK,JXY JXZ,KAB,KAC,KAD	
503	XD2-1200-202		2	RING,E	LUK,LUL,LUM,LUP,LUU LUV,PVR,PVS,PVX,PVY QTJ,QTK,RTV,RTW,RTX RTY,SL1,SL2,STR,STS TH1,TH2,TTG,TTH,UGA UHA,UIA,UUK,UUM,UUU UUV,UUW,UUX,UUY,UUZ ZTQ,ZTR,ZTS,ZTT,ZTU ZTV,ZTX,ZUE,ZUF,JHH JHM,JHJ,JHN,JHK,JXY JXZ,KAB,KAC,KAD	

FIGURE 301
CASSETTE(250 SHEET A4 TYPE)

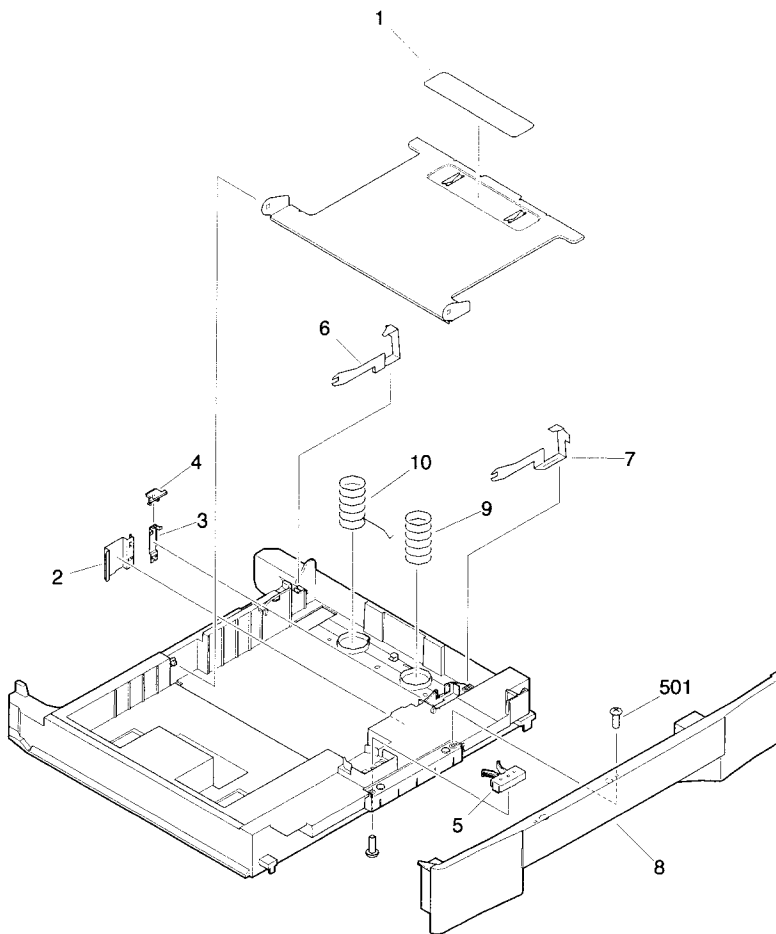


FIGURE & KEY NO.	PARTS NUMBER	R A N K	QTY	DESCRIPTION	SERIAL NUMBER/ REMARKS	S V C
Fig.301	NPN		RF	CASSETTE	QTJ, QTK, TTG, TTH, UGA, UHA, UIA, UUK, UUM, UUU, UUV, UUW, UUX, UUY, UUZ	
1	FB5-0159-000		1	SHEET, SEPARATION		
2	FB5-0162-000		1	SPRING, LEAF		
3	FB5-0163-000		1	SPRING, LEAF		
4	FB5-0164-000		1	RETAINER, SIDE		
5	FB5-0173-000		1	GUIDE, POSITIONING		
6	FB5-2843-00S		1	CLAW, SEPARATION, FRONT		
7	FB5-2844-00S		1	CLAW, SEPARATION, REAR		
8	FB6-0328-000		1	PANEL, CASSETTE, FRONT		
9	FS7-2201-000		1	SPRING, COMPRESSION		
10	FS7-2202-000		1	SPRING, COMPRESSION		
501	XB4-7400-809		3	SCREW, TAPPING, TRUSS HEAD, M4X8		

FIGURE 302
CASSETTE(500 SHEET LTR/LGL TYPE)

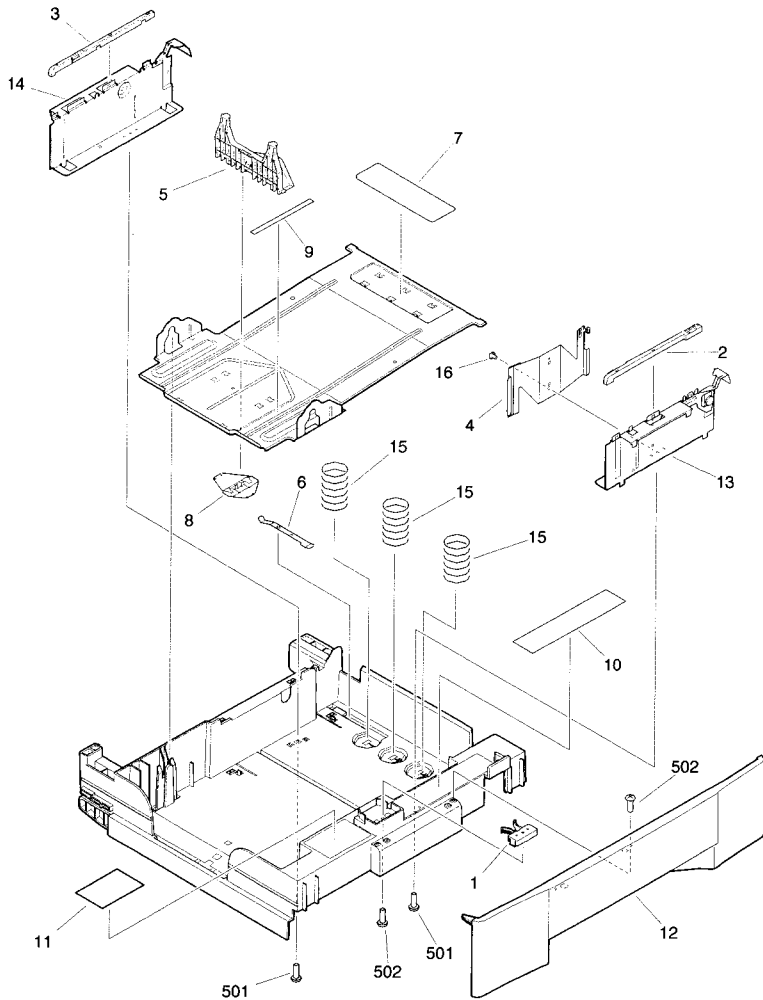


FIGURE & KEY NO.	PARTS NUMBER	R A N K	QTY	DESCRIPTION	SERIAL NUMBER/ REMARKS	S V C
Fig.302	NPN		RF	CASSETTE	ZTQ,ZTR,ZTS,ZTU,ZTV, ZTX,ZUE,ZUF	
1	FB5-0173-000		1	GUIDE, POSITIONING		
2	FB5-0218-000		1	COVER, LIMIT PLATE, FRONT		
3	FB5-0219-000		1	COVER, LIMIT PLATE, REAR		
4	FB5-0220-000		1	SPRING, LEAF, SIDE LIMIT		
5	FB5-0221-000		1	PLATE, END SIDE LIMIT		
6	FB5-0222-000		1	SPRING, LEAF		
7	FB5-0229-000		1	SHEET, SEPARATION		
8	FB5-0230-000		1	SPRING, LEAF, END LIMIT		
9	FB5-0231-000		1	LABEL, PAPAR SIZE		
10	FB5-0232-000		1	LABEL, END LIMIT		
11	FB5-0234-000	N	1	LABEL, PAPER SET		
12	FB6-0329-000		1	PANEL, CASSETTE, FRONT		
13	FF5-9073-000		1	PLATE, SIDE LIMIT, FRONT		
14	FF5-9074-000		1	PLATE, SIDE LIMIT, REAR		
15	FS7-2211-000		3	SPRING, COMPRESSION		
16	XA9-0903-000		2	SCREW,M3X5		
501	XB1-2300-809		2	SCREW,MACH.,TRUSS HEAD,M3X8		
502	XB4-7400-809		3	SCREW,TAPPING,TRUSS HEAD,M4X8		

FIGURE 303
CASSETTE(500 SHEET A4 TYPE)

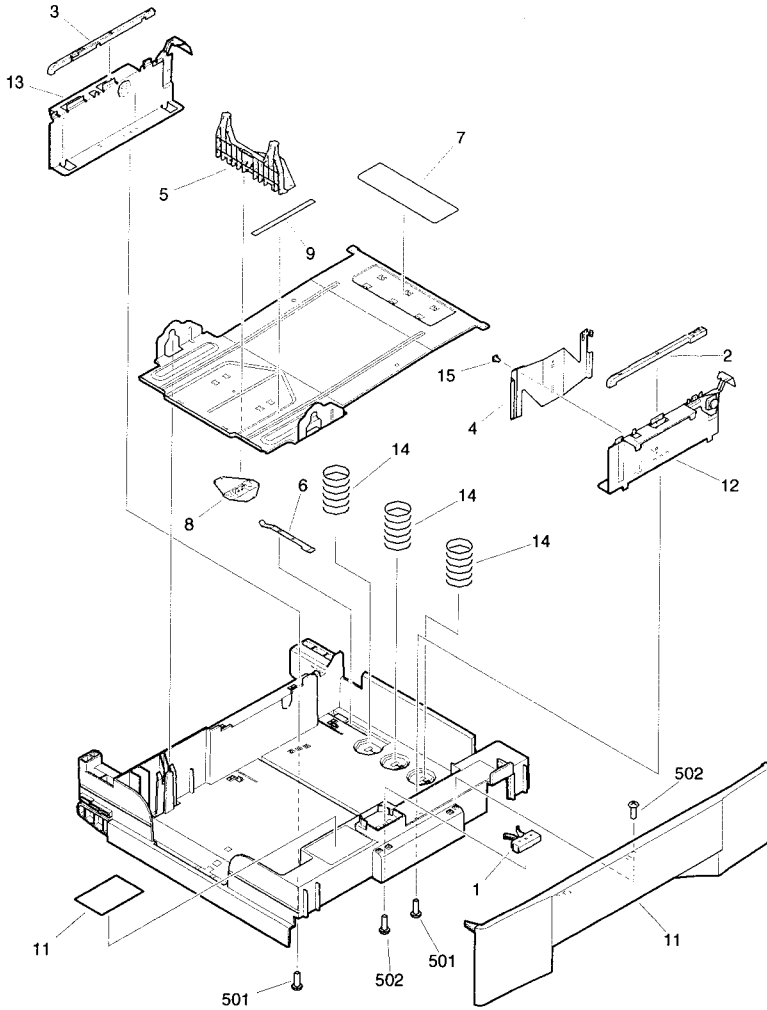
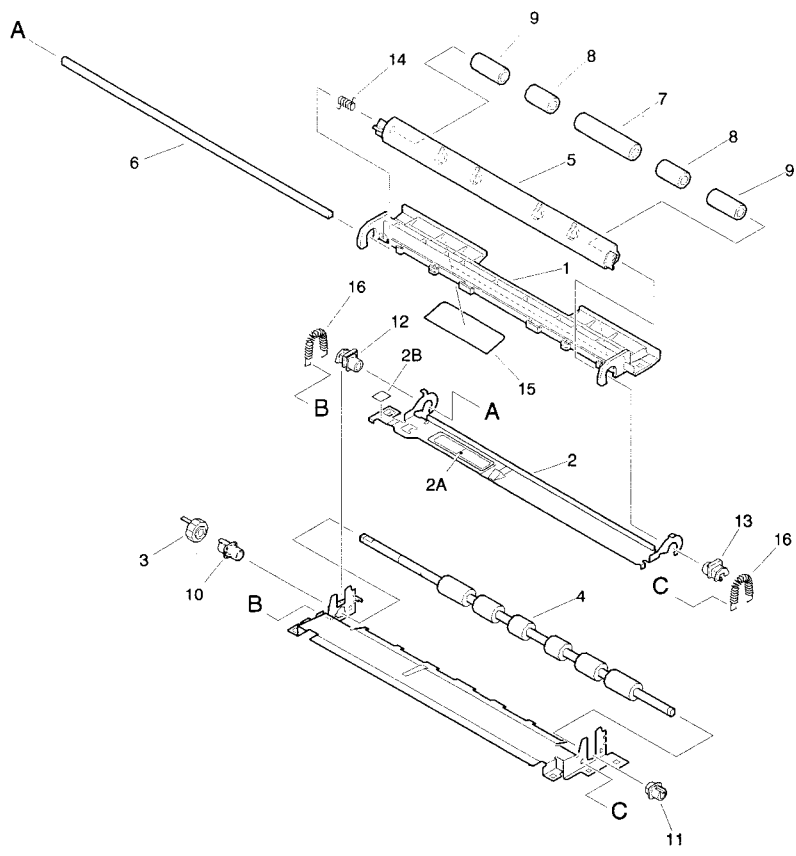


FIGURE & KEY NO.	PARTS NUMBER	R A N K	Q'TY	DESCRIPTION	SERIAL NUMBER/ REMARKS	S V C
Fig.303	NPN		RF	CASSETTE(500 SHEET A4 TYPE)	JHP,JHQ	
1	FB5-0173-000		1	GUIDE, POSITIONING	JHP,JHQ	
2	FB5-0218-000		1	COVER, LIMIT PLATE, FRONT	JHP,JHQ	
3	FB5-0219-000		1	COVER, LIMIT PLATE, REAR	JHP,JHQ	
4	FB5-0220-000		1	SPRING, LEAF, SIDE LIMIT	JHP,JHQ	
5	FB5-0221-000		1	PLATE, END SIDE LIMIT	JHP,JHQ	
6	FB5-0222-000		1	SPRING, LEAF	JHP,JHQ	
7	FB5-0229-000		1	SHEET, SEPARATION	JHP,JHQ	
8	FB5-0230-000		1	SPRING, LEAF, END LIMIT	JHP,JHQ	
9	FB5-0231-000		1	LABEL, PAPER SIZE	JHP,JHQ	
10	FE5-3228-000		1	LABEL, PAPER SET	JHP,JHQ	
11	FB6-0329-000		1	PANEL, CASSETTE, FRONT	JHP,JHQ	
12	FF5-9073-000		1	PLATE, SIDE LIMIT, FRONT	JHP,JHQ	
13	FF5-9074-000		1	PLATE, SIDE LIMIT, REAR	JHP,JHQ	
14	FS7-2211-000		3	SPRING, COMPRESSION	JHP,JHQ	
15	XA9-0903-000		2	SCREW,M3X5	JHP,JHQ	
501	XB1-2300-809		2	SCREW,MACH.,TRUSS HEAD,M3X8	JHP,JHQ	
502	XB4-7400-809		3	SCREW,TAPPING,TRUSS HEAD,M4X8	JHP,JHQ	

FIGURE 320
REGISTRATION ASSEMBLY



NOTE: This assembly does not include the part shown with key No. 3.
 注: このユニットに Key No. 3の部品は含まれません。

FIGURE & KEY NO.	PARTS NUMBER	RANK	QTY	DESCRIPTION	SERIAL NUMBER/REMARKS	SVC
Fig.320	FM1-0579-000		1	REGISTRATION ASSEMBLY	SEE NOTE	
1	FB6-0160-000		1	GUIDE, REGISTRATION FRONT		
2	FF6-1441-000		1	GUIDE, TRANSFER, UPPER		
2A	FB6-2302-000		1	LABEL, JAM		
2B	RB2-2923-000		1	LABEL, TRANSFER GUIDE		
3	FU3-0071-000		1	GEAR, 14T		
4	FB6-5512-000		1	ROLLER, REGISTRATION		
5	RB2-2909-000		1	SHUTTER, REGISTRATION		
6	FB6-6349-000		1	SHAFT, REGISTRATION ROLLER		
7	RB2-2911-000		1	ROLLER		
8	RB2-2912-000		2	ROLLER		
9	RB2-2913-000		2	ROLLER		
10	RB2-2918-000		1	BUSHING, RIGHT		
11	RB2-2919-000		1	BUSHING, LEFT		
12	RB2-2920-000		1	BUSHING		
13	RB2-2921-000		1	BUSHING		
14	RB2-2922-000		1	SPRING, TORSION		
15	RB2-2933-000		2	SHEET, REGISTRATION FRONT		
16	RS6-2026-000		2	SPRING, TENSION		

FIGURE 330
PAPER FEEDER ASSEMBLY

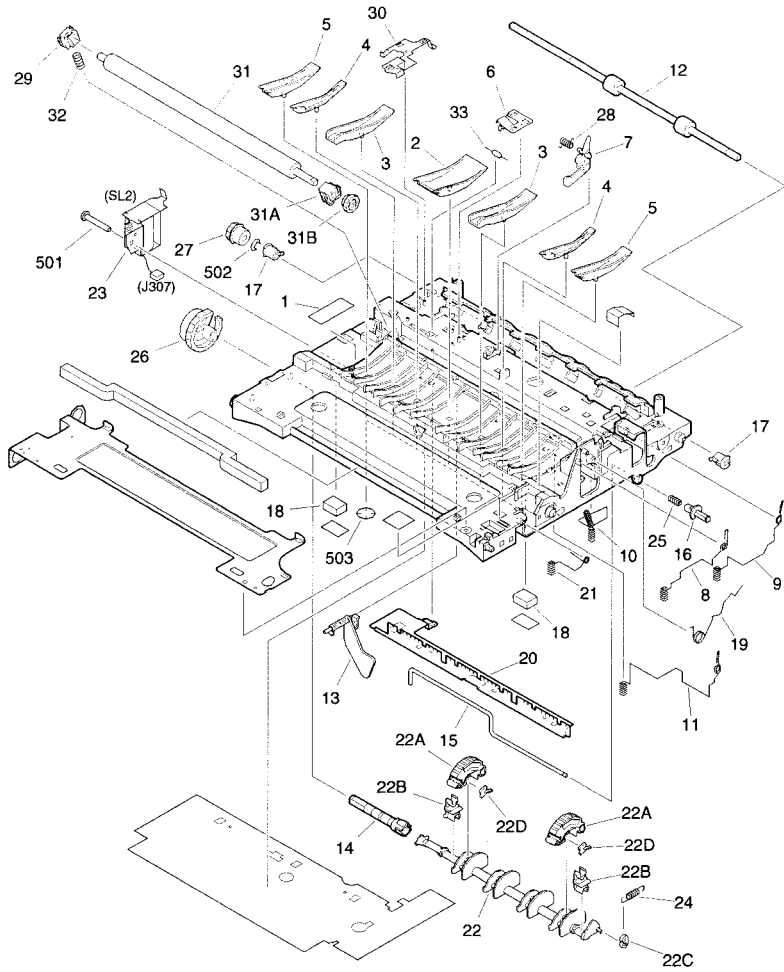


FIGURE & KEY NO.	PARTS NUMBER	RANK	QTY	DESCRIPTION	SERIAL NUMBER/REMARKS	SVC
Fig.330	NPN		RF	PAPER FEEDER ASSEMBLY		
1	FB2-9653-000		1	LABEL, CAUTION		
1	FC3-0030-000		1	LABEL, CAUTION		
2	FB6-0079-000		1	GUIDE, PAPER FEED, 1		
3	FB6-0080-000		2	GUIDE, PAPER FEED, 2		
4	FB6-0081-000		2	GUIDE, PAPER FEED, 3		
5	FB6-0082-000		2	GUIDE, PAPER FEED, 4		
6	FB6-0157-000		1	SPRING, LEAF		
7	FB6-0158-000		1	FLAG, REGISTRATION SENSOR	EXCEPT JXY,JXZ,KAB,KAC,KAD	
7	FB6-6831-000		1	FLAG, REGISTRATION SENSOR	JXY,JXZ,KAB,KAC,KAD	
8	FB6-0166-000		1	SPRING UNIT, CONTACT		
9	FB6-0167-000		1	SPRING UNIT, CONTACT		
10	FB6-0168-000		1	SPRING UNIT, CONTACT		
11	FB6-0169-000		1	SPRING UNIT, CONTACT		
12	FB6-0258-000		1	ROLLER, PAPER FEED		
13	FB6-0241-000		1	FLAG, PAPER SENSOR		
14	FB6-0245-000		1	SHAFT, JOINT		
15	FB6-0248-000		1	ARM, RETURN		
16	FB6-0260-000		1	GUIDE, ARM		
17	FB6-0261-000		2	BUSHING		
18	FB6-0274-000		2	SEAL, PAPER FEED FRAME		
19	FB6-0286-000		1	SPRING, TORSION		
20	FB6-0296-000		1	ELIMINATOR, STATIC CHARGE		
21	FB6-0297-000		1	SPRING UNIT, CONTACT		
22	FG6-7954-000		1	PAPER PICK-UP SHAFT ASSEMBLY		
22A	FB4-9817-030		2	ROLLER, PICK-UP		
22B	FB4-9819-000		2	HOLDER, PICK-UP SHAFT		
22C	FB4-9820-000		1	COLLAR, SPRING		
22D	FB4-9847-000		2	SPACER, PICK-UP ROLLER		
23	FH6-5037-000		1	SOLENOID	SL2 J307	
24	FS7-2689-000		1	SPRING, TENSION		

FIGURE & KEY NO.	PARTS NUMBER	R A N K	Q'TY	DESCRIPTION	SERIAL NUMBER/ REMARKS	S V C
25	FS7-2690-000		1	SPRING, COMPRESSION		
26	FU3-0073-000		1	GEAR, 32T		
27	FU3-0074-000		1	GEAR, 14T		
28	RB2-2843-000		1	SPRING, TORSION	EXCEPT JXY,JXZ,KAB,KAC,KAD	
28	FS7-2989-000		1	SPRING, TORSION	JXY,JXZ,KAB,KAC,KAD	
29	RB2-2926-020		1	BUSHING, TRANSFER, RIGHT		
30	FB6-0162-000		1	SPRING, LEAF, GROUNDING		
31	RG5-4130-000		1	TRANSFER ROLLER UNIT		
31A	RB2-2925-020		1	BUSHING, TRANSFER, LEFT		
31B	RS6-0459-000		1	GEAR, 17T		
32	RS6-2022-000		1	SPRING, COMPRESSION		
33	WA1-6525-000		1	DIODE, V17C33A		
501	XB4-5401-007		1	SCREW,P,M4X10		
502	XD2-1100-502		1	RING,E		
503	XD2-2300-302		7	RING,TOOTHED LOCK		

FIGURE 460
LASER SCANNER ASSEMBLY

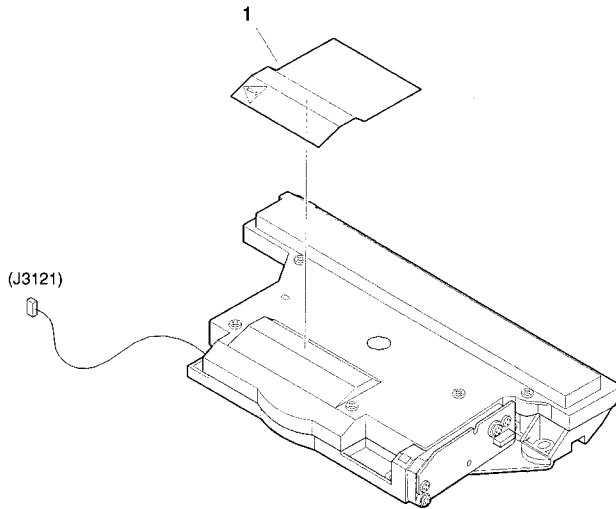


FIGURE & KEY NO.	PARTS NUMBER	RANK	QTY	DESCRIPTION	SERIAL NUMBER/REMARKS	SVC.
Fig.460	FG6-7925-000		1	SCANNER ASSEMBLY	LUK,LUL,LUM,LLUP,LUU LUV,PVR,PVS,PVX,PVY QTJ,QTK,RTV,RTW,ZTR RTX,RTY,STR,STS,TTG TTH,UGA,UHA,UJA,UUK UUM,UUU,UUV,UUW,UU X UUY,UUZ,ZTQ,ZTS,ZTU ZTT,ZTV,ZTX,ZUE,ZUF	
Fig.460	FM5-0995-000		1	SCANNER ASSEMBLY	JHP,JHQ,JHH,JHM,JHJ JHN,JHK,JXY,JXZ,KAB KAC,KAD	
1	RS6-8382-000		1	LABEL, "WARNING LASER"		

FIGURE 810
FIXING ASSEMBLY

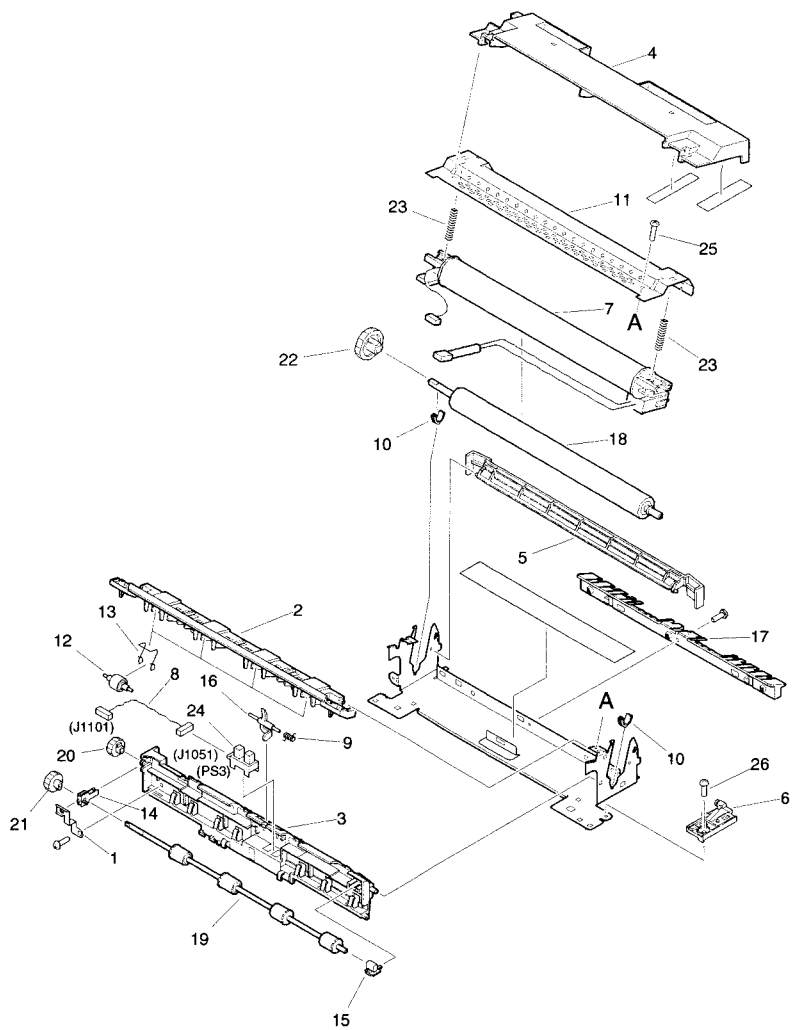


FIGURE & KEY NO.	PARTS NUMBER	RANK	Q'TY	DESCRIPTION	SERIAL NUMBER/REMARKS	SVC
Fig.810	FG6-7934-000		1	FIXING ASSEMBLY	LUK,LUL,LUM,LUP,LUU, LUV	
Fig.810	FG6-7945-000		1	FIXING ASSEMBLY	PVR,PVS,PVX,PVY,QTJ, QTK,RTV,RTW,RTX,RTY, TTG,TTH,UGA,UHA,UIA, UUK,UUM,UUU,UUV,UU W, UUX,UUY,UUZ	
Fig.810	FG6-7947-000		1	FIXING ASSEMBLY	STR,STS,ZTQ,ZTR,ZTS, ZTT,ZTU,ZTV,ZTX,ZUE, ZUF	
Fig.810	FMS-0992-080		1	FIXING ASSEMBLY	JHJ,JHN,JHK,JHH,JHM	
Fig.810	FMS-0994-000		1	FIXING ASSEMBLY	JHP,JHQ	
Fig.810	FMS-0992-080		1	FIXING ASSEMBLY	JXY,JXZ,KAB,KAC,KAD	
1	FB6-0114-000		1	PLATE, GROUNDING		
2	FB6-0115-000		1	GUIDE, SEPARATION, UPPER		
3	FB6-0116-000		1	GUIDE, SEPARATION, LOWER		
4	FB6-0121-000		1	COVER, FIXING		
5	FB6-0122-000		1	GUIDE, FIXING INLET, UPPER		
6	FF6-1437-000		1	FIXING TERMINAL UNIT		
7	FG6-7937-000		1	FIXING FILM GUIDE ASSEMBLY	LUK,LUL,LUM,LUP,LUU, LUV,JHP,JHQ	
7	FG6-7946-000		1	FIXING FILM GUIDE ASSEMBLY	PVR,PVS,PVX,PVY,QTJ, QTK,RTV,RTW,RTX,RTY, TTG,TTH,UGA,UHA,UIA, UUK,UUM,UUU,UUV,UU W, UUX,UUY,UUZ	
7	FG6-7948-000		1	FIXING FILM GUIDE ASSEMBLY	STR,STS,ZTQ,ZTR,ZTS, ZTT,ZTU,ZTV,ZTX,ZUE, ZUF,JXY,JXZ,KAB,KAC KAD,JHH,JHM,JHJ,JHN JHK	
8	FG6-8849-000		1	CABLE, DELIVERY SENSOR	J1101,1051	
9	FS7-2990-000		1	SPRING, TORSION	EXCEPT JXY,JXZ,KAB,KAC,KAD	
9	FS7-2990-000		1	SPRING, TORSION	JXY,JXZ,KAB,KAC,KAD	
10	RB2-2973-000		2	BUSHING		
11	FB6-6888-000		1	PLATE, PRESSURE		
12	RB2-2977-000		4	ROLLER, DELIVERY		
13	RB2-2978-000		4	SPRING, COMPRESSION		
14	RB2-2985-000		1	BUSHING		

FIGURE & KEY NO.	PARTS NUMBER	R A N K	QTY	DESCRIPTION	SERIAL NUMBER/ REMARKS	S V C
15	RB2-2986-000		1	BUSHING		
16	RB2-6402-000		1	LEVER, DELIVERY		
17	RB2-6357-000		1	GUIDE, ENTRANCE		
18	RF5-2601-000		1	ROLLER, PRESSURE		
19	RF5-2603-000		1	ROLLER, DELIVERY		
20	RS6-0442-000		1	GEAR, 14T		
21	RS6-0443-000		1	GEAR, 15T		
22	RS6-0458-000		1	GEAR, 26T		
23	FE5-3194-000		2	SPRING, COMPRESSION	JHP, JHQ, JHH, JHM, JHK JHJ, JHN, JXY, JXZ, KAB KAC, KAD	
23	RS6-2029-000		2	SPRING, COMPRESSION	LUK, LUL, LUM, LUP, LUU, L UV PVR, PVS, PVX, PVY, QTJ, QTK RTV, RTW, ZTR, RTX, RTY, STR STS, TTG, TTH, UGA, UHA, UIA UUK, UUM, UUU, UUV, UU W, UUX UUY, UUZ, ZTQ, ZTS, ZTU, ZTT ZTV, ZTX, ZUE, ZUF	
24	WG8-5309-000		1	PHOTO-INTERRUPTER	PS3 J1051	
25	XA9-0836-000		2	SCREW, TP, M3X6		
26	XA9-0924-000		3	SCREW, WWASHER, M3X8		



FIGURE 930 PCB ASSEMBLY

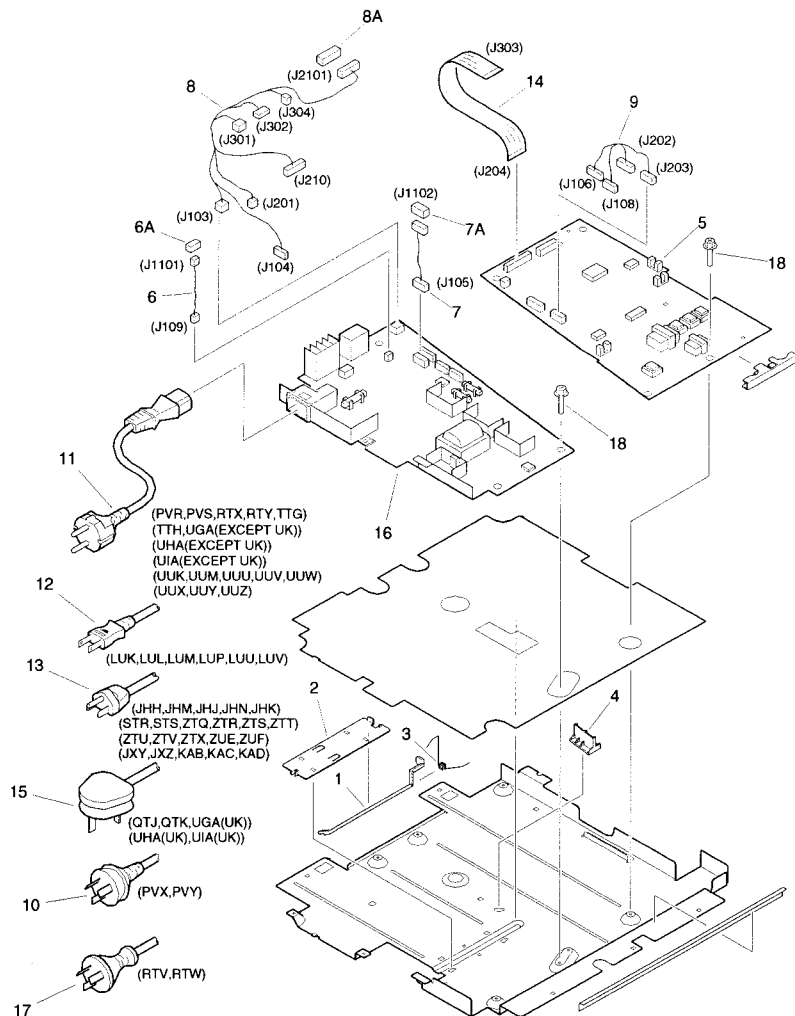


FIGURE & KEY NO.	PARTS NUMBER	RANK	QTY	DESCRIPTION	SERIAL NUMBER/REMARKS	SVC
Fig.930	NPN		RF	PCB ASSEMBLY		
1	FB6-0290-000		1	FLAG, SENSOR, 2		
2	FB6-0292-000		1	HOLDER, SENSOR FLAG		
3	FB6-0293-000		1	SPRING, TORSION		
4	FB6-0295-000		1	SPACER, CONTROLLER MOUNT		
5	FG6-8543-000		1	DC CONTROLLER PCB ASSEMBLY	LUK,LUL,LUM,LUP,LUU,L UV PVR,PVS,PVX,PVY,QTJ, QTK RTV,RTW,ZTR,RTX,RTY, STR STS,TTG,TTH,UGA,UHA, UIA UUK,UUM,UUU,UUV,UU W,UUX UUY,UUZ,ZTQ,ZTS,ZTU, ZTT ZTV,ZTX,ZUE,ZUF	
5	FM5-1010-000		1	DC CONTROLLER PCB ASSEMBLY	JHP,JHQ	
5	FM5-1011-000		1	DC CONTROLLER PCB ASSEMBLY	JHJ,JHN,JHK,JHH,JHM	
5	FM5-5319-000		1	DC CONTROLLER PCB ASSEMBLY	JXY,JXZ,KAB,KAC,KAD	
6	FG6-8547-000		1	CABLE, PAPER DELIVERY SENSOR	J109,1101	
6A	VS1-7177-003		1	CONNECTOR, SNAP TIGHT	J1101	
7A	VS1-7177-004		1	CONNECTOR, SNAP TIGHT	J1102	
8A	VS1-7177-011		1	CONNECTOR, SNAP TIGHT	J2101	
7	FG6-8548-000		1	CABLE, THRMISTOR	J105,1102	
8	FG6-8632-000		1	CABLE, POWER SUPPLY/IP	J103,104,201,210 J301,302,304,2101	
9	FG6-8833-000		1	CABLE, POWER SUPPLY/DC	J106,108,202,203	
10	FH2-5276-030		1	CORD, POWER SUPPLY	PVX,PVY PVR,PVS,RTX,RTY,TTG, TTH,UGA(EXCEPT UK), UHA(EXCEPT UK), UIA(EXCEPT UK), UUK,UUM,UUU,UUV,UU W,UUX,UUY,UUZ	
11	FH2-7080-000		1	CORD, POWER SUPPLY		
12	FH2-6577-000		1	CORD, POWER SUPPLY	LUK,LUL,LUM,LUP,LUU LUV,JHP,JHQ	
13	FH2-6578-000		1	CORD, POWER SUPPLY	STR,STS,ZTQ,ZTR,ZTS ZTT,ZTU,ZTV,ZTX,ZUE ZUF,JXY,JXZ,KAB,KAC KAD,JHH,JHM,JHJ,JHN JHK	
14	FH2-6933-000		1	CABLE, FLAT	J204,303	

FIGURE & KEY NO.	PARTS NUMBER	R A N K	QTY	DESCRIPTION	SERIAL NUMBER/ REMARKS	S V C
15	FH2-7081-000		1	POWER CORD	QTJ, QTK, UGA(UK), UHA(UK), UIA(UK)	
16	FH3-2638-000		1	DC POWER SUPPLY PCB ASSEMBLY	LUK, LUL, LUM, LUP, LUU LUV, JHP, JHQ	
16	FH3-2639-000		1	DC POWER SUPPLY PCB ASSEMBLY	STR, STS, ZTQ, ZTR, ZTS ZTT, ZTU, ZTV, ZTX, ZUE ZUF, JXY, JXZ, KAB, KAC KAD, JHH, JHM, JHJ, JHN JHK	
16	FH3-2643-000		1	DC POWER SUPPLY PCB ASSEMBLY	QTJ, QTK, TTG, TTH, UGA, UHA, UIA, UUK, UUM, UUU, UUV, UUW, UUX, UUY, UUZ	
16	FH3-2651-000		1	DC POWER SUPPLY PCB ASSEMBLY	PVR, PVS, PVX, PVY, RTV, RTW, RTX, RTY	
17	WT3-5106-000		1	CORD, POWER SUPPLY	RTV, RTW	
18	XA9-1164-000		9	SCREW, RS, M3X6.5		

FIGURE 950
IMAGE PROCESSOR PCB ASSEMBLY

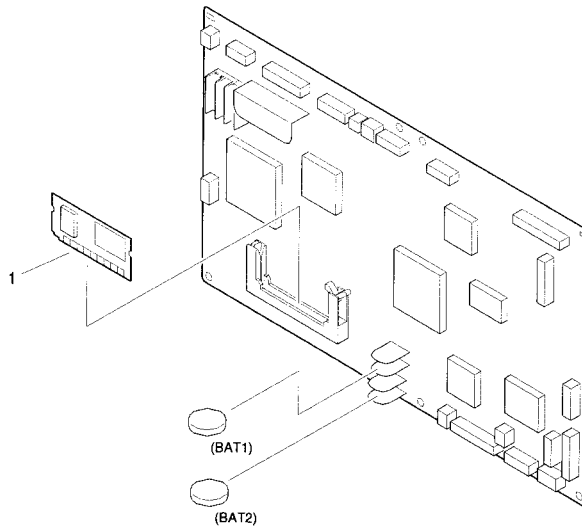


FIGURE & KEY NO.	PARTS NUMBER	RANK	QTY	DESCRIPTION	SERIAL NUMBER/REMARKS	SVC
Fig.950	FG6-8806-000		1	IMAGE PROCESSOR PCB ASSEMBLY	STR	
Fig.950	FG6-8807-000		1	IMAGE PROCESSOR PCB ASSEMBLY	LUK	
Fig.950	FG6-8809-000		1	IMAGE PROCESSOR PCB ASSEMBLY	PVR,PVX	
Fig.950	FG6-8810-000		1	IMAGE PROCESSOR PCB ASSEMBLY	UIA	
Fig.950	FG6-8811-000		1	IMAGE PROCESSOR PCB ASSEMBLY	LUL	
Fig.950	FG6-8812-000		1	IMAGE PROCESSOR PCB ASSEMBLY	ZTR	
Fig.950	FG6-8813-000		1	IMAGE PROCESSOR PCB ASSEMBLY	LUM	
Fig.950	FG6-8814-000		1	IMAGE PROCESSOR PCB ASSEMBLY	ZTS,ZUF	
Fig.950	FG6-8816-000		1	IMAGE PROCESSOR PCB ASSEMBLY	QTK,TTH,UHA,UUM,UUX, UUY,UUZ	
Fig.950	FG6-8817-000		1	IMAGE PROCESSOR PCB ASSEMBLY	STS	
Fig.950	FG6-8818-000		1	IMAGE PROCESSOR PCB ASSEMBLY	LUP	
Fig.950	FG6-8819-000		1	IMAGE PROCESSOR PCB ASSEMBLY	ZTT	
Fig.950	FG6-8821-000		1	IMAGE PROCESSOR PCB ASSEMBLY	QTJ,TTG,UGA,UUK,UUU, UUV,UUW	
Fig.950	FG6-8822-000		1	IMAGE PROCESSOR PCB ASSEMBLY	ZTU	

FIGURE & KEY NO.	PARTS NUMBER	RANK	QTY	DESCRIPTION	SERIAL NUMBER/REMARKS	SYC
Fig.950	FG6-9438-000		1	IMAGE PROCESSOR PCB ASSEMBLY	ZTX	
Fig.950	FG6-9442-000		1	IMAGE PROCESSOR PCB ASSEMBLY	ZTV	
Fig.950	FG6-9443-000		1	IMAGE PROCESSOR PCB ASSEMBLY	RTX	
Fig.950	FG6-9444-000		1	IMAGE PROCESSOR PCB ASSEMBLY	RTV	
Fig.950	FG6-9445-000		1	IMAGE PROCESSOR PCB ASSEMBLY	PVS,PVY	
Fig.950	FG6-9446-000		1	IMAGE PROCESSOR PCB ASSEMBLY	RTY	
Fig.950	FG6-9447-000		1	IMAGE PROCESSOR PCB ASSEMBLY	RTW	
Fig.950	FG6-9812-000		1	IMAGE PROCESSOR PCB ASSEMBLY	LUU,ZTQ,ZUE	
Fig.950	FG6-9814-000		1	IMAGE PROCESSOR PCB ASSEMBLY	LUV	
Fig.950	FM5-1004-000		1	IMAGE PROCESSOR PCB ASSEMBLY	JHJ,JHN	
Fig.950	FM5-1002-000		1	IMAGE PROCESSOR PCB ASSEMBLY	JHQ	
Fig.950	FM5-1005-000		1	IMAGE PROCESSOR PCB ASSEMBLY	JHP,JHH,JHM	
Fig.950	FM5-5275-000		1	IMAGE PROCESSOR PCB ASSEMBLY	JHK	
Fig.950	FM5-5320-000		1	IMAGE PROCESSOR PCB ASSEMBLY	JXY,JXZ	
Fig.950	FM5-5323-000		1	IMAGE PROCESSOR PCB ASSEMBLY	KAB,KAC	
Fig.950	FM5-5324-000		1	IMAGE PROCESSOR PCB ASSEMBLY	KAD	
1	FM5-5321-000		1	DIMM ASSY	JXY,JXZ,KAB,KAC	
1	FM5-5325-000		1	DIMM ASSY	KAD	
1	FG6-8552-030		1	DIMM ASSY	LUK,LUL,LUM,LUP	
1	FG6-9441-020		1	DIMM ASSY	ZTV	
1	FG6-9441-020		1	DIMM ASSY	ZTX	
1	FG6-9802-000		1	DIMM ASSY	PVS,PVY	
1	FG6-9809-020		1	DIMM ASSY	PVR,PVX,QTJ,QTK,TTG, TTH,UGA,UHA,UIA,UUK, UUM,UUU,UUV,UUW,UU X,UUY,UUZ	
1	FG6-9809-020		1	DIMM ASSY	RTV,RTW,RTX,RTY	
1	FG6-9811-020		1	DIMM ASSY	STR,STS,ZTS,ZTT,ZUF	
1	FG6-9811-020		1	DIMM ASSY	ZTR,ZTU	
1	FG6-9823-000		1	DIMM ASSY	LUU,LUV,ZTQ,ZUE	
1	FM5-1006-000		1	DIMM ASSY	JHH,JHM,JHJ,JHN	
1	FM5-1019-000		1	DIMM ASSY	JHP,JHQ	
1	FM5-5276-000		1	DIMM ASSY	JHK	

FIGURE & KEY NO.	PARTS NUMBER	R A N K	Q'TY	DESCRIPTION	SERIAL NUMBER/ REMARKS	S V C
BAT1	WK1-5112-000		1	LITHIUM BATTERY, CR2450VN75N		
BAT2	WK1-5133-000		1	BATTERY, LI-AI/V205,VL2330/G1C		

FIGURE B LIST OF CONNECTORS

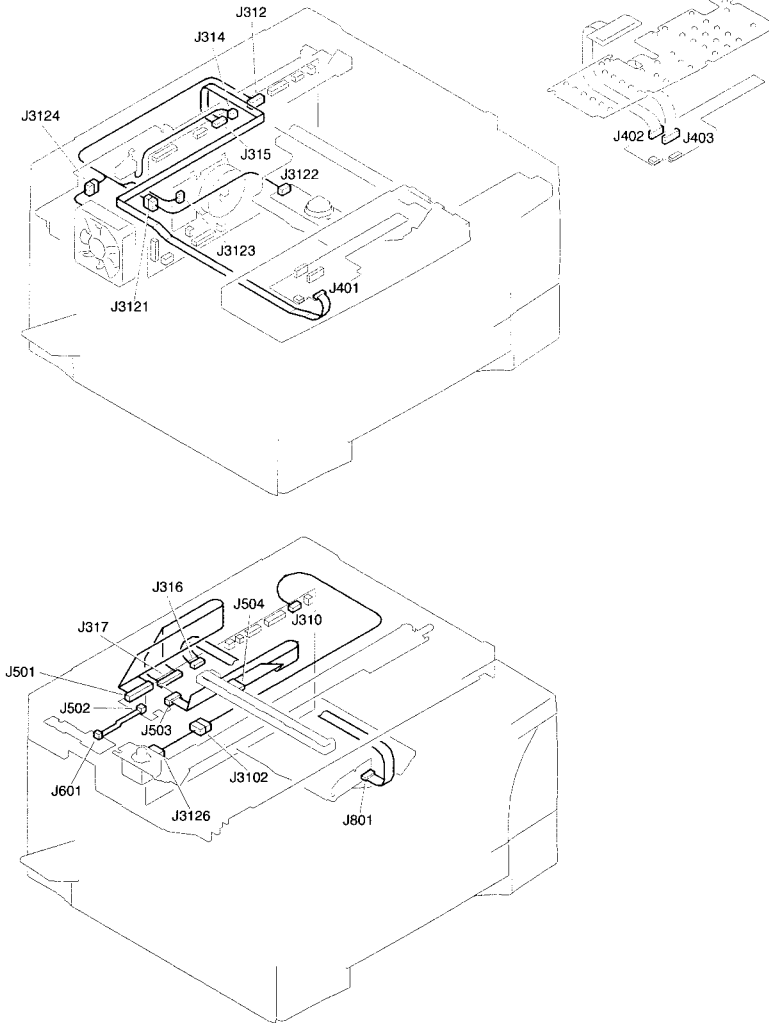


FIGURE B
LIST OF CONNECTORS

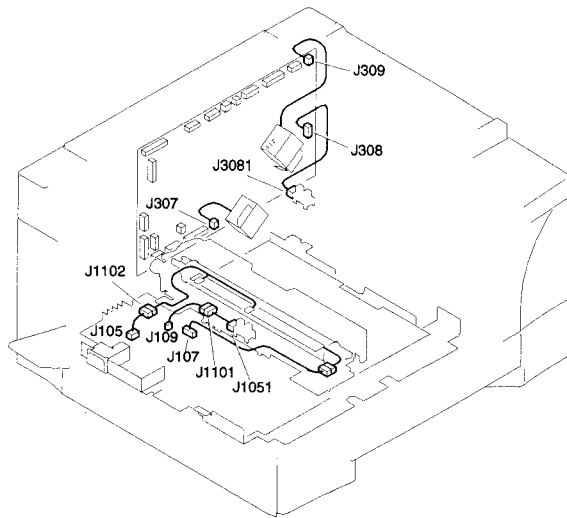
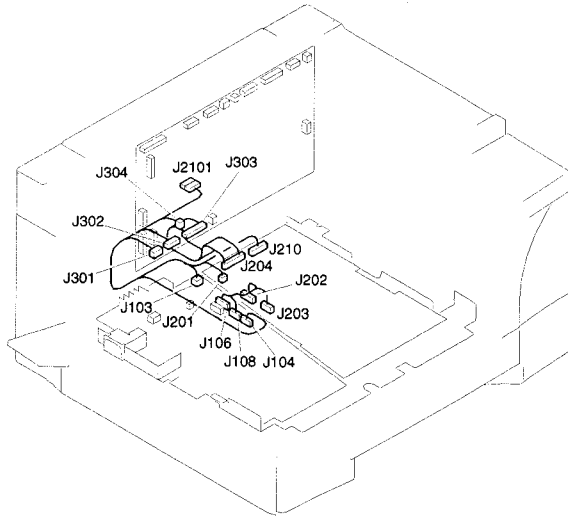
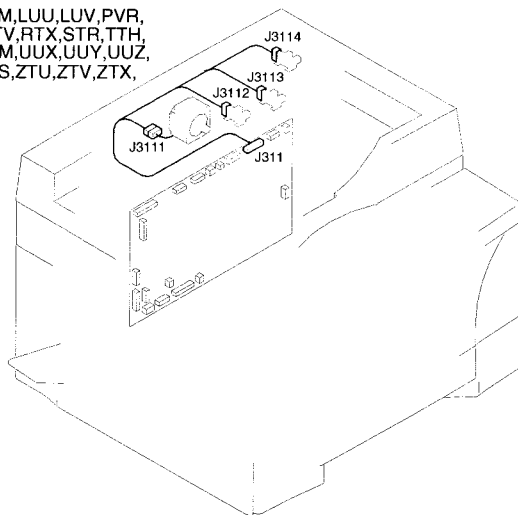


FIGURE B LIST OF CONNECTORS

LUK, LUL, LUM, LUU, LUV, PVR,
PVX, QTK, RTV, RTX, STR, TTH,
UHA, UIA, UUM, UUX, UUY, UUZ,
ZTQ, ZTR, ZTS, ZTU, ZTV, ZTX,
ZUE, ZUF



PVR, PVS, PVX, PVY, RTX, RTY,
STR, STS

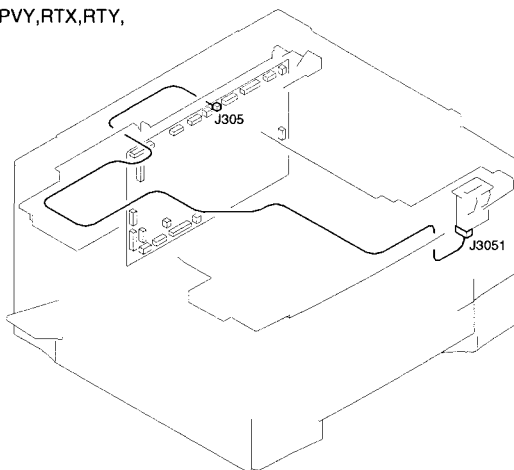
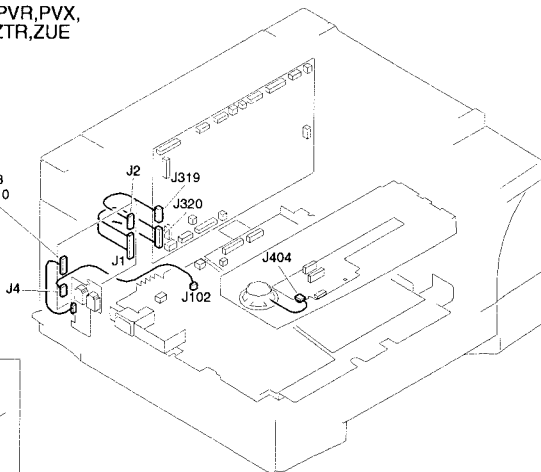


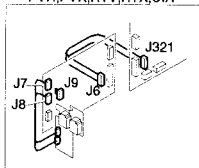
FIGURE B LIST OF CONNECTORS

LUK,LUL,LUU,LUV,PVR,PVX,
RTV,RTX,UIA,ZTQ,ZTR,ZUE

LUK,LUL,LUU,LUV: J3
ZTQ,ZTR,ZUE: J10



PVR,PVX,RTV,RTX,UIA



LUK,LUP,LUU,PVR,PVS,PVX,
PVY,QTJ,QTK,RTV,RTW,RTX,
RTY,STR,STS,TTG,TTH,UGA,
UHA,UIA,UUK,UUM,UUU,UUV,
UUV,UUX,UUY,UUZ,ZTQ,ZTS,
ZTT,ZTV,ZUE,ZUF

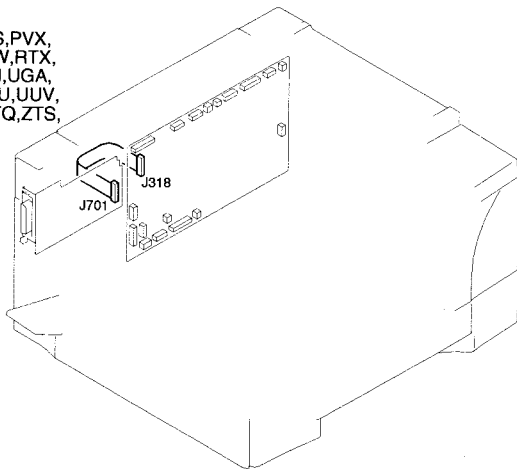


FIGURE & KEY NO.	PARTS NUMBER	RANK	QTY	DESCRIPTION	SERIAL NUMBER/REMARKS	SVC
Fig B	NPN		RF	LIST OF CONNECTORS		
J1	PCB		1	NCU BOARD	LUK,LUL,LUU,LUV,PVR, PVX,RTV,RTX,UIA,ZTQ, ZTR,ZUE	
J1	FH2-6936-000		1	CABLE, FLAT	LUK,LUL,LUU,LUV,PVR, PVX,RTV,RTX,UIA,ZTQ, ZTR,ZUE	
J2	PCB		1	NCU BOARD	LUK,LUL,LUU,LUV,PVR, PVX,RTV,RTX,UIA,ZTQ, ZTR,ZUE	
J2	VS3-5080-006		1	CONNECTOR, 6P, FEMALE	LUK,LUL,LUU,LUV,PVR, PVX,RTV,RTX,UIA,ZTQ, ZTR,ZUE	
J2	WT1-5155-000		6	TERMINAL	LUK,LUL,LUU,LUV,PVR, PVX,RTV,RTX,UIA,ZTQ, ZTR,ZUE	
J3	PCB		1	NCU BOARD	LUK,LUL,LUU,LUV	
J3	PCB		1	MODULAR BOARD	LUK,LUL,LUU,LUV	
J4	PCB		1	NCU BOARD	LUK,LUL,LUU,LUV,PVR, PVX,RTV,RTX,UIA,ZTQ, ZTR,ZUE	
J4	VS3-5080-002		1	CONNECTOR, 2P, MALE	LUK,LUL,LUU,LUV,PVR, PVX,RTV,RTX,UIA,ZTQ, ZTR,ZUE	
J4	WT1-5155-000		2	TERMINAL	LUK,LUL,LUU,LUV,PVR, PVX,RTV,RTX,UIA,ZTQ, ZTR,ZUE	
J6	PCB		1	NCU BOARD	PVR,PVX,RTV,RTX,UIA	
J6	FH2-6935-000		1	CABLE, FLAT	PVR,PVX,RTV,RTX,UIA	
J7	PCB		1	NCU BOARD	PVR,PVX,RTV,RTX,UIA	
J7	PCB		1	MODULAR BOARD	PVR,PVX,RTV,RTX,UIA	
J8	PCB		1	NCU BOARD	PVR,PVX,RTV,RTX,UIA	
J8	PCB		1	MODULAR BOARD	PVR,PVX,RTV,RTX,UIA	
J10	PCB		1	NCU BOARD	ZTQ,ZTR,ZUE	
J10	PCB		1	MODULAR BOARD	ZTQ,ZTR,ZUE	
J102	PCB		1	DC POWER SUPPLY	LUK,LUL,LUU,LUV,PVR, PVX,RTV,RTX,UIA,ZTQ, ZTR,ZUE	
J102	VS3-5080-002		1	CONNECTOR, 2P, MALE	LUK,LUL,LUU,LUV,PVR, PVX,RTV,RTX,UIA,ZTQ, ZTR,ZUE	
J102	VS3-5080-002		1	CONNECTOR, 2P, MALE	ZTR,ZUE	

FIGURE & KEY NO.	PARTS NUMBER	R A N K	QTY	DESCRIPTION	SERIAL NUMBER/ REMARKS	S V C
J102	WT1-5155-000		2	TERMINAL	LUK,LUL,LUU,LUV,PVR, PVX,RTV,RTX,UIA,ZTQ, ZTR,ZUE	
J103	PCB		1	DC POWER SUPPLY		
J103	VS1-5824-004		1	CONNECTOR, 4P, FEMALE		
J103	WS3-5358-000		4	SOCKET CONTACT, 22-26AWG		
J104	PCB		1	DC POWER SUPPLY		
J104	VS1-6314-008		1	CONNECTOR, 8P, FEMALE		
J105	PCB		1	DC POWER SUPPLY		
J105	VS1-7178-004		1	CONNECTOR, 4P, FEMALE		
J106	PCB		1	DC POWER SUPPLY		
J106	VS1-6314-010		1	CONNECTOR, 10P, FEMALE		
J107	PCB		1	DC POWER SUPPLY		
J107	VS3-5118-003		1	CONNECTOR, 3P, FEMALE		
J107	WS3-1226-000		2	SOCKET CONTACT		
J108	PCB		1	DC POWER SUPPLY		
J108	VS1-6314-009		1	CONNECTOR, 9P, FEMALE		
J109	PCB		1	DC POWER SUPPLY		
J109	VS1-7178-003		1	CONNECTOR, 3P, FEMALE		
J201	PCB		1	DC CONTROLLER		
J201	VS1-7178-003		1	CONNECTOR, 3P, FEMALE		
J202	PCB		1	DC CONTROLLER		
J202	VS1-6314-010		1	CONNECTOR, 10P, FEMALE		
J203	PCB		1	DC CONTROLLER		
J203	VS1-6314-009		1	CONNECTOR, 9P, FEMALE		
J204	PCB		1	DC CONTROLLER		
J204	FH2-6933-000		1	CABLE, FLAT		
J210	PCB		1	DC CONTROLLER		
J210	VS1-6321-011		1	CONNECTOR, 11P, FEMALE		
J301	PCB		1	IMAGE PROCESSOR		
J301	VS1-5824-004		1	CONNECTOR, 4P, FEMALE		
J301	WS3-5358-000		4	SOCKET CONTACT, 22-26AWG		
J302	PCB		1	IMAGE PROCESSOR		

FIGURE & KEY NO.	PARTS NUMBER	RANK	QTY	DESCRIPTION	SERIAL NUMBER/REMARKS	SVC
J302	VS1-6314-008		1	CONNECTOR, 8P, FEMALE		
J303	PCB		1	IMAGE PROCESSOR		
J303	FH2-6933-000		1	CABLE, FLAT		
J304	PCB		1	IMAGE PROCESSOR		
J304	VS1-7178-003		1	CONNECTOR, 3P, FEMALE		
J305	PCB		1	IMAGE PROCESSOR	PVR,PVS,PVX,PVY,RTX,RTY,STR,STS	
J305	VS1-7178-002		1	CONNECTOR, 2P, FEMALE	PVR,PVS,PVX,PVY,RTX,RTY,STR,STS	
J307	PCB		1	IMAGE PROCESSOR		
J307	NPN		1	CASSETTE PICK-UP SOLENOID	SL2	
J308	PCB		1	IMAGE PROCESSOR		
J308	VS1-6314-003		1	CONNECTOR, 3P, FEMALE		
J309	NPN		1	MANUAL FEED PICK-UP SOLENOID	SL1	
J309	PCB		1	IMAGE PROCESSOR		
J310	PCB		1	IMAGE PROCESSOR		
J310	VS1-6314-004		1	CONNECTOR, 4P, FEMALE		
J311	PCB		1	IMAGE PROCESSOR	LUK,LUL,LUM,LUU,LUV,PVR,PVX,QTK,RTV,RTX,STR,TTH,UHA,UJA,UUM,UUX,UUY,UUZ,ZTQ,ZTR,ZTS,ZTU,ZTV,ZTX,ZUE,ZUF	
J311	VS1-6757-015		1	CONNECTOR, 15P, FEMALE	LUK,LUL,LUM,LUU,LUV,PVR,PVX,QTK,RTV,RTX,STR,TTH,UHA,UJA,UUM,UUX,UUY,UUZ,ZTQ,ZTR,ZTS,ZTU,ZTV,ZTX,ZUE,ZUF	
J311	WS3-5721-000		15	SOCKET CONTACT	LUK,LUL,LUM,LUU,LUV,PVR,PVX,QTK,RTV,RTX,STR,TTH,UHA,UJA,UUM,UUX,UUY,UUZ,ZTQ,ZTR,ZTS,ZTU,ZTV,ZTX,ZUE,ZUF	
J312	PCB		1	IMAGE PROCESSOR		
J312	VS1-6314-010		1	CONNECTOR, 10P, FEMALE		
J314	PCB		1	IMAGE PROCESSOR		
J314	VS1-6302-003		1	CONNECTOR, 3P, FEMALE		
J314	WS3-5569-000		2	SOCKET CONTACT, 22-28AWG		

FIGURE & KEY NO.	PARTS NUMBER	RANK	QTY	DESCRIPTION	SERIAL NUMBER/REMARKS	SVC
J315	PCB		1	IMAGE PROCESSOR		
J315	FH2-6932-000		1	CABLE, FLAT		
J316	PCB		1	IMAGE PROCESSOR		
J316	FH2-6934-000		1	CABLE, FLAT		
J317	PCB		1	IMAGE PROCESSOR		
J317	FF6-1443-000		1	CABLE, FLAT		
J318	PCB		1	IMAGE PROCESSOR	LUK,LUP,LUU,PVR,PVS, PVX,PVY,QTJ,QTK,RTV, RTW,RTX,RTY,STR,STS, TTG,TTH,UGA,UHA,UIA, UUK,UUM,UUU,UUV,UU W, UUX,UUY,UUZ,ZTQ,ZTS, ZTT,ZTV,ZUE,ZUF	
J318	FH2-6937-000		1	CABLE, FLAT	LUK,LUP,LUU,PVR,PVS, PVX,PVY,QTJ,QTK,RTV, RTW,RTX,RTY,STR,STS, TTG,TTH,UGA,UHA,UIA, UUK,UUM,UUU,UUV,UU W, UUX,UUY,UUZ,ZTQ,ZTS, ZTT,ZTV,ZUE,ZUF	
J319	PCB		1	IMAGE PROCESSOR	LUK,LUL,LUU,LUV,PVR, PVX,RTV,RTX,UIA,ZTQ, ZTR,ZUE	
J319	VS3-5080-006		1	CONNECTOR, 6P, FEMALE	LUK,LUL,LUU,LUV,PVR, PVX,RTV,RTX,UIA,ZTQ, ZTR,ZUE	
J319	WT1-5155-000		6	TERMINAL	LUK,LUL,LUU,LUV,PVR, PVX,RTV,RTX,UIA,ZTQ, ZTR,ZUE	
J320	PCB		1	IMAGE PROCESSOR	LUK,LUL,LUU,LUV,PVR, PVX,RTV,RTX,UIA,ZTQ, ZTR,ZUE	
J320	FH2-6936-000		1	CABLE, FLAT	LUK,LUL,LUU,LUV,PVR, PVX,RTV,RTX,UIA,ZTQ, ZTR,ZUE	
J321	PCB		1	IMAGE PROCESSOR	PVR,PVX,RTV,RTX,UIA	
J321	FH2-6935-000		1	CABLE, FLAT	PVR,PVX,RTV,RTX,UIA	
J401	PCB		1	CONTROL PANEL		
J401	FH2-6932-000		1	CABLE, FLAT		
J402	PCB		1	CONTROL PANEL		
J402	NPN		1	LCD PANEL		
J403	PCB		1	CONTROL PANEL		

FIGURE & KEY NO.	PARTS NUMBER	RANK	QTY	DESCRIPTION	SERIAL NUMBER/REMARKS	SV C
J403	NPN		1	MEMBRANE SWITCH		
J404	PCB		1	CONTROL PANEL	LUK,LUL,LUU,LUV,PVR, PVX,RTV,RTY,UIA,ZTQ, ZTR,ZUE	
J404	NPN		1	SPEAKER	LUK,LUL,LUU,LUV,PVR, PVX,RTV,RTY,UIA,ZTQ, ZTR,ZUESP1	
J501	PCB		1	ANALOG PROCESSOR		
J501	FF6-1443-000		1	CABLE, FLAT		
J502	PCB		1	ANALOG PROCESSOR		
J502	FH2-6931-000		1	CABLE, FLAT		
J503	PCB		1	ANALOG PROCESSOR		
J503	FH2-6929-000		1	CABLE, FLAT		
J504	NPN		1	CONTACT SENSOR		
J504	FH2-6929-000		1	CABLE, FLAT		
J601	PCB		1	READER SENSOR		
J601	FH2-6931-000		1	CABLE, FLAT		
J701	PCB		1	PRINTER CONTROLLER	LUK,LUP,LUU,PVR,PVS, PVX,PVY,QTJ,GTK,RTV, RTW,RTX,RTY,STR,STS, TTG,TTH,UGA,UHA,UIA, UUK,UUM,UUU,UUV,UU W, UUX,UUY,UUZ,ZTQ,ZTS, ZTT,ZTV,ZUE,ZUF	
J701	FH2-6937-000		1	CABLE, FLAT	LUK,LUP,LUU,PVR,PVS, PVX,PVY,QTJ,GTK,RTV, RTW,RTX,RTY,STR,STS, TTG,TTH,UGA,UHA,UIA, UUK,UUM,UUU,UUV,UU W, UUX,UUY,UUZ,ZTQ,ZTS, ZTT,ZTV,ZUE,ZUF	
J801	NPN		1	LASER UNIT		
J801	FH2-6934-000		1	CABLE, FLAT		
J1051	NPN		1	DELIVERY SENSOR	PS3	
J1051	VS1-7178-003		1	CONNECTOR, 3P, FEMALE		
J1101	VS1-7178-003		2	CONNECTOR, 3P, FEMALE		
J1101	VS1-7177-003		1	CONNECTOR, SNAP TIGHT		
J1102	NPN		1	THERMISTOR	TH1,TH2	
J1102	VS1-7178-004		1	CONNECTOR, 4P, FEMALE		

FIGURE & KEY NO.	PARTS NUMBER	R A N K	Q'TY	DESCRIPTION	SERIAL NUMBER/ REMARKS	S V C
J1102	VS1-7177-004		1	CONNECTOR, SNAP TIGHT		
J2101	SYS		1	FOR FACTORY		
J2101	VS1-7177-011		1	CONNECTOR, SNAP TIGHT		
J2101	VS1-6321-011		1	CONNECTOR, 11P, FEMALE		
J3051	NPN		1	COUNTER	PVR,PVS,PVX,PVY,RTX, RTY,STR,STSCNT1	
J3051	VS1-7178-002		1	CONNECTOR, 2P, FEMALE	PVR,PVS,PVX,PVY,RTX, RTY,STR,STS	
J3081	NPN		1	MANUAL FEED TRAY PAPER SENSOR	PS4	
J3081	VS1-6321-003		1	CONNECTOR, 3P, FEMALE		
J3102	VS1-7177-004		1	CONNECTOR, SNAP TIGHT		
J3102	VS1-5824-004		1	CONNECTOR, 4P, FEMALE		
J3102	VS1-6321-004		1	CONNECTOR, 4P, FEMALE		
J3102	WS3-5358-000		4	SOCKET CONTACT, 22-26AWG		
J3111	NPN		1	ADF MOTOR	LUK,LUL,LUM,LUU,LUV, PVR,PVX,QTK,RTV,RTX, STR,TTH,UHA,UIA,UUM, UUX,UUY,UUZ,ZTQ,ZTR, ZTS,ZTU,ZTV,ZTX,ZUE, ZUFM3	
J3111	VS1-7440-006		1	CONNECTOR, SNAP TIGHT	LUK,LUL,LUM,LUU,LUV, PVR,PVX,QTK,RTV,RTX, STR,TTH,UHA,UIA,UUM, UUX,UUY,UUZ,ZTQ,ZTR, ZTS,ZTU,ZTV,ZTX,ZUE, ZUF	
J3111	VS1-5824-006		1	CONNECTOR, 6P, FEMALE	LUK,LUL,LUM,LUU,LUV, PVR,PVX,QTK,RTV,RTX, STR,TTH,UHA,UIA,UUM, UUX,UUY,UUZ,ZTQ,ZTR, ZTS,ZTU,ZTV,ZTX,ZUE, ZUF	
J3111	WS3-5358-000		6	SOCKET CONTACT, 22-26AWG	LUK,LUL,LUM,LUU,LUV, PVR,PVX,QTK,RTV,RTX, STR,TTH,UHA,UIA,UUM, UUX,UUY,UUZ,ZTQ,ZTR, ZTS,ZTU,ZTV,ZTX,ZUE, ZUF	
J3112	NPN		1	ORIGINAL SENSOR	LUK,LUL,LUM,LUU,LUV, PVR,PVX,QTK,RTV,RTX, STR,TTH,UHA,UIA,UUM, UUX,UUY,UUZ,ZTQ,ZTR,	
J3112	NPN		1	ORIGINAL SENSOR	ZTS,ZTU,ZTV,ZTX,ZUE, ZUFPS6	

FIGURE & KEY NO.	PARTS NUMBER	RANK	QTY	DESCRIPTION	SERIAL NUMBER/REMARKS	SVC
J3112	VS1-6094-003		1	CONNECTOR, 3P, FEMALE	LUK,LUL,LUM,LUU,LUV, PVR,PVX,QTK,RTV,RTX, STR,TTH,UHA,UIA,UUM, UUX,UUY,UUZ,ZTQ,ZTR, ZTS,ZTU,ZTV,ZTX,ZUE, ZUF	
J3112	WS3-5358-000		3	SOCKET CONTACT, 22-26AWG	LUK,LUL,LUM,LUU,LUV, PVR,PVX,QTK,RTV,RTX, STR,TTH,UHA,UIA,UUM, UUX,UUY,UUZ,ZTQ,ZTR, ZTS,ZTU,ZTV,ZTX,ZUE, ZUF	
J3113	NPN		1	REGISTRATION SENSOR	LUK,LUL,LUM,LUU,LUV, PVR,PVX,QTK,RTV,RTX, STR,TTH,UHA,UIA,UUM, UUX,UUY,UUZ,ZTQ,ZTR, ZTS,ZTU,ZTV,ZTX,ZUE, ZUF PS7	
J3113	VS1-5824-003		1	CONNECTOR, 3P, FEMALE	LUK,LUL,LUM,LUU,LUV, PVR,PVX,QTK,RTV,RTX, STR,TTH,UHA,UIA,UUM, UUX,UUY,UUZ,ZTQ,ZTR, ZTS,ZTU,ZTV,ZTX,ZUE, ZUF	
J3113	WS3-5358-000		3	SOCKET CONTACT, 22-26AWG	LUK,LUL,LUM,LUU,LUV, PVR,PVX,QTK,RTV,RTX, STR,TTH,UHA,UIA,UUM, UUX,UUY,UUZ,ZTQ,ZTR, ZTS,ZTU,ZTV,ZTX,ZUE, ZUF	
J3114	NPN		1	ORIGINAL DELIVERY SENSOR	LUK,LUL,LUM,LUU,LUV, PVR,PVX,QTK,RTV,RTX, STR,TTH,UHA,UIA,UUM, UUX,UUY,UUZ,ZTQ,ZTR, ZTS,ZTU,ZTV,ZTX,ZUE, ZUF PS8	
J3114	VS1-5824-003		1	CONNECTOR, 3P, FEMALE	LUK,LUL,LUM,LUU,LUV, PVR,PVX,QTK,RTV,RTX, STR,TTH,UHA,UIA,UUM, UUX,UUY,UUZ,ZTQ,ZTR, ZTS,ZTU,ZTV,ZTX,ZUE, ZUF	
J3114	WS3-5358-000		3	SOCKET CONTACT, 22-26AWG	LUK,LUL,LUM,LUU,LUV, PVR,PVX,QTK,RTV,RTX, STR,TTH,UHA,UIA,UUM, UUX,UUY,UUZ,ZTQ,ZTR, ZTS,ZTU,ZTV,ZTX,ZUE, ZUF	
J3121	VS1-7178-004		1	CONNECTOR, 4P, FEMALE		
J3121	VS1-7177-004		1	CONNECTOR, SNAP TIGHT		
J3121	VS1-6321-004		1	CONNECTOR, 4P, FEMALE		
J3122	NPN		1	SCANNER MOTOR	M4	

FIGURE & KEY NO.	PARTS NUMBER	R A N K	QTY	DESCRIPTION	SERIAL NUMBER/ REMARKS	S V C
J3122	VS1-7208-004		1	CONNECTOR, 4P, FEMALE		
J3123	NPN		1	MAIN MOTOR	M1	
J3123	VS1-6321-003		1	CONNECTOR, 3P, FEMALE		
J3124	NPN		1	EXHAUST FAN	FM1	
J3124	VS1-7177-003		1	CONNECTOR, SNAP TIGHT		
J3124	VS1-6320-003		1	CONNECTOR, 3P, FEMALE		
J3126	NPN		1	READER MOTOR	M2	
J3126	VS3-0320-006		1	CONNECTOR, 6P, FEMALE		
J3126	WS3-1309-000		4	SOCKET CONTACT, 28AWG		



