

PC-D320/D340 FAX-L400 PARTS CATALOG

REVISION 0

PC-D320	H12-2553	230V	EC/UK/GER/FRN/ SWI/AST/SAF
PC-D340	H12-2563	230V	EC/UK/GER/FRN/ SWI/AST/SAF
FAX-L400	H12-2573	230V	EC/UK
FAX-L400	H12-2575	230V	GER
FAX-L400	H12-2577	230V	FRN
HANDSET APPARATUS			

Canon

JAN. 2003

HY8-30AT-000

Application

This manual has been issued by Canon Inc. for qualified persons to learn technical theory, installation, maintenance, and repair of products. This manual covers all localities where the products are sold. For this reason, there may be information in this manual that does not apply to your locality.

Corrections

This manual may contain technical inaccuracies or typographical errors due to improvements or changes in products. When changes occur in applicable products or in the content of this manual, Canon will release technical information as the need arises. In the event of major changes in the contents of this manual, Canon will issue a new editions of this manual.

The following paragraph does not apply to any countries where such provisions are inconsistent with local law.

Trademarks

The product names and company names described in this manual are the registered trademarks of the individual companies.

Copyright

This manual is copyrighted with all rights reserved. Under the copyright laws, this manual may not be copied, reproduced or translated into another language, in whole or in part, without the written consent of Canon Inc.

Copyright © 2003 by Canon Inc.

CANON INC.

Consumer Imaging Products Quality Assurance Dept. 1

5-1 Hakusan 7-Chome, Toride-city, Ibaraki 302-8501, Japan

DTP System

The data contained on this manual were created using Windows 2000® computers.
Document creation and page layout were performed using Adobe® PageMaker® 6.5.
Logos and illustrations were created using Adobe® Illustrator® 9.0J.

I. CONTENTS

1. ILLUSTRATION INDEX
2. PARTS LAYOUT & PARTS LIST
3. TOOL
4. LUBRICATIONS
5. NUMERICAL INDEX

II. ABOUT THIS MANUAL

1. ILLUSTRATION INDEX

For illustration index, the parts layout illustrations in this parts catalog are listed in abbreviated form in order of illustration number to identify the pages they appear on. To find an illustration of a part, see the ILLUSTRATION INDEX.

2. PARTS LAYOUT & PARTS LIST

Parts layout illustration

a) Parts search

Find a part from the parts layout illustration and find its key number from the parts list to identify the part number and name.

Further, screws, nuts, washers, grip rings, pins and spacers are mentioned in the parts list.

Note: If parts have the same or similar shape but different specifications, their key number is assigned to several part numbers and names in the parts list.

b) Parts replacement procedure

The parts layout illustrations are arranged according to the disassembly procedure of the product. When a unit in the illustration can be disassemble further, a reference illustration page of the disassembly will be included.

Parts where grease is to be applied are displayed as "Lubrication". When replacing parts, or if grease has accidentally been wiped off, refer to "4". (Lubrications), and reapply the grease.

The letters (A , B etc.) in the illustration indicate the connection locations of cables and screws.

Parts list

a) FIGURE & KEY No.

The FIGURE & KEY No. column corresponds to the key numbers assigned to the parts in the parts layout illustration.

It also corresponds to the part locations printed on the PC board.

b) PART NUMBER

The PART NUMBER column gives the part numbers corresponding to the key numbers. To order a part, indicate the part number clearly.

Note: Parts marked NPN are not service parts.

c) RANK

The service parts with N in the RANK column are order parts.

d) QTY

The QTY column gives the number of parts in the corresponding components layout illustration.

e) DESCRIPTION

The DESCRIPTION column gives the part names in English.

To order a part, indicate the part name, too.

3. TOOL

This is a list of tools used for servicing products.

4. LUBRICATIONS

Where grease is to be applied in order to allow moving parts to work smoothly, and to increase conductivity, the type and amount of grease to be used will be mentioned.

5. NUMERICAL INDEX

All the parts listed in this parts catalog are arranged in order of part number. You can identify part locations and names from the NUMERICAL INDEX.

This page intentionally left blank

1. ILLUSTRATION INDEX

<p>FIGURE 1 PC-D320 PACKAGE CONTENTS</p>	<p>See Page 2-1</p>	<p>FIGURE 2 PC-D340 PACKAGE CONTENTS</p>	<p>See Page 2-3</p>
<p>FIGURE 3 FAX-L400 PACKAGE CONTENTS</p>	<p>See Page 2-5</p>	<p>FIGURE 4 PC-D340/FAX-L400 FRONT COVER, LEFT COVER, COPY BOARD COVER</p>	<p>See Page 2-7</p>

<p>FIGURE 5 PC-D320 FRONT COVER, LEFT COVER, COPY BOARD COVER</p>	<p>See Page 2-9</p>	<p>FIGURE 6 RIGHT COVER, CARTRIDGE COVER</p>	<p>See Page 2-11</p>
<p>FIGURE 7 OPERATION PANEL ASS'Y, SCNT BOARD, ECNT BOARD</p>	<p>See Page 2-13</p>	<p>FIGURE 8 DOCUMENT FEED ASS'Y, FLAT BED ASS'Y</p>	<p>See Page 2-15</p>

<p>FIGURE 9 CHASSIS UNIT, EJECT PAPER FRAME ASS'Y</p>	<p>See Page 2-17</p>	<p>FIGURE 10 LASER/SCANNER ASS'Y, FIXING ASS'Y</p>	<p>See Page 2-19</p>
<p>FIGURE 11 PAPER PICK-UP ASS'Y</p>	<p>See Page 2-21</p>	<p>FIGURE 12 PAPER FEED SECTION 1</p>	<p>See Page 2-23</p>

FIGURE 13 PAPER FEED SECTION 2

See Page
2-25

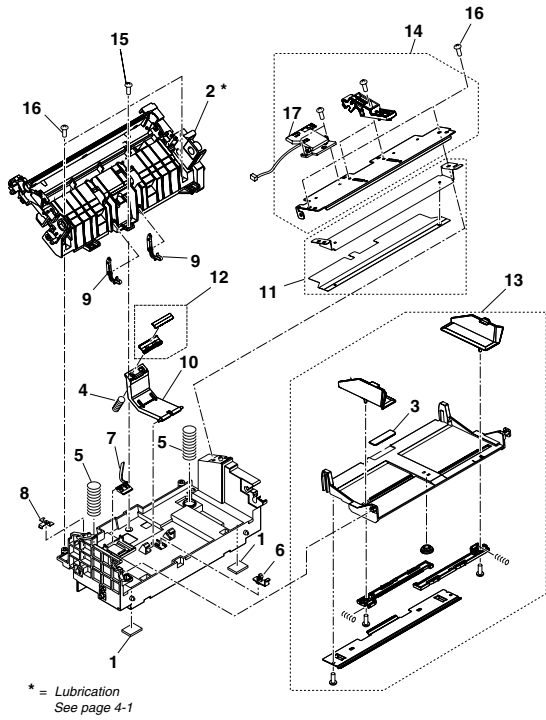


FIGURE 14 PAPER TRAY ASS'Y

See Page
2-27

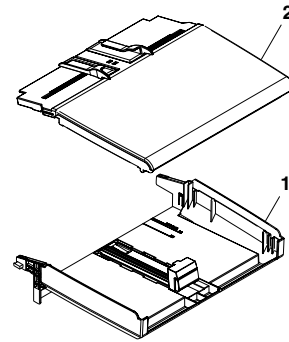


FIGURE 15 PC-D340/FAX-L400
COPY BOARD COVER
ASS'Y

See Page
2-29

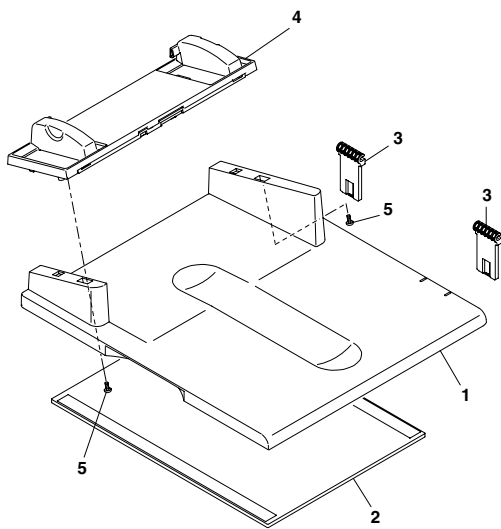
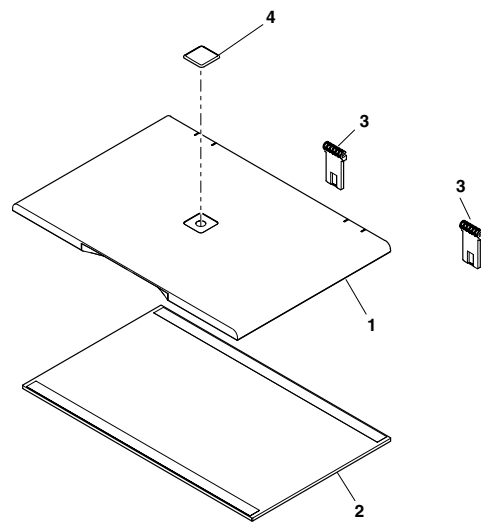


FIGURE 16 PC-D320
COPY BOARD COVER
ASS'Y

See Page
2-31



<p>FIGURE 17 PC-D320/PC-D340 OPERATION PANEL ASS'Y</p>	<p>See Page 2-33</p>	<p>FIGURE 18 FAX-L400 OPERATION PANEL ASS'Y</p>	<p>See Page 2-35</p>
		<p>FIGURE 19 PC-D340/FAX-L400 DOCUMENT FEED ASS'Y</p>	<p>FIGURE 20 PC-D340/FAX-L400 MIDDLE DOCUMENT FEED ASS'Y</p>
		<p>See Page 2-39</p>	

<p>FIGURE 21 PC-D340/FAX-L400 LOWER DOCUMENT FEED ASS'Y</p>	<p>See Page 2-41</p>	<p>FIGURE 22 PC-D340/FAX-L400 DOCUMENT FEED MOTOR ASS'Y</p>	<p>See Page 2-43</p>
<p>FIGURE 23 PC-D340/FAX-L400 DOCUMENT FEED GEAR ASS'Y</p>	<p>See Page 2-45</p>	<p>FIGURE 24 DOCUMENT READ SECTION</p>	<p>See Page 2-47</p>

FIGURE 25 PC-D340/FAX-L400
ADF BASE ASS'Y

See Page
2-49

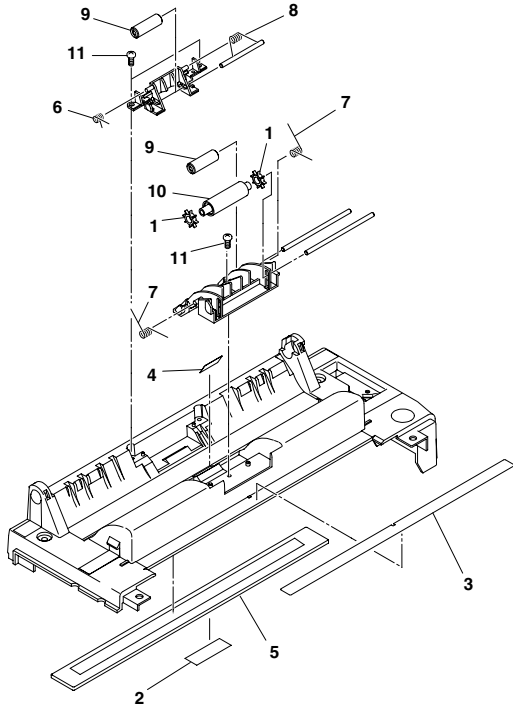


FIGURE 26 FLAT BED ASS'Y

See Page
2-51

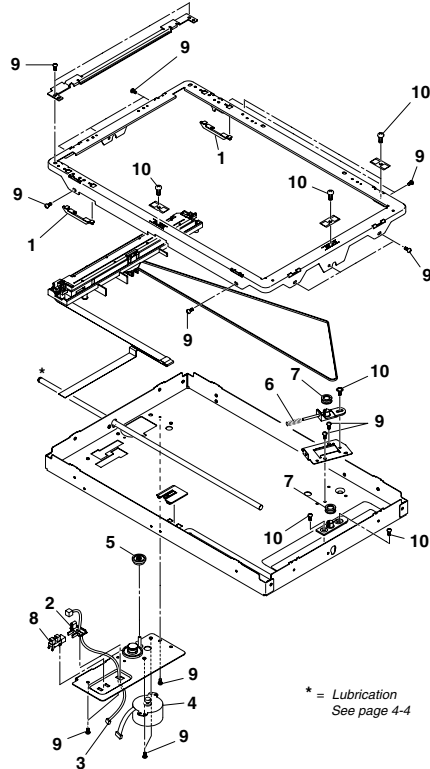


FIGURE 27 CONTACT SENSOR

See Page
2-53

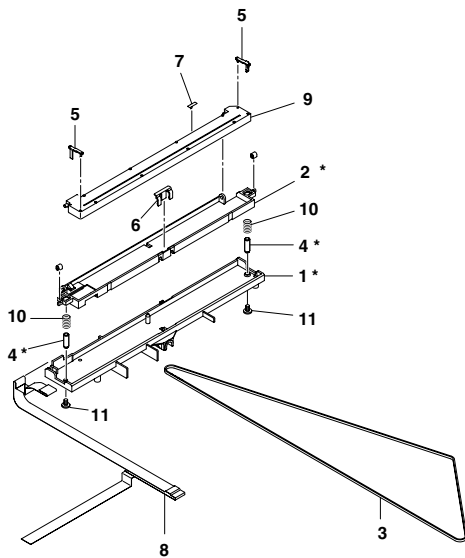


FIGURE 28 EJECT PAPER FRAME
ASS'Y

See Page
2-55

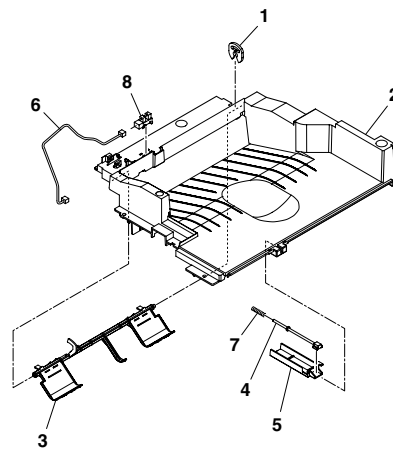


FIGURE 29 FIXING ASS'Y

See Page
2-57

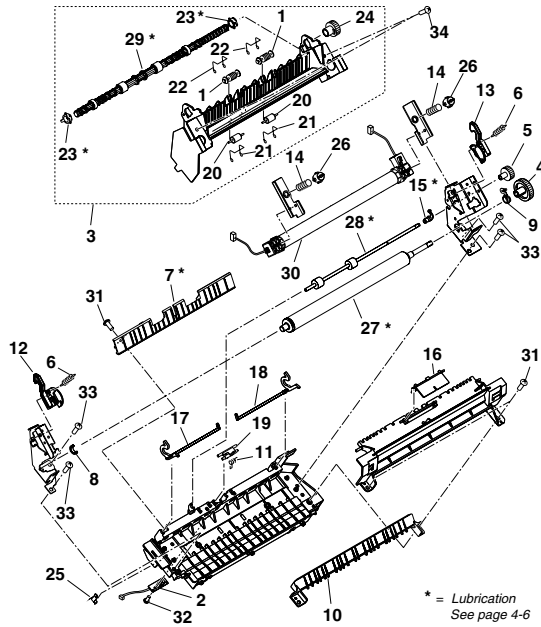


FIGURE 30 FRONT PLATE ASS'Y

See Page
2-59

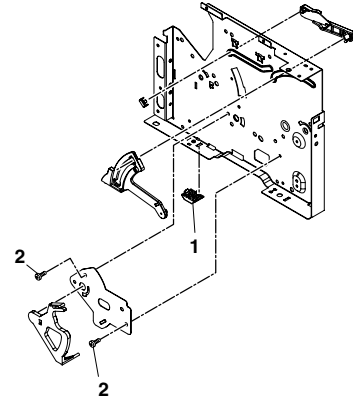


FIGURE 31 REAR PLATE ASS'Y

See Page
2-61

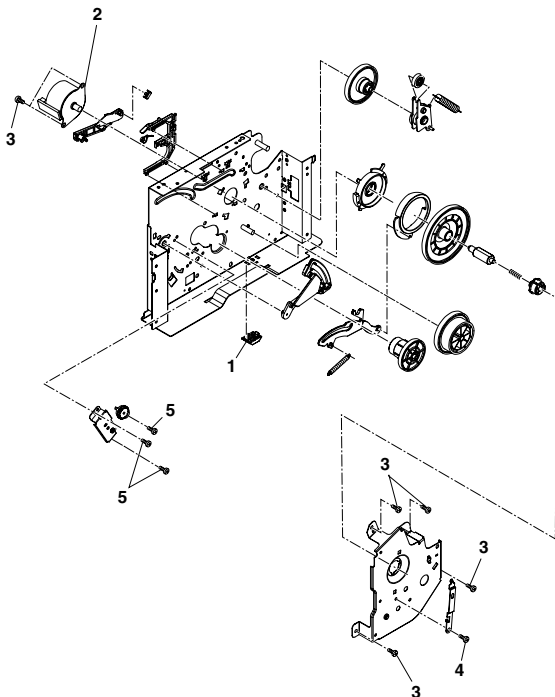


FIGURE 32 PC-D320/PC-D340
SCNT BOARD ASS'Y

See Page
2-63

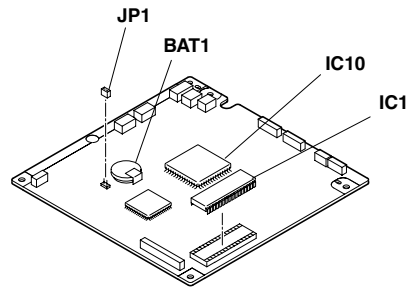


FIGURE 33 FAX-L400
SCNT BOARD ASS'Y

See Page
2-65

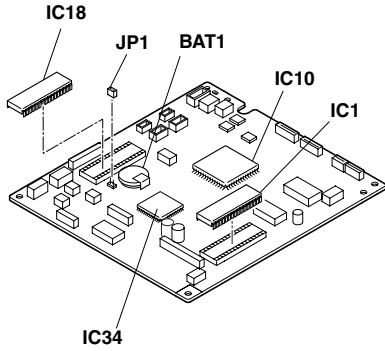


FIGURE 34 ECNT BOARD ASS'Y

See Page
2-67

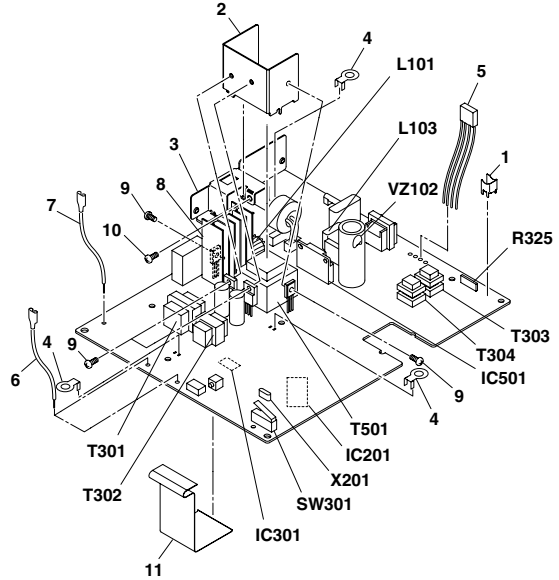


FIGURE 35 FAX-L400
NCU BOARD ASS'Y

See Page
2-69

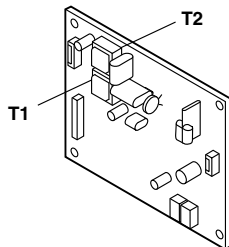
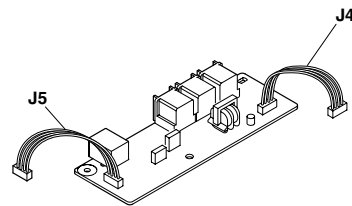


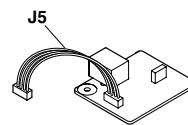
FIGURE 36 MODULAR/USB BOARD
ASS'Y

See Page
2-71

FAX-L400



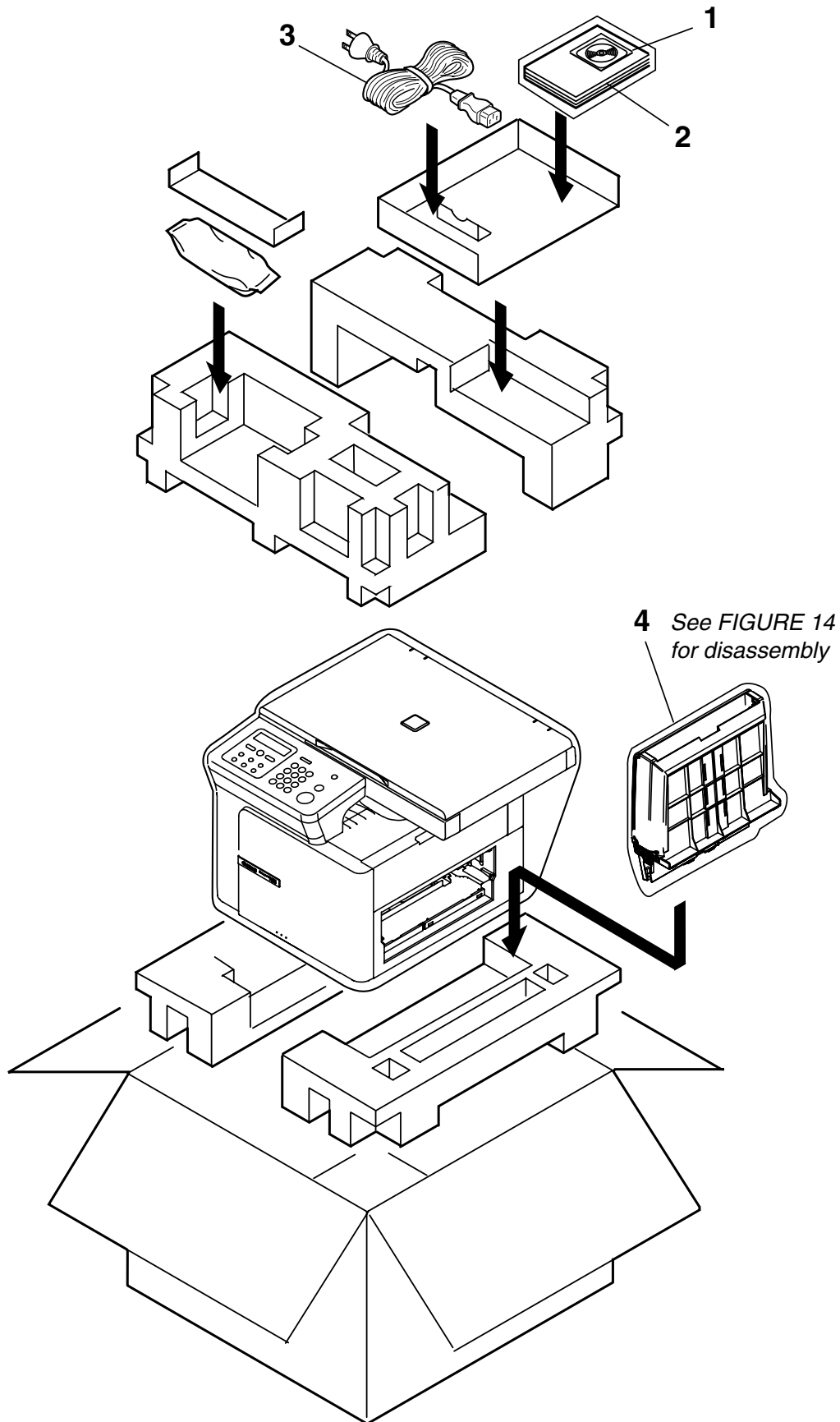
PC-D320/PC-D340



<p>FIGURE 37 TELEPHONE 6 KIT (FAX-L400)</p>	<p>See Page 2-73</p>	<p>FIGURE 38 TOOLS</p>	<p>See Page 3-1</p>
<p>The parts shown at Key No. 4 are not used with this model.</p>			

2. PARTS LAYOUT & PARTS LIST

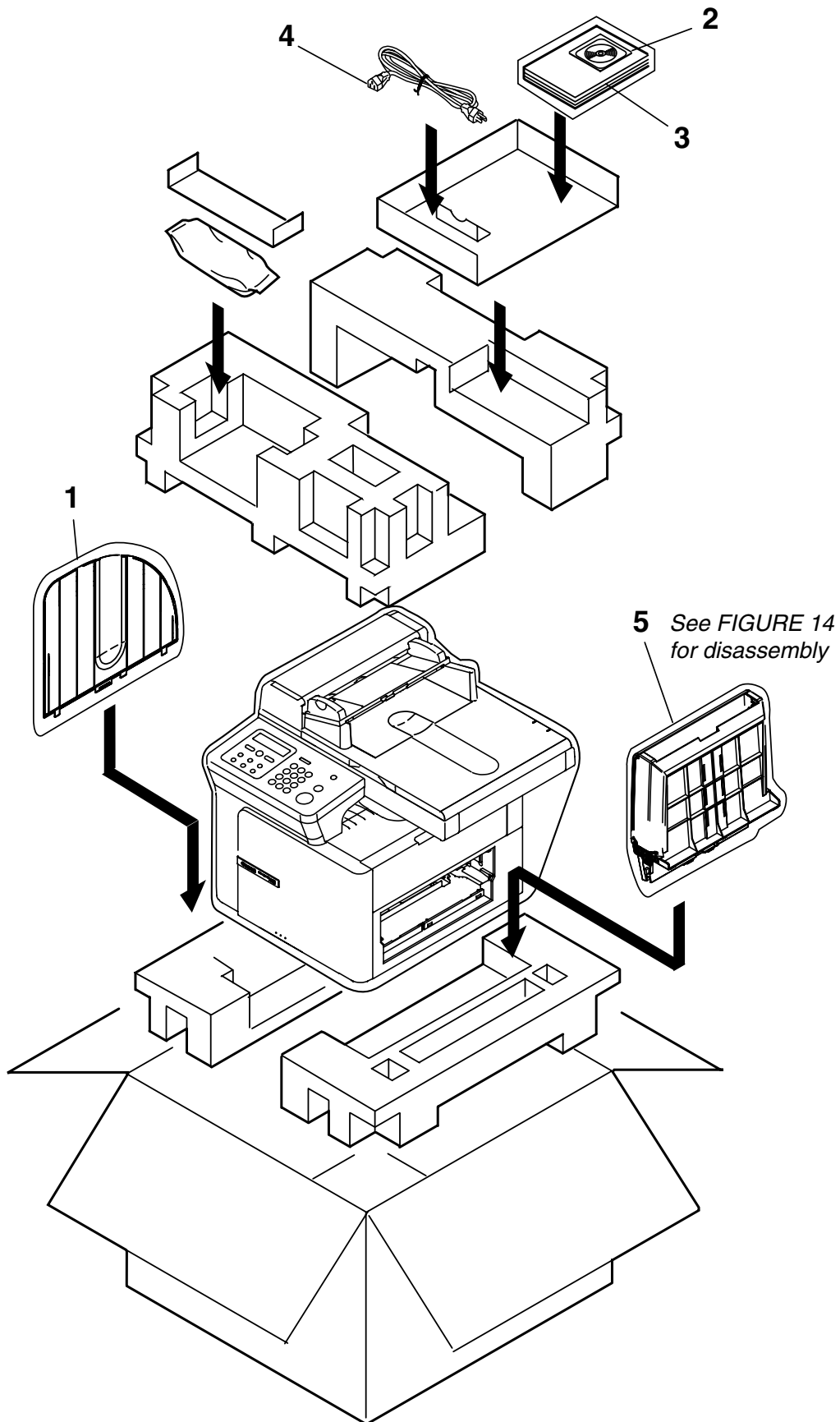
FIGURE 1 PC-D320 PACKAGE CONTENTS



PC-D320/PC-D340/FAX-L400 2.PARTS LAYOUT & PARTS LIST

FIGURE & KEY No.	PART No.	RANK	QTY	DESCRIPTION	REMARKS
1- 1	HH4-3720-000	N	1	CD-ROM, PRINTER DRIVER	UK GER FRN SWI AST SAF
2	HT1-2225-000	N	1	REFERENCE GUIDE (ENGLISH)	UK SAF
	HT1-3124-000	N	1	REFERENCE GUIDE(MODELE FRANCE)	FRN
	HT1-5094-000	N	1	REFERENCE GUIDE (DEUTSCH)	GER SWI AST
3	HH2-3215-000		1	CORD, POWER SUPPLY	EC GER FRN SWI AST SAF
	HH2-3217-000		1	CORD, POWER SUPPLY	UK
4	NPN		1	PAPER TRAY ASS'Y	

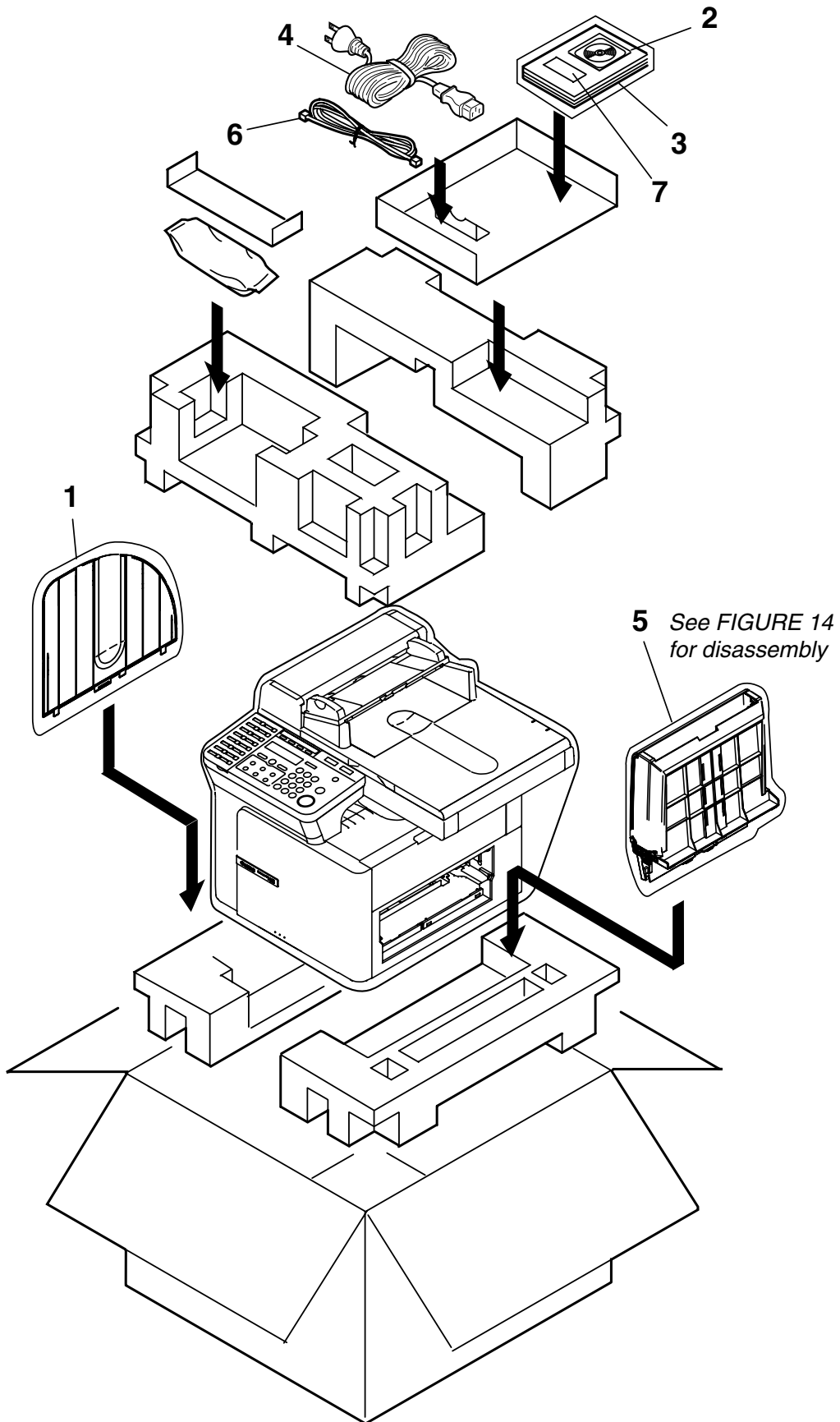
FIGURE 2 PC-D340 PACKAGE CONTENTS



PC-D320/PC-D340/FAX-L400 2.PARTS LAYOUT & PARTS LIST

FIGURE & KEY No.	PART No.	R A N K	Q T Y	DESCRIPTION	REMARKS
2- 1	HC1-0614-000		1	TRAY, DOCUMENT	
2	HH4-3720-000	N	1	CD-ROM, PRINTER DRIVER	UK GER FRN SWI AST SAF
3	HT1-2225-000	N	1	REFERENCE GUIDE (ENGLISH)	UK SAF
	HT1-3124-000	N	1	REFERENCE GUIDE(MODELE FRANCE)	FRN
	HT1-5094-000	N	1	REFERENCE GUIDE (DEUTSCH)	GER SWI AST
4	HH2-3215-000		1	CORD, POWER SUPPLY	EC GER FRN SWI AST SAF
	HH2-3217-000		1	CORD, POWER SUPPLY	UK
5	NPN		1	PAPER TRAY ASS'Y	

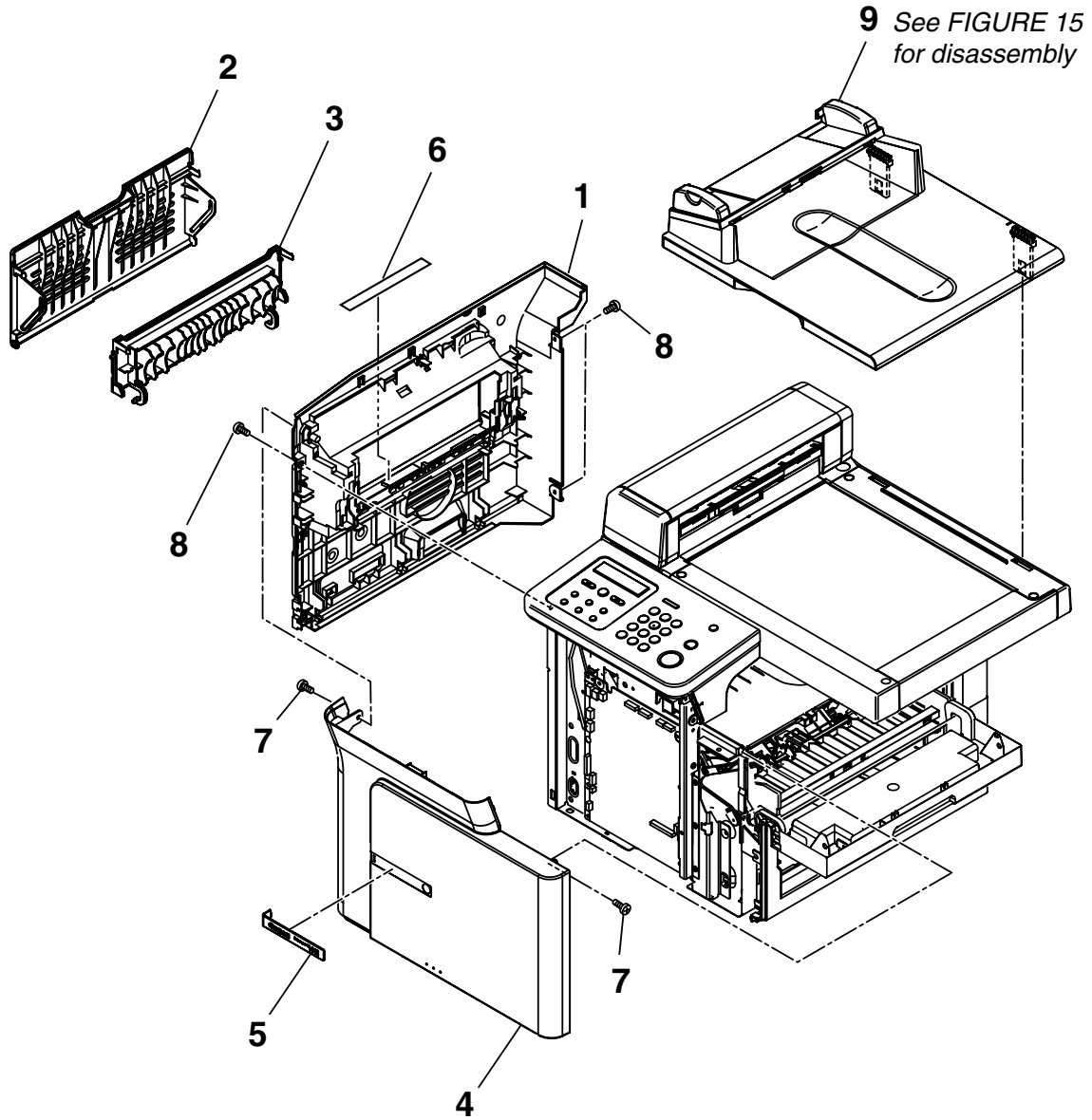
FIGURE 3 FAX-L400 PACKAGE CONTENTS



PC-D320/PC-D340/FAX-L400 2.PARTS LAYOUT & PARTS LIST

FIGURE & KEY No.	PART No.	RANK	QTY	DESCRIPTION	REMARKS
3- 1	HC1-0614-000		1	TRAY, DOCUMENT	
2	HH4-3720-000	N	1	CD-ROM, PRINTER DRIVER	UK GER FRN
3	HT1-2225-000	N	1	REFERENCE GUIDE (ENGLISH)	UK
	HT1-2226-000	N	1	FACSIMILE GUIDE (ENGLISH)	UK
	HT1-3124-000	N	1	REFERENCE GUIDE(MODELE FRANCE)	FRN
	HT1-3125-000	N	1	FACSIMILE GUIDE(MODELE FRANCE)	FRN
	HT1-5094-000	N	1	REFERENCE GUIDE (DEUTSCH)	GER
	HT1-5095-000	N	1	FACSIMILE GUIDE (DEUTSCH)	GER
4	HH2-3215-000		1	CORD, POWER SUPPLY	EC GER FRN
	HH2-3217-000		1	CORD, POWER SUPPLY	UK
5	NPN		1	PAPER TRAY ASS'Y	
6	HH2-1914-000		1	MODULAR CORD, 6P	UK
	HH2-2074-000		1	MODULAR CORD (GERM)	GER
	HH2-2219-000		1	MODULAR CORD	FRN
7	HB1-4357-000		1	LABEL, DESTINATION	

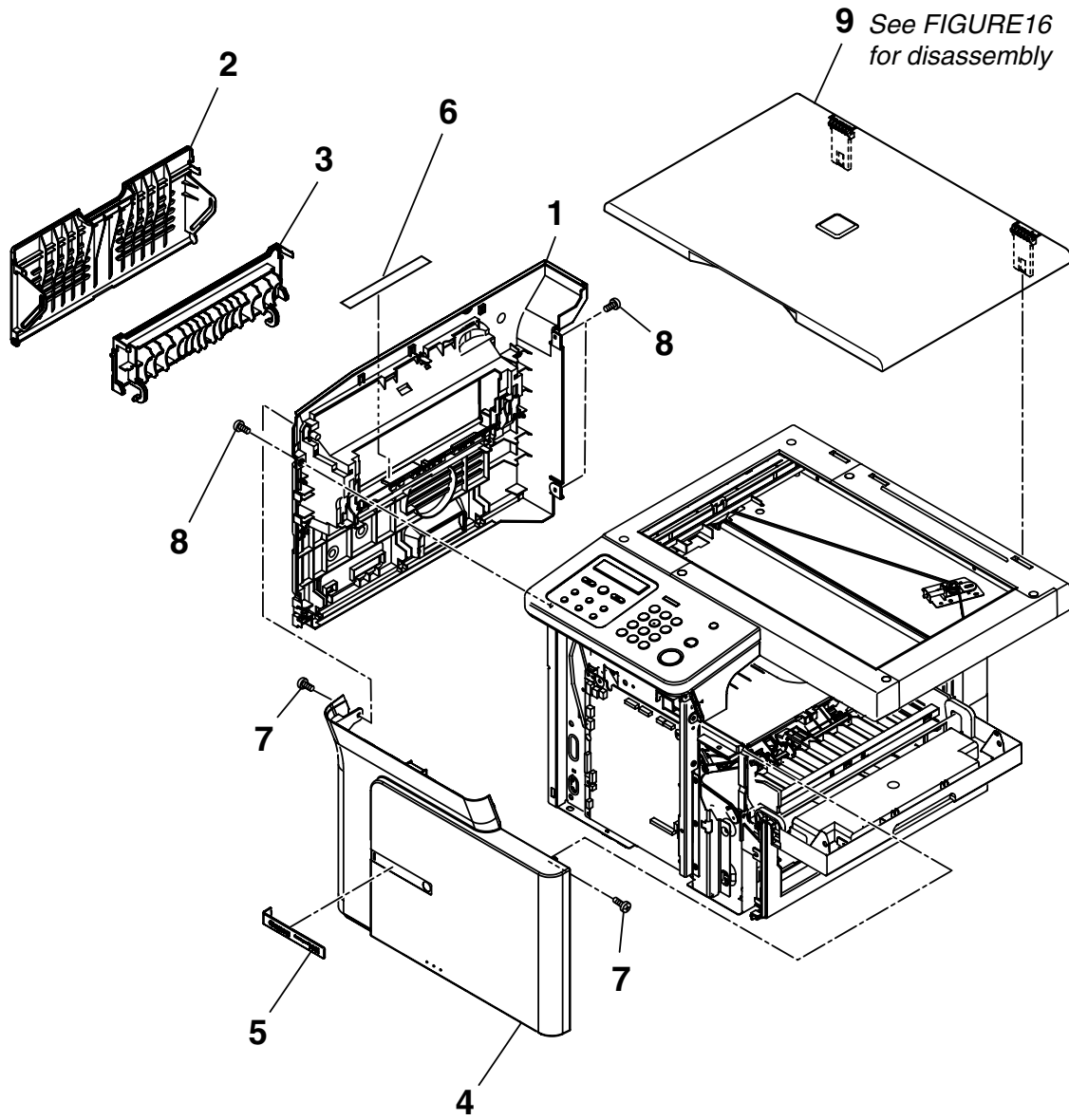
FIGURE 4 PC-D340/FAX-L400 FRONT COVER, LEFT COVER, COPY BOARD COVER



PC-D320/PC-D340/FAX-L400 2.PARTS LAYOUT & PARTS LIST

FIGURE & KEY No.	PART No.	R A N K	Q T Y	DESCRIPTION	REMARKS
4- 1	HC1-0480-000		1	COVER, LEFT	PC-D340
	HC1-0493-000		1	COVER, LEFT	FAX-L400
	2	HC1-0481-000	1	COVER, FACE-UP	
	3	HC1-0482-000	1	GUIDE, FACE-UP	
4	HC1-0500-000		1	COVER, FRONT	
5	HC1-0519-000		1	PLATE, LOGO	PC-D340
	HC1-0670-000		1	PLATE, LOGO	FAX-L400
6	HC1-0549-000		1	LABEL, CAUTION	
7	XB4-7401-005		2	SCREW,TAPPING,TRUSS HEAD,M4X10	
8	XB6-7300-607		3	SCREW, TP, M3X6	
9	NPN		1	COPY BOARD COVER ASS'Y	

FIGURE 5 PC-D320 FRONT COVER,
LEFT COVER, COPY BOARD COVER



PC-D320/PC-D340/FAX-L400 2.PARTS LAYOUT & PARTS LIST

FIGURE & KEY No.	PART No.	R A N K	Q T Y	DESCRIPTION	REMARKS
5- 1	HC1-0480-000		1	COVER, LEFT	
2	HC1-0481-000		1	COVER, FACE-UP	
3	HC1-0482-000		1	GUIDE, FACE-UP	
4	HC1-0500-000		1	COVER, FRONT	
5	HC1-0518-000		1	PLATE, LOGO	
6	HC1-0549-000		1	LABEL, CAUTION	
7	XB4-7401-005		2	SCREW,TAPPING,TRUSS HEAD,M4X10	
8	XB6-7300-607		3	SCREW, TP, M3X6	
9	NPN		1	COPY BOARD COVER ASS'Y	

FIGURE 6 RIGHT COVER, CARTRIDGE COVER

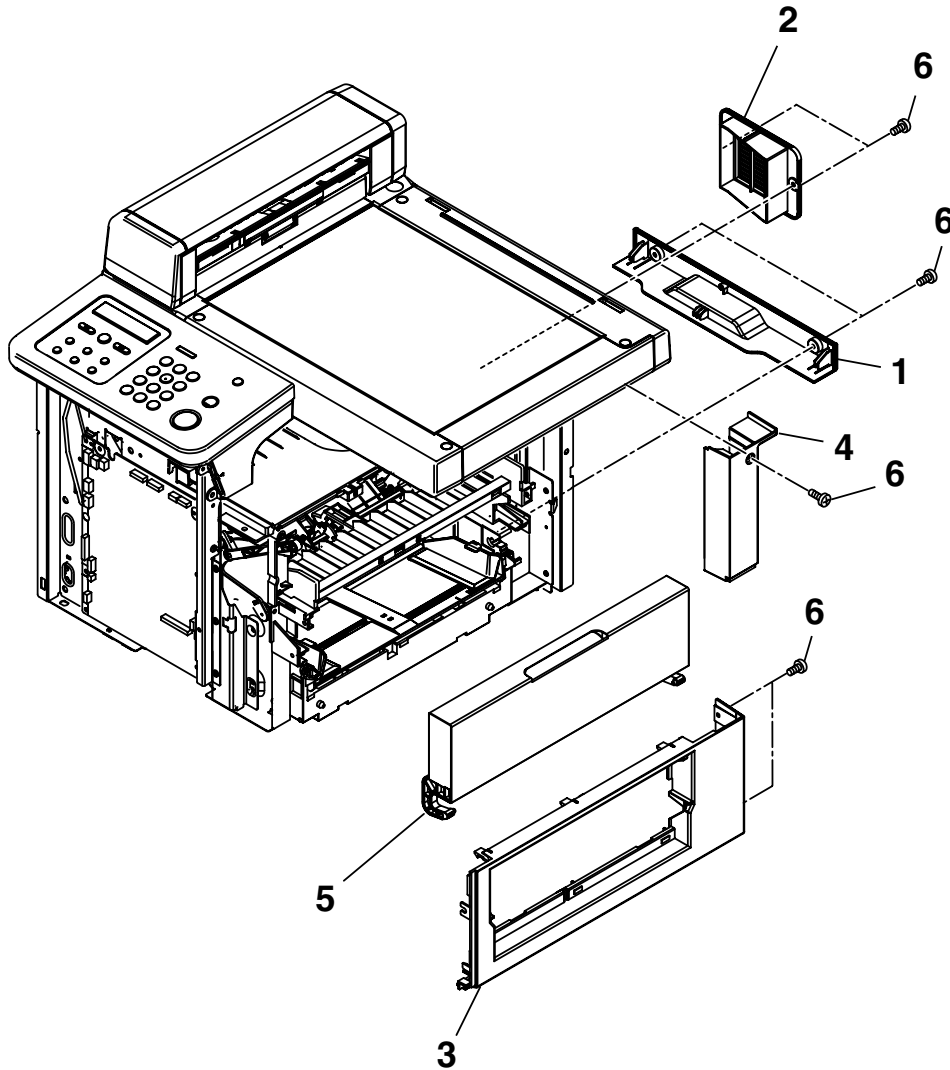
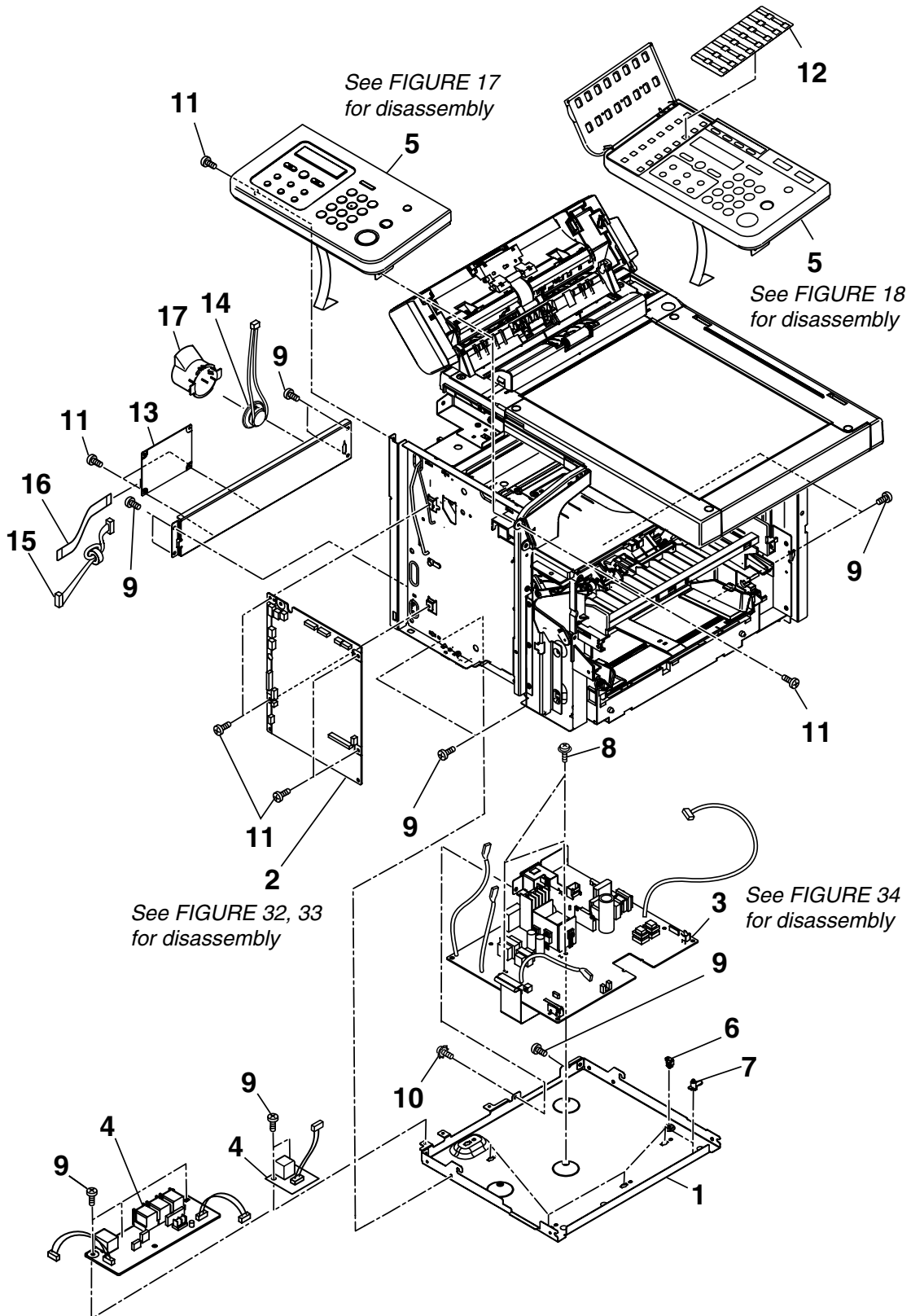


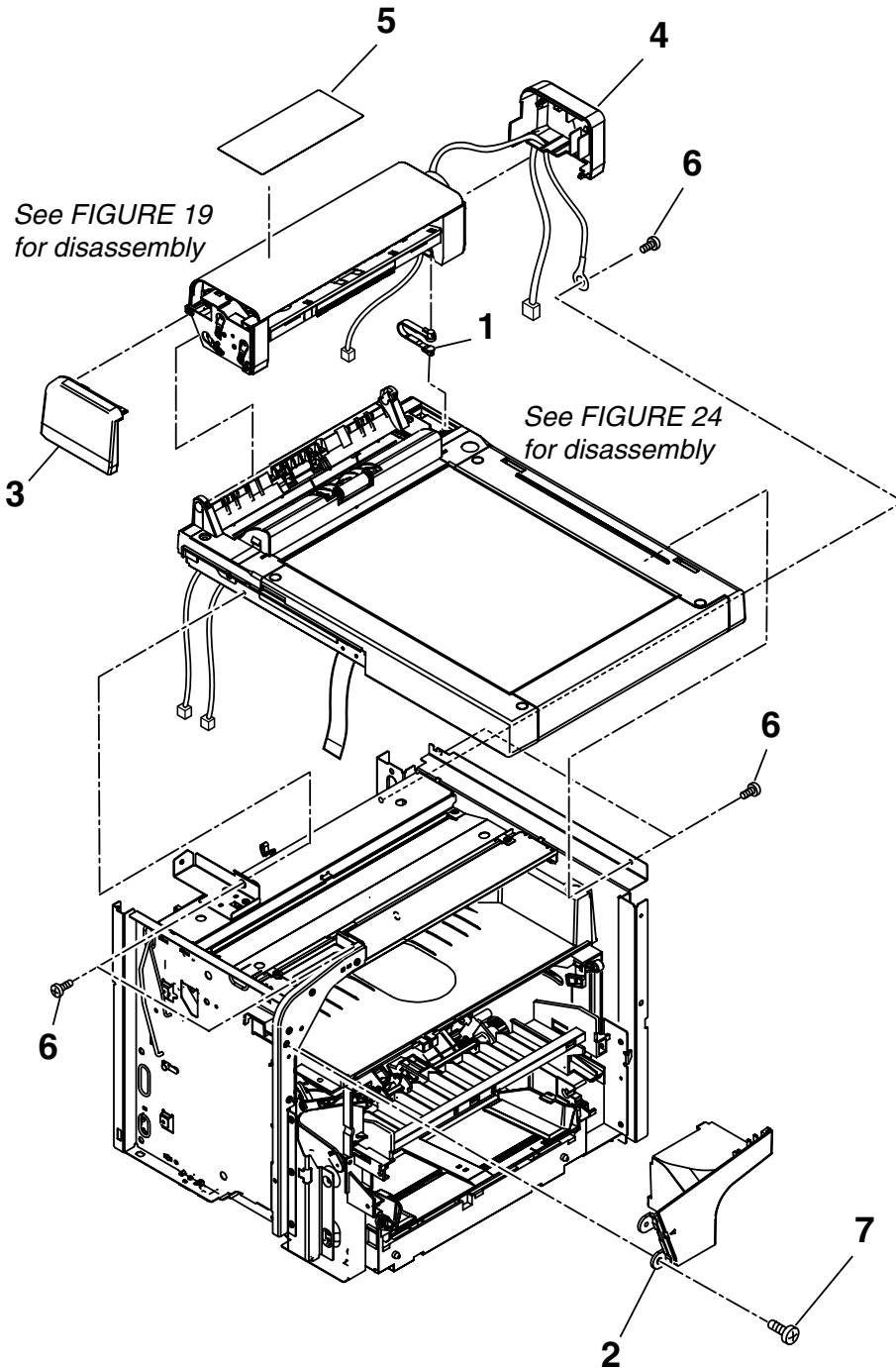
FIGURE 7 OPERATION PANEL ASS'Y,
SCNT BOARD, ECNT BOARD



PC-D320/PC-D340/FAX-L400 2.PARTS LAYOUT & PARTS LIST

FIGURE & KEY No.	PART No.	RANK	QTY	DESCRIPTION	REMARKS
7- 1	HC1-0511-000		1	CASE, ECNT BOARD	
2	HG1-4445-000		1	SCNT BOARD ASS'Y	FAX-L400
	HG1-4449-000		1	SCNT BOARD ASS'Y	PC-D320
	HG1-4450-000		1	SCNT BOARD ASS'Y	PC-D340
3	HG1-4440-000		1	ECNT BOARD ASS'Y	FAX-L400
	HG1-4444-000		1	ECNT BOARD ASS'Y	PC-D320/PC-D340
4	HG1-4442-000		1	USB BOARD ASS'Y	PC-D320/PC-D340
	HG1-4443-000		1	USB-MJB BOARD ASS'Y	FAX-L400
5	HM1-0265-000		1	OPERATION PANEL ASS'Y	FAX-L400 EC UK
	HM1-0268-000		1	OPERATION PANEL ASS'Y	PC-D320/PC-D340
	HM1-0269-000		1	OPERATION PANEL ASS'Y	FAX-L400 GER
	HM1-0270-000		1	OPERATION PANEL ASS'Y	FAX-L400 FRN
6	RA0-1128-000		5	SPACER, PCB	
7	WT2-5694-000		1	CLAMP, CABLE	
8	XA9-1238-000		3	SCREW W/WASHER, M3X8	
9	XB1-2300-407		11	SCREW, BH3X4 (S)	PC-D320/PC-D340
	XB1-2300-407		12	SCREW, BH3X4 (S)	FAX-L400
10	XB2-7300-607		1	SCREW, M3X6	
11	XB6-7300-607		6	SCREW, TP, M3X6	PC-D320/PC-D340
	XB6-7300-607		8	SCREW, TP, M3X6	FAX-L400
12	HC1-0496-000		1	SHEET, ONE-TOUCH DIAL	FAX-L400 GER
	HC1-0497-000		1	SHEET, ONE-TOUCH DIAL	FAX-L400 FRN
	HC1-0554-000		1	SHEET, ONE-TOUCH DIAL	FAX-L400 EC UK
13	HG5-3107-000		1	NCU BOARD ASSEMBLY	FAX-L400
14	HG1-4462-000		1	SPEAKER UNIT	FAX-L400
15	HG1-4458-000		1	CABLE WITH CONNECTOR, 6P	FAX-L400
16	HH2-3223-000		1	CABLE, FLAT, 25P	FAX-L400
17	HC1-0515-000		1	HOLDER, SPEAKER	FAX-L400

FIGURE 8 DOCUMENT FEED ASS'Y, FLAT BED ASS'Y



PC-D320/PC-D340/FAX-L400 2.PARTS LAYOUT & PARTS LIST

FIGURE & KEY No.	PART No.	R A N K	Q T Y	DESCRIPTION	REMARKS
8- 1	HB1-3257-000		1	STOPPER, OPERATION PANEL	PC-D340/FAX-L400
2	HC1-0490-000		1	COVER, OPERATION PANEL, UNDER	
3	HC1-0615-000		1	COVER, DOCUMENT FEED, FRONT	PC-D340/FAX-L400
4	HC1-0616-000		1	COVER, DOCUMENT FEED, REAR	PC-D340/FAX-L400
5	HC1-0660-000		1	LABEL, GLASS CLEANING	PC-D340/FAX-L400
6	XB1-2300-407		5	SCREW, BH3X4 (S)	
7	XB6-7300-607		1	SCREW, TP, M3X6	

FIGURE 9 CHASSIS UNIT, EJECT PAPER FRAME ASS'Y

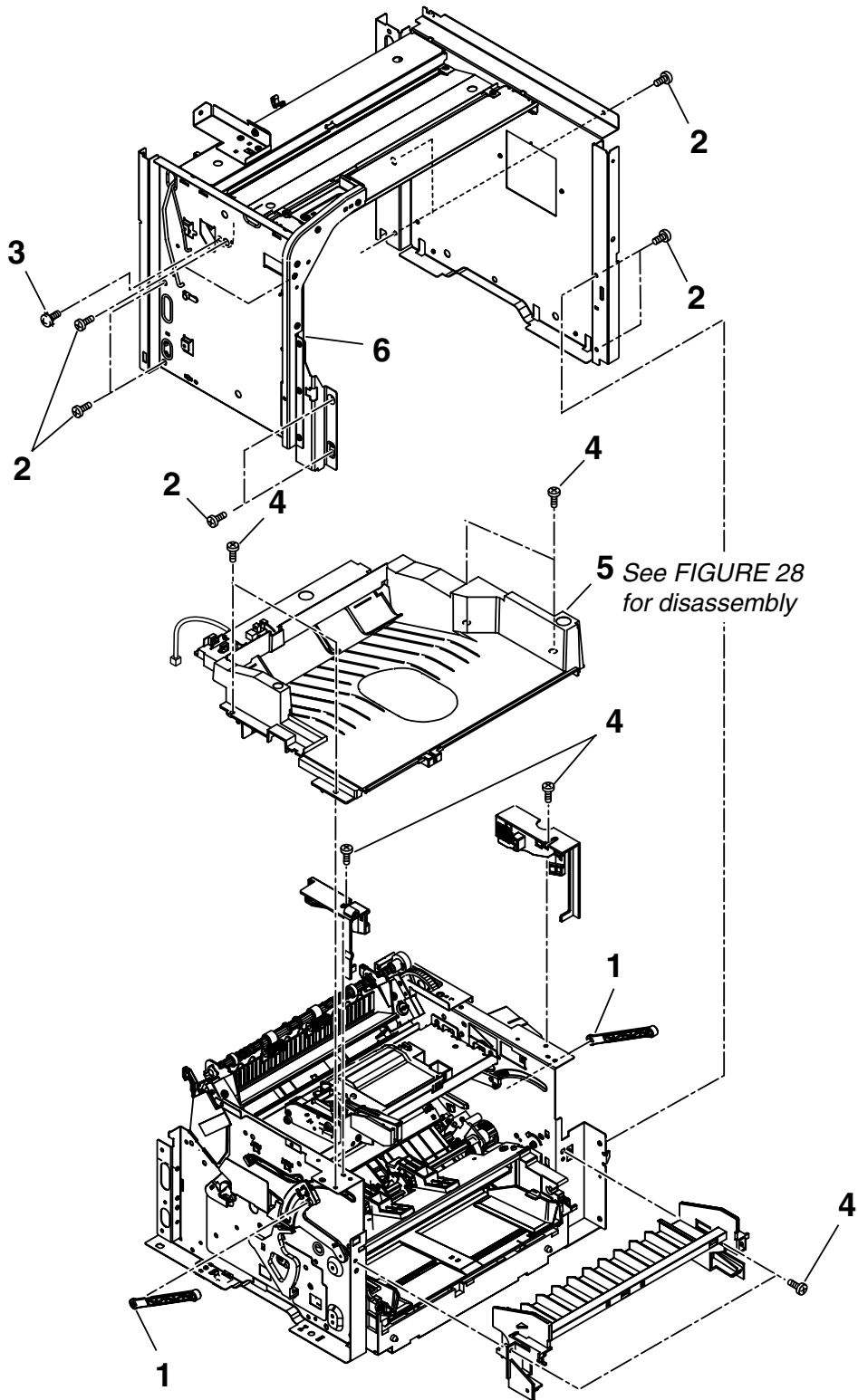
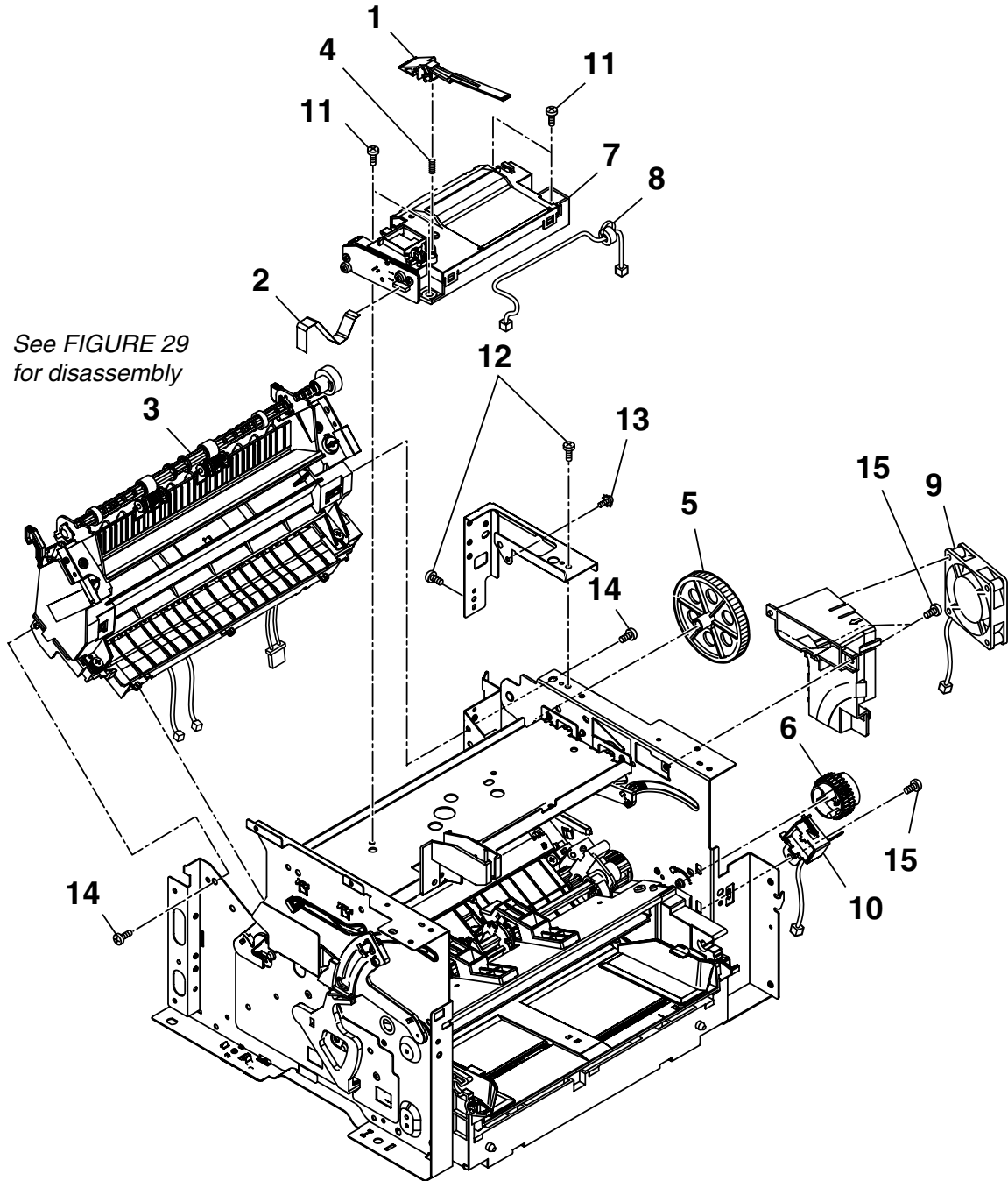


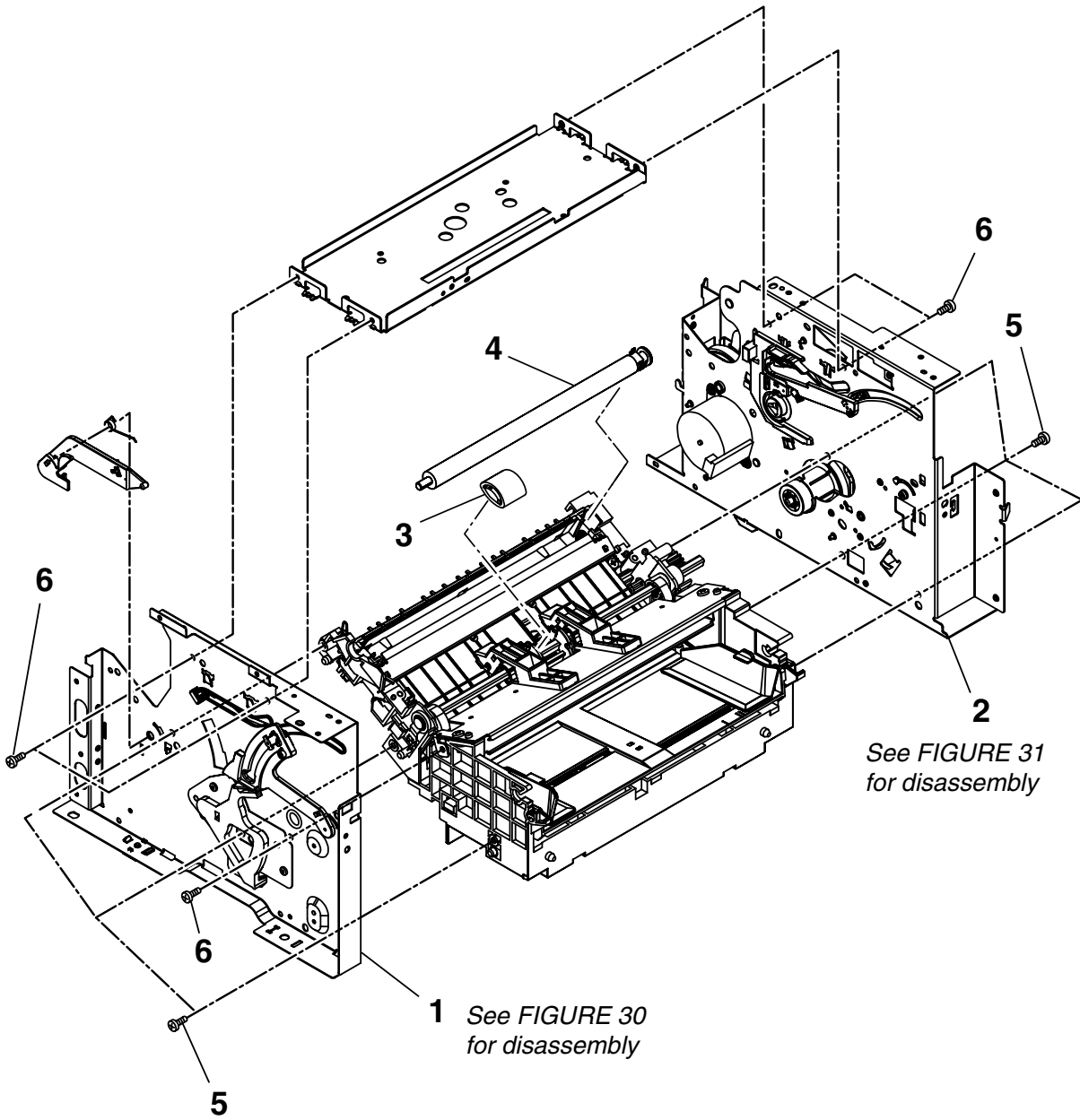
FIGURE 10 LASER/SCANNER ASS'Y, FIXING ASS'Y



PC-D320/PC-D340/FAX-L400 2.PARTS LAYOUT & PARTS LIST

FIGURE & KEY No.	PART No.	R A N K	Q T Y	DESCRIPTION	REMARKS
10- 1	HC1-0529-000		1	LEVER, LASER SHUTTER	
2	HH2-3224-000		1	CABLE, FLAT, 10P	
3	HM1-0238-000		1	FIXING ASS'Y	
4	RA0-1169-000		1	SPRING, COMPRESSION	
5	RA0-1176-000		1	GEAR, 69T	
6	RG0-1020-000		1	PICK-UP GEAR ASS'Y	
7	RG9-1486-000		1	SCANNER ASS'Y	
8	RG0-1074-000		1	CABLE, SCANNER MOTOR	
9	RH7-1477-000		1	FAN	
10	RH7-5315-000		1	SOLENOID, 24V	
11	XA9-1291-000		4	SCREW, RS, M3X8	
12	XB1-2300-407		2	SCREW, BH3X4 (S)	
13	XB2-7300-607		1	SCREW, M3X6	
14	XB4-7401-005		2	SCREW,TAPPING,TRUSS HEAD,M4X10	
15	XB6-7300-607		3	SCREW, TP, M3X6	

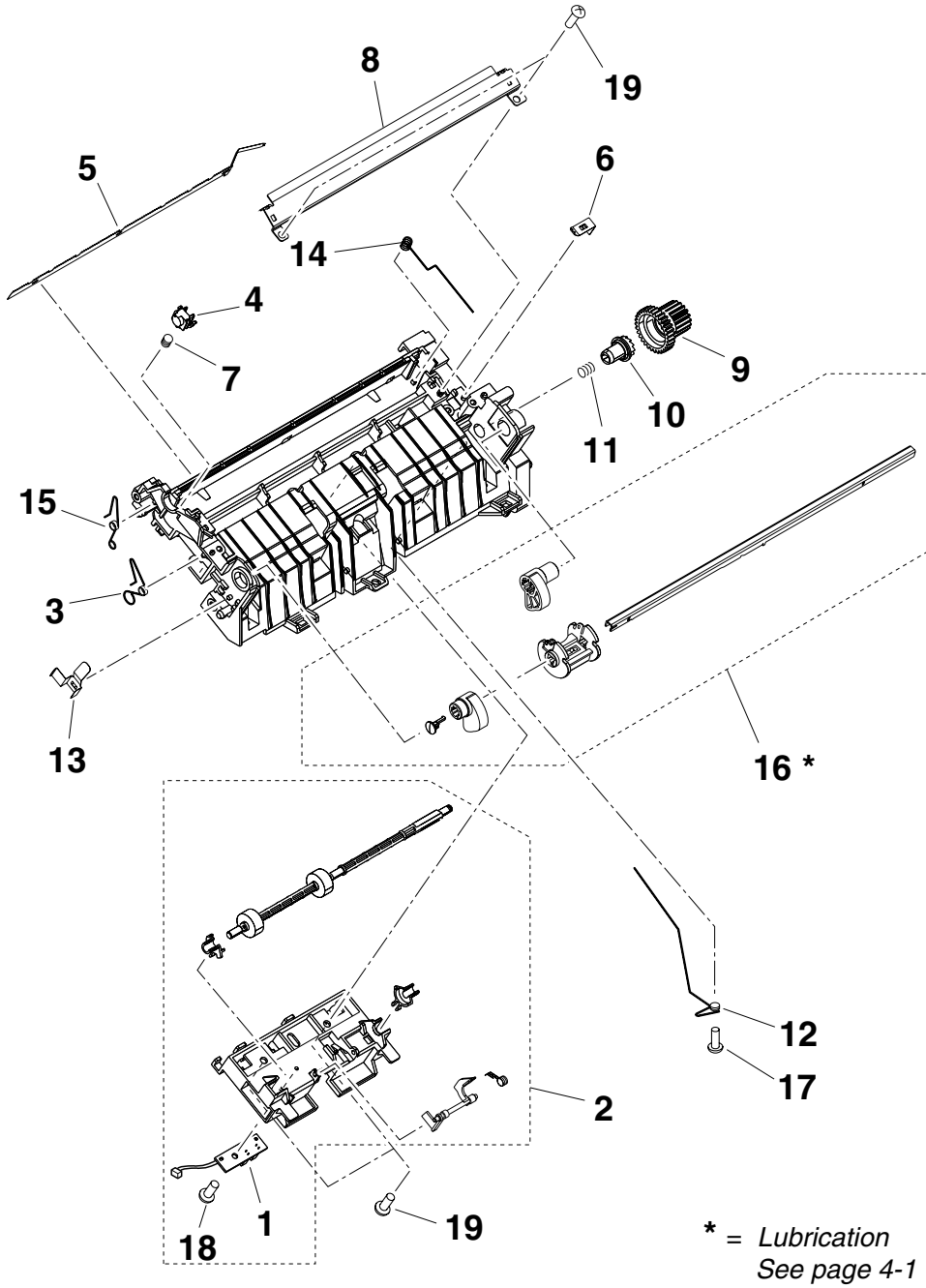
FIGURE 11 PAPER PICK-UP ASS'Y



PC-D320/PC-D340/FAX-L400 2.PARTS LAYOUT & PARTS LIST

FIGURE & KEY No.	PART No.	R A N K	Q T Y	DESCRIPTION	REMARKS
11 - 1	HM1-0243-000	N	1	FRONT PLATE ASS'Y	
2	HM1-0244-000	N	1	REAR PLATE ASS'Y	
3	RF0-1008-000		1	ROLLER, PICK-UP	
4	RG0-1025-000		1	TRANSFER ROLLER ASS'Y	
5	XB4-7401-005		6	SCREW,TAPPING,TRUSS HEAD,M4X10	
6	XB6-7300-607		5	SCREW, TP, M3X6	

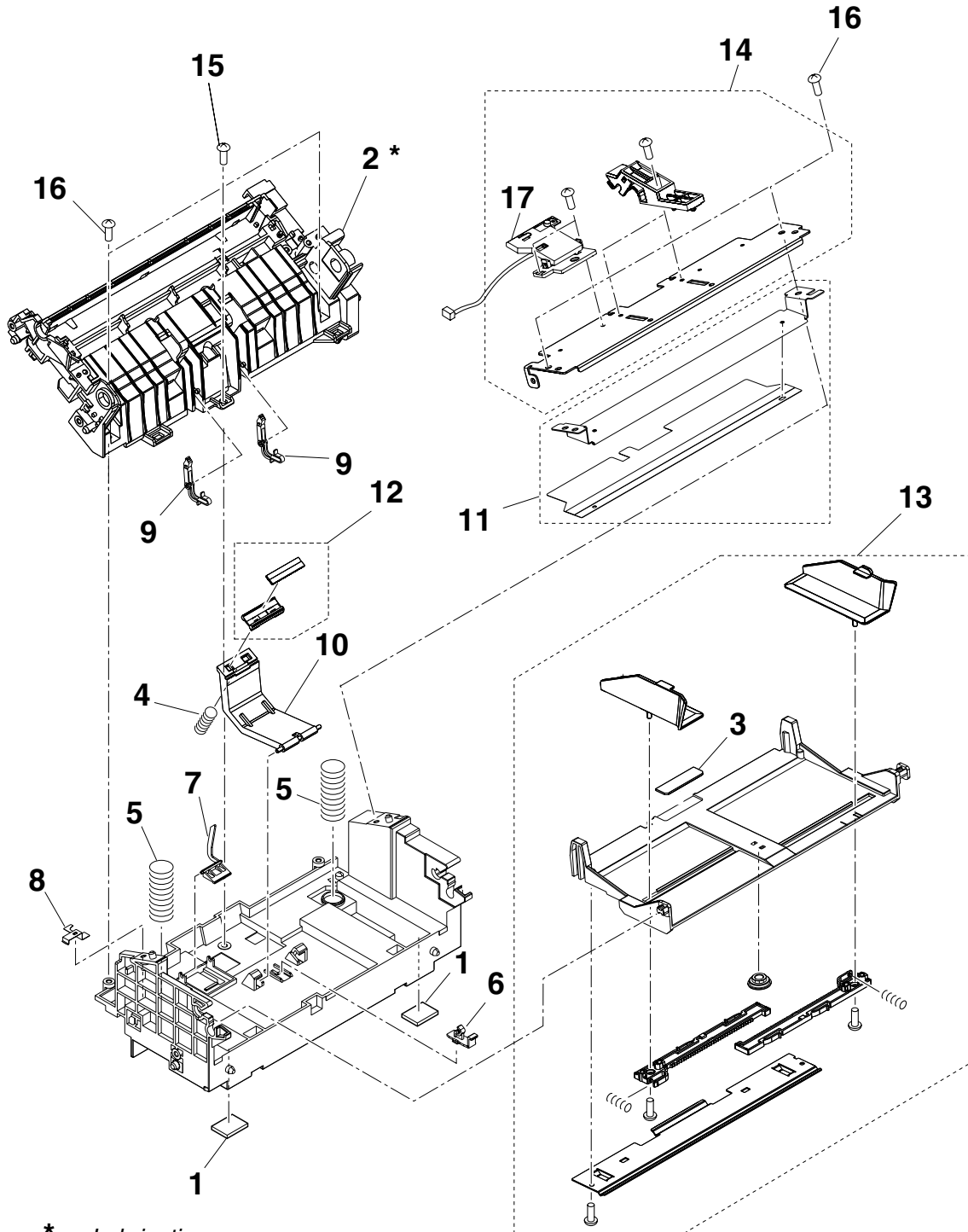
FIGURE 12 PAPER FEED SECTION 1



PC-D320/PC-D340/FAX-L400 2.PARTS LAYOUT & PARTS LIST

FIGURE & KEY No.	PART No.	RANK	QTY	DESCRIPTION	REMARKS
12- 1	HG1-4447-000		1	PAPER SENSOR BOARD ASS'Y	
2	HM1-0242-000		1	FEED ROLLER HOLDER ASS'Y	
3	RA0-1035-000		1	SPRING, TORSION	
4	RA0-1036-000		1	BUSHING	
5	RA0-1038-000		1	ELIMINATOR, STATIC CHARGE	
6	RA0-1039-000		1	PLATE, GROUNDING	
7	RA0-1040-000		1	SPRING, COMPRESSION	
8	RA0-1044-000		1	GUIDE, TRANSFER	
9	RA0-1047-000		1	GEAR, 31T/19T	
10	RA0-1049-000		1	RATCHET	
11	RA0-1050-000		1	SPRING, COMPRESSION	
12	RA0-1057-000		1	SPRING, TORSION	
13	RA0-1072-000		1	PLATE, GROUNDING	
14	RA0-1158-000		1	SPRING, COMPRESSION	
15	RA0-1200-000		1	SPRING, TORSION	
16	RG0-1007-020		1	PAPER PICK-UP SHAFT ASS'Y	
17	XA9-1206-000		1	SCREW, W/WASHER, M4X12	
18	XB4-7300-807		1	SCREW, TAP TIGHT, BINDING HEAD	
19	XB4-7401-005		4	SCREW,TAPPING,TRUSS HEAD,M4X10	

FIGURE 13 PAPER FEED SECTION 2



* = Lubrication
See page 4-1

PC-D320/PC-D340/FAX-L400 2.PARTS LAYOUT & PARTS LIST

FIGURE & KEY No.	PART No.	RANK	QTY	DESCRIPTION	REMARKS
13- 1	RA0-1003-000		2	FOOT, RUBBER	
2	RA0-1037-000		1	FRAME	
3	RA0-1051-000		1	SHEET, SEPARATION	
4	RA0-1060-000		1	SPRING, COMPRESSION	
5	RA0-1061-000		2	SPRING, COMPRESSION	
6	RA0-1062-000		1	HOOK, PAD	
7	RA0-1063-000		1	LEVER, PAPER SENSOR	
8	RA0-1064-000		1	PLATE, GROUNDING	
9	RA0-1065-000		2	ARM	
10	RA0-1066-000		1	HOLDER, PAD	
11	RF0-1006-000		1	PLATE, MANUAL PAPER FEED GUIDE	
12	RF0-1014-020		1	PAD, SEPARATION	
13	RG0-1006-000		1	PAPER LIFTING PLATE ASS'Y	
14	HM1-0262-000		1	FRONT STAY ASS'Y	FAX-L400
	RG0-1018-000		1	FRONT STAY ASS'Y	PC-D320/PC-D340
15	XA9-1206-000		1	SCREW, W/WASHER, M4X12	
16	XB4-7401-005		4	SCREW,TAPPING,TRUSS HEAD,M4X10	
17	HM1-0263-000		1	TONER SENSOR UNIT	FAX-L400

FIGURE 14 PAPER TRAY ASS'Y

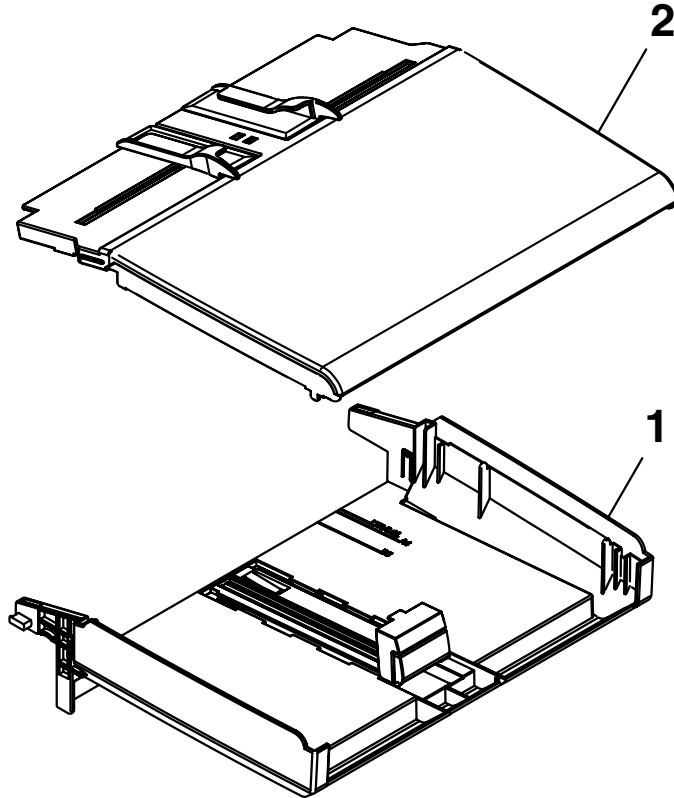
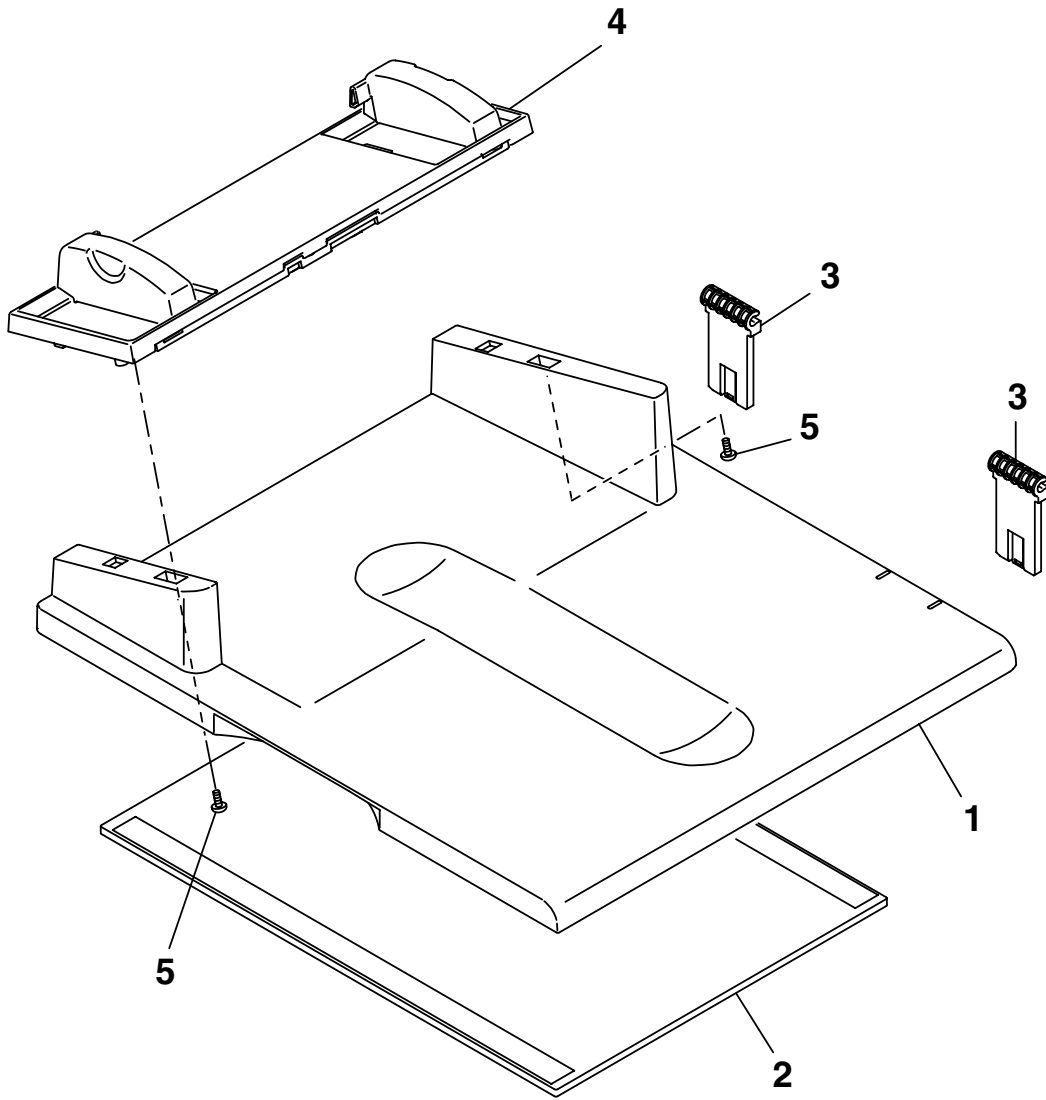


FIGURE & KEY No.	PART No.	R A N K	Q T Y	DESCRIPTION	REMARKS
14- 1 2	HM1-0228-000 HM1-0246-000		1 1	PAPER PICK-UP TRAY ASS'Y PAPER PICK-UP COVER ASS'Y	

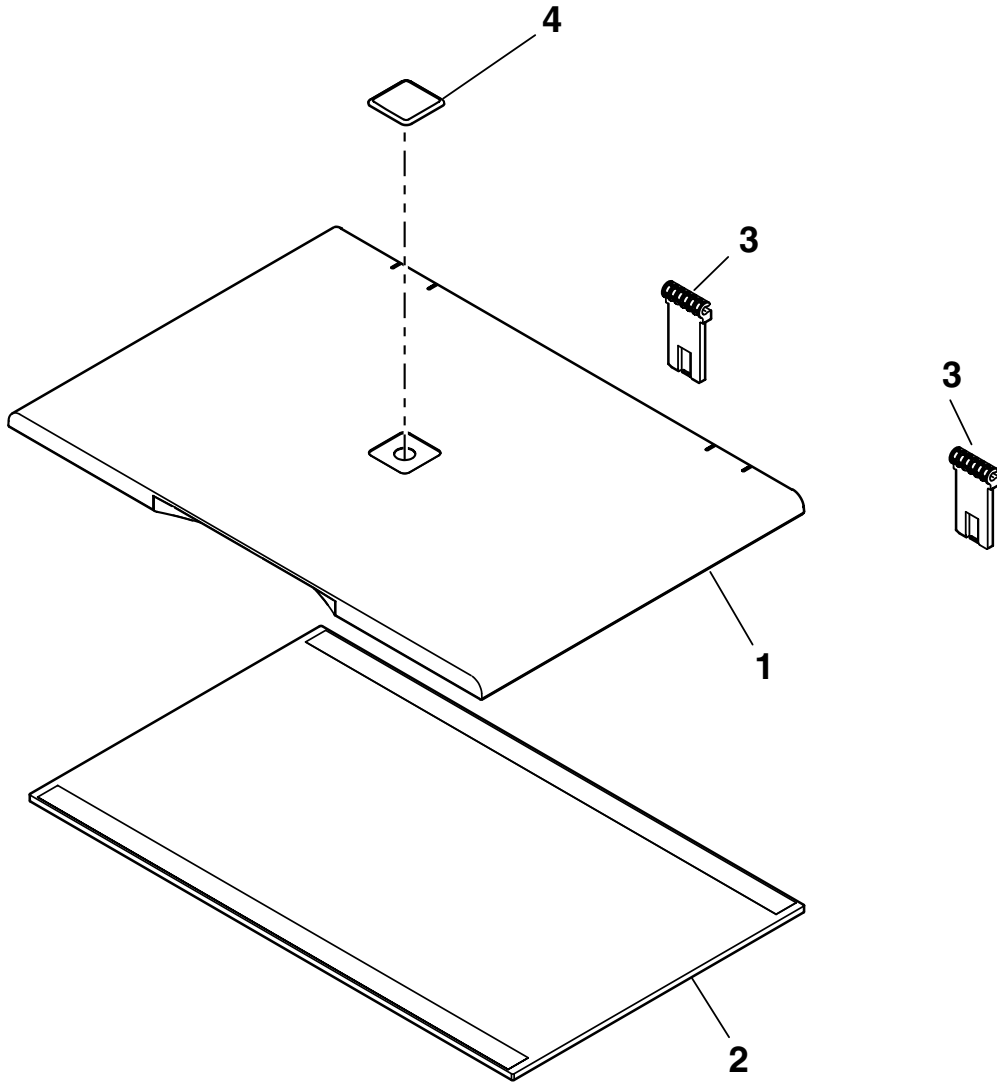
FIGURE 15 PC-D340/FAX-L400
COPY BOARD COVER ASS'Y



PC-D320/PC-D340/FAX-L400 2.PARTS LAYOUT & PARTS LIST

FIGURE & KEY No.	PART No.	R A N K	Q T Y	DESCRIPTION	REMARKS
15- 1	HC1-0610-000		1	COVER, COPY BOARD	
2	HC1-0625-000		1	SHEET, COPY BOARD	
3	HC1-0645-000		2	SHAFT, HINGE	
4	HM1-0251-000		1	DOCUMENT GUIDE ASS'Y	
5	XA9-0476-000		2	SCREW, TP M3X8	

FIGURE 16 PC-D320 COPY BOARD COVER ASS'Y



PC-D320/PC-D340/FAX-L400 2.PARTS LAYOUT & PARTS LIST

FIGURE & KEY No.	PART No.	R A N K	Q T Y	DESCRIPTION	REMARKS
16- 1	HC1-0611-000		1	COVER, COPY BOARD	
2	HC1-0626-000		1	SHEET, COPY BOARD	
3	HC1-0645-000		2	SHAFT, HINGE	
4	HC1-0649-000		1	DOCUMENT GUIDE ASS'Y	

FIGURE 17 PC-D320/PC-D340 OPERATION PANEL ASS'Y

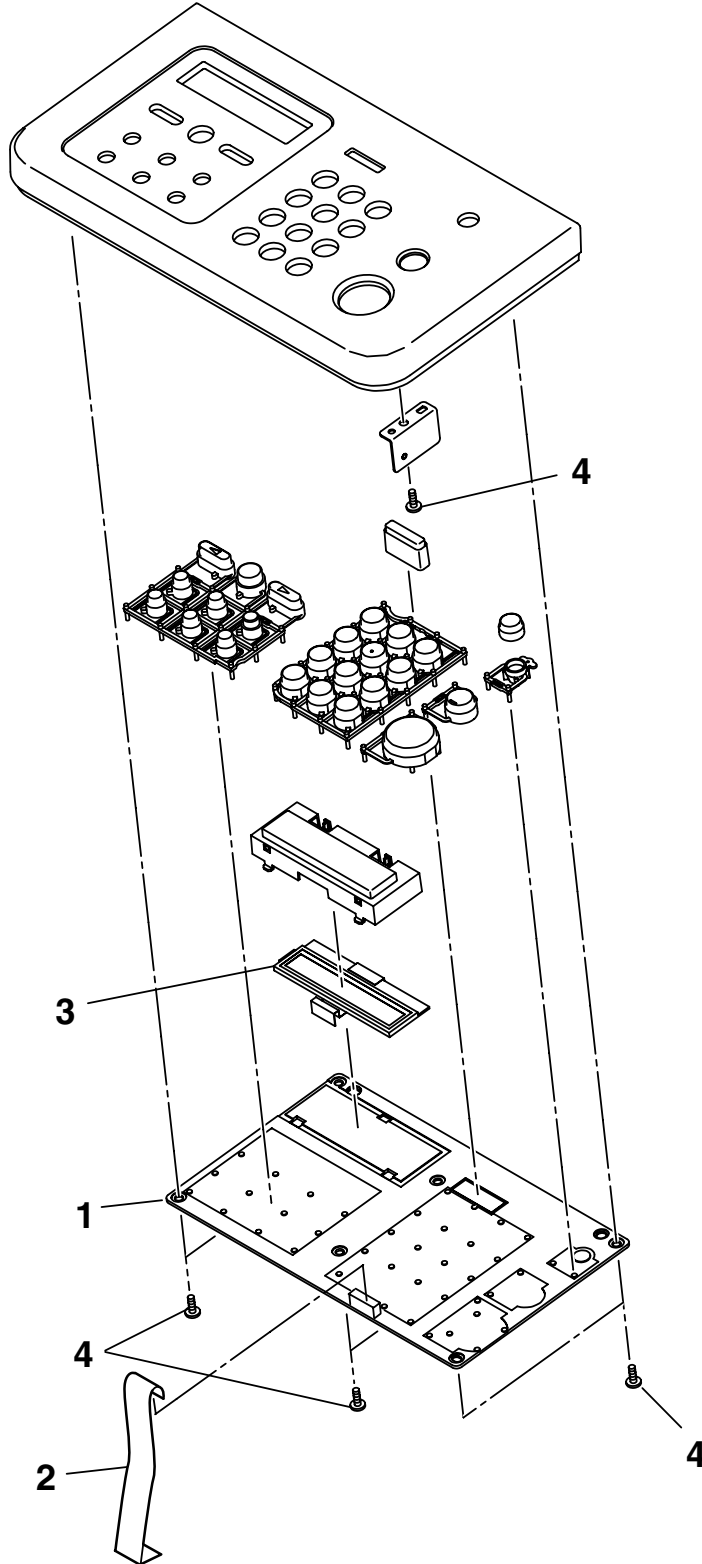


FIGURE & KEY No.	PART No.	RANK	QTY	DESCRIPTION	REMARKS
17- 1	HG1-4441-000		1	OPCNT BOARD ASS'Y	
2	HH2-3282-000		1	CABLE, FLAT, 11P	
3	HH7-2698-000		1	LCD UNIT	
4	XB4-7300-807		7	SCREW, TAP TIGHT, BINDING HEAD	

FIGURE 18 FAX-L400 OPERATION PANEL ASS'Y

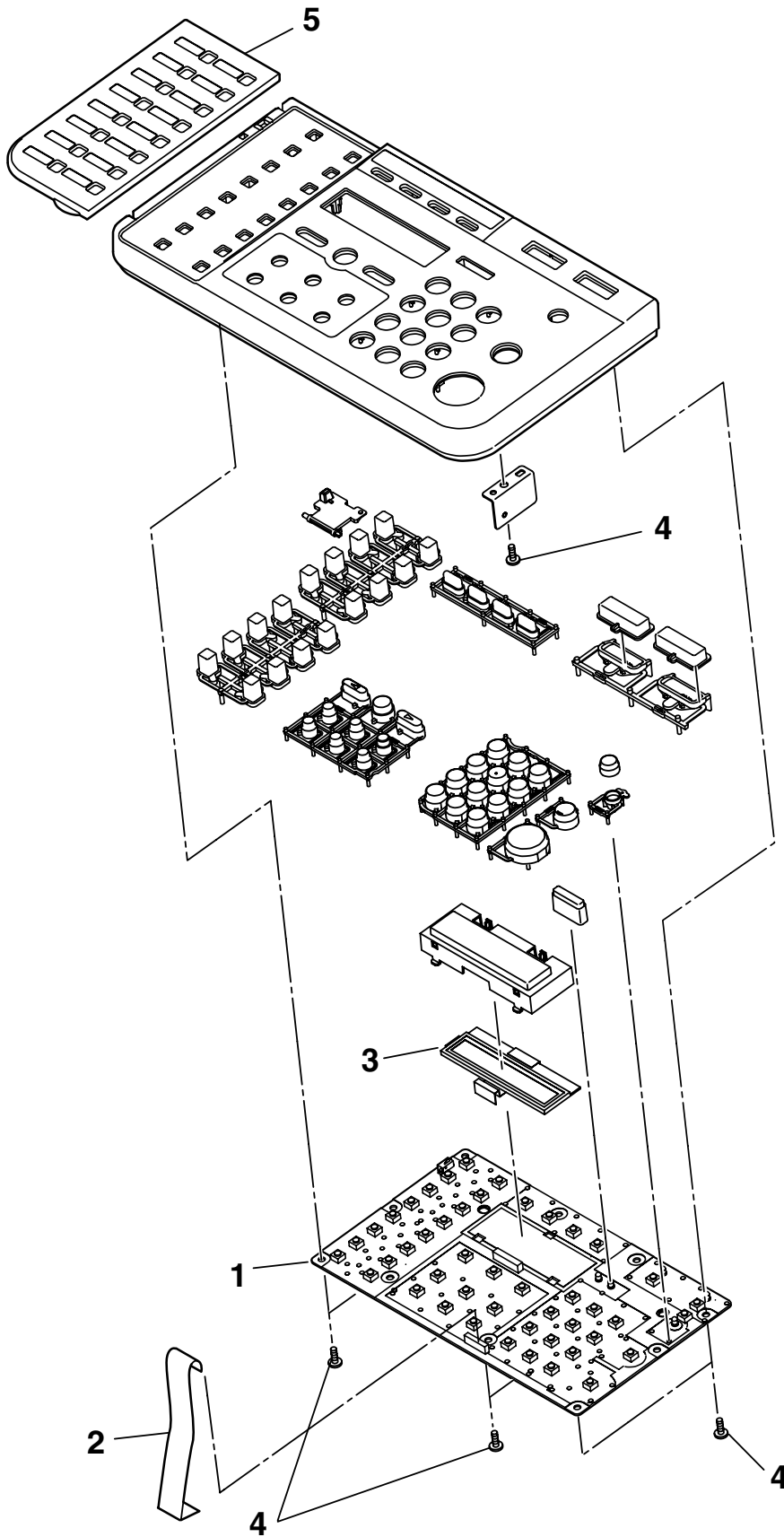
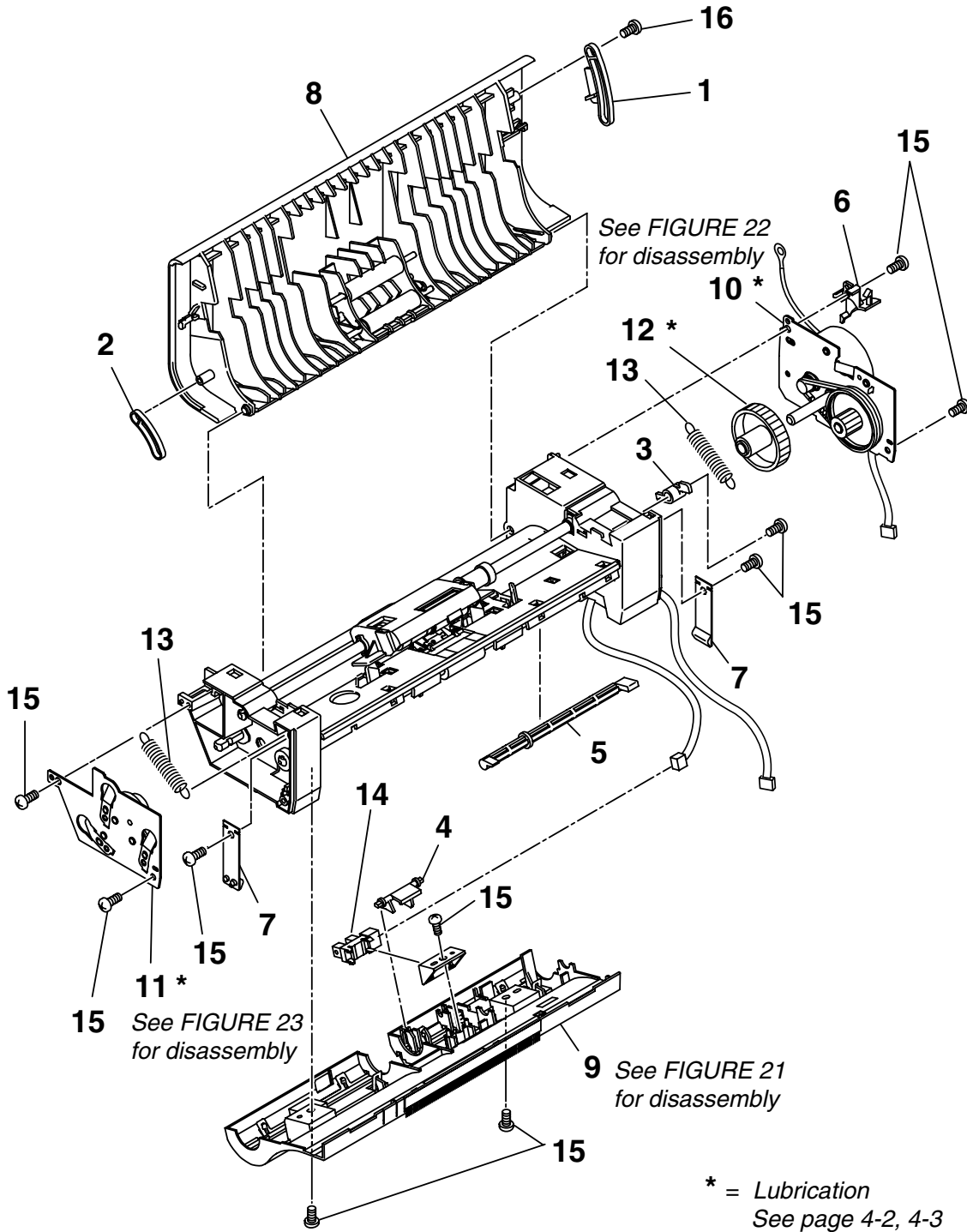


FIGURE & KEY No.	PART No.	R A N K	Q T Y	DESCRIPTION	REMARKS
18- 1	HG1-4446-000		1	OPCNT BOARD ASS'Y	
2	HH2-3262-000		1	CABLE, FLAT, 15P	
3	HH7-2698-000		1	LCD UNIT	
4	XB4-7300-807		11	SCREW, TAP TIGHT, BINDING HEAD	
5	HC1-0543-000		1	COVER, ONE-TOUCH DIAL	

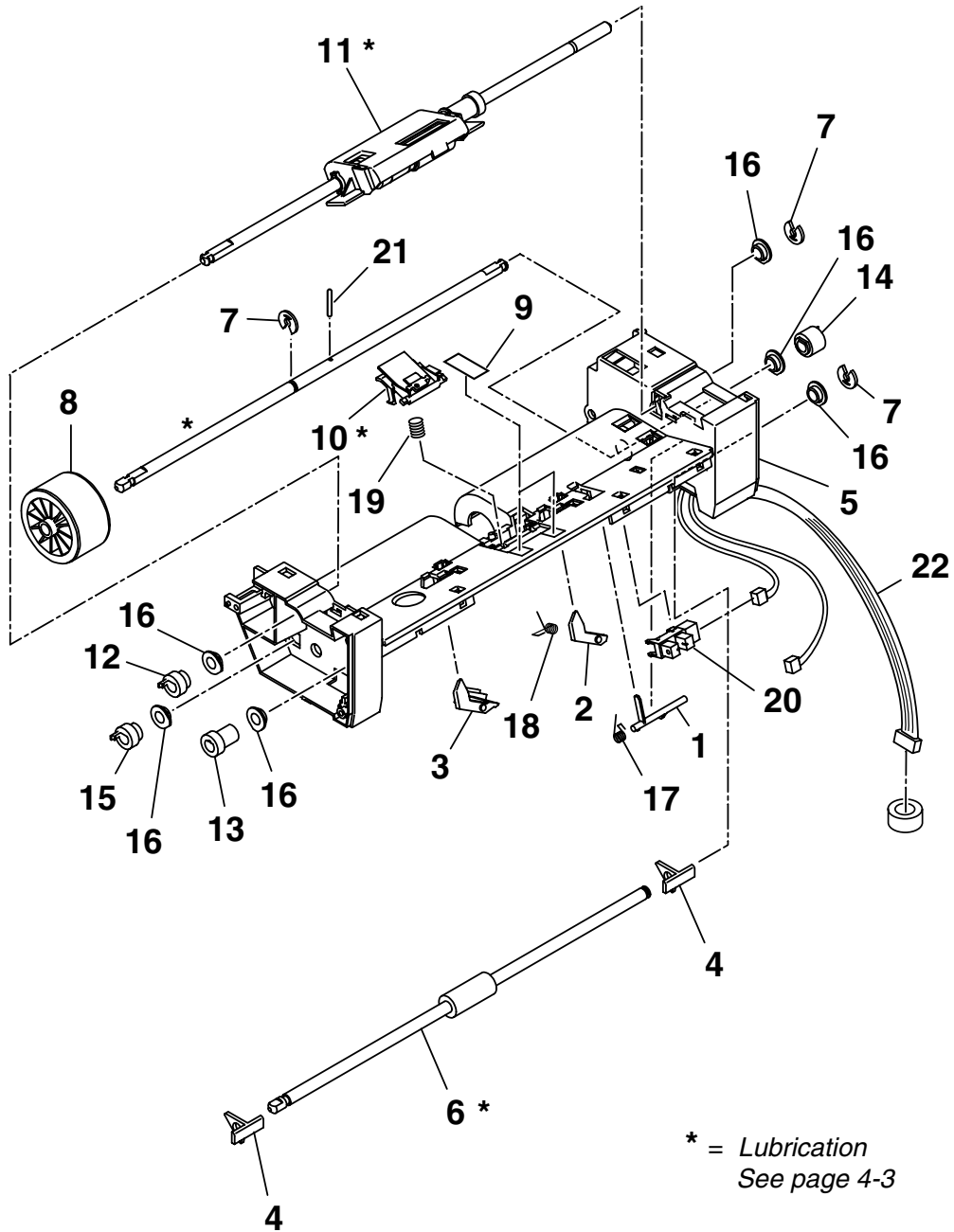
FIGURE 19 PC-D340/FAX-L400 DOCUMENT FEED ASS'Y



PC-D320/PC-D340/FAX-L400 2.PARTS LAYOUT & PARTS LIST

FIGURE & KEY No.	PART No.	R A N K	Q T Y	DESCRIPTION	REMARKS
19- 1	HC1-0560-000	N	1	STOPPER, REAR	
2	HC1-0561-000	N	1	STOPPER, FRONT	
3	HC1-0562-000		1	LEVER, TURNING	
4	HC1-0565-000		1	ARM, DETECTION (DES)	
5	HC1-0583-000		1	LEVER, DOCUMENT RELEASE	
6	HC1-0601-000		1	GUIDE, CABLE	
7	HL1-0065-000		2	SPRING, LOCK	
8	HM1-0253-000		1	UPPER DOCUMENT FEED ASS'Y	
9	HM1-0254-000		1	LOWER DOCUMENT FEED ASS'Y	
10	HM1-0255-000		1	DOCUMENT FEED MOTOR ASS'Y	
11	HM1-0256-000		1	DOCUMENT FEED GEAR ASS'Y	
12	HU1-0051-000		1	GEAR, 21/69T	
13	HU1-2049-000		2	SPRING, STOPPER	
14	WG8-5362-000		1	PHOTO-INTERRUPTER, TLP1241	
15	XB4-7300-807		10	SCREW, TAP TIGHT, BINDING HEAD	
16	XA9-0476-000		1	SCREW, TP M3X8	

FIGURE 20 PC-D340/FAX-L400
MIDDLE DOCUMENT FEED ASS'Y



PC-D320/PC-D340/FAX-L400 2.PARTS LAYOUT & PARTS LIST

FIGURE & KEY No.	PART No.	RANK	QTY	DESCRIPTION	REMARKS
20- 1	HC1-0579-000		1	ARM, DETECTION (DS)	
2	HC1-0580-000		1	STOPPER, DOCUMENT, REAR	
3	HC1-0581-000		1	STOPPER, DOCUMENT, FRONT	
4	HC1-0582-000		2	ARM, DOCUMENT PRESSURE	
5	HC1-0584-000		1	FRAME, MIDDLE DOCUMENT FEED	
6	HC1-0585-000		1	ROLLER, DOCUMENT EJECT	
7	HC1-0586-000		3	RETAINING RING (E-TYPE)	
8	HC1-0590-000		1	ROLLER, DOCUMENT FEED	
9	HC1-0602-000		2	SHEET	
10	HM1-0258-000		1	SEPARATION GUIDE UNIT	
11	HM1-0259-000		1	SEPARATION ROLLER ASS'Y	
12	HU1-0044-000		1	GEAR, 22T	
13	HU1-0045-000		1	GEAR, 22T	
14	HU1-0046-000		1	GEAR, 22T	
15	HU1-0047-000		1	GEAR, 22T	
16	HU1-1022-000		6	BUSHING	
17	HU1-2042-000		1	SPRING, DS ARM	
18	HU1-2043-000		1	SPRING, DOCUMENT STOPPER	
19	HU1-2046-000		1	SPRING, ADF	
20	WG8-5362-000		1	PHOTO-INTERRUPTER, TLP1241	
21	XD9-0219-000		1	PIN	
22	HG1-4456-000		1	CABLE WITH CONNECTOR, 6P	

FIGURE 21 PC-D340/FAX-L400
LOWER DOCUMENT FEED ASS'Y

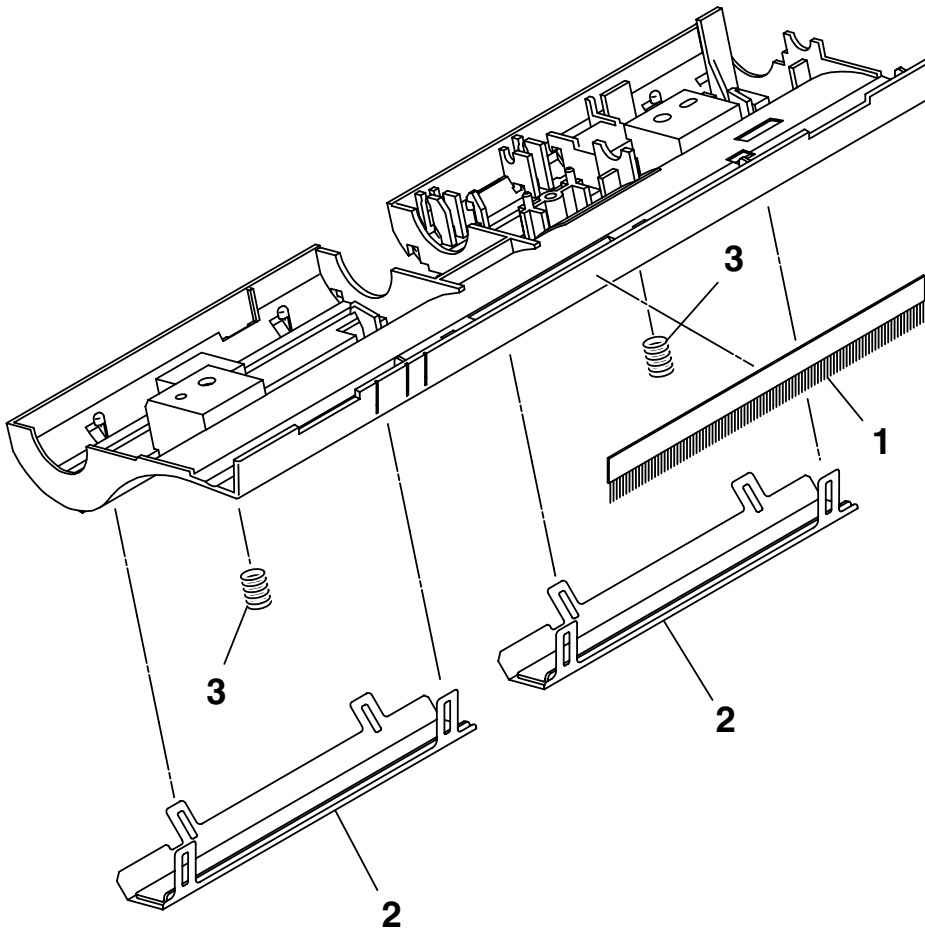


FIGURE & KEY No.	PART No.	R A N K	Q T Y	DESCRIPTION	REMARKS
21 - 1 2 3	HB1-4072-000 HL1-0066-000 HU1-2047-000		1 2 2	BRUSH, STATIC DISCHARGE WHITE SHEET UNIT SPRING	

FIGURE 22 PC-D340/FAX-L400
DOCUMENT FEED MOTOR ASS'Y

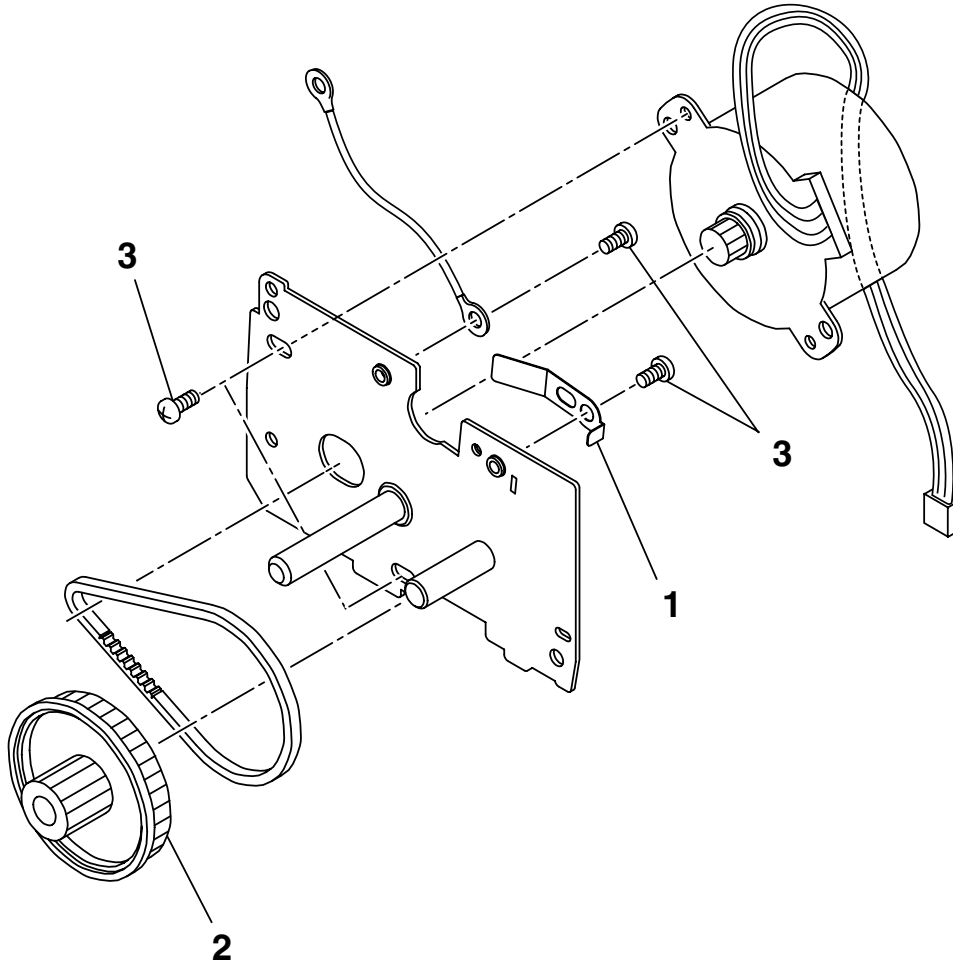


FIGURE & KEY No.	PART No.	R A N K	Q T Y	DESCRIPTION	REMARKS
22- 1 2 3	HC1-0572-000 HU1-0052-000 XB1-2300-407		1 1 4	PLATE, GROUNDING GEAR, 22/75T SCREW, BH3X4 (S)	

FIGURE 23 PC-D340/FAX-L400
DOCUMENT FEED GEAR ASS'Y

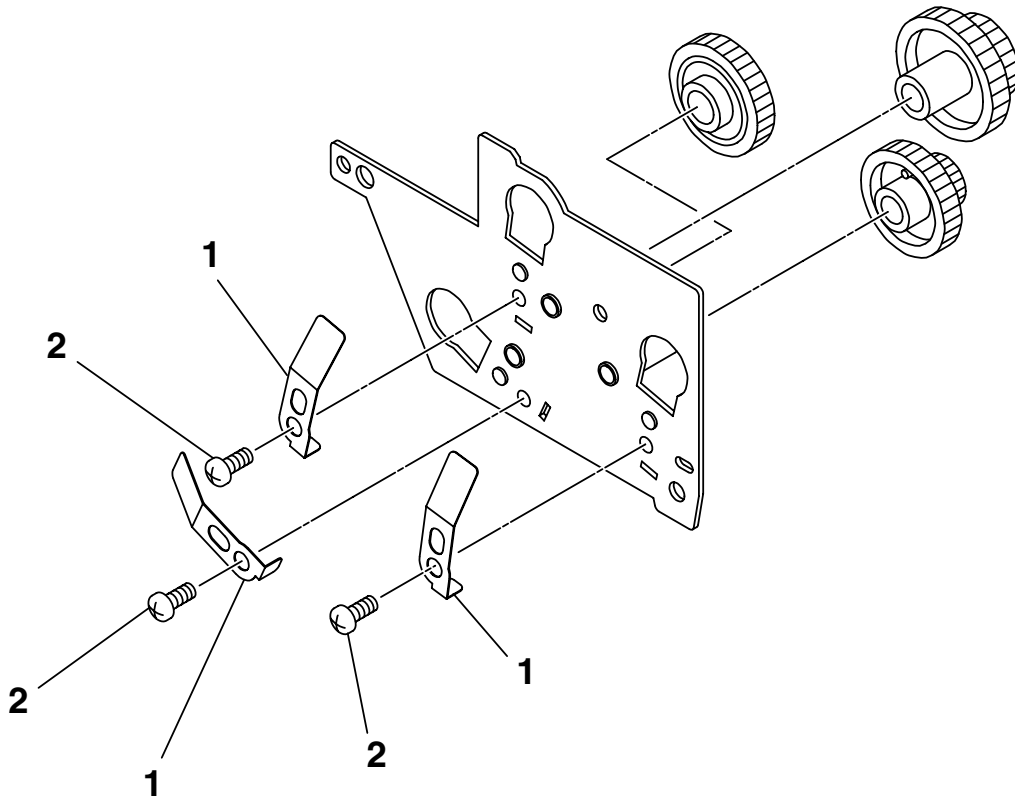
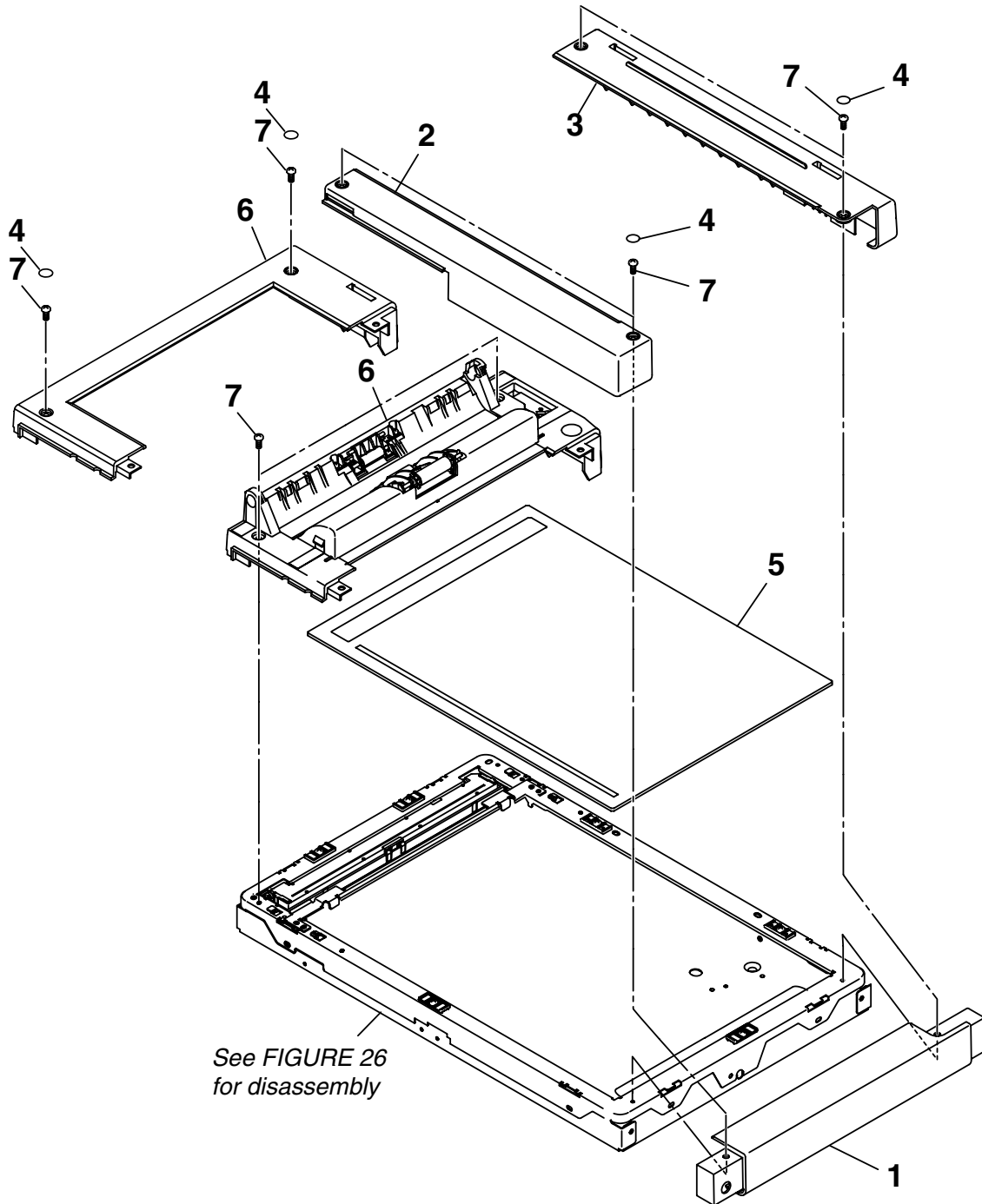


FIGURE & KEY No.	PART No.	R A N K	Q T Y	DESCRIPTION	REMARKS
23- 1 2	HC1-0572-000 XB1-2300-407		3 3	PLATE, GROUNDING SCREW, BH3X4 (S)	

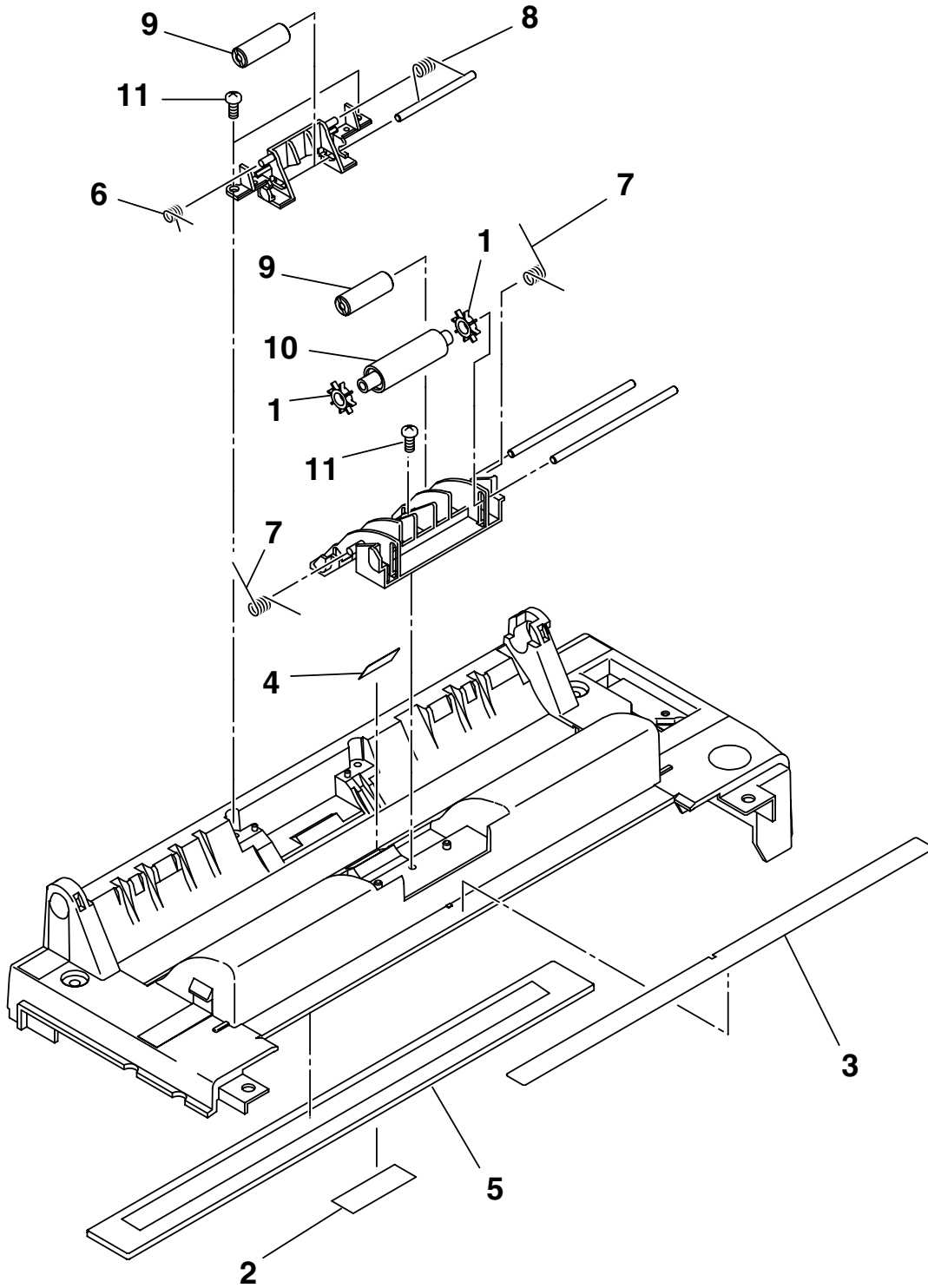
FIGURE 24 DOCUMENT READ SECTION



PC-D320/PC-D340/FAX-L400 2.PARTS LAYOUT & PARTS LIST

FIGURE & KEY No.	PART No.	RANK	QTY	DESCRIPTION	REMARKS
24- 1	HC1-0607-000		1	COVER, FLAT BED, RIGHT	
2	HC1-0608-000		1	COVER, FLAT BED, FRONT	
3	HC1-0609-000		1	COVER, FLAT BED, REAR	
4	HC1-0658-000		4	SHEET, BLINKER	PC-D340/FAX-L400
	HC1-0658-000		6	SHEET, BLINKER	PC-D320
5	HL1-0060-000		1	COPY BOARD GLASS UNIT	PC-D320
	HL1-0062-000		1	COPY BOARD GLASS UNIT	PC-D340/FAX-L400
6	HC1-0606-000		1	COVER, FLAT BED, LEFT	PC-D320
	HM1-0249-000		1	ADF BASE ASS'Y	PC-D340/FAX-L400
7	XB1-2300-609		6	SCREW, MACHINE M3X6	

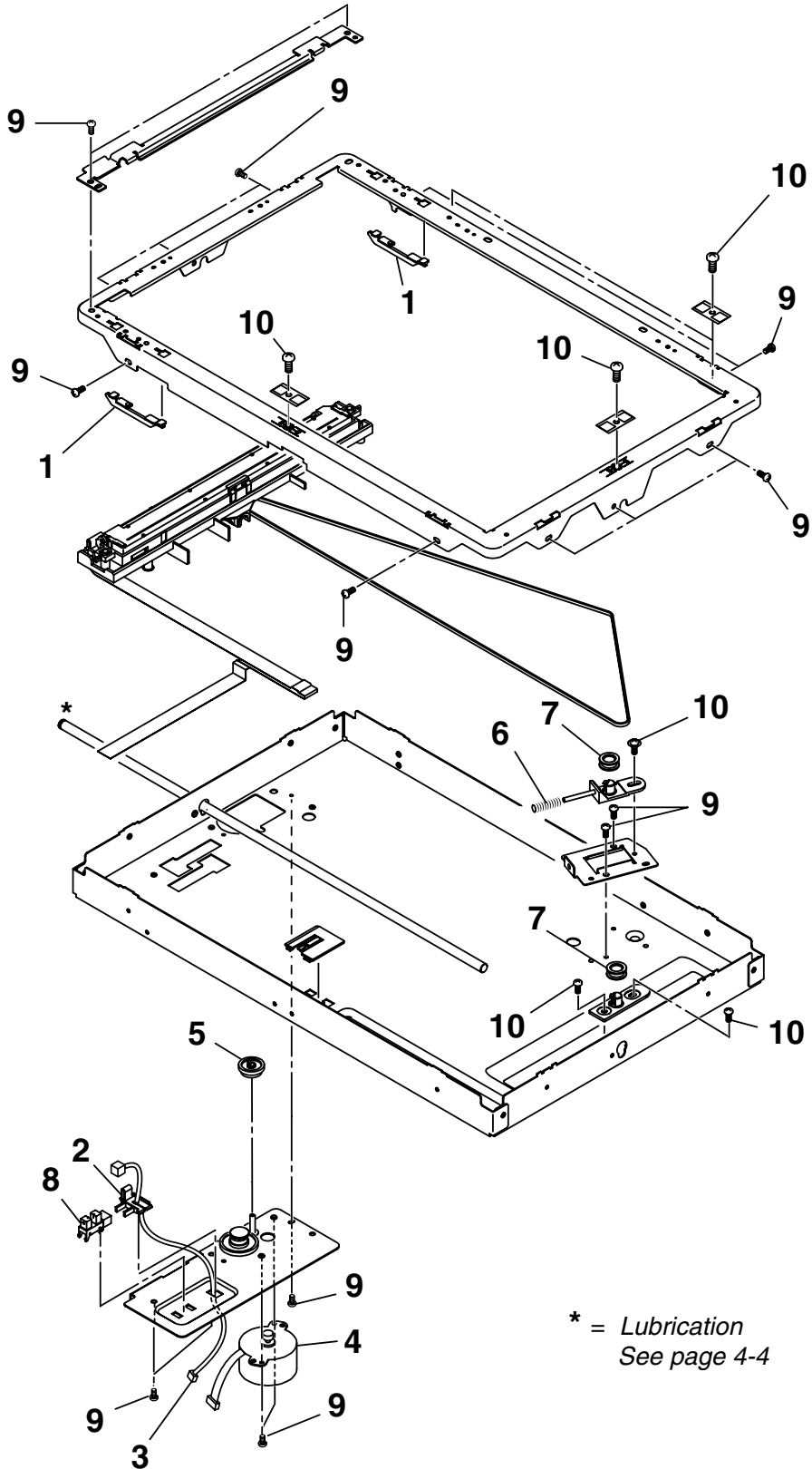
FIGURE 25 PC-D340/FAX-L400 ADF BASE ASS'Y



PC-D320/PC-D340/FAX-L400 2.PARTS LAYOUT & PARTS LIST

FIGURE & KEY No.	PART No.	R A N K	Q T Y	DESCRIPTION	REMARKS
25- 1	HC1-0604-000		2	ROLLER, DOCUMENT PRESSURE	
2	HC1-0650-000		1	SHEET	
3	HC1-0652-000		1	LABEL, DOCUMENT SIZE	
4	HC1-0656-000		1	SHEET	
5	HL1-0069-000		1	GLASS, DOCUMENT FEED ASS'Y	
6	HU1-2040-000		1	SPRING	
7	HU1-2041-000		2	SPRING	
8	HU1-2051-000		1	SPRING	
9	HU1-6002-000		2	ROLLER, BACK-UP	
10	HU1-6004-000		1	ROLLER, DOCUMENT DELIVERY	
11	XB4-7300-807		3	SCREW, TAP TIGHT, BINDING HEAD	

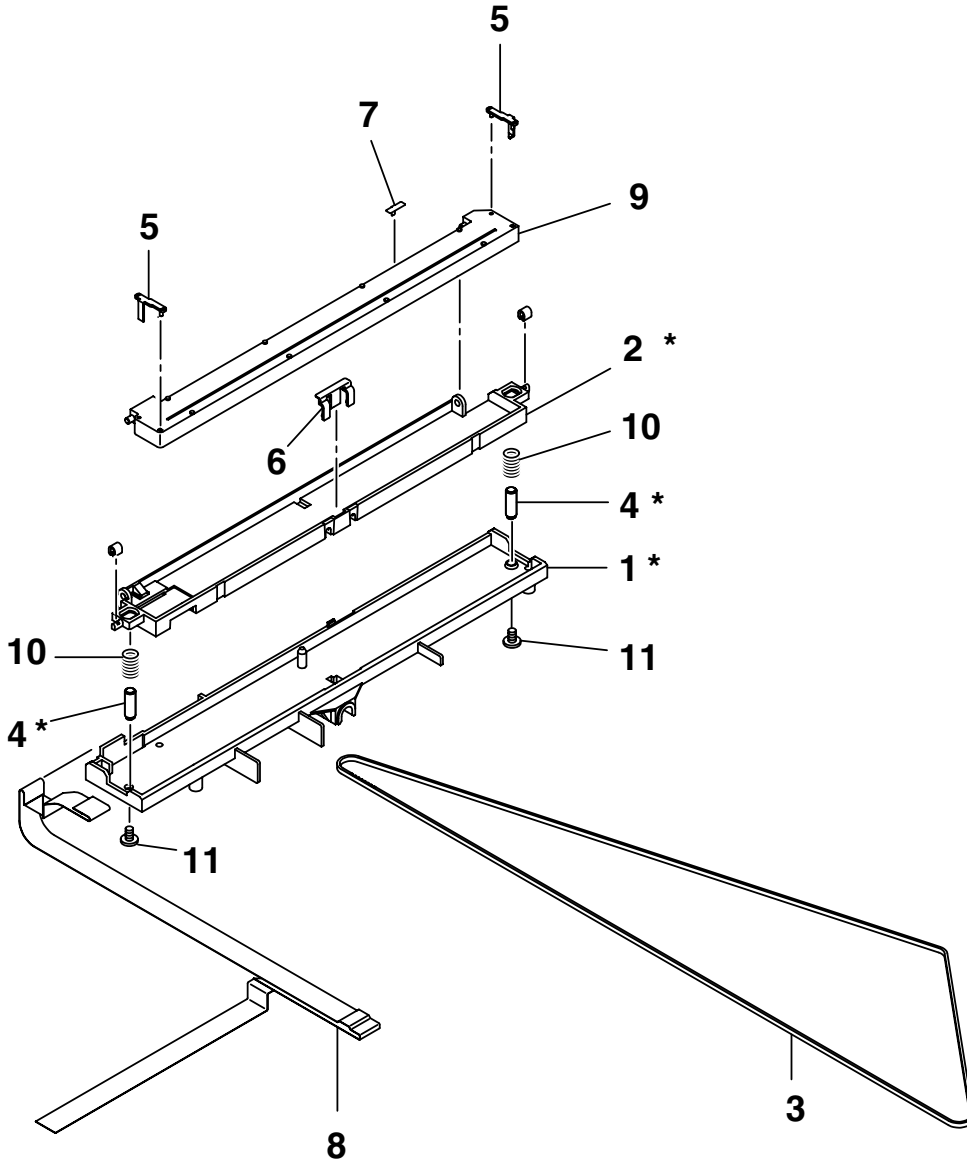
FIGURE 26 FLAT BED ASS'Y



PC-D320/PC-D340/FAX-L400 2.PARTS LAYOUT & PARTS LIST

FIGURE & KEY No.	PART No.	R A N K	Q T Y	DESCRIPTION	REMARKS
26- 1	HC1-0638-000		2	SPACER, CS CARRIAGE	PC-D340/FAX-L400
2	HC1-0646-000		1	COVER, HP SENSOR	
3	HG1-4452-000		1	CABLE WITH CONNECTOR, 3P	
4	HH7-2692-000		1	MOTOR, STEPPING	
5	HU1-0039-000		1	GEAR, 36/45T	
6	HU1-2037-000		1	SPRING	
7	HU1-3002-000		2	PULLEY	
8	WG8-5362-000		1	PHOTO-INTERRUPTER, TLP1241	
9	XB1-2300-407		19	SCREW, BH3X4 (S)	
10	XB6-7300-409		7	SCREW, MACHINE, M3X4	

FIGURE 27 CONTACT SENSOR

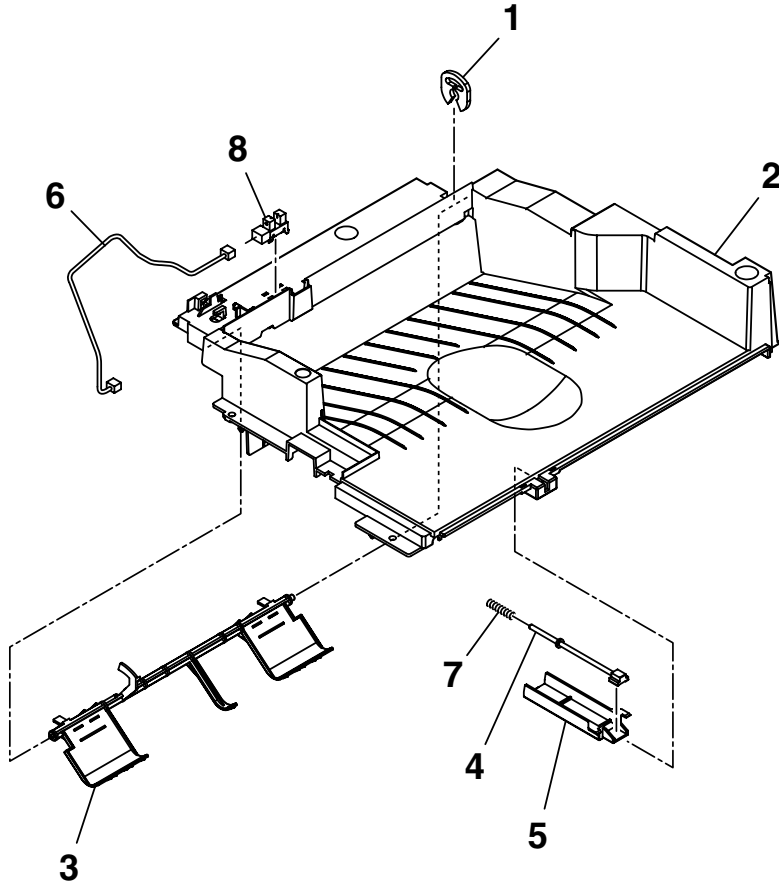


* = Lubrication
See page 4-4, 4-5

PC-D320/PC-D340/FAX-L400 2.PARTS LAYOUT & PARTS LIST

FIGURE & KEY No.	PART No.	R A N K	Q T Y	DESCRIPTION	REMARKS
27- 1	HC1-0617-000		1	CARRIAGE, CS UNIT	
2	HC1-0618-000		1	HOLDER, CS UNIT	
3	HC1-0629-000		1	BELT, COGGED, L882	
4	HC1-0631-000		2	SHAFT, CARRIAGE	
5	HC1-0641-000		2	SPACER, CS	
6	HC1-0642-000		1	STOPPER, CS	
7	HC1-0655-000		1	SHEET, CS	
8	HH2-3222-000		1	CABLE, FLAT, 12P	
9	HH7-2691-000		1	CONTACT SENSOR UNIT	
10	HU1-2036-000		2	SPRING, CS	
11	XB1-2300-407		2	SCREW, BH3X4 (S)	

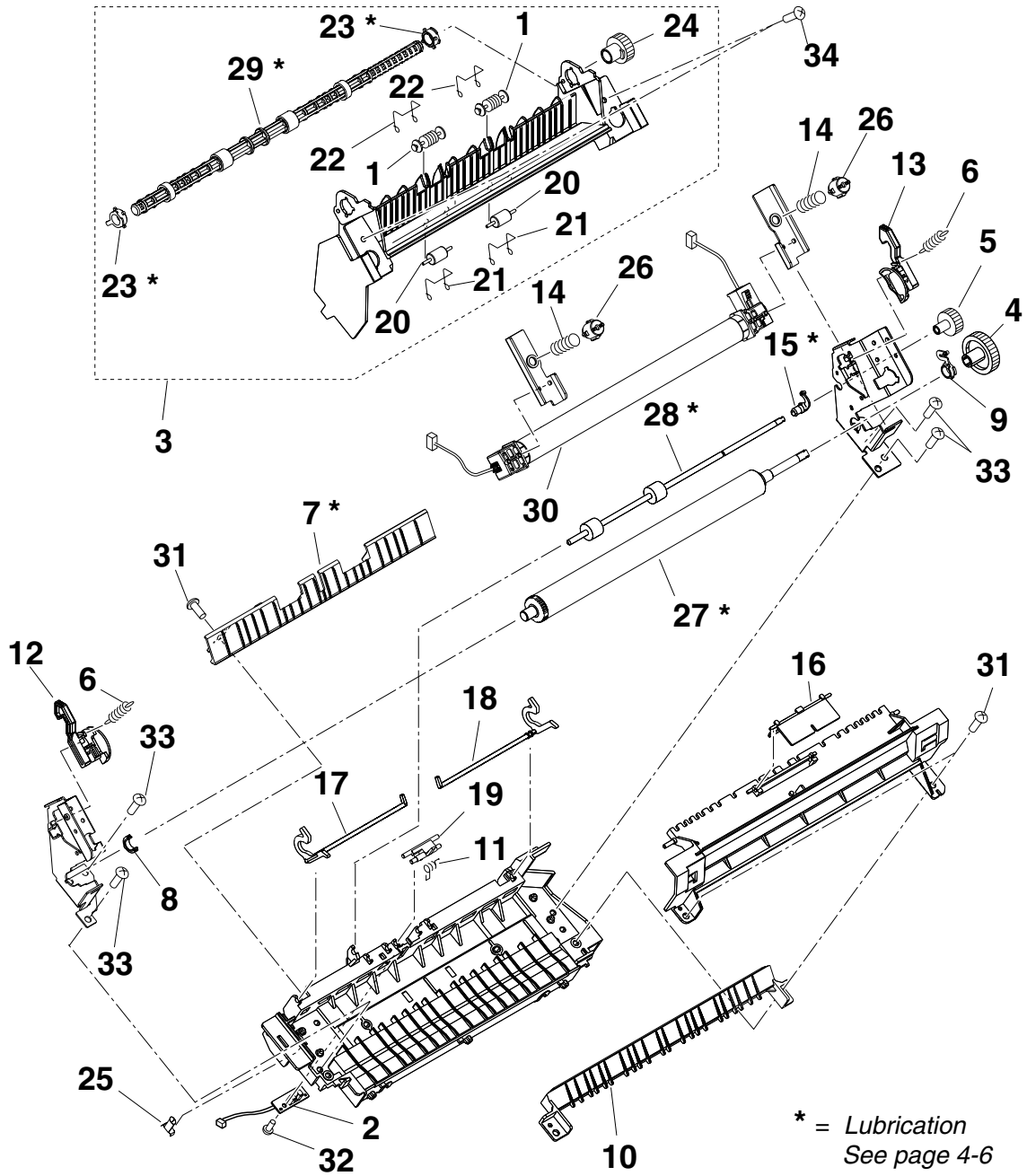
FIGURE 28 EJECT PAPER FRAME ASS'Y



PC-D320/PC-D340/FAX-L400 2.PARTS LAYOUT & PARTS LIST

FIGURE & KEY No.	PART No.	R A N K	Q T Y	DESCRIPTION	REMARKS
28- 1	HB1-4394-000		1	RETAINING RING (E-TYPE)	
2	HC1-0483-000		1	COVER, FACE-DOWN	
3	HC1-0484-000		1	LEVER, REC. PAPER PRESSURE	
4	HC1-0525-000		1	ROD, SHUTTER	
5	HC1-0526-000		1	COVER, SHUTTER ROD	
6	HG1-4453-000		1	CABLE WITH CONNECTOR, 3P	
7	HU1-2039-000		1	SPRING, SHUTTER LEVER	
8	WG8-5362-000		1	PHOTO-INTERRUPTER, TLP1241	

FIGURE 29 FIXING ASS'Y



* = Lubrication
See page 4-6

PC-D320/PC-D340/FAX-L400 2.PARTS LAYOUT & PARTS LIST

FIGURE & KEY No.	PART No.	R A N K	Q T Y	DESCRIPTION	REMARKS
29- 1	HC1-0491-000		2	COLLAR, FACE-DOWN	
2	HG1-4448-000		1	PAPER DELIVERY SENSOR UNIT	
3	HM1-0245-000		1	FACE-DOWN DELIVERY UNIT	
4	RA0-1088-000		1	GEAR, 29T	
5	RA0-1089-000		1	GEAR, 17T	
6	RA0-1090-000		2	SPRING, TENSION	
7	RA0-1091-000		1	GUIDE, PAPER DELIVERY	
8	RA0-1094-000		1	BUSHING	
9	RA0-1095-000		1	BUSHING	
10	RA0-1096-000		1	GUIDE, PAPER	
11	RA0-1099-000		1	SPRING, TORSION	
12	RA0-1100-000		1	LEVER, PRESSURE RELEASE	
13	RA0-1101-000		1	LEVER, PRESSURE RELEASE	
14	RA0-1103-000		2	SPRING, COMPRESSION	
15	RA0-1104-000		1	BUSHING	
16	RA0-1105-000		1	FLAG	
17	RA0-1106-000		1	LEVER, SENSOR	
18	RA0-1107-000		1	LEVER, SENSOR	
19	RA0-1110-000		1	FLAG, SENSOR	
20	RA0-1111-000		2	ROLLER, FACE-UP	
21	RA0-1115-000		2	SPRING, TORSION	
22	RA0-1116-000		2	SPRING, TORSION	
23	RA0-1117-000		2	BUSHING	
24	RA0-1118-000		1	GEAR, 19T	
25	RA0-1121-000		1	PLATE, CONTACT	
26	RA0-1189-000		2	RETAINER, SPRING	
27	RF0-1002-000		1	ROLLER, PRESSURE	
28	RF0-1003-000		1	ROLLER, FACE-UP	
29	RF0-1004-030		1	ROLLER, FACE-DOWN	
30	RG0-1027-000		1	FIXING FILM ASS'Y	
31	XA9-1292-000		3	SCREW, M4X14	
32	XB4-7300-807		1	SCREW, TAP TIGHT, BINDING HEAD	
33	XB4-7401-005		4	SCREW,TAPPING,TRUSS HEAD,M4X10	
34	XB6-7300-607		2	SCREW, TP, M3X6	

FIGURE 30 FRONT PLATE ASS'Y

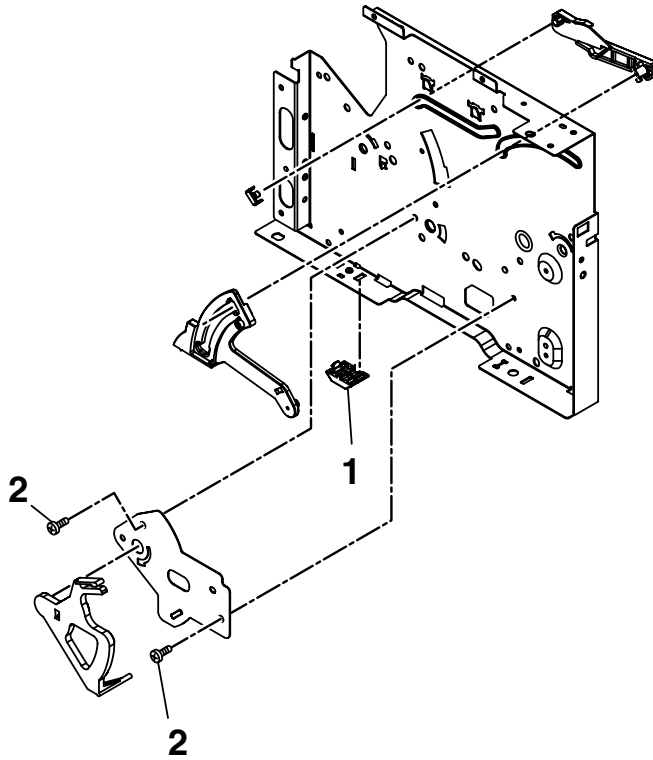


FIGURE & KEY No.	PART No.	R A N K	Q T Y	DESCRIPTION	REMARKS
30- 1 2	RA0-1412-000 XB1-2300-407		1 2	FOOT SCREW, BH3X4 (S)	

FIGURE 31 REAR PLATE ASS'Y

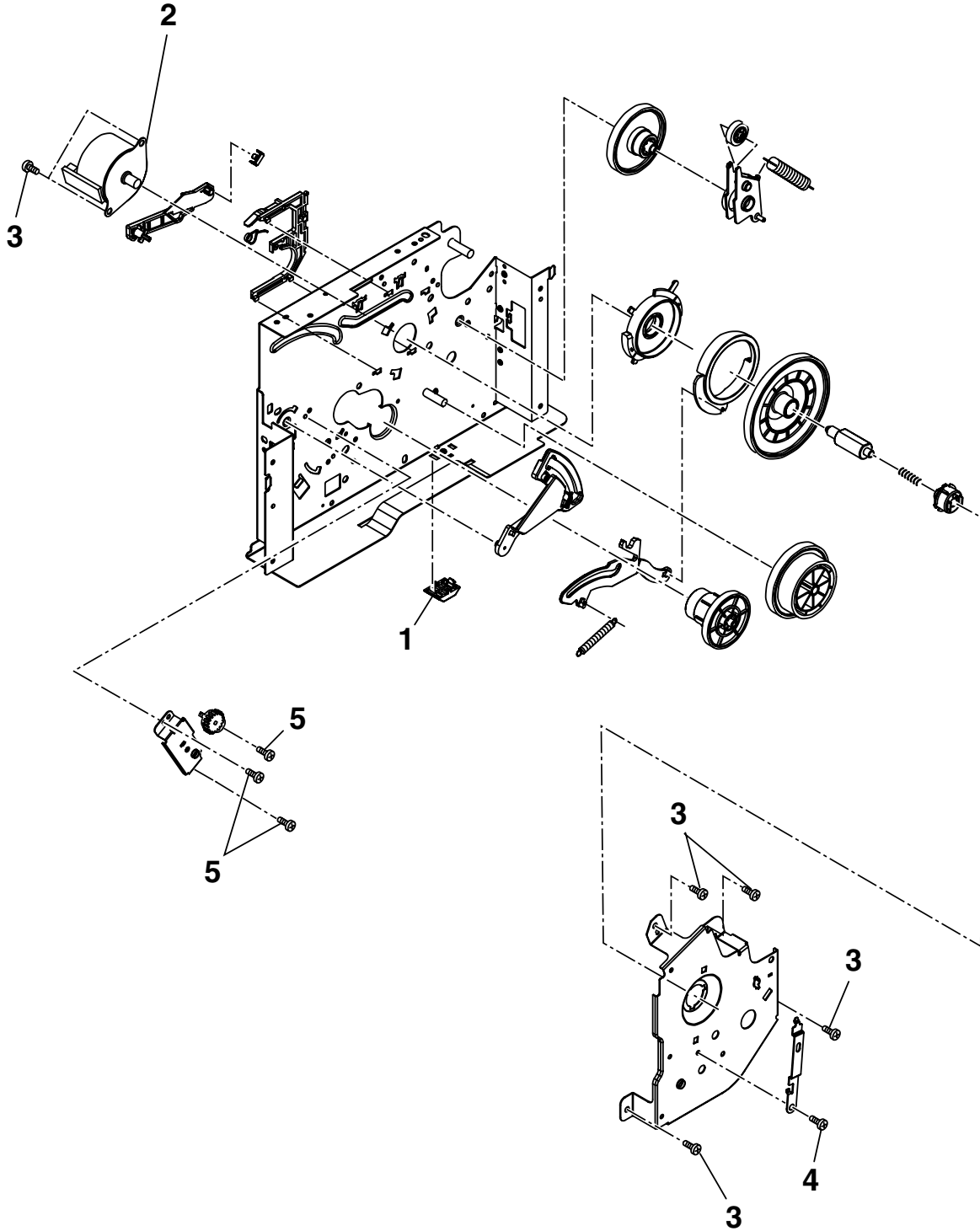


FIGURE & KEY No.	PART No.	R A N K	Q T Y	DESCRIPTION	REMARKS
31 - 1	RA0-1412-000		1	FOOT	
2	RH7-1473-020		1	MOTOR, STEPPING	
3	XB1-2300-407		6	SCREW, BH3X4 (S)	
4	XB2-7300-607		1	SCREW, M3X6	
5	XB6-7300-607		3	SCREW, TP, M3X6	

FIGURE 32 PC-D320/PC-D340 SCNT BOARD ASS'Y

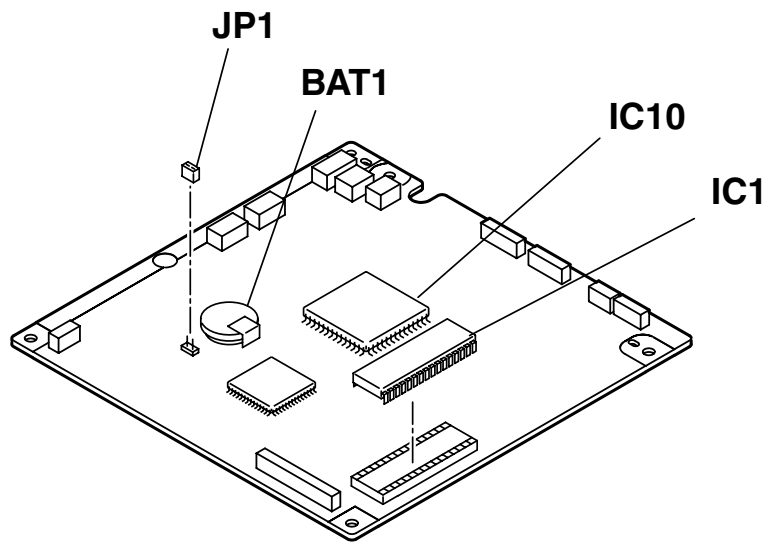
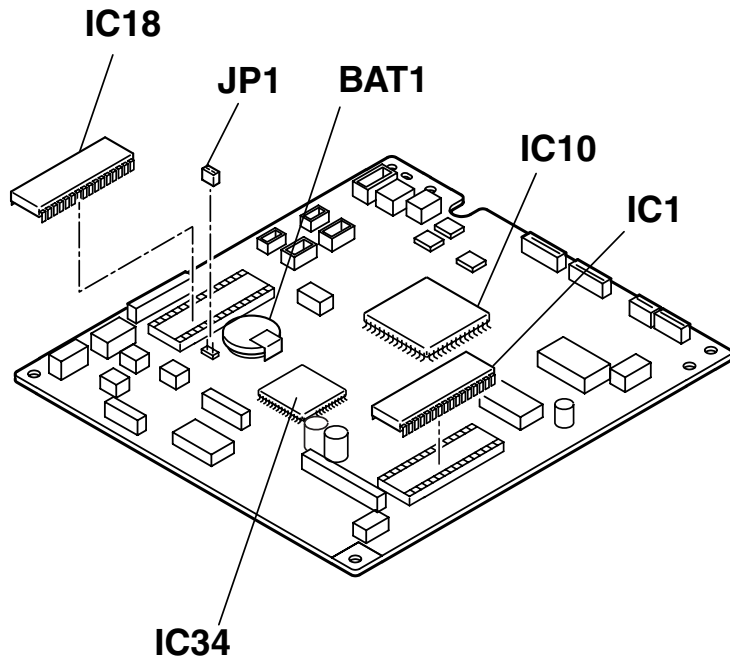


FIGURE & KEY No.	PART No.	R A N K	Q T Y	DESCRIPTION	REMARKS
32 - BAT1 IC1 IC10 JP1	WK1-5134-000 HH4-3715-000 HH4-3706-000 WS1-5397-000	N	1 1 1 1	BATTERY, LITHIUM, CR2032THJ6 IC,MR27V1652E-K5RAZ010,OTP-ROM IC, MB87J8690, ASIC PLUG, JUMPER	

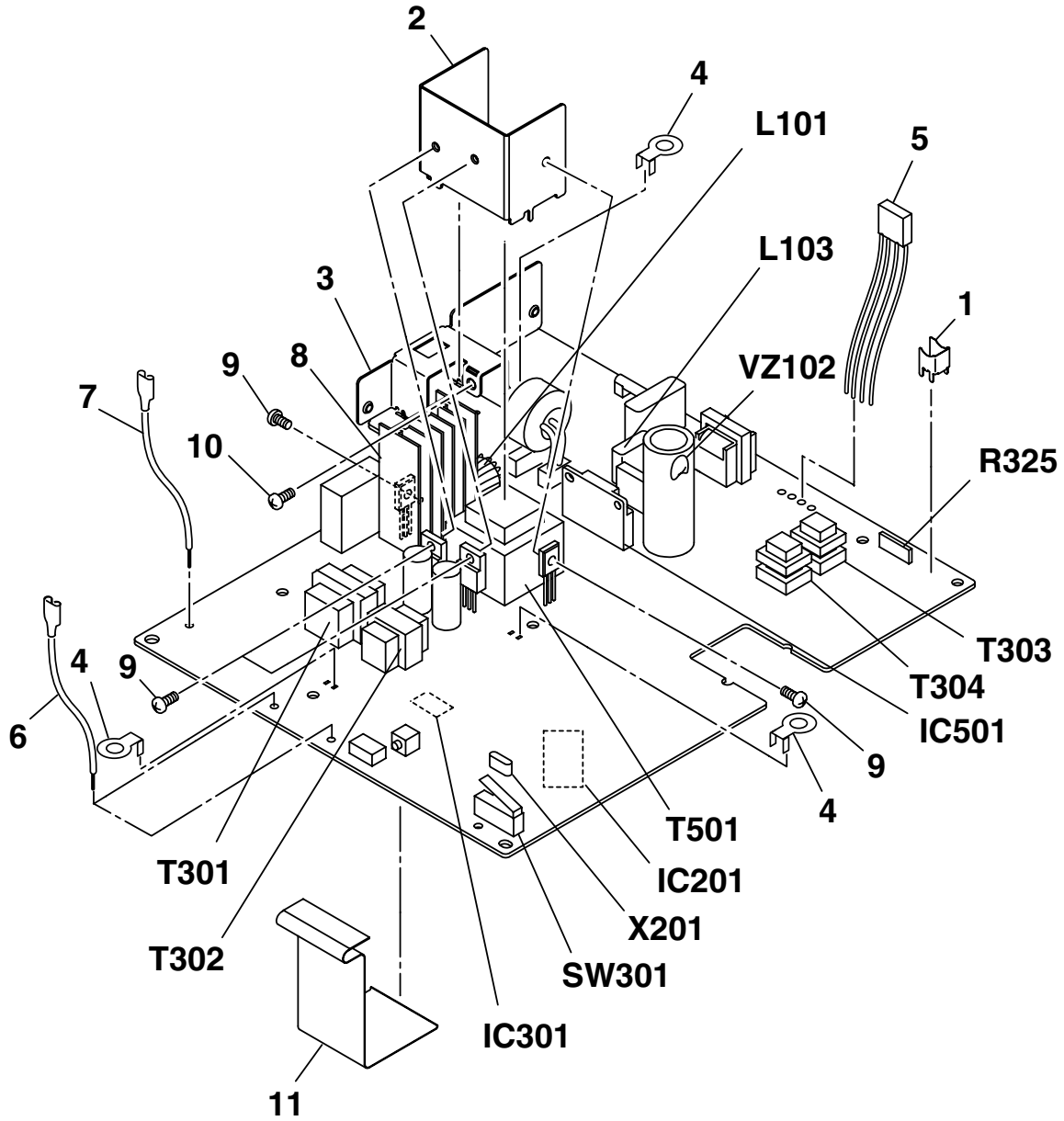
FIGURE 33 FAX-L400 SCNT BOARD ASS'Y



PC-D320/PC-D340/FAX-L400 2.PARTS LAYOUT & PARTS LIST

FIGURE & KEY No.	PART No.	R A N K	Q T Y	DESCRIPTION	REMARKS
33- BAT1	WK1-5134-000		1	BATTERY, LITHIUM, CR2032THJ6	
IC1	HH4-3712-000		1	IC, MR27V1652ERA, OTP-ROM	
IC10	HH4-3706-000		1	IC, MB87J8690, ASIC	
IC18	HH4-3713-000		1	IC, MR27V1652ERA, OTP-ROM	
IC34	HH4-4008-000		1	IC, UPD703107AGJ-150-UEN, MCU	
JP1	WS1-5397-000	N	1	PLUG, JUMPER	

FIGURE 34 ECNT BOARD ASS'Y



PC-D320/PC-D340/FAX-L400 2.PARTS LAYOUT & PARTS LIST

FIGURE & KEY No.	PART No.	RANK	QTY	DESCRIPTION	REMARKS
34- 1	RA0-1123-000		1	PLATE, TERMINAL	
2	RA0-1125-000		1	HEATSINK	
3	RA0-1126-000		1	HOLDER, CONNECTOR	
4	RB1-7306-000		3	PLATE, GROUNDING	
5	RG0-1073-000		1	CABLE, MAIN MOTOR	
6	RG0-1078-000		2	CABLE, HIGH VOLTAGE	
7	RG0-1079-000		1	CABLE, HIGH VOLTAGE	
8	RH7-8100-000		1	HEATSINK	
9	XA9-0235-000		4	SCREW	
10	XB2-7400-606		1	SCREW, TOOTHED WASHER, M4X6	
11	HH2-3220-000		1	CABLE, FLAT, 26P	
IC201	RH4-0296-000		1	IC, MB89063, M-CON	
IC301	RH4-5448-000		1	IC, LM324NSR-A, OPAMP	
IC501	RH4-5429-000		1	IC, STR-Z2062, REGULATOR	
L101	RH3-0193-000		1	INDUCTOR, SK-08MD-4ZY	
L103	RH3-0235-000		1	COIL, CHOKE	
R325	RH6-3858-000		1	RESISTOR, METAL	
SW301	RH7-6058-000		1	SWITCH, MICRO	
T301	RH3-0300-000		1	TRANSFORMER, 500VA UNDER	
T302	RH3-0248-000		1	TRANSFORMER, 500VA UNDER	
T303	RH3-0303-000		1	TRANSFORMER, 500VA UNDER	
T304	RH3-0303-000		1	TRANSFORMER, 500VA UNDER	
T501	RH3-0295-000		1	TRANSFORMER, 500VA UNDER	
VZ102	RH3-8049-000		1	VARISTOR, NV270D05C	
X201	RH5-0124-000		1	OSCILLATOR, QUARTZ	

FIGURE 35 FAX-L400 NCU BOARD ASS'Y

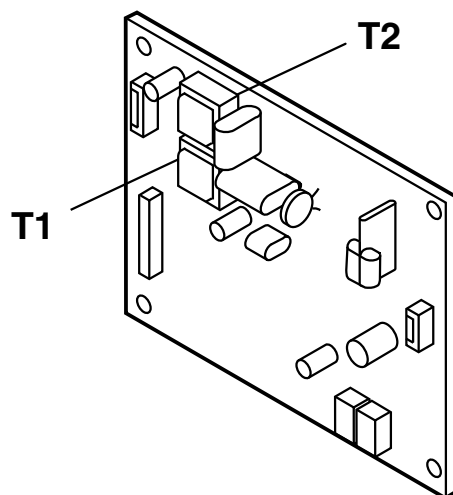
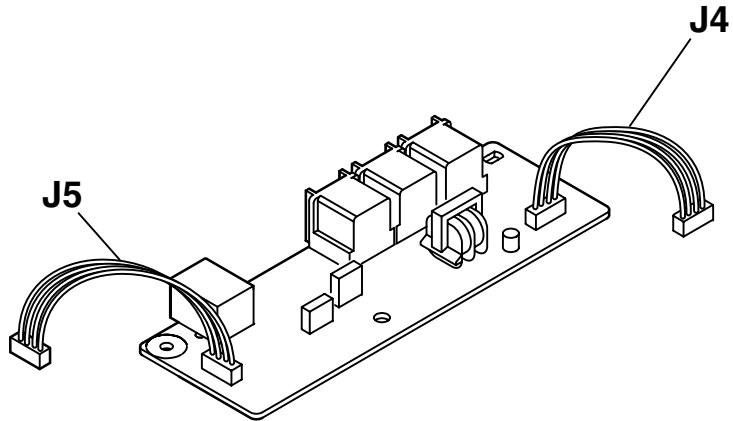


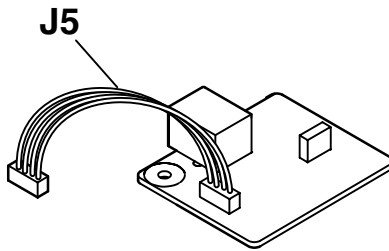
FIGURE & KEY No.	PART No.	R A N K	Q T Y	DESCRIPTION	REMARKS
35- T1 T2	HH7-2720-000 HH7-2721-000		1 1	TRANSFORMER, AUDIO TRANSFORMER, AUDIO	

FIGURE 36 MODULAR/USB BOARD ASS'Y

FAX-L400



PC-D320/PC-D340



PC-D320/PC-D340/FAX-L400 2.PARTS LAYOUT & PARTS LIST

FIGURE & KEY No.	PART No.	R A N K	Q T Y	DESCRIPTION	REMARKS
36- J4 J5	HG1-4459-000 HG1-4455-000		1 1	CABLE WITH CONNECTOR, 5P CABLE WITH CONNECTOR, 4P	FAX-L400

FIGURE 37 TELEPHONE 6 KIT (FAX-L400)

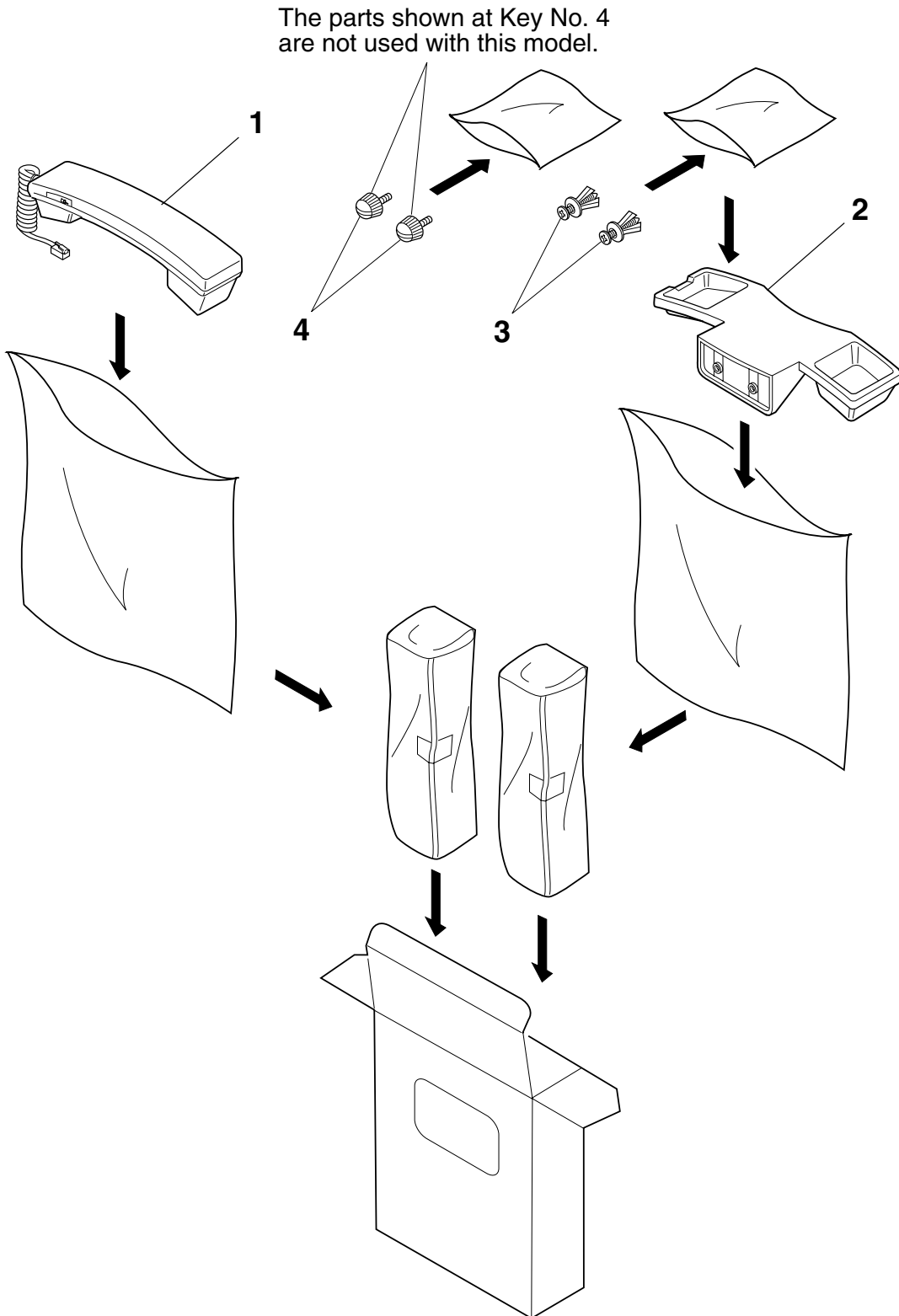


FIGURE & KEY No.	PART No.	RANK	QTY	DESCRIPTION	REMARKS
37 - 1	HH7-2587-000		1	HANDSET UNIT	HUN POL
	HH7-2588-000		1	HANDSET UNIT	CZE
	HH7-2589-000		1	HANDSET UNIT	SLO
	HH7-2590-000		1	HANDSET UNIT	S.A.
	HH7-2634-000		1	HANDSET UNIT (EU, CW)	EU FRN GER
2 3 4	HH7-2635-000		1	HANDSET UNIT (UK, CW)	UK
	HB1-1264-000		1	HANDSET CRADLE	EU UK GER FRN HUN POL CZE SLO S.A.
	WT2-5465-000		2	RIVET	EU UK GER FRN HUN POL CZE SLO S.A.
	NPN		2	SCREW	

3.TOOL

FIGURE 38 TOOLS

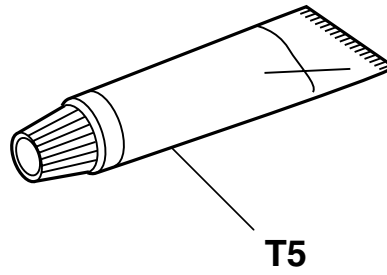
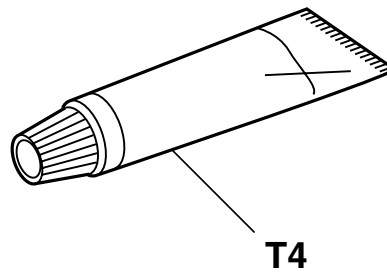
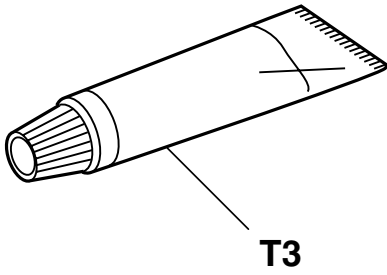
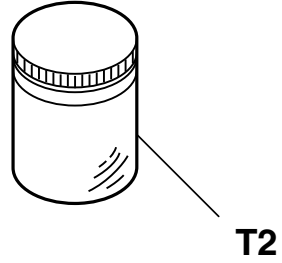
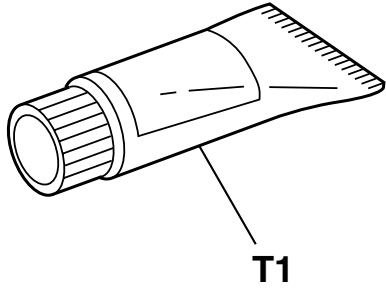
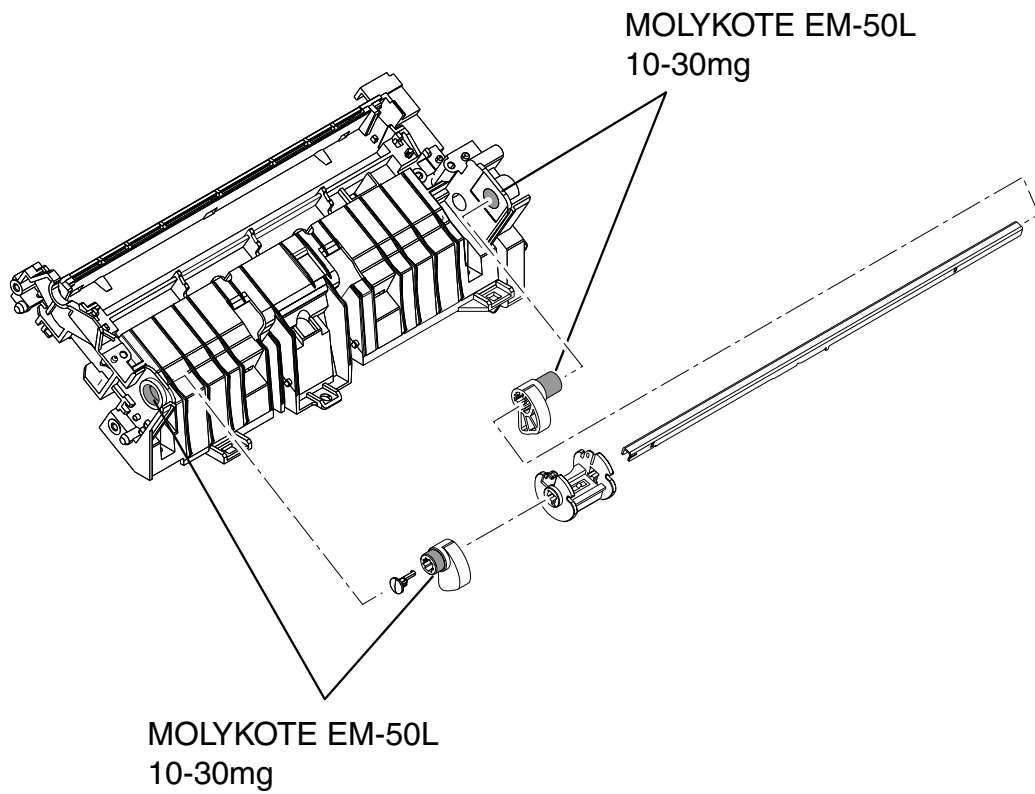


FIGURE & KEY No.	PART No.	R A N K	Q T Y	DESCRIPTION	REMARKS
38- T1	CK-0562-000		1	LUBE, MOLYKOTE PG-641 GREASE	
T2	CK-8006-000		1	ELECTRICITY GREASE (IF-20)	
T3	CK-8007-000		1	LUBE, MOLYKOTE 41 GREASE	
T4	HY9-0007-000		1	LUBE, MOLYKOTE EM-50L, GREASE	
T5	HY9-0023-000		1	LUBE, MOLYKOTE EMD-110, GREASE	

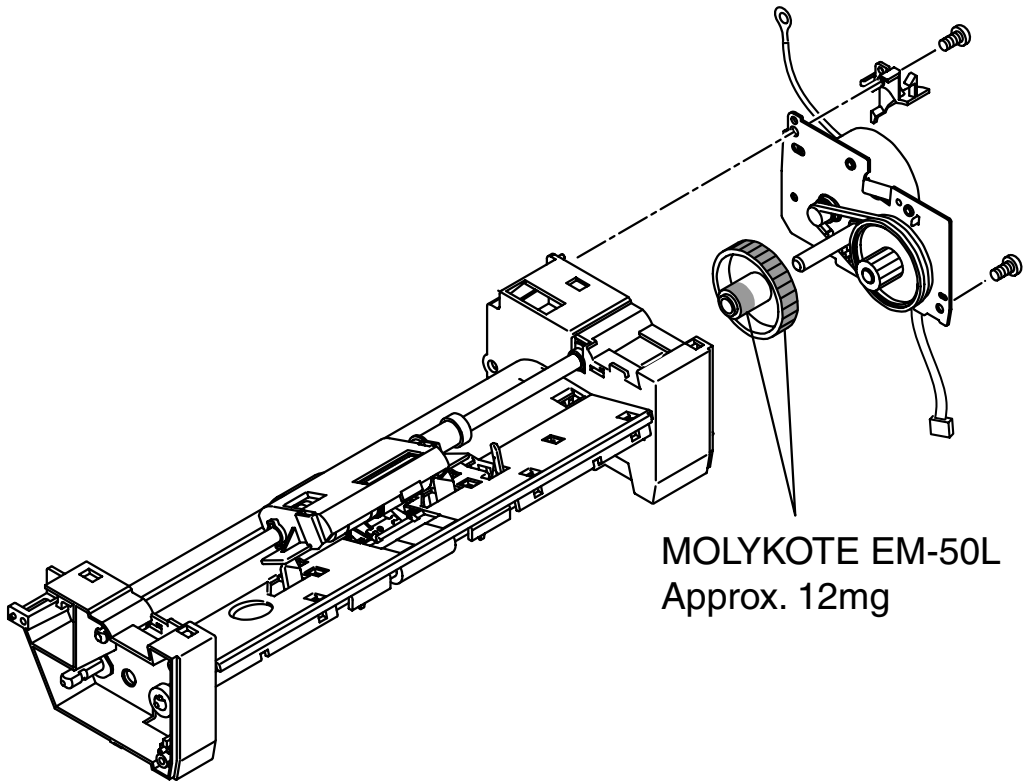
4. LUBRICATIONS

4.1 Locations

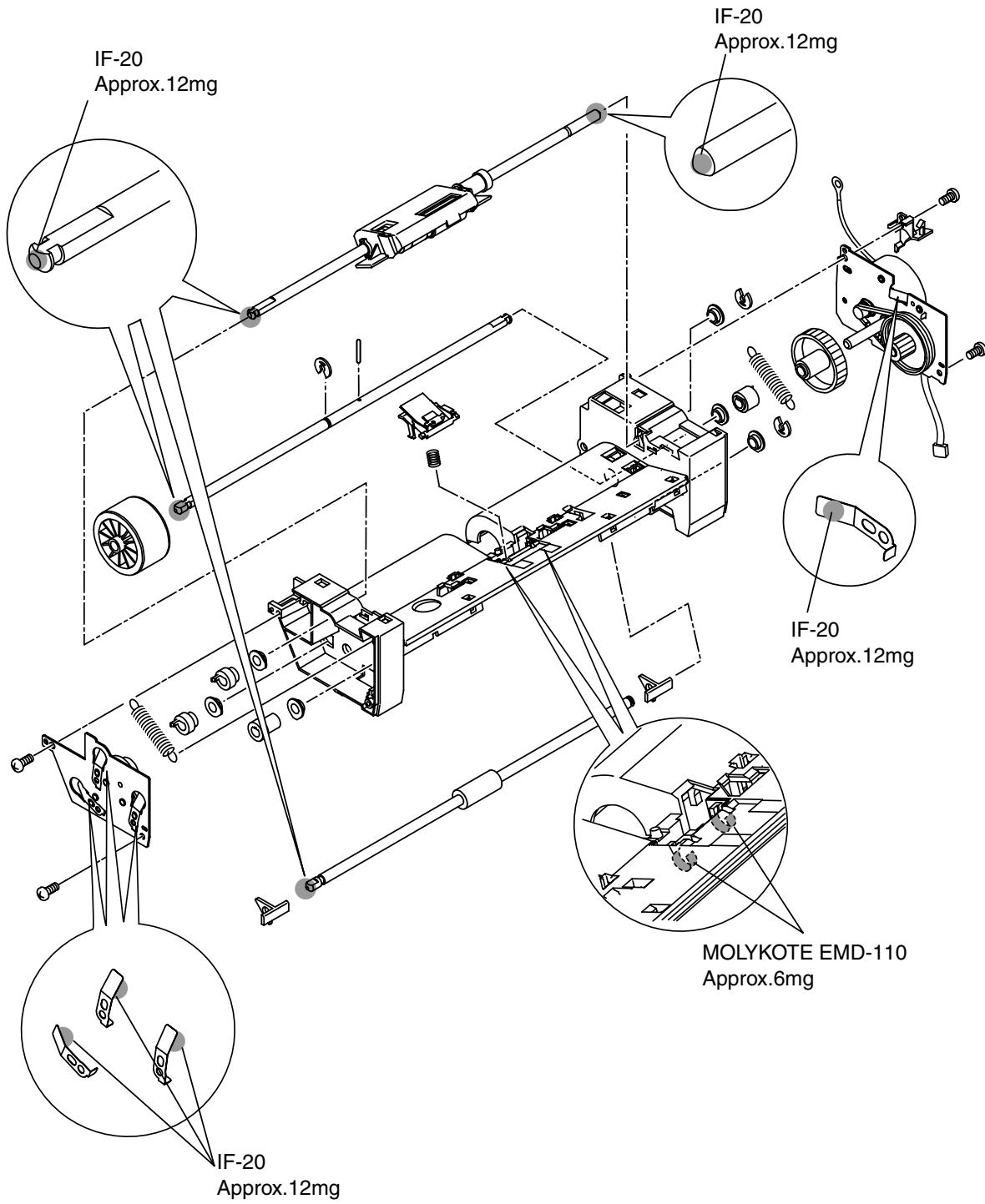
Some parts are lubricated with grease to ensure smooth operation and to increase conductivity. If lubricated parts are replaced or grease is removed, grease must be reapplied.



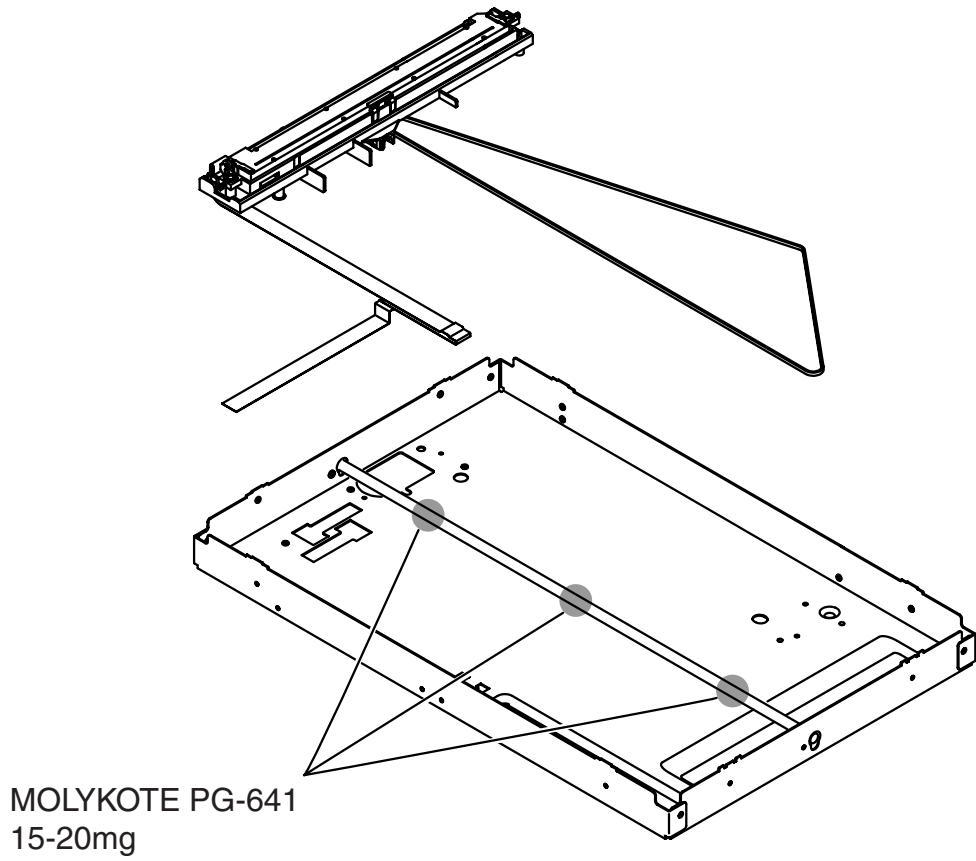
See FIGURE 12, 13 for the disassembly



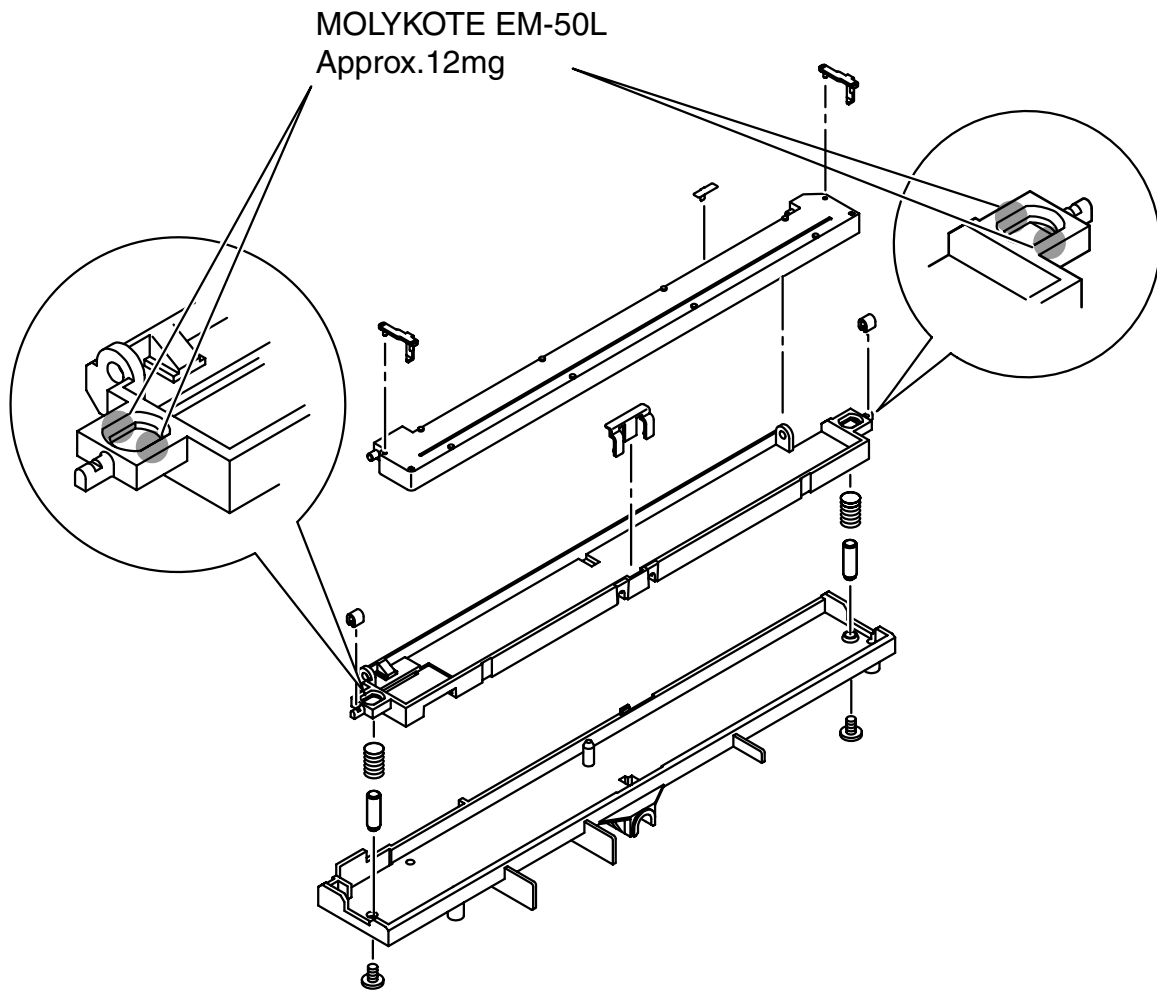
See FIGURE 19 for the disassembly



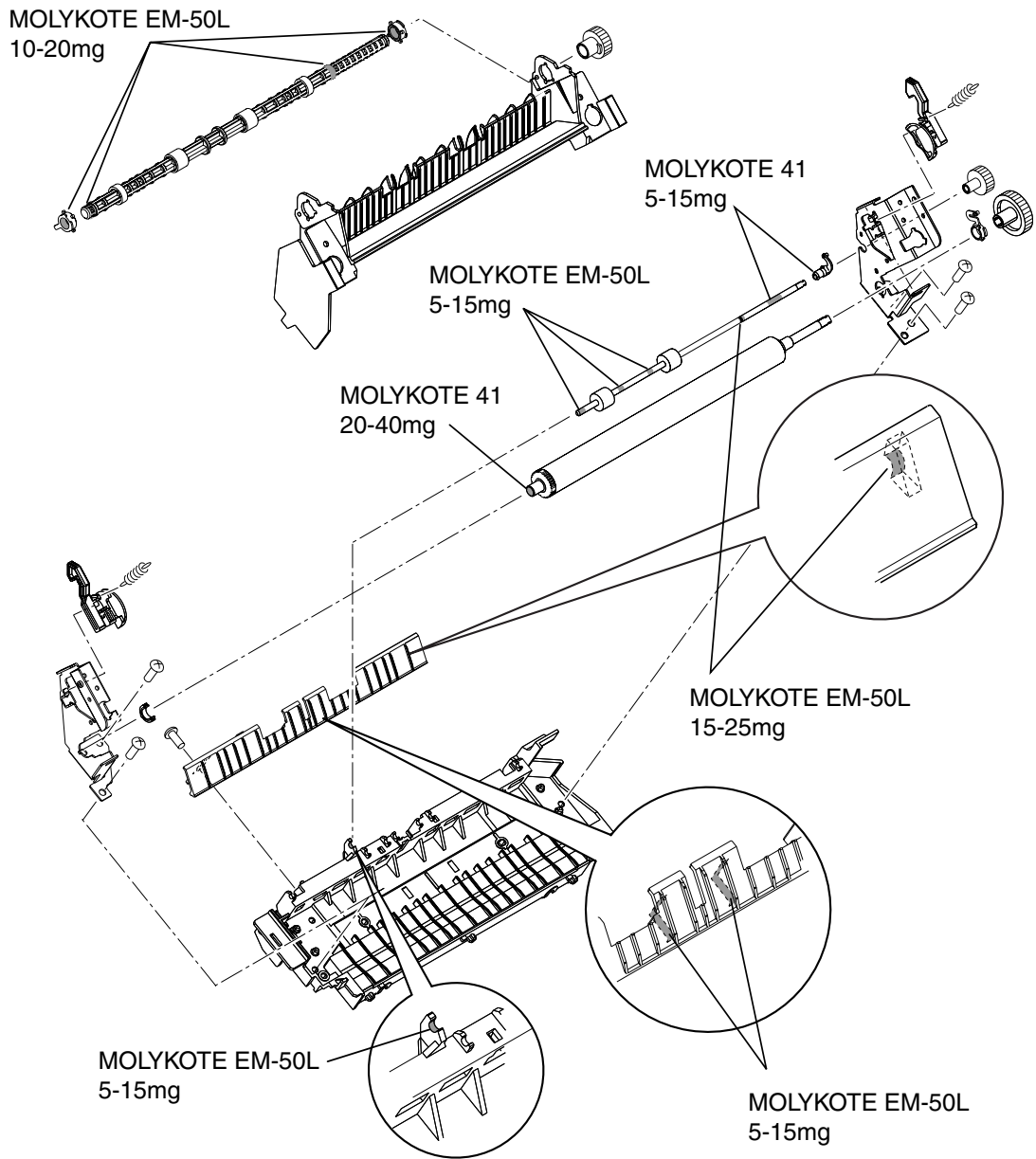
See FIGURE 19, 20 for the disassembly



See FIGURE 26, 27 for the disassembly



See FIGURE 27 for the disassembly



See FIGURE 29 for the disassembly

5. NUMERICAL INDEX

PART NUMBER	FIGURE & KEY No.	DESCRIPTION	PART NUMBER	FIGURE & KEY No.	DESCRIPTION
CK-0562-000	38 - T1	LUBE, MOLYKOTE PG-641 GREASE	HC1-0590-000	20 - 8	ROLLER, DOCUMENT FEED
CK-8006-000	38 - T2	ELECTRICITY GREASE (IF-20)	HC1-0601-000	19 - 6	GUIDE, CABLE
CK-8007-000	38 - T3	LUBE, MOLYKOTE 41 GREASE	HC1-0602-000	20 - 9	SHEET
HB1-1264-000	37 - 2	HANDSET CRADLE	HC1-0604-000	25 - 1	ROLLER, DOCUMENT PRESSURE
HB1-3257-000	8 - 1	STOPPER, OPERATION PANEL	HC1-0606-000	24 - 6	COVER, FLAT BED, LEFT
HB1-4072-000	21 - 1	BRUSH, STATIC DISCHARGE	HC1-0607-000	24 - 1	COVER, FLAT BED, RIGHT
HB1-4357-000	3 - 7	LABEL, DESTINATION	HC1-0608-000	24 - 2	COVER, FLAT BED, FRONT
HB1-4394-000	28 - 1	RETAINING RING (E-TYPE)	HC1-0609-000	24 - 3	COVER, FLAT BED, REAR
HC1-0480-000	4 - 1	COVER, LEFT	HC1-0610-000	15 - 1	COVER, COPY BOARD
	5 - 1		HC1-0611-000	16 - 1	COVER, COPY BOARD
HC1-0481-000	4 - 2	COVER, FACE-UP	HC1-0614-000	2 - 1	TRAY, DOCUMENT
	5 - 2			3 - 1	
HC1-0482-000	4 - 3	GUIDE, FACE-UP	HC1-0615-000	8 - 3	COVER, DOCUMENT FEED, FRONT
	5 - 3		HC1-0616-000	8 - 4	COVER, DOCUMENT FEED, REAR
HC1-0483-000	28 - 2	COVER, FACE-DOWN	HC1-0617-000	27 - 1	CARRIAGE, CS UNIT
HC1-0484-000	28 - 3	LEVER, REC. PAPER PRESSURE	HC1-0618-000	27 - 2	HOLDER, CS UNIT
HC1-0490-000	8 - 2	COVER, OPERATION PANEL, UNDER	HC1-0625-000	15 - 2	SHEET, COPY BOARD
HC1-0491-000	29 - 1	COLLAR, FACE-DOWN	HC1-0626-000	16 - 2	SHEET, COPY BOARD
HC1-0493-000	4 - 1	COVER, LEFT	HC1-0629-000	27 - 3	BELT, COGGED, L882
HC1-0496-000	7 - 12	SHEET, ONE-TOUCH DIAL	HC1-0631-000	27 - 4	SHAFT, CARRIAGE
HC1-0497-000	7 - 12	SHEET, ONE-TOUCH DIAL	HC1-0638-000	26 - 1	SPACER, CS CARRIAGE
HC1-0500-000	4 - 4	COVER, FRONT	HC1-0641-000	27 - 5	SPACER, CS
	5 - 4		HC1-0642-000	27 - 6	STOPPER, CS
HC1-0502-000	6 - 1	COVER, REAR, BOTTOM	HC1-0645-000	15 - 3	SHAFT, HINGE
HC1-0511-000	7 - 1	CASE, ECNT BOARD		16 - 3	
HC1-0512-000	6 - 2	COVER, FAN	HC1-0646-000	26 - 2	COVER, HP SENSOR
HC1-0515-000	7 - 17	HOLDER, SPEAKER	HC1-0649-000	16 - 4	DOCUMENT GUIDE ASS'Y
HC1-0518-000	5 - 5	PLATE, LOGO	HC1-0650-000	25 - 2	SHEET
HC1-0519-000	4 - 5	PLATE, LOGO	HC1-0652-000	25 - 3	LABEL, DOCUMENT SIZE
HC1-0522-000	6 - 3	COVER, RIGHT	HC1-0655-000	27 - 7	SHEET, CS
HC1-0523-000	6 - 4	COVER, REAR, RIGHT	HC1-0656-000	25 - 4	SHEET
HC1-0524-000	9 - 1	LINK, CONNECTING	HC1-0658-000	24 - 4	SHEET, BLINKER
HC1-0525-000	28 - 4	ROD, SHUTTER	HC1-0660-000	8 - 5	LABEL, GLASS CLEANING
HC1-0526-000	28 - 5	COVER, SHUTTER ROD	HC1-0670-000	4 - 5	PLATE, LOGO
HC1-0529-000	10 - 1	LEVER, LASER SHUTTER	HG1-4440-000	7 - 3	ECNT BOARD ASS'Y
HC1-0543-000	18 - 5	COVER, ONE-TOUCH DIAL	HG1-4441-000	17 - 1	OPCNT BOARD ASS'Y
HC1-0549-000	4 - 6	LABEL, CAUTION	HG1-4442-000	7 - 4	USB BOARD ASS'Y
	5 - 6		HG1-4443-000	7 - 4	USB-MJB BOARD ASS'Y
HC1-0554-000	7 - 12	SHEET, ONE-TOUCH DIAL	HG1-4444-000	7 - 3	ECNT BOARD ASS'Y
HC1-0560-000	19 - 1	STOPPER, REAR	HG1-4445-000	7 - 2	SCNT BOARD ASS'Y
HC1-0561-000	19 - 2	STOPPER, FRONT	HG1-4446-000	18 - 1	OPCNT BOARD ASS'Y
HC1-0562-000	19 - 3	LEVER, TURNING	HG1-4447-000	12 - 1	PAPER SENSOR BOARD ASS'Y
HC1-0565-000	19 - 4	ARM, DETECTION (DES)	HG1-4448-000	29 - 2	PAPER DELIVERY SENSOR UNIT
HC1-0572-000	22 - 1	PLATE, GROUNDING	HG1-4449-000	7 - 2	SCNT BOARD ASS'Y
	23 - 1		HG1-4450-000	7 - 2	SCNT BOARD ASS'Y
HC1-0579-000	20 - 1	ARM, DETECTION (DS)	HG1-4452-000	26 - 3	CABLE WITH CONNECTOR, 3P
HC1-0580-000	20 - 2	STOPPER, DOCUMENT, REAR	HG1-4453-000	28 - 6	CABLE WITH CONNECTOR, 3P
HC1-0581-000	20 - 3	STOPPER, DOCUMENT, FRONT	HG1-4455-000	36 - J5	CABLE WITH CONNECTOR, 4P
HC1-0582-000	20 - 4	ARM, DOCUMENT PRESSURE	HG1-4456-000	20 - 22	CABLE WITH CONNECTOR, 6P
HC1-0583-000	19 - 5	LEVER, DOCUMENT RELEASE	HG1-4458-000	7 - 15	CABLE WITH CONNECTOR, 6P
HC1-0584-000	20 - 5	FRAME, MIDDLE DOCUMENT FEED	HG1-4459-000	36 - J4	CABLE WITH CONNECTOR, 5P
HC1-0585-000	20 - 6	ROLLER, DOCUMENT EJECT	HG1-4462-000	7 - 14	SPEAKER UNIT
HC1-0586-000	20 - 7	RETAINING RING (E-TYPE)	HG5-3107-000	7 - 13	NCU BOARD ASSEMBLY

PART NUMBER	FIGURE & KEY No.	DESCRIPTION	PART NUMBER	FIGURE & KEY No.	DESCRIPTION
HH2-1914-000	3 - 6	MODULAR CORD, 6P	HM1-0255-000	19 - 10	DOCUMENT FEED MOTOR ASS'Y
HH2-2074-000	3 - 6	MODULAR CORD (GERM)	HM1-0256-000	19 - 11	DOCUMENT FEED GEAR ASS'Y
HH2-2219-000	3 - 6	MODULAR CORD	HM1-0258-000	20 - 10	SEPARATION GUIDE UNIT
HH2-3215-000	1 - 3	CORD, POWER SUPPLY	HM1-0259-000	20 - 11	SEPARATION ROLLER ASS'Y
	2 - 4		HM1-0262-000	13 - 14	FRONT STAY ASS'Y
	3 - 4		HM1-0263-000	13 - 17	TONER SENSOR UNIT
HH2-3217-000	1 - 3	CORD, POWER SUPPLY	HM1-0265-000	7 - 5	OPERATION PANEL ASS'Y
	2 - 4		HM1-0268-000	7 - 5	OPERATION PANEL ASS'Y
	3 - 4		HM1-0269-000	7 - 5	OPERATION PANEL ASS'Y
HH2-3220-000	34 - 11	CABLE, FLAT, 26P	HM1-0270-000	7 - 5	OPERATION PANEL ASS'Y
HH2-3222-000	27 - 8	CABLE, FLAT, 12P	HT1-2225-000	1 - 2	REFERENCE GUIDE (ENGLISH)
HH2-3223-000	7 - 16	CABLE, FLAT, 25P		2 - 3	
HH2-3224-000	10 - 2	CABLE, FLAT, 10P		3 - 3	
HH2-3262-000	18 - 2	CABLE, FLAT, 15P	HT1-2226-000	3 - 3	FACSIMILE GUIDE (ENGLISH)
HH2-3282-000	17 - 2	CABLE, FLAT, 11P	HT1-3124-000	1 - 2	REFERENCE GUIDE(MODELE FRANCE)
HH4-3706-000	32 - IC10	IC, MB87J8690, ASIC		2 - 3	
	33 - IC10			3 - 3	
HH4-3712-000	33 - IC1	IC, MR27V1652ERA, OTP-ROM	HT1-3125-000	3 - 3	FACSIMILE GUIDE(MODELE FRANCE)
HH4-3713-000	33 - IC18	IC, MR27V1652ERA, OTP-ROM	HT1-5094-000	1 - 2	REFERENCE GUIDE (DEUTSCH)
HH4-3715-000	32 - IC1	IC,MR27V1652E-K5RAZ010,OTP-ROM		2 - 3	
HH4-3720-000	1 - 1	CD-ROM, PRINTER DRIVER		3 - 3	
	2 - 2		HT1-5095-000	3 - 3	FACSIMILE GUIDE (DEUTSCH)
	3 - 2		HU1-0039-000	26 - 5	GEAR, 36/45T
HH4-4008-000	33 - IC34	IC, UPD703107AGJ-150-UEN, MCU	HU1-0044-000	20 - 12	GEAR, 22T
HH7-2587-000	37 - 1	HANDSET UNIT	HU1-0045-000	20 - 13	GEAR, 22T
HH7-2588-000	37 - 1	HANDSET UNIT	HU1-0046-000	20 - 14	GEAR, 22T
HH7-2589-000	37 - 1	HANDSET UNIT	HU1-0047-000	20 - 15	GEAR, 22T
HH7-2590-000	37 - 1	HANDSET UNIT	HU1-0051-000	19 - 12	GEAR, 21/69T
HH7-2634-000	37 - 1	HANDSET UNIT (EU, CW)	HU1-0052-000	22 - 2	GEAR, 22/75T
HH7-2635-000	37 - 1	HANDSET UNIT (UK, CW)	HU1-1022-000	20 - 16	BUSHING
HH7-2691-000	27 - 9	CONTACT SENSOR UNIT	HU1-2036-000	27 - 10	SPRING, CS
HH7-2692-000	26 - 4	MOTOR, STEPPING	HU1-2037-000	26 - 6	SPRING
HH7-2698-000	17 - 3	LCD UNIT	HU1-2039-000	28 - 7	SPRING, SHUTTER LEVER
	18 - 3		HU1-2040-000	25 - 6	SPRING
HH7-2720-000	35 - T1	TRANSFORMER, AUDIO	HU1-2041-000	25 - 7	SPRING
HH7-2721-000	35 - T2	TRANSFORMER, AUDIO	HU1-2042-000	20 - 17	SPRING, DS ARM
HL1-0060-000	24 - 5	COPY BOARD GLASS UNIT	HU1-2043-000	20 - 18	SPRING, DOCUMENT STOPPER
HL1-0062-000	24 - 5	COPY BOARD GLASS UNIT	HU1-2046-000	20 - 19	SPRING, ADF
HL1-0065-000	19 - 7	SPRING, LOCK	HU1-2047-000	21 - 3	SPRING
HL1-0066-000	21 - 2	WHITE SHEET UNIT	HU1-2049-000	19 - 13	SPRING, STOPPER
HL1-0069-000	25 - 5	GLASS, DOCUMENT FEED ASS'Y	HU1-2051-000	25 - 8	SPRING
HM1-0228-000	14 - 1	PAPER PICK-UP TRAY ASS'Y	HU1-3002-000	26 - 7	PULLEY
HM1-0236-000	6 - 5	CARTRIDGE COVER UNIT	HU1-6002-000	25 - 9	ROLLER, BACK-UP
HM1-0238-000	10 - 3	FIXING ASS'Y	HU1-6004-000	25 - 10	ROLLER, DOCUMENT DELIVERY
HM1-0242-000	12 - 2	FEED ROLLER HOLDER ASS'Y	HY9-0007-000	38 - T4	LUBE, MOLYKOTE EM-50L, GREASE
HM1-0243-000	11 - 1	FRONT PLATE ASS'Y	HY9-0023-000	38 - T5	LUBE, MOLYKOTE EMD-110, GREASE
HM1-0244-000	11 - 2	REAR PLATE ASS'Y	RA0-1003-000	13 - 1	FOOT, RUBBER
HM1-0245-000	29 - 3	FACE-DOWN DELIVERY UNIT	RA0-1035-000	12 - 3	SPRING, TORSION
HM1-0246-000	14 - 2	PAPER PICK-UP COVER ASS'Y	RA0-1036-000	12 - 4	BUSHING
HM1-0249-000	24 - 6	ADF BASE ASS'Y	RA0-1037-000	13 - 2	FRAME
HM1-0251-000	15 - 4	DOCUMENT GUIDE ASS'Y	RA0-1038-000	12 - 5	ELIMINATOR, STATIC CHARGE
HM1-0253-000	19 - 8	UPPER DOCUMENT FEED ASS'Y	RA0-1039-000	12 - 6	PLATE, GROUNDING
HM1-0254-000	19 - 9	LOWER DOCUMENT FEED ASS'Y	RA0-1040-000	12 - 7	SPRING, COMPRESSION

PC-D320/PC-D340/FAX-L400 5.NUMERICAL INDEX

PART NUMBER	FIGURE & KEY No.	DESCRIPTION	PART NUMBER	FIGURE & KEY No.	DESCRIPTION
RA0-1044-000	12 - 8	GUIDE, TRANSFER	RF0-1014-020	13 - 12	PAD, SEPARATION
RA0-1047-000	12 - 9	GEAR, 31T/19T	RG0-1006-000	13 - 13	PAPER LIFTING PLATE ASS'Y
RA0-1049-000	12 - 10	RATCHET	RG0-1007-020	12 - 16	PAPER PICK-UP SHAFT ASS'Y
RA0-1050-000	12 - 11	SPRING, COMPRESSION	RG0-1018-000	13 - 14	FRONT STAY ASS'Y
RA0-1051-000	13 - 3	SHEET, SEPARATION	RG0-1020-000	10 - 6	PICK-UP GEAR ASS'Y
RA0-1057-000	12 - 12	SPRING, TORSION	RG0-1025-000	11 - 4	TRANSFER ROLLER ASS'Y
RA0-1060-000	13 - 4	SPRING, COMPRESSION	RG0-1027-000	29 - 30	FIXING FILM ASS'Y
RA0-1061-000	13 - 5	SPRING, COMPRESSION	RG0-1073-000	34 - 5	CABLE, MAIN MOTOR
RA0-1062-000	13 - 6	HOOK, PAD	RG0-1074-000	10 - 8	CABLE, SCANNER MOTOR
RA0-1063-000	13 - 7	LEVER, PAPER SENSOR	RG0-1078-000	34 - 6	CABLE, HIGH VOLTAGE
RA0-1064-000	13 - 8	PLATE, GROUNDING	RG0-1079-000	34 - 7	CABLE, HIGH VOLTAGE
RA0-1065-000	13 - 9	ARM	RG9-1486-000	10 - 7	SCANNER ASS'Y
RA0-1066-000	13 - 10	HOLDER, PAD	RH3-0193-000	34 - L101	INDUCTOR, SK-08MD-4ZY
RA0-1072-000	12 - 13	PLATE, GROUNDING	RH3-0235-000	34 - L103	COIL, CHOKE
RA0-1088-000	29 - 4	GEAR, 29T	RH3-0248-000	34 - T302	TRANSFORMER, 500VA UNDER
RA0-1089-000	29 - 5	GEAR, 17T	RH3-0295-000	34 - T501	TRANSFORMER, 500VA UNDER
RA0-1090-000	29 - 6	SPRING, TENSION	RH3-0300-000	34 - T301	TRANSFORMER, 500VA UNDER
RA0-1091-000	29 - 7	GUIDE, PAPER DELIVERY	RH3-0303-000	34 - T303	TRANSFORMER, 500VA UNDER
RA0-1094-000	29 - 8	BUSHING		34 - T304	
RA0-1095-000	29 - 9	BUSHING	RH3-8049-000	34 - VZ102	VARISTOR, NV270D05C
RA0-1096-000	29 - 10	GUIDE, PAPER	RH4-0296-000	34 - IC201	IC, MB89063, M-CON
RA0-1099-000	29 - 11	SPRING, TORSION	RH4-5429-000	34 - IC501	IC, STR-Z2062, REGULATOR
RA0-1100-000	29 - 12	LEVER, PRESSURE RELEASE	RH4-5448-000	34 - IC301	IC, LM324NSR-A, OPAMP
RA0-1101-000	29 - 13	LEVER, PRESSURE RELEASE	RH5-0124-000	34 - X201	OSCILLATOR, QUARTZ
RA0-1103-000	29 - 14	SPRING, COMPRESSION	RH6-3858-000	34 - R325	RESISTOR, METAL
RA0-1104-000	29 - 15	BUSHING	RH7-1473-020	31 - 2	MOTOR, STEPPING
RA0-1105-000	29 - 16	FLAG	RH7-1477-000	10 - 9	FAN
RA0-1106-000	29 - 17	LEVER, SENSOR	RH7-5315-000	10 - 10	SOLENOID, 24V
RA0-1107-000	29 - 18	LEVER, SENSOR	RH7-6058-000	34 - SW301	SWITCH, MICRO
RA0-1110-000	29 - 19	FLAG, SENSOR	RH7-8100-000	34 - 8	HEATSINK
RA0-1111-000	29 - 20	ROLLER, FACE-UP	WG8-5362-000	19 - 14	PHOTO-INTERRUPTER, TLP1241
RA0-1115-000	29 - 21	SPRING, TORSION		20 - 20	
RA0-1116-000	29 - 22	SPRING, TORSION		26 - 8	
RA0-1117-000	29 - 23	BUSHING		28 - 8	
RA0-1118-000	29 - 24	GEAR, 19T	WK1-5134-000	32 - BAT1	BATTERY, LITHIUM, CR2032THJ6
RA0-1121-000	29 - 25	PLATE, CONTACT		33 - BAT1	
RA0-1123-000	34 - 1	PLATE, TERMINAL	WS1-5397-000	32 - JP1	PLUG, JUMPER
RA0-1125-000	34 - 2	HEATSINK		33 - JP1	
RA0-1126-000	34 - 3	HOLDER, CONNECTOR	WT2-5465-000	37 - 3	RIVET
RA0-1128-000	7 - 6	SPACER, PCB	WT2-5694-000	7 - 7	CLAMP, CABLE
RA0-1158-000	12 - 14	SPRING, COMPRESSION	XA9-0235-000	34 - 9	SCREW
RA0-1169-000	10 - 4	SPRING, COMPRESSION	XA9-0476-000	15 - 5	SCREW, TP M3X8
RA0-1176-000	10 - 5	GEAR, 69T		19 - 16	
RA0-1189-000	29 - 26	RETAINER, SPRING	XA9-1206-000	12 - 17	SCREW, WWASHER, M4X12
RA0-1200-000	12 - 15	SPRING, TORSION		13 - 15	
RA0-1412-000	30 - 1	FOOT	XA9-1238-000	7 - 8	SCREW WWASHER, M3X8
	31 - 1		XA9-1291-000	10 - 11	SCREW, RS, M3X8
RB1-7306-000	34 - 4	PLATE, GROUNDING	XA9-1292-000	29 - 31	SCREW, M4X14
RF0-1002-000	29 - 27	ROLLER, PRESSURE	XB1-2300-407	7 - 9	SCREW, BH3X4 (S)
RF0-1003-000	29 - 28	ROLLER, FACE-UP		8 - 6	
RF0-1004-030	29 - 29	ROLLER, FACE-DOWN		9 - 2	
RF0-1006-000	13 - 11	PLATE, MANUAL PAPER FEED GUIDE		10 - 12	
RF0-1008-000	11 - 3	ROLLER, PICK-UP		22 - 3	

PART NUMBER	FIGURE & KEY No.	DESCRIPTION	PART NUMBER	FIGURE & KEY No.	DESCRIPTION		
XB1-2300-407	23 - 2	SCREW, BH3X4 (S)					
	26 - 9						
	27 - 11						
	30 - 2						
	31 - 3						
XB1-2300-609	24 - 7	SCREW, MACHINE M3X6					
XB2-7300-607	7 - 10	SCREW, M3X6					
	9 - 3						
	10 - 13						
XB2-7400-606	31 - 4	SCREW, TOOTHED WASHER, M4X6					
	34 - 10						
XB4-7300-807	12 - 18	SCREW, TAP TIGHT, BINDING HEAD					
	17 - 4						
	18 - 4						
	19 - 15						
	25 - 11						
	29 - 32						
	XB4-7401-005					4 - 7	SCREW,TAPPING,TRUSS HEAD,M4X10
						5 - 7	
						10 - 14	
						11 - 5	
XB6-7300-409	12 - 19						
	13 - 16						
	29 - 33						
	XB6-7300-409					26 - 10	SCREW, MACHINE, M3X4
						XB6-7300-607	
	5 - 8						
	6 - 6						
	7 - 11						
	8 - 7						
	9 - 4						
10 - 15							
11 - 6							
29 - 34							
XD9-0219-000	31 - 5	PIN					
	20 - 21						

This page intentionally left blank

Canon