

CLBP-460PS

PARTS CATALOG

REVISION 0

Canon

OCT. 1998

RY8-31AX-000

FIGURE A ASSEMBLY LOCATION DIAGRAM (1/2)

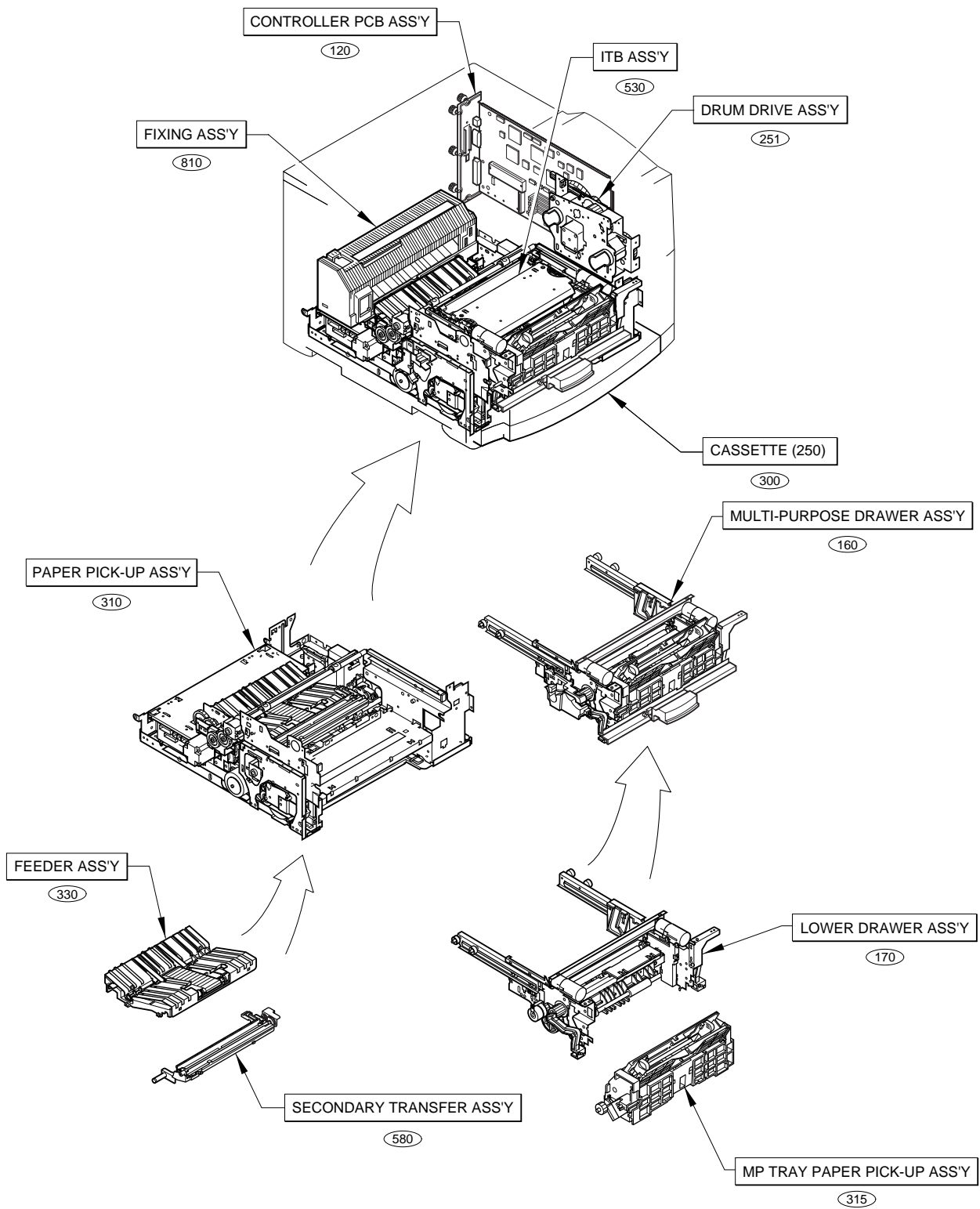


FIGURE A ASSEMBLY LOCATION DIAGRAM (2/2)

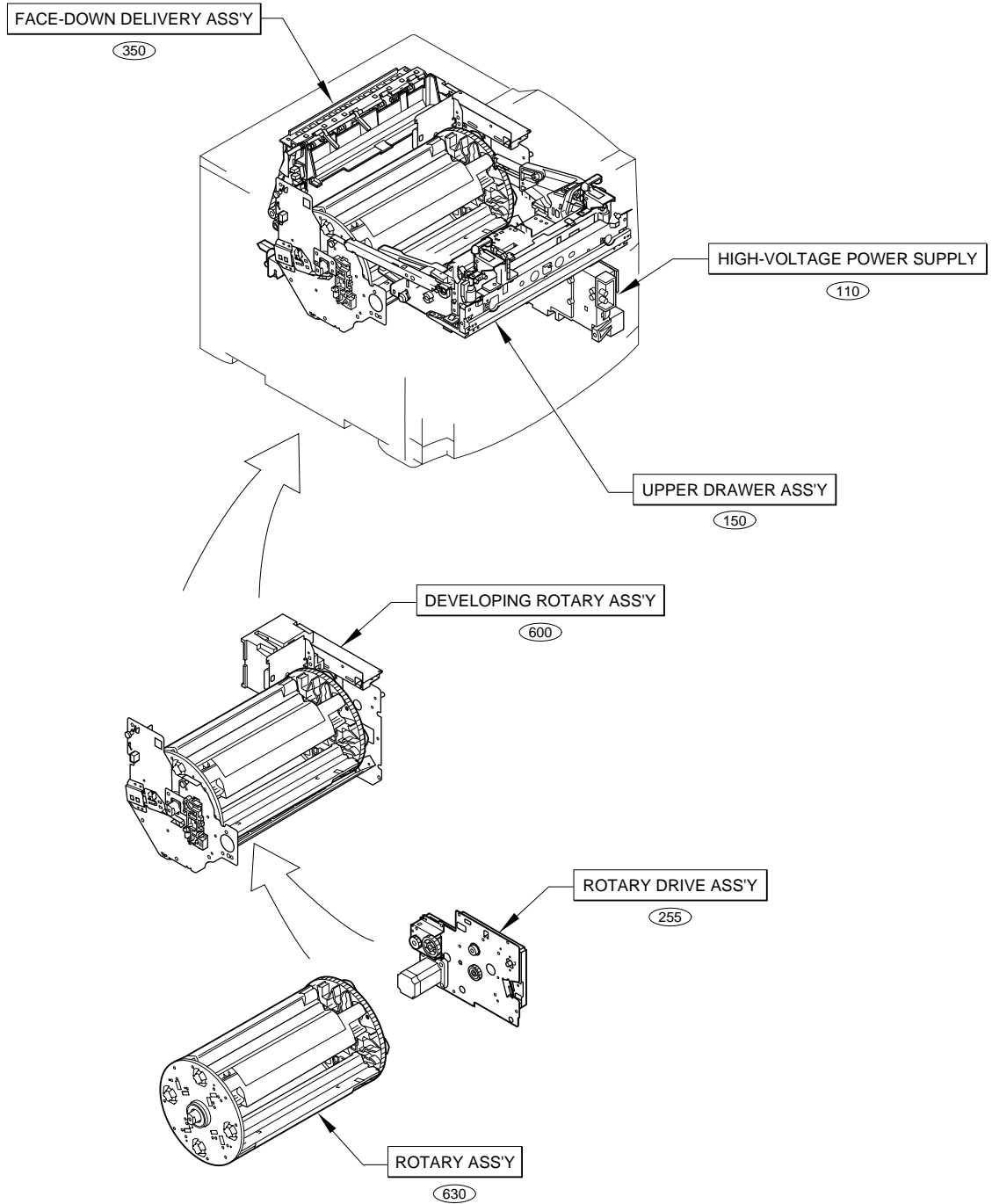


FIGURE 100 EXTERNAL COVERS, PANELS, ETC.

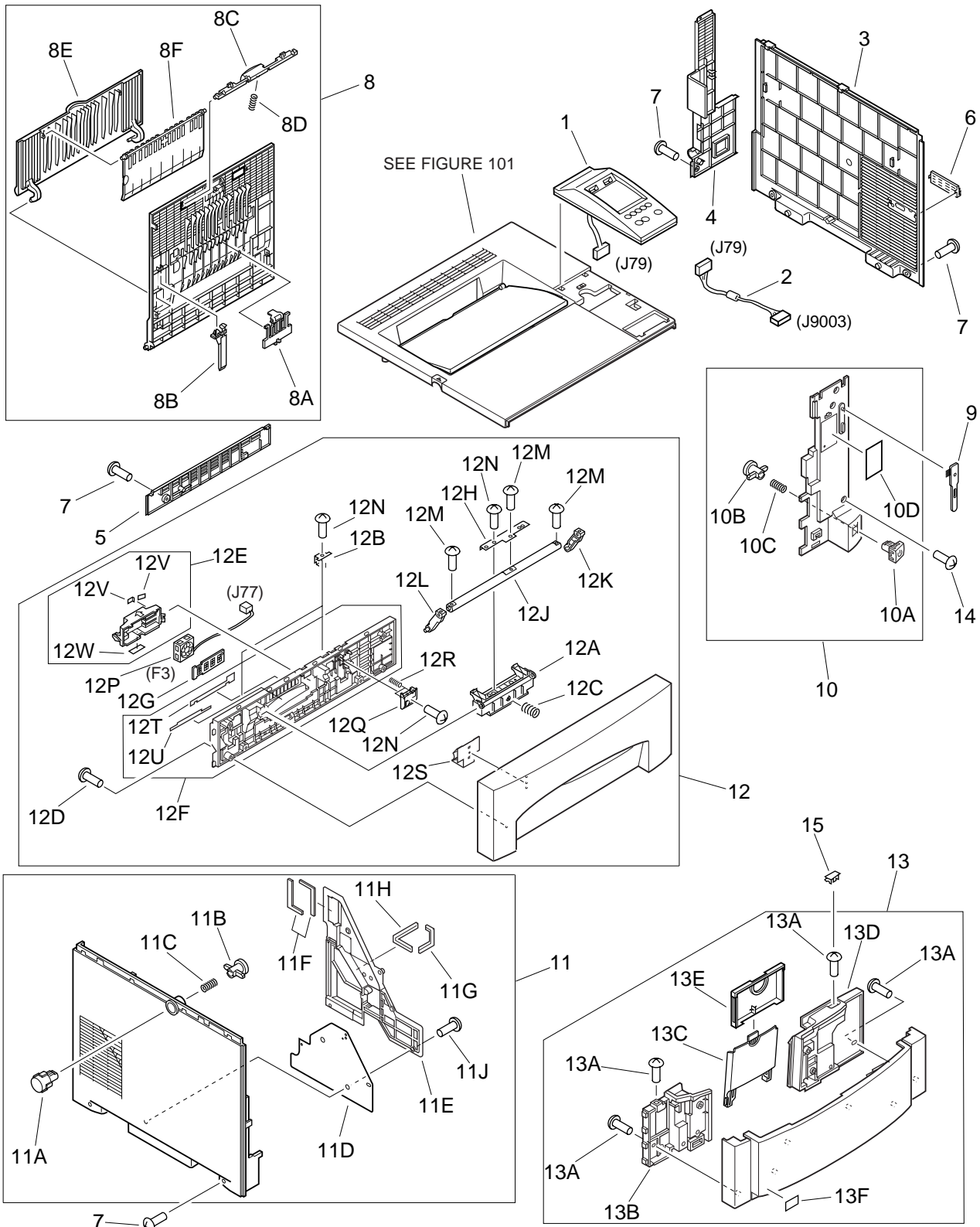


FIGURE & KEY NO.	PART NUMBER	RANK	QTY	DESCRIPTION	SERIAL NUMBER / REMARKS
100 -	NPN		RF	EXTERNAL COVERS, PANELS, ETC.	
1	RG5-3347-000		1	OPERATION PANEL ASS'Y	J79
2	RG1-3890-000		1	DISPLAY CABLE	J79, J9003
3	RB2-1506-000		1	COVER, RIGHT	
4	RB2-1504-000		1	COVER, REAR	
5	RB2-1505-000		1	COVER, REAR, LOWER	
6	RB2-1503-000		1	COVER	
7	XA9-0924-000		9	SCREW, W/WASHER, M3X8	
8	RG5-3327-000		1	DELIVERY COVER ASS'Y	
8A	RB2-1538-000		1	COVER	
8B	RB2-1217-000		1	STRAP, COVER SUPPORT	
8C	RB2-1502-000		1	GRIP	
8D	RS5-2808-000		1	SPRING, COMPRESSION	
8E	RB2-1499-000		1	TRAY, FACE-UP	
8F	RB2-1500-000		1	TRAY, FACE-UP, EXTENSION	
9	RB2-0863-000		1	HOLDER, CLEANER	
10	RG5-3312-000		1	FRONT COVER ASS'Y	
10A	RB2-1480-000		1	BUTTON, SWITCH	
10B	RB2-1223-000		1	GUIDE, SWITCH BUTTON	
10C	RS5-2340-000		1	SPRING, COMPRESSION	
10D	RS5-8931-000		1	LABEL, BRUSH	
11	RG5-3318-000		1	LEFT COVER ASS'Y	
11A	RB2-1498-000		1	BUTTON, LOCK	
11B	RB2-1223-000		1	GUIDE, SWITCH BUTTON	
11C	RS5-2340-000		1	SPRING, COMPRESSION	
11D	RB2-0605-000		1	PLATE, SHIELD	
11E	RB2-1181-000		1	DUCT, COVER	
11F	RB2-1182-000		2	CUSHION, DUCT, 1	
11G	RB2-1183-000		1	CUSHION, DUCT, 2	
11H	RB2-1184-000		1	CUSHION, DUCT, 3	
11J	XA9-0591-000		3	SCREW, M3X8	
12	RG5-3317-000		1	UPPER FRONT COVER ASS'Y	
12A	RB2-1185-000		1	GRIP	
12B	RB2-1189-000		2	PLATE, STOPPER	
12C	RS5-2773-000		1	SPRING, COMPRESSION	
12D	XA9-0591-000		4	SCREW, M3X8	
12E	RF5-2158-000		1	COVER, FAN	
12F	RF5-2165-000		1	COVER, INNER, FRONT	
12G	RB2-1297-000		1	FILTER, AIR	
12H	RB2-1526-000		1	PLATE, GRIP	
12J	RB2-1540-000		1	SHAFT, GRIP	
12K	RB2-1541-000		1	CAM, GRIP, RIGHT	
12L	RB2-1542-000		1	CAM, GRIP, LEFT	
12M	XA9-0924-000		3	SCREW, W/WASHER, M3X8	
12N	XA9-0605-000		5	SCREW, M4X8	
12P	RH7-1401-000		1	FAN	F3, J77
12Q	RB2-1575-000		1	COVER, FAN CONNECTOR	
12R	RS5-2803-000		2	SPRING, COMPRESSION	
12S	RB2-1599-000		1	PLATE, GROUNDING	
12T	RB2-0988-000		1	FOAM RUBBER	

FIGURE & KEY NO.	PART NUMBER	R A N K	Q' T Y	DESCRIPTION	SERIAL NUMBER / REMARKS
100 -	12U		1	FOAM RUBBER	
	12V		2	SHEET	
	12W		1	SHEET, FAN	
	13		1	MIDDLE FRONT COVER ASS'Y	
	13A		6	SCREW, M3X8	
	13B		1	COVER, INNER, LEFT	
	13C		1	TRAY, EXTENSION, 1	
	13D		1	COVER, INNER, RIGHT	
	13E		1	TRAY, EXTENSION, 2	
	13F		1	LABEL, LOGO	
	14		3	SCREW, M4X10	
	15		1	COVER, SCREW	

FIGURE 101 TOP COVER ASS'Y

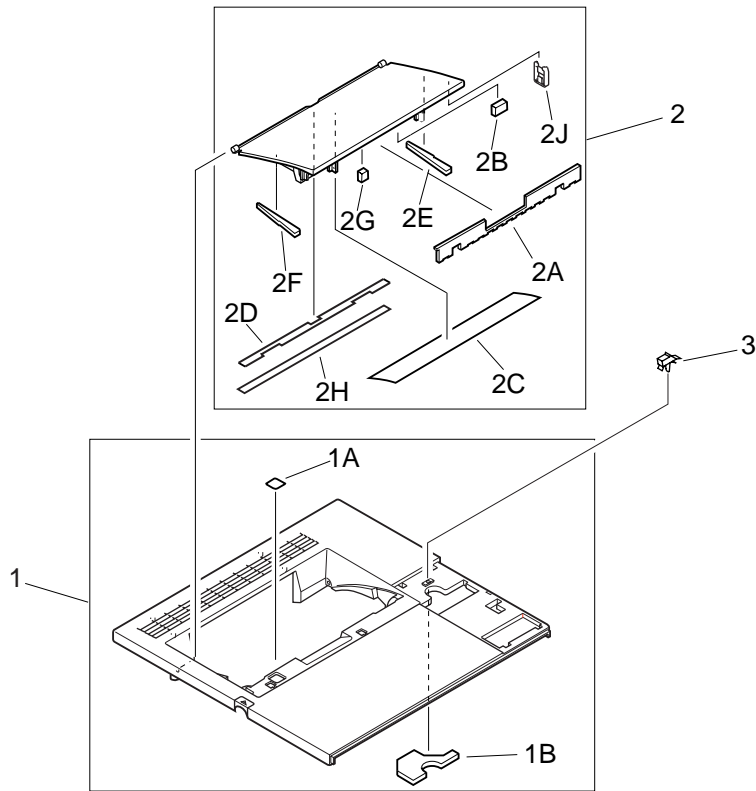


FIGURE & KEY NO.	PART NUMBER	RANK	QTY	DESCRIPTION	SERIAL NUMBER / REMARKS
101 -	RG5-3302-000		1	TOP COVER ASS'Y	
1	RF5-2125-000		1	COVER, TOP	
1A	RS5-8891-000		1	LABEL	
1B	RB2-1570-000		1	FOAM RUBBER, UPPER	
2	RF5-2124-000		1	CARTRIDGE DOOR ASS'Y	
2A	RB2-1536-000		1	FOAM RUBBER, 1	
2B	RB2-0992-000		1	FOAM RUBBER, 2	
2C	RS5-8897-000		1	LABEL, "OPERATION"	
2D	RB2-1566-000		1	FOAM, RUBBER, 3	
2E	RB2-1567-000		1	FORM RUBBER, RIGHT	
2F	RB2-1568-000		1	FORM RUBBER, LEFT	
2G	RB2-0993-000		1	FOAM RUBBER, 4	
2H	RB2-1038-000		1	SHEET, COVER	
2J	RB2-0969-000		1	COVER	
3	WT2-5065-000		1	CLAMP	

FIGURE 102 INTERNAL COMPONENTS 1

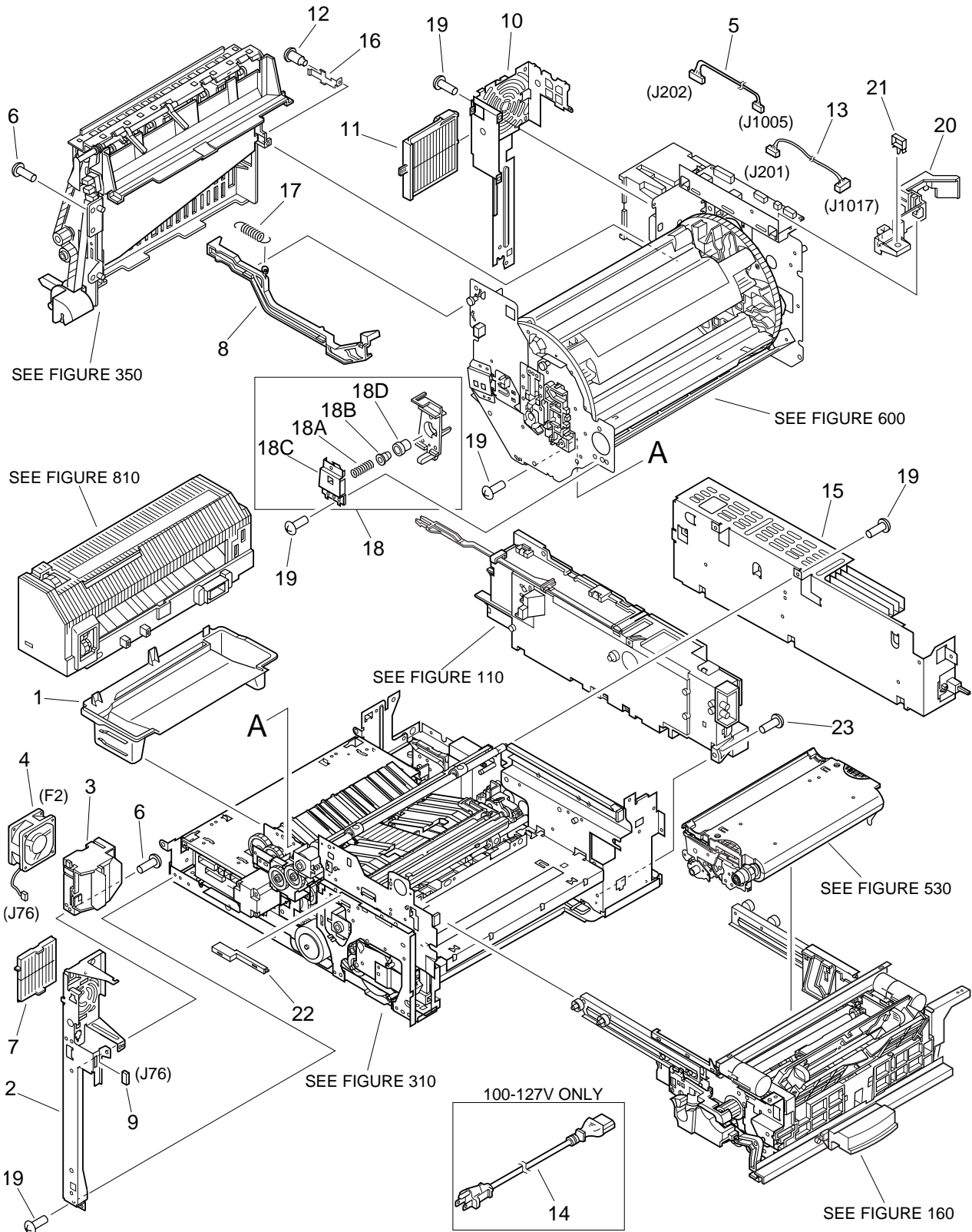


FIGURE & KEY NO.	PART NUMBER	RANK	QTY	DESCRIPTION	SERIAL NUMBER / REMARKS
102 -	NPN		RF	INTERNAL COMPONENTS 1	
1	RB2-1008-000		1	TRAY, TONER	
2	RB2-1175-000		1	PLATE, FAN	
3	RB2-1281-000		1	HOLDER, FAN	
4	RH7-1407-000		1	FAN	F2, J76
5	RG5-3887-000		1	FAN CONNECTOR CABLE	J202, J1005
6	XA9-0924-000		18	SCREW, W/WASHER, M3X8	
7	RB2-1283-000		1	FILTER, AIR	
8	RB2-1284-000		1	ROD, DELIVERY	
9	VS1-5820-003		1	CONNECTOR, 3P	J76
10	RB2-1253-000		1	PLATE, SHIELD	
11	RB2-1282-000		1	FILTER, AIR	
12	RF5-0090-000		1	SCREW, STEPPED, M3	
13	RG5-3783-000		1	DEVELOPER CABLE	J201, J1017
14	RH2-5263-000		1	CORD, POWER	100-127V
15	RH3-2189-000		1	LOW-VOLTAGE POWER SUPPLY ASS'Y	100-120V
	RH3-2190-000		1	LOW-VOLTAGE POWER SUPPLY ASS'Y	220-240V
16	RB2-0511-000		1	MOUNT, FACE-DOWN DELIVERY	
17	RS5-2754-000		1	SPRING, TENSION	
18	RG5-3319-000		1	DRUM BUSHING ASS'Y	
18A	RS5-2774-000		1	SPRING, COMPRESSION	
18B	RB2-1565-000		1	CAP, BOLT	
18C	RB2-1174-000		1	PLATE, DRUM	
18D	RB2-1592-000		1	BUSHING	
19	XA9-0836-000		69	SCREW, TP, M3X6	
20	RB2-1533-000		1	GUIDE	
21	WT2-5424-000		1	CLIP, CABLE	
22	RB2-0629-000		1	COVER, EDGE	
23	XA9-0253-000		4	SCREW, MACH., PAN HEAD, M3X8	

FIGURE 103 INTERNAL COMPONENTS 2

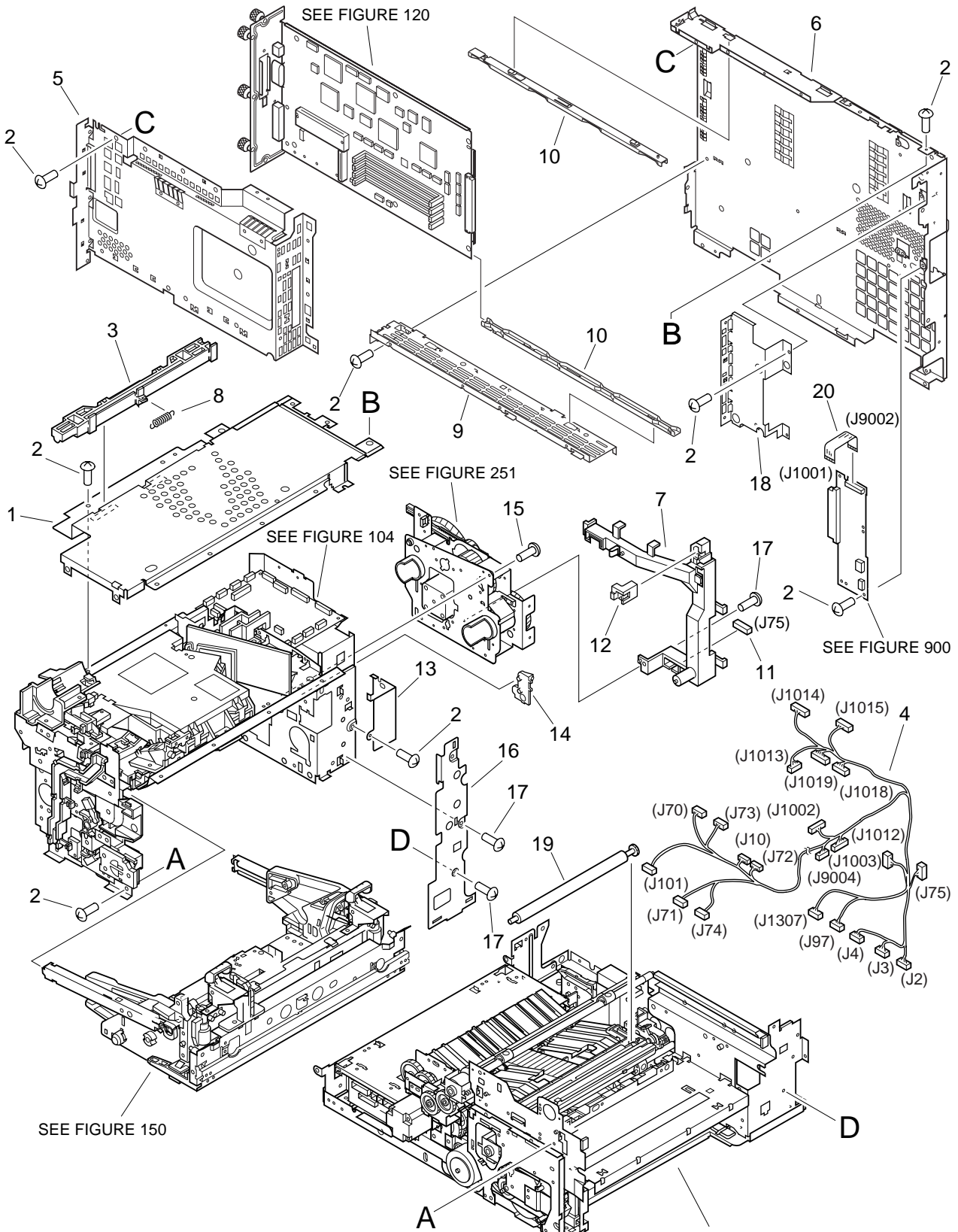


FIGURE & KEY NO.	PART NUMBER	R A N K	Q' T Y	DESCRIPTION	SERIAL NUMBER / REMARKS
103 -	NPN		RF	INTERNAL COMPONENTS 2	
1	RB2-1159-000		1	PLATE, SHIELD	
2	XA9-0326-000		23	SCREW, TP, M3X4	
3	RB2-1163-000		1	LATCH, COVER	
4	RG5-3781-000		1	MAIN CABLE	J2-J4, J10, J70-J75, J97, J101, J1002, J1003, J1012-J1015, J1018, J1019, J1307, J9004
5	RF5-2143-000		1	COVER, DRIVE	
6	RB2-1251-000		1	PLATE, SHIELD, RIGHT	
7	RB2-1277-000		1	GUIDE, CABLE	
8	RS5-2762-000		1	SPRING, TENSION	
9	RB2-1274-000		1	PLATE, SHIELD, LOWER	
10	RB2-1254-000		2	RAIL, I/O GUIDE	
11	VS1-5820-008		1	CONNECTOR, SNAP TIGHT	J75
12	RB2-1278-000		1	BUTTON	
13	RB2-1286-000		1	PLATE, COVER	
14	RB2-1169-000		1	HOOK, LEFT	
15	XA9-0922-000		8	SCREW, TP, M3X8	
16	RB2-1535-000		1	PLATE	
17	XA9-0836-000		4	SCREW, TP, M3X6	
18	RB2-1531-000		1	PLATE, SHIELD	
19	RF5-2112-000		1	ROLLER, TRANSFER	
20	RH2-5335-000		1	CABLE, FLAT, VIDEOINTERFACE	J1001, J9002

FIGURE 104 INTERNAL COMPONENTS 3

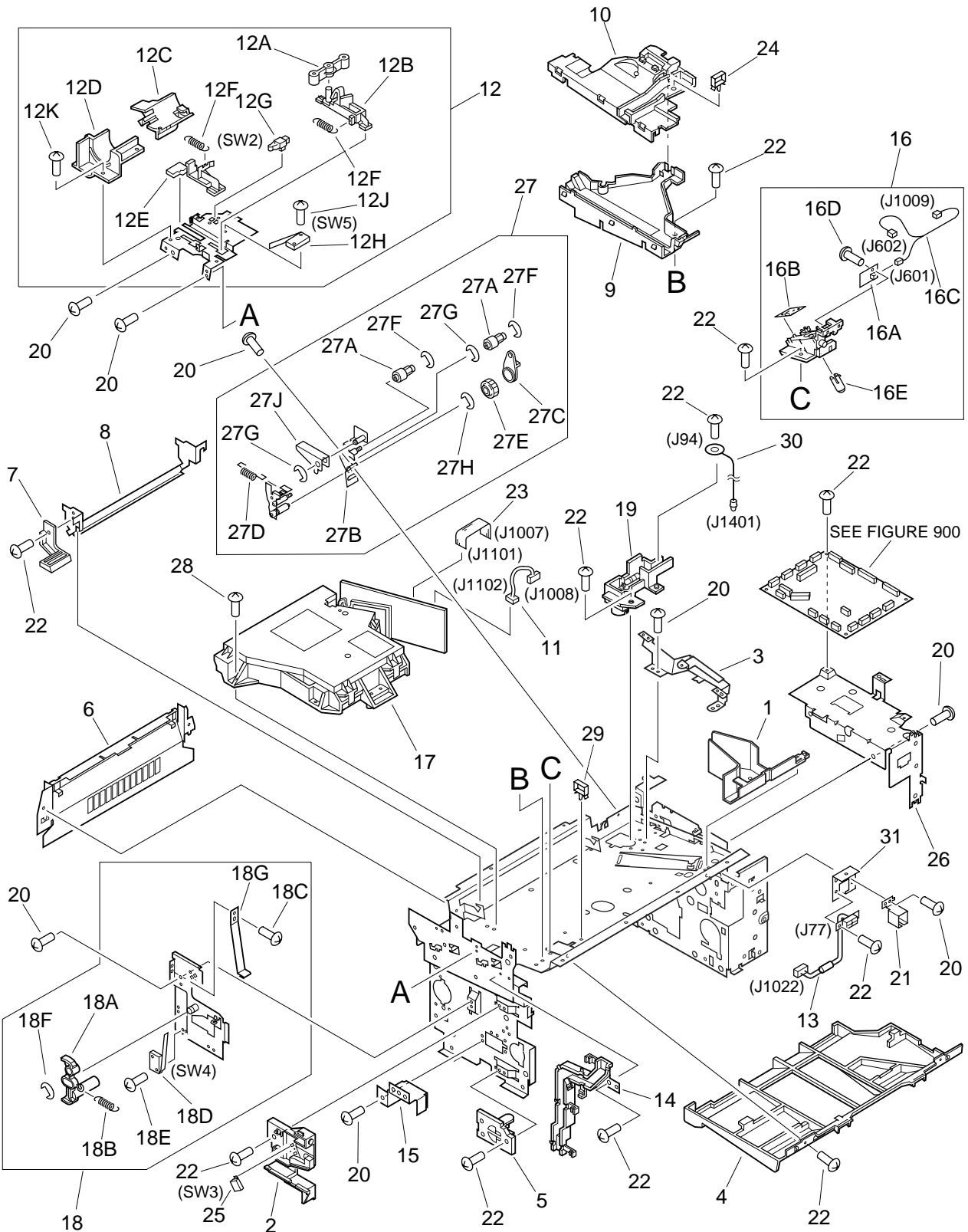


FIGURE & KEY NO.	PART NUMBER	RANK	QTY	DESCRIPTION	SERIAL NUMBER / REMARKS
104 -	NPN		RF	INTERNAL COMPONENTS 3	
1	RB2-1591-000		1	GUIDE, CABLE	
2	RB2-1170-000		1	HOOK, LEFT	
3	RB2-1155-000		1	MOUNT, DC CONTROLLER PCB, B	
4	RB2-1156-000		1	COVER, SCANNER, LOWER	
5	RB2-1158-000		1	BUSHING	
6	RB2-1171-000		1	COVER, SHUTTER	
7	RB2-1172-000		1	ARM, SHUTTER	
8	RB2-1179-000		1	SHUTTER, LASER	
9	RB2-1456-000		1	GUIDE, CABLE	
10	RB2-1457-000		1	GUIDE, CABLE, UPPER	
11	RG5-3782-000		1	LASER CABLE	J1008, J1102
12	RG5-3291-000		1	DOOR SWITCH ASS'Y	
12A	RB2-1267-000		1	ARM	
12B	RB2-1270-000		1	ARM, PUSH, REAR	
12C	RB2-1271-000		1	ARM, LOCK	
12D	RB2-1458-000		1	BLOCK, LOCK ARM	
12E	RB2-1459-000		1	ARM, SLIDE	
12F	RS5-2754-000		2	SPRING, TENSION	
12G	WC4-5052-000		1	MICROSWITCH	SW2
12H	WC4-5162-000		1	MICROSWITCH	SW5
12J	XA9-0481-000		2	SCREW,PAN HERD,W/WASHER,M3X14	
12K	XA9-0924-000		2	SCREW, W/WASHER, M3X8	
13	RG5-4650-000		1	FAN CABLE	J77, J1022
14	RB2-1180-000		1	COVER, CABLE	
15	RB2-1285-000		1	COVER, ARM	
16	RG5-3292-000		1	WASTE TONER SENSOR ASS'Y	
16A	RG5-3819-000		1	PHOTO EMISSION PCB ASS'Y	
16B	RG5-3820-000		1	PHOTO DETECTION PCB ASS'Y	
16C	RG5-3799-000		1	TONER CABLE	J601, J602, J1009
16D	XA9-0591-000		1	SCREW, M3X8	
16E	RB2-0930-000		1	CAP	
17	RG5-3160-030		1	LASER/SCANNER ASS'Y	
18	RG5-3296-000		1	DRAWER SWITCH ASS'Y	
18A	RB2-1266-000		1	ARM, PUSH, FRONT	
18B	RS5-2777-000		1	SPRING, TENSION	
18C	XA9-0836-000		1	SCREW, TP, M3X6	
18D	WC4-5162-000		1	MICROSWITCH	SW4
18E	XA9-0481-000		2	SCREW,PAN HERD,W/WASHER,M3X14	
18F	XD9-0136-000		1	RING, E	
18G	RB2-1571-000		1	SPRING, LEAF	
19	RG5-3323-000		1	PRIMARY H.V. TERMINAL ASS'Y	
20	XA9-0836-000		17	SCREW, TP, M3X6	
21	RB2-1299-000		1	CASE, CONNECTOR	
22	XA9-0924-000		9	SCREW, W/WASHER, M3X8	
23	RH2-5334-000		1	CABLE, FLAT, LASER	J1007, J1101
24	WT2-0499-000		1	CLIP, CABLE	
25	WC2-5330-000		1	MICROSWITCH	SW3
26	RF5-2114-000		1	MOUNT, DC CONTROLLER PCB, A	
27	RG5-3309-000		1	BRAKE ASS'Y	

FIGURE & KEY NO.	PART NUMBER	R A N K	Q' T Y	DESCRIPTION	SERIAL NUMBER / REMARKS
104 -	27A		2	ROLLER/GEAR, 17T	
	27B		1	PLATE, SWING	
	27C		1	SPACER	
	27D		1	SPRING, TENSION	
	27E		1	GEAR, 33T	
	27F		2	RING, E	
	27G		2	RING, E	
	27H		1	RING, E	
	27J		1	PLATE, BRAKE	
	28		7	SCREW, W/WASHER, M3X12	
	29		1	CLIP, CABLE	
	30		1	CABLE	J94, J1401
	31		1	MOUNT, CONNECTOR	

FIGURE 110 HIGH-VOLTAGE POWER SUPPLY

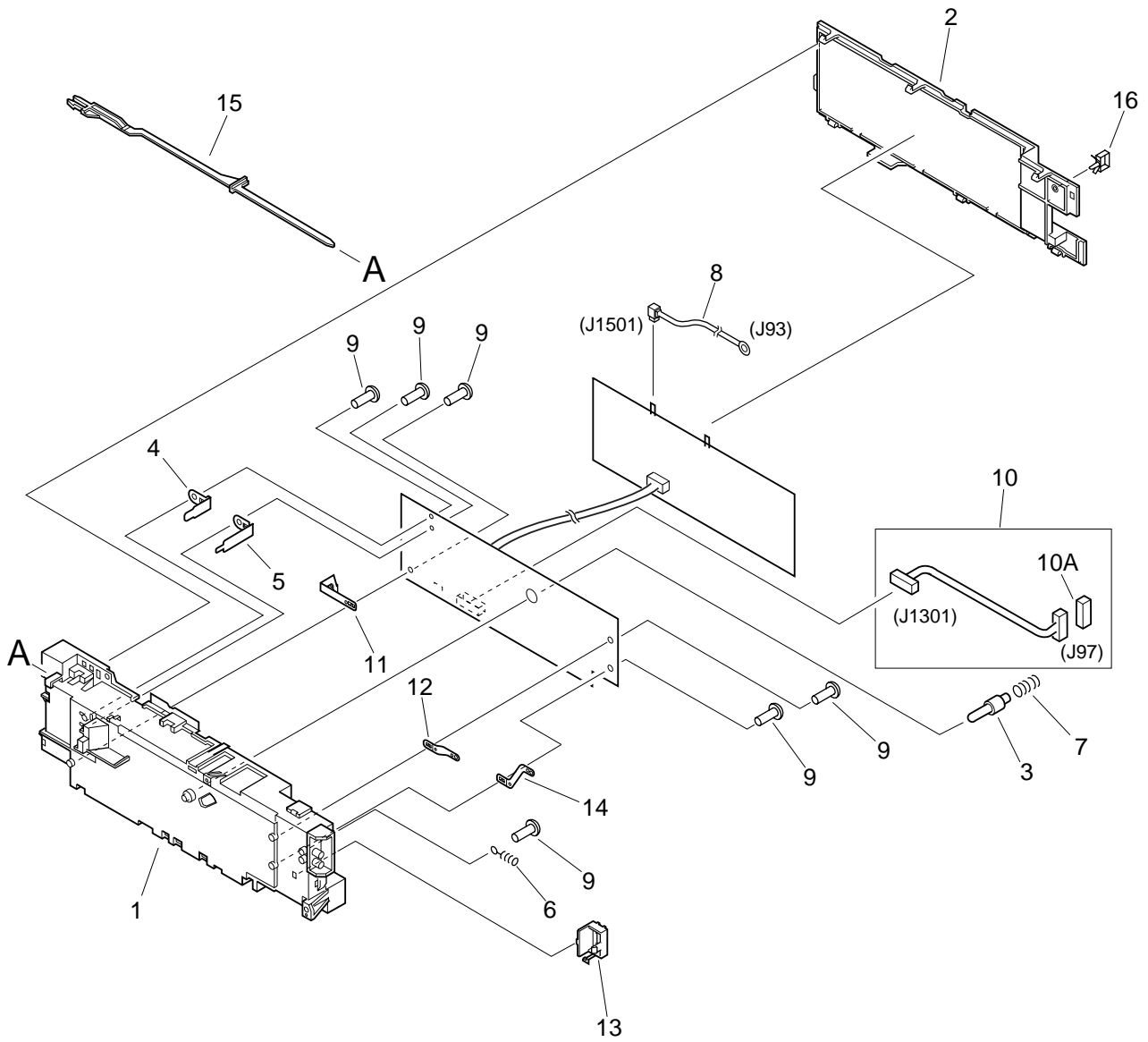


FIGURE & KEY NO.	PART NUMBER	R A N K	Q' T Y	DESCRIPTION	SERIAL NUMBER / REMARKS
110 -	RG5-3285-000		1	HIGH-VOLTAGE POWER SUPPLY	
1	RB2-1259-000		1	COVER, INNER	
2	RB2-1260-000		1	COVER, OUTER	
3	RB2-1262-000		1	PIN, CONTACT	
4	RB2-1263-000		1	PLATE, POSITIONING	
5	RB2-1276-000		1	PLATE, GROUNDING	
6	RS5-2753-000		2	SPRING, COMPRESSION	
7	RS5-2778-000		1	SPRING, COMPRESSION	
8	RG5-3804-000		1	CABLE	J93, J1501
9	XA9-0924-000		7	SCREW, W/WASHER, M3X8	
10	RG5-3796-000		1	HIGH-VOLTAGE CONTROL CABLE	J97, J1301
10A	VA1-6388-024		1	CONNECTOR, 24P	J97
11	RB2-1300-000		1	PLATE, GROUNDING	
12	RB2-1301-000		1	PLATE, CONTACT	
13	RB2-1302-000		1	HOLDER	
14	RB2-1305-000		1	PLATE, CONTACT	
15	RB2-1556-000		1	STRAP, COVER SUPPORT	
16	WT2-5424-000		1	CLIP, CABLE	

FIGURE 120 CONTROLLER PCB ASS'Y

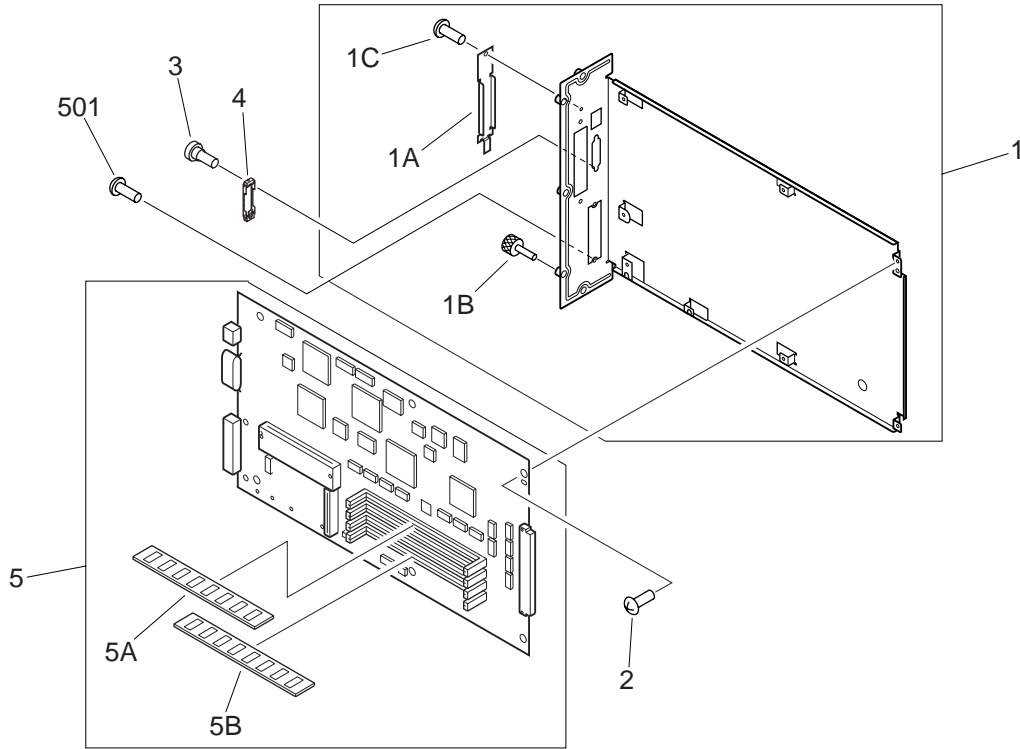


FIGURE & KEY NO.	PART NUMBER	RANK	QTY	DESCRIPTION	SERIAL NUMBER / REMARKS
120 -	RG5-4698-000		1	CONTROLLER PCB ASS'Y	
1	RF5-2141-000		1	PLATE, I/O	
1A	RB2-1553-000		1	PLATE, COVER	
1B	RB1-4886-000		5	SCREW, M4X5	
1C	XB1-2300-607		1	SCREW, MACH., TRUSS HEAD, M3X6	
2	XA9-0924-000		6	SCREW, W/WASHER M3X8	
3	RS5-9110-000		2	SCREW, STEPPED, M2.5	
4	WT2-5600-000		1	PLATE, CONNECTOR, COVER	
5	RH6-3863-000		1	VIDEO CONTROLLER PCB ASS'Y	
5A	RH6-3870-000		1	DIMM 45000868 32MB SD-RAM	
5B	RH6-3871-000		1	DIMM 45000870 16MB FLASH-ROM	
501	XB1-1300-807		2	SCREW, MACH., PAN HEAD, M3X8	

FIGURE 150 UPPER DRAWER ASS'Y

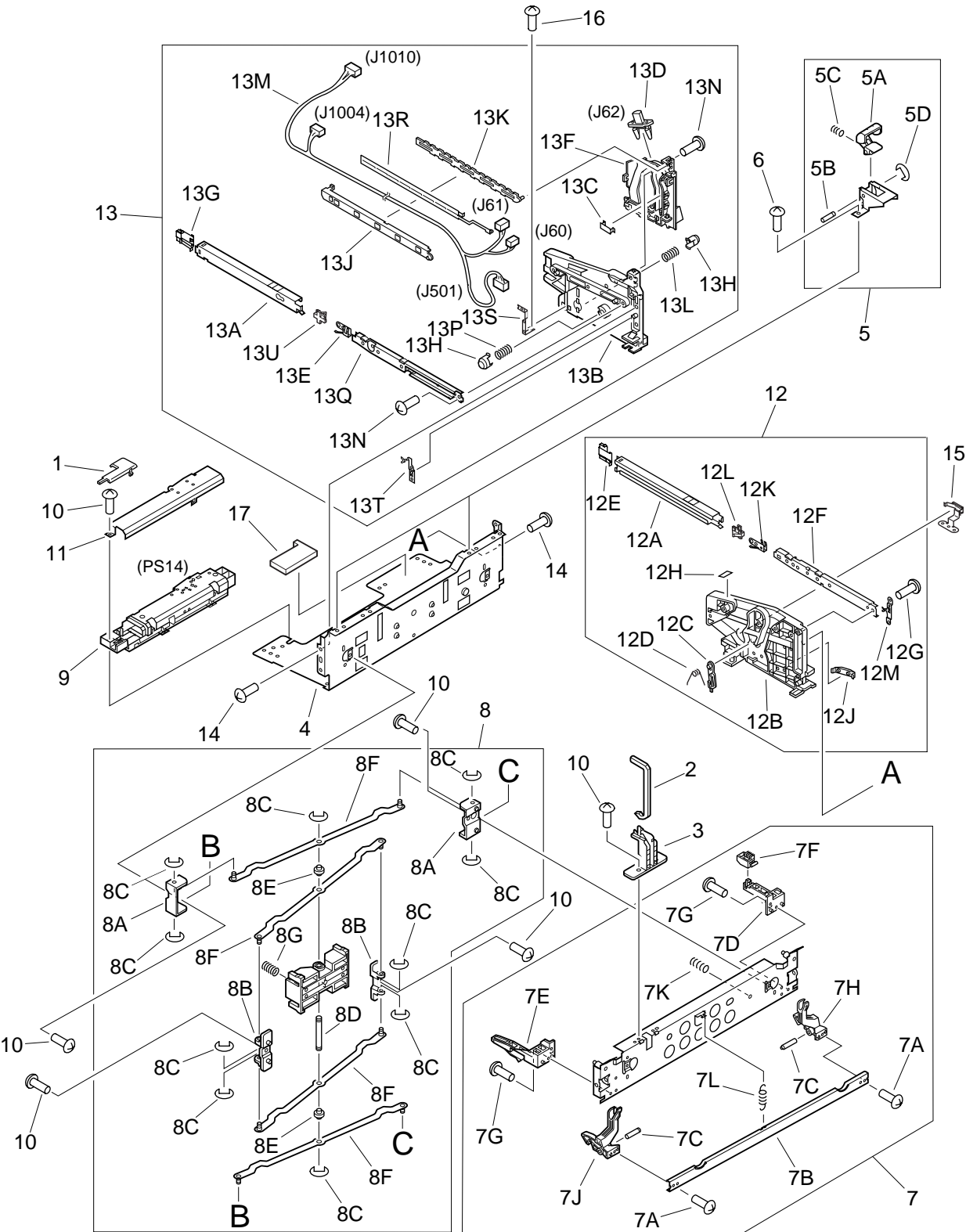


FIGURE & KEY NO.	PART NUMBER	RANK	QTY	DESCRIPTION	SERIAL NUMBER / REMARKS
150 -	RG5-4702-000		1	UPPER DRAWER ASS'Y	
1	RB2-0916-000		1	COVER, CONNECTOR	
2	RB2-1113-000		1	GUIDE	
3	RB2-1114-000		1	HOLDER, GUIDE	
4	RB2-0895-000		1	PLATE, BOTTOM	
5	RG5-3406-000		2	FRONT COVER LATCH ASS'Y	
5A	RB2-1562-000		1	ARM	
5B	RB2-1563-000		1	SHAFT	
5C	RS5-2798-000		1	SPRING, COMPRESSION	
5D	XD9-0133-000		1	RING, E	
6	XA9-0836-000		4	SCREW, TP, M3X6	
7	RG5-3278-020		1	DOOR ASS'Y	
7A	XA9-0605-000		2	SCREW, M4X8	
7B	RB2-1545-000		1	PLATE	
7C	RB2-1121-000		2	SHAFT, LEVER	
7D	RB2-1122-000		1	ARM, GUIDE, RIGHT	
7E	RB2-1123-020		1	ARM, GUIDE, LEFT	
7F	RB2-1130-000		1	RACK, GUIDE	
7G	XA9-0924-000		4	SCREW, W/WASHER, M3X8	
7H	RB2-1543-000		1	LEVER, RIGHT	
7J	RB2-1544-000		1	LEVER, LEFT	
7K	RS5-2796-000		1	SPRING, COMPRESSION	
7L	RS5-2797-000		1	SPRING, TENSION	
8	RG5-3279-000		1	LINK ASS'Y	
8A	RB2-1125-000		2	HOLDER, LINK, LONG	
8B	RB2-1126-000		2	HOLDER, LINK, SHORT	
8C	XD9-0135-000		10	RING, E	
8D	RB2-1128-000		1	SHAFT	
8E	RB2-1129-000		2	BUSHING	
8F	RF5-2072-000		4	LINK	
8G	RS5-2745-000		4	SPRING, COMPRESSION	
9	RG5-3281-000		1	DENSITY SENSOR ASS'Y	PS14
10	XA9-0924-000		8	SCREW, W/WASHER, M3X8	
11	RB2-1551-000		1	PLATE, GROUNDING	
12	RG5-3275-000		1	SIDE RIGHT PLATE ASS'Y	
12A	RB2-0897-000		1	RAIL, INNER, RIGHT	
12B	RB2-0901-000		1	PLATE, SIDE, RIGHT	
12C	RB2-1561-000		1	GUIDE, CARTRIDGE	
12D	RB2-1564-000		1	SPRING, TORSION	
12E	RB2-1464-000		1	BLOCK, RAIL, STOP, RIGHT	
12F	RF5-2070-000		1	PLATE	
12G	XA9-0605-000		3	SCREW, M4X8	
12H	RS5-8913-000		1	LABEL	
12J	RB2-1557-000		3	SLIDER	
12K	RB2-1549-000		1	PLATE, GROUNDING, RAIL	
12L	RB2-1600-000		1	BLOCK, RAIL, STOP	
12M	RF5-2146-000		1	PLATE, GROUNDING	
13	RG5-3276-000		1	SIDE LEFT PLATE ASS'Y	
13A	RB2-0896-000		1	RAIL, INNER, LEFT	
13B	RB2-0900-000		1	PLATE, SIDE, LEFT	

FIGURE & KEY NO.	PART NUMBER	RANK	QTY	DESCRIPTION	SERIAL NUMBER / REMARKS	
150 -	13C	RB2-1558-000	4	HOLDER, CABLE	J62	
	13D	RF5-2152-000	1	CONNECTOR, 8P		
	13E	RB2-1574-000	1	PLATE, GROUNDING, RAIL		
	13F	RB2-1462-000	1	COVER, SIDE PLATE		
	13G	RB2-1463-000	1	BLOCK, RAIL STOP, LEFT		
	13H	RB2-1465-000	2	CAP		
	13J	RB2-1454-000	1	HOLDER, CABLE		
	13K	RB2-1455-000	1	CAP, CABLE, HOLDER		
	13L	RS5-2775-000	1	SPRING, COMPRESSION		
	13M	RG5-3798-000	1	DENSITY SENSING CABLE		J60, J61, J501, J1004, J1010
	13N	XA9-0605-000	4	SCREW, M4X8		
	13P	RS5-2802-000	1	SPRING, COMPRESSION		
	13Q	RF5-2071-000	1	ROLLER, RAIL		
	13R	RB2-1550-000	1	PLATE, GROUNDING, CABLE		
	13S	RB2-1588-000	1	PLATE, GROUNDING		
	13T	RB2-1577-000	1	PLATE, GROUNDING, LEFT		
	13U	RB2-1600-000	1	BLOCK, RAIL, STOP		
	14	XA9-0591-000	10	SCREW, M3X8		
	15	RB2-1598-000	1	PLATE, GROUNDING		
	16	XA9-0815-000	1	SCREW, TP, M3X4		
	17	RB2-0991-000	1	SEAL		

FIGURE 160 MULTI-PURPOSE DRAWER ASS'Y

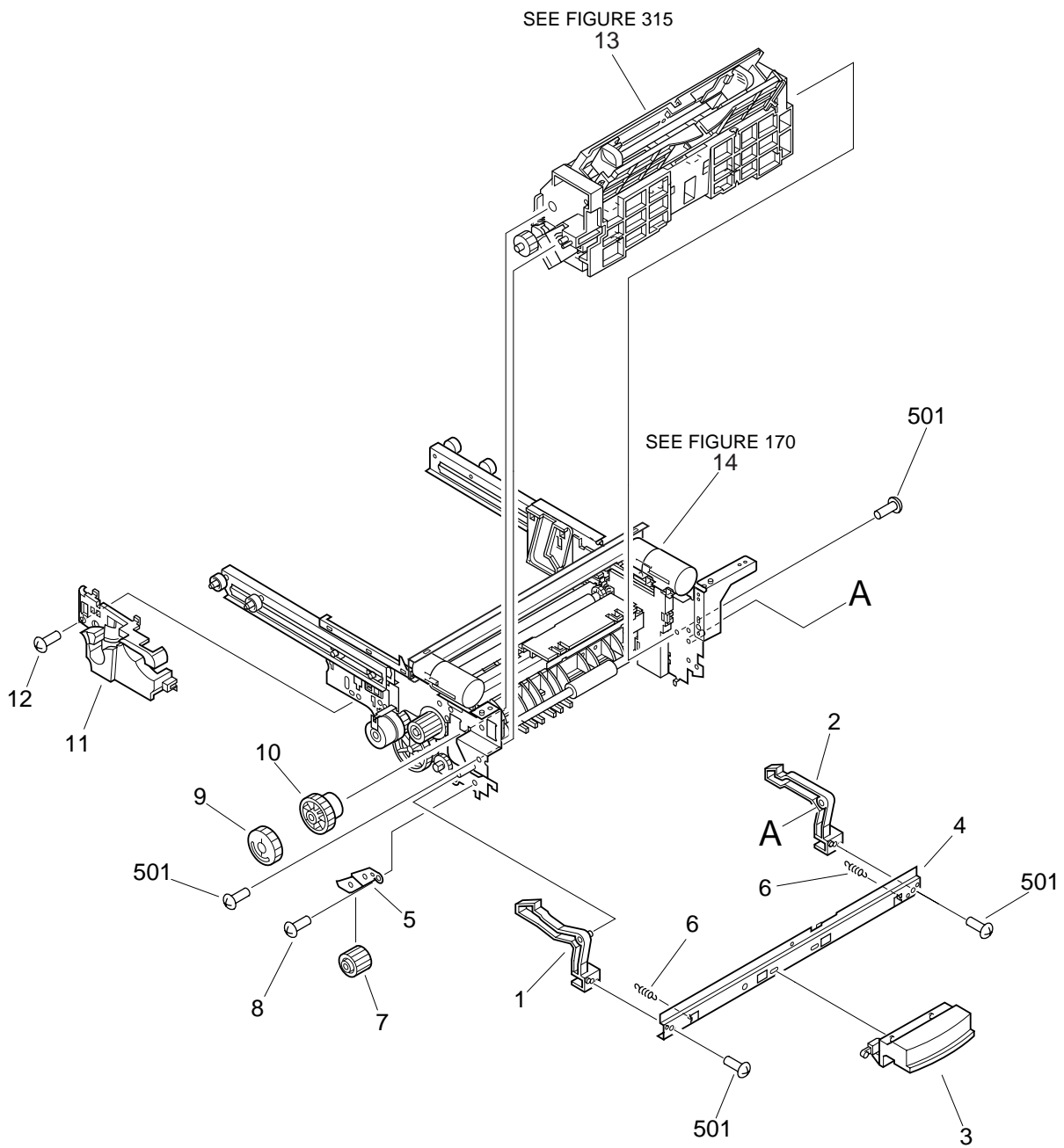


FIGURE & KEY NO.	PART NUMBER	RANK	QTY	DESCRIPTION	SERIAL NUMBER / REMARKS
160 -	RG5-3207-000		1	MULTI-PURPOSE DRAWER ASS'Y	
1	RB2-1359-000		1	LEVER, LOCK, LEFT	
2	RB2-1360-000		1	LEVER, LOCK, RIGHT	
3	RB2-1486-000		1	LEVER, LOCK	
4	RB2-1362-000		1	CROSSBAR, LOCK	
5	RB2-1409-000		1	COUPLER, GEAR	
6	RS5-2756-000		2	SPRING, TENSION	
7	RS6-0208-000		1	GEAR, 19T	
8	XA9-0836-000		1	SCREW, TP, M3X6	
9	RB2-0718-000		1	GEAR, 41T	
10	RB2-0716-000		1	GEAR, 41T	
11	RB2-1405-000		1	COVER, GEAR	
12	XA9-0924-000		2	SCREW, W/WASHER, M3X8	
13	RG5-3210-000		1	MP TRAY PAPER PICK-UP ASS'Y	SEE FIGURE 315
14	RG5-3191-000		1	LOWER DRAWER ASS'Y	SEE FIGURE 170
501	XB4-7401-809		6	SCREW, TAPPING, PAN HEAD, M4X10	

FIGURE 170 LOWER DRAWER ASS'Y (1/2)

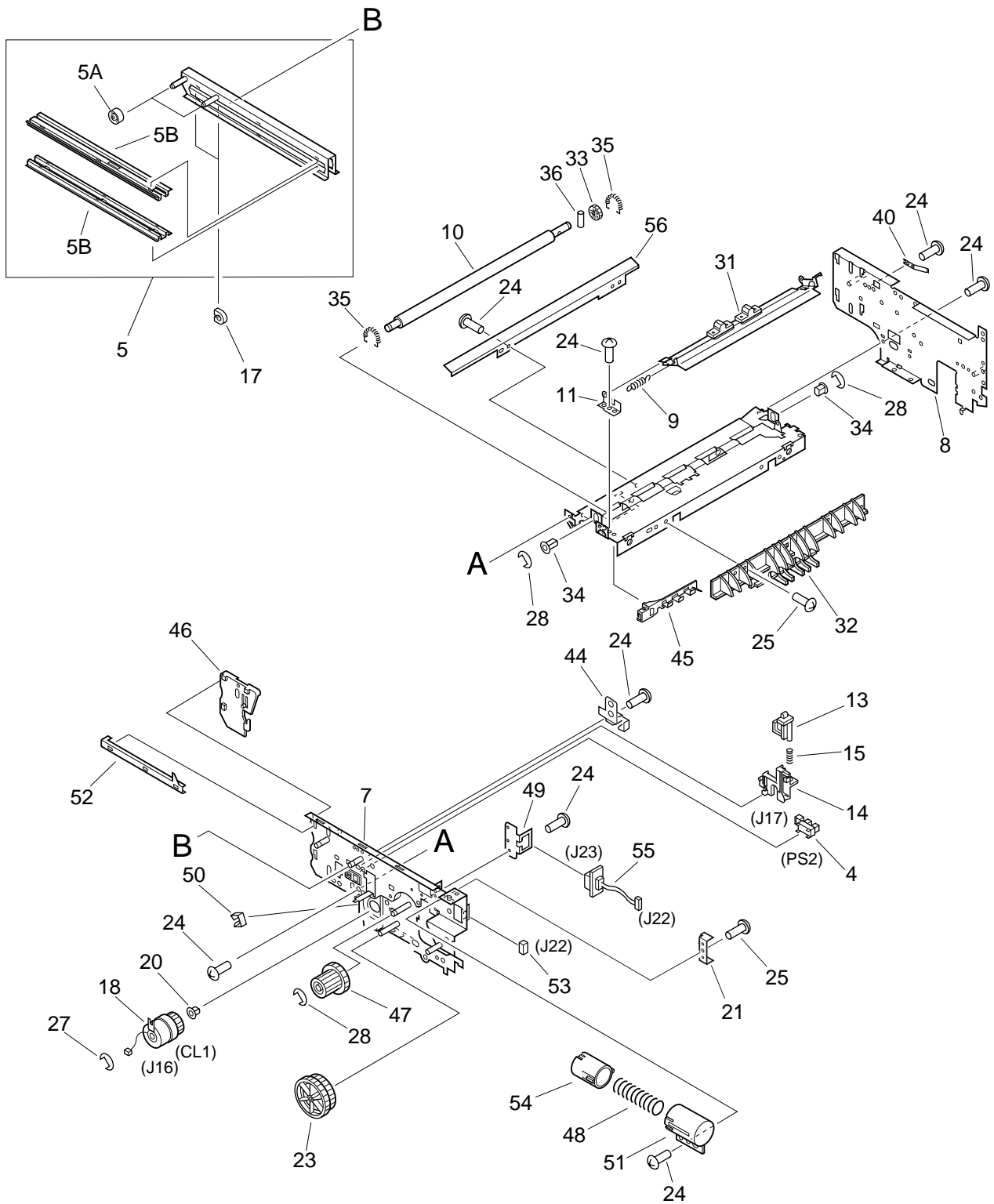


FIGURE 170 LOWER DRAWER ASS'Y (2/2)

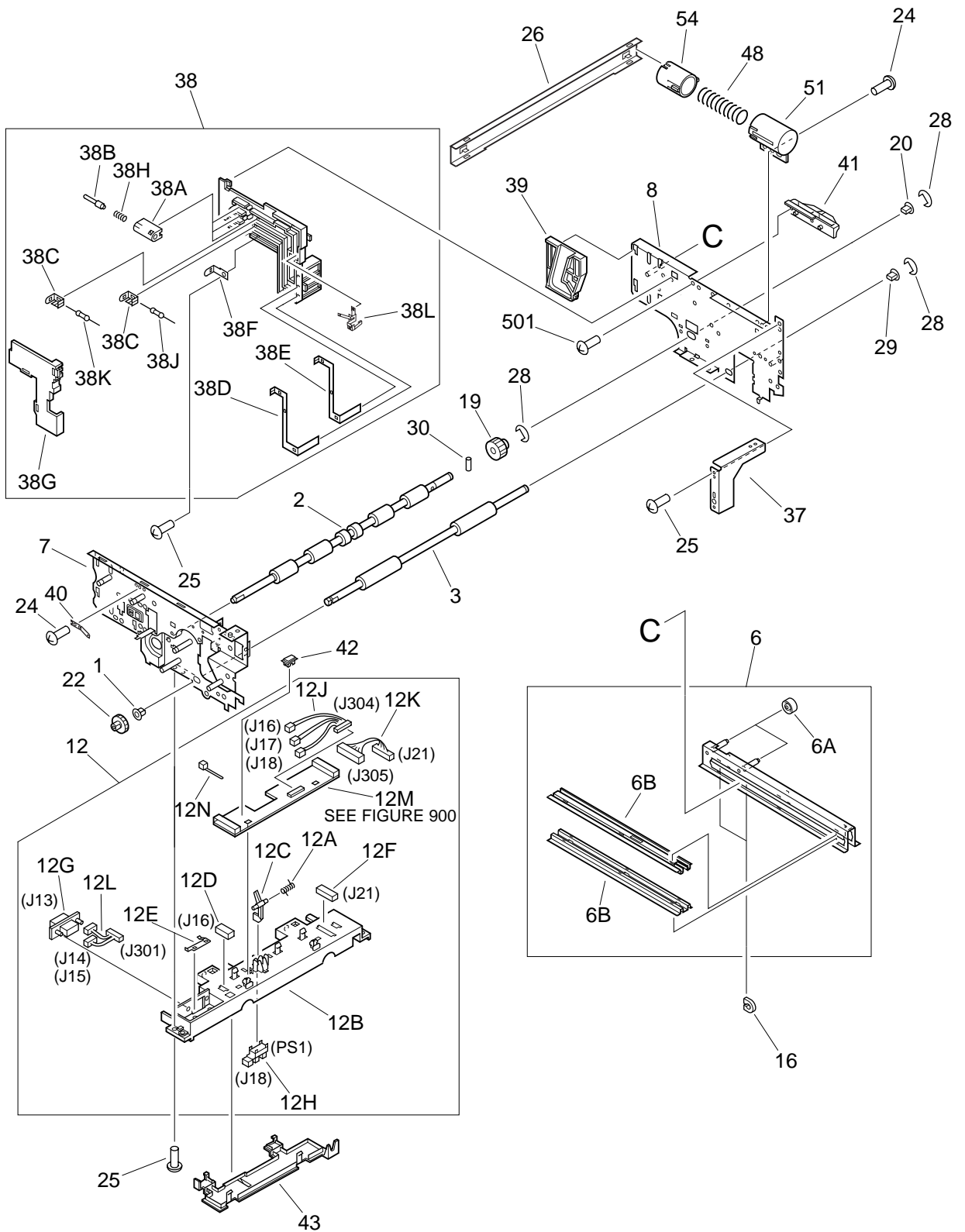


FIGURE & KEY NO.	PART NUMBER	RANK	QTY	DESCRIPTION	SERIAL NUMBER / REMARKS
170 -	RG5-3204-000		1	LOWER DRAWER ASS'Y	
1	FS1-1422-000		1	BUSHING	
2	RB2-1357-000		1	ROLLER, REGISTRATION	
3	RB2-1358-000		1	ROLLER, PAPER FEED	
4	WG8-5362-000		1	IC, TLP1241, PHOTO-INTERRUPTER	PS2, J17
5	RG5-3192-000		1	RAIL ASS'Y, LEFT	
5A	RB2-1375-000		2	ROLLER	
5B	RB2-1412-000		2	PLATE, RAIL	
6	RG5-3193-000		1	RAIL ASS'Y, RIGHT	
6A	RB2-1375-000		2	ROLLER	
6B	RB2-1388-000		2	PLATE, RAIL	
7	RF5-2081-000		1	PLATE, SLIDE, LEFT	
8	RF5-2080-000		1	PLATE, SLIDE, RIGHT	
9	RS5-2761-000		1	SPRING, TENSION	
10	RB2-1365-000		1	ROLLER, REGISTRATION	
11	RB2-1401-000		1	PLATE, GUIDE	
12	RG5-3203-000		1	REGISTRATION FRAME ASS'Y	
12A	RB1-6409-000		1	SPRING, TORSION	
12B	RB2-1366-000		1	FRAME, REGISTRATION	
12C	RB2-1367-000		1	LEVER, SENSOR	
12D	VS1-5057-002		1	CONNECTOR, 2P	J16
12E	RB2-1425-000		1	PLATE, GROUNDING	
12F	VS1-5057-011		1	CONNECTOR, 11P	J21
12G	VS1-6173-014		1	CONNECTOR, 14P	J13
12H	WG8-5362-000		1	IC, TLP1241, PHOTO-INTERRUPTER	PS1, J18
12J	RG5-3788-000		1	SLIDE CABLE	J16-J18, J304
12K	RG5-3789-000		1	CONNECTOR CABLE	J21, J305
12L	RG9-1353-000		1	MP TRAY CONNECTION CABLE, 2	J14, J15, J301
12M	RG5-3812-000		1	MULTI-PURPOSE TRAY PCB ASS'Y	SEE FIGURE 900
12N	WT2-0030-000		2	TIE, CABLE	
13	RB2-1397-000		1	LEVER, SENSOR	
14	RB2-1396-000		1	HOLDER, LEVER	
15	RS5-2760-000		1	SPRING, COMPRESSION	
16	RB2-1391-000		2	HOLDER, STOP, RIGHT	
17	RB2-1392-000		2	HOLDER, STOP, LEFT	
18	RH7-5186-000		1	CLUTCH, ELECTROMAGNETIC	CL1, J16
19	RS5-0413-000		1	GEAR, 29T	
20	RS5-1332-000		2	BUSHING	
21	RB2-1413-000		1	SPRING, LEAF	
22	RS6-0207-000		1	GEAR, 18T	
23	RS6-0209-000		1	GEAR, 38T/46T	
24	XA9-0836-000		14	SCREW, TP, M3X6	
25	XA9-0924-000		7	SCREW, W/WASHER, M3X8	
26	RB2-1428-000		1	CROSSBAR	
27	XD9-0134-000		1	RING, E	
28	XD9-0136-000		6	RING, E	
29	RS5-1335-000		1	BUSHING	
30	XD9-0103-000		1	PIN, DOWEL	
31	RF5-2136-000		1	GUIDE, RESISTRATION	
32	RB2-1402-000		1	GUIDE	

FIGURE & KEY NO.	PART NUMBER	R A N K	Q' T Y	DESCRIPTION	SERIAL NUMBER / REMARKS
170 - 33	RS5-0412-000		1	GEAR, 24T	
34	RS5-1333-000		2	BUSHING	
35	RS5-2757-000		2	SPRING, TENSION	
36	XD9-0111-000		1	PIN, DOWEL	
37	RB2-1424-000		1	MOUNT, COVER	
38	RG5-3198-000		1	DRAWER H.V. TERMINAL ASS'Y	
38A	RB2-0822-000		3	HOLDER, PIN	
38B	RB2-0823-000		3	PIN	
38C	RB2-0824-000		2	PLATE, TERMINAL, A	
38D	RB2-0826-000		1	PLATE, TERMINAL	
38E	RB2-0827-000		1	PLATE, TERMINAL	
38F	RB2-0828-000		1	PLATE, TERMINAL, B	
38G	RB2-1403-000		1	COVER, TERMINAL	
38H	RS5-2732-000		3	SPRING, COMPRESSION	
38J	VR7-5820-102		1	RESISTOR, 1KOHM, 1/2W	
38K	VR7-5820-472		1	RESISTOR, 4.7KOHM, 2W	
38L	RB2-1430-000		1	PLATE, CONTACT	
39	RB2-1372-000		1	GUIDE, RIGHT	
40	RB2-1421-000		2	PLATE, GROUNDING	
41	RB2-1371-000		1	PLATE, DRIVE RELEASE	
42	RB2-1368-000		2	CAP, SENSOR	
43	RB2-1416-000		1	COVER, FRAME	
44	RB2-1418-000		1	PLATE, GROUNDING	
45	RB2-1420-000		1	GUIDE, CABLE	
46	RB2-1379-000		1	GUIDE, SLIDE	
47	RS6-0210-000		1	GEAR, 25T/28T	
48	RS5-2795-000		2	SPRING, COMPRESSION	
49	RB2-1393-000		1	MOUNT, CONNECTOR	
50	WT2-5056-000		1	CLIP, CORD	
51	RB2-1376-000		2	FRAME, PRESSURE, RIGHT	
52	RB2-1410-000		1	LEVER, LOCK	
53	VS1-5057-003		1	CONNECTOR, 3P	J22
54	RB2-1377-000		2	CAP, RIGHT	
55	RG5-3791-000		1	ITB CONNECT CABLE	J22, J23
56	RB2-1604-000		1	PLATE, FEEDER GUIDE	
501	XB4-7400-809		2	SCREW, TAPPING, TRUSS HEAD, M4X8	

FIGURE 251 DRUM DRIVE ASS'Y

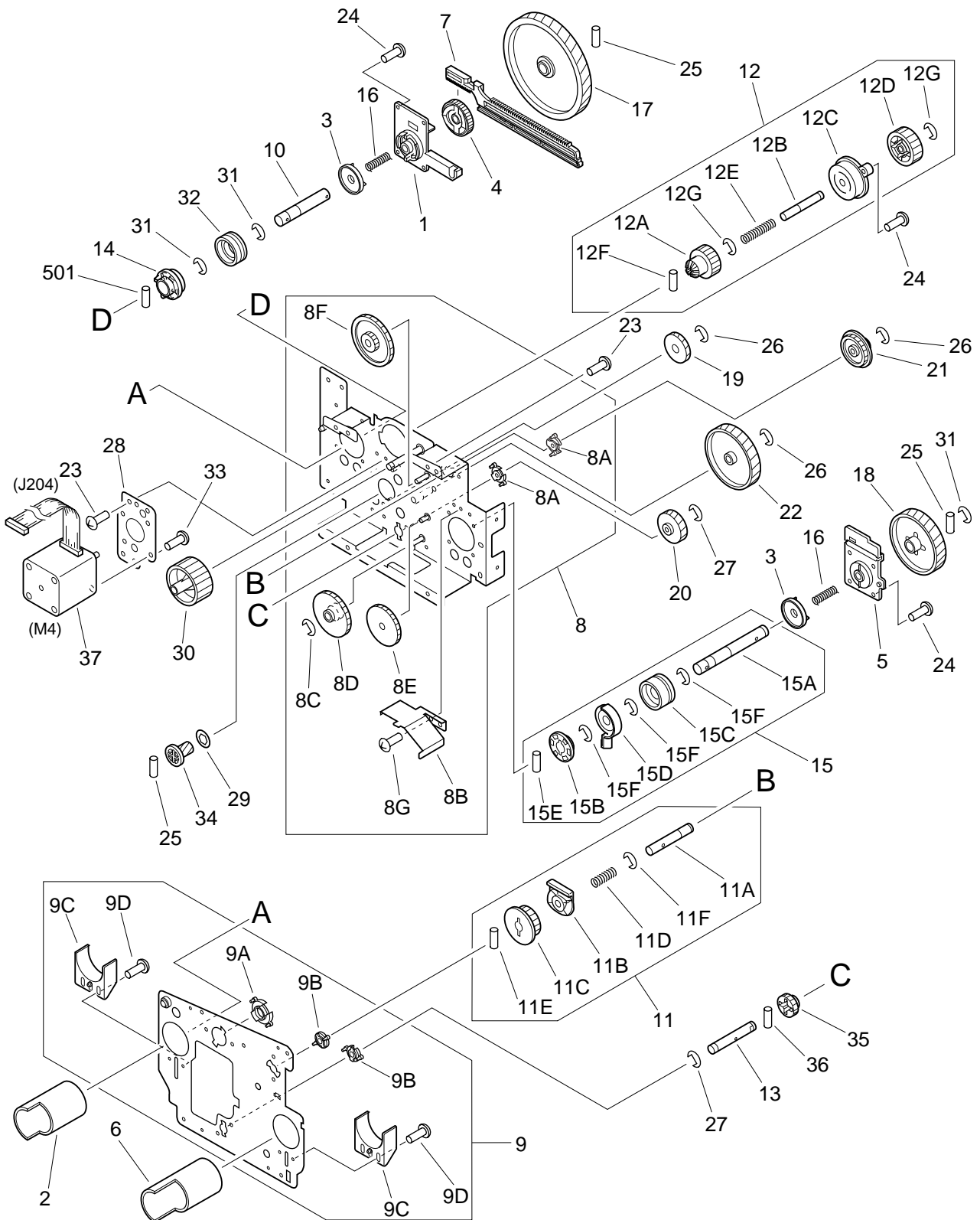


FIGURE & KEY NO.	PART NUMBER	RANK	QTY	DESCRIPTION	SERIAL NUMBER / REMARKS
251 -	RG5-3170-000		1	DRUM DRIVE ASS'Y	
1	RB2-1053-000		1	BUSHING	
2	RB2-1055-000		1	PIPE	
3	RB2-1056-000		2	RING	
4	RB2-1057-000		1	GEAR, 27T	
5	RB2-1060-000		1	BUSHING	
6	RB2-1062-000		1	PIPE	
7	RB2-1071-000		1	RACK, LEFT	
8	RG5-3171-000		1	MAIN RIGHT PLATE ASS'Y	
8A	RB2-1073-000		2	BUSHING	
8B	RB2-1074-000		1	PLATE, GUIDE	
8C	XD9-0135-000		1	RING, E	
8D	RS6-0125-000		1	GEAR, 68T/20T	
8E	RS6-0126-000		1	GEAR, 70T	
8F	RS6-0127-000		1	GEAR, 73T/17T	
8G	XA9-0836-000		1	SCREW, TP, M3X6	
9	RG5-3172-000		1	MAIN LEFT PLATE ASS'Y	
9A	RB2-1069-000		1	BUSHING	
9B	RB2-1073-000		2	BUSHING	
9C	RB2-1075-000		2	HOLDER, PIPE	
9D	XA9-0924-000		4	SCREW, W/WASHER, M3X8	
10	RB2-1051-000		1	SHAFT	
11	RG5-3174-000		1	GEAR SHAFT ASS'Y	
11A	RB2-1072-000		1	SHAFT	
11B	RB2-1080-000		1	CAM, SLIDE	
11C	RB2-1081-000		1	GEAR, 28T	
11D	RS5-2772-000		1	SPRING, COMPRESSION	
11E	XD9-0108-000		1	PIN, DOWEL	
11F	XD9-0136-000		1	RING, E	
12	RG5-3175-000		1	COUPLING ASS'Y	
12A	RB2-1066-000		1	GEAR, 31T	
12B	RB2-1067-000		1	SHAFT, SLIDE	
12C	RB2-1068-000		1	BUSHING	
12D	RB2-1070-000		1	GEAR, 28T	
12E	RS5-2727-000		1	SPRING, COMPRESSION	
12F	XD9-0103-000		1	PIN, DOWEL	
12G	XD9-0135-000		2	RING, E	
13	RB2-1064-000		1	SHAFT	
14	RB2-1052-000		1	COUPLING	
15	RG5-3178-000		1	SPRING ASS'Y	
15A	RB2-1058-000		1	SHAFT	
15B	RB2-1059-000		1	COUPLING	
15C	RB2-1061-000		1	BUSHING	
15D	RB2-1063-000		1	LEVER, RELEASE	
15E	XD3-1200-142		1	PIN, SPRING	
15F	XD9-0137-000		3	RING, E	
16	RS5-2728-000		2	SPRING, COMPRESSION	
17	RS6-0120-000		1	GEAR, 230T	
18	RS6-0121-000		1	GEAR, 138T	
19	RS6-0122-000		1	GEAR, 59T	

FIGURE & KEY NO.	PART NUMBER	RANK	QTY	DESCRIPTION	SERIAL NUMBER / REMARKS
251 - 20	RS6-0123-000		1	GEAR, 66T	
21	RS6-0130-000		1	GEAR, 28T	
22	RS6-0131-000		1	GEAR, 138T	
23	XA9-0836-000		8	SCREW, TP, M3X6	
24	XA9-0924-000		9	SCREW, W/WASHER, M3X8	
25	XD9-0108-000		3	PIN, DOWEL	
26	XD9-0135-000		3	RING, E	
27	XD9-0136-000		2	RING, E	
28	RB2-1076-000		1	PLATE, MOTOR	
29	RB2-1082-000		1	NUT, PUSH	
30	RS6-0128-000		1	GEAR, 46T	
31	XD9-0137-000		3	RING, E	
32	RB2-1054-000		1	BUSHING	
33	XA9-0434-000		4	SCREW, TP, M3X4	
34	RS6-0129-000		1	GEAR, 23T	
35	RS6-0124-000		1	GEAR, 27T	
36	XD9-0103-000		1	PIN, DOWEL	
37	RH7-1340-000		1	MOTOR, STEPPING	M4, J204
501	XD3-1200-142		1	PIN, SPRING	

FIGURE 255 ROTARY DRIVE ASS'Y

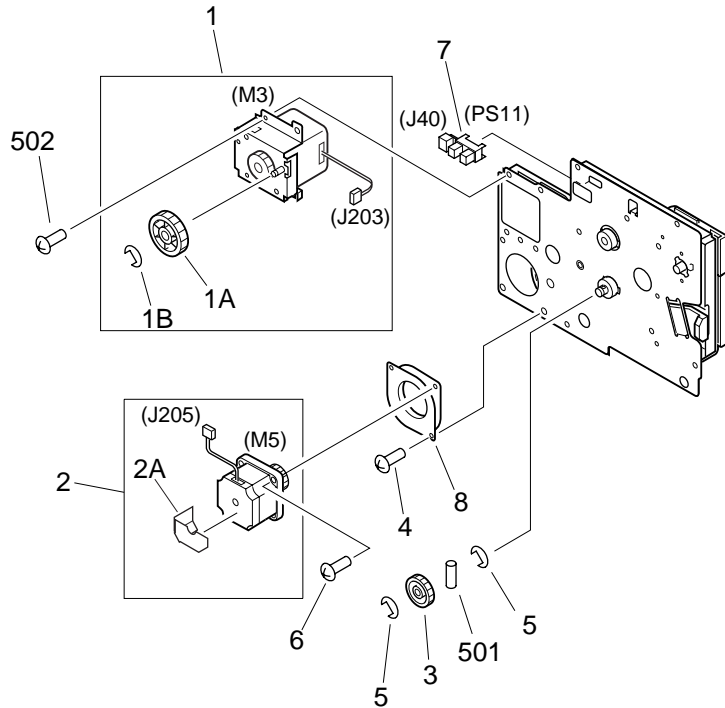


FIGURE & KEY NO.	PART NUMBER	RANK	QTY	DESCRIPTION	SERIAL NUMBER / REMARKS
255 -	RG5-3360-000		1	ROTARY DRIVE ASS'Y	
1	RG5-3365-000		1	ROTARY DRIVE MOTOR ASS'Y	M3, J203
1A	RS6-0189-000		1	GEAR, 56T	
1B	XD9-0136-000		1	RING, E	
2	RF5-2156-000		1	MOTOR, STEPPING	M5, J205
2A	RS5-8928-000		1	SHEET, MOTOR	
3	RS6-0186-000		1	GEAR, 51T	
4	XA9-0836-000		1	SCREW, TP, M3X6	
5	XD9-0137-000		2	RING, E	
6	XA9-0387-000		2	SCREW, W/WASHER, M4X8	
7	WG8-5362-000		1	IC, TLP1241, PHOTO-INTERRUPTER	PS11, J40
8	RB2-0983-000		1	DAMPER, MOTOR	
501	XD9-0108-000		1	PIN, DOWEL	
502	XB5-6300-609		4	SCREW, MACHINE M3X6	

FIGURE 300 CASSETTE (250)

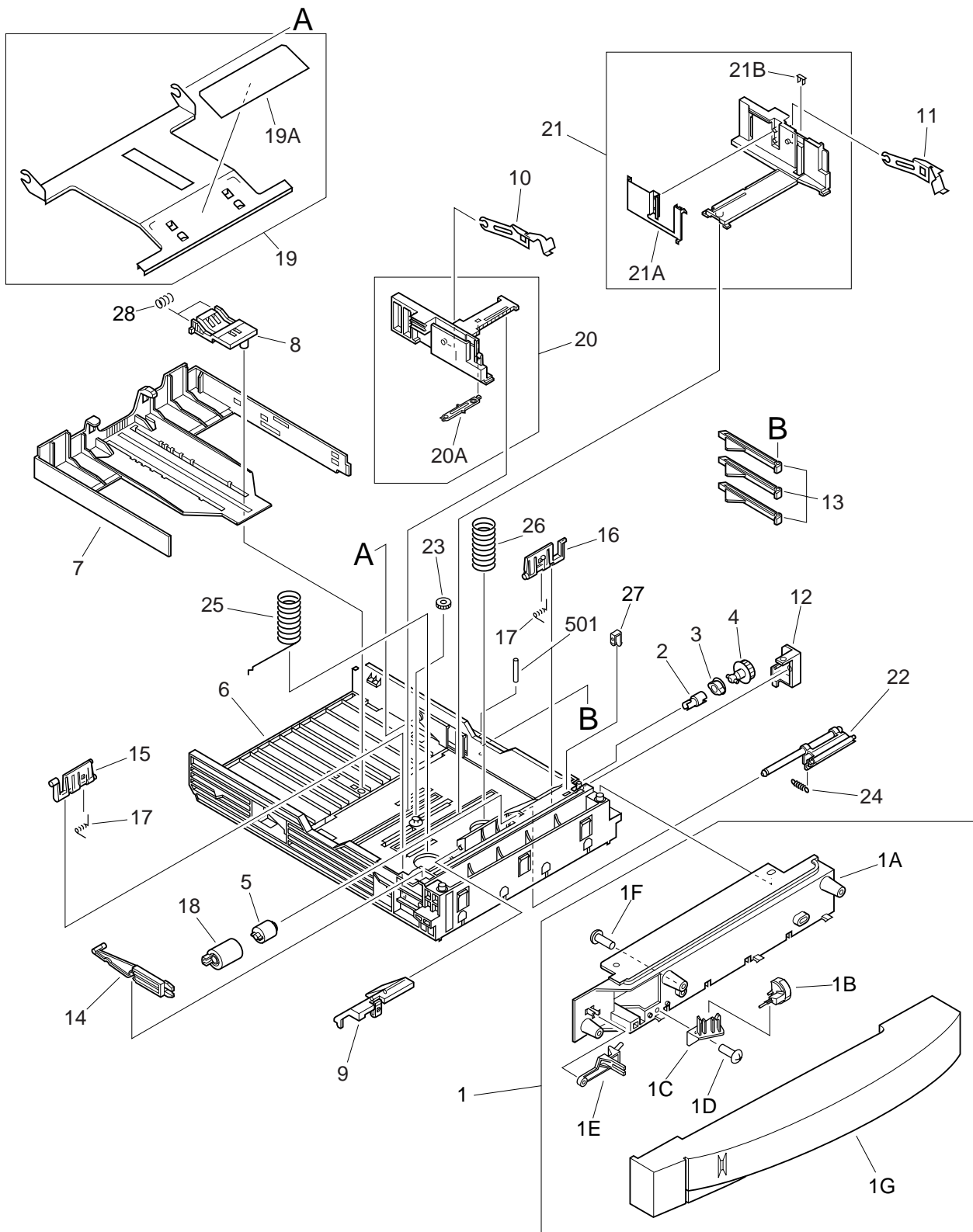


FIGURE & KEY NO.	PART NUMBER	RANK	QTY	DESCRIPTION	SERIAL NUMBER / REMARKS
300 -	NPN		RF	CASSETTE	250
1	RG5-3405-000		1	CASSETTE COVER ASS'Y	
1A	RB2-1529-000		1	COVER, INNER	
1B	RF5-2126-000		1	SENSOR, DRUM	
1C	RB2-1513-000		1	PLATE, PAPER SENSING	
1D	XA9-0591-000		1	SCREW, M3X8	
1E	RB2-1242-000		1	LINK, PAPER SENSOR	
1F	XA9-0605-000		2	SCREW, M4X8	
1G	RB2-1510-000		1	COVER, CASSETTE	
2	RB1-8945-000		1	JOINT	
3	RB1-8946-000		1	BUSHING	
4	RB1-8948-000		1	GEAR, 22T	
5	RB1-8974-000		1	LIMITER, TORQUE	
6	RB1-8997-000	N	1	BODY, CASSETTE	
7	RB2-1610-000		1	HOLDER, PAPER	
8	RB1-9000-000		1	LEVER, LOCK	
9	RB1-9001-000		1	COVER, ROLLER	
10	RB1-9003-000		1	CLAW, PAPER SEPARATING, LEFT	
11	RB1-9004-000		1	CLAW, PAPER SEPARATING, RIGHT	
12	RB1-9005-000		1	COVER, GEAR	
13	RB1-9007-000		3	ARM, PAPER SIZE	
14	RB1-9008-000		1	ARM, PAPER CAPACITY	
15	RB1-9012-000		1	ARM, LIFTER, LEFT	
16	RB1-9013-000		1	ARM, LIFTER, RIGHT	
17	RB1-9016-000		2	SPRING, TORSION	
18	RF5-2490-000		1	ROLLER	
19	RF5-2502-000		1	PLATE, PAPER LIFTING	
19A	RB1-9017-030		1	SHEET, SEPARATION	
20	RF5-2503-000		1	PLATE, SIDE LIMIT, LEFT	
20A	RB1-9006-000		1	BLOCK, SIDE CLICK	
21	RF5-2504-000		1	PLATE, SIDE LIMIT, RIGHT	
21A	RB1-9015-000		1	SPRING, LEAF	
21B	RB1-9018-000		1	GUIDE, SPRING	
22	RF5-2155-000		1	HOLDER	
23	RS5-0976-000		1	GEAR, 10T	
24	RS5-2622-020		1	SPRING, TENSION	
25	RS5-2660-000		1	SPRING, COMPRESSION	
26	RS5-2661-000		1	SPRING, COMPRESSION	
27	RB2-0628-000		1	STOPPER, REAR	
28	RS6-2134-000		2	SPRING, COMPRESSION	
501	XD3-2300-322		1	PIN, DOWEL	

FIGURE 310 PAPER PICK-UP ASS'Y (1/3)

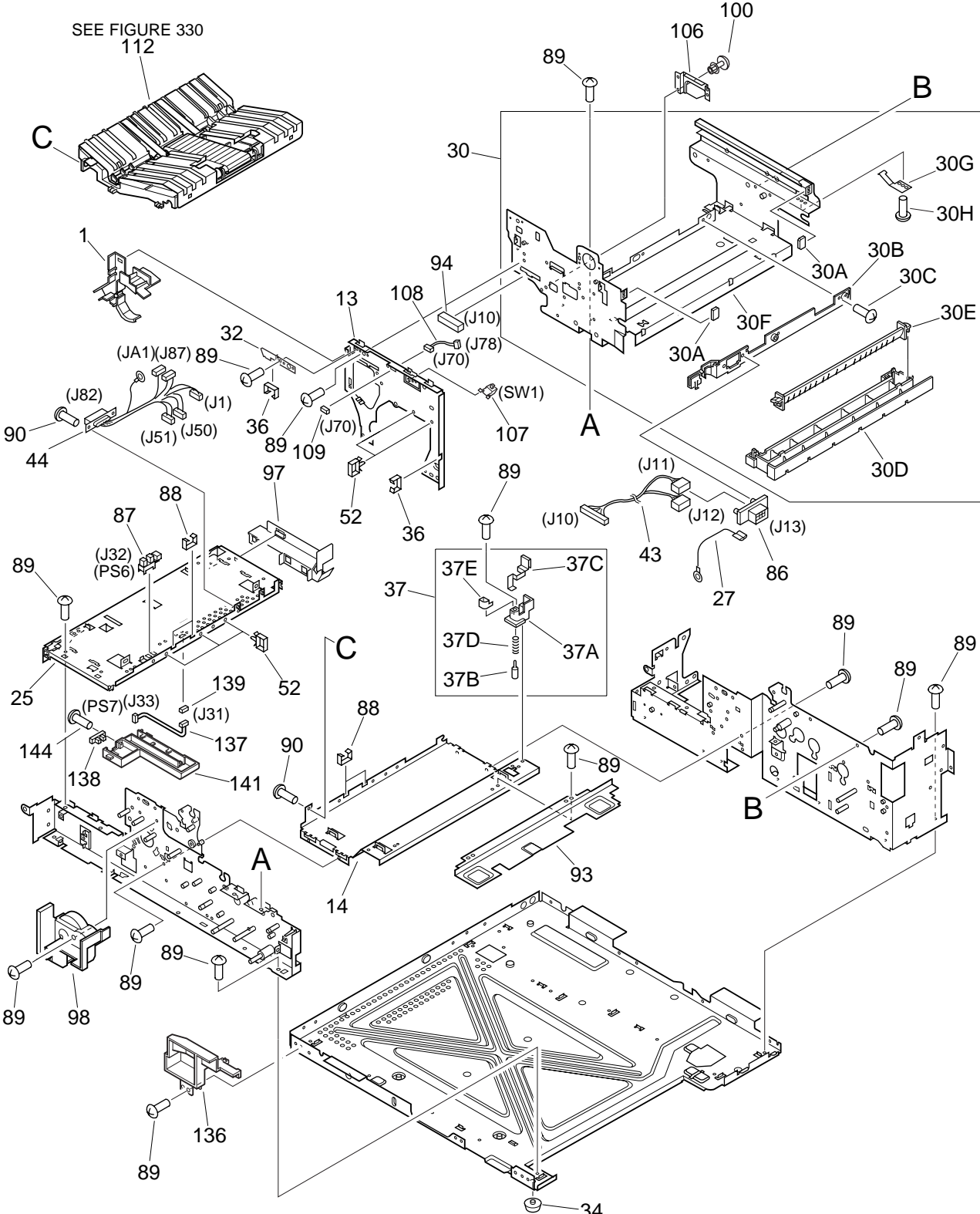


FIGURE 310 PAPER PICK-UP ASS'Y (2/3)

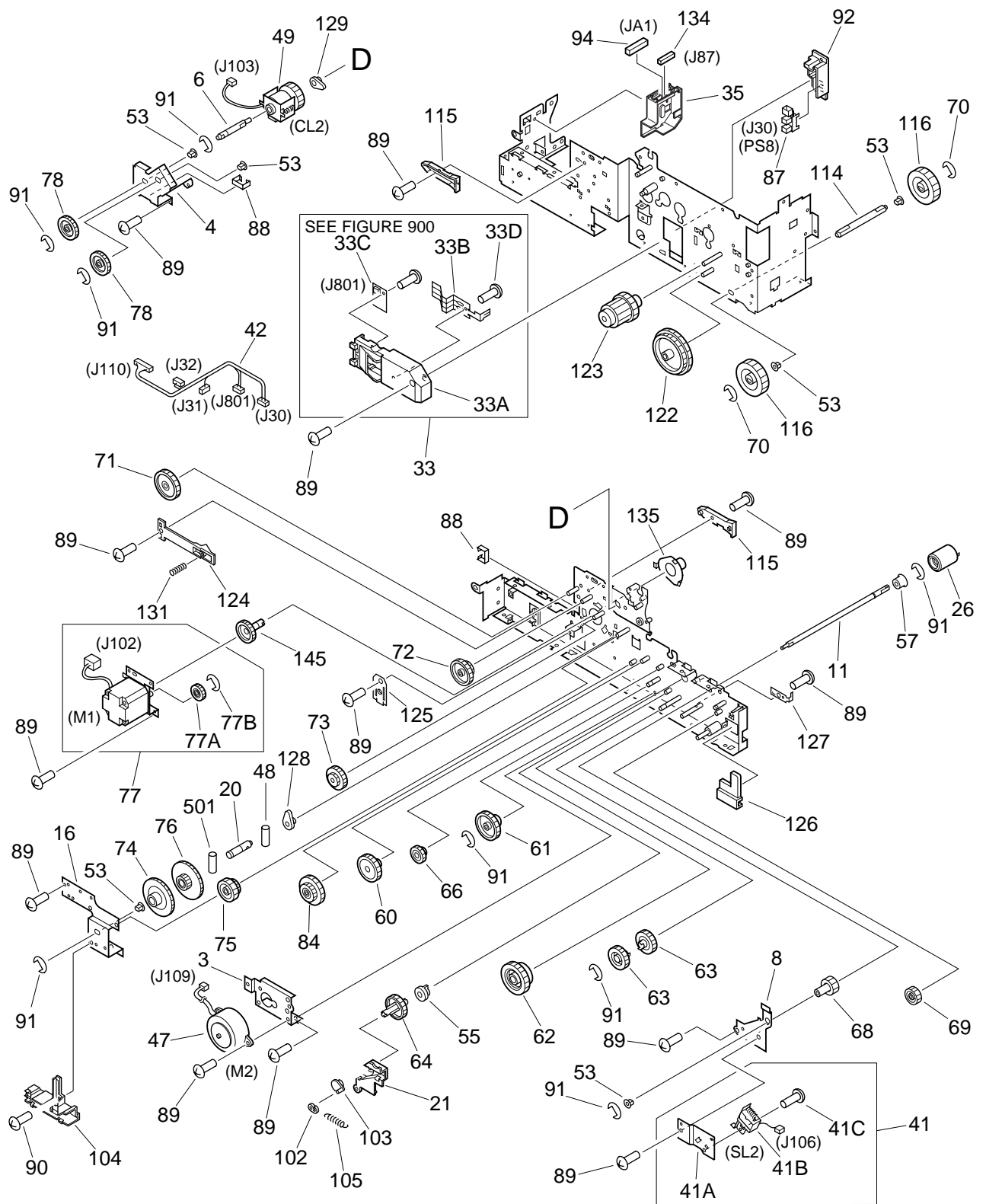


FIGURE & KEY NO.	PART NUMBER	RANK	QTY	DESCRIPTION	SERIAL NUMBER / REMARKS
310 -	NPN		RF	PAPER PICK-UP ASS'Y	
1	RB2-1419-000		1	GUIDE, SUPPORT, LEFT	
2	FS1-1433-000		2	BUSHING	
3	RB2-0519-000		1	BRACKET, MOTOR	
4	RB2-0537-000		1	BRACKET	
5	RB2-0538-000		1	PLATE	
6	RB2-0539-000		1	SHAFT, DRIVE	
7	RS5-1344-000		1	BUSHING	
8	RB2-0541-000		1	PLATE, HOLDER	
9	RB2-0542-000		1	SPRING, TORSION	
10	RB2-0543-000		1	LEVER	
11	RB2-0546-000		1	SHAFT, ROLLER	
12	RB2-0551-000		1	SHAFT	
13	RB2-0557-000		1	PLATE, REINFORCEMENT	
14	RB2-0558-000		1	CROSSMEMBER	
15	RB2-0561-000		2	CLUTCH, ONE-WAY	
16	RB2-0563-000		1	PLATE	
17	RB2-0572-000		1	CLUTCH, ONE-WAY	
18	RB2-0575-000		2	COLLAR	
19	RB2-0576-000		1	LEVER, SENSOR	
20	RB2-0591-000		1	SHAFT, DRIVE	
21	RB2-0601-000		1	GUIDE, GEAR	
22	RB2-0597-000		2	PIN, POSITIONING	
23	RB2-0830-000		2	BUSHING	
24	RB2-0831-000		2	HOLDER, PLATE	
25	RF5-2091-000		1	CROSSMEMBER	
26	RF5-2092-000		1	ROLLER	
27	RG5-3884-000		1	CABLE	
28	RF5-2094-000		1	PLATE, LEFT	
29	RF5-2095-000		1	PLATE, RIGHT	
30	RG5-3205-000		1	RAIL CROSSMEMBER ASS'Y	
30A	RB2-1411-000		2	GUIDE	
30B	RB2-1355-000		1	SPACER, CONNECTOR	
30C	XA9-0924-000		2	SCREW, W/WASHER, M3X8	
30D	RB2-1406-000		1	GUIDE, PAPER	
30E	RB2-1407-000		1	GUIDE	
30F	RB2-1351-000		1	PLATE, RAIL	
30G	RB2-1414-000		1	PLATE, GROUNDING	
30H	XA9-0836-000		1	SCREW, TP, M3X6	
31	RG5-3225-000		1	FRAME ASS'Y	
31A	XA9-0591-000		2	SCREW, M3X8	
31B	RB1-8865-000		4	ROLLER	
31C	RB2-0545-000		1	SHAFT, PICK-UP ROLLER	
31D	RB2-0549-000		2	BUSHING	
32	RB2-0634-000		1	PLATE, HOLD CLUTCH	
33	RG5-3234-000		1	PAPER SIZE SENSOR ASS'Y	
33A	RB2-0548-000		1	COVER, PAPER SIZE SWITCH	
33B	RB2-0552-000		1	SPRING, LEAF	
33C	RG5-3816-000		1	PAPER SIZE SENSOR PCB ASS'Y	SEE FIGURE 900
33D	XA9-0596-000		1	SCREW, M3X6	

FIGURE & KEY NO.	PART NUMBER	RANK	QTY	DESCRIPTION	SERIAL NUMBER / REMARKS
310 -	34		7	FOOT	
	35		1	HOLDER	
	36		6	CLIP, CORD	
	37		1	TRANSFER TERMINAL ASS'Y	
	37A		1	BLOCK	
	37B		1	PIN	
	37C		1	PLATE, CONTACT	
	37D		1	SPRING, COMPRESSION	
	37E		1	BLOCK	
	38		1	SECONDARY TRANSFER CAM ASS'Y	
	38A		2	CAM	
	38B		1	RING, E	
	38C		2	SCREW, W/WASHER, M3X8	
	39		1	DB ASS'Y	
	39A		2	CAM	
	39B		1	RING, E	
	39C		2	SCREW, W/WASHER, M3X8	
	40		1	ICL ASS'Y	
	40A		2	CAM	
	40B		1	RING, E	
	40C		2	SCREW, W/WASHER, M3X8	
	41		1	SOLENOID ASS'Y	
	41A		1	MOUNT, SOLENOID	
	41B		1	SOLENOID	SL2, J106
	41C		1	SCREW, TP, M3X6	
	42		1	CABLE, PAPER FEED	J30-J32, J110, J801
	43		1	DRAWER CABLE, 2	J10-J12
	44		1	FIXING/OPTION CABLE, 2	J1, J50, J51, J82, J87, JA1
	45		1	PAPER FEED PCB ASS'Y	SEE FIGURE 900
	46		1	GROUNDING CABLE	
	47		1	MOTOR, STEPPING	M2, J109
	48		1	PIN, DOWEL	
	49		1	CLUTCH, ELECTROMAGNETIC	CL2, J103
	50		1	CLUTCH, ELECTROMAGNETIC	CL3, J104
	51		1	CLUTCH, ELECTROMAGNETIC	CL4, J105
	52		11	CLIP	
	53		10	BUSHING	
	54		1	GEAR ASS'Y	
	54A		1	RING, E	
	54B		1	SHAFT	
	54C		1	GEAR, 18T	
	55		2	BUSHING	
	56		3	BUSHING	
	57		1	BUSHING	
	58		2	SPRING, TENSION	
	59		1	SPRING, TENSION	
	60		1	GEAR, 35T	
	61		1	GEAR, 37T/14T	
	62		1	GEAR, 30T/16T	
	63		2	GEAR, 27T	

FIGURE & KEY NO.	PART NUMBER	RANK	QTY	DESCRIPTION	SERIAL NUMBER / REMARKS
310 - 64	RS6-0136-000		1	GEAR, 31T	
65	RS6-0137-000		1	GEAR, 26T/18T	
66	RS6-0138-000		1	GEAR, 20T	
67	RS6-0139-000		2	GEAR, 18T	
68	RS6-0140-000		1	GEAR, 18T	
69	RS6-0141-000		1	GEAR, 19T	
70	XD9-0134-000		8	RING, E	
71	RS6-0143-000		1	GEAR, 37T	
72	RS6-0144-000		1	GEAR, 34T/15T	
73	RS6-0145-000		1	GEAR, 29T/17T	
74	RS6-0146-000		1	GEAR, 52T	
75	RS6-0147-000		1	GEAR, 47T	
76	RS6-0148-000		1	GEAR, 18T/52T	
77	RG5-3227-000		1	FIXING MOTOR ASS'Y	M1, J102
77A	RS6-0164-000		1	GEAR, 19T	
77B	XD9-0134-000		1	RING, E	
78	RS6-0150-000		2	GEAR, 29T	
79	RS6-0151-000		1	GEAR, 16T	
80	RS6-0152-000		1	GEAR, 29T	
81	RS6-0153-000		1	GEAR, 49T	
82	RS6-0154-000		1	GEAR, 39T/31T	
83	RS6-0155-000		1	GEAR, 53T	
84	RS6-0163-000		1	GEAR, 24T/37T	
85	XD9-0135-000		3	RING, E	
86	VS1-6174-014		1	CONNECTOR, 14P	J13
87	WG8-5309-000		2	PHOTO-DETECTOR,EE-SX1235A-P2	PS6, PS8, J32, J30
88	WT2-0136-000		6	CLAMP, CORD	
89	XA9-0836-000		56	SCREW, TP, M3X6	
90	XA9-0924-000		4	SCREW, W/WASHER, M3X8	
91	XD9-0136-000		20	RING, E	
92	RB2-1471-000		1	HOLDER, SENSOR	
93	RB2-0625-000		1	PLATE, TONER CATCHER	
94	VS1-5820-014		2	CONNECTOR, 14P	J10, JA1
95	VS1-6173-014		1	CONNECTOR, 14P	J52
96	RB2-0599-000		1	PLATE, REINFORCEMENT	
97	RB2-0598-000		1	GUIDE, CABLE	
98	RB2-1304-000		1	COVER, GEAR	
99	RF5-2138-000		1	PLATE, SUPPORT	
100	XD9-0179-000		2	RIVET	
101	RS5-2800-000		1	SPRING, TENSION	
102	RB1-2190-000		1	COLLAR, SPRING	
103	RB2-0602-000		1	STOP, GEAR	
104	RB2-0603-000		1	GUIDE, CABLE	
105	RS5-2794-000		1	SPRING, TENSION	
106	RB2-1422-000		1	COVER, SWITCH	
107	WC2-5330-000		1	MICROSWITCH	SW1, J78
108	RG5-4651-000		1	ITB CONNECTOR CABLE	J70, J78
109	VS1-5057-002		1	CONNECTOR, 2P	J70
110	RS6-0159-000		1	GEAR, 26T	
111	RG5-3235-000		1	SECONDARY TRANSFER ASS'Y	SEE FIGURE 580

FIGURE & KEY NO.	PART NUMBER	R A N K	Q' T Y	DESCRIPTION	SERIAL NUMBER / REMARKS	
310 -	112		1	FEEDER ASS'Y	SEE FIGURE 330	
	113		1	COVER, GEAR		
	114		1	SHAFT, DRIVE		
	115		2	RAIL, TRAY		
	116		2	GEAR, 17T		
	117		1	HOLDER, RESISTOR		
	118		1	FLANGE		
	119		1	SPRING, TORSION		
	120		1	SPRING, TENSION		
	121		1	GEAR, 20T		
	122		1	GEAR, 53T/46T		
	123		1	GEAR, 18T/14T		
	124		1	BLOCK		
	125		1	PLATE, SUPPORT		
	126		1	GUIDE, CASSETTE		
	127		1	PLATE		
	128		1	BUSHING		
	129		1	BUSHING		
	130		2	CUSHION		
	131		1	SPRING, COMPRESSION		
	132		1	ROWEL SWING ASS'Y		J87
	132A		1	HOLDER, SWING		
	132B		2	HOLDER, ROWEL		
	132C		2	ROWEL		
	133		1	LINK, ROWEL		
	134		1	CONNECTOR, 8P		
	135		1	BUSHING		
	136		1	COVER, PCB		
	137		1	CABLE, DELIVERY SENSOR		
	138		1	IC, PHOTO-INTERRUPTER		
	139		1	CONNECTOR, 3P	J31, J33	
	140		2	COVER, PLATE	PS7, J33	
	141		1	GUIDE, CABLE	J31	
	142		1	PLATE		
	143		1	HOOK, ROWEL		
	144		1	SCREW, M3X12		
	145		1	GEAR, 26T		
	501		1	PIN, SPRING		
	502		1	SCREW, MACH., TRUSS HEAD, M3X4		

FIGURE 315 MP TRAY PAPER PICK-UP ASS'Y

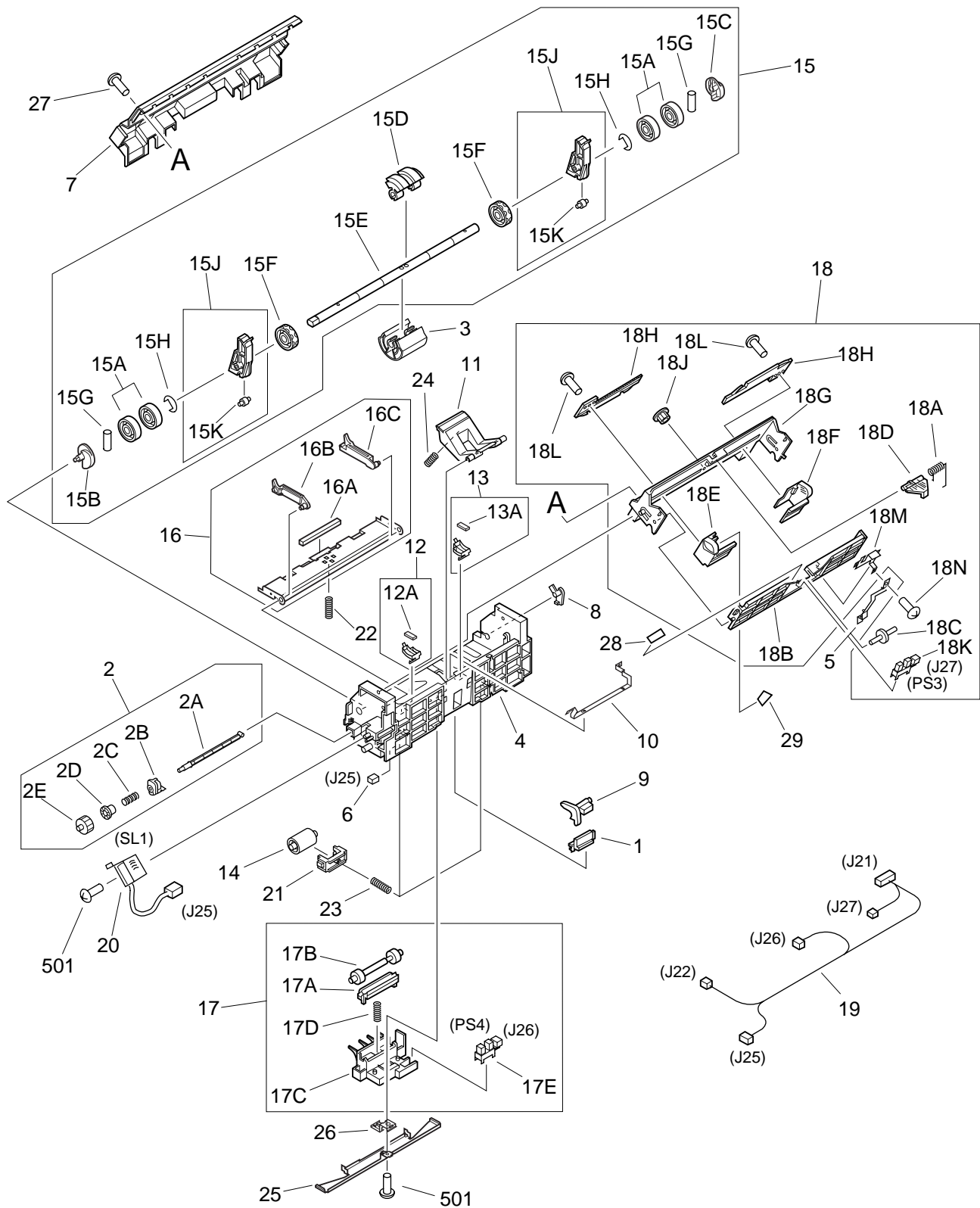


FIGURE & KEY NO.	PART NUMBER	RANK	QTY	DESCRIPTION	SERIAL NUMBER / REMARKS
315 -	RG5-3212-000		1	MP TRAY PAPER PICK-UP ASS'Y	
1	RB1-7183-000		1	HOLDER, LEVER	
2	RG5-3221-000		1	FEEDER GEAR ASS'Y	
2A	RB1-7221-000		1	SHAFT, DRIVE	
2B	RB1-7222-000		1	BUSHING	
2C	RS5-2510-000		1	SPRING, COMPRESSION	
2D	RB2-0733-000		1	RATCHET	
2E	RS6-0206-000		1	GEAR, 24T	
3	RB2-0744-000		1	ROLLER	
4	RB2-0708-000	N	1	FRAME, MULTI-PURPOSE	
5	RB2-0709-000		1	PLATE, GROUNDING	J25
6	VS1-5057-002		1	CONNECTOR, 2P	
7	RB2-1415-000		1	COVER, STAY	
8	RB2-0720-000		1	ARM	
9	RB2-0721-000		1	LEVER	
10	RB2-0743-000		1	PLATE, GROUNDING	
11	RB2-0734-000		1	HOLDER, SEPARATION PAD	
12	RF5-2110-000		1	CASE, PAD, LEFT	
12A	RB2-0727-000		1	PAD	
13	RF5-2111-000		1	CASE, PAD, RIGHT	
13A	RB2-0727-000		1	PAD	
14	RB2-0723-000		2	ROLLER	
15	RG5-3215-000		1	PAPER PICK-UP ROLLER ASS'Y	
15A	RB2-0747-000		4	ROLLER, SUB	
15B	RB2-0714-000		1	CAM, LEFT	
15C	RB2-0715-000		1	CAM, RIGHT	
15D	RB2-0717-000		1	ROLLER	
15E	RB2-0719-000		1	SHAFT	
15F	RB2-0735-000		2	ROLLER	
15G	XD3-2160-142		2	PIN, DOWEL	
15H	XD9-0136-000		2	RING, E	
15J	RG5-3214-000		2	PAPER FEED ROLLER ASS'Y	
15K	RB2-1701-000		1	ROLLER, FEED	
16	RG5-3216-000		1	MIDDLE PLATE ASS'Y	
16A	RB2-1706-000		1	SHEET, SEPARATION	
16B	RB2-0712-000		1	ARM, PLATE, LEFT	
16C	RB2-0711-000		1	ARM, PLATE, RIGHT	
17	RG5-3217-000		1	ROLLER ASS'Y	
17A	RB1-7203-000		1	ARM, PRESSURE	
17B	RB2-0741-000		1	ROLLER	
17C	RB2-0704-000		1	HOLDER	
17D	RS5-2749-000		1	SPRING, COMPRESSION	
17E	WG8-5309-000		1	PHOTO-DETECTOR,EE-SX1235A-P2	PS4, J26
18	RG5-3220-000		1	TRAY ASS'Y	
18A	RB2-0706-000		1	SPRING, TORSION	
18B	RB2-1515-000		1	TRAY, 1	
18C	RB2-0705-000		1	ROLLER	
18D	RB2-0707-000		1	LEVER	
18E	RB2-1517-000		1	BLOCK, SIZE, LEFT	
18F	RB2-1518-000		1	BLOCK, SIZE, RIGHT	

FIGURE & KEY NO.	PART NUMBER	RANK	QTY	DESCRIPTION	SERIAL NUMBER / REMARKS
315 -	18G		1	TRAY	
	18H		2	RACK	
	18J		1	GEAR, 16T	
	18K		1	PHOTO-DETECTOR,EE-SX1235A-P2	PS3, J27
	18L		2	SCREW, M3X6	
	18M		1	PLATE, GROUNDING	
	18N		1	SCREW, M3X8	
	19		1	MP TRAY CABLE	J21, J22, J25-J27
	20		1	SOLENOID	SL1, J25
	21		2	HOLDER	
	22		1	SPRING, COMPRESSION	
	23		2	SPRING, COMPRESSION	
	24		1	SPRING, COMPRESSION	
	25		1	PLATE	
	26		1	PLATE, GROUNDING	
	27		2	SCREW, M3X8	
	28		1	LABEL, "LIMIT"	
	29		1	LABEL, "TRAY"	
	501		2	SCREW,TAPPING,PAN HEAD,M4X10	

FIGURE 330 FEEDER ASS'Y

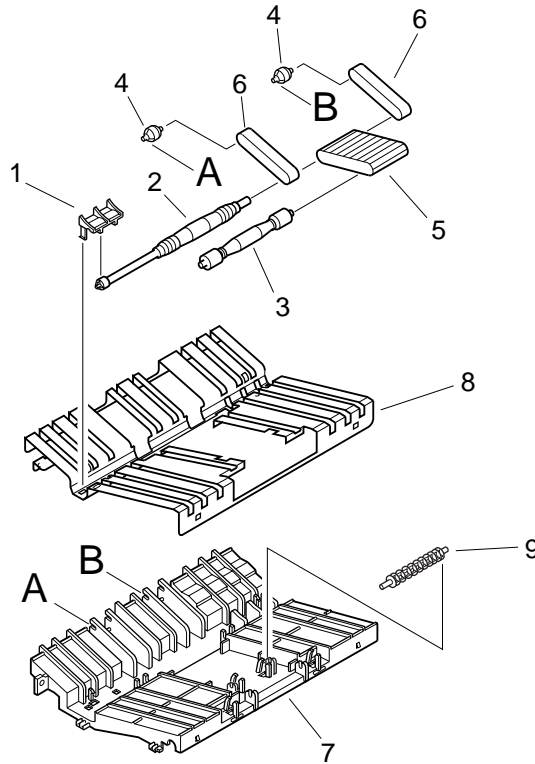


FIGURE & KEY NO.	PART NUMBER	RANK	QTY	DESCRIPTION	SERIAL NUMBER / REMARKS
330 -	RG5-3226-000		1	FEEDER ASS'Y	
1	RB2-0521-000		1	COVER, SHAFT	
2	RB2-0522-000		1	SHAFT, DRIVE	
3	RB2-0523-000		1	SHAFT	
4	RB2-0524-000		2	PULLEY	
5	RB2-0525-000		1	BELT, PAPER FEED	
6	RB2-0526-000		2	BELT, PAPER FEED	
7	RB2-0527-000		1	FRAME	
8	RB2-0528-000		1	PLATE, PAPER FEED	
9	RB2-0620-000		1	SHAFT, DRIVE, 2	

FIGURE 350 FACE-DOWN DELIVERY ASS'Y

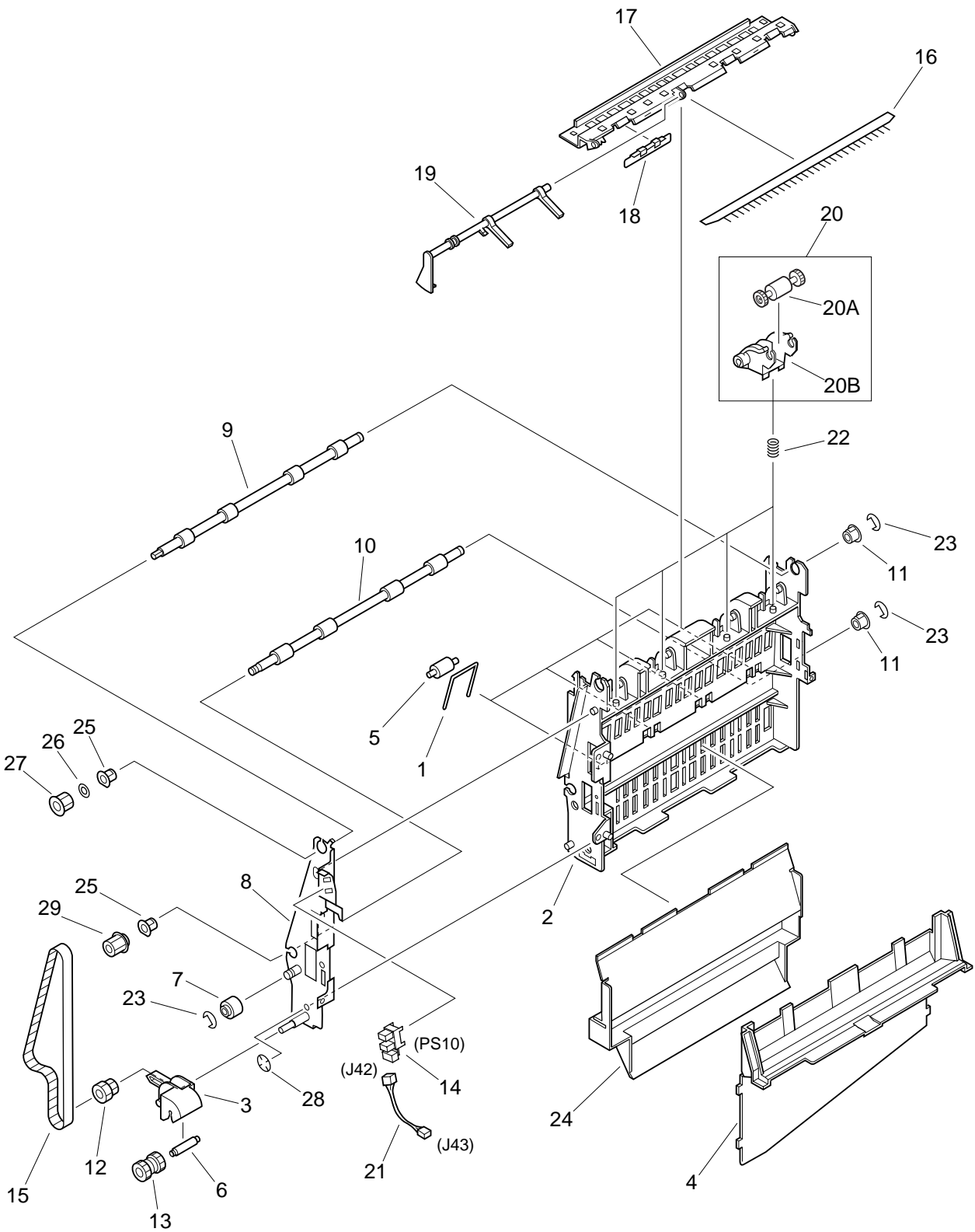


FIGURE & KEY NO.	PART NUMBER	R A N K	Q' T Y	DESCRIPTION	SERIAL NUMBER / REMARKS
350 -	RG5-3337-000		1	FACE-DOWN DELIVERY ASS'Y	
1	RB2-1607-000		4	SPRING, ROLLER	
2	RB2-0461-000		1	GUIDE, PAPER	
3	RB2-0466-000		1	LEVER, SWING	
4	RB2-1534-000		1	TRAY, DELIVERY	
5	RB2-0478-000		4	ROLLER	
6	RB2-0471-000		1	SHAFT	
7	RB2-0473-000		1	ROLLER	
8	RF5-2106-000		1	PLATE, FEED	
9	RB2-0463-000		1	ROLLER, FEED, UPPER	
10	RB2-0477-000		1	ROLLER, FEED, LOWER	
11	RS5-1337-000		2	BUSHING	
12	RS6-0215-000		1	GEAR, 15T/ PULLEY, 15T	
13	RS6-0216-000		1	GEAR, 17T/17T	
14	WG8-5362-000		1	IC, TLP1241, PHOTO-INTERRUPTER	PS10, J42
15	XF9-0643-000		1	BELT, TIMING	
16	RB1-2309-000		1	ELIMINATOR, STATIC CHARGE	
17	RB2-0462-000		1	GUIDE, PAPER	
18	RB2-0472-000		1	PLATE, GROUNDING	
19	RB2-0474-000		1	FLAG, PAPER, SENSOR	
20	RG5-3341-000		4	FD DELIVERY ROLLER ASSY	
20A	RB2-0480-000		1	ROLLER	
20B	RB2-0468-000		1	HOLDER, ROLLER	
21	RG5-3883-000		1	SENSOR CABLE	J42, J43
22	RS5-2806-000		4	SPRING, COMPRESSION	
23	XD9-0135-000		3	RING, E	
24	RB2-0476-000		1	PLATE, PAPER	
25	RS5-1338-000		2	BUSHING	
26	RB2-0470-000		1	FLANGE, PULLEY	
27	RS6-0213-000		1	PULLEY, 12T	
28	X71-3107-000		1	RING, SELF-ENGAGING	
29	RS6-0214-000		1	PULLEY, 11T	

FIGURE 530 ITB ASS'Y

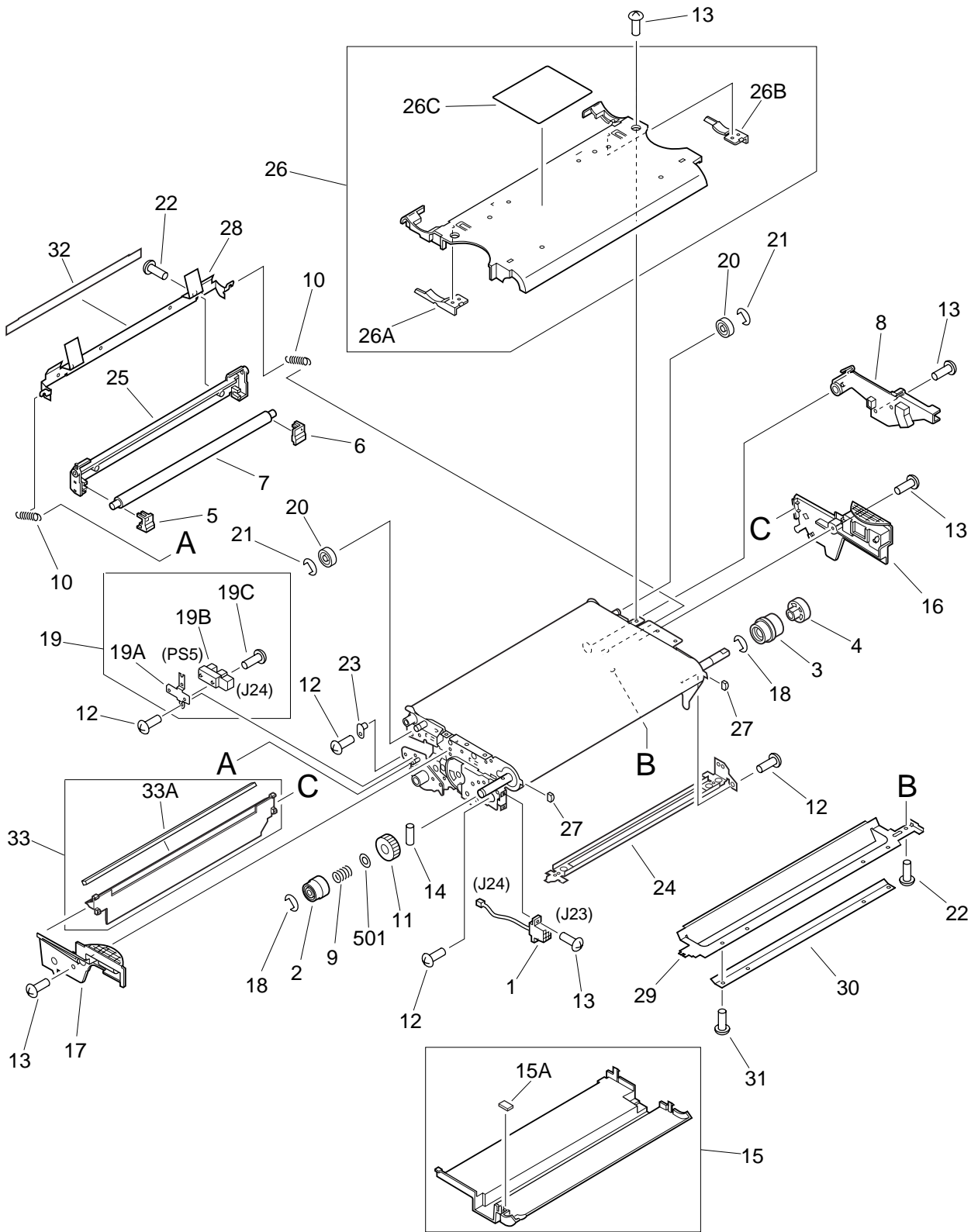


FIGURE & KEY NO.	PART NUMBER	R A N K	Q' T Y	DESCRIPTION	SERIAL NUMBER / REMARKS
350 -	RG5-3337-000		1	FACE-DOWN DELIVERY ASS'Y	
1	RB2-1607-000		4	SPRING, ROLLER	
2	RB2-0461-000		1	GUIDE, PAPER	
3	RB2-0466-000		1	LEVER, SWING	
4	RB2-1534-000		1	TRAY, DELIVERY	
5	RB2-0478-000		4	ROLLER	
6	RB2-0471-000		1	SHAFT	
7	RB2-0473-000		1	ROLLER	
8	RF5-2106-000		1	PLATE, FEED	
9	RB2-0463-000		1	ROLLER, FEED, UPPER	
10	RB2-0477-000		1	ROLLER, FEED, LOWER	
11	RS5-1337-000		2	BUSHING	
12	RS6-0215-000		1	GEAR, 15T/ PULLEY, 15T	
13	RS6-0216-000		1	GEAR, 17T/17T	
14	WG8-5362-000		1	IC, TLP1241, PHOTO-INTERRUPTER	PS10, J42
15	XF9-0643-000		1	BELT, TIMING	
16	RB1-2309-000		1	ELIMINATOR, STATIC CHARGE	
17	RB2-0462-000		1	GUIDE, PAPER	
18	RB2-0472-000		1	PLATE, GROUNDING	
19	RB2-0474-000		1	FLAG, PAPER, SENSOR	
20	RG5-3341-000		4	FD DELIVERY ROLLER ASSY	
20A	RB2-0480-000		1	ROLLER	
20B	RB2-0468-000		1	HOLDER, ROLLER	
21	RG5-3883-000		1	SENSOR CABLE	J42, J43
22	RS5-2806-000		4	SPRING, COMPRESSION	
23	XD9-0135-000		3	RING, E	
24	RB2-0476-000		1	PLATE, PAPER	
25	RS5-1338-000		2	BUSHING	
26	RB2-0470-000		1	FLANGE, PULLEY	
27	RS6-0213-000		1	PULLEY, 12T	
28	X71-3107-000		1	RING, SELF-ENGAGING	
29	RS6-0214-000		1	PULLEY, 11T	

FIGURE 580 SECONDARY TRANSFER ASS'Y

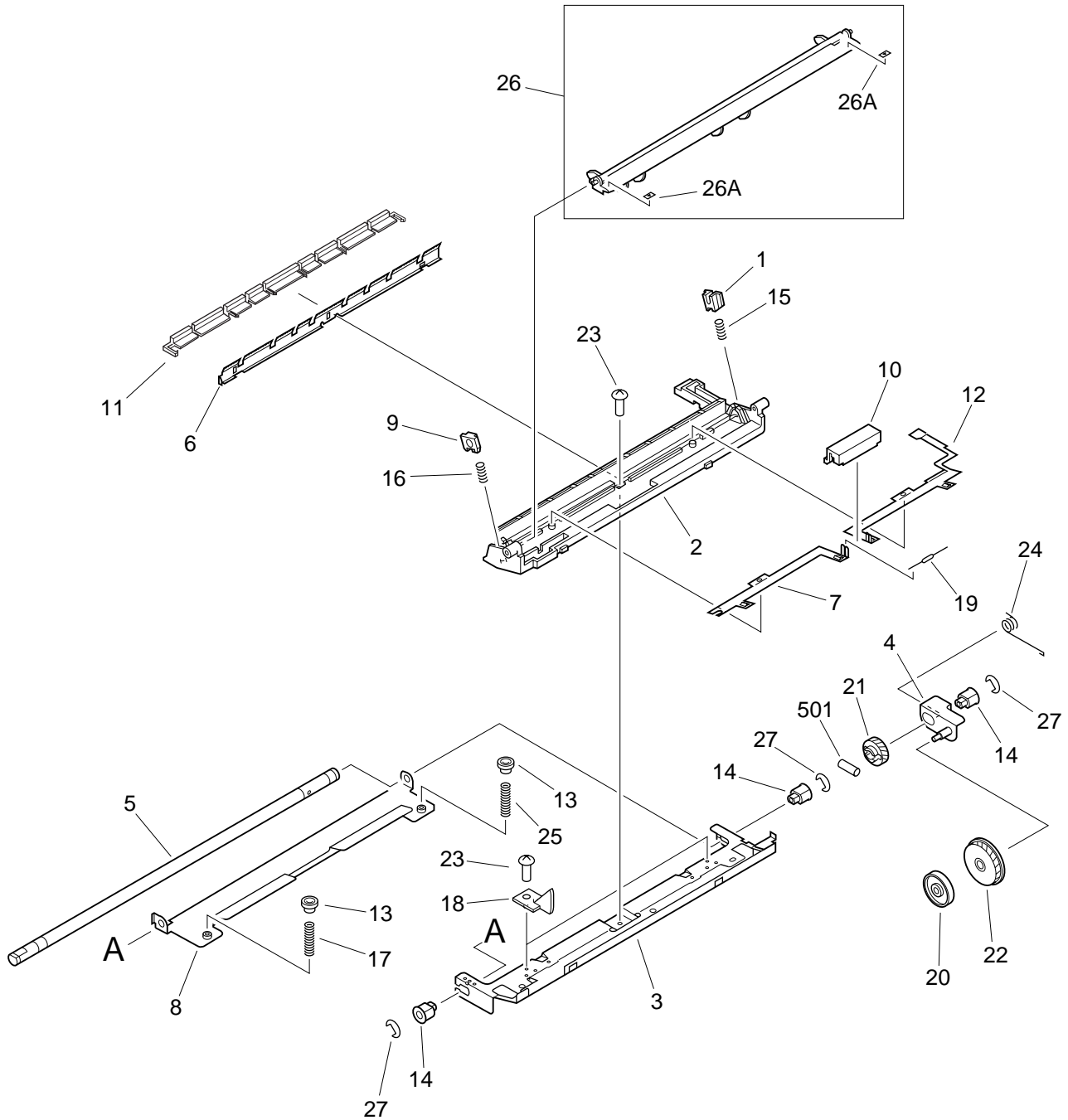


FIGURE & KEY NO.	PART NUMBER	RANK	QTY	DESCRIPTION	SERIAL NUMBER / REMARKS
580 -	RG5-3235-000		1	SECONDARY TRANSFER ASS'Y	
1	RB2-0609-000		1	BUSHING, RIGHT	
2	RB2-0529-000		1	FRAME, TRANSFER	
3	RB2-0531-000		1	PLATE	
4	RF5-2121-000		1	PLATE	
5	RB2-0533-000		1	SHAFT	
6	RB2-0534-000		1	ELIMINATOR, STATIC CHARGE	
7	RB2-0610-000		1	PLATE, CONTACT, LEFT	
8	RB2-0569-000		1	PLATE	
9	RB2-0580-000		1	BUSHING	
10	RB2-1609-000		1	COVER, TERMINAL	
11	RB2-0623-000		1	COVER, STATIC CHAGE ELIMINATOR	
12	RB2-0611-000		1	PLATE, CONTACT, RIGHT	
13	RB2-0606-000		2	CAP, SPRING	
14	RS5-1342-000		3	BUSHING	
15	RS5-2784-000		1	SPRING, COMPRESSION	
16	RS5-2785-000		1	SPRING, COMPRESSION	
17	RS5-2786-000		1	SPRING, COMPRESSION	
18	RB2-0622-000		2	HOLDER, TRANSFER	
19	VR7-5820-103		1	RESISTOR, 10KOHM, 1/2W	
20	RB2-0608-000		1	ROLLER, GEAR	
21	RS6-0160-000		1	GEAR, 24T	
22	RS6-0161-000		1	GEAR, 39T	
23	XA9-0924-000		3	SCREW, W/WASHER, M3X8	
24	RB2-0607-000		1	SPRING, TORSION	
25	RS5-2804-000		1	SPRING, COMPRESSION	
26	RF5-2122-000		1	GUIDE, TRANSFER	
26A	RS5-8913-000		2	LABEL	
27	XD9-0136-000		3	RING, E	
501	XD3-2200-102		1	PIN, DOWEL	

FIGURE 600 DEVELOPING ROTARY ASS'Y

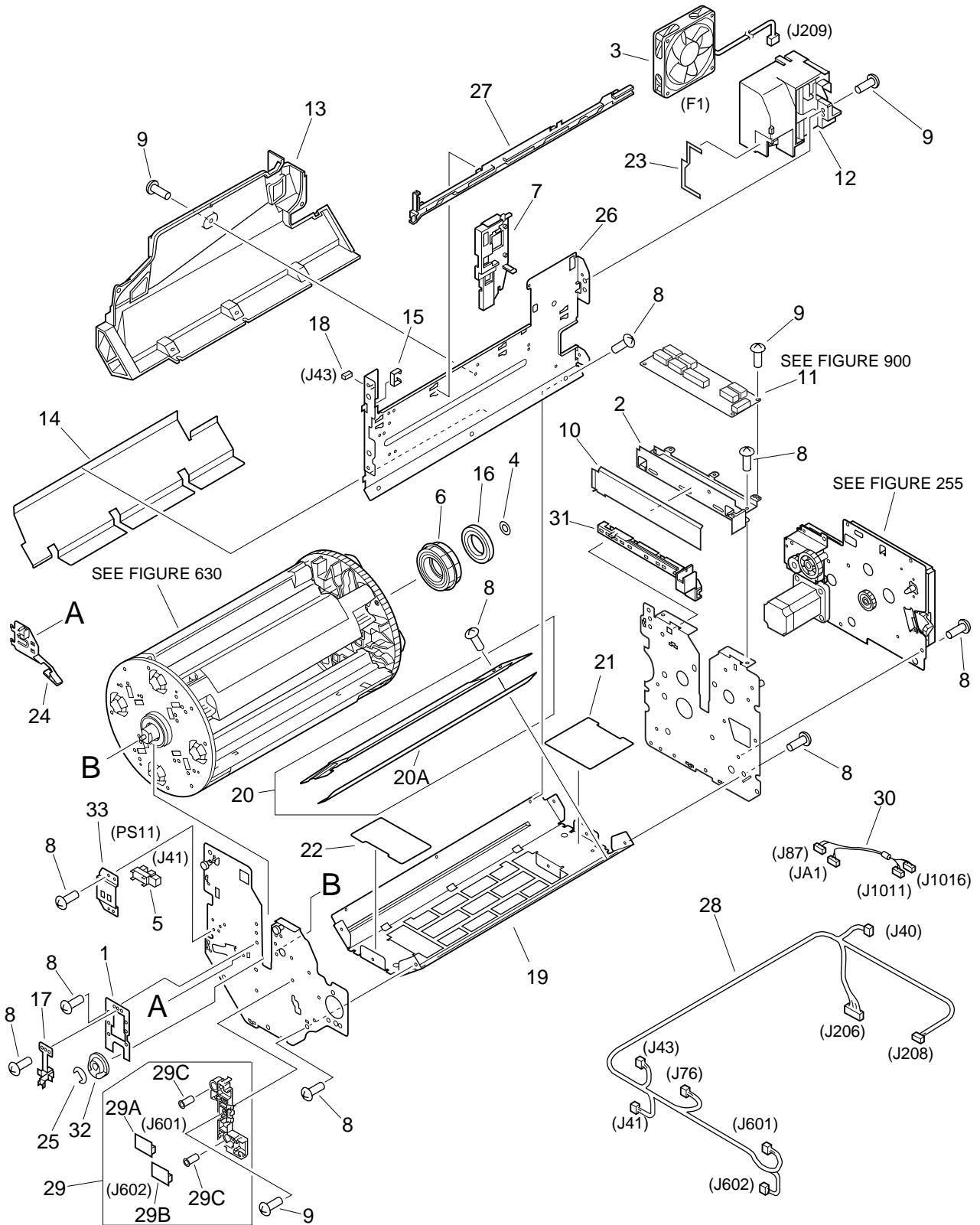


FIGURE & KEY NO.	PART NUMBER	RANK	QTY	DESCRIPTION	SERIAL NUMBER / REMARKS
600 -	NPN		RF	DEVELOPING ROTARY ASS'Y	
1	RB2-0966-000		1	PLATE, ROTARY	
2	RB2-0999-000		1	MOUNT, ROTARY CONTROLLER	
3	RH7-1346-000		1	FAN	F1, J209
4	RS5-6210-000		1	SPACER	
5	WG8-5362-000		1	IC, TLP1241, PHOTO-INTERRUPTER	PS11, J41
6	RS6-0176-000		1	GEAR, 125T	
7	RB2-1280-000		1	HOLDER, FAN	
8	XA9-0836-000		32	SCREW, TP, M3X6	
9	XA9-0924-000		12	SCREW, W/WASHER, M3X8	
10	RB2-0995-000		1	SHEET	
11	RG5-3811-000		1	DEVELOPING PCB ASS'Y	SEE FIGURE 900
12	RB2-1257-000		1	HOLDER, FAN	
13	RB2-1258-000		1	DUCT, FIXING	
14	RB2-1294-000		1	SHEET, DUCT	
15	WT2-5056-000		1	CLIP, CORD	
16	XG9-0361-000		1	BEARING, BALL	
17	RB2-0981-000		1	PLATE, GROUNDING	
18	VS1-5057-003		1	CONNECTOR, 3P	J43
19	RF5-2133-000		1	CROSSMEMBER, LOWER	
20	RF5-2134-000		1	PLATE, ROTARY	
20A	RB2-1032-000		1	SHEET, 2	
21	RB2-1034-000		1	SHEET, 1	
22	RB2-1033-000		1	SHEET, 3	
23	RB2-0977-000		1	SEAL, DUCT	
24	RB2-0985-000		1	GUIDE, CABLE	
25	XD9-0136-000		1	RING, E	
26	RB2-1003-000		1	CROSSMEMBER, SIDE	
27	RB2-1009-000		1	GUIDE, CABLE	
28	RG5-3795-000		1	ROTARY CABLE	J40, J41, J43, J76, J206, J208, J601, J602
29	RG5-3355-000		1	TONER SENSOR ASS'Y	
29A	RG5-3819-000		1	PHOTO EMISSION PCB ASS'Y	
29B	RG5-3820-000		1	PHOTO DETECTION PCB ASS'Y	
29C	RB2-1559-000		2	CAP	
30	RG9-1354-000		1	FIXING CONNECTOR CABLE, 2	J87, J1011, J1016, JA1
31	RB2-1279-000		1	GUIDE, ROTARY	
32	RB2-0982-000		2	CAM, GROUNDING	
33	RB2-0965-000		1	PLATE, SENSOR SUPPORT	

FIGURE 630 ROTARY ASS'Y (1/2)

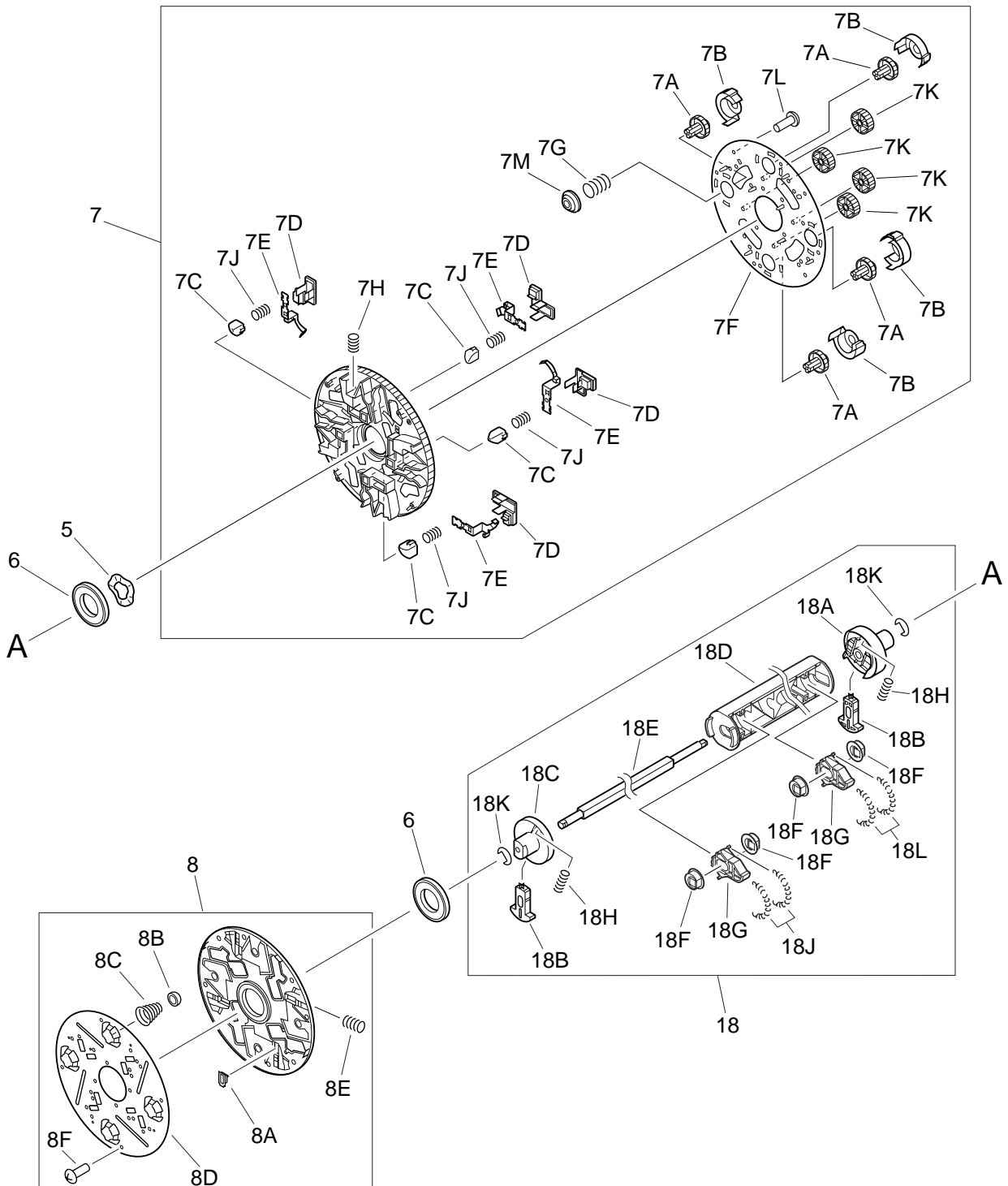


FIGURE 630 ROTARY ASS'Y (2/2)

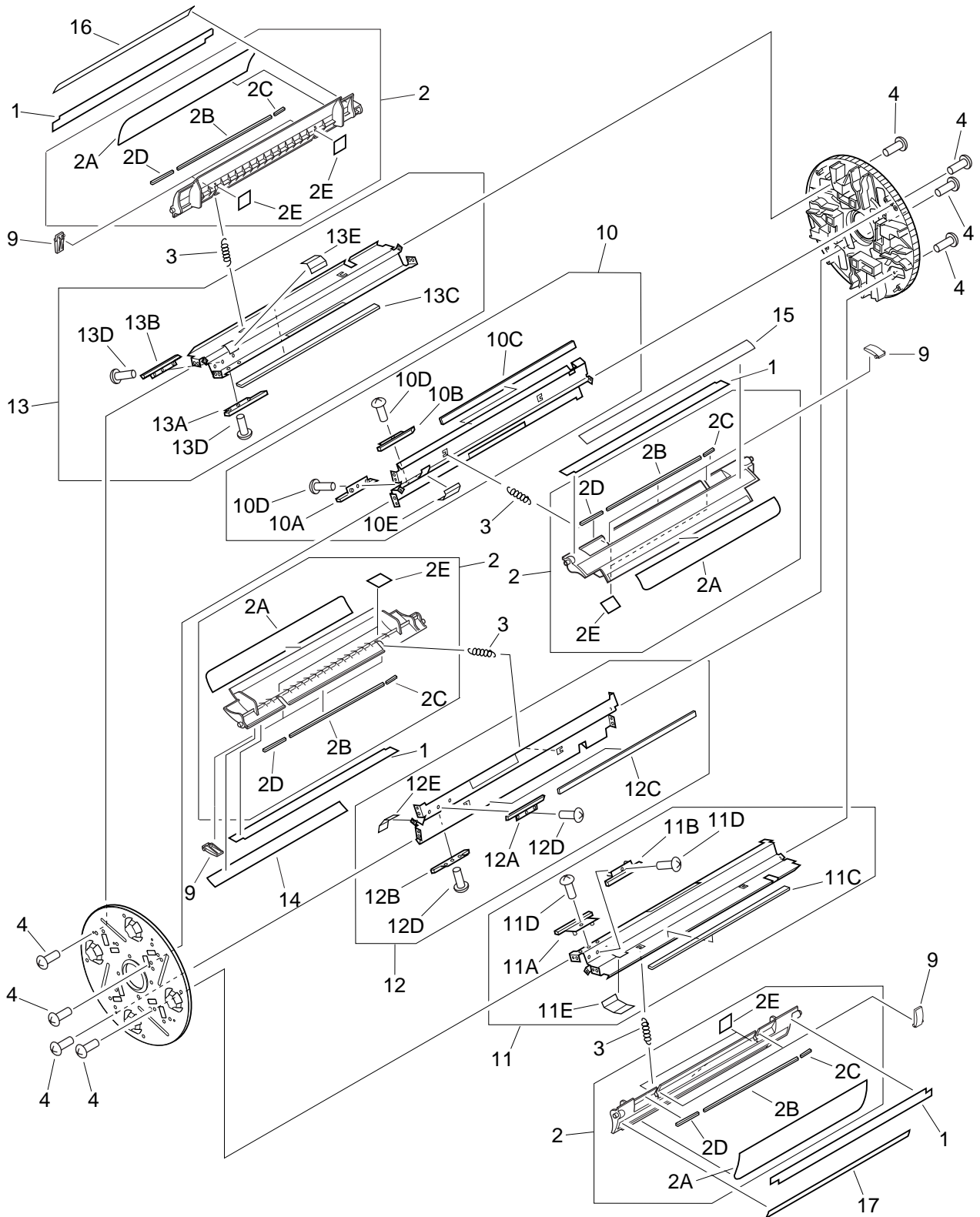


FIGURE & KEY NO.	PART NUMBER	RANK	QTY	DESCRIPTION	SERIAL NUMBER / REMARKS
630 -	RG5-3370-000		1	ROTARY ASS'Y	
1	RB2-0975-000		4	SHEET, COVER	
2	RF5-2056-000		4	COVER	
2A	RB2-0976-000		1	SHEET, COVER	
2B	RB2-0979-000		1	SEAL, RUBBER	
2C	RB2-1035-000		1	SHEET, RIGHT	
2D	RB2-1036-000		1	SHEET, LEFT	
2E	RB2-1037-000		2	SEAL, COVER	
3	RS5-2739-000		8	SPRING, TENSION	
4	XA9-0836-000		24	SCREW, TP, M3X6	
5	XD9-0141-000		1	WASHER, WAVE	
6	XG9-0361-000		2	BEARING, BALL	
7	RG5-3371-000		1	ROTARY RIGHT FLANGE ASS'Y	
7A	RB2-0943-000		4	GEAR, 50T	
7B	RB2-0945-000		4	HOLDER, GEAR	
7C	RB2-0959-000		4	PIN, CONNECTING	
7D	RB2-0960-000		4	HOLDER, CONNECTING PIN	
7E	RB2-0961-000		4	PLATE, CONTACT	
7F	RF5-2055-000		1	PLATE, FLANGE, RIGHT	
7G	RS5-2735-000		4	SPRING, COMPRESSION	
7H	RS5-2736-000		4	SPRING, COMPRESSION	
7J	RS5-2740-000		4	SPRING, COMPRESSION	
7K	RS6-0175-000		4	GEAR, 64T	
7L	XA9-0591-000		4	SCREW, M3X8	
7M	RB2-0980-000		4	BUSHING	
8	RG5-3372-000		1	ROTARY LEFT FLANGE ASS'Y	
8A	RB2-0955-000		4	HOLDER, SPRING	
8B	RB2-0962-000		4	CUP, LIMITTER CARTRIDGE	
8C	RB2-0963-000		4	SPRING, COMPRESSION	
8D	RF5-2057-000		1	PLATE, FLANGE, LEFT	
8E	RS5-2736-000		4	SPRING, COMPRESSION	
8F	XA9-0591-000		4	SCREW, M3X8	
9	RB2-0964-000		8	CAP, COVER	
10	RG5-3374-000		1	MAGENTA CARTRIDGE STAY ASS'Y	
10A	RB2-0956-000		1	GUIDE, LIGHT, IN	
10B	RB2-0957-000		1	GUIDE, LIGHT, OUT	
10C	RB2-0974-000		1	SHEET, CROSSMEMBER	
10D	XA9-0924-000		2	SCREW, W/WASHER, M3X8	
10E	RB2-0978-000		1	SHEET, LIGHT GUIDE	
11	RG5-3375-000		1	CYAN CARTRIDGE STAY ASS'Y	
11A	RB2-0956-000		1	GUIDE, LIGHT, IN	
11B	RB2-0957-000		1	GUIDE, LIGHT, OUT	
11C	RB2-0974-000		1	SHEET, CROSSMEMBER	
11D	XA9-0924-000		2	SCREW, W/WASHER, M3X8	
11E	RB2-0978-000		1	SHEET, LIGHT GUIDE	
12	RG5-3376-000		1	YELLOW CARTRIDGE STAY ASS'Y	
12A	RB2-0956-000		1	GUIDE, LIGHT, IN	
12B	RB2-0957-000		1	GUIDE, LIGHT, OUT	
12C	RB2-0974-000		1	SHEET, CROSSMEMBER	
12D	XA9-0924-000		2	SCREW, W/WASHER, M3X8	

FIGURE & KEY NO.	PART NUMBER	R A N K	Q' T Y	DESCRIPTION	SERIAL NUMBER / REMARKS
630 -	12E		1	SHEET, LIGHT GUIDE	
	13		1	BLACK CARTRIDGE STAY ASS'Y	
	13A		1	GUIDE, LIGHT, IN	
	13B		1	GUIDE, LIGHT, OUT	
	13C		1	SHEET, CROSSMEMBER	
	13D		2	SCREW, W/WASHER, M3X8	
	13E		1	SHEET, LIGHT GUIDE	
	14		1	LABEL, ROTARY, Y	
	15		1	LABEL, ROTARY, M	
	16		1	LABEL, ROTARY, BK	
	17		1	LABEL, ROTARY, C	
	18		1	ROTARY CENTOR GUIDE ASS'Y	
	18A		1	BUSHING, RIGHT	
	18B		2	SLIDER, SIDE	
	18C		1	BUSHING, LEFT	
	18D		1	CROSSMEMBER, CENTER GUIDE	
	18E		1	SHAFT, CENTER	
	18F		4	CAM, PUSH	
	18G		2	SLIDER, PUSH	
	18H		2	SPRING, COMPRESSION	
	18J		2	SPRING, TENSION	
	18K		2	RING, E	
	18L		2	SPRING, TENSION	

FIGURE 810 FIXING ASS'Y (1/2)

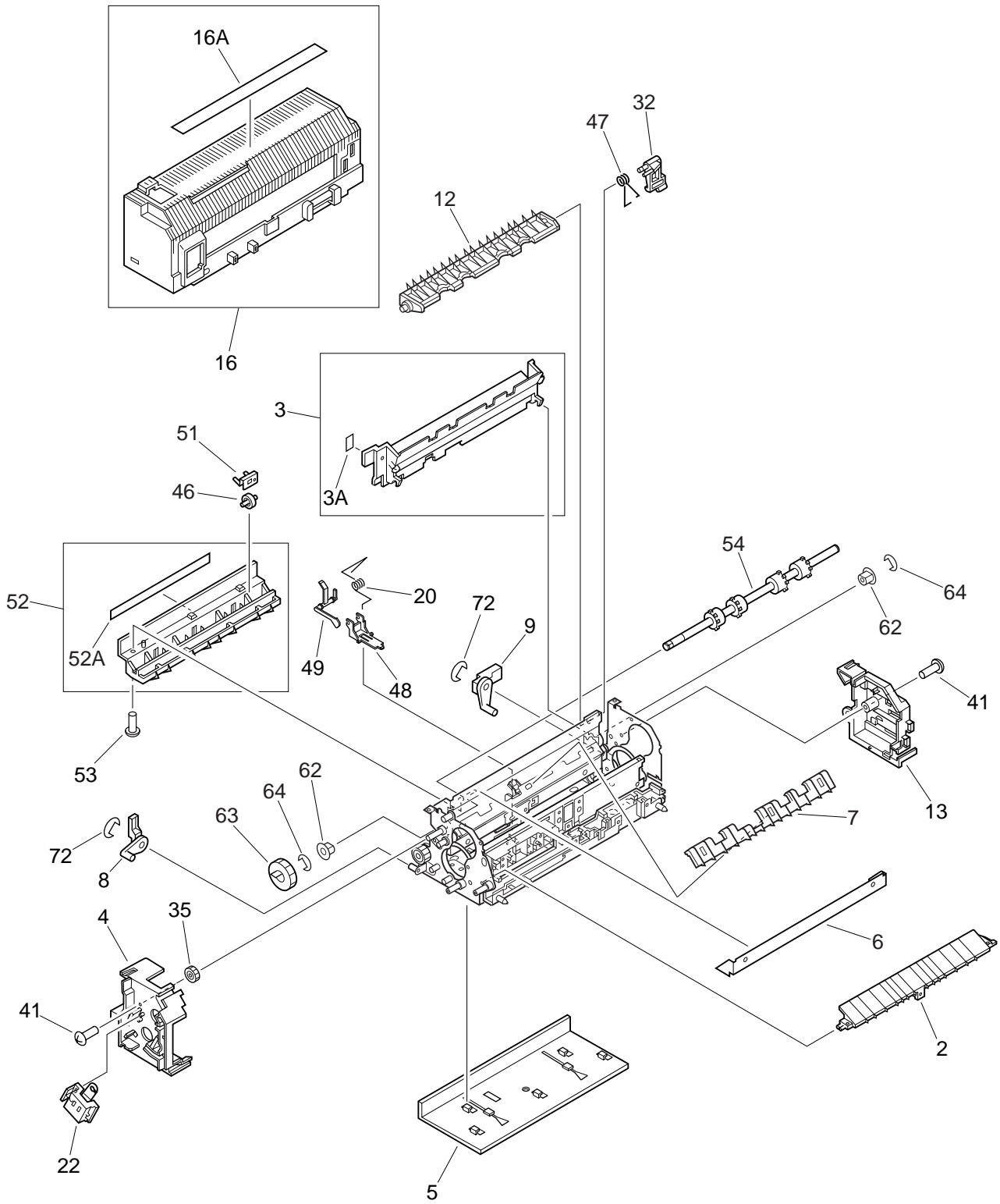


FIGURE 810 FIXING ASS'Y (2/2)

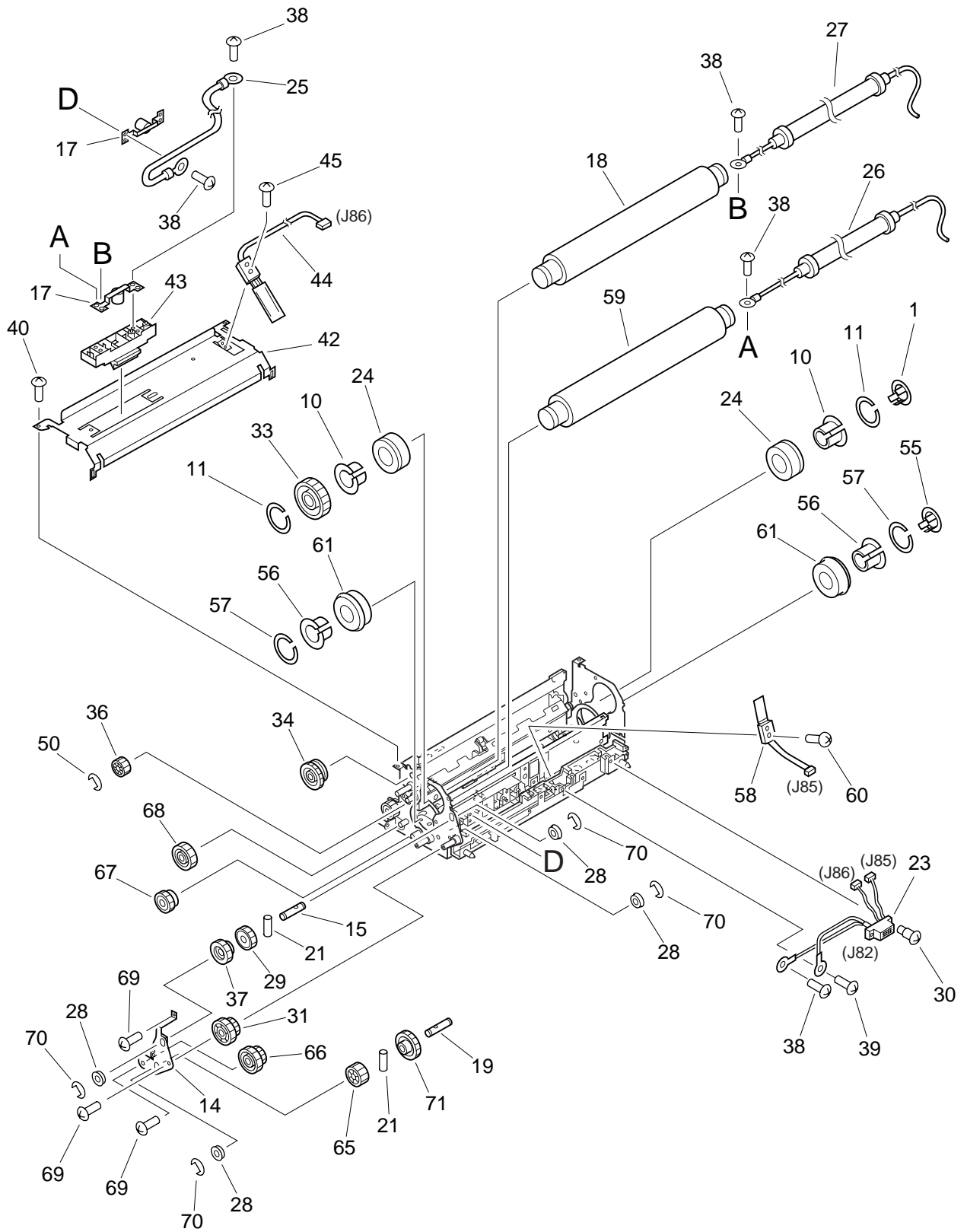


FIGURE & KEY NO.	PART NUMBER	RANK	QTY	DESCRIPTION	SERIAL NUMBER / REMARKS
810 -	RG5-3250-050		1	FIXING ASS'Y	100-127V
	RG5-3251-050		1	FIXING ASS'Y	220-240V
1	RB2-0427-000		1	RING, GROUNDING	
2	RB2-0434-000		1	GUIDE, PAPER ENTRANCE	
3	RF5-2104-000		1	GUIDE, LOWER	
3A	RS5-8908-000		1	LABEL	
4	RB2-0439-000		1	COVER, LEFT	
5	RB2-0442-000		1	COVER, BOTTOM	
6	RS5-8909-000		1	LABEL, "CAUTION"	
7	RB2-0436-000		1	GUIDE, LOWER	
8	RB2-0450-020		1	LEVER, LOCK, LEFT	
9	RB2-0451-020		1	LEVER, LOCK, RIGHT	
10	RB2-0453-000		2	BUSHING	
11	XD2-3100-202		2	RING,C,EXTERNAL	
12	RB2-0444-000		1	DEFLECTOR	
13	RF5-2099-000		1	COVER, RIGHT	
14	RB2-0459-000		1	PLATE, SUPPORTING	
15	RB2-0488-000		1	SHAFT, ONE-WAY	
16	RF5-2103-000		1	COVER, UPPER	
16A	RS5-8591-000		1	LABEL, CAUTION	
17	RH7-7092-000		2	THERMOSWITCH	
18	RB2-0419-000		1	ROLLER, FIXING	
19	RB2-0489-000		1	SHAFT, ONE-WAY	
20	RB2-0497-000		1	SPRING, TORSION	
21	XD9-0104-000		2	PIN, DOWEL	
22	RG5-3262-000		1	HEATER HOLDER ASS'Y	
23	RG5-3800-000		1	FIXING CABLE	100-120V, J82-J86
	RG5-3801-000		1	FIXING CABLE	220-240V, J82-J86
24	XG9-0373-000		2	BEARING, BALL	
25	RG5-3880-000		1	FIXING CABLE, 2	
26	RH7-4116-000		1	HEATER, HALOGEN, 1	100-120V
	RH7-4112-000		1	HEATER, HALOGEN, 1	220-240V
27	RH7-4118-000		1	HEATER, HALOGEN, 2	100-120V
	RH7-4114-000		1	HEATER, HALOGEN, 2	220-240V
28	RS5-1343-000		4	BUSHING	
29	RS6-0198-000		1	GEAR, 23T	
30	RS1-9004-000		2	SCREW, STEPPED	
31	RS6-0217-000		1	GEAR, 20T/27T	
32	RB2-0445-000		1	LEVER, FLAPPER	
33	RS6-0195-000		1	GEAR, 41T	
34	RS6-0197-000		1	GEAR, 27T	
35	RS6-0199-000		1	GEAR, 23T	
36	RS6-0200-000		1	GEAR, 14T	
37	RS6-0218-000		1	GEAR, 23T	
38	XA9-0924-000		5	SCREW, W/WASHER, M3X8	
39	XA9-0500-000		1	SCREW, W/WASHER, M3X6	
40	XA9-0836-000		5	SCREW, TP, M3X6	
41	RF5-0716-000		3	SCREW, STEPPED, W/WASHER, M3	
42	RB2-0425-000		1	CROSSMEMBER	
43	RB2-0438-000		1	HOLDER, THERMOSWITCH	

FIGURE & KEY NO.	PART NUMBER	RANK	QTY	DESCRIPTION	SERIAL NUMBER / REMARKS
810 - 44	RH7-7090-000		1	THERMISTOR ASS'Y	J86
45	XA9-0923-000		1	SCREW, W/WASHER, M3X10	
46	RB2-0452-000		4	ROLLER	
47	RB2-0454-000		1	SPRING, TORSION	
48	RB2-0495-020		1	HOLDER, FLAG	
49	RB2-0494-000		1	FLAG, SENSOR	
50	XD9-0135-000		1	RING, E	
51	RB2-0456-000		4	HOLDER, ROLLER	
52	RF5-2100-000		1	GUIDE, DELIVERY, UPPER	
52A	RS5-8380-000		1	LABEL, "CAUTION"	
53	RF5-0716-000		1	SCREW, STEPPED, W/WASHER, M3	
54	RB2-0421-000		1	ROLLER, DELIVERY	
55	RB2-0427-000		1	RING, GROUNDING	
56	RB2-0453-000		2	BUSHING	
57	XD2-3100-202		2	RING,C,EXTERNAL	
58	RH7-7090-000		1	THERMISTOR ASS'Y	J85
59	RB2-0420-000		1	ROLLER, PRESSURE	
60	XA9-0923-000		1	SCREW, W/WASHER, M3X10	
61	XG9-0373-000		2	BEARING, BALL	
62	RS5-1331-000		2	BUSHING	
63	RS6-0196-000		1	GEAR, 15T	
64	XD9-0135-000		2	RING, E	
65	RS6-0220-000		1	GEAR, 17T	
66	RS6-0221-000		1	GEAR, 26T	
67	RS6-0222-000		1	GEAR, 21T	
68	RS6-0223-000		1	GEAR, 27T	
69	XA9-0836-000		2	SCREW, TP, M3X6	
70	XD9-0136-000		4	RING, E	
71	RS6-0219-000		1	GEAR, 28T	
72	XD9-0136-000		2	RING, E	

FIGURE 900 PCB ASS'Y LOCATION DIAGRAM

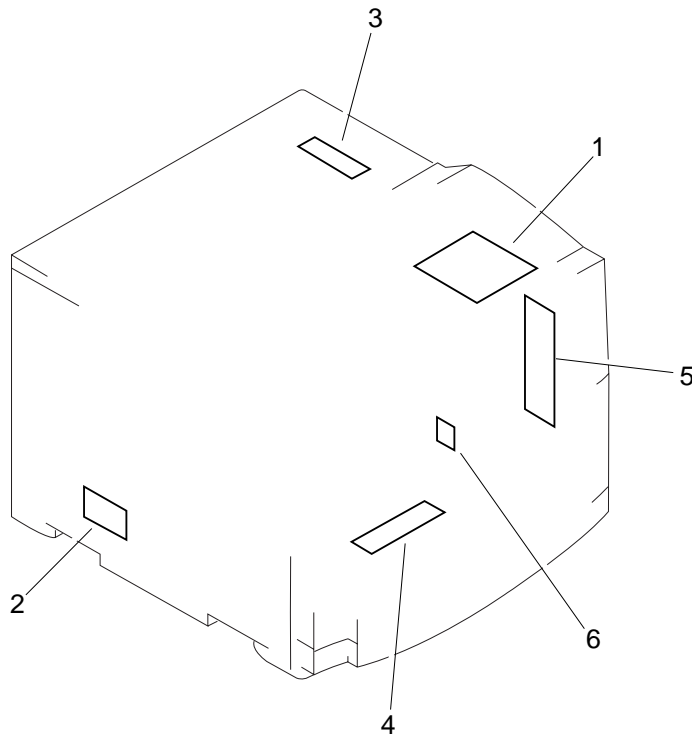


FIGURE & KEY NO.	PART NUMBER	RANK	QTY	DESCRIPTION	SERIAL NUMBER / REMARKS
900 -	NPN		RF	PCB ASS'Y LOCATION DIAGRAM	
1	RG5-3809-020		1	DC CONTROLLER PCB ASS'Y	
2	RG5-3810-000		1	PAPER FEED PCB ASS'Y	
3	RG5-3811-000		1	DEVELOPING PCB ASS'Y	
4	RG5-3812-000		1	MULTI-PURPOSE TRAY PCB ASS'Y	
5	RG5-3817-000		1	CONNECTOR PCB ASS'Y	
6	RG5-3816-000		1	PAPER SIZE SENSOR PCB ASS'Y	

DUPLEX UNIT

DUPLEX UNIT
[R96-5006]

FIGURE SA ASSEMBLY LOCATION DIAGRAM

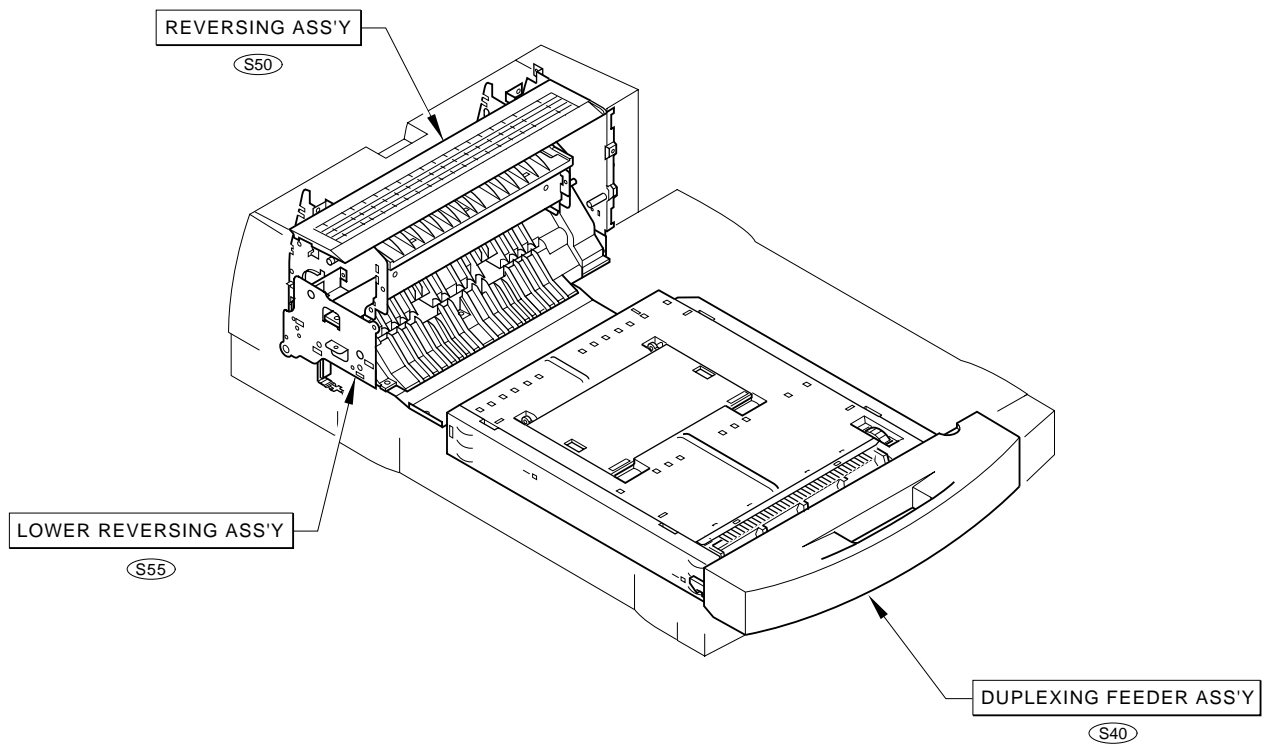


FIGURE S11 DUPLEX UNIT MAIN BODY (1/2)

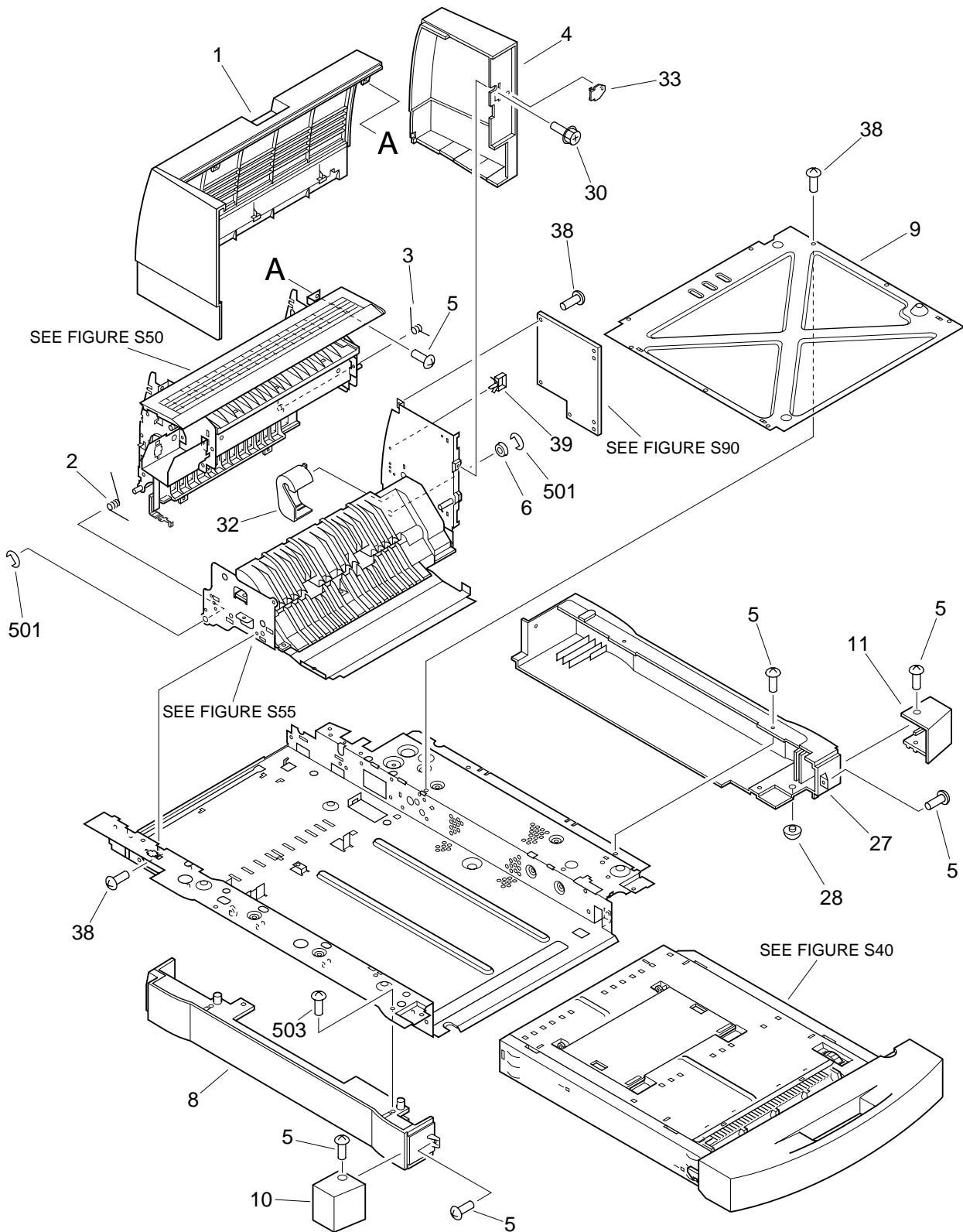


FIGURE S11 DUPLEX UNIT MAIN BODY (2/2)

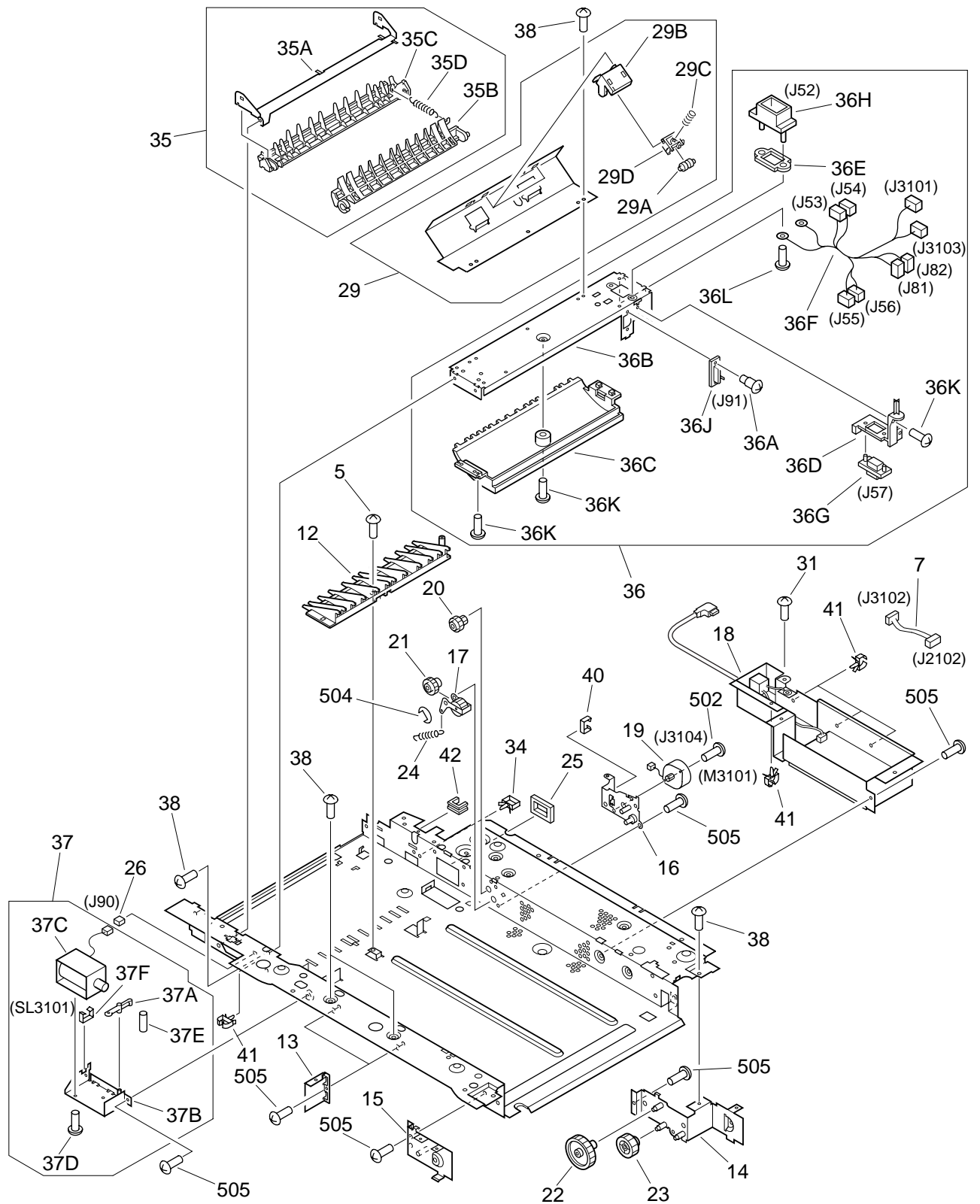


FIGURE & KEY NO.	PART NUMBER	RANK	QTY	DESCRIPTION	SERIAL NUMBER / REMARKS
S11 -	NPN		RF	DUPLEX UNIT MAIN BODY	
1	RB2-2719-000		1	COVER, REAR	
2	RB2-2614-000		1	SPRING, TORSION	
3	RB2-2615-000		1	SPRING, TORSION	
4	RB2-2662-000		1	COVER, RIGHT	
5	XA9-0924-000		10	SCREW, W/WASHER, M3X8	
6	RS1-1053-000		1	BUSHING	
7	RG5-4065-000		1	POWER SUPPLY CABLE	J2102, J3102
8	RB2-2660-000		1	COVER, LEFT UNDER	
9	RB2-2637-000		1	COVER	
10	RB2-2646-000		1	COVER, FRONT, LEFT	
11	RB2-2647-000		1	COVER, FRONT, RIGHT	
12	RB2-2624-000		1	GUIDE, LOWER	
13	RB2-2639-000		2	PLATE, REINFORCEMENT	
14	RF5-2581-000		1	PLATE, REINFORCEMENT, 3	
15	RF5-2582-000		1	PLATE, REINFORCEMENT, 6	
16	RF5-2583-000		1	PLATE, DRIVE	
17	RF5-2584-000		1	PLATE, PAPER FEED	
18	RH3-2202-000		1	POWER SUPPLY ASS'Y	
19	RH7-1371-000		1	MOTOR, STEPPING	M3101, J3104
20	RS6-0415-000		1	GEAR, 14T/27T	
21	RS6-0419-000		1	GEAR, 23T	
22	RS6-0420-000		1	GEAR, 31T	
23	RS6-0421-000		1	GEAR, 17T	
24	RS6-2005-000		1	SPRING, TENSION	
25	WT2-5061-000		1	SUPPORT, CABLE	
26	VS1-5057-002		1	CONNECTOR, 2P	J90
27	RB2-2661-000		1	COVER, RIGHT, UNDER	
28	XH9-0103-000		1	FOOT	
29	RG5-4043-000		1	ROLLER STAY ASS'Y	
29A	RB2-0469-000		2	ROLLER	
29B	RB2-2656-000		2	HOLDER	
29C	RS6-2001-000		2	SPRING, COMPRESSION	
29D	RB2-2599-000		2	HOLDER, ROLLER	
30	XA9-0824-000		1	SCREW, RS, M3X10	
31	XA9-0650-000		1	SCREW, M3X6	
32	RB2-2657-000		1	COVER, GEAR	
33	RB2-2658-000		1	COVER	
34	WT2-0499-000		1	CLIP, CABLE	
35	RG5-4045-000		1	DEFLECTOR ASS'Y	
35A	RB2-2648-000		1	MOUNT, HOLDER	
35B	RB2-2649-000		1	DEFLECTOR	
35C	RB2-2650-000		1	COVER, REAR, LOWER	
35D	RS6-2006-000		1	SPRING, TENSION	
36	RG5-4040-000		1	CONNECTOR STAY ASS'Y	
36A	RS5-9120-000		2	SCREW, STEPPED, M2.6	
36B	RB2-2620-000		1	PLATE	
36C	RB2-2623-000		1	GUIDE	
36D	RB2-2642-000		1	HOLDER, CONNECTOR	
36E	RB2-2643-000		1	SPACER	

FIGURE & KEY NO.	PART NUMBER	R A N K	Q' T Y	DESCRIPTION	SERIAL NUMBER / REMARKS
S11 -	36F		1	CONNECTOR CABLE	J53-J56, J81, J82, J3101, J3103
	36G		1	CONNECTOR, 14P	J57
	36H		1	CONNECTOR, 14P	J52
	36J		1	CONNECTOR, 14P, MALE	J91
	36K		5	SCREW, W/WASHER, M3X8	
	36L		1	SCREW, TP, M3X6	
	37		1	SOLENOID MOUNT ASS'Y	
	37A		1	LEVER, PRESSURE RELEASE	
	37B		1	MOUNT, SOLENOID	
	37C		1	SOLENOID	SL3101, J90
	37D		2	SCREW, MACH., TRUSS HEAD, M3X4	
	37E		1	PIN, SPRING	
	37F		1	CLIP, CORD	
	38		36	SCREW, TP, M3X6	
	39		1	CLIP, CABLE	
	40		1	CLAMP, CABLE	
	41		6	CLIP, CABLE	
	42		1	CLIP, WIRE	
	501		2	RING, E	
	502		2	SCREW, MACH., TRUSS HEAD, M3X6	
	503		2	SCREW, TAPPING, PAN HEAD, M4X10	
	504		1	RING, E	
	505		11	SCREW, TP, M3X4	

FIGURE S40 DUPLEXING FEEDER ASS'Y (1/2)

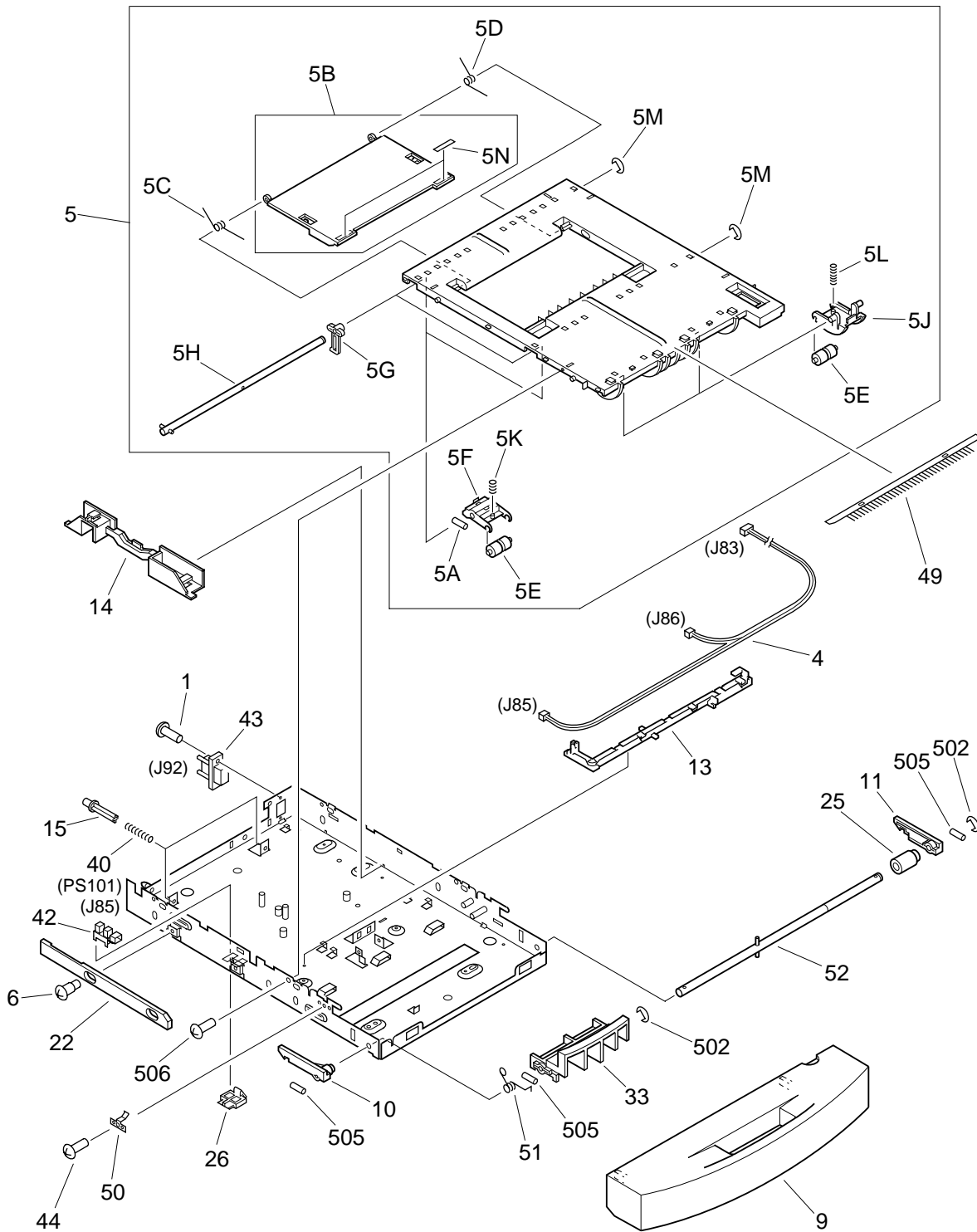


FIGURE S40 DUPLEXING FEEDER ASS'Y (2/2)

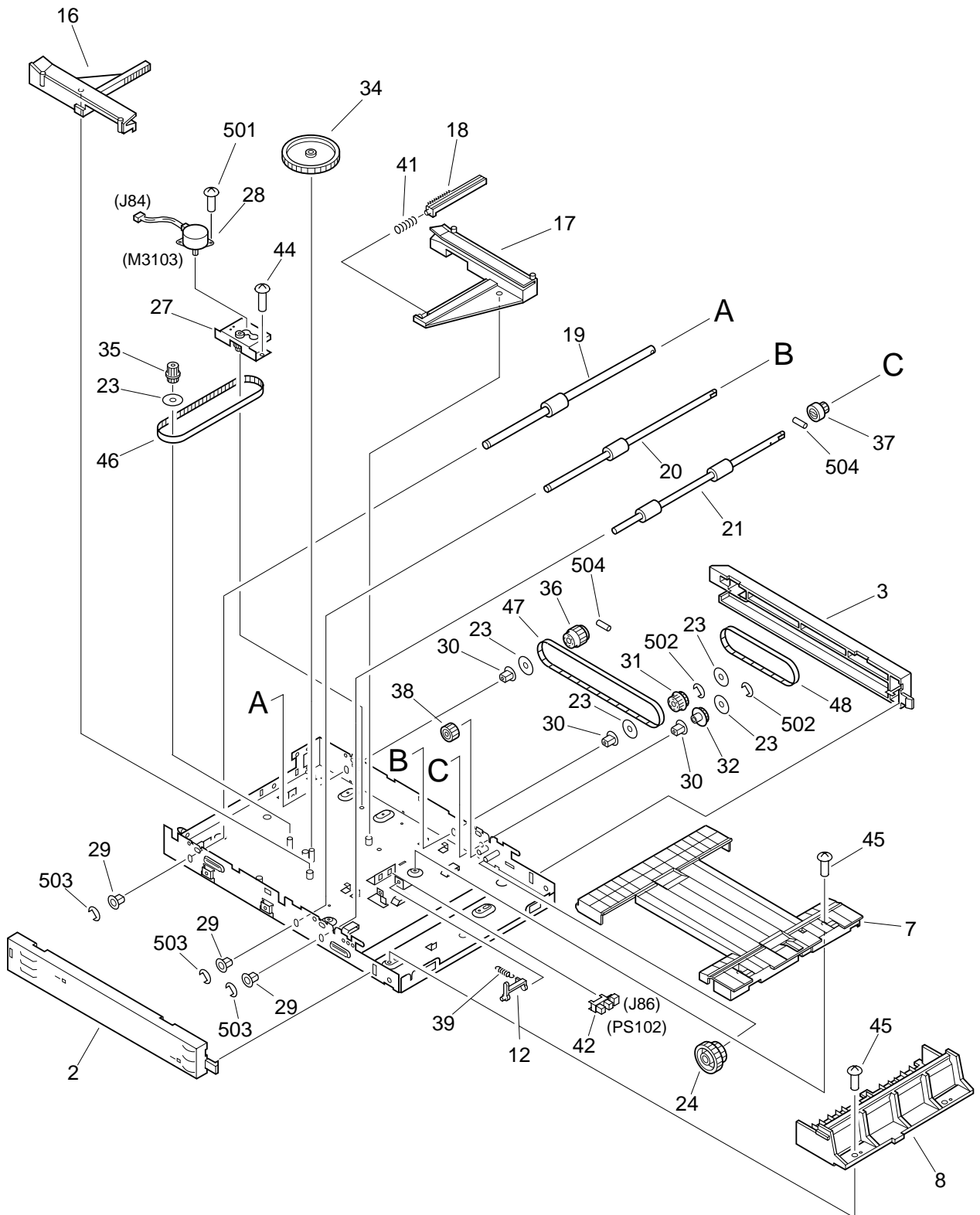


FIGURE & KEY NO.	PART NUMBER	RANK	QTY	DESCRIPTION	SERIAL NUMBER / REMARKS
S40 -	RG5-4058-000		1	DUPLEXING FEEDER ASS'Y	
1	XA9-0259-000		2	SCREW, MACH., TRUSS HEAD, M3X8	
2	RB2-2674-000		1	COVER, LEFT	
3	RB2-2675-000		1	COVER, RIGHT	
4	RG5-4068-000		1	PAPER FEED CABLE	J83, J85, J86
5	RG5-4052-000		1	FEEDER GUIDE ASS'Y	
5A	XD3-2160-182		2	PIN, DOWEL	
5B	RF5-2596-000		1	GUIDE	
5C	RB2-2671-000		1	SPRING, TORSION	
5D	RB2-2672-000		1	SPRING, TORSION	
5E	RB2-2693-000		4	ROLLER	
5F	RB2-2694-000		2	HOLDER, ROLLER	
5G	RB2-2695-000		2	CAM	
5H	RB2-2696-000		2	SHAFT	
5J	RB2-2698-000		2	HOLDER, ROLLER	
5K	RS6-2013-000		2	SPRING, COMPRESSION	
5L	RS6-2014-000		2	SPRING, COMPRESSION	
5M	XD2-1100-402		2	RING, E	
5N	RB2-2718-000		2	LABEL	
6	FS1-9102-000		2	SCREW, STEPPED, M3	
7	RB2-2667-000		1	GUIDE	
8	RB2-2668-000		1	GUIDE	
9	RB2-2703-000		1	COVER, FRONT	
10	RB2-2679-000		1	HOOK, LEFT	
11	RB2-2680-000		1	HOOK, RIGHT	
12	RB2-2682-000		1	FLAG, SENSOR	
13	RB2-2683-000		1	HOLDER, CABLE	
14	RB2-2684-000		1	HOLDER, CABLE	
15	RB2-2686-000		2	ROD	
16	RB2-2687-000		1	GUIDE, SIDE POSITIONING	
17	RB2-2688-000		1	GUIDE, SIDE POSITIONING	
18	RB2-2689-000		1	BLOCK, RACK	
19	RB2-2690-000		1	ROLLER, A	
20	RB2-2691-000		1	ROLLER, B	
21	RB2-2692-000		1	ROLLER, SK	
22	RB2-2697-000		1	LEVER	
23	RB2-2700-000		5	FLANGE	
24	RB2-2701-000		1	GEAR, 34T	
25	RB2-2702-000		1	SPACER	
26	RB2-2705-000		1	COVER, SENSOR	
27	RF5-2595-000		1	MOUNT, MOTOR	
28	RH7-1372-000		1	MOTOR, STEPPING	M3103, J84
29	RS1-1014-000		3	BUSHING	
30	RS1-1053-000		3	BUSHING	
31	RS5-3175-000		1	PULLEY	
32	RS5-3176-000		1	PULLEY	
33	RB2-2704-000		1	LEVER	
34	RS6-0430-000		1	GEAR, 17T/114T	
35	RS6-0431-000		1	GEAR, 16T/18T	
36	RS6-0432-000		1	GEAR, 18T/23T	

FIGURE & KEY NO.	PART NUMBER	R A N K	Q' T Y	DESCRIPTION	SERIAL NUMBER / REMARKS
S40 - 37	RS6-0433-000		1	GEAR, 15T	
38	RS6-0434-000		1	GEAR, 22T	
39	RS6-2010-000		1	SPRING, TENSION	
40	RS6-2011-000		2	SPRING, COMPRESSION	
41	RS6-2012-000		1	SPRING, COMPRESSION	
42	WG8-5309-000		2	PHOTO-DETECTOR,EE-SX1235A-P2	PS101, PS102, J85, J86
43	WS6-5091-000		1	CONNECTOR, 14P, MALE	J92
44	XA9-0836-000		2	SCREW, TP, M3X6	
45	XA9-0924-000		4	SCREW, W/WASHER, M3X8	
46	XF9-0653-000		1	BELT, TIMING	
47	XF9-0654-000		1	BELT, TIMING	
48	XF9-0655-000		1	BELT, TIMING	
49	RB1-2309-000		1	ELIMINATOR, STATIC CHARGE	
50	RB2-2706-000		1	PLATE, GROUNDING	
51	RB2-2677-000		1	SPRING, TORSION	
52	RB2-2681-000		1	SHAFT	
501	XB1-2300-605		2	SCREW,MACH.,TRUSS HEAD,M3X6	
502	XD2-1100-402		4	RING, E	
503	XD2-1100-502		3	RING, E	
504	XD3-2160-122		2	PIN, DOWEL	
505	XD3-2160-142		3	PIN, DOWEL	
506	XB4-7401-007		5	SCREW,TAPPING,PAN HEAD,M4X10	

FIGURE S50 REVERSING ASS'Y

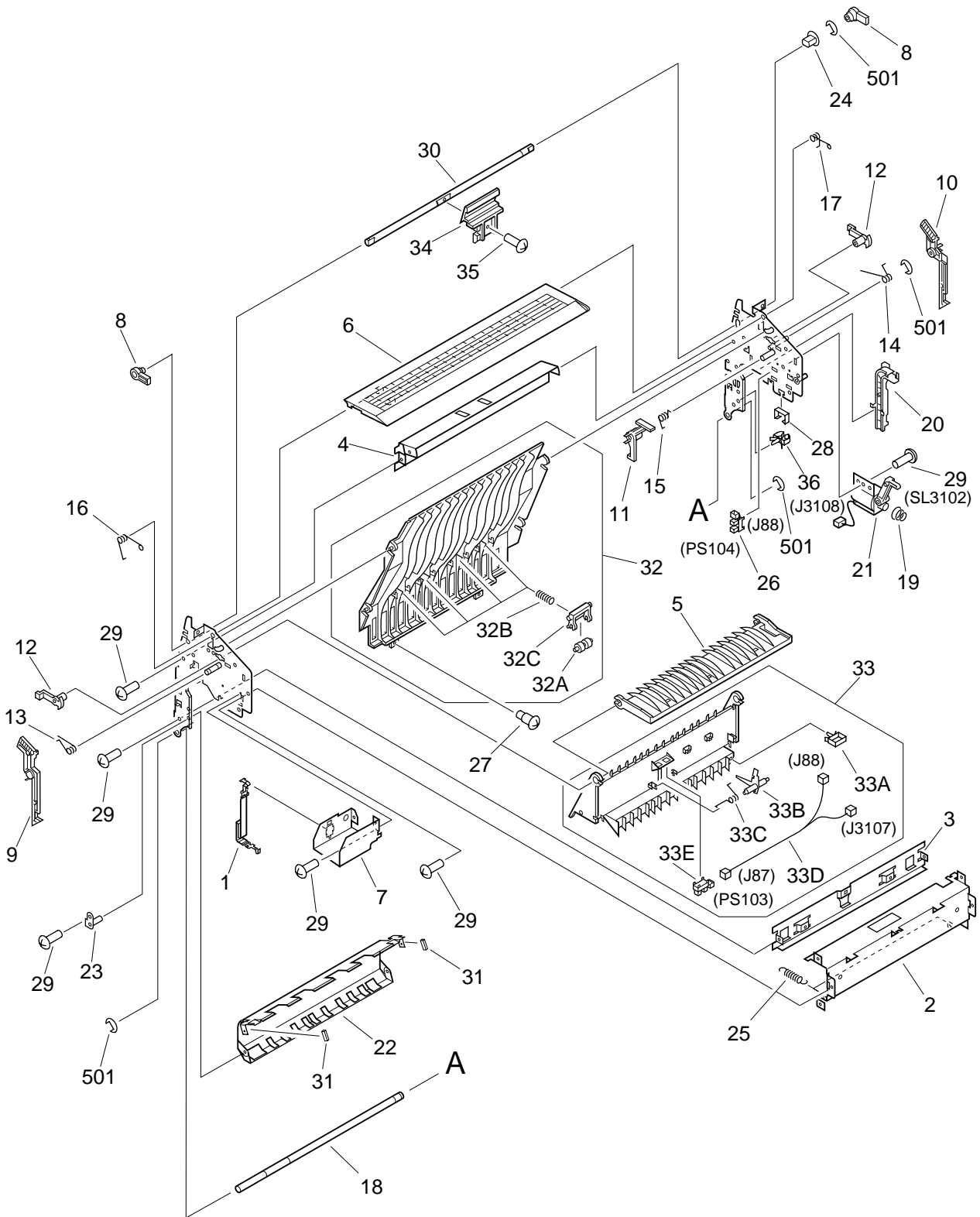


FIGURE & KEY NO.	PART NUMBER	RANK	QTY	DESCRIPTION	SERIAL NUMBER / REMARKS
S50 -	RG5-4030-000		1	REVERSING ASS'Y	
1	RB2-2724-000		1	STRAP, COVER SUPPORT	
2	RB2-2583-000		1	PLATE	
3	RB2-2584-000		1	STAY	
4	RB2-2585-000		1	STAY, REAR	
5	RB2-2586-000		1	GUIDE, PAPER	
6	RB2-2721-000		1	COVER, GUIDE	
7	RB2-2728-000		1	PLATE, COVER	
8	RB2-2594-000		2	CAM	
9	RB2-2597-000		1	LATCH, LEFT	
10	RB2-2598-000		1	LATCH, RIGHT	
11	RB2-2601-000		1	FLAG, SENSOR	
12	RB2-2605-000		2	SUPPORT, GUIDE	
13	RB2-2608-000		1	SPRING, TORSION	
14	RB2-2609-000		1	SPRING, TORSION	
15	RB2-2610-000		1	SPRING, TORSION	
16	RB2-2612-000		1	SPRING, TORSION	
17	RB2-2613-000		1	SPRING, TORSION	
18	RB2-2717-000		1	SHAFT	
19	RB2-2729-000		1	SPRING, COMPRESSION	
20	RB2-2603-000		1	GUIDE, CABLE	
21	RF5-2576-000		1	SOLENOID	SL3102, J3108
22	RB2-2606-000		1	GUIDE, PAPER	
23	RF5-2578-000		1	SHAFT, GUIDE	
24	RS1-1053-000		1	BUSHING	
25	RS6-2002-000		2	SPRING, TENSION	
26	WG8-5309-000		1	PHOTO-DETECTOR,EE-SX1235A-P2	PS104, J88
27	RF5-0090-000		2	SCREW, STEPPED, M3	
28	WT2-5056-000		1	CLIP, CORD	
29	XA9-0836-000		16	SCREW, TP, M3X6	
30	RB2-2593-000		1	SHAFT	
31	RB2-2716-000		2	SPACER	
32	RG5-4024-000		1	GUIDE ASS'Y	
32A	RB2-0469-000		4	ROLLER	
32B	RS6-2001-000		4	SPRING, COMPRESSION	
32C	RB2-2599-000		4	HOLDER, ROLLER	
33	RG5-4022-000		1	REVERSING GUIDE ASS'Y	
33A	WT2-5026-000		1	CLIP, CABLE	
33B	RB2-2602-000		1	FLAG, SENSOR	
33C	RB2-2611-000		1	SPRING, TORSION	
33D	RG5-4066-000		1	CABLE	J87, J88, J3107
33E	WG8-5309-000		1	PHOTO-DETECTOR,EE-SX1235A-P2	PS103, J87
34	RB2-2720-000		1	LATCH	
35	XA9-0924-000		1	SCREW, W/WASHER, M3X8	
36	WT2-0387-000		1	CLAMP	
501	XD2-1100-502		4	RING, E	

FIGURE S55 LOWER REVERSING ASS'Y

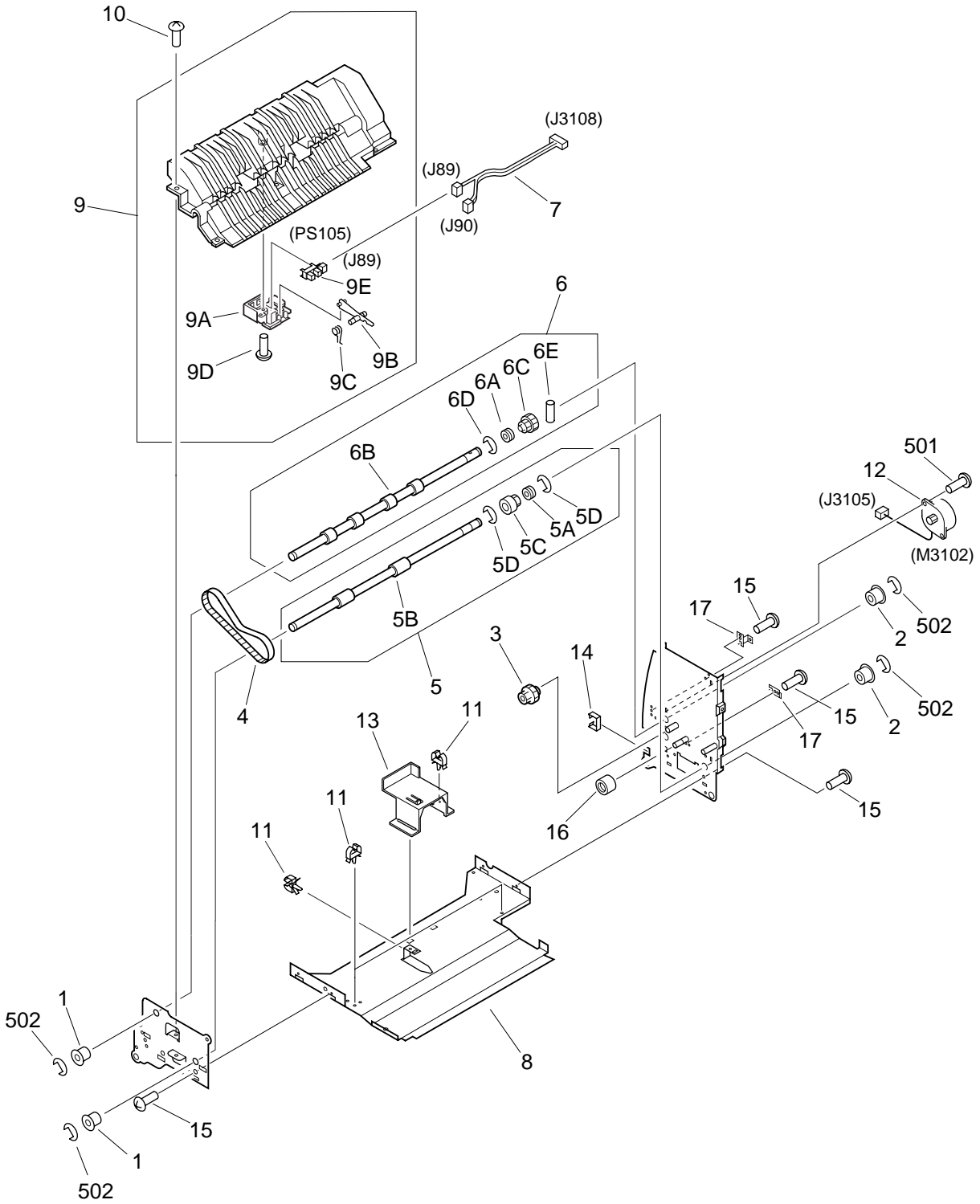


FIGURE & KEY NO.	PART NUMBER	R A N K	Q' T Y	DESCRIPTION	SERIAL NUMBER / REMARKS
S55 -	RG5-4033-000		1	LOWER REVERSING ASS'Y	
1	RS1-1014-000		2	BUSHING	
2	RS1-1053-000		2	BUSHING	
3	RS6-0415-000		1	GEAR, 14T/27T	
4	XF9-0652-000		1	BELT, TIMING	
5	RG5-4036-000		1	ROLLER 2 ASS'Y	
5A	RB1-2303-000		1	FLANGE, PULLEY	
5B	RB2-2621-000		1	ROLLER, 2	
5C	RS5-3177-000		1	PULLEY	
5D	XD2-1100-402		2	RING, E	
6	RG5-4037-000		1	ROLLER 4 ASS'Y	
6A	RB1-2303-000		1	FLANGE, PULLEY	
6B	RB2-2622-000		1	ROLLER, 4	
6C	RS6-0416-000		1	GEAR, 14T/23T	
6D	XD2-1100-402		1	RING, E	
6E	XD3-2200-122		1	PIN, DOWEL	
7	RG5-4067-000		1	PAPER GUIDE CABLE	J89, J90, J3108
8	RB2-2619-000		1	CROSSMEMBER, GUIDE, LOWER	
9	RG5-4038-000		1	PAPER GUIDE ASS'Y	
9A	RB2-2631-000		1	HOLDER, SENSOR	
9B	RB2-2632-000		1	FLAG, SENSOR	
9C	RB2-2633-000		1	SPRING, TORSION	
9D	XB4-7400-609		1	SCREW, TAPPING, TRUSS HEAD, M4X6	
9E	WG8-5309-000		1	PHOTO-DETECTOR, EE-SX1235A-P2	PS105, J89
10	XA9-0924-000		4	SCREW, W/WASHER, M3X8	
11	WT2-5026-000		5	CLIP, CABLE	
12	RH7-1370-000		1	MOTOR, STEPPING	M3102, J3105
13	RB2-2659-000		1	GUIDE	
14	WT2-0204-000		1	CLIP, CABLE	
15	XA9-0836-000		6	SCREW, TP, M3X6	
16	RB2-2641-000		1	ROLLER	
17	RB2-2654-000		2	MOUNT, PCB	
501	XB1-2300-605		2	SCREW, MACH., TRUSS HEAD, M3X6	
502	XD2-1100-502		4	RING, E	

FIGURE S90 PCB ASS'Y LOCATION DIAGRAM

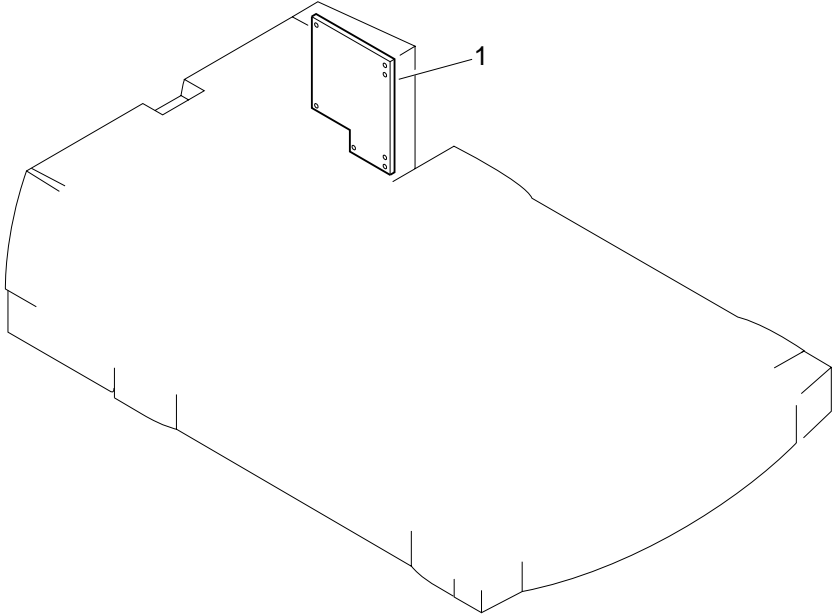


FIGURE & KEY NO.	PART NUMBER	RANK	QTY	DESCRIPTION	SERIAL NUMBER / REMARKS
S90 - 1	NPN RG5-4063-000		RF 1	PCB ASS'Y LOCATION DIAGRAM DUPLEX DRIVER PCB ASS'Y	

PAPER FEEDER

PAPER FEEDER
[R96-5005]

FIGURE EA ASSEMBLY LOCATION DIAGRAM

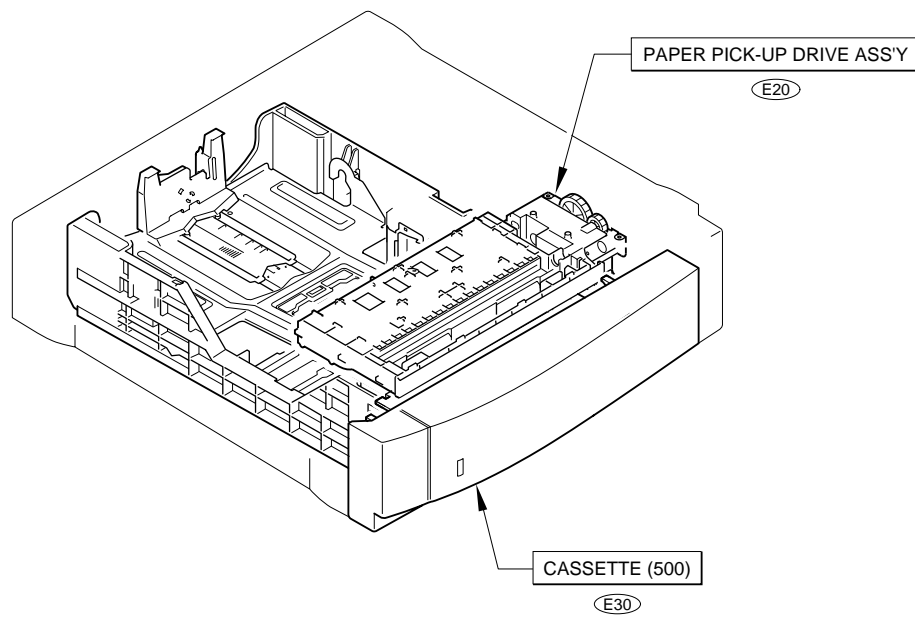


FIGURE E11 PAPER FEEDER MAIN BODY

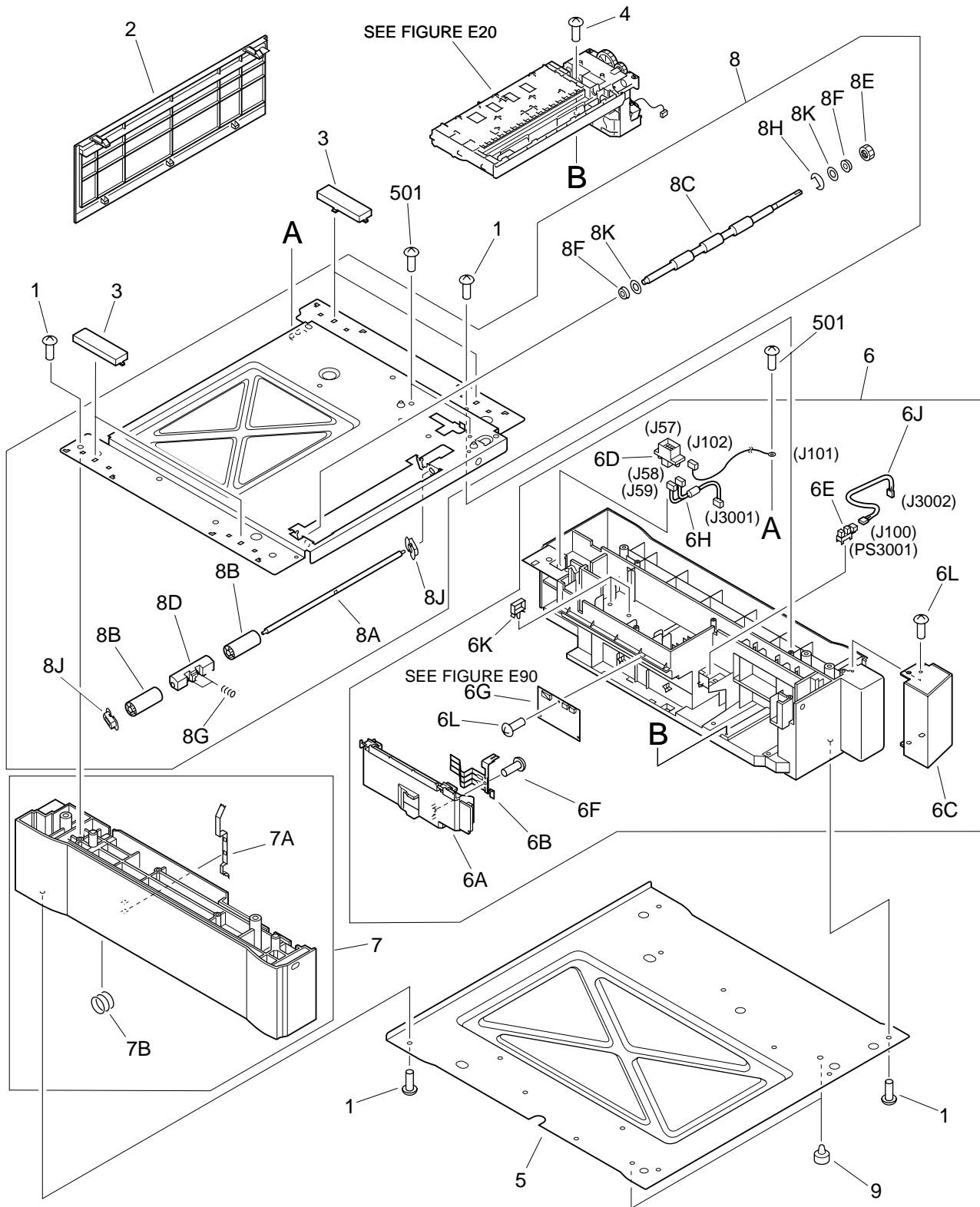


FIGURE & KEY NO.	PART NUMBER	RANK	QTY	DESCRIPTION	SERIAL NUMBER / REMARKS
E11 -	NPN		RF	PAPER FEEDER MAIN BODY	
1	FA9-2753-000		19	SCREW, M4X10	
2	RB2-2575-000		1	COVER, REAR	
3	RB2-2574-000		4	COVER	
4	XA9-0917-000		1	SCREW, M3X16	
5	RF5-2569-000		1	FRAME LOWER	
6	RG5-3904-000		1	RIGHT COVER ASS'Y	
6A	RB1-8886-000		1	COVER, PCB	
6B	RB1-8887-000		1	SPRING, LEAF	
6C	RB2-2571-000		1	COVER	
6D	VS1-6174-014		1	CONNECTOR, 14P	J57-J59, J102
6E	WG8-5362-000		1	IC, TLP1241, PHOTO-INTERRUPTER	PS3001, J100
6F	XA9-0915-000		1	SCREW, M3X6	
6G	RG5-4113-000		1	PAPER FEED DRIVER PCB ASS'Y	SEE FIGURE E90
6H	RG5-4114-000		1	PAPER FEED CABLE	J57-J59, J101, J102, J3001
6J	RG5-4115-000		1	SENSOR CABLE	J100, J3002
6K	WT2-0317-000		2	CLIP, CABLE	
6L	FA9-2753-000		2	SCREW, M4X10	
7	RG5-3906-000		1	LEFT COVER ASS'Y	
7A	RB1-8927-000		1	SPRING, LEAF	
7B	RS5-2652-000		1	SPRING, COMPRESSION	
8	RG5-3890-000		1	UPPER FRAME ASS'Y	
8A	RB1-8921-000		1	SHAFT	
8B	RB1-8922-000		2	ROLLER	
8C	RB1-8923-000		1	ROLLER, PAPER FEED	
8D	RB2-2556-000		1	HOLDER, SHAFT	
8E	RS5-0946-000		1	GEAR, 14T	
8F	XG9-0350-000		2	BALL BEARING, MF106ZZ D4M	
8G	RS5-2653-000		2	SPRING, COMPRESSION	
8H	XD2-1100-502		2	RING, E	
8J	RB1-8934-000		2	BUSHING	
8K	XD1-1106-239		2	SHIM	
9	XH9-0103-000		2	FOOT	
501	XB5-2300-609		2	SCREW, CT, M3X6	

FIGURE E20 PAPER PICK-UP DRIVE ASS'Y

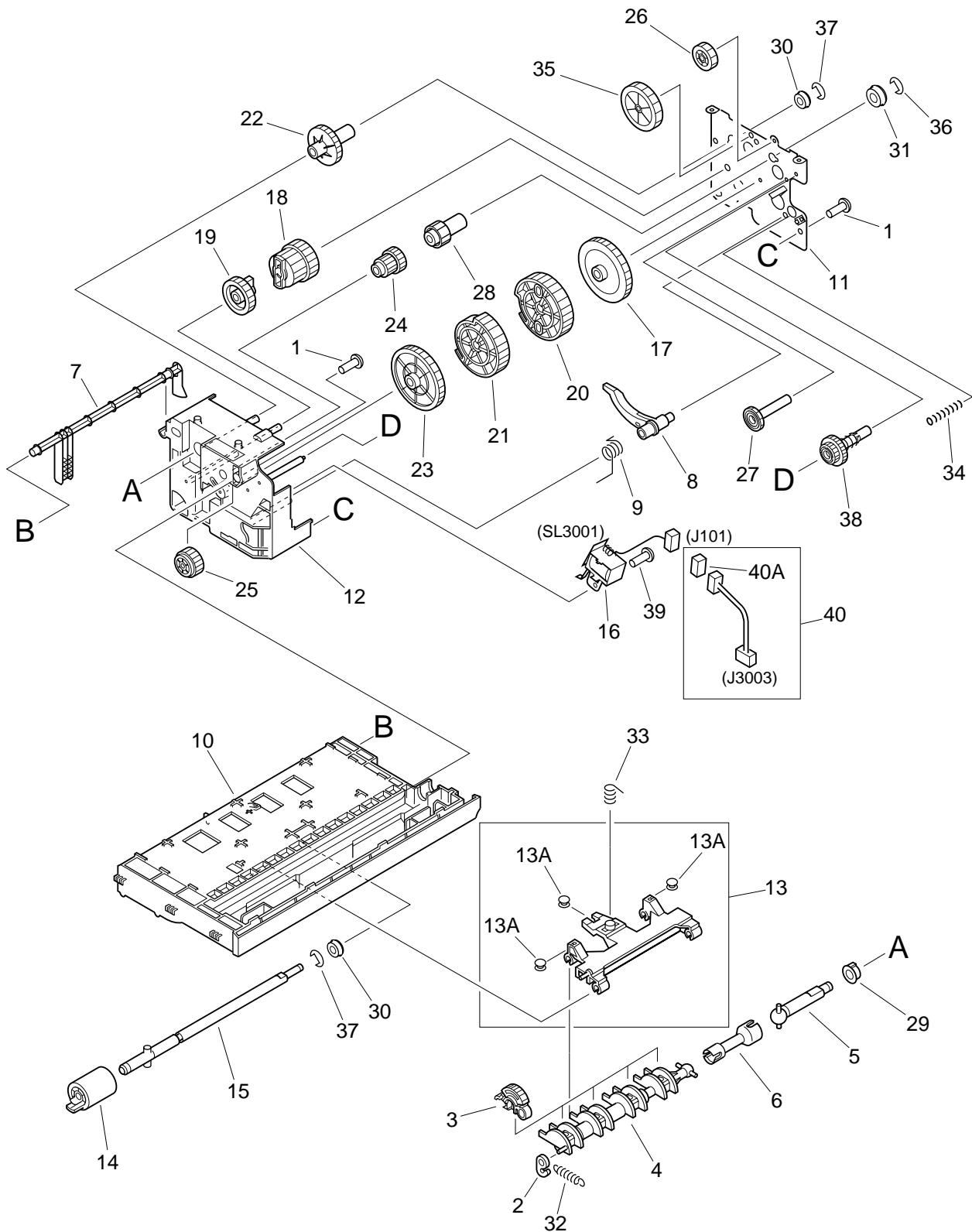


FIGURE & KEY NO.	PART NUMBER	RANK	QTY	DESCRIPTION	SERIAL NUMBER / REMARKS
E20 -	RG5-3892-000		1	PAPER PICK-UP DRIVE ASS'Y	
1	FA9-2753-000		6	SCREW, M4X10	
2	RB1-2190-000		1	COLLAR, SPRING	
3	RB1-8865-000		4	ROLLER	
4	RB1-8867-000		1	SHAFT, ROLLER	
5	RB1-8868-000		1	SHAFT, DRIVE	
6	RB1-8877-000		1	JOINT	
7	RB1-8879-000		1	LEVER, SENSOR	
8	RB1-8880-000		1	LEVER	
9	RB1-8881-000		1	SPRING, TORSION	
10	RB1-8918-000		1	GUIDE	
11	RB1-8920-000		1	PLATE, DRIVE	
12	RB2-2549-000		1	BLOCK, DRIVE	
13	RF5-2483-000		1	ARM	
13A	RB1-8883-000		3	DAMPER	
14	RF5-2490-000		1	ROLLER	
15	RF5-2491-000		1	SHAFT, PAPER FEED	
16	RH7-5231-000		1	SOLENOID	SL3001, J101
17	RS5-0931-000		1	GEAR, 41T	
18	RS5-0932-000		1	GEAR, 23T/27T	
19	RS5-0933-000		1	GEAR, 27T	
20	RS5-0934-000		1	GEAR, 49T	
21	RS5-0935-000		1	GEAR, 31T/39T	
22	RS5-0936-000		1	GEAR, 31T	
23	RS5-0938-000		1	GEAR, 53T	
24	RS5-0939-000		1	GEAR, 14T/18T	
25	RS5-0940-000		1	GEAR, 20T	
26	RS5-0942-000		1	GEAR, 16T	
27	RS5-0944-000		1	GEAR, 19T	
28	RS5-0975-000		1	GEAR, 18T	
29	RS5-1293-000		1	BUSHING	
30	RS5-1307-000		2	BUSHING	
31	RS5-1308-000		1	BUSHING	
32	RS5-2632-000		1	SPRING, TENSION	
33	RS5-2633-000		1	SPRING, COMPRESSION	
34	RS5-2634-000		1	SPRING, COMPRESSION	
35	RS6-0410-000		1	GEAR, 23T	
36	XD9-0134-000		1	RING, E	
37	XD9-0135-000		2	RING, E	
38	RF5-2512-000		1	GEAR, RATCHET	
39	XA9-0917-000		1	SCREW, M3X16	
40	RG5-4117-000		1	GROUNDING CABLE	J101, J3003
40A	VS1-0842-003		1	CONNECTOR, 3P	J101

FIGURE E30 CASSETTE (500)

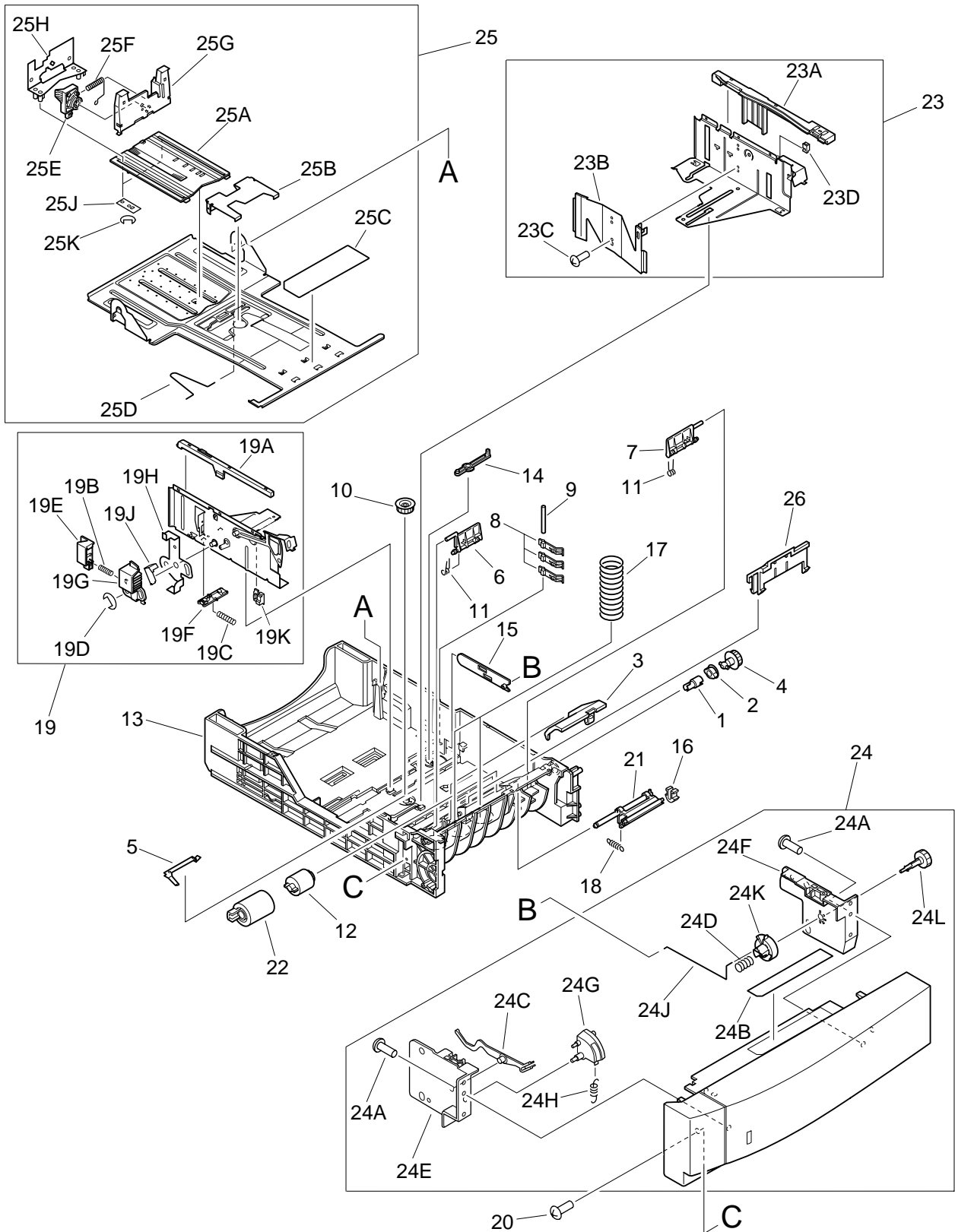


FIGURE & KEY NO.	PART NUMBER	RANK	QTY	DESCRIPTION	SERIAL NUMBER / REMARKS
E30 -	RG5-3905-000		1	CASSETTE	500
1	RB1-8945-000		1	JOINT	
2	RB1-8946-000		1	BUSHING	
3	RB1-8947-000		1	COVER	
4	RB1-8948-000		1	GEAR, 22T	
5	RB1-8972-000		1	SPRING, LEAF	
6	RB1-8961-000		1	ARM, LIFTER, LEFT	
7	RB1-8962-000		1	ARM, LIFTER, RIGHT	
8	RB1-8963-000		3	ARM, SIZE	
9	RB1-8964-000		1	SHAFT, SIZE ARM	
10	RB1-8970-000		1	GEAR, 20T	
11	RB1-8973-000		2	SPRING, TORSION	
12	RB1-8974-000		1	LIMITER, TORQUE	
13	RB1-9368-000	N	1	BODY, CASSETTE	
14	RB1-9380-000		1	LEVER, SIZE CAM	
15	RB1-9381-000		1	PLATE	
16	RB1-8956-000		1	STOPPER, REAR	
17	RS5-2621-000		3	SPRING, COMPRESSSION	
18	RS5-2622-020		1	SPRING, TENSION	
19	RG5-2694-000		1	LEFT SIDE LIMIT PLATE ASS'Y	
19A	RB1-9388-000		1	COVER, SIDE	
19B	RS5-2672-000		1	SPRING, COMPRESSION	
19C	RS5-2674-000		1	SPRING, COMPRESSION	
19D	XD9-0136-000		2	RING, E	
19E	RB1-9375-000		1	LEVER, SIDE	
19F	RB1-9387-000		1	CLICK, SIDE	
19G	RB1-9389-000		1	LEVER, SIDE STOPPER	
19H	RB1-8985-000		1	PLATE, STOP, SIDE	
19J	RB1-8981-000		1	SPRING, LEAF	
19K	RB1-8892-000		1	HOLDER, CLAW	
20	XA9-0606-000		2	SCREW, M4X10	
21	RF5-2489-000		1	HOLDER	
22	RF5-2490-000		1	ROLLER	
23	RG5-4288-000		1	RIGHT SIDE LIMIT PLATE ASS'Y	
23A	RB1-9395-000		1	COVER, SIDE	
23B	RB1-9379-000		1	SPRING, LEAF	
23C	XA9-0903-000		2	SCREW, M3X5	
23D	RB1-8893-000		1	HOLDER, CLAW	
24	RG5-3903-000		1	FRONT COVER ASS'Y	
24A	XA9-0606-000		4	SCREW, M4X10	
24B	RS5-8005-000		1	LABEL	
24C	RB2-2552-000		1	ARM, SENSOR	
24D	RS5-2982-000		1	SPRING, COMPRESSION	
24E	RB2-2576-000		1	SUPPORT, COVER, LEFT	
24F	RB2-2577-000		1	SUPPORT, COVER, RIGHT	
24G	RF5-2571-000		1	HOLDER, BLOCK	
24H	RS5-2994-000		1	SPRING, TENSION	
24J	RB1-9382-000		1	ROD, SIZE	
24K	RB1-9383-000		1	CLICK, SIZE	
24L	RB1-9384-000		1	DIAL, SIZE	

FIGURE & KEY NO.	PART NUMBER	R A N K	Q' T Y	DESCRIPTION	SERIAL NUMBER / REMARKS
E30 -	25		1	PAPER LIFTING PLATE ASS'Y	
	25A		1	PLATE, GUIDE	
	25B		1	PLATE, LENGTH ADJUSTMENT (A5)	
	25C		1	SHEET, OPERATION	
	25D		1	ROD	
	25E		1	STOPPER	
	25F		1	SPRING, COMPRESSION	
	25G		1	PLATE, LENGTH ADJUSTMENT	
	25H		1	PLATE, SUPPORT, REAR	
	25J		2	PLATE, REAR	
	25K		4	RING, E	
	26		1	HOLDER, REAR	

FIGURE E90 PCB ASS'Y LOCATION DIAGRAM

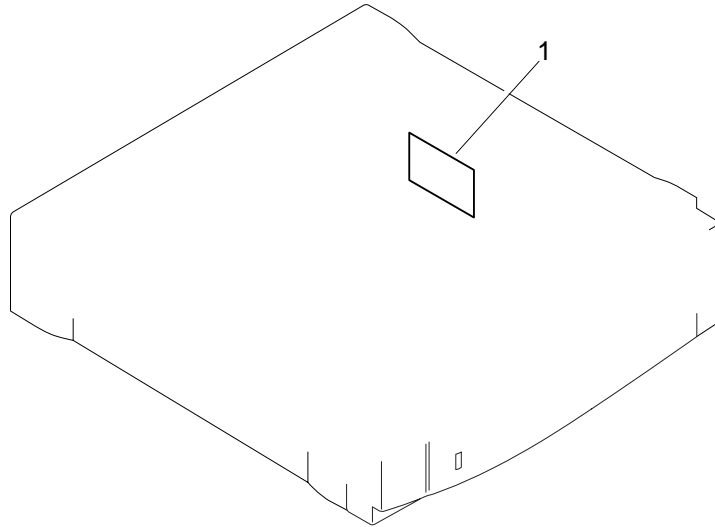


FIGURE & KEY NO.	PART NUMBER	RANK	QTY	DESCRIPTION	SERIAL NUMBER / REMARKS
E90 - 1	NPN RG5-4113-000		RF 1	PCB ASS'Y LOCATION DIAGRAM PAPER FEED DRIVER PCB ASS'Y	

HARD DISK DRIVE

HARD DISK DRIVE
[R96-5011]

FIGURE W10 HARD DISK DRIVE ASS'Y

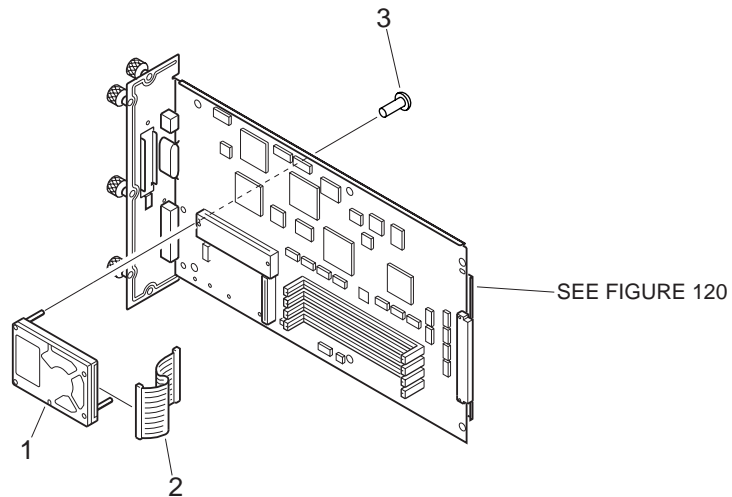


FIGURE & KEY NO.	PART NUMBER	RANK	QTY	DESCRIPTION	SERIAL NUMBER / REMARKS
W10 -	NPN		RF	HARD DISK DRIVE ASS'Y	
1	RG5-4723-000		1	HARD DISK DRIVE ASS'Y	
2	RG1-3872-000		1	HARD DISK INTERFACE CABLE	
3	XA9-0924-000		3	SCREW, W/WASHER, M3X8	

TOKEN RING OPTION BOARD

TOKEN RING OPTION BOARD
[R96-5012]

FIGURE V10 TOKEN RING OPTION BOARD ASS'Y

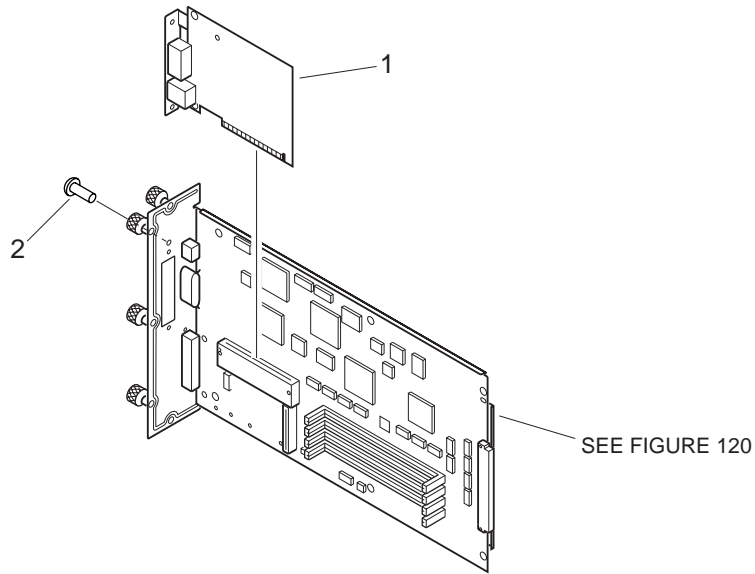


FIGURE & KEY NO.	PART NUMBER	RANK	QTY	DESCRIPTION	SERIAL NUMBER / REMARKS
V10 -	NPN		RF	TOKEN RING OPTION BOARD ASS'Y	
1	RH6-3864-000		1	TOKEN RING OPTION BOARD ASS'Y	
2	XA9-0836-000		2	SCREW, TP, M3X6	

