

C LBP-360PS
/C LBP-360PS Ver-up

PARTS

CATALOG

REVISION 2

Canon

APR. 1999

RY8-3311-020

PREFACE

This Parts Catalog contains listings of parts used in the C LBP-360PS/ C LBP-360PS Ver-UP, and the Paper Feeder. Diagrams are provided with the listings to aid the service technician in clearly identifying the item to be ordered.

Whenever ordering parts, consult this Parts Catalog for all of the information pertaining to each item. Be sure to include in the Parts Request the full item description, the item part number, and the quantity. The parts catalog may be revised if there is significant product modification. For minor product modifications, a Service Information Bulletin will be issued.

Canon Inc.

Peripheral Products Quality Planning Div.
Peripheral Products Technical Documentation Dept
5-1, Hakusan 7-chome, Toride-shi, Ibaraki 302-8501, Japan

COPYRIGHT © 1999 CANON INC.

Printed in Japan

Imprimé au Japon

Use of this manual should be strictly supervised to avoid disclosure of confidential information.

Reference	Qty	Description	Figure	Part number	Note
ELECTRICAL PART					
RH6-3726-000	1	Video controller PCB	105	17	
RG5-1223-080	1	DC controller PCB ass'y	900	1	
RG5-1233-080	1	Mechanical controller PCB ass'y	900	2	
RG5-1166-000	1	Paper pick up PCB ass'y	311/900	4/3	
RG5-2184-000	1	Terminal PCB ass'y	900	4	
RG5-1236-000	1	Cassette size sensing PCB ass'y	103/900	9E/5	
RG5-1226-000	1	Sensor PCB ass'y	900	6	
RG5-1225-000	1	Toner empty sensor PCB ass'y	900	7	
RG5-1224-000	1	Toner empty sensor PCB ass'y	900	8	
RG5-1237-000	1	Ejection PCB ass'y	103/900	9F/9	
RH6-3551-000	4	SIMM RAM 8 Mo	105	19	
RH6-3597-000	1	Hard disk drive 541 Mo			
RH6-3727-000	1	Hard disk drive 810 Mo	105	18	
MECHANICAL PART					
RH7-5101-000	1	Solenoid SL1	311	38	
RH7-5102-000	1	Solenoid SL2	312	25	
RH7-5111-000	1	Solenoid SL3	142	3	
RH7-5104-000	1	Solenoid SL4	531	34	
RH7-5105-000	1	Solenoid SL5	531	64	
RH7-5106-000	3	Solenoid SL6, SL7, SL8	141	3	
RH7-5109-000	1	Solenoid SL9	141	4	
RH7-5112-000	1	Clutch CL1	250	40	
RH7-5110-020	1	Clutch CL2	250	39	
RH7-5113-020	1	Clutch CL4	250	21C	
RH7-5103-000	1	Clutch CL3	311	39	
WG8-0291-000	1	Sensor PS1, PS2, PS3, PS5	312/108/350	22/8/16	
	1	Sensor PS6, PS7, PS9, PS10	531/810	36/46/53F	
WG8-0182-000	1	Sensor PS4, PS8	108/531	7/46	
RG5-1532-000	1	Sensor PS12	103	10	
RG5-1529-000	1	Sensor PS13	103	15	
RH7-7060-000	1	Sensor temperature/humidity	103	14	
RG5-1158-000	1	Sensor PS14	580	6	
RG5-1243-020	1	Power switch ass'y SW1	103	11	
RH7-6034-000	1	Switch SW2	121	6	
RG5-1537-520	1	Fixing ass'y	810		Modif. n°3
RH6-0111-000	1	Panel density adjusting	108	35	
RG5-1156-110	1	Transfer drum cleaning ass'y	710		
RG5-1115-080	1	Laser/Scanner ass'y	106	2	
RG5-1146-300	1	Pick up ass'y	310		
RG5-2835-000	1	Transfer drum ass'y	531		
RG5-1181-000	1	Developing rotary ass'y	500		
RH3-2159-000	1	Power supply ass'y	107	4	
RG5-2601-000	1	Display panel ass'y	100	8L	
RG5-1214-000	1	H.V. power supply ass'y	102	7	
RB1-4578-000	1	Filter ozone	107	31	
RB1-4178-000	1	Roller registration lower	311	10	

MODEL :

C LBP-360PS
/C LBP-360PS Ver-up

NO. : **RAF-12E-0002**

DATE : **April 13, 1999**

Y. Kajihara

LOCATION

SUBJECT

Revision of Parts Catalog for C LBP-360PS/C LBP-360PS Ver-UP

The Parts Catalog for C LBP-360PS/C LBP-360PS Ver-UP will have been revised to contain updated information and error corrections over the revised edition 1. The revised Parts Catalog has two separate versions - one in English and the other in Japanese, while the revised edition 1 has only one version written in the both languages. But, since C LBP-360PS/C LBP-360PS Ver-UP was not sold to the Japanese market, the revised parts catalog is English version only.

Part number for the Parts Catalog is below:

RY8-31AD-010 : Revised edition 1 of Parts Catalog (English and Japanese)

RY8-3311-020 : Revised edition 2 of Parts Catalog (English)

Please be advised to keep at hand the revised edition of the Parts Catalog.

RY8-3311-02Y

REVISION PAGE LIST

Model : C LBP-360PS/C LBP-360PS Ver-UP
PARTS CATALOG

R : Replacement

S : Supplement

D : Destroyed

Page 2

FIG- URE	PAGE	REVISION							FIG- URE	PAGE	REVISION						
		Jan. 1996	May 1996	Apr. 1999							Jan. 1996	May 1996	Apr. 1999				
250	1	0	1R	2R					350	1	0	→	1R				
	2	0	1R	2R						2	0	→	1R				
	3	0	1R	2R													
	4	0	1R	D					500	1	0	→	1R				
										2	0	→	1R				
260	1	0	→	1R													
									530	1	0	1R	2R				
261	1	0	→	1R						2	0	1R	2R				
										3	0	1R	2R				
262	1	0	→	1R						4	0	1R	2R				
										5	0	1R	D				
263	1	0	→	1R													
									531	1	0	1R	2R				
264	1	0	→	1R						2	0	1R	2R				
										3	0	1R	2R				
300	1	0	→	1R						4	0	1R	2R				
	2	0	→	1R						5	0	1R	D				
	3	0	→	D						6	0	D					
310	1	0	→	1R					580	1	0	→	1R				
	2	0	1R	2R						2	0	1R	2R				
311	1	0	→	1R					710	1	0	→	1R				
	2	0	1R	2R						2	0	→	1R				
	3	0	1R	2R						3	0	→	D				
	4	0	1R	2R													
	5	0	1R	D					810	1	0	→	1R				
										2	0	→	1R				
312	1	0	→	1R						3	0	1R	2R				
	2	0	→	1R						4	0	1R	2R				
	3	0	→	D						5	0	→	1R				

LIST OF ORDER AND SERIAL NUMBERS

NAME	REMARKS	ORDER No.	SERIAL No.
C LBP-360PS	100-120V 50/60Hz 600DPI	R95-2084	JGY00001-
	220-240V 50Hz 600DPI	R95-2088	KHK00001-
C LBP-360PS Ver-UP	220-240V 50Hz 600DPI	R95-2118	KJQ00001-
PAPER FEEDER UNIT PF-7		R95-5009	LDD00001-
CASSETTE EP-H	UNIVERSAL	R95-4000	

CONTENTS

A. ASSEMBLY LOCATION DIAGRAM

- PAPER FEEDER UNIT PF-7 -

- 100. EXTERNAL COVERS, PANELS, ETC.
- 102. INTERNAL COMPONENTS 1
- 103. INTERNAL COMPONENTS 2
- 104. INTERNAL COMPONENTS 3
- 105. INTERNAL COMPONENTS 4
- 106. INTERNAL COMPONENTS 5
- 107. INTERNAL COMPONENTS 6
- 108. INTERNAL COMPONENTS 7
- 109. MACHINE BOTTOM PLATE
- 120. DOOR SWITCH UPPER ASS'Y
- 121. DOOR SWITCH LOWER ASS'Y
- 140. EJECTION LEVER ASS'Y
- 141. SOLENOID ASS'Y
- 142. CLEANING BELT DRIVE SOLENOID ASS'Y
- 150. ROTARY MANUAL FEEDER ASS'Y

- 250. PRINTER DRIVE ASS'Y
- 260. T. DRUM CLEANING DRIVE ASS'Y
- 261. DISCHARGE ROLLER DRIVE ASS'Y
- 262. DRUM DRIVE ASS'Y
- 263. ATTRACTION ROLLER DRIVE ASS'Y
- 264. DELIVERY DRIVE ASS'Y

- 300. CASSETTE EP-H (UNIVERSAL)
- 310. PAPER PICK-UP ASS'Y
- 311. CASSETTE PAPER PICK-UP ASS'Y
- 312. MP TRAY PAPER PICK-UP ASS'Y
- 350. PAPER FACE-DOWN DELIVERY ASS'Y

- 500. DEVELOPING ROTARY ASS'Y
- 530. TRANSFER DRUM HOLDER ASS'Y
- 531. TRANSFER DRUM ASS'Y
- 580. DENSITY SENSOR ASS'Y

- 710. TRANSFER DRUM CLEANING ASS'Y

- 810. FIXING ASS'Y
- 820. OIL APPLYING ASS'Y
- 830. FIXING CLEANER ASS'Y
- 840. FIXING DELIVERY ASS'Y
- 850. OIL BOTTLE CASE ASS'Y

- 900. PCB ASS'Y LOCATION DIAGRAM

RA. ASSEMBLY LOCATION DIAGRAM

- R01. MOUNTING HARDWARE

- R10. OPTION FEED MAIN BODY 1
- R11. OPTION FEED MAIN BODY 2
- R12. PAPER PICK-UP ASS'Y, FRONT
- R13. PAPER PICK-UP ASS'Y, REAR

- R90. PCB ASS'Y LOCATION DIAGRAM

B. NUMERICAL INDEX

HOW TO USE PARTS LISTS

Assembly Location Diagrams. These diagrams show the locations of major assemblies of the machine. Their names are identified in rectangular boxes. Below each box is the number of the Figure which shows an exploded view of the assembly.

Finding a Parts Number. Refer to the Assembly Location Diagrams and find the Figure Number of the assembly of interest. Turn to the page(s), locate the part on the exploded view, and find its Key Number. Refer to the Parts List on the page facing the exploded view and find the Key Number, Part Number and quantity required for your type of machine.

Note : While looking for a Part Number, pay particular attention to the voltage listed in the SERIAL NUMBER/REMARKS column to ensure that the Part Number selected is for your type of machine. Immediate shipping or action regarding the part depends on using its correct Part Number.

Parts List pages. The Parts List pages contain the following columns and information.

(1) Figure and Key Number column. The first column shows the Figure Number of the illustration corresponding to the Parts List, and the Key Number that identifies the part on the illustration.

(2) Part Number. The second column shows the Part Number for the part. This Number must be used when ordering replacement parts or assemblies described in the description column do not have a Part Number and are not stocked.

Note : The last three digits (suffix) of the Parts Number are called the Revision Number. The Revision Number is changed if the part is modified. Information regarding such changes will be provided by Service Information Bulletins. These Bulletins should be read carefully.

(3) Rank N. Parts marked "N" are service parts, but are not stock items. They are produced on a special-order basis.

(4) Quantity column. The quantity shown in this column is the number of parts used in the Figure. However, the quantity listed for an assembly indicates the number of that assembly per machine. The letters in this column indicate that the quantity of a parts is not specified, allowing the use of the number of parts needed for assembly and that the quantity cannot be mentioned clearly.

(5) Description column. The Description column lists the description that should be used when ordering the part.

(6) Serial Number/Remarks. When there are differences in the specifications of power supply voltage, frequency, etc., the differences are described in words or indicated by one two or three letters in front of the serial number.

(Example)

Serial number ABC00001
 ↑ This is the descriptive indicator.

If a model modified and a part is no longer interchangeable, the serial number of machines for which the part can be used is shown in this column. If there is no indication the part can be used with all models.

Numerical Index. There is a Numerical Index at the end of this catalog; it lists in numerical order every Part Number contained in the Parts Lists. The Numerical Index contains the following columns and information.

(1) Part Number. The first column shows the Part Number.

(2) Figure and Key Number column. The second column lists the Figure and Key Number for each occurrence of the part in the illustrations.

FIGURE A ASSEMBLY LOCATION DIAGRAM (1/3)

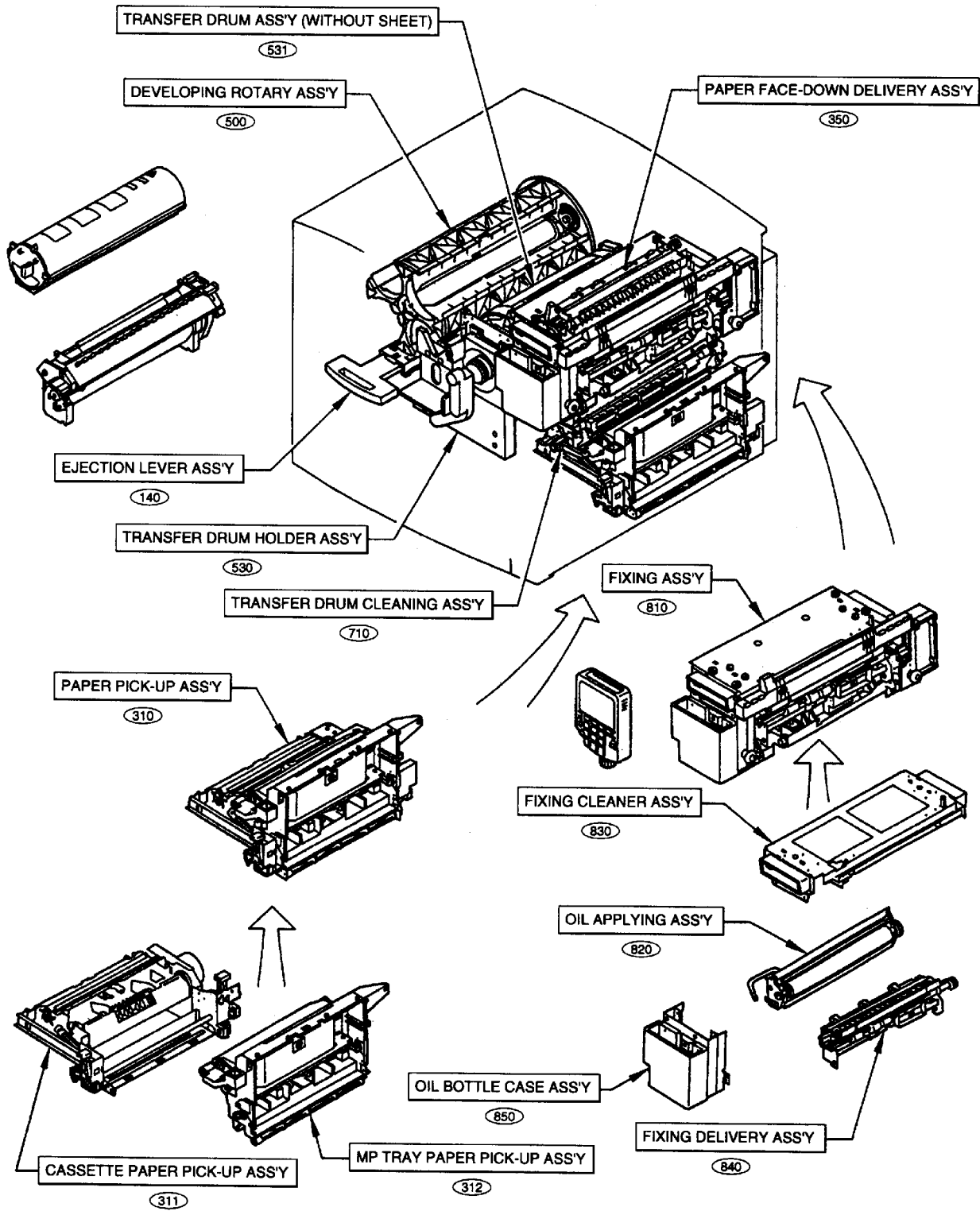


FIGURE A ASSEMBLY LOCATION DIAGRAM (2/3)

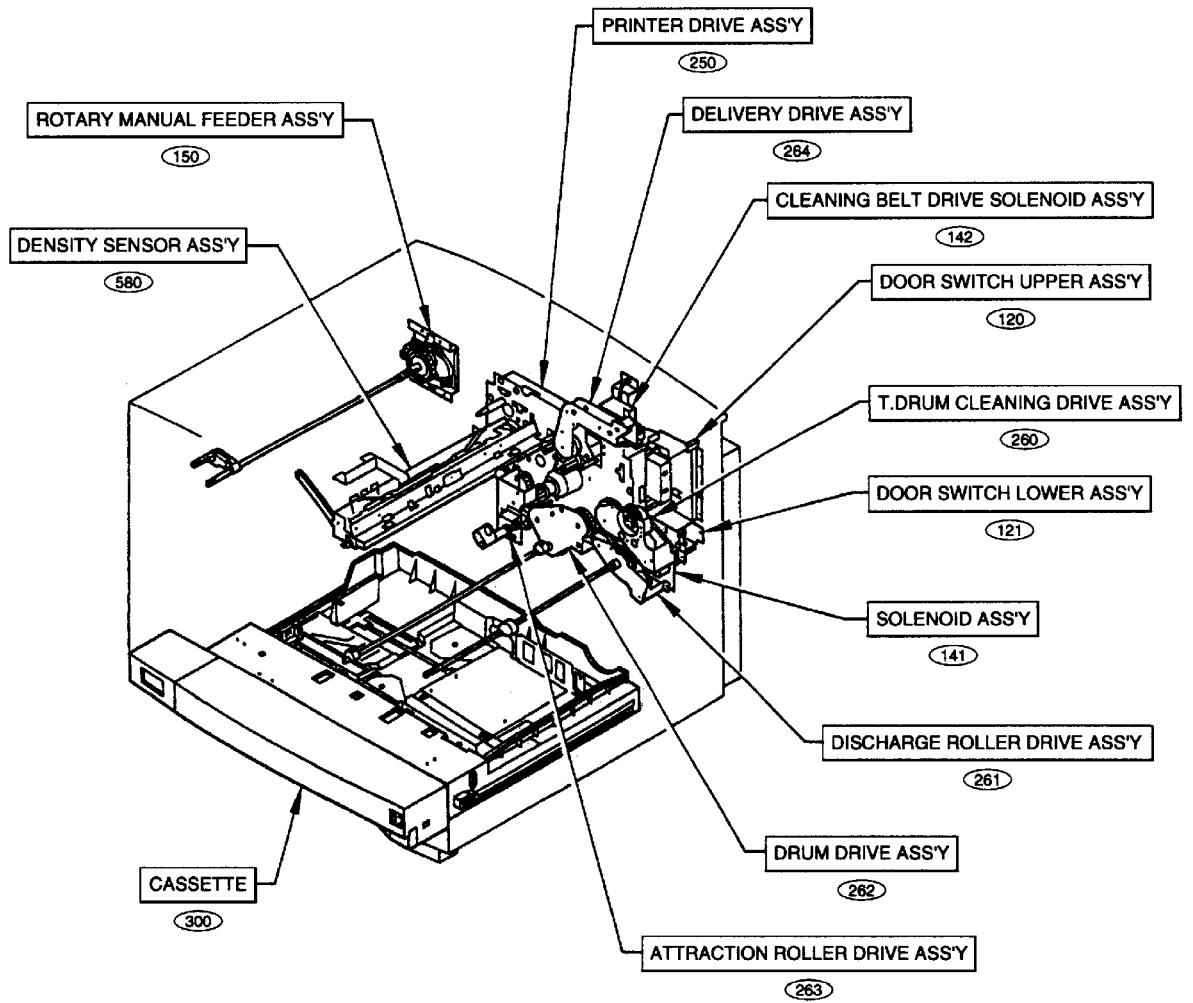


FIGURE A ASSEMBLY LOCATION DIAGRAM (3/3)

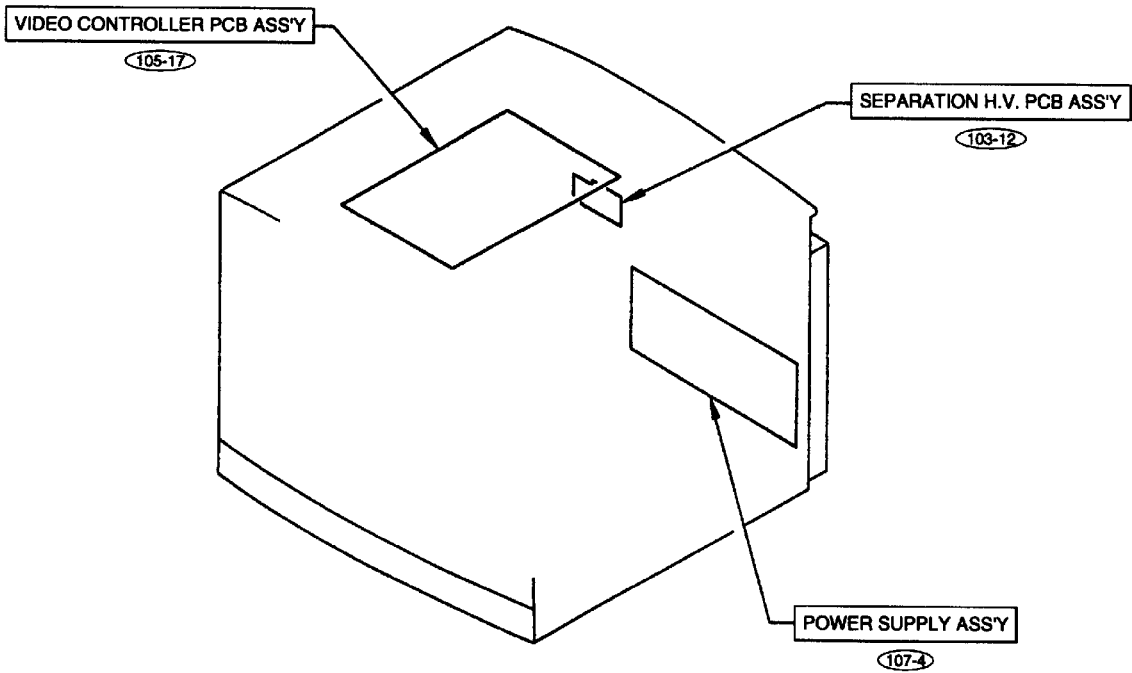
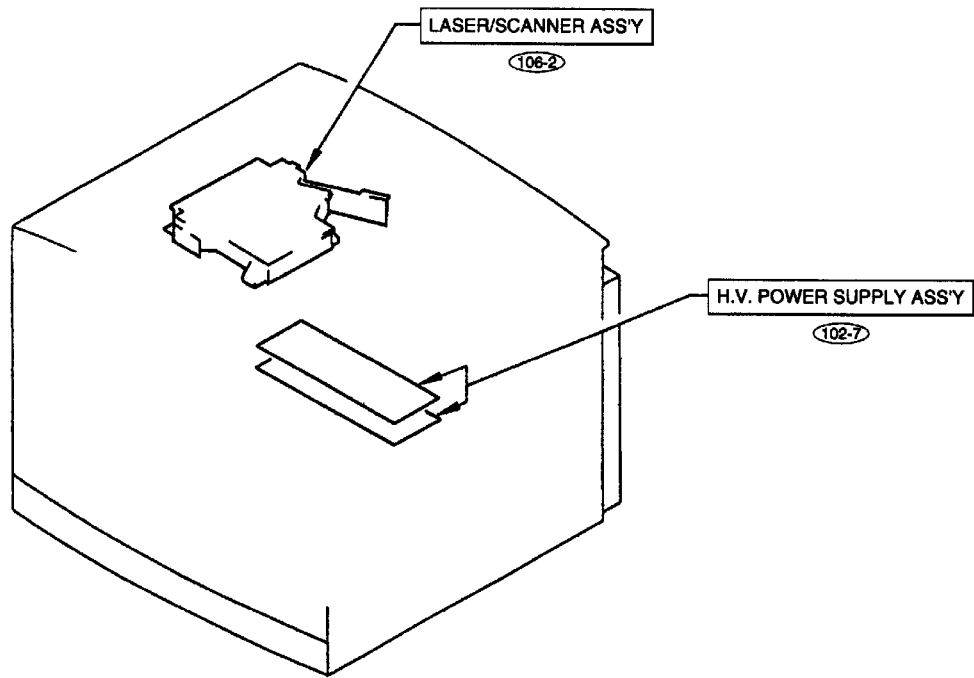


FIGURE 100 EXTERNAL COVERS, PANELS, ETC.

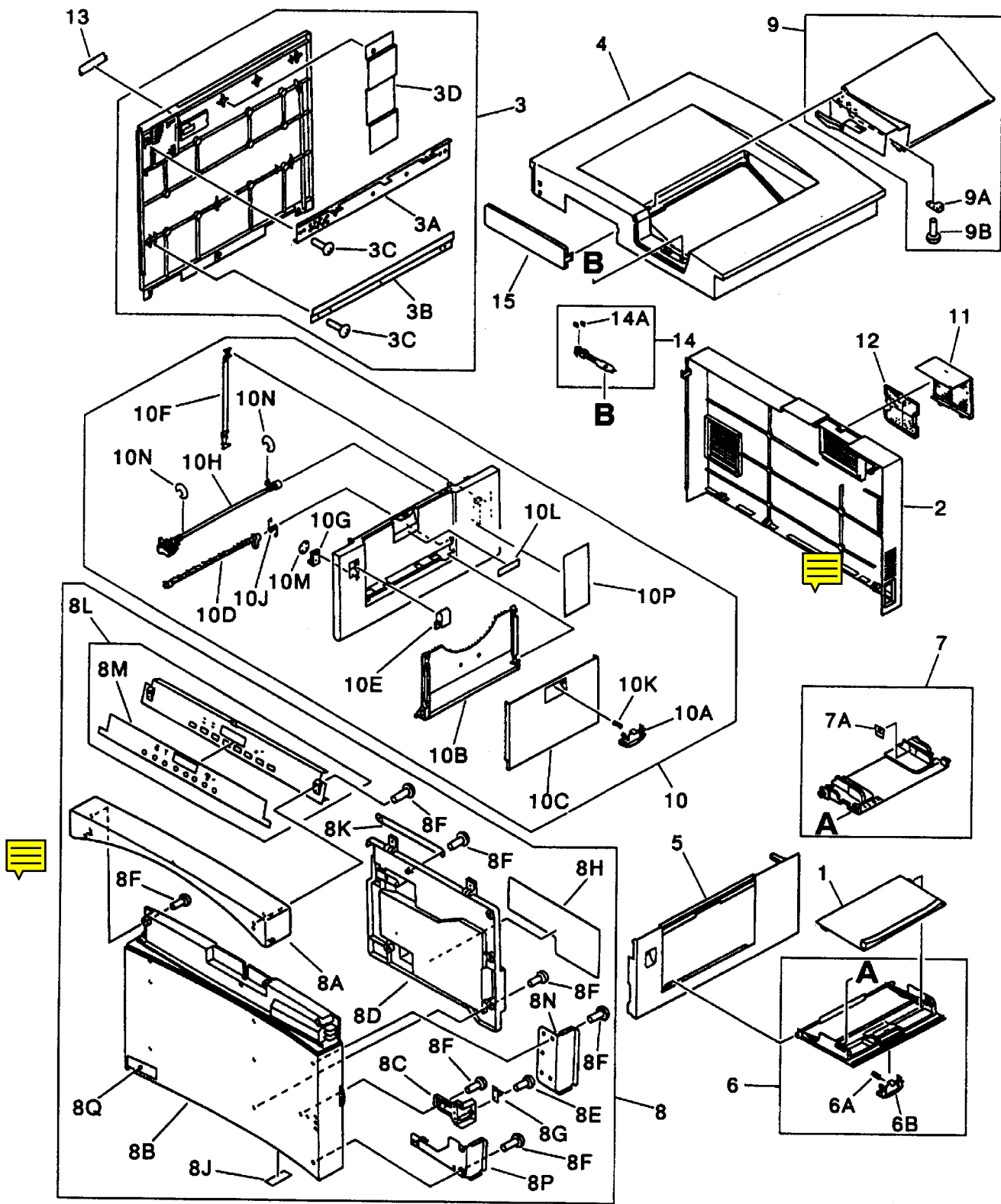


FIGURE & KEY NO.	PART NUMBER	RANK	QTY	DESCRIPTION	SERIAL NUMBER / REMARKS
100 -	NPN		RF	EXTERNAL COVERS, PANELS, ETC.	
1	RB1-4854-000		1	TRAY	
2	RB1-4862-000		1	COVER, REAR	
3	RG5-2269-050		1	LEFT COVER ASS'Y	
3A	RB1-4525-050		1	PLATE, REINFORCEMENT	
3B	RB1-4888-000		1	PLATE, REINFORCEMENT, LOWER	
3C	XA9-0592-000		8	SCREW, M4X6	
3D	RB1-4959-000		1	SHIELD, COVER, LEFT	
4	RB1-4864-000		1	COVER, UPPER	
5	RB1-4867-000		1	COVER, PICK-UP	
6	RG5-1205-000		1	MP COVER ASS'Y	
6A	RS5-2251-000		1	SPRING, COMPRESSION	
6B	RB1-4856-000		1	LEVER, OPEN/CLOSE	
7	RG5-1204-000		1	MULTI-PURPOSE TRAY ASS'Y	
7A	RS2-8073-000		1	LABEL, "LIMIT"	
8	RG5-2605-020		1	FRONT COVER ASS'Y	
8A	RB1-4507-000		1	COVER, INDICATOR	
8B	RF5-1013-000		1	COVER, FRONT	
8C	RB1-4511-000		1	PLATE, SWITCH	
8D	RB1-4527-020		1	FRAME, REINFORCEMENT	
8E	XA9-0591-000		3	SCREW, M3X8	
8F	XA9-0605-000		21	SCREW, M4X8	
8G	RB1-5153-000		1	LATCH, ROLLER-ACTION	
8H	RB1-4833-000		1	LABEL, "CONTROL", 2	
8J	RB1-4592-000		1	SHEET, COVER, FRONT	
8K	RB1-4497-000		1	STRAP, FRONT DOOR SUPPORT	
8L	RG5-2601-000		1	DISPLAY PANEL ASS'Y	
8M	RB1-4968-000		1	SHEET, PANEL CONTROL	
8N	RB1-4589-000		1	PLATE, COVER, 1	
8P	RB1-4590-000		1	PRATE, COVER, 2	
8Q	RS5-8766-000		1	LABEL, LOGO	
9	RG5-1208-000		1	FACE-DOWN COVER ASS'Y	
9A	RF5-0968-000		1	PLATE, LINK SUPPORT	
9B	XA9-0605-000		1	SCREW, M4X8	
10	RG5-1509-000		1	DELIVERY COVER ASS'Y	
10A	RB1-4856-000		1	LEVER, OPEN/CLOSE	
10B	RB1-4872-000		1	TRAY, DELIVERY	
10C	RB1-4873-000		1	TRAY, DELIVERY, SUB	
10D	RB1-4654-000		1	DEFLECTOR	
10E	RB1-4874-000		1	LATCH	
10F	RB1-4681-000		1	STRAP, COVER SUPPORT	
10G	RB1-4687-000		1	PLATE, RETAINER	
10H	RF5-0960-000		1	LATCH	
10J	RS1-2101-020		1	SPRING, TORSION	
10K	RS5-2251-000		1	SPRING, COMPRESSION	
10L	RS5-8314-000		1	SEAL, COVER	
10M	XA9-0134-000		1	NUT, PUSH	
10N	XD2-1100-402		2	RING, E	
10P	RB1-4966-000		1	LABEL, "CAUTION"	
11	RB1-4868-000		1	HOLDER, FILTER	

FIGURE & KEY NO.	PART NUMBER	R A N K	Q' T Y	DESCRIPTION	SERIAL NUMBER / REMARKS
100 - 12	RB1-4515-000		1	FILTER, AIR	
13	RB1-4870-000		1	COVER	
14	RF5-0998-000		1	HOLDER, CLEANER	
14A	RB1-4079-000		2	PAD, CLEANER	
15	RB1-4528-000		1	COVER, CABLE	

FIGURE 102 INTERNAL COMPONENTS 1

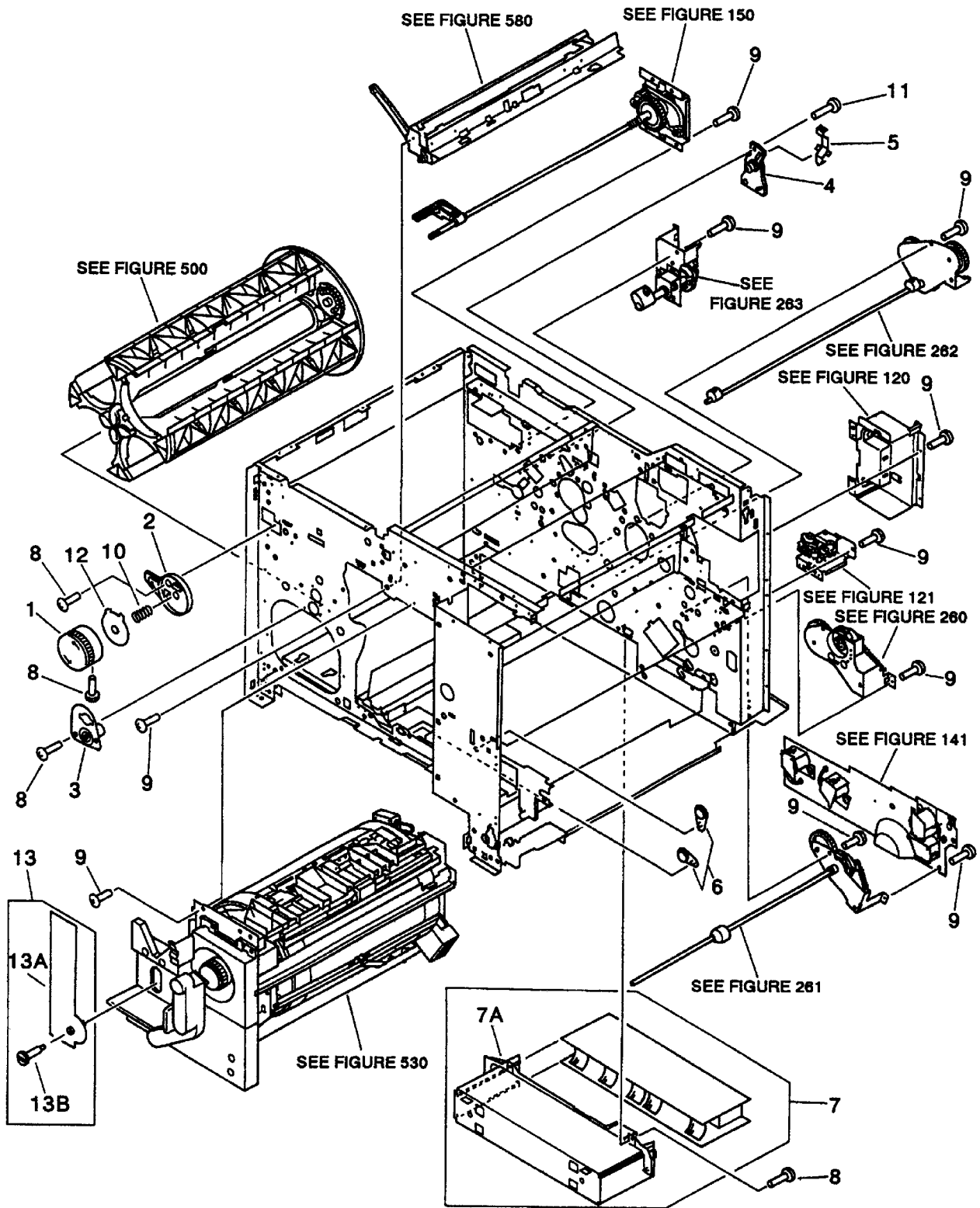


FIGURE & KEY NO.	PART NUMBER	RANK	QTY	DESCRIPTION	SERIAL NUMBER / REMARKS
102 -	NPN		RF	INTERNAL COMPONENTS 1	
1	RB1-4364-000		1	KNOB, MANUAL	
2	RB1-4366-000		1	BUSHING	
3	RB1-4440-000		1	BUSHING, FRONT	
4	RB1-4441-000		1	BUSHING, REAR	
5	RB1-4442-000		1	LEVER, RELEASE	
6	RB1-4459-000		2	BUSHING	
7	RG5-1214-000		1	H.V.POWER SUPPLY ASS'Y	
7A	RB1-4559-000		1	CASE, SHIELD	
8	XA9-0872-000		7	SCREW, W/WASHER, M3X8	
9	XA9-0267-000		37	SCREW, TP, M3X6	
10	RS5-2334-000		1	SPRING, COMPRESSION	
11	XA9-0808-000		3	SCREW, TIGHT, TAP, M3X12	
12	RB1-4381-000		1	INDICATOR	
13	RY7-0018-020		1	TRANSFER DRUM FIXING SCREW KIT	
13A	RF5-1005-020		1	SPACER, DRAM, TRANSFER	
13B	RB1-3973-000		1	SCREW, STEPPED, M3X6	

FIGURE 103 INTERNAL COMPONENTS 2

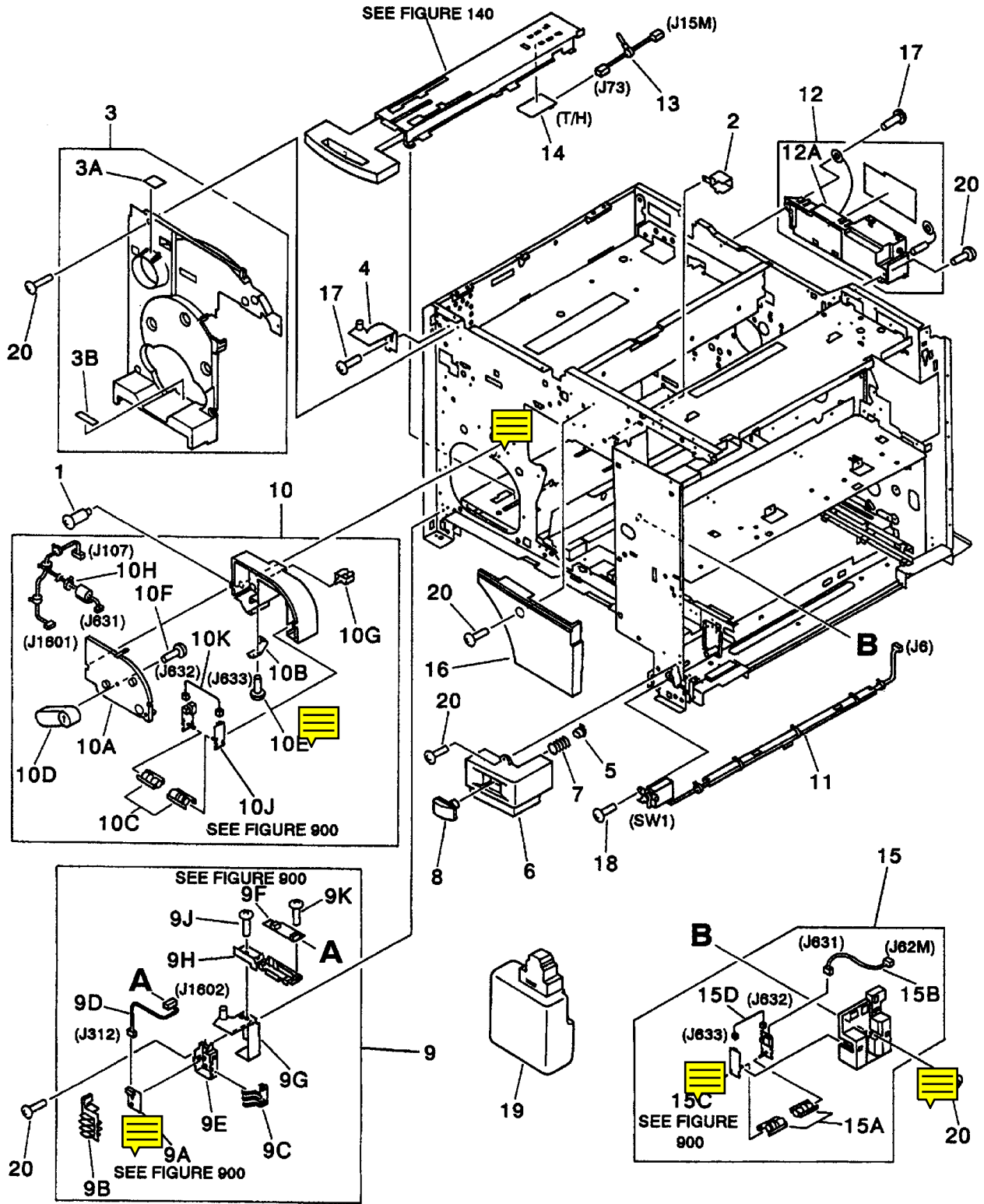


FIGURE & KEY NO.	PART NUMBER	RANK	QTY	DESCRIPTION	SERIAL NUMBER / REMARKS
103 -	NPN		RF	INTERNAL COMPONENTS 2	
1	FS1-9005-000		1	SCREW, STEPPED, M4	
2	RB1-4471-000		1	COVER, CONNECTOR	
3	RF5-0904-020		1	PANEL, GUIDE	
3A	RB1-4383-000		1	LABEL, "NOB"	
3B	RB1-4384-000		1	LABEL, "WARNING"	
4	RF5-0912-000		1	HINGE, DOOR, UPPER	
5	RB1-4464-000		1	STOPPER, SPRING	
6	RB1-4866-000		1	COVER, SWITCH	
7	RS5-2340-000		1	SPRING, COMPRESSION	
8	RB1-4858-000		1	BUTTON, SWITCH	
9	RG5-1216-020		1	CASSETTE SIZE SENSOR ASS'Y	
9A	RB1-4343-020		1	HOLDER, CASSETTE SIZE SENSOR	
9B	RB1-4344-000		1	COVER, HOLDER	
9C	RB1-4345-020		1	SPRING, LEAF	
9D	RG5-1269-000		1	SIZE SENSOR CABLE	J312,J1602
9E	RG5-1236-000		1	CASSETTE SIZE SENSING PCB ASS'Y	SEE FIGURE 900
9F	RG5-1237-000		1	EJECTION PCB ASS'Y	SEE FIGURE 900
9G	RF5-0911-000		1	HINGE, DOOR, LOWER	
9H	RB1-4382-000		1	HOLDER, SENSOR	
9J	XA9-0253-000		1	SCREW, MACH., PAN HEAD, M3X8	
9K	XA9-0591-000		1	SCREW, M3X8	
10	RG5-1532-000		1	WASTE TONER SENSOR ASS'Y	
10A	RB1-4696-000		1	COVER	
10B	RB1-4697-000		1	SPRING, LEAF	
10C	RB1-4703-000		2	HOLDER, SENSOR	
10D	RB1-4704-000		1	HANDLE	
10E	XA9-0591-000		1	SCREW, M3X8	
10F	XA9-0605-000		1	SCREW, M4X8	
10G	WT2-0434-000		1	CLAMP	
10H	RG5-1262-000		1	SENSOR CABLE	J107,J631,J1601
10J	RG5-1226-000		1	SENSOR PCB ASS'Y	SEE FIGURE 900
10K	RG5-1263-000		1	SENSOR CABLE	J632,J633
11	RG5-1243-020		1	POWER SWITCH ASS'Y	SW1,J6
12	RG5-1241-000		1	SEPARATION H.V. PCB ASS'Y	
12A	RH3-0133-000		1	H.V. CONVERTER	
13	RG5-1277-000		1	TEMP./ HUMIDITY CABLE	J15M,J73
14	RH7-7060-000		1	SENSOR, TEMPERATURE/HUMIDITY	T/H
15	RG5-1529-000		1	OIL SENSOR ASS'Y	
15A	RB1-4955-000		2	HOLDER, SENSOR	
15B	RG5-1258-000		1	CONNECTOR CABLE	J62M,J631
15C	RG5-1226-000		1	SENSOR PCB ASS'Y	SEE FIGURE 900
15D	RG5-1263-000		1	SENSOR CABLE	J632,J633
16	RB1-4480-000		1	COVER, INNER	
17	XA9-0267-000		4	SCREW, TP, M3X6	
18	XA9-0253-000		1	SCREW, MACH., PAN HEAD, M3X8	
19	RG5-2342-000		1	WASTE TONER BOTTLE ASS'Y	
20	XA9-0872-000		11	SCREW, W/WASHER, M3X8	

FIGURE 104 INTERNAL COMPONENTS 3

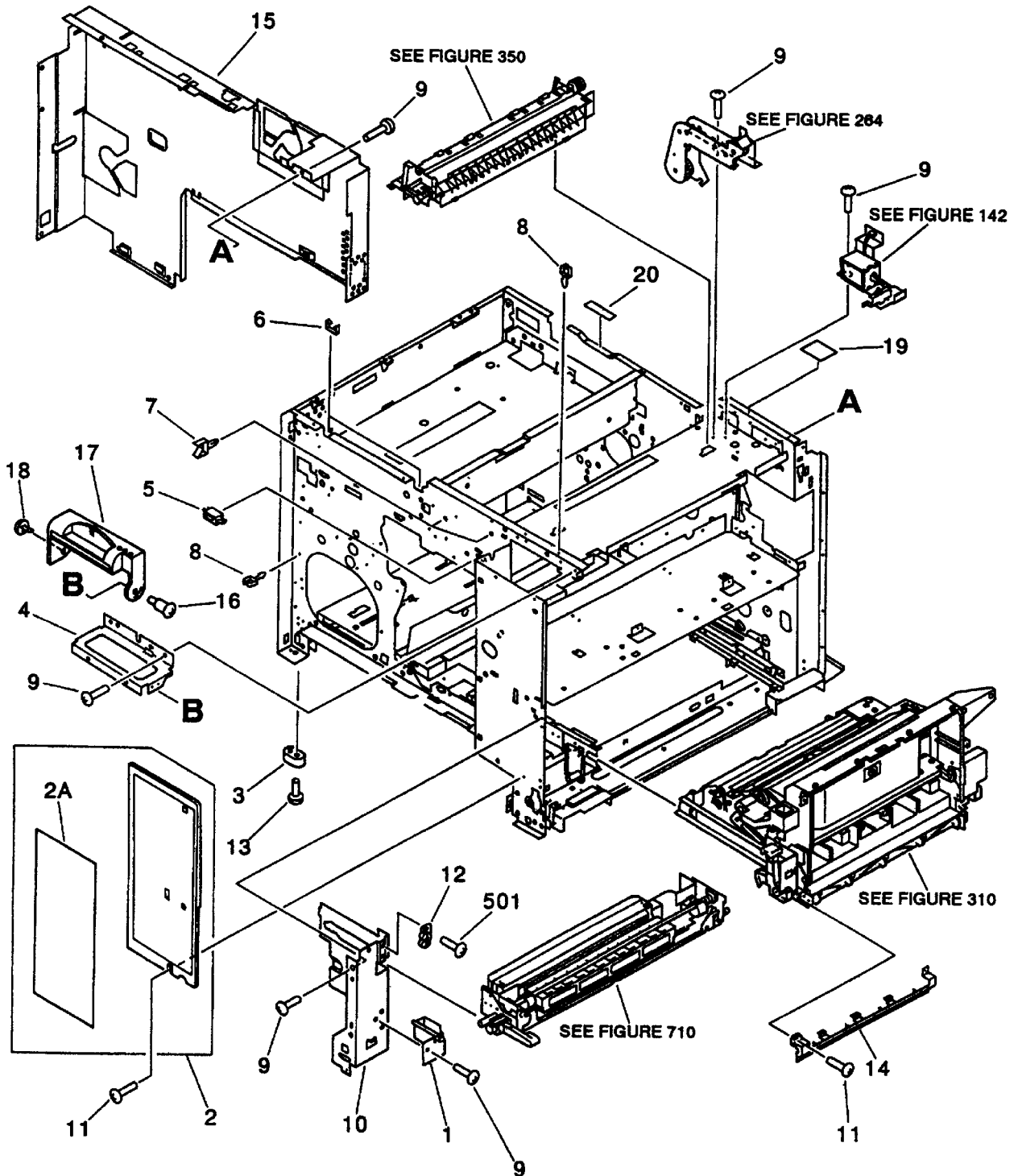


FIGURE & KEY NO.	PART NUMBER	RANK	QTY	DESCRIPTION	SERIAL NUMBER / REMARKS
104 -	NPN		RF	INTERNAL COMPONENTS 3	
1	RB1-4245-000		1	STOPPER, LEFT	
2	RF5-0990-000		1	COVER, LABEL	
2A	RB1-4832-000		1	LABEL, "OPERTION"	
3	RB1-4458-000		1	FOOT, FRONT	
4	RB1-4469-000		1	COVER, BOTTLE	
5	VS1-5057-003		1	CONNECTOR, 3P	
6	WT2-0136-000		2	CLAMP, CORD	
7	WT2-0387-000		2	CLAMP	
8	WT2-0434-000		12	CLAMP	
9	XA9-0267-000		12	SCREW, TP, M3X6	
10	RB1-4461-000		1	PLATE, REINFORCEMENT, FRONT	
11	XA9-0872-000		3	SCREW, W/WASHER, M3X8	
12	XZ9-0403-000		1	LATCH, ROLLER-ACTION (CATCH)	
13	XA9-0249-000		1	SCREW, W/WASHER, M4X8	
14	RB1-4850-000		1	COVER, PICK-UP, LOWER	
15	RB1-4498-000		1	PLATE, SHIELD, REAR	
16	RA1-7636-000		1	SCREW, STEPPED, M3	
17	RF5-1009-000		1	STOPPER, BOTTLE	
18	XZ9-0404-000		1	STUD, COPY TRAY MOUNTING	
19	RS5-8428-000		1	LABEL, "CAUTION"	
20	RB1-4953-000		1	CUSHION	
501	XB6-7260-607		2	SCREW, TP, M2.6X6	

FIGURE 105 INTERNAL COMPONENTS 4

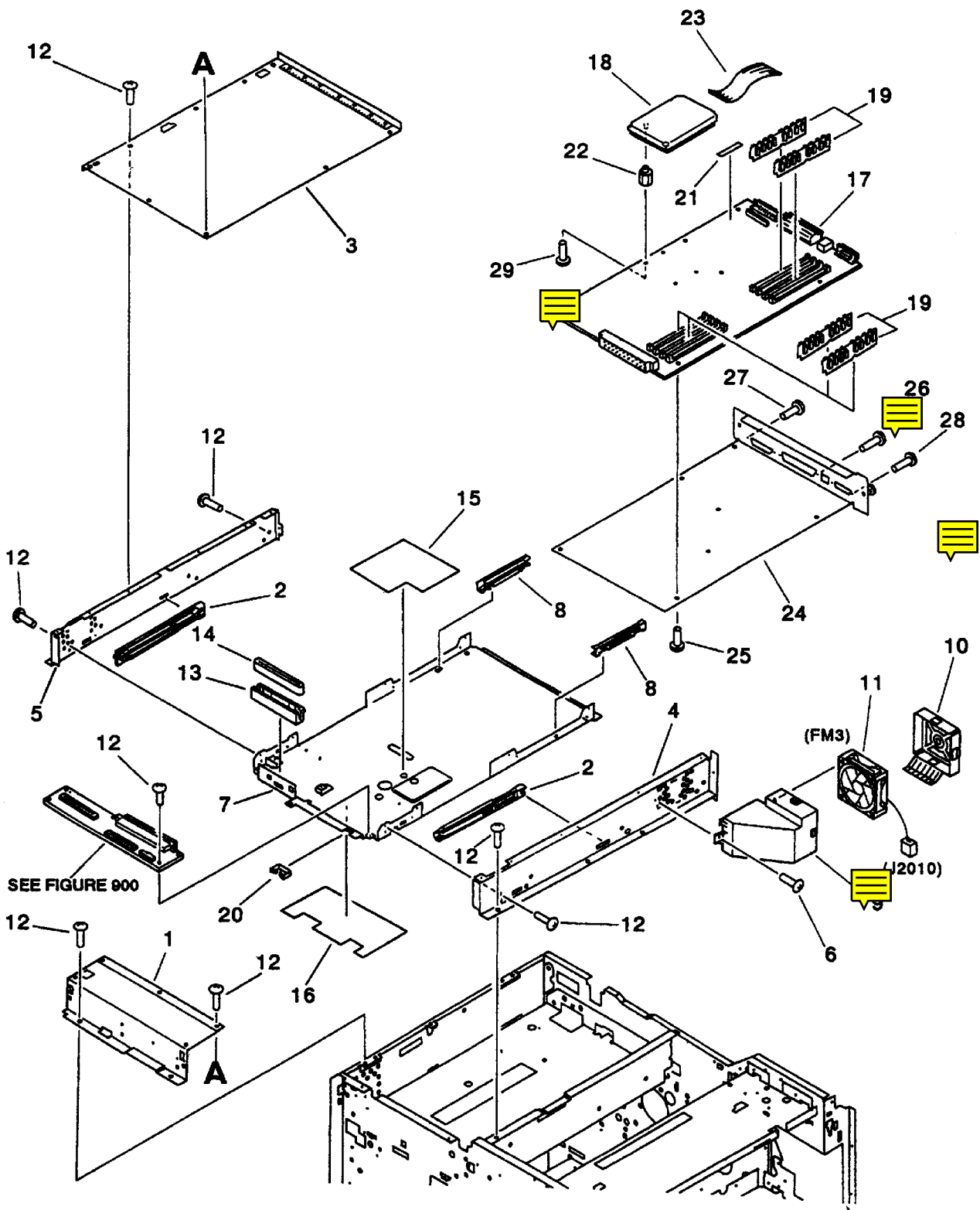
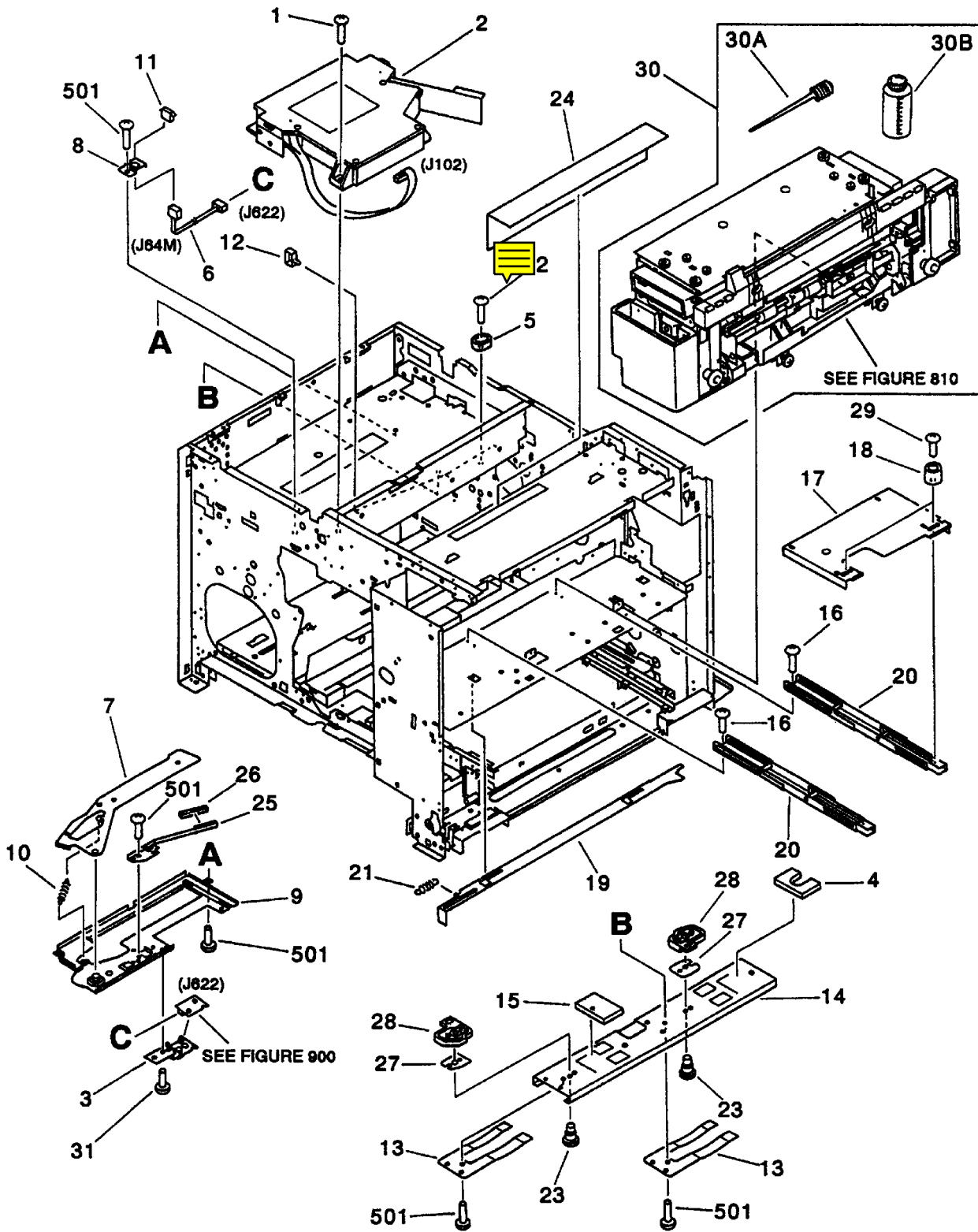


FIGURE & KEY NO.	PART NUMBER	RANK	QTY	DESCRIPTION	SERIAL NUMBER / REMARKS
105 -	NPN		RF	INTERNAL COMPONENTS 4	
1	RB1-4540-000		1	COVER, PLATE, UPPER	
2	RB1-4530-000		2	RAIL, GUIDE	
3	RB1-4532-000		1	PLATE, SHIELD, UPPER	
4	RB1-4533-000		1	PLATE, SIDE, SHIELD, RIGHT	
5	RB1-4534-000		1	PLATE, SIDE, SHIELD, LEFT	
6	XA9-0253-000		1	SCREW, MACH., PAN HEAD, M3X8	
7	RB1-4536-000		1	CROSSMEMBER, SHIELD, REAR	
8	RB1-4537-000		2	RAIL, GUIDE	
9	RB1-4538-000		1	DUCT, FAN, CONTROLLER	
10	RB1-4539-000		1	PLATE, FAN DUCT	
11	RH7-1227-000		1	FAN	FM3,J2010
12	XA9-0267-000		23	SCREW, TP, M3X6	
13	RB1-4882-000		1	HOLDER,CORE	
14	WE8-5344-000		1	FERRITE, CORE	
15	RB1-4897-000	N	1	SHEET, SHIELD A	
16	RB1-4898-000	N	1	SHEET, SHIELD B	
17	RH6-3596-000		1	VIDEO CONTROLLER PCB ASS'Y	C LBP 360 PS OLD ONLY
	RH6-3726-000		1	VIDEO CONTROLLER PCB ASS'Y	C LBP 360 PS
					C LBP 360 PS (Ver-UP)
18	RH6-3806-000		1	810MB HARD DISK DRIVE (SCSI)	C LBP 360 PS OLD ONLY
	RH6-3727-000		1	810MB HARD DISK DRIVE (IDE)	C LBP 360 PS
					C LBP 360 PS (Ver-UP)
19	RH6-3551-000		4	8MB RAM SIMM	
20	WT2-0204-000		1	CLIP, CABLE	
21	RS5-8764-000		1	LABEL, "PART NO."	100-120V
	RS5-8797-000		1	LABEL, "PART NO."	C LBP 360 PS OLD ONLY
					220-240V
					C LBP 360 PS OLD ONLY
22	RS5-7067-000		4	SPACER	C LBP 360 PS OLD ONLY
23	RH6-3598-000		1	CABLE, SCSI	C LBP 360 PS OLD ONLY
24	RH6-3622-000		1	PLATE, I/O	C LBP 360 PS OLD ONLY
	RH6-3725-000		1	PLATE, I/O	C LBP 360 PS
					C LBP 360 PS (Ver-UP)
25	RH6-3600-000		7	SCREW, M3X6	
26	RH6-3601-000		2	SCREW, M2.5X6	
27	RH6-3602-000		2	SCREW, 4-40X5/16	
28	RH6-3606-000		2	SCREW, 4-40X1/4, AUI	
29	XA9-0267-000		4	SCREW, TP, M3X6	C LBP 360 PS OLD ONLY
	XA9-0500-000		4	SCREW, W/WASHER, M3X6	C LBP 360 PS
					C LBP 360 PS (Ver-UP)

FIGURE 106 INTERNAL COMPONENTS 5



NOTE : Key numbers 30A and 30B are service tools.

FIGURE & KEY NO.	PART NUMBER	R A N K	Q' T Y	DESCRIPTION	SERIAL NUMBER / REMARKS
106 -	NPN		RF	INTERNAL COMPONENTS 5	
1	XA9-0531-000		4	SCREW, W/WASHER, M3X16	
2	RG5-1115-080		1	LASER/SCANNER ASS'Y	J102
3	RB1-4700-000		1	HOLDER, SENSOR	
4	RB1-4399-000		1	DAMPER	
5	RB1-4489-000		1	STOPPER, LASER PCB	
6	RG5-1258-000		1	CONNECTOR CABLE	J64M,J622
7	RB1-4472-000		1	SHUTTER, LASER	
8	RB1-4492-000		1	MOUNT, PANEL	
9	RF5-0913-000		1	BRACKET, SHUTTER	
10	RS5-2341-000		1	SPRING, TENSION	
11	VS1-5057-003		1	CONNECTOR, 3P	
12	WT2-5018-000		5	CLIP, CABLE	
13	RB1-4705-000		2	SPRING, LEAF	
14	RB1-4698-000		1	RAIL, CARTRIDGE	
15	RB1-4391-000		1	DAMPER, RAIL	
16	XA9-0267-000		3	SCREW, TP, M3X6	
17	RB1-4755-000		1	PLATE, SLIDE	
18	RB1-4758-000		2	GUIDE, FIXING	
19	RB1-4759-000		1	ROD	
20	RG5-1517-000		2	RAIL ASS'Y	
21	RS5-2360-000		1	SPRING, TENSION	
22	FA9-2932-000		1	SCREW, W/WASHER, M3X6	
23	RS5-9058-000		2	SCREW, STEPPED, M3	
24	RB1-4761-000		1	SHEET, "CAUTION"	
25	RB1-4943-000		1	SPRING, LEAF	
26	RB1-4944-000		1	DAMPER, SHUTTER	
27	RB1-4394-000		2	DAMPER, RAIL	
28	RB1-4395-000		2	SPACER, RAIL	
29	XA9-0253-000		1	SCREW, MACH., PAN HEAD, M3X8	
30	RG5-2552-360		1	FIXING ASS'Y SERVICE KIT	100-120V
	RG5-2553-360		1	FIXING ASS'Y SERVICE KIT	220-240V
31	XA9-0872-000		1	SCREW, W/WASHER, M3X8	
501	XB6-7300-407		7	SCREW, TP, M3X4	

FIGURE 107 INTERNAL COMPONENTS 6

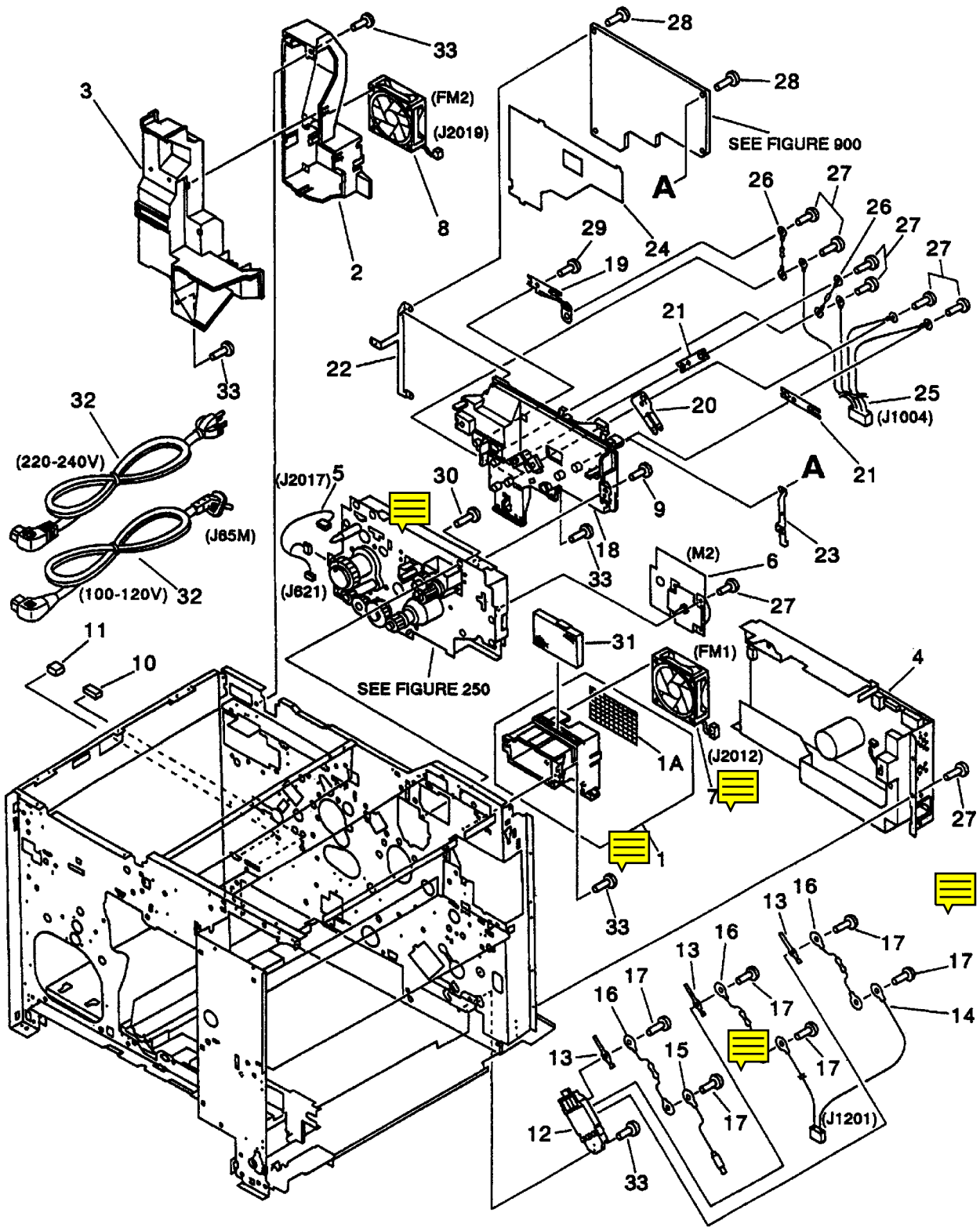


FIGURE & KEY NO.	PART NUMBER	RANK	QTY	DESCRIPTION	SERIAL NUMBER / REMARKS
107 -	NPN		RF	INTERNAL COMPONENTS 6	
1	RF5-0991-000		1	DUCT, FIXING FAN	
1A	RB1-4579-000		1	MESH, FAN	
2	RB1-4554-000		1	DUCT, FAN, UPPER	
3	RB1-4571-020		1	DUCT, FAN, LOWER	
4	RH3-2158-000		1	POWER SUPPLY ASS'Y	100-120V
	RH3-2159-000		1	POWER SUPPLY ASS'Y	220-240V
5	RG5-1287-000		1	REVOLUTION CLUTCH CABLE	J65M,J621,J2017
6	RH7-1220-000		1	MOTOR	M2
7	RH7-1225-000		1	FAN	FM1,J2012
8	RH7-1226-000		1	FAN	FM2,J2019
9	XA9-0253-000		1	SCREW, MACH., PAN HEAD, M3X8	
10	VS1-5820-008		1	CONNECTOR, SNAP TIGHT	
11	VS1-5057-005		1	CONNECTOR, SNAP TIGHT	
12	RB1-4054-000		1	MOUNT, H.V. TERMINAL, 2	
13	RB1-4055-000		3	SPRING, LEAF	
14	RG5-1279-000		1	TRANSFER ATTRACTION H.V. CABLE	J1201
15	RG5-1280-000		1	DISCHARGE H.V. CABLE	
16	RG5-1281-000		3	H.V. TERMINAL RESISTANCE ASS'Y	
17	XB2-7300-607		6	SCREW, WWASHER, M3X6	
18	RB1-4555-020		1	MOUNT, MECHANICAL CONTROLLER	
19	RB1-4556-000		1	PLATE, H.V. CONTINUITY	
20	RB1-4557-000		1	PLATE, H.V. CONTINUITY	
21	RB1-4558-000		2	PLATE, H.V. CONTINUITY	
22	RB1-4572-000		1	GROUNDING, RIGHT	
23	RB1-4573-000		1	GROUNDING, LEFT	
24	RB1-4574-000		1	SHEET, MECHANICAL CONTROLLER	
25	RG5-1278-000		1	H.V. CABLE	J1004
26	RG5-1281-000		2	H.V. TERMINAL RESISTANCE ASS'Y	
27	XA9-0267-000		8	SCREW, TP, M3X6	
28	XA9-0591-000		7	SCREW, M3X8	
29	XA9-0605-000		1	SCREW, M4X8	
30	XA9-0302-000		6	SCREW, TP, M3X8	
31	RB1-4578-000		1	FILTER, OZONE	
32	RH2-5303-000		1	CORD, POWER	100-120V
	RH2-5304-000		1	CORD, POWER	220-240V
33	XA9-0872-000		5	SCREW, WWASHER, M3X8	

FIGURE 108 INTERNAL COMPONENTS 7

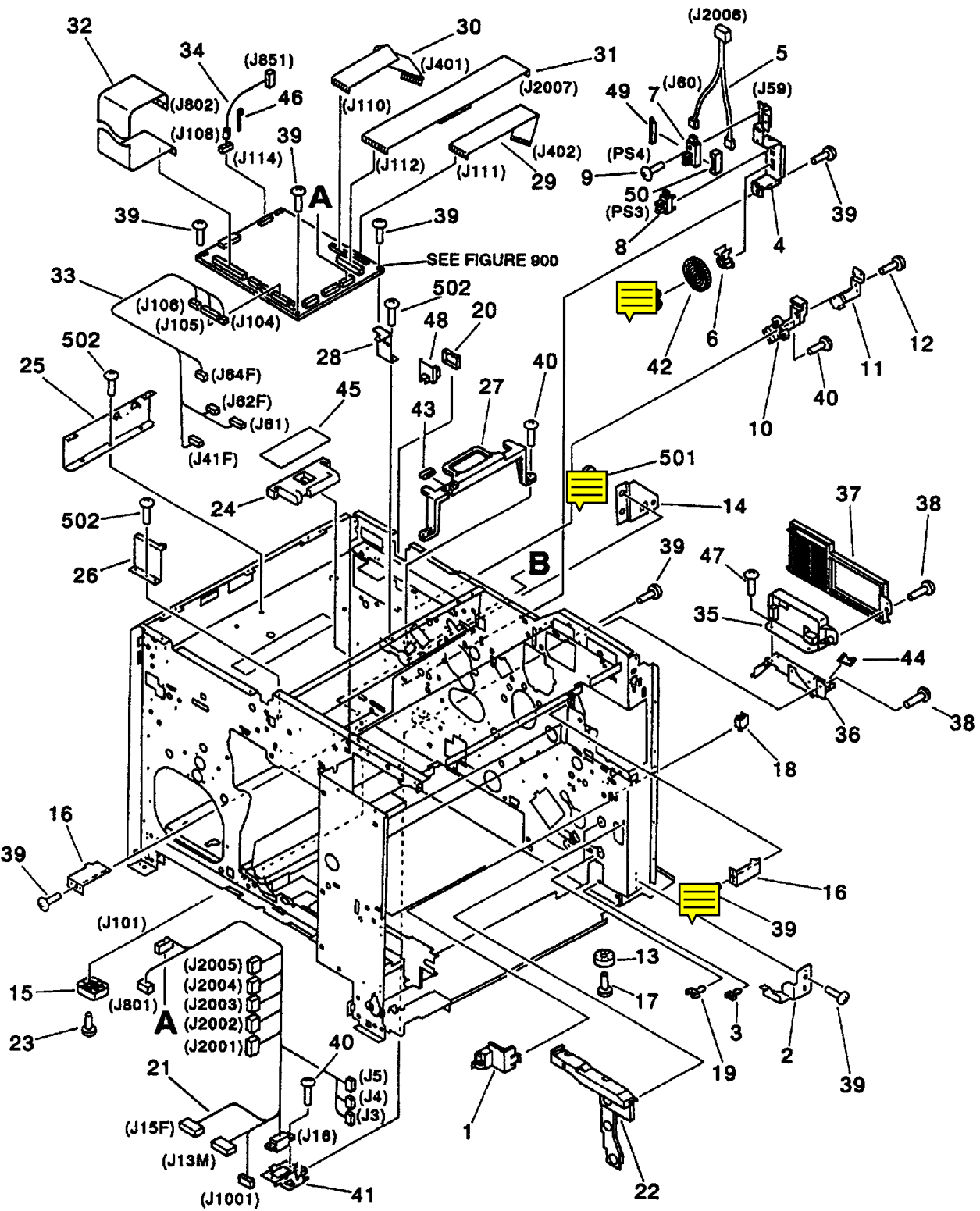


FIGURE & KEY NO.	PART NUMBER	RANK	QTY	DESCRIPTION	SERIAL NUMBER / REMARKS
108 -	NPN		RF	INTERNAL COMPONENTS 7	
1	RB1-4131-000	1	1	COVER, CONNECTOR, CLEANING	
2	RB1-4244-020	1	1	STOPPER, RIGHT	
3	WT2-0495-000	1	1	CLAMP, CABLE	
4	RB1-4445-000	1	1	PLATE, SENSOR	
5	RG5-1264-000	1	1	ROTARY CABLE	J59,J60,J2006
6	RS5-1108-000	1	1	BUSHING	
7	WG8-0182-000	1	1	IC, GP1A05, PHOTO INTERRUPTER	PS4,J60
8	WG8-0291-000	1	1	IC, TLP1230, PHOTO INTERRUPTER	PS3,J59
9	XA9-0703-000	1	1	SCREW, W/WASHER, M3X12	
10	RB1-4443-000	1	1	HOLDER, CONTACT	
11	RB1-4444-000	1	1	CONTACT	
12	XA9-0614-000	1	1	SCREW, M3X8	
13	RB1-4460-000	1	1	FOOT, REAR	
14	RB1-4462-000	1	1	PLATE, REINFORCEMENT, REAR	
15	RB1-4487-000	1	1	MOUNT, POSITIONING	
16	RB1-4490-000	2	2	GUIDE, DRIVE MOUNTING	
17	RS5-9054-000	1	1	SCREW, W/WASHER, M4X8	
18	VS1-5057-002	1	1	CONNECTOR, 2P	
19	WT2-0434-000	5	5	CLAMP	
20	WT2-0482-000	1	1	CLIP, WIRE	
21	RG5-1257-000	1	1	DC REAR CABLE	J3,J4,J5,J13M,J15F,J16,J101 J801,J1001,J2001,J2002,J2003 J2004,J2005
22	RB1-4484-000	1	1	RAIL, CLEANER	
23	XA9-0249-000	1	1	SCREW, W/WASHER, M4X8	
24	RB1-4470-000	1	1	HOLDER, CABLE	
25	RB1-4551-000	1	1	MOUNT, DC CONTROLLER, 1	
26	RB1-4552-000	1	1	MOUNT, DC CONTROLLER, 2	
27	RB1-4560-000	1	1	COVER, DC CONTROLLER	
28	RB1-4570-000	1	1	MOUNT, DC CONTROLLER, 3	
29	RH2-5252-000	1	1	CABLE, FFC, PWM ,1	J111,J402
30	RH2-5253-000	1	1	CABLE, FFC, PWM ,2	J110,J401
31	RH2-5254-020	1	1	CABLE, FFC ,1	J112,J2007
32	RH2-5255-000	1	1	CABLE, FFC ,2	J108,J802
33	RG5-1259-000	1	1	DC FRONT CABLE	J41F,J61,J62F,J64F,J104 J105,J106 J114,J851
34	RG5-1289-030	1	1	DENSITY ADJUSTING PANEL CABLE	
35	RH6-0111-000	1	1	PANEL, DENSITY ADJUSTING	
36	RB1-4491-000	1	1	MOUNT, PANEL	
37	RB1-4869-000	1	1	COVER	
38	XA9-0605-000	3	3	SCREW, M4X8	
39	XA9-0267-000	11	11	SCREW, TP, M3X6	
40	XA9-0872-000	6	6	SCREW, W/WASHER, M3X8	
41	RB1-4488-000	1	1	BRACKET, OPTION CONNECTOR	
42	RS5-0435-000	1	1	GEAR, 62T	
43	WE8-5355-000	1	1	FERRITE, CORE	
44	WT2-0204-000	1	1	CLIP, CABLE	
45	RB1-4954-000	1	1	CUSHION	
46	WT2-0088-000	1	1	TIE, CABLE	

FIGURE & KEY NO.	PART NUMBER	R A N K	Q' T Y	DESCRIPTION	SERIAL NUMBER / REMARKS
108 - 47	XA9-0547-000		2	SCREW, TP, M3X6	
48	RB1-4593-000		1	PACKING, PVC	
49	RB1-4547-000		1	FORM RUBBER, SENSOR, CR	
50	RB1-4546-000		1	FORM RUBBER CR	
501	XB6-7400-607		3	SCREW, TP, M4X6	
502	XB6-7300-405		3	SCREW, TP, M3X4	

FIGURE 109 MACHINE BOTTOM PLATE

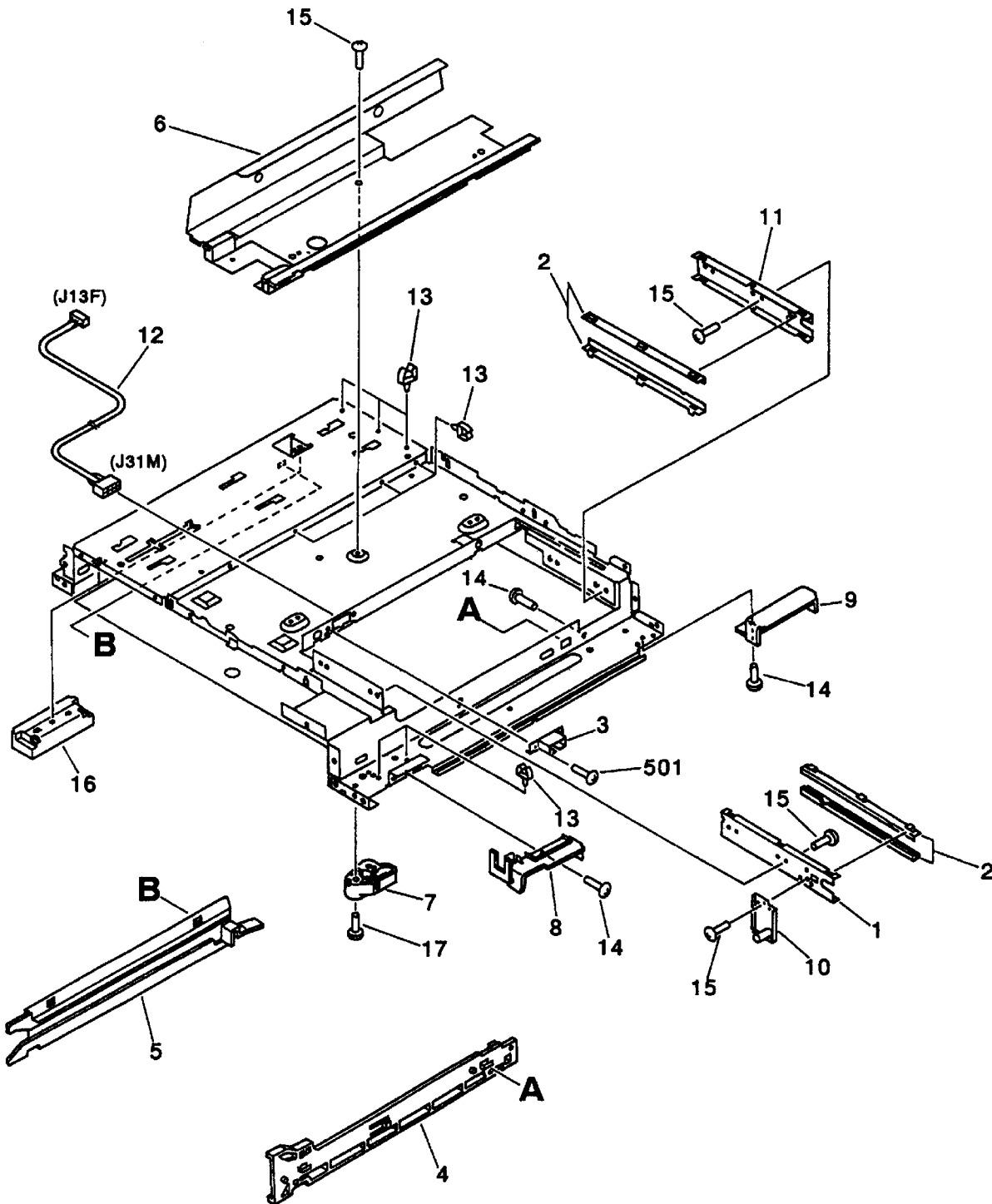


FIGURE & KEY NO.	PART NUMBER	R A N K	Q T Y	DESCRIPTION	SERIAL NUMBER / REMARKS
109 -	NPN		RF	MACHINE BOTTOM PLATE	
1	RB1-4242-000		1	PLATE, SLIDE, OUT LEFT	
2	RB1-4246-000		4	GUIDE, SLIDE	
3	RB1-4247-000		1	SHIELD, CONNECTOR	
4	RB1-4341-030		1	RAIL, CASSETTE, RIGHT	
5	RB1-4342-000		1	RAIL, CASSETTE, LEFT	
6	RB1-4457-000		1	CROSSMEMBER, RAIL	
7	RB1-4496-000		1	FOOT, FRONT	
8	RB1-4859-000		1	GRIP, FRONT	
9	RB1-4860-000		1	GRIP, REAR	
10	RF5-0877-000		1	SUPPORT, LOCK PIN	
11	RF5-0887-000		1	PLATE, SLIDE, OUT RIGHT	
12	RG5-1273-000		1	BOTTOM CABLE	J31M,J13F
13	WT2-0434-000		8	CLAMP	
14	XA9-0253-000		3	SCREW, MACH., PAN HEAD, M3X8	
15	XA9-0267-000		13	SCREW, TP, M3X6	
16	RB1-4861-000		2	GRIP, REAR	
17	XA9-0249-000		2	SCREW, W/WASHER, M4X8	
501	XB1-2300-807		2	SCREW,MACH.,TRUSS HEAD,M3X8	

FIGURE 120 DOOR SWITCH UPPER ASS'Y

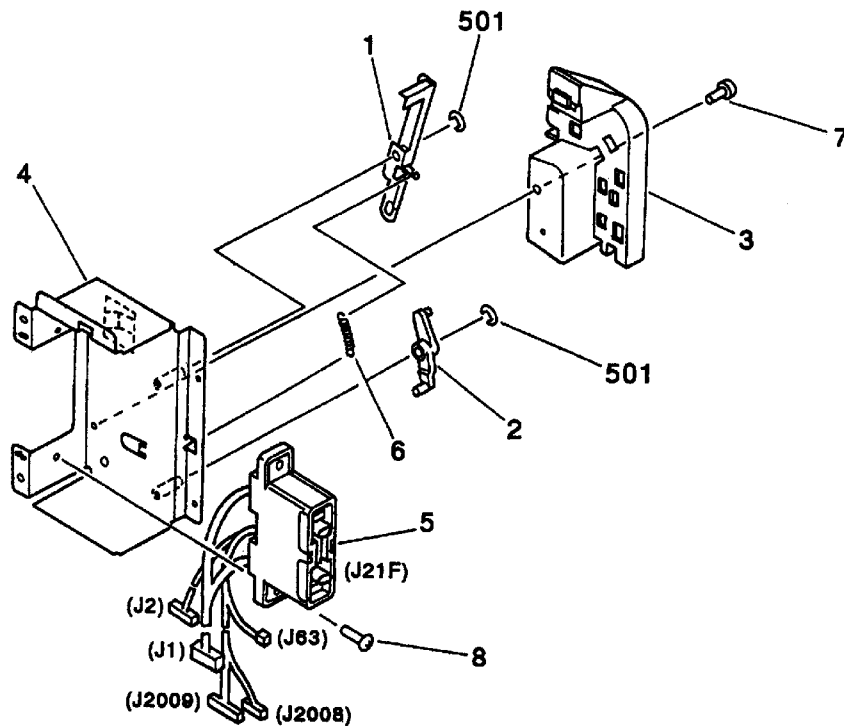


FIGURE & KEY NO.	PART NUMBER	RANK	QTY	DESCRIPTION	SERIAL NUMBER / REMARKS
120 -	NPN		RF	DOOR SWITCH UPPER ASS'Y	
1	RB1-4562-020		1	ARM, DOOR, 1	J1,J2,J21F,J63,J2008,J2009
2	RB1-4563-000		1	ARM, DOOR, 2	
3	RB1-4569-000		1	GUIDE, CABLE, FIXING	
4	RF5-0914-000		1	MOUNT, SWITCH, UPPER	
5	RG5-1255-000		1	FIXING CONTROL CABLE	
6	RS5-2344-000		1	SPRING, TENSION	
7	XA9-0253-000		1	SCREW, MACH., PAN HEAD, M3X8	
8	XA9-0267-000		2	SCREW, TP, M3X6	
501	XD2-1100-402		2	RING, E	

FIGURE 121 DOOR SWITCH LOWER ASS'Y

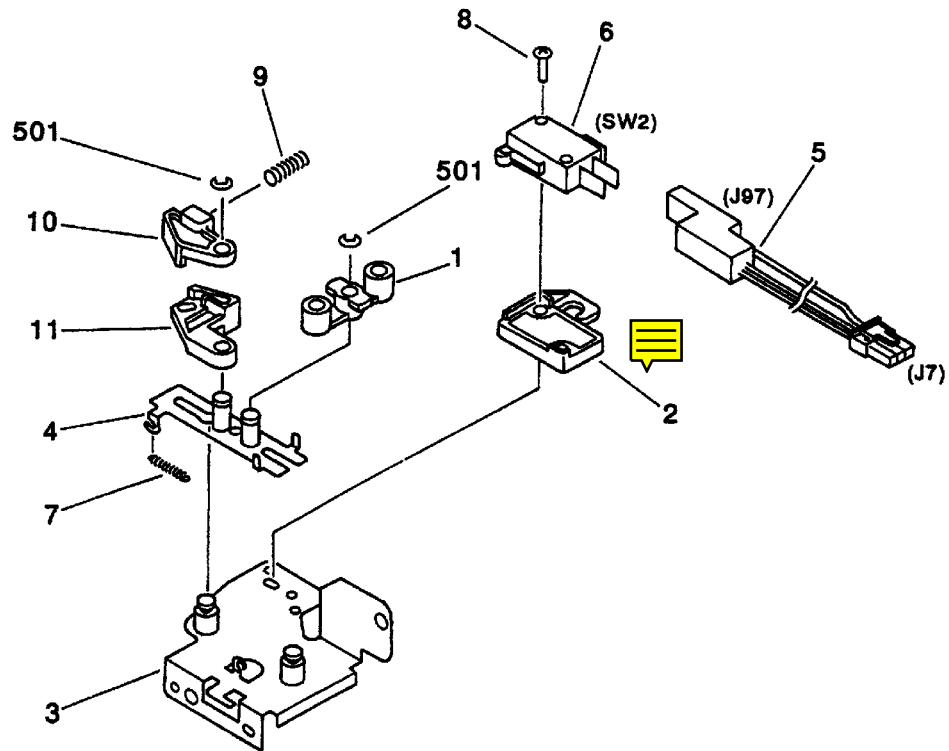


FIGURE & KEY NO.	PART NUMBER	RANK	QTY	DESCRIPTION	SERIAL NUMBER / REMARKS
121 -	NPN		RF	DOOR SWITCH LOWER ASS'Y	
1	RB1-4567-000		1	ARM, ROCKER	
2	RB1-4568-020		1	PLATE, INSULATING, SWITCH	
3	RF5-0915-000		1	MOUNT, SWITCH, LOWER	
4	RF5-0916-000		1	PLATE, SLIDE	
5	RG5-1256-000		1	DOOR SWITCH CABLE	J97, J7
6	RH7-6034-000		1	SWITCH	SW2, J97
7	RS5-2345-000		1	SPRING, TENSION	
8	XA9-0667-000		2	SCREW, W/WASHER, M3X21.5	
9	RS5-2346-000		1	SPRING, COMPRESSION	
10	RB1-4575-000		1	ARM, PUSH, UPPER	
11	RB1-4576-000		1	ARM, PUSH, LOWER	
501	XD2-1100-402		2	RING, E	

FIGURE 140 EJECTION LEVER ASS'Y

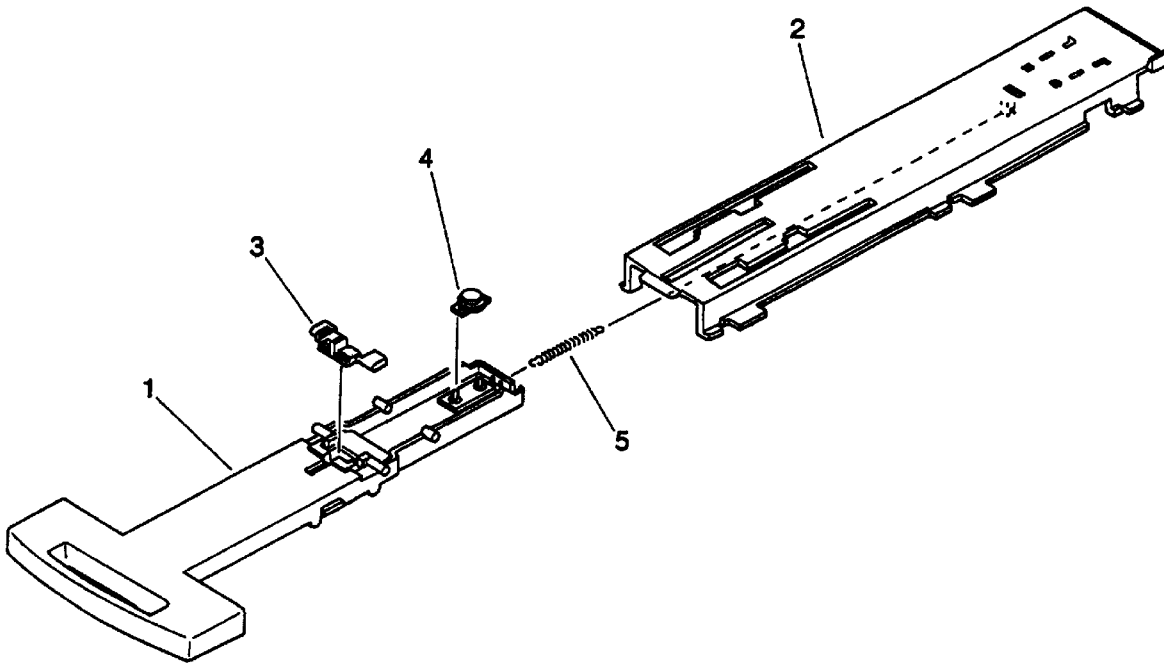


FIGURE & KEY NO.	PART NUMBER	RANK	QTY	DESCRIPTION	SERIAL NUMBER / REMARKS
140 -	RG5-1185-000		1	EJECTION LEVER ASS'Y	
1	RB1-4371-000		1	EJECTOR	
2	RB1-4372-000		1	GUIDE	
3	RB1-4373-000		1	HOOK	
4	RB1-4374-000		1	DAMPER, OIL	
5	RS5-2335-000		1	SPRING, TENSION	

FIGURE 141 SOLENOID ASS'Y

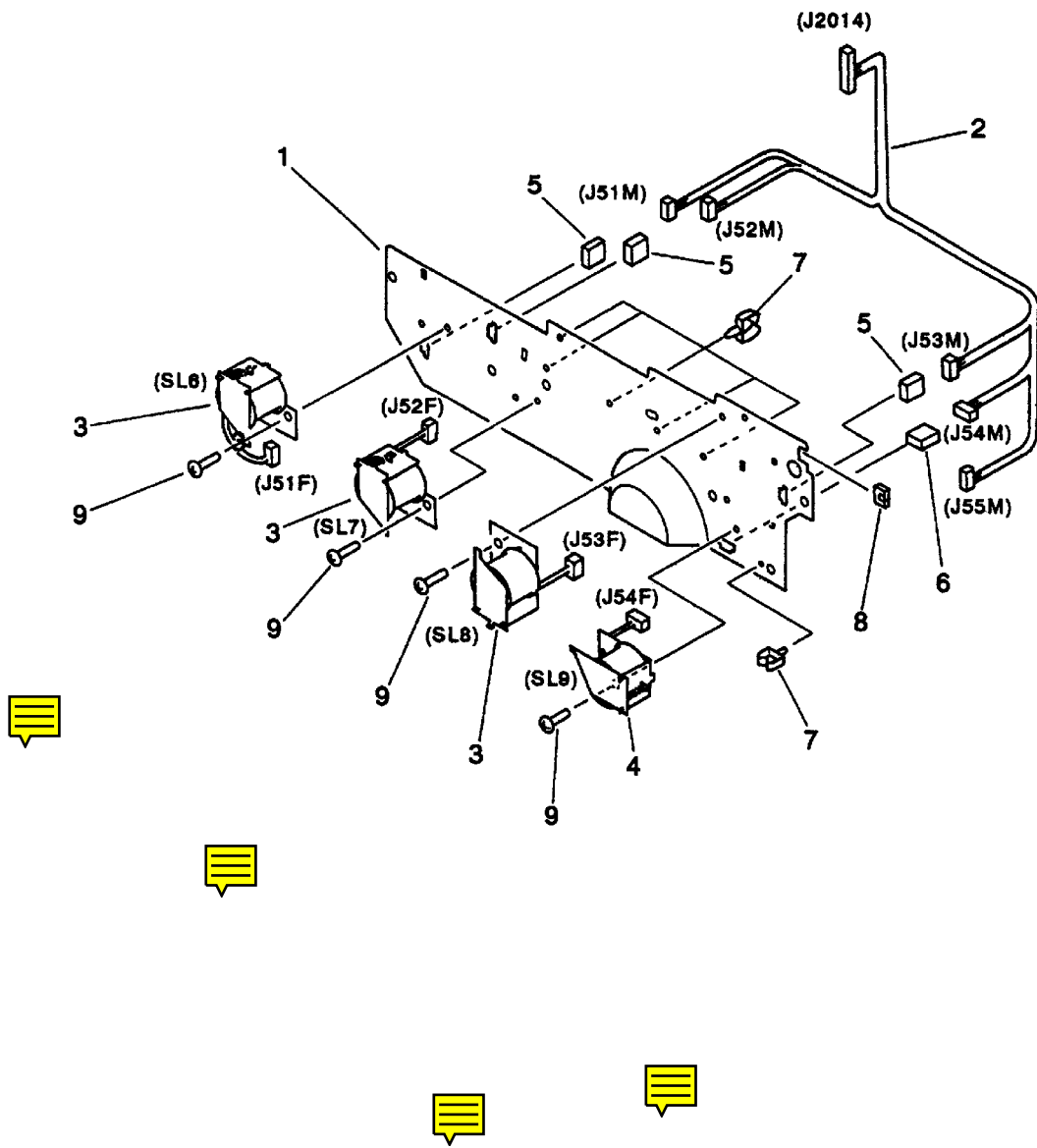


FIGURE & KEY NO.	PART NUMBER	R A N K	Q' T Y	DESCRIPTION	SERIAL NUMBER / REMARKS
141 -	NPN		RF	SOLENOIDE ASS'Y	
1	RB1-4643-000		1	MOUNT, SOLENOID	
2	RG5-1266-000		1	SOLENOID CABLE	J51M-J55M, J2014
3	RH7-5106-000		3	SOLENOID	SL6-SL8, J51M-J53M
4	RH7-5109-000		1	SOLENOID	SL9, J54F
5	VS1-5057-002		3	CONNECTOR, 2P	J51F-J53F, J51M-J53M
6	VS1-5057-003		1	CONNECTOR, 3P	J54F, J54M
7	WT2-0434-000		6	CLAMP	
8	WT2-5056-000		1	CLIP, CORD	
9	XA9-0267-000		4	SCREW, TP, M3X6	

FIGURE 142 CLEANING BELT DRIVE SOLENOID ASS'Y

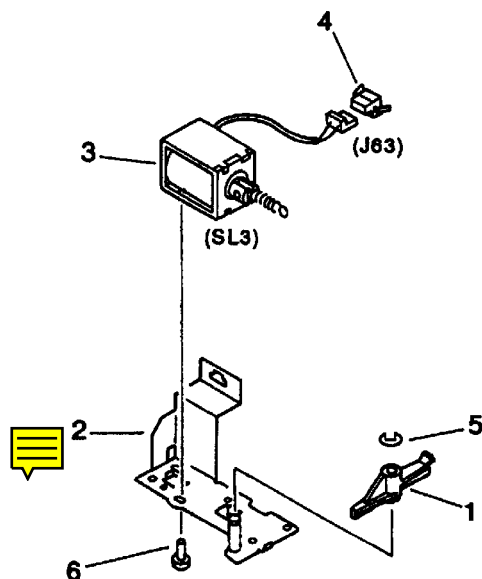


FIGURE & KEY NO.	PART NUMBER	RANK	QTY	DESCRIPTION	SERIAL NUMBER / REMARKS
142 -	NPN		RF	CLEANING BELT DRIVE SOLENOID A	
1	RB1-4690-000		1	LEVER, SOLENOID	
2	RF5-0929-000		1	MOUNT, SOLENOID	
3	RH7-5111-000		1	SOLENOID	SL3,J63
4	VS1-5057-002		1	CONNECTOR, 2P	
5	XD9-0135-000		1	RING, E	
6	XA9-0434-000		2	SCREW, TP, M3X4	

FIGURE 150 ROTARY MANUAL FEEDER ASS'Y

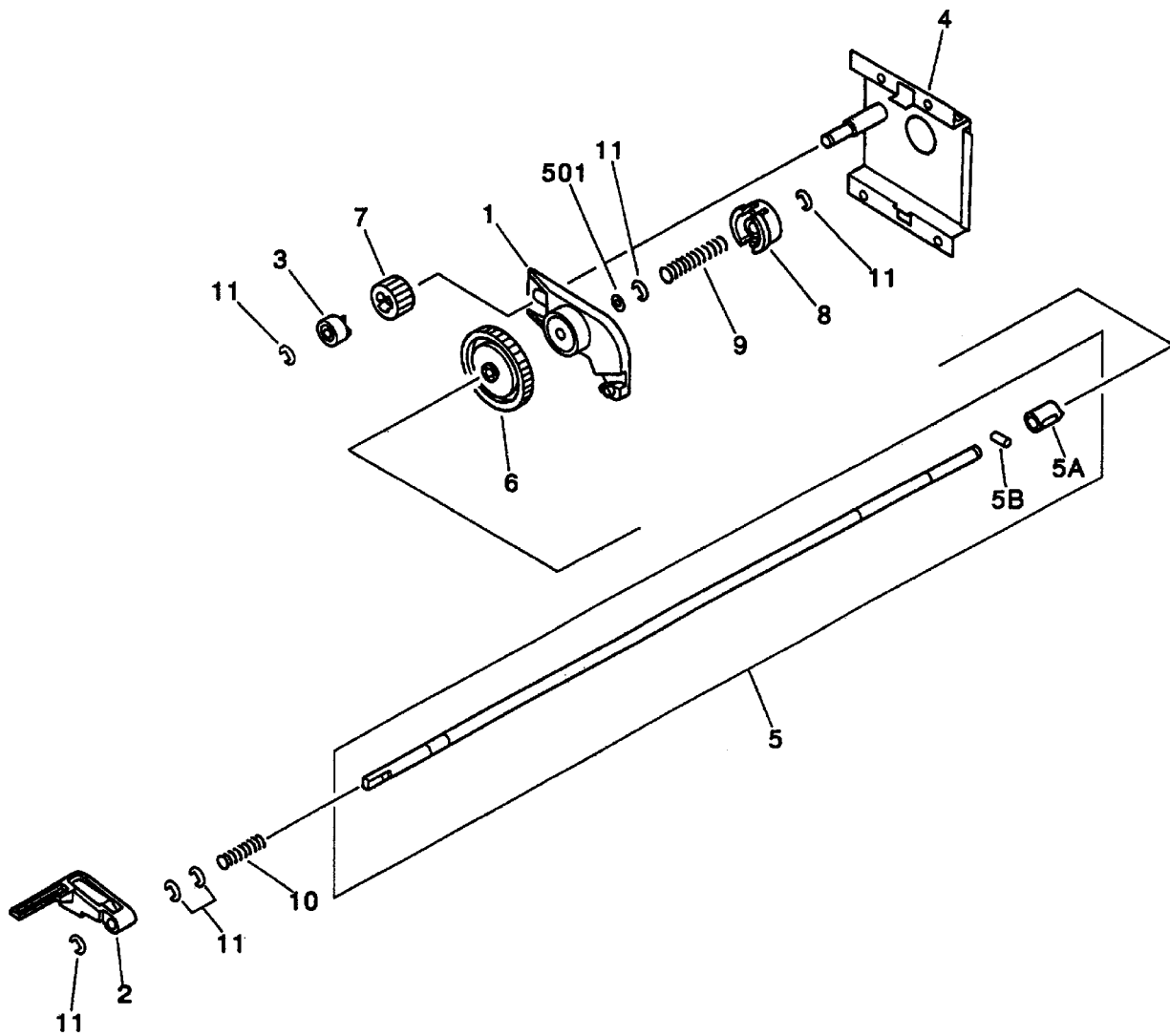


FIGURE & KEY NO.	PART NUMBER	R A N K	Q' T Y	DESCRIPTION	SERIAL NUMBER / REMARKS
150 -	RG5-1186-030		1	ROTARY MANUAL FEEDER ASSY	
1	RB1-4368-000		1	PLATE, LOCK	
2	RB1-4370-020		1	HOOK, LOCK	
3	RB1-4376-000		1	CLUTCH, STOP	
4	RF5-0902-020		1	PLATE, MANUAL, REAR	
5	RF5-0903-000		1	SHAFT, MANUAL	
5A	RB1-4378-000		1	RING, SLIDE	
5B	XD3-1200-102		1	PIN, SPRING	
6	RS5-0431-000		1	GEAR, 55T	
7	RS5-0436-000		1	GEAR, 22T	
8	RS5-1107-000		1	BUSHING	
9	RS5-2333-000		1	SPRING, COMPRESSION	
10	RS5-2338-000		1	SPRING, COMPRESSION	
11	XD9-0136-000		6	RING, E	
501	XD1-1106-239		1	SHIM	

FIGURE 250 PRINTER DRIVE ASS'Y

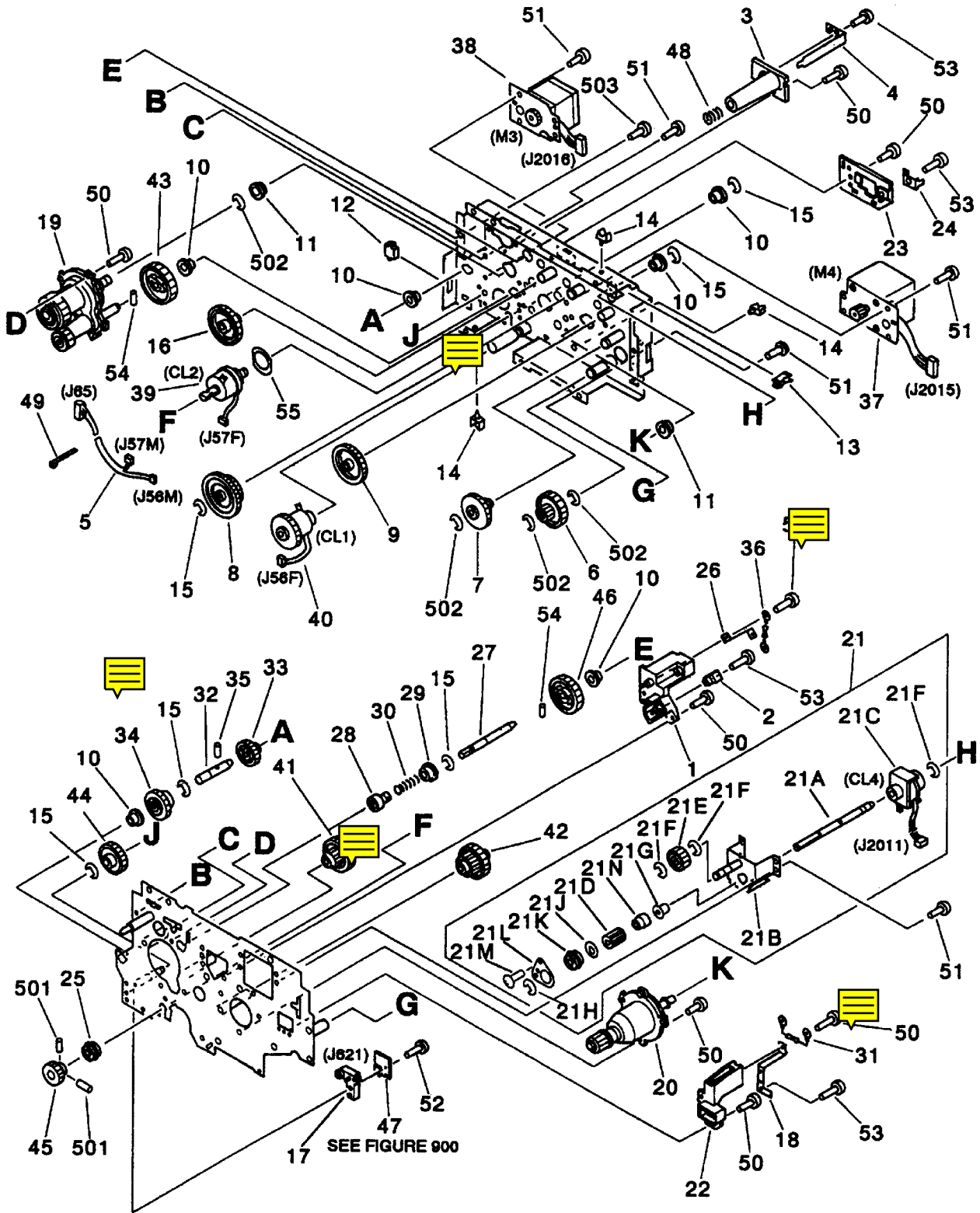


FIGURE & KEY NO.	PART NUMBER	RANK	QTY	DESCRIPTION	SERIAL NUMBER / REMARKS
250 -	RG5-1491-120		1	PRINTER DRIVE ASS'Y	
1	RB1-4101-000		1	MOUNT, POSITIONING	
2	RB1-4102-000		1	SPRING, LEAF	
3	RB1-4615-000		1	MOUNT, CONTINUITY PLATE	
4	RB1-4616-000		1	PLATE, CONTINUITY PLATE	
5	RG5-1265-000		1	PRINTER DRIVE CABLE	J56M,J57M,J65
6	RS5-0448-000		1	GEAR, 75T/14T	
7	RS5-0449-000		1	GEAR, 79T/14T	
8	RS5-0451-000		1	GEAR, 45T	
9	RS5-0452-000		1	GEAR, 41T	
10	RS5-1117-000		6	BUSHING	
11	RS5-1119-000		2	BUSHING	
12	VS1-5057-004		1	CONNECTOR, SNAP TIGHT	
13	WT2-0136-000		1	CLAMP, CORD	
14	WT2-0434-000		5	CLAMP	
15	XD9-0136-000		6	RING, E	
16	RS5-0450-000		1	GEAR, 43T	
17	RB1-4619-000		1	SPACER	
18	RB1-5060-000		1	PLATE, H.V.	
19	RG5-1493-030		1	DRUM DRIVE ASS'Y	
20	RG5-1499-000		1	TRANSFER DRUM DRIVE ASS'Y	
21	RG5-1500-030		1	FIXING DRIVE ASS'Y	
21A	RB1-4613-020		1	SHAFT, F	
21B	RF5-0921-020		1	MOUNT, DRIVE	
21C	RH7-5113-020		1	CLUTCH, ELECTROMAGNETIC	CL4,J2011
21D	RS5-0456-000		1	GEAR, 12T	
21E	RS5-0455-000		1	GEAR, 19T	
21F	XD9-0136-000		3	RING, E	
21G	RS5-1117-000		1	BUSHING	
21H	XD2-1100-322		1	RING, E	
21J	XD1-1106-229		1	SHIM	
21K	XG9-0306-000		1	BEARING, BALL	
21L	RB1-4621-000	N	1	PLATE, REINFORCEMENT	
21M	XA9-0267-000		2	SCREW, TP, M3X6	
21N	RB1-4609-000		1	ROLLER	
22	RB1-5059-000		1	MOUNT, H.V.	
23	RB1-4109-000		1	MOUNT, POSITIONING	
24	RB1-4108-000		1	PLATE	
25	XG9-0306-000		1	BEARING, BALL	
26	RB1-4110-000		1	PLATE	
27	RB1-4611-000		1	SHAFT	
28	RB1-4612-000		1	COUPLING	
29	RS5-1118-000		1	BUSHING	
30	RS5-2350-000		1	SPRING, COMPRESSION	
31	RF1-3877-000		1	RESISTOR, H.V TERMINAL, 10KOHM	
32	RB1-4608-000		1	SHAFT	
33	RS5-0445-000		1	GEAR, 54T	
34	RS5-0446-000		1	GEAR, 40T	
35	XD9-0108-000		1	PIN, DOWEL	
36	RG5-1281-000		1	H.V. TERMINAL RESISTANCE ASS'Y	

FIGURE & KEY NO.	PART NUMBER	RANK	QTY	DESCRIPTION	SERIAL NUMBER / REMARKS
250 - 37	RH7-1221-000		1	MOTOR, DRUM	M4,J2015
38	RH7-1222-000		1	MOTOR, DEVELOPMENT	M3,J2016
39	RH7-5110-020		1	CLUTCH, ELECTROMAGNETIC	CL2,J57F
40	RH7-5112-000		1	CLUTCH, ELECTROMAGNETIC	CL1,J56F
41	RS5-0438-000		1	GEAR, 90T/30T	
42	RS5-0439-000		1	GEAR, 96T/45T	
43	RS5-0441-000		1	GEAR, 88T	
44	RS5-0444-000		1	GEAR, 71T	
45	RS5-0447-020		1	GEAR, 27T	
46	RS5-0453-000		1	GEAR, 40T	
47	RG5-1224-000		1	TONER EMPTY SENSOR PCB ASS'Y	SEE FIGURE 900
48	RS5-2351-000		1	SPRING, COMPRESSION	
49	WT2-0030-000		2	TIE, CABLE	
50	XA9-0253-000		17	SCREW, MACH., PAN HEAD, M3X8	
51	XA9-0267-000		12	SCREW, TP, M3X6	
52	XA9-0419-000		1	SCREW, W/WASHER, M3X16	
53	XA9-0591-000		3	SCREW, M3X8	
54	XD9-0108-000		2	PIN, DOWEL	
55	RB1-4622-000		1	PLATE, DUST SHIELD	
501	XB6-2300-608		2	SETSCREW, M3X6	
502	XD2-1100-642		4	RING, E	
503	XB6-7300-609		3	SCREW, TP, M3X6	

FIGURE 260 T.DRUM CLEANING DRIVE ASS'Y

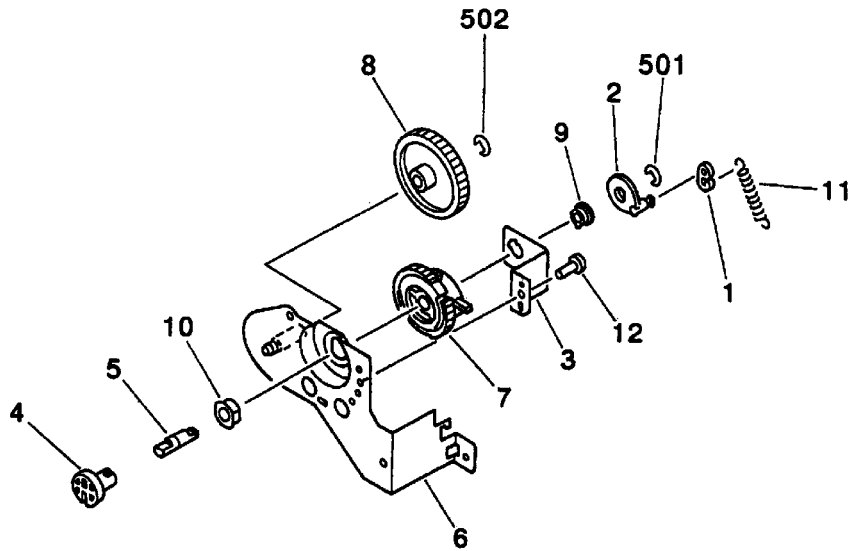


FIGURE & KEY NO.	PART NUMBER	RANK	QTY	DESCRIPTION	SERIAL NUMBER / REMARKS
260 -	RG5-1494-000	N	1	T. DRUM CLEANING DRIVE ASS'Y	
1	RB1-2190-000		1	COLLAR, SPRING	
2	RB1-4644-000		1	HOOK, SPRING	
3	RB1-4645-000		1	SUPPORT, SHAFT	
4	RB1-4646-000		1	COUPLING	
5	RB1-4647-000		1	SHAFT, DRIVE	
6	RF5-0925-000		1	MOUNT, DRIVE ASS'Y	
7	RS5-0457-000		1	GEAR, 36T	
8	RS5-0458-000		1	GEAR, 44T	
9	RS5-1117-000		1	BUSHING	
10	RS5-1121-000		1	BUSHING	
11	RS5-2352-000		1	SPRING, TENSION	
12	XA9-0267-000		1	SCREW, TP, M3X6	
501	XD2-1100-322		1	RING, E	
502	XD2-1100-642		1	RING, E	

FIGURE 261 DISCHARGE ROLLER DRIVE ASS'Y

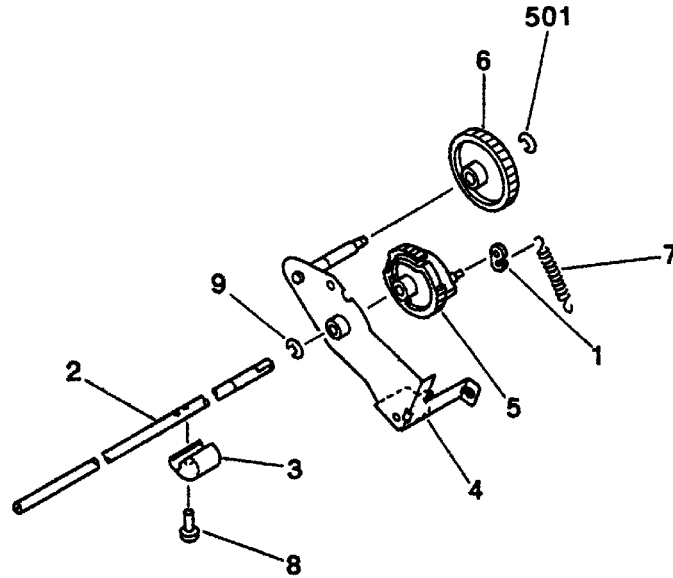


FIGURE & KEY NO.	PART NUMBER	RANK	QTY	DESCRIPTION	SERIAL NUMBER / REMARKS
261 -	RG5-1495-020	N	1	DISCHARGE ROLLER DRIVE ASS'Y	
1	RB1-2190-000		1	COLLAR, SPRING	
2	RB1-4634-000		1	SHAFT, CAM	
3	RB1-4635-020		1	CAM	
4	RF5-0926-000		1	MOUNT DRIVE	
5	RS5-0459-000		1	GEAR, 36T	
6	RS5-0460-000		1	GEAR, 41T	
7	RS5-2352-000		1	SPRING, TENSION	
8	XA9-0236-000		1	SCREW, W/WASHER, M3X10	
9	XD9-0136-000		1	RING, E	
501	XD2-1100-642		1	RING, E	

FIGURE 262 DRUM DRIVE ASS'Y

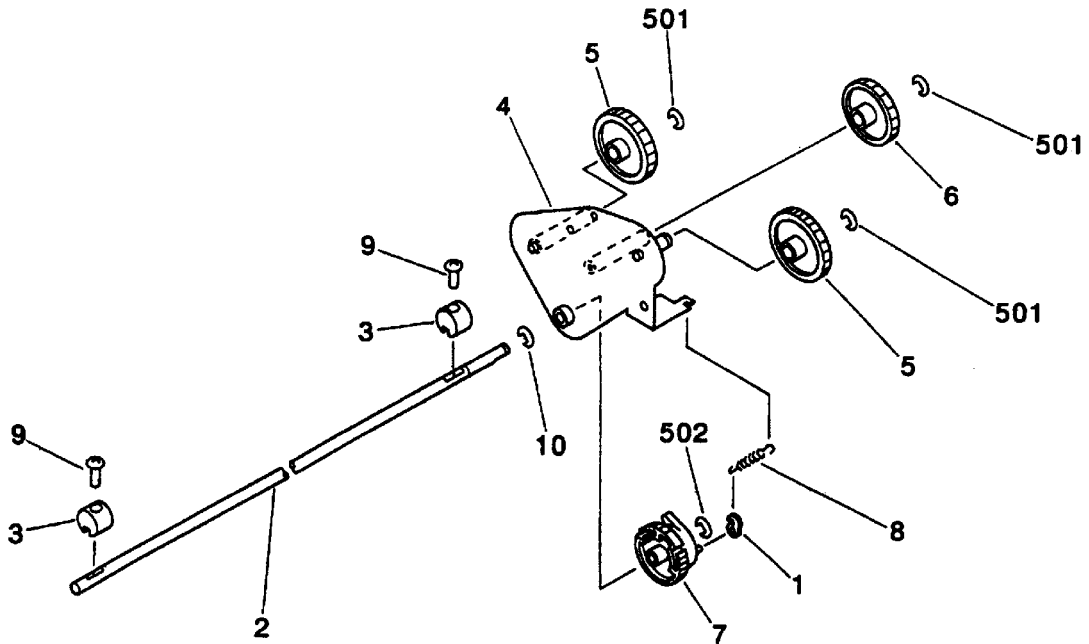


FIGURE & KEY NO.	PART NUMBER	RANK	QTY	DESCRIPTION	SERIAL NUMBER / REMARKS
262 -	RG5-1496-000	N	1	DRUM DRIVE ASS'Y	
1	RB1-2190-000		1	COLLAR, SPRING	
2	RB1-4637-000		1	SHAFT, CAM	
3	RB1-4638-000		2	CAM	
4	RF5-0927-000		1	MOUNT, DRIVE	
5	RS5-0458-000		2	GEAR, 44T	
6	RS5-0460-000		1	GEAR, 41T	
7	RS5-0461-000		1	GEAR, 28T	
8	RS5-2352-000		1	SPRING, TENSION	
9	XA9-0236-000		2	SCREW, W/WASHER, M3X10	
10	XD9-0136-000		1	RING, E	
501	XD2-1100-642		3	RING, E	
502	XD2-1100-322		1	RING, E	

FIGURE 263 ATTRACTION ROLLER DRIVE ASS'Y

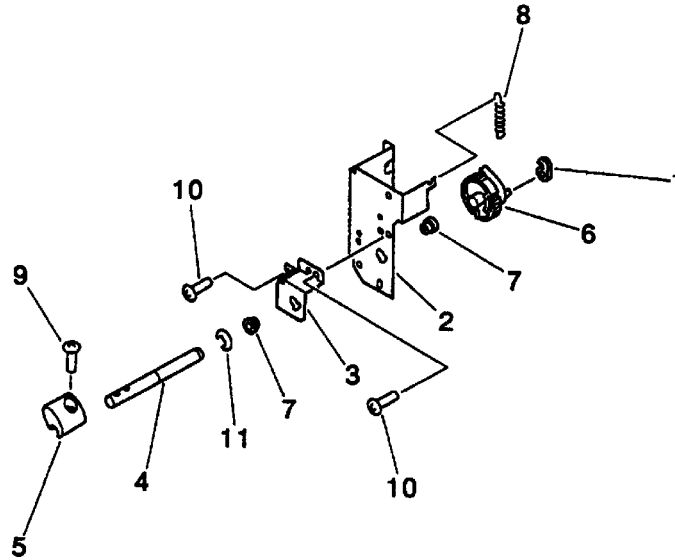


FIGURE & KEY NO.	PART NUMBER	RANK	QTY	DESCRIPTION	SERIAL NUMBER / REMARKS
263 -	RG5-1497-020	N	1	ATTRACTION ROLLER DRIVE ASS'Y	
1	RB1-2190-000		1	COLLAR, SPRING	
2	RB1-4639-000		1	MOUNT, DRIVE	
3	RB1-4640-000		1	SUPPORT, CAM SHAFT	
4	RB1-4641-000		1	SHAFT, CAM	
5	RB1-4642-020		1	CAM	
6	RS5-0463-000		1	GEAR, 28T	
7	RS5-1117-000		2	BUSHING	
8	RS5-2352-000		1	SPRING, TENSION	
9	XA9-0236-000		1	SCREW, W/WASHER, M3X10	
10	XA9-0267-000		2	SCREW, TP, M3X6	
11	XD9-0136-000		1	RING, E	

FIGURE 264 DELIVERY DRIVE ASS'Y

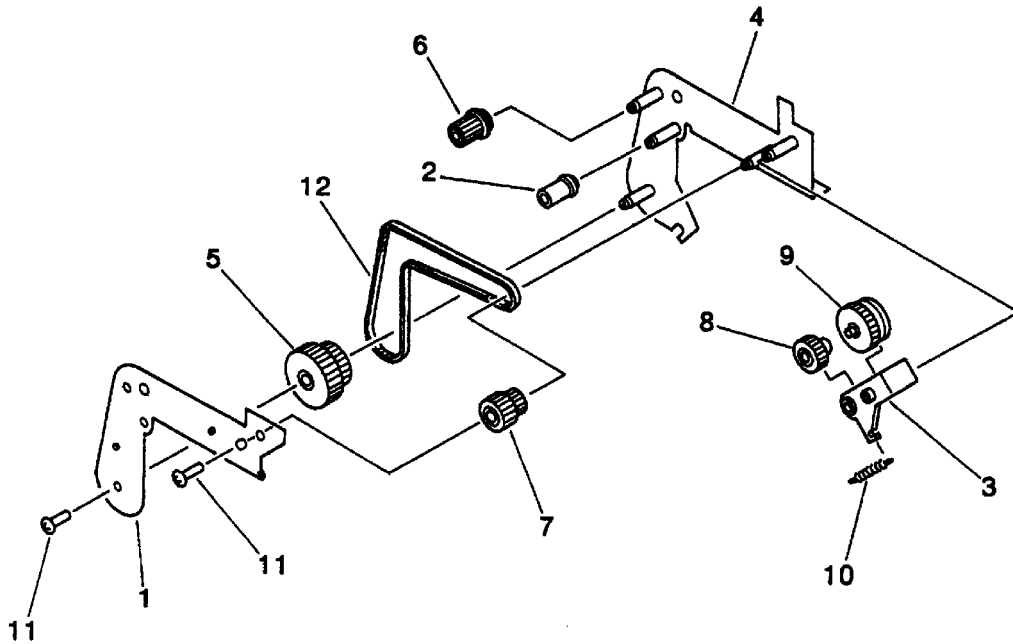


FIGURE & KEY NO.	PART NUMBER	RANK	QTY	DESCRIPTION	SERIAL NUMBER / REMARKS
264 -	RG5-1503-000		1	DELIVERY DRIVE ASS'Y	
1	RB1-4672-000		1	PLATE, DRIVE, DELIVERY	
2	RB1-4673-000		1	ROLLER, IDLER	
3	RB1-4674-000		1	ARM, SWING	
4	RF5-0957-000		1	FRAME, DELIVERY DRIVE	
5	RS5-0468-000		1	GEAR, 30T/PULLEY, 25T	
6	RS5-0469-000		1	PULLEY, 14T	
7	RS5-0470-000		1	GEAR, 26T/PULLEY, 14T	
8	RS5-0471-000		1	GEAR, 21T	
9	RS5-0472-000		1	GEAR, 29T	
10	RS5-2354-000		1	SPRING, TENSION	
11	XA9-0267-000		4	SCREW, TP, M3X6	
12	XF9-0534-000		1	BELT, TIMING	

FIGURE 300 CASSETTE EP-H (UNIVERSAL)

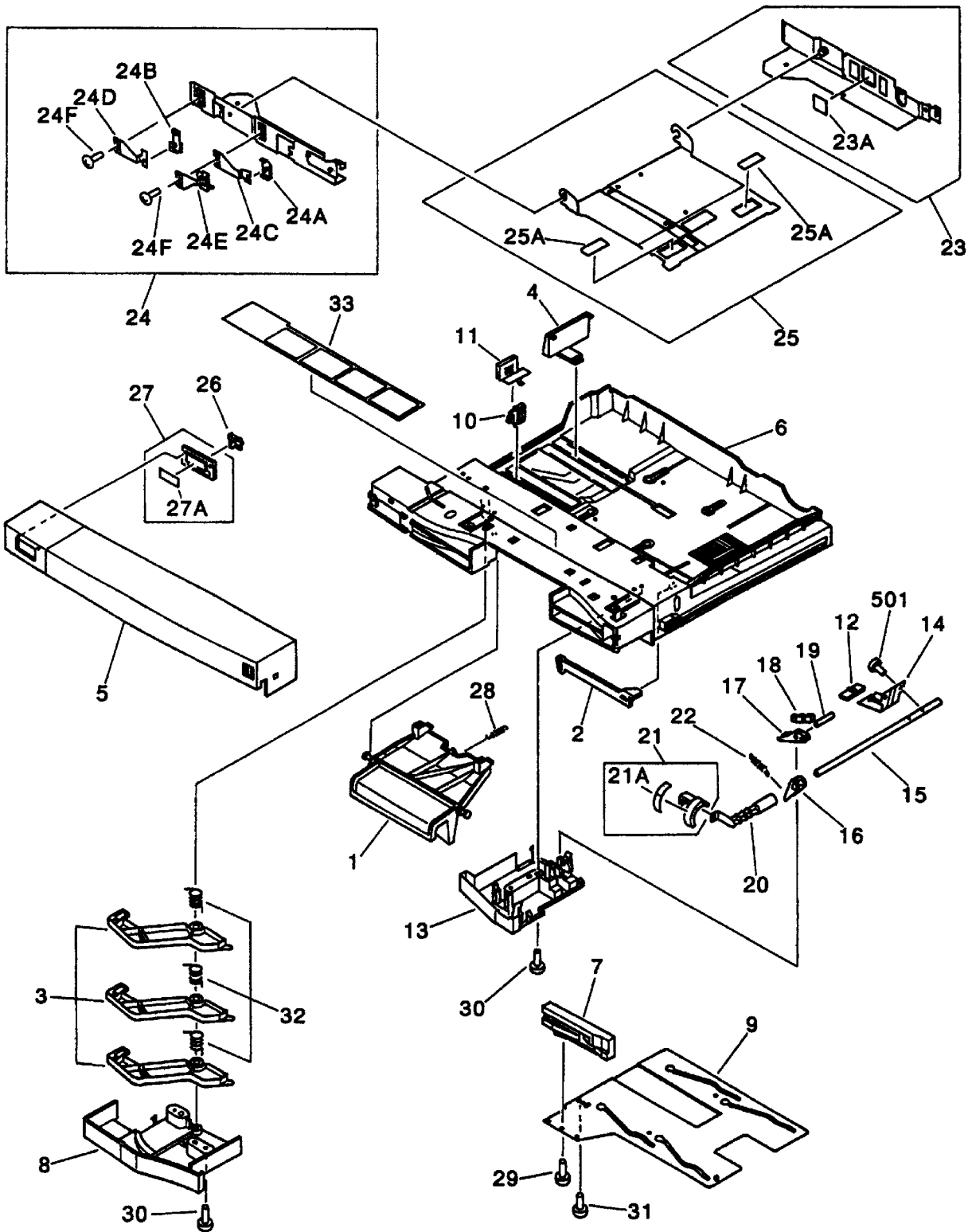


FIGURE & KEY NO.	PART NUMBER	RANK	QTY	DESCRIPTION	SERIAL NUMBER / REMARKS
300 -	NPN		RF	CASSETTE	UNIVERSAL
1	RB1-4839-000		1	LEVER, RELEASE, LOCK	
2	RB1-4303-000		1	ARM, RELEASE	
3	RB1-4307-000		3	LEVER, SIZE	
4	RB1-4308-000		1	PANEL, LIMIT, REAR	
5	RB1-4840-000		1	COVER, CASSETTE	
6	RB1-4841-000	N	1	BODY, CASSETTE	
7	RB1-4319-000		1	CAM, SIZE	
8	RB1-4843-000		1	COVER, SIZE	
9	RF5-0980-000		1	PLATE, CAM	
10	RB1-4305-000		1	BUTTON, RELEASE	
11	RB1-4306-000		1	COVER, RELEASE	
12	RB1-0155-000		1	CAP, LIFTING	
13	RB1-4845-000		1	COVER, LOWER	
14	RB1-4327-000		1	PLATE, PRESSURE	
15	RB1-4328-000		1	ROD, PRESSURE	
16	RB1-4329-000		1	LEVER, ROD	
17	RB1-4330-000		1	LEVER, TENSION	
18	RB1-4331-000		1	BLOCK, PRESSURE	
19	RB1-4332-000		1	SHAFT, TENSION	
20	RB1-4333-000		1	ARM, SENSOR	
21	RF5-0993-000		1	BLOCK, DISPLAY	
21A	RS5-8312-000		1	LABEL, "DISPLAY"	
22	RS5-2329-000		1	SPRING, TENSION	
23	RG5-1219-000		1	PAPER SIDE PLATE ASS'Y, REAR	
23A	RS2-8045-020		1	LABEL, "PAPER HEIGHT LIMIT"	
24	RG5-1220-000	N	1	PAPER SIDE PLATE ASS'Y, FRONT	
24A	RB1-1586-000		1	GUIDE, SIDE, B	
24B	RB1-1587-000		1	GUIDE, SIDE, C	
24C	RB1-4347-000		1	SPRING, LEAF	
24D	RB1-4348-000		1	SPRING, LEAF	
24E	RF5-0962-000		1	GUIDE, SIDE, A	
24F	XA9-0434-000		2	SCREW, TP, M3X4	
25	RG5-1221-000		1	PAPER LIFTING PLATE ASS'Y	
25A	RB1-4317-000		2	SHEET, FRICTION	
26	RB1-4309-000		1	KNOB, SIZE	
27	RF5-0981-000		1	PLATE, SIZE	
27A	RS5-8294-000		1	LABEL, "SIZE"	
28	RS5-2327-000		1	SPRING, TENSION	
29	XA9-0615-000		1	SCREW, M4X8	
30	XA9-0780-000		3	SCREW, M4X12	
31	XA9-0792-000		1	SCREW, M4X6	
32	RB1-4884-000		3	SPRING, TORSION	
33	RS5-8313-000		1	LABEL, "UNIVERSAL"	
501	XB6-7400-607		2	SCREW, TP, M4X6	

FIGURE 310 PAPER PICK-UP ASS'Y

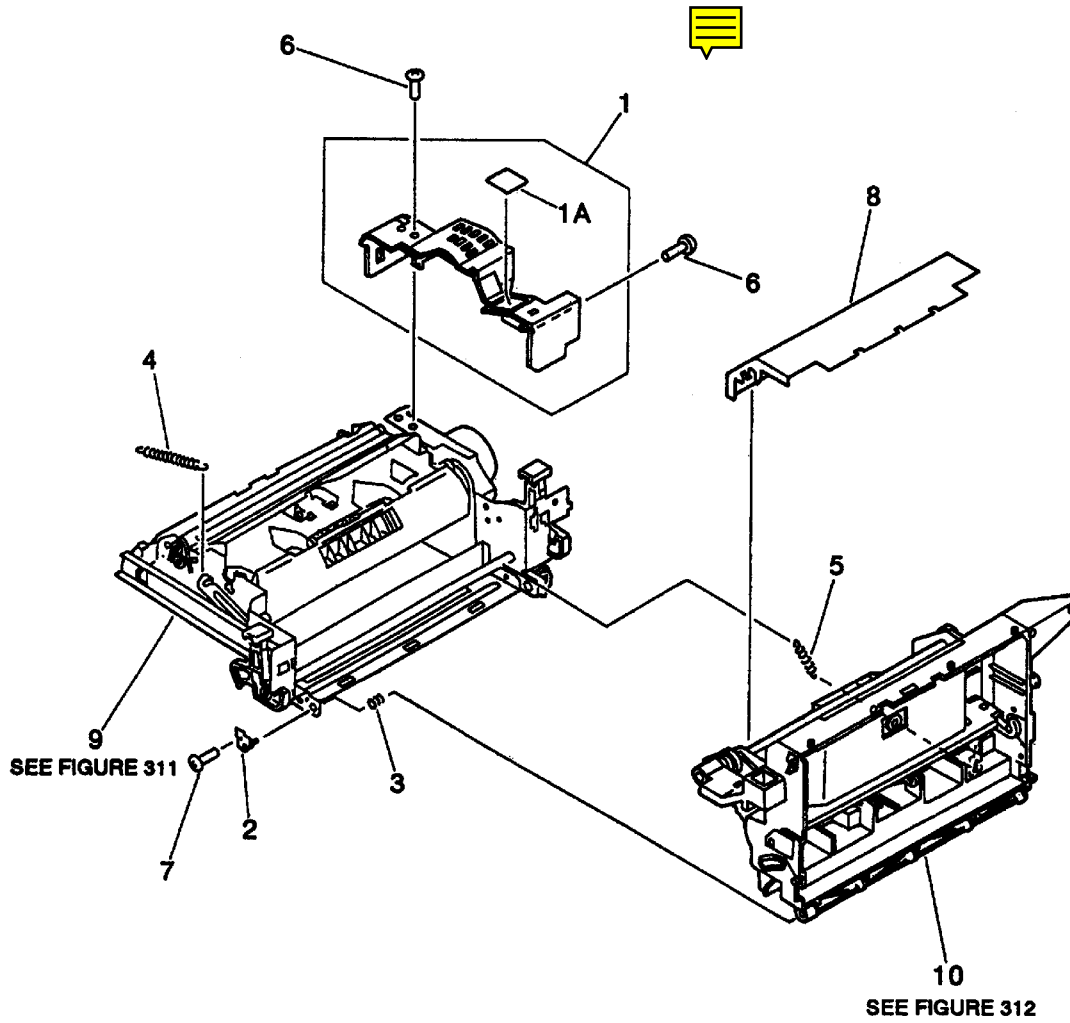


FIGURE 311 CASSETTE PAPER PICK-UP ASS'Y (1/2)

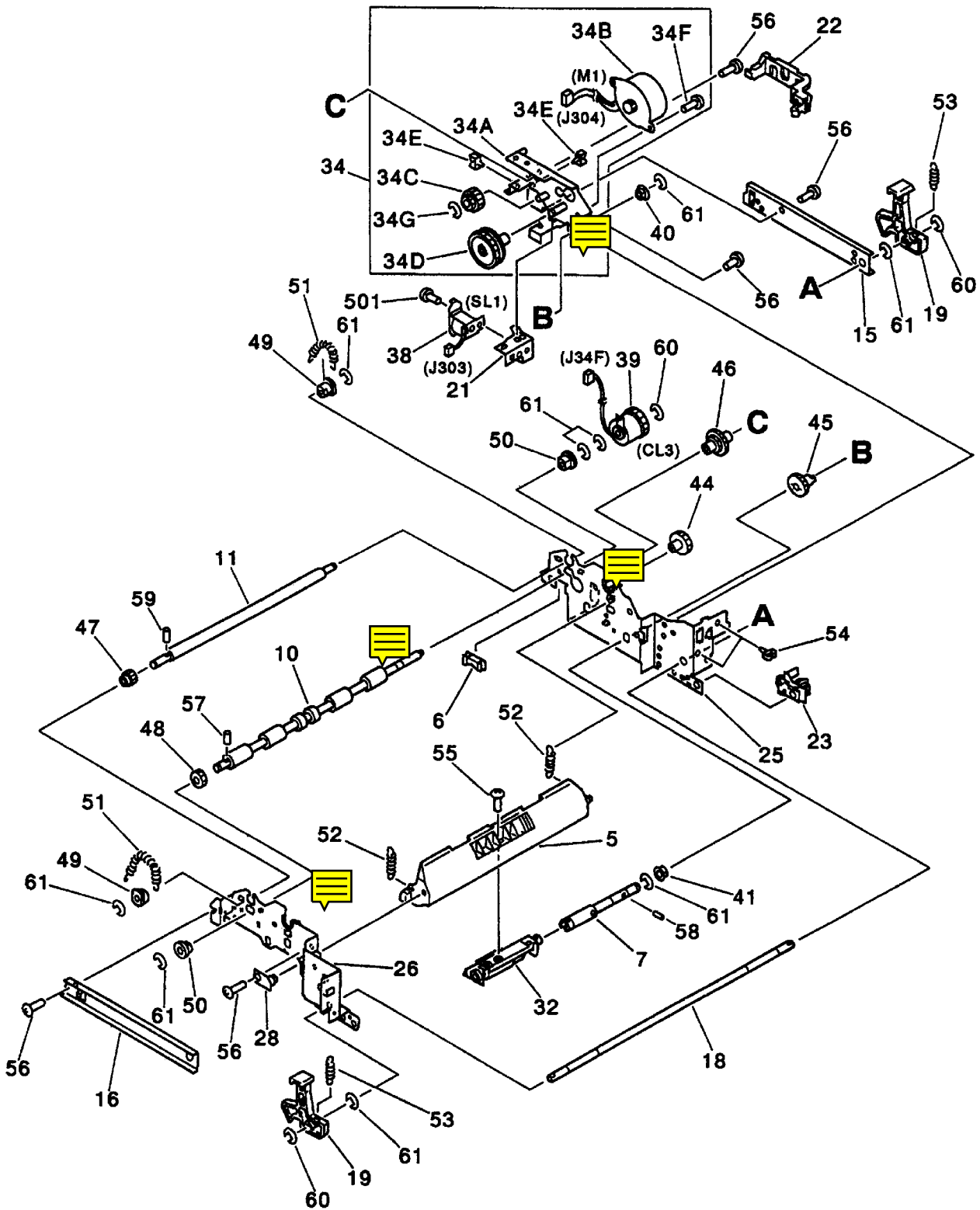


FIGURE 311 CASSETTE PAPER PICK-UP ASS'Y (2/2)

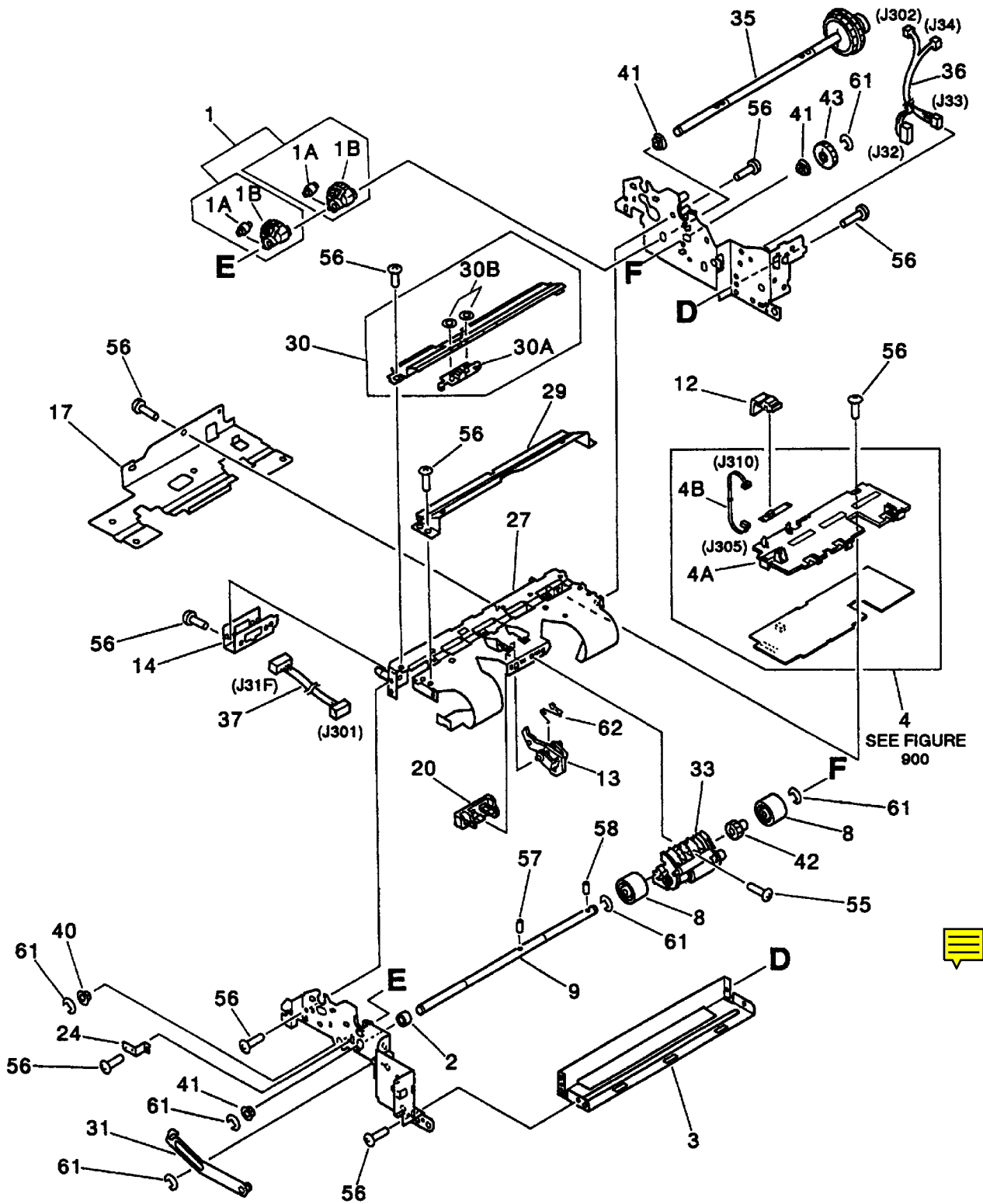


FIGURE & KEY NO.	PART NUMBER	RANK	QTY	DESCRIPTION	SERIAL NUMBER / REMARKS
311 -	RG5-1162-170		1	CASSETTE PAPER PICK-UP ASS'Y	
1	RG5-1168-000		2	PAPER PICK-UP ROLLER ASS'Y	
1A	FA2-8227-000		1	ROLLER, PRESSURE	
1B	RB1-4171-000		1	ROLLER, PAPER PICK-UP	
2	FA3-8734-000		1	BUSHING	
3	RB1-4169-000		1	CROSSMEMBER, LOWER	
4	RG5-1166-000		1	PAPER PICK-UP PCB ASS'Y	SEE FIGURE 900
4A	RB1-4236-000		1	COVER, PCB	
4B	RG5-1271-000		1	SENSOR CABLE	J305, J310
5	RB1-4172-020		1	GUIDE, LOWER	
6	WT2-0136-000		1	CLAMP, CORD	
7	RF5-0893-000		1	SHAFT, DRIVE, ROLLER	
8	RB1-4176-000		2	ROLLER, IDLER	
9	RB1-4177-000		1	SHAFT, IDLER ROLLER	
10	RB1-4178-000		1	ROLLER, REGISTRATION, LOWER	
11	RB1-4179-000		1	ROLLER, REGISTRATION, UPPER	
12	RB1-4183-000		1	WINDOW, SENSOR, LEADING EDGE	
13	RB1-4184-020		1	ARM, SENSOR	
14	RB1-4189-000		1	MOUNT, CONNECTOR	
15	RB1-4190-000		1	PLATE, SLIDE, RIGHT	
16	RB1-4191-000		1	PLATE, SLIDE, LEFT	
17	RB1-4192-000		1	COVER, PCB	
18	RB1-4194-000		1	SHAFT, LOCK, SLIDE	
19	RB1-4195-000		2	LEVER, LOCK, SLIDE	
20	RB1-4197-000		1	PLATE, HOLDER, PCB	
21	RB1-4198-000		1	MOUNT, SOLENOID	
22	RB1-4200-000		1	MOUNT, CABLE	
23	RB1-4201-000		1	GUIDE, CABLE, HINGE	
24	RB1-4202-000		1	PLATE, CLUTCH	
25	RF5-0879-000	N	1	PLATE, RIGHT	
26	RF5-0880-000	N	1	PLATE, LEFT	
27	RF5-0881-000	N	1	PLATE, LOWER	
28	RF5-0882-000		1	SPINDLE	
29	RF5-0883-000		1	GUIDE, REGISTRATION, FRONT	
30	RF5-0884-000		1	GUIDE, REGISTRATION, REAR	
30A	RB1-4185-000		1	PLATE, REFLECTOR	
30B	XD2-2300-302		2	RING, TOOTHED LOCK	
31	RF5-0885-000		1	STOPPER	
32	RG5-1163-050		1	ROLLER ASS'Y, REAR	
33	RG5-1164-040		1	ROLLER ASS'Y, FRONT	
34	RG5-1165-000		1	PAPER PICK-UP MOTOR ASS'Y	
34A	RF5-0886-000		1	PLATE, MOTOR	
34B	RH7-1223-000		1	MOTOR, STEPPING	M1, J304
34C	RS5-0416-000		1	GEAR, 23T/14T	
34D	RS5-0417-000		1	GEAR, 36T	
34E	WT2-5006-000		2	CLAMP	
34F	XA9-0267-000		2	SCREW, TP, M3X6	
34G	XD9-0136-000		1	RING, E	
35	RG5-1167-000		1	PAPER PICK-UP CLUTCH ASS'Y	
36	RG5-1268-000		1	PAPER PICK-UP CABLE	J32-J34, J302

FIGURE & KEY NO.	PART NUMBER	R A N K	Q' T Y	DESCRIPTION	SERIAL NUMBER / REMARKS
311 -	37		1	PAPER PICK-UP CONNECTOR CABLE	J31F,J301
	38		1	SOLENOID	SL1,J303
	39		1	CLUTCH, ELECTROMAGNETIC	CL3,J34F
	40		2	BUSHING	
	41		4	BUSHING	
	42		1	GEAR, 31T	
	43		1	GEAR, 27T	
	44		1	GEAR, 23T	
	45		1	GEAR, 23T	
	46		1	GEAR, 27T/16T	
	47		1	GEAR, 24T	
	48		1	GEAR, 29T	
	49		2	BUSHING	
	50		2	BUSHING	
51		2	SPRING, TENSION		
52		2	SPRING, TENSION		
53		2	SPRING, TENSION		
54		4	CLAMP		
55		4	SCREW, MACH., PAN HEAD, M3X8		
56		32	SCREW, TP, M3X6		
57		2	PIN, DOWEL		
58		2	PIN, DOWEL		
59		1	PIN, DOWEL		
60		3	RING, E		
61		16	RING, E		
62		1	SPRING, TORSION		
501		1	SCREW, MACH., TRUSS HEAD, M3X6		

FIGURE 312 MP TRAY PAPER PICK-UP ASS'Y

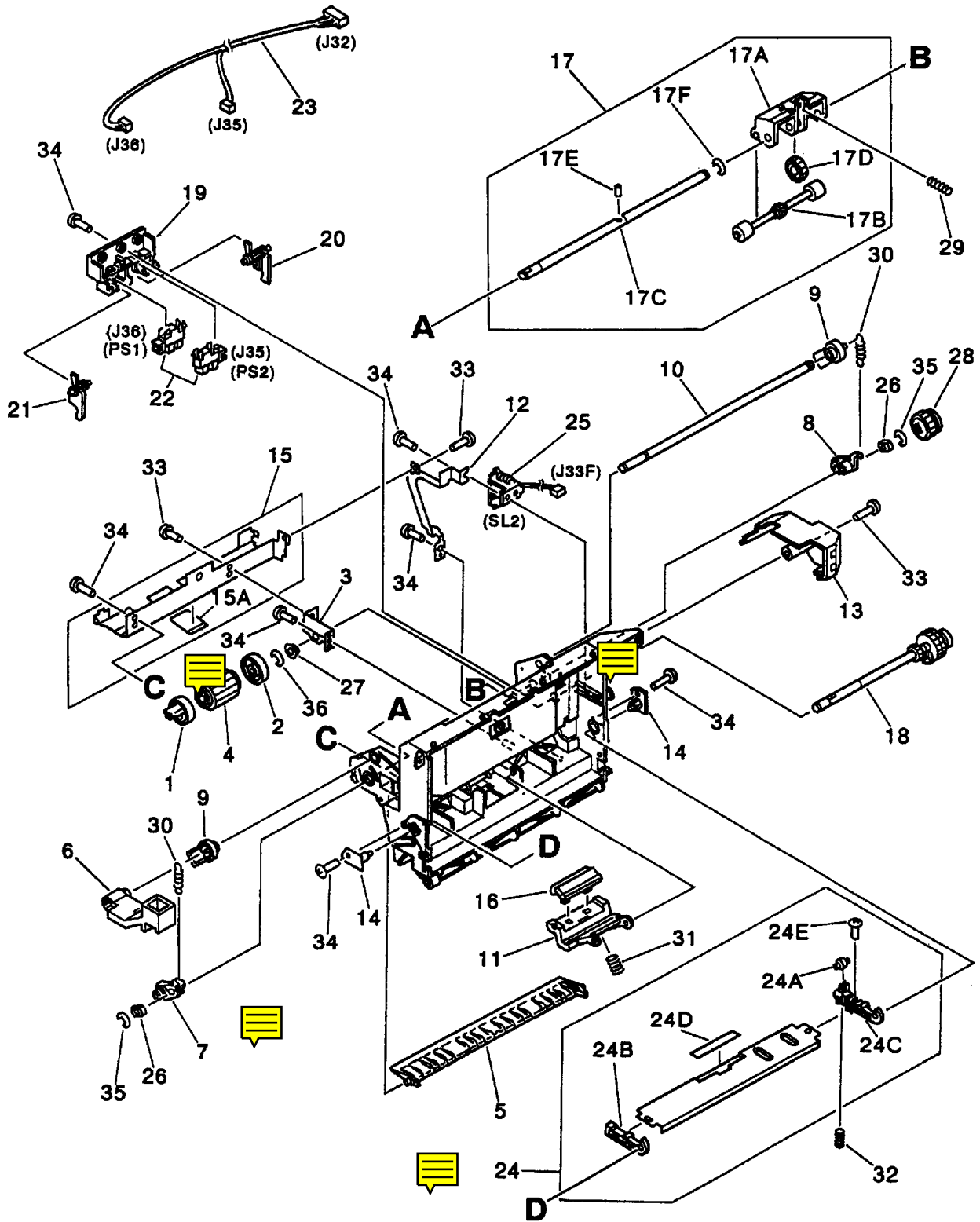


FIGURE & KEY NO.	PART NUMBER	RANK	QTY	DESCRIPTION	SERIAL NUMBER / REMARKS
312 -	RG5-1189-070		1	MP TRAY PAPER PICK-UP ASS'Y	
1	RB1-4251-000		1	ROLLER, IDLER, 1	
2	RB1-4252-000		1	ROLLER, IDLER, 2	
3	RB1-4255-000		1	PLATE, SHAFT, PICK-UP	
4	RB1-4256-000		1	ROLLER, PICK-UP	
5	RB1-4268-000		1	GUIDE, PAPER	
6	RB1-4857-000		1	LEVER	
7	RB1-4277-000		1	LINK, LOCK, LEFT	
8	RB1-4278-000		1	LINK, LOCK, RIGHT	
9	RB1-4279-000		2	LEVER, LOCK	
10	RB1-4280-000		1	SHAFT, LOCK	
11	RB1-4284-030		1	HOLDER, MAIN PAD	
12	RB1-4285-000		1	SPRING, LEAF	
13	RB1-4286-000		1	COVER, SOLENOID	
14	RB1-4287-000		2	SHAFT, CROSSMEMBER	
15	RF5-0890-000		1	GUIDE, UPPER	
15A	RB1-4267-000		1	SHEET, GEAR COVER	
16	RF5-0891-020		1	PAD, MAIN	
17	RG5-1170-040		1	U-TURN PAPER FEED ROLLER ASS'Y	
17A	RB1-4261-020		1	ARM, ROLLER, FEEDER	
17B	RB1-4262-000		1	ROLLER, FEED	
17C	RB1-4281-000		1	SHAFT, LOCK	
17D	RS5-0419-000		1	GEAR, 40T	
17E	XD9-0104-000		1	PIN, DOWEL	
17F	XD9-0136-000		1	RING, E	
18	RG5-1172-000		1	PICK-UP ROLLER SHAFT ASS'Y	
19	RB1-4264-000		1	BRACKET, SENSOR	
20	RB1-4265-000		1	ARM, SENSOR	
21	RB1-4266-000		1	ARM, B5 SENSOR	
22	WG8-0291-000		2	IC, TLP1230, PHOTO INTERRUPTER	PS1,J36
23	RG5-1270-000		1	SENSOR CABLE	PS2,J35
24	RG5-1175-000		1	MP TRAY BASE ASS'Y	J32,J35,J36
24A	RB1-2152-000		1	ROLLER, ARM	
24B	RB1-4259-000		1	ARM, LEFT	
24C	RB1-4260-000		1	ARM, RIGHT	
24D	RB1-4258-000		1	SHEET, SEPARATION	
24E	XA9-0635-000		1	SCREW, W/WASHER, M3X7	
25	RH7-5102-000		1	SOLENOID	SL2,J33F
26	RS5-1143-000		2	BUSHING	
27	RS5-1145-000		1	BUSHING	
28	RS5-0420-000		1	GEAR, 28T	
29	RS5-2319-000		1	SPRING, COMPRESSION	
30	RS5-2320-000		2	SPRING, TENSION	
31	RS5-2321-000		1	SPRING, COMPRESSION	
32	RS5-2322-000		1	SPRING, COMPRESSION	
33	XA9-0267-000		3	SCREW, TP, M3X6	
34	XA9-0591-000		8	SCREW, M3X8	
35	XD9-0136-000		2	RING, E	
36	XD9-0137-000		1	RING, E	

FIGURE 350 PAPER FACE-DOWN DELIVERY ASS'Y

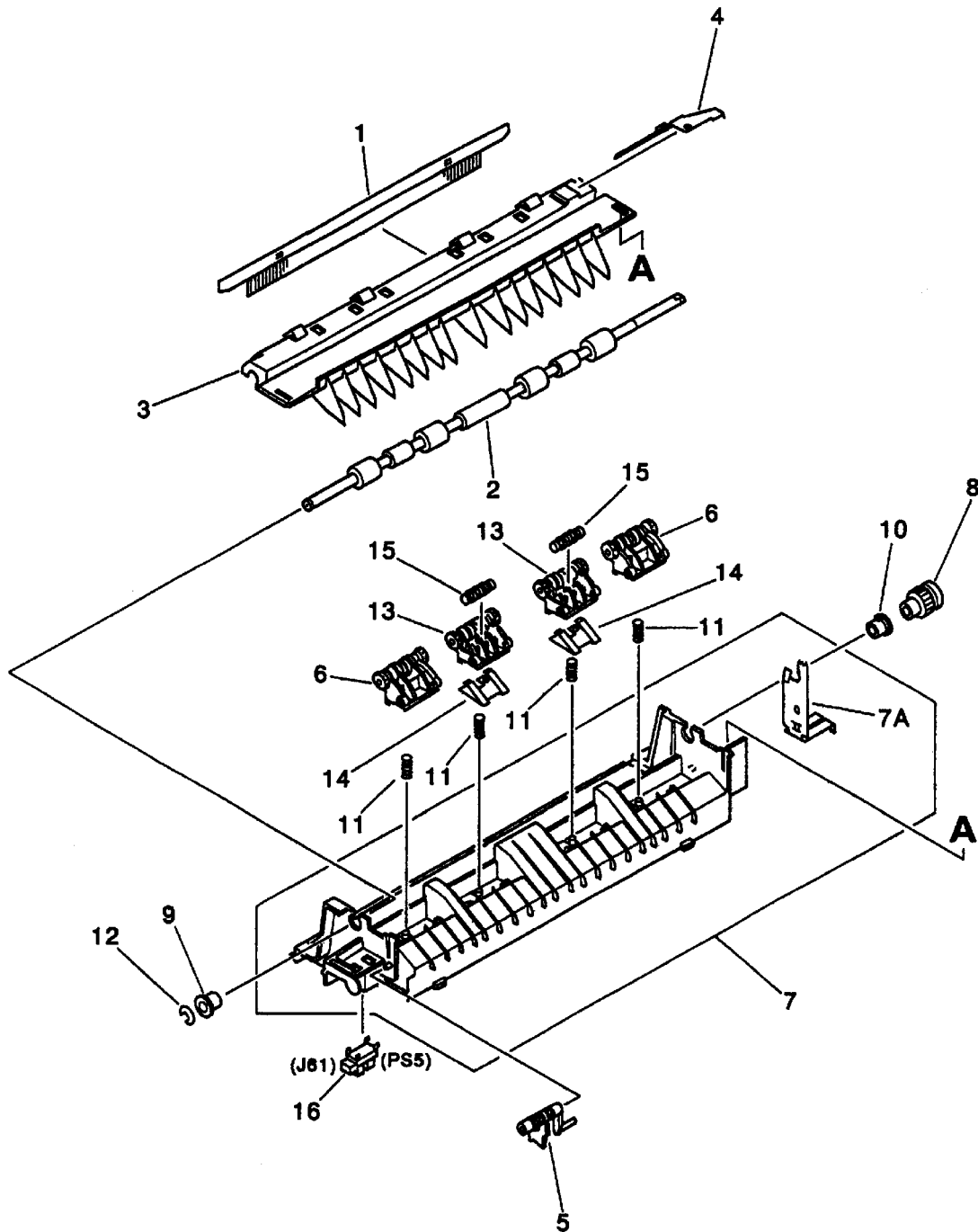


FIGURE & KEY NO.	PART NUMBER	R A N K	Q' T Y	DESCRIPTION	SERIAL NUMBER / REMARKS
350 -	RG5-1510-000		1	PAPER FACE-DOWN DELIVERY ASS'Y	
1	RB1-2309-000		1	ELIMINATOR, STATIC CHARGE	
2	RB1-4661-000		1	ROLLER, DELIVERY	
3	RB1-4665-000		1	GUIDE, FD DELIVERY, UPPER	
4	RB1-4666-000		1	PLATE, GROUNDING, DELIVERY	
5	RB1-4668-000		1	ARM, SENSOR	
6	RF5-0958-020		2	ROLLER, DELIVERY	
7	RF5-0994-000	N	1	FRAME, FD DELIVERY	
7A	RB1-4667-000		1	PLATE, GROUNDING, LEFT	
8	RS5-0467-000		1	GEAR, 17T	
9	RS5-1060-000		1	BUSHING	
10	RS5-1193-000		1	BUSHING, CONDUCTIVE	
11	RS5-2356-000		4	SPRING, COMPRESSION	
12	XD9-0136-000		1	RING, E	
13	RF5-1006-000		2	ROLLER, DELIVERY	
14	RB1-4941-000		2	SPRING, LEAF	
15	RB1-4951-000		2	ROLLER, DELIVERY	
16	WG8-0291-000		1	IC, TLP1230, PHOTO INTERRUPTER	PS5,J61

FIGURE 500 DEVELOPING ROTARY ASS'Y

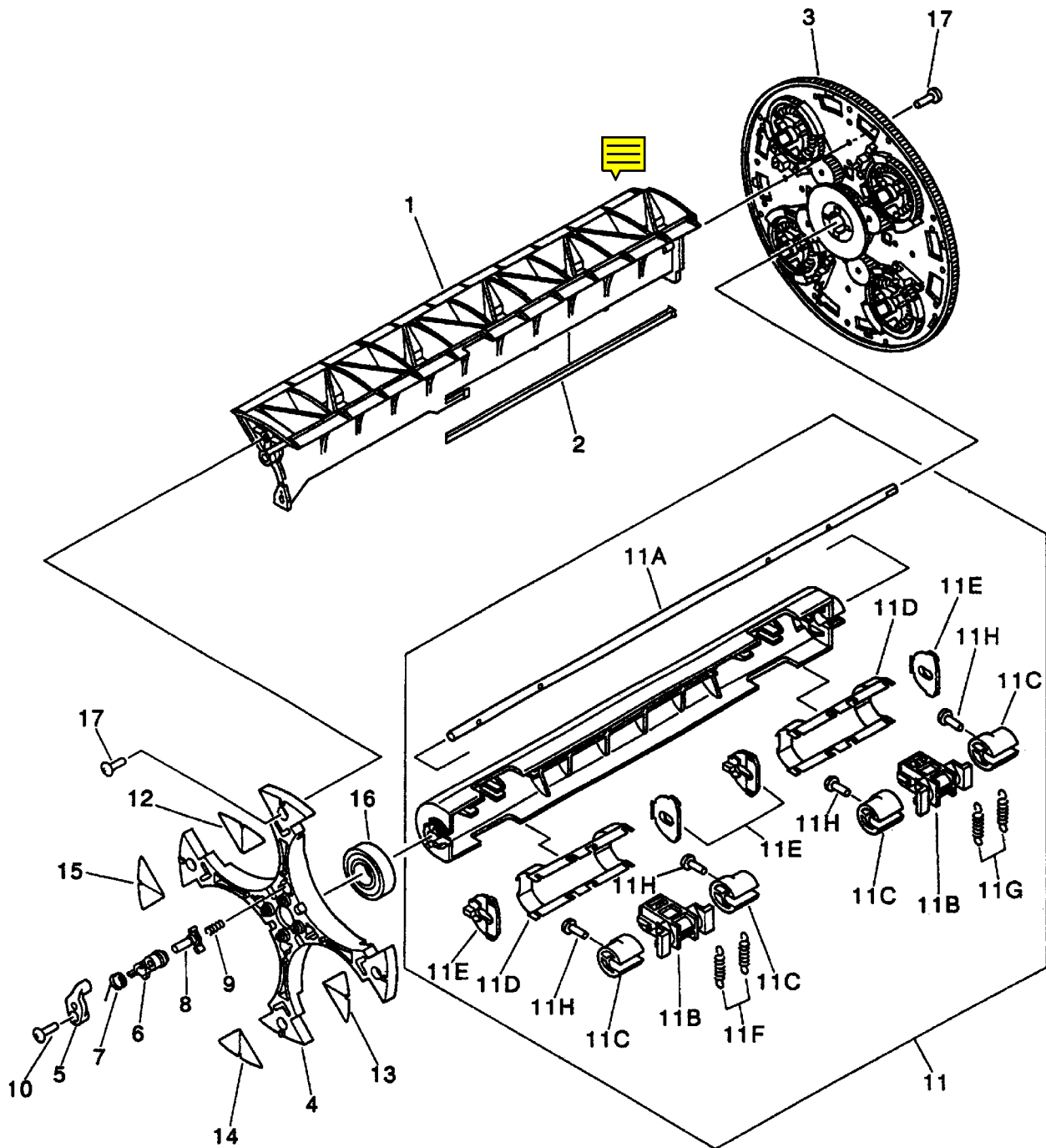


FIGURE & KEY NO.	PART NUMBER	R A N K	Q' T Y	DESCRIPTION	SERIAL NUMBER / REMARKS
500 -	RG5-1181-000		1	DEVELOPING ROTARY ASS'Y	
1	RB1-4362-000		4	CROSSMEMBER	
2	RB1-4363-000		4	GUIDE, LIGHT	
3	RG5-1182-000		1	DISK SUB ROTARY ASS'Y	
4	RB1-4357-000		1	PLATE, CROSS	
5	RB1-4358-000		4	HOLDER, ARM	
6	RB1-4359-000		4	ARM, HOOK	
7	RB1-4360-000		4	SPRING, TORSION	
8	RB1-4361-000		4	PIN, STOPPER	
9	RS5-2332-000		4	SPRING, COMPRESSION	
10	XA9-0772-000		4	SCREW, M3X10	
11	RG5-1184-000		1	CENTER SUB ROTARY ASS'Y	
11A	RB1-4432-000		1	SHAFT, CENTER	
11B	RB1-4433-000		2	SLIDER, PUSH	
11C	RB1-4434-000		4	CAM, PUSH, RIGHT	
11D	RB1-4436-000		2	PLATE, HOOK	
11E	RB1-4437-000		4	HOLDER, PLATE, HOOK	
11F	RS5-2336-000		2	SPRING, TENSION	
11G	RS5-2337-000		2	SPRING, TENSION	
11H	XA9-0253-000		4	SCREW, MACH., PAN HEAD, M3X8	
12	RS5-8295-000		1	SEAL, COLOR, M/C	
13	RS5-8296-000		1	SEAL, COLOR, C/Y	
14	RS5-8297-000		1	SEAL, COLOR, Y/BK	
15	RS5-8298-000		1	SEAL, COLOR, BK/M	
16	XG9-0305-000		1	BEARING, BALL	
17	XA9-0770-000		8	SCREW, M3X12	

FIGURE 530 TRANSFER DRUM HOLDER ASS'Y (1/2)

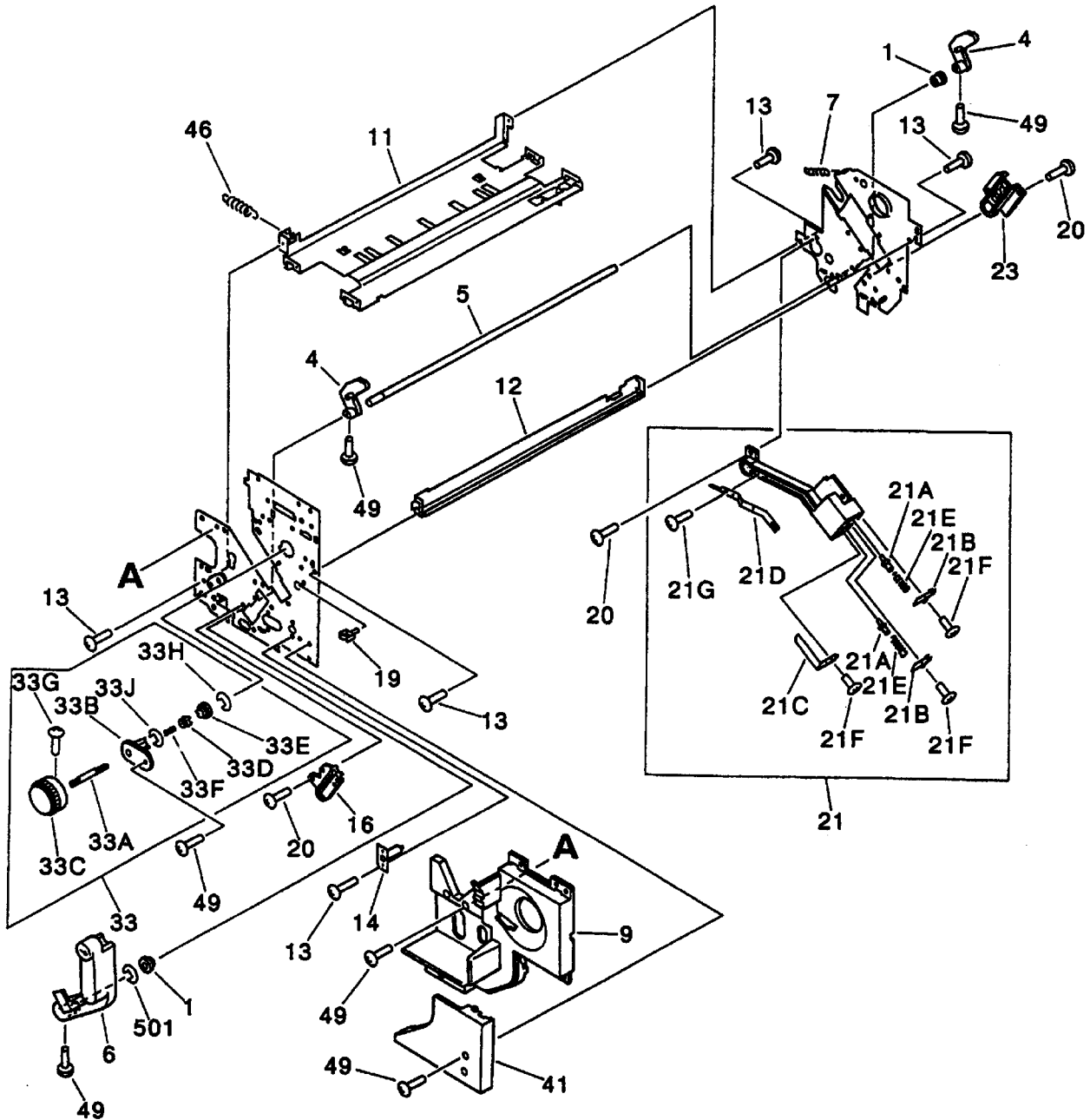


FIGURE 530 TRANSFER DRUM HOLDER ASS'Y (2/2)

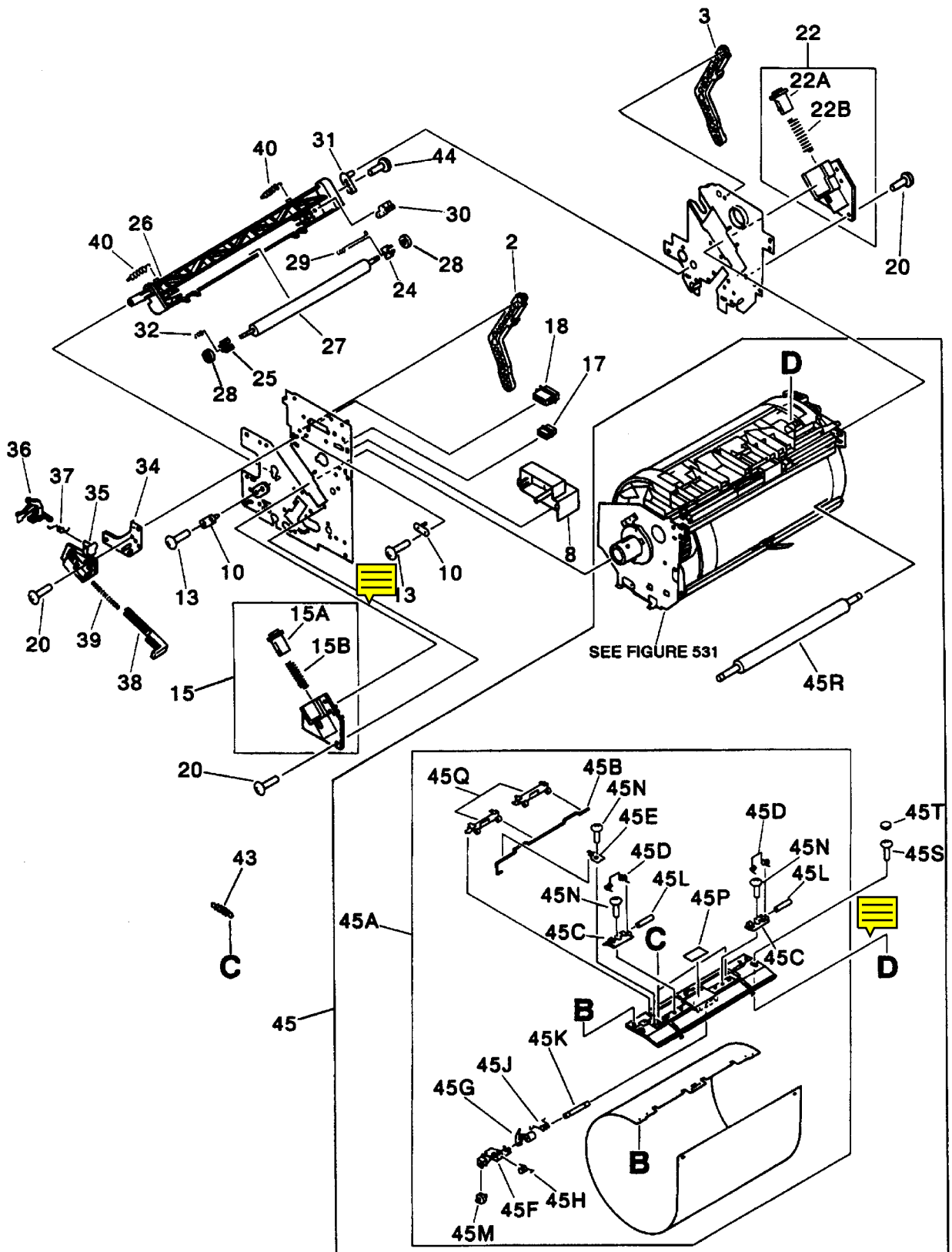


FIGURE & KEY NO.	PART NUMBER	RANK	QTY	DESCRIPTION	SERIAL NUMBER / REMARKS
530 -	RG5-1134-280		1	TRANSFER DRUM HOLDER ASS'Y	
1	FS1-1202-000		2	BUSHING	
2	RB1-3948-000		1	LEVER, FRONT	
3	RB1-3949-000		1	LEVER, REAR	
4	RB1-3950-000		2	CAM, MANUAL	
5	RB1-3951-000		1	SHAFT, MANUAL	
6	RB1-3952-000		1	LEVER, OPERATION	
7	RB1-3964-000		1	SPRING, TENSION	
8	RB1-3967-000		1	COVER, CONNECTOR	
9	RB1-3968-000		1	COVER, TRANSFER DRUM	
10	RF5-0865-000		2	PLATE, SPINDLE	
11	RB1-3943-020		1	CROSSMEMBER, HOLDER, LOWER	
12	RB1-3944-000		1	CROSSMEMBER, HOLDER, UPPER	
13	XA9-0267-000		12	SCREW, TP, M3X6	
14	RF5-0995-000		1	PLATE, SPINDLE	
15	RG5-1137-000		1	SLIDE GUIDE ASS'Y, FRONT	
15A	RB1-3947-000		1	HOLDER, SPRING	
15B	RS5-2303-000		1	SPRING, COMPRESSION	
16	RG5-1139-000		1	PIN GUIDE ASS'Y, FRONT	
17	VS1-5057-005		1	CONNECTOR, SNAP TIGHT	
18	VS1-5057-013		1	CONNECTOR, SNAP TIGHT	
19	WT2-0507-000		1	CLAMP, CABLE	
20	XA9-0253-000		13	SCREW, MACH., PAN HEAD, M3X8	
21	RG5-1125-000		1	HIGH-VOLTAGE CONTACT ASS'Y	
21A	RB1-3957-000		2	PIN, POSITIONING	
21B	RB1-3962-000		2	PLATE, POSITIONING, HIGH VOLTAGE	
21C	RB1-3963-000		1	PLATE, POSITIONING, HIGH VOLTAGE	
21D	RB1-4025-000		1	PLATE, ATTRACTION	
21E	RS5-2304-000		2	SPRING, COMPRESSION	
21F	XA9-0605-000		3	SCREW, M4X8	
21G	XA9-0591-000		1	SCREW, M3X8	
22	RG5-1138-000		1	SLIDE GUIDE ASS'Y, REAR	
22A	RB1-3947-000		1	HOLDER, SPRING	
22B	RS5-2303-000		1	SPRING, COMPRESSION	
23	RG5-1140-000		1	PIN GUIDE ASS'Y REAR	
24	RB1-2234-000		1	BUSHING, RIGHT	
25	RB1-2235-000		1	BUSHING, LEFT	
26	RB1-4016-030		1	HOLDER, ATTRACTION	
27	RF5-1007-000		1	ROLLER, ATTRACTION	
28	RB1-4043-000		2	ROLLER, ATTRACTION	
29	RB1-4072-000		1	SPRING, COMPRESSION	
30	RB1-4074-000		1	PLATE, CONTACT	
31	RF5-0867-000		1	PLATE, SHAFT, ATTRACTION	
32	RS5-2372-000		1	SPRING, COMPRESSION	
33	RG5-1133-000		1	MANUAL KNOB ASS'Y	
33A	RB1-3954-000		1	SHAFT, KNOB, MANUAL	
33B	RB1-3955-000		1	HOLDER, KNOB, MANUAL	
33C	RB1-3969-000		1	KNOB, MANUAL	
33D	RB1-3975-000		1	RING, RATCHET	
33E	RS5-0402-000		1	GEAR, 24T	

FIGURE & KEY NO.	PART NUMBER	RANK	QTY	DESCRIPTION	SERIAL NUMBER / REMARKS
530 -	33F		1	SPRING, COMPRESSION	
	33G		1	SCREW, MACH., PAN HEAD, M3X8	
	33H		1	RING, E	
	33J		1	RING, E	
	34		1	PLATE, HOLDER	
	35		1	MOUNT, WASTE TONER SENSOR	
	36		1	ARM, LOCK, WASTE TONER SENSOR	
	37		1	SPRING, TORSION	
	38		1	ARM, LOCK, CARTRIDGE	
	39		1	SPRING, COMPRESSION	
	40		2	SPRING, TENSION	
	41		1	COVER, TRANSFER DRUM	
	43		2	SPRING, TENSION	
	44		1	SCREW, M4X8	
	45		1	TRANSFER DRUM ASS'Y	
	45A		1	TRANSFER DRUM SHEET ASS'Y	
	45B		1	SHAFT, GRIPPER	
	45C		2	RETAINER, GRIPPER	
	45D		2	SPRING, TORSION	
	45E		1	SUPPORT, SHAFT, GRIPPER	
	45F		1	PLATE, PRESSURE, ARM	
	45G		1	ARM, SENSOR	
	45H		1	SPRING, TORSION	
	45J		1	SPRING, TORSION	
	45K		1	SHAFT, SENSOR	
	45L		2	SHAFT, SPRING, GRIPPER	
	45M		1	ROLLER	
	45N		3	SCREW, M3X8	
	45P		1	SHEET	
	45Q		2	GRIPPER	
	45R		1	ROLLER, STATIC ELIMINATOR	
	45S		2	SCREW, MACH., TRUSS HEAD, M3X4	
	45T		2	CAP	
	46		1	SPRING, TENSION	
	49		9	SCREW, W/WASHER, M3X8	
	501		1	RING, E	

FIGURE 531 TRANSFER DRUM ASS'Y (WITHOUT SHEET) (1/2)

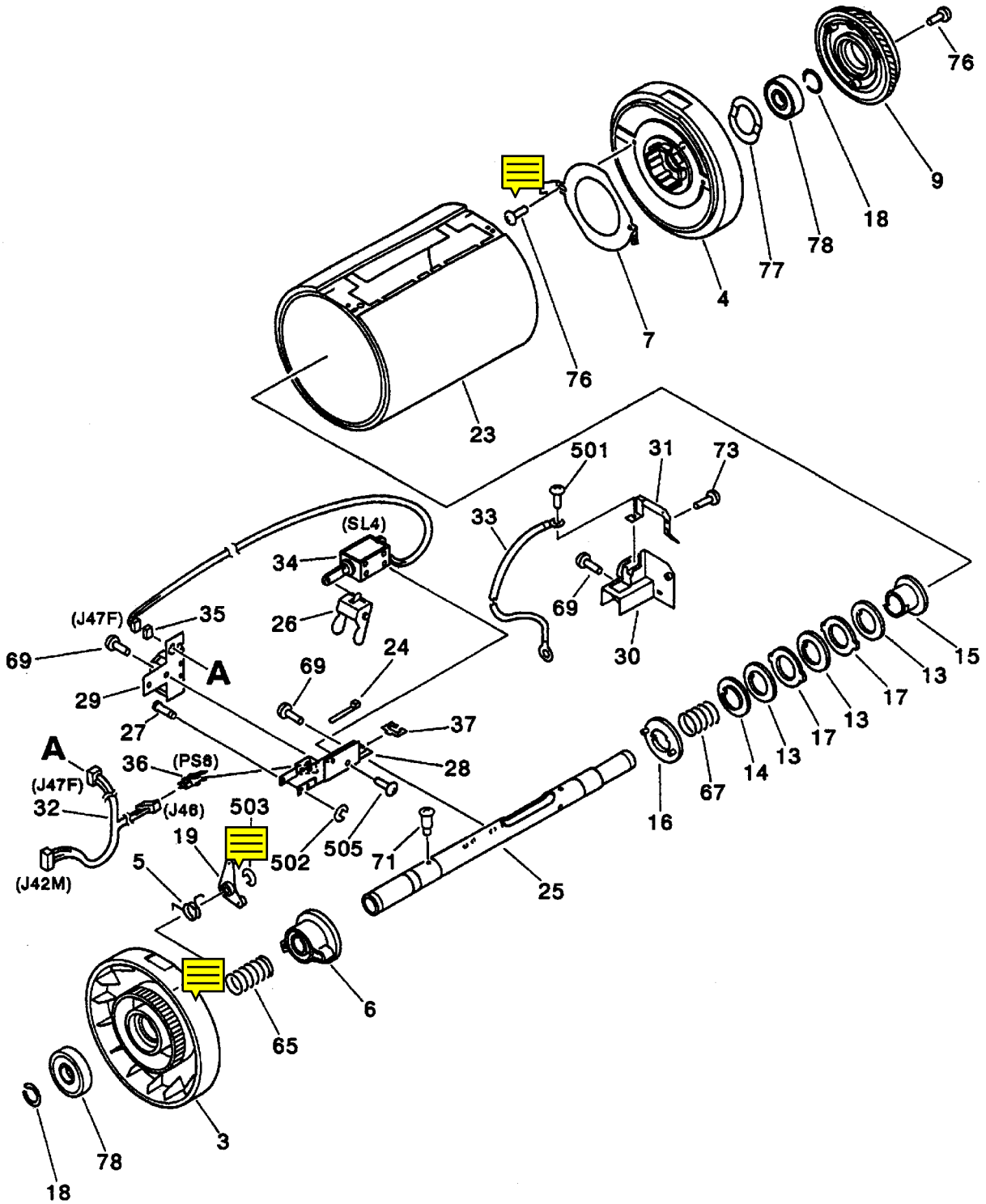


FIGURE & KEY NO.	PART NUMBER	R A N K	Q' T Y	DESCRIPTION	SERIAL NUMBER / REMARKS
531 -	RG5-2835-000		1	TRANSFER DRUM ASS'Y (WITHOUT SHEET)	
1	RG5-1274-000		1	TRANSFER DRUM CABLE	J41M,J42F,J43,J44,J45M
2	RB1-3972-000		2	COVER, CABLE	
3	RF9-1157-000		1	FLANGE, FRONT	
4	RB1-3993-000		1	FLANGE, REAR	
5	RB1-4004-000		1	SPRING, TORSION	
6	RB1-4005-000		1	CAM, GRIPPER	
7	RB1-4012-000		1	PLATE, CONTACT	
8	RB1-4021-000		1	CROSSMEMBER, PAPER GUIDE	
9	RB1-4024-000		1	GEAR, 198T	
10	RB1-4042-000		1	CROSSMEMBER, SEPARATION	
11	RB1-4050-000		1	CLAW, SEPARATION	
12	RB1-4080-000		1	COVER, BUSHING	
13	RB1-4062-000		3	PLATE, FRICTION	
14	RB1-4063-000		1	PLATE, SPRING	
15	RB1-4066-000		1	RING, BASE	
16	RB1-4067-000		1	STOPPER	
17	RB1-4068-000		2	RING, FRICTION	
18	RB1-4069-000		2	RING, DRUM SHAFT	
19	RF5-0856-000		1	ARM, GRIPPER	
20	RF5-0857-000		2	PLATE, SHAFT	
21	RF5-0860-000		1	SPINDLE	
22	RF5-0866-000		1	HOLDER, CLAW, SEPARATION	
23	RF5-0963-000	N	1	DRUM, TRANSFER	
24	WT2-0030-000		1	TIE, CABLE	
25	RB1-3994-000		1	SHAFT, DRUM	
26	RB1-4006-000		1	ARM, PUSH	
27	RB1-4007-000		1	SHAFT, PUSH ARM	
28	RB1-4008-000		1	MOUNT, SOLENOIDE	
29	RB1-4010-000		1	CAM, SENSOR	
30	RB1-4011-000		1	BLOCK, HIGH VOLTAGE	
31	RB1-4028-000		1	PLATE, H.V. CONTACT	
32	RG5-1275-000		1	TRANSFER DRUM CABLE	J42M,J46,J47F
33	RG5-1284-000		1	TRANSFER DRUM H.V. CABLE	
34	RH7-5104-000		1	SOLENOID	SL4,J47F
35	VS1-5057-002		2	CONNECTOR, 2P	
36	WG8-0291-000		2	IC, TLP1230, PHOTO INTERRUPTER	PS6,J46 PS7,J44
37	WT2-5056-000		5	CLIP, CORD	
38	RB1-4013-000		1	BLOCK, SHAFT, FRONT	
39	RB1-4019-000		1	PLATE, SIDE, FRONT	
40	RB1-4052-000		1	SPRING, LEAF	
41	RB1-4014-000		1	BLOCK, SHAFT, REAR	
42	RB1-4023-000		1	BLOCK, H.V. GUIDE	
43	RB1-4026-000		1	PLATE, STATIC, ELIMINATOR	
44	RB1-4027-000		1	PLATE, TRANSFER	
45	RF5-0858-000		1	PLATE, SIDE, REAR	
46	WG8-0182-000		1	IC, GP1A05, PHOTO INTERRUPTER	PS8,J43
47	WT2-5026-000		3	CLIP, CABLE	
48	RB1-2234-000		1	BUSHING, RIGHT	

FIGURE & KEY NO.	PART NUMBER	R A N K	Q' T Y	DESCRIPTION	SERIAL NUMBER / REMARKS
531 - 49	RB1-2235-000		1	BUSHING, LEFT	
50	RB1-4017-000		1	HOLDER, STATIC ELIMINATOR	
52	RB1-4047-000		1	PLATE, STATIC ELIMINATOR	
53	RB1-4048-000		1	SPRING, TORSION	
54	RB1-4070-000		1	PLATE, CONTACT	
55	RB1-4073-000		1	SPRING, COMPRESSION	
56	RF5-0868-000		1	PLATE, SHAFT, STATIC ELIMINATOR	
57	RS5-2408-000		1	SPRING, COMPRESSION	
58	RS5-6143-000		2	ROLLER	
59	RS5-9061-000		1	SCREW, STEPPED, M3X5.3	
60	RB1-4044-000		1	ARM, SENSOR, SEPARATION	
61	RB1-4045-040		1	SPRING, TORSION	
62	RB1-4049-000		1	COVER, SENSOR	
63	RB1-4058-000		1	COVER, SENSOR	
64	RH7-5105-000		1	SOLENOID	SL5,J45
65	RS5-2299-000		1	SPRING, COMPRESSION	
66	RS5-2301-000		5	SPRING, TENSION	
67	RS5-2307-000		1	SPRING, COMPRESSION	
68	RS5-6145-000		1	ROLLER	
69	XA9-0253-000		10	SCREW, MACH., PAN HEAD, M3X8	
70	XA9-0267-000		6	SCREW, TP, M3X6	
71	XA9-0342-000		1	SCREW, STEPPED, M3	
72	XA9-0434-000		2	SCREW, TP, M3X4	
73	XA9-0605-000		4	SCREW, M4X8	
74	XA9-0591-000		1	SCREW, M3X8	
75	XA9-0770-000		1	SCREW, M3X12	
76	XA9-0773-000		3	SCREW, M4X12	
77	XD9-0141-000		1	WASHER, WAVE	
78	XG9-0307-000		2	BEARING, BALL	
79	RB1-4076-000		1	SHEET, ELIMINATOR SCRAPER	
80	XA9-0872-000		6	SCREW, W/WASHER, M3X8	
501	XB2-7300-607		2	SCREW, W/WASHER, M3X6	
502	XD2-1100-322		1	RING, E	
503	XD2-1100-402		2	RING, E	
504	XD2-2300-302		1	RING, TOOTHED LOCK	
505	XB6-7300-405		2	SCREW, TP, M3X4	

FIGURE 580 DENSITY SENSOR ASS'Y

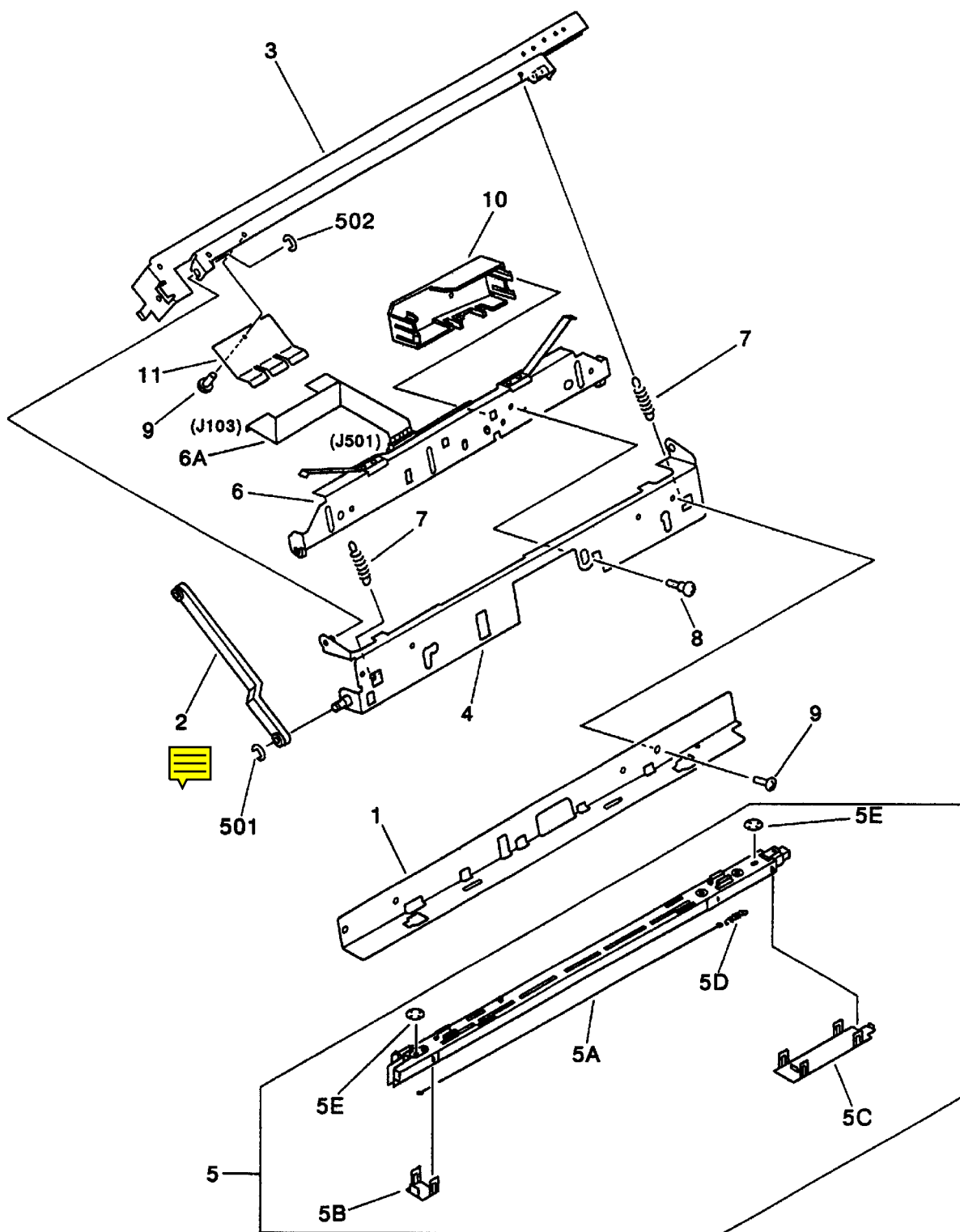


FIGURE & KEY NO.	PART NUMBER	RANK	QTY	DESCRIPTION	SERIAL NUMBER / REMARKS
580 -	NPN		RF	DENSITY SENSOR ASS'Y	
1	RB1-4100-000		1	SUPPORT, CORONA	
2	RB1-4104-000		1	LINK	
3	RF5-0869-010		1	PLATE, SENSOR/SEPARATION	
4	RF5-0870-000		1	PLATE, SENSOR	
5	RG5-1152-000		1	SEPARATION CORONA ASS'Y	
5A	RY1-2637-000		AR	WIRE, CORONA	
5B	RB1-4095-000		1	COVER, BLOCK, FRONT	
5C	RB1-4096-000		1	COVER, BLOCK, REAR	
5D	RS5-2306-000		1	SPRING, TENSION	
5E	XD2-2300-202		5	RING, TOOTHED LOCK	
6	RG5-1158-000		1	DENSITY SENSOR ASS'Y	J103
6A	RH2-5256-000		1	CABLE, FFC ,3	J103,J501
7	RS5-2309-000		2	SPRING, TENSION	
8	RS5-9057-000		1	SCREW, STEPPED, M3X8	
9	XA9-0267-000		3	SCREW, TP, M3X6	
10	RB1-4156-000		1	COVER	
11	RB1-4085-000		1	PLATE, GROUNDING	
501	XD2-1100-322		1	RING, E	
502	XD2-1100-402		1	RING, E	

FIGURE 710 TRANSFER DRUM CLEANING ASS'Y

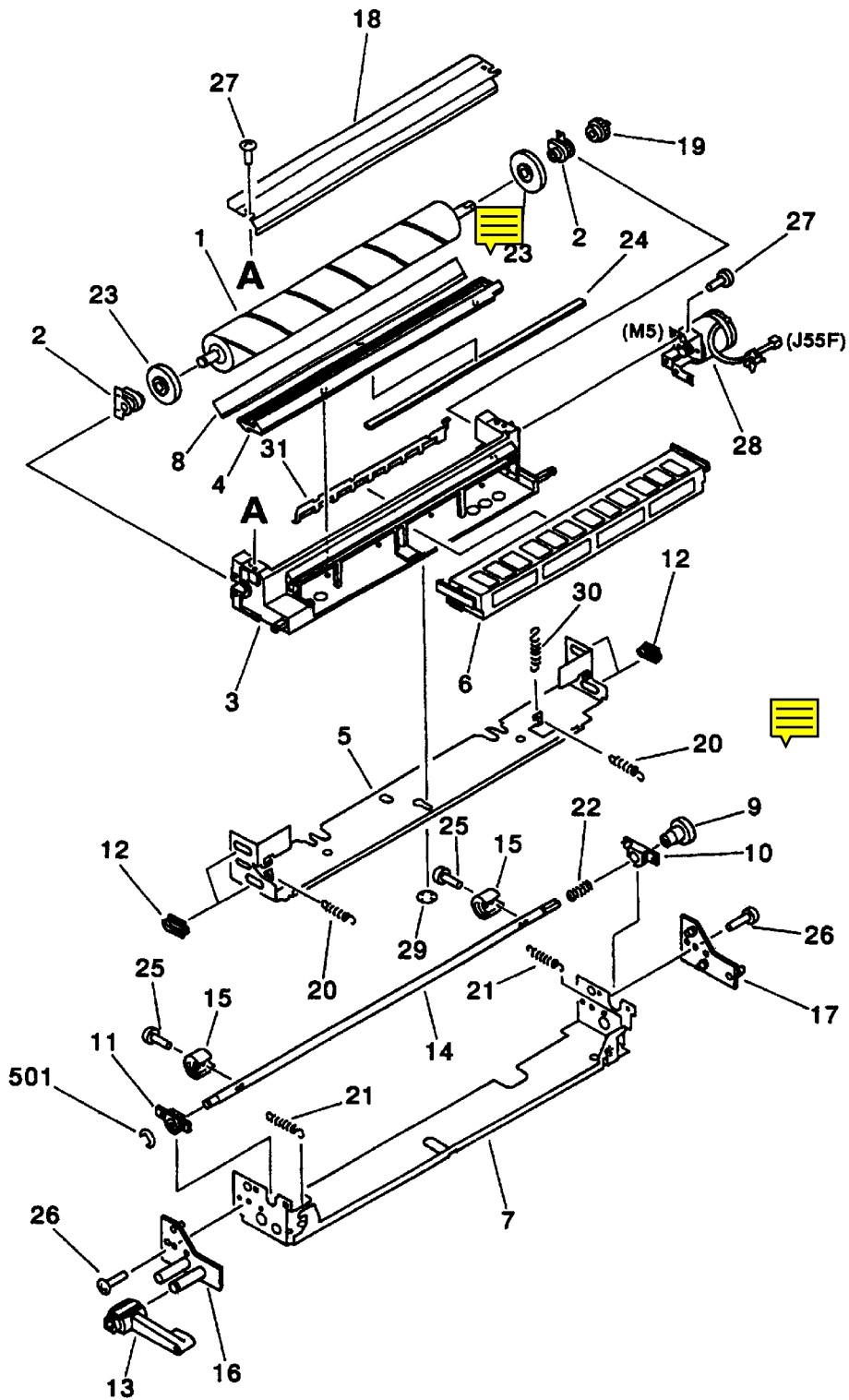


FIGURE & KEY NO.	PART NUMBER	R A N K	Q' T Y	DESCRIPTION	SERIAL NUMBER / REMARKS
710 -	RG5-1156-110		1	TRANSFER DRUM CLEANING ASS'Y	
1	RB1-4112-000		1	BRUSH	
2	RB1-4115-000		2	SUPPORT, BRUSH	
3	RB1-4116-020		1	CASE, BRUSH	
4	RB1-4119-000		1	MOUNT, SCRAPER	
5	RB1-4123-000		1	PLATE, SLIDE	
6	RB1-4125-000		1	FILTER, CASE	
7	RB1-4126-000		1	PLATE, BASE	
8	RB1-4128-000		1	SEAL, TONER	
9	RB1-4132-000		1	COUPLING	
10	RB1-4133-000		1	SUPPORT, COUPLING	
11	RB1-4134-000		1	SUPPORT, CAM	
12	RB1-4135-000		4	GUARD, EDGE	
13	RB1-4136-000		1	LEVER, STOP	
14	RB1-4631-000		1	SHAFT, CAM	
15	RB1-4632-000		2	CAM	
16	RF5-0873-000		1	PLATE, STOP, RIGHT	
17	RF5-0874-000		1	PLATE, STOP, LEFT	
18	RF5-0975-000		1	COVER, CASE, UPPER	
19	RS5-0404-000		1	GEAR, 34T	
20	RS5-2310-000		2	SPRING, TENSION	
21	RS5-2311-000		2	SPRING, TENSION	
22	RS5-2312-000		1	SPRING, COMPRESSION	
23	RS5-6135-000		2	ROLLER, BRUSH	
24	RB1-4141-000		1	SEAL, TONER	
25	XA9-0253-000		2	SCREW, MACH., PAN HEAD, M3X8	
26	XA9-0267-000		2	SCREW, TP, M3X6	
27	XA9-0591-000		8	SCREW, M3X8	
28	RH7-1224-000		1	MOTOR	M5,J55F
29	XA9-0489-000		3	NUT, PUSH	
30	RS5-2410-000		1	SPRING, TENSION	
31	RB1-4129-020		1	BLADE	
501	XD2-1100-402		1	RING, E	

FIGURE 810 FIXING ASS'Y (1/3)

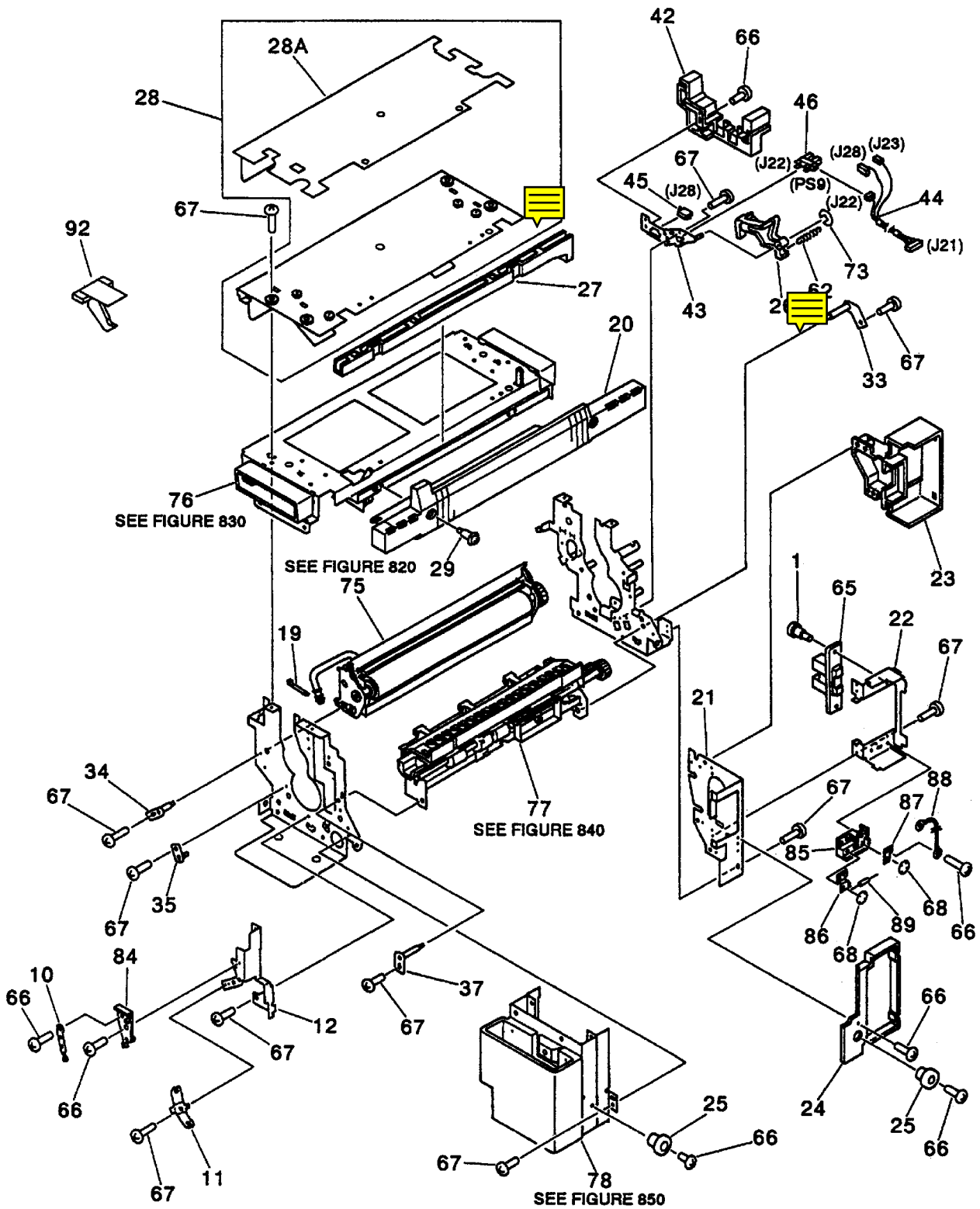


FIGURE 810 FIXING ASS'Y (2/3)

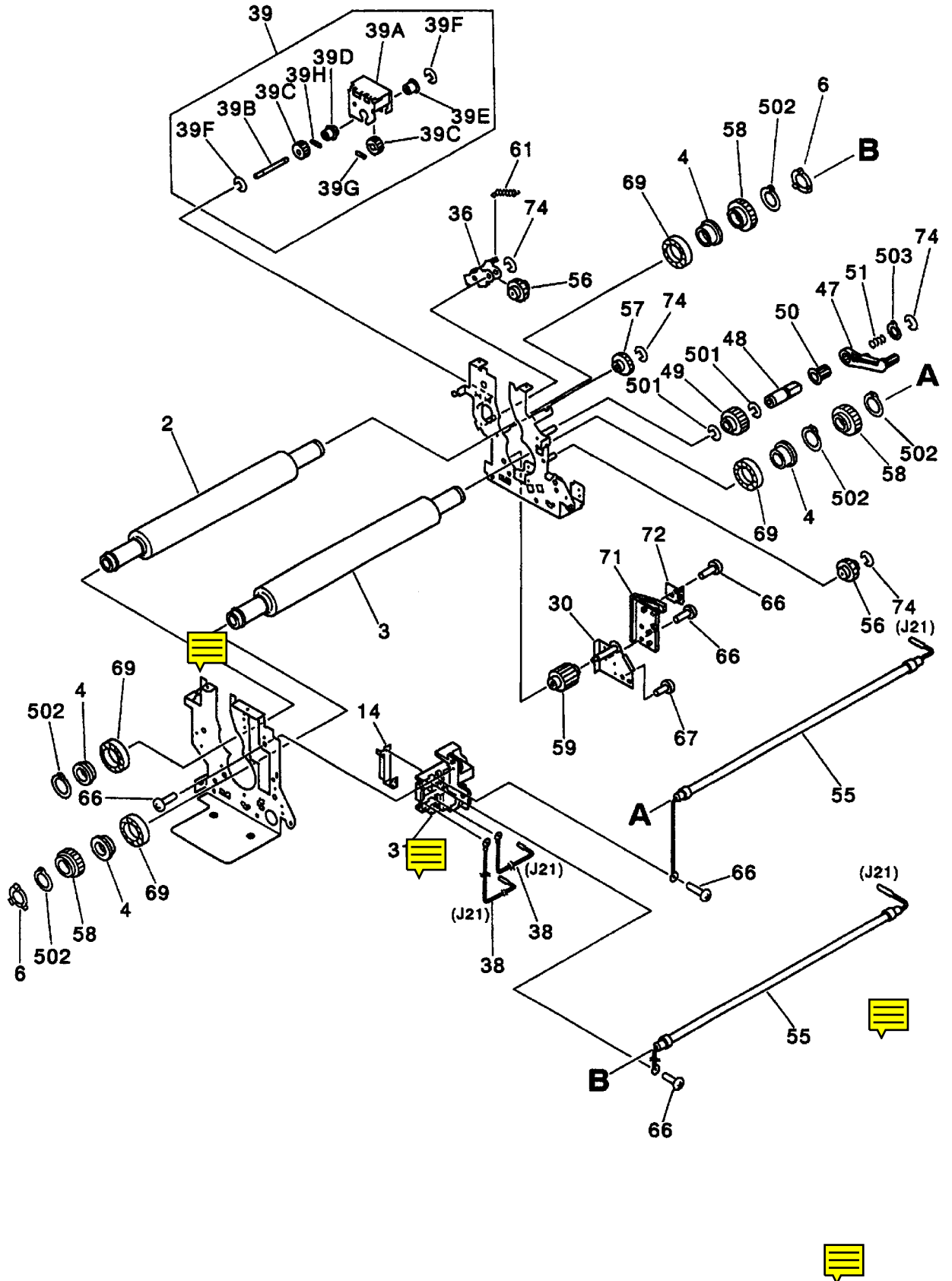


FIGURE 810 FIXING ASS'Y (3/3)

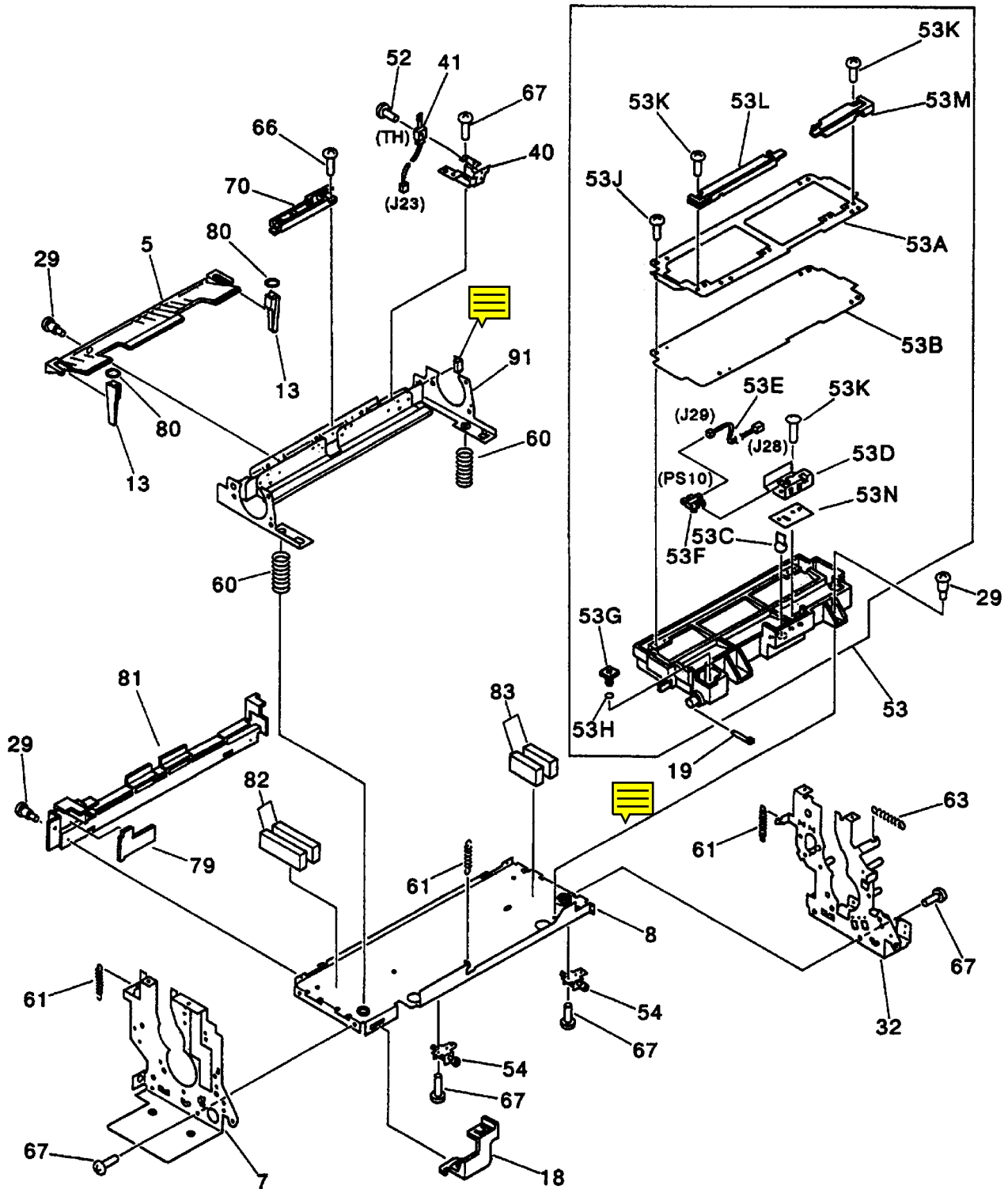


FIGURE & KEY NO.	PART NUMBER	RANK	QTY	DESCRIPTION	SERIAL NUMBER / REMARKS
810 -	RG5-1511-520		1	FIXING ASS'Y	100-120V
	RG5-1537-520		1	FIXING ASS'Y	220-240V
1	RA9-0621-000		2	SCREW, STEPPED, M3	
2	RB1-5001-000		1	ROLLER, FIXING, UPPER	
3	RB1-5002-000		1	ROLLER, FIXING, LOWER	
4	RB1-5004-000		4	BUSHING	
5	RB1-5005-000		1	GUIDE, INLET	
6	RB1-5006-000		2	RING, GROUNDING	
7	RB1-5007-000	N	1	PLATE, SIDE, FRONT	
8	RB1-5009-000	N	1	PLATE, BOTTOM	
10	RB1-5017-020		1	PLATE, CONTINUITY, GROUNDING	
11	RB1-5018-030		1	SPRING, LEAF	
12	RB1-5021-000		1	MOUNT, CONTINUITY, GROUNDING	
13	RB1-5023-000		2	DUCT, OIL	
14	RB1-5024-000		1	PLATE, CONNECTOR, THERMOSWITCH	
18	RB1-5033-000		1	COVER, TRAY	
19	WT2-0030-000		2	TIE, CABLE	
20	RB1-5041-000		1	GUIDE, DELIVERY	
21	RB1-5042-000		1	HOLDER, HEATER	
22	RB1-5043-000		1	MOUNT, CONNECTOR	
23	RB1-5044-000		1	COVER, HEATER	
24	RB1-5045-000		1	COVER, CONNECTOR	
25	RB1-5049-000		2	KNOB, FIXING	
26	RB1-5050-000		1	ARM, SENSOR, DELIVERY	
27	RB1-5112-020		1	HOLDER, CABLE	
28	RF5-0997-000		1	COVER, UPPER, PLATE	
28A	RB1-5121-000		1	SHEET, COVER, UPPER	
29	RF5-0090-000		9	SCREW, STEPPED, M3	
30	RF5-0933-000		1	SPINDLE, DRIVE GEAR	
31	RF5-0936-000		1	THERMOSWITCH	
32	RF5-0937-000	N	1	PLATE, SIDE, REAR	
33	RF5-0938-000		1	SPINDLE, DELIVERY, 2	
34	RF5-0939-000		1	SPINDLE, OIL APPLYING	
35	RF5-0940-000		1	SPINDLE, ARM, LIFTING, 1	
36	RF5-0941-000		1	ARM, SWING	
37	RF5-0942-000		1	SPINDLE, DELIVERY, 1	
38	RG5-1288-000		2	FIXING AC CABLE	J21
39	RG5-1512-000		1	OIL APPLYING DRIVE ASS'Y	
39A	RB1-5010-000		1	PLATE, DRIVE, OIL APPLYING	
39B	RB1-5011-000		1	SHAFT, DRIVE, OIL APPLYING	
39C	RS5-0496-000		2	GEAR, 17T	
39D	RS5-1132-000		1	BUSHING	
39E	RS5-1133-000		1	BUSHING	
39F	XD9-0136-000		2	RING, E	
39G	XD3-1160-102		1	PIN, SPRING	
39H	XD3-2160-102		1	PIN, DOWEL	
40	RB1-5026-000		1	MOUNT, THERMISTOR, 2	
41	RH7-7059-000		1	THERMISTOR	TH,J23
42	RB1-5022-000		1	GUIDE, CABLE	
43	RF5-0945-000		1	PLATE, SENSOR	

FIGURE & KEY NO.	PART NUMBER	RANK	Q'TY	DESCRIPTION	SERIAL NUMBER / REMARKS
810 -	44	RG5-1276-000	1	FIXING CABLE	100-120V J21-J23,J28
		RG5-1290-000	1	FIXING CABLE	220-240V J21-J23,J28
	45	VS1-5057-004	1	CONNECTOR, SNAP TIGHT	J28
	46	WG8-0291-000	1	IC, TLP1230, PHOTO INTERRUPTER	PS9,J22
	47	RB1-5053-000	1	LEVER, JAM, FIXING	
	48	RB1-5054-000	1	SLEEVE	
	49	RS5-0494-000	1	GEAR, 31T	
	50	RB1-4686-020	1	SLEEVE	
	51	RS5-2358-000	1	SPRING, COMPRESSION	
	52	XA9-0236-000	1	SCREW, WWASHER, M3X10	
53	RG5-1526-080	1	OIL CATCH TRAY ASS'Y		
53A	RB1-4803-000	1	PLATE, HOLDER, FILTER		
53B	RB1-4806-000	1	FILTER, OIL		
53C	RB1-4807-000	1	SENSOR, OIL OVER FLOW		
53D	RB1-4827-030	1	HOLDER, SENSOR		
53E	RG5-1286-000	1	OIL OVER FLOW SENSOR CABLE	J28,J29	
53F	WG8-0291-000	1	IC, TLP1230, PHOTO INTERRUPTER	PS10,J29	
53G	RB1-4831-000	1	CAP, CLEANING		
53H	XG9-0317-000	1	RING, O		
53J	XA9-0591-000	4	SCREW, M3X8		
53K	XA9-0253-000	5	SCREW, MACH., PAN HEAD, M3X8		
53L	RB1-4878-000	1	COVER, TRAY, FRONT		
53M	RB1-4879-000	1	COVER, TRAY, REAR		
53N	RB1-4887-000	1	SHEET, GUIDE		
54	RG5-1536-000	2	SCREW ASS'Y		
55	RH7-4060-000	2	HEATER, HALOGEN	100-120V, J21	
	RH7-4065-000	2	HEATER, HALOGEN	220-240V, J21	
56	RS5-0491-000	2	GEAR, 23T		
57	RS5-0492-000	1	GEAR, 25T		
58	RS5-0493-000	3	GEAR, 36T		
59	RS5-0495-020	1	GEAR, 23T		
60	RS5-2365-000	2	SPRING, COMPRESSION		
61	RS5-2367-000	4	SPRING, TENSION		
62	RS5-2369-000	1	SPRING, TENSION		
63	RS5-2370-000	1	SPRING, TENSION		
64	VS1-5057-002	1	CONNECTOR, 2P		
65	VS1-5864-012	1	CONNECTOR, 2P		
66	XA9-0253-000	16	SCREW, MACH., PAN HEAD, M3X8		
67	XA9-0267-000	35	SCREW, TP, M3X6		
68	XA9-0134-000	2	NUT, PUSH		
69	XG9-0156-000	4	BEARING, BALL		
70	RB1-5016-000	1	GUIDE, CABLE		
71	RB1-5057-000	1	MOUNT, H.V.		
72	RB1-5058-000	1	PLATE, CONTACT		
73	XD9-0135-000	1	RING, E		
74	XD9-0136-000	4	RING, E		
75	RG5-1518-030	1	OIL APPLYING ASS'Y	SEE FIGURE 820	
76	RG5-1523-000	1	FIXING CLEANER ASS'Y	SEE FIGURE 830	

FIGURE & KEY NO.	PART NUMBER	R A N K	Q' T Y	DESCRIPTION	SERIAL NUMBER / REMARKS
810 - 77	RG5-1506-000		1	FIXING DELIVERY ASS'Y	SEE FIGURE 840
78	RG5-1528-030		1	OIL BOTTLE CASE ASS'Y	SEE FIGURE 850
79	RB1-4837-000		1	SEAL	
80	XG9-0317-000		2	RING, O	
81	RB1-4835-030		1	COVER, FIXING	
82	RB1-4836-000		2	BLOCK, CATCH, 1	
83	RB1-4846-000		2	BLOCK, CATCH, 2	
84	RB1-5122-020		1	HOLDER, CONTINUITY GROUNDING	
85	RB1-5123-000		1	HOLDER, DIODE	
86	RB1-5124-000		1	MOUNT, DIODE, 1	
87	RB1-5125-000		1	MOUNT, DIODE, 2	
88	RG5-1291-000		1	FIXING DIODE CABLE	
89	WA1-1124-000		1	DIODE, SHV-02	
91	RG5-2836-020		1	PRESSURE ARM ASS'Y	
92	RF5-0964-000		2	PRESSURE RELEASE SPACER	
501	XD2-1100-802		2	RING, E	
502	XD2-3100-208		5	RING, C	
503	XD2-2101-002		1	RING, GRIP	

FIGURE 820 OIL APPLYING ASS'Y

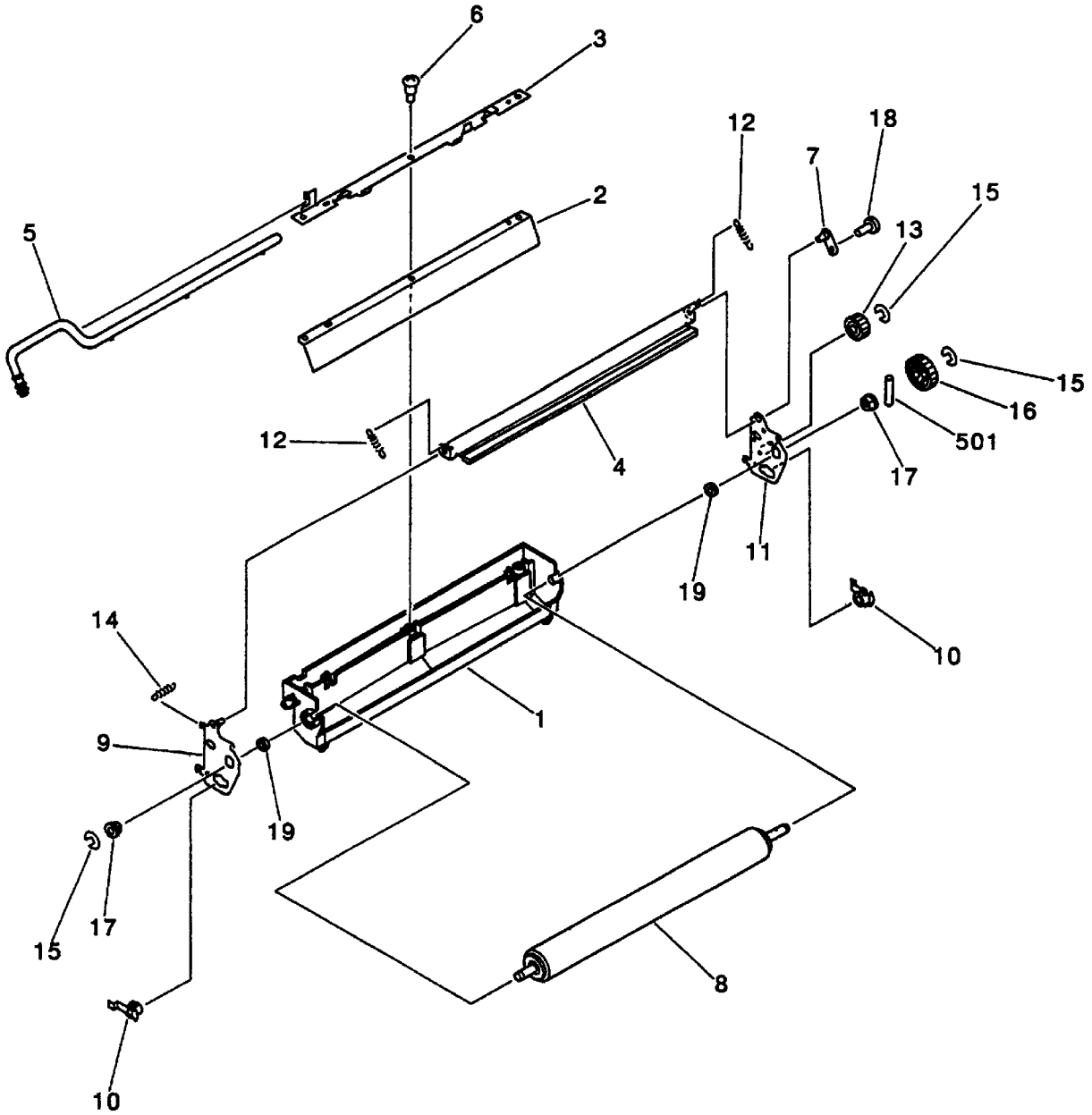


FIGURE & KEY NO.	PART NUMBER	R A N K	Q' T Y	DESCRIPTION	SERIAL NUMBER / REMARKS
820 -	RG5-1518-030		1	OIL APPLYING ASS'Y	
1	RB1-4773-000		1	CASE, OIL	
2	RB1-4775-000		1	BLADE, OIL APPLYING	
3	RB1-4776-000		1	PLATE, BLADE, OIL APPLYING	
4	RB1-4778-020		1	BLADE, SCRAPE	
5	RB1-4783-000		1	NOZZLE	
6	RF5-0090-000		3	SCREW, STEPPED, M3	
7	RF5-0949-000		1	SPINDLE, BLADE	
8	RG5-1519-000		1	OIL APPLYING ROLLER ASS'Y	
9	RF5-0947-000		1	PLATE, SWING, FRONT	
10	RS5-1126-000		2	BUSHING	
11	RF5-0948-000		1	PLATE, SWING, REAR	
12	RS5-2361-000		2	SPRING, TENSION	
13	RS5-0479-000		1	GEAR, 14T	
14	RS5-2376-000		1	SPRING, TENSION	
15	XD9-0136-000		3	RING, E	
16	RS5-0480-000		1	GEAR, 23T	
17	RS5-1125-000		2	BUSHING	
18	XA9-0267-000		1	SCREW, TP, M3X6	
19	XG9-0111-000		2	SEAL, OIL	
501	XD3-2160-142		1	PIN, DOWEL	

FIGURE 830 FIXING CLEANER ASS'Y

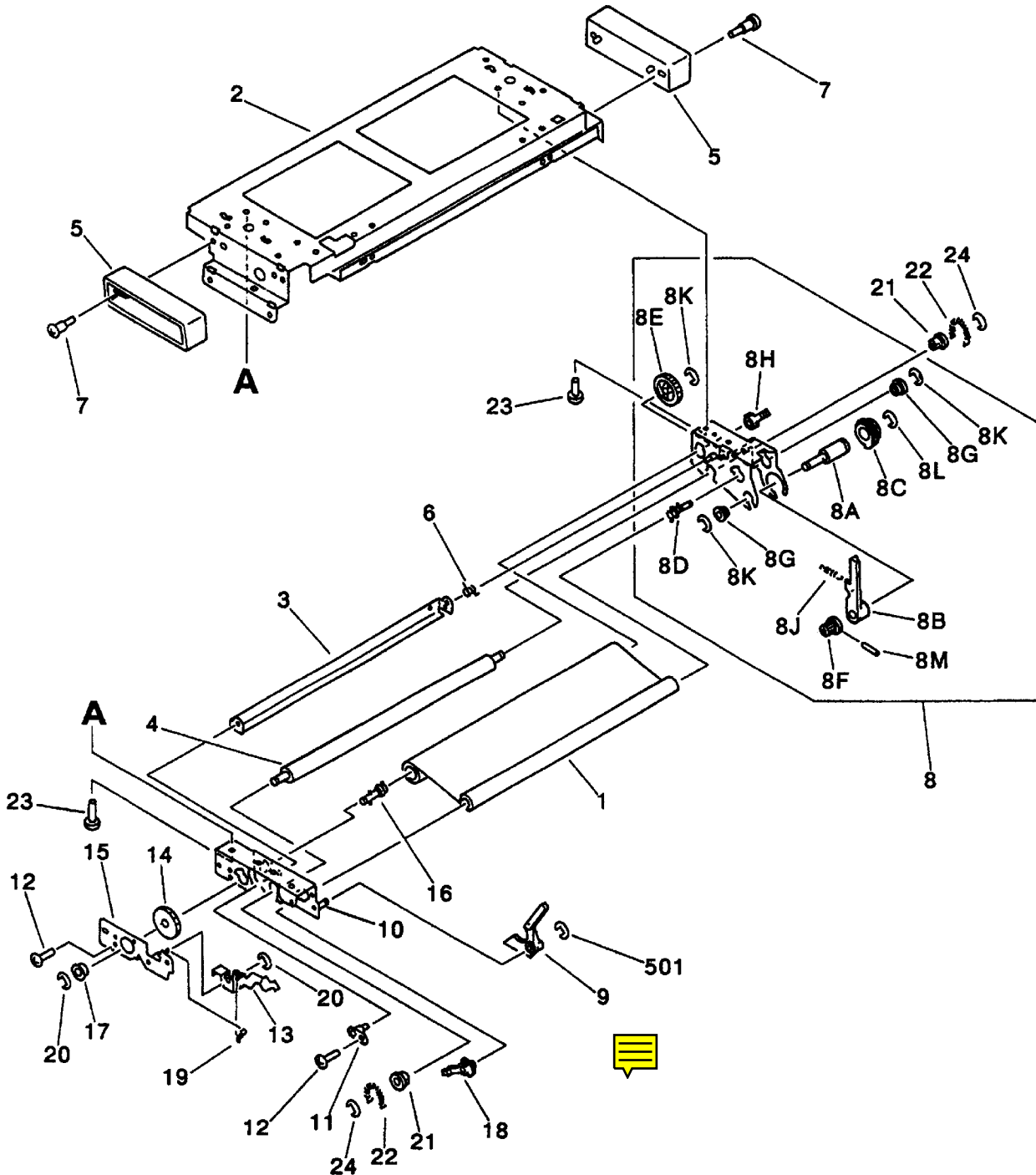


FIGURE & KEY NO.	PART NUMBER	R A N K	Q T Y	DESCRIPTION	SERIAL NUMBER / REMARKS
830 -	RG5-1523-000		1	FIXING CLEANER ASS'Y	
1	RB1-5100-000		1	CLEANING BELT, FIXING ROLLER	
2	RB1-5101-000		1	PLATE	
3	RB1-5109-000		1	PLATE, CLEANING BELT BRAKE	
4	RB1-5110-000		1	ROLLER, CLEANING BELT	
5	RB1-5111-000		2	GRIP	
6	RB1-5114-000		1	SPRING, TORSION	
7	RF5-0090-000		4	SCREW, STEPPED, M3	
8	RG5-1524-000		1	CLEANING BELT PLATE ASS'Y, REAR	
8A	RB1-5106-000		1	SHAFT, CLEANING BELT, ONE-WAY	
8B	RB1-5107-000		1	ARM, ONE-WAY	
8C	RB1-5108-000		1	ROLLER, ONE-WAY	
8D	RF5-0978-000		1	SHAFT, CLEANING BELT	
8E	RS5-0481-000		1	GEAR, 60T	
8F	RS5-0482-000		1	GEAR, 18T	
8G	RS5-1128-000		2	BUSHING	
8H	RS5-1129-000		1	BUSHING	
8J	RS5-2362-000		1	SPRING, TENSION	
8K	XD9-0136-000		3	RING, E	
8L	XD2-1100-802		1	RING, E	
8M	XD3-1160-122		1	PIN, SPRING	
9	RB1-5104-000		1	LEVER, SENSOR, CLEANING BELT	
10	RF5-0951-000		1	PLATE, CLEANING BELT, FRONT	
11	RF5-0952-000		1	SPINDLE, BRAKE	
12	XA9-0267-000		3	SCREW, TP, M3X6	
13	RB1-4683-000		1	ARM, CLEANING BELT	
14	RB1-4684-000		1	GEAR, CLEANING BELT	
15	RF5-0988-000		1	PLATE, CLEANING BELT	
16	RF5-0989-000		1	SHAFT, CLEANING BELT	
17	RS5-1128-000		1	BUSHING	
18	RS5-1129-000		1	BUSHING	
19	RS5-2357-000		1	SPRING, TENSION	
20	XD9-0136-000		2	RING, E	
21	RS5-1131-000		2	BUSHING	
22	RS5-2363-000		2	SPRING, TENSION	
23	XA9-0434-000		4	SCREW, TP, M3X4	
24	XD9-0136-000		2	RING, E	
501	XD2-1100-322		1	RING, E	

FIGURE 840 FIXING DELIVERY ASS'Y

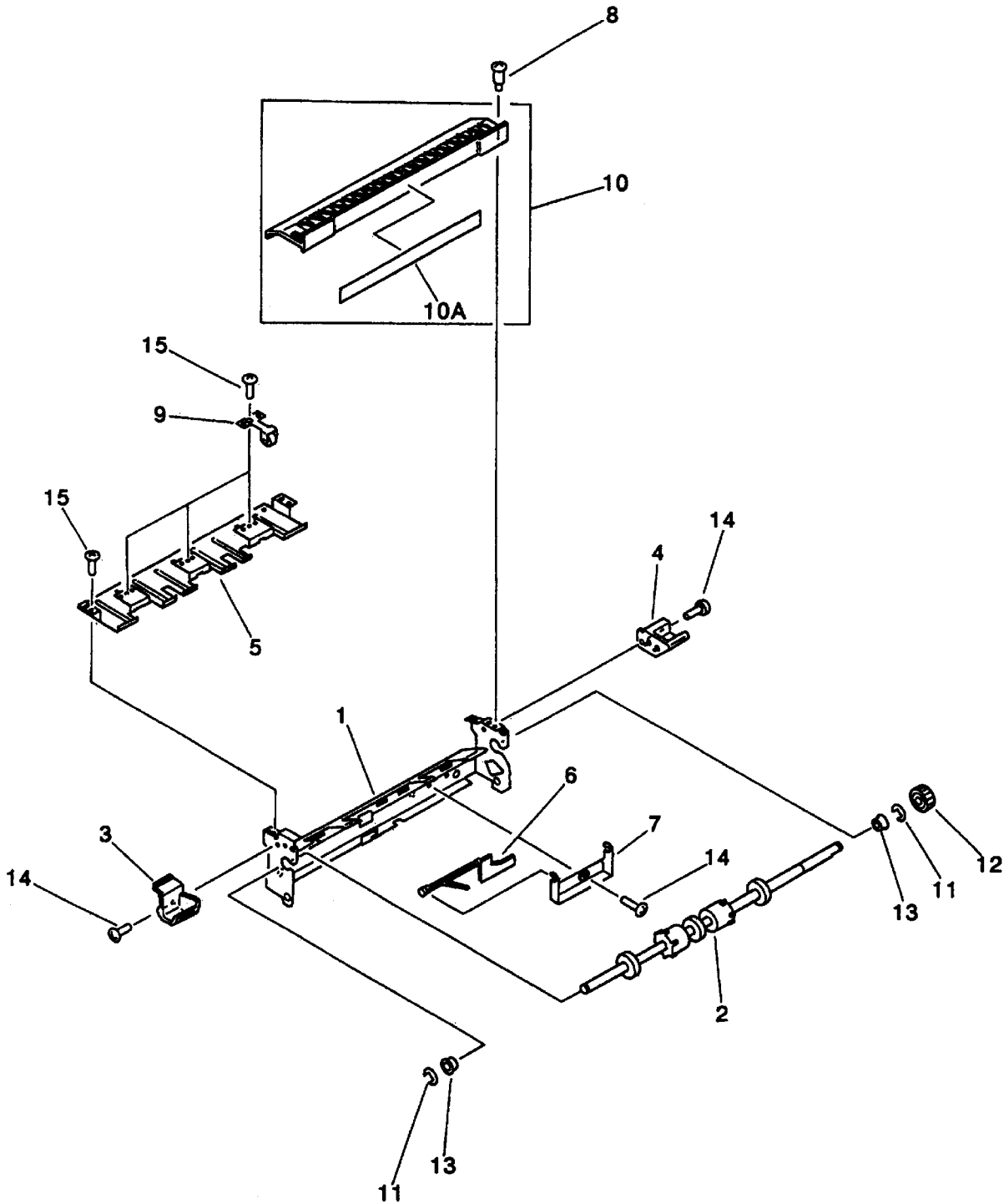


FIGURE 850 OIL BOTTLE CASE ASS'Y

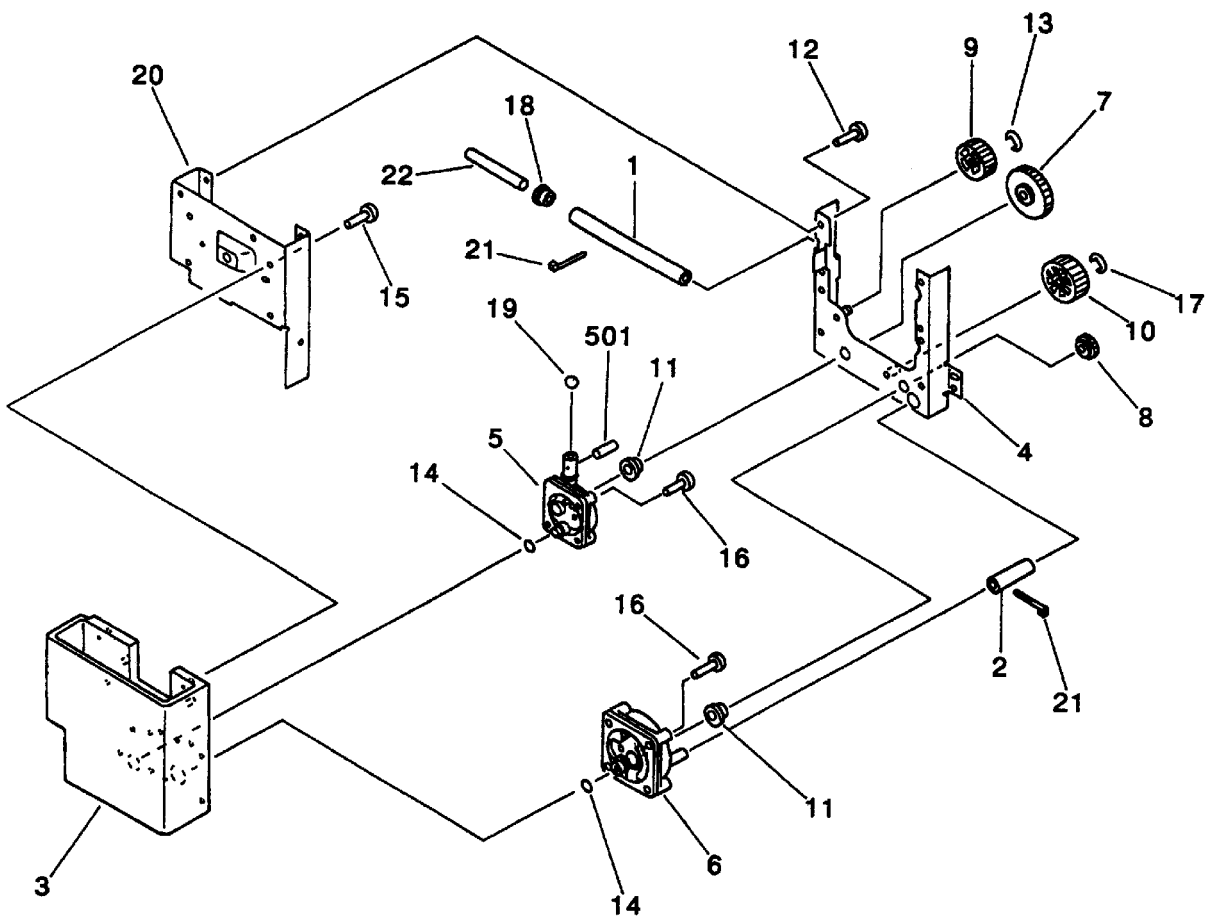


FIGURE & KEY NO.	PART NUMBER	R A N K	Q' T Y	DESCRIPTION	SERIAL NUMBER / REMARKS
850 -	RG5-1528-030		1	OIL BOTTLE CASE ASS'Y	
1	RB1-4812-000		1	TUBE	
2	RB1-4829-000		1	TUBE, JOINT	
3	RF5-0944-000		1	CASE, OIL BOTTLE	
4	RF5-0956-000		1	PLATE, SIDE, PUMP DRIVE	
5	RF5-0965-030		1	PUMP, GEAR, A	
6	RF5-0966-030		1	PUMP, GEAR, B	
7	RS5-0487-000		1	GEAR, 33T	
8	RS5-0488-000		1	GEAR, 14T	
9	RS5-0489-000		1	GEAR, 23T	
10	RS5-0502-000		1	GEAR, 30T	
11	RS5-1139-000		2	BUSHING	
12	XA9-0267-000		5	SCREW, TP, M3X6	
13	XD9-0137-000		1	RING, E	
14	XG9-0330-000		2	RING, O	
15	XA9-0670-000		4	SCREW, W/WASHER, M3X6	
16	XA9-0776-000		7	SCREW, M3X18	
17	XD9-0136-000		1	RING, E	
18	XZ9-0388-000		1	BUSHING, RUBBER	
19	XG9-0326-000		1	BALL STEEL, (5/32 INCH)	
20	RB1-4809-000		1	PLATE, BOTTLE CASE	
21	WT2-0030-000		2	TIE, CABLE	
22	RB1-4880-000		1	TUBE, 2	
501	XD3-2200-082		1	PIN, DOWEL	

FIGURE 900 PCB ASS'Y LOCATION DIAGRAM

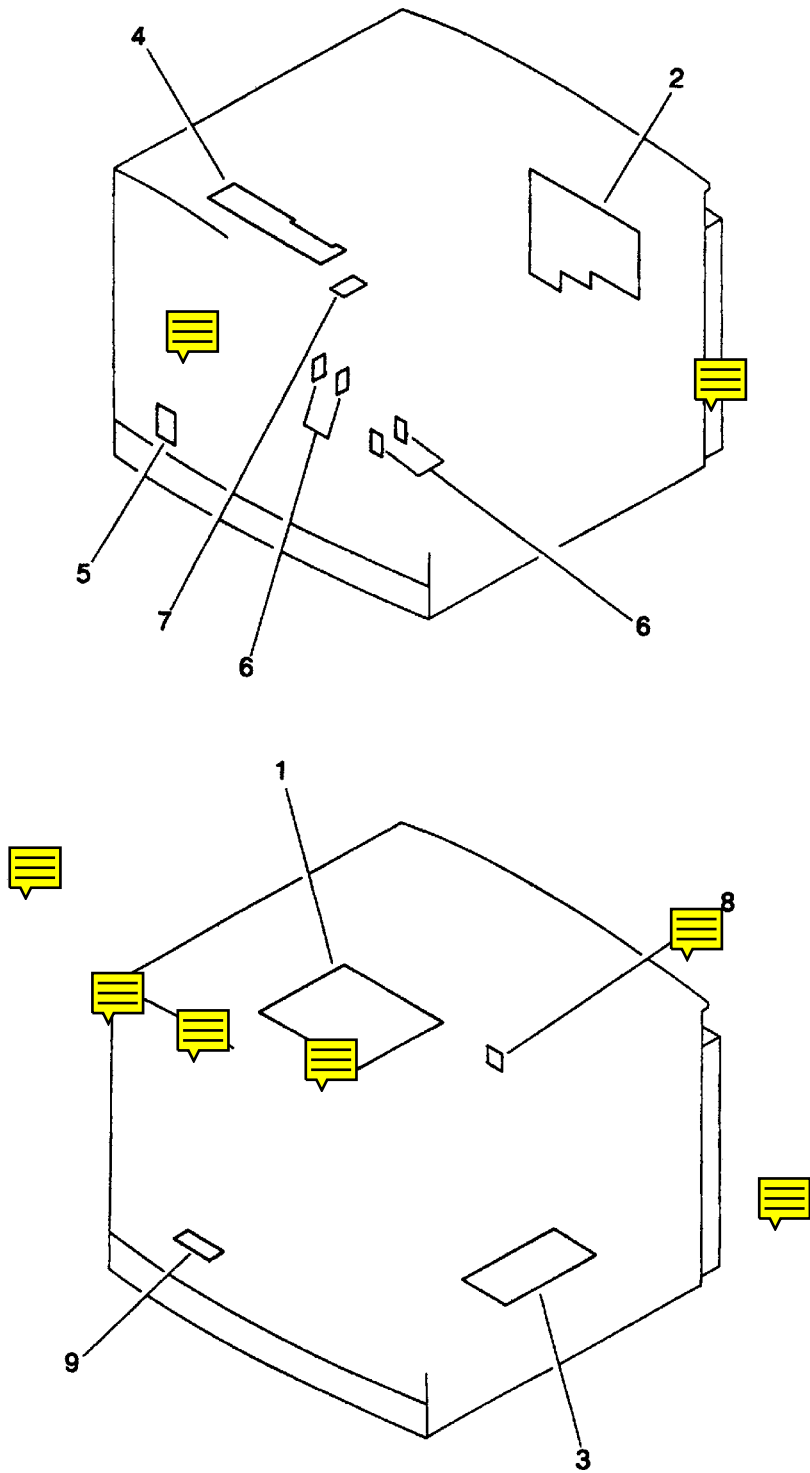


FIGURE & KEY NO.	PART NUMBER	RANK	QTY	DESCRIPTION	SERIAL NUMBER / REMARKS
900 -	NPN		RF	PCB ASS'Y LOCATION DIAGRAM	
1	RG5-1223-080		1	DC CONTROLLER PCB ASS'Y	
2	RG5-1233-080		1	MECHANICAL CONTROLLER PCB ASS'Y	
3	RG5-1166-000		1	PAPER PICK-UP PCB ASS'Y	
4	RG5-2184-000		1	TERMINAL PCB ASS'Y	
5	RG5-1236-000		1	CASSETTE SIZE SENSING PCB ASS'Y	
6	RG5-1226-000		1	SENSOR PCB ASS'Y	
7	RG5-1225-000		1	TONER EMPTY SENSOR PCB ASS'Y	
8	RG5-1224-000		1	TONER EMPTY SENSOR PCB ASS'Y	
9	RG5-1237-000		1	EJECTION PCB ASS'Y	

PAPER FEEDER UNIT PF-7

PAPER FEEDER UNIT PF-7
[R95-5009 LDD00001-]

FIGURE RA ASSEMBLY LOCATION DIAGRAM

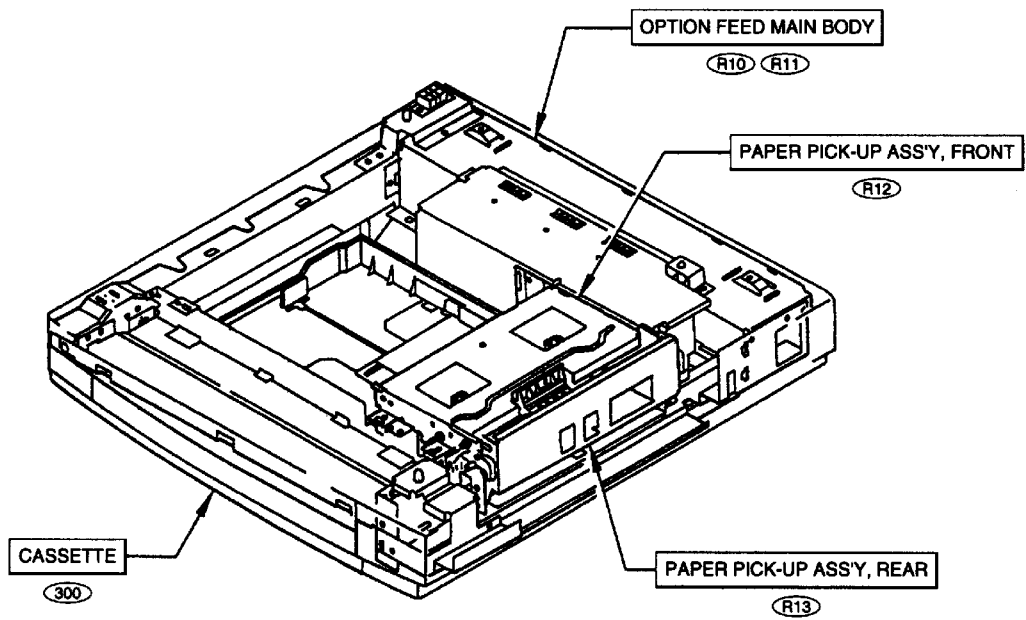


FIGURE R01 MOUNTING HARDWARE

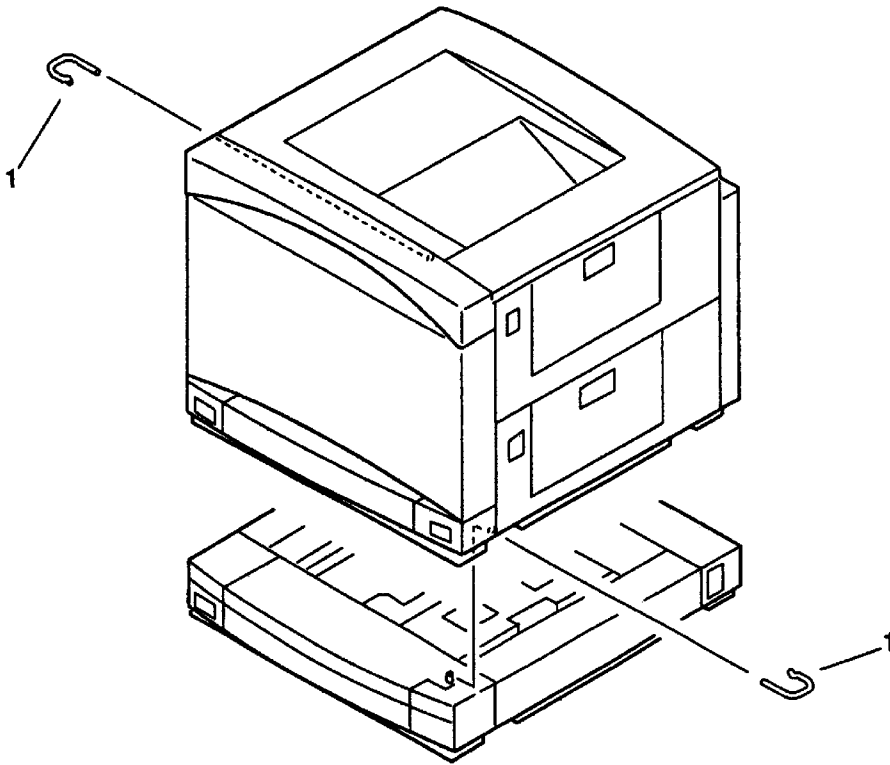


FIGURE & KEY NO.	PART NUMBER	RANK	QTY	DESCRIPTION	SERIAL NUMBER / REMARKS
R01 - 1	NPN RG5-1668-030		RF 1	MOUNTING HARDWARE SERVICE KIT, LOCK PIN	

FIGURE R10 OPTION FEED MAIN BODY 1

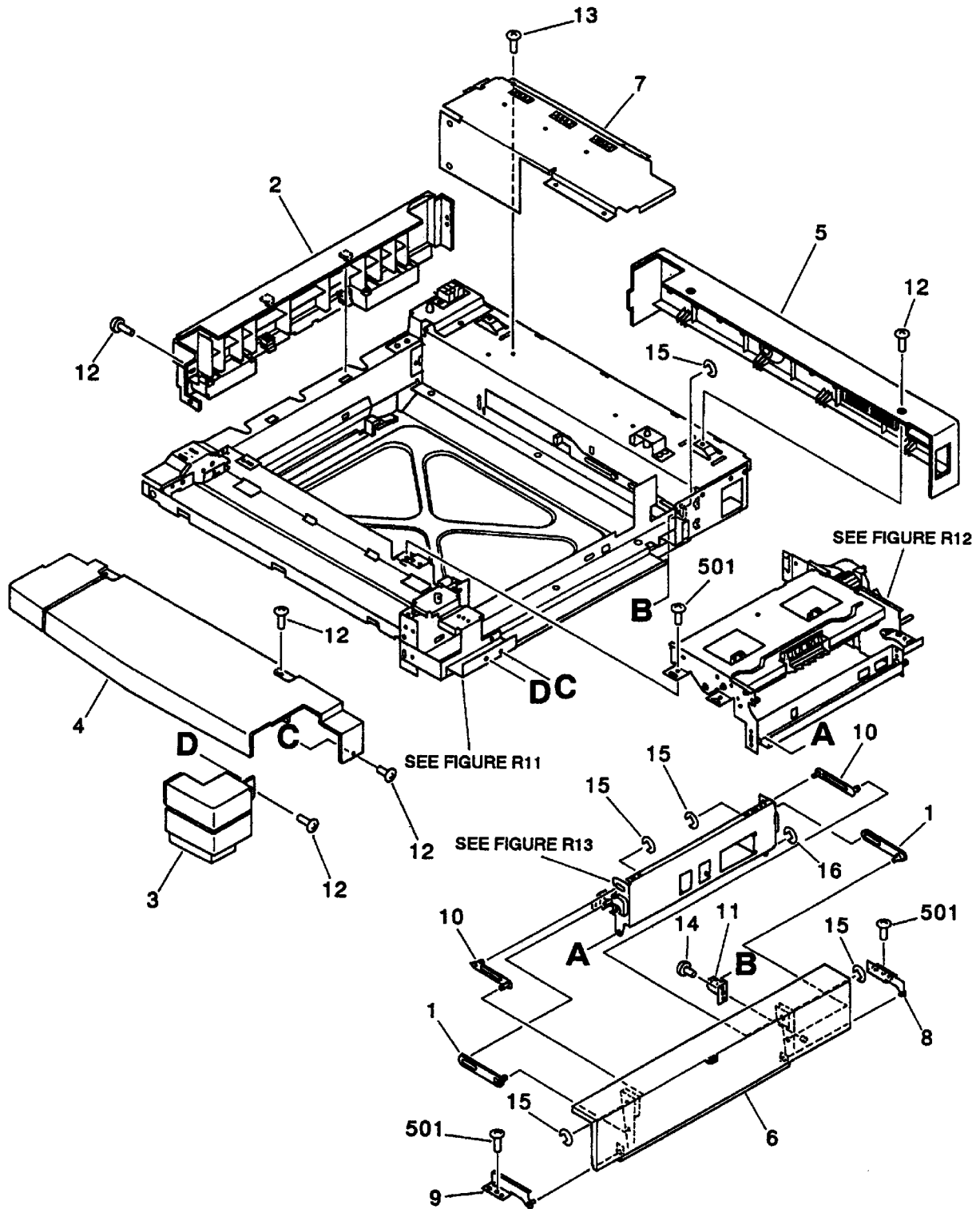


FIGURE & KEY NO.	PART NUMBER	RANK	QTY	DESCRIPTION	SERIAL NUMBER / REMARKS
R10 -	NPN		RF	OPTION FEED MAIN BODY 1	
1	RB1-5831-000		2	LINK, LOCK LEVER	
2	RB1-5847-000		1	COVER, LEFT	
3	RB1-5848-000		1	COVER, RIGHT	
4	RB1-5849-000		1	COVER, FRONT	
5	RB1-5850-000		1	COVER, REAR	
6	RB1-5851-000		1	COVER, OPEN/CLOSE	
7	RF5-1268-000		1	COVER, GEAR	
8	RF5-1262-000		1	HINGE, OPEN/CLOSE COVER, RIGHT	
9	RF5-1263-000		1	HINGE, OPEN/CLOSE COVER, LEFT	
10	RF5-1264-000		2	LINK	
11	RF5-1265-000		1	PLATE, SWITCH ROD	
12	XA9-0253-000		8	SCREW, MACH., PAN HEAD, M3X8	
13	XA9-0267-000		5	SCREW, TP, M3X6	
14	XA9-0591-000		8	SCREW, M3X8	
15	XD9-0136-000		5	RING, E	
16	XD9-0136-000		1	RING, E	
501	XB6-7400-607		6	SCREW, TP, M4X6	

FIGURE R11 OPTION FEED MAIN BODY 2

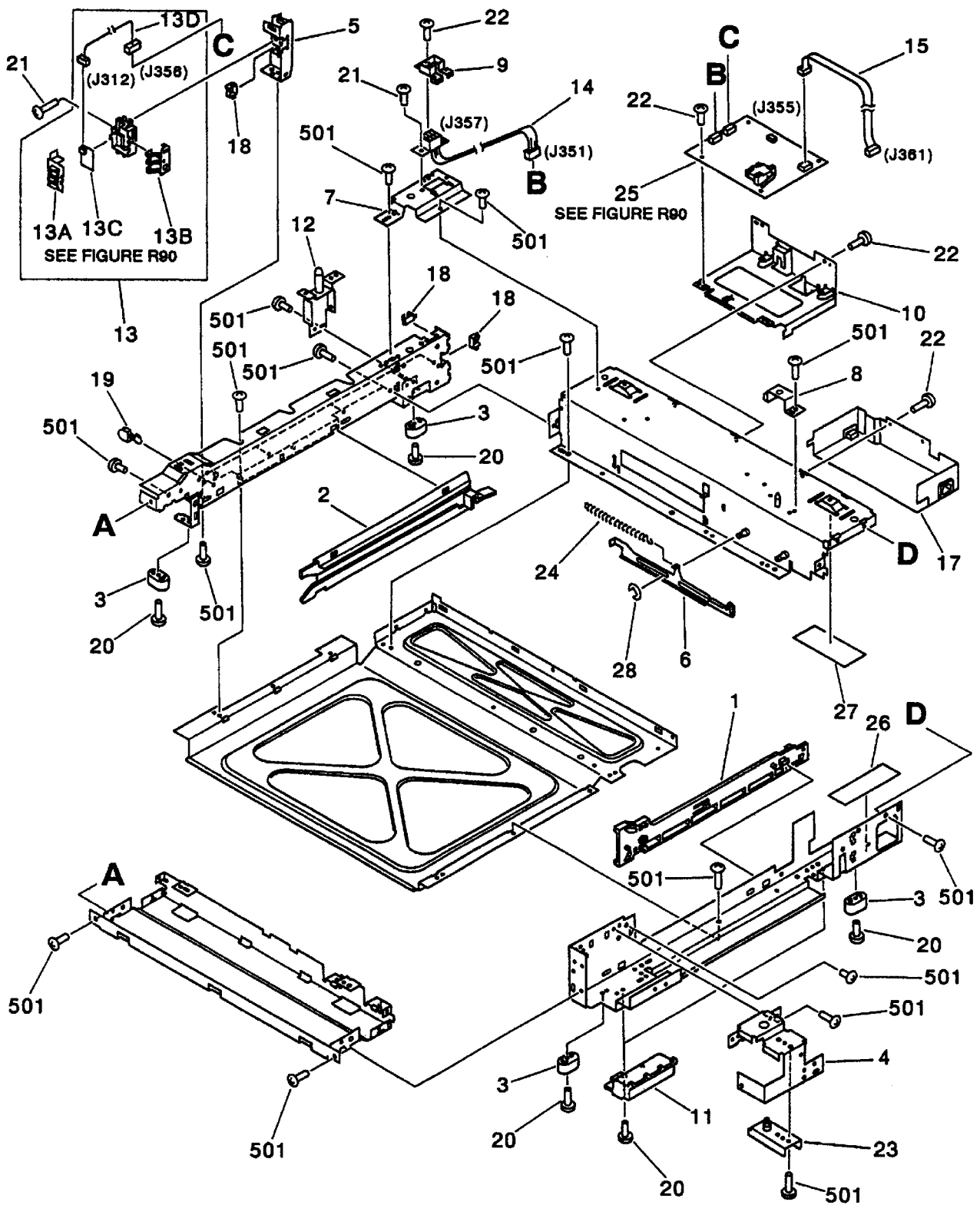


FIGURE & KEY NO.	PART NUMBER	RANK	QTY	DESCRIPTION	SERIAL NUMBER / REMARKS
R11 -	NPN		RF	OPTION FEED MAIN BODY 2	
1	RB1-4341-030		1	RAIL, CASSETTE, RIGHT	
2	RB1-4342-000		1	RAIL, CASSETTE, LEFT	
3	RB1-4458-000		4	FOOT, FRONT	
4	RB1-5791-000		1	PLATE, REINFORCEMENT, 1	
5	RB1-5793-000		1	PLATE, REINFORCEMENT, 2	
6	RB1-5797-000		1	ROD, SWITCH	
7	RB1-5799-000		1	MOUNT, POSITIONING, 1	
8	RB1-5800-000		1	MOUNT, POSITIONING, 2	
9	RB1-5801-000		1	COVER, CONNECTOR	
10	RB1-5802-000		1	PLATE, PCB MOUNTING	
11	RB1-5852-000		2	GRIP	
12	RF5-1258-020		1	PLATE, REINFORCEMENT, 3	
13	RG5-1665-020		1	CASSETTE SIZE SENSOR ASS'Y	
13A	RB1-4344-000		1	COVER, HOLDER	
13B	RB1-4345-020		1	SPRING, LEAF	
13C	RG5-1236-000		1	CASSETTE SIZE SENSING PCB ASS'Y	SEEN FIGURE R90
13D	RG5-1675-000		1	CASSETTE SIZE CABLE	J312,J356
14	RG5-1672-000		1	CONNECTOR CABLE	J351,J357
15	RG5-1674-000		1	POWER SUPPLY CONNECTOR CABLE	J355,J361
17	RH3-2156-000		1	POWER SUPPLY ASS'Y	
18	WT2-0204-000		3	CLIP, CABLE	
19	WT2-0387-000		6	CLAMP	
20	XA9-0249-000		4	SCREW, WWASHER, M4X8	
21	XA9-0253-000		4	SCREW, MACH., PAN HEAD, M3X8	
22	XA9-0267-000		14	SCREW, TP, M3X6	
23	RF5-1266-000		1	PLATE, CONNECTOR	
24	RS5-2402-000		1	SPRING, TENTION	
25	RG5-1670-000		1	PAPER FEEDER PCB ASS'Y	SEE FIGURE R90
26	RB1-5853-000		1	SHEET, LOWER	
27	RB1-5856-000		1	SHEET, UPPER	
28	XD9-0135-000		2	RING, E	
501	XB6-7400-607		41	SCREW, TP, M4X6	

FIGURE R12 PAPER PICK-UP ASS'Y, FRONT

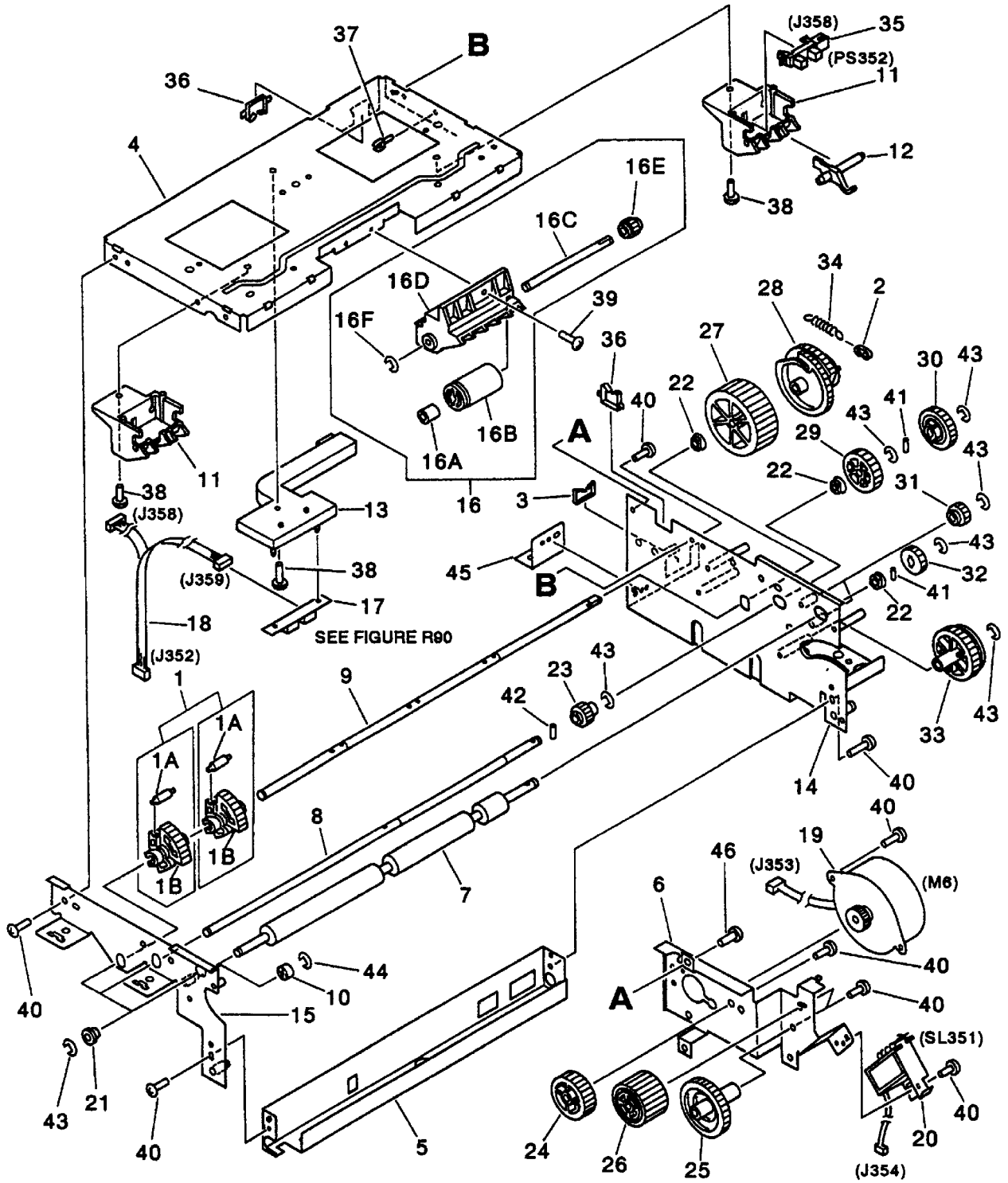


FIGURE & KEY NO.	PART NUMBER	RANK	QTY	DESCRIPTION	SERIAL NUMBER / REMARKS
R12 -	RG5-1660-050	N	1	PAPER PICK-UP ASS'Y, FRONT	
1	RG5-1168-000		2	PAPER PICK-UP ROLLER ASS'Y	
1A	FA2-8227-000		1	ROLLER, PRESSURE	
1B	RB1-4171-000		1	ROLLER, PAPER PICK-UP	
2	RB1-2190-000		1	COLLAR, SPRING	
3	WT2-5031-000		1	CLIP, CORD	
4	RB1-5817-000		1	PLATE, TOP	
5	RB1-5820-000		1	CROSSMEMBER	
6	RB1-5821-000		1	MOUNT, MOTOR	
7	RB1-5822-000		1	ROLLER, PAPER FEED	
8	RB1-5823-000		1	SHAFT, ROLLER DRIVE, FRONT	
9	RB1-5824-000		1	SHAFT, PICK-UP ROLLER	
10	RB1-5826-000		1	ROLLER, RELEASE	
11	RB1-5827-000		2	GUIDE, PAPER, UPPER	
12	RB1-5828-000		1	ARM, SENSOR	
13	RB1-5838-000		1	MOUNT, SENSOR	
14	RF5-1260-000		1	FRAME, PICK-UP, RIGHT	
15	RF5-1261-000		1	FRAME, PICK-UP, LEFT	
16	RG5-1662-170		1	FRONT ROLLER ASS'Y	
16A	FA3-8734-000		1	BUSHING	
16B	RB1-4212-020		1	ROLLER	
16C	RB1-4222-000		1	SHAFT, ROLLER, FRONT	
16D	RB1-5805-000		1	SUPPORT, ROLLER, FRONT	
16E	RS5-0415-000		1	GEAR, 25T	
16F	XD9-0136-000		1	RING, E	
17	RG5-1671-000		1	PHOTO SENSOR PCB ASS'Y	SEE FIGURE R90
18	RG5-1673-000		1	SENSOR CABLE	J352,J358,J359
19	RH7-1223-000		1	MOTOR, STEPPING	M6,J353
20	RH7-5147-000		1	SOLENOID	SL351,J354
21	RS1-1014-000		3	BUSHING	
22	RS1-1053-000		3	BUSHING	
23	RS5-0406-000		1	GEAR, 31T	
24	RS5-0609-000		1	GEAR, 23T	
25	RS5-0610-000		1	GEAR, 16T	
26	RS5-0611-000		1	GEAR, 45T	
27	RS5-0612-000		1	GEAR, 24T	
28	RS5-0613-000		1	GEAR, 29T	
29	RS5-0614-000		1	GEAR, 47T	
30	RS5-0615-000		1	GEAR, 25T	
31	RS5-0616-000		2	GEAR, 14T	
32	RS5-0617-000		1	GEAR, 36T	
33	RS5-0618-000		1	GEAR, 34T	
34	RS5-2172-000		1	SPRING, TENSION	
35	WG8-0291-000		1	IC, TLP1230, PHOTO INTERRUPTER	PS352,J358
36	WT2-0204-000		2	CLIP, CABLE	
37	WT2-0387-000		6	CLAMP	
38	XA9-0233-000		3	SCREW, W/WASHER, M3X6	
39	XA9-0253-000		1	SCREW, MACH., PAN HEAD, M3X8	
40	XA9-0267-000		11	SCREW, TP, M3X6	
41	XD9-0103-000		2	PIN, DOWEL	

FIGURE & KEY NO.	PART NUMBER	R A N K	Q' T Y	DESCRIPTION	SERIAL NUMBER / REMARKS
R12 - 42	XD9-0104-000		1	PIN, DOWEL	
43	XD9-0136-000		10	RING, E	
44	XD9-0134-000		1	RING, E	
45	RB1-5846-000		1	PLATE	
46	XA9-0434-000		2	SCREW, TP, M3X4	

FIGURE R13 PAPER PICK-UP ASS'Y, REAR

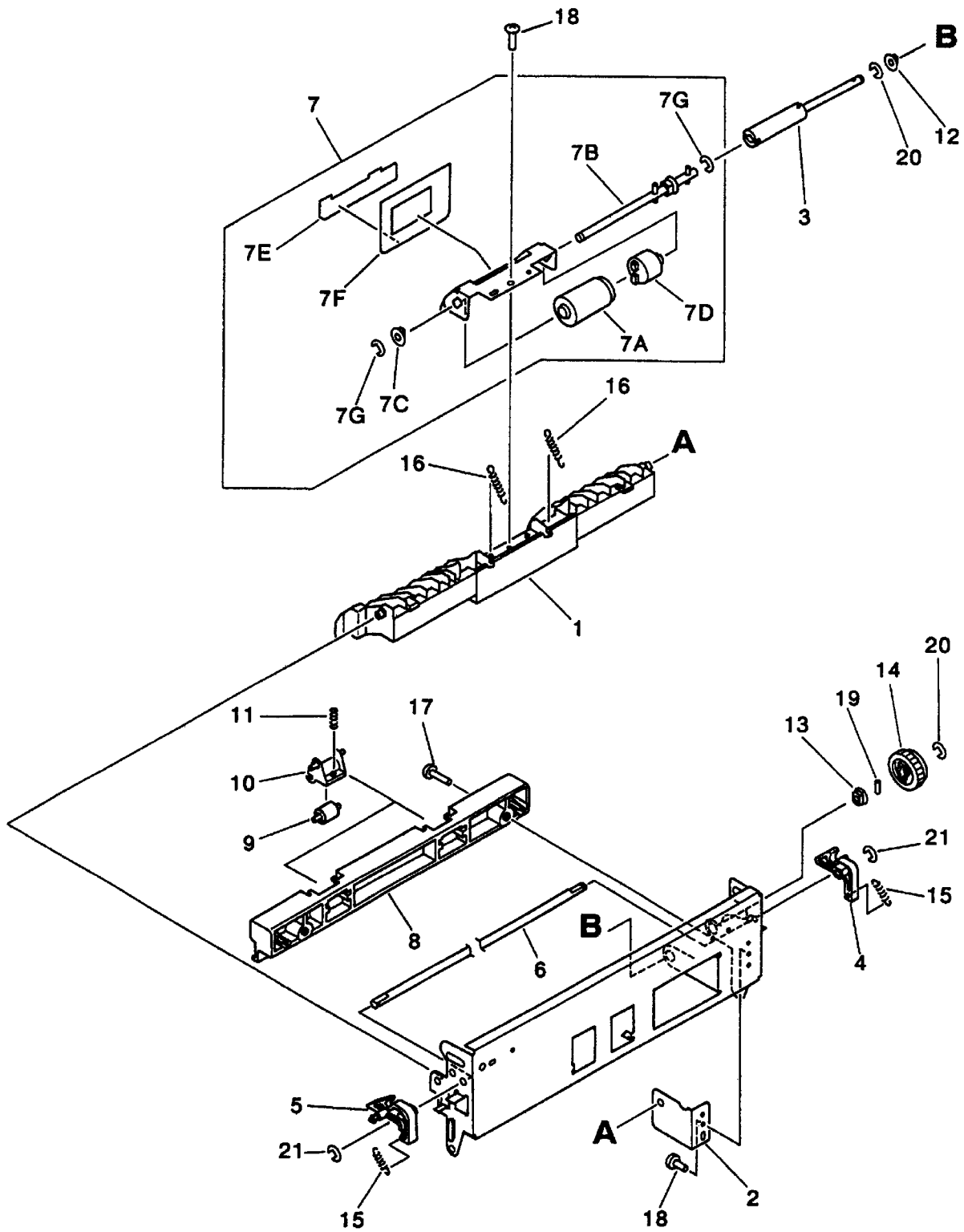


FIGURE & KEY NO.	PART NUMBER	R A N K	Q' T Y	DESCRIPTION	SERIAL NUMBER / REMARKS
R13 -	RG5-1661-050	N	1	PAPER PICK-UP ASS'Y, REAR	
1	RB1-5811-000		1	GUIDE, PAPER, LOWER	
2	RB1-5812-000		1	PLATE, BUSHING	
3	RF5-1267-000		1	SHAFT, ROLLER DRIVE, REAR	
4	RB1-5814-000		1	LEVER, LOCK, RIGHT	
5	RB1-5815-000		1	LEVER, LOCK, LEFT	
6	RB1-5816-000		1	SHAFT, LOCK LEVER	
7	RG5-1663-050		1	REAR ROLLER ASS'Y	
7A	RB1-4212-020		1	ROLLER	
7B	RF5-0888-000		1	SHAFT, ROLLER, REAR	
7C	RB1-4214-000		1	STOPPER, REAR	
7D	RB1-4215-000		1	LIMITER, TORQUE	
7E	RB1-4216-000		1	GUIDE, A	
7F	RB1-5843-000		1	SHEET, SUB, GUIDE	
7G	XD9-0136-000		2	RING, E	
8	RB1-5807-000		1	GUIDE, PAPER, LOWER	
9	RB1-5808-000		2	ROLLER, FEEDER	
10	RB1-5809-000		2	HOLDER, FEEDER ROLLER	
11	RS5-2399-000		2	SPRING, COMPRESSION	
12	RS1-1014-000		1	BUSHING	
13	RS1-1053-000		2	BUSHING	
14	RS5-0608-000		1	GEAR, 22T	
15	RS5-2400-000		2	SPRING, TENSION	
16	RS5-2401-000		2	SPRING, TENSION	
17	XA9-0253-000		2	SCREW, MACH., PAN HEAD, M3X8	
18	XA9-0267-000		2	SCREW, TP, M3X6	
19	XD9-0103-000		1	PIN, DOWEL	
20	XD9-0136-000		2	RING, E	
21	XD9-0134-000		2	RING, E	

FIGURE R90 PCB ASS'Y LOCATION DIAGRAM

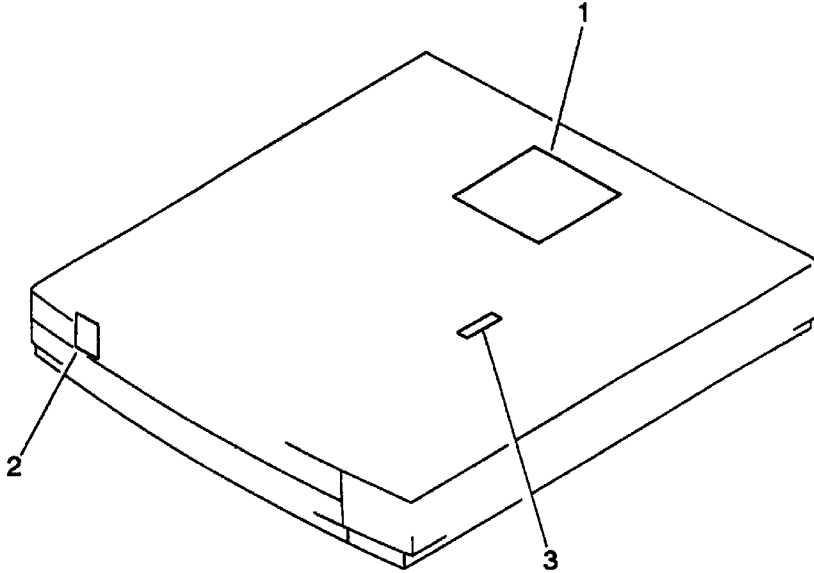


FIGURE & KEY NO.	PART NUMBER	RANK	QTY	DESCRIPTION	SERIAL NUMBER / REMARKS
R90 -	NPN		RF	PCB ASS'Y LOCATION DIAGRAM	
1	RG5-1670-000		1	PAPER FEEDER PCB ASS'Y	
2	RG5-1236-000		1	CASSETTE SIZE SENSING PCB ASS'Y	
3	RG5-1671-000		1	PHOTO SENSOR PCB ASS'Y	

B NUMERICAL INDEX

PART NUMBER	FIGURE & KEY NO.	PART NUMBER	FIGURE & KEY NO.	PART NUMBER	FIGURE & KEY NO.
FA2-8227-000	311 - 1A	RB1-4048-000	531 - 53	RB1-4252-000	312 - 2
	R12 - 1A	RB1-4049-000	531 - 62	RB1-4255-000	312 - 3
FA3-8734-000	311 - 2	RB1-4050-000	531 - 11	RB1-4256-000	312 - 4
	R12 - 16A	RB1-4052-000	531 - 40	RB1-4258-000	312 - 24D
FA9-2932-000	106 - 22	RB1-4053-000	530 - 45T	RB1-4259-000	312 - 24B
FB1-2267-000	530 - 45S	RB1-4054-000	107 - 12	RB1-4260-000	312 - 24C
FS1-1202-000	530 - 1	RB1-4055-000	107 - 13	RB1-4261-020	312 - 17A
FS1-9005-000	103 - 1	RB1-4058-000	531 - 63	RB1-4262-000	312 - 17B
RA1-7636-000	104 - 16	RB1-4062-000	531 - 13	RB1-4264-000	312 - 19
RA9-0621-000	810 - 1	RB1-4063-000	531 - 14	RB1-4265-000	312 - 20
RB1-0155-000	300 - 12	RB1-4065-000	530 - 45M	RB1-4266-000	312 - 21
RB1-1586-000	300 - 24A	RB1-4066-000	531 - 15	RB1-4267-000	312 - 15A
RB1-1587-000	300 - 24B	RB1-4067-000	531 - 16	RB1-4268-000	312 - 5
RB1-2152-000	312 - 24A	RB1-4068-000	531 - 17	RB1-4277-000	312 - 7
RB1-2190-000	260 - 1	RB1-4069-000	531 - 18	RB1-4278-000	312 - 8
	261 - 1	RB1-4070-000	531 - 54	RB1-4279-000	312 - 9
	262 - 1	RB1-4072-000	530 - 29	RB1-4280-000	312 - 10
	263 - 1	RB1-4073-000	531 - 55	RB1-4281-000	312 - 17C
	R12 - 2	RB1-4074-000	530 - 30	RB1-4284-030	312 - 11
RB1-2234-000	530 - 24	RB1-4076-000	531 - 79	RB1-4285-000	312 - 12
	531 - 48	RB1-4079-000	100 - 14A	RB1-4286-000	312 - 13
RB1-2235-000	530 - 25	RB1-4080-000	531 - 12	RB1-4287-000	312 - 14
	531 - 49	RB1-4083-000	530 - 45P	RB1-4288-000	310 - 8
RB1-2309-000	350 - 1	RB1-4085-000	580 - 11	RB1-4289-000	311 - 62
RB1-3943-020	530 - 11	RB1-4095-000	580 - 5B	RB1-4303-000	300 - 2
RB1-3944-000	530 - 12	RB1-4096-000	580 - 5C	RB1-4305-000	300 - 10
RB1-3947-000	530 - 15A	RB1-4100-000	580 - 1	RB1-4306-000	300 - 11
	530 - 22A	RB1-4101-000	250 - 1	RB1-4307-000	300 - 3
RB1-3948-000	530 - 2	RB1-4102-000	250 - 2	RB1-4308-000	300 - 4
RB1-3949-000	530 - 3	RB1-4104-000	580 - 2	RB1-4309-000	300 - 26
RB1-3950-000	530 - 4	RB1-4108-000	250 - 24	RB1-4317-000	300 - 25A
RB1-3951-000	530 - 5	RB1-4109-000	250 - 23	RB1-4319-000	300 - 7
RB1-3952-000	530 - 6	RB1-4110-000	250 - 26	RB1-4327-000	300 - 14
RB1-3954-000	530 - 33A	RB1-4112-000	710 - 1	RB1-4328-000	300 - 15
RB1-3955-000	530 - 33B	RB1-4115-000	710 - 2	RB1-4329-000	300 - 16
RB1-3957-000	530 - 21A	RB1-4116-020	710 - 3	RB1-4330-000	300 - 17
RB1-3962-000	530 - 21B	RB1-4119-000	710 - 4	RB1-4331-000	300 - 18
RB1-3963-000	530 - 21C	RB1-4123-000	710 - 5	RB1-4332-000	300 - 19
RB1-3964-000	530 - 7	RB1-4125-000	710 - 6	RB1-4333-000	300 - 20
RB1-3967-000	530 - 8	RB1-4126-000	710 - 7	RB1-4341-030	109 - 4
RB1-3968-000	530 - 9	RB1-4128-000	710 - 8		R11 - 1
RB1-3969-000	530 - 33C	RB1-4129-020	710 - 31	RB1-4342-000	109 - 5
RB1-3971-000	530 - 34	RB1-4131-000	108 - 1		R11 - 2
RB1-3972-000	531 - 2	RB1-4132-000	710 - 9	RB1-4343-020	103 - 9A
RB1-3973-000	102 - 13B	RB1-4133-000	710 - 10	RB1-4344-000	103 - 9B
RB1-3975-000	530 - 33D	RB1-4134-000	710 - 11		R11 - 13A
RB1-3976-000	530 - 41	RB1-4135-000	710 - 12	RB1-4345-020	103 - 9C
RB1-3993-000	531 - 4	RB1-4136-000	710 - 13		R11 - 13B
RB1-3994-000	531 - 25	RB1-4141-000	710 - 24	RB1-4347-000	300 - 24C
RB1-3996-000	530 - 45Q	RB1-4156-000	580 - 10	RB1-4348-000	300 - 24D
RB1-3997-000	530 - 45B	RB1-4169-000	311 - 3	RB1-4357-000	500 - 4
RB1-3998-000	530 - 45C	RB1-4171-000	311 - 1B	RB1-4358-000	500 - 5
RB1-3999-000	530 - 45D		R12 - 1B	RB1-4359-000	500 - 6
RB1-4000-000	530 - 45E	RB1-4172-020	311 - 5	RB1-4360-000	500 - 7
RB1-4004-000	531 - 5	RB1-4176-000	311 - 8	RB1-4361-000	500 - 8
RB1-4005-000	531 - 6	RB1-4177-000	311 - 9	RB1-4362-000	500 - 1
RB1-4006-000	531 - 26	RB1-4178-000	311 - 10	RB1-4363-000	500 - 2
RB1-4007-000	531 - 27	RB1-4179-000	311 - 11	RB1-4364-000	102 - 1
RB1-4008-000	531 - 28	RB1-4183-000	311 - 12	RB1-4366-000	102 - 2
RB1-4010-000	531 - 29	RB1-4184-020	311 - 13	RB1-4368-000	150 - 1
RB1-4011-000	531 - 30	RB1-4185-000	311 - 30A	RB1-4370-020	150 - 2
RB1-4012-000	531 - 7	RB1-4189-000	311 - 14	RB1-4371-000	140 - 1
RB1-4013-000	531 - 38	RB1-4190-000	311 - 15	RB1-4372-000	140 - 2
RB1-4014-000	531 - 41	RB1-4191-000	311 - 16	RB1-4373-000	140 - 3
RB1-4016-030	530 - 26	RB1-4192-000	311 - 17	RB1-4374-000	140 - 4
RB1-4017-000	531 - 50	RB1-4194-000	311 - 18	RB1-4376-000	150 - 3
RB1-4019-000	531 - 39	RB1-4195-000	311 - 19	RB1-4378-000	150 - 5A
RB1-4021-000	531 - 8	RB1-4197-000	311 - 20	RB1-4381-000	102 - 12
RB1-4023-000	531 - 42	RB1-4198-000	311 - 21	RB1-4382-000	103 - 9H
RB1-4024-000	531 - 9	RB1-4200-000	311 - 22	RB1-4383-000	103 - 3A
RB1-4025-000	530 - 21D	RB1-4201-000	311 - 23	RB1-4384-000	103 - 3B
RB1-4026-000	531 - 43	RB1-4202-000	311 - 24	RB1-4391-000	106 - 15
RB1-4027-000	531 - 44	RB1-4212-020	R12 - 16B	RB1-4394-000	106 - 27
RB1-4028-000	531 - 31		R13 - 7A	RB1-4395-000	106 - 28
RB1-4032-000	530 - 45F	RB1-4214-000	R13 - 7C	RB1-4399-000	106 - 4
RB1-4033-000	530 - 45G	RB1-4215-000	R13 - 7D	RB1-4432-000	500 - 11A
RB1-4034-000	530 - 45H	RB1-4216-000	R13 - 7E	RB1-4433-000	500 - 11B
RB1-4035-000	530 - 45J	RB1-4222-000	R12 - 16C	RB1-4434-000	500 - 11C
RB1-4036-000	530 - 45K	RB1-4236-000	311 - 4A	RB1-4436-000	500 - 11D
RB1-4042-000	531 - 10	RB1-4242-000	109 - 1	RB1-4437-000	500 - 11E
RB1-4043-000	530 - 28	RB1-4244-020	108 - 2	RB1-4440-000	102 - 3
RB1-4044-000	531 - 60	RB1-4245-000	104 - 1	RB1-4441-000	102 - 4
RB1-4045-040	531 - 61	RB1-4246-000	109 - 2	RB1-4442-000	102 - 5
RB1-4046-000	530 - 45L	RB1-4247-000	109 - 3	RB1-4443-000	108 - 10
RB1-4047-000	531 - 52	RB1-4251-000	312 - 1	RB1-4444-000	108 - 11

PART NUMBER	FIGURE & KEY NO.	PART NUMBER	FIGURE & KEY NO.	PART NUMBER	FIGURE & KEY NO.
RB1-4445-000	108 - 4	RB1-4640-000	263 - 3	RB1-4872-000	100 - 10B
RB1-4457-000	109 - 6	RB1-4641-000	263 - 4	RB1-4873-000	100 - 10C
RB1-4458-000	104 - 3	RB1-4642-020	263 - 5	RB1-4874-000	100 - 10E
	R11 - 3	RB1-4643-000	141 - 1	RB1-4878-000	810 - 53L
RB1-4459-000	102 - 6	RB1-4644-000	260 - 2	RB1-4879-000	810 - 53M
RB1-4460-000	108 - 13	RB1-4645-000	260 - 3	RB1-4880-000	850 - 22
RB1-4461-000	104 - 10	RB1-4646-000	260 - 4	RB1-4882-000	105 - 13
RB1-4462-000	108 - 14	RB1-4647-000	260 - 5	RB1-4884-000	300 - 32
RB1-4464-000	103 - 5	RB1-4654-000	100 - 10D	RB1-4887-000	810 - 53N
RB1-4469-000	104 - 4	RB1-4661-000	350 - 2	RB1-4888-000	100 - 3B
RB1-4470-000	108 - 24	RB1-4665-000	350 - 3	RB1-4897-000	105 - 15
RB1-4471-000	103 - 2	RB1-4666-000	350 - 4	RB1-4898-000	105 - 16
RB1-4472-000	106 - 7	RB1-4667-000	350 - 7A	RB1-4941-000	350 - 14
RB1-4480-000	103 - 16	RB1-4668-000	350 - 5	RB1-4943-000	106 - 25
RB1-4484-000	108 - 22	RB1-4672-000	264 - 1	RB1-4944-000	106 - 26
RB1-4487-000	108 - 15	RB1-4673-000	264 - 2	RB1-4951-000	350 - 15
RB1-4488-000	108 - 41	RB1-4674-000	264 - 3	RB1-4953-000	104 - 20
RB1-4489-000	106 - 5	RB1-4681-000	100 - 10F	RB1-4954-000	108 - 45
RB1-4490-000	108 - 16	RB1-4683-000	830 - 13	RB1-4955-000	103 - 15A
RB1-4491-000	108 - 36	RB1-4684-000	830 - 14	RB1-4959-000	100 - 3D
RB1-4492-000	106 - 8	RB1-4686-020	810 - 50	RB1-4966-000	100 - 10P
RB1-4496-000	109 - 7	RB1-4687-000	100 - 10G	RB1-4968-000	100 - 8M
RB1-4497-000	100 - 8K	RB1-4690-000	142 - 1	RB1-5001-000	810 - 2
RB1-4498-000	104 - 15	RB1-4691-000	530 - 35	RB1-5002-000	810 - 3
RB1-4507-000	100 - 8A	RB1-4692-030	530 - 36	RB1-5004-000	810 - 4
RB1-4511-000	100 - 8C	RB1-4693-000	530 - 37	RB1-5005-000	810 - 5
RB1-4515-000	100 - 12	RB1-4694-020	530 - 38	RB1-5006-000	810 - 6
RB1-4525-050	100 - 3A	RB1-4696-000	103 - 10A	RB1-5007-000	810 - 7
RB1-4527-020	100 - 8D	RB1-4697-000	103 - 10B	RB1-5009-000	810 - 8
RB1-4528-000	100 - 15	RB1-4698-000	106 - 14	RB1-5010-000	810 - 39A
RB1-4530-000	105 - 2	RB1-4700-000	106 - 3	RB1-5011-000	810 - 39B
RB1-4532-000	105 - 3	RB1-4703-000	103 - 10C	RB1-5016-000	810 - 70
RB1-4533-000	105 - 4	RB1-4704-000	103 - 10D	RB1-5017-020	810 - 10
RB1-4534-000	105 - 5	RB1-4705-000	106 - 13	RB1-5018-030	810 - 11
RB1-4536-000	105 - 7	RB1-4711-000	840 - 1	RB1-5021-000	810 - 12
RB1-4537-000	105 - 8	RB1-4712-000	840 - 2	RB1-5022-000	810 - 42
RB1-4538-000	105 - 9	RB1-4713-000	840 - 3	RB1-5023-000	810 - 13
RB1-4539-000	105 - 10	RB1-4714-000	840 - 4	RB1-5024-000	810 - 14
RB1-4540-000	105 - 1	RB1-4715-000	840 - 5	RB1-5026-000	810 - 40
RB1-4546-000	108 - 50	RB1-4720-000	840 - 6	RB1-5033-000	810 - 18
RB1-4547-000	108 - 49	RB1-4721-000	840 - 7	RB1-5041-000	810 - 20
RB1-4551-000	108 - 25	RB1-4755-000	106 - 17	RB1-5042-000	810 - 21
RB1-4552-000	108 - 26	RB1-4758-000	106 - 18	RB1-5043-000	810 - 22
RB1-4554-000	107 - 2	RB1-4759-000	106 - 19	RB1-5044-000	810 - 23
RB1-4555-020	107 - 18	RB1-4761-000	106 - 24	RB1-5045-000	810 - 24
RB1-4556-000	107 - 19	RB1-4773-000	820 - 1	RB1-5049-000	810 - 25
RB1-4557-000	107 - 20	RB1-4775-000	820 - 2	RB1-5050-000	810 - 26
RB1-4558-000	107 - 21	RB1-4776-000	820 - 3	RB1-5053-000	810 - 47
RB1-4559-000	102 - 7A	RB1-4778-020	820 - 4	RB1-5054-000	810 - 48
RB1-4560-000	108 - 27	RB1-4783-000	820 - 5	RB1-5057-000	810 - 71
RB1-4562-020	120 - 1	RB1-4803-000	810 - 53A	RB1-5058-000	810 - 72
RB1-4563-000	120 - 2	RB1-4806-000	810 - 53B	RB1-5059-000	250 - 22
RB1-4567-000	121 - 1	RB1-4807-000	810 - 53C	RB1-5060-000	250 - 18
RB1-4568-020	121 - 2	RB1-4809-000	850 - 20	RB1-5100-000	830 - 1
RB1-4569-000	120 - 3	RB1-4812-000	850 - 1	RB1-5101-000	830 - 2
RB1-4570-000	108 - 28	RB1-4827-030	810 - 53D	RB1-5104-000	830 - 9
RB1-4571-020	107 - 3	RB1-4829-000	850 - 2	RB1-5106-000	830 - 8A
RB1-4572-000	107 - 22	RB1-4831-000	810 - 53G	RB1-5107-000	830 - 8B
RB1-4573-000	107 - 23	RB1-4832-000	104 - 2A	RB1-5108-000	830 - 8C
RB1-4574-000	107 - 24	RB1-4833-000	100 - 8H	RB1-5109-000	830 - 3
RB1-4575-000	121 - 10	RB1-4835-030	810 - 81	RB1-5110-000	830 - 4
RB1-4576-000	121 - 11	RB1-4836-000	810 - 82	RB1-5111-000	830 - 5
RB1-4578-000	107 - 31	RB1-4837-000	810 - 79	RB1-5112-020	810 - 27
RB1-4579-000	107 - 1A	RB1-4839-000	300 - 1	RB1-5114-000	830 - 6
RB1-4589-000	100 - 8N	RB1-4840-000	300 - 5	RB1-5121-000	810 - 28A
RB1-4590-000	100 - 8P	RB1-4841-000	300 - 6	RB1-5122-020	810 - 84
RB1-4592-000	100 - 8J	RB1-4843-000	300 - 8	RB1-5123-000	810 - 85
RB1-4593-000	108 - 48	RB1-4845-000	300 - 13	RB1-5124-000	810 - 86
RB1-4608-000	250 - 32	RB1-4846-000	810 - 83	RB1-5125-000	810 - 87
RB1-4609-000	250 - 21N	RB1-4850-000	104 - 14	RB1-5153-000	100 - 8G
RB1-4611-000	250 - 27	RB1-4854-000	100 - 1	RB1-5791-000	R11 - 4
RB1-4612-000	250 - 28	RB1-4856-000	100 - 6B	RB1-5793-000	R11 - 5
RB1-4613-020	250 - 21A		100 - 10A	RB1-5797-000	R11 - 6
RB1-4615-000	250 - 3	RB1-4857-000	312 - 6	RB1-5799-000	R11 - 7
RB1-4616-000	250 - 4	RB1-4858-000	103 - 8	RB1-5800-000	R11 - 8
RB1-4619-000	250 - 17	RB1-4859-000	109 - 8	RB1-5801-000	R11 - 9
RB1-4621-000	250 - 21L	RB1-4860-000	109 - 9	RB1-5802-000	R11 - 10
RB1-4622-000	250 - 55	RB1-4861-000	109 - 16	RB1-5805-000	R12 - 16D
RB1-4631-000	710 - 14	RB1-4862-000	100 - 2	RB1-5807-000	R13 - 8
RB1-4632-000	710 - 15	RB1-4864-000	100 - 4	RB1-5808-000	R13 - 9
RB1-4634-000	261 - 2	RB1-4866-000	103 - 6	RB1-5809-000	R13 - 10
RB1-4635-020	261 - 3	RB1-4867-000	100 - 5	RB1-5811-000	R13 - 1
RB1-4637-000	262 - 2	RB1-4868-000	100 - 11	RB1-5812-000	R13 - 2
RB1-4638-000	262 - 3	RB1-4869-000	108 - 37	RB1-5814-000	R13 - 4
RB1-4639-000	263 - 2	RB1-4870-000	100 - 13	RB1-5815-000	R13 - 5

PART NUMBER	FIGURE & KEY NO.	PART NUMBER	FIGURE & KEY NO.	PART NUMBER	FIGURE & KEY NO.
RB1-5816-000	R13 - 6	RF5-0956-000	850 - 4	RG5-1225-000	900 - 7
RB1-5817-000	R12 - 4	RF5-0957-000	264 - 4	RG5-1226-000	103 - 10J
RB1-5820-000	R12 - 5	RF5-0958-020	350 - 6		103 - 15C
RB1-5821-000	R12 - 6	RF5-0960-000	100 - 10H		900 - 6
RB1-5822-000	R12 - 7	RF5-0961-000	840 - 10	RG5-1233-080	900 - 2
RB1-5823-000	R12 - 8	RF5-0962-000	300 - 24E	RG5-1236-000	103 - 9E
RB1-5824-000	R12 - 9	RF5-0963-000	531 - 23		900 - 5
RB1-5826-000	R12 - 10	RF5-0964-000	810 - 92		R11 - 13C
RB1-5827-000	R12 - 11	RF5-0965-030	850 - 5		R90 - 2
RB1-5828-000	R12 - 12	RF5-0966-030	850 - 6	RG5-1237-000	103 - 9F
RB1-5831-000	R10 - 1	RF5-0968-000	100 - 9A		900 - 9
RB1-5838-000	R12 - 13	RF5-0975-000	710 - 18	RG5-1241-000	103 - 12
RB1-5843-000	R13 - 7F	RF5-0978-000	830 - 8D	RG5-1243-020	103 - 11
RB1-5846-000	R12 - 45	RF5-0980-000	300 - 9	RG5-1255-000	120 - 5
RB1-5847-000	R10 - 2	RF5-0981-000	300 - 27	RG5-1256-000	121 - 5
RB1-5848-000	R10 - 3	RF5-0988-000	830 - 15	RG5-1257-000	108 - 21
RB1-5849-000	R10 - 4	RF5-0989-000	830 - 16	RG5-1258-000	103 - 15B
RB1-5850-000	R10 - 5	RF5-0990-000	104 - 2		106 - 6
RB1-5851-000	R10 - 6	RF5-0991-000	107 - 1	RG5-1259-000	108 - 33
RB1-5852-000	R11 - 11	RF5-0993-000	300 - 21	RG5-1262-000	103 - 10H
RB1-5853-000	R11 - 26	RF5-0994-000	350 - 7	RG5-1263-000	103 - 10K
RB1-5856-000	R11 - 27	RF5-0995-000	530 - 14	RG5-1263-000	103 - 15D
RF1-3877-000	250 - 31	RF5-0997-000	810 - 28	RG5-1264-000	108 - 5
RF5-0090-000	810 - 29	RF5-0998-000	100 - 14	RG5-1265-000	250 - 5
	820 - 6	RF5-1005-020	102 - 13A	RG5-1266-000	141 - 2
	830 - 7	RF5-1006-000	350 - 13	RG5-1268-000	311 - 36
	840 - 8	RF5-1007-000	530 - 27	RG5-1269-000	103 - 9D
RF5-0856-000	531 - 19	RF5-1008-000	530 - 45R	RG5-1270-000	312 - 23
RF5-0857-000	531 - 20	RF5-1009-000	104 - 17	RG5-1271-000	311 - 4B
RF5-0858-000	531 - 45	RF5-1013-000	100 - 8B	RG5-1272-000	311 - 37
RF5-0860-000	531 - 21	RF5-1258-020	R11 - 12	RG5-1273-000	109 - 12
RF5-0865-000	530 - 10	RF5-1260-000	R12 - 14	RG5-1274-000	531 - 1
RF5-0866-000	531 - 22	RF5-1261-000	R12 - 15	RG5-1275-000	531 - 32
RF5-0867-000	530 - 31	RF5-1262-000	R10 - 8	RG5-1276-000	810 - 44
RF5-0868-000	531 - 56	RF5-1263-000	R10 - 9	RG5-1277-000	103 - 13
RF5-0869-010	580 - 3	RF5-1264-000	R10 - 10	RG5-1278-000	107 - 25
RF5-0870-000	580 - 4	RF5-1265-000	R10 - 11	RG5-1279-000	107 - 14
RF5-0873-000	710 - 16	RF5-1266-000	R11 - 23	RG5-1280-000	107 - 15
RF5-0874-000	710 - 17	RF5-1267-000	R13 - 3	RG5-1281-000	107 - 16
RF5-0877-000	109 - 10	RF5-1268-000	R10 - 7		107 - 26
RF5-0878-000	310 - 2	RF9-1157-000	531 - 3		250 - 36
RF5-0879-000	311 - 25	RG5-1115-080	106 - 2	RG5-1284-000	531 - 33
RF5-0880-000	311 - 26	RG5-1125-000	530 - 21	RG5-1286-000	810 - 53E
RF5-0881-000	311 - 27	RG5-1126-000	530 - 45	RG5-1287-000	107 - 5
RF5-0882-000	311 - 28	RG5-1133-000	530 - 33	RG5-1288-000	810 - 38
RF5-0883-000	311 - 29	RG5-1134-280	530 -	RG5-1289-030	108 - 34
RF5-0884-000	311 - 30	RG5-1137-000	530 - 15	RG5-1290-000	810 - 44
RF5-0885-000	311 - 31	RG5-1138-000	530 - 22	RG5-1291-000	810 - 88
RF5-0886-000	311 - 34A	RG5-1139-000	530 - 16	RG5-1491-120	250 -
RF5-0887-000	109 - 11	RG5-1140-000	530 - 23	RG5-1493-030	250 - 19
RF5-0888-000	R13 - 7B	RG5-1146-300	310 -	RG5-1494-000	260 -
RF5-0890-000	312 - 15	RG5-1152-000	580 - 5	RG5-1495-020	261 -
RF5-0891-020	312 - 16	RG5-1156-110	710 -	RG5-1496-000	262 -
RF5-0893-000	311 - 7	RG5-1158-000	580 - 6	RG5-1497-020	263 -
RF5-0894-000	310 - 1	RG5-1162-170	310 - 9	RG5-1499-000	250 - 20
RF5-0902-020	150 - 4		311 -	RG5-1500-030	250 - 21
RF5-0903-000	150 - 5	RG5-1163-050	311 - 32	RG5-1503-000	264 -
RF5-0904-020	103 - 3	RG5-1164-040	311 - 33	RG5-1506-000	810 - 77
RF5-0911-000	103 - 9G	RG5-1165-000	311 - 34		840 -
RF5-0912-000	103 - 4	RG5-1166-000	311 - 4	RG5-1509-000	100 - 10
RF5-0913-000	106 - 9		900 - 3	RG5-1510-000	350 -
RF5-0914-000	120 - 4	RG5-1167-000	311 - 35	RG5-1511-520	810 -
RF5-0915-000	121 - 3	RG5-1168-000	311 - 1	RG5-1512-000	810 - 39
RF5-0916-000	121 - 4		R12 - 1	RG5-1517-000	106 - 20
RF5-0921-020	250 - 21B	RG5-1170-040	312 - 17	RG5-1518-030	810 - 75
RF5-0925-000	260 - 6	RG5-1172-000	312 - 18		820 -
RF5-0926-000	261 - 4	RG5-1175-000	312 - 24	RG5-1519-000	820 - 8
RF5-0927-000	262 - 4	RG5-1181-000	500 -	RG5-1523-000	810 - 76
RF5-0929-000	142 - 2	RG5-1182-000	500 - 3	RG5-1523-000	830 -
RF5-0933-000	810 - 30	RG5-1184-000	500 - 11	RG5-1524-000	830 - 8
RF5-0935-000	840 - 9	RG5-1185-000	140 -	RG5-1526-080	810 - 53
RF5-0936-000	810 - 31	RG5-1186-030	150 -	RG5-1528-030	810 - 78
RF5-0937-000	810 - 32	RG5-1189-070	310 - 10		850 -
RF5-0938-000	810 - 33		312 -	RG5-1529-000	103 - 15
RF5-0939-000	810 - 34	RG5-1204-000	100 - 7	RG5-1532-000	103 - 10
RF5-0940-000	810 - 35	RG5-1205-000	100 - 6	RG5-1536-000	810 - 54
RF5-0941-000	810 - 36	RG5-1208-000	100 - 9	RG5-1537-520	810 -
RF5-0942-000	810 - 37	RG5-1214-000	102 - 7	RG5-1660-050	R12 -
RF5-0944-000	850 - 3	RG5-1216-020	103 - 9	RG5-1661-050	R13 -
RF5-0945-000	810 - 43	RG5-1219-000	300 - 23	RG5-1662-170	R12 - 16
RF5-0947-000	820 - 9	RG5-1220-000	300 - 24	RG5-1663-050	R13 - 7
RF5-0948-000	820 - 11	RG5-1221-000	300 - 25	RG5-1665-020	R11 - 13
RF5-0949-000	820 - 7	RG5-1223-080	900 - 1	RG5-1668-030	RG01 - 1
RF5-0951-000	830 - 10	RG5-1224-000	250 - 47	RG5-1670-000	R11 - 25
RF5-0952-000	830 - 11		900 - 8		R90 - 1

PART NUMBER	FIGURE & KEY NO.	PART NUMBER	FIGURE & KEY NO.	PART NUMBER	FIGURE & KEY NO.
RG5-1671-000	R12 - 17	RS5-0416-000	311 - 34C	RS5-1145-000	312 - 27
	R90 - 3	RS5-0417-000	311 - 34D	RS5-1191-000	311 - 49
RG5-1672-000	R11 - 14	RS5-0419-000	312 - 17D	RS5-1192-000	311 - 50
RG5-1673-000	R12 - 18	RS5-0420-000	312 - 28	RS5-1193-000	350 - 10
RG5-1674-000	R11 - 15	RS5-0431-000	150 - 6	RS5-2172-000	R12 - 34
RG5-1675-000	R11 - 13D	RS5-0435-000	108 - 42	RS5-2251-000	100 - 6A
RG5-2184-000	900 - 4	RS5-0436-000	150 - 7		100 - 10K
RG5-2269-050	100 - 3	RS5-0438-000	250 - 41	RS5-2299-000	531 - 65
RG5-2342-000	103 - 19	RS5-0439-000	250 - 42	RS5-2301-000	531 - 66
RG5-2552-360	106 - 30	RS5-0441-000	250 - 43	RS5-2302-000	530 - 43
RG5-2553-360	106 - 30	RS5-0444-000	250 - 44	RS5-2303-000	530 - 15B
RG5-2601-000	100 - 8L	RS5-0445-000	250 - 33		530 - 22B
RG5-2605-020	100 - 8	RS5-0446-000	250 - 34	RS5-2304-000	530 - 21E
RG5-2606-000	530 - 45A	RS5-0447-020	250 - 45	RS5-2306-000	580 - 5D
RG5-2835-000	531 -	RS5-0448-000	250 - 6	RS5-2307-000	531 - 67
RG5-2836-020	810 - 91	RS5-0449-000	250 - 7	RS5-2308-000	530 - 40
RH2-5252-000	108 - 29	RS5-0450-000	250 - 16	RS5-2309-000	580 - 7
RH2-5253-000	108 - 30	RS5-0451-000	250 - 8	RS5-2310-000	710 - 20
RH2-5254-020	108 - 31	RS5-0452-000	250 - 9	RS5-2311-000	710 - 21
RH2-5255-000	108 - 32	RS5-0453-000	250 - 46	RS5-2312-000	710 - 22
RH2-5256-000	580 - 6A	RS5-0455-000	250 - 21E	RS5-2313-000	310 - 3
RH2-5303-000	107 - 32	RS5-0456-000	250 - 21D	RS5-2315-000	311 - 51
RH2-5304-000	107 - 32	RS5-0457-000	260 - 7	RS5-2316-020	311 - 52
RH3-0133-000	103 - 12A	RS5-0458-000	260 - 8	RS5-2317-000	311 - 53
RH3-2156-000	R11 - 17		262 - 5	RS5-2318-000	310 - 4
RH3-2158-000	107 - 4	RS5-0459-000	261 - 5	RS5-2319-000	312 - 29
RH3-2159-000	107 - 4	RS5-0460-000	261 - 6	RS5-2320-000	312 - 30
RH6-0111-000	108 - 35	RS5-0460-000	262 - 6	RS5-2321-000	312 - 31
RH6-3551-000	105 - 19	RS5-0461-000	262 - 7	RS5-2322-000	312 - 32
RH6-3596-000	105 - 17	RS5-0463-000	263 - 6	RS5-2323-000	310 - 5
RH6-3598-000	105 - 23	RS5-0467-000	350 - 8	RS5-2327-000	300 - 28
RH6-3600-000	105 - 25	RS5-0468-000	264 - 5	RS5-2329-000	300 - 22
RH6-3601-000	105 - 26	RS5-0469-000	264 - 6	RS5-2332-000	500 - 9
RH6-3602-000	105 - 27	RS5-0470-000	264 - 7	RS5-2333-000	150 - 9
RH6-3606-000	105 - 28	RS5-0471-000	264 - 8	RS5-2334-000	102 - 10
RH6-3622-000	105 - 24	RS5-0472-000	264 - 9	RS5-2335-000	140 - 5
RH6-3725-000	105 - 24	RS5-0477-000	840 - 12	RS5-2336-000	500 - 11F
RH6-3726-000	105 - 17	RS5-0479-000	820 - 13	RS5-2337-000	500 - 11G
RH6-3727-000	105 - 18	RS5-0480-000	820 - 16	RS5-2338-000	150 - 10
RH6-3806-000	105 - 18	RS5-0481-000	830 - 8E	RS5-2340-000	103 - 7
RH7-1220-000	107 - 6	RS5-0482-000	830 - 8F	RS5-2341-000	106 - 10
RH7-1221-000	250 - 37	RS5-0487-000	850 - 7	RS5-2344-000	120 - 6
RH7-1222-000	250 - 38	RS5-0488-000	850 - 8	RS5-2345-000	121 - 7
RH7-1223-000	311 - 34B	RS5-0489-000	850 - 9	RS5-2346-000	121 - 9
RH7-1223-000	R12 - 19	RS5-0491-000	810 - 56	RS5-2350-000	250 - 30
RH7-1224-000	710 - 28	RS5-0492-000	810 - 57	RS5-2351-000	250 - 48
RH7-1225-000	107 - 7	RS5-0493-000	810 - 58	RS5-2352-000	260 - 11
RH7-1226-000	107 - 8	RS5-0494-000	810 - 49	RS5-2352-000	261 - 7
RH7-1227-000	105 - 11	RS5-0495-020	810 - 59		262 - 8
RH7-4060-000	810 - 55	RS5-0496-000	810 - 39C		263 - 8
RH7-4065-000	810 - 55	RS5-0502-000	850 - 10	RS5-2354-000	264 - 10
RH7-5101-000	311 - 38	RS5-0608-000	R13 - 14	RS5-2356-000	350 - 11
RH7-5102-000	312 - 25	RS5-0609-000	R12 - 24	RS5-2357-000	830 - 19
RH7-5103-000	311 - 39	RS5-0610-000	R12 - 25	RS5-2358-000	810 - 51
RH7-5104-000	531 - 34	RS5-0611-000	R12 - 26	RS5-2359-000	530 - 39
RH7-5105-000	531 - 64	RS5-0612-000	R12 - 27	RS5-2360-000	106 - 21
RH7-5106-000	141 - 3	RS5-0613-000	R12 - 28	RS5-2361-000	820 - 12
RH7-5109-000	141 - 4	RS5-0614-000	R12 - 29	RS5-2362-000	830 - 8J
RH7-5110-020	250 - 39	RS5-0615-000	R12 - 30	RS5-2363-000	830 - 22
RH7-5111-000	142 - 3	RS5-0616-000	R12 - 31	RS5-2365-000	810 - 60
RH7-5112-000	250 - 40	RS5-0617-000	R12 - 32	RS5-2367-000	810 - 61
RH7-5113-020	250 - 21C	RS5-0618-000	R12 - 33	RS5-2369-000	810 - 62
RH7-5147-000	R12 - 20	RS5-1001-000	840 - 13	RS5-2370-000	810 - 63
RH7-6034-000	121 - 6	RS5-1060-000	350 - 9	RS5-2372-000	530 - 32
RH7-7059-000	810 - 41	RS5-1107-000	150 - 8	RS5-2376-000	820 - 14
RH7-7060-000	103 - 14	RS5-1108-000	108 - 6	RS5-2399-000	R13 - 11
RS1-1014-000	311 - 40	RS5-1117-000	250 - 10	RS5-2400-000	R13 - 15
	R12 - 21		250 - 21G	RS5-2401-000	R13 - 16
	R13 - 12		260 - 9	RS5-2402-000	R11 - 24
	R12 - 22		263 - 7	RS5-2407-000	530 - 33F
	R13 - 13	RS5-1118-000	250 - 29	RS5-2408-000	531 - 57
RS1-1053-000	100 - 10J	RS5-1119-000	250 - 11	RS5-2409-000	530 - 46
RS2-8045-020	300 - 23A	RS5-1121-000	260 - 10	RS5-2410-000	710 - 30
RS2-8073-000	100 - 7A	RS5-1125-000	820 - 17	RS5-6135-000	710 - 23
RS5-0402-000	530 - 33E	RS5-1126-000	820 - 10	RS5-6143-000	531 - 58
RS5-0404-000	710 - 19	RS5-1128-000	830 - 8G	RS5-6145-000	531 - 68
RS5-0406-000	311 - 42		830 - 17	RS5-7067-000	105 - 22
	R12 - 23	RS5-1129-000	830 - 8H	RS5-8290-000	310 - 1A
RS5-0407-000	311 - 43		830 - 18	RS5-8294-000	300 - 27A
RS5-0408-000	311 - 44	RS5-1131-000	830 - 21	RS5-8295-000	500 - 12
RS5-0409-000	311 - 45	RS5-1132-000	810 - 39D	RS5-8296-000	500 - 13
RS5-0410-000	311 - 46	RS5-1133-000	810 - 39E	RS5-8297-000	500 - 14
RS5-0412-000	311 - 47	RS5-1139-000	850 - 11	RS5-8298-000	500 - 15
RS5-0413-000	311 - 48	RS5-1143-000	312 - 26	RS5-8312-000	300 - 21A
RS5-0415-000	R12 - 16E	RS5-1144-000	311 - 41	RS5-8313-000	300 - 33

PART NUMBER	FIGURE & KEY NO.	PART NUMBER	FIGURE & KEY NO.	PART NUMBER	FIGURE & KEY NO.
RS5-8314-000	100 - 10L	XA9-0253-000	107 - 9	XA9-0614-000	108 - 12
RS5-8380-000	840 - 10A		109 - 14	XA9-0615-000	300 - 29
RS5-8428-000	104 - 19		120 - 7	XA9-0635-000	312 - 24E
RS5-8764-000	105 - 21		250 - 50	XA9-0667-000	121 - 8
RS5-8766-000	100 - 8Q		310 - 6	XA9-0670-000	850 - 15
RS5-8797-000	105 - 21		311 - 55	XA9-0703-000	108 - 9
RS5-9054-000	108 - 17		500 - 11H	XA9-0770-000	500 - 17
RS5-9057-000	580 - 8		530 - 20		531 - 75
RS5-9058-000	106 - 23		530 - 33G	XA9-0772-000	500 - 10
RS5-9061-000	531 - 59		531 - 69	XA9-0773-000	531 - 76
RY1-2637-000	580 - 5A		710 - 25	XA9-0776-000	850 - 16
RY7-0018-020	102 - 13		810 - 66	XA9-0780-000	300 - 30
VS1-5057-002	108 - 18		810 - 53K	XA9-0792-000	300 - 31
	141 - 5		840 - 14	XA9-0808-000	102 - 11
	142 - 4		R10 - 12	XA9-0872-000	102 - 8
	531 - 35		R11 - 21		103 - 20
	810 - 64		R12 - 39		104 - 11
VS1-5057-003	104 - 5		R13 - 17		106 - 31
	106 - 11		102 - 9		107 - 33
	141 - 6		103 - 17		108 - 40
VS1-5057-004	250 - 12		104 - 9		530 - 49
	810 - 45		105 - 12		531 - 80
VS1-5057-005	107 - 11		105 - 29	XB1-2300-607	311 - 50I
	530 - 17		105 - 29	XB1-2300-807	109 - 50I
VS1-5057-013	530 - 18		106 - 16	XB2-7300-607	107 - 17
VS1-5820-008	107 - 10	107 - 27		531 - 50I	
VS1-5864-012	810 - 65	108 - 39	XB6-2300-608	250 - 50I	
WA1-1124-000	810 - 89	109 - 15	XB6-7260-607	104 - 50I	
WE8-5344-000	105 - 14	120 - 8	XB6-7300-405	108 - 502	
WE8-5355-000	108 - 43	141 - 9		531 - 505	
WG8-0182-000	108 - 7	250 - 21M	XB6-7300-407	106 - 50I	
	531 - 46	250 - 51	XB6-7300-609	250 - 503	
WG8-0291-000	108 - 8	260 - 12	XB6-7400-607	108 - 50I	
	312 - 22	263 - 10		300 - 50I	
	350 - 16	264 - 11		R10 - 50I	
	531 - 36	310 - 7		R11 - 50I	
	810 - 46	311 - 34F	XD1-1106-229	250 - 21J	
	810 - 53F	311 - 56	XD1-1106-239	150 - 50I	
WT2-0030-000	R12 - 35	312 - 33	XD2-1100-322	250 - 21H	
	250 - 49	530 - 13		260 - 50I	
	531 - 24	531 - 70		262 - 502	
	810 - 19	580 - 9		531 - 502	
	850 - 21	710 - 26		580 - 50I	
WT2-0088-000	108 - 46	810 - 67		830 - 50I	
WT2-0136-000	104 - 6	820 - 18	XD2-1100-402	100 - 10N	
	250 - 13	830 - 12		120 - 50I	
	311 - 6	840 - 15		121 - 50I	
WT2-0204-000	105 - 20	850 - 12		531 - 503	
	108 - 44	R10 - 13		580 - 502	
	R11 - 18	R11 - 22		710 - 50I	
	R12 - 36	R12 - 40	XD2-1100-602	530 - 50I	
WT2-0387-000	104 - 7	R13 - 18	XD2-1100-642	250 - 502	
	R11 - 19	107 - 30		260 - 502	
	R12 - 37	531 - 71		261 - 50I	
WT2-0434-000	103 - 10G	250 - 52		262 - 50I	
	104 - 8	142 - 6	XD2-1100-802	810 - 50I	
	108 - 19	300 - 24F		830 - 8L	
	109 - 13	531 - 72	XD2-2101-002	810 - 503	
	141 - 7	830 - 23	XD2-2300-202	580 - 5E	
	250 - 14	R12 - 46	XD2-2300-302	311 - 30B	
	311 - 54	710 - 29		531 - 504	
WT2-0482-000	108 - 20	105 - 29	XD2-3100-208	810 - 502	
WT2-0495-000	108 - 3	106 - 1	XD3-1160-102	810 - 39G	
WT2-0507-000	530 - 19	108 - 47	XD3-1160-122	830 - 8M	
WT2-5006-000	311 - 34E	100 - 8E	XD3-1200-102	150 - 5B	
WT2-5018-000	106 - 12	103 - 9K	XD3-2160-102	810 - 39H	
WT2-5026-000	531 - 47	103 - 10E	XD3-2160-142	820 - 50I	
WT2-5031-000	R12 - 3	107 - 28	XD3-2200-082	850 - 50I	
WT2-5056-000	141 - 8	250 - 53	XD9-0103-000	311 - 57	
	531 - 37	312 - 34		R12 - 41	
XA9-0134-000	100 - 10M	530 - 21G		R13 - 19	
	810 - 68	530 - 45N	XD9-0104-000	311 - 58	
XA9-0233-000	R12 - 38	531 - 74		312 - 17E	
XA9-0236-000	261 - 8	710 - 27		R12 - 42	
	262 - 9	810 - 53J	XD9-0108-000	250 - 35	
	263 - 9	R10 - 14		250 - 54	
XA9-0249-000	810 - 52	100 - 3C	XD9-0111-000	311 - 59	
	104 - 13	100 - 8F	XD9-0134-000	311 - 60	
	108 - 23	100 - 9B		530 - 33H	
	109 - 17	103 - 10F		R12 - 44	
	R11 - 20	107 - 29		R13 - 21	
XA9-0253-000	103 - 9J	108 - 38	XD9-0135-000	142 - 5	
	103 - 18	530 - 21F		810 - 73	
	105 - 6	530 - 44		R11 - 28	
	106 - 29	531 - 73	XD9-0136-000	150 - 11	

PART NUMBER	FIGURE & KEY NO.	PART NUMBER	FIGURE & KEY NO.	PART NUMBER	FIGURE & KEY NO.
XD9-0136-000	250 - 15 250 - 21F 261 - 9 262 - 10 263 - 11 311 - 34G 311 - 61 312 - 17F 312 - 35 350 - 12 530 - 33J 810 - 39F 810 - 74 820 - 15 830 - 8K 830 - 20 830 - 24 840 - 11 850 - 17 R10 - 15 R10 - 16 R12 - 16F R12 - 43 R13 - 7G R13 - 20				
XD9-0137-000	312 - 36 850 - 13				
XD9-0141-000	531 - 77				
XF9-0534-000	264 - 12				
XG9-0111-000	820 - 19				
XG9-0156-000	810 - 69				
XG9-0305-000	500 - 16				
XG9-0306-000	250 - 21K 250 - 25				
XG9-0307-000	531 - 78				
XG9-0317-000	810 - 53H 810 - 80				
XG9-0326-000	850 - 19				
XG9-0330-000	850 - 14				
XZ9-0388-000	850 - 18				
XZ9-0403-000	104 - 12				
XZ9-0404-000	104 - 18				

Prepared by
Peripheral Products Quality Planning Div.
Peripheral Products Technical Documentation Dept.
CANON INC.
Printed in Japan

REVISION 0 [JAN. 1996]
REVISION 1 [MAY. 1996]
REVISION 2 [APR. 1999]

5-1, Hakusan 7-chome, Toride-shi, Ibaraki 302-8501, Japan



The printing paper contains
70% waste paper.

Canon