

PARTS CATALOG

**LASER CLASS 810/830I/i-
SENSYS Fax-L3000/
L3000IP/FAX-L3000/
L3000IP**

Canon

Aug 15 2007

PREFACE

This Parts Catalog contains listings of parts used

Diagrams are provided with the listings to aid the service technician in identifying clearly, the item to be ordered.

Whenever ordering parts, consult this Parts Catalog for all of the information pertaining to each item. Be sure to include, in the Parts Request, the full item description, the item part number, and the quantity.

COPYRIGHT (C) 1999 CANON INC.

Use of this manual should be strictly supervised to avoid disclosure of confidential information.

Contents

NUMERICAL INDEX

LASER CLASS 810/830I/i-SENSYS Fax-L3000/L3000IP/FAX-L3000/ L3000IP(Numerical Index)	1-1
----------------------------------------------------------------------------------------------	-----

LASER CLASS 810/830I/i-SENSYS Fax-L3000/L3000IP/FAX-L3000/ L3000IP(Parts Catalog)

A	ASSEMBLY LOCATION DIAGRAM	2-1
001	ACCESSORIES	2-4
100	EXTERNAL COVERS, PANELS, ETC.	2-6
101	INTERNAL COMPONENTS 1	2-8
102	INTERNAL COMPONENTS 2	2-12
140	LEFT DOOR ASSEMBLY	2-16
161	READ ASSEMBLY (LC 810/L3000)	2-18
161A	READ ASSEMBLY (LC 830i/L1000/L3000IP)	2-20
162	DOCUMENT TRAY ASSEMBLY (LC 810/L3000)	2-23
162A	DOCUMENT TRAY ASSEMBLY (LC 830i/L1000/L3000IP)	2-25
163	OPEN/CLOSE PANEL ASSEMBLY	2-27
164	FEED GUIDE ASSEMBLY	2-30
165	DRIVE ASSEMBLY	2-32
166	GUIDE SEPARATION ASSEMBLY	2-35
167	GUIDE PAPER DELIVERY ASSEMBLY	2-36
250	MAIN DRIVE ASSEMBLY	2-38
251	REVERSE DRIVE ASSEMBLY	2-39
300	CASSETTE	2-40
310	PAPER PICK-UP ASSEMBLY	2-42
315	MULTI PAPER PICK-UP TRAY ASS'Y	2-44
320	REGISTRATION ASSEMBLY	2-47
460	LASER SCANNER ASSEMBLY	2-49
810	FIXING ASSEMBLY	2-50
930	PCB ASSEMBLY	2-53
950	IMAGE PROCESSOR PCB ASSEMBLY	2-55
ZZA	MECHANICAL STANDARD PARTS (HOW TO USE)	2-57
ZZB	MECHANICAL STANDARD PARTS (SCREWS)	2-58
ZZC	MECHANICAL STANDARD PARTS (BOLTS)	2-65
ZZD	MECHANICAL STANDARD PARTS (NUTS)	2-66
ZZE	MECHANICAL STANDARD PARTS (WASHERS)	2-67
ZZF	MECHANICAL STANDARD PARTS (RETAINING RINGS)	2-70
ZZG	MECHANICAL STANDARD PARTS (PINS)	2-73
ZZH	MECHANICAL STANDARD PARTS (SPACERS)	2-74

NUMERICAL INDEX

LASER CLASS 810/830I/i-SENSYS Fax-L3000/L3000IP/FAX-L3000/L3000IP

PARTS NUMBER	FIGURE & KEY NO.	PARTS NUMBER	FIGURE & KEY NO.	PARTS NUMBER	FIGURE & KEY NO.
FB4-2007-000	320 - 20	FC6-7409-000	102 - 4	FC6-7490-020	810 - 10
FB4-9817-030	310 - 8	FC6-7410-000	315 - 10	FC6-7491-000	810 - 11
FB4-9820-000	310 - 2	FC6-7411-020	315 - 1	FC6-7492-000	810 - 12
FC5-4424-000	161 - 1	FC6-7414-000	320 - 3	FC6-7493-000	810 - 13
FC5-4424-000	161A - 1	FC6-7415-000	315 - 2	FC6-7494-000	810 - 14
FC5-4424-000	163 - 1	FC6-7418-000	315 - 15	FC6-7495-000	810 - 15
FC5-4424-000	164 - 1	FC6-7426-000	101 - 26	FC6-7496-000	810 - 16
FC5-4424-000	165 - 1	FC6-7427-000	315 - 4	FC6-7497-000	810 - 21
FC5-4424-000	165 - 1	FC6-7429-000	315 - 5	FC6-7501-000	810 - 26
FC5-4424-000	167 - 1	FC6-7430-000	315 - 6	FC6-7502-020	810 - 27
FC5-4425-000	163 - 2	FC6-7431-000	315 - 7	FC6-7503-000	810 - 28
FC5-4849-000	310 - 10	FC6-7432-000	315 - 8	FC6-7505-000	810 - 22
FC5-4849-000	810 - 25	FC6-7434-000	101 - 5	FC6-7506-000	810 - 17
FC5-4914-000	315 - 30	FC6-7442-040	320 - 15	FC6-7507-000	810 - 18
FC6-7309-000	102 - 34	FC6-7443-020	320 - 16	FC6-7513-000	101 - 7
FC6-7310-000	102 - 35	FC6-7444-000	320 - 17	FC6-7514-000	102 - 9
FC6-7311-000	102 - 36	FC6-7445-000	101 - 37	FC6-7517-000	251 - 1
FC6-7312-000	102 - 37	FC6-7446-000	101 - 38	FC6-7518-000	810 - 19
FC6-7313-000	102 - 38	FC6-7447-000	101 - 39	FC6-7519-000	101 - 9
FC6-7314-000	102 - 39	FC6-7449-000	101 - 41	FC6-7521-000	140 - 19
FC6-7315-000	102 - 40	FC6-7450-000	101 - 42	FC6-7522-000	140 - 20
FC6-7328-020	102 - 2	FC6-7452-000	140 - 1	FC6-7523-000	102 - 45
FC6-7331-020	102 - 3	FC6-7453-000	140 - 8	FC6-7524-000	101 - 1
FC6-7335-000	100 - 2	FC6-7454-000	140 - 2	FC6-7528-000	810 - 40
FC6-7352-000	310 - 9	FC6-7455-000	140 - 3	FC6-7529-000	810 - 41
FC6-7353-000	310 - 3	FC6-7457-000	140 - 9	FC6-7530-000	810 - 42
FC6-7354-000	310 - 11	FC6-7459-000	140 - 10	FC6-7533-000	101 - 24
FC6-7357-000	310 - 12	FC6-7460-000	140 - 11	FC6-7545-000	100 - 11
FC6-7358-000	310 - 4	FC6-7461-000	140 - 6	FC6-7549-000	250 - 1
FC6-7360-000	101 - 32	FC6-7464-000	101 - 44	FC6-7552-000	102 - 5
FC6-7361-000	310 - 13	FC6-7465-000	101 - 45	FC6-7553-000	102 - 6
FC6-7362-000	101 - 33	FC6-7466-000	140 - 7	FC6-7554-000	102 - 42
FC6-7365-000	310 - 18	FC6-7467-020	101 - 6	FC6-7556-000	102 - 7
FC6-7366-000	310 - 5	FC6-7470-000	140 - 18	FC6-7557-000	102 - 8
FC6-7367-000	310 - 6	FC6-7472-000	101 - 53	FC6-7563-000	100 - 14
FC6-7368-000	310 - 7	FC6-7473-000	140 - 17	FC6-7564-000	930 - 6
FC6-7372-000	300 - 4	FC6-7473-000	164 - 2	FC6-7574-000	102 - 32
FC6-7374-000	300 - 9	FC6-7474-000	101 - 54	FC6-7575-000	102 - 10
FC6-7376-000	300 - 6	FC6-7475-000	320 - 23	FC6-7576-000	102 - 22
FC6-7377-000	300 - 1	FC6-7476-000	101 - 49	FC6-7577-000	102 - 11
FC6-7380-000	300 - 7	FC6-7477-000	101 - 52	FC6-7581-000	102 - 26
FC6-7382-000	300 - 2	FC6-7478-000	810 - 36	FC6-7582-000	101 - 50
FC6-7385-000	300 - 12	FC6-7480-000	810 - 1	FC6-7591-000	161 - 14
FC6-7388-000	300 - 12	FC6-7481-000	810 - 2	FC6-7647-000	101 - 13
FC6-7392-000	101 - 34	FC6-7482-000	810 - 3	FC6-7650-000	101 - 16
FC6-7396-000	310 - 19	FC6-7483-000	810 - 4	FC6-7651-000	101 - 17
FC6-7399-030	101 - 27	FC6-7484-000	810 - 5	FC6-7745-000	163 - 3
FC6-7401-000	320 - 1	FC6-7485-000	810 - 6	FC6-7748-000	163 - 16
FC6-7402-020	101 - 28	FC6-7486-000	810 - 7	FC6-7755-000	166 - 1
FC6-7403-000	101 - 29	FC6-7487-000	810 - 20	FC6-7756-000	166 - 2
FC6-7404-000	101 - 30	FC6-7488-000	810 - 8	FC6-7761-000	163 - 4
FC6-7406-020	320 - 2	FC6-7489-000	810 - 9	FC6-7766-000	163 - 17

NUMERICAL INDEX

LASER CLASS 810/830I/i-SENSYS Fax-L3000/L3000IP/FAX-L3000/L3000II

PARTS NUMBER	FIGURE & KEY NO.	PARTS NUMBER	FIGURE & KEY NO.	PARTS NUMBER	FIGURE & KEY NO.
FC6-7776-000	163 - 5	FC7-9962-000	100 - 13	FC8-0496-000	161A - 8
FC6-7787-000	163 - 23	FC7-9963-000	100 - 16	FC8-0505-000	166 - 3
FC6-7788-000	164 - 9	FC7-9964-000	100 - 3	FC8-0506-000	166 - 4
FC6-7789-000	163 - 24	FC7-9965-000	100 - 10	FC8-0510-000	164 - 12
FC6-7790-000	164 - 10	FC7-9973-000	161A - 3	FC8-0512-000	164 - 13
FC6-8971-000	163 - 19	FC7-9977-000	167 - 2	FC8-0513-000	164 - 14
FC6-8973-000	164 - 7	FC7-9978-000	167 - 3	FC8-0514-000	164 - 15
FC7-0542-000	164 - 8	FC7-9979-000	167 - 4	FC8-0515-000	167 - 6
FC7-2805-000	810 - 29	FC7-9982-000	161A - 16	FC8-0516-000	167 - 7
FC7-2989-000	300 - 5	FC7-9983-000	161A - 20	FC8-0519-000	163 - 21
FC7-2990-000	300 - 10	FC7-9986-000	167 - 5	FC8-0520-000	001 - 5
FC7-5047-000	101 - 40	FC7-9987-000	161A - 21	FC8-0521-000	001 - 6
FC7-5818-000	101 - 14	FC7-9991-000	161A - 4	FC8-0522-000	001 - 6
FC7-5819-000	320 - 6	FC8-0002-000	161 - 3	FK2-0216-000	161A - 9
FC7-5820-000	320 - 7	FC8-0003-000	161 - 4	FK2-0949-000	950 - IC
FC7-5822-000	320 - 11	FC8-0004-000	161 - 5	FK2-1377-000	161 - 15
FC7-5823-000	320 - 21	FC8-0011-000	162 - 1	FK2-1378-000	101 - 18
FC7-5824-000	320 - 5	FC8-0012-000	162 - 2	FK2-1385-000	102 - 12
FC7-5825-000	320 - 8	FC8-0013-000	162 - 3	FK2-1386-000	102 - 33
FC7-5826-000	320 - 9	FC8-0014-000	162 - 4	FK2-1392-030	161 - 10
FC7-5827-000	320 - 14	FC8-0019-000	163 - 6	FK2-1392-030	161A - 10
FC7-5828-000	320 - 12	FC8-0019-000	164 - 3	FK2-1394-000	102 - 13
FC7-7142-000	101 - 2	FC8-0020-000	163 - 7	FK2-1395-000	102 - 14
FC7-7143-000	101 - 21	FC8-0021-000	163 - 8	FK2-1396-000	102 - 15
FC7-7144-000	101 - 55	FC8-0022-000	163 - 9	FK2-1400-000	102 - 16
FC7-7145-000	101 - 3	FC8-0023-000	163 - 10	FK2-1401-000	101 - 25
FC7-7146-000	320 - 24	FC8-0026-000	163 - 20	FK2-1408-000	251 - 2
FC7-7147-000	140 - 21	FC8-0029-000	163 - 11	FK2-1410-000	101 - 8
FC7-7150-000	101 - 15	FC8-0030-000	163 - 12	FK2-1412-000	310 - 1
FC7-7151-000	101 - 43	FC8-0033-000	163 - 13	FK2-1415-000	100 - 17
FC7-7152-020	320 - 13	FC8-0034-000	164 - 4	FK2-2561-000	950 - IC
FC7-9937-000	100 - 4	FC8-0035-000	164 - 5	FK2-5122-000	950 - 4
FC7-9938-000	100 - 8	FC8-0037-000	162 - 9	FK2-5741-000	001 - 1
FC7-9939-000	100 - 9	FC8-0037-000	162A - 9	FK2-5742-000	001 - 1
FC7-9940-000	100 - 7	FC8-0466-000	165 - 2	FK2-5743-000	001 - 1
FC7-9941-000	100 - 5	FC8-0467-000	161 - 6	FK2-5764-000	930 - 2
FC7-9943-000	100 - 15	FC8-0467-000	161A - 5	FK2-5765-000	930 - 2
FC7-9944-000	100 - 12	FC8-0469-000	165 - 3	FK2-5766-000	930 - 2
FC7-9945-000	161 - 2	FC8-0470-000	161 - 7	FK2-5767-000	161A - 11
FC7-9945-000	161A - 2	FC8-0470-000	161A - 6	FK2-5768-000	161 - 11
FC7-9946-000	161 - 19	FC8-0471-000	161 - 8	FK2-5769-000	102 - 47
FC7-9946-000	161A - 15	FC8-0471-000	161A - 7	FK2-5770-000	102 - 48
FC7-9951-000	140 - 5	FC8-0473-000	161A - 17	FK2-5771-000	165 - 5
FC7-9952-000	140 - 4	FC8-0474-000	165 - 4	FK2-5773-000	165 - 6
FC7-9953-000	315 - 22	FC8-0482-000	162A - 1	FK2-5773-000	165 - 6
FC7-9954-000	315 - 23	FC8-0484-000	162A - 2	FK2-5776-000	161 - 12
FC7-9955-000	315 - 24	FC8-0485-000	162A - 3	FK2-5776-000	161A - 12
FC7-9956-000	315 - 16	FC8-0486-000	162A - 4	FK2-5864-000	101 - 18
FC7-9957-000	315 - 17	FC8-0487-000	162A - 5	FL2-3286-000	161A - 13
FC7-9959-000	315 - 25	FC8-0488-000	162A - 8	FL2-3887-000	101 - 35
FC7-9960-000	315 - 26	FC8-0494-000	164 - 6	FL2-3887-000	310 - 14
FC7-9961-000	315 - 27	FC8-0496-000	161 - 9	FL2-3889-000	300 - 3

NUMERICAL INDEX

LASER CLASS 810/830I/i-SENSYS Fax-L3000/L3000IP/FAX-L3000/L3000II

PARTS NUMBER	FIGURE & KEY NO.	PARTS NUMBER	FIGURE & KEY NO.	PARTS NUMBER	FIGURE & KEY NO.
FL2-3892-000	320 - 4	FM3-3332-000	102 - 18	FU5-1626-000	164 - 17
FL2-3897-000	315 - 9	FM3-3369-000	950 - 1	FU5-1626-000	167 - 9
FL2-3898-020	315 - 11	FM3-3370-000	102 - 29	FU5-1929-000	165 - 8
FL2-3901-000	140 - 22	FM3-3371-000	102 - 41	FU5-3643-000	167 - 10
FL2-3901-000	320 - 10	FM3-3372-000	102 - 46	FU5-3644-000	161A - 23
FL2-3908-000	810 - 30	FM3-3373-000	950 - 2	FU6-2236-000	161A - 26
FL2-3910-000	101 - 48	FM3-3374-000	102 - 30	FU6-2406-000	310 - 15
FL2-3986-020	163 - 25	FM3-3375-000	102 - 30	FU6-2407-000	310 - 16
FL2-3987-000	166 - 5	FM3-3376-000	102 - 30	FU6-2408-020	300 - 11
FL2-3988-000	163 - 22	FM3-3377-000	950 - 3	FU6-2410-000	300 - 8
FL2-3989-000	163 - 14	FM3-3379-000	950 - 1	FU6-2411-000	310 - 20
FL2-8010-000	315 - 18	FM3-3464-000	161A - 14	FU6-2412-000	101 - 36
FL2-8011-000	100 - 6	FM3-3465-000	161 - 16	FU6-2414-000	320 - 19
FL2-8013-000	161 - 13	FM3-3467-000	161 - 17	FU6-2415-000	101 - 31
FL2-8020-000	163 - 15	FM3-3467-000	161A - 28	FU6-2416-000	320 - 22
FL2-8025-000	162 - 5	FM3-3468-000	167 - 8	FU6-2423-000	315 - 3
FL2-8031-000	166 - 6	FM3-3471-000	162A - 12	FU6-2424-000	315 - 12
FL2-8032-000	162A - 11	FM3-3473-000	161 - 18	FU6-2425-000	315 - 13
FL2-8214-000	162 - 10	FM3-3473-000	161A - 29	FU6-2432-000	101 - 46
FL2-8214-000	162A - 10	FM3-3474-000	161A - 30	FU6-2433-000	101 - 47
FL2-9260-000	100 - 1	FM3-3475-000	161 - 25	FU6-2434-000	140 - 12
FL2-9261-000	100 - 1	FM3-3478-000	102 - 51	FU6-2435-000	140 - 13
FM2-4918-000	102 - 43	FM3-3479-000	102 - 52	FU6-2436-000	140 - 14
FM2-4921-000	930 - 3	FM3-3488-000	101 - 11	FU6-2441-000	102 - 31
FM2-4922-000	102 - 19	FM3-3536-000	102 - 55	FU6-2446-000	140 - 16
FM2-4926-000	102 - 20	FM3-3537-000	102 - 55	FU6-2471-000	810 - 32
FM2-4928-000	101 - 19	FM3-3538-000	102 - 55	FU6-2472-000	810 - 33
FM2-4930-000	102 - 21	FM3-3539-000	102 - 55	FU6-2473-000	810 - 31
FM2-4931-000	310 - 28	FM3-3540-000	102 - 55	FU6-2474-000	810 - 23
FM2-4937-000	102 - 23	FM3-3541-000	102 - 55	FU6-2507-000	166 - 7
FM2-4938-000	102 - 24	FM3-3542-000	102 - 55	FU6-2508-000	166 - 8
FM2-4940-000	102 - 25	FM3-3547-000	102 - 27	FU6-2796-000	161 - 22
FM2-4943-000	810 - 43	FM3-3550-000	140 -	FU6-8389-000	102 - 44
FM2-5271-000	460 -	FM3-3559-000	164 -	FU6-8393-000	315 - 28
FM2-5274-000	315 - 19	FM3-3563-000	163 -	FU6-8394-000	315 - 29
FM2-5278-000	810 -	FM3-3569-000	161A - 19	FU6-8395-000	315 - 29
FM2-5280-000	810 - 24	FM3-3838-000	101 - 58	FU6-8396-000	315 - 29
FM2-5283-000	251 - 3	FM3-3839-000	101 - 59	FU6-8397-000	001 - 3
FM2-5284-000	251 - 4	FM3-3840-000	101 - 57	FU6-8398-000	162 - 11
FM2-5295-000	810 - 24	FM3-3841-000	930 - 1	FU6-8399-000	162 - 11
FM2-5296-000	810 - 24	FM3-3842-000	930 - 1	FU6-8400-000	162 - 12
FM2-5297-000	810 -	FM3-5516-000	101 - 10	FU6-8401-000	162A - 14
FM2-5298-000	810 -	FM3-5517-000	101 - 19	FU6-8402-000	162A - 14
FM2-5327-000	101 - 4	FS2-9020-000	161 - 20	FU6-8403-000	162A - 14
FM2-5328-000	101 - 4	FS7-8335-000	102 - 1	FU6-8404-000	162 - 11
FM2-5329-000	101 - 4	FU5-1172-000	161A - 24	FU6-8406-000	164 - 18
FM2-5332-000	101 - 4	FU5-1172-000	163 - 31	FU6-8407-000	163 - 37
FM2-7753-000	101 - 56	FU5-1172-000	164 - 16	FU6-8408-000	162 - 12
FM2-8232-000	300 -	FU5-1172-000	165 - 7	FU6-8470-000	162A - 14
FM2-8233-000	300 -	FU5-1172-000	165 - 7	FU6-8471-000	162A - 15
FM3-3011-000	102 - 28	FU5-1626-000	161A - 25	FU6-8472-000	162A - 15
FM3-3324-000	950 - 2	FU5-1626-000	163 - 32	FU6-8473-000	162A - 15

NUMERICAL INDEX

LASER CLASS 810/830I/i-SENSYS Fax-L3000/L3000IP/FAX-L3000/L3000II

PARTS NUMBER	FIGURE & KEY NO.	PARTS NUMBER	FIGURE & KEY NO.	PARTS NUMBER	FIGURE & KEY NO.
FU6-8585-000	163 - 38	FU7-0908-000	165 - 19	XA9-0767-000	162 - 8
FU7-0009-000	310 - 21	FU7-0909-000	163 - 35	XA9-0836-000	001 - 4
FU7-0010-000	310 - 22	FU7-0910-000	164 - 19	XA9-1164-000	251 - 9
FU7-0011-000	310 - 23	FU7-2191-000	162 - 7	XA9-1450-000	102 - 50
FU7-0012-000	310 - 24	FU7-2191-000	162A - 7	XA9-1567-000	102 - 49
FU7-0013-000	310 - 25	FU7-2192-000	164 - 20	XA9-1567-000	930 - 4
FU7-0014-000	310 - 26	FU7-2193-000	163 - 36	XD9-0134-000	251 - 10
FU7-0015-000	310 - 27	FU7-2194-000	167 - 12	XD9-0134-000	810 - 39
FU7-0025-000	315 - 20	HH2-2824-000	001 - 2	XD9-0135-000	165 - 22
FU7-0026-000	315 - 21	HK1-0544-000	001 - 2	XD9-0135-000	250 - 11
FU7-0027-000	101 - 22	HK1-0547-000	001 - 2	XD9-0136-000	163 - 18
FU7-0029-000	101 - 12	HK1-0550-000	001 - 2	XF2-1606-340	165 - 20
FU7-0031-000	251 - 8	NPN	001 -	XF2-1606-340	167 - 14
FU7-0032-000	140 - 15	NPN	100 -	XF2-1608-340	165 - 21
FU7-0034-000	810 - 34	NPN	101 -		
FU7-0035-000	101 - 23	NPN	102 -		
FU7-0036-000	251 - 5	NPN	161 -		
FU7-0039-000	251 - 6	NPN	161A -		
FU7-0040-000	251 - 7	NPN	162 -		
FU7-0044-000	102 - 17	NPN	162A -		
FU7-0045-000	250 - 2	NPN	165 -		
FU7-0046-000	250 - 3	NPN	166 -		
FU7-0047-000	250 - 4	NPN	167 -		
FU7-0048-000	250 - 5	NPN	250 -		
FU7-0050-000	250 - 7	NPN	251 -		
FU7-0051-000	250 - 8	NPN	310 -		
FU7-0052-000	250 - 9	NPN	315 -		
FU7-0053-000	250 - 10	NPN	320 -		
FU7-0054-000	310 - 29	NPN	930 -		
FU7-0055-000	250 - 6	NPN	950 -		
FU7-0118-000	163 - 27	RB2-2973-000	810 - 35		
FU7-0119-000	163 - 28	VT2-5177-005	950 - 5		
FU7-0120-000	163 - 29	WE8-6383-000	930 - 5		
FU7-0121-000	163 - 26	WE8-6388-000	102 - 53		
FU7-0122-000	163 - 33	WE8-6406-000	001 - 7		
FU7-0123-000	163 - 34	WE8-6539-000	161 - 21		
FU7-0125-000	163 - 30	WE8-6539-000	161A - 31		
FU7-0894-000	162 - 6	WG8-5696-000	161 - 23		
FU7-0894-000	162A - 6	WG8-5696-000	161A - 18		
FU7-0895-000	165 - 9	WG8-5696-000	162A - 13		
FU7-0896-000	165 - 10	WG8-5696-000	164 - 11		
FU7-0897-000	165 - 11	WG8-5696-000	167 - 13		
FU7-0898-000	165 - 12	WG8-5776-000	310 - 17		
FU7-0899-000	165 - 13	WG8-5776-000	315 - 14		
FU7-0900-000	165 - 14	WG8-5776-000	320 - 18		
FU7-0901-000	165 - 15	WG8-5776-000	810 - 37		
FU7-0902-000	165 - 16	WK1-5148-000	950 - BAT		
FU7-0903-000	165 - 17	WP2-5254-000	101 - 51		
FU7-0904-000	167 - 11	WS1-5792-000	102 - 54		
FU7-0905-000	161A - 27	WT2-5760-000	101 - 20		
FU7-0906-000	165 - 18	XA9-0679-000	161 - 24		
FU7-0907-000	161A - 22	XA9-0702-000	810 - 38		

LASER CLASS 810/830I/i-SENSYS Fax-L3000/L3000IP/FAX-L3000/ L3000IP(Parts Catalog)

Canofax L1000

100V F18-9511-000 MZN02001-

i-SENSYS FAX-L3000IP

230V EUR F18-9592-000 CHD02001-

230V EUR F18-9592-000 CHJ02001-

230V EUR F18-9592-000 MZP02001-

FAX-L3000IP

230V AU F18-9542-000 MZQ02001-

LASER CLASS 830i

120V F18-9532-000 MZR02001-

LASER CLASS 810

120V F18-9531-000 MZJ02001-

i-SENSYS FAX-L3000

230V EUR F18-9591-000 CHA02001-

230V EUR F18-9591-000 CHC02001-

230V EUR F18-9591-000 MZK02001-

FAX-L3000

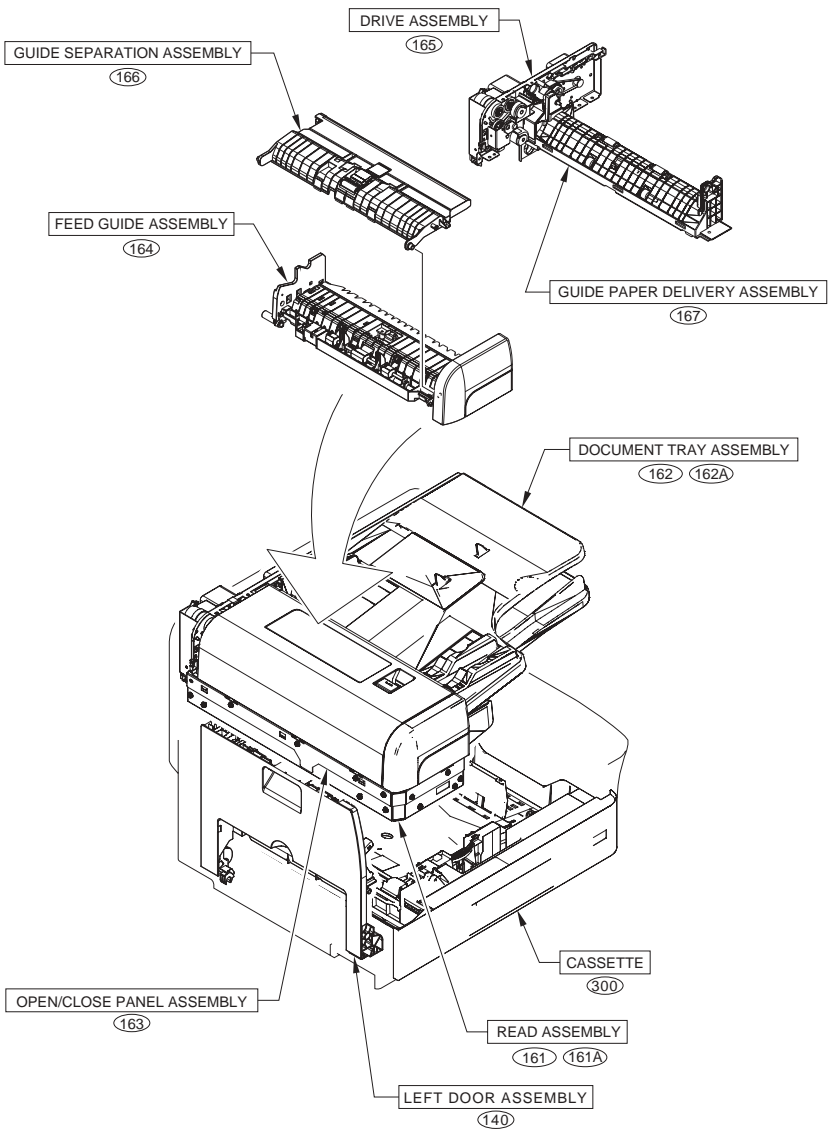
230V AU F18-9541-000 MZL02001-

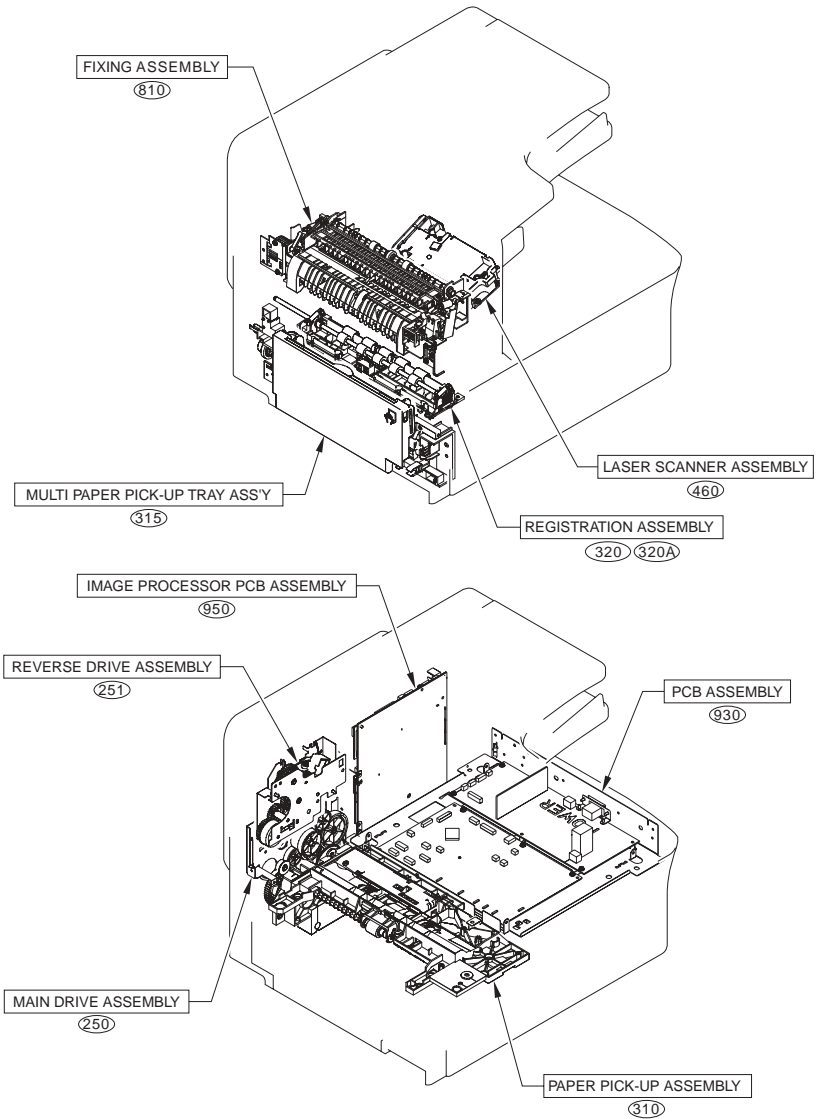
230V AE F18-9541-000 MZM02001-

Contents

A	ASSEMBLY LOCATION DIAGRAM	2-1
001	ACCESSORIES	2-4
100	EXTERNAL COVERS, PANELS, ETC.	2-6
101	INTERNAL COMPONENTS 1	2-8
102	INTERNAL COMPONENTS 2	2-12
140	LEFT DOOR ASSEMBLY	2-16
161	READ ASSEMBLY (LC 810/L3000).....	2-18
161A	READ ASSEMBLY (LC 830i/L1000/L3000IP)	2-20
162	DOCUMENT TRAY ASSEMBLY (LC 810/L3000)	2-23
162A	DOCUMENT TRAY ASSEMBLY (LC 830i/L1000/L3000IP)	2-25
163	OPEN/CLOSE PANEL ASSEMBLY	2-27
164	FEED GUIDE ASSEMBLY	2-30
165	DRIVE ASSEMBLY	2-32
166	GUIDE SEPARATION ASSEMBLY	2-35
167	GUIDE PAPER DELIVERY ASSEMBLY	2-36
250	MAIN DRIVE ASSEMBLY	2-38
251	REVERSE DRIVE ASSEMBLY	2-39
300	CASSETTE	2-40
310	PAPER PICK-UP ASSEMBLY	2-42
315	MULTI PAPER PICK-UP TRAY ASS'Y	2-44
320	REGISTRATION ASSEMBLY	2-47
460	LASER SCANNER ASSEMBLY	2-49
810	FIXING ASSEMBLY	2-50
930	PCB ASSEMBLY	2-53
950	IMAGE PROCESSOR PCB ASSEMBLY	2-55
ZZA	MECHANICAL STANDARD PARTS (HOW TO USE)	2-57
ZZB	MECHANICAL STANDARD PARTS (SCREWS).....	2-58
ZZC	MECHANICAL STANDARD PARTS (BOLTS).....	2-65
ZZD	MECHANICAL STANDARD PARTS (NUTS).....	2-66
ZZE	MECHANICAL STANDARD PARTS (WASHERS)	2-67
ZZF	MECHANICAL STANDARD PARTS (RETAINING RINGS)	2-70
ZZG	MECHANICAL STANDARD PARTS (PINS)	2-73
ZZH	MECHANICAL STANDARD PARTS (SPACERS)	2-74

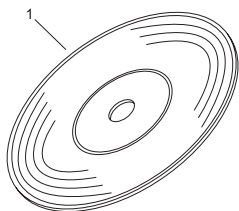
FIGURE A ASSEMBLY LOCATION DIAGRAM





No.	Model Name(English)	Model Name(Japanese)
1	FXL-CASSETTE FEEDER 8	FXL-CASSETTE FEEDER 8
2	UFR II LT Printer kit-X1	ネットワークプリンタ拡張キット
3	COLOR SEND KIT-M1	シンプルSEND拡張キット-M1
4	Stamp Unit-C1	スタンプユニット・C1
5	Handset Kit 10	ハンドセットキット L10
6	TELEPHONE 6 KIT	TELEPHONE 6 KIT
7	HANDSET 3 KIT	HANDSET 3 KIT

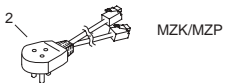
FIGURE 001 ACCESSORIES



MZJ/MZK/CHA/MZL/MZM
/MZN/MZP/CHJ/CHD/MZR



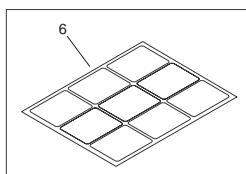
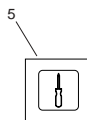
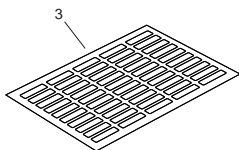
MZK/MZP



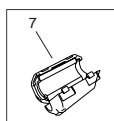
MZK/MZP



MZK/MZP



i-SENSYS FAX-L3000
i-SENSYS FAX-L3000IP



i-SENSYS FAX-L3000IP
FAX-L3000IP

FIGURE & KEY NO.	PARTS NUMBER	R A N K	Q'TY	DESCRIPTION	SERIAL NUMBER/REMARKS	S V C
Fig.001	NPN		RF	ACCESSORIES		
1	FK2-5742-000		1	CD-ROM, USERSOFTWARE	i-SENSYS FAX-L3000IPFrench/Spanish	
1	FK2-5743-000		1	CD-ROM, USERSOFTWARE	i-SENSYS FAX-L3000IPGerman/Italian	
1	FK2-5741-000		1	CD-ROM, USERSOFTWARE	i-SENSYS FAX-L3000IPFAX-L3000IPLASER CLASS 830iEnglish	
2	HH2-2824-000		1	MODULAR CORD, 2P	MZJ/MZK/CHA/MZL/MZM/MZN/MZP/CHJ/CHD/MZR	
2	HK1-0547-000		1	MODULAR CORD	MZK/MZP	
2	HK1-0544-000		1	MODULAR CORD	MZK/MZP	
2	HK1-0550-000		1	CORD, MODULAR	MZK/MZP	
3	FU6-8397-000		1	LABEL, DESTINATION		
4	XA9-0836-000		1	SCREW, TP, M3X6		
5	FC8-0520-000		1	LABEL, DRIVER INSTRUCTION		
6	FC8-0522-000		1	LABEL, CONTROL PANEL	i-SENSYS FAX-L3000	
6	FC8-0521-000		1	LABEL, CONTROL PANEL	i-SENSYS FAX-L3000IP	
7	WE8-6406-000		1	CORE, RING	i-SENSYS FAX-L3000IPFAX-L3000IP	

FIGURE 100 EXTERNAL COVERS, PANELS, ETC.

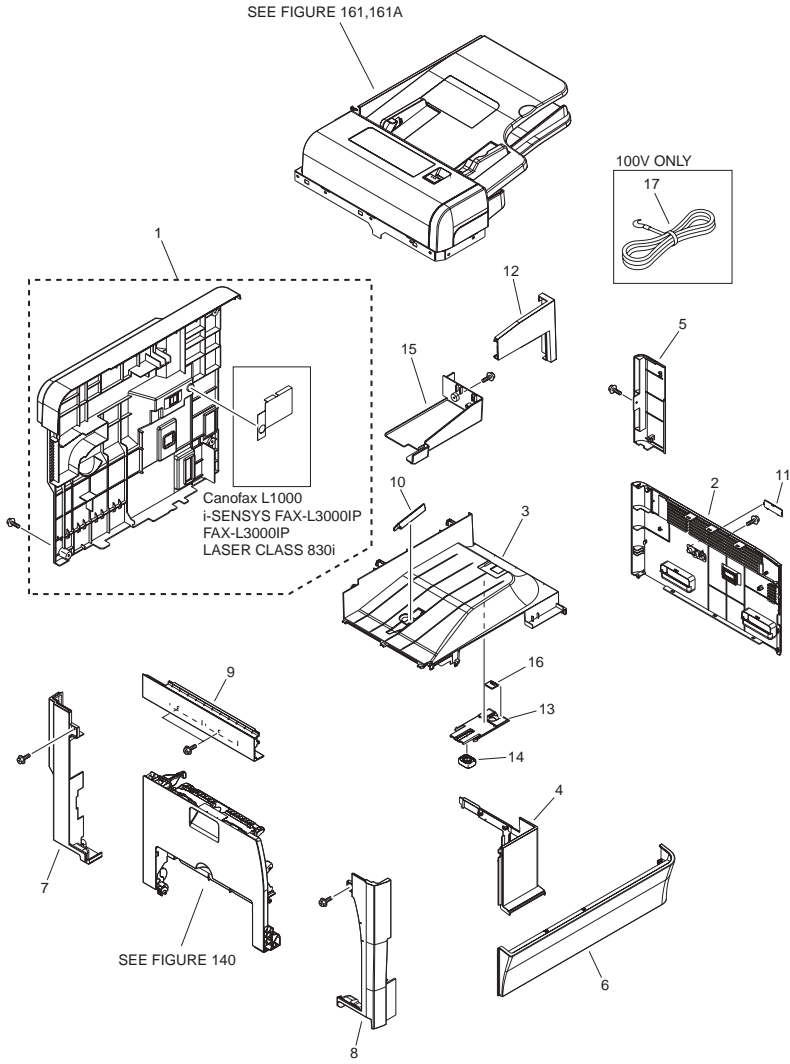


FIGURE & KEY NO.	PARTS NUMBER	R A N K	Q'TY	DESCRIPTION	SERIAL NUMBER/ REMARKS	S V C
Fig.100	NPN		RF	EXTERNAL COVERS, PANELS, ETC.		
1	FL2-9261-000		1	COVER, REAR	Canofax L1000i-SENSYS FAX-L3000IPFAX-L3000IPLASER CLASS 830i	
1	FL2-9260-000		1	COVER, REAR	LASER CLASS 810i-SENSYS FAX-L3000FAX-L3000	
2	FC6-7335-000		1	COVER, RIGHT		
3	FC7-9964-000		1	TRAY, DELIVERY		
4	FC7-9937-000		1	COVER, FRONT, LEFT		
5	FC7-9941-000		1	COVER, RIGHT, UPPER		
6	FL2-8011-000		1	COVER, FRONT		
7	FC7-9940-000		1	COVER, LEFT, REAR		
8	FC7-9938-000		1	COVER, LEFT, FRONT		
9	FC7-9939-000		1	COVER, LEFT, UPPER		
10	FC7-9965-000		1	TRAY, PAPER DELIVERY AUXILIARY		
11	FC6-7545-000		1	COVER, BLANKING		
12	FC7-9944-000		1	COVER, LOWER, 2		
13	FC7-9962-000		1	STOPPER, PAPER DELIVERY TRAY,1		
14	FC6-7563-000		1	STOPPER, PAPER DELIVERY		
15	FC7-9943-000		1	COVER, LOWER, 1		
16	FC7-9963-000		1	STOPPER, PAPER DELIVERY TRAY,2		
17	FK2-1415-000		1	CORD, EARTH	100V ONLY	

FIGURE 101 INTERNAL COMPONENTS 1

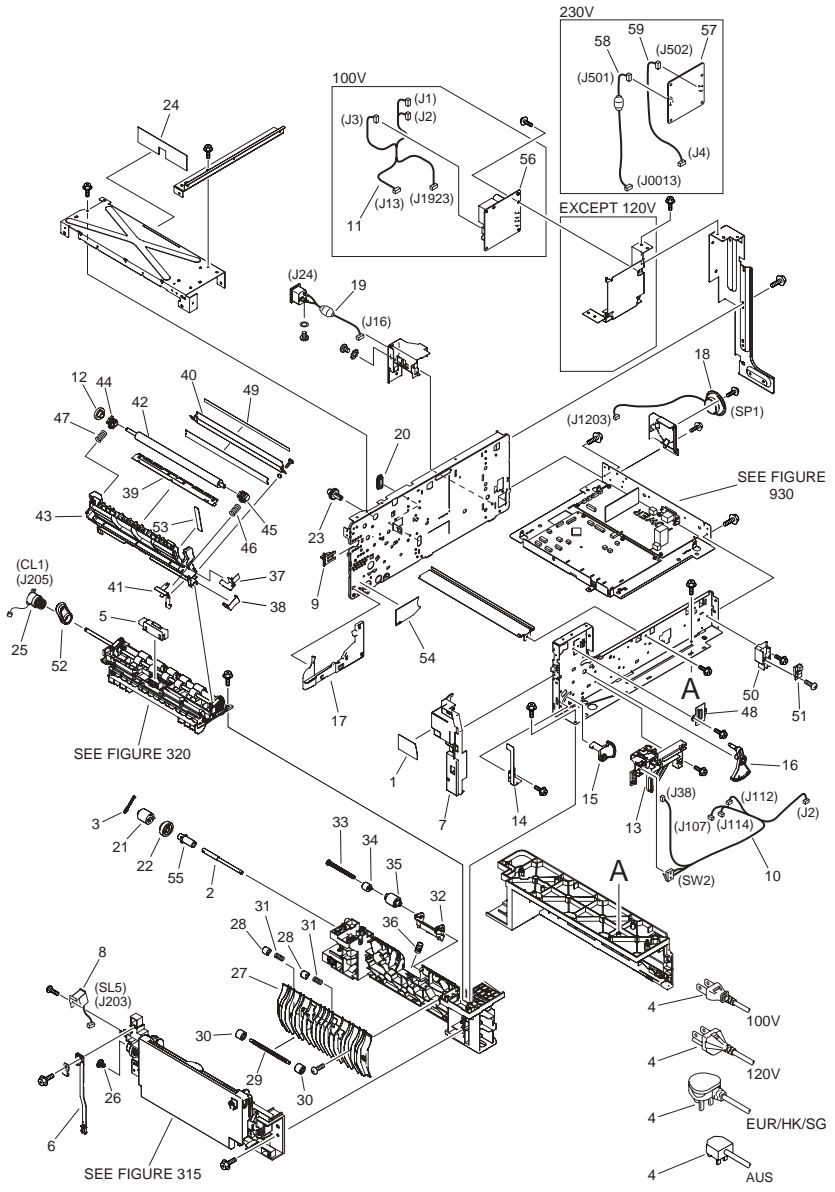


FIGURE & KEY NO.	PARTS NUMBER	R A N K	Q'TY	DESCRIPTION	SERIAL NUMBER/ REMARKS	S V C
Fig.101	NPN		RF	INTERNAL COMPONENTS 1		
1	FC6-7524-000		1	LABEL, HIGH TMP. CAUTION R		
2	FC7-7142-000		1	SHAFT, JOINT		
3	FC7-7145-000		1	PIN, SNAP		
4	FM2-5327-000		1	CORD, POWER, 100V	100V	
4	FM2-5328-000		1	CORD, POWER, 120V	120V	
4	FM2-5332-000		1	CORD, POWER, 230V	AUS	
4	FM2-5329-000		1	CORD, POWER, 230V	EUR/HK/SG	
5	FC6-7434-000		1	COVER, REGISTRATION SENSOR		
6	FC6-7467-020		1	STOPPER, DOOR, LEFT		
7	FC6-7513-000		1	COVER, BLIND		
8	FK2-1410-000		1	SOLENOID	SL5 J203	
9	FC6-7519-000		1	SUPPORT, ROLLER, FIXING		
10	FM3-5516-000		1	CABLE, INTERLOCK SWITCH	SW2 J2,38,107,112,114	
11	FM3-3488-000		1	CABLE, CI UNIT	100V	
12	FU7-0029-000		1	GEAR, 17T		
13	FC6-7647-000		1	MOUNT, INTERLOCK		
14	FC7-5818-000		1	LEVER, INTERLOCK		
15	FC7-7150-000		1	GEAR, 62T		
16	FC6-7650-000		1	GEAR, 10T		
17	FC6-7651-000		1	GUIDE, CARTRIDGE, REAR		
18	FK2-5864-000		1	SPEAKER	100V/230VSP1 J1203	
18	FK2-1378-000		1	SPEAKER	120VSP1 J1203	
19	FM3-5517-000		1	CABLE, AC-INLET	100VJ16,24	
19	FM2-4928-000		1	CABLE, AC-INLET	120V/230VJ16,24	
20	WT2-5760-000		1	BUSHING, SQUARE		
21	FC7-7143-000		1	LIMITER, TORQUE		
22	FU7-0027-000		1	GEAR, 27T		
23	FU7-0035-000		1	GEAR, 19T		
24	FC6-7533-000		1	SHEET, STATIC CHARGE		
25	FK2-1401-000		1	CLUTCH, ELECTROMAGNETIC	CL1 J205	
26	FC6-7426-000		1	CAP		

FIGURE & KEY NO.	PARTS NUMBER	R A N K	Q'TY	DESCRIPTION	SERIAL NUMBER/ REMARKS	S V C
27	FC6-7399-030		1	GUIDE, ROLLER, FEED		
28	FC6-7402-020		2	BUSHING, FEED ROLLER		
29	FC6-7403-000		1	SHAFT, FEED ROLLER		
30	FC6-7404-000		2	ROLLER, FEED		
31	FU6-2415-000		2	SPRING, COMPRESSION		
32	FC6-7360-000		1	PLATE, SEPARATION PRESSURE		
33	FC6-7362-000		1	SHAFT, REGISTRATION ROLLER		
34	FC6-7392-000		1	LIMITTER, TORQUE		
35	FL2-3887-000		1	ROLLER, FEED		
36	FU6-2412-000		1	SPRING, COMPRESSION		
37	FC6-7445-000		1	PLATE, CONTACT		
38	FC6-7446-000		1	PLATE, CONTACT		
39	FC6-7447-000		1	ELIMINATOR, STATIC CHARGE		
40	FC7-5047-000		1	GUIDE, PRE-TRANSFER		
41	FC6-7449-000		1	PLATE, GROUNDING		
42	FC6-7450-000		1	ROLLER, TRANSFER CHARGE		
43	FC7-7151-000		1	FRAME, TRANSFER		
44	FC6-7464-000		1	BUSHING, TRANSFER, REAR		
45	FC6-7465-000		1	BUSHING, TRANSFER, FRONT		
46	FU6-2432-000		1	SPRING, COMPRESSION		
47	FU6-2433-000		1	SPRING, COMPRESSION		
48	FL2-3910-000		1	PLATE, SUPPORT		
49	FC6-7476-000		1	SHEET, STATIC CHARGE		
50	FC6-7582-000		1	HOLDER, SENSOR		
51	WP2-5254-000		1	SENSOR, HUMIDITY		
52	FC6-7477-000		1	SUPPORT, REGISTRATION SHAFT		
53	FC6-7472-000		1	LABEL		
54	FC6-7474-000		1	LABEL, CARTRIDGE PUSH		
55	FC7-7144-000		1	JOINT		
56	FM2-7753-000		1	PSEUDO CI PCB ASSEMBLY	100V	
57	FM3-3840-000		1	FILTER PCB ASSEMBLY	230V	
58	FM3-3838-000		1	CABLE, FILTER, 1	230V	

FIGURE & KEY NO.	PARTS NUMBER	R A N K	Q'TY	DESCRIPTION	SERIAL NUMBER/ REMARKS	S V C
59	FM3-3839-000		1	CABLE, FILTER, 2	230V	

FIGURE 102 INTERNAL COMPONENTS 2

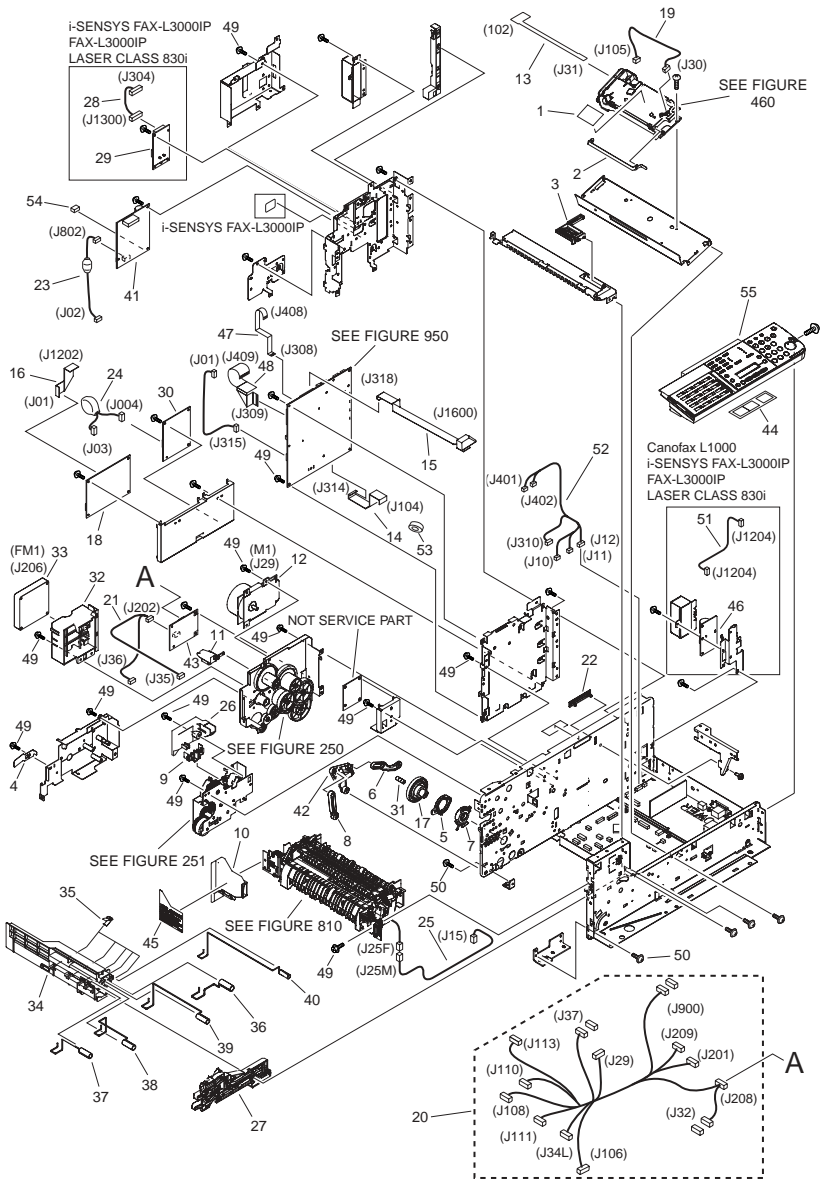


FIGURE & KEY NO.	PARTS NUMBER	R A N K	Q'TY	DESCRIPTION	SERIAL NUMBER/ REMARKS	S V C
Fig.102	NPN		RF	INTERNAL COMPONENTS 2		
1	FS7-8335-000		1	LABEL, LASER WARNING		
2	FC6-7328-020		1	SHUTTER, LASER		
3	FC6-7331-020		1	ARM, SHUTTER, LASER		
4	FC6-7409-000		1	PLATE, GROUNDING		
5	FC6-7552-000		1	CAM, COUPLING		
6	FC6-7553-000		1	ARM, COUPLING		
7	FC6-7556-000		1	BUSHING, COUPLING F		
8	FC6-7557-000		1	JOINT, ARM, DOOR		
9	FC6-7514-000		1	STOPPER, GEAR, DELIVERY		
10	FC6-7575-000		1	DUCT, FAN		
11	FC6-7577-000		1	SPACER, PCB		
12	FK2-1385-000		1	MOTOR, MAIN	M1 J29	
13	FK2-1394-000		1	CABLE, FLAT		
14	FK2-1395-000		1	CABLE, FLAT		
15	FK2-1396-000		1	CABLE, FLAT		
16	FK2-1400-000		1	CABLE, FLAT		
17	FU7-0044-000		1	GEAR, 91T		
18	FM3-3332-000		1	NCU PCB ASSEMBLY		
19	FM2-4922-000		1	CABLE, SCANNER		
20	FM2-4926-000		1	CABLE, RELAY PCB		
21	FM2-4930-000		1	CABLE, MULTI-REGI		
22	FC6-7576-000		1	BUSHING, FFC		
23	FM2-4937-000		1	CABLE, NCU-PSU		
24	FM2-4938-000		1	CABLE, MJ		
25	FM2-4940-000		1	CABLE, FIXING HEATER		
26	FC6-7581-000		1	DUCT		
27	FM3-3547-000		1	CRG. RAIL ASS'Y, FRONT		
28	FM3-3011-000		1	CABLE,IP-LAN	i-SENSYS FAX- L3000IPFAX- L3000IPLASER CLASS 830i	

FIGURE & KEY NO.	PARTS NUMBER	RANK	Q'TY	DESCRIPTION	SERIAL NUMBER/ REMARKS	S V C
29	FM3-3370-000		1	NETWORK PCB ASSEMBLY	i-SENSYS FAX-L3000IPFAX-L3000IPLASER CLASS 830i	
30	FM3-3374-000		1	MODULAR JACK PCB ASSEMBLY		
30	FM3-3375-000		1	MODULAR JACK PCB ASSEMBLY		
30	FM3-3376-000		1	MODULAR JACK PCB ASSEMBLY		
31	FU6-2441-000		1	SPRING, COMPRESSION		
32	FC6-7574-000		1	HOLDER, FAN		
33	FK2-1386-000		1	FAN	FM1 J206	
34	FC6-7309-000		1	GUIDE, CONTACT SPRING		
35	FC6-7310-000		5	SPRING, LEAF		
36	FC6-7311-000		1	SPRING, COMPRESSION		
37	FC6-7312-000		1	SPRING, COMPRESSION		
38	FC6-7313-000		1	SPRING, COMPRESSION		
39	FC6-7314-000		1	SPRING, COMPRESSION		
40	FC6-7315-000		1	SPRING, COMPRESSION		
41	FM3-3371-000		1	MODEM PCB ASSEMBLY		
42	FC6-7554-000		1	ARM, RINK		
43	FM2-4918-000		1	RELAY PCB ASSEMBLY		
44	FU6-8389-000		1	LABEL, CARTRIDGE OPERATION		
45	FC6-7523-000		1	LABEL, HIGH TMP.CAUTION		
46	FM3-3372-000		1	CAP PCB ASSEMBLY	Canofax L1000i-SENSYS FAX-L3000IPFAX-L3000IPLASER CLASS 830i	
47	FK2-5769-000		1	CABLE, FLAT, READER-IP1		
48	FK2-5770-000		1	CABLE, FLAT, READER-IP2		
49	XA9-1567-000		AR	SCREW, RS, M3X8.5		
50	XA9-1450-000		5	SCREW, TP, M4X6		
51	FM3-3478-000		1	CABLE, CAP	Canofax L1000i-SENSYS FAX-L3000IPFAX-L3000IPLASER CLASS 830i	
52	FM3-3479-000		1	CABLE, PSU-DC		
53	WE8-6388-000		1	CORE, RING		

FIGURE & KEY NO.	PARTS NUMBER	RANK	Q'TY	DESCRIPTION	SERIAL NUMBER/REMARKS	SVC
54	WS1-5792-000		1	PLUG, SHORT		
55	FM3-3536-000		1	CONTROL PANEL ASSEMBLY	MZJ	
55	FM3-3537-000		1	CONTROL PANEL ASSEMBLY	MZK,CHA,CHC	
55	FM3-3538-000		1	CONTROL PANEL ASSEMBLY	MZL,MZM	
55	FM3-3539-000		1	CONTROL PANEL ASSEMBLY	MZN	
55	FM3-3540-000		1	CONTROL PANEL ASSEMBLY	MZP,CHB,CHD	
55	FM3-3541-000		1	CONTROL PANEL ASSEMBLY	MZQ	
55	FM3-3542-000		1	CONTROL PANEL ASSEMBLY	MZR	

FIGURE 140 LEFT DOOR ASSEMBLY

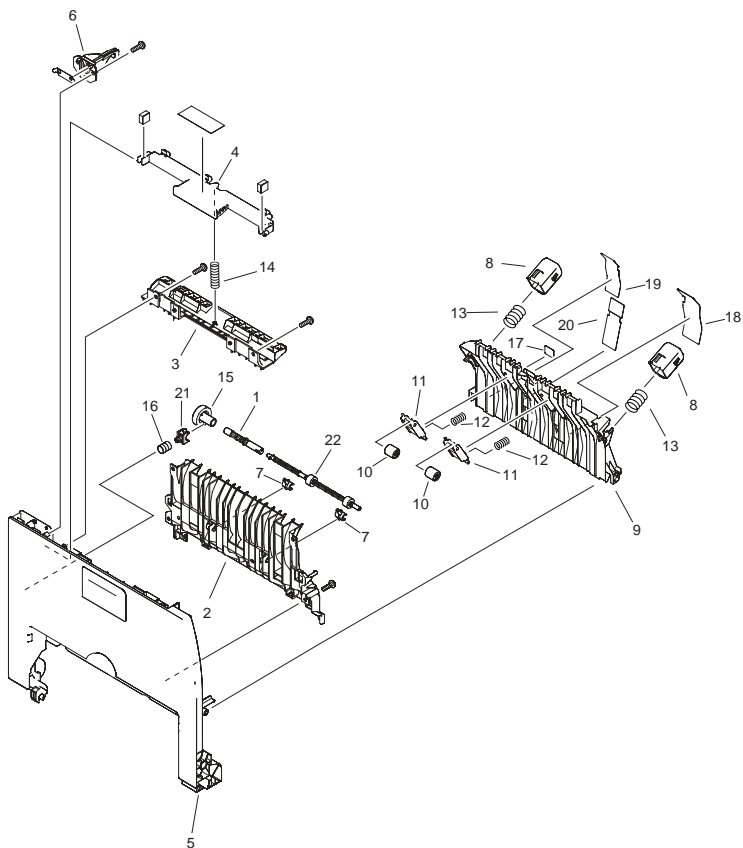


FIGURE & KEY NO.	PARTS NUMBER	R A N K	Q'TY	DESCRIPTION	SERIAL NUMBER/ REMARKS	S V C
Fig.140	FM3-3550-000		RF	LEFT DOOR UNIT		
1	FC6-7452-000		1	SHAFT, ROLLER		
2	FC6-7454-000		1	GUIDE, FEED OUTER		
3	FC6-7455-000		1	GUIDE, FIXING, REAR		
4	FC7-9952-000		1	LEVER, DOOR		
5	FC7-9951-000		1	DOOR, LEFT		
6	FC6-7461-000		1	LEVER, FIXING PRESSURE RELEASE		
7	FC6-7466-000		2	BUSHING, FEED		
8	FC6-7453-000		2	BLOCK, PRESSURE		
9	FC6-7457-000		1	GUIDE, DUPLEXING FEED		
10	FC6-7459-000		2	COLLAR		
11	FC6-7460-000		2	HOLDER, COLLAR		
12	FU6-2434-000		2	SPRING, COMPRESSION		
13	FU6-2435-000		2	SPRING, COMPRESSION		
14	FU6-2436-000		1	SPRING, COMPRESSION		
15	FU7-0032-000		1	GEAR, 19T, WHITE		
16	FU6-2446-000		1	SPRING, COMPRESSION		
17	FC6-7473-000		1	LABEL, HIGH TMP. CAUTION R		
18	FC6-7470-000		1	LABEL, DUPLEX JAM		
19	FC6-7521-000		1	LABEL, CARTRIDGE REPLACE, 1		
20	FC6-7522-000		1	LABEL, CARTRIDGE REPLACE, 2		
21	FC7-7147-000		1	BUSHING		
22	FL2-3901-000		1	ROLLER, FEED		

FIGURE 161 READ ASSEMBLY (LC 810/L3000)

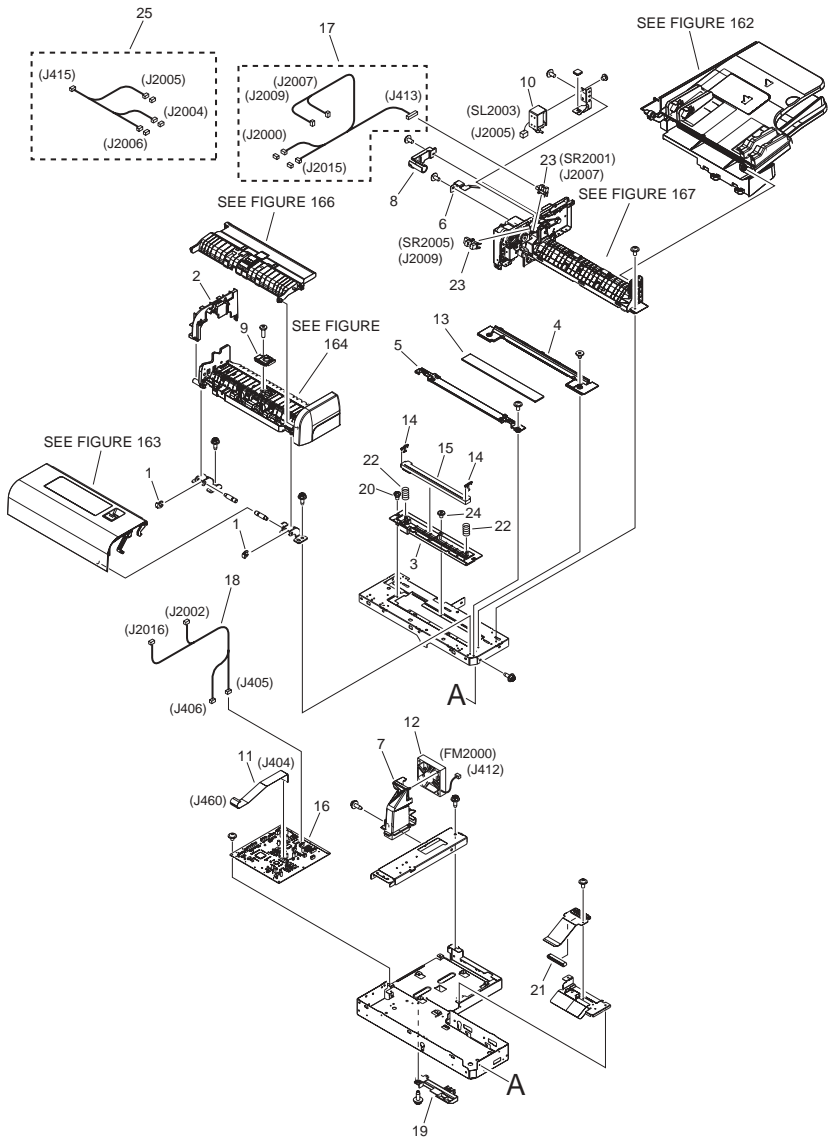


FIGURE & KEY NO.	PARTS NUMBER	R A N K	Q'TY	DESCRIPTION	SERIAL NUMBER/ REMARKS	S V C
Fig.161	NPN		RF	READ ASSEMBLY	LASER CLASS 810I-SENSYS FAX-L3000FAX-L3000	
1	FC5-4424-000		2	CLIP		
2	FC7-9945-000		1	COVER, INNER		
3	FC8-0002-000		1	CASE, CIS		
4	FC8-0003-000		1	MOUNT, JUMP		
5	FC8-0004-000		1	SUPPORT, GLASS, LEFT		
6	FC8-0467-000		1	PLATE, GROUNDING		
7	FC8-0470-000		1	DUCT, FAN		
8	FC8-0471-000		1	GUIDE, CABLE		
9	FC8-0496-000		1	COVER, STAMP		
10	FK2-1392-030		1	SOLENOID	SL2003 J2005	
11	FK2-5768-000		1	CABLE, FLAT, CIS-READER		
12	FK2-5776-000		1	FAN	FM2000 J412	
13	FL2-8013-000		1	READER GLASS UNIT		
14	FC6-7591-000		2	SPACER, CIS		
15	FK2-1377-000		1	CONTACT IMAGE SENSOR UNIT		
16	FM3-3465-000		1	READER CONTROLLER PCB ASSEMBLY		
17	FM3-3467-000		1	CABLE, SL-CL		
18	FM3-3473-000		1	CABLE, EP-TIM		
19	FC7-9946-000		1	DUCT, DELIVERY		
20	FS2-9020-000		2	SCREW, STEPPED, M3X2.2		
21	WE8-6539-000		1	CORE, RING		
22	FU6-2796-000		2	SPRING, COMPRESSION		
23	WG8-5696-000		2	PHOTO INTERRUPTER, TLP1243	SR2001,2005J2007,2009	
24	XA9-0679-000		2	SCREW, MACH., FLAT HEAD, M3X4		
25	FM3-3475-000		1	CABLE, SL-CL		

FIGURE 161A READ ASSEMBLY (LC 830i/L1000/L3000IP)

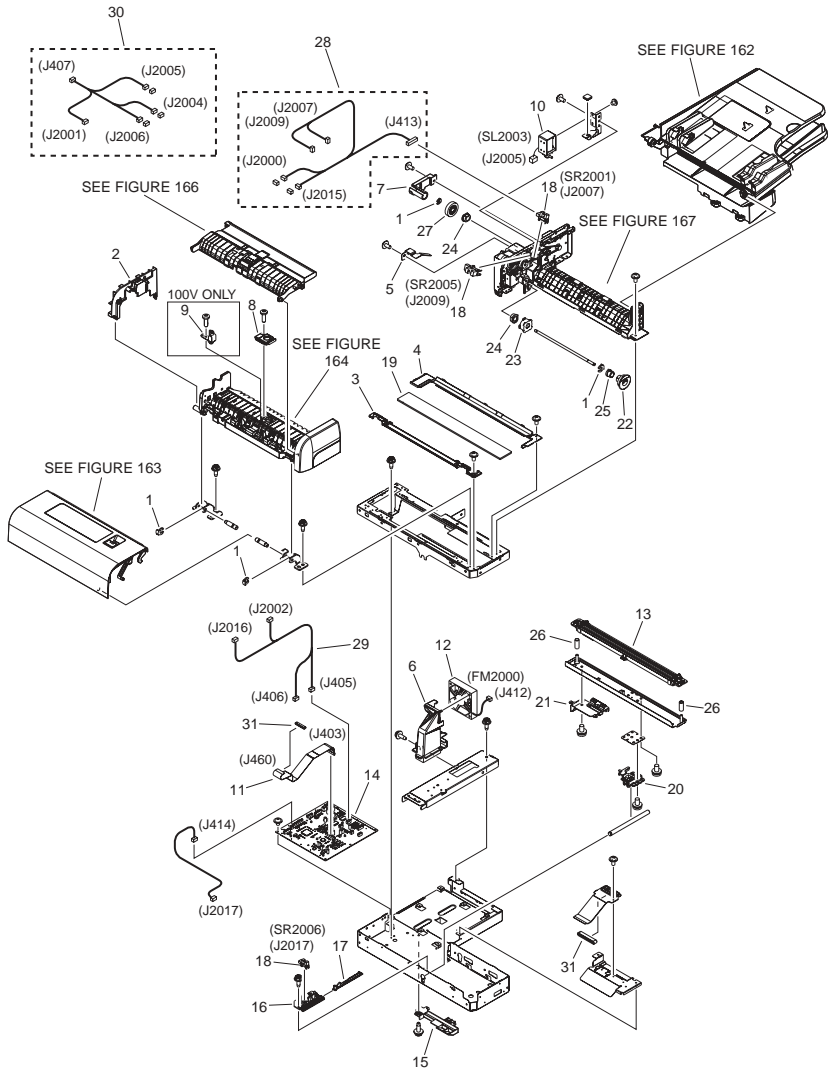


FIGURE & KEY NO.	PARTS NUMBER	R A N K	Q'TY	DESCRIPTION	SERIAL NUMBER/ REMARKS	S V C
Fig.161A	NPN		RF	READ ASSEMBLY	Canofax L1000i-SENSYS FAX-L3000IPFAX-L3000IPLASER CLASS 830i	
1	FC5-4424-000		4	CLIP		
2	FC7-9945-000		1	COVER, INNER		
3	FC7-9973-000		1	SUPPORT, GLASS		
4	FC7-9991-000		1	MOUNT, JUMP		
5	FC8-0467-000		1	PLATE, GROUNDING		
6	FC8-0470-000		1	DUCT, FAN		
7	FC8-0471-000		1	GUIDE, CABLE		
8	FC8-0496-000		1	COVER, STAMP		
9	FK2-0216-000		1	SOLENOID	100V ONLY	
10	FK2-1392-030		1	SOLENOID	SL2003 J2005	
11	FK2-5767-000		1	CABLE, FLAT, CIS-READER		
12	FK2-5776-000		1	FAN	FM2000 J412	
13	FL2-3286-000		1	CONTACT IMAGE SENSOR UNIT		
14	FM3-3464-000		1	READER CONTROLLER PCB ASSEMBLY		
15	FC7-9946-000		1	DUCT, DELIVERY		
16	FC7-9982-000		1	HOLDER, RACK		
17	FC8-0473-000		1	RACK, CIS		
18	WG8-5696-000		3	PHOTO INTERRUPTER, TLP1243	SR2001,2005,2006J2007, 2009,2017	
19	FM3-3569-000		1	READER GLASS UNIT		
20	FC7-9983-000		1	HOLDER, BUSHING		
21	FC7-9987-000		1	HOLDER, FFC		
22	FU7-0907-000		1	GEAR, 18T		
23	FU5-3644-000		1	PULLEY, 24T		
24	FU5-1172-000		2	BUSHING		
25	FU5-1626-000		1	BUSHING		
26	FU6-2236-000		2	SPRING, COMPRESSION		
27	FU7-0905-000		1	GEAR, 22T		
28	FM3-3467-000		1	CABLE, SL-CL		

FIGURE & KEY NO.	PARTS NUMBER	R A N K	Q'TY	DESCRIPTION	SERIAL NUMBER/ REMARKS	S V C
29	FM3-3473-000		1	CABLE, EP-TIM		
30	FM3-3474-000		1	CABLE, SL-CL		
31	WE8-6539-000		2	CORE, RING		

FIGURE 162
DOCUMENT TRAY ASSEMBLY (LC 810/L3000)

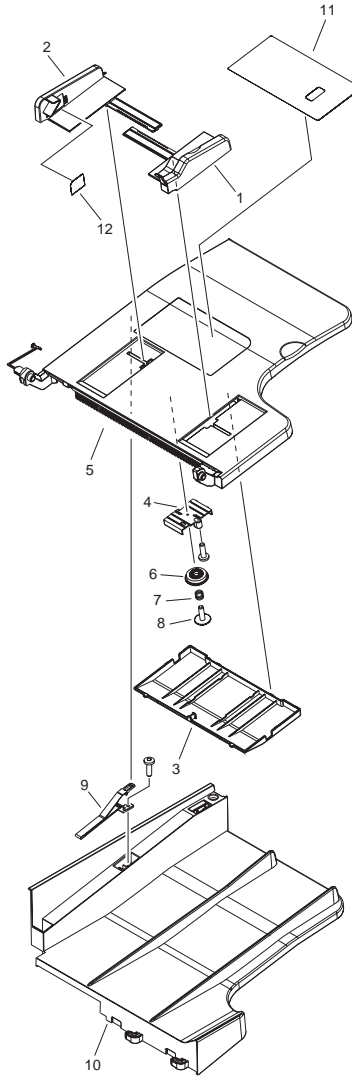


FIGURE & KEY NO.	PARTS NUMBER	RANK	Q'TY	DESCRIPTION	SERIAL NUMBER/REMARKS	SVC
Fig.162	NPN		RF	DOCUMENT TRAY ASSEMBLY	LASER CLASS 810i-SENSYS FAX-L3000FAX-L3000	
1	FC8-0011-000		1	GUIDE, SIDE, FRONT		
2	FC8-0012-000		1	GUIDE, SIDE, REAR		
3	FC8-0013-000		1	GUIDE, SIDE, FRONT		
4	FC8-0014-000		1	HOLDER, GUIDE		
5	FL2-8025-000		1	TRAY, DOCUMENT		
6	FU7-0894-000		1	GEAR, 16T		
7	FU7-2191-000		1	SPRING, COMPRESSION		
8	XA9-0767-000		1	SCREW, TP, M3X10		
9	FC8-0037-000		1	STOPPER, TRAY		
10	FL2-8214-000		1	TRAY, DELIVERY		
11	FU6-8404-000		1	LABEL, DOCUMENT SIZE	FAX-L3000	
11	FU6-8398-000		1	LABEL, DOCUMENT SIZE	LASER CLASS 810	
11	FU6-8399-000		1	LABEL, DOCUMENT SIZE	i-SENSYS FAX-L3000	
12	FU6-8400-000		1	LABEL, DOCUMENT LIMIT	LASER CLASS 810FAX-L3000	
12	FU6-8408-000		1	LABEL, DOCUMENT LIMIT	i-SENSYS FAX-L3000	

FIGURE 162A DOCUMENT TRAY ASSEMBLY (LC 830i/L1000/ L3000IP)

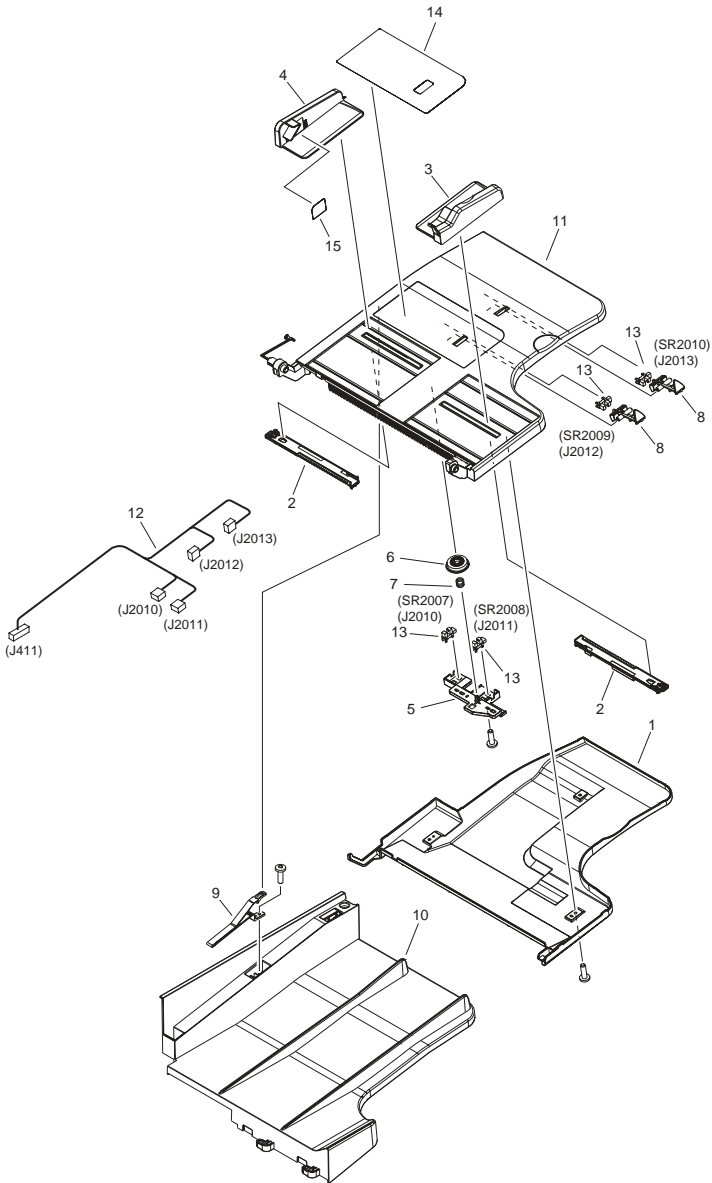


FIGURE & KEY NO.	PARTS NUMBER	R A N K	Q'TY	DESCRIPTION	SERIAL NUMBER/REMARKS	S V C
Fig.162A	NPN		RF	DOCUMENT TRAY ASSEMBLY	Canofax L1000i-SENSYS Fax-L3000IPFAX-L3000IPLASER CLASS 830i	
1	FC8-0482-000		1	TRAY, DOCUMENT, LOWER		
2	FC8-0484-000		2	RACK, TRAY		
3	FC8-0485-000		1	GUIDE, SIDE, FRONT		
4	FC8-0486-000		1	GUIDE, SIDE, REAR		
5	FC8-0487-000		1	HOLDER, SENSOR		
6	FU7-0894-000		1	GEAR, 16T		
7	FU7-2191-000		1	SPRING, COMPRESSION		
8	FC8-0488-000		2	FLAG, SENSOR		
9	FC8-0037-000		1	STOPPER, TRAY		
10	FL2-8214-000		1	TRAY, DELIVERY		
11	FL2-8032-000		1	TRAY, DOCUMENT		
12	FM3-3471-000		1	CABLE, SIZE SENSOR		
13	WG8-5696-000		4	PHOTO INTERRUPTER, TLP1243	SR2007-2010J2010-2013	
14	FU6-8401-000		1	LABEL, DOCUMENT SIZE	Canofax L1000	
14	FU6-8403-000		1	LABEL, DOCUMENT SIZE	FAX-L3000IP	
14	FU6-8402-000		1	LABEL, DOCUMENT SIZE	LASER CLASS 830i	
14	FU6-8470-000		1	LABEL, DOCUMENT SIZE	i-SENSYS Fax-L3000IP	
15	FU6-8471-000		1	LABEL, DOCUMENT LIMIT	Canofax L1000	
15	FU6-8472-000		1	LABEL, DOCUMENT LIMIT	FAX-L3000IPLASER CLASS 830i	
15	FU6-8473-000		1	LABEL, DOCUMENT LIMIT	i-SENSYS Fax-L3000IP	

FIGURE 163 OPEN/CLOSE PANEL ASSEMBLY

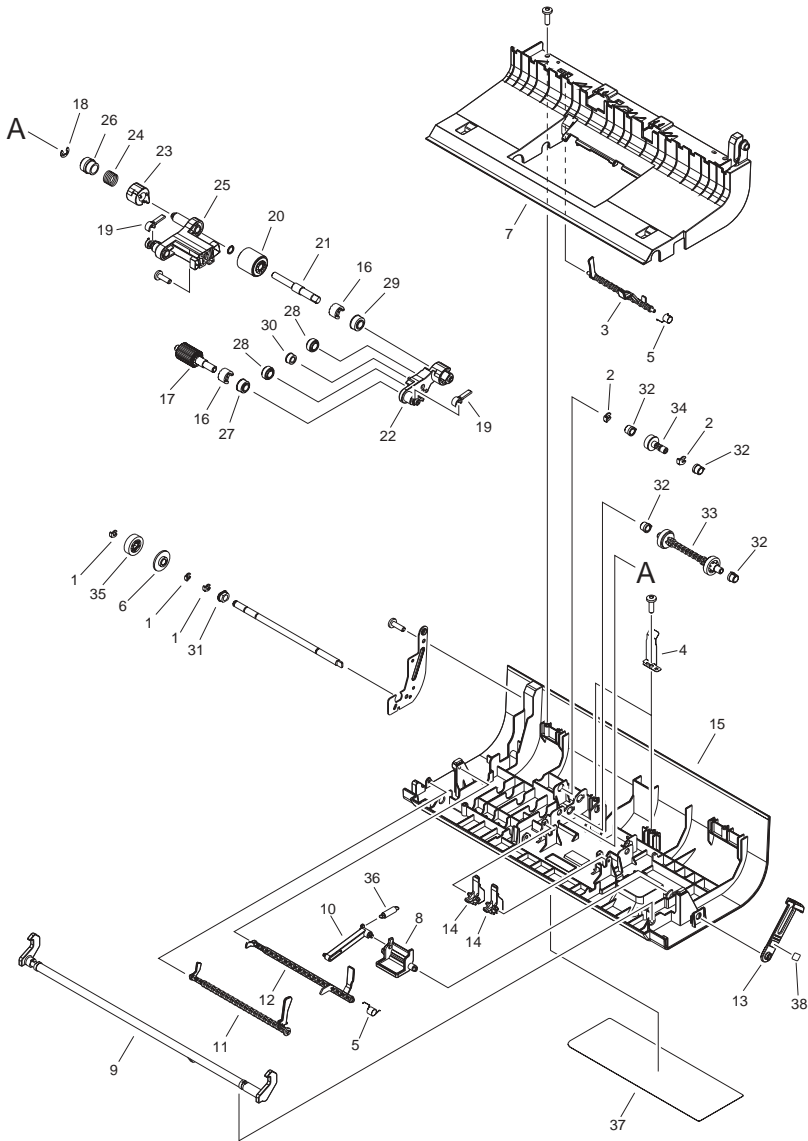


FIGURE & KEY NO.	PARTS NUMBER	R A N K	Q'TY	DESCRIPTION	SERIAL NUMBER/ REMARKS	S V C
Fig.163	FM3-3563-000		1	OPEN/CLOSE COVER UNIT		
1	FC5-4424-000		3	CLIP		
2	FC5-4425-000		2	CLIP		
3	FC6-7745-000		1	LEVER, SENSOR		
4	FC6-7761-000		2	SPRING, PLATE		
5	FC6-7776-000		2	SPRING, TORSION		
6	FC8-0019-000		1	FLANGE, ROTATION		
7	FC8-0020-000		1	GUIDE, OPEN/CLOSE		
8	FC8-0021-000		1	HANDLE, OPEN/CLOSE		
9	FC8-0022-000		1	SHAFT, OPEN/CLOSE		
10	FC8-0023-000		1	LINK, LATCH		
11	FC8-0029-000		1	FLAG, DOCUMENT DETECTION		
12	FC8-0030-000		1	FLAG, SENSOR		
13	FC8-0033-000		1	LINK, OPEN/CLOSE		
14	FL2-3989-000		2	SHUTTER, FRONT		
15	FL2-8020-000		1	COVER, OPEN/CLOSE		
16	FC6-7748-000		2	JOINT		
17	FC6-7766-000		1	ROLLER, PICK-UP		
18	XD9-0136-000		1	RING, E		
19	FC6-8971-000		2	LEVER, STOP		
20	FC8-0026-000		1	ROLLER, SEPARATION		
21	FC8-0519-000		1	SHAFT, SEPARATION		
22	FL2-3988-000		1	ARM, PICK-UP		
23	FC6-7787-000		1	JOINT, PICK ARM		
24	FC6-7789-000		1	SPRING, TORSION		
25	FL2-3986-020		1	ARM, PICK-UP, RIGHT		
26	FU7-0121-000		1	GEAR, 26T		
27	FU7-0118-000		1	GEAR, 22T		
28	FU7-0119-000		2	GEAR, 23T		
29	FU7-0120-000		1	GEAR, 26T		
30	FU7-0125-000		1	GEAR, 17T		
31	FU5-1172-000		1	BUSHING		

FIGURE & KEY NO.	PARTS NUMBER	R A N K	Q'TY	DESCRIPTION	SERIAL NUMBER/ REMARKS	S V C
32	FU5-1626-000		4	BUSHING		
33	FU7-0122-000		1	GEAR, 35T/35T		
34	FU7-0123-000		1	GEAR, 26T		
35	FU7-0909-000		1	GEAR, 18T		
36	FU7-2193-000		1	SPRING, TENSION		
37	FU6-8407-000		1	LABEL, BLACK LINE, CLEANING		
38	FU6-8585-000		1	LABEL, LINK OPEARATION		

FIGURE 164 FEED GUIDE ASSEMBLY

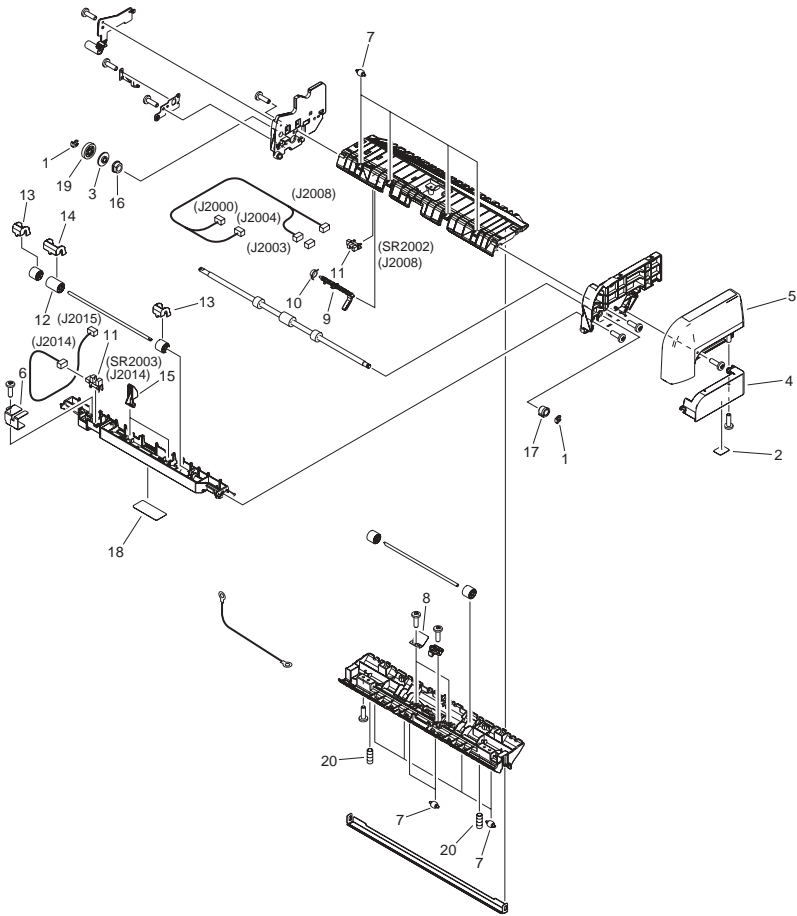


FIGURE & KEY NO.	PARTS NUMBER	R A N K	Q'TY	DESCRIPTION	SERIAL NUMBER/ REMARKS	S V C
Fig.164	FM3-3559-000		1	FEED GUIDE UNIT		
1	FC5-4424-000		2	CLIP		
2	FC6-7473-000		1	LABEL, HIGH TMP. CAUTION R		
3	FC8-0019-000		1	FLANGE, ROTATION		
4	FC8-0034-000		1	COVER, FRONT, LOWER		
5	FC8-0035-000		1	COVER, FRONT, UPPER		
6	FC8-0494-000		1	HOLDER, SENSOR		
7	FC6-8973-000		10	ROLLER, PLATEN		
8	FC7-0542-000		2	SPRING, PLATE		
9	FC6-7788-000		1	LEVER, SENSOR		
10	FC6-7790-000		1	SPRING, TORSION		
11	WG8-5696-000		2	PHOTO INTERRUPTER, TLP1243	SR2002,2003J2008,2014	
12	FC8-0510-000		1	ROLLER, REGISTRATION,LARGE		
13	FC8-0512-000		2	GUIDE, REGISTRATION, SMALL		
14	FC8-0513-000		1	GUIDE, REGISTRATION, LARGE		
15	FC8-0514-000		2	LEVER, REGISTRATION PRESSURE		
16	FU5-1172-000		1	BUSHING		
17	FU5-1626-000		1	BUSHING		
18	FU6-8406-000		1	LABEL, SHEET CLEANING		
19	FU7-0910-000		1	GEAR, 22T		
20	FU7-2192-000		2	SPRING, COMPRESSION		

FIGURE 165 DRIVE ASSEMBLY

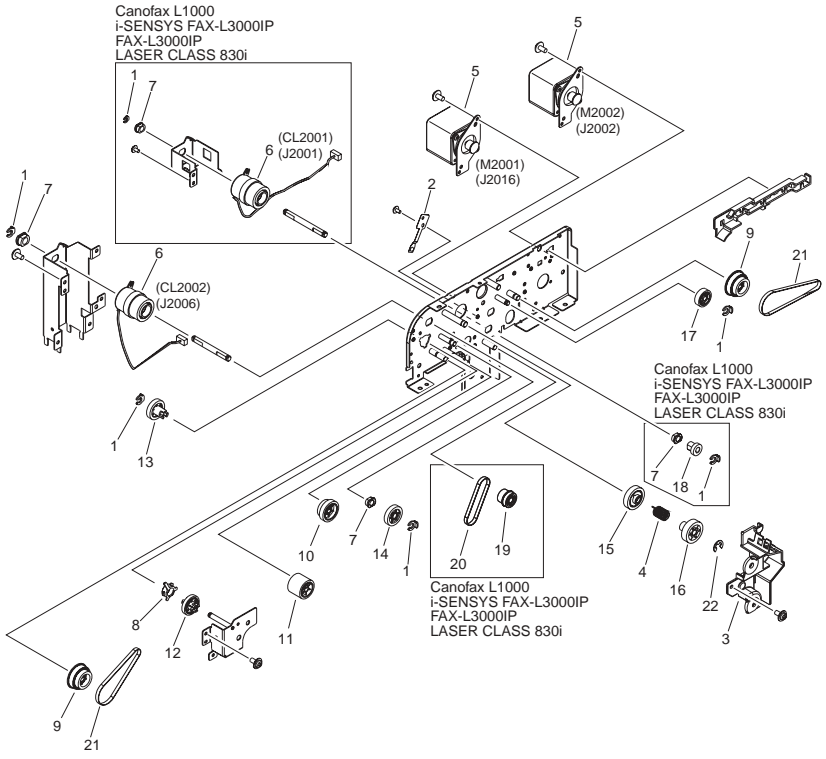


FIGURE & KEY NO.	PARTS NUMBER	RANK	Q'TY	DESCRIPTION	SERIAL NUMBER/REMARKS	SVC
Fig.165	NPN		RF	DRIVE ASSEMBLY		
1	FC5-4424-000		6	CLIP	Canofax L1000i-SENSYS FAX-L3000IPFAX-L3000IPLASER CLASS 830i	
1	FC5-4424-000		4	CLIP	LASER CLASS 810i-SENSYS FAX-L3000FAX-L3000	
2	FC8-0466-000		1	PLATE, GROUNDING		
3	FC8-0469-000		1	HOLDER, SENSOR		
4	FC8-0474-000		1	SPRING, COMPRESSION		
5	FK2-5771-000		2	MOTOR, STEPPING, DC	M2001,2002J2002,2016	
6	FK2-5773-000		1	CLUTCH, ELECTROMAGNETIC	CL2002LASER CLASS 810i-SENSYS FAX-L3000FAX-L3000	
6	FK2-5773-000		2	CLUTCH, ELECTROMAGNETIC	Canofax L1000i-SENSYS FAX-L3000IPFAX-L3000IPLASER CLASS 830iCL2001,2002J2001,2006	
7	FU5-1172-000		4	BUSHING	Canofax L1000i-SENSYS FAX-L3000IPFAX-L3000IPLASER CLASS 830i	
7	FU5-1172-000		2	BUSHING	LASER CLASS 810i-SENSYS FAX-L3000FAX-L3000	
8	FU5-1929-000		1	BUSHING		
9	FU7-0895-000		2	GEAR, 24T/PULLEY, 42T		
10	FU7-0896-000		1	GEAR, 22T/22T		
11	FU7-0897-000		1	GEAR, 20T		
12	FU7-0898-000		1	GEAR, 26T		
13	FU7-0899-000		1	GEAR, 26T		
14	FU7-0900-000		1	GEAR, 26T		
15	FU7-0901-000		1	GEAR, 30T		
16	FU7-0902-000		1	GEAR, 23T		
17	FU7-0903-000		1	GEAR, 22T		
18	FU7-0906-000		1	GEAR, 20T	Canofax L1000i-SENSYS FAX-L3000IPFAX-L3000IPLASER CLASS 830i	

FIGURE & KEY NO.	PARTS NUMBER	R A N K	Q'TY	DESCRIPTION	SERIAL NUMBER/ REMARKS	S V C
19	FU7-0908-000		1	GEAR, 24T/PULLEY, 26T	Canofax L1000i-SENSYS FAX-L3000IPFAX- L3000IPLASER CLASS 830i	
20	XF2-1606-340		1	BELT, TIMING	Canofax L1000i-SENSYS FAX-L3000IPFAX- L3000IPLASER CLASS 830i	
21	XF2-1608-340		2	BELT, TIMING		
22	XD9-0135-000		1	RING, E		

FIGURE 166 GUIDE SEPARATION ASSEMBLY

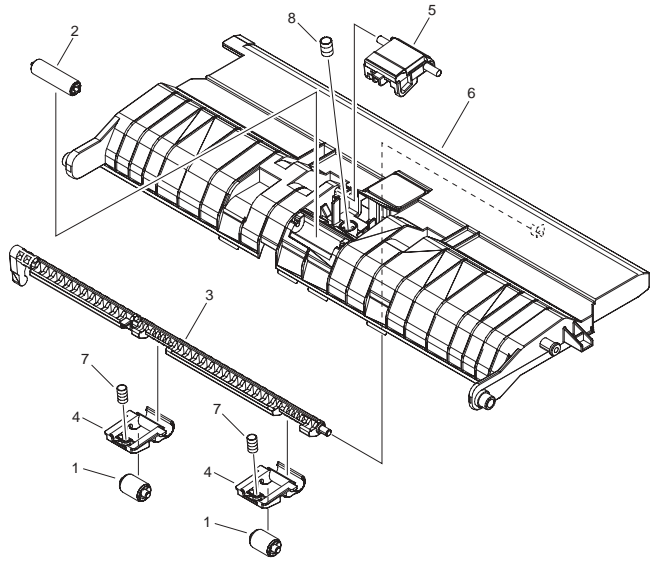


FIGURE & KEY NO.	PARTS NUMBER	RANK	QTY	DESCRIPTION	SERIAL NUMBER/REMARKS	S V C
Fig.166	NPN		RF	GUIDE SEPARATION ASSEMBLY		
1	FC6-7755-000		2	COLLAR		
2	FC6-7756-000		1	COLLAR		
3	FC8-0505-000		1	SHAFT, RELEASE		
4	FC8-0506-000		2	HOLDER, ROLLER		
5	FL2-3987-000		1	PAD, SEPARATION		
6	FL2-8031-000		1	GUIDE, SEPARATION		
7	FU6-2507-000		2	SPRING, COMPRESSION		
8	FU6-2508-000		1	SPRING, COMPRESSION		

FIGURE 167 GUIDE PAPER DELIVERY ASSEMBLY

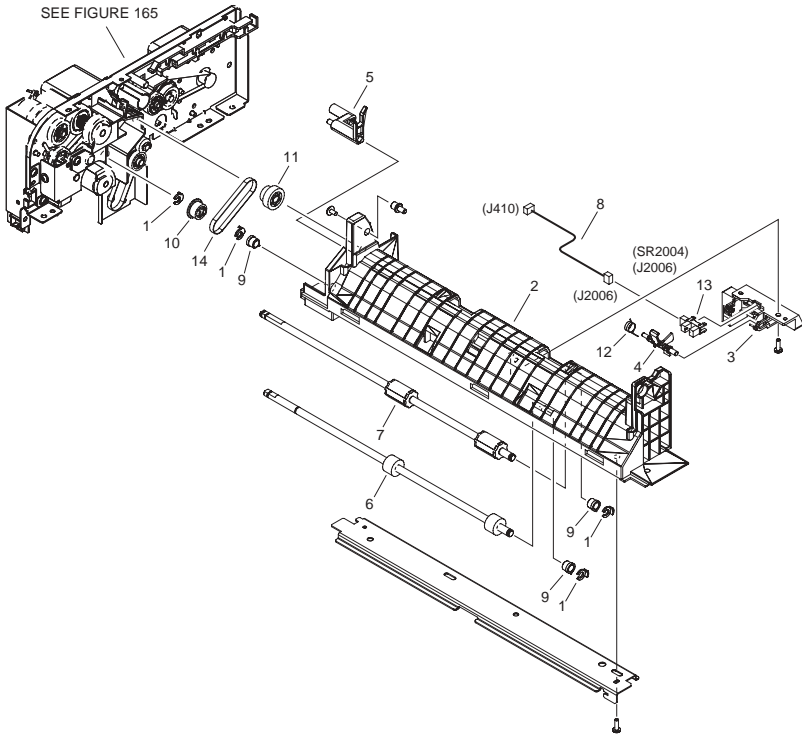


FIGURE & KEY NO.	PARTS NUMBER	R A N K	Q'TY	DESCRIPTION	SERIAL NUMBER/ REMARKS	S V C
Fig.167	NPN		RF	GUIDE PAPER DELIVERY ASSEMBLY		
1	FC5-4424-000		4	CLIP		
2	FC7-9977-000		1	GUIDE, DELIVERY		
3	FC7-9978-000		1	HOLDER, SENSOR		
4	FC7-9979-000		1	FLAG, SENSOR		
5	FC7-9986-000		1	ARM, RELEASE		
6	FC8-0515-000		1	ROLLER, FEED		
7	FC8-0516-000		1	ROLLER, PAPER DELIVERY		
8	FM3-3468-000		1	CABLE, PAPER DELIVERY SENSOR		
9	FU5-1626-000		3	BUSHING		
10	FU5-3643-000		1	PULLEY, 22T		
11	FU7-0904-000		1	GEAR, 22T/PULLEY, 22T		
12	FU7-2194-000		1	SPRING, TORSION		
13	WG8-5696-000		1	PHOTO INTERRUPTER, TLP1243	SR2004 J2006	
14	XF2-1606-340		1	BELT, TIMING		

FIGURE 250 MAIN DRIVE ASSEMBLY

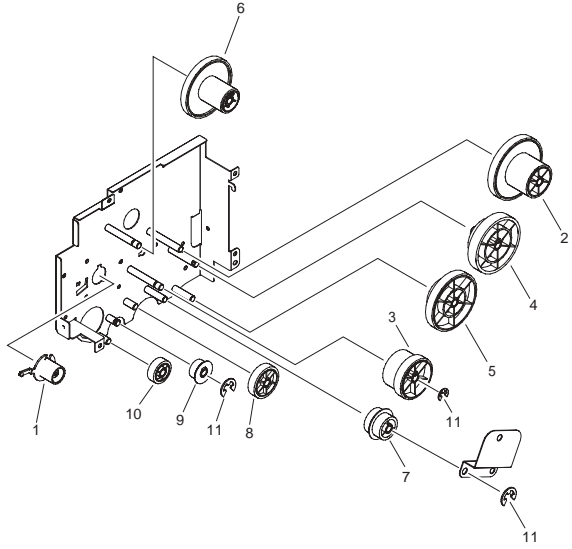


FIGURE & KEY NO.	PARTS NUMBER	RANK	QTY	DESCRIPTION	SERIAL NUMBER/REMARKS	SVC
Fig.250	NPN		RF	MAIN DRIVE ASSEMBLY		
1	FC6-7549-000		1	BUSHING, COUPLING, R		
2	FU7-0045-000		1	GEAR, 59T		
3	FU7-0046-000		1	GEAR, 74T/64T		
4	FU7-0047-000		1	GEAR, 103T/67T		
5	FU7-0048-000		1	GEAR, 30T/104T		
6	FU7-0055-000		1	GEAR, 106T/42T		
7	FU7-0050-000		1	GEAR, 28T/41T		
8	FU7-0051-000		1	GEAR, 37T		
9	FU7-0052-000		1	GEAR, 20T		
10	FU7-0053-000		1	GEAR, 26T		
11	XD9-0135-000		3	RING, E		

FIGURE 251 REVERSE DRIVE ASSEMBLY

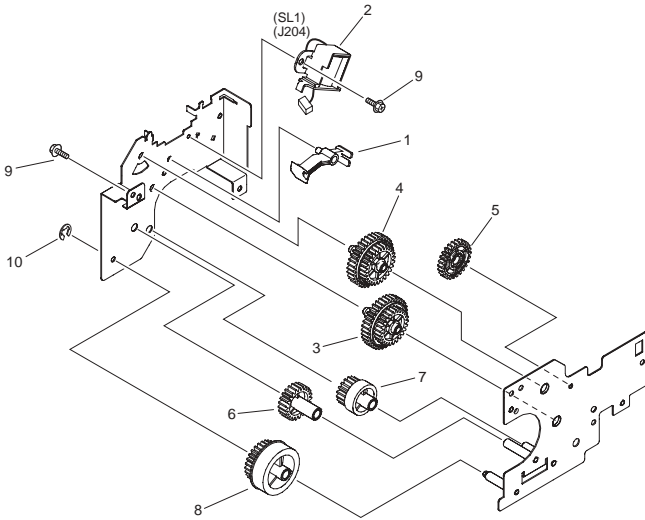
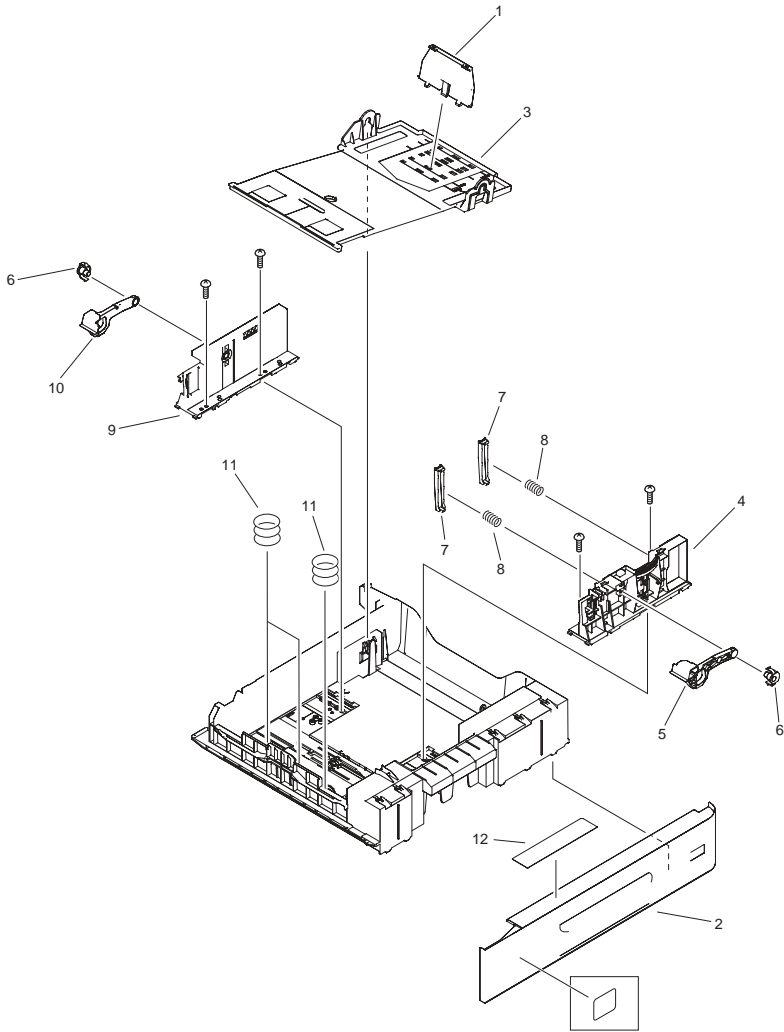


FIGURE & KEY NO.	PARTS NUMBER	RANK	QTY	DESCRIPTION	SERIAL NUMBER/REMARKS	SVC
Fig.251	NPN		RF	REVERSE DRIVE ASSEMBLY		
1	FC6-7517-000		1	ARM, SOLENOID	SL1 J204	
2	FK2-1408-000		1	SOLENOID		
3	FM2-5283-000		1	GEAR UNIT		
4	FM2-5284-000		1	GEAR UNIT		
5	FU7-0036-000		1	GEAR, 26T		
6	FU7-0039-000		1	GEAR, 23T		
7	FU7-0040-000		1	GEAR, 18T/41T		
8	FU7-0031-000		1	GEAR, 27T/25T		
9	XA9-1164-000		3	SCREW,RS,M3X6.5		
10	XD9-0134-000		1	RING, E		

FIGURE 300 CASSETTE



i-SENSYS FAX-L3000
i-SENSYS FAX-L3000IP

FIGURE & KEY NO.	PARTS NUMBER	R A N K	Q'TY	DESCRIPTION	SERIAL NUMBER/ REMARKS	S V C
Fig.300	FM2-8233-000		1	CASSETTE UNIT	100V/230V	
Fig.300	FM2-8232-000		1	CASSETTE UNIT	120V	
1	FC6-7377-000		1	PLATE, SIZE, REAR		
2	FC6-7382-000		1	PANEL, FRONT		
3	FL2-3889-000		1	PLATE, CST, LIFTER		
4	FC6-7372-000		1	PLATE, SIDE LIMIT, FRONT		
5	FC7-2989-000		1	CLAW, SEPARATION, FRONT		
6	FC6-7376-000		1	PIN, SUPPORT, CLAW		
7	FC6-7380-000		2	RETAINER, SHEET		
8	FU6-2410-000		2	SPRING, COMPRESSION		
9	FC6-7374-000		1	PLATE, SIDE LIMIT, REAR		
10	FC7-2990-000		1	CLAW, SEPARATION, REAR		
11	FU6-2408-020		3	SPRING, LEAF		
12	FC6-7388-000		1	LABEL, CASSETTE OPERATOR	100V/230V	
12	FC6-7385-000		1	LABEL, CASSETTE OPERATOR	120V	

FIGURE 310 PAPER PICK-UP ASSEMBLY

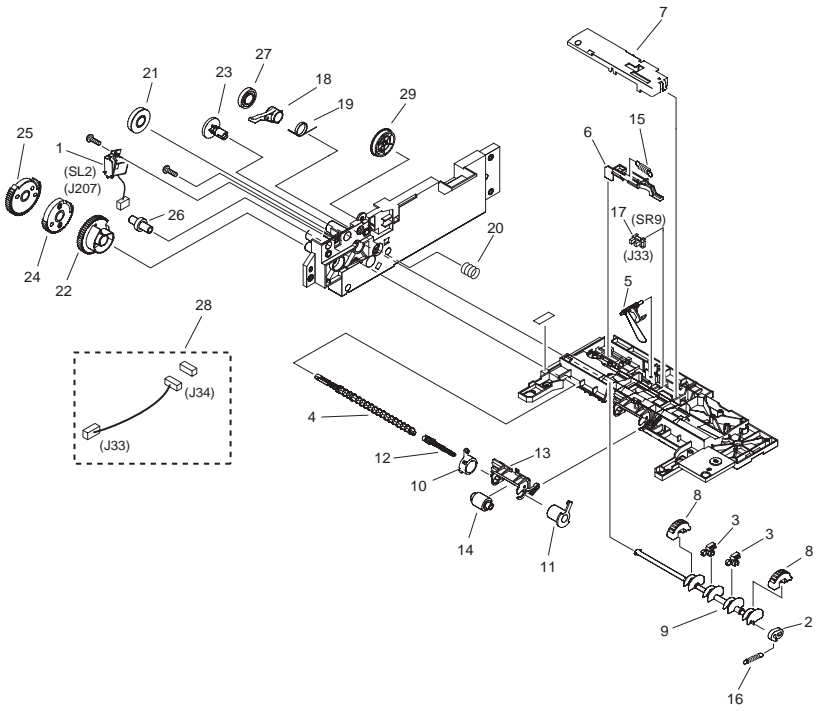


FIGURE & KEY NO.	PARTS NUMBER	R A N K	Q'TY	DESCRIPTION	SERIAL NUMBER/ REMARKS	S V C
Fig.310	NPN		RF	PAPER PICK-UP ASSEMBLY		
1	FK2-1412-000		1	SOLENOID	SL2 J207	
2	FB4-9820-000		1	COLLAR, SPRING		
3	FC6-7353-000		2	BUSHING, PICK-UP ROLLER		
4	FC6-7358-000		1	SHAFT, FEED ROLLER		
5	FC6-7366-000		1	FLAG, SENSOR		
6	FC6-7367-000		1	LEVER, SENSOR		
7	FC6-7368-000		1	COVER, SENSOR		
8	FB4-9817-030		2	ROLLER, PICK-UP		
9	FC6-7352-000		1	SHAFT, PICK-UP ROLLER		
10	FC5-4849-000		1	BUSHING,FACE-DOWN ROLLER		
11	FC6-7354-000		1	BUSHING, FEED ROLLER		
12	FC6-7357-000		1	SHAFT, FEED ROLLER		
13	FC6-7361-000		1	HOLDER, FEED ROLLER		
14	FL2-3887-000		1	ROLLER, FEED		
15	FU6-2406-000		1	SPRING, TENSION		
16	FU6-2407-000		1	SPRING, TENSION		
17	WG8-5776-000		1	PHOTO-INTERRUPTER, SG2481	SR9 J33	
18	FC6-7365-000		1	LEVER, TRIGGER		
19	FC6-7396-000		1	SPRING, TORSION		
20	FU6-2411-000		1	SPRING, COMPRESSION		
21	FU7-0009-000		1	GEAR, 34T		
22	FU7-0010-000		1	GEAR, 54T		
23	FU7-0011-000		1	GEAR, 29T		
24	FU7-0012-000		1	GEAR, 29T		
25	FU7-0013-000		1	GEAR, 41T		
26	FU7-0014-000		1	GEAR, 17T		
27	FU7-0015-000		1	GEAR, 28T		
28	FM2-4931-000		1	SENSOR CABLE UNIT		
29	FU7-0054-000		1	GEAR, 45T		

FIGURE 315
MULTI PAPER PICK-UP TRAY ASS'Y

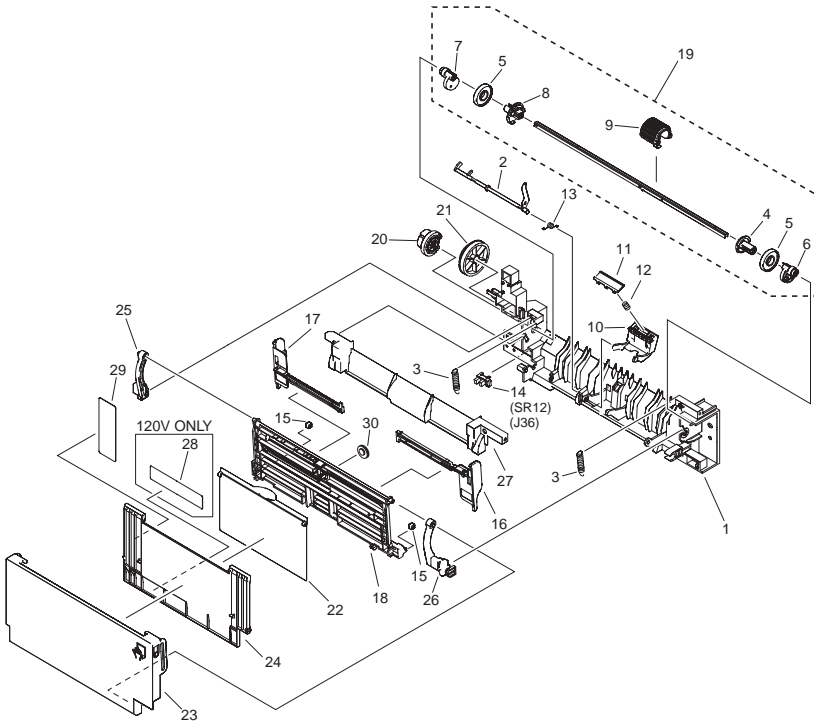


FIGURE & KEY NO.	PARTS NUMBER	R A N K	Q'TY	DESCRIPTION	SERIAL NUMBER/ REMARKS	S V C
Fig.315	NPN		RF	MULTI PAPER PICK-UP TRAY ASS'Y		
1	FC6-7411-020		1	FRAME, FEED PICK-UP		
2	FC6-7415-000		1	ARM, SENSOR		
3	FU6-2423-000		2	SPRING, TORSION		
4	FC6-7427-000		1	BUSHING		
5	FC6-7429-000		2	COLLAR		
6	FC6-7430-000		1	CAM, MP, RIGHT		
7	FC6-7431-000		1	CAM, MP, LEFT		
8	FC6-7432-000		1	CAM, ROLLER		
9	FL2-3897-000		1	ROLLER, MP PICK-UP		
10	FC6-7410-000		1	ARM, HOLDER		
11	FL2-3898-020		1	HOLDER, SEPARATION PAD		
12	FU6-2424-000		1	SPRING, COMPRESSION		
13	FU6-2425-000		1	SPRING, TORSION		
14	WG8-5776-000		1	PHOTO-INTERRUPTER, SG2481	SR12 J36	
15	FC6-7418-000		2	COLLAR		
16	FC7-9956-000		1	GUIDE, SLIDE, RIGHT		
17	FC7-9957-000		1	GUIDE, SLIDE, LEFT		
18	FL2-8010-000		1	TRAY, MULTI-PURPOSE		
19	FM2-5274-000		1	MP PICK-UP ROLLER UNIT		
20	FU7-0025-000		1	GEAR, 30T		
21	FU7-0026-000		1	GEAR, 31T/58T		
22	FC7-9953-000		1	TRAY, SUB, 2		
23	FC7-9954-000		1	PANEL, MULTI-PURPOSE TRAY		
24	FC7-9955-000		1	TRAY, SUB, 1		
25	FC7-9959-000		1	HINGE, M.P. PICK UP, LEFT		
26	FC7-9960-000		1	HINGE, M.P. PICK UP, RIGHT		
27	FC7-9961-000		1	COVER, MULTI PAPER PICK-UP		
28	FU6-8393-000		1	LABEL, MULTI TRAY SIZE	120V ONLY	
29	FU6-8396-000		1	LABEL, MULTI TRAY SIZE	100V	
29	FU6-8394-000		1	LABEL, MULTI TRAY SET	120V	
29	FU6-8395-000		1	LABEL, MULTI TRAY SET	230V	

FIGURE & KEY NO.	PARTS NUMBER	R A N K	Q'TY	DESCRIPTION	SERIAL NUMBER/ REMARKS	S V C
30	FC5-4914-000		1	GEAR		

FIGURE 320 REGISTRATION ASSEMBLY

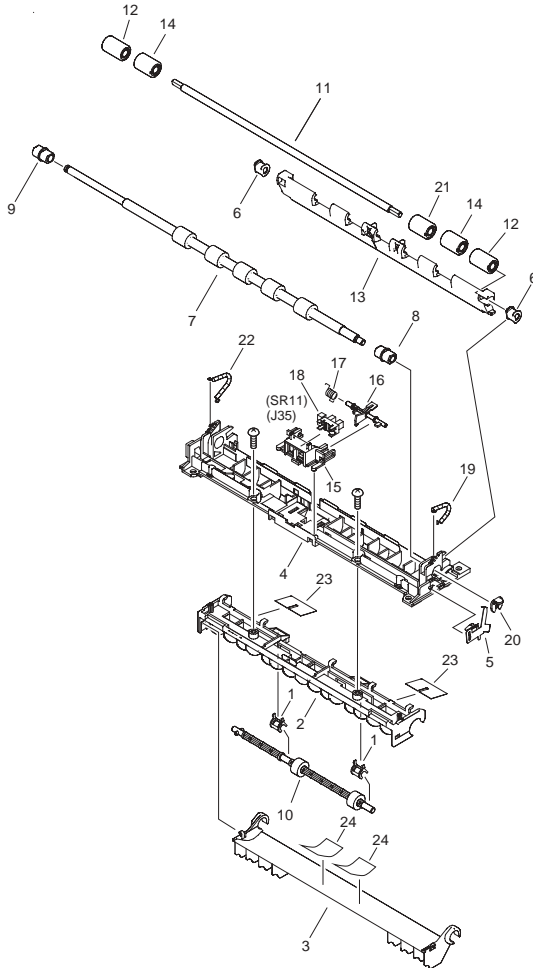


FIGURE & KEY NO.	PARTS NUMBER	R A N K	Q'TY	DESCRIPTION	SERIAL NUMBER/ REMARKS	S V C
Fig.320	NPN		RF	REGISTRATION ASSEMBLY		
1	FC6-7401-000		2	BUSHING, FEED ROLLER		
2	FC6-7406-020		1	GUIDE, DUPLEXING INSIDE		
3	FC6-7414-000		1	COVER, MP PICK-UP, A		
4	FL2-3892-000		1	FRAME, REGISTRATION		
5	FC7-5824-000		1	PLATE, GROUNDING		
6	FC7-5819-000		2	BUSHING		
7	FC7-5820-000		1	ROLLER, REGISTRATION		
8	FC7-5825-000		1	BUSHING, REGIST ROLLER, FRONT		
9	FC7-5826-000		1	BUSHING, REGIST ROLLER, REAR		
10	FL2-3901-000		1	ROLLER, FEED		
11	FC7-5822-000		1	SHAFT, REGISTRATION ROLLER		
12	FC7-5828-000		2	COLLAR, FEEDER		
13	FC7-7152-020		1	GUIDE, PRE-REGISTRATION		
14	FC7-5827-000		2	COLLAR, FEEDER		
15	FC6-7442-040		1	HOLDER, SENSOR		
16	FC6-7443-020		1	FLAG, SENSOR		
17	FC6-7444-000		1	SPRING, TORSION		
18	WG8-5776-000		1	PHOTO-INTERRUPTER, SG2481	SR11 J35	
19	FU6-2414-000		1	SPRING, TENSION		
20	FB4-2007-000		1	RING, RETAINING		
21	FC7-5823-000		1	COLLAR, FEEDER		
22	FU6-2416-000		1	SPRING, TENSION, RED		
23	FC6-7475-000		2	SHEET, CROSSING, PATH		
24	FC7-7146-000		2	SHEET, U, SMALL		

FIGURE 460 LASER SCANNER ASSEMBLY

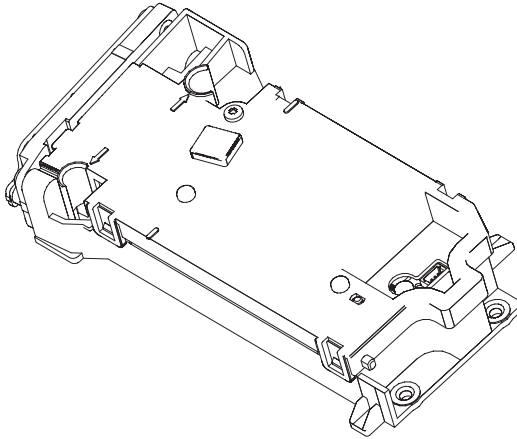


FIGURE & KEY NO.	PARTS NUMBER	RANK	QTY	DESCRIPTION	SERIAL NUMBER/REMARKS	SVC
Fig.460	FM2-5271-000		1	LASER SCANNER ASSEMBLY		

FIGURE 810 FIXING ASSEMBLY

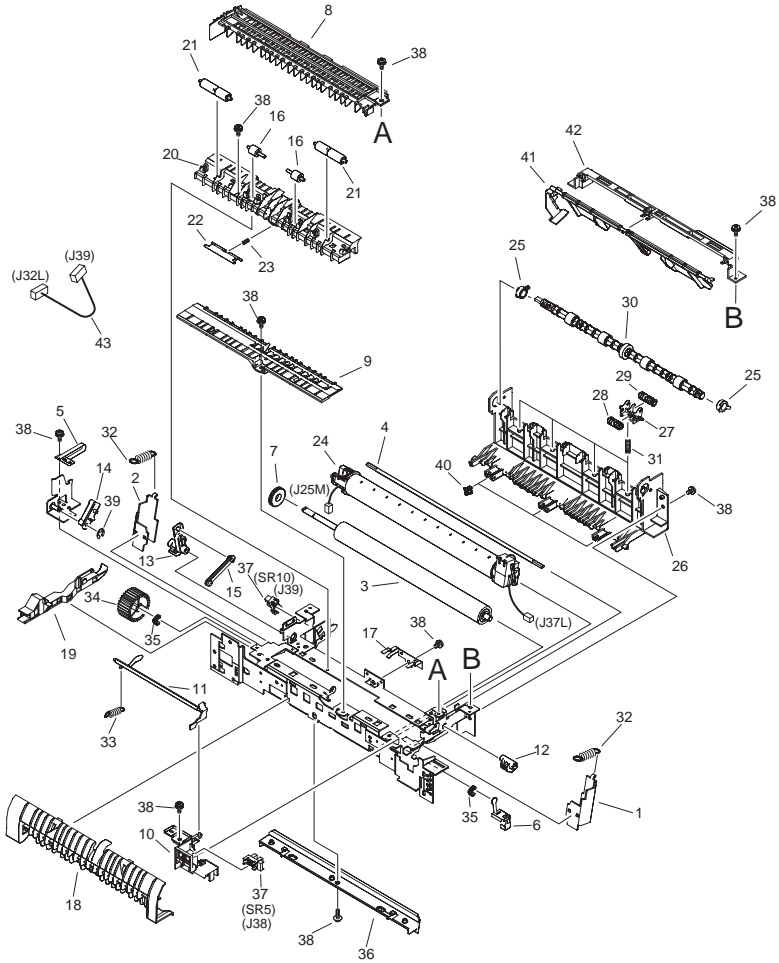


FIGURE & KEY NO.	PARTS NUMBER	R A N K	Q'TY	DESCRIPTION	SERIAL NUMBER/ REMARKS	S V C
Fig.810	FM2-5297-000		1	FIXING ASSEMBLY	100V	
Fig.810	FM2-5278-000		1	FIXING ASSEMBLY	120V	
Fig.810	FM2-5298-000		1	FIXING ASSEMBLY	230V	
1	FC6-7480-000		1	PLATE, PRESSURE, FRONT		
2	FC6-7481-000		1	PLATE, PRESSURE, REAR		
3	FC6-7482-000		1	ROLLER, PRESSURE		
4	FC6-7483-000		1	SHAFT, ARM		
5	FC6-7484-000		1	SPRING, PLATE		
6	FC6-7485-000		1	SPRING, PLATE		
7	FC6-7486-000		1	RUBBER, PRESSURE ROLLER		
8	FC6-7488-000		1	GUIDE, REVERSE, UPPER		
9	FC6-7489-000		1	GUIDE, DUPLEXING ENTRANCE		
10	FC6-7490-020		1	MOUNT, DELIVERY SENSOR		
11	FC6-7491-000		1	FLAG, SENSOR		
12	FC6-7492-000		1	ARM, PRESSURE RELEASE, FRONT		
13	FC6-7493-000		1	ARM, PRESSURE RELEASE, REAR		
14	FC6-7494-000		1	ARM, LINK		
15	FC6-7495-000		1	ARM, LINK		
16	FC6-7496-000		2	COLLAR		
17	FC6-7506-000		1	SPRING, PLATE		
18	FC6-7507-000		1	GUIDE, DUPLEXING INNER		
19	FC6-7518-000		1	GUIDE, CABLE		
20	FC6-7487-000		1	GUIDE, REVERSE, LOWER		
21	FC6-7497-000		2	COLLAR		
22	FC6-7505-000		1	FLAG, STOPPER		
23	FU6-2474-000		1	SPRING, COMPRESSION		
24	FM2-5295-000		1	FILM UNIT	100VJ25M,37L	
24	FM2-5280-000		1	FILM UNIT	120VJ25M,37L	
24	FM2-5296-000		1	FILM UNIT	230VJ25M,37L	
25	FC5-4849-000		2	BUSHING,FACE-DOWN ROLLER		
26	FC6-7501-000		1	FRAME, DELIVERY		
27	FC6-7502-020		4	HOLDER, ROLLER		

FIGURE & KEY NO.	PARTS NUMBER	R A N K	Q'TY	DESCRIPTION	SERIAL NUMBER/ REMARKS	S V C
28	FC6-7503-000		4	ROLLER, PAPER DELIVERY, INSIDE	SR5,10 J38,39	
29	FC7-2805-000		4	ROLLER, PAPER DELIVERY, OUTER		
30	FL2-3908-000		1	ROLLER, DELIVERY		
31	FU6-2473-000		4	SPRING, COMPRESSION		
32	FU6-2471-000		2	SPRING, TENSION		
33	FU6-2472-000		1	SPRING, TENSION		
34	FU7-0034-000		1	GEAR, 32T		
35	RB2-2973-000		2	BUSHING		
36	FC6-7478-000		1	GUIDE, ENTRANCE		
37	WG8-5776-000		2	PHOTO-INTERRUPTER, SG2481		
38	XA9-0702-000		11	SCREW, WWASHER, M3X6		
39	XD9-0134-000		1	RING, E		
40	FC6-7528-000		3	ROWEL		
41	FC6-7529-000		1	LEVER, FULL DETECT		
42	FC6-7530-000		1	FRAME, LEVER SUPPORT		
43	FM2-4943-000		1	CABLE, SENSOR		

FIGURE 930 PCB ASSEMBLY

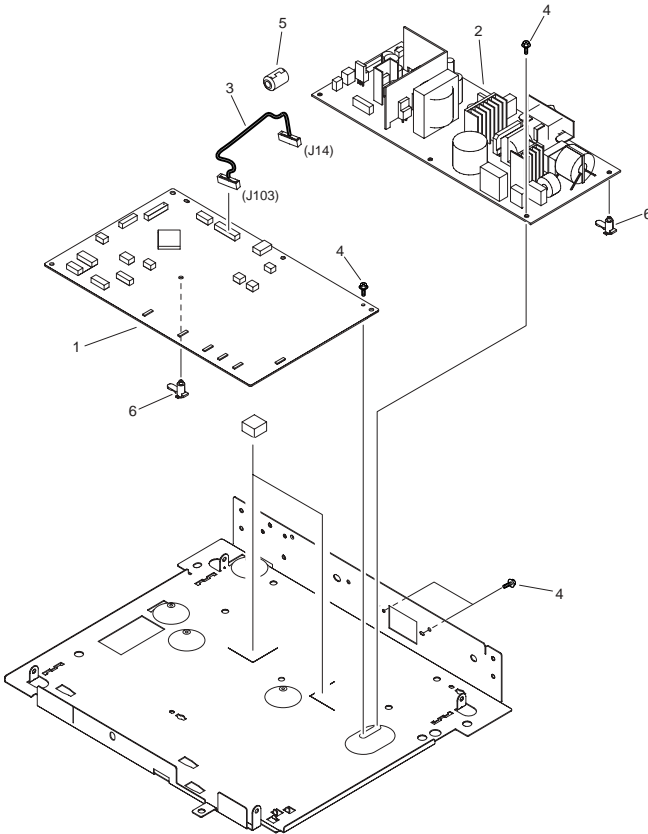


FIGURE & KEY NO.	PARTS NUMBER	RANK	Q'TY	DESCRIPTION	SERIAL NUMBER/REMARKS	SVC
Fig.930	NPN		RF	PCB ASSEMBLY		
1	FM3-3841-000		1	DC CONTROLLER PCB ASSEMBLY	100V/120V	
1	FM3-3842-000		1	DC CONTROLLER PCB ASSEMBLY	230V	
2	FK2-5764-000		1	POWER SUPPLY PCB ASSEMBLY	100V	
2	FK2-5765-000		1	POWER SUPPLY PCB ASSEMBLY	120V	
2	FK2-5766-000		1	POWER SUPPLY PCB ASSEMBLY	230V	
3	FM2-4921-000		1	CABLE, DCCON-PSU		
4	XA9-1567-000		AR	SCREW, RS, M3X8.5		
5	WE8-6383-000		1	CORE, RING		
6	FC6-7564-000		2	SPACER, PCB		

FIGURE 950 IMAGE PROCESSOR PCB ASSEMBLY

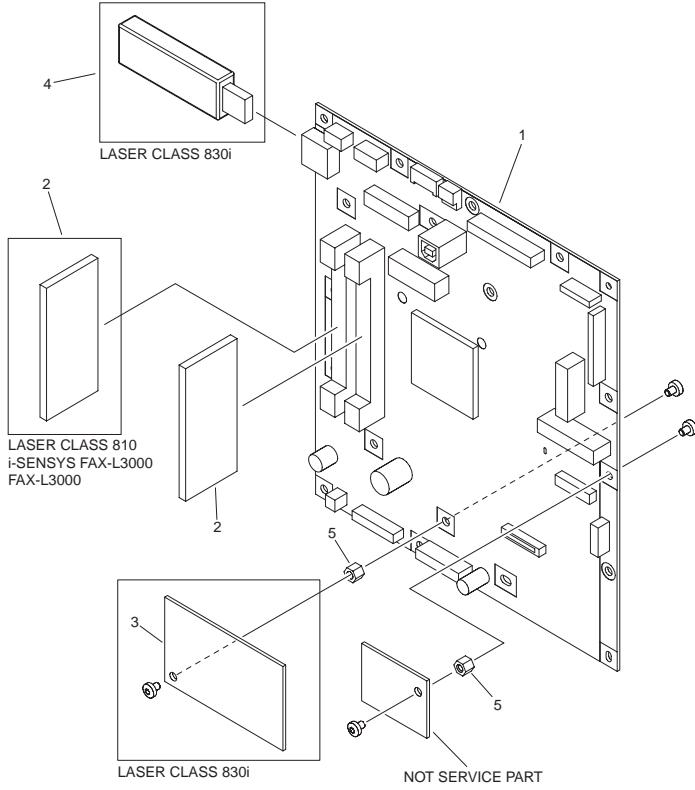


FIGURE & KEY NO.	PARTS NUMBER	RANK	Q'TY	DESCRIPTION	SERIAL NUMBER/REMARKS	SVC
Fig.950	NPN		RF	IMAGE PROCESSOR PCB ASSEMBLY		
1	FM3-3369-000		1	IMAGE PROCESSOR PCB ASSEMBLY	Canofax L1000i-SENSYS FAX-L3000IPFAX-L3000IPLASER CLASS 830i	
1	FM3-3379-000		1	IMAGE PROCESSOR PCB ASSEMBLY	LASER CLASS 810i-SENSYS FAX-L3000FAX-L3000	
2	FM3-3324-000		1	DDR MODULE PCB ASSEMBLY	Canofax L1000i-SENSYS FAX-L3000IPFAX-L3000IPLASER CLASS 830i128MM	
2	FM3-3373-000		2	SDR DIMM PCB ASSEMBLY	LASER CLASS 810i-SENSYS FAX-L3000FAX-L300064MB	
3	FM3-3377-000		1	ROM PCB ASSEMBLY	LASER CLASS 830i	
4	FK2-5122-000		1	MEMORY, USB FLASH, 128M	LASER CLASS 830i	
5	VT2-5177-005		2	SPACER, METAL		
BAT	WK1-5148-000		1	BATTERY, LITHIUM, CR2477-HE6MY	BAT951	
IC	FK2-0949-000		1	IC, UPD65942GC-Y24, ASIC	IC140	
IC	FK2-2561-000		1	IC, UPD800293F1-011-MN5-A	IC1	

FIGURE ZZA

MECHANICAL STANDARD PARTS (HOW TO USE)

Mechanical standard parts

機械標準部品

About a mechanical standard parts

A Mechanical standard parts is a mechanical part which not parts peculiar to a product. They are parts which are common to a Canon product and are used, such as a screw and a washer. The Fig No. and parts number of the mechanical standard parts are not listed in the product parts catalog. Refer to the parts catalog of mechanical standard parts when checking the parts number for screw or washer etc. and identify them by part shape or size.

機械標準部品とは

機械標準部品とは、製品特有の部品ではなく、ねじやワッシャなどキヤノン製品共通で使用されている機械部品（メカ部品）のことです。
製品のパーツカタログには、機械標準部品のFig No.や部品番号は記載しておりません。
ねじや、ワッシャ等の部品番号を調べるときは、機械標準部品のパーツカタログを参照し、部品の形状や大きさから判断し、使用している部品を調べてください。

Material and surface treatment of a mechanical standard parts

Material and surface treatment of mechanical standard parts are assigned commonly for each part. Refer to the Table 1 for the parts which material and surface treatment are assigned as numbers.

機械標準部品の材料および表面処理

機械標準部品の材料および表面処理については、各種部品共通で決められています。
材料および表面処理が番号で決められている部品については、表1を参照してください。

Table 1 Material and Surface treatment
表1 材料および表面処理

No. 番号	Material 材料	Surface treatment 表面処理	Color 色
1	Stainless steel ステンレス	Stainless steel black coloring (BC4) ステンレス黒着色(BC4)	Black 黒
2		not to be given なし	White 白
3	Brass 黄銅	Regular nickel plating (NL) 普通ニッケルメッキ(NL)	White 白
4		Black nickel plating (BN) 黒色ニッケルメッキ(BN)	Black 黒
5	Steel 鋼	White zinc trivalent chromate treating (ZC3) 白色亜鉛3価クロメート(ZC3)	White 白
6		Regular nickel chromium plating (NC) 普通ニッケルクロムメッキ(NC)	White 白
7		Regular nickel plating (NL) 普通ニッケルメッキ(NL)	White 白
8		Iron and steel phosphating (P1) 鉄鋼磷酸塩処理(P1)	Black 黒
9		Black zinc trivalent chromate treating (BZ3) 黒色亜鉛3価クロメート(BZ3)	Black 黒

FIGURE ZZB MECHANICAL STANDARD PARTS (SCREWS)

1. Screws ねじ

How to read Parts Numbers
部品番号の見方

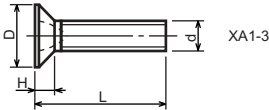
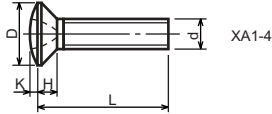
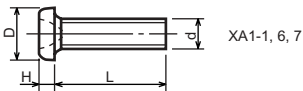
Screws
ねじ

XB1-2400-609

Type No.
類別番号
Normal designation (d)
ねじの呼び(d)
Length (L)
ねじの長さ(L)
Material and Surface treatment
材料および表面処理

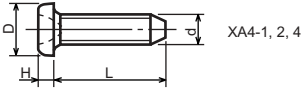
XB1-2 expresses Binding head machine screw.
XB1-2は、バインドねじを表す
40 expresses M4.0.
40は、M4.0を表す
0-60 expresses a length of 6.0mm.
0-60は、6.0mmの長さを表す
9 expresses Steel (Black zinc trivalent chromate
treating) from Table 1.
9は、表1より鋼(黒色亜鉛3価クロメート)を表す

1-1. Cross Recessed Head Screws for Precision Equipments 精密機器用十字穴付き小ねじ

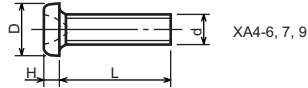


Type No. 類別番号	Type 類別	Head size (mm) 頭部寸法 (mm)							
		M1.4	M1.6	M1.7	M2	M2.5	M2.6		
XA1-1	Pan head Class 1 なべ1種	D	XA1-1	2	2.4	2.5	3	3.8	4
		H	XA1-1	0.5	0.55	0.5	0.6	0.9	0.8
XA1-3	Countersunk head Class 1 さら1種	D	XA1-3	2	2.4	2.5	3	3.8	4
		H	XA1-3	0.48	0.55	0.58	0.73	0.85	0.93
XA1-4	Oval countersunk head Class 1 丸さら1種	D	XA1-4	2	2.4	2.5	3	3.8	4
		H + K	XA1-4	0.68	0.8	0.88	1	1.25	1.3
XA1-6	Pan head Class 3 なべ3種	D	XA1-6	2.5	2.8	3	3.5	4.3	4.5
		H	XA1-6	0.8	0.85	0.9	1	1.3	1.2
XA1-7	Pan head Class 2 なべ2種	D	XA1-7	2.5	2.8	3	3.5	4.3	4.5
		H	XA1-7	0.5	0.55	0.5	0.6	0.9	0.8

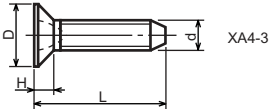
1-2. Precision Tapping Screws
精密用タッピンねじ



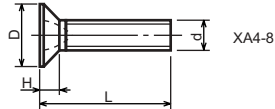
XA4-1, 2, 4



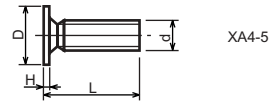
XA4-6, 7, 9



XA4-3



XA4-8



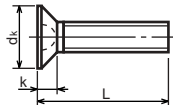
XA4-5

Type No. 類別番号	Type 類別	Head size (mm) 頭部寸法 (mm)						
		M1.4	M1.6	M1.7	M2	M2.5	M2.6	
XA4-1	With tapered end pan head Class 1 絞りなべ1種	D XA4-1	2	2.4	2.5	3	3.8	4
		H XA4-1	0.5	0.55	0.5	0.6	0.9	0.8
XA4-2	With tapered end pan head Class 3 絞りなべ3種	D XA4-2	2.5	2.8	3	3.5	4.3	4.5
		H XA4-2	0.8	0.85	0.9	1	1.3	1.2
XA4-3	With tapered end countersunk head 絞り-さら	D XA4-3	2	2.4	2.5	3	3.8	4
		H XA4-3	0.48	0.55	0.58	0.73	0.85	0.93
XA4-4	With tapered end pan head Class 2 絞りなべ2種	D XA4-4	2.5	2.8	3	3.5	4.3	4.5
		H XA4-4	0.5	0.55	0.5	0.6	0.9	0.8
XA4-5	With parallel end ultra thin head ストレート-超薄頭	D XA4-5	2.5	2.8	3	-	-	-
		H XA4-5	0.2	0.2	0.2	-	-	-
XA4-6	With parallel end pan head Class 1 ストレートなべ1種	D XA4-6	2	2.4	2.5	3	3.8	4
		H XA4-6	0.5	0.55	0.5	0.6	0.9	0.8
XA4-7	With parallel end pan head Class 3 ストレートなべ3種	D XA4-7	2.5	2.8	3	3.5	4.3	4.5
		H XA4-7	0.8	0.85	0.9	1	1.3	1.2
XA4-8	With parallel end countersunk head ストレート-さら	D XA4-8	2	2.4	2.5	3	3.8	4
		H XA4-8	0.48	0.55	0.58	0.73	0.85	0.93
XA4-9	With parallel end pan head Class 2 ストレートなべ2種	D XA4-9	2.5	2.8	3	3.5	4.3	4.5
		H XA4-9	0.5	0.55	0.5	0.6	0.9	0.8

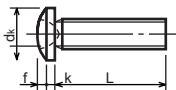
1-3. Cross Recessed Head Screws
 一般用十字穴付き小ねじ



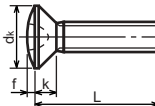
XB1-1



XB1-3



XB1-2

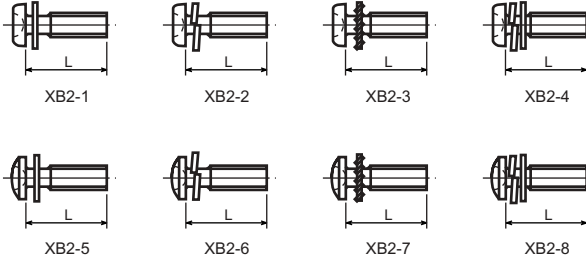


XB1-4

Type No. 類別番号	Type 類別
XB1-1	Pan head なべ
XB1-2	Binding head バインド
XB1-3	Countersunk head さら
XB1-4	Oval countersunk head 丸さら

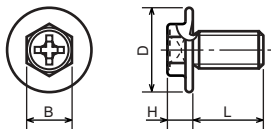
		Head size (mm) 頭部寸法 (mm)					
		M2	M2.5	M2.6	M3	M4	M5
dk	XB1-1	3.5	4.5	4.5	5.5	7	9
k	XB1-1	1.3	1.7	1.7	2	2.6	3.3
dk	XB1-2	4.3	5.3	5.5	6.3	8.3	10.3
k+f	XB1-2	1.2	1.5	1.6	1.9	2.5	3.1
dk	XB1-3	4	5	-	6	8	10
k	XB1-3	1.2	1.45	-	1.75	2.3	2.8
dk	XB1-4	4	5	-	6	8	10
k+f	XB1-4	1.6	2	-	2.45	3.2	4
Screw part length ねじ部長さ b		8	12	12	12	16	20

1-4. Cross Recessed Head Screws with Captive Washer
 座金組込み十字穴付き小ねじ



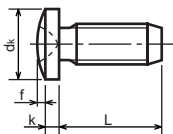
Type No. 類別番号	Type 類別
XB2-1	Pan head + Plain washer (circular bright) なべねじ+平座金
XB2-2	Pan head + Spring washer なべねじ+ばね座金
XB2-3	Pan head + Toothed lock washer なべねじ+歯付座金
XB2-4	Pan head + Spring washer and plain washer (circular bright) なべねじ+(ばね+平)座金
XB2-5	Binding head + Plain washer (circular bright) バインドねじ+平座金
XB2-6	Binding head + Spring washer バインドねじ+ばね座金
XB2-7	Binding head + Toothed lock washer バインドねじ+歯付座金
XB2-8	Binding head + Spring washer and plain washer (circular bright) バインドねじ+(ばね+平)座金

1-5. Hexagon Head Tapping Screws for Metallic Materials
 金属用六角タッピンねじ



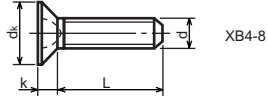
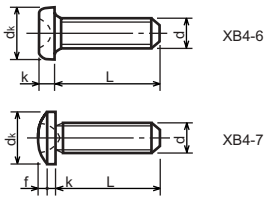
Type No. 類別番号	Type 類別	Head size (mm) 頭部寸法 (mm)	
		M3	M4
XB3-6	For metallic materials 金属用タッピン	D	8 10
		B	5.5 5.5
XB3-7	For metallic materials with clawed 金属用タッピン-つめ付き	H XB3-6	3.1 3.1
		H XB3-7	3.2 3.2

1-6. Special Tapping Screws
 特殊タッピンねじ



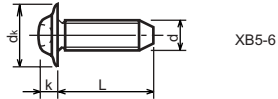
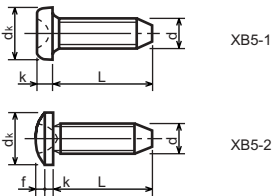
Type No. 類別番号	Type 類別	Head size (mm) 頭部寸法 (mm)	
		M3	M4
XB4-5	Binding head バインド	d _k	6.3 8.3
		k	1.3 1.7
		k+f	1.9 2.5

1-7. General Head Tapping Screws
一般用タッピンねじ



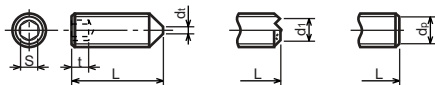
Type No. 類別番号	Type 類別	Head size (mm) 頭部寸法 (mm)						
		M2	M2.5	M2.6	M3	M4	M5	
XB4-6	Pan head なべ	d_k XB4-6	3.5	4.5	4.5	5.5	7	9
		k XB4-6	1.3	1.7	1.7	2	2.6	3.3
XB4-7	Binding head バインド	d_k XB4-7	4.3	5.3	5.5	6.3	8.3	10.3
		$k+f$ XB4-7	1.2	1.5	1.6	1.9	2.5	3.1
XB4-8	Countersunk head さら	d_k XB4-8	4	5	5.2	6	8	10
		k XB4-8	1.2	1.45	1.5	1.75	2.3	2.8

1-8. Tapping Screws for Metallic Materials
金属用タッピンねじ



Type No. 類別番号	Type 類別	Head size (mm) 頭部寸法 (mm)					
		M2.5	M2.6	M3	M4	M5	
XB5-1	Pan head なべ	d_k XB5-1	4.5	4.5	5.5	7	9
		k XB5-1	1.7	1.7	2	2.6	3.3
XB5-2	Binding head バインド	d_k XB5-2	5.5	5.5	6.3	8.3	10.3
		$k+f$ XB5-2	1.6	1.6	1.9	2.5	3.1
XB5-6	Flanged pan head つば付きなべ	d_k XB5-6	6.5	6.5	8	10	12
		k XB5-6	2.1	2.1	1.75	3.2	4

1-9. Hexagon Socket Set Screws
六角穴付止めねじ



XB6-1

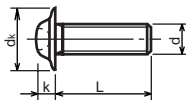
XB6-2

XB6-3

Type No. 類別番号	Type 類別
XB6-1	Cone point とがり先
XB6-2	Double point ダブルポイント
XB6-3	Flat point 平先

	Head size (mm) 頭部寸法 (mm)						
	M1.6 M1.7	M2	M2.5 M2.6	M3	M5	M5	M6
S	0.7	0.9	1.3	1.5	2	2.5	3
t	1.5	1.7	2	2	2.5	3	3.5
d _{t max} XB6-1	0.4	0.5	0.65	0.75	1	1.25	1.5
d _{l max} XB6-2	-	1.2	1.5	1.7	2.2	2.8	3.3
d _{l min} XB6-2	-	1	1.2	1.4	1.9	2.4	2.9
d _{p max} XB6-3	0.8	1	1.5	2	2.5	3.5	4
d _{p min} XB6-3	0.55	0.75	1.25	1.75	2.25	3.2	3.7

1-10. Flanged Pan Head Machine Screws
つば付きなべ小ねじ



Type No. 類別番号	Type 類別
XB6-7	Flanged pan head つば付きなべ

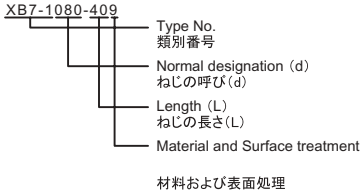
	Head size (mm) 頭部寸法 (mm)				
	M2	M2.5 M2.6	M3	M5	M5
d _k	5	6.5	8	10	12
k	1.7	2.1	2.5	3.2	4

FIGURE ZZC MECHANICAL STANDARD PARTS (BOLTS)

2. Bolts (Socket head cap screw) ボルト

How to read Parts Numbers
部品番号の見方

Bolt (Socket head cap screw)
ボルト



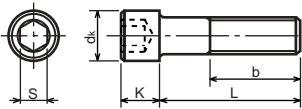
XB7-1 expresses Hexagon socket head cap screws.
XB7-1は、六角穴付きボルトを表す

080 expresses M8.0.
080は、M8.0を表す

40 expresses a length of 40mm.
40は、40mmの長さを表す

9 expresses Steel (Black zinc trivalent chromate treating) from Table 1.
9は、表1より鋼(黒色亜鉛3価クロメート)を表す

2-1. Hexagon socket head cap screws 六角穴付きボルト



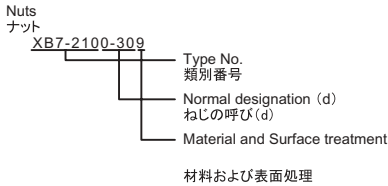
Type No. 類別番号	Type 類別
XB7-1	Hexagon socket head cap screws 六角穴付きボルト

	Head size (mm) 頭部寸法 (mm)						
	M3	M4	M5	M6	M8	M10	M12
S	2.5	3	4	5	6	8	10
d_k	5.5	7	8.5	10	13	16	18
K	3	4	5	6	8	10	12
Screw part length ねじ部長さ b_{max}	18	20	22	24	28	32	36

FIGURE ZZD MECHANICAL STANDARD PARTS (NUTS)

3. Nuts ナット

How to read Parts Numbers
部品番号の見方



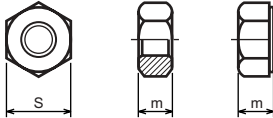
XB7-210 expresses Hexagon nut class 1.
XB7-210は、六角ナット1種を表す

0-30 expresses M3.0.
0-30は、M3.0を表す

9 expresses Steel (Black zinc trivalent chromate
treating) from Table 1.

9は、表1より鋼(黒色亜鉛3価クロメート)を表す

3-1. Hexagon Nuts and Hexagon Thin Nuts 六角ナット



Type No. 類別番号	Type 類別
XB7-210	Hexagon nut Class 1 六角ナット-1種
XB7-220	Hexagon nut Class 3 六角ナット-3種
XB7-230	Hexagon nut Style 1 double chamfered 六角ナット-スタイル1-両面とり
XB7-231	Hexagon nut Style 1 washer faced 六角ナット-スタイル1-座付き
XB7-240	Hexagon nut Style 2 double chamfered 六角ナット-スタイル2-両面とり
XB7-241	Hexagon nut Style 2 washer faced 六角ナット-スタイル2-座付き
XB7-250	Hexagon nut 六角ナット
XB7-260	Hexagon thin nut double chamfered 六角低ナット-両面とり
XB7-270	Hexagon thin nut not chamfered 六角低ナット-面とり無し

	Head size (mm) 頭部寸法 (mm)						
	M2	M2.5	M3	M4	M5	M6	M8
S	4	5	5.5	7	8	10	13
m XB7-210	1.6	2	2.4	3.2	4	5	6.5
m XB7-220	1.2	1.6	1.8	2.4	3.2	3.6	5
m XB7-230, 231	1.6	2	2.4	3.2	4.7	5.2	6.8
m XB7-240, 241	-	-	-	-	5.1	5.7	7.5
m XB7-250	-	-	-	-	5.6	6.1	7.9
m XB7-260	1.2	1.6	1.8	2.2	2.7	3.2	4
m XB7-270	1.2	1.6	1.8	2.2	2.7	3.2	4

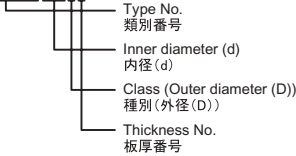
FIGURE ZZE MECHANICAL STANDARD PARTS (WASHERS)

4. Washers ワッシャ

How to read Parts Numbers
部品番号の見方

Washers (XD1-1)
ワッシャ (XD1-1)

XD1-1102-625



XD1-110 expresses copper material washer.
XD1-110は、銅材のワッシャを表す

2-6 expresses a inner diameter of 2.6 mm.
2-6は、2.6mmの内径を表す

2 expresses a outer diameter of 4.4 mm from Table 2.
2は、表2より4.4mmの外径を表す

5 expresses a thickness of 0.5 mm from Table 3.
5は、表3より0.5mmの板厚を表す

Table 2 表2

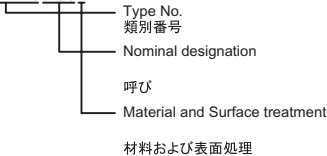
d (mm)	D (mm)		
	Class 1 1種	Class 2 2種	Class 3 3種
1.5	-	2.6	3.2
1.8	2.7	3.1	3.7
2.1	3.2	3.6	4.2
2.3	3.6	4	4.6
2.6	4	4.4	5
3.1	4.6	5	5.6
3.6	5.4	5.8	6.4
4.1	5.7	6.6	8
4.6	6.4	7.4	9
5.2	7.2	8.2	10
5.7	7.8	9	11
6.2	8.5	9.8	12
6.7	9.2	10.5	13
7.2	10	11.4	14
7.7	10.6	12.2	15
8.2	11.4	13	16
8.7	12	13.8	17
9.2	12.8	14.6	18
9.7	13.5	15.4	19
10.2	14.3	15.6	20

Table 3 表3

Thickness No. 板厚番号	t (mm)
0	0.05
1	0.1
2	0.2
3	0.3
4	0.4
5	0.5
6	0.6
7	0.7
8	0.8
9	1

Plain washers, Spring lock washers, Toothed lock washers (XD1-2, 3, 4)
平座金、ばね座金、歯付き座金 (XD1-2, 3, 4)

XD1-2100-307



XD1-210 expresses plain washer.
XD1-210は、平座金を表す

0-30 expresses a 030 of nominal designation.
(See Table 4)

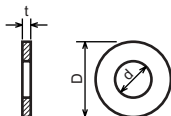
0-30は、呼び030を表す(表4参照)

7 expresses Steel (Regular nickel chromium plating)
from Table 1.

7は、表1より鋼(普通ニッケルメッキ)を表す

4-1. Washers

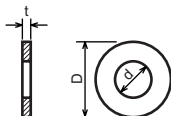
ワッシャ



Type No. 類別番号	Type 類別
XD1-110	Washer - Copper material ワッシャ 銅
XD1-120	Washer - Stainless steel material ワッシャ ステンレス

4-2. Plain Washers

平座金



Type No. 類別番号	Type 類別
XD1-210	Regular type grade A 並形—等級A
XD1-120	Washer - Stainless steel material ワッシャ ステンレス

Table 4 表4

Nominal designation 呼び	d (mm)	D (mm)	t (mm)
020	2.2	5	0.3
025	2.7	6.5	0.5
026	2.8	6.5	0.5
030	3.2	7	0.5
040	4.3	9	0.8
050	5.3	10	1
060	6.4	12.5	1.6
080	8.4	17	1.6
100	10.5	21	2
120	13	24	2.5

4-3. Spring Lock Washers

ばね座金

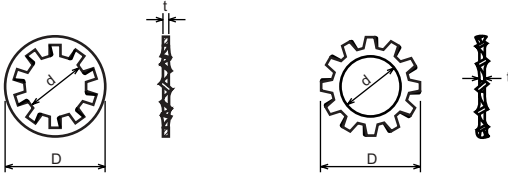


Type No. 類別番号	Type 類別
XD1-310	No.2 2号

Table 4 表4

Nominal designation 呼び	d (mm)	D (mm)
020	2.1	4.4
025	2.6	5.2
026	2.7	6.5
030	3.1	5.3
040	4.1	5.9
050	5.1	9.2
060	6.1	12.2
080	8.2	15.4
100	10.2	18.4
120	12.2	21.5

4-4. Toothed Lock Washers
歯付き座金



Type No. 類別番号	Type 類別
XD1-410	Internal tooth type 内歯形
XD1-420	External tooth type 外歯形

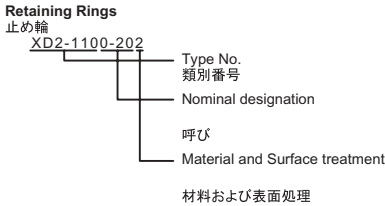
Table 4 表4

Nominal designation 呼び	d (mm)	D (mm)	t (mm)	No. of Int. tooth 内歯数	No. of Ext. tooth 外歯数
020	2.2	4.8	0.3	7	-
025	2.7	5.7	0.3	7	-
026	2.8	5.8	0.3	7	-
030	3.2	6.5	0.45	8	8
040	4.3	8.5	0.45	8	9
050	5.3	10	0.6	8	10
060	6.4	11	0.6	9	12
080	8.4	15	0.8	9	12

FIGURE ZZF MECHANICAL STANDARD PARTS (RETAINING RINGS)

5. Retaining Rings 止め輪

How to read Parts Numbers
部品番号の見方

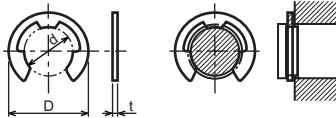


XD2-110 expresses retaining ring-E type (Type1).
XD2-110は、E形止め輪(1種)を表す

0-20 expresses a 020 of nominal designation.
(See Table 5)
0-20は、呼び020を表す(表5参照)

2 expresses Stainless steel (Surface treatment is not to be given) from Table 1.
2は、表1よりステンレス(表面処理なし)を表す

5-1. Retaining Rings - E type E形止め輪

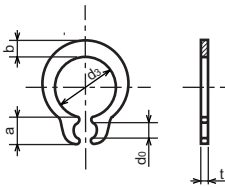


Type No. 類別番号	Type 類別
XD2-110	Retaining ring - E type (Type 1) E形止め輪(1種)
XD2-120	Retaining ring - E type (Type 2) E形止め輪(2種)

Table 5 表5

Type 種類	Nominal designation 呼び	d (mm)	D (mm)	t (mm)
Type 1 1種	007	0.65	2	0.2
	010	0.95	2.8	0.2
	013	1.25	3.3	0.3
	017	1.65	4.2	0.4
	020	1.95	4.6	0.5
	024	2.35	6	0.6
	028	2.74	6.5	0.6
	032	3.14	7.2	0.6
	037	3.64	8	0.7
	040	3.93	10	0.7
	042	4.13	10	0.7
	050	4.93	11	0.7
	058	5.73	12	0.7
	060	5.93	12.7	0.9
	064	6.32	13.5	0.9
	074	7.31	15	0.9
	080	7.91	16.5	1
Type 2 2種	008	0.8	2	0.2
	012	1.2	3	0.3
	015	1.5	4	0.4
	020	2	5	0.4
	025	2.5	6	0.4
	030	3	7	0.6
	040	4	9	0.6
	050	5	11	0.6
	060	6	12	0.8
	070	7	14	0.8
	080	8	16	0.8
	090	9	18	0.8
	100	10	20	1

5-2. Grip Rings
グリップ止め輪

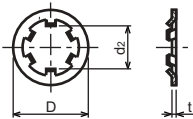


Type No. 類別番号	Type 類別
XD2-210	Grip ring グリップ止め輪

Table 5 表5

Nominal designation 呼び	d ₃ (mm)	t (mm)	b (mm)	a (mm)	d ₀ (mm)
020	1.9	0.5	1	1.8	0.8
025	2.35	0.5	1.2	1.9	0.9
030	2.85	0.6	1.4	1.9	0.9
035	3.3	0.6	1.6	2	0.9
040	3.8	0.8	1.8	2.8	1.2
045	4.25	0.8	2	2.9	1.3
050	4.75	0.8	2.2	2.9	1.3
060	5.7	1	2.4	3.1	1.4
070	6.7	1	2.7	3.3	1.4
080	7.7	1	3	3.5	1.4
090	8.65	1.2	3.3	4.7	1.5
100	9.65	1.2	3.5	4.7	2

5-3. Toothed Retaining Rings
歯付き形止め輪



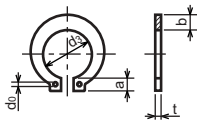
Type No. 類別番号	Type 類別
XD2-230	Toothed retaining ring 歯付き形止め輪

Table 5 表5

Nominal designation 呼び	d _z (mm)	D (mm)	t (mm)	No of teeth 歯数
015	1.4	5.2	0.25	3
020	1.9	6	0.25	3
024	2.3	6.4	0.25	3
030	2.8	8	0.25	4
040	3.8	9	0.25	4
050	4.8	10	0.25	5
060	5.8	11	0.25	5
080	7.8	13	0.25	5
100	9.8	15.4	0.25	6

5-4. Retaining Rings - C Type

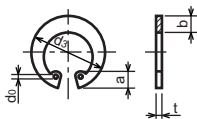
C形止め輪



Type No. 類別番号	Type 類別
XD2-310	Retaining ring - C type for shaft C形止め輪 軸用

Table 5 表5

Nominal designation 呼び	d ₃ (mm)	t (mm)	b (mm)	a (mm)	d ₀ (mm)
010	9.3	1	1.6	3	1.2
012	11.1	1	1.8	3.2	1.5
014	12.9	1	2	3.4	1.7
015	13.8	1	2.1	3.5	1.7
016	14.7	1	2.2	3.6	1.7
017	15.7	1	2.2	3.7	1.7
018	16.5	1.2	2.6	3.8	1.7
020	18.5	1.2	2.7	3.9	2
022	20.5	1.2	2.7	4.1	2
025	23.2	1.2	3.1	4.3	2
028	25.9	1.5	3.1	4.6	2
030	27.9	1.5	3.5	4.8	2
032	29.6	1.5	3.5	5	2.5
035	32.2	1.5	4	5.4	2.5



Type No. 類別番号	Type 類別
XD2-320	Retaining ring - C type for hole C形止め輪 穴用

Table 5 表5

Nominal designation 呼び	d ₃ (mm)	t (mm)	b (mm)	a (mm)	d ₀ (mm)
010	10.7	1	1.8	3.1	1.2
011	11.8	1	1.8	3.2	1.2
012	13	1	1.8	3.3	1.5
014	15.1	1	2	3.6	1.7
016	17.3	1	2	3.7	1.7
018	19.5	1	2.5	4	1.7
019	20.5	1	2.5	4	2
020	21.5	1	2.5	4	2
022	23.5	1	2.5	4.1	2
025	26.9	1.2	3	4.4	2
028	30.1	1.2	3	4.6	2
030	32.1	1.2	3	4.7	2
032	34.4	1.2	3.5	5.2	2.5
035	37.8	1.5	3.5	5.2	2.5
037	39.8	1.5	3.5	5.2	2.5
040	43.5	1.8	4	5.7	2.5
042	45.5	1.8	4	5.8	2.5
045	48.5	1.8	4.5	5.9	2.5
047	50.5	1.8	4.5	6.1	2.5
050	54.2	2	4.5	6.5	2.5
052	56.2	2	5.1	6.5	2.5
055	59.2	2	5.1	6.5	2.5
060	64.2	2	5.1	6.8	2.5
062	66.2	2	5.5	6.9	2.5
068	72.5	2.5	6	7.4	2.5
072	76.5	2.5	6.6	7.4	2.5
075	79.5	2.5	6.6	7.8	2.5
080	85.5	2.5	7	8	2.5
085	90.5	3	7	8	3
090	95.5	3	7.6	8.3	3
095	100.5	3	8	8.5	3

FIGURE ZZG MECHANICAL STANDARD PARTS (PINS)

6. Pins

ピン

How to read Parts Numbers
部品番号の見方

Pins
ピン

XD3-1200-122

Type No.
類別番号

Nominal diameter (d)
呼び径 (d)

Length (L)
長さ (L)

Material and Surface treatment
材料および表面処理

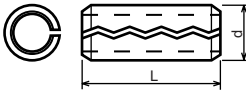
XD3-1 expresses spring pins for general use.
XD3-1は、スプリングピン(一般用)を表す

20 expresses a nominal diameter of 2.0 mm.
20は、2.0mmの呼び径を表す

0-12 expresses a length of 12 mm.
0-12は、12mmの長さを表す

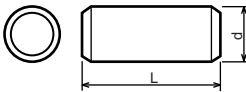
2 expresses Stainless steel (Surface treatment is not to be given) from Table 1.
2は、表1よりステンレス(表面処理なし)を表す

6-1. Springs Pins スプリングピン



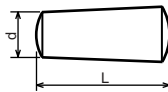
Type No. 類別番号	Type 類別
XD3-0	Spring pin for light load スプリングピン(軽荷重用)
XD3-1	Spring pin for general use スプリングピン(一般用)

6-2. Parallel Pins 平行ピン



Type No. 類別番号	Type 類別
XD3-2	Parallel pin (h7 hard) 平行ピン(h7硬質)
XD3-4	Parallel pin (m6 soft) 平行ピン(m6軟質)

6-3. Taper Pins テーパピン



Type No. 類別番号	Type 類別
XD3-3	Taper pin テーパピン

FIGURE ZZH MECHANICAL STANDARD PARTS (SPACERS)

7. Spacers スペーサ

How to read Parts Numbers
部品番号の見方

Spacers スペーサ

XZ1-1301-005

Type No.
類別番号

Nominal diameter (d)
呼び径 (d)

Length (L)
長さ (L)

Material and Surface treatment
材料および表面処理

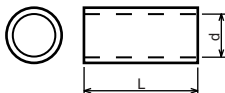
XZ1-1 expresses spacers.
XZ1-1は、スペーサを表す

30 expresses a nominal diameter of 3.0 mm.
30は、3.0mmの呼び径を表す

1-00 expresses a length of 10 mm.
1-00は、10mmの長さを表す

5 expresses Steel (White zinc trivalent chromate
treating) from Table 1.
5は、表1より鋼(白色亜鉛3価クロメート)を表す

7-1. Spacers スペーサ



Type No. 類別番号	Type 類別
XZ1-1	Spacers スペーサ

Prepared by
OIP HFE Promotion Center
CANON INC.

Canon