

LASER CLASS® 7000
PLAIN PAPER FACSIMILE

LASER CLASS® 7500
PLAIN PAPER FACSIMILE

PARTS CATALOG

REVISION 1

LASER CLASS 7000	H12-0132	120V
LASER CLASS 7500	H12-0142	120V
FXL-CASSETTE 1 LTR/500	H12-3002	120V
FXL-FEEDER 2	H12-3022	120V

Canon

DEC. 1995

HY8-39A3-010

Application

This manual has been issued by Canon Inc. for qualified person to learn technical theory, installation, maintenance, and repair of products. This manual covers all localities where the products are sold. For this reason, there may be information in this manual that does not apply to your locality.

Corrections

This manual could include technical inaccuracies or typographical errors due to improvements or changes in the products. When changes occur in applicable products or in the content of this manual, Canon will release technical information as the need arises. In the event of major changes in the contents of this manual over a long or short period. Canon will issue a new editions of this manual.

The following paragraph does not apply to any countries where such provisions are inconsistent with local law.

Trademarks

The product names and company names described in this manual are the registered trademarks of the individual companies.

Copyright

This manual is copyrighted with all rights reserved. Under the copyright laws, this manual may not be copied, reproduced or translated into another language, in whole or in part, without the written consent of Canon Inc.

Copyright © 1994 by Canon Inc.

Office Imaging Consumer Products Quality Assurance Dept. 1
CANON INC.

5-1 Hakusan 7-Chome, Toride-city, Ibaraki 302-8501, Japan

DTP Systems

This manual was produced on Apple® Macintosh® personal computer and Canon SUPER LASER SHOT B406PS laser beam printer.

Parts layout illustrations were created using Aldus® FreeHand 3.1J.

Documents and page layouts were created using QuarkXpress® 3.1J.

Parts lists were created using Helix Technology® Helix Express® and converted to PICT format by Solutions, Inc.® Super GLUE III™.

LASER CLASS[®] 7000
PLAIN PAPER FACSIMILE

LASER CLASS[®] 7500
PLAIN PAPER FACSIMILE

PARTS
CATALOG

Canon

I. CONTENTS

1. ILLUSTRATION INDEX
2. PARTS LAYOUT & PARTS LIST
3. SCREWS & WASHERS LIST
4. TOOL
5. GUIDE TO REPLACEMENT
6. NUMERICAL INDEX

II. ABOUT THIS MANUAL

1. ILLUSTRATION INDEX

For illustration index, the parts layout illustrations in this parts catalog are listed in abbreviated form in order of illustration number to identify the pages they appear on. To find an illustration of a part, see the ILLUSTRATION INDEX.

2. PARTS LAYOUT & PARTS LIST

Parts layout illustration

a) Parts search

Find a part from the parts layout illustration and find its key number from the parts list to identify the part number and name. For screws, nuts, washers, lock washers, pins, spacers, see 3.

SCREWS & WASHERS LIST.

Note: If parts have the same or similar shape but different specifications, their key number is assigned to several part numbers and names in the parts list.

b) Parts replacement procedure

The parts layout illustrations are arranged according to the disassembly procedure of the product.

The parts require carefully work are marked "See page 5-x". So refer to the corresponded page "5" (GUIDE TO REPLACEMENT).

The letters (A), (B) etc.) in the illustration indicate the connection locations of cables and screws.

Parts list

a) FIGURE & KEY No.

The FIGURE & KEY No. column corresponds to the key numbers assigned to the parts in the parts layout illustration.

It also corresponds to the part locations printed on the PC board.

b) PART NUMBER

The PART NUMBER column gives the part numbers corresponding to the key numbers. To order a part, indicate the part number clearly.

Note: Parts marked NPN are not service parts.

c) RANK

The service parts with N in the RANK column are order parts.

d) QTY

The QTY column gives the number of parts in the corresponding components layout illustration.

e) DESCRIPTION

The DESCRIPTION column gives the part names in English.

To order a part, indicate the part name, too.

3. SCREWS & WASHERS LIST

This is a list of screws, nuts, washers, lock washers, pins, and spacers.

4. TOOL

This is a list of tools used for servicing products.

5. GUIDE TO REPLACEMENT

Explains the special cares and cautions for the parts replacement.

6. NUMERICAL INDEX

All the parts listed in this parts catalog are arranged in order of part number. You can identify part locations and names from the NUMERICAL INDEX..

III. REVISION HISTORY

REVISION	CONTENT
0	Original
1	Service Information bulletins, up to and including HS-A7E-0041-01, as issued by Canon Inc.

1. ILLUSTRATION INDEX

FIGURE 1 LASER CLASS 7000
PACKAGE CONTENTS

See Page
2 - 1

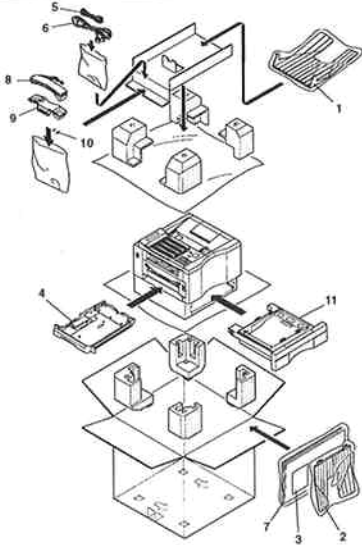


FIGURE 2 LASER CLASS 7500
PACKAGE CONTENTS (1)

See Page
2 - 3

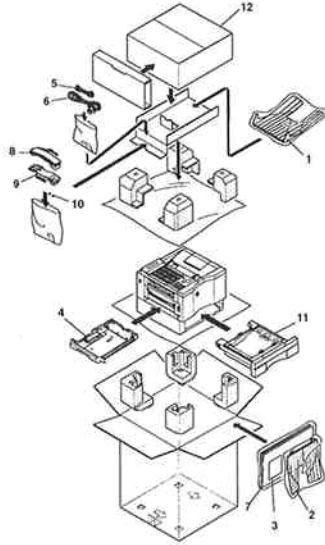


FIGURE 3 LASER CLASS 7500
PACKING CONTENTS (2)

See Page
2 - 5

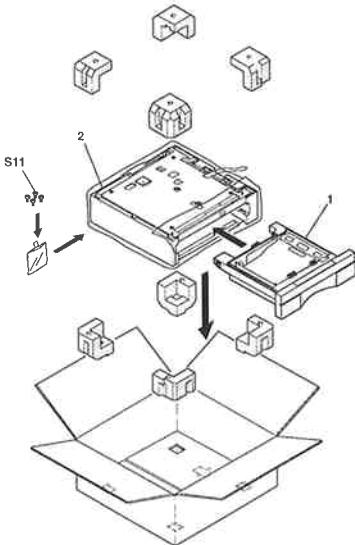


FIGURE 4 FRONT & REAR COVERS

See Page
2 - 7

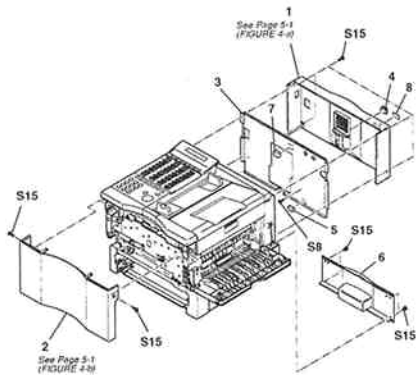


FIGURE 5 DOCUMENT TABLE ASS'Y

See Page
2 - 11

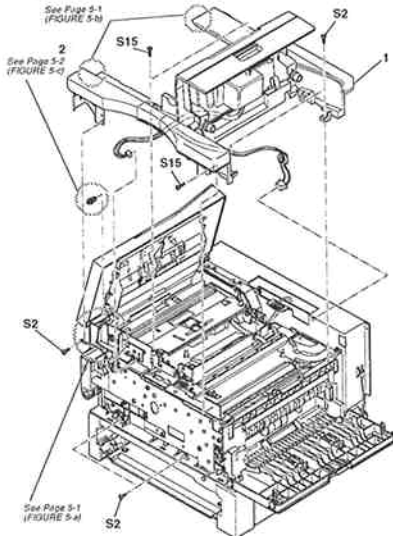


FIGURE 6 ADF & CONTROL PANEL SECTION

See Page
2 - 13

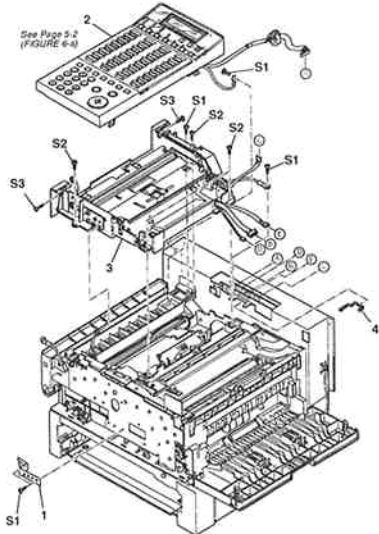


FIGURE 7 LASER CLASS 7000
CIRCUIT BOARDS

See Page
2 - 15

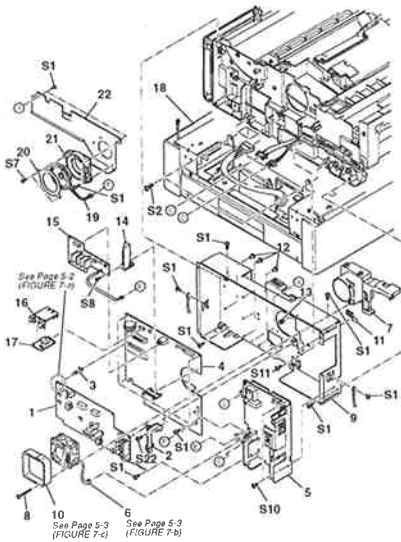


FIGURE 8 LASER CLASS 7500
CIRCUIT BOARDS

See Page
2 - 17

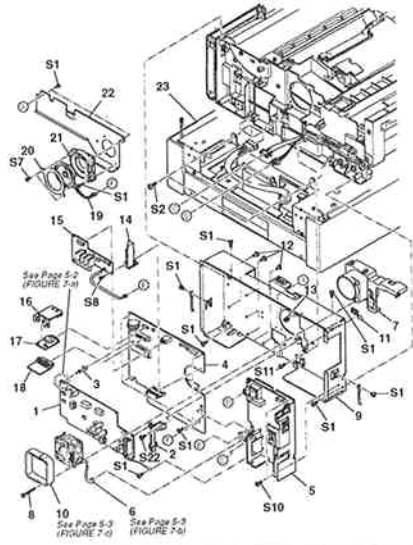


FIGURE 9 FIXING & PAPER EXIT SECTION

See Page 2 - 19

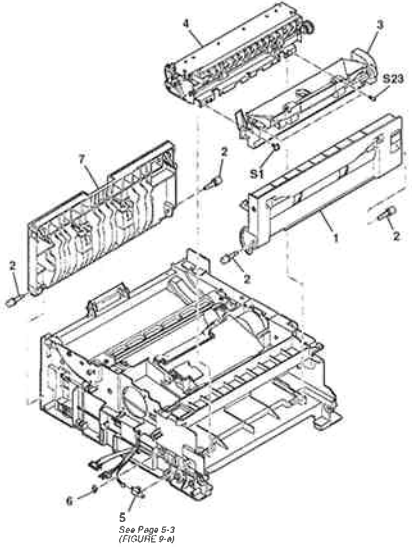


FIGURE 10 PRINTER SECTION (1)

See Page 2 - 21

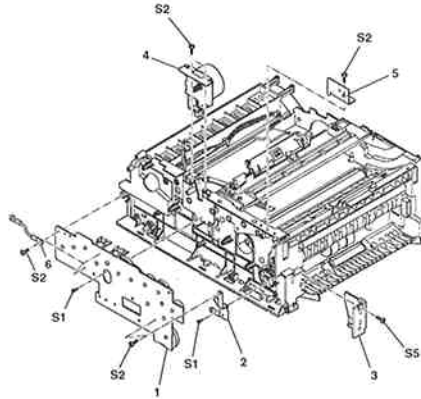


FIGURE 11 PRINTER SECTION (2)

See Page 2 - 23

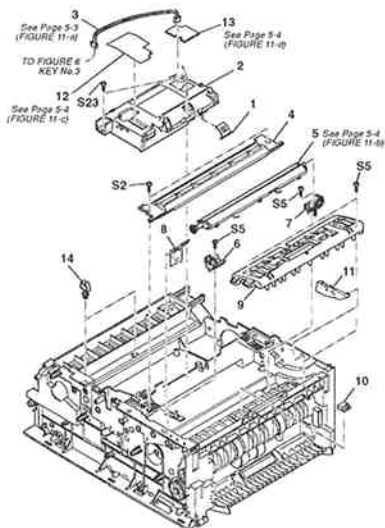


FIGURE 12 PAPER PICKUP SECTION

See Page 2 - 25

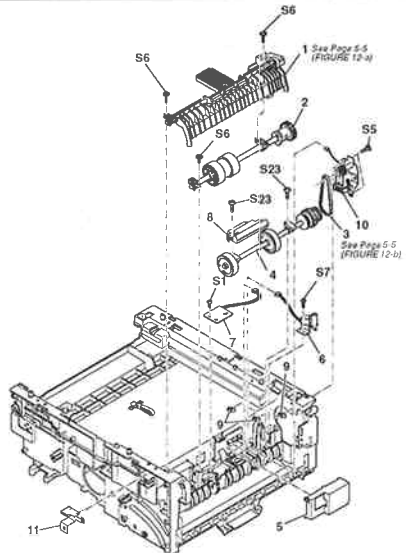


FIGURE 13 PCNT ASS'Y

See Page
2 - 27

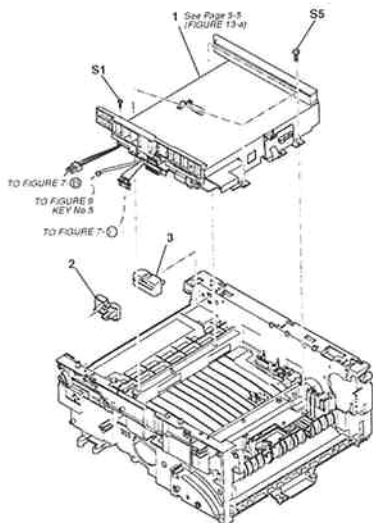


FIGURE 14 FEEDER GUIDE ASS'Y

See Page
2 - 29

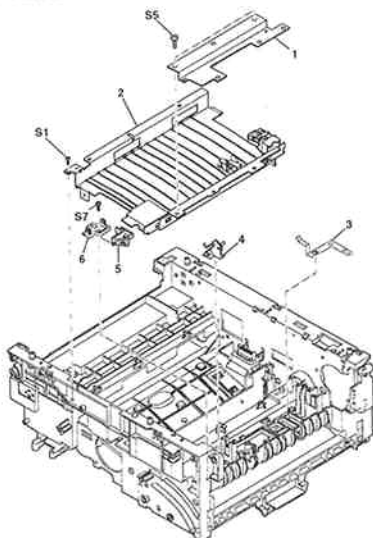


FIGURE 15 PRINTER FRAME

See Page
2 - 31

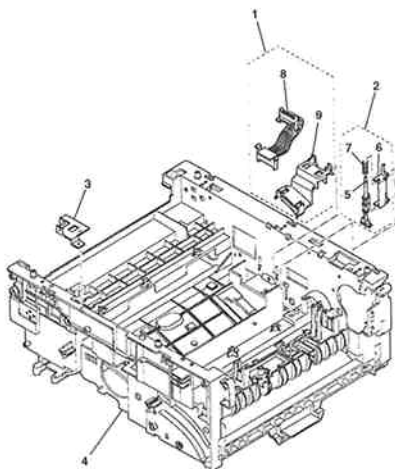


FIGURE 16 TOP & CARTRIDGE COVER ASS'Y

See Page
2 - 33

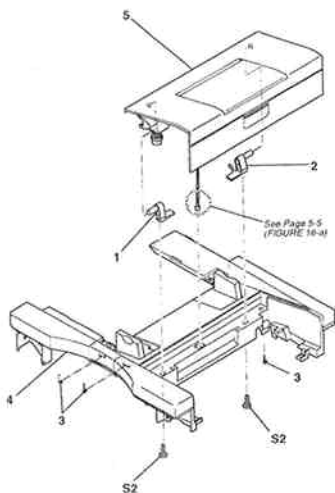


FIGURE 17 CARTRIDGE COVER

See Page
2 - 35

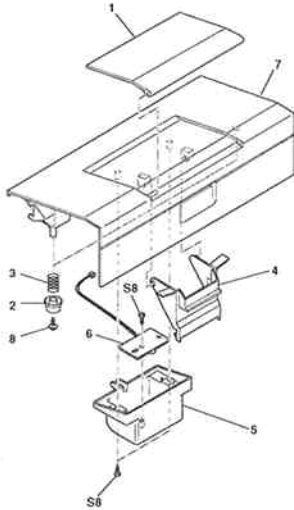


FIGURE 18 TOP COVER

See Page
2 - 37

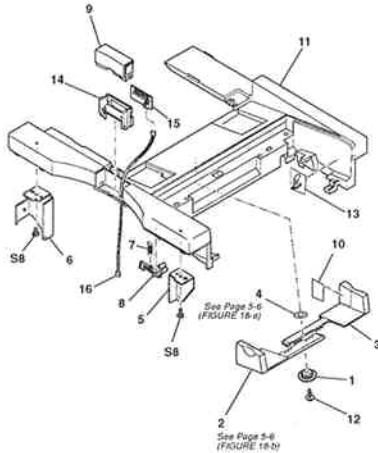


FIGURE 19 CONTROL PANEL ASS'Y & ADF ASS'Y, UPPER

See Page
2 - 39

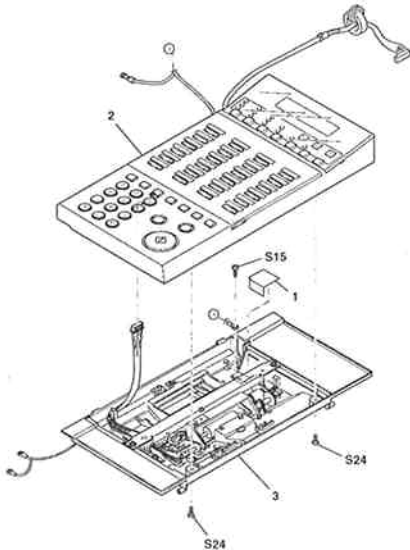


FIGURE 20 ADF, UPPER

See Page
2 - 41

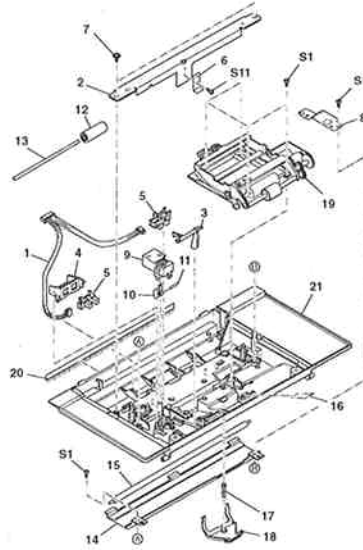


FIGURE 21 CONTROL PANEL (1)

See Page
2 - 43

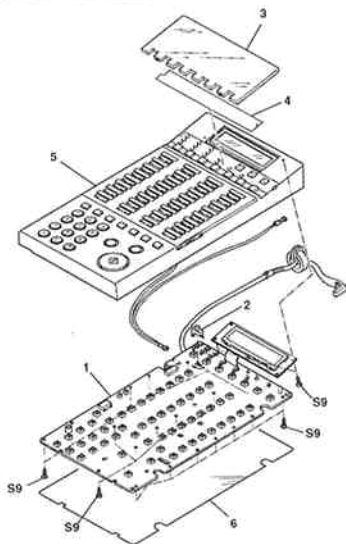


FIGURE 22 CONTROL PANEL (2)

See Page
2 - 45

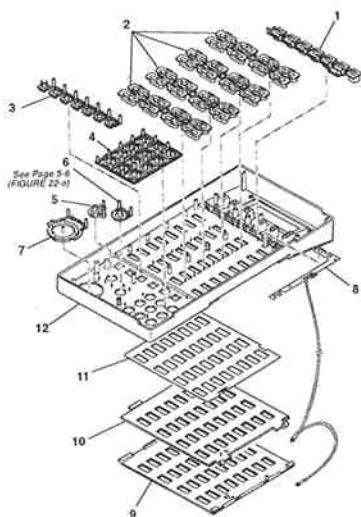


FIGURE 23 ADF, LOWER (1)

See Page
2 - 47

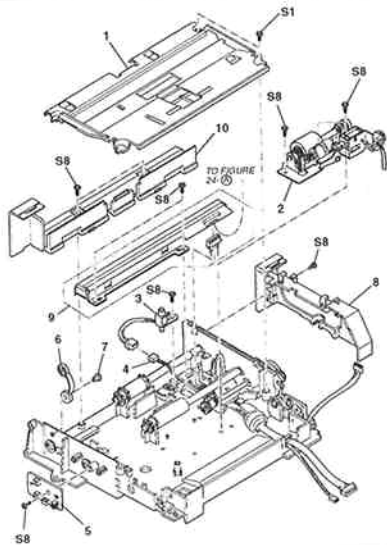


FIGURE 24 ADF, LOWER (2)

See Page
2 - 49

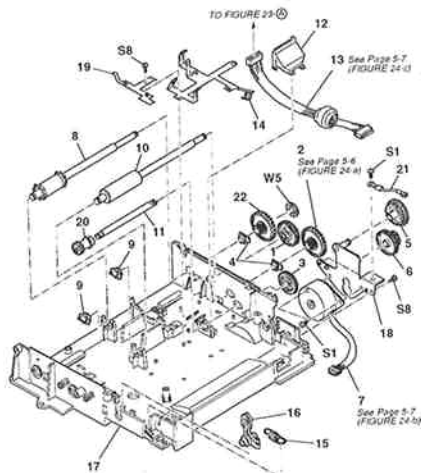


FIGURE 25 SEPARATION ROLLER (UPPER)

See Page 2 - 51

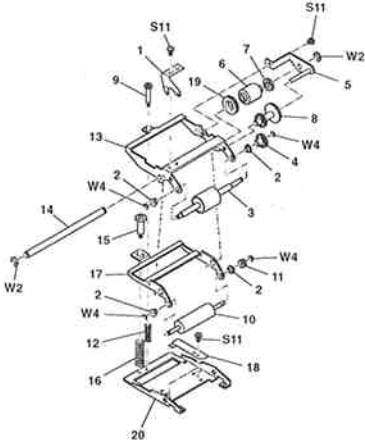


FIGURE 26 SEPARATION ROLLER (LOWER)

See Page 2 - 53

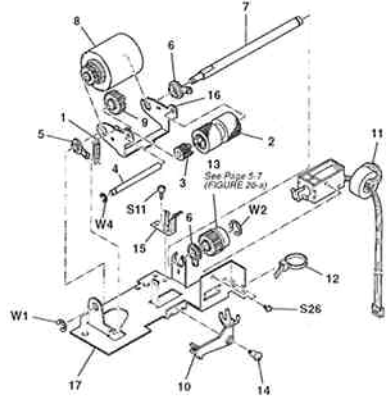


FIGURE 27 EXIT PAPER COVER

See Page 2 - 55

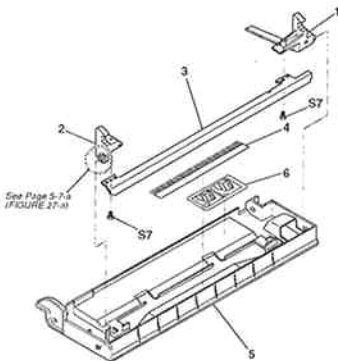


FIGURE 28 PAPER EJECT ROLLER

See Page 2 - 57

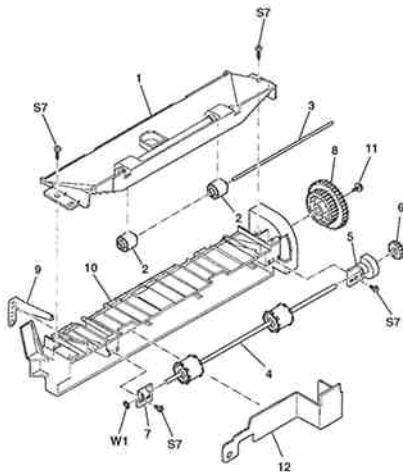


FIGURE 29 FIXING ASS'Y

See Page
2 - 59

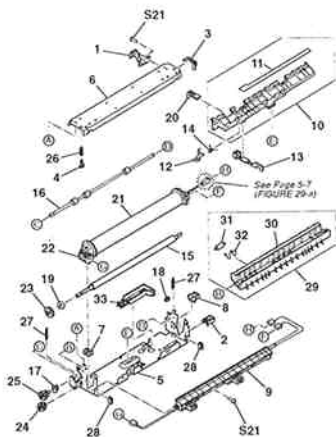


FIGURE 30 RIGHT COVER

See Page
2 - 61

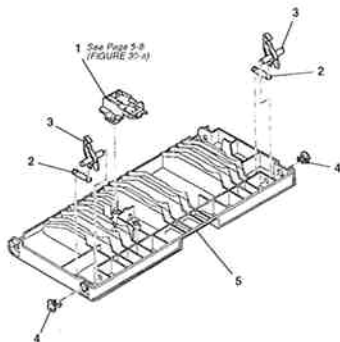


FIGURE 31 DRIVE GEARS

See Page
2 - 63

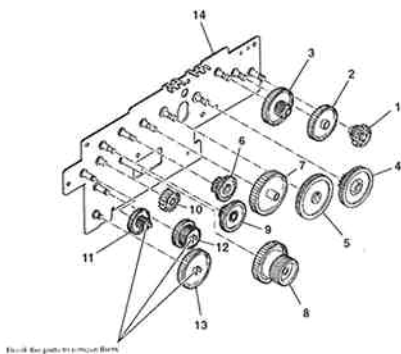


FIGURE 32 PAPER GUIDE ROLLER

See Page
2 - 65

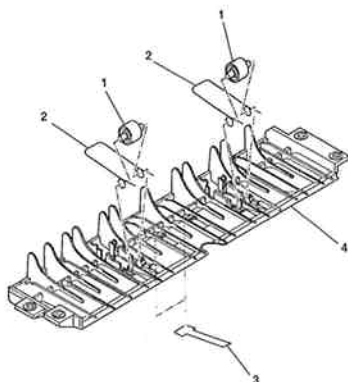


FIGURE 33 TRANSFER CHARGING ROLLER

See Page
2 - 67

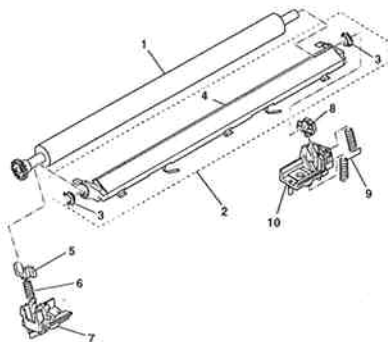


FIGURE 34 LASER/SCANNER UNIT

See Page
2 - 69

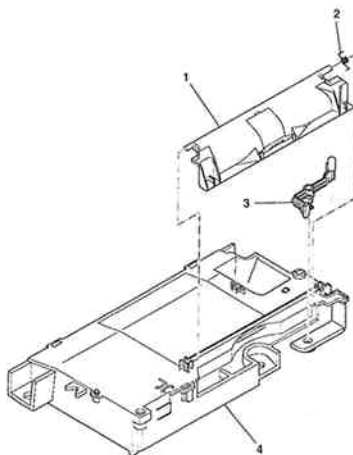


FIGURE 35 SEPARATION PAD & LIFTING ARM

See Page
2 - 71

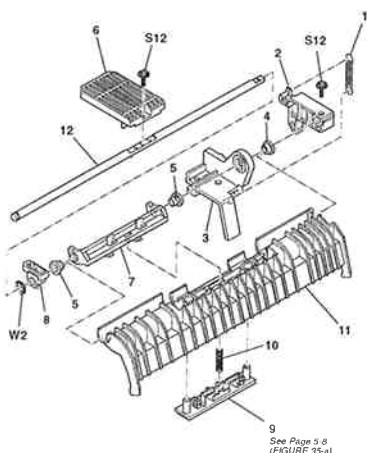


FIGURE 36 PAPER PICKUP ROLLER

See Page
2 - 73

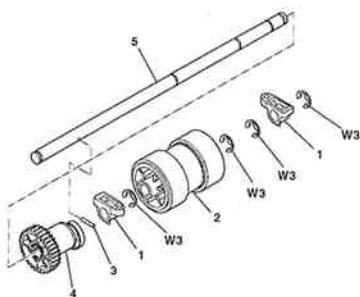


FIGURE 37 PAPER FEED ROLLER

See Page
2 - 75

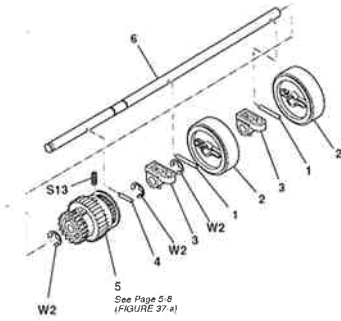


FIGURE 38 PAPER FEED SOLENOID

See Page
2 - 77

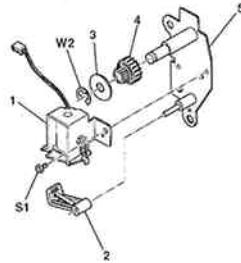


FIGURE 39 PCNT & PAPER SENSOR BOARD ASS'Y

See Page
2 - 79

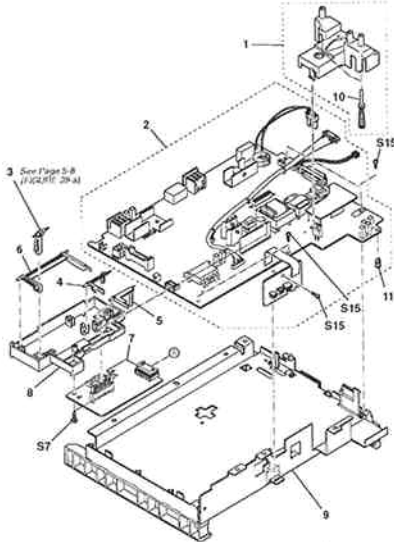


FIGURE 40 PCNT COVER

See Page
2 - 81

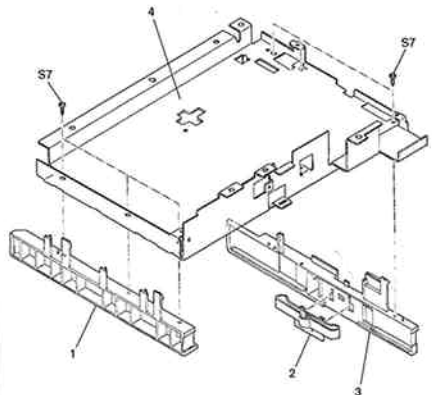


FIGURE 41 PAPER FEED GUIDE

See Page
2 - 83

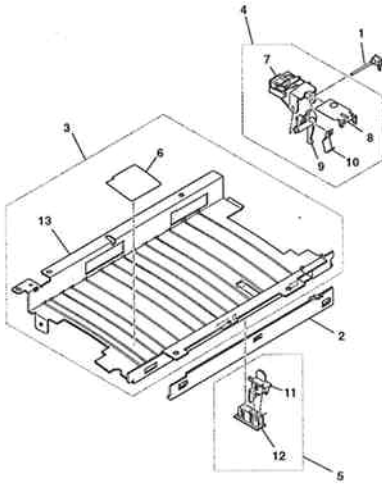


FIGURE 42 SCNT BOARD ASS'Y

See Page
2 - 85

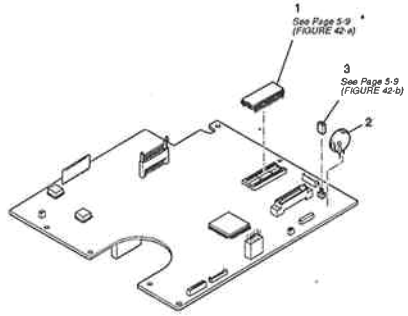


FIGURE 43 FUSE, POWER SUPPLY

See Page
2 - 87

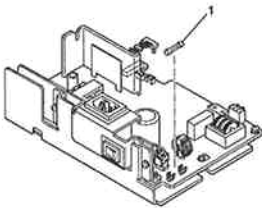


FIGURE 44 SIDE CASSETTE

See Page
2 - 89

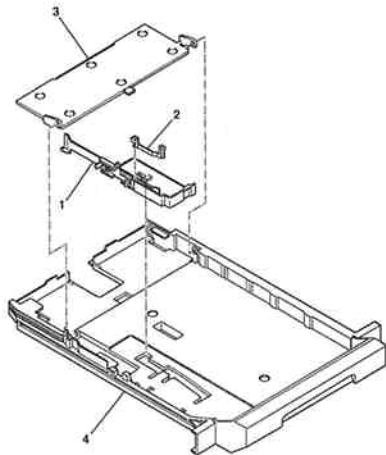


FIGURE 45 FEEDER (1)

See Page
2 - 91

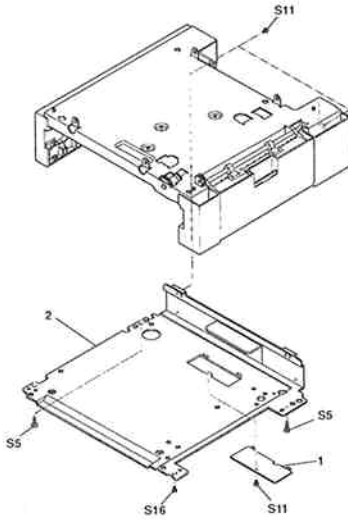


FIGURE 46 FEEDER (2)

See Page
2 - 93

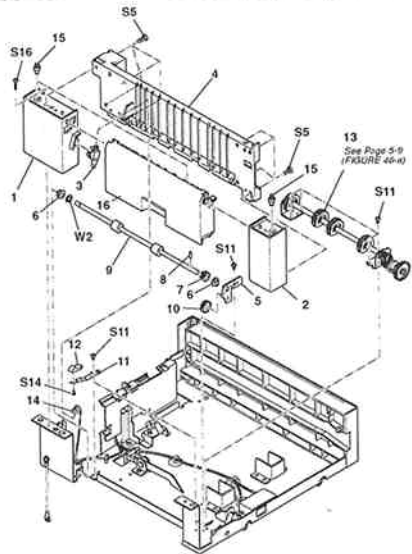


FIGURE 47 FEEDER (3)

See Page
2 - 95

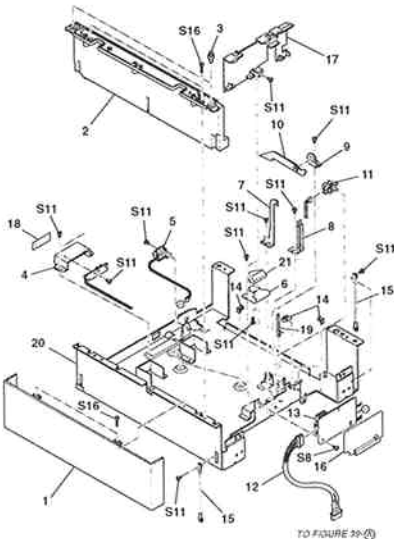
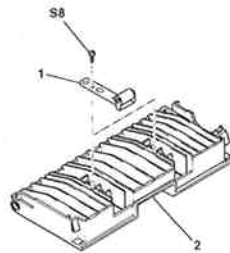


FIGURE 48 FEEDER RIGHT COVER

See Page
2 - 97



TO FIGURE 39-01

FIGURE 49 FEEDER, PAPER PICKUP ROLLER

See Page 2 - 99

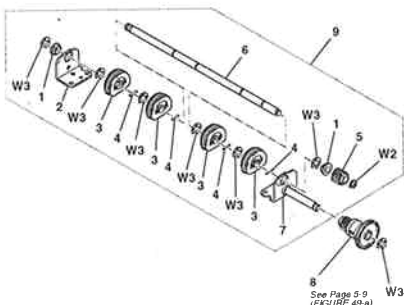


FIGURE 50 FXL-CASSETTE 1 LTR/500 PACKAGE CONTENTS

See Page 2 - 101

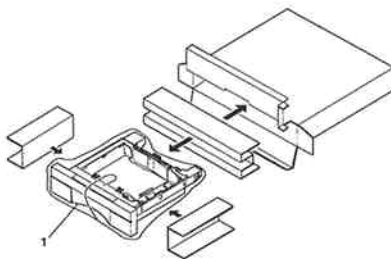


FIGURE 51 FXL-CASSETTE 1 LTR/500 & LASER CLASS 7000/7500 FRONT CASSETTE

See Page 2 - 103

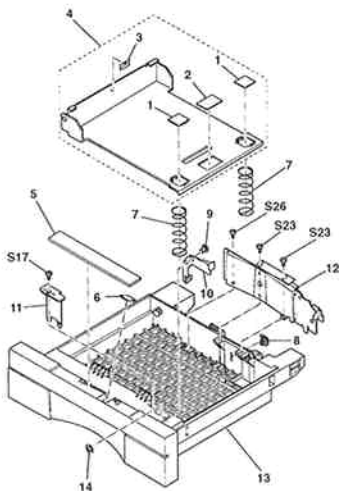


FIGURE 52 HANDSET

See Page 2 - 105

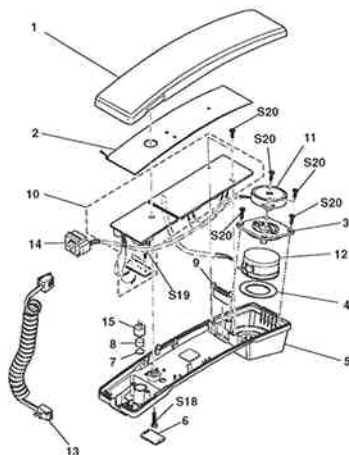


FIGURE 53 FXL-FEEDER 2 PACKAGE CONTENTS

See Page 2 - 107

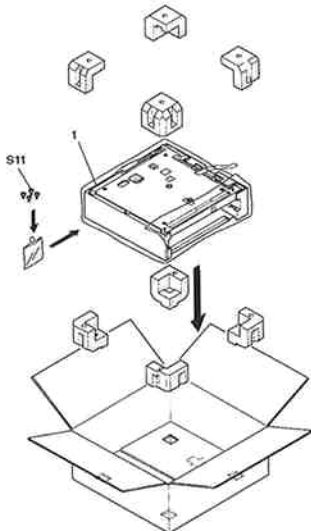


FIGURE 54 FXL-FEEDER 2 & LASER CLASS 7500 FEEDER (1)

See Page 2 - 109

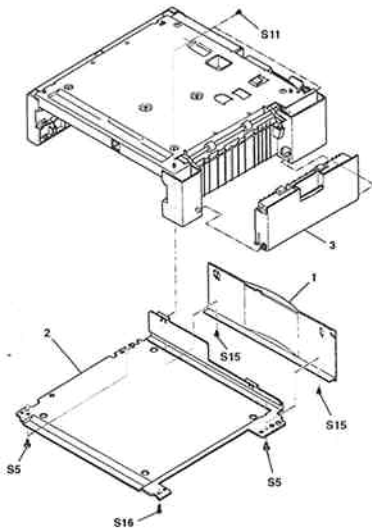


FIGURE 55 FXL-FEEDER 2 & LASER CLASS 7500 FEEDER (2)

See Page 2 - 111

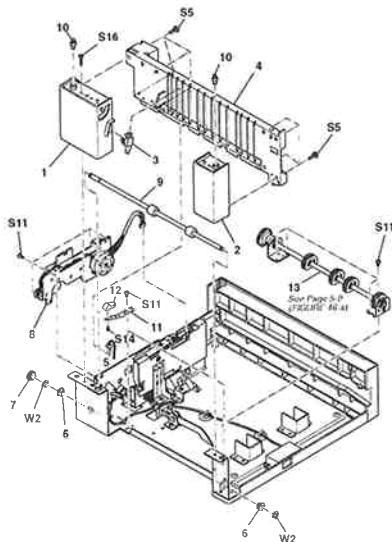


FIGURE 56 FXL-FEEDER 2 & LASER CLASS 7500 FEEDER (3)

See Page 2 - 113

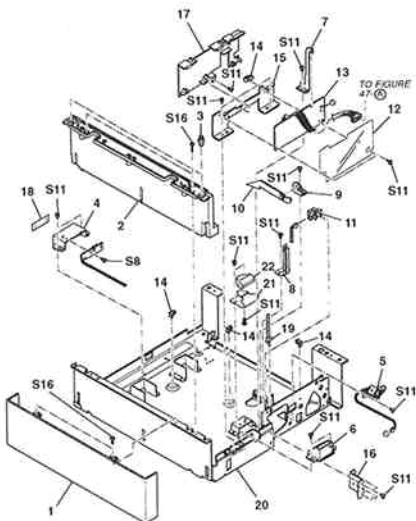


FIGURE 57 FXL-FEEDER 2 &
LASER CLASS 7500
MOTOR & DRIVE GEARS

See Page
2 - 115

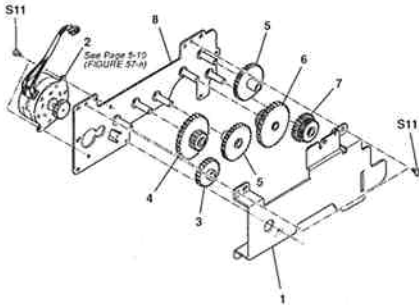


FIGURE 58 FXL-FEEDER 2 &
LASER CLASS 7500
PAPER PICKUP ROLLER

See Page
2-117

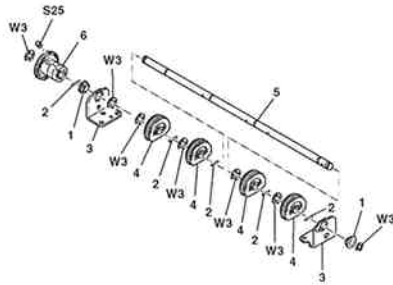


FIGURE 59 FXL-FEEDER 2 &
LASER CLASS 7500
RIGHT COVER

See Page
2-119

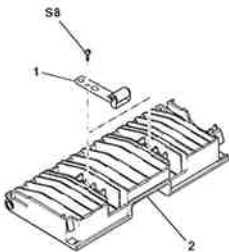
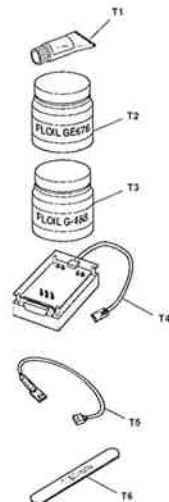


FIGURE 60 TOOLS

See Page
4 - 1



This page intentionally left blank

2. PARTS LAYOUT & PARTS LIST

FIGURE 1 LASER CLASS 7000 PACKAGE CONTENTS

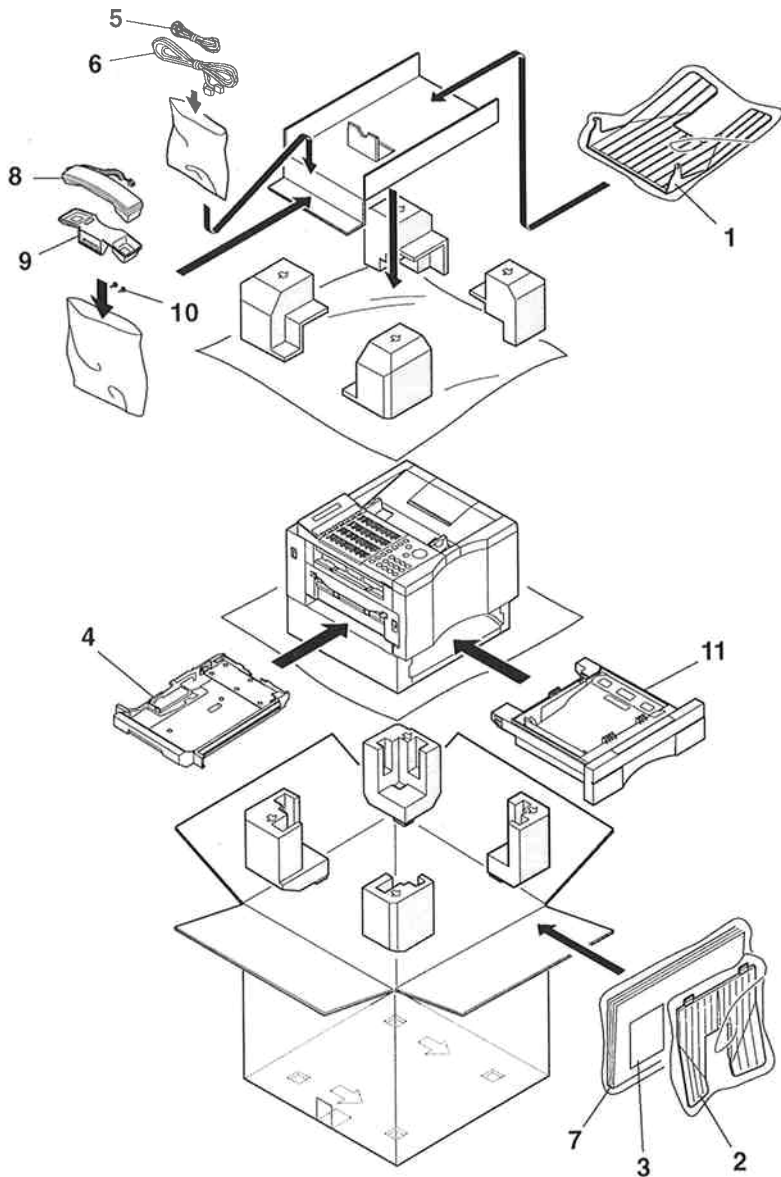


FIGURE & KEY No.	PART No.	RANK	QTY	DESCRIPTION	REMARKS
1- 1	HB1-0485-000		1	TRAY, EXIT	
2	HB1-0486-000		1	TRAY, DOCUMENT	
3	HB1-0491-000		4	LABEL, DESTINATION	
4	HG5-0129-000		1	SIDE CASSETTE ASSY	
5	HH2-2484-000		1	MODULAR LINE CORD, 2W	
6	HH2-2253-000		1	POWER SUPPLY CORD, 120V	
7	HT1-2034-000	N	1	INSTRUCTION BOOK (ENGLISH)	
	HT1-3022-000	N	1	INSTRUCTION BOOK (FRENCH)	
8	HG9-0698-000		1	HANDSET ASSY (USA, AG)	
9	HG5-0156-000		1	HANDSET REST UNIT	
10	XA9-0689-020		2	SCREW, HANDSET REST	
11	HG5-0113-080		1	FRONT CASSETTE ASSY (LTR)	

FIGURE 2 LASER CLASS 7500 PACKAGE CONTENTS (1)

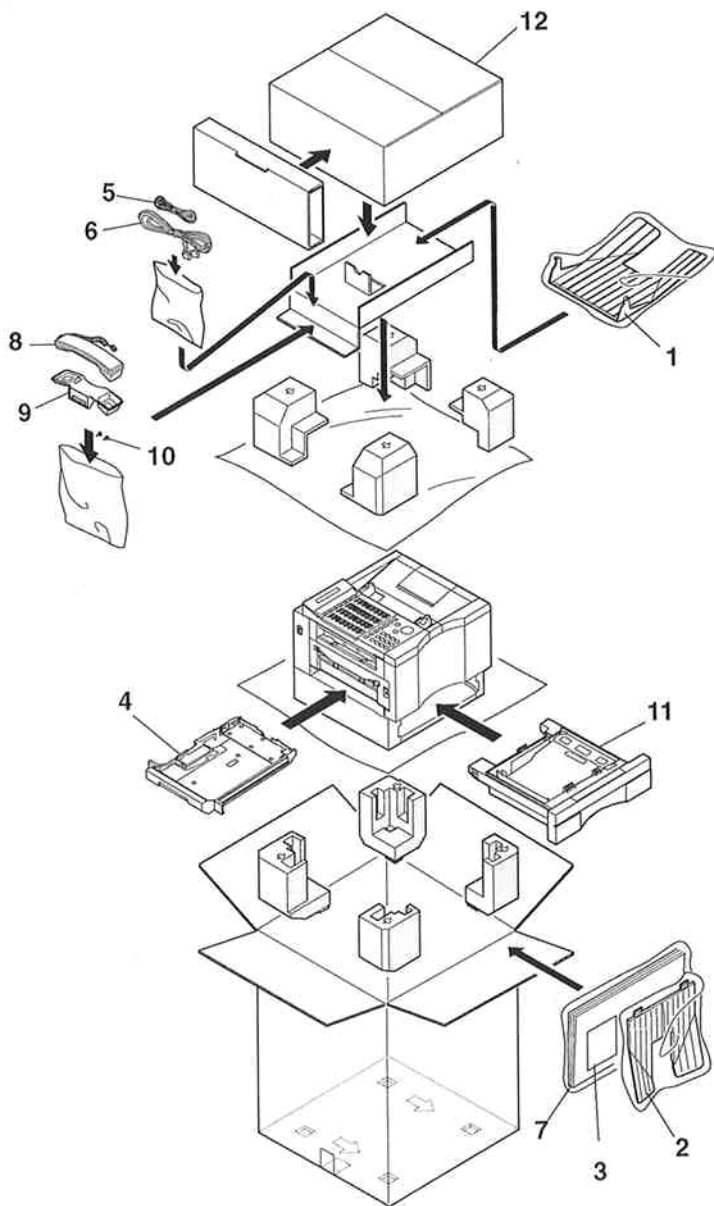


FIGURE & KEY No.	PART No.	R A N K	Q T Y	DESCRIPTION	REMARKS
2-1	HB1-0485-000		1	TRAY, EXIT	
2	HB1-0486-000		1	TRAY, DOCUMENT	
3	HB1-0491-000		4	LABEL, DESTINATION	
4	HG5-0129-000		1	SIDE CASSETTE ASSY	
5	HH2-2484-000		1	MODULAR LINE CORD, 2W	
6	HH2-2253-000		1	POWER SUPPLY CORD, 120V	
7	HT1-2034-000	N	1	INSTRUCTION BOOK (ENGLISH)	
	HT1-3022-000	N	1	INSTRUCTION BOOK (FRENCH)	
8	HG9-0698-000		1	HANDSET ASSY (USA, AG)	
9	HG5-0156-000		1	HANDSET REST UNIT	
10	XA9-0689-020		2	SCREW, HANDSET REST	
11	HG5-0113-080		1	FRONT CASSETTE ASSY (LTR)	
12	NPN		1	F. FEEDER ASSY W/F. CASSETTE	

FIGURE 3 LASER CLASS 7500 PACKING CONTENTS (2)

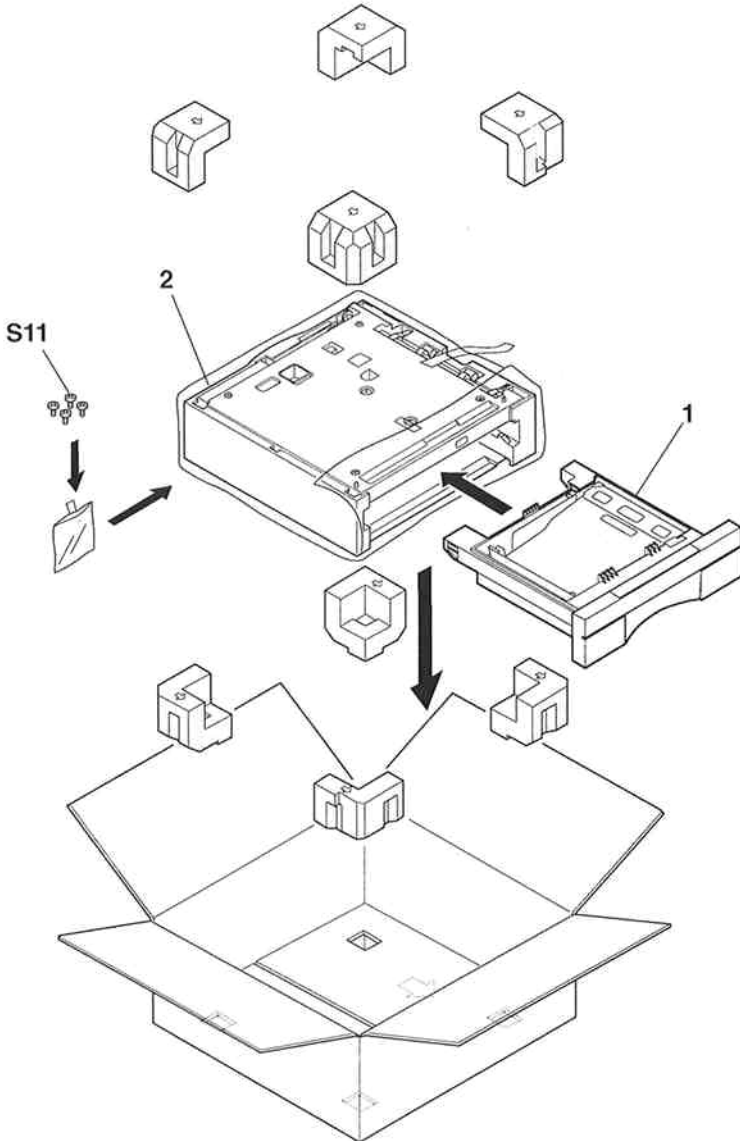
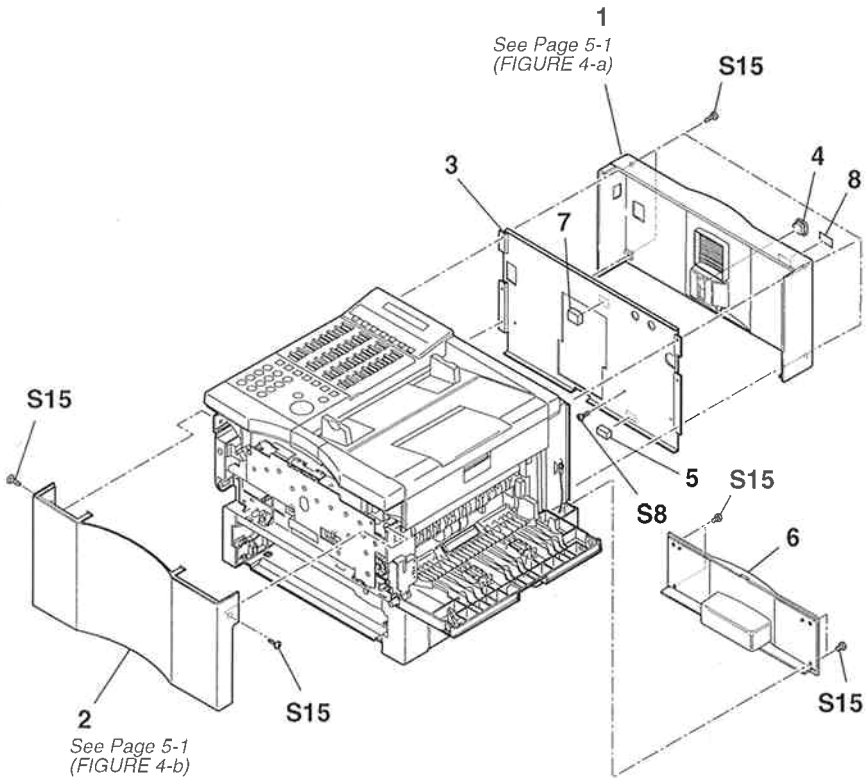


FIGURE & KEY No.	PART No.	R A N K	Q T Y	DESCRIPTION	REMARKS
3 - 1	HG5-0113-080		1	FRONT CASSETTE ASS'Y (LTR)	
2	HG5-0157-000		1	F.CASSETTE FEEDER ASSY, LOWER	

FIGURE 4 FRONT & REAR COVERS



LASER CLASS 7000

FIGURE & KEY No.	PART No.	RANK	QTY	DESCRIPTION	REMARKS
4- 1	HB1-0483-050		1	COVER, REAR	
2	HB1-0743-020		1	COVER, FRONT	
3	HB1-0673-030	N	1	COVER, SHIELD	
4	WS9-5038-000		1	SPACER, MODULAR	
5	HB1-0512-000		1	PAD, RUBBER	
6	HB1-0416-000		1	COVER, REAR, FEEDER	
7	HB1-0729-000		1	PAD, RUBBER	
8	ME1-0043-000		1	LABEL, HY	

LASER CLASS 7500

FIGURE & KEY No.	PART No.	R A N K	Q T Y	DESCRIPTION	REMARKS
4 - 1	HB1-0483-050		1	COVER, REAR	
2	HB1-0744-020		1	COVER, FRONT	
3	HB1-0673-030	N	1	COVER, SHIELD	
4	WS9-5038-000		1	SPACER, MODULAR	
5	HB1-0512-000		1	PAD, RUBBER	
6	HB1-0416-000		1	COVER, REAR, FEEDER	
7	HB1-0729-000		1	PAD, RUBBER	
8	ME1-0043-000		1	LABEL, HY	

This page intentionally left blank

FIGURE 5 DOCUMENT TABLE ASS'Y

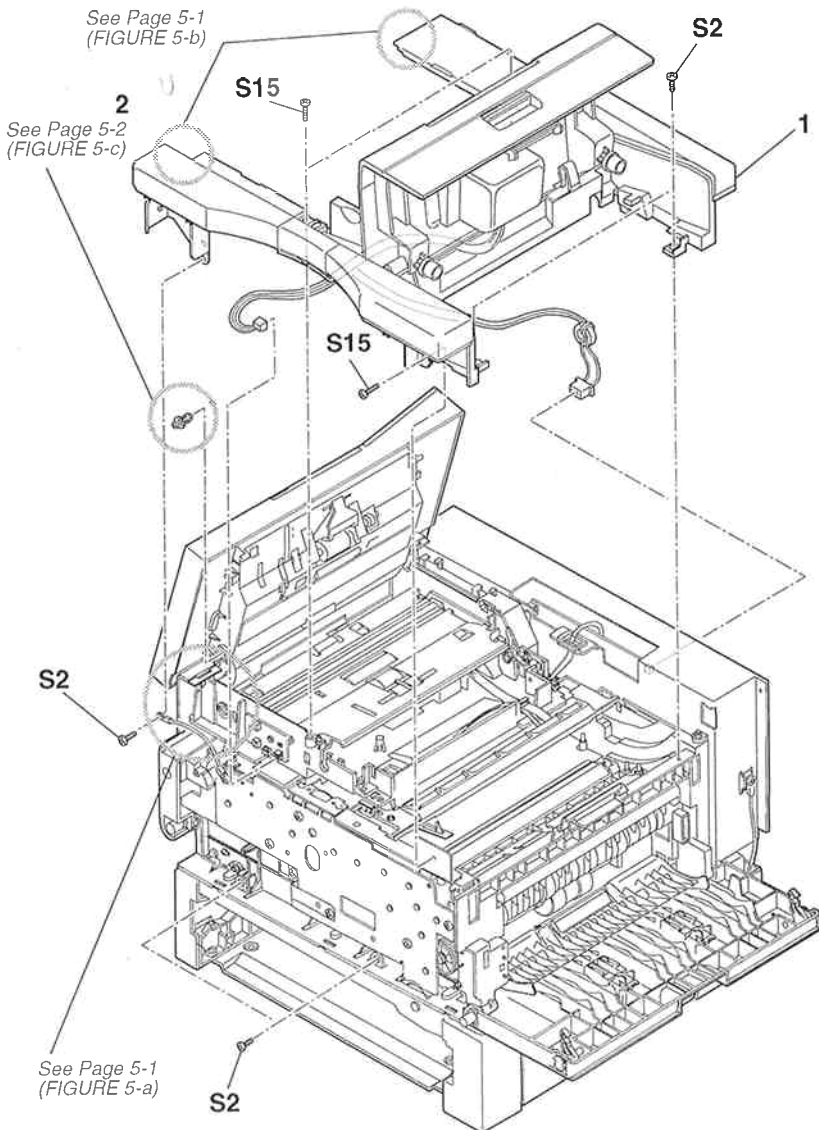


FIGURE & KEY No.	PART No.	R A N K	Q T Y	DESCRIPTION	REMARKS
5- 1	NPN		1	DOCUMENT TABLE ASSY	
2	WT2-5078-000		1	RIVET	

FIGURE 6 ADF & CONTROL PANEL SECTION

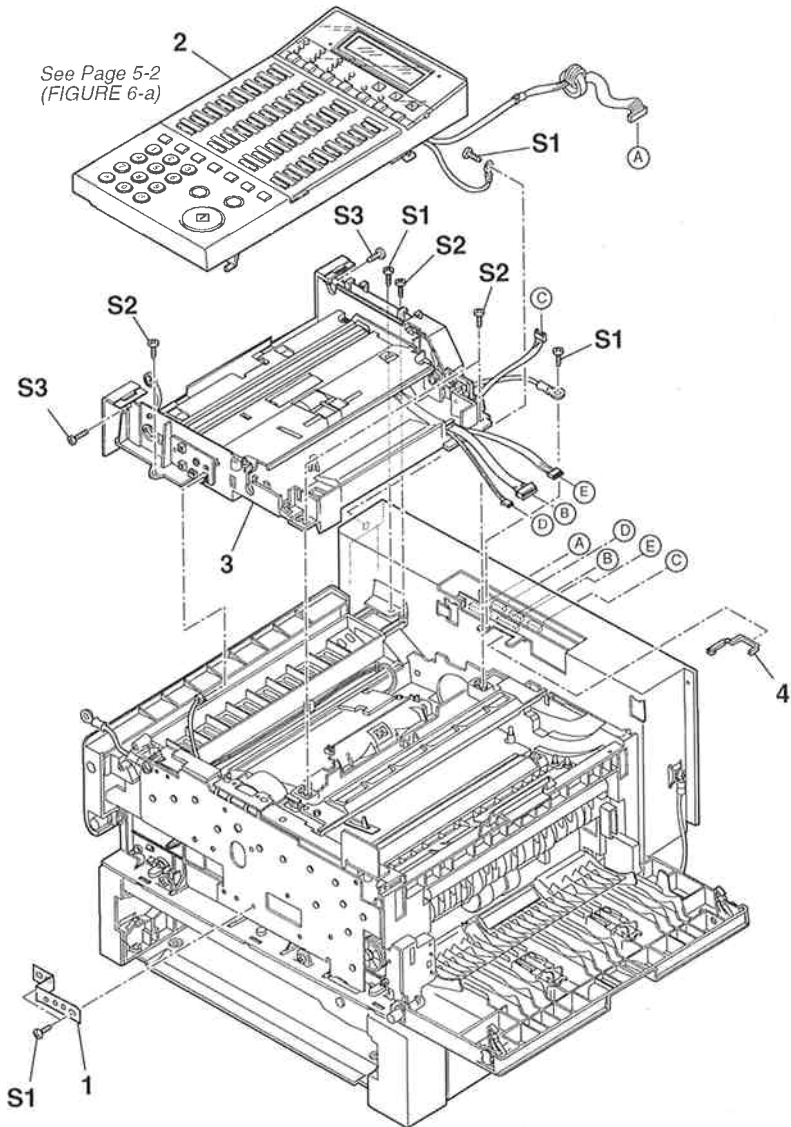


FIGURE & KEY No.	PART No.	R A N K	Q T Y	DESCRIPTION	REMARKS
6 - 1	HB1-0489-000		1	PLATE, GROUDING	
2	NPN		1	ADF AND CONTROL PANEL ASSY	
3	NPN		1	ADF ASSY, LOWER	
4	WT2-5031-000		1	CLIP	

FIGURE 7 LASER CLASS 7000 CIRCUIT BOARDS

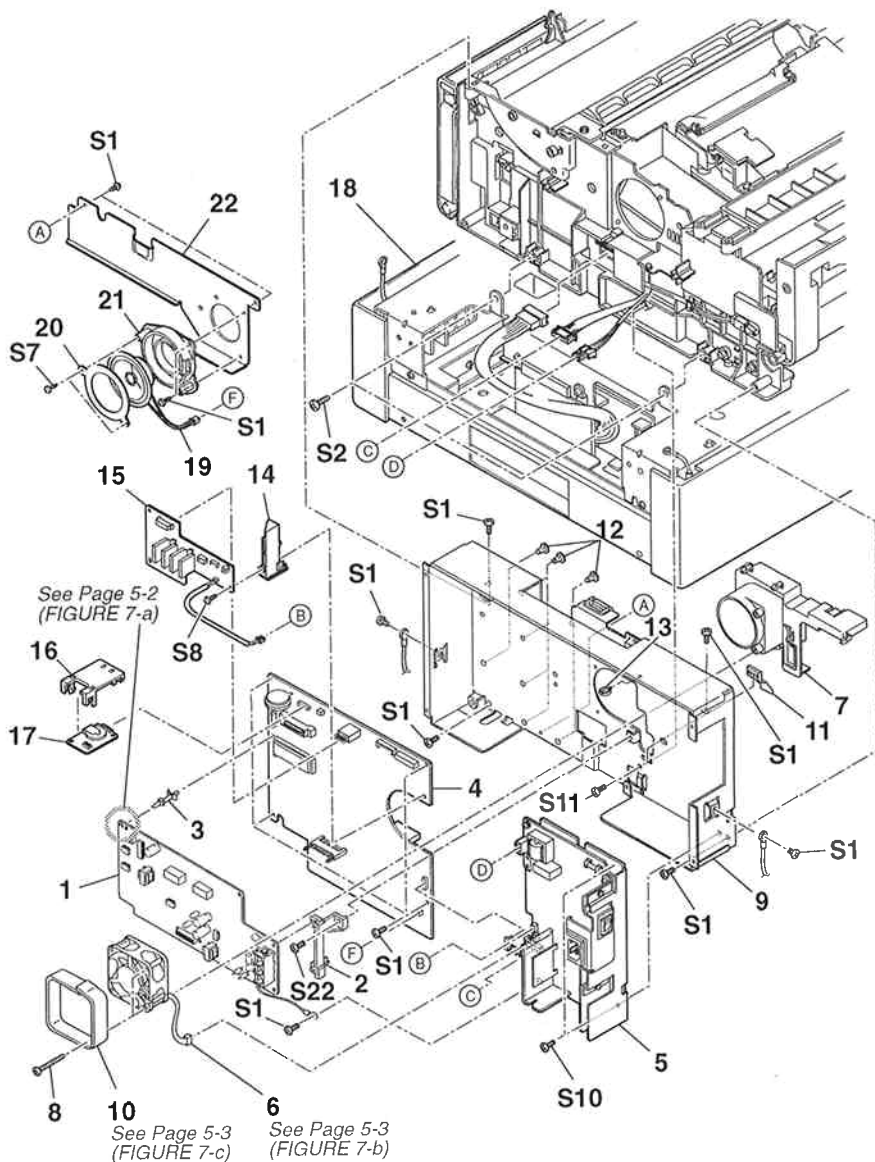


FIGURE & KEY No.	PART No.	R A N K	Q T Y	DESCRIPTION	REMARKS
7 - 1	HG1-4074-030		1	NCU BOARD ASSY	
2	HB1-0493-000		1	SUPPORT, NCU BOARD ASSY	
3	VT2-0001-012		1	SUPPORT, PCB	
4	HG5-0262-070		1	SCNT BOARD ASSY	
5	HH3-5278-000		1	POWER SUPPLY UNIT	
6	HH7-2023-000		1	FAN UNIT	
7	HB1-0488-000		1	DUCT, FAN	
8	XA9-0751-000		2	SCREW, SELF-TAPPING, M3X35	
9	HB1-0487-060	N	1	CASE, SHIELD	
10	HB1-0492-000		1	COVER, FAN	
11	HB1-0494-020		1	PLATE, GROUNDING	
12	VT2-5027-008		9	SPACER	
13	WT2-0434-000		1	CLIP	
14	HB1-0727-000		1	SUPPORT, MCNT BOARD ASSY	
15	HG5-0268-030		1	MCNT BOARD ASSY	
16	HB1-0728-030		1	SUPPORT, BATTERY BOARD	
17	HG1-4203-000		1	BATTERY BOARD UNIT	
18	HG5-0112-000		1	F.CASSETTE FEEDER ASSY, UPPER	
19	HH7-2089-000		1	SPEAKER	
20	HA1-4605-000	N	1	MOUNTING PLATE	
21	HA1-6576-000		1	SPEAKER HOLDER	
22	HB1-0726-040	N	1	PLATE, SPEAKER HOLDER	

FIGURE 8 LASER CLASS 7500 CIRCUIT BOARDS

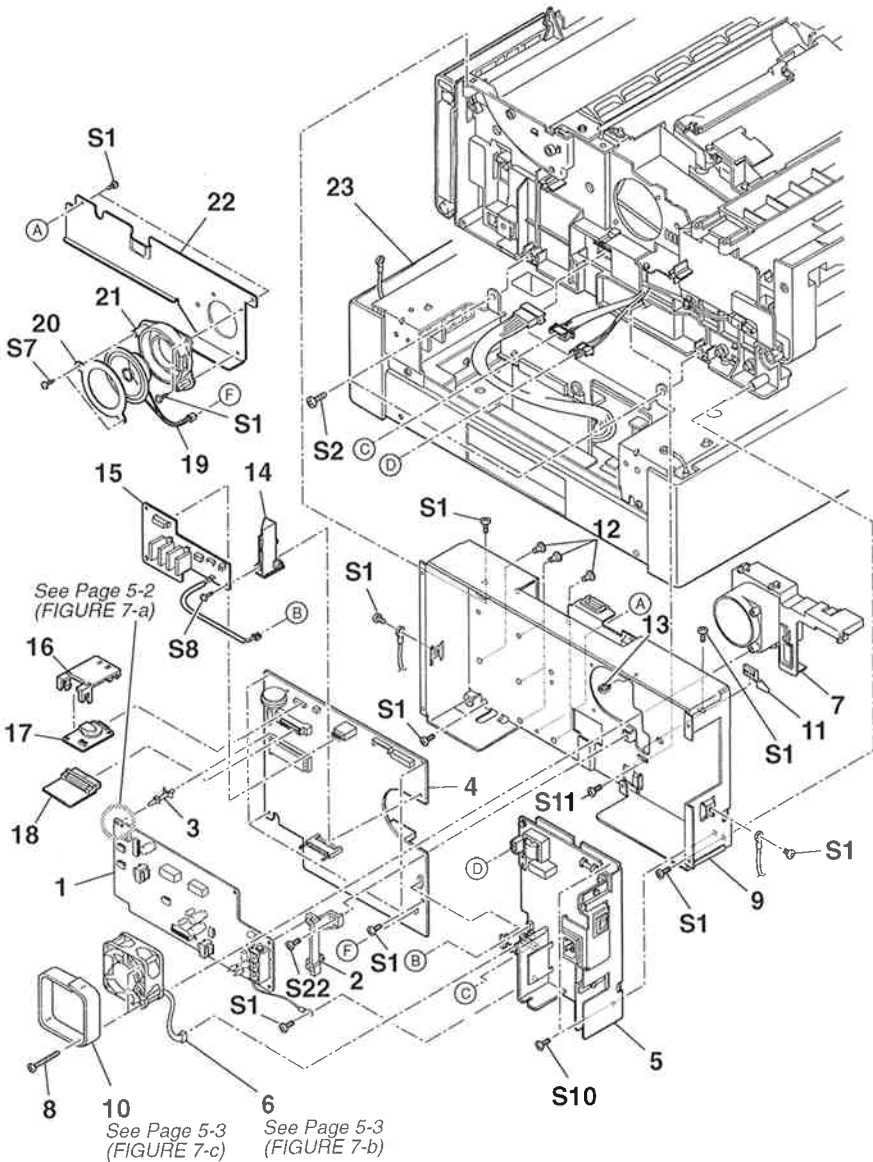
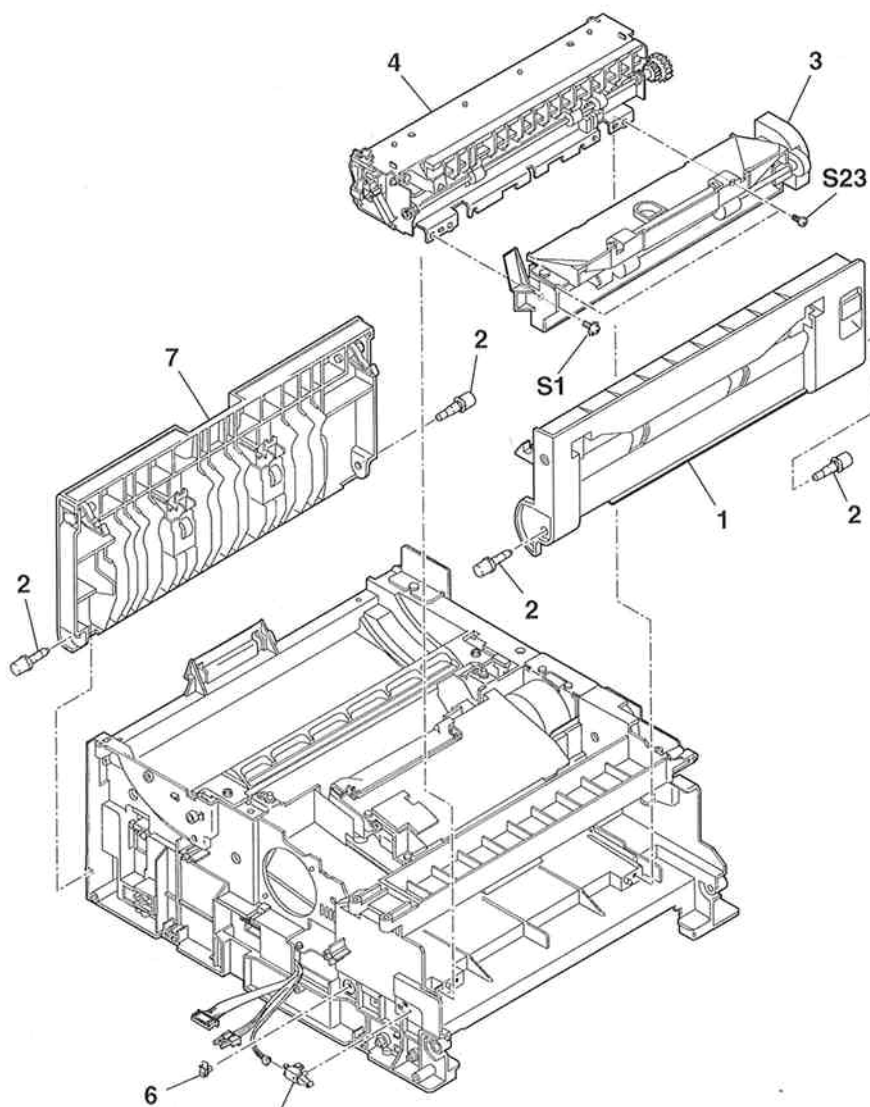


FIGURE & KEY No.	PART No.	RANK	QTY	DESCRIPTION	REMARKS
8- 1	HG1-4074-030		1	NCU BOARD ASS'Y	
2	HB1-0493-000		1	SUPPORT, NCU BOARD ASS'Y	
3	VT2-0001-012		1	SUPPORT, PCB	
4	HG5-0262-070		1	SCNT BOARD ASS'Y	
5	HH3-5278-000		1	POWER SUPPLY UNIT	
6	HH7-2023-000		1	FAN UNIT	
7	HB1-0488-000		1	DUCT, FAN	
8	XA9-0751-000		2	SCREW, SELF-TAPPING, M3X35	
9	HB1-0487-060	N	1	CASE, SHIELD	
10	HB1-0492-000		1	COVER, FAN	
11	HB1-0494-020		1	PLATE, GROUNDING	
12	VT2-5027-008		9	SPACER	
13	WT2-0434-000		1	CLIP	
14	HB1-0727-000		1	SUPPORT, MCNT BOARD ASS'Y	
15	HG5-0268-030		1	MCNT BOARD ASS'Y	
16	HB1-0728-030		1	SUPPORT, BATTERY BOARD	
17	HG1-4203-000		1	BATTERY BOARD UNIT	
18	HG5-0273-000		1	DRAM BOARD ASS'Y(4M-BYTE)	
19	HH7-2089-000		1	SPEAKER	
20	HA1-4605-000	N	1	MOUNTING PLATE	
21	HA1-6576-000		1	SPEAKER HOLDER	
22	HB1-0726-040	N	1	PLATE, SPEAKER HOLDER	
23	HG5-0112-000		1	F.CASSETTE FEEDER ASS'Y, UPPER	

FIGURE 9 FIXING & PAPER EXIT SECTION



See Page 5-3
(FIGURE 9-a)

FIGURE & KEY No.	PART No.	R A N K	Q T Y	DESCRIPTION	REMARKS
9- 1	HG5-0131-040		1	EXIT PAPER COVER ASSY	
2	HB1-0490-000		4	PIN, TAPER	
3	HG5-0132-060		1	PAPER EJECT ROLLER ASSY	
4	RG9-0979-000		1	FIXING ASSY	
5	WC4-5052-000		1	MICRO SWITCH	
6	WT2-0387-000		1	CLAMP	
7	NPN		1	RIGHT COVER ASSY	

FIGURE 10 PRINTER SECTION (1)

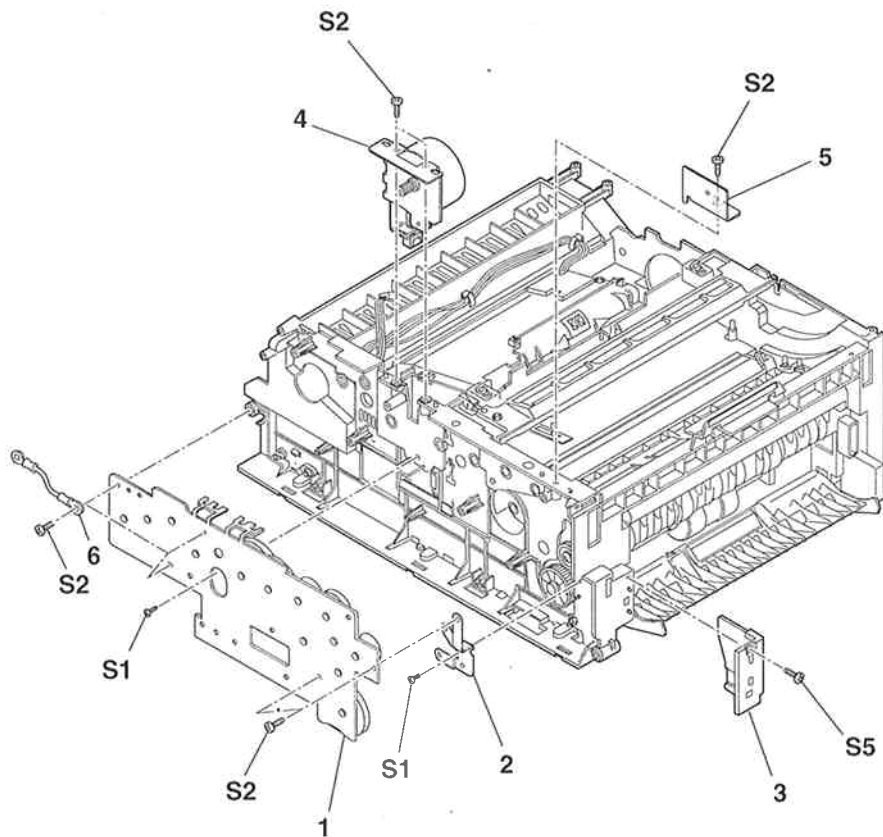


FIGURE & KEY No.	PART No.	R A N K	Q T Y	DESCRIPTION	REMARKS
10- 1	HG5-0130-020		1	DRIVE GEAR ASS'Y	
2	HB1-0499-000		1	PLATE, GROUNDING	
3	HB1-0504-000		1	COVER, BELT	
4	RG5-0765-000		1	MOTOR ASS'Y	
5	HB1-0498-000		1	RETAINER, COVER, TOP	
6	HH2-2451-000		1	GROUND WIRE	

FIGURE 11 PRINTER SECTION (2)

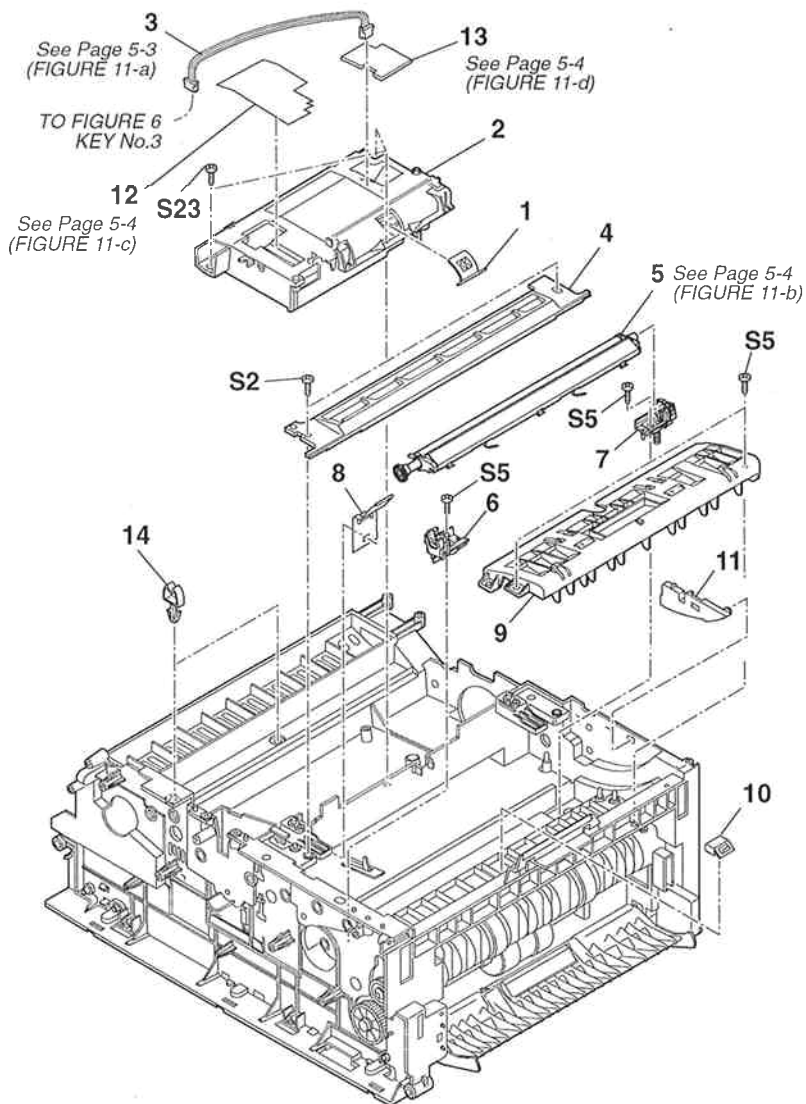


FIGURE & KEY No.	PART No.	R A N K	Q T Y	DESCRIPTION	REMARKS
11- 1	RB1-3681-000		1	CAP, SHUTTER	
2	RG5-0662-030		1	LASER/SCANNER ASS'Y	
3	HH2-2331-000		1	CABLE WITH CONNECTOR, 3P	
4	RG5-0667-020		1	MIRROR ASS'Y	
5	NPN		1	TRANSFER ASS'Y	
6	RG5-0674-000		1	TRANSFER MOUNT ASS'Y, LEFT	
7	RG5-0675-000		1	TRANSFER MOUNT ASS'Y, RIGHT	
8	RB1-3003-000		1	SPRING, LEAF	
9	HG5-0123-000		1	ROLLER GUIDE UNIT	
10	HB1-0509-000		1	COVER, TONER SENSOR	
11	HB1-0496-000		1	PLATE, CARTRIDGE	
12	HB1-0666-000		1	COVER, DUST A	
13	HB1-0667-000		1	COVER, DUST B	
14	WT2-0434-000		2	CLIP	

FIGURE 12 PAPER PICKUP SECTION

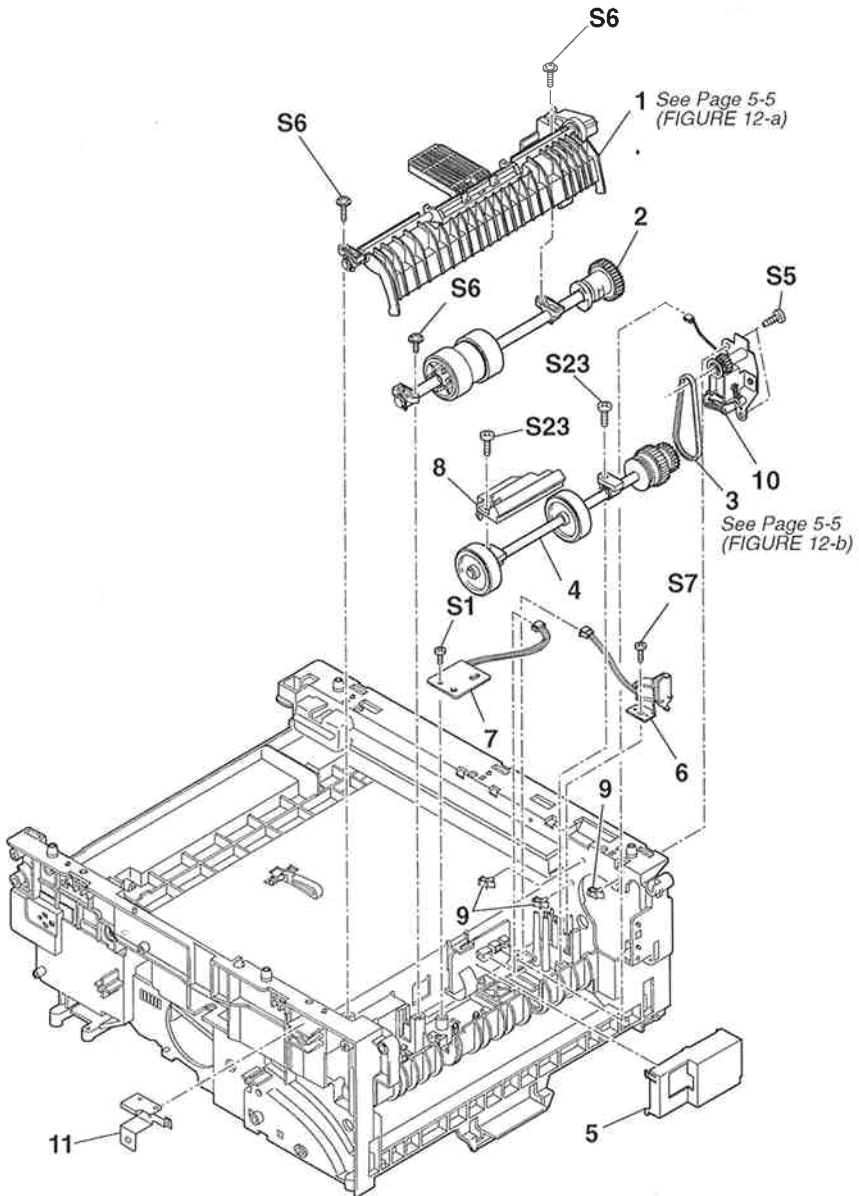


FIGURE & KEY No.	PART No.	R A N K	Q T Y	DESCRIPTION	REMARKS
12- 1	HG5-0126-020		1	SEPARATION ASS'Y	
2	HG5-0124-000		1	PICKUP ROLLER ASS'Y	
3	XF9-0484-000		1	BELT, COGGED, RUBBER	
4	HG5-0120-000		1	FEED ROLLER ASS'Y	
5	HB1-0520-000		1	COVER, CONNECTORS	
6	HH7-2040-000		1	SOLENOID, PICKUP	
7	HG1-4059-000		1	TONER SENSOR BOARD ASS'Y	
8	HB1-0511-000		1	COVER, FEED ROLLER	
9	WT2-0507-000		3	HOLDER, CLIP	
10	NPN		1	FEED SOLENOID UNIT	
11	HB1-0500-020		1	SPRING, LEFT	

FIGURE 13 PCNT ASS'Y

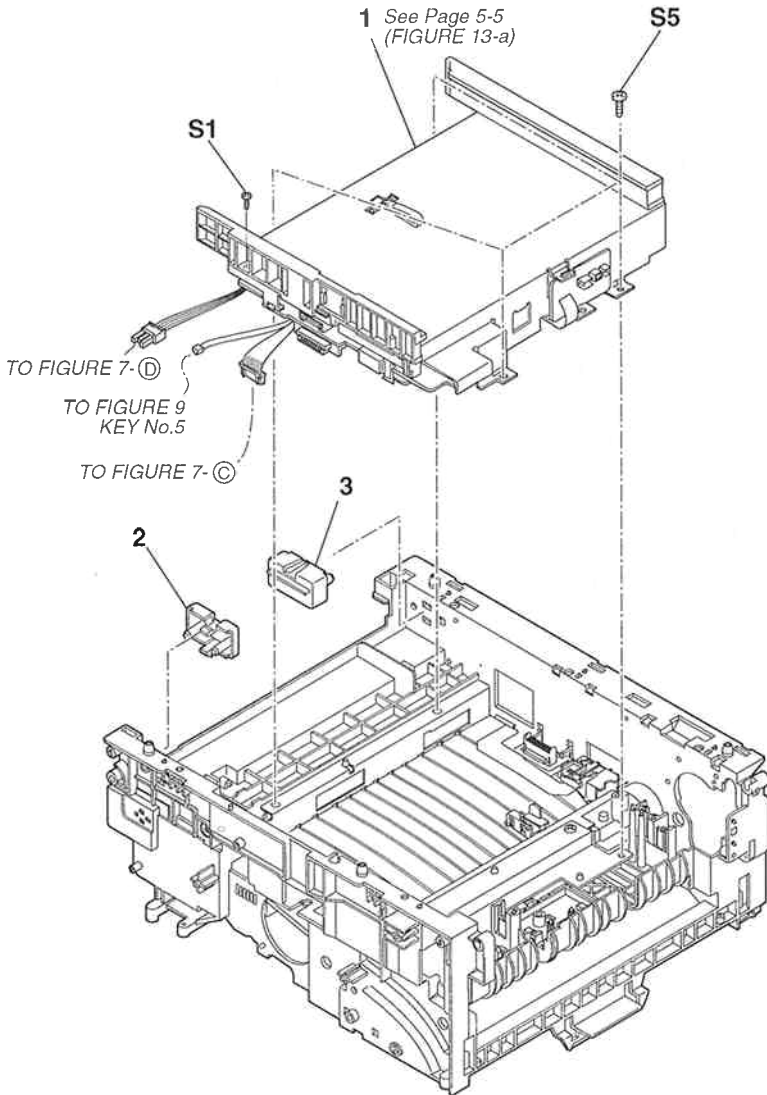


FIGURE 14 FEEDER GUIDE ASS'Y

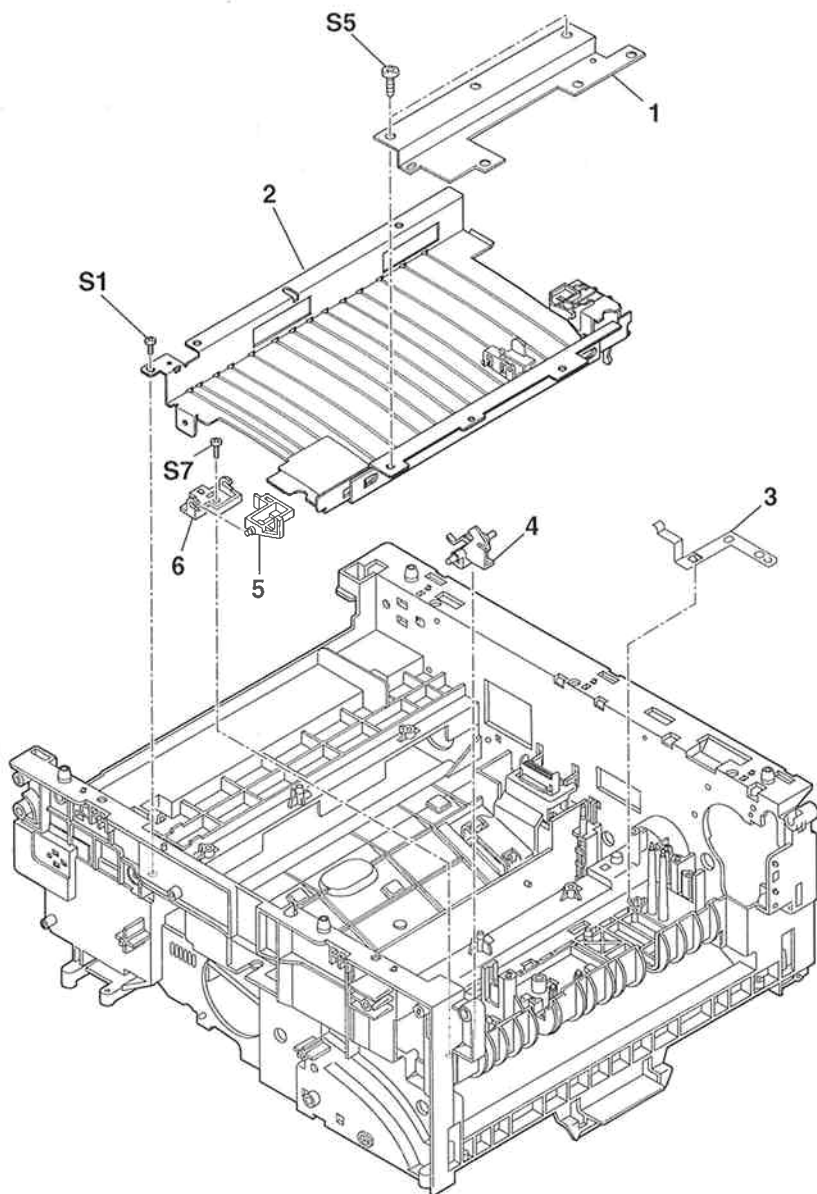


FIGURE 15 PRINTER FRAME

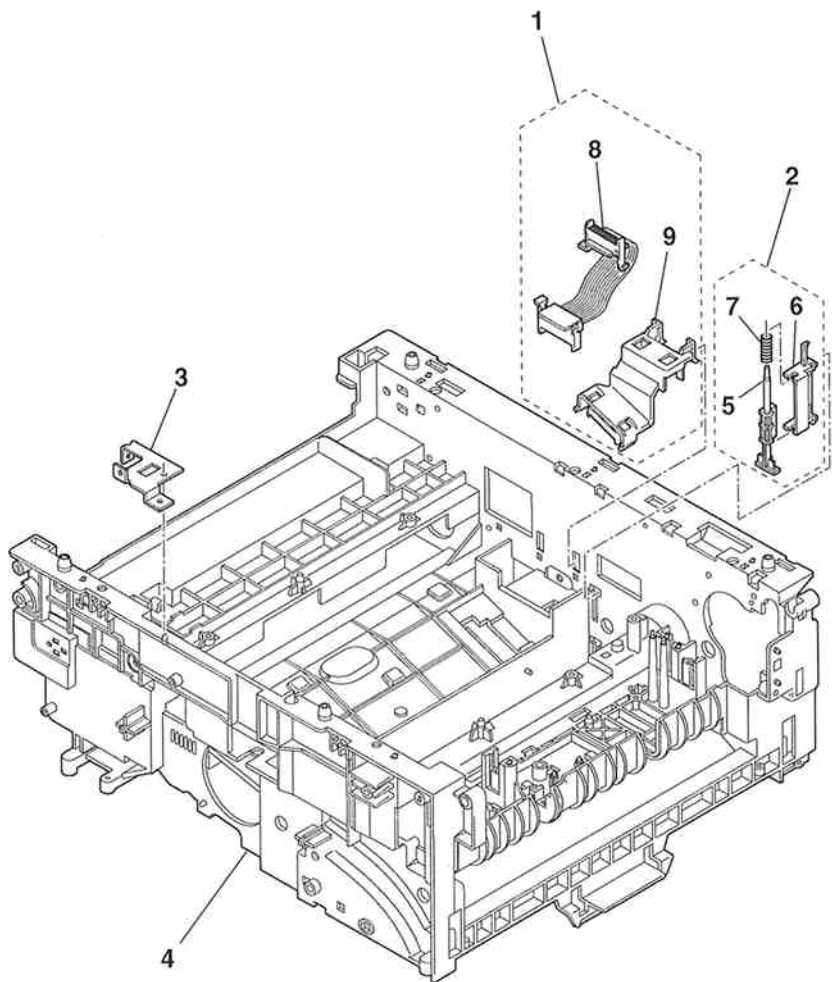


FIGURE 16 TOP & CARTRIDGE COVER ASS'Y

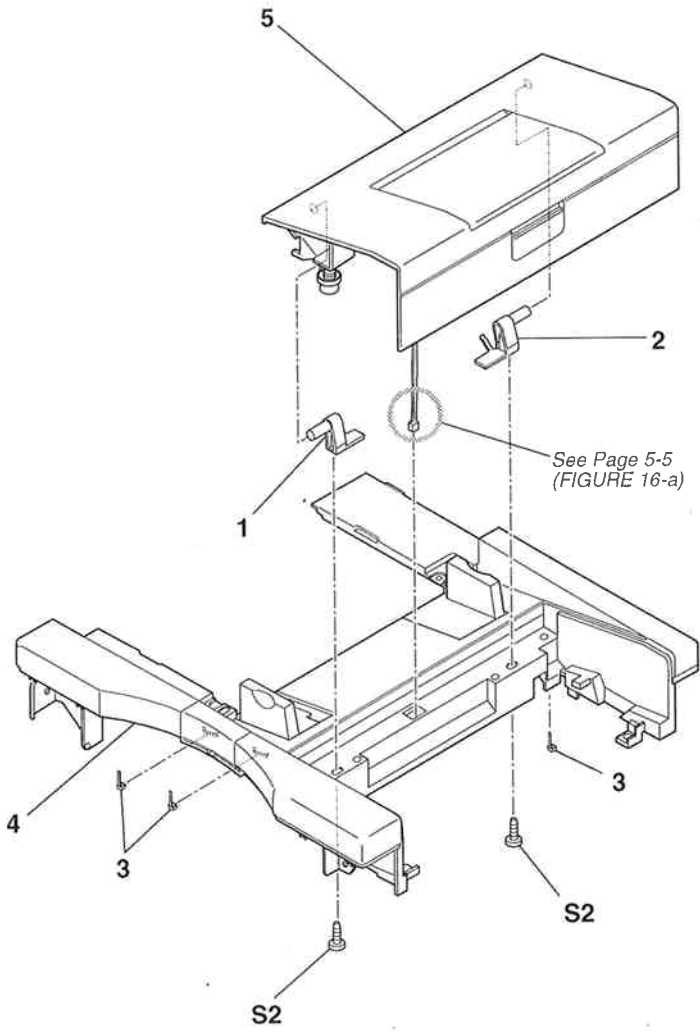


FIGURE & KEY No.	PART No.	R A N K	Q T Y	DESCRIPTION	REMARKS
16- 1	HB1-0593-000		1	HINGE, LEFT	
2	HB1-0594-000		1	HINGE, RIGHT	
3	X66-6615-000		3	BAND, WIRING	
4	NPN		1	TOP COVER ASS'Y	
5	NPN		1	CARTRIDGE COVER ASS'Y	

FIGURE 17 CARTRIDGE COVER

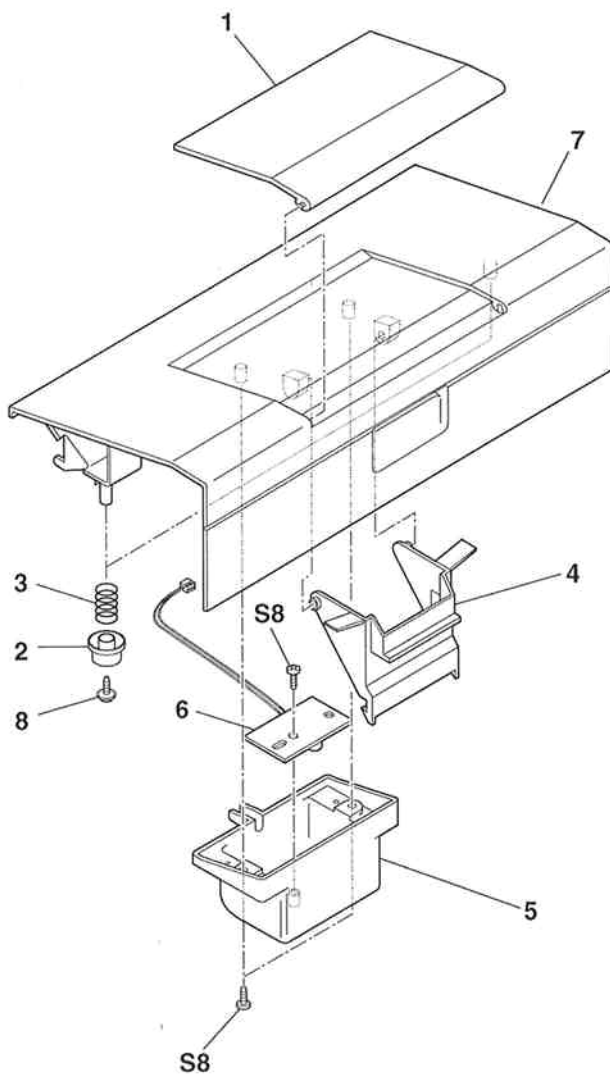


FIGURE & KEY No.	PART No.	R A N K	Q T Y	DESCRIPTION	REMARKS
17- 1	HB1-0596-000		1	TRAY, DOCUMENT, EXTENSION	
2	RB1-3130-000		2	PIECE, CRG PRESSURE	
3	RS5-2227-000		2	SPRING, COMPRESSION	
4	HB1-0597-000		1	LEVER, RELEASE	
5	HB1-0598-000		1	COVER, LED	
6	HG1-4057-000		1	LED BOARD ASSY	
7	HB1-0595-000		1	COVER, CARTRIDGE	
8	XA9-0476-000		2	SCREW, TP M3X8	

FIGURE 18 TOP COVER

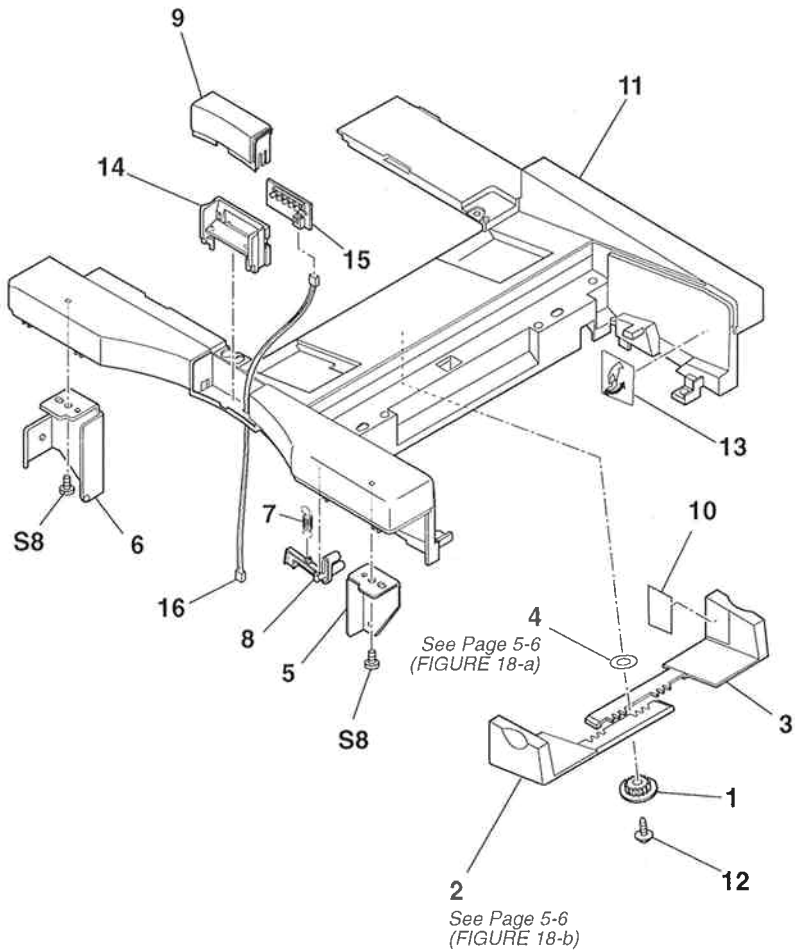


FIGURE & KEY No.	PART No.	R A N K	Q T Y	DESCRIPTION	REMARKS
18- 1	HS1-0070-000		1	GEAR, 16T	
2	HB1-0588-000		1	GUIDE, DOCUMENT, LEFT	
3	HB1-0587-000		1	GUIDE, DOCUMENT, RIGHT	
4	HB1-0614-000		1	SPRING WASHER, SLIDER	
5	HB1-0591-000		1	PLATE, SUPPORTING, RIGHT	
6	HB1-0592-000		1	PLATE, SUPPORTING, LEFT	
7	HS5-2022-000		1	SPRING, LEVER	
8	HB1-0589-020		1	ARM, CARTRIDGE COVER SENSOR	
9	HB1-0697-000		1	COVER, LED	
10	HB1-0699-000		1	LABEL, UPPER LIMIT	
11	HB1-0586-000		1	COVER, DOCUMENT GUIDE	
12	XA9-0428-000		1	SCREW M2.6X8	
13	HB1-0600-000		1	LABEL, HANDLING CARTRIDGE	
14	HB1-0698-000		1	HOLDER, WARNING LAMP BOARD	
15	HG5-0270-000		1	WARNING LAMP BOARD ASS'Y	
16	HH2-2433-000		1	CABLE WITH CONNECTOR, 2P	

FIGURE 19 CONTROL PANEL ASS'Y & ADF ASS'Y, UPPER

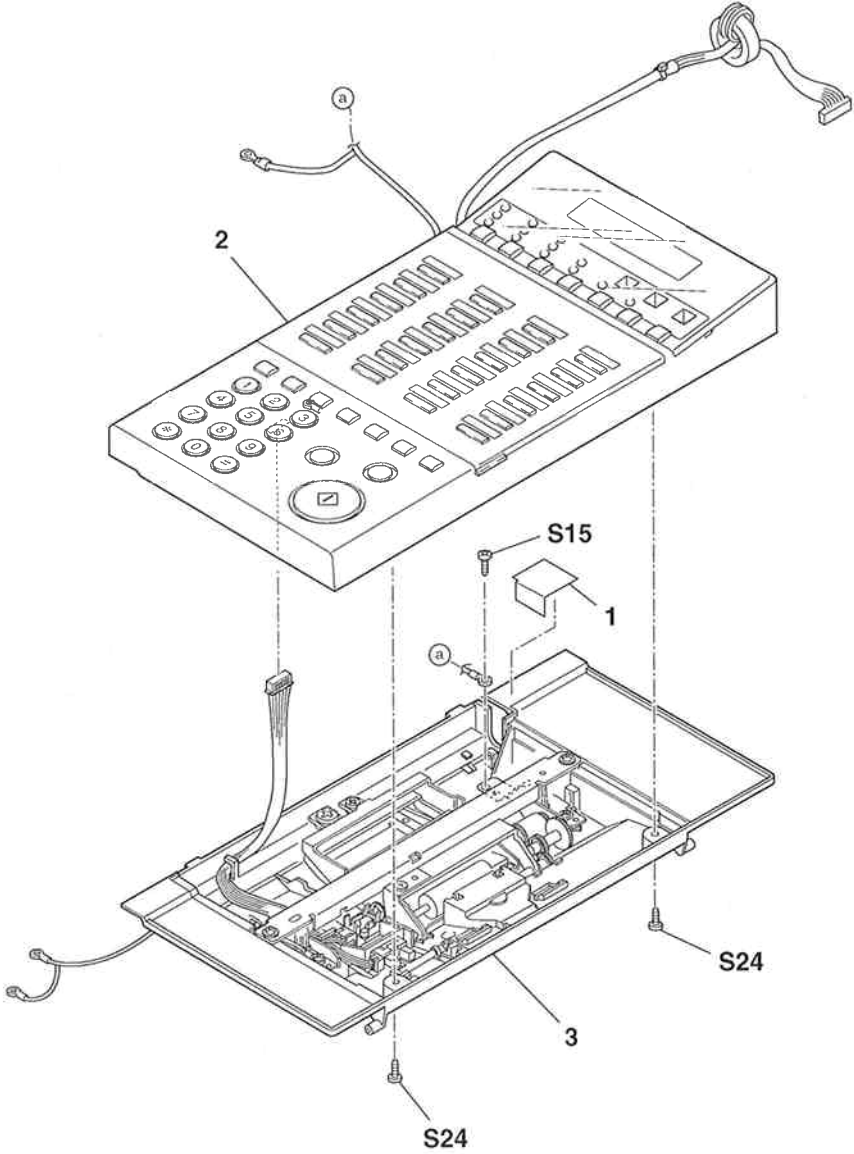


FIGURE & KEY No.	PART No.	R A N K	Q T Y	DESCRIPTION	REMARKS
19- 1	HB1-0648-000		1	SHEET, PROTECT	
2	HG5-0149-000		1	CONTROL PANEL ASS'Y	
3	NPN		1	ADF ASS'Y, UPPER	

FIGURE 20 ADF, UPPER

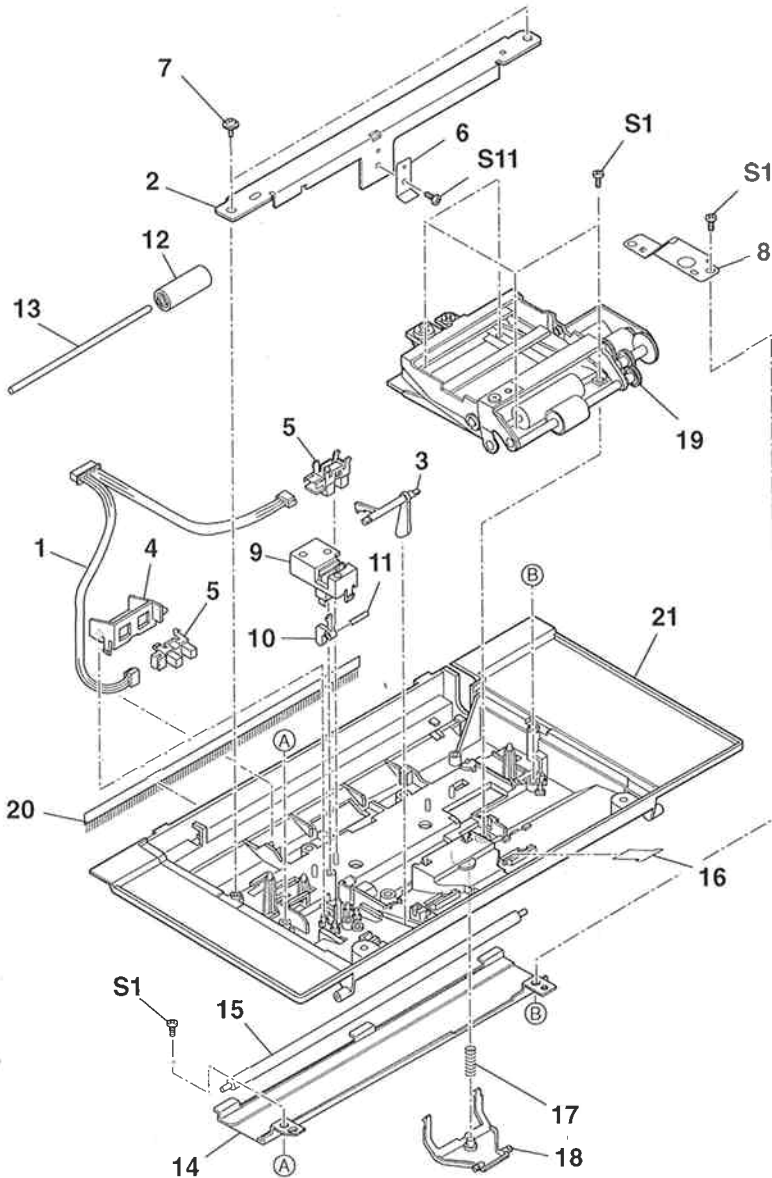


FIGURE & KEY No.	PART No.	R A N K	Q T Y	DESCRIPTION	REMARKS
20 - 1	HH2-2363-000		1	CABLE UNIT	
2	HB1-0722-020	N	1	STAY, PRESSURE	
3	HB1-0638-000		1	ARM, DETECTION (DS)	
4	HB1-0639-000		1	HOLDER (DS)	
5	WG8-5210-000		2	IC, TLP1240 PHOTOINTERRUPTER	
6	HB1-0710-000		1	SPRING, LEAF, GROUNDING	
7	XA9-0283-000		2	SCREW, TP, PH3X6	
8	HB1-0647-000		1	SPRING, LEAF, GROUNDING	
9	HB1-0640-000		1	HOLDER (DES)	
10	HA1-6639-000		1	ARM, DETECTION (DES)	
11	XD3-2200-122		1	PIN, PARALLEL, 2X12	
12	HA1-6852-000		1	ROLLER, EJECT, UPPER	
13	HB1-0641-000		1	SHAFT, DELIVERY ROLLER	
14	HF5-0083-020		1	SCANNING STRIP UNIT (WHITE)	
15	HB1-0635-000		1	SHAFT, PRESSURE	
16	HB1-0637-000		2	SHEET, FRICTION	
17	HS5-2033-000		1	SPRING	
18	HB1-0632-000		1	ARM, PRESSURE	
19	HG5-0172-000		1	SEPARATION ROLLER ASSY(UPPER)	
20	HB1-0636-000		1	BRUSH, STATIC DISCHARGE	
21	HB1-0631-000	N	1	FRAME, ADF, UPPER	

FIGURE 21 CONTROL PANEL (1)

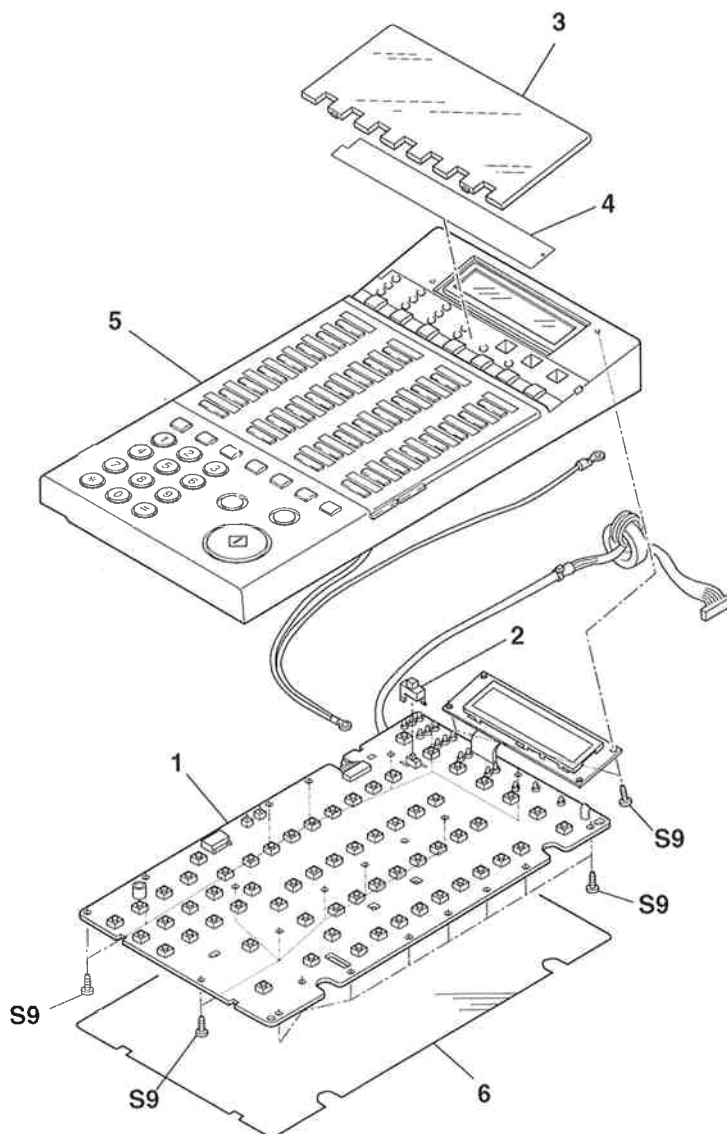


FIGURE & KEY No.	PART No.	R A N K	Q T Y	DESCRIPTION	REMARKS
21- 1	HG1-4127-000		1	OPCNT BOARD ASSY	
2	HB1-0662-000		1	COVER, SWITCH	
3	HB1-0661-000		1	COVER, DISPLAY	
4	HB1-0730-000		1	SHEET, FUNCTION	
5	NPN		1	CONTROL PANEL COVER ASSY	
6	HB1-0721-020		1	SHEET, PROTECT	

FIGURE 22 CONTROL PANEL (2)

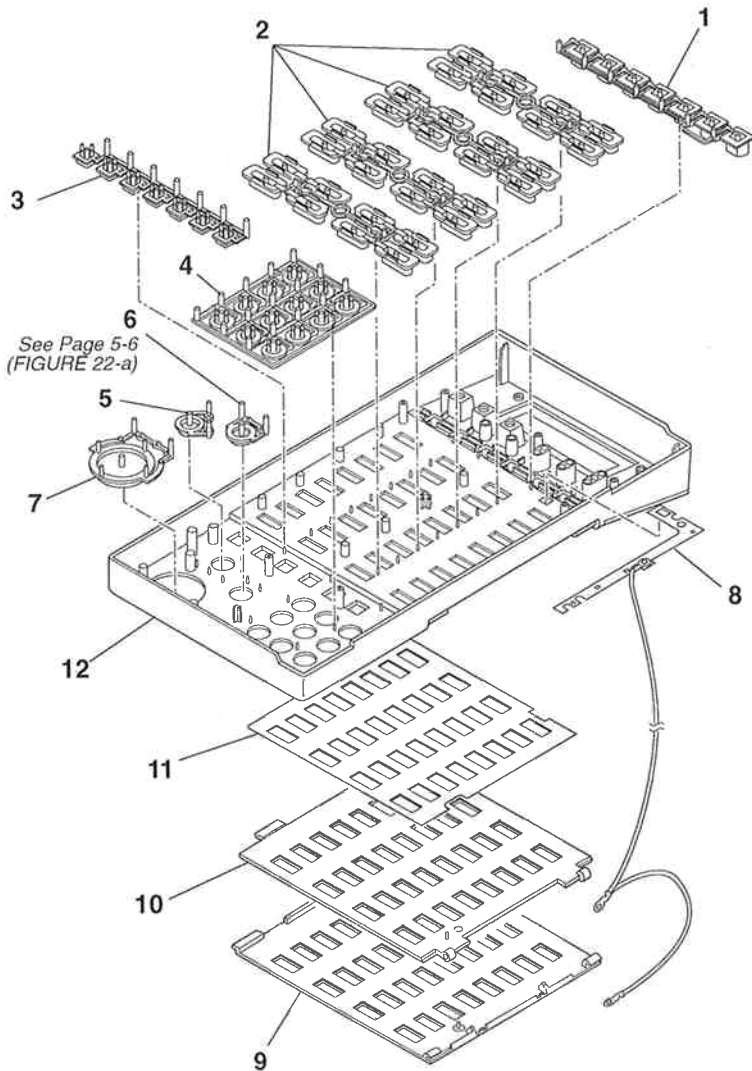


FIGURE & KEY No.	PART No.	R A N K	Q T Y	DESCRIPTION	REMARKS
22 - 1	HB1-0656-000		1	KEY TOP, "FUNCTION (MODE)"	
2	HB1-0654-000		4	KEY TOP, "ONE TOUCH DIAL"	
3	HB1-0655-000		1	KEY TOP, "TEL FUNCTION"	
4	HB1-0652-000		1	KEY TOP, "DIAL"	
5	HB1-0658-000		1	KEY TOP, "COPY"	
6	HB1-0657-000		1	KEY TOP, "STOP"	
7	HB1-0653-000		1	KEY TOP, "START"	
8	HB1-0664-030		1	PLATE, WITH GROUND WIRE	
9	HB1-0731-000		1	COVER, CONTROL PANEL, A	
10	HB1-0732-000		1	COVER, CONTROL PANEL, B	
11	HB1-0733-000		1	SHEET, FUNCTION	
12	HB1-0651-030		1	COVER, CONTROL PANEL	

FIGURE 23 ADF, LOWER (1)

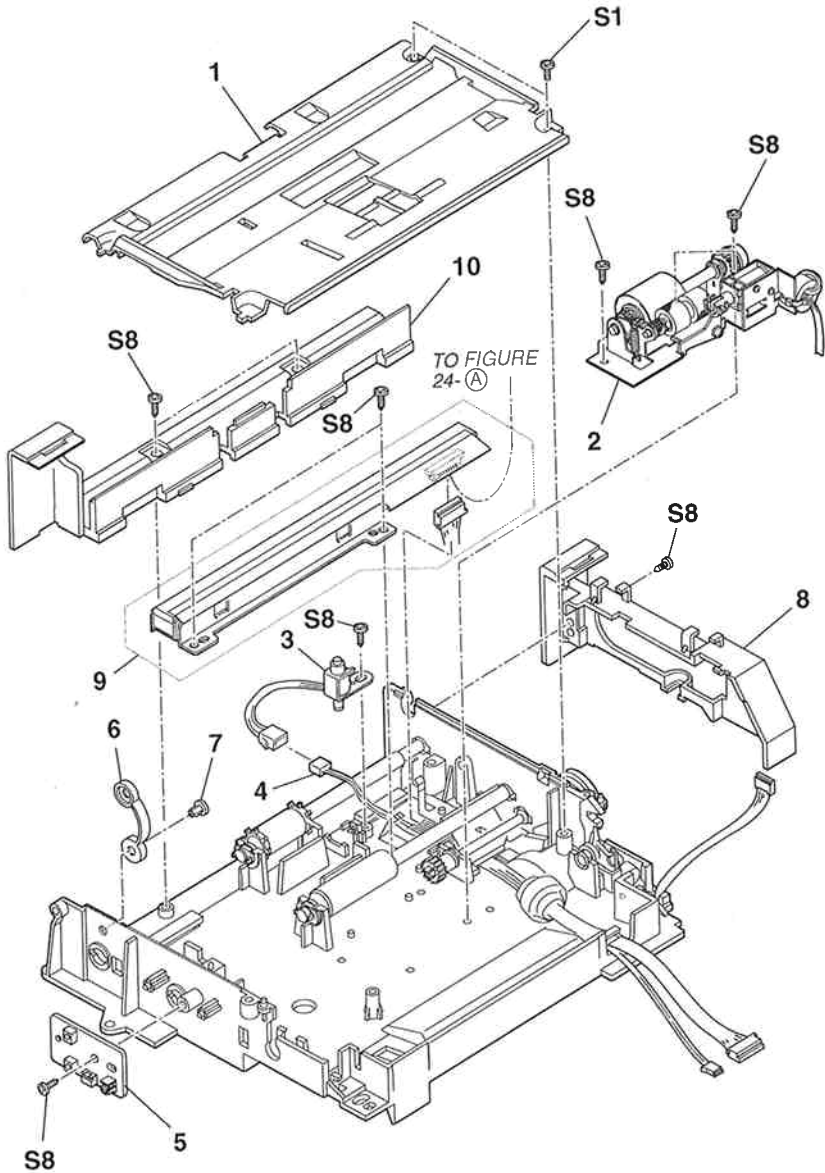


FIGURE & KEY No.	PART No.	R A N K	Q T Y	DESCRIPTION	REMARKS
23 - 1	HB1-0602-000		1	COVER, ADF, LOWER	
2	HG5-0167-000		1	SEPARATION ROLLER ASS'Y(LOWER)	
3	HH7-2087-000		1	STAMP UNIT	
4	HH2-2441-020		1	CABLE WITH CONNECTOR, 2P	
5	HG1-4197-000		1	VR BOARD ASS'Y	
6	HB1-0613-000		1	STOPPER, CONTROL PANEL	
7	WT2-5078-000		1	RIVET	
8	HB1-0606-000		1	COVER, GEAR	
9	HG5-0169-000		1	CONTACT SENSOR UNIT	
10	HB1-0608-000		1	COVER, EJECT ROLLER	

FIGURE 24 ADF, LOWER (2)

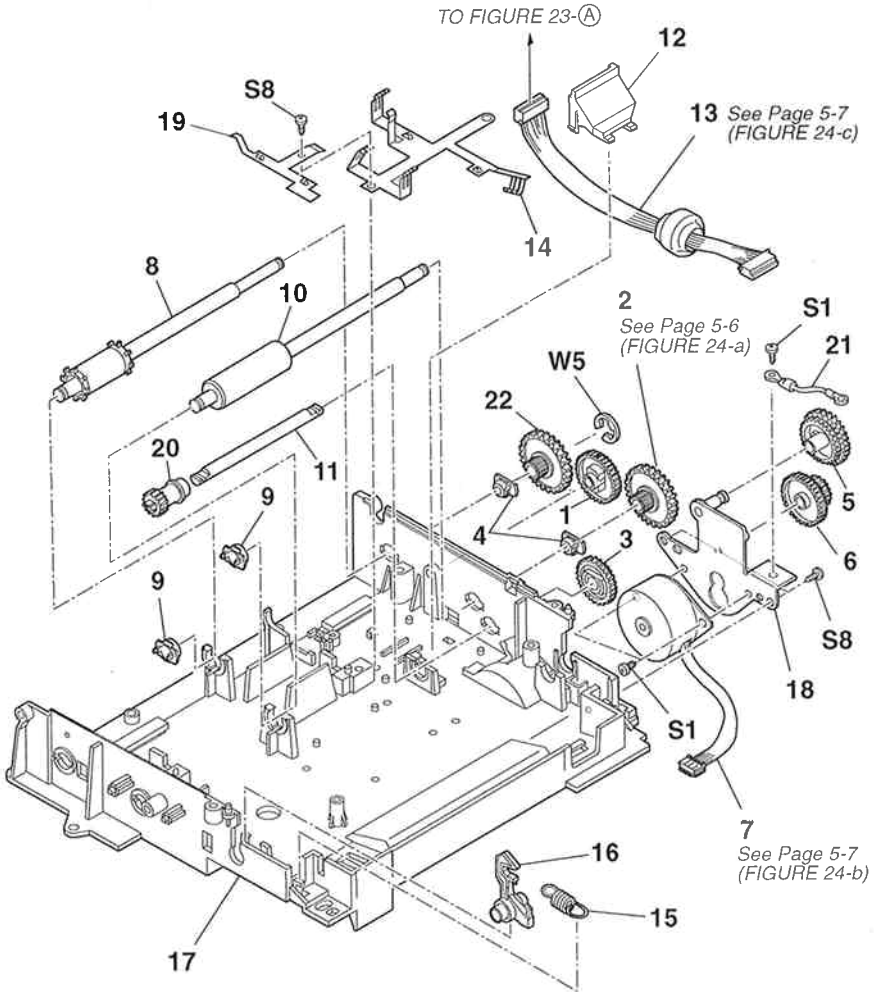


FIGURE & KEY No.	PART No.	R A N K	Q T Y	DESCRIPTION	REMARKS
24 - 1	HS5-0058-000		1	GEAR, 34T	
2	HS5-0118-000		1	GEAR, 44/20T	
3	HS5-0117-000		1	GEAR, 49T	
4	HS5-1013-020		2	BUSHING	
5	HS5-0059-020		1	GEAR, 38T/33T	
6	HS5-0063-000		1	GEAR, 60T/20T	
7	HH7-2085-000		1	PULSE MOTOR, DOCUMENT FEED	
8	HB1-0742-030		1	ROLLER, DOCUMENT EJECT	
9	HS5-1014-000		2	BUSHING	
10	HB1-0741-000		1	ROLLER, DOCUMENT FEED	
11	HB1-0738-000		1	SHAFT, TRANSFER	
12	HB1-0607-000		1	COVER, CABLE	
13	HH2-2435-000		1	CABLE WITH CONNECTOR, 10P	
14	HB1-0609-030		1	SPRING, LEAF, GROUNDING	
15	HS5-2023-000		2	SPRING	
16	HB1-0605-000		2	ARM, HOOK	
17	HB1-0601-030	N	1	FRAME, ADF	
18	HF5-0046-030		1	MOUNT, DOCUMENT FEED MOTOR	
19	HB1-0709-000		1	SPRING, LEAF, GROUNDING	
20	HS5-0116-000		1	GEAR, 15T	
21	HH2-2437-000		1	WIRE, GROUNDING	
22	HS5-0057-020		1	GEAR, 44T/20T	

FIGURE 25 SEPARATION ROLLER (UPPER)

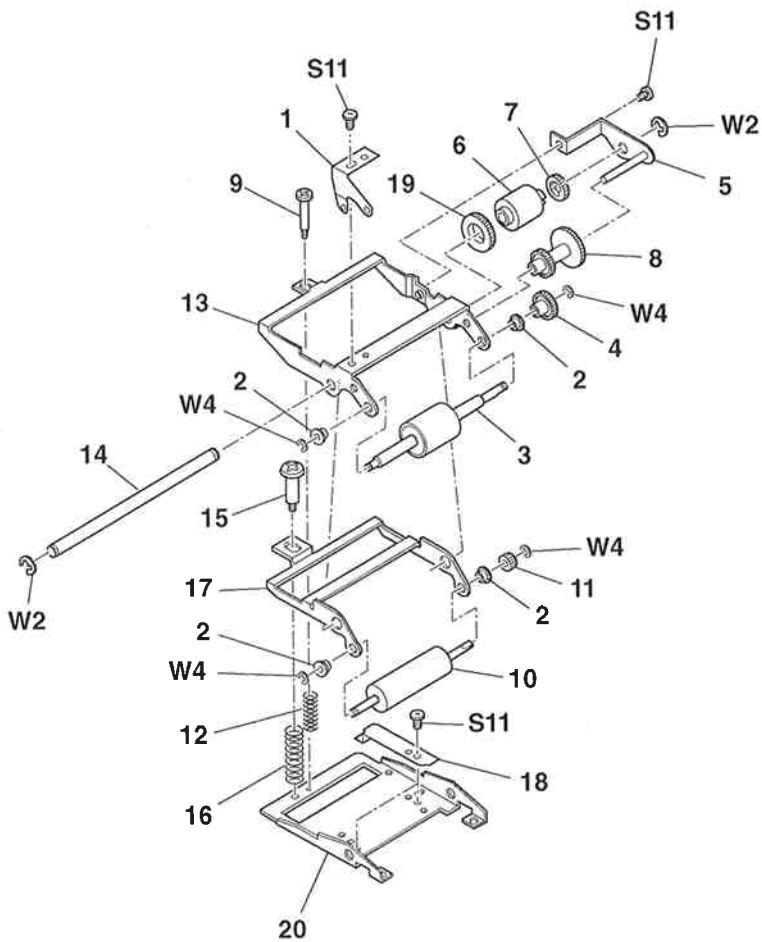


FIGURE & KEY No.	PART No.	R A N K	Q T Y	DESCRIPTION	REMARKS
25 - 1	HB1-0723-000		1	SPRING, LEAF, GROUNDING	
2	HS1-1074-000		4	BUSHING	
3	HB1-0718-000		1	ROLLER, SEPARATION, UPPER	
4	HS1-0325-000		1	GEAR, 27T	
5	HF5-0061-000		1	HOLDER, TORQUE LIMITER	
6	HB1-0716-000		1	TORQUE LIMITER	
7	HS5-0077-000		1	GEAR, 25T	
8	HS1-0324-000		1	GEAR, 29/44T	
9	HS5-9002-000		1	SCREW, M3X4	
10	HB1-0713-000		1	ROLLER, FEED, UPPER	
11	HS5-0076-000		1	GEAR, 15T	
12	HS5-2032-000		1	SPRING	
13	HB1-0712-000		1	HOLDER, SEPARATION ROLLER	
14	HA2-1636-000	N	1	SHAFT, PIJOT	
15	HS5-9001-000		1	SCREW, M4X6	
16	HS5-2031-000		1	SPRING	
17	HB1-0711-000		1	HOLDER, FEED ROLLER	
18	HB1-0715-000		2	SPRING, LEAF	
19	HS5-0073-000		1	GEAR, 37T	
20	HB1-0714-000		1	FRAME, SEPARATION ROLLER ASS'Y	

FIGURE 26 SEPARATION ROLLER (LOWER)

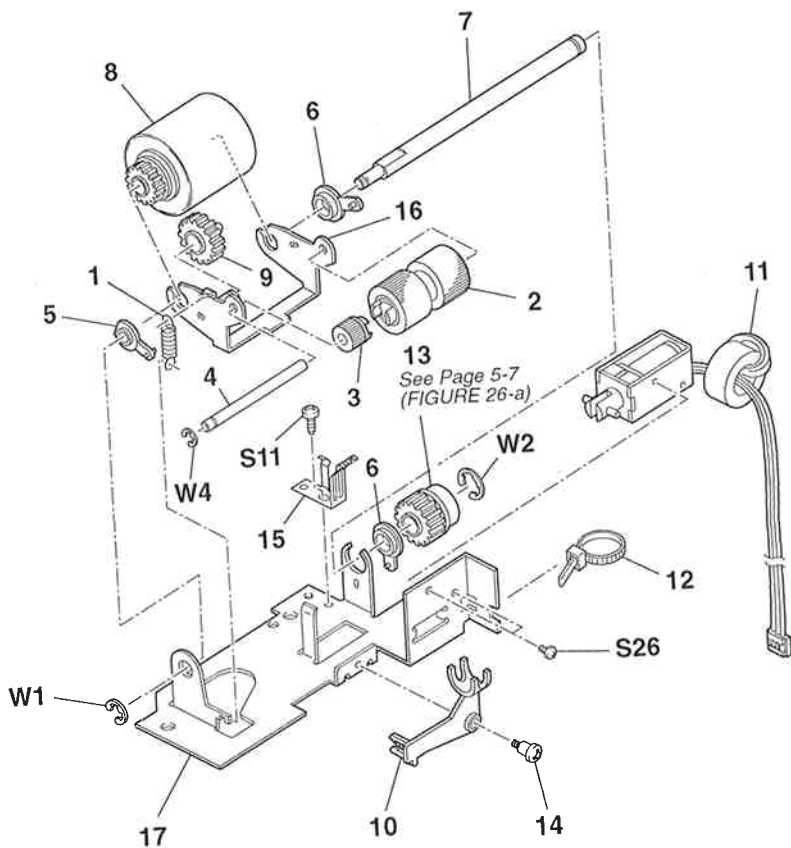


FIGURE & KEY No.	PART No.	RANK	QTY	DESCRIPTION	REMARKS
26 - 1	HS5-2034-000		1	SPRING	
2	HF5-0058-000		1	ROLLER, LOADING	
3	HS5-0072-000		1	GEAR, 17T	
4	HA2-1650-000	N	1	SHAFT, LOADING ROLLER	
5	HS5-1015-000		1	BUSHING, SEPARATION ROLLER	
6	HS1-1070-000		2	BUSHING, ADF ROLLER	
7	HB1-0701-000		1	SHAFT, SEPARATION ROLLER	
8	HF5-0057-000		1	ROLLER, SEPARATION, LOWER	
9	HS5-0071-000		1	GEAR, 32T	
10	HB1-0707-000		1	ARM, LIFTING	
11	HH7-2086-000		1	SOLENOID, LOADING	
12	X66-6615-000		1	BAND, WIRING	
13	HS5-0070-000		1	GEAR, 18T	
14	HS1-9013-000		1	SCREW	
15	HB1-0739-000		1	SPRING, LEAF, GROUNDING	
16	HF5-0059-000		1	HOLDER, LOADING ROLLER	
17	HB1-0703-000		1	HOLDER, SEPARATION ROLLER	

FIGURE 27 EXIT PAPER COVER

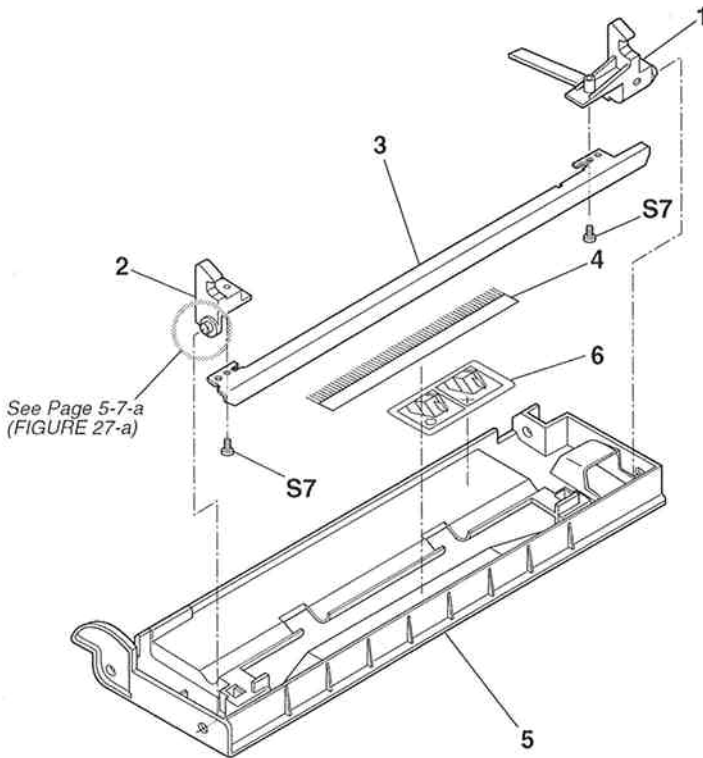


FIGURE & KEY No.	PART No.	R A N K	Q T Y	DESCRIPTION	REMARKS
27 - 1	HB1-0575-040		1	ARM, LOCK (L)	
2	HB1-0576-020		1	ARM, LOCK (R)	
3	HB1-0577-020	N	1	STAY	
4	HB1-0574-000		1	BRUSH, STATIC DISCHARGE	
5	HB1-0573-030		1	COVER, EXIT PAPER	
6	HB1-0583-000		1	LABEL, HANDLING PAPER JAM	

FIGURE 28 PAPER EJECT ROLLER

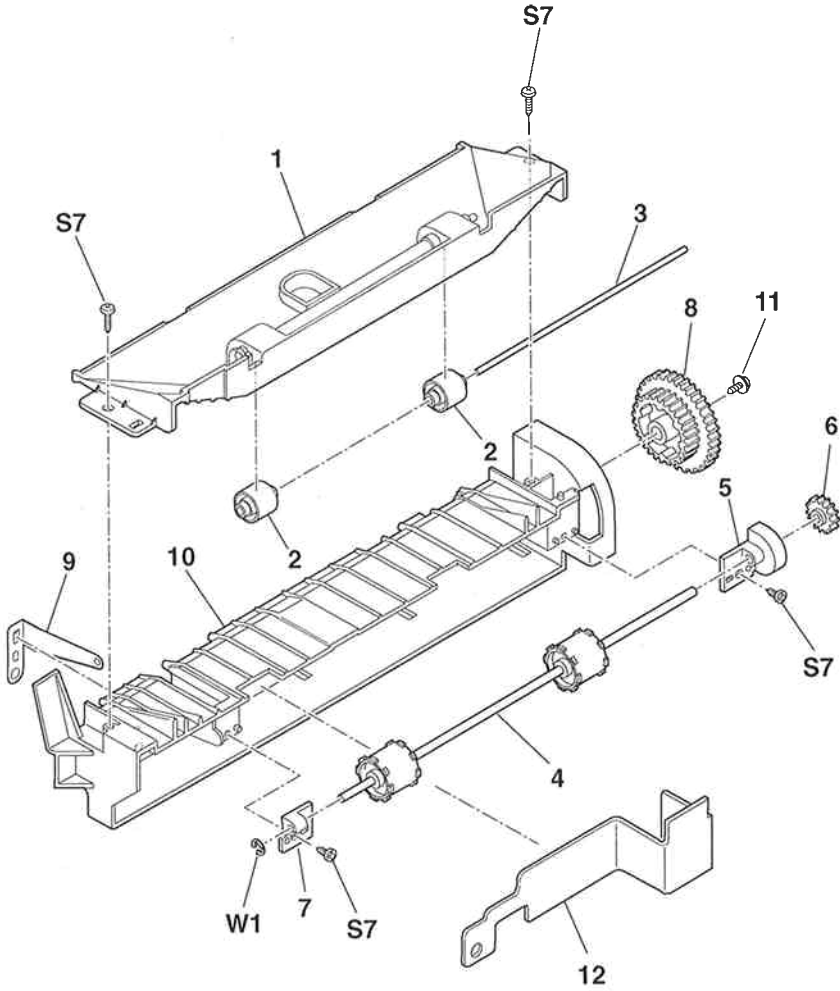


FIGURE & KEY No.	PART No.	R A N K	Q T Y	DESCRIPTION	REMARKS
28 - 1	HB1-0578-040		1	GUIDE, PAPER EJECT	
2	HS5-6004-000		2	ROLLER, PAPER EJECT (UPPER)	
3	HB1-0581-020		1	SHAFT, EJECT ROLLER	
4	HB1-0582-000		1	ROLLER, PAPER EJECT (LOWER)	
5	HS5-1012-000		1	BUSHING	
6	HS5-0055-000		1	GEAR, 18T	
7	HS5-1011-000		1	BUSHING	
8	HS5-0054-000		1	GEAR, 52T/38T	
9	HB1-0580-000		1	SPRING, LEAF, GROUNDING	
10	HB1-0579-040	N	1	FRAME, PAPER EJECT GUIDE	
11	XA9-0283-000		1	SCREW, TP, PH3X6	
12	HB1-0584-030		1	SUPPORT,FRAME,PAPER EJECT GUIDE	

FIGURE 29 FIXING ASS'Y

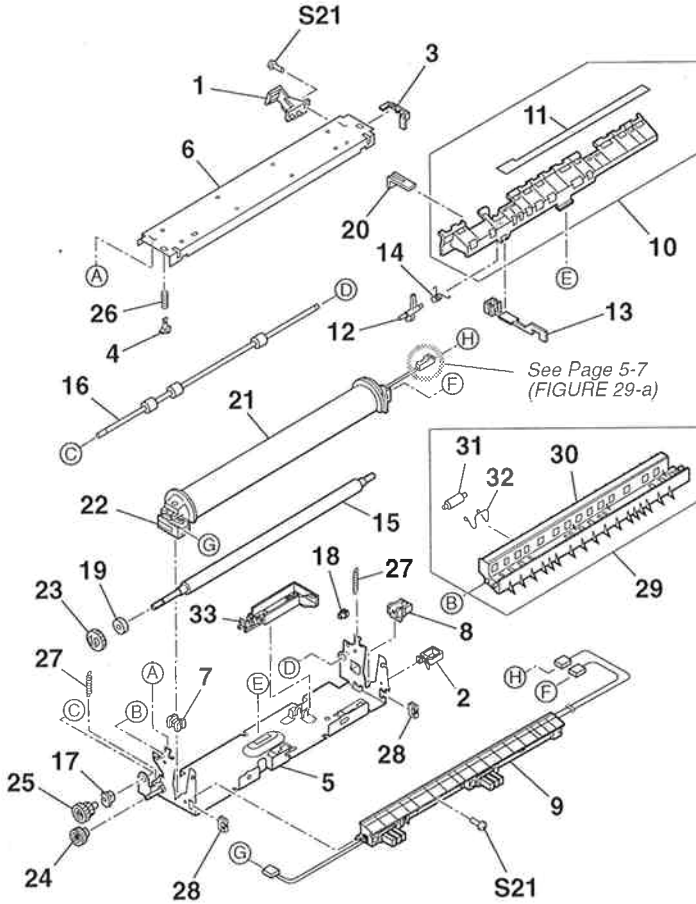


FIGURE & KEY No.	PART No.	R A N K	Q T Y	DESCRIPTION	REMARKS
29 - 1	RB1-2981-000		1	LEVER, RELEASE	
2	RB1-2969-020		1	CLIP, CABLE	
3	RB1-3025-020		1	COVER	
4	RB1-3087-000		2	PIN	
5	RB1-3088-020	N	1	FRAME, FIXING	
6	RB1-3089-000	N	1	PLATE, FIXING	
7	RB1-3090-000		1	BUSHING, PRESSURE ROLLER, LEFT	
8	RB1-3091-000		1	BUSHING, PRESSURE ROLLER,RIGHT	
9	RG5-0690-040		1	GUIDE ASS'Y ENTRANCE	
10	RF5-0586-030		1	GUIDE, DELIVERY, LOWER	
11	RS5-8170-000		1	LABEL, WARNING	
12	RB1-3096-020		1	LEVER, DELIVERY SENSOR	
13	RB1-3097-000		1	LINK, DELIVERY SENSOR	
14	RB1-3099-020		1	SPRING, TORSION	
15	RB1-3100-000		1	ROLLER, PRESSURE	
16	RB1-3103-000		1	ROLLER, PAPER DELIVERY, FU	
17	RB1-3104-030		1	BUSHING, DELIVERY ROLLER, LEFT	
18	RB1-3105-030		1	BUSHING, DELIVERY ROLLER,RIGHT	
19	RB1-3109-000		1	RUBBER, CONTINUITY	
20	RB1-3677-000		1	RETAINER, SENSOR	
21	RG5-0678-060		1	FIXING FILM ASS'Y	
22	RH2-5214-000		1	CONNECTOR, 2P	
23	RS5-0314-000		1	GEAR, 24T	
24	RS5-0315-000		1	GEAR, 22T	
25	RS5-0316-020		1	GEAR, 17T/17T	
26	RS5-2223-000		2	SPRING, COMPRESSION	
27	RS5-2224-000		2	SPRING, TENSION	
28	WT2-5058-000		2	CLIP, CABLE	
29	RG5-0681-030		1	DELIVERY ASS'Y	
30	RB1-3106-040		1	GUIDE, DELIVERY, UPPER	
31	RB1-3107-000		2	ROLLER	
32	RB1-3108-000		2	SPRING, TORSION	
33	RF5-0589-000		1	HOLDER, RESISTER	

FIGURE 30 RIGHT COVER

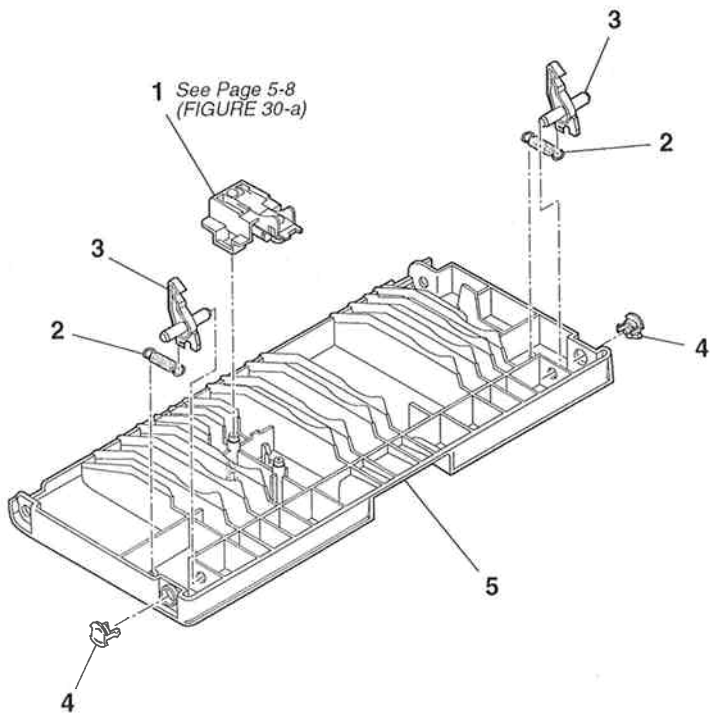
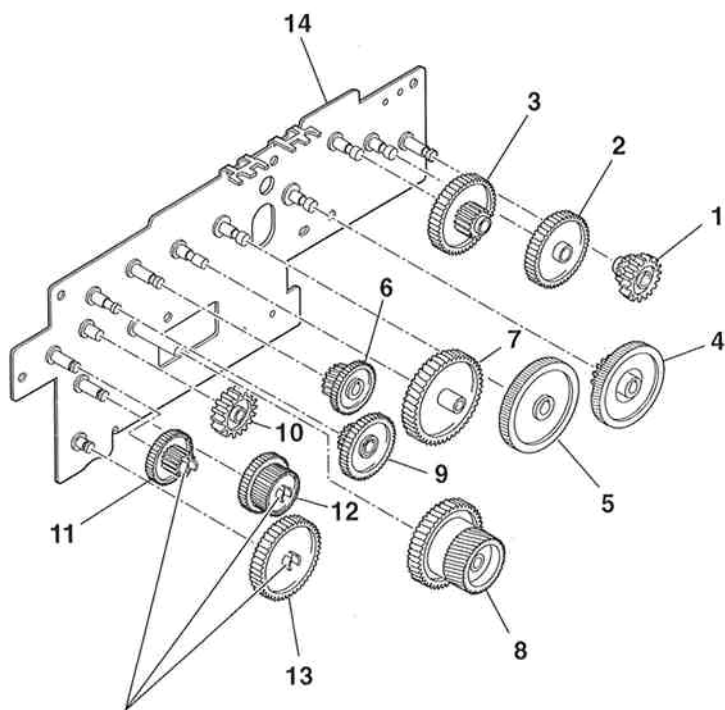


FIGURE & KEY No.	PART No.	R A N K	Q T Y	DESCRIPTION	REMARKS
30 - 1	HG5-0128-000		2	ROLLER GUIDE UNIT	
2	HS5-2020-000		2	SPRING	
3	HB1-0554-000		2	LEVER, LOCK	
4	HS1-1073-000		2	STOPPER, SHAFT	
5	HB1-0553-000		1	COVER, RIGHT	

FIGURE 31 DRIVE GEARS



Break the parts to remove them.

FIGURE & KEY No.	PART No.	R A N K	Q T Y	DESCRIPTION	REMARKS
31 - 1	RS5-0329-000		1	GEAR, 19T/19T	
2	RS5-0327-000		1	GEAR, 52T	
3	RS5-0326-000		1	GEAR, 19T/55T	
4	RS5-0325-000		1	GEAR, 120T/32T	
5	RS5-0318-000		1	GEAR, 136T/18T	
6	RS5-0321-000		1	GEAR, 22T/36T	
7	RS5-0366-000		1	GEAR, 64T	
8	RS5-0367-000		1	GEAR, 60T/38T	
9	HS5-0053-000		1	GEAR, 18T/45T	
10	HS5-0052-000		1	GEAR, 33T	
11	HS5-0051-000		1	GEAR, 18T/36T	
12	HS5-0050-000		1	GEAR, 32T/41T	
13	HS5-0049-000		1	GEAR, 58T	
14	NPN		1	MOUNT, GEARS	

FIGURE 32 PAPER GUIDE ROLLER

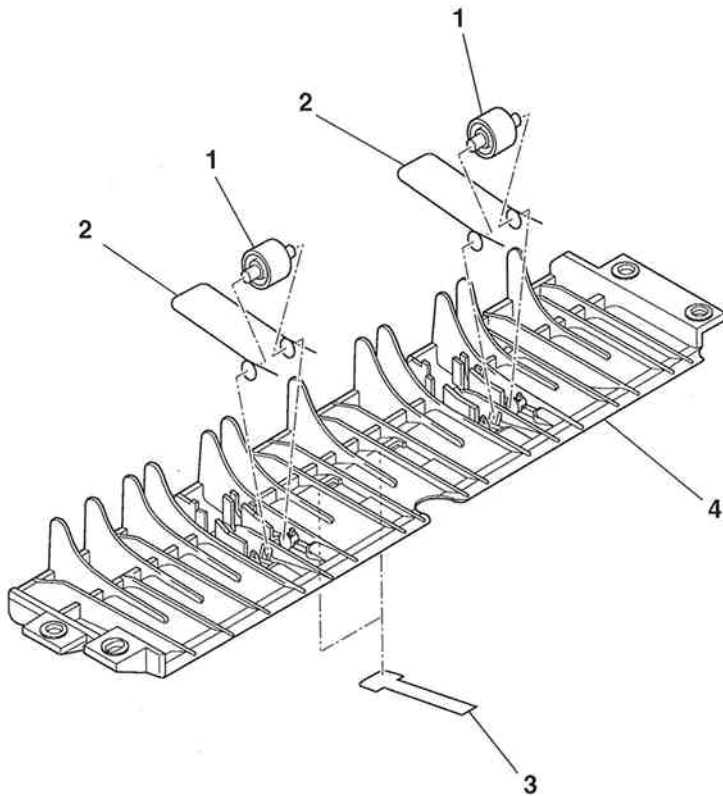


FIGURE & KEY No.	PART No.	R A N K	Q T Y	DESCRIPTION	REMARKS
32 - 1	HS5-6002-000		2	ROLLER, PAPER GUIDE	
2	HS5-2018-000		2	SPRING, PRESSURE	
3	HB1-0539-000		2	SHEET, PAPER GUIDE	
4	HB1-0538-000		1	GUIDE, PAPER FEED	

FIGURE 33 TRANSFER CHARGING ROLLER

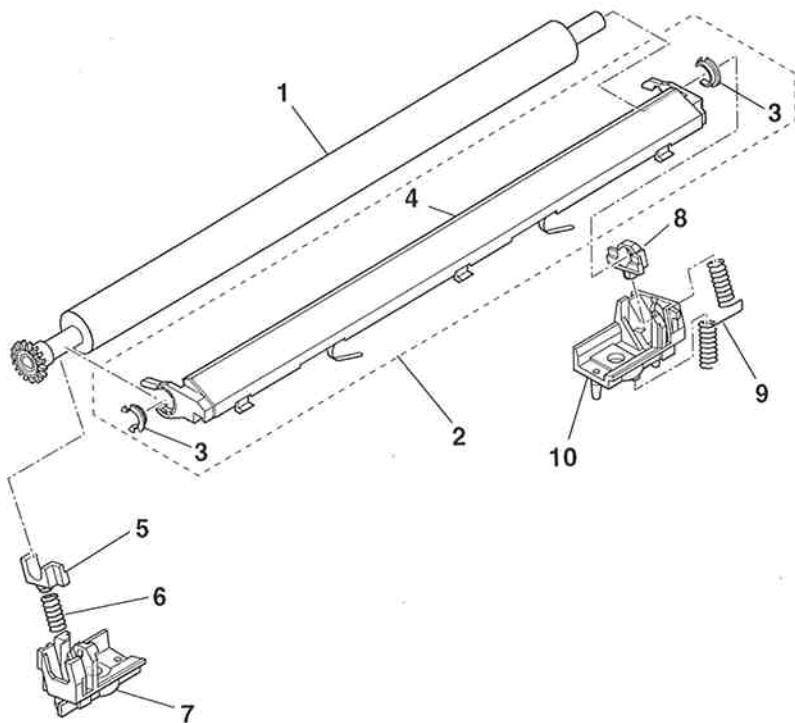


FIGURE & KEY No.	PART No.	R A N K	Q T Y	DESCRIPTION	REMARKS
33 - 1	RF5-0596-000		1	ROLLER, TRANSFER	
	RG5-0702-000		1	TRANSFER GUIDE ASS'Y	
	RB1-3073-000		2	BUSHING	
	RF5-0585-000		1	GUIDE, TRANSFER	
	RB1-3076-000		1	BUSHING, LEFT	
	RS5-2222-000		1	SPRING, COMPRESSION	
	RB1-3075-000		1	MOUNT, TRANSFER, LEFT	
	RB1-3078-000		1	BUSHING, RIGHT	
	RS5-2221-000		2	SPRING, TORSION	
	RB1-3077-000		1	MOUNT, TRANSFER, RIGHT	

FIGURE 34 LASER / SCANNER UNIT

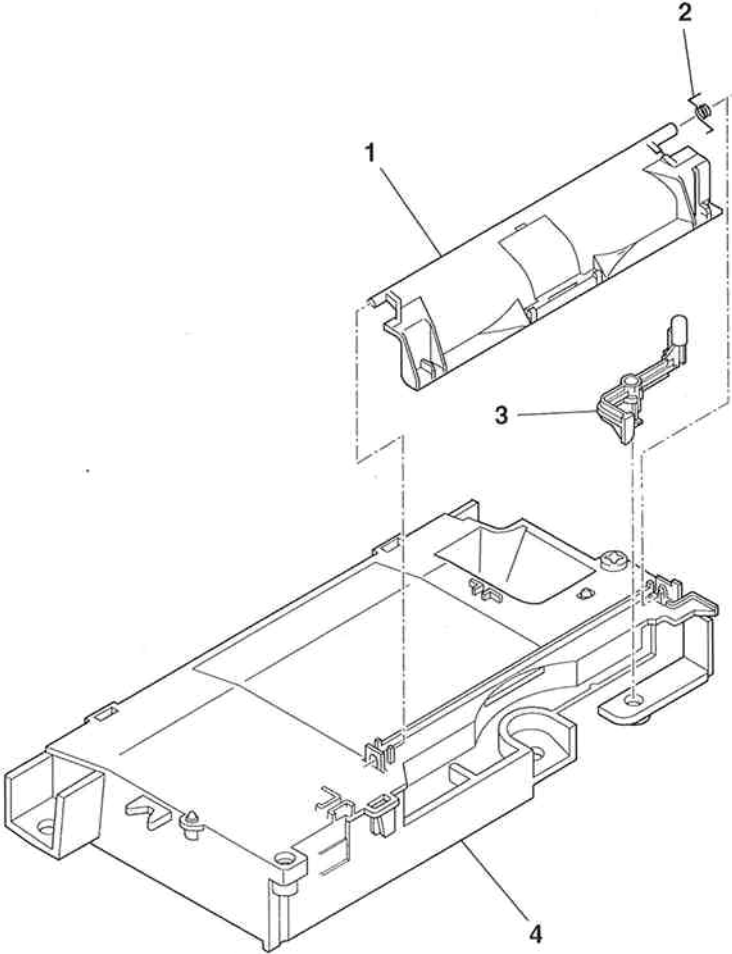
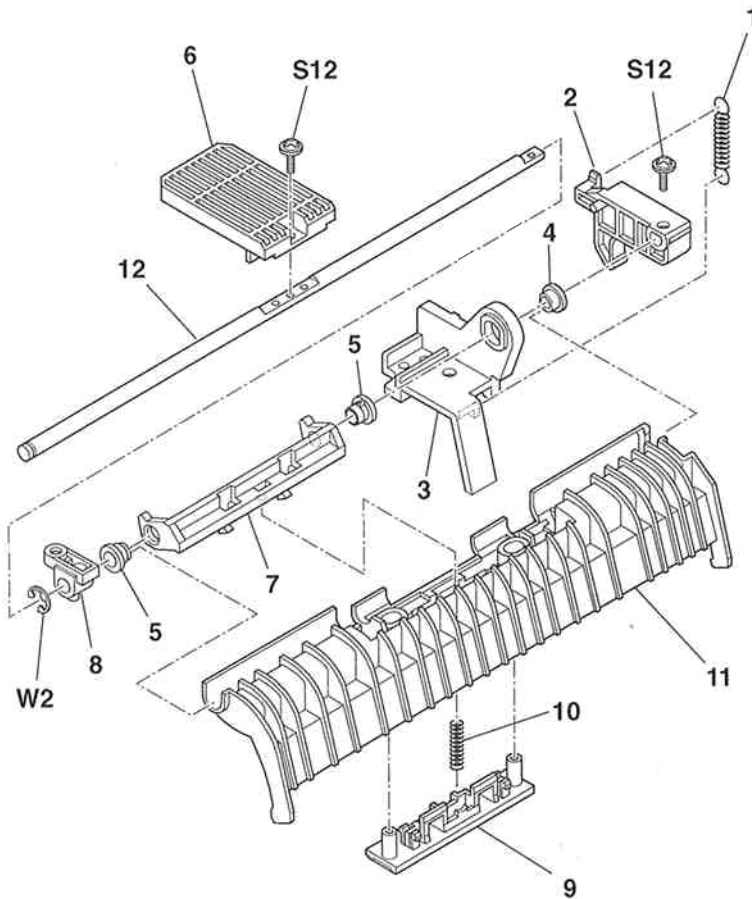


FIGURE & KEY No.	PART No.	R A N K	Q T Y	DESCRIPTION	REMARKS
34 - 1	RB1-3016-030		1	SHUTTER, LASER	
2	RS5-2238-000		1	SPRING, TORSION	
3	RB1-3020-000		1	ARM, SHUTTER	
4	NPN		1	LASER/SCANNER UNIT	

FIGURE 35 SEPARATION PAD & LIFTING ARM



See Page 5-8
(FIGURE 35-a)

FIGURE & KEY No.	PART No.	RANK	QTY	DESCRIPTION	REMARKS
35 - 1	HS5-2026-000		1	SPRING	
2	HB1-0547-000		1	LEVER, LIFTING	
3	HB1-0545-030		1	MOUNT, SHAFT	
4	FS1-1205-000		1	BUSHING	
5	HS1-1036-000		2	BUSHING	
6	HB1-0548-000		1	ARM, LIFTING	
7	HB1-0546-000		1	LEVER, SEPARATION	
8	HS5-1001-000		1	BUSHING	
9	HB1-0542-020		1	PAD, SEPARATION, RUBBER	
10	HS5-2019-020		1	SPRING, SEPARATION	
11	HB1-0543-000		1	PLATE, SEPARATION	
12	HB1-0544-000		1	SHAFT, LIFTING	

FIGURE 36 PAPER PICKUP ROLLER

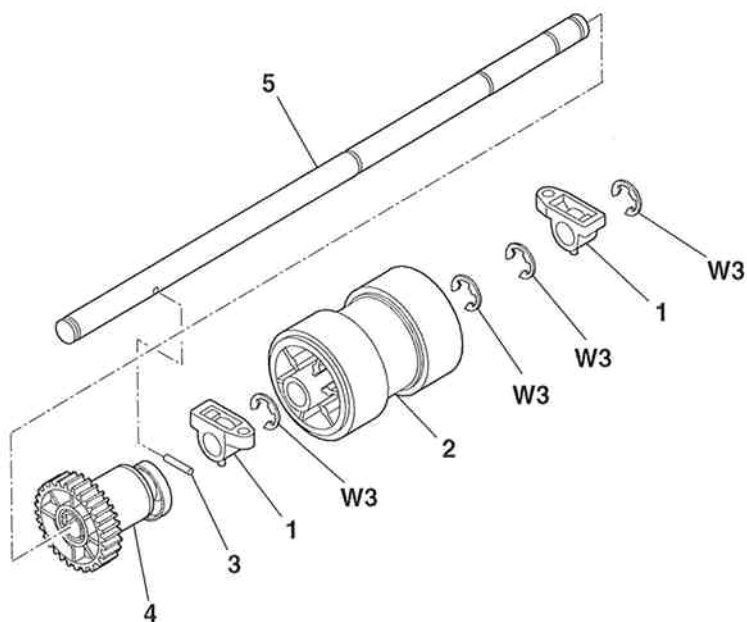


FIGURE & KEY No.	PART No.	R A N K	Q T Y	DESCRIPTION	REMARKS
36 - 1	RA1-7574-000		2	BUSHING	
2	HB1-0540-000		1	ROLLER, PICKUP	
3	XD3-2200-122		1	PIN, PARALLEL, 2X12	
4	HB1-0549-000		1	CLUTCH, PICKUP ROLLER	
5	HB1-0541-030		1	SHAFT, PICKUP ROLLER	

FIGURE 37 PAPER FEED ROLLER

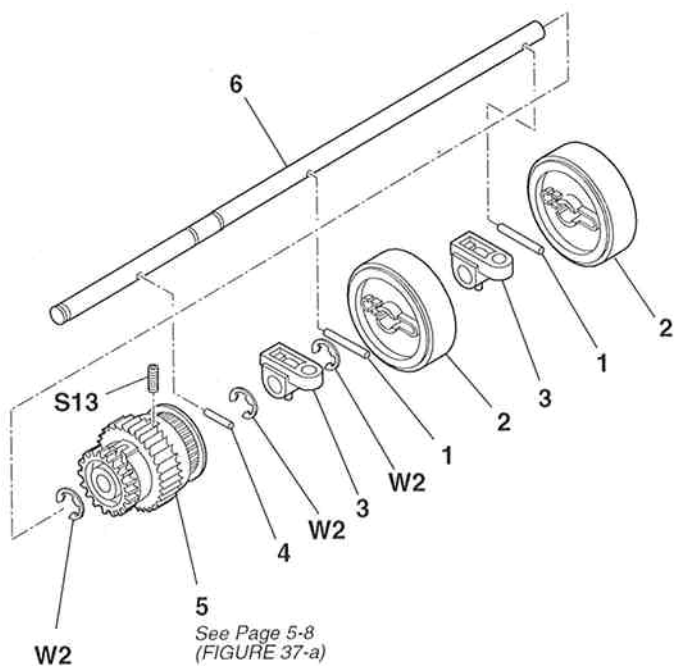


FIGURE & KEY No.	PART No.	RANK	QTY	DESCRIPTION	REMARKS
37 - 1	XD3-2200-202		2	PIN, M2 X20	
2	HB1-0527-000		2	ROLLER, FEED	
3	HS5-1001-000		2	BUSHING	
4	XD3-2200-102		1	PIN, PARALLEL	
5	HG5-0121-000		1	CONTROL RING UNIT	
6	HB1-0528-030		1	SHAFT, FEED ROLLER	

FIGURE 38 PAPER FEED SOLENOID

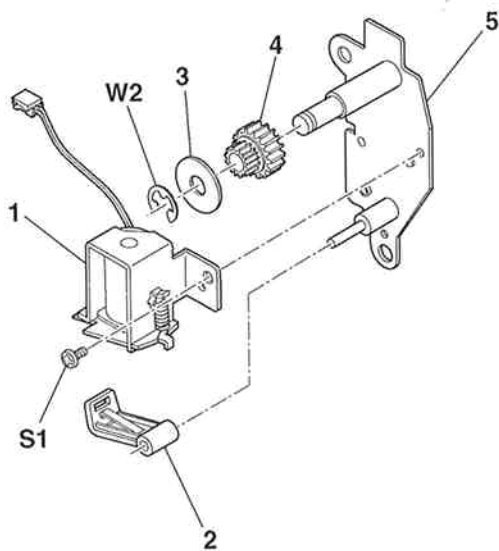


FIGURE & KEY No.	PART No.	R A N K	Q T Y	DESCRIPTION	REMARKS
38 - 1	HH7-2039-000		1	SOLENOID	
2	HB1-0534-000		1	CLAW, SOLENOID	
3	HA1-8060-000		1	SPACER, HINGE	
4	HS5-3010-020		1	PULLEY, 15T/17T	
5	HF5-0043-030		1	MOUNT, SOLENOID	

FIGURE 39 PCNT & PAPER SENSOR BOARD ASS'Y

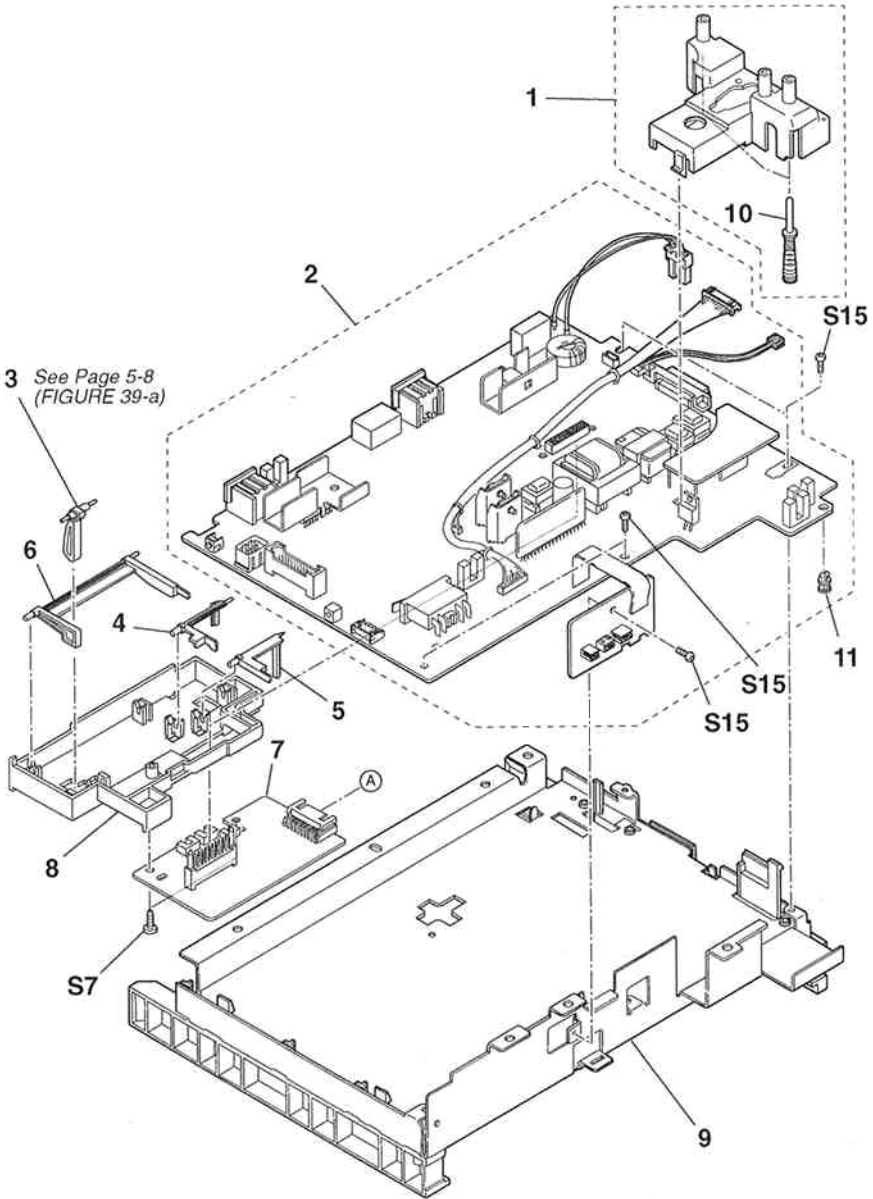


FIGURE & KEY No.	PART No.	R A N K	Q T Y	DESCRIPTION	REMARKS
39 - 1	HG5-0118-000		1	HVT CONNECTOR ASS'Y	
2	HG1-4155-070		1	PCNT BOARD ASS'Y	
3	HB1-0524-000		1	LEVER, SENSOR	
4	HB1-0526-000		1	ARM, DETECT, PAPER SIZE (A)	
5	HB1-0525-000		1	ARM, DETECT, PAPER SIZE (B)	
6	HB1-0523-000		1	ARM, DETECT, PAPER	
7	HG9-0688-000		1	PAPER SENSOR BOARD ASS'Y	
8	HB1-0522-000		1	HOLDER, ARMS, SENSOR	
9	HG5-0119-000		1	PCNT COVER ASSY	
10	RB1-3163-000		3	PIN, CONTACT	
11	VT2-0014-006		1	SPACER, PCB	

FIGURE 40 PCNT COVER

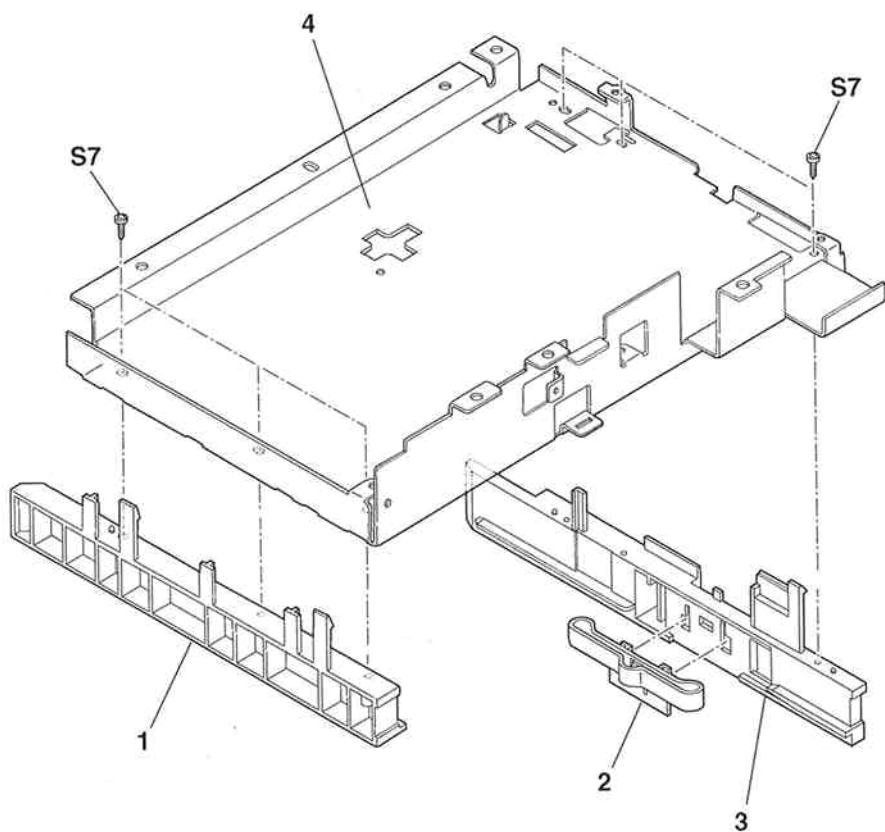


FIGURE & KEY No.	PART No.	R A N K	Q T Y	DESCRIPTION	REMARKS
40 - 1	HB1-0517-000		1	GUIDE, CASSETTE (R)	
	RB1-3151-000		1	SPRING, CASSETTE SIDE	
	HB1-0518-000		1	GUIDE, CASSETTE (L)	
	HB1-0516-020	N	1	COVER, SHIELD (PCNT)	

FIGURE 41 PAPER FEED GUIDE

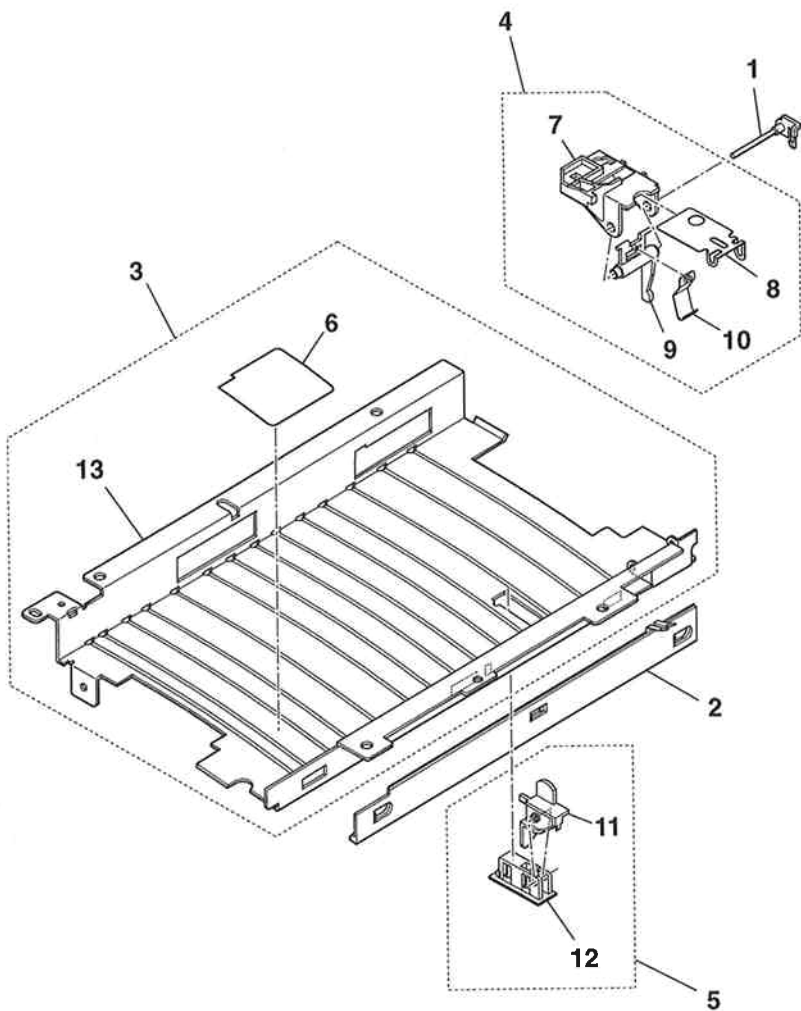


FIGURE & KEY No.	PART No.	R A N K	Q T Y	DESCRIPTION	REMARKS
41. 1	RB1-3079-000		1	SHAFT, SWITCH CAM	
2	RF5-0584-000		1	ELIMINATOR, STATIC CHARGE	
3	RF5-0600-060	N	1	GUIDE, FEEDER	
4	RG5-0672-030		1	CAM ASSY SWITCH	
5	RG5-0710-000		1	SENSOR ASSY	
6	RB9-0108-000		1	SHEET, RIGHT,PET(R)	
7	RB1-3063-020		1	CAM, SWITCH	
8	RB1-3064-000		1	SHUTTER, SWITCH	
9	RB1-3069-020		1	LEVER, CRG SWITCH	
10	RB1-3074-000		1	SPRING, LEAF	
11	RB1-3067-000		1	LEVER, SENSOR	
12	RB1-3068-000		1	HOLDER, SENSOR	
13	NPN		1	FRAME, GUIDE, FEEDER	

FIGURE 42 SCNT BOARD ASS'Y

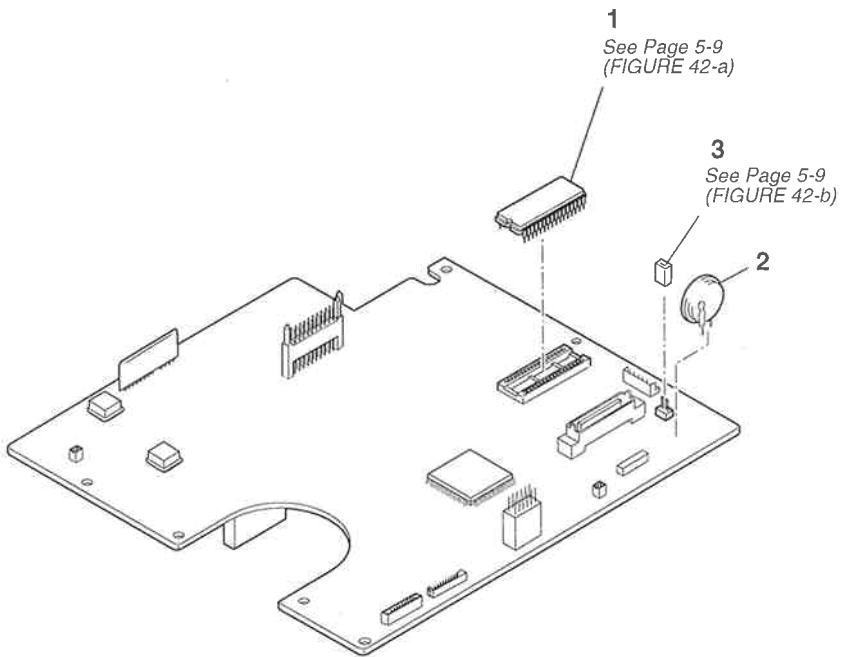


FIGURE & KEY No.	PART No.	R A N K	Q T Y	DESCRIPTION	REMARKS
42- 1	HH4-2546-040		1	IC.MB834200B-15P-02A,MASK-ROM	
2	WK1-5036-000		1	BATTERY, LITHIUM, CR2477UN71A	
3	WS1-0172-000		1	PLUG, SHORT	

FIGURE 43 FUSE, POWER SUPPLY

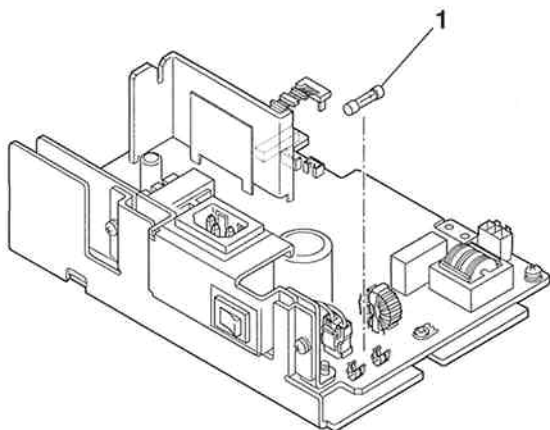


FIGURE & KEY No.	PART No.	R A N K	Q T Y	DESCRIPTION	REMARKS
43 - 1	HY7-2602-000		1	FUSE, 10A, 125V	

FIGURE 44 SIDE CASSETTE

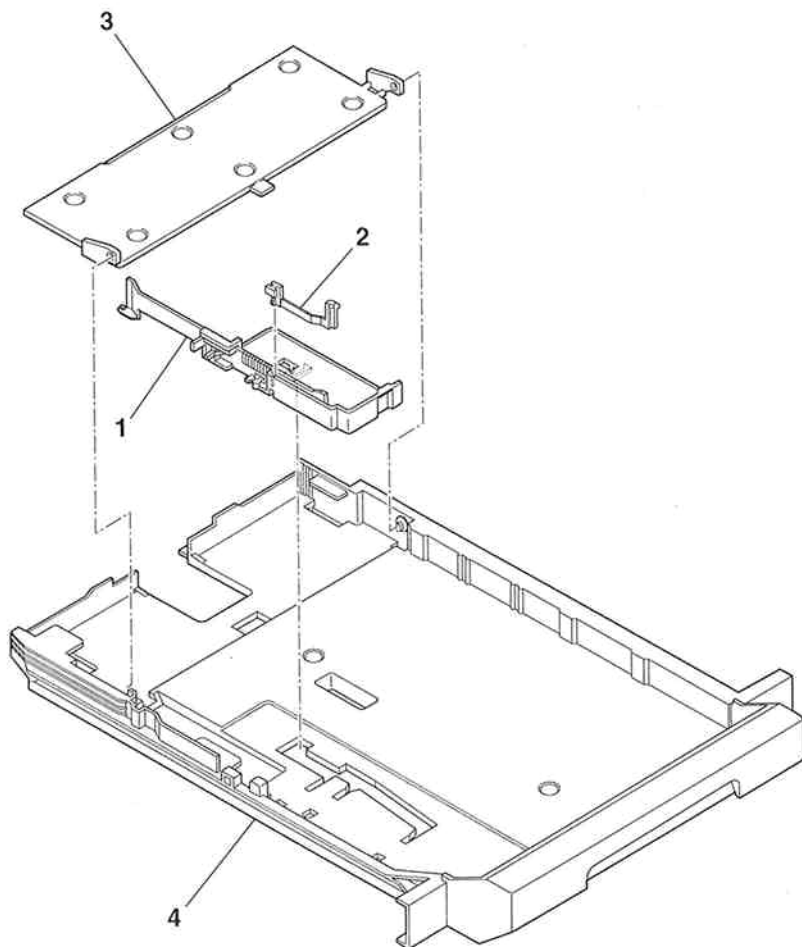


FIGURE & KEY No.	PART No.	R A N K	Q T Y	DESCRIPTION	REMARKS
44 - 1	HB1-0558-000		1	PLATE, LIMIT	
2	HB1-0559-000		1	GUIDE, SIDE, CASSETTE	
3	HB1-0557-000		1	PLATE, PAPER LIFTING	
4	HB1-0556-000	N	1	BODY, CASSETTE	

FIGURE 45 FEEDER (1)

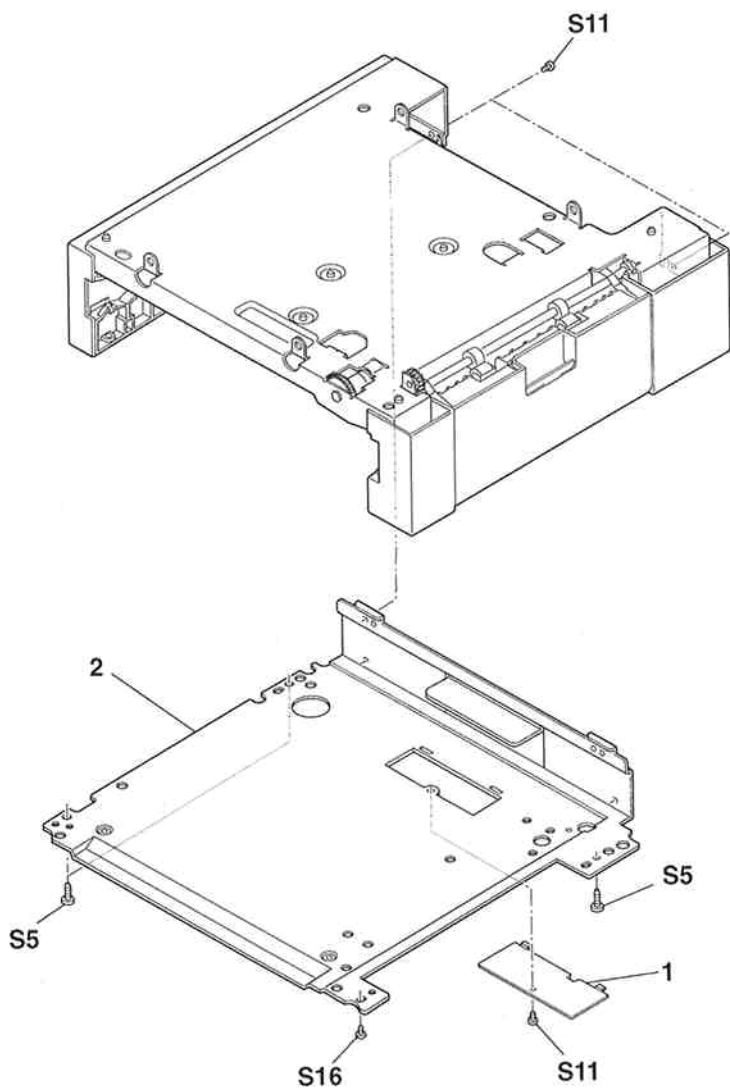


FIGURE & KEY No.	PART No.	R A N K	Q T Y	DESCRIPTION	REMARKS
45 - 1	HB1-0426-000	N	1	COVER, BOTTOM COVER	
2	HB1-0412-030	N	1	COVER, BOTTOM, FEEDER	

FIGURE 46 FEEDER (2)

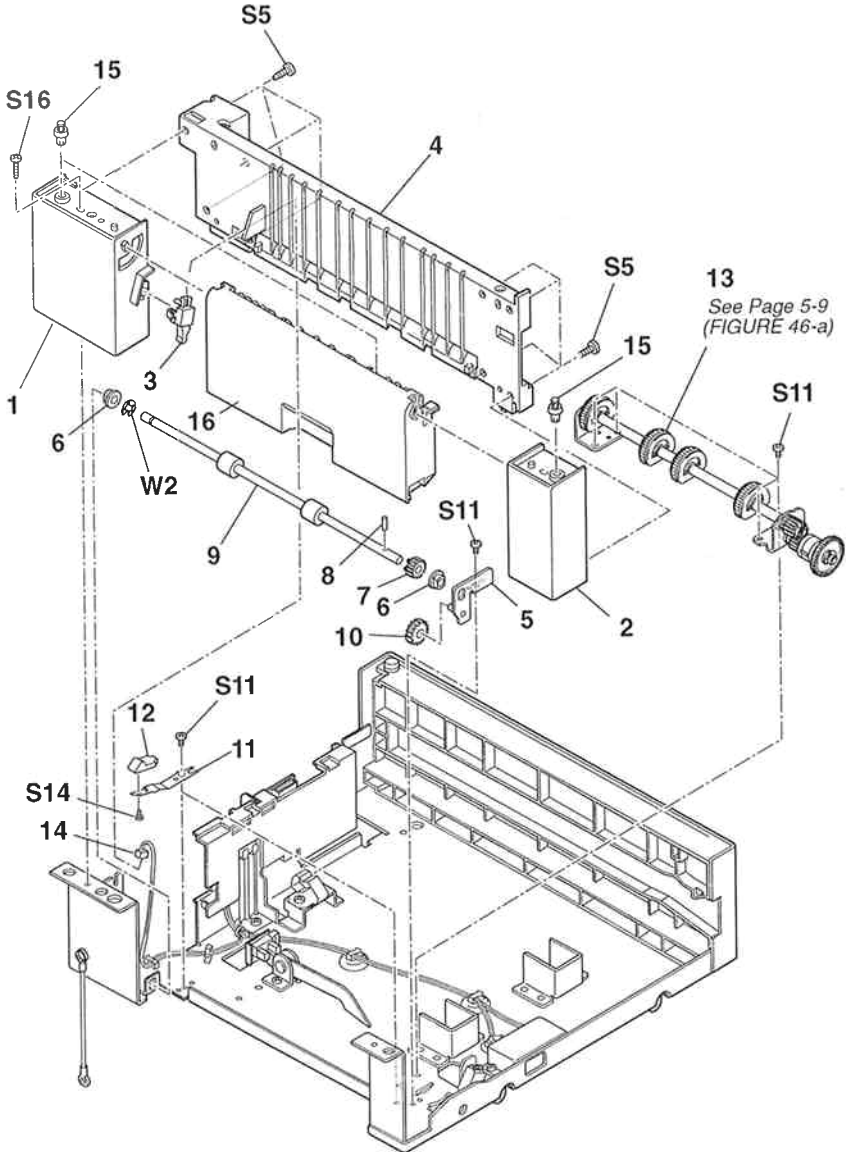
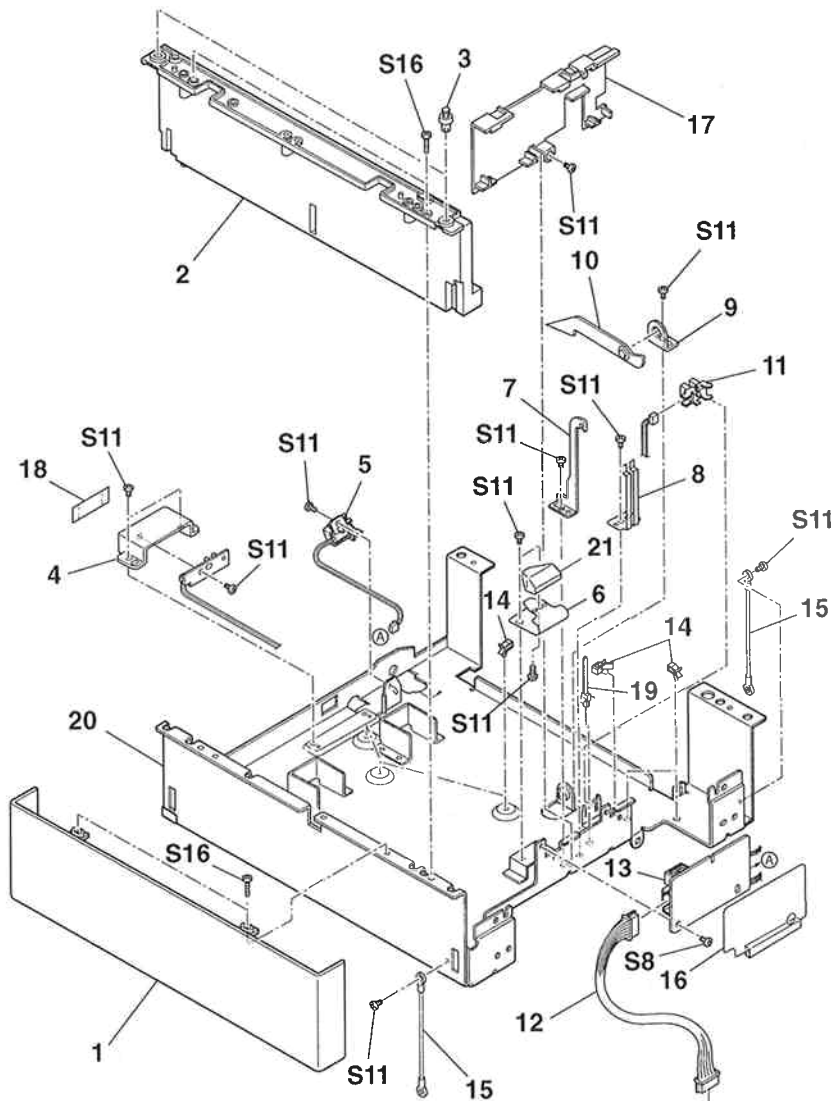


FIGURE & KEY No.	PART No.	RANK	QTY	DESCRIPTION	REMARKS
46 - 1	HB1-0413-000		1	COVER, RIGHT A	
2	HB1-0414-000		1	COVER, RIGHT B	
3	WC4-5052-000		1	MICRO SWITCH	
4	HB1-0417-000	N	1	GUIDE, CASSETTE, RIGHT	
5	HF5-0031-000		1	HOLDER, PICKUP ROLLER	
6	FS1-1205-000		2	BUSHING	
7	HS5-0043-000		1	GEAR, 17T	
8	XD3-2200-082		1	PIN, PARALLEL	
9	HB1-0419-000		1	ROLLER, PICKUP	
10	HS5-0044-000		1	GEAR, 22T	
11	HB1-0429-000		2	SPRING, LEAF	
12	HB1-0430-000		2	COVER, SPRING	
13	NPN		1	PICKUP ROLLER ASS'Y	
14	HH2-2337-000		1	CABLE WITH CONNECTOR, 2P	
15	RA1-8243-000		2	FOOT, RUBBER	
16	NPN		1	FEEDER RIGHT COVER ASS'Y	

FIGURE 47 FEEDER (3)



TO FIGURE 39-(A)

FIGURE & KEY No.	PART No.	R A N K	Q T Y	DESCRIPTION	REMARKS
47 - 1	HB1-0415-030		1	COVER, LEFT	
2	HB1-0418-040	N	1	GUIDE, CASSETTE, LEFT	
3	RA1-8243-000		2	FOOT, RUBBER	
4	HB1-0425-000		1	HOLDER, LED PCB	
5	HH7-2041-000		1	SOLENOID, PICKUP	
6	HB1-1092-000		1	SPRING, LEAF	
7	HB1-0422-000		1	RETAINER, DRIVER BOARD ASSY	
8	HB1-0423-000		1	SPRING, LEAF	
9	HB1-0421-000		1	HOLDER, ARM	
10	HB1-0420-000		1	ARM, DETECT. PAPER	
11	WG8-5210-000		1	IC, TLP1240 PHOTOINTERRUPTER	
12	HH2-2371-000		1	CABLE WITH CONNECTOR, 18P	
13	HG1-4060-000		1	DRIVER BOARD ASSY	
14	WT2-5065-000		6	CLAMP, CABLE	
15	HH2-2413-020		2	WIRE, GROUNDING	
16	HB1-0450-000		1	SHEET, SHIELD, DRIVER BOARD	
17	HB1-0431-000		1	COVER, DRIVER BOARD	
18	HB1-0685-000		1	SHEET, SHIELD, LED	
19	WT2-5302-000		1	BAND, WIRING	
20	NPN		1	FRAME, FEEDER	
21	HB1-1093-000		1	COVER, SPRING	

FIGURE 48 FEEDER RIGHT COVER

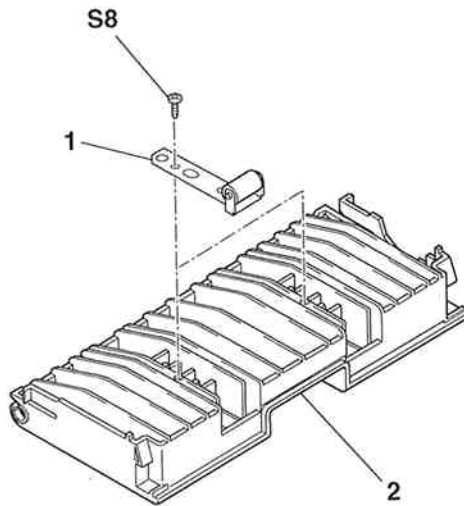


FIGURE & KEY No.	PART No.	R A N K	Q T Y	DESCRIPTION	REMARKS
48 - 1	HF5-0034-000		2	PICKUP ROLLER UNIT	
2	HB1-0444-000		1	COVER, RIGHT, FEEDER	

FIGURE 49 FEEDER, PAPER PICKUP ROLLER

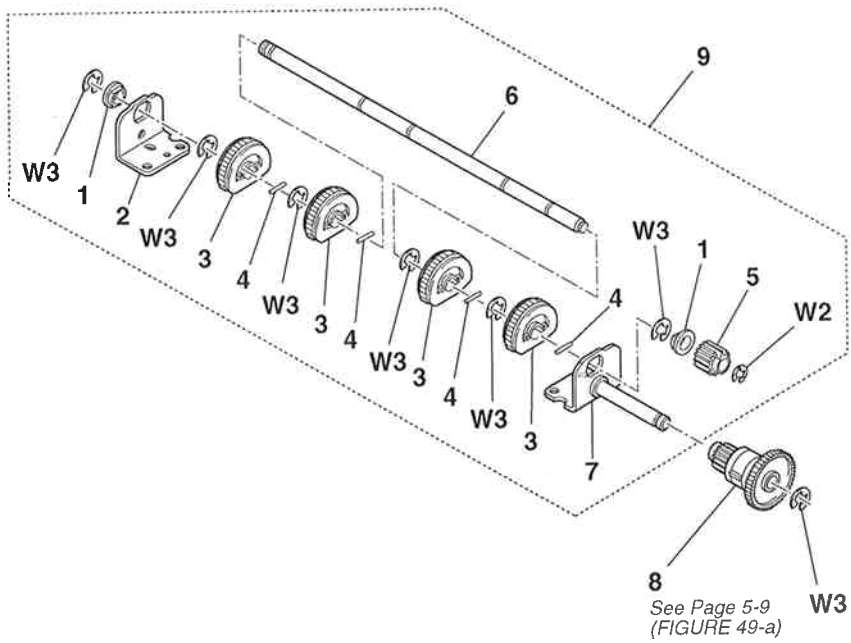


FIGURE & KEY No.	PART No.	RANK	QTY	DESCRIPTION	REMARKS
49 - 1	FS1-1341-000		2	BUSHING, OILLESS METAL	
2	HB1-0443-000		1	HOLDER, PICKUP ROLLER, A	
3	HB1-0441-000		4	ROLLER, PICKUP	
4	XD3-2200-122		4	PIN, PARALLEL, 2X12	
5	HS5-0047-000		1	GEAR, 17T	
6	HB1-0442-000		1	SHAFT, PICKUP ROLLER	
7	HF5-0035-000		1	HOLDER, PICKUP ROLLER, B	
8	HG5-0155-000		1	CLUTCH UNIT	
9	HG5-0109-000		1	PICKUP ROLLER ASS'Y	

FIGURE 50 FXL-CASSETTE 1 LTR / 500
PACKAGE CONTENTS

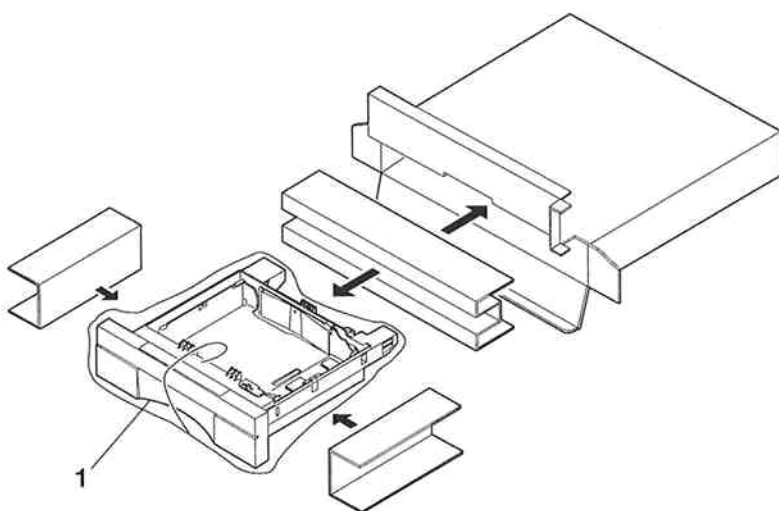


FIGURE & KEY No.	PART No.	R A N K	Q T Y	DESCRIPTION	REMARKS
50 - 1	NPN		1	FRONT CASSETTE ASSY	

FIGURE 51 FXL-CASSETTE 1 LTR / 500
& LASER CLASS 7000 / 7500
FRONT CASSETTE

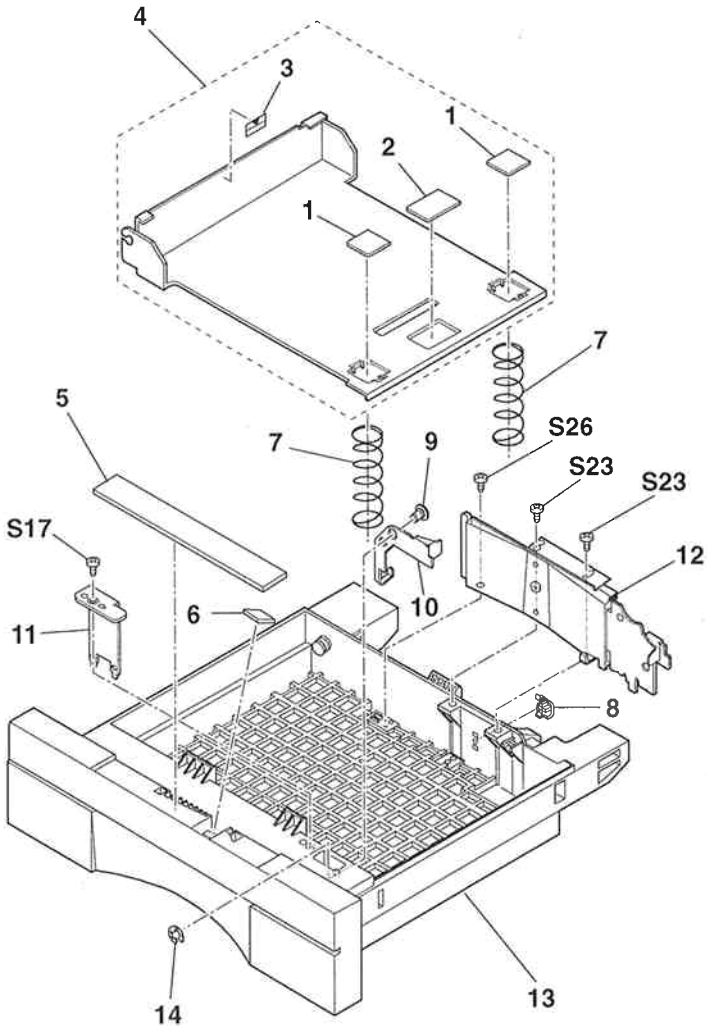


FIGURE & KEY No.	PART No.	R A N K	Q T Y	DESCRIPTION	REMARKS
51- 1	HB1-0457-000		2	SHEET, FRICTION, A	
2	HB1-0458-000		1	SHEET, FRICTION, B	
3	HB1-0459-000		1	LABEL, STACKING LIMIT	
4	HF5-0038-020		1	PLATE, PAPER LIFTING (LTR)	
5	HB1-0452-000		1	COVER, DISPLAY (LTR)	
6	HB1-0454-000		1	PLATE, REFLECTING	
7	HS5-2016-050		2	SPRING	
8	RA2-0398-000		1	BLOCK, SIZE	
9	HB1-0461-000		1	ROD, CLAW	
10	HB1-0460-000		1	CLAW	
11	HB1-0462-020		1	PLATE, LIMIT	
12	HG5-0114-050		1	SIZE PLATE ASSY	
13	HB1-0451-060		1	BODY, CASSETTE	
14	XD9-0101-000		1	RING,E	

FIGURE 52 HANDSET

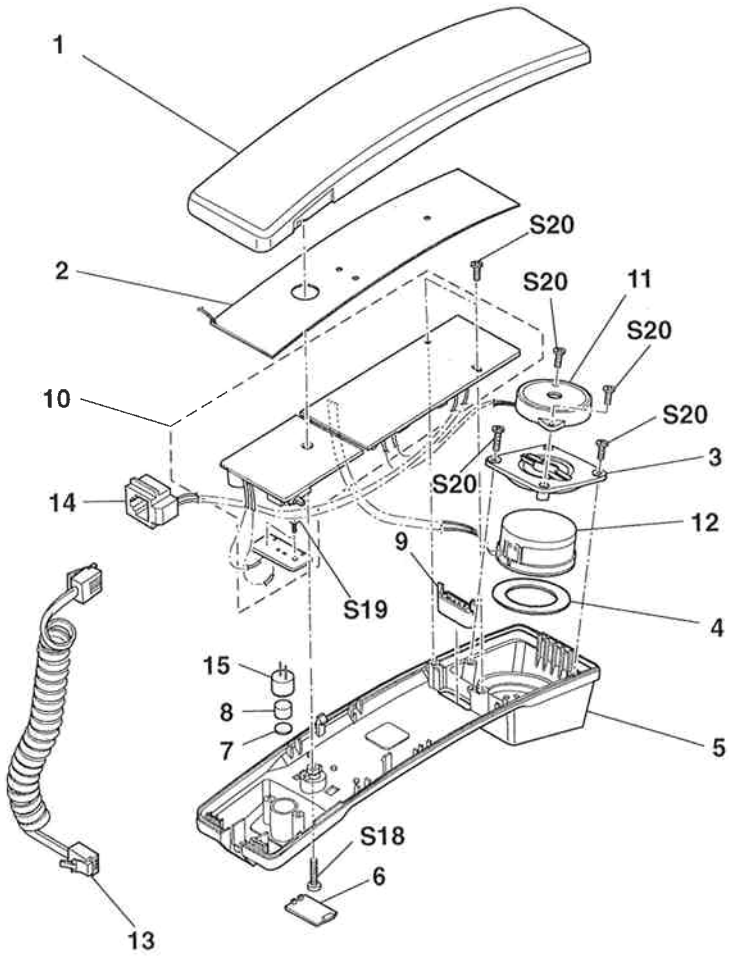


FIGURE & KEY No.	PART No.	R A N K	Q T Y	DESCRIPTION	REMARKS
52 - 1	HA1-6141-000		1	COVER, UPPER (AG)	
2	HA1-5412-000		1	PLATE, NOISE SHIELD (CT-15)	
3	HA1-4279-000		1	HOLDER, SPEAKER	
4	HA1-3185-000		1	SEAL, RUBBER	
5	HA1-6142-000		1	COVER, LOWER (AG)	
6	HA1-6143-000		1	COVER, SCREW (AG)	
7	HA1-3002-000		1	FILTER B, MECHANICAL	
8	HA1-3001-000		1	FILTER, MECHANICAL	
9	HA1-6144-000		1	KEY TOP F (AG)	
10	HG1-2196-000		1	TELCNT BOARD ASSY	
11	HH7-1299-000		1	RINGER PKM34EW-12	
12	WR1-0111-000		1	SPEAKER DH-70C	
13	HH2-1703-000		1	CORD, COILED (AG)	
14	HH2-1277-000		1	MODULAR JACK	
15	WR1-0086-000		1	MICROPHONE	

FIGURE 53 FXL-FEEDER 2 PACKAGE CONTENTS

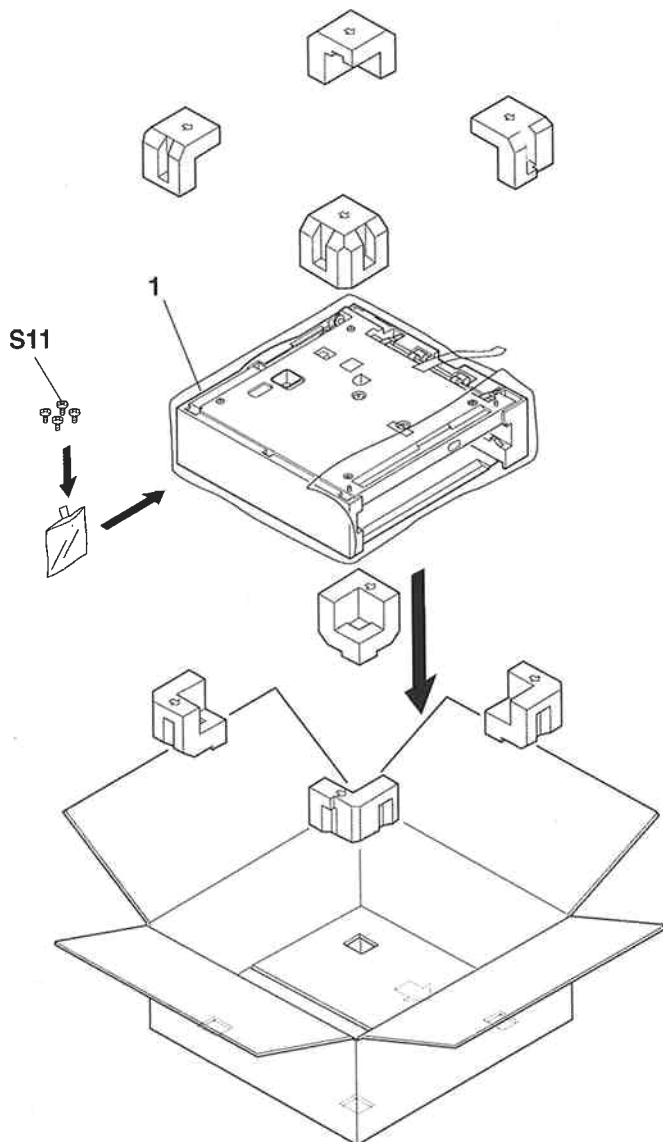


FIGURE & KEY No.	PART No.	R A N K	Q T Y	DESCRIPTION	REMARKS
53 - 1	NPN		1	F. CASSETTE FEEDER ASS'Y	

FIGURE 54 FXL-FEEDER 2 & LASER CLASS 7500 FEEDER (1)

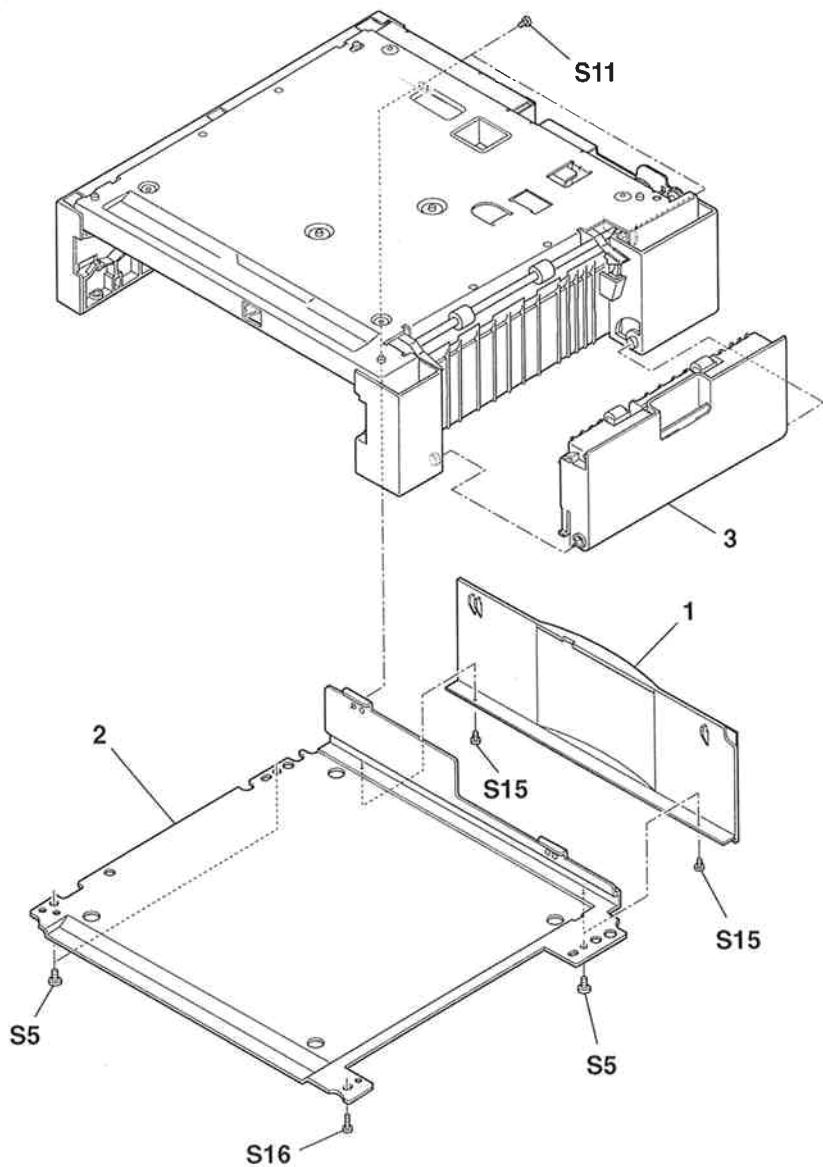


FIGURE & KEY No.	PART No.	R A N K	Q T Y	DESCRIPTION	REMARKS
54 - 1	HB1-0434-000		1	COVER, REAR, FEEDER	
2	HB1-0433-000	N	1	COVER, BOTTOM, FEEDER	
3	NPN		1	FEEDER RIGHT COVER ASS'Y	

FIGURE 55 FXL-FEEDER 2 & LASER CLASS 7500 FEEDER (2)

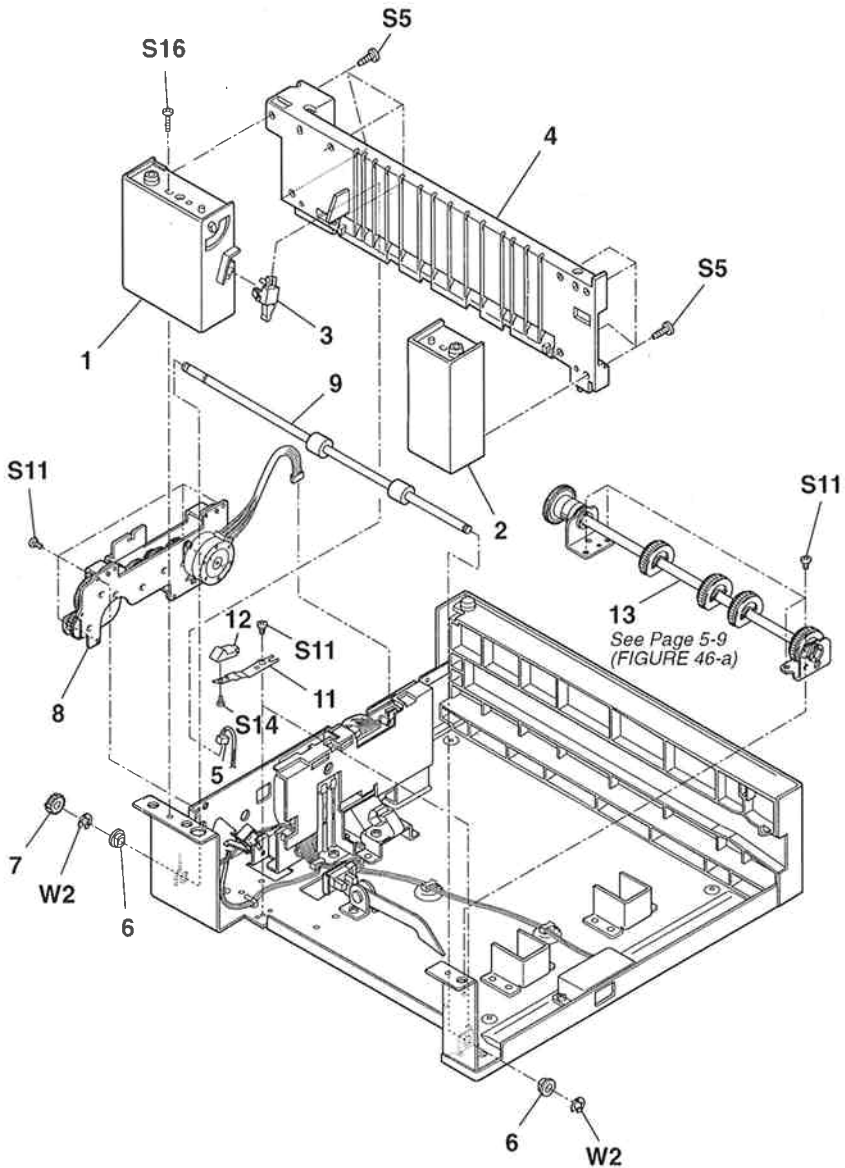


FIGURE & KEY No.	PART No.	R A N K	Q T Y	DESCRIPTION	REMARKS
55 - 1	HB1-0413-000		1	COVER, RIGHT A	
2	HB1-0414-000		1	COVER, RIGHT B	
3	WC4-5052-000		1	MICRO SWITCH	
4	HB1-0417-000	N	1	GUIDE, CASSETTE, RIGHT	
5	HH2-2337-000		1	CABLE WITH CONNECTOR, 2P	
6	HS1-1039-020		2	BUSHING, 6MM	
7	HS1-0168-000		1	GEAR, 18T	
8	HG5-0161-000		1	DRIVE GEAR ASSY	
9	HB1-0435-000		1	ROLLER, PICKUP	
10	RA1-8243-000		2	FOOT, RUBBER	
11	HB1-0429-000		2	SPRING, LEAF	
12	HB1-0430-000		2	COVER, SPRING	
13	HG5-0159-000		1	PICKUP ROLLER ASSY	

FIGURE 56 FXL-FEEDER 2 & LASER CLASS 7500 FEEDER (3)

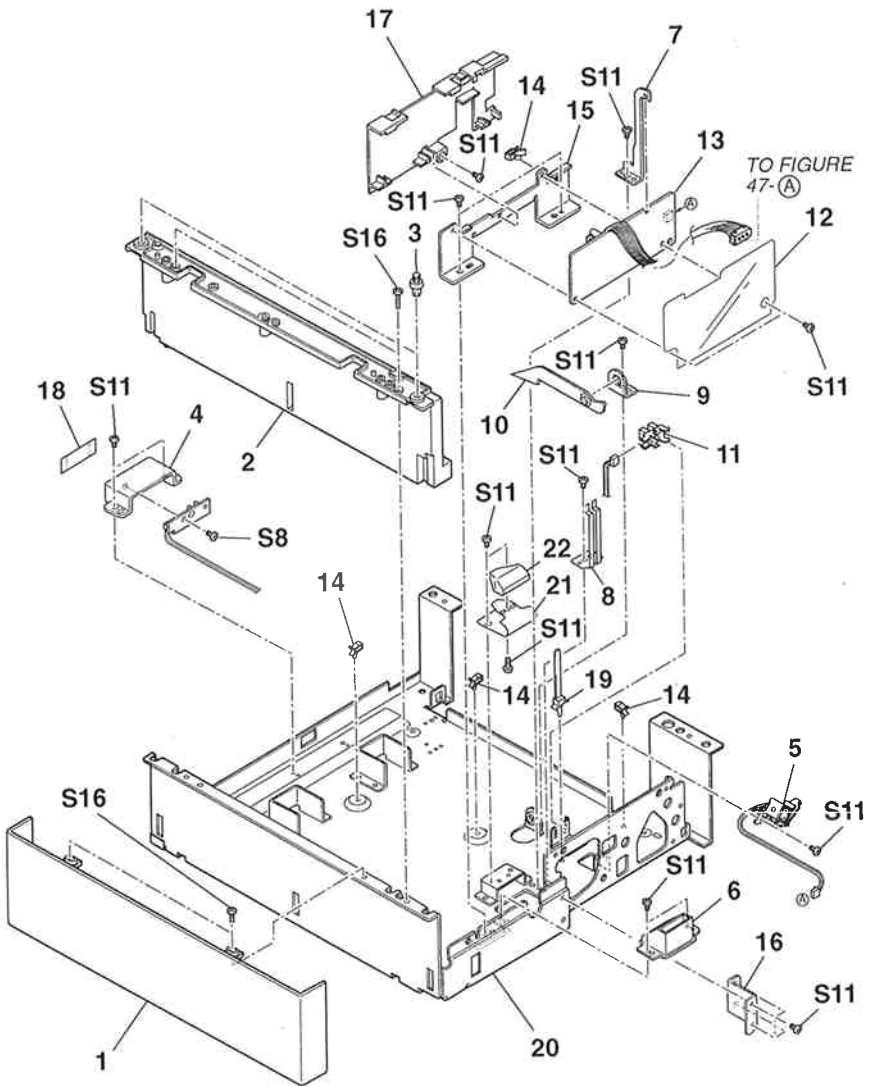


FIGURE & KEY No.	PART No.	RANK	QTY	DESCRIPTION	REMARKS
56 - 1	HB1-0415-030		1	COVER, LEFT	
2	HB1-0418-040	N	1	GUIDE, CASSETTE, LEFT	
3	RA1-8243-000		2	FOOT, RUBBER	
4	HB1-0425-000		1	HOLDER, LED PCB	
5	HH7-2043-000		1	SOLENOID, PICKUP	
6	HB1-0448-000		1	HOLDER, CABLE	
7	HB1-0422-000		1	RETAINER, DRIVER BOARD ASSY	
8	HB1-0423-000		1	SPRING, LEAF	
9	HB1-0421-000		1	HOLDER, ARM	
10	HB1-0420-000		1	ARM, DETECT, PAPER	
11	WG8-5210-000		1	IC, TLP1240 PHOTOINTERRUPTER	
12	HB1-0686-000		1	SHEET, SHIELD, BOARD	
13	HG5-0281-000		1	MOTOR DRIVER BOARD ASSY	
14	WT2-5065-000		4	CLAMP, CABLE	
15	HB1-0439-000		1	PLATE, AUXILIARY, A	
16	HB1-0440-000		1	PLATE, AUXILIARY, B	
17	HB1-0431-000		1	COVER, DRIVER BOARD	
18	HB1-0685-000		1	SHEET, SHIELD, LED	
19	WT2-5302-000		1	BAND, WIRING	
20	NPN		1	FRAME, FEEDER	
21	HB1-1092-000		1	SPRING, LEAF	
22	HB1-1093-000		1	COVER, SPRING	

FIGURE 57 FXL-FEEDER 2 & LASER CLASS 7500
MOTOR & DRIVE GEARS

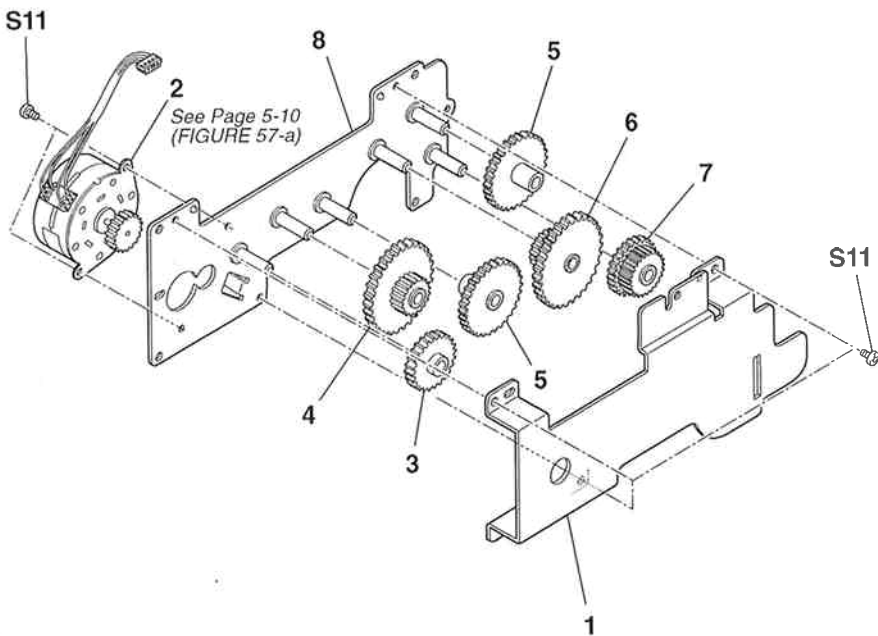


FIGURE & KEY No.	PART No.	R A N K	Q T Y	DESCRIPTION	REMARKS
57 - 1	HB1-0684-000		1	COVER, DRIVE GEAR ASSY	
2	HH7-2029-000		1	PULSE MOTOR, PAPER FEED	
3	HS5-0065-000		1	GEAR, 18/34T	
4	HS5-0066-000		1	GEAR, 18/44T	
5	HS5-0067-000		2	GEAR, 41T	
6	HS5-0068-000		1	GEAR, 18/45T	
7	HS5-0069-000		1	GEAR, 28/35T	
8	NPN		1	MOUNT, GEARS AND MOTOR	

FIGURE 58 FXL-FEEDER 2 & LASER CLASS 7500
PAPER PICKUP ROLLER

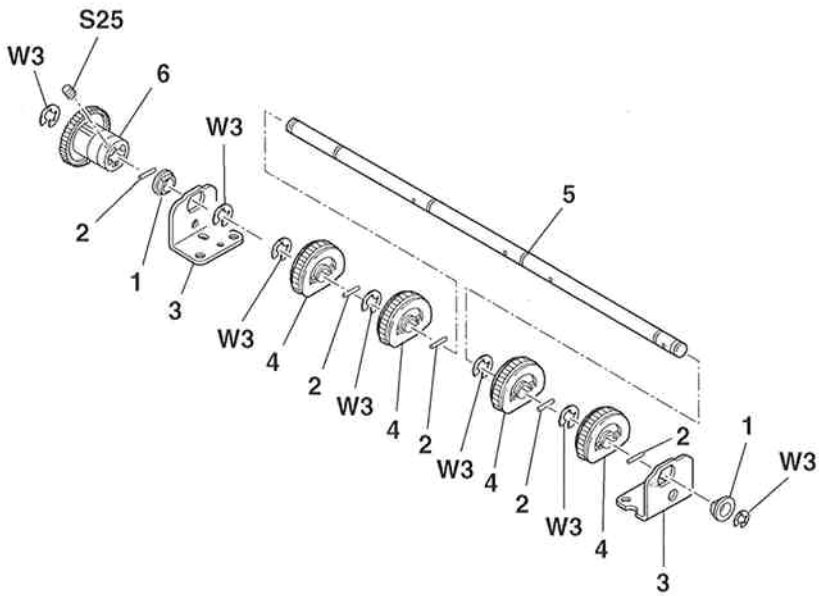


FIGURE & KEY No.	PART No.	R A N K	Q T Y	DESCRIPTION	REMARKS
58 - 1	FS1-1341-000		2	BUSHING, OILLESS METAL	
2	XD3-2200-122		5	PIN, PARALLEL, 2X12	
3	HB1-0443-000		2	HOLDER, PICKUP ROLLER, A	
4	HB1-0441-000		4	ROLLER, PICKUP	
5	HB1-0449-000		1	SHAFT, PICKUP ROLLER	
6	HG5-0160-000		1	CLUTCH UNIT	

FIGURE 59 FXL-FEEDER 2 & LASER CLASS 7500
RIGHT COVER

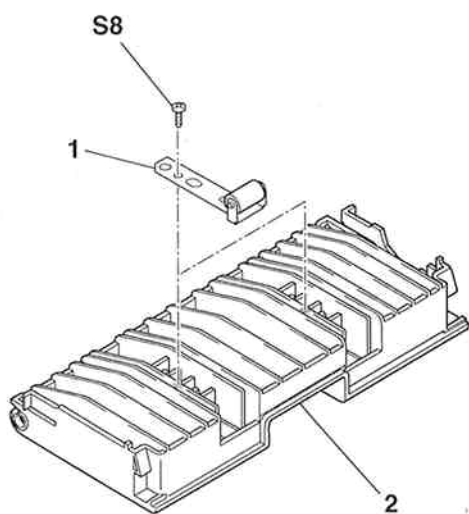


FIGURE & KEY No.	PART No.	RANK	QTY	DESCRIPTION	REMARKS
59 - 1	HF5-0034-000		2	PICKUP ROLLER UNIT	
2	HB1-0444-000		1	COVER, RIGHT, FEEDER	

3. SCREWS & WASHERS LIST

LASER CLASS 7000 SCREWS

FIGURE & KEY No.	PART No.	RANK	QTY	DESCRIPTION	REMARKS
S- 1	XB1-2300-607		38	SCREW, BH3X6(S)	
2	XB4-7401-007		23	SCREW, PIN HEAD SELF-TAPPING	
3	XB1-2301-207		2	SCREW, M3X12	
4	XB4-7303-007		4	SCREW, SELF-TAPPING, M3X30	
5	XB4-7401-009		11	SCREW, BINDING HEAD SELF TAPPING	
6	XB6-7301-007		3	SCREW, PH, M3X10	
7	XB4-7300-809		14	SCREW, TAP, BINDING HEAD, M3X8	
8	XB4-7300-807		31	SCREW, TAP TIGHT, BINDING HEAD	
9	XB4-7260-609		23	SCREW, TAP, BH2.6X6	
10	XB2-7300-607		2	SCREW, M3X6	
11	XB1-2300-407		36	SCREW, M3X4	
12	XB6-7300-609		2	SCREW, MACHINE M3X6	
13	XB6-2301-008		1	SCREW	
14	XB4-7200-407		2	SCREW, BH M2X4	
15	XB6-7300-607		19	SCREW, TP, M3x6	
16	XB1-2301-007		6	SCREW, BH3X10	
17	XB4-7400-607		2	SCREW, SELF-TAPPING, PANHEAD	
18	XB1-2301-406		1	SCREW, BH 3X14	
19	XB4-7200-609		2	SCREW, M2X6	
20	XB4-7260-809		6	SCREW, FT, BH 2.6X8	
21	XB2-8300-809		2	SCREW, W/WASHER, M3X8	
22	XB1-2300-809		1	SCREW, BH3X8	
23	XB4-7401-207		7	SCREW, SELF-TAPPING, M4X12	
24	XB4-7300-609		2	SCREW, TAP, BINDING HEAD, M3X6	
26	XB4-7400-807		2	SCREW, SELF-TAPPING, PIN HEAD	

LASER CLASS 7000 WASHERS

FIGURE & KEY No.	PART No.	RANK	QTY	DESCRIPTION	REMARKS
W- 1	XD2-1100-322		2	RETAINING RING (E-TYPE)	
2	XD2-1100-502		19	RETAINING RING (E-TYPE)	
3	XD2-1100-642		4	RETAINING RING (E-TYPE)	
4	XD2-1100-242		5	WASHER, RETAINING	
5	XD1-1106-239		1	SHIM, CIRCULAR	

LASER CLASS 7500 SCREWS

FIGURE & KEY No.	PART No.	RANK	QTY	DESCRIPTION	REMARKS
S- 1	XB1-2300-607		38	SCREW, BH3X6(S)	
2	XB4-7401-007		23	SCREW, PIN HEAD SELF-TAPPING	
3	XB1-2301-207		2	SCREW, M3X12	
4	XB4-7303-007		4	SCREW, SELF-TAPPING, M3X30	
5	XB4-7401-009		22	SCREW,BINDING HEAD SELFTAPPING	
6	XB6-7301-007		3	SCREW, PH, M3X10	
7	XB4-7300-809		14	SCREW, TAP, BINDING HEAD, M3X8	
8	XB4-7300-807		34	SCREW, TAP TIGHT, BINDING HEAD	
9	XB4-7260-609		23	SCREW, TAP, BH2.6X6	
10	XB2-7300-607		2	SCREW, M3X6	
11	XB1-2300-407		72	SCREW, M3X4	
12	XB6-7300-609		2	SCREW, MACHINE M3X6	
13	XB6-2301-008		1	SCREW	
14	XB4-7200-407		4	SCREW, BH M2X4	
15	XB6-7300-607		21	SCREW, TP, M3x6	
16	XB1-2301-007		12	SCREW, BH3X10	
17	XB4-7400-607		2	SCREW, SELF-TAPPING, PANHEAD	
18	XB1-2301-406		1	SCREW, BH 3X14	
19	XB4-7200-609		2	SCREW, M2X6	
20	XB4-7260-809		6	SCREW, FT, BH 2.6X8	
21	XB2-8300-809		2	SCREW, W/WASHER, M3X8	
22	XB1-2300-809		1	SCREW, BH3X8	
23	XB4-7401-207		7	SCREW, SELF-TAPPING, M4X12	
24	XB4-7300-609		2	SCREW, TAP, BINDING HEAD, M3X6	
25	XB6-2300-608		1	SCREW, FP SET, SH3X6	
26	XB4-7400-807		3	SCREW, SELF-TAPPING, PIN HEAD	

LASER CLASS 7500 WASHERS

FIGURE & KEY No.	PART No.	RANK	QTY	DESCRIPTION	REMARKS
W - 1	XD2-1100-322		2	RETAINING RING (E-TYPE)	
2	XD2-1100-502		21	RETAINING RING (E-TYPE)	
3	XD2-1100-642		11	RETAINING RING (E-TYPE)	
4	XD2-1100-242		5	WASHER, RETAINING	
5	XD1-1106-239		1	SHIM, CIRCULAR	

FXL-FEEDER 2 SCREWS

FIGURE & KEY No.	PART No.	RANK	QTY	DESCRIPTION	REMARKS
S- 5	XB4-7401-009		11	SCREW,BINDING HEAD SELFTAPPING	
8	XB4-7300-807		3	SCREW, TAP TIGHT, BINDING HEAD	
11	XB1-2300-407		40	SCREW, M3X4	
14	XB4-7200-407		1	SCREW, BH M2X4	
15	XB6-7300-607		2	SCREW, TP, M3x6	
16	XB1-2301-007		6	SCREW, BH3X10	
25	XB6-2300-608		1	SCREW, FP SET, SH3X6	

FXL-FEEDER 2 WASHERS

FIGURE & KEY No.	PART No.	R A N K	Q T Y	DESCRIPTION	REMARKS
W - 2	XD2-1100-502		2	RETAINING RING (E-TYPE)	
3	XD2-1100-642		7	RETAINING RING (E-TYPE)	

FXL-CASSETTE 1 LTR/500 SCREWS

FIGURE & KEY No.	PART No.	RANK	QTY	DESCRIPTION	REMARKS
S- 17	XB4-7400-607		1	SCREW, SELF-TAPPING, PANHEAD	
23	XB4-7401-207		2	SCREW, SELF-TAPPING, M4X12	
26	XB4-7400-807		1	SCREW, SELF-TAPPING, PIN HEAD	

This page intentionally left blank

4. TOOL

FIGURE 60 TOOLS

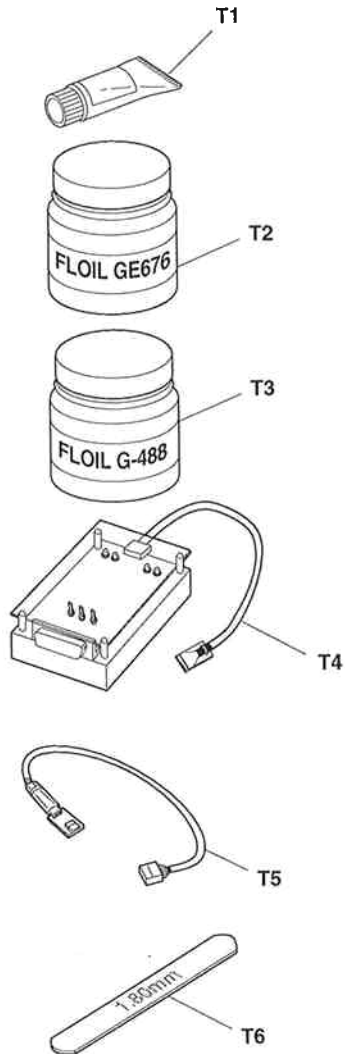


FIGURE & KEY No.	PART No.	R A N K	Q T Y	DESCRIPTION	REMARKS
60 - T1	HY9-0007-000		1	LUBE, MOLYKOTE EM-50L	
T2	CK-0544-000		1	GREASE, FLOIL GE-676 (20G)	
T3	TKC-0912-000		1	GREASE G-488 (PER 20GS)	
T4	RY9-0093-000		1	CHECK TERMINAL	
T5	HY9-0005-000		1	EXTENTION CABLE UNIT	
T6	HY9-0013-000		1	GAUGE, GAP (1.8mm)	

5. GUIDE TO REPLACEMENT

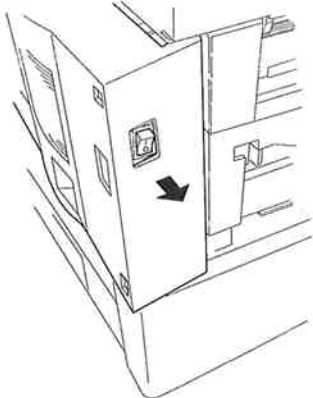
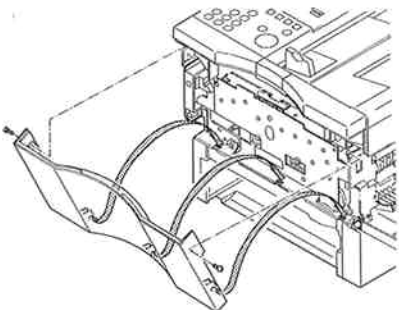
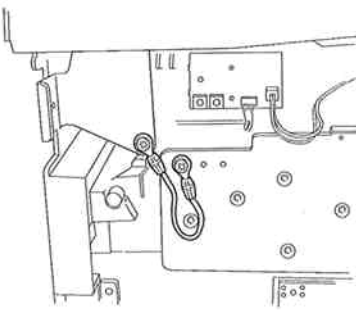
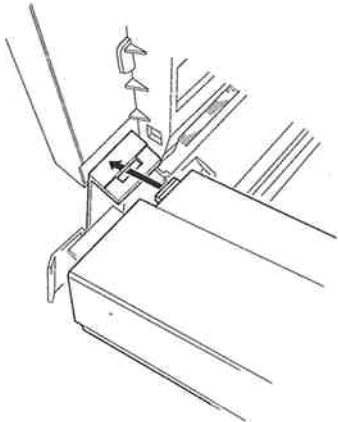
FIGURE 4-a	See Page 2 - 7	FIGURE 4-b	See Page 2 - 7
 <p>When attaching the rear cover, be sure to angle it slightly in order not to catch the power switch.</p>	 <p>When attaching the front cover, be sure to fit the tabs into place as shown in the figure.</p>		
FIGURE 5-a	See Page 2 - 11	FIGURE 5-b	See Page 2 - 11
 <p>Secure the ground wire as shown in the figure.</p>	 <p>When attaching the document table ass'y, be sure to fit the tabs into place as shown in the figure.</p>		

FIGURE 5-c (1)

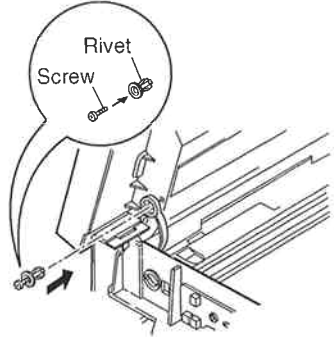
See Page
2 - 11



When removing the stopper, after removing the screw with a screwdriver, pull out the stopper as shown in the figure.

FIGURE 5-c (2)

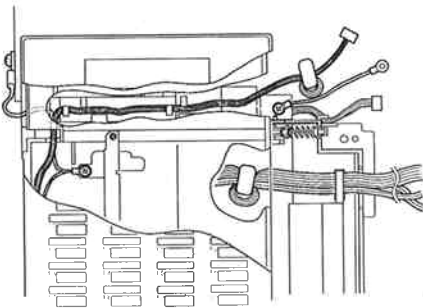
See Page
2 - 11



When attaching the stopper, after inserting the screw into the rivet, insert the screw and rivet into the stopper.

FIGURE 6-a

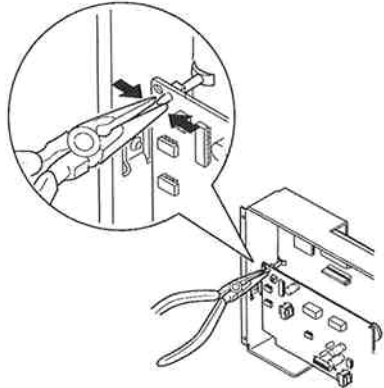
See Page
2 - 13



Wire the cables as shown in the figure.

FIGURE 7-a

See Page(s)
2 - 15/17



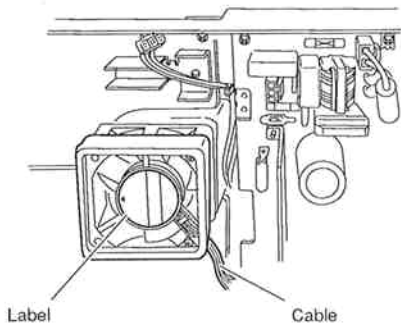
Use needlenose pliers to remove the NCU board as shown in the figure.

FIGURE 7-b

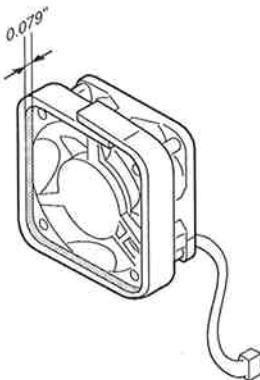
See Page(s)
2 - 15/17

FIGURE 7-c

See Page(s)
2 - 15/17



When attaching the fan, make sure that the label is facing front, and the fan cable exits the lower right hand side, as shown in the figure.



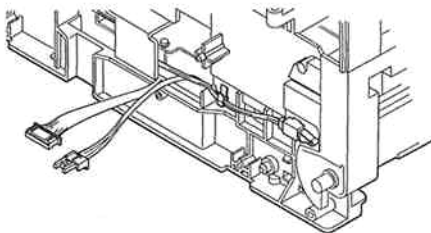
When attaching the fan cover, ensure that it protrudes approx. 0.079"(2 mm) from the front surface of the fan.

FIGURE 9-a

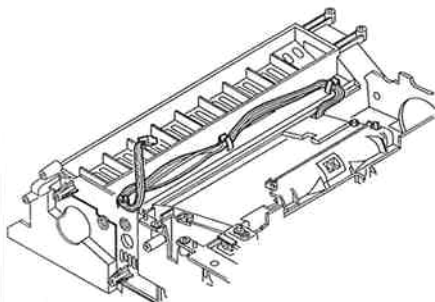
See Page
2 - 19

FIGURE 11-a

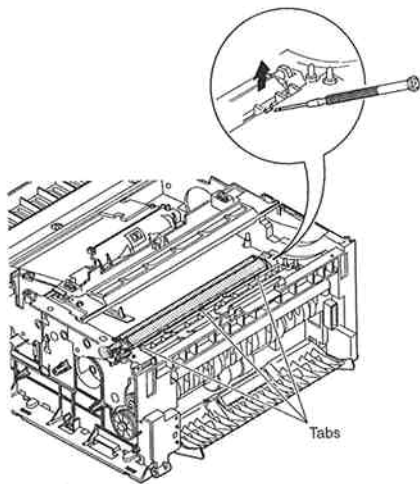
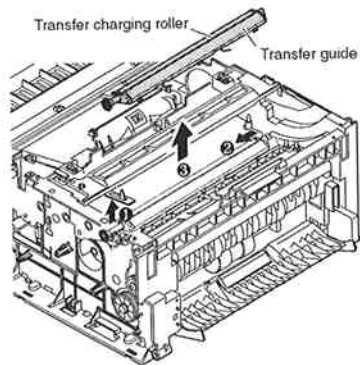
See Page
2 - 23



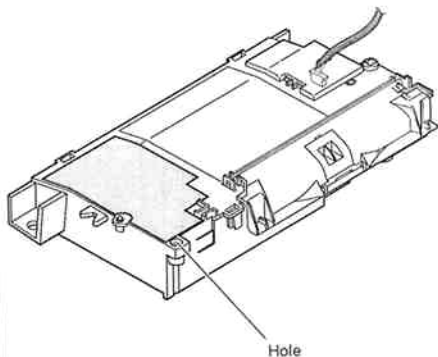
Wire the sensor shown in the figure.



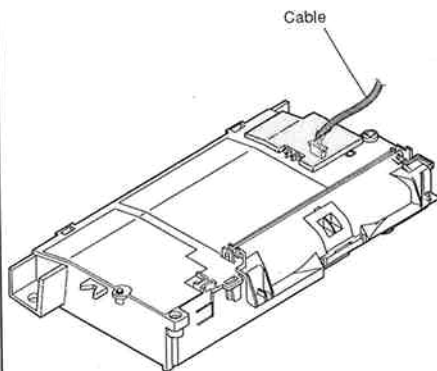
Lay out the wires of the laser/scanner unit shown in the figure.

FIGURE 11-b (1)See Page
2 - 23**FIGURE 11-b (2)**See Page
2 - 23

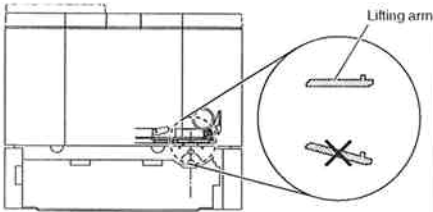
Do not touch the surface of the transfer charging roller. After removing the tabs from the transfer charging roller with a precision screwdriver, as shown in figure 11-b (1), carefully remove the roller in the order shown in figure 11-b (2).

FIGURE 11-cSee Page
2 - 23

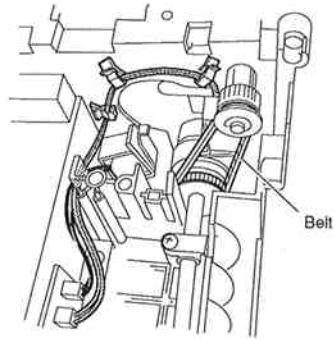
Remove carefully, so that the hole is not blocked.

FIGURE 11-dSee Page
2 - 23

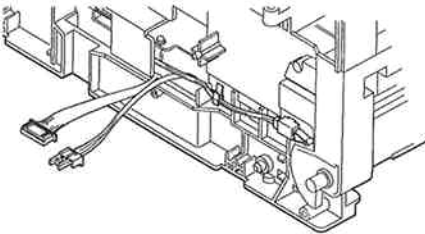
Attach the dust cover after attaching the cable.

FIGURE 12-aSee Page
2 - 25

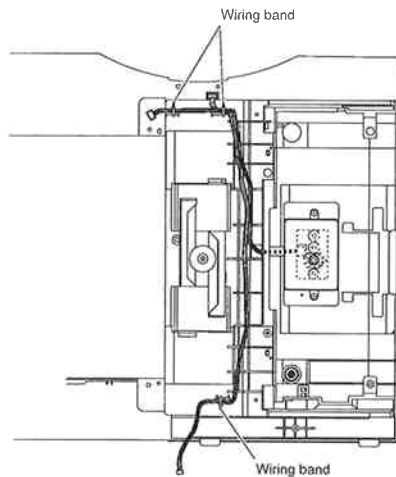
After having assembled the separation ass'y, before setting the side cassette, install the toner cartridge, switch the power on, and the lifting arm moves automatically to its initial position.

FIGURE 12-bSee Page
2 - 25

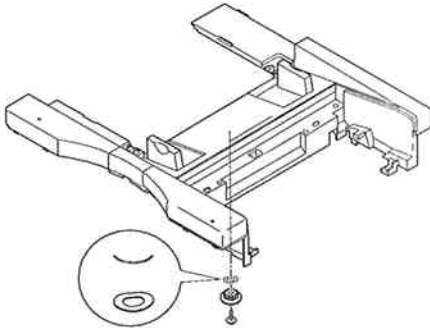
When attaching the paper feed roller ass'y, be sure to mesh the transfer belt with the gear teeth shown in the figure.

FIGURE 13-aSee Page
2 - 27

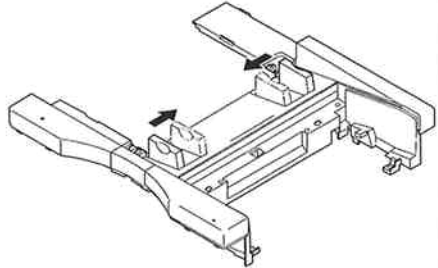
Wire the cables as shown in the figure.

FIGURE 16-aSee Page
2 - 33

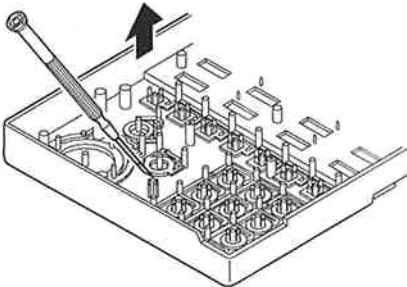
Wire the cables as shown in the figure.

FIGURE 18-aSee Page
2 - 37

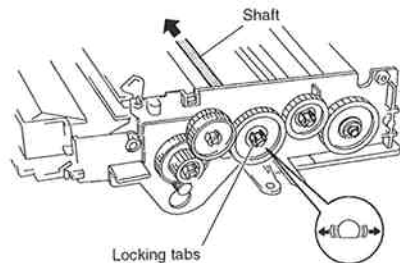
Be sure that the spring washer is facing outwards when attached, as shown in the figure.

FIGURE 18-bSee Page
2 - 37

When assembling the slider section, make sure that the document guide is set at its narrowest width.

FIGURE 22-aSee Page
2 - 45

Remove the key tops very carefully with a precision driver, taking care not to break them.

FIGURE 24-aSee Page
2 - 49

When removing the gear shown in the figure, prize off the locking tabs with hand, and pull out the shaft by hand.

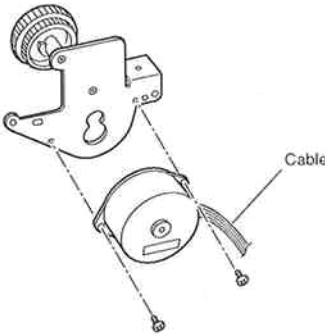
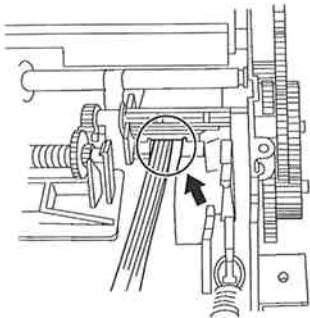
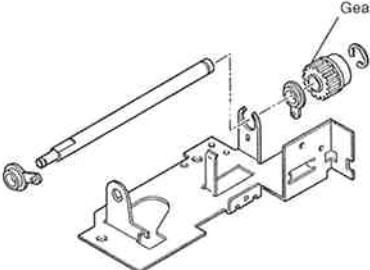
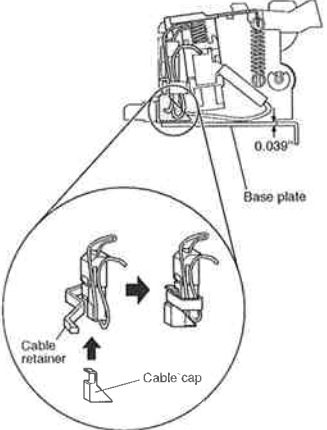
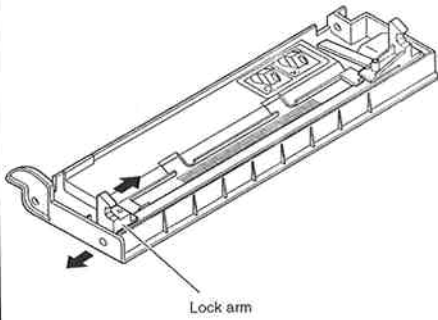
<p>FIGURE 24-b</p>	<p>See Page 2 - 49</p>	<p>FIGURE 24-c</p>	<p>See Page 2 - 49</p>
 <p>When attaching the document feed motor, make sure that the motor cable exits the lower right hand side, as shown in the figure.</p>		 <p>When attaching the cable cover, be careful not to pinch the cable in the cover.</p>	
<p>FIGURE 26-a</p>	<p>See Page 2 - 53</p>	<p>FIGURE 29-a</p>	<p>See Page 2 - 59</p>
 <p>When attaching the gear, make sure that the gear exits as shown in the figure.</p>		 <p>Be careful not to damage the cable. Wire the cable as shown in the figure. Provide a clearance of 0.039"(1mm) or more between the base plate and the cable.</p>	

FIGURE 27-a

See Page
2-55

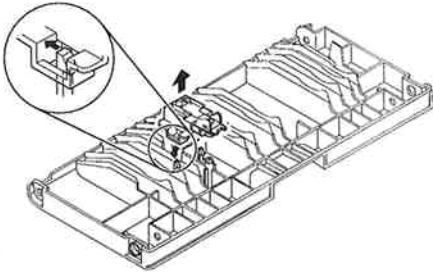


When removing the lock arm, pull out the cover and the lock arm by hand as shown in the figure.

This page intentionally left blank

FIGURE 30-a

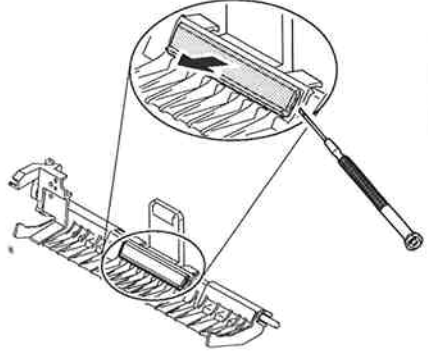
See Page
2 - 61



When taking out the roller guide unit, remove the tab shown in the figure.

FIGURE 35-a

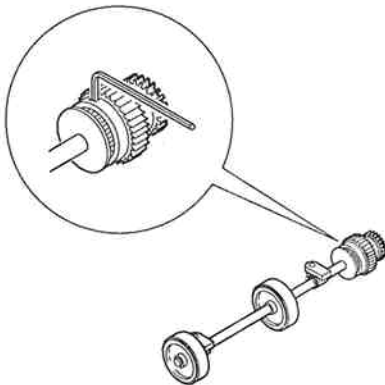
See Page
2 - 71



Use a precision screwdriver to prise off the separation pad, as shown in the figure.

FIGURE 37-a

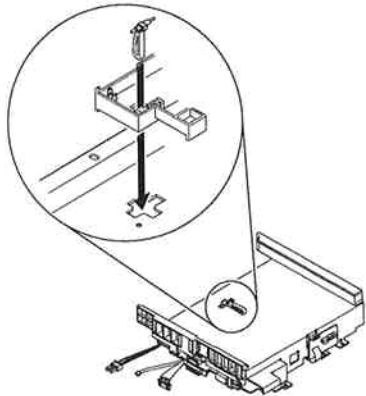
See Page
2 - 75



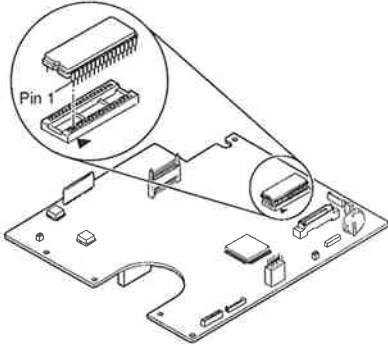
Use a hex wrench to prise off the control ring unit, as shown in the figure.

FIGURE 39-a

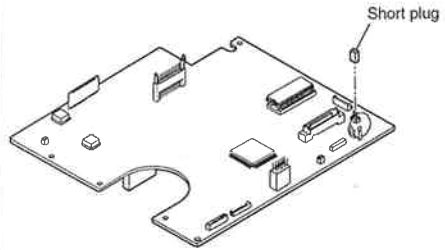
See Page
2 - 79



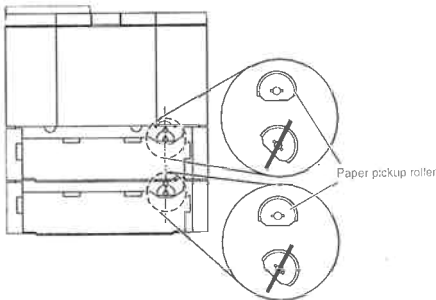
Position the recording paper sensor arm as shown in the figure.

FIGURE 42-aSee Page
2 - 85

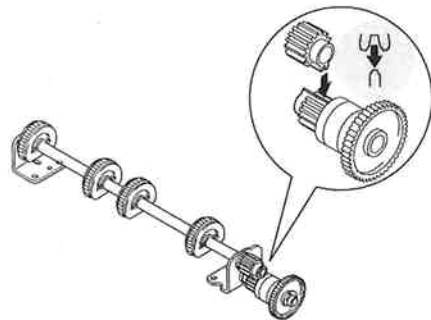
When inserting the ROM, pin 1 of the ROM into place as shown by the ▼ mark on the top of the IC socket and be careful not to bend the pins on the IC socket.

FIGURE 42-bSee Page
2 - 85

The SCNT board ass'y does not come with the short plug shown in the figure. When replacing the SCNT board ass'y, take the short plug from the old board and attach it to the new one.

FIGURE 46-aSee Page(s)
2 - 93/111

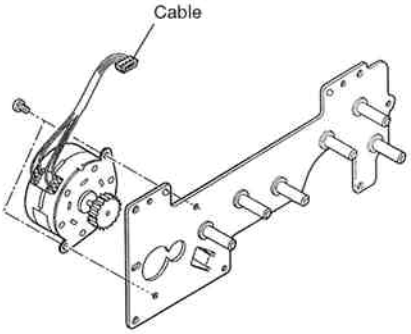
After having assembled the paper pickup roller ass'y, before setting the front cassette, install the toner cartridge, switch the power on, and the pickup roller moves automatically to its initial position.

FIGURE 49-aSee Page
2 - 99

Ensure that the gear tooth which protrudes furthest fits into the pickup gear, as shown in the figure.

FIGURE 57-a

See Page
2 - 115



When attaching the paper feed motor, make sure that the motor cable exits as shown in the figure.

6. NUMERICAL INDEX

PART NUMBER	FIGURE & KEY No.	DESCRIPTION	PART NUMBER	FIGURE & KEY No.	DESCRIPTION
CK-0544-000	60 - T2	GREASE, FLOIL GE-676 (2GG)	HB1-0433-000	54 - 2	COVER, BOTTOM, FEEDER
FS1-1205-000	35 - 4	BUSHING	HB1-0434-000	54 - 1	COVER, REAR, FEEDER
	46 - 6		HB1-0435-000	55 - 9	ROLLER, PICKUP
FS1-1341-000	49 - 1	BUSHING, OILLESS METAL	HB1-0439-000	56 - 15	PLATE, AUXILIARY, A
	58 - 1		HB1-0440-000	56 - 16	PLATE, AUXILIARY, B
HA1-3001-000	52 - 8	FILTER, MECHANICAL	HB1-0441-000	49 - 3	ROLLER, PICKUP
HA1-3002-000	52 - 7	FILTER B, MECHANICAL		58 - 4	
HA1-3185-000	52 - 4	SEAL, RUBBER	HB1-0442-000	49 - 6	SHAFT, PICKUP ROLLER
HA1-4279-000	52 - 3	HOLDER, SPEAKER	HB1-0443-000	49 - 2	HOLDER, PICKUP ROLLER, A
HA1-4605-000	7 - 20	MOUNTING PLATE		58 - 3	
	8 - 20		HB1-0444-000	48 - 2	COVER, RIGHT, FEEDER
HA1-5412-000	52 - 2	PLATE, NOISE SHIELD (CT-15)		59 - 2	
HA1-6141-000	52 - 1	COVER, UPPER (AG)	HB1-0448-000	56 - 6	HOLDER, CABLE
HA1-6142-000	52 - 5	COVER, LOWER (AG)	HB1-0449-000	58 - 5	SHAFT, PICKUP ROLLER
HA1-6143-000	52 - 6	COVER, SCREW (AG)	HB1-0450-000	47 - 16	SHEET, SHIELD, DRIVER BOARD
HA1-6144-000	52 - 9	KEY TOP F (AG)	HB1-0451-060	51 - 13	BODY, CASSETTE
HA1-6576-000	7 - 21	SPEAKER HOLDER	HB1-0452-000	51 - 5	COVER, DISPLAY (LTR)
	8 - 21		HB1-0454-000	51 - 6	PLATE, REFLECTING
HA1-6639-000	20 - 10	ARM, DETECTION (DES)	HB1-0457-000	51 - 1	SHEET, FRICTION, A
HA1-6852-000	20 - 12	ROLLER, EJECT, UPPER	HB1-0458-000	51 - 2	SHEET, FRICTION, B
HA1-8060-000	38 - 3	SPACER, HINGE	HB1-0459-000	51 - 3	LABEL, STACKING LIMIT
HA2-1636-000	25 - 14	SHAFT, PIJOT	HB1-0460-000	51 - 10	CLAW
HA2-1650-000	26 - 4	SHAFT, LOADING ROLLER	HB1-0461-000	51 - 9	ROD, CLAW
HB1-0412-030	45 - 2	COVER, BOTTOM, FEEDER	HB1-0462-020	51 - 11	PLATE, LIMIT
HB1-0413-000	46 - 1	COVER, RIGHT A	HB1-0483-050	4 - 1	COVER, REAR
	55 - 1		HB1-0485-000	1 - 1	TRAY, EXIT
HB1-0414-000	46 - 2	COVER, RIGHT B		2 - 1	
	55 - 2		HB1-0486-000	1 - 2	TRAY, DOCUMENT
HB1-0415-030	47 - 1	COVER, LEFT		2 - 2	
	56 - 1		HB1-0487-060	7 - 9	CASE, SHIELD
HB1-0416-000	4 - 6	COVER, REAR, FEEDER		8 - 9	
HB1-0417-000	46 - 4	GUIDE, CASSETTE, RIGHT	HB1-0488-000	7 - 7	DUCT, FAN
	55 - 4			8 - 7	
HB1-0418-040	47 - 2	GUIDE, CASSETTE, LEFT	HB1-0489-000	6 - 1	PLATE, GROUNDING
	56 - 2		HB1-0490-000	9 - 2	PIN, TAPER
HB1-0419-000	46 - 9	ROLLER, PICKUP	HB1-0491-000	1 - 3	LABEL, DESTINATION
HB1-0420-000	47 - 10	ARM, DETECT, PAPER		2 - 3	
	56 - 10		HB1-0492-000	7 - 10	COVER, FAN
HB1-0421-000	47 - 9	HOLDER, ARM		8 - 10	
	56 - 9		HB1-0493-000	7 - 2	SUPPORT, NCU BOARD ASSY
HB1-0422-000	47 - 7	RETAINER, DRIVER BOARD ASSY		8 - 2	
	56 - 7		HB1-0494-020	7 - 11	PLATE, GROUNDING
HB1-0423-000	47 - 8	SPRING, LEAF		8 - 11	
	56 - 8		HB1-0496-000	11 - 11	PLATE, CARTRIDGE
HB1-0425-000	47 - 4	HOLDER, LED PCB	HB1-0497-000	15 - 3	SPRING, LEAF, GROUNDING
	56 - 4		HB1-0498-000	10 - 5	RETAINER, COVER, TOP
HB1-0426-000	45 - 1	COVER, BOTTOM COVER	HB1-0499-000	10 - 2	PLATE, GROUNDING
HB1-0429-000	46 - 11	SPRING, LEAF	HB1-0500-020	12 - 11	SPRING, LEFT
	55 - 11		HB1-0501-020	14 - 3	SPRING, LEFT, GROUNDING
HB1-0430-000	46 - 12	COVER, SPRING	HB1-0502-000	13 - 3	GUIDE, CASSETTE, RIGHT
	55 - 12		HB1-0503-000	13 - 2	GUIDE, CASSETTE, LEFT
HB1-0431-000	47 - 17	COVER, DRIVER BOARD	HB1-0504-000	10 - 3	COVER, BELT
	56 - 17		HB1-0505-000	14 - 4	ARM, PAPER PICKUP SENSOR

PART NUMBER	FIGURE & KEY No.	DESCRIPTION
HB1-0506-000	14- 6	HOLDER, ARM
HB1-0507-000	14- 5	ARM, RIGHT COVER SENSOR
HB1-0508-000	14- 1	PLATE, GROUNDING
HB1-0509-000	11- 10	COVER, TONER SENSOR
HB1-0511-000	12- 8	COVER, FEED ROLLER
HB1-0512-000	4- 5	PAD, RUBBER
HB1-0516-020	40- 4	COVER, SHIELD (PCNT)
HB1-0517-000	40- 1	GUIDE, CASSETTE (R)
HB1-0518-000	40- 3	GUIDE, CASSETTE (L)
HB1-0520-000	12- 5	COVER, CONNECTORS
HB1-0522-000	39- 8	HOLDER, ARMS, SENSOR
HB1-0523-000	39- 6	ARM, DETECT, PAPER
HB1-0524-000	39- 3	LEVER, SENSOR
HB1-0525-000	39- 5	ARM, DETECT, PAPER SIZE (B)
HB1-0526-000	39- 4	ARM, DETECT, PAPER SIZE (A)
HB1-0527-000	37- 2	ROLLER, FEED
HB1-0528-030	37- 6	SHAFT, FEED ROLLER
HB1-0534-000	38- 2	CLAW, SOLENOID
HB1-0538-000	32- 4	GUIDE, PAPER FEED
HB1-0539-000	32- 3	SHEET, PAPER GUIDE
HB1-0540-000	36- 2	ROLLER, PICKUP
HB1-0541-030	36- 5	SHAFT, PICKUP ROLLER
HB1-0542-020	35- 9	PAD, SEPARATION, RUBBER
HB1-0543-000	35- 11	PLATE, SEPARATION
HB1-0544-000	35- 12	SHAFT, LIFTING
HB1-0545-030	35- 3	MOUNT, SHAFT
HB1-0546-000	35- 7	LEVER, SEPARATION
HB1-0547-000	35- 2	LEVER, LIFTING
HB1-0548-000	35- 6	ARM, LIFTING
HB1-0549-000	36- 4	CLUTCH, PICKUP ROLLER
HB1-0553-000	30- 5	COVER, RIGHT
HB1-0554-000	30- 3	LEVER, LOCK
HB1-0556-000	44- 4	BODY, CASSETTE
HB1-0557-000	44- 3	PLATE, PAPER LIFTING
HB1-0558-000	44- 1	PLATE, LIMIT
HB1-0559-000	44- 2	GUIDE, SIDE, CASSETTE
HB1-0573-030	27- 5	COVER, EXIT PAPER
HB1-0574-000	27- 4	BRUSH, STATIC DISCHARGE
HB1-0575-040	27- 1	ARM, LOCK (L)
HB1-0576-020	27- 2	ARM, LOCK (R)
HB1-0577-020	27- 3	STAY
HB1-0578-040	28- 1	GUIDE, PAPER EJECT
HB1-0579-040	28- 10	FRAME, PAPER EJECT GUIDE
HB1-0580-000	28- 9	SPRING, LEAF, GROUNDING
HB1-0581-020	28- 3	SHAFT, EJECT ROLLER
HB1-0582-000	28- 4	ROLLER, PAPER EJECT (LOWER)
HB1-0583-000	27- 6	LABEL, HANDLING PAPER JAM
HB1-0584-030	28- 12	SUPPORT, FRAME, PAPER EJECT
HB1-0586-000	18- 11	COVER, DOCUMENT GUIDE
HB1-0587-000	18- 3	GUIDE, DOCUMENT, RIGHT
HB1-0588-000	18- 2	GUIDE, DOCUMENT, LEFT
HB1-0589-020	18- 8	ARM, CARTRIDGE COVER SENSOR
HB1-0591-000	18- 5	PLATE, SUPPORTING, RIGHT

PART NUMBER	FIGURE & KEY No.	DESCRIPTION
HB1-0592-000	18- 6	PLATE, SUPPORTING, LEFT
HB1-0593-000	16- 1	HINGE, LEFT
HB1-0594-000	16- 2	HINGE, RIGHT
HB1-0595-000	17- 7	COVER, CARTRIDGE
HB1-0596-000	17- 1	TRAY, DOCUMENT, EXTENSION
HB1-0597-000	17- 4	LEVER, RELEASE
HB1-0598-000	17- 5	COVER, LED
HB1-0600-000	18- 13	LABEL, HANDLING CARTRIDGE
HB1-0601-030	24- 17	FRAME, ADF
HB1-0602-000	23- 1	COVER, ADF, LOWER
HB1-0605-000	24- 16	ARM, HOOK
HB1-0606-000	23- 8	COVER, GEAR
HB1-0607-000	24- 12	COVER, CABLE
HB1-0608-000	23- 10	COVER, EJECT ROLLER
HB1-0609-030	24- 14	SPRING, LEAF, GROUNDING
HB1-0613-000	23- 6	STOPPER, CONTROL PANEL
HB1-0614-000	18- 4	SPRING WASHER, SLIDER
HB1-0631-000	20- 21	FRAME, ADF, UPPER
HB1-0632-000	20- 18	ARM, PRESSURE
HB1-0635-000	20- 15	SHAFT, PRESSURE
HB1-0636-000	20- 20	BRUSH, STATIC DISCHARGE
HB1-0637-000	20- 16	SHEET, FRICTION
HB1-0638-000	20- 3	ARM, DETECTION (DS)
HB1-0639-000	20- 4	HOLDER (DS)
HB1-0640-000	20- 9	HOLDER (DES)
HB1-0641-000	20- 13	SHAFT, DELIVERY ROLLER
HB1-0647-000	20- 8	SPRING, LEAF, GROUNDING
HB1-0648-000	19- 1	SHEET, PROTECT
HB1-0651-030	22- 12	COVER, CONTROL PANEL
HB1-0652-000	22- 4	KEY TOP, "DIAL"
HB1-0653-000	22- 7	KEY TOP, "START"
HB1-0654-000	22- 2	KEY TOP, "ONE TOUCH DIAL"
HB1-0655-000	22- 3	KEY TOP, "TEL FUNCTION"
HB1-0656-000	22- 1	KEY TOP, "FUNCTION (MODE)"
HB1-0657-000	22- 6	KEY TOP, "STOP"
HB1-0658-000	22- 5	KEY TOP, "COPY"
HB1-0661-000	21- 3	COVER, DISPLAY
HB1-0662-000	21- 2	COVER, SWITCH
HB1-0664-030	22- 8	PLATE, WITH GROUND WIRE
HB1-0666-000	11- 12	COVER, DUST A
HB1-0667-000	11- 13	COVER, DUST B
HB1-0673-030	4- 3	COVER, SHIELD
HB1-0675-070	15- 4	FRAME, PRINTER
HB1-0684-000	57- 1	COVER, DRIVE GEAR ASS'Y
HB1-0685-000	47- 18	SHEET, SHIELD, LED
	56- 18	
HB1-0686-000	56- 12	SHEET, SHIELD, BOARD
HB1-0697-000	18- 9	COVER, LED
HB1-0698-000	18- 14	HOLDER, WARNING LAMP BOARD
HB1-0699-000	18- 10	LABEL, UPPER LIMIT
HB1-0701-000	26- 7	SHAFT, SEPARATION ROLLER
HB1-0703-000	26- 17	HOLDER, SEPARATION ROLLER
HB1-0707-000	26- 10	ARM, LIFTING

PART NUMBER	FIGURE & KEY No.	DESCRIPTION	PART NUMBER	FIGURE & KEY No.	DESCRIPTION
HB1-0709-000	24 - 19	SPRING, LEAF, GROUNDING	HG1-4197-000	23 - 5	VR BOARD ASSY
HB1-0710-000	20 - 6	SPRING, LEAF, GROUNDING	HG1-4203-000	7 - 17	BATTERY BOARD UNIT
HB1-0711-000	25 - 17	HOLDER, FEED ROLLER		8 - 17	
HB1-0712-000	25 - 13	HOLDER, SEPARATION ROLLER	HG5-0109-000	49 - 9	PICKUP ROLLER ASSY
HB1-0713-000	25 - 10	ROLLER, FEED, UPPER	HG5-0112-000	7 - 18	F.CASSETTE FEEDER ASSY, UPPER
HB1-0714-000	25 - 20	FRAME, SEPARATION ROLLER		8 - 23	
HB1-0715-000	25 - 18	SPRING, LEAF	HG5-0113-080	1 - 11	FRONT CASSETTE ASSY (LTR)
HB1-0716-000	25 - 6	TORQUE LIMITER		2 - 11	
HB1-0718-000	25 - 3	ROLLER, SEPARATION, UPPER		3 - 1	
HB1-0721-020	21 - 6	SHEET, PROTECT	HG5-0114-050	51 - 12	SIZE PLATE ASSY
HB1-0722-020	20 - 2	STAY, PRESSURE	HG5-0117-060	13 - 1	PCNT ASSY
HB1-0723-000	25 - 1	SPRING, LEAF, GROUNDING	HG5-0118-000	39 - 1	HVT CONNECTOR ASSY
HB1-0726-040	7 - 22	PLATE, SPEAKER HOLDER	HG5-0119-000	39 - 9	PCNT COVER ASSY
	8 - 22		HG5-0120-000	12 - 4	FEED ROLLER ASSY
HB1-0727-000	7 - 14	SUPPORT, MCNT BOARD ASSY	HG5-0121-000	37 - 5	CONTROL RING UNIT
	8 - 14		HG5-0123-000	11 - 9	ROLLER GUIDE UNIT
HB1-0728-030	7 - 16	SUPPORT, BATTERY BOARD	HG5-0124-000	12 - 2	PICKUP ROLLER ASSY
	8 - 16		HG5-0126-020	12 - 1	SEPARATION ASSY
HB1-0729-000	4 - 7	PAD, RUBBER	HG5-0128-000	30 - 1	ROLLER GUIDE UNIT
HB1-0730-000	21 - 4	SHEET, FUNCTION	HG5-0129-000	1 - 4	SIDE CASSETTE ASSY
HB1-0731-000	22 - 9	COVER, CONTROL PANEL, A		2 - 4	
HB1-0732-000	22 - 10	COVER, CONTROL PANEL, B	HG5-0130-020	10 - 1	DRIVE GEAR ASSY
HB1-0733-000	22 - 11	SHEET, FUNCTION	HG5-0131-040	9 - 1	EXIT PAPER COVER ASSY
HB1-0738-000	24 - 11	SHAFT, TRANSFER	HG5-0132-060	9 - 3	PAPER EJECT ROLLER ASSY
HB1-0739-000	26 - 15	SPRING, LEAF, GROUNDING	HG5-0149-000	19 - 2	CONTROL PANEL ASSY
HB1-0741-000	24 - 10	ROLLER, DOCUMENT FEED	HG5-0155-000	49 - 8	CLUTCH UNIT
HB1-0742-030	24 - 8	ROLLER, DOCUMENT EJECT	HG5-0156-000	1 - 9	HANDSET REST UNIT
HB1-0743-020	4 - 2	COVER, FRONT		2 - 9	
HB1-0744-020	4 - 2	COVER, FRONT	HG5-0157-000	3 - 2	F.CASSETTE FEEDER ASSY, LOWER
HB1-1092-000	47 - 6	SPRING, LEAF	HG5-0159-000	55 - 13	PICKUP ROLLER ASSY
	56 - 21		HG5-0160-000	58 - 6	CLUTCH UNIT
HB1-1093-000	47 - 21	COVER, SPRING	HG5-0161-000	55 - 8	DRIVE GEAR ASSY
	56 - 22		HG5-0167-000	23 - 2	SEPARATION ROLLER
HF5-0031-000	46 - 5	HOLDER, PICKUP ROLLER	HG5-0169-000	23 - 9	CONTACT SENSOR UNIT
HF5-0034-000	48 - 1	PICKUP ROLLER UNIT	HG5-0172-000	20 - 19	SEPARATION ROLLER
	59 - 1		HG5-0262-070	7 - 4	SCNT BOARD ASSY
HF5-0035-000	49 - 7	HOLDER, PICKUP ROLLER, B		8 - 4	
HF5-0038-020	51 - 4	PLATE, PAPER LIFTING (LTR)	HG5-0268-030	7 - 15	MCNT BOARD ASSY
HF5-0043-030	38 - 5	MOUNT, SOLENOID		8 - 15	
HF5-0046-030	24 - 18	MOUNT, DOCUMENT FEED MOTOR	HG5-0270-000	18 - 15	WARNING LAMP BOARD ASSY
HF5-0057-000	26 - 8	ROLLER, SEPARATION, LOWER	HG5-0273-000	8 - 18	DRAM BOARD ASSY(4M-BYTE)
HF5-0058-000	26 - 2	ROLLER, LOADING	HG5-0281-000	56 - 13	MOTOR DRIVER BOARD ASSY
HF5-0059-000	26 - 16	HOLDER, LOADING ROLLER	HG9-0688-000	39 - 7	PAPER SENSOR BOARD ASSY
HF5-0061-000	25 - 5	HOLDER, TORQUE LIMITER	HG9-0698-000	1 - 8	HANDSET ASSY (USA, AG)
HF5-0083-020	20 - 14	SCANNING STRIP UNIT (WHITE)		2 - 8	
HG1-2196-000	52 - 10	TELCNT BOARD ASSY	HH2-1277-000	52 - 14	MODULAR JACK
HG1-4057-000	17 - 6	LED BOARD ASSY	HH2-1703-000	52 - 13	CORD, COILED (AG)
HG1-4059-000	12 - 7	TONER SENSOR BOARD ASSY	HH2-2253-000	1 - 6	POWER SUPPLY CORD, 120V
HG1-4060-000	47 - 13	DRIVER BOARD ASSY		2 - 6	
HG1-4074-030	7 - 1	NCU BOARD ASSY	HH2-2331-000	11 - 3	CABLE WITH CONNECTOR, 3P
	8 - 1		HH2-2337-000	46 - 14	CABLE WITH CONNECTOR, 2P
HG1-4127-000	21 - 1	OPCNT BOARD ASSY		55 - 5	
HG1-4155-070	39 - 2	PCNT BOARD ASSY	HH2-2363-000	20 - 1	CABLE UNIT

PART NUMBER	FIGURE & KEY No.	DESCRIPTION	PART NUMBER	FIGURE & KEY No.	DESCRIPTION
HH2-2371-000	47 - 12	CABLE WITH CONNECTOR, 18P	HS5-0069-000	57 - 7	GEAR, 28/35T
HH2-2413-020	47 - 15	WIRE, GROUNDING	HS5-0070-000	26 - 13	GEAR, 18T
HH2-2433-000	18 - 16	CABLE WITH CONNECTOR, 2P	HS5-0071-000	26 - 9	GEAR, 32T
HH2-2435-000	24 - 13	CABLE WITH CONNECTOR, 10P	HS5-0072-000	26 - 3	GEAR, 17T
HH2-2437-000	24 - 21	WIRE, GROUNDING	HS5-0073-000	25 - 19	GEAR, 37T
HH2-2441-020	23 - 4	CABLE WITH CONNECTOR, 2P	HS5-0076-000	25 - 11	GEAR, 15T
HH2-2451-000	10 - 6	GROUNDWIRE	HS5-0077-000	25 - 7	GEAR, 25T
HH2-2484-000	1 - 5	MODULAR LINE CORD, 2W	HS5-0116-000	24 - 20	GEAR, 15T
	2 - 5		HS5-0117-000	24 - 3	GEAR, 49T
HH3-5278-000	7 - 5	POWER SUPPLY UNIT	HS5-0118-000	24 - 2	GEAR, 44/26T
	8 - 5		HS5-1001-000	35 - 8	BUSHING
HH4-2546-040	42 - 1	IC,MB834200B-15P-02A,MASK-ROM		37 - 3	
HH7-1299-000	52 - 11	RINGER PKM34EW-12	HS5-1011-000	28 - 7	BUSHING
HH7-2023-000	7 - 6	FAN UNIT	HS5-1012-000	28 - 5	BUSHING
	8 - 6		HS5-1013-020	24 - 4	BUSHING
HH7-2029-000	57 - 2	PULSE MOTOR, PAPER FEED	HS5-1014-000	24 - 9	BUSHING
HH7-2039-000	38 - 1	SOLENOID	HS5-1015-000	26 - 5	BUSHING, SEPARATION ROLLER
HH7-2040-000	12 - 6	SOLENOID, PICKUP	HS5-2016-050	51 - 7	SPRING
HH7-2041-000	47 - 5	SOLENOID, PICKUP	HS5-2018-000	32 - 2	SPRING, PRESSURE
HH7-2043-000	56 - 5	SOLENOID, PICKUP	HS5-2019-020	35 - 10	SPRING, SEPARATION
HH7-2085-000	24 - 7	PULSE MOTOR, DOCUMENT FEED	HS5-2020-000	30 - 2	SPRING
HH7-2086-000	26 - 11	SOLENOID, LOADING	HS5-2022-000	18 - 7	SPRING, LEVER
HH7-2087-000	23 - 3	STAMP UNIT	HS5-2023-000	24 - 15	SPRING
HH7-2089-000	7 - 19	SPEAKER	HS5-2026-000	35 - 1	SPRING
	8 - 19		HS5-2031-000	25 - 16	SPRING
HS1-0070-000	18 - 1	GEAR, 16T	HS5-2032-000	25 - 12	SPRING
HS1-0168-000	55 - 7	GEAR, 18T	HS5-2033-000	20 - 17	SPRING
HS1-0324-000	25 - 8	GEAR, 29/44T	HS5-2034-000	26 - 1	SPRING
HS1-0325-000	25 - 4	GEAR, 27T	HS5-3010-020	38 - 4	PULLEY, 15T/17T
HS1-1036-000	35 - 5	BUSHING	HS5-6002-000	32 - 1	ROLLER, PAPER GUIDE
HS1-1039-020	55 - 6	BUSHING, 6MM	HS5-6004-000	28 - 2	ROLLER, PAPER EJECT (UPPER)
HS1-1070-000	26 - 6	BUSHING, ADF ROLLER	HS5-9001-000	25 - 15	SCREW, M4X6
HS1-1073-000	30 - 4	STOPPER, SHAFT	HS5-9002-000	25 - 9	SCREW, M3X4
HS1-1074-000	25 - 2	BUSHING	HT1-2034-000	1 - 7	INSTRUCTION BOOK (ENGLISH)
HS1-9013-000	26 - 14	SCREW		2 - 7	
HS5-0043-000	46 - 7	GEAR, 17T	HT1-3022-000	1 - 7	INSTRUCTION BOOK (FRENCH)
HS5-0044-000	46 - 10	GEAR, 22T		2 - 7	
HS5-0047-000	49 - 5	GEAR, 17T	HY7-2602-000	43 - 1	FUSE, 10A, 125V
HS5-0049-000	31 - 13	GEAR, 58T	HY9-0005-000	60 - T5	EXTENTION CABLE UNIT
HS5-0050-000	31 - 12	GEAR, 32T/41T	HY9-0007-000	60 - T1	LUBE, MOLYKOTE EM-50L
HS5-0051-000	31 - 11	GEAR, 18T/36T	HY9-0013-000	60 - T6	GAUGE, GAP (1.8MM)
HS5-0052-000	31 - 10	GEAR, 33T	ME1-0043-000	4 - 8	LABEL, HY
HS5-0053-000	31 - 9	GEAR, 18T/45T	RA1-7574-000	36 - 1	BUSHING
HS5-0054-000	28 - 8	GEAR, 52T/38T	RA1-8243-000	46 - 15	FOOT, RUBBER
HS5-0055-000	28 - 6	GEAR, 18T		47 - 3	
HS5-0057-020	24 - 22	GEAR, 44T/20T		55 - 10	
HS5-0058-000	24 - 1	GEAR, 34T		56 - 3	
HS5-0059-020	24 - 5	GEAR, 38T/33T	RA2-0398-000	51 - 8	BLOCK, SIZE
HS5-0063-000	24 - 6	GEAR, 60T/20T	RB1-2969-020	29 - 2	CLIP, CABLE
HS5-0065-000	57 - 3	GEAR, 18/34T	RB1-2975-020	15 - 9	GUIDE, CABLE
HS5-0066-000	57 - 4	GEAR, 18/44T	RB1-2981-000	29 - 1	LEVER, RELEASE
HS5-0067-000	57 - 5	GEAR, 41T	RB1-2998-020	15 - 6	LEVER, SWITCH
HS5-0068-000	57 - 6	GEAR, 18/45T	RB1-2999-000	15 - 5	HOLDER, SWITCH LEVER

PART NUMBER	FIGURE & KEY No.	DESCRIPTION
RB1-3003-000	11 - 8	SPRING, LEAF
RB1-3016-030	34 - 1	SHUTTER, LASER
RB1-3020-000	34 - 3	ARM, SHUTTER
RB1-3025-020	29 - 3	COVER
RB1-3063-020	41 - 7	CAM, SWITCH
RB1-3064-000	41 - 8	SHUTTER, SWITCH
RB1-3067-000	41 - 11	LEVER, SENSOR
RB1-3068-000	41 - 12	HOLDER, SENSOR
RB1-3069-020	41 - 9	LEVER, CRG SWITCH
RB1-3073-000	33 - 3	BUSHING
RB1-3074-000	41 - 10	SPRING, LEAF
RB1-3075-000	33 - 7	MOUNT, TRANSFER, LEFT
RB1-3076-000	33 - 5	BUSHING, LEFT
RB1-3077-000	33 - 10	MOUNT, TRANSFER, RIGHT
RB1-3078-000	33 - 8	BUSHING, RIGHT
RB1-3079-000	41 - 1	SHAFT, SWITCH CAM
RB1-3087-000	29 - 4	PIN
RB1-3088-020	29 - 5	FRAME, FIXING
RB1-3089-000	29 - 6	PLATE, FIXING
RB1-3090-000	29 - 7	BUSHING, PRESSURE ROLLER, LEFT
RB1-3091-000	29 - 8	BUSHING, PRESSURE ROLLER, RIGHT
RB1-3096-020	29 - 12	LEVER, DELIVERY SENSOR
RB1-3097-000	29 - 13	LINK, DELIVERY SENSOR
RB1-3099-020	29 - 14	SPRING, TORSION
RB1-3100-000	29 - 15	ROLLER, PRESSURE
RB1-3103-000	29 - 16	ROLLER, PAPER DELIVERY, FU
RB1-3104-030	29 - 17	BUSHING, DELIVERY ROLLER, LEFT
RB1-3105-030	29 - 18	BUSHING, DELIVERY ROLLER, RIGHT
RB1-3106-040	29 - 30	GUIDE, DELIVERY, UPPER
RB1-3107-000	29 - 31	ROLLER
RB1-3108-000	29 - 32	SPRING, TORSION
RB1-3109-000	29 - 19	RUBBER, CONTINUITY
RB1-3130-000	17 - 2	PIECE, CRG PRESSURE
RB1-3151-000	40 - 2	SPRING, CASSETTE SIDE
RB1-3163-000	39 - 10	PIN, CONTACT
RB1-3677-000	29 - 20	RETAINER, SENSOR
RB1-3681-000	11 - 1	CAP, SHUTTER
RB9-0108-000	41 - 6	SHEET, RIGHT PET(R)
RF5-0584-000	41 - 2	ELIMINATOR, STATIC CHARGE
RF5-0585-000	33 - 4	GUIDE, TRANSFER
RF5-0586-030	29 - 10	GUIDE, DELIVERY, LOWER
RF5-0589-000	29 - 33	HOLDER, RESISTER
RF5-0596-000	33 - 1	ROLLER, TRANSFER
RF5-0600-060	41 - 3	GUIDE, FEEDER
RG5-0662-030	11 - 2	LASER/SCANNER ASSY
RG5-0667-020	11 - 4	MIRROR ASSY
RG5-0671-090	14 - 2	FEEDER GUIDE ASSY
RG5-0672-030	41 - 4	CAM ASSY SWITCH
RG5-0674-000	11 - 6	TRANSFER MOUNT ASSY, LEFT
RG5-0675-000	11 - 7	TRANSFER MOUNT ASSY, RIGHT
RG5-0678-060	29 - 21	FIXING FILM ASSY
RG5-0681-030	29 - 29	DELIVERY ASSY
RG5-0690-040	29 - 9	GUIDE ASSY ENTRANCE

PART NUMBER	FIGURE & KEY No.	DESCRIPTION
RG5-0694-020	15 - 2	SWITCH LEVER ASSY
RG5-0702-000	33 - 2	TRANSFER GUIDE ASSY
RG5-0710-000	41 - 5	SENSOR ASSY
RG5-0754-000	15 - 8	SCANNER CABLE ASSY
RG5-0765-000	10 - 4	MOTOR ASSY
RG5-0766-030	15 - 1	SCANNER CONNECTOR ASSY
RG9-0979-000	9 - 4	FIXING ASSY
RH2-5214-000	29 - 22	CONNECTOR, 2P
RS5-0314-000	29 - 23	GEAR, 24T
RS5-0315-000	29 - 24	GEAR, 22T
RS5-0316-020	29 - 25	GEAR, 17T/17T
RS5-0318-000	31 - 5	GEAR, 136T/18T
RS5-0321-000	31 - 6	GEAR, 22T/36T
RS5-0325-000	31 - 4	GEAR, 120T/32T
RS5-0326-000	31 - 3	GEAR, 19T/55T
RS5-0327-000	31 - 2	GEAR, 52T
RS5-0329-000	31 - 1	GEAR, 19T/19T
RS5-0366-000	31 - 7	GEAR, 64T
RS5-0367-000	31 - 8	GEAR, 60T/38T
RS5-2221-000	33 - 9	SPRING, TORSION
RS5-2222-000	33 - 6	SPRING, COMPRESSION
RS5-2223-000	29 - 26	SPRING, COMPRESSION
RS5-2224-000	29 - 27	SPRING, TENSION
RS5-2227-000	17 - 3	SPRING, COMPRESSION
RS5-2234-000	15 - 7	SPRING, COMPRESSION
RS5-2238-000	34 - 2	SPRING, TORSION
RS5-8170-000	29 - 11	LABEL, WARNING
RY9-0093-000	60 - T4	CHECK TERMINAL
TKC-0912-000	60 - T3	GREASE G-488 (PER 20GS)
VT2-0001-012	7 - 3	SUPPORT, PCB
	8 - 3	
VT2-0014-006	39 - 11	SPACER, PCB
VT2-5027-008	7 - 12	SPACER
	8 - 12	
WC4-5052-000	9 - 5	MICRO SWITCH
	46 - 3	
	55 - 3	
WG8-5210-000	20 - 5	IC, TLP1240 PHOTOTERRUPTER
	47 - 11	
	56 - 11	
WK1-5036-000	42 - 2	BATTERY, LITHIUM, CR247UN71A
WR1-0086-000	52 - 15	MICROPHONE
WR1-0111-000	52 - 12	SPEAKER DH-70C
WS1-0172-000	42 - 3	PLUG, SHORT
WS9-5038-000	4 - 4	SPACER, MODULAR
WT2-0367-000	9 - 6	CLAMP
WT2-0434-000	7 - 13	CLIP
	8 - 13	
	11 - 14	
WT2-0507-000	12 - 9	HOLDER, CLIP
WT2-5031-000	6 - 4	CLIP
WT2-5058-000	29 - 28	CLIP, CABLE
WT2-5065-000	47 - 14	CLAMP, CABLE

PART NUMBER	FIGURE & KEY No.	DESCRIPTION	PART NUMBER	FIGURE & KEY No.	DESCRIPTION
WT2-5078-000	56 - 14 5 - 2 23 - 7	RIVET	XD9-0101-000	51 - 14	RING, E
WT2-5302-000	47 - 19 56 - 19	BAND, WIRING	XF9-0484-000	12 - 3	BELT, COGGED, RUBBER
X66-6615-000	16 - 3 26 - 12	BAND, WIRING			
XA9-0283-000	20 - 7 28 - 11	SCREW, TP, PH3X6			
XA9-0428-000	18 - 12	SCREWM2.6X8			
XA9-0476-000	17 - 8	SCREW, TP M3X8			
XA9-0689-020	1 - 10 2 - 10	SCREW, HANDSET REST			
XA9-0751-000	7 - 8 8 - 8	SCREW, SELF-TAPPING, M3X35			
XB1-2300-407	S - 11	SCREW, M3X4			
XB1-2300-607	S - 1	SCREW, BH3X6(S)			
XB1-2300-809	S - 22	SCREW, BH3X8			
XB1-2301-007	S - 16	SCREW, BH3X10			
XB1-2301-207	S - 3	SCREW, M3X12			
XB1-2301-406	S - 18	SCREW, BH 3X14			
XB2-7300-607	S - 10	SCREW, M3X6			
XB2-8300-809	S - 21	SCREW, WWASHER, M3X8			
XB4-7200-407	S - 14	SCREW, BH M2X4			
XB4-7200-609	S - 19	SCREW, M2X6			
XB4-7260-609	S - 9	SCREW, TAP, BH2.6X6			
XB4-7260-809	S - 20	SCREW, FT, BH 2.6X8			
XB4-7300-609	S - 24	SCREW, TAP, BINDING HEAD, M3X6			
XB4-7300-807	S - 8	SCREW, TAP TIGHT, BINDING HEAD			
XB4-7300-809	S - 7	SCREW, TAP, BINDING HEAD, M3X8			
XB4-7303-007	S - 4	SCREW, SELF-TAPPING, M3X30			
XB4-7400-607	S - 17	SCREW, SELF-TAPPING, PANHEAD			
XB4-7400-807	S - 26	SCREW, SELF-TAPPING, PIN HEAD			
XB4-7401-007	S - 2	SCREW, PIN HEAD SELF-TAPPING			
XB4-7401-009	S - 5	SCREW, BINDING HEAD SELF TAPPING			
XB4-7401-207	S - 23	SCREW, SELF-TAPPING, M4X12			
XB6-2300-608	S - 25	SCREW, FP SET, SH3X6			
XB6-2301-008	S - 13	SCREW			
XB6-7300-607	S - 15	SCREW, TP, M3x6			
XB6-7300-609	S - 12	SCREW, MACHINE M3X6			
XB6-7301-007	S - 6	SCREW, PH, M3X10			
XD1-1106-239	W - 5	SHIM, CIRCULAR			
XD2-1100-242	W - 4	WASHER, RETAINING			
XD2-1100-322	W - 1	RETAINING RING (E-TYPE)			
XD2-1100-502	W - 2	RETAINING RING (E-TYPE)			
XD2-1100-642	W - 3	RETAINING RING (E-TYPE)			
XD3-2200-082	46 - 8	PIN, PARALLEL			
XD3-2200-102	37 - 4	PIN, PARALLEL			
XD3-2200-122	20 - 11 36 - 3 49 - 4 58 - 2	PIN, PARALLEL, 2X12			
XD3-2200-202	37 - 1	PIN, M2 X20			

This page intentionally left blank



**Printed on paper that
contains 100% reused paper.**

Canon