

LASER CLASS 510

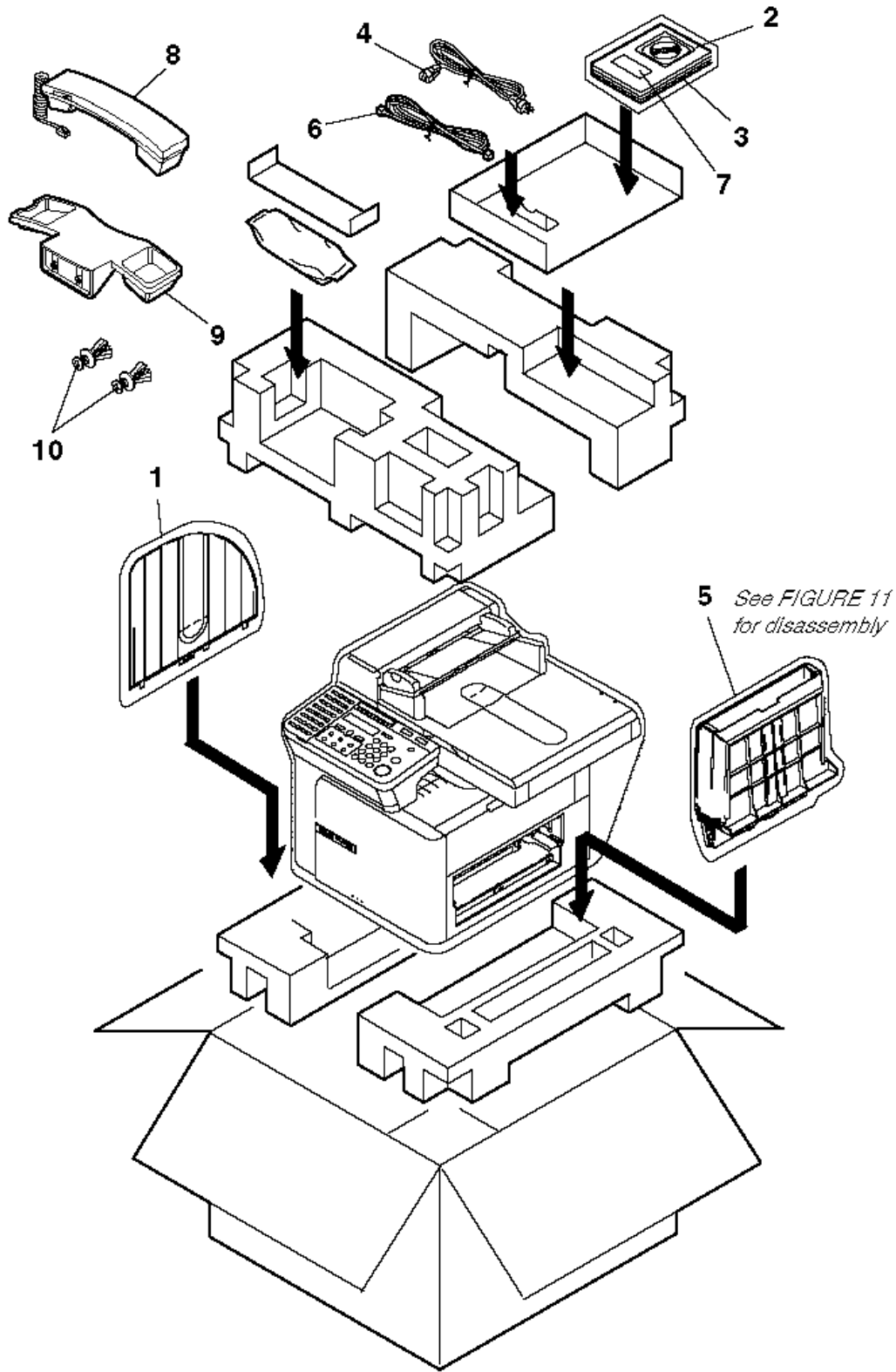


FIGURE 01 PACKAGE CONTENTS

FIGURE & KEY NO.	PART NUMBER	RANK	QTY	SQTY	DESCRIPTION	REMARKS
1	HC1-0614-000		1	<input type="checkbox"/>	TRAY, DOCUMENT	
2	HH4-3786-000	N	1	<input type="checkbox"/>	CD-ROM, PRINTER DRIVER	
3	HT1-2227-000	N	1	<input type="checkbox"/>	REFERENCE GUIDE (ENGLISH)	
3	HT1-2228-000	N	1	<input type="checkbox"/>	FACSIMILE GUIDE (ENGLISH)	
4	HH2-3209-000		1	<input type="checkbox"/>	CORD, POWER SUPPLY	
5	NPN		1	<input type="checkbox"/>	PAPER TRAY ASS'Y	
6	HH2-2824-000		1	<input type="checkbox"/>	MODULAR CORD, 2P	
7	HB1-4357-000		1	<input type="checkbox"/>	LABEL, DESTINATION	
8	HH7-2591-000		1	<input type="checkbox"/>	HANDSET UNIT	
9	HB1-4978-000		1	<input type="checkbox"/>	HOLDER, HANDSET CRADLE	
10	WT2-5465-000		2	<input type="checkbox"/>	RIVET	

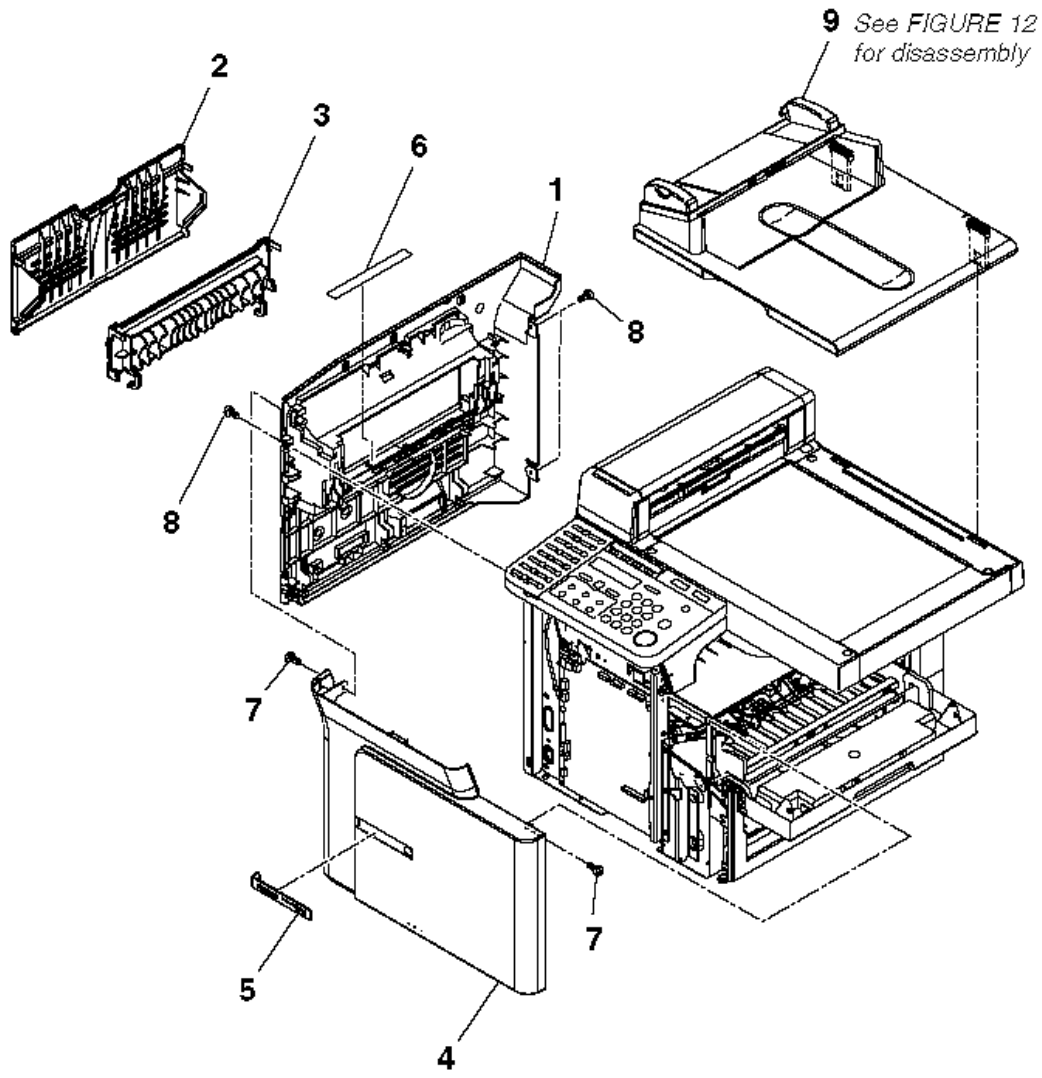


FIGURE 02 FRONT COVER, LEFT COVER, COPY BOARD COVER

FIGURE & KEY NO.	PART NUMBER	R A N K	Q T Y	S Q T Y	DESCRIPTION	REMARKS
1	HC1-0493-000		1	<input type="checkbox"/>	COVER, LEFT	
2	HC1-0481-000		1	<input type="checkbox"/>	COVER, FACE-UP	
3	HC1-0482-000		1	<input type="checkbox"/>	GUIDE, FACE-UP	
4	HL1-0285-000		1	<input type="checkbox"/>	COVER, FRONT UNIT	
5	HC1-0671-000		1	<input type="checkbox"/>	PLATE, LOGO	
6	HC1-0549-000		1	<input type="checkbox"/>	LABEL, CAUTION	
7	XB4-7401-005		2	<input type="checkbox"/>	SCREW, TAPPING, TRUSS HEAD, M4X10	
8	XB6-7300-607		3	<input type="checkbox"/>	SCREW, TP, M3X6	
9	NPN		1	<input type="checkbox"/>	COPY BOARD COVER ASS'Y	

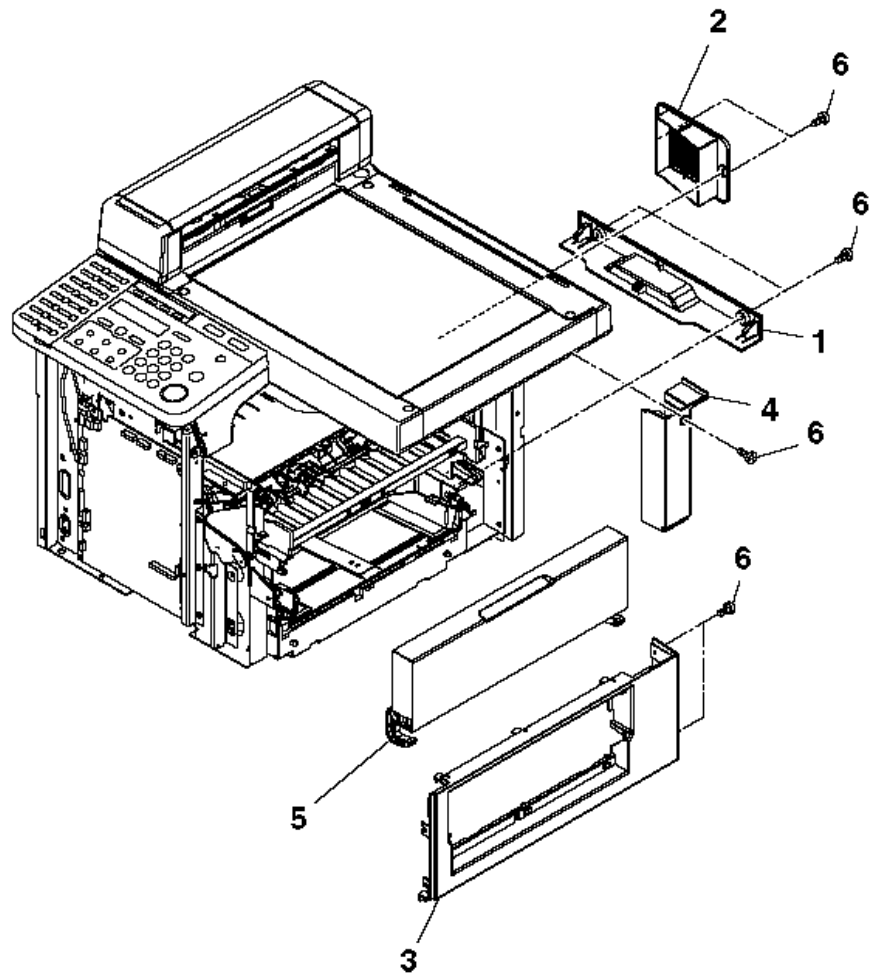


FIGURE 03 RIGHT COVER, CARTRIDGE COVER

FIGURE & KEY NO.	PART NUMBER	R A N K	Q T Y	S Q T Y	DESCRIPTION	REMARKS
1	HC1-0502-000		1	<input type="checkbox"/>	COVER, REAR, BOTTOM	
2	HC1-0512-000		1	<input type="checkbox"/>	COVER, FAN	
3	HC1-0522-000		1	<input type="checkbox"/>	COVER, RIGHT	
4	HC1-0523-000		1	<input type="checkbox"/>	COVER, REAR, RIGHT	
5	HM1-0236-000		1	<input type="checkbox"/>	CARTRIDGE COVER UNIT	
6	XB6-7300-607		7	<input type="checkbox"/>	SCREW, TP, M3X6	

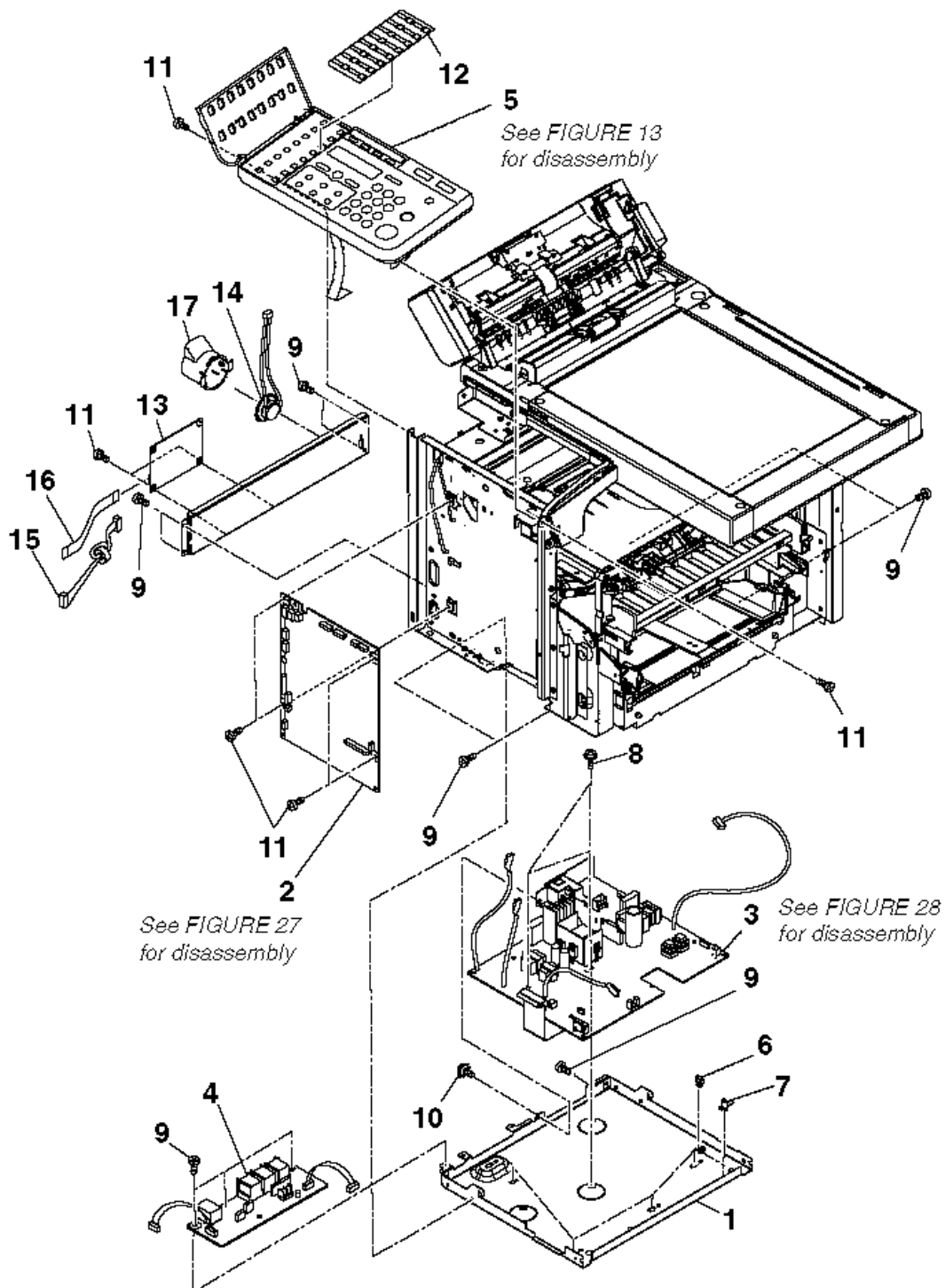


FIGURE 04 OPERATION PANEL ASS'Y, SCNT BOARD, ECNT BOARD

FIGURE & KEY NO.	PART NUMBER	R A N K	Q T Y	S Q T Y	DESCRIPTION	REMARKS
1	HC1-0511-000		1	<input type="checkbox"/>	CASE, ECNT BOARD	
2	HG1-4463-000		1	<input type="checkbox"/>	SCNT BOARD ASS'Y	
3	HG1-4439-000		1	<input type="checkbox"/>	ECNT BOARD ASS'Y	
4	HG1-4443-000		1	<input type="checkbox"/>	USB-MJB BOARD ASS'Y	
5	HM1-0271-000		1	<input type="checkbox"/>	OPERATION PANEL ASS'Y	
6	RA0-1128-000		6	<input type="checkbox"/>	SPACER, PCB	
7	WT2-5694-000		1	<input type="checkbox"/>	CLAMP, CABLE	
8	XA9-1238-000		3	<input type="checkbox"/>	SCREW W/WASHER, M3X8	
9	XB1-2300-407		12	<input type="checkbox"/>	SCREW, BH3X4 (S)	
10	XB2-7300-607		1	<input type="checkbox"/>	SCREW, M3X6	
11	XB6-7300-607		8	<input type="checkbox"/>	SCREW, TP, M3X6	
12	HC1-0667-000		1	<input type="checkbox"/>	SHEET, ONE-TOUCH DIAL	
13	HG5-3107-000		1	<input type="checkbox"/>	NCU BOARD ASSEMBLY	
14	HG1-4462-000		1	<input type="checkbox"/>	SPEAKER UNIT	
15	HG1-4458-000		1	<input type="checkbox"/>	CABLE WITH CONNECTOR, 6P	
16	HH2-3223-000		1	<input type="checkbox"/>	CABLE, FLAT, 25P	
17	HC1-0515-000		1	<input type="checkbox"/>	HOLDER, SPEAKER	

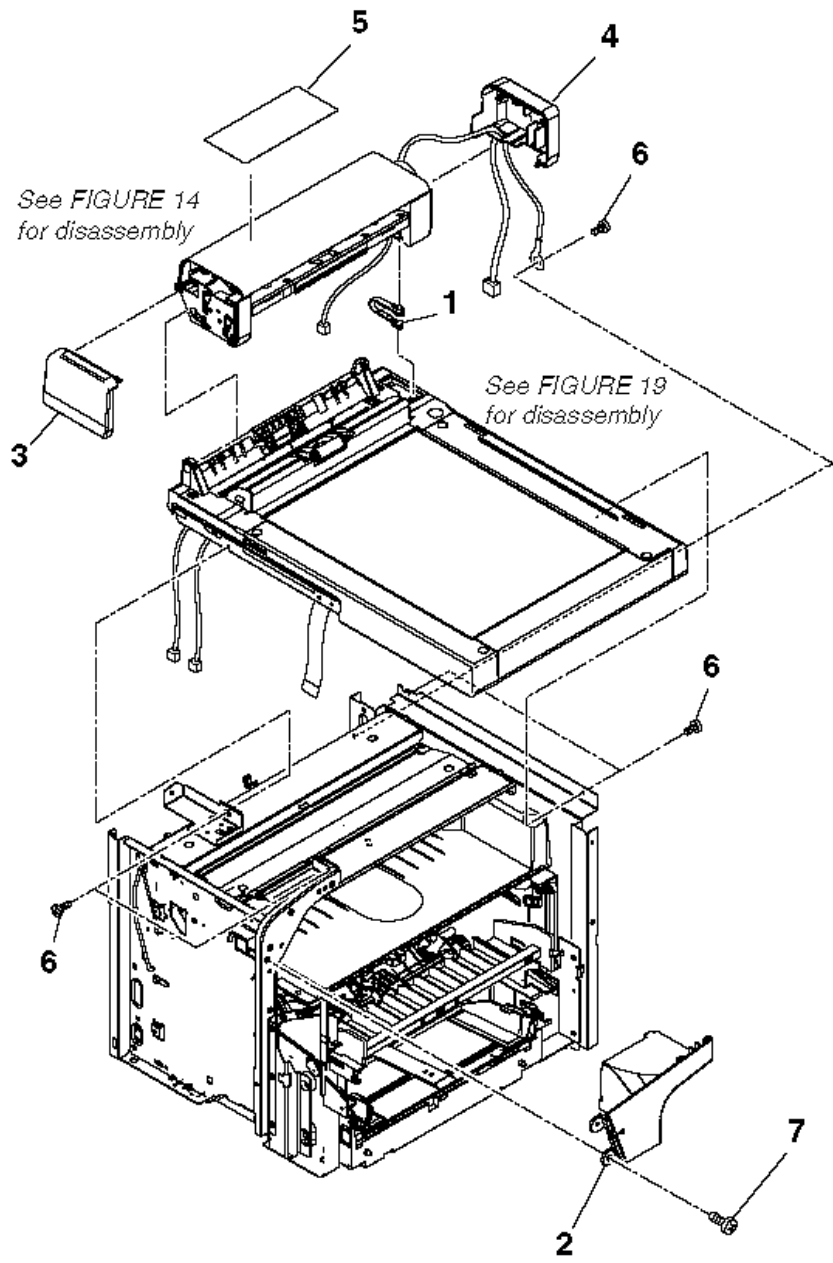


FIGURE 05 DOCUMENT FEED ASS'Y, FLAT BED ASS'Y

FIGURE & KEY NO.	PART NUMBER	R A N K	Q T Y	S Q T Y	DESCRIPTION	REMARKS
1	HB1-3257-000		1	<input type="checkbox"/>	STOPPER, OPERATION PANEL	
2	HC1-0490-000		1	<input type="checkbox"/>	COVER, OPERATION PANEL, UNDER	
3	HC1-0615-000		1	<input type="checkbox"/>	COVER, DOCUMENT FEED, FRONT	
4	HC1-0616-000		1	<input type="checkbox"/>	COVER, DOCUMENT FEED, REAR	
5	HC1-0654-000		1	<input type="checkbox"/>	LABEL, GLASS CLEANING	
6	XB1-2300-407		5	<input type="checkbox"/>	SCREW, BH3X4 (S)	
7	XB6-7300-607		1	<input type="checkbox"/>	SCREW, TP, M3X6	

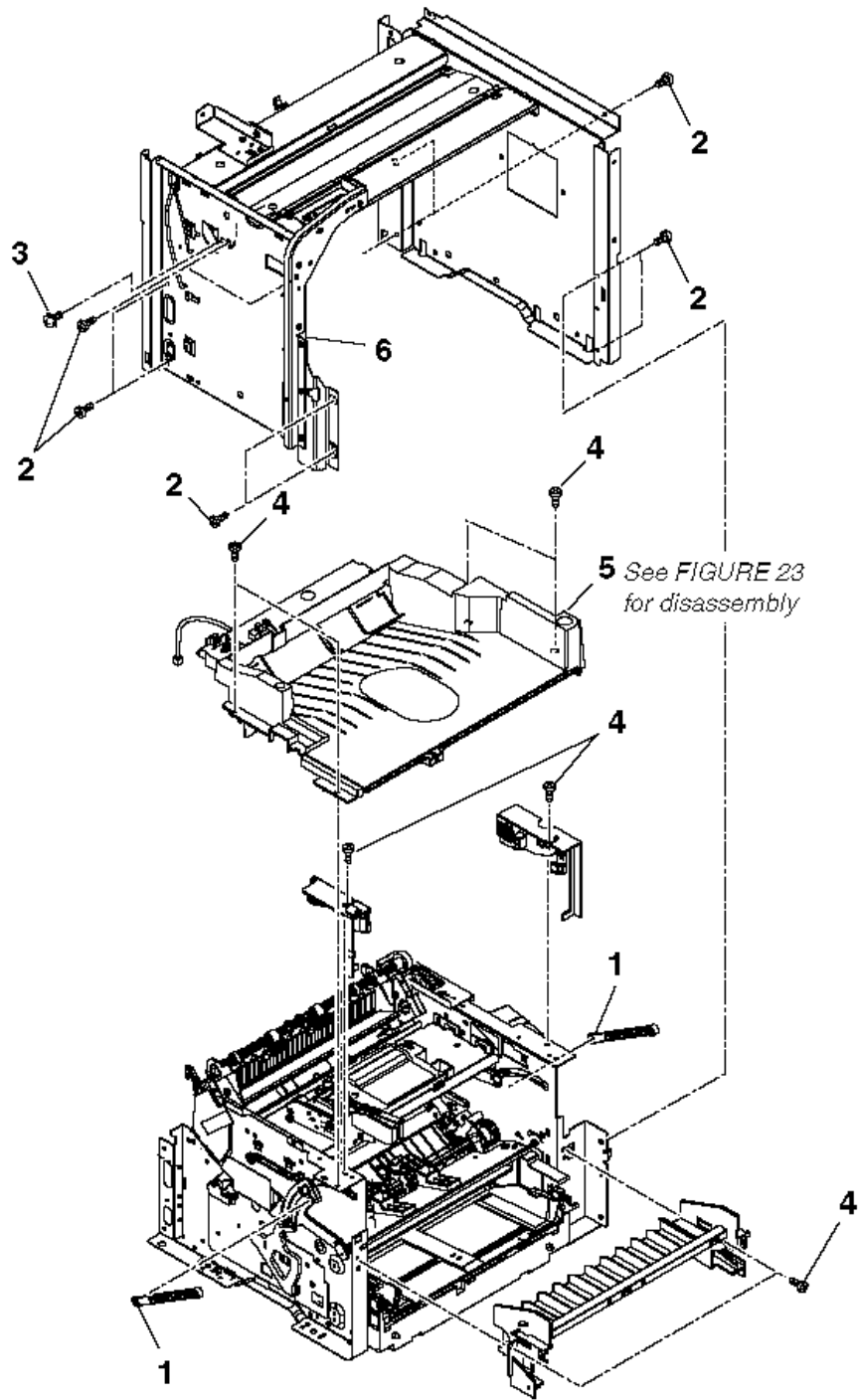


FIGURE 06 CHASSIS UNIT, EJECT PAPER FRAME ASS'Y

FIGURE & KEY NO.	PART NUMBER	R A N K	Q T Y	S Q T Y	DESCRIPTION	REMARKS
1	HC1-0524-000		2	<input type="checkbox"/>	LINK, CONNECTING	
2	XB1-2300-407		10	<input type="checkbox"/>	SCREW, BH3X4 (S)	
3	XB2-7300-607		1	<input type="checkbox"/>	SCREW, M3X6	
4	XB6-7300-607		8	<input type="checkbox"/>	SCREW, TP, M3X6	
5	NPN		1	<input type="checkbox"/>	EJECT PAPER FRAME ASS'Y	
6	NPN		1	<input type="checkbox"/>	CHASSIS UNIT	

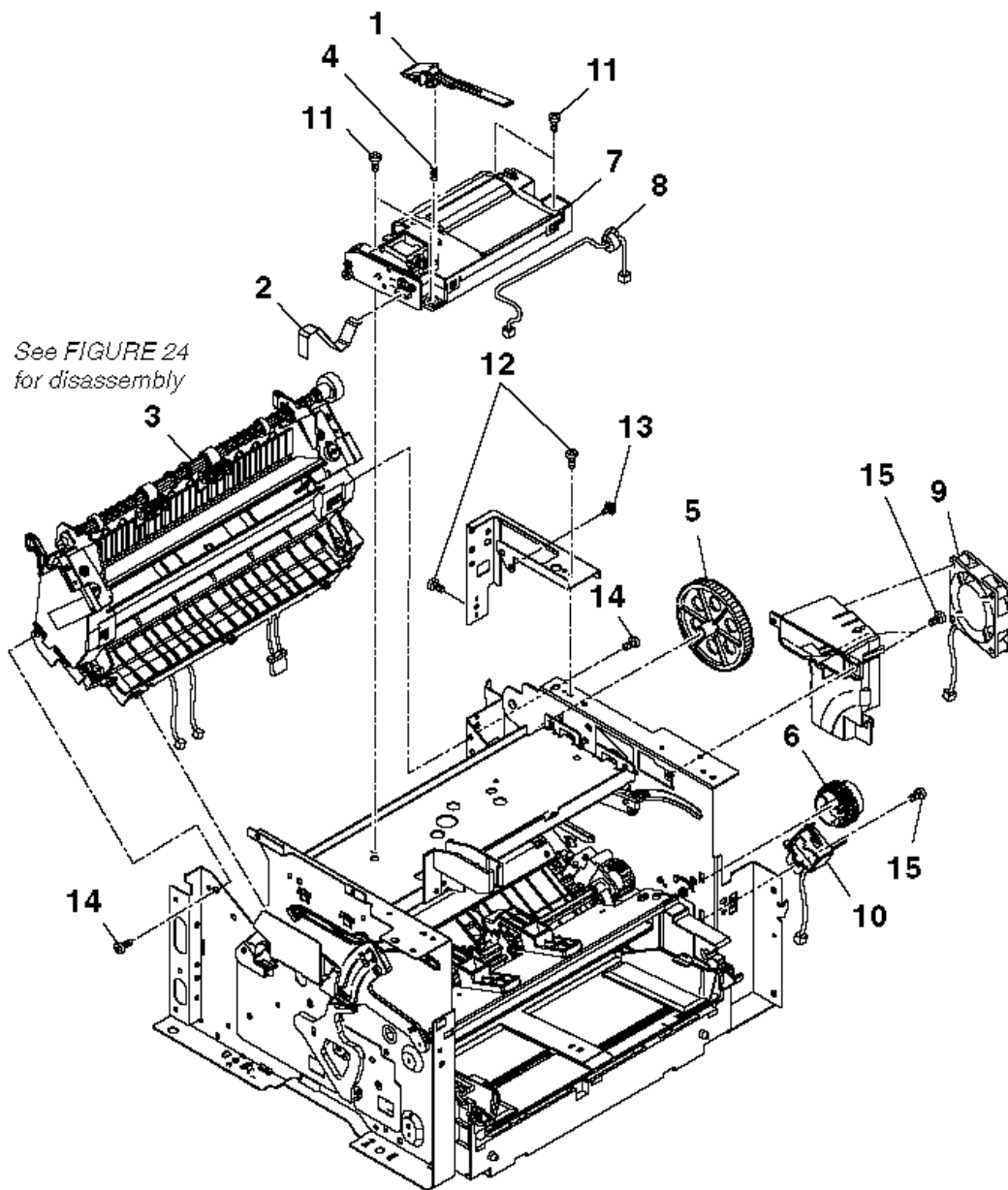
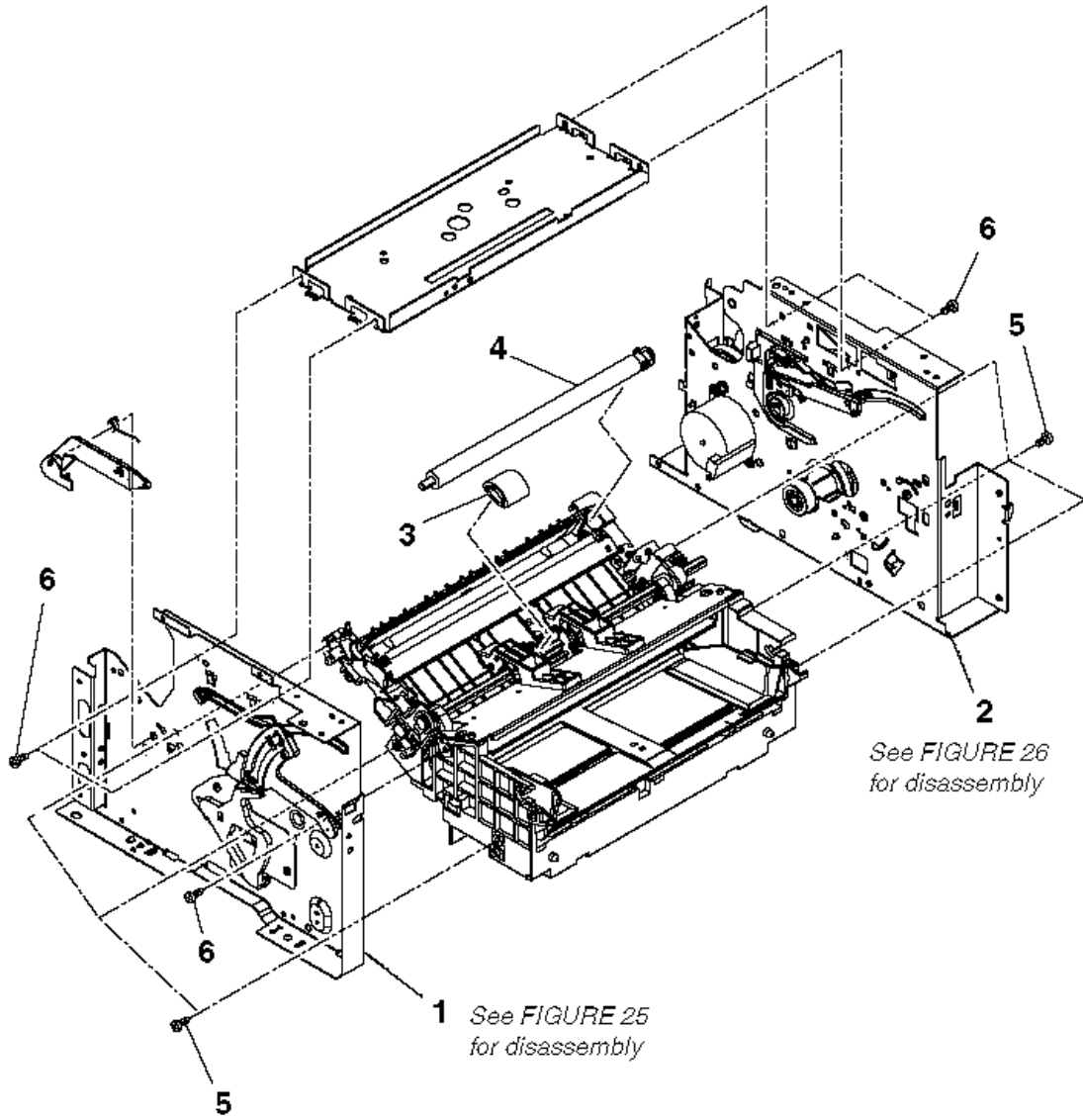


FIGURE 07 LASER/SCANNER ASS'Y, FIXING ASS'Y

FIGURE & KEY NO.	PART NUMBER	RANK	QTY	SQTY	DESCRIPTION	REMARKS
1	HC1-0529-000		1	<input type="checkbox"/>	LEVER, LASER SHUTTER	
2	HH2-3224-000		1	<input type="checkbox"/>	CABLE, FLAT, 10P	
3	HM1-0237-000		1	<input type="checkbox"/>	FIXING ASS'Y	
4	RA0-1169-000		1	<input type="checkbox"/>	SPRING, COMPRESSION	
5	RA0-1176-000		1	<input type="checkbox"/>	GEAR, 69T	
6	RG0-1020-000		1	<input type="checkbox"/>	PICK-UP GEAR ASS'Y	
7	RG9-1486-000		1	<input type="checkbox"/>	SCANNER ASS'Y	
8	RG0-1074-000		1	<input type="checkbox"/>	CABLE, SCANNER MOTOR	
9	RH7-1477-000		1	<input type="checkbox"/>	FAN	
10	RH7-5315-000		1	<input type="checkbox"/>	SOLENOID, 24V	
11	XA9-1291-000		4	<input type="checkbox"/>	SCREW, RS, M3X8	
12	XB1-2300-407		2	<input type="checkbox"/>	SCREW, BH3X4 (S)	
13	XB2-7300-607		1	<input type="checkbox"/>	SCREW, M3X6	
14	XB4-7401-005		2	<input type="checkbox"/>	SCREW, TAPPING, TRUSS HEAD, M4X10	
15	XB6-7300-607		3	<input type="checkbox"/>	SCREW, TP, M3X6	



1 See FIGURE 25
for disassembly

2 See FIGURE 26
for disassembly

FIGURE 08 PAPER PICK-UP ASS'Y

FIGURE & KEY NO.	PART NUMBER	R A N K	Q T Y	S Q T Y	DESCRIPTION	REMARKS
1	HM1-0243-000	N	1	<input type="checkbox"/>	FRONT PLATE ASS'Y	
2	HM1-0244-000	N	1	<input type="checkbox"/>	REAR PLATE ASS'Y	
3	RL1-0303-000		1	<input type="checkbox"/>	ROLLER, PICK-UP	
4	RG0-1025-000		1	<input type="checkbox"/>	TRANSFER ROLLER ASS'Y	
5	XB4-7401-005		6	<input type="checkbox"/>	SCREW, TAPPING, TRUSS HEAD, M4X10	
6	XB6-7300-607		5	<input type="checkbox"/>	SCREW, TP, M3X6	

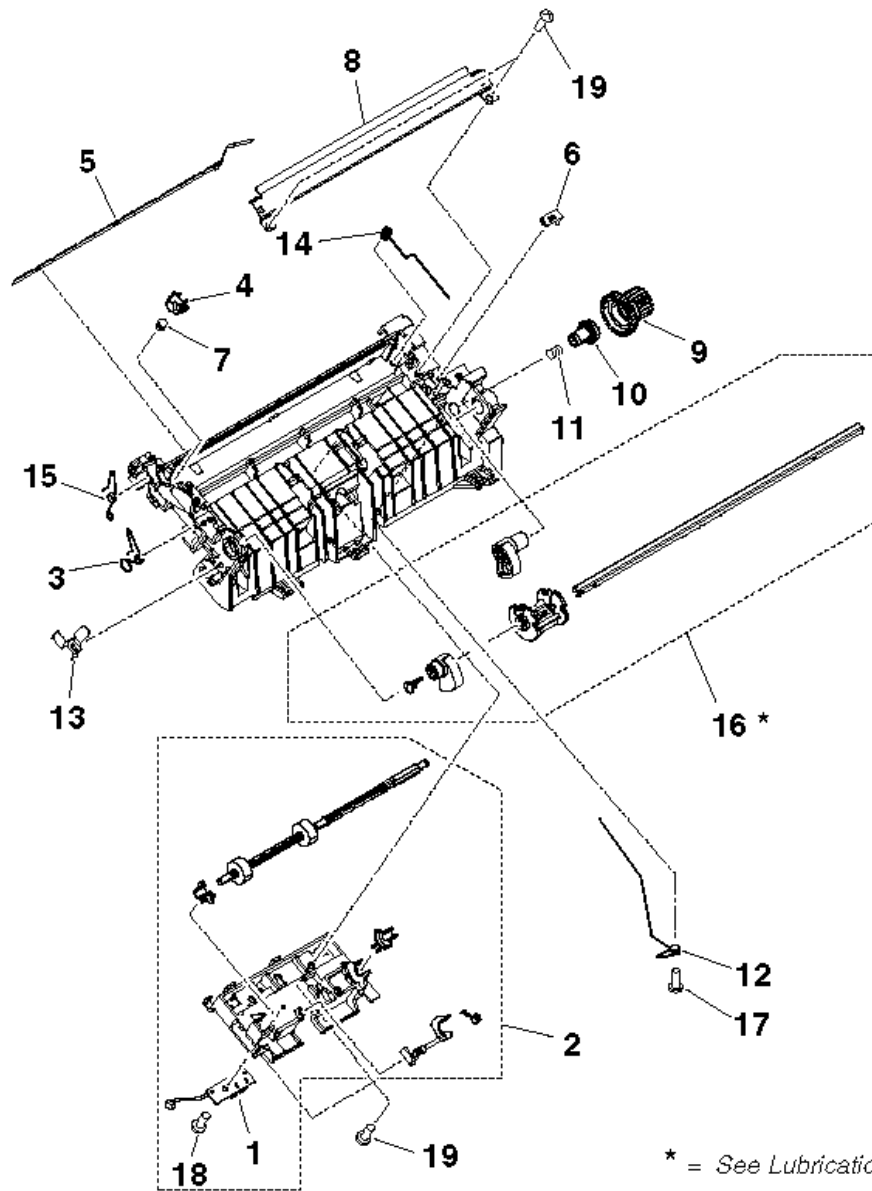


FIGURE 09 PAPER FEED SECTION 1

FIGURE & KEY NO.	PART NUMBER	RANK	QTY	SQTY	DESCRIPTION	REMARKS
1	HG1-4447-000		1	<input type="checkbox"/>	PAPER SENSOR BOARD ASS'Y	
2	HM1-0242-000		1	<input type="checkbox"/>	FEED ROLLER HOLDER ASS'Y	
3	RA0-1035-000		1	<input type="checkbox"/>	SPRING, TORSION	
4	RA0-1036-000		1	<input type="checkbox"/>	BUSHING	
5	RA0-1038-000		1	<input type="checkbox"/>	ELIMINATOR, STATIC CHARGE	
6	RA0-1039-000		1	<input type="checkbox"/>	PLATE, GROUNDING	
7	RA0-1040-000		1	<input type="checkbox"/>	SPRING, COMPRESSION	
8	RA0-1044-000		1	<input type="checkbox"/>	GUIDE, TRANSFER	
9	RA0-1047-000		1	<input type="checkbox"/>	GEAR, 31T/19T	
10	RA0-1049-000		1	<input type="checkbox"/>	RATCHET	
11	RA0-1050-000		1	<input type="checkbox"/>	SPRING, COMPRESSION	
12	RA0-1057-000		1	<input type="checkbox"/>	SPRING, TORSION	
13	RA0-1072-000		1	<input type="checkbox"/>	PLATE, GROUNDING	
14	RA0-1158-000		1	<input type="checkbox"/>	SPRING, COMPRESSION	
15	RA0-1200-000		1	<input type="checkbox"/>	SPRING, TORSION	
16	RG0-1007-020		1	<input type="checkbox"/>	PAPER PICK-UP SHAFT ASS'Y	
17	XA9-1206-000		1	<input type="checkbox"/>	SCREW, W/WASHER, M4X12	
18	XB4-7300-807		1	<input type="checkbox"/>	SCREW, TAP TIGHT, BINDING HEAD	
19	XB4-7401-005		4	<input type="checkbox"/>	SCREW, TAPPING, TRUSS HEAD, M4X10	

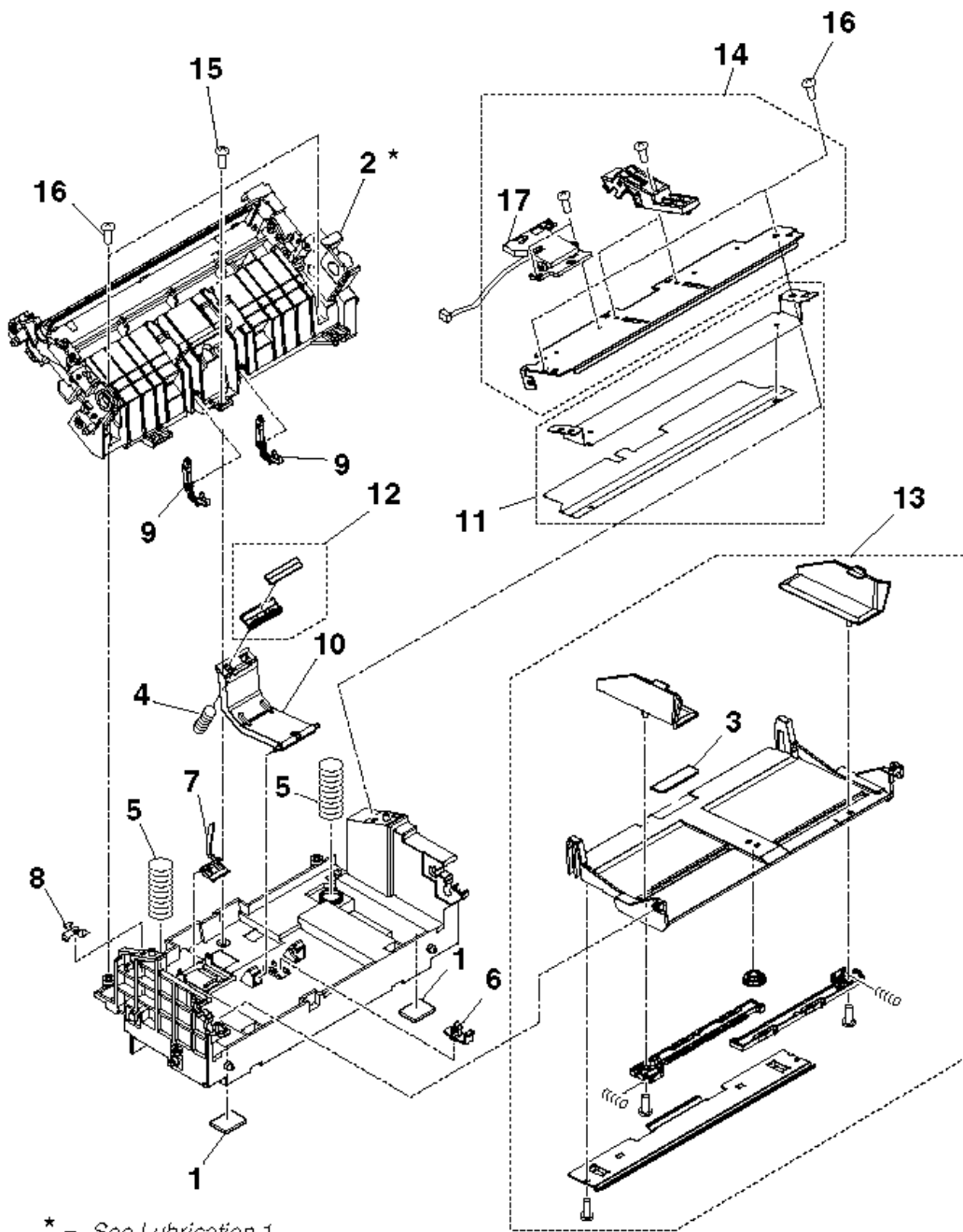


FIGURE 10 PAPER FEED SECTION 2

FIGURE & KEY NO.	PART NUMBER	RANK	QTY	SQTY	DESCRIPTION	REMARKS
1	RA0-1003-000		2	<input type="checkbox"/>	FOOT, RUBBER	
2	RA0-1037-000		1	<input type="checkbox"/>	FRAME	
3	RA0-1051-000		1	<input type="checkbox"/>	SHEET, SEPARATION	
4	RA0-1060-000		1	<input type="checkbox"/>	SPRING, COMPRESSION	
5	RA0-1061-000		2	<input type="checkbox"/>	SPRING, COMPRESSION	
6	RA0-1062-000		1	<input type="checkbox"/>	HOOK, PAD	
7	RA0-1063-000		1	<input type="checkbox"/>	LEVER, PAPER SENSOR	
8	RA0-1064-000		1	<input type="checkbox"/>	PLATE, GROUNDING	
9	RA0-1065-000		2	<input type="checkbox"/>	ARM	
10	RA0-1066-000		1	<input type="checkbox"/>	HOLDER, PAD	
11	RF0-1006-000		1	<input type="checkbox"/>	PLATE, MANUAL PAPER FEED GUIDE	
12	RF0-1014-020		1	<input type="checkbox"/>	PAD, SEPARATION	
13	RG0-1006-000		1	<input type="checkbox"/>	PAPER LIFTING PLATE ASS'Y	
14	HM1-0262-000		1	<input type="checkbox"/>	FRONT STAY ASS'Y	
15	XA9-1206-000		1	<input type="checkbox"/>	SCREW, W/WASHER, M4X12	
16	XB4-7401-005		4	<input type="checkbox"/>	SCREW, TAPPING, TRUSS HEAD, M4X10	
17	HM1-0263-000		1	<input type="checkbox"/>	TONER SENSOR UNIT	

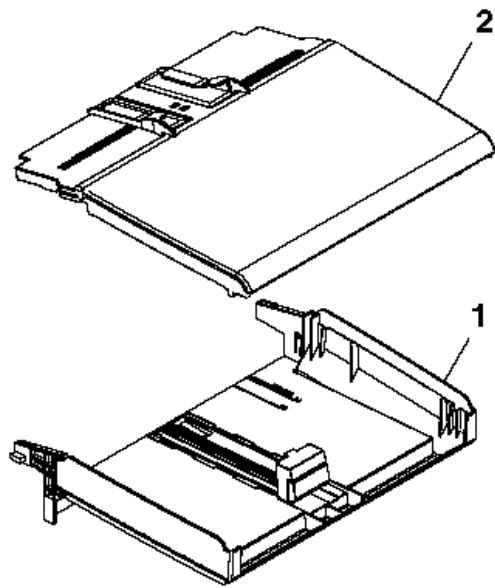


FIGURE 11 PAPER TRAY ASS'Y

FIGURE & KEY NO.	PART NUMBER	R A N K	Q T Y	S Q T Y	DESCRIPTION	REMARKS
	NPN		1	<input type="checkbox"/>	PAPER TRAY ASS'Y	
<u>1</u>	HM1-0228-000		1	<input type="checkbox"/>	PAPER PICK-UP TRAY ASS'Y	
<u>2</u>	HM1-0246-000		1	<input type="checkbox"/>	PAPER PICK-UP COVER ASS'Y	

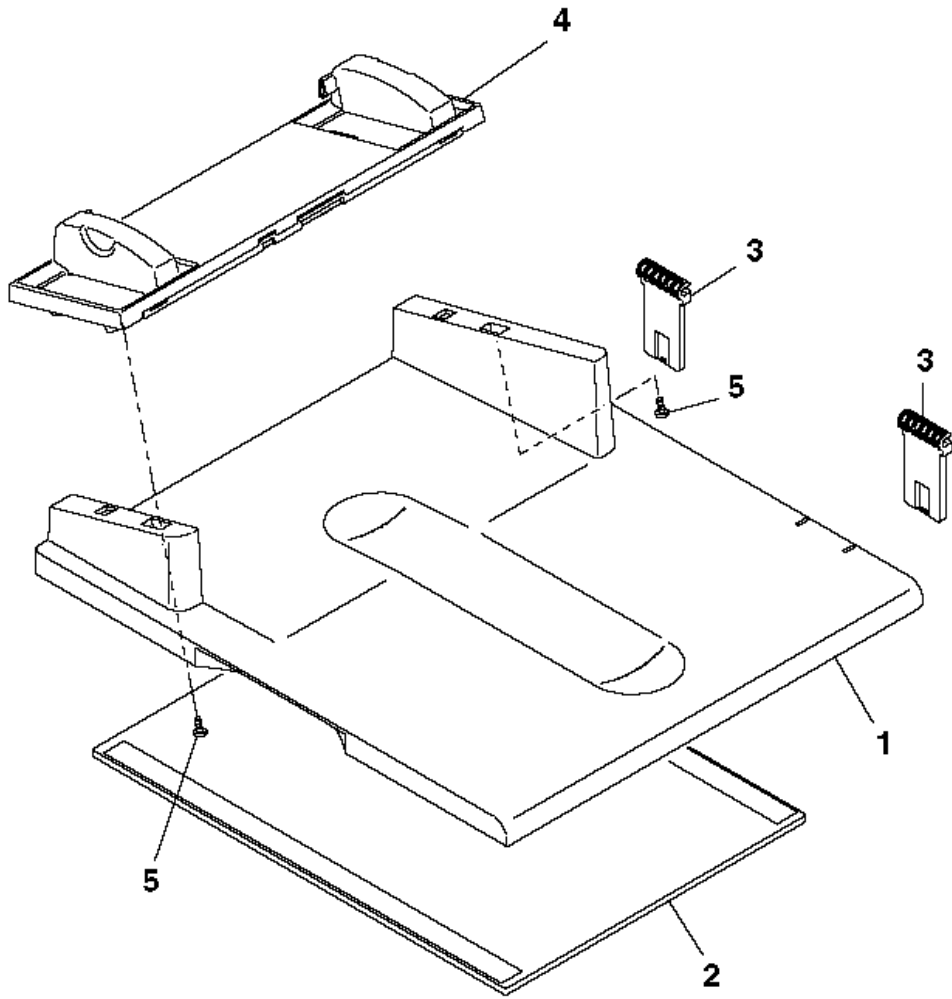


FIGURE 12 COPY BOARD COVER ASS'Y

FIGURE & KEY NO.	PART NUMBER	R A N K	Q T Y	S Q T Y	DESCRIPTION	REMARKS
	NPN		1	<input type="checkbox"/>	COPY BOARD COVER ASS'Y	
1	HC1-0610-000		1	<input type="checkbox"/>	COVER, COPY BOARD	
2	HC1-0625-000		1	<input type="checkbox"/>	SHEET, COPY BOARD	
3	HC1-0645-000		2	<input type="checkbox"/>	SHAFT, HINGE	
4	HM1-0251-000		1	<input type="checkbox"/>	DOCUMENT GUIDE ASS'Y	
5	XA9-0476-000		2	<input type="checkbox"/>	SCREW, TP M3X8	

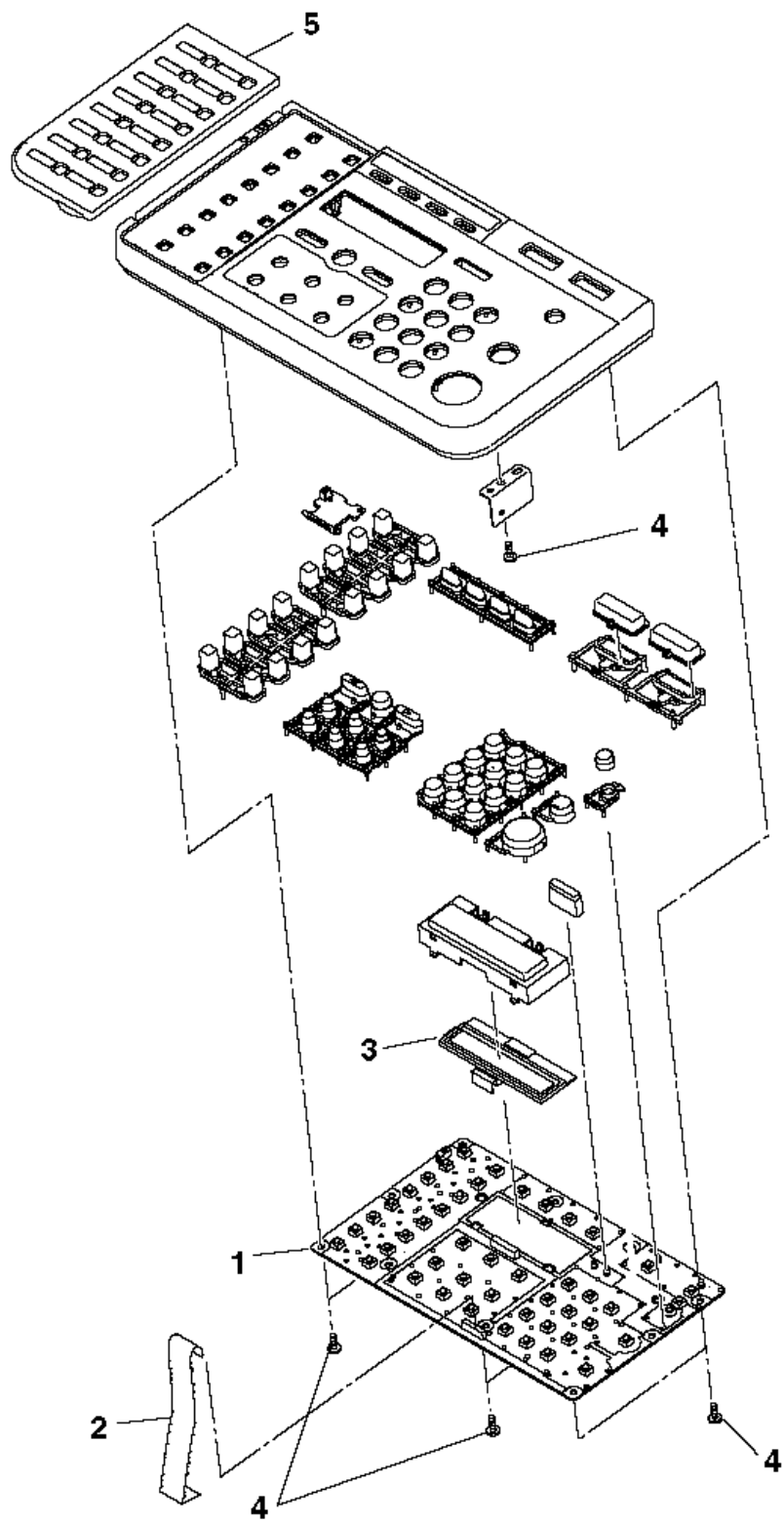


FIGURE 13 OPERATION PANEL ASS'Y

FIGURE & KEY NO.	PART NUMBER	R A N K	Q T Y	S Q T Y	DESCRIPTION	REMARKS
	HM1-0271-000		1	<input type="checkbox"/>	OPERATION PANEL ASS'Y	
1	HG1-4446-000		1	<input type="checkbox"/>	OPCNT BOARD ASS'Y	
2	HH2-3262-000		1	<input type="checkbox"/>	CABLE, FLAT, 15P	
3	HH7-2388-000		1	<input type="checkbox"/>	LCD UNIT	
4	XB4-7300-807		11	<input type="checkbox"/>	SCREW, TAP TIGHT, BINDING HEAD	
5	HC1-0543-000		1	<input type="checkbox"/>	COVER, ONE-TOUCH DIAL	

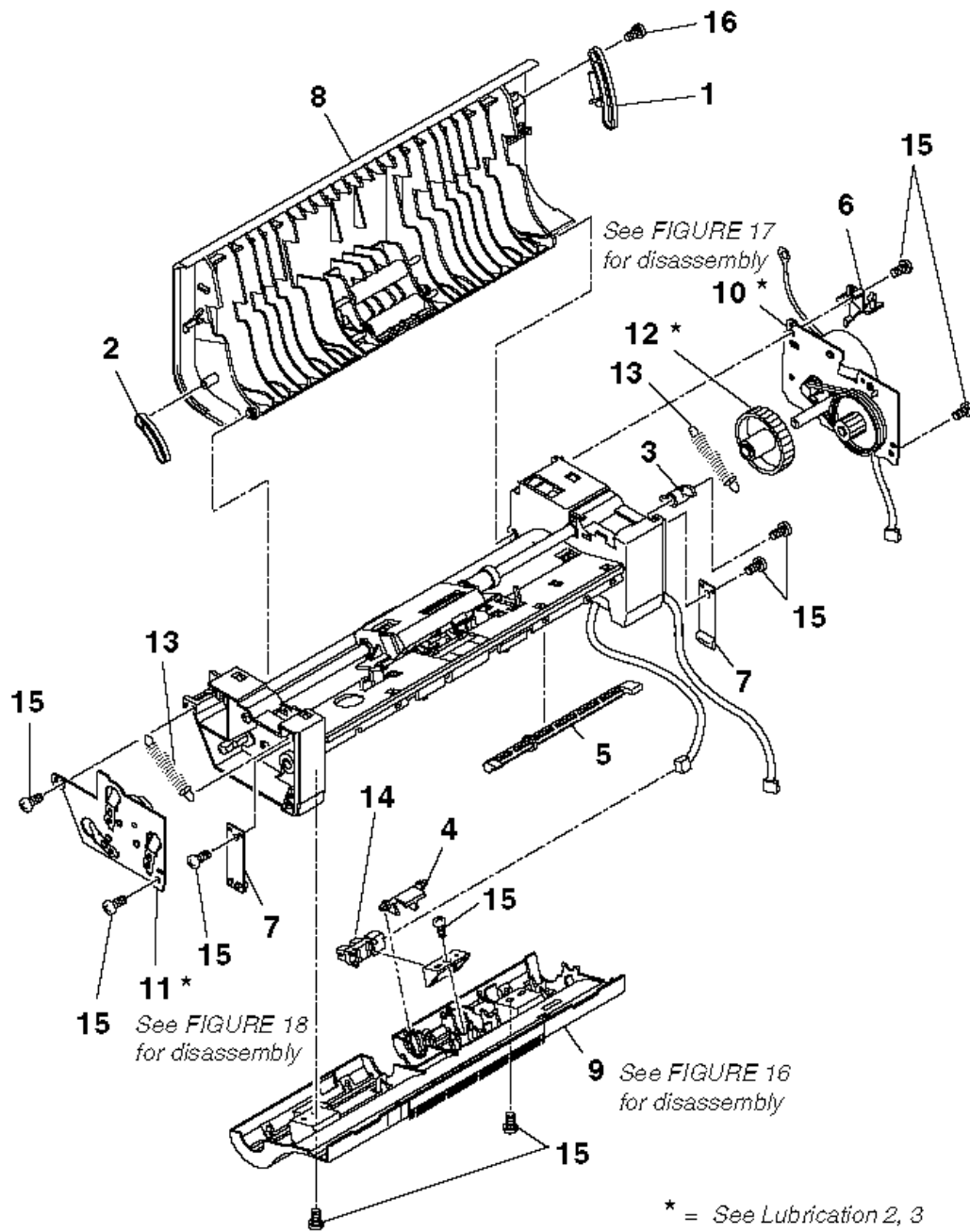


FIGURE 14 DOCUMENT FEED ASS'Y

FIGURE & KEY NO.	PART NUMBER	RANK	QTY	SQTY	DESCRIPTION	REMARKS
1	HC1-0560-000	N	1	<input type="checkbox"/>	STOPPER, REAR	
2	HC1-0561-000	N	1	<input type="checkbox"/>	STOPPER, FRONT	
3	HC1-0562-000		1	<input type="checkbox"/>	LEVER, TURNING	
4	HC1-0565-000		1	<input type="checkbox"/>	ARM, DETECTION (DES)	
5	HC1-0583-000		1	<input type="checkbox"/>	LEVER, DOCUMENT RELEASE	
6	HC1-0601-000		1	<input type="checkbox"/>	GUIDE, CABLE	
7	HL1-0065-000		2	<input type="checkbox"/>	SPRING, LOCK	
8	HM1-0253-000		1	<input type="checkbox"/>	UPPER DOCUMENT FEED ASS'Y	
9	HM1-0254-020		1	<input type="checkbox"/>	LOWER DOCUMENT FEED ASS'Y	
10	HM1-0255-000		1	<input type="checkbox"/>	DOCUMENT FEED MOTOR ASS'Y	
11	HM1-0256-000		1	<input type="checkbox"/>	DOCUMENT FEED GEAR ASS'Y	
12	HU1-0051-000		1	<input type="checkbox"/>	GEAR, 21/69T	
13	HU1-2049-000		2	<input type="checkbox"/>	SPRING, STOPPER	
14	WG8-5362-000		1	<input type="checkbox"/>	PHOTO-INTERRUPTER, TLP1241	
15	XB4-7300-807		10	<input type="checkbox"/>	SCREW, TAP TIGHT, BINDING HEAD	
16	XA9-0476-000		1	<input type="checkbox"/>	SCREW, TP M3X8	

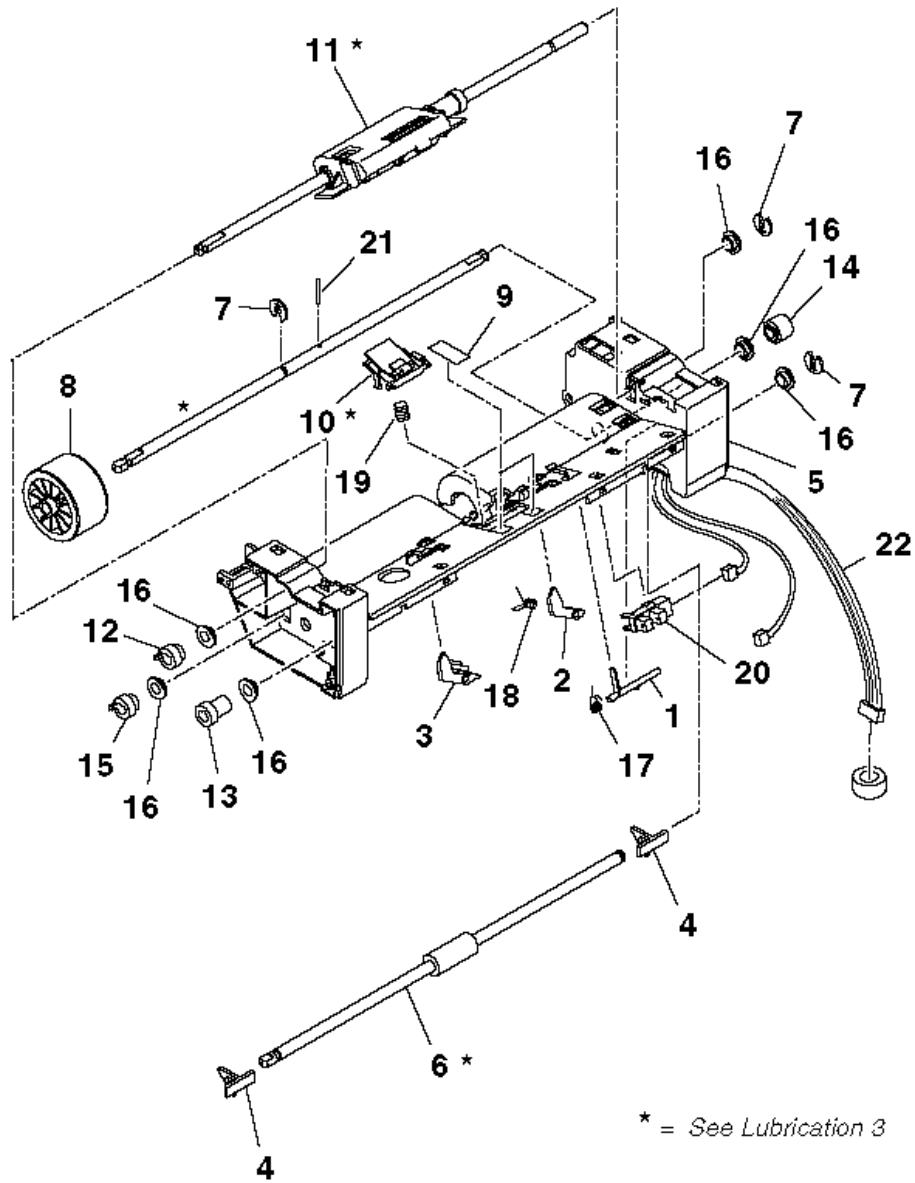


FIGURE 15 MIDDLE DOCUMENT FEED ASS'Y

FIGURE & KEY NO.	PART NUMBER	RANK	QTY	SQTY	DESCRIPTION	REMARKS
1	HC1-0579-000		1	<input type="checkbox"/>	ARM, DETECTION (DS)	
2	HC1-0580-000		1	<input type="checkbox"/>	STOPPER, DOCUMENT, REAR	
3	HC1-0581-000		1	<input type="checkbox"/>	STOPPER, DOCUMENT, FRONT	
4	HC1-0582-000		2	<input type="checkbox"/>	ARM, DOCUMENT PRESSURE	
5	HC1-0584-020		1	<input type="checkbox"/>	FRAME, MIDDLE DOCUMENT FEED	
6	HC1-0585-000		1	<input type="checkbox"/>	ROLLER, DOCUMENT EJECT	
7	HC1-0586-000		3	<input type="checkbox"/>	RETAINING RING (E-TYPE)	
8	HC1-0590-000		1	<input type="checkbox"/>	ROLLER, DOCUMENT FEED	
9	HC1-0602-000		2	<input type="checkbox"/>	SHEET	
10	HM1-0258-000		1	<input type="checkbox"/>	SEPARATION GUIDE UNIT	
11	HM1-0259-000		1	<input type="checkbox"/>	SEPARATION ROLLER ASS'Y	
12	HU1-0044-000		1	<input type="checkbox"/>	GEAR, 22T	
13	HU1-0045-000		1	<input type="checkbox"/>	GEAR, 22T	
14	HU1-0046-000		1	<input type="checkbox"/>	GEAR, 22T	
15	HU1-0047-000		1	<input type="checkbox"/>	GEAR, 22T	
16	HU1-1022-000		6	<input type="checkbox"/>	BUSHING	
17	HU1-2042-000		1	<input type="checkbox"/>	SPRING, DS ARM	
18	HU1-2043-000		1	<input type="checkbox"/>	SPRING, DOCUMENT STOPPER	
19	HU1-2046-000		1	<input type="checkbox"/>	SPRING, ADF	

<u>20</u>	WG8-5362-000		1	<input type="checkbox"/>	PHOTO-INTERRUPTER, TLP1241	
<u>21</u>	XD9-0219-000		1	<input type="checkbox"/>	PIN	
<u>22</u>	HG1-4456-000		1	<input type="checkbox"/>	CABLE WITH CONNECTOR, 6P	

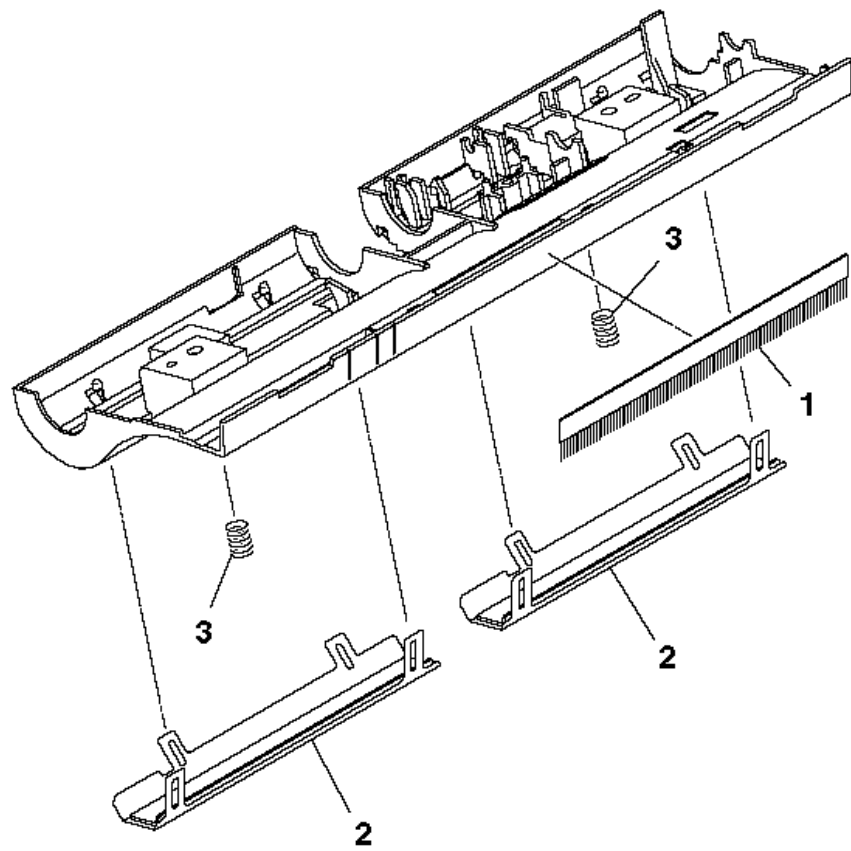


FIGURE 16 LOWER DOCUMENT FEED ASS'Y

FIGURE & KEY NO.	PART NUMBER	R A N K	Q T Y	S Q T Y	DESCRIPTION	REMARKS
	HM1-0254-000		1	<input type="checkbox"/>	LOWER DOCUMENT FEED ASS'Y	
1	HB1-4072-000		1	<input type="checkbox"/>	BRUSH, STATIC DISCHARGE	
2	HL1-0066-000		2	<input type="checkbox"/>	WHITE SHEET UNIT	
3	HU1-2047-000		2	<input type="checkbox"/>	SPRING	

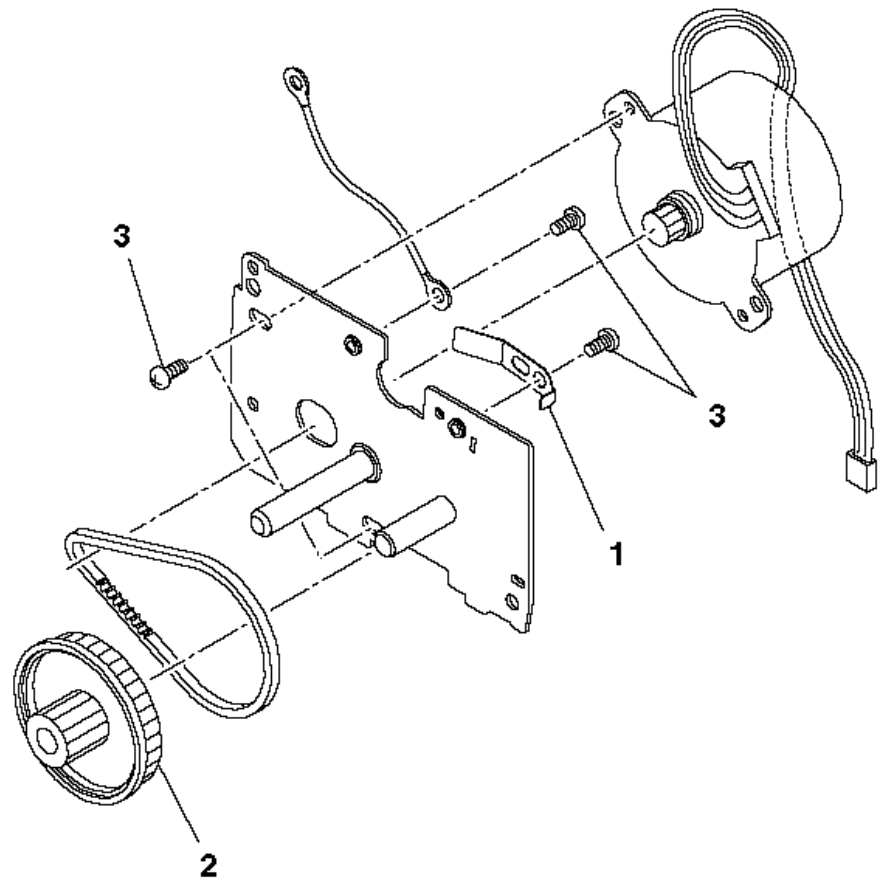


FIGURE 17 DOCUMENT FEED MOTOR ASS'Y

FIGURE & KEY NO.	PART NUMBER	R A N K	Q T Y	S Q T Y	DESCRIPTION	REMARKS
	HM1-0255-000		1	<input type="checkbox"/>	DOCUMENT FEED MOTOR ASS'Y	
1	HC1-0572-000		1	<input type="checkbox"/>	PLATE, GROUNDING	
2	HU1-0052-000		1	<input type="checkbox"/>	GEAR, 22/75T	
3	XB1-2300-407		4	<input type="checkbox"/>	SCREW, BH3X4 (S)	

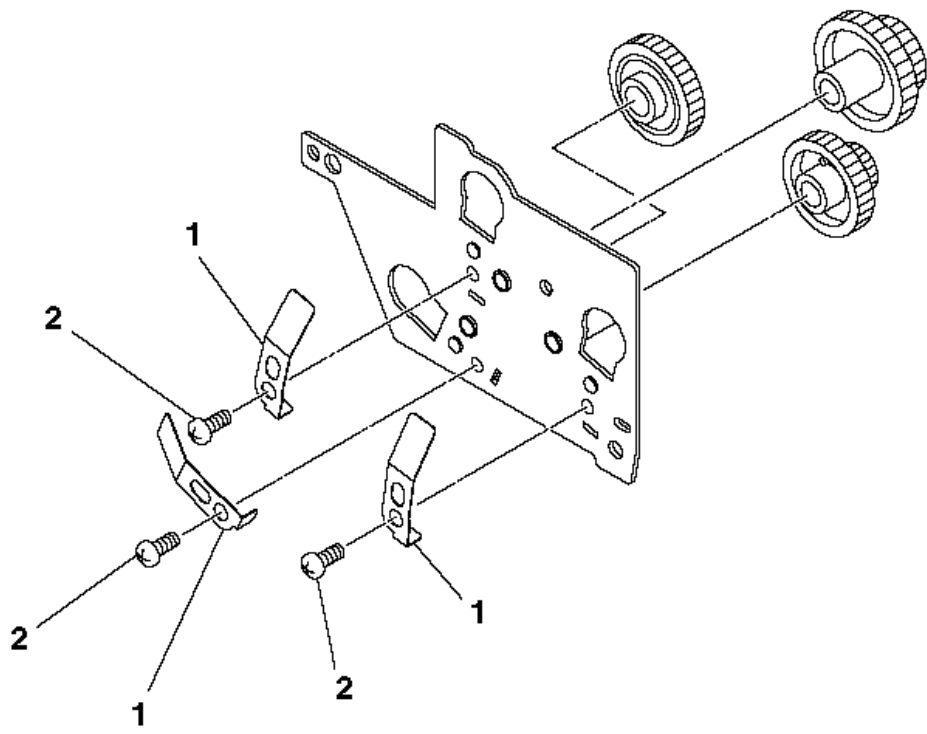


FIGURE 18 DOCUMENT FEED GEAR ASS'Y

FIGURE & KEY NO.	PART NUMBER	R A N K	Q T Y	S Q T Y	DESCRIPTION	REMARKS
	HM1-0256-000		1	<input type="checkbox"/>	DOCUMENT FEED GEAR ASS'Y	
1	HC1-0572-000		3	<input type="checkbox"/>	PLATE, GROUNDING	
2	XB1-2300-407		3	<input type="checkbox"/>	SCREW, BH3X4 (S)	

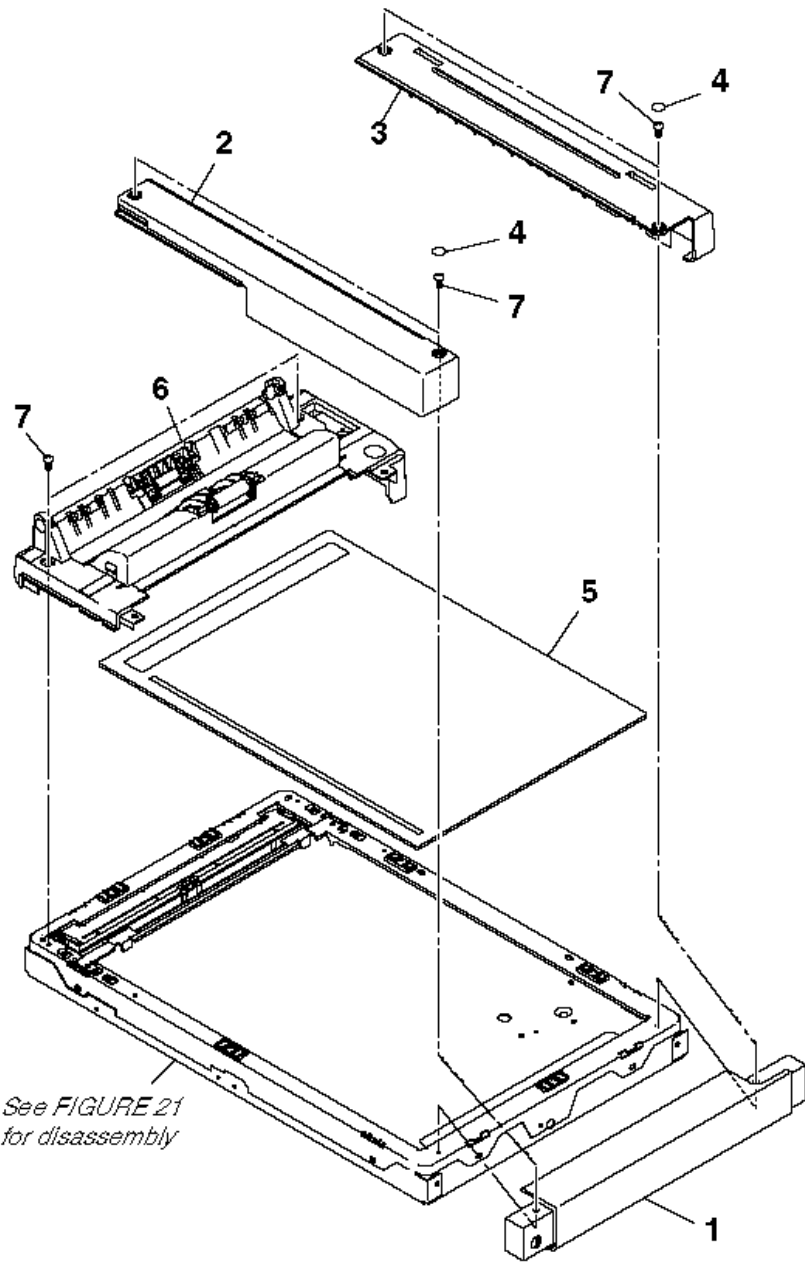


FIGURE 19 DOCUMENT READ SECTION

FIGURE & KEY NO.	PART NUMBER	R A N K	Q T Y	S Q T Y	DESCRIPTION	REMARKS
1	HC1-0607-000		1	<input type="checkbox"/>	COVER, FLAT BED, RIGHT	
2	HC1-0608-000		1	<input type="checkbox"/>	COVER, FLAT BED, FRONT	
3	HC1-0609-000		1	<input type="checkbox"/>	COVER, FLAT BED, REAR	
4	HC1-0658-000		4	<input type="checkbox"/>	SHEET, BLINKER	
5	HL1-0062-000		1	<input type="checkbox"/>	COPY BOARD GLASS UNIT	
6	HM1-0249-000		1	<input type="checkbox"/>	ADF BASE ASS'Y	
7	XB1-2300-609		6	<input type="checkbox"/>	SCREW, MACHINE M3X6	

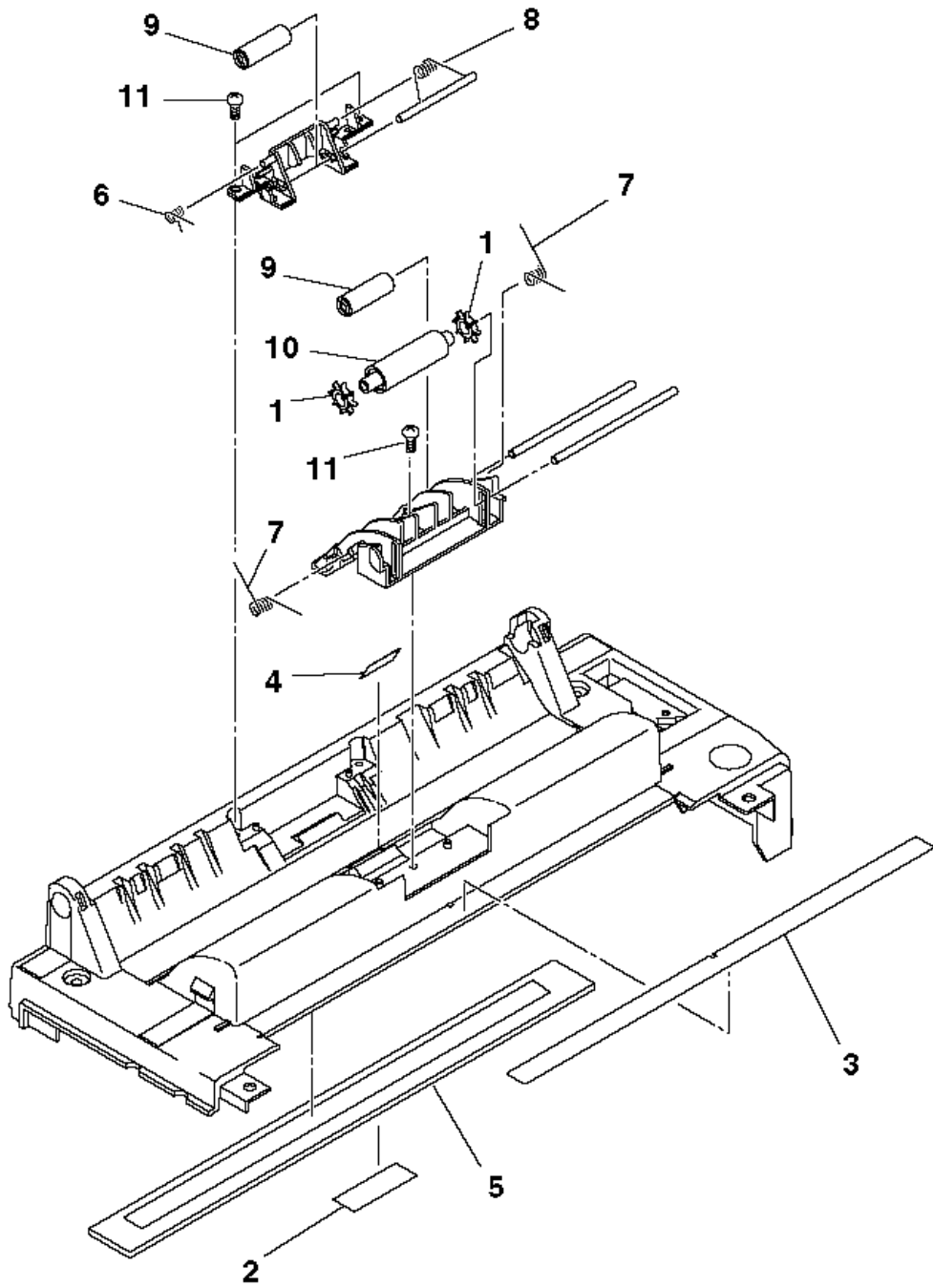
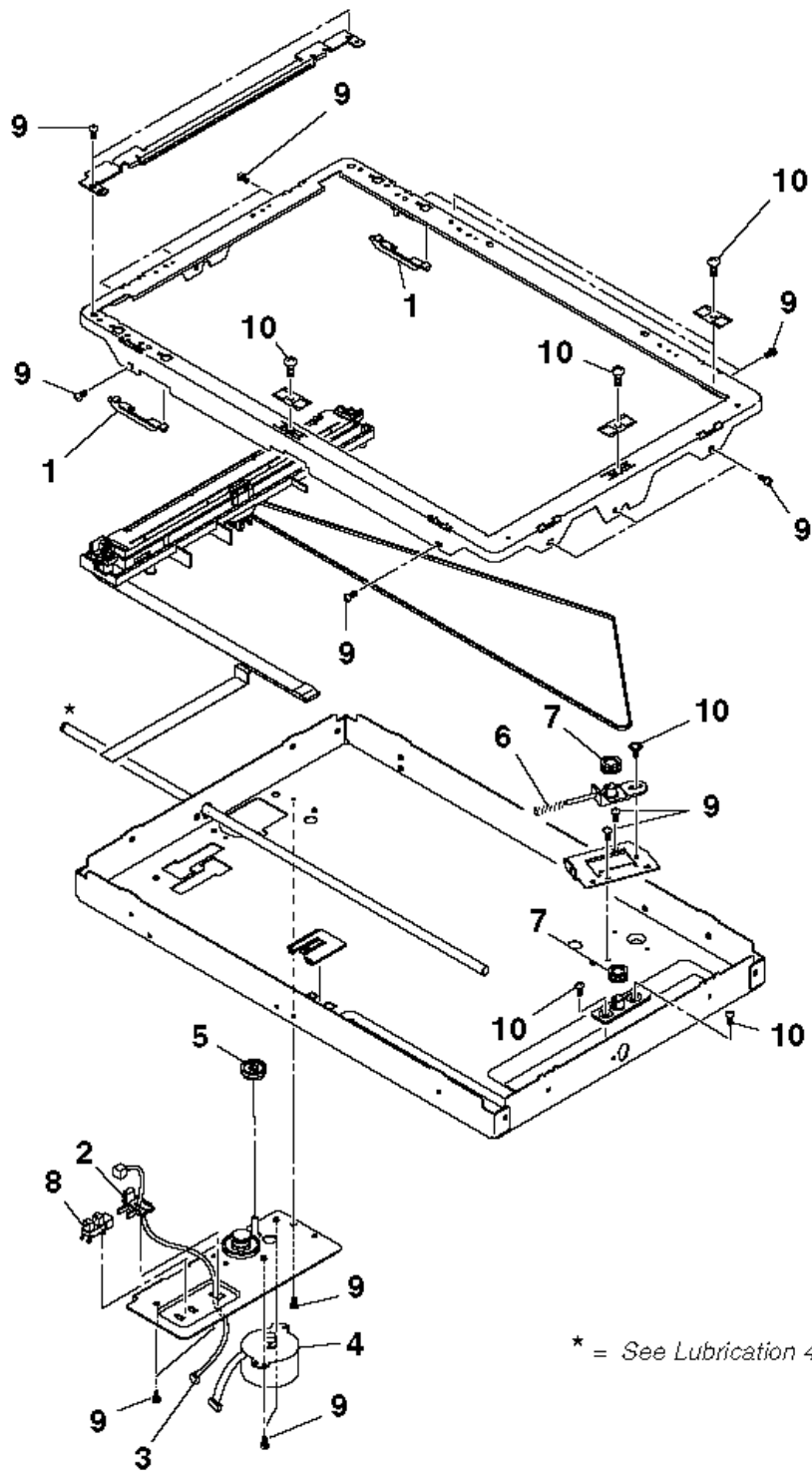


FIGURE 20 ADF BASE ASS'Y

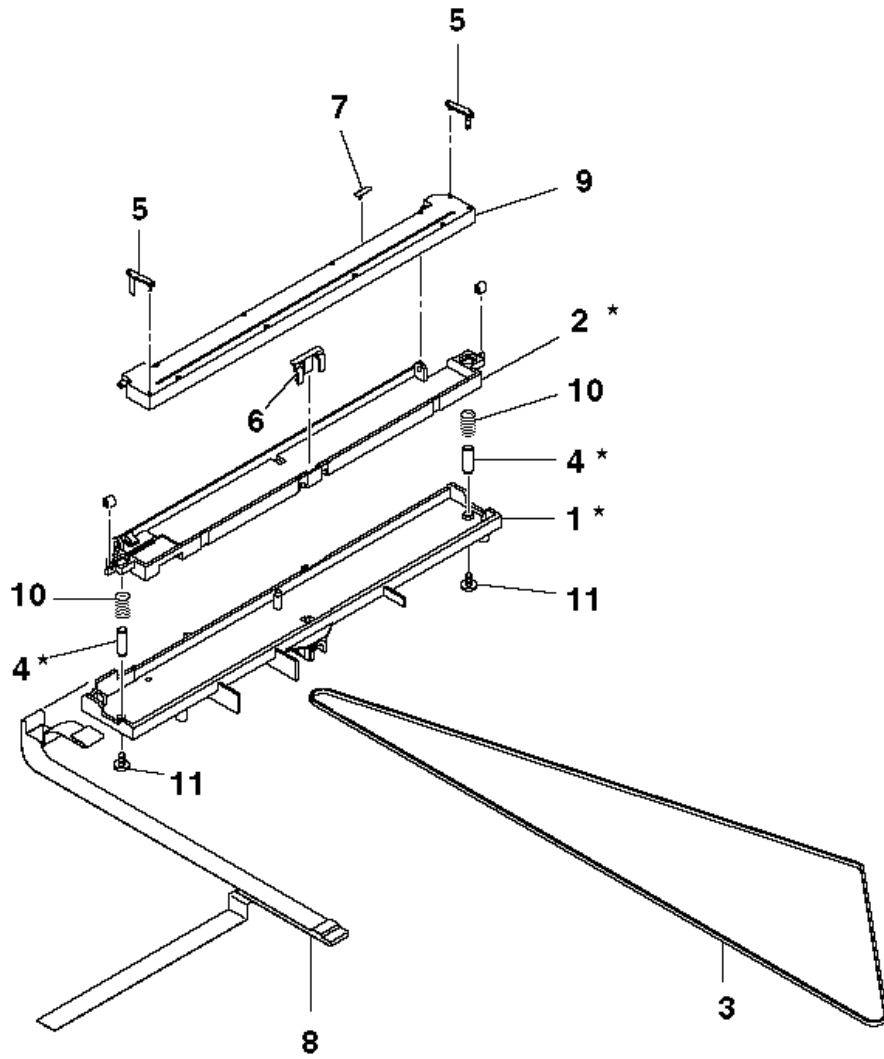
FIGURE & KEY NO.	PART NUMBER	R A N K	Q T Y	S Q T Y	DESCRIPTION	REMARKS
1	HC1-0604-000		2	<input type="checkbox"/>	ROLLER, DOCUMENT PRESSURE	
2	HC1-0650-000		1	<input type="checkbox"/>	SHEET	
3	HC1-0652-000		1	<input type="checkbox"/>	LABEL, DOCUMENT SIZE	
4	HC1-0656-000		1	<input type="checkbox"/>	SHEET	
5	HL1-0069-000		1	<input type="checkbox"/>	GLASS, DOCUMENT FEED ASS'Y	
6	HU1-2040-000		1	<input type="checkbox"/>	SPRING	
7	HU1-2041-000		2	<input type="checkbox"/>	SPRING	
8	HU1-2051-000		1	<input type="checkbox"/>	SPRING	
9	HU1-6002-000		2	<input type="checkbox"/>	ROLLER, BACK-UP	
10	HU1-6004-000		1	<input type="checkbox"/>	ROLLER, DOCUMENT DELIVERY	
11	XB4-7300-807		3	<input type="checkbox"/>	SCREW, TAP TIGHT, BINDING HEAD	



* = See Lubrication 4

FIGURE 21 FLAT BED ASS'Y

FIGURE & KEY NO.	PART NUMBER	RANK	QTY	SQTY	DESCRIPTION	REMARKS
1	HC1-0638-000		2	<input type="checkbox"/>	SPACER, CS CARRIAGE	
2	HC1-0646-000		1	<input type="checkbox"/>	COVER, HP SENSOR	
3	HG1-4452-000		1	<input type="checkbox"/>	CABLE WITH CONNECTOR, 3P	
4	HH7-2692-000		1	<input type="checkbox"/>	MOTOR, STEPPING	
5	HU1-0039-000		1	<input type="checkbox"/>	GEAR, 36/45T	
6	HU1-2037-000		1	<input type="checkbox"/>	SPRING	
7	HU1-3002-000		2	<input type="checkbox"/>	PULLEY	
8	WG8-5362-000		1	<input type="checkbox"/>	PHOTO-INTERRUPTER, TLP1241	
9	XB1-2300-407		19	<input type="checkbox"/>	SCREW, BH3X4 (S)	
10	XB6-7300-409		7	<input type="checkbox"/>	SCREW, MACHINE, M3X4	



* = See Lubrication 4, 5

FIGURE 22 CONTACT SENSOR

FIGURE & KEY NO.	PART NUMBER	R A N K	Q T Y	S Q T Y	DESCRIPTION	REMARKS
1	HC1-0617-000		1	<input type="checkbox"/>	CARRIAGE, CS UNIT	
2	HC1-0618-000		1	<input type="checkbox"/>	HOLDER, CS UNIT	
3	HC1-0629-000		1	<input type="checkbox"/>	BELT, COGGED, L882	
4	HC1-0631-000		2	<input type="checkbox"/>	SHAFT, CARRIAGE	
5	HC1-0641-000		2	<input type="checkbox"/>	SPACER, CS	
6	HC1-0642-000		1	<input type="checkbox"/>	STOPPER, CS	
7	HC1-0655-000		1	<input type="checkbox"/>	SHEET, CS	
8	HH2-3222-000		1	<input type="checkbox"/>	CABLE, FLAT, 12P	
9	HL1-0070-000		1	<input type="checkbox"/>	CONTACT SENSOR UNIT	
10	HU1-2036-000		2	<input type="checkbox"/>	SPRING, CS	
11	XB1-2300-407		2	<input type="checkbox"/>	SCREW, BH3X4 (S)	

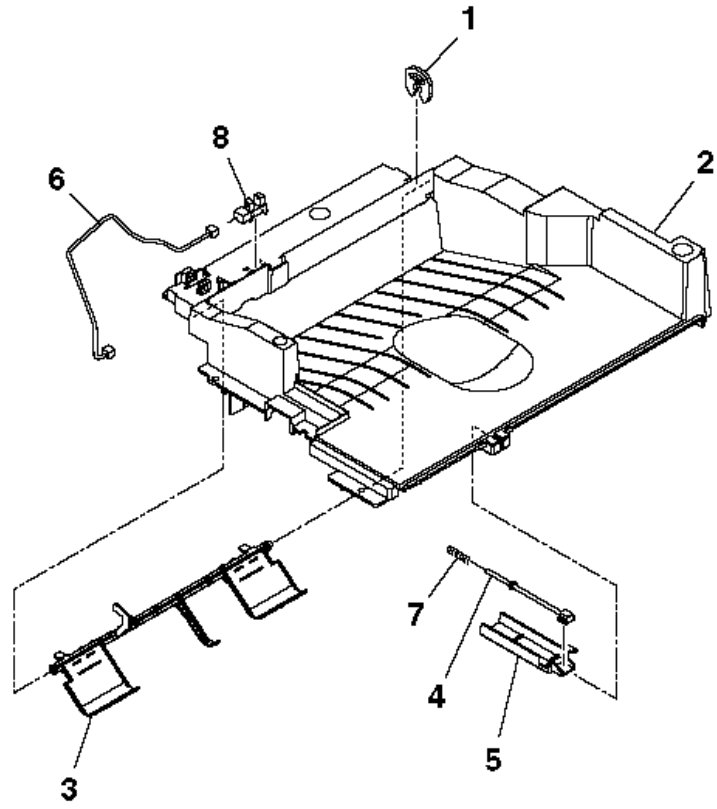


FIGURE 23 EJECT PAPER FRAME ASS'Y

FIGURE & KEY NO.	PART NUMBER	RANK	QTY	STATUS	DESCRIPTION	REMARKS
	NPN		1	<input type="checkbox"/>	EJECT PAPER FRAME ASS'Y	
1	HB1-4394-000		1	<input type="checkbox"/>	RETAINING RING (E-TYPE)	
2	HC1-0483-000		1	<input type="checkbox"/>	COVER, FACE-DOWN	
3	HC1-0484-000		1	<input type="checkbox"/>	LEVER, REC. PAPER PRESSURE	
4	HC1-0525-000		1	<input type="checkbox"/>	ROD, SHUTTER	
5	HC1-0526-000		1	<input type="checkbox"/>	COVER, SHUTTER ROD	
6	HG1-4453-000		1	<input type="checkbox"/>	CABLE WITH CONNECTOR, 3P	
7	HU1-2039-000		1	<input type="checkbox"/>	SPRING, SHUTTER LEVER	
8	WG8-5362-000		1	<input type="checkbox"/>	PHOTO-INTERRUPTER, TLP1241	

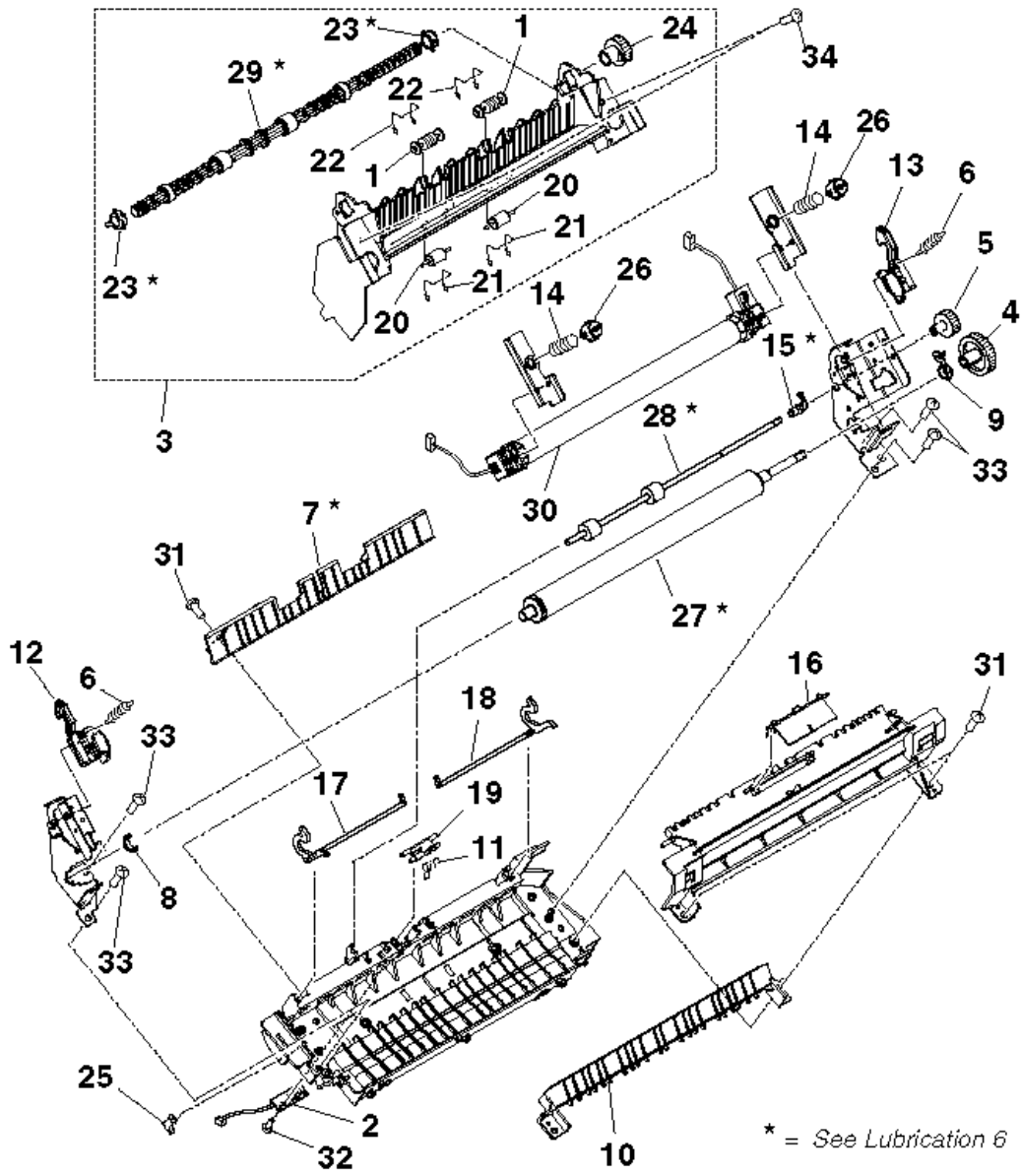


FIGURE 24 FIXING ASS'Y

FIGURE & KEY NO.	PART NUMBER	RANK	QTY	SQTY	DESCRIPTION	REMARKS
	HM1-0237-000		1	<input type="checkbox"/>	FIXING ASS'Y	
1	HC1-0491-000		2	<input type="checkbox"/>	COLLAR, FACE-DOWN	
2	HG1-4448-000		1	<input type="checkbox"/>	PAPER DELIVERY SENSOR UNIT	
3	HM1-0245-000		1	<input type="checkbox"/>	FACE-DOWN DELIVERY UNIT	
4	RA0-1088-000		1	<input type="checkbox"/>	GEAR, 29T	
5	RA0-1089-000		1	<input type="checkbox"/>	GEAR, 17T	
6	RA0-1090-000		2	<input type="checkbox"/>	SPRING, TENSION	
7	RA0-1091-000		1	<input type="checkbox"/>	GUIDE, PAPER DELIVERY	
8	RA0-1094-000		1	<input type="checkbox"/>	BUSHING	
9	RA0-1095-000		1	<input type="checkbox"/>	BUSHING	
10	RA0-1096-000		1	<input type="checkbox"/>	GUIDE, PAPER	
11	RA0-1099-000		1	<input type="checkbox"/>	SPRING, TORSION	
12	RA0-1100-000		1	<input type="checkbox"/>	LEVER, PRESSURE RELEASE	
13	RA0-1101-000		1	<input type="checkbox"/>	LEVER, PRESSURE RELEASE	
14	RA0-1103-000		2	<input type="checkbox"/>	SPRING, COMPRESSION	
15	RA0-1104-000		1	<input type="checkbox"/>	BUSHING	
16	RA0-1105-000		1	<input type="checkbox"/>	FLAG	
17	RA0-1106-000		1	<input type="checkbox"/>	LEVER, SENSOR	
18	RA0-1107-000		1	<input type="checkbox"/>	LEVER, SENSOR	
19	RA0-1110-000		1	<input type="checkbox"/>	FLAG, SENSOR	
20	RA0-1111-000		2	<input type="checkbox"/>	ROLLER, FACE-UP	

21	RA0-1115-000		2	<input type="checkbox"/>	SPRING, TORSION	
22	RA0-1116-000		2	<input type="checkbox"/>	SPRING, TORSION	
23	RA0-1117-000		2	<input type="checkbox"/>	BUSHING	
24	RA0-1118-000		1	<input type="checkbox"/>	GEAR, 19T	
25	RA0-1121-000		1	<input type="checkbox"/>	PLATE, CONTACT	
26	RA0-1189-000		2	<input type="checkbox"/>	RETAINER, SPRING	
27	RF0-1002-000		1	<input type="checkbox"/>	ROLLER, PRESSURE	
28	RF0-1003-000		1	<input type="checkbox"/>	ROLLER, FACE-UP	
29	RF0-1004-030		1	<input type="checkbox"/>	ROLLER, FACE-DOWN	

FIGURE & KEY NO.	PART NUMBER	RANK	QTY	SQTY	DESCRIPTION	REMARKS
30	RG0-1009-000		1	<input type="checkbox"/>	FIXING FILM UNIT	
31	XA9-1292-000		3	<input type="checkbox"/>	SCREW, M4X14	
32	XB4-7300-807		1	<input type="checkbox"/>	SCREW, TAP TIGHT, BINDING HEAD	
33	XB4-7401-005		4	<input type="checkbox"/>	SCREW, TAPPING, TRUSS HEAD, M4X10	
34	XB6-7300-607		2	<input type="checkbox"/>	SCREW, TP, M3X6	

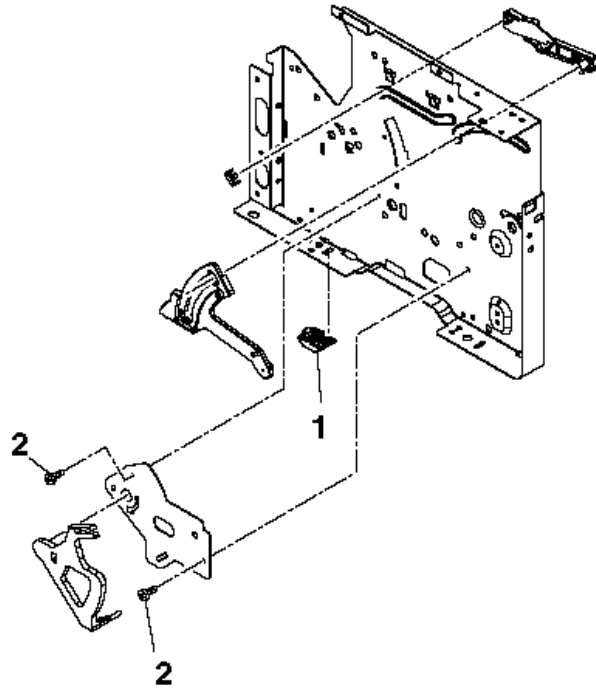


FIGURE 25 FRONT PLATE ASS'Y

FIGURE & KEY NO.	PART NUMBER	R A N K	Q T Y	S Q T Y	DESCRIPTION	REMARKS
	HM1-0243-000	N	1	<input type="checkbox"/>	FRONT PLATE ASS'Y	
1	RA0-1412-000		1	<input type="checkbox"/>	FOOT	
2	XB1-2300-407		2	<input type="checkbox"/>	SCREW, BH3X4 (S)	

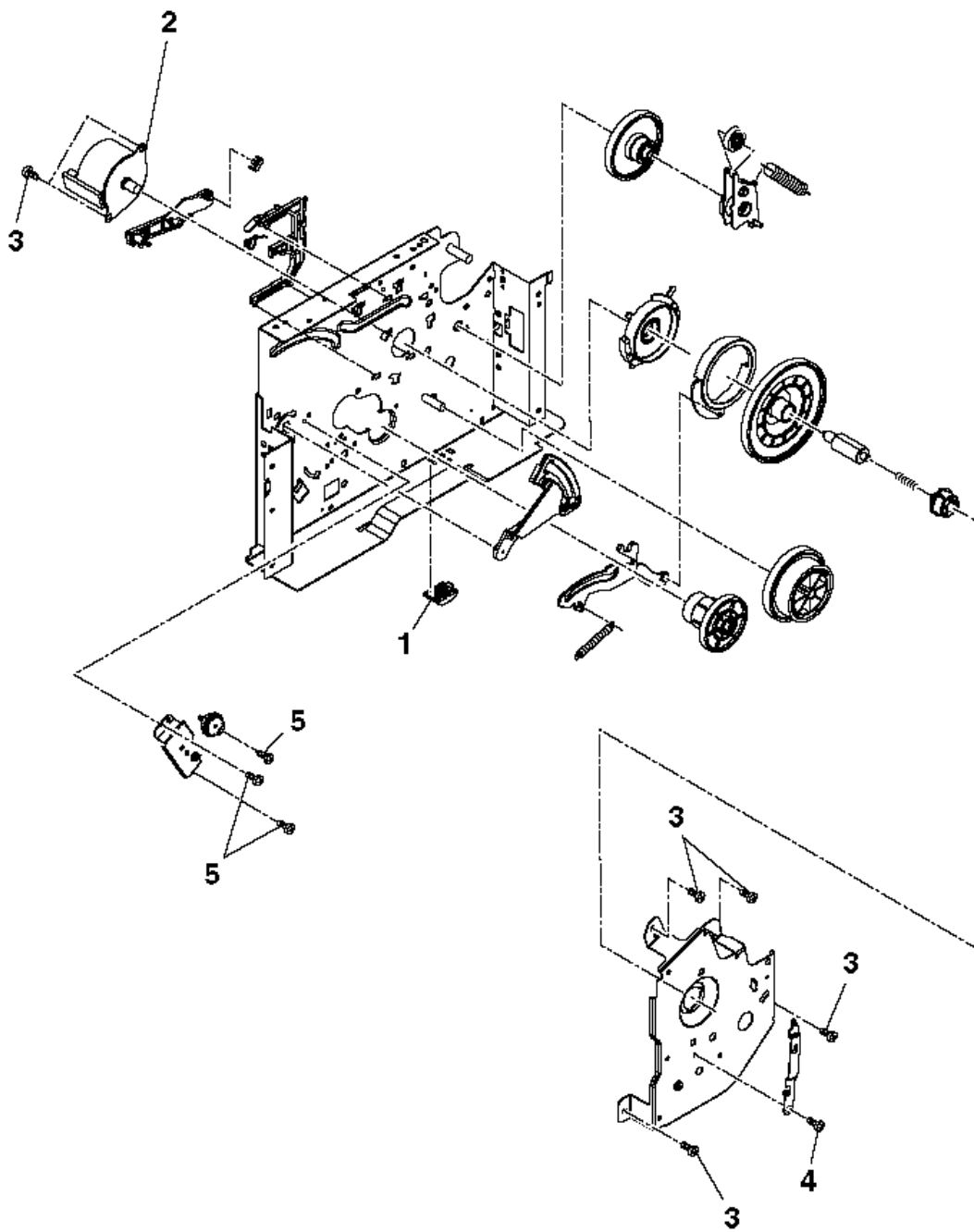


FIGURE 26 REAR PLATE ASS'Y

FIGURE & KEY NO.	PART NUMBER	R A N K	Q T Y	S Q T Y	DESCRIPTION	REMARKS
	HM1-0244-000	N	1	<input type="checkbox"/>	REAR PLATE ASS'Y	
1	RA0-1412-000		1	<input type="checkbox"/>	FOOT	
2	RH7-1473-020		1	<input type="checkbox"/>	MOTOR, STEPPING	
3	XB1-2300-407		6	<input type="checkbox"/>	SCREW, BH3X4 (S)	
4	XB2-7300-607		1	<input type="checkbox"/>	SCREW, M3X6	
5	XB6-7300-607		3	<input type="checkbox"/>	SCREW, TP, M3X6	

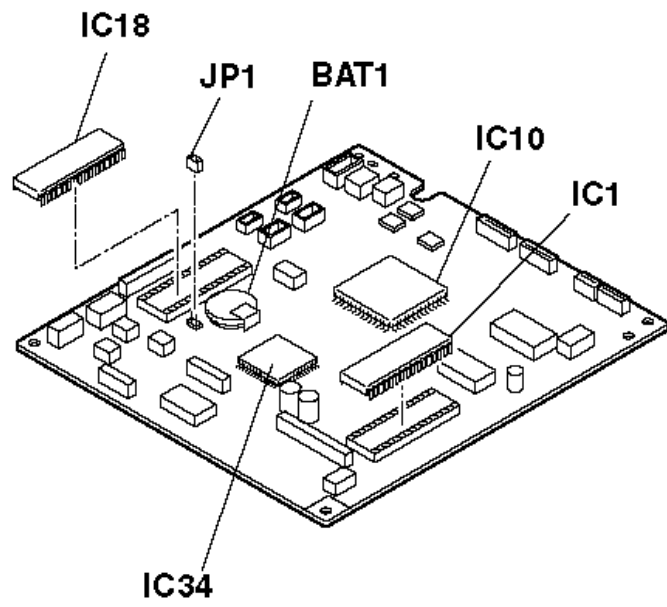


FIGURE 27 SCNT BOARD ASS'Y

FIGURE & KEY NO.	PART NUMBER	RANK	QTY	SQTY	DESCRIPTION	REMARKS
	HG1-4463-000		1	<input type="checkbox"/>	SCNT BOARD ASS'Y	
BAT1	WK1-5134-000		1	<input type="checkbox"/>	BATTERY, LITHIUM, CR2032THJ6	
IC1	HH4-3718-000		1	<input type="checkbox"/>	IC, MR27V1652ERA, OTP-ROM	
IC10	HH4-3706-000		1	<input type="checkbox"/>	IC, MB87J8690, ASIC	
IC18	HH4-3719-000		1	<input type="checkbox"/>	IC, MR27V1652ERA, OTP-ROM	
IC34	HH4-4008-000		1	<input type="checkbox"/>	IC, UPD703107AGJ-150-UEN, MCU	
JP1	WS1-5397-000	N	1	<input type="checkbox"/>	PLUG, JUMPER	

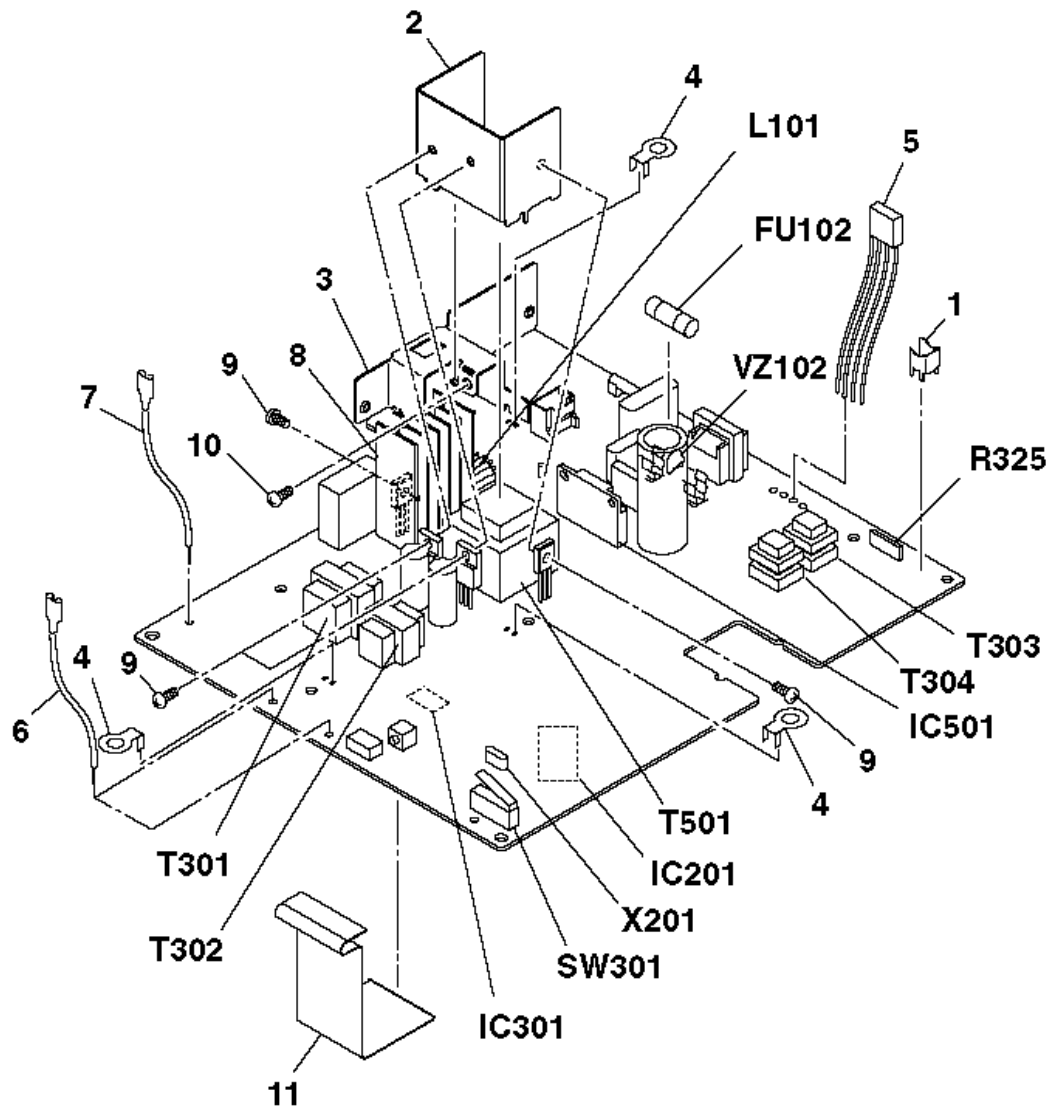


FIGURE 28 ECNT BOARD ASS'Y

FIGURE & KEY NO.	PART NUMBER	RANK	QTY	SQTY	DESCRIPTION	REMARKS
	HG1-4439-000		1	<input type="checkbox"/>	ECNT BOARD ASS'Y	
1	RA0-1123-000		1	<input type="checkbox"/>	PLATE, TERMINAL	
2	RA0-1125-000		1	<input type="checkbox"/>	HEATSINK	
3	RA0-1126-000		1	<input type="checkbox"/>	HOLDER, CONNECTOR	
4	RB1-7306-000		3	<input type="checkbox"/>	PLATE, GROUNDING	
5	RG0-1073-000		1	<input type="checkbox"/>	CABLE, MAIN MOTOR	
6	RG0-1078-000		2	<input type="checkbox"/>	CABLE, HIGH VOLTAGE	
7	RG0-1079-000		1	<input type="checkbox"/>	CABLE, HIGH VOLTAGE	
8	RH7-8100-000		1	<input type="checkbox"/>	HEATSINK	
9	XA9-0235-000		4	<input type="checkbox"/>	SCREW	
10	XB2-7400-606		1	<input type="checkbox"/>	SCREW, TOOTHED WASHER, M4X6	
11	HH2-3220-000		1	<input type="checkbox"/>	CABLE, FLAT, 26P	
FU102	RH3-8002-000		1	<input type="checkbox"/>	FUSE, 125V, 2.5A	
IC201	RH4-0296-000		1	<input type="checkbox"/>	IC, MB89063, M-CON	
IC301	RH4-5448-000		1	<input type="checkbox"/>	IC, LM324NSR-A, OPAMP	
IC501	RH4-5428-000		1	<input type="checkbox"/>	IC, STR-Z2012, REGULATOR	
L101	RH3-0193-000		1	<input type="checkbox"/>	INDUCTOR, SK-08MD-4ZY	
R325	RH6-3858-000		1	<input type="checkbox"/>	RESISTOR, METAL	
SW301	RH7-6058-000		1	<input type="checkbox"/>	SWITCH, MICRO	
T301	RH3-0300-000		1	<input type="checkbox"/>	TRANSFORMER, 500VA UNDER	

T302	RH3-0284-000	1	<input type="checkbox"/>	TRANSFORMER, 500VA	
T303	RH3-0303-000	1	<input type="checkbox"/>	TRANSFORMER, 500VA UNDER	
T304	RH3-0303-000	1	<input type="checkbox"/>	TRANSFORMER, 500VA UNDER	
T501	RH3-0294-000	1	<input type="checkbox"/>	TRANSFORMER, 500VA UNDER	
VZ102	RH3-8049-000	1	<input type="checkbox"/>	VARISTOR, NV270D05C	
X201	RH5-0124-000	1	<input type="checkbox"/>	OSCILLATOR, QUARTZ	

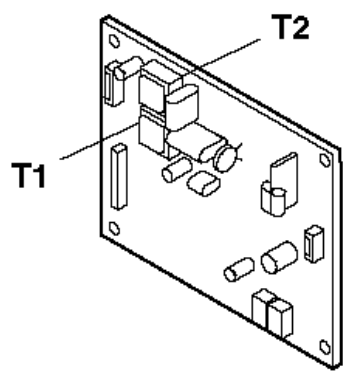


FIGURE 29 NCU BOARD ASS'Y

FIGURE & KEY NO.	PART NUMBER	R A N K	Q T Y	S Q T Y	DESCRIPTION	REMARKS
T1	HH7-2720-000		1	<input type="checkbox"/>	TRANSFORMER, AUDIO	
T2	HH7-2721-000		1	<input type="checkbox"/>	TRANSFORMER, AUDIO	

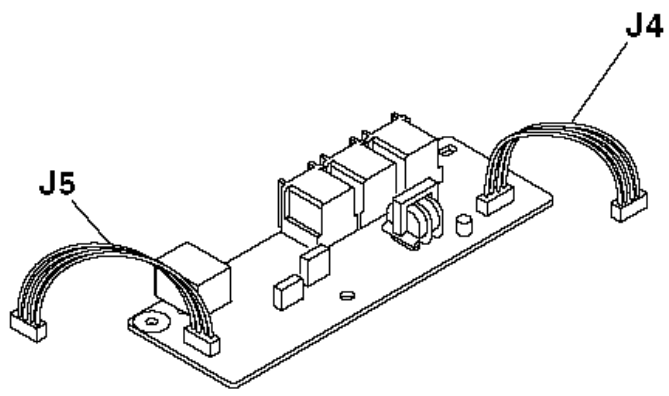


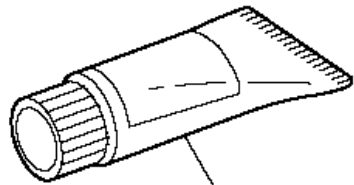
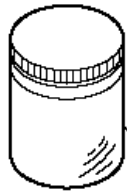


FIGURE 30 MODULAR/USB BOARD ASS'Y

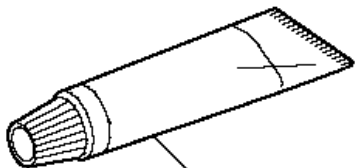
FIGURE & KEY NO.	PART NUMBER	RANK	QTY	SQTY	DESCRIPTION	REMARKS
J4	HG1-4459-000		1		CABLE WITH CONNECTOR, 5P	
J5	HG1-4455-000		1		CABLE WITH CONNECTOR, 4P	



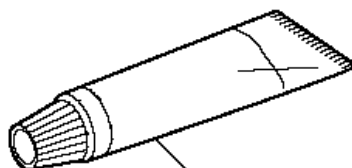
T1



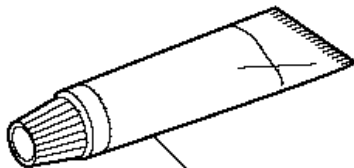
T2



T3



T4



T5

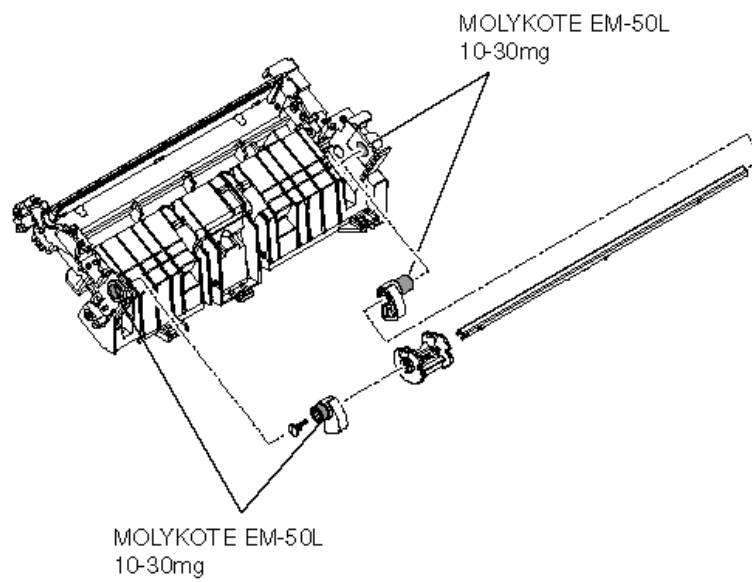
FIGURE 31 TOOLS

FIGURE & KEY NO.	PART NUMBER	RANK	QTY	SQTY	DESCRIPTION	REMARKS
T1	CK-0562-000		1	<input type="checkbox"/>	LUBE, MOLYKOTE PG-641 GREASE	
T2	CK-8006-000		1	<input type="checkbox"/>	ELECTRICITY GREASE (IF-20)	
T3	CK-8007-000		1	<input type="checkbox"/>	LUBE, MOLYKOTE 41 GREASE	
T4	HY9-0007-000		1	<input type="checkbox"/>	LUBE, MOLYKOTE EM-50L, GREASE	
T5	HY9-0023-000		1	<input type="checkbox"/>	LUBE, MOLYKOTE EMD-110, GREASE	

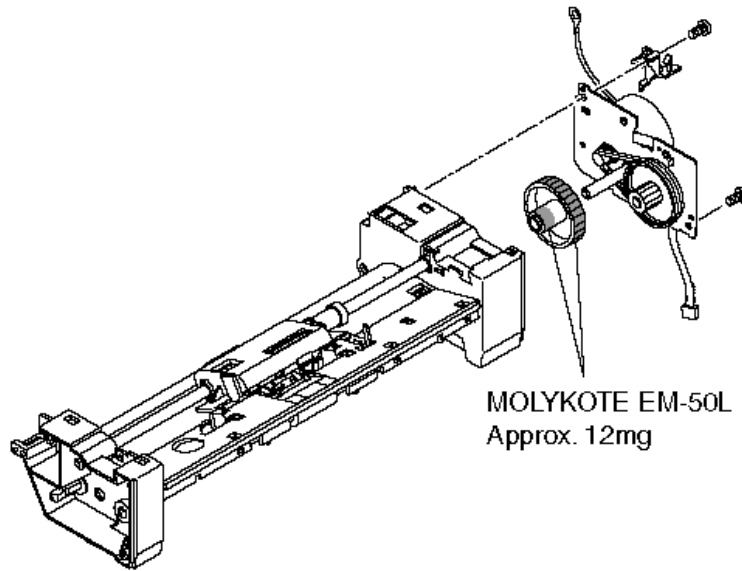
Locations

Some parts are lubricated with grease to ensure smooth operation and to increase conductivity. If lubricated parts are replaced or grease is removed, grease must be reapplied.

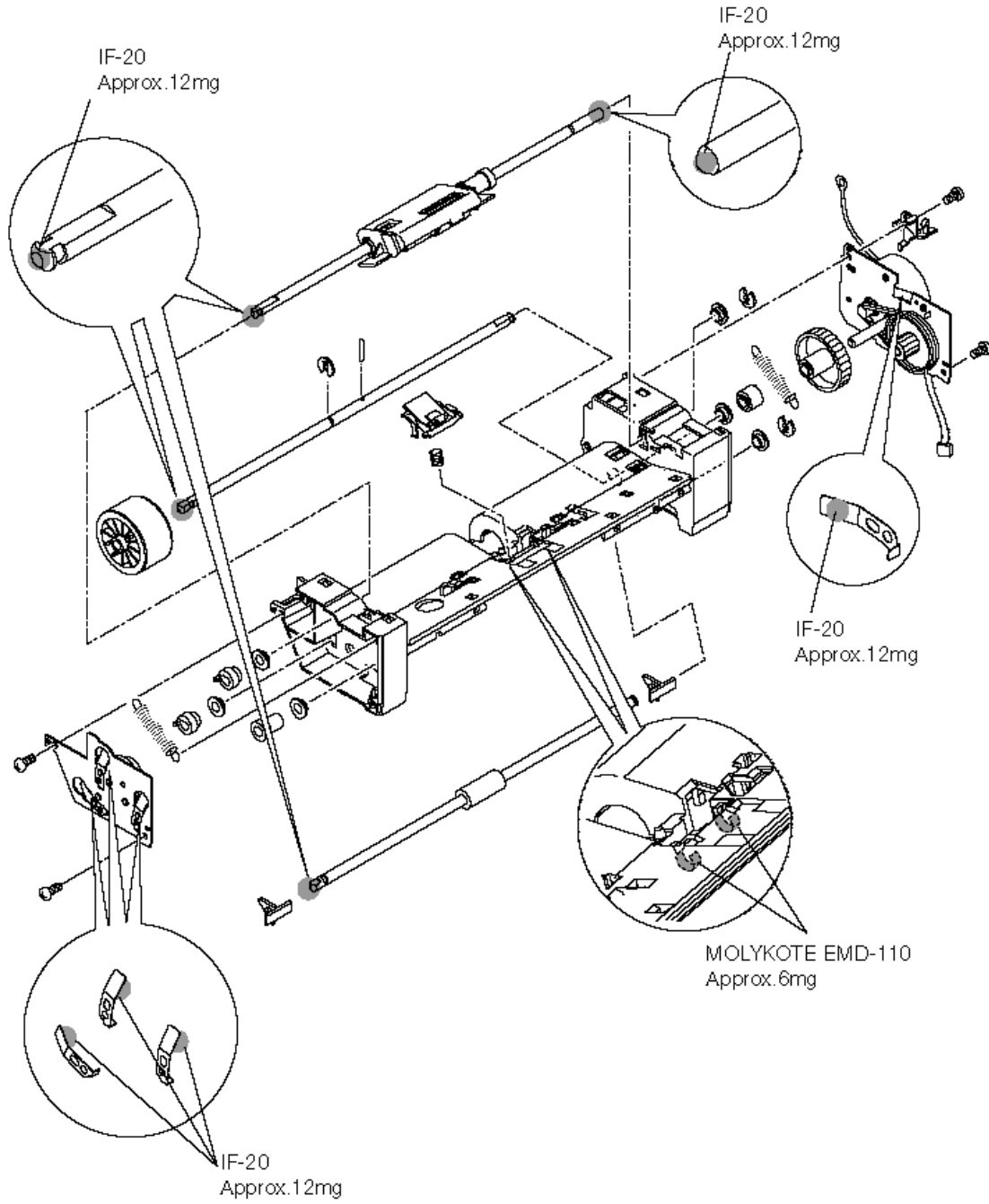
Lubrication 1



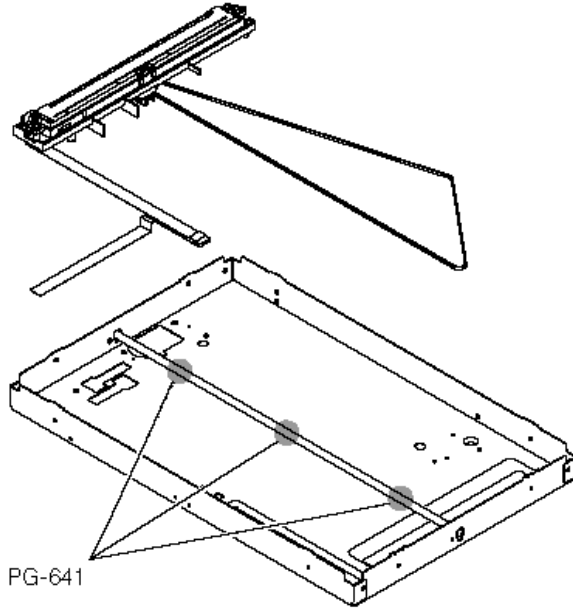
Lubrication 2



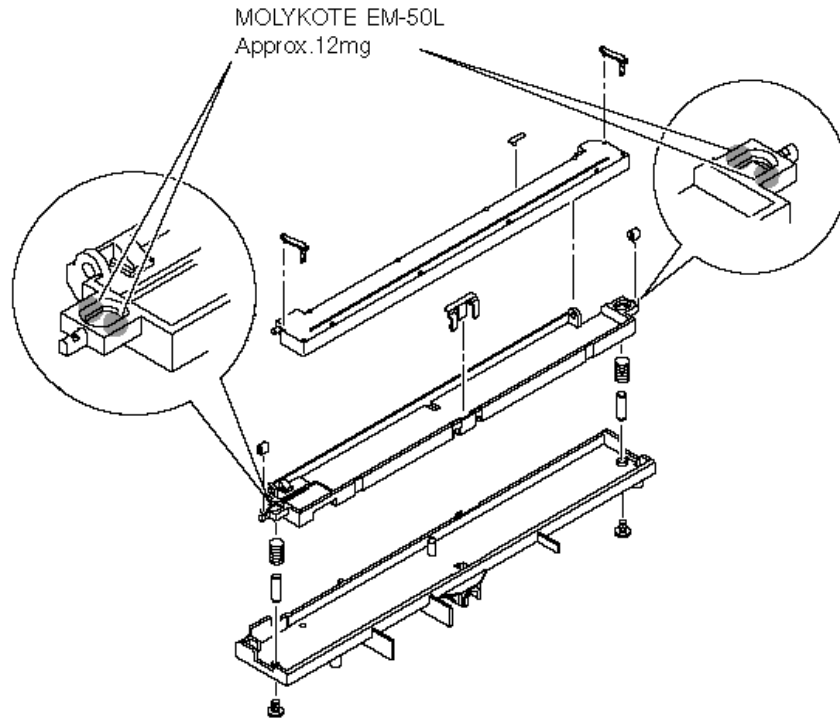
Lubrication 3



Lubrication 4



Lubrication 5



Lubrication 6

