

LASER CLASS[®] 5000
PLAIN PAPER FACSIMILE

LASER CLASS[®] 5500
PLAIN PAPER FACSIMILE

PARTS CATALOG

REVISION 1

LASER CLASS 5000	H11-2922	120V
LASER CLASS 5500	H12-0042	120V
FXL-FEEDER 1	H12-3012	120V
FXL-CASSETTE 1 LTR/500	H12-3002	120V
HANDSET KIT 2	H12-3042	120V

Canon

APR. 1995

HY8-39A0-010

Application

This manual has been issued by Canon Inc. for qualified person to learn technical theory, installation, maintenance, and repair of products. This manual covers all localities where the products are sold. For this reason, there may be information in this manual that does not apply to your locality.

Corrections

This manual could include technical inaccuracies or typographical errors due to improvements or changes in the products. When changes occur in applicable products or in the content of this manual, Canon will release technical information as the need arises. In the event of major changes in the contents of this manual over a long or short period, Canon will issue a new editions of this manual.

The following paragraph does not apply to any countries where such provisions are inconsistent with local law.

Trademarks

The product names and company names described in this manual are the registered trademarks of the individual companies.

Copyright

This manual is copyrighted with all rights reserved. Under the copyright laws, this manual may not be copied, reproduced or translated into another language, in whole or in part, without the written consent of Canon Inc.

Copyright © 1995 by Canon Inc.

Consumer Imaging Products Quality Assurance Dept. 1

CANON INC.

5-1 Hakusan 7-Chome, Toride-city, Ibaraki 302-8501, Japan

DTP Systems

This manual was produced on Apple® Macintosh® II ci personal computer and Canon SUPER LASER SHOT B406 PS laser beam printer.

Parts layout illustrations were created using Aldus® FreeHand 3.1J.

Documents and page layouts were created using QuarkXpress® 3.1J.

Parts lists were created using Helix Technology® Helix Express® and converted to PICT format by Solutions, Inc.® Super GLUE II™.

LASER CLASS[®] 5000
PLAIN PAPER FACSIMILE

LASER CLASS[®] 5500
PLAIN PAPER FACSIMILE

PARTS
CATALOG

Canon

I. CONTENTS

1. ILLUSTRATION INDEX
2. PARTS LAYOUT & PARTS LIST
3. SCREWS & WASHERS LIST
4. TOOL
5. GUIDE TO REPLACEMENT
6. NUMERICAL INDEX

II. ABOUT THIS MANUAL

1. ILLUSTRATION INDEX

For illustration index, the parts layout illustrations in this parts catalog are listed in abbreviated form in order of illustration number to identify the pages they appear on. To find an illustration of a part, see the ILLUSTRATION INDEX.

2. PARTS LAYOUT & PARTS LIST

Parts layout illustration

a) Parts search

Find a part from the parts layout illustration and find its key number from the parts list to identify the part number and name. For screws, nuts, washers, lock washers, pins, spacers, see 3. SCREWS & WASHERS LIST.

Note: If parts have the same or similar shape but different specifications, their key number is assigned to several part numbers and names in the parts list.

b) Parts replacement procedure

The parts layout illustrations are arranged according to the disassembly procedure of the product. The parts require carefully work are marked "See page 5-x". So refer to the corresponded page "5" (GUIDE TO REPLACEMENT).

The letters (A), (B) etc.) in the illustration indicate the connection locations of cables and screws.

Parts list

a) FIGURE & KEY No.

The FIGURE & KEY No. column corresponds to the key numbers assigned to the parts in the parts layout illustration.

It also corresponds to the part locations printed on the PC board.

b) PART NUMBER

The PART NUMBER column gives the part numbers corresponding to the key numbers. To order a part, indicate the part number clearly.

Note: Parts marked NPN are not service parts.

c) RANK

The service parts with N in the RANK column are order parts.

d) QTY

The QTY column gives the number of parts in the corresponding components layout illustration.

e) DESCRIPTION

The DESCRIPTION column gives the part names in English. To order a part, indicate the part name, too.

3. SCREWS & WASHERS LIST

This is a list of screws, nuts, washers, lock washers, pins, and spacers.

4. TOOL

This is a list of tools used for servicing products.

5. GUIDE TO REPLACEMENT

Explains the special cares and cautions for the parts replacement.

6. NUMERICAL INDEX

All the parts listed in this parts catalog are arranged in order of part number. You can identify part locations and names from the NUMERICAL INDEX..

III. REVISION HISTORY

REVISION	CONTENT
0	Original
1	Service Information bulletins, up to and including HS-A7E-0009-01, as issued by Canon Inc.

1. ILLUSTRATION INDEX

FIGURE 1

**LASER CLASS 5000
PACKAGE CONTENTS**

See Page
2 - 1

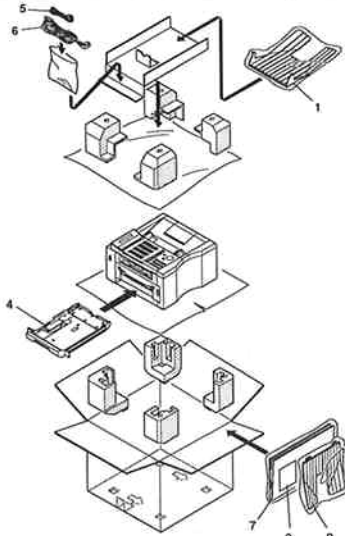


FIGURE 2

**LASER CLASS 5500
PACKAGE CONTENTS**

See Page
2 - 3

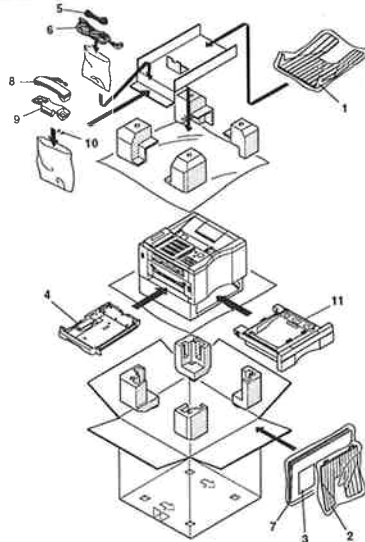


FIGURE 3

**LASER CLASS 5000
FRONT & REAR COVERS**

See Page
2 - 5

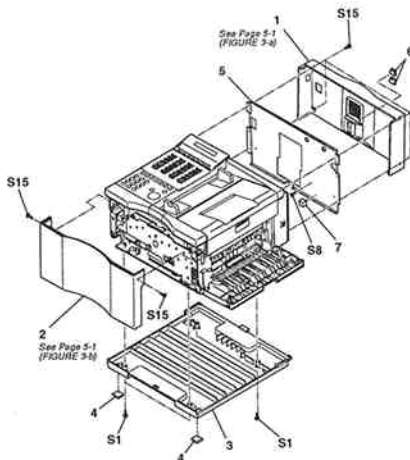


FIGURE 4

**LASER CLASS 5500
FRONT & REAR COVERS**

See Page
2 - 7

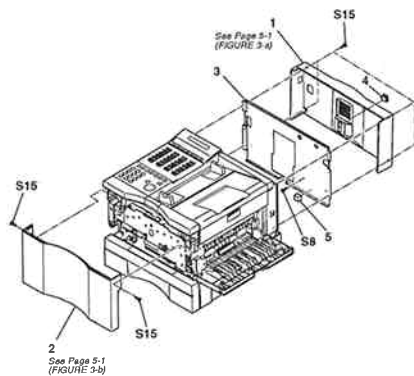


FIGURE 5 LASER CLASS 5000
DOCUMENT TABLE ASS'Y

See Page
2 - 9

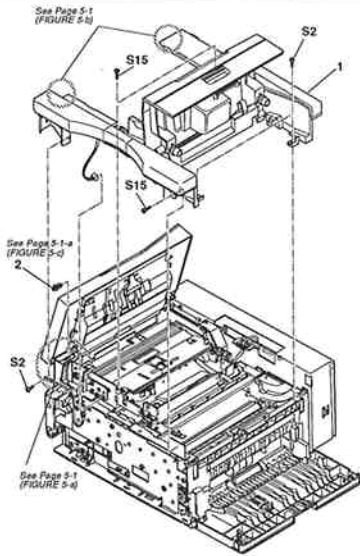


FIGURE 6 LASER CLASS 5500
DOCUMENT TABLE ASS'Y

See Page
2 - 11

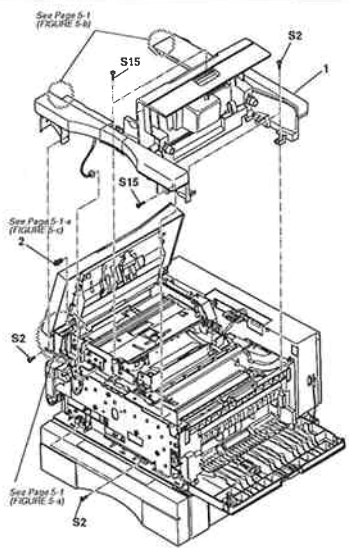


FIGURE 7 LASER CLASS 5000
ADF & CONTROL PANEL
SECTION

See Page
2 - 13

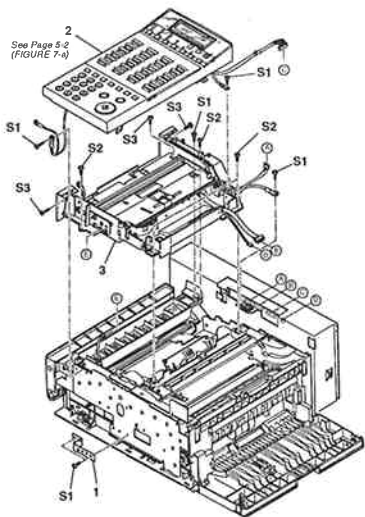


FIGURE 8 LASER CLASS 5500
ADF & CONTROL PANEL
SECTION

See Page
2 - 15

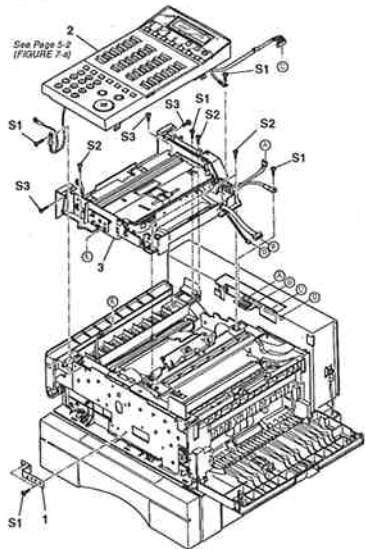


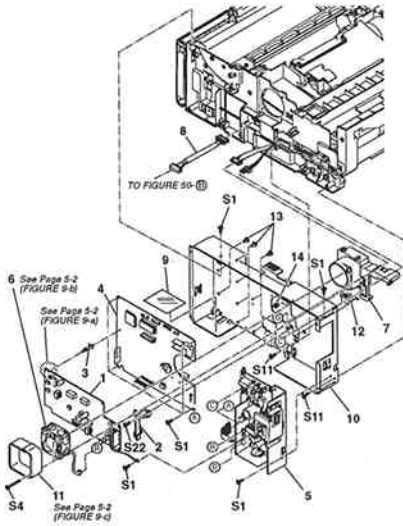
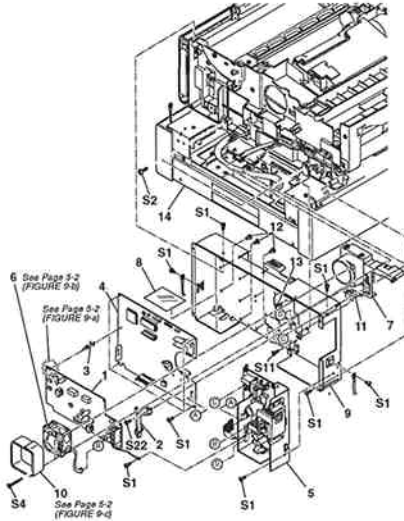
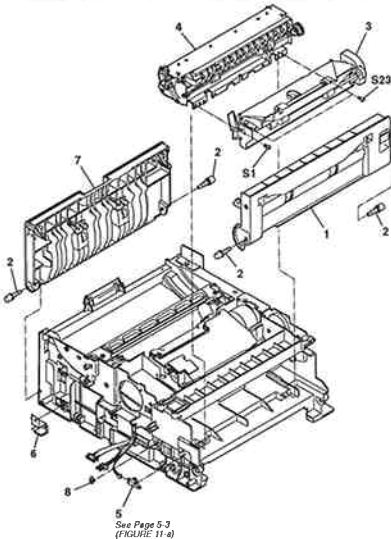
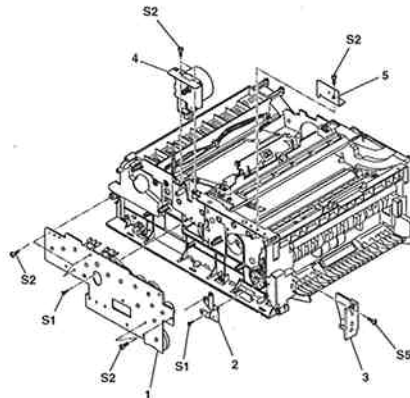
FIGURE 9**LASER CLASS 5000
CIRCUIT BOARDS**See Page
2 - 17**FIGURE 10****LASER CLASS 5500
CIRCUIT BOARDS**See Page
2 - 19**FIGURE 11****FIXING & PAPER EXIT
SECTION**See Page
2 - 21**FIGURE 12****PRINTER SECTION (1)**See Page
2 - 23

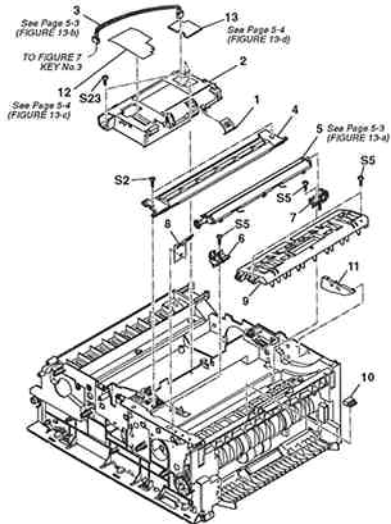
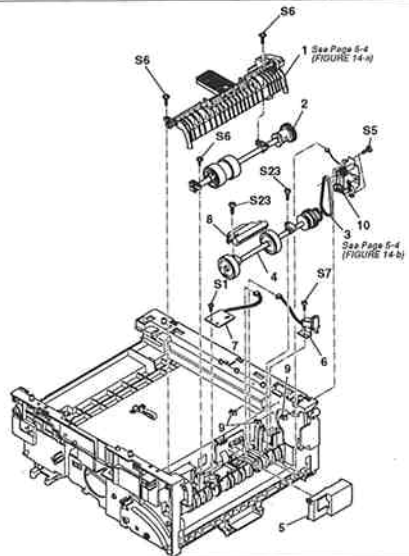
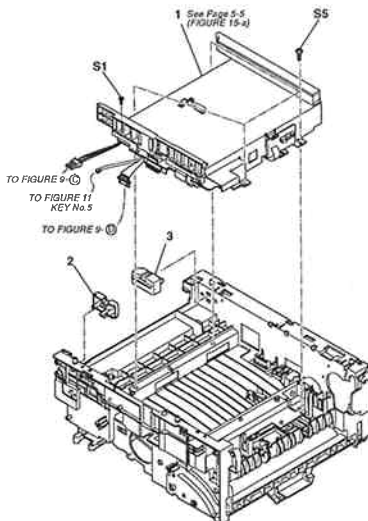
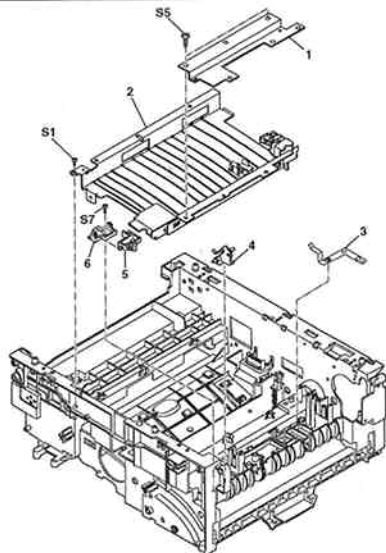
FIGURE 13 PRINTER SECTION (2)See Page
2 - 25**FIGURE 14** PAPER PICKUP SECTIONSee Page
2 - 27**FIGURE 15** PCNT ASS'YSee Page
2 - 29**FIGURE 16** FEEDER GUIDE ASS'YSee Page
2 - 31

FIGURE 17 PRINTER FRAME

See Page
2 - 33

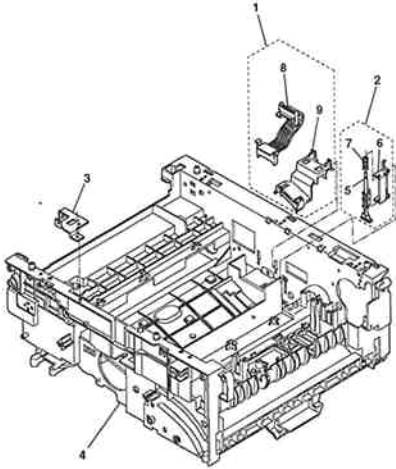


FIGURE 18 TOP & CARTRIDGE COVER ASS'Y

See Page
2 - 35

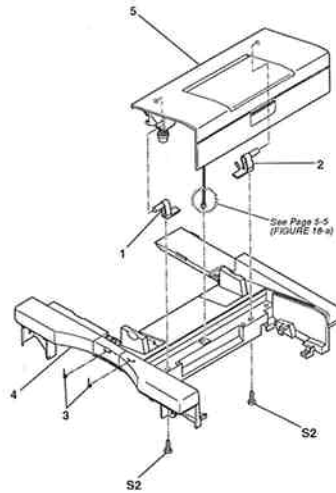


FIGURE 19 CARTRIDGE COVER

See Page
2 - 37

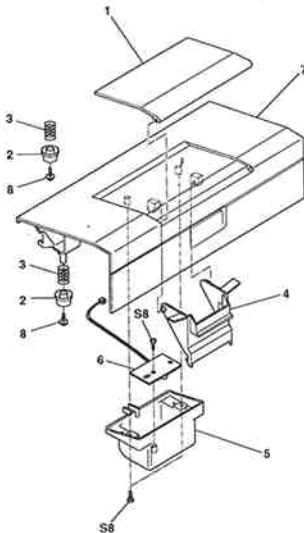


FIGURE 20 TOP COVER

See Page
2 - 39

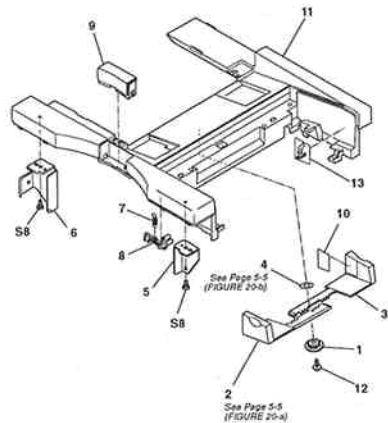


FIGURE 21 CONTROL PANEL ASS'Y & ADF ASS'Y, UPPER

See Page 2 - 41

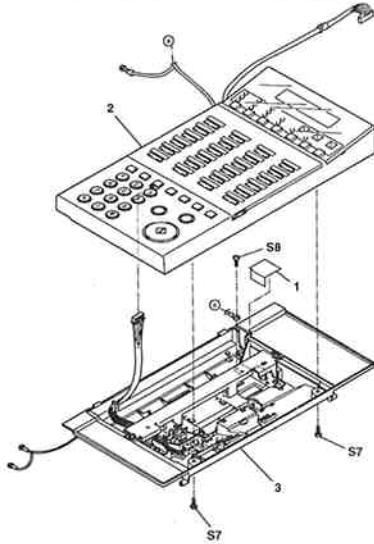


FIGURE 22 ADF, UPPER

See Page 2 - 43

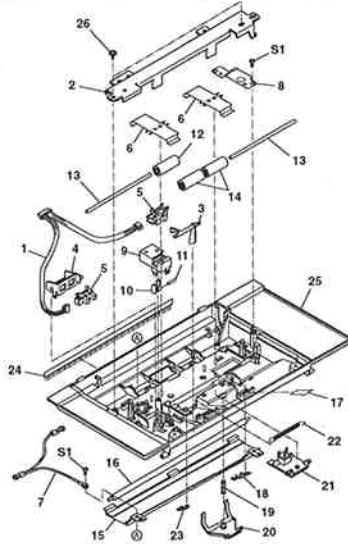


FIGURE 23 CONTROL PANEL (1)

See Page 2 - 45

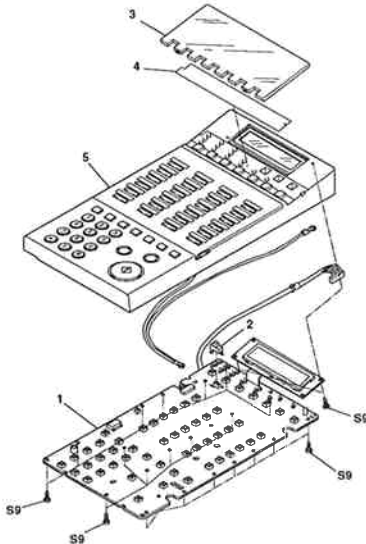


FIGURE 24 CONTROL PANEL (2)

See Page 2 - 47

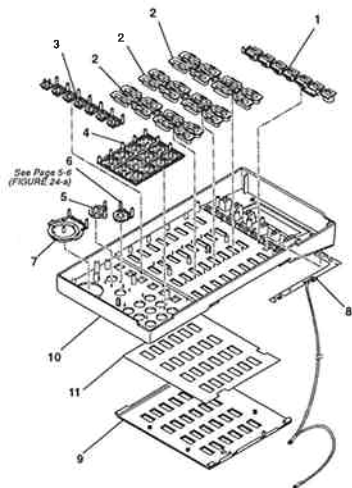


FIGURE 25 ADF, LOWER (1)

See Page
2 - 49

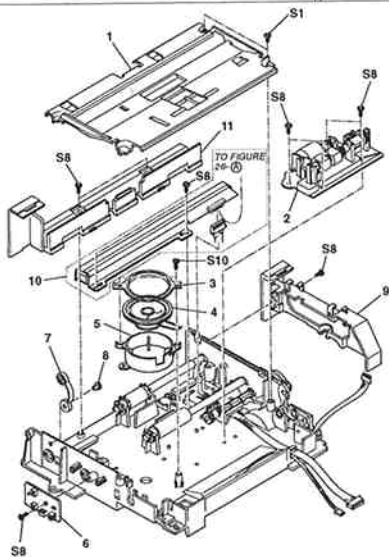


FIGURE 26 ADF, LOWER (2)

See Page
2 - 51

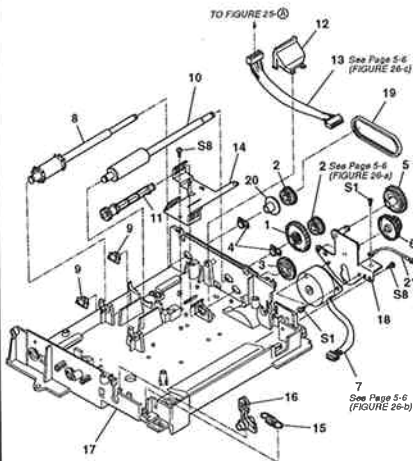


FIGURE 27 SEPARATION ROLLER

See Page
2 - 53

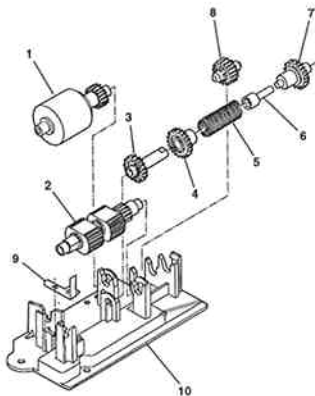


FIGURE 28 SEPARATION GUIDE

See Page
2 - 55

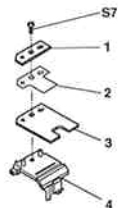


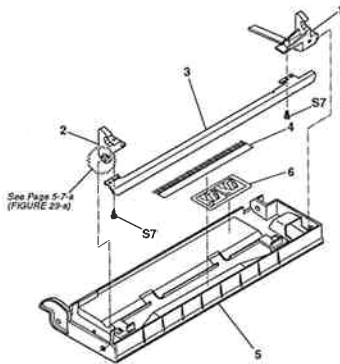
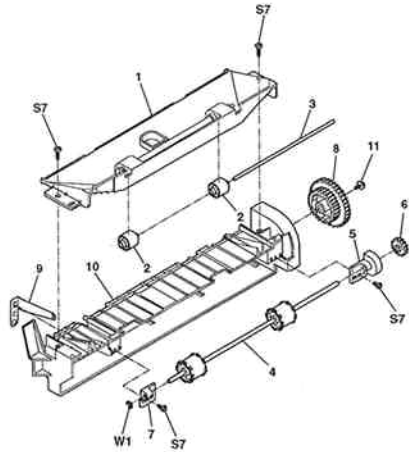
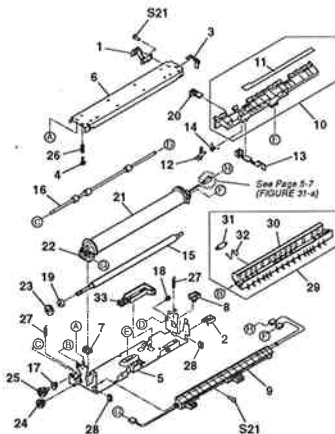
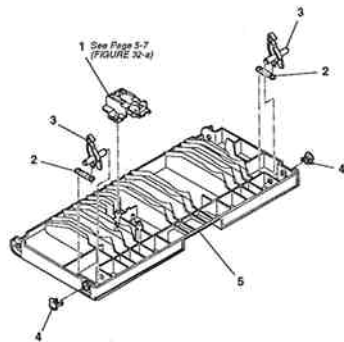
FIGURE 29 PAPER EXIT COVERSee Page
2 - 57**FIGURE 30** PAPER EXIT ROLLERSee Page
2 - 59**FIGURE 31** FIXING ASS'YSee Page
2 - 61**FIGURE 32** RIGHT COVERSee Page
2 - 63

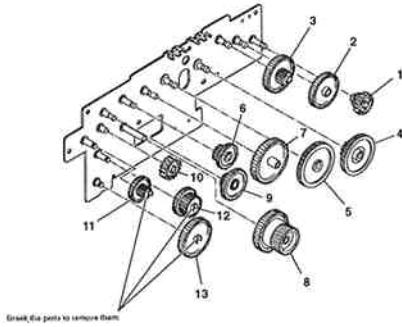
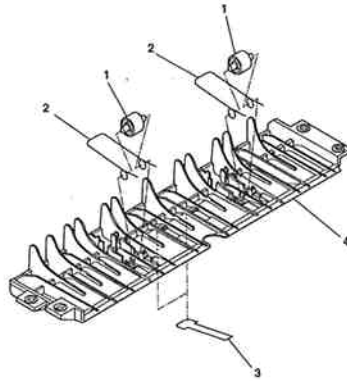
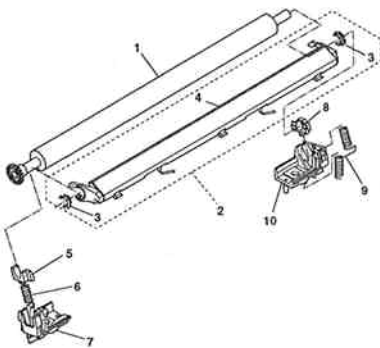
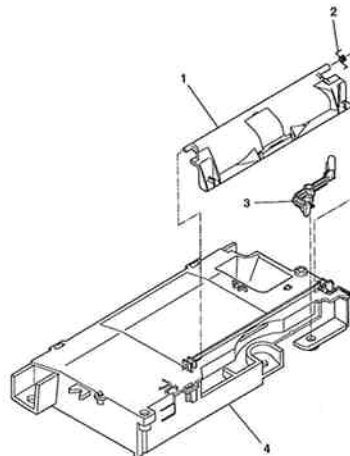
FIGURE 33 DRIVE GEARSSee Page
2 - 65**FIGURE 34** PAPER GUIDE ROLLERSee Page
2 - 67**FIGURE 35** TRANSFER CHARGING ROLLERSee Page
2 - 69**FIGURE 36** LASER/SCANNER UNITSee Page
2 - 71

FIGURE 41 PCNT & PAPER SENSOR BOARD ASS'Y

See Page
2 - 81

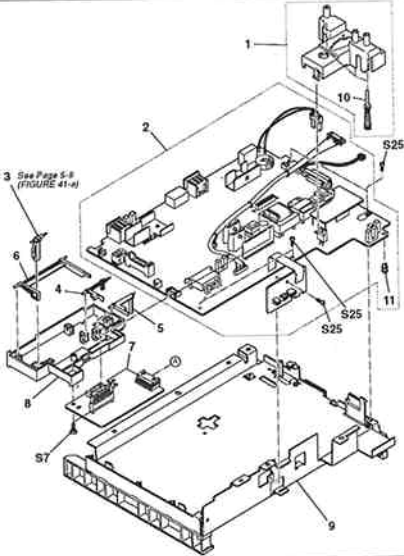


FIGURE 42 PCNT COVER

See Page
2 - 83

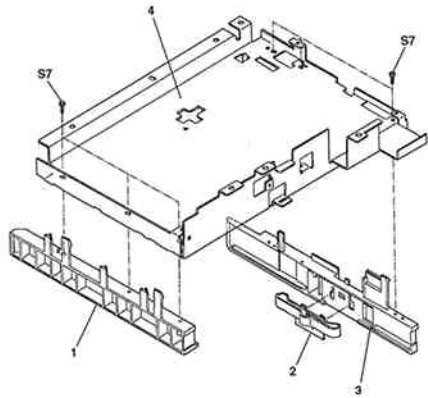


FIGURE 43 PAPER FEED GUIDE

See Page
2 - 85

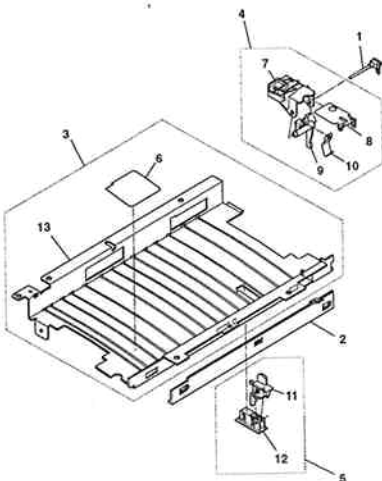


FIGURE 44 SCNT BOARD ASS'Y

See Page
2 - 87

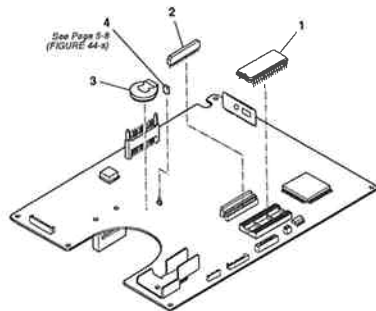


FIGURE 45 FUSE, POWER SUPPLY

See Page
2 - 89

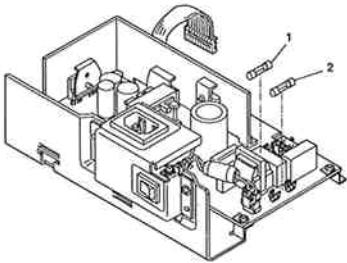


FIGURE 46 SIDE CASSETTE

See Page
2 - 91

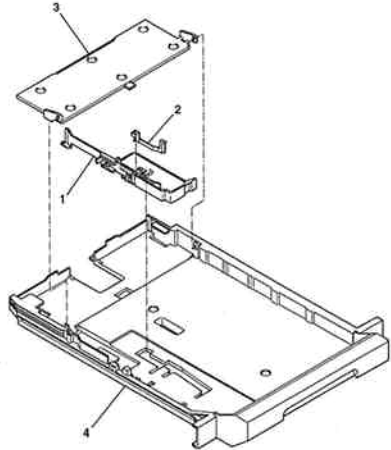


FIGURE 47 FXL-FEEDER 1
PACKAGE CONTENTS

See Page
2 - 93

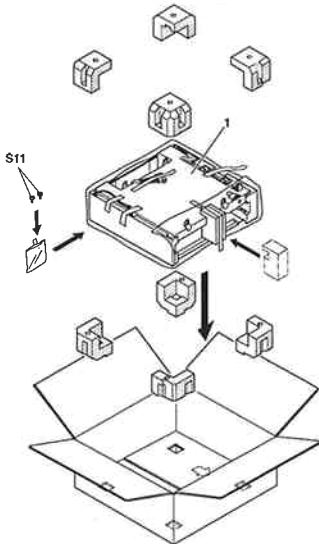


FIGURE 48 FXL-FEEDER 1 & LASER
CLASS 5500 FEEDER (1)

See Page
2 - 95

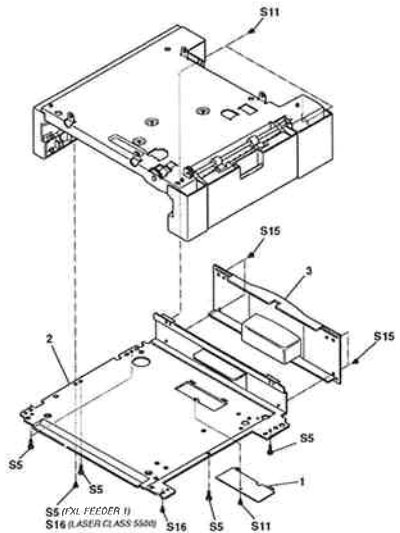


FIGURE 49 FXL-FEEDER 1 & LASER CLASS 5500 FEEDER (2)

See Page 2 - 97

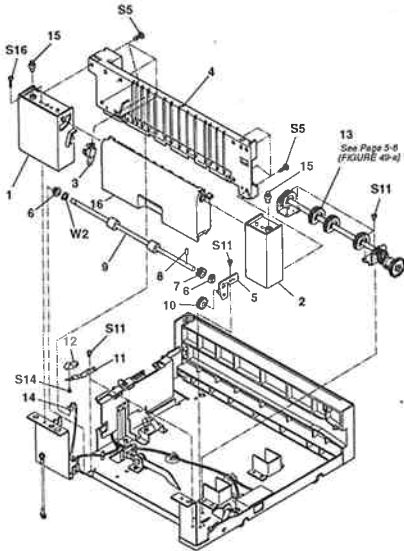


FIGURE 50 FXL-FEEDER 1 FEEDER (3)

See Page 2 - 99

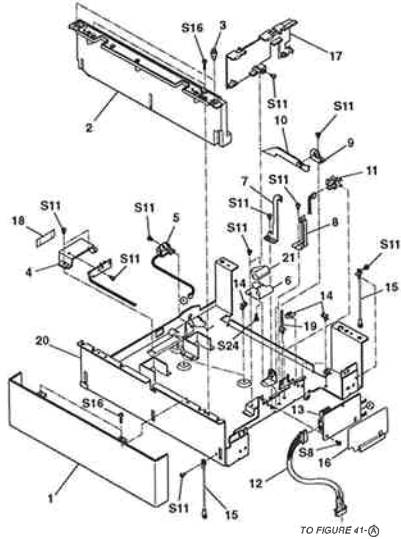


FIGURE 51 LASER CLASS 5500 FEEDER (3)

See Page 2 - 101

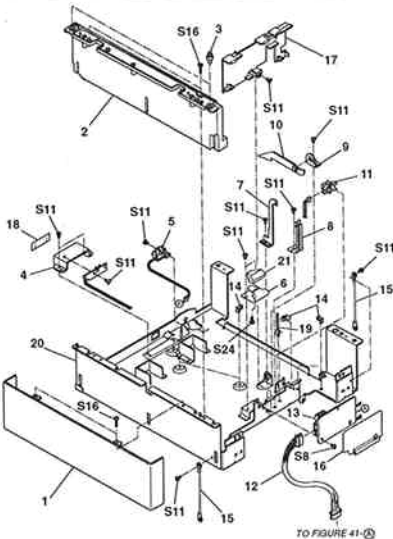


FIGURE 52 FXL-FEEDER 1 & LASER CLASS 5500 RIGHT COVER

See Page 2 - 103

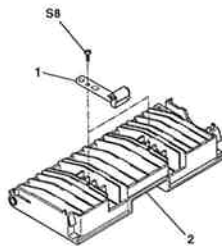
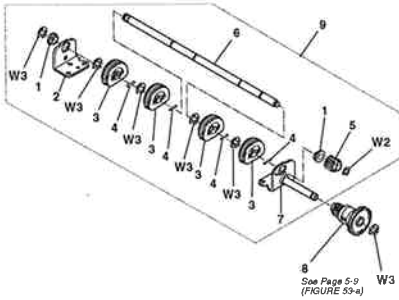


FIGURE 53

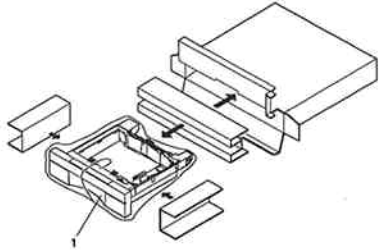
FXL-FEEDER 1 &
LASER CLASS 5500
PAPER PICKUP ROLLER

See Page
2 - 105

**FIGURE 54**

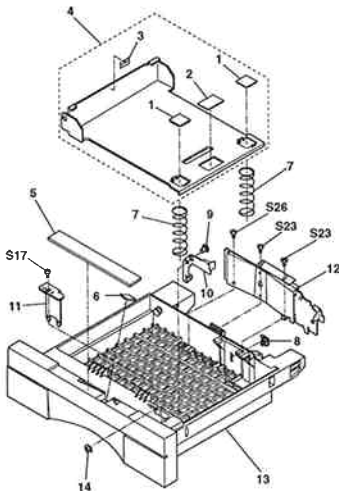
FXL-CASSETTE 1
LTR/500
PACKAGE CONTENTS

See Page
2 - 107

**FIGURE 55**

FXL-CASSETTE 1 LTR/500
& LASER CLASS 5500
FRONT CASSETTE

See Page
2 - 109

**FIGURE 56**

HANDSET KIT 2
PACKAGE CONTENTS

See Page
2 - 111

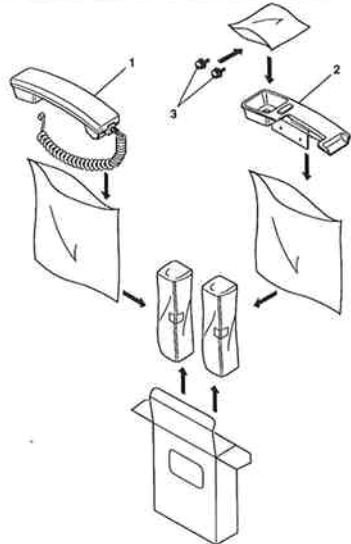


FIGURE 57

**HANDSET KIT 2 &
LASER CLASS 5500
HANDSET**

See Page
2 - 113

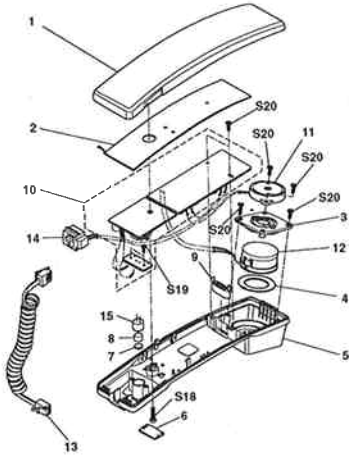
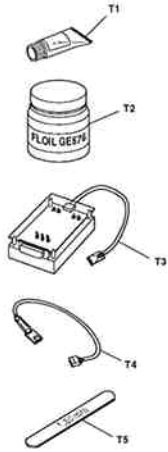


FIGURE 58 TOOLS

See Page
4 - 1



2. PARTS LAYOUT & PARTS LIST

FIGURE 1 LASER CLASS 5000 PACKAGE CONTENTS

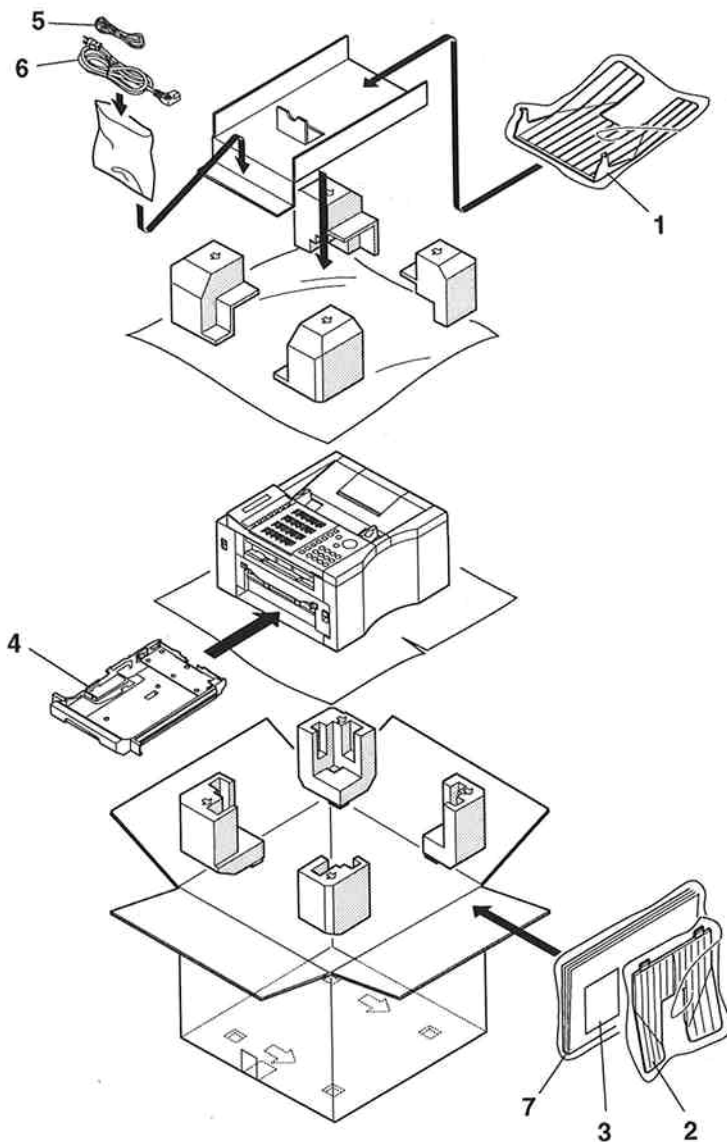


FIGURE & KEY No.	PART No.	R A N K	Q T Y	DESCRIPTION	REMARKS
1- 1	HB1-0485-000		1	TRAY, EXIT	
2	HB1-0486-000		1	TRAY, DOCUMENT	
3	HB1-0491-000		2	LABEL, DESTINATION	
4	HG5-0129-000		1	SIDE CASSETTE ASS'Y	
5	HH2-2484-000		1	MODULAR LINE CORD, 2W	
6	HH2-2253-000		1	POWER CORD, 120V	
7	HT1-2021-000	N	1	INSTRUCTION BOOK (ENGLISH)	
	HT1-3021-000	N	1	INSTRUCTION BOOK (FRENCH)	

FIGURE 2 LASER CLASS 5500 PACKAGE CONTENTS

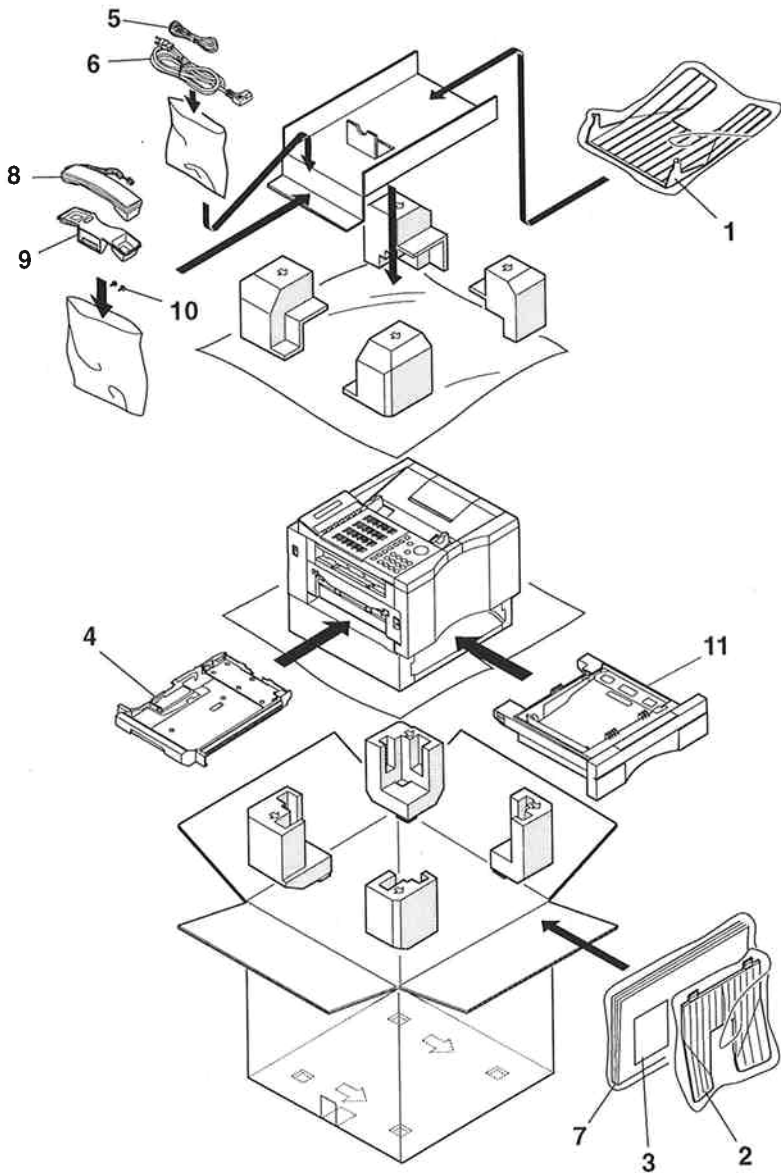


FIGURE & KEY No.	PART No.	R A N K	Q T Y	DESCRIPTION	REMARKS
2- 1	HB1-0485-000		1	TRAY, EXIT	
2	HB1-0486-000		1	TRAY; DOCUMENT	
3	HB1-0491-000		2	LABEL, DESTINATION	
4	HG5-0129-000		1	SIDE CASSETTE ASS'Y	
5	HH2-2484-000		1	MODULAR LINE CORD, 2W	
6	HH2-2253-000		1	POWER CORD, 120V	
7	HT1-2021-000	N	1	INSTRUCTION BOOK (ENGLISH)	
	HT1-3021-000	N	1	INSTRUCTION BOOK (FRENCH)	
8	HG1-2185-050		1	HANDSET ASS'Y (USA, AG)	
9	HG5-0156-000		1	HANDSET REST UNIT	
10	XA9-0689-000		2	SCREW, HANDSET HOLDER	
11	HG5-0113-080		1	FRONT CASSETTE ASS'Y (LTR)	

FIGURE 3 LASER CLASS 5000 FRONT & REAR COVERS

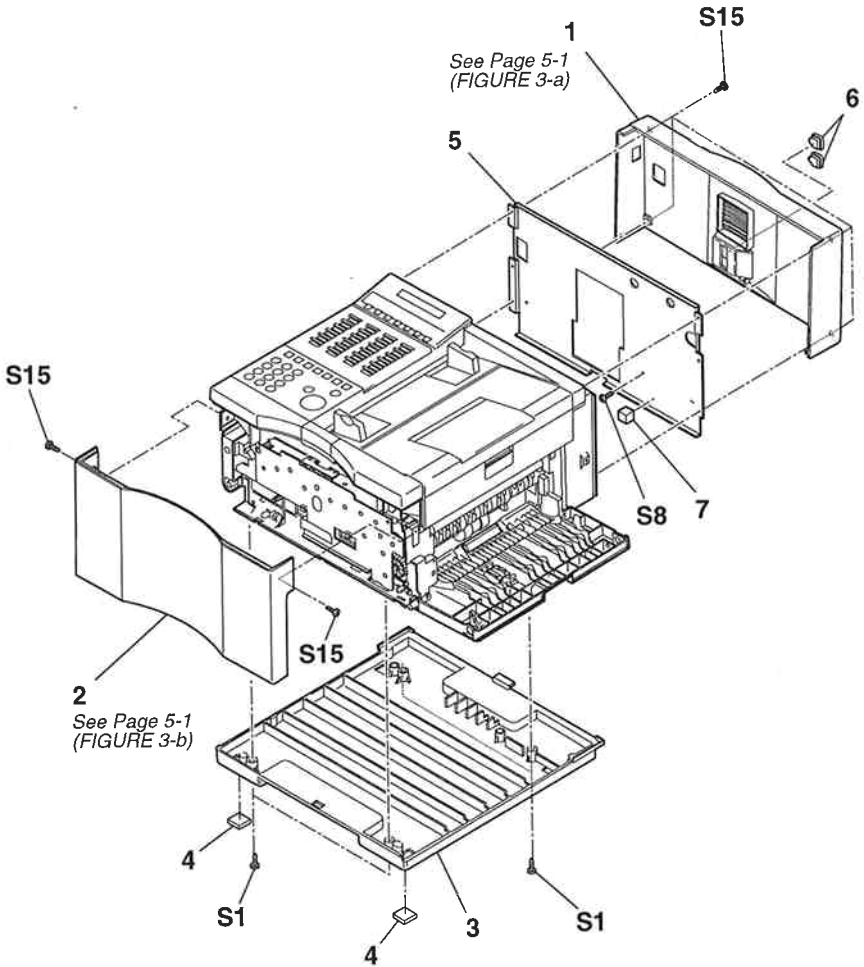


FIGURE & KEY No.	PART No.	R A N K	Q T Y	DESCRIPTION	REMARKS
3 - 1	HB1-0483-050		1	COVER, REAR	
2	HB1-0482-030		1	COVER, FRONT	
3	HB1-0484-020		1	COVER, BOTTOM	
4	HB1-0510-000		2	FOOT, RUBBER	
5	HB1-0673-030	N	1	COVER, SHIELD	
6	WS9-5038-000		2	SPACER, MODULAR	
7	HB1-0512-000		1	PAD, RUBBER	

FIGURE 4 LASER CLASS 5500 FRONT & REAR COVERS

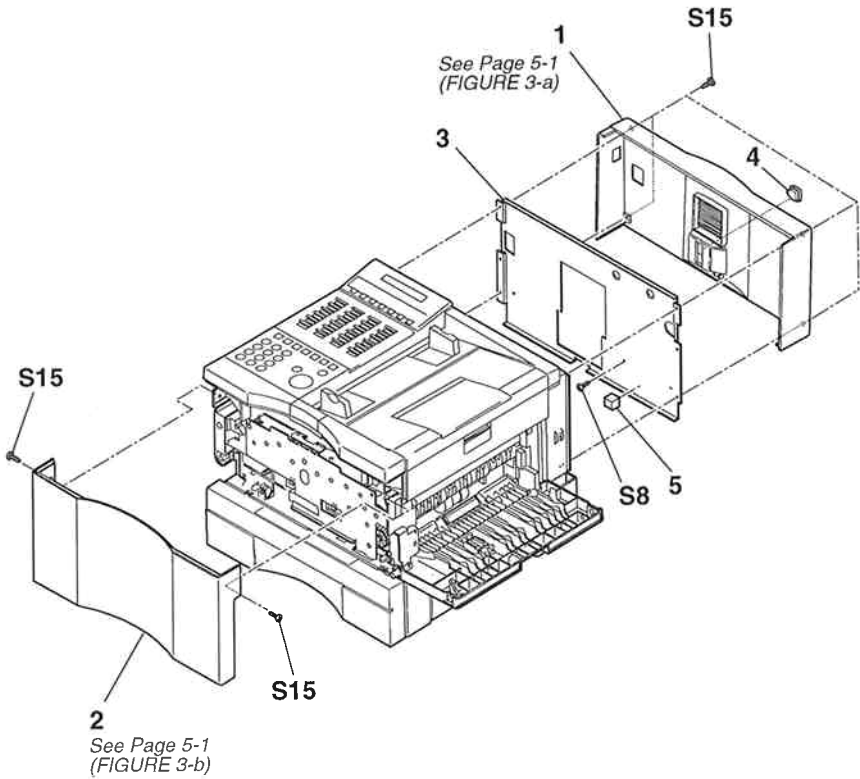


FIGURE & KEY No.	PART No.	R A N K	Q T Y	DESCRIPTION	REMARKS
4 - 1	HB1-0483-050		1	COVER, REAR	
2	HB1-0677-030		1	COVER, FRONT	
3	HB1-0673-030	N	1	COVER, SHIELD	
4	WS9-5038-000		1	SPACER, MODULAR	
5	HB1-0512-000		1	PAD, RUBBER	

FIGURE 5 LASER CLASS 5000 DOCUMENT TABLE ASS'Y

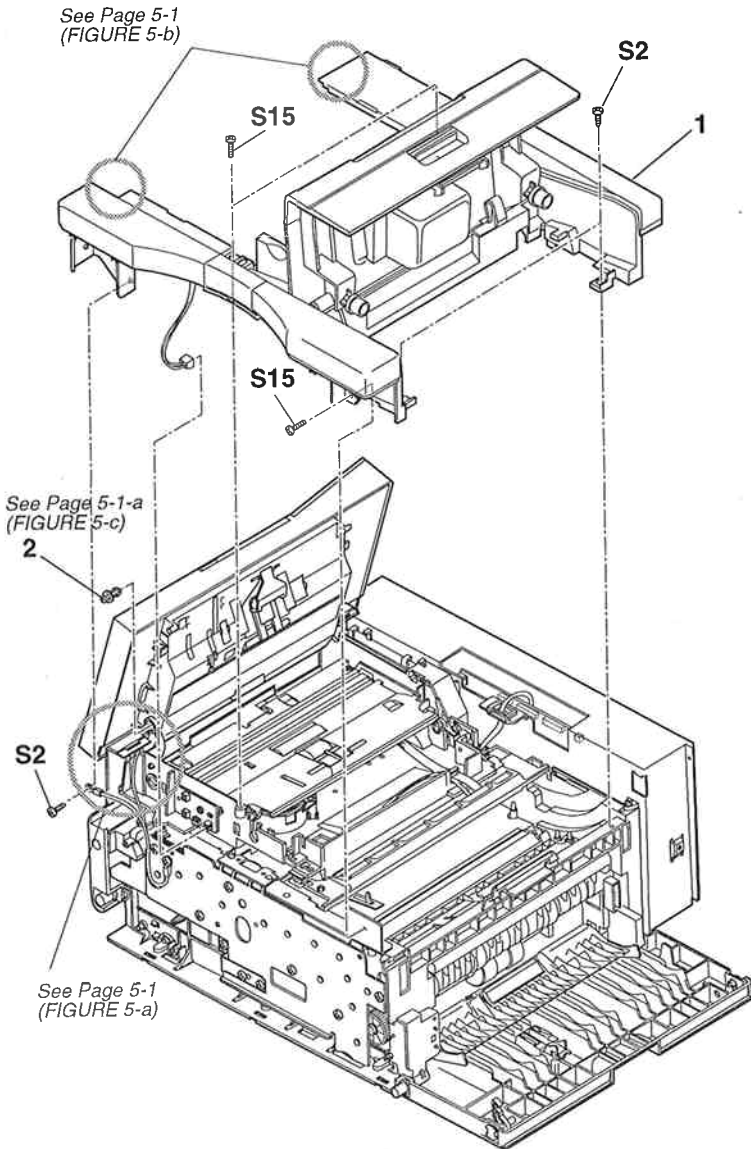


FIGURE & KEY No.	PART No.	R A N K	Q T Y	DESCRIPTION	REMARKS
5- 1	NPN		1	DOCUMENT TABLE ASS'Y	
2	WT2-5078-000		1	RIVET	

FIGURE 6 LASER CLASS 5500 DOCUMENT TABLE ASS'Y

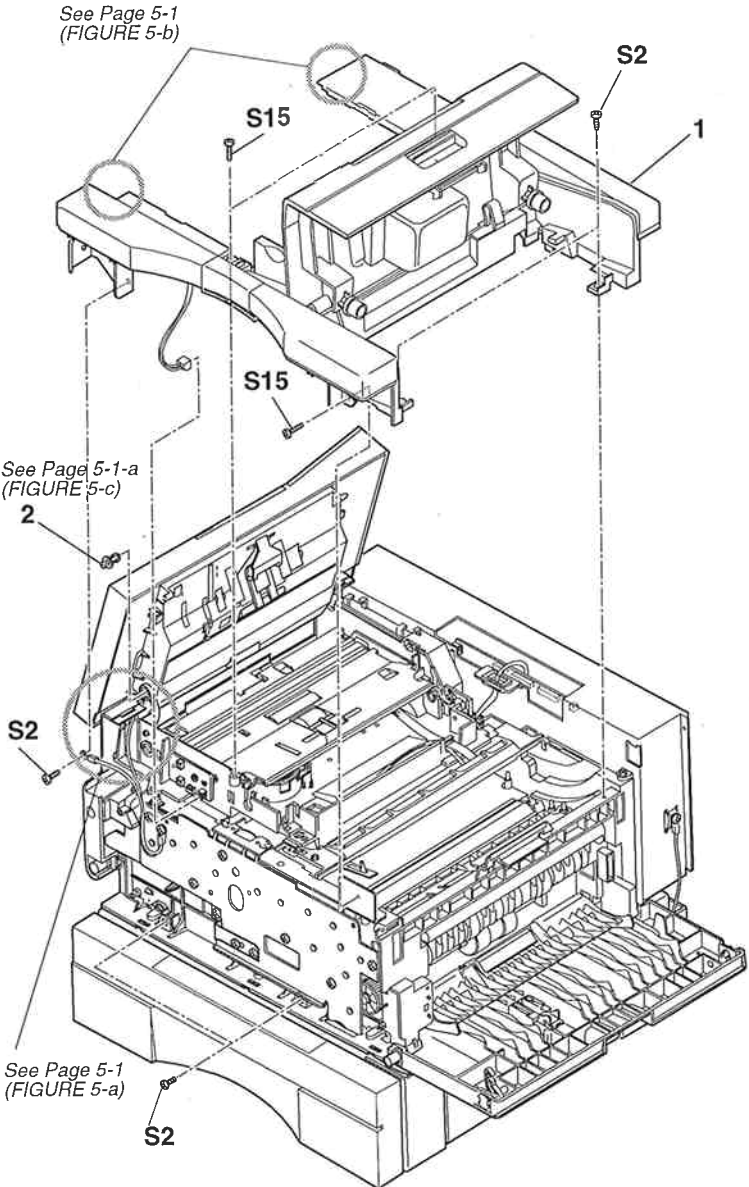


FIGURE & KEY No.	PART No.	R A N K	Q T Y	DESCRIPTION	REMARKS
6- 1	NPN		1	DOCUMENT TABLE ASS'Y	
2	WT2-5078-000		1	RIVET	

FIGURE 7 LASER CLASS 5000 ADF & CONTROL PANEL SECTION

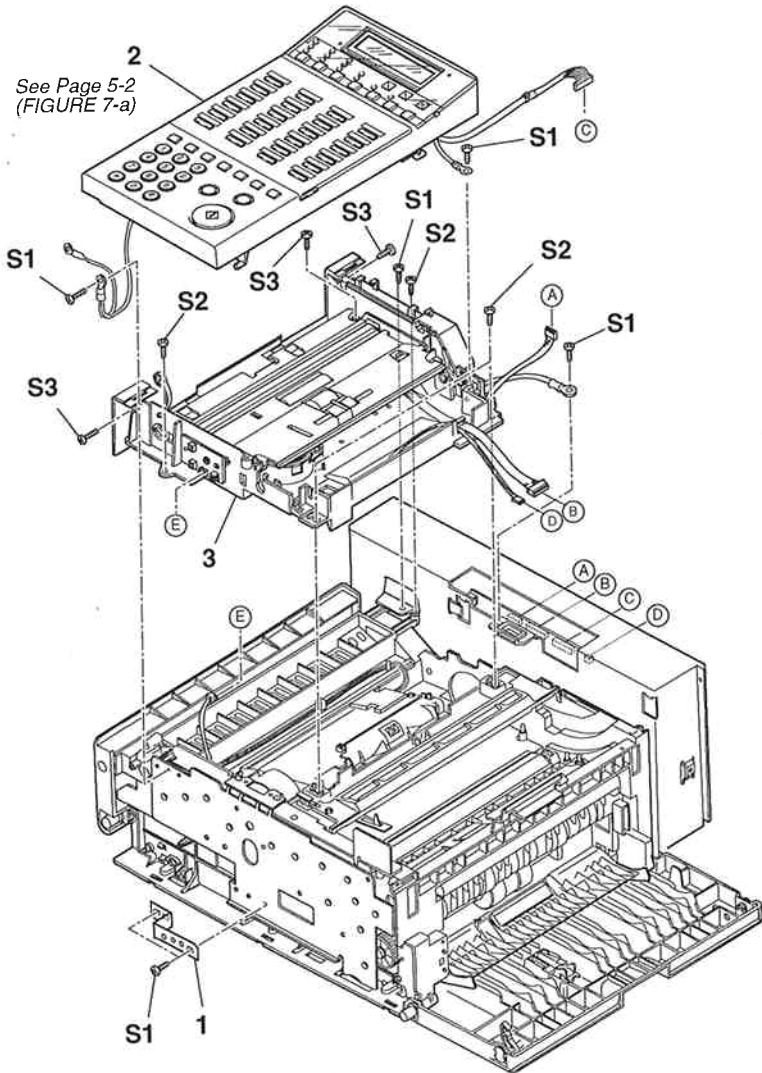


FIGURE & KEY No.	PART No.	R A N K	Q T Y	DESCRIPTION	REMARKS
7- 1 2 3	HB1-0489-000 NPN NPN		1 1 1	PLATE, GROUDING ADF AND CONTROL PANEL ASS'Y ADF ASS'Y, LOWER	

FIGURE 8 LASER CLASS 5500 ADF & CONTROL PANEL SECTION

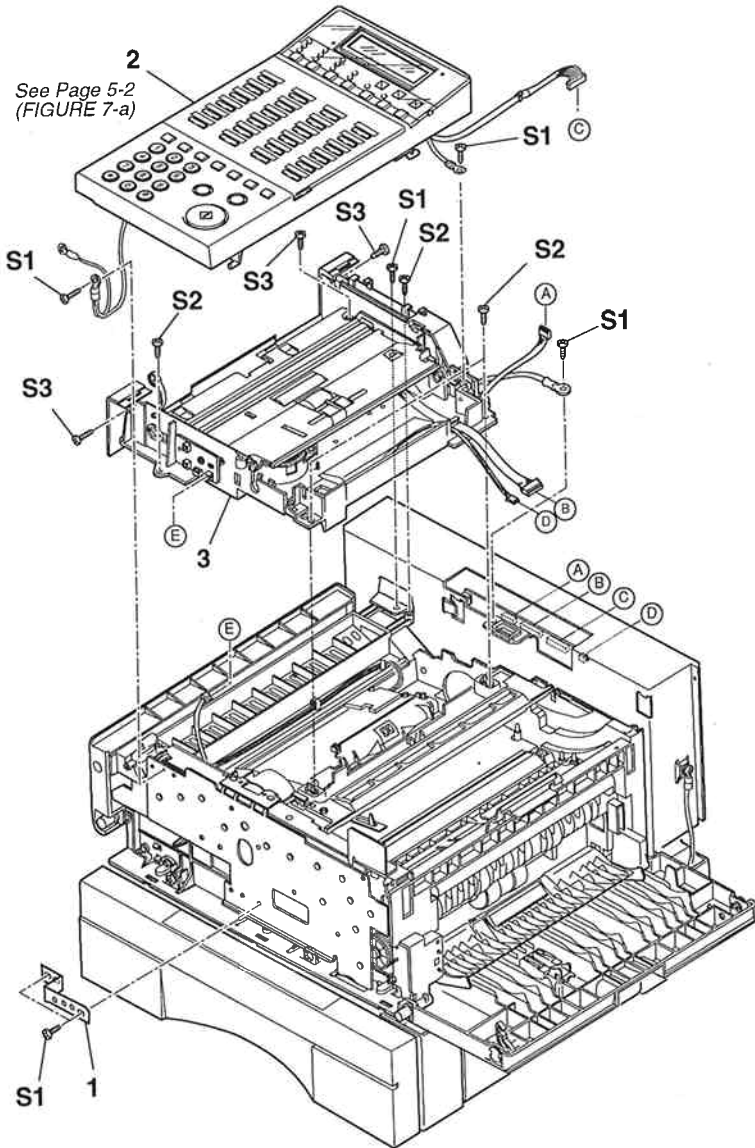


FIGURE & KEY No.	PART No.	R A N K	Q T Y	DESCRIPTION	REMARKS
8- 1	HB1-0489-000		1	PLATE, GROUDING	
2	NPN		1	ADF AND CONTROL PANEL ASSY	
3	NPN		1	ADF ASSY, LOWER	

FIGURE 9 LASER CLASS 5000 CIRCUIT BOARDS

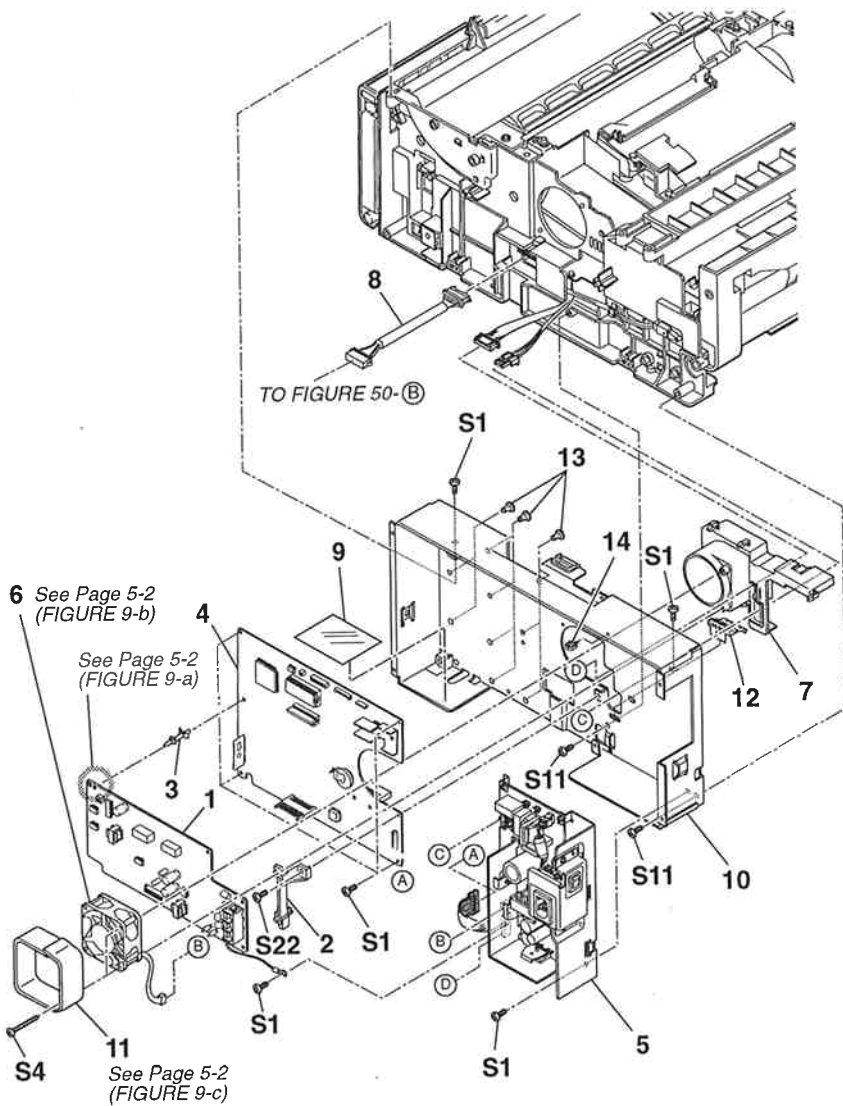


FIGURE & KEY No.	PART No.	R A N K	Q T Y	DESCRIPTION	REMARKS
9 - 1	HG1-4074-030		1	NCU BOARD ASS'Y	
2	HB1-0493-000		1	SUPPORT, NCU BOARD ASS'Y	
3	VT2-0001-012		1	SUPPORT, PCB	
4	HG1-4073-080		1	SCNT BOARD ASS'Y	
5	HH3-5268-000		1	POWER SUPPLY UNIT	
6	HH7-2023-000		1	FAN UNIT	
7	HB1-0488-000		1	DUCT, FAN	
8	HH2-2333-000		1	CABLE WITH CONNECTOR, 18P	
9	HB1-0669-000		1	SHEET, SHIELD	
10	HB1-0487-060	N	1	CASE, SHIELD	
11	HB1-0492-000		1	COVER, FAN	
12	HB1-0494-020		1	PLATE, GROUNDING	
13	VT2-5027-008		9	SPACER	
14	WT2-0434-000		1	CLIP	

FIGURE 10 LASER CLASS 5500 CIRCUIT BOARDS

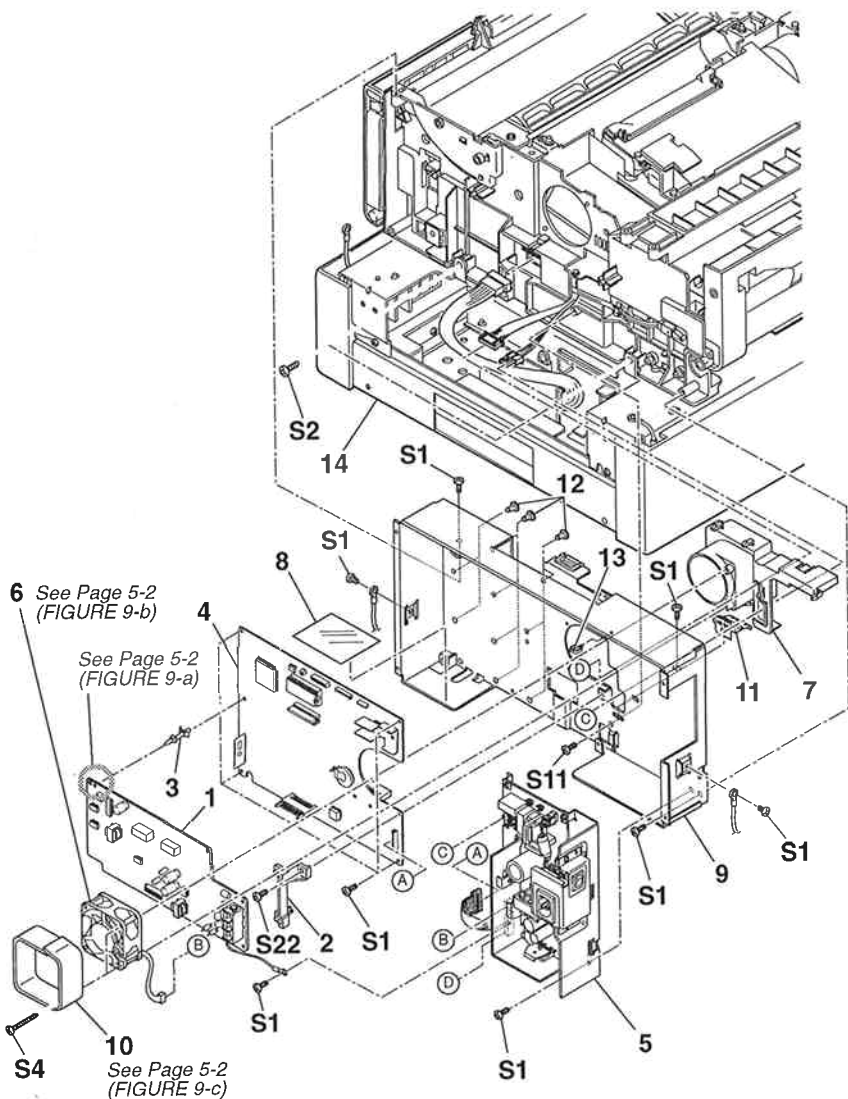
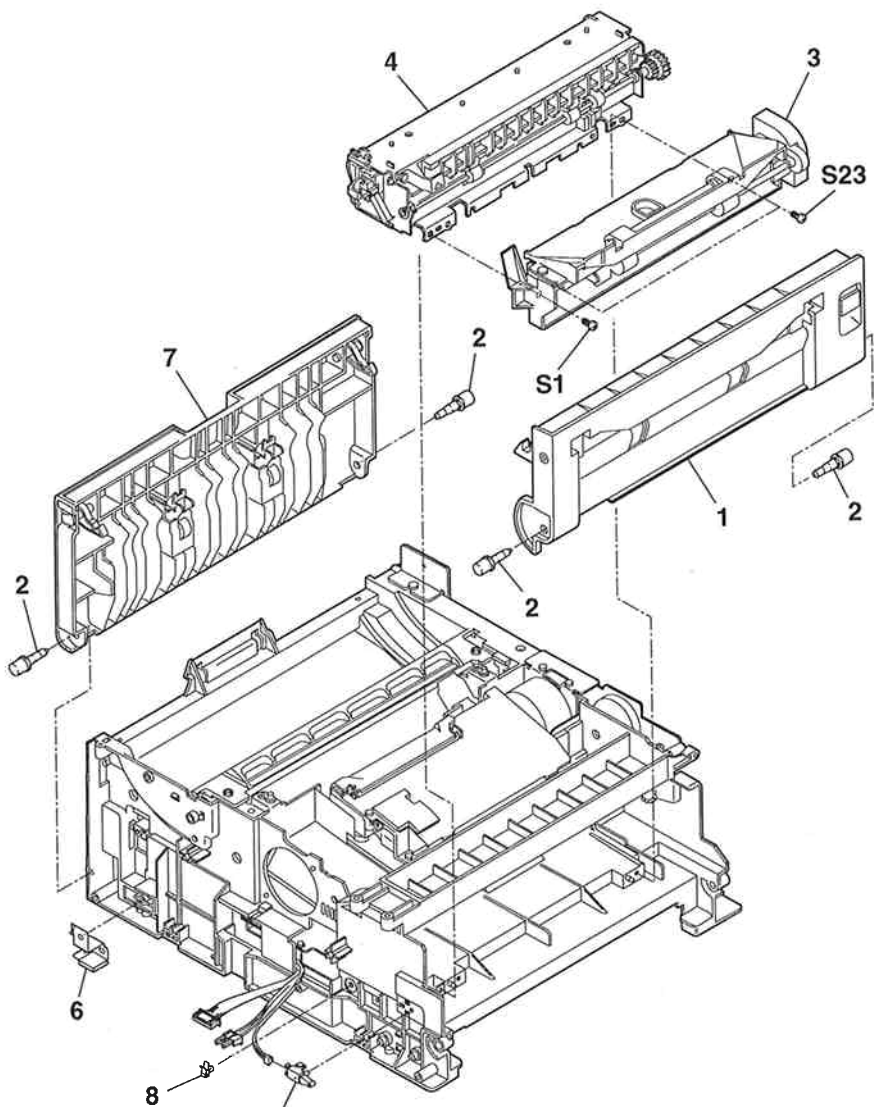


FIGURE & KEY No.	PART No.	R A N K	Q T Y	DESCRIPTION	REMARKS
10- 1	HG1-4074-030		1	NCU BOARD ASS'Y	
2	HB1-0493-000		1	SUPPORT, NCU BOARD ASS'Y	
3	VT2-0001-012		1	SUPPORT, PCB	
4	HG1-4100-080		1	SCNT BOARD ASS'Y	
5	HH3-5268-000		1	POWER SUPPLY UNIT	
6	HH7-2023-000		1	FAN UNIT	
7	HB1-0488-000		1	DUCT, FAN	
8	HB1-0669-000		1	SHEET, SHIELD	
9	HB1-0487-060	N	1	CASE, SHIELD	
10	HB1-0492-000		1	COVER, FAN	
11	HB1-0494-020		1	PLATE, GROUNDING	
12	VT2-5027-008		9	SPACER	
13	WT2-0434-000		1	CLIP	
14	NPN		1	FRONT CASSETTE FEEDER ASS'Y	

FIGURE 11 FIXING & PAPER EXIT SECTION



5
See Page 5-3
(FIGURE 11-a)

FIGURE & KEY No.	PART No.	R A N K	Q T Y	DESCRIPTION	REMARKS
11- 1	HG5-0131-040		1	EXIT PAPER COVER ASS'Y	
2	HB1-0490-000		4	PIN, TAPER	
3	HG5-0132-050		1	PAPER EJECT ROLLER ASS'Y	
4	RG9-0979-000		1	FIXING ASS'Y	
5	WC4-5052-000		1	MICRO SWITCH	
6	HB1-0500-020		1	SPRING, LEFT	
7	NPN		1	FEEDER RIGHT COVER ASS'Y	
8	WT2-0387-000		1	CLAMP	

FIGURE 12 PRINTER SECTION (1)

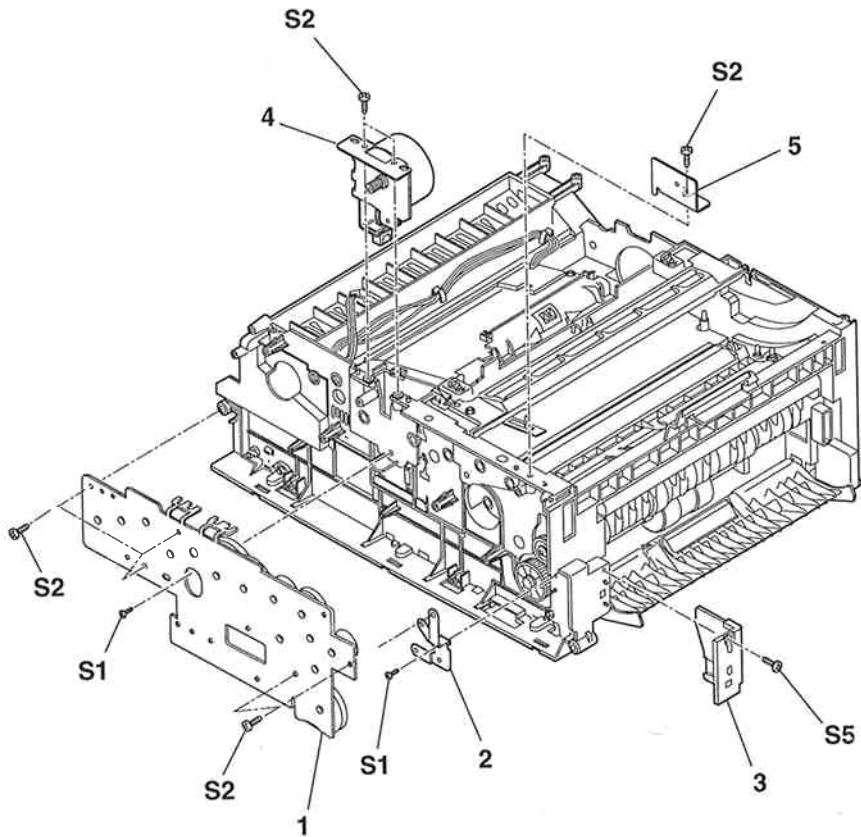


FIGURE 13 PRINTER SECTION (2)

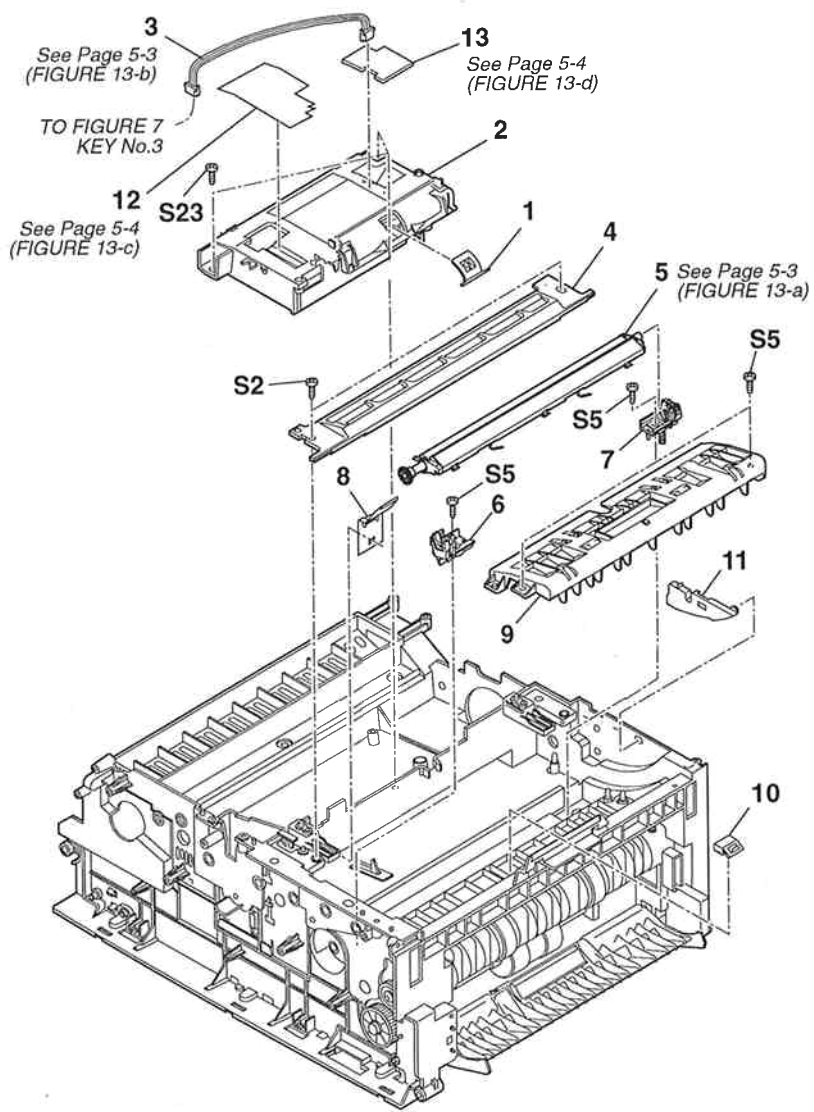


FIGURE & KEY No.	PART No.	RANK	QTY	DESCRIPTION	REMARKS
13- 1	RB1-3681-000		1	CAP, SHUTTER	
2	RG5-0662-030		1	LASER/SCANNER ASSY	
3	HH2-2331-000		1	CABLE WITH CONNECTOR, 3P	
4	RG5-0667-000		1	MIRROR ASSY	
5	NPN		1	TRANSFER ASSY	
6	RG5-0674-000		1	TRANSFER MOUNT ASS'Y, LEFT	
7	RG5-0675-000		1	TRANSFER MOUNT ASS'Y, RIGHT	
8	RB1-3003-000		1	SPRING, LEAF	
9	HG5-0123-000		1	ROLLER GUIDE UNIT	
10	HB1-0509-000		1	COVER, TONER SENSOR	
11	HB1-0496-000		1	PLATE, CARTRIDGE	
12	HB1-0666-000		1	COVER, DUST A	
13	HB1-0667-000		1	COVER, DUST B	

FIGURE 14 PAPER PICKUP SECTION

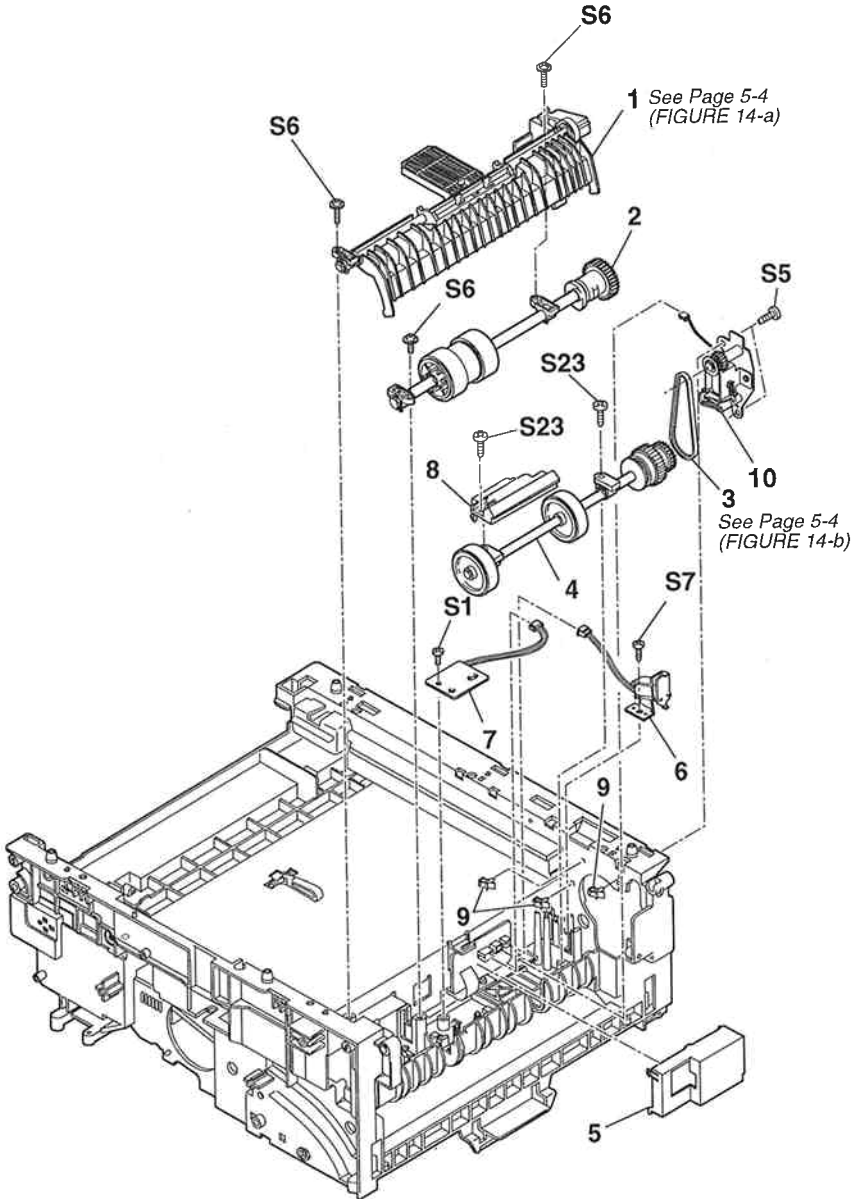


FIGURE 15 PCNT ASS'Y

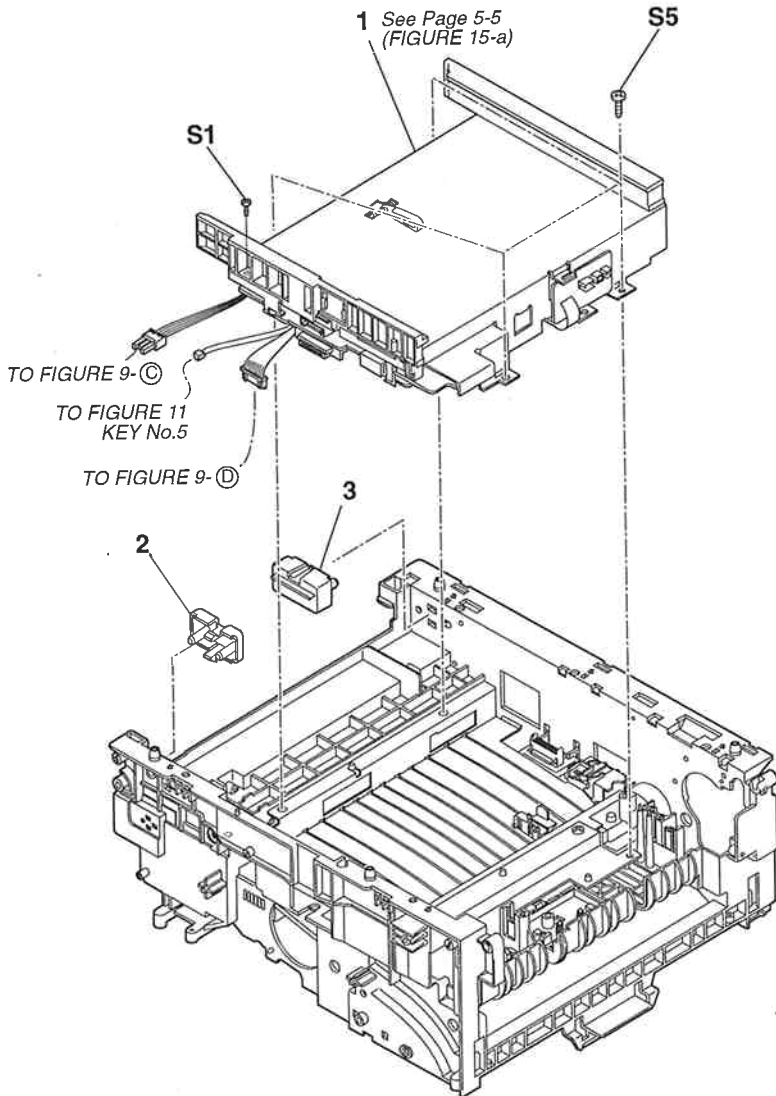


FIGURE 16 FEEDER GUIDE ASS'Y

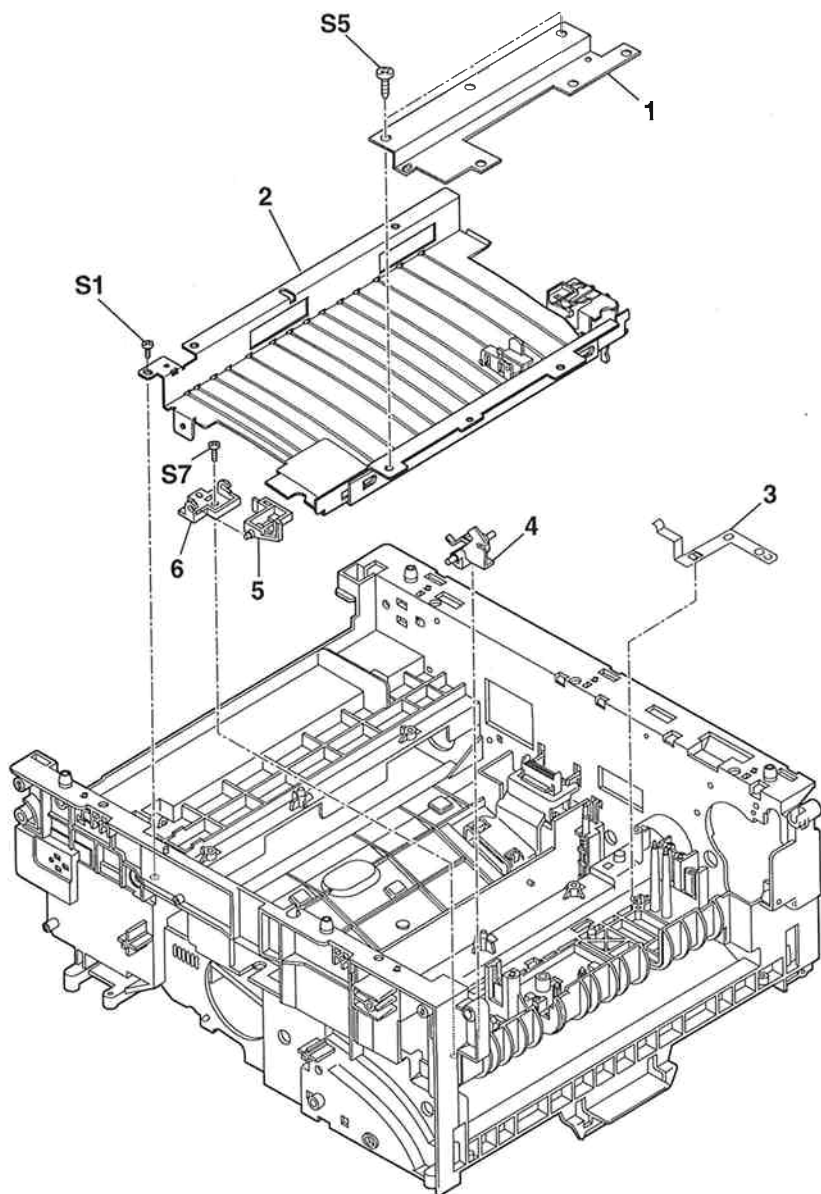


FIGURE 17 PRINTER FRAME

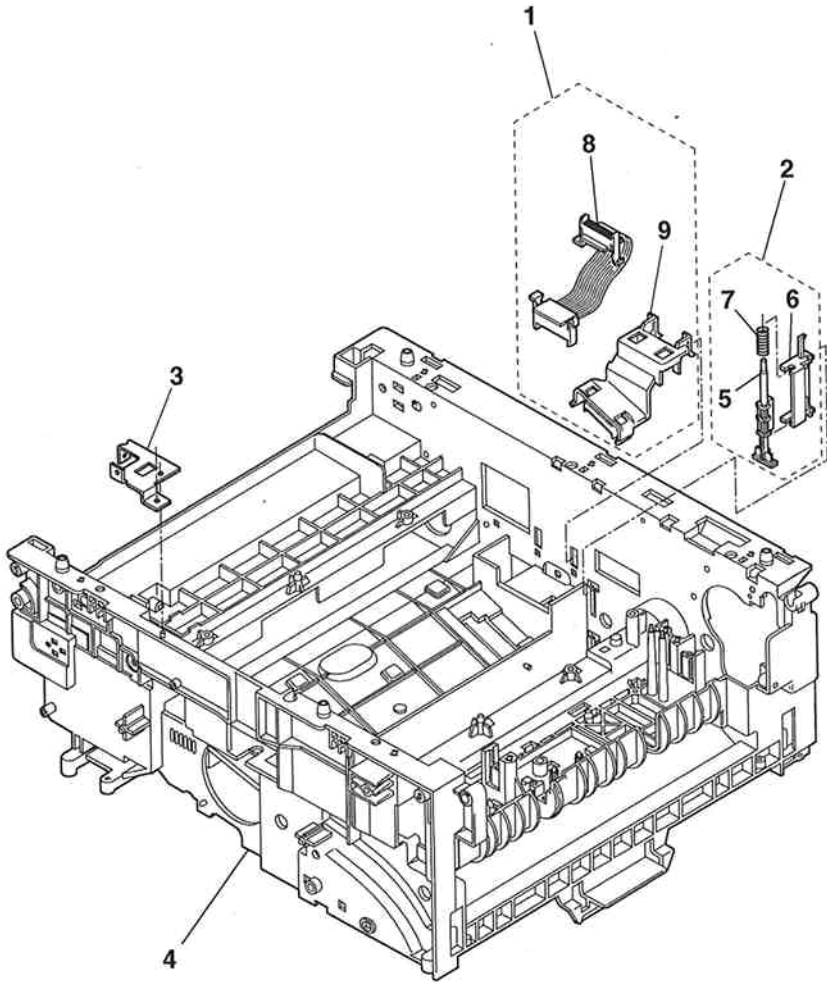


FIGURE & KEY No.	PART No.	R A N K	Q T Y	DESCRIPTION	REMARKS
17- 1	RG5-0766-000		1	SCANNER CONNECTOR ASS'Y	
2	RG5-0694-020		1	SWITCH LEVER ASS'Y	
3	HB1-0497-000		1	SPRING, LEAF, GROUNDING	
4	HB1-0675-040	N	1	FRAME, PRINTER	
5	RB1-2998-020		1	LEVER, SWITCH	
6	RB1-2999-000		1	HOLDER, SWITCH LEVER	
7	RS5-2234-000		1	SPRING, COMPRESSION	
8	RG5-0754-000		1	SCANNER CABLE ASS'Y	
9	RB1-2975-020		1	GUIDE, CABLE	

FIGURE 18 TOP & CARTRIDGE COVER ASS'Y

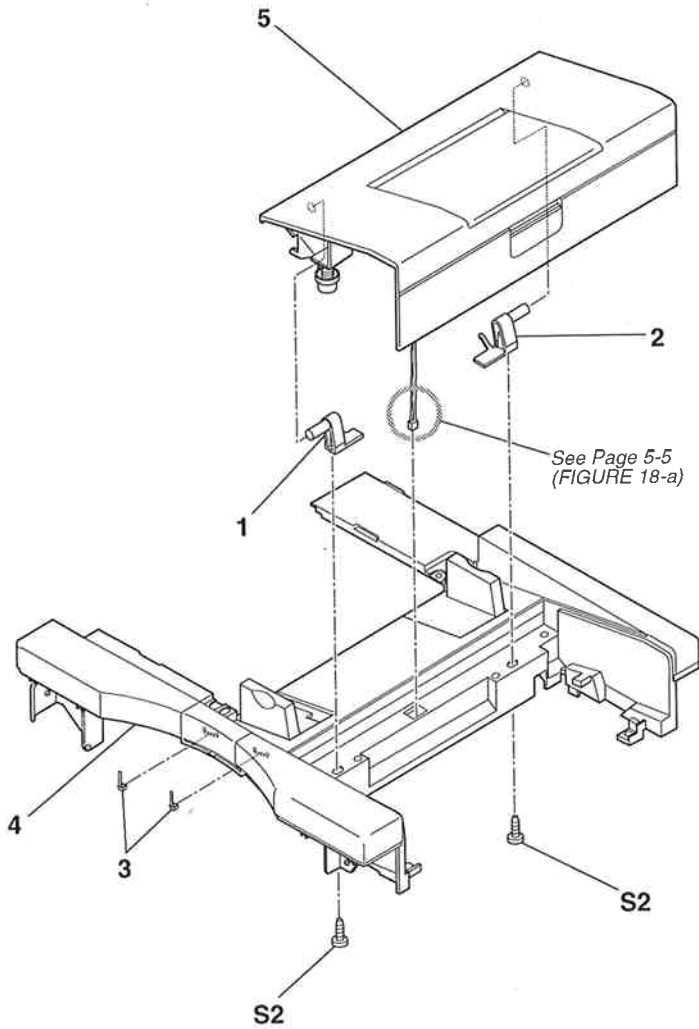


FIGURE & KEY No.	PART No.	R A N K	Q T Y	DESCRIPTION	REMARKS
18- 1	HB1-0593-000		1	HINGE, LEFT	
2	HB1-0594-000		1	HINGE, RIGHT	
3	X66-6615-000		2	BAND, WIRING	
4	NPN		1	TOP COVER ASS'Y	
5	NPN		1	CARTRIDGE COVER ASS'Y	

FIGURE 19 CARTRIDGE COVER

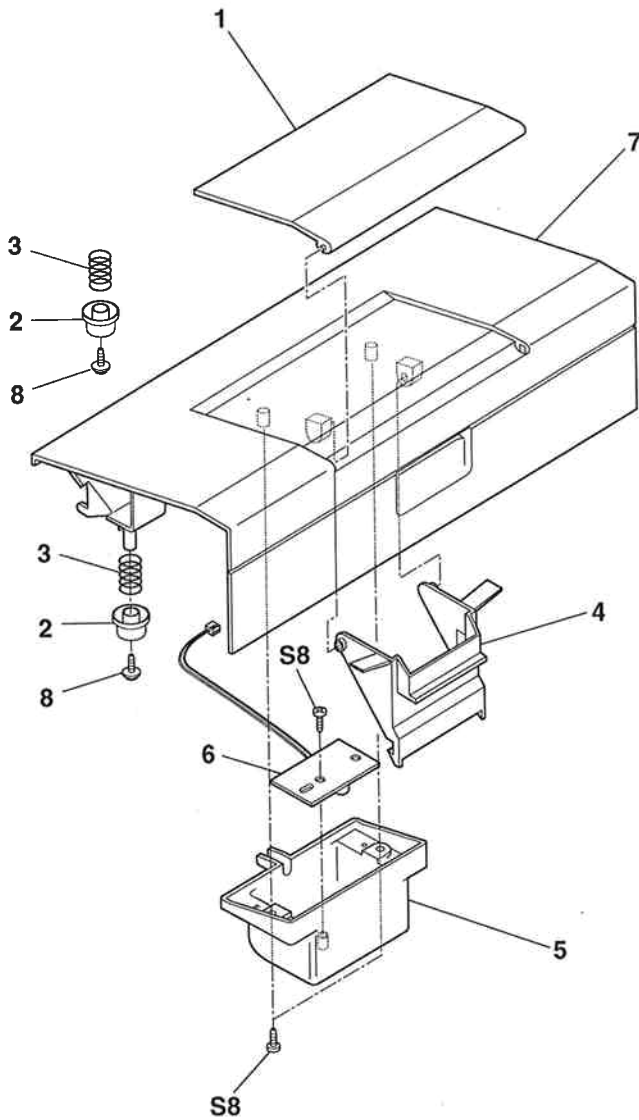


FIGURE & KEY No.	PART No.	R A N K	Q T Y	DESCRIPTION	REMARKS
19- 1	HB1-0596-000		1	TRAY, DOCUMENT, EXTENSION	
2	RB1-3130-000		2	PIECE, CRG PRESSURE	
3	RSS-2227-000		2	SPRING, COMPRESSION	
4	HB1-0597-000		1	LEVER, RELEASE	
5	HB1-0598-000		1	COVER, LED	
6	HG1-4057-000		1	LED BOARD ASSY	
7	HB1-0595-000		1	COVER, CARTRIDGE	
8	XA9-0476-000		2	SCREW, TP M3X8	

FIGURE 20 TOP COVER

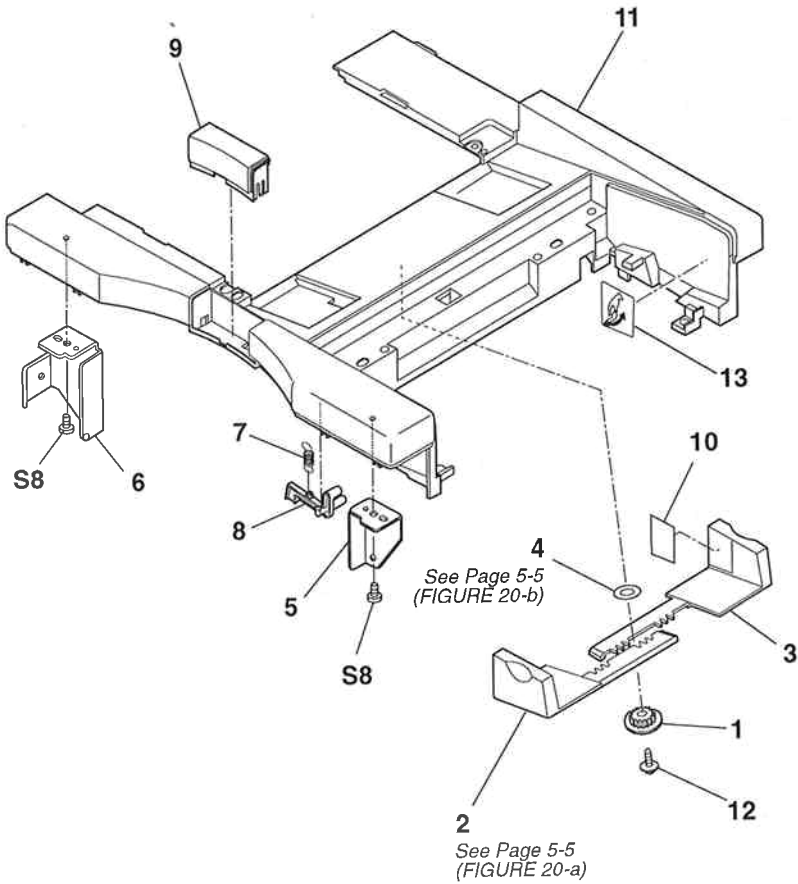


FIGURE & KEY No.	PART No.	R A N K	Q T Y	DESCRIPTION	REMARKS
20 - 1	HS1-0070-000		1	GEAR, 16T	
2	HB1-0588-000		1	GUIDE, DOCUMENT, LEFT	
3	HB1-0587-000		1	GUIDE, DOCUMENT, RIGHT	
4	HB1-0614-000		1	SPRING WASHER, SLIDER	
5	HB1-0591-000		1	PLATE, SUPPORTING, RIGHT	
6	HB1-0592-000		1	PLATE, SUPPORTING, LEFT	
7	HS5-2022-000		1	SPRING, LEVER	
8	HB1-0589-000		1	ARM, CARTRIDGE COVER SENSOR	
9	HB1-0590-000		1	COVER, LED	
10	HB1-0599-000		1	LABEL, UPPER LIMIT	
11	HB1-0586-000		1	COVER, DOCUMENT GUIDE	
12	XA9-0428-000		1	SCREW M2.6X8	
13	HB1-0600-000		1	LABEL, HANDLING CARTRIDGE	

FIGURE 21 CONTROL PANEL ASS'Y & ADF ASS'Y, UPPER

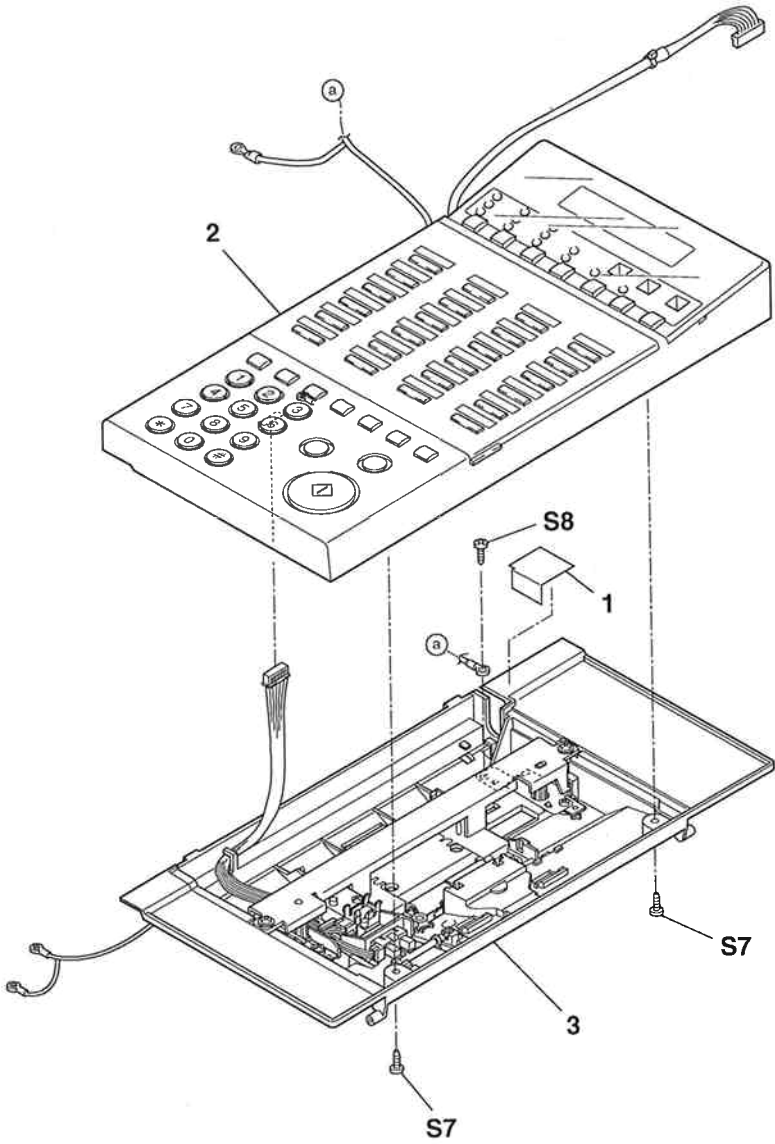


FIGURE & KEY No.	PART No.	R A N K	Q T Y	DESCRIPTION	REMARKS
21- 1	HB1-0648-000		1	SHEET, PROTECT	
2	HG5-0148-000		1	CONTROL PANEL ASS'Y	
3	NPN		1	ADF ASS'Y, UPPER	

FIGURE 22 ADF, UPPER

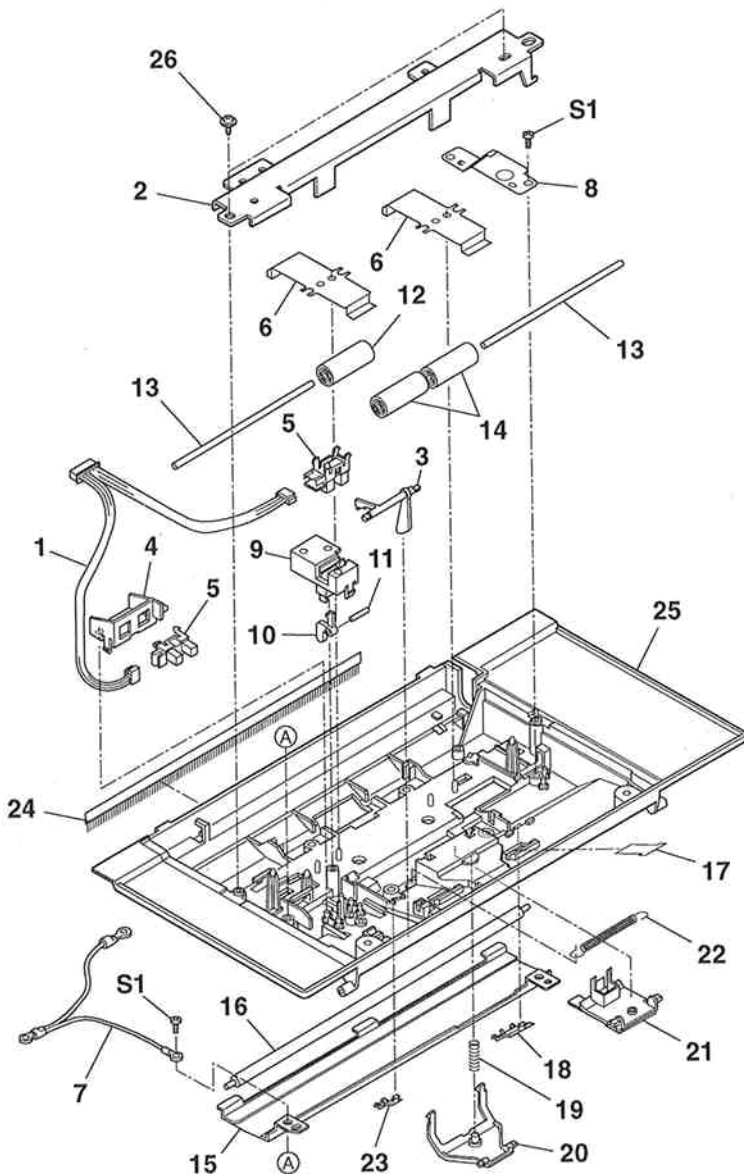


FIGURE & KEY No.	PART No.	R A N K	Q T Y	DESCRIPTION	REMARKS
22 - 1	HH2-2363-000		1	CABLE UNIT	
2	HB1-0643-020	N	1	STAY, PRESSURE	
3	HB1-0638-000		1	ARM, DETECTION (DS)	
4	HB1-0639-000		1	HOLDER (DS)	
5	WG8-5210-000		2	IC, TLP1240 PHOTOINTERRUPTER	
6	HB1-0642-000		2	PLATE, PRESSURE	
7	HH2-2369-000		1	WIRE, GROUNDING	
8	HB1-0647-000		1	SPRING, LEAF, GROUNDING	
9	HB1-0640-000		1	HOLDER (DES)	
10	HA1-6639-000		1	ARM, DETECTION (DES)	
11	XD3-2200-122		1	PIN, PARALLEL, 2X12	
12	HA1-6852-000		1	ROLLER, EJECT, UPPER	
13	HB1-0641-000		2	SHAFT, DELIVERY ROLLER	
14	HA1-5327-000		2	ROLLER, BACK-UP	
15	HF5-0047-020		1	WHITE SHEET UNIT	
16	HB1-0635-000		1	SHAFT, PRESSURE	
17	HB1-0637-000		2	SHEET, FRICTION	
18	HB1-0634-000		1	COVER, BLANKING A	
19	HS5-2024-000		1	SPRING	
20	HB1-0632-000		1	ARM, PRESSURE	
21	HG5-0143-000		1	SEPARATION GUIDE ASS'Y	
22	HS5-2025-000		1	SPRING	
23	HB1-0633-000		1	COVER, BLANKING B	
24	HB1-0636-000		1	BRUSH, STATIC DISCHARGE	
25	HB1-1090-000	N	1	FRAME, ADF, UPPER	

FIGURE 23 CONTROL PANEL (1)

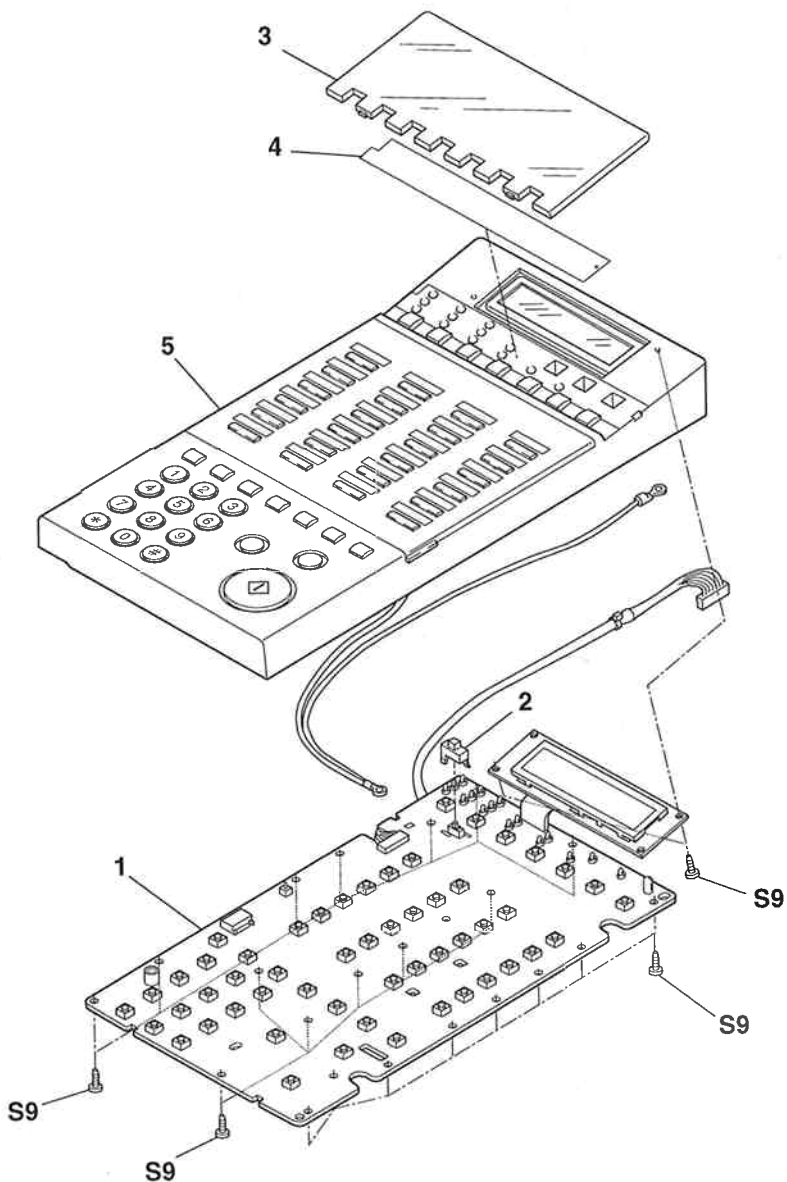


FIGURE & KEY No.	PART No.	R A N K	Q T Y	DESCRIPTION	REMARKS
23 - 1	HG1-4075-000		1	OPCNT BOARD ASS'Y	
2	HB1-0662-000		1	COVER, SWITCH	
3	HB1-0661-000		1	COVER, DISPLAY	
4	HB1-0663-000		1	SHEET, FUNCTION	
5	NPN		1	CONTROL PANEL COVER ASS'Y	

FIGURE 24 CONTROL PANEL (2)

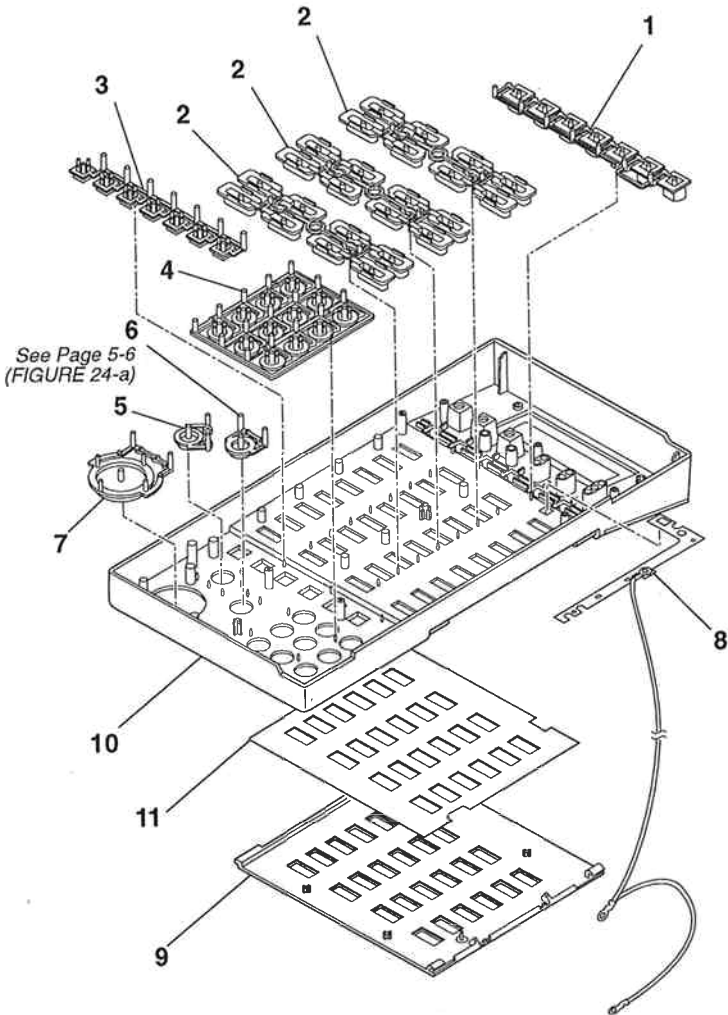


FIGURE & KEY No.	PART No.	R A N K	Q T Y	DESCRIPTION	REMARKS
24 - 1	HB1-0656-000		1	KEY TOP, "FUNCTION (MODE)"	
2	HB1-0654-000		1	KEY TOP, "ONE TOUCH DIAL"	
3	HB1-0655-000		1	KEY TOP, "TEL FUNCTION"	
4	HB1-0652-000		1	KEY TOP, "DIAL"	
5	HB1-0658-000		1	KEY TOP, "COPY"	
6	HB1-0657-000		1	KEY TOP, "STOP"	
7	HB1-0653-000		1	KEY TOP, "START"	
8	HB1-0664-030		1	PLATE, WITH GROUND WIRE	
9	HB1-0659-030		1	COVER, ONE TOUCH DIAL	
10	HB1-0651-030		1	COVER, CONTROL PANEL	
11	HB1-0660-000		1	SHEET, FUNCTION	

FIGURE 25 ADF, LOWER (1)

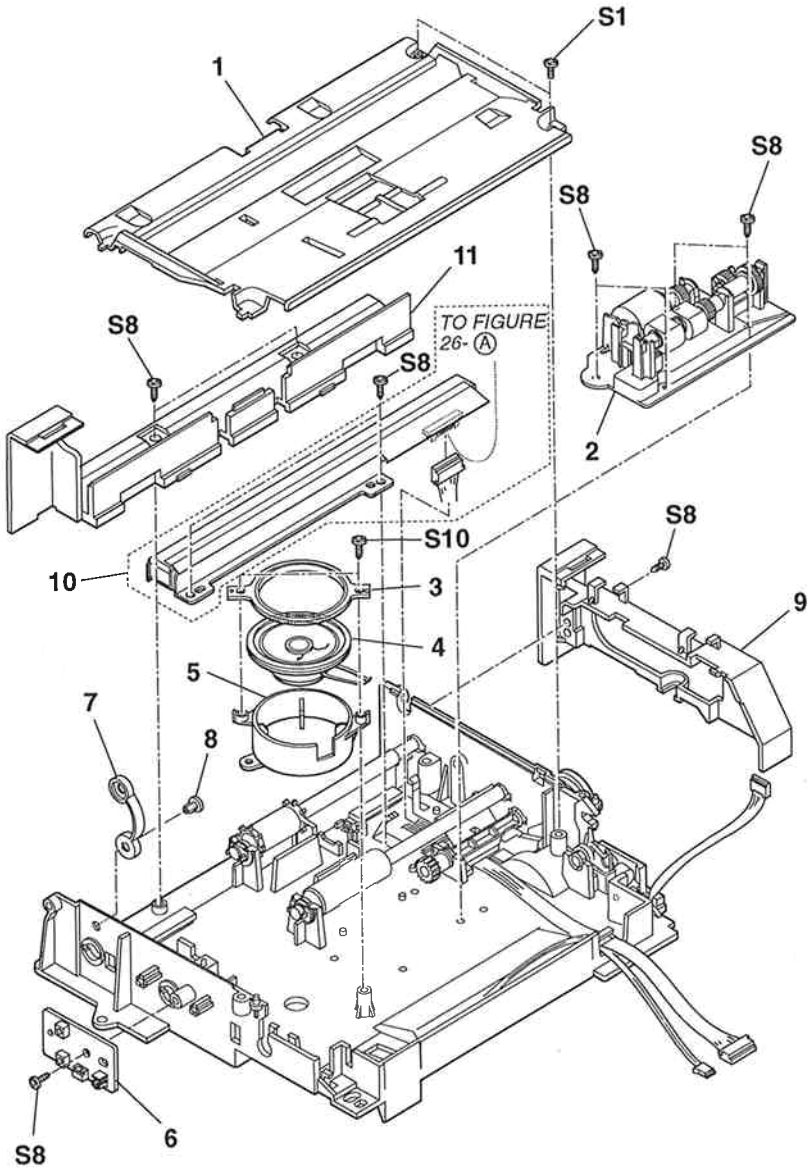


FIGURE & KEY No.	PART No.	R A N K	Q T Y	DESCRIPTION	REMARKS
25 - 1	HB1-0602-000		1	COVER, ADF, LOWER	
2	HG5-0140-000		1	SEPARATION ROLLER ASS'Y	
3	HB1-0612-000		1	PLATE, SPEAKER MOUNTING	
4	HH7-2046-000		1	SPEAKER	
5	HB1-0611-000		1	HOLDER, SPEAKER	
6	HG1-4197-000		1	VR BOARD ASS'Y	
7	HB1-0613-000		1	STOPPER, CONTROL PANEL	
8	WT2-5078-000		1	RIVET	
9	HB1-0606-000		1	COVER, GEAR	
10	HG5-0142-000		1	CONTACT SENSOR UNIT	
11	HB1-0608-000		1	COVER, EJECT ROLLER	

FIGURE 26 ADF, LOWER (2)

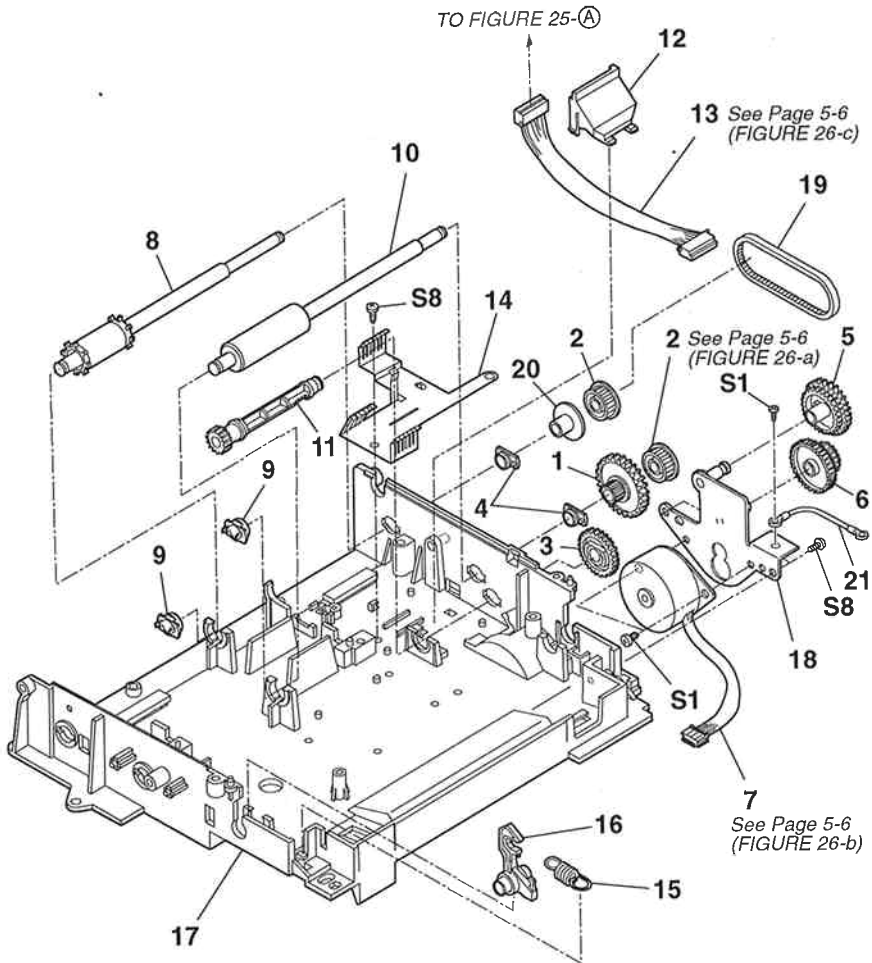


FIGURE & KEY No.	PART No.	R A N K	Q T Y	DESCRIPTION	REMARKS
26 - 1	HS5-0057-020		1	GEAR, 44T/20T	
2	HS1-3066-000		2	PULLEY 26T	
3	HS5-0056-020		1	GEAR, 49T	
4	HS5-1013-020		2	BUSHING	
5	HS5-0059-020		1	GEAR, 38T/33T	
6	HS5-0063-000		1	GEAR, 60T/20T	
7	HH7-2045-000		1	PULSE MOTOR, READER	
8	HB1-0604-040		1	ROLLER, DOCUMENT EJECT	
9	HS5-1014-000		2	BUSHING	
10	HB1-0603-020		1	ROLLER, DOCUMENT FEED	
11	HB1-0610-000	N	1	SHAFT, TRANSFER	
12	HB1-0607-000		1	COVER, CABLE	
13	HH2-2435-000		1	CABLE WITH CONNECTOR, 10P	
14	HB1-0609-030		1	SPRING, LEAF, GROUNDING	
15	HS5-2023-000		2	SPRING	
16	HB1-0605-000		2	ARM, HOOK	
17	HB1-1089-000	N	1	FRAME, ADF	
18	HF5-0046-030		1	MOUNT, DOCUMENT FEED MOTOR	
19	XF9-0518-000		1	DRIVE BELT, COGGED	
20	HS5-6006-000		1	ROLLER, DRIVE	
21	HH2-2437-000		1	WIRE, GROUNDING	

FIGURE 27 SEPARATION ROLLER

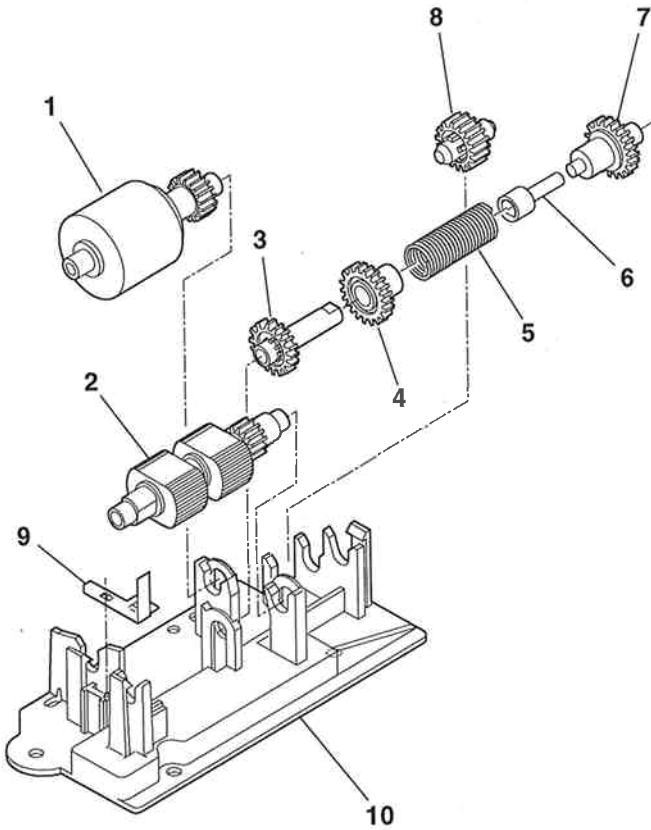


FIGURE & KEY No.	PART No.	R A N K	Q T Y	DESCRIPTION	REMARKS
27 - 1	HF5-0044-000		1	ROLLER, SEPARATION	
2	HF5-0045-000		1	ROLLER, LOADING	
3	HS5-0061-000		1	GEAR, 19T	
4	HS5-0060-000		1	GEAR, 20T	
5	HS5-2028-000		1	SPRING, CLUTCH	
6	HS5-6005-000		1	ROLLER, DRIVE	
7	HS5-0062-000		1	GEAR, 20T	
8	HA2-0325-000		1	GEAR, 17T	
9	HB1-0621-000		1	SPRING, LEAF	
10	HB1-0616-000		1	HOLDER, SEPARATION ROLLER	

FIGURE 28 SEPARATION GUIDE

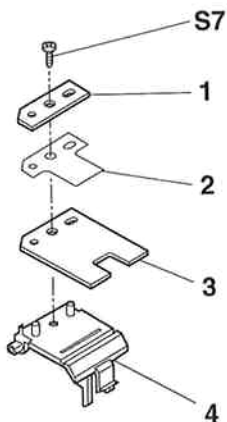


FIGURE & KEY No.	PART No.	RANK	QTY	DESCRIPTION	REMARKS
28 - 1	HA1-6629-000		1	HOLDER, SEPARATION	
2	HA1-6633-000		1	SHEET, DOCUMENT SLIDE, FRONT	
3	HB1-0650-000		1	RUBBER, SEPARATION	
4	HB1-0649-000		1	HOLDER, SEPARATION GUIDE	

FIGURE 29 PAPER EXIT COVER

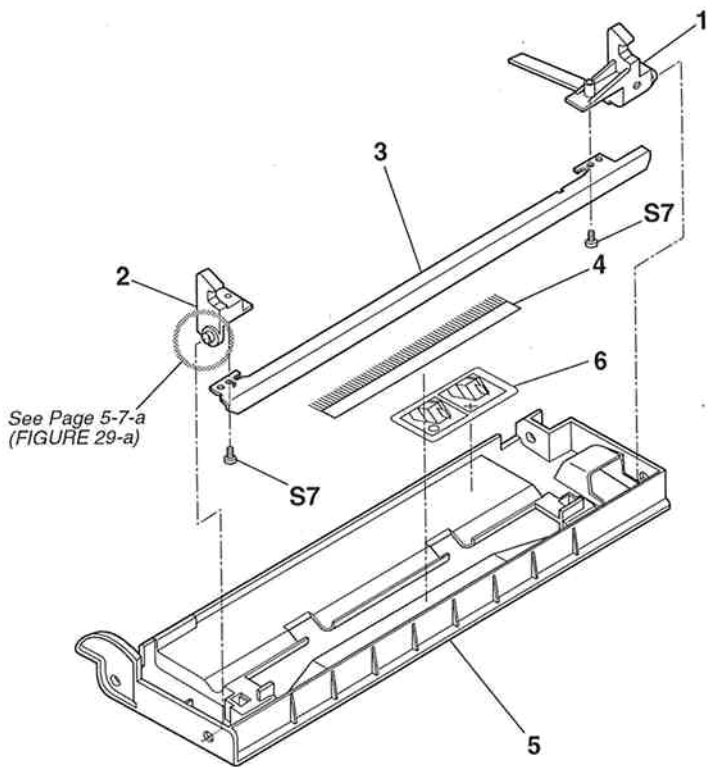


FIGURE & KEY No.	PART No.	R A N K	Q T Y	DESCRIPTION	REMARKS
29 - 1	HB1-0575-040		1	ARM, LOCK (L)	
2	HB1-0576-020		1	ARM, LOCK (R)	
3	HB1-0577-020	N	1	STAY	
4	HB1-0574-000		1	BRUSH, STATIC DISCHARGE	
5	HB1-0573-030		1	COVER, EXIT PAPER	
6	HB1-0583-000		1	LABEL, HANDLING PAPER JAM	

FIGURE 30 PAPER EXIT ROLLER

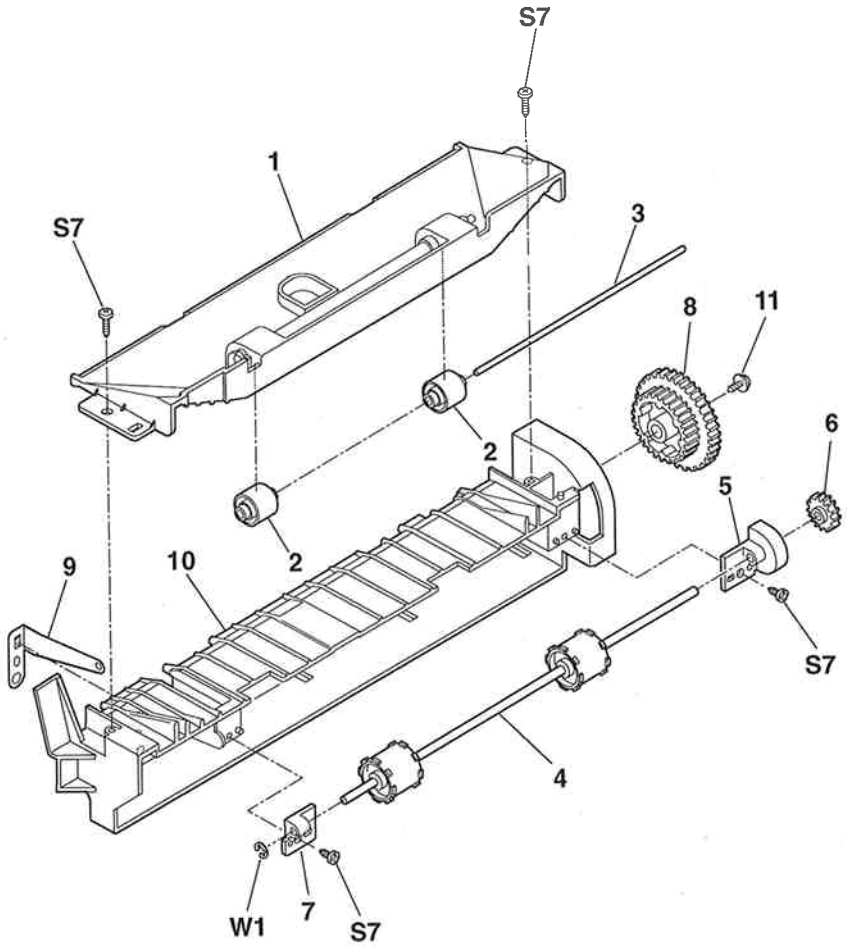


FIGURE & KEY No.	PART No.	R A N K	Q T Y	DESCRIPTION	REMARKS
30 - 1	HB1-0578-040		1	GUIDE, PAPER EJECT	
2	HS5-6004-000		2	ROLLER, PAPER EJECT (UPPER)	
3	HB1-0581-020		1	SHAFT, EJECT ROLLER	
4	HB1-0582-000		2	ROLLER, PAPER EJECT (LOWER)	
5	HS5-1012-000		1	BUSHING	
6	HS5-0055-000		1	GEAR, 18T	
7	HS5-1011-000		1	BUSHING	
8	HS5-0054-000		1	GEAR, 52T/38T	
9	HB1-0580-000		1	SPRING, LEAF, GROUNDING	
10	HB1-0579-000	N	1	FRAME, PAPER EJECT GUIDE	
11	XA9-0283-000		1	SCREW, TP, PH3X6	

FIGURE 31 FIXING ASS'Y

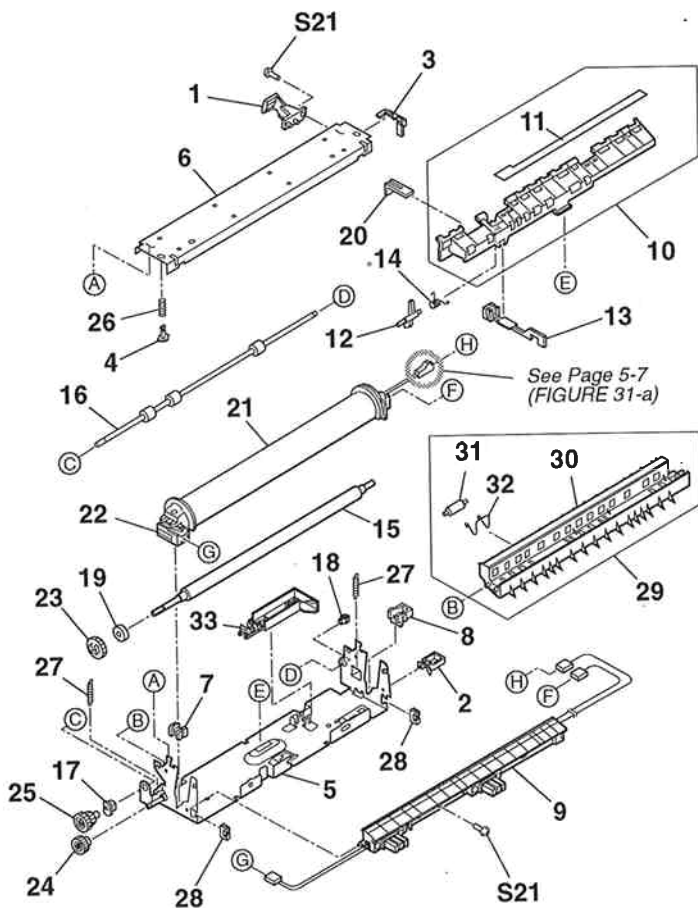


FIGURE & KEY No.	PART No.	R A N K	Q T Y	DESCRIPTION	REMARKS
31- 1	RB1-2981-000		1	LEVER, RELEASE	
2	RB1-2969-020		1	CLIP, CABLE	
3	RB1-3025-000		1	COVER	
4	RB1-3087-000		2	PIN	
5	RB1-3088-000	N	1	FRAME, FIXING	
6	RB1-3089-000	N	1	PLATE, FIXING	
7	RB1-3090-000		1	BUSHING, PRESSURE ROLLER, LEFT	
8	RB1-3091-000		1	BUSHING, PRESSURE ROLLER,RIGHT	
9	RG5-0690-000		1	GUIDE ASS'Y ENTRANCE	
10	RF5-0586-000		1	GUIDE, DELIVERY, LOWER	
11	RS5-8170-000		1	LABEL, WARNING	
12	RB1-3096-000		1	LEVER, DELIVERY SENSOR	
13	RB1-3097-000		1	LINK, DELIVERY SENSOR	
14	RB1-3099-020		1	SPRING, TORSION	
15	RB1-3100-000		1	ROLLER, PRESSURE	
16	RB1-3103-000		1	ROLLER, PAPER DELIVERY, FU	
17	RB1-3104-030		1	BUSHING, DELIVERY ROLLER, LEFT	
18	RB1-3105-030		1	BUSHING, DELIVERY ROLLER,RIGHT	
19	RB1-3109-000		1	RUBBER, CONTINUITY	
20	RB1-3677-000		1	RETAINER, SENSOR	
21	RG5-0678-000		1	FIXING FILM ASS'Y	
22	RH2-5214-000		1	CONNECTOR, 2P	
23	RS5-0314-000		1	GEAR, 24T	
24	RS5-0315-000		1	GEAR, 22T	
25	RS5-0316-000		1	GEAR, 17T/17T	
26	RS5-2223-000		2	SPRING, COMPRESSION	
27	RS5-2224-000		2	SPRING, TENSION	
28	WT2-5058-000		2	CLIP, CABLE	
29	RG5-0681-020		1	DELIVERY ASS'Y	
30	RB1-3106-040		1	GUIDE, DELIVERY, UPPER	
31	RB1-3107-000		2	ROLLER	
32	RB1-3108-000		2	SPRING, TORSION	
33	RF5-0589-000		1	HOLDER, RESISTER	

FIGURE 32 RIGHT COVER

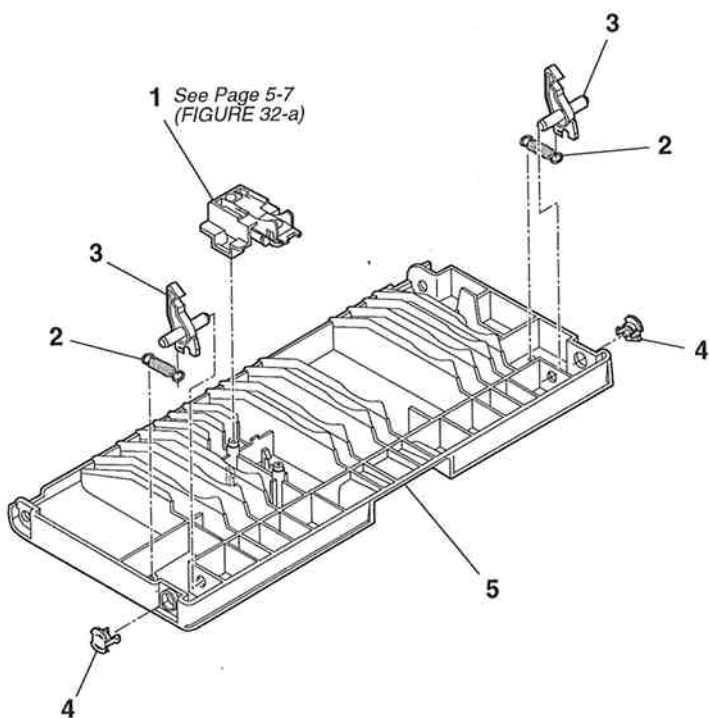
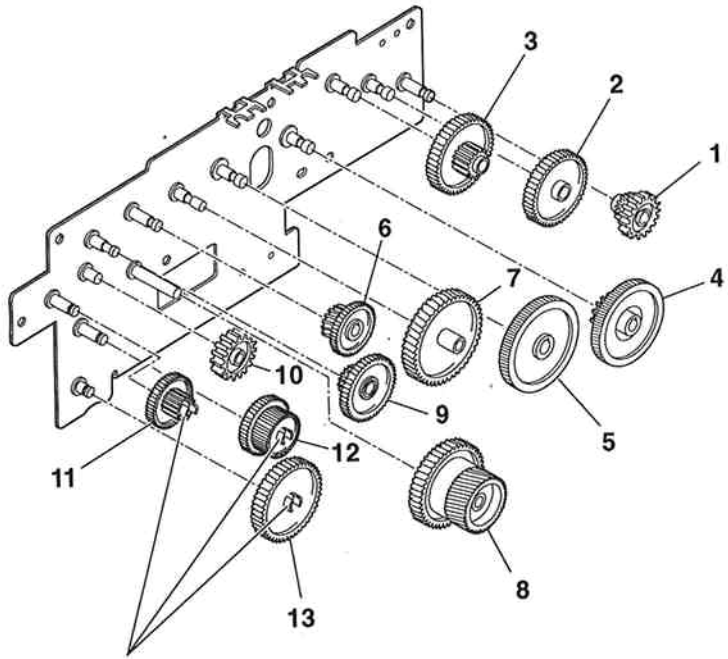


FIGURE & KEY No.	PART No.	R A N K	Q T Y	DESCRIPTION	REMARKS
32 - 1	HG5-0128-000		2	ROLLER GUIDE UNIT	
2	HS5-2020-000		2	SPRING	
3	HB1-0554-000		2	LEVER, LOCK	
4	HS1-1073-000		2	STOPPER, SHAFT	
5	HB1-0553-000		1	COVER, RIGHT	

FIGURE 33 DRIVE GEARS



Break the parts to remove them.

FIGURE & KEY No.	PART No.	R A N K	Q T Y	DESCRIPTION	REMARKS
33 - 1	RS5-0329-000		1	GEAR, 19T/19T	
2	RS5-0327-000		1	GEAR, 52T	
3	RS5-0326-000		1	GEAR, 19T/55T	
4	RS5-0325-000		1	GEAR, 120T/32T	
5	RS5-0318-000		1	GEAR, 136T/18T	
6	RS5-0321-000		1	GEAR, 22T/36T	
7	RS5-0366-000		1	GEAR, 64T	
8	RS5-0367-000		1	GEAR, 60T/38T	
9	HS5-0053-000		1	GEAR, 18T/45T	
10	HS5-0052-000		1	GEAR, 33T	
11	HS5-0051-000		1	GEAR, 18T/36T	
12	HS5-0050-000		1	GEAR, 32T/41T	
13	HS5-0049-000		1	GEAR, 58T	

FIGURE 34 PAPER GUIDE ROLLER

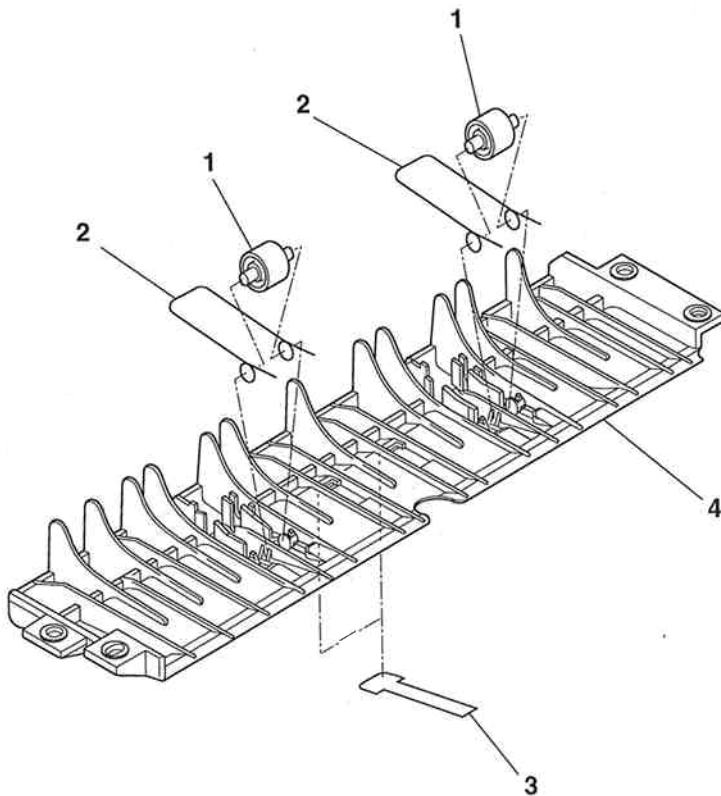


FIGURE & KEY No.	PART No.	RANK	QTY	DESCRIPTION	REMARKS
34 - 1	HS5-6002-000		2	ROLLER, PAPER GUIDE	
2	HS5-2018-000		2	SPRING, PRESSURE	
3	HB1-0539-000		2	SHEET, PAPER GUIDE	
4	HB1-0538-000		1	GUIDE, PAPER FEED	

FIGURE 35 TRANSFER CHARGING ROLLER

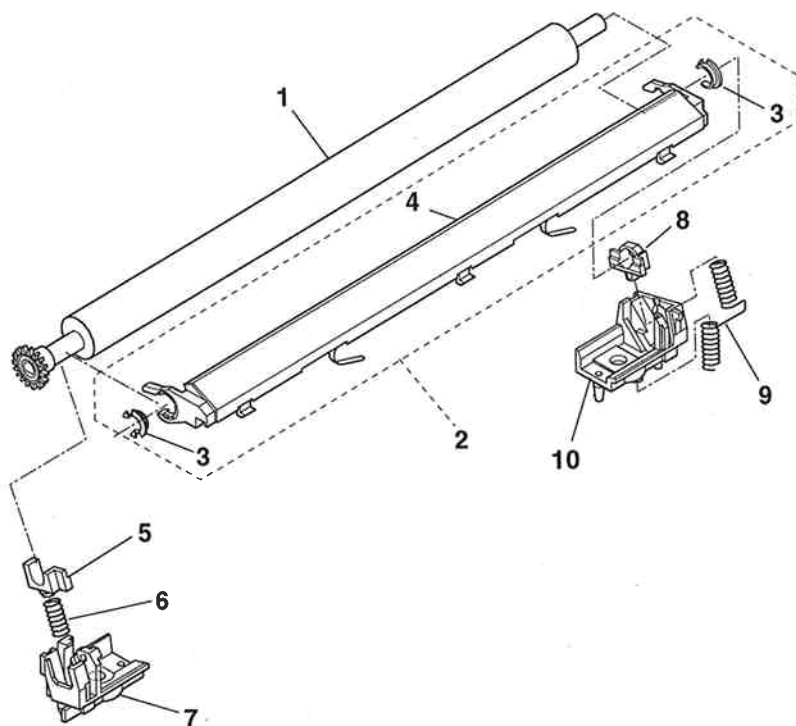


FIGURE & KEY No.	PART No.	RANK	QTY	DESCRIPTION	REMARKS
35 - 1	RF5-0596-000		1	ROLLER, TRANSFER	
2	RG5-0702-000		1	TRANSFER GUIDE ASSY	
3	RB1-3073-000		2	BUSHING	
4	RF5-0585-000		1	GUIDE, TRANSFER	
5	RB1-3076-000		1	BUSHING, LEFT	
6	RS5-2222-000		1	SPRING, COMPRESSION	
7	RB1-3075-000		1	MOUNT, TRANSFER, LEFT	
8	RB1-3078-000		1	BUSHING, RIGHT	
9	RS5-2221-000		2	SPRING, TORSION	
10	RB1-3077-000		1	MOUNT, TRANSFER, RIGHT	

FIGURE 36 LASER/SCANNER UNIT

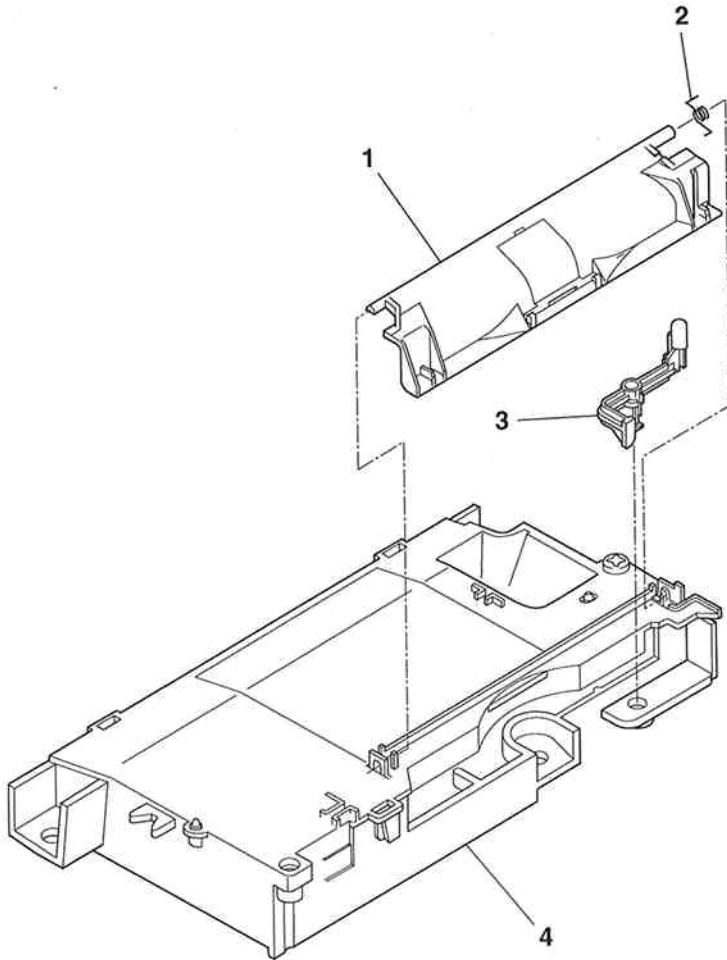
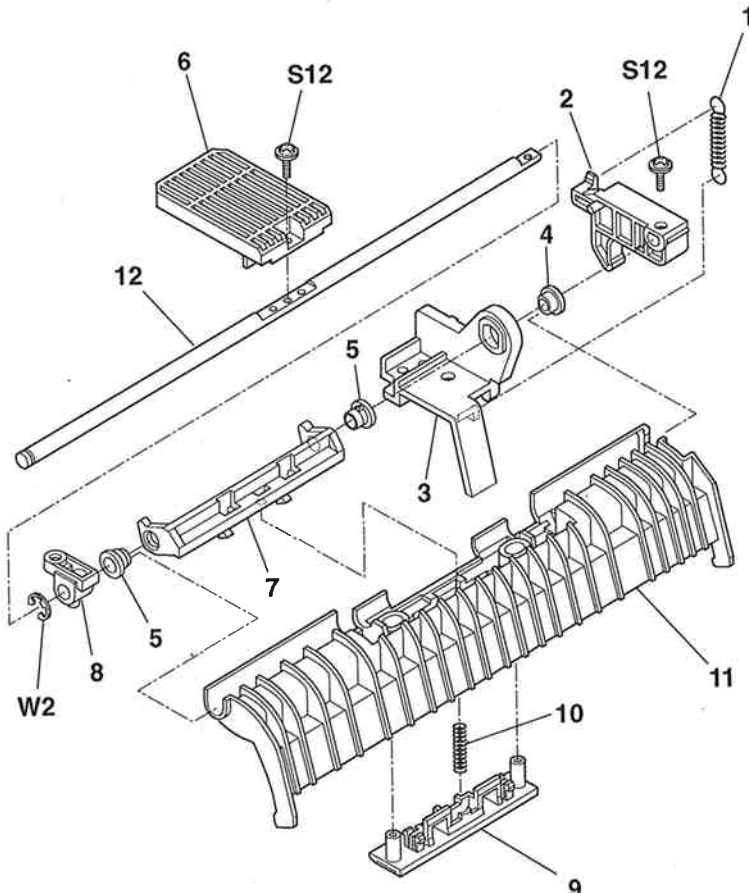


FIGURE & KEY No.	PART No.	R A N K	Q T Y	DESCRIPTION	REMARKS
36 - 1	RB1-3016-000		1	SHUTTER, LASER	
2	RS5-2238-000		1	SPRING, TORSION	
3	RB1-3020-000		1	ARM, SHUTTER	
4	NPN		1	LASER/SCANNER UNIT	

FIGURE 37 SEPARATION PAD & LIFTING ARM



See Page 5-7
(FIGURE 37-a)

FIGURE & KEY No.	PART No.	RANK	QTY	DESCRIPTION	REMARKS
37 - 1	HS5-2026-000		1	SPRING	
2	HB1-0547-000		1	LEVER, LIFTING	
3	HB1-0545-000		1	MOUNT, SHAFT	
4	FS1-1205-000		1	BUSHING	
5	HS1-1036-000		2	BUSHING	
6	HB1-0548-000		1	ARM, LIFTING	
7	HB1-0546-000		1	LEVER, SEPARATION	
8	HSS-1001-000		1	BUSHING	
9	HB1-0542-020		1	PAD, SEPARATION, RUBBER	
10	HS5-2019-020		1	SPRING, SEPARATION	
11	HB1-0543-000		1	PLATE, SEPARATION	
12	HB1-0544-000		1	SHAFT, LIFTING	

FIGURE 38 PAPER PICKUP ROLLER

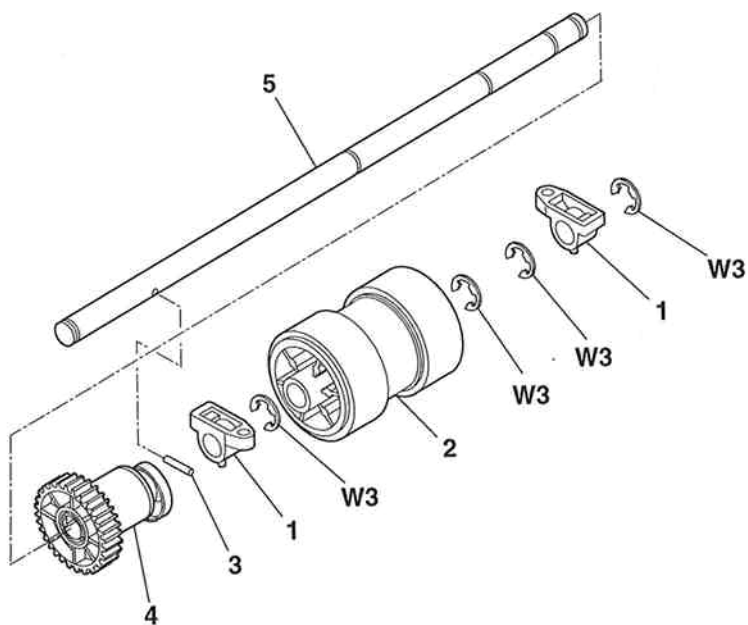


FIGURE & KEY No.	PART No.	R A N K	Q T Y	DESCRIPTION	REMARKS
38 - 1	RA1-7574-000		2	BUSHING	
2	HB1-0540-000		1	ROLLER, PICKUP	
3	XD3-2200-122		1	PIN, PARALLEL, 2X12	
4	HB1-0549-000		1	CLUTCH, PICKUP ROLLER	
5	HB1-0541-000		1	SHAFT, PICKUP ROLLER	

FIGURE 39 PAPER FEED ROLLER

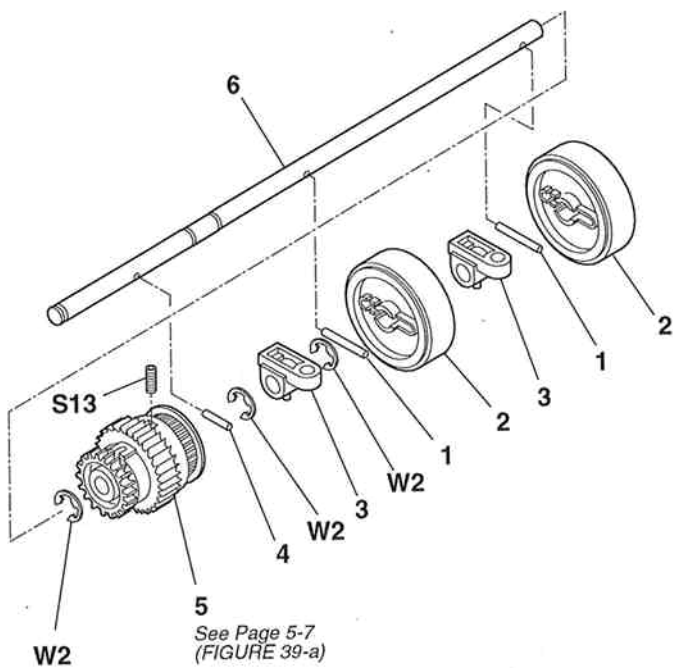


FIGURE & KEY No.	PART No.	RANK	QTY	DESCRIPTION	REMARKS
39 - 1	XD3-2200-202		2	PIN, M2 X20	
2	HB1-0527-000		2	ROLLER, FEED	
3	HS5-1001-000		2	BUSHING	
4	XD3-2200-102		1	PIN, PARALLEL	
5	HG5-0121-000		1	CONTROL RING UNIT	
6	HB1-0528-030		1	SHAFT, FEED ROLLER	

FIGURE 40 PAPER FEED SOLENOID

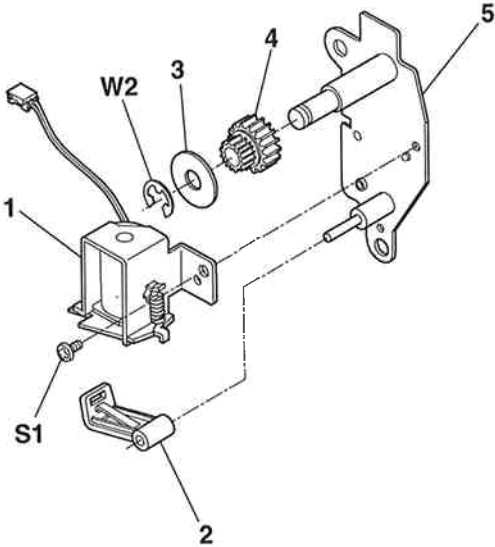


FIGURE & KEY No.	PART No.	R A N K	Q T Y	DESCRIPTION	REMARKS
40 - 1	HH7-2039-000		1	SOLENOID	
2	HB1-0534-000		1	CLAW, SOLENOID	
3	HA1-8060-000		1	SPACER, HINGE	
4	HS5-3010-000		1	PULLEY, 15T/17T	
5	HF5-0043-000		1	MOUNT, SOLENOID	

FIGURE 41 PCNT & PAPER SENSOR BOARD ASS'Y

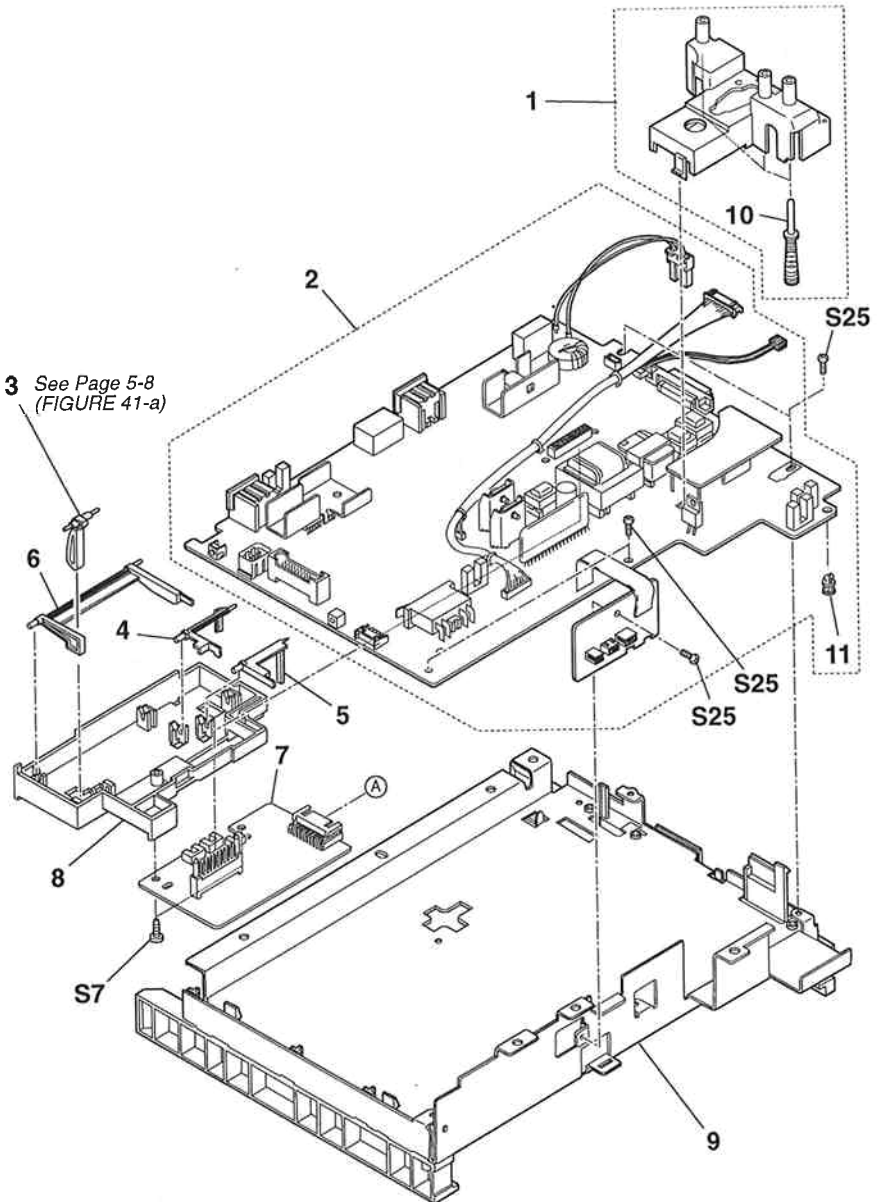


FIGURE & KEY No.	PART No.	R A N K	Q T Y	DESCRIPTION	REMARKS
41- 1	HG5-0118-000		1	HVT CONNECTOR ASS'Y	
2	HG1-4155-060		1	PCNT BOARD ASS'Y	
3	HB1-0524-000		1	LEVER, SENSOR	
4	HB1-0526-000		1	ARM, DETECT, PAPER SIZE (A)	
5	HB1-0525-000		1	ARM, DETECT, PAPER SIZE (B)	
6	HB1-0523-000		1	ARM, DETECT, PAPER	
7	HG9-0688-000		1	PAPER SENSOR BOARD ASS'Y	
8	HB1-0522-000		1	HOLDER, ARMS, SENSOR	
9	HG5-0119-000		1	PCNT COVER ASS'Y	
10	RB1-3163-000		3	PIN, CONTACT	
11	WT2-5311-000		1	SPACER	

FIGURE 42 PCNT COVER

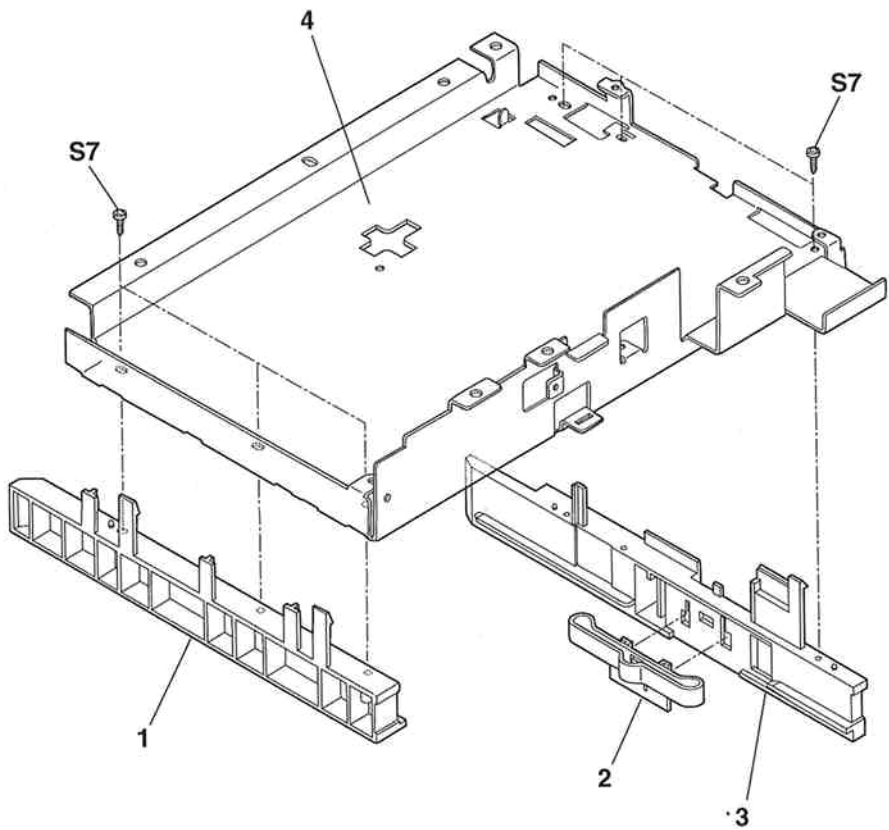


FIGURE & KEY No.	PART No.	R A N K	Q T Y	DESCRIPTION	REMARKS
42 - 1	HB1-0517-000		1	GUIDE, CASSETTE (R)	
2	RB1-3151-000		1	SPRING, CASSETTE SIDE	
3	HB1-0518-000		1	GUIDE, CASSETTE (L)	
4	HB1-0516-020	N	1	COVER, SHIELD (PCNT)	

FIGURE 43 PAPER FEED GUIDE

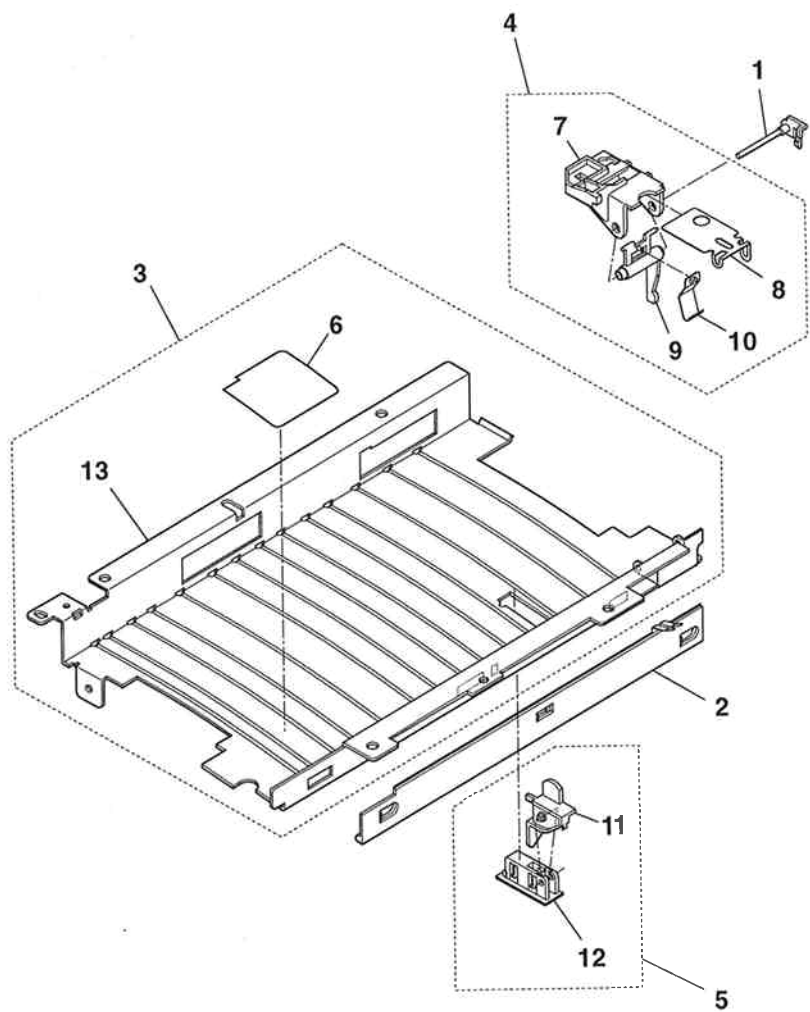


FIGURE & KEY No.	PART No.	R A N K	Q T Y	DESCRIPTION	REMARKS
43 - 1	RB1-3079-000	N	1	SHAFT, SWITCH CAM	
2	RF5-0584-000		1	ELIMINATOR, STATIC CHARGE	
3	RF5-0600-060		1	GUIDE, FEEDER	
4	RG5-0672-030		1	CAM ASS'Y SWITCH	
5	RG5-0710-000		1	SENSOR ASS'Y	
6	RB9-0108-000		1	SHEET, RIGHT.PET(R)	
7	RB1-3063-020		1	CAM, SWITCH	
8	RB1-3064-000		1	SHUTTER, SWITCH	
9	RB1-3069-020		1	LEVER, CRG SWITCH	
10	RB1-3074-000		1	SPRING, LEAF	
11	RB1-3067-000		1	LEVER, SENSOR	
12	RB1-3068-000		1	HOLDER, SENSOR	
13	NPN		1	FRAME, GUIDE, FEEDER	

FIGURE 44 SCNT BOARD ASS'Y

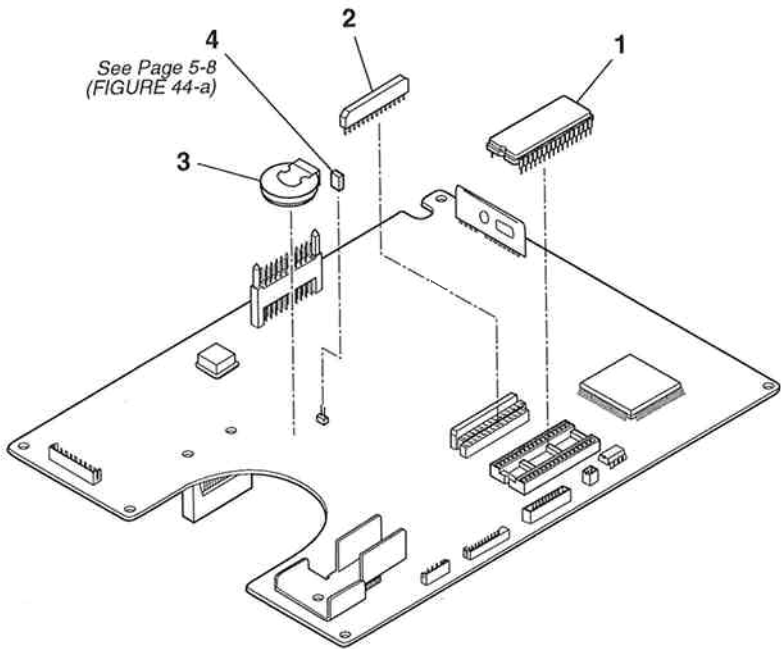


FIGURE & KEY No.	PART No.	R A N K	Q T Y	DESCRIPTION	REMARKS
44 - 1	HH4-2462-040		1	IC, MB83400B-15P-3PE	
2	WA3-6909-000		1	IC, MCM34800AZ80 D-RAM	
3	WK1-5047-000		1	LITHIUM BATTERY, CR2450HC22NC	
4	WS1-0172-000		1	PLUG, SHORT	

FIGURE 45 FUSE, POWER SUPPLY

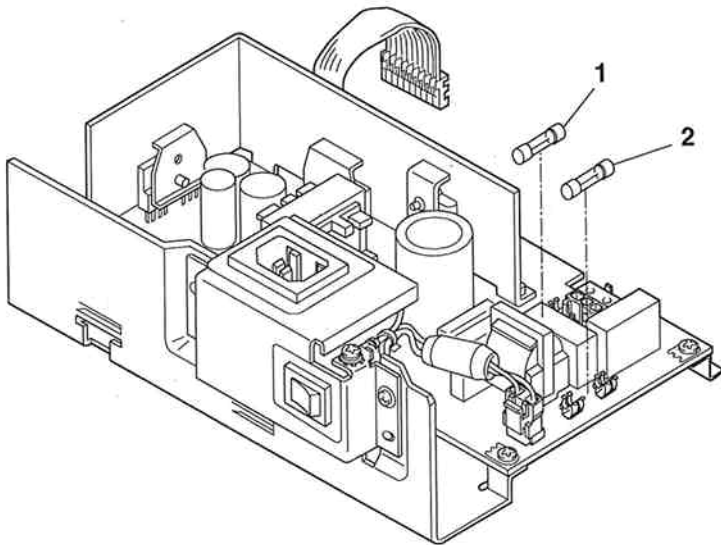


FIGURE & KEY No.	PART No.	R A N K	Q T Y	DESCRIPTION	REMARKS
45 - 1	HY7-2597-000		1	FUSE, 5A, 125V	
2	HY7-2602-000		1	FUSE, 10A, 125V	

FIGURE 46 SIDE CASSETTE

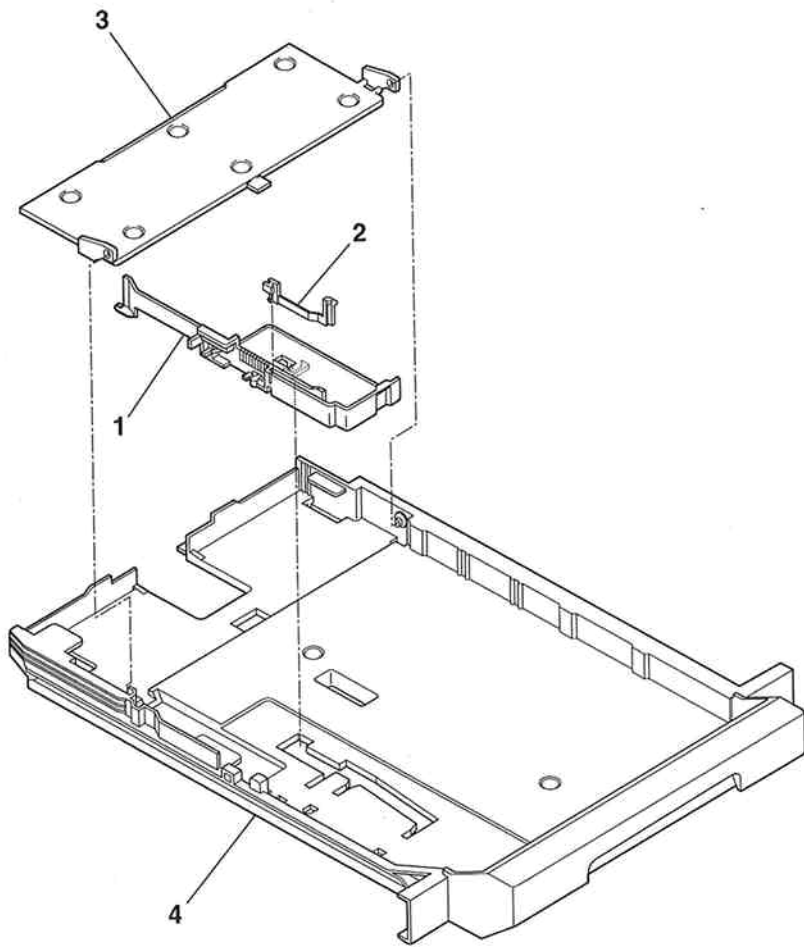


FIGURE & KEY No.	PART No.	R A N K	Q T Y	DESCRIPTION	REMARKS
46 - 1	HB1-0558-000		1	PLATE, LIMIT	
2	HB1-0559-000		1	GUIDE, SIDE, CASSETTE	
3	HB1-0557-000		1	PLATE, PAPER LIFTING	
4	HB1-0556-000	N	1	BODY, CASSETTE	

FIGURE 47 FXL-FEEDER 1 PACKAGE CONTENTS

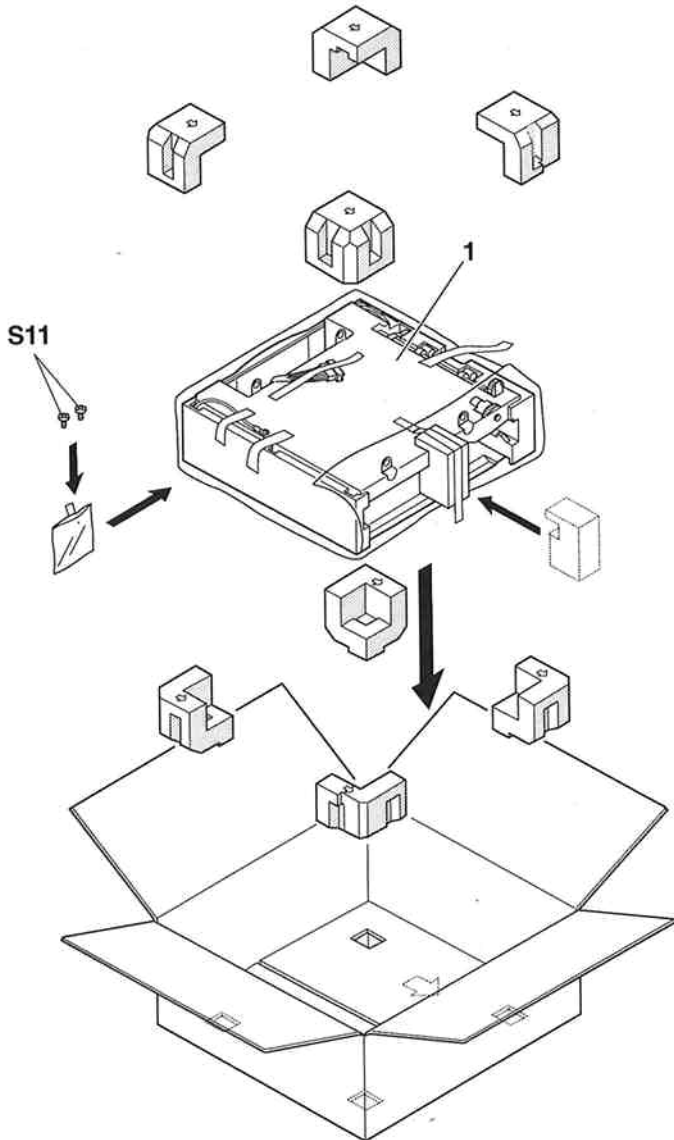


FIGURE & KEY No.	PART No.	R A N K	Q T Y	DESCRIPTION	REMARKS
47 - 1	NPN		1	FRONT CASSETTE FEEDER ASS'Y	

FIGURE 48 FXL-FEEDER 1 & LASER CLASS 5500 FEEDER (1)

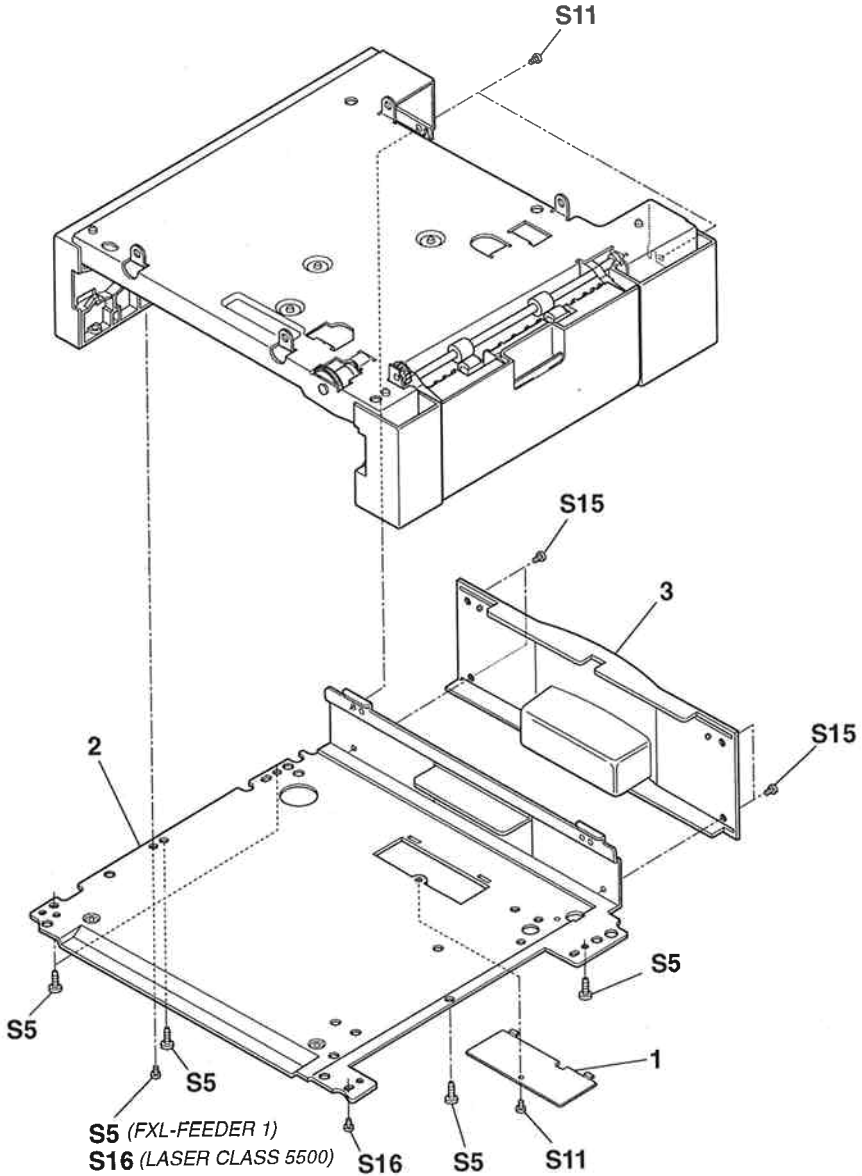


FIGURE & KEY No.	PART No.	R A N K	Q T Y	DESCRIPTION	REMARKS
48 - 1	HB1-0426-000	N	1	COVER, BOTTOM COVER	
2	HB1-0412-030	N	1	COVER, BOTTOM, FEEDER	
3	HB1-0416-000		1	COVER, REAR, FEEDER	

FIGURE 49 FXL-FEEDER 1 & LASER CLASS 5500 FEEDER (2)

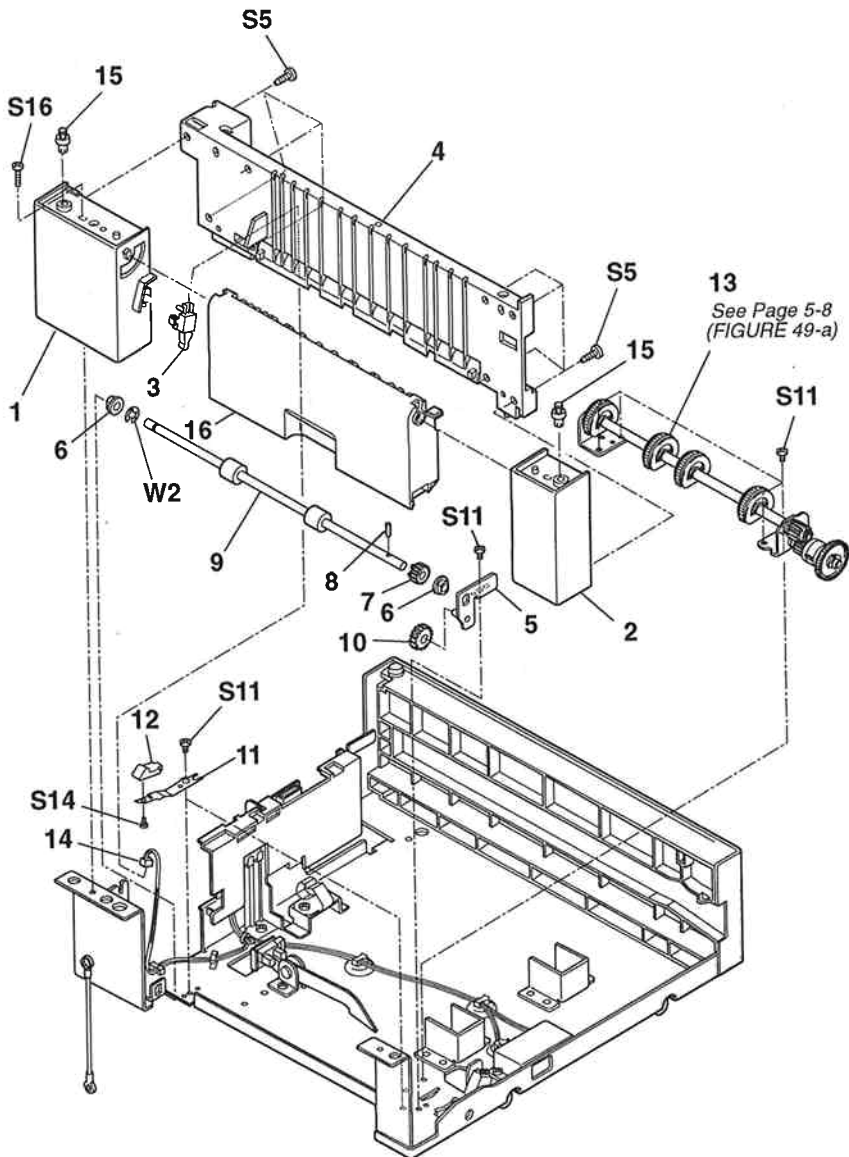


FIGURE & KEY No.	PART No.	RANK	QTY	DESCRIPTION	REMARKS
49 - 1	HB1-0413-000		1	COVER, RIGHT A	
2	HB1-0414-000		1	COVER, RIGHT B	
3	WC4-5052-000		1	MICRO SWITCH	
4	HB1-0417-000	N	1	GUIDE, CASSETTE, RIGTHT	
5	HF5-0031-000		1	HOLDER, PICKUP ROLLER	
6	FS1-1205-000		2	BUSHING	
7	HS5-0043-000		1	GEAR, 17T	
8	XD3-2200-082		1	PIN, PARALLEL	
9	HB1-0419-000		1	ROLLER, PICKUP	
10	HS5-0044-000		1	GEAR, 22T	
11	HB1-0429-000		2	SPRING, LEAF	
12	HB1-0430-000		2	COVER, SPRING	
13	NPN		1	PICKUP ASS'Y	
14	HH2-2337-000		1	CABLE WITH CONNECTOR, 2P	
15	RA1-8243-000		2	FOOT, RUBBER	
16	NPN		1	FEEDER RIGHT COVER ASSY	

FIGURE 50 FXL-FEEDER 1 FEEDER (3)

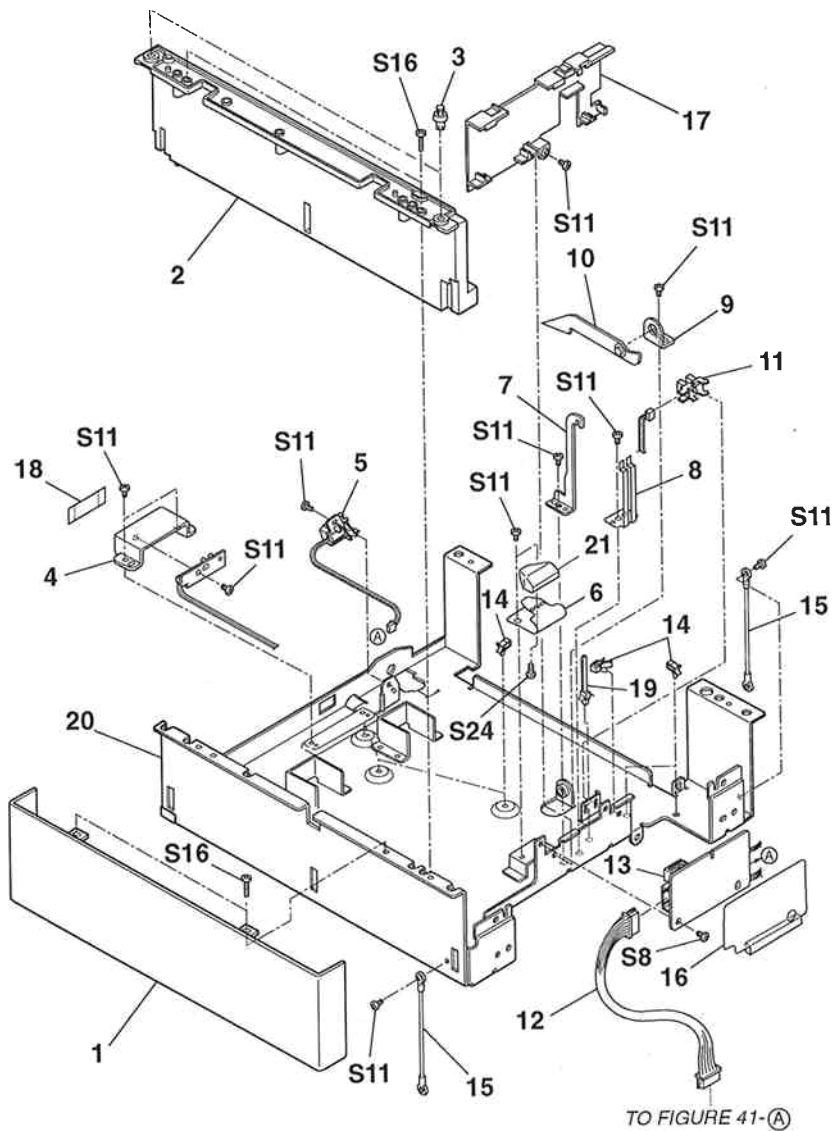


FIGURE & KEY No.	PART No.	R A N K	Q T Y	DESCRIPTION	REMARKS
50 - 1	HB1-0415-030		1	COVER, LEFT	
2	HB1-0418-040	N	1	GUIDE, CASSETTE, LEFT	
3	RA1-8243-000		2	FOOT, RUBBER	
4	HB1-0425-000		1	HOLDER, LED PCB	
5	HH7-2041-000		1	SOLENOID, PICKUP	
6	HB1-1092-000		1	SPRING, LEAF	
7	HB1-0422-000		1	RETAINER, DRIVER BOARD ASSY	
8	HB1-0423-000		1	SPRING, LEAF	
9	HB1-0421-000		1	HOLDER, ARM	
10	HB1-0420-000		1	ARM, DETECT, PAPER	
11	WG8-5210-000		1	IC, TLP1240 PHOTOINTERRUPTER	
12	HH2-2334-000		1	CABLE WITH CONNECTOR, 18P	
13	HG1-4060-000		1	DRIVER BOARD ASS'Y	
14	WT2-5065-000		3	CLAMP, CABLE	
15	HH2-2413-020		2	WIRE, GROUNDING	
16	HB1-0450-000		1	SHEET, SHIELD, DRIVER BOARD	
17	HB1-0431-000		1	COVER, DRIVER BOARD	
18	HB1-0685-000		1	SHEET, SHIELD, LED	
19	WT2-5302-000		1	BAND, WIRING	
20	NPN		1	FRAME, FEEDER	
21	HB1-1093-000		1	COVER, SPRING	

FIGURE 51 LASER CLASS 5500 FEEDER (3)

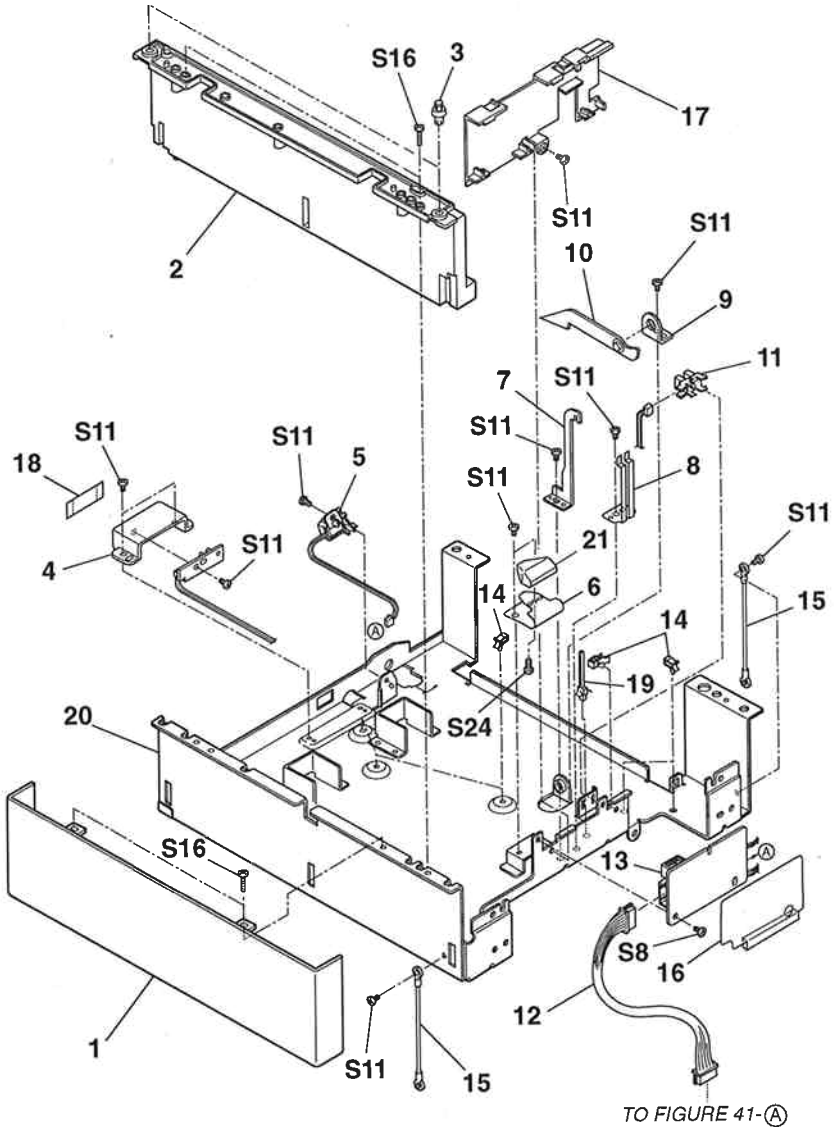


FIGURE & KEY No.	PART No.	R A N K	Q T Y	DESCRIPTION	REMARKS
51- 1	HB1-0415-030		1	COVER, LEFT	
2	HB1-0418-040	N	1	GUIDE, CASSETTE, LEFT	
3	RA1-8243-000		2	FOOT, RUBBER	
4	HB1-0425-000		1	HOLDER, LED PCB	
5	HH7-2041-000		1	SOLENOID, PICKUP	
6	HB1-1092-000		1	SPRING, LEAF	
7	HB1-0422-000		1	RETAINER, DRIVER BOARD ASS'Y	
8	HB1-0423-000		1	SPRING, LEAF	
9	HB1-0421-000		1	HOLDER, ARM	
10	HB1-0420-000		1	ARM, DETECT, PAPER	
11	WG8-5210-000		1	IC, TLP1240 PHOTOINTERRUPTER	
12	HH2-2371-000		1	CABLE WITH CONNECTOR, 18P	
13	HG1-4060-000		1	DRIVER BOARD ASS'Y	
14	WT2-5065-000		3	CLAMP, CABLE	
15	HH2-2413-020		2	WIRE, GROUNDING	
16	HB1-0450-000		1	SHEET, SHIELD, DRIVER BOARD	
17	HB1-0431-000		1	COVER, DRIVER BOARD	
18	HB1-0685-000		1	SHEET, SHIELD, LED	
19	WT2-5302-000		1	BAND, WIRING	
20	NPN		1	FRAME, FEEDER	
21	HB1-1093-000		1	COVER, SPRING	

**FIGURE 52 FXL-FEEDER 1 & LASER CLASS 5500
RIGHT COVER**

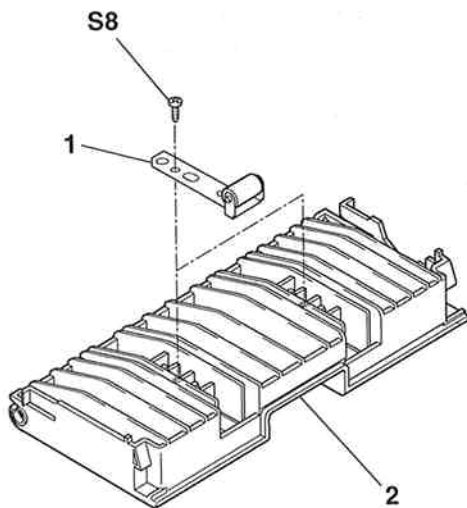


FIGURE & KEY No.	PART No.	R A N K	Q T Y	DESCRIPTION	REMARKS
52 - 1	HF5-0034-000		2	PICKUP ROLLER UNIT	
2	HB1-0444-040		1	COVER, RIGHT, FEEDER	

FIGURE & KEY No.	PART No.	R A N K	Q T Y	DESCRIPTION	REMARKS
53 - 1	FS1-1341-000		2	BUSHING, OILLESS METAL	
2	HB1-0443-000		1	HOLDER, PICKUP ROLLER, A	
3	HB1-0441-000		4	ROLLER, PICKUP	
4	XD3-2200-122		4	PIN, PARALLEL, 2X12	
5	HS5-0047-000		1	GEAR, 17T	
6	HB1-0442-000		1	SHAFT, PICKUP ROLLER	
7	HF5-0035-000		1	HOLDER, PICKUP ROLLER, B	
8	HG5-0155-000		1	CLUTCH UNIT	
9	HG5-0109-000		1	PICKUP ROLLER ASSY	

FIGURE 54 FXL-CASSETTE 1 LTR/500 PACKAGE CONTENTS

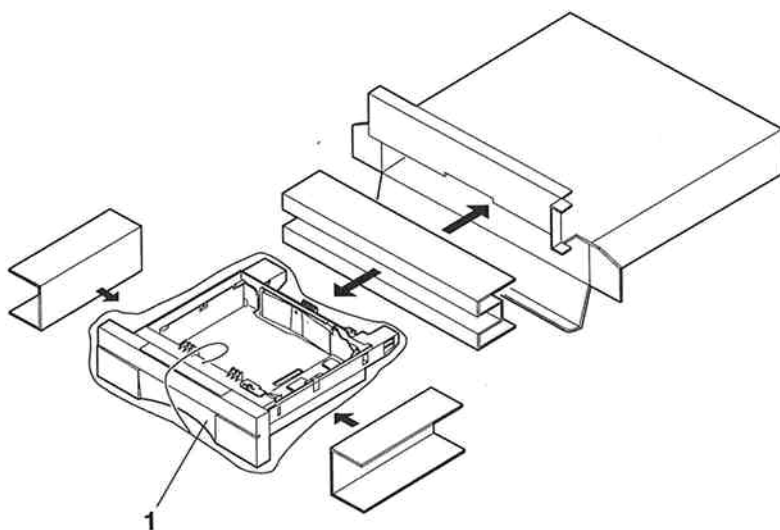


FIGURE & KEY No.	PART No.	R A N K	Q T Y	DESCRIPTION	REMARKS
54 - 1	NPN		1	FRONT CASSETTE ASS'Y	

**FIGURE 55 FXL-CASSETTE 1 LTR/500 & LASER
CLASS 5500 FRONT CASSETTE**

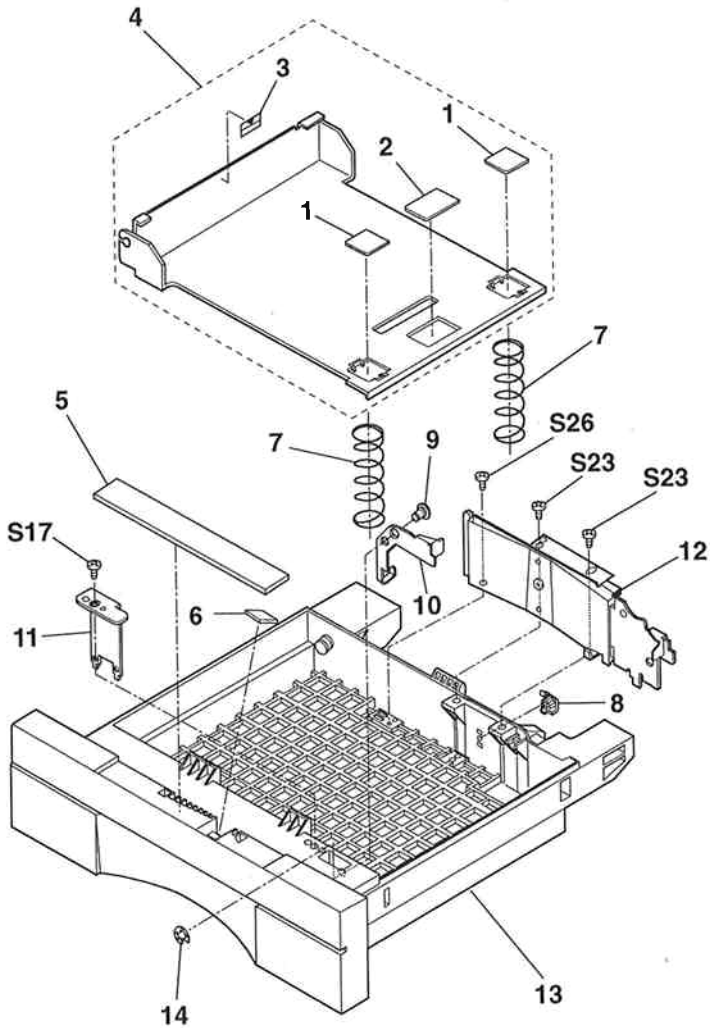


FIGURE & KEY No.	PART No.	RANK	QTY	DESCRIPTION	REMARKS
55 - 1	HB1-0457-000		2	SHEET, FRICTION, A	
2	HB1-0458-000		1	SHEET, FRICTION, B	
3	HB1-0459-000		1	LABEL, STACKING LIMIT	
4	HF5-0038-000		1	PLATE, PAPER LIFTING (LTR)	
5	HB1-0452-000		1	COVER, DISPLAY (LTR)	
6	HB1-0454-000		1	PLATE, REFLECTING	
7	HS5-2016-030		2	SPRING	
8	RA2-0398-000		1	BLOCK, SIZE	
9	HB1-0461-000		1	ROD, CLAW	
10	HB1-0460-000		1	CLAW	
11	HB1-0462-020		1	PLATE, LIMIT	
12	HG5-0114-050		1	SIZE PLATE ASS'Y	
13	HB1-0451-060		1	BODY, CASSETTE	
14	XD9-0101-000		1	RING, E	

FIGURE 56 HANDSET KIT 2 PACKAGE CONTENTS

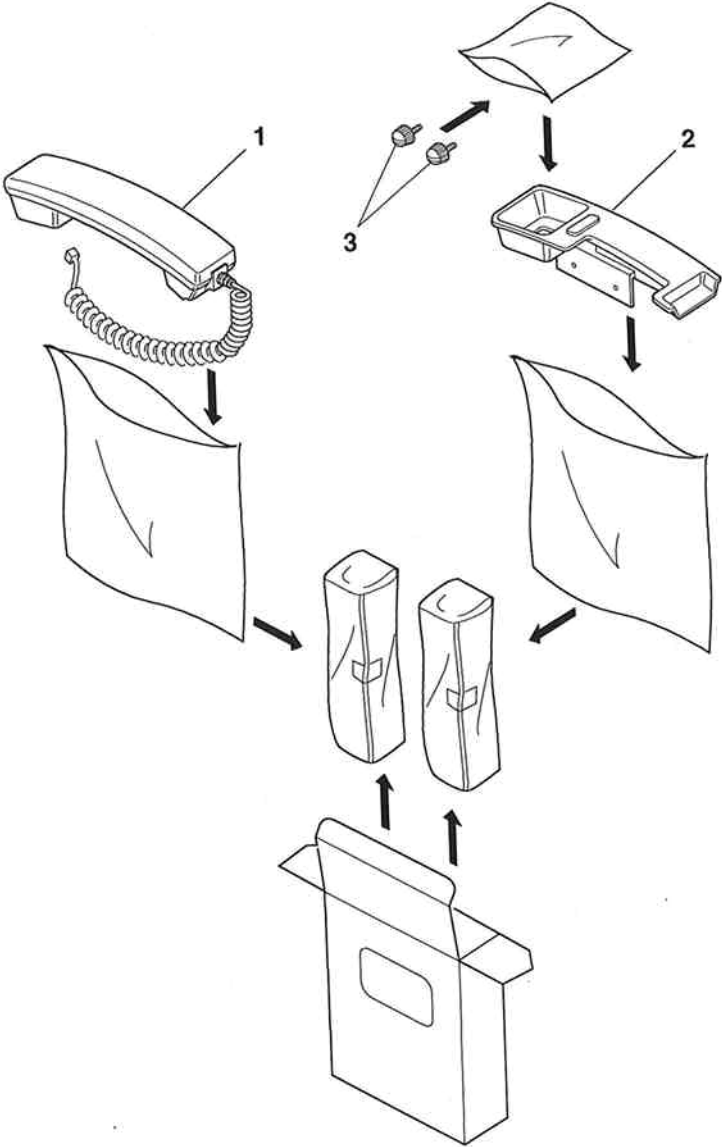


FIGURE & KEY No.	PART No.	R A N K	Q T Y	DESCRIPTION	REMARKS
56 - 1	HG1-2185-050		1	HANDSET ASSY (USA, AG)	
	HG5-0156-000		1	HANDSET REST UNIT	
	XA9-0689-000		2	SCREW, HANDSET HOLDER	

FIGURE 57 HANDSET KIT 2 & LASER CLASS 5500
HANDSET

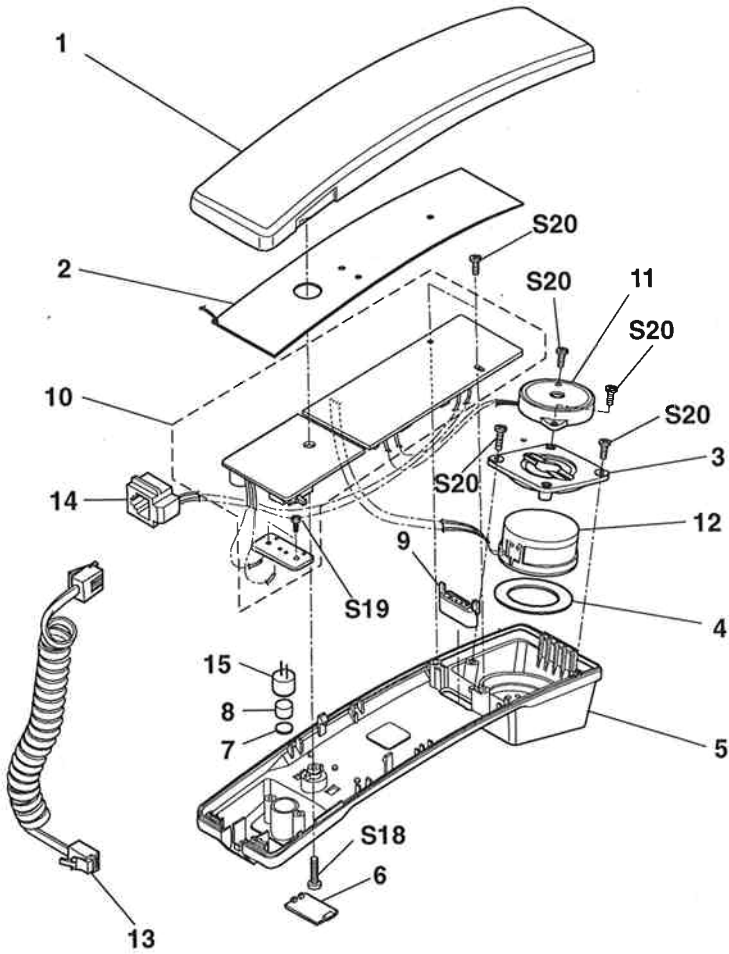


FIGURE & KEY No.	PART No.	RANK	QTY	DESCRIPTION	REMARKS
57 - 1	HA1-6141-000		1	COVER, UPPER (AG)	
	2 HA1-5412-000		1	PLATE, NOISE SHIELD (CT-15)	
	3 HA1-4279-000		1	HOLDER, SPEAKER	
	4 HA1-3185-000		1	SEAL, RUBBER	
	5 HA1-6142-000		1	COVER, LOWER (AG)	
	6 HA1-6143-000		1	COVER, SCREW (AG)	
	7 HA1-3002-000		1	FILTER B, MECHANICAL	
	8 HA1-3001-000		1	FILTER, MECHANICAL	
	9 HA1-6144-000		1	KEY TOP F (AG)	
	10 HG1-2196-000		1	TELCNT BOARD ASS'Y	
	11 HH7-1299-000		1	RINGER PKM34EW-12	
	12 WR1-0111-000		1	SPEAKER DH-70C	
	13 HH2-1703-000		1	CORD, COILED (AG)	
	14 HH2-1277-000		1	MODULAR JACK	
	15 WR1-0086-000		1	MICROPHONE	

3. SCREWS & WASHERS LIST

LASER CLASS 5000 SCREWS

FIGURE & KEY No.	PART No.	RANK	QTY	DESCRIPTION	REMARKS
S- 1	XB1-2300-607		37	SCREW, BH3X6(S)	
2	XB4-7401-007		20	SCREW, PIN HEAD SELF-TAPPING	
3	XB1-2301-207		2	SCREW, M3X12	
4	XA9-0751-000		2	SCREW, SELF-TAPPING, M3X35	
5	XB4-7401-009		26	SCREW,BINDING HEAD SELFTAPPING	
6	XB6-7301-007		3	SCREW, PH, M3X10	
7	XB4-7300-809		16	SCREW, TAP, BINDING HEAD, M3X8	
8	XB4-7300-807		20	SCREW, TAP TIGHT, BINDING HEAD	
9	XB4-7260-609		23	SCREW, TAP, BH2.6X6	
10	XB4-7301-407		2	SCREW, BH M3X14	
11	XB1-2300-407		1	SCREW, M3X4	
12	XB6-7300-609		2	SCREW, MACHINE M3X6	
13	XB6-2301-008		1	SCREW	
15	XB6-7300-607		6	SCREW, TP, M3x6	
21	XB2-8300-809		2	SCREW, W/WASHER, M3X8	
22	XB1-2300-809		1	SCREW, BH3X8	
23	XB4-7401-207		7	SCREW, SELF-TAPPING, M4X12	
24	XB4-7300-609		1	SCREW, TAP, BINDING HEAD, M3X6	
25	XB6-7300-807		3	SCREW, TP, M3X8	

LASER CLASS 5000 WASHERS

FIGURE & KEY No.	PART No.	R A N K	Q T Y	DESCRIPTION	REMARKS
W - 1	XD2-1100-322		1	RETAINING RING (E-TYPE)	
2	XD2-1100-502		5	RETAINING RING (E-TYPE)	
3	XD2-1100-642		4	RETAINING RING (E-TYPE)	

LASER CLASS 5500 SCREWS

FIGURE & KEY No.	PART No.	RANK	QTY	DESCRIPTION	REMARKS
S- 1	XB1-2300-607		39	SCREW, BH3X6(S)	
2	XB4-7401-007		24	SCREW, PIN HEAD SELF-TAPPING	
3	XB1-2301-207		2	SCREW, M3X12	
4	XA9-0751-000		2	SCREW, SELF-TAPPING, M3X35	
5	XB4-7401-009		27	SCREW,BINDING HEAD SELFTAPPING	
6	XB6-7301-007		3	SCREW, PH, M3X10	
7	XB4-7300-809		16	SCREW, TAP, BINDING HEAD, M3X8	
8	XB4-7300-807		23	SCREW, TAP TIGHT, BINDING HEAD	
9	XB4-7260-609		23	SCREW, TAP, BH2.6X6	
10	XB4-7301-407		2	SCREW, BH M3X14	
11	XB1-2300-407		23	SCREW, M3X4	
12	XB6-7300-609		2	SCREW, MACHINE M3X6	
13	XB6-2301-008		1	SCREW	
14	XB4-7200-407		2	SCREW, BH M2X4	
15	XB6-7300-607		10	SCREW, TP, M3x6	
16	XB1-2301-007		7	SCREW, BH3X10	
17	XB4-7400-607		1	SCREW, SELF-TAPPING, PANHEAD	
18	XB1-2301-406		1	SCREW, BH 3X14	
19	XB4-7200-609		2	SCREW, M2X6	
20	XB4-7260-809		5	SCREW, FT, BH 2.6X8	
21	XB2-8300-809		2	SCREW, W/WASHER, M3X8	
22	XB1-2300-809		1	SCREW, BH3X8	
23	XB4-7401-207		9	SCREW, SELF-TAPPING, M4X12	
24	XB4-7300-609		1	SCREW, TAP, BINDING HEAD, M3X6	
25	XB6-7300-807		3	SCREW, TP, M3X8	
26	XB4-7400-807		1	SCREW, SELF-TAPPING, PIN HEAD	

LASER CLASS 5500 WASHERS

FIGURE & KEY No.	PART No.	R A N K	Q T Y	DESCRIPTION	REMARKS
W - 1	XD2-1100-322		1	RETAINING RING (E-TYPE)	
2	XD2-1100-502		7	RETAINING RING (E-TYPE)	
3	XD2-1100-642		11	RETAINING RING (E-TYPE)	

FXL-FEEDER 1 SCREWS

FIGURE & KEY No.	PART No.	R A N K	Q T Y	DESCRIPTION	REMARKS
S- 5	XB4-7401-009		14	SCREW,BINDING HEAD SELFTAPPING	
8	XB4-7300-807		3	SCREW, TAP TIGHT, BINDING HEAD	
11	XB1-2300-407		22	SCREW, M3X4	
13	XB4-7200-407		2	SCREW, BH M2X4	
14	XB6-7300-607		4	SCREW, TP, M3x6	
15	XB1-2301-007		6	SCREW, BH3X10	
24	XB4-7300-609		1	SCREW, TAP, BINDING HEAD, M3X6	

FXL-FEEDER 1 WASHERS

FIGURE & KEY No.	PART No.	R A N K	Q T Y	DESCRIPTION	REMARKS
W - 2	XD2-1100-502		7	RETAINING RING (E-TYPE)	
3	XD2-1100-842		11	RETAINING RING (E-TYPE)	

FXL-CASSETTE 1 LTR/500 SCREWS

FIGURE & KEY No.	PART No.	R A N K	Q T Y	DESCRIPTION	REMARKS
S- 17	XB4-7400-607		1	SCREW, SELF-TAPPING, PANHEAD	
23	XB4-7401-207		2	SCREW, SELF-TAPPING, M4X12	
26	XB4-7400-807		1	SCREW, SELF-TAPPING, PIN HEAD	

HANDSET KIT 2 SCREWS

FIGURE & KEY No.	PART No.	R A N K	Q T Y	DESCRIPTION	REMARKS
S- 18	XB1-2301-406		1	SCREW, BH 3X14	
19	XB4-7200-609		2	SCREW, M2X6	
20	XB4-7260-809		5	SCREW, FT, BH 2.6X8	

4. TOOL

FIGURE 58 TOOLS

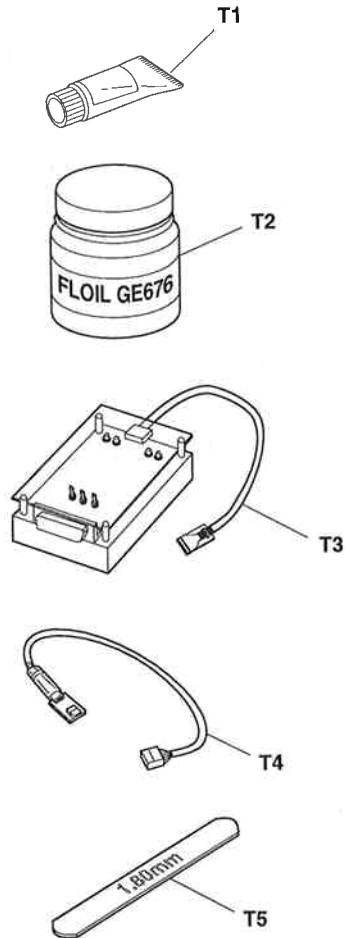


FIGURE & KEY No.	PART No.	RANK	QTY	DESCRIPTION	REMARKS
58 - T1	CK-0551-000		1	GREASE, PERMALUB G-2, (24G)	
T2	CK-0544-000		1	GREASE, FLOIL GE-676 (20G)	
T3	RY9-0093-000		1	CHECK TERMINAL	
T4	HY9-0005-000		1	EXTENTION CABLE UNIT	
T5	HY9-0013-000		1	GAUGE, GAP (1.8mm)	

5. GUIDE TO REPLACEMENT

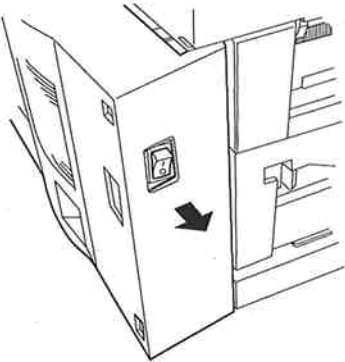
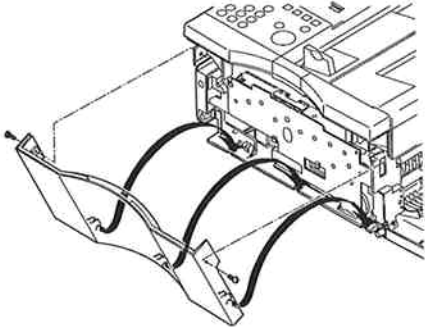
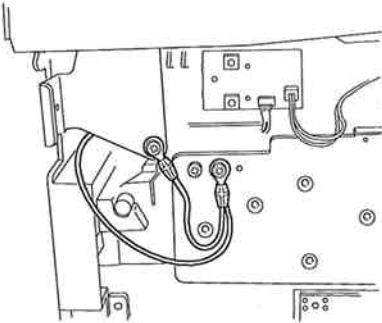
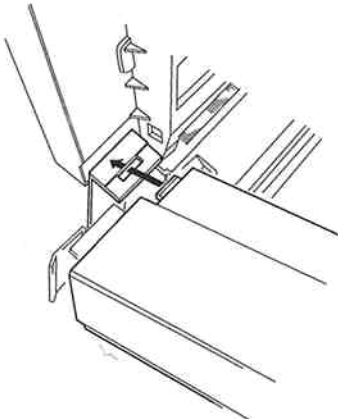
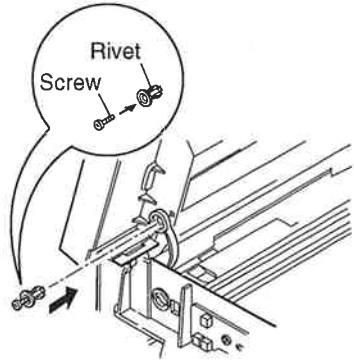
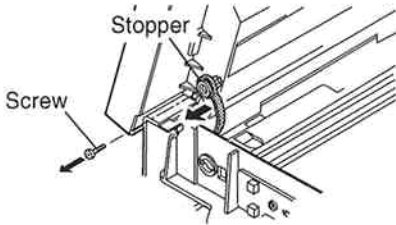
<p>FIGURE 3-a</p>	<p>See Page(s) 2 - 5/7</p>	<p>FIGURE 3-b</p>	<p>See Page(s) 2 - 5/7</p>
 <p>When attaching the rear cover, be sure to angle it slightly in order not to catch the power switch.</p>	 <p>When attaching the front cover, be sure to fit the tabs into place as shown in the figure.</p>		
<p>FIGURE 5-a</p>	<p>See Page(s) 2 - 9/11</p>	<p>FIGURE 5-b</p>	<p>See Page(s) 2 - 9/11</p>
 <p>Secure the ground wire as shown in the figure.</p>	 <p>When attaching the document table ass'y, be sure to fit the tabs into place as shown in the figure.</p>		

FIGURE 5-c (1)

See Page
2 - 9/11

FIGURE 5-c (2)

See Page
2 - 9/11

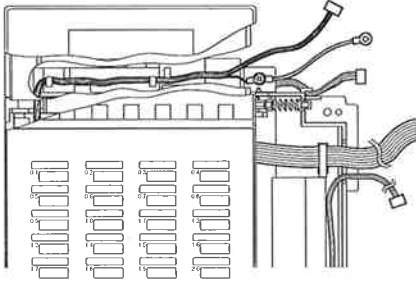


When removing the stopper, after removing the screw with a screwdriver, pull out the stopper as shown in the figure 5-c(1). When attaching the stopper, after inserting the screw into the rivet, insert the screw and rivet into the stopper as shown in the figure 5-c(2).

This page intentionally left blank

FIGURE 7-a

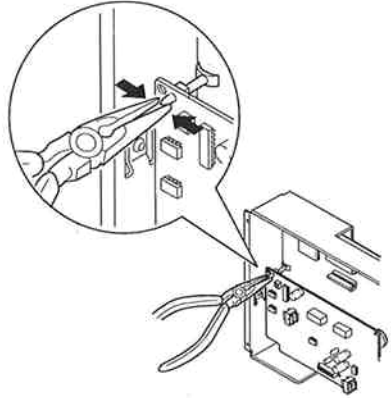
See Page(s)
2 - 13/15



Wire the cables as shown in the figure.

FIGURE 9-a

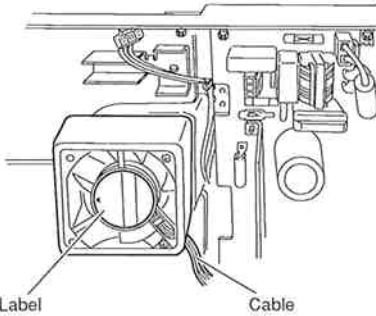
See Page(s)
2 - 17/19



Use needlenose pliers to remove the NCU board as shown in the figure.

FIGURE 9-b

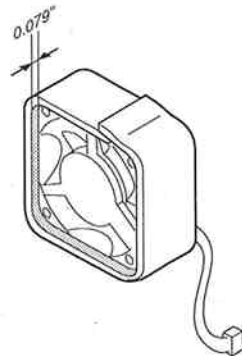
See Page(s)
2 - 17/19



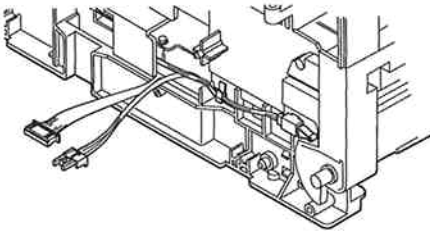
When attaching the fan, make sure that the label is facing front, and the fan cable exits the lower right hand side, as shown in the figure.

FIGURE 9-c

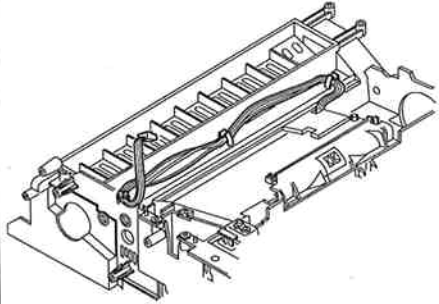
See Page(s)
2 - 17/19



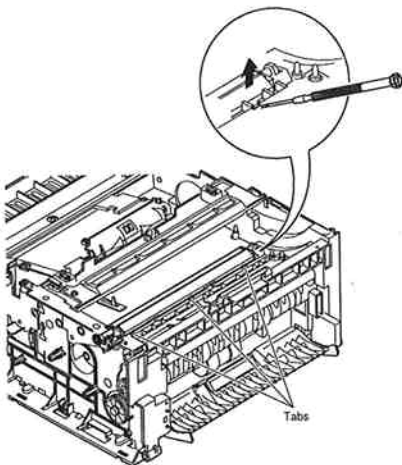
When attaching the fan cover, ensure that it protrudes approx. 0.079"(2mm) from the front surface of the fan.

FIGURE 11-aSee Page
2 - 21

Wire the sensor shown in the figure.

FIGURE 13-aSee Page
2 - 25

Lay out the wires of the laser/scanner unit shown in the figure.

FIGURE 13-b (1)See Page
2 - 25

Do not touch the surface of the transfer charging roller. After removing the tabs from the transfer charging roller with a precision screwdriver, as shown in figure 13-b (1), carefully remove the roller in the order shown in figure 13-b (2).

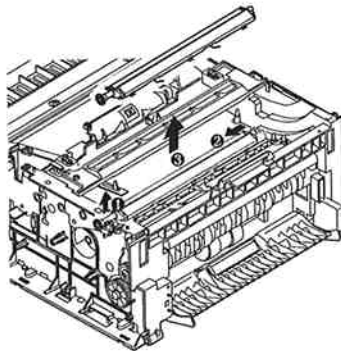
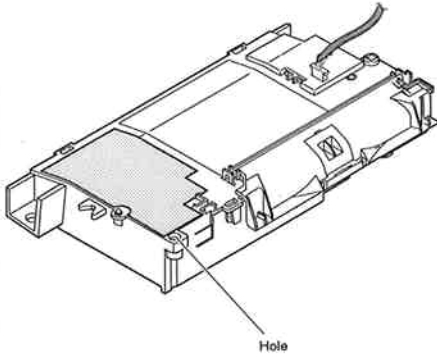
FIGURE 13-b (2)See Page
2 - 25

FIGURE 13-c

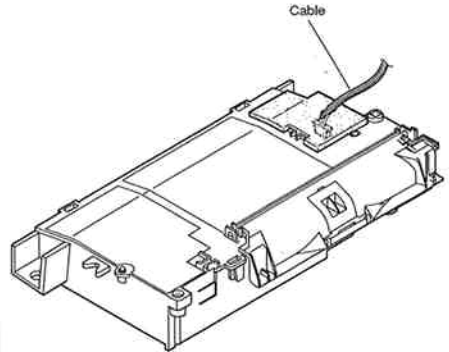
See Page
2 - 25



Remove carefully, so that the hole is not blocked.

FIGURE 13-d

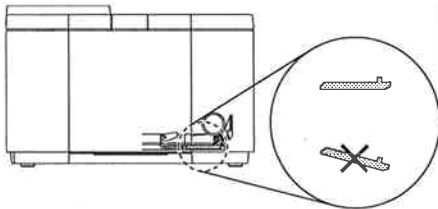
See Page
2 - 25



Attach the dust cover after attaching the cable.

FIGURE 14-a

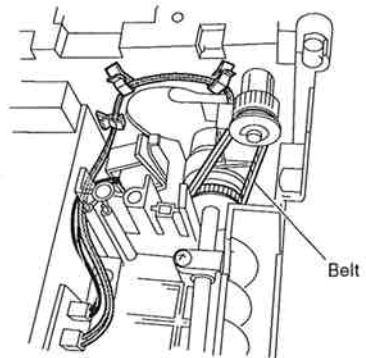
See Page
2 - 27



After having assembled the separation ass'y, before setting the side cassette, install the toner cartridge, switch the power on, and the lifting arm moves automatically to its initial position.

FIGURE 14-b

See Page
2 - 27



When attaching the paper feed roller ass'y, be sure to mesh the transfer belt with the gear teeth shown in the figure.

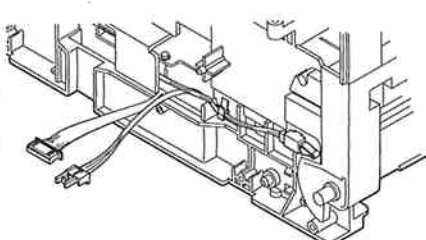
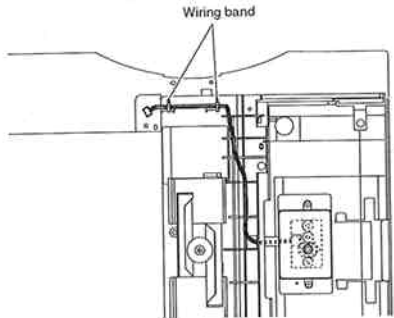
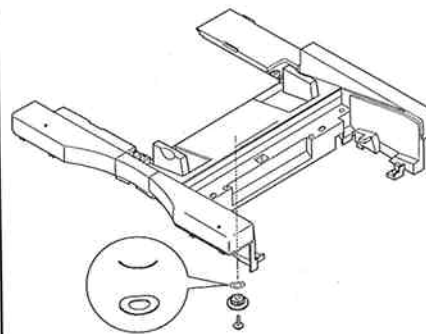
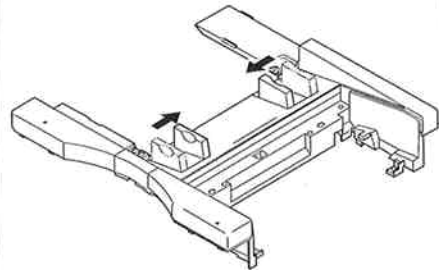
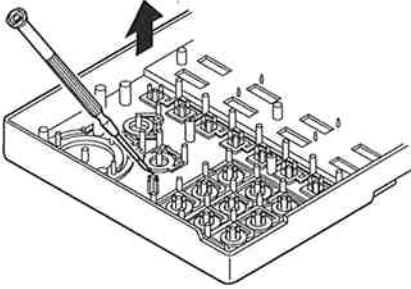
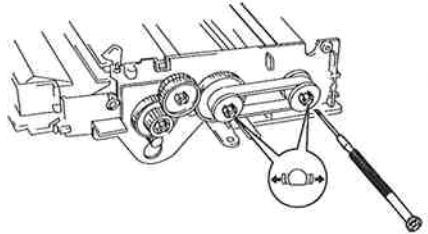
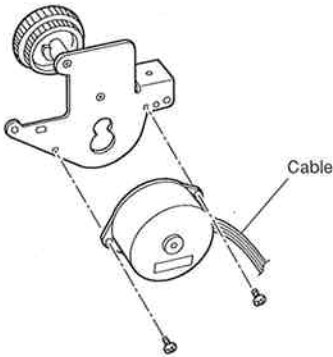
<p>FIGURE 15-a</p>	<p>See Page 2 - 29</p>	<p>FIGURE 18-a</p>	<p>See Page 2 - 35</p>
 <p>Wire the cables as shown in the figure.</p>	 <p>Wire the cables as shown in the figure,</p>		
<p>FIGURE 20-a</p>	<p>See Page 2 - 39</p>	<p>FIGURE 20-b</p>	<p>See Page 2 - 39</p>
 <p>Be sure that the spring washer is facing outwards when attached, as shown in the figure.</p>	 <p>When assembling the slider section, make sure that the document guide is set at its narrowest width,</p>		

FIGURE 24-aSee Page
2 - 47

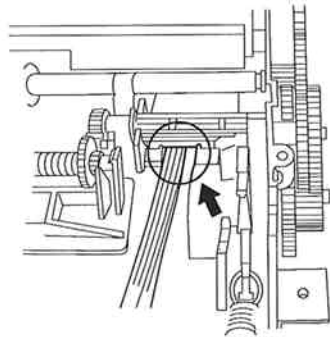
Remove the key tops very carefully with a precision driver, taking care not to break them.

FIGURE 26-aSee Page
2 - 51

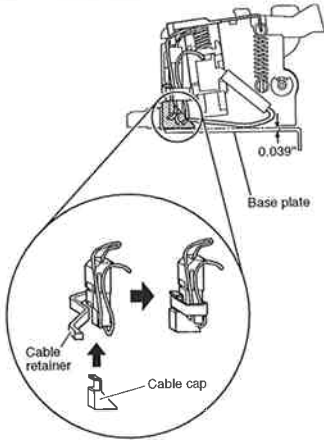
When removing the gears shown in the figure, steady the shaft by hand, and prise off the gears with a precision screwdriver.

FIGURE 26-bSee Page
2 - 51

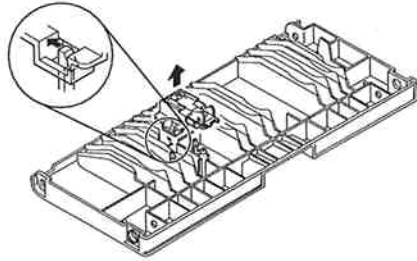
When attaching the document feed motor, make sure that the motor cable exits the lower right hand side, as shown in the figure.

FIGURE 26-cSee Page
2 - 51

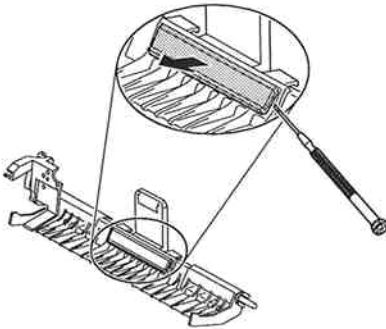
When attaching the cable cover, be careful not to pinch the cable in the cover.

FIGURE 31-aSee Page
2 -61

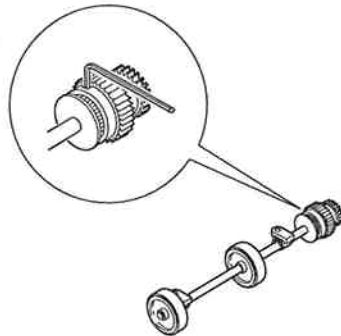
Be careful not to damage the cable.
Wire the cable as shown in the figure.
Provide a clearance of 0.039"(1 mm) or more between the base plate and the cable.

FIGURE 32-aSee Page
2 - 63

When taking out the roller guide unit, remove the tab shown in the figure.

FIGURE 37-aSee Page
2 -73

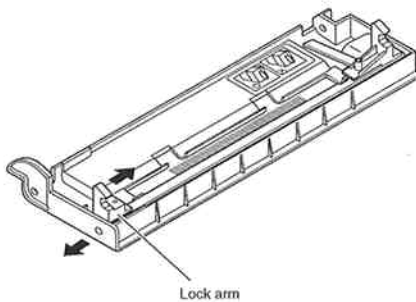
Use a precision screwdriver to prise off the separation pad, as shown in the figure.

FIGURE 39-aSee Page
2 - 77

Use a hex wrench to prise off the control ring unit, as shown in the figure.

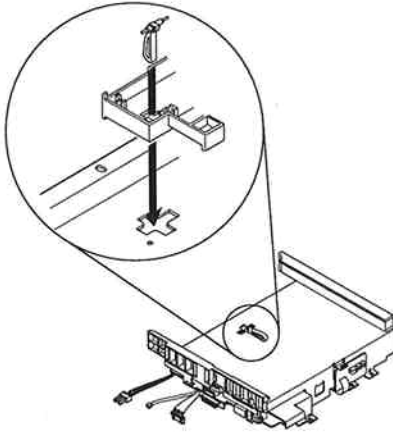
FIGURE 29-a

See Page
2-57

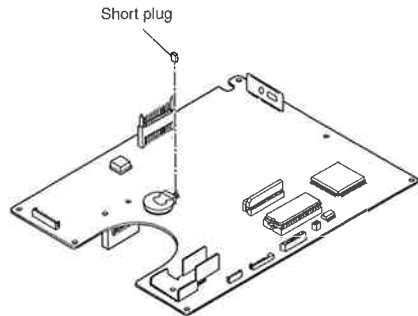


When removing the lock arm, pull out the cover and the lock arm by hand as shown in the figure.

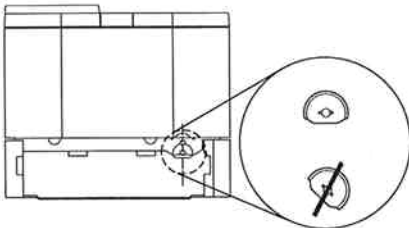
This page intentionally left blank

FIGURE 41-aSee Page
2 - 81

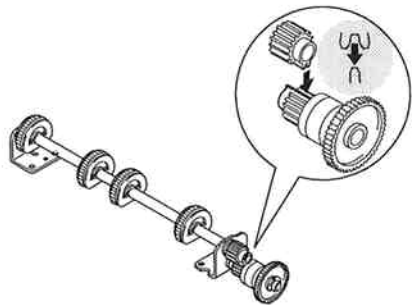
Position the recording paper sensor arm as shown in the figure.

FIGURE 44-aSee Page
2 - 87

The SCNT board ass'y does not come with the short plug shown in the figure. When replacing the SCNT board ass'y, take the short plug from the old board and attach it to the new one.

FIGURE 49-aSee Page
2 - 97

After having assembled the paper pickup roller ass'y, before setting the front cassette, install the toner cartridge, switch the power on, and the pickup roller moves automatically to its initial position.

FIGURE 53-aSee Page
2 - 105

Ensure that the gear tooth which protrudes furthest fits into the pickup gear, as shown in the figure.

6. NUMERICAL INDEX

PART NUMBER	FIGURE & KEY No.	DESCRIPTION	PART NUMBER	FIGURE & KEY No.	DESCRIPTION
CK-0544-000	58 - T2	GREASE, FLOIL GE-676 (20G)	HB1-0452-000	55 - 5	COVER, DISPLAY (LTR)
CK-0551-000	58 - T1	GREASE, PERMALUB G-2, (24G)	HB1-0454-000	55 - 6	PLATE, REFLECTING
FS1-1205-000	37 - 4	BUSHING	HB1-0457-000	55 - 1	SHEET, FRICTION, A
	49 - 6		HB1-0458-000	55 - 2	SHEET, FRICTION, B
FS1-1341-000	53 - 1	BUSHING, OILLESS METAL	HB1-0459-000	55 - 3	LABEL, STACKING LIMIT
HA1-3001-000	57 - 8	FILTER, MECHANICAL	HB1-0460-000	55 - 10	CLAW
HA1-3002-000	57 - 7	FILTER B, MECHANICAL	HB1-0461-000	55 - 9	ROD, CLAW
HA1-3185-000	57 - 4	SEAL, RUBBER	HB1-0462-020	55 - 11	PLATE, LIMIT
HA1-4279-000	57 - 3	HOLDER, SPEAKER	HB1-0482-030	3 - 2	COVER, FRONT
HA1-5327-000	22 - 14	ROLLER, BACK-UP	HB1-0483-050	3 - 1	COVER, REAR
HA1-5412-000	57 - 2	PLATE, NOISE SHIELD (CT-15)		4 - 1	
HA1-6141-000	57 - 1	COVER, UPPER (AG)	HB1-0484-020	3 - 3	COVER, BOTTOM
HA1-6142-000	57 - 5	COVER, LOWER (AG)	HB1-0485-000	1 - 1	TRAY, EXIT
HA1-6143-000	57 - 6	COVER, SCREW (AG)		2 - 1	
HA1-6144-000	57 - 9	KEY TOP F (AG)	HB1-0486-000	1 - 2	TRAY, DOCUMENT
HA1-6629-000	28 - 1	HOLDER, SEPARATION		2 - 2	
HA1-6633-000	28 - 2	SHEET, DOCUMENT SLIDE, FRONT	HB1-0487-060	9 - 10	CASE, SHIELD
HA1-6639-000	22 - 10	ARM, DETECTION (DES)		10 - 9	
HA1-6852-000	22 - 12	ROLLER, EJECT, UPPER	HB1-0488-000	9 - 7	DUCT, FAN
HA1-8060-000	40 - 3	SPACER, HINGE		10 - 7	
HA2-0325-000	27 - 8	GEAR, 1T	HB1-0489-000	7 - 1	PLATE, GROUING
HB1-0412-030	48 - 2	COVER, BOTTOM, FEEDER		8 - 1	
HB1-0413-000	49 - 1	COVER, RIGHT A	HB1-0490-000	11 - 2	PIN, TAPER
HB1-0414-000	49 - 2	COVER, RIGHT B	HB1-0491-000	1 - 3	LABEL, DESTINATION
HB1-0415-030	50 - 1	COVER, LEFT		2 - 3	
	51 - 1		HB1-0492-000	9 - 11	COVER, FAN
HB1-0416-000	48 - 3	COVER, REAR, FEEDER		10 - 10	
HB1-0417-000	49 - 4	GUIDE, CASSETTE, RIGHT	HB1-0493-000	9 - 2	SUPPORT, NCU BOARD ASSY
HB1-0418-040	50 - 2	GUIDE, CASSETTE, LEFT		10 - 2	
	51 - 2		HB1-0494-020	9 - 12	PLATE, GROUNDING
HB1-0419-000	49 - 9	ROLLER, PICKUP		10 - 11	
HB1-0420-000	50 - 10	ARM, DETECT, PAPER	HB1-0496-000	13 - 11	PLATE, CARTRIDGE
	51 - 10		HB1-0497-000	17 - 3	SPRING, LEAF, GROUNDING
HB1-0421-000	50 - 9	HOLDER, ARM	HB1-0498-000	12 - 5	RETAINER, COVER, TOP
	51 - 9		HB1-0499-000	12 - 2	PLATE, GROUNDING
HB1-0422-000	50 - 7	RETAINER, DRIVER BOARD ASSY	HB1-0500-020	11 - 6	SPRING, LEFT
	51 - 7		HB1-0501-020	16 - 3	SPRING, LEFT, GROUNDING
HB1-0423-000	50 - 8	SPRING, LEAF	HB1-0502-000	15 - 3	GUIDE, CASSETTE, RIGHT
	51 - 8		HB1-0503-000	15 - 2	GUIDE, CASSETTE, LEFT
HB1-0425-000	50 - 4	HOLDER, LED PCB	HB1-0504-000	12 - 3	COVER, BELT
	51 - 4		HB1-0505-000	16 - 4	ARM, PAPER PICKUP SENSOR
HB1-0426-000	48 - 1	COVER, BOTTOM COVER	HB1-0506-000	16 - 6	HOLDER, ARM
HB1-0429-000	49 - 11	SPRING, LEAF	HB1-0507-000	16 - 5	ARM, RIGHT COVER SENSOR
HB1-0430-000	49 - 12	COVER, SPRING	HB1-0508-000	16 - 1	PLATE, GROUNDING
HB1-0431-000	50 - 17	COVER, DRIVER BOARD	HB1-0509-000	13 - 10	COVER, TONER SENSOR
	51 - 17		HB1-0510-000	3 - 4	FOOT, RUBBER
HB1-0441-000	53 - 3	ROLLER, PICKUP	HB1-0511-000	14 - 8	COVER, FEED ROLLER
HB1-0442-000	53 - 6	SHAFT, PICKUP ROLLER	HB1-0512-000	3 - 7	PAD, RUBBER
HB1-0443-000	53 - 2	HOLDER, PICKUP ROLLER, A		4 - 5	
HB1-0444-040	52 - 2	COVER, RIGHT, FEEDER	HB1-0516-020	42 - 4	COVER, SHIELD (PCNT)
HB1-0450-000	50 - 16	SHEET, SHIELD, DRIVER BOARD	HB1-0517-000	42 - 1	GUIDE, CASSETTE (R)
	51 - 16		HB1-0518-000	42 - 3	GUIDE, CASSETTE (L)
HB1-0451-060	55 - 13	BODY, CASSETTE	HB1-0520-000	14 - 5	COVER, CONNECTORS

PART NUMBER	FIGURE & KEY No.	DESCRIPTION	PART NUMBER	FIGURE & KEY No.	DESCRIPTION
HB1-0522-000	41 - 8	HOLDER, ARMS, SENSOR	HB1-0603-020	26 - 10	ROLLER, DOCUMENT FEED
HB1-0523-000	41 - 6	ARM, DETECT, PAPER	HB1-0604-040	26 - 8	ROLLER, DOCUMENT EJECT
HB1-0524-000	41 - 3	LEVER, SENSOR	HB1-0605-000	26 - 16	ARM, HOOK
HB1-0525-000	41 - 5	ARM, DETECT, PAPER SIZE (B)	HB1-0606-000	25 - 9	COVER, GEAR
HB1-0526-000	41 - 4	ARM, DETECT, PAPER SIZE (A)	HB1-0607-000	26 - 12	COVER, CABLE
HB1-0527-000	39 - 2	ROLLER, FEED	HB1-0608-000	25 - 11	COVER, EJECT ROLLER
HB1-0528-030	39 - 6	SHAFT, FEED ROLLER	HB1-0609-030	26 - 14	SPRING, LEAF, GROUNDING
HB1-0534-000	40 - 2	CLAW, SOLENOID	HB1-0610-000	26 - 11	SHAFT, TRANSFER
HB1-0538-000	34 - 4	GUIDE, PAPER FEED	HB1-0611-000	25 - 5	HOLDER, SPEAKER
HB1-0539-000	34 - 3	SHEET, PAPER GUIDE	HB1-0612-000	25 - 3	PLATE, SPEAKER MOUNTING
HB1-0540-000	38 - 2	ROLLER, PICKUP	HB1-0613-000	25 - 7	STOPPER, CONTROL PANEL
HB1-0541-000	38 - 5	SHAFT, PICKUP ROLLER	HB1-0614-000	20 - 4	SPRING WASHER, SLIDER
HB1-0542-020	37 - 9	PAD, SEPARATION, RUBBER	HB1-0616-000	27 - 10	HOLDER, SEPARATION ROLLER
HB1-0543-000	37 - 11	PLATE, SEPARATION	HB1-0621-000	27 - 9	SPRING, LEAF
HB1-0544-000	37 - 12	SHAFT, LIFTING	HB1-0632-000	22 - 20	ARM, PRESSURE
HB1-0545-000	37 - 3	MOUNT, SHAFT	HB1-0633-000	22 - 23	COVER, BLANKING B
HB1-0546-000	37 - 7	LEVER, SEPARATION	HB1-0634-000	22 - 18	COVER, BLANKING A
HB1-0547-000	37 - 2	LEVER, LIFTING	HB1-0635-000	22 - 16	SHAFT, PRESSURE
HB1-0548-000	37 - 6	ARM, LIFTING	HB1-0636-000	22 - 24	BRUSH, STATIC DISCHARGE
HB1-0549-000	38 - 4	CLUTCH, PICKUP ROLLER	HB1-0637-000	22 - 17	SHEET, FRICTION
HB1-0553-000	32 - 5	COVER, RIGHT	HB1-0638-000	22 - 3	ARM, DETECTION (DS)
HB1-0554-000	32 - 3	LEVER, LOCK	HB1-0639-000	22 - 4	HOLDER (DS)
HB1-0556-000	46 - 4	BODY, CASSETTE	HB1-0640-000	22 - 9	HOLDER (DES)
HB1-0557-000	46 - 3	PLATE, PAPER LIFTING	HB1-0641-000	22 - 13	SHAFT, DELIVERY ROLLER
HB1-0558-000	46 - 1	PLATE, LIMIT	HB1-0642-000	22 - 6	PLATE, PRESSURE
HB1-0559-000	46 - 2	GUIDE, SIDE, CASSETTE	HB1-0643-020	22 - 2	STAY, PRESSURE
HB1-0573-030	29 - 5	COVER, EXIT PAPER	HB1-0647-000	22 - 8	SPRING, LEAF, GROUNDING
HB1-0574-000	29 - 4	BRUSH, STATIC DISCHARGE	HB1-0648-000	21 - 1	SHEET, PROTECT
HB1-0575-040	29 - 1	ARM, LOCK (L)	HB1-0649-000	28 - 4	HOLDER, SEPARATION GUIDE
HB1-0576-020	29 - 2	ARM, LOCK (R)	HB1-0650-000	28 - 3	RUBBER, SEPARATION
HB1-0577-020	29 - 3	STAY	HB1-0651-030	24 - 10	COVER, CONTROL PANEL
HB1-0578-040	30 - 1	GUIDE, PAPER EJECT	HB1-0652-000	24 - 4	KEY TOP, "DIAL"
HB1-0579-000	30 - 10	FRAME, PAPER EJECT GUIDE	HB1-0653-000	24 - 7	KEY TOP, "START"
HB1-0580-000	30 - 9	SPRING, LEAF, GROUNDING	HB1-0654-000	24 - 2	KEY TOP, "ONE TOUCH DIAL"
HB1-0581-020	30 - 3	SHAFT, EJECT ROLLER	HB1-0655-000	24 - 3	KEY TOP, "TEL FUNCTION"
HB1-0582-000	30 - 4	ROLLER, PAPER EJECT (LOWER)	HB1-0656-000	24 - 1	KEY TOP, "FUNCTION (MODE)"
HB1-0583-000	29 - 6	LABEL, HANDLING PAPER JAM	HB1-0657-000	24 - 6	KEY TOP, "STOP"
HB1-0586-000	20 - 11	COVER, DOCUMENT GUIDE	HB1-0658-000	24 - 5	KEY TOP, "COPY"
HB1-0587-000	20 - 3	GUIDE, DOCUMENT, RIGHT	HB1-0659-030	24 - 9	COVER, ONE TOUCH DIAL
HB1-0588-000	20 - 2	GUIDE, DOCUMENT, LEFT	HB1-0660-000	24 - 11	SHEET, FUNCTION
HB1-0589-000	20 - 8	ARM, CARTRIDGE COVER SENSOR	HB1-0661-000	23 - 3	COVER, DISPLAY
HB1-0590-000	20 - 9	COVER, LED	HB1-0662-000	23 - 2	COVER, SWITCH
HB1-0591-000	20 - 5	PLATE, SUPPORTING, RIGHT	HB1-0663-000	23 - 4	SHEET, FUNCTION
HB1-0592-000	20 - 6	PLATE, SUPPORTING, LEFT	HB1-0664-030	24 - 8	PLATE, WITH GROUND WIRE
HB1-0593-000	18 - 1	HINGE, LEFT	HB1-0666-000	13 - 12	COVER, DUST A
HB1-0594-000	18 - 2	HINGE, RIGHT	HB1-0667-000	13 - 13	COVER, DUST B
HB1-0595-000	19 - 7	COVER, CARTRIDGE	HB1-0669-000	9 - 9	SHEET, SHIELD
HB1-0596-000	19 - 1	TRAY, DOCUMENT, EXTENSION		10 - 8	
HB1-0597-000	19 - 4	LEVER, RELEASE	HB1-0673-030	3 - 5	COVER, SHIELD
HB1-0598-000	19 - 5	COVER, LED		4 - 3	
HB1-0599-000	20 - 10	LABEL, UPPER LIMIT	HB1-0675-040	17 - 4	FRAME, PRINTER
HB1-0600-000	20 - 13	LABEL, HANDLING CARTRIDGE	HB1-0677-030	4 - 2	COVER, FRONT
HB1-0602-000	25 - 1	COVER, ADF, LOWER	HB1-0685-000	50 - 18	SHEET, SHIELD, LED

PART NUMBER	FIGURE & KEY No.	DESCRIPTION	PART NUMBER	FIGURE & KEY No.	DESCRIPTION
HB1-1089-000	51 - 18		HG9-0688-000	56 - 2	
HB1-1090-000	26 - 17	FRAME, ADF	HH2-1277-000	41 - 7	PAPER SENSOR BOARD ASSY
HB1-1092-000	22 - 25	FRAME, ADF, UPPER	HH2-1703-000	57 - 14	MODULAR JACK
	50 - 6	SPRING, LEAF		57 - 13	CORD, COILED (AG)
	51 - 6		HH2-2253-000	1 - 6	POWER CORD, 120V
HB1-1093-000	50 - 21	COVER, SPRING		2 - 6	
	51 - 21		HH2-2331-000	13 - 3	CABLE WITH CONNECTOR, 3P
HF5-0031-000	49 - 5	HOLDER, PICKUP ROLLER	HH2-2333-000	9 - 8	CABLE WITH CONNECTOR, 18P
HF5-0034-000	52 - 1	PICKUP ROLLER UNIT	HH2-2334-000	50 - 12	CABLE WITH CONNECTOR, 18P
HF5-0035-000	53 - 7	HOLDER, PICKUP ROLLER, B	HH2-2337-000	49 - 14	CABLE WITH CONNECTOR, 2P
HF5-0038-000	55 - 4	PLATE, PAPER LIFTING (LTR)	HH2-2363-000	22 - 1	CABLE UNIT
HF5-0043-000	40 - 5	MOUNT, SOLENOID	HH2-2369-000	22 - 7	WIRE, GROUNDING
HF5-0044-000	27 - 1	ROLLER, SEPARATION	HH2-2371-000	51 - 12	CABLE WITH CONNECTOR, 18P
HF5-0045-000	27 - 2	ROLLER, LOADING	HH2-2413-020	50 - 15	WIRE, GROUNDING
HF5-0046-030	26 - 18	MOUNT, DOCUMENT FEED MOTOR		51 - 15	
HF5-0047-020	22 - 15	WHITE SHEET UNIT	HH2-2435-000	26 - 13	CABLE WITH CONNECTOR, 10P
HG1-2185-050	2 - 8	HANDSET ASSY (USA, AG)	HH2-2437-000	26 - 21	WIRE, GROUNDING
	56 - 1		HH2-2484-000	1 - 5	MODULAR LINE CORD, 2W
HG1-2196-000	57 - 10	TELCNT BOARD ASSY		2 - 5	
HG1-4057-000	19 - 6	LED BOARD ASSY	HH3-5268-000	9 - 5	POWER SUPPLY UNIT
HG1-4059-000	14 - 7	TONER SENSOR BOARD ASSY		10 - 5	
HG1-4060-000	50 - 13	DRIVER BOARD ASSY	HH4-2462-040	44 - 1	IC, MB83400B-15P-3PE
	51 - 13		HH7-1299-000	57 - 11	RINGER PKM34EW-12
HG1-4073-080	9 - 4	SCNT BOARD ASSY	HH7-2023-000	9 - 6	FAN UNIT
HG1-4074-030	9 - 1	NCU BOARD ASSY		10 - 6	
	10 - 1		HH7-2039-000	40 - 1	SOLENOID
HG1-4075-000	23 - 1	OPCNT BOARD ASSY	HH7-2040-000	14 - 6	SOLENOID, PICKUP
HG1-4100-080	10 - 4	SCNT BOARD ASSY	HH7-2041-000	50 - 5	SOLENOID, PICKUP
HG1-4155-060	41 - 2	PCNT BOARD ASSY		51 - 5	
HG1-4197-000	25 - 6	VR BOARD ASSY	HH7-2045-000	26 - 7	PULSE MOTOR, READER
HG5-0109-000	53 - 9	PICKUP ROLLER ASSY	HH7-2046-000	25 - 4	SPEAKER
HG5-0113-080	2 - 11	FRONT CASSETTE ASSY (LTR)	HS1-0070-000	20 - 1	GEAR, 16T
HG5-0114-050	55 - 12	SIZE PLATE ASSY	HS1-1036-000	37 - 5	BUSHING
HG5-0117-060	15 - 1	PCNT ASSY	HS1-1073-000	32 - 4	STOPPER, SHAFT
HG5-0118-000	41 - 1	HVT CONNECTOR ASSY	HS1-3066-000	26 - 2	PULLEY 26T
HG5-0119-000	41 - 9	PCNT COVER ASSY	HS5-0043-000	49 - 7	GEAR, 17T
HG5-0120-000	14 - 4	FEED ROLLER ASSY	HS5-0044-000	49 - 10	GEAR, 22T
HG5-0121-000	39 - 5	CONTROL RING UNIT	HS5-0047-000	53 - 5	GEAR, 17T
HG5-0123-000	13 - 9	ROLLER GUIDE UNIT	HS5-0049-000	33 - 13	GEAR, 56T
HG5-0124-000	14 - 2	PICKUP ROLLER ASSY	HS5-0050-000	33 - 12	GEAR, 32T/41T
HG5-0126-020	14 - 1	SEPARATION ASSY	HS5-0051-000	33 - 11	GEAR, 18T/36T
HG5-0128-000	32 - 1	ROLLER GUIDE UNIT	HS5-0052-000	33 - 10	GEAR, 33T
HG5-0129-000	1 - 4	SIDE CASSETTE ASSY	HS5-0053-000	33 - 9	GEAR, 18T/45T
	2 - 4		HS5-0054-000	30 - 8	GEAR, 52T/38T
HG5-0130-020	12 - 1	DRIVE GEAR ASSY	HS5-0055-000	30 - 6	GEAR, 18T
HG5-0131-040	11 - 1	EXIT PAPER COVER ASSY	HS5-0056-020	26 - 3	GEAR, 49T
HG5-0132-050	11 - 3	PAPER EJECT ROLLER ASSY	HS5-0057-020	26 - 1	GEAR, 44T/20T
HG5-0140-000	25 - 2	SEPARATION ROLLER ASSY	HS5-0059-020	26 - 5	GEAR, 38T/33T
HG5-0142-000	25 - 10	CONTACT SENSOR UNIT	HS5-0060-000	27 - 4	GEAR, 20T
HG5-0143-000	22 - 21	SEPARATION GUIDE ASSY	HS5-0061-000	27 - 3	GEAR, 19T
HG5-0148-000	21 - 2	CONTROL PANEL ASSY	HS5-0062-000	27 - 7	GEAR, 20T
HG5-0155-000	53 - 8	CLUTCH UNIT	HS5-0063-000	26 - 6	GEAR, 60T/20T
HG5-0156-000	2 - 9	HANDSET REST UNIT	HS5-1001-000	37 - 8	BUSHING

PART NUMBER	FIGURE & KEY No.	DESCRIPTION	PART NUMBER	FIGURE & KEY No.	DESCRIPTION
	39 - 3		RB1-3079-000	43 - 1	SHAFT, SWITCH CAM
HS5-1011-000	30 - 7	BUSHING	RB1-3087-000	31 - 4	PIN
HS5-1012-000	30 - 5	BUSHING	RB1-3088-000	31 - 5	FRAME, FIXING
HS5-1013-020	26 - 4	BUSHING	RB1-3089-000	31 - 6	PLATE, FIXING
HS5-1014-000	26 - 9	BUSHING	RB1-3090-000	31 - 7	BUSHING, PRESSURE ROLLER, LEFT
HS5-2016-030	55 - 7	SPRING	RB1-3091-000	31 - 8	BUSHING, PRESSURE ROLLER,RIGHT
HS5-2018-000	34 - 2	SPRING, PRESSURE	RB1-3096-000	31 - 12	LEVER, DELIVERY SENSOR
HS5-2019-020	37 - 10	SPRING, SEPARATION	RB1-3097-000	31 - 13	LINK, DELIVERY SENSOR
HS5-2020-000	32 - 2	SPRING	RB1-3099-020	31 - 14	SPRING, TORSION
HS5-2022-000	20 - 7	SPRING, LEVER	RB1-3100-000	31 - 15	ROLLER, PRESSURE
HS5-2023-000	26 - 15	SPRING	RB1-3103-000	31 - 16	ROLLER, PAPER DELIVERY, FU
HS5-2024-000	22 - 19	SPRING	RB1-3104-030	31 - 17	BUSHING, DELIVERY ROLLER, LEFT
HS5-2025-000	22 - 22	SPRING	RB1-3105-030	31 - 18	BUSHING, DELIVERY ROLLER,RIGHT
HS5-2026-000	37 - 1	SPRING	RB1-3106-040	31 - 30	GUIDE, DELIVERY, UPPER
HS5-2028-000	27 - 5	SPRING, CLUTCH	RB1-3107-000	31 - 31	ROLLER
HS5-3010-000	40 - 4	PULLEY, 15T/17T	RB1-3108-000	31 - 32	SPRING, TORSION
HS5-6002-000	34 - 1	ROLLER, PAPER GUIDE	RB1-3109-000	31 - 19	RUBBER, CONTINUITY
HS5-6004-000	30 - 2	ROLLER, PAPER EJECT (UPPER)	RB1-3130-000	19 - 2	PIECE, CRG PRESSURE
HS5-6005-000	27 - 6	ROLLER, DRIVE	RB1-3151-000	42 - 2	SPRING, CASSETTE SIDE
HS5-6006-000	26 - 20	ROLLER, DRIVE	RB1-3163-000	41 - 10	PIN, CONTACT
HT1-2021-000	1 - 7	INSTRUCTION BOOK (ENGLISH)	RB1-3677-000	31 - 20	RETAINER, SENSOR
	2 - 7		RB1-3681-000	13 - 1	CAP, SHUTTER
HT1-3021-000	1 - 7	INSTRUCTION BOOK (FRENCH)	RB9-0108-000	43 - 6	SHEET, RIGHT,PET(R)
	2 - 7		RF5-0584-000	43 - 2	ELIMINATOR, STATIC CHARGE
HY7-2597-000	45 - 1	FUSE, 5A, 125V	RF5-0585-000	35 - 4	GUIDE, TRANSFER
HY7-2602-000	45 - 2	FUSE, 10A, 125V	RF5-0586-000	31 - 10	GUIDE, DELIVERY, LOWER
HY9-0005-000	58 - T4	EXTENTION CABLE UNIT	RF5-0589-000	31 - 33	HOLDER, RESISTER
HY9-0013-000	58 - T5	GAUGE, GAP (1,8mm)	RF5-0596-000	35 - 1	ROLLER, TRANSFER
RA1-7574-000	38 - 1	BUSHING	RF5-0600-060	43 - 3	GUIDE, FEEDER
RA1-8243-000	49 - 15	FOOT, RUBBER	RG5-0662-030	13 - 2	LASER/SCANNER ASS'Y
	50 - 3		RG5-0667-020	13 - 4	MIRROR ASS'Y
	51 - 3		RG5-0671-090	16 - 2	FEEDER GUIDE ASS'Y
RA2-0398-000	55 - 8	BLOCK, SIZE	RG5-0672-030	43 - 4	CAM ASS'Y SWITCH
RB1-2969-020	31 - 2	CLIP, CABLE	RG5-0674-000	13 - 6	TRANSFER MOUNT ASS'Y, LEFT
RB1-2975-020	17 - 9	GUIDE, CABLE	RG5-0675-000	13 - 7	TRANSFER MOUNT ASS'Y, RIGHT
RB1-2981-000	31 - 1	LEVER, RELEASE	RG5-0678-000	31 - 21	FIXING FILM ASS'Y
RB1-2998-020	17 - 5	LEVER, SWITCH	RG5-0681-020	31 - 29	DELIVERY ASS'Y
RB1-2999-000	17 - 6	HOLDER, SWITCH LEVER	RG5-0690-000	31 - 9	GUIDE ASS'Y ENTRANCE
RB1-3003-000	13 - 8	SPRING, LEAF	RG5-0694-020	17 - 2	SWITCH LEVER ASS'Y
RB1-3016-000	36 - 1	SHUTTER, LASER	RG5-0702-000	35 - 2	TRANSFER GUIDE ASS'Y
RB1-3020-000	36 - 3	ARM, SHUTTER	RG5-0710-000	43 - 5	SENSOR ASS'Y
RB1-3025-000	31 - 3	COVER	RG5-0754-000	17 - 8	SCANNER CABLE ASS'Y
RB1-3063-020	43 - 7	CAM, SWITCH	RG5-0765-000	12 - 4	MOTOR ASS'Y
RB1-3064-000	43 - 8	SHUTTER, SWITCH	RG5-0766-000	17 - 1	SCANNER CONNECTOR ASS'Y
RB1-3067-000	43 - 11	LEVER, SENSOR	RG9-0979-000	11 - 4	FIXING ASS'Y
RB1-3068-000	43 - 12	HOLDER, SENSOR	RH2-5214-000	31 - 22	CONNECTOR, 2P
RB1-3069-020	43 - 9	LEVER, CRG SWITCH	RS5-0314-000	31 - 23	GEAR, 24T
RB1-3073-000	35 - 3	BUSHING	RS5-0315-000	31 - 24	GEAR, 22T
RB1-3074-000	43 - 10	SPRING, LEAF	RS5-0316-000	31 - 25	GEAR, 17T/17T
RB1-3075-000	35 - 7	MOUNT, TRANSFER, LEFT	RS5-0318-000	33 - 5	GEAR, 136T/18T
RB1-3076-000	35 - 5	BUSHING, LEFT	RS5-0321-000	33 - 6	GEAR, 22T/36T
RB1-3077-000	35 - 10	MOUNT, TRANSFER, RIGHT	RS5-0325-000	33 - 4	GEAR, 120T/32T
RB1-3078-000	35 - 8	BUSHING, RIGHT	RS5-0326-000	33 - 3	GEAR, 19T/55T

PART NUMBER	FIGURE & KEY No.	DESCRIPTION
RS5-0327-000	33 - 2	GEAR, 52T
RS5-0329-000	33 - 1	GEAR, 19T/19T
RS5-0366-000	33 - 7	GEAR, 64T
RS5-0367-000	33 - 8	GEAR, 60T/38T
RS5-2221-000	35 - 9	SPRING, TORSION
RS5-2222-000	35 - 6	SPRING, COMPRESSION
RS5-2223-000	31 - 26	SPRING, COMPRESSION
RS5-2224-000	31 - 27	SPRING, TENSION
RS5-2227-000	19 - 3	SPRING, COMPRESSION
RS5-2234-000	17 - 7	SPRING, COMPRESSION
RS5-2238-000	36 - 2	SPRING, TORSION
RS5-8170-000	31 - 11	LABEL, WARNING
RY9-0093-000	58 - T3	CHECK TERMINAL
VT2-0001-012	9 - 3	SUPPORT, PCB
	10 - 3	
VT2-5027-008	9 - 13	SPACER
	10 - 12	
WA3-6909-000	44 - 2	IC, MCM34800AZ80 D-RAM
WC4-5052-000	11 - 5	MICRO SWITCH
	49 - 3	
WG8-5210-000	22 - 5	IC, TLP1240 PHOTOINTERRUPTER
	50 - 11	
	51 - 11	
WK1-5047-000	44 - 3	LITHIUM BATTERY, CR2450HC22NC
WR1-0086-000	57 - 15	MICROPHONE
WR1-0111-000	57 - 12	SPEAKER DH-70C
WS1-0172-000	44 - 4	PLUG, SHORT
WS9-5038-000	3 - 6	SPACER, MODULAR
	4 - 4	
WT2-0387-000	11 - 8	CLAMP
WT2-0434-000	9 - 14	CLIP
	10 - 13	
WT2-0507-000	14 - 9	HOLDER, CLIP
WT2-5058-000	31 - 28	CLIP, CABLE
WT2-5065-000	50 - 14	CLAMP, CABLE
	51 - 14	
WT2-5078-000	5 - 2	RIVET
	6 - 2	
	25 - 8	
WT2-5302-000	50 - 19	BAND, WIRING
	51 - 19	
WT2-5311-000	41 - 11	SPACER
X66-6615-000	18 - 3	BAND, WIRING
XA9-0283-000	30 - 11	SCREW, TP, PH3X6
XA9-0428-000	20 - 12	SCREW M2.6X8
XA9-0476-000	19 - 8	SCREW, TP M3X8
XA9-0689-000	2 - 10	SCREW, HANDSET HOLDER
	56 - 3	
XA9-0751-000	S - 4	SCREW, SELF-TAPPING, M3X35
XB1-2300-407	S - 11	SCREW, M3X4
XB1-2300-607	S - 1	SCREW, BH3X6(S)
XB1-2300-809	S - 22	SCREW, BH3X8
XB1-2301-007	S - 15	SCREW, BH3X10

PART NUMBER	FIGURE & KEY No.	DESCRIPTION
	S - 16	
XB1-2301-207	S - 3	SCREW, M3X12
XB1-2301-406	S - 18	SCREW, BH 3X14
XB2-8300-809	S - 21	SCREW, W/WASHER, M3X8
XB4-7200-407	S - 13	SCREW, BH M2X4
	S - 14	
XB4-7200-609	S - 19	SCREW, M2X6
XB4-7260-609	S - 9	SCREW, TAP, BH2.6X6
XB4-7260-809	S - 20	SCREW, FT, BH 2.6X8
XB4-7300-609	S - 24	SCREW, TAP, BINDING HEAD, M3X6
XB4-7300-807	S - 8	SCREW, TAP TIGHT, BINDING HEAD
XB4-7300-809	S - 7	SCREW, TAP, BINDING HEAD, M3X8
XB4-7301-407	S - 10	SCREW, BH M3X14
XB4-7400-607	S - 17	SCREW, SELF-TAPPING, PANHEAD
XB4-7400-807	S - 26	SCREW, SELF-TAPPING, PIN HEAD
XB4-7401-007	S - 2	SCREW, PIN HEAD SELF-TAPPING
XB4-7401-009	S - 5	SCREW, BINDING HEAD SELFTAPPING
XB4-7401-207	S - 23	SCREW, SELF-TAPPING, M4X12
XB6-2301-008	S - 13	SCREW
XB6-7300-607	S - 14	SCREW, TP, M3x6
	S - 15	
XB6-7300-609	S - 12	SCREW, MACHINE M3X6
XB6-7300-807	S - 25	SCREW, TP, M3X8
XB6-7301-007	S - 6	SCREW, PH, M3X10
XD2-1100-322	W - 1	RETAINING RING (E-TYPE)
XD2-1100-502	W - 2	RETAINING RING (E-TYPE)
XD2-1100-642	W - 3	RETAINING RING (E-TYPE)
XD3-2200-082	49 - 8	PIN, PARALLEL
XD3-2200-102	39 - 4	PIN, PARALLEL
XD3-2200-122	22 - 11	PIN, PARALLEL, 2X12
	38 - 3	
	53 - 4	
XD3-2200-202	39 - 1	PIN, M2 X20
XD9-0101-000	55 - 14	RING, E
XF9-0484-000	14 - 3	BELT, COGGED, RUBBER
XF9-0518-000	26 - 19	DRIVE BELT, COGGED



This publication is
printed on 100%
recycled paper.

Canon