

LASER CLASS® 3170/3175

LASER CLASS® 3175MS

SERVICE MANUAL

REVISION 0

LASER CLASS 3170	H12-1612	120V	USA
LASER CLASS 3175	H12-1622	120V	USA
LASER CLASS 3175MS	H12-1682	120V	USA
OPTION MEMORY VII (4MB)	H11-4721		
HANDSET KIT L7	H12-3472		
VERIFICATION STAMP UNIT1	H12-3162		
YELLOW INK TO REFILL	H12-3372		
FOR VERIFICATION STAMP			
PAPER FEED UNIT PF-52	R73-5006		
ENVELOPE FEEDER EF-52	R73-5005		
DUPLEX UNIT DU-52	R73-5004		
DUAL-LINE UPGRADE KIT II	H11-5502		
PRINTER BOARD I	H11-5512		
RAM DIMM MODULE			
FLASH ROM MODULE FR5	R73-5008		
Adobe PostScript 3 Module I	H11-5532		
ETHERNET BOARD EB-52 FX	H11-5542		

Canon

SEPT. 1999

HY8-19AP-000

Application

This manual has been issued by Canon Inc. for qualified persons to learn technical theory, installation, maintenance, and repair of products. This manual covers all localities where the products are sold. For this reason, there may be information in this manual that does not apply to your locality.

Corrections

This manual may contain technical inaccuracies or typographical errors due to improvements or changes in products. When changes occur in applicable products or in the content of this manual, Canon will release technical information as the need arises. In the event of major changes in the contents of this manual over a long or short period, Canon will issue a new editions of this manual.

The following paragraph does not apply to any countries where such provisions are inconsistent with local law.

Trademarks

The product names and company names described in this manual are the registered trademarks of the individual companies.

Copyright

This manual is copyrighted with all rights reserved. Under the copyright laws, this manual may not be copied, reproduced or translated into another language, in whole or in part, without the written consent of Canon Inc..

Copyright © 1999 by Canon Inc.

CANON INC.

Office Imaging Products Technical Support Dept. 3

5-1 Hakusan 7-Chome, Toride-city, Ibaraki 302-8501, Japan

DTP System








This manual was produced on an Apple Macintosh®, personal computer, final pages were printed on AGFA SelectSet Avantara 25.

All graphics were produced with Macromedia® FreeHand® 8.0J.

All documents and all page layouts were created with Adobe PageMaker® 6.5J.

I. MEANINGS OF MARKS

The marks used in this manual have the following meanings.

Mark	Meaning
	Indicates a general caution or warning, or otherwise to communicate the presence of a hazard.
	Warns of the possibility of an electric shock.
	Informs you of fire-related cautions.
	Warns against disassembly of parts.
	Informs you that the plug must be removed from the power outlet before starting an operation.
 NOTE	Gives useful information to understand descriptions.
 REFERENCE	Indicates sections to be read to obtain more detailed information.

II. ABOUT THIS MANUAL

This manual consists of the following five chapters, each providing appropriate information needed to service the product.

Chapter 1: Safety and Precautions

Provides cautions and warnings needed when servicing the product while ensuring safety, and explains the protective functions built into the product. Be sure to go through the descriptions.

Chapter 2: Operating Instructions

Shows how to operate the product correctly, while explaining how to use service data and switches needed for service work.

Chapter 3: Technical Reference

Offers an outline of the product and explains its mechanisms and new features so as to provide a technical understanding of the product.

Chapter 4: Maintenance and Service

Contains information needed to ensure the performance of the product, including adjustments to make during assembly as well as troubleshooting.

Chapter 5: Appendix

Contains information needed for installation, including descriptions related to options.



REFERENCE

-
- For more details of user operations and user reports, see the separate volume of *USER'S GUIDE*.
 - Procedures for assembly/disassembly are not given in this manual. See the illustrations in the separate volume of *PARTS CATALOG*.
 - Detailed description of each SSSW/parameter is not given in this manual except the new SSSWs/parameters added to this fax. As necessary, see *G3 Facsimile SERVICE DATA HANDBOOK (Rev. 0)*.
 - Detailed description of each error code is not given in this manual except the new error codes added to this fax. As necessary, see *G3 Facsimile Error Code List (Rev. 1)*.
-

III. REVISION HISTORY

REVISION	CONTENT
0	Original

IV. TABLE OF CONTENTS

Chapter 1: Safety and Precautions

Page	
1 - 1	1. DANGER TO PERSONNEL
1 - 1	1.1 Electric Shock
1 - 2	1.1.1 AC line (AC 120V household current)
1 - 2	1.1.2 Telephone line
1 - 2	1.1.3 Printer high voltage terminal
1 - 3	1.2 High Temperature Parts
1 - 4	1.3 Fire
1 - 6	1.4 Moving and Rotating Parts
1 - 8	1.5 Laser Beams
1 - 10	2. DANGER TO EQUIPMENT
1 - 10	2.1 Handling the FAX
1 - 12	2.2 Storage and Handling of FX6 Toner Cartridge
1 - 12	2.2.1 Before unsealing the box
1 - 13	2.2.2 Storing unsealed parts
1 - 13	2.2.3 Storage environment
1 - 13	2.2.4 Effective life
1 - 13	2.2.5 Handling
1 - 15	2.3 Precautions when Servicing
1 - 15	2.3.1 Damage due to electrostatic discharge
1 - 16	2.3.2 Lubrication points
1 - 16	2.3.3 Scanner section
1 - 17	2.3.4 Printer section
1 - 18	2.3.5 Paper load section
1 - 19	2.3.6 Control boards
1 - 20	2.3.7 Replacing ROM
1 - 21	3. PRECAUTIONS FOR DATA PROTECTION
1 - 21	3.1 Battery-backed up Data
1 - 22	3.2 Backed up by Rechargeable Battery
1 - 22	3.2.1 Data backed up by rechargeable battery
1 - 23	3.2.2 Reception image data transfer
1 - 24	3.3 Backed up by Lithium Battery
1 - 24	3.3.1 Data backed up by the lithium battery
1 - 26	3.3.2 Printing the lithium battery backup data list
1 - 28	3.4 Data clear/initialization using Service Operation
1 - 29	3.5 Master Password
1 - 30	3.6 What to do when a Problem Occurs (All clear)
1 - 31	4. PROTECTIVE FUNCTIONS
1 - 31	4.1 Reception Image Data Transfer Function
1 - 31	4.2 Data Battery Backup Function
1 - 32	4.3 Built-in Safety Measures
1 - 32	4.3.1 Overcurrent protection
1 - 32	4.3.2 Lightning protection
1 - 33	4.3.3 Power leakage protection
1 - 34	5. QUALIFICATION REQUIRED FOR INSTALLATION WORK

Chapter 2: Operating Instructions

2 - 1	1. NAMES OF PARTS AND THEIR FUNCTIONS
2 - 1	1.1 Main Unit Overview
2 - 4	1.2 Operation Panel
2 - 7	2. BASIC OPERATION
2 - 7	2.1 Copying
2 - 8	2.2 Telephone (Only possible where a handset or telephone are connected)
2 - 9	2.3 Transmission
2 - 10	2.4 Reception
2 - 11	3. SERVICE OPERATION FUNCTIONS
2 - 11	3.1 Report Output Function
2 - 11	3.1.1 User report output functions
2 - 13	3.1.2 Service report output functions
2 - 26	3.2 User Data Flowchart
2 - 39	3.3 Service Switches
2 - 39	3.3.1 Hardware switches
2 - 40	3.3.2 Service data setting
2 - 41	3.3.3 Service data registration/setting method
2 - 42	3.3.4 Service data flowchart
2 - 47	3.3.5 Explanation of SSSW (Service Soft Switch Settings)
2 - 48	3.3.6 New SSSWs/parameters added to this model
2 - 56	3.4 Test Functions
2 - 56	3.4.1 Test mode overview
2 - 57	3.4.2 Test mode flowchart
2 - 59	3.4.3 D-RAM tests
2 - 60	3.4.4 Print test
2 - 61	3.4.5 Modem and NCU tests
2 - 65	3.4.6 AGING test
2 - 66	3.4.7 Faculty tests

Chapter 3: Technical Reference

3 - 1	1. SPECIFICATIONS
3 - 1	1.1 Overview
3 - 1	1.1.1 Facsimile overview
3 - 2	1.1.2 Option overview
3 - 2	1.1.3 Printer overview (LASER CLASS 3175MS only)
3 - 4	1.2 Configuration and Structure
3 - 4	1.2.1 Product names
3 - 4	1.2.2 External view
3 - 5	1.2.3 Configuration
3 - 6	1.3 Specifications and Functions
3 - 6	1.3.1 Basic specifications
3 - 7	1.3.2 Communications specifications
3 - 9	1.3.3 Scanner section specifications
3 - 12	1.3.4 Printer section specifications
3 - 15	1.3.5 Functions
3 - 19	1.4 Printer Specifications (LASER CLASS 3175 only)
3 - 21	2. THEORY OF OPERATIONS
3 - 21	2.1 Product Overview

3 - 21	2.1.1 Fax main unit
3 - 21	2.1.2 Option overview
3 - 22	2.1.3 Consumables
3 - 24	2.2 Mechanical Overview
3 - 24	2.2.1 Unit layout diagrams
3 - 24	2.2.2 Document and recording paper flow
3 - 26	2.2.3 Drive system layout
3 - 28	2.2.4 Electrical system layout
3 - 33	2.3 Scanner Section
3 - 33	2.3.1 Document feed section
3 - 38	2.3.2 Optical section
3 - 41	2.4 Paper Load Section
3 - 47	2.5 Printer Section
3 - 48	2.5.1 Paper feed/eject section
3 - 51	2.5.2 LASER/Scanner section
3 - 53	2.5.3 Toner cartridge
3 - 59	2.5.4 Transfer/Separation section
3 - 60	2.5.5 Fixing section
3 - 63	2.6 Circuit Overview
3 - 63	2.6.1 SCNT board function block diagram
3 - 64	2.6.2 Functions
3 - 67	2.6.3 ECNT board function block diagram
3 - 68	2.6.4 Functions
3 - 70	2.6.5 SCNT board component block diagram
3 - 74	2.6.6 ECNT board component block diagram
3 - 76	2.6.7 Flow of image signals
3 - 80	3. NEW FUNCTION
3 - 80	3.1 High-speed Transmission
3 - 80	3.1.1 V.8/V.34 protocol
3 - 94	3.2 JBIG Image Compression Encoding Method
3 - 94	3.2.1 Outline of the JBIG Image Compression Encoding Method
3 - 95	3.2.2 Single Progression Sequential Bi-level Image Compression Method
3 - 96	3.2.3 Encoding Method
3 - 103	3.2.4 Construction of image data with JBIG Image Compression Encoding
3 - 104	3.2.5 Explanation of Bi-level Image Header section (BIH)
3 - 105	3.2.6 Explanation and parameters for each symbol used in BIH
3 - 106	3.2.7 Explanation of Bi-level Image Data (BID) section
3 - 106	3.2.8 Explanation and parameters for each symbol used in BID
3 - 108	3.3 Energy Save Standby (ESS) (LASER CLASS 3170/3175 only)

Chapter 4: Maintenance and Service

4 - 1	1. MAINTENANCE
4 - 1	1.1 Maintenance Items
4 - 1	1.1.1 Consumables
4 - 3	1.1.2 Cleaning
4 - 5	1.1.3 Periodic inspections
4 - 5	1.1.4 Periodic replacement parts
4 - 6	1.2 Tools
4 - 6	1.2.1 General tools

4 - 6	1.2.2 Special tools
4 - 7	2. CONSUMABLES REPLACEMENT
4 - 7	2.1 Toner Cartridge
4 - 7	2.2 Recording Paper
4 - 8	2.3 Stamp Ink
4 - 11	3. CLEANING
4 - 11	3.1 Main Unit
4 - 11	3.2 Document Pick-up Roller
4 - 11	3.3 Separation Roller (Upper)
4 - 11	3.4 Separation Roller (Lower)
4 - 11	3.5 Scanning Glass (Contact Sensor)
4 - 11	3.6 White Sheet
4 - 11	3.7 Document Feed Roller 1
4 - 11	3.8 Document Feed Roller 2
4 - 11	3.9 Document Eject Roller
4 - 13	3.10 Transfer Guide
4 - 16	3.11 Transfer Charging Roller
4 - 18	3.12 Cassette Pick-Up Roller/Feed Roller/Separation Roller
4 - 20	3.13 Multi-Purpose Tray Pick-Up Roller/Separation Pad
4 - 22	3.14 Feed Roller
4 - 27	3.15 Pre-Transfer Roller and Registration Arm
4 - 29	3.16 Paper Feed Belt and Paper Feed Guide
4 - 31	3.17 Fixing Unit Entrance Guide
4 - 32	3.18 Fixing Film
4 - 34	3.19 Face-Up Deflector, Fixing Delivery Roller and Lower Paper Delivery Guide
4 - 35	4. ADJUSTMENT
4 - 35	4.1 Parts Replacement
4 - 35	4.2 Points to Grease
4 - 35	4.3 Adjustment items
4 - 36	4.4 Leading Edge Margin Adjustment
4 - 38	5. TROUBLESHOOTING
4 - 38	5.1 Troubleshooting
4 - 38	5.1.1 Repairs
4 - 38	5.1.2 Precautions for troubleshooting
4 - 39	5.2 Error Shown on the Display
4 - 39	5.2.1 User error message
4 - 45	5.2.2 Error codes
4 - 64	5.3 Errors not Shown on the Display
4 - 80	6. WIRING DIAGRAM
4 - 80	6.1 Wiring Diagram
4 - 83	6.2 Signal Description

Chapter 5: Appendix

5 - 1	1. INSTALLATION
5 - 2	1.1 Setting up the Fax
5 - 6	1.2 Unpacking
5 - 11	1.3 Removing the Shipping Material
5 - 15	1.4 Assembling the Fax
5 - 43	1.5 Checking Operations

5 - 44	1.6 Moving the Fax Unit
5 - 45	2. SERVICE TOOLS
5 - 45	2.1 Printer Driver Tester
5 - 45	2.1.1 Outline
5 - 46	2.1.2 Explanation of LEDs and Switches
5 - 47	2.1.3. Operation
5 - 53	3. OPTION
5 - 53	3.1 Option Memory VII (4M-BYTE)
5 - 53	3.1.1 Safety and precautions
5 - 53	3.1.2 Service operations
5 - 59	3.1.3 Technical information
5 - 60	3.1.4 Maintenance and service
5 - 63	3.2 Handset Kit L7 (CT-17)
5 - 63	3.2.1 Service operations
5 - 65	3.2.2 Technical information
5 - 66	3.2.3 Operations
5 - 67	3.2.4 Maintenance and service
5 - 68	3.3 Verification Stamp Unit
5 - 68	3.3.1 Service operations
5 - 72	3.3.2 Maintenance and service
5 - 73	3.4 Paper Feed Unit PF-52
5 - 73	3.4.1 Safety and precautions
5 - 74	3.4.2 Service operations
5 - 77	3.4.3 Technical information
5 - 79	3.4.4 Operations
5 - 82	3.4.5 Maintenance and service
5 - 84	3.4.6 Recording Paper Size Priority
5 - 88	3.5 Envelope Feeder EF-52
5 - 88	3.5.1 Service operations
5 - 89	3.5.2 Technical information
5 - 90	3.5.3 Operation
5 - 92	3.5.4 Maintenance and service
5 - 95	3.5.5 Installation Position Adjustment of Separation Guide of Envelope Feeder (adjustment of gap between separation guide and lower separation roller)
5 - 96	3.5.6 Installation Position Adjustment of Envelope Multiple Feed Sensor
5 - 98	3.6 Duplex Unit DU-52
5 - 98	3.6.1 Service operations
5 - 99	3.6.2 Technical information
5 - 100	3.6.3 Operation
5 - 105	3.6.4 Maintenance and service
5 - 110	3.7 Dual-line Upgrade Kit II
5 - 110	3.7.1 Safety and precautions
5 - 110	3.7.2 Service operations
5 - 115	3.7.3 Technical information
5 - 119	3.7.4 Maintenance and service
5 - 122	4.1 Ethernet Board EB-52 FX
5 - 122	4.1.1 Safety and precautions
5 - 122	4.1.2 Service operations
5 - 123	4.1.3 Technical information

5 - 125	4.1.4 Maintenance and service
5 - 129	4.2 Adobe PostScript 3 Module I
5 - 129	4.2.1 Safety and precautions
5 - 129	4.2.2 Service operations
5 - 134	4.2.3 Technical Information
5 - 134	4.2.4 Maintenance and service
5 - 135	4.3 Flash ROM Module FR5
5 - 135	4.3.1 Safety and precautions
5 - 135	4.3.2 Service operations
5 - 139	4.3.3 Technical informations
5 - 139	4.3.4 Maintenance and service
5 - 140	4.4 RAM DIMM Module
5 - 140	4.4.1 Safety and precautions
5 - 140	4.4.2 Service operations
5 - 142	4.4.3 Technical informations
5 - 143	4.4.4 Maintenance and service
5 - 144	4.5 Printer Board I
5 - 144	4.5.1 Safety and precautions
5 - 144	4.5.2 Service operations
5 - 148	4.5.3 Technical informations
5 - 157	4.5.4 Maintenance and service

V. ILLUSTRATION INDEX

Chapter 1: Safety and Precautions

Page	
1 - 2	Figure 1 - 1 Printer High Voltage Terminal
1 - 3	Figure 1 - 2 High Temperature Parts
1 - 7	Figure 1 - 3 Moving and Rotating Parts
1 - 9	Figure 1 - 4 Laser Shutter
1 - 10	Figure 1 - 5 Precautions 1
1 - 11	Figure 1 - 6 Precautions 2
1 - 13	Figure 1 - 7 Proper Way to Shake Cartridge
1 - 14	Figure 1 - 8 Cautions for Handling
1 - 17	Figure 1 - 9 Printer Section
1 - 18	Figure 1 - 10 Pickup Roller Initial Position
1 - 21	Figure 1 - 11 Lithium / Rechargeable Battery and Jumper Plugs
1 - 23	Figure 1 - 12 Reception Image Data Transfer Method
1 - 30	Figure 1 - 13 All Clear
1 - 12	Table 1 - 1 Environmental conditions

Chapter 2: Operating Instructions

2 - 1	Figure 2 - 1 Front View
2 - 2	Figure 2 - 2 Rear View
2 - 4	Figure 2 - 3 Operation Panel 1
2 - 5	Figure 2 - 4 Operation Panel 2
2 - 6	Figure 2 - 5 Operation Panel 3
2 - 7	Figure 2 - 6 Display for document set
2 - 8	Figure 2 - 7 Document Guides Adjustment
2 - 8	Figure 2 - 8 Document Load Limit
2 - 12	Figure 2 - 9 Memory Clear List
2 - 14	Figure 2 - 10 System Data List (1/7)
2 - 15	Figure 2 - 11 System Data List (2/7)
2 - 16	Figure 2 - 12 System Data List (3/7)
2 - 17	Figure 2 - 13 System Data List (4/7)
2 - 18	Figure 2 - 14 System Data List (5/7)
2 - 19	Figure 2 - 15 System Data List (6/7)
2 - 20	Figure 2 - 16 System Data List (7/7)
2 - 21	Figure 2 - 17 System Dump List (1/2)
2 - 23	Figure 2 - 18 System Dump List (2/2)
2 - 24	Figure 2 - 19 Service Error Activity Report
2 - 26	Figure 2 - 20 User Menu Settings (1/13)
2 - 27	Figure 2 - 21 User Menu Settings (2/13)
2 - 28	Figure 2 - 22 User Menu Settings (3/13)
2 - 29	Figure 2 - 23 User Menu Settings (4/13)
2 - 30	Figure 2 - 24 User Menu Settings (5/13)
2 - 31	Figure 2 - 25 User Menu Settings (6/13)
2 - 32	Figure 2 - 26 User Menu Settings (7/13)
2 - 33	Figure 2 - 27 User Menu Settings (8/13)
2 - 34	Figure 2 - 28 User Menu Settings (9/13)

2 - 35	Figure	2 - 29	User Menu Settings (10/13)
2 - 36	Figure	2 - 30	User Menu Settings (11/13)
2 - 37	Figure	2 - 31	User Menu Settings (12/13)
2 - 38	Figure	2 - 32	User Menu Settings (13/13)
2 - 41	Figure	2 - 33	Service Data Setting Method
2 - 42	Figure	2 - 34	Service Data (1/5)
2 - 43	Figure	2 - 35	Service Data (2/5)
2 - 44	Figure	2 - 36	Service Data (3/5)
2 - 45	Figure	2 - 37	Service Data (4/5)
2 - 46	Figure	2 - 38	Service Data (5/5)
2 - 47	Figure	2 - 39	Bit Switch Display
2 - 47	Figure	2 - 40	How to Read Bit Switch Tables
2 - 57	Figure	2 - 41	Test Mode (1/2)
2 - 58	Figure	2 - 42	Test Mode (2/2)
2 - 59	Figure	2 - 43	D-RAM Test
2 - 60	Figure	2 - 44	Print Pattern Check
2 - 63	Figure	2 - 45	Tonal and DTMF Signal Reception Tests
2 - 67	Figure	2 - 46	Sensor Tests
2 - 68	Figure	2 - 47	Toner Sensor
2 - 69	Figure	2 - 48	Stamp Test
2 - 72	Figure	2 - 49	Operation Panel

Chapter 3: Technical Reference

3 - 4	Figure	3 - 1	External View
3 - 11	Figure	3 - 2	Scanning Range
3 - 14	Figure	3 - 3	Printing Range
3 - 23	Figure	3 - 4	Product Overview
3 - 25	Figure	3 - 5	Paper Path
3 - 27	Figure	3 - 6	Drive System Layout
3 - 29	Figure	3 - 7	Electrical System Layout
3 - 32	Figure	3 - 8	Arrangement of Sensors
3 - 34	Figure	3 - 9	Document Feed Section
3 - 36	Figure	3 - 10	Stopper Movement
3 - 40	Figure	3 - 11	Contact Sensor
3 - 43	Figure	3 - 12	Cassette Paper Loading
3 - 46	Figure	3 - 13	Paper Size Detection Configuration (Paper feeder)
3 - 46	Figure	3 - 14	Paper Size Detection Configuration (Option paper feed unit PF-52)
3 - 47	Figure	3 - 15	Printer Section
3 - 49	Figure	3 - 16	Paper Feed/Eject Section
3 - 51	Figure	3 - 17	LASER/Scanner Section
3 - 53	Figure	3 - 18	Toner Cartridge
3 - 54	Figure	3 - 19	Surface Potential
3 - 54	Figure	3 - 20	Primary Charging
3 - 55	Figure	3 - 21	Laser Beam Exposure
3 - 55	Figure	3 - 22	Developing
3 - 56	Figure	3 - 23	Developing Cylinder/Drum Surface Potential
3 - 57	Figure	3 - 24	Drum Cleaning
3 - 58	Figure	3 - 25	High Voltage Terminals
3 - 59	Figure	3 - 26	Transfer

3 - 59	Figure	3 - 27	Separation
3 - 60	Figure	3 - 28	Fixing section
3 - 63	Figure	3 - 29	Function Block Diagram (1)
3 - 67	Figure	3 - 30	Function Block Diagram (2)
3 - 70	Figure	3 - 31	Component Block Diagram (1)
3 - 74	Figure	3 - 32	Component Block Diagram (2)
3 - 77	Figure	3 - 33	Transmission
3 - 79	Figure	3 - 34	Reception
3 - 82	Figure	3 - 35	Typical Protocol
3 - 89	Figure	3 - 36	Late Start
3 - 90	Figure	3 - 37	Between-page Sequence
3 - 91	Figure	3 - 38	Mode Change
3 - 92	Figure	3 - 39	Image Transmission Speed Change from the Receiver
3 - 93	Figure	3 - 40	Image Transmission Speed Change from the Transmitter
3 - 94	Figure	3 - 41	Images
3 - 96	Figure	3 - 42	Encoder and Flow of JBIG Encoding
3 - 97	Figure	3 - 43	Model Templates
3 - 98	Figure	3 - 44	Positions of Pixels in Model Template
3 - 99	Figure	3 - 45	Study Table Study Example 1
3 - 99	Figure	3 - 46	Study Table Study Example 2
3 - 101	Figure	3 - 47	Arithmetic Encoding Conceptual Diagram
3 - 102	Figure	3 - 48	When Predictions are Continually Accurate
3 - 103	Figure	3 - 49	Construction of JBIG Image Data
3 - 103	Figure	3 - 50	BIE Construction Diagram
3 - 104	Figure	3 - 51	BIH Construction Diagram
3 - 106	Figure	3 - 52	BID Construction Diagram
3 - 108	Figure	3 - 53	System Block Diagram
3 - 98	Table	3 - 1	Study Table (Initial values)
3 - 98	Table	3 - 2	Probability Estimation Table

Chapter 4: Maintenance and Service

4 - 8	Figure	4 - 1	Refiling the Stamp Ink 1
4 - 9	Figure	4 - 2	Refiling the Stamp Ink 2
4 - 9	Figure	4 - 3	Refiling the Stamp Ink 3
4 - 12	Figure	4 - 4	Cleaning Location 1
4 - 12	Figure	4 - 5	Cleaning Location 2
4 - 13	Figure	4 - 6	Preparation for Cleaning 1
4 - 13	Figure	4 - 7	Preparation for Cleaning 2
4 - 14	Figure	4 - 8	Cleaning Location 1
4 - 14	Figure	4 - 9	Cleaning Location 2
4 - 15	Figure	4 - 10	Cleaning Location 3
4 - 16	Figure	4 - 11	Preparation for Cleaning
4 - 17	Figure	4 - 12	Cleaning Location
4 - 18	Figure	4 - 13	Preparation for Cleaning 1
4 - 18	Figure	4 - 14	Preparation for Cleaning 2
4 - 19	Figure	4 - 15	Cleaning Location 1
4 - 19	Figure	4 - 16	Cleaning Location 2
4 - 20	Figure	4 - 17	Preparation for Cleaning 1
4 - 20	Figure	4 - 18	Preparation for Cleaning 2

4 - 21	Figure	4 - 19	Cleaning Location 1
4 - 21	Figure	4 - 20	Cleaning Location 2
4 - 22	Figure	4 - 21	Preparation for Cleaning 1
4 - 22	Figure	4 - 22	Preparation for Cleaning 2
4 - 23	Figure	4 - 23	Preparation for Cleaning 3
4 - 23	Figure	4 - 24	Preparation for Cleaning 4
4 - 24	Figure	4 - 25	Preparation for Cleaning 5
4 - 24	Figure	4 - 26	Preparation for Cleaning 6
4 - 25	Figure	4 - 27	Preparation for Cleaning 7
4 - 25	Figure	4 - 28	Preparation for Cleaning 8
4 - 26	Figure	4 - 29	Cleaning Location
4 - 27	Figure	4 - 30	Preparation for Cleaning 1
4 - 27	Figure	4 - 31	Preparation for Cleaning 2
4 - 28	Figure	4 - 32	Cleaning Location
4 - 29	Figure	4 - 33	Preparation for Cleaning
4 - 29	Figure	4 - 34	Cleaning Location 1
4 - 30	Figure	4 - 35	Cleaning Location 2
4 - 31	Figure	4 - 36	Preparation for Cleaning
4 - 31	Figure	4 - 37	Cleaning Location
4 - 32	Figure	4 - 38	Preparation for Cleaning 1
4 - 32	Figure	4 - 39	Preparation for Cleaning 2
4 - 33	Figure	4 - 40	Preparation for Cleaning 3
4 - 33	Figure	4 - 41	Cleaning Location
4 - 34	Figure	4 - 42	Preparation for Cleaning
4 - 34	Figure	4 - 43	Cleaning Location
4 - 37	Figure	4 - 44	Leading Edge Margin Adjustment
4 - 45	Figure	4 - 45	Service Error Code Display
4 - 67	Figure	4 - 46	Faulty Print Samples
4 - 73	Figure	4 - 47	Fixing Nip Width
4 - 80	Figure	4 - 48	Wiring Diagram (1)
4 - 81	Figure	4 - 49	Wiring Diagram (2)
4 - 82	Figure	4 - 50	Wiring Diagram (3)

Chapter 5: Appendix

5 - 42	Figure	5 - 1	All Clear
5 - 43	Figure	5 - 2	Copy Operation
5 - 45	Figure	5 - 3	Printer Driver Tester
5 - 46	Figure	5 - 4	LEDs and Switches
5 - 47	Figure	5 - 5	Connect Printer Driver Tester
5 - 53	Figure	5 - 6	External View
5 - 54	Figure	5 - 7	Preparations for Installation 1
5 - 54	Figure	5 - 8	Preparations for Installation 2
5 - 55	Figure	5 - 9	DRAM Boards Installation (1)
5 - 56	Figure	5 - 10	DRAM Boards Installation (2)
5 - 57	Figure	5 - 11	Flowchart of D-RAM test 1
5 - 57	Figure	5 - 12	D-RAM Board Installation Check
5 - 59	Figure	5 - 13	DRAM Board (4MB)
5 - 63	Figure	5 - 14	External View
5 - 63	Figure	5 - 15	Attachment to the Main Unit (1)
5 - 64	Figure	5 - 16	Attachment to the Main Unit (2)

5 - 65	Figure	5 - 17	External View
5 - 66	Figure	5 - 18	Electric Circuit Section
5 - 68	Figure	5 - 19	External View
5 - 68	Figure	5 - 20	Attachment to the Main Unit 1
5 - 69	Figure	5 - 21	Attachment to the Main Unit 2
5 - 69	Figure	5 - 22	Attachment to the Main Unit 3
5 - 70	Figure	5 - 23	Attachment to the Main Unit 4
5 - 70	Figure	5 - 24	Attachment to the Main Unit 5
5 - 71	Figure	5 - 25	Flowchart of Changing SSSW
5 - 73	Figure	5 - 26	Moving and Rotating Parts
5 - 74	Figure	5 - 27	External View
5 - 76	Figure	5 - 28	Pickup Roller Initial Position
5 - 77	Figure	5 - 29	External View
5 - 79	Figure	5 - 30	Cross-Sectional Diagram
5 - 80	Figure	5 - 31	Arrangement of Switches
5 - 81	Figure	5 - 32	Electrical Circuit Section
5 - 85	Figure	5 - 33	Reading the Recording Paper Size Table
5 - 88	Figure	5 - 34	External View
5 - 89	Figure	5 - 35	External View
5 - 90	Figure	5 - 36	Envelope Feeder
5 - 90	Figure	5 - 37	Cross-Sectional Diagram
5 - 91	Figure	5 - 38	Arrangement of Sensors
5 - 91	Figure	5 - 39	Electrical Circuit Section
5 - 95	Figure	5 - 40	Adjustment of Separation Guide
5 - 97	Figure	5 - 41	Adjustment of Envelope Multiple Feed Sensor
5 - 98	Figure	5 - 42	External View
5 - 99	Figure	5 - 43	External View
5 - 102	Figure	5 - 44	Duplexing Unit
5 - 102	Figure	5 - 45	Cross-Sectional Diagram
5 - 103	Figure	5 - 46	Arrangement of Sensors
5 - 104	Figure	5 - 47	Electrical Circuit Section
5 - 110	Figure	5 - 48	External View
5 - 111	Figure	5 - 49	Preparations for Installation 1
5 - 111	Figure	5 - 50	Preparations for Installation 2A
5 - 112	Figure	5 - 51	Preparations for Installation 2B
5 - 112	Figure	5 - 52	Preparations for Installation 3
5 - 113	Figure	5 - 53	Dual-line Upgrade Kit II Installation
5 - 114	Figure	5 - 54	Menu Check
5 - 115	Figure	5 - 55	External View
5 - 122	Figure	5 - 56	External View
5 - 124	Figure	5 - 57	Status LEDs
5 - 126	Figure	5 - 58	Connector Locations
5 - 129	Figure	5 - 59	External View
5 - 135	Figure	5 - 60	External View
5 - 140	Figure	5 - 61	External View
5 - 144	Figure	5 - 62	External View
5 - 145	Figure	5 - 63	Preparations for Installation 1
5 - 145	Figure	5 - 64	Preparations for Installation 2
5 - 146	Figure	5 - 65	Printer Board I Installation
5 - 148	Figure	5 - 66	External View

5 - 150	Figure	5 - 67 Options
5 - 151	Figure	5 - 68 Flow of Print Data 1
5 - 152	Figure	5 - 69 Flow of Print Data 2
5 - 153	Figure	5 - 70 PDL Menus Flow
5 - 155	Figure	5 - 71 Components
5 - 156	Figure	5 - 72 Block Diagram
5 - 158	Figure	5 - 73 Test Print
5 - 159	Figure	5 - 74 Cleaning Page
5 - 49	Table	5-1 Printer Operation Setting
5 - 50	Table	5-2 Printer Condition (1)
5 - 51	Table	5-3 Printer Condition (2)

This page intentionally left blank

Chapter 1

Safety and Precautions

1. DANGER TO PERSONNEL

1.1 Electric Shock



Precautions

Before disassembling the fax, carry out the following to prevent electric shock:

- (1) Disconnect the power cord from the outlet.
- (2) Disconnect the modular jack cord (telephone line) from the fax.

Precautions when servicing the fax with the power on

When you must service the fax with the power cord plugged in, you must not ground your body with grounding wrist straps.

This is to prevent electricity passing to your body.

1.1.1 AC line (AC 120V household current)

Power supply unit (primary side)

The AC 120V is supplied to the primary side of the power supply unit when the power cord is plugged in.

1.1.2 Telephone line

NCU board (primary side)

When connected to the telephone line, a line voltage of approx. DC 48V is supplied to the fax from the telephone line.

And when the ringing signal is received, approx. AC 90Vrms is supplied.

1.1.3 Printer high voltage terminal

When the printer cover sensor is pressed with the printer cover closed, voltage of approx. AC 1600V p-p maximum is supplied to the printer high voltage terminal. When you press the printer cover sensor, be careful not to touch the high voltage terminal.

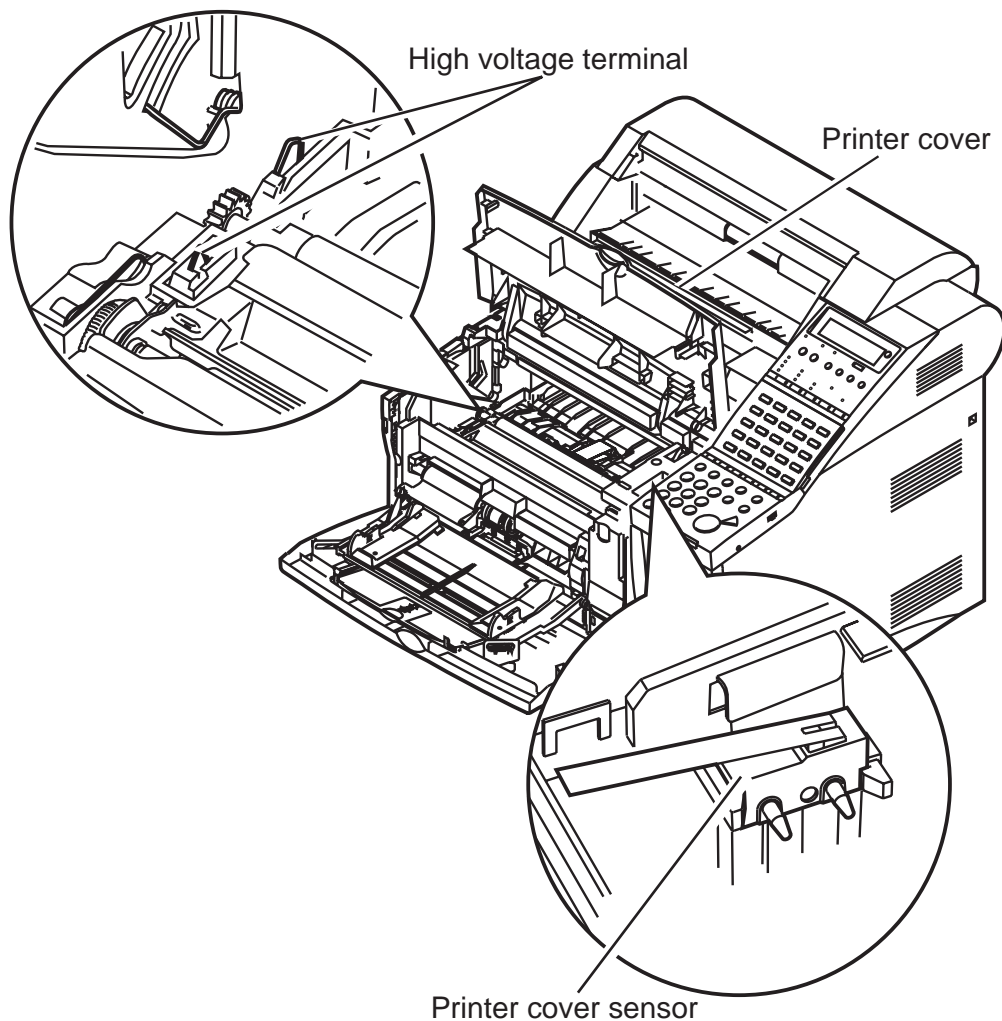


Figure 1-1 Printer High Voltage Terminal

1.2 High Temperature Parts



Precautions

To prevent burns while disassembling the fax, disconnect the power cord at least 10 minutes before starting disassembly, to allow high temperature parts to cool down.

How to treat burns

Heat of about 122°F (50°C) or more causes burns. Also, the longer the contact, the more severe the burn.

When treating a burn, the first minute after receiving the burn is the most important. Cool the burn immediately with cold running water. In the case of a serious burn, seek medical attention immediately.

The temperatures of the parts shown below become more than 50°C during operation.

Be Careful not to burn yourself on any of these parts during servicing.

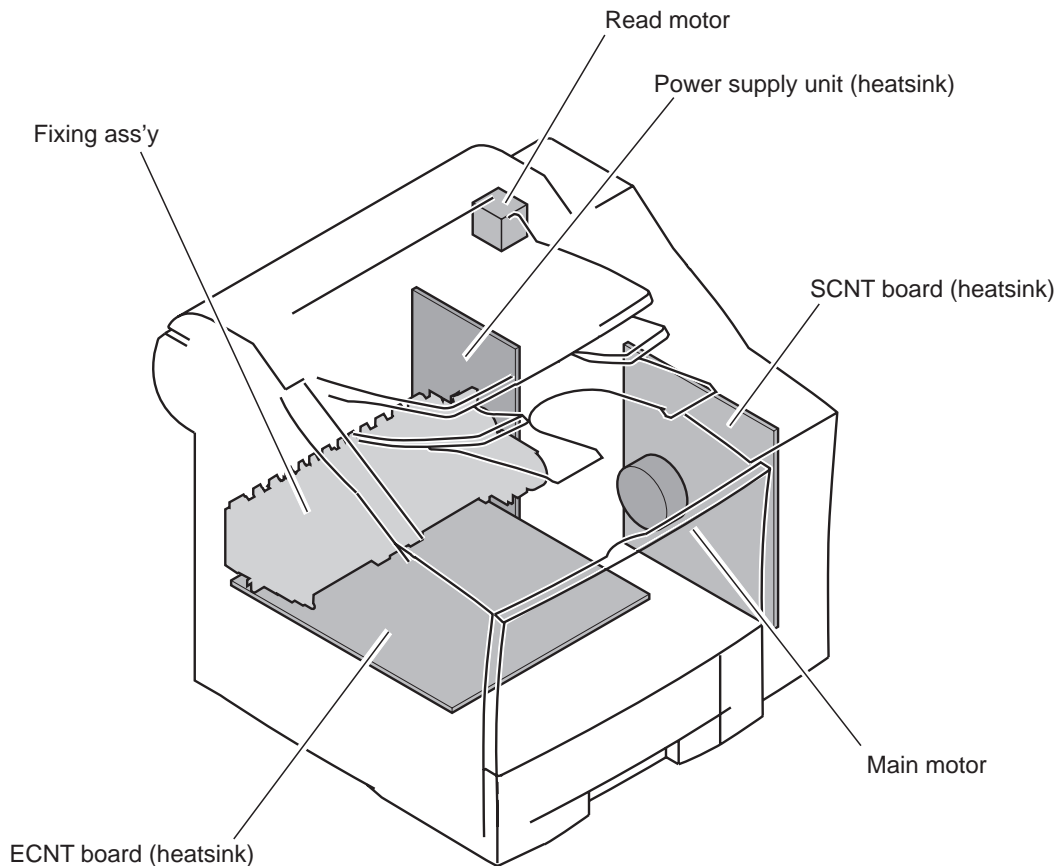


Figure 1-2 High Temperature Parts

1.3 Fire



Danger

Do not throw the lithium battery or the toner cartridge into fire.

Lithium battery

The lithium battery contain lithium, organic solvents and other combustible substances. If the lithium battery is thrown into fires, it may rupture and burn fiercely.

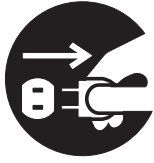
Toner

The toner in the toner cartridge contains flammable substances. The danger of fire exists with toner scattered around in a tightly-closed room.

Follow local applicable laws and regulations when disposing of the lithium battery or the toner cartridge.

This page intentionally left blank

1.4 Moving and Rotating Parts



Precautions

To prevent accidents involving moving or rotating parts during servicing, that disconnect the power cord before starting disassembly.

When you must service the fax with the power cord plugged in, you must not wear bracelets, necklaces, neckties, or other objects. Also, take care to prevent hair and other articles of clothing from becoming entangled.

The fax is provided with a protection function which stops moving and rotating parts in the printer, when the printer cover is opened during operation. However, if these sensors have to be moved when carrying out servicing with the power cord plugged in, moving and rotating parts will operate even with these covers open.



NOTE

Since this fax does not have a sensor to detect when the right cover or left cover is removed, even if you open the front cover or rear cover while this fax is operating, the gears and rollers continue to move.

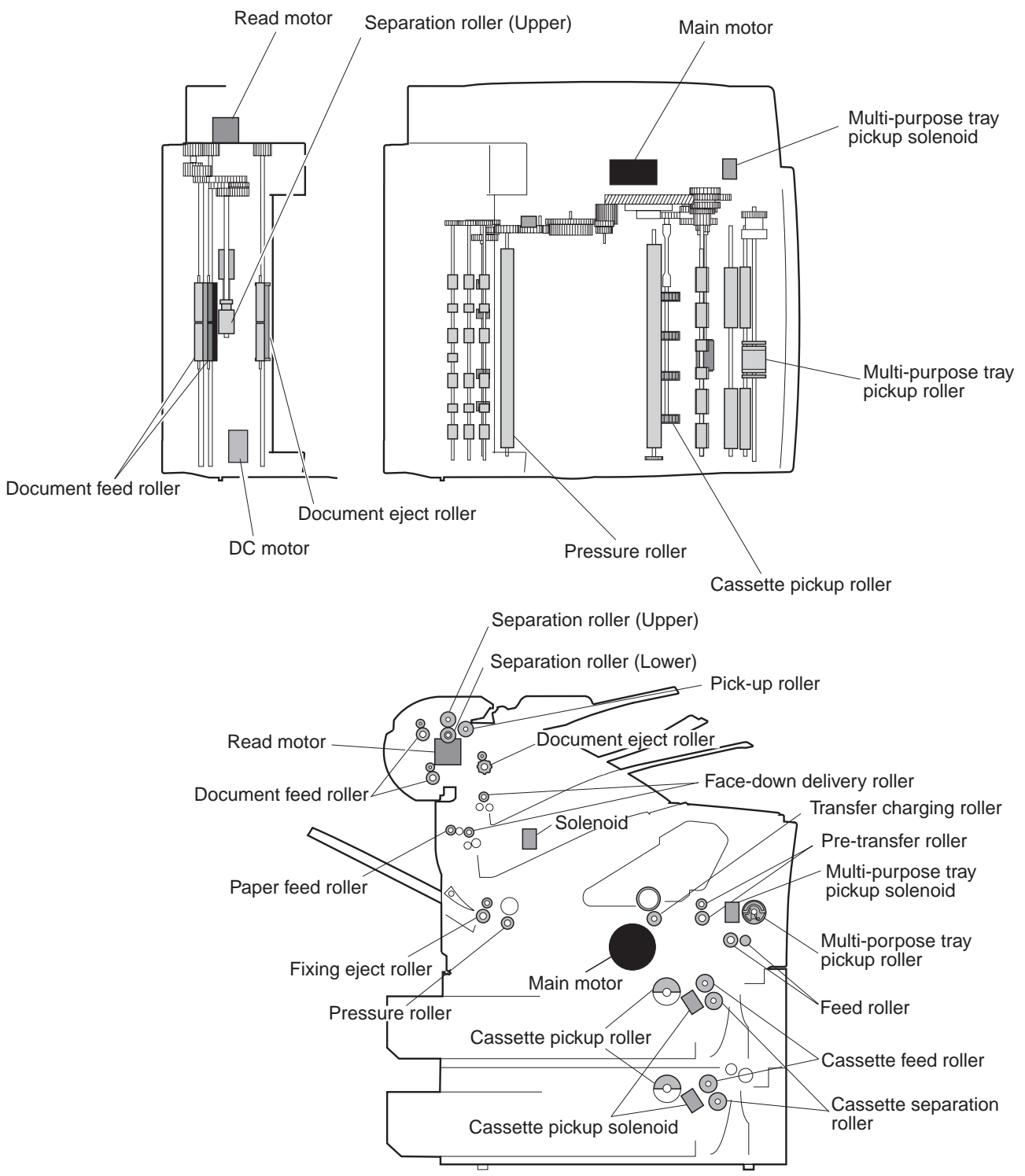


Figure 1-3 Moving and Rotating Parts

1.5 Laser Beams

This fax complies with 21 CFR Chapter 1 Subchapter J as a Class 1 laser product under the U.S. Department of Health and Human Services (DHHS) Radiation Performance Standard according to the Radiation Control for Health and Safety Act of 1968. This means that the fax does not produce hazardous laser radiation. However, observe the precautions below to avoid radiation by laser beams during servicing involving disassembly.



Warning

If the laser light gets in your eyes, it will damage the retina. Always remain within the contents of this manual when servicing, and do not carry out any other maintenance. Within the range of service work in this manual, you will not be exposed to dangerous laser light.



Disassembly Prohibited

Never disassemble or alter the printer section laser/scanner unit. There is no servicing that requires you to disassemble the laser/scanner unit.



NOTE

Safety Mechanism

This fax is designed with a structure such that the laser shutter only opens when the toner cartridge has been inserted into this fax. This keeps the laser from operating other than during normal operations.

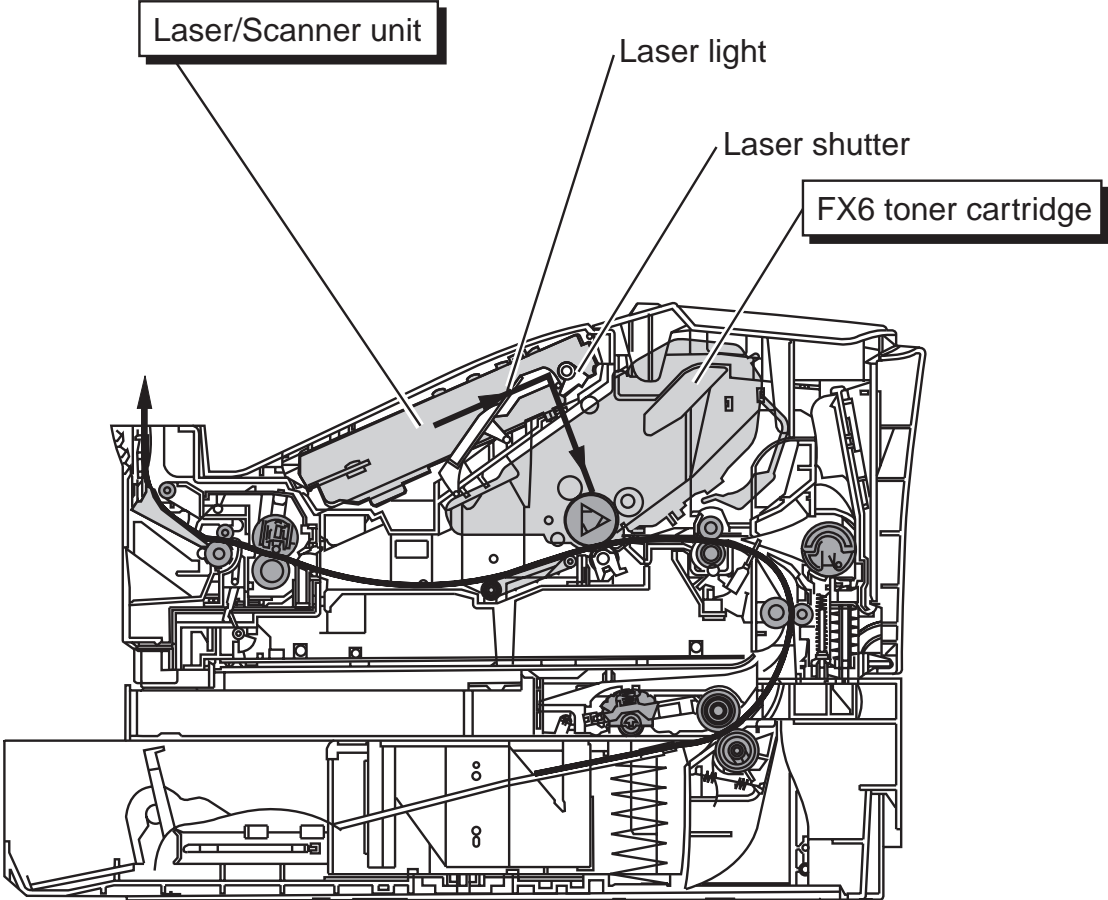
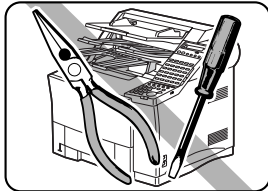


Figure 1-4 Laser Shutter

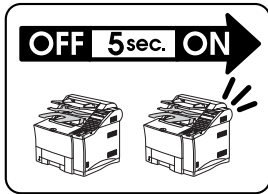
2. DANGER TO EQUIPMENT

2.1 Handling the FAX

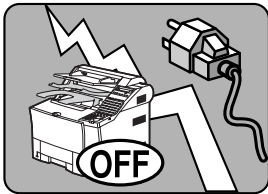
General Precautions



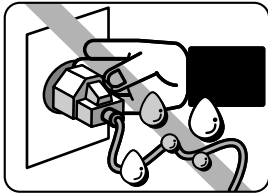
- ❑ TO AVOID SERIOUS INJURY, NEVER DISASSEMBLE THE FAX. EXPOSED POWER POINTS INSIDE THE FAX CAN CAUSE ELECTRICAL SHOCK IF YOU TOUCH THEM.



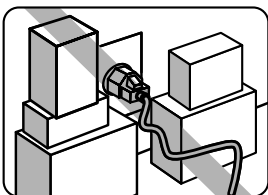
- ❑ After you unplug the fax unit, always wait at least 5 seconds before you plug it in again. Always unplug before you move the fax.



- ❑ During electrical storms, disconnect the plug from the power outlet. The fax can hold documents in the memory for up to 12 hours.

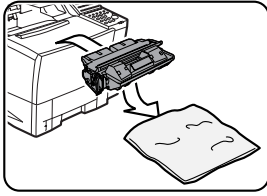


- ❑ Before you attach or remove the plug from the power outlet, make sure your hands are dry.

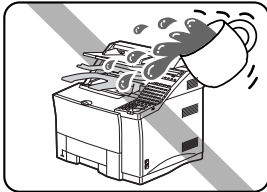


- ❑ Do not stack boxes or furniture around the power outlet. Keep the area open so you can reach the outlet quickly. If you notice anything unusual (smoke, strange odors, noises) around the fax, turn the fax off immediately and unplug it. Call for service.

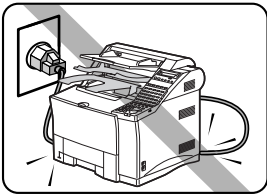
Figure 1-5 Precautions 1



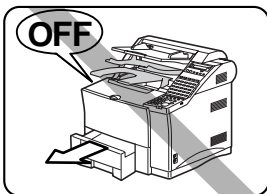
- ❑ Before you transport the fax, remove the cartridge. To protect the cartridge from bright light, cover it with its original protective bag or a cloth.



- ❑ Keep liquids, cleaners, and other solvents away from the fax unit. Keep metal pins, paper clips, staples and other objects away from the fax. If something falls into the fax unit, remove the plug from the power outlet, and call for service.



- ❑ Do not set the fax unit, other equipment, or furniture on the power cord. Never knot the power cord or wrap it around another object.



- ❑ To avoid paper jams, never unplug the power cord, open the printer cover or remove a paper cassette during printing.

Figure 1-6 Precautions 2

2.2 Storage and Handling of FX6 Toner Cartridge

Whether the cartridge is still sealed in its box or installed in the printer, the effect of the natural environment will change it over time regardless of the number of prints. As the progression of this natural change depends on the storage or installation environment, take sufficient care in storing and handling the cartridges.

2.2.1 Before unsealing the box

When the cartridge is stored in a warehouse, workshop, etc., be sure to keep it within the ranges shown in Table 1-1. Note the following points:

- a) Avoid locations in direct sunlight.
- b) Do not leave in areas exposed to strong vibration.
- c) Do not bump or drop.

Table 1-1 Environmental conditions

Temperature	Normal (total storage time ×9/10)		0 °C to 35°C (32°F to 95°F)
	Severe (total storage time × 1/10)	High	35 °C to 40°C (95°F to 104°F)
		Low	-20°C to 0°C (-4°F to 32°F)
Temperature change (within 3 minutes or so)			40°C→15°C (104°F to 59°F) -20°C→25°C (-4°F to 77°F)
Relative humidity	Normal (total storage time × 9/10)		35 to 85% RH
	Severe (total storage time 1/10)	High	85 to 95% RH
		Low	10 to 35% RH
Air pressure			613 to 1013 hPa (460 to 760 mmHg)



NOTE

Total storage time is the valid time span following the manufacture date displayed on the cartridge box.

2.2.2 Storing unsealed parts

As an organic photoconductor (OPC) is used in the photosensitive drum, it will deteriorate if exposed to strong light. As there is also toner in the cartridge, be sure to explain to the customer the need to be careful in handling and storing unsealed cartridges.

2.2.3 Storage environment

- a) Be sure to store in the protective bag.
- b) Avoid locations exposed to direct sunlight, near windows, etc. Do not leave the cartridge in cars for any extended period of time as heat can damage it.
- c) Avoid high, low, and changeable temperature/humidity locations.
- d) Avoid sites with corrosive gases (pesticides) or salt in the air.
- e) Store the cartridge within a range of 0°C (32°F) to 35°C (95°F).
- f) Do not place the cartridge near CRT displays, disk drives, or floppy disks.
- g) Store the cartridges out of reach of children.

2.2.4 Effective life

Cartridges are effective for 2.5 years following the date of manufacture, which is displayed in an abbreviated form on the cartridge. The cartridge life span is also displayed (month and year) on the cartridge box as 2.5 years from the date of manufacture. Cartridges should be used within their life spans, as image quality will deteriorate after the expiry date.

2.2.5 Handling

- (1) When loading a new cartridge into the printer, or when blank spots appear on output images due to uneven distribution of the toner during use, hold the cartridge at each end as shown in the figure below. Slowly rock it 5 to 6 times at a 45-degree angle to evenly distribute the toner, and reload it into the printer. Do not shake the cartridge in any other ways, as toner may leak from the developing cylinder or the cleaning unit.

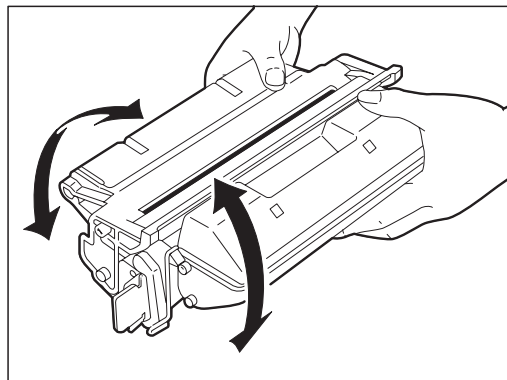


Figure 1-7 Proper Way to Shake Cartridge

After loading the cartridge in the printer, print 3 to 5 sheets of test patterns and check for toner leakage to prevent output image from dirt.

- (2) Remove the cartridge from the printer before transporting it. During transportation, the cartridge must be kept in the protective bag or thick cloth to prevent direct exposure to light.
- (3) Avoid placing the cartridge near CRT displays, disk drives or floppy disks, as the magnetism generated by the cartridge may destroy the data.
- (4) As the photosensitive drum is sensitive to strong light, do not expose the cartridge to direct sunlight or strong light. If it is exposed to strong light, blank spots or black lines may appear on images. In such cases, stop the printer for a while. However, these problems may still remain if the drum has been exposed to strong light for an extended period of time.
- (5) Do not open the photosensitive drum protective shutter by hand nor touch the drum surface. Do not clean the drum.
- (6) Do not stand the cartridge nor upside down. Always place it so that the label side faces upward.
- (7) Do not disassemble the cartridge.

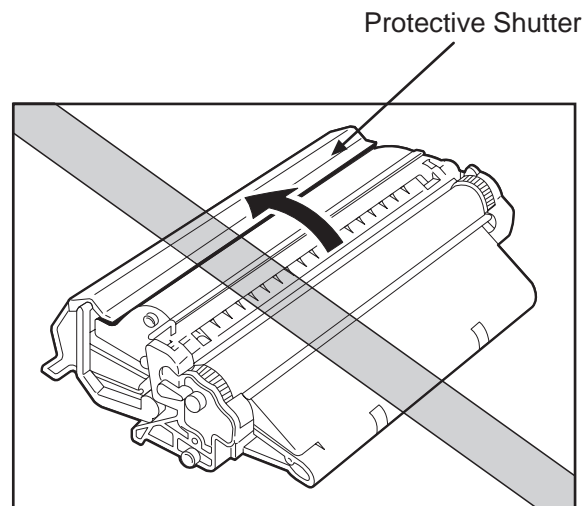


Figure 1-8 Cautions for Handling

2.3 Precautions when Servicing

2.3.1 Damage due to electrostatic discharge

This fax contains contact sensor and printed circuit boards that use many electrical components such as ROM, RAM and custom ICs. A static charge can damage these components, so, care must be taken to prevent damage caused by electrostatic discharge when disassembling the fax.



Static electricity

Electrostatic discharge damages electronic components and alters their electrical characteristics. Even plastic tools and hands without grounding wrist straps will generate enough static electricity to damage electronic components.

The following equipment is needed to prevent electrostatic discharge damage:

- An earthed conductive mat
- Grounding wrist straps
- Alligator clip cable for earthing metal parts on the fax

Carry out the following countermeasures if the above equipment is not available, (for example, during on-site servicing):

- Use an anti-static bag for storing or carrying printed circuit boards or electronic devices.
- Avoid wearing silk or polyester clothing, or leather-soled shoes. Wear cotton clothing and rubber-soled shoes.
- Avoid servicing the fax in carpeted rooms.
- Before starting servicing, touch grounded earth terminals to discharge any static electricity charges.
- Wear grounding wrist straps, and earth metal parts on the machine.
- Handle printed circuit boards and electronic devices by their edges and packages. Do not directly touch terminals of electronic devices with your fingers.



Electric shock when carrying out work with the fax turned on

When you must service the fax with the power cord plugged in, you must not ground your body with grounding wrist straps. This is to prevent electricity passing to your body and causing electric shock.

2.3.2 Lubrication points

Do not touch the greased parts. If you do, the grease (applied for smooth operation of the printer mechanism and to increase electrical conductivity) will come off.



Use only specified grease.

If you use other grease, the grease may oxidize, and weaken plastic parts.



REFERENCE

If you accidentally touch a greased part and grease comes off, reapply the grease, see the *PARTS CATALOG* (supplied separately).

2.3.3 Scanner section

a) Contact sensor

Handle the contact sensor carefully to avoid scratching or dirtying its scanning surface. Scratches or dirt on the scanning surface can cause vertical stripes or other defects to appear in the scanned image.

Also, if the contact sensor scanning section is exposed to external light for prolonged periods, its characteristics deteriorate, resulting in blackish scanned images. During servicing, do not expose the contact sensor scanning section to external light for prolonged periods.

b) Auto document feeder (ADF) rollers

Handle the ADF section rollers to avoid scratching or dirtying them. If they are scratched or dirtied, vertical stripes or other defects may occur in the scanned image and the document may jam.

If the roller is dirtied, clean it with a soft, dry cloth.

c) Plastic film

Do not modify the plastic film (white sheet unit) which presses down the document in the middle frame unit of the reader assembly.

Document jams may occur if it is modified.

d) Stamp Ink supply

Fill with one drop of stamp ink so that it does not overflow the edge of the stamp. The operation of the stamp may be degraded if the ink overflows and drips down.

e) Middle reader frame unit stopper

Do not force the middle reader frame unit open with the stopper removed. If unnecessary strength is used, the hinge of middle reader frame unit will be damaged.

2.3.4 Printer section

a) Transfer charging roller

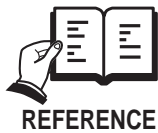
If skin, oil or, the like, gets on the rubber section of the transfer charging roller, the rear side of the recording paper can be soiled, and blank patches can occur in printing.

During disassembly, hold the shaft at both ends of the transfer charging roller.

b) Fixing ass'y

If you get skin, oil, or the like, on the internal fixing film or pressure roller surface, the front or rear of the recording paper may be soiled, and fixing defects, and jams can occur.

During disassembly, hold the fixing ass'y by the metal plate sections. Hold the pressure roller by the shaft at both ends of the roller.



Cleaning method

For details of how to clean these parts, see *Chapter 4, 3. CLEANING.*

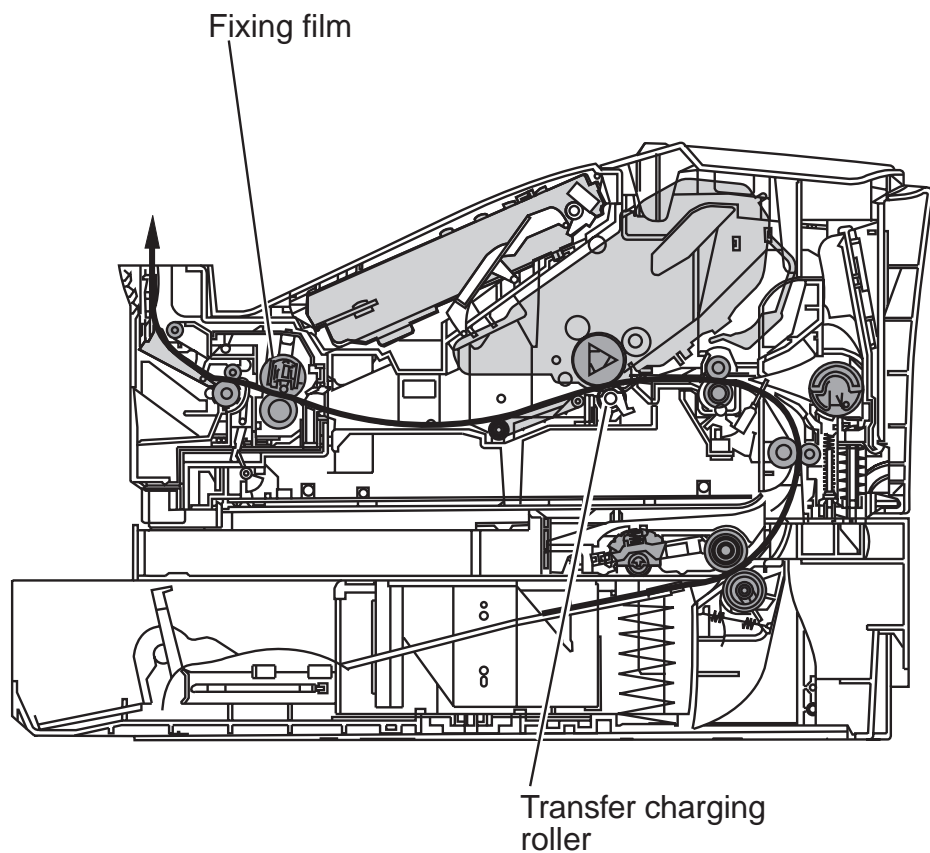


Figure 1-9 Printer Section

2.3.5 Paper load section

a) Pickup Roller Position

When having assembled the paper pickup roller after parts replacement, before setting the cassette 1 or the cassette 2, install the toner cartridge, close the printer cover, connect the power cord, and the cassette pickup roller moves automatically to its initial position.

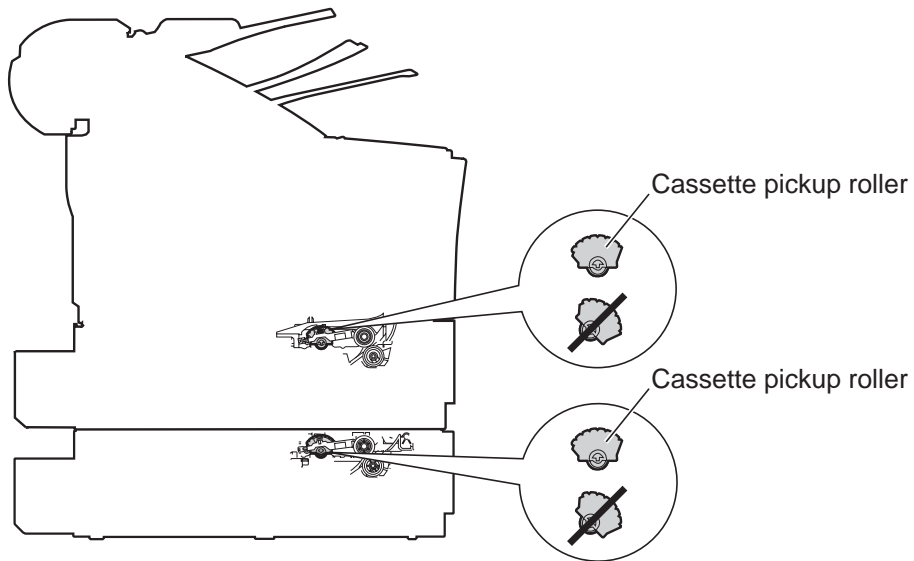
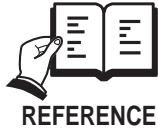


Figure 1-10 Pickup Roller Initial Position

2.3.6 Control boards

a) SCNT board

Jumper plug JP3 and J6 are for factory check only. Service technician must not remove it.



SCNT board data

User data, service data are stored in memory on the SCNT board. Therefore, these data must be printed out before replacing the SCNT board.

For details, see *this Chapter, 3. PRECAUTIONS FOR DATA PROTECTION.*

b) Power supply unit

The RV1 and RV2 are for factory adjustment only. Service technician must not change these settings.

c) ECNT board

The VR601 is for factory adjustment only. Service technician must not change this setting.

d) Laser scanner unit

The VR501, VR502 and VR503 are for factory adjustment only. Service technician must not change these settings.

2.3.7 Replacing ROM

Observe the following precautions when replacing the ROM on the SCNT board, for example, when replacing a defective ROM or when upgrading the software.

a) Preparation

Print out all battery backed up data.



Reception image data in image memory is erased approx. 12 hours after power is turned off.



REFERENCE

For details on battery backed up data, see *this Chapter, 3. PRECAUTIONS FOR DATA PROTECTION.*

b) Replacement

- (1) Make sure that the power cord and the telephone line are disconnected.
- (2) Put on the grounding wrist straps to counter electrostatic discharge.
- (3) Remove the right cover, and shield cover referring to the *PARTS CATALOG (supplied separately)*.
- (4) Remove the ROM mounted on the SCNT board using the IC removing tool.
- (5) Insert the new ROM, making sure that the notches on the ROM and IC socket are aligned.

c) After replacement

- (1) When a defective ROM is being replaced with a new ROM, turn the power on after mounting on the SCNT board. This completes replacement.
- (2) When the ROM is replaced for upgrading the software and upgrading involves changing software switch settings such as service data, you must perform the following operation.
 - Perform All Clear operation. After you perform All Clear operation, register the backed up data referring the list you printed out earlier.

3. PRECAUTIONS FOR DATA PROTECTION

3.1 Battery-backed up Data

The SCNT board is provided with a function for backing up data in control processing memory (SRAM) and image storage memory (DRAM) by lithium battery, and rechargeable battery, even if a power interruption occurs, or the power cord is disconnected by accident.



The back up time for image data with the secondary vanadium-lithium battery is approximately 12 hours. When the back up time is exceeded, the image data is deleted. Please print out the data before shutting off the power. If the reception image data cannot be printed out due to printer engine trouble, transfer the stored reception image data to another fax. For details, see *this Chapter, 3.2.2 Reception image data transfer.*

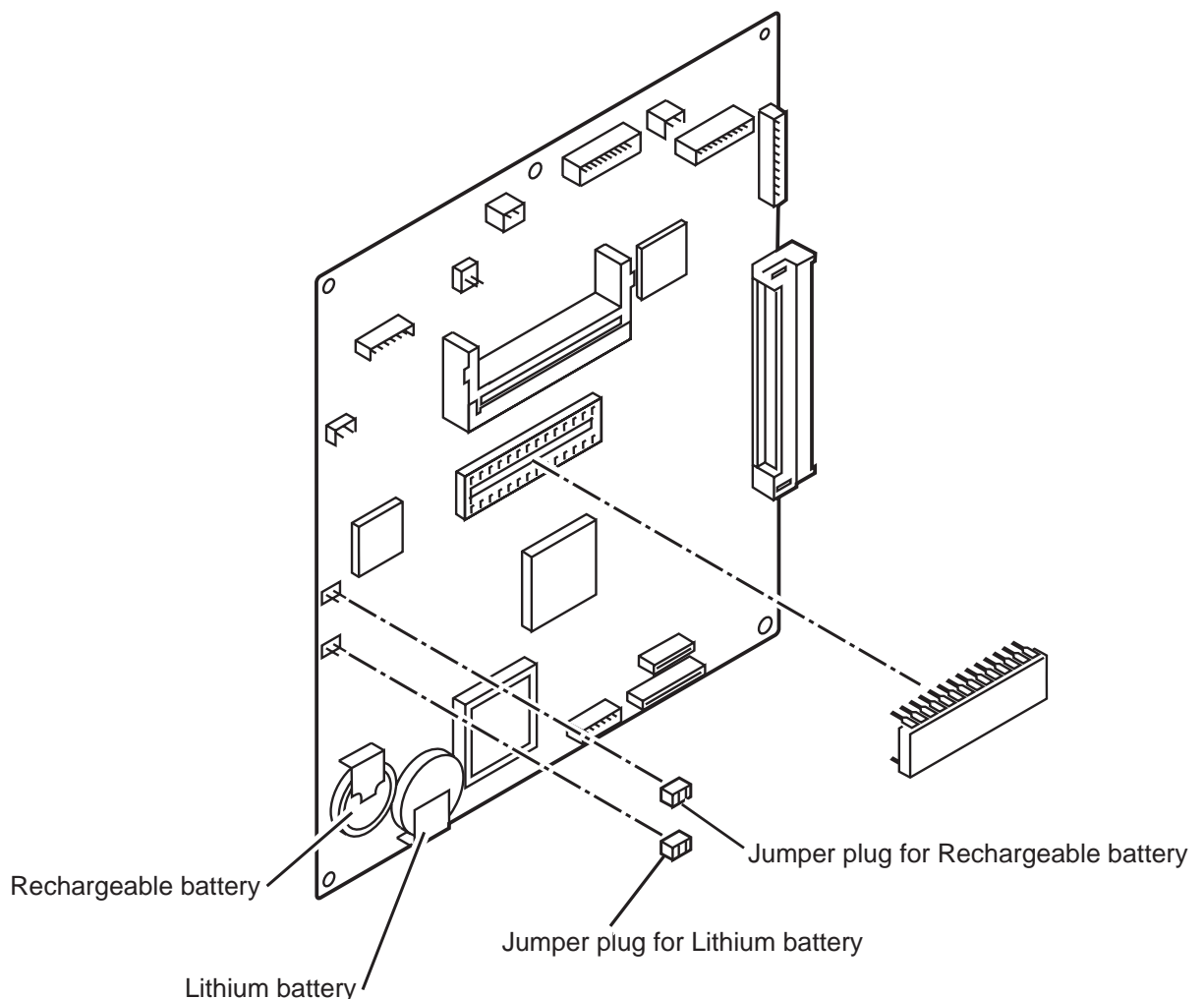


Figure 1-11 Lithium / Rechargeable Battery and Jumper Plugs

3.2 Backed up by Rechargeable Battery

The data stored in the image memory on the SCNT board is backed up for about 12 hours by the secondary vanadium-lithium battery.

3.2.1 Data backed up by rechargeable battery

Image data stored in the DRAM:

Image	Mode
Transmission images	Memory transmission
	Sequential broadcasting
	Delayed (broadcast) transmission
	Confidential transmission
	Polling transmission
	Relay control transmission
	Relay broadcast transmission
Reception images	Memory reception
	Confidential reception



NOTE

Memory clear list

If the power is turned on after the rechargeable battery backup time has been exceeded, the memory clear list is automatically printed out. The memory clear list is a list of image data that have been cleared from memory. If the memory clear list cannot be printed due to printer engine trouble or run out of paper, the fax sounds alarm, information for managing the storage status of image data is erased from memory, then goes on standby. The operation that is carried out when the memory clear list cannot be printed can be altered by changing the setting of SSSW SW02 bit 0. For details, see *G3 Facsimile SERVICE DATA HANDBOOK (Rev. 0)* (supplied separately).

After the memory clear list is printed out, information for managing the storage status of image data is automatically erased from memory.

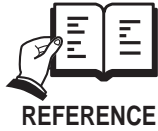
Conditions for image backup

1) Reception images

If power is interrupted during reception, only pages that have completely been received are backed up, and the page that was in the process of being received during the power interruption is deleted.

2) Transmission images

Only memory transmission images (including during standby for redial) are backed up, and direct transmission is canceled.



For a sample printout of the memory clear list, see *Chapter 2, 3.1 Report Output Function*.

3.2.2 Reception image data transfer

The received image data cannot be printed out due to printer engine trouble, the received image data can be transferred to another fax and printed.

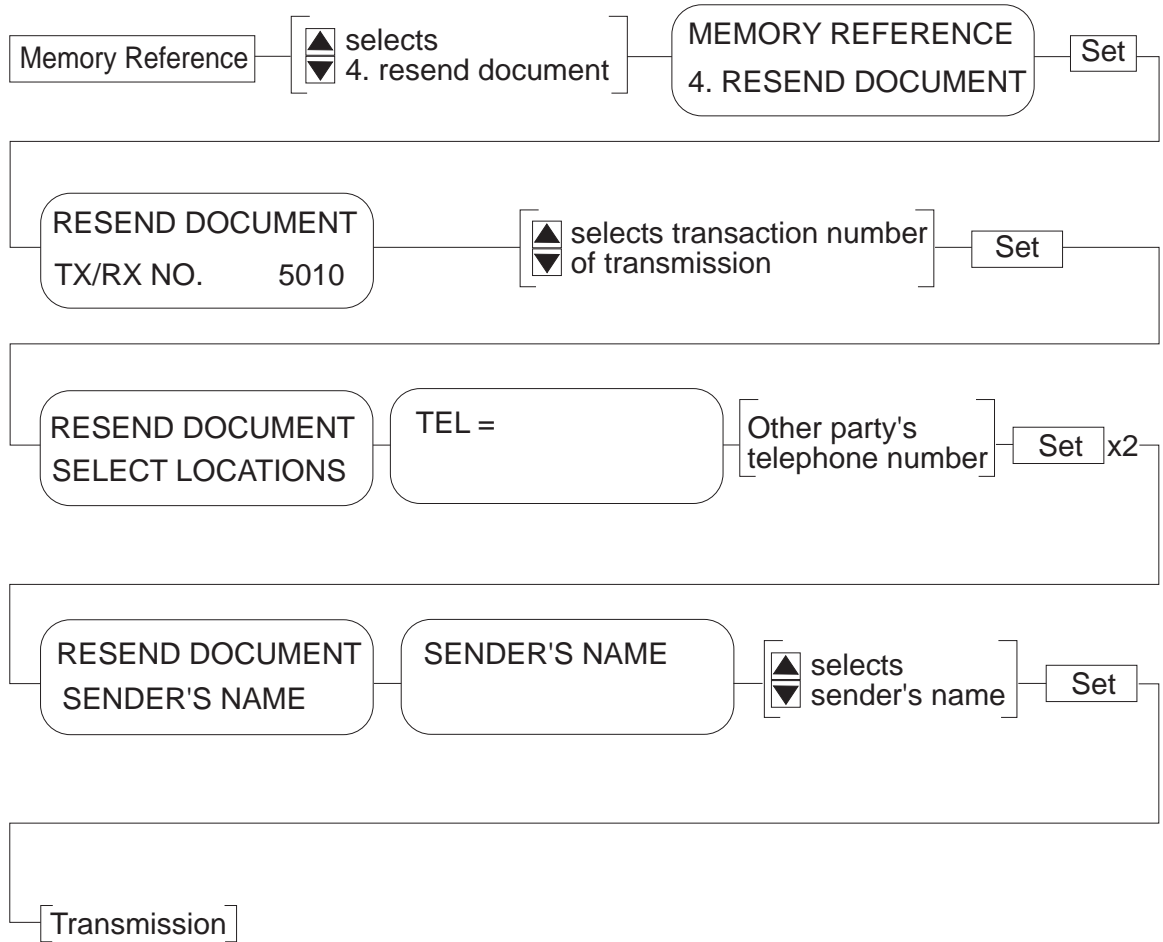


Figure 1-12 Reception Image Data Transfer Method

3.3 Backed up by Lithium Battery

The lithium battery backs up control data registered in the SRAM on the SCNT board for five years with the power turned off.

However, when the power is ON, there is no discharge of power from the lithium battery, so the actual life of the battery will be over 5 years.

3.3.1 Data backed up by the lithium battery

a) User data

Data input by the user with the Data Registration button on the operation panel.

Item	Description
1. DATA REGISTRATION	USER SETTING (Date/time, user telephone registration, etc.)
	REPORT SETTING (Activity report, etc.)
	TX SETTINGS (ECM Tx, automatic redial, etc.)
	RX SETTINGS (ECM Rx, remote reception, etc.)
	FAX'S PRINTER SET (Recording paper selection, reception image reduction, etc.)
	FILE SETTINGS (Confid. mailbox, memory box, etc.)
	SYSTEM SETTINGS (Rx restriction, display language, etc.)
2. TEL REGISTRATION	ONE-TOUCH SPEED DIAL
	CODED SPEED DIAL
	GROUP DIAL

b) Service data

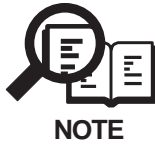
Data input by the service personnel with the Data Registration button, and # button, on the operation panel.

Item	Description
#1. SSSW	Error management, echo counter measures, etc.
#2. MENU	NL equalizer, transmission level, etc.
#3. NUMERIC Param.	RTN signal transmission condition, etc.
#4A. SPECIAL	Normally not used
#4B. NCU	Normally not used
#5. TYPE	Normally not used
#6. GENESIS (UHQ)	Normally not used
#7. PRINTER	Reception image reduction conditions, etc.
#8. CLEAR	The total number of pages printed/scanned

c) Management data

Data automatically stored as a record of the operating status.

Item	Description
Activity report	Transmission/Reception records for last 40 communications
System dump list	A record of past communication conditions, error communication, etc.



When data have been erased or initialized

When backed up user or service data have been erased or initialized, the registered data are erased, and the data item is set to its factory setting.

3.3.2 Printing the lithium battery backup data list

The following data are backed up by lithium battery and can be printed out as a list.



When to print out

Make sure that you print out a list of the following data before replacing the lithium battery, or before removing the jumper plug (JP2) from the SCNT board with the power turned off.



REFERENCE

How to print data

For details on how to print out the following lists, see *Chapter 2, 3.1 Report Output Function*.

a) User data

Item	List Name
User's data	User's data list
Tel registration	1-touch spd dial list 1, 2 Coded speed dial list 1, 2 Group dial list
Sender name	Sender name

b) Service data

Item	List Name
Service data	Service data list

c) Management data

Item	List Name
Activity management data	Activity report
System dump data	System dump list



Jumper plug caution

The lithium battery backup function works when jumper plug JP 2 on the SCNT board is shorted by a jumper plug. This means that registered data will be erased when the power cord is disconnected with the jumper plug removed.

Before removing the jumper plug, make sure that you print out all registered data. The fax is shipped from the factory with the jumper pin shorted by the jumper plug.

Cautions when replacing the SCNT board

Before replacing the SCNT board during servicing, make sure that you print out all registered data.

The SCNT board in the service parts is not provided with a jumper plug (JP2), in order to prevent battery discharge. Therefore, use the jumper provided on the SCNT board that is to be replaced.

When you turn the power on after replacing the SCNT board, “DELETE FILE PRESS SET KEY” will be displayed. When you press the Set button with “DELETE FILE PRESS SET KEY” displayed, the image management data in the SRAM is cleared. Then “DATA ERROR PRESS SET KEY” will be displayed. When you press the Set button with “DATA ERROR PRESS SET KEY” displayed, the user and service data in SRAM will be initialized to their original factory settings. Next, register the data from the old SCNT board, referring to the print out.

Lithium battery replacement cycle

The life of the lithium battery is five years with the power turned off.

However, when the power is ON, there is no discharge of power from the lithium battery, so the actual life of the battery will be over 5 years.

When the lithium battery reaches the end of its life, “DELETE FILE PRESS SET KEY” or “DATA ERROR PRESS SET KEY” will be displayed after a power interruption, or when the power is turned on. If this happens, replace the lithium battery.

When you replace the lithium battery, all the backed up data will be erased and there will be nothing to print out.

When you turn the power on after replacing the lithium battery, “DELETE FILE PRESS SET KEY” will be displayed. When you press the Set button with “DELETE FILE PRESS SET KEY” displayed, the image management data in the SRAM is cleared. Then “DATA ERROR PRESS SET KEY” will be displayed. When you press the

Set button with “DATA ERROR PRESS SET KEY” displayed, the user and service data in SRAM will be initialized to their original factory settings.

3.4 Data clear/initialization using Service Operation

This fax can clear/initialize individual data items with Service Data #8 Clear operation. Below are the data items which can be cleared/initialized.



When to print out

Before carrying out this operation, make sure that you make print out a list of backed up data.



Operation

For details on the following items, see *Chapter 2, 3.3.2 Service Data Setting*.

REFERENCE

Service Item	Description
TEL	Dialing data
USER SW	User data, Service data #1 to #3
SERVICE SW	Service data #1 to #3, #6, #7
NCU	Service data #4A, #4B
ISDN	Not used
SERVICE DATA	Data on system dump list
COUNTER	Total number of pages printed and scanned
REPORT	Data on activity report
ALL	All user data, service data, activity management data and image data (except COUNTER)

3.5 Master Password

This fax has a password for confidential box setting changes and deletions, and passwords for managing each department.

For service operations and for when the user forgets a password, there is a master password.

Master password: 4559769

The master password can substitute for the passwords required for the following items.

Operation item	Contents of operation
Confidential box password	Confidential box setting changes/deletion, reception image printing.
Polling box password	Polling box setting changes/deletion.
Transfer password	Transfer function setting changes/deletion.
Memory box password	Memory box setting changes/deletion, reception image printing.
Relay TX group password	Relay TX group setting changes/deletion.
Delayed polling box password	Delayed polling box setting changes/deletion.
System setting password	System setting password.
User password	Change to the transmission function settings of the user restriction setting item and print settings.
Memory reference	When password required for memory reference print document memory.



Master password user restriction

The master password can only be used by service technician. To avoid unauthorized use, do not tell the user the master password. The master password is not in the *USER'S GUIDE*.

3.6 What to do when a Problem Occurs (All clear)

Very rarely, during use, the display may go out, all the buttons may stop working, or some other trouble may occur because of strong electrical noise or strong shock. If such trouble occurs, perform All clear operation.

During installation, we recommend that you perform All clear operation. Below is the procedure for performing All clear.

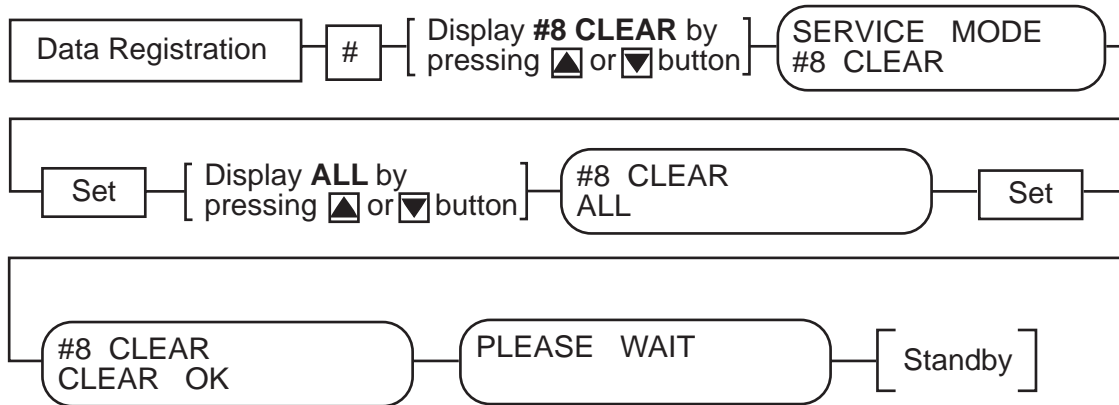


Figure 1-13 All Clear



While waiting to return to the ready state after executing “All clear”, please do not press the Stop button. Doing so may cause a malfunction afterwards.

4. PROTECTIVE FUNCTIONS

4.1 Reception Image Data Transfer Function

Reception image data can be transferred to another fax if the image data cannot be printed out due to printer engine trouble.



REFERENCE

Reception image data transfer

For details on the transfer of image data, see *this Chapter, 3.2.2 Reception image data transfer*.

4.2 Data Battery Backup Function

The SCNT board is provided with a function for backing up data in control processing memory (SRAM), and data stored to image memory (DRAM), by lithium battery and rechargeable battery, even if power is interrupted, or the power cord is disconnected by accident.



REFERENCE

Backed up data

For details on backed up data, see *this Chapter, 3.2 Backed up by rechargeable battery and 3.3 Backed up by lithium battery*.

4.3 Built-in Safety Measures

4.3.1 Overcurrent protection

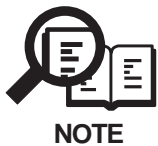
This fax is provided with an overcurrent protection circuit with built-in current fuse and thermal fuse, to prevent abnormal rises in temperature if an overcurrent flows to the motors and power supply due to driver IC trouble, software lockup and short circuits.

Protected Parts	Safety Measures
Document read motor	IC protector (FU2) on SCNT board
Stamp unit (option)	Current fuse (FU1) on SCNT board
Power supply unit	Glass-tube current fuse (F1 (125V, 15A), F2 (125V, 6.3A)), overcurrent protection circuit
Fixing heater	Thermal fuse (446°F/230°C), thermistor

4.3.2 Lightning protection

This fax is provided with a function for protecting electronic components from abnormal voltage caused by lightning.

Protected Parts	Safety Measures
NCU board ass'y	Arrestors (AR1, AR2) located at the primary side of the NCU board discharge a voltage of more than DC 500±75V via the power cord.
Power supply unit	Surge-absorber (NR1) located at the primary side of the power supply unit goes into short-mode at a voltage of more than 195V, and breaks. After this, the glass-tube current fuse F2 or F1 blows.



When protection is not possible

The NCU board sometimes may not be protected even by the protection circuits if lightning strikes the telephone line.

4.3.3 Power leakage protection

The AC line, telephone line and metal parts of this fax are completely insulated. This fax provides a grounding type (three-wire) power supply cable to prevent electrical shock. Even if electrical leakage should occur, use this fax only with a properly grounded electrical outlet of the correct voltage.

Chapter 2

Operating Instructions

1. NAMES OF PARTS AND THEIR FUNCTIONS

1.1 Main Unit Overview

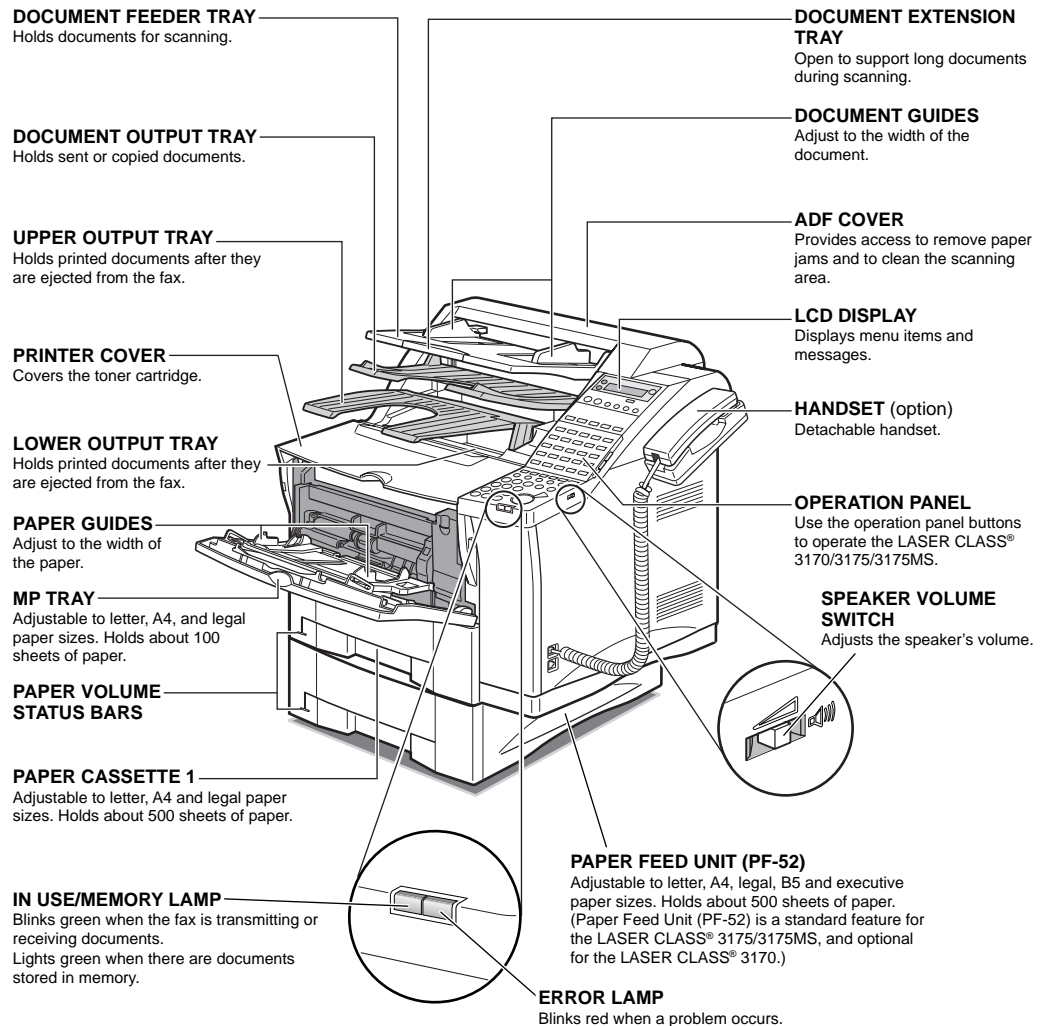


Figure 2-1 Front View



NOTE

This fax does not have a power switch.

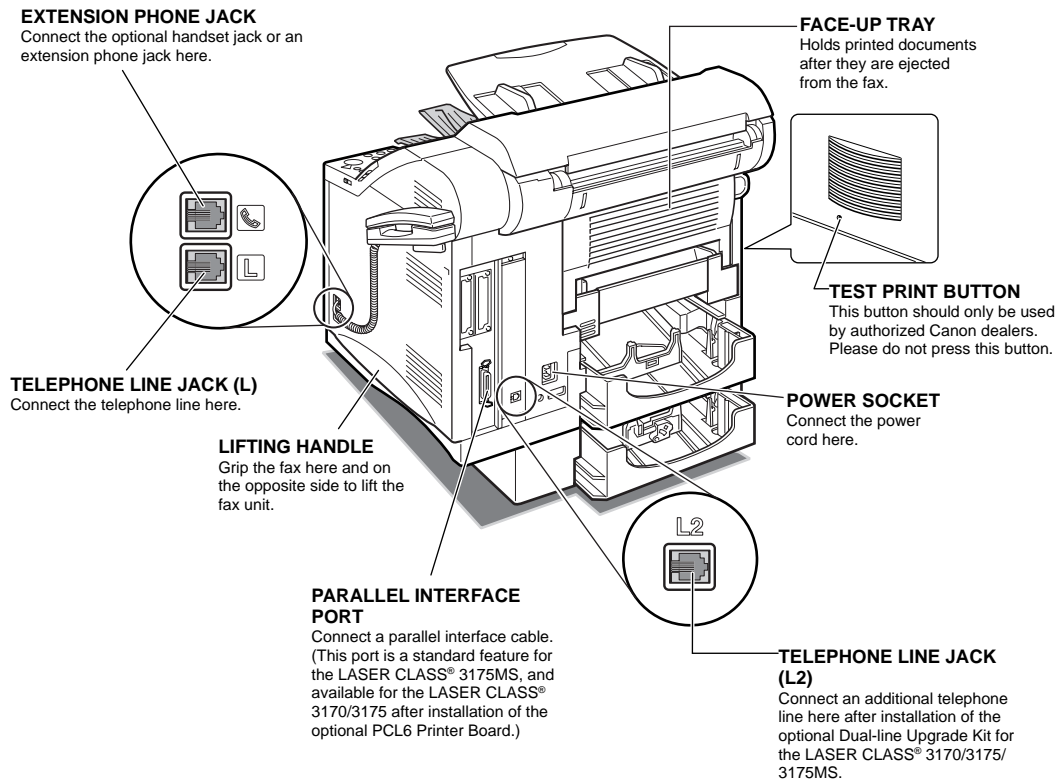


Figure 2-2 Rear View

This page intentionally left blank

1.2 Operation Panel

LCD Display

Displays messages and prompts during operation. Displays selections, text, numbers and names when registering information.

Change Cartridge

Lights when toner in the toner cartridge runs low. Replace the toner cartridge.

Rec. Paper

Lights when the paper cassettes run out of paper. Re-fill the cassettes with paper.

Printer Operation Panel

Used for printer function.
For details, refer to the Printer User's Guide.

Resolution

Sets the resolution for documents you send.

Contrast

Adjusts the lightness/darkness of documents you send or copy.

Document Type

Adjusts quality for documents with only text or with both photos and text.

One-Touch Speed Dialing Buttons

Dial numbers registered under One-touch Speed Dialing buttons.

One-Touch Speed Dialing Panels

The first panel displays buttons 1-25. Open the first panel to access buttons 26-50. Open the second panel to access buttons 51-72. Open the third panel to access the registration buttons.

Program

Registers multi-step setting normally done by pressing buttons on the operation panel so you can do them at the press of single button.

Transaction

Displays information about previous sending and receiving transactions.

Delete File

Deletes documents waiting in memory for sending.

Pause

Enters pauses between digits or after the entire phone number when dialing or registering facsimile numbers.

Numeric Keypad

Use the buttons on the numeric keypad to enter phone numbers when dialing. These buttons also enter text, numbers, and symbols when registering names and numbers.

Tone

Connects to information services that accept tone dialing only, even if you are using a rotary pulse.

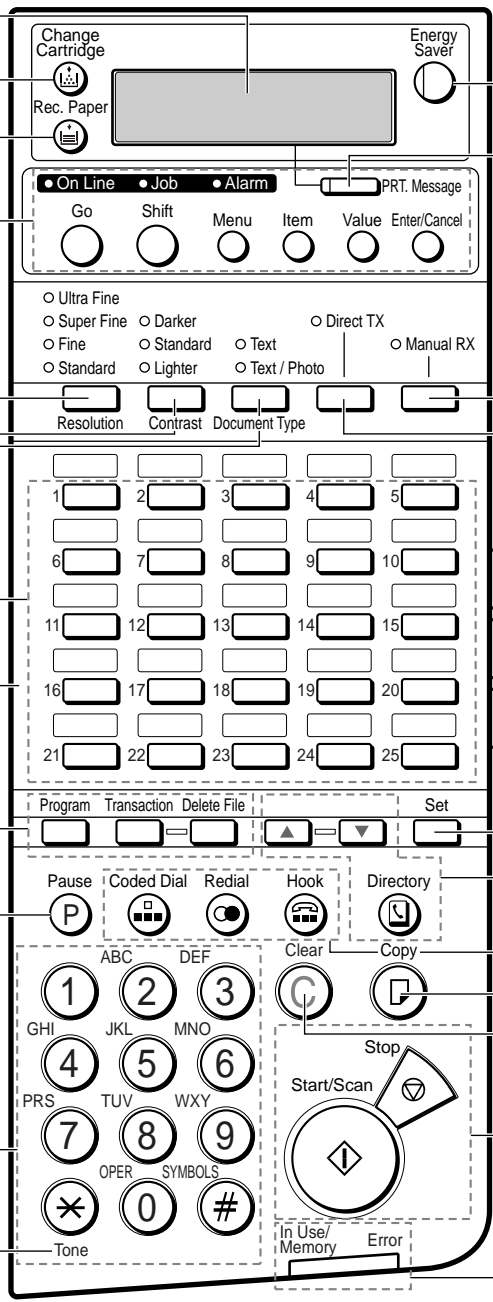


Figure 2-3 Operation Panel 1

Energy Saver

Switches the fax out of the energy saver mode.

PRT. Message

Switches the LCD display between the fax messages and the printer messages.

Manual RX

Switches the fax between the auto and manual receive mode.

Direct TX

Sets the fax in the direct sending mode so you can send a document ahead of other documents stored in the fax memory. Direct sending scans a document and sends it immediately without storing the document in the memory.

Set

Selects a menu item during data registration.

Directory

Allows you to search for fax/telephone numbers by the name under which they are registered for speed dialing and then use the number for dialing.

▲▼

Search buttons for directory dialing.

Coded Dial

A press on the button followed by a three-digit code dials the telephone number registered for Coded Speed Dialing under that three-digit code.

Redial

Redials the previous number dialed manually with the buttons on the numeric keypad.

Hook

Allows you to dial, even with the handset still in the handset rest.

Copy

Copies a document.

Clear

Clears an entire entry during information registration.

Stop

Cancels sending, receiving, data registration, and other operations and returns the fax to the standby mode.

Start/Scan

Starts sending, receiving, copying and other operations.

Error

Blinks red when paper jam occurs or the fax is running out of paper or toner. The problem is described by a message in the LCD display above.

In Use/Memory

Blinks green when the fax is using the telephone line.
Lights green when there are documents in the memory.

Figure 2-4 Operation Panel 2

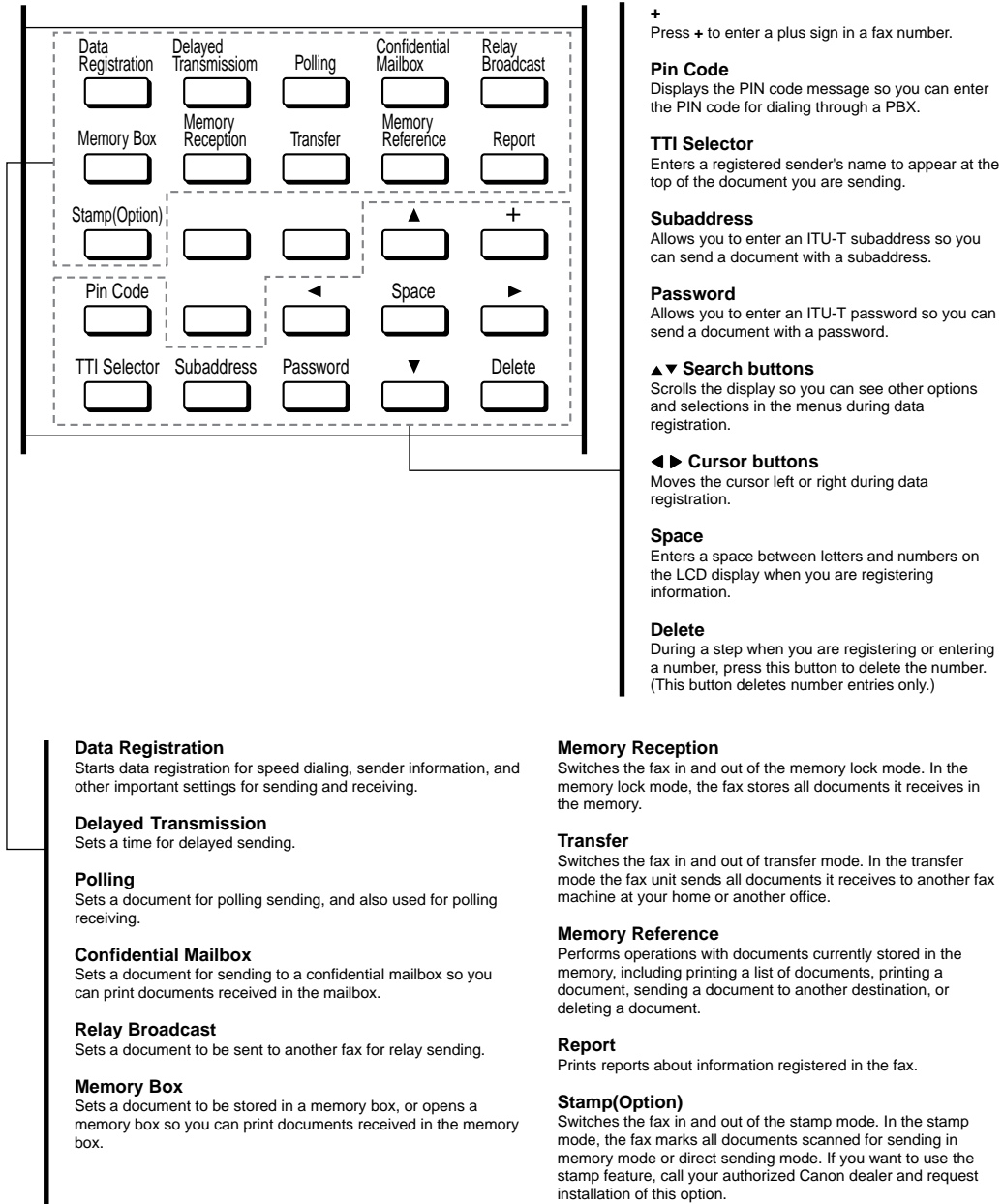
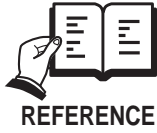


Figure 2-5 Operation Panel 3

2. BASIC OPERATION

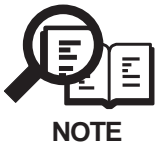
2.1 Copying

- (1) Set the recording paper



Refer to *Chapter 5, 1.4 Assembling the Fax, Loading Paper in Paper cassettes 1 and 2* for the method of setting the recording paper.

- (2) Set the document face up on the document feeder tray
Adjust the document guides to match the width of the document. With a long document, open the document extension tray.
Make sure the document is below the load limit marks for A4/LTR and B4/LGL sizes.
- (3) Document insertion
Insert the document until it makes contact with the stopper. A “beep” will sound.



When the document is set, the amount of memory used will be displayed, and then a message will appear indicating that the document has been set.

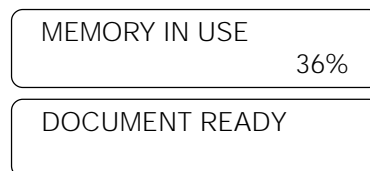


Figure 2-6 Display for document set

- (4) Press the Copy button.
- (5) Open all three of the one-touch panels and select the recording paper with the ▲ or ▼ button.
When using the displayed recording paper, simply proceed to the next step.
- (6) Set the number of copies with the numeric key. (Max. 99 copies.)
- (7) Press the Start/Scan button.

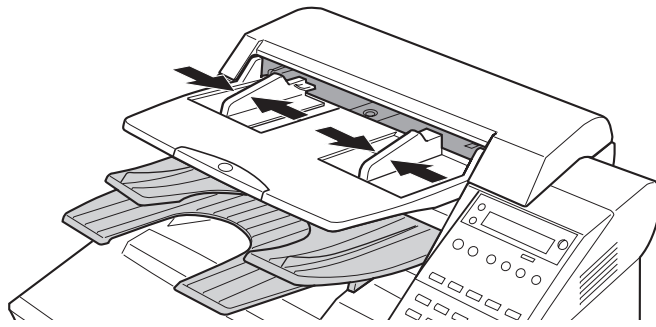


Figure 2-7 Document Guides Adjustment

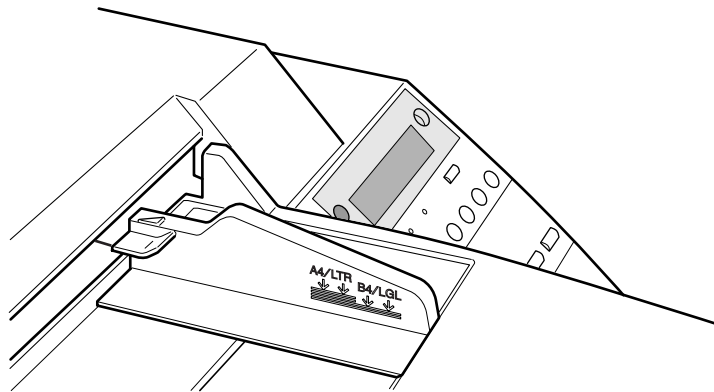


Figure 2-8 Document Load Limit

2.2 Telephone (Only possible where a handset or telephone are connected)

- (1) Lift the handset or telephone receiver.
The sound of dial tone will be heard.
- (2) Dial the other party's telephone number using the dial button on the main unit or the telephone.
- (3) Have the telephone conversation if the other party's voice can be heard.

2.3 Transmission

There are two ways to transmit the document: memory transmission and direct transmission.

a) Memory transmission

The set document is read into memory and then transmitted.

Setting method

Press the Direct TX button to turn off the Direct TX LED.



NOTE

Even during memory transmission, other documents can be reserved for transmission.

b) Direct transmission

The set document is transmitted directly without being read into memory.

Setting method

Press the Direct TX button to turn on the Direct TX LED.



NOTE

Direct transmission is done in on a priority basis even when there are multiple transmission reservations in memory.

2.4 Reception

There are 3 reception methods: auto reception, manual reception, and auto reception switching.

a) Auto reception

This is set when the machine is used exclusively for facsimile. The initial condition of the machine is set to "Auto reception".

Setting method

- (1) Select "MAN/AUTO SWITCH" with the user data registration RX setting, display "OFF" with the ▼ ▲ buttons, and confirm with the SET button.
- (2) Press the Manual RX button to turn off the Manual RX LED.

b) Manual reception

This fax will produce a calling tone no matter if the other machine is a facsimile or telephone.

When the other party is sending by facsimile, receive by pressing the Start/Scan button.

Remote reception is also possible from a connected optional handset or telephone.

Setting method

- (1) Select "MAN/AUTO SWITCH" with the user data registration RX setting, display "OFF" with the ▼ ▲ buttons, and confirm with the SET button.
- (2) Press the Manual RX button to turn on the Manual RX LED.



When receiving manually, communication with the other party is not possible unless the telephone is connected.

NOTE

c) Manual/Auto switching

When receiving manually, when the receiver is not taken off the hook within the number of seconds (F/T RING TIME) set in the user data registration settings, the machine will automatically enter FAX mode and automatic reception will begin.

Setting method

- (1) Select "MAN/AUTO SWITCH" with the user data registration RX setting, display "ON" with the ▼ ▲ buttons, and confirm with the SET button.
- (2) Press the Manual RX button to turn on the Manual RX LED.



Refer to the *USER'S GUIDE* for details regarding the various reception methods.

REFERENCE

3. SERVICE OPERATION FUNCTIONS

3.1 Report Output Function

3.1.1 User report output functions

This fax can output user reports manually by user operation, or automatically, according to user data registration.

a) Manual output of reports by user operation

Report type	Operations
One-touch dial list 1	Press Report button, select the report type, and press Set button.
One-touch dial list 2	
Coded speed dial list 1	
Coded speed dial list 2	
Group dial list	
User data list	
Sender name list	
Activity report	
Document memory list	
Confidential mailbox report	
Received memory box list	

b) Reports output automatically by user data registration

Each report written below can be automatically output by specifying "REPORT SETTINGS" in user data registration.

Transmission report
 Reception report
 Confidential reception report
 Memory box report
 Activity Report



REFERENCE

For samples of user reports, see the *USER'S GUIDE*.

c) Reports output automatically (Memory clear report)

When this fax is turned on and the memory clear report is automatically printed out, the image data which appears on the report is the data which was deleted without being able to be backed up. After the memory clear report is printed, the image data management information is automatically deleted.

12/31/1999 11:52 FAX 833 4423		WORLD ESTATE,INC.				001	
***** *** MEMORY CLEAR REPORT *** ***** MEMORY FILES DELETED							
TX/RX NO	MODE	CONNECTION TEL/ID	PGS.	SET TIME	ST. TIME	SENDER NAME	
0011	TRANSMIT	[*002]HUNT INVESTMENTS	2	12/31 13:00	23:30	R.LOUIS	
5011	CONFID. RX		1	12/31 14:46	-----		

Figure 2-9 Memory Clear List

- TX/RX NO : Indicates four digits of the transaction number
- MODE : Displays the communication modes of TX, RX, polling TX, timer TX, etc.
- CONNECTION TEL/ID: Displays the number and each digit (24 digits) of one-touch speed dial and coded speed dial.
- PGS. : Number of pages are stored in memory
- SET TIME : Time when data is stored in memory (24-hour display)
- ST TIME : Displays a start time for delayed TX, etc. (24-hour display)
- SENDER NAME : Sender name appended to transmission (up to 24 characters)
 Displays a 4-digit department code (only used when department access code setup (DAC SETUP) is "ON").

3.1.2 Service report output functions

This fax outputs the service data setting status, past communications history reports, detailed error information reports, etc. in service mode.

a) List of service reports

This fax outputs the service reports shown below.

Report type	Operations
Service data list System dump list	In the service mode, press the Report button, select the report type, and press the Set button.
Transmission report (with service error code and dump list)	If you set bits 0 and 1 of #1 SSSW SW01 in the service mode, the service error code and dump list are indicated on the activity report.
Reception report (with service error code and dump list)	If you set bits 0 and 1 of #1 SSSW SW01 in the service mode, the service error code and dump list are indicated on the activity report.

a-1) System data list

This list shows service data setting statuses of service soft switches and service parameters.

```
08/23/1999 17:53 FAX 001  
  
*****  
*** SYSTEM DATA LIST ***  
*****  
  
#1 SSSW  
  
SW01 ----- 00000000  
SW02 ----- 00000000  
SW03 ----- 00000000  
SW04 ----- 10000000  
SW05 ----- 00000000  
SW06 ----- 10010000  
SW07 ----- 00000000  
SW08 ----- 00000000  
SW09 ----- 00000000  
SW10 ----- 00000000  
SW11 ----- 00000000  
SW12 ----- 00000010  
SW13 ----- 00000000  
SW14 ----- 00000000  
SW15 ----- 00000000  
SW16 ----- 00000011  
SW17 ----- 00000000  
SW18 ----- 00000000  
SW19 ----- 00000000  
SW20 ----- 00000000  
SW21 ----- 00000000  
SW22 ----- 00000000  
SW23 ----- 00000000  
SW24 ----- 00000000  
SW25 ----- 00000000  
SW26 ----- 00000000  
SW27 ----- 00000000  
SW28 ----- 00000000  
SW29 ----- 01000000  
SW30 ----- 00000000  
SW31 ----- 00000000  
SW32 ----- 00000000  
SW33 ----- 00000000  
SW34 ----- 00000000  
SW35 ----- 00000000  
SW36 ----- 00000000  
SW37 ----- 00000000  
SW38 ----- 00000000  
SW39 ----- 00000000  
SW40 ----- 00000000  
SW41 ----- 00000000  
SW42 ----- 00000000  
SW43 ----- 00000000  
SW44 ----- 00000000  
SW45 ----- 00000000  
SW46 ----- 00000000  
SW47 ----- 00000000  
SW48 ----- 00000000  
SW49 ----- 00000000  
SW50 ----- 00000000
```

Figure 2-10 System Data List (1/7)

08/23/1999 17:53 FAX		002
#2 MENU		
05:	----	OFF
06:	----	DIAL
07:	----	10
08:	----	3429
09:	----	33.6
10:	----	25Hz
#3 NUMERIC Param.		
01:	----	0
02:	----	10
03:	----	15
04:	----	12
05:	----	4
06:	----	4
07:	----	0
08:	----	0
09:	----	6
10:	----	5500
11:	----	3500
12:	----	0
13:	----	1320
14:	----	0
15:	----	120
16:	----	4
17:	----	100
18:	----	0
19:	----	200
20:	----	100
21:	----	0
22:	----	200
23:	----	4
24:	----	20
25:	----	60
26:	----	4
27:	----	0
28:	----	0
29:	----	0
30:	----	0
#4A SPECIAL		
SW01	----	00000000
SW02	----	00000000
SW03	----	00000000
SW04	----	00000100
SW05	----	00000000
SW06	----	00000000
SW07	----	00000000
SW08	----	00000000
SW09	----	00000000
SW10	----	00000000
SW11	----	00000000
SW12	----	00000000
SW13	----	00000000
SW14	----	00000000
SW15	----	00000000

Figure 2-11 System Data List (2/7)

08/23/1999 17:53 FAX			003
SW16	----	00110000	
SW17	----	00000000	
SW18	----	00000000	
SW19	----	00000000	
SW20	----	00000000	
SW21	----	00000000	
SW22	----	00000000	
SW23	----	00000000	
SW24	----	00000010	
SW25	----	00000000	
SW26	----	00000000	
SW27	----	00000000	
SW28	----	00000001	
SW29	----	00000010	
SW30	----	00000000	
01 :	----	5	
02 :	----	30	
03 :	----	30	
04 :	----	4	
05 :	----	150	
06 :	----	100	
07 :	----	6	
08 :	----	0	
09 :	----	0	
10 :	----	10	
11 :	----	2	
12 :	----	1	
13 :	----	3	
14 :	----	60	
15 :	----	1000	
16 :	----	6	
17 :	----	60	
18 :	----	99	
19 :	----	0	
20 :	----	58	
21 :	----	0	
22 :	----	0	
23 :	----	0	
24 :	----	10	
25 :	----	25	
26 :	----	2	
27 :	----	2	
28 :	----	0	
29 :	----	0	
30 :	----	6	
31 :	----	0	
32 :	----	0	
33 :	----	0	
34 :	----	0	
35 :	----	0	
36 :	----	0	
37 :	----	0	
38 :	----	0	
39 :	----	0	
40 :	----	0	
41 :	----	0	
42 :	----	0	
43 :	----	0	
44 :	----	0	
45 :	----	0	

Figure 2-12 System Data List (3/7)

08/23/1999 17:53 FAX		004
46 :	----	0
47 :	----	0
48 :	----	0
49 :	----	0
50 :	----	0
51 :	----	0
52 :	----	0
53 :	----	0
54 :	----	0
55 :	----	0
56 :	----	0
57 :	----	0
58 :	----	0
59 :	----	0
60 :	----	0
61 :	----	0
62 :	----	0
63 :	----	0
64 :	----	0
65 :	----	0
66 :	----	0
67 :	----	0
68 :	----	0
69 :	----	0
70 :	----	0
#4B NCU		
1. TONE / PULSE		
1. TONE		
01 :	----	90
02 :	----	180
2. PULSE		
01 :	----	DP(N) 100
02 :	----	200
03 :	----	41
04 :	----	780
2. DIAL TONE		
01 :	----	00000000 350
02 :	----	90
03 :	----	10
04 :	----	0
05 :	----	0
06 :	----	0
07 :	----	5
08 :	----	0
3. 2nd DIAL TONE		
01 :	----	10000000 4000
02 :	----	3
03 :	----	25
04 :	----	5
05 :	----	25
06 :	----	0
07 :	----	5
08 :	----	5

Figure 2-13 System Data List (4/7)

08/23/1999 17:54 FAX		005
4. BUSY TONE 0		
01 :	----	1000
02 :	----	40
03 :	----	60
04 :	----	40
05 :	----	60
06 :	----	1
07 :	----	5
08 :	----	3
5. BUSY TONE 1		
01 :	----	500
02 :	----	18
03 :	----	60
04 :	----	18
05 :	----	60
06 :	----	12
07 :	----	3
08 :	----	3
6. REORDER TONE		
01 :	----	0
02 :	----	18
03 :	----	32
04 :	----	18
05 :	----	82
06 :	----	2
07 :	----	5
08 :	----	3
7. MULTI		
01 :	----	8
02 :	----	10
03 :	----	300
04 :	----	0
8. AUTO RX		
01 :	----	15
02 :	----	60
03 :	----	10
04 :	----	120
05 :	----	1100
06 :	----	0
07 :	----	2
08 :	----	10
09 :	----	20
9. CNG DETECT		
01 :	----	40
02 :	----	60
03 :	----	0
04 :	----	0
05 :	----	0
06 :	----	85
07 :	----	40
08 :	----	60
09 :	----	8
10 :	----	0
11 :	----	2
12 :	----	70

Figure 2-14 System Data List (5/7)

08/23/1999 17:54 FAX		006
10. RKEY		
01 :	----	0
02 :	----	0
03 :	----	0
11. PBX DIAL TONE		
		00000000
01 :	----	350
02 :	----	90
03 :	----	10
04 :	----	0
05 :	----	0
06 :	----	0
07 :	----	5
08 :	----	0
12. PBX BUSY TONE		
		00000000
01 :	----	1000
02 :	----	40
03 :	----	60
04 :	----	40
05 :	----	60
06 :	----	1
07 :	----	5
08 :	----	3
#5 TYPE		
TYPE	----	U. S. A.
#7 PRINTER		
SW01	----	00000000
SW02	----	00000000
SW03	----	00000000
SW04	----	00000000
SW05	----	00000000
SW06	----	00000100
SW07	----	00000000
SW08	----	00000000
SW09	----	00000000
SW10	----	00000000
SW11	----	00000000
SW12	----	00000000
SW13	----	00000000
SW14	----	00000000
SW15	----	00000000
SW16	----	00000000
SW17	----	00000000
SW18	----	00000000
SW19	----	00000000
SW20	----	00000000
01 :	----	15
02 :	----	0
03 :	----	0
04 :	----	2
05 :	----	7
06 :	----	0
07 :	----	0
08 :	----	0
09 :	----	0
10 :	----	0

Figure 2-15 System Data List (6/7)

08/23/1999 17:54 FAX			007
11 :	----	0	
12 :	----	0	
13 :	----	0	
14 :	----	0	
15 :	----	0	
16 :	----	0	
17 :	----	0	
18 :	----	0	
19 :	----	0	
20 :	----	0	
21 :	----	0	
22 :	----	0	
23 :	----	0	
24 :	----	0	
25 :	----	0	
26 :	----	0	
27 :	----	0	
28 :	----	0	
29 :	----	0	
30 :	----	0	
#9 ROM			
VERSION		USA-05-03	
		USA-05-03	
START DATE			
DATE	----	08/23/99	

Figure 2-16 System Data List (7/7)



NOTE

“START DATE” records the date when this fax performs its first transmission or reception, after shipment from the factory.

- *1 : Date on which data was initialized with service data #8 CLEAR, ALL
- *2 : Total number of transmission
- *3 : Total number of pages transmitted for each document size
- *4 : Total number of reception
- *5 : Total number of pages received for each document size
- *6 : Total number of pages transmitted and received for each modem speed
- *7 : Total number of pages transmitted and received for each mode
- *8 : Total number of pages transmitted and received for each coding method
- *9 : Total number of pages transmitted and received in each mode
- *10: Total number of pages printed/scanned

[Display example]

PRINT = 30*/100** READ = 30*/100**

* Indicates the value input with Service Data #8 CLEAR, COUNTER.

** Indicates the value counted since shipment from the factory.

- *11: Total number of occurrences for each error code

[Display example]

# #280	1	7	3	0	0
	##280	##281	##282		
	errors	errors	errors		

Displays error information for the 3 most recent communications.

```

06/29/1999 13:06 FAX 1234567890          Canon          ☐002
#1 LATEST                               * 1 ##0106

* 2 START TIME                          06/29 08:58
* 3 OTHER PARTY                          5689
* 4 MAKER CODE                           10001000
* 5 MACHINE CODE                         11001010 00000000
* 6 RCV V.8 FRAME                       E0 81 85 D4 90 7E 00 00
* 7 SYMBOL RATE                          3429
* 8 DATA RATE                           21.6
* 9 TX LVL REDUCTION                     0
*10 ERR ABCODE                           92
*11 ERR SECTXB                           80
*12 ERR SECRXB                           80

*13 Rx : (bit 1) 00000000 01000000 00011111 00100001 00000001 00000001 00000001 (bit56)
          (bit57) 00000001 00000001 00000100 00000000 00000000                                (bit96)
*14 Tx : (bit 1) 00000100 01110011 00010001 00100011 00000001 10101001 00000001 (bit56)
          (bit57) 00000001 00000001 00010100 00000000 00000000                                (bit96)

*15
Rx :      NSS TSI DCS      PPS-EOP      PPS-EOP
Tx : NSF DIS      CFR      PPR      PPR
    
```

Figure 2-18 System Dump List (2/2)

- *1 : Service error code
- *2 : Communication start date and time (on 24-hour display)
- *3 : Telephone number sent from other party
- *4 : Maker code
- *5 : Machine code
- *6 : Received V.8 protocol signal
- *7 : Symbol rate used for the primary channel
- *8 : Transmission speed used for the primary channel
- *9 : 0 (Fixed)
- *10: Code output by the modem when an error occurred
(Not used in the field)
- *11: Transmit status of the modem when an error occurred
(Not used in the field)
- *12: Receive status of the modem when an error occurred
(Not used in the field)
- *13: Bit 1 to bit 96 of received DIS, DCS, or DTC
- *14: Bit 1 to bit 96 of transmitted DIS, DCS, or DTC
- *15: RX=Received protocol signal
TX=Transmitted protocol signal



NOTE

When an error occurs in direct transmission, *6 to *12 will not be listed even if the other party's machine has a V.34 modem.

a-3) Service activity report

The ERROR TX REPORT includes appended service error codes and an error dump list. In user data “REPORT SETTINGS”, when the “REPORT WITH TX IMAGE” is set to “ON” in the “TX REPORT”, a section of the first page of transmitted image data is appended when memory transmission is done.

```

06/29/1999 13:11 FAX 1234567890          Canon          ☑001

*****
***  ERROR TX REPORT  ***
*****

* 1TX FUNCTION WAS NOT COMPLETED

* 2TX/RX NO           0298
* 3CONNECTION TEL           01
* 4CONNECTION ID
* 5ST. TIME
* 6USAGE T           00'43
* 7PGS. SENT           0
* 8RESULT           NG          ##0765

* 9 START TIME           06/29 13:11
* 10 OTHER PARTY           01
* 11 MAKER CODE           10001000
* 12 MACHINE CODE        11001010 00000000
* 13 RCV V.8 FRAME      E0 81 85 D4 90 7E 00 00
* 14 SYMBOL RATE         3429
* 15 DATA RATE          33.6
* 16 TX LVL REDUCTION     0
* 17 ERR ABCODE          92
* 18 ERR SECTXB          8A
* 19 ERR SECRXB          80

* 20 Rx : (bit 1) 00000100 01110111 00010101 00100011 00000001 10101011 11000001 (bit56)
           (bit57) 00000001 00000001 00010100 00000000 00000000 (bit96)
* 21 Tx : (bit 1) 00000000 01000000 00011111 00100001 00000001 00000001 00000001 (bit56)
           (bit57) 00000001 00000001 00000100 00000000 00000000 (bit96)

* 22
Rx : NSF DIS          CFR
Tx :      NSS TSI DCS    PIX-336 PPS-EOP PPS-EOP PPS-EOP DCN
    
```

Figure 2-19 Service Error Activity Report



NOTE

When an error occurs with direct transmission, *6 to *12 will not be listed even if the other party's machine has a V.34 modem.

- *1 : OK, NG messages
- *2 : Indicates four digits of the transaction number
- *3 : Number sent from the other party or number dialled (lower 20 digits)
- *4 : ID sent from the other party, if the other party is a Canon fax
- *5 : Communication start date and time (on 24-hour display)
- *6 : Communication time (in minutes and seconds)
- *7 : Number of pages for which transmission was complete
- *8 : "NG" display with number of pages for which transmission was fault, and service error code
- *9 : Communication start date and time (on 24-hour display)
- *10: Telephone number sent from other party
- *11: Maker code
- *12: Machine code
- *13: Received V.8 protocol signal
- *14: Symbol rate used for the primary channel
- *15: Transmission speed used for the primary channel
- *16: 0 (Fixed)
- *17: Code output by the modem when an error occurred
(Not used in the field)
- *18: Transmit status of the modem when an error occurred
(Not used in the field)
- *19: Receive status of the modem when an error occurred
(Not used in the field)
- *20: Bit 1 to bit 96 of received DIS, DCS, or DTC
- *21: Bit 1 to bit 96 of transmitted DIS, DCS, or DTC
- *22: RX=Received protocol signal
TX=Transmitted protocol signal

3.2 User Data Flowchart

Press the Data registration to access User menu. Figures in boldface indicate the default setting.

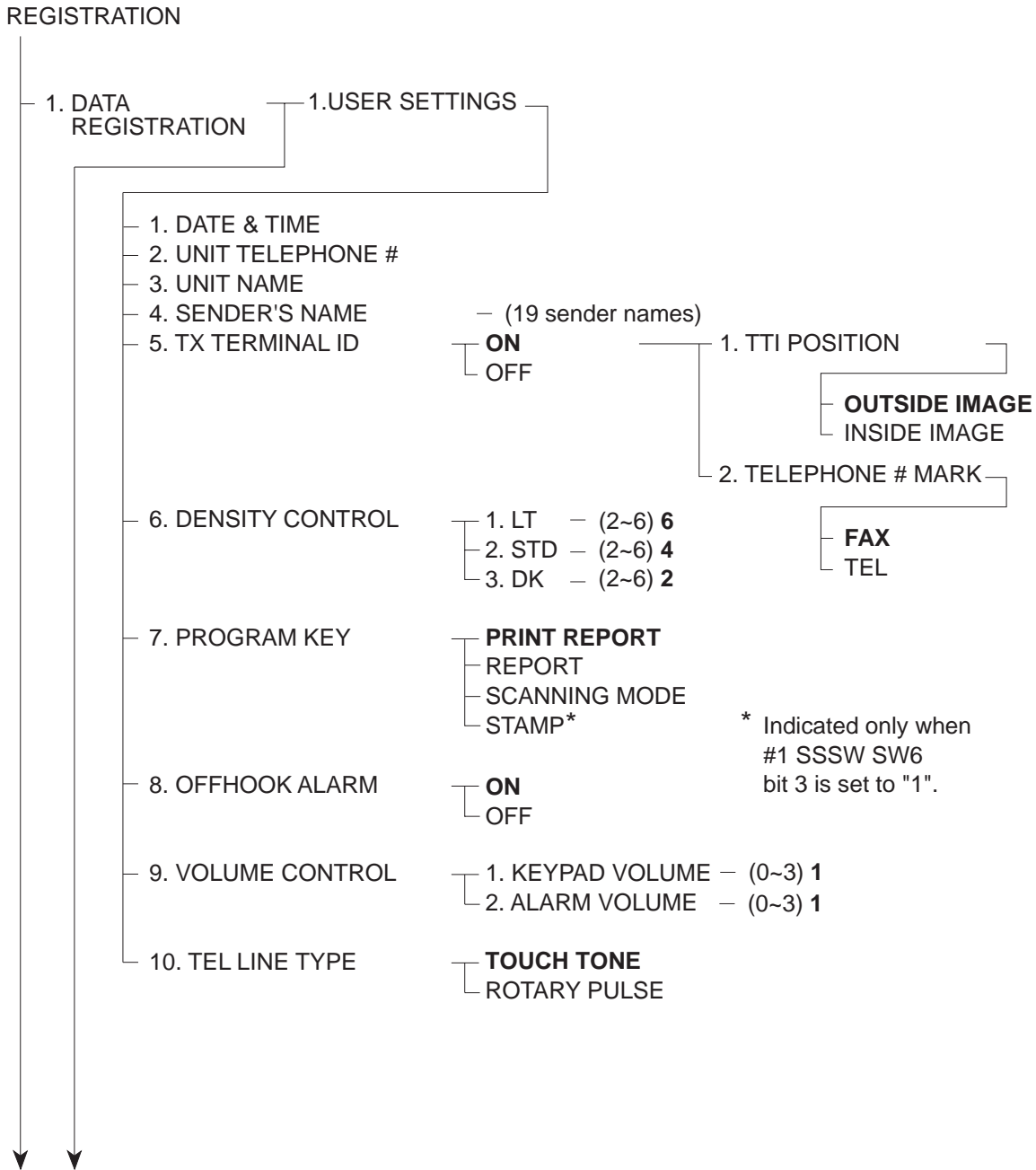


Figure 2-20 User Menu Settings (1/13)

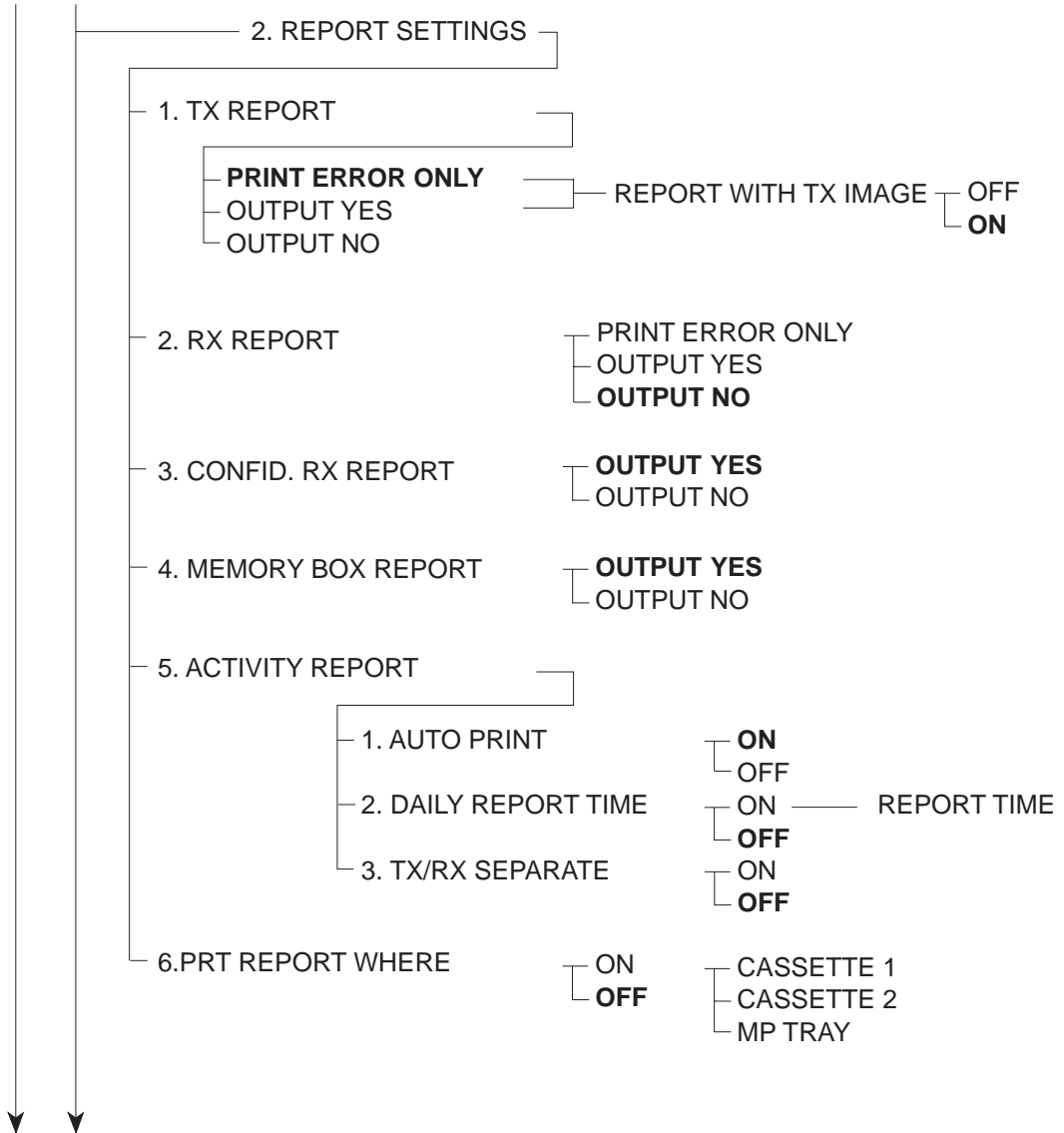


Figure 2-21 User Menu Settings (2/13)

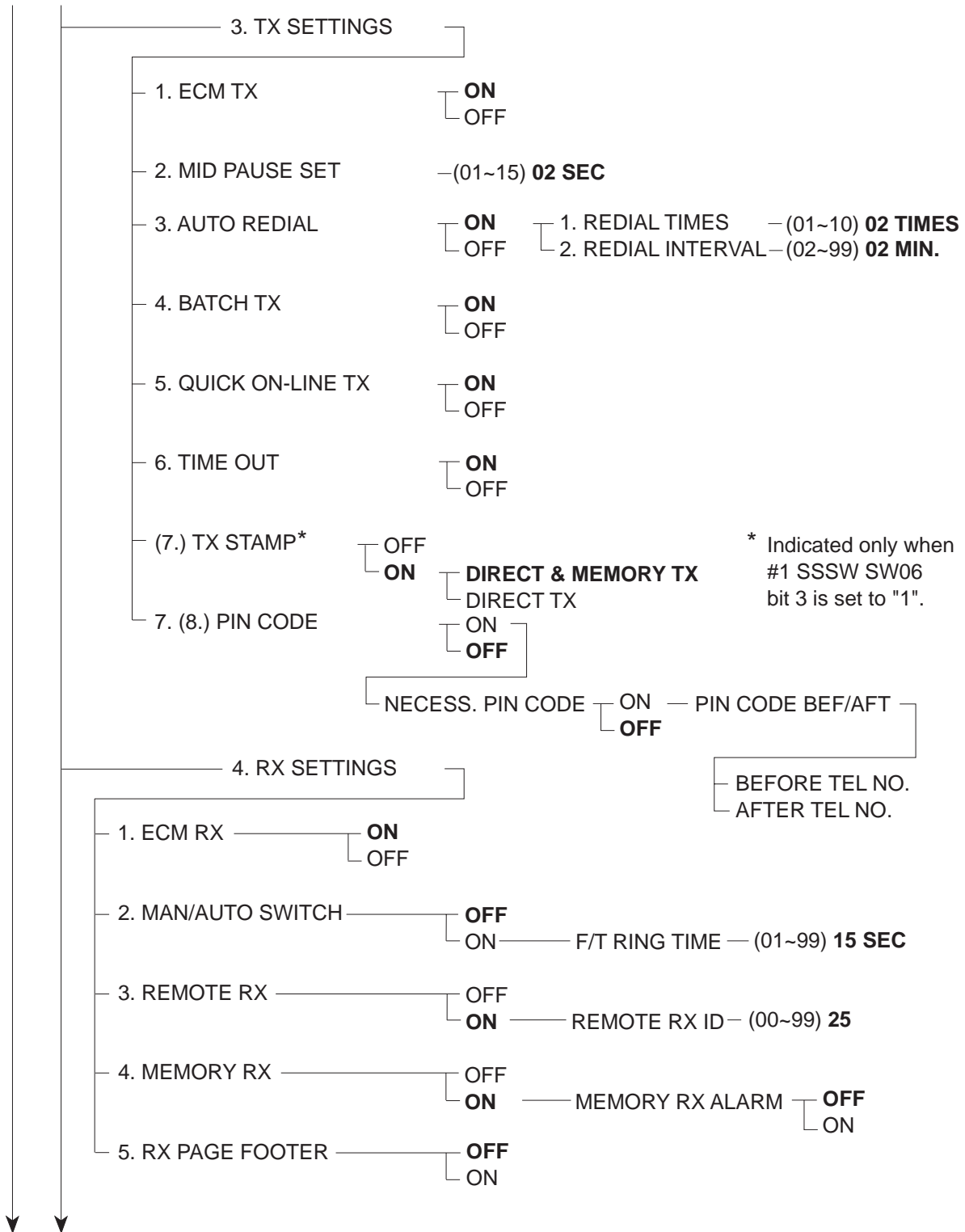


Figure 2-22 User Menu Settings (3/13)

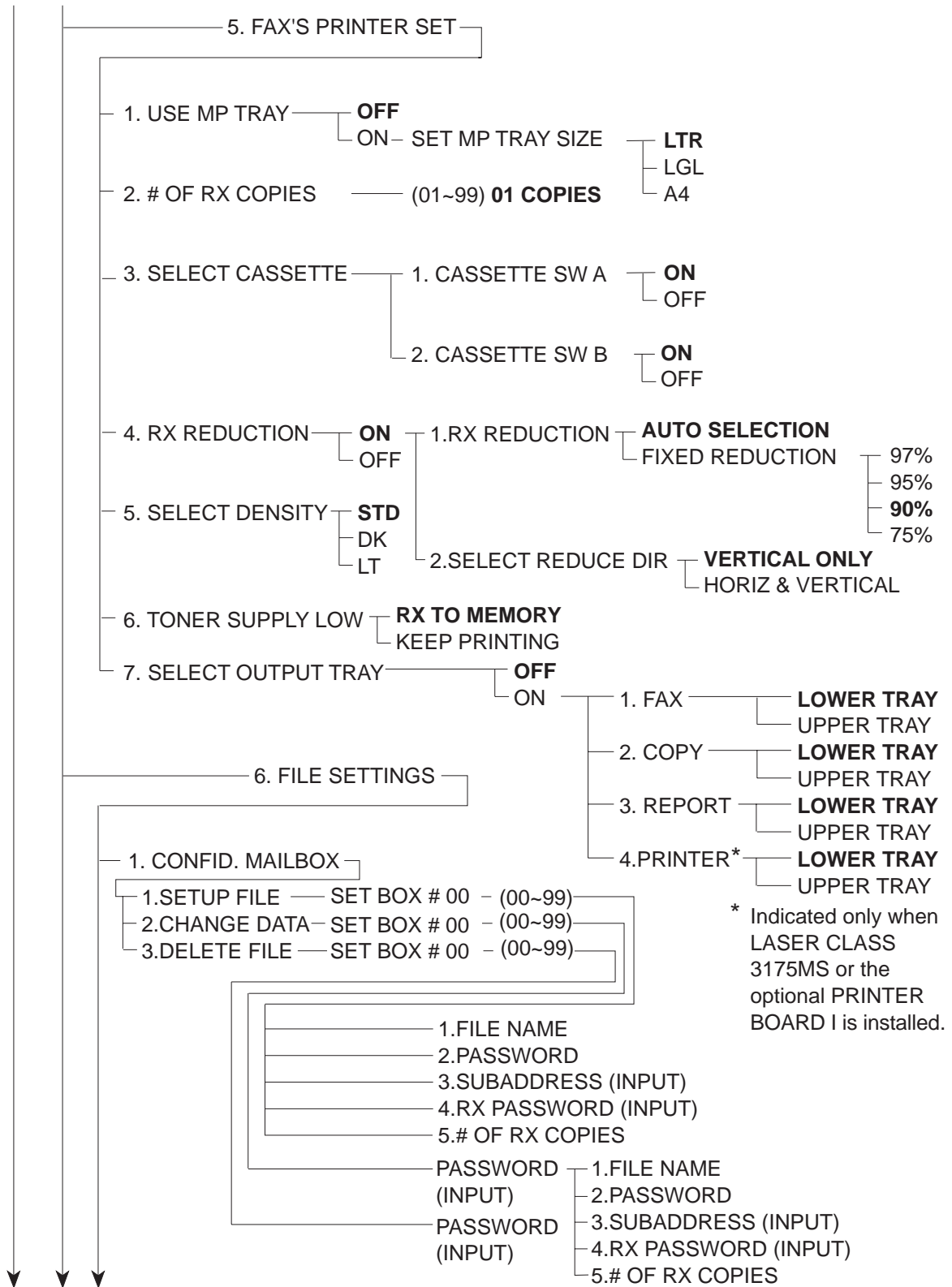


Figure 2-23 User Menu Settings (4/13)

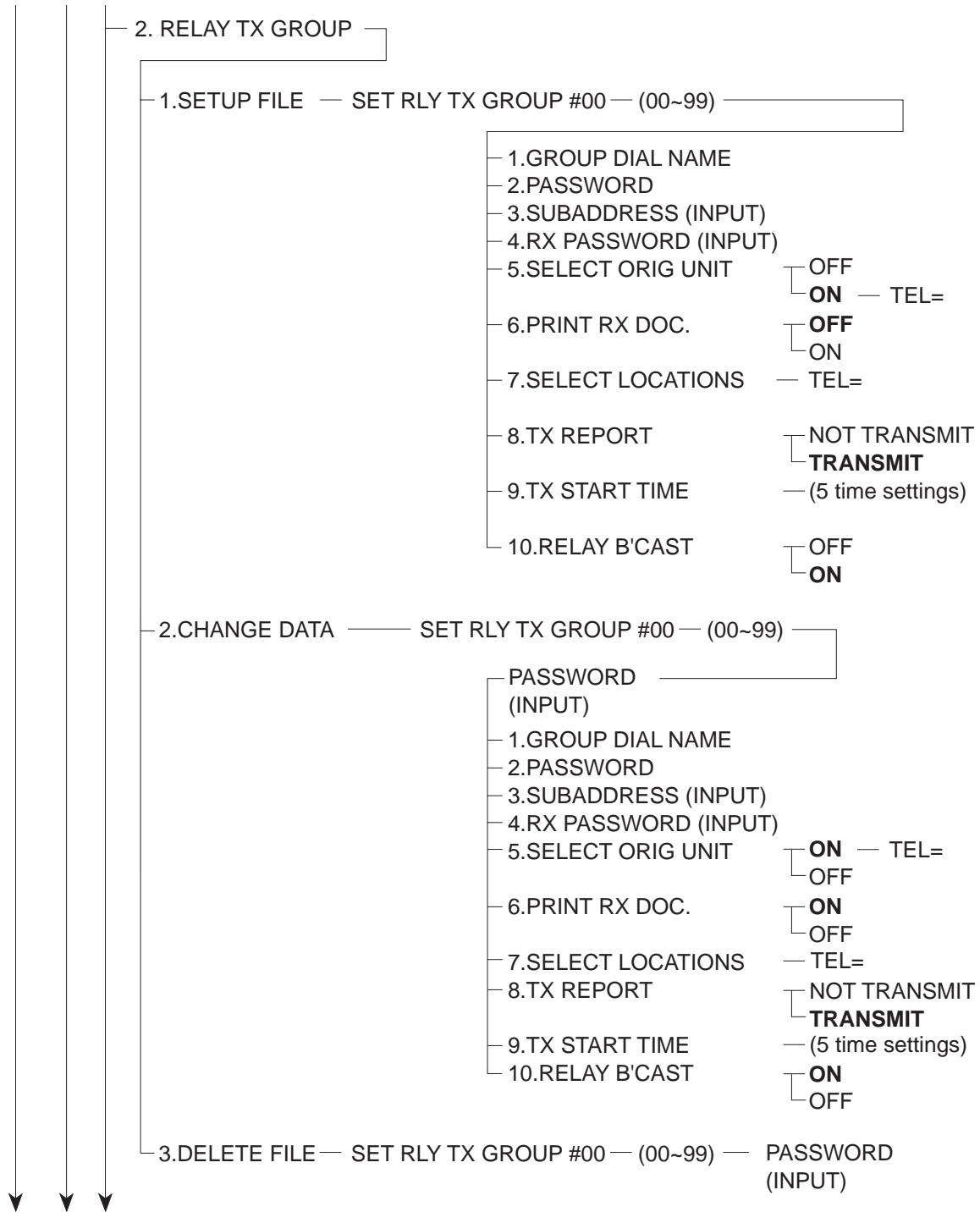


Figure 2-24 User Menu Settings (5/13)

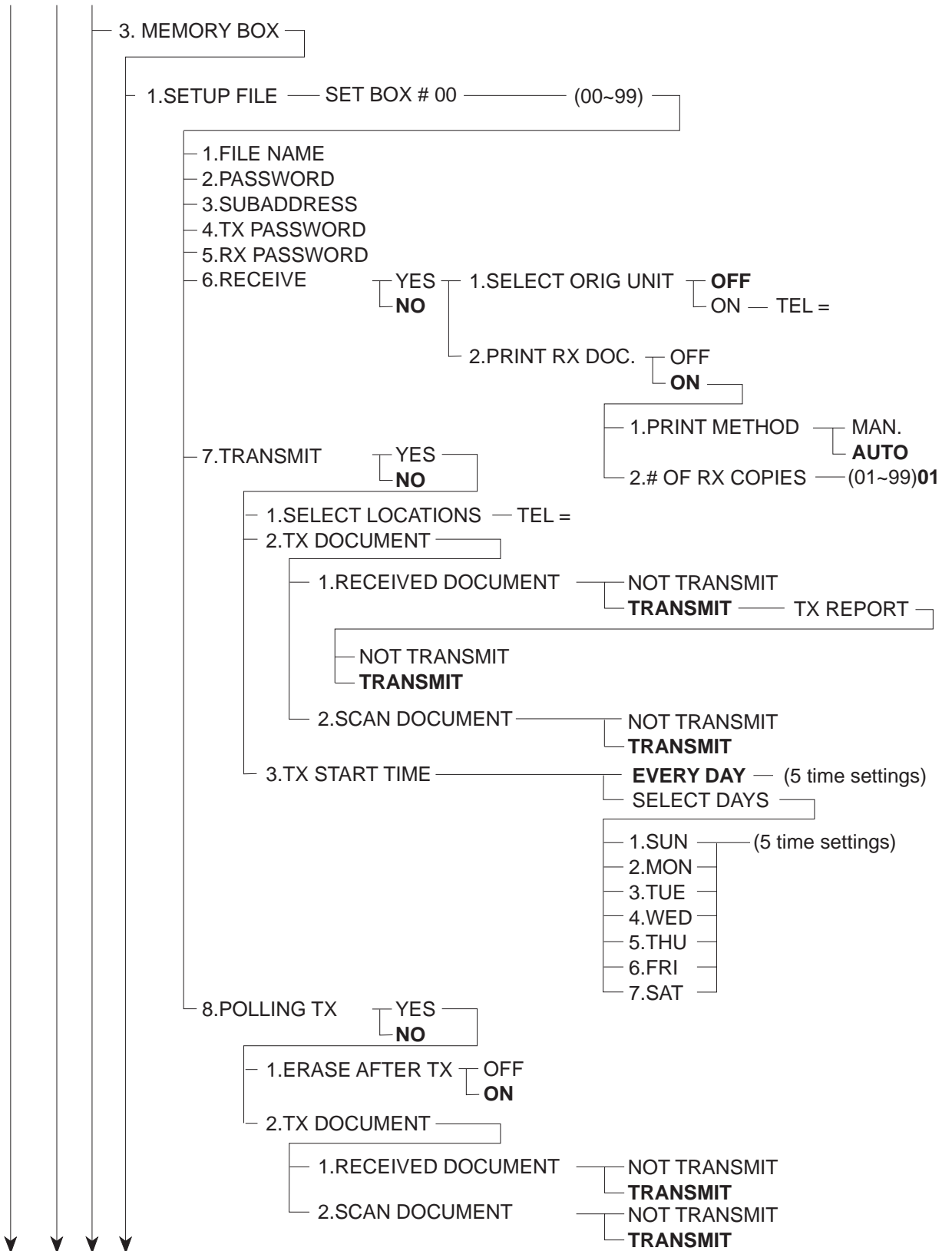


Figure 2-25 User Menu Settings (6/13)

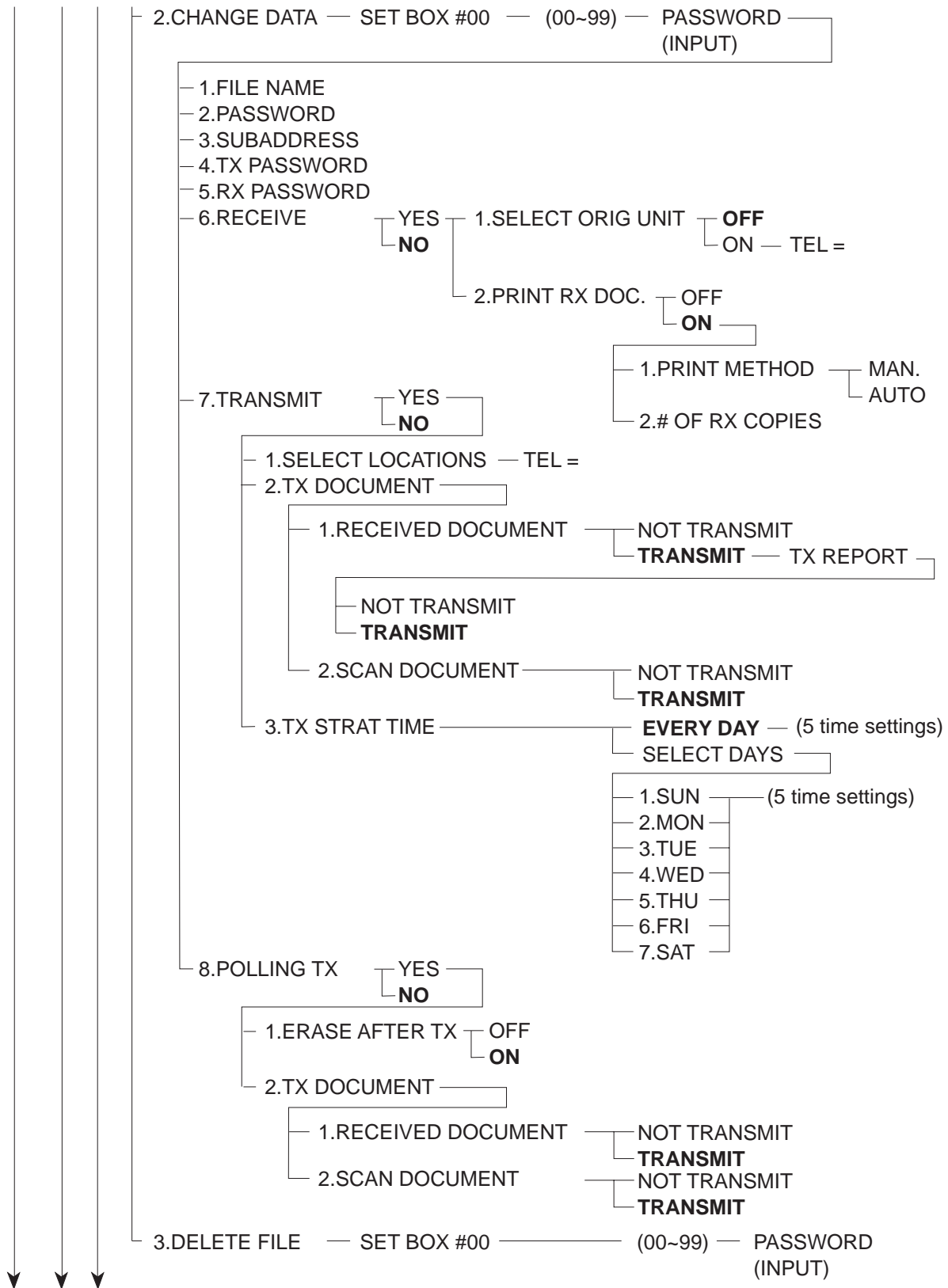


Figure 2-26 User Menu Settings (7/13)

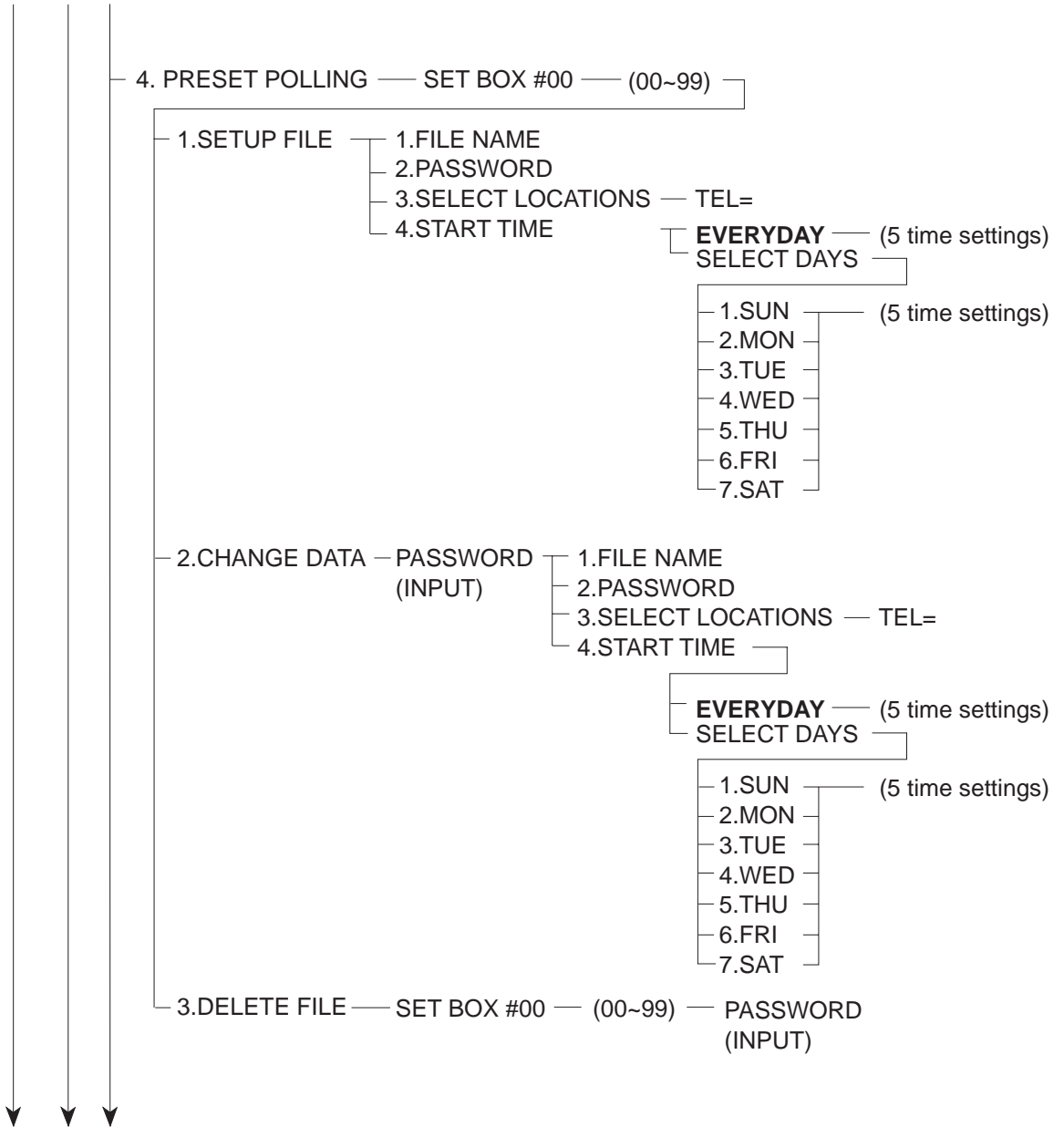


Figure 2-27 User Menu Settings (8/13)

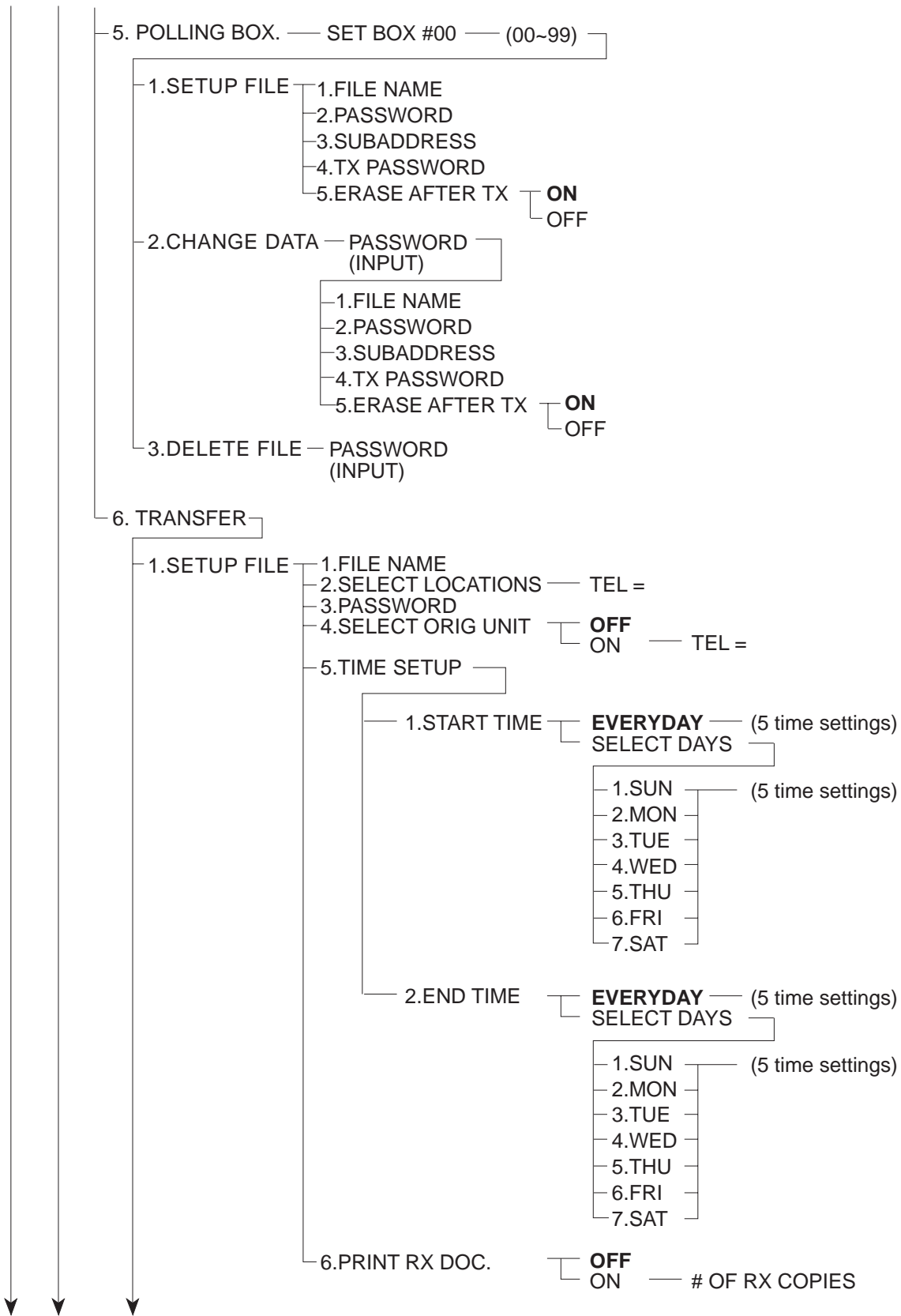


Figure 2-28 User Menu Settings (9/13)

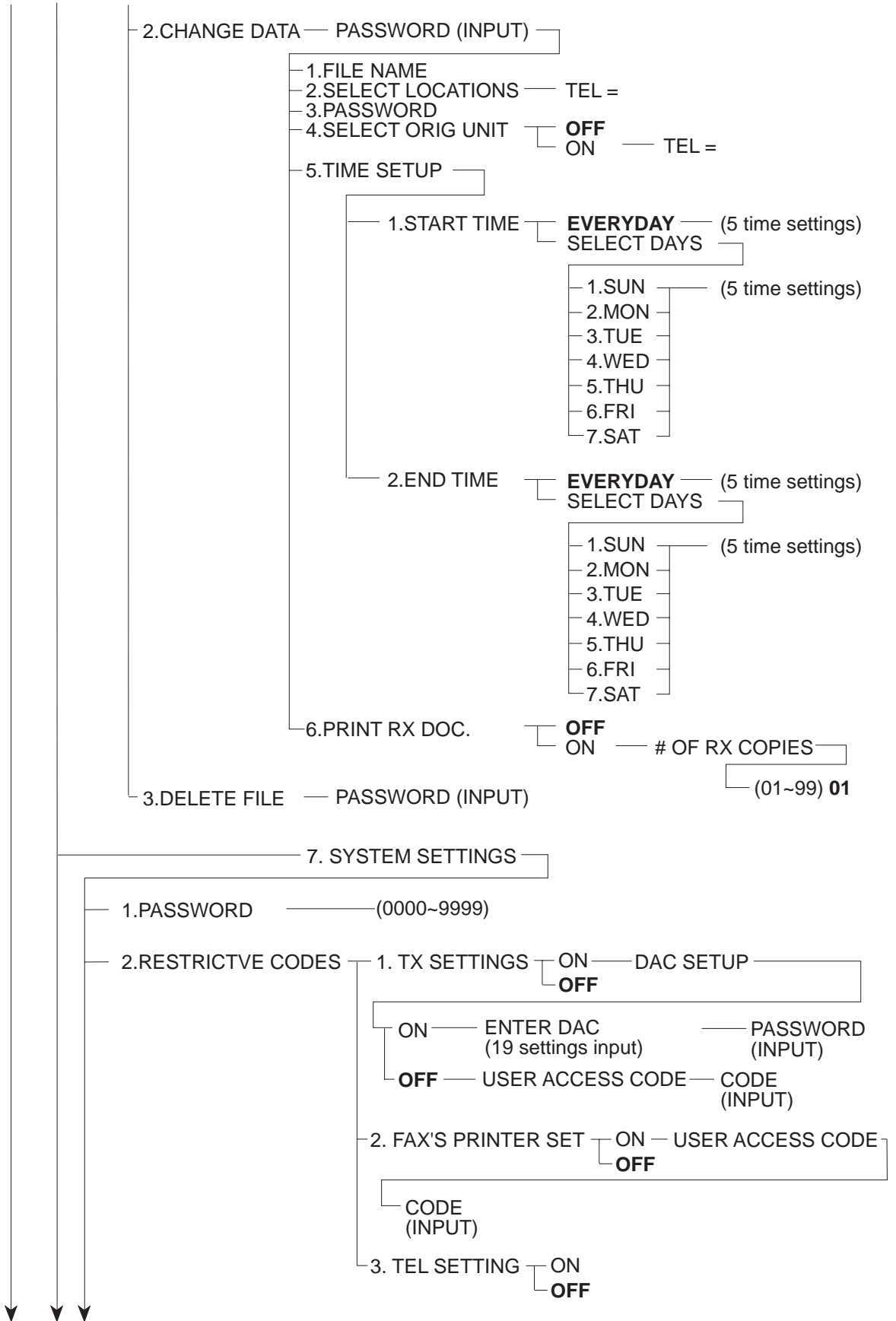


Figure 2-29 User Menu Settings (10/13)

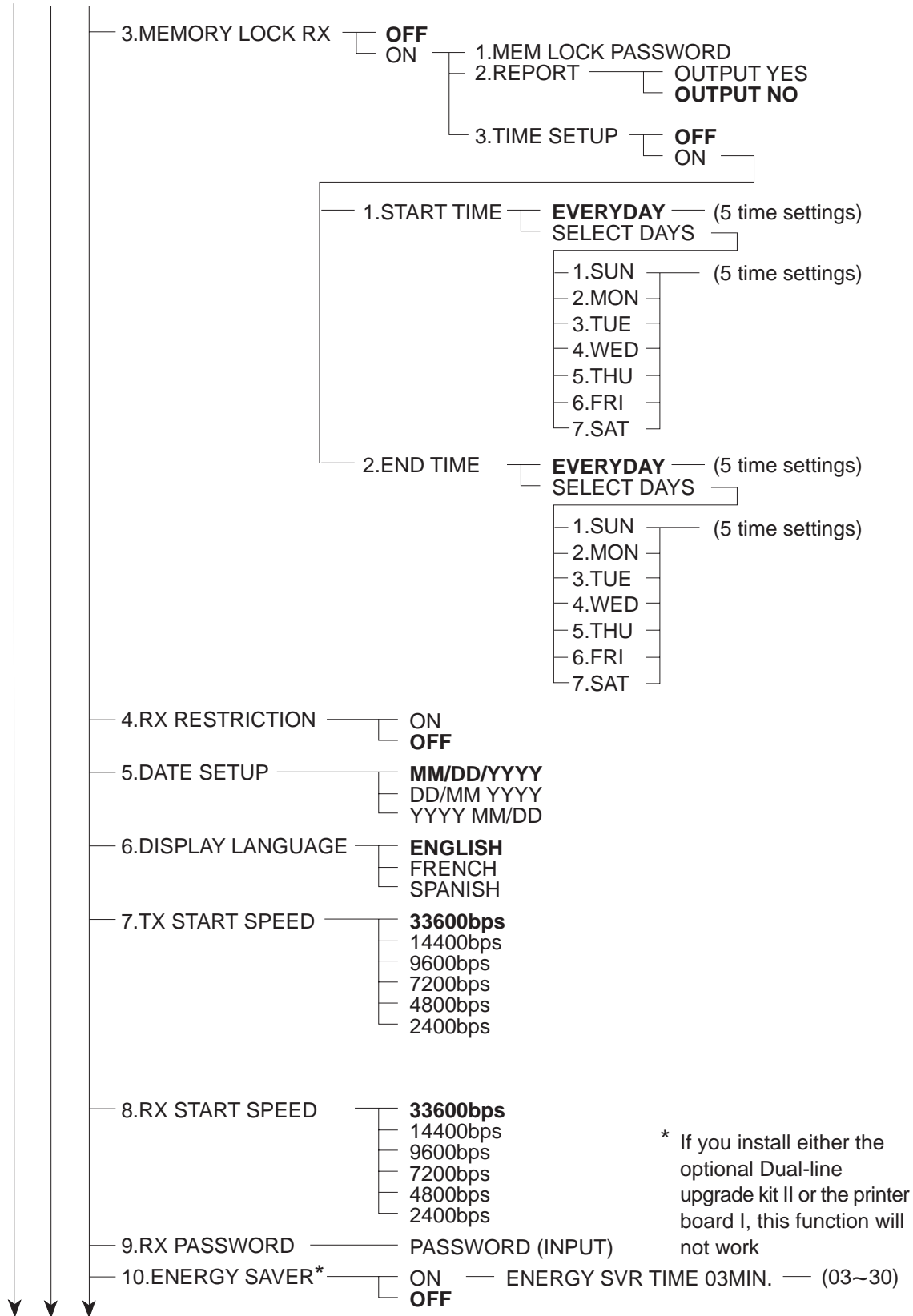


Figure 2-30 User Menu Settings (11/13)

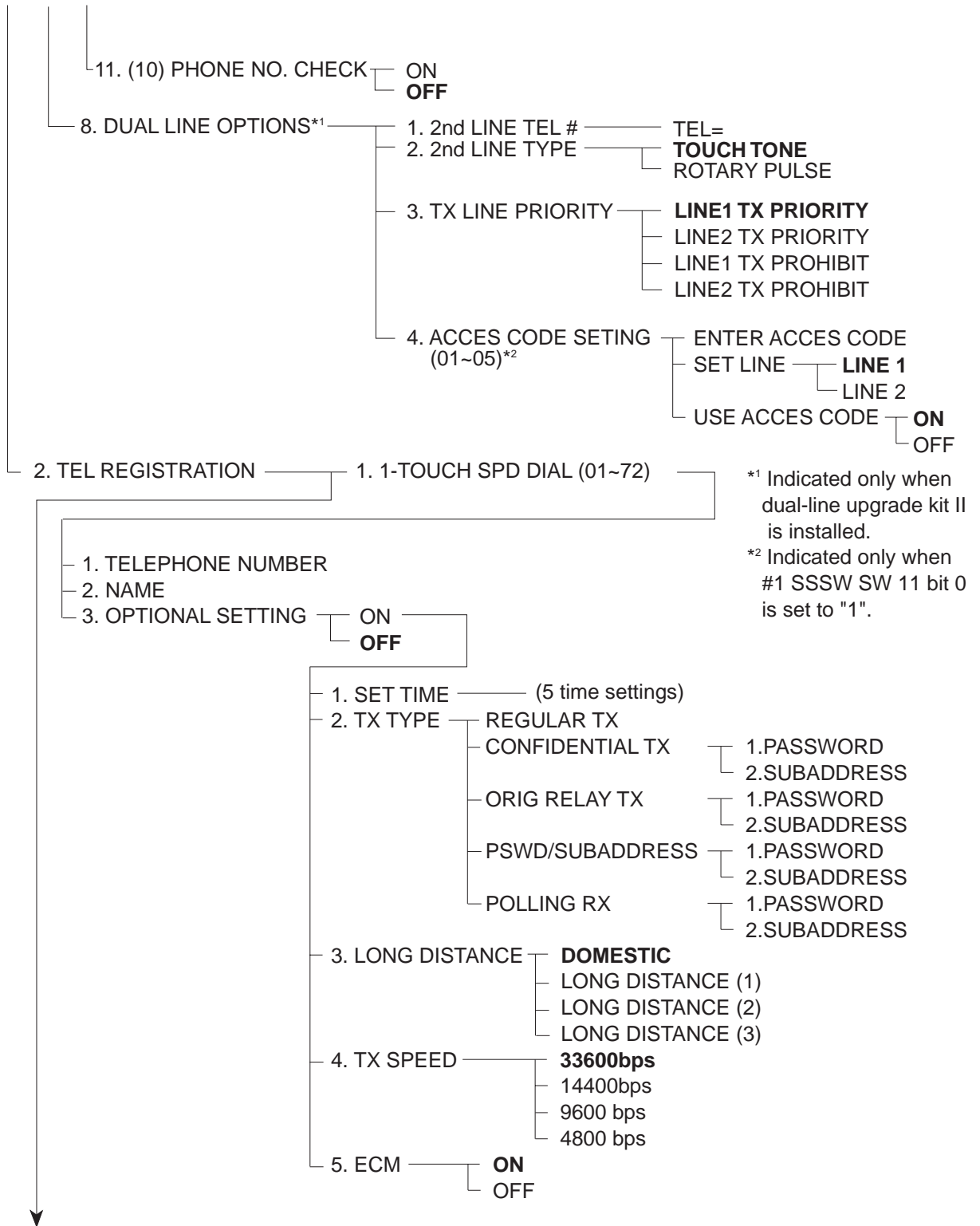


Figure 2-31 User Menu Settings (12/13)

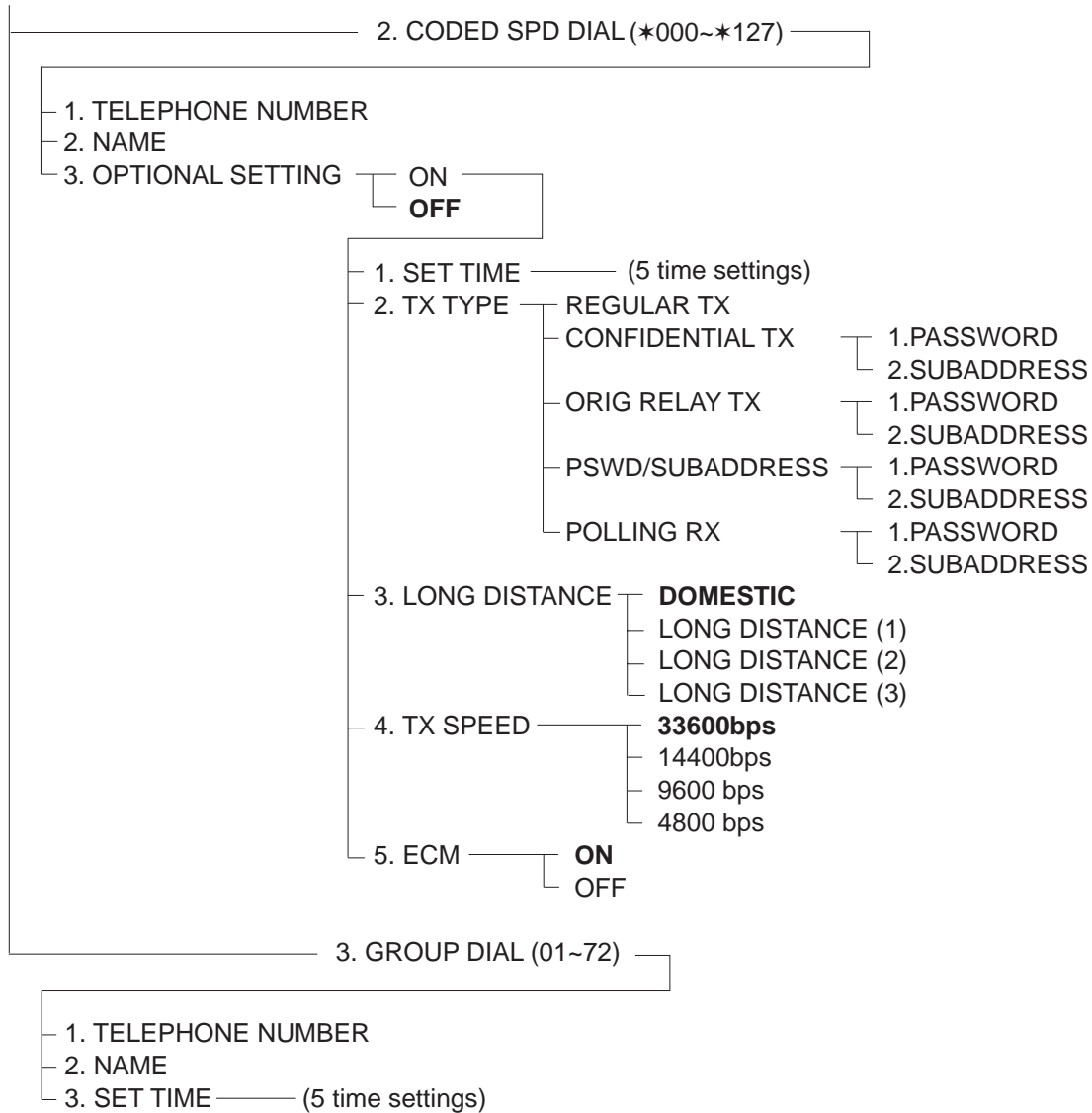


Figure 2-32 User Menu Settings (13/13)

3.3 Service Switches

3.3.1 Hardware switches

This fax has the following hardware switches.

a) SCNT board

Jumper switch (JP1)

The secondary vanadium-lithium battery backs up image memory by causing a short with the jumper plug.

Jumper switch (JP2)

The lithium battery backs up control memory by causing a short with the jumper plug.



REFERENCE

Refer to *Chapter 1, 3.2 Backed up by rechargeable battery and 3.3 Backed up by lithium battery* for details regarding jumper switches (JP1 and JP2).

Jumper switches (JP3, J6)

These are for factory adjustments, so please do not change these settings.

b) Power supply board

Volume (RV1, RV2)

These are for factory adjustments, so please do not change these settings.

c) ECNT board

Push switch (SW501)

This is a test print switch for adjustment of the leading edge margin.

Volume (VR501)

This is a volume for adjustment of the leading edge margin.

Volume (VR601)

This is for factory adjustment, so please do not change this setting.

d) Laser scanner unit

Volume (VR501, VR502, VR503)

These are for factory adjustments, so please do not change these settings.

3.3.2 Service data setting

Service data can be checked and changed with items on display menus. The effective SSSWs/parameters and their default values in this fax machine are shown in 3.3.4 *Service data flowchart* in this chapter. Detailed description of each SSSW/parameter is not given in this manual except the new SSSWs/parameters added to this model. See *G3 Facsimile SERVICE DATA HANDBOOK (Rev. 0) (supplied separately)* for details of them. The new switches for this model are described in 3.3.6 *New SSSWs/parameters added to this model*.

#1 SSSW (Service Soft Switch Settings)

These setting items are for basic fax service functions such as error management, echo countermeasures, and communication trouble countermeasures.

#2 MENU (MENU switch settings)

These setting items are for functions required during installation, such as NL equalizer and transmission levels.

#3 NUMERIC Param. (NUMERIC parameter settings)

These setting items are for inputting numeric parameters such as the various conditions for the RTN signal transmission.

#4A SPECIAL

These setting items are for telephone network control functions.

#4B NCU (NCU settings)

These setting items are for telephone network control functions such as the selection signal transmission conditions and the detection conditions, for the control signals sent from the exchange.

#5 TYPE (TYPE setting)

The type setting makes the service data conform to a specific country communications standards.

#6 GENESIS (UHQ function setting)

These setting items are for scanned image processing such as edge enhancement and error diffusion processing.

#7 PRINTER (PRINTER function settings)

These setting items are for basic printer service functions such as the reception picture reduction conditions. Also there is an item for resetting the printer section without switching the power off-on.

#8 CLEAR (data initialization mode)

Various data are initialized by selecting one of these setting items. There is a setting item for checking/inputting the total number of pages printed and total number of pages scanned by this fax.

#9 ROM (ROM management)

ROM data such as the version number and checksum are displayed.

3.3.3 Service data registration/setting method

Service data can be registered/set by the following operations:

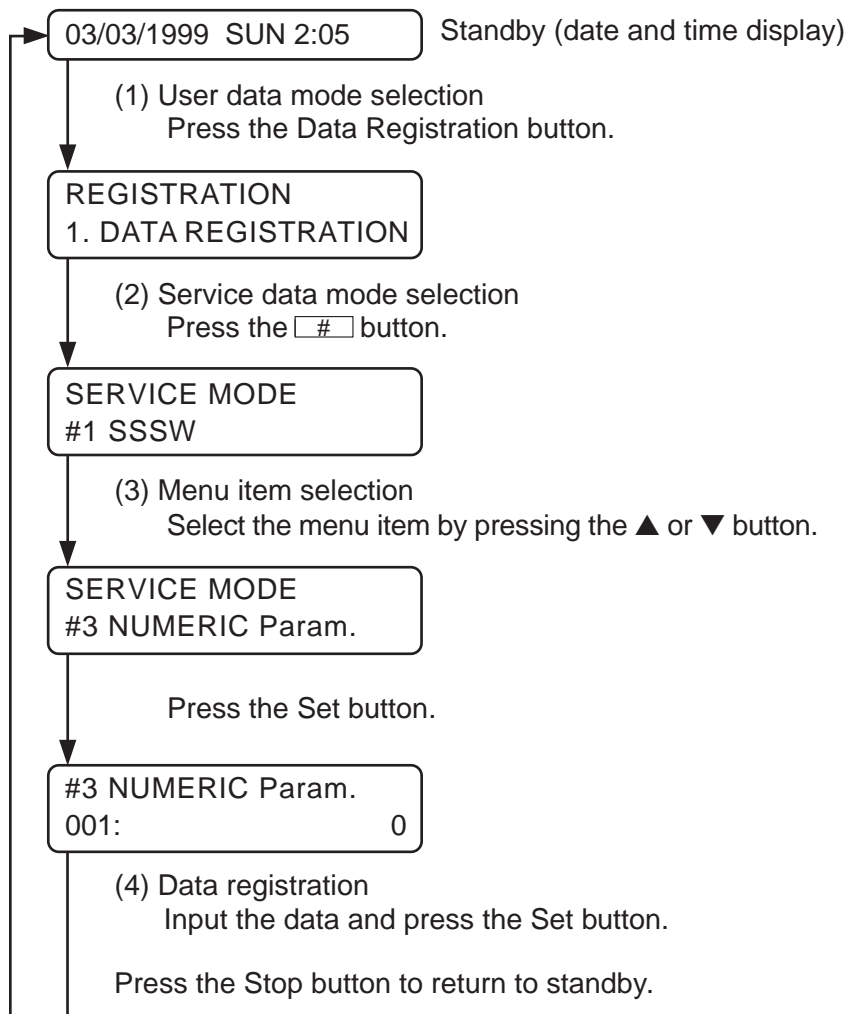


Figure 2-33 Service Data Setting Method

3.3.4 Service data flowchart

Service menu

◀ ◀ ▶ ▶

Bit	7	6	5	4	3	2	1	0		
#1 SSSW (Service soft switch setting)	SW01	0	0	–	0	0	0	0	Error management	
	SW02	–	–	–	–	–	–	0	Memory clear list output setting	
	SW03	0	0	0	0	–	–	0	Echo solution setting	
	SW04	1	0	0	0	0	0	0	Communication trouble solution settings	
	SW05	–	–	0	0	0	–	–	Standard function (DIS signal) setting	
	SW06	1	0	0	1	0	0	0	Scan condition settings	
	SW07	0	0	–	–	–	–	–	Closed network function settings	
	SW08	0	0	0	0	0	0	0	Closed network ID setting	
	SW09	–	–	0	–	–	–	0	0	Communications result display function settings
	SW10	–	–	–	–	–	–	–	–	Not used
	SW11	–	–	–	–	–	–	–	0	Dual-line function settings
	SW12	0	–	0	0	0	0	1	0	Page timer settings
	SW13	–	–	–	–	–	–	0	0	Relay transfer function settings
	SW14	–	–	–	–	–	–	–	–	Not used
	SW15	–	–	–	–	–	–	–	–	Not used
	SW16	–	–	–	–	–	–	1	1	Settings for a No Paper display
	SW17	–	–	–	–	–	–	–	–	Not used
	SW18	–	–	–	–	–	–	–	–	Not used
	SW19	–	–	–	–	–	–	–	–	Not used
	SW20	–	–	–	–	–	–	–	–	Not used
	SW21	–	–	–	–	–	–	–	–	Not used
	SW22	–	–	–	–	–	–	–	–	Not used
	SW23	–	–	–	–	–	–	–	–	Not used
	SW24	–	–	–	–	–	–	–	–	Not used
	SW25	–	–	–	–	–	–	0	0	Report display function settings
	SW26	0	0	–	–	–	–	–	0	Transmission function settings
	SW27	–	–	–	–	–	–	–	–	Not used
	SW28	–	–	0	0	0	0	0	0	V.8/V.34 protocol settings
	SW29	–	–	–	–	–	–	–	–	Not used
	SW30	SW 30 to 50:								Not used
SW50										

Figure 2-34 Service Data (1/5)



The switches marked “–” are not used. Do not change their settings.

#2 MENU (Menu switch settings)	001:		Not used
	002:		Not used
	003:		Not used
	004:		Not used
	005:	ON OFF	NL equalizer setting
	006:	DIAL SERVICEMAN OFF	Line monitor setting
	007:	10 (-10dBm)	Transmission level setting (8~15)
	008:	3429 baud 3200 baud 3000 baud 2800 baud 2743 baud 2400 baud	V.34 Baud rate
	009:	33.6 kbps (2.4 × n : 1 ≤ n ≤ 14)	V.34 Transmission speed
	010:	25Hz 17Hz 50Hz	Frequency of psudo CI
	011:	Items 011 to 020:	Not used
	020:		

Figures in boldface indicate the default setting.

Figure 2-35 Service Data (2/5)



No. 001 to 004, 011 to 020 are not used. Do not change their settings.

#3 NUMERIC Param. (Numeric parameter settings)			
	Default	Range	
001:	0		Not used
002:	10 (10%)	(1~99)	RTN signal transmission condition (1)
003:	15 (15 times)	(2~99)	RTN signal transmission condition (2)
004:	12 (12 lines)	(1~99)	RTN signal transmission condition (3)
005:	4		Not used
006:	4		Not used
007:	0		Not used
008:	0		Not used
009:	6 (6 digits)	(1~20)	The number of digits in telephone number compared against TSI signal to be matched for restricted receiving function
010:	5500 (55 seconds)	(0~9999)	T0 Timer
011:	3500 (35 seconds)	(0~9999)	T1 Timer (Rx)
012:	0		Not used
013:	1320 (13.2 seconds)	(500~3000)	Maximum time allowed to receive one line of image data
014:	0		Not used
015:	120 (1200 ms)	(0~999)	Hooking detection time
016:	Items 016 to 080:		Not used
080:			

Figure 2-36 Service Data (3/5)



No. 001, 005 to 008, 012, 014, and 016 to 080 are not used. Do not change their settings

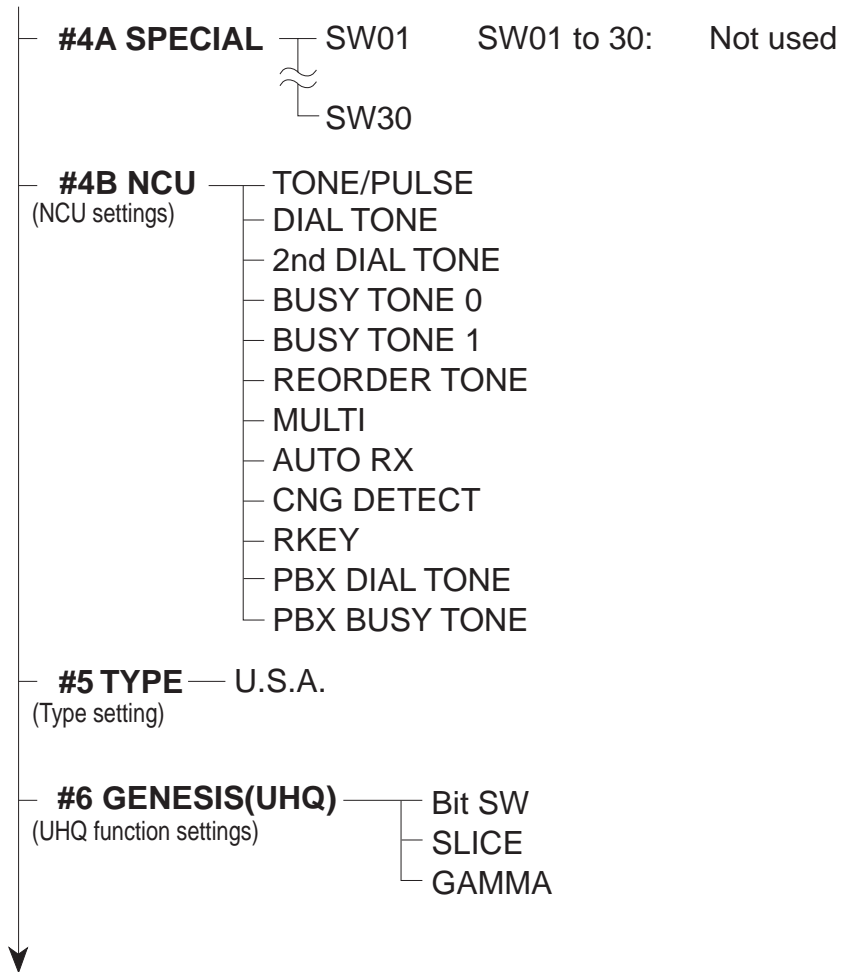


Figure 2-37 Service Data (4/5)



#4A SPECIAL, #4B NCU

The values of these items are all set to match a specific nation's communications standards by the #5 TYPE setting. Do not change these settings.

#6 GENESIS (UHQ function settings)

Tampering with this setting may cause the scanned image quality to deteriorate.

Do not change these settings.

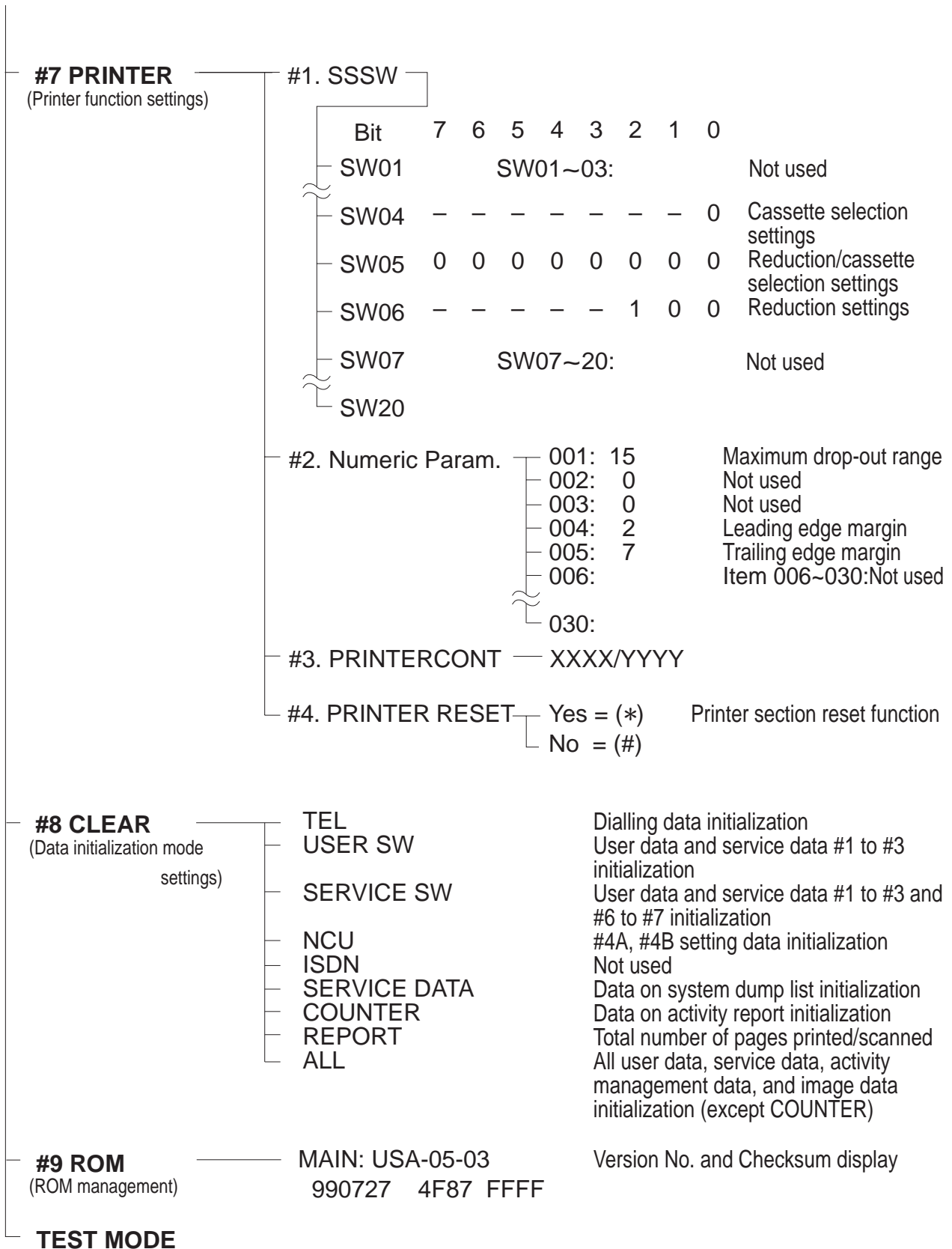


Figure 2-38 Service Data (5/5)



For details on test mode, see *this Chapter, 3.4 Test Functions.*

REFERENCE

3.3.5 Explanation of SSSW (Service Soft Switch Settings)

The items registered and set by each of these switches comprise 8-bit switches. The figure below shows which numbers are assigned to which bits. Each bit has a value of either 0 or 1.

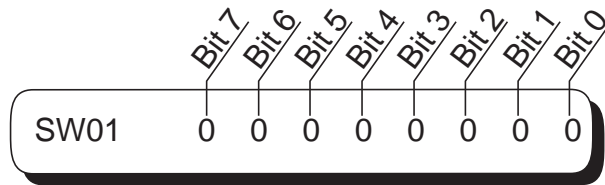


Figure 2-39 Bit Switch Display

See the chart in the service menu shown in Section 3.3.4 Service data flowchart to see effective bits and their default values. The meanings (functions) of the bits are not described in this manual except the new switches added to this model. See *G3 Facsimile SERVICE DATA HANDBOOK (Rev. 0)* (supplied separately) for details of the switches.

Below are examples showing how to read bit switch tables.

Bit	Function	1	0
0	Service error code	Output	Not Output
1	Error dump list	Output	Not Output
2	Receive image transfer	Yes	No
3	Not used		
4	Not used		
5	Not used		
6	Not used		
7	Not used		

Indicates that the setting is "1".

Indicates that the setting is "0".

Figures in boldface are default settings.

Figure 2-40 How to Read Bit Switch Tables



Do not change the settings of switches listed as "Not used".

3.3.6 New SSSWs/parameters added to this model

#1 SSSW

SW01 (service soft switch 01: error management)

Bit	Function	1	0
0	Service error code	Output	Not output
1	Error dump list	Output	Not output
2	Enter password at confidential Rx image data transfer	No	Yes
3	Copy function	No	Yes
4 (New)	##300 series service error code	Output	Not output
5	Not used		
6	Date & Time setting restriction	Setting restricted	Setting possible
7	User setting restriction	Setting possible	Setting restricted

[Bit 4]

When “Output” is selected, ##300 series Service error codes are displayed and in reports. When “Not output” is selected, no Service error codes are displayed.

#1 SSSW

SW05 (service soft switch 05: standard function <DIS signal> settings)

Bit	Function	1	0
0	Not used		
1	Not used		
2	Not used		
3	Send DIS signal bits 33 and over	No	Yes
4	Recording paper length availability declared in DIS signal	A4 size	Arbitrary size
5 (New)	Declare LTR/LGL in DIS signal	No	Yes
6	Not used		
7	Not used		

[Bit 5]

Select whether to declare LTR or LGL in DIS signal when the LTR or LGL recording paper is used. The recording paper is selected according to the setting of #7 printer, SW04 bit 0.

#1 SSSW

SW06 (service soft switch 06: scan condition settings)

Bit	Function	1	0
0	Document feed after DES on	No feed	Feed
1	Prescan for document scanning	No prescan	Prescan
2	Document length restriction	Not restricted	39.37" (1 m) max.
3 (New)	Stamp option	Yes	No
4	Document scan width	LETTER	A4
5	Recording paper output for long image copy	First page only	Divided onto multiple pages
6	Copy function resolution	Variable	Always fine mode
7	Superfine mode setting when AUTO key selected	Set	Not set

[Bit 3]

If a stamp unit option is installed, set this switch to 1. If it is set to 1, the Stamp Option button on the operational panel becomes effective and the "TX STAMP" setting menu appears as user's data.

#1 SSSW

SW11 (service soft switch 11: Dual-line function settings)

Bit	Function	1	0
0 (New)	Enable Access Codes	Yes	No
1	Not used		
2	Not used		
3	Not used		
4	Not used		
5	Not used		
6	Not used		
7	Not used		

[Bit 0]

When the dual-line upgrade kit II is installed, you can select whether to specify the lines used for calling. When “Yes” is selected, “ACCES CODE SETING” is displayed in User Data.

#1 SSSW

SW28 (service soft switch 28: V.8/V.34 protocol settings)

Bit	Function	1	0
0 (New)	Caller V.8 protocol	NO	YES
1 (New)	Called party V.8 protocol	NO	YES
2 (New)	Caller V.8 protocol late start	NO	YES
3 (New)	Called party V.8 protocol late start	NO	YES
4 (New)	V.34 reception fallback	Prohibited	Not prohibited
5 (New)	V.34 transmission fallback	Prohibited	Not prohibited
6	Not used		
7	Not used		

[Bit 0]

Select whether to use the V.8 protocol when calling. If NO is selected, the V.8 protocol is inhibited at calling and the V.21 protocol is used.

[Bit 1]

Select whether to use the V.8 protocol when called. If NO is selected, the V.8 protocol is inhibited when called and the V.21 protocol is used.

[Bit 2]

If ANSam signal is not received during transmission, select whether to use the V.8 protocol when the other fax machine declares the V.8 protocol in DIS signal. If NO is selected, the CI signal is not transmitted and the V.8 protocol is not used even if the DIS that specifies the V.8 protocol is received.

The V.8 late start is not executed during manual transmission regardless of this setting.

[Bit 3]

Select whether to declare the V.8 protocol in DIS signal for reception. If NO is selected, the V.8 protocol cannot be used because it is not declared in DIS signal.

The V.8 late start is not executed during manual reception regardless of this setting.

[Bit 4]

Select whether the reception side falls back during V.34 reception. If Prohibited is selected, the reception side does not fall back.

[Bit 5]

Select whether the transmission side falls back during V.34 transmission. If Prohibited is selected, the transmission side does not fall back.

#2 MENU

No.	Function	Selection range	Default setting
008	V.34 max. baud rate	2400~3429	3429 (3429 baud)
009	V.34 max. transmission speed	2.4~33.6	33.6 (33600 bps)

[No. 008]

Select the maximum baud rate for V.34 transmission: 3429, 3200, 3000, 2800, 2743, and 2400.



NOTE

This model cannot use 2743 baud due to its modem specification. If it is set to 2743 baud, the maximum baud rate is 2400 baud.

[No.009]

Select the maximum transmission speed for V.34 transmission: 2.4 to 33.6 kbps ($2.4 \times n$: $1 \leq n \leq 14$).

#3 NUMERIC PARAM. (numeric parameter settings)

No.	Function	Selection range	Default setting
010	T0 Timer	0~9999	5500 (55 second)
011	T1 Timer (Rx)	0~9999	3500 (35 second)
013	Maximum time to receive one line of image data	500~3000	1320 (13.2 second)

[No.010]

The “wait time after transmission of a dialing signal ends until a significant signal is detected in transmission” was set as T1 timer with parameter 10. However, ITU-T recommends that it should be set as T0 timer, so parameter 10 has been renamed to T0 timer and the default time-out time has been changed from 35 to 55 seconds.



NOTE

The T1 timer for the transmitter (wait time after a CED, V21 flag, or ANSam significant signal is detected until the next significant signal is detected) is fixed at 35 seconds.

[No.011]

Set the T1 timer for the receiver (wait time after DIS transmission starts until a significant signal is received).

If frequent errors occur during reception because of line connection conditions, raise the value of this parameter.

[No.013]

Set the maximum time to receive one line of image data when image data is received.

If the other party is a computer fax and the time to receive one line of image data is long, raise the value of this parameter to increase the maximum reception time.

#7 PRINTER

Service soft switch settings

SW04 (switch 04: reduction/cassette selection settings)

Bit	Function	1	0
0 (New)	When LTR/LGL specification is received by DCS, the cassette is selected according to the specification.	No	Yes
1	Not used		
2	Not used		
3	Not used		
4	Not used		
5	Not used		
6	Not used		
7	Not used		

[Bit 0]

Selects whether or not the recording paper is selected according to the DCS specification when the other fax machine specifies LTR or LGL in DCS signal during reception. If it is 0, the specified recording paper is used regardless of the paper length. If it is 1, the receiving station selects the recording paper. This switch is valid when #1 SSSW, SW05 bit 5 is 0.

3.4 Test Functions

This fax functions for testing individual operations, such as below.

3.4.1 Test mode overview

Test mode can be executed by following the menu items from the display.

a) DRAM tests

Writes data to DRAM image storage areas and reads that data to check operations.

b) Print test

Prints nine different patterns within the print area.

c) Modem, NCU tests

The frequency test, G3 signal transmission test, and Tonal and DTMF signals reception tests, and V.34 G3 signal transmission test.

d) Faculty tests

Test the operation of operation panel, sensor functions, and stamp function.

3.4.2 Test mode flowchart

To operate the test mode, after pressing the Data registration button, press the # button and select "SERVICE MODE". After this, select "TEST MODE" with the ▲ ▼ buttons, and press the Set button.

To end test mode, press the Stop button followed by the Clear button.

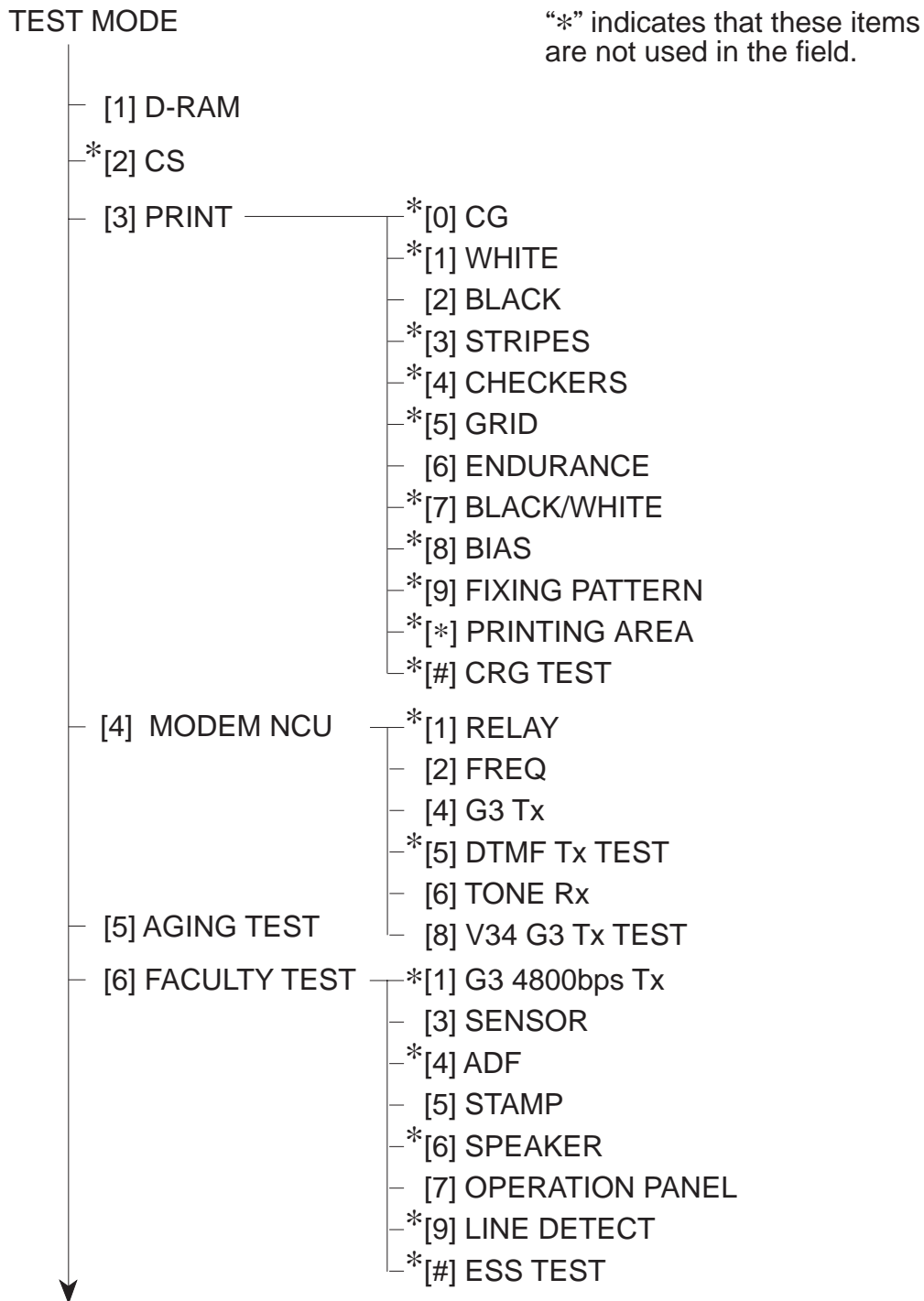


Figure 2-41 Test Mode (1/2)

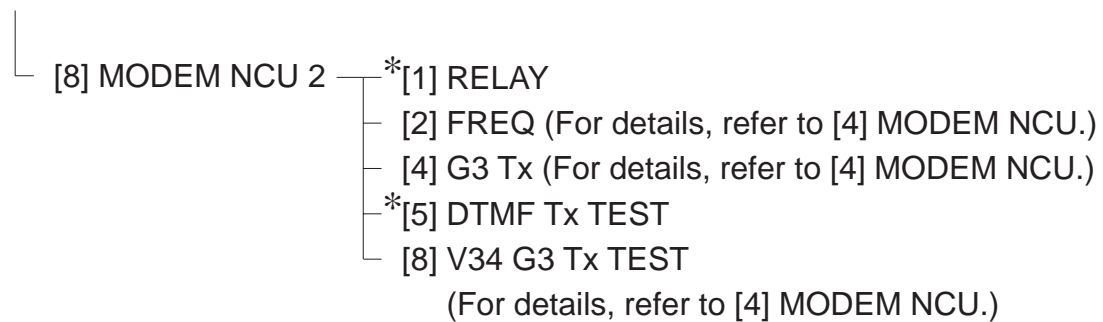


Figure 2-42 Test Mode (2/2)

3.4.3 D-RAM tests

Pressing the numeric key 1 from the test mode menu selects the D-RAM tests. D-RAM Test 1 writes data to the entire D-RAM region and reads it out to check that operations are correct. D-RAM Test 2 just reads data at high speed. This test can be used to check operations when optional memory has been added.

Operating

1:D-RAM	3456K
* *	*****

3456K: D-RAM total memory capacity (bytes)
 (7552 K: When 4 Mbyte Memory added)
 (11648 K: When 8 Mbyte Memory added)

* : Indicates an address for which write testing is complete.
 . : Indicates an address for which read testing is complete.

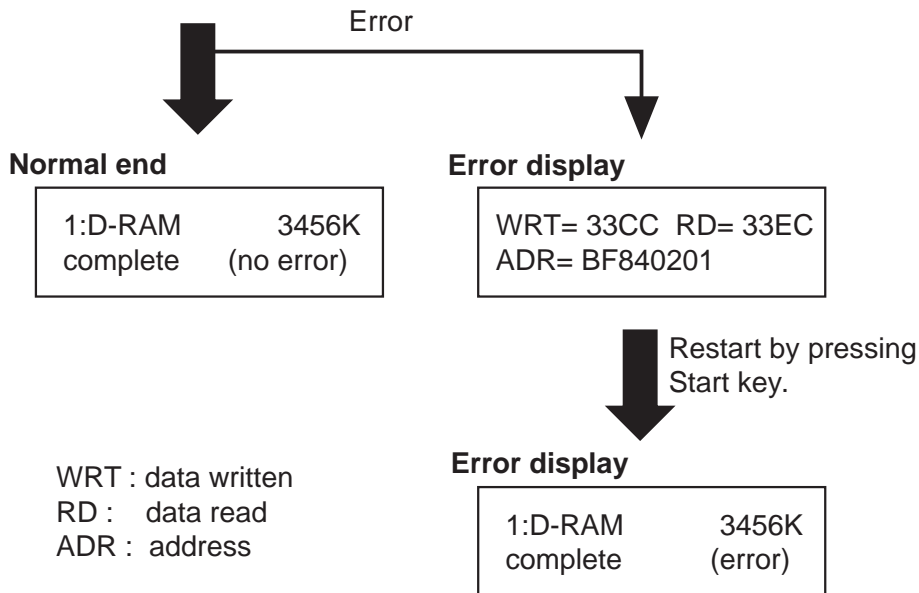


Figure 2-43 D-RAM Test



Before D-RAM test, output all image data in image memory. When D-RAM test is performed, all image data are cleared.

3.4.4 Print test

a) Test mode print test

The Print Test menu is selected by pressing the numeric key 3 from the test mode menu. In this test, various print patterns are output from the printer. As service print patterns, press the numeric key 2 from the Print Test menu to select “3-2: BLACK” or press the numeric key 6 to select “3-6: ENDURANCE”. Do not use the other patterns. They are for development and factory use. Check the following for the print pattern.



Figure 2-44 Print Pattern Check



NOTE

After completion of the print test, if the printing was normal, copy a document. If there is any defect in the copied image, there is a defect in the scan section.

3.4.5 Modem and NCU tests

These tests test modem and NCU transmission and reception. The modem tests check whether signals are sent correctly from the modem by comparing the sound of the signals from the speaker with the sounds from a normal modem. Also, you check on the display whether or not the modem correctly detected received tone signals and DTMF signals.

End this test by pressing the Stop button.

Modem test type	Overview
Frequency test	The modem sends tonal signals from the modular jack and the speaker.
G3 signal transmission test	The modem sends G3 signals from the modular jack and the speaker.
Tonal signal/DTMF signal reception tests	The modem detects specific frequencies and DTMF signals received from the modular jack.
V.34 G3 signal transmission test	The modem sends V.34 G3 signals from the modular jack and the speaker.

a) Frequency test

The frequency test menu is selected by pressing the numeric key 2 from the MODEM NCU test menu. Signals of the frequencies below are sent from the modem using the modular jack and the speaker. The frequency can be changed with the numeric keys.

Numeric key	Frequency
1	462 Hz
2	1100 Hz
3	1300 Hz
4	1500 Hz
5	1650 Hz
6	1850 Hz
7	2100 Hz

b) G3 signal transmission test

The G3 signal transmission test menu is selected by pressing the numeric key 4 from the MODEM NCU test menu. The G3 signals below are sent from the modem using the modular jack and the speaker. The Speed can be changed with the numeric keys.

Numeric key	Speed
0	300 bps
1	2400 bps
2	4800 bps
3	7200 bps
4	9600 bps
5	TC7200 pbs
6	TC9600 bps
7	12000 bps
8	14400 bps



NOTE

The transmission level for each frequency follows the service data.

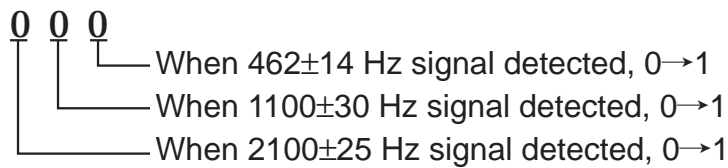
c) Tonal and DTMF signal reception tests

The tonal and DTMF signal reception test is selected by pressing the numeric key 6 from the MODEM NCU test menu. In these tests, you can check whether the tonal signals and DTMF signals received from the modular jack are detected by the modem.

The 462 ± 14 Hz test is included because the modem has a 462 ± 14 Hz detection function.

Tonal signal reception test

4-6 : TONE Rx	0 0 0
---------------	-------



DTMF signal reception test

4-6 : TONE Rx	0 0 0
	1 2 3 4 5 6 7 8 9 0

The received DTMF signals are displayed in order from the right on the second line of the display.

Figure 2-45 Tonal and DTMF Signal Reception Tests

d) V.34 G3 signal transmission test

The V.34 G3 signal transmission test menu is selected by pressing the numeric key 8 from the MODEM NCU test menu. The V.34 G3 signals below are sent from the modem using the modular jack and the speaker by pressing the Start/Scan button. The Baud rate can be changed with the numeric keys, and the Speed can be changed with the search keys.

Numeric key	Baud rate
0	3429 baud
1	3200 baud
2	3000 baud
3	2800 baud
4	2743 baud
5	2400 baud

Search key	Speed
	2.4 kbps
	4.8 kbps
	7.2 kbps
▲	9.6 kbps
	12.0 kpbs
	14.4 kbps
	16.8 kbps
	19.2 kbps
	21.6 kbps
	24.0 kbps
▼	26.4 kbps
	28.8 kpbs
	31.2 kbps
	33.6 kbps



NOTE

The transmission level for each baud rate and speed follows the service data.

3.4.6 AGING test

If the numeric key 5 is pressed in the test mode menu, the AGING test is selected. In this test, the contact sensor LED is lit, and the document read motor driven in fine mode. Also, the printer will fine print a endurance pattern. The AGING test will end after the output of the printer is halted by pressing the Stop button.

3.4.7 Faculty tests

The faculty tests are selected by pressing the numeric key 6 from the test mode menu. These tests test the following faculties of this fax.

Test type	Overview
Sensor tests	Test whether the sensors are operating correctly.
Operation panel test	Tests whether the key switches on the control panel are operating correctly.
Stamp test	Tests whether the stamp function is operating correctly.

a) Sensor tests

The sensor test is selected by pressing the numeric key 3 from the faculty test menu. In this test, you can check the status of each sensor of this fax in items 1 to 3 on the display.

You can also check if sensors that use actuators and microswitches are operating correctly by moving the actuator or microswitch.

Items 4 and 5 are not used in the field.

6-3 : SENSOR
[1] --- [6]

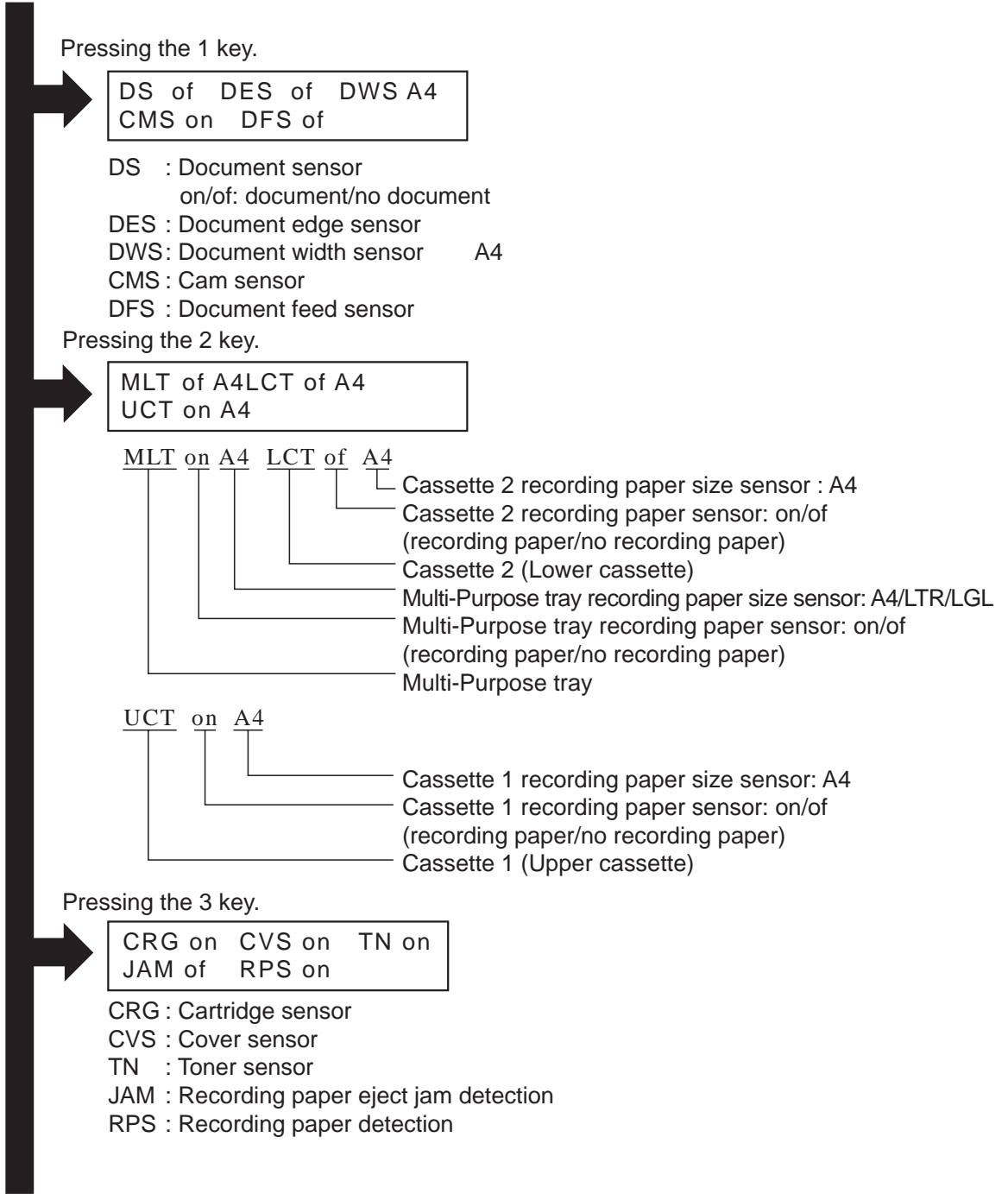


Figure 2-46 Sensor Tests



NOTE

The sensor test 4 to 6 are for factory testing purposes, and so are unrelated in the field.

a-1) Toner sensor test check method

Use the following methods to test "TN on", and "TN of".

• **"TN on" check**

- (1) Open the printer cover.
- (2) Insert a cartridge containing toner into the fax.
- (3) Close the printer cover.

• **"TN of" check**

- (1) Open the printer cover.
- (2) Insert the empty cartridge into the fax.
- (3) Close the printer cover.

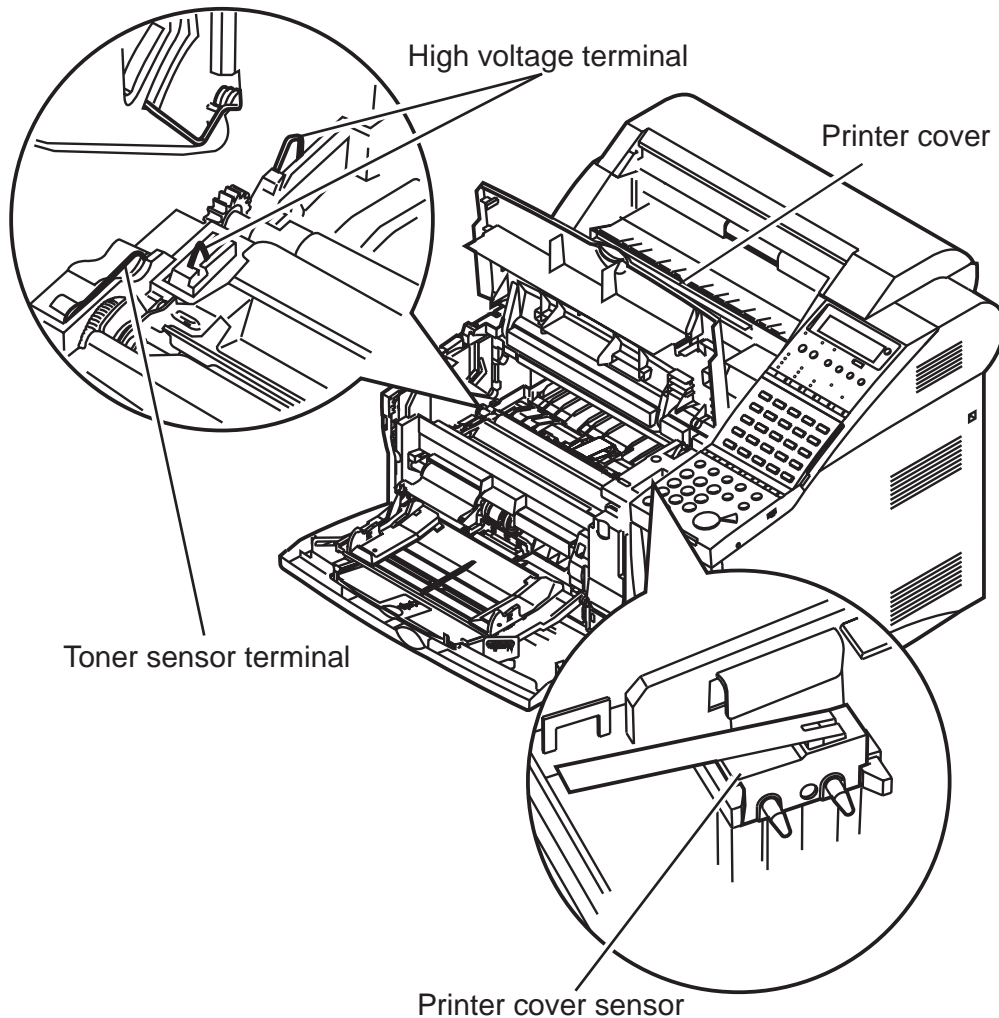


Figure 2-47 Toner Sensor

(3) Close the printer cover.



If the printer cover is closed without a cartridge being inserted, there will be no “TN of” display, and this will not count as a sensor malfunction.

If the printer cover sensor lever is pressed while the cartridge sensor lever is being pressed, high voltage will be applied to the high voltage terminals.

b) Stamp test

The stamp test is selected by pressing the numeric key 5 from the faculty test menu. In this test, check if the stamp function operates correctly. The stamp test can test the following 2 operations.

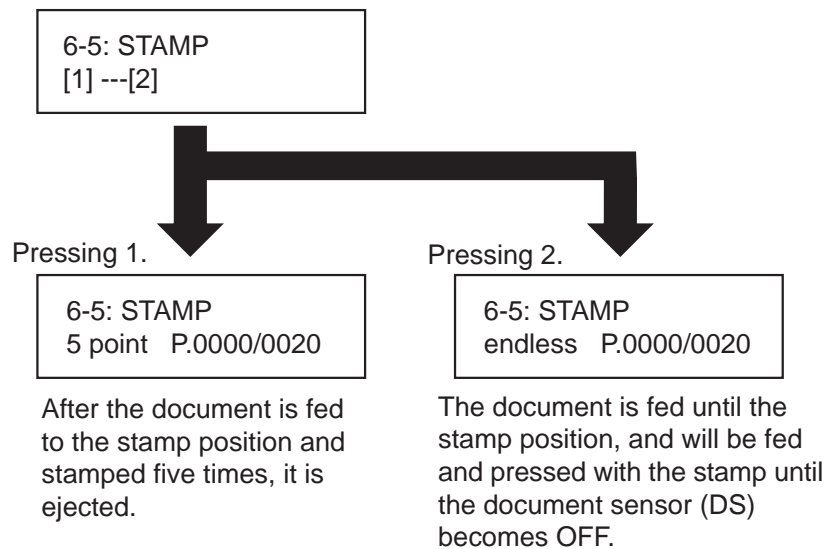


Figure 2-48 Stamp Test



NOTE

The above tests are carried out until the document sensor (DS) goes off.

c) Operation panel tests

The operation panel test is selected by pressing the numeric key 7 from the faculty test menu. In this test, check that the display, LED lamps, buttons and the sensors of one-touch speed dialing panel on the operation panel are operating correctly.

c-1) Display test

Pressing the Start/Scan button from the operation panel menu, “H” is displayed 20 characters by 2 lines. The next time the Start/Scan button is pressed, all the LCD dots are displayed. Check for any LCD dots in the display that are not displayed.

c-2) LED lamp test

The LED lamp test is selected by pressing the Start/Scan button after the display test.

When the Start/Scan button is pressed, all the lamps on the operation panel light. Check for any LED that does not blink during the test.

c-3) Operation key test

The Operation key test is selected by pressing the Start/Scan button after the LED lamp test.

In this test, you press the button corresponding to the displayed character to put it out. The table giving the correspondence between the characters and the buttons is below. When the LEDs for the character for the Ultra Fine-Super Fine-Fine-Standard button, the Darker-Standard-Lighter button, or the Text-Text/Photo button are all lit up, the display goes out.

Character	Operation button	Character	Operation button
1-#	Numeric keys	/	Program button
P	Pause button	\$	Ultra Fine-Super Fine-
T	Transaction button		Fine-Standard button
R	Redial button	U	Darker-Standard-
E	Set button		Lighter button
L	Clear button	A	Text-Text/Photo button
C	Copy button	&	Manual Rx button
O	Hook button	%	Direct Tx button
D	Coded dial button	G	Go button
<	Down cursor button	S	Shift button
>	Up cursor button	M	Menu button
Y	Directory button	I	Item button
!	Energy saver button	V	Value button
p	PRT. Message button	E	Enter/Cancel button
M	Delete file button		

When all the characters displayed have gone out, the system next starts the one-touch speed dialing button test. The letters a to y are displayed, corresponding to one-touch speed dialing button 1 to 25. Each letter displayed goes out when its corresponding one-touch speed dialing button is pressed.

The letters z, A and B go out when the one-touch speed dialing panels are closed.

In this test, check for operation button whose corresponding character or letter does not go out when the button is pressed.

Chapter 3

Technical Reference

1. SPECIFICATIONS

1.1 Overview

This G3 facsimile transceiver conforms to ITU-T international standards.

1.1.1 Facsimile overview

- **Improved speed**

This fax unit is equipped with the ITU-T standard V.34 mode which enables transmission speeds up to 33,600bps, more than double the rate of older G3 fax models.

- **Full support of ITU-T subaddresses and passwords**

You can employ ITU-T subaddresses and passwords to communicate not only with other Canon faxes, but fax machines of other manufacturers as well.

- **Economical and quiet**

Canon's RAPID Fusing System™ realizes quiet operation while you save money. If the fax machine remains idle for a specified length of time, the fax machine automatically shuts itself down and enters the low energy sleep mode, and will remain in this low energy mode until the fax machine receives a document transmission or until you press the ENERGY SAVER button. You can also use recycled paper in this fax.

- **Large paper capacity**

A large paper capacity means less time spent loading paper in the paper cassettes. The MP (Multi-Purpose) tray holds a stack of up to 100 sheets. Paper Cassette 1 holds 500 sheets, for a total of 600 sheets. Paper Cassette 2, available as an option for the LASER CLASS 3170 and standard for the LASER CLASS 3175/3175MS, holds another 500 sheets for a total of 1100 sheets. All cassettes and the MP tray can be adjusted to fit a variety of standard paper sizes, and are easy to access and re-fill.

- **Quick-on-line TX**

Before the fax is finished scanning a long document, it will start dialing and sending the pages that are already scanned. By the time the last page is scanned, the document transmission is well under way.

- **Better security with PIN Codes**

For PBXs (private branch exchanges) that require PIN (Personal Identification Number) codes to acquire an outside line, you can now turn on the PIN code feature with a user software switch included with the user data settings. For better security, the PIN codes are not displayed on the LCD display during dialing (only a "C" appears), and they do not appear in printed activity reports.

- **Expanded transaction features**

You can create up to 50 private memory boxes and set them up to receive documents. If the other party's fax can use ITU-T subaddresses and passwords, you can set up and use memory boxes even if the other party's fax unit is not a Canon fax.

- **JBIG, Improved image data compression**

JBIG is a new ITU-T standard image data compression method. JBIG's compression method allows data to be compressed more efficiently* than MMR, a conventional compression method. JBIG is especially effective when transmitting halftone image documents. Because the smaller data size requires less transmission time, JBIG saves you time and money.

*Actual compression ratio may vary with image.

1.1.2 Option overview

- **Dual-line upgrade kit II**

After installation of the optional Dual-line upgrade kit II, you can connect two telephone lines to the fax unit. Either line can be used independently or simultaneously for separate transactions.

- **Fax memory**

4MB memory module is available to expand the fax memory capacity of the LASER CLASS 3170/3175/3175MS.

- **Printer board I**

This option enables your LASER CLASS 3170/3175 to operate as a printer. Printer board I is a standard feature for LASER CLASS 3175MS.

- **Printer options**

The Canon Envelope Feeder, the Duplex Unit, the Canon Adobe PostScript 3™ Module I, the Ethernet Board EB-52 FX, and the Flash ROM Module are available as printer options for the LASER CLASS 3175MS, and for the LASER CLASS 3170/3175 with Printer Board I installed. Also, 4MB, 8MB, and 16 MB RAM DIMM modules are available to expand the printer memory capacity for the LASER CLASS 3170/3175/3175MS.

1.1.3 Printer overview (LASER CLASS 3175MS only)

- **High speed printing**

Equipped with the Intel 960HD-50 processor, this printer is compact in size and capable of printing a maximum of approx. 17 pages/min. (LTR).

- **Excellent image quality**

Resolution of 1200/600/300DPI, super fine particle toner, and automatic image refinement provide excellent image.

• Various paper source in option

The three kinds of optional paper source, paper feeder, envelope feeder, and duplexing unit, will meet various requirements for a user.

In addition to the standard equipped multi-purpose tray and built-in cassette, installation of the optional paper feeder and envelope feeder provide a user the four-way paper pick-up sources.

Installation of the duplexing unit enables duplex printing.

• Memory saving technology

Memory Reduction Technology enables A4/LTR size single-side printing (1200 × 1200DPI resolution) with only 4MB of memory.

• Energy saving

Employment of on-demand fixing method that automatically reduces power consumption when the printer is idle for the specified period of time offers lower power consumption.

• Reduction in toner consumption

Toner consumption can be reduced by selecting the economy mode and printing rough image with lesser toner.

• Automatic PDL switch

This printer supports the Hewlett-Packard PCL6 printer language. It can also support the Adobe PostScript 3 by installing the optional Canon Adobe PostScript 3 Module I. It automatically switches PDL between PCL and PostScript according to the received data.

• Features of interface

This printer supports automatic interface switch between all active ports. The printer is equipped with the IEEE 1284 compliant parallel interface that supports bi-directional communication between the printer and the computer. The network board is available as an option, and the printer is equipped with the I/O slots that allow the printer to be connected to the Ethernet network environments. As a result, the printer can be connected to multiple computers simultaneously.

1.2 Configuration and Structure

1.2.1 Product names

LASER beam printing type G3 facsimile

LASER CLASS 3170/3175/3175MS

1.2.2 External view

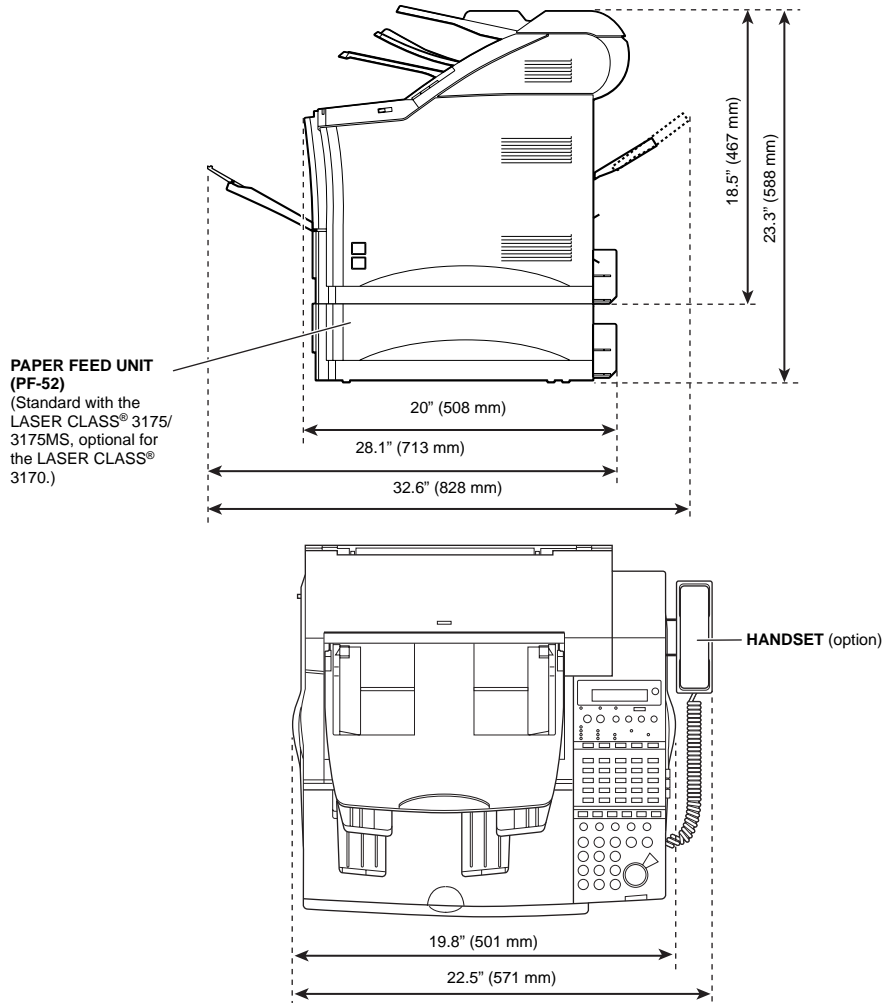


Figure 3-1 External View

1.2.3 Configuration

a) Main unit

Structural section	: Frame, motors, rollers, covers, and others (sensors, etc.)
Control section	: SCNT board, ECNT board
Scanning section	: Contact sensor
Printing section	: LASER beam printer unit
Operation section	: OPCNT board
Power supply	: Power supply unit
Line interface section	: NCU board, Modular board

b) Accessories

- Power Cord
- Document Feeder Tray
- Document Output tray
- Upper Output Tray
- Destination Labels (2)
- Tray label
- Telephone Line
- FX6 Toner Cartridge
- Facsimile User's Guide
- Printer User's Guide^{*1}
- Warranty Registration Card
- Limited Warranty Note (English)
- Limited Warranty Note (French)
- Installation Completion Card
- CD-ROM (Printer Driver)^{*1}
- End User License Agreement (PCL Board)^{*1}
- Leaflet for Font Manager^{*1}
- Paper Feeder Unit PF-52^{*1*2}
- Paper Cassette 1
- Paper Cassette 2^{*1*2}

^{*1} LASER CLASS 3175MS only

^{*2} LASER CLASS 3175 only

1.3 Specifications and Functions

1.3.1 Basic specifications

Type

Desktop facsimile transceiver

Body color

Art gray

Power source

Voltage from AC 85 to 132 V

Frequency from 48 to 62 Hz

Power consumption

LASER CLASS 3170/3175

Standby (ESS On) approx. 15W

Standby (ESS Off) approx. 20W

Operation approx. 285W (100% of document black copy)

Maximum approx. 600W

LASER CLASS 3175MS

Standby approx. 26W

Operation approx. 285W (100% of document black copy)

approx. 400W (Print)

Maximum approx. 600W

Main unit usage environment

Temperature from 50.0°F to 90.5°F (10°C to 32.5°C)

Humidity from 20% to 80% RH

Horizontality $\pm 3^\circ$ or less

Operating noise

Measured in accordance with ISO standards

Standby approx. 30 dB(A)

Operating approx. 54 dB(A)

Dimensions

19.72" (W) \times 20.78" (D) \times 18.39" (H) (501mm \times 508mm \times 467mm)
(LASER CLASS 3170)

19.72" (W) \times 20.78" (D) \times 23.15" (H) (501mm \times 508mm \times 588mm)
(LASER CLASS 3175/3175MS)

Not including handset, paper tray

Weight

Approx. 57.32 lbs (26 kg) (LASER CLASS 3170)

Approx. 72.75 lbs (33 kg) (LASER CLASS 3175/3175MS)

Not including handset, paper, toner cartridge, document feeder tray, document output tray, upper output tray

1.3.2 Communications specifications

Applicable lines

Analog line (one line)

- PSTN (Public Switched Telephone Network)

Handset (Option)

Handset with no numeric buttons

Transmission method

Half-duplex

Transmission control protocol

ITU-T V.8 protocol V.34 protocol/ECM protocol

ITU-T T.30 binary protocol/ECM protocol

Modulation method

G3 image signals

ITU-T V.27ter (2.4k, 4.8k bps)

ITU-T V.29 (7.2k, 9.6k bps)

ITU-T V.17 (14.4kbps, 12kbps, TC9.6kbps, TC7.2kbps)

ITU-T V.34 (2.4kbps, 4.8kbps, 7.2kbps, 9.6kbps,
12kbps, 14.4kbps, 16.8kbps, 19.2kbps, 21.6kbps,
24kbps, 26.4kbps, 28.8kbps, 31.2kbps, 33.6kbps)

G3 procedure signals

ITU-T V.21 (No.2) 300bps

ITU-T V.8, V.34 300bps, 600bps, 1200bps

Transmission speed

33.6k, 31.2k, 28.8k, 26.4k, 24k, 21.6k, 19.2k, 16.8k, 14.4k, 12k, TC9.6k, TC7.2k,
9.6k, 7.2k, 4.8k, 2.4k bps

With automatic fallback function

Coding

MH, MR, MMR, JBIG

Error correction

ITU-T ECM

Canon express protocol
CEP1

Time required for transmission protocol

Mode	Pre-message Protocol *1	Post-message Protocol *2 (between pages)	Post-message Protocol *3 (after pages)
V.8 / V.34	Approx. 6 s	Approx. 1 s	Approx. 1 s
T.30 Standard	Approx. 18 s	Approx. 4 s	Approx. 4 s
CEP1	Approx. 9 s	Approx. 2 s	Approx. 1 s

*1 Time from when other facsimile is connected to the line until image transmission begins.

*2 Post-message (between pages): Time from after one document has been sent until transmission of the next document starts if several pages are transmitted.

*3 Post-message (after last pages): Time from after image transmission is completed until line is switched from facsimile to telephone.

Minimum transmission time

G3	10 ms
G3 (ECM)	0 ms

Transmission output level
from -8 to -15 dBm

Minimum receive input level
-43 dBm

Modem IC
CONEXANT (formerly Rockwell) R288F

1.3.3 Scanner section specifications

Type

Sheets

Sheet dimensions

Maximum	Width 10.98" × length 39.4" (Width 279mm × length 1m)
Minimum	Width 5.83" × length 5.04" (Width 148mm × length 128mm)
Thickness	Multiple pages from 0.002" to 0.005" (0.06mm to 0.13mm) Single page from 0.002" to 0.009" (0.05mm to 0.23mm)

ADF capacity

A4/Letter	50 sheets or less
B4/Legal	20 sheets or less
11 inch × 17 inch	20 sheets or less

Effective scanning width

A4	8.19" (208mm)
LTR/LGL	8.43" (214mm)
B4	10.00" (254 mm)

Scanning method

Contact sensor scanning method

Scanning line density

Horizontal:	
Standard/Fine/Superfine	203.2 dpi (8 dots/mm)
Ultrafine	406.4 dpi (16 dots/mm) (Interpolated)
Vertical:	
Standard	97.79 dpi (3.85 line/mm)
Fine	195.58 dpi (7.7 line/mm)
Superfine/Ultrafine	391.16 dpi (15.4 line/mm)

Copy resolution

Memory copy 16 dots/mm × 15.4 line/mm (Interpolated)

Scanning density adjustment

Lighter, Standard, Darker: The density level of each mode can be selected by the user data.



NOTE

Scanning density adjustment is only valid in binary image mode.

Image modes

Binary	Documents containing black-and-white characters
Auto halftone	Document containing black and white characters, documents containing photographs, mixed black and white characters, and photographs.



NOTE

Auto halftone mode cannot deal with blueprints, tracing paper, blue or green mark highlighting parts.

Half tone

64-gradation error diffusion system (UHQ 6.6)

Scanning range

Item	A4	Letter	Legal	B4
Effective scanning width	8.19"±0.004" (208 ±0.1 mm)	8.43"±0.004" (214 ±0.1 mm)	8.43"±0.004" (214 ±0.1 mm)	10.00"±0.004" (254 ±0.1 mm)
Effective scanning length (Fine, Superfine)	11.54"±0.16" (293 ±4.0 mm)	10.84"±0.16" (275.4±4.0 mm)	13.84"±0.16" (351.6±4.0 mm)	14.17"±0.16" (360.0±4.0 mm)
Effective scanning length (Standard)	11.54"±0.22" (293 ±5.5 mm)	10.84"±0.22" (275.4 ±5.5 mm)	13.84"±0.22" (351.6 ±5.5 mm)	14.17"±0.22" (360.0 ±5.5 mm)
Left margin	0.04" ±0.12" (1.0 ±3.0 mm)	0.04" ±0.12" (1.0 ±3.0 mm)	0.04" ±0.12" (1.0 ±3.0 mm)	0.06" ±0.12" (1.5 ±3.0 mm)
Right margin	0.04" ±0.14" (1.0 ±3.5 mm)	0.04" ±0.14" (1.0 ±3.5 mm)	0.04" ±0.14" (1.0±3.5 mm)	0.06" ±0.14" (1.5±3.5 mm)
Top margin	0.08" ±0.08" (2.0 ±2.0 mm)	0.08" ±0.08" (2.0 ±2.0 mm)	0.08" ±0.08" (2.0 ±2.0 mm)	0.08" ±0.08" (2.0 ±2.0 mm)
Bottom margin (Fine, Superfine)	0.08" ±0.08" (2.0 ±2.0 mm)	0.08" ±0.08" (2.0 ±2.0 mm)	0.08" ±0.08" (2.0 ±2.0 mm)	0.08" ±0.08" (2.0 ±2.0 mm)
Bottom margin (Standard)	0.08" ±0.14" (2.0 ±3.5 mm)	0.08" ±0.14" (2.0 ±3.5 mm)	0.08" ±0.14" (2.0 ±3.5 mm)	0.08" ±0.14" (2.0 ±3.5 mm)

Units are inches with mm shown in parentheses.

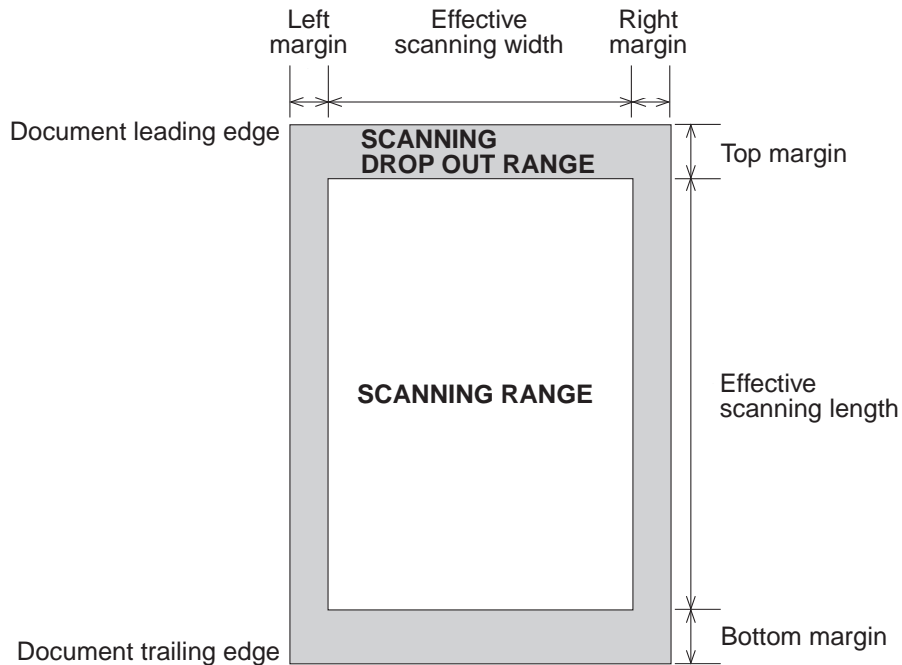


Figure 3-2 Scanning Range



NOTE

Document scanning width "A4/LTR" is set in service data #1SSSW SW 06, bit 4.

1.3.4 Printer section specifications

Paper dimensions

A4	8.27" × 11.69" (210 mm × 297 mm)
Letter	8.50" × 10.98" (216 mm × 279 mm)
Legal	8.50" × 14.02" (216 mm × 356 mm)

Paper cassette capacity

Cassette

2.20" (56mm) or less in stacking height (Approx. 500 sheets)

Multi-purpose (MP) tray

0.39" (10mm) or less in stacking height (Approx. 100 sheets)

Exit tray stacking

A4/LTR	UPPER tray	Approx. 100 sheets
	LOWER tray	Approx. 200 sheets
LGL	UPPER tray	Approx. 100 sheets
	LOWER tray	Approx. 100 sheets

Printing method

Laser beam printer

Printing cartridge

Product name	Canon FX6 Toner Cartridge	
Product code	H11-6431	
Storage conditions	Temperature	From 32.0°F to 95.0°F (0°C to 35°C)
	Humidity	From 35% to 85% RH
Valid period	2.5 years from date of manufacture displayed on carton.	

Toner detection

Antenna method

Printing speed

Letter	Approx. 17 Sheets/min
A4	Approx. 16 Sheets/min

Printing resolution

600dpi Smoothing

Reduction for reception

Fixed reduction (75%, 90%, 95%, 97%)

Auto reduction (70~100%)

Recommended recording paper

Canon Copier LTR/LGL Premium Paper

Weight 75 g/m²
Paper size Letter, Legal
Manufactured by BOISE CASCADE

KANGAS

Weight 80 g/m²
Paper size A4
Manufactured by KANGAS

NEUSIEDLER Canon Paper

Weight 80 g/m²
Paper size A4
Manufactured by NEUSIEDLER

Printing range

Item	A4	Letter	Legal
Effective printing width	8.01 (203.5 mm)	8.24" (209.4 mm)	8.24" (209.4 mm)
Effective printing length	11.34" ±0.12" (288.0 ±3.0 mm)	10.65" ±0.12" (270.4 ±3.0 mm)	13.65" ±0.14" (346.6 ±3.6 mm)
Left margin	0.08" ±0.10" (2.0 ±2.5 mm)	0.08" ±0.10" (2.0 ±2.5 mm)	0.08" ±0.10" (2.0 ±2.5 mm)
Right margin	0.08" ±0.18" (2.0 ±4.5 mm)	0.08" ±0.18" (2.0 ±4.5 mm)	0.08" ±0.18" (2.0 ±4.5 mm)
Top margin	0.08" ±0.08" (2.0 ±2.0 mm)	0.08" ±0.08" (2.0 ±2.0 mm)	0.08" ±0.08" (2.0 ±2.0 mm)
Bottom margin	0.28" ±0.26" (7.0 ±6.5 mm)	0.28" ±0.26" (7.0 ±6.5 mm)	0.28" ±0.27" (7.0 ±6.9 mm)

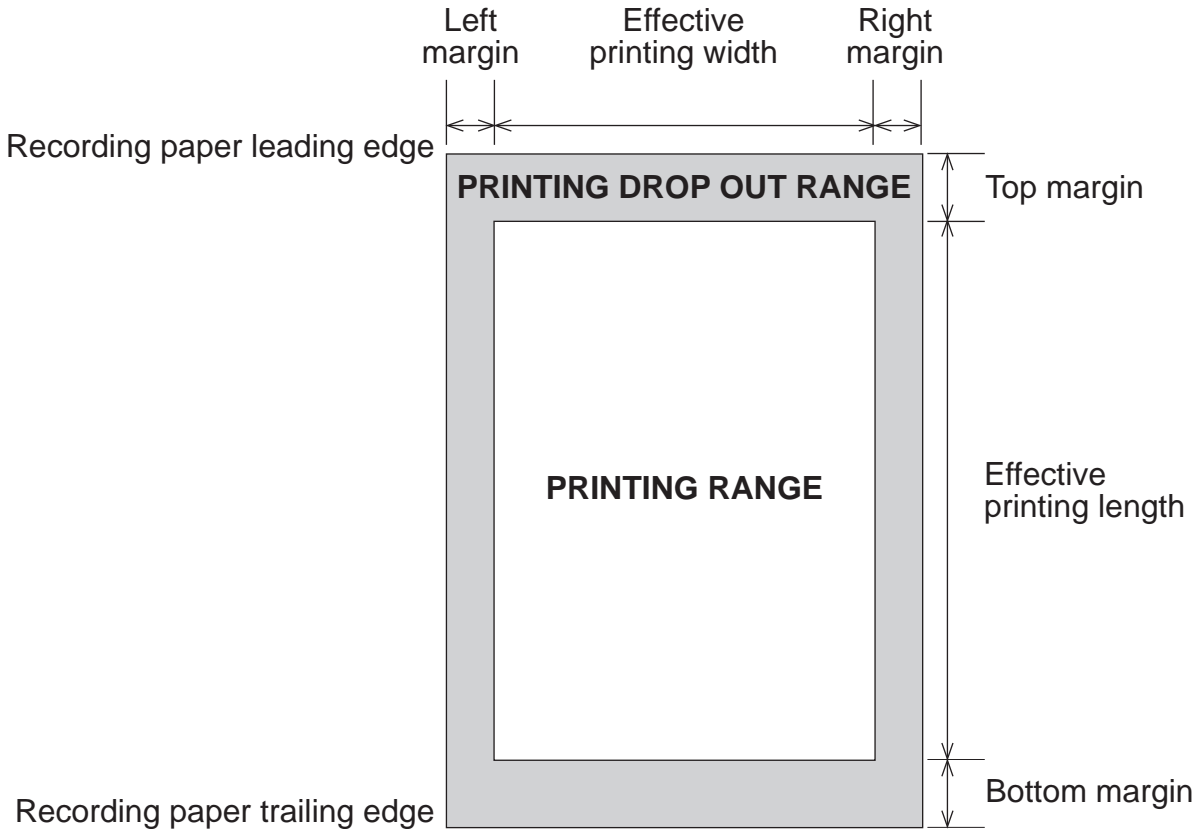


Figure 3-3 Printing Range

1.3.5 Functions

FAX/TEL switching

None

Answering machine connection

None

Polling

Polling transmission

The document is accumulated into memory ahead of time, then transmitted when there is a polling request from the other party.

Polling reception

Receives from a fax in automatic transmission mode

One touch locations	Max. 72
Coded speed dial locations	Max. 128

Confidential reception

Memory reception of images from a transmitting fax that has the confidential transmission function for memory reception.

Box No.	00~99 (Up to 50 boxes can be created.)
Subaddress (ITU-T standard)	Max. 20 digits
Transmission password (ITU-T standard)	Max. 20 digits
Operation password	4 digits

Confidential transmission

Sends transmission images to receiving fax machines with the confidential reception function for memory reception.

Box No.	00~99
Subaddress (ITU-T standard)	Max. 20 digits
Transmission password (ITU-T standard)	Max. 20 digits
Destinations	Max. 200

Remote reception

Method	ID call# (ID input method)
Remote ID (with ID call#)	2 digits

Auto dialing

Telephone number digits	Max. 39 digits
One-touch dial	Max. 72
Coded speed dial	Max. 128
Group dial	Max. 199 (One-touch: 71, Coded speed dial: 128)
Redial	Numeric button redial function (max. 120 digits)

Delayed transmission

Locations	Max. 210 (One-touch : 72, Coded speed dial : 128) Numeric button: 10)
Designated time	Max. 5 time

Broadcast transmission

Locations	Max. 210 (One-touch : 72, Coded speed dial : 128) Numeric button: 10)
Group button addresses	Max. 199 (One-touch : 71, Coded speed dial : 128)

Relay broadcasting originating

Group No.	00~99 (Up to 50 boxes can be created.)
Subaddress (ITU-T standard)	Max. 20 digits
Transmission password (ITU-T standard)	Max. 20 digits
Destinations	Max. 200

Relay broadcasting

Group No.	00~99
Subaddress (ITU-T standard)	Max. 20 digits
Transmission password (ITU-T standard)	Max. 20 digits
Destinations	Max. 200

Closed network

The 8 bit ID is specified by SSSW.

Direct mail prevention

Telephone numbers compared	Telephone numbers registered under one-touch and coded speed dial, and a TSI signal
Number of digits	Lower 6 digits (number of digits can be changed with service data #3)

Activity management

a) User report

Activity management report

(Every 40 transactions : Can be separated into Tx and Rx)

Activity report (sending / receiving)

1-touch spd dial list

Coded speed dial list

Group dial list

Memory clear list

User's data list

Multi activity report

Transmission reserve list

Document memory list

b) Service report

System data list

System dump list

Transmitting terminal identification

Items	Time, telephone No. (max 20 digits), senders ID, address, number of transmitted pages (max 3 digits)
Address	Can be registered with one-touch/ coded speed dial keys (16 characters)
Senders ID	24 characters (1 name)

Display

Display size	2 rows × 20 digits
--------------	--------------------

Program key

The document mode for scanning or a transmission result report can be registered with the program key.

Redial

Interval	2 min. (from 2 to 99 min. can be selected in user data)
Count	2 times (from 1 to 10 times can be selected in user data)

Memory backup

Backup contents	dial registration data, user data, service data, time
Backup IC	512 kbit SRAM (256 kbit SRAM × 2)
Backup battery	Lithium battery 3.0 V DC / 560 mAh
Battery life	Approx. 5 years

Image data backup

Backup contents	Memory reception, memory copy, delayed transmission and broadcast transmission image data, activity management report
Backup IC	4Mbyte DRAM 4Mbyte DRAM (optional memory)
Backup battery	Rechargeable vanadium lithium battery 3.0V DC/ 50 mAh
Battery life	40 cycles with 100% discharge (Temperature 77°F(25°C))

Time

Management data precision	year/month/day/hour/minute (24 hour display) ±30 sec per month
---------------------------	---

1.4 Printer Specifications (LASER CLASS 3175MS only)

Printing resolution

600/1200 dpi

Printing speed (*1)

Approx. 17 pages/min. (Letter, 600 dpi), about 8.5 pages/min. (Letter, 1200 dpi)

Approx. 16 pages/min. (A4, 600 dpi), about 8 pages/min. (A4, 1200 dpi)

First print time (*2)

15.2 sec. or less (A4, 600 dpi, face-down)

14.1 sec. or less (A4, 600 dpi, face-up)

Wait time

25 sec. or less

Scanning pitch

Horizontal 600/1200 dpi

Vertical 600/1200 dpi

Image formation system

LASER Semiconductor laser

Scanning system Rotating six-faced prism mirror (Scanning mirror)

Photosensitive drum OPC

Charging Roller charging

Exposure LASER scanning

Toner Magnetic single-component dry toner

Development Toner projection development

Toner supply By FX6 cartridge replacement

Transfer Roller transfer

Separation Curvature

Cleaning Blade

Fixing On-demand method

Feeding

Multi-purpose tray, Cassette, Paper feeder, Envelope feeder (option)

Print paper

Plain paper, recycled paper, colored paper, labels, OHT, envelopes

Paper sizes

Multi-purpose tray	98.4mm (W) × 190mm (L)(min.) ~ 216mm (W) × 356mm (L) (max.) size plain paper (60g/m ² ~ 128g/m ² recommended paper), above-mentioned paper
Cassette1	Letter, Legal, and A4-sized plain paper (60g/m ² ~ 105g/m ² recommended paper), recycled paper, colored paper
Cassette2	Letter, Legal, B5-JIS, Executive, Custom and A4-sized plain paper (60g/m ² ~ 105g/m ² recommended paper), recycled paper, colored paper

Multi-purpose tray capacity

10mm stack (about 100 sheets of 80g/m² paper)

Cassette capacity

56mm stack (about 500 sheets of 80g/m² paper)

Cassette types

Cassette1	Universal (Letter, Legal, A4 sizes)
Cassette2	Universal (Letter, Legal, A4, B5-JIS, Executive, Custom sizes)

Print delivery

Face-down/Face-up

Face-down tray capacity

Upper output tray	17.4mm stack (Approx. 100 sheets of 80g/m ² paper)
Lower output tray	42.8mm stack (Approx. 200 sheets of 80g/m ² paper)

Face-up tray capacity

Approx. 50 sheets (80g/m² paper)

- *1. At the room temperature of 20°C with rated voltage input.
- *2. When the printer is in READY state at a room temperature of 20°C, the time from reception of the PRINT signal from the PDL board until an A4-sized print is delivered to the face-down or face-up tray.

2. THEORY OF OPERATIONS

2.1 Product Overview

2.1.1 Fax main unit

This fax operates on ordinary AC120V household current, and has fax, telephone, and copy functions.

The communication functions include 33.6k bps G3 transmission with ECM, contact scanner scanning with an ADF (auto document feeder) that can consecutively transmit multi-page documents, and a LASER beam printer that can print on plain paper.

2.1.2 Option overview

a) Paper feed unit PF-52 (for LASER CLASS 3170)

With the paper feed unit installed in the bottom of the main unit, this fax operates as a three-cassette (Upper, lower cassette and multi-purpose tray) machine.

A cassette can hold up to 500^{*1} pages of A4, Letter or Legal size recording paper at a time. For example, if Letter size recording paper is loaded in the upper and lower cassettes and Legal size recording paper is loaded in the multi-purpose tray, the paper appropriate to the document received can be fed. Also, if the same size paper is loaded into each cassettes, up to 1,100 pages can be printed on one loading.

^{*1} Loaded paper height of 2.20" (56mm) max.

b) Envelope feeder EF-52

If the envelope feeder is attached to the multi-purpose tray assembly, becomes possible to print envelopes. However, it can not be used to do so when faxing or copying. It can only print envelopes when being used as a printer.

c) Duplex unit DU-52

By attaching a duplex unit, double-sided printing becomes possible. However, this function is not possible when faxing or copying. Double-sided printing is only possible when being used as a printer.

d) Dual-line upgrade kit II

After installation of the optional Dual-line upgrade kit II, you can connect two telephone lines to the fax unit. Either line can be used independently or simultaneously for separate transactions.

e) Printer board I

This option enables your LASER CLASS 3170/3175 to operate as a printer. Printer board I is a standard feature for LASER CLASS 3175MS.

f) 4MB memory kit

The image memory can be expanded by installing 4MB memory boards. Two^{*2} memory boards can be installed in the fax machine.

^{*2} A 4MB memory board is preinstalled in the LASER CLASS 3175/3175MS.

g) Verification stamp unit

The verification stamp unit stamps a check mark near the trailing edge of the scanning side of each document to verify that all documents are transmitted correctly without any errors, such as double feeding. This unit is installed near the contact sensor in the lower reader frame unit.

h) Handset kit

The handset kit includes a handset, a cradle, and installation screws. Installing the handset enables the telephone functions to be used.

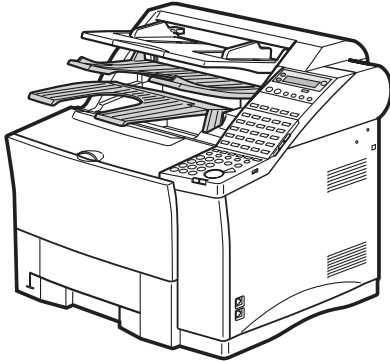
2.1.3 Consumables

a) Toner cartridge

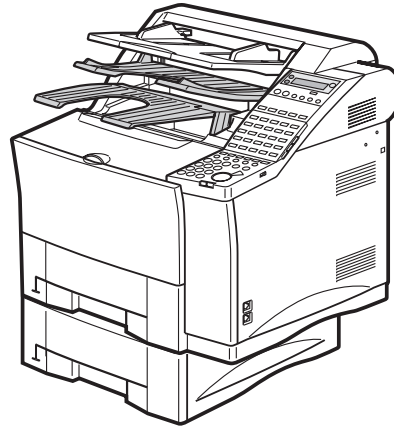
A new type of toner cartridge (FX6) is used. It is not compatible with the previous types of cartridges.

Main unit

LASER CLASS 3170

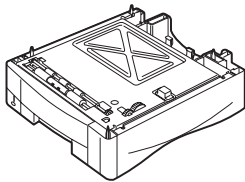


LASER CLASS 3175/3175MS

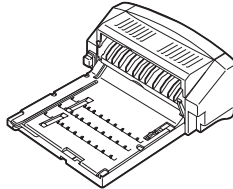


Option

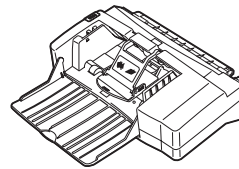
Cassette feeder (lower)
(PAPER FEED UNIT PF-52)



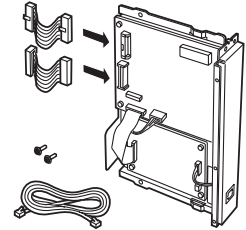
DUPLEX UNIT DU-52



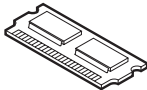
ENVELOPE FEEDER EF-52



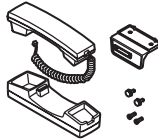
DUAL-LINE UPGRADE KIT II



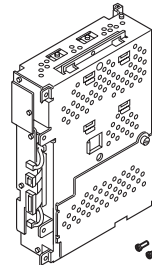
OPTION MEMORY VII (4MB)



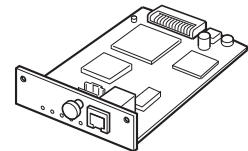
HANDSET KIT L7



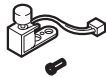
PRINTER BOARD I



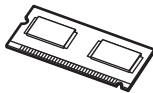
Ethernet Board EB-52 FX



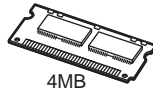
STAMP UNIT



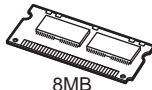
Flash ROM Module FR5



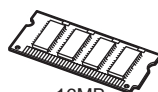
RAM DIMM Module



4MB

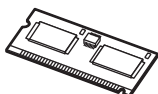


8MB



16MB

Adobe PostScript 3 Module I



Consumables

FX6 toner cartridge

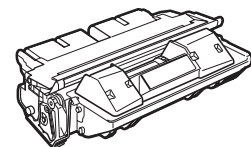


Figure 3-4 Product Overview

2.2 Mechanical Overview

The mechanical section of this fax comprises the scanner section, the pickup section, and the printer section.

2.2.1 Unit layout diagrams

a) Scanner section

The scanner section has an ADF (auto document feeder) function and can automatically feed 50 sheets of A4 or letter size documents (20 sheets of B4 or legal size documents). This section has a stopper mechanism to hold documents properly. A contact sensor scans one document in about 1.4 seconds (standard).

b) Pickup section

The pickup section feeds recording paper from a multi-purpose tray or front cassette to the printer section. The universal type multi-purpose tray can hold up to 100 pages at a time, or paper to a maximum height of 0.39" (10 mm), whichever is the lesser, and the guide positions can be adjusted for letter, A4, and legal paper sizes. The front cassette can hold up to 500 pages at a time, or paper to a maximum height of 2.20" (56 mm). The recording paper is fed into the printer unit one page at a time, powered by the main motor.

c) Printer section

The printer section uses a new LASER beam printer engine.

It uses the surf fixing system that activates the heater only when printing to save power and shorten the wait time.

2.2.2 Document and recording paper flow

a) Document flow

When the document is inserted into the document insertion slot at the main unit, it is fed by the pick-up roller to the separation roller, and one page at a time is separated. Then, the document is fed onto the contact sensor unit by the feed roller, and ejected by the eject roller to the document output tray from the document outlet at the front of the main unit.

b) Recording paper flow

When recording paper is fed from the paper cassette, one sheet of paper is separated from the others and transferred by the pickup roller and separation rollers. When it is fed from the multi-purpose tray, one sheet of paper is separated from the others and transferred by the pickup roller and separation pad. It is then inverted by the feed roller and at the same time fed from the pickup section to the printer section. Then, after the recording paper is printed by the printer section, toner cartridge and fixing section, the paper is ejected by the face-down delivery roller and the paper feed roller at the recording paper outlet on the main unit.

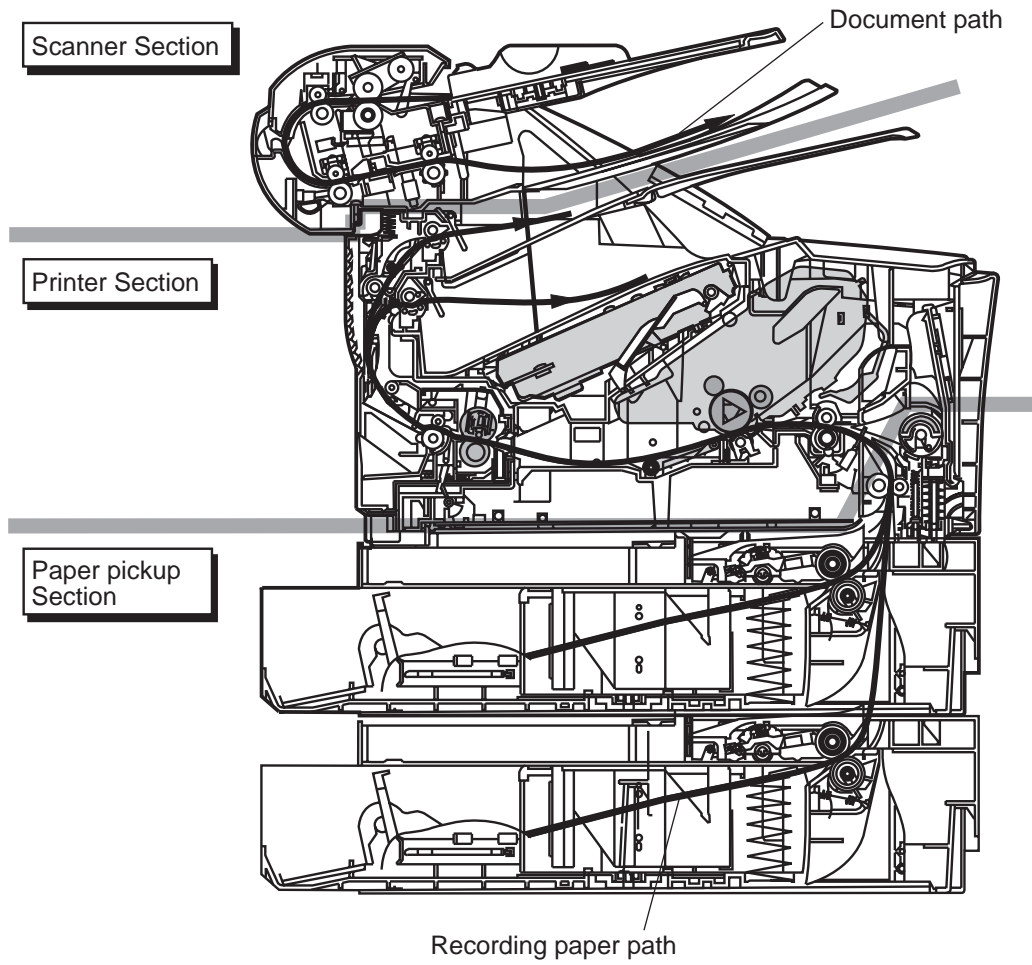


Figure 3-5 Paper Path

2.2.3 Drive system layout

a) Scanner section

The power of the document read motor is transmitted by belt and gear to drive the pick-up, separation, feed, and eject rollers. The rotation of pick-up roller is controlled by a cam, DC motor and separation roller arm.

b) Pickup section

The power of the main motor is transmitted by gears to drive the cassette's pickup, separation and feed rollers. The rotation of each roller is controlled by a solenoid.

c) Printer section

The power of the main motor is transmitted by gears to drive the transfer charging roller, the toner cartridge photosensitive drum, the primary charging roller, the developing cylinder, the fixing pressure roller, the face-down delivery roller and the paper feed roller. The face-down delivery roller and the paper feed roller are driven by power transmitted by gear from the main motor.

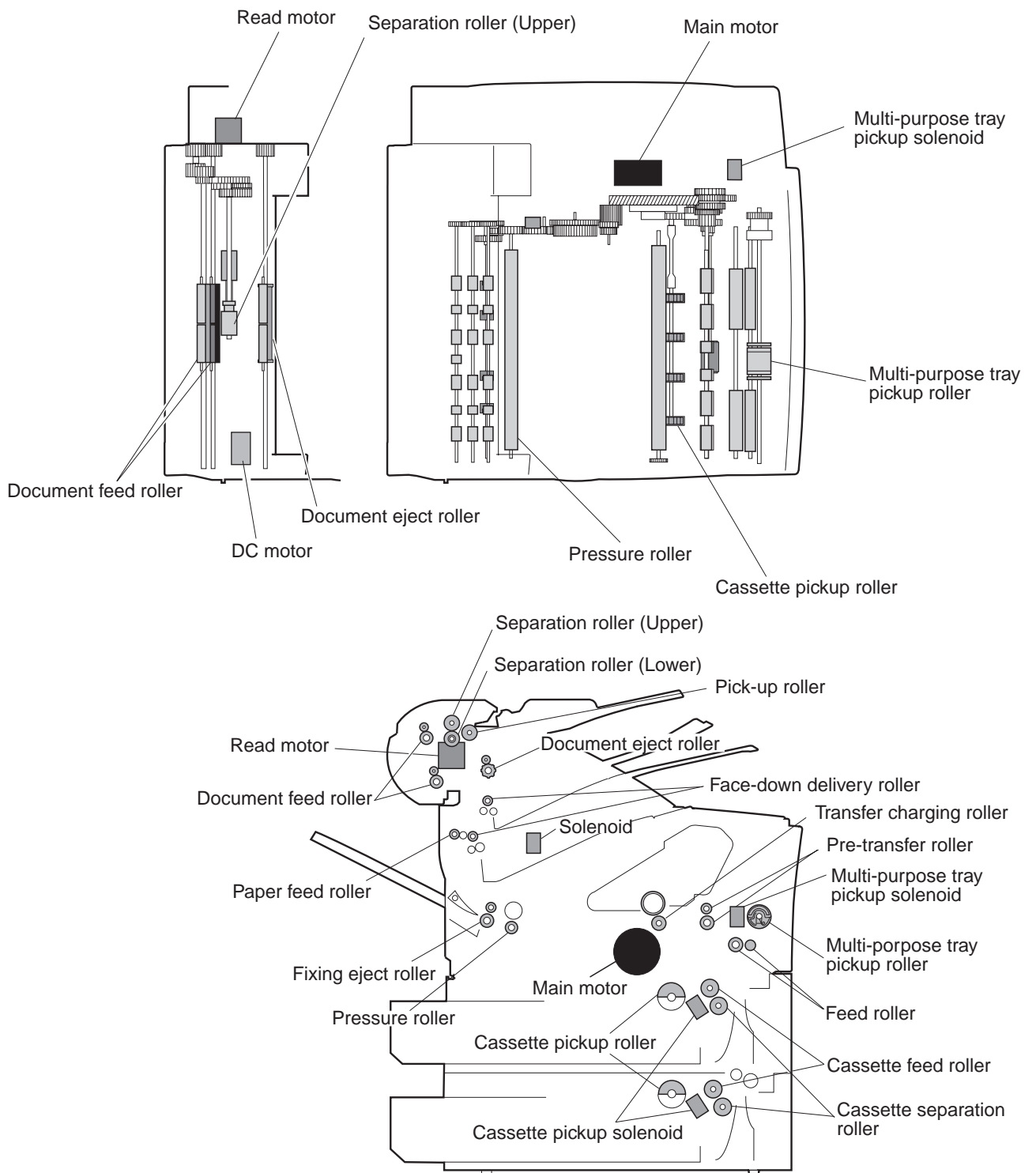


Figure 3-6 Drive System Layout

2.2.4 Electrical system layout

a) Board layout

a-1) SCNT board

The SCNT board, which contains the system controller which controls the entire fax, is attached to the right side of the main unit.

a-2) NCU board

The NCU board, which controls the telephone line, is attached to the right side of the main unit behind the SCNT board.

a-3) ECNT board

The ECNT board, which controls the printer assembly motor, solenoid, toner cartridge, and fixing unit, is attached to the bottom of the main unit.

a-4) OPCNT board

The OPCNT board, which controls the operation panel, is attached to the inside of the operation panel.

a-5) Power supply unit

The power supply unit, which controls the main unit's power supply, is attached to the right side of the main unit, to the right of the SCNT board.

a-6) Modular board

The Modular board, which is the telephone line and NCU board relay, is attached to the right side of the main unit, in front of the SCNT board.

a-7) TWINS board

The TWINS board relays the SCNT board, Power supply unit, and ECNT board.

a-8) Paper size detection board 1 (Cassett 1)

The paper size detection board 1 is attached to the lower right side of the main unit.

a-9) Paper size detection board 2 (Cassette 2)

The paper size detection board 2 is attached to lower right side of the paper feed unit PF-52.

a-10) Sensor board

The sensor board, is attached to the ADF assembly (Upper reader frame unit).

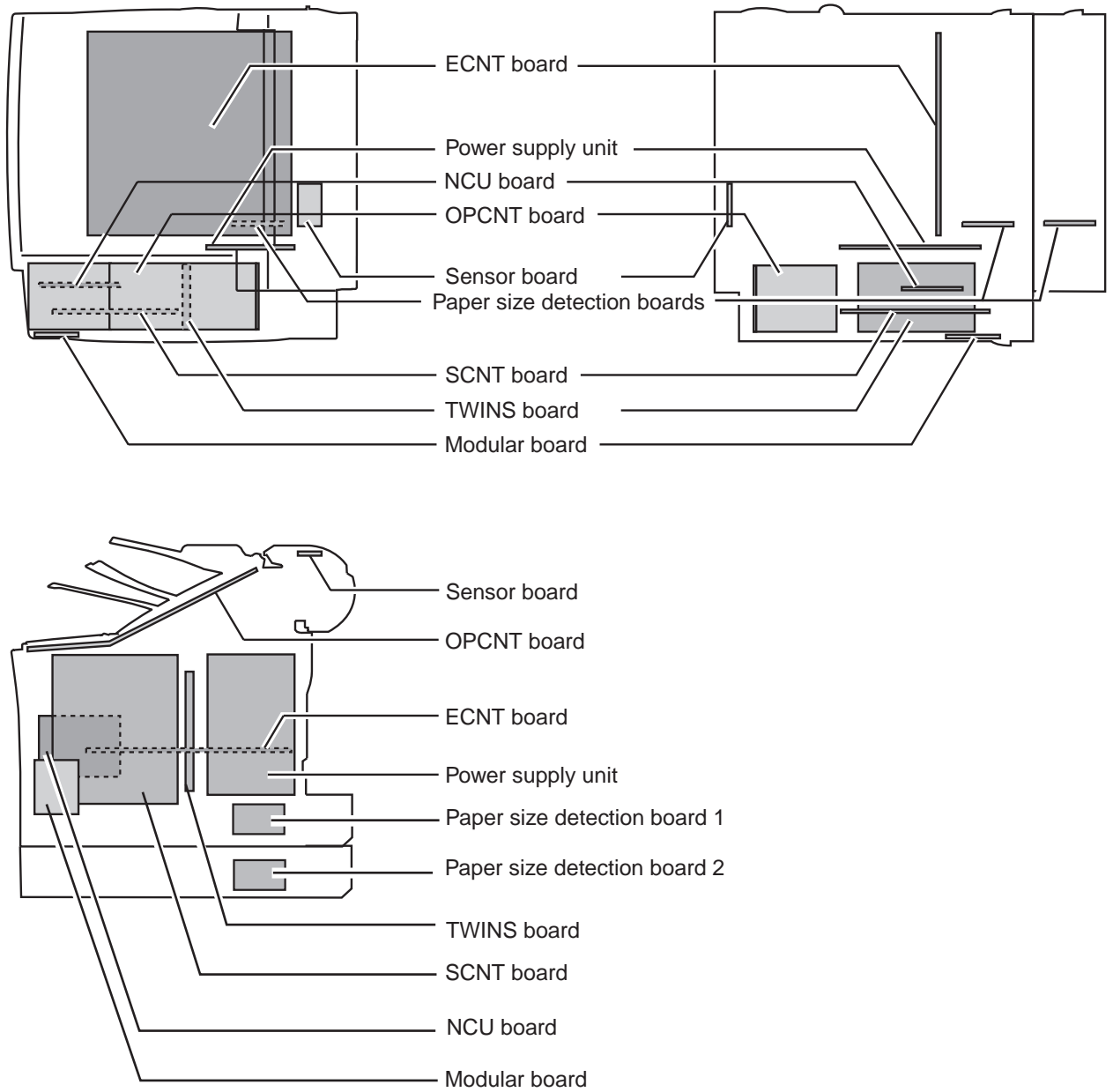


Figure 3-7 Electrical System Layout

b) Sensor layout

b-1) Contact sensor

This contact sensor (CS) horizontally scans documents up to B4 size 10.00" (254 mm) at a horizontal scanning resolution of 8 dots/mm.

b-2) Document sensor (DS)

This sensor, which detects the presence/absence of a document, is attached to the ADF section (Upper reader frame unit) sensor board.

b-3) Document width sensor (DWS)

This sensor, which detects the width of the document, is attached to the ADF section (Upper reader frame unit) sensor board.

b-4) Document feed sensor (DFS)

This sensor, which detects the feed condition of the document, is attached to the ADF section (Upper reader frame unit) sensor board.

b-5) Document edge sensor (DES)

This sensor, which detects the lead and rear edges of a document when it is passing through the ADF, is attached to the ADF section (Base reader frame unit).

b-6) Cam sensor

This sensor, which detects the condition of the cam in the ADF section, is attached to the ADF section (Upper reader frame unit).

b-7) Panel sensor (A / B / C)

These sensors detect whether the one-touch speed dialing panels are open or closed, and are located on the OPCNT board.

b-8) Multi-purpose tray paper sensor

This sensor, which detects the presence/absence of recording paper in the multi-purpose tray, is attached to the multi-purpose pick-up assembly.

b-9) Cassette recording paper sensor

This sensor, which detects the presence/absence of recording paper in the cassette, is attached to the paper feed section.

b-10) Pre-feed sensor

This sensor, which detects the feed condition of the recording paper, is attached to the paper feed section.

b-11) Top of page sensor

This sensor, which detects the rear edge of the recording paper when it passes through the inside of the main unit, is attached to the paper feed section.

b-12) Recording paper eject sensor 1

This sensor, which detects whether or not the recording paper has been fed as far as the fixing unit, is attached to the ECNT board.

b-13) Recording paper eject sensor 2

This sensor, which detects whether or not the recording paper has passed through the fixing unit, is attached to the fixing unit.

b-14) Recording paper overload release sensor

This sensor, which detects that the lower delivery tray is full, is attached to the recording paper lower delivery assembly.

If the recording paper in the lower delivery assembly becomes filled to capacity, this sensor switches ON.

After that, if the recording paper continues to be loaded and reaches an overloaded condition, recording paper overload sensor 1 switches ON. If this overloaded condition is detected, the delivery of recording paper switches from the lower delivery assembly to the upper delivery assembly.

After delivery is switched to the upper delivery assembly, even if the recording paper overload sensor 1 which detects overloading of the lower delivery assembly is switched OFF by some factor (the user removes some of the paper from the lower delivery assembly, upward-curved paper flattens with time, etc.), the recording paper overload release sensor will not switch OFF, and so delivery of recording paper will not return from the upper delivery assembly to the lower delivery assembly.

b-15) Recording paper overload sensor 1

This sensor, which detects the delivery situation of the recording paper in the lower tray, is attached to the delivery assembly.

b-16) Recording paper overload sensor 2

This sensor, which detects the delivery situation of the recording paper in the upper tray, is attached to the delivery assembly.

b-17) Printer cover sensor

This sensor, which detects the opening/closing of the printer cover, is attached to the main unit frame.

b-18) Cassette recording paper size sensor

This sensor, which detects the cassette is installed and the size of the recording paper which has been set in the cassette, is attached to the paper size detection board.

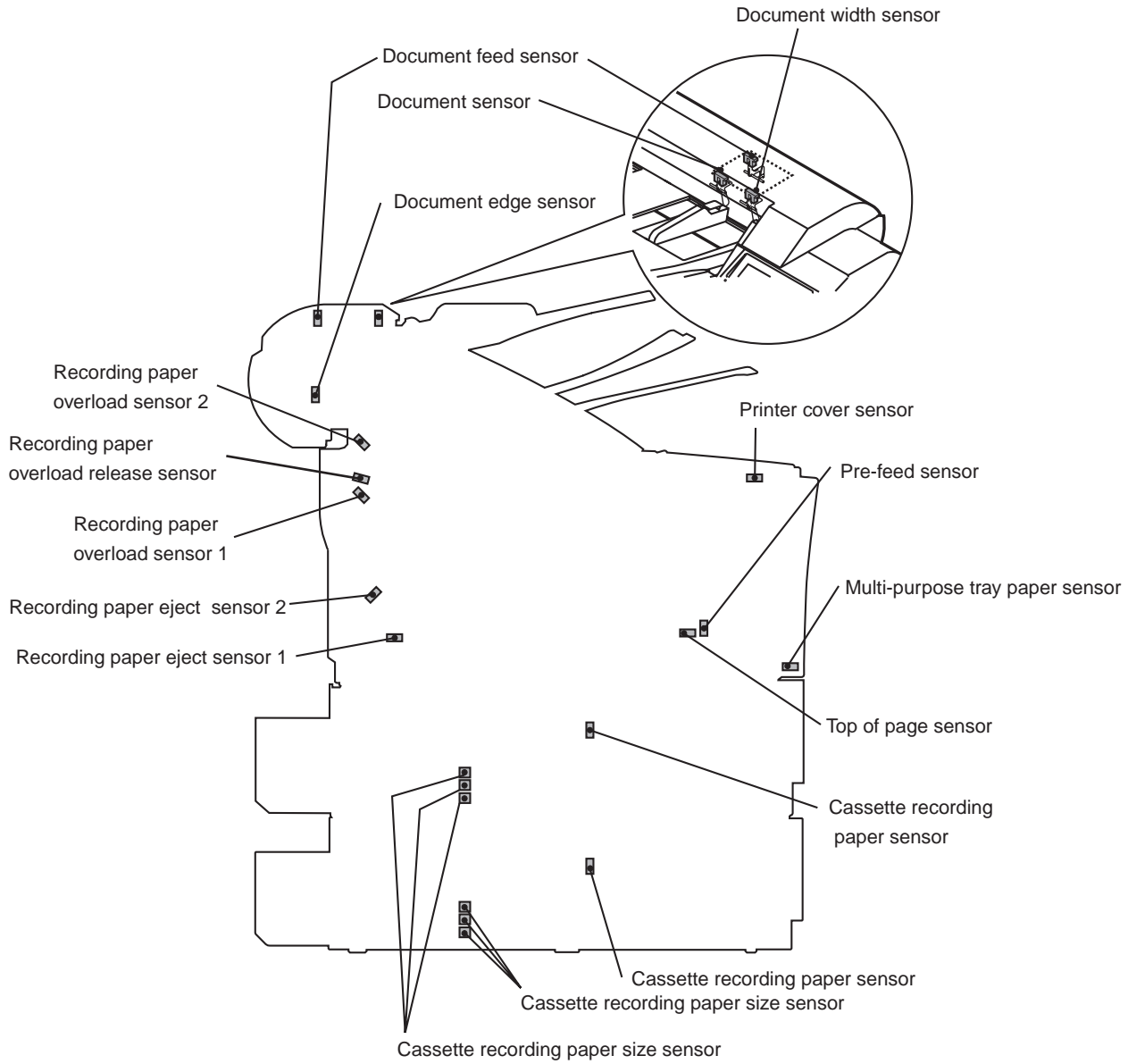


Figure 3-8 Arrangement of Sensors

2.3 Scanner Section

The scanner section comprises the document feed section and the optical section.

2.3.1 Document feed section

a) Document feed function

a-1) ADF (auto document feed) function

The ADF feeds up to 50 pages^{*1} of documents placed on the document feeder tray, separates each page with the separation roller (upper) and separation roller (lower), passes the page over the contact sensor unit, then ejects the paper to the document output tray.

^{*1}: Letter/A4 size: up to 50 pages, Legal/B4 size: up to 20 pages

a-2) Document jam detection function

The document jam detection function senses to detect eject paper jams and over-length documents with.

b) Document feed section structure

b-1) ADF structure

In the ADF structure, the rollers needed for document pickup, document separation, document feed, and document ejection are driven via gears with the power for the stepping pulse type document feed motor.

The document stopper is installed to position documents correctly and reduce feed errors due to documents inserted too deeply or insufficiently. When document transfer begins, the document stopper goes up, and documents are separated one at a time and fed with pickup roller and the separation rollers.

After separation, the document is fed to the contact sensor section with the document feed roller. The document feed roller turns faster than the separation roller to prevent the document from slackening between the document feed roller and the separation roller. The separation roller is pulled by the document feed roller.

The document fed to the contact sensor section is pressed by a white sheet above the contact sensor to prevent it from lifting during scanning. To correct shading, the white level is detected from the white sheet immediately before the paper passes through the contact sensor.

The document scanned with the contact sensor is delivered to the output tray with the document eject roller.

The ADF is controlled by the SCNT board's main CPU counting the document feed motor step pulses, and the photo-interruptor type document edge sensor^{*2}, document sensor^{*3} and document feed sensor^{*4} equipped with actuator arms detecting the document feed status.

^{*2}: DES ^{*3}: DS ^{*4}: DFS

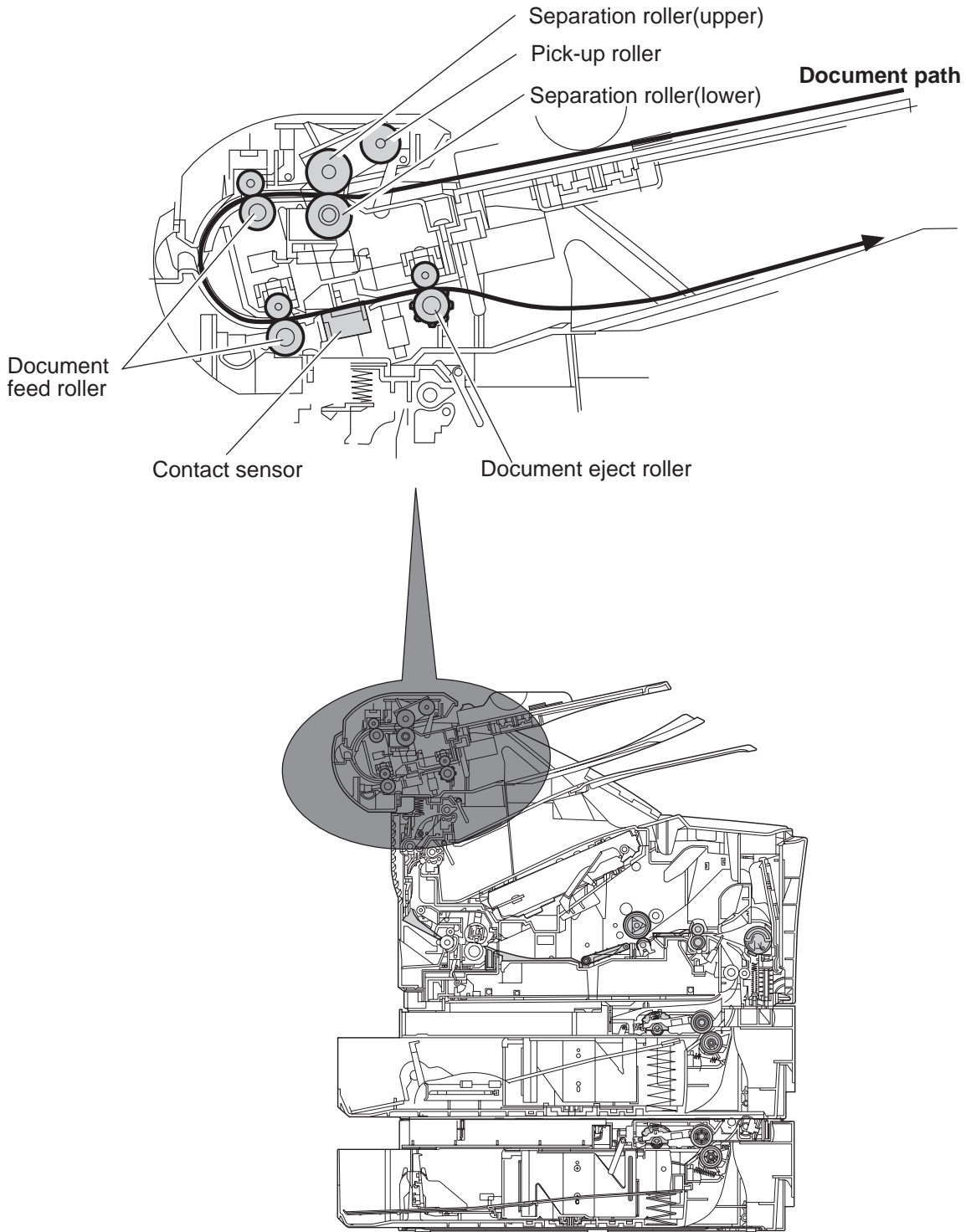
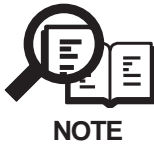


Figure 3-9 Document Feed Section



Document stopper movement

(1) When documents are set (Fig. A)

The document stopper on the ADF section (Upper reader frame) stops the document which is inserted into the document insertion opening, preventing it from being pushed in too far.

(2) When the stopper goes up (Fig. B)

The cam is rotated by the DC motor, and the document stopper moves into a free condition. At this time, the pick-up roller moves down and the document is fed.

(3) When document feed begins (Fig. C, D)

And the document feed sensor which deeds the document comes ON, the pick-up roller moves up, and the document stopper maintains a free condition.

(4) After the document feed ends (Fig. E)

If all of the documents are delivered, the cam is rotated by the DC motor, the pick-up roller moves up and down, and the stopper returns to its original condition.

Initializing the document stopper

The projection on the upper document feed roller needs to be set (initialized) to the optimum position to operate the document stopper properly.

The fax machine performs initialization when the power is turned on, and after a document is ejected. The initialize operation is described in (4) above.

For details on the other ADF operations, see *the FACSIMILE BASIC•INTER SUPPLEMENT 2 (Rev. 0) (supplied separately)*.

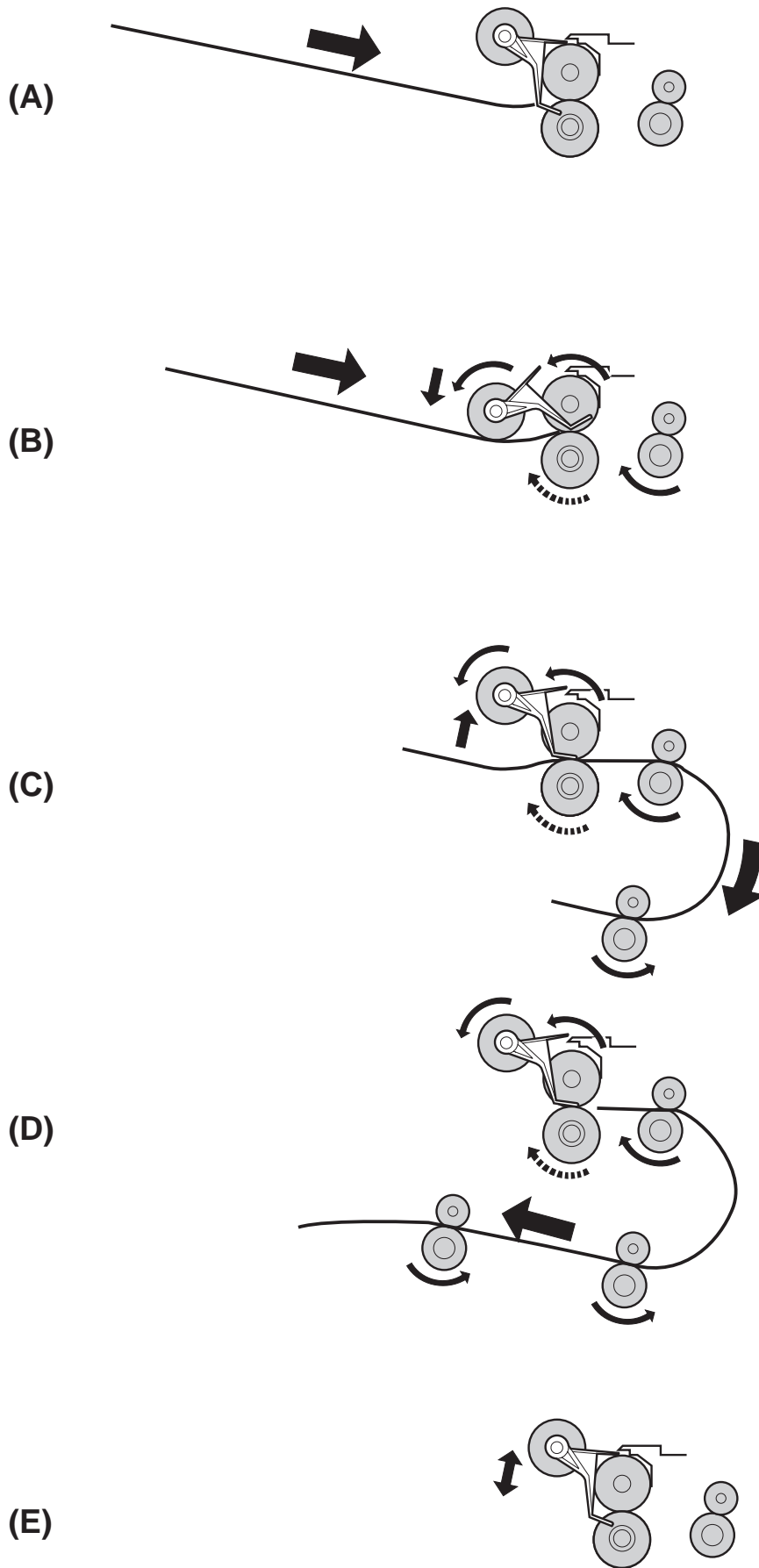


Figure 3-10 Stopper Movement

b-2) Document jam detection

The document edge sensor detects such document jams as pickup jams and document too long errors.

A “pickup jam” means the document edge sensor cannot detect the leading edge of the document within 15 seconds after document feeding begins.

A “document too long error” means that the document edge sensor cannot detect the trailing edge of the document, even after the stepping pulses for feeding more than 39.4” (1000 mm) of document have been transmitted.



NOTE

Document Jam Processing

If a document jam occurs, the fax stops the document read motor and ADF operations, displays the error, and the Error lamp flashes in red.

For a pickup jam, “CHECK DOCUMENT” is displayed. For document too long error, “DOCUMENT TOO LONG” is displayed.

If the document is being copied when a document jam occurs, the image data scanned in and stored in memory are erased for all pages, and print operations are stopped. Image data stored in memory when memory transmission, or delayed transmission, or sequential broadcasting, is erased from memory at the point when the jam is detected.

2.3.2 Optical section

a) Functions

a-1) Document scanning

For document scanning, the Contact Sensor (CS) horizontally scans documents up to B4 size 10.00" (254mm) at a horizontal scanning resolution of 8 dots/mm (Standard, Fine and Superfine) or 16 dots/mm (Ultrafine).

Vertical scanning resolution is fixed by selecting resolution button on the operation panel. The document scanning speed changes according to the resolution setting, and scanning will be done at either 97.79 lines/inch (3.85 lines/mm) for Standard, 195.58 lines/inch (7.7 lines/mm) for Fine, and 391.16 lines/inch (15.4 lines/mm) for Superfine and Ultrafine. The scanned data are sent to the SCNT board, and image processing carried out by the image processing IC (UHQ 6.6). When this IC is set for Text/Photo, areas of the document that contain photographs are automatically processed with 64 gradations of gray, rather than just two, black and white. This results in a much better reproduction of the photograph.

a-2) Prescanning

The variation of contact sensor output during document scanning is corrected by the prescan function.

a-3) Automatic slice level

The slice level for determining the white and black areas is set automatically to scan density correctly regardless of the document paper color.

b) Structures

b-1) Contact sensor

The contact sensor is designed to be dust-free, so that dust and other such minute particles cannot find their way inside the contact sensor housing, to settle on the sensor surface.

The contact sensor consists of an LED array that emits light for scanning, a lens that distributes light from the LED array uniformly in the horizontal direction, a contact glass that refracts the light to the document, a rod lens array that receives the light reflected from the document, and a phototransistor array that receives reflected light.

The LED array of the contact sensor is controlled by the SCNT board.

The phototransistor array consists of 2054 phototransistors and 13 driver circuits that amplify the light reception output in units of 158 phototransistors.

The output from the 13 driver circuits is converted to serial data and sent to the SCNT board.

b-2) Prescanning

At the start each communication, the prescan function reads in one line of the white sheet pasted to the document feed section at the top of the contact sensor, stores the contact sensor output variation correction value into memory, and corrects contact sensor output for the image then read in.

b-3) Automatic slice level

The SCNT board image processing IC has a built-in ABC (Automatic Background Control) circuit. This circuit sets the slice level for each line of image data read, so that gradations can always be reproduced clearly, no matter the background colour of the paper.

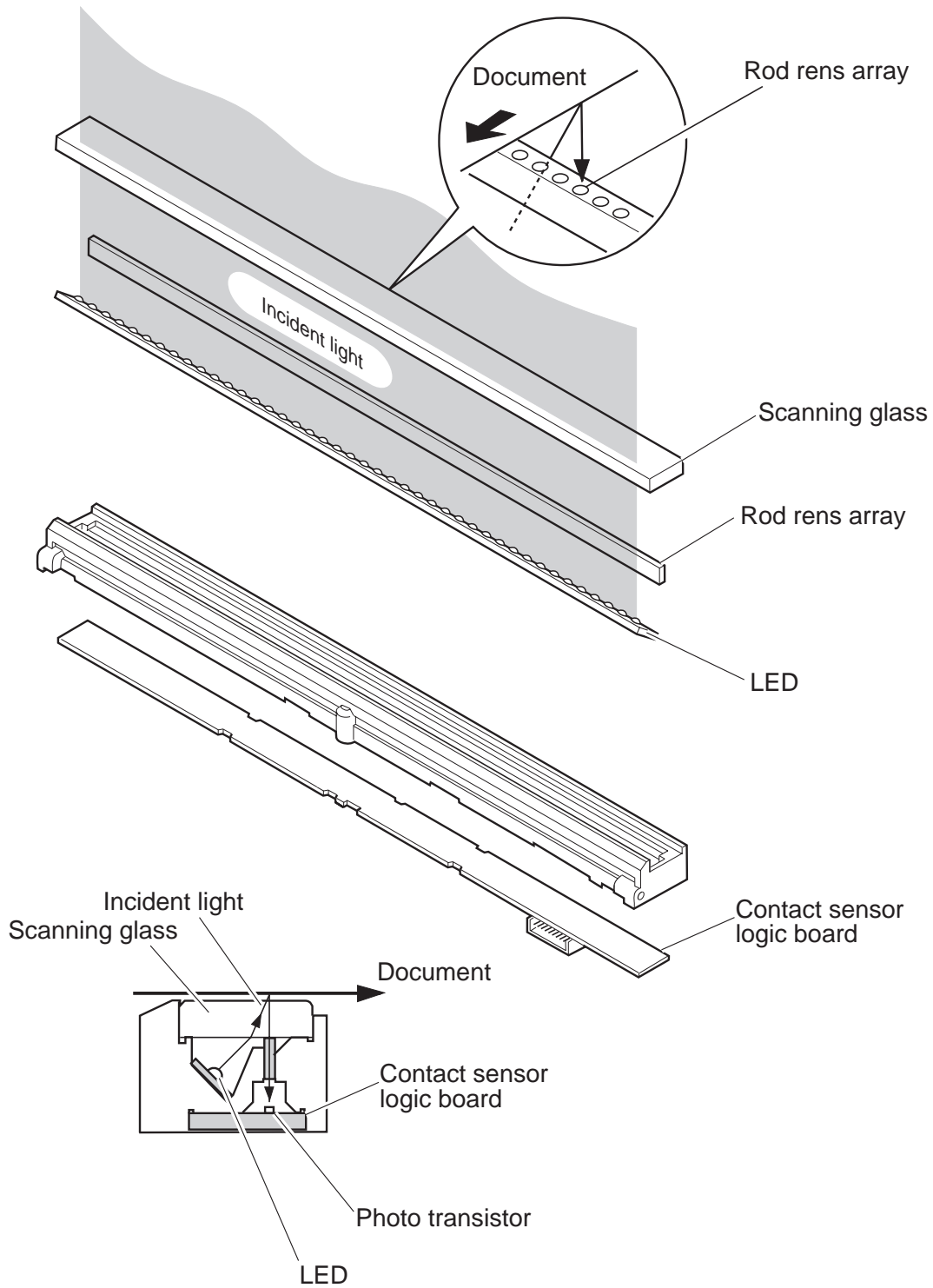


Figure 3-11 Contact Sensor

2.4 Paper Load Section

a) Functions

a-1) Recording paper pickup function

(From multi-purpose tray)

In case of paper pick-up from the multi-purpose tray, while the main motor rotates, the multi-purpose tray pick-up solenoid is turned ON. Then, the multi-purpose pick-up roller rotates, and a sheet of paper is fed into the printer section.

Up to 100 pages can be loaded into the multi-purpose tray at one time and the position of the movable paper guides can be adjusted for recording paper.

(From cassette 1)

In case of paper pick-up from the cassette, while the main motor rotates, the pick-up solenoid and feed roller clutch are turned ON. Then, cassette pick-up roller, cassette feed roller, separation roller and feed rollers rotate, and a sheet of paper is fed into the printer section.

(From cassette 2)

The paper feeder is driven by the main motor of the fax via the gear.

When the nPRNT signal is sent to the ECNT board from the SCNT board, the main motor of the printer starts rotation. When the main motor reaches its prescribed speed, the paper feeder driver PCB receives the pick-up command from the ECNT board, and the paper feeder pick-up solenoid is turned ON. As a result, the pick-up roller, feed roller, and separation roller are driven by the main motor rotation.

a-2) Recording paper pickup jam detection function

When there is a recording paper pickup jam, this is detected by the recording pre-feed sensor.

a-3) No recording paper detection function

When there is no recording paper in the multi-purpose tray, this is detected by the multi-purpose tray paper sensor on the multi-purpose pickup assembly.

The cassette recording paper sensor in the feeder detects whether or not there is recording paper in the cassette.

a-4) Recording paper size and no cassette detection function

Cassette 1

The paper size in the cassette and whether the cassette is installed are detected by the three switches (SW600, 601, 602) on the paper size detection board 1.

Cassette 2

The paper size in the cassette and whether the cassette is installed are detected by the three switches (SW800, 801, 802) on the paper size detection board 2.

b) Structures

b-1) Cassette paper loading

In case of paper pick-up from the cassette, while the main motor rotates, the pick-up solenoid (SL101) is turned ON. Then, cassette pick-up roller, cassette feed roller, separation roller and feed rollers rotate, and a sheet of paper is fed into the fax.

In case of paper pick-up from the multi-purpose tray, while the main motor rotates, the multi-purpose tray pick-up solenoid (SL102) is turned ON. Then, the multi-purpose pick-up roller rotates, and a sheet of paper is fed into the fax.



Loading operations

a) Multi-purpose tray

When the ECNT board receives the nPRNT signal from the SCNT board, the printer starts the initial rotation. When the initial rotation ends (main motor warm-up, scanner motor warm-up, high-voltage control sequence, and fixing unit warm-up are completed), the multi-purpose tray pick-up solenoid (SL102) is turned ON.

As a result, the cam rotates, the lifter that paper is loaded is lifted, and the paper comes in contact with the multi-purpose tray pick-up roller. At the same time, the multi-purpose tray pick-up roller makes two rotations and a sheet of paper on the multi-purpose tray is picked up.

b) Cassette feeder

When the SCNT board inputs the nPRNT signal to the ECNT board, the main motor (M1) starts rotation. When the main motor reaches its prescribed speed, cassette pick-up solenoid (SL101) are turned ON. As a result, the cassette pick-up roller, cassette feed roller, separation roller and feed rollers are driven by the main motor rotation.

The cassette pick-up roller makes one rotation with the pick-up solenoid ON, and picks up the paper in the cassette. Then, the unnecessary sheets are removed by the separation roller and the picked up paper is fed to the pre-feed sensor (PS102).

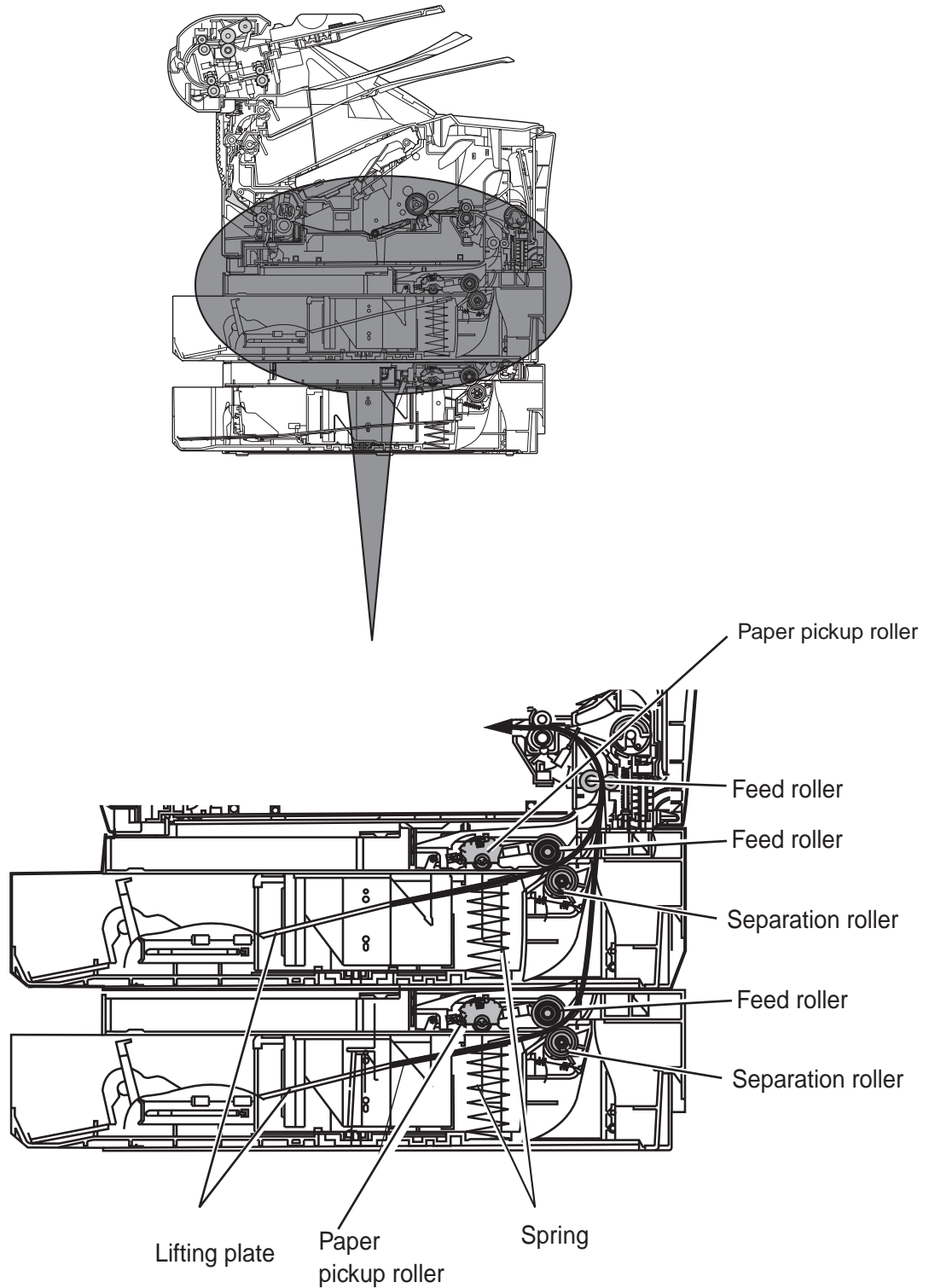


Figure 3-12 Cassette Paper Loading

b-2) Recording paper pickup jam detection configuration

Recording paper pickup jams are detected by the photo-interrupter type recording paper pickup sensor equipped with an actuator arm.

There are the following two types of recording paper pickup jams.

Recording paper pickup jam 1

a. When picking up paper from the cassette

The CPU assesses a pick-up delay jam if the pre-feed sensor (PS102) does not detect the leading edge of the paper within the prescribed period of time (T) after the paper was picked up.

In case the paper is picked up from the cassette: T= about 3.2 sec.

In case the paper is picked up from the paper feeder: T= about 4.6 sec.

b. When picking up paper from the multi-purpose tray or the envelope feeder

The CPU assesses a pick-up delay jam if the top of page sensor (PS103) does not detect the leading edge of the paper within the prescribed period of time (T) after the paper was picked up.

In case the paper is picked up from the multi-purpose tray: T= about 7.5 sec.

In case the paper is picked up from the envelope feeder: T= about 5 sec.

Recording paper pickup jam2

b. During paper feeding

The CPU assesses a pick-up stationary jam if the top of page sensor (PS103) does not detect the trailing edge of the paper within the prescribed period of time (about 4.4 sec.) after detecting the leading edge.



NOTE

Recording paper pickup jam processing

When a recording paper pickup jam occurs, the main motor drive is stopped, print operations are stopped, the error is displayed on the display, and the Rec. Paper lamp and Error lamp blink red.

For recording paper jams, "REC. PAPER JAM" is displayed on the display. If the error occurs during reception, the reception images are received into memory starting from the page during which the error occurred, but if the error occurs during copying, the copy image is erased.

If the top cover is opened during recording paper feed, this causes a recording paper jam.

b-3) No recording paper detection configuration

The presence of paper on the multi-purpose tray is detected by the multi-purpose tray paper sensor (PS105).



NOTE

No recording paper processing

When a no recording paper error occurs in the side cassette, the main motor drive is stopped, print operations are stopped, the error is displayed on the display, and the Rec. Paper lamp and the Error lamp blink red.

When a no recording paper error in the front cassette occurs, the main motor drive is stopped, print operations are stopped, the error is displayed on the display, the Rec. Paper lamp and the Error lamp blink red.

“SUPPLY REC. PAPER” is displayed on the display. If the error occurs during reception, the reception images are received into memory reception starting from the page during which the error occurred, but if the error occurs during copying, the copy image is erased.

b-4) Recording paper size and no cassette detection configuration

As there is no detection mechanism for paper size on the multi-purpose tray, the size of the paper set on the tray cannot be detected. The paper size in the cassette can be detected by the switches above. However, when using the universal cassette, the paper size is set by the user. If the setting made by the user is incorrect, it results in an incorrect detection.

Therefore, this printer has the top of page sensor (PS103) which detects the paper size by measuring the time from the leading edge passes the sensor until the trailing edge passes the sensor. If the detected size differs from that specified by the SCNT board or by the combination of the switches, the CPU assesses paper size mismatch and reports it to the SCNT board.

Paper size	SW601	SW602	SW603
No cassette	OFF	OFF	OFF
LEGAL	OFF	OFF	ON
LETTER	OFF	ON	ON
A4	ON	ON	ON

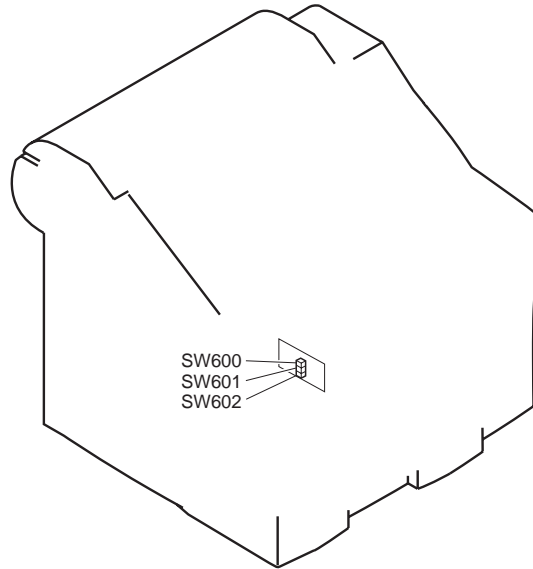


Figure 3-13 Paper Size Detection Configuration (Paper feeder)

Paper size	SW801	SW802	SW803	
No cassette	OFF	OFF	OFF	
LEGAL	OFF	OFF	ON	
Executive	OFF	ON	OFF	(Available for printer function.)
LETTER	OFF	ON	ON	
Other	ON	OFF	OFF	(Available for printer function.)
Custom	ON	OFF	ON	(Available for printer function.)
B5	ON	ON	OFF	(Available for printer function.)
A4	ON	ON	ON	

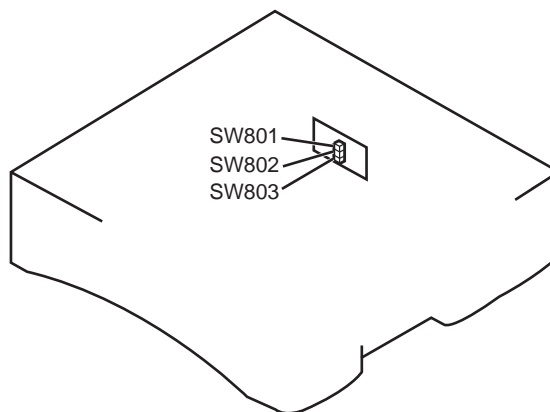


Figure 3-14 Paper Size Detection Configuration (Option paper feed unit PF-52)

2.5 Printer Section

The LASER beam printer engine comprises the following sections.

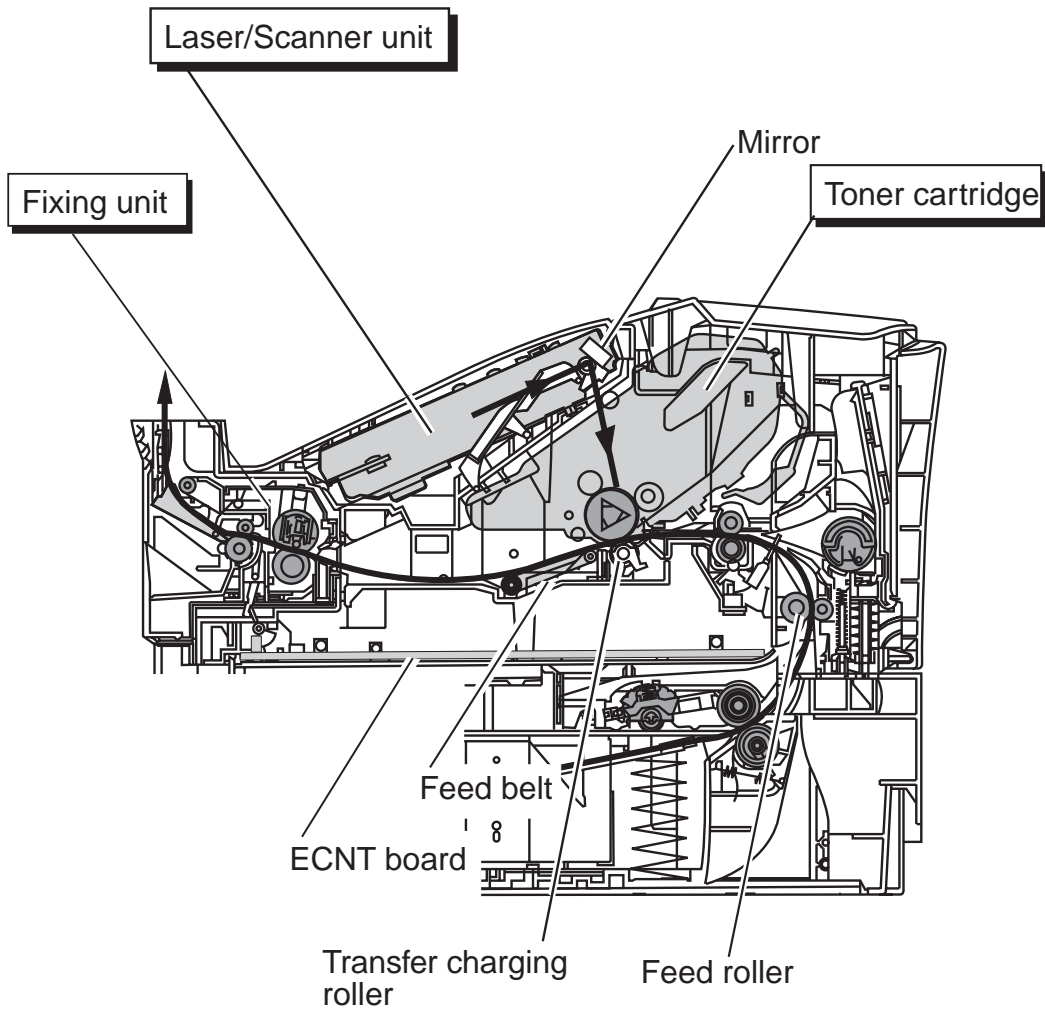


Figure 3-15 Printer Section



NOTE

For details on the print process, see the *FACSIMILE BASIC•INTER SUPPLEMENT 2 (Rev. 0)* (supplied separately).

2.5.1 Paper feed/eject section

a) Functions

a-1) Paper feed/eject

The feed section feeds the recording paper fed from the pickup section to the toner transfer section and fixing unit. The eject section ejects the paper from the recording paper eject outlet on the main unit after printing.

a-2) Paper jam detection

Jams of the recording paper fed from the load section are detected by the recording paper eject sensor 1 and 2.

a-3) No-toner detection

The toner sensor (antenna method) inside the toner cartridge detects toner in the cartridge.

b) Structure

b-1) Paper feed

The recording paper is fed to the toner transfer section by the recording paper feed roller which is driven by gears with power from the main motor.

The recording paper feed is controlled by the ECNT board CPU counting the main motor and the photo-interruptor type pre-feed sensor, top of page sensor, recording paper eject sensor 1 and 2, which are equipped with actuator arms detecting the recording paper feed status.

After fixing, the recording paper is ejected by the paper feed roller and face-down delivery roller driven by gears with power from the main motor through the recording paper eject outlet on the main unit and accumulated in the order printed.



NOTE

Start of printing

When the paper reaches the pre-transfer roller after passing through the pre-feed sensor (PS102), its skew is adjusted by hitting the registration arm.

In the prescribed period of time after the top of page sensor (PS103) detects the leading edge of the paper, the VERTICAL SYNC signal (nTOP) is sent from the ECNT board to the SCNT board.

As the paper is fed during this time, the leading edge of the image on the drum matches the leading edge of the paper by sending the nVDO signal in a certain period of time after the video controller receives the nTOP signal. The paper goes through transfer, separation, fixing, and delivery unit and is delivered onto the face-up or face-down tray.

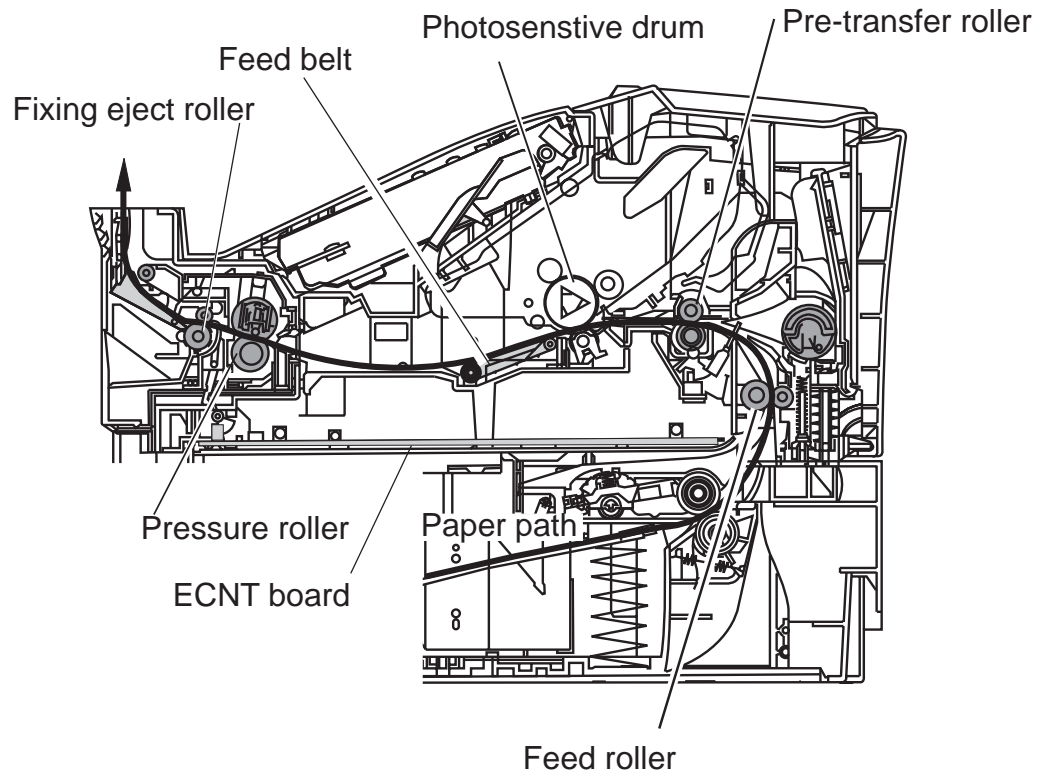


Figure 3-16 Paper Feed/Eject Section

b-2) Recording paper jam detection configuration

Recording paper jams in the paper feed/eject section are detected by the photo-interrupter type pre-feed sensor, top of page sensor, recording paper eject sensor 1 and 2, which is equipped with an actuator arm.

The CPU assesses a delivery delay jam if the recording paper eject sensor 1 (PS501) does not detect the leading edge of the paper within the specified period of time (T) after the top of page sensor (PS103) detects the leading edge of the paper.

- For paper 200mm or more: T= about 3.2 sec.
- For paper less than 200mm: T= about 5.7 sec.

Recording paper eject jam

A “recording paper eject jam” means that the recording paper eject sensor cannot detect the trailing edge even 3.0 to 6.0 seconds after the top of page sensor detects the trailing edge.



NOTE

Recording paper jam detection processing

When a recording paper jam occurs, the main motor drive is stopped, print operations are stopped, the error is displayed on the display, and the Rec. Paper lamp and the Error lamp blink red. Also, if the printer cover is opened during recording paper feed, this is treated as a recording paper jam. “REC. PAPER JAM” is displayed on the display.

If the jam occurs during reception, the reception images are received into memory reception starting from the page during which the recording paper jam occurred, but if the jam occurs during copying, the copy image data are erased.

b-3) Toner level detection/cartridge detection

The FX 6 toner cartridge has a toner sensor.

The circuit compares the output value of the developing AC bias and the output value (ANT) from the antenna inside the cartridge, and outputs the toner detection signal.

The CPU detects the toner level and whether the cartridge is installed or not when the developing AC bias is applied to the developing cylinder. The toner level is always detected when the developing AC bias is applied, and the cartridge is detected only when the developing AC bias is applied during the initial rotation.

2.5.2 LASER/Scanner section
a) Functions

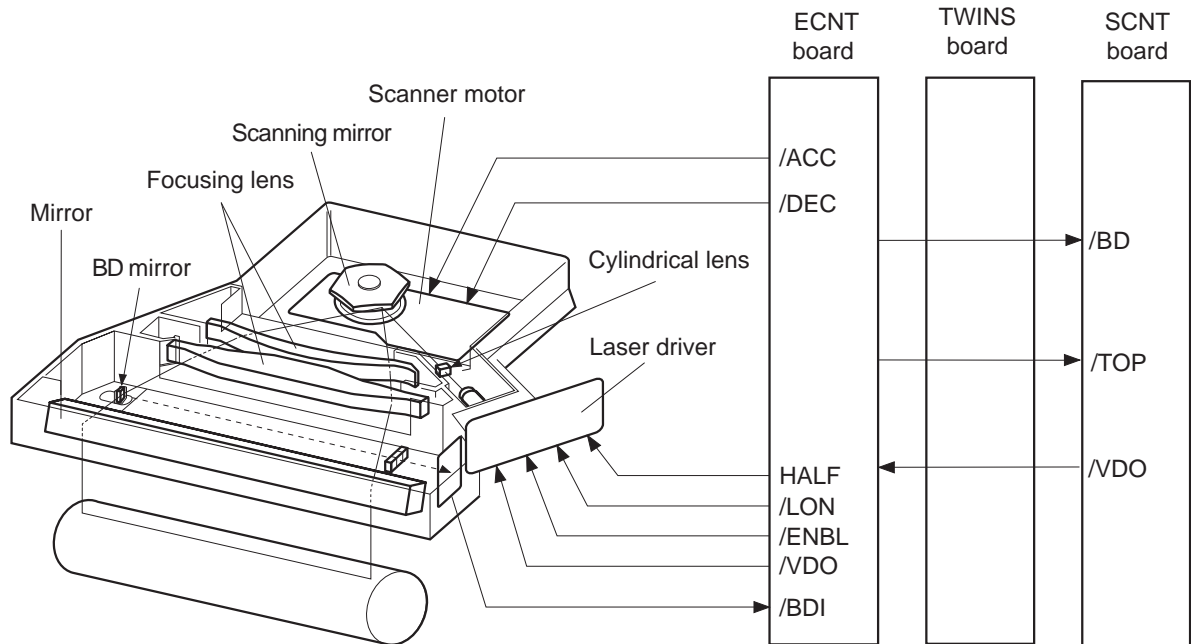


Figure 3-17 LASER/Scanner Section

The VIDEO signal (nVDO) is sent from the SCNT board to the laser driver of the laser/scanner unit through the TWINS board and ECNT board.

The laser driver turns the laser diode ON and OFF according to the nVDO signal and generates the modulated laser beam only when the VIDEO DATA ENABLE (nENBL) signal from the ECNT board is "L."

The modulated laser beam is aligned by a collimator lens and a cylindrical lens into a parallel beam. It then strikes the scanning mirror which is rotating at a constant speed.

The beam reflected from the scanning mirror is brought to a point of focus on the photosensitive drum by the focusing lens and mirror.

As the scanning mirror rotates at a constant speed, the beam is scanned across the drum at a constant speed.

The photosensitive drum also rotates at a constant speed allowing the laser beam to form an image on the drum surface.

b) Automatic power control of laser diode

The laser driver IC conducts the automatic power control (APC) of the laser diode so that the laser diode emits a beam of constant intensity.

When the FORCED LASER ON signal (nLON) becomes “L,” or the VIDEO DATA ENABLE signal (nENBL) and nVDO signal become “L,” the laser diode emits light according to the standard voltage of laser driver PCB. The photo diode in the laser diode detects the beam intensity and feeds back the corresponding current value to the control amplification circuit. It is then compared with the current value set by the power adjustment circuit, and the intensity of the current to the laser diode is controlled.

c) Horizontal synchronization control

The CPU generates an unblanking signal inside the IC501 based on the BD INPUT signal (nBDI) sent from the BD PCB of the laser/scanner unit.

IC501 sets the FORCED LASER ON signal (nLON) to “L” during unblanking period. The laser driver turns the laser diode ON when the nLON signal is “L.” The laser beam turned on by the nLON signal is reflected at the small fixed BD mirror located in the light path where the laser beam scanning starts, and is input to the BD PCB in the laser/scanner unit.

The BD PCB detects the laser beam, generates a BD INPUT signal (nBDI), and sends it to the CPU. The CPU generates the HORIZONTAL SYNC signal (nBD) according to the nBDI signal and sends it to the SCNT board.

2.5.3 Toner cartridge

a) Functions

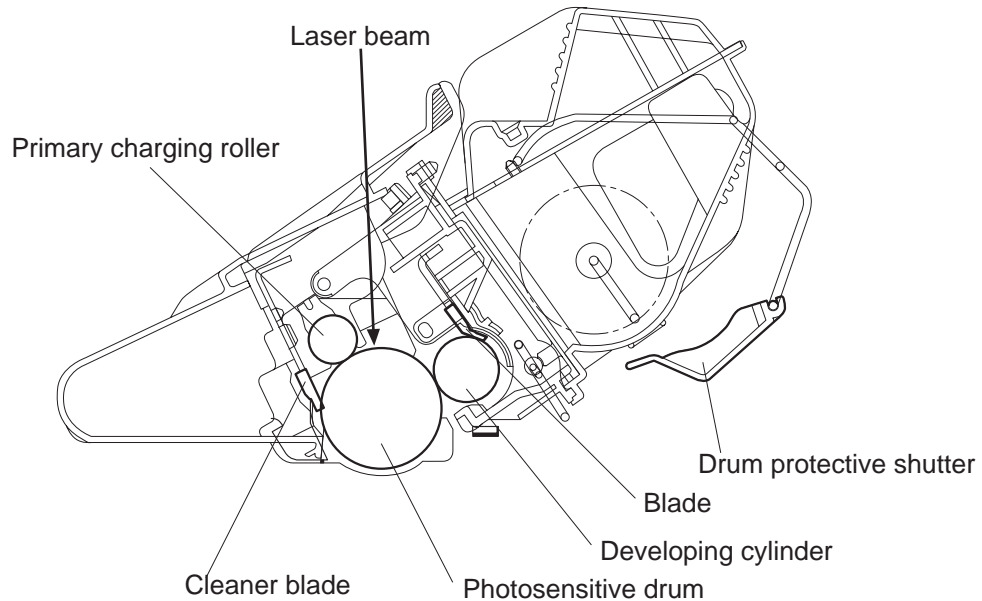


Figure 3-18 Toner Cartridge

The image formation system is the central hub of the fax, and consists of the photosensitive drum, developing unit, charging rollers, etc.

When the PRINT signal (nPRINT) is sent from the SCNT board to the ECNT board, the ECNT board drives the main motor to rotate the photosensitive drum, developing cylinder, primary charging roller, and transfer charging roller.

The primary charging roller uniformly applies negative charges on the surface of the photosensitive drum. To form a latent image on the photosensitive drum, the laser beam modulated by the nVDO signal is exposed onto the photosensitive drum surface.

The latent image formed on the photosensitive drum is changed to a visible image by the toner on the developing cylinder, then transferred onto paper by the transfer charging roller. Residual toner on the photosensitive drum surface is scraped off by the cleaning blade. The potential on the drum is made uniform by the primary charging roller in preparation for the next latent image.

The cartridge has a toner sensor that detects the toner level and no cartridge. If the toner in the cartridge becomes lower than the prescribed level or there is no cartridge installed in the fax, the CPU notifies such information to the SCNT board.

b) Electrostatic latent image formation block

This block follows two steps to produce an electrostatic latent image on the photosensitive drum.

When “Laser beam exposure” of this block is completed, negative charge remains in the unexposed “dark” areas; however, those in the exposed “light” areas are eliminated.

This image of negative charges on the drum is invisible to the human eye, so it is called an “electrostatic latent image.”

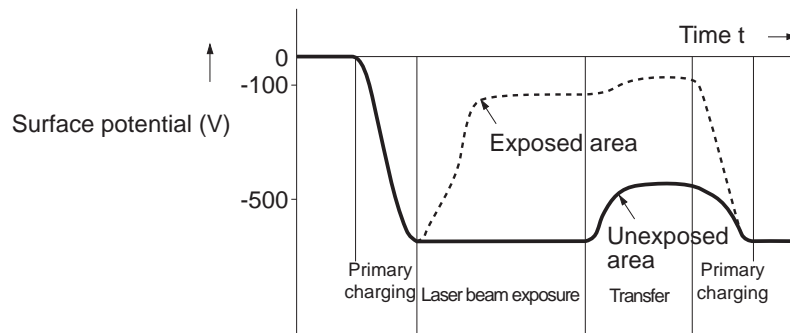


Figure 3-19 Surface Potential

b-1) Primary charging

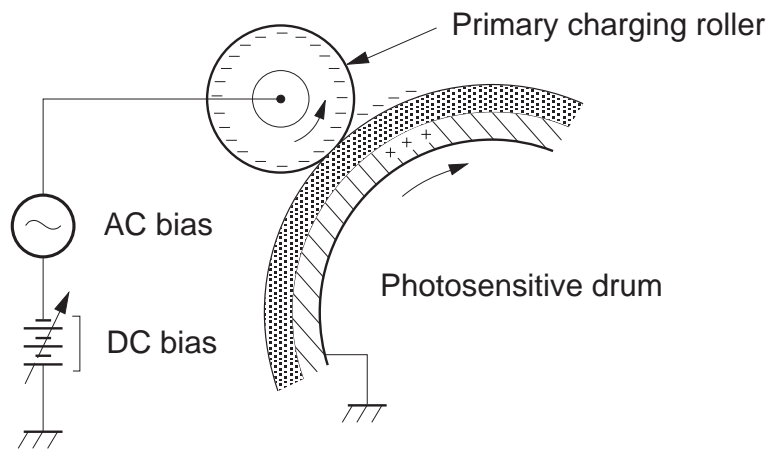


Figure 3-20 Primary Charging

In preparation for the latent image formation, a uniform negative potential is applied to the photosensitive drum surface. For primary charging, the printer uses the charging method, which directly charges the drum.

The primary charging roller is made of conductive rubber. In addition to DC bias, AC bias is also applied to the primary charging roller to keep the potential on the drum surface uniform. The DC bias changes with the developing DC bias.

b-2) Laser beam exposure

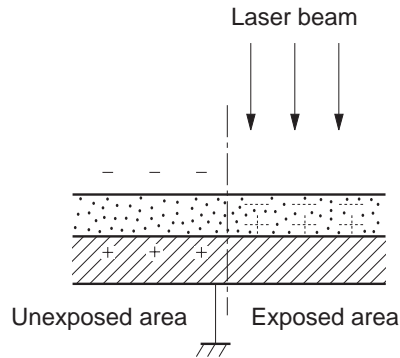


Figure 3-21 Laser Beam Exposure

When the laser beam scans the drum surface, it causes the charges in the areas struck by the laser beam to be neutralized. These areas on the drum surface form the electrostatic latent image.

c) Developing block

Particles of toner are placed onto the electrostatic latent image on the surface of the drum to form a visible image. This fax uses the toner projection development method with a single-component toner.

c-1) Developing

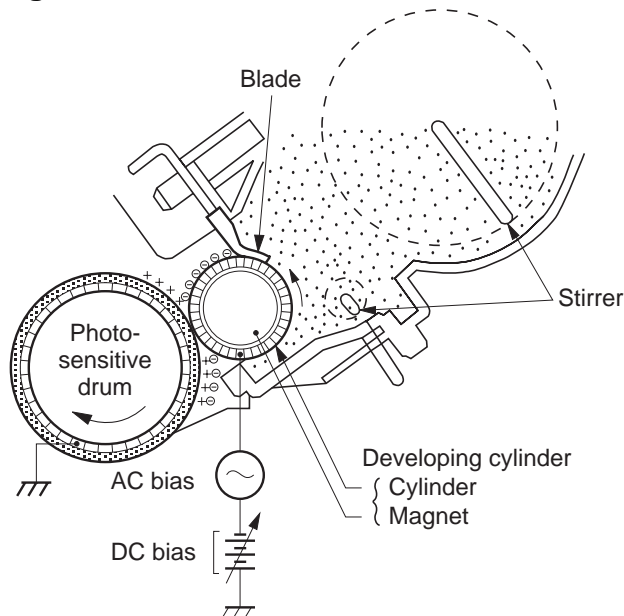
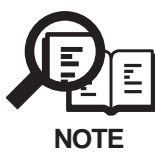


Figure 3-22 Developing



Charges in the exposed areas of the photosensitive drum are shown as positive in this figure, even though they are actually negative. It means that the photosensitive drum potential is higher as compared with that of cylinder.

As shown in Figure 3-23, the developing unit consists of a fixed magnet, a developing cylinder and a rubber blade. The developing cylinder rotates around the fixed magnet.

The single-component toner consists of magnetite and a resin binder, and is held to the cylinder by magnetic attraction. The toner functions as an insulator, and is charged negative by the friction with the rotating cylinder.

The areas on the drum that were exposed to the laser beam have a higher potential than the negatively charged toner particles on the developing cylinder. When these areas approach the toner layer of the cylinder (with negative charges), the potential difference (higher on the drum) projects the toner particles to them.

This is called toner projection, which makes the latent image on the drum visible.

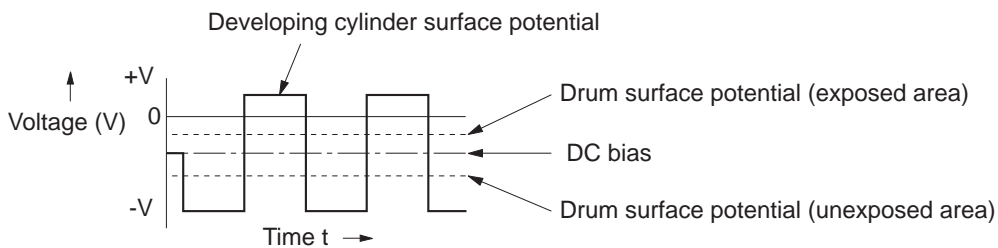


Figure 3-23 Developing Cylinder/Drum Surface Potential

An AC bias is applied to the developing cylinder to help project the toner particles to the drum surface and improve the contrast of the printed image. The center voltage of the AC bias (1600 Vp-p) varies with the DC bias voltage. The changes in the DC bias change the potential difference between the cylinder and drum so that the density of the print can be adjusted. The adjustment is made through a command from an external device.

This fax has a stirring mechanism in the cartridge to ensure that the toner is applied smoothly to the cylinder.

d) Drum cleaning block

In the transfer block, not all the toner is transferred to the paper, but some remains on the photosensitive drum.

In this block, the residual toner is cleaned so that the next print image will be clear and distinct.

d-1) Drum cleaning

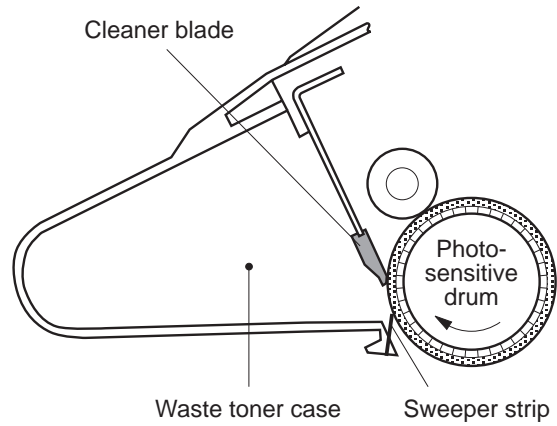


Figure 3-24 Drum Cleaning

The residual toner on the drum surface is scraped away with the cleaner blade to clean the drum surface in preparation for the next print. The removed waste toner is collected into the waste toner case.

- The high-voltage terminal of the toner cartridge is shown below.

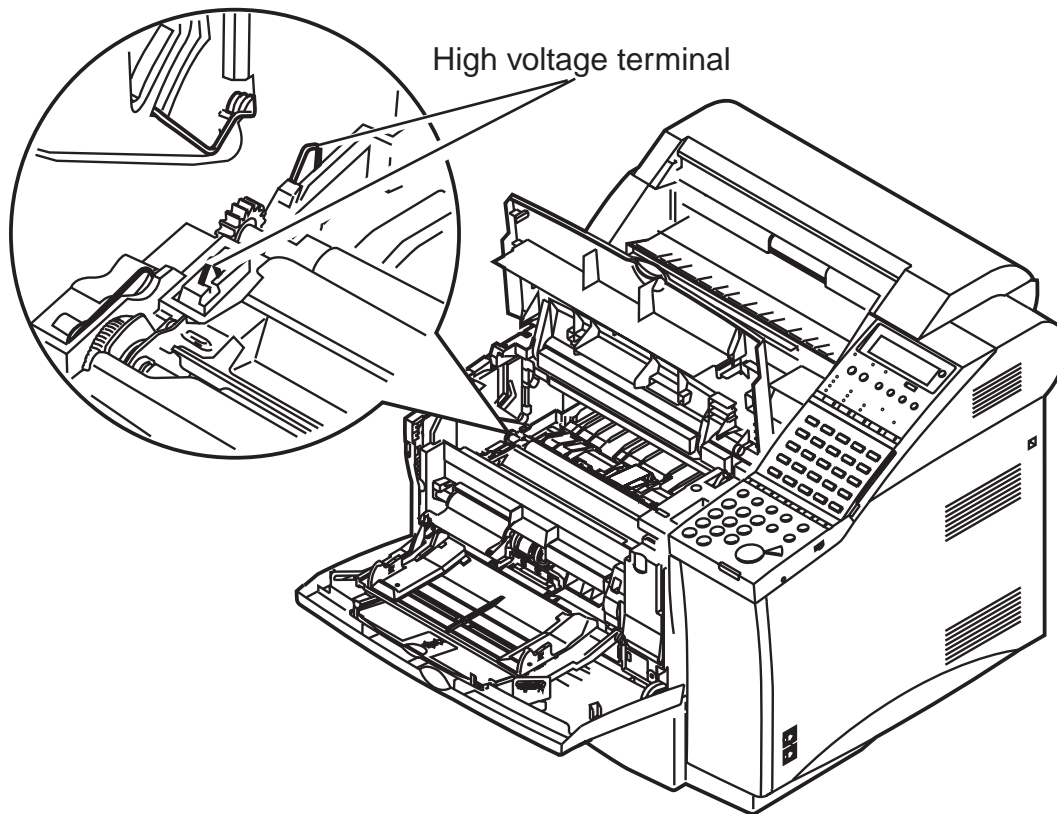


Figure 3-25 High Voltage Terminals

- The AC bias applied to the developing cylinder during development is about 1600 Vp-p.
- The DC bias applied to the developing cylinder during development changes with “SELECT DENSITY” set in the user data.

2.5.4 Transfer/Separation section

In this block, the toner image is transferred from the drum surface to the paper.

a) Transfer

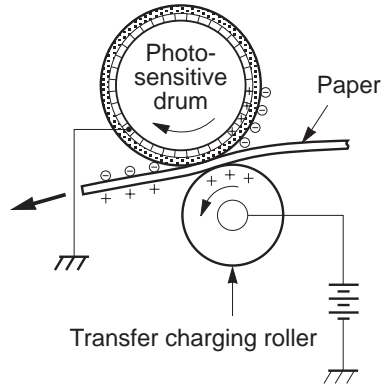


Figure 3-26 Transfer

Positive charges are applied to the back of the paper to attract the negatively charged toner particles to the paper.

Roller transfer method is applied to stabilize the paper feed and to reduce ozone generation.

b) Separation

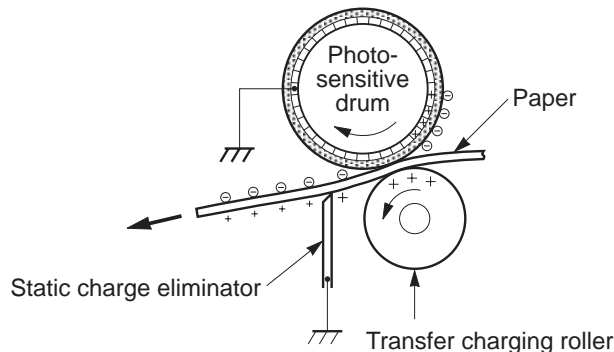


Figure 3-27 Separation

The elasticity of the paper causes it to separate from the drum.

To stabilize the paper feed system and to prevent droplets on the printed image at low temperature and low humidity, the charge on the back of the paper is reduced by the static charge eliminator.

2.5.5 Fixing section

As the toner image transferred onto the paper in the transfer block is only adhered by electrostatic attraction, even a light touch will smear the image.

In the fixing block, the toner image is fixed by applying heat and pressure to the paper and the toner. This fuses the toner particles onto the paper to create permanent image.

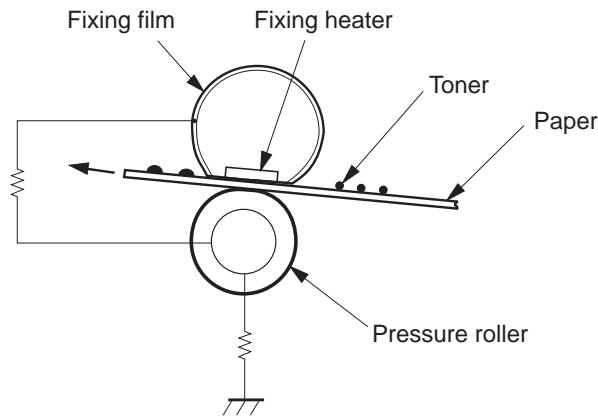


Figure 3-28 Fixing section

This printer utilizes an on-demand method which uses fixing film with small heat capacity. This method has fast temperature rising time and it is not necessary to supply power to the fixing heater during the standby mode. Wait time is shortened and energy conservation is made possible by this method.

Fixing film is cylindrical film of polyimide. Its surface is coated with fluorine to prevent offset.

- This fax machine does not have "-ACVIN signal".
- If the ECNT board CPU detects with the thermistor that the fixing heater temperature is over 428°F (220°C), it cuts off the power to the fixing heater (Software protection).
- If the ECNT board fixing heater protective circuit detects that the fixing heater temperature is 464°F (240°C), it cuts off the power to the fixing heater regardless of the ECNT board CPU output (Hardware protection).
- If the fixing heater temperature is over 446°F (230°C), the thermal fuse in the fixing film unit blows, turning the fixing heater off.
- The ECNT board CPU detects thermistor broken wire in the following cases, and assesses warm-up error or abnormally low temperature.
 1. The thermistor, in the low-temperature detection mode, does not exceed about 68°F(20°C) within about 0.7 seconds after the heater is turned ON.
 2. The thermistor, in the high-temperature detection mode, does not exceed about 122°F(50°C) within about 5.0 seconds after the heater is turned ON.
 3. The thermistor, in the high-temperature detection mode, detects over about 122°F(50°C) after the heater is turned ON. Then the output voltage from the thermistor is more than about 3.4V for more than about 100ms continuously.
- The ECNT board CPU detects heater broken wire in the following cases and assesses warm-up error or abnormally low temperature.
 1. The thermistor, in the low-temperature detection mode, does not rise +50°F(+10°C) from the initial temperature within about 2.5 seconds after the heater is turned ON.
 2. The thermistor, in the low-temperature detection mode, does not rise +68°F(+20°C) from the initial temperature within about 2.5 seconds after rising +50°F(+10°C) from the initial temperature since the heater is turned ON.
 3. The thermistor, in the high temperature detection mode, does not exceed about 320°F(160°C) within about 20 seconds after rising +68°F(+20°C) from the initial temperature since the heater is turned ON.
 4. When the thermistor is in the high temperature detection mode and the initial temperature is 185°F(85°C) or below, the temperature does not exceed about 320°F(160°C) within about 20 seconds after the heater is turned ON.

5. When the thermistor is in the high temperature detection mode and the initial temperature is 185°F(85°C) or more, it does not exceed about 320°F(160°C) (about 284°F(140°C) in case of 1200DPI) within about 6 seconds after the heater is turned ON.
6. During print temperature control, the condition of below about 302°F(150°C) (about 266°F(130°C) in case of 1200DPI) lasts for more than about 1 second continuously.

2.6 Circuit Overview

2.6.1 SCNT board function block diagram

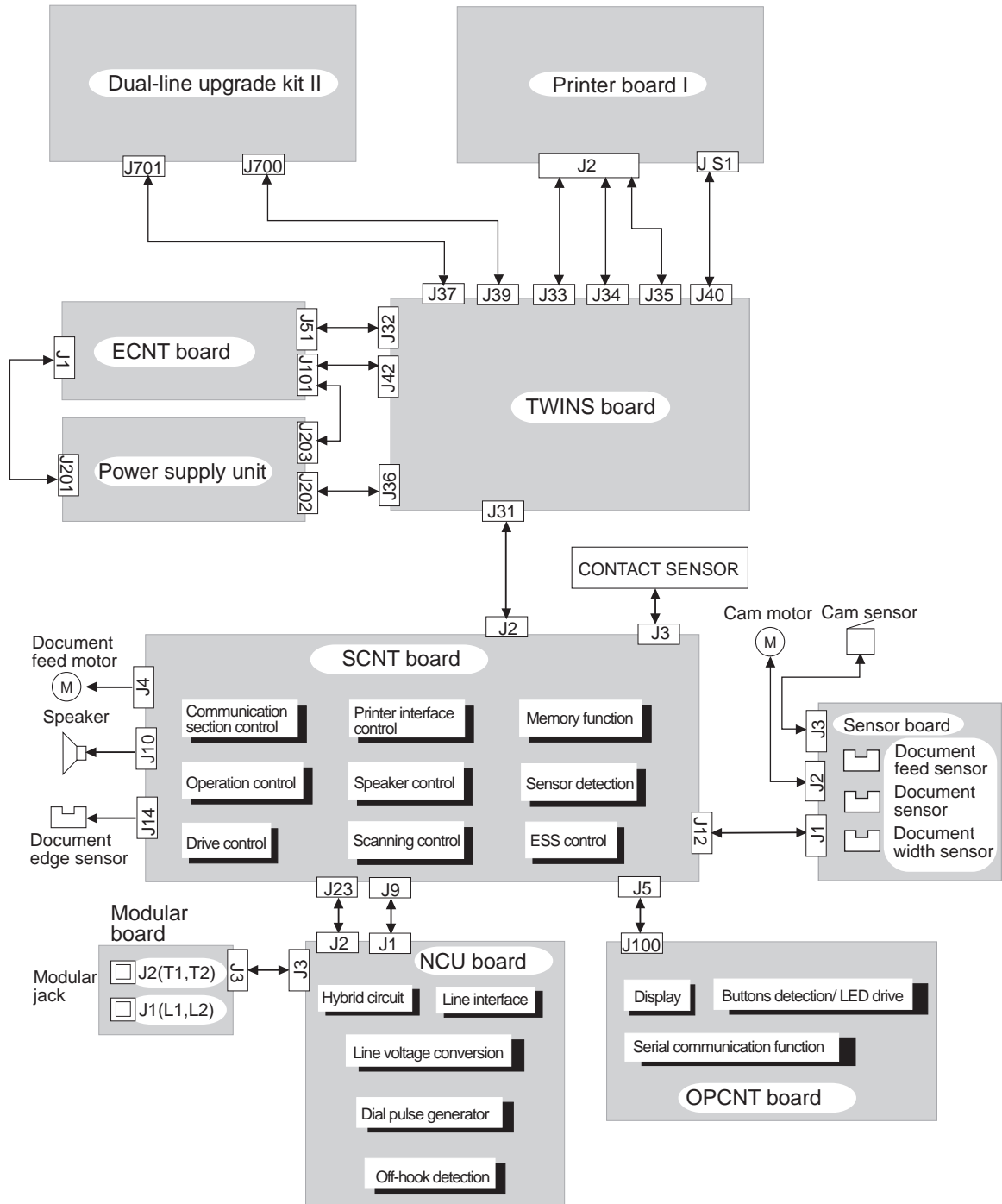


Figure 3-29 Function Block Diagram (1)

2.6.2 Functions

a) SCNT board

The SCNT board performs the following functions.

Drive control

The drive control section controls the document feed motor in the document scanning section.

Operation panel control

The operation panel control section serially transfers data to or from the control IC on the OPCNT board, receives button operation status, document status, etc., and sends the display and LED signals to the control IC on OPCNT board.

Scanner control

Image data input from the contact sensor are processed by the UHQ-6.6 image processing IC, coded by the CODEC IC, and sent to the DRAM from the system controller.

Printer interface control

The printer control section converts facsimile data of horizontal resolution of 8 or 16 dots/mm, and vertical resolution of 3.85, 7.7 or 15.4 line/mm to LBP print data of 600 dpi. This section synchronizes the vertical sync signal (nTOP) to the printer section with the horizontal sync signal (nBD) from the printer section to transmit an image signal (nVDO) to the printer section.

Communications unit control

The SCNT board detects line signals, such as CNG, DTMF and ROT. The modem, with a transmission rate of 33.6k bps, modulates and demodulates transmission/reception data and sends DTMF signals.

Speaker control

The SCNT board controls the alarm, button operation tones and line monitor tones.



The speaker volume control on the operation panel adjusts the line monitor volume. The button operation and alarm volumes are adjusted by specifying user data.

Sensor detection

The SCNT board detects the statuses of the sensors which in the scanner section, printer section, paper loading section, and covers to monitor the drive section.

Memory functions

User data, service data, data registered before shipment from the factory, and communications management information, are stored to the SRAM. Image data are stored to the DRAM.

Memory backup

The SCNT board is provided with a function for backing up data in control/image processing memory (SRAM) and image storage memory (DRAM) by lithium battery, and rechargeable battery, even if a power interruption occurs, or the power cord is disconnected by accident.

ESS (Energy Save Standby) control

The SCNT board controls the ESS function which reduces power consumption when the main unit is at standby.

b) NCU board

The NCU board performs the following functions.

Hybrid circuit

Signals sent from the system controller to the telephone line are prevented from entering the reception circuit.

Dial pulse generator

The dial pulse generator generates a dial pulse to send a dial signal from the fax through the dial line by turning the relay on and off using the control signal from the SCNT board.

Off-hook detection circuit

Detects the off hook state from the DC current flowing to the circuit, when the extension telephone (or option handset) is off hook.

Line voltage conversion circuit

The line primary on the NCU board is controlled by a +48 V DC line voltage, therefore, the line voltage conversion transformer converts the voltage of the control TTL for the lone secondary.

c) Modular board

Line interface

Signals from the two modular jacks for the telephone line and extension telephone (or option handset), are transferred to the line voltage conversion circuit on the NCU board and the signals from the fax are transferred to the telephone line.

d) OPCNT board

Buttons detection and LED drive function

The control IC on the OPCNT board detects the buttons operation status, and drives the LCD and LEDs.

Display

The control IC in the LCD module controls the 20-column × 2-line LCD according to the display signals from the SCNT board.

Serial communication

Serial communication with the SCNT board is used to send buttons, speaker volume switch, document status, etc., and to receive display, LED drive data, etc..

Sensors

The signals detected by the one touch dial cover sensors are sent to the SCNT board via the control IC on the OPCNT board.

e) Sensor board

Sensors

The document sensor, document width sensor, and document feed sensor are attached to the paper sensor board. The signals detected by these sensors are sent to the SCNT board.

2.6.3 ECNT board function block diagram

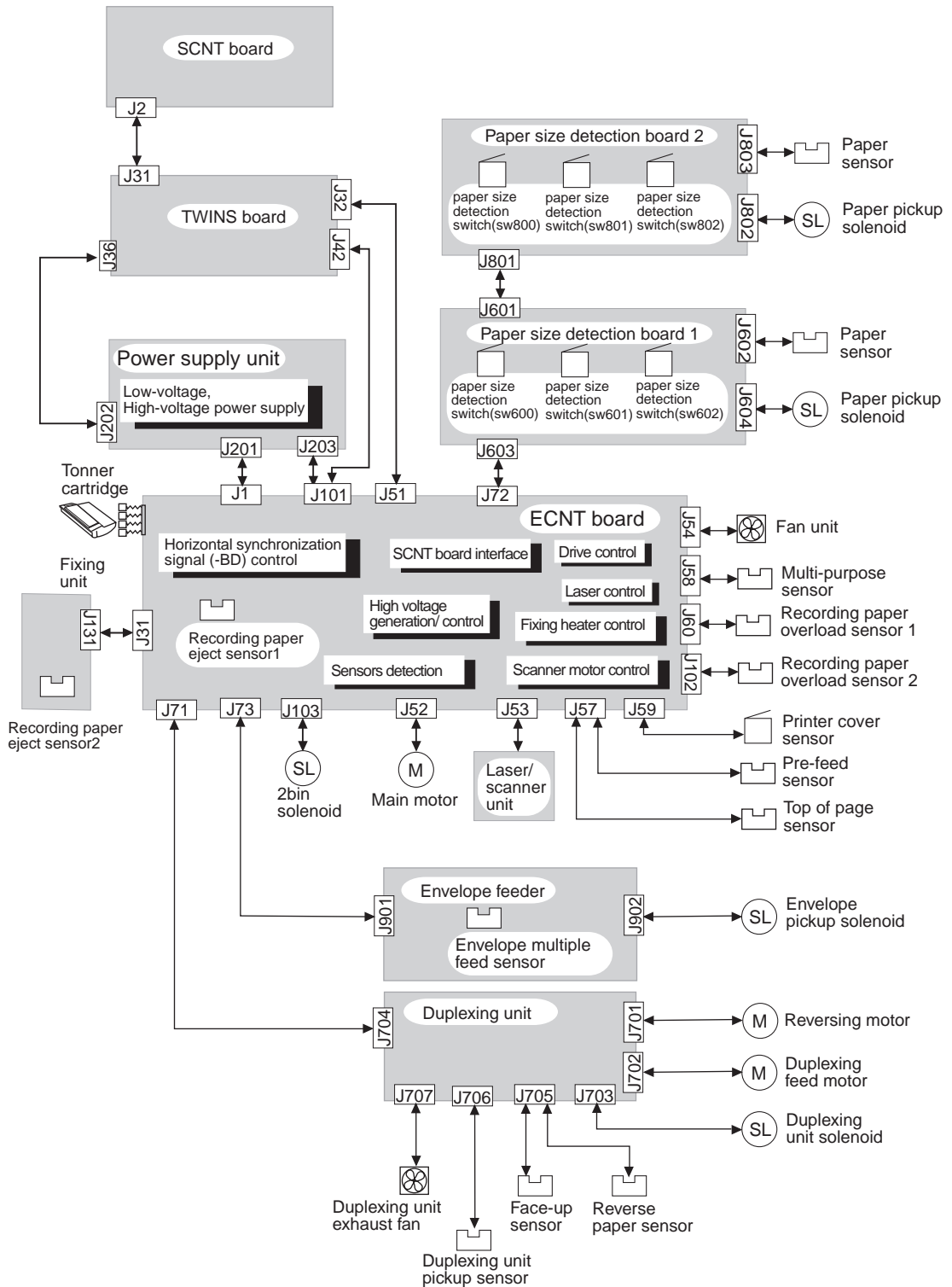


Figure 3-30 Function Block Diagram (2)

2.6.4 Functions

a) ECNT board

Fixing heater control

The fixing heater control section monitors the DC voltage supplied from the power supply in response to the AC 85~132 V, and the fixing heater thermistor, and drives the heater so that the temperature reaches the specified level. If the heater temperature is judged to be abnormal, the power supply to the heater is shut off.

High voltage generation/ control

The high voltage control section is to control the high voltage applied to the toner cartridge primary charge roller and developing cylinder, and the transfer charging roller of the toner transfer section.

Drive control

The drive control section controls the main motor, paper pickup solenoid, and fan. Also, the FANTAC signal from the fan via the power supply unit is detected, and the fan rotation monitored.

Sensors detection

The ECNT board monitors the drive section by detecting the statuses of the sensors in the printer section and paper pickup section.

SCNT board interface

The SCNT board interface section serially transmits the horizontal synchronization signal (nBD) and the vertical synchronization signal (nTOP) to the SCNT board, and, in turn, receives serially transmitted command signals from the SCNT board, and returns status signals, in order to inform the SCNT board of the printer section status.

Laser control

The laser control section controls the drive of the laser diode in the laser/scanner unit, in response to print data from the SCNT board. It also the laser diode auto power check, performed on each line of print data.

Horizontal synchronization signal control

When the laser beam reaches the horizontal printing start position, the horizontal position detection signal (nBDI) from the laser laser/scanner unit is detected, and the horizontal synchronization signal (nBD) sent to the SCNT board. Also, the output frequency status of the horizontal synchronization signal (nBD) is monitored.

Scanner motor control

The scanner motor drive is controlled so that the print image vertical resolution reaches 600 dpi. Also, the SCNTAC signal from the laser/scanner

unit is detected, and the scanner motor rotation status monitored.

Toner detection

Signals are received from the antenna type toner sensor, and monitors the remaining toner of the toner cartridge.

b) Paper size detection board 1

Sensors

The cassette recoding paper size sensor (SW600,601,602), and cassette recording paper sensor for cassette1 are attached to the paper size detection board 1. The signals detected by these sensors are sent to the ECNT board.

c) Paper size detection board 2

Sensors

The cassette recoding paper size sensor (SW800,801,802), and cassette recording paper sensor for cassette2 are attached to the paper size detection board 2. The signals detected by these sensors are sent to the ECNT board.

d) Power supply

Switching regulator

This fax generates +24V, +12V and +3.3V from the 120V household current power supply, and supplies these voltages to the respective sections.

2.6.5 SCNT board component block diagram

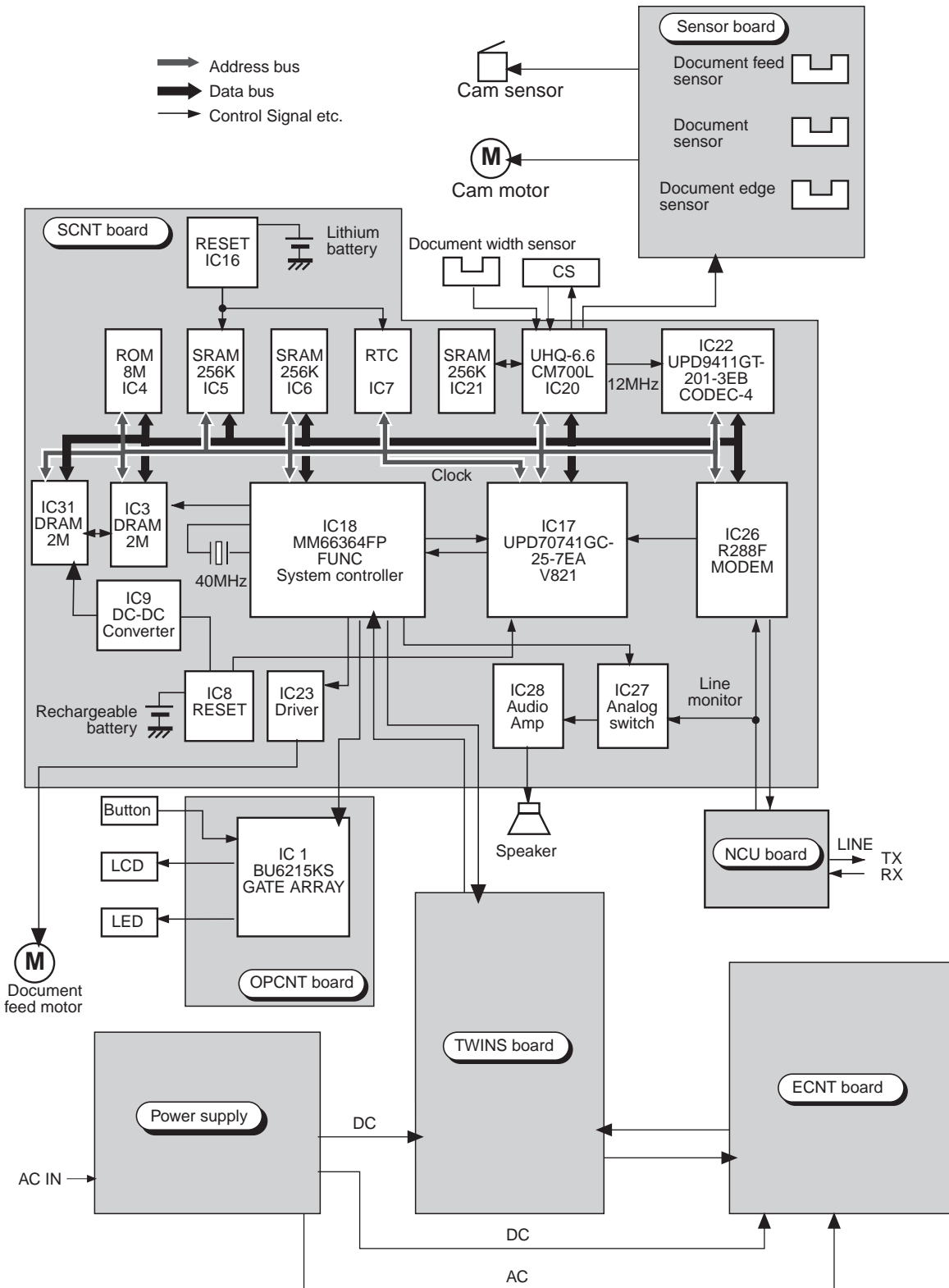


Figure 3-31 Component Block Diagram (1)

a) System control section (SCNT board)

The system control section consists of the following components and controls the entire facsimile system.

a-1) MPU (Micro Processor Unit) (IC 17)

The MPU, on NEC UPD70741GC-25-7EA, has the following main functions.

- 16-bit CPU
- 24-bit address bus
- 16-bit data bus
- Software CODEC
- Interrupt control unit

The CPU controls interrupts from the system controller IC, and the others the inside.

- CSI (Clocked Serial Interface)

a-2) System controller (IC 18)

The system controller is a gate array for controlling MPU peripheral devices.

The main functions of the system controller are as follows:

- DMA controller
- DMA interface
- DRAM controller
- ESS control
- Chip select
- NMI generator

Generate NMI for ESS mode cancellation (cancellation in CPU stop mode)

- CI pulse width counter
- Timer

Used to generate dial pulses

- Clock divider
- Generate basic clocks (16 MHz) for codec IC (IC22)

- CPU interface
 - CODEC interface
 - UHQ-6.6 interface
 - Row to column converter
- Specify the DRAM address
- R.T.P.

Fine adjust the motor speed during high speed scanning in Ultra Fine or Super Fine mode

- 16-bit serial interface
- Serial interface to gate array on the operation panel

a-3) EP-ROM (IC 4)

The 8-Mbit EP-ROM contains the control program for the operation section, read section, and communication control section of the fax.

a-4) DRAM (IC 3, 31)

This 16-Mbit DRAM is backed up by rechargeable battery (approx. 12 hour after AC power interruption), and is used as memory for storing image data and MPU work area.

a-5) SRAM (IC 5, 6)

These 256-kbit SRAMs are backed up by lithium battery. SRAM holds data registered for system control and communications management information.

a-6) RTC (Real Time Clock) IC (IC 7)

A Seiko epon RTC-63421A is used as the RTC. The RTC IC is backed up by lithium battery, and counts the date and time.

b) Document scanning section (SCNT board)

The document scanning section consists of the following components and processes scanning image data.

b-1) Image processing IC (IC 20)

The main functions of the image processing IC (UHQ-6.6) are as follows:

- A/D conversion

Input signals from the contact sensor are A/D converted

- ABC (Auto Background Control)
- AGC (Auto Gain Control)
- Read density - document density conversion
- Edge enhancement processing
- Binarization processing
- Notch eliminate processing
- Autohalftone processing
- Error diffusion processing
- Parallel/Serial conversion
- Dark correction

Adjust variations in the output of transistor array chips when the LED is turned off

- Shading correction
- Contact sensor interface
- SRAM interface

b-2) CODEC IC (IC 22)

The main functions of the CODEC IC are as follows:

- Scanner interface
Serial interface to image processing IC
- Encoder
- Decoder
- Printer interface
Serial interface port for the SCNT printer interface

b-3) SRAM (IC 21)

A 256-kbit SRAM is used as a buffer for the image processing data.

c) Communication control section (SCNT board)

The communication control section consists of the following components and controls facsimile communication.

c-1) MODEM IC (IC 26)

A Context R288F is used as the modem IC. The MODEM IC carries out G3 modulation conforming to ITU-T standards V.34, V.33, V.17, V.29, V.27ter and V.21 on transmitted data received from the MPU during transmission. During reception, the MODEM IC carries out G3 modulation on received signals from the telephone line, according to the same standards.

d) Printer interface section (SCNT board)

The printer interface section consists of the following components and controls the printer section by conversion data from the system control section into print data and printer control commands.

d-1) System controller (IC 18)

The system controller has the following printing system image processing function.

- LBP video interface
- Line buffer control
- Smoothing processing
- Reduction processing
- WPD (Window Pattern Diffusion)
Eliminate image defects when an image is reduced by the error diffusion method

2.6.6 ECNT board component block diagram

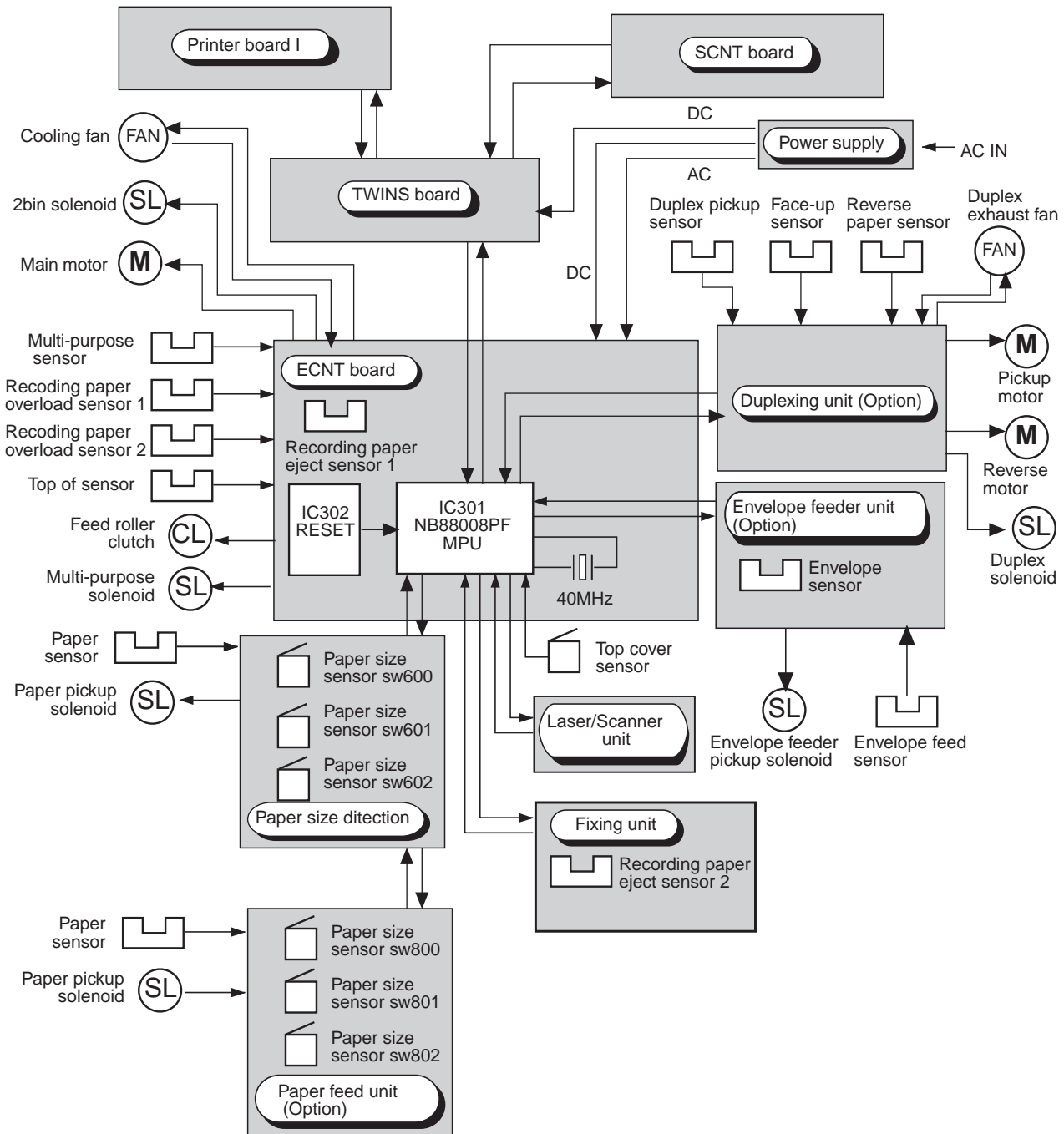


Figure 3-32 Component Block Diagram (2)

a) Printer control section (ECNT board)

The printer control section consists of the following components and controls the LBP printer.

a-1) Single chip microcomputer (IC 501)

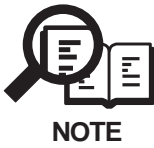
The single chip microcomputer has the following main functions.

- 8-bit CPU
- 24k-byte ROM
- 512k-byte RAM
- Fixing heater control
- Thermistor detection
- Sensor detection
- Main motor control
- Toner cartridge, transfer charging roller high voltage control
- Fan control
- Paper pickup solenoid, and paper feed solenoid control
- SCNT board interface
- Scanner motor control
- Beam detection signal (nBD) detection
- Laser diode control

2.6.7 Flow of image signals

a) G3 memory transmission

- (1) The image is scanned by the contact sensor, and the analog image data is sent to the SCNT board.
- (2) The image processing IC (IC20) converts the analog image data from the contact sensor into digital data.
- (3) The digitized data is encoded by the CODEC IC in an MR with no compression function, and transferred to DRAM (IC3) by high-speed DMA transfer.
- (4) The main CPU (IC17) makes the transmission header, and encodes it with no compression.
The main CPU software CODEC decodes the encoded data held in DRAM, and converts MR -> run length -> MH/MR/MMR or MR -> raw data -> MH/MR/MMR/JBIG.
- (5) After being converted by an appropriate encoding method in the other party, a header is added, and the data is sent to the DRAM transmission buffer.
- (6) The main CPU reads the image data from the transmission buffer, and writes it to the MODEM IC (IC26), then the MODEM IC sends it to the telephone line.



G3 direct transmission

Direct transmission transfers image data by high-speed DMA transfer to DRAM in the same way as memory transmission. Image data up to an image memory block size of 16KB can be scanned. If the image file capacity becomes full, the scanning operation is halted. When data is transmitted and the image memory block emptied, the scanning operation begins again.

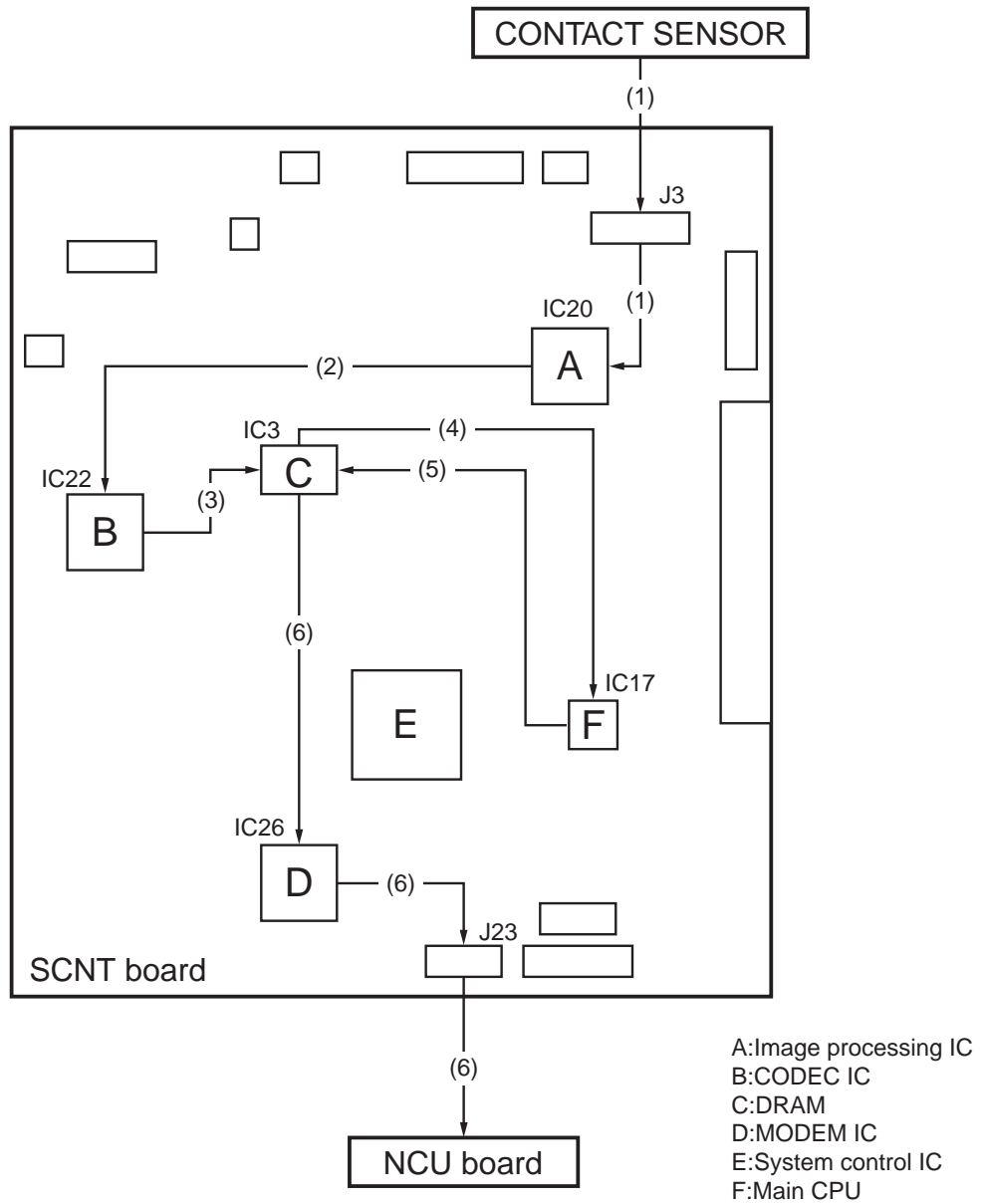
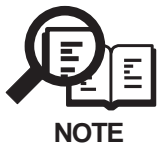


Figure 3-33 Transmission

b) G3 reception

- (1) The received image signal by L1, L2 is passed through a 2-line - 4-line conversion circuit in the NCU board, and amplified.
The encoded data received by the MODEM IC (IC26) is read out by the CPU and then it is written into the DRAM (IC3) reception buffer by the CPU.
- (2) The main CPU (IC 17) software CODEC decodes the encoded data in the reception buffer, deletes error lines, encodes to the non-compression function MR, and loads into the DRAM. The main CPU counts the number of lines and calculates the length of one page.
- (3) The main CPU determines print functions such as direct print, linear reduction, and page separation by following the length of one page, and sets a mode compatible with the system controller and the CODEC IC.
- (4) After the encoded image data recorded in the DRAM is transferred by high-speed DMA transfer to the CODEC IC, it is serially forwarded to the system control IC (IC18).
- (5) The system control IC converts the fax data resolution into a resolution suitable for print data, and sends it to the ECNT board via the TWINS board.
- (6) The ECNT board controls the main motor, laser, and high voltage for the received print data, and prints out the data.



When receiving, operations (1) and (2) above are repeated. When one page of image data is loaded into memory, the recording tasks from (3) and on are started as separate tasks.

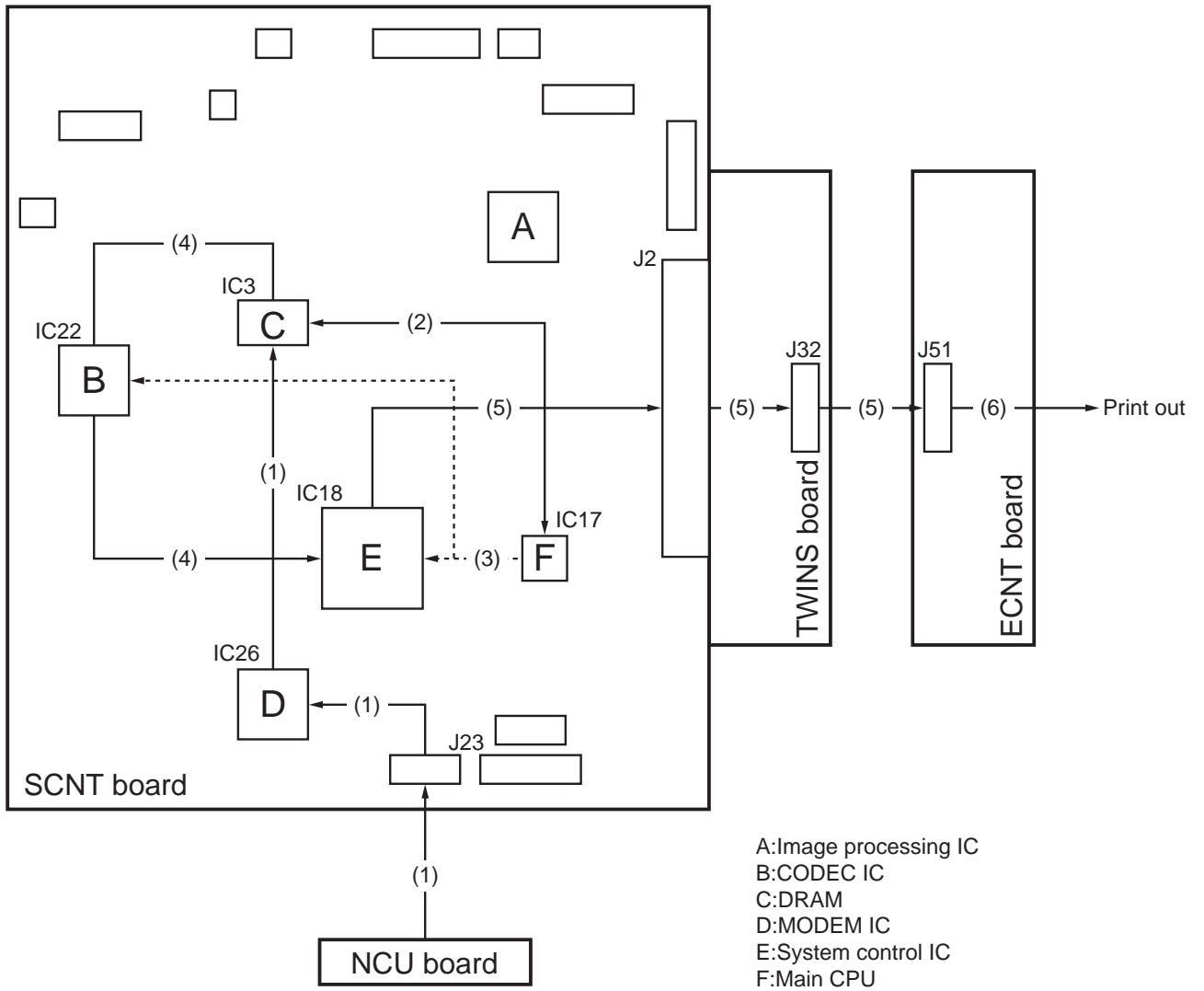


Figure 3-34 Reception

3. NEW FUNCTION

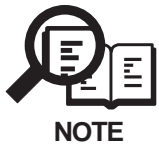
3.1 High-speed Transmission

The image transmission time is reduced drastically compared with the previous models by the V.34 modem (maximum transmission speed 33600 bps) recommended by ITU-T.

3.1.1 V.8/V.34 protocol

a) Outline

- The V.8 protocol is used as the startup protocol to move to V.34. The V.8 protocol enables connection with fax machines, data modem and equipment using existing V-series modems. The V.34 modem contains a modem circuit based on the previous recommendation to connect with the previous modems and has upper compatibility.
- The actual data transmission speed is improved entirely on average by speeding the modulation method and utilizing new techniques, such as the pre-emphasis technique^{*1} for increasing the S/N (signal-to-noise) ratio and the probing technique^{*2} for measuring line characteristics and optimizing the modem operation according to the line condition.
- The V.8 protocol, V.34 pre-protocol and post-protocol use full-duplex transmission to speed the processing.
- Fourteen image transmission speeds^{*3} are available:
33600, 31200, 28800, 26400, 24000, 21600, 19200, 16800, 14400, 12000, 9600, 7200, 4800, and 2400 bps
- The modulation speed (baud rate)^{*4} can be selected from among 2400, 3000, and 3200 symbols/sec (required) or 2743, 2800, and 3429 symbols/sec (option). The data transmission speed can be set more finely than the previous modems.



NOTE

*1 The output level of a high-frequency zone with comparatively high noise is raised, and then the transmission signal is sent.

*2 A tone signal known as a probing signal (L1 and L2) is output, and the receiving side measures the characteristics of the line.

*3 The data signaling rate is recorded in the ITU-T standards manual. Image transmission speed means the same as data signaling rate.

*4 The symbol rate is recorded in the ITU-T standards manual. Symbol rate means the same as moderation speed and baud rate.

2743 symbol/sec cannot be used with this fax.



NOTE

1. The V.34 protocol uses ECM. If the ECM SW in user data is set to OFF, the V.8 protocol is not executed. Therefore, the V.34 protocol is not used, and V.17 or a lower protocol is selected.
 2. If the transmission speed is set to 14400 bps or lower, the V.8 protocol is not executed and V.17 or a lower protocol is selected.
 3. After the V.21 protocol is selected first, it can be changed to V.8 or V.34. (See c-1)
 4. When the V.34 protocol begins, it falls back within the V.34 protocol, but it does not fall back to the V.17 mode or lower.
-

b) Typical protocol

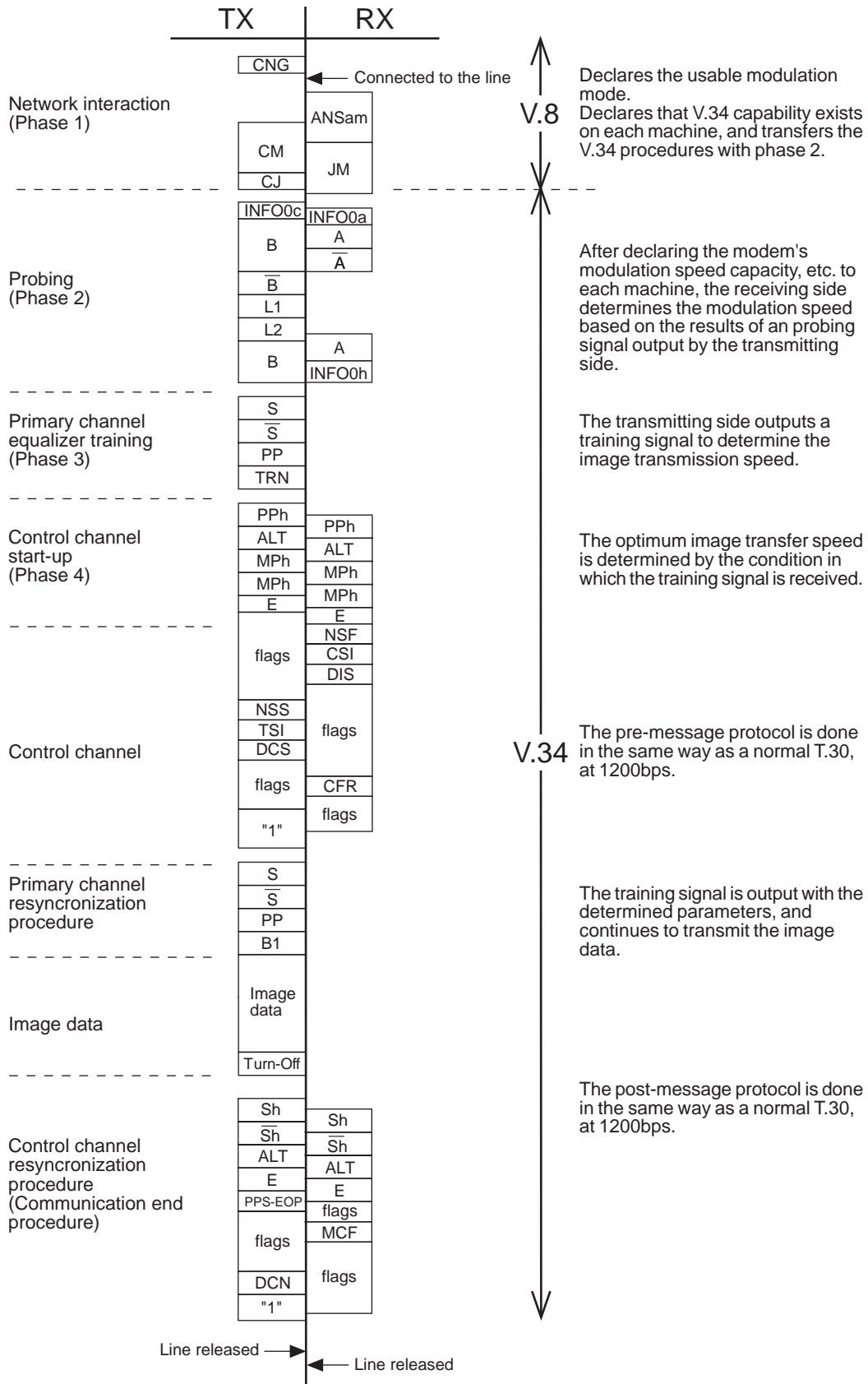


Figure 3-35 Typical Protocol

b-1) Network interaction (Phase 1)

The V.8 protocol is used as the startup protocol for high-speed modem V.34. The V.8 protocol determines the best modulation method (V-series modem mode) that is available between the transmitter and receiver.

• Transmitter

Signal	Abbreviation	Meaning	Remarks
Calling tone	CNG	1100-Hz tone signal specified by T.30 to identify an automatic-calling fax machine.	
Dial-tone menu signal	CM	Indicate an available modulation method (V.21, V.27ter, V.29, V.17, or V.34).	Modulated by V.21(L) ^{*1} .
CM terminator	CJ	Indicate JM signal detection and CM signal termination.	Modulated by V.21(L) ^{*1} .
Dial-tone display signal	CI	Indicate the general transmission function. Sent to resume the V.8 protocol.	Late start only. (See Figure 3-36.) Modulated by V.21(L) ^{*1} .

• Receiver

Signal	Abbreviation	Meaning	Remarks
Modified response tone	ANSam	2100-Hz tone signal amplitude-modulated by 15 Hz.	Equivalent to CED for previous models.
Common menu signal	JM	Indicate the terminal type, such as a fax machine, and an available modulation method in response to the available modulation method reported by the CM from the transmitter.	Modulated by V.21(H) ^{*1} .

^{*1} V.21(L): Low-frequency channel defined by V.21 recommendation
1080±100 Hz (980 Hz:1, 1180 Hz:0)

Transmission speed: 300bps

V.21(H): High-frequency channel defined by V.21 recommendation
1750±100 Hz (1650 Hz:1, 1850 Hz:0)

Transmission speed: 300bps

b-2) Probing (Phase 2)

The line characteristics are measured and modulation-related parameters, such as symbol rate, are set.

• **Transmitter**

Signal	Abbreviation	Meaning	Remarks
INFO sequence	INFO0c	Indicate modem capabilities, such as baud rate and frequency transmission function (two frequency bands used to measure line characteristics), and request adjustment.	Transmission speed: 600bps
Tone B	B	Modem synchronization with a 1200-Hz tone signal.	The phase of the B-signal is inverted 180 degrees from the phase of the B signal.
Tone \bar{B}	\bar{B}		
Probing signal L1	L1	Tone signal for analyzing line characteristics by probing.	Probing: Measurement of line characteristics. Tone signal in the range 150 to 3750 Hz in 150-Hz steps.
Probing signal L2	L2	Transmit the signal at a level 6 dBm higher than the transmission signal level set by the attenuator.	

• **Receiver**

Signal	Abbreviation	Meaning	Remarks
INFO sequence	INFO0a	Report the modem capabilities, such as baud rate and frequency transmission ability.	Transmission speed: 600bps
Tone A	A	Modem synchronization with a 2400-Hz tone signal.	The phase of the A-signal is inverted 180 degrees from the phase of the A signal.
Tone \bar{A}	\bar{A}		
INFO sequence	INFO0h	Report the pre-emphasis filter and baud rate used for data transmission based on the result of analysis of the probing signal.	Transmission speed: 600bps

b-3) Primary channel equalizer training (Phase 3)

Filters, such as equalizers, are trained (adjusted) with the parameters set in phase 2.

• Transmitter

Signal	Abbreviation	Meaning	Remarks
S signal	S	Short training	The phase of \overline{S} is shifted from the phase of S.
\overline{S} signal	\overline{S}		
PP signal	PP	The other modem uses this signal to train the equalizer.	
TRN signal	TRN	The receiver uses this signal to determine the transmission speed.	

b-4) Control channel start-up (Phase 4)

Select the maximum data signalling rate and trellis encoder and set the data signalling rate that can be supported.

• Transmitter/receiver

Signal	Abbreviation	Meaning	Remarks
PPh signal	PPh	The other modem uses this signal to train the equalizer.	
ALT signal	ALT	_____	
Modulation parameter	MPh	Indicate the image transmission parameters, such as maximum data signal speed, control channel data signal speed, trellis coding type, pre-coding type, and baud rate.	
E sequence	E	_____	20-bit sequence of binary 1's.

b-5) Control channel

The conventional T.30 protocol is executed.

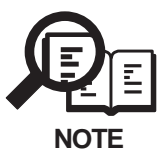
The transmission speed is 600bps.

• **Transmitter**

Signal	Abbreviation	Meaning	Remarks
Flag	flags	Maintain synchronization.	7E (H)
Non-standard facilities set-up	NSS	Receive NSF from the other party, select an available mode from it, and instruct reception.	
Transmitting subscriber identification	TSI	Report the transmitter telephone number.	
Digital command signal	DCS	Instruct the available mode.	
_____	1	Declare to switch to high-speed protocol.	Transmit 1's.

• **Receiver**

Signal	Abbreviation	Meaning	Remarks
Non-standard facilities	NSF	Report functions not recommended by ITU-T, user's ID, manufacturer code, etc.	
Called subscriber identification	CSI	Report the receiver telephone number.	
Digital identification signal	DIS	Report standard ITU-T-recommended functions.	
Flag	flags	Maintain synchronization.	7E (H)
Confirmation to receive	CFR	Report that modem training ends and image signal reception is ready.	



In the control channel, signals which differ according to the frequencies of both TX and RX are output. It follows that the effects of the echo are not received because the frequencies of the signal returned by echo and the signal output by the other machine are different.

b-6) Primary channel resynchronization procedure

Training is performed with the parameters set in phase 4.
The transmission speed is 1200bps.

• Transmitter

Signal	Abbreviation	Meaning	Remarks
S signal	S	Short training	The phase of \overline{S} is shifted from the phase of S.
\overline{S} signal	\overline{S}		
PP signal	PP	The other modem uses this signal to train the equalizer.	
Sequence B1	B1	Scramble data frame transmitted at the end of start-up protocol.	

b-7) Image data

Transmit image data.

• Transmitter

Signal	Abbreviation	Meaning	Remarks
Image data	Image data	Encoded image data	
_____	Turn-off	_____	Send scrambled 1's for 35 ms.

b-8) Control channel resynchronization procedure (Communication end procedure)

Protocol for terminating transmission.

The transmission speed is 1200bps.

• **Transmitter**

Signal	Abbreviation	Meaning	Remarks
Sh signal	Sh	Short training	
$\overline{\text{Sh}}$ signal	$\overline{\text{Sh}}$		
ALT signal	ALT	-----	
E sequence	E	-----	
End of procedures	PPS-EOP	One page is transmitted.	
Flag	flags	Maintain synchronization.	7E (H)
Disconnect signal	DCN	Disconnect the line.	

• **Receiver**

Signal	Abbreviation	Meaning	Remarks
$\overline{\text{Sh}}$ signal	$\overline{\text{Sh}}$	Short training	
Sh signal	Sh		
ALT signal	ALT	-----	
E sequence	E	-----	
Flag	flags	Maintain synchronization.	7E (H)
Message confirmation	MCF	Indicate that the receiver has received the image signal correctly and can receive the next document immediately.	

c) Examples of sequences

The signals in the shaded areas are important in the protocol.

c-1) Late start

Since the receiver cannot detect the CM signal while sending the ANSam signal, it sends the DIS signal containing the "V.8 protocol" declaration. The transmitter sends the CI signal to request the receiver to send the ANSam signal again to move to V.8 protocol.

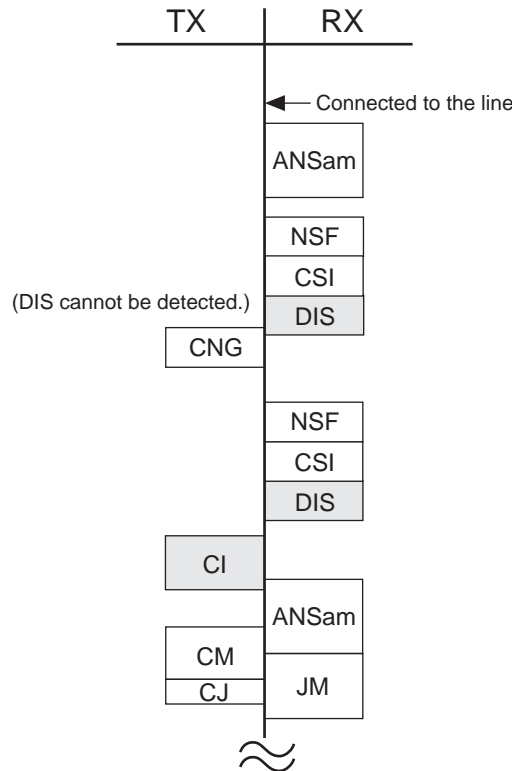


Figure 3-36 Late Start

c-2) Between-page sequence

The transmitter sends image data, then the PPS-MPS signal in the same as for the T.30 protocol. The receiver sends the MCF signal to receive the next page.

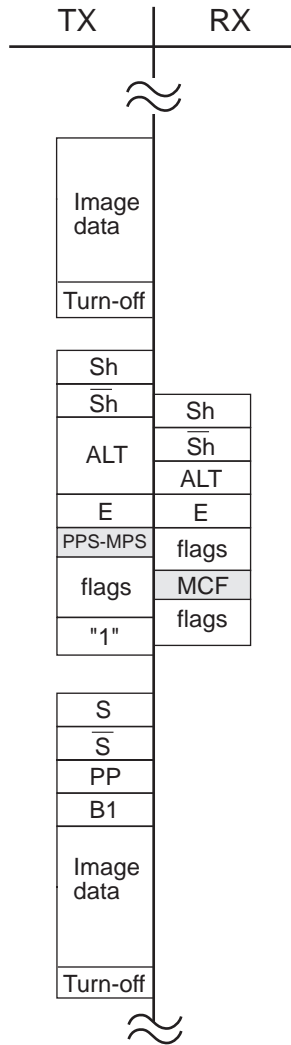


Figure 3-37 Between-page Sequence

c-3) Mode change

The transmitter sends PPS-EOM and the receiver sends the MCF signal. Then the receiver sends the DIS signal and the transmitter sends the DCS signal to change the mode.

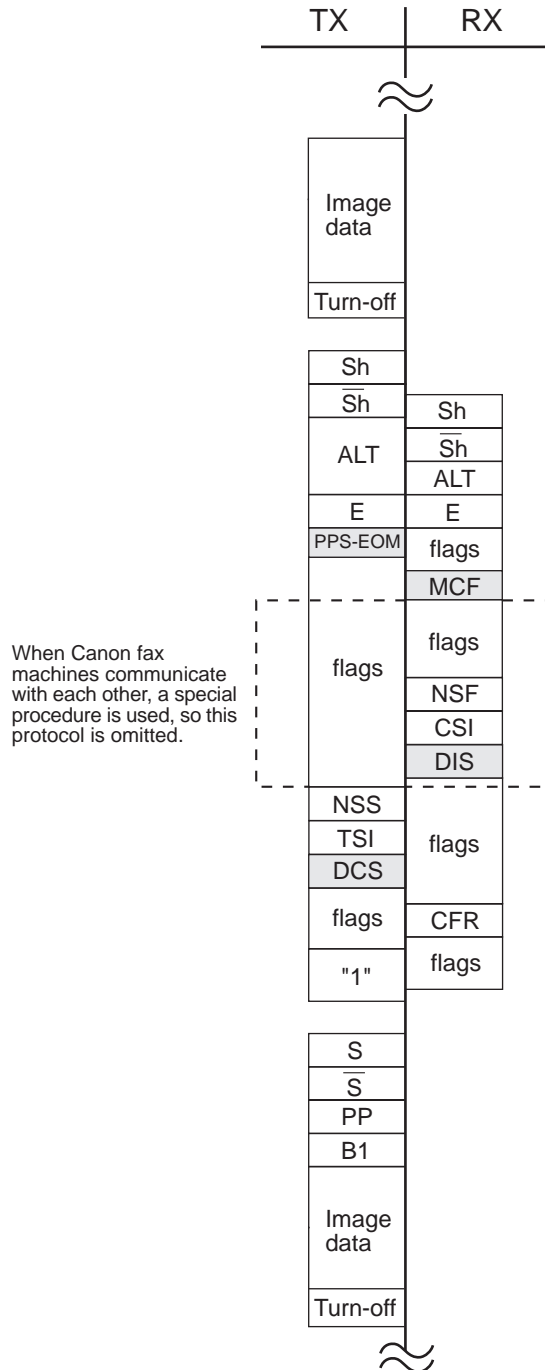


Figure 3-38 Mode Change

c-4) Image transmission speed change from the receiver

The receiver returns to the PPh signal in response to the Sh signal from the transmitter. The image transmission speed is then determined by the MPh sequence sent from both modems.

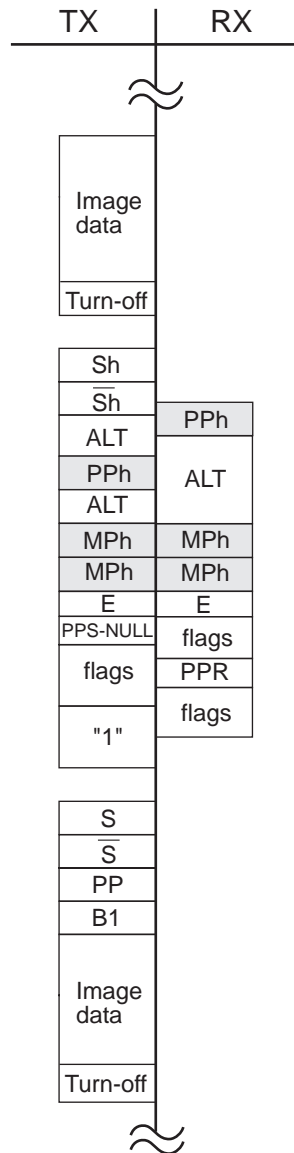


Figure 3-39 Image Transmission Speed Change from the Receiver

c-5) Image transmission speed change from the transmitter

The transmitter sends image data, and then the PPh signal, and the receiver returns the PPh signal to the transmitter. The image transmission speed is then determined by the MPh sequence sent from both modems.

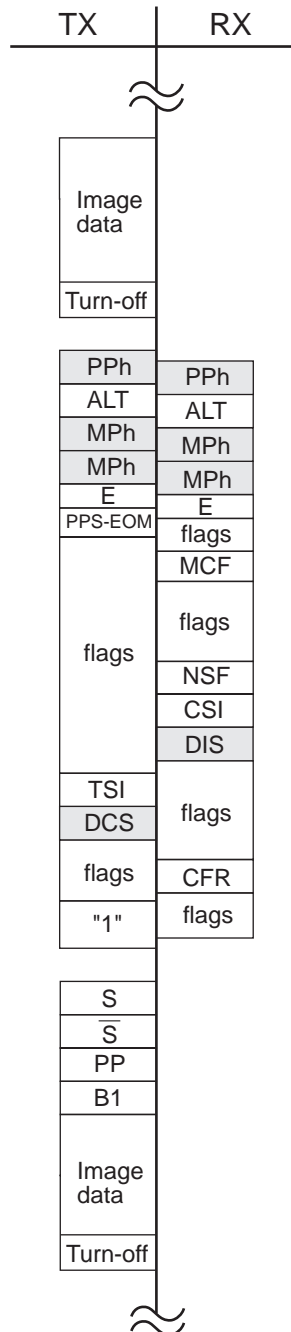


Figure 3-40 Image Transmission Speed Change from the Transmitter

3.2 JBIG Image Compression Encoding Method

3.2.1 Outline of the JBIG Image Compression Encoding Method

The JBIG Image Compression Encoding Method is recommended in ITU-T T.82/T.85 as a new bi-level (bi-level: White and Black) image compression encoding method developed by JBIG (Joint Bi-level Image experts Group).

The JBIG Image Compression Encoding Method has the following characteristics with regards to text documents, quasi-gray scale images with little continuous black and white, and gray scale images which use a dithering method: a higher compression rate (1.1~30 times higher) than the conventional MMR compression method, the encoded volume will not exceed the volume of original image information after compression, and when decoding, the image can be completely re-assembled to its original condition in the same way as with conventional MR/MMR.

The JBIG Image Compression Encoding Method contains Progressive Bi-level Image Compression for searching image databases, recommended in ITU-T T.82, and Single Progression Sequential Bi-level Image Compression for facsimile, recommended in ITU-T T.82 and T.85.

Images will take on the form shown below.

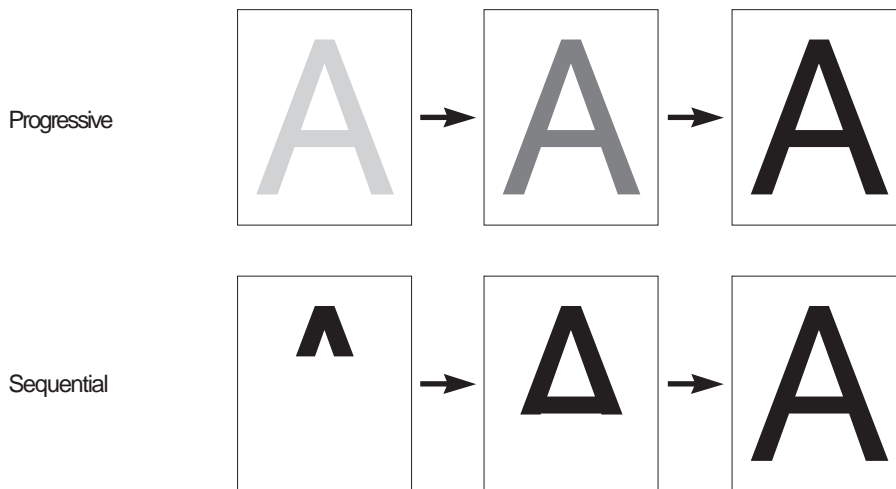


Figure 3-41 Images



NOTE

The characteristics of Progressive Bi-level Image Compression are explained below as a reference. First of all, after the original image has been read in at high resolution, it is converted to low resolution, and this low resolution image data proceeds to be encoded (compressed). On the receiving end, the overall original image can be quickly recognized by the steps in which this low resolution image compression data is received.

Next, to improve the quality of the low resolution image already sent, only information needed to improve the resolution is forwarded. The previous low resolution image is decoded on the receiving side with this information, and following this, the high resolution image is displayed on top of the previous low resolution image.

It is easy to quickly recognize the original image in the process of displaying the image from low resolution to high resolution in order by using this method, with a CRT display for example. Also, according to the situation, it is possible to interrupt the image transfer at the point where the original image is recognized to some degree by the receiving side.

This method requires a page buffer memory for the low resolution image because the low resolution images are used for the purpose of high resolution image encoding.

3.2.2 Single Progression Sequential Bi-level Image Compression Method

The Single Progression Sequential Bi-level Image Compression Method used in this fax is explained below.

The Progressive Bi-level Image Compression Method uses multiple resolution layers on a single page (multi-level layers, low resolution layers~high resolution layers) to perform encoding/decoding. In the Single Progression Sequential Bi-level Image Compression Method, encoding is done in units of horizontal bands (a number of lines) called stripes, and is performed from left to right, top to bottom (this condition is called sequential), and in one resolution layer (single layer).



NOTE

In this method, the encoding is done in stripe units, so it is completed with a buffer memory much smaller than a page buffer memory.

The methods by which encoding takes place and by which image data is constructed after encoding are explained below.

3.2.3 Encoding Method

In the JBIG encoding used in the Single Progression Sequential Bi-level Image Compression Method, uses in the encoder shown below to encode to the original the results of comparison of the line currently being processed and the previous line, as well as the predicted value of an image pixel (white or black) used in a model template.

The study table used in the prediction makes the next prediction more accurate by learning and correcting the study table every time the model template moves to the adjoining pixel. It is characteristic of this method that if the prediction is accurate the amount of encoding will not increase, and if the prediction is off the amount of encoding increases, so the increase in prediction accuracy of this study table is very important.

An outline of the encoding procedure is shown below.

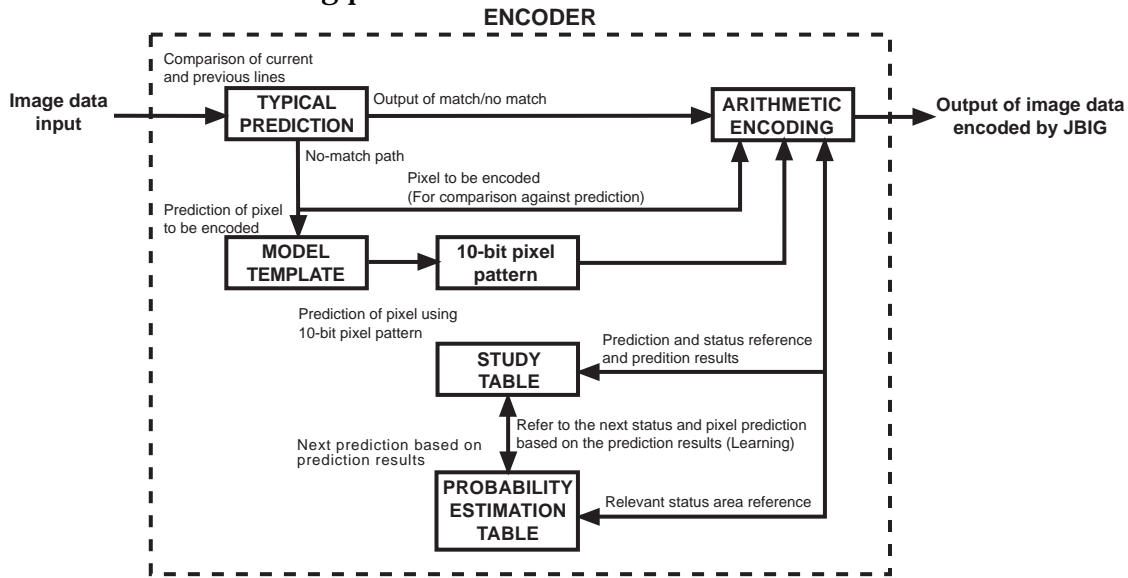
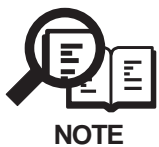


Figure 3-42 Encoder and Flow of JBIG Encoding

- a) In the pattern prediction section, the line currently being processed and the current line are compared, and judged to match or not match. A flag showing whether or not the lines match (1 bit, 0: match, 1: don't match) is attached to the head of each line according to this judgment. When the lines match, only this flag is encoded in the arithmetic encoding section as a suspected pixel, the pixel of the line being currently processed is not encoded. When the lines do not match, the pixel of the line currently being processed is encoded in the arithmetic encoding section based on the results of a comparison of the value of the actual pixel and the pixel (white or black) which is predicted using the model template and the study table.



When the lines are judged to match, the line currently being processed is said to be “typical”. When the lines are judged to not match, the line is said to be “not typical”. When the very first line of an image is predicted, the background color is used as the previous line.

- b) In the model template, the combination (10-bit pixel pattern) of 10 pixels is output to the arithmetic encoding section using the template shown below (inside the bold outline).

All of the 10-bit pixel patterns inside this template exist in the study table. This 10-bit pixel pattern is used by the arithmetic encoding section to refer to the predicted value of the pixel and the status number in the study table which correspond to the 10-bit pixel pattern.

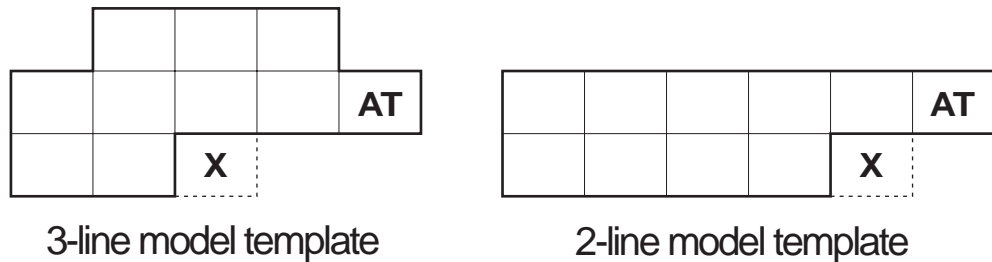


Figure 3-43 Model Templates



NOTE

There are two types of model templates 3-line and 2-line, and the one selected is designated by the LRLTWO inside the Bi-level Image Header section (BIH). The pixel shown by “X” is an encoded pixel and is outside of the template.

The pixel shown by “AT” is a special pixel known as an AT pixel. The AT pixel becomes a Adaptive Template by having its position moved, and is very effective when encoding a periodic pixel, similar to a dither pattern image.

The position of AT in the figure is the beginning position of the AT pixel.

In this fax, it remains fixed in this initial position, so Adaptive Template is not used.

- c) The study table, as shown below, is constructed by all of the 10-bit pixel patterns output by the model template, and their corresponding status numbers and predicted values of the pixel to be encoded.

The predicted value of the pixel to be encoded and the status number is compared to the actual pixel in the arithmetic encoding section every time the model template is moved to the adjoining pixel.

The result of this comparison (matches / does not match predicted value) and the status number are then checked by comparison to the probability estimation table, and the study table is corrected (learned) to a new prediction value and status number which will be used when the same pixel pattern is found again.

By learning in this way, the probability of the study table matching the next time is increased, and the need for encoding decreased.

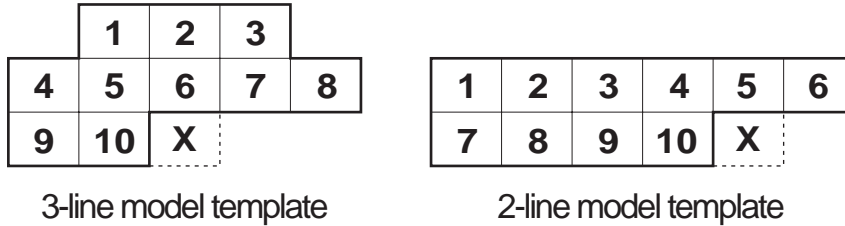


Figure 3-44 Positions of Pixels in Model Template

Table 3-1 Study Table (Initial values)

Pixel pattern in the model template												Predicted value of pixel	Status No. (ST)
Hex	Dec	1	2	3	4	5	6	7	8	9	10		
000h	0	0	0	0	0	0	0	0	0	0	0	0 (white)	0
001h	1	0	0	0	0	0	0	0	0	0	1	0 (white)	0
002h	2	0	0	0	0	0	0	0	0	1	0	0 (white)	0
003h	3	0	0	0	0	0	0	0	0	1	1	0 (white)	0
004h	4	0	0	0	0	0	0	0	1	0	0	0 (white)	0
005h	5	0	0	0	0	0	0	0	1	0	1	0 (white)	0
3FBh	1019	1	1	1	1	1	1	1	0	1	1	0 (white)	0
3FCh	1020	1	1	1	1	1	1	1	1	0	0	0 (white)	0
3FDh	1021	1	1	1	1	1	1	1	1	0	1	0 (white)	0
3FEh	1022	1	1	1	1	1	1	1	1	1	0	0 (white)	0
3FFh	1023	1	1	1	1	1	1	1	1	1	1	0 (white)	0

Table 3-2 Probability Estimation Table

ST	LSZ	NLPS	NMPS	SWITCH	ST	LSZ	NLPS	NMPS	SWITCH
0	5A1Dh	1	1	1	57	01A4h	55	58	0
1	2586h	14	2	0	58	0160h	56	59	0
2	1114h	16	3	0	59	0125h	57	60	0
3	080Bh	18	4	0	60	00F6h	58	61	0
4	03D8h	20	5	0	61	00CBh	59	62	0
5	01DAh	23	6	0	62	00ABh	61	63	0
6	00E5h	25	7	0	63	008Fh	61	32	0
7	006Fh	28	8	0	64	5B12h	65	65	1
8	0036h	30	9	0	65	4D04h	80	66	0
49	0706h	79	50	0	106	50E7h	108	107	0
50	05CDh	48	51	0	107	4B85h	109	103	0
51	04DEh	50	52	0	108	5597h	110	109	0
52	040Fh	50	53	0	109	504Fh	111	107	0
53	0363h	51	54	0	110	5A10h	110	111	1
54	02D4h	52	55	0	111	5522h	112	109	0
55	025Ch	53	56	0	112	59EBh	112	111	1
56	01F8h	54	57	0					

- ST: Status number in the study table
- LSZ: Probability estimation value (range) for inaccurate prediction
- NLPS: Next status destination when a prediction is inaccurate
- NMPS: Next status destination when a prediction is accurate
- SWITCH: Next prediction value reversed if SWITCH=1 when prediction is inaccurate

Example:

A brief explanation of how the study table works is given below.

It is assumed that each of the model template pixels 1~10 in the image below are white.

1. In this case, the model template pixel pattern is 000h.
2. The predicted value of pixel pattern 000h for pixel "X" is "white", but it is actually black. Thus the prediction is "inaccurate".
3. The status ST is "0", so the probability estimation table is consulted, and the next status is moved to "1". At the same time, by the reversal of the predicted value, the next prediction is for "black".

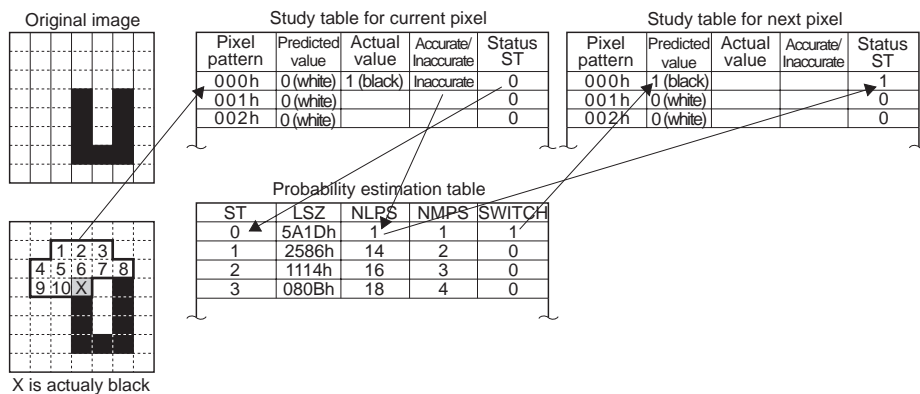


Figure 3-45 Study Table Study Example 1

4. Next, the model template is moved to the adjoining pixel in order to perform the next prediction. At this time, pixels 1~9 of the model template are white, and pixel 10 is black.
5. In this case, the model template pixel pattern is 001h.
6. The predicted value of pixel pattern 001h for pixel "X" is "white", and it is actually white. Thus the prediction is "accurate".
7. The status ST is "0", so the probability estimation table is consulted, and the next status is moved to "1". The prediction for the next pixel remains "white".

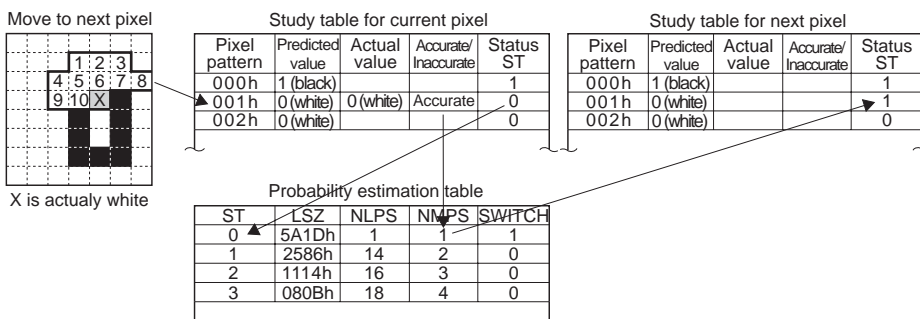
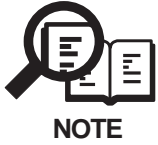


Figure 3-46 Study Table Study Example 2

The study table is constantly updated in this way, increasing the probability of accurate predictions.

- d) The probability estimation table, published in the ITU-T T.82. Its contents are fixed, differing from those of the study table.



This table shows probability of accuracy/inaccuracy in the form of a range, according to the accurate/inaccurate results of a given status prediction value.

The plan of the probability estimation table is such that if the prediction is accurate, the range of the next status number will be smaller than would be the case in an inaccurate prediction.

The status number with this smaller range will be selected to be the next status number.

- e) After the predicted value is found to be accurate/inaccurate by the actual pixel, the model template, and the study table, that accuracy/inaccuracy is encoded in the arithmetic encoding section, and the encoded image data is output.
- f) In the encoding (mathematical encoding) done in the arithmetic encoding section, there is no conversion table for encoding as is the case in encoding with conventional MH and MR. Using the LSZ (probability estimation value of an inaccurate prediction: the form of a range) of the probability estimation table and the accuracy/inaccuracy of the predicted value as a base, encoding is done by showing the position of the progress of the prediction on an integer line (between 0~1.0). Encoding shown as a position on this integer line, take a position under MPS in the case of accurate predictions, and under LPS in the case of inaccurate predictions, as shown in the figure below.

Furthermore, there is a concept of range (A) in this arithmetic encoding. This range (A) ^{*2} is shown as an MPS range in the case of accurate predictions and as an LPS range in the case of inaccurate predictions for each pixel. When these ranges (A) are below a certain range ^{*3}, the leading edge bit (which excludes the encoding "0." shown by the position on the integer line) shifts one position to the left as encoded image data, and is output. At this time, the limit of this range (A) which was below the certain range is narrow and it is difficult to show a position more detailed than this, so the range (A) is magnified ^{*4} to show it in more detail. This operation is called "Renormalization", and this range (A) is reset to a value above a certain range ^{*3}.

The concept of arithmetic encoding is simply explained below.

The following assumptions are made in order to make the explanation easy to understand.

The probability of accuracy will be 50%, and the probability of inaccuracy will be 50%.^{*1}

The area of accuracy will be MPS, and the area of inaccuracy will be LPS.

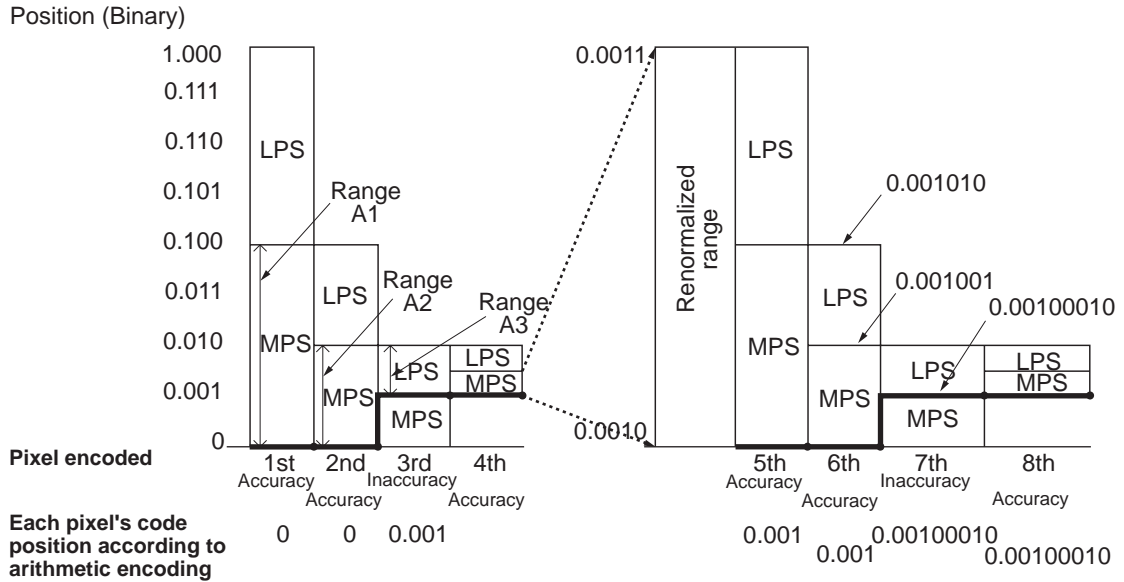
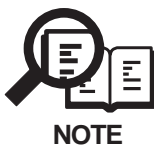


Figure 3-47 Arithmetic Encoding Conceptual Diagram

The special characteristic of this arithmetic encoding is that an additional encoding bit is not needed because the integer line position is the same as the integer line position of the previous encoding data in the case of an accurate prediction. It follows that the amount of encoding will not increase if accurate predictions continue, and the rate of compression will increase. Conversely, with inaccurate predictions, an additional encoding bit will be necessary to show the position of the inaccuracy in detail, and thus the amount of encoding will increase and the rate of compression decrease. In this way, the study table learns in order to increase the rate of accurate predictions and to reduce the amount of encoding and raise the compression rate during the encoding process, and then corrects the table parameters.



*1 The actual probability varies with the status because of the extent to which LSZ occupies in the range (A).

*2 The actual range is hexadecimal 8000~10000.

In the case of an accurate prediction, range A1= hexadecimal 10000-LSZ, A2=A1-LSZ, and A3=A2-LSZ.

In the case of an inaccurate prediction, range A=LSZ.

*3 Actually, hexadecimal 8000.

*4 Actually, the hexadecimal value will be shifted to the left two times, and the hexadecimal will be over 8000.

Next, the encoding for continuous accurate predictions will be simply explained. The assumptions below will be made for easy understanding.

The value of an accurate LSZ will be decimal 100^{*1} in all statuses.

Range A will have limits of decimal $8000\sim 10000^{*2}$, and when range A is below decimal 8000^{*3} , the lead encoding bit will be pushed out, and the encoded image data will be output.

At this time, Range A will be adjusted so that it is over decimal 8000^{*3} (decimal 1000^{*4} added).

An accurate range will be MPS, and an inaccurate range will be LPS.

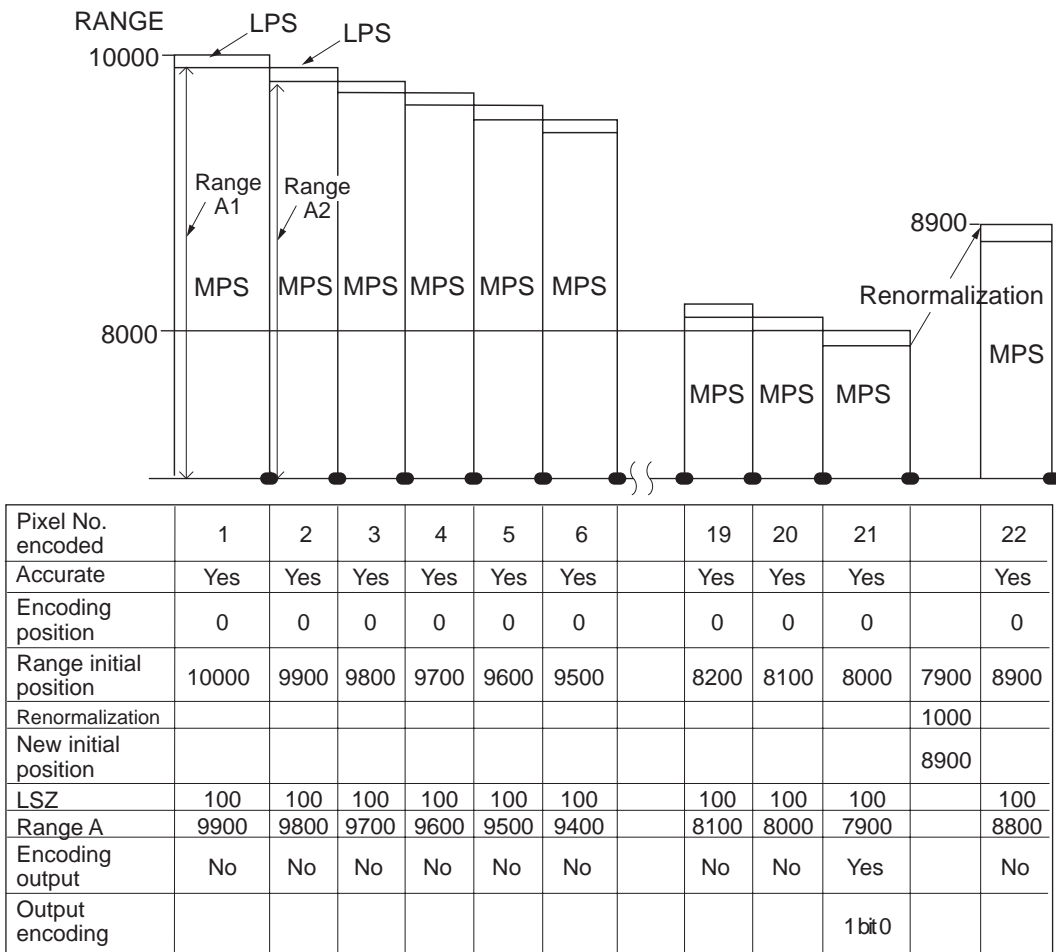


Figure 3-48 When Predictions are Continually Accurate

In this case, the encoding 1 bit is output for the first time when Range A falls becomes less than 8000 in the 21st pixel.

The following output encoding is shortened and its compression increased.

3.2.4 Construction of image data with JBIG Image Compression Encoding

Images are encoded in block units called stripes, as shown in the figure below.

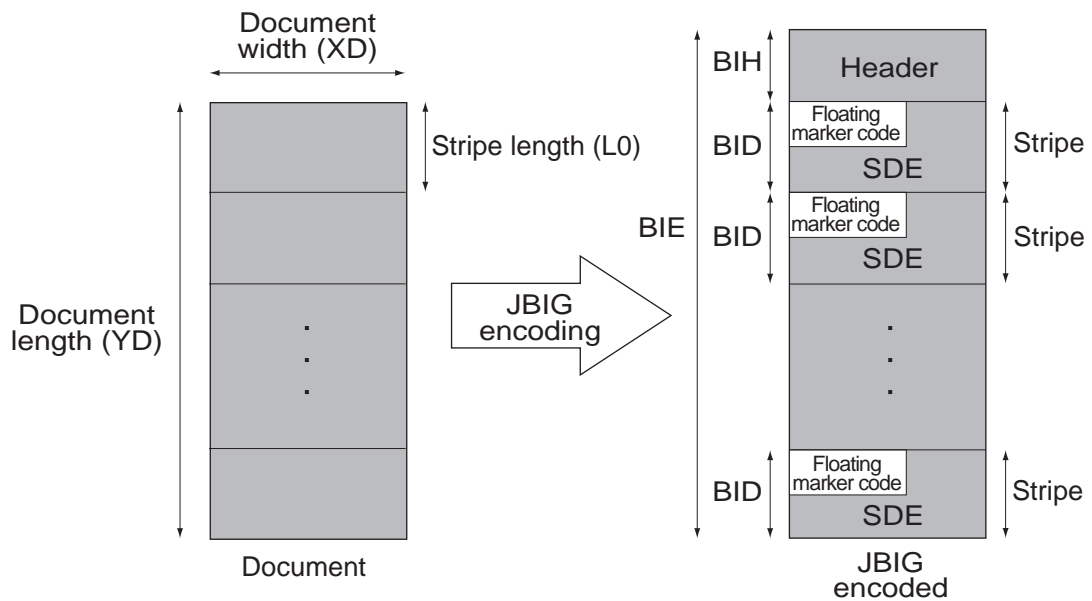


Figure 3-49 Construction of JBIG Image Data

After being encoded, the image data is referred to as BIE (Bi-level Image Entity), and is constructed from the Bi-level Image Header (BIH) section and the Bi-level Image Data (BID) section shown in the figure below.

BIE (Bi-level Image Entity)			
BIH (Bi-level Image Header)	BID (Bi-level Image Data)	BID (Bi-level Image Data)

Figure 3-50 BIE Construction Diagram

3.2.5 Explanation of Bi-level Image Header section (BIH)

The BIH is shown in the construction figure below. It designates the image size, number of lines per stripe, model template, etc.

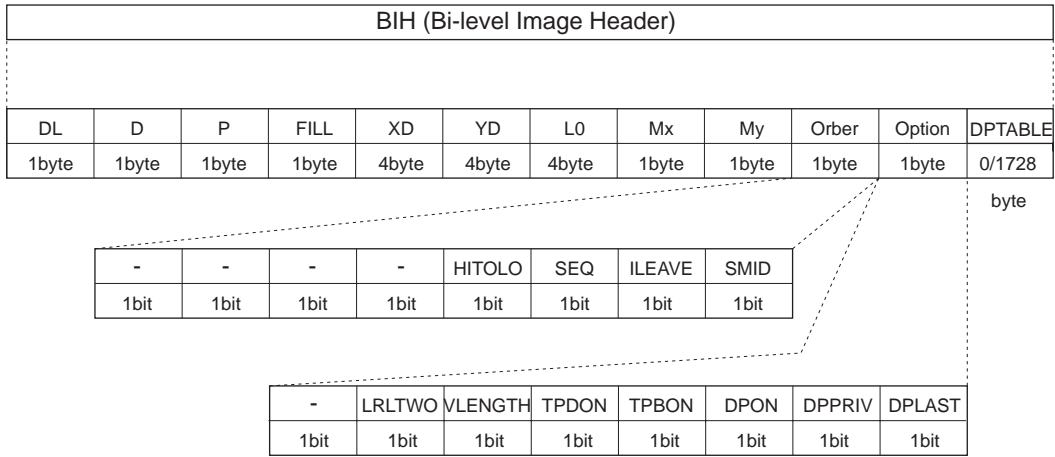


Figure 3-51 BIH Construction Diagram

3.2.6 Explanation and parameters for each symbol used in BIH

The 0x of each parameter shows that the following integers are hexadecimal.

Symbol	Meaning	Parameter	Reference
DL	Initial layer to be transmitted	0x00 fixed	
D	Number of differential layers	0x00 fixed	
P	Number of bit planes	0x00 fixed	
FILL	Fill	0x00 fixed	
XD	Horizontal image size at layer D	0XXXXXXXX	Document width (No. of bits)
YD	Vertical image size at layer D	0XXXXXXXX	Document length (No. of bits)
L0	Lines per stripe at the lowest resolution	0XXXXXXXX	Basically, 1 stripe is 128 lines (0x00000080). Stripes with other numbers of lines are possible when the other machine can receive in option mode.
Mx	Maximum horizontal offset allowed for AT pixel	0xXX	0-127 pixels
My	Maximum vertical offset allowed for AT pixel	0x00 fixed	
Order	The order in which stripe data is attached	Upper 4 bits 0 fixed	
Option	Option	Upper 1 bit 0 fixed	
DPTABLE	Private DP table	0 or 1728 bytes	
HITOLO	Transmission order of differential layers	1 bit 0 fixed	
SEQ	Indication of progressive-compatible sequential coding	1 bit 0 fixed	
ILEAVE	Interleaved transmission order of multiple bit plane	1 bit 0 fixed	
SMID	Transmission order of stripes	1 bit 0 fixed	
LRLTWO	Number of reference lines	1 bit 0/1	0: 3 lines 0: 2 lines
VLENGTH	Indication of possible use of NEWLEN marker segment	1 bit 0/1	Use of 0: NEWLEN not allowed Use of 1: NEWLEN allowed
TPDON	Use of TP for Typical Prediction for differential layers	1 bit 0 fixed	
TPBON	Use of TP for base layer	1 bit 0/1	0: OFF 1: ON
DPON	Use of Deterministic Prediction	1 bit 0 fixed	
DPPRIV	Use of private DP table	1 bit 0 fixed	Has meaning when DPON is 1.
DPLAST	Use of last DP table	1 bit 0 fixed	Has meaning when DPON is 1.

3.2.7 Explanation of Bi-level Image Data (BID) section

BID is as shown in the construction figure below, and consists only of the number of stripes.

BID is constructed by the connection of the floating marker code and the section which includes the actual image data encoded with JBIG image compression encoding, called SDE (Stripe Data Entity).

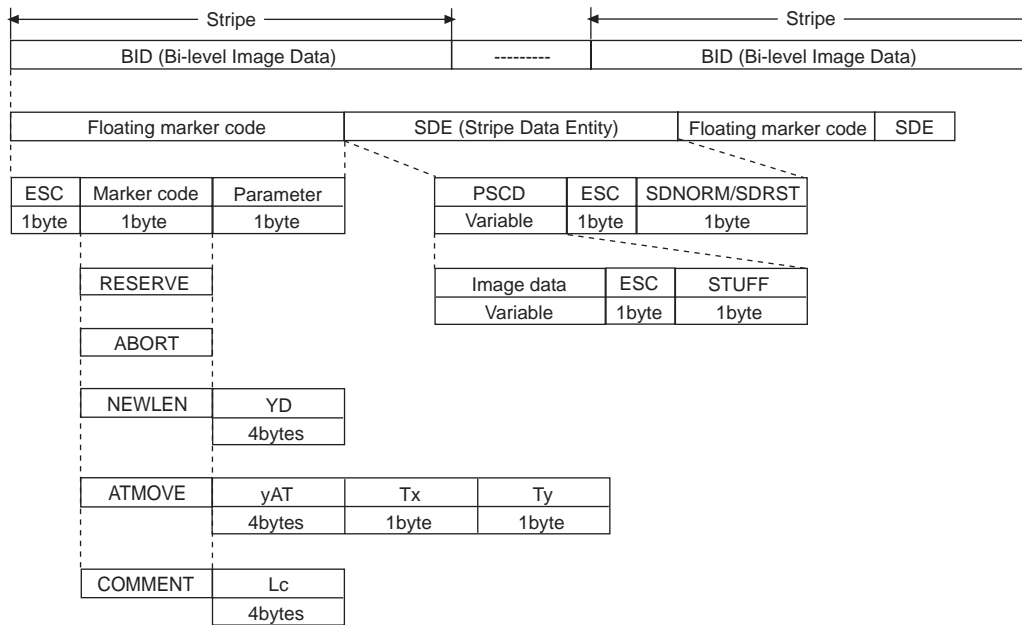


Figure 3-52 BID Construction Diagram

3.2.8 Explanation and parameters for each symbol used in BID

a) Floating marker code section

The floating marker code is set at the head of the stripe data entity (SDE). In order to distinguish the encoding and the floating marker code, it is imperative that ESC (escape code: 0xFF) be set at the head.

The following marker code and parameters are in the floating marker code.

The 0x of each marker code shows that the following integers are hexadecimal.

ABORT (Abort: 0x05)

Encoding interruption. Only the abort code can be made to appear anywhere.

ESC	0x05
-----	------

ATMOVE (AT move: 0x06)

Designates from which line the movement of the AT pixel starts, and where it will move to.

ESC	0x06	yAT:Movement-starting line	Tx:Movement Position(X)	Ty:Movement Position (Y)
-----	------	----------------------------	-------------------------	--------------------------

COMMENT (Private comment: 0x07)

An optional comment may be added.

ESC	0x07	Lc:Comment length
-----	------	-------------------

NEWLEN (New length: 0x04)

Redefine the document length. Only usable when VLENGTH=ON.

ESC	0x04	YD:Document length
-----	------	--------------------

RESERVE (Reserve: 0x01)

Only usable for characteristic use.

ESC	0x01	
-----	------	--

b) Stripe data section

PSCD (Protected stripe encoding data)

The actual image data encoded with JBIG image compression is included in PSCD by the section remaining after the last 2 bytes from SDE, ESC and SDNORM or SDRST are omitted.

Image Data

The actual image data encoded with JBIG image compression.

STUFF

Image data is a variable, so STUFF:0 (zero) is adjusted by continuous sending so that the image data can be arranged into byte units or word (2 byte) units.

SDNORM (Stripe data completion: 0x02)

Shows the completion of stripe data

ESC	0x02	
-----	------	--

SDRST (The reset at completion of stripe data: 0x03)

Shows the completion of stripe data. Everything including the study table and the ATMOVE are reset.

ESC	0x03	
-----	------	--



NOTE

When the image data encoding is 0xFF, it is imperative to attach 0x00 after the image data encoding 0xFF in order to distinguish ESC(0xFF).

3.3 Energy Save Standby (ESS) (LASER CLASS 3170/3175 only)

a) Function

ESS is an energy save function for minimizing power loss during standby. During ESS, the ESS control section of the system control IC inside the SCNT board halts all oscillators other than the real time clock (RTC) IC in order to reduce power loss. Because of this, the operation of ICs etc. receiving clock supply from the oscillators is halted. Also, the functions of parts of the system control IC itself which receive clock supply from the oscillators are halted as well. Only those parts which receive clock supply from the real time clock IC continue to operate, and in this manner an idle condition (sleep mode) is created. Additionally, the main CPU and modem are also put into sleep mode by a sleep mode signal from the system control IC.

In this way, energy save standby is performed by halting the operation and functions of some of the electrical parts on the SCNT board.

The main functions of the ESS control section in ESS mode are as follows:

- Display management Control LCD display on the OPCNT board.
- Startup factor detection Monitor startup factors all the time.
- Main unit start management Enable the main unit when a startup factor is detected.

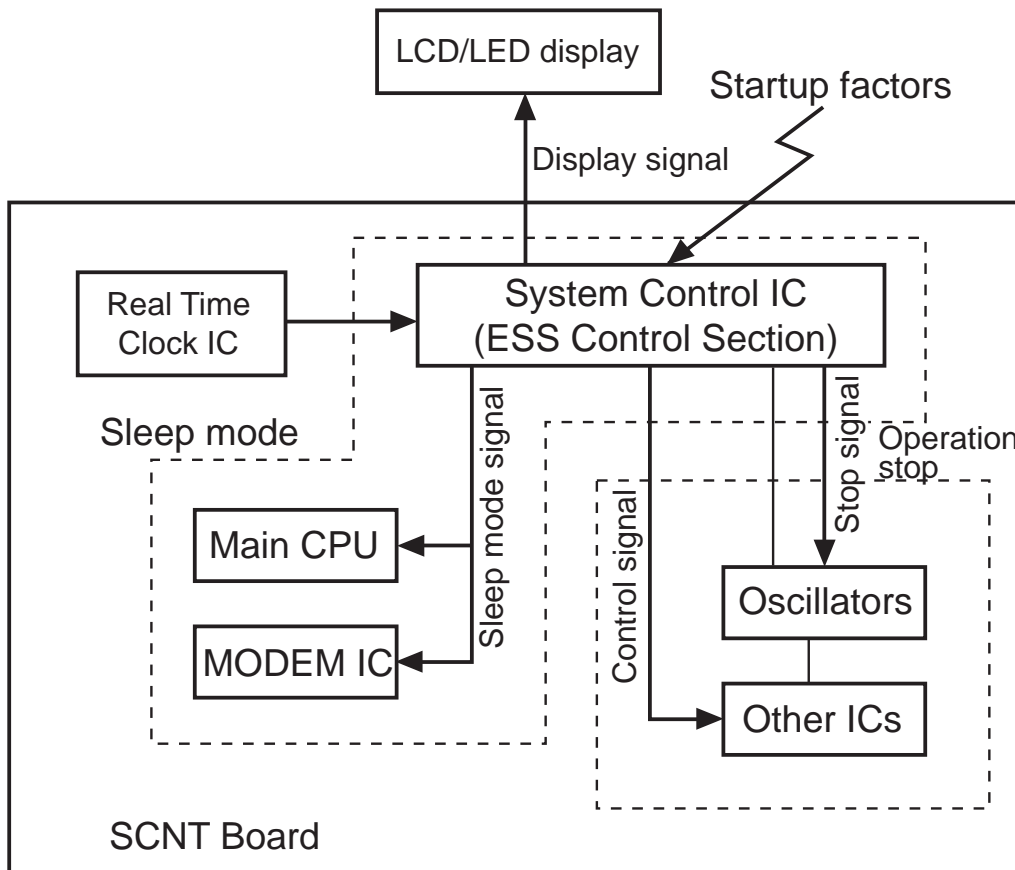


Figure 3-53 System Block Diagram



NOTE

The power consumption at standby is 20 W in non-ESS mode and 15 W in ESS mode.

The ESS function does not operate when the Dual-Line Upgrade Kit II is installed.

b) Operation

The ESS function sets the main unit to the ESS mode if the next operation is not carried out within about three minutes after the main unit ends transmission, reception, or copying.

When the main unit enters the ESS mode, the ESS control section monitors one of the following start factors for the main unit. If it detects it, it cancels ESS.

1. CI termination
2. Off-hook
3. ESS button pressing
4. Report output time
5. Timer calling time
6. Document sensor "ON"



NOTE

- All LEDs, except ESS-LED are off and "ENERGY SAVER" is displayed on the LCD in ESS mode.

- The main unit does not enter ESS mode if any of the following conditions is met:

1. The ESS mode is not enabled by user data settings.
 2. The error lamp is on due to no recording paper, jam, no toner, or a service error.
 3. Data is stored in the image memory.
 4. There is one or more documents in the ADF.
-

c) Setting

The ESS is enabled by setting 10. ENERGY SAVER, 7. System setting, in user data settings to ON. (Default: OFF)

The time after the main unit ends operation until it enters the ESS mode can be set (3 to 30 min.).

This page intentionally left blank

Chapter 4

Maintenance and Service

1. MAINTENANCE

1.1 Maintenance Items

1.1.1 Consumables

Level	Consumable	When
User	Canon FX 6 Cartridge	When "INSTALL CARTRIDGE" is displayed or when toner has run out.
	Stamp ink ^{*1}	When the stamp becomes thin.
	Recording paper ^{*2}	When paper runs out.
Service technician	Separation roller (upper) ^{*3}	Expected life: 75,000 sheets
	Separation roller (lower) ^{*3}	Expected life: 75,000 sheets
	Multi-purpose tray pick-up roller ^{*3}	Expected life: 100,000 sheets
	Separation pad ^{*3}	Expected life: 200,000 sheets
	Cassette feed roller ^{*3*4}	Expected life: 200,000 sheets
	Cassette separation roller ^{*3*4}	Expected life: 200,000 sheets
	Torque limiter (for cassette separation roller) ^{*3*4}	Expected life: 200,000 sheets
	Multi-purpose pick-up clutch ^{*3}	Expected life: 200,000 sheets
	Fixing unit ^{*3}	Expected life: 200,000 pages
	Transfer charging roller ^{*3}	Expected life: 200,000 pages
	Cooling fan ^{*3}	Expected life: 25,000 hours (or When the fan is not stopped during the standby condition.)



NOTE

^{*1} Please use "Shachihata X Stamper Inks CS-20 Yellow (H12-3372)" for the stamp.

^{*2} Recommended recording paper is shown below.

Canon Copier LTR/LGL Premium Paper

Weight 75 g/m²

Paper size Letter, Legal

Manufactured by BOISE CASCADE

KANGAS

Weight	80 g/m ²
Paper size	A4
Manufactured by	KANGAS

NEUSIEDLER Canon Paper

Weight	80 g/m ²
Paper size	A4
Manufactured by	NEUSIEDLER



NOTE

- ^{*3} Consumable parts are expected to require replacement at least once during the warranty period of this fax, due to deterioration or damage. The life span of consumable parts is expressed in terms of hours or number of scans or prints processed. Replace them when the parts are proven faulty. The expected life of consumable parts is the data as of February, 1999.
- ^{*4} Replace the cassette feed roller, the cassette separation roller, and the torque limiter together.
-

1.1.2 Cleaning

Level	Location	When
User	Main unit outer cover	When dirty.
	Document pick-up roller	When document pick-up performance fails.
	Document separation roller (upper)	When document separation or feed performance fails.
	Document separation roller (lower)	When document separation or feed performance fails.
	Document feed roller	When document feed performance fails.
	Document eject roller	When document feed performance fails.
	Scanning glass	When black vertical stripes appear in copied or transmitted images.
	White sheet unit	When copied or transmitted images are light.
	Transfer guide (upper and lower)	When dirty.

Level	Location	When
Service technician	Multi-purpose tray pick-up roller	When recording paper pick-up performance fails.
	Cassette pick-up roller	When recording paper pick-up performance fails.
	Cassette separation roller	When recording paper separation or feed performance fails. When marks at intervals of 2.97" (75 mm).
	Cassette feed roller	When recording paper feed performance fails. When marks on back of recording paper at intervals of 2.97" (75 mm).
	Separation pad	When recording paper separation performance fails.
	Feed roller	When recording paper feed performance fails. When marks on back of recording paper at intervals of 1.97" (50 mm).
	Pre-transfer roller	When recording paper feed performance fails. When marks on back of recording paper at intervals of 1.97" (50 mm).
	Registration arm	When marks on recording paper.
	Transfer guide (upper and lower)	When marks, or marks on back of recording paper.
	Transfer charging roller	When marks on back of recording paper or blank spots at intervals of 1.85" (47 mm) in copied or received images.
	Paper feed belt	When marks on back of recording paper.
	Paper feed guide	When marks on back of recording paper.
	Fixing entrance guide	When marks, marks on back of recording paper, irregular/smudged black vertical line, paper jam, or wrinkles in copied or received images.
Fixing film	When marks at intervals of 2.95" (75 mm) or poor fixing in printed-out.	

Level	Location	When
	Fixing pressure roller	When marks on back of recording paper at intervals of 2.48" (63 mm), poor fixing, paper jam, or wrinkles in printed-out.
	Fixing eject roller	When recording paper jam.
	Face-up deflector	When recording paper jam.
	Lower paper delivery guide	When recording paper jam.

1.1.3 Periodic inspections

Level	Location	When
User	None	—
Service technician	None	—

1.1.4 Periodic replacement parts

Level	Location	When
User	None	—
Service technician	None	—

1.2 Tools

1.2.1 General tools

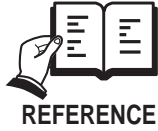
Tool	Use
Phillips screwdriver	Removing/inserting screws
Slot head screwdriver	Removing/inserting screws
Precision phillips screwdriver	Adjust volume
Precision slot head screwdriver	Removing plastic tabs
Tweezers	Removing/inserting coil springs
Pliers, needle nose	Attaching retaining ring
Digital volt meter	Check voltage
Lint-free paper	Clean transfer charging roller, fixing film
Isopropyl alcohol	Clean fixing film, fixing entrance guide, fixing pressure roller, fixing eject roller, face-up deflector, static charge eliminator, etc.
Ruler	Measure leading edge margin of print image

1.2.2 Special tools

Tool	Use	Part No.
Grease (TELLUS OIL 68)	Apply to specified parts	CK-8003
Grease (MOLYKOTE EM-50L)	Apply to specified parts	HY9-0007
Grease (FLOIL GE676)	Apply to specified parts	CK-0544
Printer driver tester	Check operation of the printer and options.	RY9-0124
Thickness gauge (1.6mm)	Used for installing the separation guide of the optional envelope feeder.	RY9-0123
Thickness gauge (0.7mm)	Used with the printer driver tester to adjust installation position of the envelope multiple feed sensor of the envelope feeder.	RY9-0122
IC-Removing Tool (24~64pin)	Remove the main ROM on the SCNT board	HY9-0022

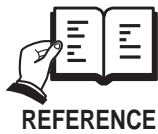
2. CONSUMABLES REPLACEMENT

2.1 Toner Cartridge



For details on how to replace the toner cartridge, see *Chapter 5: 1.4 Assembling the Fax*.

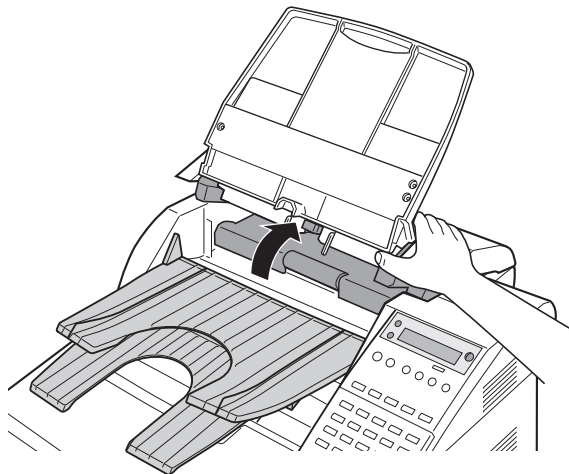
2.2 Recording Paper



For details on how to refill the paper, see *Chapter 5, 1.4 Assembling the Fax*.

2.3 Stamp Ink

1. Disconnect the power cord of the fax unit from its power source.
2. Lift the document feeder tray, and gently open the ADF cover until it stops, grasping the document feeder tray and the ADF cover at the same time.



3. While holding the ADF cover open with one hand, use one finger of your other hand to gently push in the black plastic loop to separate it from the stub on the fax machine.

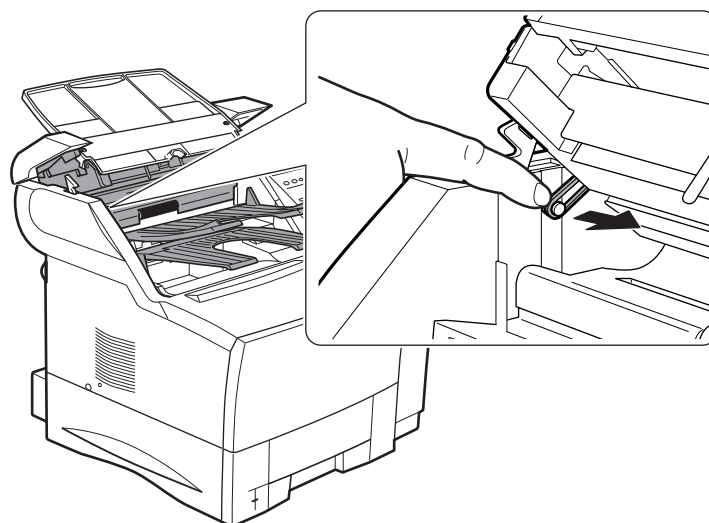


Figure 4-1 Refiling the Stamp Ink 1

4. Gently lift the ADF cover up to the full open position.

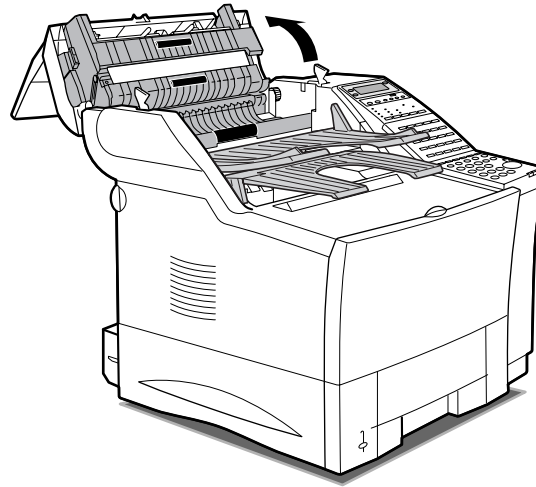


Figure 4-2 Refiling the Stamp Ink 2

5. Locate the stamp pad then apply only one drop of ink to the stamp ink compartment.
 - To avoid a malfunction, do not add too much ink.
 - Use only Shachihata X Stamper Ink CS-20 Yellow.
 - Do not use the stamp feature for at least one hour. If you have to send a document, turn off the stamp feature for the first hour.

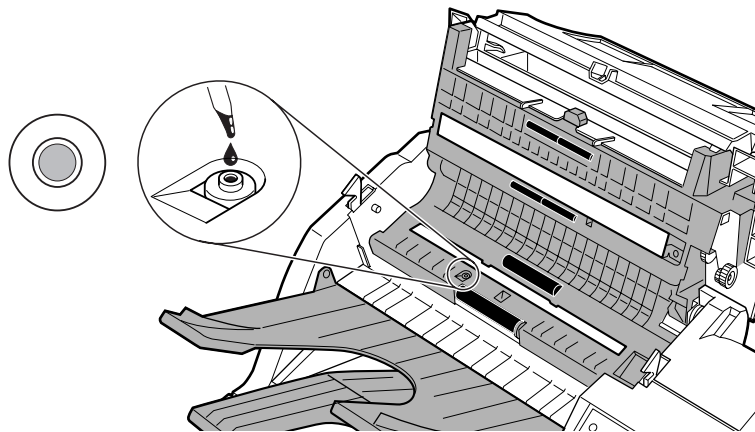


Figure 4-3 Refiling the Stamp Ink 3



Caution

TO AVOID INK SPILLAGE, APPLY ONLY ONE DROP OF INK TO THE STAMP PAD.

6. Close the ADF cover, lower the document feeder tray, and connect the power cord of the fax unit to the power source.



Note

-
- Make sure that you do not drip ink on any other part of the fax.
 - Make sure that you put the plastic loop back in place when you close the ADF cover.
-

3. CLEANING

3.1 Main Unit

Wipe any dirt off with a soft, dry cloth.

3.2 Document Pick-up Roller

Open the upper reader frame unit and wipe any dirt off with a soft, dry cloth.

3.3 Separation Roller (Upper)

Open the upper reader frame unit and wipe any dirt off with a soft, dry cloth.

3.4 Separation Roller (Lower)

Open the upper reader frame unit and wipe any dirt off with a soft, dry cloth.

3.5 Scanning Glass (Contact Sensor)

Open the middle reader frame unit and wipe any dirt off with a soft, dry cloth.

3.6 White Sheet

Open the middle reader frame unit and wipe any dirt off with a soft, dry cloth.

3.7 Document Feed Roller 1

Open the upper reader frame unit and wipe any dirt off with a soft, dry cloth.

3.8 Document Feed Roller 2

Open the middle reader frame unit and wipe any dirt off with a soft, dry cloth.

3.9 Document Eject Roller

Open the middle reader frame unit and wipe any dirt off with a soft, dry cloth.

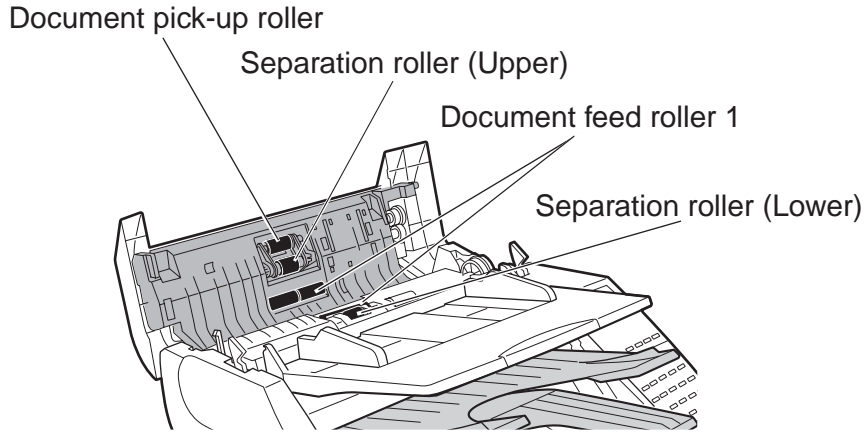


Figure 4-4 Cleaning Location 1

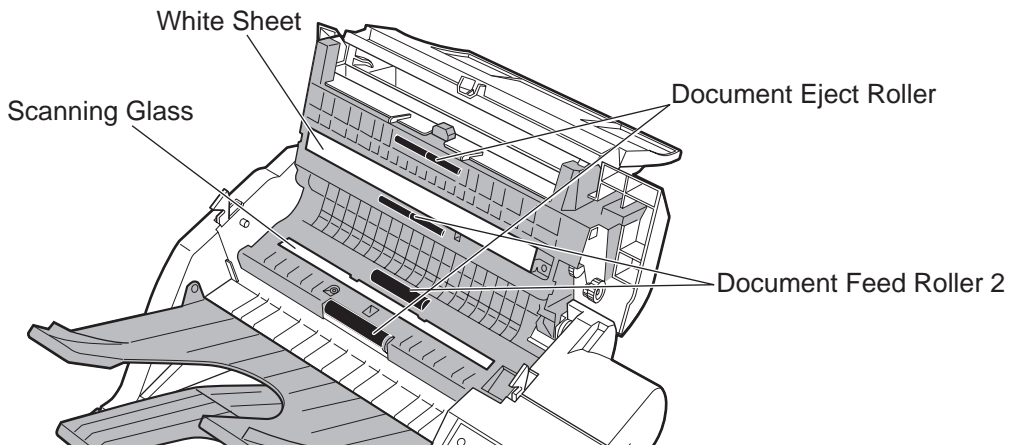


Figure 4-5 Cleaning Location 2



Do not use tissue. Otherwise, paper dust may stick to the parts or a static charge may be generated.



NOTE

In cases where there is a lot of dirt in item 3.1, polish with a cloth after wiping off the dirt with a cloth wet with water and wrung out.

In cases where there is a lot of dirt in items 3.2 to 3.9, wipe with a cloth dampened with alcohol, IPA (isopropyl alcohol), etc.

3.10 Transfer Guide

a) Preparations for cleaning

- (1) Disconnect the power cord of the fax from the power source.
- (2) Lift the document feeder tray, the document output tray and the upper output tray.

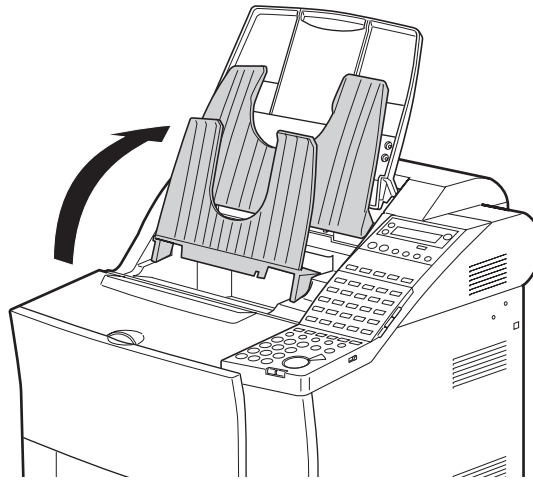


Figure 4-6 Preparation for Cleaning 1

- (3) Open the printer cover and remove the toner cartridge.
Store the cartridge in its original protective bag to avoid exposure to light.

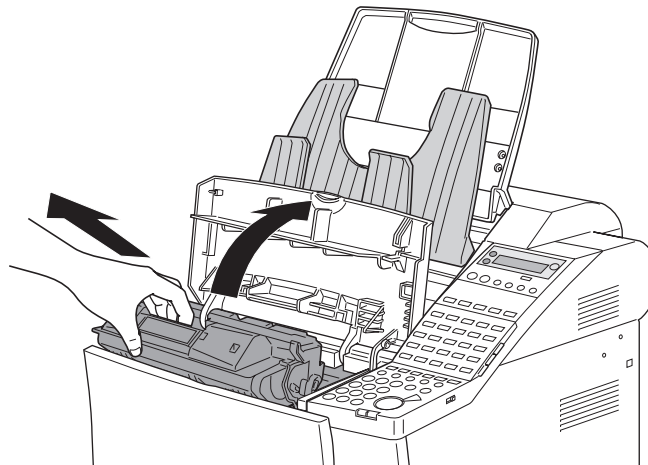


Figure 4-7 Preparation for Cleaning 2

b) Cleaning

- (1) Using a soft clean cloth, wipe any paper dust off the black plate of the transfer guide.

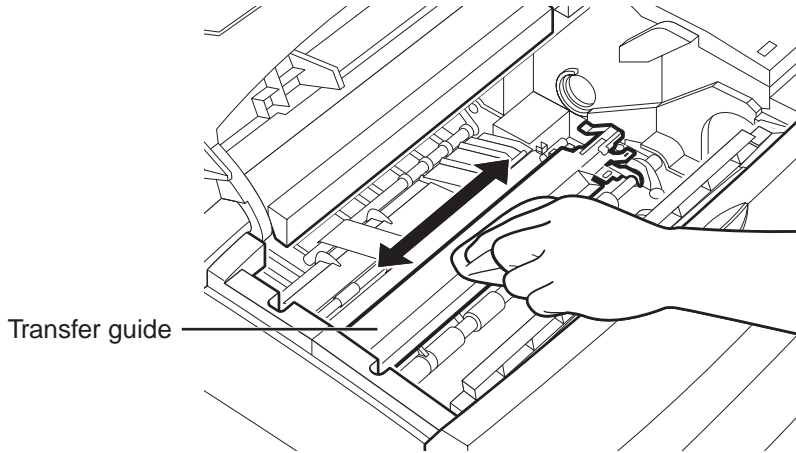


Figure 4-8 Cleaning Location 1

- (2) While holding the green lever, flip the transfer guide up. Wipe the edge of the transfer guide with a soft, clean cloth, to remove toner and paper dust from both sides of the transfer guide.

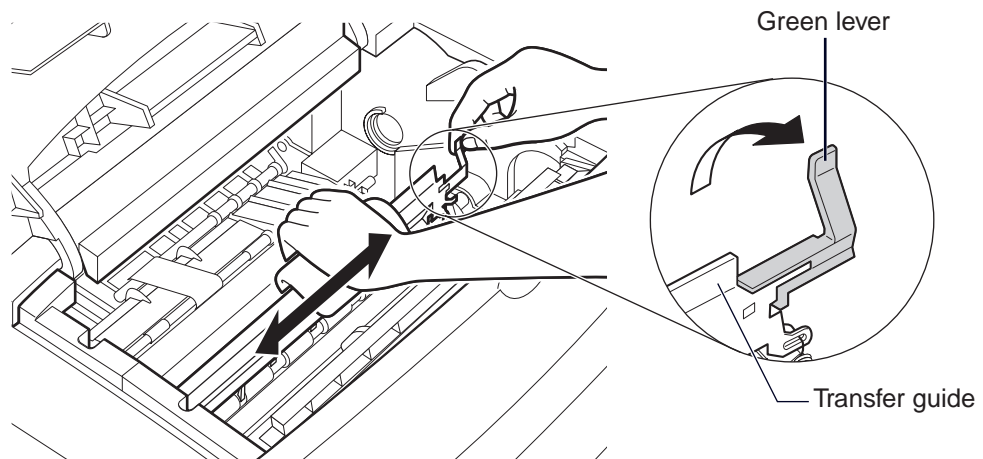


Figure 4-9 Cleaning Location 2

- (3) Pull the transfer guide back to its full extent, then wipe the silver metal strip with cloth. Then gently guide the transfer guide back to its original position.

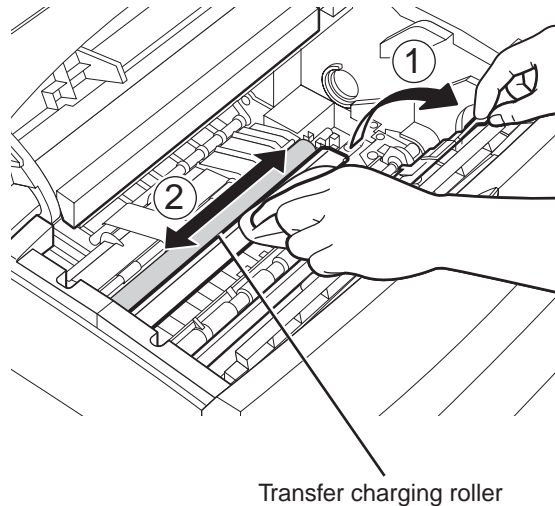
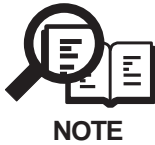


Figure 4-10 Cleaning Location 3



The spring for the transfer guide is strong. Always guide the transfer guide slowly back to its original position by holding the green lever. Never let it jump back by releasing the lever. To avoid deterioration in print quality, never touch the transfer charging roller when clean the metal strip.

3.11 Transfer Charging Roller

a) Preparations for cleaning

- (1) Disconnect the power cord of the fax from the power source.
- (2) Lift the document feeder tray, the document output tray and the upper output tray.
- (3) Open the printer cover and remove the toner cartridge.
Store the cartridge in its original protective bag to avoid exposure to light.
- (4) Raise the left-most end of the transfer charging roller shaft clear of the transfer roller mount (right side) using the precision slot head screwdriver.
- (5) Remove the transfer charging roller.

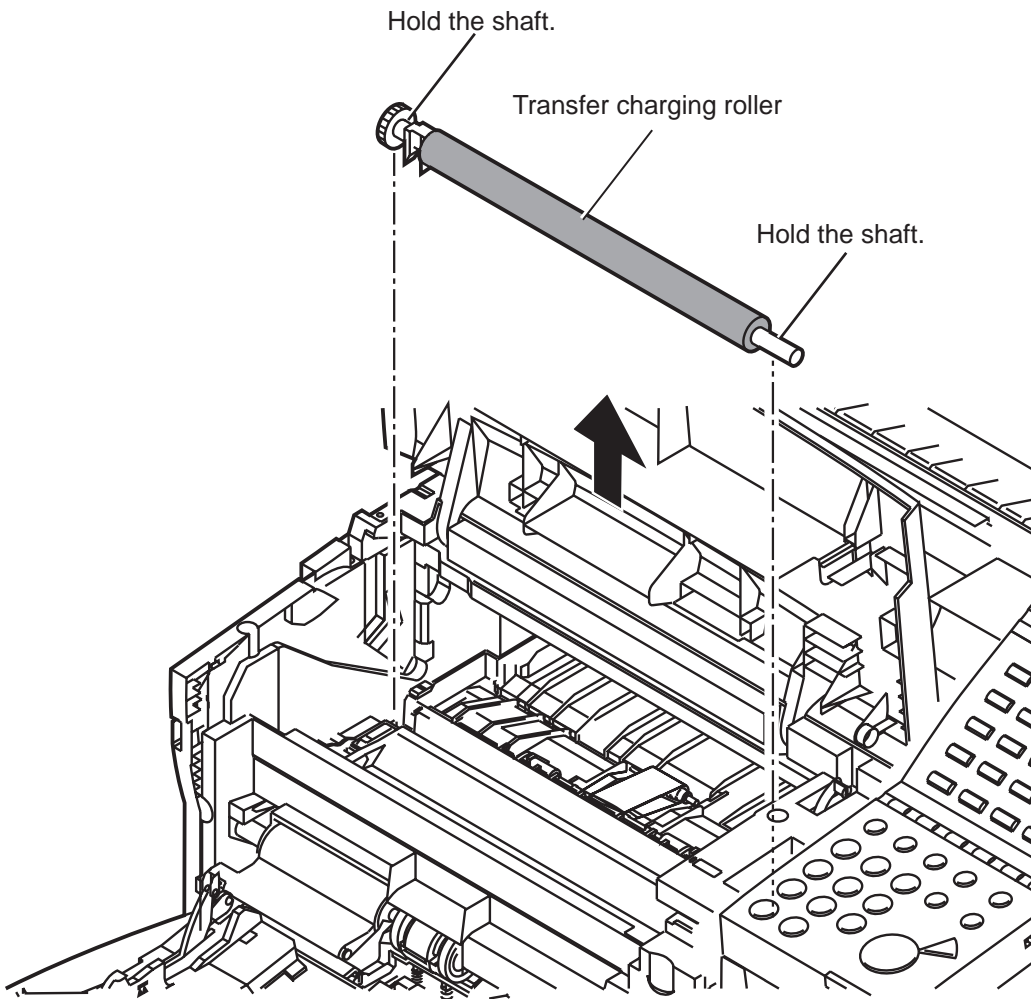


Figure 4-11 Preparation for Cleaning

b) Cleaning

(1) Using lint-free paper, wipe any dirt off the transfer charging roller.

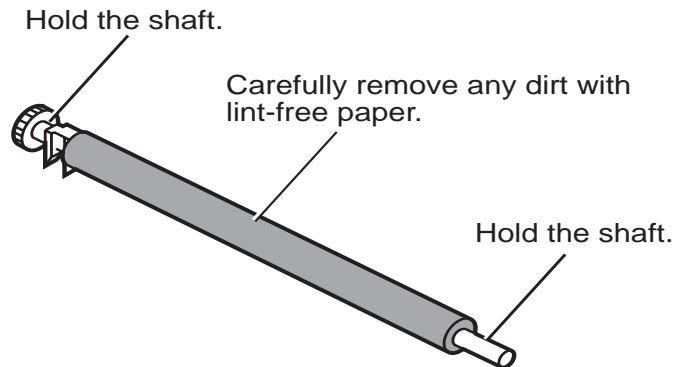
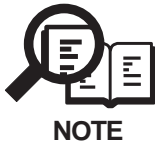


Figure 4-12 Cleaning Location



Do not touch or hold the rubber section of the transfer charging roller. Doing so can cause marks on back of paper or blank spots in copied or received images.

Never clean with solvents!

If lint-free paper can not fully clean the transfer charging roller or if the roller is deformed, replace it.

3.12 Cassette Pick-Up Roller/Feed Roller/Separation Roller

a) Preparations for cleaning

- (1) Disconnect the power cord of the fax from the power source.
- (2) Disconnect the telephone line modular jack cord.
- (3) Remove the document feeder tray, the document output tray, the upper output tray and the cassettes.
- (4) Open the printer cover and remove the toner cartridge.
Store the cartridge in its original protective bag to avoid exposure to light.
- (5) If a paper feed unit PF-52 is installed, remove the option. If it is not installed, go to the step (6).

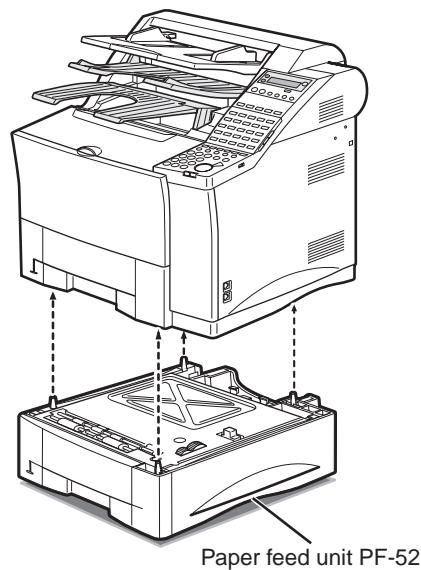


Figure 4-13 Preparation for Cleaning 1

- (6) Turn the main unit over to the side, so that its right side faces down.

Open the panels to avoid the broken.

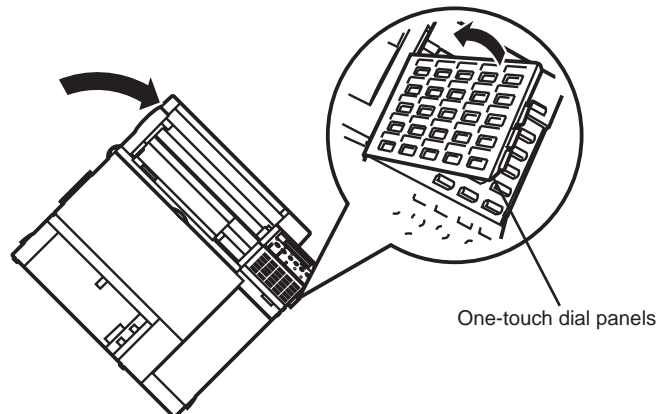


Figure 4-14 Preparation for Cleaning 2



NOTE

To avoid broken the one-touch dial panels, keep open the panels.

b) Cleaning

- (1) Using lint-free paper dipped in alcohol, wipe any dirt off the cassette pick-up roller and the cassette feed roller while rotating the shaft in the indicated direction.

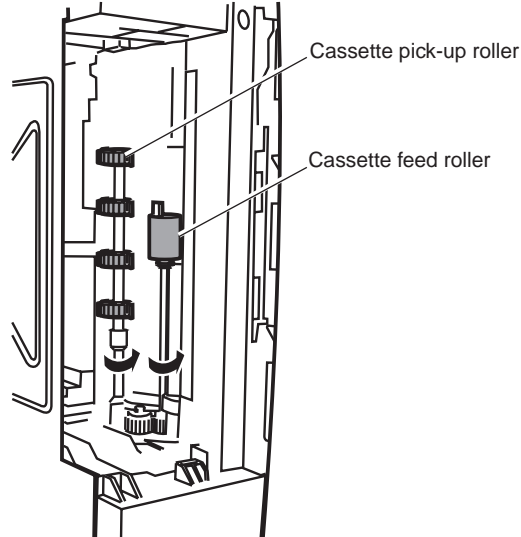


Figure 4-15 Cleaning Location 1

- (2) If a paper feed unit PF-52 is installed, cleaning the option by the same way in the above step (1).
- (3) Using lint-free paper dipped in alcohol, wipe any dirt off the cassette separation roller while rotating the shaft in the indicated direction.

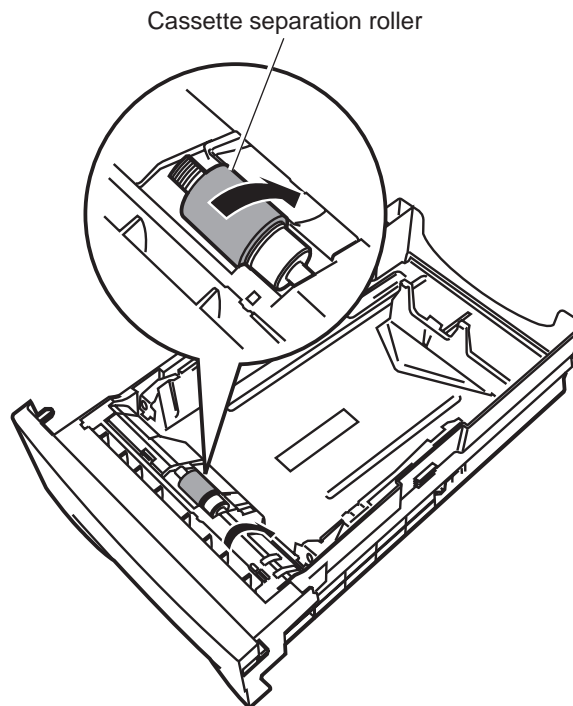


Figure 4-16 Cleaning Location 2

3.13 Multi-Purpose Tray Pick-Up Roller/Separation Pad

a) Preparations for cleaning

- (1) Disconnect the power cord of the fax from the power source.
- (2) Open the multi-purpose tray.
- (3) Remove the entrance cover.

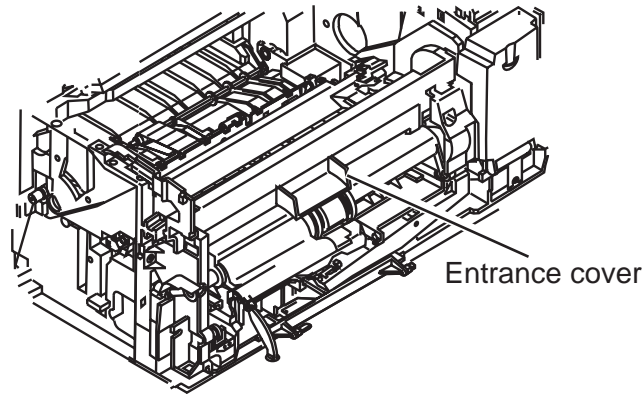


Figure 4-17 Preparation for Cleaning 1

- (4) Remove the multi-purpose tray pick-up roller, after release the claw with rotating the slot head screw driver.

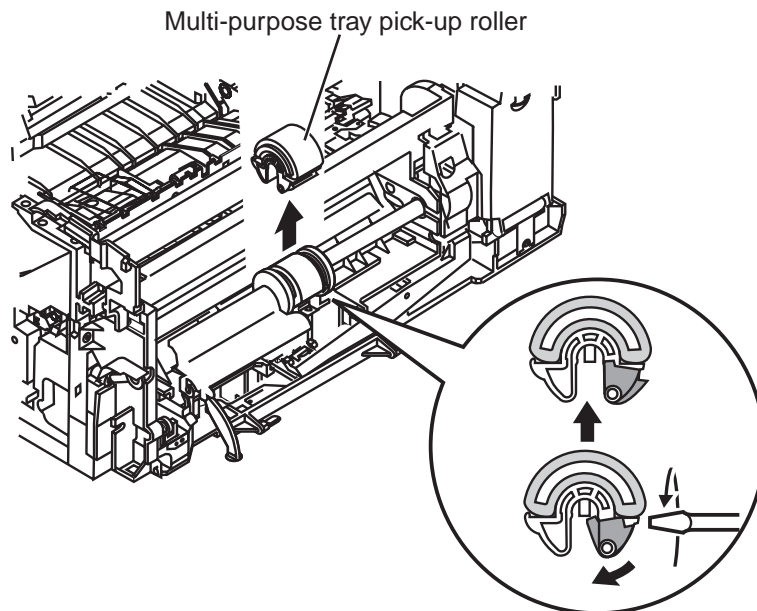


Figure 4-18 Preparation for Cleaning 2

b) Cleaning

- (1) Using lint-free paper dipped in alcohol, wipe any dirt off the multi-purpose tray pick-up roller.

Multi-purpose tray pick-up roller



Figure 4-19 Cleaning Location 1

- (2) Using lint-free paper dipped in alcohol, wipe any dirt off the multi-purpose tray separation pad.

Slide the support roller
for easy to clean.

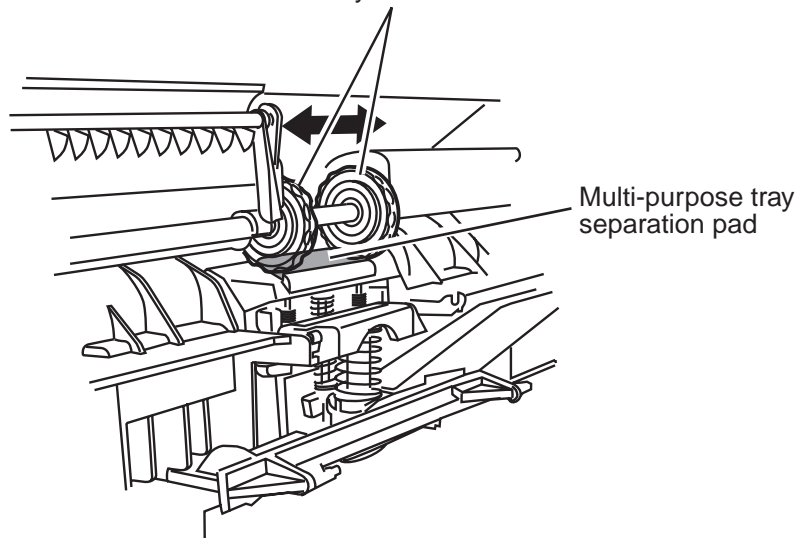


Figure 4-20 Cleaning Location 2

3.14 Feed Roller

a) Preparations for cleaning

- (1) Disconnect the power cord of the fax from the power source.
- (2) While holding the upper reader frame and the middle reader frame open with one hand, use one finger of your other hand to gently push in the stopper to separate it from the stub on the fax machine, and open the upper reader frame and the middle reader frame.

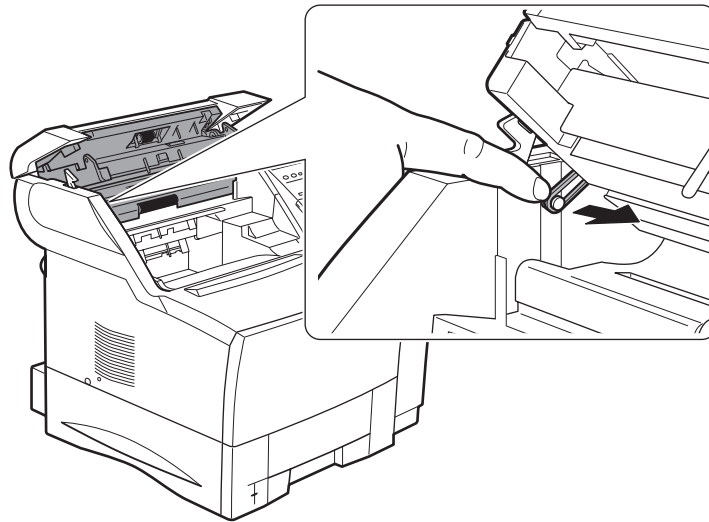


Figure 4-21 Preparation for Cleaning 1

- (3) Remove the two screws, release the claw of the left cover using the slot head screw driver, open the top side, and pull the left cover up to remove.

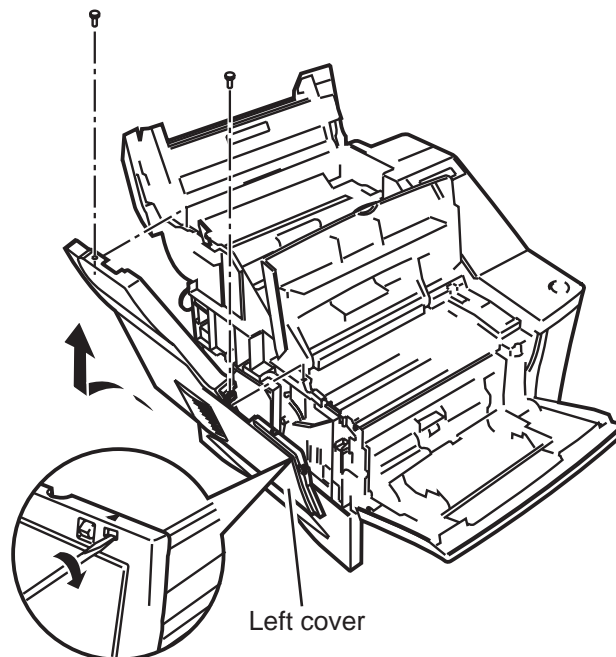


Figure 4-22 Preparation for Cleaning 2

- (4) Remove the right cover, front right cover, rear cover and the read motor cover.
- (5) Remove the joint of the printer cover using the needle nose prier and release the claw using the precision slot head screw driver. Then, remove the printer cover.

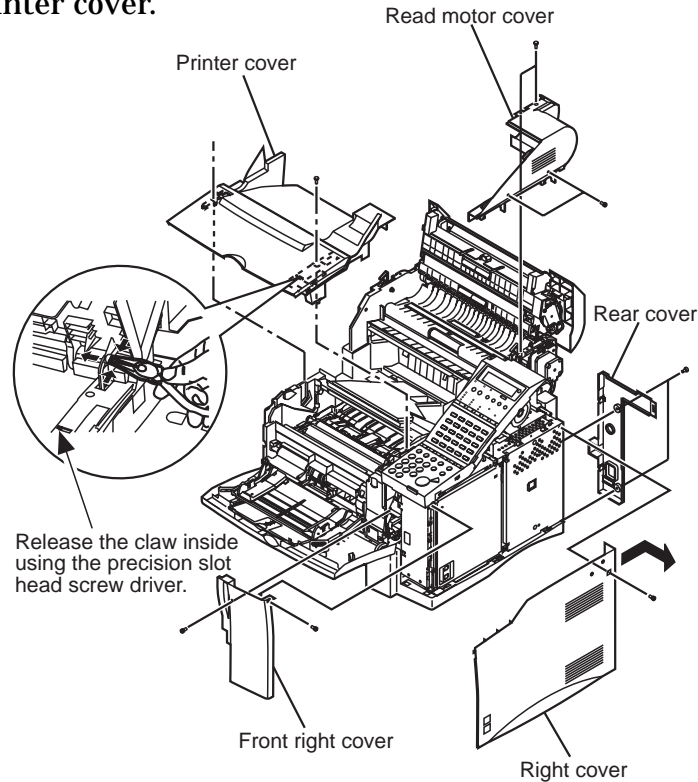


Figure 4-23 Preparation for Cleaning 3

- (6) Remove the claw of the multi-purpose tray.
- (7) Separate the multi-purpose tray from the front cover.
- (8) Remove the front cover by shifting it to the right.
- (9) Remove the multi-purpose tray.

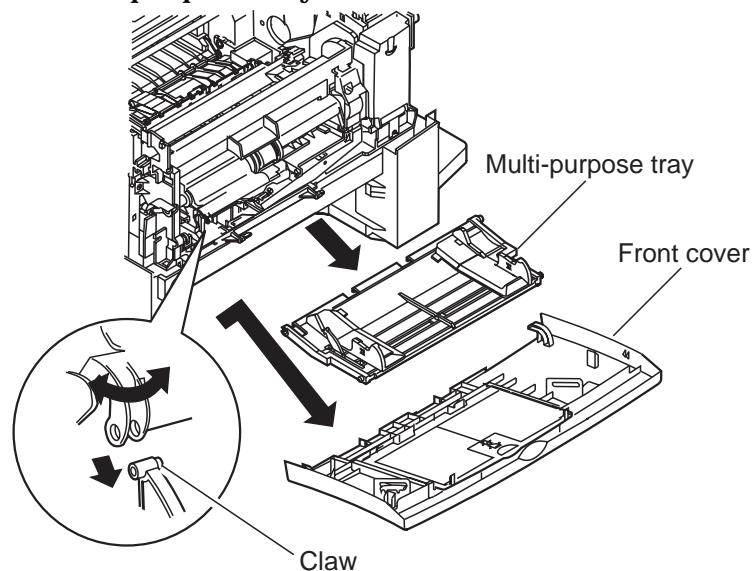


Figure 4-24 Preparation for Cleaning 4

(10) Remove the shield cover and the operation panel.

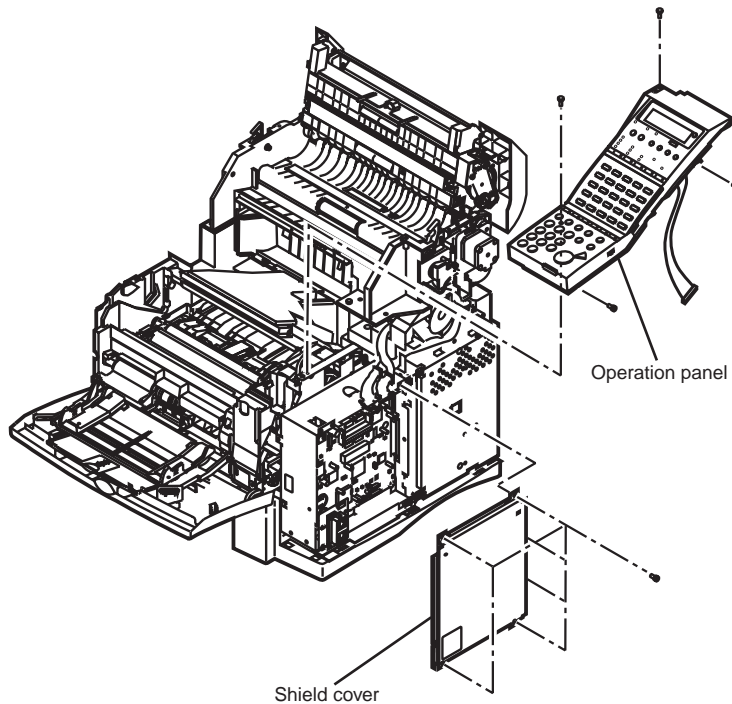


Figure 4-25 Preparation for Cleaning 5

(11) Remove the PCBs and the metal frame. Then, disconnect the solenoid connector.

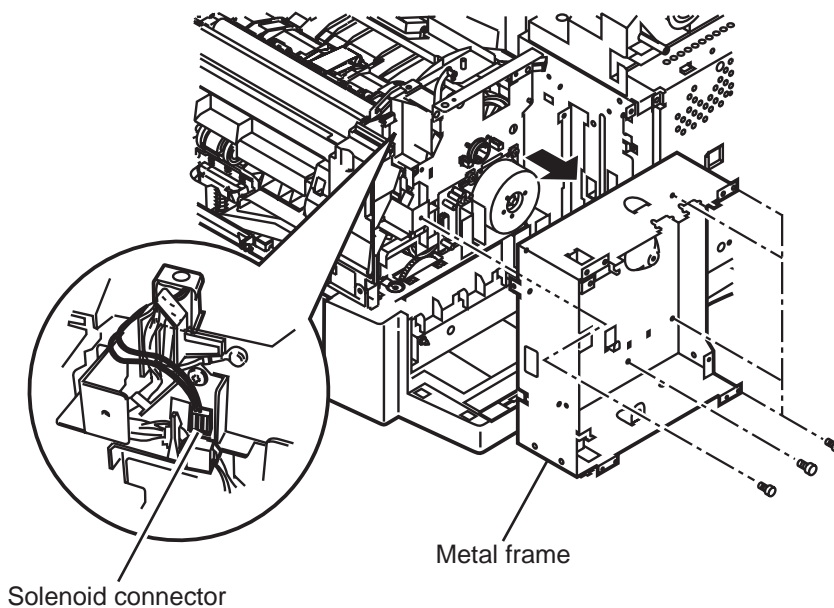


Figure 4-26 Preparation for Cleaning 6

- (12) Remove the entrance cover.
- (13) Disconnect the multi-purpose paper sensor cable.

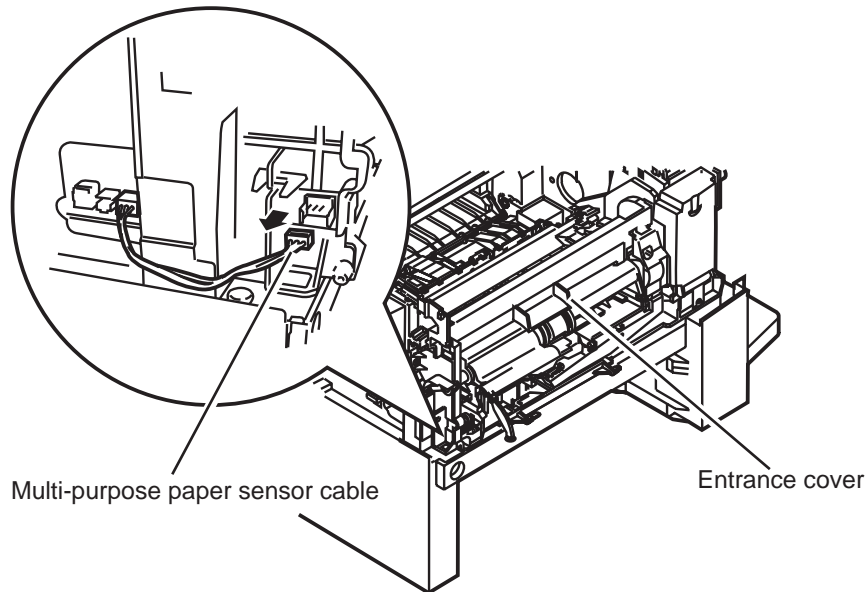


Figure 4-27 Preparation for Cleaning 7

- (14) Remove the two long screws.
- (15) Remove the one screw of the envelope feeder gear cover. Then, push the claw from the inside and remove the envelope feeder gear cover.
- (16) Remove the multi-purpose pick-up ass'y.

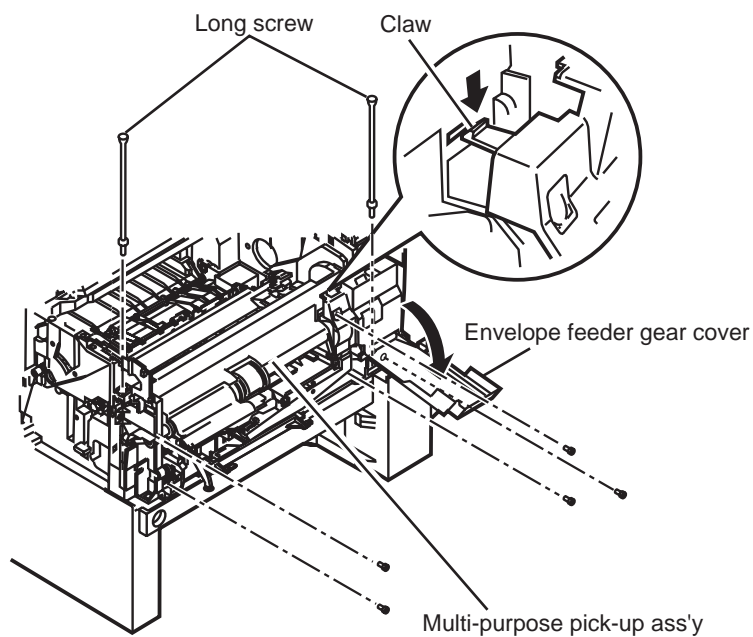


Figure 4-28 Preparation for Cleaning 8

b) Cleaning

- (1) After removing the envelope feeder gear cover and the multi-purpose pick-up ass'y, using lint-free paper dipped in alcohol, wipe any dirt off the feed roller while rotating the gear.

The gears should always be greased. If the grease is lost, reapply to them.

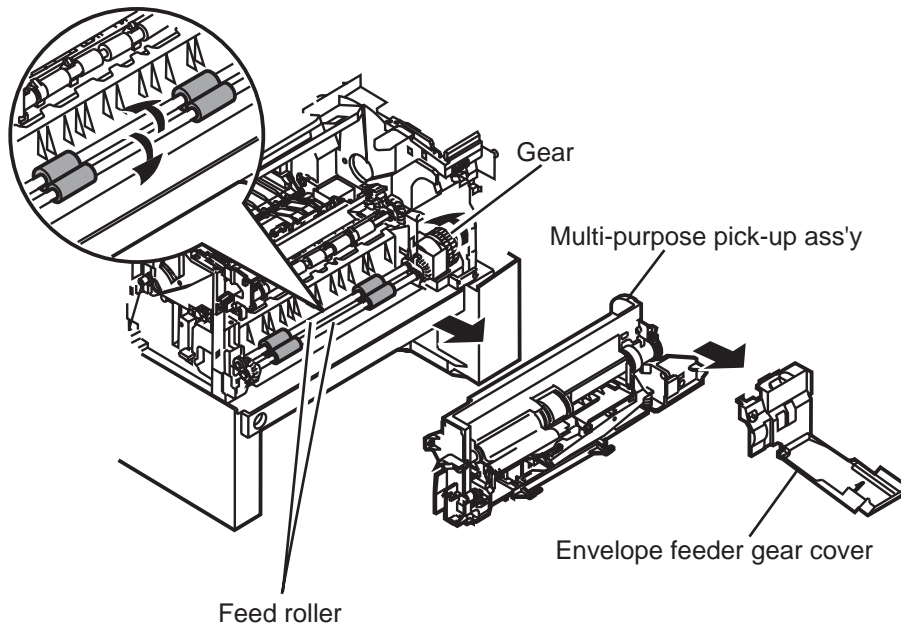


Figure 4-29 Cleaning Location

3.15 Pre-Transfer Roller and Registration Arm

a) Preparations for cleaning

- (1) Refer to 3.14 *Feed Roller* to remove the envelope feeder gear cover and the multi-purpose pick-up ass'y.
- (2) Remove the six screws.

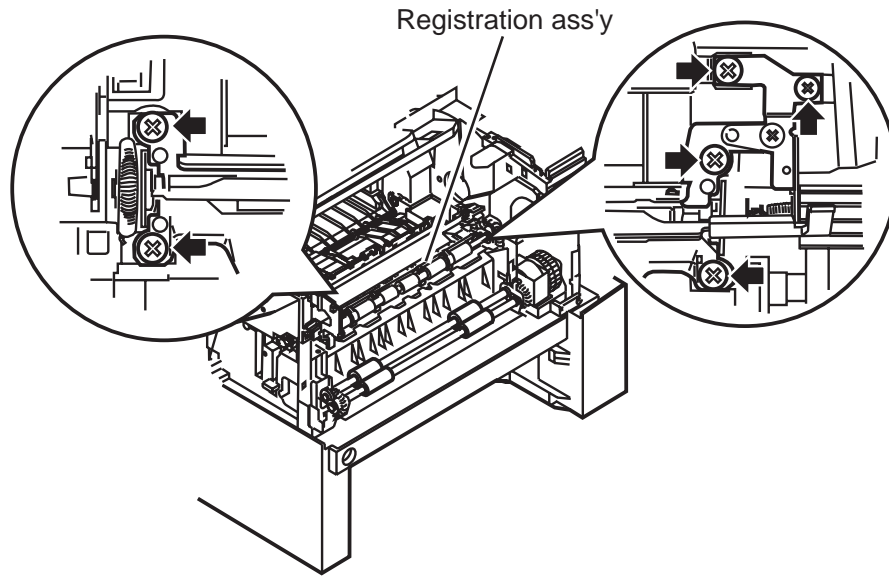


Figure 4-30 Preparation for Cleaning 1

- (3) Remove the front inner cover ass'y.
- (4) Remove the registration ass'y.

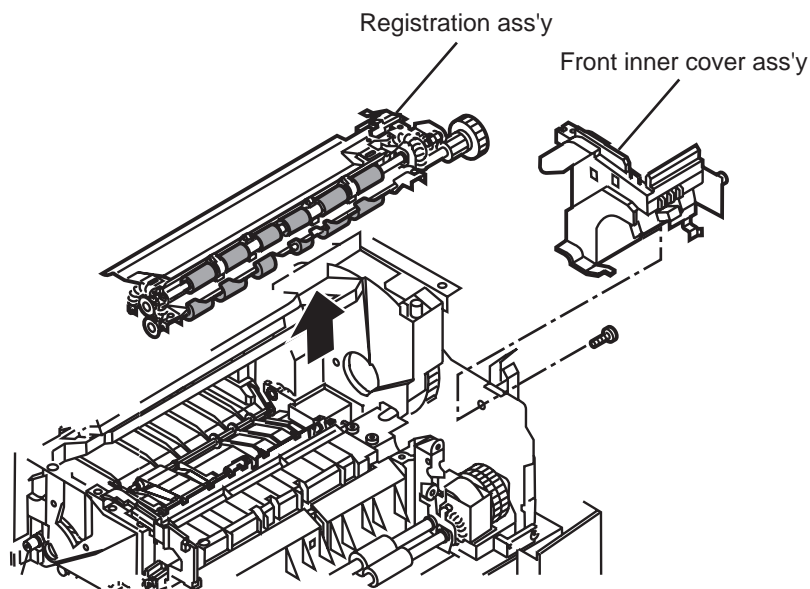


Figure 4-31 Preparation for Cleaning 2

b) Cleaning

- (1) Using lint-free paper dipped in alcohol, wipe any dirt off the pre-transfer roller and registration arm.

The gear should always be greased. If the grease is lost, reapply to it.

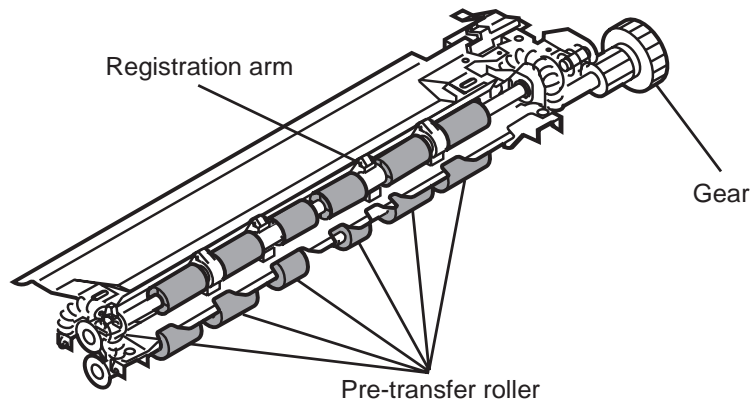


Figure 4-32 Cleaning Location

3.16 Paper Feed Belt and Paper Feed Guide

a) Preparations for cleaning

- (1) Refer to 3.11 *Transfer Charging Roller* to remove the transfer charging roller.
- (2) Remove the paper feed roller using the precision slot head screwdriver.



NOTE

When removing the paper feed roller, do not make contact with the static charge eliminator.

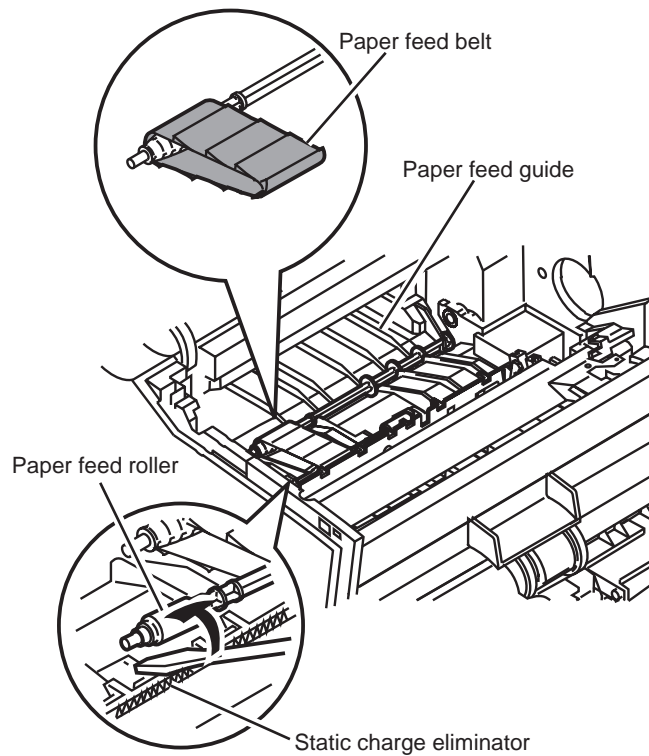


Figure 4-33 Preparation for Cleaning

b) Cleaning

- (1) Using lint-free paper dipped in alcohol, wipe any dirt off the paper feed belt rotating it.

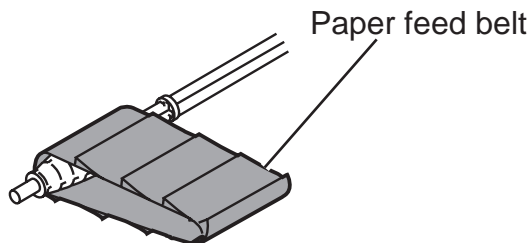


Figure 4-34 Cleaning Location 1

- (2) Using lint-free paper dipped in alcohol, wipe any dirt off the paper feed guide.

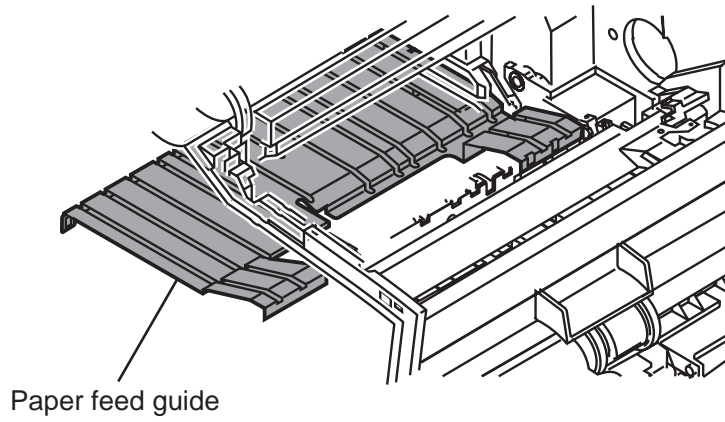


Figure 4-35 Cleaning Location 2

3.17 Fixing Unit Entrance Guide

a) Preparations for cleaning

- (1) Disconnect the power cord of the fax from the power source.
- (2) Remove the right rear cover and the left rear cover.
- (3) Remove the face-up tray.
- (4) Loosen the two screws and remove the fixing ass'y.

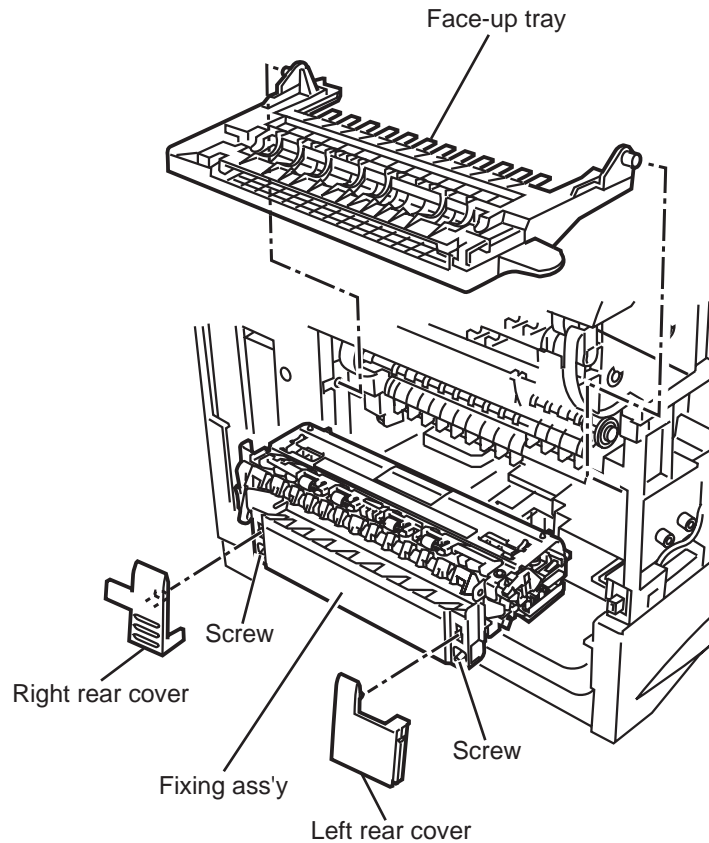


Figure 4-36 Preparation for Cleaning

b) Cleaning

- (1) Using lint-free paper dipped in alcohol, wipe any dirt off the fixing entrance guide.

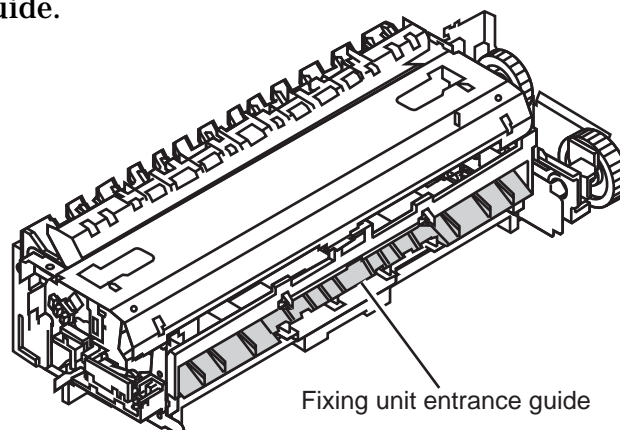


Figure 4-37 Cleaning Location

3.18 Fixing Film

a) Preparations for cleaning

- (1) Disconnect the power cord of the fax from the power source.
- (2) Refer to 3.17 *Fixing Unit Entrance Guide* to remove the fixing ass'y.
- (3) While pushing the claw, remove the left fixing ass'y connector.

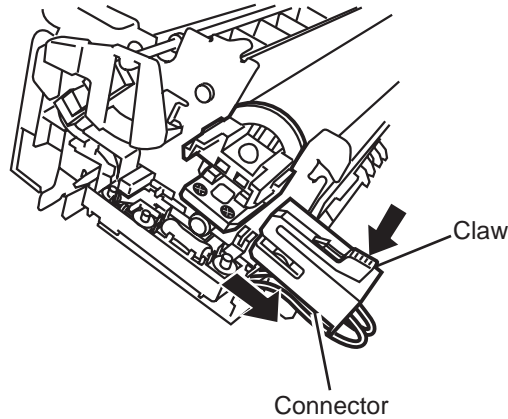
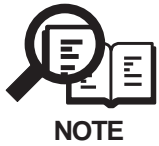


Figure 4-38 Preparation for Cleaning 1



When remove the connector, be careful not to scratch the cable with the edge of metal chassis.

- (4) Turn the fixing ass'y over, and remove the connector from the other end while pushing the claw.

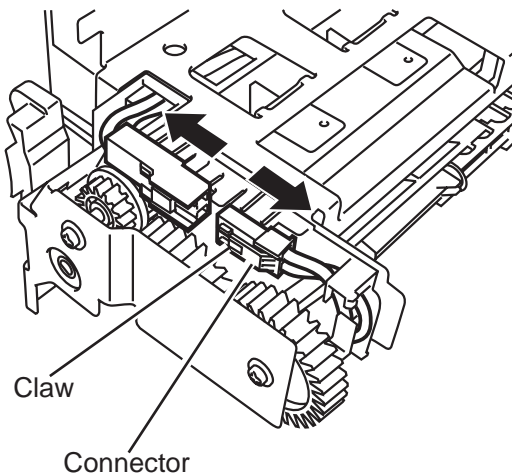
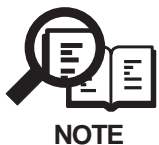


Figure 4-39 Preparation for Cleaning 2



When remove the connector, be careful not to scratch the cable with the edge of metal chassis.

(4) Remove the upper crossmember.

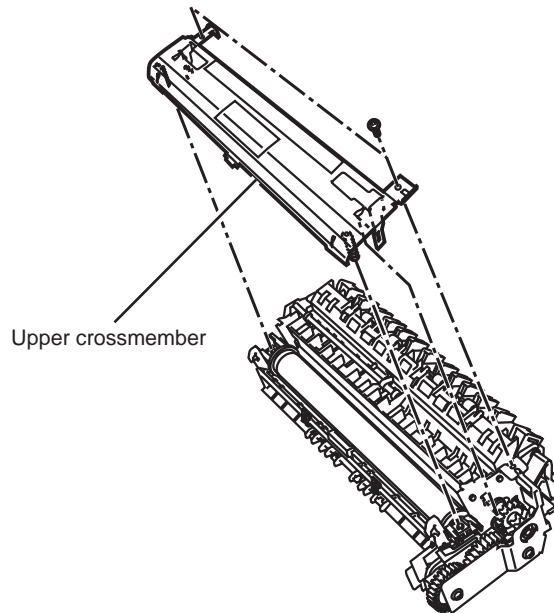


Figure 4-40 Preparation for Cleaning 3

b) Cleaning

(1) Using lint-free paper, wipe any dirt off the fixing film.

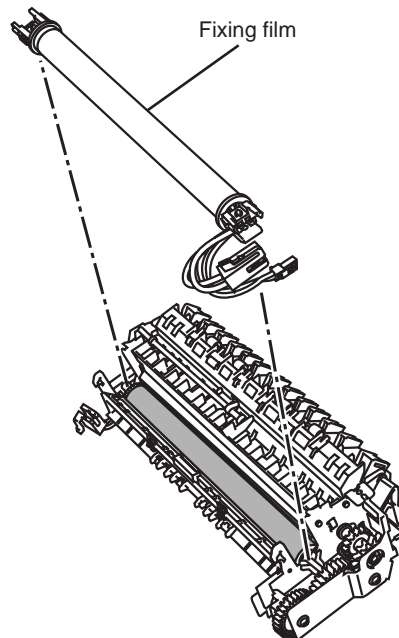


Figure 4-41 Cleaning Location



NOTE

When cleaning, be careful not to touch the fixing film.

3.19 Face-Up Deflector, Fixing Delivery Roller and Lower Paper Delivery Guide

a) Preparations for cleaning

- (1) Disconnect the power cord of the fax from the power source.
- (2) Refer to the Figure 4-36, 4-37 and 4-40 to remove the upper crossmember.
- (3) Remove the upper paper guide ass'y.

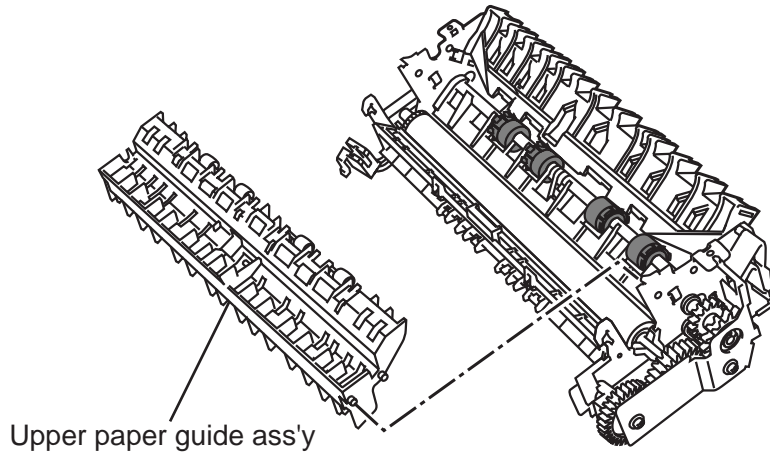


Figure 4-42 Preparation for Cleaning

b) Cleaning

- (1) Using lint-free paper dipped in alcohol, wipe any dirt off the face-up deflector, fixing delivery roller and lower paper delivery guide. The gears should always be greased. If the grease is lost, reapply grease to them.

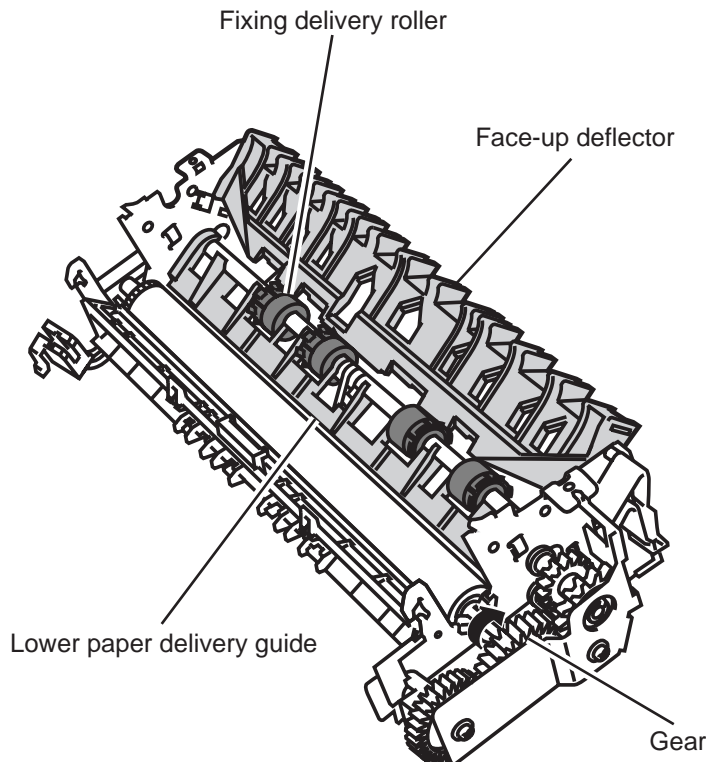


Figure 4-43 Cleaning Location

4. Adjustment

4.1 Parts Replacement

Please refer to the separate *PARTS CATALOG* for disassembly / assembly procedures to follow when replacing parts. The *PARTS CATALOG* shows illustrations which follow the disassembly procedures. Additionally, there are enlarged and special-help illustrations for parts which require caution during disassembly and assembly. Also, the notes of caution written in the illustrations are items where special caution is necessary.

4.2 Points to Grease

There are parts which have grease applied to make their operation smooth and to increase electrical conductivity. Apply grease when replacing parts where grease is applied or when grease has come off.

Please refer to the separate *PARTS CATALOG* regarding locations to apply grease.

4.3 Adjustment items

This fax requires the following adjustments.

Item	When
Leading edge margin	When the ECNT board or the laser/scanner unit is replaced.

4.4 Leading Edge Margin Adjustment

a) When

As VR501 on the ECNT board is adjusted at the factory, its adjustment at the time of installation is not required.

However, when the ECNT board is replaced in the field, the leading edge margin needs to be readjusted. Also, if the leading edge margin of test prints made after laser/scanner unit replacement is not 2.0mm, this adjustment is necessary. The adjustment procedures are shown below.

b) Tools

Tool	Use
Phillips screwdriver	Removing/inserting screws
Precision phillips screwdriver	Adjusting volume
Ruler	Measuring leading edge margin of printed image

c) Adjustment

c-1) Preparations

- (1) Open the printer cover and the upper reader frame unit.
- (2) Remove the left cover.
- (3) Set letter or A4 size recording paper in the cassette.
- (4) Close the printer cover and the upper reader frame unit.

c-2) Adjustment

- (1) Disconnect the power cord.
- (2) After setting the VR501 to the center position (+/-0) on the ECNT board, set the paper in the cassette.
- (3) Connect the power cord.
- (4) Press the test print switch (SW501) to make several test prints.

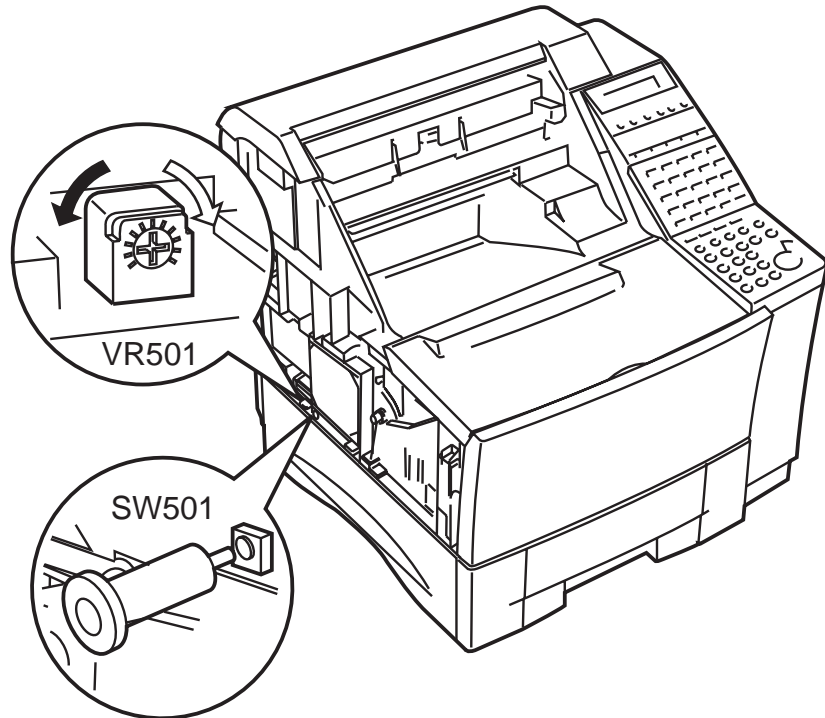


NOTE

When a test print is performed, the Error lamp blinks and "CHECK PRINTER" is displayed.

- (5) Measure the length (leading edge margin) from the leading edge to the print pattern. Measure all the test prints and calculate their average.
- (6) Adjust VR501 so that the calculated value in step (5) becomes 2.0mm. The pattern image shifts in the "+" direction if VR501 is turned clockwise, and in the "-" direction, counterclockwise. Turning the VR501 one scale shifts the pattern about 0.6mm. For instance, if the average value calculated in step (5) is 1.4mm, the difference is 0.6mm. Therefore, turn VR501 clockwise for one scale.

- (7) Make several test prints again, and perform step (5). Check that the leading edge margin is 2.0mm.
If the value is incorrect, repeat steps (4) to (7).



Clockwise

Turning one scale increases the leading edge margin approx. 0.02" (0.6 mm).

Counterclockwise

Turning one scale decreases the leading edge margin approx 0.02" (0.6 mm).

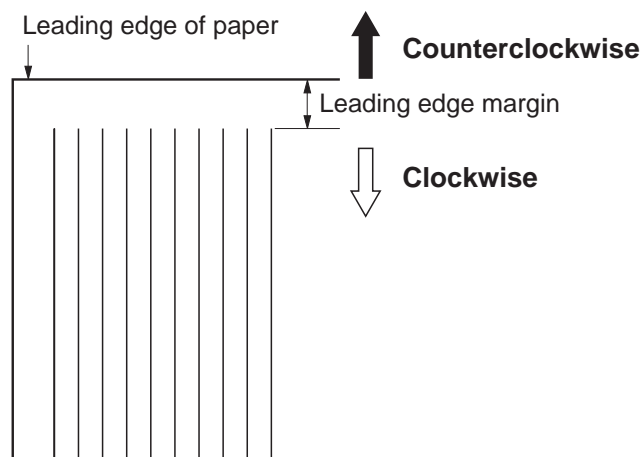


Figure 4-44 Leading Edge Margin Adjustment

5. TROUBLESHOOTING

5.1 Troubleshooting

5.1.1 Repairs

a) Check installation environment

Check that the following conditions have been met with regard to installation environment.

- (1) This fax must be installed on a level surface.
- (2) Ambient temperature should be 50°F (10°C) to 90.5°F (32.5°C), with humidity from 20 to 80%RH.
- (3) This fax should not be used in a location where there is ammonia gas emission, high temperature and humidity (such as near water faucets, hot water heaters, humidifiers, etc.), locations near fire sources, and dusty locations.
- (4) Avoid exposing the equipment to direct sunlight. If necessary, instruct the user to use a curtain to screen sunlight.
- (5) Install in a well ventilated environment.

b) Check recording paper

- (1) Only recommended recording paper should be used.
- (2) Care should be taken with the storage of recording paper. Store the paper in environmental conditions as close those in which the machine is being operated. In particular, should the paper be subjected to high humidity, it will lose its rigidity and making it liable to jam.

5.1.2 Precautions for troubleshooting

- (1) Before starting any other troubleshooting, check that all connectors and printer cables are securely connected.
- (2) When effecting repairs with the outer cover open, and the power cord plugged into the socket, exercise caution so as not to receive an electrical shock from the power supply unit, or to short out the logic board.
- (3) When you have finished troubleshooting, be sure not to forget any connectors, or to leave any screws loosened.
- (4) When you have finished troubleshooting, be sure to carry out a communications test to ensure that everything is working properly.

5.2 Error Shown on the Display

5.2.1 User error message

"# ALREADY IN USE"

Cause: The box specified with confidential or polling communications is already in use.

Solution: Change the setting or select another box.

"AUTO REDIAL"

Cause: The other party's line was busy on the previous dialing attempt and the fax unit is dialing the number again.

Solution: To cancel redialing, press **Stop** button when direct dialing or press **Delete File**, select transaction number then press **Set** when memory sending.

"BUSY/NO SIGNAL" (#0005, #0018)

Cause: There was no response from the other fax within 35 seconds. (T1 timer over)

Solution: (1) Transmit again. Since there is a possibility that the other fax is not a G3 fax, check the other fax's communications mode.

(2) When send documents long distance, press **Pause** button after dialing.

(3) There is a possibility that the other party has turned off the fax unit.

"CHECK DOCUMENT" (#0001, #0011)

Cause: Document jam. This is displayed when the document sensor detects paper, but the document edge sensor cannot detect the leading edge of the document within 15 seconds from the start of the feed operation.

Solution: (1) Remove the document and try again.

(2) If the document does not feed correctly, clean the rollers.
Refer to *this chapter, 3. CLEANING*.

"CHECK PAPER SIZE" (LASER CLASS 3175MS or LASER CLASS 3170/3175 with the optional Printer board I installed)

Cause: Paper-size-matching error of the MP tray. Set different paper size in the fax menus and in the printer menus, or the **USE MP TRAY** menu is not turned off while using the MP tray for the printer function and loading paper of sizes other than letter, legal or A4.

Solution: Set the correct paper size in both of the fax and printer menus, or turn off **USE MP TRAY** in the fax menus.

"CHECK POLLING ID" (#0008, #0021)

Cause: Polling was impossible because the polling ID or your subaddress/password did not match.

Solution: Check the polling ID or subaddress/password with the other party and try polling again.

"CHECK PRINTER"

See Printer error codes (##322~##325)

"CHECK PRINTER COVER"

Cause: (1) Displayed when the printer cover sensor detects an open cover.

(2) Displayed when the toner cartridge is not installed.

Solution: (1) Close the printer cover.

(2) Install a toner cartridge.

"CHECK SUBADDR/PASSWD" (#0083, #0102)

Cause: Password/subaddress does not match.

Solution: Contact the other party and confirm that the subaddress/password that you are using are correct.

"COMMUNICATING PLEASE WAIT"

Cause: You tried to use direct sending while the fax was sending another document.

Solution: Wait until the transmission is finished, then try again.

"DATA ERROR PRESS SET KEY"

Cause: Check sum error. This is displayed when the SCNT board is replaced, when the SRAM is defective, or when the backup battery is replaced.

Solution: Press the **SET** button.

"DOCUMENT TOO LONG" (#0003)

Cause: Displayed when one page of the document was longer than 39.4 inches (1 meter) or transmission/copying took longer than the regulated time (32 minutes).

Solution: (1) Use a copy machine to copy the document onto several shorter pages, then transmit again.

(2) Reduce them on a copy machine if necessary. Then paste them on standard letter or A4-size sheets for scanning.

"ENTER DAC"

Cause: The department access code is not entered to send document.
Solution: Enter the department access code.

"HANG UP PHONE"

Cause: The handset was left off the hook after the completion of transmission or reception.
Solution: Put the handset back on the handset rest.

"MEMORY FULL" (#0037)

Cause: The image data storage memory area is full.
Solution: (1) Output the image data stored in memory.
(2) If tried to send a document with "Ultra Fine", "Super Fine" or "Text/Photo", try sending by direct sending, or set "Fine" or "Text" and send by memory sending.

"MEMORY FULL PLEASE WAIT"

Cause: The image data storage memory area is full.
Solution: Wait until the current document transmission has completed.

"NO ANSWER"

Cause: The other party did not answer.
Solution: (1) Start the procedure again from the beginning and try again.
(2) If the connection fails again, make sure the other party is using a G3-compatible fax machine.

"NO CONFID. TX" (#0033, #0034)

Cause: (1) The other fax machine may not have the confidential function.
(2) ITU-T subaddress/password does not match.
(3) It is possible that the other fax has no free memory.
Solution: Check the above items for the other fax.

"NO DOC. STORED"

Cause: Tried to check the contents of the memory but no documents are currently stored in the memory.
Solution: No need.

"NO ORIGINAL RELAY TX" (#0035, #0036)

Cause: (1) It is possible that the other fax has no relay function.
(2) ITU-T subaddress/password does not match.
(3) It is possible that the other fax has no free memory.
Solution: Check the above items for the other fax.

"NO RX PAPER" (#0012)

- Cause:** Declares that the other fax has no recording paper for DIS.
Solution: Contact the other party and have them load paper into their fax.

"NO TEL#" (#0022)

- Cause:** No one-touch speed dialing, coded speed dialing, or group dialing telephone number is registered.
Solution: Register the one-touch speed dialing, coded speed dialing, or group dialing telephone number.

"NOT AVAILABLE NOW"

- Cause:** You pressed an one-touch speed dialing, coded speed dialing, or group dialing, that is not registered for the feature you are trying to use.
Solution: Check the contents of the one-touch speed dialing, coded speed dialing, or group dialing registration, then try again.

"NOT FOUND, TRY AGAIN"

- Cause:** The box number you specified does not exist.
Solution: Try again with a different number.

"OUTPUT TRAY FULL"

- Cause:** The output tray is full of paper.
Solution: Pick up the printed pages on the tray.

"PASSWORD POLL REJECT"

- Cause:** You set up a polling box for polling sending with an ITU-T password, but the other party's fax unit does not support use of an ITU-T password for polling receiving.
Solution: Transmit without an ITU-T password.

"PASSWORD TX REJECT"

- Cause:** You attempted to send a document with an ITU-T password, but the other party's fax unit does not support use of an ITU-T password for receiving.
Solution: Transmit without an ITU-T password.

"PRT ALT. PAPER SIZE? YES=(*) NO=(#)"

- Cause:** The size of the available recording paper does not match the size of the document waiting to be printed.
Solution: If you do not mind printing on a different paper size, press * button. If you want to print the correct paper size, press **Stop** button and install the correct size paper. Then press **Start/Scan** button.

"REC. PAPER JAM" (#0009)

- Cause:** Recording paper jam
This is displayed when the pre-feed sensor or the fixing unit delivery sensors 1&2 detects a paper jam.
- Solution:** Recover paper jam.

"RECEIVED IN MAILBOX"

- Cause:** A confidential document has arrived in a mailbox of the fax unit, and the message will remain displayed until you print the document.
- Solution:** Output the document in the confidential mailbox.

"RECEIVED IN MEMORY"

- Cause:** (1) The fax unit has run out of recording paper.
(2) The toner supply of the toner cartridge is exhausted.
(3) The output tray is full of paper.
- Solution:** (1) Supply paper to the paper cassettes.
(2) Change the toner cartridge.
(3) Pick up the printed pages on the tray.

"RECEIVED IN MAM. BOX"

- Cause:** You have received a document in a memory box.
- Solution:** Print out the document in the memory box.

"REPLACE CARTRIDGE"

- Cause:** (1) The toner in the toner cartridge has run out. This is displayed when the toner sensor detects empty toner.
(2) Toner detection structure defects.
- Solution:** (1) Replace the toner cartridge.
(2) Check the ECNT board TB63 terminal connections.
(3) Replace the ECNT board.
(4) Replace the TWINS board.
(5) Replace the SCNT board.

"SELECTIVE POLL REJECT"

- Cause:** You have setup a polling box for polling sending with an ITU-T subaddress, but the other party's fax unit does not support use of an ITU-T subaddress for polling receiving.
- Solution:** Transmit without a subaddress.

"START AGAIN"

- Cause:** An error due to system malfunction or line breakdown.
- Solution:** Carry out the same operation again.

"STOP KEY PRESSED"

Cause: You have pressed the **Stop** button to cancel the current transaction.

Solution: No need.

"SUBADDRESS TX REJECTD"

Cause: You attempted to send a document with an ITU-T subaddress, but the other party's fax unit does not support receiving a document with an ITU-T subaddress.

Solution: Transmit without a subaddress.

"SUPPLY REC. PAPER" (#0009)

Cause: (1) Either recording paper run out or there is no recording paper cassette loaded. This is displayed when the cassette paper sensor detects no paper.

(2) The recording paper cassette is not loaded correctly. This is displayed when the cassette paper size sensor detects no cassette.

Solution: (1) Refill the recording paper in the cassette.

(2) Install the paper cassette correctly.

"USER ACCESS CODE"

Cause: This is displayed when the user access code is registered to send, copy or print reports.

Solution: Enter the user access code.

"USER ACCESS LOCK"

Cause: Sending or printing has been restricted.

Solution: Set the **TX SETTING** or **FAX'S PRINTER SET** of **2. RESPECTIVE CODES** in the user data **7. SYSTEM SETTINGS** to **OFF**.

5.2.2 Error codes

a) Service error code output

If Service Data #1 SSSW SW01 bit 0 is set to "1", then service error codes are printed on the activity management reports, reception result reports, error transmission reports, and system dump lists when communication ends in an error. Also, the following is displayed on the display when an error occurs.



REFERENCE

For samples of reports with the service error codes displayed, see *Chapter 2: 2.1.2 Service report output functions.*

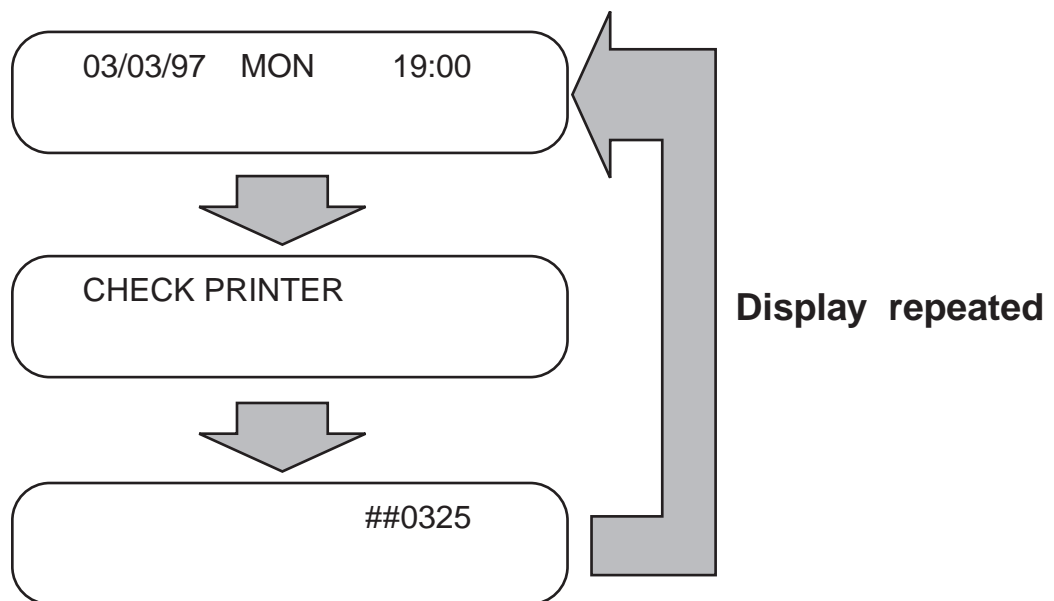


Figure 4-45 Service Error Code Display

b) Measure when an error code is output

Section c) shows the error codes displayed on this fax. However, they do not include the causes and measures that are described in a separate document titled *G3 Facsimile Error Code List (Rev. 1)*. See also this document.

The measures shown in the *G3 Facsimile Error Code List (Rev. 1)* and applicable to this fax machine are explained below.

- **Increase the transmission level**

Set service data #2MENU Parameter No.07 to -8 (dBm).

- **Decrease the transmission level**

Set service data #2MENU Parameter No.07 to -15 (dBm).

• **Echo measures**

Change the following bit switches of service data #1SSSW SW03.

Bit 4 → 1: Ignore the first DIS signal sent by the other fax machine.

0: Not to ignore the first DIS signal sent by the other fax machine.

Bit 5 → 1: Transmit a tonal signal (1850 or 1650 Hz) when the other fax machine sends a DIS signal.

0: Not to transmit a tonal signal when the other fax machine sends a DIS signal.

Bit 6 → 1: Transmit a 1650Hz tonal signal when bit 5 is 1.

0: Transmit a 1850Hz tonal signal when bit 5 is 1.

Bit 7 → 1: Transmit a tonal signal before sending a CED signal.

0: Not to transmit a tonal signal before sending a CED signal.

• **EPT**

Change service data #1SSSW SW03 bit 1.

Bit 1 → 1: Transmit an echo protect tone.

0: Not to transmit an echo protect tone.

• **Adjust NL equalizer.**

Set service data #2MENU Parameter No.05 to "ON".

• **Reduce the transmission start speed.**

Reduce the transmission speed by changing user data "SYSTEM SETTINGS" "TX START SPEED".

• **Loosen the TCF judgment standard.**

Not available for this fax.

• **Loosen the RTN transmission conditions.**

Change service data #3NUMERIC Param. Parameter No.02 to 04.

No.02 Percentage of errors in all lines : Set close to 99%.

No.03 Number of lines of burst condition : Set close to 99 lines.

No.04 Number of burst line groups : Set close to 99 groups.

• **Increase the no-sound time after CFR reception.**

Change service data #1SSSW SW04 bit 4 to "1".

Bit 4 → 1: Time when the low-speed signal is ignored after sending a CFR signal: 1500 ms

0: Time when the low-speed signal is ignored after sending a CFR signal: 700 ms

c) Error code list

The error codes used for this fax are as follows.

Codes listed as “New” in the list below indicate new error codes, or codes whose measures differ from those listed in the separate document *G3 Facsimile Error Code List (Rev.1)*.

For recovery methods for error codes indicated as “New”, see the item *d) Recovery methods for codes indicated as “New” in this chapter, 5.2.2 Error codes.*

For items other than “New”, see the separate document *G3 Facsimile Error Code List (Rev.1)*.

c-1) User error codes

	No.	Tx or Rx	Definition
New	#0001	[TX]	Paper jam
New	#0003	[TX/RX]	Copy page, transmission time over
New	#0005	[TX/RX]	Initial ID (T0/T1) time over
	#0008	[TX]	Polling password error
New	#0009	[RX]	Recording paper jam or out of paper
	#0011	[RX]	Polling error
	#0012	[TX]	Other party out of paper
	#0018	[TX]	Automatic dialing error
New	#0021	[RX]	DCN during polling reception
	#0022	[TX]	Call failure
New	#0025	[TX/RX]	Automatic dialing setting error
	#0033	[TX]	Confidential transmission failure
	#0034	[TX]	Failure to transmit to other party's confidential mailbox
	#0035	[TX]	No original relay transmission
	#0036	[TX]	No original relay transmission
	#0037	[RX]	Image memory full
New	#0039	[TX]	Closed network Tx failure
New	#0056	[RX]	Faulty recording paper feeding
New	#0057	[RX]	Faulty recording paper feeding
New	#0058	[RX]	Faulty recording paper feeding
New	#0059	[TX]	The number you dial and connected number (CSI) does not match
	#0080	[TX]	Other party does not have ITU-T recommended sub-address reception function
New	#0081	[TX]	Other party does not have ITU-T recommended password reception function
New	#0082	[RX]	Other party does not have ITU-T recommended selective polling transmission function
New	#0083	[RX]	DCN received during polling reception
New	#0084	[RX]	In polling reception, other party does not have ITU-T recommended password reception

	No.	Tx or Rx	Definition
New	#0099	[TX/RX]	Pressed stop button during communication
New	#0102	[TX]	In transmission, DCN received in response to password/sub-address
	#0995	[TX/RX]	The image data stored in memory have been cleared

c-2) Service error codes

• **G3 mode error codes**

	No.	Tx or Rx	Definition
	##0100	[TX]	Excessive repeat protocol during transmission
	##0101	[TX/RX]	Modem speed different from other party
	##0102	[TX]	Fall back failure during transmission
	##0103	[RX]	Fail to detect EOL for 5 seconds (15 seconds for CBT) during reception
	##0104	[TX]	RTN or PIN received during transmission
	##0106	[RX]	Fail to receive protocol for 6 seconds when waiting for protocol during reception
	##0107	[RX]	Fall back failure on transmission side during reception
	##0109	[TX]	Receive signals other than DIS, DTC, FTT, CFR or CRP after DCS Tx and exceed the number of protocol re-transmissions during transmission
	##0111	[TX/RX]	Memory error
	##0114	[RX]	RTN transmission during reception
	##0116	[TX/RX]	Detect loop current disconnection during communication
	##0200	[RX]	Fail to detect picture reception carrier for 5 seconds during reception
	##0201	[TX/RX]	DCN reception other than normal binary protocol
	##0223	[TX]	Line disconnected during communication
	##0224	[TX/RX]	Abnormal protocol during G3 communication
	##0229	[RX]	Recording unit locked for 1 minute
	##0232	[TX]	ENCODE control unit malfunction
	##0237	[RX]	DECODE control unit malfunction
	##0238	[RX]	PRINT control unit malfunction
	##0261	[TX/RX]	System error between MODEM and SCNT
	##0280	[TX]	Excessive repeat protocol command during transmission
	##0281	[TX]	Excessive repeat protocol command during transmission
	##0282	[TX]	Excessive repeat protocol during transmission
	##0283	[TX]	Excessive repeat protocol during transmission
	##0284	[TX]	DCN reception after TCF transmission

No.	Tx or Rx	Definition
##0285	[TX]	DCN reception after EOP transmission
##0286	[TX]	DCN reception after EOM transmission
##0287	[TX]	DCN reception after MPS transmission
##0288	[TX]	Receive signals other than PIN, PIP, MCF, RTP or RTN after EOP transmission
##0289	[TX]	Receive signals other than PIN, PIP, MCF, RTP or RTN after EOM transmission
##0290	[TX]	Receive signals other than PIN, PIP, MCF, RTP or RTN after MPS transmission

• Printer error codes

No.	Tx or Rx	Definition
New ##0322	[RX]	Printer (LBP) fixing unit trouble
New ##0323	[RX]	Printer (LBP) BD (Beam Detect) trouble
New ##0324	[RX]	Printer (LBP) scanner trouble
New ##0325	[RX]	Printer (LBP) main motor trouble

• V.8/V.34 protocol error codes

No.	Tx or Rx	Definition
New ##0670	[TX]	At V.8 late start, the called party declares the V.8 protocol in DIS signal and this unit transmits a CI signal, but the protocol does not progress and a T1 time-out occurs.
New ##0671	[RX]	At V.8 termination, the protocol did not advance to phase 2 and a T1 time-out occurs after the caller CM signal was detected.
New ##0672	[TX]	The protocol did not move from phase 2 to phase 3 and a T1 time-out occurred during V.34 transmission.
New ##0673	[RX]	The protocol did not move from phase 2 to phase 3 and a T1 time-out occurred during V.34 reception.
New ##0674	[TX]	The protocol did not move from phase 3 to phase 4 and a T1 time-out occurred during V.34 transmission.
New ##0675	[RX]	The protocol did not move from phase 3 to phase 4 and a T1 time-out occurred during V.34 reception.

• **ECM mode error codes**

	No.	Tx or Rx	Definition
	##0750	[TX]	Exceed repeat protocol due to failure to receive significant signals after transmitting PPS-NULL during ECM transmission
	##0752	[TX]	Receive DCN after PPS-NULL transmission during ECM transmission
New	##0753	[TX]	Exceed protocol retransmission limit or T5 time (60 seconds) after PPS-NULL transmission during ECM transmission
	##0754	[TX]	Exceed retransmit protocol after PPS-NULL transmission during ECM transmission
	##0755	[TX]	Exceed protocol retransmission limit due to failure to receive significant signals after PPS-MPS transmission during ECM transmission
	##0757	[TX]	Receive DCN after PPS-MPS Transmission during ECM transmission
New	##0758	[TX]	Exceed protocol retransmission limit or T5 time (60 seconds) after PPS-MPS transmission during ECM transmission
	##0759	[TX]	Exceed retransmit protocol after PPS-MPS transmission during ECM transmission
	##0760	[TX]	Exceed protocol retransmission limit due to failure to receive significant signals after PPS-EOM transmission during ECM transmission
	##0762	[TX]	Receive DCN after PPS-EOM transmission during ECM transmission
New	##0763	[TX]	Exceed protocol retransmission limit or T5 time (60 seconds) after PPS-MPS transmission during ECM transmission
	##0764	[TX]	Exceed retransmit protocol after PPS-EOM transmission during ECM transmission
	##0765	[TX]	Exceed protocol retransmission limit due to failure to receive significant signals after PPS-EOP transmission during ECM transmission
	##0767	[TX]	Receive DCN after PPS-EOP transmission during ECM transmission
New	##0768	[TX]	Exceed protocol retransmission limit or T5 time (60 seconds) after PPS-EOP transmission during ECM transmission
	##0769	[TX]	Exceed retransmit protocol after PPS-EOP transmission during ECM transmission

No.	Tx or Rx	Definition
##0770	[TX]	Exceed repeat protocol limit due to failure to receive significant signals after transmitting EOR-NULI during ECM transmission
##0772	[TX]	Receive DCN after EOR-NULI transmission during ECM transmission
New ##0773	[TX]	Exceed protocol retransmission limit or T5 time (60 seconds) after EOR-NULI transmission during ECM transmission
##0774	[TX]	Receive ERR after EOR-NULI transmission during ECM transmission
##0775	[TX]	Exceed protocol retransmission limit due to failure to receive significant signals after EOR-MPS transmission during ECM transmission
##0777	[TX]	Receive DCN after EOR-MPS transmission during ECM transmission
New ##0778	[TX]	Exceed protocol retransmission limit or T5 time (60 seconds) after EOR-MPS transmission during ECM transmission
##0779	[TX]	Receive ERR after EOR-MPS transmission during ECM transmission
##0780	[TX]	Exceed protocol retransmission limit due to failure to receive significant signals after EOR-EOM transmission during ECM transmission
##0782	[TX]	Receive DCN after EOR-EOM transmission during ECM transmission
New ##0783	[TX]	Exceed protocol retransmission limit or T5 time (60 seconds) after EOR-EOM transmission during ECM transmission
##0784	[TX]	Receive ERR after EOR-EOM transmission during ECM transmission
##0785	[TX]	Exceed protocol retransmission limit due to failure to receive significant signals after EOR-EOP transmission during ECM transmission
##0787	[TX]	Receive DCN after EOR-EOP transmission during ECM transmission
New ##0788	[TX]	Exceed protocol retransmission limit or T5 time (60 seconds) after EOR-EOP transmission during ECM transmission
##0789	[TX]	Receive ERR after EOR-EOP transmission during ECM transmission
##0790	[RX]	Transmit ERR after EOR-Q reception during ECM reception
##0791	[TX/RX]	Receive non-significant signals during ECM mode procedures

No.	Tx or Rx	Definition
##0792	[RX]	Fail to detect PPS-NULL between partial pages during ECM reception
##0793	[RX]	Time over due to failure to receive valid frame during high speed signal reception upon ECM reception
##0794	[TX]	Receive all 0 PPR during ECM transmission
##0795	[TX/RX]	Trouble in the decoding processing during communication
##0799	[TX]	System error

d) Recovery methods for codes indicated as “New”

d-1) User error codes

#0001 [TX] Paper jam

- Cause:** The document jammed in the fax machine.
- Solution:** Remove the document and transmit/copy again.
- Cause:** The document width size or thickness does not meet the standards.
- Solution:** Use a copy machine to copy the document to LTR or other standard size paper, then transmit that copy.
- Cause:** Internal structure defect
- Solution:** (1) Check if the document sensor (DS) and document edge sensor (DES) are operating correctly using the methods given in *Chapter 2: 2.4.7 Faculty tests, Test Mode [6] Faculty Test, [3] Sensor Tests.*
- (2) Check the SENSOR board (J1) and SCNT board (J12) connections.
- (3) Check the document edge sensor (DES) and SCNT board (J14) connections.
- (4) Make a copy, and make sure that the document read motor is operating correctly.
- (5) Check the document read motor and SCNT board (J4) connections.
- (6) Replace the SENSOR board.
- (7) Replace the document edge sensor (DES).
- (8) Replace the document read motor.
- (9) Replace the SCNT board.

#0003 [TX/RX] Copy page transmission time over

- Cause:** One page of the document was longer than 39.4 inches (1 meter) or transmission/copying took longer than the regulated time (32 minutes).
- Solution:** (1) Use a copy machine to copy the document onto several shorter page, then transmit/copy.
- (2) Raise the page timer value with Service Data #1 SSSW SW12.
- Cause:** Reception took longer than the regulated time (32 minutes).
- Solution:** (1) Have the other party split the document over multiple pages and receive it that way.
- (2) Contact the other party and check the cause.
- (3) Raise the page timer value with Service Data #1 SSSW SW12.

Cause: Internal structure defect

- Solution:**
- (1) Check if the document edge sensor (DES) is operating correctly using the methods given in *Chapter 2: 2.4.7 Faculty tests*, Test Mode [6] Faculty Test, [3] Sensor Tests.
 - (2) Check the document edge sensor (DES) and SCNT board (J14) connections.
 - (3) Make a copy, and make sure that the document read motor is operating correctly.
 - (4) Check the document feed motor and SCNT board (J4) connections.
 - (5) Replace the document edge sensor (DES).
 - (6) Replace the document read motor.
 - (7) Replace the SCNT board.

#0005 [TX/RX] Initial identification time (T0/T1) over

Cause: Tone/pulse parameter set incorrectly.

Solution: Set the user data "TEL LINE TYPE" tone/pulse parameter correctly.

Cause: The time until connection with the other fax is too long.

- Solution:**
- (1) When registering for auto dialing, add a long pause to delay the start of the timer.
 - (2) Lengthen the T0 timer with Service Data #3 Numeric param. 10 so that the timer does not time out.

Cause: The other fax does not answer.

Solution: Contact the other party and have them check for the cause.

Cause: A significant signal has not been received after starting transmitting the DIS signal.

Solution: Lengthen the T1 timer (Rx) with Service Data #3 Numeric param. 11 so that the time-out error does not occur.

Cause: The communications mode (G2, G3, etc.) of the other fax does not match that of this fax.

Solution: The communications mode is a part of specification for the fax, so there is no countermeasure.

- Cause:**
- (1) The other fax malfunctioned during transmission due to echoes.
 - (2) Malfunction due to echoes during reception

Solution: Implement echo countermeasures, given in this manual in *G3 Facsimile Service Data Handbook (Rev. 0) explanation of #1 SSSW SW03*.

#0009 [RX] Recording paper jam or out of paper

Cause: The recording paper jammed.

Solution: Clear the recording paper jam.

Cause: There is no recording paper.

Solution: Load recording paper.

Cause: Internal structure defect

Solution:

- (1) Check if the cassette recording paper sensors, cassette recording paper size sensors, multi-purpose tray paper sensor, recording paper eject sensor are operating correctly using the methods given in *Chapter 2: 2.4.7 Faculty tests*, Test Mode [6] Faculty Test, [3] Sensor Tests.
- (2) If the malfunction is not in multi-purpose tray feeding, goes to step (10);
- (3) Check the multi-purpose tray paper sensor (PS105), the sensor cable and the ECNT board (J58) connections.
- (4) Check the main motor, main motor connector (J301) and the ECNT board (J52) connections.
- (5) Replace the multi-purpose tray paper sensor.
- (6) Replace the main motor.
- (7) Replace the ECNT board.
- (8) Replace the TWINS board.
- (9) Replace the SCNT board.
- (10) If the malfunction is not in cassette feeding, goes to step (21);
- (11) Check the cassette recording paper sensors (PS101, PS801), the sensor cables and the paper size detection boards (J602, J803) connections.
- (12) Check the paper size detection board 2 (J801), paper feeder connector (J811, J812, J104, J106) and paper size detection board 1 (J601) connections.
- (13) Check the paper size detection board 1 (J603) and the ECNT board (J72) connections.
- (14) Check the main motor, main motor connector (J301) and the ECNT board (J52) connections.
- (15) Replace the cassette recording paper sensor.
- (16) Replace the paper size detection boards. (Cassette recording paper size sensor defect)
- (17) Replace the main motor.
- (18) Replace the ECNT board.
- (19) Replace the TWINS board.
- (20) Replace the SCNT board.

- (21) Check the recording paper eject sensor 2, the cable and the fixing unit (J131) connections.
- (22) Replace the recording paper eject sensor 2.
- (23) Replace the ECNT board.
- (24) Replace the ECNT board. (Recording paper eject sensor 1 defect)

#0021 [RX] DCN received during polling reception

- Cause:** No subaddress/password set in other machine.
- Solution:** Contact the other party and check subaddress/password of the other party.

#0025 [TX/RX] Automatic dialing setting error

- Cause:** An attempt was made to auto dial with confidential and relay set in auto dialing.
- Solution:** Set confidential and relay correctly for auto dialing.

#0039 [TX] Closed network transmission not possible

- Cause:** The closed network transmission switch is switched off.
- Solution:** Set Service Data #1 SSSW SW07 bit 7 to "1" to switch on closed network transmission.
- Cause:** The other fax's closed network transmission switch is switched off.
- Solution:** Have the other party switch on the closed network reception switch on their fax.
- Cause:** The closed network ID does not match the other fax's.
- Solution:** Use Service Data #1 SSSW SW08 to set the same closed network ID for your fax and for the other fax.

#0056 [RX] Faulty recording paper feeding

- Cause:** The recording paper jammed when both the pre-feed sensor and the recording paper eject sensor were OFF.
- Solution:** Recover recording paper jam.

#0057 [RX] Faulty recording paper feeding

- Cause:** The recording paper jammed when the pre-feed sensor was ON and the recording paper eject sensor was OFF.
- Solution:** Recover recording paper jam.

#0058 [RX] Faulty recording paper feeding

- Cause:** The recording paper remains fixed when the recording paper eject sensor is ON.
- Solution:** Recover recording paper jam.

#0059 [TX] The number you dial and connected number (CSI) does not match

Cause: “USER TEL” on the reception side not programmed, or wrongly programmed.

Solution: (1) Contact reception side and check whether “USER TEL” has been properly programmed.
(2) Check that the designated other party is connected, and transmit manually.

Cause: Faulty operation by exchange. Designated other party is not connected.

Solution: Inspect exchange.

#0080 [TX] Other party does not have ITU-T recommended subaddress reception

Cause: The other party’s DIS bit 49 is 0.

Solution: Contact the other party and confirm whether or not their fax supports subaddress receiving. Try sending again without a subaddress.

#0081 [TX] Other party does not have ITU-T recommended password reception

Cause: The other party’s DIS bit 50 is 0.

Solution: Contact the other party and confirm whether or not their fax supports ITU-T password receiving. Try sending again without a password.

#0082 [RX] Other party does not have ITU-T recommended selective polling transmission function

Cause: The other party’s DIS bit 47 is 0.

Solution: Contact the other party and confirm whether or not their fax can accept a polling request with a subaddress. Try again without a subaddress.

#0083 [RX] DCN received during polling reception

Cause: Subaddress/password does not match.

Solution: Contact the other party and conform that the subaddress/password that you are using are correct.

#0084 [RX] In polling reception, other party does not have ITU-T recommended password reception

Cause: The other party’s DIS bit 50 is 0.

Solution: Contact the other party and confirm whether or not their fax supports receiving a polling request with an ITU-T password. Try again without a password.

#0099 [TX/RX] Pressed stop button during communication

Cause: The Stop button was pressed during communication.

Solution: Try transmit or receive again.

#0102 [TX] In transmission, DCN received in response to password/sub-address

Cause: Password/subaddress does not match.

Solution: Contact the other party and have them set a password/sub-address.

Cause: Other party's memory is full.

Solution: Contact the other party and have them make sufficient memory available.

d-2) Service error codes

• **Printer error codes**

##0322 [RX] Fixing heater temperature abnormality

Cause: Your fax is connected to a UPS
(Uninterruptable Power Supply).

Solution: Remove the UPS.

Cause: Internal unit defect

Solution: (1) Check fixing heater (J133, J134), the cables and the ECNT board (J31) connections.
(2) Remove the fixing unit, and check the resistance between fixing unit (J132-1:THEM) and (J132-2:GND), which should be 300 to 500 ohm.
(3) Remove the fixing unit, and check the continuity between fixing unit (J142:HOT) and (J143:NEUTRAL), which should be continued.
(4) Replace the fixing film ass'y.
(5) Replace the ECNT board.

##0323 [RX] Laser/scanner unit BD signal output function abnormality

Cause: Internal unit defect

Solution: (1) Check the BD board (J551) and the cable connections.
(2) Check the laser/scanner unit and ECNT board (J53) connections.
(3) Replace the laser/scanner unit.
(4) Replace the ECNT board.

##0324 [RX] Printer section scanner motor rotation rate abnormality

Cause: Internal unit defect

Solution: (1) Check the scanner motor (J401) and the cable connections.
(2) Check the laser/scanner unit and ECNT board (J53) connections.
(3) Replace the laser/scanner unit
(4) Replace the ECNT board.

##0325 [RX] Main motor rotation rate abnormality

Cause: Internal unit defect

Solution: (1) Check the main motor, main motor connector (J301) and ECNT board (J52) connections.
(2) Replace the main motor.
(3) Replace the ECNT board.

- V.8/V.34 protocol error codes

##0670 [TX] At V.8 late start, the called party declares the V.8 protocol in DIS signal and this unit transmits a CI signal, but the protocol does not progress and a T1 time-out occurs.

Cause: The other party disconnected the line while the CI signal was being transmitted, or ANSam/DIS from the called party was not able to be detected.

Solution: Increase #2 MENU No.07 transmission level within a range of -8~-15 (dBm) or set #1 SSSW SW-28 bit 0 to "1" to inhibit the V.8/V.34 protocol on calling.

##0671 [RX] At V.8 termination, the protocol did not advance to phase 2 and a T1 time-out occurs after the caller CM signal was detected.

Cause: The caller disconnected the line or the signal from the caller was not able to be detected.

Solution: Increase #2 MENU No.07 transmission level within a range of -8~-15 (dBm) or set #1 SSSW SW-28 bit 1 to "1" to inhibit the V.8/V.34 protocol for the called party.

##0672 [TX] The protocol did not move from phase 2 to phase 3 and a T1 time-out occurred during V.34 transmission.

Cause: The called party disconnected the line during phase 2 or the signal from the called party was not able to be detected.

Solution: Increase #2 MENU No.07 transmission level within a range of -8~-15 (dBm) or set #1 SSSW SW-28 bit 0 to "1" to inhibit the V.8/V.34 protocol on calling.

##0673 [RX] The protocol did not move from phase 2 to phase 3 and a T1 time-out occurred during V.34 reception.

Cause: The transmitter disconnected the line during phase 2 or the signal from the transmitter was not able to be detected.

Solution: Increase #2 MENU No.07 transmission level within a range of -8~-15 (dBm) or set #1 SSSW SW-28 bit 1 to "1" to inhibit the V.8/V.34 protocol on termination.

##0674 [TX] The protocol did not move from phase 3 to phase 4 and a T1 time-out occurred during V.34 transmission.

Cause: The called party disconnected the line during phase 3 or the signal from the called party was not able to be detected.

Solution: Increase #2 MENU No.07 transmission level within a range of -8~-15 (dBm) or set #1 SSSW SW-28 bit 0 to "1" to inhibit the V.8/V.34 protocol on calling.

##0675 [RX] The protocol did not move from phase 3 to phase 4 and a T1 time-out occurred during V.34 reception.

Cause: The transmitter disconnected the line during phase 3 or the signal from the transmitter was not able to be detected.

Solution: Increase #2 MENU No.07 transmission level within a range of -8~-15 (dBm) or set #1 SSSW SW-28 bit 1 to "1" to inhibit the V.8/V.34 protocol on termination.

- ECM mode error codes

##0753 [TX] Exceed protocol retransmission limit or T5 time (60 seconds) after PPS-NULL transmission during ECM transmission

Cause: The other fax's page buffer is full or is being used, so PPS-NULL was transmitted, then RNR was received and after RR transmission, no significant signals could be received.

Solution: (1) In the user data "TX SETTINGS", set "ECM TX" to "OFF".
(2) Set user data "TX START SPEED" in "SYSTEM SETTINGS" to lower speed.

##0758 [TX] Exceed protocol retransmission limit or T5 time (60 seconds) after PPS-MPS transmission during ECM transmission

Cause: The other fax's page buffer is full or is being used, so PPS-MPS was transmitted, then RNR was received and after RR transmission, no significant signals could be received.

Solution: (1) In the user data "TX SETTINGS", set "ECM TX" to "OFF".
(2) Set user data "TX START SPEED" in "SYSTEM SETTINGS" to lower speed.

##0763 [TX] Exceed protocol retransmission limit or T5 time (60 seconds) after PPS-MPS transmission during ECM transmission

Cause: The other fax's page buffer is full or is being used, so PPS-MPS was transmitted, then RNR was received and after RR transmission, no significant signals could be received.

Solution: (1) In the user data "TX SETTINGS", set "ECM TX" to "OFF".
(2) Set user data "TX START SPEED" in "SYSTEM SETTINGS" to lower speed.

##0768 [TX] Exceed protocol retransmission limit or T5 time (60 seconds) after PPS-EOP transmission during ECM transmission

Cause: The other fax's page buffer is full or is being used, so PPS-EOP was transmitted, then RNR was received and after RR transmission, no significant signals could be received.

Solution: (1) In the user data "TX SETTINGS", set "ECM TX" to "OFF".
(2) Set user data "TX START SPEED" in "SYSTEM SETTINGS" to lower speed.

##0773 [TX] Exceed protocol retransmission limit or T5 time (60 seconds) after EOR-NULL transmission during ECM transmission

Cause: The other fax's page buffer is full or is being used, so EOR-NULL was transmitted, then RNR was received and after RR transmission, no significant signals could be received.

Solution: (1) In the user data "TX SETTINGS", set "ECM TX" to "OFF".
(2) Set user data "TX START SPEED" in "SYSTEM SETTINGS" to lower speed.

##0778 [TX] Exceed protocol retransmission limit or T5 time (60 seconds) after EOR-MPS transmission during ECM transmission

Cause: The other fax's page buffer is full or is being used, so EOR-MPS was transmitted, then RNR was received and after RR transmission, no significant signals could be received.

Solution: (1) In the user data "TX SETTINGS", set "ECM TX" to "OFF".
(2) Set user data "TX START SPEED" in "SYSTEM SETTINGS" to lower speed.

##0783 [TX] Exceed protocol retransmission limit or T5 time (60 seconds) after EOR-EOM transmission during ECM transmission

Cause: The other fax's page buffer is full or is being used, so EOR-EOM was transmitted, then RNR was received and after RR transmission, no significant signals could be received.

Solution: (1) In the user data "TX SETTINGS", set "ECM TX" to "OFF".
(2) Set user data "TX START SPEED" in "SYSTEM SETTINGS" to lower speed.

##0788 [TX] Exceed protocol retransmission limit or T5 time (60 seconds) after EOR-EOP transmission during ECM transmission

Cause: The other fax's page buffer is full or is being used, so EOR-EOP was transmitted, then RNR was received and after RR transmission, no significant signals could be received.

Solution: (1) In the user data "TX SETTINGS", set "ECM TX" to "OFF".
(2) Set user data "TX START SPEED" in "SYSTEM SETTINGS" to lower speed.

5.3 Errors not Shown on the Display

a) No power

- Solution:**
- (1) Plug in the power cord.
 - (2) Check the fuse in the power supply unit. If the fuse (F1, F2) blows, replace the fuse.
 - (3) Check the power supply and ECNT board (J101) connections.
 - (4) Replace the power supply unit.
 - (5) Replace the ECNT board.

b) No display

- Solution:**
- (1) Remove and reinstall the power cord.
 - (2) Check the SCNT board (J5) and OPCNT board (J100) connections.
 - (3) Replace the OPCNT board.
 - (4) Replace the SCNT board.

c) Characters are distorted

- Solution:**
- (1) Check the SCNT board (J5) and OPCNT board (J100) connections.
 - (2) Replace the OPCNT board.
 - (3) Replace the SCNT board.

d) Keys do not function

- Solution:**
- (1) Check the SCNT board (J5) and OPCNT board (J100) connections.
 - (2) Replace the OPCNT board.
 - (3) Replace the SCNT board.

d) Document feed error

The document is not fed

- Solution:**
- (1) Use the *Chapter 2: 2.4.7 Faculty Test, Test Mode [6] Faculty Test [3] Sensor Test* to check whether the document sensor is working normally.
 - (2) Check the SENSOR board (J1) and SCNT board (J12) connections.
 - (3) Replace the SENSOR board.
 - (4) Replace the SCNT board.

Document read motor does not run at all or dose not run normally

- Solution:**
- (1) Make a copy, and make sure that the document read motor is operating correctly.
 - (2) Check the SCNT board (J4) and document read motor connections.
 - (3) Replace the document read motor.
 - (4) Replace the SCNT board.

The document skews

- Solution:**
- (1) Check whether the document guide width is set correctly for the document to be loaded.
 - (2) Check whether paper whose thickness is lower or higher than the prescribed value is used.
 - (3) Check whether the document stopper is initialized correctly.
 - (4) Clean the separation roller (upper), the separation roller (lower), the document feed roller and eject roller.

Two or more documents are fed at the same time

- Solution:**
- (1) Check whether more documents than the maximum number of documents are set.
 - (2) Check whether paper whose thickness is lower or higher than the prescribed value is used.
 - (3) Clean the separation roller (upper), the separation roller (lower).
 - (4) Check whether the document stopper is initialized correctly.
 - (5) Replace the separation rollers (upper and lower).

e) Scanning error

See *Chapter 2: 3.4.4 Print test* and perform test print to confirm that there is no printing error.

Copy not printed

- Solution:**
- (1) Check the contact sensor and SCNT board (J3) connections.
 - (2) Replace the contact sensor.
 - (3) Replace the SCNT board.

Vertical white line/band in images

- Solution:**
- (1) Clean the white sheet of the middle reader frame unit.
 - (2) Clean the scanning glass.
 - (3) Check the contact sensor and SCNT board (J3) connections.
 - (4) Replace the contact sensor unit.

Vertical black band in images

- Solution:**
- (1) Clean the white sheet of the middle reader frame unit.
 - (2) Clean the scanning glass.
 - (3) Set SSSW #1 SW06 Bits 0 and 1 to "1", as explained in the separate document *G3 Facsimile Service Data Handbook (Rev. 0)*.
 - (4) Check the contact sensor and SCNT board (J3) connections.
 - (5) Replace the contact sensor.

f) No sound from the speaker

- Solution:**
- (1) Check the speaker unit and SCNT board (J10) connections.
 - (2) Replace the speaker unit.
 - (3) Replace the SCNT board.

g) Print defects

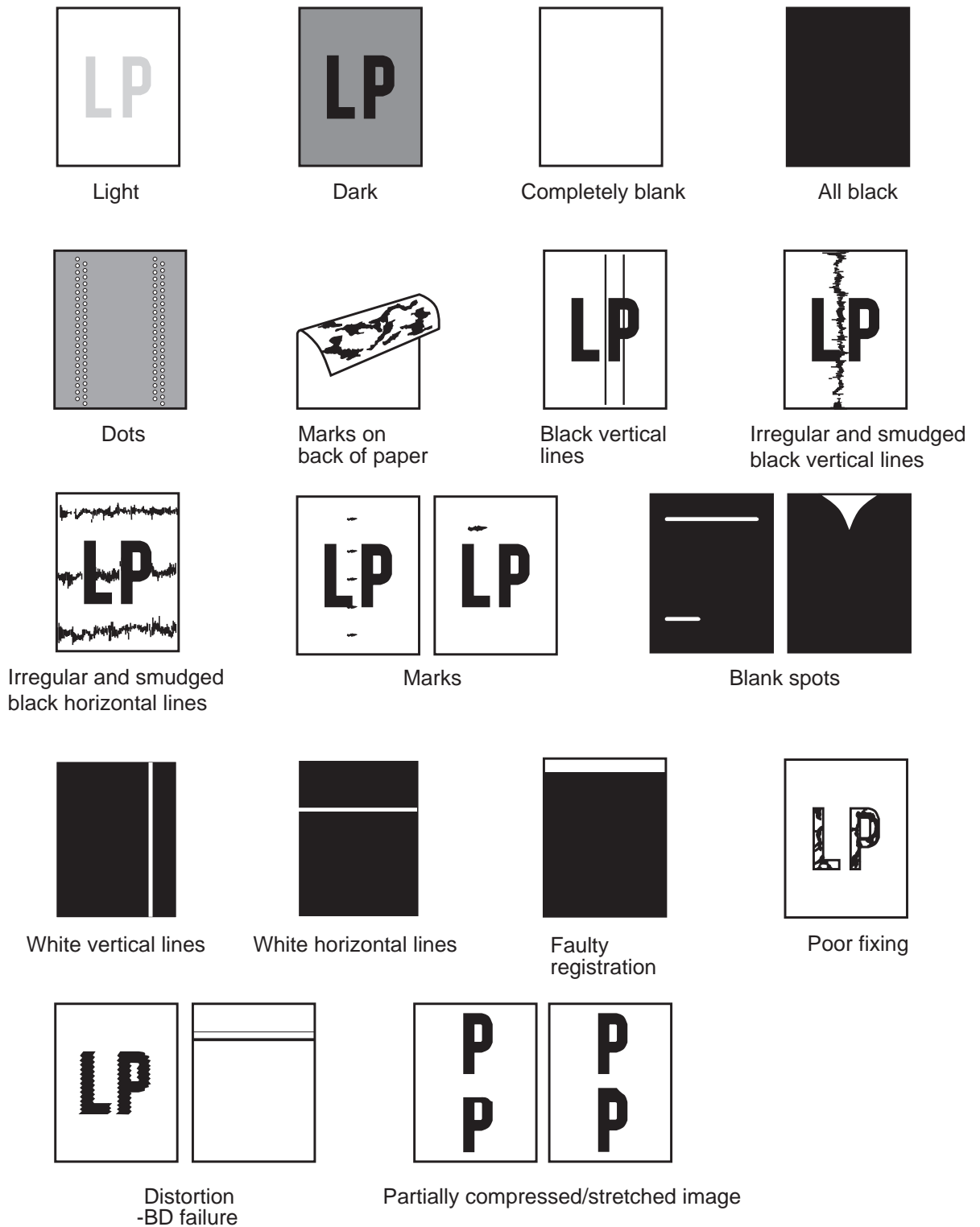


Figure 4-46 Faulty Print Samples

Light

- Solution:**
- (1) In user data, set “**SELECT DENSITY**” of “**FAX’S PRINTER SET**” to “**DK**”.
 - (2) Replace the toner cartridge.
 - (3) During printing, open the printer cover, remove the toner cartridge, open the toner cartridge drum protective shutter by hand, and check that the toner image on the photosensitive drum is transferred to the recording paper. If it is transferred and the toner image on the drum surface is light, go to (4). If the toner image on the drum is faint, go to (7).
Do not open the toner cartridge drum protective shutter for more than 10 seconds.
 - (4) Clean the high-voltage terminal, the toner cartridge contact and the transfer charging roller shaft contact.
 - (5) Replace the transfer charging roller.
 - (6) Replace the ECNT board.
 - (7) Replace the laser/scanner unit.
 - (8) Replace the ECNT board.

Dark

- Solution:**
- (1) In user data, set “**SELECT DENSITY**” of “**FAX’S PRINTER SET**” to “**LT**”.
 - (2) Clean the drum ground contact and the toner cartridge contact.
 - (3) Clean the high-voltage terminal and the toner cartridge contact.
 - (4) Replace the laser/scanner unit.
 - (5) Replace the ECNT board.

Completely blank

- Solution:**
- (1) Check if the toner cartridge drum protective shutter is damaged.
 - (2) Replace the toner cartridge.
 - (3) Clean the high-voltage terminal and the toner cartridge contact.
 - (4) Check if the laser shutter opens when you press the laser shutter lever.
 - (5) Replace the laser shutter lever or the laser shutter.
 - (6) Replace the ECNT board.

All black

- Solution:** (1) Clean the high-voltage terminal and the toner cartridge contact.
(2) Replace the toner cartridge.
(3) Replace the ECNT board.

Dots

- Solution:** (1) Clean the static charge eliminator with brush.
(2) Clean the transfer charging roller.
(3) Clean the transfer charging roller shaft contact.
(4) Check the contact between the static charge eliminator and the ECNT board.
(5) Check the contact between the transfer charging roller shaft and the ECNT board.
(6) Replace the transfer charging roller.
(7) Replace the ECNT board.

Marks on back of paper

- Solution:** (1) Copy a few white paper documents.
(2) If the marks is at intervals of approx. 2.97" (75 mm), clean the cassette feed roller.
(3) If the marks is at intervals of approx. 1.97" (50 mm), clean the feed roller and the pre-transfer roller.
(4) If the marks is at intervals of approx. 1.85" (47 mm), clean the transfer charging roller.
(5) If the marks is at intervals of approx. 2.48" (63 mm), clean the fixing pressure roller.
(6) Clean the paper feed belt.
(7) Clean the paper feed guide.
(8) Clean the fixing entrance guide.
(9) Replace the cassette feed roller.
(10) Replace the feed roller.
(11) Replace the pre-transfer roller.
(12) Replace the transfer charging roller.
(13) Replace the fixing pressure roller.

Black vertical lines

- Solution:**
- (1) Clean the mirror.
 - (2) During printing, open the printer cover, remove the toner cartridge drum protective shutter by hand, and check if there are vertical black lines on the photosensitive drum.
 - (3) If there are vertical black lines on the photosensitive drum, replace the toner cartridge.
 - (4) If there are not vertical black lines on the photosensitive drum, clean the fixing entrance guide.
 - (5) Check if the scars on the fixing film unit.
 - (6) Replace the fixing film unit.

Irregular and smudged black vertical lines

- Solution:**
- (1) During printing, open the printer cover, remove the toner cartridge drum protective shutter by hand, and check if there are vertical black lines on the photosensitive drum.
 - (2) If there are vertical black lines on the photosensitive drum, replace the toner cartridge.
 - (3) If there are not vertical black lines on the photosensitive drum, clean the fixing entrance guide.
 - (4) Check if the scars on the fixing film unit.
 - (5) Replace the fixing film unit.

Irregular and smudged black horizontal lines

- Solution:** If the irregular smudged black lines occur cyclically, replace the toner cartridge. If they are non-cyclically, replace the fixing film unit.

Marks

- Solution:**
- (1) Copy a few white paper documents.
 - (2) If the marks is at intervals of approx. 3.70" (94 mm), replace the toner cartridge.
 - (3) If the marks is at intervals of approx. 2.97" (75 mm), clean the cassette separation roller.
 - (4) If the marks is at intervals of approx. 1.97" (50 mm), clean the feed roller and the pre-transfer roller.
 - (5) If the marks is at intervals of approx. 1.85" (47 mm), clean the transfer charging roller.
 - (6) If the marks is at intervals of approx. 2.95" (75 mm), clean the fixing film unit.
 - (7) Replace the cassette separation roller.
 - (8) Replace the feed roller.
 - (9) Replace the pre-transfer roller.
 - (10) Replace the transfer charging roller.
 - (11) Replace the fixing film unit.

Blank spots

- Solution:**
- (1) Clean the developing bias contact and the toner cartridge contact.
 - (2) Clean the transfer charging roller.
 - (3) Replace the toner cartridge.
 - (4) Replace the transfer charging roller.
 - (5) Replace the ECNT board.

White vertical lines

- Solution:**
- (1) Shake the toner cartridge.
 - (2) Clean the mirror.
 - (3) Check for foreign matter stuck in the laser output hole on the laser/scanner unit or the laser input hole on the toner cartridge.
 - (4) Clean the fixing entrance guide.
 - (5) Clean the fixing film unit.
 - (6) Replace the toner cartridge.
 - (7) Replace the fixing film unit.
 - (8) Replace the laser/scanner unit.

White horizontal lines

- Solution:**
- (1) Replace the toner cartridge.
 - (2) Replace the fixing film unit.

Faulty registration

- Solution:**
- (1) Check if more than the regulation amount of recording paper is loaded in the cassette.
 - (2) Clean the cassette pickup roller.
 - (3) Clean the multi-purpose tray pickup roller.
 - (4) Clean the feed roller.
 - (5) Adjust the leading edge margin as explained in *this Chapter, 4.4 Leading edge margin adjustment*.
 - (6) Replace the pickup roller.
 - (7) Replace the multi-purpose tray pickup roller.
 - (8) Replace the feed roller.
 - (9) Re-adjust the leading edge margin as explained in *this Chapter, 4.4 Leading edge margin adjustment*.
 - (10) Replace the ECNT board.

Poor fixing

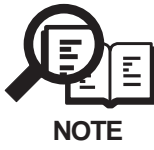
- Solution:**
- (1) Check the nip width of the fixing ass'y. If it is not as specified, replace the fixing ass'y.
 - (2) If the dirt is at intervals of approx. 2.95" (75 mm), clean the fixing film unit.
 - (3) If the dirt is at intervals of approx. 2.48" (63 mm), clean the fixing pressure roller.
 - (4) Replace the fixing film unit.
 - (5) Replace the fixing pressure roller.

Distortion / nBD signal failure

- Solution:**
- (1) Check the laser/scanner unit (J401, J501, J551) and ECNT board (J53) connections.
 - (2) Replace the laser/scanner unit.
 - (3) Replace the ECNT board.

Partially compressed/stretched image

- Solution:**
- (1) Check the foreign matter between the toner cartridge gear and the printer drive gear.
 - (2) Check if the toner cartridge gear is not broken.
 - (3) Replace the toner cartridge.

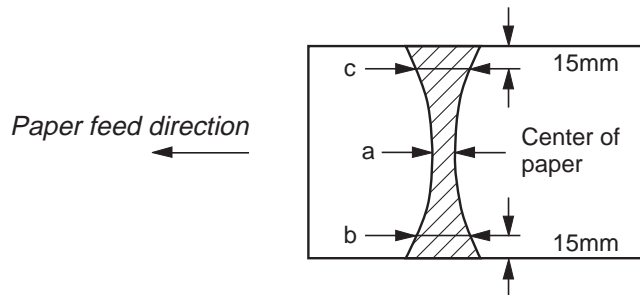


Checking the nip width of the pressure roller

The fixing unit is not designed to allow adjustment of the pressure (nip width); however, the incorrect nip width can cause fixing problems.

Follow the procedures below to check the nip width:

- (1) Either take along one or two all-black copies of A4 or letter size made with a copier, or make it using a copier at the customer site.
- (2) Place the all-black copy in the cassette of the printer, with the printed side facing down.
- (3) Open the face-up tray.
- (4) Press the test print switch (SW501) on the ECNT board.
- (5) When the leading edge of the print emerges at the face-up tray, turn OFF the printer. Take out the print from the printer about 10 seconds later.
- (6) Measure the width of the glossy band across the paper and check that it meets the requirements as shown in below table.



	Dimension
a	6 to 8 mm
b	6.3 to 8.3 mm
c	6.3 to 8.3 mm
b - c	1.0 mm or less
b - a	-0.3 mm or more
c - a	-0.3 mm or more

Figure 4-47 Fixing Nip Width

h) Recording paper pickup error

The recording paper is not picked up from the multi-purpose tray

- Solution:**
- (1) Check that the recording paper is not curled and is set correctly.
 - (2) Check if more than the regulation amount of recording paper is loaded in the multi-purpose tray.
 - (3) Clean the multi-purpose tray pickup roller.
 - (4) Check the pickup solenoid, pickup solenoid connector (J125, J126) and ECNT board (J56) connections.
 - (5) Check the resistance between multi-purpose tray pickup solenoid (J126-2) and (J126-3), which should be approx. 110 ohm. If it is not, replace the multi-purpose tray pickup solenoid.
 - (6) Check if the gears of the multi-purpose tray pick-up unit is not damaged.
 - (7) Replace the multi-purpose tray pickup roller.
 - (8) Replace the separation pad.
 - (9) Replace any damaged gears of the multi-purpose tray pick-up unit.
 - (10) If the machine is LASER CLASS 3175MS or the optional Printer board I is installed into LASER CLASS 3170/3175, make a test print from the multi-purpose tray. If the paper is picked up correctly, replace the Printer board I.
 - (11) Replace the ECNT board.

Recording paper is not picked up from the cassette 1

- Solution:**
- (1) Check that the cassette 1 is installed correctly.
 - (2) Check if more than the regulation amount of recording paper is loaded in the cassette 1.
 - (3) Check that the cassette pickup roller is at its initial position. If it is not, after switch the power on, insert the cassette 1 into the main unit.
 - (4) Clean the cassette pickup roller, cassette feed roller and cassette separation roller.
 - (5) Check the cassette claw. If it is deformed, replace it.
 - (6) Check the cassette pickup solenoid and paper size detection board 1 (J604) connections.
 - (7) Check the resistance between cassette pickup solenoid (J604-1) and (J604-2), which should be approx. 110 ohm. If it is not, replace the cassette pickup solenoid.
 - (8) Check the pick-up module drive unit. If there are damaged parts, replace any damaged parts.
 - (9) Check the ECNT board (J72) and paper size detection board 1 (J603) connections.

- (10) Replace the cassette pickup roller.
- (11) Replace the cassette feed roller and cassette separation roller together.
- (12) If the machine is LASER CLASS 3175MS or the optional Printer board I is installed into LASER CLASS 3170/3175, make a test print from the cassette 1. If the paper is picked up correctly, replace the Printer board I.
- (13) Replace the paper size detection board 1.
- (14) Replace the ECNT board.

Recording paper is not picked up from the cassette 2 (Option paper feeder)

- Solution:**
- (1) Check that the cassette 2 is installed correctly.
 - (2) Check if more than the regulation amount of recording paper is loaded in the cassette 2.
 - (3) Check that the cassette pickup roller is at its initial position. If it is not, after switch the power on, insert the cassette 2 into the main unit.
 - (4) Clean the cassette pickup roller, cassette feed roller and cassette separation roller.
 - (5) Check the cassette claw. If it is deformed, replace it.
 - (6) Check the cassette pickup solenoid and paper size detection board 2 (J802) connections.
 - (7) Check the resistance between cassette pickup solenoid (J802-1) and (J802-2), which should be approx. 110 ohm. If it is not, replace the cassette pickup solenoid.
 - (8) Check the pick-up module drive unit. If there are damaged parts, replace any damaged parts.
 - (9) Check the option cassette paper size detection board 2 (J801), paper feeder connector (J811, J812, J104, J106) and paper size detection board 1 (J601) connections.
 - (10) Check the ECNT board (J72) and paper size detection board 1 (J603) connections.
 - (11) Replace the cassette pickup roller.
 - (12) Replace the cassette feed roller and cassette separation roller together.
 - (13) If the machine is LASER CLASS 3175MS or the optional Printer board I is installed into LASER CLASS 3170/3175, make a test print from the cassette 2. If the paper is picked up correctly, replace the Printer board I.
 - (14) Replace the paper size detection boards.
 - (15) Replace the ECNT board.

i) Recording paper feed error

The recording paper is not fed between transfer and feed section

- Solution:**
- (1) When a paper 180mm or less in length is jammed before reaching the fixing roller, examine whether the paper is curled downward. If it is, straighten the paper, and then instruct the user.
 - (2) If the paper does not reach the registration arm, go to step (13) and thereafter.
 - (3) Clean the paper feed belt. If it is worn or damaged, replace it.
 - (4) If the paper feed belt drive gear is damaged, replace it.
 - (5) Clean the pre-transfer roller. If it is worn or deformed, replace it.
 - (6) Clean the registration arm. If it is worn or deformed, replace it.
 - (7) If the registration arm does not move smoothly, adjust the arm so that it moves smoothly.
 - (8) If the registration arm spring is out of place, re-attach it or replace it.
 - (9) If the top of page sensor lever does not move smoothly, adjust the lever so that it moves smoothly.
 - (10) If the top of page sensor lever is damaged, replace it.
 - (11) If the transfer charging roller does not move smoothly, replace the bushing.
 - (12) If the gear of the transfer charging roller is worn or damaged, replace it.
 - (13) Clean the feed roller. If the feed roller is worn or damaged, replace it.
 - (14) If the gears of the multi-purpose tray pick-up unit, replace any damaged gears.
 - (15) Check the resistance between feed roller clutch (J128-1) and (J128-2), which should be approx. 145 ohm. If it is not, replace the feed roller clutch.
 - (16) Replace the ECNT board.

The recording paper is not fed between fixing and delivery section

- Solution:**
- (1) If the nip width is not within the specification, replace the fixing ass'y.
 - (2) Clean the fixing entrance guide.
 - (3) If the recording paper eject sensor 2 lever does not move smoothly, adjust the lever so that it moves smoothly.
 - (4) If the recording paper eject sensor 2 lever is damaged, replace it.
 - (5) If the fixing pressure roller does not move smoothly, check the gears and replace if any worn or fractured gear is found.
 - (6) Clean the fixing film unit. If the fixing film unit is deformed or scarred, replace it.
 - (7) Clean the fixing pressure roller. If the fixing pressure roller is deformed or scarred, replace it.
 - (8) Clean the face-up deflector.
 - (9) Clean the fixing eject roller. If the fixing eject roller is worn or damaged, replace it.
 - (10) If the fixing eject roller does not move smoothly, check the gears and replace if any worn or fractured gear is found.
 - (11) If the paper feed roller is worn or damaged, replace it.
 - (12) If the paper feed roller does not move smoothly, check the gears and replace if any worn or fractured gear is found.
 - (13) If the face-down delivery roller is worn or damaged, replace it.
 - (14) If the face-down delivery roller does not move smoothly, check the gears and replace if any worn or fractured gear is found.
 - (15) If the recording paper overload sensor lever does not move smoothly, adjust the lever so that it moves smoothly.
 - (16) If the recording paper overload sensor lever is damaged, replace it.
 - (17) If the poor linkage between the recording paper eject sensor 1 lever on the fixing unit and the arm on the ECNT board, rejoin the fixing unit with the ECNT board properly.
 - (18) Replace the ECNT board.

Multiple feed

- Solution:**
- (1) If jams occur in the multi-purpose tray, go to step (7) and thereafter.
 - (2) Set the paper caught by the claw of the cassette.
 - (3) Check the cassette claw. If it is deformed, replace it.
 - (4) If the cassette separation roller is worn or deformed, replace the cassette feed roller and cassette separation roller together.
 - (5) If the spring pushing the cassette separation roller is defective, replace the spring.
 - (6) If the torque limiter of the cassette separation roller is defective, replace it.
 - (7) If the separation pad surface is worn, replace it.
 - (8) If the spring pushing separation pad, replace the spring.

Wrinkles/folded leading edge

- Solution:**
- (1) If the paper is curled, straighten the paper, and then instruct the user.
 - (2) Open the printer cover after the paper is picked up before it enters the fixing unit. If the paper is wrinkled or folded at its leading edge at this point, go to step (5) and thereafter.
 - (3) Clean the fixing entrance guide.
 - (4) Clean the fixing pressure roller. If the fixing pressure roller is deformed or scarred, replace it.
 - (5) Clean the fixing film unit. If the fixing film unit is deformed or scarred, replace it.
 - (6) Clean the registration arm. If it is worn or deformed, replace it.
 - (7) Clean the feed roller, pre-transfer roller and paper feed guide.
 - (8) If the transfer guide is worn, scarred or deformed, replace it.

Skew

- Solution:**
- (1) If the cassette feed roller and the cassette separation roller are worn unevenly, replace them together.
 - (2) If the cassette side plate ass'y (right and left side) do not move smoothly or are deformed, replace them.
 - (3) Clean the registration arm. If it is worn or deformed, replace it.
 - (4) If the registration arm does not move smoothly, adjust the arm so that it moves smoothly.
 - (5) If the registration arm spring is out of place, re-attach it or replace it.

j) Printer error

PRINTER ERROR MESSAGES

Solution: (1) For the detail of the printer error messages, refer to the *Chapter 5, 4.5 Printer Board I, 4.5.4 Maintenance and service, b) Troubleshooting.*

Main motor does not run

Solution: (1) Check the main motor, main motor connector (J301) and ECNT board (J52) connections.
(2) Replace the main motor.
(3) Replace the ECNT board.

6. WIRING DIAGRAM

6.1 Wiring Diagram

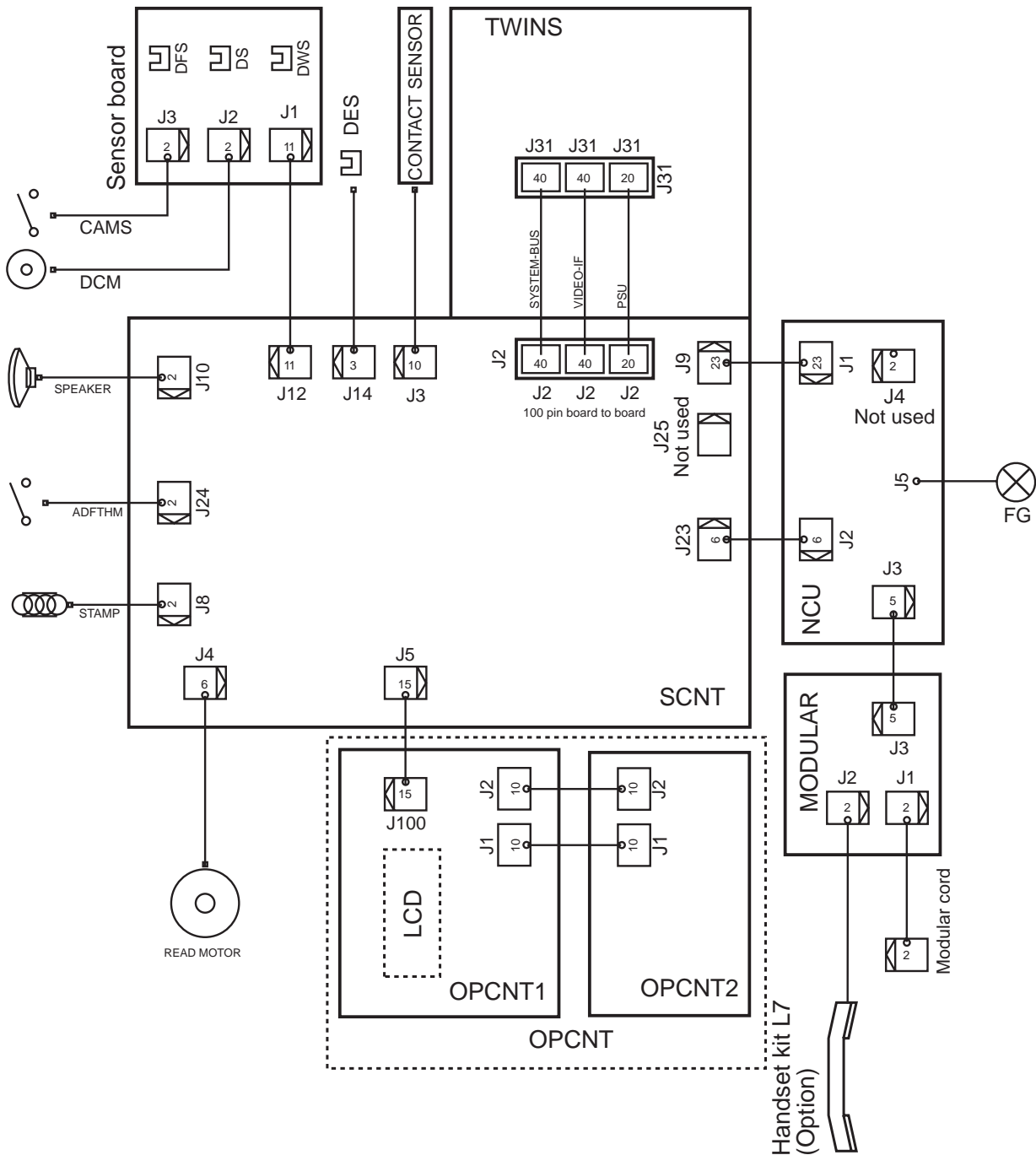


Figure 4-48 Wiring Diagram (1)

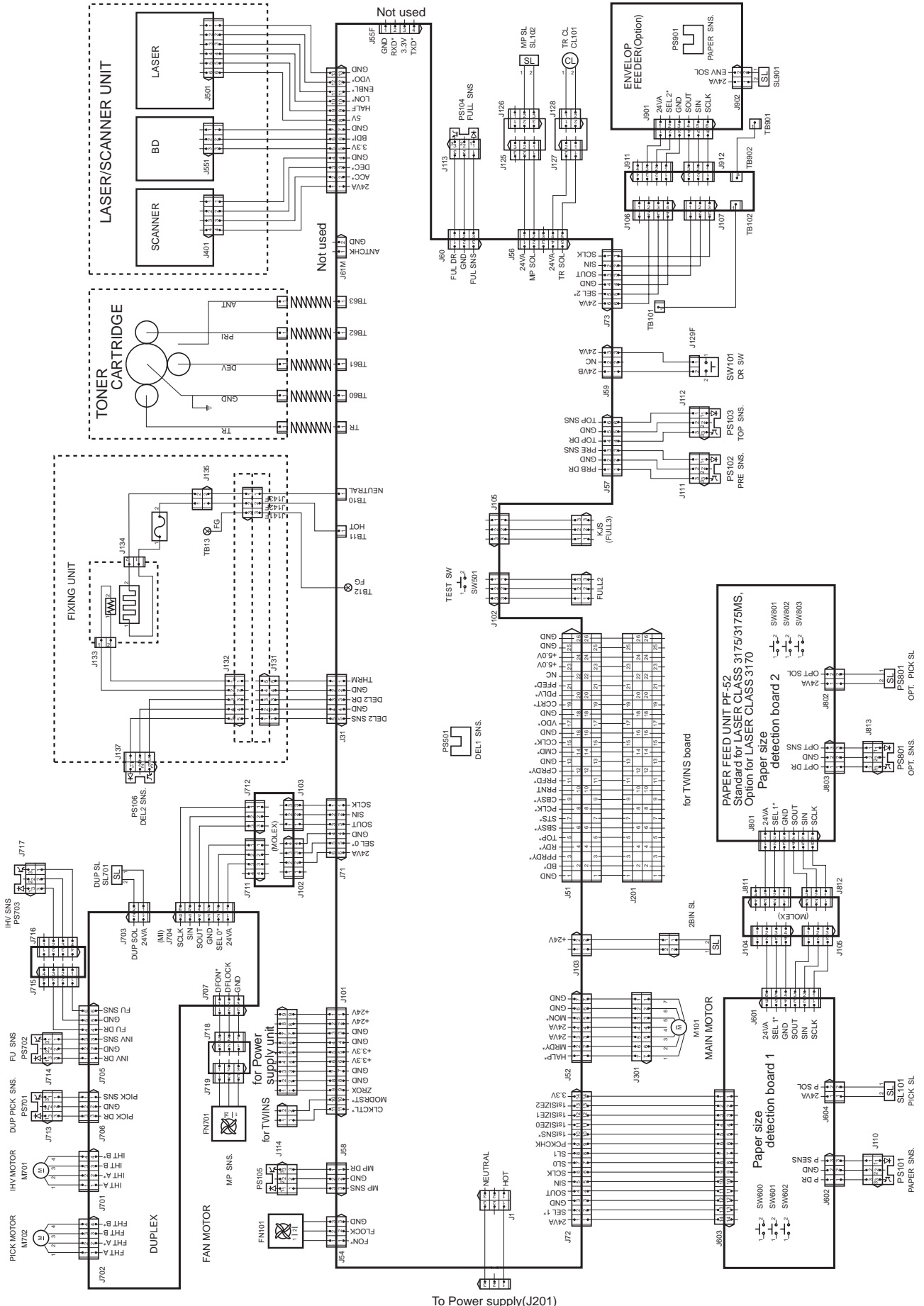


Figure 4-49 Wiring Diagram (2)

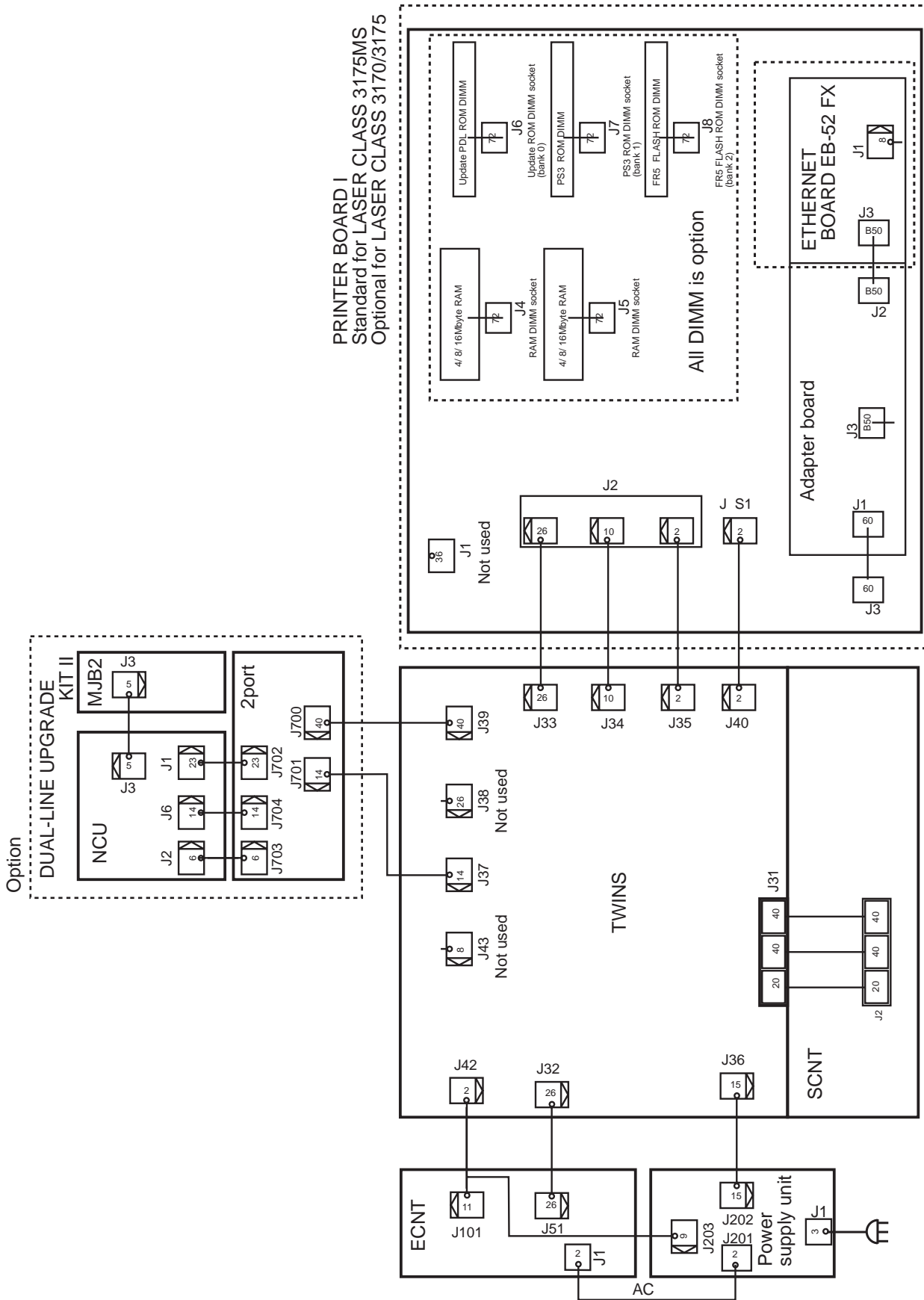


Figure 4-50 Wiring Diagram (3)

6.2 Signal Description

SCNT board (J1) ↔ Memory board

J1	Memory	Signal name	Description
A1 —	1	DGND	Ground
A2 —	2	VD0	Data signal
A3 —	3	VD1	Data signal
A4 —	4	VD2	Data signal
A5 —	5	VD3	Data signal
A6 —	6	VD4	Data signal
A7 —	7	VD5	Data signal
A8 —	8	VD6	Data signal
A9 —	9	VD7	Data signal
A10 →	10	+VB	Logic drive voltage
A11 —	11	N.C	Not connected
A12 —	12	AX0	Address/data signal
A13 —	13	AX1	Address/data signal
A14 —	14	AX2	Address/data signal
A15 —	15	AX3	Address/data signal
A16 —	16	AX4	Address/data signal
A17 —	17	AX5	Address/data signal
A18 —	18	AX6	Address/data signal
A19 —	19	AX10	Address/data signal
A20 —	20	N.C	Not connected
A21 —	21	VD8	Data signal
A22 —	22	VD9	Data signal
A23 —	23	VD10	Data signal
A24 —	24	VD11	Data signal
A25 —	25	VD12	Data signal
A26 —	26	VD13	Data signal
A27 —	27	VD14	Data signal
A28 —	28	AX7	Address/data signal
A29 —	29	N.C	Not connected
A30 →	30	+VB	Logic drive voltage
A31 —	31	AX8	Address/data signal
A32 —	32	AX9	Address/data signal
A33 —	33	N.C	Not connected
A34 —	34	N.C	Not connected
A35 —	35	VD15	Data signal
A36 —	36	N.C	Not connected
A37 —	37	VD0	Data signal
A38 —	38	VD1	Data signal
A39 —	39	DGND	Ground
A40 →	40	nCASL	Column address/low-order byte access
A41 →	41	nCASL	Column address/low-order byte access
A42 →	42	nCASH	Column address/high-order byte access

SCNT board (J1) ↔ Memory board

J1	Memory	Signal name	Description
A43 →	43	nCASH	Column address/high-order byte access
A44 →	44	nRAS2	Row address strobe signal No.2
A45 —	45	N.C	Not connected
A46 —	46	N.C	Not connected
A47 →	47	nFWE	XWE signal to DRAM
A48 —	48	N.C	Not connected
A49 —	49	VD2	Data signal
A50 —	50	VD3	Data signal
A51 —	51	VD4	Data signal
A52 —	52	VD5	Data signal
A53 —	53	VD6	Data signal
A54 —	54	VD7	Data signal
A55 —	55	N.C	Not connected
A56 —	56	VD8	Data signal
A57 —	57	VD9	Data signal
A58 —	58	VD10	Data signal
A59 —	59	VD12	Data signal
A60 —	60	VD11	Data signal
A61 →	61	+VB	Logic drive voltage
A62 —	62	VD13	Data signal
A63 —	63	VD14	Data signal
A64 —	64	VD15	Data signal
A65 —	65	N.C	Not connected
A66 —	66	N.C	Not connected
A67 —	67	N.C	Not connected
A68 —	68	N.C	Not connected
A69 —	69	N.C	Not connected
A70 —	70	N.C	Not connected
A71 —	71	N.C	Not connected
A72 —	72	DGND	Ground



NOTE

The J1 connector on the SCNT board has two rows A and B and has a total of 144 pins. Since rows A and B have similar pin layout , only different pins are shown below:

B34 :nRAS2 B44 :nRAS1

SCNT board (J2) ↔ TWINS board (J31)

J2	J31	Signal name	Description
1	→ 1	VA5	Address signal
2	→ 2	VA4	Address signal
3	→ 3	VA3	Address signal
4	→ 4	VA2	Address signal
5	→ 5	VA1	Address signal
6	→ 6	VA0	Address signal
7	— 7	DGND	Ground
8	— 8	VD7	Data signal
9	— 9	VD6	Data signal
10	— 10	VD5	Data signal
11	— 11	VD4	Data signal
12	— 12	DGND	Ground
13	← 13	INTPIF1	Interrupt signal 1
14	← 14	INTPIF2	Interrupt signal 2
15	→ 15	VUBE	Upper Bite Enable
16	← 16	+5V	Logic drive voltage
17	→ 17	ALLRST	All reset signal
18	→ 18	CLKCTK	Clock control signal
19	→ 19	TC	Terminal count
20	→ 20	DACK2	DMA acknowledge signal 2
21	→ 21	DACK5	DMA acknowledge signal 5
22	← 22	DREQ2	DMA request signal 2
23	← 23	DREQ5	DMA request signal 5
24	← 24	OPTION0	Option board detection signal 0
25	← 25	OPTION1	Option board detection signal 1
26	— 26	DGND	Ground
27	← 27	PPRDY	Printer power ready signal
28	← 28	TOP	Top of page signal
29	← 29	STS	Status signal
30	→ 30	CBSY	Command busy signal
31	→ 31	PRFD	Pre-Feed signal
32	— 32	DGND	Ground
33	→ 33	CCLK	Controller clock signal
34	→ 34	VDO	Printer video signal
35	→ 35	CCRT	Condition change report signal
36	→ 36	MODRST	Modem reset signal
37	← 37	+5V	Logic drive voltage
38	← 38	OPTION2	Option board detection signal 2
39	← 39	SCEN	Printer panel data receive enable signal
40	→ 40	CSITX	Printer panel data transmission signal
41	← 41	+12V	+12V
42	— 42	AGND	Analog ground
43	← 43	+24V	+24V

SCNT board (J2) ↔ TWINS board (J31)

J2		J31	Signal name	Description
44	←	44	+24V	+24V
45	←	45	DGND	Ground
46	←	46	+5V	+5V
47	→	47	+5V	+5V(off while ESS)
48	—	48	DGND	Ground
49	→	49	+3.3V	+3.3V
50	—	50	DGND	Ground
51	—	51	VD15	Data signal
52	—	52	VD14	Data signal
53	—	53	VD13	Data signal
54	—	54	VD12	Data signal
55	—	55	DGND	Ground
56	—	56	VD11	Data signal
57	—	57	VD10	Data signal
58	—	58	VD9	Data signal
59	—	59	VD8	Data signal
60	—	60	DGND	Ground
61	—	61	VD3	Data signal
62	—	62	VD2	Data signal
63	—	63	VD1	Data signal
64	—	64	VD0	Data signal
65	←	65	+5V	+5V
66	←	66	ESSACT	ESSACT
67	→	67	FIORD	I/O read signal
68	→	68	FIOWR	I/O write signal
69	—	69	DGND	Ground
70	→	70	ICS7	Chip select signal 7
71	→	71	VTC	V terminal count
72	→	72	VACK1	VACK1
73	←	73	VREQ1	VREQ1
74	→	74	ICS5	Chip select signal 5
75	←	75	OPTSPK	Option board speaker signal
76	←	76	BD	Beam detection signal
77	←	77	RDY	Ready signal
78	←	78	SBSY	Status busy signal
79	←	79	+3.3V	+3.3V(off while ESS)
80	→	80	PRNT	Print signal
81	→	81	CPRDY	Controller power ready signal
82	→	82	CMD	Command signal
83	←	83	G4CI	G4 board CI signal
84	—	84	DGND	Ground
85	←	85	OPTION4	Option board detection signal 4
86	→	86	PRESS	ESS printer reset control signal

SCNT board (J2) ↔ TWINS board (J31)

J2		J31	Signal name	Description
87	←	87	+5V	+5V
88	←	88	OPTION3	Option board detection signal 3
89	←	89	PCLK	Printer panel data transfer clock
90	←	90	CSIRX	Printer panel data receive signal
91	←	91	+12V	+12V
92	→	92	AGND	Analog ground
93	←	93	+24V	+24V
94	←	94	+24V	+24V
95	—	95	DGND	Ground
96	←	96	+5V	+5V
97	→	97	+5V	+5V(off while ESS)
98	—	98	DGND	Ground
99	→	99	+3.3V	+3.3V
100	→	100	PWCTL	Power control signal

SCNT board (J3) ↔ Contact sensor

J3		Contact sensor	Signal name	Description
1	←	1	VOUT	Scanner video signal
2	—	2	AGND	Analog ground
3	→	3	+5V	+5V(Contact sensor)
4	←	4	+ref	Reference
5	—	5	DGND	Ground
6	→	6	SP	Shift pulse
7	→	7	FGND	Frame ground
8	→	8	MACLK	Contact sensor drive clock
9	→	9	LEDON	LED drive control
10	→	10	+24V	+24V

SCNT board (J4) ↔ Document feed motor

J4		Motor	Signal name	Description
1	→	1	PHA	Phase A
2	→	2	PHB	Phase B
3	—	3	Commongnd	Common ground
4	—	4	Commongnd	Common ground
5	→	5	PHXA	Phase \bar{A}
6	→	6	PHXB	Phase \bar{B}

SCNT board (J5) ↔ OPCNT board 1(J100)

J5		J100	Signal name	Description
1	→	18	+5V	+5V
2	→	17	+5V	+5V
3	→	16	ESSLED	ESS LED drive signal
4	←	15	ESSKEY	ESS key input signal
5	←	14	PRTCT	SRAM protect signal
6	←	13	PNLRX	Panel data receive signal
7	—	12	DGND	Ground
8	→	11	PNLCK	Panel data transmission clock
9	—	10	DGND	Ground
10	→	9	PNLTX	Panel data transmission signal
11	—	8	DGND	Ground
12	→	7	ALLRST	System reset signal
13	←	6	PRNKEY0	Printer panel key 0
14	←	5	PRNKEY1	Printer panel key 1
15	←	4	PRNKEY2	Printer panel key 2
16	←	3	PRNKEY3	Printer panel key 3
17	←	2	PRNKEY4	Printer panel key 4
18	←	1	PRNKEY5	Printer panel key 5

SCNT board (J8) ↔ STAMP unit

J8		STAMP	Signal name	Description
1	→	1	STAMP+24V	STAMP+24V
2	→	2	STAMPGND	STAMP ground

SCNT board (J9) ↔ NCU board (J1)

J9		J1	Signal name	Description
1	—	23	DGND	Ground
2	←	22	BIT3	for future use
3	←	21	BIT2	for future use
4	←	20	BIT1	for future use
5	—	19	LPL2	Not used
6	—	18	LPL1	Not used
7	—	17	HOOK2	Not used
8	←	16	HOOK1	Off hook detection signal
9	←	15	CIOR	CIOR signal 1
10	←	14	CI2	CI detection signal 2
11	←	13	CI1	CI detection signal 1
12	—	12	LPRD	Not used
13	→	11	DCD	DC relay control signal
14	→	10	CMLD	CML relay control signal
15	→	9	HRD	H relay control signal
16	→	8	PRD	P relay control signal
17	→	7	SRD	S relay control signal
18	—	6	DGND	Ground
19	—	5	DGND	Ground
20	→	4	VH	+24V DC
21	→	3	+3.3V	Logic drive voltage
22	→	2	+3.3V	Logic drive voltage
23	—	1	DGND	Ground

SCNT board (J10) ↔ SPEAKER

J10		Speaker	Signal name	Description
1	→	1	SPKO2	Speaker out 2
2	→	2	SPKO1	Speaker out 1

SCNT board (J12) ↔ Sensor board(J1)

J12	(J1)	Signal name	Description
1 →	11	+3.3V	+3.3V(off while ESS)
2 —	10	DGND	Ground
3 —	9	DGND	Ground
4 ←	8	DWS	Document width sensor detect signal (H: No document, L: Document)
5 →	7	SENPW	Sensor power
6 ←	6	DS	Document sensor detect signal (H: No document, L: Document)
7 ←	5	DFS	Document feed sensor detect signal (H: No document, L: Document)
8 ←	4	CAMS	Cam sensor signal
9 →	3	DCMGND	DC motor ground
10 →	2	DCMGND	DC motor ground
11 →	1	DCM+18V	DC motor +18V

SCNT board (J14) ↔ Document edge sensor

J14	Sensor	Signal name	Description
1 →	—	+5V	+5V(DES)
2 —	—	DGND	Ground
3 ←	—	DES	Document edge sensor detect signal (H: No document, L: Document)

SCNT board (J23) ↔ NCU board(J2)

J23	J2	Signal name	Description
1 —	6	DGND	Ground
2 →	5	+12V	+12V
3 →	4	+12V	+12V
4 ←	3	ANOUT	Analog out signal
5 →	2	TXAO	Analog transmission signal
6 ←	1	RXAI	Analog receive signal

SCNT board (J24) ↔ ADF thermostat

J24	ADF thm	Signal name	Description
1 →	1	ADFTHM+24V	ADF Thermostat +24V out
2 ←	2	ADFGND	ADF Thermostat +24V in

ECNT board (J101) ↔ Power supply unit

J101	PSU	Signal name	Description
1 ←	1	HOT	AC power input
2 ←	2	NEUTRAL	AC power input

ECNT board (J31) ↔ Fixing unit(J131)

J31		J131	Signal name	Description
1	←	1	THRM	Thermistor signal
2	—	2	DGND	Ground
3	—	3	DEL2 DR	Fixing unit delivery sensor 2 drive
4	—	4	DGND	Ground
5	←	5	nDELSNS2	Fixing unit delivery detection signal 2

ECNT board (J51) ↔ TWINS board(J32)

J51		J32	Signal name	Description
1	—	1	DGND	Ground
2	→	2	nBD	Beam detection signal
3	←	3	nPPRDY	Printer power ready signal
4	→	4	nRDY	Ready signal
5	→	5	nTOP	Top of page signal
6	→	6	nSBSY	Status busy signal
7	→	7	nSTS	Status signal
8	→	8	nPCLK	Printer clock signal
9	←	9	nCBSY	Command busy signal
10	←	10	nPRINT	Print signal
11	←	11	nPRFD	Pre-feed signal
12	←	12	nCPRDY	Controller power ready signal
13	—	13	DGND	Ground
14	←	14	nCMD	Command signal
15	←	15	nCCLK	Controller clock signal
16	—	16	DGND	Ground
17	←	17	nVDO	Printer video signal
18	—	18	DGND	Ground
19	→	19	nCCRT	Condition change report signal
20	—	20	N.C.	Not connected
21	—	21	N.C.	Not connected
22	←	22	nPRESS	ESS printer reset control signal
23	→	23	+5V	Logic drive voltage
24	→	24	+5V	Logic drive voltage
25	—	25	DGND	Ground
26	—	26	DGND	Ground

ECNT board (J52) ↔ Main motor(J301)

J52	J301	Signal name	Description
1 →	7	nHALF	Main motor speed switching signal
2 ←	6	nMRDY	Main motor ready signal
3 →	5	+24V	Main motor drive voltage
4 →	4	+24V	Main motor drive voltage
5 →	3	nMON	Main motor drive signal
6 —	2	DGND	Ground
7 —	1	DGND	Ground

ECNT board (J53) ↔ Laser/scanner unit scanner section(J401)

J53	J401	Signal name	Description
1 →	4	+24V	Scanner motor drive voltage
2 →	3	nACC	Scanner motor acceleration signal
3 →	2	nDEC	Scanner motor deceleration signal
4 —	1	DGND	Ground

ECNT board (J53) ↔ Laser/scanner unit BD section(J551)

J53	J551	Signal name	Description
5 →	3	+3.3V	Logic drive voltage
6 ←	2	nBDI	BD input signal
7 —	1	DGND	Ground

ECNT board (J53) ↔ Laser/scanner unit Laser section(J501)

J53	J501	Signal name	Description
8 →	6	+5V	Logic drive voltage
9 →	5	HALF	Laser intensity switching signal
10 →	4	nLON	Laser forced emission signal
11 →	3	nENBL	Video data enable signal
12 →	2	nVDO	Printer video signal
13 →	1	DGND	Ground

ECNT board (J54) ↔ FAN

J54	FAN	Signal name	Description
1 →	1	nFON	Fan drive signal
2 →	2	FLOCK	Fan lock detection signal
3 —	3	DGND	Ground

ECNT board (J55F) ←→ Not used

J55F			Signal name	Description
1	—	—	DGND	Not connected
2	←	—	RxD	Not connected
3	→	—	+3.3V	Not connected
4	→	—	TxD	Not connected

ECNT board (J56) ←→ MP tray pick-up solenoid(J125)

J56		J125	Signal name	Description
1	→	1	+24V	Multi-purpose tray pick-up solenoid drive voltage
2	→	2	MP SOL	Multi-purpose tray pick-up solenoid drive signal
3	—	3	N.C.	Not connected

ECNT board (J56) ←→ Feed roller clutch(J127)

J56		J127	Signal name	Description
4	→	2	+24V	Feed roller clutch drive voltage
5	→	1	TRCL	Feed roller clutch drive signal

ECNT board (J57) ←→ Pre-feed sensor(J111)

J57		J111	Signal name	Description
1	→	3	PRE DR	Pre-feed sensor drive
2	—	2	DGND	Ground
3	←	1	nPRE SNS	Pre-feed detection signal (H: No recording paper, L: Recording paper)

ECNT board (J57) ←→ Top of page sensor(112)

J57		J112	Signal name	Description
4	→	3	TOP DR	Top of page sensor drive
5	—	2	DGND	Ground
6	←	1	nTOP SNS	Top of page detection signal (H: No recording paper, L: Recording paper)

ECNT board (J58) ←→ Multi-purpose tray detection sensor(J114)

J58		J114	Signal name	Description
1	→	3	MP DR	Multi-purpose tray paper sensor drive
2	—	2	DGND	Ground
3	←	1	nMP SNS	Multi-purpose tray paper detection signal (H: No recording paper, L: Recording paper)

ECNT board (J59) ↔ Printer cover sensor (J119F)

J59	J119F	Signal name	Description
1	→ 2	+24VA	Printer cover sensor drive voltage
2	— —	N.C.	Not connected
3	← 1	+24VB	24VB supply and top cover detection signal (H: Close, L: Open)

ECNT board (J60) ↔ Recording paper overload sensor 1 (J113)

J60	J113	Signal name	Description
1	→ 1	FUL DR	Recording paper overload sensor 1 drive signal
2	— 2	DGND	Ground
3	← 3	nFUL SNS	Recording paper overload detection signal

ECNT board (J61M) ↔ Toner sensor (Not used)

J61M		Signal name	Description
1	← —	ANT	Not connected
2	— —	DGND	Not connected

ECNT board (J71) ↔ Duplexing unit(J103)

J71	J103	Signal name	Description
1	→ 3	SCLK	Serial clock signal
2	→ 2	SIN	Serial input data
3	← 1	SOUT	Serial output data

ECNT board (J71) ↔ Duplexing unit(J102)

J71	J102	Signal name	Description
4	— 4	DGND	Ground
5	→ 3	nSEL0	Duplexing unit select signal
6	→ 2	+24V	Duplexing unit drive voltage
—	— 1	N.C	Not connected

ECNT board (J72) ↔ Paper size board(J603)

J72	J603	Signal name	Description
1	→ 14	+24V	Pick-up solenoid drive voltage
2	→ 13	nSEL1	Paper feed select signal
3	— 12	GND	Ground
4	→ 11	SOUT	Serial output data
5	← 10	SIN	Serial input data
6	→ 9	SCLK	Serial clock signal
7	→ 8	SL0	Cassette 1 pick-up solenoid drive signal

ECNT board (J72) ↔ Paper size board(J603)

J72	J603	Signal name	Description
8 →	7	SL1	Pick-up module identification signal 1 Lower cassette pick-up solenoid drive signal
9 →	6	PCKCHK	Pick-up module identification signal 1 Upper/lower cassette selection signal
10 ←	5	n1st SNS	Cassette paper detection signal (H: No recording paper, L: Recording paper)
11 ←	4	1st SIZE0	Cassette paper size detection signal
12 ←	3	1st SIZE1	Cassette paper size detection signal
13 ←	2	1st SIZE2	Cassette paper size detection signal
14 →	1	+3.3V	Logic drive voltage

ECNT board (J73) ↔ Envelope feeder(J107)

J73	J107	Signal name	Description
1 →	3	SCLK	Serial clock signal
2 ←	2	SIN	Serial input data
3 —	1	SOUT	Serial output data

ECNT board (J73) ↔ Envelope feeder(J106)

J73	J106	Signal name	Description
4 —	4	DGND	Ground
5 ←	3	nSEL2	Envelope feeder select signal
6 →	2	+24V	Envelope feeder drive voltage
— —	1	N.C	Not connected

ECNT board (J101) ↔ Power supply unit(J203)

J101	J203	Signal name	Description
1 →	9	+24V	Logic drive voltage
2 →	8	+24V	Logic drive voltage
3 —	7	DGND	Ground
4 —	6	DGND	Ground
5 →	5	+3.3V	Logic drive voltage
6 →	4	+3.3V	Logic drive voltage
7 —	3	DGND	Ground
8 —	2	DGND	Ground
9 →	1	nZEROX	Zero cross signal

ECNT board (J101) ↔ TWINS board(J42)

J101			Signal name	Description
10	←	1	MODRST	Modem reset signal
11	←	2	CLKCTL	Clock control signal

ECNT board (J102) ↔ Recording paper overload sensor 2

J102	Sensor		Signal name	Description
1	→	1	FUL2DR	Recording paper overload sensor 2 drive signal
2	←	2	FULL2	Recording paper overload detection signal
3	—	3	DGND	Ground

ECNT board (J103) ↔ 2bin solenoid

J103	Solenoid		Signal name	Description
1	→	2	2BINSL DR	2bin solenoid drive signal
2	→	1	+24V	2bin solenoid drive voltage

ECNT board (J105) ↔ Recording paper overload release sensor

J72	Sensor		Signal name	Description
1	→	1	FUL3DR	Recording paper overload release sensor drive signal
2	←	2	FULL3	Recording paper overload release detection signal
3	—	3	DGND	Ground

TWINS board (J31) ↔ SCNT board (J2)

J31	J2		Signal name	Description
1	←	1	VA5	Address shignal
2	←	2	VA4	Address shignal
3	←	3	VA3	Address shignal
4	←	4	VA2	Address shignal
5	←	5	VA1	Address shignal
6	←	6	VA0	Address shignal
7	—	7	DGND	Ground
8	—	8	VD7	Data shignal
9	—	9	VD6	Data shignal
10	—	10	VD5	Data shignal
11	—	11	VD4	Data shignal
12	—	12	DGND	Ground
13	→	13	INTPIFI1	Interrupt signal 1
14	→	14	INTPIFI2	Interrupt signal 2
15	←	15	VUBE	Upper bite enable
16	→	16	+5V	Logic drive voltage
17	←	17	ALLRST	All reset shignal

TWINS board (J31) ←→ SCNT board (J2)

J31		J2	Signal name	Description
18	←	18	CLKCTK	Clock control signal
19	←	19	TC	Terminal count
20	←	20	DACK2	DMA acknowledge signal 2
21	←	21	DACK5	DMA acknowledge signal 5
22	→	22	DREQ2	DMA request signal 2
23	→	23	DREQ5	DMA request signal 5
24	→	24	OPTION0	Option board detection signal 0
25	→	25	OPTION1	Option board detection signal 1
26	—	26	DGND	Ground
27	→	27	PPRDY	Printer power ready signal
28	→	28	TOP	Top of page signal
29	→	29	STS	Status signal
30	←	30	CBSY	Command busy signal
31	←	31	PRFD	Pre-Feed signal
32	—	32	DGND	Ground
33	←	33	CCLK	Controller clock signal
34	←	34	VDO	Printer video signal
35	←	35	CCRT	Condition change report signal
36	←	36	MODRST	MODRST
37	→	37	+5V	Logic drive voltage
38	→	38	OPTION2	Option board detection signal 2
39	→	39	SCEN	Printer panel data receive enable signal
40	←	40	CSITX	Printer panel data transmission signal
41	→	41	+12V	+12V
42	—	42	AGND	Analog ground
43	→	43	+24V	+24V
44	→	44	+24V	+24V
45	→	45	DGND	Ground
46	→	46	+5V	+5V
47	←	47	+5V	+5V(off while ESS)
48	—	48	DGND	Ground
49	←	49	+3.3V	+3.3V
50	—	50	DGND	Ground
51	—	51	VD15	Data signal
52	—	52	VD14	Data signal
53	—	53	VD13	Data signal
54	—	54	VD12	Data signal
55	—	55	DGND	Ground
56	—	56	VD11	Data signal
57	—	57	VD10	Data signal
58	—	58	VD9	Data signal
59	—	59	VD8	Data signal
60	—	60	DGND	Ground

TWINS board (J31) ↔ SCNT board (J2)

J31		J2	Signal name	Description
61	—	61	VD3	Data signal
62	—	62	VD2	Data signal
63	—	63	VD1	Data signal
64	—	64	VD0	Data signal
65	→	65	+5V	+5V
66	→	66	ESSACT	ESSACT
67	←	67	FIORD	IO read signal
68	←	68	FIOWR	IO write signal
69	—	69	DGND	Ground
70	←	70	ICS7	Chip select signal 7
71	←	71	VTC	V terminal count
72	←	72	VACK1	VACK1
73	→	73	VREQ1	VREQ1
74	←	74	ICS5	Chip select signal 5
75	→	75	OPTSPK	Option board speaker signal
76	→	76	BD	Beam detection signal
77	→	77	RDY	Ready signal
78	→	78	SBSY	Status busy signal
79	→	79	+3.3V	+3.3V(off while ESS)
80	←	80	PRNT	Print signal
81	←	81	CPRDY	Controller power ready signal
82	←	82	CMD	Command signal
83	→	83	G4CI	G4board CI signal
84	—	84	DGND	Ground
85	→	85	OPTION4	Option board detection signal 4
86	←	86	PRESS	ESS printer reset control signal
87	→	87	+5V	+5V
88	→	88	OPTION3	Option board detection signal 3
89	→	89	PCLK	Printer panel data transfer clock
90	→	90	CSIRX	Printer panel data receive signal
91	→	91	+12V	+12V
92	—	92	AGND	Ground
93	→	93	+24V	+24V
94	→	94	+24V	+24V
95	—	95	DGND	Ground
96	→	96	+5V	+5V
97	←	97	+5V	+5V(off while ESS)
98	—	98	DGND	Ground
99	←	99	+3.3V	+3.3V
100	←	100	PWCTL	Power control signal

TWINS board(J32) ←→ ECNT board (J51)

J32		J51	Signal name	Description
1	—	1	DGND	Ground
2	←	2	nBD	Beam detection signal
3	→	3	nPPRDY	Printer power ready signal
4	←	4	nRDY	Ready signal
5	←	5	nTOP	Top of page signal
6	←	6	nSBSY	Status busy signal

TWINS board(J32) ←→ ECNT board (J51)

J32		J51	Signal name	Description
7	←	7	nSTS	Status signal
8	←	8	nPCLK	Printer clock signal
9	→	9	nCBSY	Command busy signal
10	→	10	nPRINT	Print signal
11	→	11	nPRFD	Pre-feed signal
12	→	12	nCPRDY	Controller power ready signal
13	—	13	DGND	Ground
14	→	14	nCMD	Command signal
15	→	15	nCCLK	Controller clock signal
16	—	16	DGND	Ground
17	→	17	nVDO	Printer video signal
18	—	18	DGND	Ground
19	←	19	nCCRT	Condition change report signal
20	—	20	N.C.	Not cnnected
21	—	21	N.C.	Not cnnected
22	→	22	nPRESS	ESS printer reset control signal
23	←	23	+5V	Logic drive voltage
24	←	24	+5V	Logic drive voltage
25	—	25	DGND	Ground
26	—	26	DGND	Ground

TWINS board(J33) ←→ Printer board I (J2)

J33		J2	Signal name	Description
1	—	c26	DGND	Ground
2	—	c25	DGND	Ground
3	→	c24	+5V	Logic drive voltage
4	→	c23	+5V	Logic drive voltage
5	←	c22	nPRESS	ESS printer reset control signal
6	—	c21	N.C.	Not cnnected
7	—	c20	N.C.	Not cnnected
8	→	c19	nCCRT	Condition change report signal
9	—	c18	DGND	Ground
10	←	c17	nVDO	Printer video signal

TWINS board(J33) ↔ Printer board I (J2)

J33	J2	Signal name	Description	
11	—	c16	DGND	Ground
12	←	c15	nCCLK	Controller clock signal
13	←	c14	nCMD	Command signal
14	—	c13	DGND	Ground
15	←	c12	nCPRDY	Controller power ready signal
16	←	c11	nPRFD	Pre-feed signal
17	←	c10	nPRINT	Print signal
18	←	c9	nCBSY	Command busy signal
19	→	c8	nPCLK	Printer clock signal
20	→	c7	nSTS	Status signal
21	→	c6	nSBSY	Status busy signal
22	→	c5	nTOP	Top of page signal
23	→	c4	nRDY	Ready signal
24	←	c3	nPPRDY	Printer power ready signal
25	→	c2	nBD	Beam detection signal
26	—	c1	DGND	Ground

TWINS board(J34) ↔ Printer board I (J2)

J34	J2	Signal name	Description	
1	—	b10	GND	Ground
2	—	b9	N.C	Not connected
3	—	b8	GND	Ground
4	→	b7	PNL-RD	Panel read data signal
5	←	b6	PNL-WD	Panel write data signal
6	—	b5	nDENB	Not connected
7	←	b4	COM/nDAT	PDL write data command/data signal (H:cCommand L:Data)
8	←	b3	SCLK	printer panel data transmission signal
9	←	b2	SCEN	Printer panel data receive enable signal
10	←	b1	OPTION1	Option board detection signal 1

TWINS board(J35) ↔ Printer board I (J2)

J35	J2	Signal name	Description	
1	—	a1	+3.3V	+3.3V
2	—	a2	DGND	Ground

TWINS board(J36) ↔ Power supply unit (J202)

J36	J202	Signal name	Description	
1	←	1	CXPON	ESS Power supply control signal
2	→	2	+12V	+12V(off while ESS)
3	—	3	12GND	Ground
4	→	4	+24V	+24V(off while ESS)

TWINS board(J36) ↔ Power supply unit (J202)

J36		J202	Signal name	Description
5	→	5	+24V	+24V(off while ESS)
6	—	6	24GND	Ground
7	—	7	24GND	Ground
8	→	8	+5V	+5V
9	→	9	+5V	+5V
10	—	10	GND	Ground
11	—	11	GND	Ground
12	→	12	+3.3V	+3.3V(off while ESS)
13	→	13	+3.3V	+3.3V(off while ESS)
14	—	14	GND	Ground

TWINS board(J36) ↔ Power supply unit (J202)

J36		J202	Signal name	Description
15	—	15	GND	Ground

TWINS board (J37) ↔ Dual-line upgrade kit II (J701)

J37		J701	Signal name	Description
1	—	14	GND	Ground
2	→	13	5.0V	Logic drive voltage
3	→	12	5.0V	Logic drive voltage
4	→	11	5.0V	Logic drive voltage
5	—	10	GND	Ground
6	—	9	GND	Ground
7	→	8	3.3V	Logic drive voltage
8	—	7	GND	Ground
9	→	6	3.3V	Logic drive voltage
10	→	5	3.3V	Logic drive voltage
11	—	4	GND	Ground
12	—	3	GND	Ground
13	→	2	12V	Dual-line upgrade kit drive voltage
14	—	1	GND	Ground

TWINS board (J39) ↔ Dual-line upgrade kit II (J700)

J39		J700	Signal name	Description
A1	—	A20	N.C	Not connected
A2	→	A19	SPKON	Speaker on signal
A3	—	A18	GND	Ground
A4	←	A17	OPTION2	Option board detection signal 2
A5	←	A16	OPTION1	Option board detection signal 1
A6	←	A15	OPTION0	Option board detection signal 0
A7	→	A14	RESET	Reset signal
A8	←	A13	SELECT	Select signal

TWINS board (J39) ↔ Dual-line upgrade kit II (J700)

J39		J700	Signal name	Description
A9	←	A12	PERROR	Print error signal
A10	←	A11	BUSY	Busy signal
A11	→	A10	nACK	ACK signal
A12	—	A9	PD7	Data signal
A13	—	A8	PD6	Data signal
A14	—	A7	PD5	Data signal
A15	—	A6	PD4	Data signal
A16	—	A5	PD3	Data signal
A17	—	A4	PD2	Data signal
A18	—	A3	PD1	Data signal
A19	—	A2	PD0	Data signal
A20	→	A1	nSTROBE	Strobe signal
B1	→	B20	nAUTOFD	Auto feed signal
B2	←	B19	nFAULT	Fault signal
B3	→	B18	nINIT	Initialize signal
B4	→	B17	nSELECTIN	Select in signal
B5	—	B16	GND	Ground
B6	—	B15	GND	Ground
B7	—	B14	GND	Ground
B8	—	B13	GND	Ground
B9	—	B12	GND	Ground
B10	—	B11	GND	Ground
B11	—	B10	GND	Ground
B12	—	B9	GND	Ground
B13	←	B8	HOOK1	Off hook detection signal 1
B14	←	B7	CI1	CI detection signal 1
B15	—	B6	GND	Ground
B16	—	B5	PSPOUT	Speaker signal
B17	←	B4	ESSACT	ESSACT
B18	→	B3	CLKCTL	Clock control signal
B19	←	B2	CICNT	CICNT
B20	—	B1	N.C	Not connected

Chapter 5

Appendix

1. INSTALLATION

Here is the procedure for installing this fax.

Contents

1.1 Setting up the Fax

- Where to set up the fax
- Space around the fax
- Power requirements

1.2 Unpacking

1.3 Removing the Shipping Material

1.4 Assembling the Fax

- Installing the toner cartridge
- Attaching trays
- Installing paper feed unit (PF-52) (For the LASER CLASS 3175/3175MS only)
- Loading paper in paper cassettes 1 and 2
- Connecting the handset (option)
- Connecting the telephone line
- Connecting an extension phone
- Using the MP tray
- Turning on the power
- Processing when trouble occurs

1.5 Checking Operations

- Copy operation
- Communication test

1.6 Moving the Fax Unit



NOTE

This installation section is the same as in the USER'S GUIDE so its layout differs from other pages.

1.1 Setting up the Fax



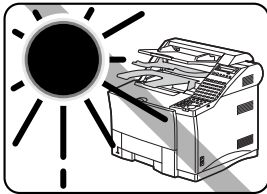
Caution

CAUTIONS SHOW YOU HOW TO AVOID CONDITIONS OR INCORRECT OPERATIONS THAT COULD CAUSE DAMAGE TO YOUR HARDWARE OR SOFTWARE OR CAUSE PERSONAL INJURY.

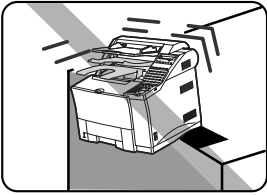


This icon denotes feeding a document.

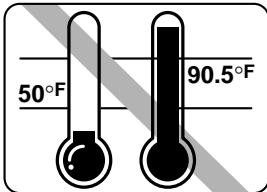
Where to Set Up the Fax



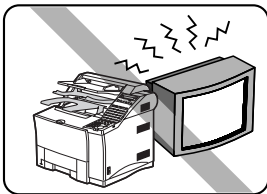
- Avoid direct sunlight. If you have to place the fax near a window, install heavy curtains or blinds to protect the fax from direct sunlight.



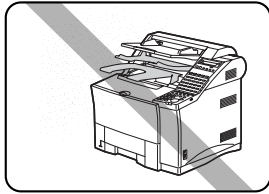
- Choose a flat, stable surface free of vibration.



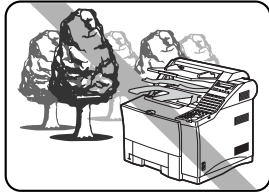
- Avoid a location subject to extreme temperature fluctuation. Use in a location within a temperature range of 50°F to 90.5°F (10°C to 32.5°C).



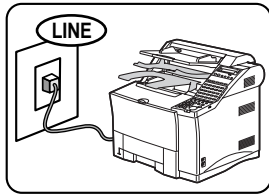
- Do not set up the fax near a television, radio, or heavy equipment like copy machines, air conditioners, computers, or large printers that can generate strong electromagnetic fields. Large equipment can generate electronic noise that can interfere with the operation of the fax.



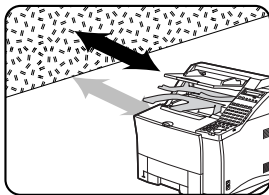
- Choose a location that is clean and free from dust and moisture.



- Do not use or store the fax outdoors.



- Place the fax unit near a telephone line. You must have an RJ11-C wall jack installed. If you need assistance, contact your authorized Canon dealer or service representative, or your local telephone company.



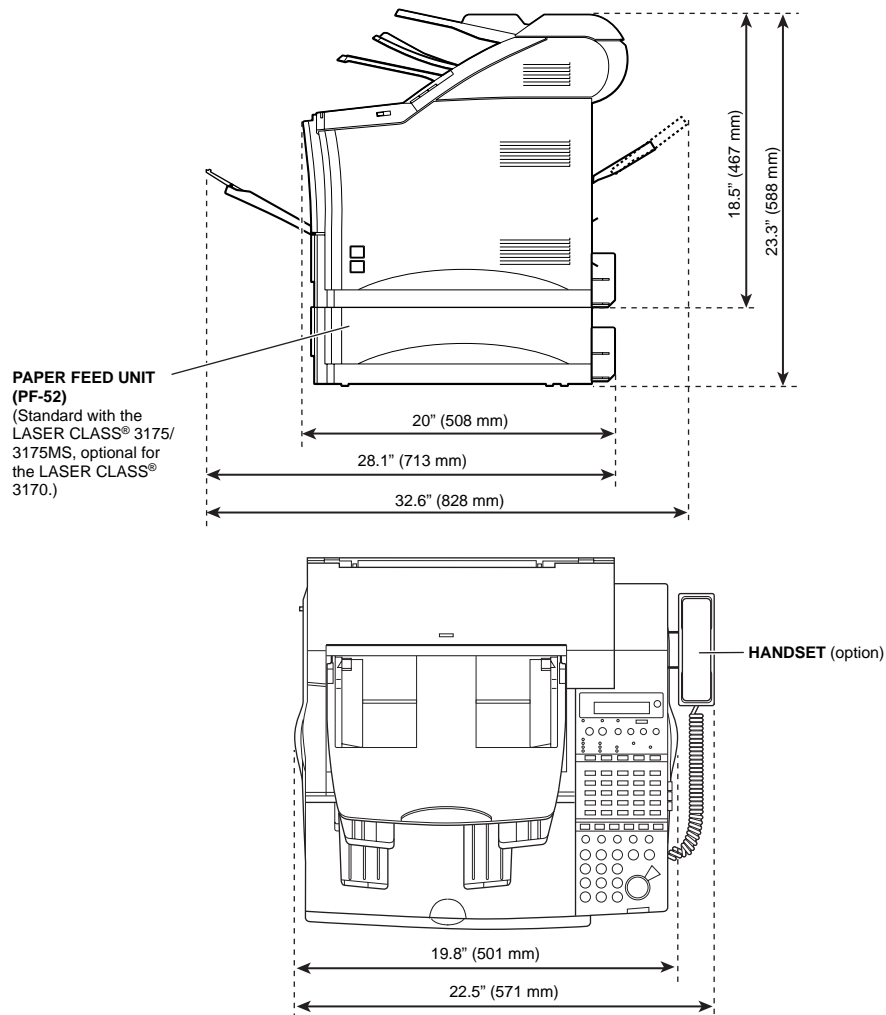
- To avoid damage to the fax unit from overheating, do not block the exhaust vent. Install the fax unit approximately 4 in. (10 cm) away from walls or other equipment.

Space Around the Fax

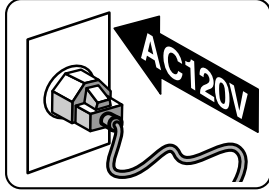
To ensure proper ventilation and easy operation, set up the fax in an area that meets the minimum requirements for clearance as illustrated below.



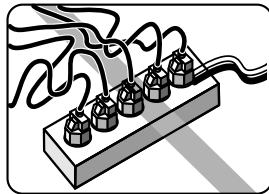
TO AVOID DAMAGE TO THE FAX UNIT FROM OVERHEATING, DO NOT BLOCK THE EXHAUST VENT. INSTALL THE FAX UNIT APPROXIMATELY 4 IN. (10CM) AWAY FROM WALLS OR OTHER EQUIPMENT.



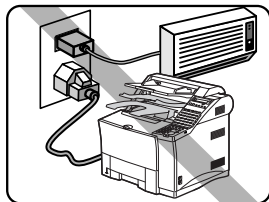
Power Requirements



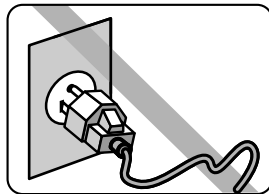
- ❑ Place the fax near a standard 120 V AC power outlet. This fax unit is intended for domestic use. Do not attempt to use it outside the country where you purchased it.



- ❑ Do not plug the power cord into an extension cord connector or power strip shared with other plugs.



- ❑ Do not plug the fax into a power outlet shared with an air conditioner, personal computer, electric typewriter, copier, or other equipment that generates electrical noise.



- ❑ Check the plug frequently and make sure that it is firmly plugged into the socket.
- ❑ Do not plug the power cord into an uninterruptable power supply (UPS).

1.2 Unpacking

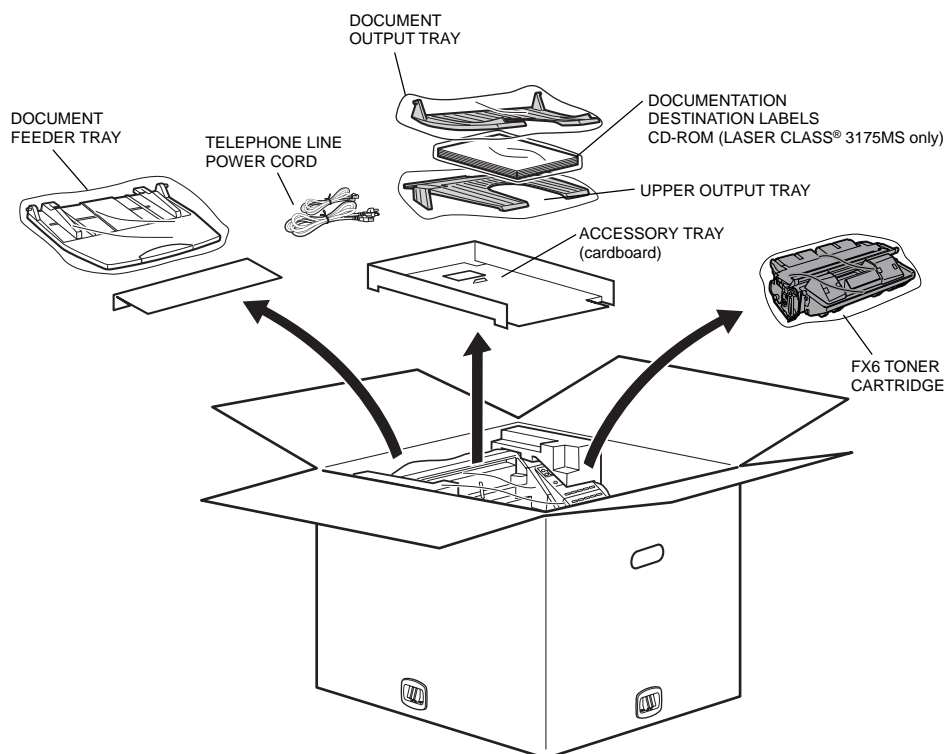
Unpacking: Have You Got Everything?

As you unpack the fax, save the carton and packing material in case you want to move or ship the fax unit in the future. Ask someone to help you remove all items from the box.

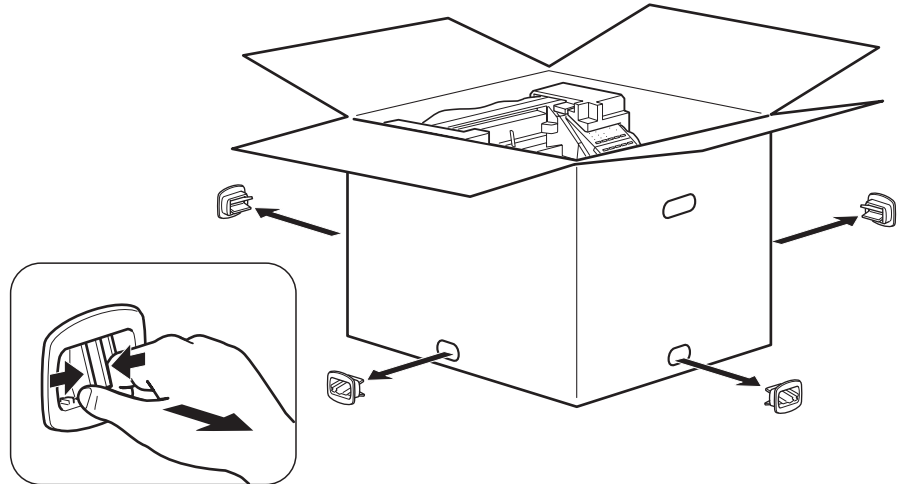


LIFTING THE FAX UNIT REQUIRES TWO PEOPLE. TO REMOVE THE FAX UNIT FROM THE CARTON BOX, FOLLOW THE GENERAL GUIDELINES AND ILLUSTRATION ON THIS CHAPTER, 1.6 Moving the Fax Unit.

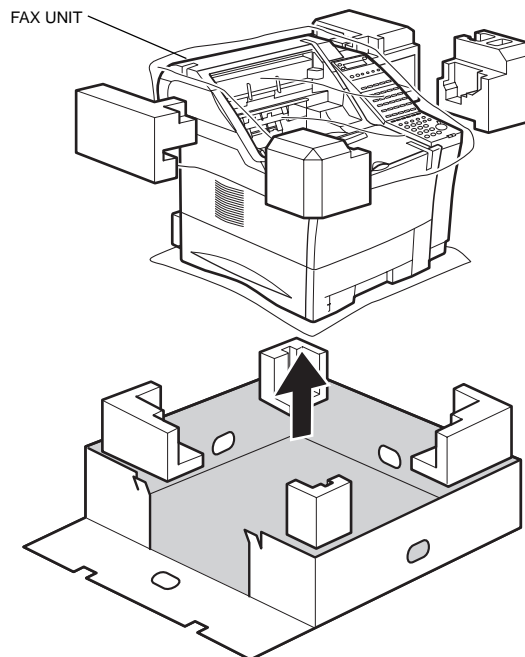
1. Remove the adhesive tapes on the top of the carton box.
2. Take out the document feeder tray, the accessory tray with the document output tray, the accessory tray with the document output tray, documentation, the upper output tray, power cord and telephone line, and the FX6 Toner Cartridge in its protective bag.



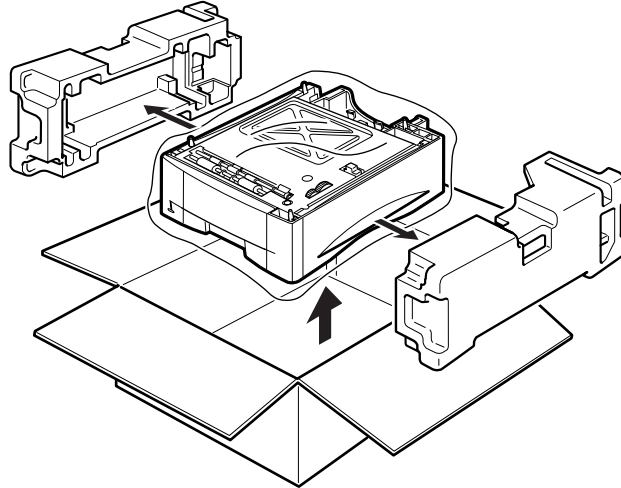
3. Remove the four stoppers on the side of the box by squeezing the center grip.



4. Lift and remove the upper carton. Remove the four styrene foam blocks positioned on top of the fax unit. Then lift the fax unit by gripping the handles on the right and left sides.



5. Take out Paper Feed Unit (PF-52) from its carton box.



Note

Paper Cassette 2 is optional for the LASER CLASS® 3170.

For the LASER CLASS® 3170, the LASER CLASS® 3175 and the LASER CLASS® 3175MS

Check each item against this list as you remove it from the box.

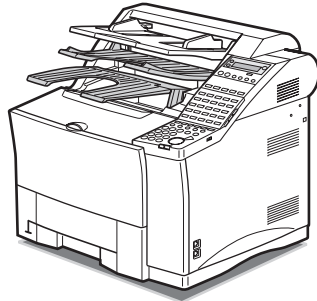
- 1 Fax machine
- 1 Document feeder tray
- 1 Document output tray
- 1 Upper output tray
- 1 Paper Cassette 1 (letter-, legal-, A4-size, 500-sheet capacity)
- 1 Power cord
- 1 Telephone line
- 2 Sheets of destination labels
- 1 Sheet of tray labels
- 1 Facsimile User's Guide
- 1 Warranty registration
- 1 Limited warranty note
- 1 Installation completion card
- 1 FX6 Toner Cartridge

For the LASER CLASS® 3175 and the LASER CLASS® 3175MS Only

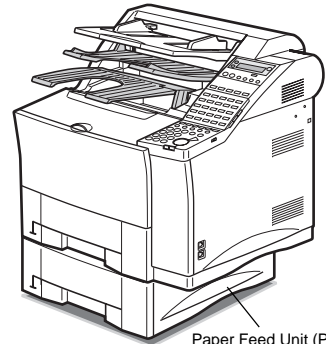
- 1 Paper Feed Unit (PF-52) (letter-, legal-, A4-, executive-, B5-size, 500-sheet capacity)

For the LASER CLASS® 3175MS Only

- 1 Printer User's Guide
- 1 CD-ROM (Printer driver)
- 1 Sheet of End User Licence Agreement (PCL Board)

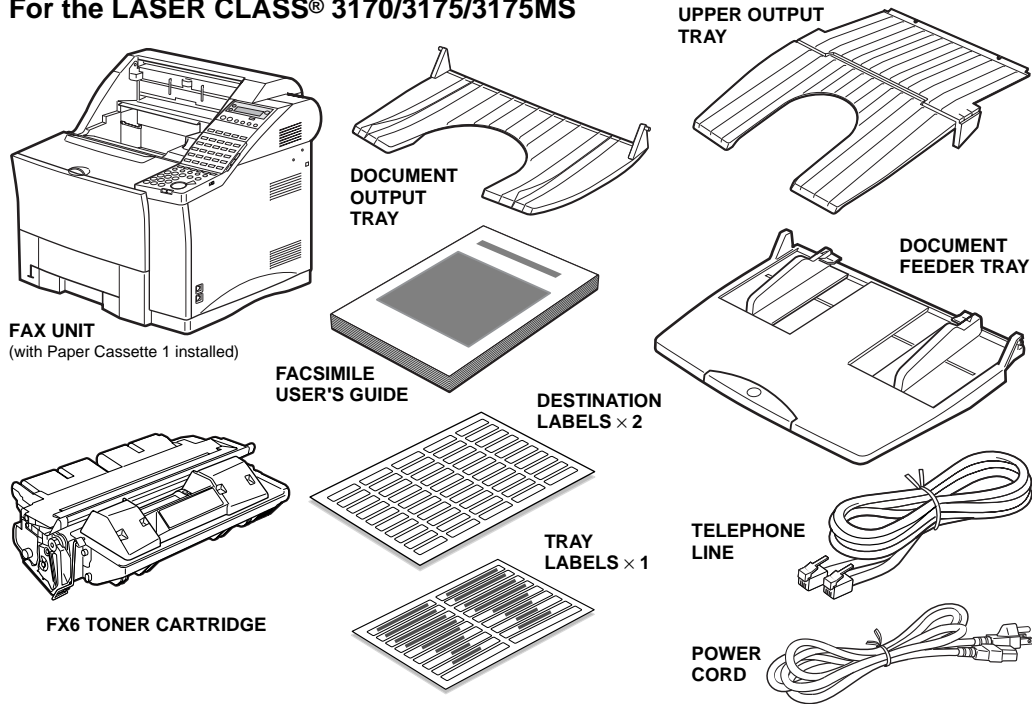


LASER CLASS® 3170

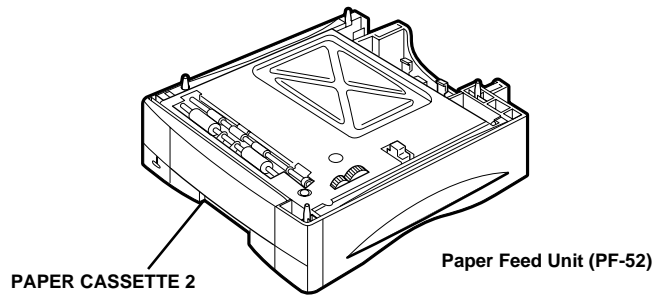


LASER CLASS® 3175/3175MS
Paper Feed Unit (PF-52) is a standard feature for the LASER CLASS® 3175/3175MS and optional for the LASER CLASS® 3170.

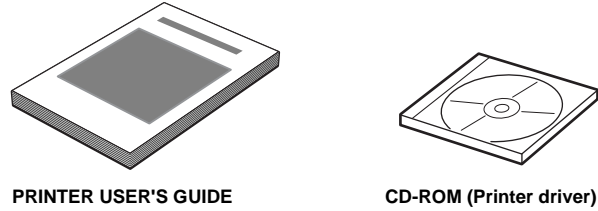
For the LASER CLASS® 3170/3175/3175MS



For the LASER CLASS® 3175/3175MS Only



For the LASER CLASS® 3175MS Only



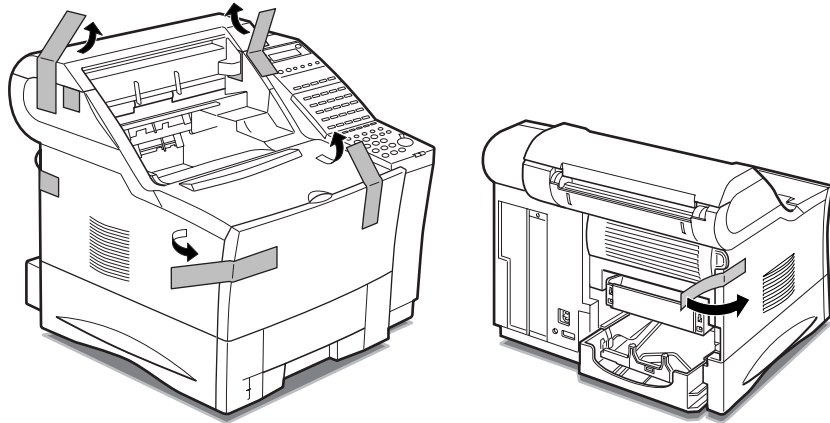
1.3 Removing the Shipping Material

Removing the Shipping Material

All shipping materials must be removed. Shipping materials are attached inside the fax unit and inside the paper cassette to protect delicate parts from vibration during shipping.

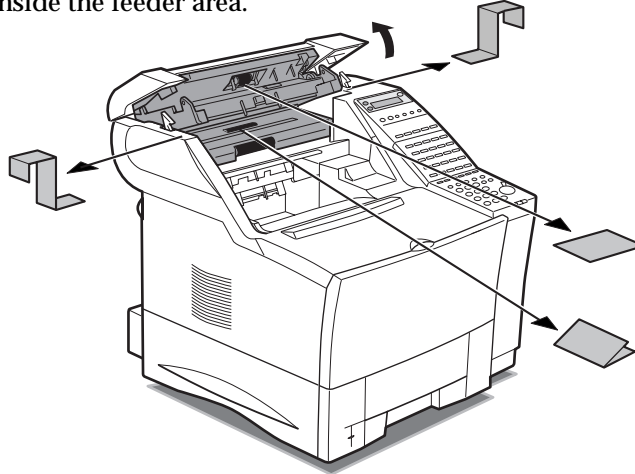
Removing the Shipping Tapes

Remove all the shipping tapes from the unit.

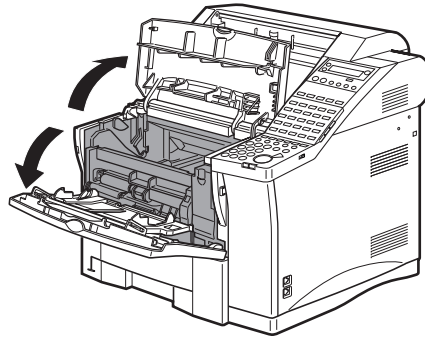


Removing the Packing Materials Inside the Fax Unit

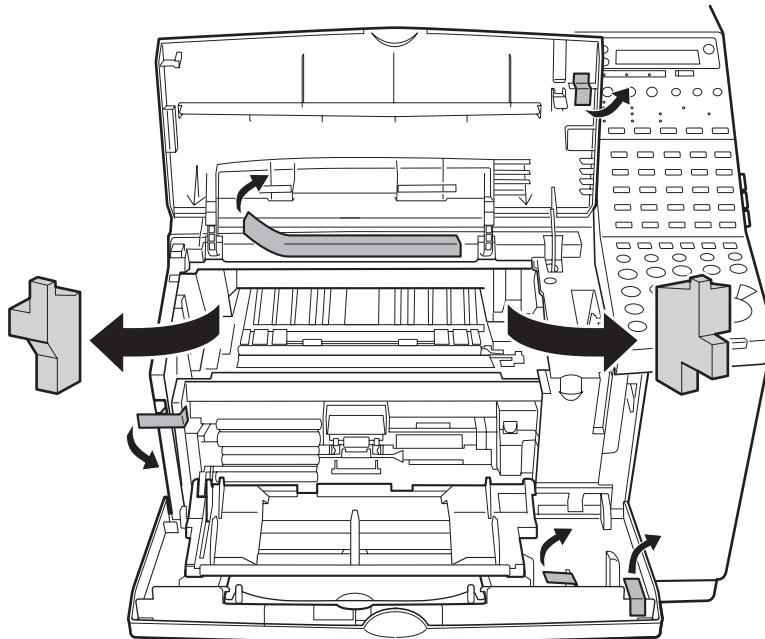
1. Gently lift the ADF cover and remove the styrene foam sheet from inside the feeder area.



2. Close the ADF cover.
3. Open the printer cover and the MP tray.



4. Remove the tapes and packing materials.



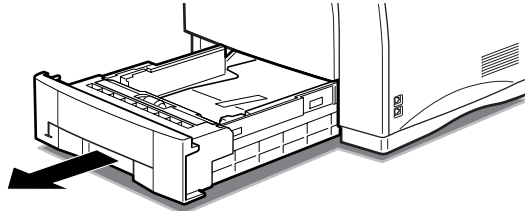
5. Close the printer cover and the MP tray.



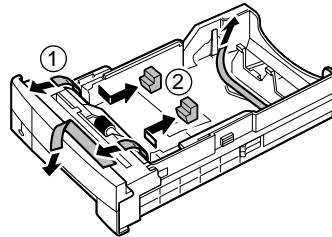
- Save all the packing materials. You may want to insert them again if you have to transport the fax unit.
- When removing the packing materials from inside the printer area, be careful not to touch the transfer charging roller. Otherwise, the print quality may deteriorate.

Removing the Packing Materials from Paper Cassette 1

1. Pull out the Paper Cassette 1 and remove it from the fax unit.



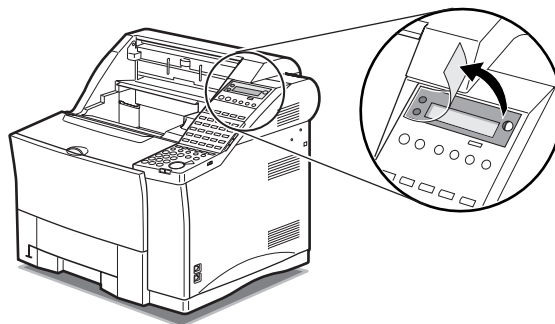
2. Set Paper Cassette 1 down on a flat, stable surface.
3. If tapes are attached to the paper cassette, remove them. Then remove the white spacers under the paper guide clips by first pressing down on the bottom metal plate with one hand and then sliding the white spacers inwards with the other hand.



4. Insert Paper Cassette 1 in the fax unit.

Removing the Protective Plastic Sheet

The LCD on the operation panel is covered with a plastic sheet to protect it during shipping. This protective material should be removed before you use the fax unit.



1.4 Assembling the Fax

Assembling the Fax

Follow the instructions in this section to assemble the fax and prepare it for full operation.

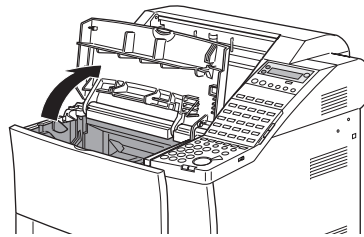
Installing the Toner Cartridge

Install only a Canon FX6 Toner Cartridge in your fax machine.

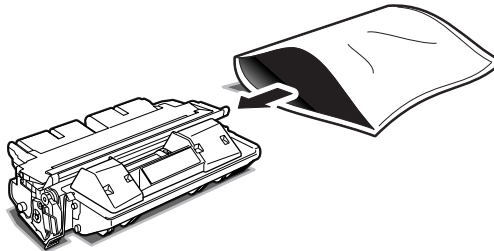


INSTALLING ANY OTHER TYPE OF CARTRIDGE IN THIS FAX UNIT COULD DAMAGE THE FAX UNIT AND VOID YOUR WARRANTY. LEAVE THE TONER CARTRIDGE IN ITS PROTECTIVE BAG UNTIL YOU ARE READY TO INSTALL THE CARTRIDGE. HANDLE THE TONER CARTRIDGE CAREFULLY.

1. Open the printer cover.



2. Remove the toner cartridge from its protective bag.



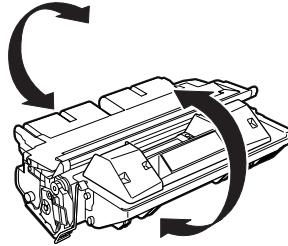
Save the protective bag. You can use it later to cover the cartridge if you have to remove it from the fax machine.



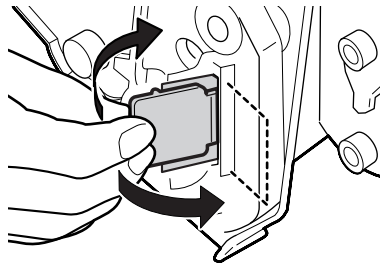
Note

Save the protective bag and all other shipping material. You will need this material later when you dispose of the cartridge after it has run out of toner.

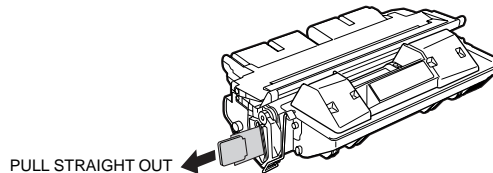
3. Hold the cartridge by the ends and rock it gently five or six times to distribute the toner evenly inside the cartridge.



4. Place the new cartridge on a stable, flat, clean surface, and snap the tab to detach it from the cartridge.



5. As you steady the cartridge with one hand, remove the seal by gently pulling the plastic tab with your other hand. Use a firm, even pull to avoid breaking the seal.

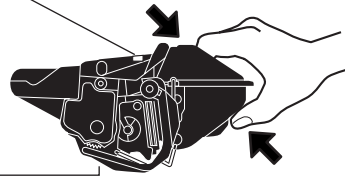


Note

-
- Do not pull the tab upwards or downwards; the tape may break.
 - If the tab breaks off from the tape, pull the tape out by pulling on the end of the tape where the tab was originally attached.
 - Wash off any toner from your hands or clothing immediately with cold water.
-

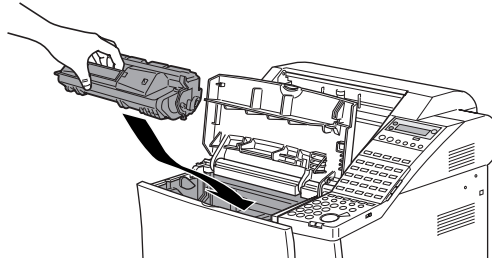
6. To avoid pinching your fingers between the toner cartridge and fax unit, grip the cartridge as shown below.

KEEP THE DRUM SLOT FREE OF DUST AND OTHER FOREIGN OBJECTS.

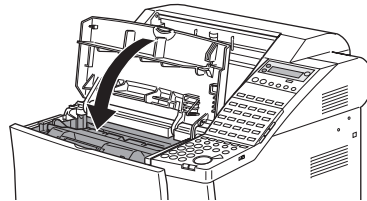


DO NOT TOUCH THE PROTECTIVE SHUTTER ON THE BOTTOM OF CARTRIDGE.

7. Load the cartridge in the direction indicated by the arrow. Gently slide the cartridge into the printer area until it is down inside the fax unit and level.



8. Shut the printer cover.



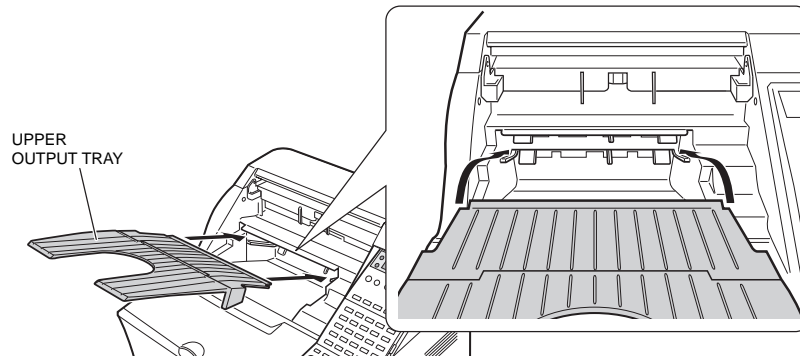
- The fax unit will not operate if the printer cover is not closed completely.

CHECK PRINTER COVER

If you see the message above and the Error lamp blinks red when the fax unit is plugged in, open the cover again and make sure the toner cartridge is level. Then shut the printer cover again.

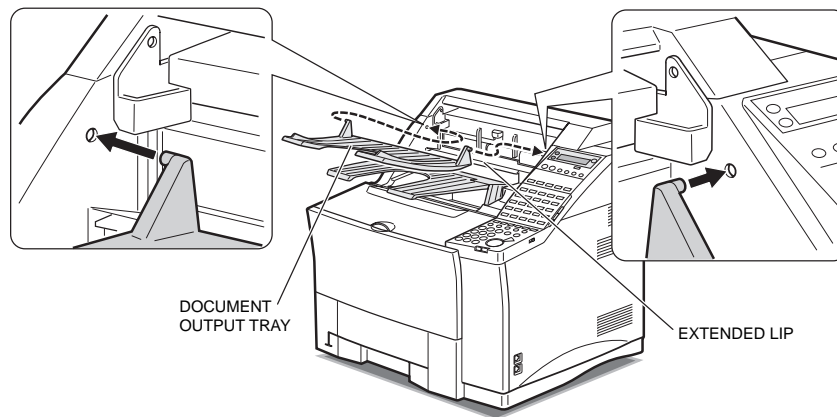
Attaching the Document Output Tray and the Upper Output Tray

1. Attach the upper output tray to the front of the fax unit.
Slide the end of the upper output tray down into the fax unit at an incline, lifting the end nearest you.



- Do not use the fax without first attaching the upper output tray correctly. A paper jam may occur.
- When removing the upper output tray, lift the end nearest you slightly and pull the tray forward.

2. Attach the document output tray to the front of the fax unit, just above the upper output tray.

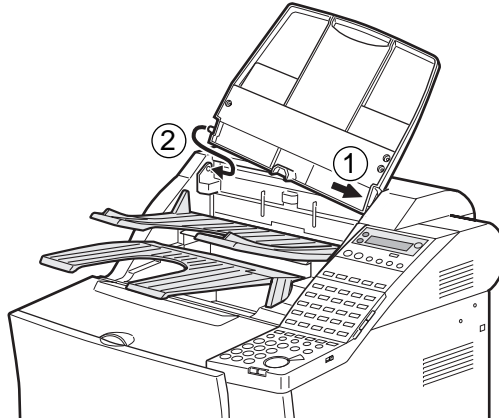




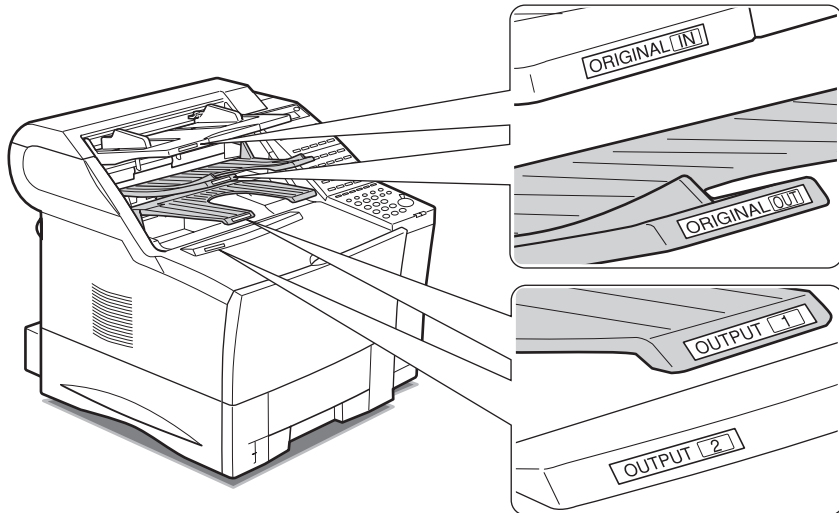
Make sure the knobs on each side of the tray fit into the holes on the side of the fax unit. Back of the tray sits on top of the extended lip of the fax unit.

Attaching the Document Feeder Tray

Slide one side in position first and then the other side.



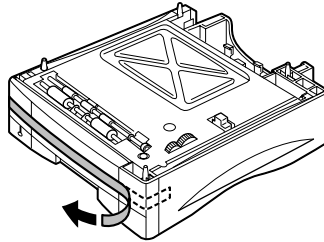
- ❑ Attach the supplied tray labels as shown in the illustration below. We also recommend attaching the tray labels onto the upper and lower output trays according to the settings you make on the SELECT OUTPUT TRAY menu to classify the outputs. You can use the blank labels to meet your specific needs.



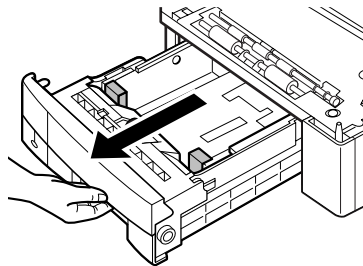
Installing Paper Feed Unit (PF-52) (For the LASER CLASS® 3175/3175MS Only)

Paper Feed Unit (PF-52) is standard for the LASER CLASS® 3175/3175MS, and optional for the LASER CLASS® 3170.

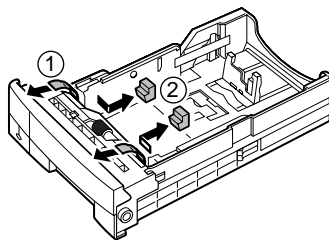
1. Remove the tape at the front of Paper Feed Unit (PF-52).



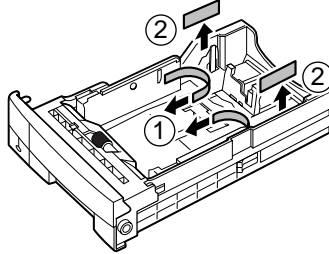
2. Pull out the paper cassette 2.



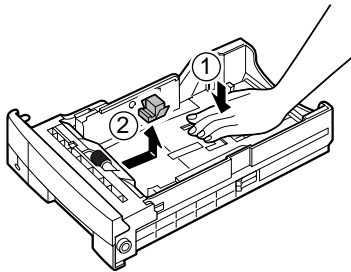
3. If tapes are attached to the paper cassette 2, remove them. Then remove the spacers under the paper guide clips by first pressing down on the bottom metal plate with one hand and then sliding the white spacers inwards with the other hand.



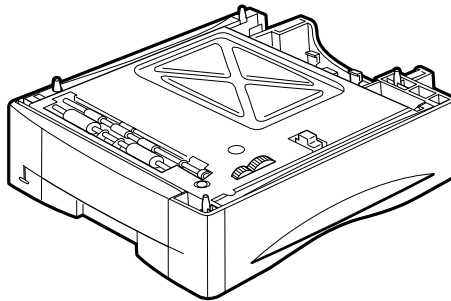
4. Remove the tapes and packings at the rear of the paper cassette 2.



5. If a spacer is attached, remove it from the paper cassette 2 while pressing the bottom plate.



6. Replace the cassette into Paper Feed Unit (PF-52) and place it in the location you wish to use the fax after the cassette has been installed.



Note

You will need to move the fax unit if you want to use it in the same location it now occupies.

7. Lift up the fax unit and hold it over Paper Feed Unit (PF-52).



LIFTING THE FAX UNIT REQUIRES TWO PEOPLE. TO MOUNT THE FAX UNIT ONTO PAPER CASSETTE 2, FOLLOW THE GENERAL GUIDELINES AND ILLUSTRATION ON THIS CHAPTER, 1.6 Moving The Fax Unit.

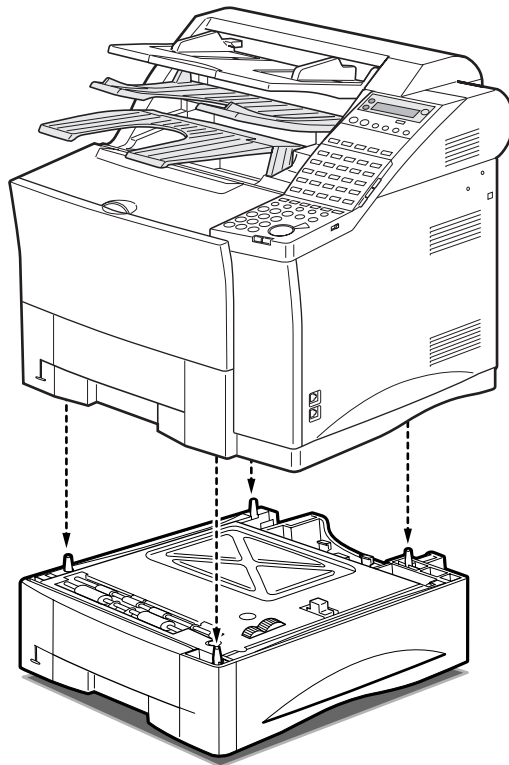
ALWAYS LIFT THE FAX UNIT BY THE LIFTING HANDLES AT THE BOTTOM, TO AVOID TRAPPING YOUR FINGERS BETWEEN THE FAX UNIT AND PAPER FEED UNIT (PF-52).

WHENEVER YOU MOVE THE FAX, BE SURE TO LIFT THE FAX UNIT AND PAPER FEED UNIT (PF-52) SEPARATELY. DO NOT TRY TO LIFT THEM TOGETHER.



If the fax unit is heavy to lift, remove Paper Cassette 1 and toner cartridge before placing it on Paper Feed Unit (PF-52).

8. Make sure the front of the fax unit is facing the same direction as the front of Paper Feed Unit (PF-52). Slowly lower the fax unit onto the four positioning poles on the corners of Paper Feed Unit (PF-52).



Loading Paper in Paper Cassettes 1 and 2

Before you load paper, follow these general guidelines:

- ❑ The paper cassettes can be adjusted to hold various sizes of paper. Paper Cassette 1 holds letter-, legal- or A4-size paper, and Paper Cassette 2 holds letter-, legal-, A4-, executive- or B5-size paper.



Note

You can load executive- or B5-size paper in Paper Cassette 2 only when you use it for the printer function. When you use it as a paper supply for fax, you can load letter-, legal- or A4-size paper only.

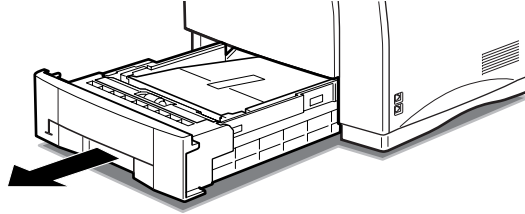
- ❑ For high-quality printings, we recommend using Canon standard 17-24 lb. (64-90g/m²) weight paper.
- ❑ Use of print media not meeting the paper's requirements may cause severe paper jams or result in excessive mechanical wear of the fax.
- ❑ Do not use the following paper in the paper cassettes:
 - Moist paper
 - Paper that is wavy, curled or damaged
 - Folded, clipped or stapled paper
 - Paper containing materials that melt, vaporize, offset, discolor or emit dangerous fumes at a temperature of 374°F (190°C) or higher
- ❑ To avoid paper curling, do not open paper packs until you are ready to load the paper in the fax unit. Store unused paper from opened packs in a cool, dry location.
- ❑ Let the paper run out before you refill the paper cassettes. Avoid mixing new paper with paper remaining in the paper cassettes.



Note

-
- Do not load different sizes of paper in the paper cassettes at the same time.
 - If a printed page comes out of the fax all curled up, you can correct the problem by turning over the paper stack in the paper cassettes so that the bottom sheet in the stack is now at the top.
 - If the leading edge of the paper is curled, straighten it out as much as possible before loading it into the paper cassettes.
 - Do not set the paper-size guides so tight that the paper stack bends.
 - Do not set the paper-size guides so loose that the paper stack is not evenly aligned.
 - Do not set the paper-size guides so loose that there is room between the guides and the paper.
-

1. Pull out the paper cassettes from the fax unit.



2. Check if the selectors inside the paper cassettes are set for the size of the paper you are loading.

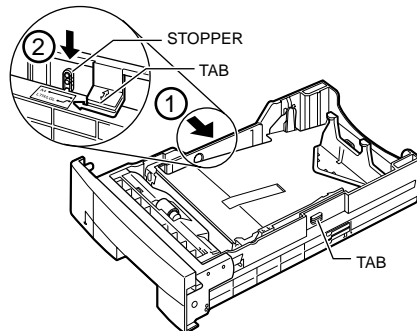
If the setting is correct, go on to step 3.

-if not-

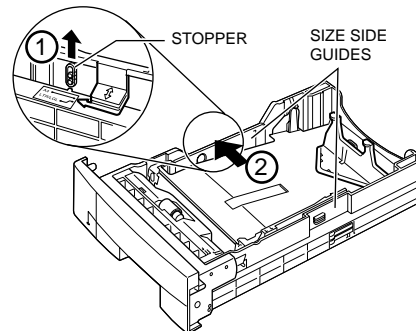
Set the paper cassettes to fit the sizes of the paper you are loading.

To change the paper size for Paper Cassette 1

Adjust the paper size side guides in the following way:



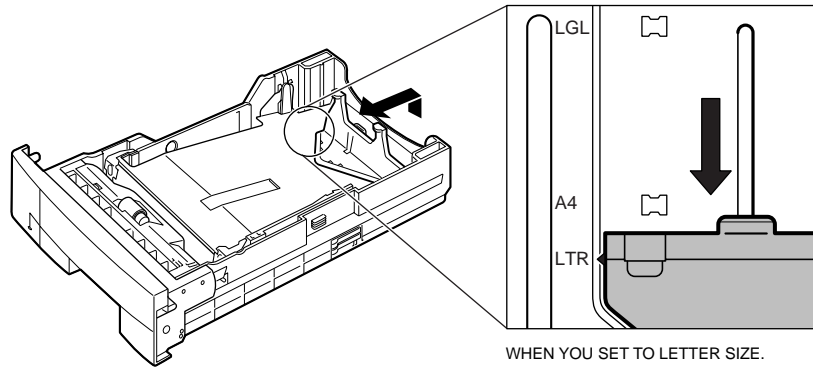
WHEN YOU SET TO A4 SIZE.



WHEN YOU SET TO LETTER OR LEGAL SIZE.

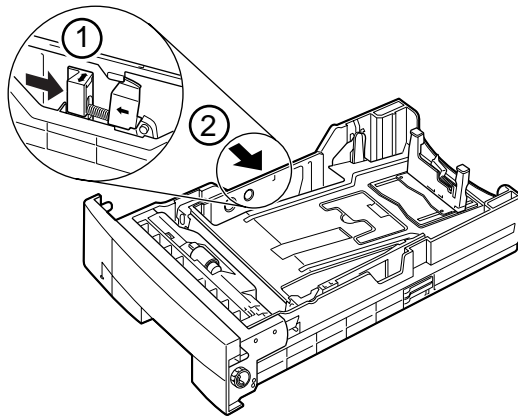
- To select A4 size, push the tabs jutting out from the edge of the cassette inwards and slide the stopper downwards to lock the guides in position.
- To select letter and legal size, slide the stopper up and push the size side guides outwards.

Lift the stopper in the center of the paper size rear guide slightly, and slide it to the mark indicating the desired paper size.

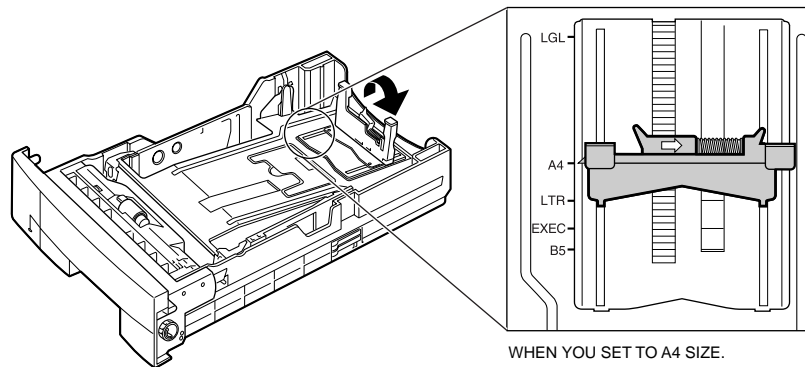


To change the paper size for Paper Cassette 2

To adjust the paper size side guides, release them by pinching the stopper on the left guide and slide them inwards or outwards according to the paper size you are loading.



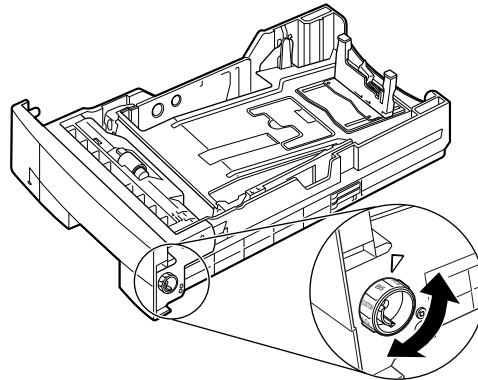
Push up the stopper of the paper size rear guide, and slide it to the mark indicating the desired paper size.



Note

You can load executive- or B5-size paper in Paper Cassette 2 only when you use it for the printer function. When you use it as a paper supply for fax, you can load letter-, legal- or A4-size paper only.

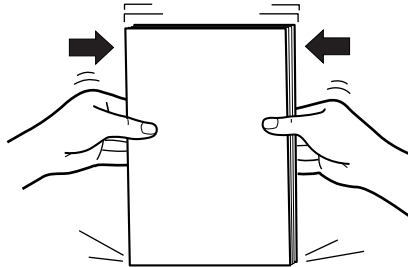
Turn the dial on the right-front side of the cassette and adjust it to the size of paper you are loading.



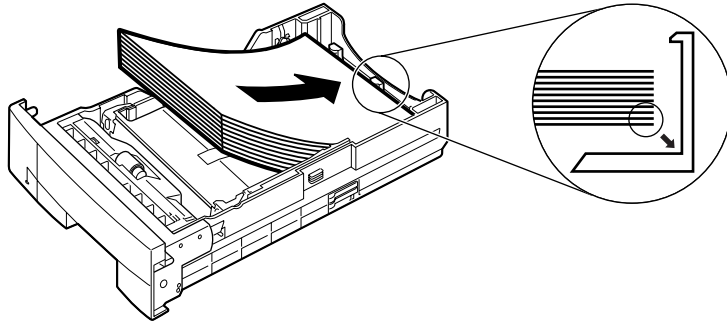
Note

- Make sure the mark on the paper size setting dial corresponds with the size of the installed paper, otherwise a paper jam may occur.
- Do not set the paper size dial on this unit to CUSTOM. This setting is not supported by this fax.

3. Before you load a stack of paper into the paper cassettes, tap the leading edge of the paper stack on a flat surface so that the edges are evenly aligned.



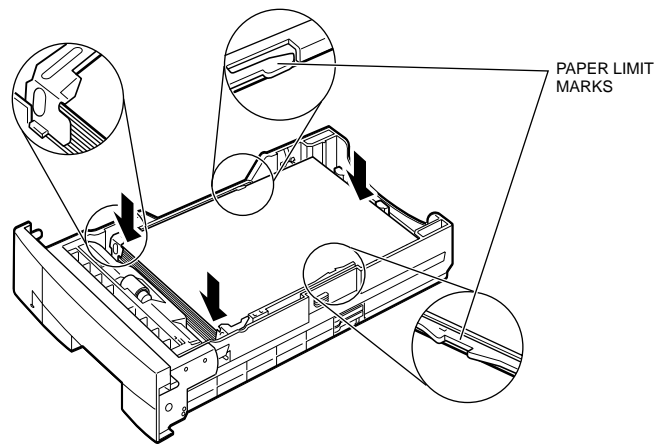
4. Place the stack of paper in the paper cassettes with the print side facing down. Insert the stack of paper so that it fits neatly to the back of the paper cassettes.



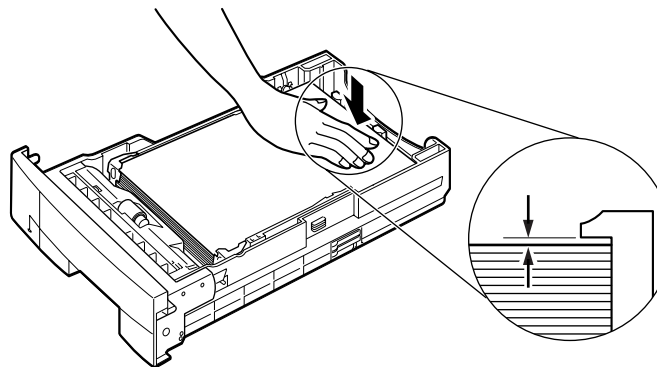
Note

When loading 500 sheets into the paper cassettes, divide the stack in two evenly-sized stacks, then load each stack separately.

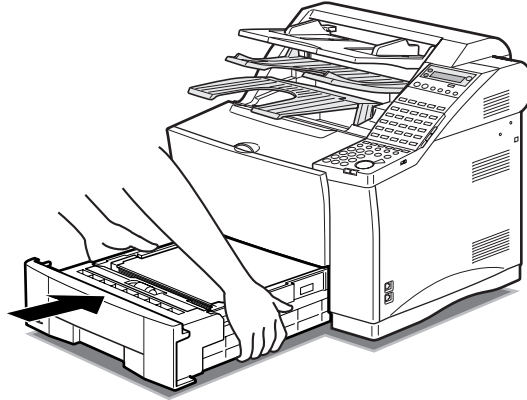
5. Press down on the front of the paper stack to make sure the corners are below the paper size guide clips. Then press the stack down again to make sure it is below the paper limit marks on the side of the paper cassettes and the paper size guides hook at the back of the cassettes.



6. Press the paper stack down to make sure it has a clearance of approximately 0.04 in. (1 mm) from the hook of the paper size rear guide.



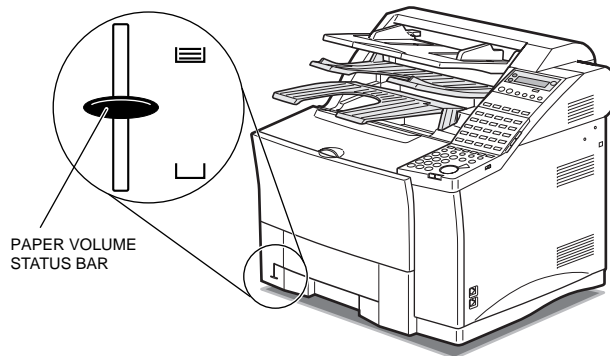
7. Reinsert the cassette into the fax unit: Align the cassette with the rails on the fax unit, then lift slightly to insert the cassette. Slide it all the way into the fax unit.



Note

Make sure you insert the cassette all the way into the fax unit until it locks into place.

- The paper volume status bars on the paper cassettes indicate the level of the current paper supply. When you see the paper volume status bar drop, make sure you have a supply of paper on hand to fill the cassettes. When you see the SUPPLY REC. PAPER message on the LCD display, re-fill the cassettes.

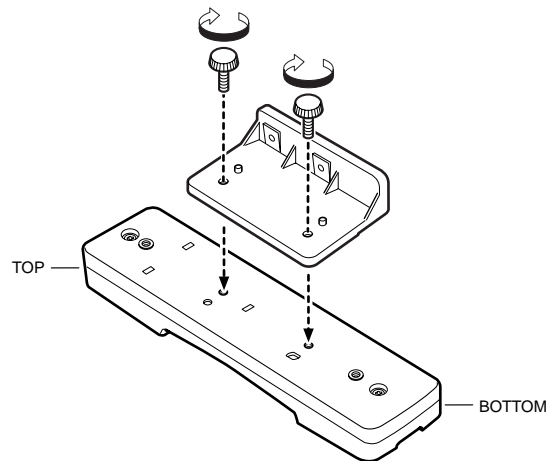


Connecting the Handset (option)

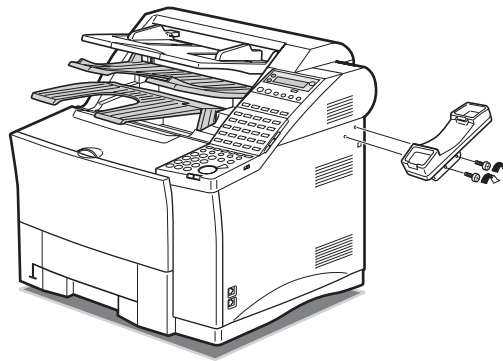



A telephone handset is available as an option for the fax machine. This handset is for use with Canon LASER CLASS® 3170/3175/3175MS only.

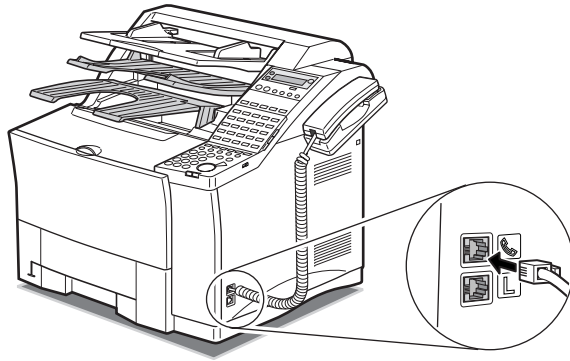
1. Attach the handset rest holder to the back of the handset rest with the screws provided.



2. Fit the handset rest holder over the holes on the fax unit.
3. Screw the handset rest holder on the fax unit.




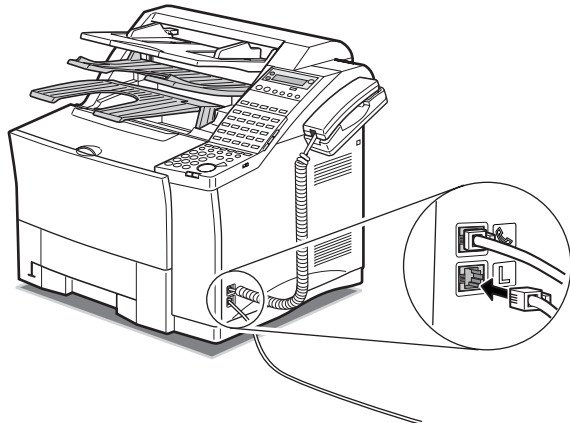
4. Connect the end of the handset connector cord to the extension phone jack marked with the handset icon ().



5. Place the handset on the handset rest.

Connecting the Telephone Line

1. Make sure you have an RJ11-C wall jack. If you need assistance, contact your dealer or telephone company.
2. Connect one end of the supplied telephone line to the fax jack marked .



3. Connect the other end of the telephone line to your wall telephone jack.

If you have installed the optional Dual-line Upgrade Kit, you can connect another telephone line to the fax unit.


Connecting an Extension Phone

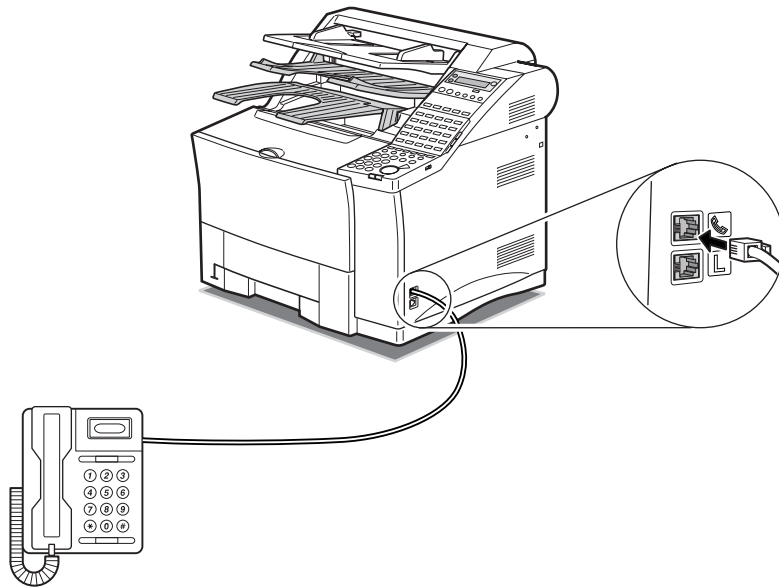
To connect an extension phone to the fax, you have to use the extension phone jack.



Note

Only one jack is provided to be used with the optional handset or an extension phone. A separate jack is not provided for an extension phone.

Connect the extension phone cord to the extension phone jack marked with the handset icon ().



Using the MP Tray

The MP (multi-purpose) tray can hold letter-, legal- or A4-size paper. The capacity is approximately 100 sheets of cut-sheet paper (80 g/m² or 21 lbs.). To use the MP tray as one of the input trays, you need to set USE MP TRAY to ON in the FAX'S PRINTER SET menu.

To use the MP tray with the LASER CLASS® 3175MS or the LASER CLASS® 3170/3175 with the Printer Board I installed, follow the guidelines below. Otherwise, the paper-size-matching error occurs and the message "CHECK PAPER SIZE" appears on the display.

- Even when you use the MP tray for the fax function, it is necessary to set the same paper size on the printer menus as on the fax menus. For details about setting the paper size of the MP tray on the printer menus, refer to "Printing from the Multi-Purpose Tray" in the Printer User's Guide.
- If you use the MP tray for the printer function and load paper of sizes other than letter, legal or A4, it is necessary to set USE MP TRAY to OFF on the FAX'S PRINTER SET menu.



The sizes and kinds of print media you can set on the MP tray differ when you use it as an input tray for the printer function. For details on the print media specifications for the printer function, refer to the "Print Media Specifications" section in Appendix 4 of the Printer User's Guide.

When not in use, the tray can fold up into the fax unit.

Loading the MP Tray

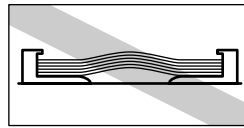
Before you load the paper, follow these general guidelines:

- For high-quality printings, we recommend using Canon standard 17-24 lb. (64-90g/m²) weight paper.
- Use of print media not meeting the paper's requirements may cause severe paper jams or result in excessive mechanical wear of the fax.
- Do not use the following paper in the MP tray:
 - Moist paper
 - Paper that is wavy, curled or damaged
 - Folded, clipped or stapled paper
 - Paper with cut-outs or perforations (not recommended)
 - Paper containing materials that melt, vaporize, offset, discolor or emit dangerous fumes at a temperature of 374°F (190°C) or higher

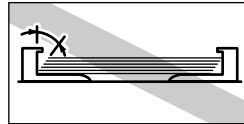


Note

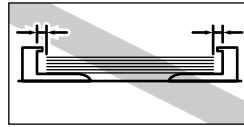
- Avoid pressing or applying excessive force on the MP tray as this may cause damage.
- The paper stack must not exceed the paper limit mark.
- Do not load different sizes of paper on the MP tray at the same time.
- Do not add paper to the MP tray if paper is already loaded; incorrect paper feed or a paper jam may occur. Only add paper when the MP tray is empty.
- If a printed page comes out of the fax all curled up, you can correct the problem by turning over the paper stack in the MP tray so that the bottom sheet in the stack is now at the top.
- If the leading edge of the paper is curled, straighten it out as much as possible before loading it into the tray.
- Do not set the paper guides so tight that the paper stack bends.



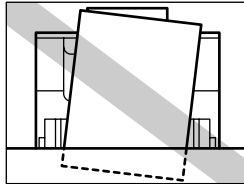
- Do not set the paper guides so loose that the paper stack is not evenly aligned.



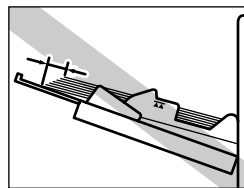
- Do not set the paper guides so loose that there is room between the guides and the paper.



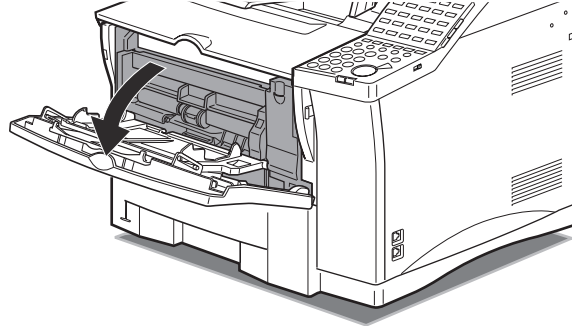
- Do not place the paper into the tray at an angle.



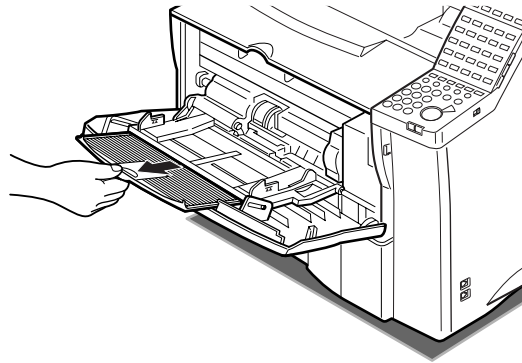
- Do not load fanned out paper. Make sure the edges of the paper stack are evenly aligned when loading.



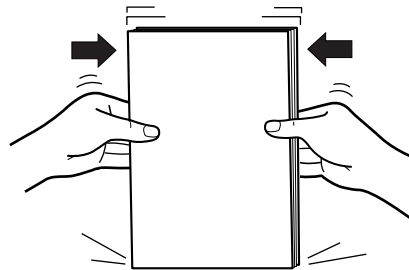
1. Pull the MP tray out using the handle on the panel.



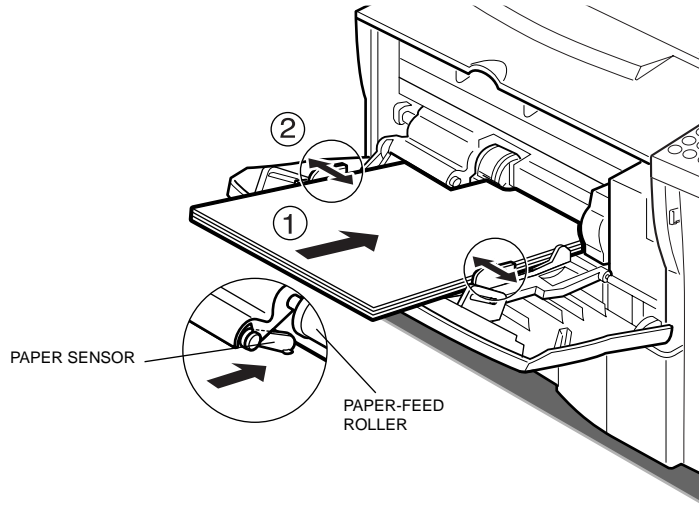
2. Pull out the extension tray using the center grip.




3. The MP tray holds approximately 100 sheets of paper. Before you load paper on the MP tray, tap the edges of the stack to make sure the leading edge and sides of the stack are even.

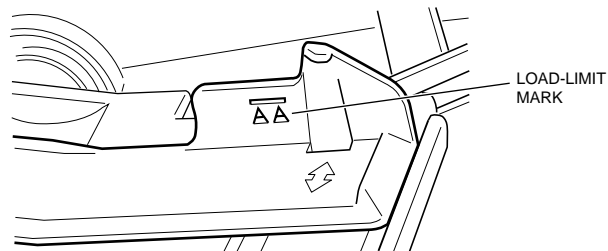


4. Insert the paper stack as far as it will go into the fax unit, with the print side facing up and the top of the paper going into the fax unit first. Then adjust the paper guides to the size of the paper.



Note

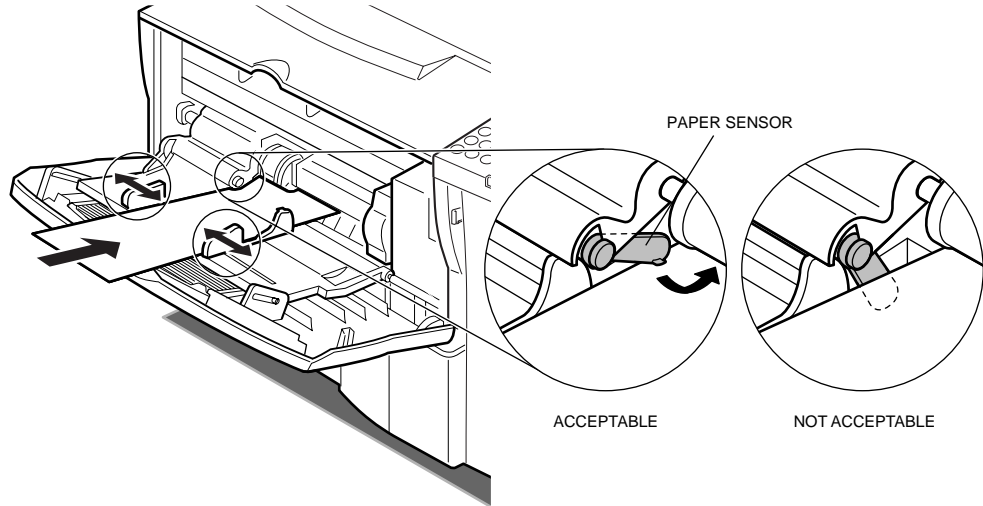
- Make sure that the leading edge of the paper is inserted all the way into the MP tray so that it is below the paper-feed roller. The paper sensor for the MP tray is located to the left of the paper feed roller, when viewed from the front of the fax unit. Please note the following points when loading small-size paper in the MP tray. (If the paper is not loaded correctly, the paper will not be detected by the fax and a message will appear asking you to load paper in the MP tray.)
- Make sure that the paper stack is not higher than the load-limit marks () on the paper guides.





Note

- Make sure that the paper guides are set correctly. To print with the MP tray, you also need to select the paper size in the USE MP TRAY menu.
- Make sure that the paper is loaded correctly and that the leading edge is fully inserted into the fax unit.
- Make sure that the paper sensor is resting on top of the paper. (The paper sensor must rest on top of the paper, not just touch the edge of the paper.)



- To avoid damaging the MP tray, close it when not in use. Remove and store any remaining print media. Slide the extension tray in before closing the MP tray.

Turning on and off USE MP TRAY and Setting the Paper Size in the USE MP TRAY Menu

To use the MP tray as one of the input trays, you need to select ON for USE MP TRAY in the FAX'S PRINTER SET menu.

Also, to use the MP tray for the fax function with the LASER CLASS® 3175MS or the LASER CLASS® 3170/3175 with the Printer Board I installed, it is necessary to set the same paper size on the printer menus as on the fax menus. For details about setting the paper size of the MP tray on the printer menus, refer to "Printing from the Multi-Purpose Tray" in the Printer User's Guide.

Follow this procedure to turn on and off USE MP TRAY and to select the paper size in the fax menus.



Data
Registration

1. Open all three of the One-touch Speed Dialing panels. Then press **Data Registration**.

REGISTRATION
1. DATA REGISTRATION

Set

2. Press **Set**.

DATA REGISTRATION
1. USER SETTINGS



3. Press the search buttons until you see the display below.

DATA REGISTRATION
5. FAX'S PRINTER SET

Set

4. Press **Set**.

FAX'S PRINTER SET
1. USE MP TRAY



5. Press **Set**.



6. Press the search buttons to display ON.



If you use the MP tray for the printer function and load paper of sizes other than letter, legal or A4, it is necessary to set USE MP TRAY to OFF on the FAX'S PRINTER SET menu.



7. Press **Set**.



8. Press the search buttons to select the paper size you are loading onto the MP tray.



9. Press **Set**.



10. Press **Stop** to return to standby.

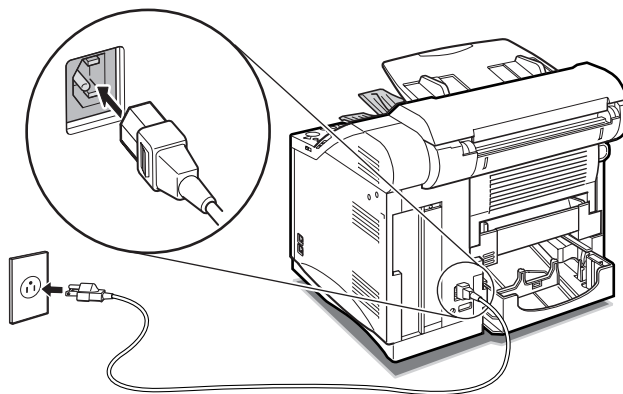
Turning on the Power

1. Connect the power cord to the power socket on the rear of the fax unit.
2. Connect the other end of the power cord to the power source.



THE FAX MUST BE CONNECTED TO A PROPERLY GROUNDED, THREE-PRONG 120 V AC OUTLET.

After you connect the power cord to the power source, the fax LCD display will light. There is no power switch on the fax unit.



It will take a few seconds for the unit to warm up.

PLEASE WAIT

The unit has warmed up and is ready to use when you see the date and time display.

12/31/1999 THU 12:20

When the date is displayed on the LCD, the fax is in the *standby mode* and ready for normal operation. If the Error lamp starts blinking red, wait for one of the following messages to appear.

INSTALL CARTRIDGE	You have not yet installed the toner cartridge. Install the FX6 toner cartridge.
REPLACE CARTRIDGE	The toner cartridge has run out of toner. Replace the toner cartridge.
CHECK PRINTER COVER	The printer cover is not closed completely. If it does not close easily, do not force it. Remove the toner cartridge, and insert it again. Make sure it is sitting level inside the fax machine then close the printer cover again.
SUPPLY REC. PAPER	At least one of the paper cassettes is empty or not seated correctly inside the fax machine. Remove each cassette. Make sure the stacks of paper are below the tabs and insert the paper cassettes in again. Push the paper cassettes all the way in until they lock in place.

Processing When Trouble Occurs

Very rarely, during use the display may go out, all the keys stop working, or some other trouble occur because of intense noise or a strong shock. If such trouble occurs, perform an All Clear operation. During installation, we recommend that you perform an All Clear operation.

Below is the procedure for performing an All Clear operation.



When perform an All Clear operation, all the registered data is erased and all the service data is initialized.

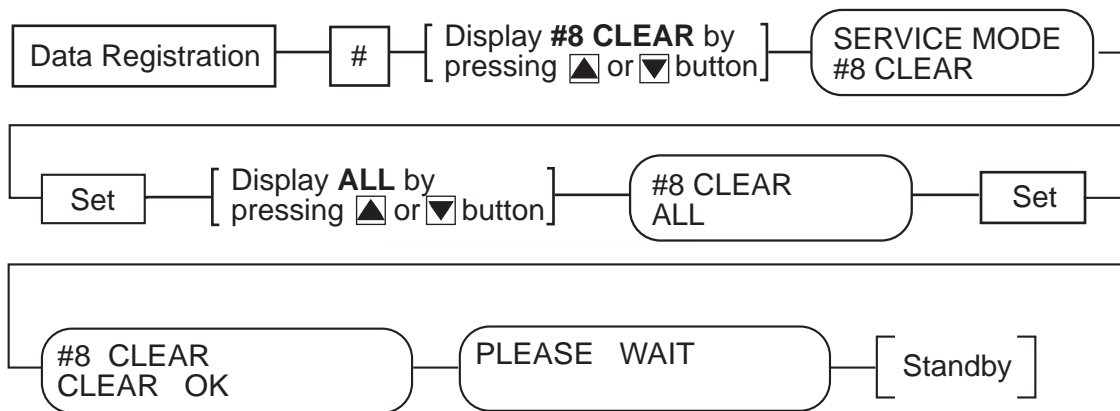


Figure 5-1 All Clear

1.5 Checking Operations

Copy operation

Check that normal images are printed.

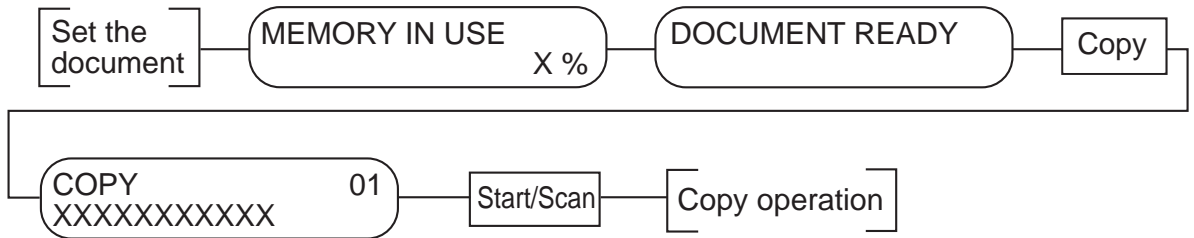


Figure 5-2 Copy Operation

Communication Test

Transmit to, and receive from other faxes, and check that images are sent normally for transmission, and are printed normally for reception.

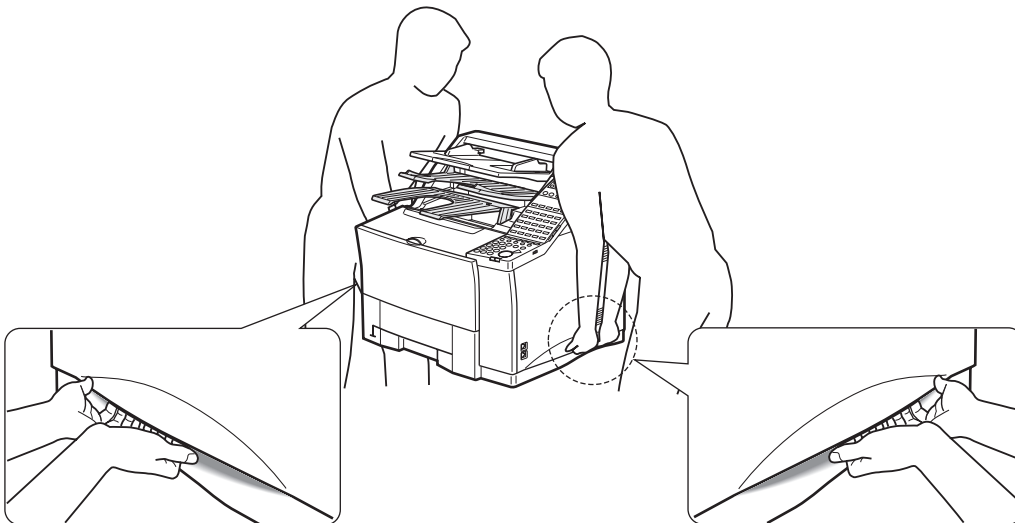
Here is a procedure for a general communication test.

- (1) Pickup the handset or press the HOOK button, and check that you can hear the dial tone. If you cannot, check the line connections.
- (2) Dial the other fax and check that the line is connected. If you cannot connect with the other fax, check the line settings (tone/pulse).
- (3) Transmit and receive a document and check the operation and the image.

1.6 Moving the Fax Unit

The fax unit is heavy. Be sure to follow these general guidelines when lifting the fax to move it or to install Paper Feed Unit (PF-52), etc.

- Moving the fax unit requires two people.
- When you lift the fax, hold it by the handles on the right and left sides. Never try to lift the fax by gripping paper cassettes by the front and back sides.
- Grip firmly the handles by the parts close to the back of the fax unit as shown in the figure below, because the fax unit is heavier at the back.
- When you lift the fax, be sure not to tilt it forward because the paper cassette may slide out of the fax unit.
- Be sure to remove Paper Feed Unit (PF-52), if installed, before moving the fax and lift them separately.



2. SERVICE TOOLS

2.1 Printer Driver Tester

2.1.1 Outline

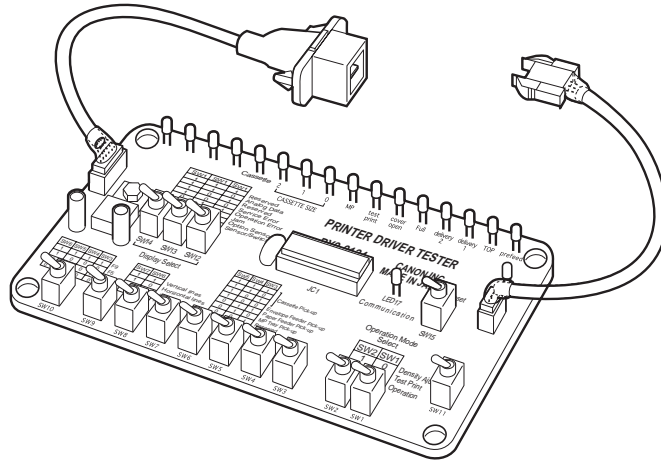


Figure 5-3 Printer Driver Tester

Printer driver tester is a special tool that operates the printer to check printer operations. It is also used with the thickness gauge to adjust installation position of the envelope multiple feed sensor of the envelope feeder. Its four main functions are as follow.

- a) Operates the printer to print all-black, vertical lines, horizontal lines, or all-white images.
- b) Monitors the state of the sensors in the printer and operates the printer.
- c) Displays error status sent from the engine controller (ECNT board) to the video controller with the LEDs on the tester when a malfunction occurs in the printer.
- d) Adjusts installation position of the envelope multiple feed sensor with a special tool, thickness gauge. (See *this Chapter 3.5.6 Installation Position Adjustment of Envelope Multiple Feed Sensor*)

2.1.2 Explanation of LEDs and Switches

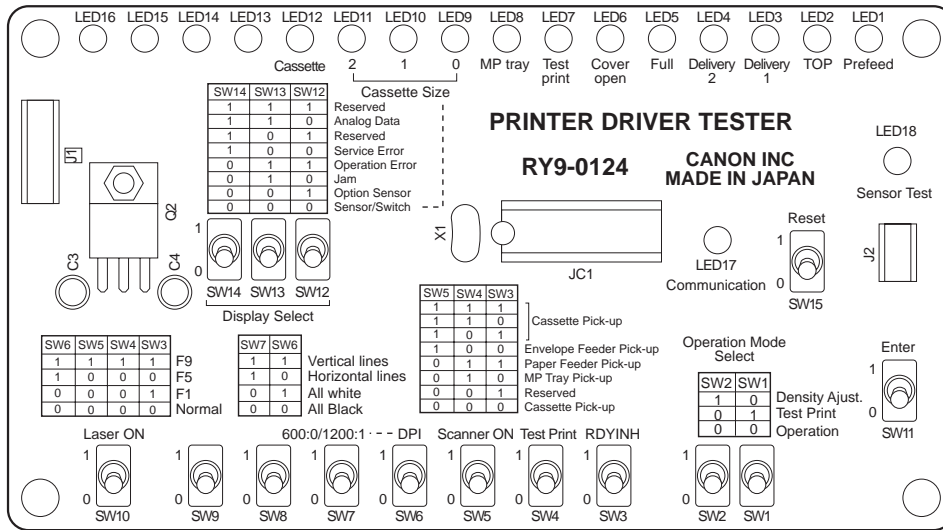


Figure 5-4 LEDs and Switches

LED1 to LED16

Monitors the state of the sensors and various status sent from the printer with the 16 LEDs.

LED17 (Communication)

Lights up when communicating with the printer.

LED18 (Sensor Test)

Used to adjust position of the envelope multiple feed sensor.

SW1 and SW2 (Operation Mode Select)

Set operation mode.

SW3 to SW9

Set various data sent to the printer.

SW10 (Laser ON)

Emits laser from the laser diode.

SW11 (Enter)

Enters the data set by SW3 to SW9.

SW12 to SW14 (Display Select)

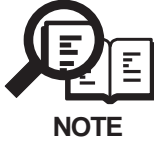
Set display mode.

SW15 (Reset)

Resets the printer driver tester.

2.1.3. Operation

a) Connecting to the printer



Before handling the printer driver tester, make sure to touch metallic parts of the printer to discharge electrical static as it may cause malfunctions or failures in the printer and the tester.

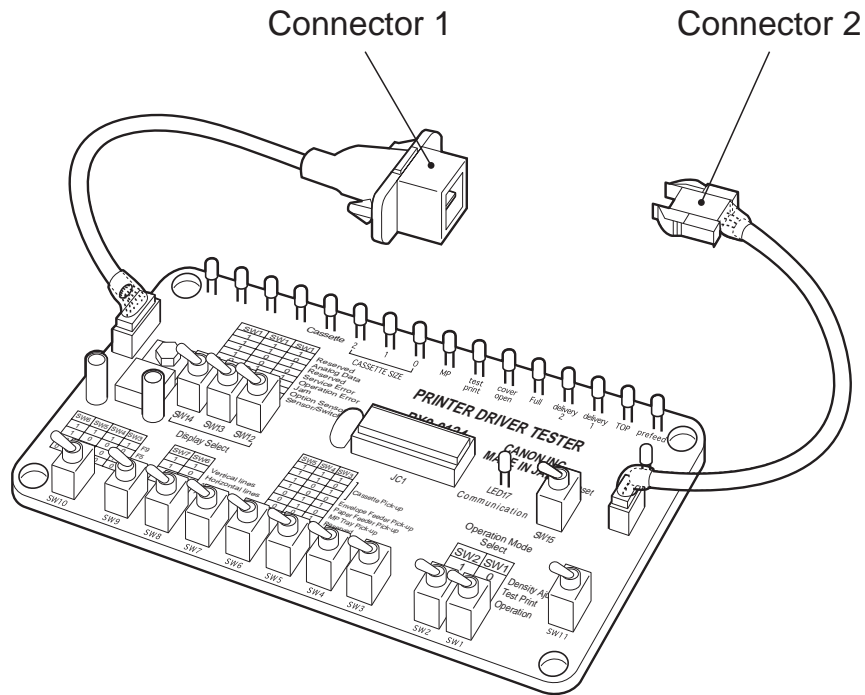
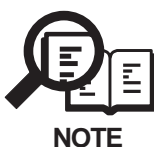


Figure 5-5 Connect Printer Driver Tester

- (1) Disconnect the power cord.
- (2) Connect the connector 1 of the tester to the envelope feeder connector in the printer. The seal on the connector 1 should be facing up when connected to the envelope feeder connector. Connect it to the duplexing unit connector on the back to check the envelope feeder operation. The seal on the connector 1 should be facing right (the left cover side) when connected to the duplexing unit connector.
- (3) Connect the power cord and operate the tester when the printer enters the standby mode.



Note that the connector of the tester fits into the connector on the wrong side. If the LEDs on the tester do not light up when conducting the step 2.1.3, reconnect the connector the other way around.

b) Setting the printer operations

Table 5-1 shows printer operations that can be set by combinations of switches on the printer driver tester.

Set the operation mode with SW1 and SW2 and various data with SW3 to SW9 according to the table 5-1. Contents set by SW3 to SW9 are sent to the printer by turning ON SW11, and the printer executes the set operations. Once SW11 has been turned ON, the set contents remain until canceled. If multiple settings are to be made, set them one by one turning ON SW11 each time.

To cancel the setting, set the corresponding switch back to "0" and then turn ON SW11 or disconnect the power cord.

For instance, a test print is executed when turning ON SW11 with SW1 and SW2 set to "0" and SW4 to "1". The test print is continued until the setting is canceled by turning ON SW11 with SW4 set to "0".

Table 5-1 Printer Operation Setting

	Operation selection	Test print selection				Density selection				
SW1	0	1				0				
SW2	0	0				1				
SW3	Ready inhibit (Note)	SW5	SW4	SW3	Paper pick-up source	SW6	SW5	SW4	SW3	Density
		0	0	0	Cassette	0	0	0	0	Normal mode
		0	0	1	—					
SW4	Test print	0	1	0	Multi-purpose tray	0	0	0	1	F1
		0	1	1	Paper feeder					
		1	0	0	Envelope feeder					
SW5	Scanner motor ON	1	0	1	Cassette	1	0	0	0	F5
		1	1	0	Cassette					
		1	1	1	Cassette	1	1	1	1	F9
		1	1	1	Cassette					
SW6	Switch resolution 600dpi: "0" 1200dpi: "1"	SW7	SW6	Test pattern		Change density directly with the above 4 bit data.				
		0	0	Vertical lines						
		0	1	Horizontal lines						
SW7	—	1	0	All-white		—				
		1	1	All-black						
SW8	—	Duplex test print				—				
SW9	—	—				—				



NOTE

To set the printer to enter ready inhibit mode at power-ON, set the mode using the switches and then turn ON the printer while holding SW11 to "1".

c) Monitoring the printer condition

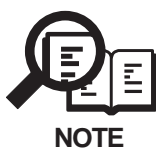
Select items to monitor from the table 5-2 and 5-3. Make settings with SW12 to SW14 and monitor the printer condition with LED1 to LED16.

Table 5-2 Printer Condition (1)

	Sensor/switch information (Printer)	Sensor/switch information (Option)	Jam display
SW12	0	1	0
SW13	0	0	1
SW14	0	0	0
LED1	Pre-feed sensor Paper present	Paper feeder connected	Pick-up delay jam
LED2	Top of page sensor Paper present	Paper size detection switch (Lower) ON	Pick-up stationary jam
LED3	Fixing unit paper delivery sensor 1 Paper present	Paper size detection switch (Middle) ON	Delivery delay jam
LED4	Fixing unit paper delivery sensor 2 Paper present	Paper size detection switch (Upper) ON	Delivery stationary jam
LED5	Face-down tray paper full sensor Paper present	Paper feeder Paper present	Revere delay jam
LED6	Door open detection switch ON	Envelope feeder connected	Revere stationary jam
LED7	Test print switch ON	Envelope feeder Envelope present	Duplexing unit pick-up delay jam
LED8	Multi-purpose tray paper sensor Paper present	—	—
LED9	Paper size detection switch (Lower) ON	Duplexing unit connected	—
LED10	Paper size detection switch (Middle) ON	Reversed paper sensor Paper present	—
LED11	Paper size detection switch (Upper) ON	Duplexing unit pick-up sensor Paper present	—
LED12	Cassette Paper present	Face-up sensor	—
LED13	—	—	—
LED14	—	—	—
LED15	—	—	—
LED16	—	—	—

Table 5-3 Printer Condition (2)

	Status information 1	Status information 2	Analog data
SW12	1	0	0
SW13	1	0	1
SW14	0	1	1
LED1	No paper in the specified pick-up source	Scanner failure	A/D data of VR501 (Note 7) bit 0 (LSB)
LED2	No toner cartridge	Main motor failure	A/D data of VR501 bit 1
LED3	Test print	Fan motor failure	A/D data of VR501 bit 2
LED4	Door open	Duplex fan motor failure	A/D data of VR501 bit 3
LED5	Paper jam	Fixing unit failure (Warm-up error)	A/D data of VR501 bit 4
LED6	Sleep	Fixing unit failure (Abnormally low temperature)	A/D data of VR501 bit 5
LED7	Wait	Fixing unit failure (Abnormally high temperature)	A/D data of VR501 bit 6
LED8	—	Fixing unit failure (Detection circuit failure)	A/D data of VR501 bit 7 (MSB)
LED9	No toner warning	—	—
LED10	Face-down tray paper full warning	—	—
LED11	BD error	Pick-up unit illegal operation (Note 1)	—
LED12	Paper size mismatch	Delivery unit illegal operation (Note 2)	—
LED13	Paper feed failure	Cassette illegal operation (Note 3)	—
LED14	—	Duplexing unit illegal connection (Note 4)	—
LED15	—	Paper feeder illegal connection (Note 5)	—
LED16	Multiple envelopes fed from envelope feeder	Envelope feeder illegal connection (Note 6)	—



1. The specified pick-up source was eliminated from the pick-up unit configuration.
2. Any of the following four has taken a place.
 - The specified delivery unit was eliminated from the delivery unit configuration.
 - Face-up tray was opened when the duplex delivery has been selected.

- Two sheets of paper are fed to the duplexing unit when the duplex delivery has been selected.
 - The duplexing unit was eliminated from the delivery unit configuration when the option delivery slot has been selected.
3. The cassette is not set in the printer when the paper feeder is selected as the paper pick-up source.
 4. The duplexing unit is not connected correctly.
 5. The paper feeder is not connected correctly.
 6. The envelope feeder is not connected correctly.
 7. Monitored value set by VR501 on the engine controller. The value is expressed by 8 bit data (256 steps).
The value of the data becomes +40 (-40) when the start position of the laser is moved backward (forward) by 1 mm via VR501.
-

3. OPTION

3.1 Option Memory VII (4M-BYTE)

3.1.1 Safety and precautions

Damage due to electrostatic discharge

Electrostatic charge in the human body is the cause of damage to electronic parts as well as changes in their characteristics. When attaching / removing memory boards, be sure to take measures against electrostatic discharge by using a wrist strap, etc. If memory boards are handled when an electrostatic charge is present, the electronic parts will suffer damage.



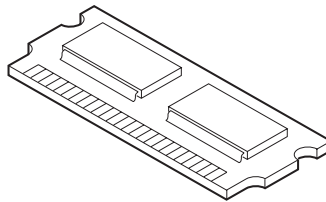
REFERENCE

Countermeasures for Electrostatic Discharge

For details regarding countermeasures for electrostatic discharge, please refer to *Chapter 1, 2.3.1 Damage due to electrostatic discharge*.

3.1.2 Service operations

a) External view



4M-Byte

Figure 5-6 External View



NOTE

Memory board extension can be done in combinations of 1 or 2 memory boards, resulting in 4M (4M x 1 board) and 8M (4M x 2 boards) of memory.

Prepare needed memory boards according to the amount of memory to be extended.

b) Installation

b-1) Unpacking

Check that the box contains the memory board.

b-2) Preparation

Perform the operations below before attaching the memory boards.

- (1) Output all image data if there is any remaining in image memory.



When attaching memory boards, it is necessary to disable memory backup, so the complete contents of image memory will be cleared.

Output all image data if there is any remaining in image memory.

- (2) Disconnect the power cord of the fax unit at the power source.
- (3) Disconnect the modular jack cord (telephone line) from the fax.
- (4) Remove the one screw and remove the right cover.

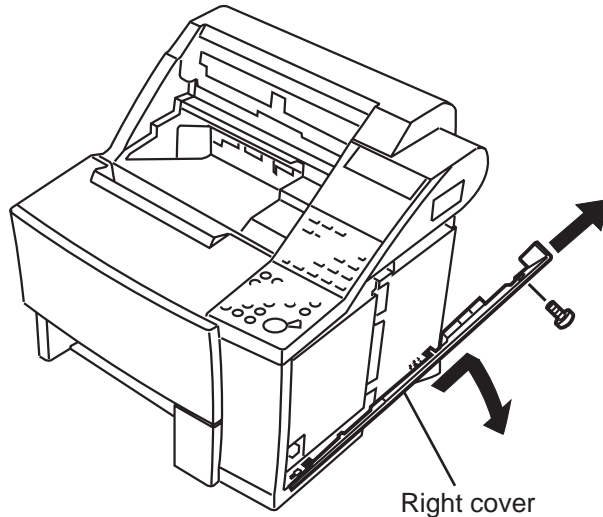


Figure 5-7 Preparations for Installation 1

- (5) Remove the six screws and remove the shield cover.

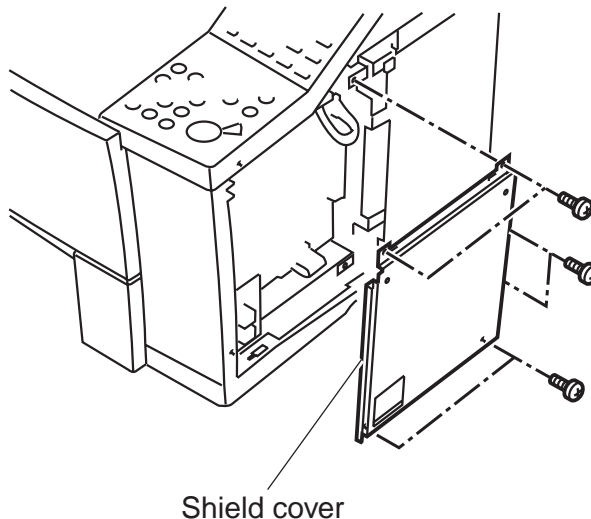


Figure 5-8 Preparations for Installation 2

b-3) Attaching memory boards

- (1) To disable memory backup, remove the jumper plug on the SCNT board jumper switch (JP1).



When the jumper plug is attached to the SCNT board jumper switch (JP1) even when the power is turned off, the voltage of the Vanadium-Lithium secondary battery is still being output to the memory extension connector (J1). If a memory board is loaded in this condition, the memory IC will suffer damage, so be sure to remove the jumper plug.

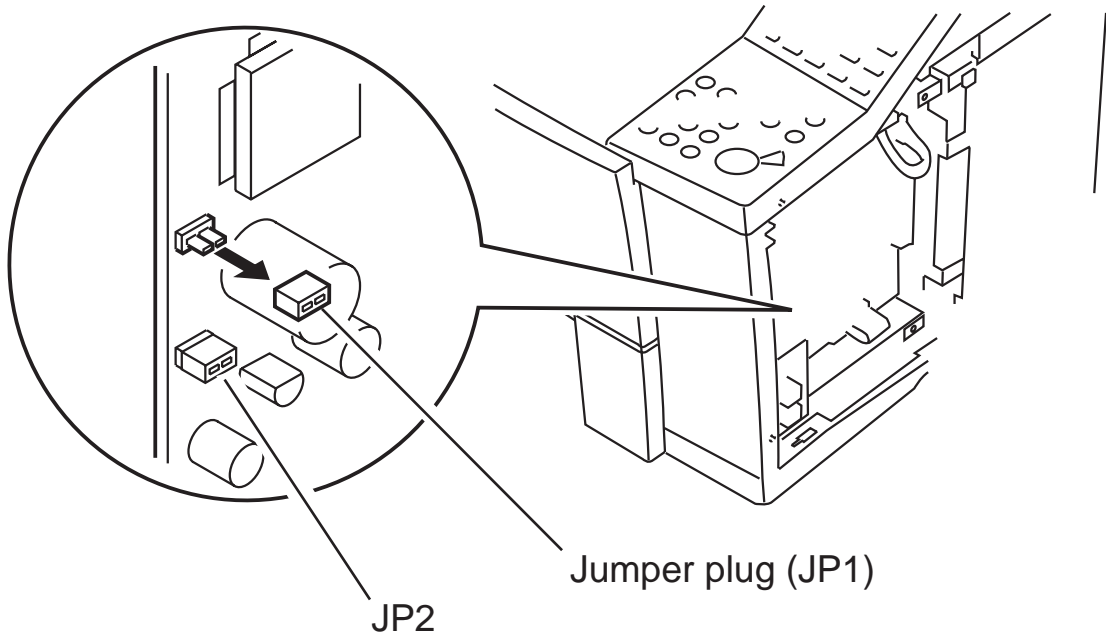


Figure 5-9 DRAM Boards Installation (1)

- (2) To install the first DRAM board, follow the steps ① and ② shown below.
To install the second DRAM board, follow the steps ③ and ④ shown below.

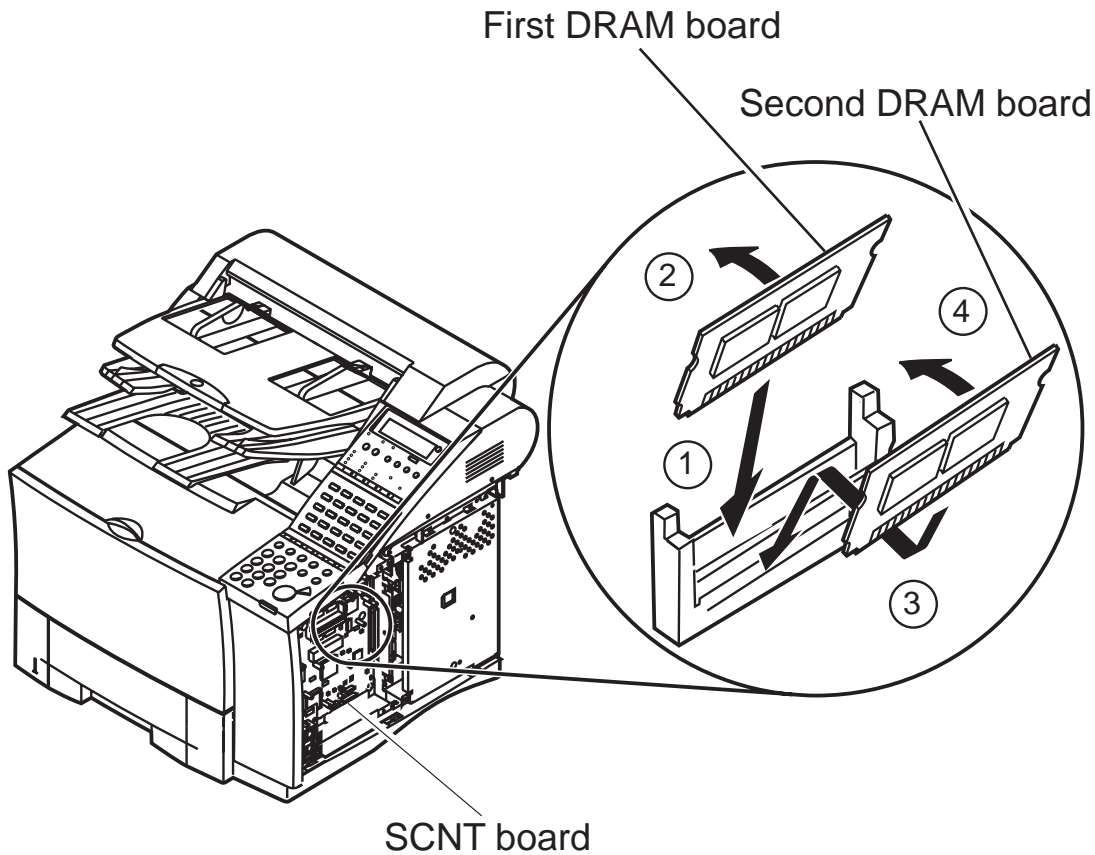


Figure 5-10 DRAM Boards Installation (2)



Insert the DRAM board into the socket in the direction indicated by arrow ① or ③, then push it in the direction indicated by arrow ② or ④ until it is fixed in place.

- (3) Install jumper plug JP1 on the SCNT board.
- (4) Fasten the shield cover in place with the four screws.
- (5) Fasten the right cover in place with the one screw.
- (6) Connect the modular jack cord (telephone line) to the fax.
- (7) Plug in the fax.

b-4) Check after DRAM boards installation

After installing the DRAM boards, carry out the following procedure to ensure that the DRAM boards are properly identified by the fax.

(1) Referring to the flow chart, enter test mode D-RAM test [1].

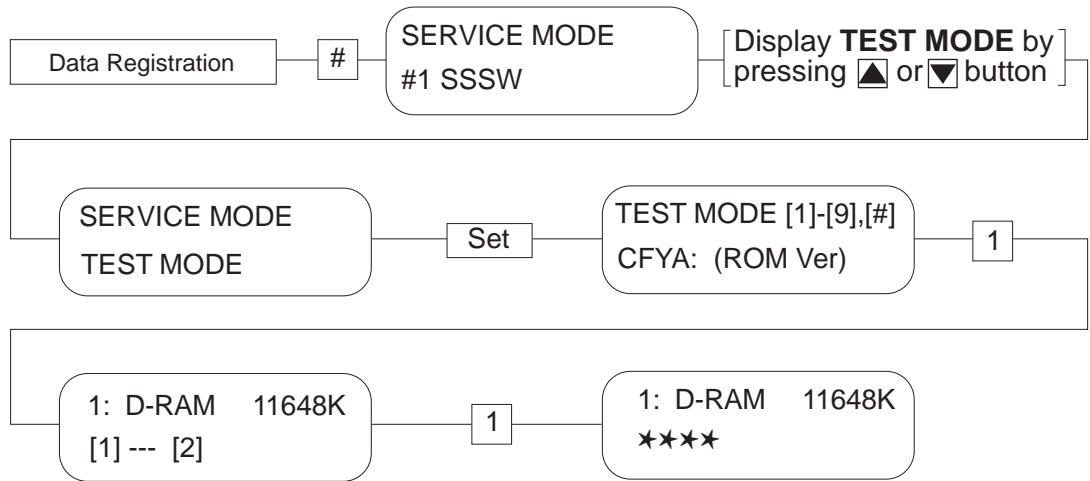


Figure 5-11 Flowchart of D-RAM test 1

(2) When D-RAM test [1] is entered, check the D-RAM write-in and read-out. Confirm that the display shows the extended memory capacity value, and that the check completes with “no error”.

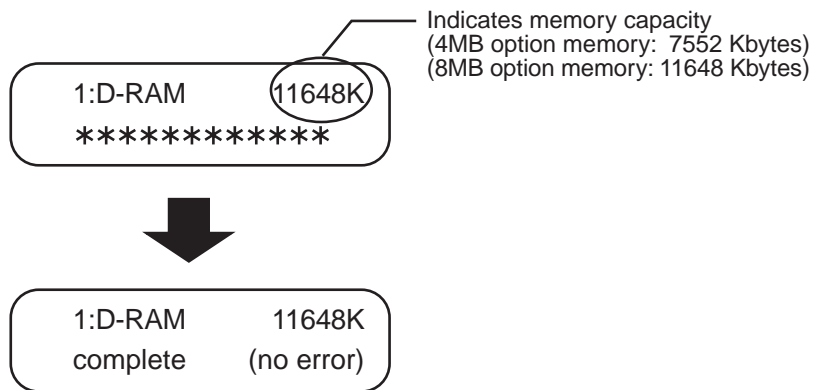


Figure 5-12 D-RAM Board Installation Check

- (3) After confirming this, push the Stop button, then push the Clear button, which will put the machine into a standby condition.
- (4) If the process does not complete normally, return to *b-3) Attaching memory boards*, re-attach the memory board, and then re-check with the D-RAM test.

b-5) Removing the memory board

When removing the memory board, perform the steps in *b-3) Attaching memory boards* in reverse order. Be sure to remove the memory board only after turning the power off and removing the jumper plug on SCNT board jumper switch (JP1).



If the memory board is removed with the jumper plug attached to the SCNT board jumper switch, the memory board will suffer damage.

3.1.3 Technical information

a) Configuration and construction

1. Product name OPTION MEMORY VII (4MB)

2. External view

4Mbyte

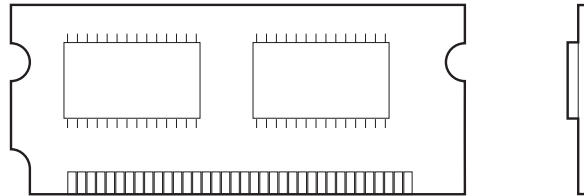


Figure 5-13 DRAM Board (4MB)

b) Specifications

Type of memory	DRAM
Capacity	2Mbyte × 2

3.1.4 Maintenance and service

a) Troubleshooting

The fax does not recognize the DRAM boards even when the test mode D-RAM test is executed.

- Solutions:**
- (1) Check that the DRAM boards are securely connected.
 - (2) Replace the DRAM board.
 - (3) Replace the SCNT board.

b) Signal description

SCNT board (J1) ↔ Memory board

J1	Memory	Signal name	Description
A1	— 1	DGND	Ground
A2	— 2	VD0	Data signal
A3	— 3	VD1	Data signal
A4	— 4	VD2	Data signal
A5	— 5	VD3	Data signal
A6	— 6	VD4	Data signal
A7	— 7	VD5	Data signal
A8	— 8	VD6	Data signal
A9	— 9	VD7	Data signal
A10	→ 10	+VB	Logic drive voltage
A11	— 11	N.C	Not connected
A12	— 12	AX0	Address/data signal
A13	— 13	AX1	Address/data signal
A14	— 14	AX2	Address/data signal
A15	— 15	AX3	Address/data signal
A16	— 16	AX4	Address/data signal
A17	— 17	AX5	Address/data signal
A18	— 18	AX6	Address/data signal
A19	— 19	AX10	Address/data signal
A20	— 20	N.C	Not connected
A21	— 21	VD8	Data signal
A22	— 22	VD9	Data signal
A23	— 23	VD10	Data signal
A24	— 24	VD11	Data signal
A25	— 25	VD12	Data signal
A26	— 26	VD13	Data signal
A27	— 27	VD14	Data signal
A28	— 28	AX7	Address/data signal
A29	— 29	N.C	Not connected
A30	→ 30	+VB	Logic drive voltage
A31	— 31	AX8	Address/data signal
A32	— 32	AX9	Address/data signal

SCNT board (J1) ↔ Memory board

J1	Memory	Signal name	Description
A33 —	33	N.C	Not connected
A34 —	34	N.C	Not connected
A35 —	35	VD15	Data signal
A36 —	36	N.C	Not connected
A37 —	37	VD0	Data signal
A38 —	38	VD1	Data signal
A39 —	39	DGND	Ground
A40 →	40	nCASL	Column address/low-order byte access
A41 →	41	nCASL	Column address/low-order byte access
A42 →	42	nCASH	Column address/high-order byte access
A43 →	43	nCASH	Column address/high-order byte access
A44 →	44	nRAS2	Row address strobe signal No.2
A45 —	45	N.C	Not connected
A46 —	46	N.C	Not connected
A47 →	47	nFWE	XWE signal to DRAM
A48 —	48	N.C	Not connected
A49 —	49	VD2	Data signal
A50 —	50	VD3	Data signal
A51 —	51	VD4	Data signal
A52 —	52	VD5	Data signal
A53 —	53	VD6	Data signal
A54 —	54	VD7	Data signal
A55 —	55	N.C	Not connected
A56 —	56	VD8	Data signal
A57 —	57	VD9	Data signal
A58 —	58	VD10	Data signal
A59 —	59	VD12	Data signal
A60 —	60	VD11	Data signal
A61 →	61	+VB	Logic drive voltage
A62 —	62	VD13	Data signal
A63 —	63	VD14	Data signal
A64 —	64	VD15	Data signal
A65 —	65	N.C	Not connected
A66 —	66	N.C	Not connected
A67 —	67	N.C	Not connected
A68 —	68	N.C	Not connected
A69 —	69	N.C	Not connected
A70 —	70	N.C	Not connected
A71 —	71	N.C	Not connected
A72 —	72	DGND	Ground



NOTE

The J1 connector on the SCNT board has two rows A and B and has a total of 144 pins. Since rows A and B have similar pin layout , only different pins are shown below:

B34 :nRAS2 B44 :nRAS1

3.2 Handset Kit L7 (CT-17)

3.2.1 Service operations

a) External view

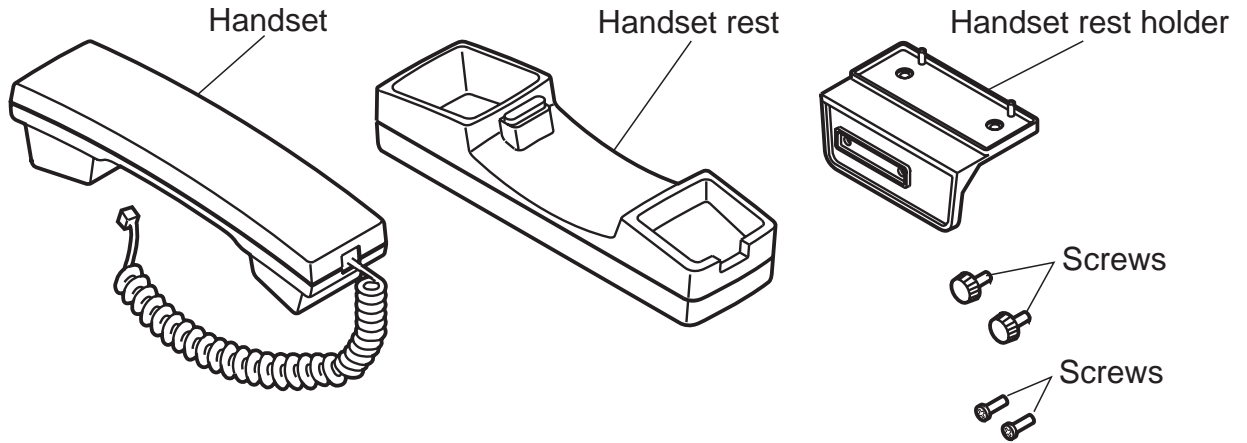


Figure 5-14 External View

b) Installation

b-1) Unpacking

Check that the box contains the handset itself, the handset rest, and three screws.

b-2) Attachment to the main unit

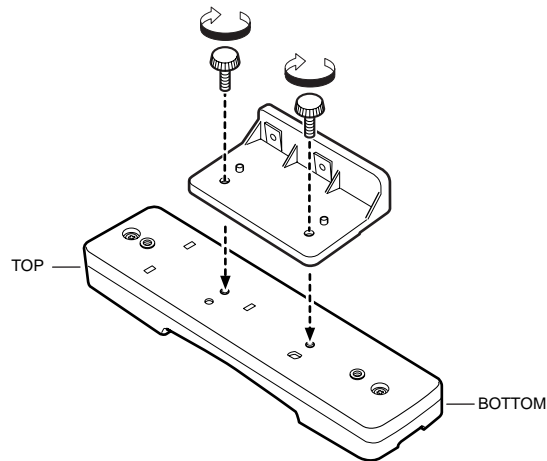


Figure 5-15 Attachment to the Main Unit (1)

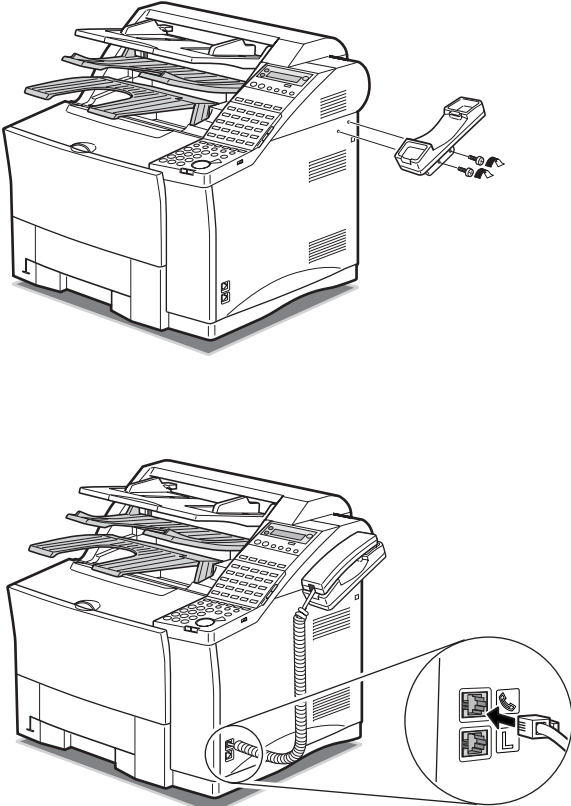


Figure 5-16 Attachment to the Main Unit (2)

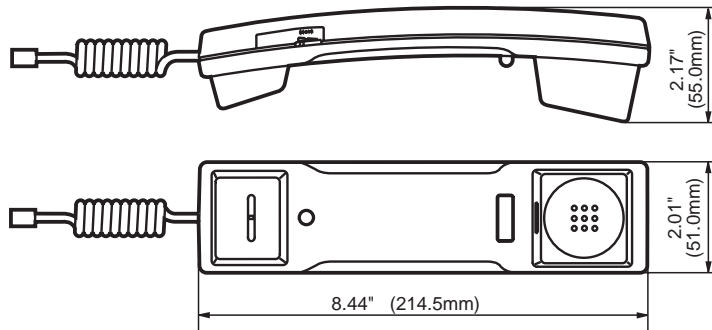
3.2.2 Technical information

a) Configuration and construction

1. Product name Handset Kit L7

2. External structure

Handset



Handset rest

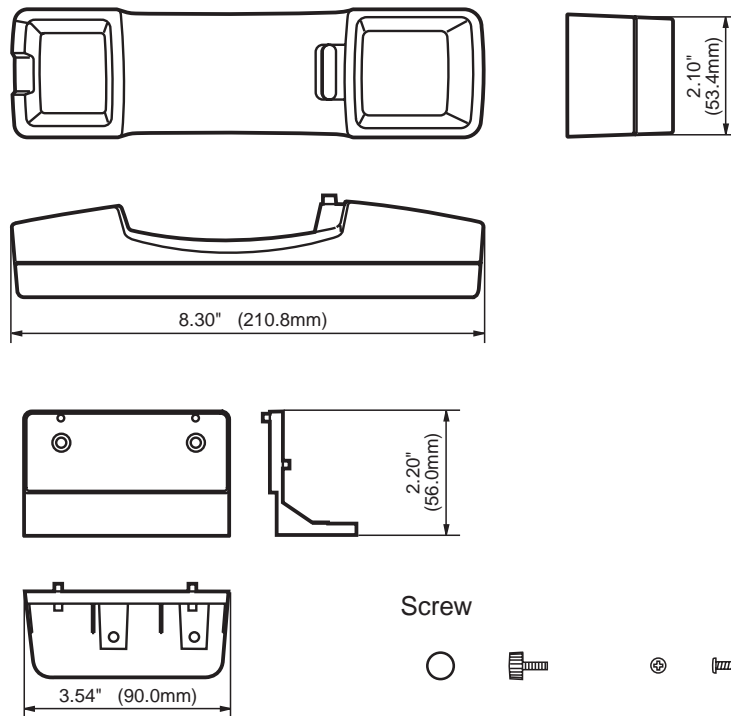


Figure 5-17 External View

b) Specifications

Applicable line	PSTN
Ring volume	Selectable from 3 levels
External dimensions	2.01" (W) × 8.44" (D) × 2.17" (H) (51 × 214.5 × 55 mm)
Weight	approx. 0.42 lbs (0.19 kg)

3.2.3 Operations

a) Functions

a-1) Telephone call function

The handset is connected to the main unit's handset jack. When the other party is a telephone, you can talk on the handset just as on an ordinary telephone. You can also place a call using the main unit's calling function.

a-2) Ring back tone function

Receives the ringing signal from the exchange and sounds the ring back tone from the handset speaker.

a-3) Fax switch function

When you lift the handset up from the handset rest, the off-hook state is detected and the DC loop with the line is completed.

a-4) Ring back tone volume adjustment function

The ring back tone volume adjustment switch on the side of the handset can adjust the ring back tone volume among three levels, high, low, and off.

b) Electric circuit section

The handset electric circuit section comprises the speaker, the microphone, and the TELCNT board.

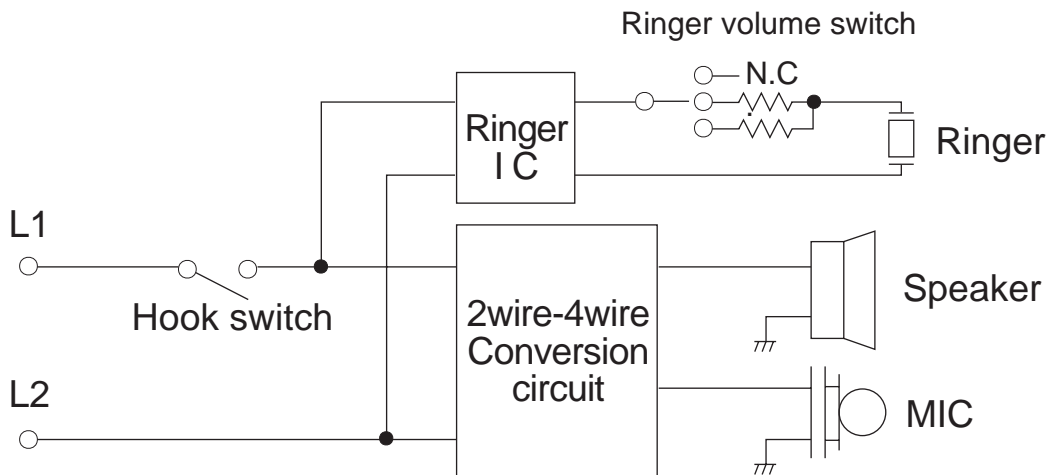


Figure 5-18 Electric Circuit Section

3.2.4 Maintenance and service

a) Troubleshooting

Even when a call is received, the bell does not ring.

- Solutions:
- (1) Check that the handset modular jack connector is properly connected to the handset jack on the modular board of the fax.
 - (2) Check that the ring back tone volume adjustment switch is set to Off.
 - (3) Replace the handset.
 - (4) Replace the modular board.
 - (5) Replace the NCU board.

You can not hear the dialing sounds from the handset.

- Solutions:
- (1) Check that the handset modular jack connector is properly connected to the handset jack on the modular board of the fax.
 - (2) Check that the modular cord from the telephone line is properly connected to the telephone line jack on the modular board of the fax.
 - (3) Check that documents can be transmitted and received normally.
 - (4) Replace the handset.
 - (5) Replace the modular board.
 - (6) Replace the NCU board.

There is no response when you dial.

- Solutions:
- (1) Check that user data "TEL LINE TYPE" (TONE/PULSE) is set to the same type as the telephone line you are using.
 - (2) Check that the modular cord from the telephone line is properly connected to the telephone line jack on the modular board of the fax.
 - (3) Replace the modular board.
 - (4) Replace the NCU board.

3.3 Verification Stamp Unit

3.3.1 Service operations

a) External View

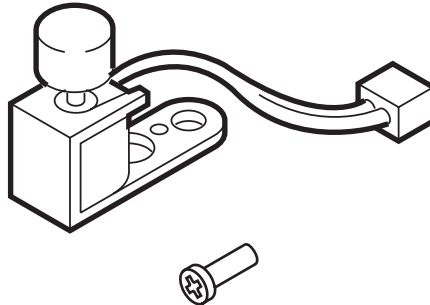


Figure 5-19 External View

b) Installation

b-1) Unpacking

Check that the box contains the stamp unit and one screw.

b-2) Attachment to the main unit

- (1) Disconnect the power cord of the fax unit at the power source.
- (2) While holding the upper reader frame and the middle reader frame open with one hand, use one finger of your other hand to gently push in the stopper to separate it from the stub on the fax machine, and open the upper reader frame and the middle reader frame.

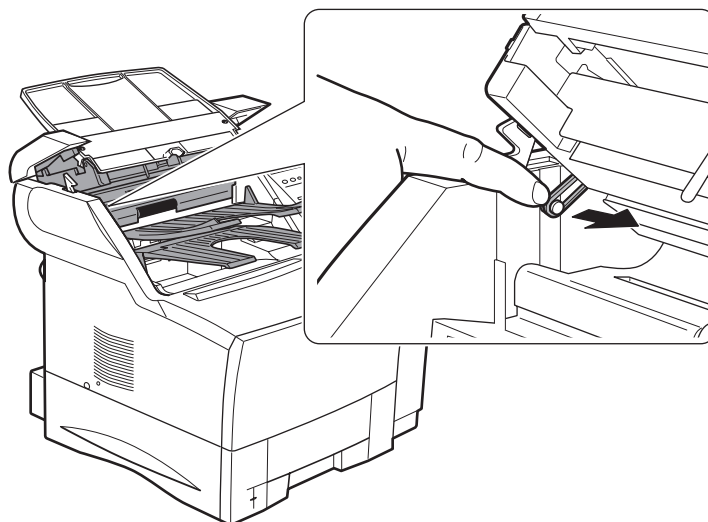


Figure 5-20 Attachment to the Main Unit 1

- (3) Remove the three screws, and remove the lower reader cover.

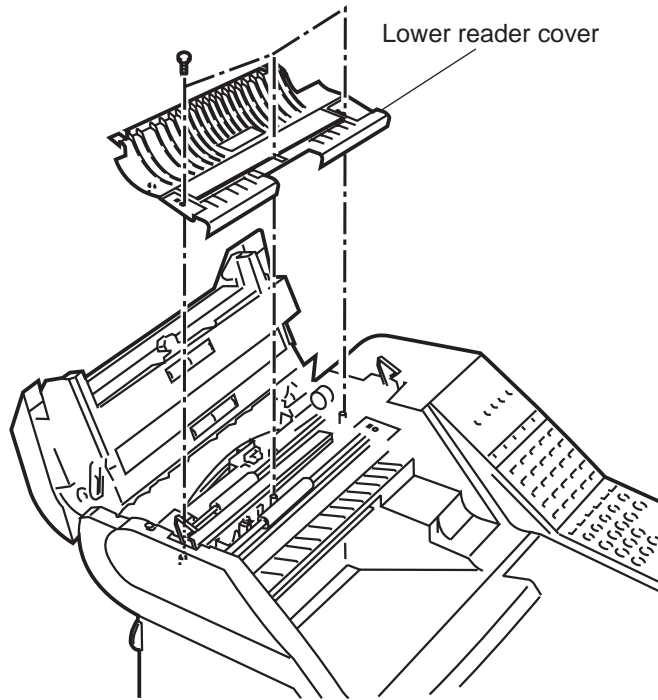


Figure 5-21 Attachment to the Main Unit 2

- (4) Connect the stamp unit connector cable to the main unit, and fasten the stamp unit with the one screw as shown below.

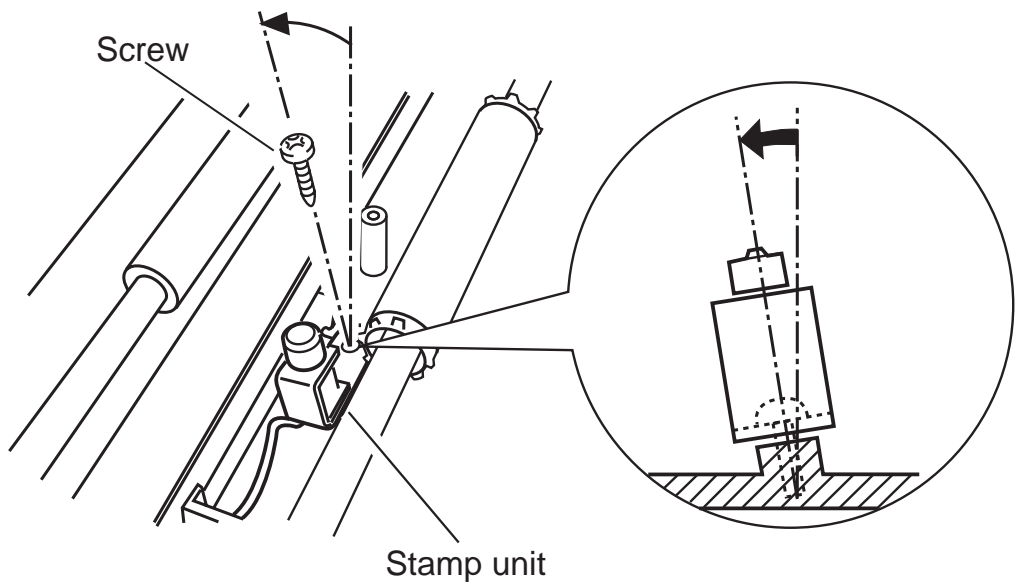


Figure 5-22 Attachment to the Main Unit 3



NOTE

As shown in the Figure, angle the boss slightly, insert the screw, and fix the stamp unit into place.

- (5) Remove the cap from the stamp unit.

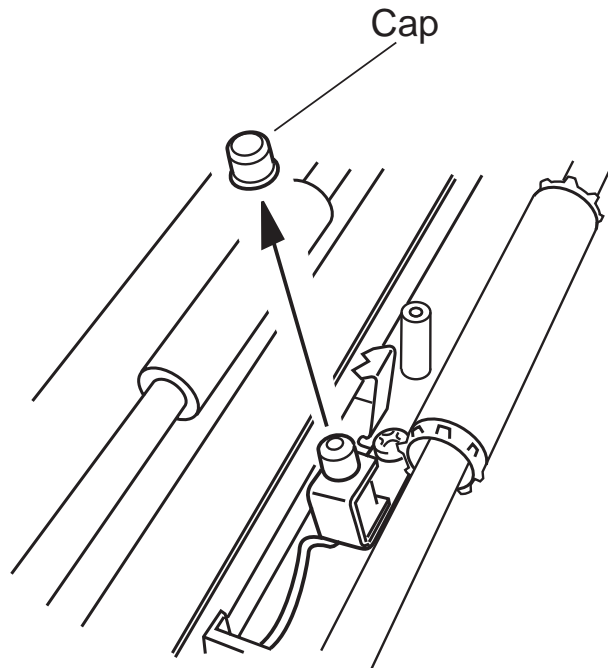


Figure 5-23 Attachment to the Main Unit 4

- (6) Fasten the lower reader cover in place with the three screws.
- (7) Place the end of the stopper over the end of the stub so it locks in place, and close the upper reader frame.

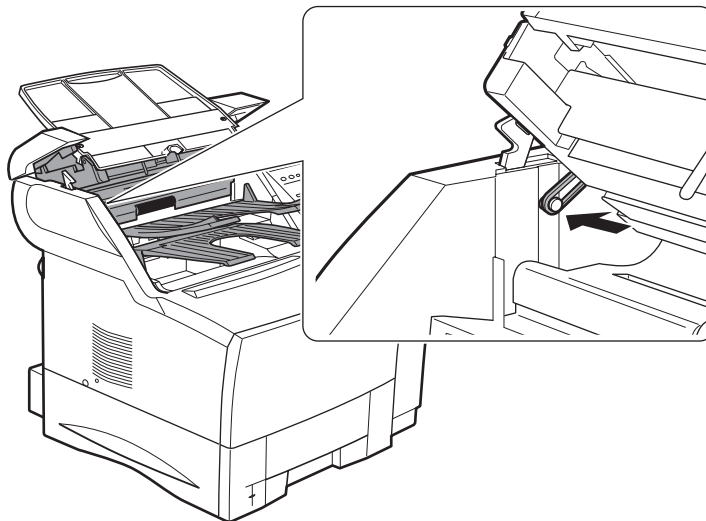


Figure 5-24 Attachment to the Main Unit 5

- (8) Connect the power cord of the fax unit at the power source.

(9) In the service mode, set #1SSSW SW06 Bit3 to 1.

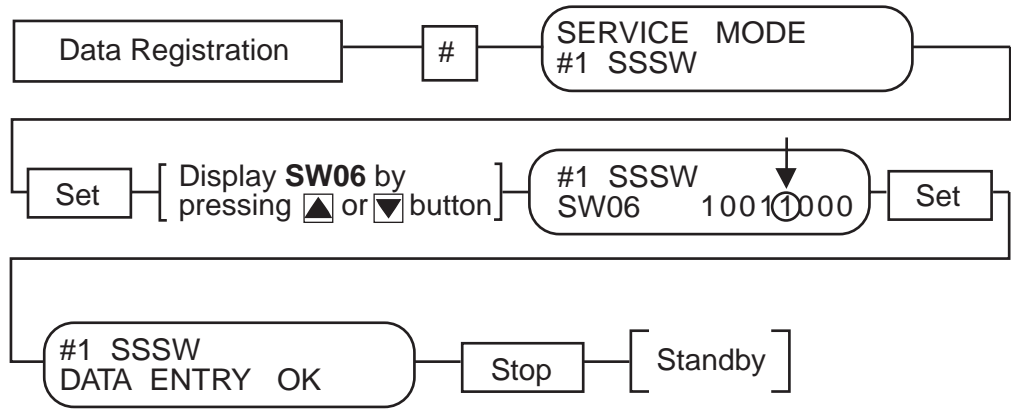


Figure 5-25 Flowchart of Changing SSSW

b-3) Operation check

After setting 8. TX STAMP of USER DATA TX SETTINGS to “ON”, or after pressing the Stamp button on the operation panel and turning the stamp function “ON” using the search button, fax a document to verify that a stamp is put at the bottom of the document scanning surface during scanning.

3.3.2 Maintenance and service

a) Signal description

STAMP unit ↔ SCNT board (J8)

Stamp		J8	Signal name	Description
1	←	1	STAMP+24V	STAMP+24V
2	←	2	STAMPGND	STAMP ground

3.4 Paper Feed Unit PF-52

PAPER FEED UNIT PF-52 is standard for the LASER CLASS 3175/3175MS, and optional for the LASER CLASS 3170.

3.4.1 Safety and precautions

a) Personal precautions

During servicing, if you have to operate the sensor arm, be careful to keep hair, clothes, accessories, etc. from becoming wrapped up in moving and rotating parts.

- The cassette pickup roller, cassette separation roller, and cassette feed roller are rotated by the main motor.
- The cassette pickup solenoid controls the cassette pickup roller.

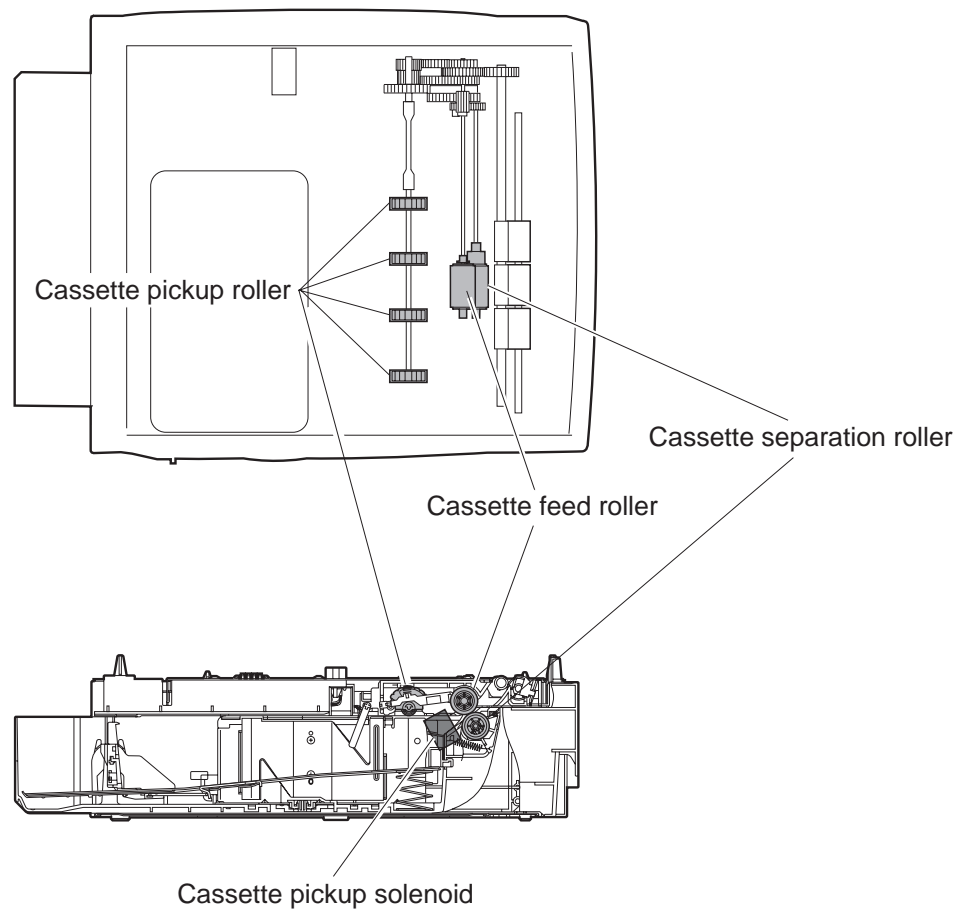


Figure 5-26 Moving and Rotating Parts

3.4.2 Service operations
a) External Views

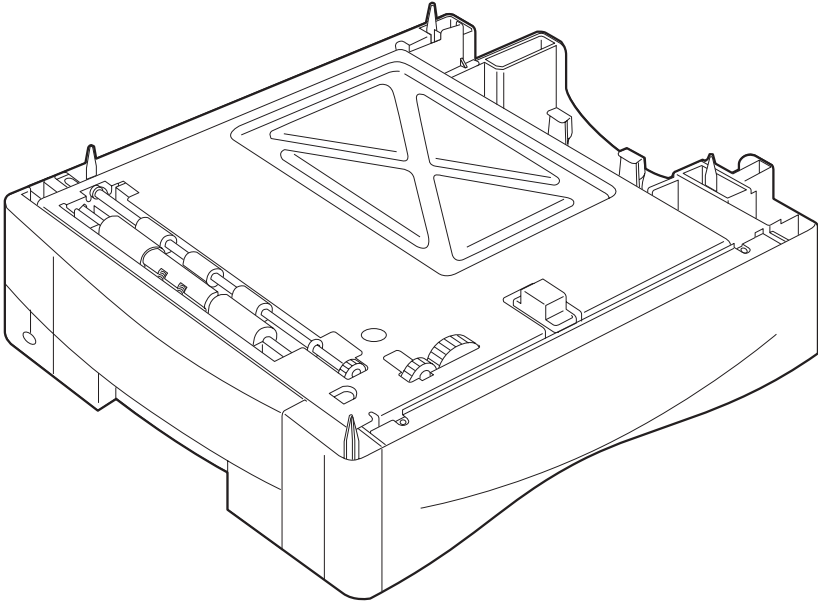


Figure 5-27 External View

b) Installation

b-1) Unpacking



REFERENCE

Please refer to item Installing Paper Feed Unit (PF-52) in *this Chapter, 1.4 Assembling the Fax*, for installation.

b-2) Attachment to the main unit

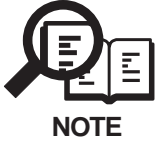


REFERENCE

Please refer to item Installing Paper Feed Unit (PF-52) in *this Chapter, 1.6 Moving the Fax Unit*, for installation.

b-3) Cassette installation

- (1) When you plug the power cord into a socket, "SUPPLY REC. PAPER" is displayed and the Alarm lamp blinks. Check that the cassette pickup roller is at its initial position.



After connecting the paper feed unit PF-52 and install the toner cartridge, when you plug the power cord, the main unit automatically detects that the feed unit is connected and the cassette pickup roller is set to its initial position. This initial position is as shown in below.



After connecting the feed unit, if you load the cassette when the cassette pickup roller is not in its initial position, then the cassette will strike the roller and may break it. Always check that the roller is in its initial position before loading the cassette.

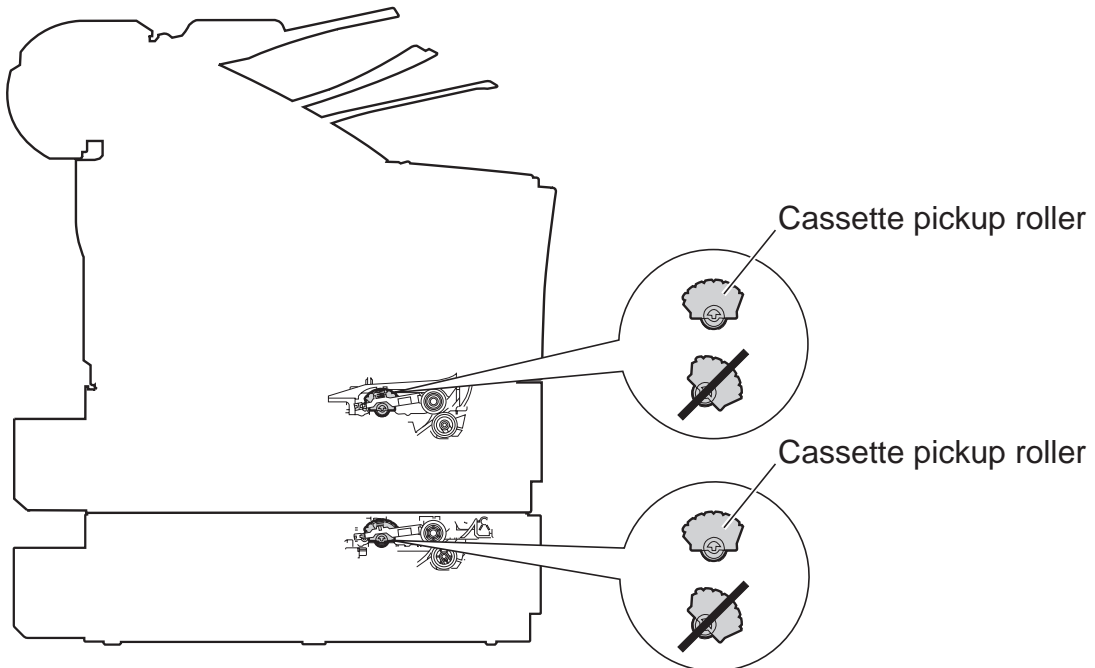


Figure 5-28 Pickup Roller Initial Position

b-4) Operation Check

Empty all the recording paper other than that in the cassette 2, make a copy, and check that the recording paper is picked up correctly.

3.4.3 Technical information

a) Configuration and construction

External structure

Item	Dimensions and weight	Remarks
Dimensions	15.35" (W) × 19.41" (D) × 4.96" (H) (390 × 493 × 126 mm)	With cassette
Weight	approx. 15.4 lbs (7 kg)	

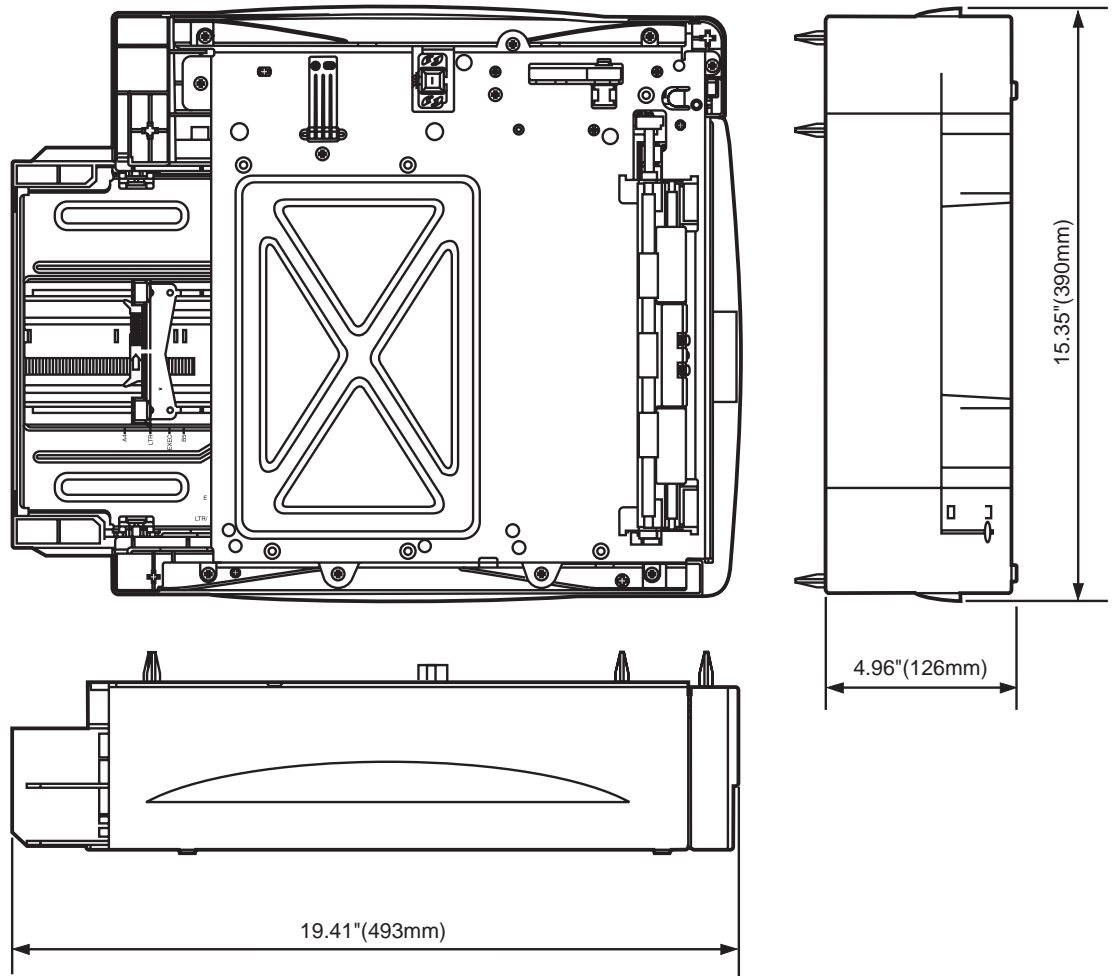


Figure 5-29 External View

b) Specifications

Recording paper dimensions

Letter	8.50"(W) × 10.98"(L) (216 × 279 mm)
Legal	8.50"(W) × 14.00"(L) (216 × 356 mm)
A4	8.27"(W) × 11.69"(L) (210 × 297 mm)
B5-JIS	7.17"(W) × 10.12"(L) (182 × 257 mm)
Executive	7.25"(W) × 10.50"(L) (184 × 267 mm)
Weight	64~90 g/m ²

Recording paper cassette capacity

500 sheets (max.), or 2.20" (56mm) in height; of weight 80g/m² paper.

Recommended recording paper

Canon Copier LTR/LGL Premium Paper

Weight	75 g/m ²
Paper size	Letter, Legal
Manufactured by	BOISE CASCADE

KANGAS

Weight	80 g/m ²
Paper size	A4
Manufactured by	KANGAS

NEUSIEDLER Canon Paper

Weight	80 g/m ²
Paper size	A4
Manufactured by	NEUSIEDLER

3.4.4 Operations

a) Functions

a-1) Recording paper pickup function

The paper feeder is driven by the main motor of the fax via the gear. When the nPRNT signal is sent to the ECNT board from the SCNT board, the main motor of the printer starts rotation. When the main motor reaches its prescribed speed, the paper feeder driver PCB receives the pick-up command from the ECNT board, and the paper feeder pick-up solenoid is turned ON. As a result, the pick-up roller, feed roller, and separation roller are driven by the main motor rotation.

a-2) No recording paper detection function

The cassette recording paper sensor in the option feeder detects whether or not there is recording paper in the cassette.

a-3) Recording paper size and no cassette detection function

The paper size in the cassette and whether the cassette is installed are detected by the three switches (SW800, 801, 802) on the paper size detection board 2.

b) Structures

See the description of the *Chapter 3, 2.4 Paper Load Section, b) Structures*.

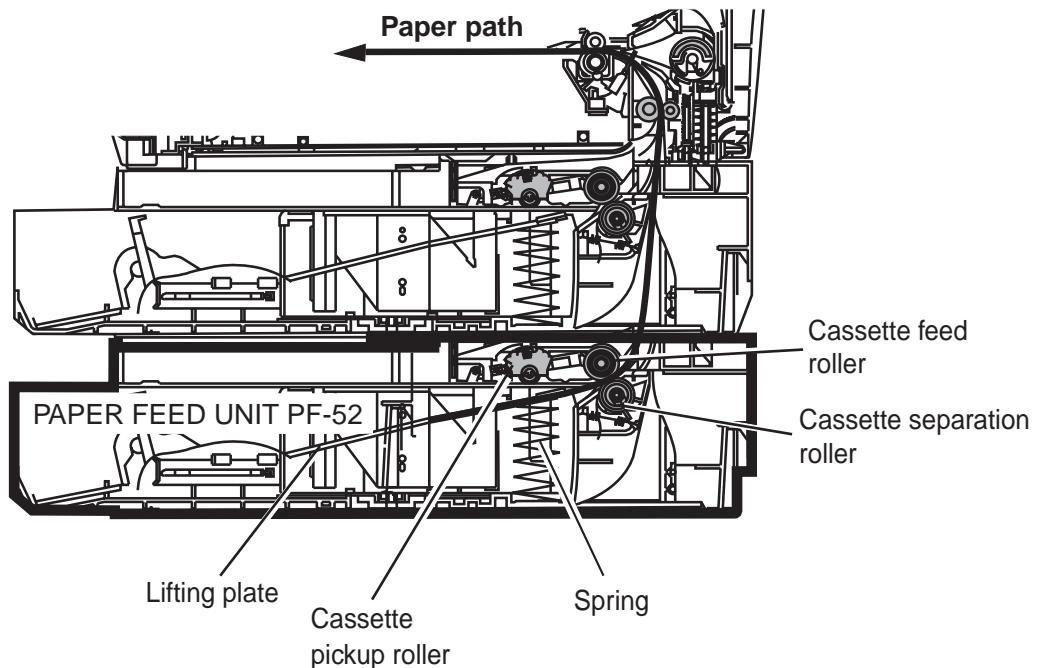


Figure 5-30 Cross-Sectional Diagram

c) Arrangement of switches

Paper size	SW801	SW802	SW803	
No cassette	OFF	OFF	OFF	
LEGAL	OFF	OFF	ON	
Executive	OFF	ON	OFF	(Available for printer function.)
LETTER	OFF	ON	ON	
Other	ON	OFF	OFF	(Available for printer function.)
Custom	ON	OFF	ON	(Available for printer function.)
B5	ON	ON	OFF	(Available for printer function.)
A4	ON	ON	ON	

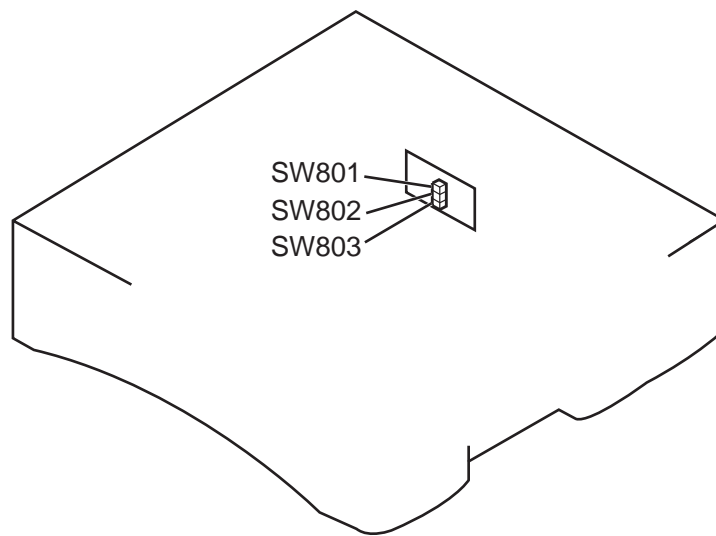


Figure 5-31 Arrangement of Switches

d) Electrical circuit section

The operation sequences of the paper feeder are controlled by the paper feeder driver. A 4-bit microprocessor is used in the paper feeder driver, which controls the sequences of the paper feeder and the serial communication with the engine controller (ECNT board) of this fax.

The engine controller outputs the pick-up command to the paper feeder driver at the necessary timing. The paper feeder driver drives the solenoid in response to the command. The paper feeder driver also sends back the status of the paper feeder to the engine controller.

This fax supplies +24VDC to the paper feeder. The paper feeder driver generates +3.3V for the ICs based on this +24V.

The flow of input/output signals to/from the paper feeder driver PCB is as shown below.

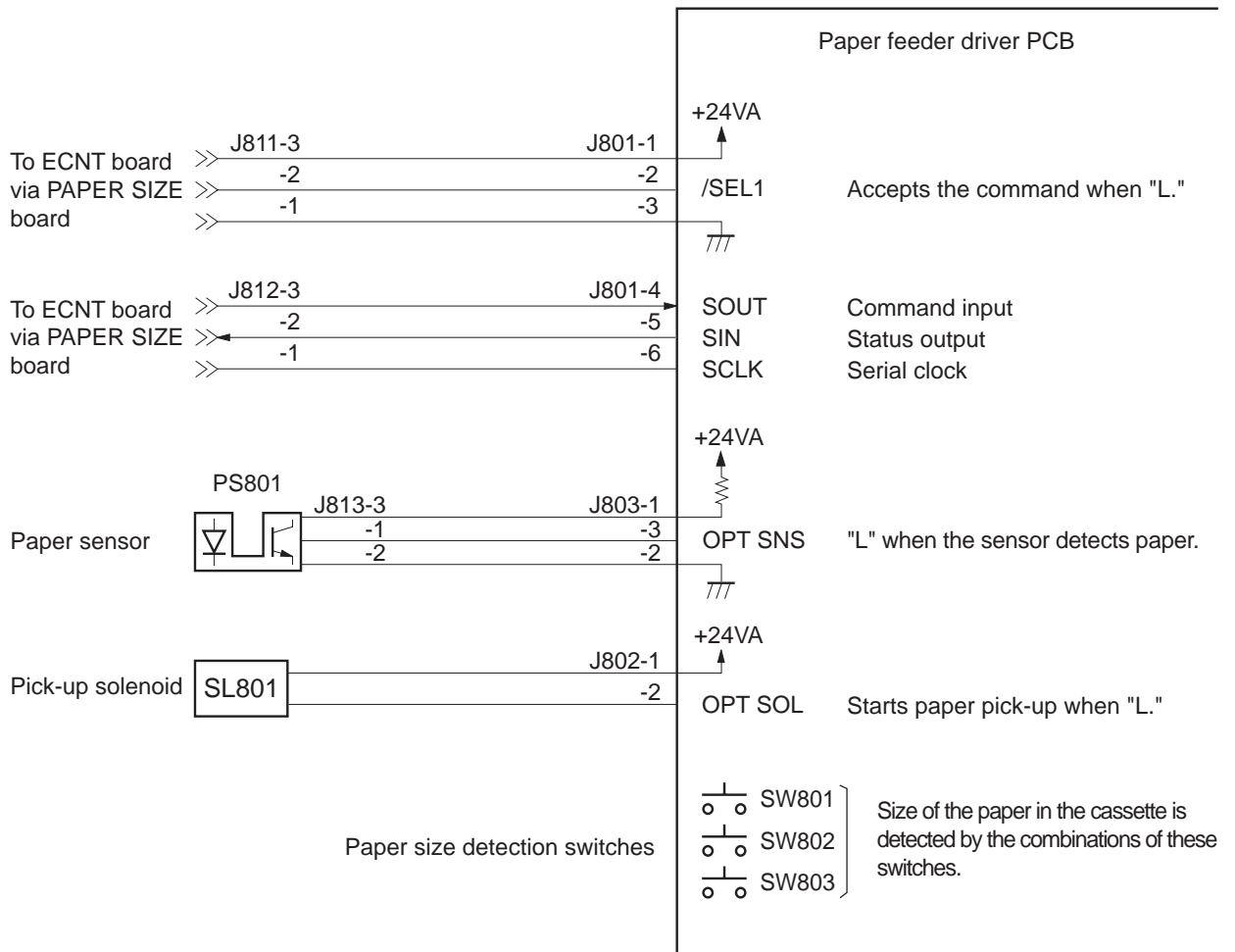


Figure 5-32 Electrical Circuit Section

3.4.5 Maintenance and service

a) Troubleshooting

The fax main unit does not detect that the PAPER FEED UNIT PF-52 is mounted.

- Solutions:**
- (1) Check the connection between the main unit and the paper size detection board 2.
 - (2) Check the connection between J811, J812 on the paper feeder connector and J801 on the paper size detection board 2.
 - (3) Check the connection between J104, J105 on the paper feeder connector and J601 on the paper size detection board 1.
 - (4) Check the connection between J72 on the ECNT board and J603 on the paper size detection board 1.
 - (5) Replace the paper size detection board 2.
 - (6) Replace the paper size detection board 1.
 - (7) Replace the ECNT board.

Recording paper is not picked up.

- Solutions:**
- (1) Check the connection between the main unit and the paper size detection board 1.
 - (2) Check the connection between J811, J812 on the paper feeder connector and J801 on the paper size detection board 2.
 - (3) Check the connection between J104, J105 on the paper feeder connector and J601 on the paper size detection board 1.
 - (4) Clean the rollers (cassette pick-up roller, cassette separation roller and feed roller) if dirty.
 - (5) Replace it if worn or deformed. The cassette separation roller and the cassette feed roller are to be replaced together.
 - (6) Replace the cassette claw if deformed.
 - (7) Check the gears of the main unit and the feed unit, and replace any damaged gears.
 - (8) Check the connection between the pick-up solenoid and J802 on paper size detection board 2.
 - (9) Replace the pick-up solenoid if the resistance between J802-1 and J802-2 is not approx. 110 ohm.
 - (10) Replace the paper size detection board 2.
 - (11) Replace the paper size detection board 1.
 - (12) Replace the ECNT board.

b) Signal description

Paper size detection board 2 (J801) ↔ Paper size detection board 1 (J601)

J801	J601	Signal name	Description
1	→ 6	+24V	Paper feeder unit drive voltage
2	← 5	nSEL1	Paper feed select signal
3	— 4	GND	Ground
4	← 3	SOUT	Serial output data
5	→ 2	SIN	Serial input data
6	← 1	SCLK	Serial clock signal

Paper size detection board 2 (J802) ↔ Cassette pick-up solenoid

J802	Solenoid	Signal name	Description
1	→ 1	+24V	Cassette pick-up solenoid drive voltage
2	→ 2	OPT SPL	Cassette pick-up solenoid drive signal

Paper size detection board 2 (J803) ↔ Cassette recording paper sensor

J803	Sensor	Signal name	Description
1	→ 1	OPT DR	Cassette recording paper sensor drive voltage
2	— 3	GND	Ground
3	← 3	OPT SNS	Cassette recording paper sensor detection signal (H: No recording paper, L: Recording paper)

3.4.6 Recording Paper Size Priority

a) Cassette selection switches

Here are the two cassette selection switch items.

Switch A: divided recording

Enables/disables recording of received images onto recording paper with a length shorter than the received/copied length.

Switch B: margin recording

Enables/disables recording with margins of received images onto recording paper with a length longer than the received/copied length.



NOTE

When the print image can be printed on multiple recording paper sizes, the smallest recording cassette takes priority.

When printing divided across multiple pages, the recording paper size is selected giving priority to the size that will require the fewest pages.

The second and subsequent pages for divided printing use the same size recording paper as the first page. If enough recording paper of that size is not available, memory reception is used.

Recording paper is selected for received/copied images with the following procedure.

- 1) When set to Automatic Reduction with the user data:
The minimum size that can record the print image without data loss from the actual size to the maximum reduction
When set to No Automatic Reduction with the user data:
The minimum size that can record the print image in the data loss range at the actual size
 - 2) The minimum size that can record the print image without data loss at the actual size
-



REFERENCE

For details on the reduction function, see *the FACSIMILE BASIC•INTER SUPPLEMENT 2 (Rev. 0) (supplied separately)*.

b) Reading the recording paper size table

When the recording paper size is determined with reduction, the combination of user data cassette selection switches A and B determine the priority order for the recording paper actually printed and the contents of printing. Below are examples of how to read the recording paper size table that shows this data.

Reception image size: A4

Cassette switches			
A	B	A4/Letter	Letter/Legal
OFF	OFF	1) Automatic reduction (Letter) 2) <u>Memory reception</u> (A4)	1) Automatic reduction (Letter) 2) Memory reception (Legal)

Figure 5-33 Reading the Recording Paper Size Table

① **Priority order**

The printed recording paper priority is determined by the contents of user data and service data settings.

The recording paper indicated by 2) is selected when there is none of the recording paper indicated by 1). When the recording paper indicated in the print recording paper column all runs out, the reception images are received into memory.

② **Print recording paper size**

Indicates the size of the recording paper on which the reception images are printed.

③ **Contents of printing**

Memory reception: Compulsory memory reception

Automatic reduction: The optimum reduction ratio (70~100%) is obtained from the length of the received image and the received image is reduced to that reduction ratio.

Actual size: Printed out in actual size.

④ **Recording paper cassette size**

Indicates the size of the recording paper loaded in the side cassette and the front cassette.

c) Printed recording paper table

Reception image size: A4

Cassette switches			
A	B	A4/Letter	Letter/Legal
OFF	OFF	1) Actual size (A4) 2) Automatic reduction (Letter)	1) Automatic reduction (Letter) 2) Memory reception (Legal)
OFF	ON	1) Actual size (A4) 2) Automatic reduction (Letter)	1) Automatic reduction (Letter) 2) Actual size (Legal)
ON	OFF	1) Actual size (A4) 2) Automatic reduction (Letter)	1) Automatic reduction (Letter) 2) Memory reception (Legal)
ON	ON	1) Actual size (A4) 2) Automatic reduction (Letter)	1) Automatic reduction (Letter) 2) Actual size (Legal)

Reception image size: Letter

Cassette switches			
A	B	A4/Letter	Letter/Legal
OFF	OFF	1) Actual size (Letter) 2) Memory reception (A4)	1) Actual size (Letter) 2) Memory reception (Legal)
OFF	ON	1) Actual size (Letter) 2) Actual size (A4)	1) Actual size (Letter) 2) Actual size (Legal)
ON	OFF	1) Actual size (Letter) 2) Memory reception (A4)	1) Actual size (Letter) 2) Memory reception (Legal)
ON	ON	1) Actual size (Letter) 2) Actual size (A4)	1) Actual size (Letter) 2) Actual size (Legal)

Reception image size: Legal

Cassette switches			
A	B	A4/Letter	Letter/Legal
OFF	OFF	1) Automatic reduction (A4) 2) Automatic reduction (Letter)	1) Actual size (Legal) 2) Automatic reduction (Letter)
OFF	ON	1) Automatic reduction (A4) 2) Automatic reduction (Letter)	1) Actual size (Legal) 2) Automatic reduction (Letter)
ON	OFF	1) Automatic reduction (A4) 2) Automatic reduction (Letter)	1) Actual size (Legal) 2) Automatic reduction (Letter)
ON	ON	1) Automatic reduction (A4) 2) Automatic reduction (Letter)	1) Actual size (Legal) 2) Automatic reduction (Letter)

3.5 Envelope Feeder EF-52

3.5.1 Service operations

a) External Views

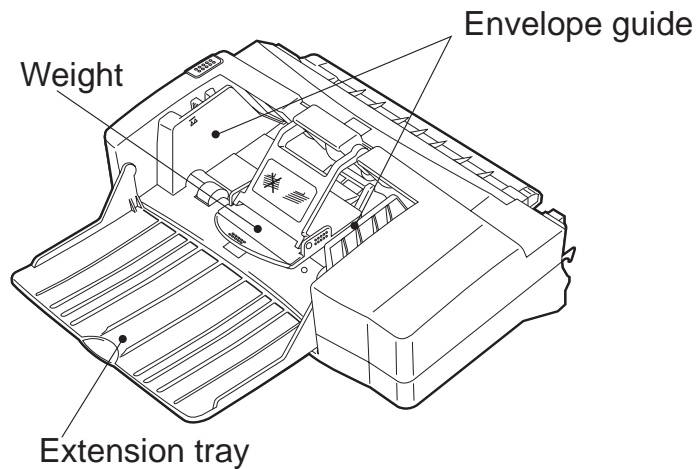


Figure 5-34 External View

b) Installation

b-1) Unpacking

Check that the box contains the envelope feeder.

b-2) Attachment to main unit

- (1) Open the envelope feeder packaging.
- (2) Take off the plastic bag and peel the tape off. Confirm that none of the covers were scratched or deformed during shipment.
- (3) Remove the packing materials from the envelope feeder.
- (4) Open the multi-purpose tray of the fax, remove the envelope entrance cover, and open the envelope feeder gear cover.
- (5) Holding the envelope feeder with both hands, install it into the fax.

3.5.2 Technical information

a) Configuration and construction

External structure

Item	Dimensions and weight
Dimensions	12.91" (W) × 13.94" (D) × 4.45" (H) (328 × 354 × 113 mm)
Weight	approx. 4.85 lbs (2.2 kg)

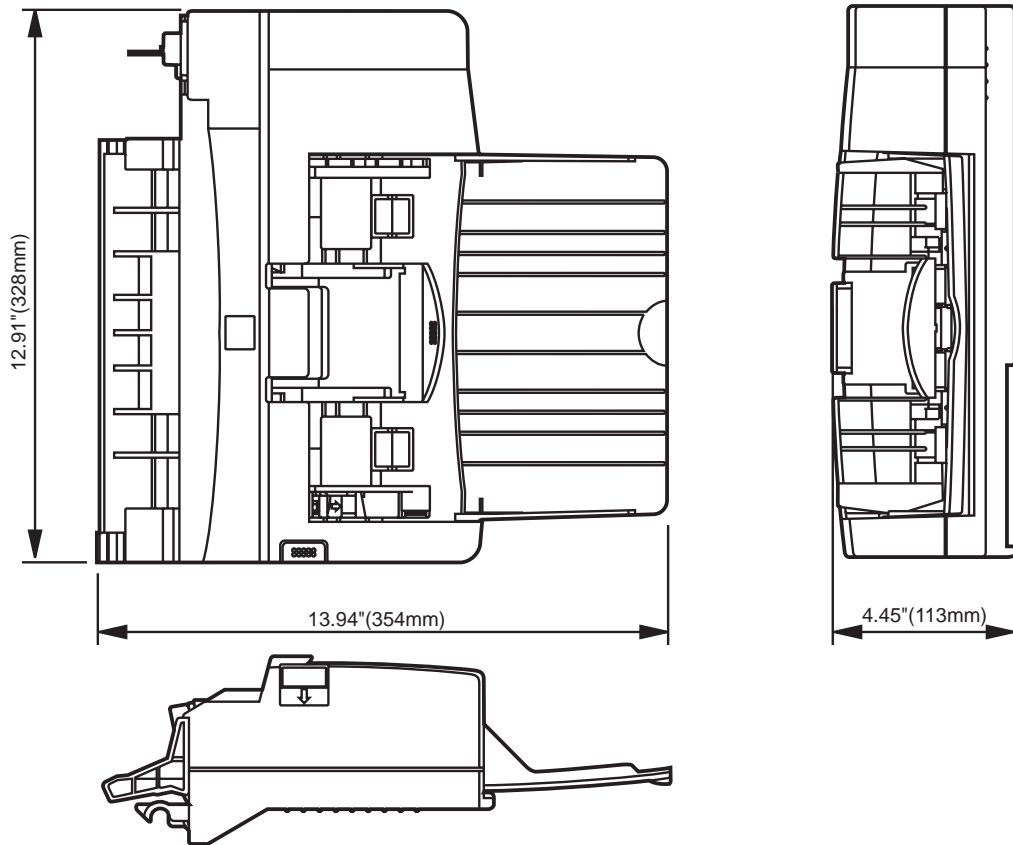


Figure 5-35 External View

b) Specifications

Envelope types

Monarch, COM-10, DL, B5, C5, recommended envelopes

Envelope size

3.54"(W) × 5.83"(L) (min.) ~ 7.01"(W) × 10.00"(L) (max.)
(90 × 148 mm ~ 178 × 254 mm)

Envelope feeder capacity

Max. 75 envelopes, or stacked to a height of 2.17"(55mm) Max.

3.5.3 Operation

a) Function

a-1) Paper pickup function

The pick-up roller, feed roller, and separation roller are rotated sequentially by the main motor rotation, and an envelope is picked up. Then, the unnecessary envelopes are removed by the separation roller and the picked up envelope is fed to the printer.

a-2) No paper detection function

The envelope sensor in the envelope feeder detects whether or not there is recording paper in the envelope feeder.

a-3) Paper jam detection

The CPU send retry instruction to the envelop feeder if the top of page sensor does not detect the leading edge of the envelope within the prescribed time after the pick-up starts.

b) Structures

The envelope feeder picks up the envelope from the envelope feeder and feeds it to the printer. The flow of the envelope is as shown below.

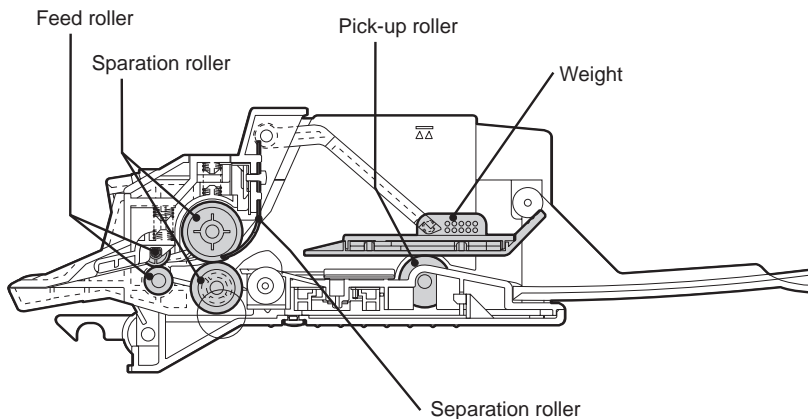


Figure 5-36 Envelope Feeder

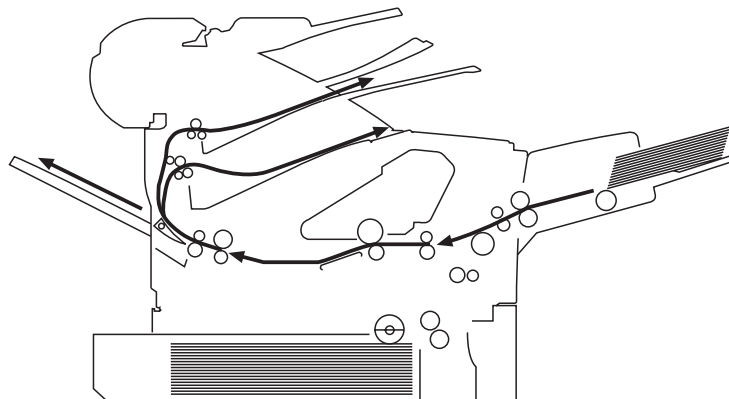


Figure 5-37 Cross-Sectional Diagram

c) Arrangement of sensors

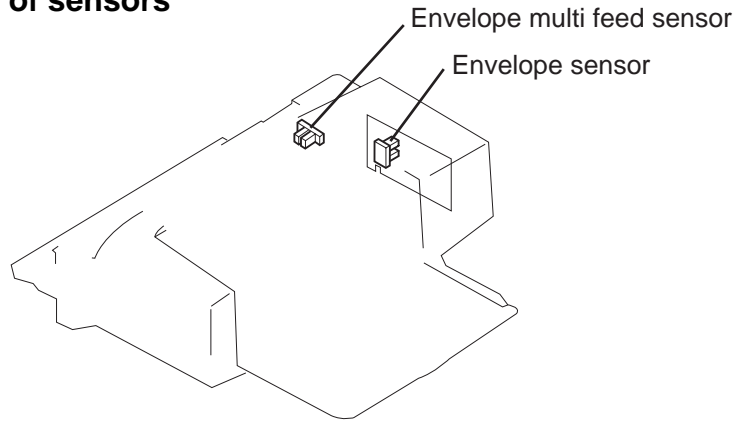


Figure 5-38 Arrangement of Sensors

d) Electrical circuit section

The signal detect by the envelope multiple feed sensor, envelope sensor and envelope pick-up solenoid, are sent ECNT board via the envelope feeder driver PCB.

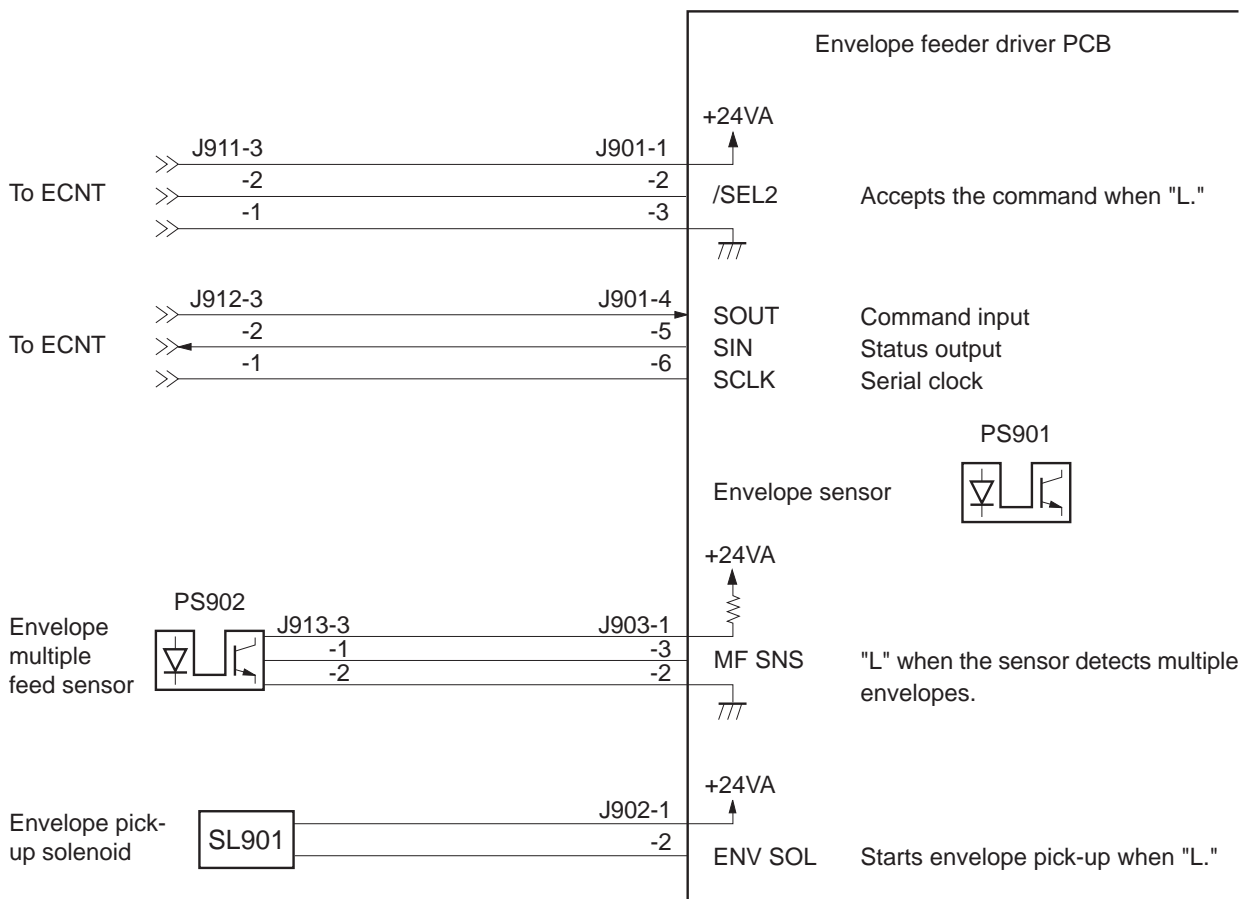


Figure 5-39 Electrical Circuit Section

3.5.4 Maintenance and service

a) Troubleshooting

a-1) Paper jam troubleshooting

<Possible causes>

1. Warped or twisted envelope

Action: Straighten the warped or twisted envelope, and then instruct the user.

2. Defective Printer board I

Action: Make a test print from the envelope feeder. If the envelope is picked up correctly, replace the Printer board I.

3. Dirty, worn or deformed envelope pickup roller

Action: Clean the pickup roller if dirty. Replace it if worn or deformed.

4. Damaged gears

Action: Check the gears of envelope feeder, and replace any damaged gears.

5. Defective envelope pickup solenoid

Action: Disconnect the envelope pickup solenoid connector J901 from the envelope feeder driver PCB. Measure the resistance between cable side connector J902-1 and J902-2. If it is not about 129Ω , replace the envelope pickup solenoid.

6. Defective envelope feeder driver PCB

Action: Replace the envelope feeder driver PCB.

7. Defective ECNT board

Action: Replace the ECNT board.

8. Defective SCNT board

Action: Replace the SCNT board.

9. Defective TWINS board

Action: Replace the TWINS board.

10. Defective Printer board I

Action: Replace the Printer board I.

**a-2) Malfunction status troubleshooting
"5F-61 ERROR" (Envelope Option error)**

<Possible causes>

1. Defective envelope feeder connector

Action: Remove the envelope feeder from the fax and check the connector. Replace the connector if any failure is found.

2. Defective fax connector

Action: Check the connector. Replace the connector if any failure is found.

3. Defective envelope feeder driver PCB

Action: Replace the envelope feeder driver PCB.

4. Defective ECNT board

Action: Replace the ECNT board.

5. Defective SCNT board

Action: Replace the SCNT board.

6. Defective TWINS board

Action: Replace the TWINS board.

7. Defective Printer board I

Action: Replace the Printer board I.

"LOAD <SIZE> IN ENV." message appears when the specified sized envelope is in the envelope feeder.

<Possible causes>

1. Damaged envelope detection lever

Action: Replace the lever.

2. Defective envelope feeder driver PCB

Action: Replace the envelope feeder driver PCB.

3. Defective ECNT board

Action: Replace the ECNT board.

4. Defective SCNT board

Action: Replace the SCNT board.

5. Defective TWINS board

Action: Replace the TWINS board.

6. Defective Printer board I

Action: Replace the Printer board I.

b) Signal description

Envelope feeder(J901) ↔ ECNT board (J911)

J901	J911	Signal name	Description
—	4	N.C	Not connected
1	→ 3	+24V	Envelope feeder drive voltage
2	← 2	nSEL2	Envelope feeder select signal
3	— 1	DGND	Ground

Envelope feeder(J901) ↔ ECNT board (J912)

J901	J912	Signal name	Description
4	— 3	SOUT	Serial output data
5	← 2	SIN	Serial input data
6	→ 1	SCLOCK	Serial clock signal

Envelope feeder(J902) ↔ Envelope pick-up solenoid

J90	SOL	Signal name	Description
1	→ 1	+24V	Envelope pick-up solenoid drive voltage
2	→ 2	ENV SOL	Envelope pick-up solenoid drive signal

Envelope feeder(J903) ↔ Envelope multiple feed sensor

J903	SNS	Signal name	Description
1	→ 3	MF DR	Envelope multiple feed sensor drive
2	— 2	DGND	Ground
3	← 1	MF SNS	Envelope multiple feed detection signal

3.5.5 Installation Position Adjustment of Separation Guide of Envelope Feeder (adjustment of gap between separation guide and lower separation roller)

a) When

Normally, the separation guide and the top cover of the envelope feeder must be removed as one. However, if only the separation guide has been removed for unavoidable reason, or it needs to be replaced due to deformation, make the adjustment as shown below.

b) Tools

Tool	Use
1.6mm thickness gauge (RY9-0123)	Measuring gap between the separation guide and the lower separation roller

c) Adjustment

- (1) Install the eparation guide.
- (2) Insert the 1.6mm thickness gauge (RY9-0123) between the separation guide and the lower separation roller.
- (3) Fix the separation guide with 1.6mm gap between the separation guide and the lower separation roller.

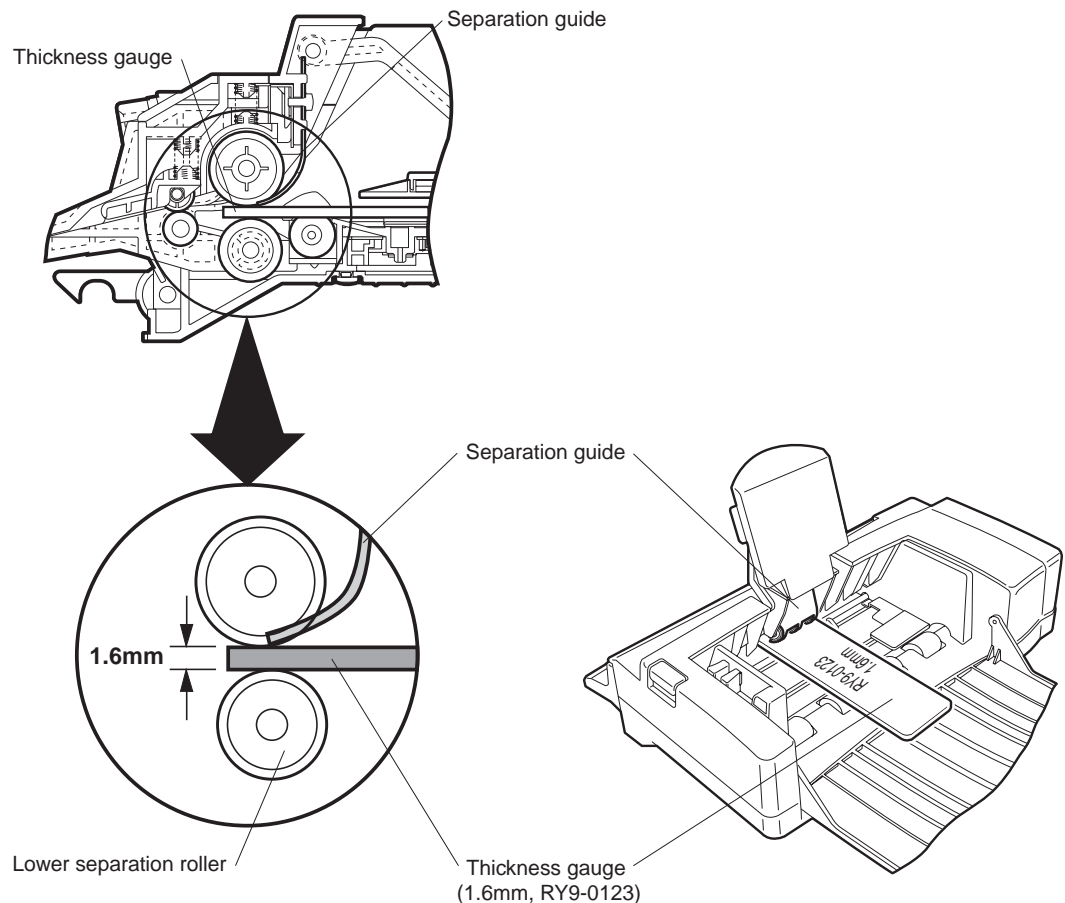


Figure 5-40 Adjustment of Separation Guide

3.5.6 Installation Position Adjustment of Envelope Multiple Feed Sensor

a) When

The installation position of envelope multiple feed sensor is normally adjusted at the factory. However, if the screw which hold the sensor is removed or accidentally loosened for replacement of the sensor or its peripheral parts, the installation position of envelope multiple feed sensor must be adjusted correctly.

The adjustment procedures are shown below.

b) Tools

Tool	Use
Phillips screwdriver	Adjusting gap between the upper and lower feed rollers
0.7mm thickness gauge (RY9-0122)	Adjusting gap between the upper and lower feed rollers
Printer driver tester (RY9-0124)	Checking operation of the envelop multiple feed sensor

c) Adjustment

c-1) Preparations

- (1) Remove the top cover of the envelop feeder.

c-2) Adjustment

- (1) Disconnect the power cord.
- (2) Connect the two connectors of the printer driver tester with the printer and the envelop multiple feed sensor connector as shown below.
- (3) Insert the 0.7mm thickness gauge (RY9-0122) between the upper and lower feed rollers of the envelope feeder from the side where the envelope is to be set.
- (4) Connect the power cord.
- (5) The Sensor Test LED of the printer driver tester lights up.
- (6) Tighten the screw that holds the sensor until the LED goes off.

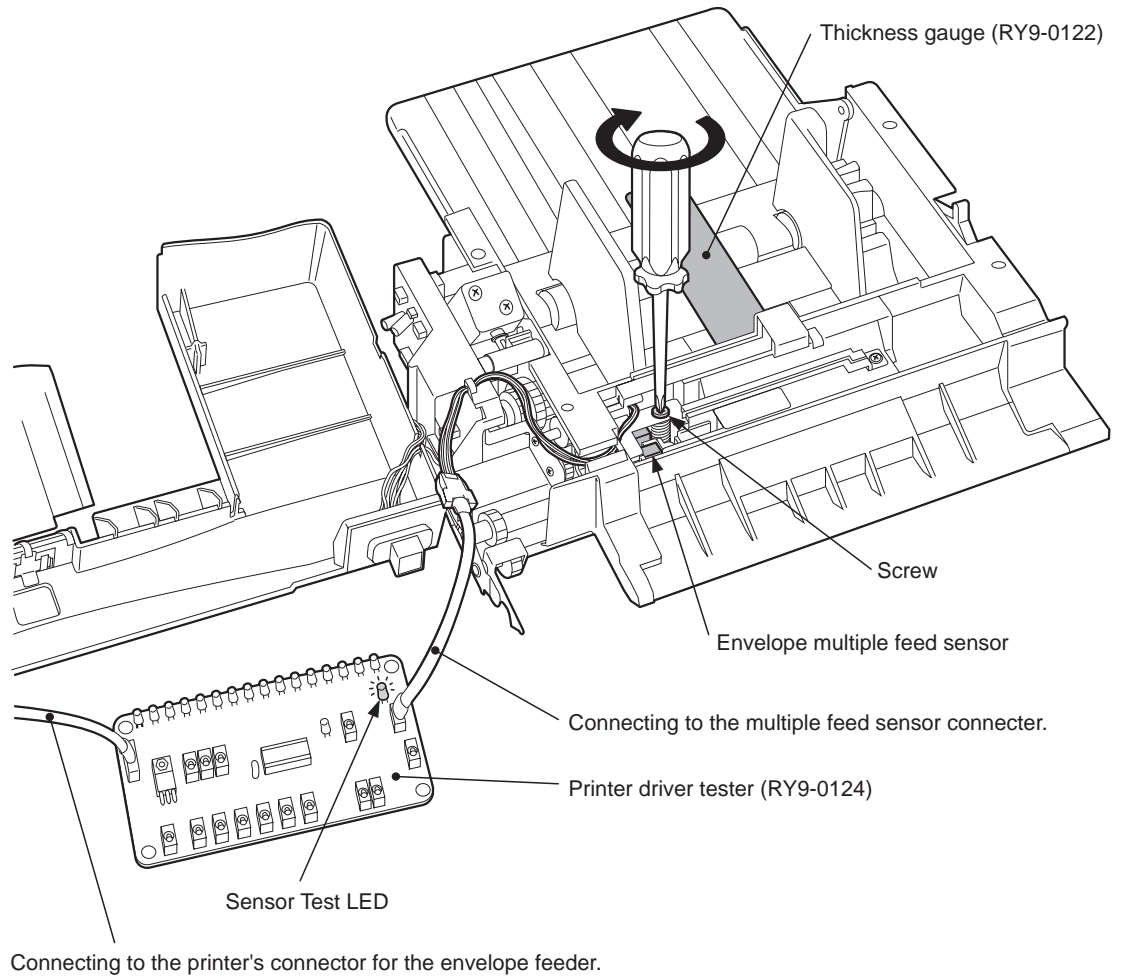


Figure 5-41 Adjustment of Envelope Multiple Feed Sensor

3.6 Duplex Unit DU-52
3.6.1 Service operations
a) External Views

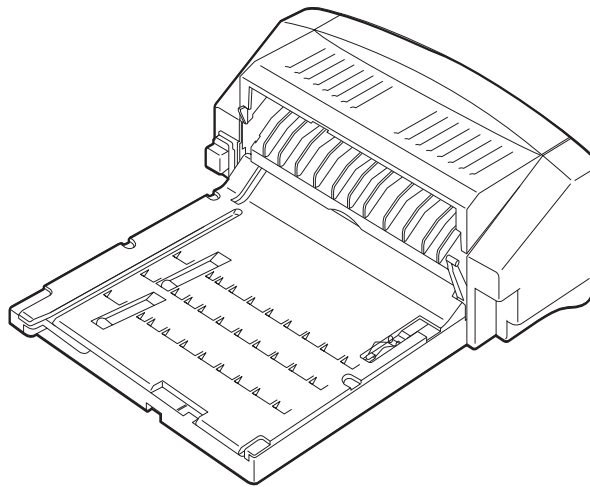


Figure 5-42 External View

b) Installation

b-1) Unpacking

Check that the box contains the duplexing feeder.

b-2) Attachment to main unit

- (1) Open the duplexing unit packaging.
- (2) Take off the plastic bag and peel the tape off. Confirm that none of the covers were scratched or deformed during shipment.
- (3) Remove the packing materials from the duplexing unit.
- (4) Remove the 2 duplexing unit slot covers from the fax.
- (5) Holding the duplexing unit with both hands, install it into the fax.

3.6.2 Technical information

a) Configuration and construction

External structure

Item	Dimensions and weight
Dimensions	12.56" (W) × 14.17" (D) × 5.55" (H) (319 × 360 × 141 mm)
Weight	approx. 7.72 lbs (3.5 kg)

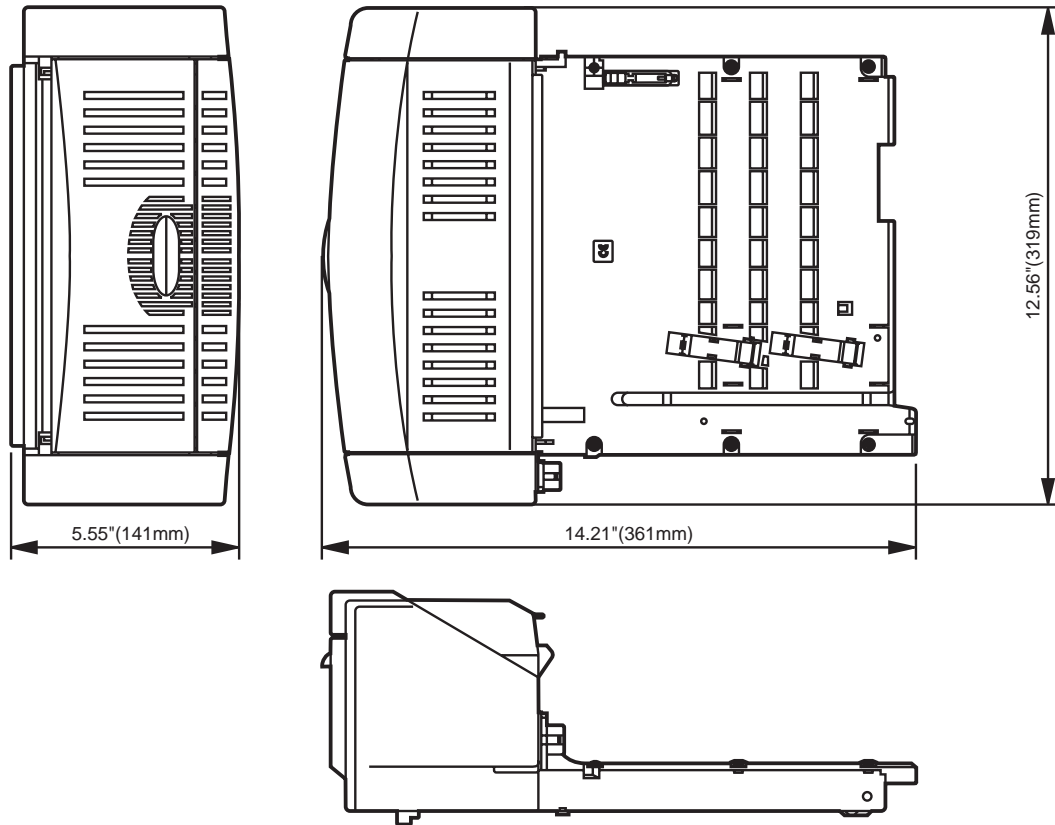


figure 5-43 External View

b) Specifications

Paper dimensions

Letter, Legal, Executive, A4, and B5-JIS sizes plain paper (60g/m² ~ 105g/m² recommended paper)

3.6.3 Operation

a) Function

a-1) Reversing function

When the duplexing unit receives the duplexing unit command from the fax, it turns ON the duplexing unit solenoid, moves the face-up deflector and feeds the paper to the duplexing unit. It also rotates the reversing motor in the reverse direction for about 1 second, and feeds the paper remaining in the reversing unit to the duplexing unit pick-up sensor.

About 0.3 seconds (about 0.5 seconds for 1200dpi print) after the paper reaches the reversed paper sensor, the duplexing unit driver rotates the reversing motor in the normal direction, and feeds the paper to the reversing wait position (where the paper reaches about 0.2 seconds after the leading edge of the paper passes the reversed paper sensor).

If the duplexing unit pick-up sensor does not detect the preceding paper, the duplexing unit driver rotates the reversing motor in the reverse direction and the duplex feed motor in the normal direction in order to feed the paper to the duplex pick-up wait position (where the paper reaches about 0.4 seconds after the leading edge of the paper passes the duplexing unit pick-up sensor) at high speed.

If the duplexing unit pick-up sensor detects the preceding paper, the duplexing unit holds the paper at the duplexing unit pick-up wait position until the preceding paper passes the sensor.

a-2) Duplexing unit pick-up function

When the /PRNT signal is sent to the ECNT board from the video controller, the main motor of the printer starts rotation. When the main motor rotation reaches its prescribed speed, the engine controller turns ON the feed roller clutch of the printer and sends the duplexing unit pick-up command to the duplexing unit driver.

When the duplexing unit driver receives the duplexing unit pick-up command from the fax, it rotates the duplex feed motor in the reverse direction to feed the paper from the duplexing unit pick-up wait position to the pre-feeder sensor of the printer at the same speed as the print speed of the fax.

The ECNT board detects the conditions of the pre-feed sensor for a prescribed period of time after the duplexing unit pick-up starts. If the pre-feed sensor does not detect no paper within the prescribed period of time, the ECNT board turns OFF the feed roller clutch and sends the feed stop command to the duplexing unit driver to stop feeding the paper in the prescribed period of time after the top of page sensor detects the paper present condition of the preceding paper. When the top of page sensor detects the trailing edge of the preceding paper, the CPU resumes feeding the stopped paper. By this, the between-page distance appropriate for the continuous printing is achieved.

The paper then reaches the registration arm where its skew is corrected,

goes through transfer, separation, fixing and delivery unit and is delivered to the tray.

a-3) Paper jam detection

The following paper sensors are installed to detect whether the paper is present or not and whether the paper is fed normally or not.

- Reversed paper sensor (PS703)
- Duplexing unit pick-up sensor (PS701)

The CPU determines whether paper is jammed or not by checking whether paper is present or absent at the sensors at check timing stored in the memory.

If the CPU determines that a jam has occurred, it stops duplex feeding and notifies the jam occurrence to the engine controller.

b)Structure

The paper is led to the duplexing unit by the face-up deflector. This face-up deflector moves in conjunction with the face-up tray, however, it moves by the duplexing unit solenoid (SL701) when the face-up tray is closed.

The reversing roller changes the feeding direction of the paper fed to the duplexing unit. The paper is then transported by the oblique roller and feed roller so that its edge contacts with the left panel to correct its skew, and is sent to the fax.

The duplexing unit has two motors; reversing motor (M701) and duplex feed motor (M702). They are stepping motors. The rotating directions (clockwise and counterclockwise) of the motors are controlled by the duplexing unit driver.

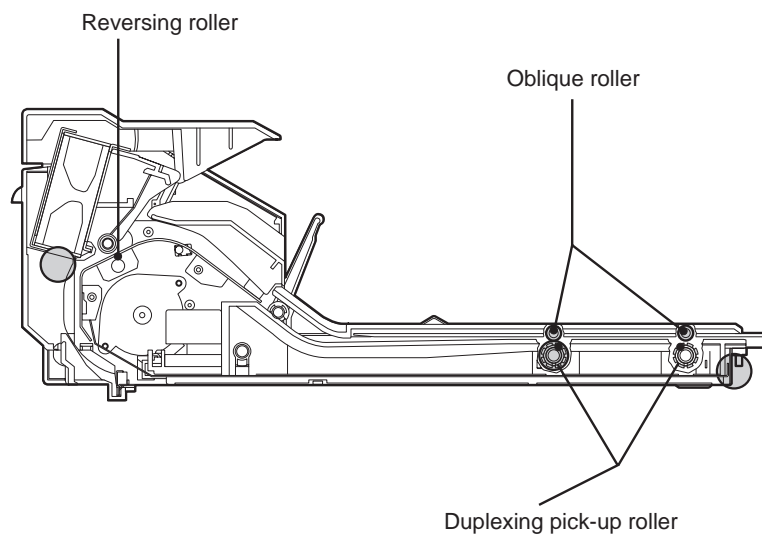


Figure 5-44 Duplexing Unit

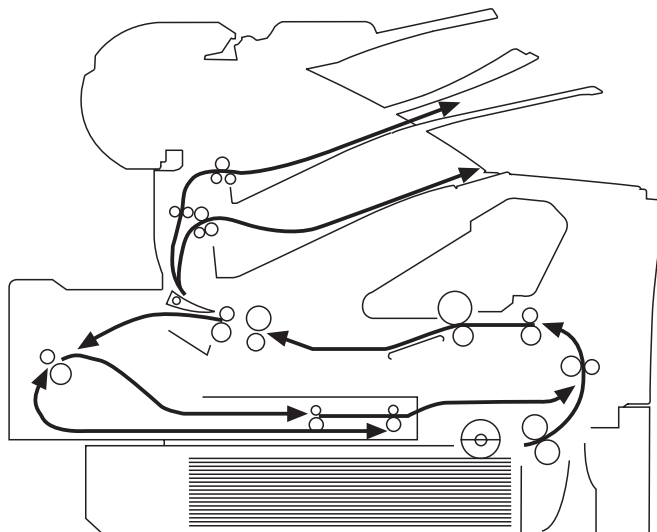


Figure 5-45 Cross-Sectional Diagram

c) Arrangement of sensors

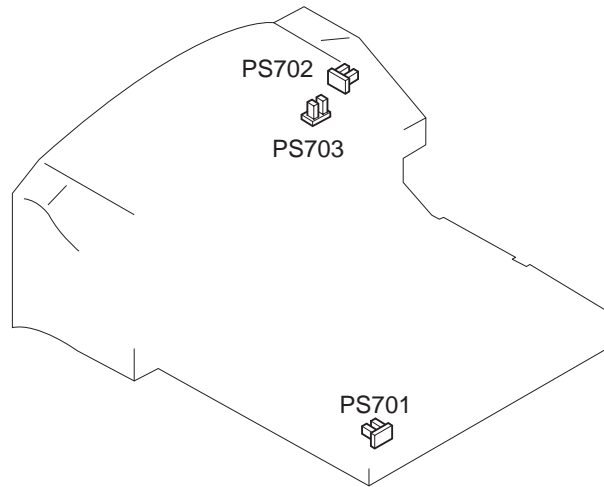


Figure 5-46 Arrangement of Sensors

d) Electrical circuit section

The signal detect by the duplexing unit pick-up sensor, face-up sensor and reversed paper sensor, are sent ECNT board via the duplexing unit driver PCB.

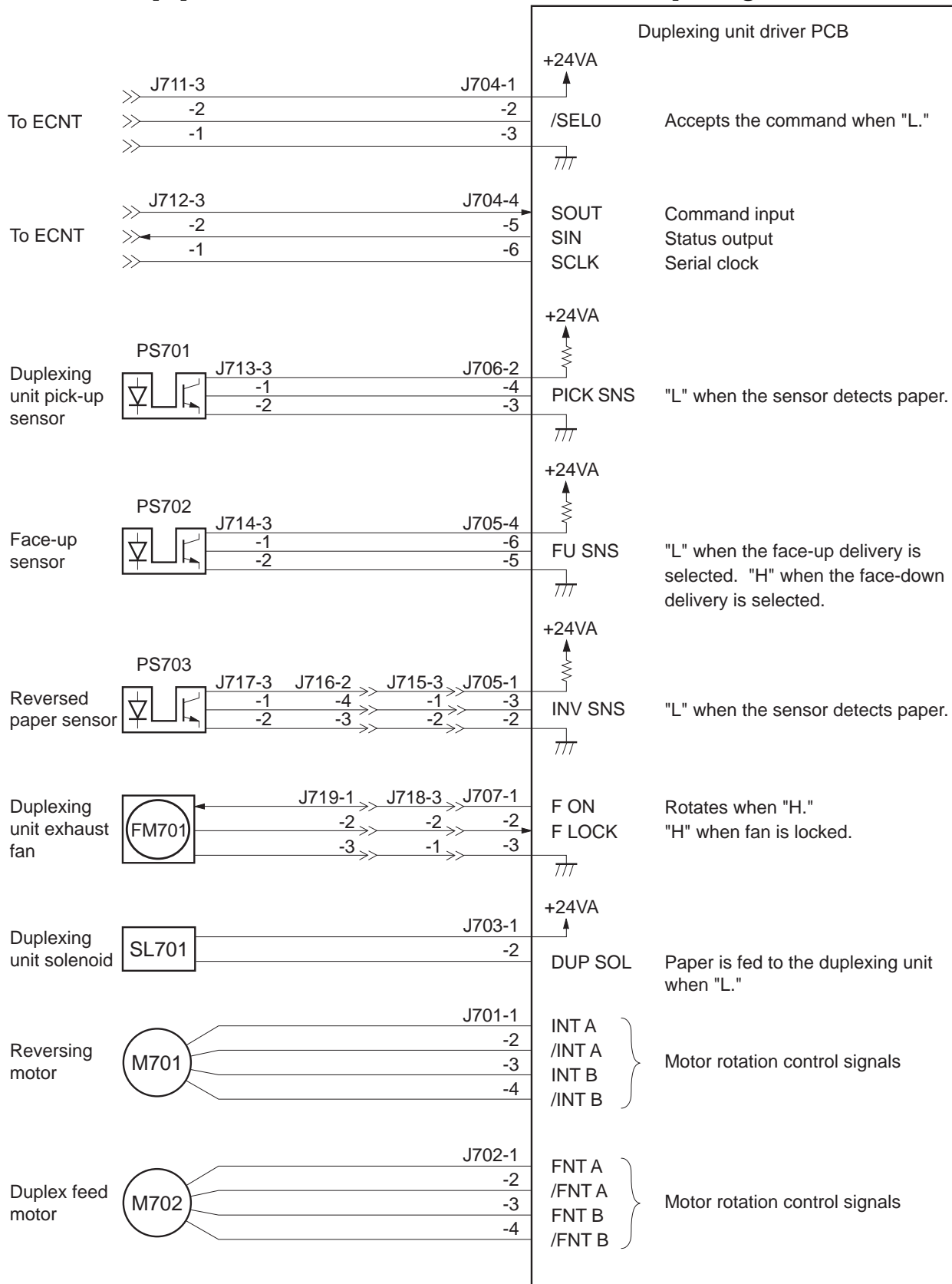


Figure 5-47 Electeical Circuit Section

3.6.4 Maintenance and service

a) Troubleshooting

a-1) Paper jam troubleshooting

<Possible causes>

1. Paper is curled due to having been left for a long time.

Action: Straighten the paper, and then instruct the user.

2. Paper not suitable for duplex printing was used.

Action: Instruct the user to use the paper suitable for duplex printing.

3. Foreign materials or burrs are present on the feed guide.

Action: Remove the foreign materials. Replace the guide if it has burrs.

4. Worn or deformed rollers

Action: Replace worn or deformed rollers.

5. Paper dust or dirt on the rollers.

Action: Remove the paper dust and dirt.

6. Duplexing unit solenoid lever does not move smoothly, or is damaged.

Action: Adjust the lever so that it moves smoothly. Replace it if damaged.

7. Damaged or worn gears

Action: Replace any damaged or worn gear(s).

8. Sensor levers do not move smoothly, or are damaged.

Action: Adjust the levers so that they move smoothly. Replace them if damaged.

9. Defective motor

Action: Replace the motor.

10. Defective duplexing unit driver PCB

Action: Replace the duplexing unit driver PCB.

11. Defective ECNT board

Action: Replace the ECNT board.

12. Defective SCNT board

Action: Replace the SCNT board.

13. Defective TWINS board

Action: Replace the TWINS board.

14. Defective Printer board I

Action: Replace the Printer board I.

a-2) Malfunction status troubleshooting

"5F-56 ERROR" (Duplexing unit exhaust fan (FM701) malfunction)

<Possible causes>

1. Poor contact in the connectors of the FM701 drive signal line

Action: Reconnect the intermediate connectors J718 and J719, then the duplexing unit driver PCB connector J707.

2. Defective fan motor

Action: Replace the exhaust fan.

3. Defective duplexing unit driver PCB

Action: Replace the duplexing unit driver PCB.

"5F-60 ERROR" (Duplex Option error)

<Possible causes>

1. Defective duplexing unit connector

Action: Remove the duplexing unit from the fax and check the connector. Replace the connector if any failure is found.

2. Defective fax connector

Action: Check the connector. Replace the connector if any failure is found.

3. Defective duplexing unit driver PCB

Action: Replace the duplexing unit driver PCB.

4. Defective ECNT board

Action: Replace the ECNT board.

5. Defective SCNT board

Action: Replace the SCNT board.

6. Defective TWINS board

Action: Replace the TWINS board.

7. Defective Printer board I

Action: Replace the Printer board I.

"DUPLEX JAM" message appears when the paper jam has not occurred; so, the fax cannot be in READY mode.

<Possible causes>

1. Reversing paper sensor lever does not move smoothly, or is damaged.

Action: Set the lever to move smoothly. Replace it if damaged.

2. Duplexing unit pick-up paper sensor lever does not move smoothly, or is damaged.

Action: Set the lever to move smoothly. Replace it if damaged.

3. Defective reversing paper sensor

Action: Replace the sensor.

4. Defective duplexing unit pick-up paper sensor 1

Action: Replace the sensor.

5. Defective duplexing unit driver PCB

Action: Replace the duplexing unit driver PCB.

6. Defective ECNT board

Action: Replace the ECNT board.

7. Defective SCNT board

Action: Replace the SCNT board.

8. Defective TWINS board

Action: Replace the TWINS board.

9. Defective Printer board I

Action: Replace the Printer board I.

b) Signal description

Duplexing unit(J701) ←→ Reversing motor

J701		Motor	Signal name	Description
1	→	1	IMT A	Reversing motor drive signal
2	→	2	nIMT A	Reversing motor drive signal
3	→	3	IMT B	Reversing motor drive signal
4	→	4	nIMT B	Reversing motor drive signal

Duplexing unit(J702) ↔ Duplex feed motor

J701	Motor	Signal name	Description
1 →	1	FMT A	Duplex feed motor drive signal
2 →	2	nFMT A	Duplex feed motor drive signal
3 →	3	FMT B	Duplex feed motor drive signal
4 →	4	nFMT B	Duplex feed motor drive signal

Duplexing unit(J703) ↔ Duplex unit solenoid

J703	Solenoid	Signal name	Description
1 →	1	+24V	Duplexing unit solenoid drive voltage
2 →	2	DUP SOL	Duplexing unit solenoid drive signal

Duplexing unit(J704) ↔ ECNT board(J71)

J704	J71	Signal name	Description
1 →	6	+24V	Duplexing unit drive voltage
2 ←	5	nSEL0	Duplexing unit select signal
3 —	4	DGND	Ground
4 ←	3	SOUT	Serial input data
5 →	2	SIN	Serial output data
6 →	1	SCLK	Serial clock signal

Duplexing unit(J705) ↔ Reversed paper sensor

J705	Sensor	Signal name	Description
— —	4	N.C	Not connected
1 →	3	INV DR	Reversed paper sensor drive
2 —	2	DGND	Ground
3 ←	1	INV SNS	Reversed paper detection signal

Duplexing unit(J705) ↔ Face-up sensor

J705	Sensor	Signal name	Description
4 →	3	FU DR	Face-up sensor drive
5 —	2	DGND	Ground
6 ←	1	FU SNS	Face-up detection signal

Duplexing unit(J706) ↔ Duplexing unit pick-up sensor

J706	Sensor	Signal name	Description
1 —	—	N.C	Not connected
2 →	3	PICK DR	Duplex pick-up drive
3 —	2	DGND	Ground
4 ←	1	PICK SNS	Duplex pick-up detection signal

Duplexing unit(J707) ←→ Duplexing unit exhaust fan

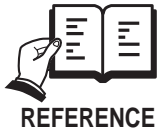
J707		Fan	Signal name	Description
1	→	1	F ON	Duplexing unit fan drive signal
2	←	2	F LOCK	Duplexing unit fan lock detection signal
3	—	3	DGND	Ground

3.7 Dual-line Upgrade Kit II

3.7.1 Safety and precautions

Damage due to electrostatic discharge

Electrostatic charge in the human body is the cause of damage to electronic parts as well as changes in their characteristics. When attaching / removing the kit, be sure to take measures against electrostatic discharge by using a wrist strap, etc. If the kit is handled when an electrostatic charge is present, the electronic parts will suffer damage.



Countermeasures for Electrostatic Discharge

For details regarding countermeasures for electrostatic discharge, please refer to *Chapter 1, 2.3.1 Damage due to electrostatic discharge*.

3.7.2 Service operations

a) External view

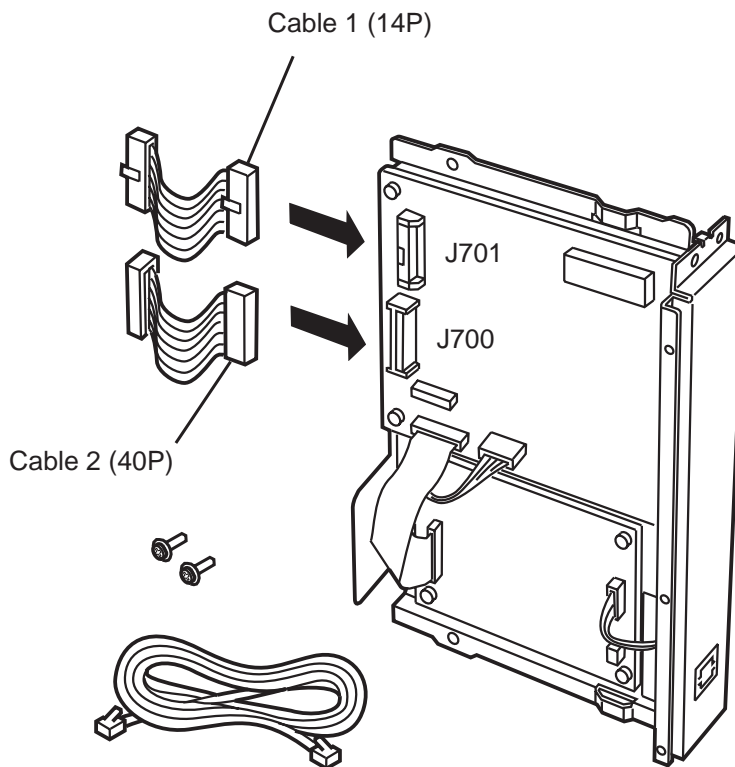


Figure 5-48 External View

b) Installation

b-1) Unpacking

Check that the box contains the dual-line upgrade kit II, modular jack cord and the two screws.

b-2) Preparation

Perform the operations below before attaching the kit.

- (1) Disconnect the modular jack cord (telephone line) from the fax.
- (2) Disconnect the power cord of the fax unit at the power source.
Wait at least 10 minutes for the power supply unit to cool before continuing to work.
- (3) Remove the one screw.
- (4) Slide the right cover to the right, open the top side, and pull up to remove.

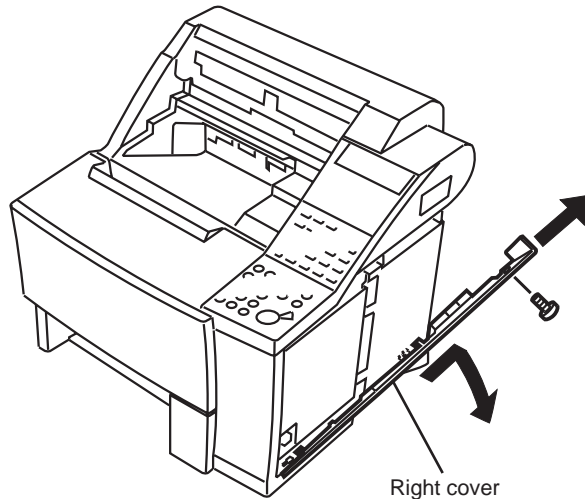


Figure 5-49 Preparations for Installation 1

If a PRINTER BOARD I (Option) is installed goes to step (6).

- (5) Remove the five screws and remove the shield cover.

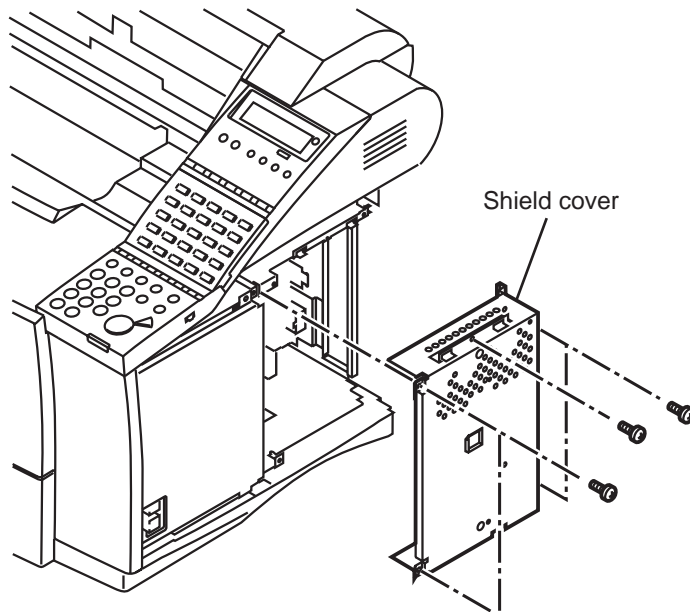


Figure 5-50 Preparations for Installation 2A

(6) Remove the seven screws and remove the printer board I.

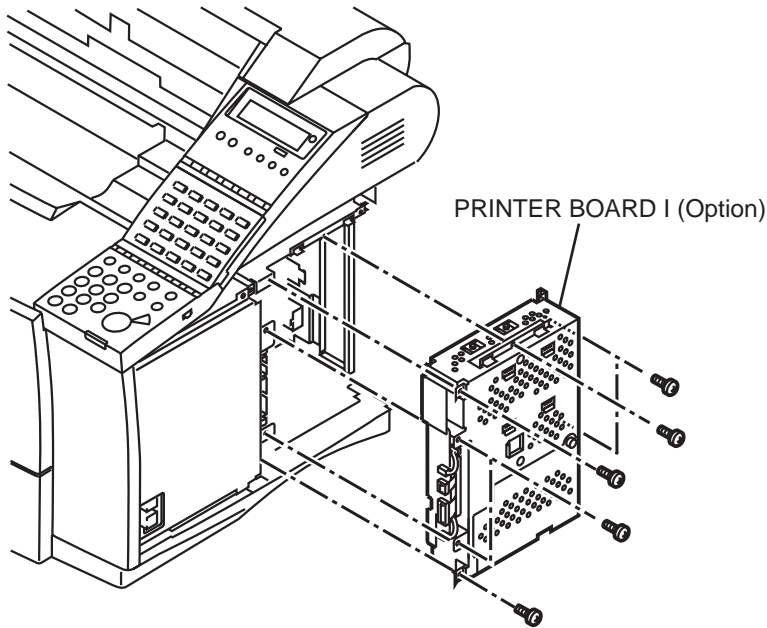


Figure 5-51 Preparations for Installation 2B

(7) Remove the two screws and remove the shield cover 2.

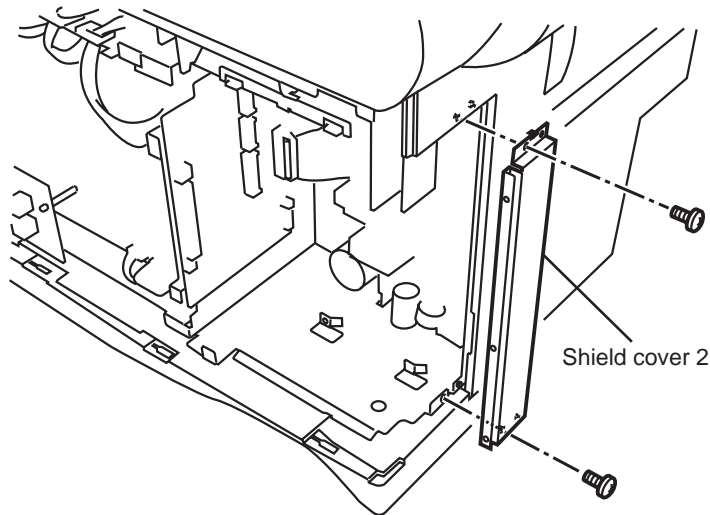


Figure 5-52 Preparations for Installation 3

b-3) Attaching the kit

- (1) Refer to Figure 5-52 and bend cables 1 and 2 as shown in order to make insertion of the kit easier.
- (2) Insert cables Cable 1 and Cable 2 into J701 and J700 on the kit.
- (3) Insert the kit, aligning the tabs with the slots on the main unit.
- (4) After inserting the kit, insert connectors J701 and J700 into J37 and J39 on the TWINS board.
- (5) Fasten the kit in place with the 2 screws (A-screws) which were used for the shield cover 2, then secure the 2 included screws (B-screws).

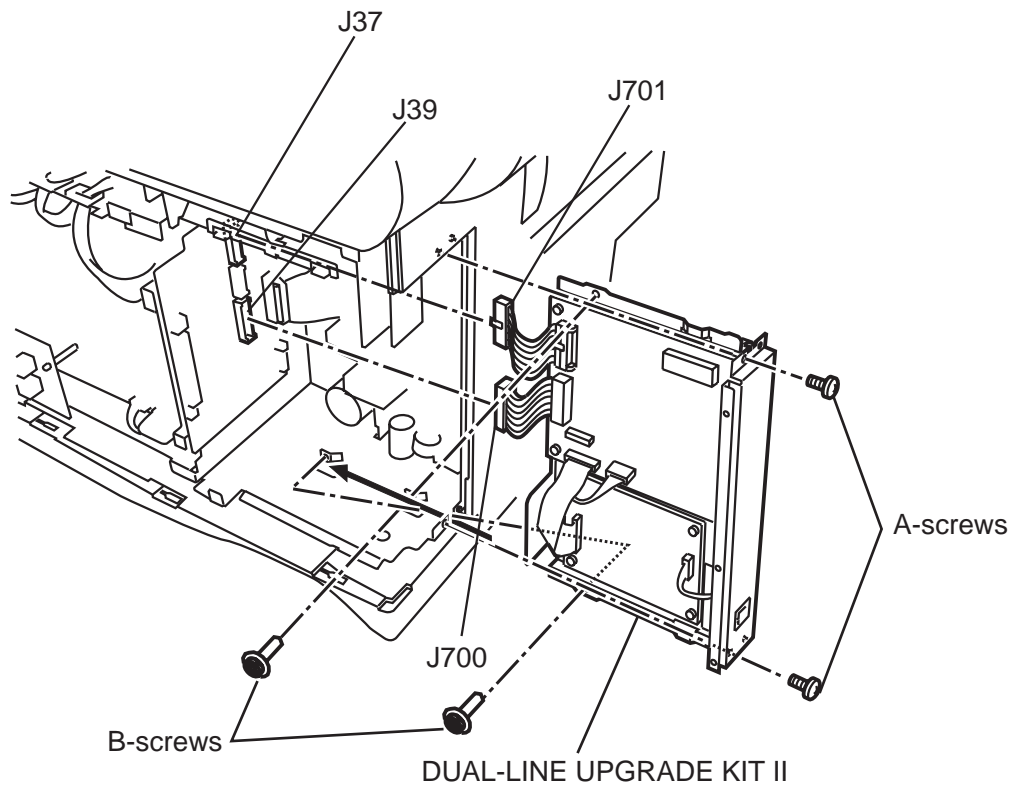


Figure 5-53 Dual-line Upgrade Kit II Installation

- (6) If a PRINTER BOARD I (Option) is installed, fasten the option in place with the seven screws.
If the option is not installed, fasten the shield cover in place with the five screws.
- (7) Fasten the right cover in place with the one screw.
- (8) Connect the modular jack cord (telephone line) to the fax.
- (9) Connect the included modular jack cord to the kit.
- (10) Plug in the fax.

b-4) Check after the Kit Installation

After installing the kit, carry out the following procedure to ensure that the kit is properly identified by the fax.

- (1) Referring to the flow chart, enter user data registration, then check the following menu.

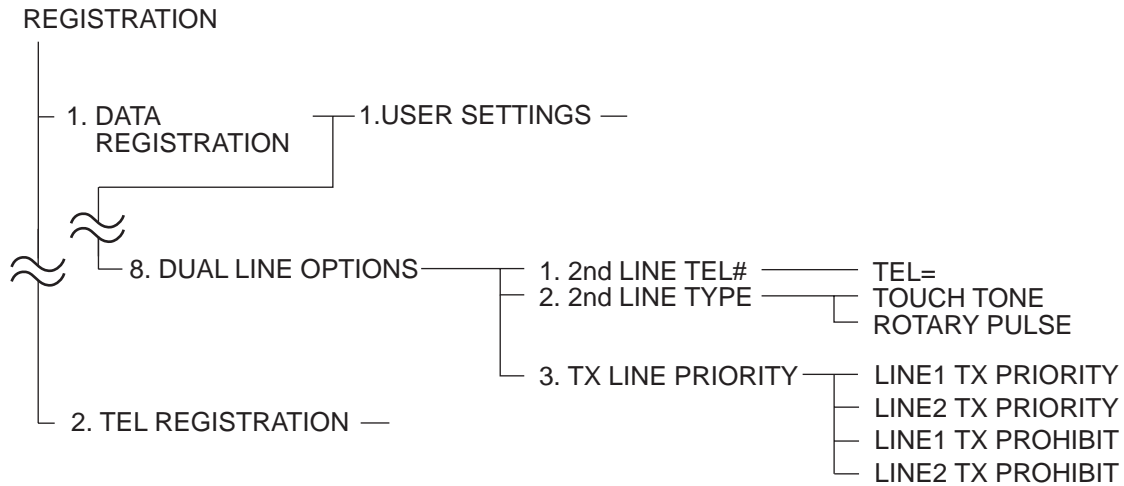


Figure 5-54 Menu Check

- (2) After confirming this, push the Stop button, which will put the machine into a standby condition.
- (3) If the menu is not displayed, return to *b-3) Attaching the kit*, re-attach the kit, and then re-check with user data registration.

b-5) Removing the kit

When removing the kit, perform the steps in *b-3) Attaching the kit* in reverse order. Be sure to remove the kit only after turning the power off.

3.7.3 Technical information

a) Configuration and construction

1. Product names DUAL-LINE UPGRADE KIT II

2. External view

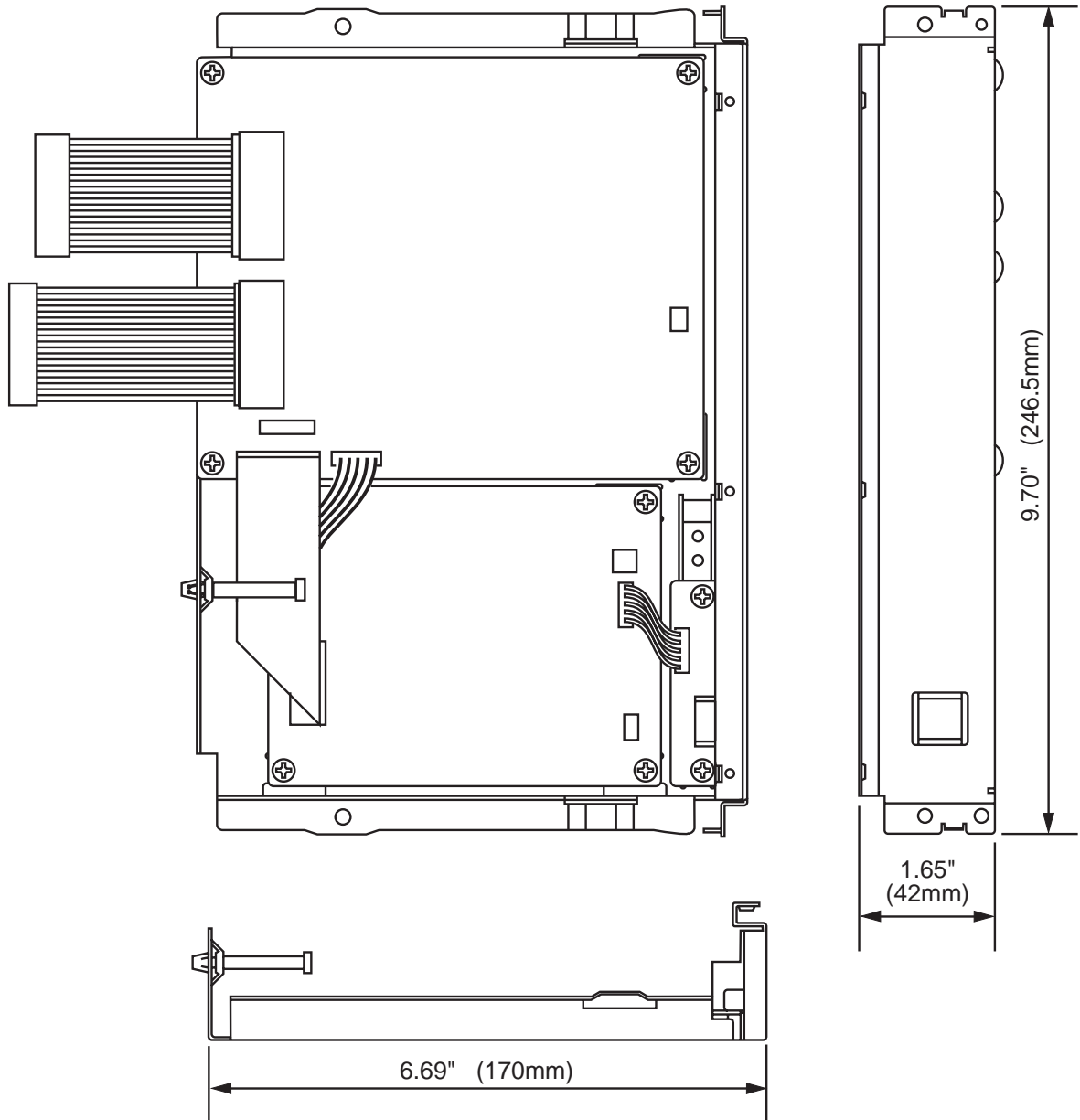


Figure 5-55 External View

b) Specifications

Dimensions

6.69" (W) × 9.70" (D) × 1.65" (H) (170mm × 246.5mm × 42mm)

Weight

Approx. 1.32 lbs (0.6 kg)

Applicable lines

Analog line (one line)

- PSTN (Public Switched Telephone Network)

Transmission method

Half-duplex

Transmission control protocol

ITU-T V.8 protocol V.34 protocol/ECM protocol

ITU-T T.30 binary protocol/ECM protocol

Modulation method

G3 image signals	ITU-T V.27ter (2.4k, 4.8k bps) ITU-T V.29 (7.2k, 9.6k bps) ITU-T V.17 (14.4kbps, 12kbps, TC9.6kbps, TC7.2kbps) ITU-T V.34 (2.4kbps, 4.8kbps, 7.2kbps, 9.6kbps, 12kbps, 14.4kbps, 16.8kbps, 19.2kbps, 21.6kbps, 24kbps, 26.4kbps, 28.8kbps, 31.2kbps, 33.6kbps)
G3 procedure signals	ITU-T V.21 (No.2) 300bps ITU-T V.8, V.34 300bps, 600bps, 1200bps

Transmission speed

33.6k, 31.2k, 28.8k, 26.4k, 24k, 21.6k, 19.2k, 16.8k, 14.4k, 12k, TC9.6k,
TC7.2k, 9.6k, 7.2k, 4.8k, 2.4k bps

With automatic fallback function

Coding

MH, MR, MMR, JBIG

Error correction

ITU-T ECM

Canon express protocol

CEP1

Time required for transmission protocol

Mode	Pre-message Protocol ^{*1}	Post-message Protocol ^{*2} (between pages)	Post-message Protocol ^{*3} (after pages)
V.8 / V.34	Approx. 6 s	Approx. 1 s	Approx. 1 s
T.30 Standard	Approx. 18 s	Approx. 4 s	Approx. 4 s
CEP1	Approx. 9 s	Approx. 2 s	Approx. 1 s

^{*1} Time from when other facsimile is connected to the line until image transmission begins.

^{*2} Post-message (between pages): Time from after one document has been sent until transmission of the next document starts if several pages are transmitted.

^{*3} Post-message (after last pages): Time from after image transmission is completed until line is switched from facsimile to telephone.

Minimum transmission time

G3	10 ms
G3 (ECM)	0 ms

Transmission output level

from -8 to -15 dBm

Minimum receive input level

-43 dBm

Modem IC

CONEXANT (formerly Rockwell) R288F

c) Service soft switch

#1 SSSW

SW11 (service soft switch 11: Dual-line function settings)

Bit	Function	1	0
0 (New)	Enable Access Codes	Yes	No
1	Not used		
2	Not used		
3	Not used		
4	Not used		
5	Not used		
6	Not used		
7	Not used		

[Bit 0]

When the dual-line upgrade kit II is installed, you can select whether to specify the lines used for calling. When “Yes” is selected, “ACCES CODE SETING” is displayed in User Data.

3.7.4 Maintenance and service

a) Troubleshooting

The fax does not recognize the dual-line upgrade kit II even when it is attached properly.

- Solutions:**
- (1) Check that the kit securely connected.
 - (2) Replace the kit.
 - (3) Replace the TWINS board.
 - (4) Replace the SCNT board.

b) Signal description

Dual-line upgrade kit II (J700) ↔ TWINS board (J39)

J700	J39	Signal name	Description
A1	← A20	nSTROBE	Strobe signal
A2	— A19	PD0	Data signal
A3	— A18	PD1	Data signal
A4	— A17	PD2	Data signal
A5	— A16	PD3	Data signal
A6	— A15	PD4	Data signal
A7	— A14	PD5	Data signal
A8	— A13	PD6	Data signal
A9	— A12	PD7	Data signal
A10	→ A11	nACK	ACK signal
A11	→ A10	BUSY	Busy signal
A12	→ A9	PERROR	Print error signal
A13	→ A8	SELECT	Select signal
A14	← A7	RESET	Reset signal
A15	→ A6	OPTION0	Option board detection signal 0
A16	→ A5	OPTION1	Option board detection signal 1
A17	→ A4	OPTION2	Option board detection signal 2
A18	— A3	GND	Ground
A19	← A2	SPKON	Speaker on signal
A20	— A1	N.C	Not connected
B1	— B20	N.C	Not connected
B2	→ B19	CICNT	CICNT signal
B3	← B18	CLKCTL	Clock control signal
B4	→ B17	ESSACT	ESSACT
B5	→ B16	PSPOUT	Speaker signal
B6	— B15	GND	Ground
B7	→ B14	CI1	CI detection signal 1
B8	→ B13	HOOK1	Off hook detection signal
B9	— B12	GND	Ground
B10	— B11	GND	Ground

Dual-line upgrade kit II (J700) ↔ TWINS board (J39)

J700	J39	Signal name	Description
B11 —	B10	GND	Ground
B12 —	B9	GND	Ground
B13 —	B8	GND	Ground
B14 —	B7	GND	Ground
B15 —	B6	GND	Ground
B16 —	B5	GND	Ground
B17 ←	B4	nSELECTIN	Select in signal
B18 ←	B3	nINIT	Initialize signal
B19 →	B2	nFAULT	Fault signal
B20 ←	B1	nAUTOFD	Auto feed signal

Dual-line upgrade kit II(J701) ↔ TWINS board (J37)

J701	J37	Signal name	Description
1 —	14	GND	Ground
2 →	13	12V	2port board drive voltage
3 —	12	GND	Ground
4 —	11	GND	Ground
5 →	10	3.3V	Logic drive voltage
6 →	9	3.3V	Logic drive voltage
7 —	8	GND	Ground
8 →	7	3.3V	Logic drive voltage
9 —	6	GND	Ground
10 —	5	GND	Ground
11 →	4	5.0V	Logic drive voltage
12 →	3	5.0V	Logic drive voltage
13 →	2	5.0V	Logic drive voltage
14 —	1	GND	Ground

2port board (J702) ↔ NCU board (J1)

J702	J1	Signal name	Description
1 —	23	DGND	Ground
2 ←	22	BIT3	for future use
3 ←	21	BIT2	for future use
4 ←	20	BIT1	for future use
5 —	19	LPL2	Not used
6 —	18	LPL1	Not used
7 —	17	HOOK2	Not used
8 ←	16	HOOK1	Off hook detection signal
9 ←	15	CIOR	CIOR signal 1
10 ←	14	CI2	CI detection signal 2
11 ←	13	CI1	CI detection signal 1
12 —	12	LPRD	Not used

2port board (J702) ↔ NCU board (J1)

J702	J1	Signal name	Description
13	→ 11	DCD	DC relay control signal
14	→ 10	CMLD	CML relay control signal
15	→ 9	HRD	H relay control signal
16	→ 8	PRD	P relay control signal
17	→ 7	SRD	S relay control signal
18	— 6	DGND	Ground
19	— 5	DGND	Ground
20	→ 4	VH	+24V DC
21	→ 3	+3.3V	Logic drive voltage
22	→ 2	+3.3V	Logic drive voltage
23	— 1	DGND	Ground

2port board (J703) ↔ NCU board(J2)

J703	NCU	Signal name	Description
1	— 6	DGND	Ground
2	→ 5	+12V	Logic drive voltage
3	→ 4	+12V	Logic drive voltage
4	← 3	ANOUT	Analog out signal
5	→ 2	TXAO	Analog transmission signal
6	← 1	RXAI	Analog receive signal

4.1 Ethernet Board EB-52 FX

4.1.1 Safety and precautions

Danger by Static Charge

Static charge can change the electrical characteristics of the ethernet board or damage it. Do not handle the ethernet board under circumstances where static charge might occur easily.



When repairing or replacing the ethernet boards, first touch the grounded metal part to prevent damage from static charge, and do not touch electrical parts on the ethernet board.

4.1.2 Service operations

a) External view

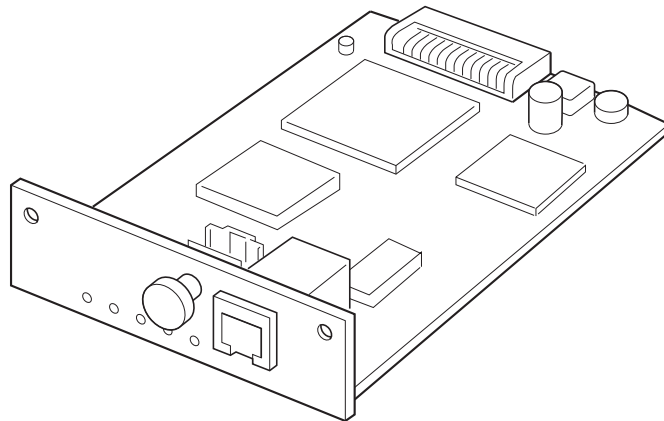


Figure 5-56 External View

4.1.3 Technical information

a) Specification

Interface	10Base-T Ethernet, 100Base-TX Ethernet
CPU	TOSHIBA TMPR3904AF
LAN controller	TOSHIBA TC35815AF
Transceiver	TDK TSC78Q2120
Flash ROM	2MB
DRAM	2MB × 2
Dimensions	139.5(W) × 93.0(D) × 24.7(H)mm (excluding mounting materials and connector.)
Weight	About 0.1kg
Power supply	DC5V (supplied from the printer)
Protocol	IPX/SPX, TCP/IP, AppleTalk, NetBIOS
Frame Type	IPX/SPX:802.2, 802.3, Ethernet II, 802.2 SNAP, AUTO SENSE TCP/IP:Ethernet II AppleTalk:802.2 SNAP(Phase II) NetBIOS:802.2
Print application	IPX/SPX:NDS PServer, Bindery PServer, NPrinter, RPrinter TCP/IP:LPD/UPP AppleTalk:APS NetBIOS:MPS

b) Operations

It is necessary to connect a Printer Board 1 to this board in order to use it. If the board is connected, the main unit can be used as a network printer.

Characteristics of this board are as follows.

- Automatic switching interface for 10Base-T Ethernet and 100Base-TX Ethernet.
- Automatic switching and printing with the following protocols: IPX/SPX(Netware), TCP/IP, AppleTalk, NetBEUI(NetBOIS).
- Device configurations and management are supported over Telnet and NetSpot, a graphical user interface and SNMP-based printer management utility shipped with the product which supports Windows98, 95, WindowsNT, Solaris 2.X, and Macintosh platforms.
- Can generate a Test Print which lists the current protocol configuration of the ethernet board and send it to the connected printer.
- Firmware of the ethernet board is upgradable with NetSpot.

c) Status LEDs

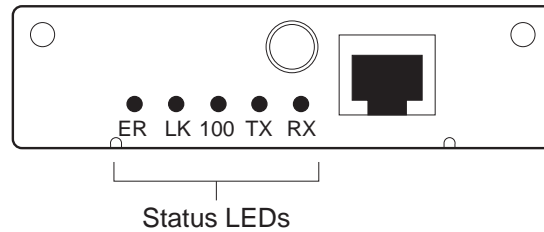


Figure 5-57 Status LEDs

• **ER (Error) LED**

When the ethernet board is operating normally:

ER may flash several times during initialization, then go off.

When the ethernet board is not operating normally:

ER lights or flashes all the time.

• **LK (Link) LED**

Lights yellow while the ethernet board is connected to the network and functioning normally.

• **100 (100Mbps) LED**

Lights yellow while the ethernet board is connected to the network via a 100Base-TX.

• **TX (Transmit) LED**

Lights yellow while data is being sent from the ethernet board.

• **RX (Receive) LED**

Lights yellow when the ethernet board is receiving data.

4.1.4 Maintenance and Service

a) Troubleshooting

Every time the main unit is switched ON, the ethernet board automatically performs a self-diagnostic test. If the self-diagnostic test detects no errors, the LK LED lights and stays on.

After the main unit is switched ON, the ER LED starts flashing and continues flashing until the ethernet board is ready to operate. If the ER LED lights orange and remains on, or if it continues to flash, follow the procedures below.

ER LED lights or flashes once, twice, or three times in sequence.

<Possible causes>

1. The ethernet board is defective.

Action: Replace the ethernet board.

ER LED flashes four times in sequence.

<Possible causes>

1. The ethernet cable connection is loose or broken, or the ethernet board is not installed correctly.

Action: Check the connectors on both ends of the cable connecting the ethernet board to the ethernet. Make sure the RJ45 connectors are undamaged and securely fastened at both connection points.

2. Peerless standard I/O interface connector are loose.

Action: Reinstall the ethernet board.

3. The ethernet board is defective.

Action: Replace the ethernet board.

"ETHERNET OPTION ERROR"

<Possible causes>

1. Defective optional ethernet board

Action: Replace the ethernet board.

2. Defective PDL board

Action: Replace the PDL board.

b) Connector locations

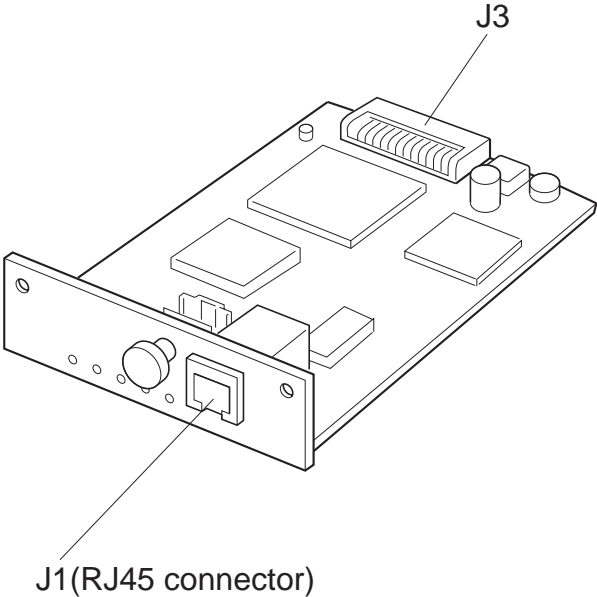


Figure 5-58 Connector Locations

c) Signal description

Ethernet board(J1) ↔ Network

J1		Network	Signal name	Description
1	→	Network	TX+ Send Data Line(+)	
2	→	Network	TX- Send Data Line(-)	
3	←	Network	RX+ Receive Data Line(+)	
4	—	Network	N.C. Not used	
5	—	Network	N.C. Not used	
6	←	Network	RX- Receive Data Line(-)	
7	—	Network	N.C. Not used	
8	—	Network	N.C. Not used	

Ethernet board(J3) ↔ Adapter board connector(J2)

J3		J2	Signal name	Description
A1	—	A1	+5V	Logic drive voltage
A2	→	A2	nINTR	Interrupt request
A3	←	A3	nRESET	Reset
A4	←	A4	nIOWR	I/O Write
A5	←	A5	nIOCS	I/O Chip select
A6	—	A6	(Reserved)	
A7	—	A7	GND	Ground
A8	—	A8	D00	Data bit 0
A9	—	A9	D02	Data bit 2
A10	—	A10	D04	Data bit 4
A11	—	A11	D06	Data bit 6
A12	—	A12	D08	Data bit 8
A13	—	A13	D10	Data bit 10
A14	—	A14	D12	Data bit 10
A15	—	A15	D14	Data bit 10
A16	—	A16	GND	Ground
A17	←	A17	A02	Address bit2
A18	←	A18	A04	Address bit4
A19	←	A19	A06	Address bit6
A20	←	A20	A08	Address bit8
A21	←	A21	A10	Address bit10
A22	←	A22	A12	Address bit12
A23	←	A23	A14	Address bit14
A24	←	A24	A16	Address bit16
A25	←	A25	+5V	Logic drive voltage
B1	—	B1	GND	Ground
B2	→	B2	nWAIT	Wait
B3	←	B3	nWnR	Write/Read
B4	←	B4	nIORD	I/O Read enable
B5	←	B5	A23	Address bit23

Ethernet board(J3) ↔ Adapter board connector(J2)

J3	J2	Signal name	Description
B6	— B6	(Reserved)	
B7	— B7	GND	Ground
B8	— B8	D01	Data bit 1
B9	— B9	D03	Data bit 3
B10	— B10	D05	Data bit 5
B11	— B11	D07	Data bit 7
B12	— B12	D09	Data bit 9
B13	— B13	D11	Data bit 11
B14	— B14	D13	Data bit 13
B15	— B15	D15	Data bit 15
B16	— B16	GND	Ground
B17	← B17	A03	Address bit 3
B18	← B18	A05	Address bit 5
B19	← B19	A07	Address bit 7
B20	← B20	A09	Address bit 8
B21	← B21	A11	Address bit 11
B22	← B22	A13	Address bit 13
B23	← B23	A15	Address bit 15
B24	← B24	A17	Address bit 17
B25	— B25	GND	Ground

4.2 Adobe PostScript 3 Module I

4.2.1 Safety and precautions

Danger by Static Charge

Static charge can change the electrical characteristics of the DIMM or damage it. Do not handle the DIMM under circumstances where static charge might occur easily.



When repairing or replacing the DIMMs, first touch the grounded metal part to prevent damage from static charge, and do not touch electrical parts on the DIMM.

4.2.2 Service operations

a) External view

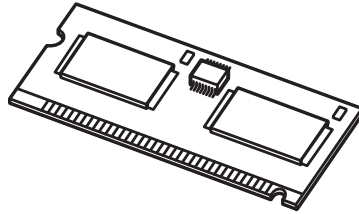
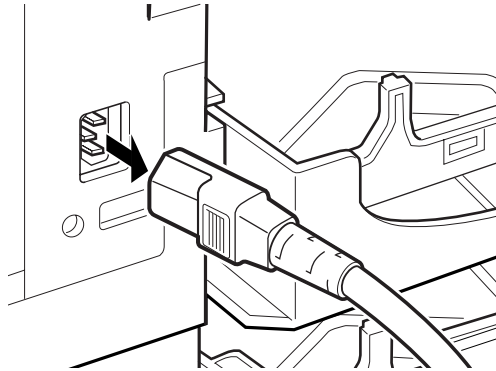

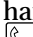


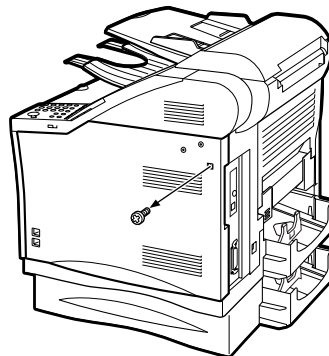
Figure 5-59 External View

b) Installation

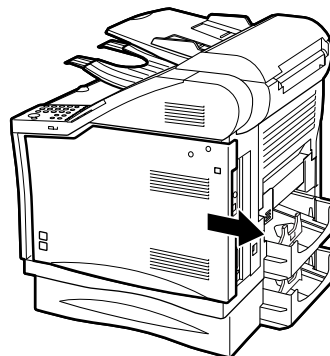
- b-1) Unplug the power cord and remove any interface cables from the rear of the printer.



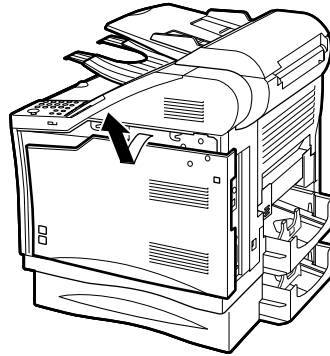
- b-2) Remove the telephone line from the fax jack marked  .
- b-3) Remove end of the handset connector cord from the extension phone jack marked  and remove the handset from the handset cradle.
- b-4) Remove the screw in the side cover.



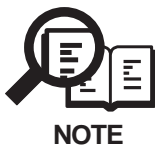
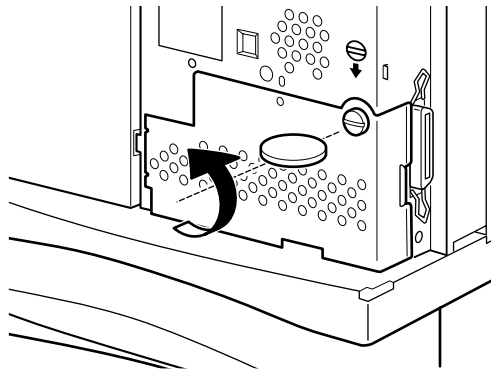
- b-5) Remove the side cover by sliding it sideways until it unlocks from the printer.



- b-6) Flip the top of the side cover outwards, then lift the cover slightly and remove it from the printer.



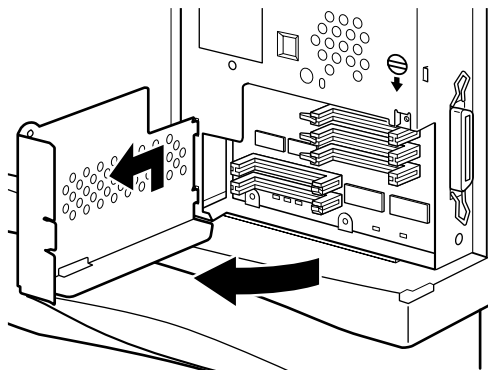
- b-7) Loosen the screw at the top of the memory slot cover.



NOTE

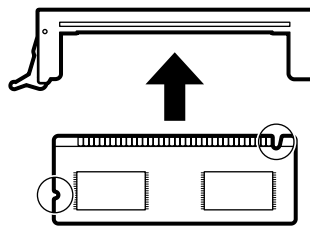
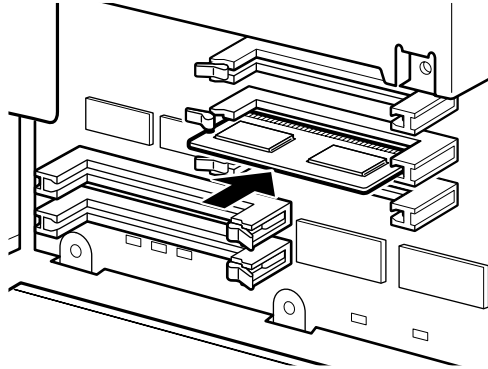
Loosen the screw with a large coin, or similar object, then use your fingers to rotate the screw until the cover opens. You do not need to remove the screw completely.

- b-8) Swing open the cover and lift it off the printer.



To avoid electric shock, do not open the covers.

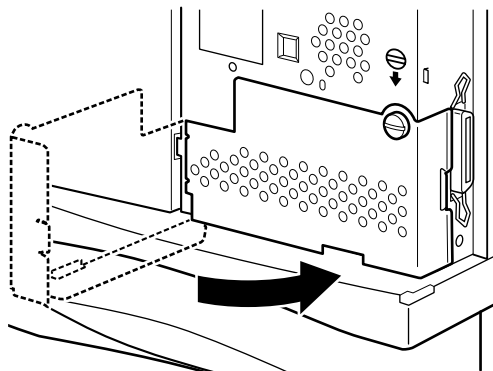
- b-9) Remove the ROM DIMM from its packaging and insert it into the socket by pushing it into the middle of the three slots at the top right of the motherboard until it snaps into place.



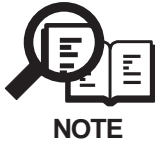
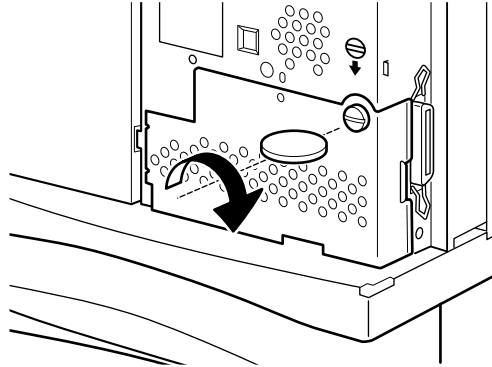
NOTE



- Be sure to open the entrance to the second socket by pushing back on the left tab for that slot.
- Make sure the indent on the module is on the right side of the module as you press it into the board.
- If the module is inserted into a different slot, it will not operate correctly. Therefore, be sure to insert the module into the correct (middle) slot.

- b-10) Place the memory slot cover back on the printer and close it.



- b-11) Tighten the screw at the top of the memory slot cover to secure it in position.



-
- Replace the side cover after you have finished adding the DIMM boards.
 - Plug in the power cord and any interface cables you removed from the rear of the printer.
 - Reconnect the telephone line to the fax jack marked .
 - Reconnect the end of the handset connector cord to the extension phone jack marked  and place the handset on the handset cradle.
-

- b-12) Performing a Cold Reset. Please refer to 4.5.2 *Service Operations:*
c) *Cold Rest* when performing a Cold Reset.

4.2.3 Technical Information

a) Specifications

Type	ROM DIMM, 72-pin
Capacity	8MB
Font	136fonts
PDL	Adobe PostScript Level 3

b) Operations

This DIMM contains 136 types of PS fonts and a program to interpret PostScript Level 3 (PS). By connecting this DIMM to the main unit, the main unit can be used as a PS printer other than PCL. The PDL unit distinguishes between PCL and PS.

4.2.4 Maintenance and service

a) Troubleshooting

"PS OPTION ERROR"

<Possible causes>

1. Defective optional PS ROM DIMM

Action: Replace the PS ROM DIMM.

2. Defective PDL board

Action: Replace the PDL board.

4.3 Flash ROM Module FR5

4.3.1 Safety and precautions

Danger by Static Charge

Static charge can change the electrical characteristics of the DIMM or damage it. Do not handle the DIMM under circumstances where static charge might occur easily.



When repairing or replacing the DIMMs, first touch the grounded metal part to prevent damage from static charge, and do not touch electrical parts on the DIMM.

4.3.2 Service operations

a) External view

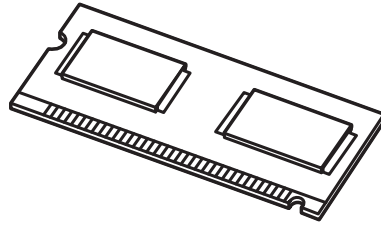
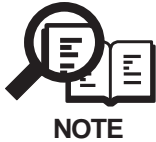
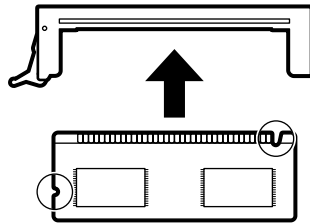
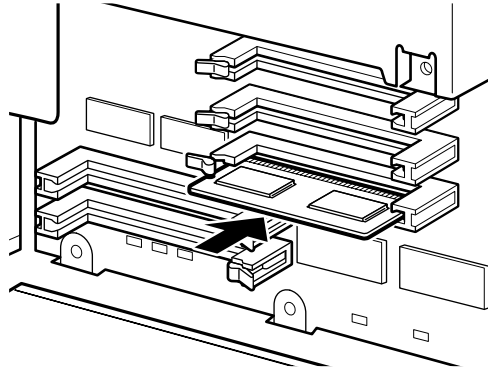


Figure 5-60 External View

b) Installation

Please refer to Adobe PostScript 3 Module I step b-8) for the procedures up to opening the side cover.

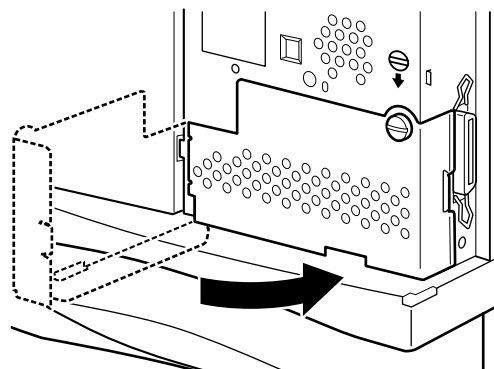
- b-1) Remove the Flash ROM from its packaging and insert it into the socket by pushing it into the bottom of the three slots at the top right of the motherboard until it snaps into place. After installing the Flash ROM, reset the printer and format the Flash ROM, as described on the following pages.



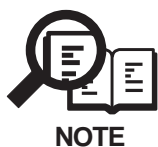
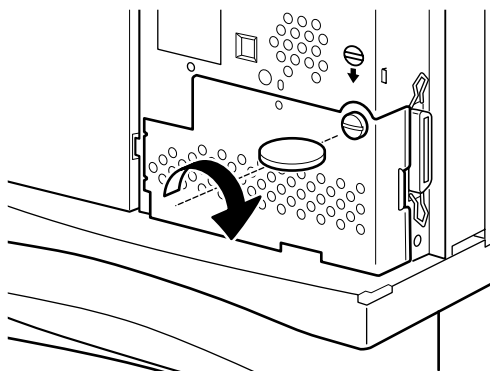
NOTE



- Be sure to open the entrance to the third socket by pushing back on the left tab for that slot.
- Make sure the indent on the module is on the right side of the module as you press it into the board.
- If the module is inserted into a different slot, it will not operate correctly. Therefore, be sure to insert the module into the correct (bottom) slot.

- b-2) Place the memory slot cover back on the printer. Swing the cover to close it.



- b-3) Tighten the screw at the top of the memory slot cover to secure it in position.

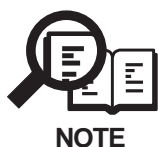


- Replace the side cover after you have finished adding the ROM module.
- Plug in the power cord and any interface cables you removed from the rear of the printer.
- Reconnect the telephone line to the fax jack marked .
- Reconnect the end of the handset connector cord to the extension phone jack marked  and place the handset on the handset cradle.

- b-4) Performing a Cold Reset. Please refer to 4.5.2 *Service Operations: c) Cold Rest* when performing a Cold Reset.

- b-5) Formatting the Flash ROM Module

Follow this procedure to format, or reformat, the Flash ROM module.



Reformatting the Flash ROM will erase any data stored on the module.

1. Press **PRT.Message** so that it lights up. The printer operation panel is activated.
2. Press **Go** to take the printer off-line. At this time, make sure the **On Line** indicator is off. The READY message changes to PAUSED.



3. Press **Menu** until you see CONFIG MENU in the top line.



4. Press **Item** until you see FORMAT FLASH in the bottom line.

CONFIG MENU
FORMAT FLASH

Press **Enter** to select FORMAT FLASH.

5. The following message will appear asking you confirm that you want to format the Flash ROM.

+FORMAT FLASH
-IGNORE FLASH

To select +FORMAT FLASH, press **Value** to format, or reformat, the Flash ROM.

To select -IGNORE FLASH, press **Shift** and **Value** together to cancel the operation and put the printer back on-line.

6. After pressing **Value**, the following message will appear asking you to confirm that you really want to format the Flash ROM.

+REALLY FORMAT
-IGNORE FLASH

To select +REALLY FORMAT, press **Value** to format, or reformat, the Flash ROM.

To select -IGNORE FLASH, press **Shift** and **Value** together to cancel the operation and put the printer back on-line.



Reformatting the Flash ROM will erase all data stored on the module.

7. Press **Value** again to start formatting the Flash ROM. The following message appears in the top line of the display.

FLASH
FORMATTING...



NOTE

- Be sure to open the entrance to the second socket by pushing back on the left tab for that slot.
 - If the message "FLASH ERROR" appears, please check that the Flash ROM is inserted into the correct slot (the bottom of the three white slots at the top of the motherboard.)
-

8. After the Flash ROM has been formatted, the following message is displayed and the printer will automatically restart.

FLASH FORMAT
RESTART

When the printer restarts, the **Alarm** indicator blinks, then goes out. When the **Alarm** indicator goes out, WARMING UP... appears in the top line of the display.

WARMING UP...

While the printer is warming up, the indicators will light briefly, then go out.

9. After the printer has finished warming up, READY will appear in the message display again.

READY

4.3.3 Technical informations

a) Specifications

Type	ROM DIMM, 72-pin
Capacity	4MB

b) Operations

You can increase the types of fonts by downloading PS fonts to the ROM. Moreover, you may also download macros.

4.3.4 Maintenance and service

a) Troubleshooting

"OPTION ROM ERROR"

<Possible causes>

1. Defective optional ROM DIMM

Action: Replace the ROM DIMM.

2. Defective PDL board

Action: Replace the PDL board.

4.4 RAM DIMM Module

4.4.1 Safety and precautions

Danger by Static Charge

Static charge can change the electrical characteristics of the DIMM or damage it. Do not handle the DIMM under circumstances where static charge might occur easily.



When repairing or replacing the DIMMs, first touch the grounded metal part to prevent damage from static charge, and do not touch electrical parts on the DIMM.

4.4.2 Service operations

a) External View

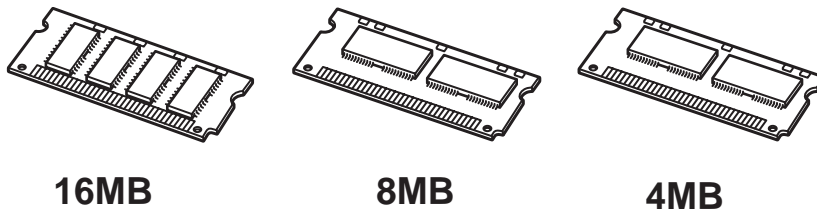
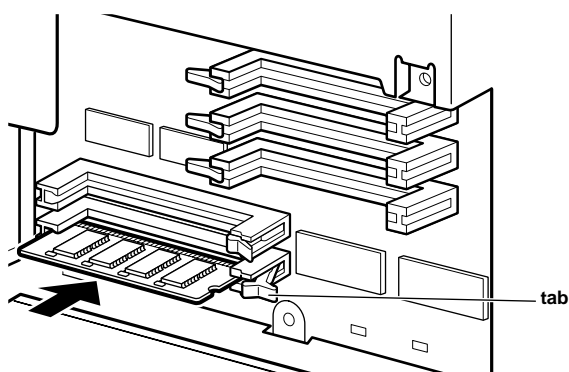


Figure 5-61 External View

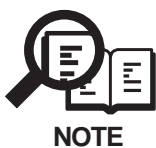
b) Installation

Please refer to Adobe PostScript 3 Module I step b-8) for the procedures up to opening the side cover.

- b-1) Open the tab on the right side of the memory slot by moving it to the right.
- b-2) Remove the RAM DIMM from its packaging and insert it into the socket at the bottom of the memory slot board.

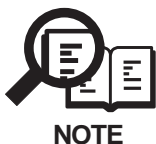
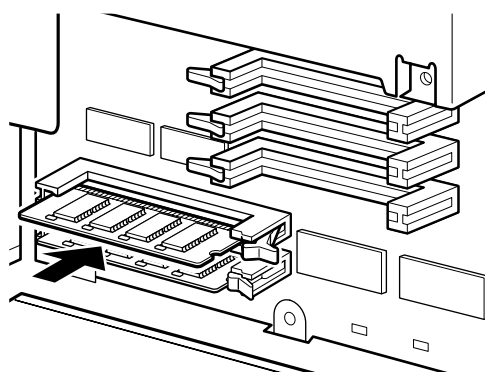


- b-3) Make sure: the tab of the memory slot snaps close.



Make sure the notch on the front edge of the RAM DIMM is to the left when you insert the RAM DIMM into the socket.

- b-4) Insert the other RAM DIMM into the second slot above the first DIMM following the procedure above.



There are 4MB, 8MB, and 16MB RAM DIMMs available.

- b-5) Perform the Cold Reset. Please refer to 4.5.2 *Service Operations: c) Cold Rest* when performing the Cold Reset.

4.4.3 Technical informations

a) Specifications

Type EDO RAM DIMM, 72-Pin
 Access time 60ns
 Capacity 4MB, 8MB, 16MB

b) Operations

This option memory is used to store print data, and it comes in several sizes: 4MB, 8MB, and 16MB.

The printer uses an advanced Memory Reduction Technology that compresses documents, when necessary. This reduces the memory requirements for printing complex pages. These could include duplex documents, documents using a variety of fonts, scanned or dithered photographs and documents containing large amounts of graphical data. This type of compression greatly reduces memory errors while printing, however, it can also reduce the print speed and print quality of some documents. With more memory, the printer can handle more complex documents without having to use compression.

The table below lists the minimum amount of total memory required for duplex printing to operate effectively. For example, the printer has 4 MB of standard memory so for the 8 MB listed in the table below, you need an additional 4 MB of memory.

Minimum Memory Requirements for the Duplex Unit

Print resolution	Page Size	No duplex unit installed	Duplex unit installed
300 x 300 dpi	Letter, A4	4 MB	4 MB
	Legal	4 MB	4 MB
600 x 600 dpi	Letter, A4	4 MB	4 MB
	Legal	4 MB	8 MB
1200 x 1200 dpi	Letter, A4	4 MB	8 MB
	Legal	8 MB	12 MB



NOTE

Canon recommends adding more memory than listed above.

Even with a total of 8 MB, you may need to install additional memory if you frequently print complicated documents that contain large amounts of data.

4.4.4 Maintenance and service

a) Troubleshooting

The main unit does not recognize the optional memory

<Possible causes>

1. Defective optional memory

Action: Replace the optional memory

2. Defective PDL board

Action: Replace PDL board

"OPTION RAM ERROR"

<Possible causes>

1. Defective optional RAM DIMM

Action: Replace the RAM DIMM.

2. Defective PDL board

Action: Replace the PDL board.

4.5 Printer Board I



This unit is equipped with a LASER CLASS 3175MS as standard. The LASER CLASS 3170/3175 are set as options.

4.5.1 Safety and precautions

When attaching this unit to the main unit, take care not to touch the hands with the power supply elements (heat sink, etc.). If the hands touch the elements, burns may result.

4.5.2 Service operations

a) External View

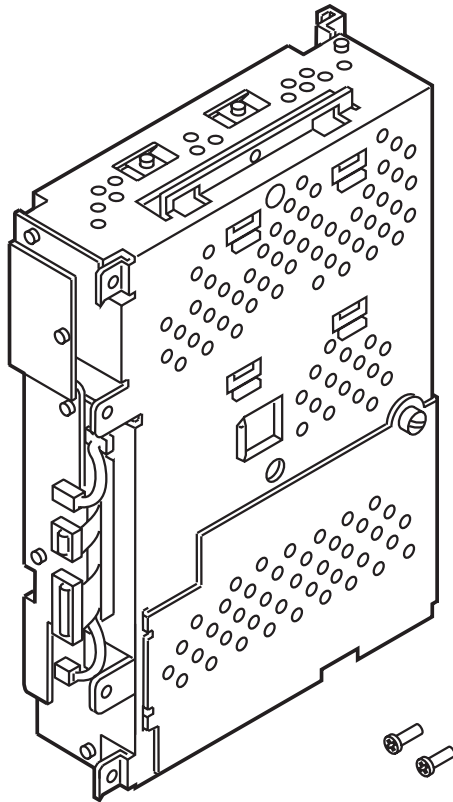


Figure 5-62 External View

b) Installation

b-1) Unpacking

Check that the box contains the printer board I and the two screws.

b-2) Preparation

Perform the operations below before attaching the option.

- (1) Disconnect the power cord of the fax unit at the power source.
- (2) Disconnect the modular jack cord (telephone line) from the fax.
- (3) Remove the one screw and remove the right cover.

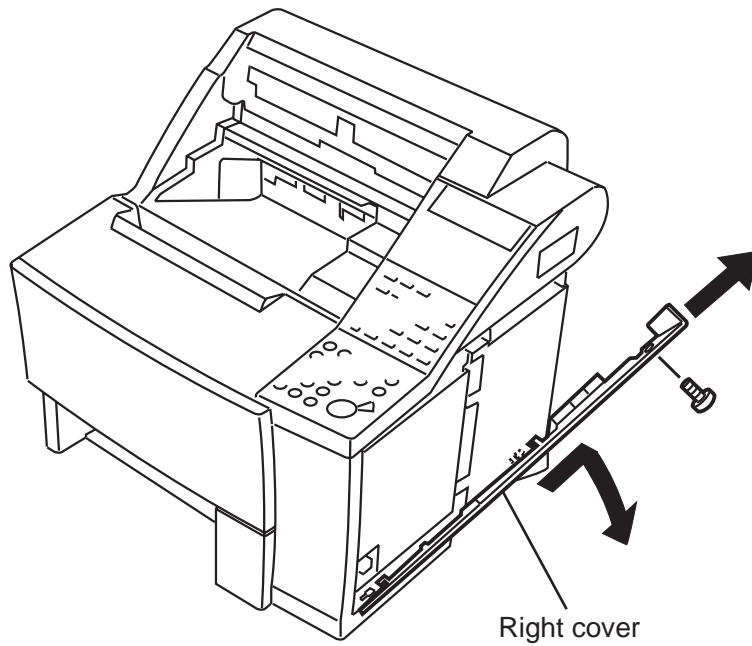


Figure 5-63 Preparations for Installation 1

(4) Remove the five screws and remove the shield cover.

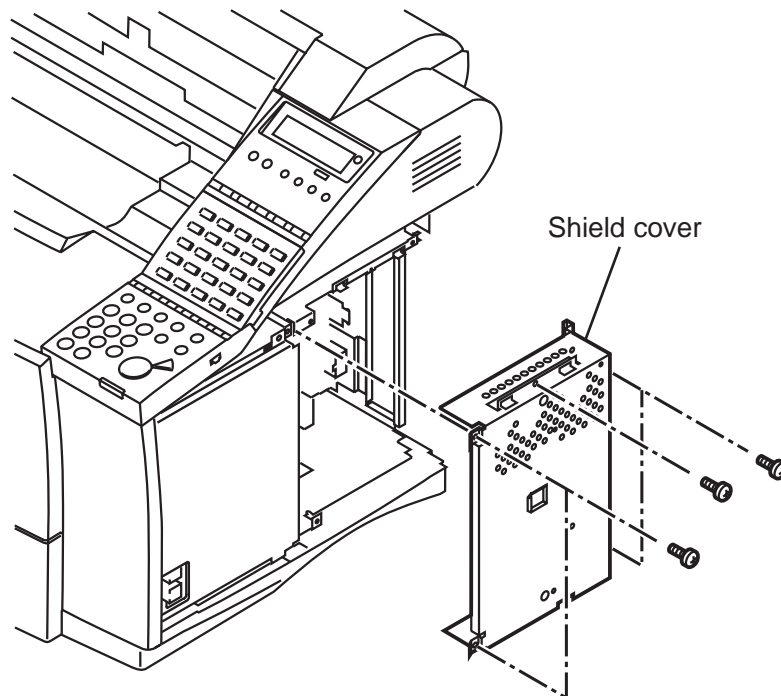


Figure 5-64 Preparations for Installation 2

b-3) Attaching the option

- (1) Insert the option into the main unit. Attach the option by aligning it with the hooks in the circles in the figure and sliding it in the figure indicated by the black arrow.
- (2) After inserting the option, insert connectors of the option into J33, J34, J35 and J40 on the TWINS board.
- (3) Fasten the option in place with the seven screws.

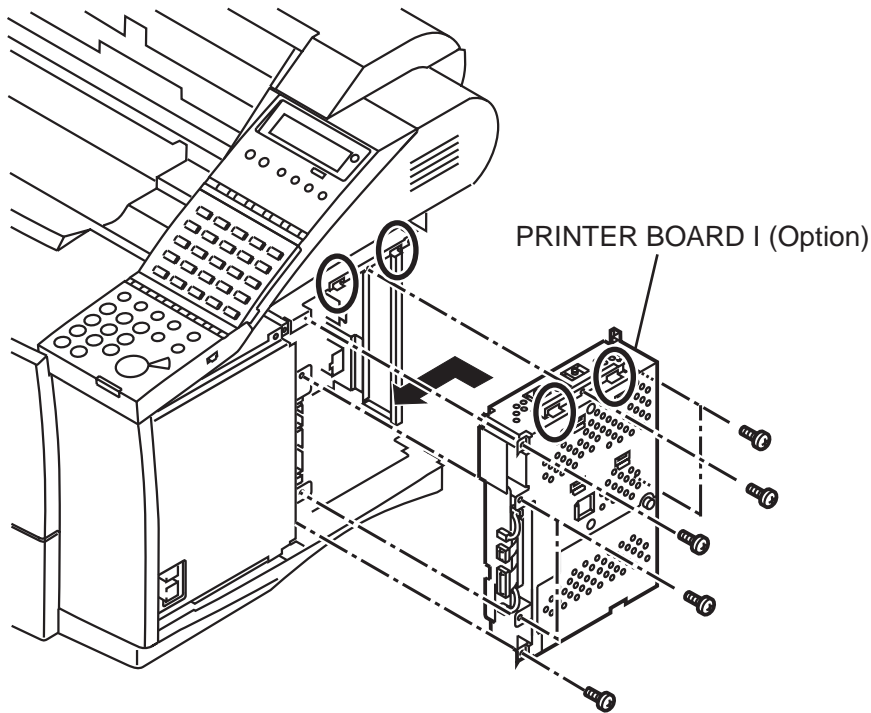


Figure 5-65 Printer Board I Installation

- (4) Fasten the right cover in place with the one screw.

b-4) Performing a Cold Reset

Please refer to *item c)* when performing a Cold Reset.

b-5) Removing the option

When removing the option, perform the steps in *b-3) Attaching the option* in reverse order. Be sure to remove the option only after turning the power off.

c) Cold Reset

The term "Cold Reset" is used to indicate the function by which the settings stored in the NVRAM on the PDL board are reset to factory default settings. If you have installed an optional module or card for the PDL board, you must execute this function. If you have already installed the Flash ROM module and want to reformat the module, you do not need to perform a Cold Reset. (Reformatting the Flash ROM will erase any data stored on the module.)

User data and service data are not changed even if Cold Reset is done.

Cold Reset may be any of the following three types:

•**Cold Reset**

Used to rest all settings except the recording paper size under PAGE COUNT and TEST PRINT of TEST MENU back to their factory default settings.

•**Cold Reset A4**

Used to set the recording paper size under TEST PRINT to A4 and to reset all other settings to factory default settings. The PAGE COUNT data will be cleared.

•**Cold Reset LTR**

Used to set the recording paper size under TEST PRINT to LTR and to reset all other settings to factory default settings. The PAGE COUNT data will be cleared.

If you have installed a PDL board, be sure to use Cold Reset A4 or Cold Reset LTR. If you want A4 for TEST PRINT of TEST MENU, use Cold Reset A4; on the other hand, if you want LTR, use Cold Reset LTR.

If you have installed a different module or card, use Cold Reset.

•**Cold Reset A4**

- (1) Make sure that the main unit is unplugged.
- (2) Press and hold down the Item, Value and Enter/Cancel buttons at the same time. Then plug the main unit in while still pressing the Item, Value and Enter/Cancel buttons.
- (3) When you see the “COLD RESET A4” message, release all the buttons.

•**Cold Reset LTR**

- (1) Make sure that the main unit is unplugged.
- (2) Press and hold down the Menu, Item and Value buttons at the same time. Then plug the main unit in while still pressing the Menu, Item and Value buttons.
- (3) When you see the “COLD RESET LTR” message, release all the buttons.

•**Cold Reset**

- (1) Make sure that the main unit is unplugged.
- (2) Press and hold down the Go button. Then plug the main unit in while still pressing the Go button.
- (3) When you see the “COLD RESET” message, release all the buttons.



-
- After the factory defaults have been reset, the main unit enters the standby mode (I/O Initializing...)
 - The main unit automatically checks which options are installed after a cold reset is performed. When the main unit has finished warming up, the On Line indicator comes on and “READY” appears in the display.
-

4.5.3 Technical informations

a) Configuration and construction

1. Product name PRINTER BOARD I

2. External view

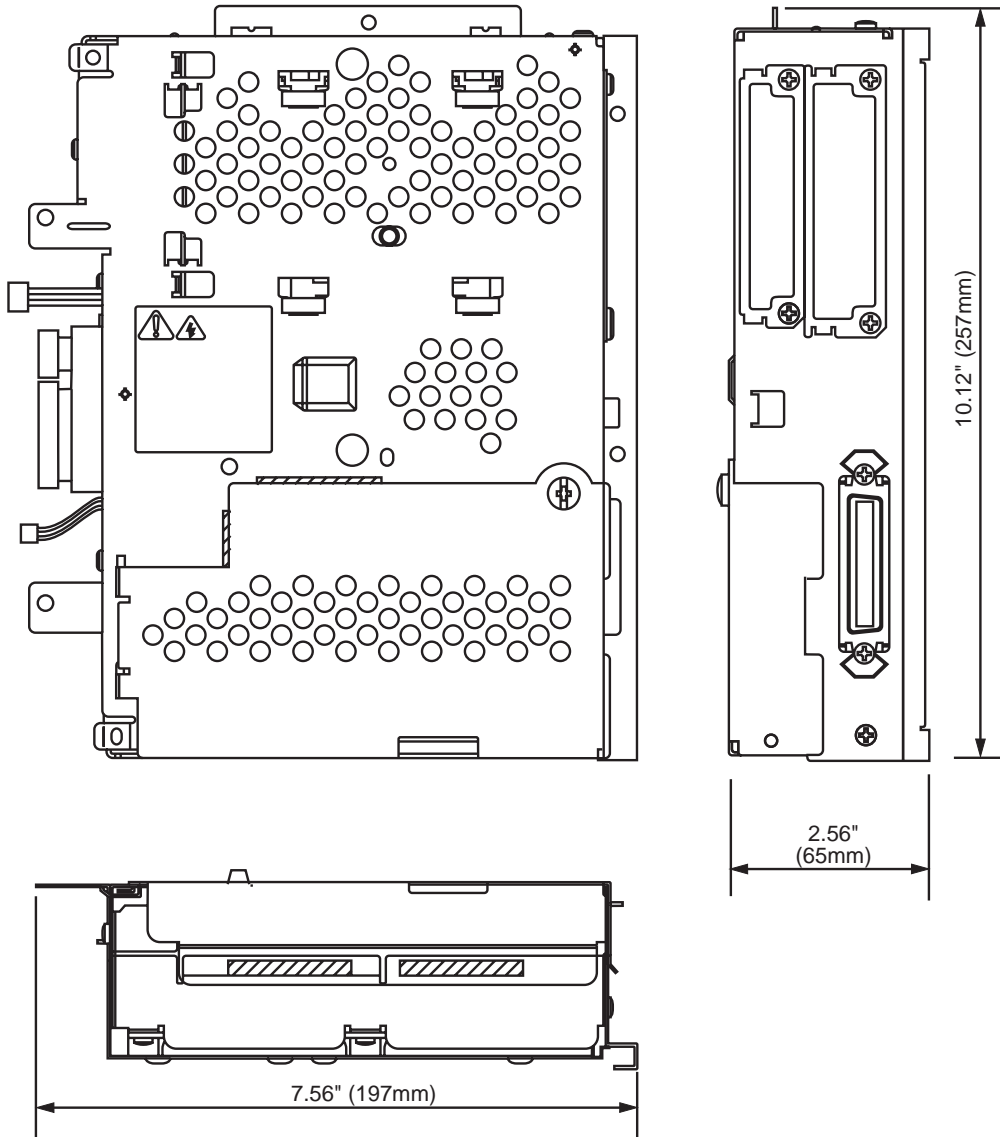


Figure 5-66 External View

b) Specifications

CPU	RISC processor: Intel 960HD-50
RAM	Standard: 4MB Maximum: 36MB
ROM	4MB
ROM DIMM socket	3
RAM DIMM socket	2
Host interface	Standard: IEEE 1284 parallel interface Option: expansion interface (10BASE-T, 100BASE-TX)
Language	Standard: PCL 5e plus PCL-XL Option: Adobe PostScript Level 3
Resident fonts	45 Scalable fonts (MicroType fonts), 8 Bitmap font
Optional fonts	136 fonts
Scalar	UFST
Dimensions	7.56" (W) × 10.12" (D) × 2.56" (H) (197mm × 257mm × 65mm)
Weight	Approx. 2.65 lbs (1.2 kg)



REFERENCE

Please refer to *Chapter 3: Technical Reference*, for printer function specifications.

c) Operations

•Outline

When this unit is attached to the main unit, the main unit can be used as a PCL printer. This unit has a centronics interface, and can be used as a local printer by connection with a PC.

Also, the following options are available with this board.

- Ethernet Board EB-52 FX
- Adobe PostScript 3 Module I
- Flash ROM Module FR5
- RAM DIMM Module

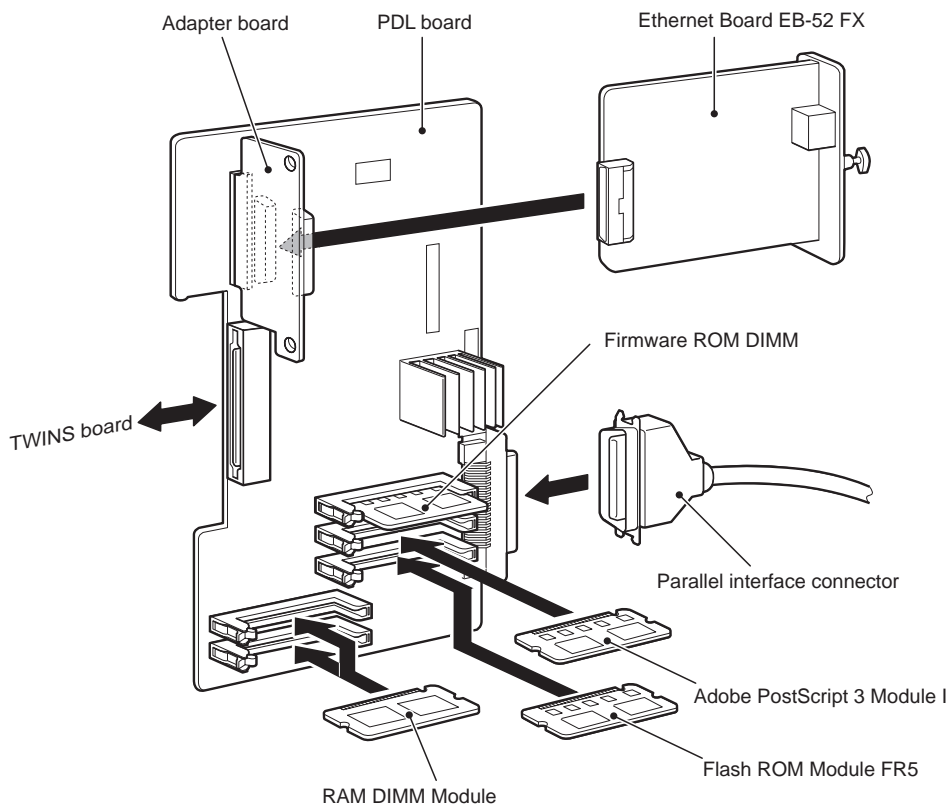


Figure 5-67 Options

Connecting this unit to the main unit gives it printer, fax, and copy functions. With these functions, print operation is not done in priority sequence if performed simultaneously. Instead, the first function to request printing begins to print. However, one exception is when printing data received by fax and there is a request for printing from the printer, printing from the printer takes priority.

If a PDL unit is attached, the PRT. Message button on the lower right of the control panel LCD becomes available. When switching between fax and print operations, press the PRT. Message button. The printer button becomes unavailable when faxing, and the fax button becomes unavailable when printing.

•The Flow of Print Data

The main unit's printing operations are done totally independently when faxing and printing, but data communications between the PDL board and the ECNT board are all done through the SCNT board.

When printing, when PDL data is sent from the PC go the PDL board (when using the optional ethernet board), the PDL board converts the PDL data into print data and sends this converted data to the TWINS board.

When the PDL board and the TWINS board transmit print data, the flow of data is divided in to two categories, control (nCMD, nRDY, etc) and image (nVDO, nBD, nTOP), depending on the signal type.

a.Control Signal

- (1) The control signal is sent from the PDL board to the TWINS IC, passes through the data bus, and is forwarded to the system controller IC on the SCNT board.
- (2) The control signal sent to the system controller IC is sent to the ECNT board as-is.
- (3) The ECNT board sends a signal to the SCNT board system controller IC in response to the control signal it received.
- (4) The response signal is forwarded from the system controller IC to the TWINS IC, passing through the data bus, and is sent to the PDL board.

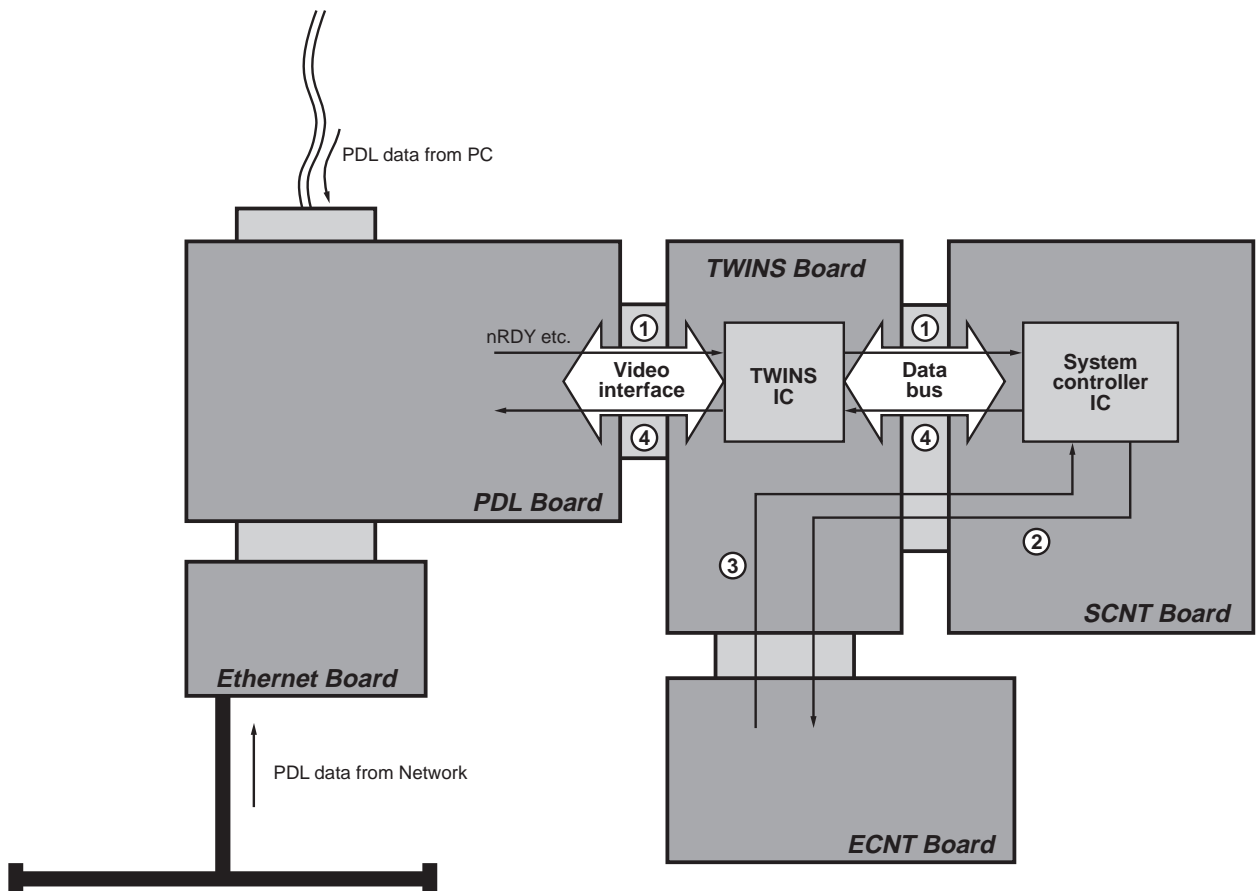


Figure 5-68 Flow of Print Data 1

b. Image Signal

- (1) The image signal (nVDO) is sent from the PDL board to the TWINS board selector IC.
- (2) The image signal (nVDO) from the fax (SCNT board) and the image signal (nVDO) from the printer (PDL board) are switched by the selector IC.
- (3) The nBD and nTOP signals from the ECNT board are separated by the TWINS board and sent to the SCNT board and the PDL board. However, with facsimile printing, the signal which would be sent to the PDL board is switched by the selector ICD on the TWINS board so that it is not sent to the PDL board. With printer printing, it is switched so that it will be sent.

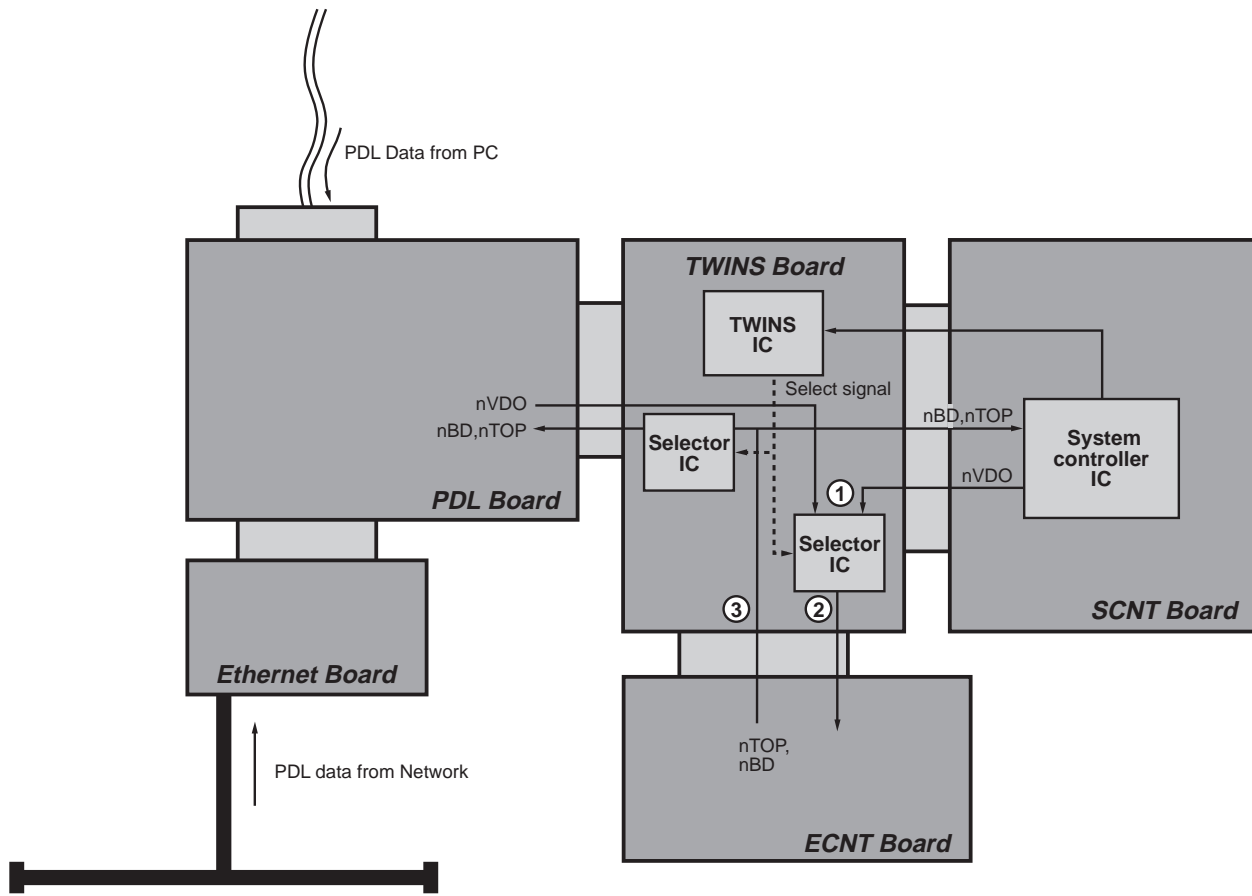


Figure 5-69 Flow of Print Data 2

•Control Panel

The PDL board also controls the printer operation buttons. All communication between the buttons and the PDL board is done via the SCNT board.

• Menu Operation Flow

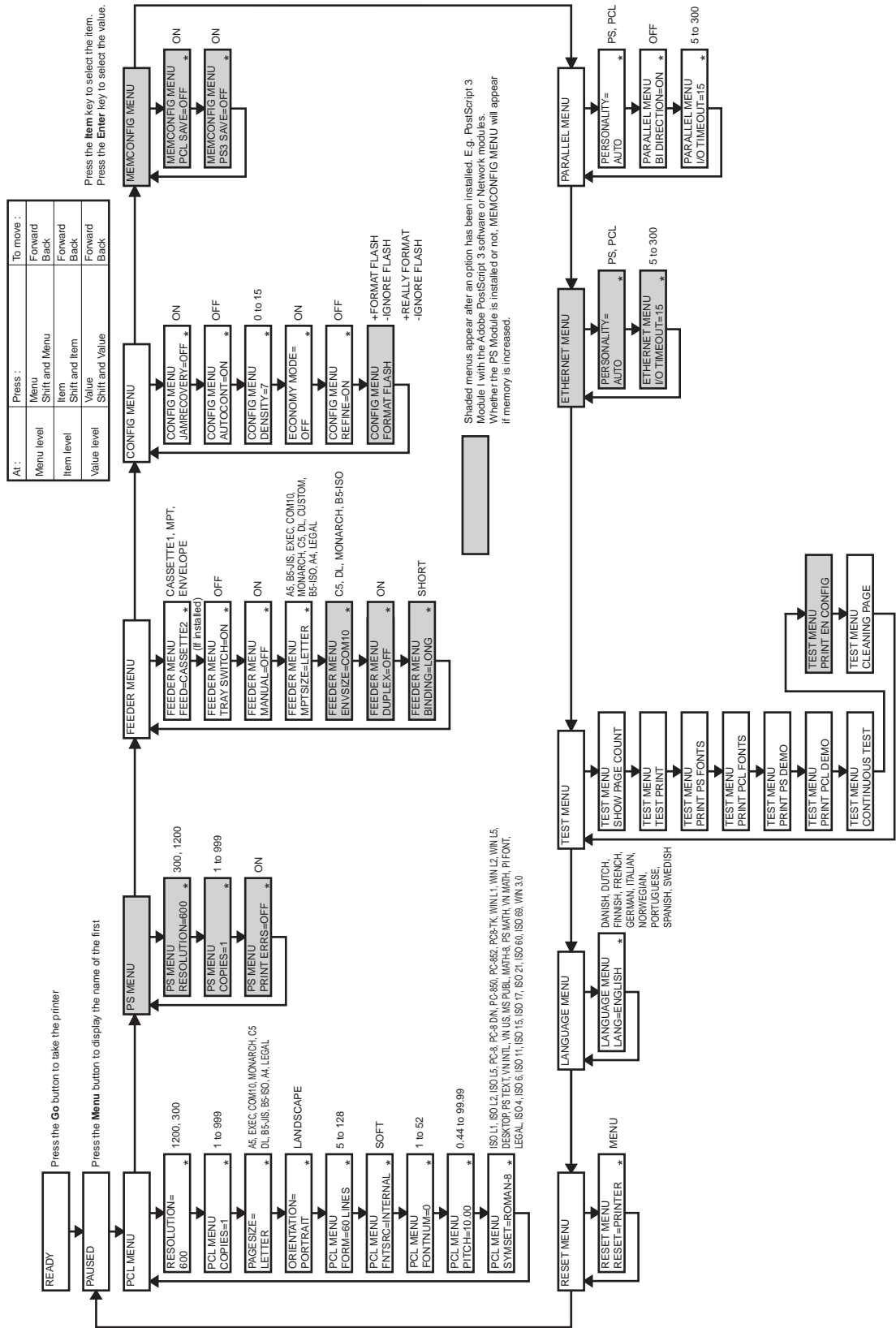


Figure 5-70 PDL Menu Flow

d) Components

Video controller circuit receives print data consisting of code or image data from external device (such as host computer) via interface cable.

The circuit analyzes and processes the print data including the data specified by the operation panel, and then converts them to the dot data. The dot data are sent to the ECNT board to control the laser diode emission.

The layout of the main ICs on this circuit is in Figure 5-71, and the block diagram in Figure 5-72.

CPU (IC1)

A 32-bit RISC microprocessor (FC80960HD) made by Intel co. is used for the CPU in the printer, and its operation frequency is 50MHz. The CPU controls the operation of the PDL board according to the control program stored in the ROM.

ASIC (IC2)

The ASIC is graphic co-processor and has the following functions.

- DRAM control
- ROM control
- Video interface control
- IEEE 1284 parallel port interface control
- I/O bass interface support

ASIC (AIR, IC3)

The ASCII has smoothing control circuit and SRAM.

Its main functions are as follows.

- Smoothing control of image
- EEPROM control
- Operation panel interface control

DRAM

4-Mbyte DRAM is installed on the PDL board.

72pin-DIMM of 4-, 8-, or 16-Mbyte can be installed to the two slots on the PDL board.

ROM

A 4 Mbyte ROM is installed on the PDL board. In some cases, the 4 Mbyte ROM is installed on the firmware ROM DIMM. In those cases, this ROM DIMM is installed in the connector (J6) on the PDL board.

Of the three connectors, the two connectors, one in the middle (J7) and the other one at the bottom (J8), can be used by the user to install 4 Mbyte or 8 Mbyte ROM DIMM. The connector at the top (J6) is exclusively for the Firmware ROM DIMM.

EEPROM (IC10)

EEPROM is 4-Kbytes, and is used for storing the factory default value and the user set value defined on the operation panel.

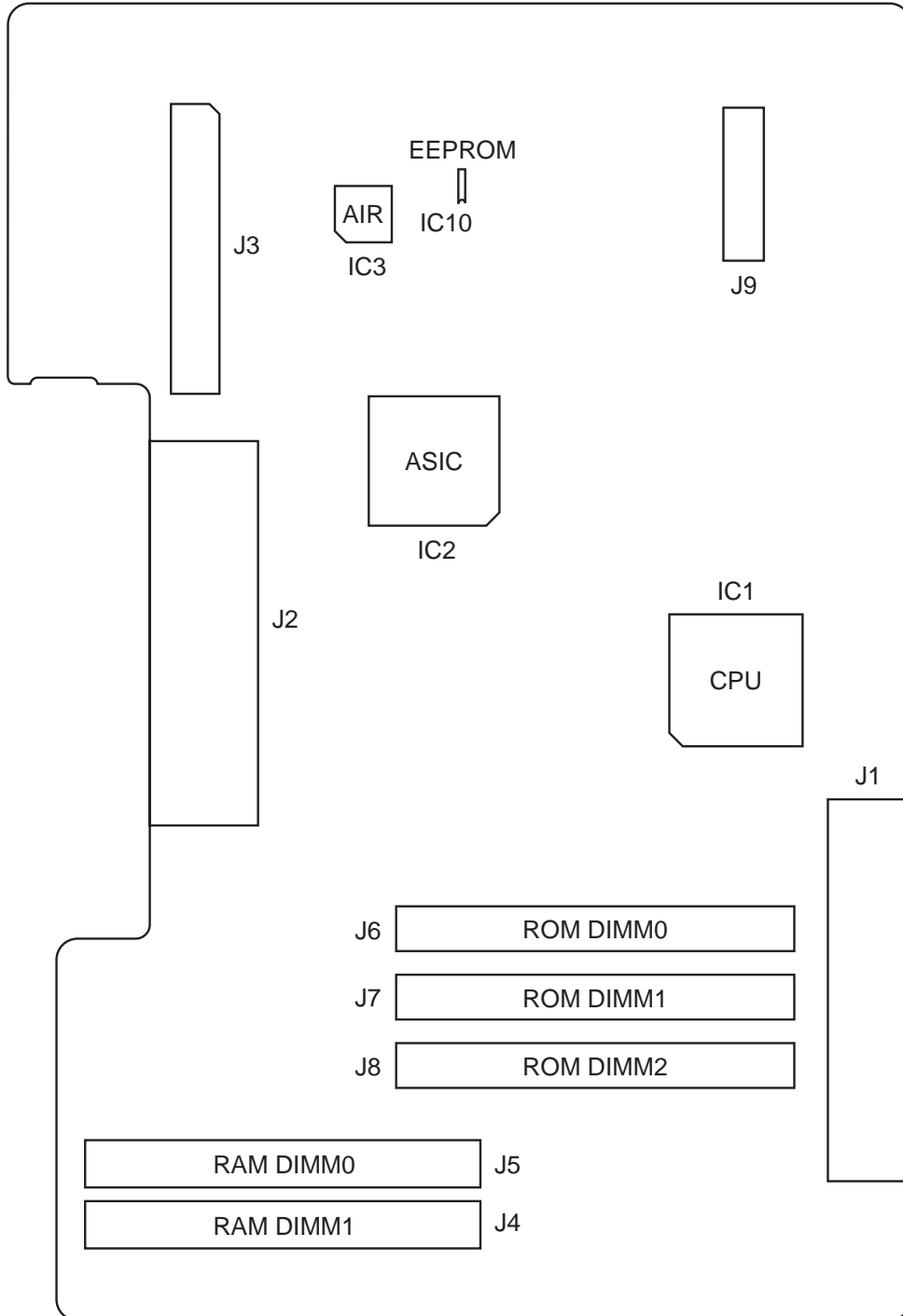


Figure 5-71 Components

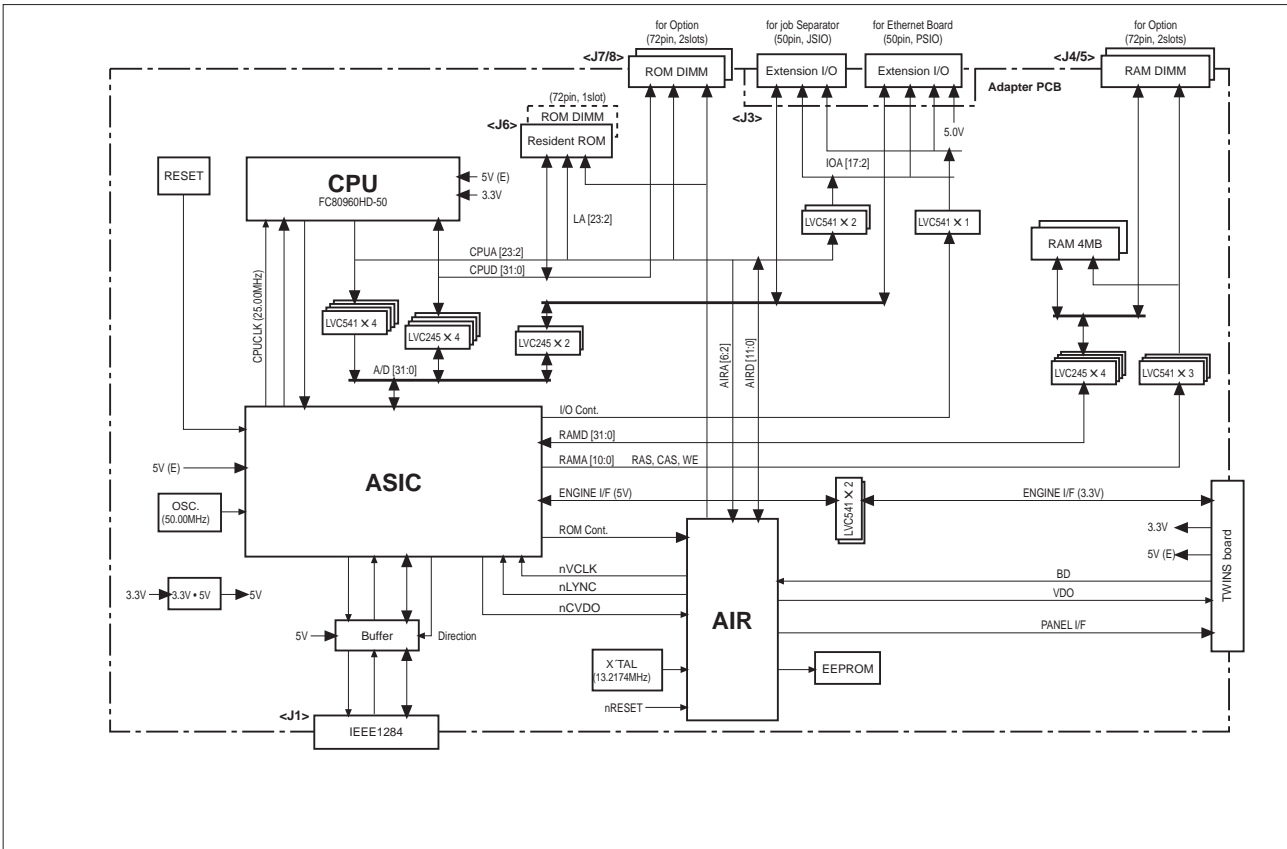


Figure 5-72 Block Diagram

4.5.4 Maintenance and service

a) Test print

The following items can be printed by selecting and executing a **TEST MENU**:

•**SHOW PAGE COUNT**

Displays the total number of printed pages when used as a printer. The total page number is only shown briefly on the display but does not print. The page count prints in the TEST PRINT.



This counter displays the number of printed pages when used as a printer. When checking the total number of printed pages for this unit, please check with the service mode #7 PRINTER #3 PRINT COUNT.

•**TEST PRINT**

Make a Test Print. The Test Print lists the printing environment settings and also displays the graphic and text printing capabilities.

•**PRINT PS FONTS**

Available only after the Translator Module A5 for Adobe PostScript Level 3 module I has been installed. Prints the PS Font List.

•**PRINT PCL FONTS**

Prints the PCL Font List.

•**PRINT PS DEMO**

Available only after the Translator Module A5 for Adobe PostScript Level 3 module has been installed. Prints the PS demonstration page.

•**PRINT PCL DEMO**

Prints the PCL demonstration page.

•**CONTINUOUS TEST**

Make continuous Test Prints.

•**CLEANING PAGE**

See following page.

Follow these steps to make a Test Print:

- (1) Press the Go button to set the printer off-line. The On line indicator should be OFF and PAUSED appears in display.
- (2) Press the Menu button until you see "TEST MENU" in the top line.
- (3) Press the Item button until you see "TEST PRINT" in the bottom line.
- (4) Press the Enter button to start printing a Test Print.
- (5) After the pages are printed, press the Go button to put the printer on-line.

Use the Test Print to verify the operation panel selections, system configurations (memory and options), and print quality.

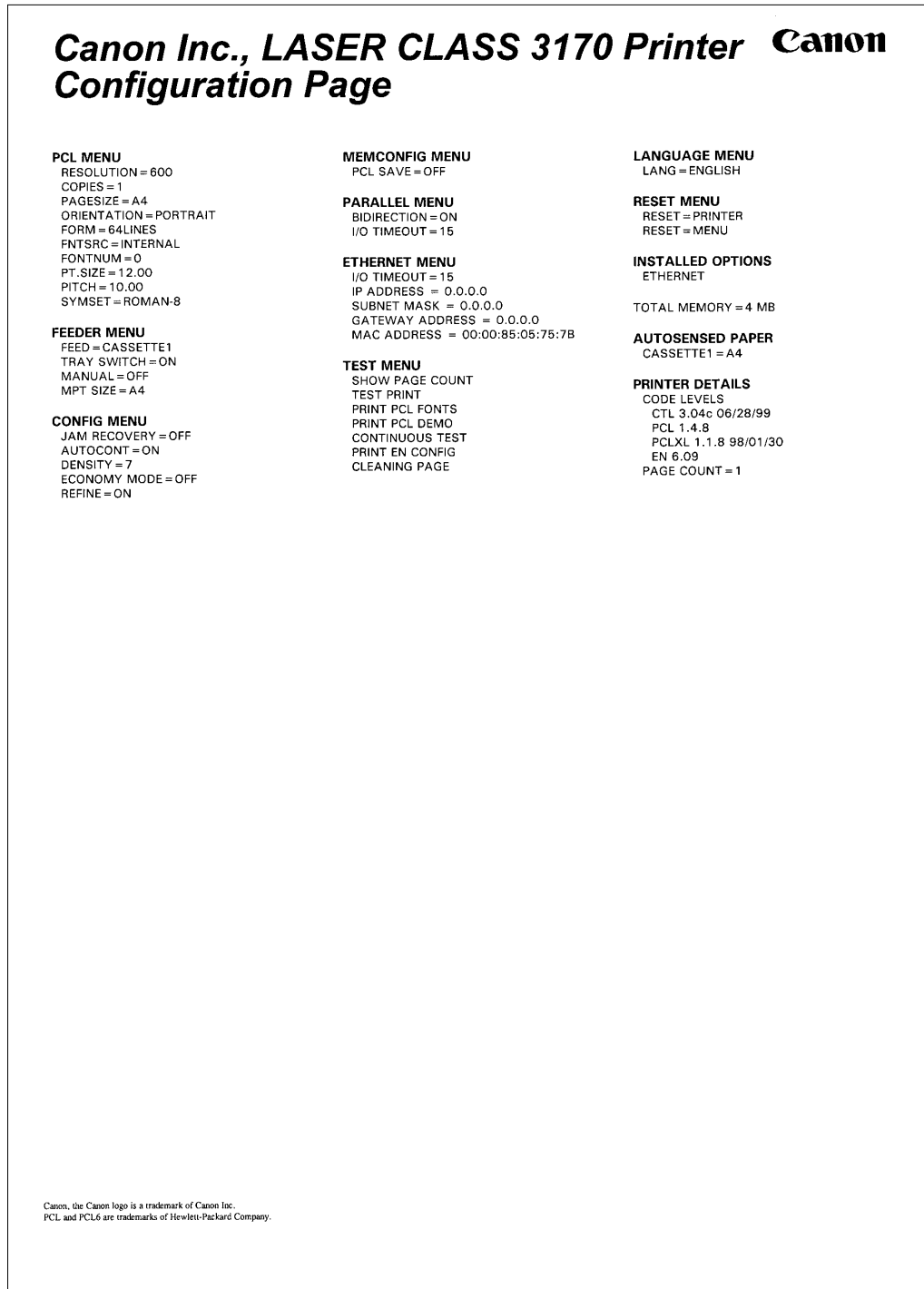


Figure 5-73 Test Print

•Cleaning Page

When the dirty fixing unit is the cause of image defect, the fixing unit can be cleaned by the user.

The toner on the upper pressure roller can be removed by printing the cleaning pattern in figure 5-74 Cleaning Page and re-feeding the paper (cleaning page). The procedure is as shown below.

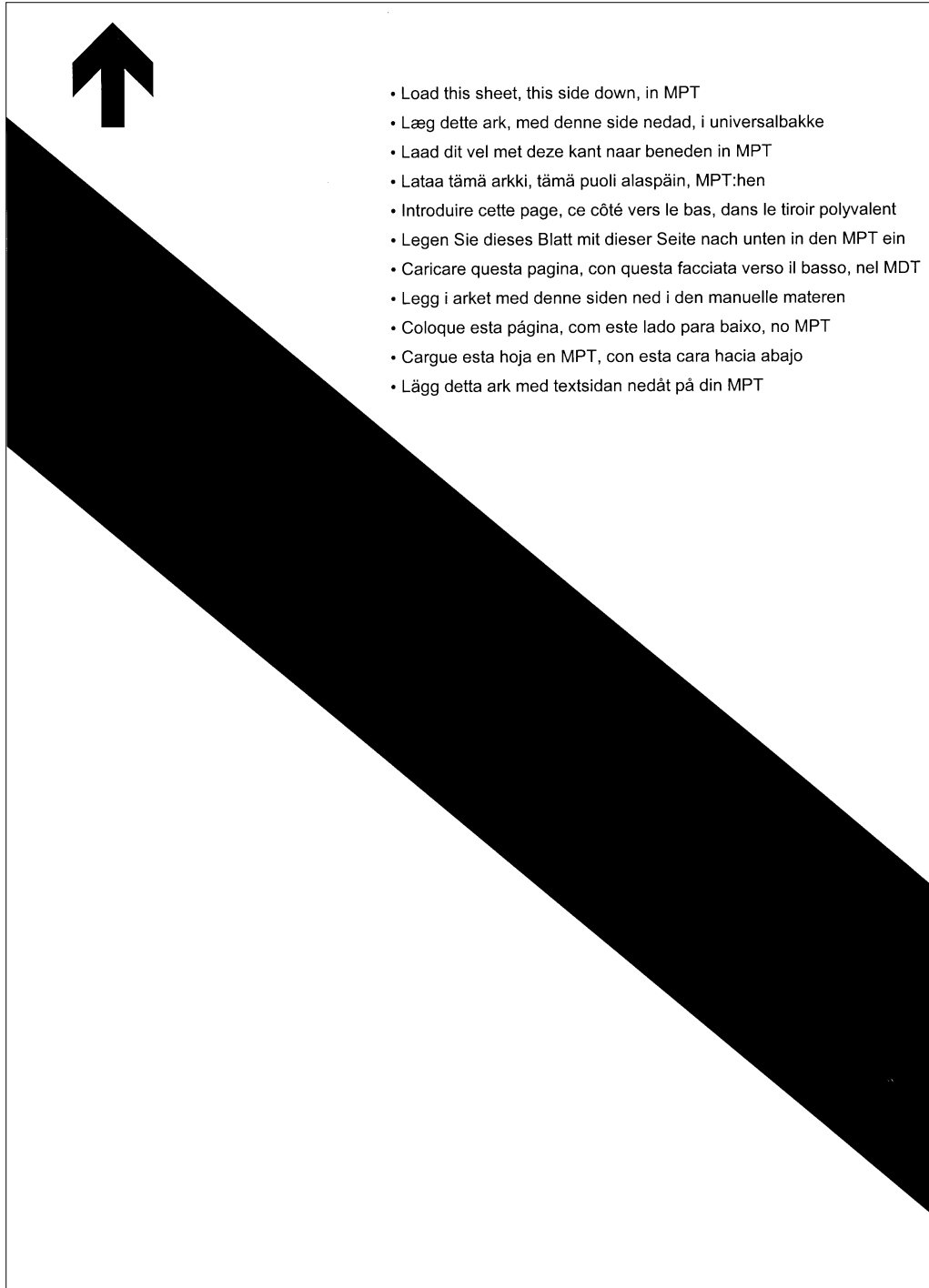


Figure 5-74 Cleaning Page

- (1) Press the Go button to set the printer off-line. The On line indicator should be OFF and PAUSED appears in display.
- (2) Press the Menu button until you see "TEST MENU" in the top line.
- (3) Go to the "CLEANING PAGE" item in the TEST MENU.
- (4) Press the Enter/Cancel button.
- (5) The message "LOAD <size> IN MANUAL" is displayed (Because the data requests Manual feed mode.) [Note]
- (6) Load a paper requested in the multi-purpose tray.
- (7) Press the Go button.
- (8) CLEANING PAGE is created at 600dpi.
- (9) The message "LOAD CLEANING PAGE IN MANUAL" is displayed after delivering paper.
- (10) Load the sheet (CLEANING PAGE), the printed side down, in the multi-purpose tray.
- (11) Press the Go button.
- (12) Print blank page onto cleaning page at 1200dpi.



The paper size requested by 'cleaning page' is page size item value in PCL MENU.

b) Troubleshooting



REFERENCE

Please refer to *Chapter 4: Maintenance and Service* for information related to printing problems, trouble with facsimile functions, etc.

"5F-50 ERROR" (fixing unit malfunction)

<Possible causes>

1. Broken or short-circuited thermistor

Action: Turn the power OFF and remove the fixing unit. Measure the resistance between the fixing unit connector J132-1 (THRM) and J132-2 (GND). If the resistance is not in the range of 300k Ω to 500k Ω (standard temperature), replace the fixing film unit.

2. Broken heater wire/blown thermal fuses

Action: If there is no continuity between the fixing unit connectors J143F (NEUTRAL) and J142F (HOT) with the fixing unit removed, replace the fixing film unit.

3. Defective ECNT board

Action: Replace the ECNT board.

"5F-52 ERROR" (Scanner unit malfunction)

<Possible causes>

1.Poor contact in LASER/scanner unit connectors

Action: Reconnect the BD board connector J551, LASER driver board connector J501 and scanner motor connector J401.

2.Poor contact in ECNT board connector

Action: Reconnect the ECNT board connector J53 correctly.

3.Defective LASER/scanner unit

Action: Replace the LASER/scanner unit.

4.Defective ECNT board

Action: Replace ECNT board.

5.Defective SCNT board

Action: Replace SCNT board.

6.Defective TWINS board

Action: Replace the TWINS board.

7.Defective PDL board

Action: Replace the PDL board.

"5F-54 ERROR" (Main motor malfunction)

<Possible causes>

1.Poor contact in the MAIN MOTOR DRIVE signal line connectors

Action: Reconnect the main motor connector J301 and ECNT board connector J52 correctly.

2.Defective main motor

Action: Replace the main motor.

3.Defective ECNT board

Action: Replace ECNT board.

4.Defective SCNT board

Action: Replace SCNT board.

5.Defective TWINS board

Action: Replace TWINS board.

6.Defective PDL board

Action: Replace the PDL board.

"5F-56 ERROR" (Duplexing unit exhaust fan (FM701) malfunction)

<Possible causes>

1. Poor contact in the connectors of the FM701 drive signal line

Action: Reconnect the intermediate connectors J718 and J719, then the duplexing unit driver board connector J707.

2. Defective fan motor

Action: Replace the exhaust fan.

3. Defective duplexing unit driver board

Action: Replace the duplexing unit driver board.

"5F-59 ERROR" (Cooling fan (FM101) malfunction)

<Possible causes>

1. Poor contact in the connector of the FM101 drive signal line

Action: Reconnect the ECNT board connector J54.

2. Defective fan motor

Action: Disconnect the ECNT board connector J54. Turn the power ON, then measure the voltage between ECNT board connector J54-1 (/FON) and J54-3 (GND). If the voltage changes from 0V to about 24V, replace the cooling fan.

3. Defective ECNT board

Action: Replace the ECNT board.

4. Defective SCNT board

Action: Replace the SCNT board.

5. Defective TWINS board

Action: Replace the TWINS board.

6. Defective PDL board

Action: Replace the PDL board.

"5F-60 ERROR" (Duplex Option error)

<Possible causes>

1. Defective duplexing unit connector

Action: Remove the duplexing unit from the printer and check the connector. Replace the connector if any failure is found.

2. Defective printer connector

Action: Check the connector. Replace the connector if any failure is found.

3. Defective duplexing unit driver board

Action: Replace the duplexing unit driver board.

4. Defective ECNT board

Action: Replace the ECNT board

5. Defective SCNT board

Action: Replace the SCNT board.

6. Defective TWINS board

Action: Replace the TWINS board.

7. Defective PDL board

Action: Replace the PDL board.

"5F-61 ERROR" (Envelope Option error)

<Possible causes>

1. Defective envelope feeder connector

Action: Remove the envelope feeder from the printer and check the connector. Replace the connector if any failure is found.

2. Defective printer connector

Action: Check the connector. Replace the connector if any failure is found.

3. Defective envelope feeder driver board

Action: Replace the envelope feeder driver board.

4. Defective ECNT board

Action: Replace the ECNT board.

5. Defective SCNT board

Action: Replace the SCNT board.

6. Defective TWINS board

Action: Replace the TWINS board.

7. Defective PDL board

Action: Replace the PDL board.

"5F-62 ERROR" (Feeder Option error)

<Possible causes>

1. Defective paper feeder connector

Action: Remove the paper feeder and check the connector. If any failure is found, replace it.

2. Defective printer connector

Action: Check the connector. If any failure is found, replace it.

3. Defective paper feeder driver board

Action: Replace the paper feeder driver board.

4. Defective ECNT board

Action: Replace the ECNT board.

5. Defective SCNT board

Action: Replace the SCNT board.

6. Defective TWINS board

Action: Replace the TWINS board.

7. Defective PDL board

Action: Replace the PDL board.

"6F-61 ERROR" (Resident ROM checksum error)

<Possible causes>

1. Defective firmware ROM DIMM

Action: Replace the firmware ROM DIMM.

2. Defective PDL board

Action: Replace the PDL board.

"6F-63 ERROR" (Resident DRAM checksum error)

<Possible causes>

1. Defective PDL board

Action: Replace the PDL board.

"6F-68 ERROR" (NVRAM (EEPROM) error)

<Possible causes>

1. Defective PDL board

Action: Replace the PDL board.

"6F-7A ERROR" (SRAM in AIR chip error)

<Possible causes>

1. Defective PDL board

Action: Replace the PDL board.

"PARALLEL INTERFACE ERROR"

<Possible causes>

1. Defective PDL board

Action: Replace the PDL board.

"TONER CARTRIDGE MISSING" message appears when it is installed

<Possible causes>

1. Poor contact between the printer contact and the cartridge contact

Action: Clean the contacts if dirty. Replace the part(s) if deformed or damaged, or the problem still remains after cleaning.

2. Defective cartridge

Action: Replace the cartridge.

3. Defective ECNT board

Action: Replace the ECNT board.

4. Defective SCNT board

Action: Replace the SCNT board.

5. Defective TWINS board

Action: Replace the TWINS board.

6. Defective PDL board

Action: Replace the PDL board.

"CASSETTE 1 MISSING" message appears when it is installed

<Possible causes>

1. Damaged cassette size lever in the cassette

Action: Replace the lever.

2. Defective paper size detection board

Action: Replace the paper size detection board.

3. Defective ECNT board

Action: Replace the ECNT board.

4. Defective SCNT board

Action: Replace the SCNT board.

5. Defective TWINS board

Action: Replace the TWINS board.

6. Defective PDL board

Action: Replace the PDL board.

"PRINTER OPEN" message appears when the cover is closed

<Possible causes>

1. Damaged cartridge door lever

Action: Replace the cartridge door.

2. Defective printer cover

Action: Replace the printer cover sensor.

3. Defective ECNT board

Action: Replace the ECNT board.

4. Defective SCNT board

Action: Replace the SCNT board.

5. Defective TWINS board

Action: Replace the TWINS board.

6. Defective PDL board

Action: Replace the PDL board.

"TOP BIN FULL" message appears when the actual paper level is not full

<Possible causes>

1. Locked or damaged recording paper overload sensor lever

Action: Set the lever to move smoothly. Replace it if damaged.

2. Defective recording paper overload sensor.

Action: Replace the sensor.

3. Defective ECNT board

Action: Replace the ECNT board.

4. Defective SCNT board

Action: Replace the SCNT board.

5. Defective TWINS board

Action: Replace the TWINS board.

6. Defective PDL board

Action: Replace the PDL board.

"LOAD <SIZE> IN CASSETTE 1" message appears when the specified sized paper is in the cassette

<Possible causes>

1. Damaged paper detection lever

Action: Replace the lever.

2. Defective recording paper size sensor

Action: Replace the sensor.

3. Defective paper size detection board

Action: Replace the paper size detection board.

4. Defective ECNT board

Action: Replace the ECNT board.

5. Defective SCNT board

Action: Replace the SCNT board.

6. Defective TWINS board

Action: Replace the TWINS board.

7. Defective PDL board

Action: Replace the PDL board.

"LOAD <SIZE> IN MPT" message appears when the specified sized paper is in the multi-purpose tray

<Possible causes>

1. Damaged paper detection lever

Action: Replace the lever.

2. Defective multi-purpose tray paper sensor

Action: Replace the sensor.

3. Defective ECNT board

Action: Replace the ECNT board.

4. Defective SCNT board

Action: Replace the SCNT board.

5. Defective TWINS board

Action: Replace the TWINS board.

6. Defective PDL board

Action: Replace the PDL board.

"LOAD <SIZE> IN CASSETTE 2" message appears when the specified sized paper is in the paper feeder

<Possible causes>

1. Damaged paper detection lever

Action: Replace the lever.

2. Defective cassette recording paper size sensor of the Paper Feed Unit PF-52

Action: Replace the sensor.

3. Defective paper feeder driver board

Action: Replace the paper feeder driver board.

4. Defective paper size detection board

Action: Replace the paper size detection board.

5. Defective ECNT board.

Action: Replace the ECNT board.

6. Defective SCNT board

Action: Replace the SCNT board.

7. Defective TWINS board

Action: Replace the TWINS board.

8. Defective PDL board

Action: Replace the PDL board.

"LOAD <SIZE> IN ENV." message appears when the specified sized envelope is in the envelope feeder.

<Possible causes>

1. Damaged envelope detection lever

Action: Replace the lever.

2. Defective envelope feeder driver board

Action: Replace the envelope feeder driver board.

3. Defective ECNT board

Action: Replace the ECNT board.

4. Defective SCNT board

Action: Replace the SCNT board.

5. Defective TWINS board

Action: Replace the TWINS board.

6. Defective PDL board

Action: Replace the PDL board.

"CLOSE FACE-UP TRAY" message appears when the face-up tray is closed at the time of using duplexing unit

<Possible causes>

1. Spring is out of position

Action: Remove the right cover of the duplexing unit and check the spring. If the spring is out of position, set it in the correct position.

2. Damaged top cover sensor lever of the duplexing unit
Action: Replace the top cover.

3. Defective face-up tray paper sensor
Action: Replace the sensor.

4. Defective duplexing unit driver board
Action: Replace the duplexing unit driver board.

"PAPER JAM" message appears when the paper jam has not occurred, and the printer cannot be in READY mode.

<Possible causes>

1. Top of page sensor lever does not move smoothly or is damaged.
Action: Set the lever to move smoothly. Replace it if damaged.

2. Recording paper eject sensor lever does not move smoothly or is damaged.
Action: Set the lever to move smoothly. Replace it if damaged.

3. Defective top of page sensor
Action: Replace the sensor.

4. Defective recording paper eject sensor 1
Action: Replace the sensor.

5. Defective ECNT board
Action: Replace the ECNT board.

6. Defective SCNT board
Action: Replace the SCNT board.

7. Defective TWINS board
Action: Replace the TWINS board.

8. Defective PDL board
Action: Replace the PDL board.

"DUPLEX JAM" message appears when the paper jam has not occurred; so, the printer cannot be in READY mode.

<Possible causes>

1. Reversing paper sensor lever does not move smoothly, or is damaged.
Action: Set the lever to move smoothly. Replace it if damaged.

2. Duplexing unit pick-up paper sensor lever does not move smoothly, or is damaged.
Action: Set the lever to move smoothly. Replace it if damaged.

3. Defective reversing paper sensor

Action: Replace the sensor.

4. Defective duplexing unit pick-up paper sensor 1

Action: Replace the sensor.

5. Defective duplexing unit driver board

Action: Replace the duplexing unit driver board.

6. Defective ECNT board

Action: Replace the ECNT board.

7. Defective SCNT board

Action: Replace the SCNT board.

8. Defective TWINS board

Action: Replace the TWINS board.

9. Defective PDL board

Action: Replace the PDL board.

c) Signal description

PDL board(J2) ↔ TWINS board connector(J35)

J2		J35	Signal name	Description
a1	←	1	+3.3V	Logic drive voltage
a2	—	2	GND	Ground

PDL board(J2) ↔ TWINS board connector(J34)

J2		J34	Signal name	Description
b1	→	10	+5.0V	PDL board detect signal H:Yes, L:No
b2	→	9	nSCEN	Serial clock enable
b3	→	8	nPCLK	Clock
b4	→	7	nCOMWR	The SO signal is a signal for distinguishing between commands and data. H:Command L:Data
b5	—	6	nDENB	Not used
b6	→	5	SO	Operation panel control signal (Command or Data)
b7	←	4	SI	Button data
b8	—	3	GND	Ground
b9	←	2	+3.3V	Logic drive voltage
b10	—	1	GND	Ground

PDL board(J2) ↔ TWINS board connector(J33)

J2		J33	Signal name	Description
c1	—	26	GND	Ground
c2	←	25	nBD	Horizontal sync signal
c3	←	24	nPPRDY	Printer power ready signal
c4	←	23	nRDY	Ready signal
c5	←	22	nTOP	Vertical sync signal
c6	←	21	nSBSY	Status busy signal
c7	←	20	nSTS	Status signal

PDL board(J2) ↔ TWINS board connector(J33)

J2		J33	Signal name	Description
c8	—	19	nPCLK	Not used
c9	→	18	nCBSY	Command busy signal
c10	→	17	nPRNT	Print signal
c11	→	16	nPRFD	Pre-feed signal
c12	→	15	nCPRDY	Controller power ready signal
c13	—	14	GND	Ground
c14	→	13	nCMD	Command signal
c15	→	12	nCCLK	Controller clock signal
c16	—	11	GND	Ground
c17	→	10	nVDO	Video signal
c18	—	9	GND	Ground
c19	←	8	nCCRT	Condition change report signal
c20	—	7	nPDLV	Not used
c21	—	6	nPFED	Not used
c22	—	5	NC	Not connected
c23	←	4	+5.0V	Logic drive voltage
c24	←	3	+5.0V	Logic drive voltage
c25	—	2	GND	Ground
c26	—	1	GND	Ground

This page intentionally left blank



Printed on paper that
contains 60% reused paper.

Canon

LASER CLASS® 3170/3175

LASER CLASS® 3175MS

PARTS CATALOG

REVISION 0

LASER CLASS 3170	H12-1612	120V	USA
LASER CLASS 3175	H12-1622	120V	USA
LASER CLASS 3175MS	H12-1682	120V	USA
VERIFICATION STAMP UNIT1	H12-3162		
YELLOW INK TO REFILL	H12-3372		
FOR VERIFICATION STAMP			
HANDSET KIT L7	H12-3472		
OPTION MEMORY VII (4MB)	H11-4721		
DUAL-LINE UPGRADE KIT II	H11-5502		
PRINTER BOARD I	H11-5512		
Adobe PostScript 3 Module I	H11-5532		
DUPLEX UNIT DU-52	R73-5004		
ENVELOPE FEEDER EF-52	R73-5005		
PAPER FEED UNIT PF-52	R73-5006		

Canon

SEPT. 1999

HY8-39AM-000

Application

This manual has been issued by Canon Inc. for qualified persons to learn technical theory, installation, maintenance, and repair of products. This manual covers all localities where the products are sold. For this reason, there may be information in this manual that does not apply to your locality.

Corrections

This manual may contain technical inaccuracies or typographical errors due to improvements or changes in products. When changes occur in applicable products or in the content of this manual, Canon will release technical information as the need arises. In the event of major changes in the contents of this manual over a long or short period, Canon will issue a new edition of this manual.

The following paragraph does not apply to any countries where such provisions are inconsistent with local law.

Trademarks

The product names and company names described in this manual are the registered trademarks of the individual companies.

Copyright

This manual is copyrighted with all rights reserved. Under the copyright laws, this manual may not be copied, reproduced or translated into another language, in whole or in part, without the written consent of Canon Inc.

Copyright © 1999 by Canon Inc.

CANON INC.

Consumer Imaging Products Quality Assurance Dept. 1

5-1 Hakusan 7-Chome, Toride-city, Ibaraki 302-8501, Japan

DTP System

The data contained on this manual were created using Apple Macintosh® computers.
Document creation and page layout were performed using Adobe® PageMaker® 6.5J.
Logos and illustrations were created using Macromedia® FreeHand 8.0J.

PARTS CATALOG OUTLINE

In addition to the main facsimile body, the LASER CLASS 3170/3175/3175MS has options which are used especially for facsimile and options which are used in common with LBP. Because of this, this parts catalog is divided as shown below.

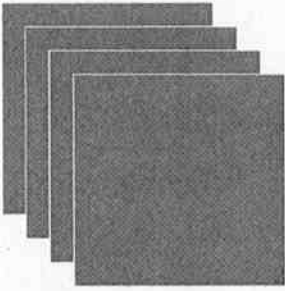
Part 1: Facsimile and Special Facsimile Options

These are listed in the LASER CLASS 3170/3175/3175MS and Special Options parts catalog. They are products whose product numbers begin with the letter "H."

Part 2: Options Common to LBP

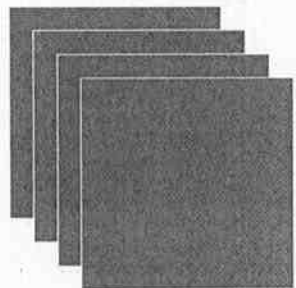
These are appended for reference to the options parts catalog for LBP products which can be used with the LASER CLASS 3170/3175/3175MS. They are products whose product numbers begin with the letter "R."

The Product No.'s are listed on a table. Please check the Product No., and refer to that particular part.



Part 1

Facsimile and Special Facsimile Options



I. CONTENTS

1. ILLUSTRATION INDEX
2. PARTS LAYOUT & PARTS LIST
3. TOOL
4. LUBRICATIONS
5. GUIDE TO REPLACEMENT
6. NUMERICAL INDEX

II. ABOUT THIS MANUAL

1. ILLUSTRATION INDEX

For illustration index, the parts layout illustrations in this parts catalog are listed in abbreviated form in order of illustration number to identify the pages they appear on. To find an illustration of a part, see the ILLUSTRATION INDEX.

2. PARTS LAYOUT & PARTS LIST

Parts layout illustration

a) Parts search

Find a part from the parts layout illustration and find its key number from the parts list to identify the part number and name.

Further, screws, nuts, washers, grip rings, pins and spacers are mentioned in the parts list.

Note: If parts have the same or similar shape but different specifications, their key number is assigned to several part numbers and names in the parts list.

b) Parts replacement procedure

The parts layout illustrations are arranged according to the disassembly procedure of the product.

When a unit in the illustration can be disassemble further, a reference illustration page of the disassembly will be included.

Parts where grease is to be applied are displayed as "Lubrication". When replacing parts, or if grease has accidentally been wiped off, refer to "4". (Lubrications), and reapply the grease.

The parts require carefully work are marked "See page 5-x". So refer to the corresponded page "5". (GUIDE TO REPLACEMENT).

The letters (A , B etc.) in the illustration indicate the connection locations of cables and screws.

Parts list

a) FIGURE & KEY No.

The FIGURE & KEY No. column corresponds to the key numbers assigned to the parts in the parts layout illustration.

It also corresponds to the part locations printed on the PC board.

b) PART NUMBER

The PART NUMBER column gives the part numbers corresponding to the key numbers. To order a part, indicate the part number clearly.

Note: Parts marked NPN are not service parts.

c) RANK

The service parts with N in the RANK column are order parts.

d) QTY

The QTY column gives the number of parts in the corresponding components layout illustration.

e) DESCRIPTION

The DESCRIPTION column gives the part names in English.

To order a part, indicate the part name, too.

3. TOOL

This is a list of tools used for servicing products.

4. LUBRICATIONS

Where grease is to be applied in order to allow moving parts to work smoothly, and to increase conductivity, the type and amount of grease to be used will be mentioned.

5. GUIDE TO REPLACEMENT

Explains the special cares and cautions for the parts replacement.

6. NUMERICAL INDEX

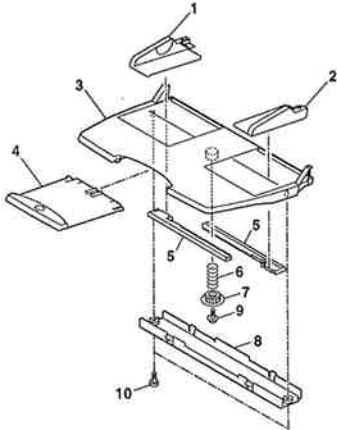
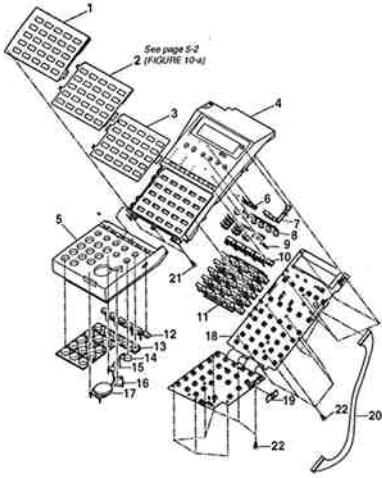
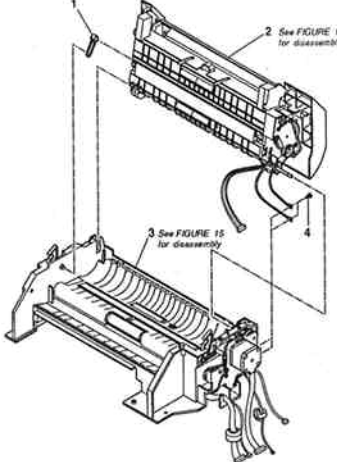
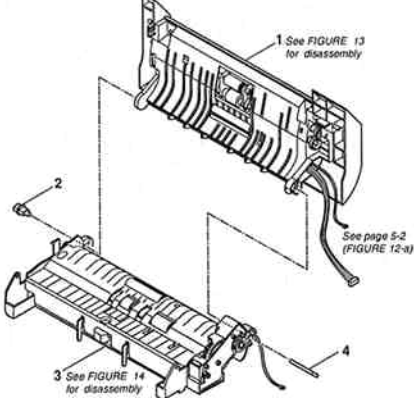
All the parts listed in this parts catalog are arranged in order of part number. You can identify part locations and names from the NUMERICAL INDEX.

This page intentionally left blank

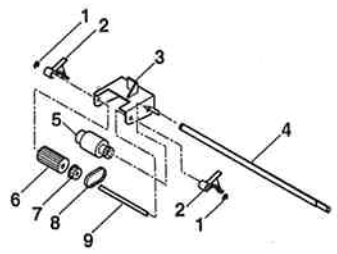
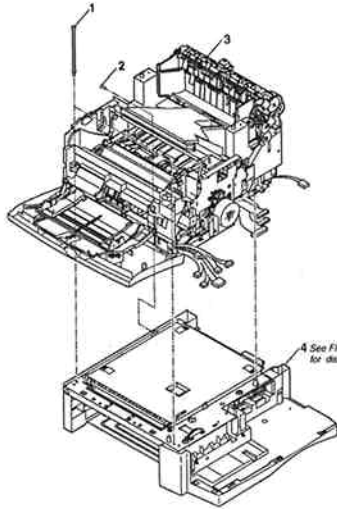
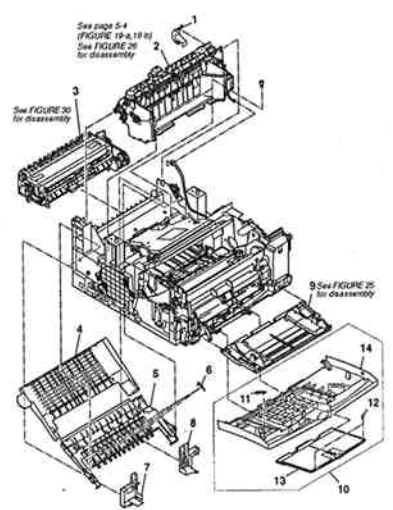
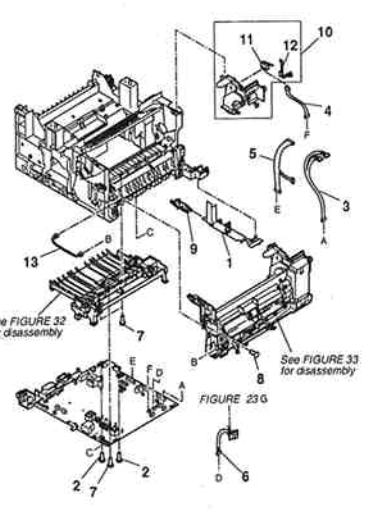
1. ILLUSTRATION INDEX

<p>FIGURE 1 LASER CLASS 3170 PACKAGE CONTENTS</p>	<p>See Page 2-1</p>	<p>FIGURE 2 LASER CLASS 3175/3175MS PACKAGE CONTENTS</p>	<p>See Page 2-3</p>
<p>FIGURE 3 PAPER FEED UNIT (PF-52) PACKAGE CONTENTS</p>	<p>See Page 2-5</p>	<p>FIGURE 4 EXTERNAL COVERS</p>	<p>See Page 2-7</p>

<p>FIGURE 5 READER & OPERATION PANEL</p>	<p>See Page 2-9</p>	<p>FIGURE 6 CIRCUIT BOARDS (LASER CLASS 3170/3175)</p>	<p>See Page 2-11</p>
<p>FIGURE 7 CIRCUIT BOARDS (LASER CLASS 3175MS)</p>	<p>See Page 2-13</p>	<p>FIGURE 8 CIRCUIT BOARD FRAME</p>	<p>See Page 2-15</p>

<p>FIGURE 9 DOCUMENT TRAY ASS'Y</p>	<p>See Page 2-17</p>	<p>FIGURE 10 OPERATION PANEL ASS'Y</p>	<p>See Page 2-19</p>
			
<p>FIGURE 11 READER ASS'Y</p>	<p>See Page 2-21</p>	<p>FIGURE 12 UPPER/MIDDLE FRAME ASS'Y</p>	<p>See Page 2-23</p>
			

<p>FIGURE 13 UPPER READER FRAME ASS'Y</p>	<p>See Page 2-25</p>	<p>FIGURE 14 MIDDLE READER FRAME ASS'Y</p>	<p>See Page 2-27</p>
	<p>* = Lubrication See page 4-1</p>		
<p>FIGURE 15 LOWER READER FRAME ASS'Y (1/2)</p>	<p>See Page 2-29</p>	<p>FIGURE 16 LOWER READER FRAME ASS'Y (2/2)</p>	<p>See Page 2-31</p>
<p>* = Lubrication See page 4-2</p>	<p>* = Lubrication See page 4-2</p>		

<p>FIGURE 17 SEPARATION ROLLER ASS'Y (UPPER)</p>	<p>See Page 2-33</p>	<p>FIGURE 18 PRINTER & PAPER FEEDER SECTION</p>	<p>See Page 2-35</p>
 <p>See page 5-4 (FIGURE 17-a)</p>		 <p>See FIGURE 36 for disassembly</p>	
<p>FIGURE 19 PRINTER INTERNAL COMPONENTS 1</p>	<p>See Page 2-37</p>	<p>FIGURE 20 PRINTER INTERNAL COMPONENTS 2</p>	<p>See Page 2-39</p>
 <p>See page 5-4 (FIGURE 19-a, 19-b) See FIGURE 22 for disassembly</p> <p>See FIGURE 30 for disassembly</p> <p>See FIGURE 22 for disassembly</p>		 <p>See FIGURE 32 for disassembly</p> <p>See FIGURE 33 for disassembly</p> <p>FIGURE 23 G</p>	

<p>FIGURE 21 PRINTER INTERNAL COMPONENTS 3</p>	<p>See Page 2-41</p>	<p>FIGURE 22 PRINTER INTERNAL COMPONENTS 4</p>	<p>See Page 2-43</p>			
			<p>FIGURE 23 DRIVE ASSY</p>	<p>See Page 2-45</p>	<p>FIGURE 24 UPPER COVER ASSY</p>	<p>See Page 2-47</p>
			<p>1-6</p>			

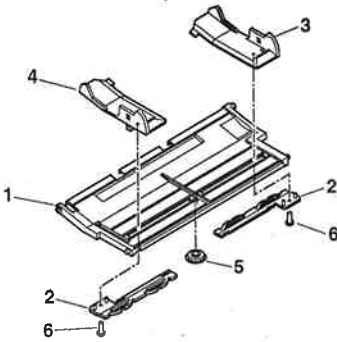
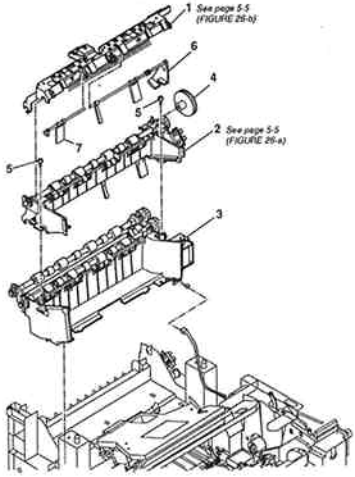
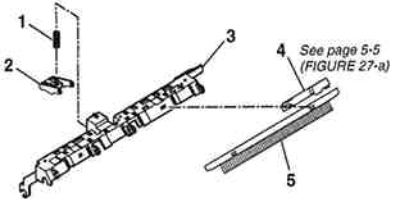
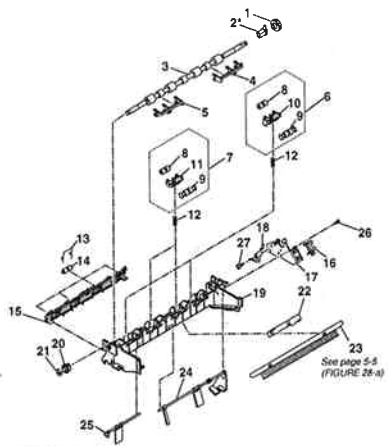
<p>FIGURE 25 MULTI-PURPOSE TRAY ASS'Y</p>	<p>See Page 2-49</p>	<p>FIGURE 26 PAPER DELIVERY ASS'Y</p>	<p>See Page 2-51</p>
			
<p>FIGURE 27 DELIVERY UPPER GUIDE ASS'Y</p>	<p>See Page 2-53</p>	<p>FIGURE 28 DELIVERY MIDDLE GUIDE ASS'Y</p>	<p>See Page 2-55</p>
	 <p>* Lubrication See page 4-3</p>		

FIGURE 29 DELIVERY LOWER GUIDE ASSY

See Page
2-57

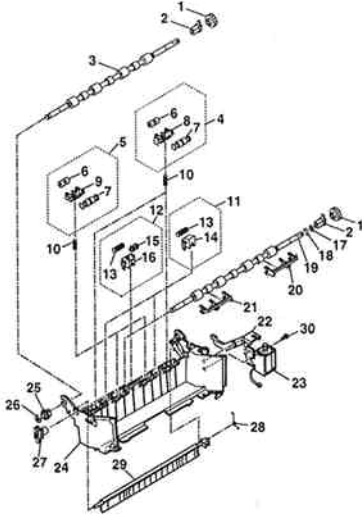


FIGURE 30 FIXING ASSY (1/2)

See Page
2-59

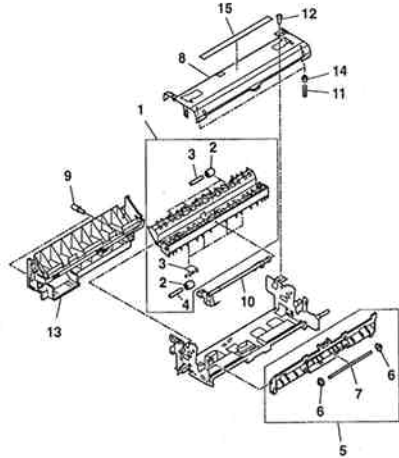
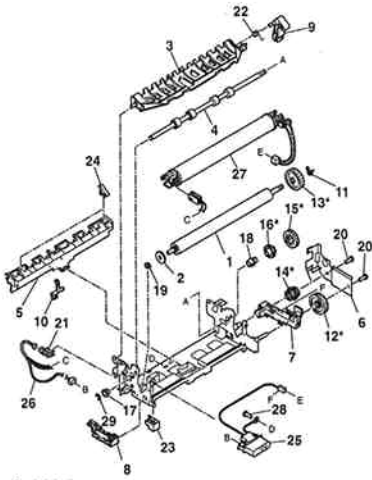


FIGURE 31 FIXING ASSY (2/2)

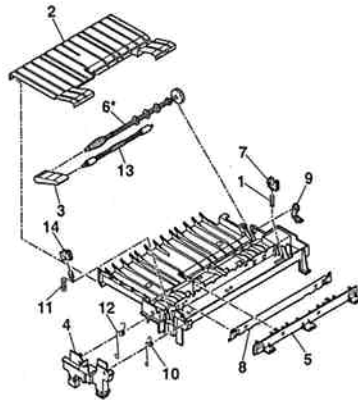
See Page
2-61



* = Lubrication
See page 4-4

FIGURE 32 PAPER FEED GUIDE ASSY

See Page
2-63



* = Lubrication
See page 4-5

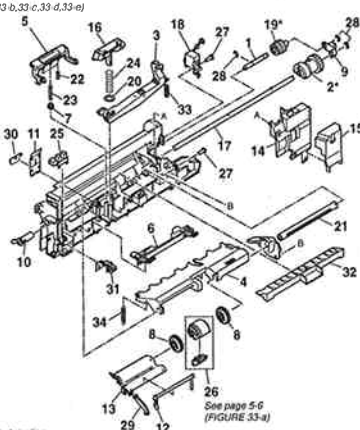
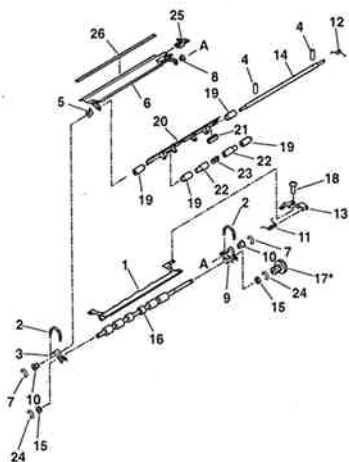
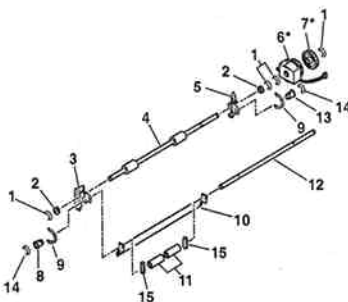
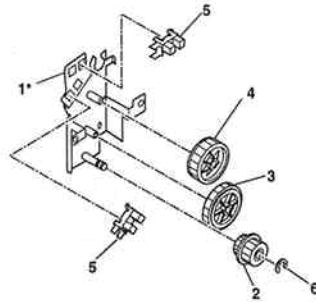
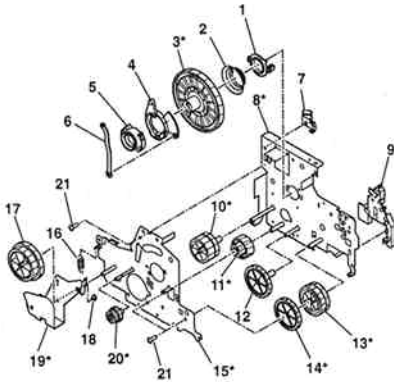
<p>FIGURE 33 MULTI-PURPOSE PICK-UP ASS'Y</p>	<p>See Page 2-65</p>	<p>FIGURE 34 REGISTRATION ASS'Y</p>	<p>See Page 2-67</p>
<p>See page 5-6,5-7 (FIGURE 33 b,33 c,33 d,33 e)</p>  <p>* = Lubrication See page 4-6</p> <p>See page 5-6 (FIGURE 33-a)</p>		 <p>* = Lubrication See page 4-7</p>	
<p>FIGURE 35 PAPER FEED ASS'Y</p>	<p>See Page 2-69</p>	<p>FIGURE 36 DELIVERY DRIVE ASS'Y</p>	<p>See Page 2-71</p>
 <p>* = Lubrication See page 4-8</p>		 <p>* = Lubrication See page 4-9</p>	

FIGURE 37 PRINTER DRIVER ASS'Y

See Page
2-73



* = Lubrication
See page 4-10

FIGURE 38 PAPER FEEDER ASS'Y

See Page
2-75

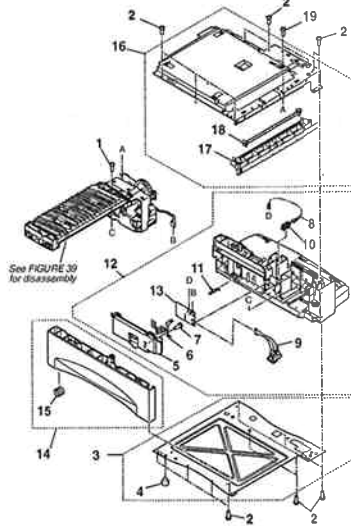
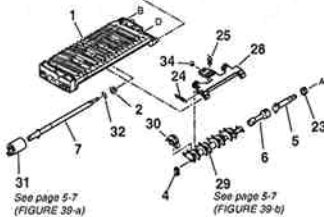
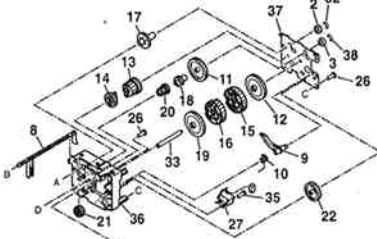


FIGURE 39 PAPER PICK-UP DRIVE ASS'Y

See Page
2-77



See page 5-7
(FIGURE 39-a)

See page 5-7
(FIGURE 39-a)

FIGURE 40 CASSETTE

See Page
2-81

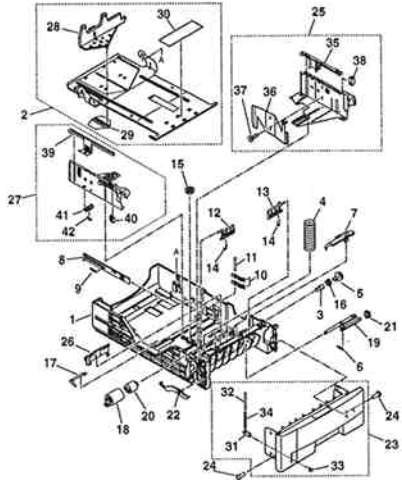


FIGURE 41 SCNT BOARD ASS'Y

See Page
2-85

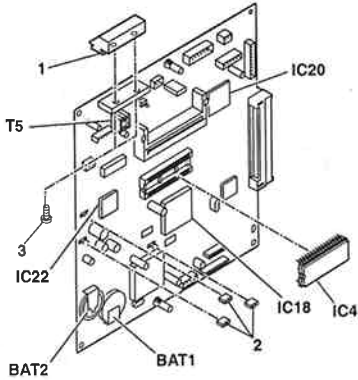


FIGURE 42 ECNT ASS'Y

See Page
2-87

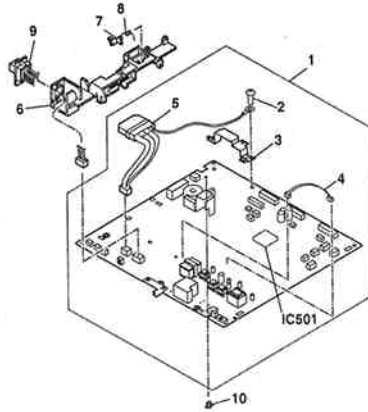


FIGURE 43 NCU BOARD ASS'Y

See Page
2-89

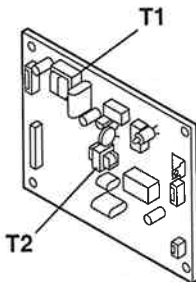
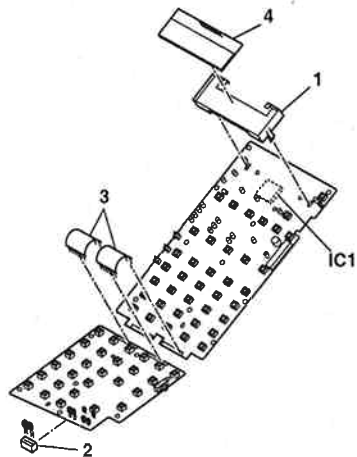


FIGURE 44 OPCNT BOARD ASS'Y

See Page
2-91



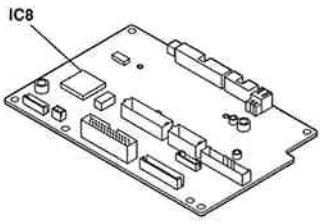
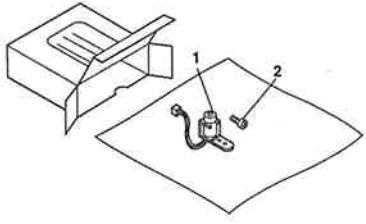
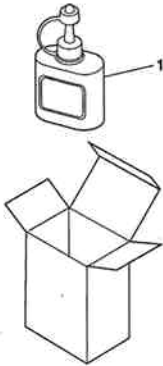
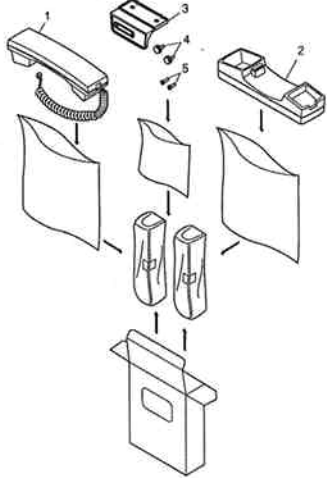
<p>FIGURE 45 TWINS BOARD ASS'Y</p>	<p>See Page 2-93</p>	<p>FIGURE 46 VERIFICATION STAMP UNIT 1 PACKAGE CONTENTS</p>	<p>See Page 2-95</p>
			
<p>FIGURE 47 YELLOW INK TO REFILL FOR VERIFICATION STAMP PACKAGE CONTENTS</p>	<p>See Page 2-97</p>	<p>FIGURE 48 HANDSET KIT L7 PACKAGE CONTENTS</p>	<p>See Page 2-99</p>
 <p>The Stamp ink is not designated as a service part. Please include it with the product (Product No. H12-3372-210).</p>			

FIGURE 49 OPTION MEMORY VII
(4MB)
PACKAGE CONTENTS

See Page
2-101

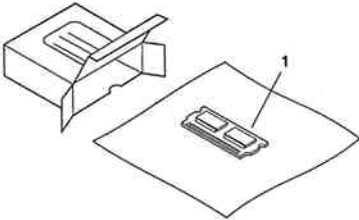


FIGURE 50 DUAL-LINE UPGRADE KIT III
PACKAGE CONTENTS

See Page
2-103

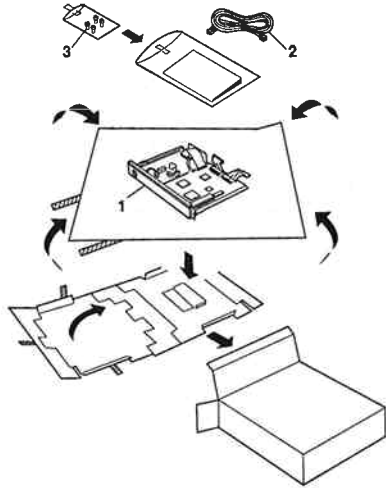


FIGURE 51 DUAL-LINE ASS'Y

See Page
2-105

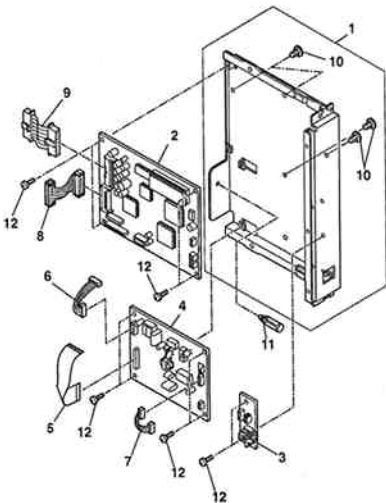
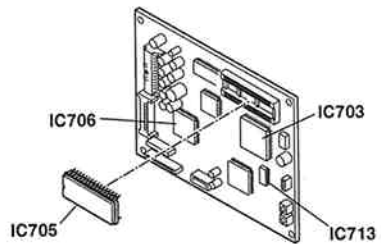


FIGURE 52 DUAL-LINE BOARD
ASS'Y

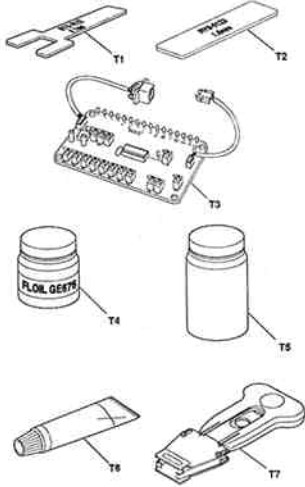
See Page
2-107



<p>FIGURE 53 PRINTER BOARD I PACKAGE CONTENTS</p>	<p>See Page 2-109</p>	<p>FIGURE 54 PRINTER BOARD ASS'Y</p>	<p>See Page 2-111</p>
<p>FIGURE 55 PDL BOARD ASS'Y</p>	<p>See Page 2-113</p>	<p>FIGURE 56 ADOBE POSTSCRIPT 3 MODULE I PACKAGE CONTENTS</p>	<p>See Page 2-115</p>

FIGURE 57 TOOLS

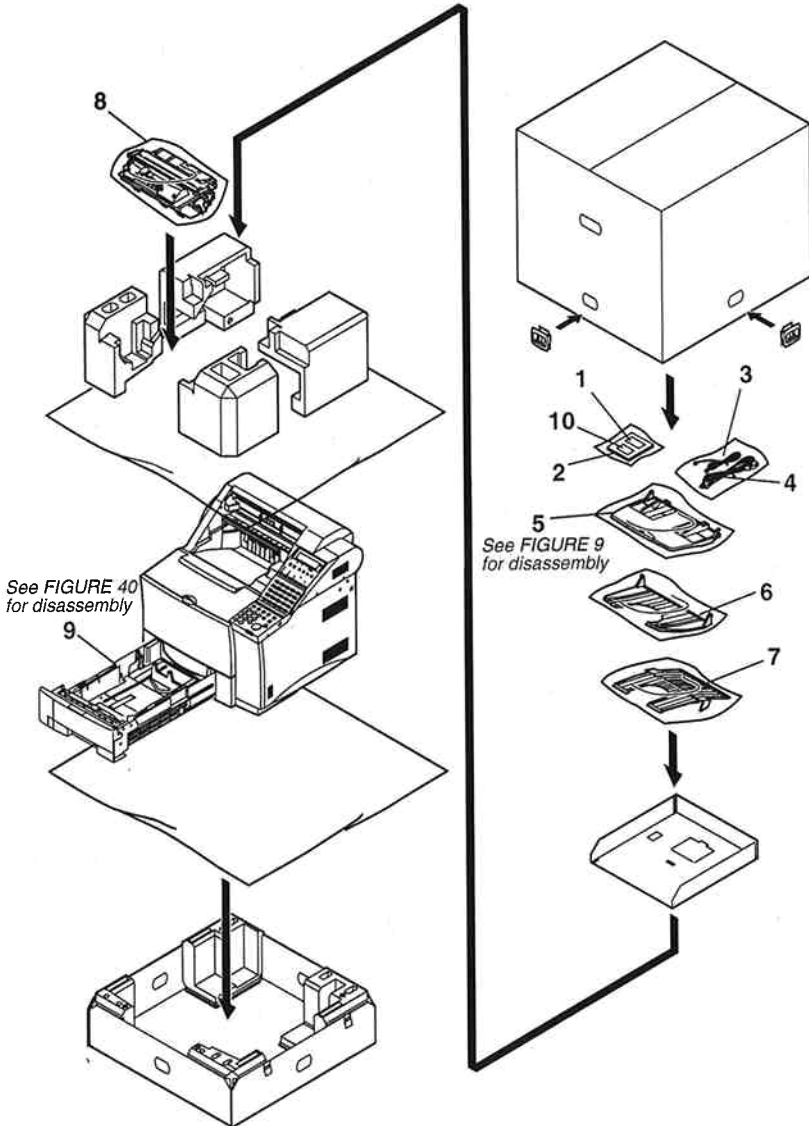
See Page
3-1



This page intentionally left blank

2. PARTS LAYOUT & PARTS LIST

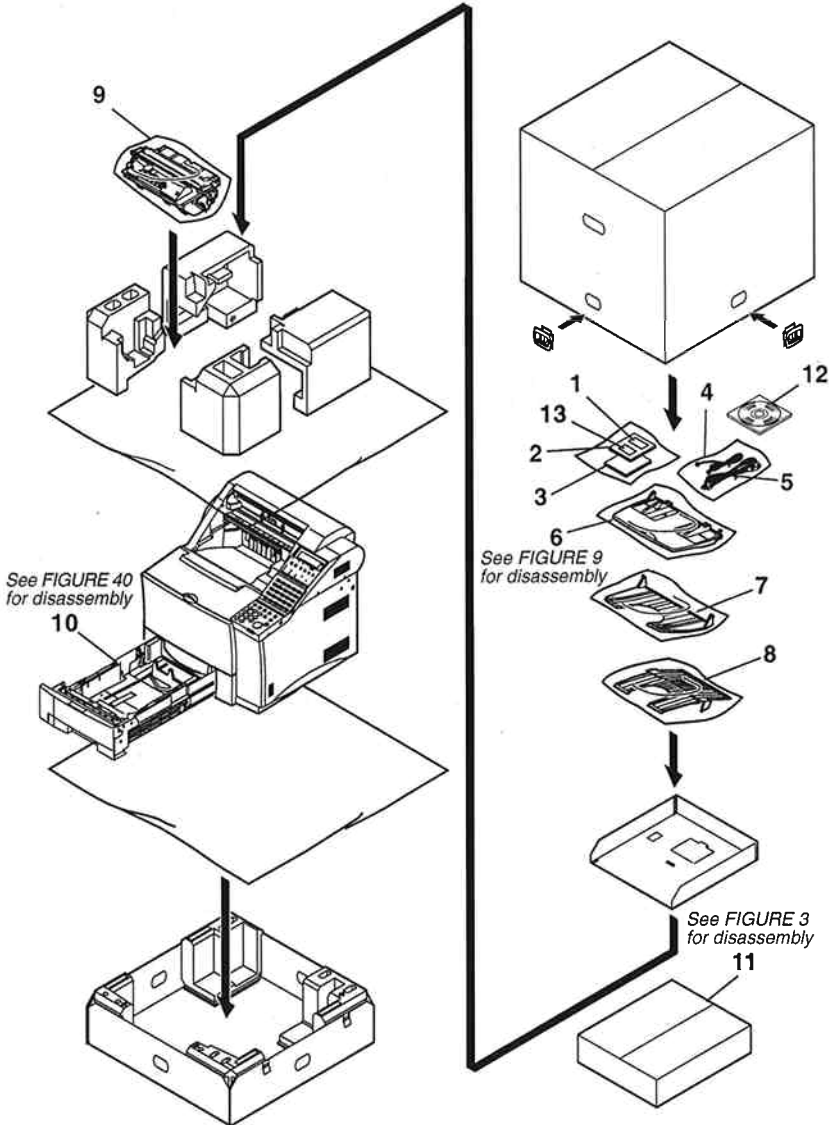
FIGURE 1 LASER CLASS 3170 PACKAGE CONTENTS



LASER CLASS 3170/3175/3175MS 2.PARTS LAYOUT & PARTS LIST

FIGURE & KEY No.	PART No.	R A N K	Q T Y	DESCRIPTION	REMARKS
1- 1	HB1-4357-000		2	LABEL, DESTINATION	
2	HT1-2134-000	N	1	USER'S GUIDE, FACSIMILE (ENG)	
3	HH2-2830-000		1	CORD, MODULAR, 2W	
4	RH2-5263-000		1	CORD, POWER	
5	HG5-1932-000		1	DOCUMENT TRAY ASS'Y	
6	HB1-3856-000		1	TRAY, DOCUMENT EXIT	
7	HG5-1915-000		1	RECORDING PAPER TRAY ASSY	
8	NPN		1	FX6 TONER CARTRIDGE	
9	NPN		1	CASSETTE	
10	HB1-3957-000		1	LABEL, TRAY	

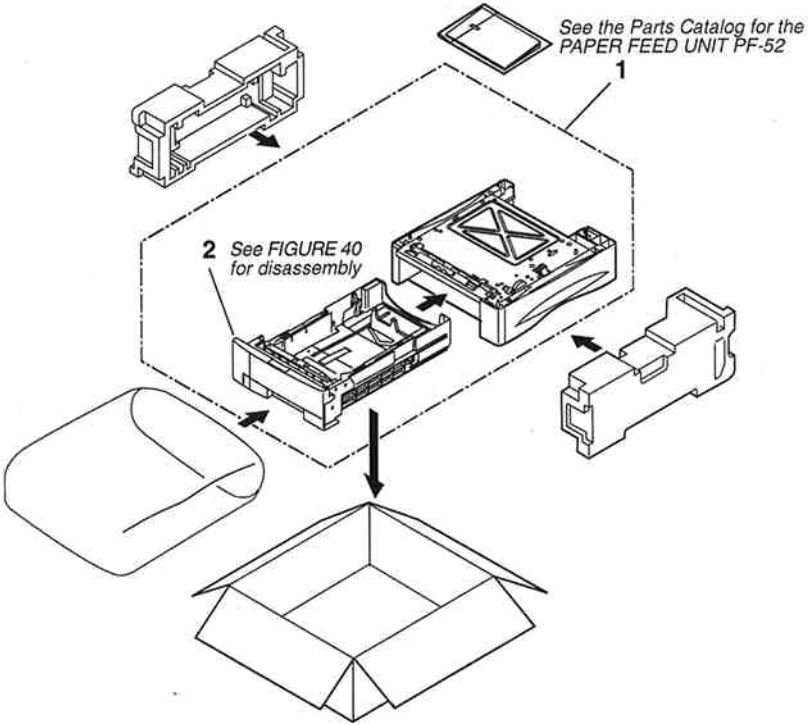
FIGURE 2 LASER CLASS 3175/3175MS
PACKAGE CONTENTS



LASER CLASS 3170/3175/3175MS 2.PARTS LAYOUT & PARTS LIST

FIGURE & KEY No.	PART No.	RANK	QTY	DESCRIPTION	REMARKS
2- 1	HB1-4357-000		2	LABEL, DESTINATION	
2	HT1-2134-000	N	1	USER'S GUIDE, FACSIMILE (ENG)	LASER CLASS 3175MS
3	HT1-2135-000	N	1	USER'S GUIDE, PRINTER(ENG)	
4	HH2-2830-000		1	CORD, MODULAR, 2W	
5	RH2-5263-000		1	CORD, POWER	
6	HG5-1932-000		1	DOCUMENT TRAY ASSY	
7	HB1-3856-000		1	TRAY, DOCUMENT EXIT	
8	HG5-1915-000		1	RECORDING PAPER TRAY ASSY	
9	NPN		1	FX6 TONER CARTRIDGE	
10	NPN		1	CASSETTE	
11	NPN		1	PAPER FEED UNIT (PF-52)	
12	HH4-3313-000	N	1	CD-ROM, DRIVER SOFTWARE	LASER CLASS 3175MS
13	HB1-3957-000		1	LABEL, TRAY	

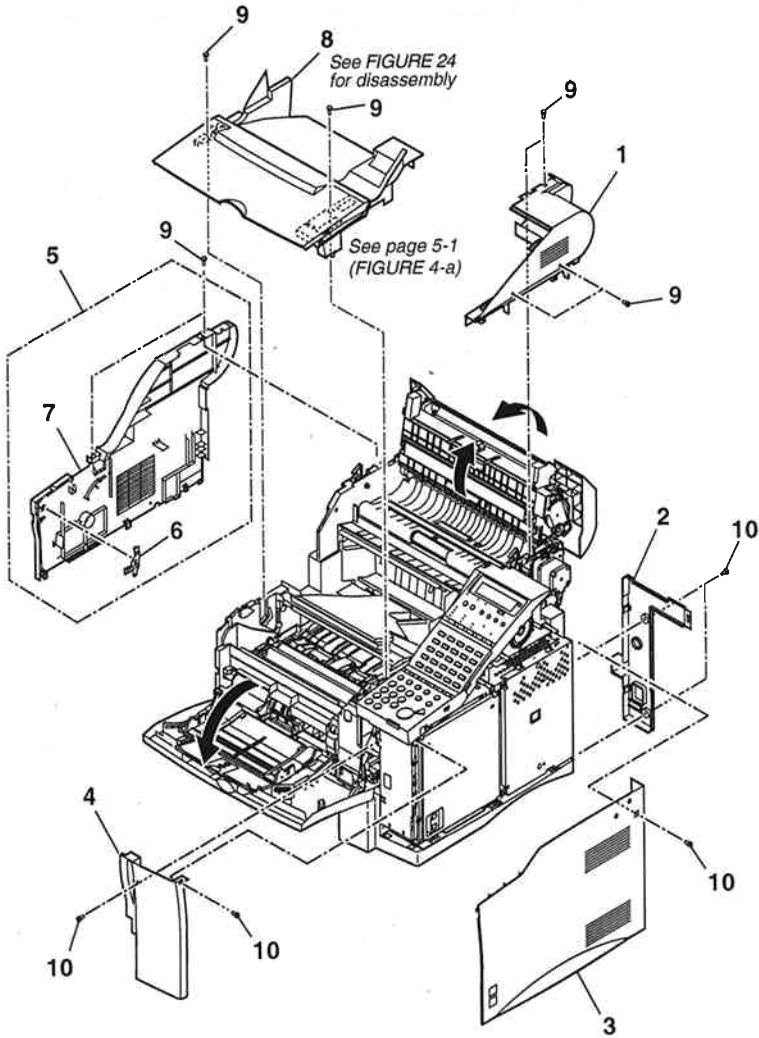
**FIGURE 3 PAPER FEED UNIT (PF-52)
PACKAGE CONTENTS**



LASER CLASS 3170/3175/3175MS 2.PARTS LAYOUT & PARTS LIST

FIGURE & KEY No.	PART No.	R A N K	Q T Y	DESCRIPTION	REMARKS
3 - 1	NPN		1	PAPER FEED UNIT (PF-52)	
2	NPN		1	CASSETTE	

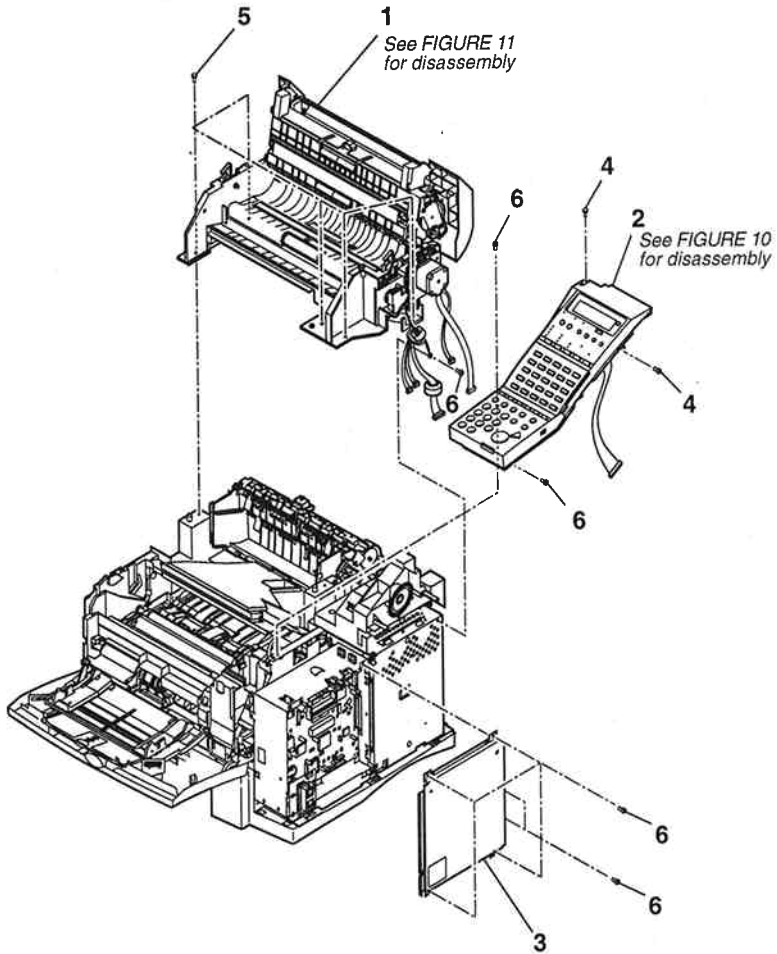
FIGURE 4 EXTERNAL COVERS



LASER CLASS 3170/3175/3175MS 2.PARTS LAYOUT & PARTS LIST

FIGURE & KEY No.	PART No.	RANK	QTY	DESCRIPTION	REMARKS
4 - 1	HB1-3824-000		1	COVER, READ MOTER	
2	HB1-3820-000		1	COVER, REAR	
3	HB1-3818-000		1	COVER, RIGHT	
4	HB1-3768-000		1	COVER, FRONT RIGHT	LASER CLASS 3170/3175
	HB1-3952-000		1	COVER, FRONT RIGHT	LASER CLASS 3175MS
5	HG5-1922-000		1	LEFT COVER ASS'Y	
6	HB1-3823-000		1	LOCK, PLATE	
7	NPN		1	COVER, LEFT	
8	HG5-1921-000		1	UPPER COVER ASS'Y	
9	XA9-0780-000		8	SCREW, M4X12	
10	XB1-2300-807		5	SCREW, BH3X6(S)	

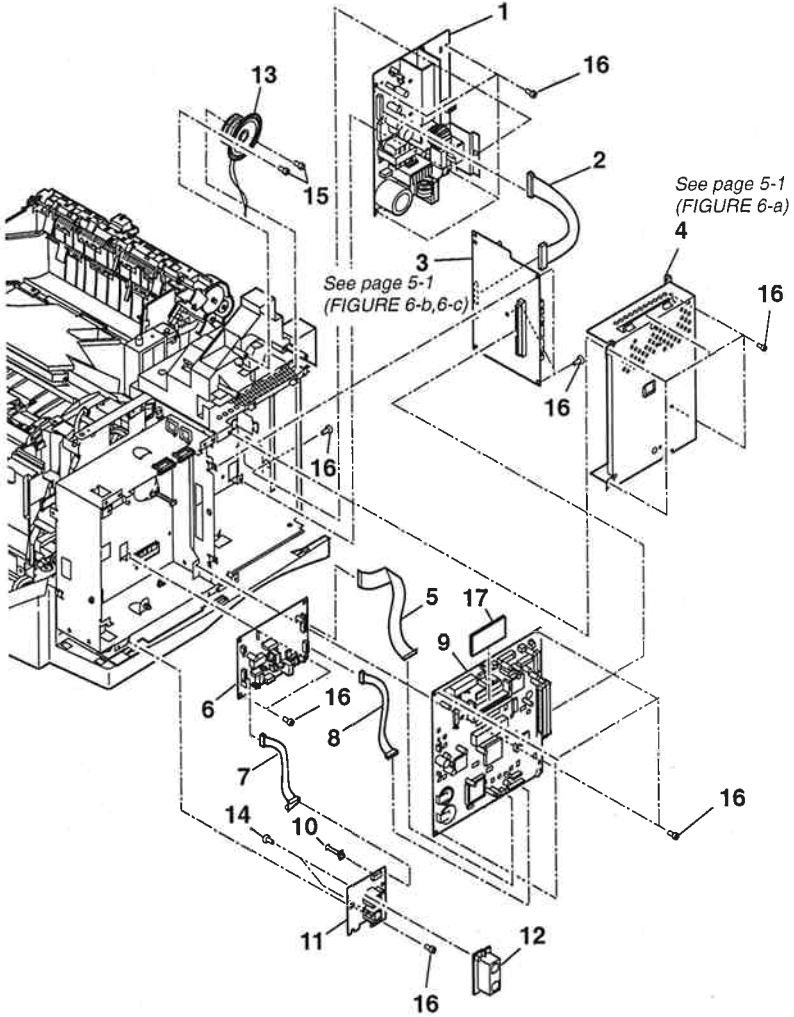
FIGURE 5 READER & OPERATION PANEL



LASER CLASS 3170/3175/3175MS 2.PARTS LAYOUT & PARTS LIST

FIGURE & KEY No.	PART No.	RANK	QTY	DESCRIPTION	REMARKS
5 - 1	NPN		1	READER ASS'Y	
2	HG5-1923-000		1	OPERATION PANEL ASS'Y	
3	NPN		1	COVER, SCNT SHIELD	
4	XA9-0780-000		2	SCREW, M4X12	
5	XA9-0870-000		5	SCREW, M4X10	
6	XB1-2300-607		9	SCREW, BH3X6(S)	

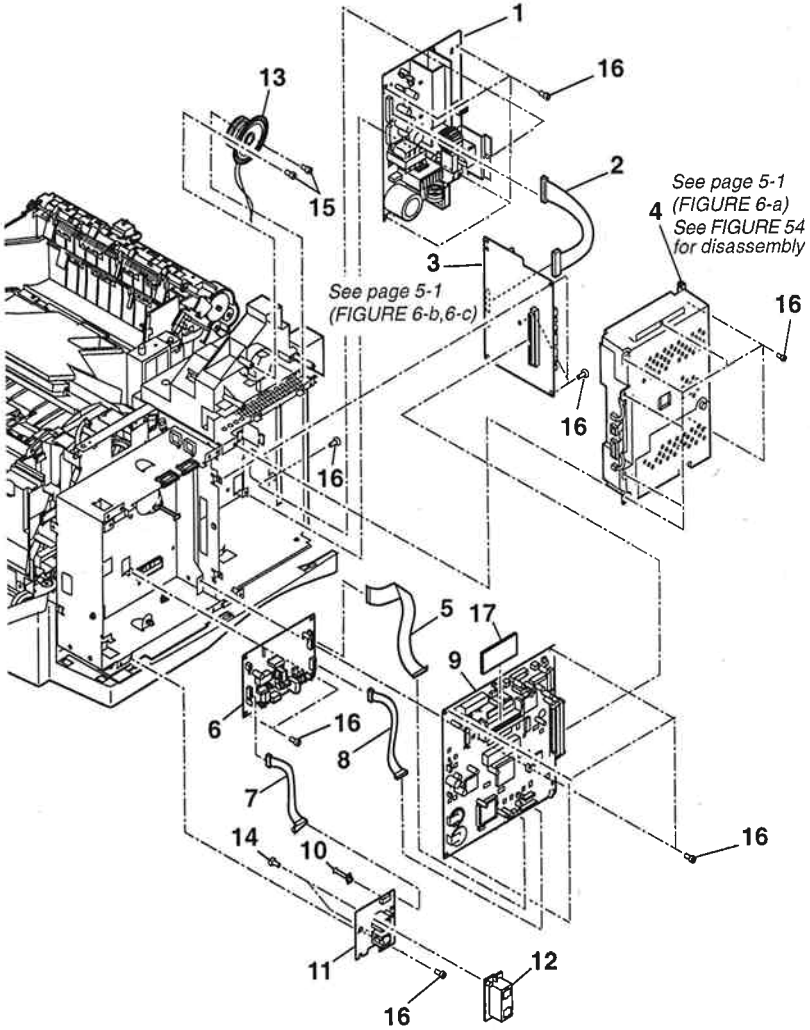
FIGURE 6 CIRCUIT BOARDS (LASER CLASS 3170/3175)



LASER CLASS 3170/3175/3175MS 2.PARTS LAYOUT & PARTS LIST

FIGURE & KEY No.	PART No.	RANK	QTY	DESCRIPTION	REMARKS
6 - 1	HH3-5343-000		1	POWER SUPPLY UNIT	
2	HH2-2892-000		1	CABLE WITH CONNECTOR, 15P	
3	HG5-1946-000		1	TWINS BOARD ASSY	
4	NPN		1	COVER, SHIELD 1	
5	HH2-2905-000		1	CABLE, FLAT, 23P	
6	HG5-2042-000		1	NCU BOARD ASSY	
7	HH2-2907-000		1	CABLE WITH CONNECTOR, 5P	
8	HH2-2906-000		1	CABLE WITH CONNECTOR, 6P	
9	HG5-1952-000		1	SCNT BOARD ASSY	
10	VT2-5167-018		1	SPACER	
11	HG5-1947-000		1	MODULAR BOARD ASSY	
12	HB1-3780-000		1	HOLDER, MODULAR	
13	HH7-2378-000		1	SPEAKER UNIT	
14	XA9-0591-000		2	SCREW, M3X8	
15	XA9-0476-000		2	SCREW, TP M3X8	
16	XB1-2300-607		20	SCREW, BH3X6(S)	
17	HG5-1851-000	N	1	DRAM BOARD ASSY (4M-BYTE)	LASER CLASS 3175

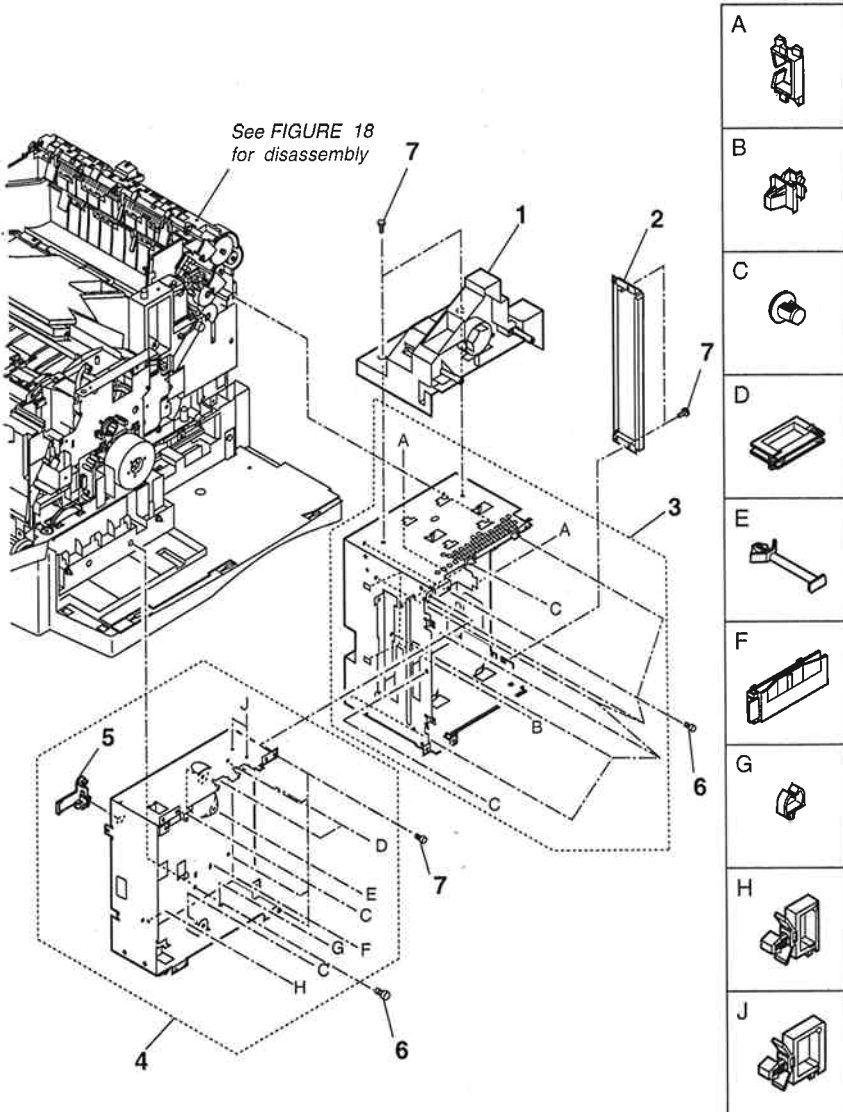
FIGURE 7 CIRCUIT BOARDS (LASER CLASS 3175MS)



LASER CLASS 3170/3175/3175MS 2.PARTS LAYOUT & PARTS LIST

FIGURE & KEY No.	PART No.	R A N K	Q T Y	DESCRIPTION	REMARKS
7 - 1	HH3-5343-000		1	POWER SUPPLY UNIT	
2	HH2-2892-000		1	CABLE WITH CONNECTOR, 15P	
3	HG5-1946-000		1	TWINS BOARD ASSY	
4	NPN		1	PRINTER BOARD ASSY	
5	HH2-2905-000		1	CABLE, FLAT, 23P	
6	HG5-2042-000		1	NCU BOARD ASSY	
7	HH2-2907-000		1	CABLE WITH CONNECTOR, 5P	
8	HH2-2906-000		1	CABLE WITH CONNECTOR, 6P	
9	HG5-1952-000		1	SCNT BOARD ASSY	
10	VT2-5167-018		1	SPACER	
11	HG5-1947-000		1	MODULAR BOARD ASSY	
12	HB1-3780-000		1	HOLDER, MODULAR	
13	HH7-2378-000		1	SPEAKER UNIT	
14	XA9-0591-000		2	SCREW, M3X8	
15	XA9-0476-000		2	SCREW, TP M3X8	
16	XB1-2300-607		22	SCREW, BH3X6(S)	
17	HG5-1851-000	N	1	DRAM BOARD ASSY, (4M-BYTE)	

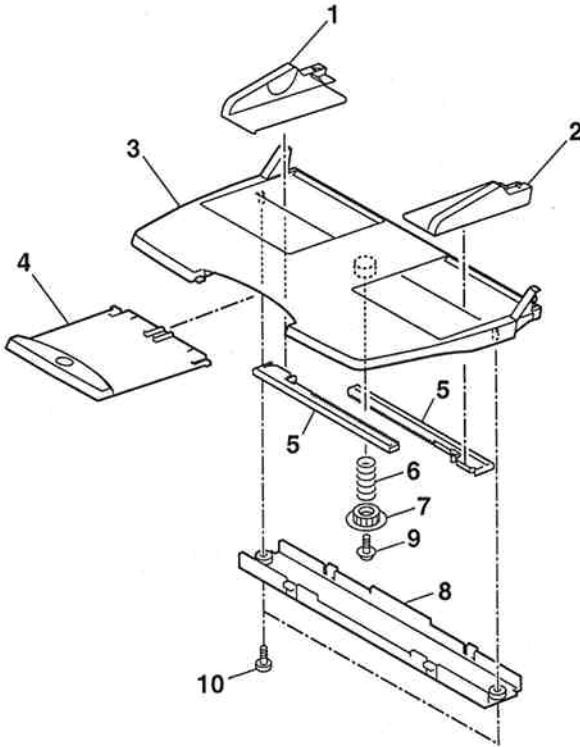
FIGURE 8 CIRCUIT BOARD FRAME



LASER CLASS 3170/3175/3175MS 2.PARTS LAYOUT & PARTS LIST

FIGURE & KEY No.	PART No.	RANK	QTY	DESCRIPTION	REMARKS
8- 1	HB1-3767-000		1	MOUNT, READ MOTOR	
2	NPN		1	COVER, SHIELD 2	
3	NPN		1	METAL FRAME ASS'Y	
4	NPN		1	METAL FRAME ASS'Y	
5	HB1-3821-000		1	LOCK, COVER	
6	XA9-0870-000		8	SCREW, M4X10	
7	XB1-2300-607		8	SCREW, BH3X6(S)	
A	WT2-5070-000		2	CLIP, CABLE	
B	WT2-5632-000		2	HOLDER, PCB	
C	VT2-5027-006		4	SPACER	
D	WT2-5031-000		2	CLIP, CABLE	
E	VT2-5167-018		1	SPACER	
F	WT2-5633-000		1	CLIP, FLAT CABLE	
G	WT2-5026-000		1	CLIP, CABLE	
H	WT2-0317-000		1	CLIP, CABLE	
J	WT2-5018-000		2	CLIP, CABLE	

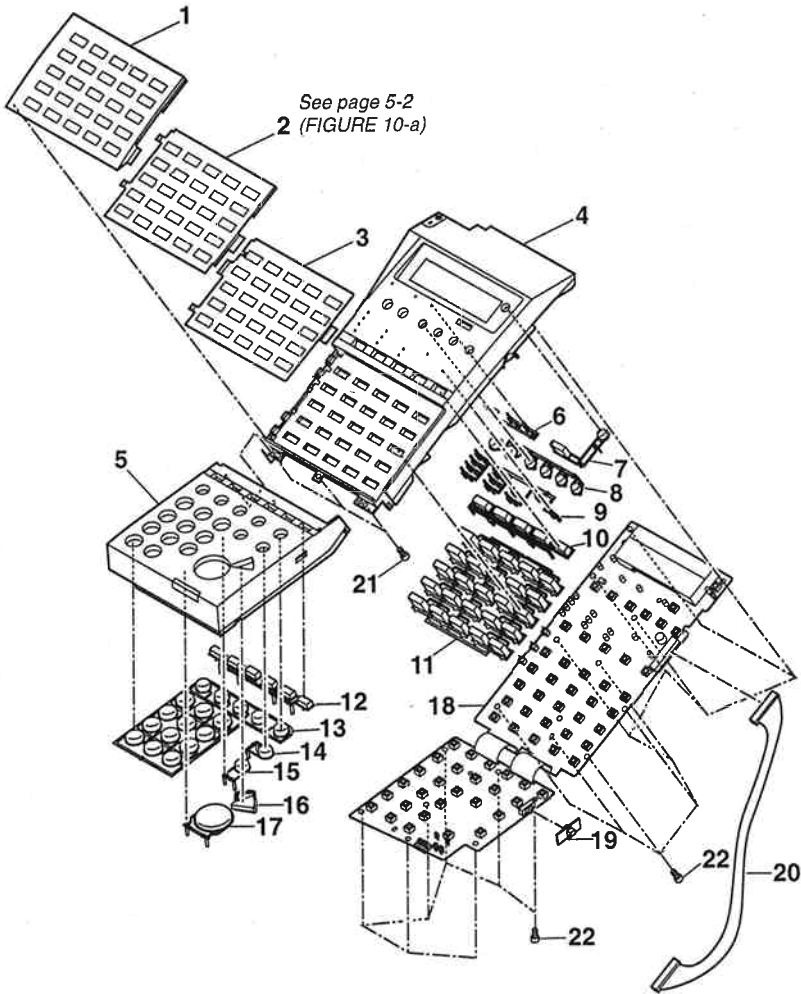
FIGURE 9 DOCUMENT TRAY ASS'Y



LASER CLASS 3170/3175/3175MS 2.PARTS LAYOUT & PARTS LIST

FIGURE & KEY No.	PART No.	RANK	QTY	DESCRIPTION	REMARKS
9-1	NPN		1	GUIDE, DOCUMENT, LEFT	
2	NPN		1	GUIDE, DOCUMENT, RIGHT	
3	NPN		1	TRAY, DOCUMENT	
4	HB1-3878-000		1	TRAY, EXTENSION	
5	NPN		2	PLATE, RACK, DOCUMENT GUIDE	
6	NPN		1	SPRING	
7	NPN		1	PINION, 16T	
8	NPN		1	COVER, DOCUMENT GUIDE	
9	NPN		1	SCREW, TP, PH3X6	
10	NPN		2	SCREW, M3X8	

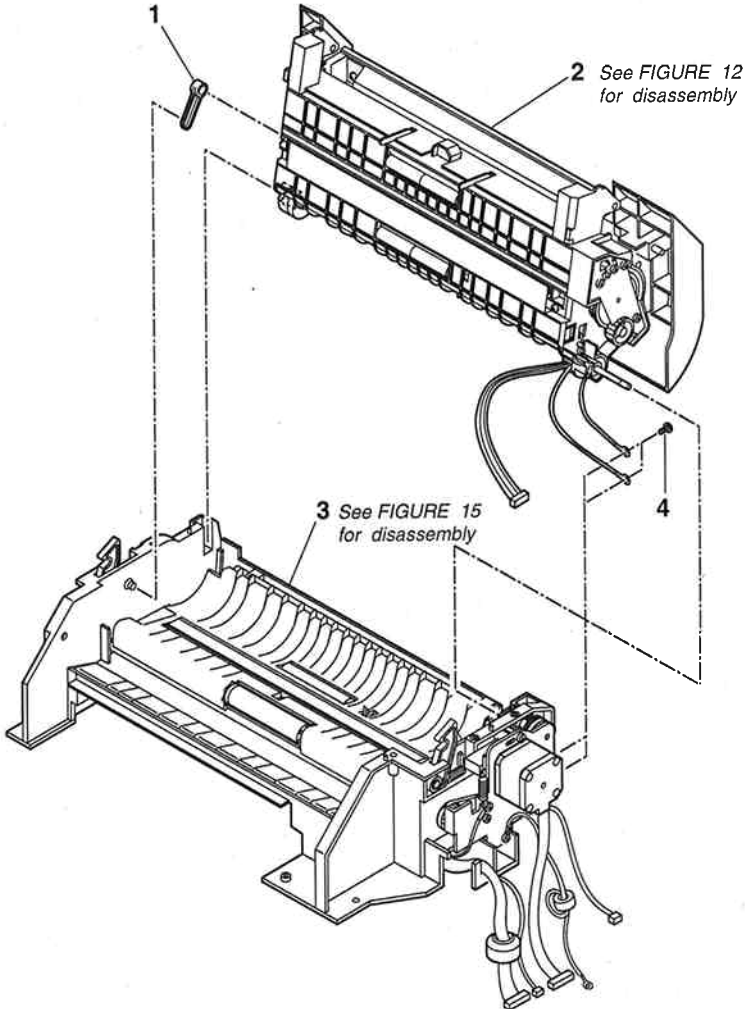
FIGURE 10 OPERATION PANEL ASS'Y



LASER CLASS 3170/3175/3175MS 2.PARTS LAYOUT & PARTS LIST

FIGURE & KEY No.	PART No.	R A N K	Q T Y	DESCRIPTION	REMARKS
10- 1	HB1-3834-000		1	COVER, "ONE-TOUCH DIAL 1"	
2	HB1-3835-000		1	COVER, "ONE-TOUCH DIAL 2"	
3	HB1-3836-000		1	COVER, "ONE-TOUCH DIAL 3"	
4	NPN		1	COVER, OPERATION PANEL 1	
5	NPN		1	COVER, OPERATION PANEL 2	
6	HB1-3848-000		1	COVER, INDICATOR 2	
7	HB1-3845-000		1	KEY TOP, "ESS"	
8	HB1-3846-000		1	KEY TOP, "PRINTER"	
9	HB1-3847-000		1	COVER, INDICATOR 1	
10	HB1-3841-000		1	KEY TOP, "FUNCTION 1"	
11	HB1-3837-000		1	KEY TOP, "ONE-TOUCH DIAL"	
12	HB1-3842-000		1	KEY TOP, "FUNCTION 2"	
13	HB1-3838-000		1	KEY TOP, "DIAL"	
14	HB1-3843-000		1	KEY TOP, "COPY"	
15	HB1-3844-000		1	KEY TOP, "CLEAR"	
16	HB1-3840-000		1	KEY TOP, "STOP"	
17	HB1-3839-000		1	KEY TOP, "START"	
18	HG5-1907-000		1	OPCNT BOARD ASS'Y	
19	HB1-3849-000		1	COVER, VOLUME	
20	HH2-2903-000		1	CABLE WITH CONNECTOR, 18P	
21	XB4-7300-807		3	SCREW, TAP TIGHT, BINDING HEAD	
22	XB4-7260-609		18	SCREW, TAP, BH2.6X6	

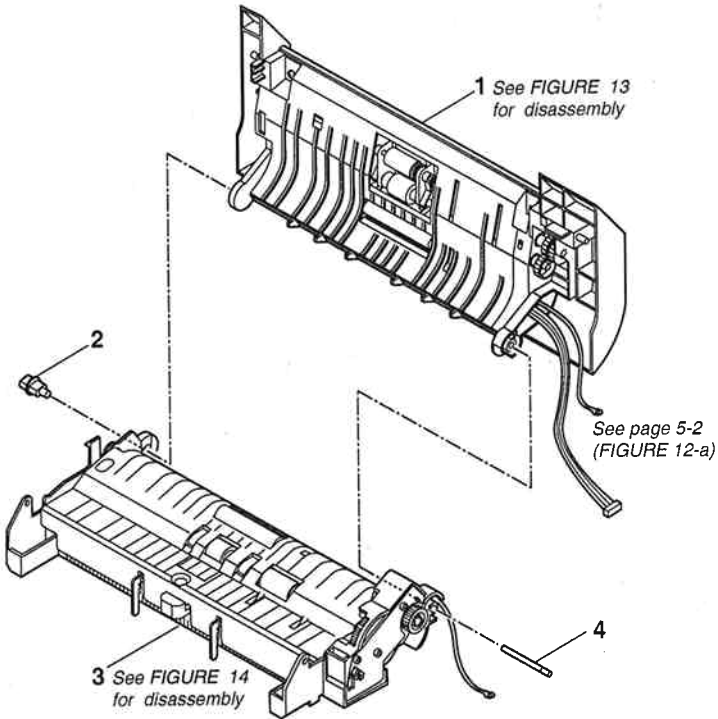
FIGURE 11 READER ASS'Y



LASER CLASS 3170/3175/3175MS 2.PARTS LAYOUT & PARTS LIST

FIGURE & KEY No.	PART No.	R A N K	Q T Y	DESCRIPTION	REMARKS
11- 1	HB1-0882-000		1	STOPPER, OPERATION PANEL	
2	NPN		1	UPPER/MIDDLE FRAME ASS'Y	
3	NPN		1	LOWER READER FRAME ASS'Y	
4	XB1-2300-607		2	SCREW, BH3X6(S)	

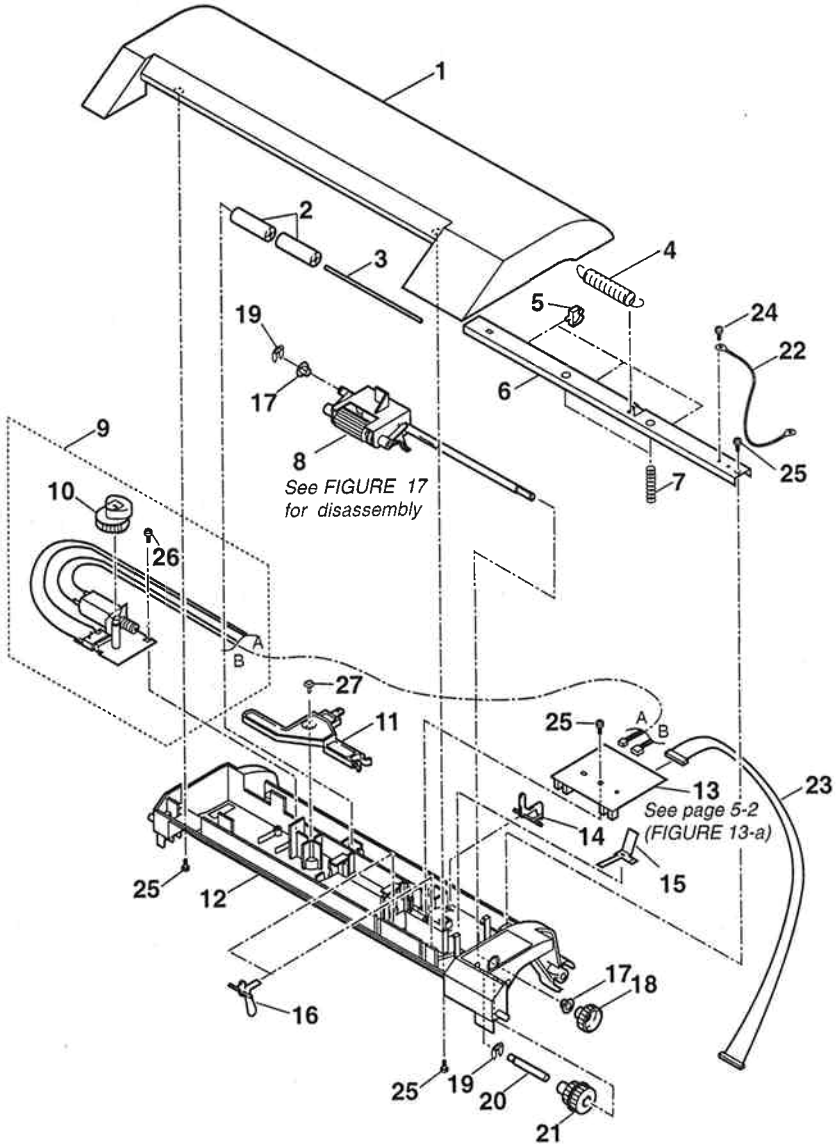
FIGURE 12 UPPER/MIDDLE FRAME ASS'Y



LASER CLASS 3170/3175/3175MS 2.PARTS LAYOUT & PARTS LIST

FIGURE & KEY No.	PART No.	R A N K	Q T Y	DESCRIPTION	REMARKS
12- 1	NPN		1	UPPER READER FRAME ASS'Y	
2	HB1-3868-000		1	SHAFT, LEFT	
3	NPN		1	MIDDLE READER FRAME ASS'Y	
4	HB1-3867-000		1	SHAFT, RIGHT	

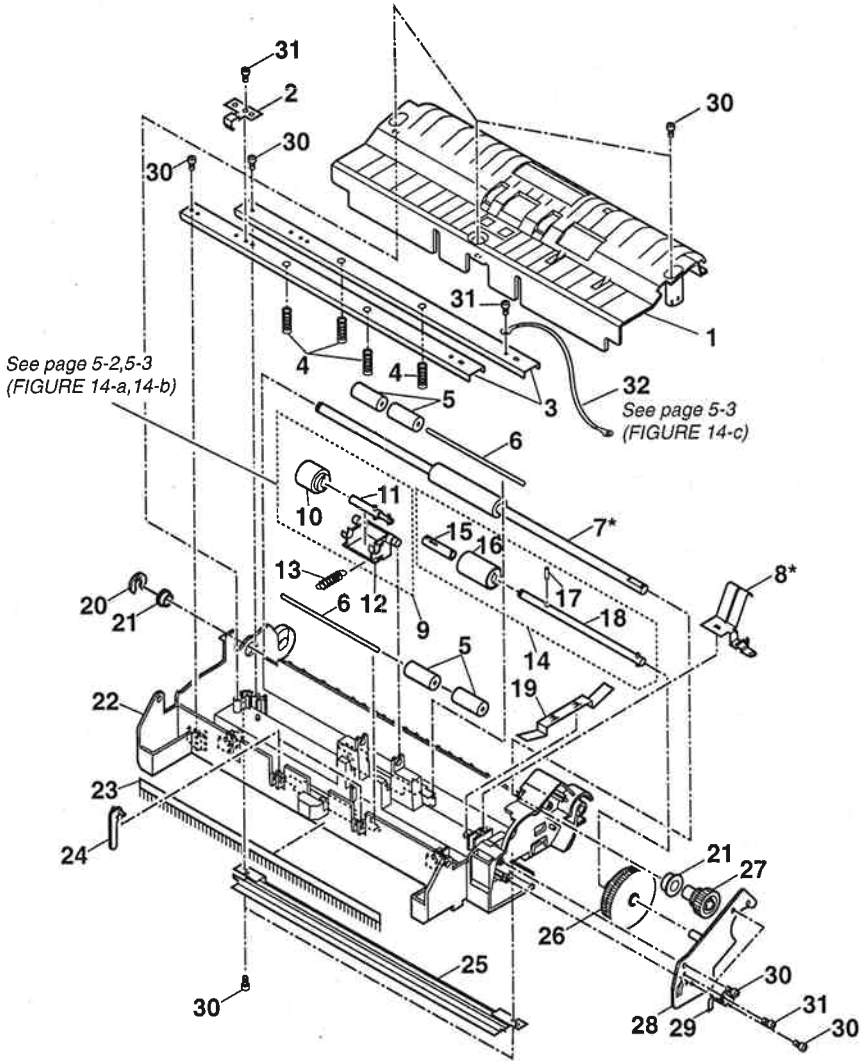
FIGURE 13 UPPER READER FRAME ASS'Y



LASER CLASS 3170/3175/3175MS 2.PARTS LAYOUT & PARTS LIST

FIGURE & KEY No.	PART No.	R A N K	Q T Y	DESCRIPTION	REMARKS
13- 1	HB1-3903-000		1	COVER, READER, UPPER	
2	HS5-6025-040		2	ROLLER, BACK UP	
3	NPN		1	SHAFT	
4	HS5-2184-000		1	SPRING	
5	WT2-5026-000		3	CLIP, CABLE	
6	NPN		1	STAY, PRESSURE	
7	HS5-2185-000		2	SPRING	
8	NPN		1	SEPARATION ROLLER ASS'Y(UPPER)	
9	HG5-1938-000		1	SEPARATION MOTOR ASS'Y	
10	HS5-0298-000		1	GEAR, CAM, 50T	
11	HB1-3907-000		1	ARM, SEPARATION ROLLER	
12	HB1-3902-000		1	FRAME, READER, UPPER	
13	HG5-1939-000		1	SENSOR BOARD ASS'Y	
14	HB1-3910-000		1	ARM, DETECTION (DFS)	
15	HB1-3905-000		1	PLATE, GROUNDING	
16	HB1-3904-000		2	ARM, DETECTION (DS/DWS)	
17	FS1-1205-000		2	BUSHING	
18	HS5-0299-000		1	GEAR, 25T	
19	FA3-8727-000		2	RETAINING RING	
20	NPN		1	SHAFT	
21	HS5-0300-000		1	GEAR, 21T/22T	
22	HH2-2918-000		1	WIRE, GROUNDING	
23	HH2-2915-000		1	CABLE WITH CONNECTOR, 10P	
24	XB1-2300-607		1	SCREW, BH3X6(S)	
25	XA9-0591-000		4	SCREW, M3X8	
26	XA9-0592-000		1	SCREW, M4X6	
27	XA9-0476-000		1	SCREW, TP M3X8	

FIGURE 14 MIDDLE READER FRAME ASS'Y



See page 5-2,5-3
(FIGURE 14-a,14-b)

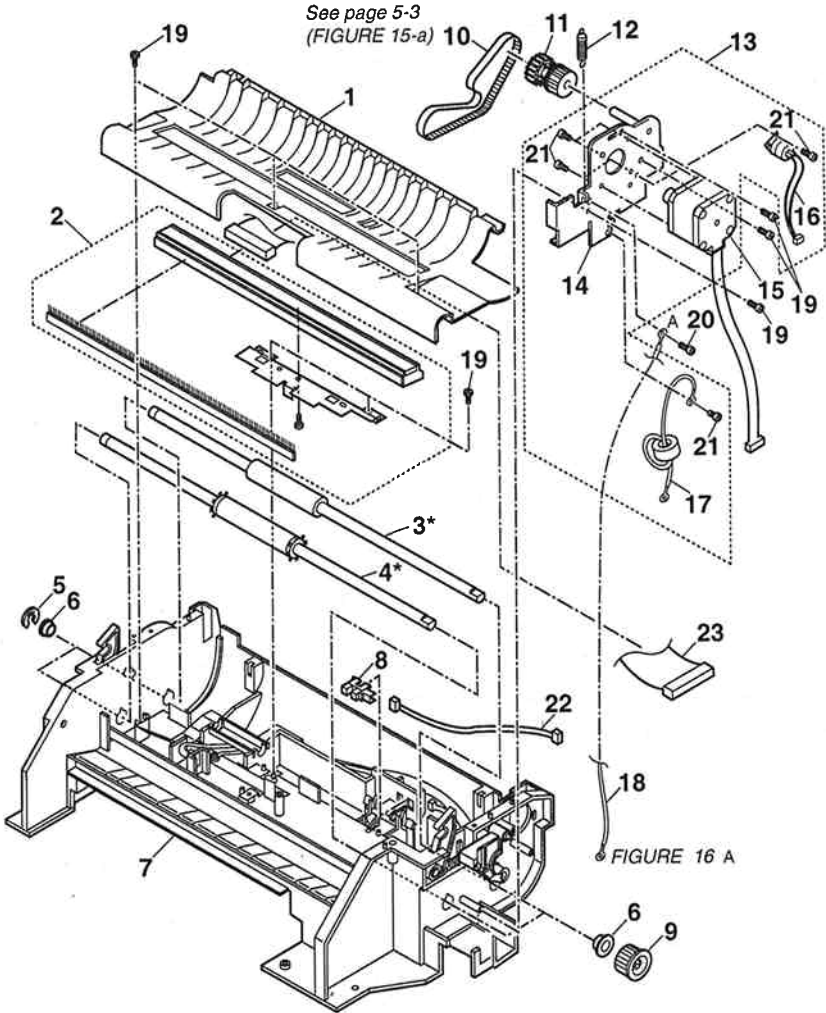
See page 5-3
(FIGURE 14-c)

* = Lubrication
See page 4-1

LASER CLASS 3170/3175/3175MS 2.PARTS LAYOUT & PARTS LIST

FIGURE & KEY No.	PART No.	RANK	QTY	DESCRIPTION	REMARKS
14- 1	HB1-3883-000		1	COVER, READER, MIDDLE	
2	HB1-3889-000		1	PLATE, GROUNDING 2	
3	NPN		2	STAY, PRESSURE	
4	HS5-2181-000		4	SPRING	
5	HS5-6025-040		4	ROLLER, BACK UP	
6	NPN		2	SHAFT	
7	HB1-3884-000		1	ROLLER, DOCUMENT FEED	
8	HB1-3888-000		1	PLATE, GROUNDING 1	
9	HG5-1935-000		1	SEPARATION ROLLER ASSY(LOWER)	
10	HB1-3899-000		1	ROLLER, SEPARATION (LOWER)	
11	NPN		1	SHAFT, SEPARATION ROLLER	
12	NPN		1	HOLDER, SEPARATION ROLLER	
13	HS5-2183-000		1	SPRING	
14	HG5-1934-000		1	ADF CONNECTION SHAFT ASSY	
15	NPN		1	JOINT	
16	NPN		1	TORQUE LIMITTER	
17	NPN		1	PIN, PARALLEL	
18	NPN		1	SHAFT, ADF CONNECTION	
19	HB1-3890-000		1	PLATE, GROUNDING 3	
20	FA4-1159-000		1	RETAINING RING	
21	FS1-1202-000		2	BUSHING, 8MM, NYLON (R), OL-10	
22	HB1-3882-000		1	FRAME, READER, MIDDLE	
23	HB1-3885-000		1	ELIMINATOR, STATIC CHARGE	
24	HB1-3887-000		2	ARM, DOCUMENT PRESSURE	
25	HF5-0522-000		1	WHITE SHEET UNIT	
26	HS5-0296-000		1	GEAR, 43T/61T	
27	HS5-0295-000		1	GEAR, 17T	
28	NPN		1	MOUNT, MIDDLE FRAME GEAR	
29	HB1-3891-000		1	PLATE, GROUNDING 4	
30	XA9-0591-000		10	SCREW, M3X8	
31	XB1-2300-607		3	SCREW, BH3X6(S)	
32	HH2-2919-000		1	WIRE, GROUNDING	

FIGURE 15 LOWER READER FRAME ASS'Y (1/2)

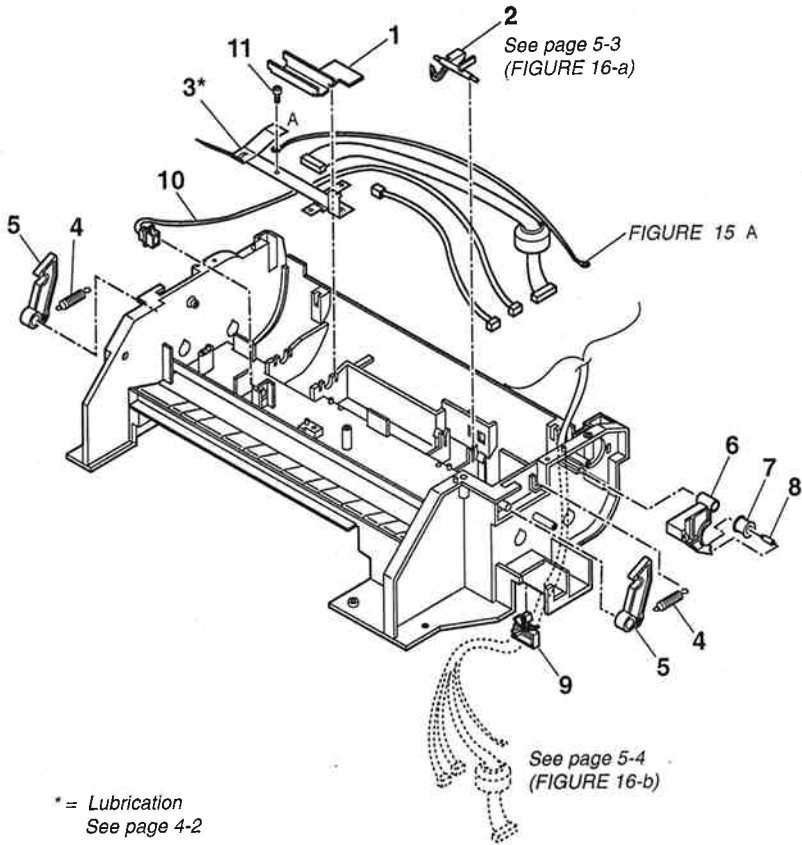


* = Lubrication
See page 4-2

LASER CLASS 3170/3175/3175MS 2.PARTS LAYOUT & PARTS LIST

FIGURE & KEY No.	PART No.	RANK	QTY	DESCRIPTION	REMARKS
15- 1	HB1-3858-000		1	COVER, READER, LOWER	
2	HG5-1928-000		1	CONTACT SENSOR UNIT	
3	HB1-3859-000		1	ROLLER, DOCUMENT FEED	
4	HB1-3860-000		1	ROLLER, DOCUMENT EJECT	
5	FA4-1159-000		2	RETAINING RING	
6	FS1-1202-000		4	BUSHING, 8MM, NYLON (R), OL-10	
7	HB1-3857-000		1	FRAME, READER, LOWER	
8	WG8-5362-000		1	PHOTO-INTERRUPTER TLP1241	
9	HS5-3027-000		2	GEAR, 38T	
10	XF2-1616-540		1	BELT, COGGED	
11	HS5-0294-000		1	GEAR, 18T/36T	
12	HS5-2179-000		1	SPRING, BELT TENSION ARM	
13	HG5-1929-000		1	READ MOTOR ASS'Y	
14	NPN		1	MOUNT, READ MOTOR	
15	NPN		1	MOTOR, STEPPING, READER	
16	HH7-2377-000		1	THERMOSTAT	
17	HH2-2921-000		1	WIRE, GROUNDING	
18	HH2-2920-000		1	WIRE, GROUNDING	
19	XA9-0591-000		8	SCREW, M3X8	
20	XB1-2300-607		1	SCREW, BH3X6(S)	
21	XB1-2300-407		6	SCREW, BH3X4 (S)	
22	HH2-2916-000		1	CABLE WITH CONNECTOR, 3P	
23	HH2-2914-000		1	CABLE WITH CONNECTOR, 11P	

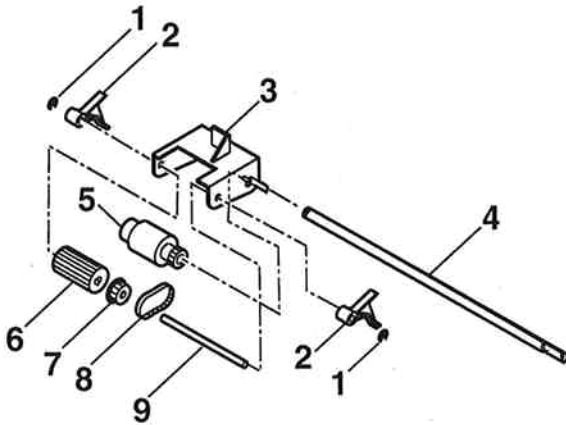
FIGURE 16 LOWER READER FRAME ASS'Y (2/2)



LASER CLASS 3170/3175/3175MS 2.PARTS LAYOUT & PARTS LIST

FIGURE & KEY No.	PART No.	R A N K	Q T Y	DESCRIPTION	REMARKS
16 - 1	HB1-3865-000		1	HOLDER, CABLE	
2	HB1-3864-000		1	ARM, DETECTION (DES)	
3	HB1-3866-000		1	PLATE, GROUNDING	
4	HS5-2180-000		2	SPRING, HOOK	
5	HB1-3863-000		2	ARM, HOOK	
6	HB1-3861-000		1	ARM, BELT TENSION	
7	HS5-6064-000		1	COLLAR, BELT TENSION ARM	
8	HB1-3862-000		1	SHAFT, BELT TENSION ARM	
9	WT2-5018-000		1	CLIP, CABLE	
10	HH2-2917-000		1	CABLE WITH CONNECTOR, 2P	
11	XA9-0591-000		1	SCREW, M3X8	

FIGURE 17 SEPARATION ROLLER ASS'Y (UPPER)

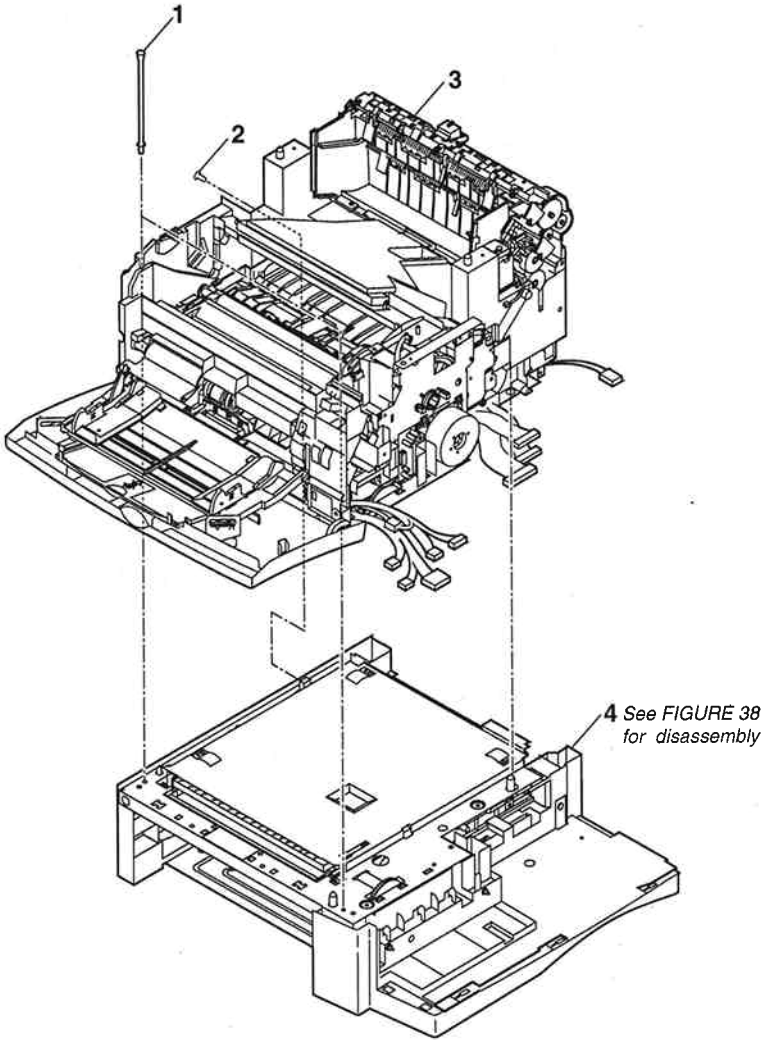


See page 5-4
(FIGURE 17-a)

LASER CLASS 3170/3175/3175MS 2.PARTS LAYOUT & PARTS LIST

FIGURE & KEY No.	PART No.	R A N K	Q T Y	DESCRIPTION	REMARKS
17- 1	NPN		2	RETAINING RING (E-TYPE)	
2	NPN		2	STOPPER, DOCUMENT	
3	NPN		1	HOLDER, SEPARATION ROLLER	
4	NPN		1	SHAFT, SEPARATION ROLLER	
5	HB1-3912-000		1	ROLLER, SEPARATION (UPPER)	
6	HB1-3911-000		1	ROLLER, PICK-UP	
7	NPN		1	PULLEY	
8	NPN		1	BELT, COGGED	
9	NPN		1	SHAFT, PICK-UP ROLLER	

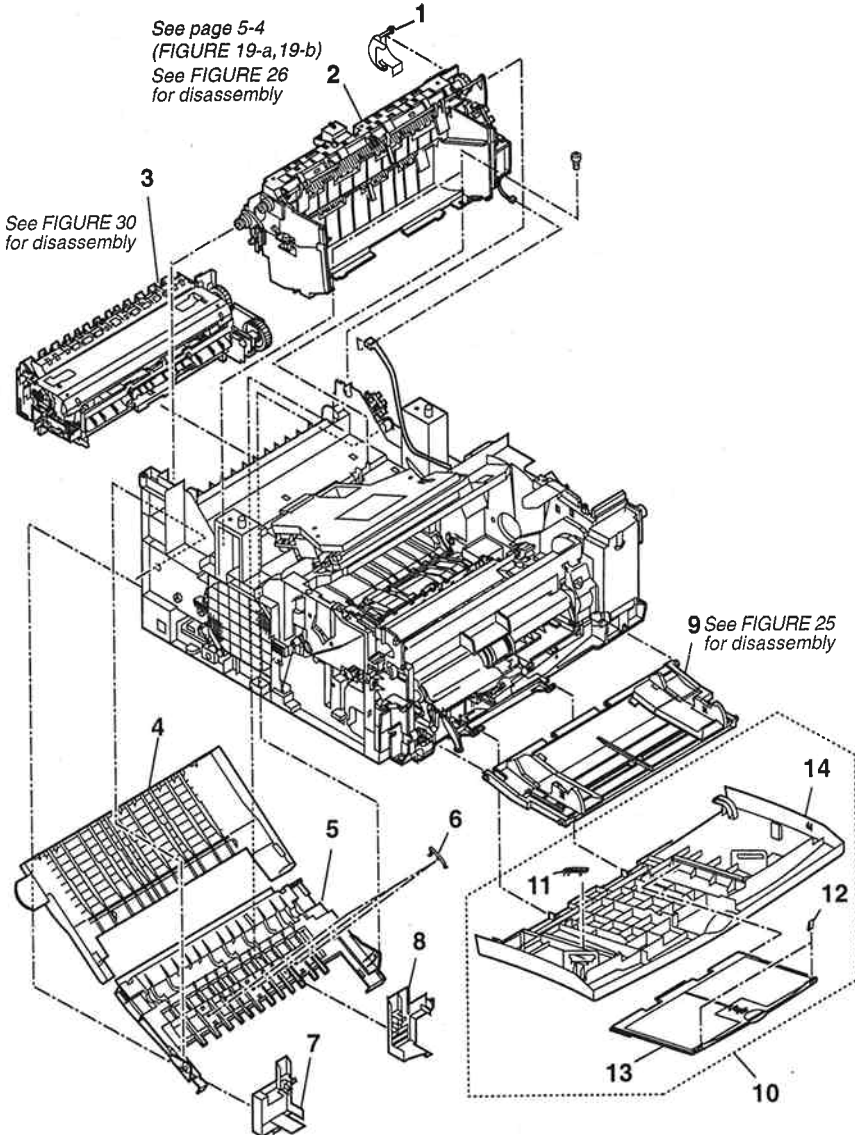
FIGURE 18 PRINTER & PAPER FEEDER SECTION



LASER CLASS 3170/3175/3175MS 2.PARTS LAYOUT & PARTS LIST

FIGURE & KEY No.	PART No.	R A N K	Q T Y	DESCRIPTION	REMARKS
18- 1	RB1-8703-000		2	SCREW, M4X8.3	
2	XA9-0870-000		1	SCREW, M4X10	
3	NPN		1	PRINTER ASSY	
4	NPN		1	PAPER FEEDER ASSY	

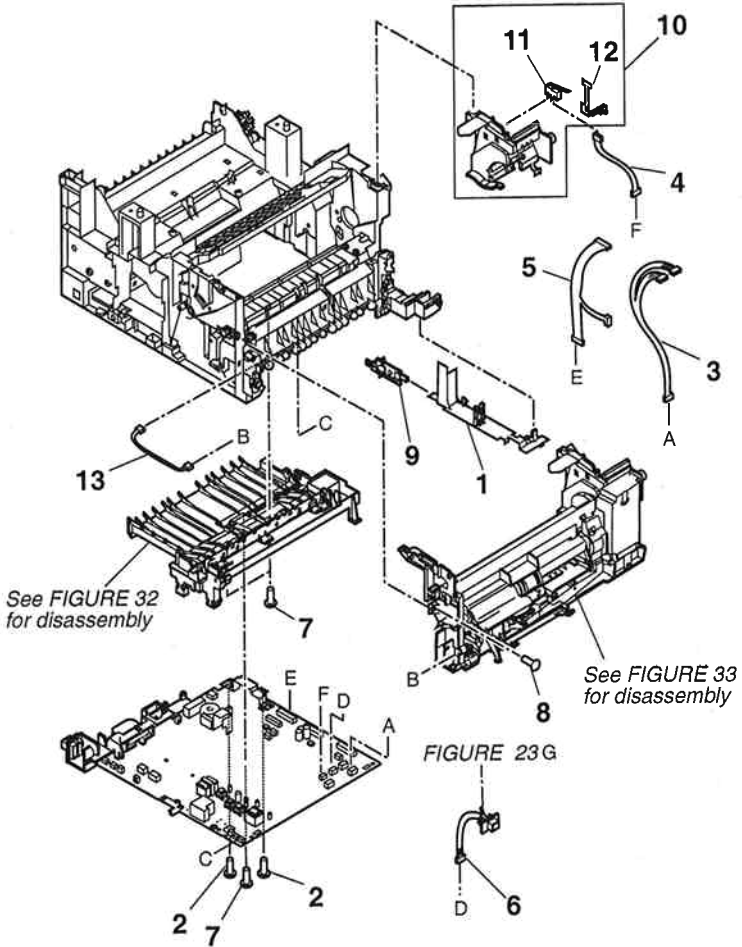
FIGURE 19 PRINTER INTERNAL COMPONENTS 1



LASER CLASS 3170/3175/3175MS 2.PARTS LAYOUT & PARTS LIST

FIGURE & KEY No.	PART No.	RANK	QTY	DESCRIPTION	REMARKS
19- 1	HB1-3806-000		1	COVER, GEAR	
2	NPN		1	PAPER DELIVERY ASS'Y	
3	RG5-2657-000		1	FIXING ASS'Y	
4	HB1-3798-000		1	TRAY, EXTENSION, FACE-UP	
5	HB1-3797-000		1	TRAY, FACE-UP	
6	RB1-8990-000		3	RIB, TRAY	
7	RB2-2750-000		1	COVER, REAR, LEFT	
8	RB2-2751-000		1	COVER, REAR, RIGHT	
9	RG5-4537-000		1	MULTI-PURPOSE TRAY ASS'Y	
10	HG5-1920-000		1	FRONT COVER ASS'Y	LASER CLASS 3170
	HG5-1970-000		1	FRONT COVER ASS'Y	LASER CLASS 3175
	HG5-1971-000		1	FRONT COVER ASS'Y	LASER CLASS 3175MS
11	RB1-8764-000		1	DAMPER	
12	RB2-2753-000		2	BLOCK, TRAY	
13	RB2-2739-000		1	TRAY, EXTENSION	
14	NPN		1	COVER, FRONT	

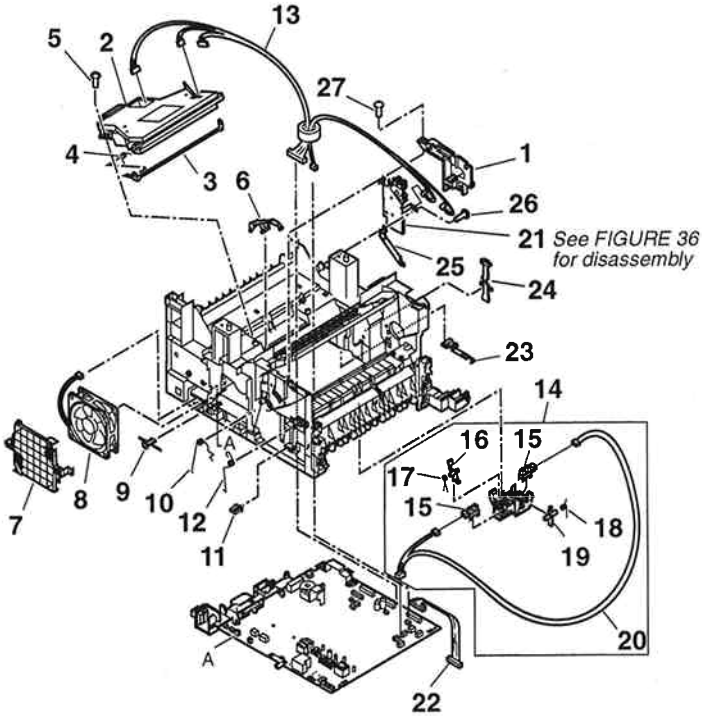
FIGURE 20 PRINTER INTERNAL COMPONENTS 2



LASER CLASS 3170/3175/3175MS 2.PARTS LAYOUT & PARTS LIST

FIGURE & KEY No.	PART No.	R A N K	Q T Y	DESCRIPTION	REMARKS
20 - 1	RB1-8704-030		1	HOLDER, CABLE	
2	XA9-0904-000		3	SCREW, M3X6	
3	RG5-3703-000		1	CLUTCH/SOLENOID CABLE	
4	RG5-3705-000		1	DOOR SWITCH CABLE	
5	HH2-2891-000		1	CABLE WITH CONNECTOR, 11P	
6	RG5-3704-000		1	ENVELOPE FEEDER CABLE	
7	XA9-0870-000		3	SCREW, M4X10	
8	XA9-0780-000		5	SCREW, M4X12	
9	RB1-8712-000		1	HOLDER, CABLE	
10	RG5-2645-000		1	FRONT INNER COVER ASSY	
11	WC4-5139-000		1	MICROSWITCH	
12	RB1-8694-000		1	PLATE, GROUNDING	
13	RG5-3700-000		1	MP TRAY PAPER SENSOR CABLE	

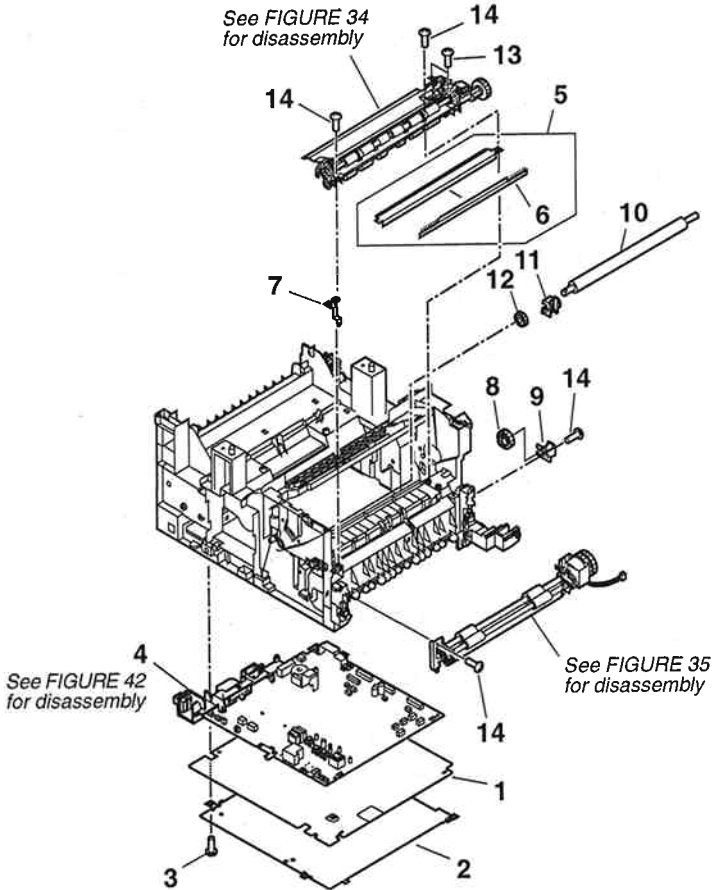
FIGURE 21 PRINTER INTERNAL COMPONENTS 3



LASER CLASS 3170/3175/3175MS 2.PARTS LAYOUT & PARTS LIST

FIGURE & KEY No.	PART No.	R A N K	Q T Y	DESCRIPTION	REMARKS
21 - 1	RB1-8671-000		1	COVER, FRONT INNER, LEFT	
2	RG9-1371-000		1	LASER/SCANNER ASSY	
3	RB1-8699-000		1	SHUTTER, LASER	
4	RB1-8702-000		1	SPRING, TORSION	
5	XA9-0780-000		4	SCREW, M4X12	
6	RB1-8700-000		1	LEVER	
7	RB1-8706-000		1	FILTER, DUST	
8	RH7-1335-000		1	FAN	
9	RB1-8688-000		1	BUTTON, TEST PRINT	
10	RB1-8693-000		1	SPRING, TORSION	
11	RB1-8690-000		1	HOLDER, ANTENNA	
12	RB1-8695-000		1	SPRING, TORSION	
13	RG5-3876-000		1	LASER/SCANNER UNIT CABLE	
14	RG5-2642-000		1	SENSOR ASSY	
15	WG8-5382-000		2	PHOTO INTERRUPTER TLP 1242	
16	RB1-8678-000		1	LEVER, SENSOR	
17	RB1-8680-000		1	SPRING, TORSION	
18	RB1-8681-000		1	SPRING, TORSION	
19	RB1-8687-000		1	LEVER, SENSOR	
20	RG5-3706-000		1	PRE-FEED/TOP SENSOR CABLE	
21	HG5-1916-000		1	DELIVERY DRIVE ASSY	
22	RG5-3710-000		1	PAPER PICK-UP CABLE	
23	RB1-8708-000		1	SPRING, LEAF	
24	RB1-8689-000		1	HOLDER, CABLE	
25	RB1-8827-000		1	SPRING, LEAF	
26	XA9-0870-000		1	SCREW, M4X10	
27	XA9-0780-000		2	SCREW, M4X12	

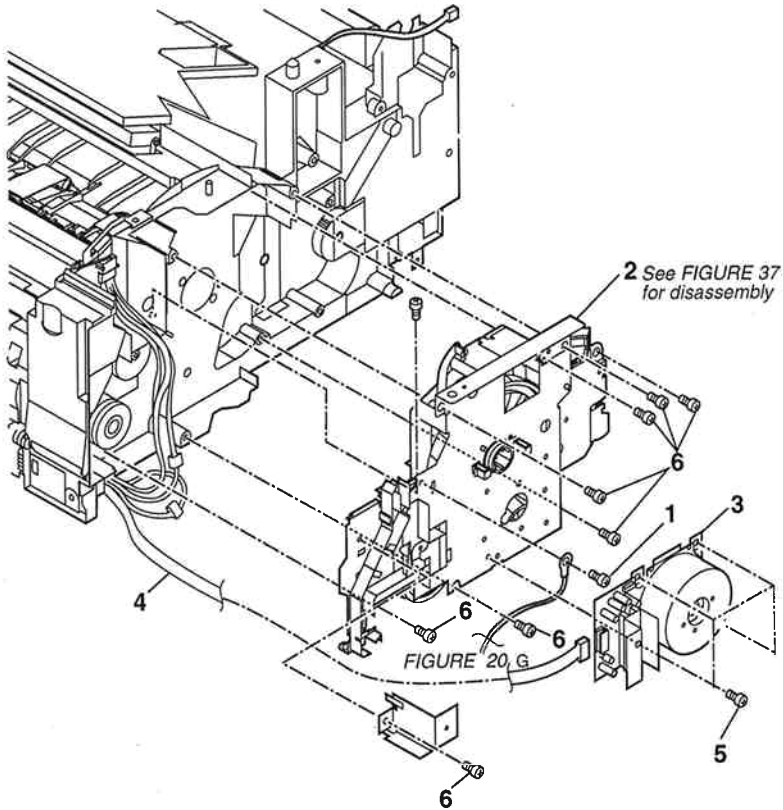
FIGURE 22 PRINTER INTERNAL COMPONENTS 4



LASER CLASS 3170/3175/3175MS 2.PARTS LAYOUT & PARTS LIST

FIGURE & KEY No.	PART No.	R A N K	Q T Y	DESCRIPTION	REMARKS
22 - 1	RB1-8838-000		1	SHEET, INSULATION	
2	RB2-2404-000		1	PLATE, COVER	
3	XA9-0606-000		1	SCREW, M4X10	
4	NPN		1	ECNT ASS'Y	
5	RF5-1867-000		1	GUIDE, TRANSFER	
6	RB1-8677-000		1	BRUSH, STATIC ELIMINATOR	
7	RB1-8747-000		1	SPRING, LEAF	
8	RS5-0911-000		1	GEAR, 19T	
9	RF5-2496-000		1	PLATE	
10	RB1-8667-000		1	TR ROLLER	
11	RB1-8713-000		1	BUSHING	
12	RS5-0948-000		1	GEAR, 18T	
13	FA9-1449-000		2	CAPTIVE SCREW M3X6	
14	XA9-0870-000		7	SCREW, M4X10	

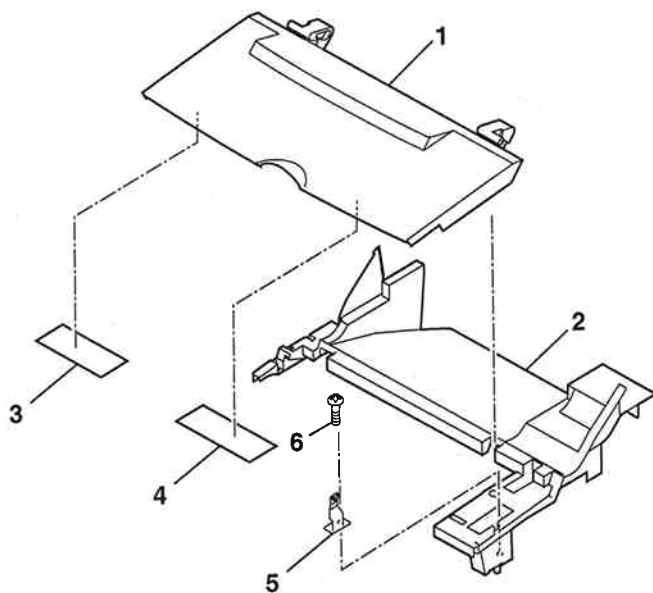
FIGURE 23 DRIVE ASS'Y



LASER CLASS 3170/3175/3175MS 2.PARTS LAYOUT & PARTS LIST

FIGURE & KEY No.	PART No.	R A N K	Q T Y	DESCRIPTION	REMARKS
23 - 1	FA9-1449-000		1	CAPTIVE SCREW M3X6	
2	HG5-1897-000		1	PRINTER DRIVER ASS'Y	
3	RH7-1331-000		1	MAIN MOTOR ASS'Y	
4	RG5-3709-000		1	MAIN MOTOR CABLE	
5	XA9-0434-000		4	SCREW, TP, M3X4	
6	XA9-0870-000		8	SCREW, M4X10	

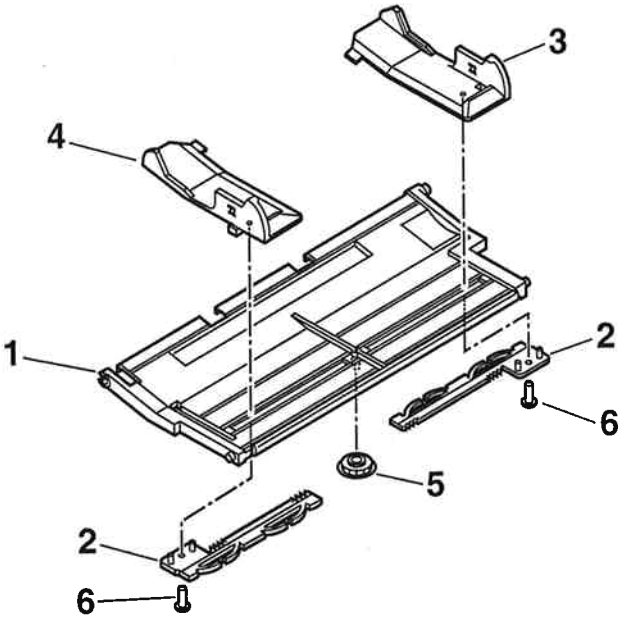
FIGURE 24 UPPER COVER ASS'Y



LASER CLASS 3170/3175/3175MS 2.PARTS LAYOUT & PARTS LIST

FIGURE & KEY No.	PART No.	R A N K	Q T Y	DESCRIPTION	REMARKS
24- 1	NPN		1	COVER, CARTRIDGE	
2	NPN		1	COVER, TOP	
3	HB1-3825-000		1	LABEL, RECORDING PAPER JAM 1	
4	HB1-3826-000		1	LABEL, RECORDING PAPER JAM 2	
5	HB1-3822-000		1	LOCK, PLATE	
6	XA9-0614-000		1	SCREW, M3X8	

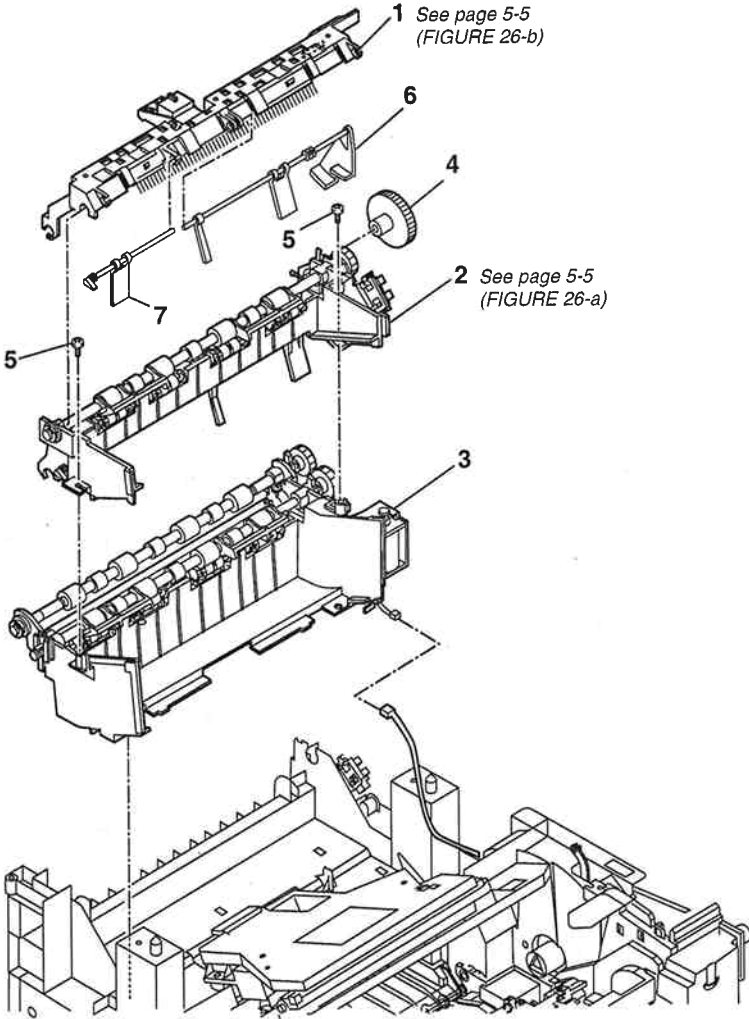
FIGURE 25 MULTI-PURPOSE TRAY ASS'Y



LASER CLASS 3170/3175/3175MS 2.PARTS LAYOUT & PARTS LIST

FIGURE & KEY No.	PART No.	R A N K	Q T Y	DESCRIPTION	REMARKS
25- 1	RB2-2743-000		1	TRAY, MULTI-PURPOSE	
2	RB1-8767-000		2	RACK	
3	RB2-2744-000		1	PLATE, PAPER GUIDE, RIGHT	
4	RB2-2745-000		1	PLATE, PAPER GUIDE, LEFT	
5	RB1-8781-000		1	GEAR, 16T	
6	XA9-0591-000		2	SCREW, M3X8	

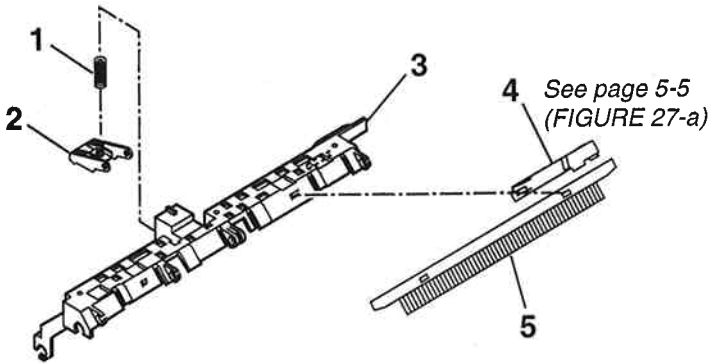
FIGURE 26 PAPER DELIVERY ASS'Y



LASER CLASS 3170/3175/3175MS 2.PARTS LAYOUT & PARTS LIST

FIGURE & KEY No.	PART No.	R A N K	Q T Y	DESCRIPTION	REMARKS
26 - 1	HG5-1911-000		1	DELIVERY UPPER GUIDE ASS'Y	
2	HG5-1912-000		1	DELIVERY MIDDLE GUIDE ASS'Y	
3	HG5-1913-000		1	DELIVERY LOWER GUIDE ASS'Y	
4	HS5-0293-000		1	GEAR, 36T	
5	XA9-0870-000		2	SCREW, M4X10	
6	HB1-3790-000		1	LEVER, SENSOR	
7	HB1-3791-000		1	LEVER	

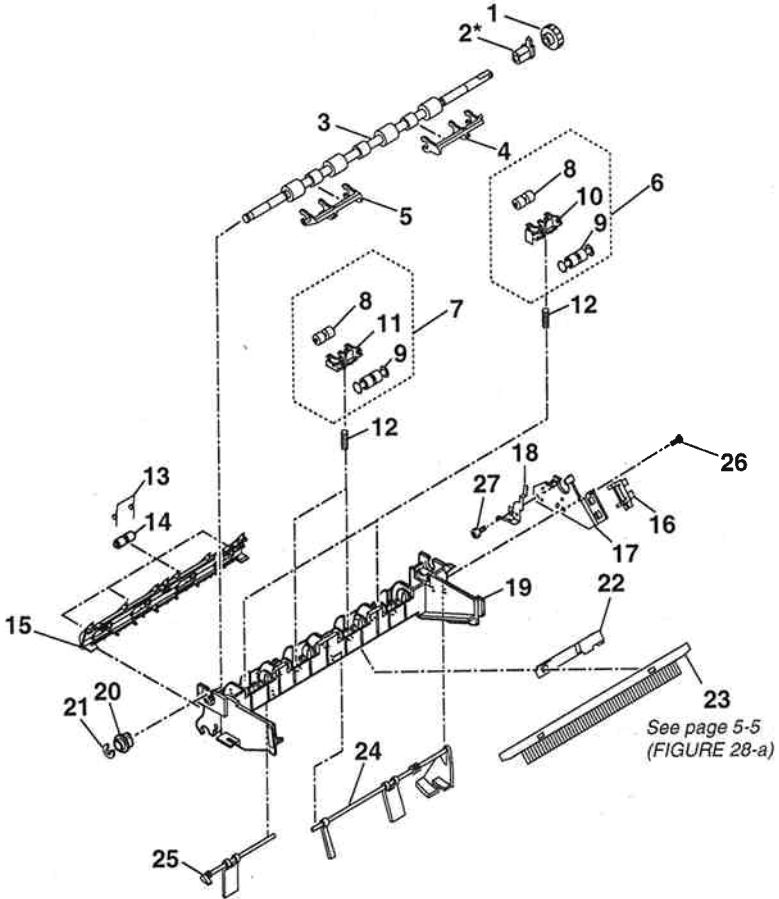
FIGURE 27 DELIVERY UPPER GUIDE ASS'Y



LASER CLASS 3170/3175/3175MS 2.PARTS LAYOUT & PARTS LIST

FIGURE & KEY No.	PART No.	R A N K	Q T Y	DESCRIPTION	REMARKS
27 - 1	RB1-8847-000		1	SPRING, COMPRESSION	
2	HB1-3787-000		1	ARM, LOCK, TRAY	
3	NPN		1	FRAME, DELIVERY UPPER GUIDE	
4	HB1-3804-000		1	PLATE, GROUNDING	
5	RB1-2309-000		1	ELIMINATOR, STATIC CHARGE	

FIGURE 28 DELIVERY MIDDLE GUIDE ASS'Y

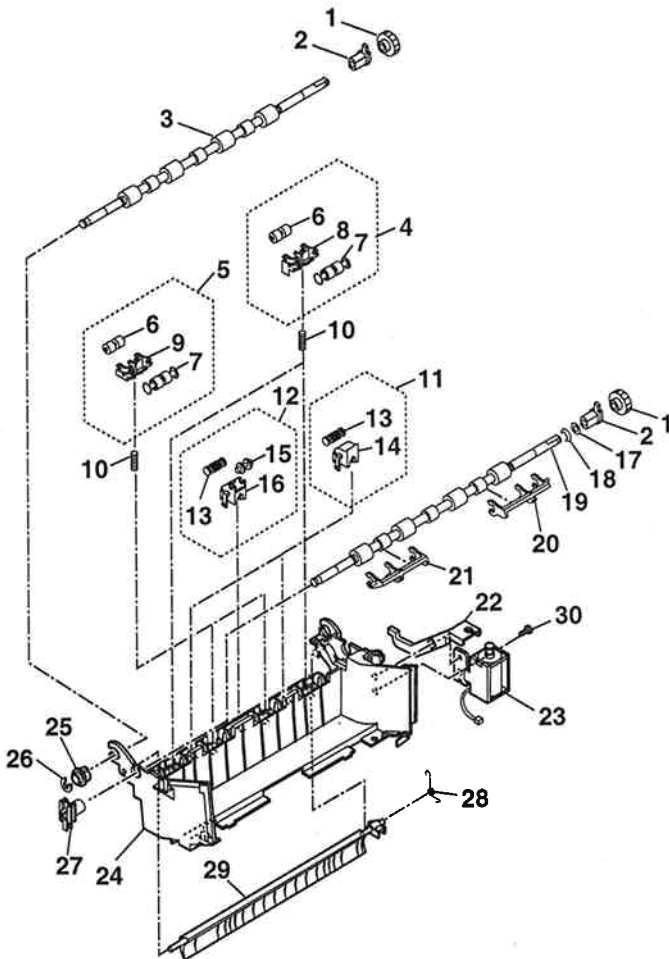


* = Lubrication
See page 4-3

LASER CLASS 3170/3175/3175MS 2.PARTS LAYOUT & PARTS LIST

FIGURE & KEY No.	PART No.	R A N K	Q T Y	DESCRIPTION	REMARKS
28 - 1	RS5-0929-000		1	GEAR, 18T	
2	RS5-1416-000		1	BUSHING	
3	HB1-3807-000		1	ROLLER, DELIVERY	
4	RB2-4628-000		1	LEVER, RIGHT	
5	RB2-4629-000		1	LEVER, LEFT	
6	RG5-2726-000		2	DELIVERY ROLLER ASSY	
7	RG5-2649-000		2	DELIVERY ROLLER ASSY	
8	RB1-8727-000		4	ROLLER	
9	RB1-8728-000		4	ROLLER	
10	NPN		2	HOLDER, DELIVERY ROLLER	
11	NPN		2	HOLDER, DELIVERY ROLLER	
12	RS5-2639-000		4	SPRING, COMPRESSION	
13	HS5-2177-000		4	SPRING, PRESSURE	
14	HS5-6063-000		4	ROLLER	
15	HB1-3789-000		1	HOLDER, RELAY ROLLER	
16	WG8-5362-000		1	PHOTO-INTERRUPTER TLP1241	
17	HF5-0519-000		1	PLATE, DRIVE	
18	HB1-3805-000		1	PLATE, GROUNDING	
19	NPN		1	FRAME, DELIVERY MIDDLE GUIDE	
20	HS5-1087-000		1	BUSHING	
21	XD9-0192-000		1	RING, E	
22	HB1-3804-000		1	PLATE, GROUNDING	
23	RB1-2309-000		1	ELIMINATOR, STATIC CHARGE	
24	HB1-3790-000		1	LEVER, SENSOR	
25	HB1-3791-000		1	LEVER	
26	XA9-0870-000		1	SCREW, M4X10	
27	XB1-2300-607		1	SCREW, BH3X6(S)	

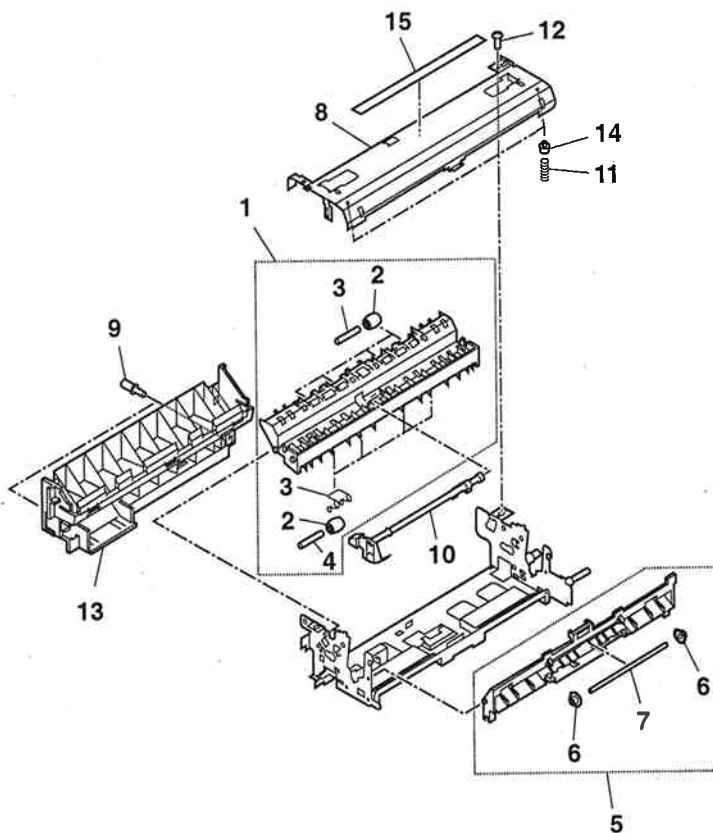
FIGURE 29 DELIVERY LOWER GUIDE ASS'Y



LASER CLASS 3170/3175/3175MS 2.PARTS LAYOUT & PARTS LIST

FIGURE & KEY No.	PART No.	RANK	QTY	DESCRIPTION	REMARKS
29 - 1	RS5-0929-000		2	GEAR, 18T	
2	RS5-1416-000		2	BUSHING	
3	HB1-3794-000		1	ROLLER, TRANSFER	
4	RG5-2726-000		2	DELIVERY ROLLER ASSY	
5	RG5-2649-000		2	DELIVERY ROLLER ASSY	
6	RB1-8727-000		4	ROLLER	
7	RB1-8728-000		4	ROLLER	
8	NPN		2	HOLDER, DELIVERY ROLLER	
9	NPN		2	HOLDER, DELIVERY ROLLER	
10	RS5-2639-000		4	SPRING, COMPRESSION	
11	RG5-2705-000		2	MIDDLE DELIVERY ROLLER ASSY	
12	RG5-5005-000		1	MIDDLE DELIVERY ROLLER ASSY 2	
13	RB1-8828-000		3	ROLLER	
14	NPN		2	HOLDER, DELIVERY ROLLER	
15	NPN		1	ROLLER	
16	NPN		1	HOLDER, DELIVERY ROLLER	
17	XD1-1106-232		1	SHIM, CIRCULAR	
18	XD9-0136-000		1	RING, E	
19	HB1-3807-000		1	ROLLER, DELIVERY	
20	RB2-4628-000		1	LEVER, RIGHT	
21	RB2-4629-000		1	LEVER, LEFT	
22	HB1-3796-000		1	ARM, FLAPPER	
23	HH7-2374-000		1	SOLENOID, FLAPPER	
24	NPN		1	FRAME, DELIVERY LOWER GUIDE	
25	HS5-1087-000		1	BUSHING	
26	XD9-0192-000		1	RING, E	
27	HB1-3808-000		1	BUSHING	
28	HS5-2178-000		1	SPRING, FLAPPER	
29	HB1-3795-000		1	FLAPPER	
30	XA9-0870-000		1	SCREW, M4X10	

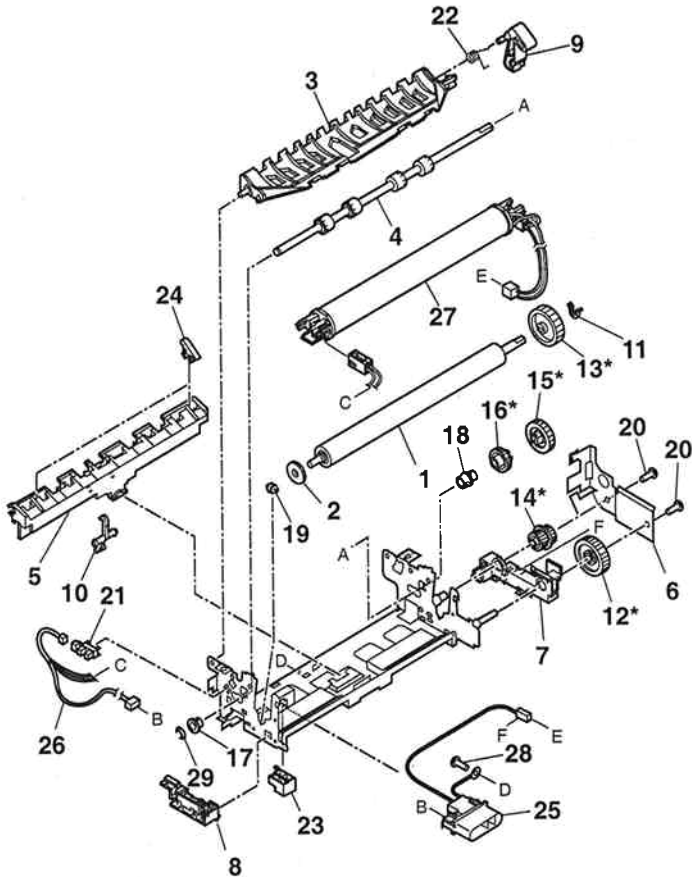
FIGURE 30 FIXING ASS'Y (1/2)



LASER CLASS 3170/3175/3175MS 2.PARTS LAYOUT & PARTS LIST

FIGURE & KEY No.	PART No.	RANK	QTY	DESCRIPTION	REMARKS
30 - 1	RG5-2722-000		1	UPPER PAPER GUIDE ASS'Y	
2	RB1-8806-000		8	ROLLER, DELIVERY	
3	RB1-8816-000		4	SPRING, TORSION	
4	RB1-8824-000		8	PIN, DOWEL	
5	RG5-2721-000		1	ENTRANCE PAPER GUIDE ASS'Y	
6	RF5-1495-000		2	SPUR	
7	RB1-8822-000		1	SHAFT, ROLLER	
8	RB1-8804-020		1	CROSSMEMBER, UPPER	
9	RB1-8819-000		2	SCREW, M4	
10	RB1-8813-020		1	LEVER, DELIVERY SENSOR	
11	RS5-2635-000		2	SPRING, COMPRESSION	
12	XA9-0326-000		2	SCREW, TP, M3X4	
13	RB2-2747-000		1	COVER, DELIVERY, FIXING	
14	RB1-8810-000		2	SUPPORT, SPRING	
15	RS5-8380-000		1	LABEL, "CAUTION"	

FIGURE 31 FIXING ASS'Y (2/2)

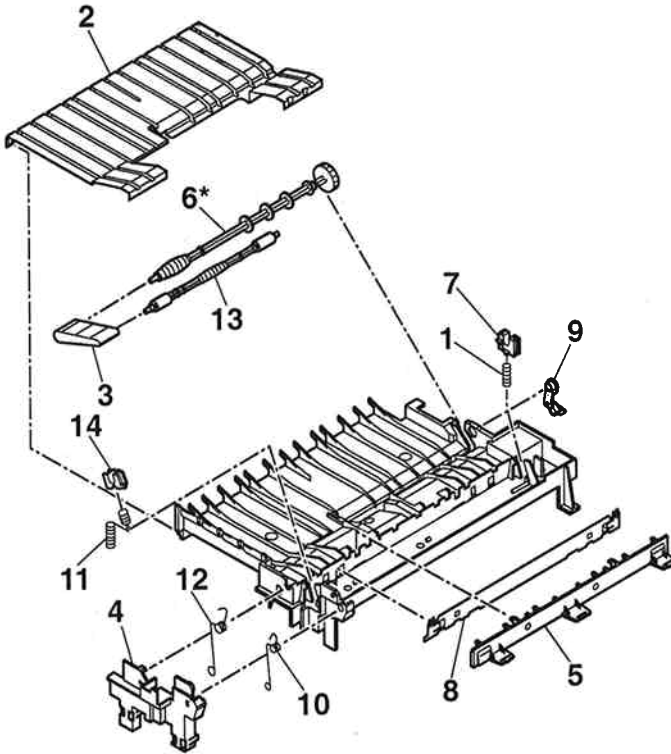


* = Lubrication
See page 4-4

LASER CLASS 3170/3175/3175MS 2.PARTS LAYOUT & PARTS LIST

FIGURE & KEY No.	PART No.	R A N K	Q T Y	DESCRIPTION	REMARKS
31 - 1	RB1-8794-040		1	ROLLER, PRESSURE	
2	RB1-8796-000		1	ROLLER	
3	RB1-8797-030		1	DEFLECTOR	
4	RB1-8798-020		1	ROLLER, DELIVERY, FIXING	
5	RB1-8801-000		1	GUIDE, PAPER, DELIVERY, LOWER	
6	RB1-8807-000		1	PLATE, SUPPORT	
7	RB1-8808-000		1	GUIDE, AC CABLE	
8	RF5-1874-000		1	GUIDE, DC CABLE	
9	RB1-8811-000		1	CAM, DEFLECTOR	
10	RB1-8812-000		1	LEVER, DELIVERY SENSOR 1	
11	RS5-1310-020		1	BUSHING	
12	RS5-0921-000		1	GEAR, 33T	
13	RS5-0922-000		1	GEAR, 34T	
14	RS5-0923-000		1	GEAR, 16T/18T	
15	RS5-0924-000		1	GEAR, 21T	
16	RS5-0925-000		1	GEAR, 26T	
17	RS5-1295-000		1	BUSHING	
18	RS5-1296-000		1	BUSHING	
19	RS5-1297-000		1	BUSHING	
20	XA9-0326-000		2	SCREW, TP, M3X4	
21	WG8-5382-000		1	PHOTO INTERRUPTER TLP 1242	
22	RB1-8814-000		1	SPRING, TORSION	
23	RB1-8817-000		1	SPACER, CONNECTOR	
24	RB1-8823-000		2	BLOCK, GUIDE	
25	RG5-3409-000		1	FIXING CABLE	
26	RG5-3411-000		1	FIXING DC CABLE	
27	RG5-4290-080		1	FIXING FILM ASS'Y	
28	XA9-0872-000		1	SCREW, W/WASHER, M3X8	
29	XD9-0136-000		1	RING, E	

FIGURE 32 PAPER FEED GUIDE ASS'Y



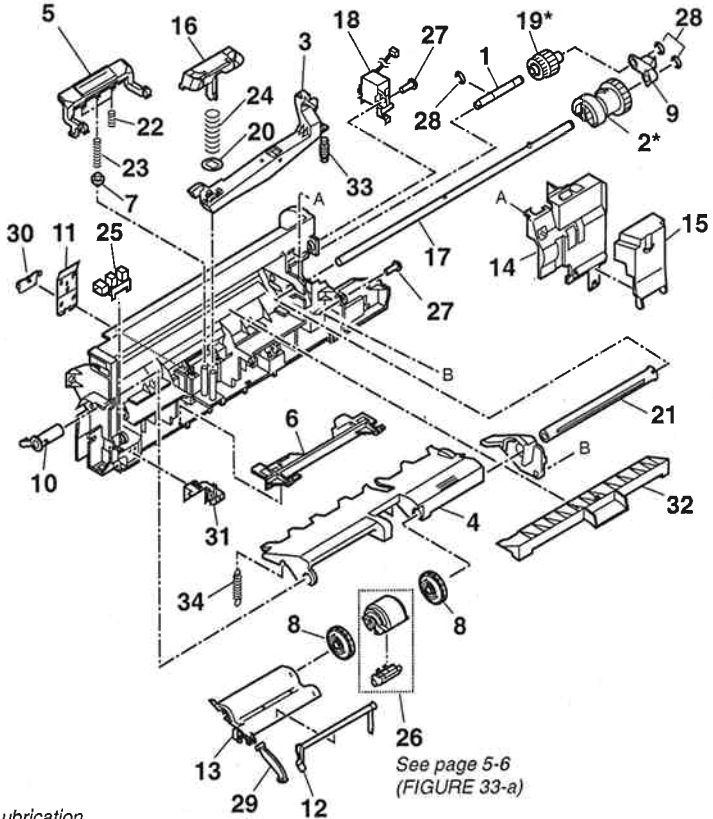
* = Lubrication
See page 4-5

LASER CLASS 3170/3175/3175MS 2.PARTS LAYOUT & PARTS LIST

FIGURE & KEY No.	PART No.	R A N K	Q T Y	DESCRIPTION	REMARKS
32 - 1	RS5-2630-000		1	SPRING, COMPRESSION	
2	RB1-8682-000		1	PLATE, PAPER FEED	
3	RB1-8668-000		1	BELT, PAPER FEED	
4	RB1-8672-000		1	COVER, CONTACT	
5	RB1-8673-000		1	HOLDER,ELMINATOR,STATIC CHARGE	
6	RB1-8674-000		1	SHAFT, BELT	
7	RB1-8685-000		1	HOLDER, TRANSFER SHAFT	
8	RB1-8686-000		1	ELMINATOR, STATIC CHARGE	
9	RB1-8692-000		1	JOINT	
10	RB1-8696-000		1	SPRING, TORSION	
11	RB1-8697-000		1	SPRING, COMPRESSION	
12	RB1-8701-000		1	SPRING, TORSION	
13	RF5-2495-020		1	ROLLER, PAPER FEED	
14	RB1-8684-000		1	BUSHING	

FIGURE 33 MULTI-PURPOSE PICK-UP ASS'Y

See page 5-6,5-7
(FIGURE 33-b,33-c,33-d,33-e)

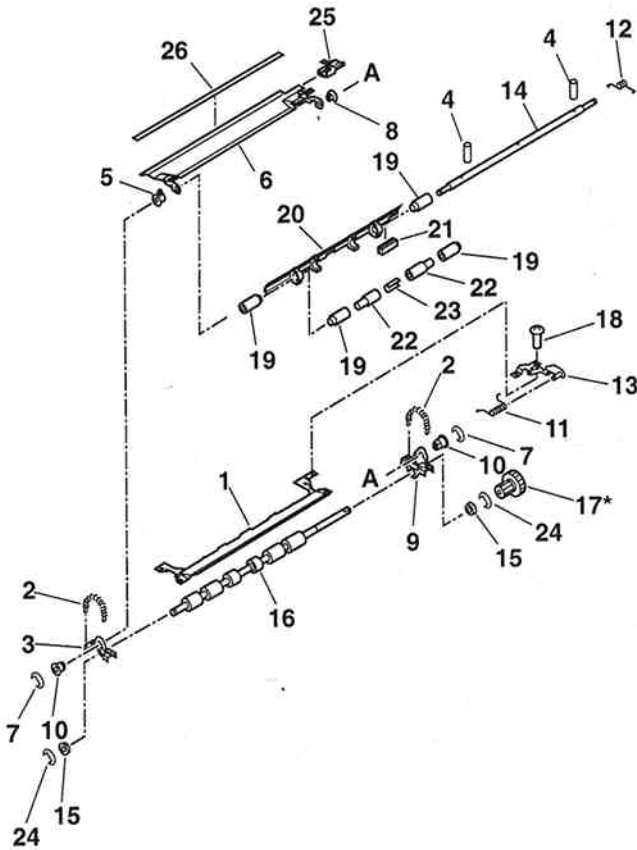


* = Lubrication
See page 4-6

LASER CLASS 3170/3175/3175MS 2.PARTS LAYOUT & PARTS LIST

FIGURE & KEY No.	PART No.	R A N K	Q T Y	DESCRIPTION	REMARKS
33 - 1	RB1-8763-000		1	SHAFT, IDLER	
2	RB1-8765-000		1	CLUTCH, MULTI-PURPOSE	
3	RB1-8766-000		1	LEVER, PAPER LIFT	
4	RB1-8771-020		1	GUIDE, MULTI-PURPOSE	
5	RB1-8773-000		1	PAD, SEPARATION	
6	RB1-8779-000		1	SUPPORT, COVER	
7	RB1-8780-000		1	HOLDER, SPRING	
8	RB1-8782-000		2	ROLLER, SUPPORT	
9	RB1-8783-000		1	PLATE, LINK	
10	RB1-8784-000		1	HOLDER, SHAFT	
11	RB1-8785-000		1	SPRING, LEAF	
12	RB1-8787-000		1	LEVER, SENSOR	
13	RB1-8788-020		1	COVER, SENSOR LEVER	
14	RB1-8789-000		1	COVER, SENSOR LEVER	
15	RB2-2386-000		1	COVER, GEAR, ENVELOPE FEEDER	
16	RF5-1870-000		1	PLATE, PAPER LIFT	
17	RF5-1873-000		1	SHAFT, PAPER FEED	
18	RH7-5172-000		1	SOLENOID	
19	RS5-0959-000		1	GEAR, 14T/19T	
20	RB2-4121-000		1	DAMPER	
21	RS5-1303-020		1	BUSHING	
22	RS5-2636-000		2	SPRING, COMPRESSION	
23	RS5-2637-000		1	SPRING, COMPRESSION	
24	RS5-2638-000		1	SPRING, COMPRESSION	
25	WG8-5362-000		1	PHOTO-INTERRUPTER TLP1241	
26	RG5-3718-000		1	MP TRAY PICK-UP ROLLER ASSY	
27	XA9-0605-000		2	SCREW, M4X8	
28	XD9-0136-000		3	RING, E	
29	RB2-2387-000		1	JOINT	
30	RB2-2411-000		1	MOUNT, SPRING	
31	RB2-2389-000		1	PLATE, GROUNDING	
32	RB2-2390-030		1	COVER, ENTRANCE	
33	RB2-2399-000		1	DAMPER, AIR	
34	RS6-2146-000		1	SPRING, TENSION	

FIGURE 34 REGISTRATION ASS'Y

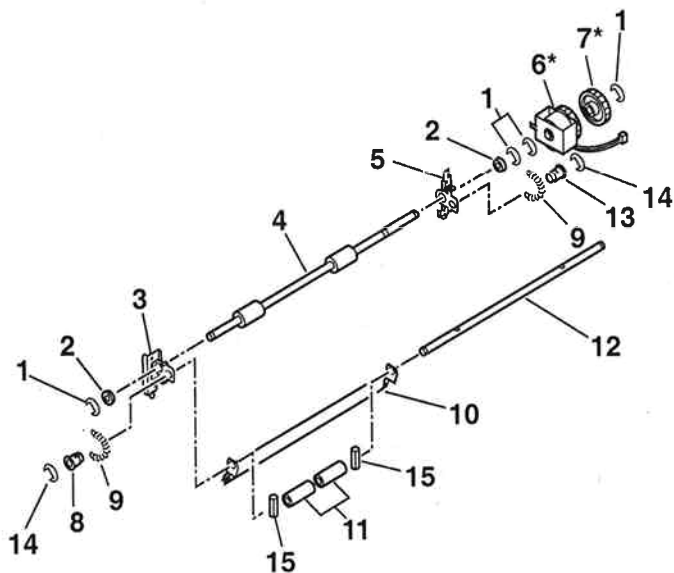


* = Lubrication
See page 4-7

LASER CLASS 3170/3175/3175MS 2.PARTS LAYOUT & PARTS LIST

FIGURE & KEY No.	PART No.	RANK	QTY	DESCRIPTION	REMARKS
34 - 1	RB1-8739-020		1	GUIDE	
2	RS5-2628-000		2	SPRING, TENSION	
3	RB1-8733-020		1	PLATE, SHAFT HOLDER, LEFT	
4	XD9-0103-000		2	PIN, DOWEL	
5	RB2-2393-000		1	CAM, LIFTER, LEFT	
6	RF5-2661-000		1	GUIDE, TRANSFER, UPPER	
7	XD9-0135-000		2	RING, E	
8	RB2-2394-000		1	CAM, LIFTER, RIGHT	
9	RB1-8734-020		1	PLATE, SHAFT HOLDER, RIGHT	
10	RS5-1290-000		2	BUSHING	
11	RB2-2395-000		1	SPRING, TORSION	
12	RB1-8746-030		1	SPRING, TORSION	
13	RB1-8698-000		1	PLATE, GROUNDING	
14	RB1-8737-000		1	SHAFT, ROLLER	
15	RS5-1286-020		2	BUSHING	
16	RB1-8731-000		1	ROLLER, PRE-TRANSFER	
17	RS5-0910-000		1	GEAR, 12T/30T	
18	FA9-1449-000		1	CAPTIVE SCREW M3X6	
19	RB1-8742-000		4	ROLLER	
20	RB1-8730-020		1	ARM, REGISTRATION	
21	RB1-8748-000		1	PAD, SAFTY	
22	RB1-8741-000		2	ROLLER	
23	RB1-8740-000		1	ROLLER	
24	XD9-0137-000		2	RING, E	
25	RB2-2396-000		1	ARM, GUIDE, TRANSFER	
26	RB2-2414-000		1	SHEET	

FIGURE 35 PAPER FEED ASS'Y

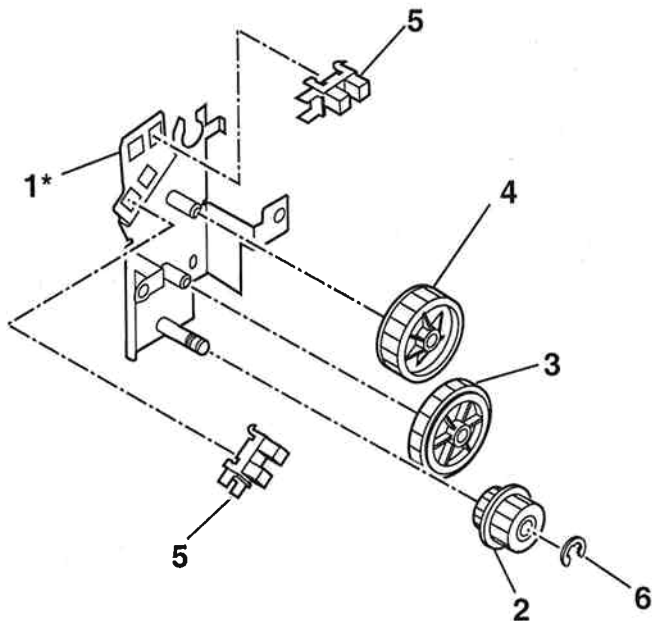


* = Lubrication
See page 4-8

LASER CLASS 3170/3175/3175MS 2.PARTS LAYOUT & PARTS LIST

FIGURE & KEY No.	PART No.	RANK	QTY	DESCRIPTION	REMARKS
35 - 1	XD9-0137-000		4	RING, E	
2	RS5-1286-020		2	BUSHING	
3	RB1-8735-000		1	PLATE, SHAFT HOLDER, LEFT	
4	RB1-8732-000		1	ROLLER, FEED	
5	RB1-8736-000		1	PLATE, SHAFT HOLDER, RIGHT	
6	RH7-5171-000		1	CLUTCH	
7	RS5-0909-000		1	GEAR, 31T	
8	RS5-1291-000		1	BUSHING	
9	RS5-2627-000		2	SPRING, TENSION	
10	RB1-8745-020		1	GUIDE	
11	RB1-8743-000		2	ROLLER	
12	RB1-8744-000		1	SHAFT, ROLLER	
13	RS5-1292-000		1	BUSHING	
14	XD9-0136-000		2	RING, E	
15	XD3-1160-102		2	PIN, SPRING, D=1.6, L=10	

FIGURE 36 DELIVERY DRIVE ASS'Y

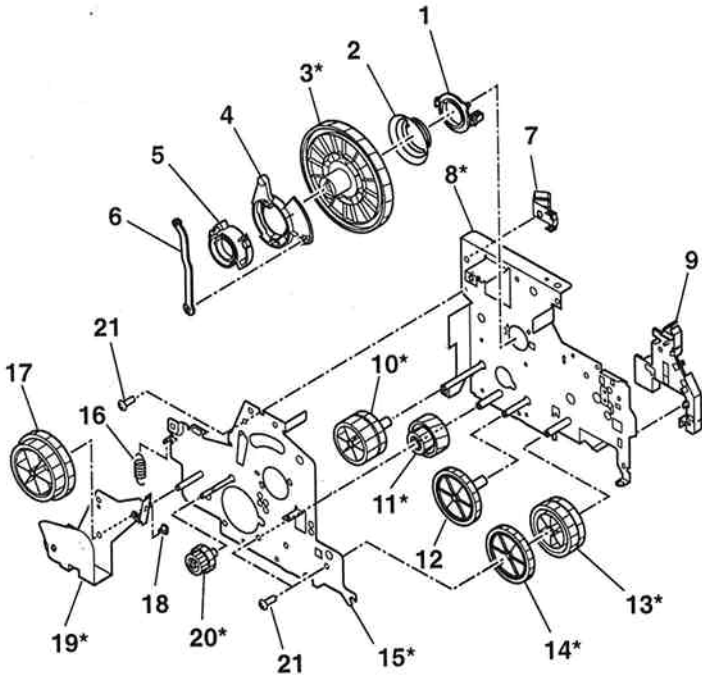


* = Lubrication
See page 4-9

LASER CLASS 3170/3175/3175MS 2.PARTS LAYOUT & PARTS LIST

FIGURE & KEY No.	PART No.	R A N K	Q T Y	DESCRIPTION	REMARKS
36 - 1	HF5-0518-000		1	PLATE, DRIVE	
2	RS5-0926-000		1	GEAR, 14T/14T	
3	RS5-0927-000		1	GEAR, 31T	
4	RS5-0928-000		1	GEAR, 30T	
5	WG8-5362-000		2	PHOTO-INTERRUPTER TLP1241	
6	XD9-0135-000		1	RING, E	

FIGURE 37 PRINTER DRIVER ASS'Y

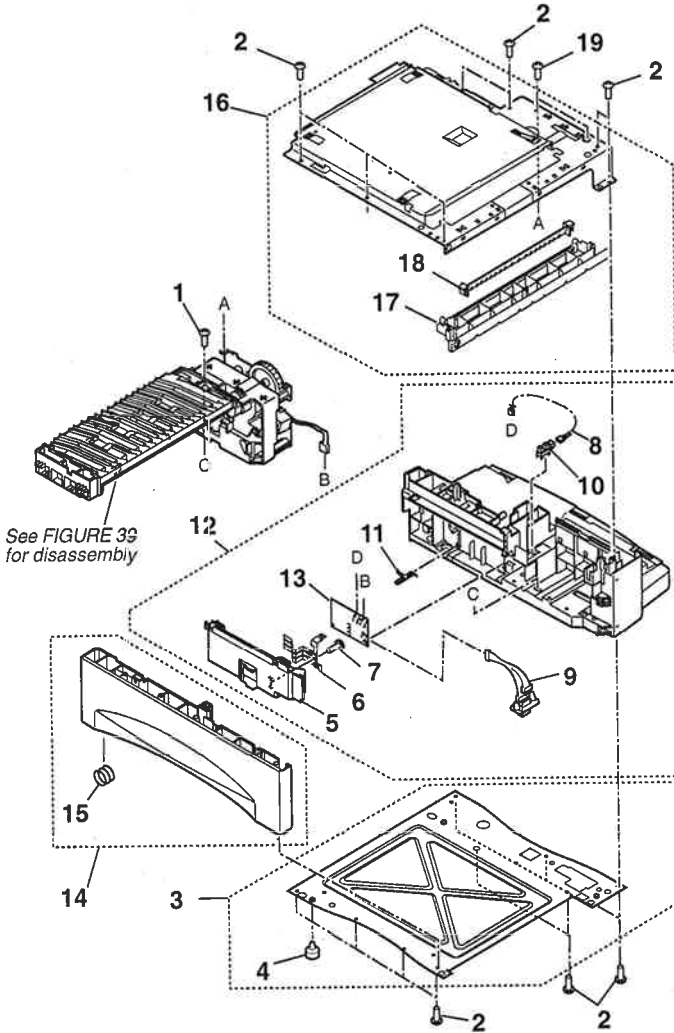


* = Lubrication
See page 4-10

LASER CLASS 3170/3175/3175MS 2.PARTS LAYOUT & PARTS LIST

FIGURE & KEY No.	PART No.	RANK	QTY	DESCRIPTION	REMARKS
37 - 1	RB1-8753-000		1	BUSHING	
2	RS5-2631-000		1	SPRING, COMPRESSION	
3	RS5-0908-000		1	GEAR, 193T	
4	RB1-8755-000		1	CAM	
5	RB1-8754-000		1	CAM	
6	RB1-8756-000		1	ROD, RELEASE	
7	RB1-8760-000		1	SPRING, GROUNDING	
8	HF5-0517-000		1	PLATE, DRIVE	
9	RB1-8757-000		1	HOLDER, CABLES	
10	RS5-0916-000		1	GEAR, 39T	
11	RS5-0915-000		1	GEAR, 19T/63T	
12	RS5-0914-000		1	GEAR, 51T	
13	RS5-0912-000		1	GEAR, 37T/48T	
14	RS5-0913-000		1	GEAR, 49T	
15	HF5-0526-000		1	PLATE, DRIVE	
16	RS5-2629-000		1	SPRING, TENSION	
17	RS5-0917-000		1	GEAR, 53T/61T	
18	RB1-8986-000		1	CHIP, SWING	
19	HF5-0527-000		1	PLATE, SWING ARM	
20	RS5-0919-000		1	GEAR, 22T/23T	
21	XA9-0267-000		3	SCREW, TP, M3X6	

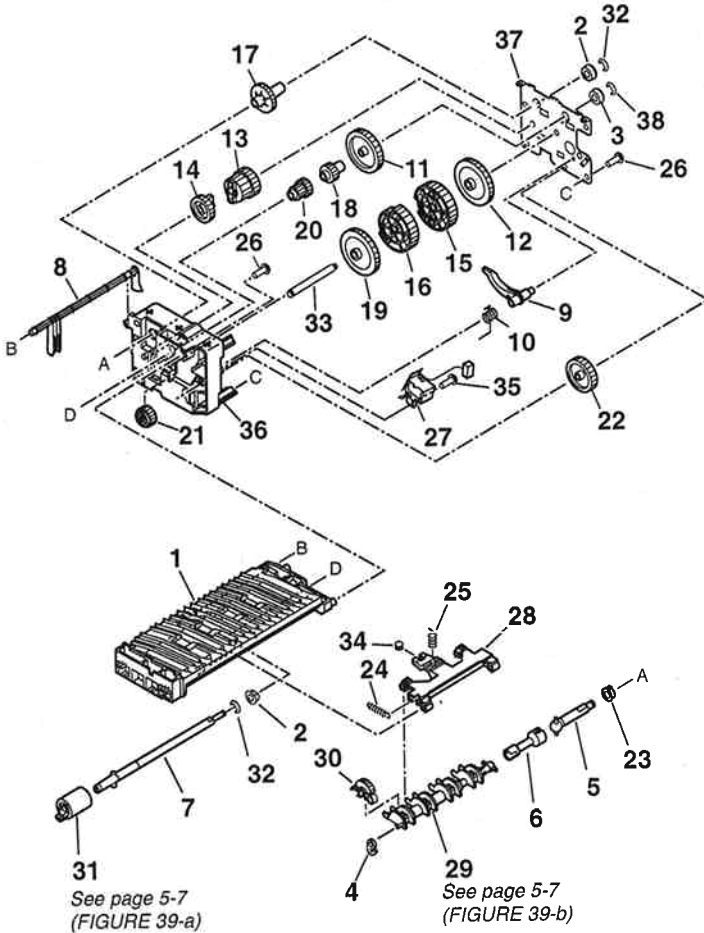
FIGURE 38 PAPER FEEDER ASS'Y



LASER CLASS 3170/3175/3175MS 2.PARTS LAYOUT & PARTS LIST

FIGURE & KEY No.	PART No.	RANK	QTY	DESCRIPTION	REMARKS
38 - 1	XA9-0917-000		1	SCREW, M3X16	
2	XA9-0870-000		16	SCREW, M4X10	
3	RG5-2670-000		1	LOWER FRAME ASS'Y	
4	RB1-8107-000		2	FOOT	
5	RB1-8886-020		1	COVER, PCB	
6	RB1-8887-000		1	SPRING, LEAF	
7	XA9-0915-000		1	SCREW, M3X6	
8	RG5-3711-000		1	PAPER SENSOR CABLE	
9	RG5-3712-000		1	PAPER FEEDER CABLE	
10	WG8-5362-000		1	PHOTO-INTERRUPTER TLP1241	
11	RB1-8979-000		1	SPRING, GROUNDING, 1	
12	HG5-1899-000		1	RIGHT FRAME ASS'Y	
13	RG5-2673-000		1	PAPER SIZE DETECTION PCB ASS'Y	
14	RG5-4545-000		1	LEFT FRAME ASS'Y	
15	RS5-2652-000		1	SPRING, COMPRESSION	
16	RG5-2671-000		1	UPPER FRAME ASS'Y	
17	RB1-8873-000		1	GUIDE, PAPER	
18	RB1-8890-000		1	GUIDE, PAPER	
19	XB5-2300-609		2	SCREW, BH, M3X6 (S)	

FIGURE 39 PAPER PICK-UP DRIVE ASS'Y



LASER CLASS 3170/3175/3175MS 2.PARTS LAYOUT & PARTS LIST

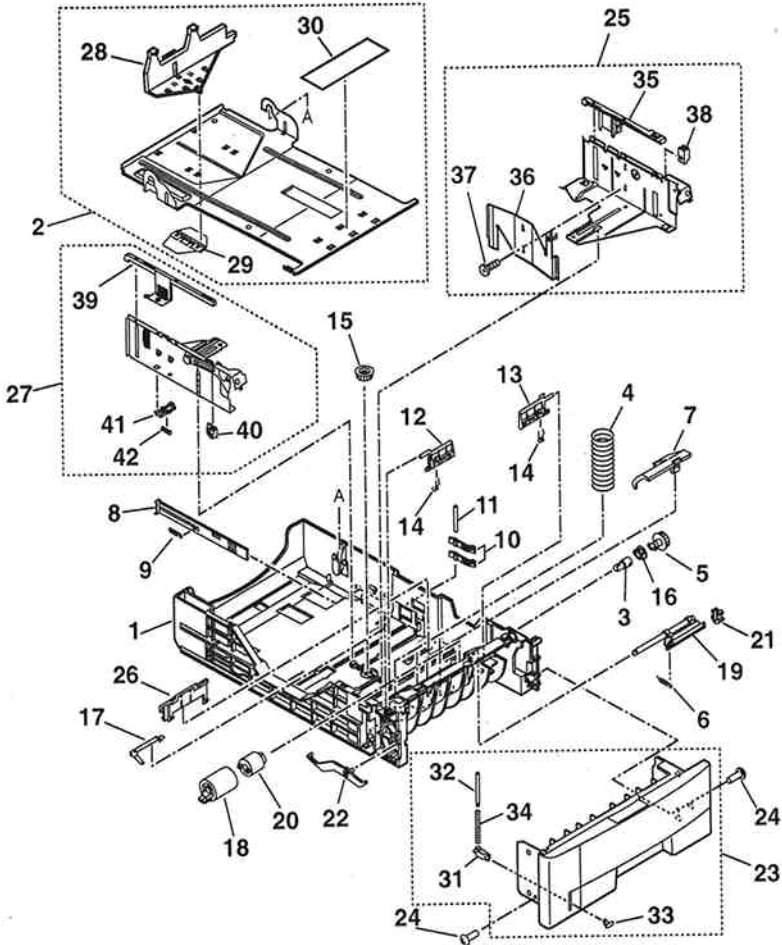
FIGURE & KEY No.	PART No.	RANK	QTY	DESCRIPTION	REMARKS
39 - 1	RB1-8869-000		1	GUIDE	
2	RS5-1307-000		2	BUSHING	
3	RS5-1308-000		1	BUSHING	
4	RB1-2190-000		1	COLLAR, SPRING	
5	RB1-8868-000		1	SHAFT, DRIVE	
6	RB1-8877-000		1	JOINT	
7	RF5-2491-000		1	SHAFT, PAPER FEED	
8	RB1-8879-000		1	LEVER, SENSOR	
9	RB1-8880-000		1	LEVER	
10	RB1-8881-000		1	SPRING, TORSION	
11	RS5-0930-000		1	GEAR, 17T/38T	
12	RS5-0931-000		1	GEAR, 41T	
13	RS5-0932-000		1	GEAR, 23T/27T	
14	RS5-0933-000		1	GEAR, 27T	
15	RS5-0934-000		1	GEAR, 49T	
16	RS5-0935-000		1	GEAR, 31T/39T	
17	RS5-0936-000		1	GEAR, 31T	
18	RS5-0937-000		1	GEAR, 18T	
19	RS5-0938-000		1	GEAR, 53T	
20	RS5-0939-000		1	GEAR, 14T/18T	
21	RS5-0940-000		1	GEAR, 20T	
22	RS5-0941-000		1	GEAR, 29T	
23	RB1-8955-000		1	SPACER	
24	RS5-2632-000		1	SPRING, TENSION	
25	RS5-2633-000		1	SPRING, COMPRESSION	
26	XA9-0870-000		6	SCREW, M4X10	
27	RH7-5174-000		1	SOLENOID	
28	RB1-8866-000		1	ARM	
29	RB1-8867-000		1	SHAFT, ROLLER	
30	RB1-8957-000		4	ROLLER	
31	RF5-1885-000		1	ROLLER	
32	XD9-0136-000		2	RING, E	
33	RB1-8891-000		1	SHAFT	
34	RB1-8883-000		1	DAMPER	
35	XA9-0640-000		1	SCREW, W/WASHER, M3X12	

LASER CLASS 3170/3175/3175MS 2.PARTS LAYOUT & PARTS LIST

FIGURE & KEY No.	PART No.	R A N K	Q T Y	DESCRIPTION	REMARKS
39 - 36	RB1-8871-050	N	1	FRAME, DRIVE	
37	RB1-8872-000		1	FRAME	
38	XD9-0134-000		1	RING, E	

This page intentionally left blank

FIGURE 40 CASSETTE



LASER CLASS 3170/3175/3175MS 2.PARTS LAYOUT & PARTS LIST

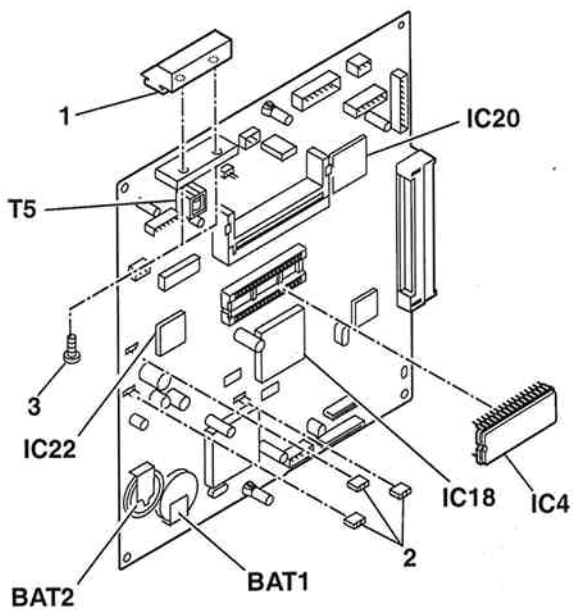
FIGURE & KEY No.	PART No.	RANK	QTY	DESCRIPTION	REMARKS
40 - 1	RB2-2776-000	N	1	BODY, CASSETTE	
2	RF5-2485-040		1	PLATE, PAPER LIFTING	
3	RB1-8945-000		1	JOINT	
4	RS5-2621-000		3	SPRING, COMPRESSION	
5	RB1-8948-000		1	GEAR, 22T	
6	RS5-2622-020		1	SPRING, TENSION	
7	RB2-2775-000		1	COVER	
8	RB1-8965-000		1	PLATE, SIZE	
9	RS5-2624-000		1	SPRING, TENSION	
10	RB1-8963-000		2	ARM, SIZE	
11	RB1-8964-000		1	SHAFT, SIZE ARM	
12	RB1-8961-000		1	ARM, LIFTER, LEFT	
13	RB1-8962-000		1	ARM, LIFTER, RIGHT	
14	RB1-8973-000		2	SPRING, TORSION	
15	RB1-8970-000		1	GEAR, 20T	
16	RB1-8946-000		1	BUSHING	
17	RB1-8972-000		1	SPRING, LEAF	
18	RF5-1885-000		1	ROLLER	
19	RF5-2489-000		1	HOLDER	
20	RB1-8974-000		1	LIMITER, TORQUE	
21	RB1-8956-000		1	STOPPER, REAR	
22	RB1-8966-000		1	ARM, SENSOR	
23	RG5-4546-000		1	CASSETTE FRONT COVER ASS'Y	
24	XA9-0806-000		2	SCREW, M4X10	
25	RG5-4401-000		1	RIGHT SIDE PLATE ASS'Y	
26	RB2-2754-000		1	HOLDER, REAR	
27	RG5-2699-000		1	LEFT SIDE PLATE ASS'Y	
28	RF5-2760-000		1	PLATE, LENGTH ADJUSTMENT	
29	RB1-8951-000		1	SPRING, LEAF	
30	RB1-8971-020		1	SHEET, SEPARATION	
31	RB1-8967-000		1	HOLDER, BLOCK	
32	RB1-8968-000		1	SHAFT, SENSOR ARM	
33	RB2-2773-000		1	BLOCK, SENSOR	
34	RS5-2625-000		1	SPRING, COMPRESSION	
35	RB1-8954-000		1	COVER, SIDE, RIGHT	

LASER CLASS 3170/3175/3175MS 2.PARTS LAYOUT & PARTS LIST

FIGURE & KEY No.	PART No.	RANK	QTY	DESCRIPTION	REMARKS
40 - 36	RB1-9379-000		1	SPRING, LEAF	
37	XA9-0903-000		2	SCREW, M3X5	
38	RB1-8893-000		1	HOLDER, CLAW	
39	RB1-8953-000		1	COVER, SIDE, LEFT	
40	RB1-8892-000		1	HOLDER, CLAW	
41	RB1-8952-000		1	BLOCK, SIDE CLICK	
42	RS5-2623-000		1	SPRING, COMPRESSION	

This page intentionally left blank

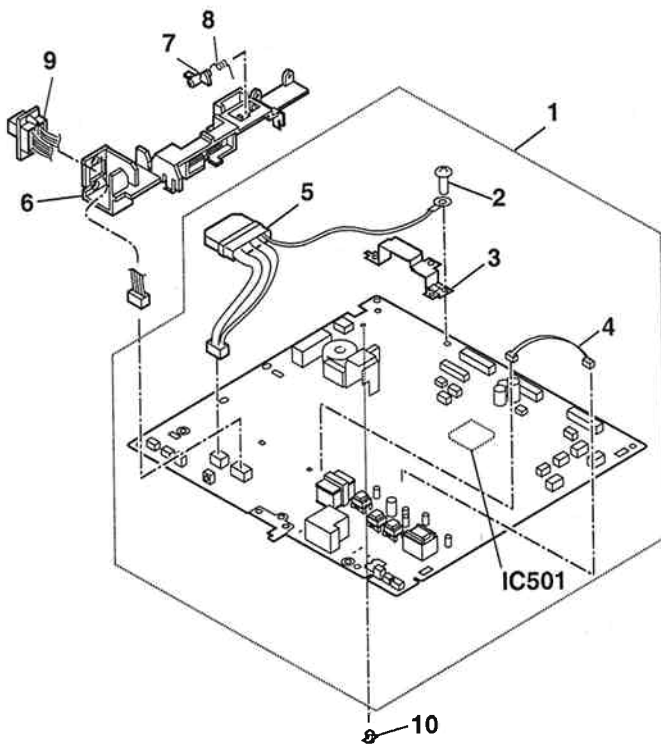
FIGURE 41 SCNT BOARD ASS'Y



LASER CLASS 3170/3175/3175MS 2.PARTS LAYOUT & PARTS LIST

FIGURE & KEY No.	PART No.	RANK	QTY	DESCRIPTION	REMARKS
41 - 1	HB1-2248-000		1	HEATSINK	
2	WS1-5397-000	N	3	PLUG, JUMPER	
3	XA9-0664-000		2	SCREW, W/WASHERS, M3X8	
BAT1	WK1-5117-000		1	BATTERY, LITHIUM, CR2450THE	
BAT2	WK1-5101-000		1	LITHIUM BATTERY, VL2330/G1A	
IC4	HH4-3250-000		1	IC, LH537N, MASK-ROM	
IC18	HH4-2642-000		1	IC, M86364FP. CMOS, MITSUBISHI	
IC20	HH4-2687-000		1	IC, CM700L, CMOS, CANON	
IC22	HH4-2484-000		1	IC, UPD94111GJ-201-3EB, C-MOS	
T5	FH3-0778-000		1	CHOKE COIL	

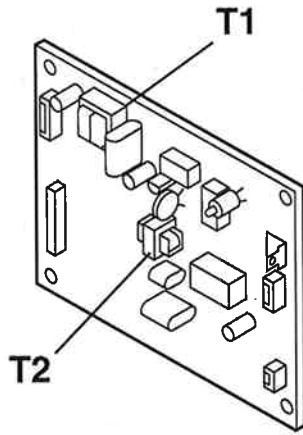
FIGURE 42 ECNT ASS'Y



LASER CLASS 3170/3175/3175MS 2.PARTS LAYOUT & PARTS LIST

FIGURE & KEY No.	PART No.	RANK	QTY	DESCRIPTION	REMARKS
42 - 1	HG5-1951-000		1	ECNT BOARD ASS'Y	
2	FA9-1449-000		1	CAPTIVE SCREW M3X6	
3	HB1-3779-000		1	STAY, SWITCH	
4	HH2-2888-000		1	CABLE WITH CONNECTOR, 2P	
5	RG5-3697-000		1	FIXING CABLE	
6	RB1-8834-000		1	GUIDE, CABLE	
7	RB1-8854-020		1	ARM, SENSOR	
8	RB1-8855-000		1	SPRING, TORSION	
9	RG5-3698-000		1	DUPLEXING UNIT CABLE	
10	RH7-8059-000		1	SPACER, PCB	
IC501	HH4-3245-000		1	IC, UPD1605, MPU	

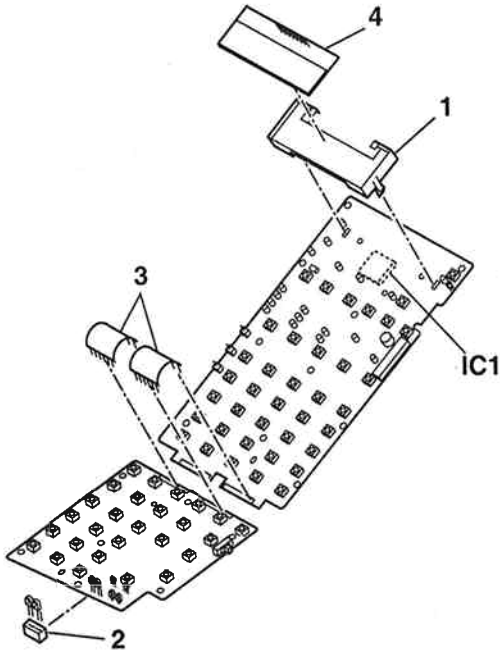
FIGURE 43 NCU BOARD ASS'Y



LASER CLASS 3170/3175/3175MS 2.PARTS LAYOUT & PARTS LIST

FIGURE & KEY No.	PART No.	R A N K	Q T Y	DESCRIPTION	REMARKS
43 - T1	HH7-2120-000		1	AUDIO TRANSFORMER	
T2	HH7-2112-000		1	HYBRID TRANSFORMER	

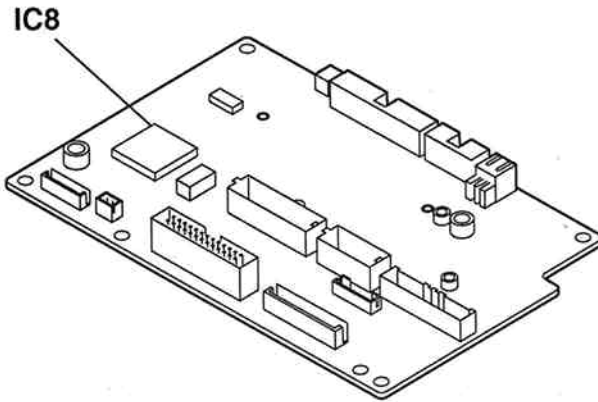
FIGURE 44 OPCNT BOARD ASS'Y



LASER CLASS 3170/3175/3175MS 2.PARTS LAYOUT & PARTS LIST

FIGURE & KEY No.	PART No.	R A N K	Q T Y	DESCRIPTION	REMARKS
44 - 1	HB1-3850-000		1	HOLDER, LCD	
2	HB1-3851-000		1	SPACER, LED	
3	HH2-2904-000		2	CABLE, FLAT, 10P	
4	HH7-2174-000		1	MODULE, LCD	
IC1	HH4-3198-000		1	IC, BU12306-04, C-MOS	

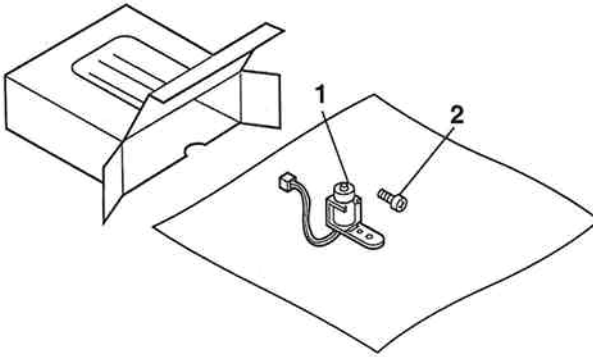
FIGURE 45 TWINS BOARD ASS'Y



LASER CLASS 3170/3175/3175MS 2.PARTS LAYOUT & PARTS LIST

FIGURE & KEY No.	PART No.	R A N K	Q T Y	DESCRIPTION	REMARKS
45 - IC8	HH4-2688-000		1	IC, UPD65802GJ-117-3EN	

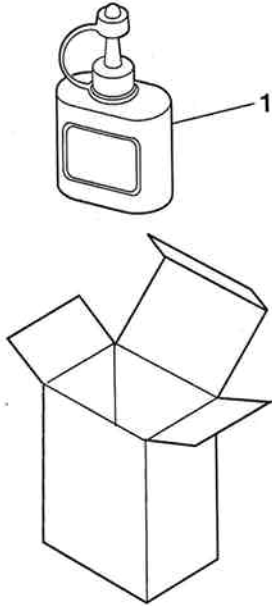
**FIGURE 46 VERIFICATION STAMP UNIT 1
PACKAGE CONTENTS**



LASER CLASS 3170/3175/3175MS 2.PARTS LAYOUT & PARTS LIST

FIGURE & KEY No.	PART No.	R A N K	Q T Y	DESCRIPTION	REMARKS
46 - 1	HH7-2212-000		1	STAMP UNIT	
2	XB4-7300-607		1	SCREW, TAP TIGHT, BINDING HEAD	

**FIGURE 47 YELLOW INK TO REFILL
FOR VERIFICATION STAMP
PACKAGE CONTENTS**

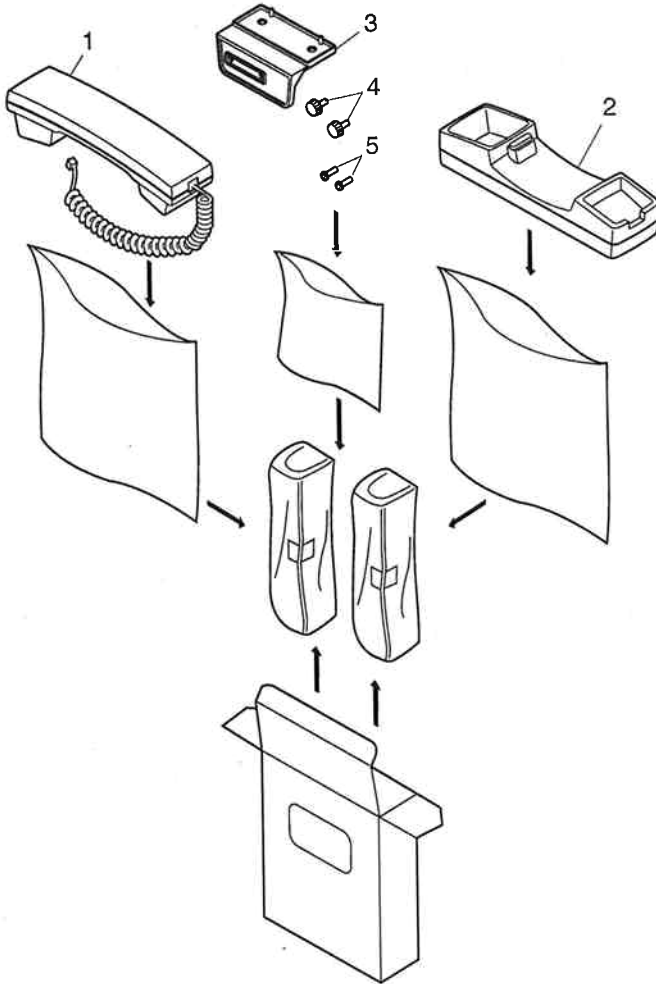


The Stamp ink is not designated as a service part.
Please include it with the product (Product No. H12-3372-210).

LASER CLASS 3170/3175/3175MS 2.PARTS LAYOUT & PARTS LIST

FIGURE & KEY No.	PART No.	R A N K	Q T Y	DESCRIPTION	REMARKS
47- 1	NPN		1	YELLOW INK	

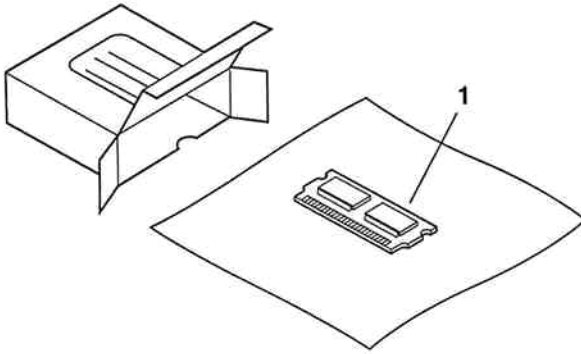
FIGURE 48 HANDSET KIT L7 PACKAGE CONTENTS



LASER CLASS 3170/3175/3175MS 2.PARTS LAYOUT & PARTS LIST

FIGURE & KEY No.	PART No.	R A N K	Q T Y	DESCRIPTION	REMARKS
48 - 1	HH7-2104-000		1	HANDSET ASS'Y (USA, AG)	
2	HG1-8794-000		1	HANDSET REST UNIT	
3	HB1-1381-020		1	STAY, HANDSET HOLDER	
4	XA9-0429-000		2	SCREW (W)	
5	XA9-0772-000		2	SCREW, M3X10	

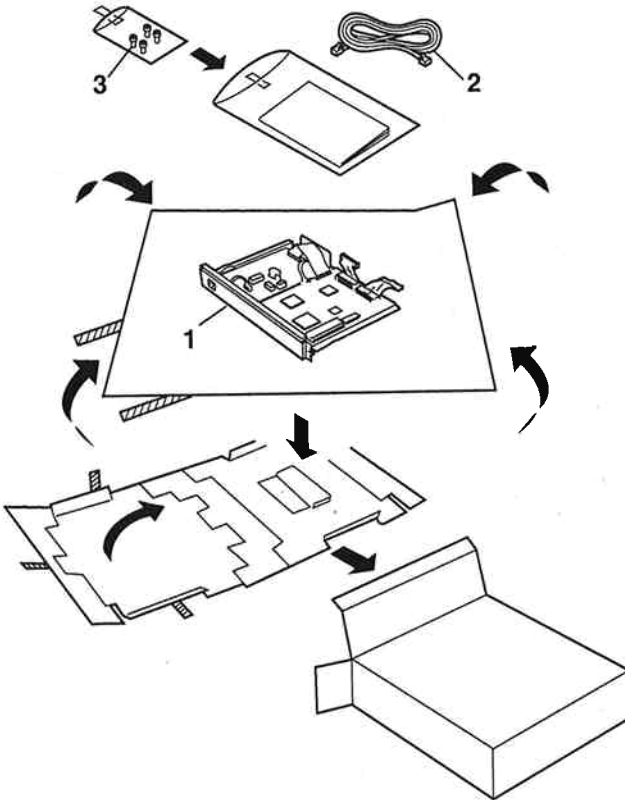
FIGURE 49 OPTION MEMORY VII (4MB)
PACKAGE CONTENTS



LASER CLASS 3170/3175/3175MS 2.PARTS LAYOUT & PARTS LIST

FIGURE & KEY No.	PART No.	R A N K	Q T Y	DESCRIPTION	REMARKS
49 - 1	HG5-1851-000	N	1	DRAM BOARD ASSY (4M-BYTE)	

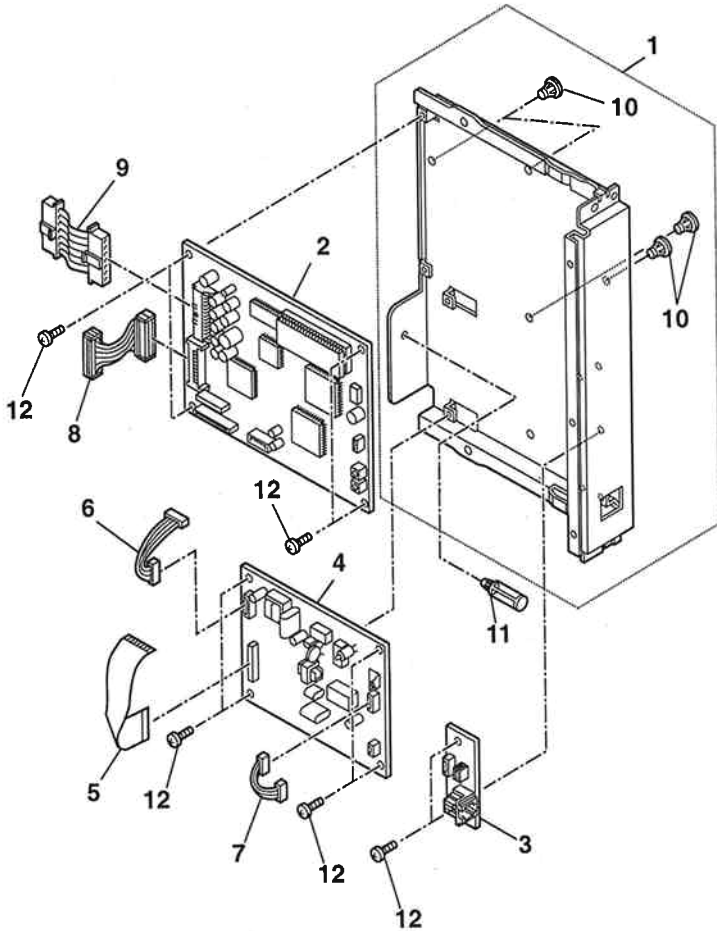
**FIGURE 50 DUAL-LINE UPGRADE KIT II
PACKAGE CONTENTS**



LASER CLASS 3170/3175/3175MS 2.PARTS LAYOUT & PARTS LIST

FIGURE & KEY No.	PART No.	R A N K	Q T Y	DESCRIPTION	REMARKS
50 - 1	NPN		1	DUAL-LINE ASS'Y	
2	HH2-2830-000		1	CORD, MODULAR, 2W	
3	XB1-2300-607		4	SCREW, BH3X6(S)	

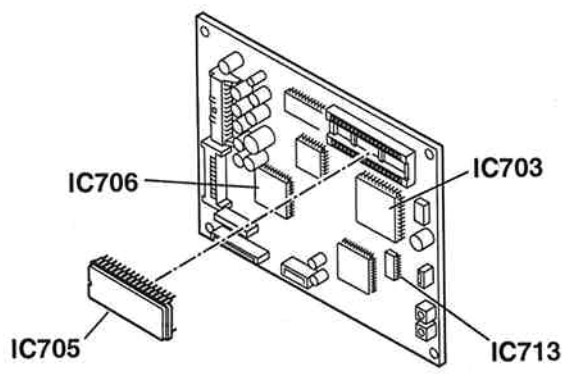
FIGURE 51 DUAL-LINE ASS'Y



LASER CLASS 3170/3175/3175MS 2.PARTS LAYOUT & PARTS LIST

FIGURE & KEY No.	PART No.	RANK	QTY	DESCRIPTION	REMARKS
51 - 1	HG5-1943-000	N	1	FLAME ASSY	
2	HG5-1944-000		1	DUAL-LINE BOARD ASSY	
3	HG5-1945-000		1	MODULAR BOARD ASSY	
4	HG5-2042-000		1	NCU BOARD ASSY	
5	HH2-2908-000		1	CABLE, FLAT, 23P	
6	HH2-2909-000		1	CABLE WITH CONNECTOR, 6P	
7	HH2-2910-000		1	CABLE WITH CONNECTOR, 5P	
8	HH2-2911-000		1	CABLE WITH CONNECTOR, 40P	
9	HH2-2912-000		1	CABLE WITH CONNECTOR, 14P	
10	VT2-5027-006		4	SPACER	
11	VT2-5167-018		1	SPACER	
12	XB1-2300-607		10	SCREW, BH3X6(S)	

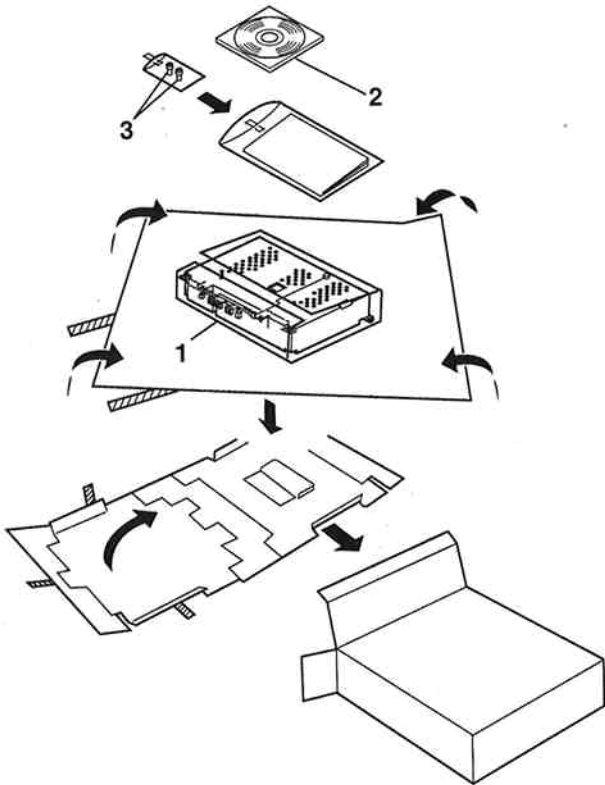
FIGURE 52 DUAL-LINE BOARD ASS'Y



LASER CLASS 3170/3175/3175MS 2.PARTS LAYOUT & PARTS LIST

FIGURE & KEY No.	PART No.	R A N K	Q T Y	DESCRIPTION	REMARKS
52 - IC703	HH4-2642-000		1	IC, M66364FP, CMOS, MITSUBISHI	
IC705	HH4-3273-000		1	IC, M27C800-100F1, EP-ROM	
IC706	HH4-2688-000		1	IC, UPD65802GJ-117-3EN	
IC713	HH4-3216-000		1	IC, UPD7757GT-717-E2, C-MOS	

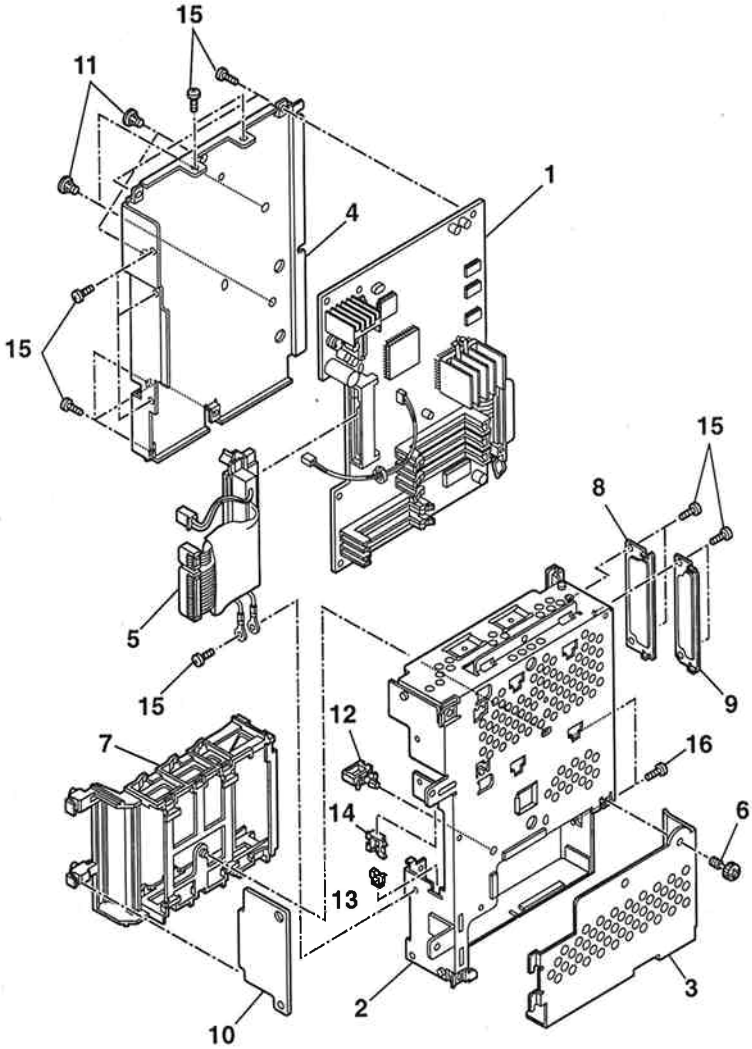
FIGURE 53 PRINTER BOARD I
PACKAGE CONTENTS



LASER CLASS 3170/3175/3175MS 2.PARTS LAYOUT & PARTS LIST

FIGURE & KEY No.	PART No.	R A N K	Q T Y	DESCRIPTION	REMARKS
53 - 1	NPN		1	PRINTER BOARD ASS'Y	
2	HH4-3313-000	N	1	CD-ROM, DRIVER SOFTWARE	
3	XB1-2300-807		2	SCREW, BH3X6(S)	

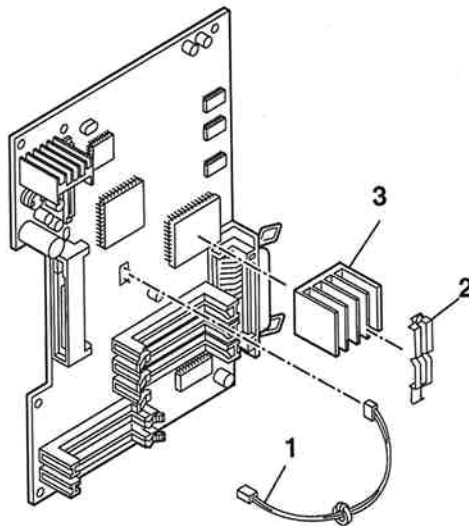
FIGURE 54 PRINTER BOARD ASS'Y



LASER CLASS 3170/3175/3175MS 2.PARTS LAYOUT & PARTS LIST

FIGURE & KEY No.	PART No.	RANK	QTY	DESCRIPTION	REMARKS
54 - 1	HG5-1956-000		1	PDL BOARD ASS'Y	
2	HB1-3930-000	N	1	COVER, SHIELD	
3	HB1-3931-000		1	COVER, MEMORY	
4	HB1-3932-000	N	1	PLATE, SHIELD	
5	HH2-2901-000		1	CABLE WITH CONNECTOR, 38P	
6	RB2-2759-000		1	SCREW, M4	
7	RB2-2764-000		1	RAIL, GUIDE	
8	RB2-2767-000		1	COVER	
9	RB2-2768-000		1	COVER	
10	RG1-3801-000		1	ADAPTER PCB ASS'Y	
11	VT2-5027-006		4	SPACER	
12	WT2-0317-000		1	CLIP, CABLE	
13	WT2-5035-000		1	CLIP, CORD	
14	WT2-5070-000		1	CLIP, CABLE	
15	XA9-0258-000		15	SCREW, BINDING HEAD MACHINE	
16	XB1-1300-607		2	SCREW, PH3X10 (S)	

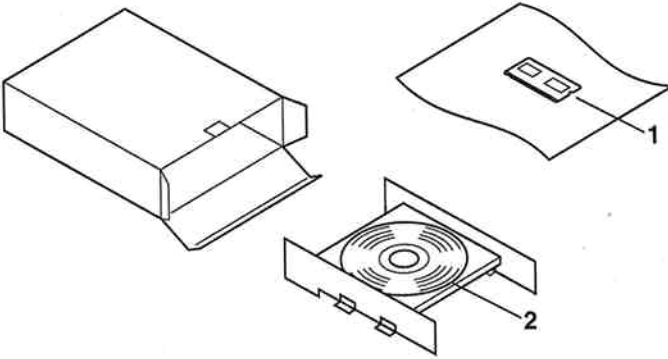
FIGURE 55 PDL BOARD ASS'Y



LASER CLASS 3170/3175/3175MS 2.PARTS LAYOUT & PARTS LIST

FIGURE & KEY No.	PART No.	R A N K	Q T Y	DESCRIPTION	REMARKS
55 - 1	HH2-2902-000		1	CABLE WITH CONNECTOR, 2P	
2	RB2-2760-000		1	SPRING, LEAF	
3	RH7-8063-000		1	HEATSINK	

**FIGURE 56 ADOBE POSTSCRIPT 3 MODULE 1
PACKAGE CONTENTS**



LASER CLASS 3170/3175/3175MS 2.PARTS LAYOUT & PARTS LIST

FIGURE & KEY No.	PART No.	RANK	QTY	DESCRIPTION	REMARKS
56 - 1	HG1-4346-000		1	DIMM, ASSY	
2	HH4-3314-000	N	1	CD-ROM, DRIVER SOFTWARE	

3. TOOL

FIGURE 57 TOOLS

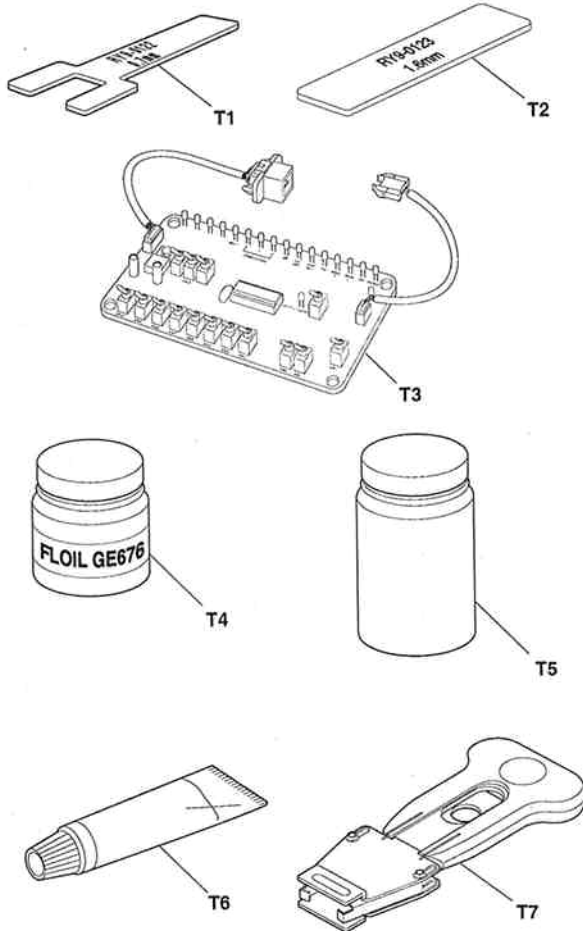
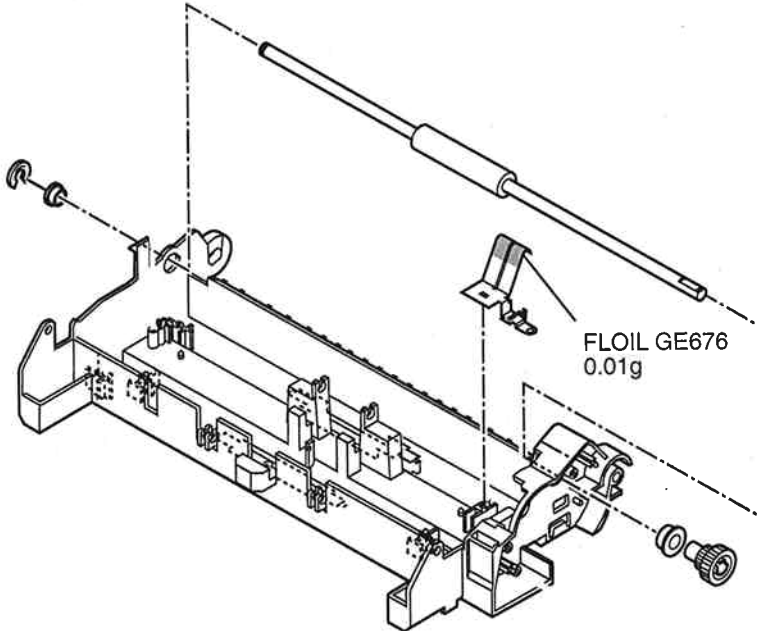


FIGURE & KEY No.	PART No.	RANK	QTY	DESCRIPTION	REMARKS
57 - T1	RY9-0122-000		1	GAUGE, GAP, 0.7MM	
T2	RY9-0123-000		1	GAUGE, GAP, 1.6MM	
T3	RY9-0124-000		1	PRINTER DRIVER TESTER	
T4	CK-0544-000		1	GREASE, FLOIL GE-676 (20G)	
T5	CK-8003-000		1	LUBE, TELLUS OIL 68 (100ML)	
T6	HY9-0007-000		1	LUBE, MOLYKOTE EM-50L, GREASE	
T7	HY9-0022-000		1	IC-REMOVING TOOL (24-64P)	

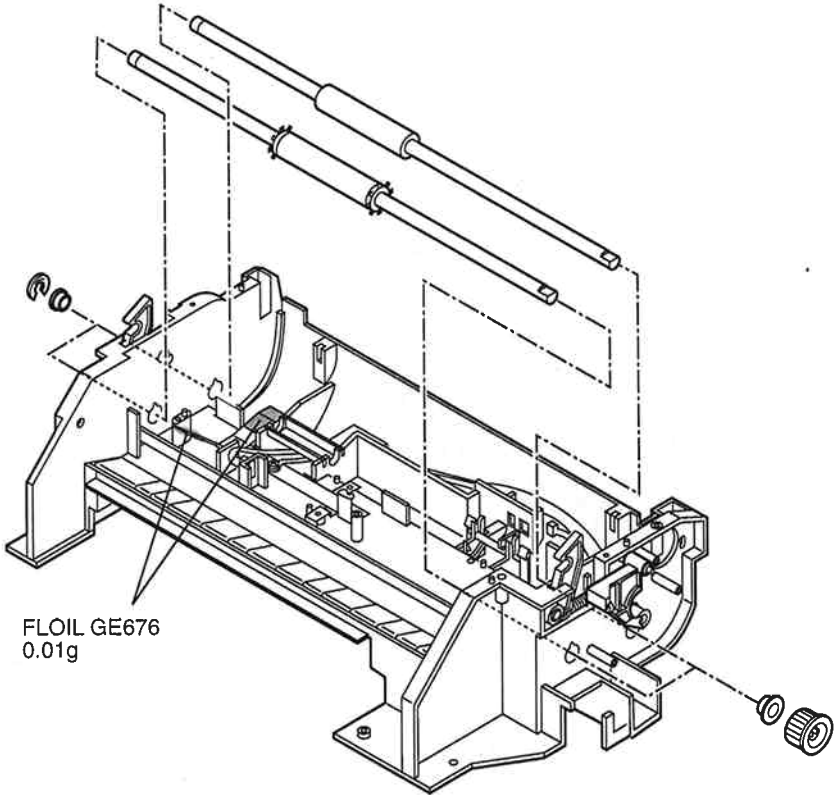
4. LUBRICATIONS

4.1 Locations

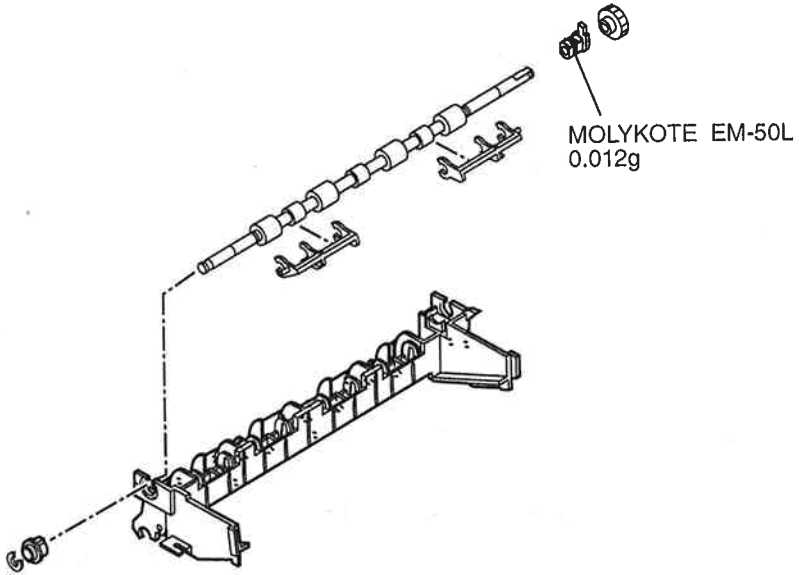
Some parts are lubricated with grease to ensure smooth operation and to increase conductivity. If lubricated parts are replaced or grease is removed, grease must be reapplied.



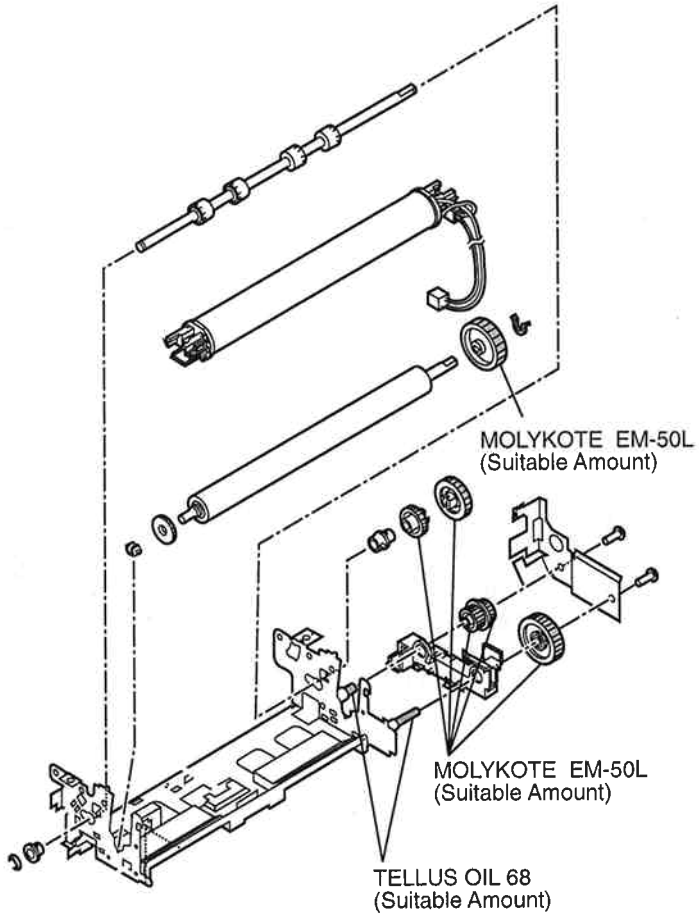
See FIGURE 14 for the disassembly



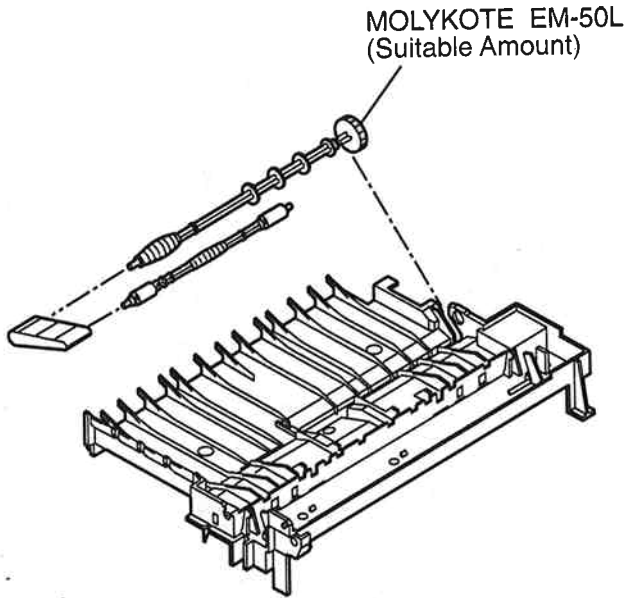
See FIGURE 15 and 16 for the disassembly



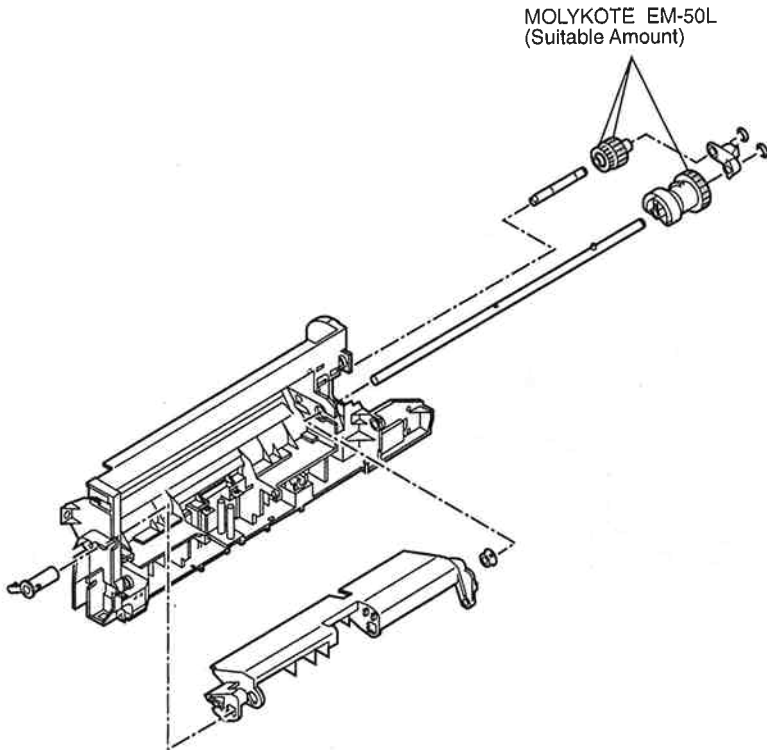
See FIGURE 28 for the disassembly



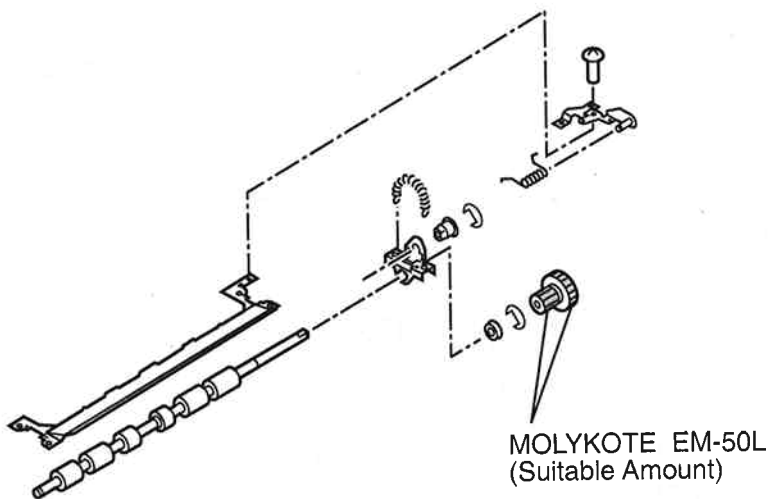
See FIGURE 31 for the disassembly



See FIGURE 32 for the disassembly

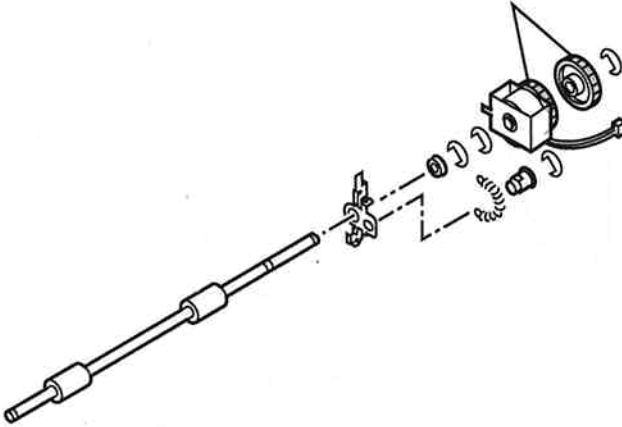


See FIGURE 33 for the disassembly

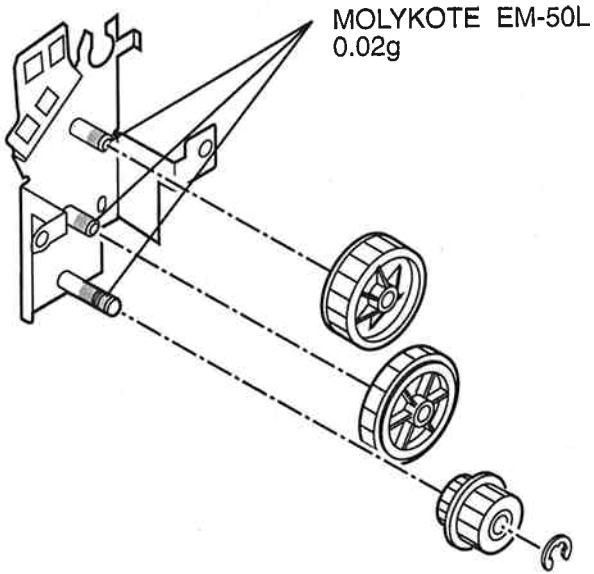


See FIGURE 34 for the disassembly

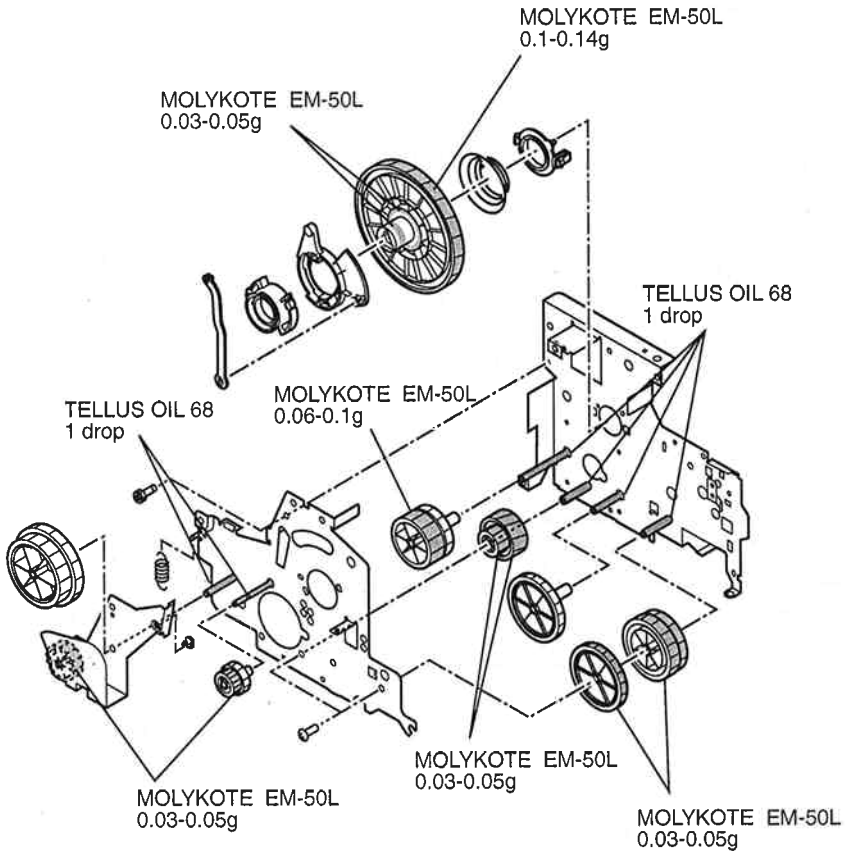
MOLYKOTE EM-50L
(Suitable Amount)



See FIGURE 35 for the disassembly



See FIGURE 36 for the disassembly



See FIGURE 37 for the disassembly

5. GUIDE TO REPLACEMENT

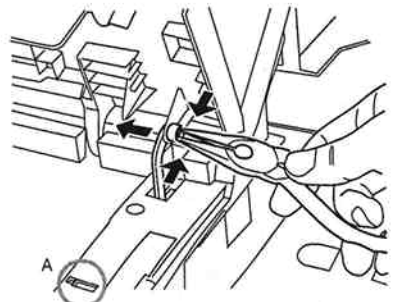
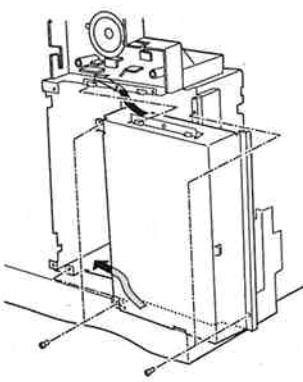
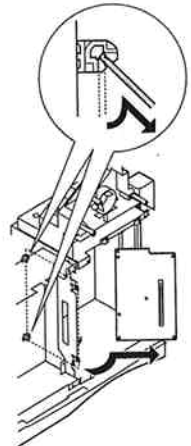
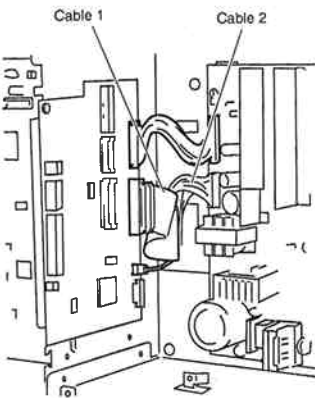
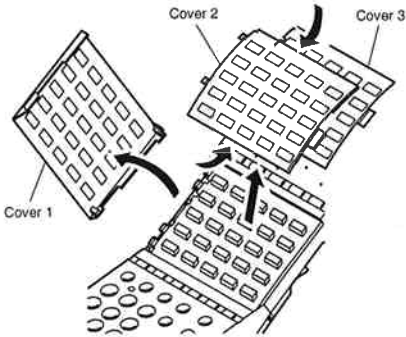
<p>FIGURE 4-a</p>	<p>See Page 2-7</p>	<p>FIGURE 6-a</p>	<p>See Page 2-11/13</p>
 <p>Using a pair of needle-nosed pliers, snip the joint pictured in the diagram and remove it. Insert a screwdriver into the section marked A, and remove the claw from the inside.</p>		 <p>Slide into place as indicated by the arrow in the diagram, and attach.</p>	
<p>FIGURE 6-b</p>	<p>See Page 2-11/13</p>	<p>FIGURE 6-c</p>	<p>See Page 2-11/13</p>
 <p>Open the TWINS board to the right as shown by the arrow, and pull out the Board.</p>		 <p>Pass cable 2 over the top of cable 1 and connect it.</p>	

FIGURE 10-a

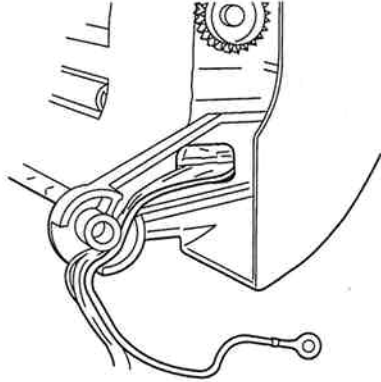
See Page
2-19



Open one-touch dial cover 1, remove the claw, and take off the cover. Bend one-touch dial covers 2 and 3 as shown by the arrows and remove them.

FIGURE 12-a

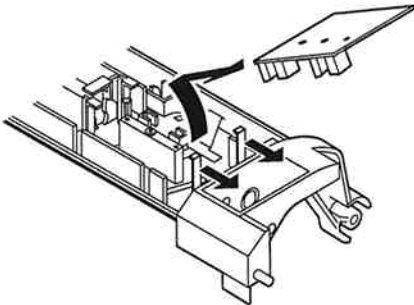
See Page
2-23



Feed the sensor board cable and grounding wire through the groove in the right side of the shaft as shown in the diagram.

FIGURE 13-a

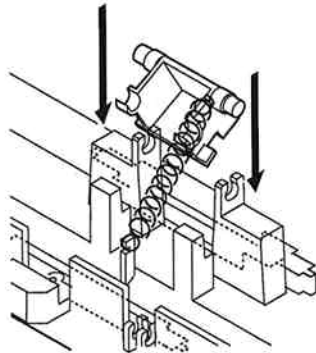
See Page
2-25



After removing the claws from the two places on the sensor board, lift the board slightly in the direction of the claws, and pull it off to the right.

FIGURE 14-a

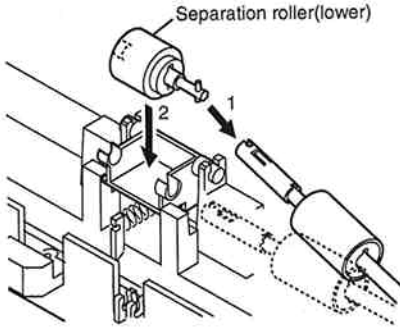
See Page
2-27



After hooking the spring onto the separation roller holder hook, hook the other end of the spring onto the hook on the frame side, incline the holder as shown in the diagram and stick it onto the bushing. At this time, be careful not to stretch the spring too much.

FIGURE 14-b

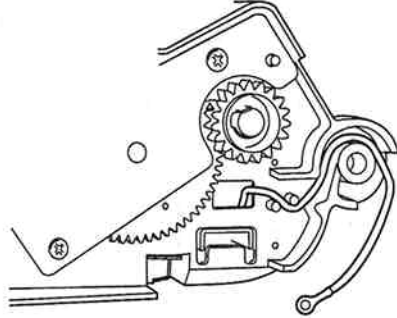
See Page
2-27



After attaching the separation roller (lower) to the torque limiter, fix the separation roller (lower) to the holder.

FIGURE 14-c

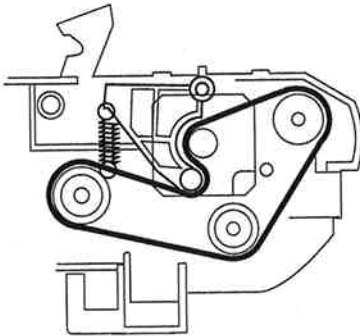
See Page
2-27



After passing the grounding wire through the hole in the right side of the frame as shown in the diagram, pass it through space between the 2 bosses, and feed it through the groove on the top side of the shaft.

FIGURE 15-a

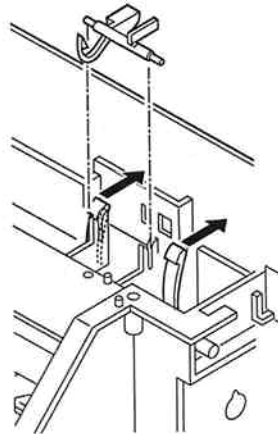
See Page
2-29



Attach the belt as shown in the diagram.

FIGURE 16-a

See Page
2-31



Bend the 2 claws as indicated by the arrows, and remove the arm.

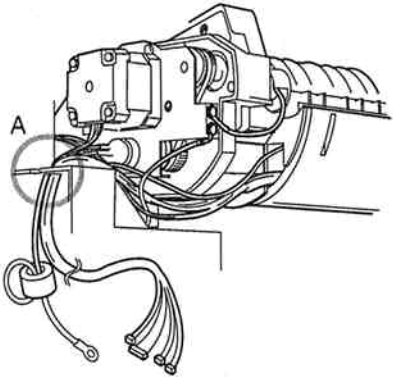
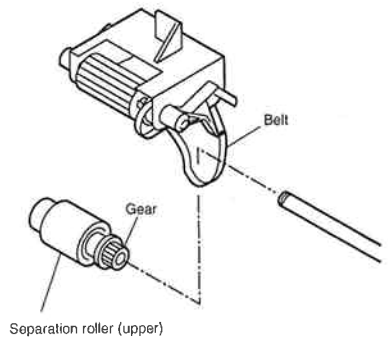
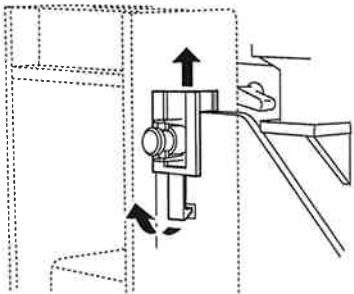
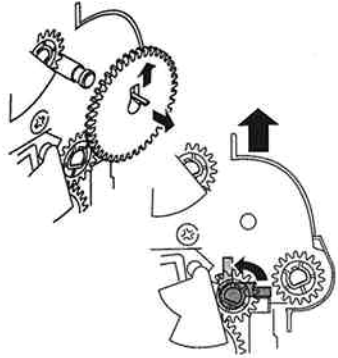
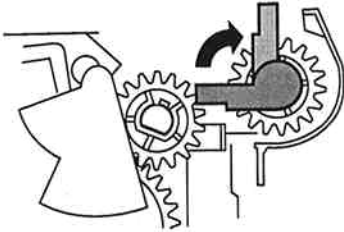
<p>FIGURE 16-b</p>	<p>See Page 2-31</p>	<p>FIGURE 17-a</p>	<p>See Page 2-33</p>
 <p>Pass cables other than those noted below through section A.</p> <ul style="list-style-type: none"> * Contact sensor cable * Option verification stamp cable 	 <p>When attaching the separation roller (upper), after hooking the roller gear on the belt, pass it over the shaft.</p>		
<p>FIGURE 19-a</p>	<p>See Page 2-37</p>	<p>FIGURE 19-b</p>	<p>See Page 2-37</p>
 <p>After removing the claw, lift the bushing up and remove the left side of the paper delivery ass'y.</p>	 <p>First, lift up the gear claw and pull off the gear. Next, rotate the lever to the left and release the lock, then lift up the paper delivery ass'y and remove it.</p>		

FIGURE 26-a

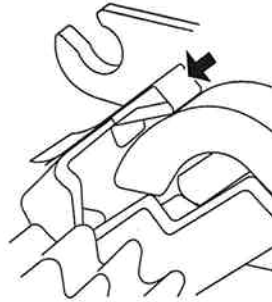
See Page
2-51



Rotate the lever to the right and release the lock, then lift up the Delivery upper guide ass'y and remove it.

FIGURE 26-b

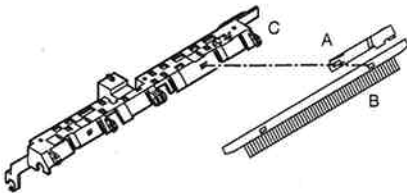
See Page
2-51



Press the grounding plate firmly all the way in.

FIGURE 27-a

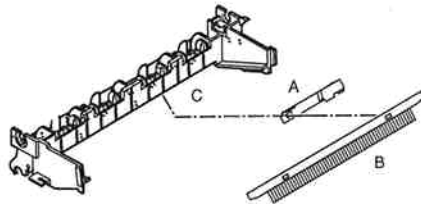
See Page
2-53



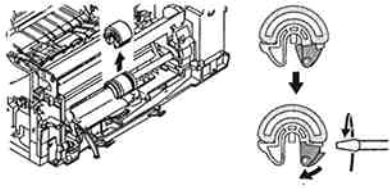
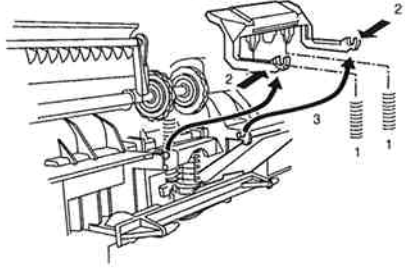
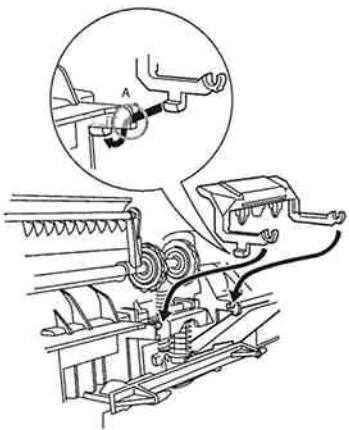
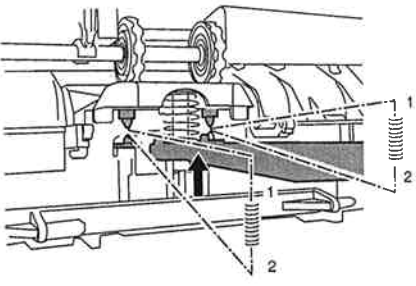
When assembling, after attaching A to B, attach to C.

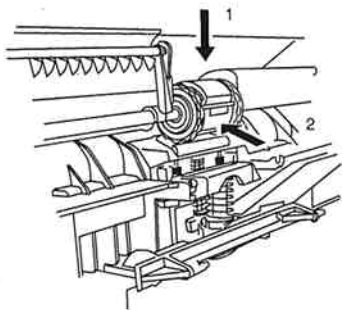
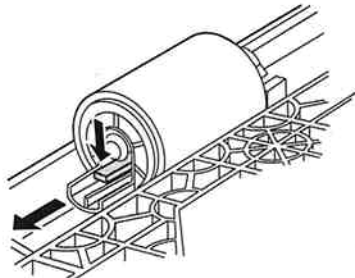
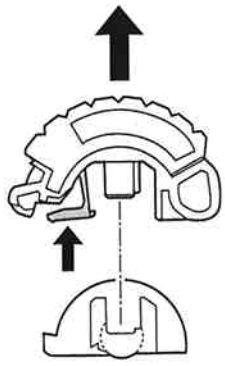
FIGURE 28-a

See Page
2-55



When assembling, after attaching A to B, attach to C.

<p>FIGURE 33-a</p>	<p>See Page 2-65</p>	<p>FIGURE 33-b</p>	<p>See Page 2-65</p>
 <p>Insert and twist the slot head screwdriver as shown in the diagram, and after removing the claw, pull the pick-up roller up and off.</p>	 <p>After removing the 2 springs, push the separation pad bushing assembly to the inner side, and after removing from the shaft, pull the separation pad forward and upward and remove it.</p>		
<p>FIGURE 33-c</p>	<p>See Page 2-65</p>	<p>FIGURE 33-d</p>	<p>See Page 2-65</p>
 <p>After putting the separation pad assembly under the support roller, pass the separation pad claw assembly through A and then attach the bushing to the shaft.</p>	 <p>With the parallel lift plate pushed upward, attach the spring.</p>		

<p>FIGURE 33-e</p>	<p>See Page 2-65</p>	<p>FIGURE 39-a</p>	<p>See Page 2-77</p>
 <p>After attaching the MP tray pick-up roller to the shaft, push the claw assembly and lock it.</p>	 <p>Push the lever and remove the claw, then remove the roller.</p>		
<p>FIGURE 39-b</p>	<p>See Page 2-77</p>		
 <p>Push the lever and remove the claw, then remove the pick-up roller.</p>			

This page intentionally left blank

6. NUMERICAL INDEX

PART NUMBER	FIGURE & KEY NO.	DESCRIPTION
CK-0544-000	57 - T4	GREASE, FLOIL GE-676 (20G)
CK-8003-000	57 - T5	LUBE, TELLUS OIL 68 (100ML)
FA3-8727-000	13 - 19	RETAINING RING
FA4-1159-000	14 - 20	RETAINING RING
	15 - 5	
FA9-1449-000	22 - 13	CAPTIVE SCREW M3X6
	23 - 1	
	34 - 18	
	42 - 2	
FH3-0778-000	41 - T5	CHOKE COIL
FS1-1202-000	14 - 21	BUSHING, 8MM, NYLON (R), OL-10
	15 - 6	
FS1-1205-000	13 - 17	BUSHING
HB1-0882-000	11 - 1	STOPPER, OPERATION PANEL
HB1-1381-020	48 - 3	STAY, HANDSET HOLDER
HB1-2248-000	41 - 1	HEATSINK
HB1-3767-000	8 - 1	MOUNT, READ MOTOR
HB1-3768-000	4 - 4	COVER, FRONT RIGHT
HB1-3779-000	42 - 3	STAY, SWITCH
HB1-3780-000	6 - 12	HOLDER, MODULAR
	7 - 12	
HB1-3787-000	27 - 2	ARM, LOCK, TRAY
HB1-3789-000	28 - 15	HOLDER, RELAY ROLLER
HB1-3790-000	26 - 6	LEVER, SENSOR
	28 - 24	
HB1-3791-000	26 - 7	LEVER
	28 - 25	
HB1-3794-000	29 - 3	ROLLER, TRANSFER
HB1-3795-000	29 - 29	FLAPPER
HB1-3796-000	29 - 22	ARM, FLAPPER
HB1-3797-000	19 - 5	TRAY, FACE-UP
HB1-3798-000	19 - 4	TRAY, EXTENSION, FACE-UP
HB1-3804-000	27 - 4	PLATE, GROUNDING
	28 - 22	
HB1-3805-000	28 - 18	PLATE, GROUNDING
HB1-3806-000	19 - 1	COVER, GEAR
HB1-3807-000	28 - 3	ROLLER, DELIVERY
	29 - 19	
HB1-3808-000	29 - 27	BUSHING
HB1-3818-000	4 - 3	COVER, RIGHT
HB1-3820-000	4 - 2	COVER, REAR
HB1-3821-000	8 - 5	LOCK, COVER
HB1-3822-000	24 - 5	LOCK, PLATE
HB1-3823-000	4 - 6	LOCK, PLATE
HB1-3824-000	4 - 1	COVER, READ MOTOR
HB1-3825-000	24 - 3	LABEL, RECORDING PAPER JAM 1
HB1-3826-000	24 - 4	LABEL, RECORDING PAPER JAM 2
HB1-3834-000	10 - 1	COVER, "ONE-TOUCH DIAL 1"
HB1-3835-000	10 - 2	COVER, "ONE-TOUCH DIAL 2"
HB1-3836-000	10 - 3	COVER, "ONE-TOUCH DIAL 3"
HB1-3837-000	10 - 11	KEY TOP, "ONE-TOUCH DIAL"
HB1-3838-000	10 - 13	KEY TOP, "DIAL"
HB1-3839-000	10 - 17	KEY TOP, "START"

PART NUMBER	FIGURE & KEY NO.	DESCRIPTION
HB1-3840-000	10 - 16	KEY TOP, "STOP"
HB1-3841-000	10 - 10	KEY TOP, "FUNCTION 1"
HB1-3842-000	10 - 12	KEY TOP, "FUNCTION 2"
HB1-3843-000	10 - 14	KEY TOP, "COPY"
HB1-3844-000	10 - 15	KEY TOP, "CLEAR"
HB1-3845-000	10 - 7	KEY TOP, "ESS"
HB1-3846-000	10 - 8	KEY TOP, "PRINTER"
HB1-3847-000	10 - 9	COVER, INDICATOR 1
HB1-3848-000	10 - 6	COVER, INDICATOR 2
HB1-3849-000	10 - 19	COVER, VOLUME
HB1-3850-000	44 - 1	HOLDER, LCD
HB1-3851-000	44 - 2	SPACER, LED
HB1-3856-000	1 - 6	TRAY, DOCUMENT EXIT
	2 - 7	
HB1-3857-000	15 - 7	FRAME, READER, LOWER
HB1-3858-000	15 - 1	COVER, READER, LOWER
HB1-3859-000	15 - 3	ROLLER, DOCUMENT FEED
HB1-3860-000	15 - 4	ROLLER, DOCUMENT EJECT
HB1-3861-000	16 - 6	ARM, BELT TENSION
HB1-3862-000	16 - 8	SHAFT, BELT TENSION ARM
HB1-3863-000	16 - 5	ARM, HOOK
HB1-3864-000	16 - 2	ARM, DETECTION (DES)
HB1-3865-000	16 - 1	HOLDER, CABLE
HB1-3866-000	16 - 3	PLATE, GROUNDING
HB1-3867-000	12 - 4	SHAFT, RIGHT
HB1-3868-000	12 - 2	SHAFT, LEFT
HB1-3878-000	9 - 4	TRAY, EXTENSION
HB1-3882-000	14 - 22	FRAME, READER, MIDDLE
HB1-3883-000	14 - 1	COVER, READER, MIDDLE
HB1-3884-000	14 - 7	ROLLER, DOCUMENT FEED
HB1-3885-000	14 - 23	ELIMINATOR, STATIC CHARGE
HB1-3887-000	14 - 24	ARM, DOCUMENT PRESSURE
HB1-3888-000	14 - 8	PLATE, GROUNDING 1
HB1-3889-000	14 - 2	PLATE, GROUNDING 2
HB1-3890-000	14 - 19	PLATE, GROUNDING 3
HB1-3891-000	14 - 29	PLATE, GROUNDING 4
HB1-3899-000	14 - 10	ROLLER, SEPARATION (LOWER)
HB1-3902-000	13 - 12	FRAME, READER, UPPER
HB1-3903-000	13 - 1	COVER, READER, UPPER
HB1-3904-000	13 - 16	ARM, DETECTION (DS/DWS)
HB1-3905-000	13 - 15	PLATE, GROUNDING
HB1-3907-000	13 - 11	ARM, SEPARATION ROLLER
HB1-3910-000	13 - 14	ARM, DETECTION (DFS)
HB1-3911-000	17 - 6	ROLLER, PICK-UP
HB1-3912-000	17 - 5	ROLLER, SEPARATION (UPPER)
HB1-3930-000	54 - 2	COVER, SHIELD
HB1-3931-000	54 - 3	COVER, MEMORY
HB1-3932-000	54 - 4	PLATE, SHIELD
HB1-3952-000	4 - 4	COVER, FRONT RIGHT
HB1-3957-000	1 - 10	LABEL, TRAY
	2 - 13	
HB1-4357-000	1 - 1	LABEL, DESTINATION
	2 - 1	

PART NUMBER	FIGURE & KEY NO.	DESCRIPTION	PART NUMBER	FIGURE & KEY NO.	DESCRIPTION
HF5-0517-000	37 - 8	PLATE, DRIVE	HH2-2892-000	6 - 2	CABLE WITH CONNECTOR, 15P
HF5-0518-000	36 - 1	PLATE, DRIVE		7 - 2	
HF5-0519-000	28 - 17	PLATE, DRIVE	HH2-2901-000	54 - 5	CABLE WITH CONNECTOR, 38P
HF5-0522-000	14 - 25	WHITE SHEET UNIT	HH2-2902-000	55 - 1	CABLE WITH CONNECTOR, 2P
HF5-0526-000	37 - 15	PLATE, DRIVE	HH2-2903-000	10 - 20	CABLE WITH CONNECTOR, 18P
HF5-0527-000	37 - 19	PLATE, SWING ARM	HH2-2904-000	44 - 3	CABLE, FLAT, 10P
HG1-4346-000	56 - 1	DIMM, ASSY	HH2-2905-000	6 - 5	CABLE, FLAT, 23P
HG1-8794-000	48 - 2	HANDSET REST UNIT		7 - 5	
HG5-1851-000	6 - 17	DRAM BOARD ASSY (4M-BYTE)	HH2-2906-000	6 - 8	CABLE WITH CONNECTOR, 6P
	7 - 17			7 - 8	
	49 - 1		HH2-2907-000	6 - 7	CABLE WITH CONNECTOR, 5P
HG5-1897-000	23 - 2	PRINTER DRIVER ASSY		7 - 7	
HG5-1899-000	38 - 12	RIGHT FRAME ASSY	HH2-2908-000	51 - 5	CABLE, FLAT, 23P
HG5-1907-000	10 - 18	OPCNT BOARD ASSY	HH2-2909-000	51 - 6	CABLE WITH CONNECTOR, 6P
HG5-1911-000	26 - 1	DELIVERY UPPER GUIDE ASSY	HH2-2910-000	51 - 7	CABLE WITH CONNECTOR, 5P
HG5-1912-000	26 - 2	DELIVERY MIDDLE GUIDE ASSY	HH2-2911-000	51 - 8	CABLE WITH CONNECTOR, 40P
HG5-1913-000	26 - 3	DELIVERY LOWER GUIDE ASSY	HH2-2912-000	51 - 9	CABLE WITH CONNECTOR, 14P
HG5-1915-000	1 - 7	RECORDING PAPER TRAY ASSY	HH2-2914-000	15 - 23	CABLE WITH CONNECTOR, 11P
	2 - 8		HH2-2915-000	13 - 23	CABLE WITH CONNECTOR, 10P
HG5-1916-000	21 - 21	DELIVERY DRIVE ASSY	HH2-2916-000	15 - 22	CABLE WITH CONNECTOR, 3P
HG5-1920-000	19 - 10	FRONT COVER ASSY	HH2-2917-000	16 - 10	CABLE WITH CONNECTOR, 2P
HG5-1921-000	4 - 8	UPPER COVER ASSY	HH2-2918-000	13 - 22	WIRE, GROUNDING
HG5-1922-000	4 - 5	LEFT COVER ASSY	HH2-2919-000	14 - 32	WIRE, GROUNDING
HG5-1923-000	5 - 2	OPERATION PANEL ASSY	HH2-2920-000	15 - 18	WIRE, GROUNDING
HG5-1928-000	15 - 2	CONTACT SENSOR UNIT	HH2-2921-000	15 - 17	WIRE, GROUNDING
HG5-1929-000	15 - 13	READ MOTOR ASSY	HH3-5343-000	6 - 1	POWER SUPPLY UNIT
HG5-1932-000	1 - 5	DOCUMENT TRAY ASSY		7 - 1	
	2 - 6		HH4-2484-000	41 - IC22	IC, UPD94111GJ-201-3EB, C-MOS
HG5-1934-000	14 - 14	ADF CONNECTION SHAFT ASSY	HH4-2642-000	41 - IC18	IC, M66364FP, CMOS, MITSUBISHI
HG5-1935-000	14 - 9	SEPARATION ROLLER ASSY(LOWER)		52 - IC703	
HG5-1938-000	13 - 9	SEPARATION MOTOR ASSY	HH4-2687-000	41 - IC20	IC, CM700L, CMOS, CANON
HG5-1939-000	13 - 13	SENSOR BOARD ASSY	HH4-2688-000	45 - IC8	IC, UPD65802GJ-117-3EN
HG5-1943-000	51 - 1	FLAME ASSY		52 - IC706	
HG5-1944-000	51 - 2	DUAL-LINE BOARD ASSY	HH4-3198-000	44 - IC1	IC, BU12306-04, C-MOS
HG5-1945-000	51 - 3	MODULAR BOARD ASSY	HH4-3216-000	52 - IC713	IC, UPD7757GT-717-E2, C-MOS
HG5-1946-000	6 - 3	TWINS BOARD ASSY	HH4-3245-000	42 - IC501	IC, UPD1605, MPU
	7 - 3		HH4-3250-000	41 - IC4	IC, LH537N, MASK-ROM
HG5-1947-000	6 - 11	MODULAR BOARD ASSY	HH4-3273-000	52 - IC705	IC, M27C800-100F1, EP-ROM
	7 - 11		HH4-3313-000	2 - 12	CD-ROM, DRIVER SOFTWARE
HG5-1951-000	42 - 1	ECNT BOARD ASSY		53 - 2	
HG5-1952-000	6 - 9	SCNT BOARD ASSY	HH4-3314-000	56 - 2	CD-ROM, DRIVER SOFTWARE
	7 - 9		HH7-2104-000	48 - 1	HANDSET ASSY (USA, AG)
HG5-1956-000	54 - 1	PDL BOARD ASSY	HH7-2112-000	43 - T2	HYBRID TRANSFORMER
HG5-1970-000	19 - 10	FRONT COVER ASSY	HH7-2120-000	43 - T1	AUDIO TRANSFORMER
HG5-1971-000	19 - 10	FRONT COVER ASSY	HH7-2174-000	44 - 4	MODULE, LCD
HG5-2042-000	6 - 6	NCU BOARD ASSY	HH7-2212-000	46 - 1	STAMP UNIT
	7 - 6		HH7-2374-000	29 - 23	SOLENOID, FLAPPER
	51 - 4		HH7-2377-000	15 - 16	THERMOSTAT
HH2-2830-000	1 - 3	CORD, MODULAR, 2W	HH7-2378-000	6 - 13	SPEAKER UNIT
	2 - 4			7 - 13	
	50 - 2		H55-0293-000	26 - 4	GEAR, 38T
HH2-2888-000	42 - 4	CABLE WITH CONNECTOR, 2P	H55-0294-000	15 - 11	GEAR, 18T/36T
HH2-2891-000	20 - 5	CABLE WITH CONNECTOR, 11P	H55-0295-000	14 - 27	GEAR, 17T

LASER CLASS 3170/3175/3175MS 6.NUMERICAL INDEX

PART NUMBER	FIGURE & KEY NO.	DESCRIPTION
HS5-0296-000	14 - 26	GEAR, 43T/61T
HS5-0298-000	13 - 10	GEAR, CAM, 50T
HS5-0299-000	13 - 18	GEAR, 25T
HS5-0300-000	13 - 21	GEAR, 21T/22T
HS5-1087-000	28 - 20	BUSHING
	29 - 25	
HS5-2177-000	28 - 13	SPRING, PRESSURE
HS5-2178-000	29 - 28	SPRING, FLAPPER
HS5-2179-000	15 - 12	SPRING, BELT TENSION ARM
HS5-2180-000	16 - 4	SPRING, HOOK
HS5-2181-000	14 - 4	SPRING
HS5-2183-000	14 - 13	SPRING
HS5-2184-000	13 - 4	SPRING
HS5-2185-000	13 - 7	SPRING
HS5-3027-000	15 - 9	GEAR, 38T
HS5-6025-040	13 - 2	ROLLER, BACK UP
	14 - 5	
HS5-6063-000	28 - 14	ROLLER
HS5-6064-000	16 - 7	COLLAR, BELT TENSION ARM
HT1-2134-000	1 - 2	USER'S GUIDE, FACSIMILE (ENG)
	2 - 2	
	2 - 3	USER'S GUIDE, PRINTER(ENG)
HT1-2135-000	2 - 3	USER'S GUIDE, PRINTER(ENG)
HY9-0007-000	57 - T6	LUBE, MOLYKOTE EM-50L, GREASE
HY9-0022-000	57 - T7	IC-REMOVING TOOL (24-64P)
RB1-2190-000	39 - 4	COLLAR, SPRING
RB1-2309-000	27 - 5	ELIMINATOR, STATIC CHARGE
	28 - 23	
RB1-8107-000	38 - 4	FOOT
RB1-8667-000	22 - 10	TR ROLLER
RB1-8668-000	32 - 3	BELT, PAPER FEED
RB1-8671-000	21 - 1	COVER, FRONT INNER, LEFT
RB1-8672-000	32 - 4	COVER, CONTACT
RB1-8673-000	32 - 5	HOLDER,ELMINATOR,STATIC CHARGE
RB1-8674-000	32 - 6	SHAFT, BELT
RB1-8677-000	22 - 6	BRUSH, STATIC ELIMINATOR
RB1-8678-000	21 - 16	LEVER, SENSOR
RB1-8680-000	21 - 17	SPRING, TORSION
RB1-8681-000	21 - 18	SPRING, TORSION
RB1-8682-000	32 - 2	PLATE, PAPER FEED
RB1-8684-000	32 - 14	BUSHING
RB1-8685-000	32 - 7	HOLDER, TRANSFER SHAFT
RB1-8686-000	32 - 8	ELMINATOR, STATIC CHARGE
RB1-8687-000	21 - 19	LEVER, SENSOR
RB1-8688-000	21 - 9	BUTTON, TEST PRINT
RB1-8689-000	21 - 24	HOLDER, CABLE
RB1-8690-000	21 - 11	HOLDER, ANTENNA
RB1-8692-000	32 - 9	JOINT
RB1-8693-000	21 - 10	SPRING, TORSION
RB1-8694-000	20 - 12	PLATE, GROUNDING
RB1-8695-000	21 - 12	SPRING, TORSION
RB1-8696-000	32 - 10	SPRING, TORSION
RB1-8697-000	32 - 11	SPRING, COMPRESSION
RB1-8698-000	34 - 13	PLATE, GROUNDING

PART NUMBER	FIGURE & KEY NO.	DESCRIPTION
RB1-8699-000	21 - 3	SHUTTER, LASER
RB1-8700-000	21 - 6	LEVER
RB1-8701-000	32 - 12	SPRING, TORSION
RB1-8702-000	21 - 4	SPRING, TORSION
RB1-8703-000	18 - 1	SCREW, M4X8.3
RB1-8704-030	20 - 1	HOLDER, CABLE
RB1-8706-000	21 - 7	FILTER, DUST
RB1-8708-000	21 - 23	SPRING, LEAF
RB1-8712-000	20 - 9	HOLDER, CABLE
RB1-8713-000	22 - 11	BUSHING
RB1-8727-000	28 - 8	ROLLER
	29 - 6	
RB1-8728-000	28 - 9	ROLLER
	29 - 7	
RB1-8730-020	34 - 20	ARM, REGISTRATION
RB1-8731-000	34 - 16	ROLLER, PRE-TRANSFER
RB1-8732-000	35 - 4	ROLLER, FEED
RB1-8733-020	34 - 3	PLATE, SHAFT HOLDER, LEFT
RB1-8734-020	34 - 9	PLATE, SHAFT HOLDER, RIGHT
RB1-8735-000	35 - 3	PLATE, SHAFT HOLDER, LEFT
RB1-8736-000	35 - 5	PLATE, SHAFT HOLDER, RIGHT
RB1-8737-000	34 - 14	SHAFT, ROLLER
RB1-8739-020	34 - 1	GUIDE
RB1-8740-000	34 - 23	ROLLER
RB1-8741-000	34 - 22	ROLLER
RB1-8742-000	34 - 19	ROLLER
RB1-8743-000	35 - 11	ROLLER
RB1-8744-000	35 - 12	SHAFT, ROLLER
RB1-8745-020	35 - 10	GUIDE
RB1-8746-030	34 - 12	SPRING, TORSION
RB1-8747-000	22 - 7	SPRING, LEAF
RB1-8748-000	34 - 21	PAD, SAFTY
RB1-8753-000	37 - 1	BUSHING
RB1-8754-000	37 - 5	CAM
RB1-8755-000	37 - 4	CAM
RB1-8756-000	37 - 6	ROD, RELEASE
RB1-8757-000	37 - 9	HOLDER, CABLES
RB1-8760-000	37 - 7	SPRING, GROUNDING
RB1-8763-000	33 - 1	SHAFT, IDLER
RB1-8764-000	19 - 11	DAMPER
RB1-8765-000	33 - 2	CLUTCH, MULTI-PURPOSE
RB1-8766-000	33 - 3	LEVER, PAPER LIFT
RB1-8767-000	25 - 2	RACK
RB1-8771-020	33 - 4	GUIDE, MULTI-PURPOSE
RB1-8773-000	33 - 5	PAD, SEPARATION
RB1-8779-000	33 - 6	SUPPORT, COVER
RB1-8780-000	33 - 7	HOLDER, SPRING
RB1-8781-000	25 - 5	GEAR, 16T
RB1-8782-000	33 - 8	ROLLER, SUPPORT
RB1-8783-000	33 - 9	PLATE, LINK
RB1-8784-000	33 - 10	HOLDER, SHAFT
RB1-8785-000	33 - 11	SPRING, LEAF
RB1-8787-000	33 - 12	LEVER, SENSOR

PART NUMBER	FIGURE & KEY NO.	DESCRIPTION
RB1-8788-020	33 - 13	COVER, SENSOR LEVER
RB1-8789-000	33 - 14	COVER, SENSOR LEVER
RB1-8794-040	31 - 1	ROLLER, PRESSURE
RB1-8796-000	31 - 2	ROLLER
RB1-8797-030	31 - 3	DEFLECTOR
RB1-8798-020	31 - 4	ROLLER, DELIVERY, FIXING
RB1-8801-000	31 - 5	GUIDE, PAPER, DELIVERY, LOWER
RB1-8804-020	30 - 8	CROSSMEMBER, UPPER
RB1-8806-000	30 - 2	ROLLER, DELIVERY
RB1-8807-000	31 - 6	PLATE, SUPPORT
RB1-8808-000	31 - 7	GUIDE, AC CABLE
RB1-8810-000	30 - 14	SUPPORT, SPRING
RB1-8811-000	31 - 9	CAM, DEFLECTOR
RB1-8812-000	31 - 10	LEVER, DELIVERY SENSOR 1
RB1-8813-020	30 - 10	ROLLER, DELIVERY SENSOR
RB1-8814-000	31 - 22	SPRING, TORSION
RB1-8816-000	30 - 3	SPRING, TORSION
RB1-8817-000	31 - 23	SPACER, CONNECTOR
RB1-8819-000	30 - 9	SCREW, M4
RB1-8822-000	30 - 7	SHAFT, ROLLER
RB1-8823-000	31 - 24	BLOCK, GUIDE
RB1-8824-000	30 - 4	PIN, DOWEL
RB1-8827-000	21 - 25	SPRING, LEAF
RB1-8828-000	29 - 13	ROLLER
RB1-8834-000	42 - 6	GUIDE, CABLE
RB1-8838-000	22 - 1	SHEET, INSULATION
RB1-8847-000	27 - 1	SPRING, COMPRESSION
RB1-8854-020	42 - 7	ARM, SENSOR
RB1-8855-000	42 - 8	SPRING, TORSION
RB1-8866-000	39 - 28	ARM
RB1-8867-000	39 - 29	SHAFT, ROLLER
RB1-8868-000	39 - 5	SHAFT, DRIVE
RB1-8869-000	39 - 1	GUIDE
RB1-8871-050	39 - 36	FRAME, DRIVE
RB1-8872-000	39 - 37	FRAME
RB1-8873-000	38 - 17	GUIDE, PAPER
RB1-8877-000	39 - 6	JOINT
RB1-8879-000	39 - 8	LEVER, SENSOR
RB1-8880-000	39 - 9	LEVER
RB1-8881-000	39 - 10	SPRING, TORSION
RB1-8883-000	39 - 34	DAMPER
RB1-8886-020	38 - 5	COVER, PCB
RB1-8887-000	38 - 6	SPRING, LEAF
RB1-8890-000	38 - 18	GUIDE, PAPER
RB1-8891-000	39 - 33	SHAFT
RB1-8892-000	40 - 40	HOLDER, CLAW
RB1-8893-000	40 - 38	HOLDER, CLAW
RB1-8945-000	40 - 3	JOINT
RB1-8946-000	40 - 16	BUSHING
RB1-8948-000	40 - 5	GEAR, 22T
RB1-8951-000	40 - 29	SPRING, LEAF
RB1-8952-000	40 - 41	BLOCK, SIDE CLICK
RB1-8953-000	40 - 39	COVER, SIDE, LEFT

PART NUMBER	FIGURE & KEY NO.	DESCRIPTION
RB1-8954-000	40 - 35	COVER, SIDE, RIGHT
RB1-8955-000	39 - 23	SPACER
RB1-8956-000	40 - 21	STOPPER, REAR
RB1-8957-000	39 - 30	ROLLER
RB1-8961-000	40 - 12	ARM, LIFTER, LEFT
RB1-8962-000	40 - 13	ARM, LIFTER, RIGHT
RB1-8963-000	40 - 10	ARM, SIZE
RB1-8964-000	40 - 11	SHAFT, SIZE ARM
RB1-8965-000	40 - 8	PLATE, SIZE
RB1-8966-000	40 - 22	ARM, SENSOR
RB1-8967-000	40 - 31	HOLDER, BLOCK
RB1-8968-000	40 - 32	SHAFT, SENSOR ARM
RB1-8970-000	40 - 15	GEAR, 20T
RB1-8971-020	40 - 30	SHEET, SEPARATION
RB1-8972-000	40 - 17	SPRING, LEAF
RB1-8973-000	40 - 14	SPRING, TORSION
RB1-8974-000	40 - 20	LIMITER, TORQUE
RB1-8979-000	38 - 11	SPRING, GROUNDING, 1
RB1-8986-000	37 - 18	CHIP, SWING
RB1-8990-000	19 - 6	RB, TRAY
RB1-9379-000	40 - 36	SPRING, LEAF
RB2-2386-000	33 - 15	COVER, GEAR, ENVELOPE FEEDER
RB2-2387-000	33 - 29	JOINT
RB2-2389-000	33 - 31	PLATE, GROUNDING
RB2-2390-030	33 - 32	COVER, ENTRANCE
RB2-2393-000	34 - 5	CAM, LIFTER, LEFT
RB2-2394-000	34 - 8	CAM, LIFTER, RIGHT
RB2-2395-000	34 - 11	SPRING, TORSION
RB2-2396-000	34 - 25	ARM, GUIDE, TRANSFER
RB2-2399-000	33 - 33	DAMPER, AIR
RB2-2404-000	22 - 2	PLATE, COVER
RB2-2411-000	33 - 30	MOUNT, SPRING
RB2-2414-000	34 - 26	SHEET
RB2-2739-000	19 - 13	TRAY, EXTENSION
RB2-2743-000	25 - 1	TRAY, MULTI-PURPOSE
RB2-2744-000	25 - 3	PLATE, PAPER GUIDE, RIGHT
RB2-2745-000	25 - 4	PLATE, PAPER GUIDE, LEFT
RB2-2747-000	30 - 13	COVER, DELIVERY, FIXING
RB2-2750-000	19 - 7	COVER, REAR, LEFT
RB2-2751-000	19 - 8	COVER, REAR, RIGHT
RB2-2753-000	19 - 12	BLOCK, TRAY
RB2-2754-000	40 - 26	HOLDER, REAR
RB2-2759-000	54 - 6	SCREW, M4
RB2-2760-000	55 - 2	SPRING, LEAF
RB2-2764-000	54 - 7	RAIL, GUIDE
RB2-2767-000	54 - 8	COVER
RB2-2768-000	54 - 9	COVER
RB2-2773-000	40 - 33	BLOCK, SENSOR
RB2-2775-000	40 - 7	COVER
RB2-2776-000	40 - 1	BODY, CASSETTE
RB2-4121-000	33 - 20	DAMPER
RB2-4628-000	28 - 4	LEVER, RIGHT
	29 - 20	

LASER CLASS 3170/3175/3175MS 6.NUMERICAL INDEX

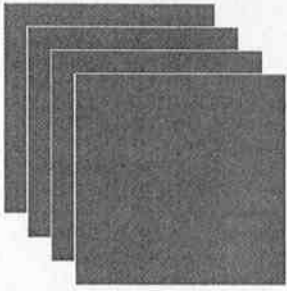
PART NUMBER	FIGURE & KEY NO.	DESCRIPTION
RB2-4629-000	28 - 5	LEVER, LEFT
	29 - 21	
RF5-1495-000	30 - 6	SPUR
RF5-1867-000	22 - 5	GUIDE, TRANSFER
RF5-1870-000	33 - 16	PLATE, PAPER LIFT
RF5-1873-000	33 - 17	SHAFT, PAPER FEED
RF5-1874-000	31 - 8	GUIDE, DC CABLE
RF5-1885-000	39 - 31	ROLLER
	40 - 18	
RF5-2485-040	40 - 2	PLATE, PAPER LIFTING
RF5-2489-000	40 - 19	HOLDER
RF5-2491-000	39 - 7	SHAFT, PAPER FEED
RF5-2495-020	32 - 13	ROLLER, PAPER FEED
RF5-2496-000	22 - 9	PLATE
RF5-2661-000	34 - 6	GUIDE, TRANSFER, UPPER
RF5-2760-000	40 - 28	PLATE, LENGTH ADJUSTMENT
RG1-3801-000	54 - 10	ADAPTER PCB ASS'Y
RG5-2642-000	21 - 14	SENSOR ASS'Y
RG5-2645-000	20 - 10	FRONT INNER COVER ASS'Y
RG5-2649-000	28 - 7	DELIVERY ROLLER ASS'Y
	29 - 5	
RG5-2657-000	19 - 3	FIXING ASS'Y
RG5-2670-000	38 - 3	LOWER FRAME ASS'Y
RG5-2671-000	38 - 16	UPPER FRAME ASS'Y
RG5-2673-000	38 - 13	PAPER SIZE DETECTION PCB ASS'Y
RG5-2699-000	40 - 27	LEFT SIDE PLATE ASS'Y
RG5-2705-000	29 - 11	MIDDLE DELIVERY ROLLER ASS'Y
RG5-2721-000	30 - 5	ENTRANCE PAPER GUIDE ASS'Y
RG5-2722-000	30 - 1	UPPER PAPER GUIDE ASS'Y
RG5-2726-000	28 - 6	DELIVERY ROLLER ASS'Y
	29 - 4	
RG5-3409-000	31 - 25	FIXING CABLE
RG5-3411-000	31 - 26	FIXING DC CABLE
RG5-3697-000	42 - 5	FIXING CABLE
RG5-3698-000	42 - 9	DUPLEXING UNIT CABLE
RG5-3700-000	20 - 13	MP TRAY PAPER SENSOR CABLE
RG5-3703-000	20 - 3	CLUTCH/SOLENOID CABLE
RG5-3704-000	20 - 6	ENVELOPE FEEDER CABLE
RG5-3705-000	20 - 4	DOOR SWITCH CABLE
RG5-3706-000	21 - 20	PRE-FEED/TOP SENSOR CABLE
RG5-3709-000	23 - 4	MAIN MOTOR CABLE
RG5-3710-000	21 - 22	PAPER PICK-UP CABLE
RG5-3711-000	38 - 8	PAPER SENSOR CABLE
RG5-3712-000	38 - 9	PAPER FEEDER CABLE
RG5-3718-000	33 - 26	MP TRAY PICK-UP ROLLER ASS'Y
RG5-3876-000	21 - 13	LASER/SCANNER UNIT CABLE
RG5-4290-080	31 - 27	FIXING FILM ASS'Y
RG5-4401-000	40 - 25	RIGHT SIDE PLATE ASS'Y
RG5-4537-000	19 - 9	MULTI-PURPOSE TRAY ASS'Y
RG5-4545-000	38 - 14	LEFT FRAME ASS'Y
RG5-4546-000	40 - 23	CASSETTE FRONT COVER ASS'Y
RG5-5005-000	29 - 12	MIDDLE DELIVERY ROLLER ASS'Y 2
RG9-1371-000	21 - 2	LASER/SCANNER ASS'Y

PART NUMBER	FIGURE & KEY NO.	DESCRIPTION
RH2-5263-000	1 - 4	CORD, POWER
	2 - 5	
RH7-1331-000	23 - 3	MAIN MOTOR ASS'Y
RH7-1335-000	21 - 8	FAN
RH7-5171-000	35 - 6	CLUTCH
RH7-5172-000	33 - 18	SOLENOID
RH7-5174-000	39 - 27	SOLENOID
RH7-8059-000	42 - 10	SPACER, PCB
RH7-8063-000	55 - 3	HEATSINK
RS5-0908-000	37 - 3	GEAR, 193T
RS5-0909-000	35 - 7	GEAR, 31T
RS5-0910-000	34 - 17	GEAR, 12T/30T
RS5-0911-000	22 - 8	GEAR, 19T
RS5-0912-000	37 - 13	GEAR, 37T/48T
RS5-0913-000	37 - 14	GEAR, 49T
RS5-0914-000	37 - 12	GEAR, 51T
RS5-0915-000	37 - 11	GEAR, 19T/63T
RS5-0916-000	37 - 10	GEAR, 39T
RS5-0917-000	37 - 17	GEAR, 53T/61T
RS5-0919-000	37 - 20	GEAR, 22T/23T
RS5-0921-000	31 - 12	GEAR, 33T
RS5-0922-000	31 - 13	GEAR, 34T
RS5-0923-000	31 - 14	GEAR, 16T/18T
RS5-0924-000	31 - 15	GEAR, 21T
RS5-0925-000	31 - 16	GEAR, 26T
RS5-0926-000	36 - 2	GEAR, 14T/14T
RS5-0927-000	36 - 3	GEAR, 31T
RS5-0928-000	36 - 4	GEAR, 30T
RS5-0929-000	28 - 1	GEAR, 18T
	29 - 1	
RS5-0930-000	39 - 11	GEAR, 17T/38T
RS5-0931-000	39 - 12	GEAR, 41T
RS5-0932-000	39 - 13	GEAR, 23T/27T
RS5-0933-000	39 - 14	GEAR, 27T
RS5-0934-000	39 - 15	GEAR, 49T
RS5-0935-000	39 - 16	GEAR, 31T/39T
RS5-0936-000	39 - 17	GEAR, 31T
RS5-0937-000	39 - 18	GEAR, 18T
RS5-0938-000	39 - 19	GEAR, 53T
RS5-0939-000	39 - 20	GEAR, 14T/18T
RS5-0940-000	39 - 21	GEAR, 20T
RS5-0941-000	39 - 22	GEAR, 29T
RS5-0948-000	22 - 12	GEAR, 18T
RS5-0959-000	33 - 19	GEAR, 14T/19T
RS5-1286-020	34 - 15	BUSHING
	35 - 2	
RS5-1290-000	34 - 10	BUSHING
RS5-1291-000	35 - 8	BUSHING
RS5-1292-000	35 - 13	BUSHING
RS5-1295-000	31 - 17	BUSHING
RS5-1296-000	31 - 18	BUSHING
RS5-1297-000	31 - 19	BUSHING
RS5-1303-020	33 - 21	BUSHING

PART NUMBER	FIGURE & KEY NO.	DESCRIPTION	PART NUMBER	FIGURE & KEY NO.	DESCRIPTION
RS5-1307-000	39 - 2	BUSHING	WT2-5031-000	8 - D	CLIP, CABLE
RS5-1308-000	39 - 3	BUSHING	WT2-5035-000	54 - 13	CLIP, CORD
RS5-1310-020	31 - 11	BUSHING	WT2-5070-000	8 - A	CLIP, CABLE
RS5-1416-000	28 - 2	BUSHING		54 - 14	
	29 - 2		WT2-5632-000	8 - B	HOLDER, PCB
RS5-2621-000	40 - 4	SPRING, COMPRESSION	WT2-5633-000	8 - F	CLIP, FLAT CABLE
RS5-2622-020	40 - 6	SPRING, TENSION	XA9-0258-000	54 - 15	SCREW, BINDING HEAD MACHINE
RS5-2623-000	40 - 42	SPRING, COMPRESSION	XA9-0267-000	37 - 21	SCREW, TP, M3X6
RS5-2624-000	40 - 9	SPRING, TENSION	XA9-0326-000	30 - 12	SCREW, TP, M3X4
RS5-2625-000	40 - 34	SPRING, COMPRESSION		31 - 20	
RS5-2627-000	35 - 9	SPRING, TENSION	XA9-0429-000	48 - 4	SCREW (W)
RS5-2628-000	34 - 2	SPRING, TENSION	XA9-0434-000	23 - 5	SCREW, TP, M3X4
RS5-2629-000	37 - 16	SPRING, TENSION	XA9-0476-000	6 - 15	SCREW, TP M3X8
RS5-2630-000	32 - 1	SPRING, COMPRESSION		7 - 15	
RS5-2631-000	37 - 2	SPRING, COMPRESSION		13 - 27	
RS5-2632-000	39 - 24	SPRING, TENSION	XA9-0591-000	6 - 14	SCREW, M3X8
RS5-2633-000	39 - 25	SPRING, COMPRESSION		7 - 14	
RS5-2635-000	30 - 11	SPRING, COMPRESSION		13 - 25	
RS5-2636-000	33 - 22	SPRING, COMPRESSION		14 - 30	
RS5-2637-000	33 - 23	SPRING, COMPRESSION		15 - 19	
RS5-2638-000	33 - 24	SPRING, COMPRESSION		16 - 11	
RS5-2639-000	28 - 12	SPRING, COMPRESSION		25 - 6	
	29 - 10		XA9-0592-000	13 - 26	SCREW, M4X6
RS5-2652-000	38 - 15	SPRING, COMPRESSION	XA9-0605-000	33 - 27	SCREW, M4X8
RS5-8380-000	30 - 15	LABEL, "CAUTION"	XA9-0606-000	22 - 3	SCREW, M4X10
RS6-2146-000	33 - 34	SPRING, TENSION		40 - 24	
RY9-0122-000	57 - T1	GAUGE, GAP, 0,7MM	XA9-0614-000	24 - 6	SCREW, M3X8
RY9-0123-000	57 - T2	GAUGE, GAP, 1,6MM	XA9-0640-000	39 - 35	SCREW, W/WASHER, M3X12
RY9-0124-000	57 - T3	PRINTER DRIVER TESTER	XA9-0664-000	41 - 3	SCREW, W/WASHERS, M3X8
VT2-5027-006	8 - C	SPACER	XA9-0772-000	48 - 5	SCREW, M3X10
	51 - 10		XA9-0780-000	4 - 9	SCREW, M4X12
	54 - 11			5 - 4	
VT2-5167-018	6 - 10	SPACER		20 - 8	
	7 - 10			21 - 5	
	8 - E			21 - 27	
	51 - 11		XA9-0870-000	5 - 5	SCREW, M4X10
WC4-5139-000	20 - 11	MICROSWITCH		8 - 6	
WG8-5362-000	15 - 8	PHOTO-INTERRUPTER TLP1241		18 - 2	
	28 - 16			20 - 7	
	33 - 25			21 - 26	
	36 - 5			22 - 14	
	38 - 10			23 - 6	
WG8-5382-000	21 - 15	PHOTO INTERRUPTER TLP 1242		26 - 5	
	31 - 21			28 - 26	
WK1-5101-000	41 - BAT2	LITHIUM BATTERY, VL2330/G1A		29 - 30	
WK1-5117-000	41 - BAT1	BATTERY, LITHIUM, CR2450THE		38 - 2	
WS1-5397-000	41 - 2	PLUG, JUMPER		39 - 26	
WT2-0317-000	8 - H	CLIP, CABLE	XA9-0872-000	31 - 28	SCREW, W/WASHER, M3X8
	54 - 12		XA9-0903-000	40 - 37	SCREW, M3X5
WT2-5018-000	8 - J	CLIP, CABLE	XA9-0904-000	20 - 2	SCREW, M3X6
	16 - 9		XA9-0915-000	38 - 7	SCREW, M3X6
WT2-5026-000	8 - G	CLIP, CABLE	XA9-0917-000	38 - 1	SCREW, M3X16
	13 - 5		XB1-1300-607	54 - 16	SCREW, PH3X10 (S)

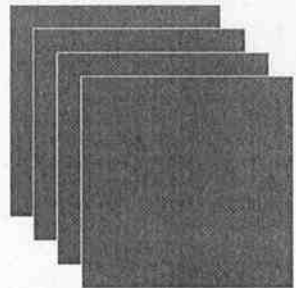
LASER CLASS 3170/3175/3175MS 6.NUMERICAL INDEX

PART NUMBER	FIGURE & KEY NO.	DESCRIPTION
XB1-2300-407	15 - 21	SCREW, BH3X4 (S)
XB1-2300-607	4 - 10	SCREW, BH3X6(S)
	5 - 6	
	6 - 16	
	7 - 16	
	8 - 7	
	11 - 4	
	13 - 24	
	14 - 31	
	15 - 20	
	28 - 27	
	50 - 3	
	51 - 12	
	53 - 3	
XB4-7260-609	10 - 22	SCREW, TAP, BH2.6X6
XB4-7300-607	46 - 2	SCREW, TAP TIGHT, BINDING HEAD
XB4-7300-807	10 - 21	SCREW, TAP TIGHT, BINDING HEAD
XB5-2300-609	38 - 19	SCREW, BH, M3X6 (S)
XD1-1106-232	29 - 17	SHIM, CIRCULAR
XD3-1160-102	35 - 15	PIN, SPRING, D=1.6, L=10
XD9-0103-000	34 - 4	PIN, DOWEL
XD9-0134-000	39 - 38	RING, E
XD9-0135-000	34 - 7	RING, E
	36 - 6	
XD9-0136-000	29 - 18	RING, E
	31 - 29	
	33 - 28	
	35 - 14	
	39 - 32	
XD9-0137-000	34 - 24	RING, E
	35 - 1	
XD9-0192-000	28 - 21	RING, E
	29 - 26	
XF2-1616-540	15 - 10	BELT, COGGED



Part 2

Options Common to LBP



DUPLEX UNIT

DUPLEX UNIT DU-52
[R73-5004]



FIGURE D10 INTERNAL COMPONENTS 1

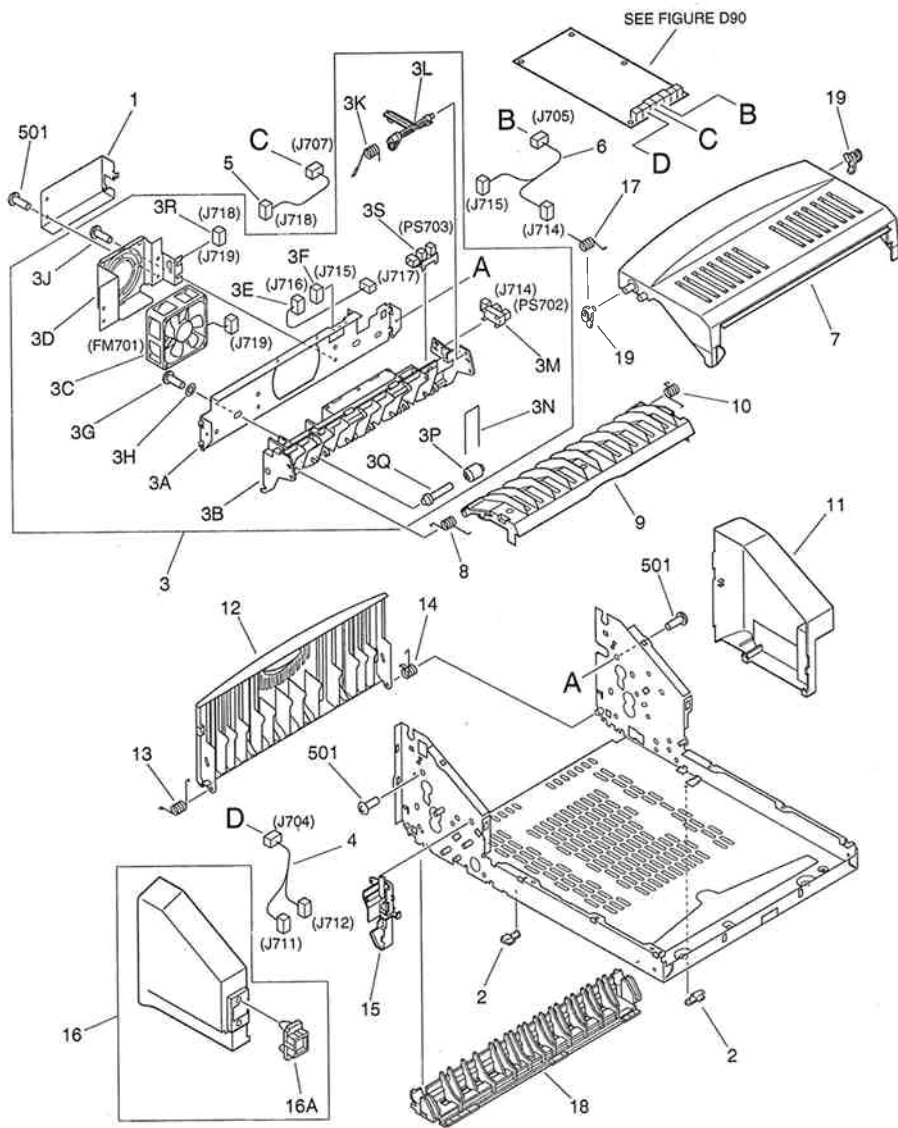


FIGURE & KEY NO.	PART NUMBER	RANK	QTY	DESCRIPTION	SERIAL NUMBER / REMARKS
D10 -	NPN		RF	INTERNAL COMPONENTS 1	
1	RB1-9071-000		1	COVER, CONNECTOR	
2	RB1-9054-000		2	CHIP, CLICK	
3	RG5-2719-000		1	FAN ASS'Y	
3A	RB1-9069-000		1	CROSSMEMBER	
3B	RB1-9040-000		1	GUIDE, SENSOR HOLDER	
3C	RH7-1361-000		1	FAN	FM701, J719
3D	RB1-9070-000		1	SHIELD, FAN	
3E	RG5-3834-000		1	REVERSE SENSOR CABLE	J716, J717
3F	VS1-5057-004		1	CONNECTOR, 4P	J715, J716
3G	XA9-0935-000		2	SCREW, TP, M4X6	
3H	XD1-0168-000		2	WASHER, WAVE	
3J	XB6-7300-607		2	SCREW, TP, M3X6	
3K	RB1-9065-000		1	SPRING, TORSION	
3L	RB1-9049-000		1	LEVER, REVERSE SENSOR	
3M	WG8-5362-000		1	IC, TLP1241, PHOTO-INTERRUPTER	PS702, J714
3N	RB1-9062-000		4	RETAINER, ROLLER	
3P	RB1-9055-000		4	ROLLER	
3Q	RB1-9082-000		2	SHAFT, ROLLER	
3R	VS1-5352-003		1	CONNECTOR, 3P	J718, J719
3S	WG8-5362-000		1	IC, TLP1241, PHOTO-INTERRUPTER	PS703, J717
4	RG5-3837-000		1	DUPLEX CONNECTION CABLE	J704, J711, J712
5	RG5-3835-000		1	FAN MOTOR CABLE	J707, J718
6	RG5-3833-000		1	REVERSE/FACE-UP SENSOR CABLE	J705, J714, J715
7	RB2-3838-000		1	COVER, TOP	
8	RB1-9081-000		1	SPRING, TORSION	
9	RB1-9039-000		1	GUIDE, REVERSE, UPPER	
10	RB1-9075-000		1	SPRING, TORSION	
11	RB2-3841-000		1	COVER, RIGHT	
12	RB2-3839-000		1	PANEL, REAR	
13	RB1-9066-000		1	SPRING, TORSION	
14	RB1-9068-000		1	SPRING, TORSION	
15	RB1-9080-000		1	GUIDE, CABLE	
16	RF5-2801-000		1	COVER, LEFT	
16A	VS1-6175-006		1	CONNECTOR, 6P	
17	RB1-9061-000		1	SPRING, TORSION	
18	RB2-3842-000		1	GUIDE, DELIVERY	
19	RB1-9076-000		2	BUSHING, TOP COVER	
501	XB6-7300-607		3	SCREW, TP, M3X6	

FIGURE D11 INTERNAL COMPONENTS 2

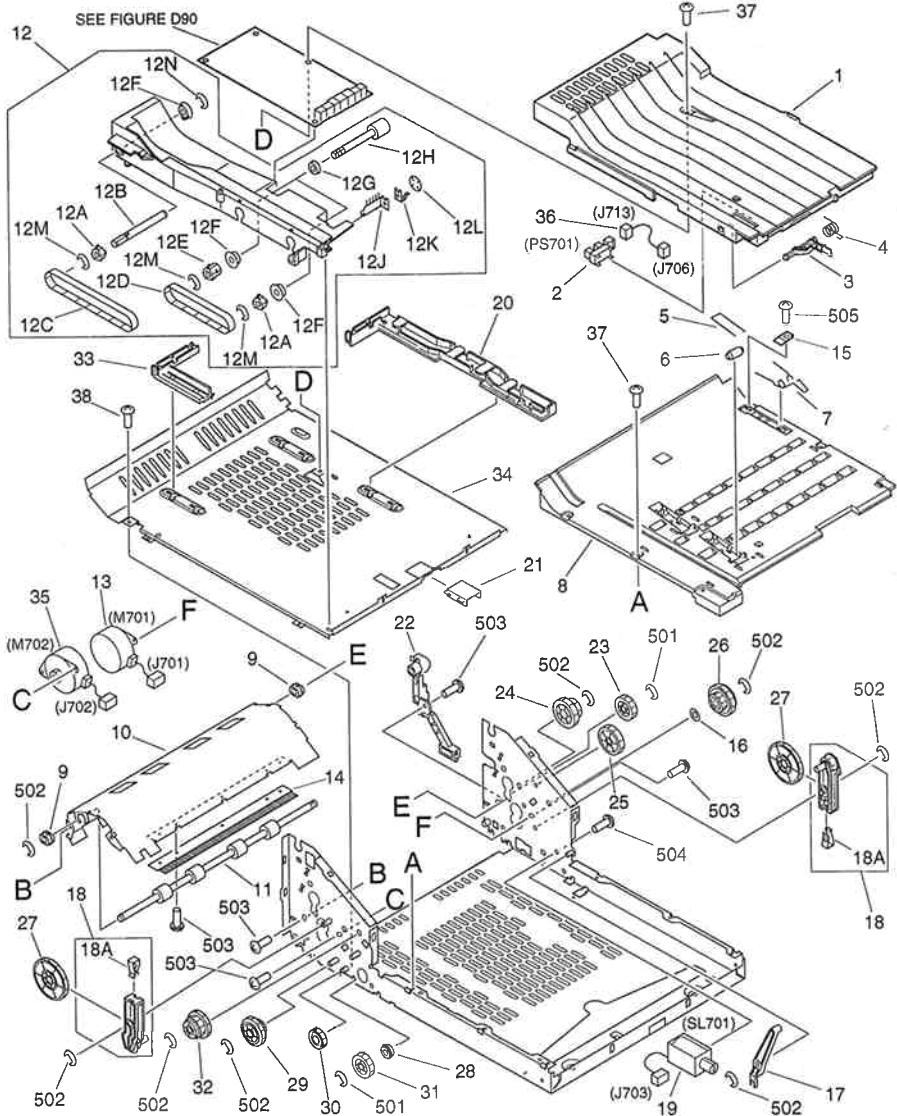


FIGURE & KEY NO.	PART NUMBER	RANK	QTY	DESCRIPTION	SERIAL NUMBER / REMARKS
D11 -	NPN		RF	INTERNAL COMPONENTS 2	
1	RB1-9036-000		1	GUIDE, PAPER FEED, LOWER	PS701, J713
2	WG8-5362-000		1	IC, TLP1241, PHOTO-INTERRUPTER	
3	RB1-9048-000		1	LEVER, SENSOR	
4	RB1-9064-000		1	SPRING, TORSION	
5	RB1-9063-000		2	RETAINER, ROLLER	
6	RB1-9056-000		2	ROLLER	
7	RB1-9052-000		1	SPRING, TORSION	
8	RB1-9037-000		1	GUIDE, PAPER FEED, UPPER	
9	RS5-1304-000		2	BUSHING	
10	RB1-9041-000		1	GUIDE, REVERSE, LOWER	M701, J701
11	RB1-9038-000		1	ROLLER	
12	RG5-2718-000		1	SIDE REGISTRATION GUIDE ASS'Y	
12A	RS5-3133-000		2	PULLEY, 14T	
12B	RB1-9060-000		1	SHAFT, DRIVE	
12C	XF9-0640-000		1	BELT, TIMING	
12D	XF9-0639-000		1	BELT, TIMING	
12E	RS5-3134-000		1	PULLEY, 14T/14T	
12F	RB1-8239-020		3	BUSHING	
12G	RS5-1298-000		2	BUSHING	
12H	RF5-1879-000		2	ROLLER, PAPER FEED	
12J	RB1-9078-000		1	BRUSH, STATIC CHARGE ELIMINATOR	
12K	RB1-9079-000		1	PLATE, GROUNDING	
12L	XA9-0134-000		1	NUT, PUSH	
12M	XD2-1100-322		3	RING, E	
12N	XD2-1100-502		1	RING, E	
13	RH7-1366-000		1	MOTOR, STEPPING, DC24V	M701, J701
14	RB1-9084-000		1	STATIC CHARGE ELIMINATOR	
15	RB2-3659-000		1	PLATE, GROUNDING	
16	RS5-6239-000		1	WASHER, WAVE	
17	RB1-9051-000		1	LEVER, FACE-UP	SL701, J703
18	RF5-1883-000		2	ARM, SWING	
18A	RB1-9067-000		1	SPRING, LEAF	
19	RH7-5199-000		1	SOLENOID	
20	RB1-9072-000		1	GUIDE, PCB, RIGHT	
21	RB1-9074-000		1	GUARD, EDGE	
22	RB1-9050-000		1	HOLDER, CABLE	
23	RS5-0949-000		1	GEAR, 24T	
24	RS5-0950-000		1	GEAR, 30T/35T	
25	RS5-0951-000		1	GEAR, 31T	
26	RS5-0952-000		1	GEAR, 20T/49T	M702, J702
27	RS5-0958-000		2	GEAR, 69T	
28	RS5-1300-000		1	BUSHING	
29	RS5-0955-000		1	GEAR, 15T/45T	
30	RS5-0954-000		1	GEAR, 21T	
31	RS5-0953-000		1	GEAR, 28T	
32	RS5-0956-000		1	GEAR, 31T/31T	
33	RB1-9073-000		1	GUIDE, PCB, LEFT	
34	RB1-9042-000		1	MOUNT, GUIDE	
35	RH7-1360-000		1	MOTOR, STEPPING, DC24V	

FIGURE & KEY NO.	PART NUMBER	RANK	QTY	DESCRIPTION	SERIAL NUMBER / REMARKS
D11 - 36	RG5-3836-000		1	DUPLEX PICK-UP SENSOR CABLE	J706, J713
37	XA9-0547-000		6	SCREW, TP, M3X6	
38	XA9-0957-000		3	SCREW, TP, M3X4	
501	XD2-1100-322		2	RING, E	
502	XD2-1100-502		8	RING, E	
503	XB6-7300-607		11	SCREW, TP, M3X6	
504	XB1-2300-407		2	SCREW,MACH.,TRUSS HEAD,M3X4	
505	XB2-6300-807		1	SCREW, WWASHER, M3X8	

FIGURE D90 PCB ASS'Y LOCATION DIAGRAM

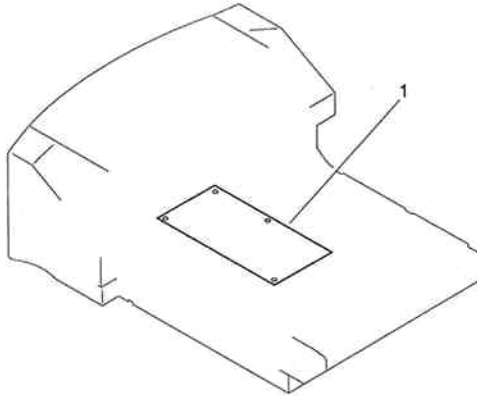


FIGURE & KEY NO.	PART NUMBER	RANK	QTY	DESCRIPTION	SERIAL NUMBER / REMARKS
D90 - 1	NPN RG5-3832-000		RF 1	PCB ASS'Y LOCATION DIAGRAM DUPLEX DRIVER PCB ASS'Y	

ENVELOPE FEEDER

ENVELOPE FEEDER EF-52
[R73-5005]



FIGURE F10 EXTERNAL COVERS, PANELS, ETC.

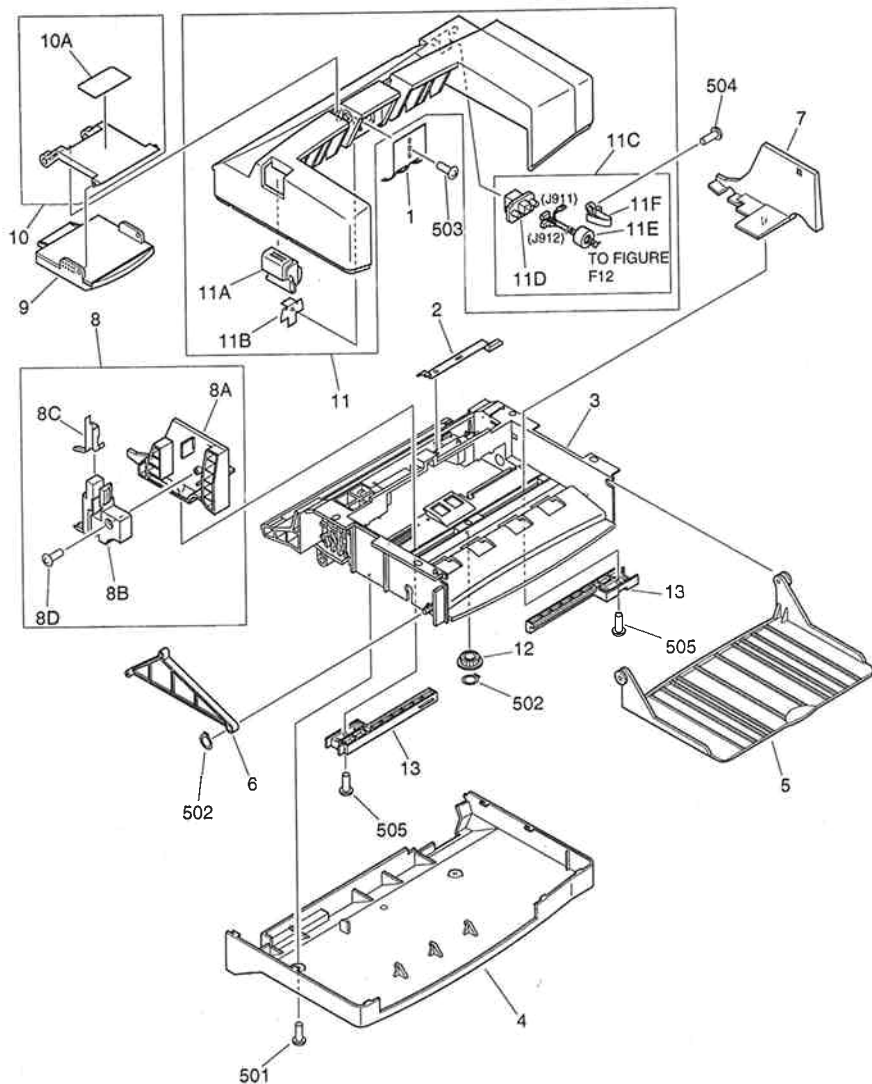


FIGURE & KEY NO.	PART NUMBER	RANK	QTY	DESCRIPTION	SERIAL NUMBER / REMARKS
F10 -	NPN		RF	EXTERNAL COVERS, PANELS, ETC	
1	RA2-1575-020		1	PLATE, SEPARATION GUIDE	
2	RB1-9117-000		1	PLATE, GROUNDING	
3	RB2-3827-000	N	1	FRAME	
4	RB2-3830-000		1	COVER, LOWER	
5	RB2-3834-000		1	TRAY, EXTENSION	
6	RB1-9119-000		1	LEVER, LOCK	
7	RB2-3837-000		1	PLATE, SIDE GUIDE, RIGHT	
8	RG5-4553-000		1	LEFT SIDE GUIDE PLATE ASS'Y	
8A	RB2-3835-000		1	PLATE, SIDE GUIDE, LEFT	
8B	RB2-3836-000		1	LEVER, RELEASE	
8C	RB1-9121-000		1	PLATE, SUPPORT	
8D	XB4-7400-806		1	SCREW,TAPPING,TRUSS HEAD,M4X8	
9	RF5-2799-000		1	WEIGHT	
10	RF5-2800-000		1	ARM, WEIGHT	
10A	RS6-8154-000		1	LABEL, "TRAY"	
11	RG5-4551-000		1	TOP COVER ASS'Y	
11A	RB2-3829-000		1	BUTTON, LOCK	
11B	RB1-9118-000		1	PLATE, GUIDE	
11C	RG5-3831-000		1	ENVELOPE FEEDER CABLE	J901, J911, J912
11D	VS1-6174-006		1	CONNECTOR, 6P	
11E	WE8-5107-000		1	FERRITE CORE	
11F	WT2-5077-000		1	TIE, CABLE	
12	RS5-0973-000		1	GEAR, 16T	
13	RB1-9122-000		2	RACK	
501	XB4-7400-807		5	SCREW,TAPPING,TRUSS HEAD,M4X8	
502	XD2-2100-402		2	RING, GRIP	
503	XB6-7300-807		1	SCREW, TP, M3X8	
504	XB4-7301-009		1	SCREW,TAPPING,TRUSS HEAD,M3X10	
505	XB4-7300-807		2	SCREW,TAPPING,TRUSS HEAD,M3X8	

FIGURE F11 INTERNAL COMPONENTS 1

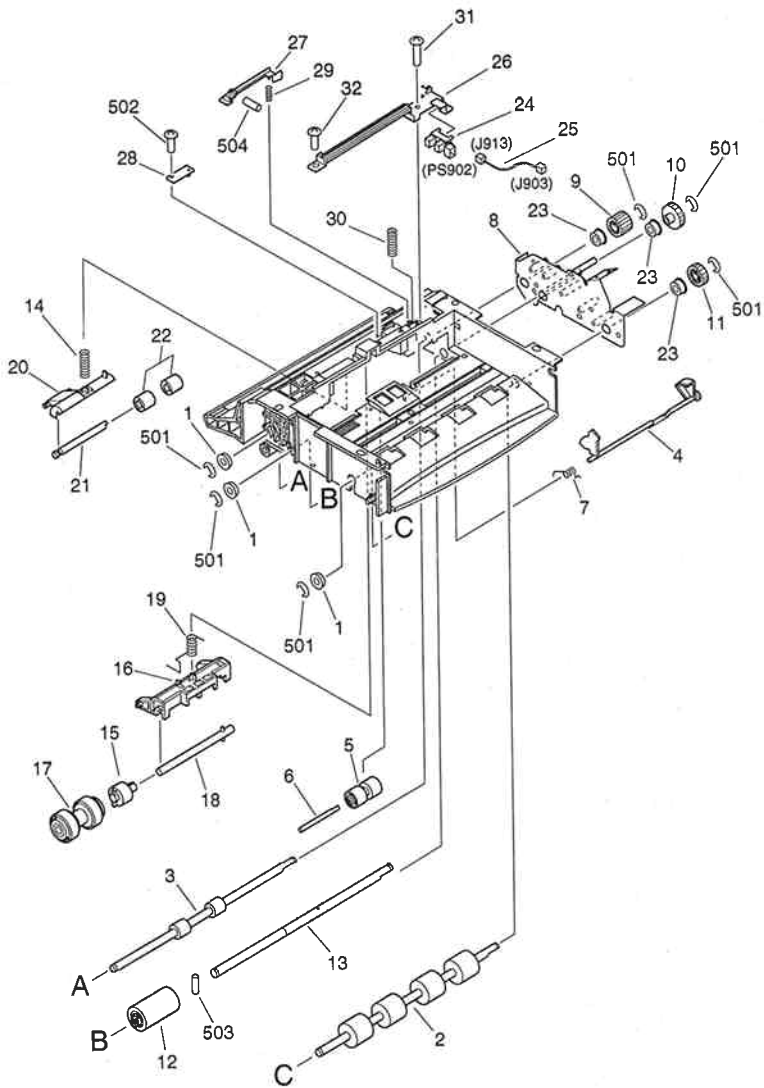


FIGURE & KEY NO.	PART NUMBER	RANK	QTY	DESCRIPTION	SERIAL NUMBER / REMARKS
F11 -	NPN		RF	INTERNAL COMPONENTS 1	
1	RS5-1075-000		3	BUSHING	
2	RB1-9100-000		1	ROLLER, PICK-UP	
3	RB1-9101-000		1	ROLLER, PAPER FEED	
4	RB1-9115-000		1	ARM, PAPER SENSOR	
5	RB1-9123-000		1	ROLLER	
6	RB1-9124-000		1	SHAFT, ROLLER	
7	RB2-2407-000		1	SPRING, TORSION	
8	RF5-2510-000	N	1	PLATE, DRIVE	
9	RS5-0962-000		1	GEAR, 16T	
10	RS5-0968-000		1	GEAR, 22T	
11	RS5-0971-000		1	GEAR, 22T	
12	RF5-2513-000		1	ROLLER, PAPER FEED	
13	RB1-9105-000		1	SHAFT, PAPER FEED	
14	RS5-2654-000		1	SPRING, COMPRESSION	
15	RA2-1582-030		1	LIMITER, TORQUE	
16	RB1-9108-000		1	HOLDER, SEPARATION	
17	RF1-3548-000		1	ROLLER, SEPARATION	
18	RF5-2639-000		1	SHAFT, SEPARATION	
19	RS5-2655-000		1	SPRING, COMPRESSION	
20	RB1-9102-000		1	HOLDER	
21	RB1-9103-000		1	SHAFT	
22	RB1-9104-000		2	ROLLER	
23	RS1-1053-000		3	BUSHING	
24	WG8-5375-000		1	IC, EE-SX1235A-P1, PHOTO INT.	PS902, J913
25	RG5-4299-000		1	SENSOR CABLE	J903, J913
26	RB2-3491-000		1	HOLDER, SENSOR	
27	RB2-3492-000		1	LEVER, SENSOR	
28	RB2-3493-000		1	PLATE, SUPPORT	
29	RS6-2066-000		1	SPRING, COMPRESSION	
30	RS6-2067-000		1	SPRING, COMPRESSION	
31	XA9-0969-000		1	SCREW, M3X25	
32	XA9-0466-000		1	SCREW, TP, M3X8	
501	XD2-1100-402		6	RING, E	
502	XB4-7300-809		1	SCREW, TAPPING, TRUSS HEAD, M3X8	
503	XD3-2200-122		1	PIN, DOWEL	
504	XD3-2300-102		1	PIN, DOWEL	

FIGURE F12 INTERNAL COMPONENTS 2

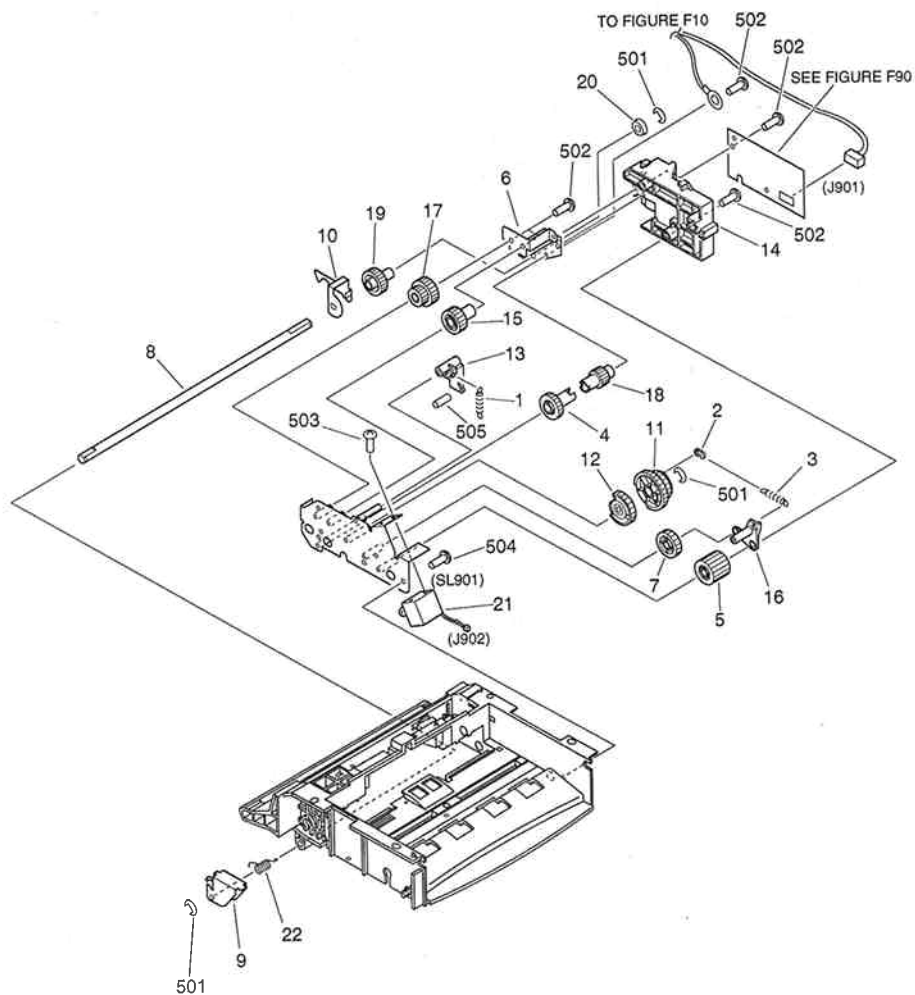


FIGURE & KEY NO.	PART NUMBER	RANK	QTY	DESCRIPTION	SERIAL NUMBER / REMARKS
F12 -	NPN		RF	INTERNAL COMPONENTS 2	
1	RS5-2657-000		1	SPRING, TENSION	
2	RB1-2190-000		1	COLLAR, SPRING	
3	RS5-2656-000		1	SPRING, TENSION	
4	RS5-0974-000		1	GEAR, 20T	
5	RS5-0970-000		1	GEAR, 24T	
6	RB1-9090-000		1	PLATE, DRIVE	
7	RS5-0969-000		1	GEAR, 27T	
8	RB1-9096-000		1	SHAFT, LOCK ARM	
9	RB1-9097-000		1	ARM, LOCK, LEFT	
10	RB1-9098-000		1	ARM, LOCK, RIGHT	
11	RS5-0966-000		1	GEAR, 18T/27T	
12	RS5-0965-000		1	GEAR, 26T	
13	RB1-9112-000		1	CLAW	
14	RB1-9114-000		1	HOLDER, PCB	
15	RS5-0964-000		1	GEAR, 21T	
16	RB1-9116-000		1	HOLDER, SPRING	
17	RS5-0963-000		1	GEAR, 15T/24T	
18	RS5-0961-000		1	GEAR, 15T	
19	RS5-0960-000		1	GEAR, 20T	
20	RS1-1053-000		1	BUSHING	SL901, J902
21	RH7-5198-000		1	SOLENOID	
22	RB2-2406-000		1	SPRING, TORSION	
501	XD2-1100-402		3	RING, E	
502	XB6-7300-607		5	SCREW, TP, M3X6	
503	XB6-7300-407		2	SCREW, TP, M3X4	
504	XB4-7400-807		3	SCREW, TAPPING, TRUSS HEAD, M4X8	
505	XD3-1300-802		1	PIN, SPRING	

FIGURE F90 PCB ASS'Y LOCATION DIAGRAM

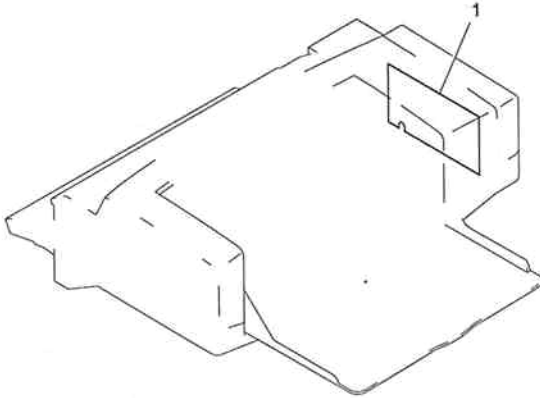


FIGURE & KEY NO.	PART NUMBER	RANK	QTY	DESCRIPTION	SERIAL NUMBER / REMARKS
F90 - 1	NPN RG5-3830-000		RF 1	PCB ASS'Y LOCATION DIAGRAM ENVELOPE FEEDER PCB ASS'Y	

PAPER FEEDER

PAPER FEED UNIT PF-52
[R73-5006]

FIGURE EA ASSEMBLY LOCATION DIAGRAM

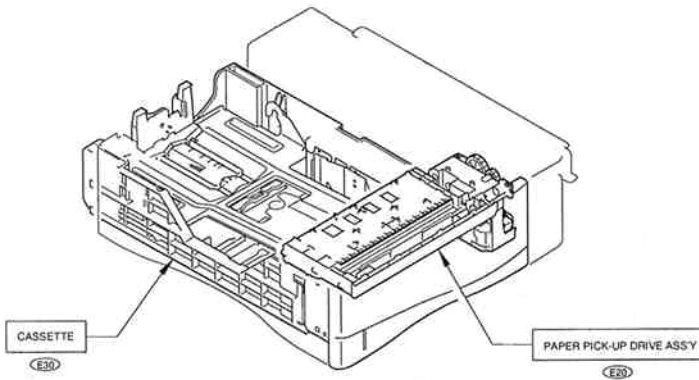


FIGURE E11 INTERNAL COMPONENTS

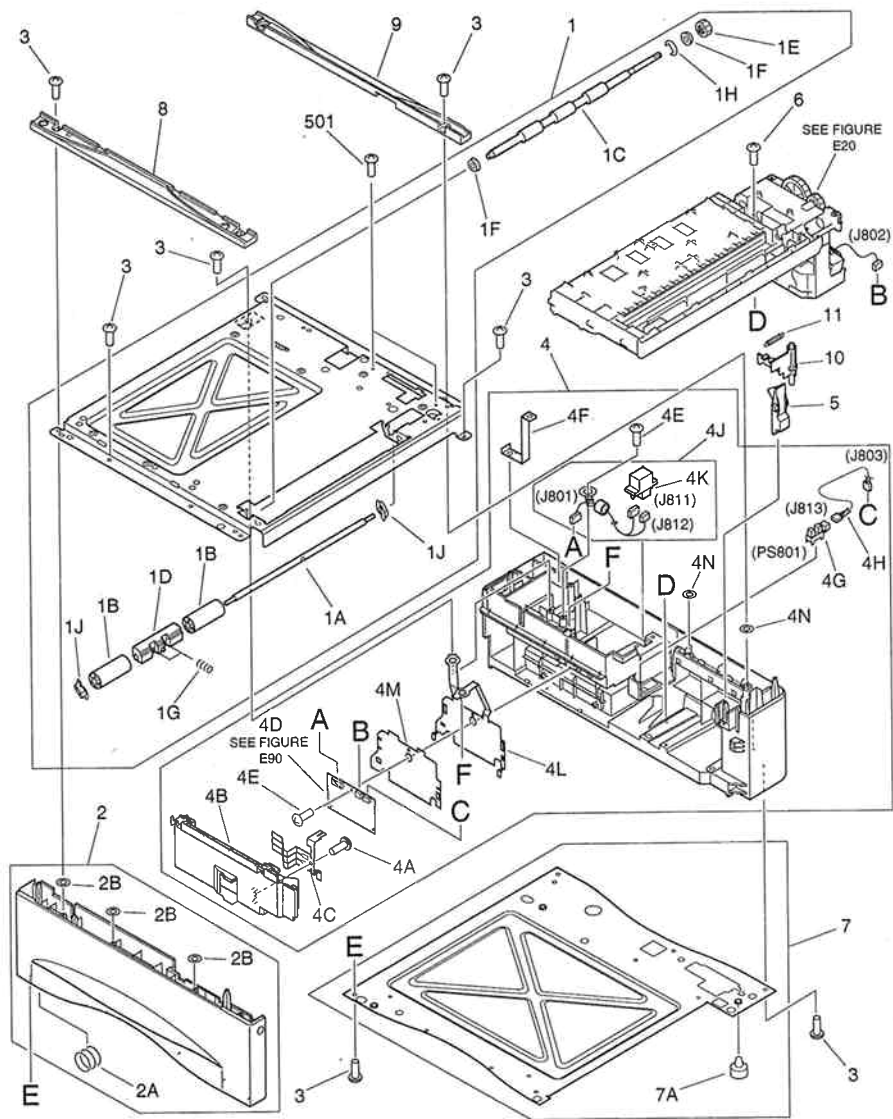


FIGURE & KEY NO.	PART NUMBER	RANK	QTY	DESCRIPTION	SERIAL NUMBER / REMARKS
E11 -	NPN		RF	INTERNAL COMPONENTS	
1	RG5-2689-000		1	UPPER FRAME ASS'Y	
1A	RB1-8921-000		1	SHAFT	
1B	RB1-8922-000		2	ROLLER	
1C	RB1-8923-000		1	ROLLER, PAPER FEED	
1D	RB1-8926-000		1	BUSHING	
1E	RS5-0946-000		1	GEAR, 14T	
1F	RS5-1309-000		2	BUSHING	
1G	RS5-2653-000		2	SPRING, COMPRESSION	
1H	XD2-1100-502		1	RING, E	
1J	RB1-8934-000		2	BUSHING	
2	RG5-4669-000		1	LEFT FRAME ASS'Y	
2A	RS5-2652-000		1	SPRING, COMPRESSION	
2B	RL6-0002-000		3	WASHER	
3	FA9-2753-000		19	SCREW, M4X10	
4	RG5-4668-000		1	RIGHT FRAME ASS'Y	
4A	XA9-0915-000		1	SCREW, M3X6	
4B	RB1-8886-000		1	COVER, PCB	
4C	RB1-8887-000		1	SPRING, LEAF	
4D	RG5-3821-000		1	PAPER FEEDER DRIVER PCB ASS'Y	SEE FIGURE E90
4E	FA9-2753-000		2	SCREW, M4X10	
4F	RB1-9397-000		1	PLATE, GROUNDING, 1	
4G	WG8-5362-000		1	IC, TLP1241, PHOTO-INTERRUPTER	PS801, J813
4H	RG5-3711-000		1	PAPER SENSOR CABLE	J803, J813
4J	RG5-3822-000		1	PAPER FEEDER CABLE	J801, J811, J812
4K	VS1-6175-006		1	CONNECTOR, 6P	J811, J812
4L	RB2-3733-000		1	PLATE, GROUNDING, 2	
4M	RB2-3734-000		1	SHEET, INSULATING	
4N	RL6-0002-000		2	WASHER	
5	RB2-3497-000		1	LEVER, RELEASE	
6	XA9-0917-000		1	SCREW, M3X16	
7	RG5-2670-000		1	LOWER FRAME ASS'Y	
7A	RB1-8107-000		3	FOOT	
8	RB2-2756-000		1	COVER, GRIP, FRONT	
9	RB2-2757-000		1	COVER, GRIP, REAR	
10	RB2-2412-000		1	LEVER, 1	
11	RS5-2658-000		1	SPRING, TENSION	
501	XB5-2300-609		2	SCREW, CT, M3X6	

FIGURE E20 PAPER PICK-UP DRIVE ASS'Y

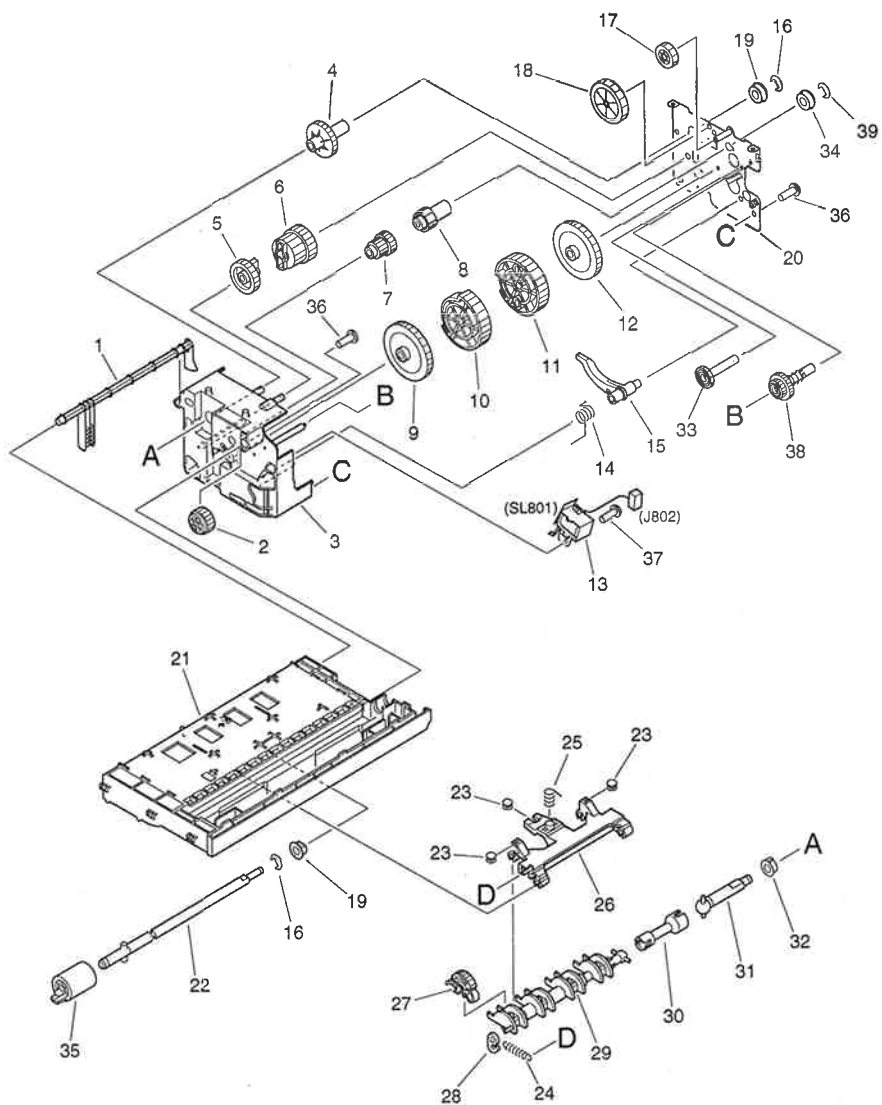


FIGURE & KEY NO.	PART NUMBER	R A N K	Q' T Y	DESCRIPTION	SERIAL NUMBER / REMARKS
E20 -	RG5-2690-000		1	PAPER PICK-UP DRIVE ASS'Y	
1	RB1-8879-000		1	LEVER, SENSOR	
2	RS5-0940-000		1	GEAR, 20T	
3	RB1-8919-000		1	BLOCK, DRIVE	
4	RS5-0936-000		1	GEAR, 31T	
5	RS5-0933-000		1	GEAR, 27T	
6	RS5-0932-000		1	GEAR, 23T/27T	
7	RS5-0939-000		1	GEAR, 14T/18T	
8	RS5-0975-000		1	GEAR, 18T	
9	RS5-0938-000		1	GEAR, 53T	
10	RS5-0935-000		1	GEAR, 31T/39T	
11	RS5-0934-000		1	GEAR, 49T	
12	RS5-0931-000		1	GEAR, 41T	
13	RH7-5174-000		1	SOLENOID	SL801, J802
14	RB1-8881-000		1	SPRING, TORSION	
15	RB1-8880-000		1	LEVER	
16	XD9-0135-000		2	RING, E	
17	RS5-0942-000		1	GEAR, 16T	
18	RS5-0943-000		1	GEAR, 31T	
19	RS5-1307-000		2	BUSHING	
20	RF5-2859-000		1	PLATE, DRIVE	
21	RB1-8918-000		1	GUIDE	
22	RF5-2491-000		1	SHAFT, PAPER FEED	
23	RB1-8883-000		3	DAMPER	
24	RS5-2632-000		1	SPRING, TENSION	
25	RS5-2633-000		1	SPRING, COMPRESSION	
26	RB1-8866-000		1	ARM	
27	RB1-8865-000		4	ROLLER	
28	RB1-2190-000		1	COLLAR, SPRING	
29	RB1-8867-000		1	SHAFT, ROLLER	
30	RB1-8877-000		1	JOINT	
31	RB1-8868-000		1	SHAFT, DRIVE	
32	RS5-1293-000		1	BUSHING	
33	RS5-0944-000		1	GEAR, 19T	
34	RS5-1308-000		1	BUSHING	
35	RF5-2490-000		1	ROLLER	
36	XA9-0870-000		5	SCREW, M4X10	
37	XA9-0917-000		1	SCREW, M3X16	
38	RF5-2512-000		1	GEAR, RATCHET	
39	XD9-0134-000		1	RING, E	

FIGURE E30 CASSETTE

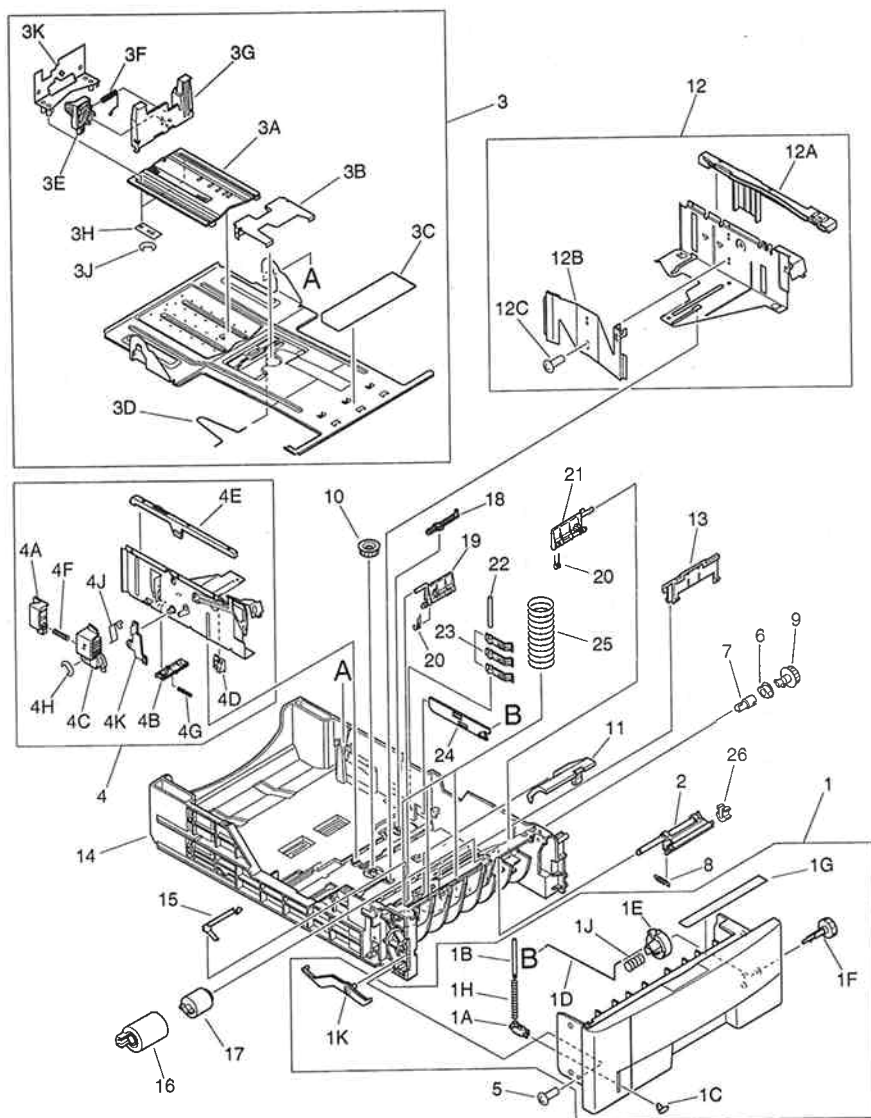


FIGURE & KEY NO.	PART NUMBER	RANK	QTY	DESCRIPTION	SERIAL NUMBER / REMARKS
E30 -	NPN		RF	CASSETTE	
1	RG5-4671-000		1	FRONT COVER ASS'Y	
1A	RB1-8967-000		1	HOLDER, BLOCK	
1B	RB1-8968-000		1	SHAFT, SENSOR ARM	
1C	RB2-2773-000		1	BLOCK, SENSOR	
1D	RB1-9382-000		1	ROD, SIZE	
1E	RB1-9383-000		1	CLICK, SIZE	
1F	RB1-9384-000		1	DIAL, SIZE	
1G	RS6-8005-000		1	LABEL, SIZE	
1H	RS5-2625-000		1	SPRING, COMPRESSION	
1J	RS5-2982-000		1	SPRING, COMPRESSION	
1K	RB1-8966-000		1	ARM, SENSOR	
2	RF5-2489-000		1	HOLDER	
3	RG5-4672-000		1	PAPER LIFTING PLATE ASS'Y	
3A	RB1-9393-000		1	PLATE, GUIDE	
3B	RB1-9372-000		1	PLATE, LENGTH ADJUSTMENT (A5)	
3C	RB1-9394-020		1	SHEET, OPERATION	
3D	RB1-9392-000		1	ROD	
3E	RB1-9374-000		1	STOPPER	
3F	RS5-2981-000		1	SPRING, COMPRESSION	
3G	RB1-9371-000		1	PLATE, LENGTH ADJUSTMENT	
3H	RB1-8983-000		2	PLATE, REAR	
3J	XD9-0134-000		4	RING, E	
3K	RF5-2793-000		1	PLATE, SUPPORT, REAR	
4	RG5-2694-000		1	LEFT SIDE LIMIT PLATE ASS'Y	
4A	RB1-9375-000		1	LEVER, SIDE	
4B	RB1-9387-000		1	CLICK, SIDE	
4C	RB1-9389-000		1	LEVER, SIDE STOPPER	
4D	RB1-8892-000		1	HOLDER, CLAW	
4E	RB1-9388-000		1	COVER, SIDE	
4F	RS5-2672-000		1	SPRING, COMPRESSION	
4G	RS5-2674-000		1	SPRING, COMPRESSION	
4H	XD9-0136-000		2	RING, E	
4J	RB1-8981-000		1	SPRING, LEAF	
4K	RB1-8985-000		1	PLATE, STOP, SIDE	
5	XA9-0606-000		2	SCREW, M4X10	
6	RB1-8946-000		1	BUSHING	
7	RB1-8945-000		1	JOINT	
8	RS5-2622-020		1	SPRING, TENSION	
9	RB1-8948-000		1	GEAR, 22T	
10	RB1-8970-000		1	GEAR, 20T	
11	RB2-2775-000		1	COVER	
12	RG5-4288-000		1	RIGHT SIDE LIMIT PLATE ASS'Y	
12A	RB1-9395-000		1	COVER, SIDE	
12B	RB1-9379-000		1	SPRING, LEAF	
12C	XA9-0903-000		2	SCREW, M3X5	
13	RB2-2754-000		1	HOLDER, REAR	
14	RB2-2774-000	N	1	BODY, CASSETTE	
15	RB1-8972-000		1	SPRING, LEAF	
16	RF5-2490-000		1	ROLLER	

FIGURE & KEY NO.	PART NUMBER	RANK	QTY	DESCRIPTION	SERIAL NUMBER / REMARKS
E30 - 17	RB1-8974-000		1	LIMITER, TORQUE	
18	RB1-9380-000		1	LEVER, SIZE CAM	
19	RB1-8961-000		1	ARM, LIFTER, LEFT	
20	RB1-8973-000		2	SPRING, TORSION	
21	RB1-8962-000		1	ARM, LIFTER, RIGHT	
22	RB1-8964-000		1	SHAFT, SIZE ARM	
23	RB1-8963-000		3	ARM, SIZE	
24	RB1-9381-000		1	PLATE	
25	RS5-2621-000		3	SPRING, COMPRESSION	
26	RB1-8956-000		1	STOPPER, REAR	
<hr style="border-top: 1px dashed black;"/>					
<hr style="border-top: 1px dashed black;"/>					
<hr style="border-top: 1px dashed black;"/>					
<hr style="border-top: 1px dashed black;"/>					
<hr style="border-top: 1px dashed black;"/>					

FIGURE E90

PCB ASS'Y LOCATION DIAGRAM

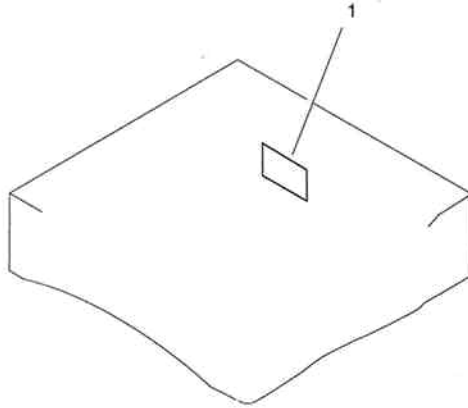


FIGURE & KEY NO.	PART NUMBER	RANK	QTY	DESCRIPTION	SERIAL NUMBER / REMARKS
E90 - 1	NPN RG5-3821-000		RF 1	PCB ASS'Y LOCATION DIAGRAM PAPER FEEDER DRIVER PCB ASS'Y	



This publication is
printed on 100%
recycled paper.

Canon