

# **PARTS CATALOG**

**FAX-L380S/L398S/L390S/  
L390/L408S/LASER CLASS  
310**

**Canon**

**Jun 1 2007**



## **PREFACE**

This Parts Catalog contains listings of parts used

Diagrams are provided with the listings to aid the service technician in identifying clearly, the item to be ordered.

Whenever ordering parts, consult this Parts Catalog for all of the information pertaining to each item. Be sure to include, in the Parts Request, the full item description, the item part number, and the quantity.

***COPYRIGHT (C) 1999 CANON INC.***

Use of this manual should be strictly supervised to avoid disclosure of confidential information.



# Contents

## NUMERICAL INDEX

FAX-L380S/L398S/L390S/L390/L408S/LASER CLASS 310(Numerical Index)..... 1-1

## FAX-L380S/L398S/L390S/L390/L408S/LASER CLASS 310(Parts Catalog)

A	ASSEMBLY LOCATION DIAGRAM .....	2-1
001	PACKAGE COMPONENTS .....	2-2
100	EXTERNAL COVERS,PANELS,ETC .....	2-4
101	INTERNAL COMPONENTS 1 .....	2-7
102	INTERNAL COMPONENTS 2 .....	2-9
103	INTERNAL COMPONENTS 3 .....	2-11
104	INTERNAL COMPONENTS 4 .....	2-13
105	INTERNAL COMPONENTS 5 .....	2-15
110	POWER SUPPLY ASS'Y .....	2-17
210	DOCUMENT FEED ASS'Y .....	2-19
211	ADF LOWER ASS'Y .....	2-21
300	CASSETTE(250 SHEETS) .....	2-23
301	CASSETTE(500 SHEETS) .....	2-25
950	SCNT BOARD ASS'Y .....	2-27



# NUMERICAL INDEX

## FAX-L380S/L398S/L390S/L390/L408S/LASER CLASS 310(Numerical Index)

PARTS NUMBER	FIGURE & KEY NO.	PARTS NUMBER	FIGURE & KEY NO.	PARTS NUMBER	FIGURE & KEY NO.
FC5-4775-000	102 - 1	FC7-3259-000	100 -	FM2-6868-000	100 - 12
FC5-4778-000	102 - 8	FC7-3260-000	100 -	FM2-6869-000	100 - 6
FC5-4799-000	103 - 2	FH2-7192-000	950 - 12	FM2-6875-000	100 - 12
FC5-4800-020	103 - 1	FH2-7200-000	950 - 10	FM2-6878-000	100 - 6
FC5-4805-000	103 - 6	FH5-1130-000	104 - 5	FM2-6882-000	100 - 12
FC5-4807-000	103 - 7	FH6-5132-000	104 - 1	FM2-6883-000	100 - 12
FC5-4808-000	101 - 1	FK2-2076-000	101 - 4	FM2-6884-000	100 - 12
FC5-4814-020	101 - 2	FK2-2077-000	110 - 1	FM2-6885-000	301 - 2
FC5-4827-000	105 - 1	FK2-2078-000	110 - 1	FM2-6892-000	100 - 9
FC5-4828-000	105 - 2	FK2-2079-000	110 - 1	FM2-6893-000	103 - 10
FC5-4829-000	105 - 3	FK2-2082-000	211 - 1	FM2-6895-000	100 - 12
FC5-4830-000	105 - 4	FK2-2286-020	001 - 1	FM2-6897-000	100 - 12
FC5-4832-000	105 - 6	FK2-2288-000	001 - 1	FM2-6899-000	100 - 12
FC5-4833-000	102 - 3	FK2-2289-000	001 - 1	FM2-6902-000	100 - 3
FC5-4834-000	105 - 7	FK2-5102-000	001 - 1	FM5-5273-000	110 - 4
FC5-4850-000	102 - 10	FL2-1042-000	103 - 4	FM5-5292-000	110 - 4
FC5-4860-000	105 - 17	FL2-1043-000	102 - 5	FM5-5294-010	110 - 4
FC5-4861-000	105 - 8	FL2-1044-020	105 - 13	FM5-5296-020	110 - 4
FC5-4862-000	105 - 9	FL2-1046-000	103 - 5	FM5-5304-000	103 - 3
FC5-4871-000	105 - 5	FL2-1047-000	300 - 7	FM5-5305-000	105 - 10
FC5-4878-000	104 - 16	FL2-1047-000	301 - 3	FU5-0698-000	105 - 16
FC5-4908-000	300 - 1	FL2-1050-000	102 - 6	FU5-0699-000	102 - 9
FC5-4911-020	300 - 5	FL2-4934-000	211 - 2	FU5-0700-000	104 - 6
FC5-4913-020	300 - 6	FL2-4935-000	211 - 2	FU5-0701-000	104 - 7
FC5-4921-000	103 - 12	FL2-4938-000	301 - 1	FU5-0702-000	104 - 8
FC5-4928-030	300 - 2	FL2-4939-000	301 - 4	FU5-0703-000	104 - 9
FC7-1649-000	100 - 19	FL2-4942-000	100 -	FU5-0704-000	104 - 10
FC7-1654-000	100 - 10	FL2-5302-000	100 -	FU5-0705-000	104 - 13
FC7-1659-000	300 - 8	FL2-5303-000	100 - 1	FU5-0707-000	104 - 3
FC7-1666-000	100 - 2	FM2-1069-000	104 - 2	FU5-0709-000	104 - 4
FC7-1715-000	300 - 1	FM2-1853-000	102 - 2	FU5-0710-000	104 - 14
FC7-1727-000	100 - 8	FM2-6173-000	950 -	FU5-0713-000	105 - 15
FC7-1728-000	100 - 7	FM2-6174-000	950 -	FU5-0714-000	104 - 11
FC7-1729-000	101 - 2	FM2-6176-000	950 -	FU5-0716-000	103 - 8
FC7-1730-000	100 - 21	FM2-6177-000	950 -	FU5-2425-000	105 - 14
FC7-1731-000	100 - 22	FM2-6178-000	950 -	FU5-2429-000	104 - 15
FC7-1732-000	100 - 23	FM2-6179-000	950 -	FU5-2434-000	300 - 9
FC7-1734-000	100 - 5	FM2-6180-000	950 -	FU5-2434-000	301 - 5
FC7-1735-000	100 - 11	FM2-6181-000	950 -	FU5-2435-020	103 - 13
FC7-1907-000	100 - 16	FM2-6182-000	950 -	HB1-5127-000	100 - 17
FC7-1908-000	100 - 16	FM2-6183-000	950 -	HC1-1928-000	100 - 10
FC7-1909-000	100 - 16	FM2-6473-000	101 - 3	HC1-1930-000	100 - 8
FC7-1910-000	100 - 16	FM2-6474-000	101 - 3	HC1-1931-000	100 - 8
FC7-1911-000	100 - 16	FM2-6475-000	110 - 2	HC1-1932-000	100 - 7
FC7-1912-000	100 - 16	FM2-6477-000	210 - 1	HC1-1940-000	100 - 11
FC7-1913-000	100 - 16	FM2-6478-000	210 - 1	HC1-1943-000	100 - 2
FC7-1914-000	100 - 16	FM2-6859-000	105 - 11	HC1-1950-000	103 -
FC7-1915-000	100 -	FM2-6860-000	105 - 11	HC1-1951-000	210 - 2
FC7-1921-000	100 - 18	FM2-6861-000	105 - 11	HC1-1952-000	211 - 7
FC7-3253-000	301 - 6	FM2-6864-000	100 - 3	HC1-1956-000	210 - 5
FC7-3257-000	100 - 4	FM2-6865-000	100 - 9	HC1-1957-000	210 - 9
FC7-3258-000	100 - 4	FM2-6867-000	300 - 4	HC1-1958-000	210 - 6

# NUMERICAL INDEX

## FAX-L380S/L398S/L390S/L390/L408S/LASER CLASS 310(Numerical Index)

PARTS NUMBER	FIGURE & KEY NO.	PARTS NUMBER	FIGURE & KEY NO.	PARTS NUMBER	FIGURE & KEY NO
HC1-1963-000	210 - 7	NPN	211 -		
HC1-1970-000	210 - 10	NPN	300 -		
HC1-1974-000	211 - 5	NPN	301 -		
HC1-1983-000	211 - 13	WG8-5593-000	100 - 20		
HC1-1987-000	210 - 12	WG8-5593-000	210 - 8		
HC1-1988-000	210 - 11	WK1-5134-000	950 - 4		
HC1-2002-000	100 - 15	WS1-5397-000	950 - 3		
HC1-2008-000	300 - 3	XA9-0476-000	100 - 14		
HC1-2012-000	001 - 3	XA9-1386-000	100 - 13		
HC1-2013-000	100 - 18	XA9-1386-000	101 - 5		
HC1-2034-000	001 - 4	XA9-1386-000	102 - 4		
HC1-2345-000	100 - 24	XA9-1386-000	103 - 11		
HG1-4546-000	211 - 6	XA9-1386-000	104 - 12		
HG1-4547-000	110 - 5	XA9-1386-000	105 - 18		
HG1-4549-000	110 - 6	XA9-1386-000	110 - 3		
HG1-4551-000	211 - 6	XA9-1502-000	102 - 7		
HG1-4555-000	110 - 4	XA9-1502-000	105 - 12		
HH2-2824-000	950 - 5	XB1-2300-407	100 - 503		
HH2-3292-000	101 - 6	XB1-2300-407	211 - 501		
HH7-2768-000	001 - 2	XB2-7300-607	103 - 502		
HH7-2769-000	001 - 2	XB2-7300-607	104 - 502		
HH7-2776-020	211 - 1	XB4-7300-807	100 - 502		
HK1-0175-000	950 - 11	XB4-7300-807	101 - 502		
HK1-0544-000	950 - 6	XB4-7300-807	210 - 501		
HK1-0547-000	950 - 9	XB4-7300-807	211 - 502		
HK1-0550-000	950 - 8	XB4-7300-807	300 - 501		
HK1-0559-000	950 - 7	XB4-7400-807	100 - 501		
HL1-0453-000	211 - 3	XB4-7400-807	102 - 501		
HL1-0454-000	210 - 3	XB4-7400-807	103 - 501		
HL1-0470-020	100 - 1	XB4-7400-807	104 - 501		
HL1-0641-000	100 - 5	XB4-7400-807	105 - 501		
HM1-0655-030	103 - 9	XB6-7300-607	101 - 501		
HM1-0809-000	103 - 10	XD1-1104-133	210 - 502		
HM1-0814-000	211 - 4	XD1-1104-133	211 - 503		
HM1-0818-000	210 - 4	XD1-1104-139	211 - 504		
HM1-0830-000	211 - 12				
HU1-0158-000	211 - 8				
HU1-0159-000	211 - 9				
HU1-0160-000	211 - 10				
HU1-0161-000	211 - 11				
HU1-1058-000	211 - 14				
HU1-1059-000	211 -				
HU1-2135-000	210 - 13				
NPN	001 -				
NPN	100 -				
NPN	101 -				
NPN	102 -				
NPN	103 -				
NPN	104 -				
NPN	105 -				
NPN	110 -				
NPN	210 -				



# **FAX-L380S/L398S/L390S/L390/L408S/ LASER CLASS 310(Parts Catalog)**

## **CANOFAX L380S**

<b>100V</b>	<b>F18-9311-000</b>	<b>SPM</b>
-------------	---------------------	------------

## **FAX-L380S**

<b>230V</b>	<b>F18-9341-000</b>	<b>SPU</b>
-------------	---------------------	------------

<b>230V</b>	<b>F18-9370-000</b>	<b>SPV</b>
-------------	---------------------	------------

<b>230V</b>	<b>F18-9391-000</b>	<b>SPP</b>
-------------	---------------------	------------

<b>230V</b>	<b>F18-9391-000</b>	<b>SPQ</b>
-------------	---------------------	------------

<b>230V</b>	<b>F18-9391-000</b>	<b>SPR</b>
-------------	---------------------	------------

## **FAX-L390**

<b>230V</b>	<b>F18-9342-000</b>	<b>SQE</b>
-------------	---------------------	------------

<b>230V</b>	<b>F18-9392-000</b>	<b>SPX</b>
-------------	---------------------	------------

<b>230V</b>	<b>F18-9392-000</b>	<b>SPY</b>
-------------	---------------------	------------

<b>230V</b>	<b>F18-9392-000</b>	<b>SPZ</b>
-------------	---------------------	------------

## **FAX-L390S**

<b>230V</b>	<b>F18-9361-000</b>	<b>SPT</b>
-------------	---------------------	------------

## **FAX-L398S**

<b>230V</b>	<b>F18-9360-000</b>	<b>SPS</b>
-------------	---------------------	------------

FAX-L408S

230V

F18-9362-000 SQG

LASER CLASS 310

120V

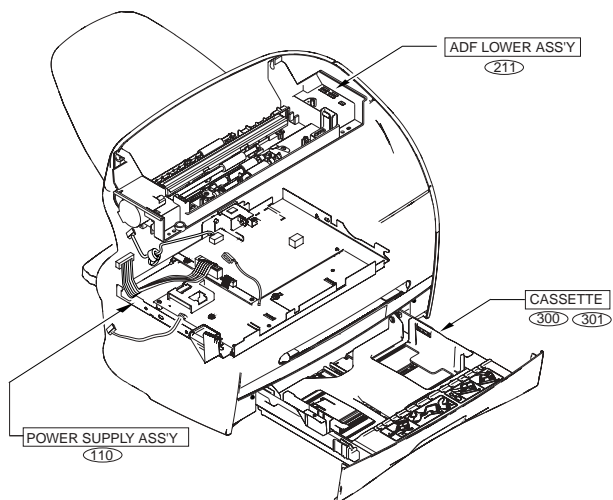
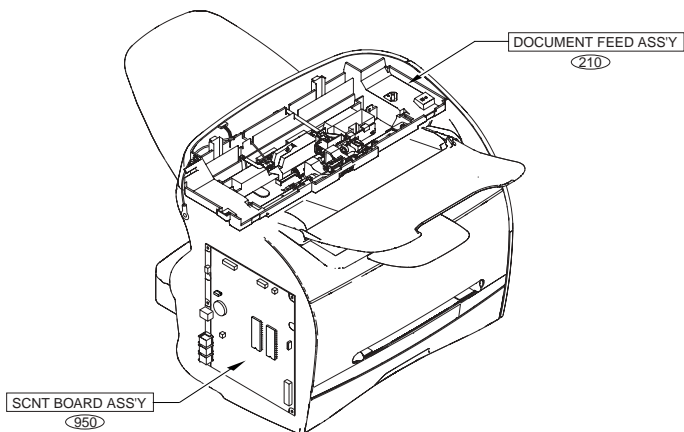
F18-9332-000 SPW

# Contents

A	ASSEMBLY LOCATION DIAGRAM .....	2-1
001	PACKAGE COMPONENTS .....	2-2
100	EXTERNAL COVERS,PANELS,ETC .....	2-4
101	INTERNAL COMPONENTS 1 .....	2-7
102	INTERNAL COMPONENTS 2 .....	2-9
103	INTERNAL COMPONENTS 3 .....	2-11
104	INTERNAL COMPONENTS 4 .....	2-13
105	INTERNAL COMPONENTS 5 .....	2-15
110	POWER SUPPLY ASS'Y .....	2-17
210	DOCUMENT FEED ASS'Y .....	2-19
211	ADF LOWER ASS'Y .....	2-21
300	CASSETTE(250 SHEETS) .....	2-23
301	CASSETTE(500 SHEETS) .....	2-25
950	SCNT BOARD ASS'Y .....	2-27



# FIGURE A ASSEMBLY LOCATION DIAGRAM



# FIGURE 001 PACKAGE COMPONENTS

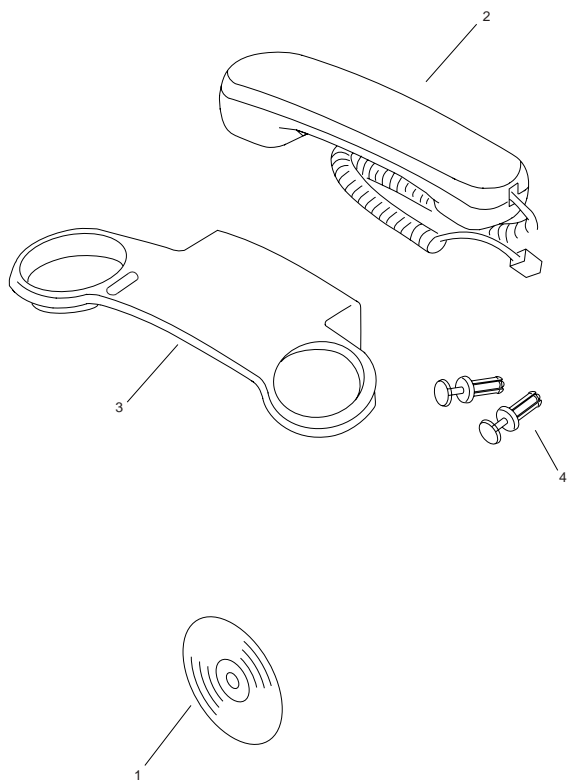


FIGURE & KEY NO.	PARTS NUMBER	RANK	Q'TY	DESCRIPTION	SERIAL NUMBER/REMARKS	SVC
Fig.001	NPN		RF	PACKAGE COMPONENTS		
1	FK2-2288-000		1	CD-ROM, PRINTER DRIVER	310 English/French	
1	FK2-2286-020		1	CD-ROM, PRINTER DRIVER	L380S Japanese	
1	FK2-2289-000		1	CD-ROM, PRINTER DRIVER	L380S,L390 English/ French/Italian/German/ Spanish	
1	FK2-5102-000		1	CD-ROM, PRINTER DRIVER	L380S,L398S,L390,L408S ,L390S English/Simplified Chinese/Korean	
2	HH7-2769-000		1	HANDSET UNIT	CN	
2	HH7-2768-000		1	HANDSET UNIT	US	
3	HC1-2012-000		1	HANDSET, HOLDER	US/CN	
4	HC1-2034-000		2	RIVET	US/CN	

# FIGURE 100 EXTERNAL COVERS, PANELS, ETC

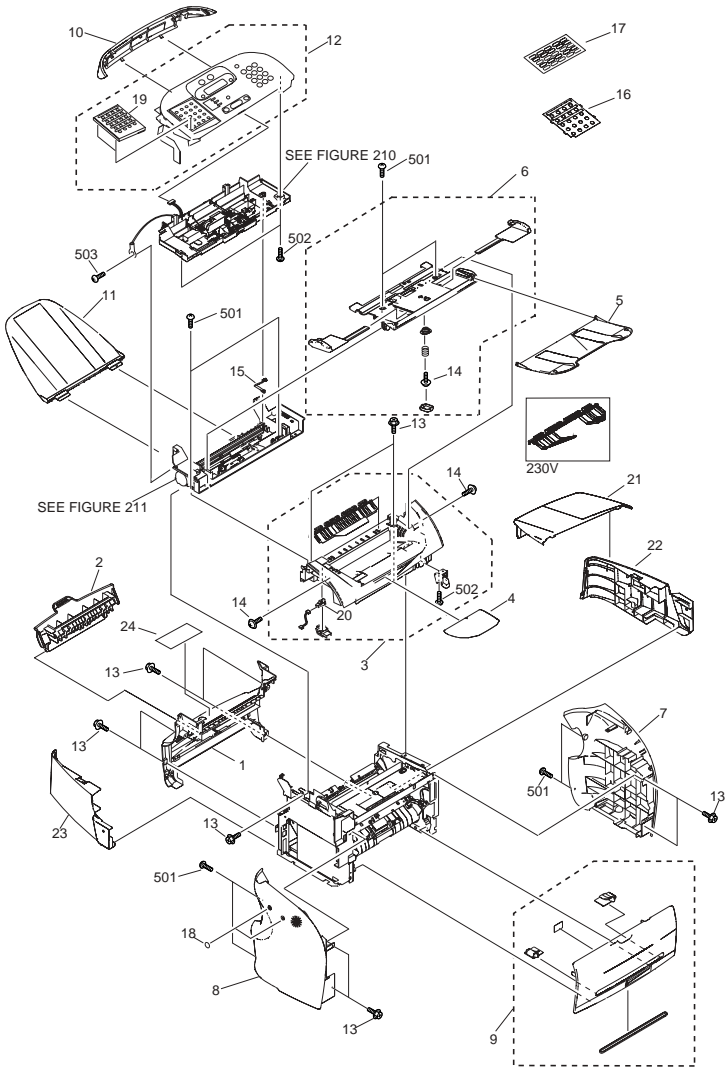




FIGURE & KEY NO.	PARTS NUMBER	R A N K	Q'TY	DESCRIPTION	SERIAL NUMBER/ REMARKS	S V C
Fig.100	NPN		RF	EXTERNAL COVERS,PANELS,ETC.		
1	HL1-0470-020		1	COVER, REAR	Except SPR	
1	FL2-5303-000		1	COVER, PANEL REAR	SPZ	
2	FC7-1666-000		1	COVER, FACE-UP	310/L390/L408S	
2	HC1-1943-000		1	COVER, FACE-UP	L380S/398S/L390S	
3	FM2-6902-000		1	TOP COVER UNIT	100V/120V	
3	FM2-6864-000		1	TOP COVER UNIT	230V	
4	FC7-3257-000		1	TRAY, AUXILIARY	310/L390/L408S	
4	FC7-3258-000		1	TRAY, AUXILIARY	L380S/L398S/L390S	
5	FC7-1734-000		1	TRAY, DOCUMENT	310/L390/L408S	
5	HL1-0641-000		1	TRAY, DOCUMENT	L380S/L398S/L390S	
6	FM2-6869-000		1	DOCUMET GUIDE UNIT	AE/US/EU/KR/AU	
6	FM2-6878-000		1	DOCUMET GUIDE UNIT	CN/JP	
7	FC7-1728-000		1	COVER, RIGHT	310/L390/L408S	
7	HC1-1932-000		1	COVER, RIGHT	L380S/L398S/L390S	
8	FC7-1727-000		1	COVER, LEFT	310/L390/L408S	
8	HC1-1931-000		1	COVER, LEFT	L380S/L398S	
8	HC1-1930-000		1	COVER, LEFT	L390S	
9	FM2-6892-000		1	FRONT COVER UNIT	310/L390/L408S	
9	FM2-6865-000		1	FRONT COVER UNIT	L380S/L398S/L390S	
10	FC7-1654-000		1	COVER, PANEL REAR	310/L390/L408S	
10	HC1-1928-000		1	COVER, PANEL REAR	L380S/L398S/L390S	
11	FC7-1735-000		1	TRAY, DOCUMENT DELIVERY	310/L390/L408S	
11	HC1-1940-000		1	TRAY, DOCUMENT DELIVERY	L380S/L398S/L390S	
12	FM2-6895-000		1	OPERATION PANEL UNIT	310	
12	FM2-6875-000		1	OPERATION PANEL UNIT	JP	
12	FM2-6884-000		1	OPERATION PANEL UNIT	KR	
12	FM2-6899-000		1	OPERATION PANEL UNIT	L390	
12	FM2-6882-000		1	OPERATION PANEL UNIT	L390S	
12	FM2-6883-000		1	OPERATION PANEL UNIT	L398S	
12	FM2-6897-000		1	OPERATION PANEL UNIT	L408S	
12	FM2-6868-000		1	OPERATION PANEL UNIT	SPU/SPR	

FIGURE & KEY NO.	PARTS NUMBER	R A N K	Q'TY	DESCRIPTION	SERIAL NUMBER/ REMARKS	S V C
13	XA9-1386-000		11	SCREW,RS,M3X8		
14	XA9-0476-000		3	SCREW,TP M3X8		
15	HC1-2002-000		1	STOPPER		
16	FC7-1911-000		1	SHEET ONE TOUCH DIAL(ENGLISH)	AE/AU	
16	FC7-1910-000		1	SHEET ONE TOUCH DIAL(CHN)	CN	
16	FC7-1913-000		1	SHEET ONE TOUCH DIAL(GERMAN)	DE	
16	FC7-1912-000		1	SHEET ONE TOUCH DIAL(ENGLISH)	EU	
16	FC7-1914-000		1	SHEET ONE TOUCH DIAL(FRENCH)	FR	
16	FC7-1908-000		1	SHEET,ONE TOUCH DIAL(JAPANESE)	JP	
16	FC7-1909-000		1	SHEET ONE TOUCH DIAL(KOREAN)	KR	
16	FC7-1907-000		1	SHEET ONE TOUCH DIAL(ENGLISH)	US	
17	HB1-5127-000		2	LABEL, DESTINATION		
18	HC1-2013-000		2	SHEET,SHIELD	AE/EUR/KR/JP	
18	FC7-1921-000		1	SHEET, SHIELD	AU	
19	FC7-1649-000		1	COVER, ONE-TOUCH		
20	WG8-5593-000		1	PHOTO-INTERRUPTER TLP1242		
21	FC7-1730-000		1	COVER, CASSETTE, UPPER	310/L390/L408S	
22	FC7-1731-000		1	COVER, LEFT, LOWER	310/L390/L408S	
23	FC7-1732-000		1	COVER, RIGHT, LOWER	310/L390/L408S	
24	HC1-2345-000		1	LABEL,COVER,REAR		
501	XB4-7400-807		8	SCREW, TAP TIGHT, BINDING HEAD		
502	XB4-7300-807		3	SCREW, TAP TIGHT, BINDING HEAD		
503	XB1-2300-407		1	SCREW, BH3X4 (S)		
	FC7-1915-000		1	LABEL, REAR COVER	310/L390/L408S	
	FC7-3259-000		1	LABEL, GROUNDING	SPR	
	FC7-3260-000		1	LABEL, GROUNDING	SPZ	
	FL2-4942-000		1	COVER, PANEL REAR	310/L390(Except SPZ)/ L408S	
	FL2-5302-000		1	COVER, REAR	SPR	

# FIGURE 101 INTERNAL COMPONENTS 1

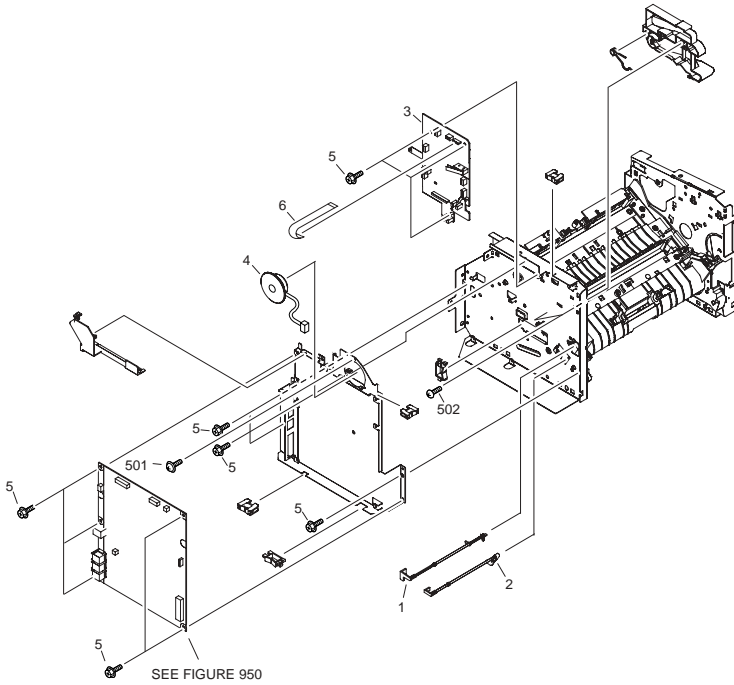


FIGURE & KEY NO.	PARTS NUMBER	RANK	Q'TY	DESCRIPTION	SERIAL NUMBER/REMARKS	SVC
Fig.101	NPN		RF	INTERNAL COMPONENTS 1		
1	FC5-4808-000		1	FLAG, MANUAL FEED SENSOR		
2	FC7-1729-000		1	FLAG, CASSETTE SENSOR	310/390/L408S	
2	FC5-4814-020		1	FLAG, CASSETTE SENSOR	L380S/L398S/L390S	
3	FM2-6474-000		1	DCNT BOARD ASS'Y	100/120V	
3	FM2-6473-000		1	DCNT BOARD ASS'Y	230V	
4	FK2-2076-000		1	SPEAKER		
5	XA9-1386-000		12	SCREW,RS,M3X8		
6	HH2-3292-000		1	CABLE, FLAT, 10P		
501	XB6-7300-607		1	SCREW, CROOSS-RECESS, FCH		
502	XB4-7300-807		2	SCREW, TAP TIGHT, BINDING HEAD		

FIGURE 102  
INTERNAL COMPONENTS 2

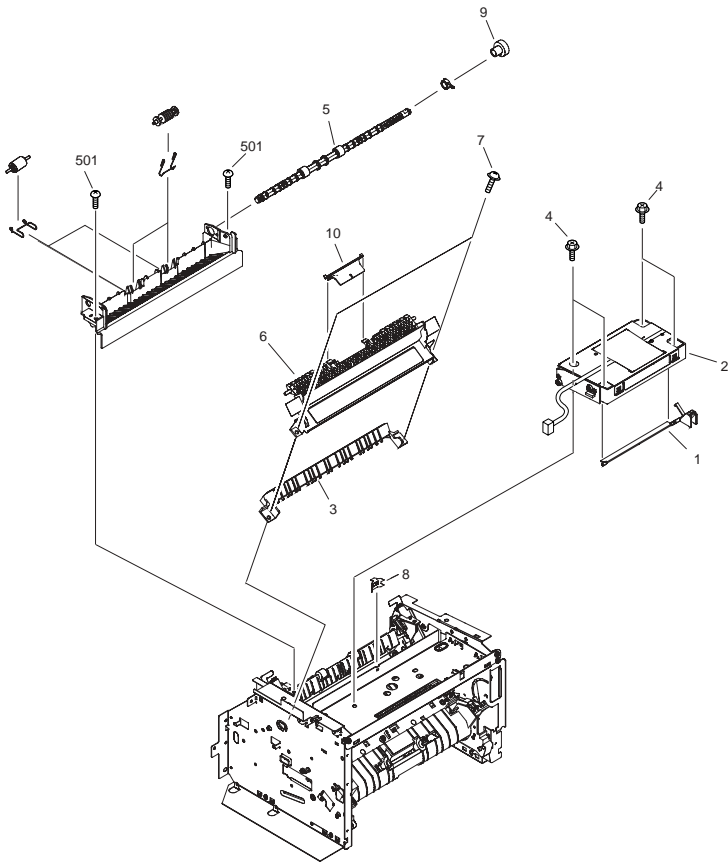


FIGURE & KEY NO.	PARTS NUMBER	R A N K	Q'TY	DESCRIPTION	SERIAL NUMBER/ REMARKS	S V C
Fig.102	NPN		RF	INTERNAL COMPONENTS 2		
1	FC5-4775-000		1	ARM, LASER SHUTTER		
2	FM2-1853-000		1	LASER/SCANNER UNIT		
3	FC5-4833-000		1	GUIDE, FIXING ENTRANCE		
4	XA9-1386-000		4	SCREW,RS,M3X8		
5	FL2-1043-000		1	ROLLER, FACE-DOWN DELIVERY		
6	FL2-1050-000		1	COVER, FIXING		
7	XA9-1502-000		2	SCREW,W/WASHER,M4		
8	FC5-4778-000		1	PLATE,GROUNDING		
9	FU5-0699-000		1	GEAR, 19T		
10	FC5-4850-000		1	FLAG,ROLL PREVENTION		
501	XB4-7400-807		2	SCREW,TAPPING,TRUSS HEAD,M4X8		

# FIGURE 103 INTERNAL COMPONENTS 3

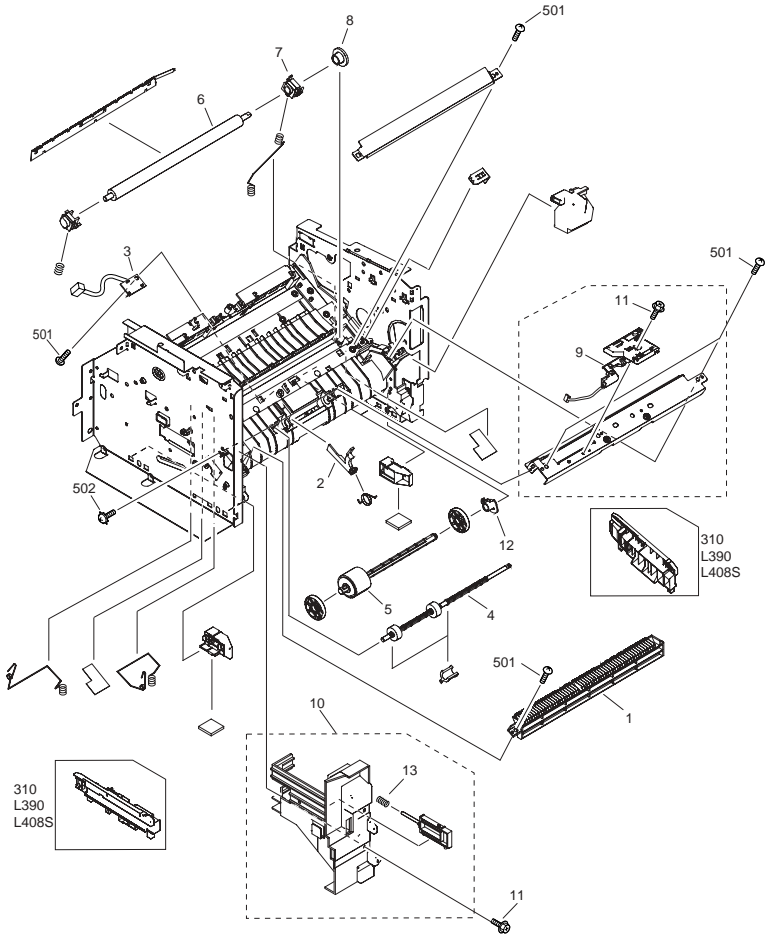


FIGURE & KEY NO.	PARTS NUMBER	R A N K	Q'TY	DESCRIPTION	SERIAL NUMBER/ REMARKS	S V C
Fig.103	NPN		RF	INTERNAL COMPONENTS 3		
1	FC5-4800-020		1	GUIDE,U-TURN		
2	FC5-4799-000		1	FLAG, REGIST. SENSOR		
3	FM5-5304-000		1	TOP SENSOR PCB UNIT		
4	FL2-1042-000		1	ROLLER, FEEDER		
5	FL2-1046-000		1	ROLLER, CASSETTE PICK-UP		
6	FC5-4805-000		1	ROLLER, TRANSFER		
7	FC5-4807-000		1	BUSHING,TRANSFER ROLLER,RIGHT		
8	FU5-0716-000		1	GEAR, 17T		
9	HM1-0655-030		1	TONER SENSOR UNIT		
10	FM2-6893-000		1	COVER SWITCH UNIT	310/L390/L408S	
10	HM1-0809-000		1	COVER SWITCH UNIT	L380S/L398/L390	
11	XA9-1386-000		2	SCREW,RS,M3X8		
12	FC5-4921-000		1	BUSHING		
13	FU5-2435-020		1	SPRING, COMPRESSION		
501	XB4-7400-807		5	SCREW,TAPPING,TRUSS HEAD,M4X8		
502	XB2-7300-607		1	SCREW, WWASHER, M3X6		
	HC1-1950-000		1	COVER, SOLENOID		



FIGURE 104  
INTERNAL COMPONENTS 4

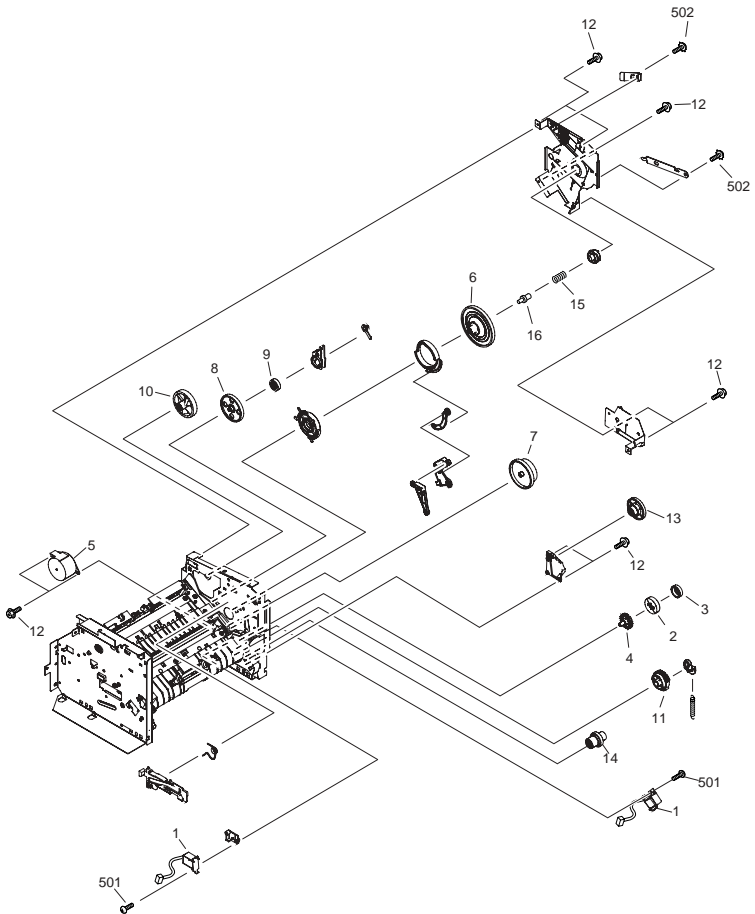


FIGURE & KEY NO.	PARTS NUMBER	R A N K	Q'TY	DESCRIPTION	SERIAL NUMBER/ REMARKS	S V C
Fig.104	NPN		RF	INTERNAL COMPONENTS(4)		
1	FH6-5132-000		2	SOLENOID,PICK UP		
2	FM2-1069-000		1	GEAR UNIT		
3	FU5-0707-000		1	GEAR,51T		
4	FU5-0709-000		1	GEAR,17T		
5	FH5-1130-000		1	MOTOR,STEPPING		
6	FU5-0700-000		1	GEAR, 163T		
7	FU5-0701-000		1	GEAR,91T/115T		
8	FU5-0702-000		1	GEAR, 18T/107T		
9	FU5-0703-000		1	GEAR, 17T		
10	FU5-0704-000		1	GEAR, 55T		
11	FU5-0714-000		1	GEAR, 25T		
12	XA9-1386-000		9	SCREW,RS,M3X8		
13	FU5-0705-000		1	GEAR, 22T/86T		
14	FU5-0710-000		1	GEAR, 19T/35T		
15	FU5-2429-000		1	SPRING,DRUM CONTACT PIN		
16	FC5-4878-000		1	PIN,DRUM CONTACT		
501	XB4-7400-807		2	SCREW,TAPPING,TRUSS HEAD,M4X8		
502	XB2-7300-607		2	SCREW, M3X6		

# FIGURE 105 INTERNAL COMPONENTS 5

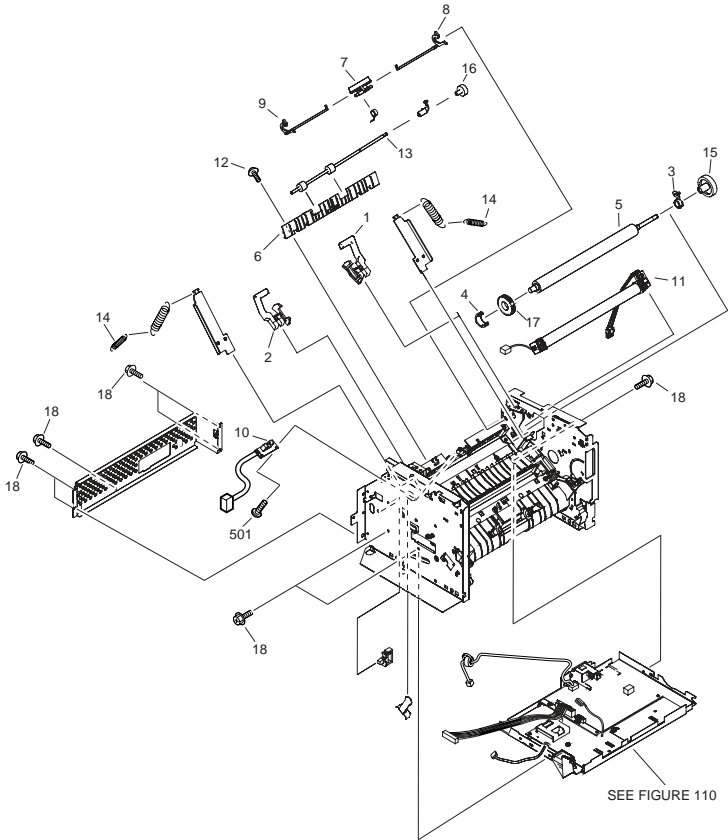


FIGURE & KEY NO.	PARTS NUMBER	R A N K	Q'TY	DESCRIPTION	SERIAL NUMBER/ REMARKS	S V C
Fig.105	NPN		RF	INTERNAL COMPONENTS 5		
1	FC5-4827-000		1	LEVER, PRESSURE RELEASE, R		
2	FC5-4828-000		1	LEVER, PRESSURE RELEASE, L		
3	FC5-4829-000		1	BUSHING, PRESSURE ROLLER, R		
4	FC5-4830-000		1	BUSHING, PRESSURE ROLLER, L		
5	FC5-4871-000		1	ROLLER, PRESSURE		
6	FC5-4832-000		1	GUIDE, PAPER DELIVERY		
7	FC5-4834-000		1	FLAG, DELIVERY SENSOR		
8	FC5-4861-000		1	LEVER, PRSS. RELEASE DETECT,R		
9	FC5-4862-000		1	LEVER, PRSS. RELEASE DETECT,L		
10	FM5-5305-000		1	DELIVERY SENSOR PCB UNIT		
11	FM2-6859-000		1	FILM UNIT, 100V	100V	
11	FM2-6860-000		1	FILM UNIT, 120V	120V	
11	FM2-6861-000		1	FILM UNIT, 230V	230V	
12	XA9-1502-000		1	SCREW,W/WASHER,M4		
13	FL2-1044-020		1	ROLLER, FACE-UP		
14	FU5-2425-000		2	SPRING,PRESSURE GROUNDING		
15	FU5-0713-000		1	GEAR, 29T		
16	FU5-0698-000		1	GEAR, 17T		
17	FC5-4860-000		1	RUBBER RING,CONDUCTIVE		
18	XA9-1386-000		1	SCREW,RS,M3X8		
501	XB4-7400-807		1	SCREW,TAPPING,TRUSS HEAD,M4X8		

# FIGURE 110 POWER SUPPLY ASS'Y

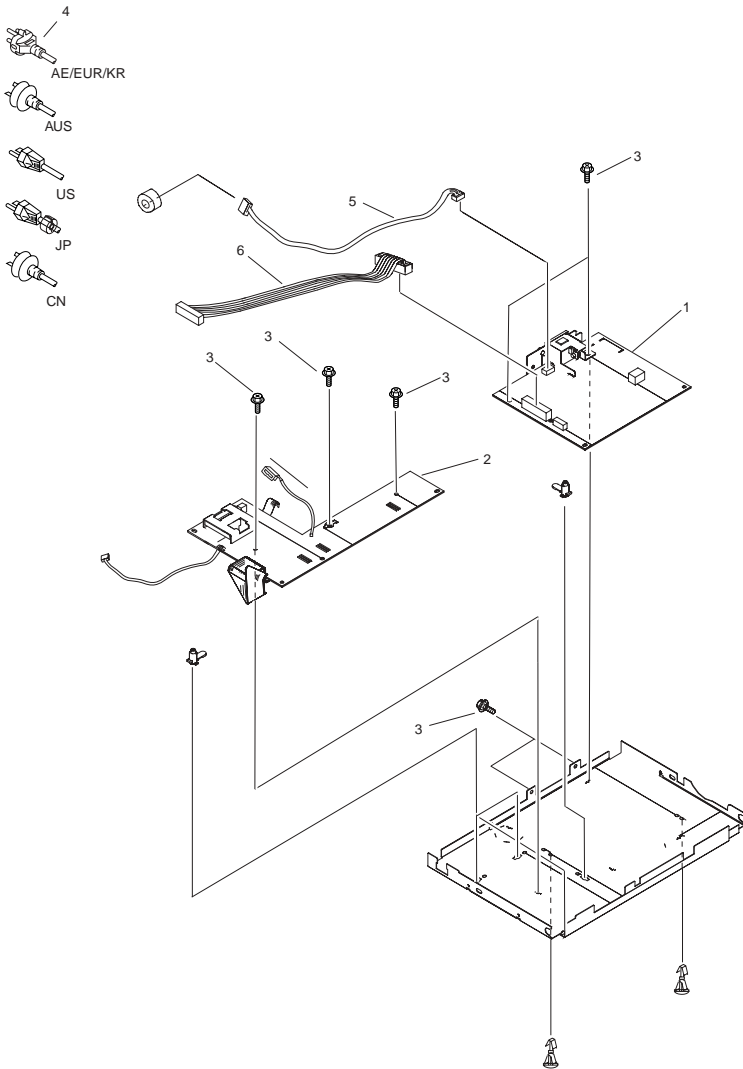


FIGURE & KEY NO.	PARTS NUMBER	R A N K	Q'TY	DESCRIPTION	SERIAL NUMBER/ REMARKS	S V C
Fig.110	NPN		RF	POWER SUPPLY ASS'Y		
1	FK2-2079-000		1	POWER SUPPLY UNIT	100V	
1	FK2-2078-000		1	POWER SUPPLY UNIT	120V	
1	FK2-2077-000		1	POWER SUPPLY UNIT	230V	
2	FM2-6475-000		1	HIGH-VOLTAGE POWER SUPPLY UNIT		
3	XA9-1386-000		7	SCREW,RS,M3X8		
4	FM5-5292-000		1	CORD, POWER	AE/EUR/KR	
4	FM5-5296-020		1	CORD, POWER	AU	
4	FM5-5294-010		1	CORD, POWER	CN	
4	HG1-4555-000		1	CORD, POWER	JP	
4	FM5-5273-000		1	CORD, POWER	US	
5	HG1-4547-000		1	CABLE WITH CONNECTOR, 2P		
6	HG1-4549-000		1	CABLE WITH CONNECTOR, 16P		

FIGURE 210  
DOCUMENT FEED ASS'Y

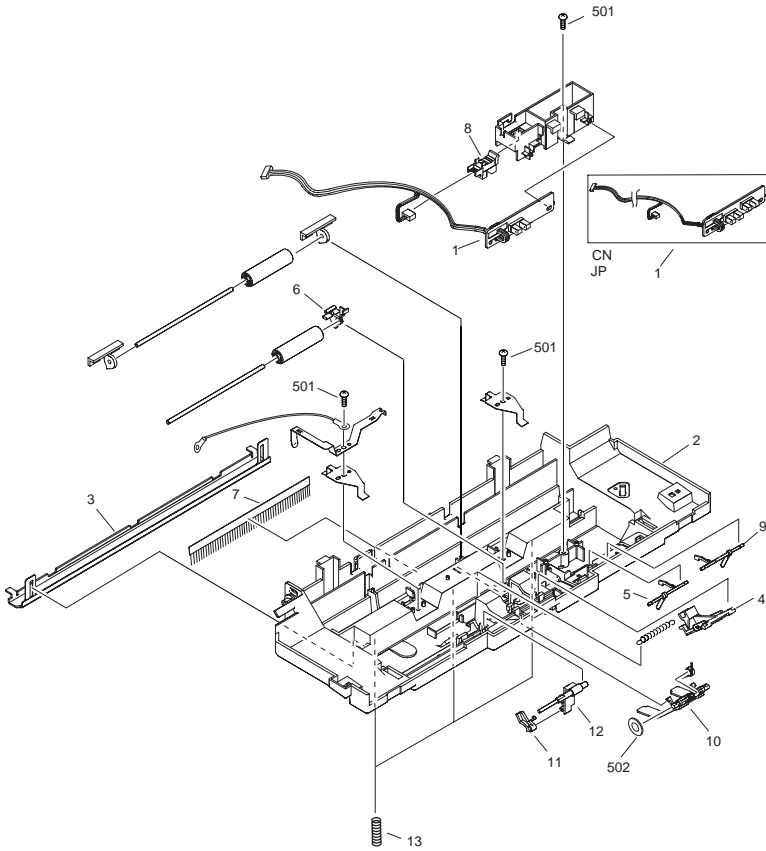


FIGURE & KEY NO.	PARTS NUMBER	R A N K	Q'TY	DESCRIPTION	SERIAL NUMBER/ REMARKS	S V C
Fig.210	NPN		RF	DOCUMENT FEED ASSY		
1	FM2-6477-000		1	DOCUMENT SENSOR UNIT	AE/US/EU/KR/AU	
1	FM2-6478-000		1	DOCUMENT SENSOR UNIT	CN/JP	
2	HC1-1951-000		1	GUIDE, DOCUMENT, UPPER		
3	HL1-0454-000		1	WHITE SHEET UNIT		
4	HM1-0818-000		1	SEPARATION GUIDE UNIT		
5	HC1-1956-000		1	ARM, DETECTION (DS)		
6	HC1-1958-000		1	ARM, DETECTION (DES)		
7	HC1-1963-000		1	BRUSH, STATIC DISCHARGE		
8	WG8-5593-000		8	PHOTO INTERRUPTER TLP1242		
9	HC1-1957-000		1	ARM DETECTION(DWS)	CN/JP	
10	HC1-1970-000		1	PLATE,FEED PRESSURE		
11	HC1-1988-000		1	CLAW,STOPPER HOOK		
12	HC1-1987-000		1	STOPPER		
13	HU1-2135-000		1	SPRING		
501	XB4-7300-807		3	SCREW, TAP TIGHT, BINDING HEAD		
502	XD1-1104-133		1	WASHER,COP		



FIGURE 211  
ADF LOWER ASS'Y

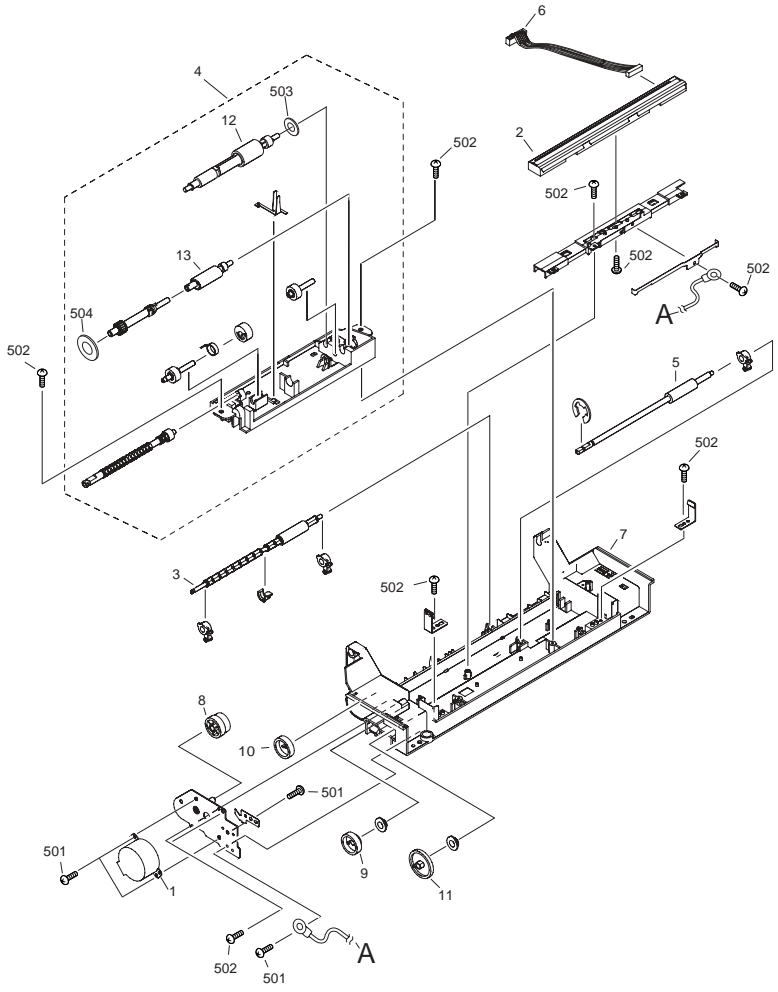


FIGURE & KEY NO.	PARTS NUMBER	R A N K	Q'TY	DESCRIPTION	SERIAL NUMBER/ REMARKS	S V C
Fig.211	NPN		RF	ADF LOWER ASS'Y		
1	FK2-2082-000		1	MOTOR, REED, STEPPING	AE/US/EUR/KR/AU	
1	HH7-2776-020		1	MOTOR, READ, STEPPING	CN/JP	
2	FL2-4934-000		1	CONTACT SENSOR UNIT	AE/US/EUR/KR/AU	
2	FL2-4935-000		1	CONTACT SENSOR UNIT	CN/JP	
3	HL1-0453-000		1	DELIVERY ROLLER UNIT		
4	HM1-0814-000		1	SEPARATION ASS'Y		
5	HC1-1974-000		1	ROLLER, DOCUMENT FEED		
6	HG1-4546-000		1	CABLE WITH CONNECTOR, 7P	AE/US/EUR/KR/AU	
6	HG1-4551-000		1	CABLE WITH CONNECTOR, 7P	CN/JP	
7	HC1-1952-000		1	FRAME, READER		
8	HU1-0158-000		8	GEAR, 43T/48T		
9	HU1-0159-000		1	GEAR, 28T/47T		
10	HU1-0160-000		1	GEAR, 47T		
11	HU1-0161-000		1	GEAR, 66T		
12	HM1-0830-000		1	SEPARATION ROLLER UNIT		
13	HC1-1983-000		1	ROLLER,LOADING		
501	XB1-2300-407		4	SCREW, BH3X4 (S)		
502	XB4-7300-807		9	SCREW,TAP TIGHT,BINDING HEAD		
503	XD1-1104-133		1	WASHER,COP		
504	XD1-1104-139		1	WASHER,COP		
14	HU1-1058-000		3	BUSHING		
	HU1-1059-000		1	BUSHING		

FIGURE 300  
CASSETTE(250 SHEETS)

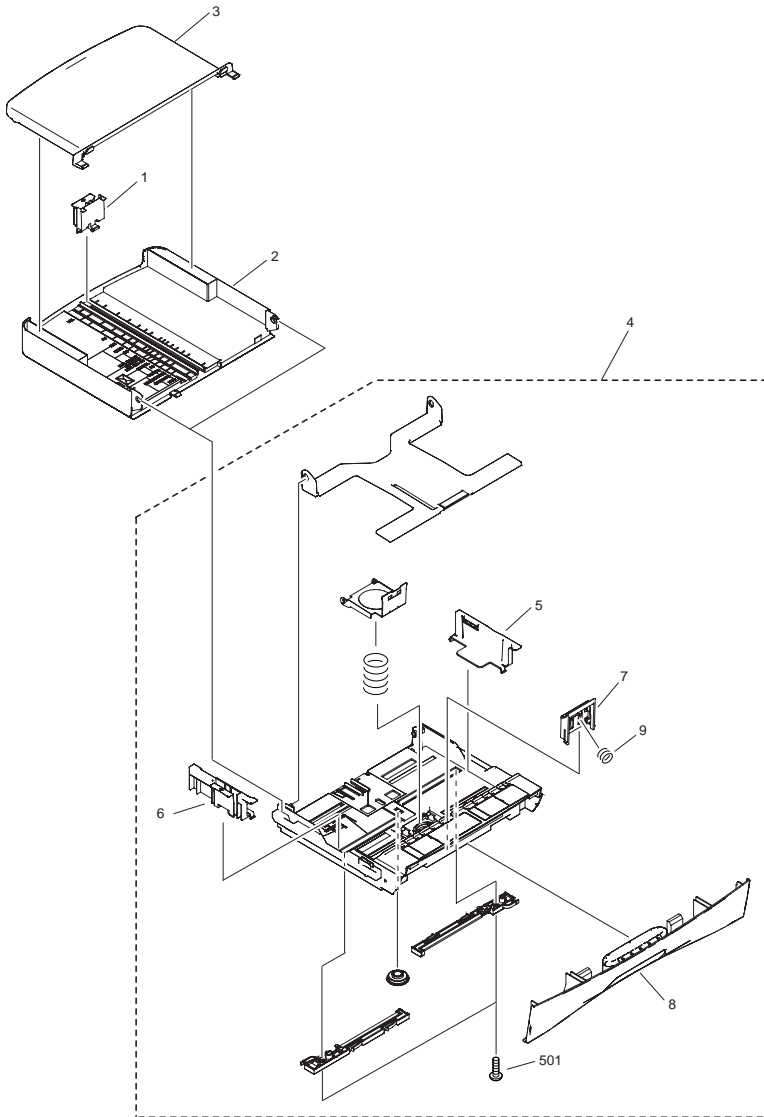
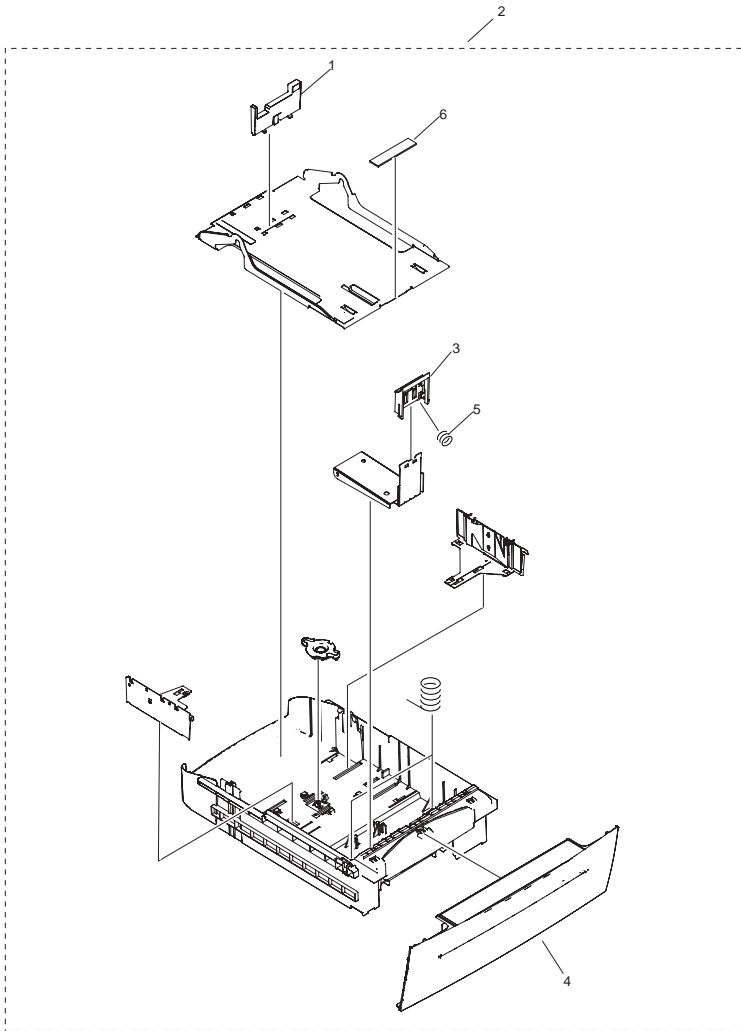


FIGURE & KEY NO.	PARTS NUMBER	R A N K	Q'TY	DESCRIPTION	SERIAL NUMBER/ REMARKS	S V C
Fig.300	NPN		RF	CASSETTE	250 CASSETTE TYPE	
1	FC5-4908-000		1	PLATE,BACK END LIMIT	L380S/L398S/L390S	
1	FC7-1715-000		1	PLATE,BACK END LIMIT	L310/L390/L408S	
2	FC5-4928-030		1	TRAY, CASSETTE EXTENSION	L380S/L398S/L390S	
3	HC1-2008-000		1	COVER, CASSETTE UPPER	L380S/L398S/L390S	
4	FM2-6867-000		1	CASSETTE UNIT		
5	FC5-4911-020		1	PLATE, SIDE LIMIT ,RIGHT		
6	FC5-4913-020		1	PLATE, SIDE LIMIT, LEFT		
7	FL2-1047-000		1	PAD, SEPARATION		
8	FC7-1659-000		1	COVER, CASSETTE,FRONT		
9	FU5-2434-000		1	SPRING,PAD		
501	XB4-7300-807		2	SCREW, TAP TIGHT, BINDING HEAD		

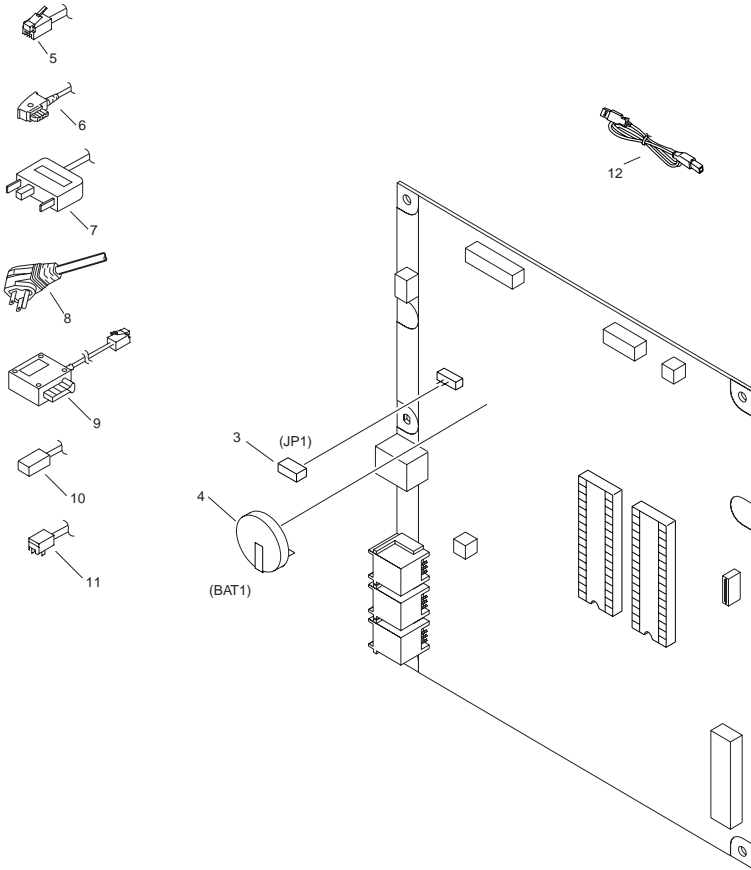
# FIGURE 301 CASSETTE(500 SHEETS)



NOTE : This assembly does not include the parts shown with key No.1

FIGURE & KEY NO.	PARTS NUMBER	RANK	Q'TY	DESCRIPTION	SERIAL NUMBER/REMARKS	SVC
Fig.301	NPN		RF	CASSETTE	500 CASSETTE TYPE	
1	FL2-4938-000		1	PLATE, BACK END LIMIT	SEE NOTE	
2	FM2-6885-000		1	CASSETTE UNIT		
3	FL2-1047-000		1	PAD, SEPARATION		
4	FL2-4939-000		1	COVER, CASSETTE, FRONT		
5	FU5-2434-000		1	SPRING,PAD		
6	FC7-3253-000		1	SHEET, SEPARATION		

# FIGURE 950 SCNT BOARD ASS'Y



NOTE : This assembly does not include the parts shown with key No.5~No.12

FIGURE & KEY NO.	PARTS NUMBER	R A N K	Q'TY	DESCRIPTION	SERIAL NUMBER/ REMARKS	S V C
Fig.950	FM2-6181-000		1	SCNT BOARD ASS'Y	310 US	
Fig.950	FM2-6176-000		1	SCNT BOARD ASS'Y	L380S AE	
Fig.950	FM2-6173-000		1	SCNT BOARD ASS'Y	L380S EUR	
Fig.950	FM2-6174-000		1	SCNT BOARD ASS'Y	L380S JP	
Fig.950	FM2-6177-000		1	SCNT BOARD ASS'Y	L380S KR	
Fig.950	FM2-6183-000		1	SCNT BOARD ASS'Y	L390 AU	
Fig.950	FM2-6180-000		1	SCNT BOARD ASS'Y	L390 EUR	
Fig.950	FM2-6179-000		1	SCNT BOARD ASS'Y	L390S CN	
Fig.950	FM2-6178-000		1	SCNT BOARD ASS'Y	L398S CN	
Fig.950	FM2-6182-000		1	SCNT BOARD ASS'Y	L408S CN	
3	WS1-5397-000		1	PLUG, JUMPER		
4	WK1-5134-000		1	BATTERY, LITHIUM, CR2032THJ6		
5	HH2-2824-000		1	MODULAR CORD,2P	SEE NOTE	
6	HK1-0544-000		1	MODULAR CORD	SEE NOTE	
7	HK1-0559-000		1	MODULAR CORD	SEE NOTE	
8	HK1-0550-000		1	MODULAR CORD	SEE NOTE	
9	HK1-0547-000		1	MODULAR CORD	SEE NOTE	
10	FH2-7200-000		1	MODULAR CORD	SEE NOTE	
11	HK1-0175-000		1	MODULAR CORD	SEE NOTE	
12	FH2-7192-000		1	CABLE, USB	L380S/L398S/L408SSEE NOTE	



Prepared by  
OIP HFE Promotion Center  
CANON INC.

**Canon**