



**FACSIMILE EQUIPMENT
PARTS REFERENCE LIST**

**MODEL: MFC9700 / MFC9800
DCP1400
(For U.S.A. / Canada)**

© Copyright Brother 2001

All rights reserved

No part of this publication may be reproduced in any form
or by any means without permission in writing from the
publisher.

Specifications are subject to change without prior notice.

NOTES FOR USING THIS PARTS REFERENCE LIST

1. In the case of ordering parts, it needs mentioning the following items:

- (1) Code
- (2) Q' ty
- (3) Description

Note: No orders without Parts Code or Tool No. can be accepted.

[Example]

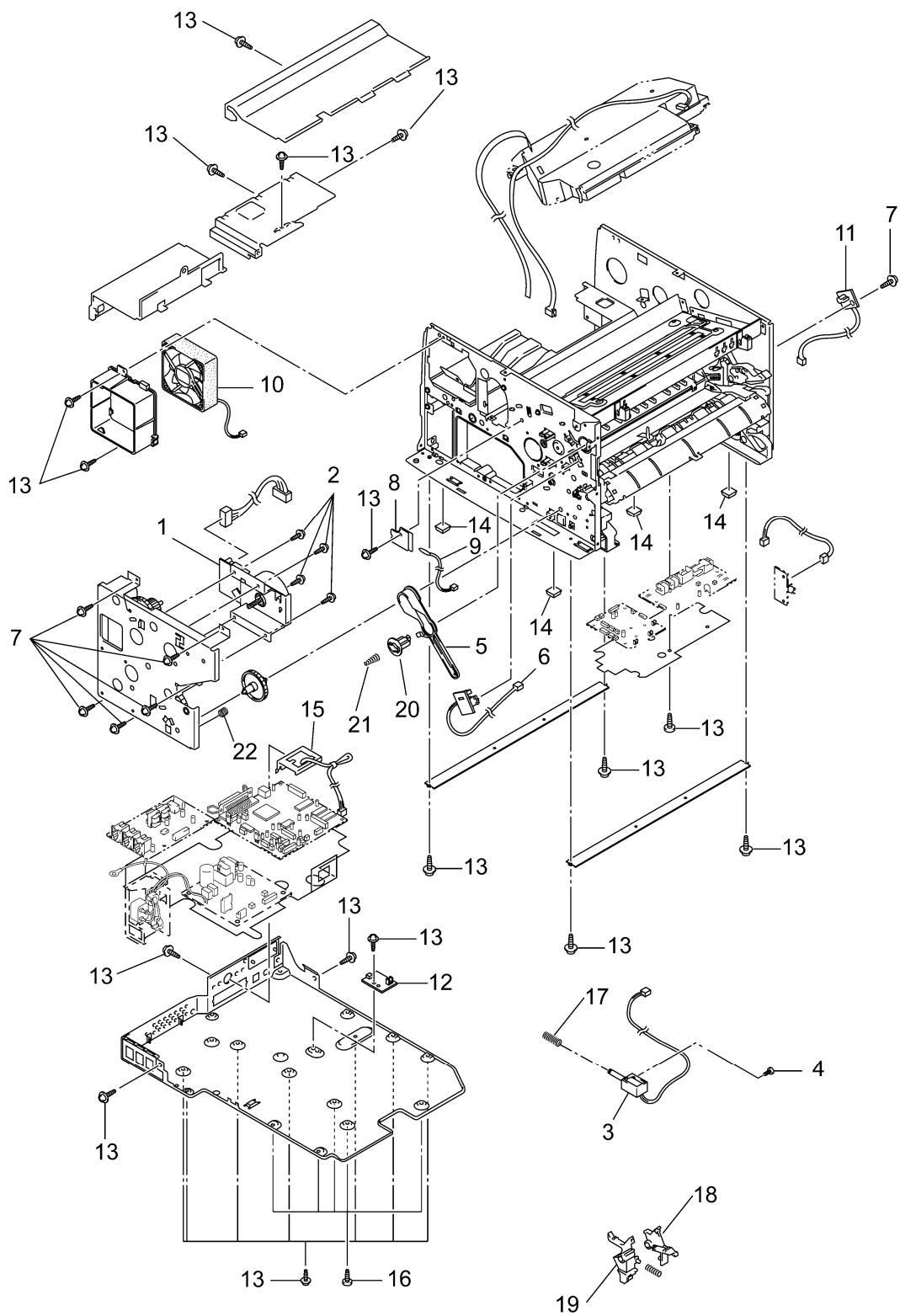
	(1)	(2)	(3)		
REF.NO.	CODE	Q' TY	DESCRIPTION	RECOMMEND	REMARKS

2. Parts change will be informed by the technical information.

COUNTRIES

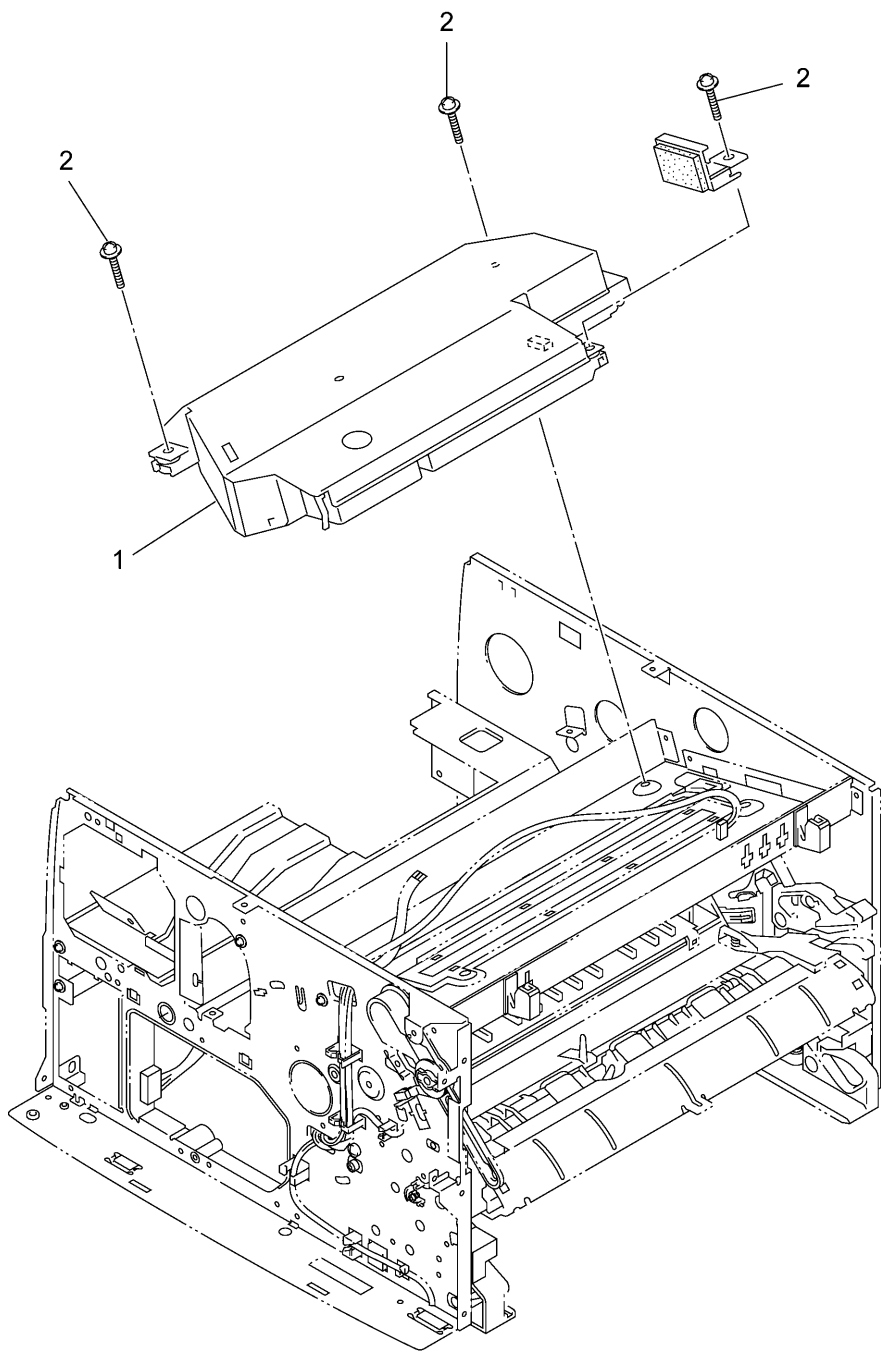
U.S.A. ---- US

CANADA ---- CAN



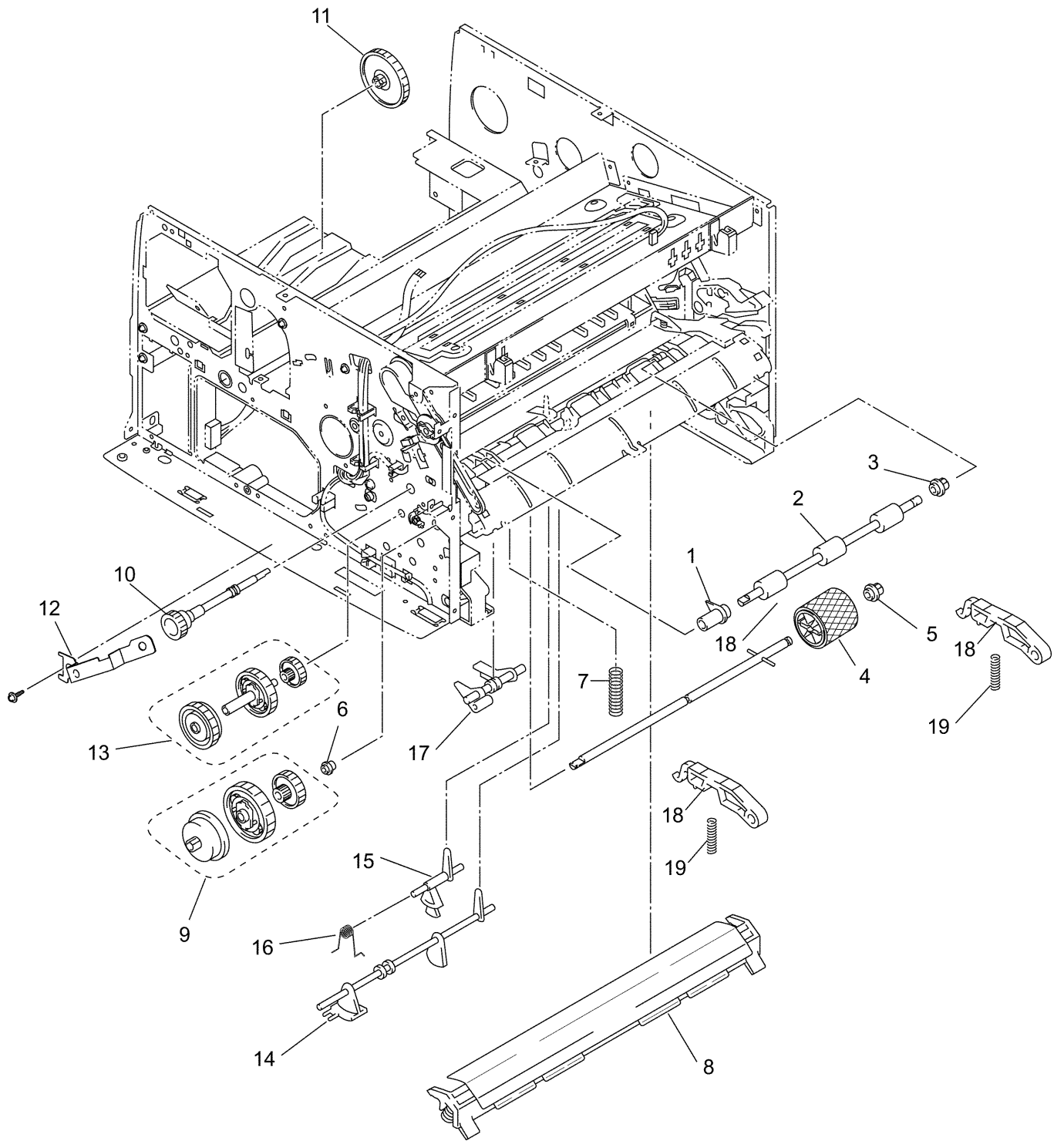
LIST1(MAIN FRAME)

REF No.	CODE	Q'TY	DESCRIPTION	RECOMMEND
1	LE1744001	1	MAIN MOTOR ASSY	
2	087320616	4	TAPTITE, CUP S M3X6	
3	LJ5701001	1	SOLENOID ASSY	
4	000300415	1	SCREW, BIND M3X4	
5	UL8984001	1	FRONT COVER LINK	
6	LJ5704001	1	TONER SENSOR (LED) PCB	
7	087320616	6	TAPTITE, CUP S M3X6	
8	LE1166001	1	THERMISTOR FILM	
9	LG2423001	1	IN CASING TEMPERATURE THERMISTOR	
10	LJ4745001	1	FAN	
11	UL9104001	1	TONER SENSOR (RECEIVER) PCB	
12	LG2438001	1	PAPER EJECTION SENSOR PCB	
13	087320616	21	TAPTITE, CUP S M3X6	
14	LJ7403001	4	RUBBER FOOT	
15	LJ8031001	1	2ND CASSETTE RELAY PCB	
16	085411215	5	SCREW, BIND B TITE M4X12	
17	LJ5703001	1	SOLENOID RELEASE SPRING	
18	UL8972001	1	P/R CLUTCH LEVER	
19	UL8971001	1	F/R CLUTCH LEVER	
20	UL8982001	1	DEVELOP JOINT	
21	UL8983001	1	JOINT SPRING	
22	UL8959004	4	FRICITION SPRING	



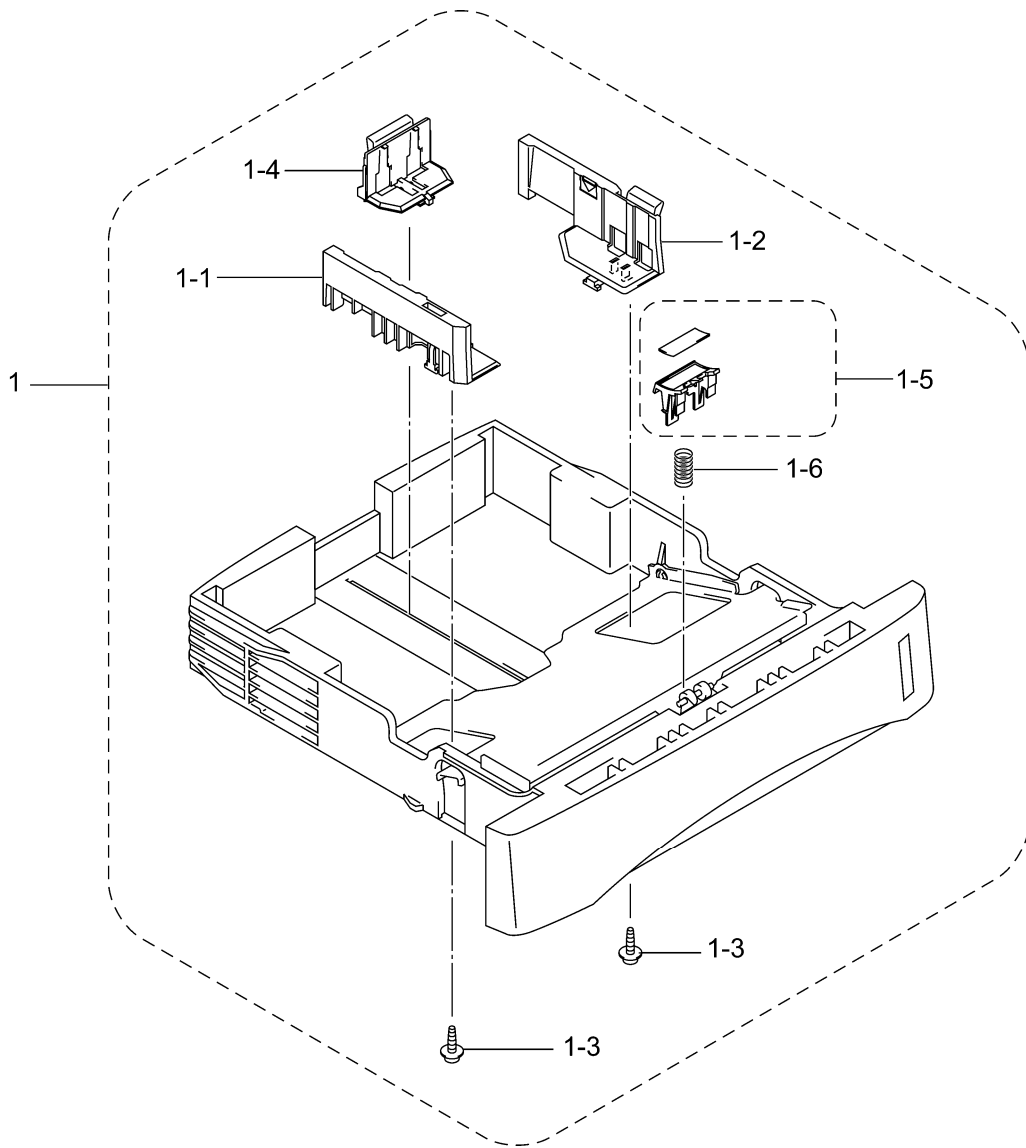
LIST2(LASER UNIT)

REF No.	CODE	Q'TY	DESCRIPTION	RECOMMEND	REMARK
1	LJ5828001	1	LASER UNIT(SP)	√	
2	087321615	3	TAPTITE, CUP S M3X16		



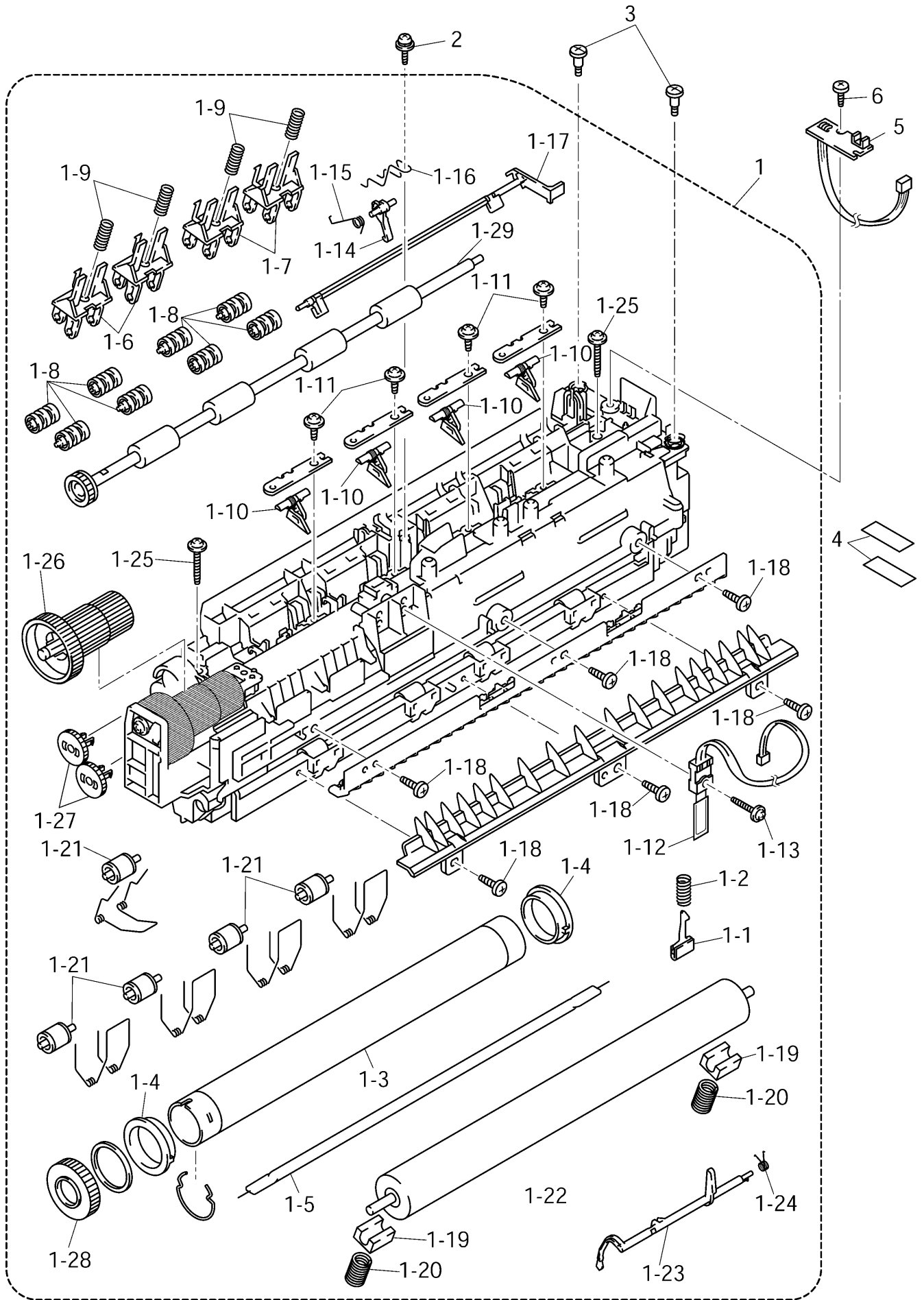
LIST3(PAPER TRANSPORT)

REF No.	CODE	Q'TY	DESCRIPTION	RECOMMEND	REMARK
1	UL9059001	1	JOINT		
2	UL9060001	1	PAPER FEED ROLLER ASSY		
3	UL9062001	1	PAWLED BUSHING		
4	UL9066001	1	PAPER PICK-UP ROLLER		
5	UL9062001	1	PAWLED BUSHING		
6	UL9069001	1	CONDUCTOR BUSHING		
7	LJ4499001	1	ELECTRODE SPRING		
8	LJ4843001	1	OUTER CHUTE 1 (SP)		
9	LJ5591001	1	PICKUP ROLLER PLANETARY GEAR ASSY (SP)		
10	UL9070001	1	GEAR 21		
11	UL8985001	1	GEAR 59		
12	LJ5705001	1	GEAR 21 PRESSURE PLATE		
13	LJ5838001	1	FEED ROLLER PLANETARY GEAR ASSY (SP)		
14	UL9049001	1	MANUAL INSERTION SENSOR ACTUATOR		
15	UL9050001	1	REGISTRATION SENSOR ACTUATOR		
16	UL9051001	1	REGISTRATION SENSOR SPRING		
17	UU2042001	1	CASSETTE SENSOR ACTUATOR		
18	UL9053001	2	TRANSFER ARM		ADD
19	UL9052001	2	TRANSFER SPRING		ADD



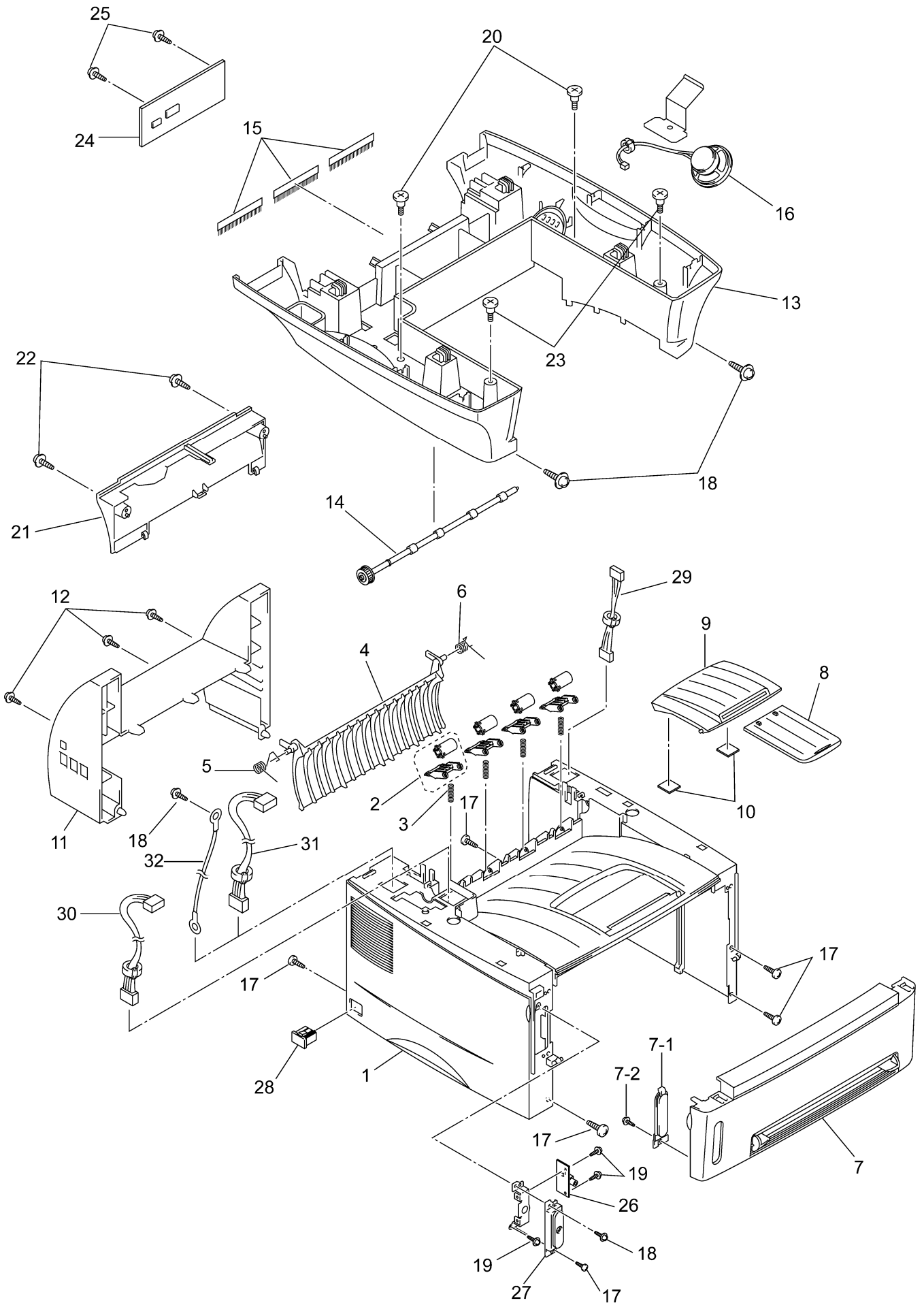
LIST4(PAPER TRAY)

REF No.	CODE	Q'TY	DESCRIPTION	RECOMMEND	REMARK
1	LE1162001	1	PAPER TRAY ASSY, LEGAL (SP)	√	
1-1	UL9078001	1	SIDE GUIDE L, BLUE(6155)		
1-2	UL9079001	1	SIDE GUIDE R, BLUE(6155)		
1-3	U73515001	2	SCREW, CUP B M2.6X5		
1-4	UL9083001	1	PAPER REAR GUIDE, BLUE(6155)		
1-5	UL9084001	1	SEPARATION PAD SUPPORT ASSY		
1-6	UL9090001	1	SEPARATION PAD SPRING		



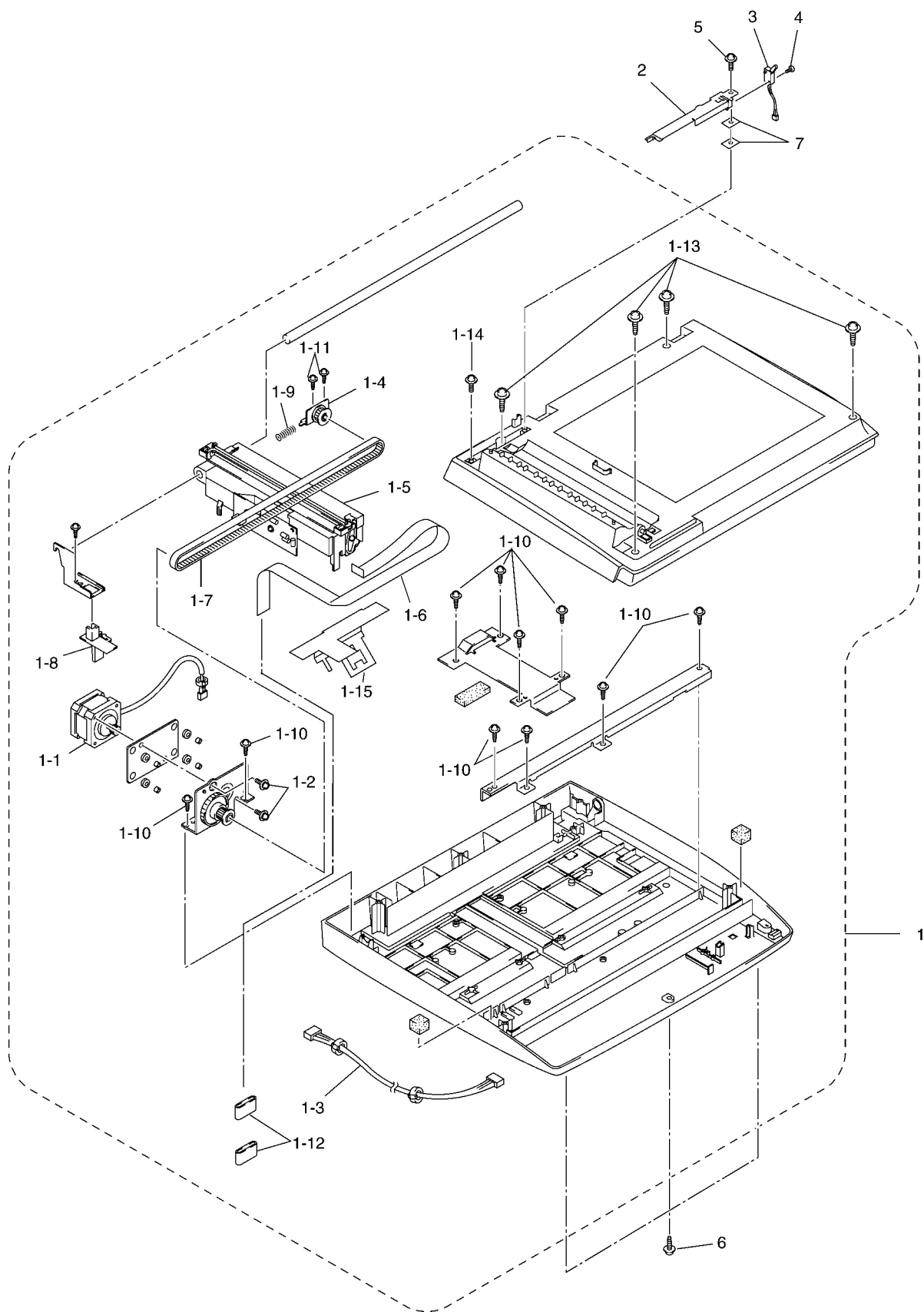
LIST5(HEAT FIXING UNIT)

REF No.	CODE	Q'TY	DESCRIPTION	RECOMMEND	REMARK
1	LJ7161001	1	FIXING UNIT, 115V	√	
1-1	LJ5682001	1	CLEANER ASSY		
1-2	UH3635001	1	CLEANER SPRING 30		
1-3	LJ5684001	1	HEAT ROLLER 25		
1-4	UL8908001	2	HR BEARING 25		
1-5	LJ5685001	1	HALOGEN LAMP, 115V		
1-6	LJ5276001	2	EJECT PINCH ROLLER HOLDER L		
1-7	LJ5277001	2	EJECT PINCH ROLLER HOLDER R		
1-8	LJ5278001	8	EJECT PINCH ROLLER		
1-9	LJ5279001	4	EJECT PINCH SPRING		
1-10	LJ7877001	4	PICK OFF FINGER ASSY C		chg
1-11	087310615	4	TAPTITE, CUP B M3X6		
1-12	LJ5686001	1	THERMISTOR ASSY		
1-13	085311216	1	SCREW, BIND B TITE 3X12		
1-14	LJ5734001	1	EJECT ACTUATOR 2		
1-15	LJ5732001	1	EJECT ACTUATOR SPRING 2		
1-16	LJ5736001	1	ACTUATOR HOLDER		
1-17	LJ5735001	1	EJECT ACTUATOR 3		
1-18	085311015	6	SCREW, BIND B TITE 3X10		
1-19	UL8916001	2	PR BUSHING		
1-20	LJ5690001	2	PR SPRING		
1-21	LJ5268001	5	CLEANER PINCH ROLLER ASSY		
1-22	LJ5287001	1	PRESSURE ROLLER 25		
1-23	UL8920001	1	PAPER EJECT ACTUATOR		
1-24	UL8921001	1	EJECT ACTUATOR SPRING		
1-25	087312015	2	TAPTITE, CUP B M3X20		
1-26	UL8923001	1	FU DRIVER GEAR		
1-27	LM2047001	2	IDLE GEAR 13		chg
1-28	UL8910001	1	HR GEAR 34		add
1-29	LJ4118001	1	EJECT ROLLER ASSY		ADD
2	087320815	1	TAPTITE, CUP S M3X8		
3	LJ4740001	2	SHOULDER SCREW		
4	LJ4432001	2	TAPE 32X12		
5	LJ8841001	1	JAM SENSOR PCB ASSY		
6	085311015	1	SCREW, BIND B TITE 3X10		



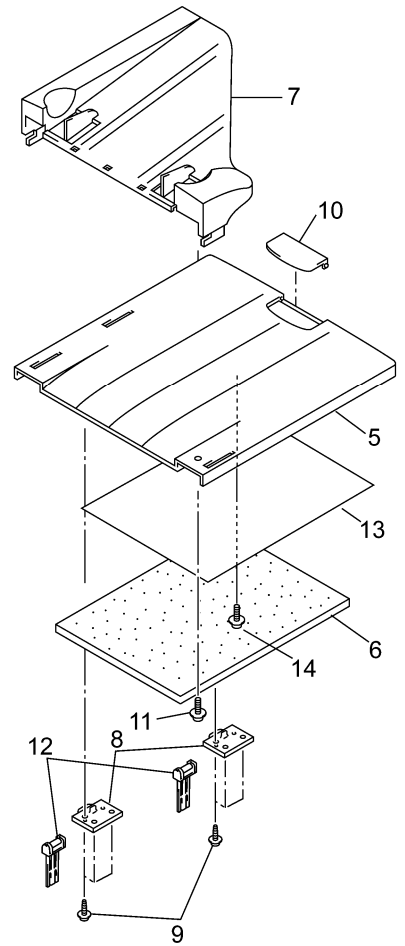
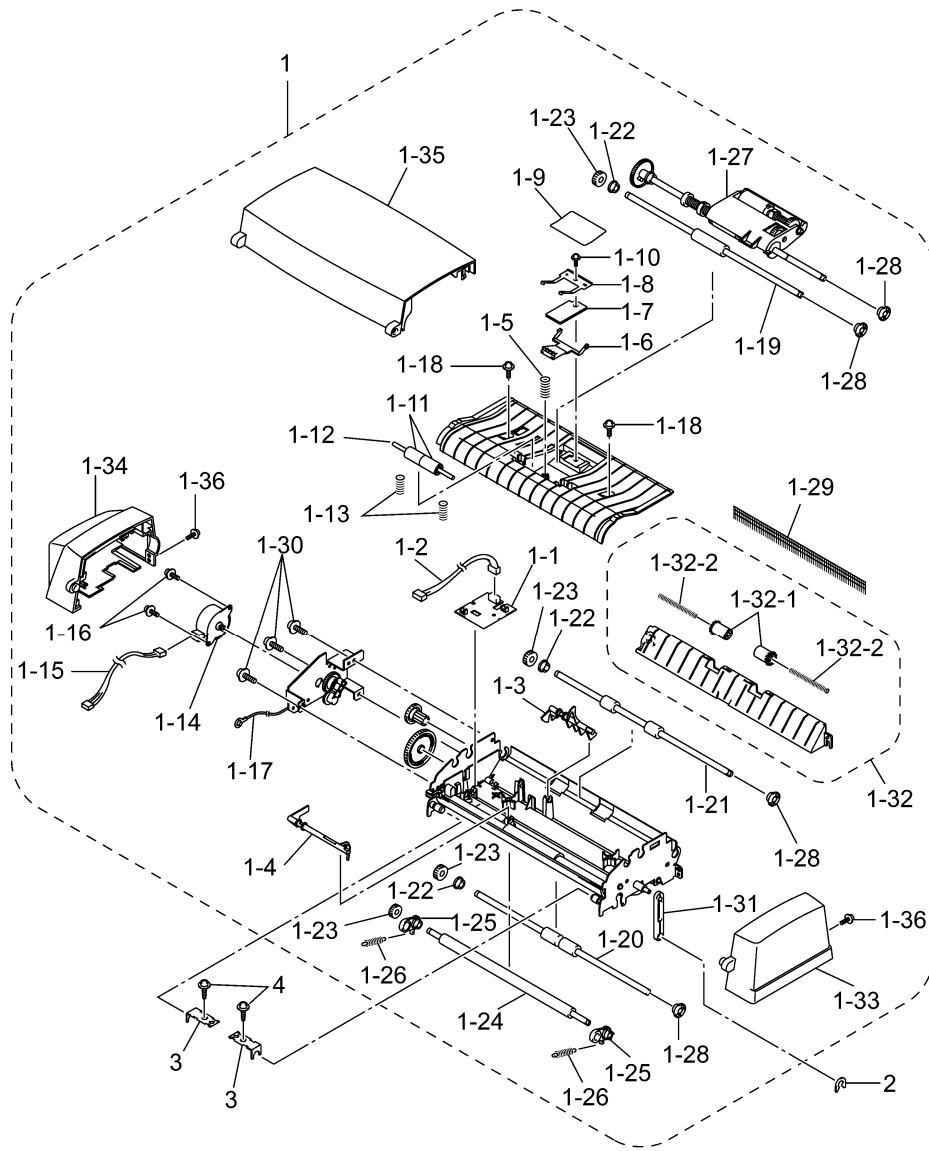
LIST6(COVER)

REF No.	CODE	Q'TY	DESCRIPTION	RECOMMEND	REMARK
1	LJ5751001	1	MAIN COVER ASSY, GRAY(1495)		
2	UL9122001	4	PINCH ROLLER ASSY		
3	UL9125001	4	PINCH ROLLER SPRING		
4	LJ5763001	1	OUTER CHUTE, GRAY(1495)		
5	UL9127001	1	CHUTE SPRING L		
6	UL9128001	1	CHUTE SPRING R		
7	UU2102003	1	FRONT COVER ASSY, GRAY(1495)		
7-1	UU2094001	1	FRONT SUB COVER, GRAY(1495)		
7-2	087310815	1	TAPTITE, CUP B M3X8		
8	LE1197001	1	PAPER SUB TRAY, GRAY(1495)		
9	LE1198001	1	PAPER SUB TRAY COVER, GRAY(1495)		
10	LE1291001	1	TRAY COVER ADHESIVE TAPE		
11	UU2002001	1	REAR COVER, GRAY(1495)		
12	0A5401006	3	SCREW, PAN (S/P WASHER) M4X10		
13	LE1200001	1	SCANNER MOUNT, GRAY(1495)		
14	UL9142001	1	EXIT ROLLER ASSY		
15	LJ4125001	3	ANTI-STATIC BRUSH		
16	LG2425001	1	SPEAKER UNIT		
17	085320816	6	TAPTITE, BIND S M3X8		
18	087321015	4	TAPTITE, CUP S M3X10		
19	----		NOT USE		
20	UF9823001	2	SHOULDER SCREW		
21	LE1202001	1	UPPER REAR COVER		
22	087411216	2	TAPTITE, CUP B M4X12		
23	LE1368001	2	SHOULDER SCREW BIND B M4X8		
24	LG3260001	1	RELAY PCB ASSY	√	
25	087311016	2	TAPTITE, CUP B M3X10		
26	----		NOT USE		
27	----		NOT USE		
28	UU2045001	1	SWITCH COVER		
29	LG3360001	1	MAIN-PANEL HARNESS		
30	LG3361001	1	MAIN-CCD HARNESS		
31	LG3362001	1	MAIN-MOTOR HARNESS		
32	LG2418001	1	GROUND WIRE		



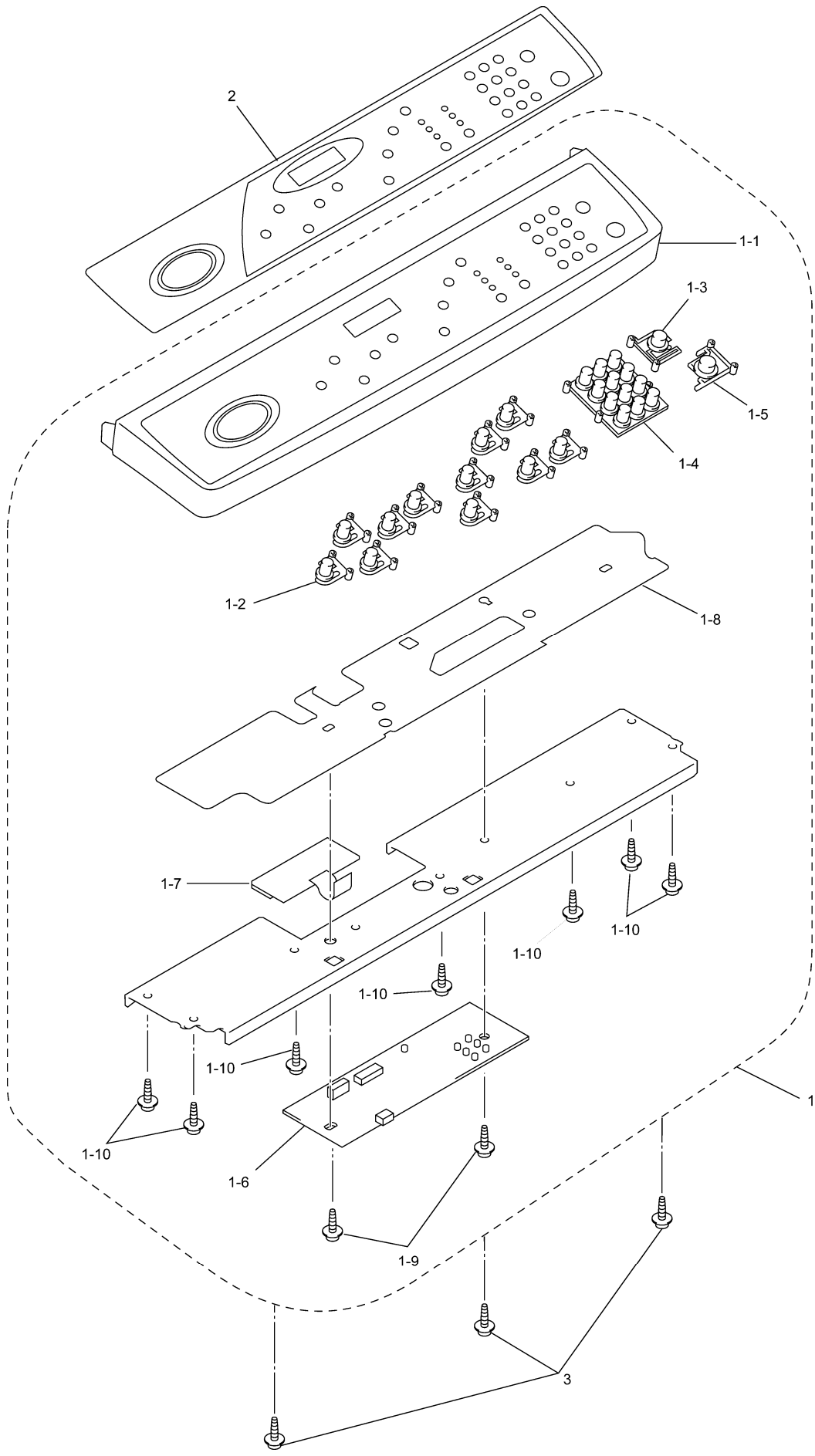
LIST7(DOCUMENT SCANNER)

REF No.	CODE	Q'TY	DESCRIPTION	RECOMMEND	REMARK
1	LE7574001	1	SCANNER UNIT (SP)	√	
1-1	LE3338001	1	CCD MOTOR (INCLUDING HARNESS)		
1-2	0A4300605	2	SCREW, PAN (S/P WASHER) M3X6		
1-3	LG2025001	1	PANEL HARNESS		
1-4	LE3417001	1	PULLEY ASSY		
1-5	LE7777001	1	CCD UNIT ASSY (SP)		
1-6	LE8487001	1	CCD FLAT CABLE ZLE		
1-7	LE3423001	1	CCD DRIVE BELT		
1-8	LE2082001	1	CCD LOCK		
1-9	LE2079001	1	COMPRESSION SPRING		
1-10	087310815	10	TAPTITE, CUP B M3X8		
1-11	LE2805001	2	TAPTITE, PAN B M3X10		
1-12	LG2020001	2	FLAT CORE (CCD)		
1-13	087411216	4	TAPTITE, CUP B M4X12		
1-14	087310815	1	TAPTITE, CUP B M3X8		
1-15	LE2542001	1	FERRITE CORE SUPPORT		
2	LE3500001	1	HARNESS SUPPORT		CHG
3	LG2737001	1	DOCUMENT COVER SWITCH		
4	LE0832001	1	TAPTITE, PAN P 1.6X8		
5	087311016	1	TAPTITE, CUP B M3X10		
6	087310815	3	TAPTITE, CUP B M3X8		
7	LE7638001	2	SPACER		del



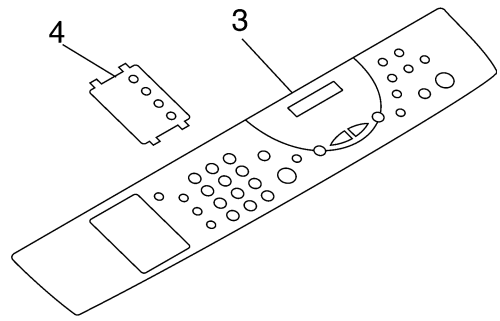
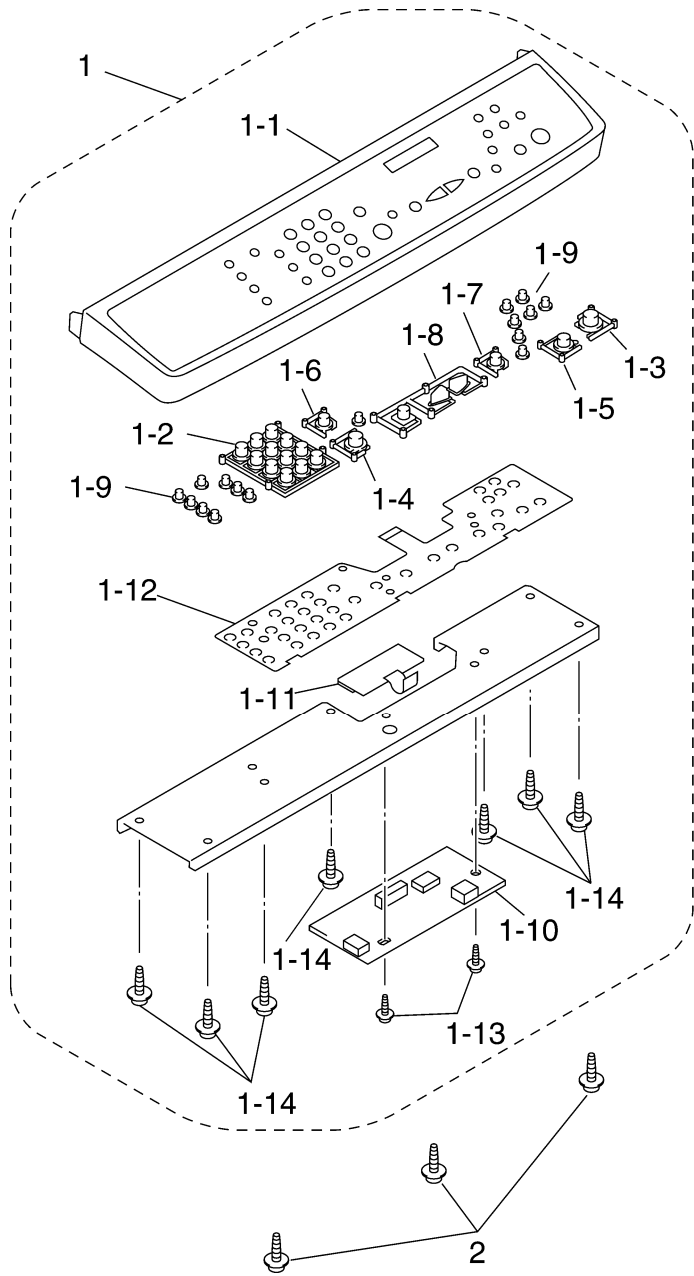
LIST8(ADF&TRAY)

REF No.	CODE	Q'TY	DESCRIPTION	RECOMMEND	REMARK
1	LE1525001	1	ADF UNIT(SP)	1	
1-1	UG6609001	1	DOCUMENT SENSOR PCB		
1-2	LG2014001	1	DOCUMENT SENSOR HARNESS		
1-3	UF7026001	1	DOCUMENT FRONT SENSOR ACTUATOR		
1-4	LE2008001	1	DOCUMENT REAR SENSOR ACTUATOR		
1-5	LE2011001	1	COMPRESSION SPRING		
1-6	LE2551001	1	RUBBER HOLDER A		
1-7	UU2055001	1	SEPARATION RUBBER		
1-8	LE2550001	1	SPRING PLATE A ASSY		
1-9	LE2470001	1	ADF FILM		
1-10	UF6116001	1	TAPTITE, PAN B M3X6		
1-11	UF9009001	2	PRESSER ROLLER		
1-12	LE2471001	1	PRESSURE ROLLER SHAFT		
1-13	LE2472001	2	PRESSURE ROLLER SPRING		
1-14	LE1215001	1	ADF MOTOR		
1-15	LG2201001	1	ADF MOTOR HARNESS		
1-16	0A4300605	2	SCREW, PAN (S/P WASHER) M3X6		
1-17	LG2016001	1	GROUNDING WIRE		
1-18	087310815	2	TAPTITE, CUP B M3X8		
1-19	LE2026001	1	UPPER LF ROLLER (GRAY)		
1-20	LE2029001	1	LOWER LF ROLLER(BLACK)		
1-21	LE2028001	1	DOCUMENT EJECTION ROLLER		
1-22	UF8105001	3	CONDUCTIVE BUSHING		
1-23	UU7039001	4	LF ROLLER GEAR 27		
1-24	LE2030001	1	WHITE ROLLER		
1-25	LE2032001	2	WHITE ROLLER BUSHING		
1-26	LE2033001	2	EXTENSION SPRING		
1-27	LE2919001	1	DOCUMENT FEED ROLLER HOLDER ASSY		
1-27-1	LE2037001	2	DOCUMENT FEED ROLLER (RUBBER)		
1-28	UU1290001	4	CONDUCTIVE BUSHING		
1-29	UU7505001	1	ANTI-STATIC BRUSH		
1-30	087320616	3	TAPTITE, CUP S M3X6		
1-31	UF0208001	1	ADF ARM		
1-32	LE2048001	1	DOCUMENT EJECTION CHUTE ASSY		
1-32-1	LE2582001	2	PINCH ROLLER, GRAY(1267)		
1-32-2	UU2009001	2	PINCH ROLLER SPRING		
1-33	LE2050001	1	ADF SIDE COVER F, GRAY(1495)		
1-34	LE2051001	1	ADF SIDE COVER R, GRAY(1495)		
1-35	LE2534001	1	ADF COVER ASSY, GRAY(1495)		
1-36	087320816	2	TAPTITE, CUP S M3X8		
2	UF8088001	1	PLASTIC RETAINING RING		
3	LE2053001	2	ADF SUPPORT		
4	087310816	2	TAPTITE, CUP B M3X8		
5	LE2056001	1	DOCUMENT TRAY, GRAY(1495)		
6	LE2487001	1	DOCUMENT SPONGE		
7	LE3426001	1	DOCUMENT TRAY ASSY		
8	LE2567001	2	HINGE A, BLACK		
9	087311015	6	TAPTITE, CUP B M3X10		
10	LE2777001	1	DOCUMENT SUPPORT, GRAY(1495)		
11	087320816	1	TAPTITE, CUP S M3X8		
12	LE2568001	2	HINGE HOLDER A		
13	LE1568001	1	DOCUMENT TRAY REINFORCEMENT PLATE		
14	UF6116001	1	TAPTITE, PAN B M3X6		



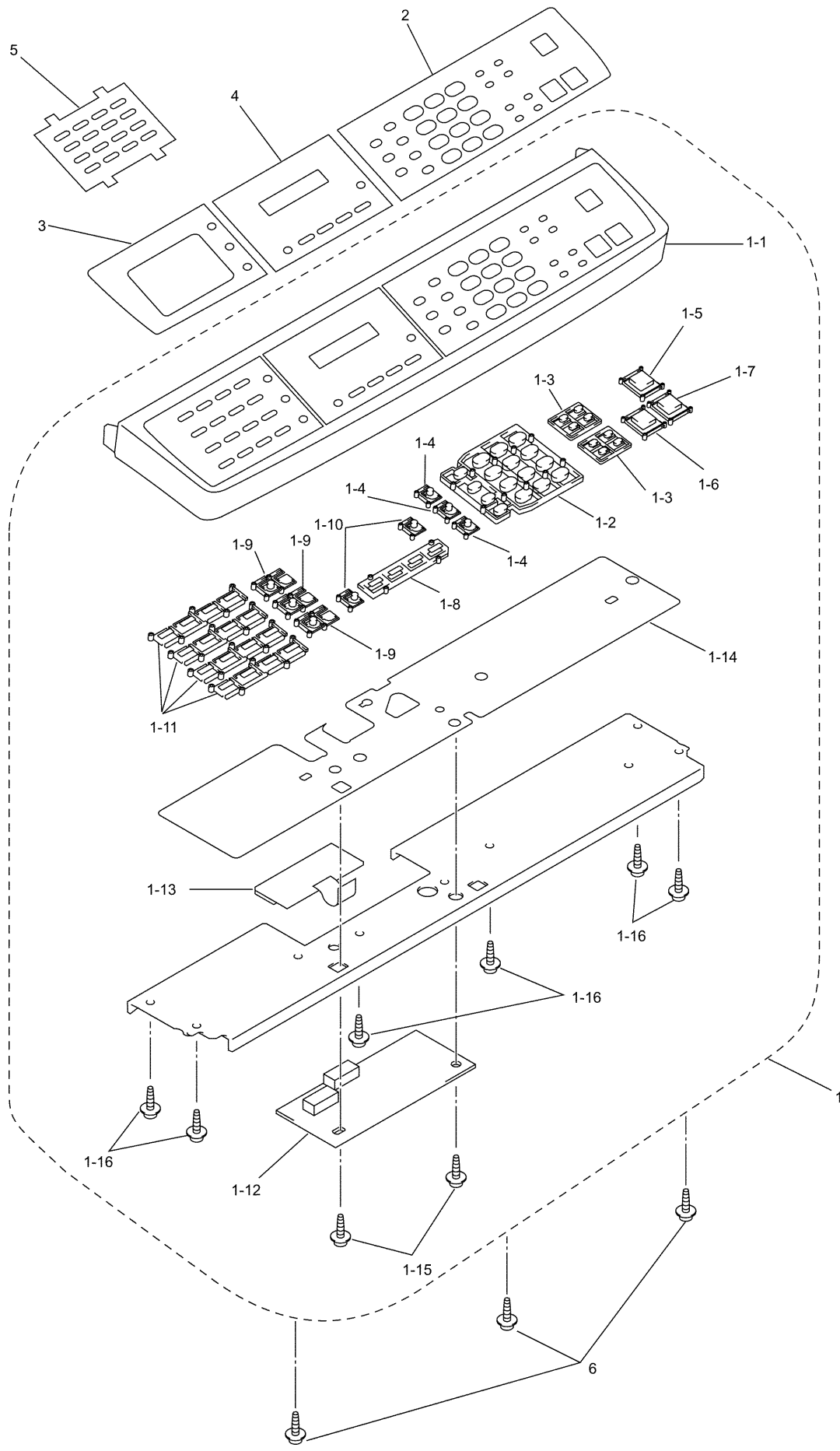
LIST9A(CONTROL PANEL DCP1400)

REF No.	CODE	Q'TY	DESCRIPTION	RECOMMEND	REMARK
1	LE1335001	1	CONTROL PANEL ASSY, GRAY(1495), DCP1400	√	
1-1	LE1336001	1	PANEL COVER, GRAY(1495), DCP1400		
1-2	LJ4283001	11	KEY, FUNCTION		
1-3	LJ4231002	1	KEY, STOP, PINK(2205)		
1-4	LJ4284001	1	KEY, TEN		
1-5	LJ4285001	1	KEY, COPY, GREEN(5159)		
1-6	LG2326001	1	PANEL PCB ASSY, DCP1400		
1-7	UG4552000	1	LCD, DCP1400		
1-8	LG2381001	1	FPC KEY, DCP1400		
1-9	087270815	2	TAPTITE, CUP B M2.6X8		
1-10	087310815	7	TAPTITE, CUP B M3X8		
2	LE7091001	1	PANEL SHEET, DCP1400	√	
3	087310815	3	TAPTITE, CUP B M3X8		



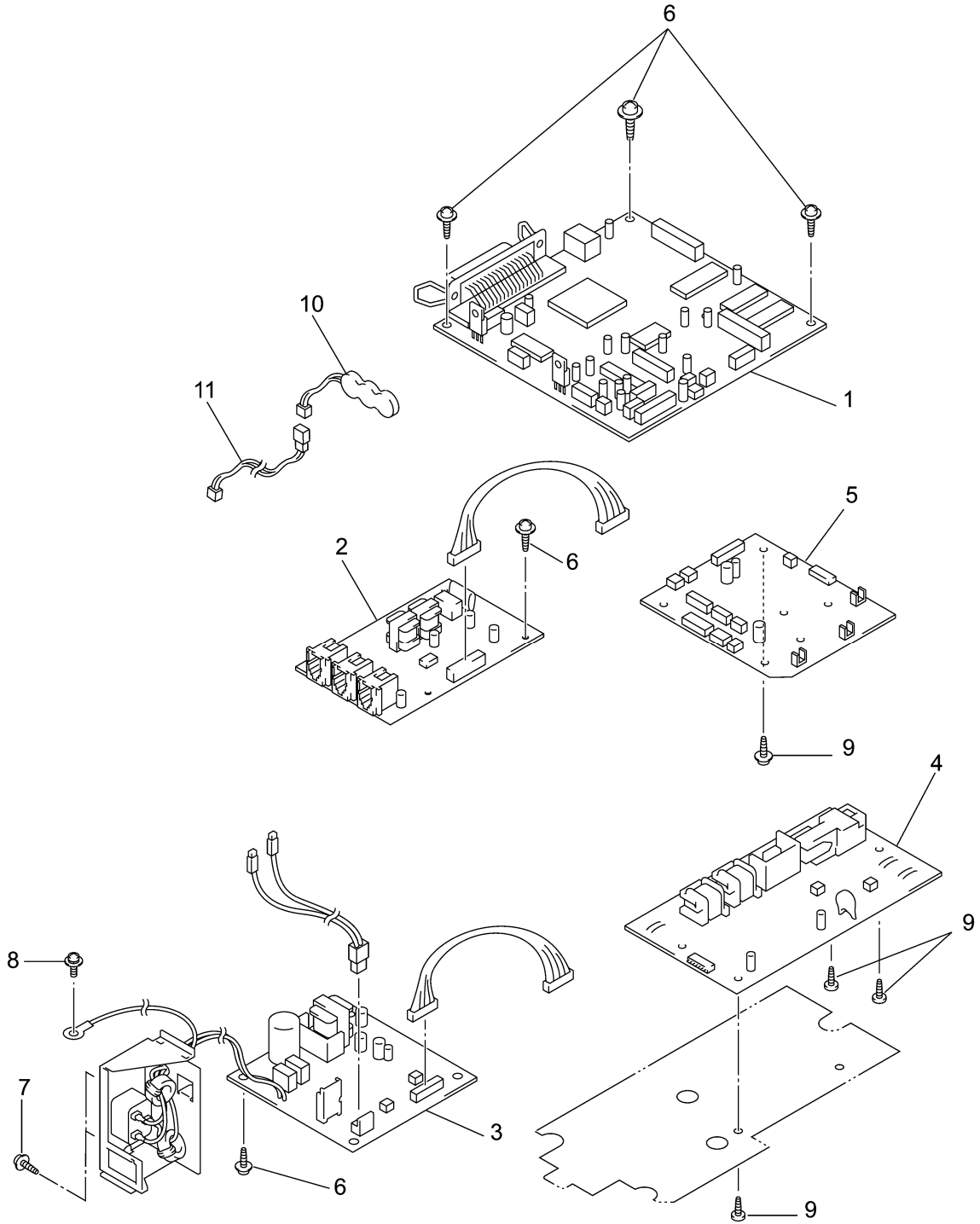
LIST9B(CONTROL PANEL MFC9700)

REF No.	CODE	Q'TY	DESCRIPTION	RECOMMEND	REMARK
1	LE7069001	1	CONTROL PANEL ASSY, GRAY(1495), MFC9700	√	
1-1	LE3403001	1	PANEL COVER, GRAY(1495), MFC9700		
1-2	LE3431001	1	KEY, TEN		
1-3	LE8515001	1	KEY, COPY, GREEN(5159)		
1-4	LJ4285004	1	KEY, START, PURPLE(6255)		
1-5	LJ4231003	1	KEY, OPTION, GRAY(1495)		
1-6	LJ4231002	1	KEY, STOP, PINK(2205)		
1-7	LE3468002	1	KEY, SET, BLUE(6314)		
1-8	LE4078002	1	KEY, MENU, BLUE(6314)		
1-9	LE7276001	16	KEY, CYLINDER 6		
1-10	LG2721001	1	PANEL PCB ASSY, MFC9700		
1-11	LG2567001	1	LCD, MFC9700		
1-12	LG2667001	1	FPC KEY, MFC9700		
1-13	087270815	2	TAPTITE, CUP B M2.6X8		
1-14	087310815	7	TAPTITE, CUP B M3X8		
2	087310815	3	TAPTITE, CUP B M3X8		
3	LE7070001	1	PANEL SHEET, MFC9700	√	
4	LE7424001	1	ADDRESS LABEL		



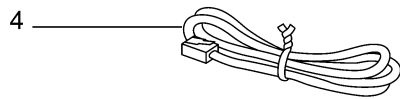
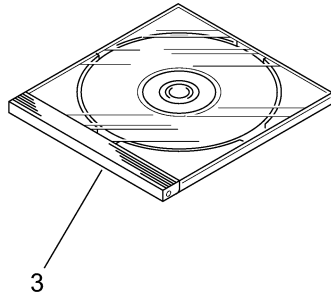
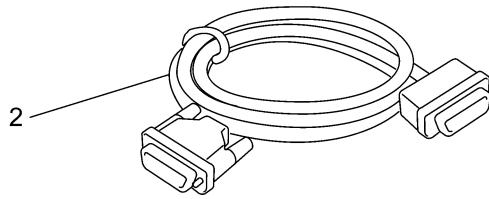
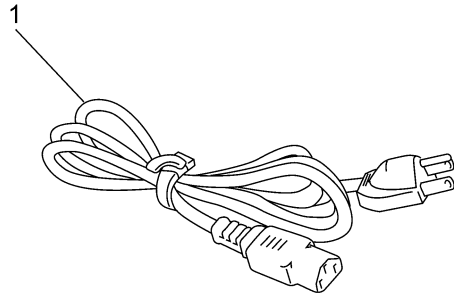
LIST9C(CONTROL PANEL MFC9800)

REF No.	CODE	Q'TY	DESCRIPTION	RECOMMEND	REMARK
1	LE7080001	1	CONTROL PANEL ASSY, GRAY(1495), MFC9800	√	
1-1	LE2273001	1	PANEL COVER, GRAY(1495), MFC9800		
1-2	UF4393007	1	KEY, TEN, GRAY(1495)		
1-3	LE2274001	2	KEY COPY/FAX AREA, GRAY(1495)		
1-4	----		NOT USE		
1-5	UF8174009	1	KEY, COPY, GREEN(5159)		
1-6	UF8174010	1	KEY, STOP, PINK(2205)		
1-7	UF8174011	1	KEY, START, PURPLE(6255)		
1-8	UF8176010	1	KEY, FUNCTION4, BLUE(6134)		
1-9	UF4576008	3	KEY, SHIFT, GRAY(1495)		
1-10	UF4576015	2	KEY, SHIFT, BLUE(6134)		
1-11	UF9118006	4	KEY, ONE TOUCH, GRAY(1495)		
1-12	LG2138001	1	PANEL PCB ASSY, MFC9800		
1-13	UG4552000	1	LCD, MFC9800		
1-14	LG2190001	1	FPC KEY, MFC9800		
1-15	087270815	2	TAPTITE, CUP B M2.6X8		
1-16	087310815	6	TAPTITE, CUP B M3X8		
2	LE7082001	1	PANEL SHEET-1, MFC9800	√	
3	LE7300001	1	PANEL SHEET-2, MFC9800	√	
4	LE7083001	1	LCD SHEET, MFC9800	√	
5	LE1341001	1	ADDRESS LABEL		
6	087310815	3	TAPTITE, CUP B M3X8		



LIST10(PCB)

REF No.	CODE	Q'TY	DESCRIPTION	RECOMMEND	REMARK
1	LG3371001	1	MAIN PCB, DCP1400	√	
1	LG3363001	1	MAIN PCB, MFC9700	√	
1	LG3369001	1	MAIN PCB, MFC9800	√	
2	LG2139001	1	NCU PCB, MFC9700	√	
2	LG3370001	1	NCU PCB, MFC9800	√	
3	LG4015001	1	POWER SUPPLY PCB ASSY	√	
4	LJ5831001	1	HIGH-VOLTAGE POWER SUPPLY PCB ASSY(SP)	√	
5	LG3256001	1	ENGINE PCB ASSY	√	
6	087320616	4	TAPTITE, CUP S M3X6, DCP1400		
6	087320616	5	TAPTITE, CUP S M3X6, MFC9700/9800		
7	084320815	1	SCREW, FLAT S M3X8		
8	LM2048001	1	SCREW, PAN (S/P WASHER) M3.5X6		CHG
9	085411215	4	SCREW, BIND B TITE 4X12		
10	LG3623001	1	BATTERY, MFC9800		
11	LG3624001	1	BATTERY HARNESS, MFC9800		



LIST11(Accessories)

REF No.	CODE	Q'TY	DESCRIPTION	RECOMMEND	REMARK
1	UG6121001	1	AC CORD UL/CSA ASSY	√	
2	UG4558001	1	I/F CABLE		
3	LE7092001	1	CDROM ASSY, DCP1400		
3	LE7071001	4	CDROM ASSY, MFC9700		del
3	LE7084001	4	CDROM ASSY, MFC9800 FOR US		del
3	LE7589001	1	CDROM ASSY, MFC9700/MFC9800 FOR US/CAN		
4	LG3077001	1	TELEPHONE LINE CORD, MFC9700/MFC9800		
(5)	LE7699001	1	FERRITE CORE BAG ASSY USB, DCP1400/MFC9800 FOR US/CAN		

LIST12(PRINTED MATERIAL)

REF No.	CODE	Q'TY	DESCRIPTION	RECOMMEND	REMARK
(1)	LE7095001	1	OWNER'S MANUAL ASSY, DCP1400 (INCLUDING OWNER'S MANUAL, LICENSE GUIDE, WARRANTY CARD, REORDER FORM)	√	
(1)	LE7074001	1	OWNER'S MANUAL ASSY, MFC9700, FOR US (INCLUDING OWNER'S MANUAL, LICENSE GUIDE, WARRANTY CARD, REORDER FORM)	√	
(1)	LE7087001	1	OWNER'S MANUAL ASSY, MFC9800, FOR US (INCLUDING OWNER'S MANUAL, LICENSE GUIDE, WARRANTY CARD, REORDER FORM)	√	
(1)	LE7323001	1	OWNER'S MANUAL ASSY, MFC9700, FOR CAN (INCLUDING 2 OWNER'S MANUALS, LICENSE GUIDE, WARRANTY CARD, REORDER FORM, FRENCH STICKER)	√	
(1)	LE7583001	1	OWNER'S MANUAL ASSY, MFC9800, FOR CAN (INCLUDING 2 OWNER'S MANUALS, LICENSE GUIDE, WARRANTY CARD, REORDER FORM, FRENCH STICKER)	√	
(1-1)	LE7096001	1	OWNER'S MANUAL, DCP1400		
(1-1)	LE7056001	1	OWNER'S MANUAL, MFC9700 FOR US/CAN<ENGLISH>		
(1-1)	LE7057001	1	OWNER'S MANUAL, MFC9800 FOR US/CAN<ENGLISH>		
(1-1)	LE7326001	1	OWNER'S MANUAL, MFC9700 FOR CAN<FRENCH>		
(1-1)	LE7584001	1	OWNER'S MANUAL, MFC9800 FOR CAN<FRENCH>		
(1-2)	LE7274001	1	FRENCH STICKER, MFC9700 FOR CAN		
(1-2)	LE7581001	1	FRENCH STICKER, MFC9800 FOR CAN		

LIST13(CARTON)

REF No.	CODE	Q'TY	DESCRIPTION	RECOMMEND	REMARK
(1)	LE7097001	1	CARTON, BROTHER, DCP1400	√	
(1)	LE7075001	1	CARTON, BROTHER, MFC9700	√	
(1)	LE7088001	1	CARTON, BROTHER, MFC9800	√	
(2)	LE1232001	1	STYROFOAM ASSY		
(3)	UE1688001	1	BAG, 1000X1000H		
(4)	UE3122001	1	CARTON FOR MANUAL		
(5)	LE1481001	1	SCANNER LOCK SHEET		
(6)	LE7098001	1	START CARD, DCP1400		
(6)	LE7076001	1	START CARD, MFC9700/9800 FOR US/CAN<ENGLISH>		
(6)	LE7327001	1	START CARD, MFC9700/9800 FOR CAN<FRENCH>		
(7)	LJ5557001	1	BAG 400X480 FOR DRUM/TONER		

brother®

8C5501
PL-FAX015
Ver. U-1