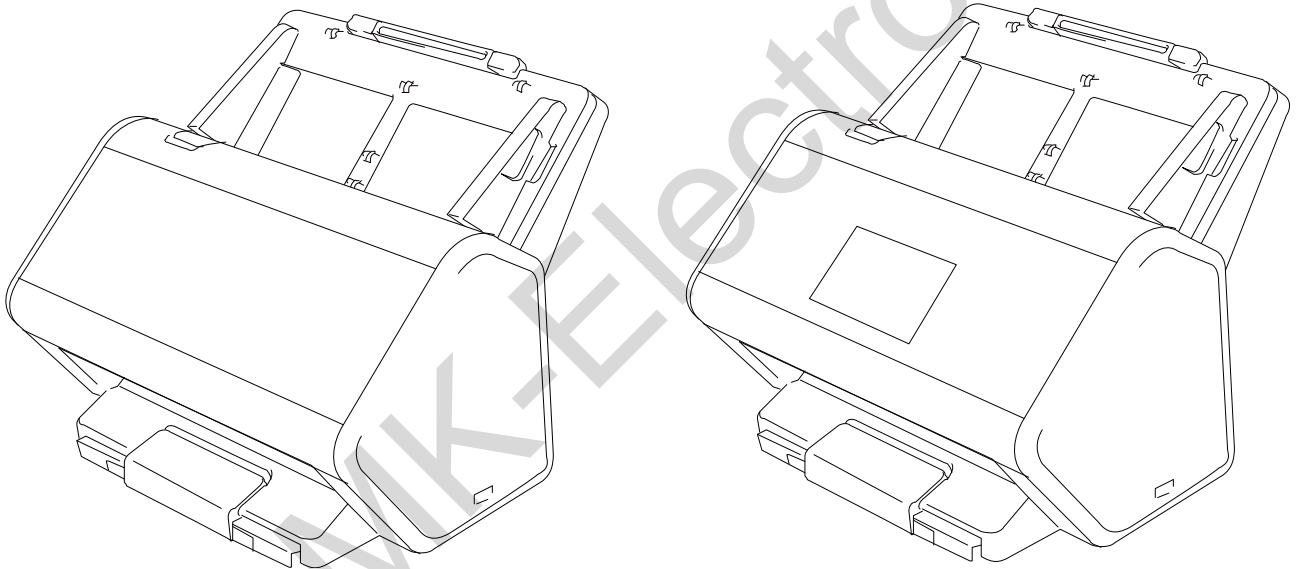




# Advanced Document Scanner **PARTS REFERENCE LIST**

**MODEL: ADS-2400N/3000N  
ADS-2800W/3600W**



Read this list thoroughly before maintenance work.

Keep this list in a convenient place for quick and easy reference at all times.

Oct2015/Nov2015

PL-PT096

8WD501\*/503\*, 8DW502\*/504\*

Ver.6

## NOTE FOR USING THIS PARTS REFERENCE LIST

1. In the case of ordering parts, it is necessary to mention the following items:

- (1) Code
- (2) Q'ty
- (3) Description <Example>

	(1)	(2)	(3)			
REFNo.	CODE	Q'TY	DESCRIPTION	MODEL	SPEC	REMARKS

2. Design-changed parts:

If any of the parts code is changed in this Parts List, one of the following symbols is indicated in the REMARKS column.

- CHG (chg): The parts code is changed to a new one in this Parts List.
  - ADD (add): The parts code is newly added in this Parts List.
  - DEL (del): The parts code is deleted in this Parts List.
- Symbol in capital letters indicates the latest parts change information in the page.

3. Parts change will be informed by the Parts change information.

4. Parts are subject to change in design without prior notice.

## COUNTRIES & AREAS

US ----- U.S.A.

CAN ----- CANADA

PND ----- PAN- NORDIC

(Denmark/Estonia/Finland/Iceland/  
Latvia/Lithuania/Norway/Sweden)

ASA ----- ASIA

GER ----- GERMANY

UK ----- UNITED KINGDOM

CEE-----CEE GENERAL

(Bulgaria/Czech/Greece/Hungary/Israel/Poland/  
Romania/Slovakia/Slovenia/Turkey)

BRZ ----- BRAZIL

OCE ----- OCEANIA

(Australia/New Zealand)

GUL ----- GULF

CHN ----- China

TWN ----- Taiwan

ARG ----- Argentina

CHL ----- Chile

KOR ----- Korea

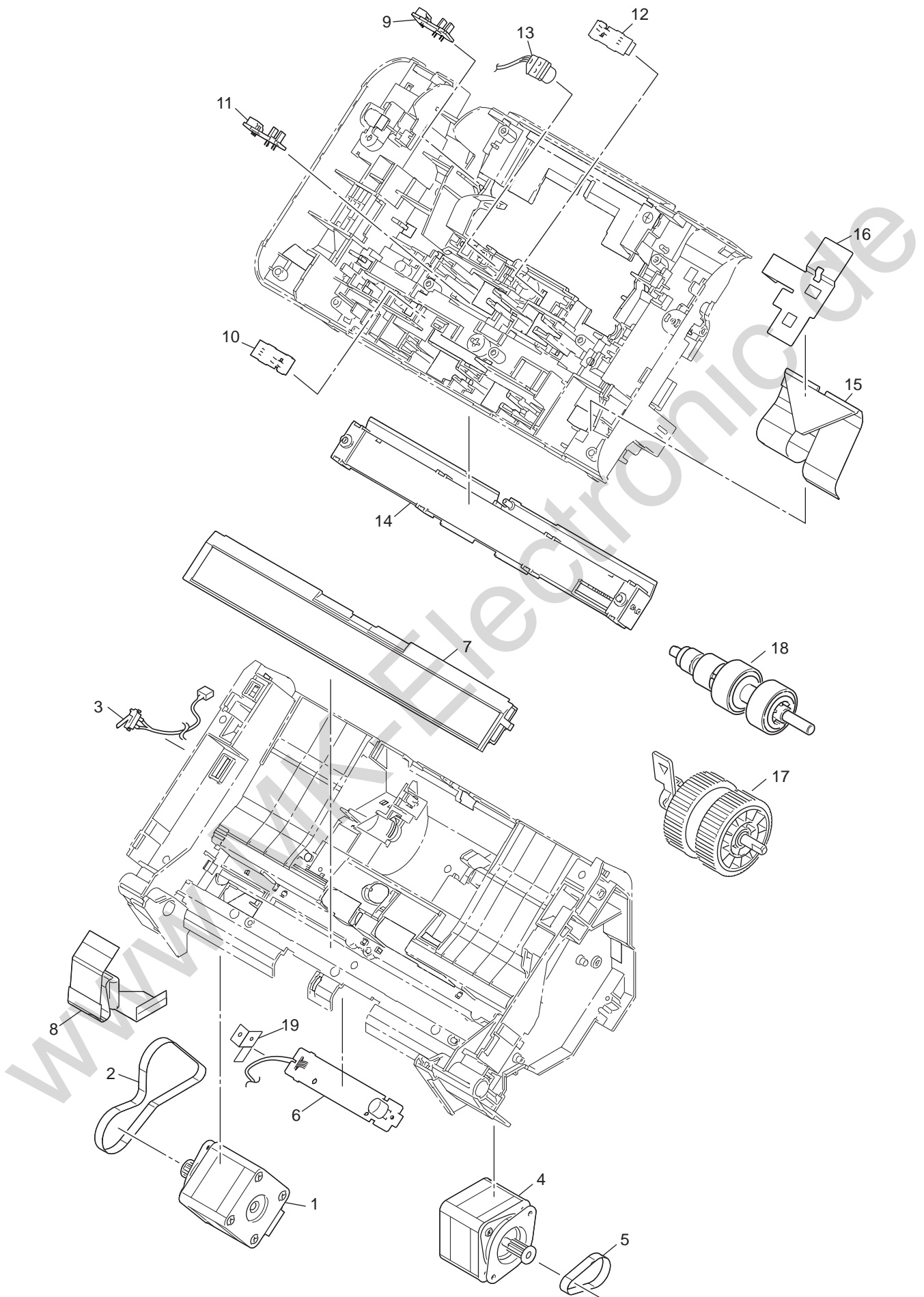
IND ----- India

## CONTENTS

1.	<u>SCANNER</u> .....	1
2.	<u>PAPER TRAY</u> .....	3
3.	<u>COVER</u> .....	5
4.	<u>PANEL</u> .....	7
5.	<u>MAIN PCB</u> .....	9
6.	<u>OPTION</u> .....	11
7.	<u>PRINTING MATTER</u> .....	13
8.	<u>PACKING</u> .....	17
9.	<u>OTHERS</u> .....	19

www MK-Electronic.de

1. SCANNER



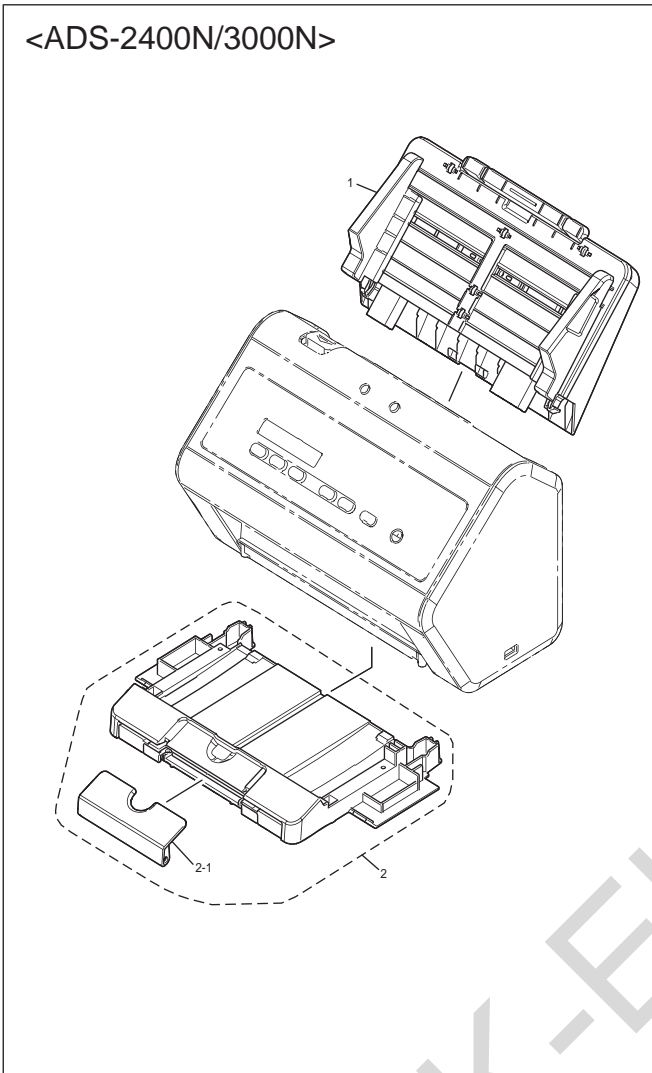
1. SCANNER

REF No.	CODE	Q'TY	DESCRIPTION	MODEL	SPEC	REMARKS
1	LD1356001	1	SF MOTOR L			
2	LD1326001	1	TIMING BELT SF			
3	LD1491001	1	PANEL COVER SW ASSY			
4	LD1325001	1	SF MOTOR			
5	LD1357001	1	TIMING BELT SP			
6	LD1479001	1	ULTRA SONIC R PCB:B57T144 ASSY			
7	LD1410001	1	LOWER CIS ASSY			
8	LD1487001	1	LOWER CIS HARNESS			
9	LG6753001	1	ADF SENSOR B53K928 ASSY			
10	LG6753001	1	ADF SENSOR B53K928 ASSY			
11	LG6753001	1	ADF SENSOR B53K928 ASSY	ADS-3000N		
11	LG6753001	1	ADF SENSOR B53K928 ASSY	ADS-3600W		
12	LG6753001	1	ADF SENSOR B53K928 ASSY	ADS-3000N		
12	LG6753001	1	ADF SENSOR B53K928 ASSY	ADS-3600W		
13	LD6110002	1	ULTRA SONIC S PCB:B57T061 ASSY			
14	LD1419001	1	UPPER CIS ASSY			
15	LD1486001	1	UPPER CIS HARNESS			
16	LD1644001	1	UPPER FFC SUPPORT FILM			
17	LD1947001	1	SEPARATE ROLLER ASSY SP			
18	LD1948001	1	REVERSE ROLLER ASSY SP			
19	LD1726001	1	MULTI FEED SENSOR HARNESS GUIDE			

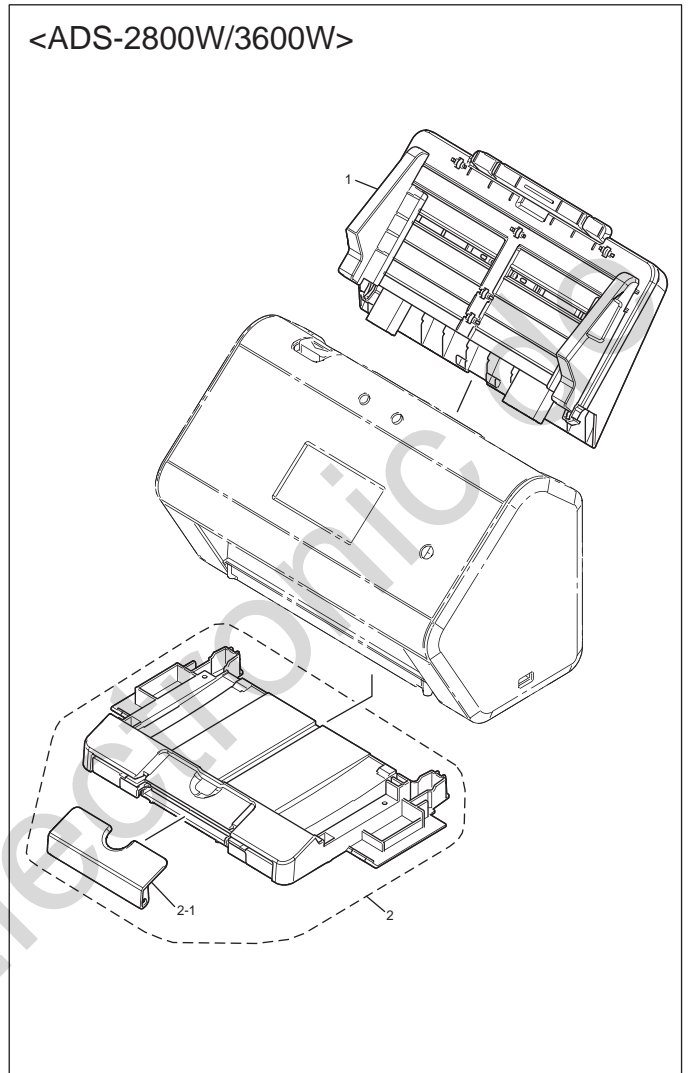
www.MK-Electronic.de

2.PAPER TRAY

<ADS-2400N/3000N>



<ADS-2800W/3600W>



WWW.MK-ELC.COM

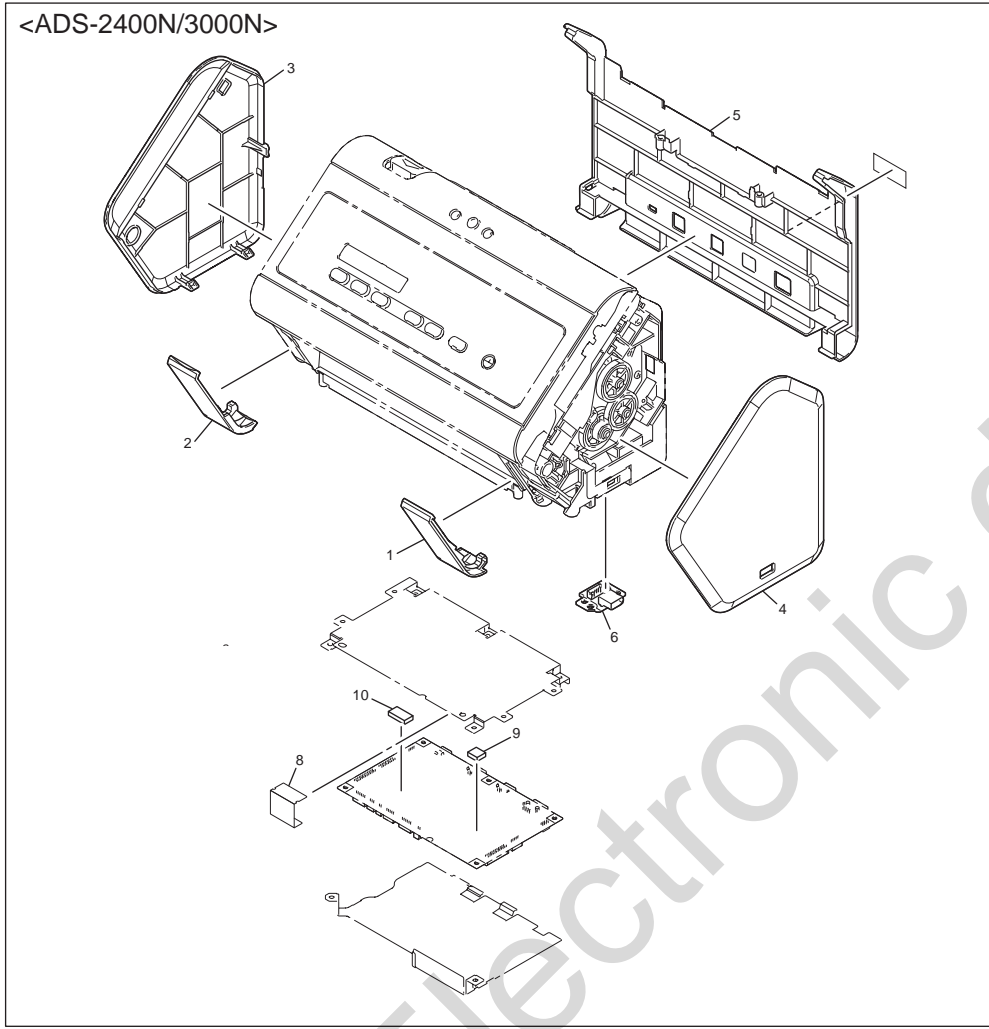
2. PAPER TRAY

REF No.	CODE	Q'TY	DESCRIPTION	MODEL	SPEC	REMARKS
1	LD1371001	1	DOCUMENT TRAY ASSY			
2	LD1383001	1	EXIT TRAY ASSY			
2-1	LD1387001	1	EXIT STOPPER			

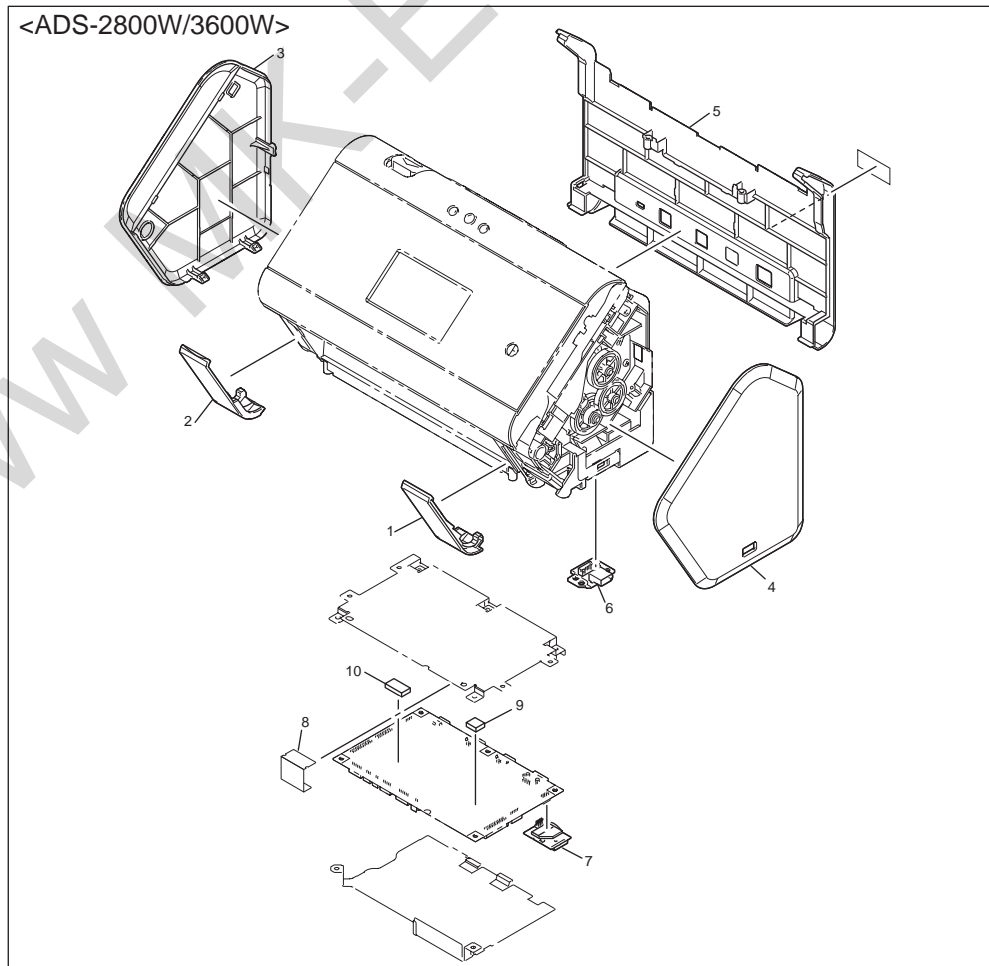
www MK-Electronic de

3.COVER

<ADS-2400N/3000N>



<ADS-2800W/3600W>

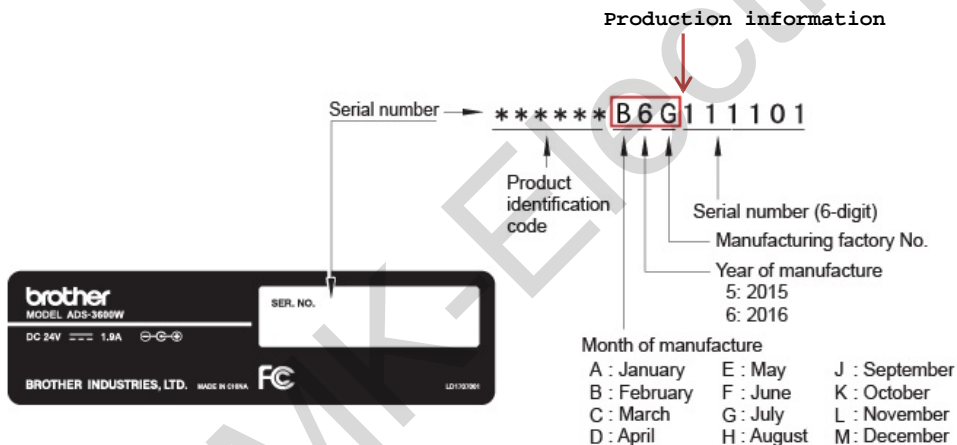




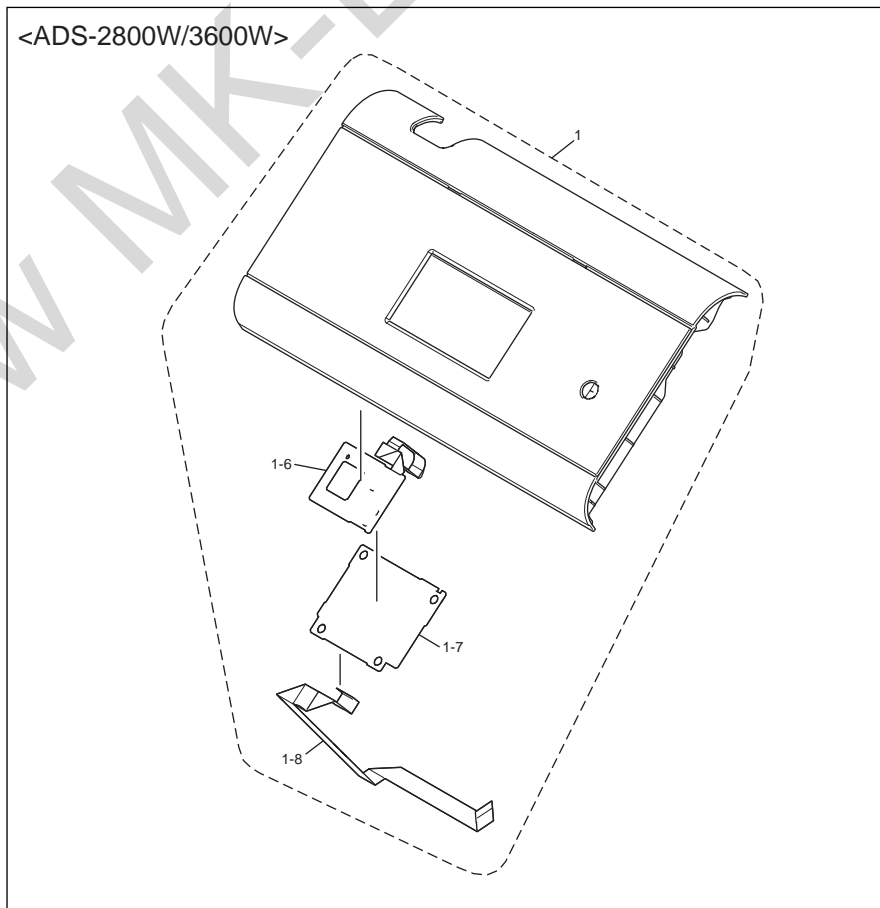
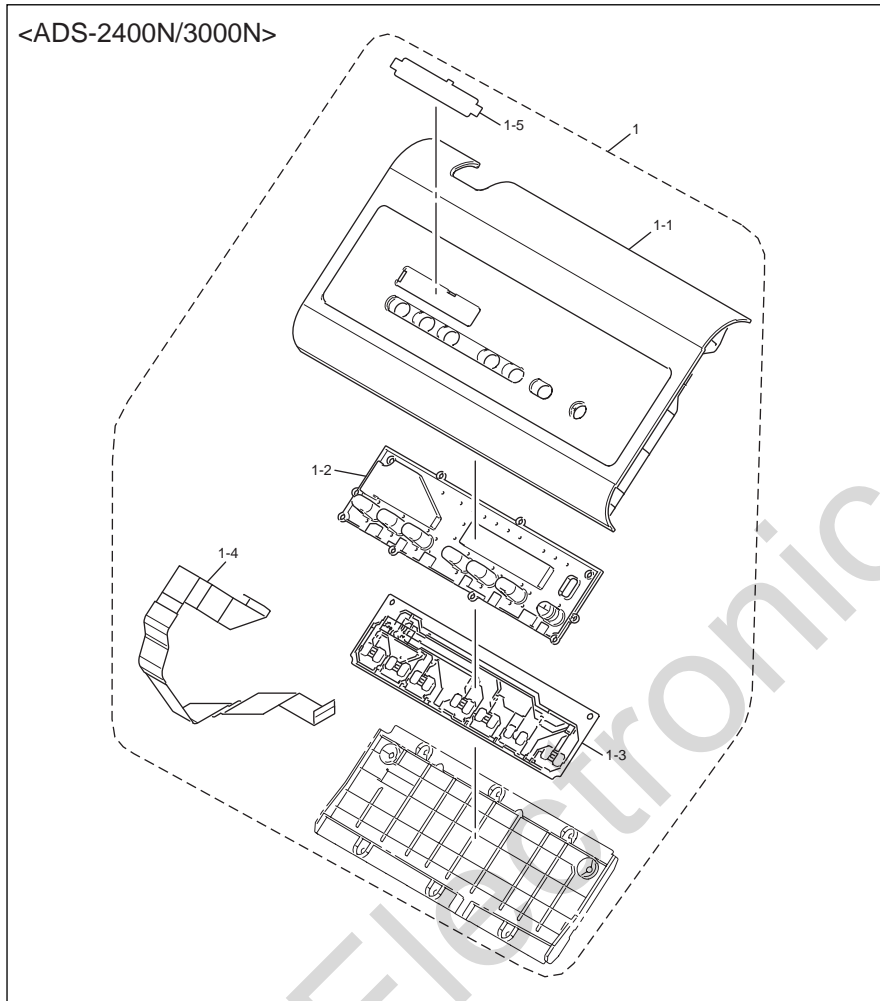
3. COVER

REF No.	CODE	Q'TY	DESCRIPTION	MODEL	SPEC	REMARKS
1	LD1388001	1	FRONT COVER R			
2	LD1389001	1	FRONT COVER L			
3	LD1390002	1	SIDE COVER L	ADS-2400N		
3	LD1390002	1	SIDE COVER L	ADS-2800W		
3	LD1390001	1	SIDE COVER L	ADS-3000N		
3	LD1390001	1	SIDE COVER L	ADS-3600W		
4	LD1391002	1	PRINTED SIDE COVER R	ADS-2400N		
4	LD1391002	1	PRINTED SIDE COVER R	ADS-2800W		
4	LD1391001	1	PRINTED SIDE COVER R	ADS-3000N		
4	LD1391001	1	PRINTED SIDE COVER R	ADS-3600W		
5	LD1393001	1	REAR COVER LOW	ADS-2400N		
5	LD1393001	1	REAR COVER LOW	ADS-2800W		
5	LD1250001	1	REAR COVER HIGH	ADS-3000N		
5	LD1250001	1	REAR COVER HIGH	ADS-3600W		
6	LV0531001	1	USB HOST RELAY PCB ASSY			
7	LD1969001	1	PCB T77H505.00 ASSY 04	ADS-2800W		chg
7	LD1969001	1	PCB T77H505.00 ASSY 04	ADS-3600W		chg
8	LD1819001	1	CONDUCTIVE TAPE*	ADS-2400N	FOR US/CAN	
8	LD1819001	1	CONDUCTIVE TAPE*	ADS-2800W	FOR US/CAN/ARG	
8	LD1819001	1	CONDUCTIVE TAPE*	ADS-3000N	FOR US/CAN	
8	LD1819001	1	CONDUCTIVE TAPE*	ADS-3600W	FOR US/CAN	
9	LD1735001	1	THERMAL CONDUCTIVE SHEET			
10	LD1736001	1	THERMAL CONDUCTIVE SHEET			

\* Check the production information with the serial number.  
 The part named "CONDUCTIVE TAPE ADS2" was used in all products manufactured before [B6G].  
 After [B6G], the part is still used for products for US and Canada but not in products  
 manufactured for other countries.



4.PANEL

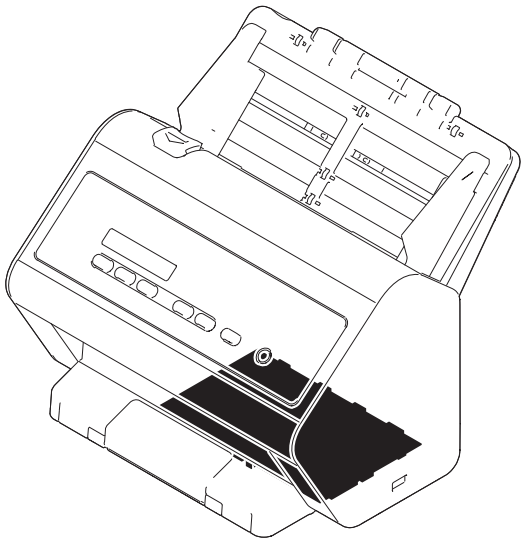


4. PANEL

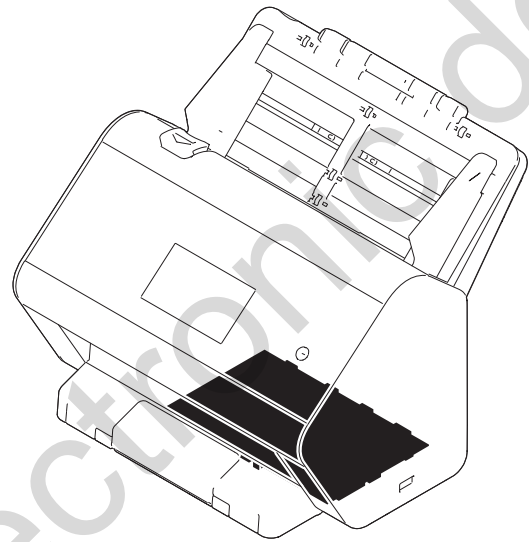
REF No.	CODE	Q'TY	DESCRIPTION	MODEL	SPEC	REMARKS
1	LD1708001	1	PANEL ASSY	ADS-2400N	FOR US/CAN/ARG/CHL/BRZ	
1	LD1428001	1	PANEL ASSY	ADS-2400N	FOR GER/UK/CHN/TWN/ASA/GUL/ KOR/IND/OCE/PND/CEE	
1	LD1765001	1	PANEL ASSY	ADS-2800W	FOR US/CAN/ARG/CHL/BRZ	
1	LD1272001	1	PANEL ASSY	ADS-2800W	FOR GER/UK/CHN/TWN/ASA/GUL/ KOR/IND/OCE/PND/CEE	
1	LD1802001	1	PANEL ASSY	ADS-3000N	FOR US/CAN/BRZ	
1	LD1309001	1	PANEL ASSY	ADS-3000N	FOR GER/UK/CHN/ASA/GUL/KOR/ IND/OCE/PND/CEE	
1	LD1737001	1	PANEL ASSY	ADS-3600W	FOR US/CAN/ARG/CHL/BRZ	
1	LD1436001	1	PANEL ASSY	ADS-3600W	FOR GER/UK/CHN/TWN/ASA/GUL/ KOR/IND/OCE/PND/CEE	
1-1	LD1709001	1	PRINTED PANEL COVER L	ADS-2400N	FOR US/CAN/ARG/CHL/BRZ	
1-1	LD1429001	1	PRINTED PANEL COVER L	ADS-2400N	FOR GER/UK/CHN/TWN/ASA/GUL/ KOR/IND/OCE/PND/CEE	
1-1	LD1803001	1	PRINTED PANEL COVER H	ADS-3000N	FOR US/CAN/BRZ	
1-1	LD1311001	1	PRINTED PANEL COVER H	ADS-3000N	FOR GER/UK/CHN/ASA/GUL/KOR/ IND/OCE/PND/CEE	
1-2	LD1431001	1	PRINTED RUBBER KEY	ADS-2400N		
1-2	LD1431001	1	PRINTED RUBBER KEY	ADS-3000N		
1-3	LD1477001	1	KEY PCB:B57T143 ASSY	ADS-2400N		
1-3	LD1477001	1	KEY PCB:B57T143 ASSY	ADS-3000N		
1-4	LD1496001	1	FFC HARNESS MAIN-KEY	ADS-2400N		
1-4	LD1496001	1	FFC HARNESS MAIN-KEY	ADS-3000N		
1-5	LD1434001	1	ADDRESS LABEL BASE	ADS-2400N		
1-5	LD1434001	1	ADDRESS LABEL BASE	ADS-3000N		
1-6	LD1482051	1	NFC PCB	ADS-3600W		
1-7	LD1473052	1	PANEL PCB	ADS-2800W		
1-7	LD1473051	1	PANEL PCB	ADS-3600W		
1-8	LD1495001	1	FFC HARNESS MAIN-SELENE	ADS-2800W		
1-8	LD1495001	1	FFC HARNESS MAIN-SELENE	ADS-3600W		

5.MAIN PCB

<ADS-2400N/3000N>



<ADS-2800W/3600W>

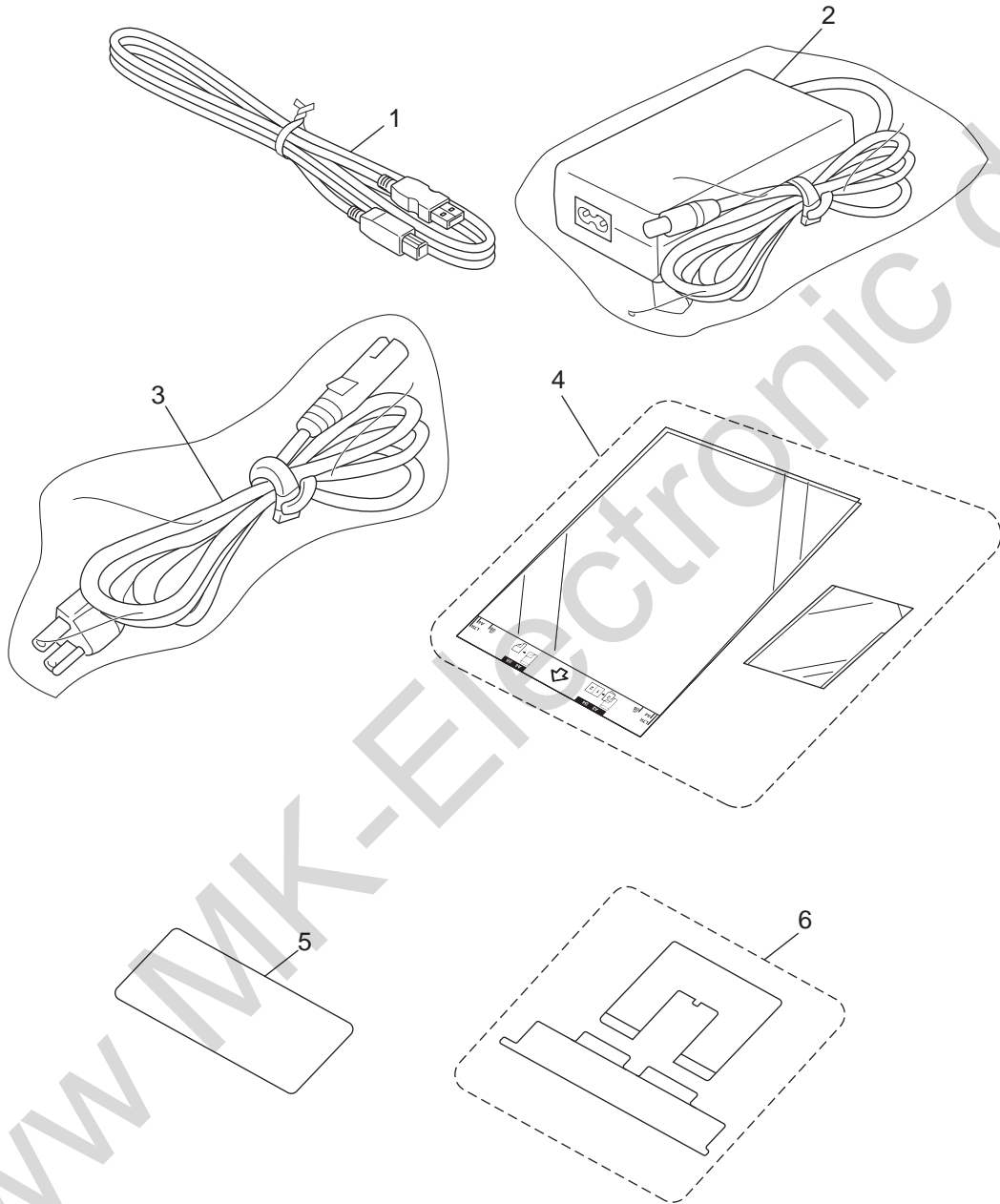


5. MAIN PCB

REF No.	CODE	Q'TY	DESCRIPTION	MODEL	SPEC	REMARKS
1	LD1468001	1	MAIN PCB:B57T167 ASSY L BASE	ADS-2400N		
1	LD1470001	1	MAIN PCB:B57T167 ASSY L STEP	ADS-2800W		
1	LD1469001	1	MAIN PCB:B57T167 ASSY H BASE	ADS-3000N		
1	LD1471001	1	MAIN PCB:B57T167 ASSY H STEP	ADS-3600W		

www MK-Electronic de

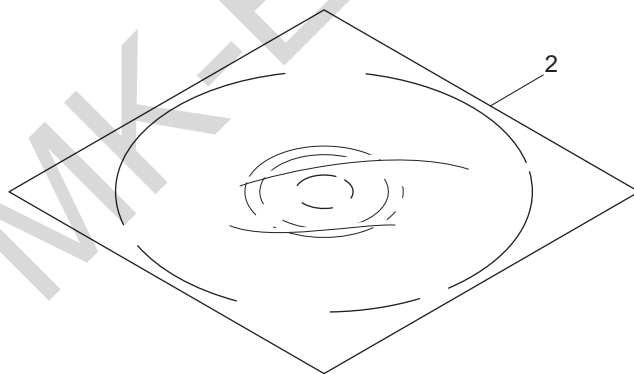
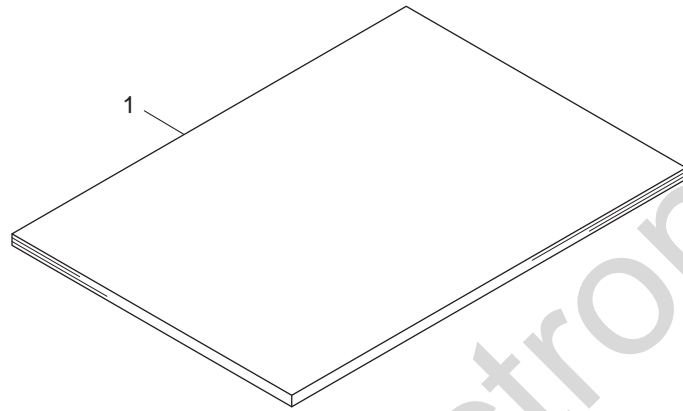
6.OPTION



6. OPTION

REF No.	CODE	Q'TY	DESCRIPTION	MODEL	SPEC	REMARKS
1	LJ9803001	1	USB CABLE 2.0	ADS-2400N		
1	LJ9803001	1	USB CABLE 2.0	ADS-2800W		
1	LD1503001	1	USB CABLE 3.0	ADS-3000N		
1	LD1503001	1	USB CABLE 3.0	ADS-3600W		
2	D014F9001	1	AC ADAPTER ADS2 100-240V	ADS-2400N	EXCEPT FOR SAUDI ARABIA/IND/TWN	CHG
2	D011Z9001	1	AC ADAPTER ADS2 TWN (SP)	ADS-2400N	FOR TWN	add
2	LD1484001	1	AC ADAPTER ADS2 IND SP	ADS-2400N	FOR IND	add
2	D014F9001	1	AC ADAPTER ADS2 100-240V	ADS-2800W	EXCEPT FOR SAUDI ARABIA/IND/TWN	CHG
2	D011Z9001	1	AC ADAPTER ADS2 TWN (SP)	ADS-2800W	FOR TWN	add
2	LD1484001	1	AC ADAPTER ADS2 IND SP	ADS-2800W	FOR IND	add
2	D014F9001	1	AC ADAPTER ADS2 100-240V	ADS-3000N	EXCEPT FOR SAUDI ARABIA/IND/TWN	CHG
2	LD1484001	1	AC ADAPTER ADS2 IND SP	ADS-3000N	FOR IND	add
2	D014F9001	1	AC ADAPTER ADS2 100-240V	ADS-3600W	EXCEPT FOR SAUDI ARABIA/IND/TWN	CHG
2	D011Z9001	1	AC ADAPTER ADS2 TWN (SP)	ADS-3600W	FOR TWN	add
2	LD1484001	1	AC ADAPTER ADS2 IND SP	ADS-3600W	FOR IND	add
3	LW2359001	1	POWER SUPPLY CORD CSA LF	ADS-2400N	FOR US/CAN	
3	LN8126001	1	POWER SUPPLY CORD EU	ADS-2400N	FOR GER/CHL/ASA/PND/CEE	
3	LN8125001	1	POWER SUPPLY CORD BS	ADS-2400N	FOR UK/GUL	
3	LW5704001	1	POWER SUPPLY CORD CHN	ADS-2400N	FOR CHN	
3	D012PX001	1	POWER SUPPLY CORD TWN (SP)	ADS-2400N	FOR TWN	chg
3	XD0111151	1	POWER SUPPLY CORD IRAM	ADS-2400N	FOR ARG	
3	LB9745001	1	POWER SUPPLY CORD BRA	ADS-2400N	FOR BRZ	
3	LN8129001	1	POWER SUPPLY CORD KOR	ADS-2400N	FOR KOR	
3	D00LFL001	1	POWER SUPPLY CORD INDIA	ADS-2400N	FOR IND	chg
3	LN8127001	1	POWER SUPPLY CORD AUS	ADS-2400N	FOR OCE	
3	LW2359001	1	POWER SUPPLY CORD CSA LF	ADS-2800W	FOR US/CAN	
3	LN8126001	1	POWER SUPPLY CORD EU	ADS-2800W	FOR GER/CHL/ASA/PND/CEE	
3	LN8125001	1	POWER SUPPLY CORD BS	ADS-2800W	FOR UK/GUL	
3	LW5704001	1	POWER SUPPLY CORD CHN	ADS-2800W	FOR CHN	
3	D012PX001	1	POWER SUPPLY CORD TWN (SP)	ADS-2800W	FOR TWN	chg
3	XD0111151	1	POWER SUPPLY CORD IRAM	ADS-2800W	FOR ARG	
3	LB9745001	1	POWER SUPPLY CORD BRA	ADS-2800W	FOR BRZ	
3	LN8129001	1	POWER SUPPLY CORD KOR	ADS-2800W	FOR KOR	
3	D00LFL001	1	POWER SUPPLY CORD INDIA	ADS-2800W	FOR IND	chg
3	LN8127001	1	POWER SUPPLY CORD AUS	ADS-2800W	FOR OCE	
3	LW2359001	1	POWER SUPPLY CORD CSA LF	ADS-3000N	FOR US/CAN	
3	LN8126001	1	POWER SUPPLY CORD EU	ADS-3000N	FOR GER/ASA/PND/CEE	
3	LN8125001	1	POWER SUPPLY CORD BS	ADS-3000N	FOR UK/GUL	
3	LW5704001	1	POWER SUPPLY CORD CHN	ADS-3000N	FOR CHN	
3	LB9745001	1	POWER SUPPLY CORD BRA	ADS-3000N	FOR BRZ	
3	LN8129001	1	POWER SUPPLY CORD KOR	ADS-3000N	FOR KOR	
3	D00LFL001	1	POWER SUPPLY CORD INDIA	ADS-3000N	FOR IND	chg
3	LN8127001	1	POWER SUPPLY CORD AUS	ADS-3000N	FOR OCE	
3	LW2359001	1	POWER SUPPLY CORD CSA LF	ADS-3600W	FOR US/CAN	
3	LN8126001	1	POWER SUPPLY CORD EU	ADS-3600W	FOR GER/CHL/ASA/PND/CEE	
3	LN8125001	1	POWER SUPPLY CORD BS	ADS-3600W	FOR UK/GUL	
3	LW5704001	1	POWER SUPPLY CORD CHN	ADS-3600W	FOR CHN	
3	D012PX001	1	POWER SUPPLY CORD TWN (SP)	ADS-3600W	FOR TWN	chg
3	XD0111151	1	POWER SUPPLY CORD IRAM	ADS-3600W	FOR ARG	
3	LB9745001	1	POWER SUPPLY CORD BRA	ADS-3600W	FOR BRZ	
3	LN8129001	1	POWER SUPPLY CORD KOR	ADS-3600W	FOR KOR	
3	D00LFL001	1	POWER SUPPLY CORD INDIA	ADS-3600W	FOR IND	chg
3	LN8127001	1	POWER SUPPLY CORD AUS	ADS-3600W	FOR OCE	
4	LD1710001	1	CARRIER SHEET ASSY	ADS-2400N	FOR US/CAN	
4	LD1710001	1	CARRIER SHEET ASSY	ADS-2800W	FOR US/CAN	
4	LD1710001	1	CARRIER SHEET ASSY	ADS-3000N	FOR US/CAN	
4	LD1710001	1	CARRIER SHEET ASSY	ADS-3600W	FOR US/CAN	
5	LD6340001	1	OVERLAP INSPECTION SHEET			
6	LD1914001	1	CALIBRATION SHEET BAG ASSY(SP)			

7.PRINTING MATTER





7. PRINTING MATTER

REF NO.	CODE	Q'TY	DESCRIPTION	MODEL	SPEC	REMARKS
1	LD1671001	1	QUICK SETUP G (ENG/SPA)	ADS-2400N	FOR US/ARG/CHL	
1	LD1673001	1	QUICK SETUP G (ENG/FRE)	ADS-2400N	FOR CAN	
1	LD1679001	1	QUICK SETUP G (GER/FRE)*	ADS-2400N	FOR GER	
1	D00U7A001	1	QUICK SETUP G (GER/FRE)	ADS-2400N	FOR GER	ADD
1	LD1680001	1	QUICK SETUP G (ITA/DUT)*	ADS-2400N	FOR GER	
1	D00U7B001	1	QUICK SETUP G (ITA/DUT)	ADS-2400N	FOR GER	ADD
1	LD1681001	1	QUICK SETUP G (SPA/POR)*	ADS-2400N	FOR GER	
1	D00U7C001	1	QUICK SETUP G (SPA/POR)	ADS-2400N	FOR GER	ADD
1	LD1682001	1	QUICK SETUP G (BEL/KAZ)*	ADS-2400N	FOR GER	
1	D00U7D001	1	QUICK SETUP G (BEL/KAZ)	ADS-2400N	FOR GER	ADD
1	LD1683001	1	QUICK SETUP G (RUS)*	ADS-2400N	FOR GER	
1	D00U7E001	1	QUICK SETUP G (RUS)	ADS-2400N	FOR GER	ADD
1	LD1677001	1	QUICK SETUP G (UK-ENG)*	ADS-2400N	FOR GER/UK/CEE	
1	D00U7F001	1	QUICK SETUP G (UK-ENG)	ADS-2400N	FOR GER/UK/CEE	ADD
1	LD1685001	1	QUICK SETUP G (NOR/SWE)*	ADS-2400N	FOR GER/PND	
1	D00U7L001	1	QUICK SETUP G (NOR/SWE)	ADS-2400N	FOR GER/PND	ADD
1	LD1686001	1	QUICK SETUP G (FIN/DAN)*	ADS-2400N	FOR GER/PND	
1	D00U7M001	1	QUICK SETUP G (FIN/DAN)	ADS-2400N	FOR GER/PND	ADD
1	LD1688001	1	QUICK SETUP G (BUL/ROM)*	ADS-2400N	FOR GER/CEE	
1	D00U7G001	1	QUICK SETUP G (BUL/ROM)	ADS-2400N	FOR GER/CEE	ADD
1	LD1689001	1	QUICK SETUP G (SVK/CZE)*	ADS-2400N	FOR GER/CEE	
1	D00U7H001	1	QUICK SETUP G (SVK/CZE)	ADS-2400N	FOR GER/CEE	ADD
1	LD1690001	1	QUICK SETUP G (HUN/POL)*	ADS-2400N	FOR GER/CEE	
1	D00U7J001	1	QUICK SETUP G (HUN/POL)	ADS-2400N	FOR GER/CEE	ADD
1	LD1927001	1	QUICK SETUP G (TUR)*	ADS-2400N	FOR GER/CEE	
1	D00U7K001	1	QUICK SETUP G (TUR)	ADS-2400N	FOR GER/CEE	ADD
1	LD1697001	1	QUICK SETUP G (CHN)	ADS-2400N	FOR CHN	
1	LD1694001	1	QUICK SETUP G (ASA/ENG)	ADS-2400N	FOR TWN/ASA/GUL/KOR/IND/OCE	
1	LD1695001	1	QUICK SETUP G (KOR/TWN)	ADS-2400N	FOR TWN/KOR	
1	LD1928001	1	QUICK SETUP G (ARB)	ADS-2400N	FOR ASA/GUL	
1	LD1675001	1	QUICK SETUP G (POR)	ADS-2400N	FOR BRZ	
1	LD1671001	1	QUICK SETUP G (ENG/SPA)	ADS-2800W	FOR US/ARG/CHL	
1	LD1673001	1	QUICK SETUP G (ENG/FRE)	ADS-2800W	FOR CAN	
1	LD1679001	1	QUICK SETUP G (GER/FRE)*	ADS-2800W	FOR GER	
1	D00U7A001	1	QUICK SETUP G (GER/FRE)	ADS-2800W	FOR GER	ADD
1	LD1680001	1	QUICK SETUP G (ITA/DUT)*	ADS-2800W	FOR GER	
1	D00U7B001	1	QUICK SETUP G (ITA/DUT)	ADS-2800W	FOR GER	ADD
1	LD1681001	1	QUICK SETUP G (SPA/POR)*	ADS-2800W	FOR GER	
1	D00U7C001	1	QUICK SETUP G (SPA/POR)	ADS-2800W	FOR GER	ADD
1	LD1682001	1	QUICK SETUP G (BEL/KAZ)*	ADS-2800W	FOR GER	
1	D00U7D001	1	QUICK SETUP G (BEL/KAZ)	ADS-2800W	FOR GER	ADD
1	LD1683001	1	QUICK SETUP G (RUS)*	ADS-2800W	FOR GER	
1	D00U7E001	1	QUICK SETUP G (RUS)	ADS-2800W	FOR GER	ADD
1	LD1677001	1	QUICK SETUP G (UK-ENG)*	ADS-2800W	FOR GER/UK/CEE	
1	D00U7F001	1	QUICK SETUP G (UK-ENG)	ADS-2800W	FOR GER/UK/CEE	ADD
1	LD1685001	1	QUICK SETUP G (NOR/SWE)*	ADS-2800W	FOR GER/PND	
1	D00U7L001	1	QUICK SETUP G (NOR/SWE)	ADS-2800W	FOR GER/PND	ADD
1	LD1686001	1	QUICK SETUP G (FIN/DAN)*	ADS-2800W	FOR GER/PND	
1	D00U7M001	1	QUICK SETUP G (FIN/DAN)	ADS-2800W	FOR GER/PND	ADD
1	LD1688001	1	QUICK SETUP G (BUL/ROM)*	ADS-2800W	FOR GER/CEE	
1	D00U7G001	1	QUICK SETUP G (BUL/ROM)	ADS-2800W	FOR GER/CEE	ADD
1	LD1689001	1	QUICK SETUP G (SVK/CZE)*	ADS-2800W	FOR GER/CEE	
1	D00U7H001	1	QUICK SETUP G (SVK/CZE)	ADS-2800W	FOR GER/CEE	ADD
1	LD1690001	1	QUICK SETUP G (HUN/POL)*	ADS-2800W	FOR GER/CEE	
1	D00U7J001	1	QUICK SETUP G (HUN/POL)	ADS-2800W	FOR GER/CEE	ADD
1	LD1927001	1	QUICK SETUP G (TUR)*	ADS-2800W	FOR GER/CEE	
1	D00U7K001	1	QUICK SETUP G (TUR)	ADS-2800W	FOR GER/CEE	ADD
1	LD1697001	1	QUICK SETUP G (CHN)	ADS-2800W	FOR CHN	
1	LD1694001	1	QUICK SETUP G (ASA/ENG)	ADS-2800W	FOR TWN/ASA/GUL/KOR/IND/OCE	
1	LD1695001	1	QUICK SETUP G (KOR/TWN)	ADS-2800W	FOR TWN/KOR	
1	LD1928001	1	QUICK SETUP G (ARB)	ADS-2800W	FOR ASA/GUL	
1	LD1675001	1	QUICK SETUP G (POR)	ADS-2800W	FOR BRZ	
1	LD1671001	1	QUICK SETUP G (ENG/SPA)	ADS-3000N	FOR US	
1	LD1673001	1	QUICK SETUP G (ENG/FRE)	ADS-3000N	FOR CAN	
1	LD1679001	1	QUICK SETUP G (GER/FRE)*	ADS-3000N	FOR GER	
1	D00U7A001	1	QUICK SETUP G (GER/FRE)	ADS-3000N	FOR GER	ADD
1	LD1680001	1	QUICK SETUP G (ITA/DUT)*	ADS-3000N	FOR GER	
1	D00U7B001	1	QUICK SETUP G (ITA/DUT)	ADS-3000N	FOR GER	ADD
1	LD1681001	1	QUICK SETUP G (SPA/POR)*	ADS-3000N	FOR GER	
1	D00U7C001	1	QUICK SETUP G (SPA/POR)	ADS-3000N	FOR GER	ADD

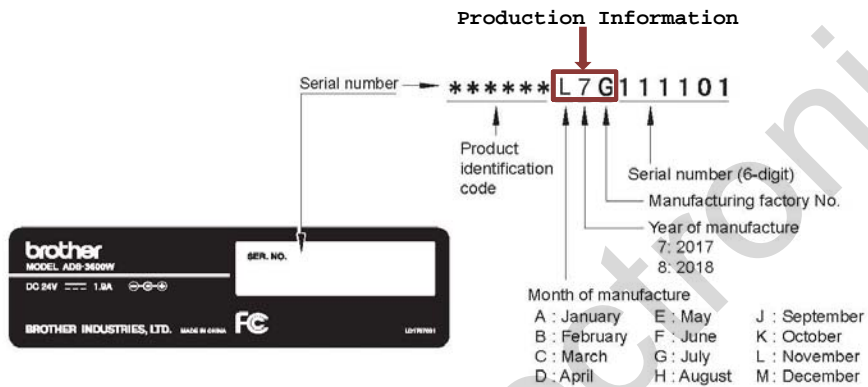
7. PRINTING MATTER

REF NO.	CODE	Q'TY	DESCRIPTION	MODEL	SPEC	REMARKS
1	LD1682001	1	QUICK SETUP G (BEL/KAZ) *	ADS-3000N	FOR GER	
1	D00U7D001	1	QUICK SETUP G (BEL/KAZ)	ADS-3000N	FOR GER	ADD
1	LD1683001	1	QUICK SETUP G (RUS) *	ADS-3000N	FOR GER	
1	D00U7E001	1	QUICK SETUP G (RUS)	ADS-3000N	FOR GER	ADD
1	LD1677001	1	QUICK SETUP G (UK-ENG) *	ADS-3000N	FOR GER/UK/CEE	
1	D00U7F001	1	QUICK SETUP G (UK-ENG)	ADS-3000N	FOR GER/UK/CEE	ADD
1	LD1685001	1	QUICK SETUP G (NOR/SWE) *	ADS-3000N	FOR GER/PND	
1	D00U7L001	1	QUICK SETUP G (NOR/SWE)	ADS-3000N	FOR GER/PND	ADD
1	LD1686001	1	QUICK SETUP G (FIN/DAN) *	ADS-3000N	FOR GER/PND	
1	D00U7M001	1	QUICK SETUP G (FIN/DAN)	ADS-3000N	FOR GER/PND	ADD
1	LD1688001	1	QUICK SETUP G (BUL/ROM) *	ADS-3000N	FOR GER/CEE	
1	D00U7G001	1	QUICK SETUP G (BUL/ROM)	ADS-3000N	FOR GER/CEE	ADD
1	LD1689001	1	QUICK SETUP G (SVK/CZE) *	ADS-3000N	FOR GER/CEE	
1	D00U7H001	1	QUICK SETUP G (SVK/CZE)	ADS-3000N	FOR GER/CEE	ADD
1	LD1690001	1	QUICK SETUP G (HUN/POL) *	ADS-3000N	FOR GER/CEE	
1	D00U7J001	1	QUICK SETUP G (HUN/POL)	ADS-3000N	FOR GER/CEE	ADD
1	LD1927001	1	QUICK SETUP G (TUR)	ADS-3000N	FOR GER/CEE	
1	D00U7K001	1	QUICK SETUP G (TUR)	ADS-3000N	FOR GER/CEE	ADD
1	LD1697001	1	QUICK SETUP G (CHN)	ADS-3000N	FOR CHN	
1	LD1694001	1	QUICK SETUP G (ASA/ENG)	ADS-3000N	FOR ASA/GUL/KOR/IND/OCE	
1	LD1928001	1	QUICK SETUP G (ARB)	ADS-3000N	FOR ASA/GUL	
1	LD1675001	1	QUICK SETUP G (POR)	ADS-3000N	FOR BRZ	
1	LD1695001	1	QUICK SETUP G (KOR/TWN)	ADS-3000N	FOR KOR	
1	LD1671001	1	QUICK SETUP G (ENG/SPA)	ADS-3600W	FOR US/ARG/CHL	
1	LD1673001	1	QUICK SETUP G (ENG/FRE)	ADS-3600W	FOR CAN	
1	LD1679001	1	QUICK SETUP G (GER/FRE) *	ADS-3600W	FOR GER	
1	D00U7A001	1	QUICK SETUP G (GER/FRE)	ADS-3600W	FOR GER	ADD
1	LD1680001	1	QUICK SETUP G (ITA/DUT) *	ADS-3600W	FOR GER	
1	D00U7B001	1	QUICK SETUP G (ITA/DUT)	ADS-3600W	FOR GER	ADD
1	LD1681001	1	QUICK SETUP G (SPA/POR) *	ADS-3600W	FOR GER	
1	D00U7C001	1	QUICK SETUP G (SPA/POR)	ADS-3600W	FOR GER	ADD
1	LD1682001	1	QUICK SETUP G (BEL/KAZ) *	ADS-3600W	FOR GER	
1	D00U7D001	1	QUICK SETUP G (BEL/KAZ)	ADS-3600W	FOR GER	ADD
1	LD1683001	1	QUICK SETUP G (RUS) *	ADS-3600W	FOR GER	
1	D00U7E001	1	QUICK SETUP G (RUS)	ADS-3600W	FOR GER	ADD
1	LD1677001	1	QUICK SETUP G (UK-ENG) *	ADS-3600W	FOR GER/UK/CEE	
1	D00U7F001	1	QUICK SETUP G (UK-ENG)	ADS-3600W	FOR GER/UK/CEE	ADD
1	LD1685001	1	QUICK SETUP G (NOR/SWE) *	ADS-3600W	FOR GER/PND	
1	D00U7L001	1	QUICK SETUP G (NOR/SWE)	ADS-3600W	FOR GER/PND	ADD
1	LD1686001	1	QUICK SETUP G (FIN/DAN) *	ADS-3600W	FOR GER/PND	
1	D00U7M001	1	QUICK SETUP G (FIN/DAN)	ADS-3600W	FOR GER/PND	ADD
1	LD1688001	1	QUICK SETUP G (BUL/ROM) *	ADS-3600W	FOR GER/CEE	
1	D00U7G001	1	QUICK SETUP G (BUL/ROM)	ADS-3600W	FOR GER/CEE	ADD
1	LD1689001	1	QUICK SETUP G (SVK/CZE) *	ADS-3600W	FOR GER/CEE	
1	D00U7H001	1	QUICK SETUP G (SVK/CZE)	ADS-3600W	FOR GER/CEE	ADD
1	LD1690001	1	QUICK SETUP G (HUN/POL) *	ADS-3600W	FOR GER/CEE	
1	D00U7J001	1	QUICK SETUP G (HUN/POL)	ADS-3600W	FOR GER/CEE	ADD
1	LD1927001	1	QUICK SETUP G (TUR) *	ADS-3600W	FOR GER/CEE	
1	D00U7K001	1	QUICK SETUP G (TUR)	ADS-3600W	FOR GER/CEE	ADD
1	LD1697001	1	QUICK SETUP G (CHN)	ADS-3600W	FOR CHN	
1	LD1694001	1	QUICK SETUP G (ASA/ENG)	ADS-3600W	FOR TWN/ASA/GUL/KOR/IND/OCE	
1	LD1695001	1	QUICK SETUP G (KOR/TWN)	ADS-3600W	FOR TWN/KOR	
1	LD1928001	1	QUICK SETUP G (ARB)	ADS-3600W	FOR ASA/GUL	
1	LD1675001	1	QUICK SETUP G (POR)	ADS-3600W	FOR BRZ	
2	LD1993001	1	CDROM ASSY*	ADS-2400N	FOR US/CAN/GER/UK/TWN/ARG/ CHL/ASA/GUL/BRZ/KOR/IND/OCE/ PND/CEE	
2	D00T31001	1	CDROM ASSY	ADS-2400N	FOR US/CAN/GER/UK/TWN/ARG/ CHL/ASA/GUL/BRZ/KOR/IND/OCE/ PND/CEE	ADD
2	LD1994001	1	CDROM ASSY*	ADS-2400N	FOR CHN	
2	D00T32001	1	CDROM ASSY	ADS-2400N	FOR CHN	ADD
2	LD1995001	1	CDROM ASSY*	ADS-2800W	FOR US/CAN/GER/UK/TWN/ARG/ CHL/ASA/GUL/BRZ/KOR/IND/OCE/ PND/CEE	
2	D00T33001	1	CDROM ASSY	ADS-2800W	FOR US/CAN/GER/UK/TWN/ARG/ CHL/ASA/GUL/BRZ/KOR/IND/OCE/ PND/CEE	ADD
2	LD1996001	1	CDROM ASSY*	ADS-2800W	FOR CHN	
2	D00T34001	1	CDROM ASSY	ADS-2800W	FOR CHN	ADD

7. PRINTING MATTER

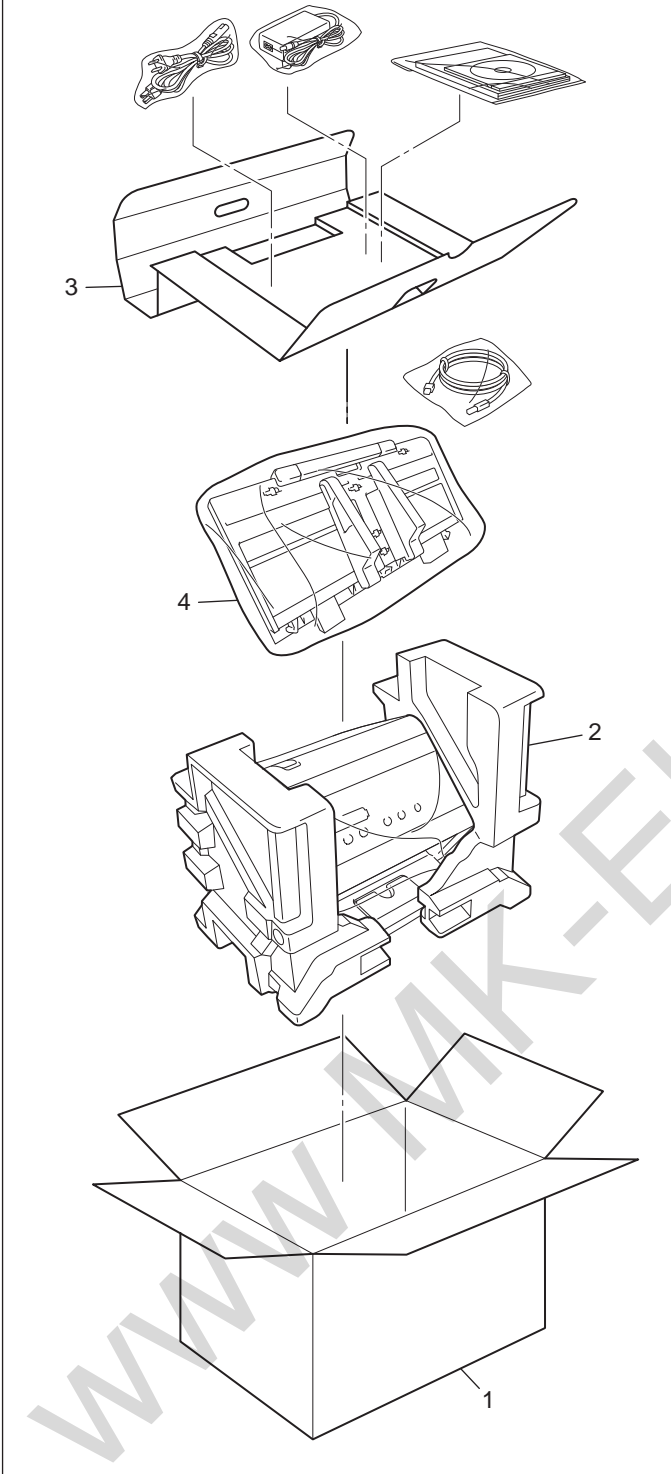
REF NO.	CODE	Q'TY	DESCRIPTION	MODEL	SPEC	REMARKS
2	LD1993001	1	CDROM ASSY*	ADS-3000N	FOR US/CAN/GER/UK/ASA/GUL/ BRZ/KOR/IND/OCE/PND/CEE	
2	D00T31001	1	CDROM ASSY	ADS-3000N	FOR US/CAN/GER/UK/ASA/GUL/ BRZ/KOR/IND/OCE/PND/CEE	ADD
2	LD1994001	1	CDROM ASSY*	ADS-3000N	FOR CHN	
2	D00T32001	1	CDROM ASSY	ADS-3000N	FOR CHN	ADD
2	LD1995001	1	CDROM ASSY*	ADS-3600W	FOR US/CAN/GER/UK/TWN/ARG/ CHL/ASA/GUL/BRZ/KOR/IND/OCE/ PND/CEE	
2	D00T33001	1	CDROM ASSY	ADS-3600W	FOR US/CAN/GER/UK/TWN/ARG/ CHL/ASA/GUL/BRZ/KOR/IND/OCE/ PND/CEE	ADD
2	LD1996001	1	CDROM ASSY*	ADS-3600W	FOR CHN	
2	D00T34001	1	CDROM ASSY	ADS-3600W	FOR CHN	ADD

\* Check the production information with the serial number.  
 These parts were used in all products manufactured before [L7G].

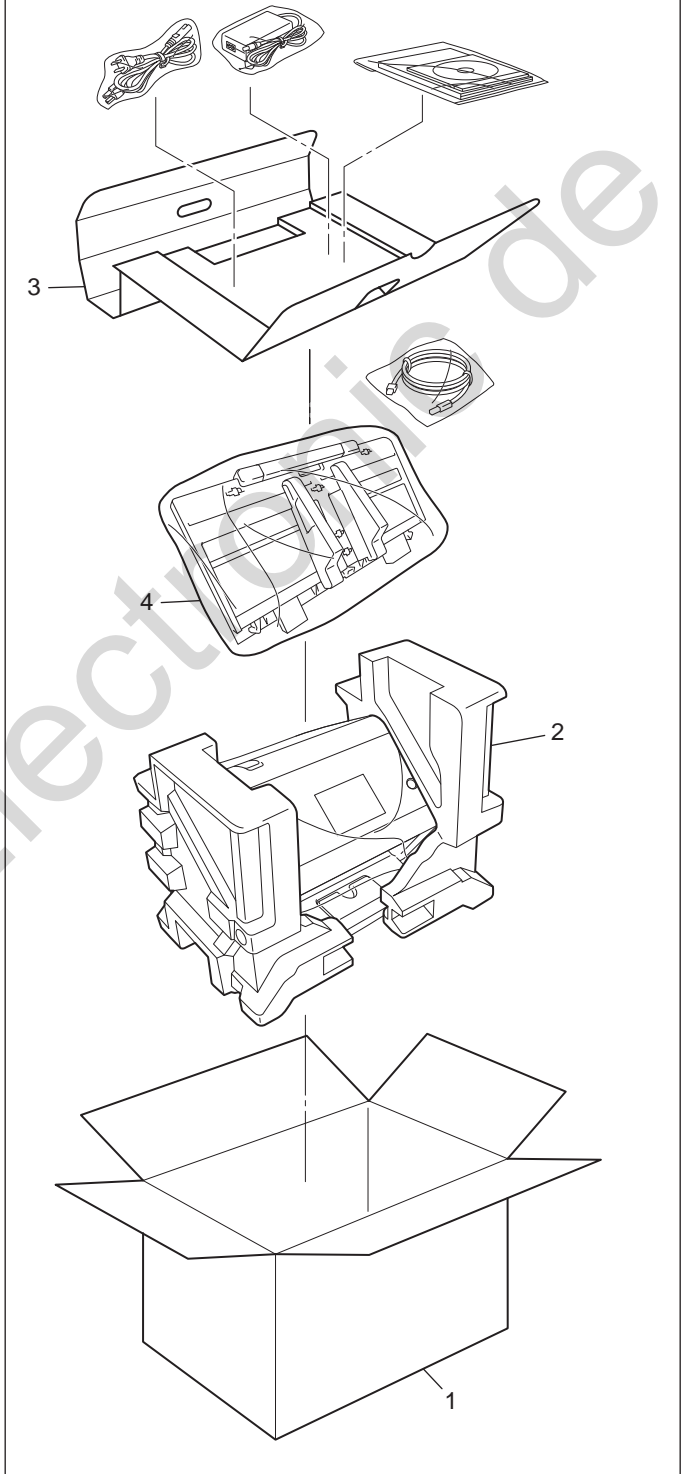


8.PACKING

<ADS-2400N/3000N>



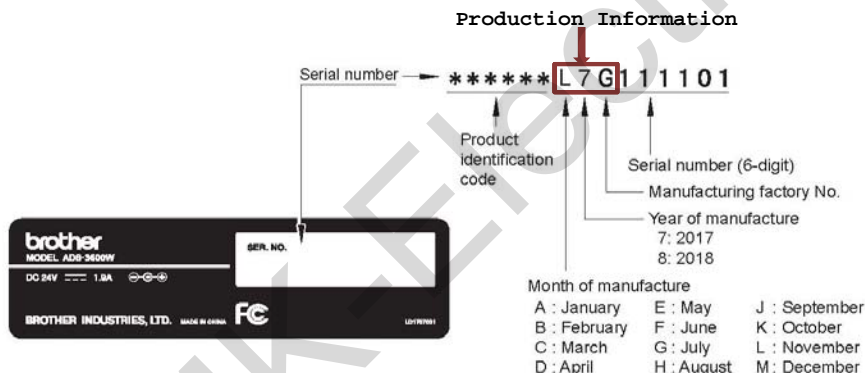
<ADS-2800W/3600W>

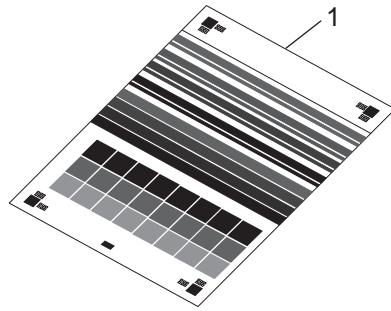


8. PACKING

REF NO.	CODE	Q'TY	DESCRIPTION	MODEL	SPEC	REMARKS
1	LD1713001	1	CARTON*	ADS-2400N	FOR US/CAN/ARG/CHL/BRZ	
1	D00U6V001	1	CARTON	ADS-2400N	FOR US/CAN/ARG/CHL/BRZ	ADD
1	LD1716001	1	CARTON*	ADS-2400N	FOR GER/UK/PND/CEE	
1	D00U6W001	1	CARTON	ADS-2400N	FOR GER/UK/PND/CEE	ADD
1	LD1858001	1	CARTON	ADS-2400N	FOR CHN	
1	LD1857001	1	CARTON*	ADS-2400N	FOR TWN/ASA/GUL/KOR/IND/OCE	
1	D00U6Y001	1	CARTON	ADS-2400N	FOR TWN/ASA/GUL/KOR/IND/OCE	ADD
1	LD2002001	1	CARTON*	ADS-2800W	FOR US/CAN/ARG/CHL/BRZ	chg
1	D00U6Z001	1	CARTON	ADS-2800W	FOR US/CAN/ARG/CHL/BRZ	ADD
1	LD1773001	1	CARTON*	ADS-2800W	FOR GER/UK/PND/CEE	
1	D00U70001	1	CARTON	ADS-2800W	FOR GER/UK/PND/CEE	ADD
1	LD1860001	1	CARTON	ADS-2800W	FOR CHN	
1	LD1859001	1	CARTON*	ADS-2800W	FOR TWN/ASA/GUL/KOR/IND/OCE	
1	D00U72001	1	CARTON	ADS-2800W	FOR TWN/ASA/GUL/KOR/IND/OCE	ADD
1	D00Z5B001	1	CARTON	ADS-3000N	FOR US/CAN/BRZ	CHG
1	LD1806001	1	CARTON	ADS-3000N	FOR GER/UK/PND/CEE	
1	LD1862001	1	CARTON	ADS-3000N	FOR CHN	
1	LD1861001	1	CARTON	ADS-3000N	FOR ASA/GUL/KOR/IND/OCE	
1	D00Z5C001	1	CARTON	ADS-3600W	FOR US/CAN/BRZ/ARG/CHL	CHG
1	LD1746001	1	CARTON	ADS-3600W	FOR GER/UK/PND/CEE	
1	LD1864001	1	CARTON	ADS-3600W	FOR CHN	
1	LD1863001	1	CARTON	ADS-3600W	FOR TWN/ASA/GUL/KOR/IND/OCE	
2	LD1403001	1	POLYSTYRENE PAD ASSY ADS2			
3	LD1406001	1	ACCESSORY PAD ADS2			
4	LD1407001	1	BAG 570X450H			

\* Check the production information with the serial number.  
 These parts were used in all products manufactured before [L7G].





www MK-Electronic.de

9. OTHERS

REF No.	CODE	Q'TY	DESCRIPTION	MODEL	SPEC	REMARKS
1	LD1625001	1	TEST CHART DS-001			

www MK-Electronic de