



**FACSIMILE EQUIPMENT**

**PARTS REFERENCE LIST**

**MODEL: FAX-270MC / 290MC**

**MFC370MC / 390MC**

**(For U.S.A. / Canada / Gulf / Mexico)**

© Copyright Brother 1996

All rights reserved

No part of this publication may be reproduced in any form or by any means without permission in writing from the publisher.

Specifications are subject to change without prior notice.

## NOTES FOR USING THIS PARTS REFERENCE LIST

1. In the case of ordering parts, it needs mentioning the following items:

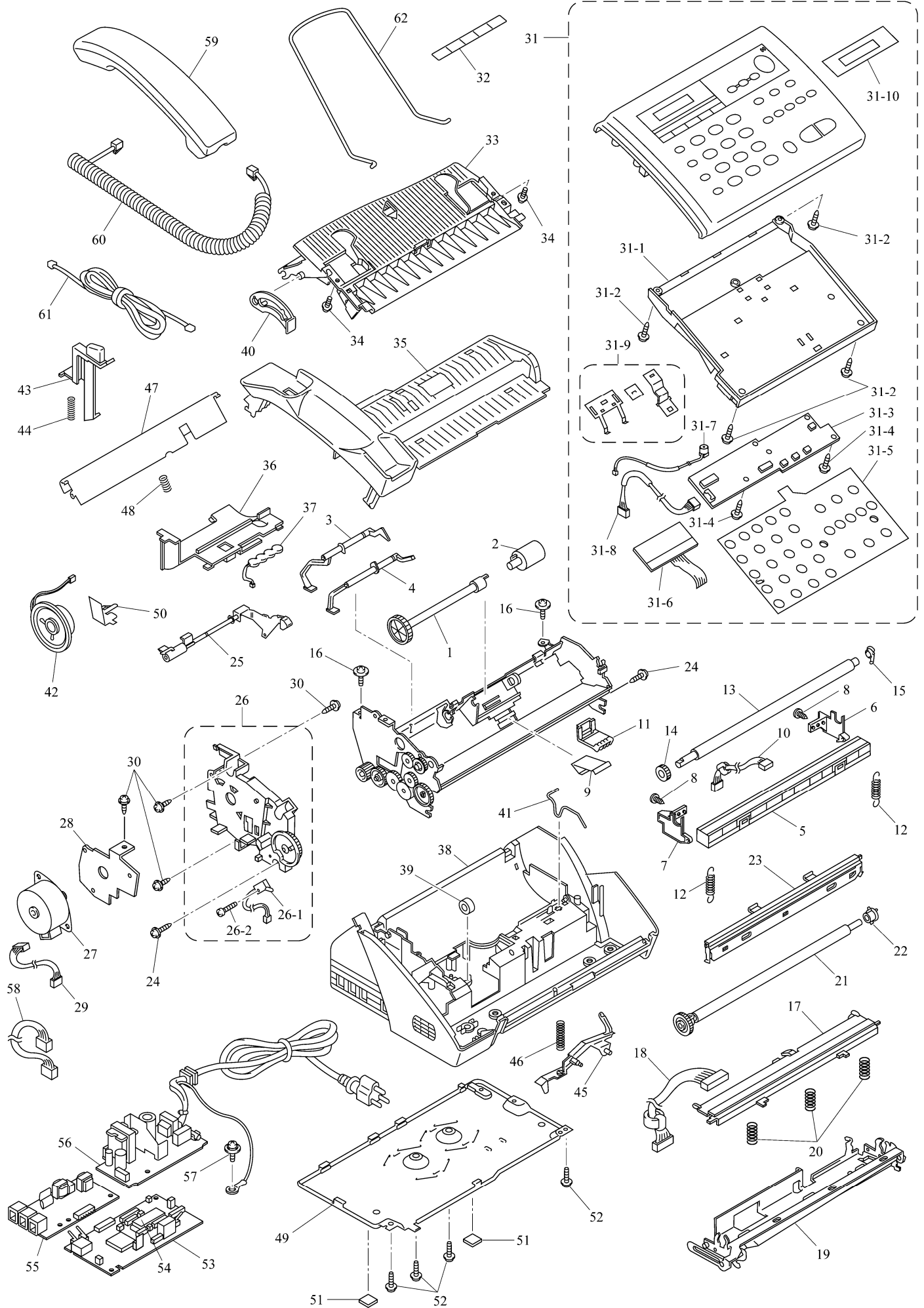
- (1) Code
- (2) Q' ty
- (3) Description

Note: No orders without Parts Code or Tool No. can be accepted.

[Example]

REF.NO.	CODE	Q' TY	DESCRIPTION	REMARKS

2. Parts change will be informed by the technical information.



REF.NO.	CODE	QTY	DESCRIPTION	REMARKS
1	UF6612000	1	SEPARATION ROLLER GEAR	
2	UF6613001	1	SEPARATION ROLLER	
3	UF6625001	1	ACTUATOR F	
4	UF6626001	1	ACTUATOR R	
5	UF6675001	1	CIS	
6	UF6628000	1	CIS HOLDER, R	
7	UF6629000	1	CIS HOLDER, L	
8	087310815	2	TAPTITE, CUP B M3X8	
9	UF6646001	1	CIS LEAF SPRING	
10	UG3645001	1	CIS-MAIN HARNESS	
11	UF6645000	1	CIS HOLDER PLATE	
12	UF6630001	2	SPRING, COIL	
13	UF6618001	1	WHITE PRESSURE ROLLER	
14	UF6620000	1	WHITE PRESSURE ROLLER GEAR	
15	UF6638001	1	BUSHING, R	
16	087310815	2	TAPTITE, CUP B M3X8	
17	UF6677001	1	RECORDING HEAD ASSY	
18	UG3646001	1	MAIN-HEAD HARNESS	
19	UF6676001	1	CUTTER ASSY	
20	UF5535001	3	SPRING, COMPRESSION	
21	UF6706001	1	PLATEN ASSY	
22	UF6711000	1	BUSHING, R	
23	UF2489001	1	CUTTER CHUTE	
24	087320815	2	TAPTITE, CUP S M3X8	
25	UF6631001	1	TH RELEASE LEVER ASSY	
26	UF6650001	1	DRIVING GEAR UNIT	
26	UG3511001	1	CUTTER SENSOR ASSY	
26	UF6622001	1	TAPTITE,PAN B M1.6X8	
27	Z26317001	1	MOTOR	
28	UF6665000	1	MOTOR BRACKET	
29	UG3512001	1	MAIN-MOTOR HARNESS	
30	U24014001	4	TAPTITE, CUP S M3.0X6	
31	UF6988001	1	CONTROL PANEL ASSY, GRAY(1395) FOR FAX270MC	
31	UF6984001	1	CONTROL PANEL ASSY, GRAY(1395) FOR FAX290MC	
31	UF6985002	1	CONTROL PANEL ASSY, WHITE(1138) FOR MFC370MC	
31	UF6985001	1	CONTROL PANEL ASSY, WHITE(1138) FOR MFC390MC	
31-1	UF6810001	1	PANEL REAR COVER	
31-2	087310815	4	TAPTITE, CUP B M3X8	
31-3	UF8786001	1	PANEL PCB ASSY	
31-4	UA0272001	2	TAPTITE, CUP B M2.6X8	
31-5	UF6680001	1	FPC KEY	
31-6	UF6459001	1	LCD	
31-7	UG3636001	1	MICROPHONE	
31-8	UG3616001	1	PANEL-MAIN HARNESS	
31-9	UF6681001	1	ADF PLATE ASSY	
31-10	UF6815001	1	LCD SHEET, BLACK(010) FOR FAX270MC/290MC	
31-10	UF8779001	1	LCD SHEET, BLACK(010) FOR MFC370MC/390MC	
32	UF3997001	1	ADDRESS LABEL	
33	UF6829001	1	RECORDING PAPER COVER ASSY, GRAY(1395) FOR FAX270MC/290MC	
33	UF6829004	1	RECORDING PAPER COVER ASSY, WHITE(1138) FOR MFC370MC/390MC	
34	087311015	2	TAPTITE, CUP B M3X10	
35	UF6751001	1	INNER COVER, GRAY(1395) FOR FAX270MC/290MC	
35	UF6751004	1	INNER COVER, WHITE(1138) FOR MFC370MC/390MC	
36	UF6752001	1	ROM COVER, GRAY(1395) FOR FAX270MC/290MC	

REF.NO.	CODE	QTY	DESCRIPTION	REMARKS
36	UF6752004	1	ROM COVER, WHITE(1138) FOR MFC370MC/390MC	
37	UG3732001	1	BATTERY ASSY	
38	UF8733001	1	MAIN COVER, GRAY(1395) FOR FAX270MC/290MC	
38	UF8733004	1	MAIN COVER, WHITE(1138) FOR MFC370MC/390MC	
39	UG3005000	1	FERRITE CORE:16X8X10	
40	UF6753000	1	PANEL LOCK LINK	
41	UF6763001	1	ACS GROUND SPRING	
42	UG3846001	1	SPEAKER ASSY	
43	UF6754001	1	HOOK LEVER, GRAY(1395) FOR FAX270MC/290MC	
43	UF6754004	1	HOOK LEVER, WHITE(1138) FOR MFC370MC/390MC	
44	UF6932001	1	SPRING, COMPRESSION	
45	UF6756001	1	ACTUATOR PE	
46	UF6755001	1	SPRING, COMPRESSION	
47	UF6758000	1	ACS PLATE	
48	UF6759001	1	SPRING, COMPRESSION	
49	UF6760000	1	BOTTOM PLATE	
50	UF6762000	1	GROUNDING PLATE	
51	UF6761001	2	RUBBER	
52	087310815	4	TAPTITE, CUP B M3X8	
53	UF6983001	1	MAIN PCB SUB ASSY	
54	UG2902001	1	MASK ROM-C	
55	UF6981047	1	NCU PCB ASSY	
56	UF6684001	1	POWER SUPPLY PCB ASSY (WITH AC CORD) FOR USA/CAN/MEX/BRA	
56	UF2950001	1	POWER SUPPLY PCB ASSY (WITHOUT AC CORD) FOR GUL/RUS	
(56-1)	UG3308001	1	AC CORD ASSY FOR GUL/RUS	
57	UF4444001	1	SCREW, PAN(P WASHER) M4X6	
58	UG3517001	1	POWER-MAIN HARNESS	
59	UF6857001	1	HANDSET, GRAY(1395) FOR FAX270MC/290MC	
59	UF6857003	1	HANDSET, WHITE(1138) FOR MFC370MC/390MC	
60	UG3543001	1	HANDSET CURLED CORD ASSY, GRAY(1395) FOR FAX270MC/290MC	
60	UG3543003	1	HANDSET CURLED CORD ASSY, WHITE(1138) FOR MFC370MC/390MC	
61	UG1570001	1	TELEPHONE LINE CORD FOR USA/GUL/MEX/BRA/RUS	
61	UG3565001	1	TELEPHONE LINE CORD FOR CAN	
62	UF6820000	1	DOCUMENT TRAY	
(63)	UF6832001	1	THERMAL PLUS LABEL FOR US/GUL/MEX/BRA/RUS	
(63)	UF2964001	1	THERMAL PLUS LABEL FOR CAN	
(64)	UF6833001	1	R-PAPER INSERTION LABEL FOR USA/GUL/MEX/BRA/RUS	
(64)	UF8996001	1	R-PAPER INSERTION LABEL FOR CAN	
(65)	UF0829001	1	R-PAPER INSTALLATION LABEL FOR USA/GUL/MEX/BRA/RUS	
(65)	UF6769001	1	R-PAPER INSTALLATION LABEL FOR CAN	
(66)	UF6840001	1	TH PROTECTION SHEET FOR USA/MEX/RUS	
(66)	UF6840001	2	TH PROTECTION SHEET FOR USA/CAN/BRA/MEX/GUL	
(67)	UF8762001	1	OWNER'S MANUAL FOR USA	
(67)	UF8763001	1	OWNER'S MANUAL FOR CAN (ENGLISH)	
(67)	UF8764001	1	OWNER'S MANUAL FOR CAN (FRENCH)	
(67)	UF8839001	1	OWNER'S MANUAL FOR GUL	
(67)	UF2652001	1	OWNER'S MANUAL FOR RUS	
(68)	UF5439001	1	WARRANTY CARD, FAX270MC/290MC FOR USA	
(68)	UF9139001	1	WARRANTY CARD, MFC370MC/390MC FOR USA	
(68)	<del>U88457001</del>	4	<del>WARRANTY CARD FOR CAN (ENGLISH)</del>	<ELIMINATED>
(68)	<del>U88458001</del>	4	<del>WARRANTY CARD FOR CAN (FRENCH)</del>	<ELIMINATED>
(68)	UF8934001	1	WARRANTY CARD FOR CAN	
(69)	UF6212001	1	TEST SHEET FOR USA	
(70)	UF8765001	1	QUICK REFERENCE GUIDE FOR USA/CAN (ENGLISH)	
(70)	UF8766001	1	QUICK REFERENCE GUIDE FOR CAN (FRENCH)	

REF.NO.	CODE	QTY	DESCRIPTION	REMARKS
(70)	UF8840001	1	QUICK REFERENCE GUIDE FOR GUL (ENGLISH)	
(70)	UF8841001	1	QUICK REFERENCE GUIDE FOR GUL (ARABIC)	
(70)	UF2653001	1	QUICK REFERENCE GUIDE FOR RUS	
(71)	UF8767001	1	REMOTE CONTROL GUIDE FOR USA/CAN/GUL/RUS(ENGLISH)	
(71)	UF8768001	1	REMOTE CONTROL GUIDE FOR CAN (FRENCH)	
<del>(71)</del>	<del>UF8842001</del>	<del>4</del>	<del>REMOTE CONTROL GUIDE FOR GUL (ENGLISH)</del>	<ELIMINATED>
(72)	UE1589001	1	CARTON, BROTHER FAX270MC FOR CAN	
(72)	UE1938001	1	CARTON, BROTHER FAX270MC FOR BRA	
(72)	UE1559001	1	CARTON, BROTHER FAX290MC FOR USA/MEX	
(72)	UE1560001	1	CARTON, BROTHER FAX290MC FOR CAN	
(72)	UE1576001	1	CARTON, BROTHER FAX290MC FOR GUL	
(72)	UE1981001	1	CARTON, BROTHER FAX290MC FOR RUS	
(72)	UE1555001	1	CARTON, BROTHER MFC370MC FOR USA	
(72)	UE1556001	1	CARTON, BROTHER MFC370MC FOR CAN	
(72)	UE1561001	1	CARTON, BROTHER MFC390MC FOR USA	
(72)	UE1562001	1	CARTON, BROTHER MFC390MC FOR CAN	
(73)	UE1451001	1	STYROFOAM	
<del>(74)</del>	<del>UF8956001</del>	<del>4</del>	<del>POP/270MC FOR CAN</del>	<ELIMINATED>
<del>(74)</del>	<del>UF8774001</del>	<del>4</del>	<del>POP/290MC FOR USA/MEX</del>	
<del>(74)</del>	<del>UF8775001</del>	<del>4</del>	<del>POP/290MC FOR CAN</del>	<ELIMINATED>
(74)	UF8769001	1	POP/370MC FOR USA	
<del>(74)</del>	<del>UF8770001</del>	<del>4</del>	<del>POP/370MC FOR CAN</del>	<ELIMINATED>
(74)	UF8783001	1	POP/390MC FOR USA	
<del>(74)</del>	<del>UF8784001</del>	<del>4</del>	<del>POP/390MC FOR CAN</del>	<ELIMINATED>
(74)	UF2577001	1	POP/FAX290MC FOR RUS	
75	UF6891001	1	WIPPING CLOTH ASSY	
76	UF8263001	1	TEST CHART-027	
76	UF9333001	1	TEST CHART-028	
77	UF8997001	1	ADJUSTING SHEET, A	
77	UF8998001	1	ADJUSTING SHEET, B	
78	UF3961001	1	PAPER GUIDE ASSY	
79	UF4225001	1	STARTER THERMAL PAPER (10M)	
(80)	UF6925001	1	PAPER GUIDES FOR GUL/RUS	
(81)	UF2956001	1	PANEL BILINGUAL LABEL FAX270MC/290MC FOR CAN	
(82)	LE0018001	1	INSULATION SHEET	

**brother**®