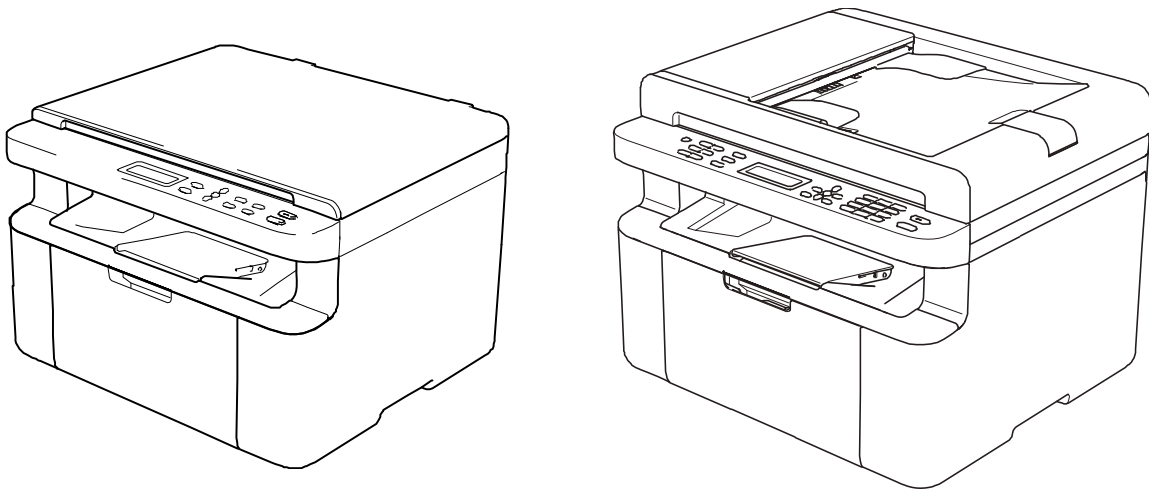




## Laser MFC

# **PARTS REFERENCE LIST**

**Models without fan:  
DCP-1510/1511/1512/1518  
MFC-1810/1811/1813/1815/1818**



Read this list thoroughly before maintenance work.

Keep this list in a convenient place for quick and easy reference at all times.

## NOTE FOR USING THIS PARTS REFERENCE LIST

1. In the case of ordering parts, it is necessary to mention the following items:

- (1) Code
- (2) Q'ty
- (3) Description

<Example>

	(1)	(2)	(3)			
REFNo.	CODE	Q'TY	DESCRIPTION	MODEL	SPEC	REMARKS

2. Design-changed parts:

If any of the parts is changed, one of the following symbols is indicated in the REMARK column.

CHG (chg): The part is changed for a new one.

ADD (add): The part is newly added.

DEL (del): The part is deleted.

Symbol in capital letters indicates the latest parts change information in the page.

3. Parts change will be informed by the Parts change information.

4. Parts are subject to change in design without prior notice.

## COUNTRIES & AREAS

GER ----- GERMANY

UK ----- UNITED KINGDOM

FRA ----- FRANCE

BEL ----- BELGIUM

NLD ----- NETHERLANDS

CHE ----- SWITZERLAND

ITA ----- ITALY

VNM----- VIETNAM

CHN ----- CHINA

TWN ----- TAIWAN

TUR ----- TURKEY

IDN ----- INDONESIA

ARG ----- ARGENTINA

CHL----- CHILE

POL ----- POLAND

BRA----- BRAZIL

KOR ----- KOREA

IND ----- INDIA

MEX ----- MEXICO

RUS ----- RUSSIA

OCE ----- OCEANIA

(AUSTRALIA & NEW ZEALAND

PND ----- PAN-NORDIC

(NORWAY/FINLAND/DENMARK/SWEDEN)

CEE----- CEE GENERAL

IBR ----- IBERIA (SPAIN & PORTUGUAL)

MYS ----- MALAYSIA

PER ----- PERU

UAE ----- UNITED ARAB EMIRATES

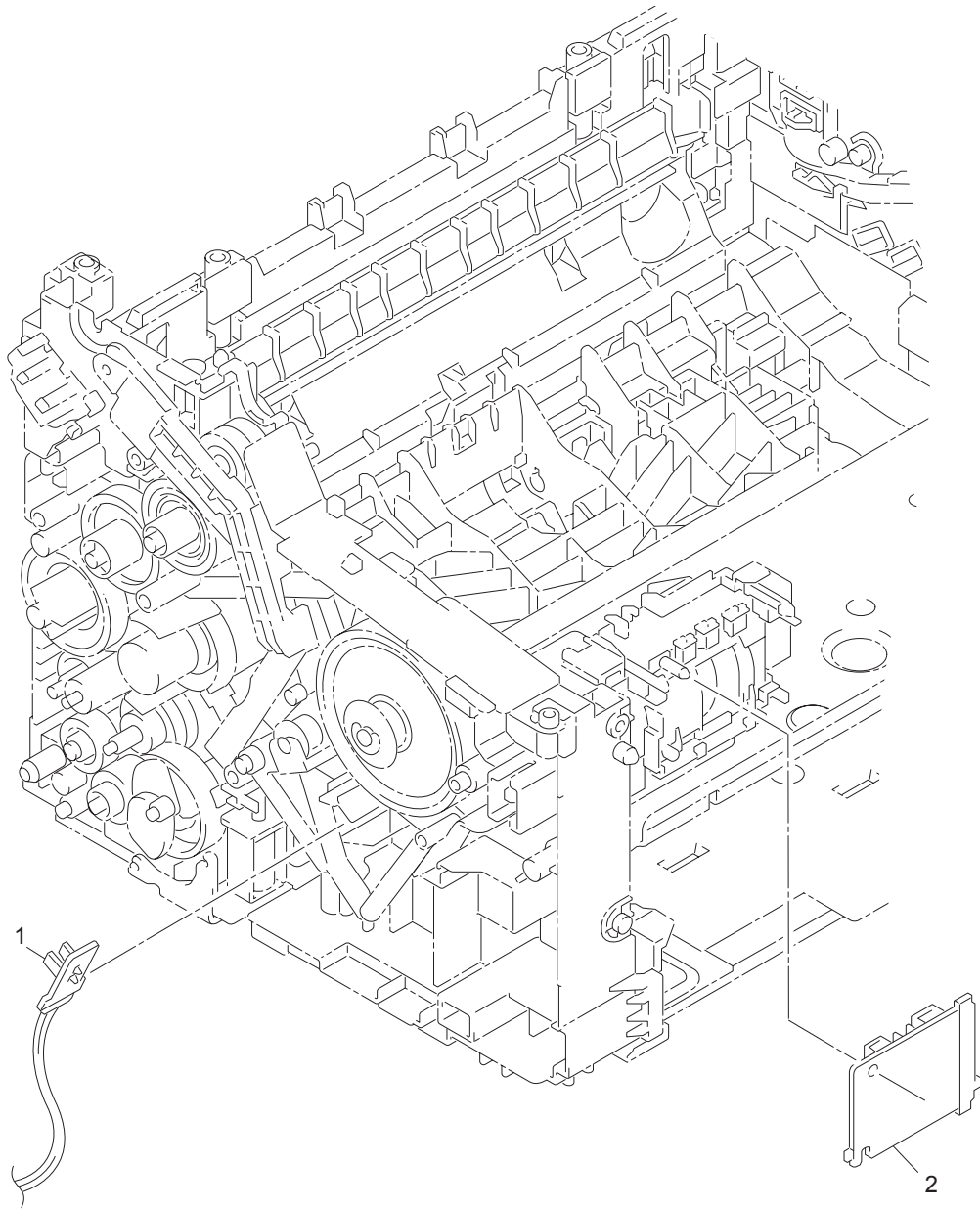
MENA ----- MIDDLE EAST AND

NORTH AFRICA

# CONTENTS

1.	<u>FRAME L &amp; DRIVE UNIT</u> .....	1
2.	<u>PAPER FEEDER</u> .....	3
3.	<u>FRAME</u> .....	5
4.	<u>LASER UNIT</u> .....	7
5.	<u>FUSER UNIT</u> .....	9
6.	<u>COVERS &amp; LABELS</u> .....	11
7.	<u>DOCUMENT SCANNER</u> .....	14
8.	<u>ADF &amp; DOCUMENT COVER ASSY</u> .....	16
9.	<u>PANEL</u> .....	19
10.	<u>PCB</u> .....	22
11.	<u>ACCESSORIES</u> .....	26
12.	<u>PRINTED MATERIALS</u> .....	28
13.	<u>PACKING MATERIALS</u> .....	31

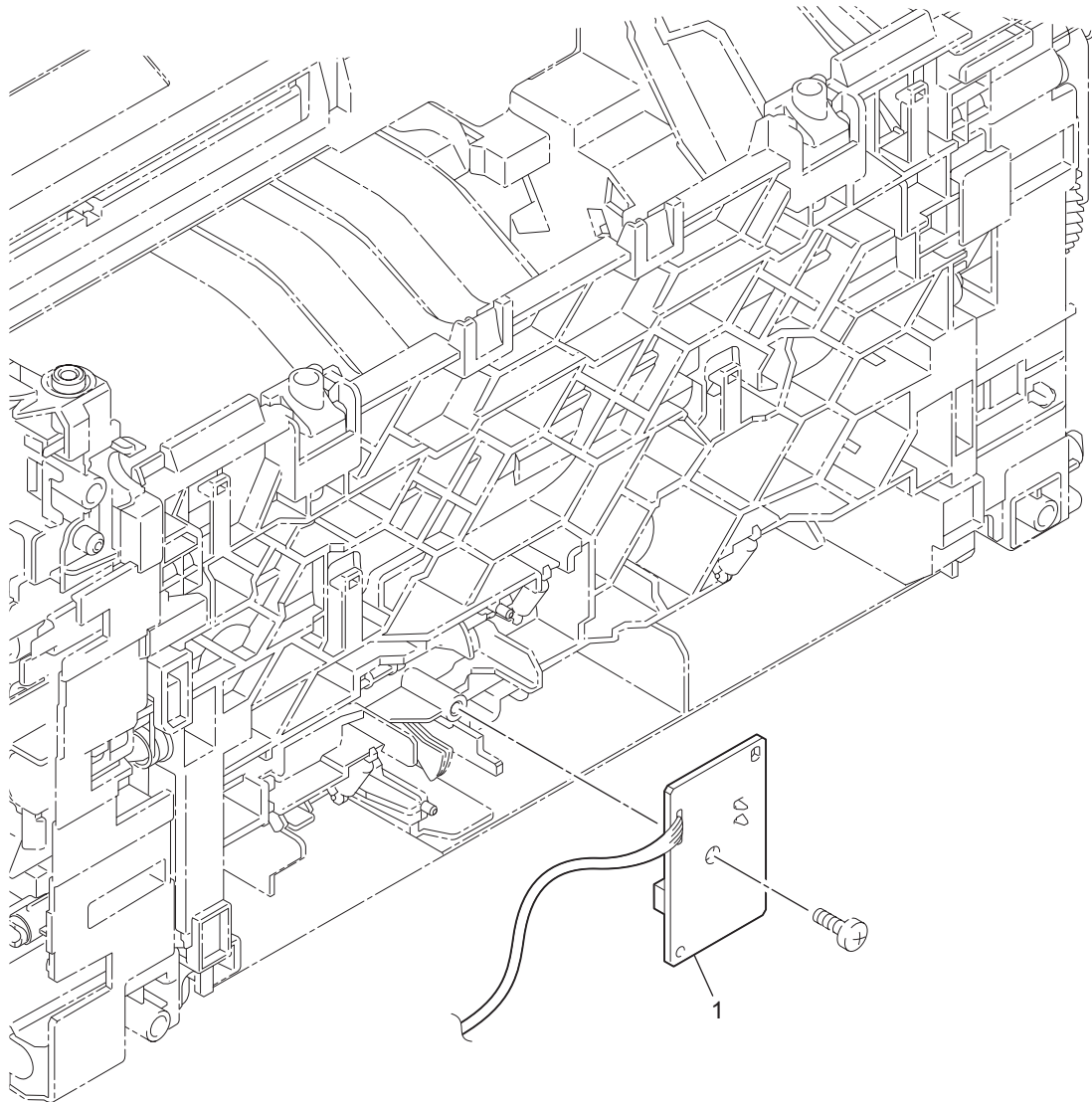
# 1. FRAME L & DRIVE UNIT



1.FRAME L & DRIVE UNIT

REF No.	CODE	Q'T Y	DESCRIPTION	MODEL	SPEC	REMARKS
1	LV1004001	1	NEW TONER SENSOR PCB ASSY			
2	LV0997001	1	MOTOR ENCODER PCB ASSY			

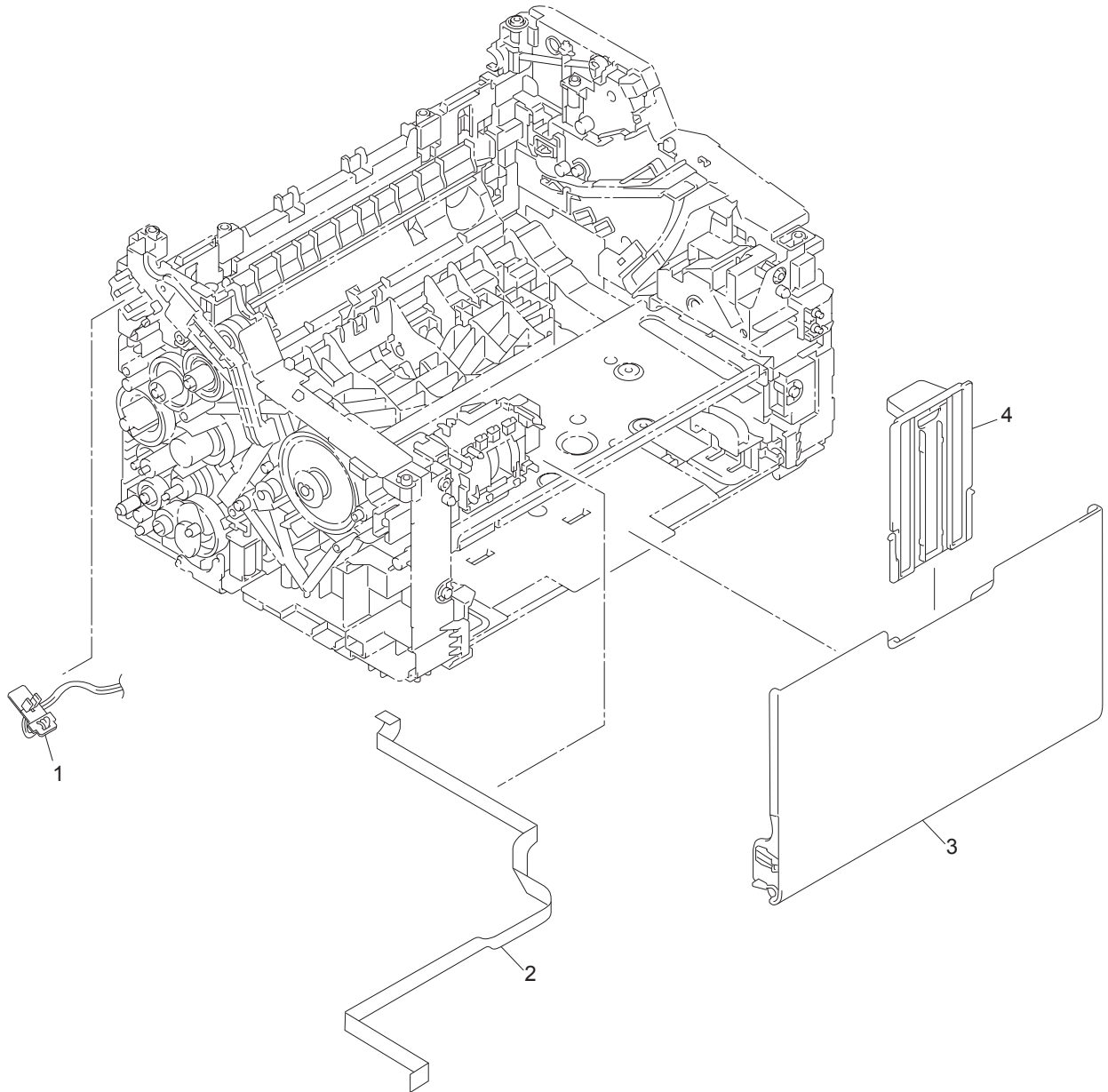
## 2. PAPER FEEDER



2.PAPER FEEDER

REF No.	CODE	Q'T Y	DESCRIPTION	MODEL	SPEC	REMARKS
1	LV1002001	1	PAPER FEED/PAPER PRINTING POSITION SENSOR PCB ASSY			

### 3. FRAME

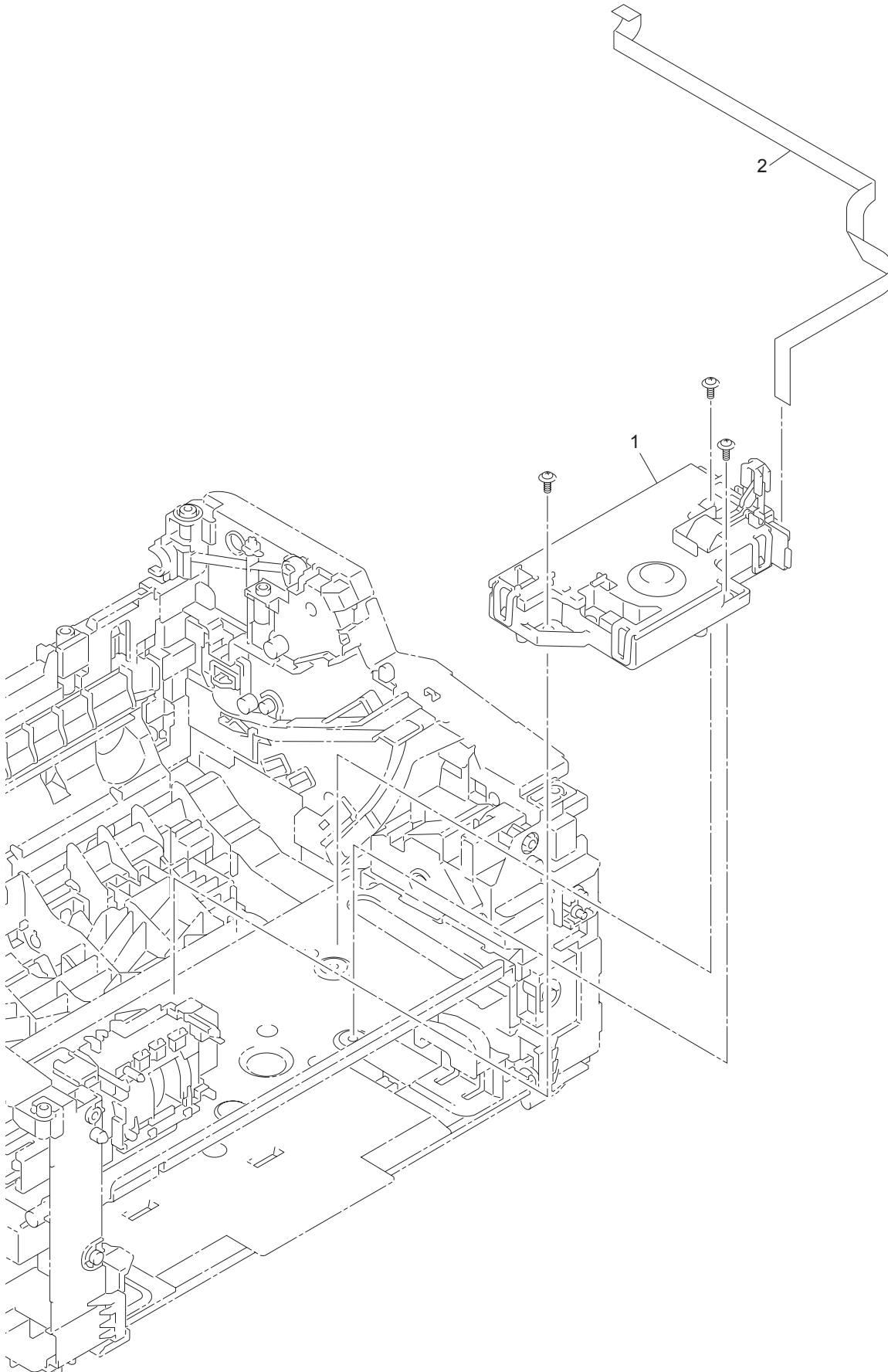




3.FRAME

REF No.	CODE	Q'T Y	DESCRIPTION	MODEL	SPEC	REMARKS
1	LV0996001	1	EJECT SENSOR PCB ASSY			
2	LV1003001	1	MOTOR ENCODER PCB FLAT CABLE			
3	LEH189001	1	TRAY COVER ASSY	DCP-1510	FOR GER/UK/FRA/BEL/NLD/CHE/ ITA/PND/IBR	
3	LEH188001	1	TRAY COVER ASSY	DCP-1510	FOR TWN/IDN/KOR/OCE/MYS/ UAE/MENA	
3	LEH188001	1	TRAY COVER ASSY	DCP-1510E		
3	LEH188001	1	TRAY COVER ASSY	DCP-1510R		
3	LEH188001	1	TRAY COVER ASSY	DCP-1511		
3	LEH189002	1	TRAY COVER ASSY	DCP-1512	FOR GER/UK/FRA/ITA/PND	
3	LEH188002	1	TRAY COVER ASSY	DCP-1512	FOR ARG/CHL/BRA/MEX/PER	
3	LEH188002	1	TRAY COVER ASSY	DCP-1512E		
3	LEH188002	1	TRAY COVER ASSY	DCP-1512R		
3	LEH189001	1	TRAY COVER ASSY	DCP-1518		
3	LEH189001	1	TRAY COVER ASSY	MFC-1810	FOR GER/UK/FRA/BEL/NLD/CHE/ ITA/IBR	
3	LEH188001	1	TRAY COVER ASSY	MFC-1810	FOR IDN/KOR/MEX/OCE/MYS/ UAE/MENA	
3	LEH188001	1	TRAY COVER ASSY	MFC-1810E		
3	LEH188001	1	TRAY COVER ASSY	MFC-1810R		
3	LEH188001	1	TRAY COVER ASSY	MFC-1811		
3	LEH189001	1	TRAY COVER ASSY	MFC-1813		
3	LEH188001	1	TRAY COVER ASSY	MFC-1815		
3	LEH188001	1	TRAY COVER ASSY	MFC-1815R		
3	LEH189001	1	TRAY COVER ASSY	MFC-1818		
4	LY8120001	1	PAPER REAR GUIDE			

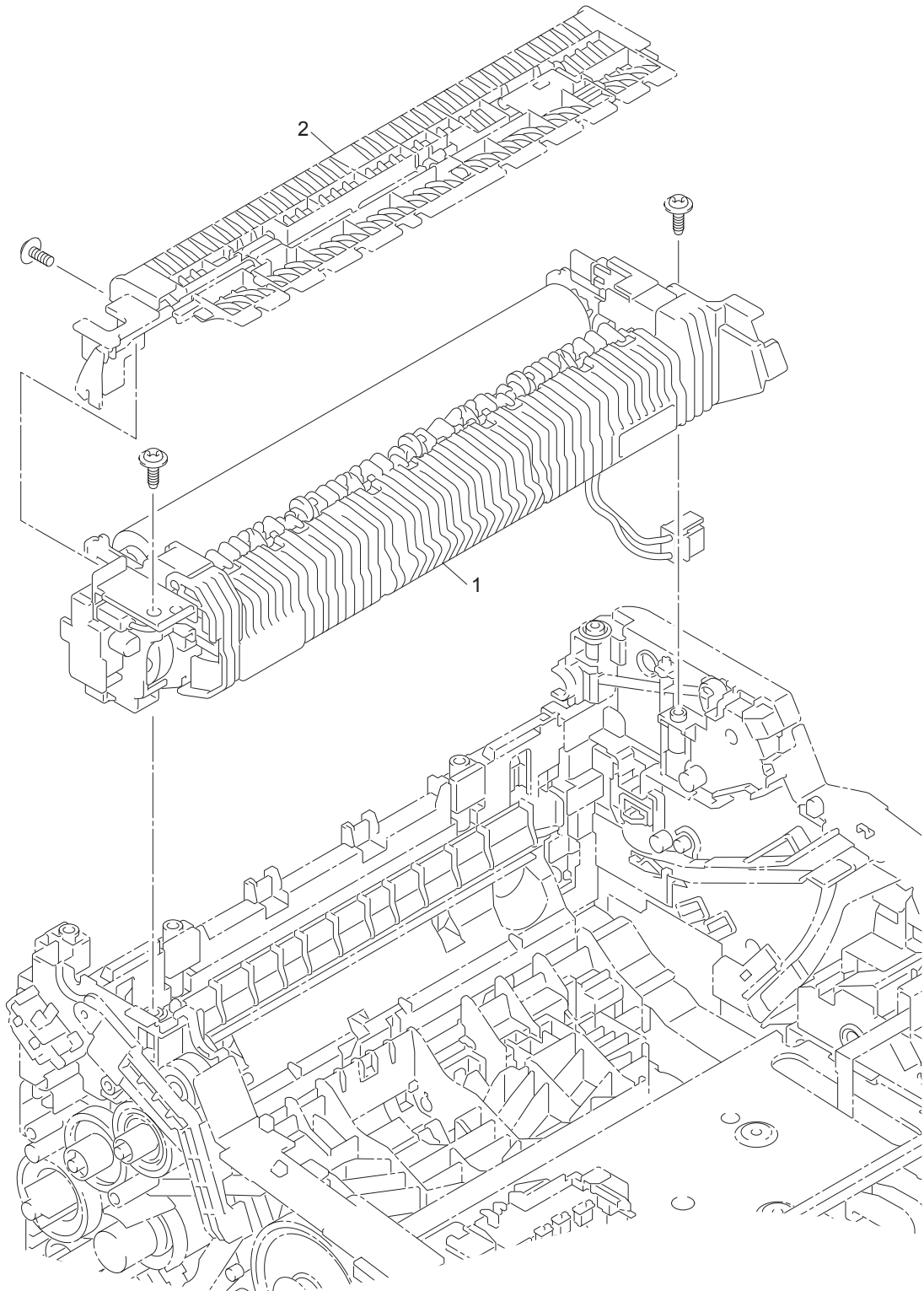
#### 4. LASER UNIT



4.LASER UNIT

REF No.	CODE	Q'T Y	DESCRIPTION	MODEL	SPEC	REMARKS
1	LY8319001	1	LASER UNIT (SP)			
2	LV1011001	1	LASER UNIT FLAT CABLE			

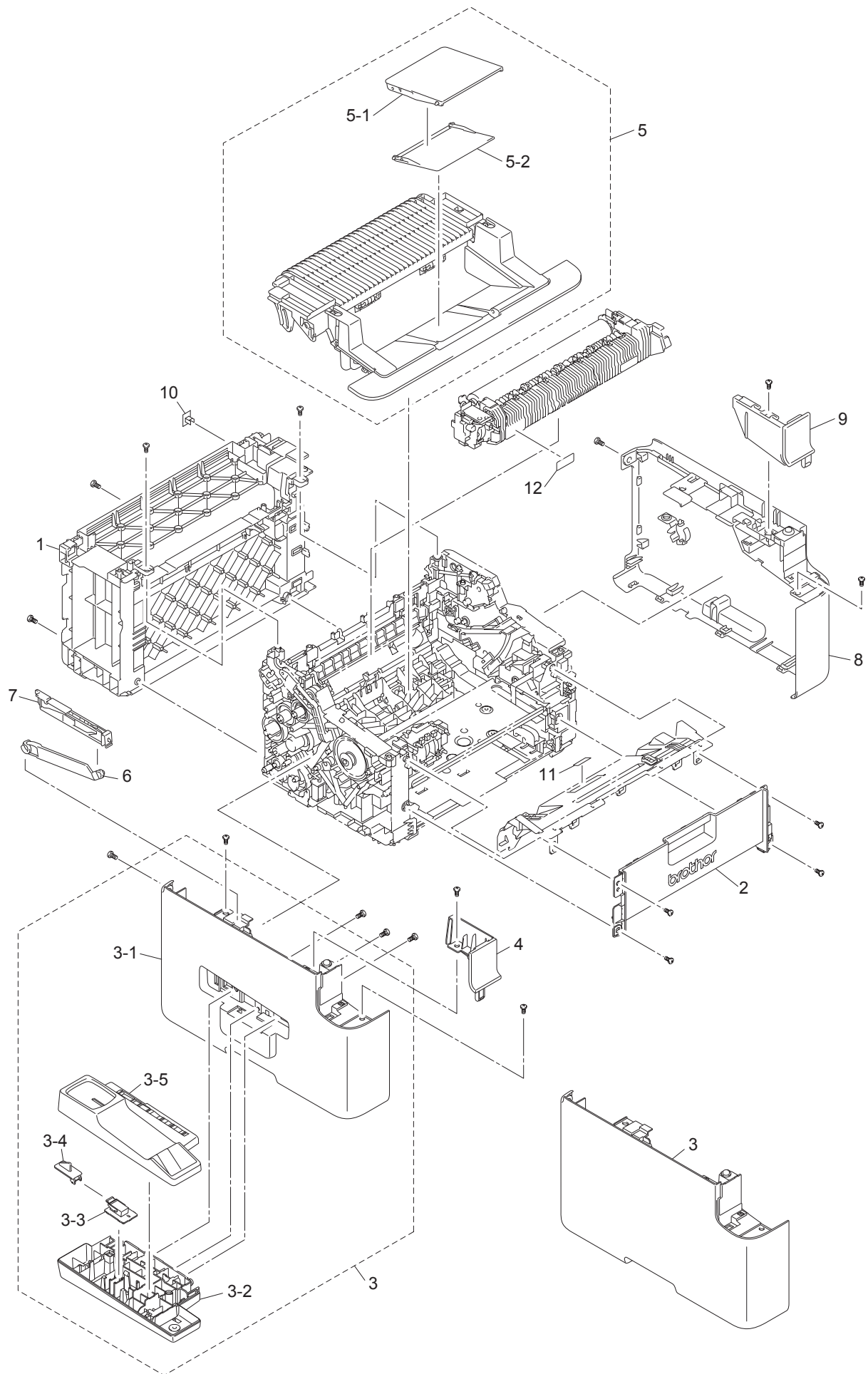
## 5. FUSER UNIT



5.FUSER UNIT

REF No.	CODE	Q'T Y	DESCRIPTION	MODEL	SPEC	REMARKS
1	LY8330001	1	FUSER UNIT 230V (SP)	DCP-1510	FOR GER/UK/FRA/BEL/NLD/CHE/ ITA/IDN/KOR/OCE/PND/IBR/ MYS/UAEMENA	
1	LY8329001	1	FUSER UNIT 115V (SP)	DCP-1510	FOR TWN	
1	LY8330001	1	FUSER UNIT 230V (SP)	DCP-1510E		
1	LY8330001	1	FUSER UNIT 230V (SP)	DCP-1510R		
1	LY8330001	1	FUSER UNIT 230V (SP)	DCP-1511		
1	LY8330001	1	FUSER UNIT 230V (SP)	DCP-1512	FOR GER/UK/FRA/ITA/ARG/CHL/ PND/PER	
1	LY8329001	1	FUSER UNIT 115V (SP)	DCP-1512	FOR BRA/MEX	
1	LY8330001	1	FUSER UNIT 230V (SP)	DCP-1512E		
1	LY8330001	1	FUSER UNIT 230V (SP)	DCP-1512R		
1	LY8330001	1	FUSER UNIT 230V (SP)	DCP-1518		
1	LY8330001	1	FUSER UNIT 230V (SP)	MFC-1810	FOR GER/UK/FRA/BEL/NLD/ CHE/ITA/IDN/KOR/OCE/IBR/ MYS/UAEMENA	
1	LY8329001	1	FUSER UNIT 115V (SP)	MFC-1810	FOR MEX	
1	LY8330001	1	FUSER UNIT 230V (SP)	MFC-1810E		
1	LY8330001	1	FUSER UNIT 230V (SP)	MFC-1810R		
1	LY8330001	1	FUSER UNIT 230V (SP)	MFC-1811		
1	LY8330001	1	FUSER UNIT 230V (SP)	MFC-1813		
1	LY8330001	1	FUSER UNIT 230V (SP)	MFC-1815	FOR TUR/IDN/ARG/KOR/MYS/ UAEMENA	
1	LY8329001	1	FUSER UNIT 115V (SP)	MFC-1815	FOR TWN	
1	LY8330001	1	FUSER UNIT 230V (SP)	MFC-1815R		
1	LY8330001	1	FUSER UNIT 230V (SP)	MFC-1818		
2	LEH826001	1	INSULATION ROOF ASSY (SP)			CHG

## 6. COVERS & LABELS



6.COVERS & LABELS

REF No.	CODE	Q'T Y	DESCRIPTION	MODEL	SPEC	REMARKS
1	LEH190001	1	BACK COVER	DCP-1510		
1	LEH190001	1	BACK COVER	DCP-1510E		
1	LEH190001	1	BACK COVER	DCP-1510R		
1	LEH190001	1	BACK COVER	DCP-1511		
1	LEH190002	1	BACK COVER	DCP-1512		
1	LEH190002	1	BACK COVER	DCP-1512E		
1	LEH190002	1	BACK COVER	DCP-1512R		
1	LEH190001	1	BACK COVER	DCP-1518		
1	LEH006001	1	BACK COVER	MFC-1810		
1	LEH006001	1	BACK COVER	MFC-1810E		
1	LEH006001	1	BACK COVER	MFC-1810R		
1	LEH006001	1	BACK COVER	MFC-1811		
1	LEH006001	1	BACK COVER	MFC-1813		
1	LEH191001	1	BACK COVER	MFC-1815		
1	LEH191001	1	BACK COVER	MFC-1815R		
1	LEH191001	1	BACK COVER	MFC-1818		
2	LY8028001	1	FRONT COVER	DCP-1510		
2	LY8028001	1	FRONT COVER	DCP-1510E		
2	LY8028001	1	FRONT COVER	DCP-1510R		
2	LY8028001	1	FRONT COVER	DCP-1511		
2	LY8028002	1	FRONT COVER	DCP-1512		
2	LY8028002	1	FRONT COVER	DCP-1512E		
2	LY8028002	1	FRONT COVER	DCP-1512R		
2	LY8028001	1	FRONT COVER	DCP-1518		
2	LY8028001	1	FRONT COVER	MFC-1810		
2	LY8028001	1	FRONT COVER	MFC-1810E		
2	LY8028001	1	FRONT COVER	MFC-1810R		
2	LY8028001	1	FRONT COVER	MFC-1811		
2	LY8028001	1	FRONT COVER	MFC-1813		
2	LY8028001	1	FRONT COVER	MFC-1815		
2	LY8028001	1	FRONT COVER	MFC-1815R		
2	LY8028001	1	FRONT COVER	MFC-1818		
3	LEH007001	1	SIDE COVER L	DCP-1510		
3	LEH007001	1	SIDE COVER L	DCP-1510E		
3	LEH007001	1	SIDE COVER L	DCP-1510R		
3	LEH007001	1	SIDE COVER L	DCP-1511		
3	LEH007002	1	SIDE COVER L	DCP-1512		
3	LEH007002	1	SIDE COVER L	DCP-1512E		
3	LEH007002	1	SIDE COVER L	DCP-1512R		
3	LEH007001	1	SIDE COVER L	DCP-1518		
3	LEH007001	1	SIDE COVER L	MFC-1810		
3	LEH007001	1	SIDE COVER L	MFC-1810E		
3	LEH007001	1	SIDE COVER L	MFC-1810R		
3	LEH007001	1	SIDE COVER L	MFC-1811		
3	LEH007001	1	SIDE COVER L	MFC-1813		
3	LEH151001	1	SIDE COVER L ASSY	MFC-1815		
3	LEH151001	1	SIDE COVER L ASSY	MFC-1815R		
3	LEH151001	1	SIDE COVER L ASSY	MFC-1818		
3-1	LEH150001	1	SIDE COVER L	MFC-1815		
3-1	LEH150001	1	SIDE COVER L	MFC-1815R		
3-1	LEH150001	1	SIDE COVER L	MFC-1818		
3-2	LEH149001	1	LOWER HANDSET HOLDER	MFC-1815		
3-2	LEH149001	1	LOWER HANDSET HOLDER	MFC-1815R		
3-2	LEH149001	1	LOWER HANDSET HOLDER	MFC-1818		
3-3	LT1764001	1	HOOK PCB ASSY	MFC-1815		
3-3	LT1764001	1	HOOK PCB ASSY	MFC-1815R		
3-3	LT1764001	1	HOOK PCB ASSY	MFC-1818		
3-4	LEH812008	1	HOOK ACTUATOR	MFC-1815		CHG
3-4	LEH812008	1	HOOK ACTUATOR	MFC-1815R		CHG
3-4	LEH812008	1	HOOK ACTUATOR	MFC-1818		CHG
3-5	LEH148001	1	UPPER HANDSET HOLDER	MFC-1815		
3-5	LEH148001	1	UPPER HANDSET HOLDER	MFC-1815R		
3-5	LEH148001	1	UPPER HANDSET HOLDER	MFC-1818		
4	LEH005001	1	DRESS COVER L	DCP-1510		
4	LEH005001	1	DRESS COVER L	DCP-1510E		
4	LEH005001	1	DRESS COVER L	DCP-1510R		
4	LEH005001	1	DRESS COVER L	DCP-1511		
4	LEH005002	1	DRESS COVER L	DCP-1512		
4	LEH005002	1	DRESS COVER L	DCP-1512E		
4	LEH005002	1	DRESS COVER L	DCP-1512R		
4	LEH005001	1	DRESS COVER L	DCP-1518		
4	LEH005001	1	DRESS COVER L	MFC-1810		
4	LEH005001	1	DRESS COVER L	MFC-1810E		

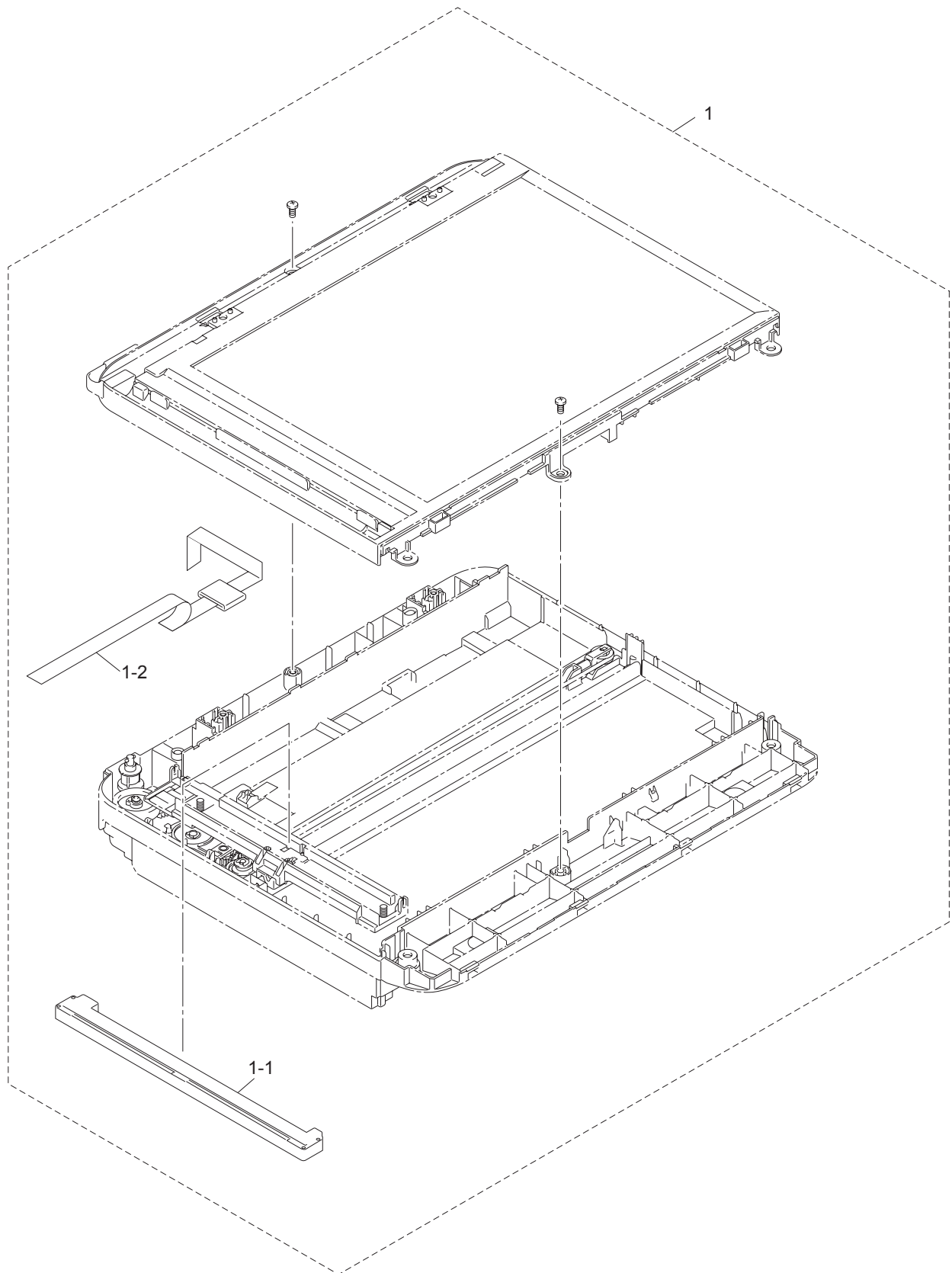
6.COVERS & LABELS

REF No.	CODE	Q'T Y	DESCRIPTION	MODEL	SPEC	REMARKS
4	LEH005001	1	DRESS COVER L	MFC-1810R		
4	LEH005001	1	DRESS COVER L	MFC-1811		
4	LEH005001	1	DRESS COVER L	MFC-1813		
4	LEH005001	1	DRESS COVER L	MFC-1815		
4	LEH005001	1	DRESS COVER L	MFC-1815R		
4	LEH005001	1	DRESS COVER L	MFC-1818		
5	LEH001001	1	TOP COVER ASSY	DCP-1510		
5	LEH001001	1	TOP COVER ASSY	DCP-1510E		
5	LEH001001	1	TOP COVER ASSY	DCP-1510R		
5	LEH001001	1	TOP COVER ASSY	DCP-1511		
5	LEH001002	1	TOP COVER ASSY	DCP-1512		
5	LEH001002	1	TOP COVER ASSY	DCP-1512E		
5	LEH001002	1	TOP COVER ASSY	DCP-1512R		
5	LEH001001	1	TOP COVER ASSY	DCP-1518		
5	LEH001001	1	TOP COVER ASSY	MFC-1810		
5	LEH001001	1	TOP COVER ASSY	MFC-1810E		
5	LEH001001	1	TOP COVER ASSY	MFC-1810R		
5	LEH001001	1	TOP COVER ASSY	MFC-1811		
5	LEH001001	1	TOP COVER ASSY	MFC-1813		
5	LEH001001	1	TOP COVER ASSY	MFC-1815		
5	LEH001001	1	TOP COVER ASSY	MFC-1815R		
5	LEH001001	1	TOP COVER ASSY	MFC-1818		
5-1	LEH004001	1	PAPER STOPPER			
5-2	LY8174001	1	PAPER STOPPER 2			
6	LEH207001	1	SCANNER COVER SUPPORT			
7	LEH206001	1	SCANNER COVER DAMPER			
8	LEH008001	1	SIDE COVER R	DCP-1510		
8	LEH008001	1	SIDE COVER R	DCP-1510E		
8	LEH008001	1	SIDE COVER R	DCP-1510R		
8	LEH008001	1	SIDE COVER R	DCP-1511		
8	LEH008002	1	SIDE COVER R	DCP-1512		
8	LEH008002	1	SIDE COVER R	DCP-1512E		
8	LEH008002	1	SIDE COVER R	DCP-1512R		
8	LEH008001	1	SIDE COVER R	DCP-1518		
8	LEH008001	1	SIDE COVER R	MFC-1810		
8	LEH008001	1	SIDE COVER R	MFC-1810E		
8	LEH008001	1	SIDE COVER R	MFC-1810R		
8	LEH008001	1	SIDE COVER R	MFC-1811		
8	LEH008001	1	SIDE COVER R	MFC-1813		
8	LEH008001	1	SIDE COVER R	MFC-1815		
8	LEH008001	1	SIDE COVER R	MFC-1815R		
8	LEH008001	1	SIDE COVER R	MFC-1818		
9	LEH152001	1	DRESS COVER R	DCP-1510		
9	LEH152001	1	DRESS COVER R	DCP-1510E		
9	LEH152001	1	DRESS COVER R	DCP-1510R		
9	LEH152001	1	DRESS COVER R	DCP-1511		
9	LEH152002	1	DRESS COVER R	DCP-1512		
9	LEH152002	1	DRESS COVER R	DCP-1512E		
9	LEH152002	1	DRESS COVER R	DCP-1512R		
9	LEH152001	1	DRESS COVER R	DCP-1518		
9	LEH152001	1	DRESS COVER R	MFC-1810		
9	LEH152001	1	DRESS COVER R	MFC-1810E		
9	LEH152001	1	DRESS COVER R	MFC-1810R		
9	LEH152001	1	DRESS COVER R	MFC-1811		
9	LEH152001	1	DRESS COVER R	MFC-1813		
9	LEH152001	1	DRESS COVER R	MFC-1815		
9	LEH152001	1	DRESS COVER R	MFC-1815R		
9	LEH152001	1	DRESS COVER R	MFC-1818		
10	UF5745000	1	MJ COVER EXT	MFC-1810		
10	LE8842001	1	EXT CAP	MFC-1810		
10	LE8842001	1	EXT CAP	MFC-1810E		
10	LE8842001	1	EXT CAP	MFC-1810R		
10	LE8842001	1	EXT CAP	MFC-1811		
10	UF5745000	1	MJ COVER EXT	MFC-1813		
11	LU7320001	1	CAUTION LABEL SPRAY 13X50			
12	LY8178001	1	LABEL H CAUTION 13X30			

FOR GER/UK/FRA/BEL/ITA  
FOR NLD/CHE/IDN/KOR/MEX/OCE/  
IBR/MYS/UAE/MENA



## 7. DOCUMENT SCANNER



7.DOCUMENT SCANNER

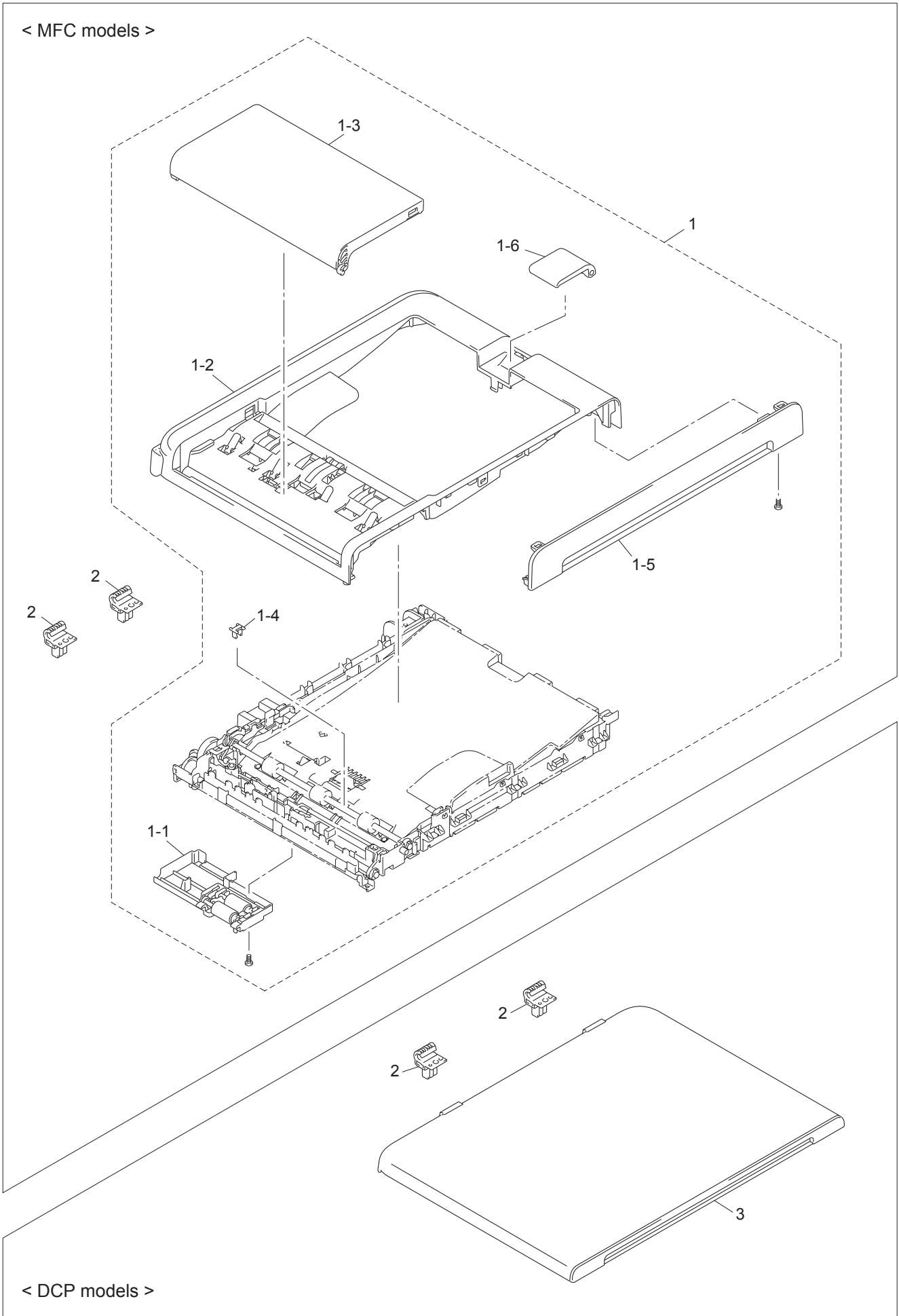
REF No.	CODE	Q'T Y	DESCRIPTION	MODEL	SPEC	REMARKS
1	LEH536001	1	DOCUMET SCANNER UNIT(SP)	DCP-1510		
1	LEH536001	1	DOCUMET SCANNER UNIT(SP)	DCP-1510E		
1	LEH536001	1	DOCUMET SCANNER UNIT(SP)	DCP-1510R		
1	LEH536001	1	DOCUMET SCANNER UNIT(SP)	DCP-1511		
1	LEH536001	1	DOCUMET SCANNER UNIT(SP)*1	DCP-1518		
1	LEH820001	1	DOCUMET SCANNER UNIT(SP)*1	DCP-1518		ADD
1	LEH540001	1	DOCUMET SCANNER UNIT(SP)	MFC-1810		
1	LEH540001	1	DOCUMET SCANNER UNIT(SP)	MFC-1810E		
1	LEH540001	1	DOCUMET SCANNER UNIT(SP)	MFC-1810R		
1	LEH540001	1	DOCUMET SCANNER UNIT(SP)	MFC-1811		
1	LEH540001	1	DOCUMET SCANNER UNIT(SP)	MFC-1813		
1	LEH540001	1	DOCUMET SCANNER UNIT(SP)	MFC-1815		
1	LEH540001	1	DOCUMET SCANNER UNIT(SP)	MFC-1815R		
1	LEH540001	1	DOCUMET SCANNER UNIT(SP)	MFC-1818		
1	LEH536002	1	DOCUMET SCANNER UNIT(SP)	DCP-1512		
1	LEH536002	1	DOCUMET SCANNER UNIT(SP)	DCP-1512E		
1	LEH536002	1	DOCUMET SCANNER UNIT(SP)	DCP-1512R		
1-1	LT2400001	1	CIS UNIT	DCP-1510		CHG
1-1	LT2400001	1	CIS UNIT	DCP-1510E		CHG
1-1	LT2400001	1	CIS UNIT	DCP-1510R		CHG
1-1	LT2400001	1	CIS UNIT	DCP-1511		CHG
1-1	LT2400001	1	CIS UNIT	DCP-1512		CHG
1-1	LT2400001	1	CIS UNIT	DCP-1512E		CHG
1-1	LT2400001	1	CIS UNIT	DCP-1512R		CHG
1-1	LT2982001	1	CIS UNIT*1	DCP-1518		
1-1	LT2400001	1	CIS UNIT*1	DCP-1518		ADD
1-1	LT2400001	1	CIS UNIT	MFC-1810		
1-1	LT2400001	1	CIS UNIT	MFC-1810E		
1-1	LT2400001	1	CIS UNIT	MFC-1810R		
1-1	LT2400001	1	CIS UNIT	MFC-1811		
1-1	LT2400001	1	CIS UNIT	MFC-1813		
1-1	LT2400001	1	CIS UNIT	MFC-1815		
1-1	LT2400001	1	CIS UNIT	MFC-1815R		
1-1	LT2400001	1	CIS UNIT	MFC-1818		
1-2	LT2387001	1	CIS FLAT CABLE			

\*1 <FOR DCP-1518>

Before replacing Document Scanner Unit (SP) or CIS Unit, please check Main Firmware Version of the machine and order LEH820001(Document Scanner Unit(SP)) or LT2982001(CIS Unit) if the main firmware version is the earlier Ver.C.

Please refer to the Parts Change Information: 1000039081for the detail.

8. ADF & DOCUMENT COVER ASSY



8.ADF & DOCUMENT COVER ASSY

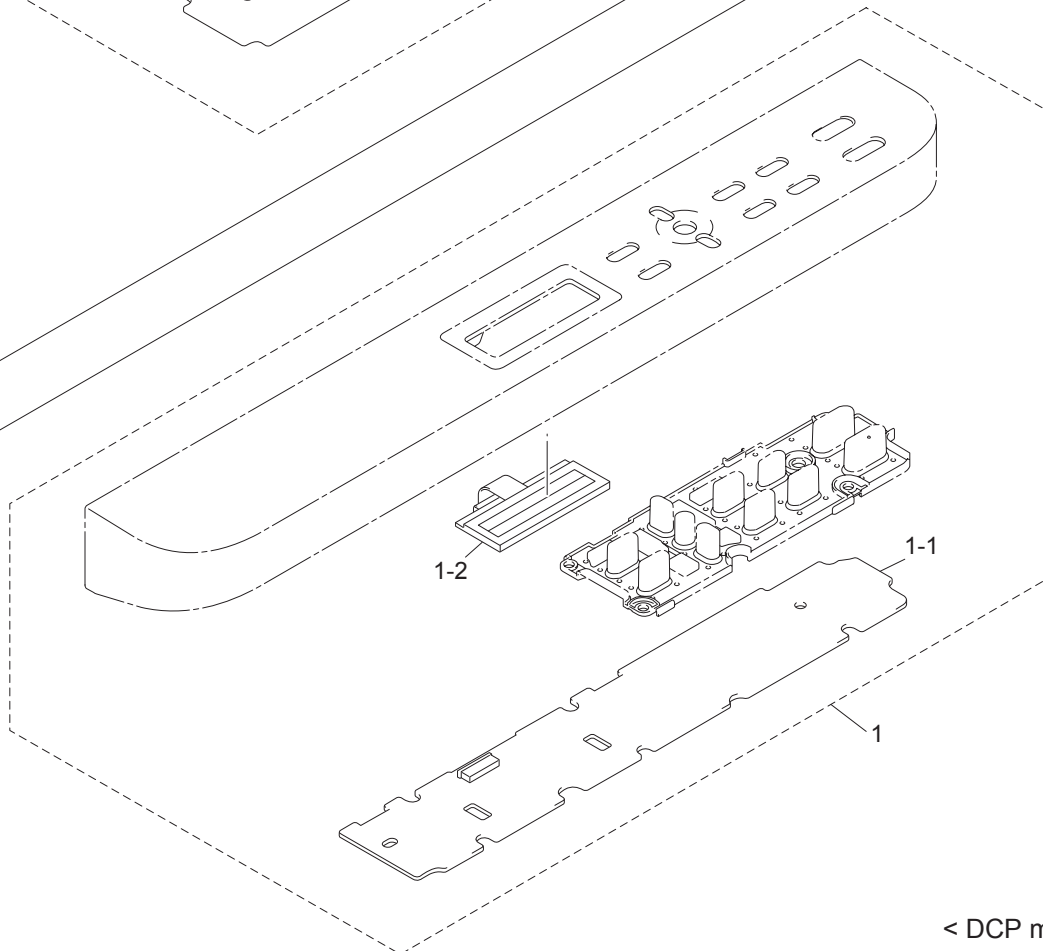
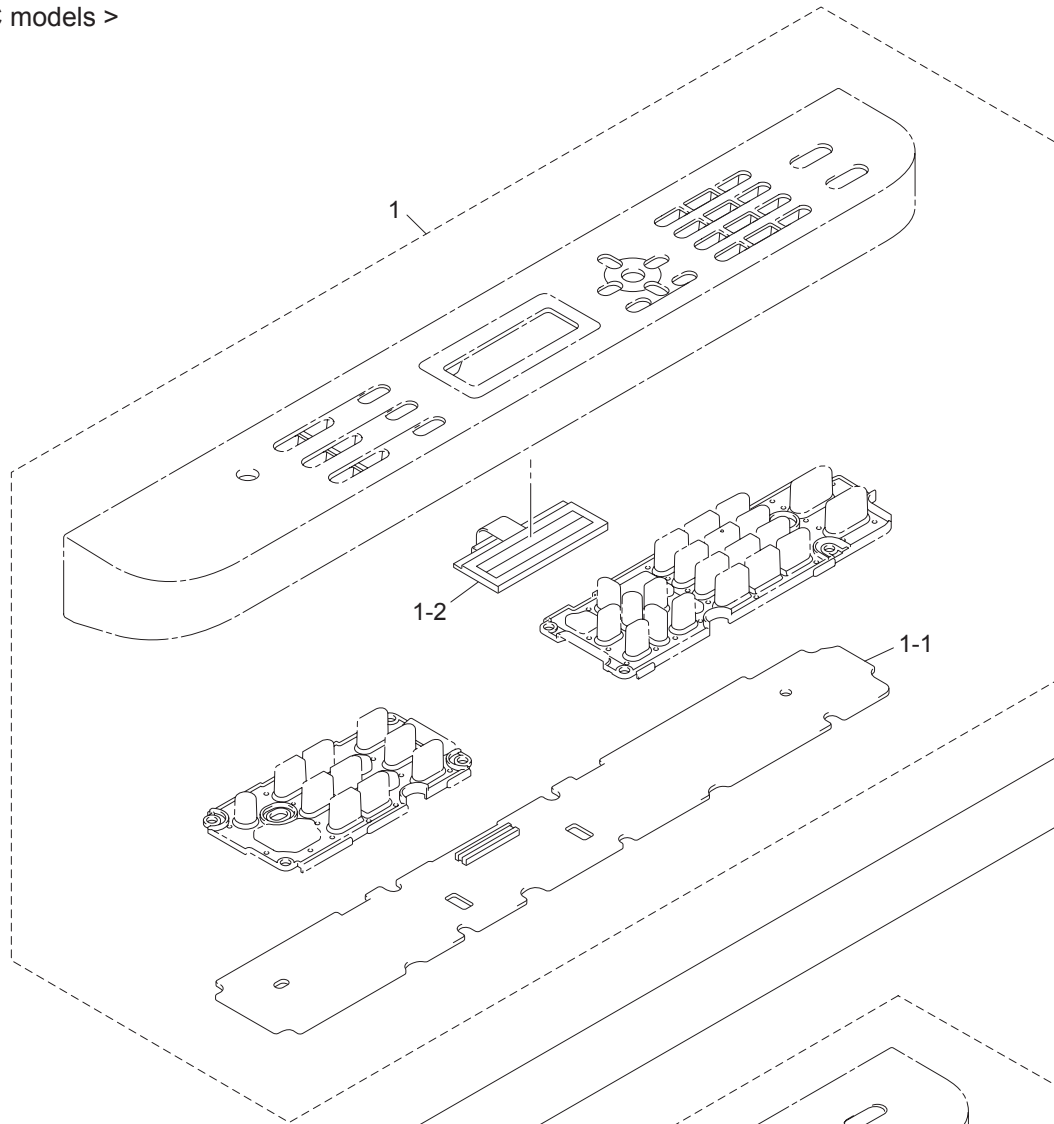
REF No.	CODE	QTY	DESCRIPTION	MODEL	SPEC	REMARKS
1	LES081001	1	ADF UNIT(SP)	MFC-1810		CHG
1	LES081001	1	ADF UNIT(SP)	MFC-1810E		CHG
1	LES081001	1	ADF UNIT(SP)	MFC-1810R		CHG
1	LES081001	1	ADF UNIT(SP)	MFC-1811		CHG
1	LES081001	1	ADF UNIT(SP)	MFC-1813		CHG
1	LES081001	1	ADF UNIT(SP)	MFC-1815		CHG
1	LES081001	1	ADF UNIT(SP)	MFC-1815R		CHG
1	LES081001	1	ADF UNIT(SP)	MFC-1818		CHG
1-1	LEH089001	1	DOCUMENTSEPARATE ROLLER HOLDER ASSY	MFC-1810		
1-1	LEH089001	1	DOCUMENTSEPARATE ROLLER HOLDER ASSY	MFC-1810E		
1-1	LEH089001	1	DOCUMENTSEPARATE ROLLER HOLDER ASSY	MFC-1810R		
1-1	LEH089001	1	DOCUMENTSEPARATE ROLLER HOLDER ASSY	MFC-1811		
1-1	LEH089001	1	DOCUMENTSEPARATE ROLLER HOLDER ASSY	MFC-1813		
1-1	LEH089001	1	DOCUMENTSEPARATE ROLLER HOLDER ASSY	MFC-1815		
1-1	LEH089001	1	DOCUMENTSEPARATE ROLLER HOLDER ASSY	MFC-1815R		
1-1	LEH089001	1	DOCUMENTSEPARATE ROLLER HOLDER ASSY	MFC-1818		
1-2	LEH120001	1	DOCUMENT COVER ASSY	MFC-1810		
1-2	LEH120001	1	DOCUMENT COVER ASSY	MFC-1810E		
1-2	LEH120001	1	DOCUMENT COVER ASSY	MFC-1810R		
1-2	LEH120001	1	DOCUMENT COVER ASSY	MFC-1811		
1-2	LEH120001	1	DOCUMENT COVER ASSY	MFC-1813		
1-2	LEH120001	1	DOCUMENT COVER ASSY	MFC-1815		
1-2	LEH120001	1	DOCUMENT COVER ASSY	MFC-1815R		
1-2	LEH120001	1	DOCUMENT COVER ASSY	MFC-1818		
1-3	LEH112001	1	ADF COVER ASSY	MFC-1810		
1-3	LEH112001	1	ADF COVER ASSY	MFC-1810E		
1-3	LEH112001	1	ADF COVER ASSY	MFC-1810R		
1-3	LEH112001	1	ADF COVER ASSY	MFC-1811		
1-3	LEH112001	1	ADF COVER ASSY	MFC-1813		
1-3	LEH112001	1	ADF COVER ASSY	MFC-1815		
1-3	LEH112001	1	ADF COVER ASSY	MFC-1815R		
1-3	LEH112001	1	ADF COVER ASSY	MFC-1818		
1-4	LEH110001	1	DOCUMENT COVER SUPPORT	MFC-1810		
1-4	LEH110001	1	DOCUMENT COVER SUPPORT	MFC-1810E		
1-4	LEH110001	1	DOCUMENT COVER SUPPORT	MFC-1810R		
1-4	LEH110001	1	DOCUMENT COVER SUPPORT	MFC-1811		
1-4	LEH110001	1	DOCUMENT COVER SUPPORT	MFC-1813		
1-4	LEH110001	1	DOCUMENT COVER SUPPORT	MFC-1815		
1-4	LEH110001	1	DOCUMENT COVER SUPPORT	MFC-1815R		
1-4	LEH110001	1	DOCUMENT COVER SUPPORT	MFC-1818		
1-5	LEH078001	1	HANDLE COVER	MFC-1810		
1-5	LEH078001	1	HANDLE COVER	MFC-1810E		
1-5	LEH078001	1	HANDLE COVER	MFC-1810R		
1-5	LEH078001	1	HANDLE COVER	MFC-1811		
1-5	LEH078001	1	HANDLE COVER	MFC-1813		
1-5	LEH078001	1	HANDLE COVER	MFC-1815		
1-5	LEH078001	1	HANDLE COVER	MFC-1815R		
1-5	LEH078001	1	HANDLE COVER	MFC-1818		
1-6	LEH118001	1	DOCUMENT STOPPER	MFC-1810		
1-6	LEH118001	1	DOCUMENT STOPPER	MFC-1810E		
1-6	LEH118001	1	DOCUMENT STOPPER	MFC-1810R		
1-6	LEH118001	1	DOCUMENT STOPPER	MFC-1811		
1-6	LEH118001	1	DOCUMENT STOPPER	MFC-1813		
1-6	LEH118001	1	DOCUMENT STOPPER	MFC-1815		
1-6	LEH118001	1	DOCUMENT STOPPER	MFC-1815R		
1-6	LEH118001	1	DOCUMENT STOPPER	MFC-1818		
2	LEH166001	2	HINGE	DCP-1510		
2	LEH166001	2	HINGE	DCP-1510E		
2	LEH166001	2	HINGE	DCP-1510R		
2	LEH166001	2	HINGE	DCP-1511		
2	LEH166002	2	HINGE	DCP-1512		
2	LEH166002	2	HINGE	DCP-1512E		
2	LEH166002	2	HINGE	DCP-1512R		
2	LEH166001	2	HINGE	DCP-1518		
2	LEH016001	2	HINGE	MFC-1810		

8.ADF & DOCUMENT COVER ASSY

REF No.	CODE	QTY	DESCRIPTION	MODEL	SPEC	REMARKS
2	LEH016001	2	HINGE	MFC-1810E		
2	LEH016001	2	HINGE	MFC-1810R		
2	LEH016001	2	HINGE	MFC-1811		
2	LEH016001	2	HINGE	MFC-1813		
2	LEH016001	2	HINGE	MFC-1815		
2	LEH016001	2	HINGE	MFC-1815R		
2	LEH016001	2	HINGE	MFC-1818		
3	LES084001	1	DOCUMENT COVER ASSY(SP)	DCP-1510		CHG
3	LES084001	1	DOCUMENT COVER ASSY(SP)	DCP-1510E		CHG
3	LES084001	1	DOCUMENT COVER ASSY(SP)	DCP-1510R		CHG
3	LES084001	1	DOCUMENT COVER ASSY(SP)	DCP-1511		CHG
3	LES084002	1	DOCUMENT COVER ASSY(SP)	DCP-1512		CHG
3	LES084002	1	DOCUMENT COVER ASSY(SP)	DCP-1512E		CHG
3	LES084002	1	DOCUMENT COVER ASSY(SP)	DCP-1512R		CHG
3	LES084001	1	DOCUMENT COVER ASSY(SP)	DCP-1518		CHG

9. PANEL

< MFC models >



< DCP models >

## 9.PANEL

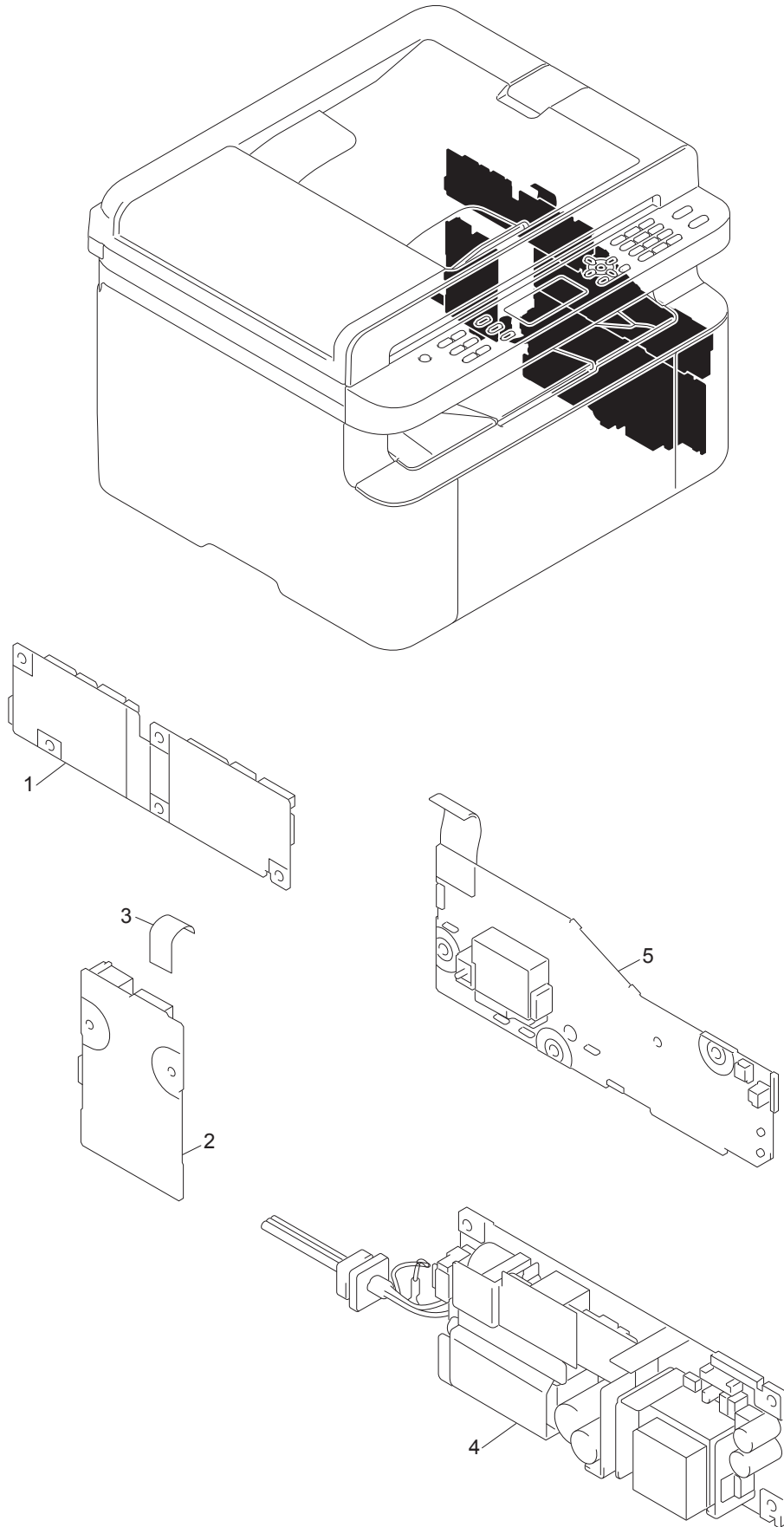
REF No.	CODE	Q'T Y	DESCRIPTION	MODEL	SPEC	REMARKS
1	LEH695001	1	PANEL UNIT	DCP-1510	FOR GER	
1	LEH237001	1	PANEL UNIT	DCP-1510	FOR UK/BEL/CHE/IDN/OCE/PND/ MYS/UAE/MENA	
1	LEH697001	1	PANEL UNIT	DCP-1510	FOR FRA	
1	LEH699001	1	PANEL UNIT	DCP-1510	FOR NLD	
1	LEH701001	1	PANEL UNIT	DCP-1510	FOR ITA	
1	LEH705001	1	PANEL UNIT	DCP-1510	FOR TWN	
1	LEH707001	1	PANEL UNIT	DCP-1510	FOR KOR	
1	LEH703001	1	PANEL UNIT	DCP-1510	FOR IBR	
1	LEH548001	1	PANEL UNIT	DCP-1510E	FOR POL	
1	LEH544001	1	PANEL UNIT	DCP-1510E	FOR CEE	
1	LEH555001	1	PANEL UNIT	DCP-1510R		
1	LEH458001	1	PANEL UNIT	DCP-1511	FOR VNM/IND	
1	LEH462001	1	PANEL UNIT	DCP-1511	FOR TUR	
1	LEH722001	1	PANEL UNIT	DCP-1512	FOR GER	
1	LEH723001	1	PANEL UNIT	DCP-1512	FOR UK/PND	
1	LEH724001	1	PANEL UNIT	DCP-1512	FOR FRA	
1	LEH725001	1	PANEL UNIT	DCP-1512	FOR ITA	
1	LEH546001	1	PANEL UNIT	DCP-1512	FOR ARG/CHL/MEX/PER	
1	LEH160001	1	PANEL UNIT	DCP-1512	FOR BRA	
1	LEH551001	1	PANEL UNIT	DCP-1512E	FOR POL	
1	LEH553001	1	PANEL UNIT	DCP-1512E	FOR CEE	
1	LEH557001	1	PANEL UNIT	DCP-1512R		
1	LEH038001	1	PANEL UNIT	DCP-1518		
1	LEH754001	1	PANEL UNIT	MFC-1810	FOR GER	
1	LEH486001	1	PANEL UNIT	MFC-1810	FOR UK/BEL/CHE/UAE/MENA	
1	LEH764001	1	PANEL UNIT	MFC-1810	FOR FRA	
1	LEH775001	1	PANEL UNIT	MFC-1810	FOR NLD	
1	LEH778001	1	PANEL UNIT	MFC-1810	FOR ITA	
1	LEH163001	1	PANEL UNIT	MFC-1810	FOR IDN/OCE/MYS	
1	LEH780001	1	PANEL UNIT	MFC-1810	FOR KOR	
1	LEH606001	1	PANEL UNIT	MFC-1810	FOR MEX	
1	LEH782001	1	PANEL UNIT	MFC-1810	FOR IBR	
1	LEH603001	1	PANEL UNIT	MFC-1810E	FOR POL	
1	LEH634001	1	PANEL UNIT	MFC-1810E	FOR CEE	
1	LEH608001	1	PANEL UNIT	MFC-1810R		
1	LEH500001	1	PANEL UNIT	MFC-1811	FOR VNM/IND	
1	LEH497001	1	PANEL UNIT	MFC-1811	FOR TUR	
1	LEH109001	1	PANEL UNIT	MFC-1813		
1	LEH240001	1	PANEL UNIT	MFC-1815	FOR TWN	
1	LEH513001	1	PANEL UNIT	MFC-1815	FOR TUR	
1	LEH192001	1	PANEL UNIT	MFC-1815	FOR IDN/MYS	
1	LEH636001	1	PANEL UNIT	MFC-1815	FOR ARG	
1	LEH789001	1	PANEL UNIT	MFC-1815	FOR KOR	
1	LEH515001	1	PANEL UNIT	MFC-1815	FOR UAE/MENA	
1	LEH639001	1	PANEL UNIT	MFC-1815R		
1	LEH194001	1	PANEL UNIT	MFC-1818		
1-1	LT2427001	1	PANEL PCB ASSY	DCP-1510		
1-1	LT2427001	1	PANEL PCB ASSY	DCP-1510E		
1-1	LT2427001	1	PANEL PCB ASSY	DCP-1510R		
1-1	LT2427001	1	PANEL PCB ASSY	DCP-1511		
1-1	LT2427001	1	PANEL PCB ASSY	DCP-1512		
1-1	LT2427001	1	PANEL PCB ASSY	DCP-1512E		
1-1	LT2427001	1	PANEL PCB ASSY	DCP-1512R		
1-1	LT2399001	1	PANEL PCB ASSY	DCP-1518		
1-1	LT2429001	1	PANEL PCB ASSY	MFC-1810		
1-1	LT2429001	1	PANEL PCB ASSY	MFC-1810E		
1-1	LT2429001	1	PANEL PCB ASSY	MFC-1810R		
1-1	LT2429001	1	PANEL PCB ASSY	MFC-1811		
1-1	LT2403001	1	PANEL PCB ASSY	MFC-1813		
1-1	LT2429001	1	PANEL PCB ASSY	MFC-1815		
1-1	LT2429001	1	PANEL PCB ASSY	MFC-1815R		
1-1	LT2403001	1	PANEL PCB ASSY	MFC-1818		
1-2	A62144001	1	LCD	DCP-1510		
1-2	A62144001	1	LCD	DCP-1510E		
1-2	A62144001	1	LCD	DCP-1510R		
1-2	A62144001	1	LCD	DCP-1511		
1-2	A62144001	1	LCD	DCP-1512		
1-2	A62144001	1	LCD	DCP-1512E		
1-2	A62144001	1	LCD	DCP-1512R		
1-2	A62145001	1	LCD	DCP-1518		
1-2	A62144001	1	LCD	MFC-1810		
1-2	A62144001	1	LCD	MFC-1810E		

## 9.PANEL

REF No.	CODE	Q'T Y	DESCRIPTION	MODEL	SPEC	REMARKS
1-2	A62144001	1	LCD	MFC-1810R		
1-2	A62144001	1	LCD	MFC-1811		
1-2	A62145001	1	LCD	MFC-1813		
1-2	A62144001	1	LCD	MFC-1815		
1-2	A62144001	1	LCD	MFC-1815R		
1-2	A62145001	1	LCD	MFC-1818		



10. PCB



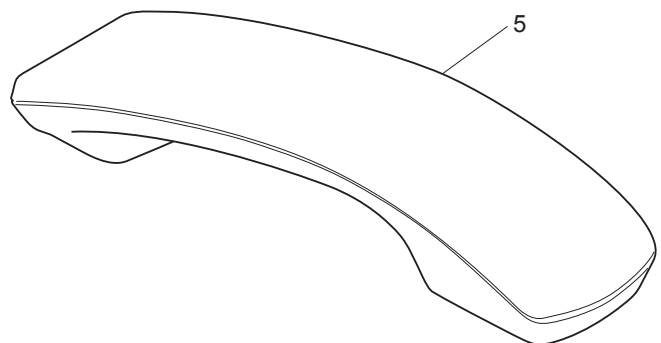
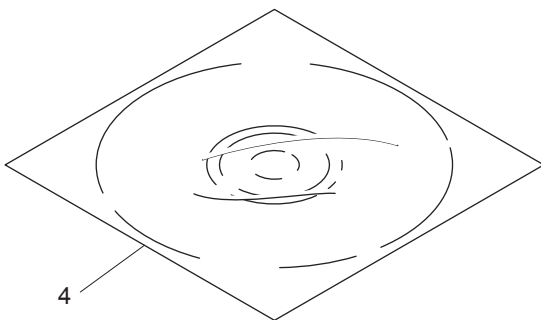
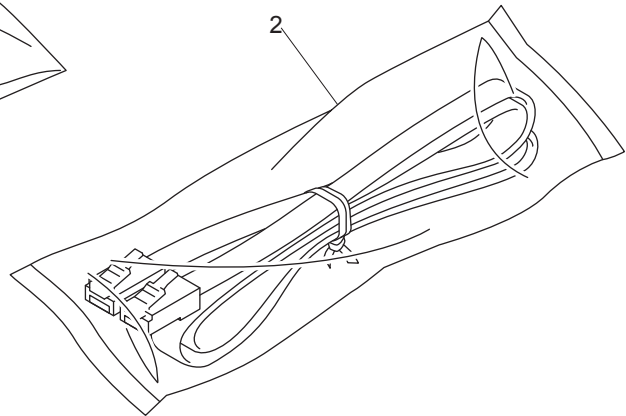
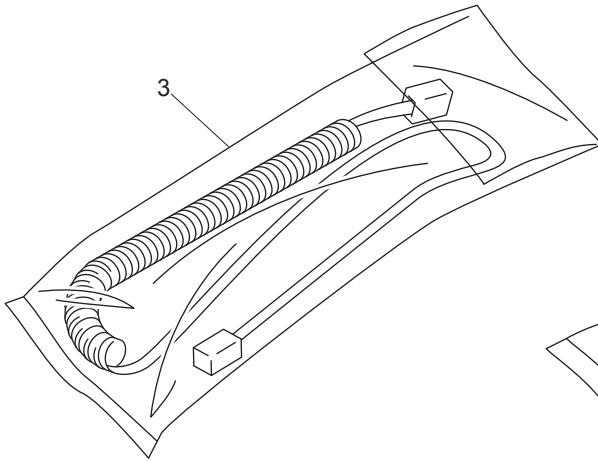
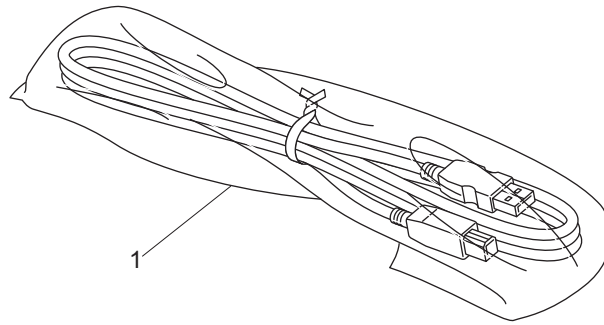
REF No.	CODE	QTY	DESCRIPTION	MODEL	SPEC	REMARKS
1	LT2539001	1	MAIN PCB ASSY	DCP-1510		
1	LT2539001	1	MAIN PCB ASSY	DCP-1510E	FOR POL	
1	LT2545001	1	MAIN PCB ASSY	DCP-1510E	FOR CEE	
1	LT2539001	1	MAIN PCB ASSY	DCP-1510R		
1	LT2539001	1	MAIN PCB ASSY	DCP-1511		
1	LT2539001	1	MAIN PCB ASSY	DCP-1512		
1	LT2539001	1	MAIN PCB ASSY	DCP-1512E	FOR POL	
1	LT2545001	1	MAIN PCB ASSY	DCP-1512E	FOR CEE	
1	LT2539001	1	MAIN PCB ASSY	DCP-1512R		
1	LT2538001	1	MAIN PCB ASSY	DCP-1518		
1	LT2541001	1	MAIN PCB ASSY	MFC-1810		
1	LT2541001	1	MAIN PCB ASSY	MFC-1810E	FOR POL	
1	LT2546001	1	MAIN PCB ASSY	MFC-1810E	FOR CEE	
1	LT2541001	1	MAIN PCB ASSY	MFC-1810R		
1	LT2541001	1	MAIN PCB ASSY	MFC-1811		
1	LT2540001	1	MAIN PCB ASSY	MFC-1813		
1	LT2543001	1	MAIN PCB ASSY	MFC-1815		
1	LT2543001	1	MAIN PCB ASSY	MFC-1815R		
1	LT2542001	1	MAIN PCB ASSY	MFC-1818		
2	LT2782002	1	MODEM PCB ASSY	MFC-1810	FOR GER/CHE	
2	LT2719002	1	MODEM PCB ASSY	MFC-1810	FOR UK/FRA/BEL/NLD/ITA/IDN/KOR/ MEX/OCE/IBR/MYS/UAE/MENA	
2	LT2719002	1	MODEM PCB ASSY	MFC-1810E		
2	LT2719002	1	MODEM PCB ASSY	MFC-1810R		
2	LT2719002	1	MODEM PCB ASSY	MFC-1811		
2	LT2719002	1	MODEM PCB ASSY	MFC-1813		
2	LT2720002	1	MODEM PCB ASSY	MFC-1815	FOR TWN/IDN/ARG/KOR/MYS/UAE/ MENA	
2	LT2984002	1	MODEM PCB ASSY	MFC-1815	FOR TUR	
2	LT2984002	1	MODEM PCB ASSY	MFC-1815R		
2	LT2720002	1	MODEM PCB ASSY	MFC-1818		
3	LT2390001	1	MODEM PCB FLAT CABLE	MFC-1810		
3	LT2390001	1	MODEM PCB FLAT CABLE	MFC-1810E		
3	LT2390001	1	MODEM PCB FLAT CABLE	MFC-1810R		
3	LT2390001	1	MODEM PCB FLAT CABLE	MFC-1811		
3	LT2390001	1	MODEM PCB FLAT CABLE	MFC-1813		
3	LT2390001	1	MODEM PCB FLAT CABLE	MFC-1815		
3	LT2390001	1	MODEM PCB FLAT CABLE	MFC-1815R		
3	LT2390001	1	MODEM PCB FLAT CABLE	MFC-1818		
4	LT2734001	1	LOW VOLTAGE POWER SUPPLY PCB UNIT 230V	DCP-1510	FOR GER/FRA/BEL/NLD/ITA/IDN/ PND/IBR	
4	LT2717001	1	LOW VOLTAGE POWER SUPPLY PCB UNIT 230V	DCP-1510	FOR UK/MYS	
4	LT2804001	1	LOW VOLTAGE POWER SUPPLY PCB UNIT 230V	DCP-1510	FOR CHE	
4	LT2736001	1	LOW VOLTAGE POWER SUPPLY PCB UNIT 115V	DCP-1510	FOR TWN	
4	LT2807001	1	LOW VOLTAGE POWER SUPPLY PCB UNIT 230V	DCP-1510	FOR KOR	
4	LT2806001	1	LOW VOLTAGE POWER SUPPLY PCB UNIT 230V	DCP-1510	FOR OCE	
4	LT2799001	1	LOW VOLTAGE POWER SUPPLY PCB UNIT 230V	DCP-1510	FOR UAE	
4	LT2800001	1	LOW VOLTAGE POWER SUPPLY PCB UNIT 230V	DCP-1510	FOR MENA	
4	LT2734001	1	LOW VOLTAGE POWER SUPPLY PCB UNIT 230V	DCP-1510E		
4	LT2800001	1	LOW VOLTAGE POWER SUPPLY PCB UNIT 230V	DCP-1510R		
4	LT2734001	1	LOW VOLTAGE POWER SUPPLY PCB UNIT 230V	DCP-1511	FOR VNM/TUR	
4	LT2798001	1	LOW VOLTAGE POWER SUPPLY PCB UNIT 230V	DCP-1511	FOR IND	
4	LT2734001	1	LOW VOLTAGE POWER SUPPLY PCB UNIT 230V	DCP-1512	FOR GER/FRA/ITA/PND	
4	LT2717001	1	LOW VOLTAGE POWER SUPPLY PCB UNIT 230V	DCP-1512	FOR UK	
4	LT2801001	1	LOW VOLTAGE POWER SUPPLY PCB UNIT 230V	DCP-1512	FOR ARG	
4	LT2802001	1	LOW VOLTAGE POWER SUPPLY PCB UNIT 230V	DCP-1512	FOR CHL	
4	LT2838001	1	LOW VOLTAGE POWER SUPPLY PCB UNIT 115V	DCP-1512	FOR BRA	

REF No.	CODE	Q'T Y	DESCRIPTION	MODEL	SPEC	REMARKS
4	LT2430001	1	LOW VOLTAGE POWER SUPPLY PCB UNIT 115V	DCP-1512	FOR MEX	
4	LT2803001	1	LOW VOLTAGE POWER SUPPLY PCB UNIT 230V	DCP-1512	FOR PER	
4	LT2734001	1	LOW VOLTAGE POWER SUPPLY PCB UNIT 230V	DCP-1512E		
4	LT2800001	1	LOW VOLTAGE POWER SUPPLY PCB UNIT 230V	DCP-1512R		
4	LT2395001	1	LOW VOLTAGE POWER SUPPLY PCB UNIT 230V	DCP-1518		
4	LT2734001	1	LOW VOLTAGE POWER SUPPLY PCB UNIT 230V	MFC-1810	FOR GER/FRA/BEL/NLD/ITA/IDN/IBR	
4	LT2717001	1	LOW VOLTAGE POWER SUPPLY PCB UNIT 230V	MFC-1810	FOR UK/MYS	
4	LT2804001	1	LOW VOLTAGE POWER SUPPLY PCB UNIT 230V	MFC-1810	FOR CHE	
4	LT2807001	1	LOW VOLTAGE POWER SUPPLY PCB UNIT 230V	MFC-1810	FOR KOR	
4	LT2430001	1	LOW VOLTAGE POWER SUPPLY PCB UNIT 115V	MFC-1810	FOR MEX	
4	LT2806001	1	LOW VOLTAGE POWER SUPPLY PCB UNIT 230V	MFC-1810	FOR OCE	
4	LT2799001	1	LOW VOLTAGE POWER SUPPLY PCB UNIT 230V	MFC-1810	FOR UAE	
4	LT2800001	1	LOW VOLTAGE POWER SUPPLY PCB UNIT 230V	MFC-1810	FOR MENA	
4	LT2734001	1	LOW VOLTAGE POWER SUPPLY PCB UNIT 230V	MFC-1810E		
4	LT2800001	1	LOW VOLTAGE POWER SUPPLY PCB UNIT 230V	MFC-1810R		
4	LT2734001	1	LOW VOLTAGE POWER SUPPLY PCB UNIT 230V	MFC-1811	FOR VNM/TUR	
4	LT2798001	1	LOW VOLTAGE POWER SUPPLY PCB UNIT 230V	MFC-1811	FOR IND	
4	LT2395001	1	LOW VOLTAGE POWER SUPPLY PCB UNIT 230V	MFC-1813		
4	LT2736001	1	LOW VOLTAGE POWER SUPPLY PCB UNIT 115V	MFC-1815	FOR TWN	
4	LT2734001	1	LOW VOLTAGE POWER SUPPLY PCB UNIT 230V	MFC-1815	FOR TUR/IDN	
4	LT2801001	1	LOW VOLTAGE POWER SUPPLY PCB UNIT 230V	MFC-1815	FOR ARG	
4	LT2807001	1	LOW VOLTAGE POWER SUPPLY PCB UNIT 230V	MFC-1815	FOR KOR	
4	LT2717001	1	LOW VOLTAGE POWER SUPPLY PCB UNIT 230V	MFC-1815	FOR MYS	
4	LT2799001	1	LOW VOLTAGE POWER SUPPLY PCB UNIT 230V	MFC-1815	FOR UAE	
4	LT2800001	1	LOW VOLTAGE POWER SUPPLY PCB UNIT 230V	MFC-1815	FOR MENA	
4	LT2800001	1	LOW VOLTAGE POWER SUPPLY PCB UNIT 230V	MFC-1815R		
4	LT2395001	1	LOW VOLTAGE POWER SUPPLY PCB UNIT 230V	MFC-1818		
5	LT2530001	1	HIGH VOLTAGE POWER SUPPLY PCB ASSY	DCP-1510		
5	LT2530001	1	HIGH VOLTAGE POWER SUPPLY PCB ASSY	DCP-1510E		
5	LT2530001	1	HIGH VOLTAGE POWER SUPPLY PCB ASSY	DCP-1510R		
5	LT2530001	1	HIGH VOLTAGE POWER SUPPLY PCB ASSY	DCP-1511		
5	LT2530001	1	HIGH VOLTAGE POWER SUPPLY PCB ASSY	DCP-1512		
5	LT2530001	1	HIGH VOLTAGE POWER SUPPLY PCB ASSY	DCP-1512E		
5	LT2530001	1	HIGH VOLTAGE POWER SUPPLY PCB ASSY	DCP-1512R		
5	LT2396001	1	HIGH VOLTAGE POWER SUPPLY PCB ASSY	DCP-1518		
5	LT2530001	1	HIGH VOLTAGE POWER SUPPLY PCB ASSY	MFC-1810		

## 10.PCB

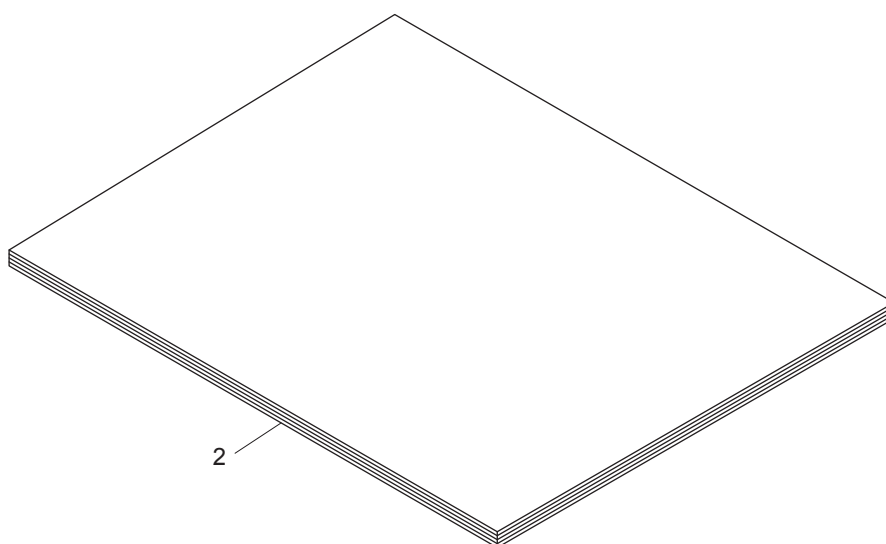
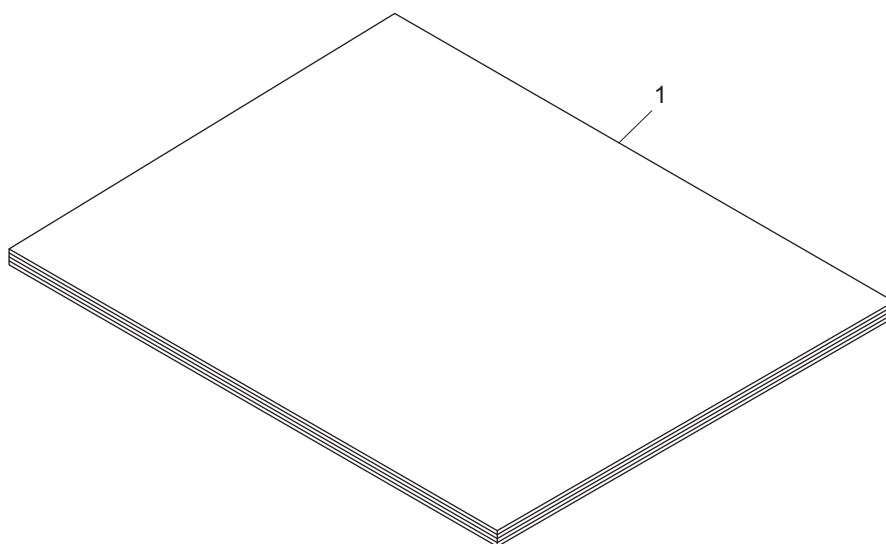
REF No.	CODE	QTY	DESCRIPTION	MODEL	SPEC	REMARKS
5	LT2530001	1	HIGH VOLTAGE POWER SUPPLY PCB ASSY	MFC-1810E		
5	LT2530001	1	HIGH VOLTAGE POWER SUPPLY PCB ASSY	MFC-1810R		
5	LT2530001	1	HIGH VOLTAGE POWER SUPPLY PCB ASSY	MFC-1811		
5	LT2396001	1	HIGH VOLTAGE POWER SUPPLY PCB ASSY	MFC-1813		
5	LT2530001	1	HIGH VOLTAGE POWER SUPPLY PCB ASSY	MFC-1815		
5	LT2530001	1	HIGH VOLTAGE POWER SUPPLY PCB ASSY	MFC-1815R		
5	LT2396001	1	HIGH VOLTAGE POWER SUPPLY PCB ASSY	MFC-1818		

11. ACCESSORIES



## 11.ACCESSORIES

REF No.	CODE	Q'T Y	DESCRIPTION	MODEL	SPEC	REMARKS
1	LT2401001	1	USB CABLE 2.0			
2	UG3625001	1	TELEPHONE LINE CORD GER	MFC-1810	FOR GER	
2	UG4205001	1	TELEPHONE LINE CORD AUS	MFC-1810	FOR GER	
2	UG3626001	1	TELEPHONE LINE CORD UK6P	MFC-1810	FOR UK	
2	LG3077001	1	TELEPHONE LINE CORD CSA	MFC-1810	FOR UK/NLD/IDN/KOR/MEX/OCE/ IBR/MYS/UAE/MENA	
2	UG3627001	1	TELEPHONE LINE CORD FRA	MFC-1810	FOR FRA	
2	UG1575001	1	TELEPHONE LINE CORD BEL	MFC-1810	FOR BEL	
2	LG7202001	1	TELEPHONE LINE CORD SWI	MFC-1810	FOR CHE	
2	UG3634001	1	TELEPHONE LINE CORD ITA	MFC-1810	FOR ITA	
2	UG3290001	1	TELEPHONE LINE CORD NZ	MFC-1810	FOR OCE	
2	LG3077001	1	TELEPHONE LINE CORD CSA	MFC-1810E		
2	LG3077001	1	TELEPHONE LINE CORD CSA	MFC-1810R		
2	LG3077001	1	TELEPHONE LINE CORD CSA	MFC-1811		
2	LG3077001	1	TELEPHONE LINE CORD CSA	MFC-1813		
2	LG3077001	1	TELEPHONE LINE CORD CSA	MFC-1815		
2	LG3077001	1	TELEPHONE LINE CORD CSA	MFC-1815R		
2	LG3077001	1	TELEPHONE LINE CORD CSA	MFC-1818		
3	LT2641001	1	CURLED CORD	MFC-1815		
3	LT2641001	1	CURLED CORD	MFC-1815R		
3	LT2641001	1	CURLED CORD	MFC-1818		
4	LEH599001	1	CD ASSY	DCP-1510	FOR GER/UK/FRA/BEL/NLD/CHE/ ITA/PND/IBR	
4	LEH403001	1	CD ASSY	DCP-1510	FOR TWN	
4	LEH407001	1	CD ASSY	DCP-1510	FOR IDN/OCE/MYS/UAE/MENA	
4	LEH405001	1	CD ASSY	DCP-1510	FOR KOR	
4	LEH399001	1	CD ASSY	DCP-1510E		
4	LEH399001	1	CD ASSY	DCP-1510R		
4	LEH407001	1	CD ASSY	DCP-1511		
4	LEH599001	1	CD ASSY	DCP-1512	FOR GER/UK/FRA/ITA/PND	
4	LEH395001	1	CD ASSY	DCP-1512	FOR ARG/CHL/BRA/MEX/PER	
4	LEH399001	1	CD ASSY	DCP-1512E		
4	LEH399001	1	CD ASSY	DCP-1512R		
4	LEH401001	1	CD ASSY	DCP-1518		
4	LEH396001	1	CD ASSY	MFC-1810	FOR GER/UK/FRA/BEL/NLD/CHE/ ITA/IBR	
4	LEH406001	1	CD ASSY	MFC-1810	FOR IDN/OCE/MYS/UAE/MENA	
4	LEH404001	1	CD ASSY	MFC-1810	FOR KOR	
4	LEH394001	1	CD ASSY	MFC-1810	FOR MEX	
4	LEH398001	1	CD ASSY	MFC-1810E		
4	LEH398001	1	CD ASSY	MFC-1810R		
4	LEH406001	1	CD ASSY	MFC-1811		
4	LEH400001	1	CD ASSY	MFC-1813		
4	LEH406001	1	CD ASSY	MFC-1815	FOR TUR/IDN/MYS/UAE/MENA	
4	LEH394001	1	CD ASSY	MFC-1815	FOR ARG	
4	LEH404001	1	CD ASSY	MFC-1815	FOR KOR	
4	LEH402001	1	CD ASSY	MFC-1815	FOR TWN	
4	LEH398001	1	CD ASSY	MFC-1815R		
4	LEH400001	1	CD ASSY	MFC-1818		
5	UF6857013	1	HANDSET	MFC-1815	FOR TWN/IDN/ARG/KOR/MYS/ UAE/MENA	
5	LEJ288013	1	HANDSET	MFC-1815	FOR TUR	
5	LEJ288013	1	HANDSET	MFC-1815R		
5	UF6857013	1	HANDSET	MFC-1818		



## 12.PRINTED MATERIALS

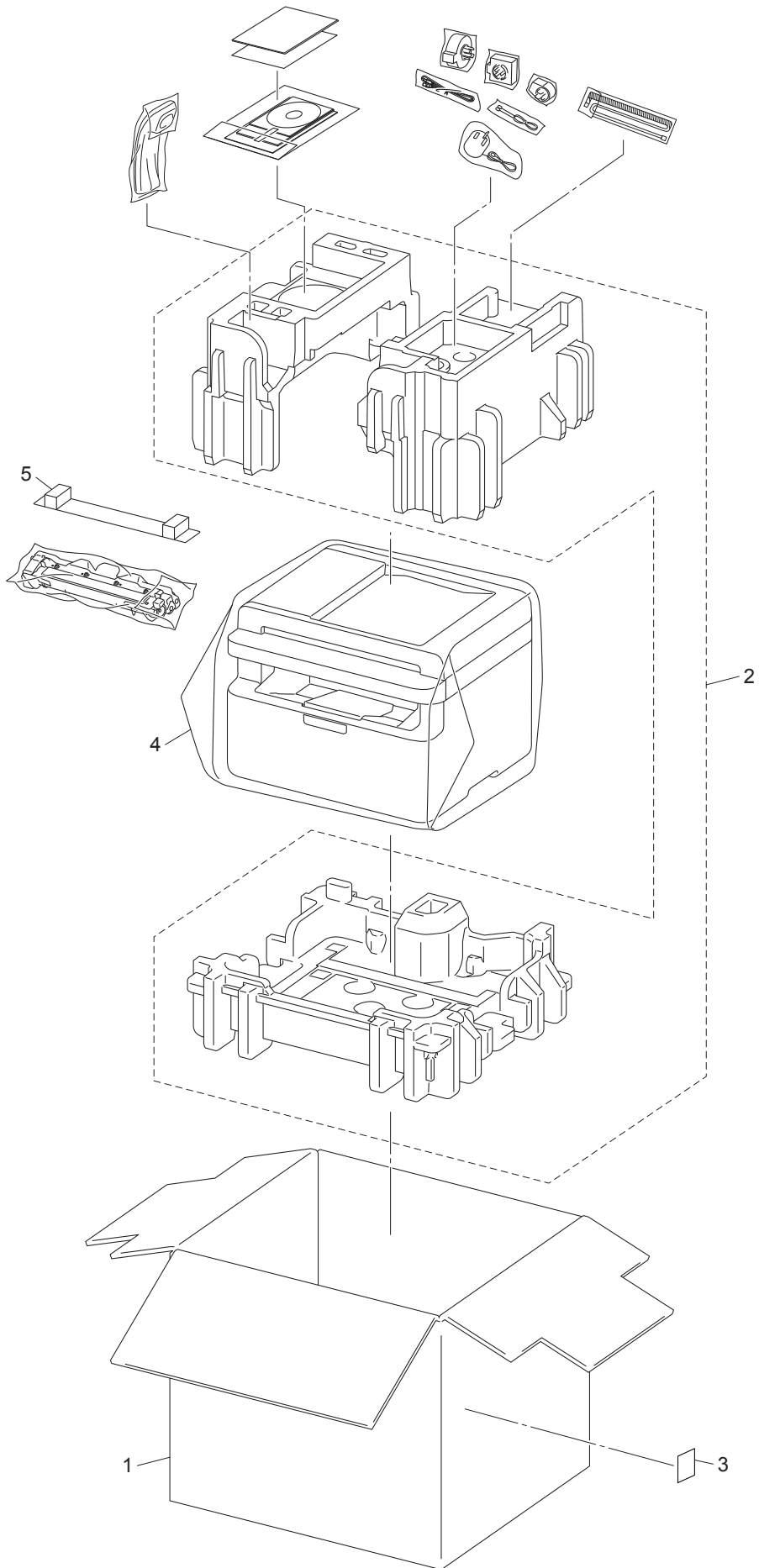
REF No.	CODE	Q'T Y	DESCRIPTION	MODEL	SPEC	REMARKS
1	LEH452023	1	USER'S GUIDE (CHINENSE)	DCP-1510	FOR TWN	
1	LEH564040	1	USER'S GUIDE (ENGLISH)	DCP-1510	FOR IDN/MYS/OCE	chg
1	LEH726043	1	USER'S GUIDE (THAI/INDONESIAN)	DCP-1510	FOR IDN	
1	LEH452044	1	USER'S GUIDE (KOREAN)	DCP-1510	FOR KOR	
1	LEH452032	1	USER'S GUIDE (ARABIC)	DCP-1510	FOR UAE/MENA	
1	LEH452041	1	USER'S GUIDE (ENGLISH)	DCP-1510	FOR UAE/MENA	
1	LEH452019	1	USER'S GUIDE (VIETNAMESE)	DCP-1511	FOR VNM	
1	LEH452025	1	USER'S GUIDE (TURKISH)	DCP-1511	FOR TUR	
1	LEH564040	1	USER'S GUIDE (ENGLISH)	DCP-1511	FOR IND	chg
1	LEH559031	1	USER'S GUIDE (SPANISH)	DCP-1512	FOR ARG/CHL/MEX/PER	
1	LEH559042	1	USER'S GUIDE (PORTUGUESE)	DCP-1512	FOR BRA	
1	LEH428020	1	USER'S GUIDE (CHINESE)	DCP-1518		
1	LEH753003	1	USER'S GUIDE (GERMAN)	MFC-1810	FOR GER	
1	LEH753004	1	USER'S GUIDE (ENGLISH)	MFC-1810	FOR UK	
1	LEH753005	1	USER'S GUIDE (FRENCH)	MFC-1810	FOR FRA	
1	LEH753008	1	USER'S GUIDE (FRENCH)	MFC-1810	FOR BEL/CHE	
1	LEH753058	1	USER'S GUIDE (DUTCH)	MFC-1810	FOR BEL	
1	LEH753009	1	USER'S GUIDE (DUTCH)	MFC-1810	FOR NLD	
1	LEH753010	1	USER'S GUIDE (GERMAN)	MFC-1810	FOR CHE	
1	LEH753016	1	USER'S GUIDE (ITALIAN)	MFC-1810	FOR ITA	
1	LEH564040	1	USER'S GUIDE (ENGLISH)	MFC-1810	FOR IDN/MYS/OCE	chg
1	LEH726043	1	USER'S GUIDE (THAI/INDONESIAN)	MFC-1810	FOR IDN	
1	LEH452044	1	USER'S GUIDE (KOREAN)	MFC-1810	FOR KOR	
1	LEH559031	1	USER'S GUIDE (SPANISH)	MFC-1810	FOR MEX	
1	LEH615015	1	USER'S GUIDE (SPANISH/PORTUGUESE)	MFC-1810	FOR IBR	
1	LEH452032	1	USER'S GUIDE (ARABIC)	MFC-1810	FOR UAE/MENA	
1	LEH452041	1	USER'S GUIDE (ENGLISH)	MFC-1810	FOR UAE/MENA	
1	LEH615048	1	USER'S GUIDE (RUSSIAN/UKRAINIAN)	MFC-1810R		
1	LEH452019	1	USER'S GUIDE (VIETNAMESE)	MFC-1811	FOR VNM	
1	LEH452025	1	USER'S GUIDE (TURKISH)	MFC-1811	FOR TUR	
1	LEH564040	1	USER'S GUIDE (ENGLISH)	MFC-1811	FOR IND	chg
1	LEH428020	1	USER'S GUIDE (CHINESE)	MFC-1813		
1	LEH452023	1	USER'S GUIDE (CHINESE)	MFC-1815	FOR TWN	
1	LEH452025	1	USER'S GUIDE (TURKISH)	MFC-1815	FOR TUR	
1	LEH564040	1	USER'S GUIDE (ENGLISH)	MFC-1815	FOR IDN/MYS	chg
1	LEH726043	1	USER'S GUIDE (THAI/INDONESIAN)	MFC-1815	FOR IDN	
1	LEH559031	1	USER'S GUIDE (SPANISH)	MFC-1815	FOR ARG	
1	LEH452044	1	USER'S GUIDE (KOREAN)	MFC-1815	FOR KOR	
1	LEH452032	1	USER'S GUIDE (ARABIC)	MFC-1815	FOR UAE/MENA	
1	LEH452041	1	USER'S GUIDE (ENGLISH)	MFC-1815	FOR UAE/MENA	
1	LEH615048	1	USER'S GUIDE (RUSSIAN/UKRAINIAN)	MFC-1815R		
1	LEH428020	1	USER'S GUIDE (CHINESE)	MFC-1818		
2	LEH558003	1	QUICK SETUP GUIDE (ENGLISH/FRENCH/ GERMAN/DUTCH)	DCP-1510	FOR GER/UK/FRA/BEL/NLD/CHE	
2	LEH558015	1	QUICK SETUP GUIDE (SPANISH/PORTUGUESE/ITALIAN)	DCP-1510	FOR CHE/ITA/IBR	
2	LEH453041	1	QUICK SETUP GUIDE (ENGLISH/CHINESE/KOREAN/ ARBIC)	DCP-1510	FOR TWN/KOR/UAE/MENA	
2	LEH566040	1	QUICK SETUP GUIDE (ENGLISH/THAI/INDONESIAN)	DCP-1510	FOR IDN/OCE/MYS	
2	LEH558007	1	QUICK SETUP (NORWEGIAN/SWEDISH/ DANISH/FINNISH)	DCP-1510	FOR PND	
2	LEH558037	1	QUICK SETUP GUIDE (ENGLISH/CZECH/HUNGARIAN/ POLISH)	DCP-1510E		
2	LEH558050	1	QUICK SETUP GUIDE (CROATIAN/SERBIAN/ MACEDONIAN)	DCP-1510E	FOR CEE	
2	LEH558059	1	QUICK SETUP GUIDE (BULGARIAN/ROMANIAN/SLOVAK/ SLOVENE)	DCP-1510E	FOR CEE	
2	LEH854048	1	QUICK SETUP GUIDE (RUSSIAN/KAZAKH/UKRAINIAN)	DCP-1510R		CHG
2	LEH453025	1	QUICK SETUP GUIDE (ENGLISH/TURKISH/VIETNAMESE)	DCP-1511	FOR VNM/TUR	



## 12.PRINTED MATERIALS

REF No.	CODE	Q'T Y	DESCRIPTION	MODEL	SPEC	REMARKS
2	LEH566040	1	QUICK SETUP GUIDE (ENGLISH/THAI/INDONESIAN)	DCP-1511	FOR IND	
2	LEH558003	1	QUICK SETUP GUIDE (ENGLISH/FRENCH/ GERMAN/DUTCH)	DCP-1512	FOR GER/UK/FRA	
2	LEH558015	1	QUICK SETUP GUIDE (SPANISH/PORTUGUESE/ITALIAN)	DCP-1512	FOR ITA/ARG/CHL/BRA/MEX/PER	
2	LEH558007	1	QUICK SETUP (NORWEGIAN/SWEDISH/ DANISH/FINISH)	DCP-1512	FOR PND	
2	LEH558037	1	QUICK SETUP GUIDE (ENGLISH/CZECH/HUNGARIAN/ POLISH)	DCP-1512E		
2	LEH558050	1	QUICK SETUP GUIDE (CROATIAN/SERBIAN/ MACEDONIAN)	DCP-1512E	FOR CEE	
2	LEH558059	1	QUICK SETUP GUIDE (BULGARIAN/ROMANIAN/SLOVAK/ SLOVENE)	DCP-1512E	FOR CEE	
2	LEH854048	1	QUICK SETUP GUIDE (RUSSIAN/KAZAKH/UKRAINIAN)	DCP-1512R		CHG
2	LEH429020	1	QUICK SETUP GUIDE (CHINESE/ENGLISH)	DCP-1518		
2	LEH602003	1	QUICK SETUP GUIDE (ENGLISH/FRENCH/ GERMAN/DUTCH)	MFC-1810	FOR GER/UK/FRA/BEL/NLD/CHE	
2	LEH602015	1	QUICK SETUP GUIDE (SPANISH/PORTUGUESE/ITALIAN)	MFC-1810	FOR CHE/ITA/MEX/IBR	
2	LEH490041	1	QUICK SETUP GUIDE (ENGLISH/CHINESE/KOREAN/ ARBIC)	MFC-1810	FOR KOR/UAE/MENA	
2	LEH565040	1	QUICK SETUP GUIDE (ENGLISH/THAI/INDONESIAN)	MFC-1810	FOR IDN/OCE/MYS	
2	LEH602037	1	QUICK SETUP GUIDE (ENGLISH/CZECH/HUNGARIAN/ POLISH)	MFC-1810E		
2	LEH602050	1	QUICK SETUP GUIDE (CROATIAN/SERBIAN/ MACEDONIAN)	MFC-1810E	FOR CEE	
2	LEH602059	1	QUICK SETUP GUIDE (BULGARIAN/ROMANIAN/SLOVAK/ SLOVENE)	MFC-1810E	FOR CEE	
2	LEH855048	1	QUICK SETUP GUIDE (RUSSIAN/KAZAKHU/UKRAINIAN)	MFC-1810R		CHG
2	LEH490025	1	QUICK SETUP GUIDE (ENGLISH/TURKISH/VIETNAMESE)	MFC-1811	FOR VNM/TUR	
2	LEH565040	1	QUICK SETUP GUIDE (ENGLISH/THAI/INDONESIAN)	MFC-1811	FOR IND	
2	LEH430020	1	QUICK SETUP GUIDE (CHINESE/ENGLISH)	MFC-1813		
2	LEH490025	1	QUICK SETUP GUIDE (ENGLISH/TURKISH/VIETNAMESE)	MFC-1815	FOR TUR	
2	LEH490041	1	QUICK SETUP GUIDE (ENGLISH/CHINESE/KOREAN/ ARBIC)	MFC-1815	FOR TWN/KOR/UAE/MENA	
2	LEH565040	1	QUICK SETUP GUIDE (ENGLISH/THAI/INDONESIAN)	MFC-1815	FOR IDN/MYS	
2	LEH602015	1	QUICK SETUP GUIDE (SPANISH/PORTUGUESE/ITALIAN)	MFC-1815	FOR ARG	
2	LEH855048	1	QUICK SETUP GUIDE (RUSSIAN/KAZAKHU/UKRAINIAN)	MFC-1815R		CHG
2	LEH430020	1	QUICK SETUP GUIDE (CHINESE/ENGLISH)	MFC-1818		

13. PACKING MATERIALS



13.PACKING MATERIALS

REF No.	CODE	QTY	DESCRIPTION	MODEL	SPEC	REMARKS
1	LES287001	1	CARTON	DCP-1510	FOR GER/UK/FRA/BEL/NLD/CHE/ITA/PND/IBR	CHG
1	LEH242001	1	CARTON	DCP-1510	FOR TWN/IDN/KOR/MYS/UAE/MENA	
1	LEH245001	1	CARTON	DCP-1510	FOR OCE	
1	LES293001	1	CARTON	DCP-1510E		CHG
1	LES299001	1	CARTON	DCP-1510R		CHG
1	LEH443001	1	CARTON	DCP-1511	FOR IND	
1	LEH440001	1	CARTON	DCP-1511	FOR VNM	
1	LEH248001	1	CARTON	DCP-1511	FOR TUR	
1	LES290001	1	CARTON	DCP-1512	FOR GER/UK/FRA/ITA/PND	CHG
1	LEH305001	1	CARTON	DCP-1512	FOR ARG/CHL/BRA/MEX/PER	
1	LES296001	1	CARTON	DCP-1512E		CHG
1	LES302001	1	CARTON	DCP-1512R		CHG
1	LEH266001	1	CARTON	DCP-1518		
1	LEH293001	1	CARTON	MFC-1810	FOR GER/UK/FRA/BEL/NLD/CHE/ITA/IBR	
1	LEH251001	1	CARTON	MFC-1810	FOR IDN/KOR/MYS/UAE/MENA	
1	LEH306001	1	CARTON	MFC-1810	FOR MEX	
1	LEH254001	1	CARTON	MFC-1810	FOR OCE	
1	LEH296001	1	CARTON	MFC-1810E		
1	LEH299001	1	CARTON	MFC-1810R		
1	LEH446001	1	CARTON	MFC-1811	FOR VNM	
1	LEH257001	1	CARTON	MFC-1811	FOR TUR	
1	LEH449001	1	CARTON	MFC-1811	FOR IND	
1	LEH269001	1	CARTON	MFC-1813		
1	LEH263001	1	CARTON	MFC-1815	FOR TUR	
1	LEH260001	1	CARTON	MFC-1815	FOR TWN/IDN/KOR/MYS/UAE/MENA	
1	LEH307001	1	CARTON	MFC-1815	FOR ARG	
1	LEH302001	1	CARTON	MFC-1815R		
1	LEH272001	1	CARTON	MFC-1818		
2	LEH048001	1	POLYSTYRENE PAD ASSY	DCP-1510		
2	LEH048001	1	POLYSTYRENE PAD ASSY	DCP-1510E		
2	LEH048001	1	POLYSTYRENE PAD ASSY	DCP-1510R		
2	LEH048001	1	POLYSTYRENE PAD ASSY	DCP-1511		
2	LEH048001	1	POLYSTYRENE PAD ASSY	DCP-1512		
2	LEH048001	1	POLYSTYRENE PAD ASSY	DCP-1512E		
2	LEH048001	1	POLYSTYRENE PAD ASSY	DCP-1512R		
2	LEH048001	1	POLYSTYRENE PAD ASSY	DCP-1518		
2	LEH059001	1	POLYSTYRENE PAD ASSY	MFC-1810		
2	LEH059001	1	POLYSTYRENE PAD ASSY	MFC-1810E		
2	LEH059001	1	POLYSTYRENE PAD ASSY	MFC-1810R		
2	LEH059001	1	POLYSTYRENE PAD ASSY	MFC-1811		
2	LEH059001	1	POLYSTYRENE PAD ASSY	MFC-1813		
2	LEH155001	1	POLYSTYRENE PAD ASSY	MFC-1815		
2	LEH155001	1	POLYSTYRENE PAD ASSY	MFC-1815R		
2	LEH155001	1	POLYSTYRENE PAD ASSY	MFC-1818		
3	LEH432001	1	CHINA ENERGY LABEL	DCP-1518		
3	LEH433001	1	CHINA ENERGY LABEL	MFC-1813		
3	LEH434001	1	CHINA ENERGY LABEL	MFC-1818		
4	LEH180001	1	BAG 800X750H			
5	LEH392001	1	TONER PAD			