



**RICOH UNIVERSITY**

Learning ♦ Knowledge ♦ Performance



# **D131/D132/D133 PARTS CATALOG**

**LANIER RICOH SAVIN**



It is the reader's responsibility when discussing the information contained within this document to maintain a level of confidentiality that is in the best interest of Ricoh Americas Corporation and its member companies.

**NO PART OF THIS DOCUMENT MAY BE REPRODUCED IN ANY  
FASHION AND DISTRIBUTED WITHOUT THE PRIOR  
PERMISSION OF RICOH AMERICAS CORPORATION.**

All product names, domain names or product illustrations, including desktop images, used in this document are trademarks, registered trademarks or the property of their respective companies.

They are used throughout this book in an informational or editorial fashion only and for the benefit of such companies. No such use, or the use of any trade name, or web site is intended to convey endorsement or other affiliation with Ricoh products.



# LEGEND

PRODUCT CODE	COMPANY		
	LANIER	RICOH	SAVIN
D131	MP 6002	Aficio MP 6002	MP 6002
D132	MP 7502	Aficio MP 7502	MP 7502
D133	MP 9002	Aficio MP 9002	MP 9002
B513-41	Output Jogger Unit Type 9002B		
B756	Copy Tray Type 9002		
D610	Finisher SR4080		
D611/B703/B702	Finisher SR4060		
D612	Booklet Finisher SR4070		
D613/B474	LCIT RT4010		
D614	Cover Interposer Tray CI4000		
D615	Multi-Folding Unit FD4000		
D616	MAIL BOX CS4000		
D619/D620	Fax Option Type 9002		

# DOCUMENTATION HISTORY

REV. NO.	DATE	COMMENTS
*	07/2012	Original Printing



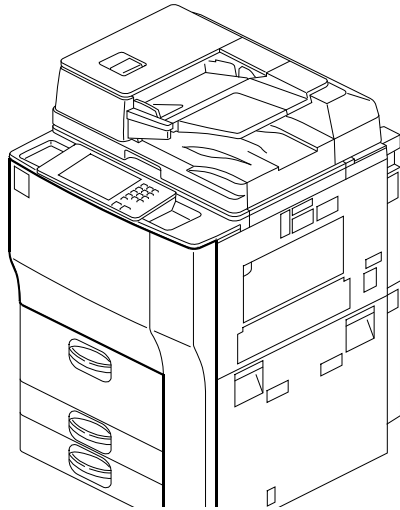
**D131/D132/D133**  
**PARTS LOCATION AND LIST**



This section shows you the part numbers and descriptions used on this machine.

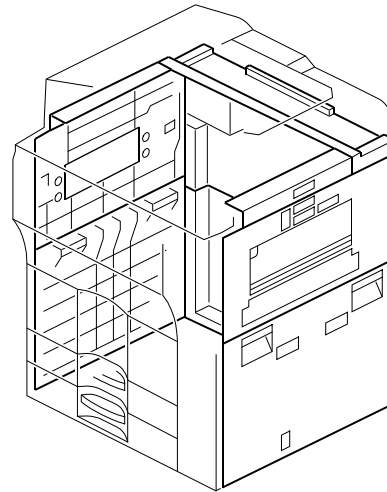
## LOCATIONS OF UNITS

1. Exterior 1 (D131/D132/D133)



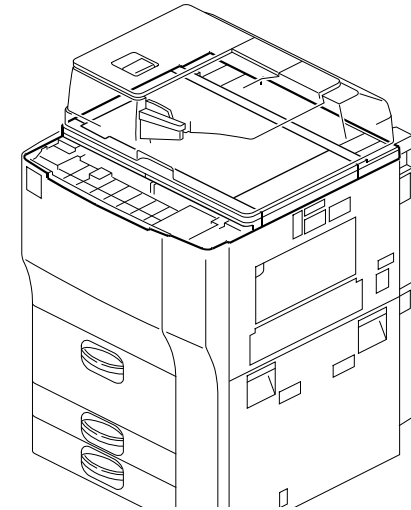
See Page 17

2. Exterior 2 (D131/D132/D133)



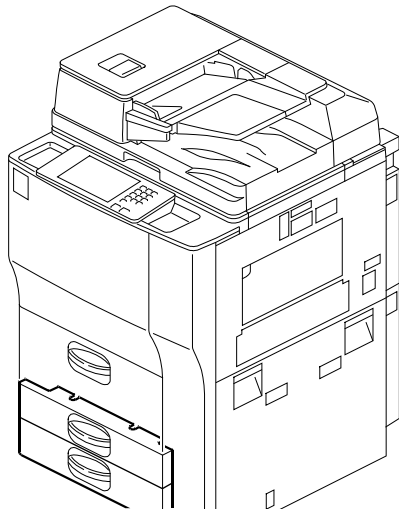
See Page 19

3. Exterior 3 (D131/D132/D133)



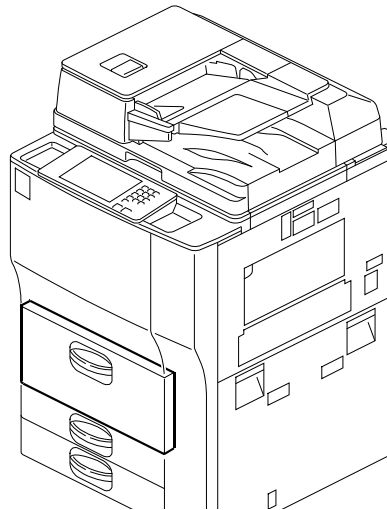
See Page 21

4. Exterior 4 (D131/D132/D133)



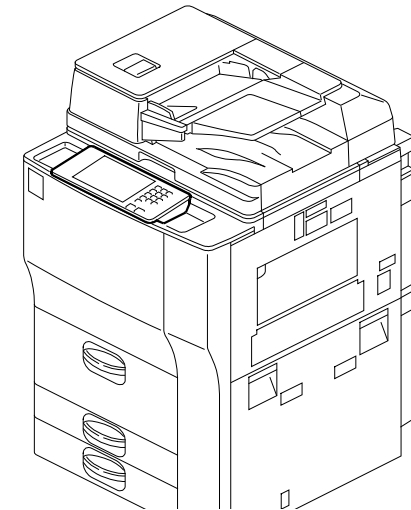
See Page 23

5. Exterior 5 (D131/D132/D133)



See Page 25

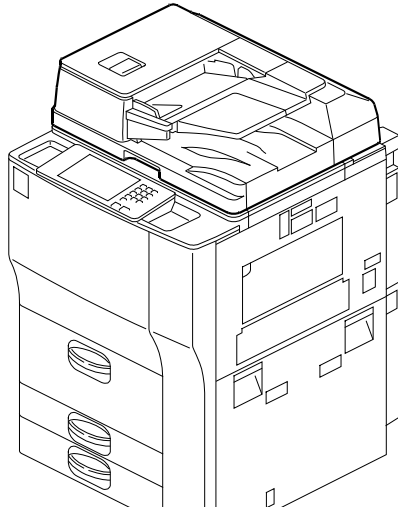
6. Operation Panel (D131/D132/D133)



See Page 27

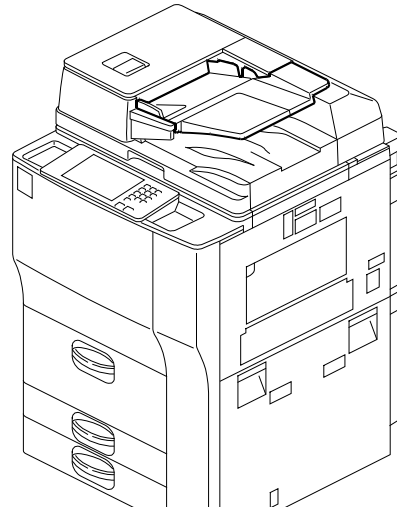
## LOCATIONS OF UNITS

7. SADF 1 (D131/D132/D133)



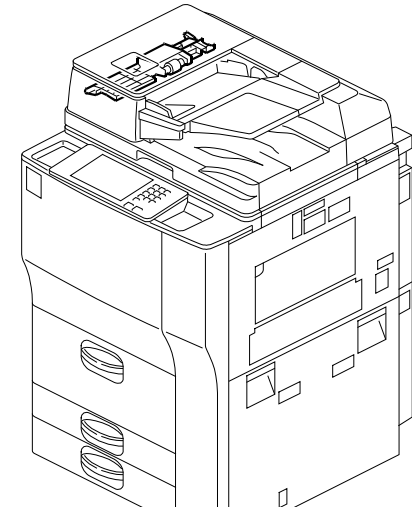
See Page 29

8. SADF 2 (D131/D132/D133)



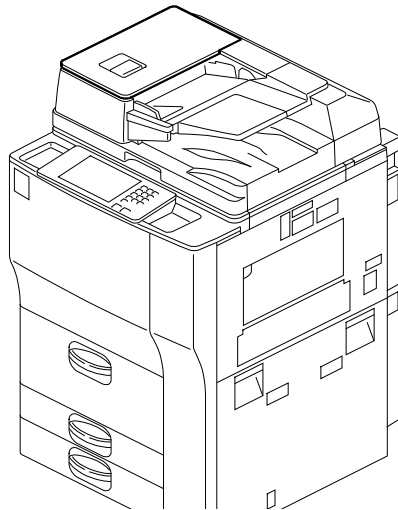
See Page 31

9. SADF 3 (D131/D132/D133)



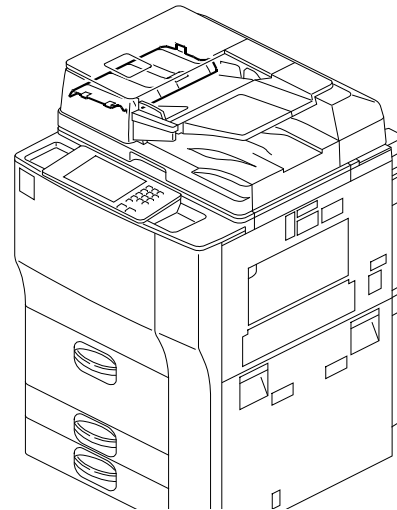
See Page 33

10. SADF 4 (D131/D132/D133)



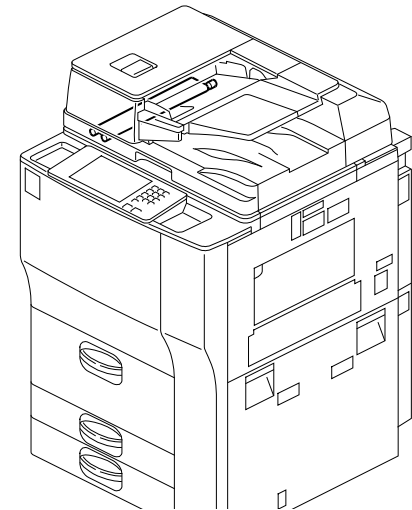
See Page 35

11. SADF 5 (D131/D132/D133)



See Page 37

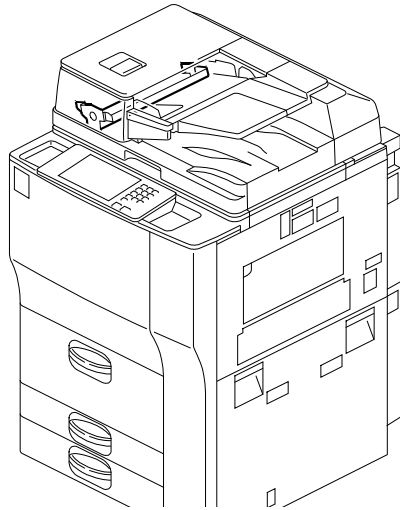
12. SADF 6 (D131/D132/D133)



See Page 39

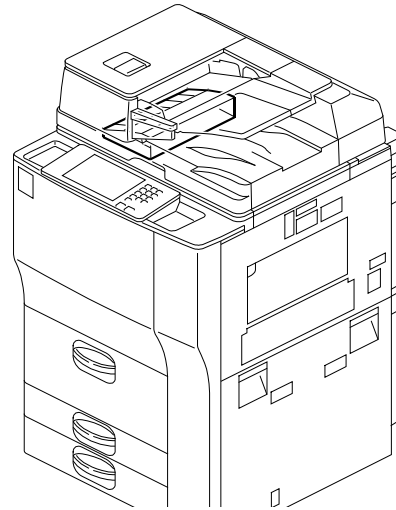
## LOCATIONS OF UNITS

13. SADF 7 (D131/D132/D133)



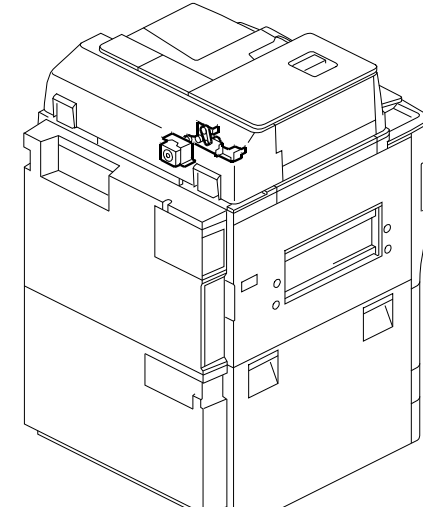
See Page 41

14. SADF 8 (D131/D132/D133)



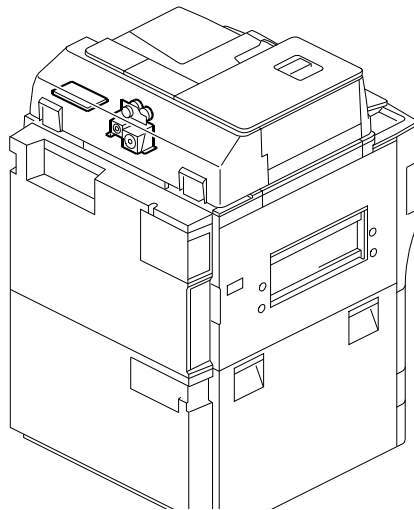
See Page 43

15. SADF 9 (D131/D132/D133)



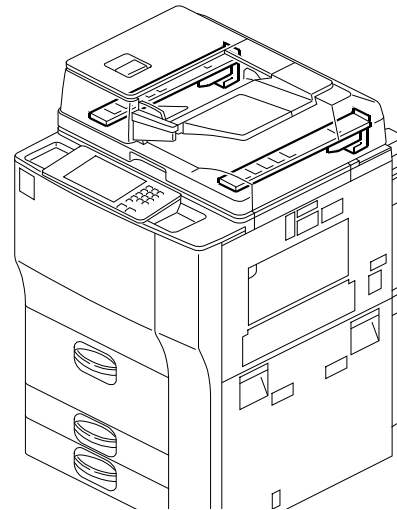
See Page 45

16. SADF 10 (D131/D132/D133)



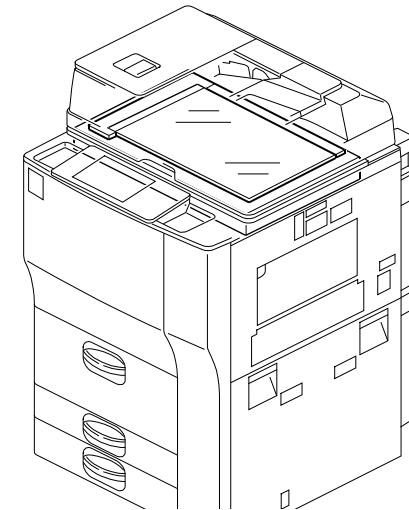
See Page 47

17. SADF 110 (D131/D132/D133)



See Page 49

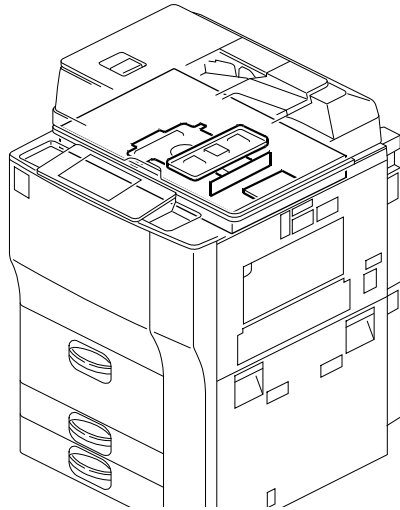
18. Optics Section 1 (D131/D132/D133)



See Page 51

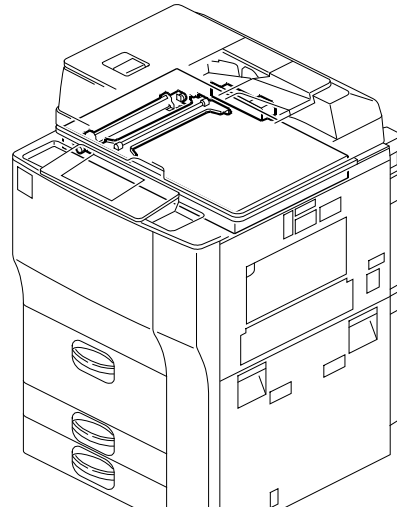
## LOCATIONS OF UNITS

19. Optics Section 2 (D131/D132/D133)



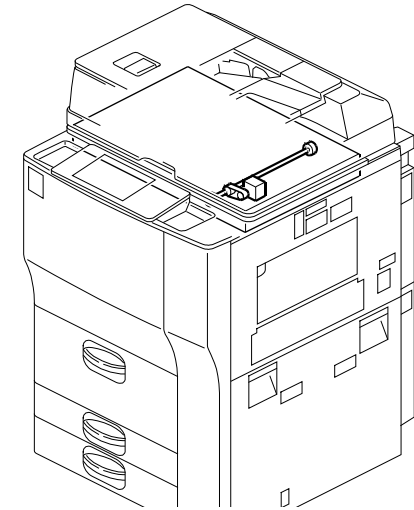
See Page 53

20. Optics Section 3 (D131/D132/D133)



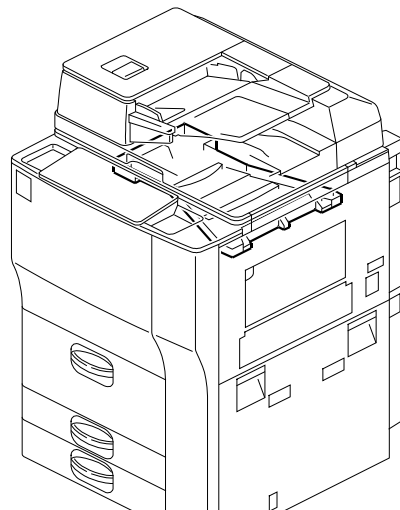
See Page 55

21. Optics Section 4 (D131/D132/D133)



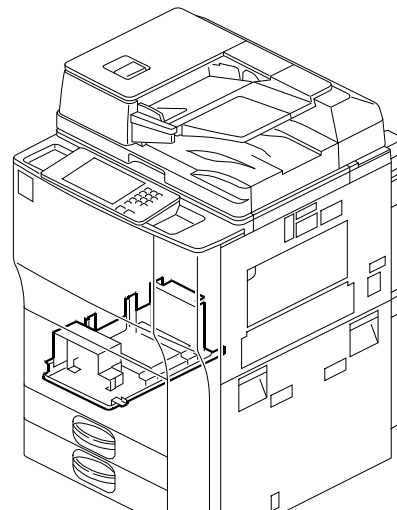
See Page 57

22. Laser Unit (D131/D132/D133)



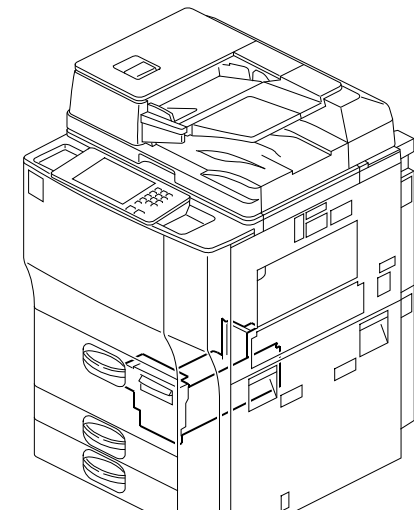
See Page 59

23. Tandem Tray 1 (D131/D132/D133)



See Page 61

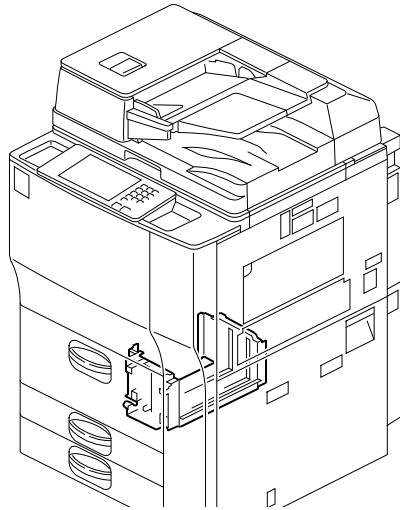
24. Tandem Tray 2 (D131/D132/D133)



See Page 63

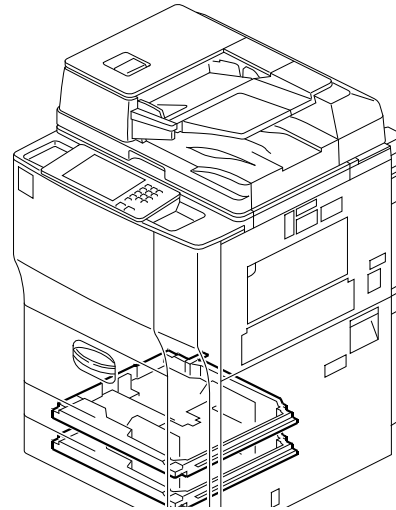
## LOCATIONS OF UNITS

25. Tandem Tray 3 (D131/D132/D133)



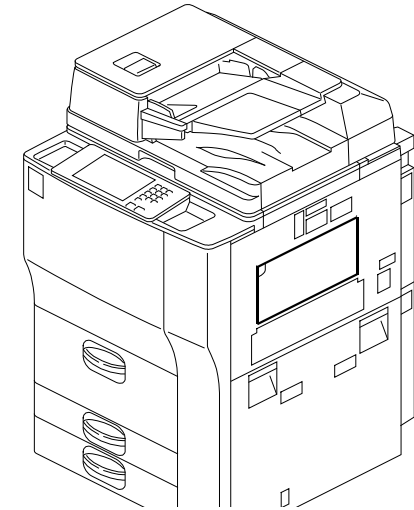
See Page 65

26. Universal Tray (D131/D132/D133)



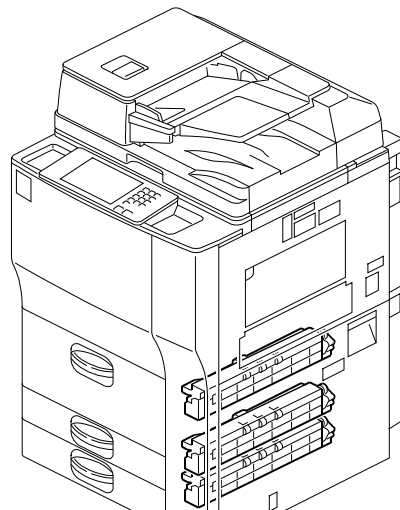
See Page 67

27. By-pass Feed Tray (D131/D132/D133)



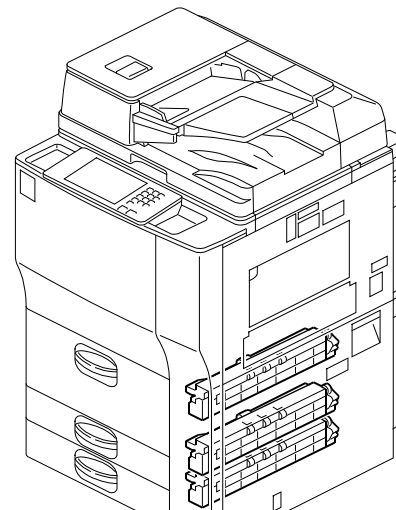
See Page 69

28. Paper Feed Unit 1 (D131/D132/D133)



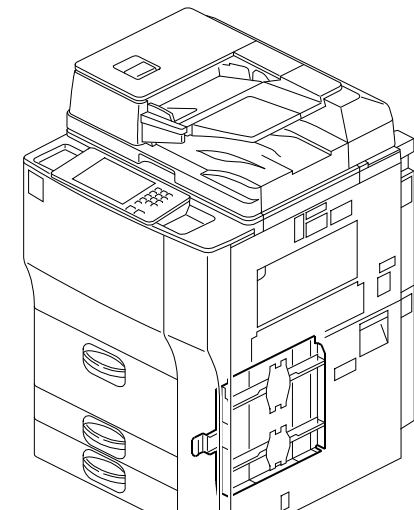
See Page 71

29. Paper Feed Unit 2 (D131/D132/D133)



See Page 73

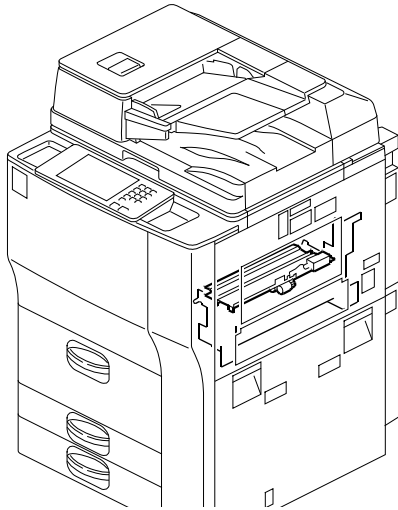
30. Vertical Transport (D131/D132/D133)



See Page 75

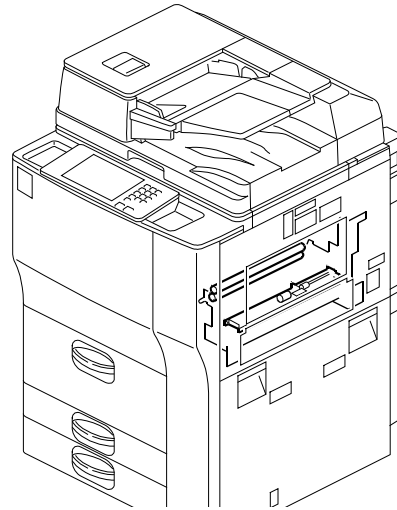
## LOCATIONS OF UNITS

31. Paper Registration 1 (D131/D132/D133)



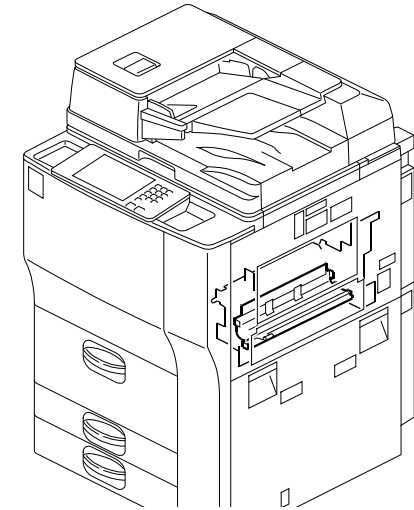
See Page 77

32. Paper Registration 2 (D131/D132/D133)



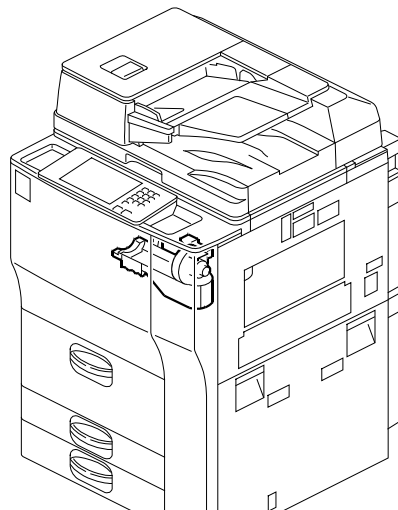
See Page 79

33. Paper Registration 3 (D131/D132/D133)



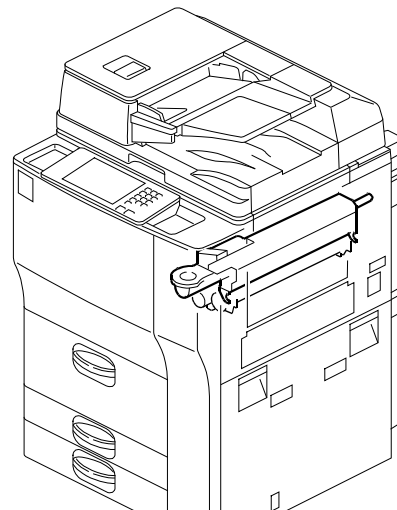
See Page 81

34. Toner Hopper Section



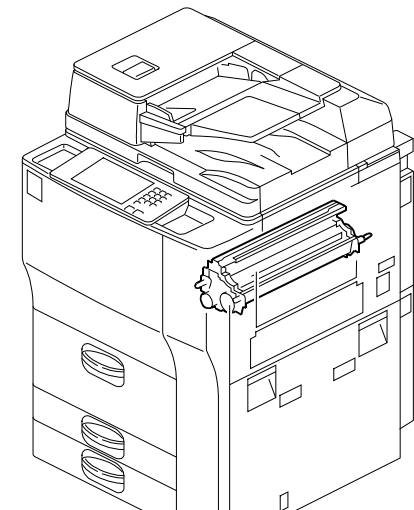
See Page 83

35. Toner Supply Unit (D131/D132/D133)



See Page 85

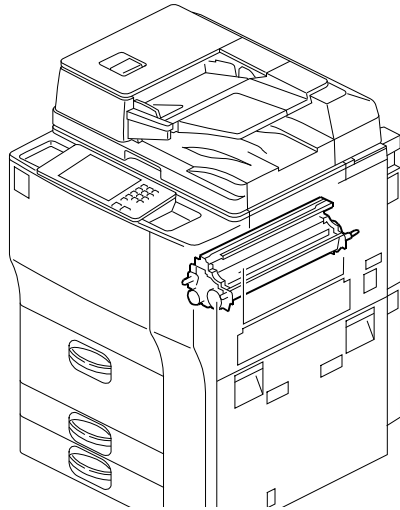
36. Development Unit 1 (D131/D132/D133)



See Page 87

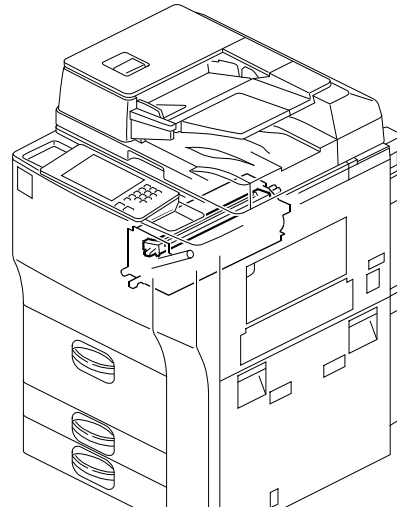
## LOCATIONS OF UNITS

37. Development Unit 2 (D131/D132/D133)



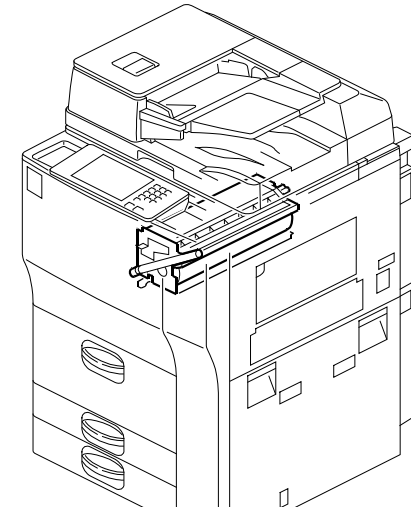
See Page 89

38. Charge Unit (D131/D132/D133)



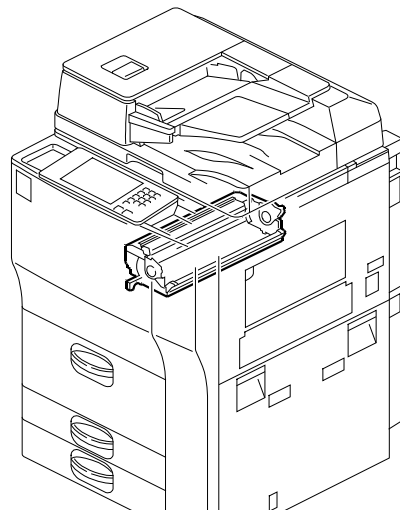
See Page 91

39. PCU 1 (D131/D132/D133)



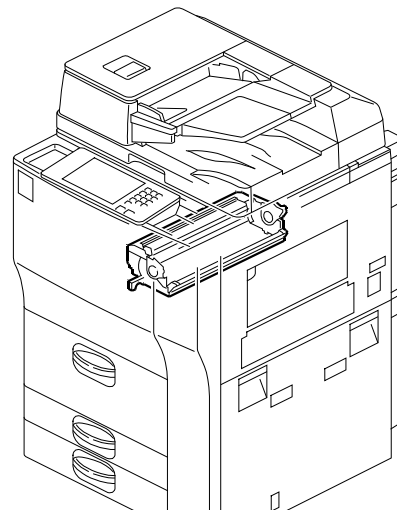
See Page 93

40. PCU 2 (D131/D132/D133)



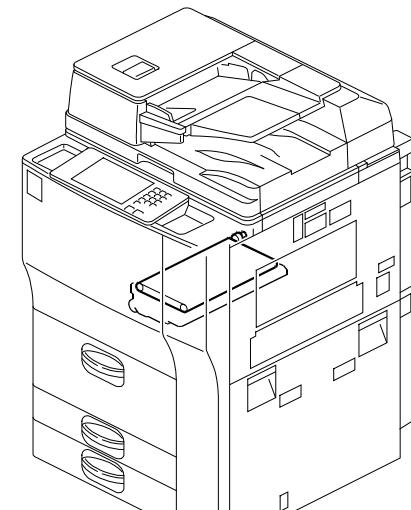
See Page 95

41. PCU 3 (D131/D132/D133)



See Page 97

42. Transfer Belt Unit 1 (D131/D132/D133)

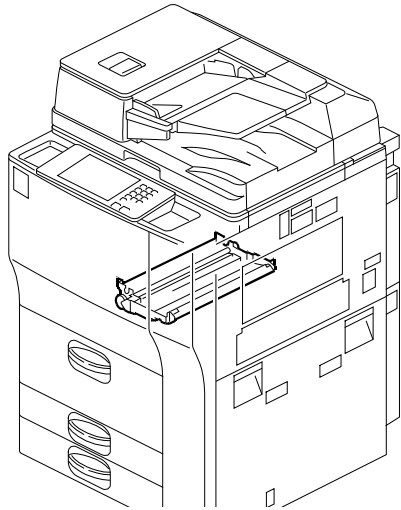


See Page 99



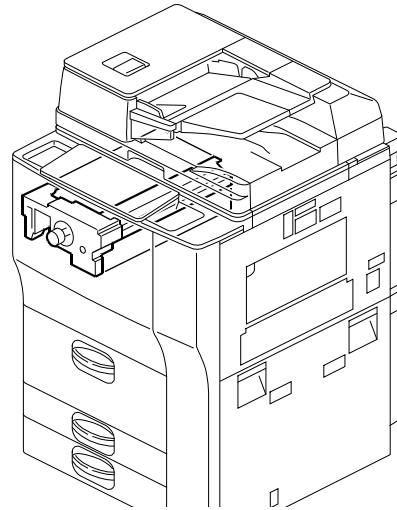
## LOCATIONS OF UNITS

43. Transfer Belt Unit 2 (D131/D132/D133)



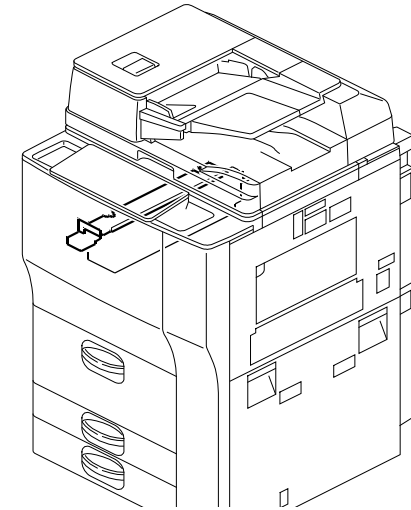
See Page 101

44. Fusing Unit 1 (D131/D132/D133)



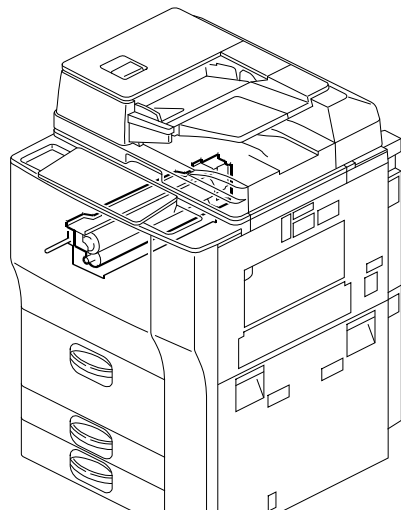
See Page 103

45. Fusing Unit 2 (D131/D132/D133)



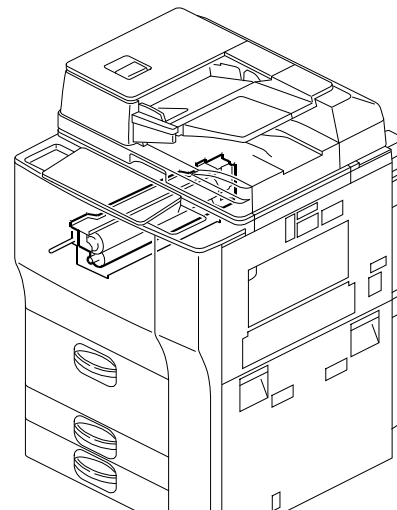
See Page 105

46. Fusing Unit 3 (D131/D132/D133)



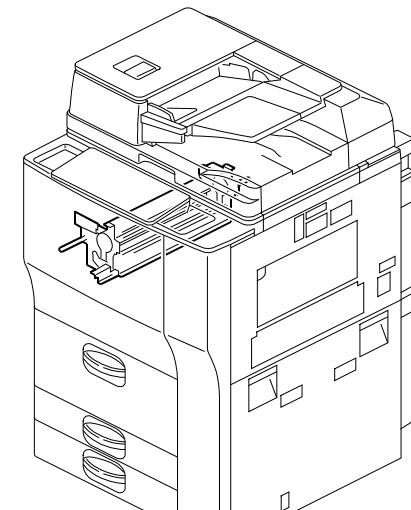
See Page 107

47. Fusing Unit 4 (D131/D132/D133)



See Page 109

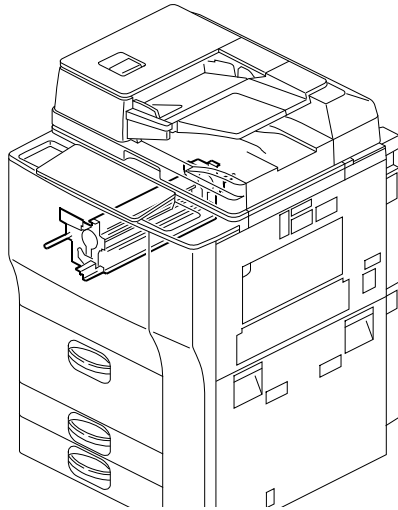
48. Fusing Unit 5 (D131/D132/D133)



See Page 111

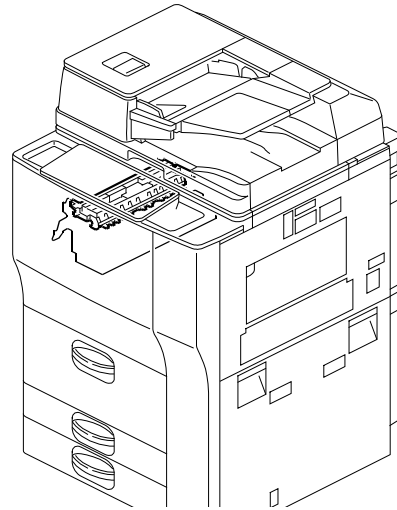
## LOCATIONS OF UNITS

49. Fusing Unit 6 (D131/D132/D133)



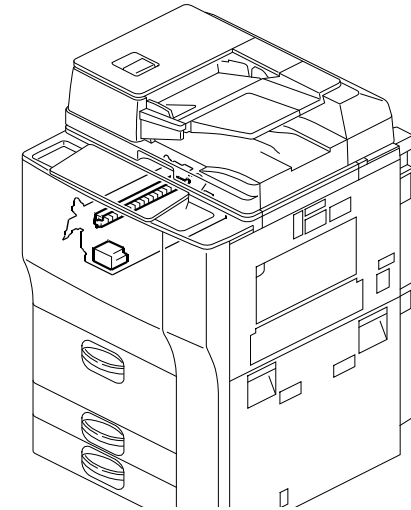
See Page 113

50. Paper Exit Section 1 (D131/D132/D133)



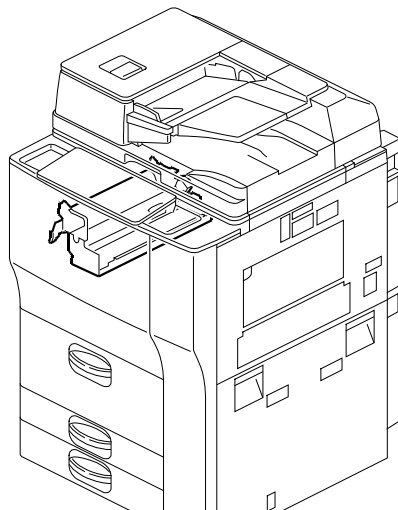
See Page 115

51. Paper Exit Section 2 (D131/D132/D133)



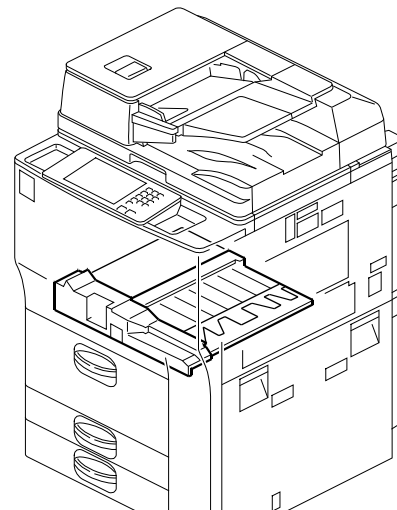
See Page 117

52. Paper Exit Section 3 (D131/D132/D133)



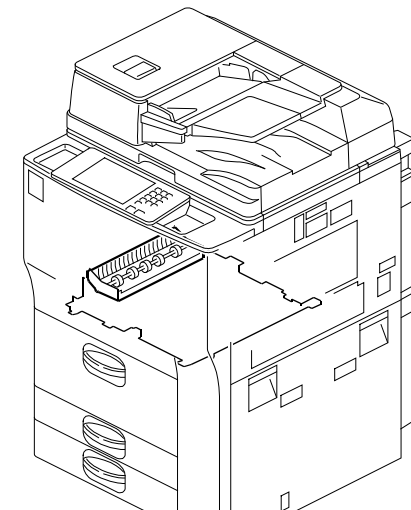
See Page 119

53. Duplex Unit 1 (D131/D132/D133)



See Page 121

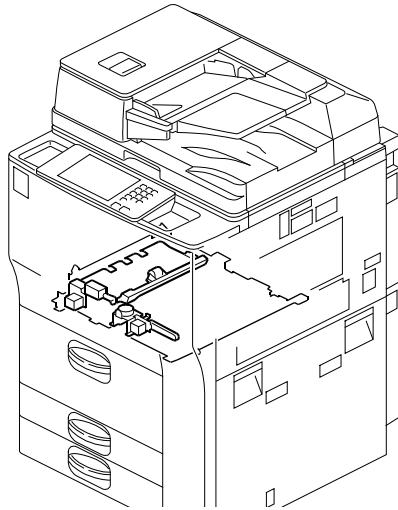
54. Duplex Unit 2 (D131/D132/D133)



See Page 123

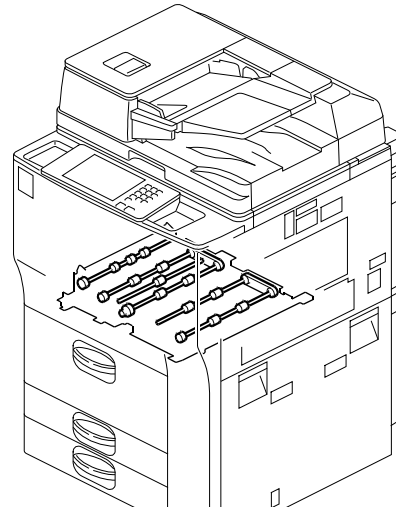
## LOCATIONS OF UNITS

55. Duplex Unit 3 (D131/D132/D133)



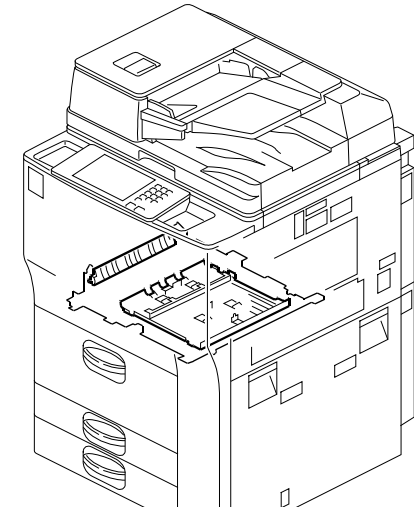
See Page 125

56. Duplex Unit 4 (D131/D132/D133)



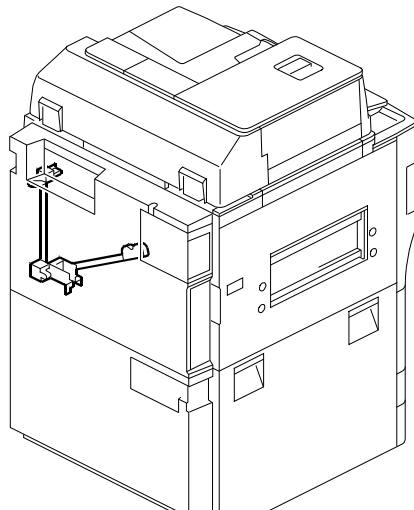
See Page 127

57. Duplex Unit 5 (D131/D132/D133)



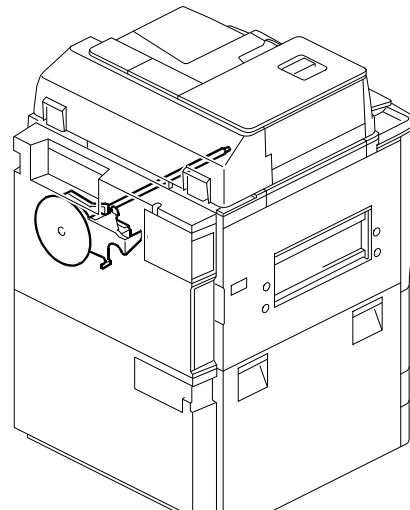
See Page 129

58. Waste Toner Drive (D131/D132/D133)



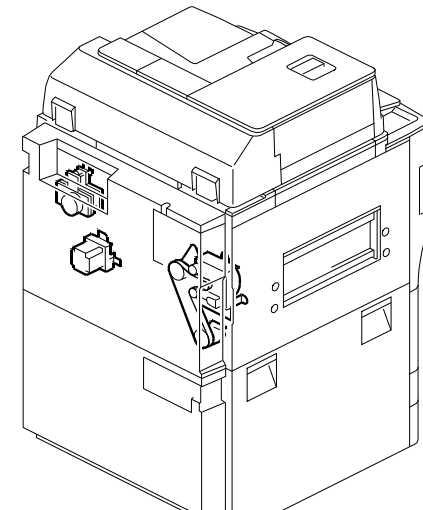
See Page 131

59. Drive Section 1 (D131/D132/D133)



See Page 133

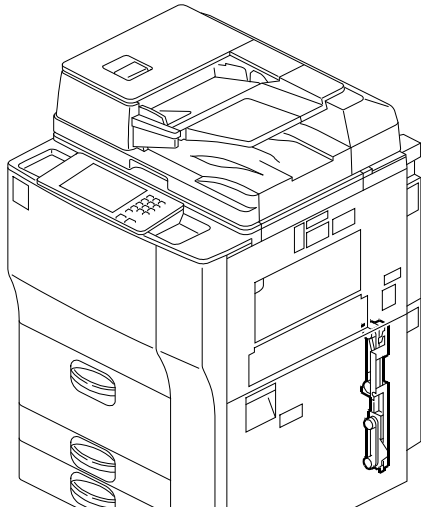
60. Drive Section 2 (D131/D132/D133)



See Page 135

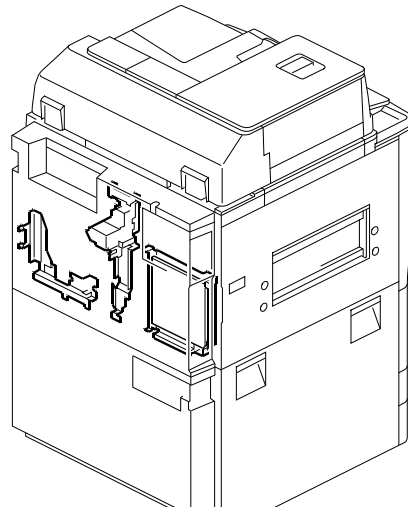
# LOCATIONS OF UNITS

61. Drive Section 3 (D132/D133)



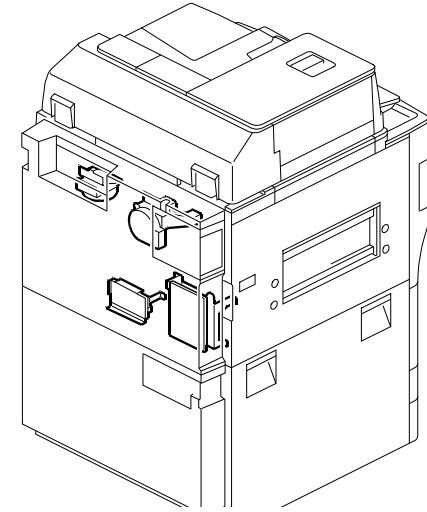
See Page 137

62. Electrical Section 1 (D131/D132/D133)



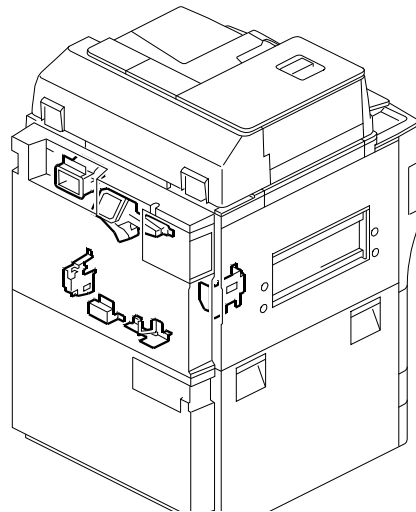
See Page 139

63. Electrical Section 2 (D131/D132/D133)



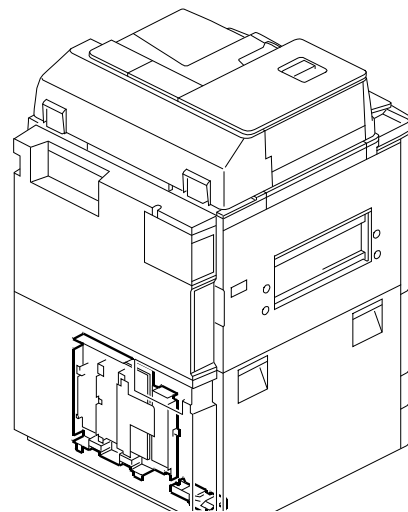
See Page 141

64. Electrical Section 3 (D131/D132/D133)



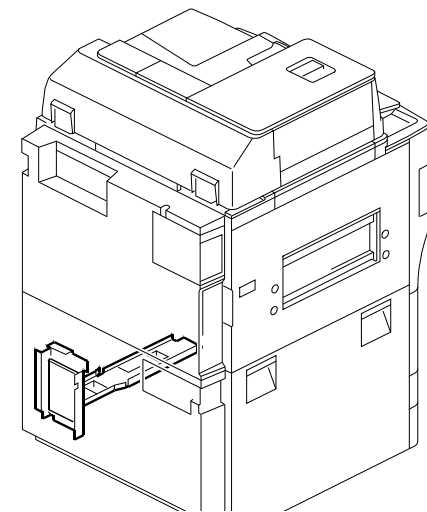
See Page 143

65. Electrical Section 4 (D131/D132/D133)



See Page 145

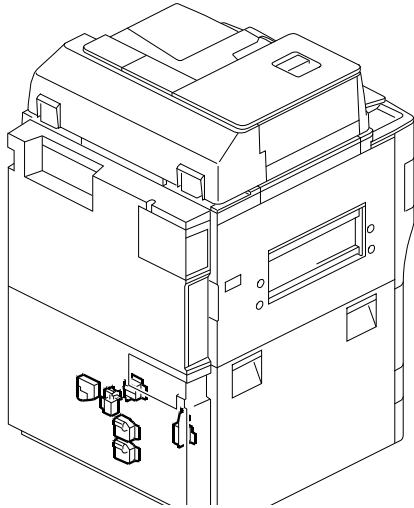
66. Electrical Section 5 (D131/D132/D133)



See Page 147

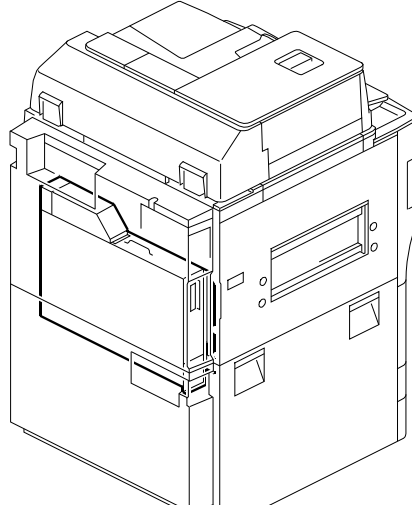
# LOCATIONS OF UNITS

67. Electrical Section 6 (D131/D132/D133)



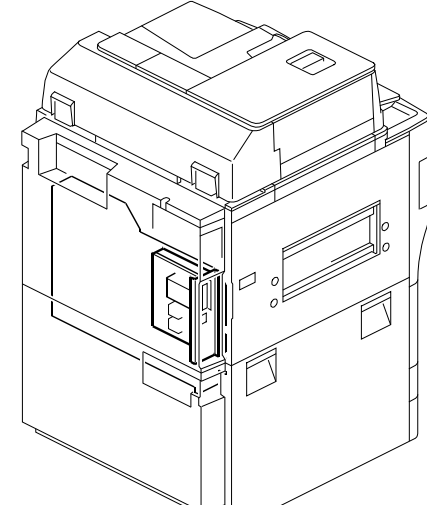
See Page 149

68. Electrical Section 7 (D131/D132/D133)



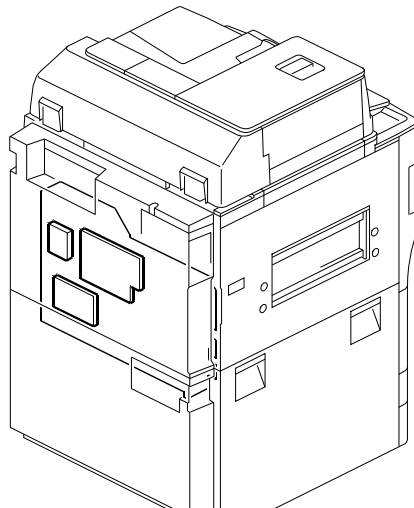
See Page 151

69. Electrical Section 8 (D131/D132/D133)



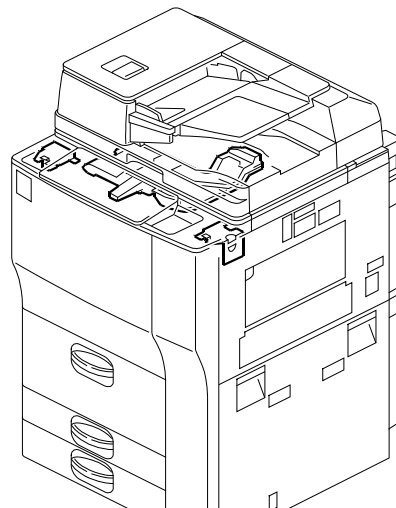
See Page 153

70. Electrical Section 9 (D131/D132/D133)



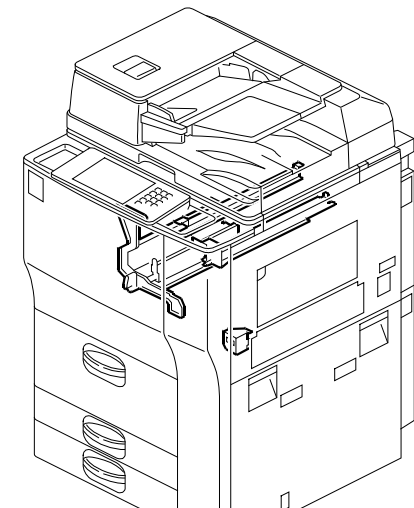
See Page 155

71. Frame Section 1 (D131/D132/D133)



See Page 157

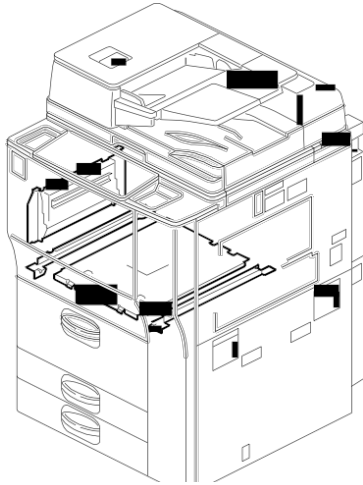
72. Frame Section 2 (D131/D132/D133)



See Page 159

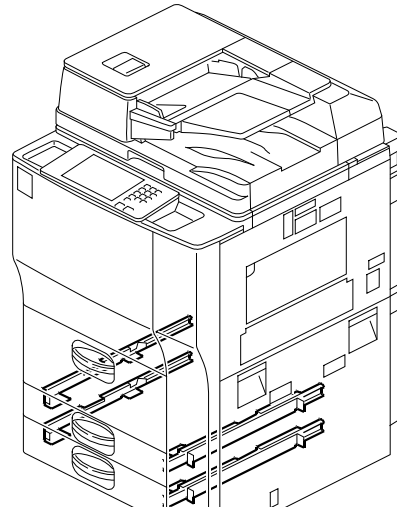
## LOCATIONS OF UNITS

73. Frame Section 3 (D131/D132/D133)



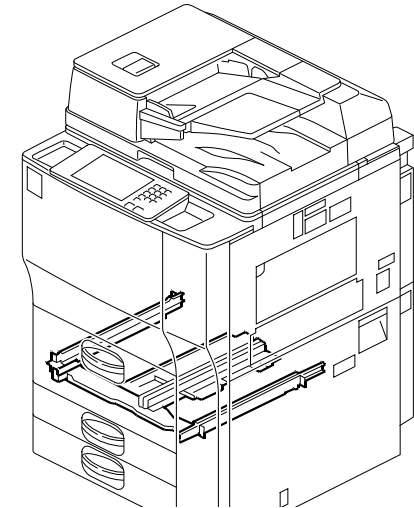
See Page 161

74. Frame Section 4 (D131/D132/D133)



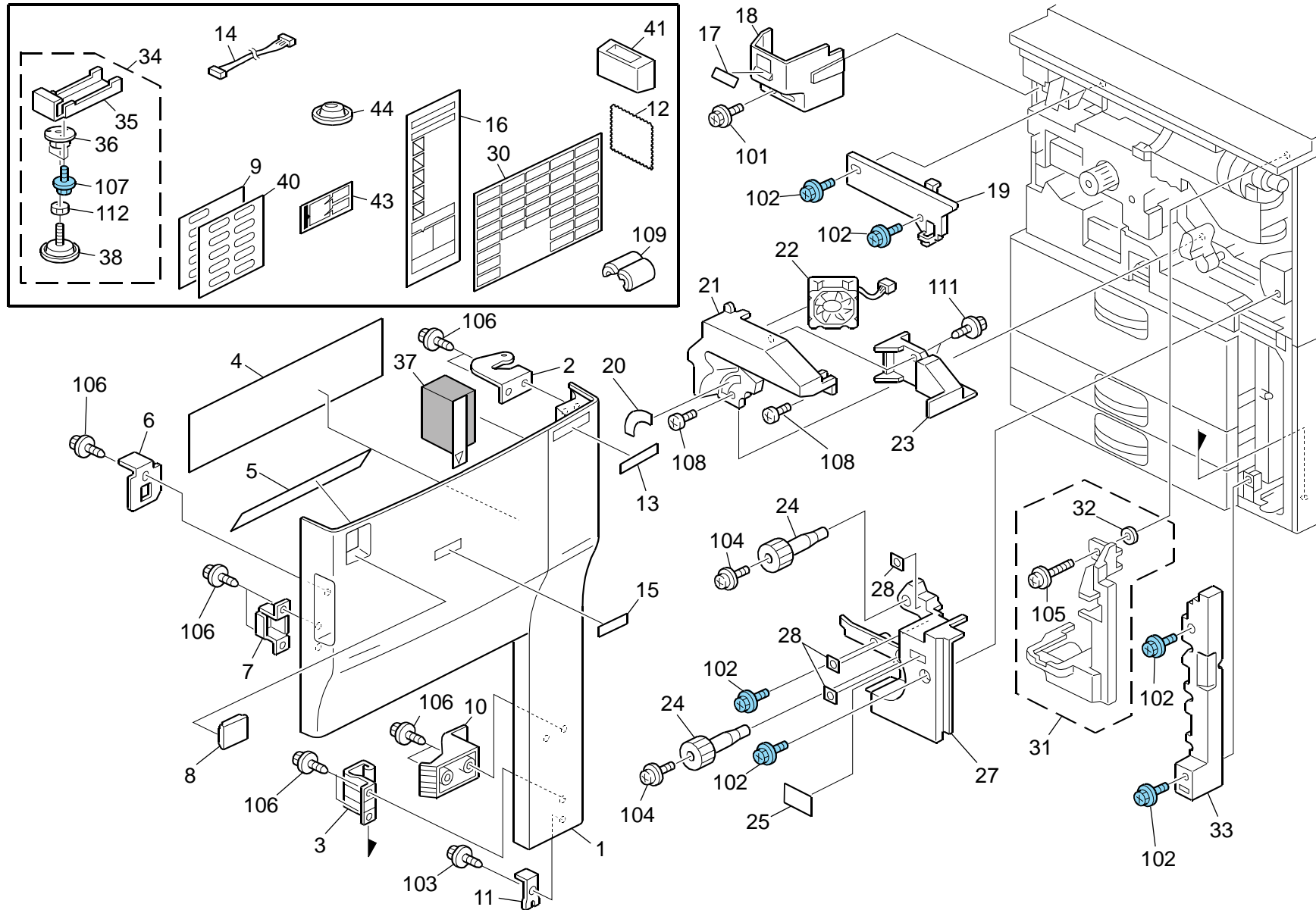
See Page 163

75. Frame Section 5 (D131/D132/D133)



See Page 165

# 1.Exterior 1 (D131/D132/D133)



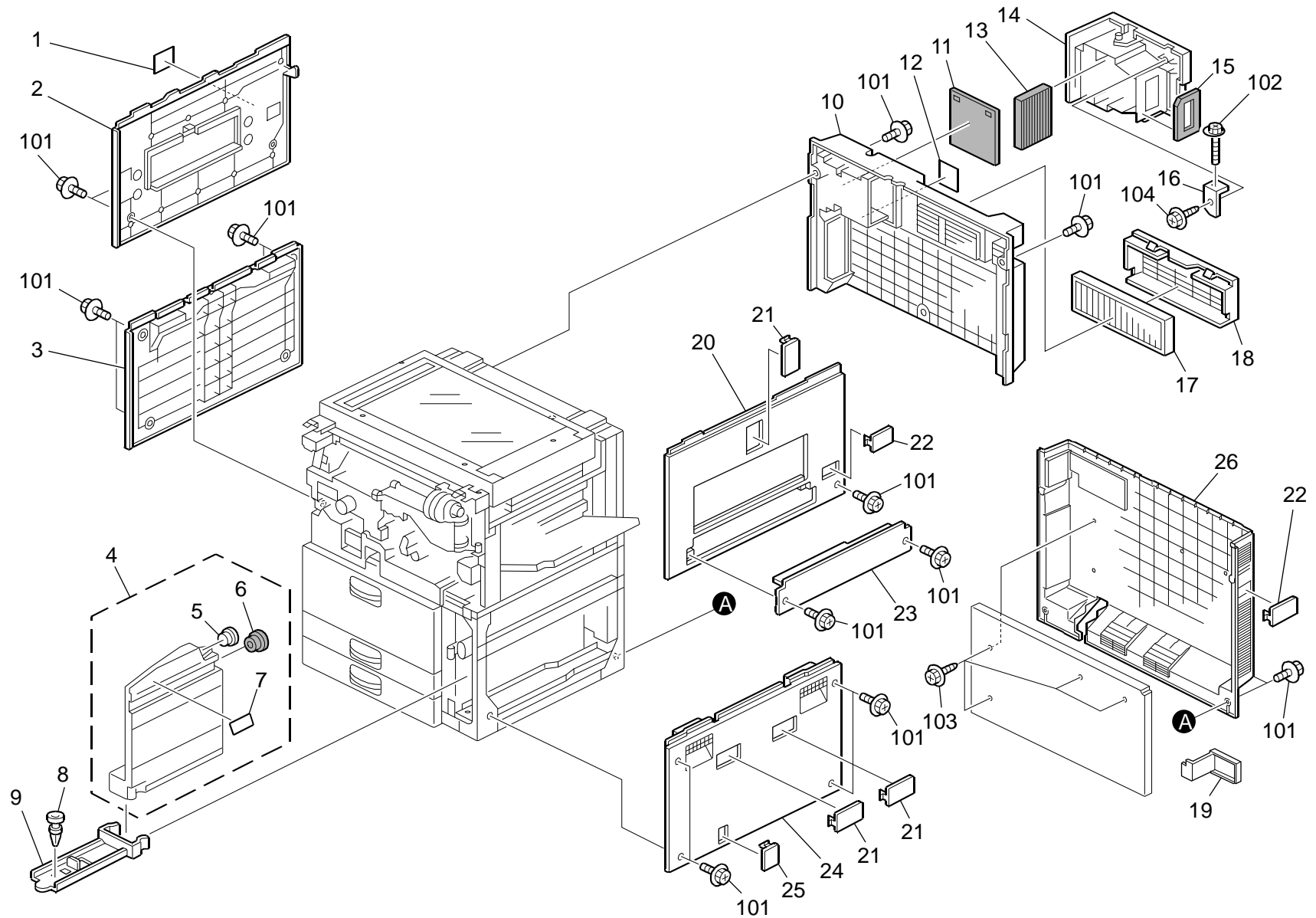
## 1.Exterior 1 (D131/D132/D133)

Index No.	Part No.	Description	Q'ty Per Assembly
1	D131 1301	Door: Front	1
2	B098 1342	Hinge: Upper	1
3	B247 1223	Hinge: Lower: Ass'y	1
4	D131 1361	Decal: Misfeed Removal: Main	1
5	D131 1364	Decal: Toner: Supply	1
6	A294 1292	Door Switch Bracket	1
7	B132 1526	Door Catch	1
8	D131 1325	Cover: Main Switch	1
9	D129 1568	Sheet: Application: Multi-Language: Blank	1
10	D131 1323	Lever: Guide Plate: Vertical Transport	1
11	B065 1326	Micro Switchlever	1
12	B065 1374	Cloth - Df Exposure Glass	1
13	D131 7041	Decal: Model Name Plate: D131: EXP	1
13	D131 7042	Decal: Model Name Plate: D131: EXP: SP	1
13	D131 7044	Decal: Model Name Plate: D131: LAN	1
13	D131 7047	Decal: Model Name Plate: D131: GES	1
13	D132 7041	Decal: Model Name Plate: D132	1
13	D132 7042	Decal: Model Name Plate: D132: EXP: SP	1
13	D132 7044	Decal: Model Name Plate: D132: LAN	1
13	D132 7047	Decal: Model Name Plate: D132: GES	1
13	D133 7041	Decal: Model Name Plate: D133: EXP	1
13	D133 7042	Decal: Model Name Plate: D133: EXP: SP	1
13	D133 7044	Decal: Model Name Plate: D133: LAN	1
13	D133 7047	Decal: Model Name Plate: D133: GES	1
14	D131 5511	Harness: BCU: MKB	1
15	AA00 1564	Plate: Logotype: RIC	1
15	AA00 1565	Plate: Logotype: LAN	1
15	AA00 1567	Plate: Logotype: GES	1
15	D131 8459	Accessory: Logo: AA: Ass'y	1
16	D131 1379	Decal: Caution: Original: EXP	1
17	D131 1369	Decal: Main Switch: Dom/Na	1
18	D131 1315	Inner Cover: Main Switch	1
19	D131 1316	Inner Cover: Fusing Unit: Upper	1
20	D131 1365	Decal: Lever: Release: Transfer	1
21	D131 1313	Inner Cover: Around The Photoconductor	1

Index No.	Part No.	Description	Q'ty Per Assembly
22	AX64 0203	Fan: Mm60	1
23	B065 1318	PCU Duct Inner Cover	1
24	D131 2552	Knob: Duplex	2
25	D131 1362	Decal: Total Counter	1
27	D131 1312	Inner Cover: Right Lower	1
28	D131 1363	Decal: Inner Cover: Right Lower	1
30	D131 8510	Decal: Size Indication: Multi-language: C5	1
31	D131 3290	Inner Cover: Development Sub-unit: Right: Ass'y	1
32	AA10 0006	Nut - M3.6	1
33	B247 6184	Inner Cover	1
34	B247 8701	Stand: Auxiliary: Ass'y	2
35	G126 8705	Bracket: Stand: Auxiliary	1
36	B247 8710	Flange: Nut: M12	1
37	D131 1320	Seal: Door: Right Upper	1
38	B247 8706	Adjusting Pin: Auxiliary	1
39	B132 1226	Holder: Stand	2
40	D129 1566	Sheet: Application: Multi-Language: NA	1
40	D129 1567	Sheet: Application: Multi-Language: EU	1
41	D144 1396	Holder: Exposure Glass: Ig: Ass'y	1
42	AA00 3048	Decal: Caution Chart: Paper Set Direction	1
101	0451 4008N	Tapping Screw: 4x8	
102	0454 4008Q	Tapping Screw - M4x8	
103	0458 3008N	Hexagon Head Tapping Screw: 3x8	
104	0951 4008N	Screw: Polished Round: M4x8	
105	0951 4012N	Screw: Polished Round: M4x12	
106	0802 5324	Hexagon Head Tapping Screw: pF: 4x10	
107	0454 3008Q	Tapping Screw: 3x8	
108	0354 0080N	Screw: M4x8	
109	1607 1461	Ferrite Core	
110	0712 0120N	Hexagonal Nut: M12	
111	0450 3008N	Tapping Screw - M3x8	
112	0712 0120N	Hexagonal Nut: M12	



## 2.Exterior 2 (D131/D132/D133)



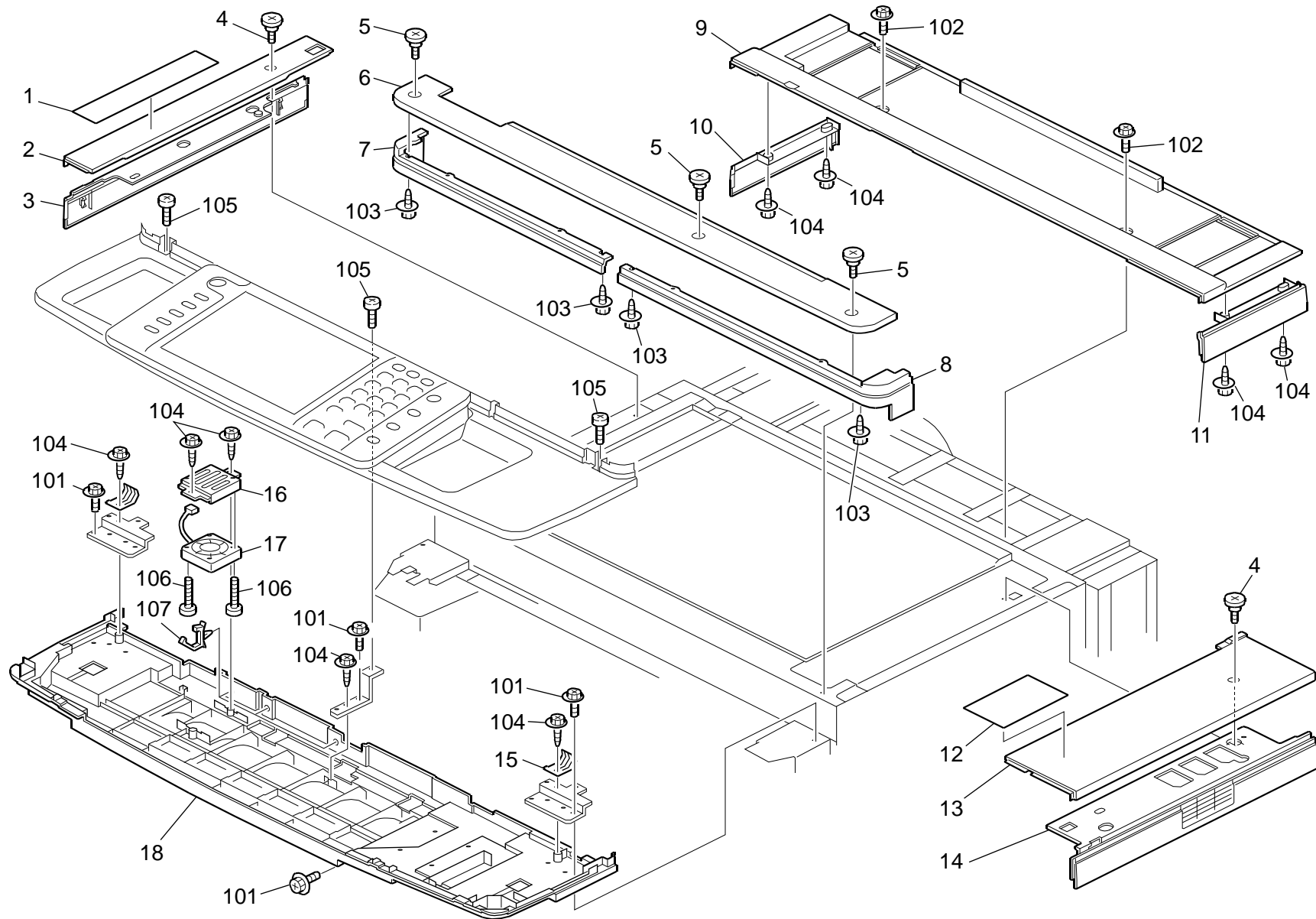
## 2.Exterior 2 (D131/D132/D133)

Rev. 9/14/2012

Index No.	Part No.	Description	Q'ty Per Assembly
1	D131 1366	Decal: Cover	1
2	D131 1304	Cover: Left Upper	1
2	D132 1246	Cover: Left Upper: NA: Ass'y	1
3	D131 1334	Cover: Left Lower	1
4	B065 3690	Tank: Discharge Used Toner	1
5	AA15 2315	Tank Seal	1
6	A007 3751	Large Cap - Toner Collection Tank	1
7	AA00 0059	Caution Decal - English	1
8	A096 3712	Ratch	1
9	B065 3689	Toner Collection Bottle Bracket	1
10	D131 1305	Cover: Rear Upper	1
11	D062 1354	Sheet: Duct: Cover	1
12	D131 1376	Decal: Caption: Interface	1
13	<b>D131 1233</b>	<b>Ozone Filter: Main: Exhaust</b>	<b>1</b>
14	D131 1336	Duct: Cover: Exhaust	1
15	B247 1250	Seal: Fan: Exhaust: Adhesion	1
16	A293 1332	Duct Holder	1
17	AA01 2128	Machine Or Copier Filter	1
18	D131 1332	Louver: Filter	1
19	D131 1356	Bracket: Cover: Rear Lower	1
20	D131 1302	Cover: Right Upper	1
20	D132 1302	Cover: Right Upper: NA	1
21	D131 1341	Cap: Connector	3
22	D131 1344	Cap: G4	2
23	D131 1303	Cover: LCT (EU/AA)	1
23	D132 1303	Cover: LCT: NA	1
24	D131 1333	Cover: Right Lower	1
25	D131 1342	Cap: Coupling	1
26	D131 1306	Cover: Rear Lower	1
26	D131 1318	Cover: Rear Lower: NA	1

Index No.	Part No.	Description	Q'ty Per Assembly
101	0451 4010N	Tapping Screw: 4x10	
102	0451 3012N	Tapping Screw: 3x12	
103	0450 4008N	Tapping Screw - M4x8	
104	0458 3008N	Hexagon Head Tapping Screw: 3x8	

### 3.Exterior 3 (D131/D132/D133)

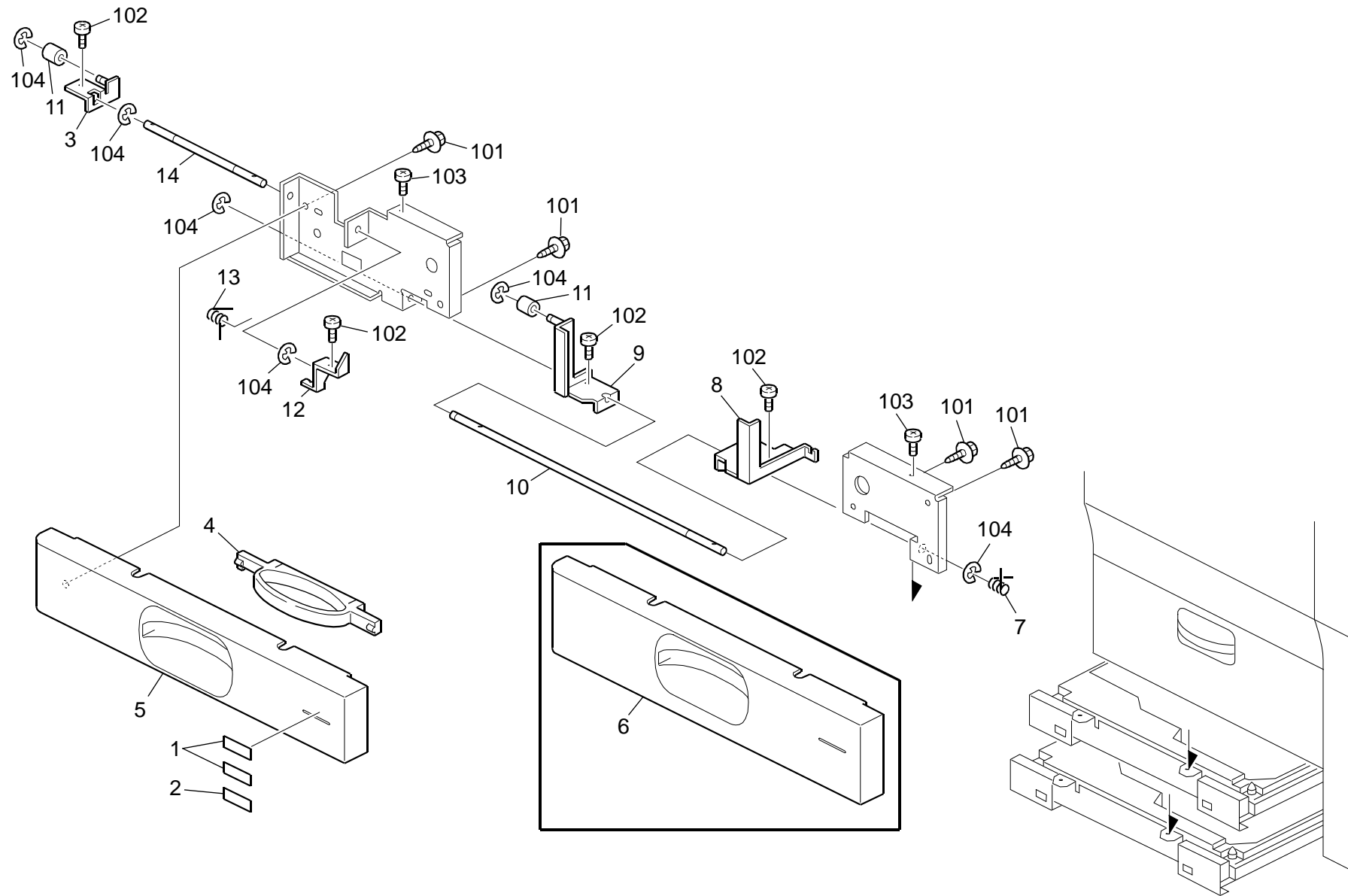


### 3.Exterior 3 (D131/D132/D133)

Index No.	Part No.	Description	Q'ty Per Assembly
1	D131 1368	Decal: Exposure Glass: Cleaning	1
2	D131 1311	Cover: Upper Left	1
3	D131 1329	Design Plate: Left	1
4	AA14 3879	Screw: M4: DIA5	1
5	AA14 3878	Screw: M3: DIA5	1
6	D131 1345	Cover: Upper Front	1
7	D131 1347	Design Plate: Front Left	1
8	D131 1346	Design Plate: Front Right	1
9	D131 1309	Cover: Upper Rear	1
10	D131 1327	Design Plate: Left Rear	1
11	D131 1326	Design Plate: Right Rear	1
12	D131 1379	Decal: Caution: Original: EXP	1
13	D131 1310	Cover: Upper Right	1
14	D131 1328	Design Plate: Right	1
15	D131 1354	Ground Plate: Operation Panel: Side	1
16	B065 1345	Fan Bracket	1
17	AX64 0175	Fan Motor DC24V/1.44W	1
18	D131 1314	Inner Cover: Operation Sub-unit	1

Index No.	Part No.	Description	Q'ty Per Assembly
101	0451 4008N	Tapping Screw: 4x8	
102	0451 4010N	Tapping Screw: 4x10	
103	0459 3006N	Binding Head Tapping Screw: 3x6	
104	0458 3008N	Hexagon Head Tapping Screw: 3x8	
105	0452 3008N	Tapping Screw - M3x8	
106	0313 0100N	Pan Head Screw: M3x10	
107	1105 0487	Harness Clamp	

## 4.Exterior 4 (D131/D132/D133)

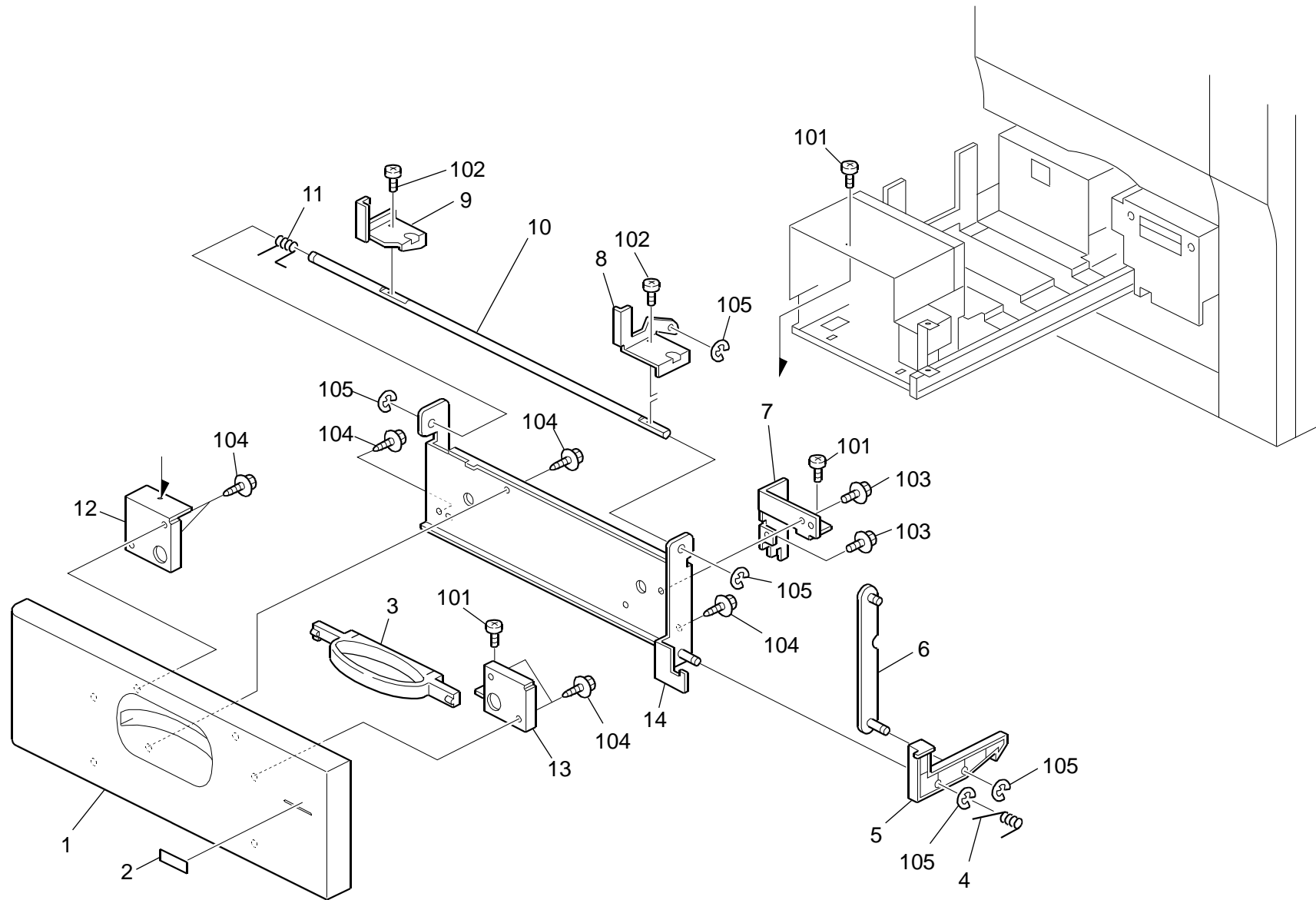


#### 4.Exterior 4 (D131/D132/D133)

Index No.	Part No.	Description	Q'ty Per Assembly
1	AA00 3221	Decal: Paper Tray: Design Sketch: Multi-language	1
2	AA00 3224	Decal: Paper Tray: Design Sketch: Multi-language: ABS	1
3	D062 6435	Arm: Stopper: Paper Tray: Peen	1
4	D131 6627	Grip: Paper Tray	1
5	D131 6633	Cover: Paper Tray: Short	1
6	D131 6632	Cover: Paper Tray: Long	1
7	D062 6449	Torsion Spring: Grip: Paper Tray	1
8	D062 6447	Arm: Grip: Paper Tray: Right	1
9	D062 6442	Arm: Grip: Paper Tray: Left: Peen	1
10	D062 6441	Shaft: Grip: Paper Tray	1
11	D062 6438	Roller: Stopper: Paper Tray	1
12	D062 6434	Link: Stopper: Paper Tray	1
13	D062 6439	Torsion Spring: Stopper: Paper Tray	1
14	D062 6433	Shaft: Stopper: Paper Tray	1

Index No.	Part No.	Description	Q'ty Per Assembly
101	0450 4010N	Tapping Screw: M4x10	
102	0353 0060N	Bind Screw - M3x6	
103	0453 4008N	Binding Self Tapping Screw: 4x8	
104	0720 0040E	Retaining Ring - M4	

## 5.Exterior 5 (D131/D132/D133)



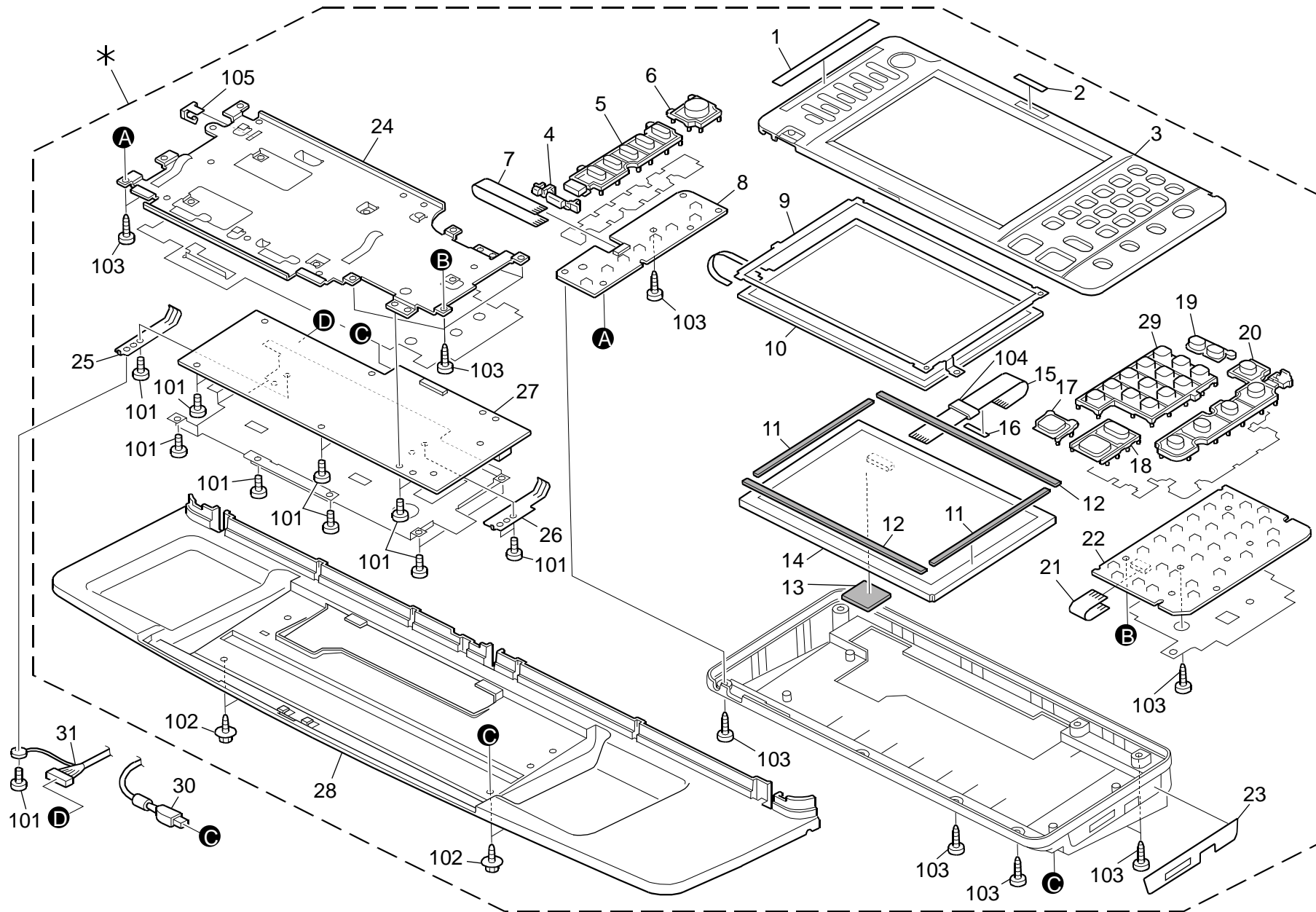
### 5.Exterior 5 (D131/D132/D133)

Index No.	Part No.	Description	Q'ty Per Assembly
1	D131 6630	Cover: Tandem LCT	1
2	AA00 3221	Decal: Paper Tray: Design Sketch: Multi-language	1
3	D131 6627	Grip: Paper Tray	1
4	D062 6701	Torsion Spring: Stopper: Tandem LCT	1
5	D062 6702	Stopper: Tandem LCT	1
6	D062 6703	Link: Stopper: Tandem LCT: Peen	1
7	D059 6699	Bracket: Base: Stopper: Tandem LCT	1
8	D062 6713	Arm: Grip: Tandem LCT: Right	1
9	D062 6705	Arm: Grip: Tandem LCT: Left	1
10	D062 6706	Shaft: Grip: Tandem LCT	1
11	D062 6715	Torsion Spring: Grip: Tandem LCT	1
12	D062 6716	Bracket: Grip: Tandem LCT: Left	1
13	D062 6717	Bracket: Grip: Tandem LCT: Right	1
14	D062 6707	Base: Stopper: Tandem LCT: Peen	1

Index No.	Part No.	Description	Q'ty Per Assembly
101	0453 4008N	Binding Self Tapping Screw: 4x8	
102	0353 0060N	Bind Screw - M3x6	
103	0451 4008N	Tapping Screw: 4x8	
104	0450 4010N	Tapping Screw: M4x10	
105	0720 0040E	Retaining Ring - M4	



## 6.Operation Panel (D131/D132/D133)

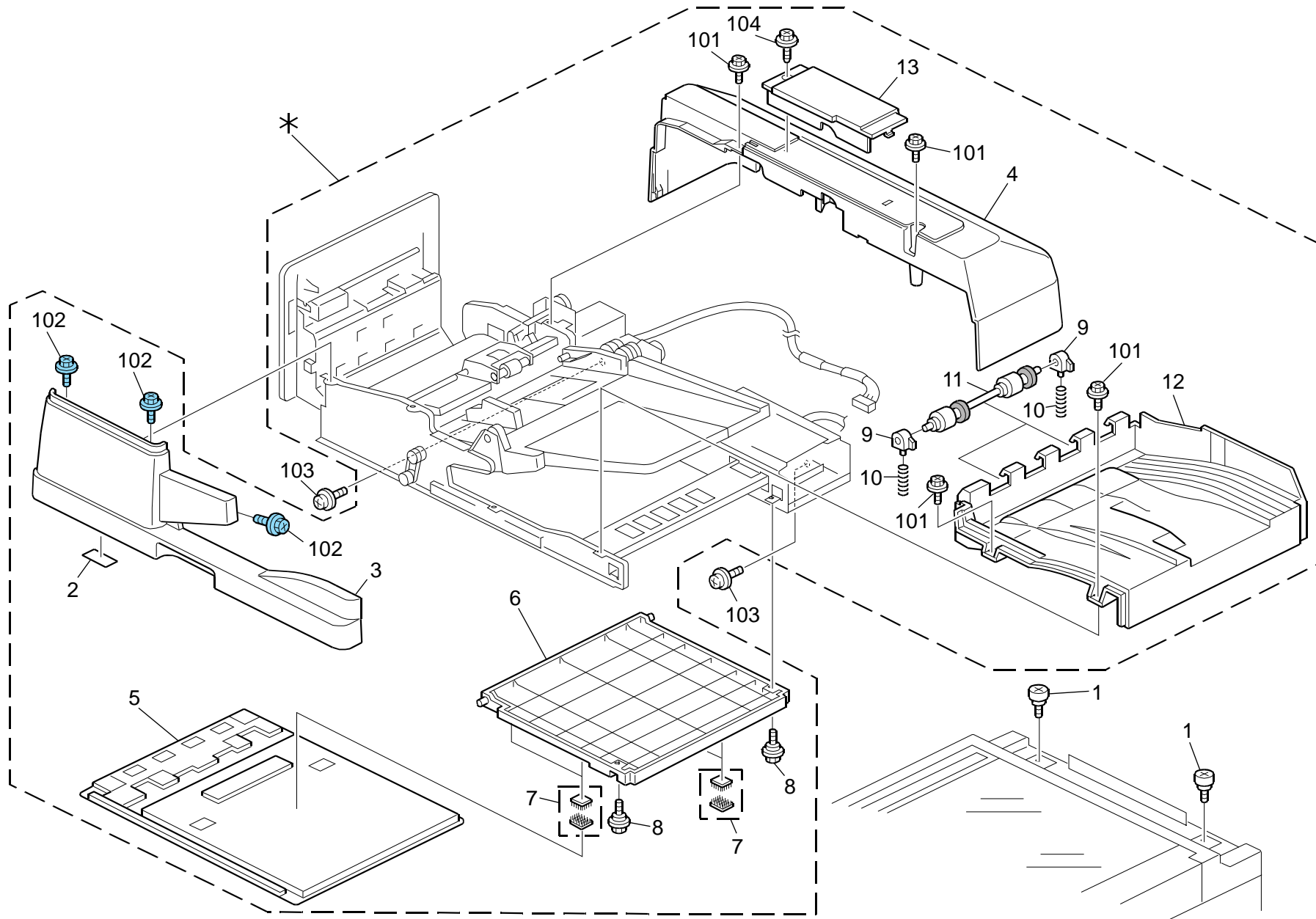


## 6.Operation Panel (D131/D132/D133)

Index No.	Part No.	Description	Q'ty Per Assembly
*	<b>D132 1403</b>	<b>Operation Panel: M-C5: NA:</b>	
		<b>Service Parts: Ass'y</b>	<b>1</b>
*	<b>D132 1405</b>	<b>Operation Panel: EU: Service Parts: Ass'y</b>	
		<b>Service Parts: Ass'y</b>	<b>1</b>
*	<b>D132 1409</b>	<b>Operation Panel: M-C5: AA:</b>	<b>1</b>
1	D129 1519	Sheet: Journal: AA-C3: NA	1
2	D120 1551	Sheet: Logo	1
2	D120 1556	Sheet: Logo: LAN	1
2	D120 1557	Sheet: Logo: GES	1
3	D129 1531	Cover: Upper: NA/AA	1
3	D129 1532	Cover: Upper: EU/CHN/TWN	1
4	D129 1510	Lens: Front	1
5	D129 1509	Keytop: Left	1
6	D129 1508	Keytop: Home	1
7	D129 1431	Cable: FFC: OPL	1
8	D129 1459	PCB: OP-L: Ass'y	1
9	D129 1513	Shadeing Plate: Touch Panel	1
10	D129 1421	Touch Panel: WVGA: MV	1
11	B238 1534	LCD Spacer A	2
12	B238 1535	LCD Spacer B	2
13	M052 1553	Cushion: Core	1
14	D129 1420	LCD: TFT: WVGA: LED: MV	1
15	D129 1432	Cable: FFC: LCD	1
16	D009 1511	Stopper: Core	1
17	D129 1503	Keytop: Stop	1
18	D129 1502	Keytop: Start	1
19	D129 1506	Keytop: Reset Switch	1
20	D129 1507	Keytop: Power Source	1
21	D129 1430	Cable: FFC: Opr	1
22	D131 1480	PCB: OP-R	1
23	D129 1525	Sheet: Side: NA	1
24	D129 1514	Bracket: LCDC: Ass'y	1
25	D131 1518	Ground Plate: Operation Panel: Left	1
26	D131 1519	Ground Plate: Operation Panel: Right	1
27	D131 1461	PCB: LCDC: NA: FT	1

Index No.	Part No.	Description	Q'ty Per Assembly
27	D131 1462	PCB: LCDC: EU: FT	1
28	D131 1351	Cover: Operation Panel	1
29	D129 1504	Keytop: 10key	1
29	D129 1533	Keytop: 10key: NA	1
29	D129 1534	Keytop: 10key: EU	1
30	D131 5306	Cable: USB: 2640	1
31	D131 5307	Harness: LVDS: Cable	1
101	0353 0040N	Screw - M3x4	
102	0458 3008N	Hexagon Head Tapping Screw: 3x8	
103	0459 3010N	Binding Head Tapping Screw: 3x10	
104	1607 2468	Ferrite Core: K3 FF 25.00x12.00x5.00x0.80	
105	1105 0598	Clamp: LWSS-1N	

# 7.SADF 1 (D131/D132/D133)

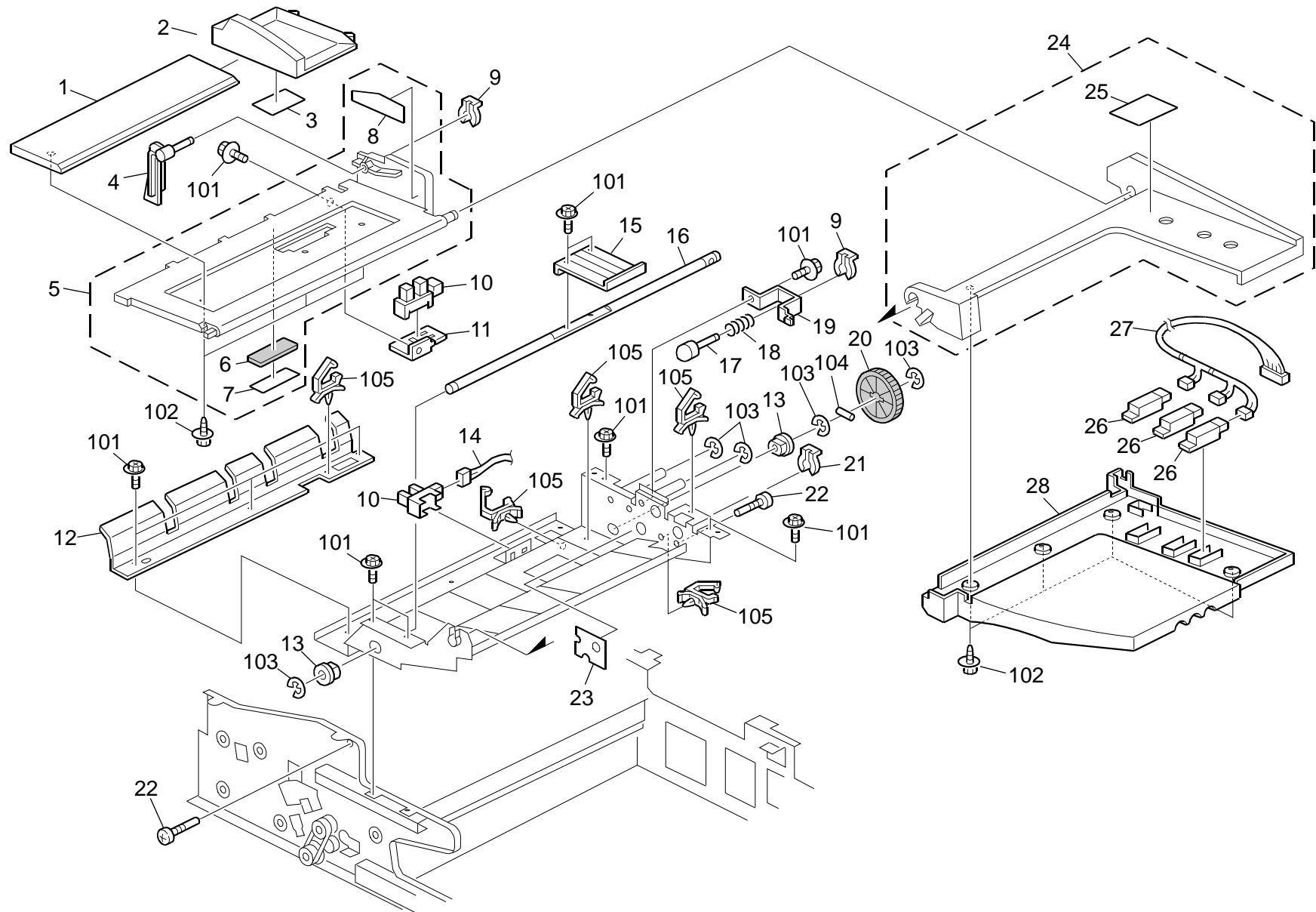


### 7.SADF 1 (D131/D132/D133)

Index No.	Part No.	Description	Q'ty Per Assembly
*	D131 7700	SADF: Ass'y	1
*	D131 7701	SADF: DOM: MON-C: Ass'y	1
1	A859 7211	Stepped Screw	2
2	D609 4408	Decal: Misfeed Removal: Lever	1
3	D609 4612	Cover: Front	1
4	D609 4511	Cover: Rear	1
5	D412 4911	Pressure Plate: Ass'y	1
6	D609 1922	Cover: Lower	1
7	B477 2715	Pressure Plate Tape	4
8	AA14 3555	Screw - M3x5	2
9	A859 4836	Bushing- Exit Driven Roller	2
10	B477 4131	Spring	2
11	B477 2861	Driven Exit Roller	2
12	D609 4811	Tray: Exit	1
13	D609 4713	Cover: Upper	1

Index No.	Part No.	Description	Q'ty Per Assembly
101	0451 3006N	Tapping Screw - 3x6	
102	0454 3006Q	Tapping Screw - M3x6	
103	0951 5010N	Screw: M5x10	
104	0450 3008N	Tapping Screw - M3x8	

# 8.SADF 2 (D131/D132/D133)

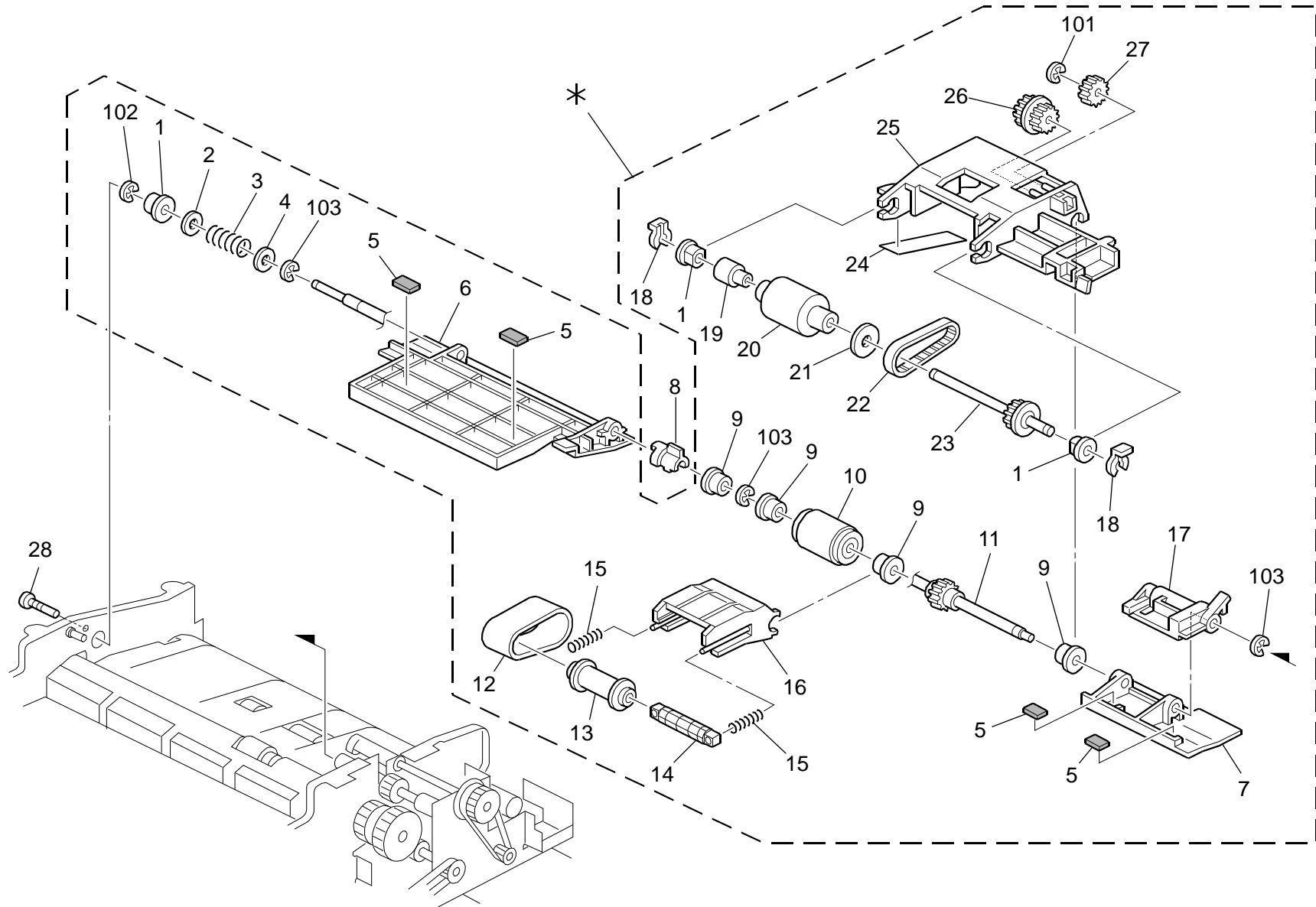


## 8.SADF 2 (D131/D132/D133)

Index No.	Part No.	Description	Q'ty Per Assembly
1	D609 2367	Rail: Side Fence	1
2	D609 2362	Side Fence: Original Table	1
3	A376 4599	Side Fence Pad	1
4	D412 2357	Feeler: Sensor: Original Sensor	1
5	D609 2351	Base: Original Table: Ass'y	1
6	B477 2263	Cushion	1
7	B477 2264	Base Cushion Sheet	1
8	D609 4407	Decal: Base: Original	1
9	5206 2686	Snap Ring	2
10	AW02 0203	Photointerruptor: GP1A173LCS2F	2
11	B477 2281	Original Sensor Bracket	1
12	D412 2282	Guide Plate: Original Table	1
13	AA08 2104	Bushing - 8x12x7	2
14	D412 5920	Harness: Sensor: Base	1
15	B477 2323	Base Lift Lever	1
16	D412 2292	Shaft: Rise: Base	1
17	B652 2392	Stopper: Original Table	1
18	B652 2393	Compression Spring	1
19	D412 2393	Bracket: Stopper: Original Table	1
20	D412 2345	Gear: Z47: M0.8	1
21	5215 2621	Snap Ring - M6	1
22	AA14 3789	Shaft: Cleaner	1
23	D609 2286	Seal: Stay: Original Table	1
24	D609 2371	Original Table: Face Front: Ass'y	1
25	D609 4402	Decal: Set: Original Table	1
26	AW01 0129	Photo Reflection Sensor	3
27	D609 5430	Harness: Sensor: Original Table	1
28	D609 2382	Original Table: Behind	1

Index No.	Part No.	Description	Q'ty Per Assembly
101	0451 3006N	Tapping Screw - 3x6	
102	0450 3008N	Tapping Screw - M3x8	
103	0720 0060E	Retaining Ring - M6	
104	0632 0140G	Parallel Pin	
105	1105 0511	Harness Clamp - LWS-0306ZC	

# 9.SADF 3 (D131/D132/D133)



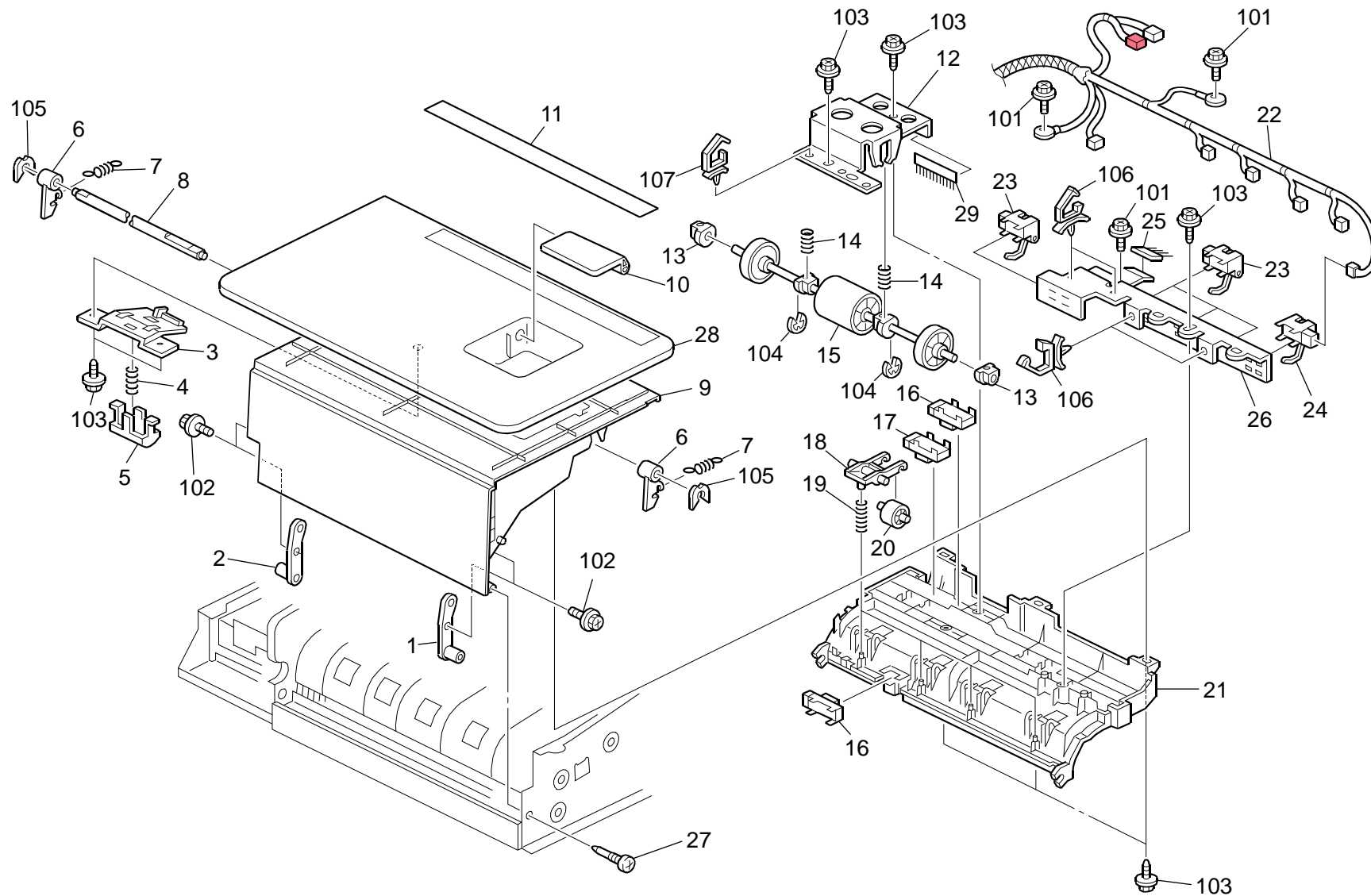
### 9.SADF 3 (D131/D132/D133)

Index No.	Part No.	Description	Q'ty Per Assembly
*	D412 2200	Shaft: Separation: Drive: Ass'y	1
1	AA08 2101	Bushing - 6x10x6	3
2	A418 1158	Spacer - M6.5x1	1
3	AA06 3435	Compression Spring: Paper Feed: Joint	1
4	AA13 2013	Spacer	1
5	A806 1163	Guide Plate Cushion	4
6	B477 2172	Front Entrance Guide	1
7	B477 2182	Rear Entrance Guide	1
8	A680 1621	Feed-in Unit Stopper	1
9	A628 1225	Bushing - 8mm	4
10	A806 1293	Feed Belt Drive Roller	1
11	B477 2191	Separation Shaft	1
<b>12</b>	<b>A806 1295</b>	<b>Feed Belt</b>	<b>1</b>
13	A806 1294	Feed Belt Driven Roller	1
14	A806 1298	Transport Belt Roller Shaft	1
15	D412 2232	Compression Spring: Paper Feed Belt	2
16	A806 1292	Feed Belt Bracket	1
17	B477 2231	Pick-up Roller Lever	1
18	5447 2681	Snap Ring	2
19	B477 2227	Pickup Roller: Coupling	1
<b>20</b>	<b>B477 2225</b>	<b>Pick-up Roller</b>	<b>1</b>
21	AA13 2171	Spacer - 6x20x1	1
22	B652 2213	Timing Belt: B40S2M142	1
23	D412 2212	Timing Pulley: T21: S2M	1
24	B652 2215	Guide: Paper Feed Belt: Front	1
25	B477 2222	Pick-up Roller Bracket	1
26	A806 2151	Timing Pulley - T19/Z23 S2M/M0.6	1
27	A806 2271	Gear - Z18	1
28	AA14 3789	Shaft: Cleaner	1

Index No.	Part No.	Description	Q'ty Per Assembly
101	0720 0030E	Retaining Ring - M3	
102	0720 0040E	Retaining Ring - M4	
103	0720 0060E	Retaining Ring - M6	



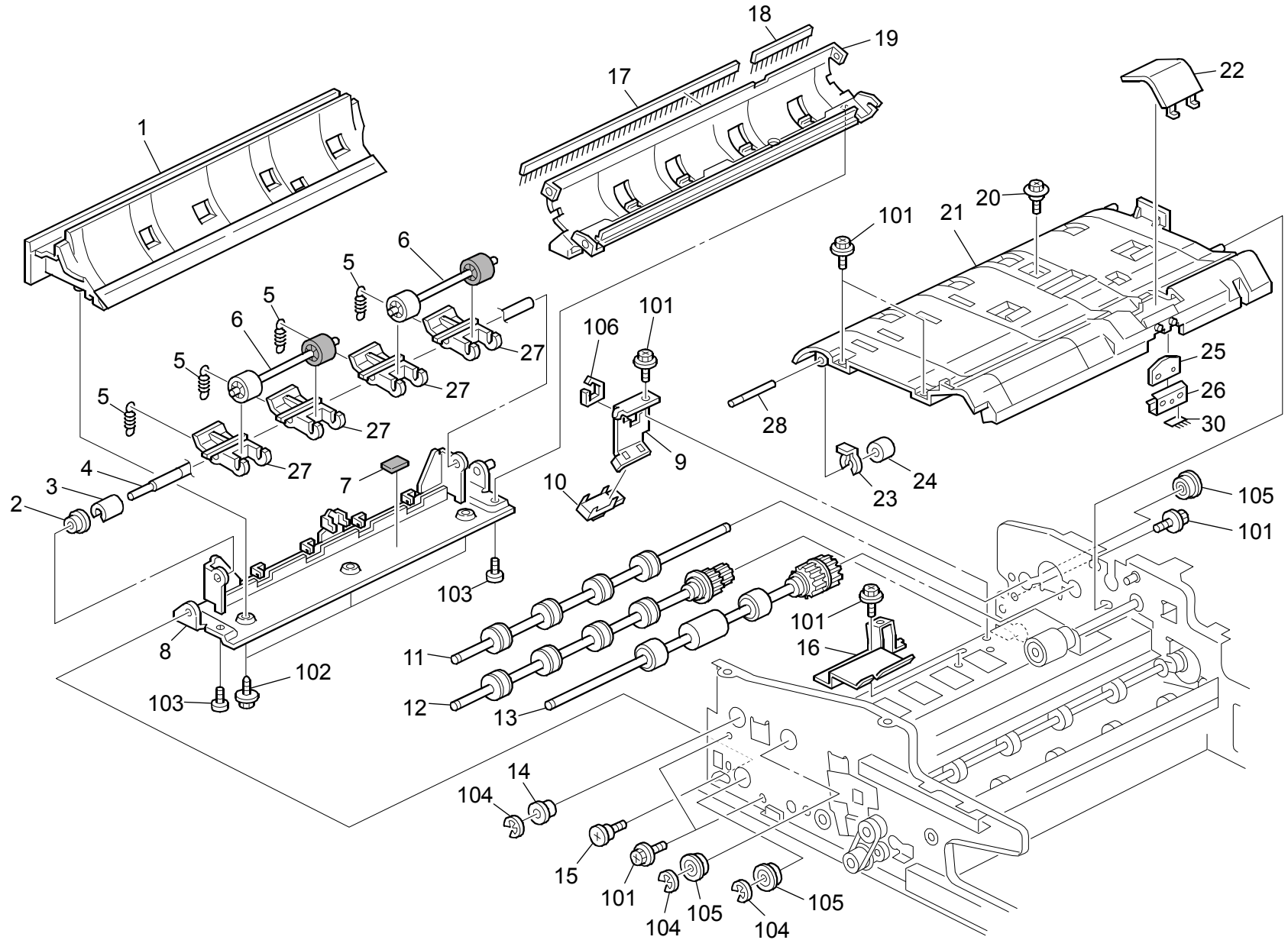
# 10.SADF 4 (D131/D132/D133)



### 10.SADF 4 (D131/D132/D133)

Index No.	Part No.	Description	Q'ty Per Assembly
1	B477 1841	Front Cover Bracket	1
2	B477 1851	Rear Cover Bracket	1
3	B652 1822	Bracket: Pressure: Pickup	1
4	B652 1824	Compression Spring	1
5	B652 1823	Pressure Plate: Pickup	1
6	D609 1825	Lever: Release: Paper Feed	2
7	B477 4117	Spring	2
8	B477 1831	Grip Shaft	1
9	D609 1790	Cover: Paper Feed	1
10	D609 4371	Grip: Cover: Paper Feed	1
11	D609 4406	Decal: Size: Original	1
12	D412 2364	Bracket: Pressure Plate: Pull Out	1
13	AA08 0037	Bushing - 6mm	2
14	B477 4111	Spring	2
15	D412 2115	Driven Roller: Pull Out: Press Fit	1
16	AW01 0117	Paper Feed Sensor	2
17	AW01 0107	Paper Feed Sensor	1
18	D412 2553	Arm: Roller: Middle: Driven	1
19	D412 2555	Compression Spring: Middle	4
20	B477 2372	Driven Paper Feed Roller	4
21	D609 2347	Guide: Paper Feed: Upper	1
22	D412 5900	Harness: Sensor: Paper Size Sensor	1
23	AW02 0196	Photointerruptor: Paper Size Sensor: Document F	4
24	AW02 0195	Photointerruptor: Paper Size Sensor: Document F	1
25	A697 2131	Antistatic Brush	1
26	D412 2523	Bracket: Paper Size Sensor	1
27	AA14 3788	Pin: Guide Plate: Paper Feed	1
28	D609 4711	Cover: Paper Feed: Upper	1
29	B652 2516	Discharge Brush: Exit: L45	1

Index No.	Part No.	Description	Q'ty Per Assembly
101	0451 3006N	Tapping Screw - 3x6	
102	0451 3008N	Tapping Screw - M3x8	
103	0450 3008N	Tapping Screw - M3x8	
104	0720 0040E	Retaining Ring - M4	
105	0805 0089	Retaining Ring - M4	
106	1105 0511	Harness Clamp - LWS-0306ZC	
107	1105 0487	Harness Clamp	



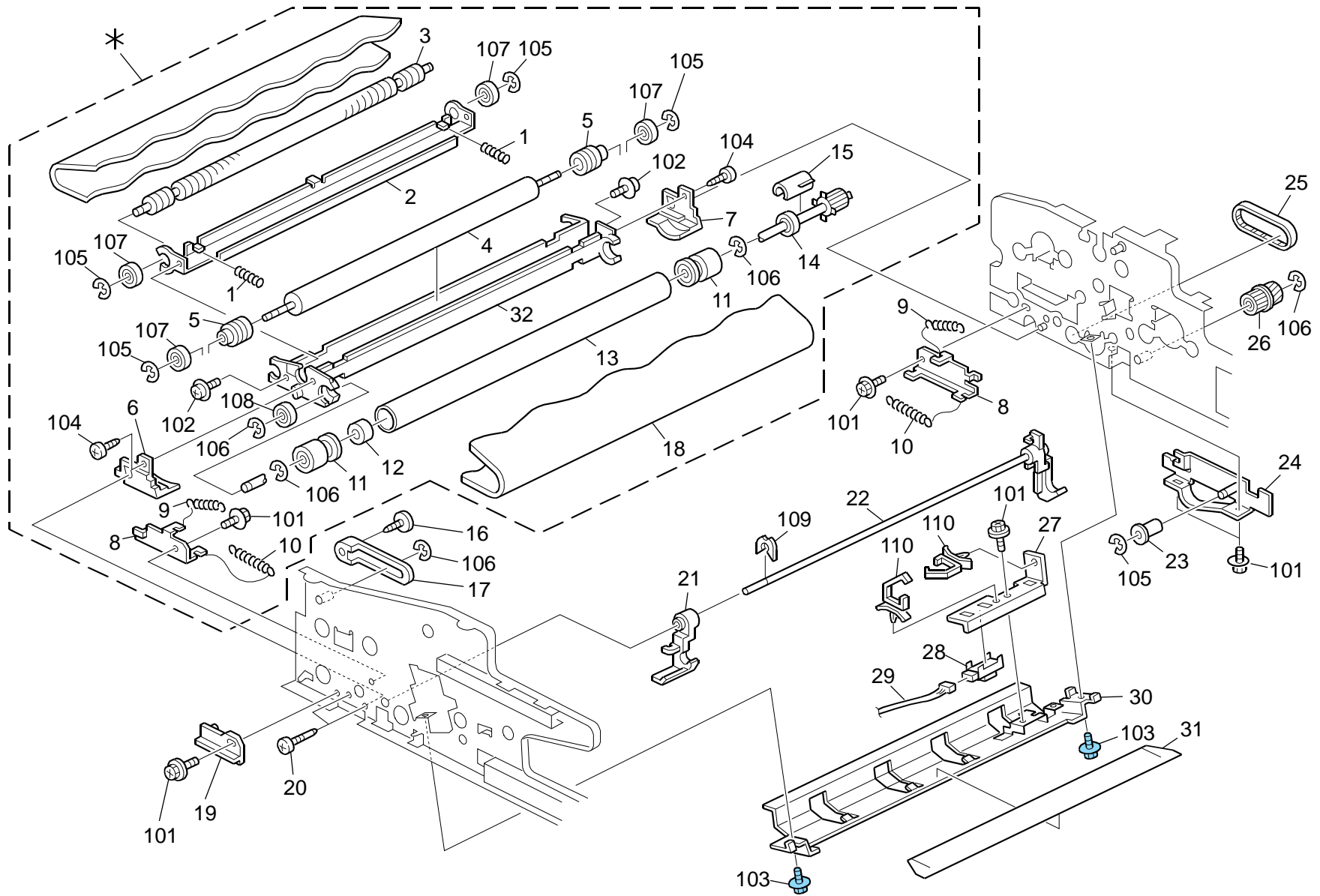
**11.SADF 5 (D131/D132/D133)**

Rev. 09/12/2012

Index No.	Part No.	Description	Q'ty Per Assembly
1	D609 2581	Guide: Scanning: Entrance: Ass'y	1
2	5324 1658	Bushing- 4x8x4.5mm	1
3	A374 2181	Spacer	1
4	B477 2575	Entrance Scanning Roller Shaft	1
5	D412 2578	Tension Spring: Scanning: Entrance	4
6	D412 2577	Driven Roller: Scanning: Entrance	2
7	A422 1063	Seal - 0.7x13x20	1
8	B477 2561	Entrance Scanning Base	1
9	B477 2665	Registration Sensor Bracket	1
10	AW01 0117	Paper Feed Sensor	1
11	D412 2121	Roller: Middle: Drive	1
12	B652 2411	Roller: Scanning: Entrance: Drive	1
13	D412 2111	Roller: Pull Out: Drive	1
14	AA08 2141	Bushing - 16x18x5	1
15	AA14 3791	Screw: Safety	1
16	D609 2145	Bracket: Guide: Paper Feed: Lower	1
17	D412 2475	Discharge Brush: L228	1
18	D412 2474	Discharge Brush: L82	1
19	D609 2471	Guide Plate: Scanning: Entrance: Ass'y	1
20	AA14 3790	Screw: Contact Point	1
21	D412 2252	Guide: Paper Feed: Lower	1
22	B477 2151	Separation Cap	1
23	5206 2686	Snap Ring	1
24	D412 2255	Roller: Guide: Middle	1
25	B301 1155	Separation Support Pad	1
26	B652 2146	Holder: Separation Pad	1
27	B477 2574	Arm: Roller: Scanning: Entrance	4
28	D412 2256	Shaft: Roller: Guide: Middle	1
29			
30	B477 2622	Discharge Brush: L11	1

Index No.	Part No.	Description	Q'ty Per Assembly
101	0451 3006N	Tapping Screw - 3x6	
102	0450 3008N	Tapping Screw - M3x8	
103	0453 3006N	Tapping Screw - M3x6	
104	0720 0060E	Retaining Ring - M6	
105	0742 3808	Ball Bearing - 8x16x5	
106	1105 0514	Edge Saddle - EDS-0607L	

# 12.SADF 6 (D131/D132/D133)

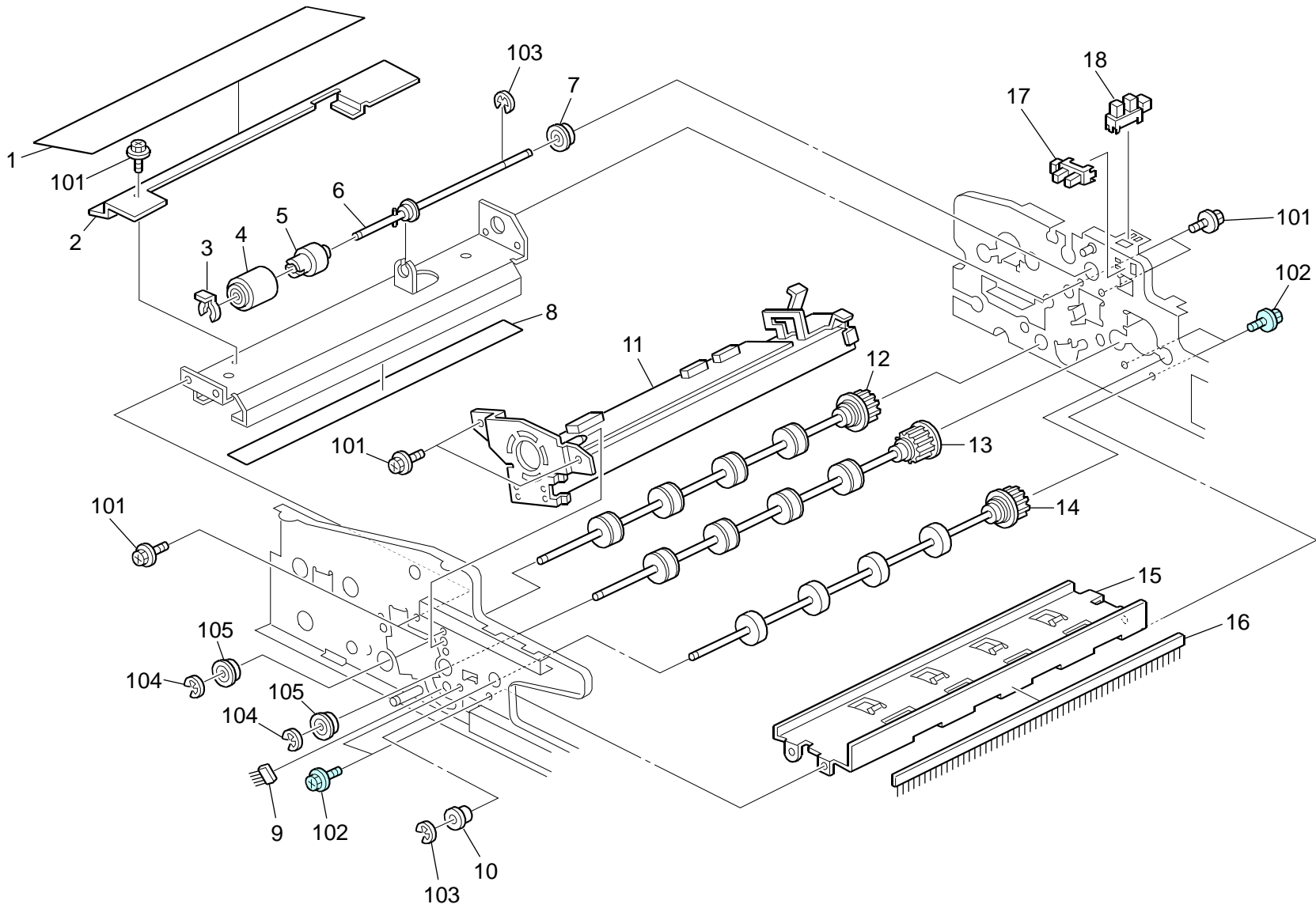


## 12.SADF 6 (D131/D132/D133)

Index No.	Part No.	Description	Q'ty Per Assembly
*	D412 0331	Transport Belt Unit: Ass'y	1
1	B652 3125	Compression Spring	2
2	B652 3129	Bracket: Roller: Driven: Transport Belt	1
3	D412 3125	Driven Roller: Scanning	1
4	D412 3113	Roller: Scanning: Pressure	1
5	B652 3156	Spacer: Transport Belt	2
6	B652 3116	Guide: Transport Belt: Front	1
7	B652 3117	Guide: Transport Belt: Rear	1
8	D412 1131	Bracket: Pressure: Transport Belt: Rear	2
9	D412 3145	Tension Spring: Lever: Misfeed Removal	2
10	B652 1132	Tension Spring	2
11	D412 3156	Roller: Drive Roller: Transport Belt Unit	2
12	D412 3154	Bushing: Drive Roller: Transport Belt Unit	1
13	D412 3153	Roller: Scanning: Transport Belt	1
14	D412 3152	Shaft: Scanning: Transport Belt: Drive	1
15	B652 3119	Stopper: Roller: Drive	1
16	AA14 3846	Tapping Screw: M3x6	1
17	B652 1816	Link: Stopper: Cover: Paper Feed	1
<b>18</b>	<b>B652 3121</b>	<b>Transport Belt</b>	<b>1</b>
19	B477 1191	Front Left Stopper	1
20	AA14 3788	Pin: Guide Plate: Paper Feed	1
21	D609 3148	Hook: Lock: Image Reading Unit: Front	1
22	D412 3146	Shaft: Lever: Misfeed Removal: Ass'y	1
23	A257 6112	Pulley: Belt Tensioner	1
24	B652 3136	Cover: Roller: Scanning: Peen	1
25	B652 3135	Timing Belt: B60S2M172	1
26	D412 1771	Timing Pulley: GEAR: T21-Z21	1
27	B477 2495	Bracket: Paper Feed Sebsor	1
28	AW01 0117	Paper Feed Sensor	1
29	D609 5420	Harness: Sensor: Registration	1
30	D609 2481	Guide Plate: Scanning: Exit	1
31	D412 2485	Sheet: Scanning: Exit: Upper: Ass'y	1
32	D412 3111	Housing: Transport Belt: Scanning	1

Index No.	Part No.	Description	Q'ty Per Assembly
101	0451 3006N	Tapping Screw - 3x6	
102	0451 3008N	Tapping Screw - M3x8	
103	0454 3006Q	Tapping Screw - M3x6	
104	0452 3006N	Binding Self-tapping Screw: 3x6	
105	0720 0040E	Retaining Ring - M4	
106	0720 0060E	Retaining Ring - M6	
107	0740 3706	Ball Bearing - M6x10x3	
108	0740 3508	Ball Bearing -8x14x4	
109	0805 0089	Retaining Ring - M4	
110	1105 0511	Harness Clamp - LWS-0306ZC	

# 13.SADF 7 (D131/D132/D133)



**13.SADF 7 (D131/D132/D133)**

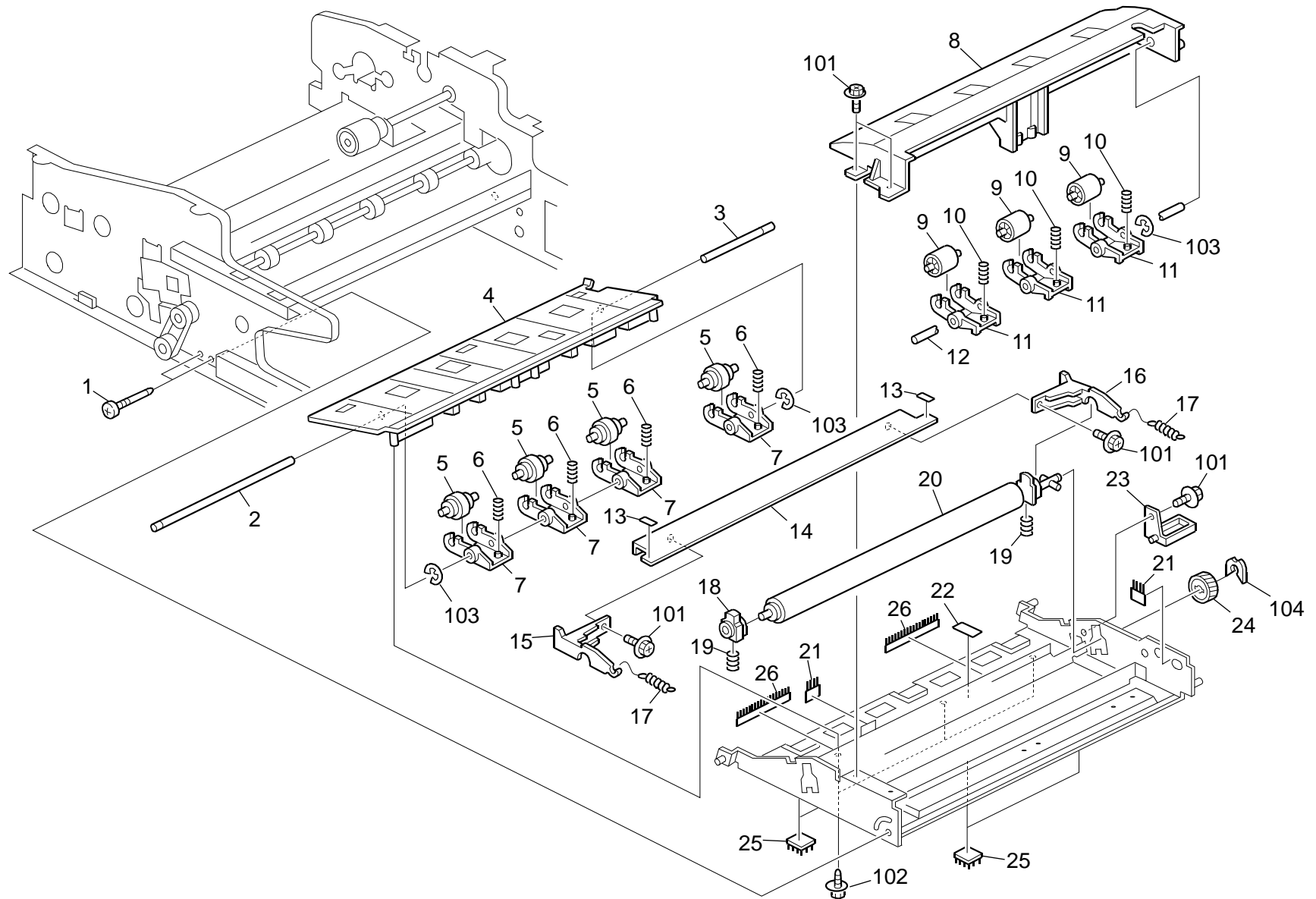
Rev. 09/12/2012

Index No.	Part No.	Description	Q'ty Per Assembly
1	D412 2248	Sheet: CIS	1
2	D412 2246	Bracket: Sheet: CIS	1
3	5447 2681	Snap Ring	1
4	D541 2241	Reverse Roller: Paper Feed	1
5	B802 2255	Torque Limiter Mechanical Clutch: Separator	1
6	D412 1632	Shaft: Reverse Roller: Sub-Ass'y	1
7	A859 2230	Ball Bearing - 6x13x5	1
8	D412 2244	Sheet: Stay: Reverse Roller	1
9	B477 2622	Discharge Brush: L11	1
10	A422 1078	Bushing - 6x12x4mm	1
11	D609 5870	Contact Image Sensor: Collar: 600DPI: Ass'y	1
12	B652 2421	Roller: Scanning: Exit: Drive	1
13	D412 2441	Roller: Contact Image Sensor: Exit: Drive	1
14	B477 2811	Drive Exit Roller	1
15	D609 2825	Guide Plate: Exit: Upper	1
16	B477 2826	Discharge Brush: Exit	1
17	AW02 0141	Photointerruptor	2
18	AW02 0203	Photointerruptor: GP1A173LCS2F	1

Index No.	Part No.	Description	Q'ty Per Assembly
101	0451 3006N	Tapping Screw - 3x6	
102	0454 3006Q	Tapping Screw - M3x6	
103	0720 0040E	Retaining Ring - M4	
104	0720 0060E	Retaining Ring - M6	
105	0742 3808	Ball Bearing - 8x16x5	



# 14.SADF 8 (D131/D132/D133)

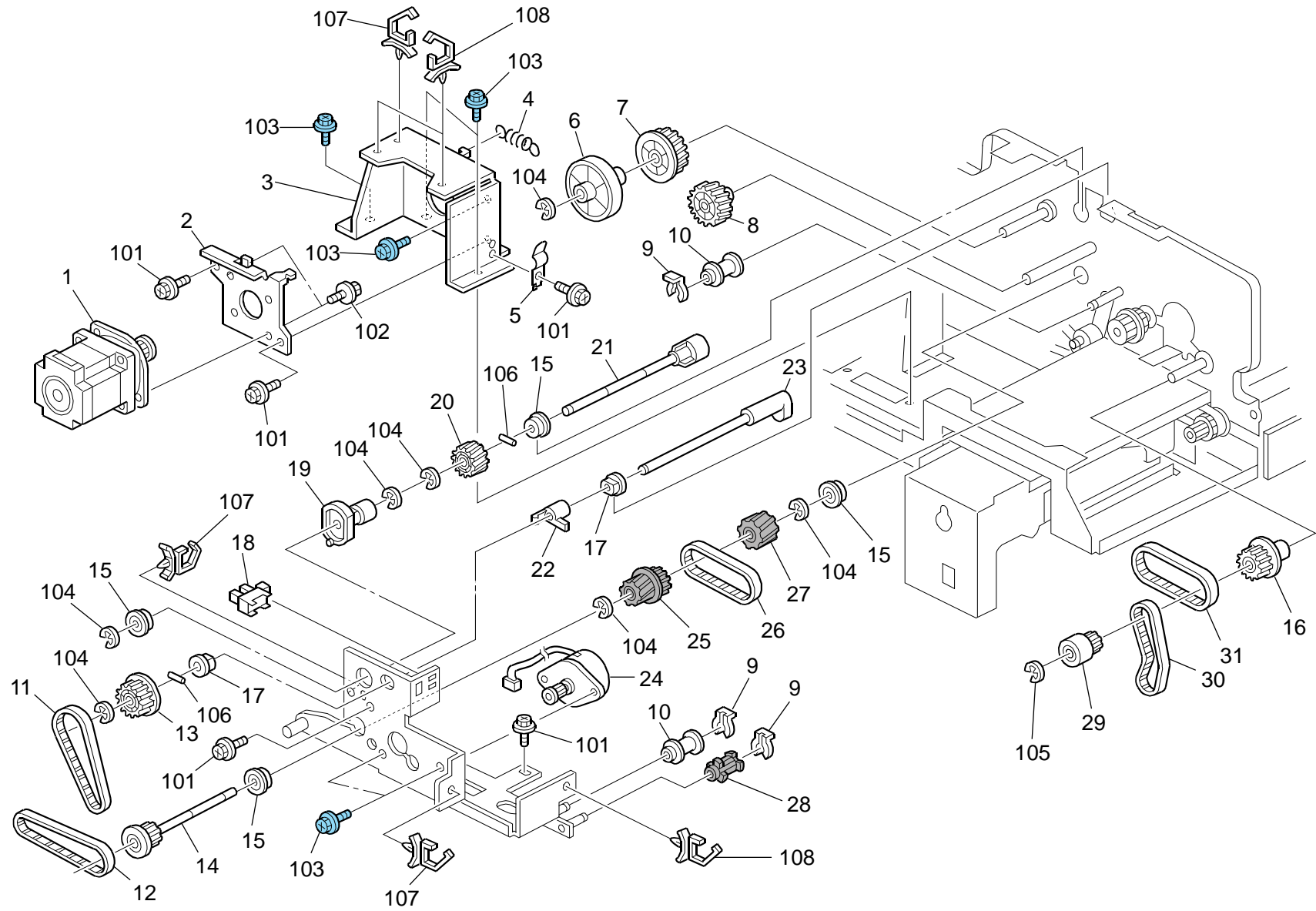


### 14.SADF 8 (D131/D132/D133)

Index No.	Part No.	Description	Q'ty Per Assembly
1	AA14 3788	Pin: Guide Plate: Paper Feed	2
2	D412 2641	Shaft: Contact Point: Scanning: Exit: Long	1
3	D412 2645	Shaft: Contact Point: Scanning: Exit: Short	1
4	D412 2632	Guide Plate: Exit: Lower	1
5	B652 4519	Roller: Scanning: Exit: Driven	4
6	D412 2646	Compression Spring: Scanning: Exit	4
7	B477 2637	Driven Exit Arm	4
8	D412 2672	Guide Plate: Exit: Lower	1
9	B477 2636	Driven Exit Scanning Roller	3
10	D412 2677	Compression Spring: Contact Image Sensor: Exit	3
11	B477 2872	Exit Arm	3
12	D412 2676	Shaft: Contact Point: Exit	1
13	D412 2662	Spacer: Guide Plate: Contact Image Sensor: Entra	2
14	D609 2655	Guide Plate: Contact Image Sensor: Entrance: Cementaion	1
15	D543 3664	Lever: Guide Plate: Contact Image Sensor: Front	1
16	D543 3665	Lever: Guide Plate: Contact Image Sensor: Rear	1
17	D412 2669	Tension Spring: Guide Plate: Pressure: 2N	2
18	D412 2653	Bushing: DIA6	1
19	B477 4129	Spring - 12N	2
20	D412 2651	Roller: Scanning: Behind: Ass'y	1
21	B477 2622	Discharge Brush: L11	2
22	A422 1063	Seal - 0.7x13x20	1
23	D501 2618	Cover: Roller: Scanning: Behind	1
24	B477 3241	Gear - 21Z	1
25	B477 2715	Pressure Plate Tape	4
26	D642 3666	Discharge Brush: Exit	1

Index No.	Part No.	Description	Q'ty Per Assembly
101	0451 3006N	Tapping Screw - 3x6	
102	0450 3008N	Tapping Screw - M3x8	
103	0720 0030E	Retaining Ring - M3	
104	0805 0089	Retaining Ring - M4	

# 15.SADF 9 (D131/D132/D133)

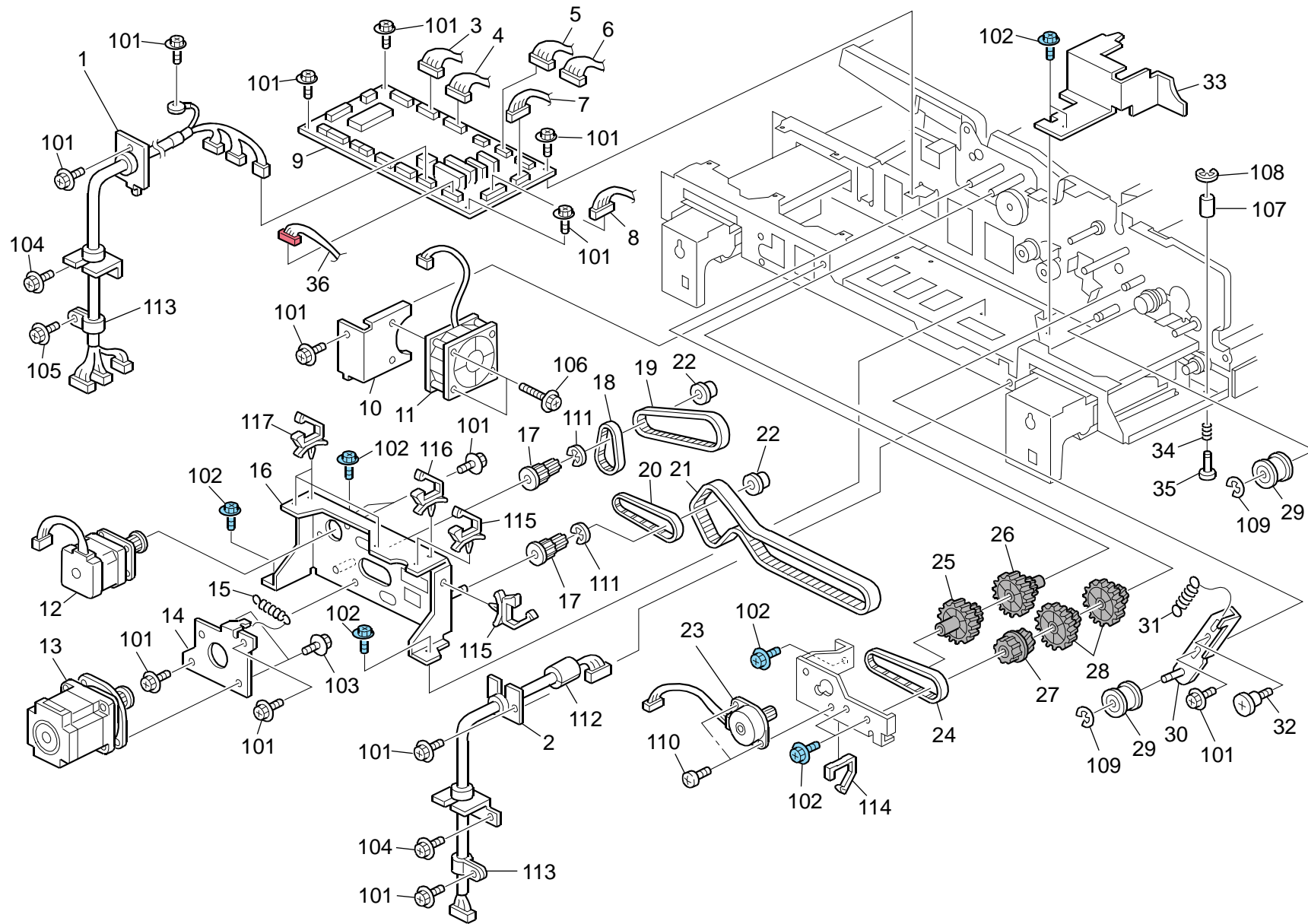


### 15.SADF 9 (D131/D132/D133)

Index No.	Part No.	Description	Q'ty Per Assembly
1	B477 3711	Paper Feed Motor - DC 7.4W	1
2	B477 3115	Paper Feed Motor Stay	1
3	B477 3111	Paper Feed Motor Bracket	1
4	AA06 0842	Tension Spring	1
5	B477 4921	Clamp	1
6	B652 1633	Spacer: Reverse Roller: Rear	1
7	D412 1651	Gear: Z37: Reverse Roller: Front	1
8	B477 3151	Gear - 31Z	1
9	5447 2681	Snap Ring	3
10	A548 2139	Pulley	2
11	B652 1773	Timing Belt: B40S2M178	1
12	B652 1613	Timing Belt: B60S2M212	1
13	B301 2141	Pulley - 39Z	1
14	B477 3145	Pulley	1
15	A859 2230	Ball Bearing - 6x13x5	4
16	D412 1661	Timing Pulley: T23: S3M	1
17	AA08 2101	Bushing - 6x10x6	2
18	AW02 0203	Photointerruptor: GP1A173LCS2F	1
19	B477 2244	Stopper: Shaft: Separation	1
20	B477 3123	Gear - 24Z	1
21	D412 1622	Shaft: Separation: Drive: Input	1
22	A680 2262	Feeler - Pick-up Roller Cam	1
23	B477 3251	Pick-up Roller Cam	1
24	B700 5805	Stepper Motor: Pm: S2m: T15: Ass'y	1
25	B477 3144	Gear: Z20/T21: Input: Rear	1
26	B652 1643	Timing Belt: B40S3M186	1
27	B477 3147	Gear: Z23: Input: Front	1
28	B477 3177	Pulley	1
29	D412 1662	Timing Pulley: T26: S2M	1
30	B652 1674	Timing Belt: B40S2M170	1
31	B652 1673	Timing Belt: B40S3M180	1

Index No.	Part No.	Description	Q'ty Per Assembly
101	0451 3006N	Tapping Screw - 3x6	
102	0451 4006N	Tapping Screw - 4x6	
103	0454 3006Q	Tapping Screw - M3x6	
104	0720 0040E	Retaining Ring - M4	
105	0720 0060E	Retaining Ring - M6	
106	0632 0120G	Parallel Pin - 2x12	
107	1105 0511	Harness Clamp - LWS-0306ZC	
108	1105 0487	Harness Clamp	

# 16.SADF 10 (D131/D132/D133)

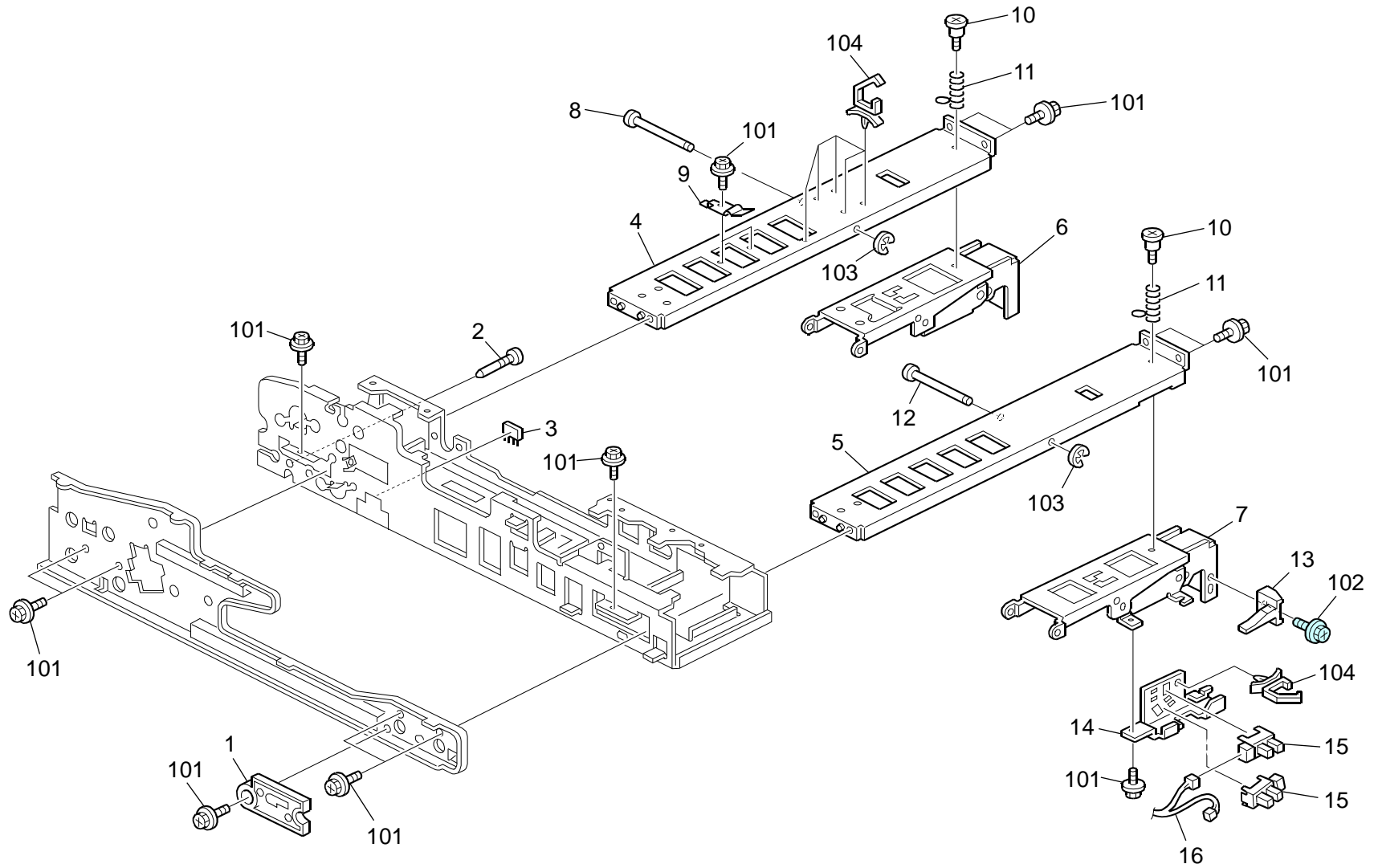


## 16.SADF 10 (D131/D132/D133)

Index No.	Part No.	Description	Q'ty Per Assembly
1	D609 5510	Harness: Interface Cable	1
2	D609 5500	Harness: CIS: Image Data	1
3	D412 5910	Harness: Sensor: Base: Connecting	1
4	D609 5410	Harness: CIS: Control	1
5	D412 5870	Harness: Motor: Base	1
6	D412 5850	Harness: Motor: Exit	1
7	D412 5890	Harness: Motor: Pick Up	1
8	B477 5691	Paper Feed Motor Harness	1
9	D609 5120	PCB: Main Control: Montblanc-c: Ass'y	1
10	D412 1912	Bracket: DC Fan Motor	1
11	GX64 0028	Fan Motor DC24V 1.92W	1
12	D412 1731	Stepper Motor: Exit: Ass'y	1
13	B477 3721	Scanning Motor- DC 7.4W	1
14	D412 1726	Stay: Motor: Scanning	1
15	AA06 0991	Tension Spring: Tension: Transport	1
16	D412 1711	Bracket: Motor: Scanning: Ass'y	1
17	B477 3217	Pulley	2
18	D412 1741	Timing Belt: 40S2M132	1
19	D412 1743	Timing Belt: 40S3M291	1
20	C269 3957	Timing Belt: S2M200	1
21	D412 1742	Timing Belt: 80S3M507	1
22	5936 2321	Rubber Bushing - Vibration Damper	2
23	D412 2321	Stepper Motor: DIA42: Ass'y	1
24	B700 4428	Timing Belt: B40S2M158	1
25	D412 2348	Gear: Z20/Z47: M0.8: Right: Rear	1
26	D412 2346	Gear: Z20/Z47: M0.8: Right: Front	1
27	D412 2349	Timing Pulley: T30/Z20: S2M/M0.8	1
28	D412 2347	Gear: Z20/Z47: M0.8: Left: Rear	2
29	D412 1754	Pulley: Idler: DIA18	2
30	D412 1751	Bracket: Tensioner: Scanning: Ass'y	1
31	B652 3174	Tension Spring	1
32	AA14 3791	Screw: Safety	1
33	D412 1791	Bracket: Cover: Drive	1
34	B652 1134	Compression Spring	1
35	B652 1133	Shaft: Slider	1

Index No.	Part No.	Description	Q'ty Per Assembly
36	D609 5400	Harness: CIS: Power Source	1
101	0451 3006N	Tapping Screw - 3x6	
102	0454 3006Q	Tapping Screw - M3x6	
103	0451 4006N	Tapping Screw - 4x6	
104	0451 4008N	Tapping Screw: 4x8	
105	0451 3008N	Tapping Screw - M3x8	
106	0451 3020N	Tapping Screw: 3x20	
107	0707 4060N	Bushing: DIA4x6	
108	0720 0030E	Retaining Ring - M3	
109	0720 0060E	Retaining Ring - M6	
110	0353 0060N	Bind Screw - M3x6	
111	0720 0040E	Retaining Ring - M4	
112	1607 2253	Ferrite Core: K3 NF-110-A(N)BK0	
113	1105 0559	Clamp: EMT-5N	
114	1105 0692	Clamp: LES-0503	
115	1105 0511	Harness Clamp - LWS-0306ZC	
116	1105 0534	Clamp	
117	1105 0487	Harness Clamp	

# 17.SADF 110 (D131/D132/D133)



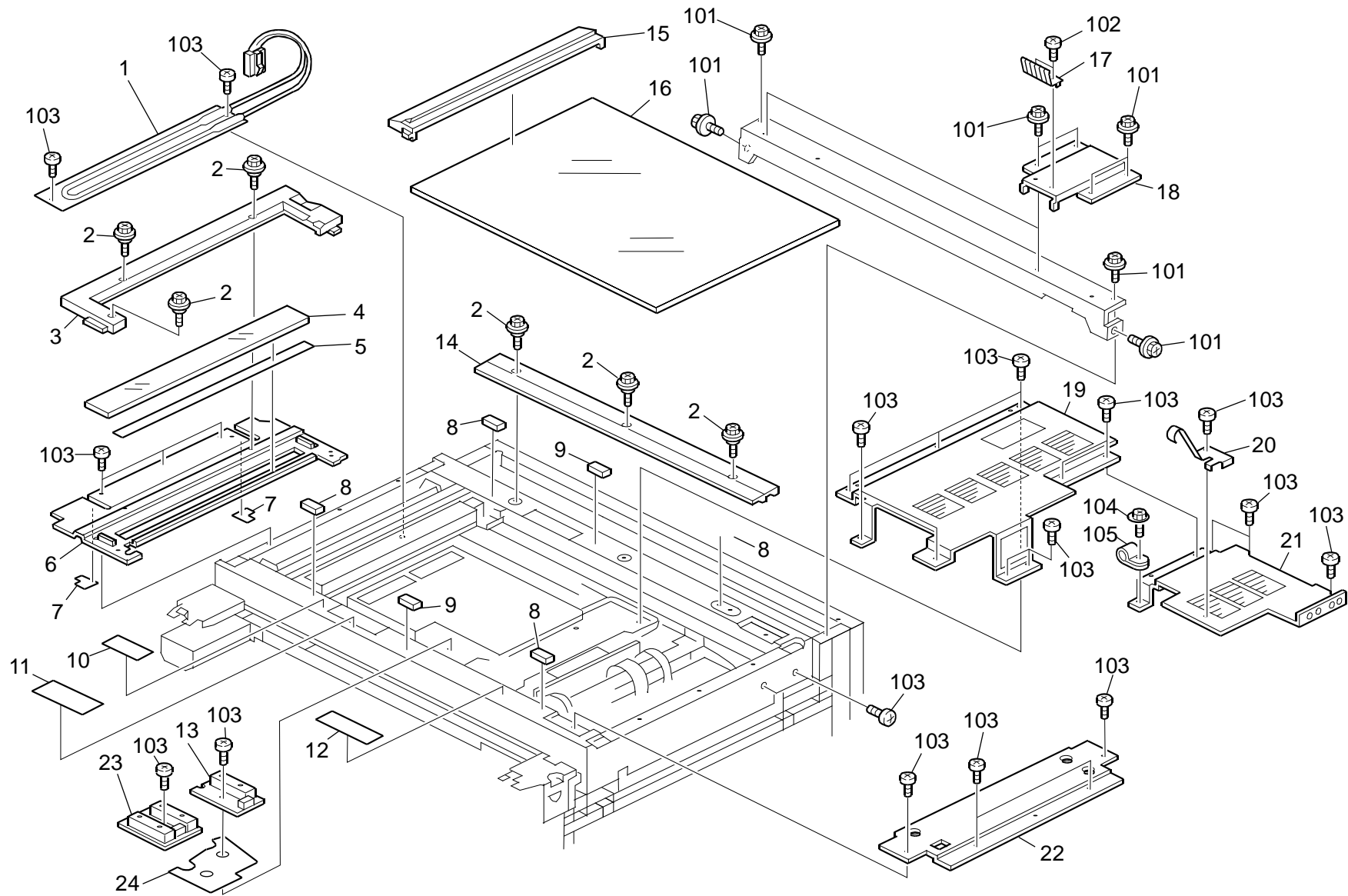
**17.SADF 110 (D131/D132/D133)**

Index No.	Part No.	Description	Q'ty Per Assembly
1	B652 1141	Adjusting Pin: Transport Belt Unit	1
2	AA14 3788	Pin: Guide Plate: Paper Feed	1
3	B477 2622	Discharge Brush: L11	1
4	B652 1152	Stay: Frame: Left	1
5	B477 1161	Right Frame Stay	1
6	D412 1211	Hinge: Left: Ass'y	1
7	D412 1250	Hinge: Right: Ass'y	1
8	B477 1171	Arm Shaft	1
9	B477 4921	Clamp	2
10	AA14 3842	Screw: DIA6: 14.5: M4	2
11	B652 1136	Compression Spring	2
12	A806 1135	Contact Point Shaft	1
13	B477 1185	Sensor Feeler	1
14	B477 1181	Sensor Bracket	1
15	AW02 0203	Photointerruptor: GP1A173LCS2F	1
16	B477 5611	Detection Sensor Harness	1

Index No.	Part No.	Description	Q'ty Per Assembly
101	0451 3006N	Tapping Screw - 3x6	
102	0454 3006Q	Tapping Screw - M3x6	
103	0720 0030E	Retaining Ring - M3	
104	1105 0511	Harness Clamp - LWS-0306ZC	



# 18. Optics Section 1 (D131/D132/D133)

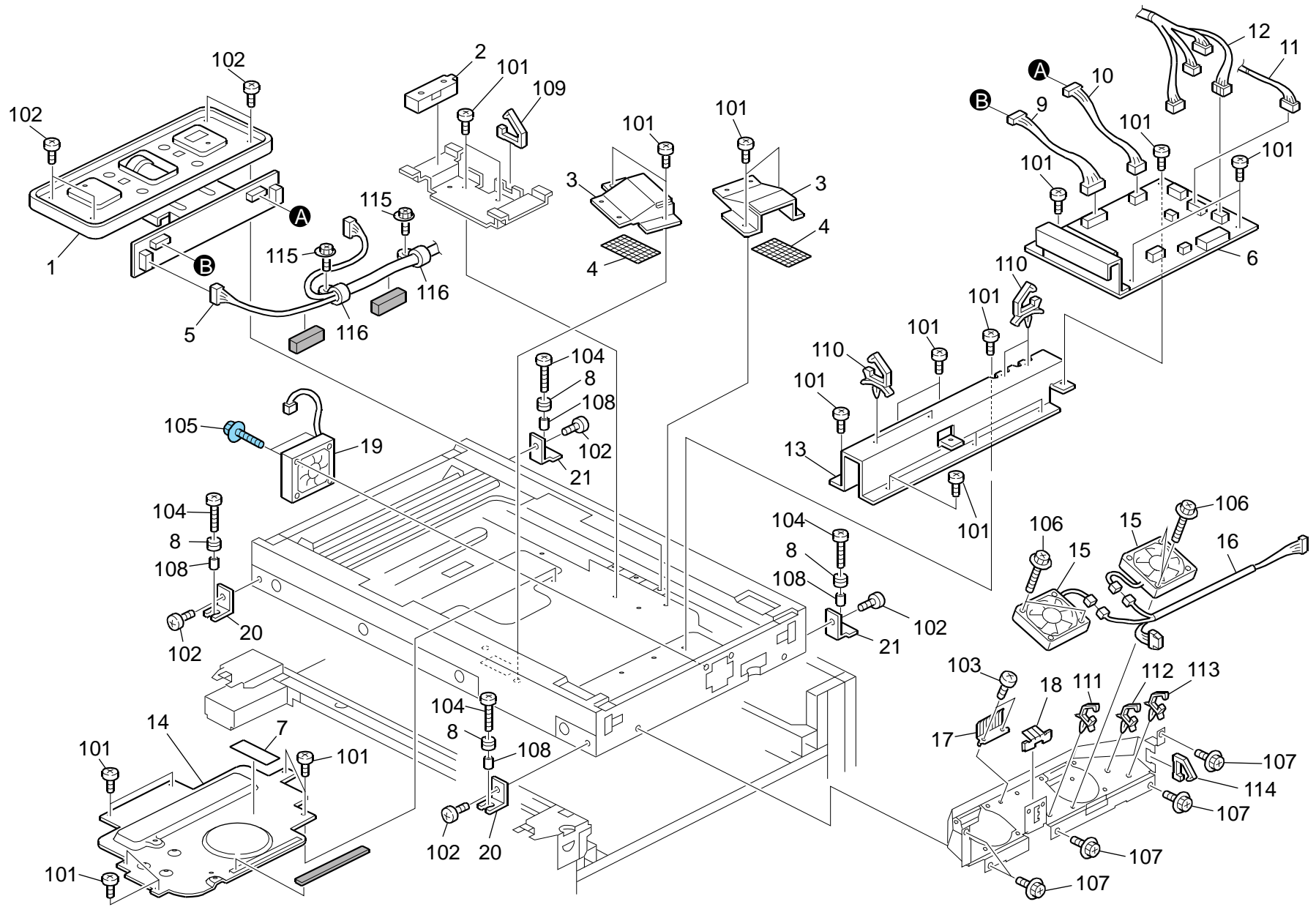


### 18.Optics Section 1 (D131/D132/D133)

Index No.	Part No.	Description	Q'ty Per Assembly
1	D062 8498	Heater: Scanner: NA: Ass'y	1
1	D062 8499	Heater: Scanner: EU: Ass'y	1
2	AA14 3537	Screw: M3: Black	6
3	D131 1772	Scale: Left	1
4	BC01 2008	Exposure Glass	1
5	B065 1782	Seal	1
6	B065 1787	Scale Bracket	1
7	B065 1773	Scale Bracket Seal	2
8	5442 1924	Exposure Glass Cushion	1
9	AA16 1137	Cushion - 0.5	2
10	B132 1683	Mylar: Frame: Front	1
11	B132 1684	Mylar: Frame: Middle	1
12	B132 1685	Mylar: Frame: Rear	1
13	AW01 0115	Original Sensor: H=81.5	1
14	D131 1692	Scale: Rear: Printing	1
15	D131 1686	Scale: Sheet Through: Ass'y	1
15	D131 1687	Scale: Sheet Through: NA: Ass'y	1
16	A250 1752	Exposure Glass	1
17	B065 1843	Grounding Plate	2
18	D062 1093	Bracket: ADF	2
19	D081 1674	Cover: Optics Section	1
20	D014 1681	Spring Plate: Cover: Siob	1
21	D014 1677	Cover: Siob	1
22	B065 1785	Right Stay	1
23	AW01 0153	Original Sensor: H1-81.5mm	1
24	D131 1683	Insulating Sheet: Original Sensor	1

Index No.	Part No.	Description	Q'ty Per Assembly
101	0451 4008N	Tapping Screw: 4x8	
102	0453 3006N	Tapping Screw - M3x6	
103	0353 0060N	Bind Screw - M3x6	
104	0451 3006N	Tapping Screw - 3x6	
105	1105 0559	Clamp: EMT-5N	

# 19. Optics Section 2 (D131/D132/D133)

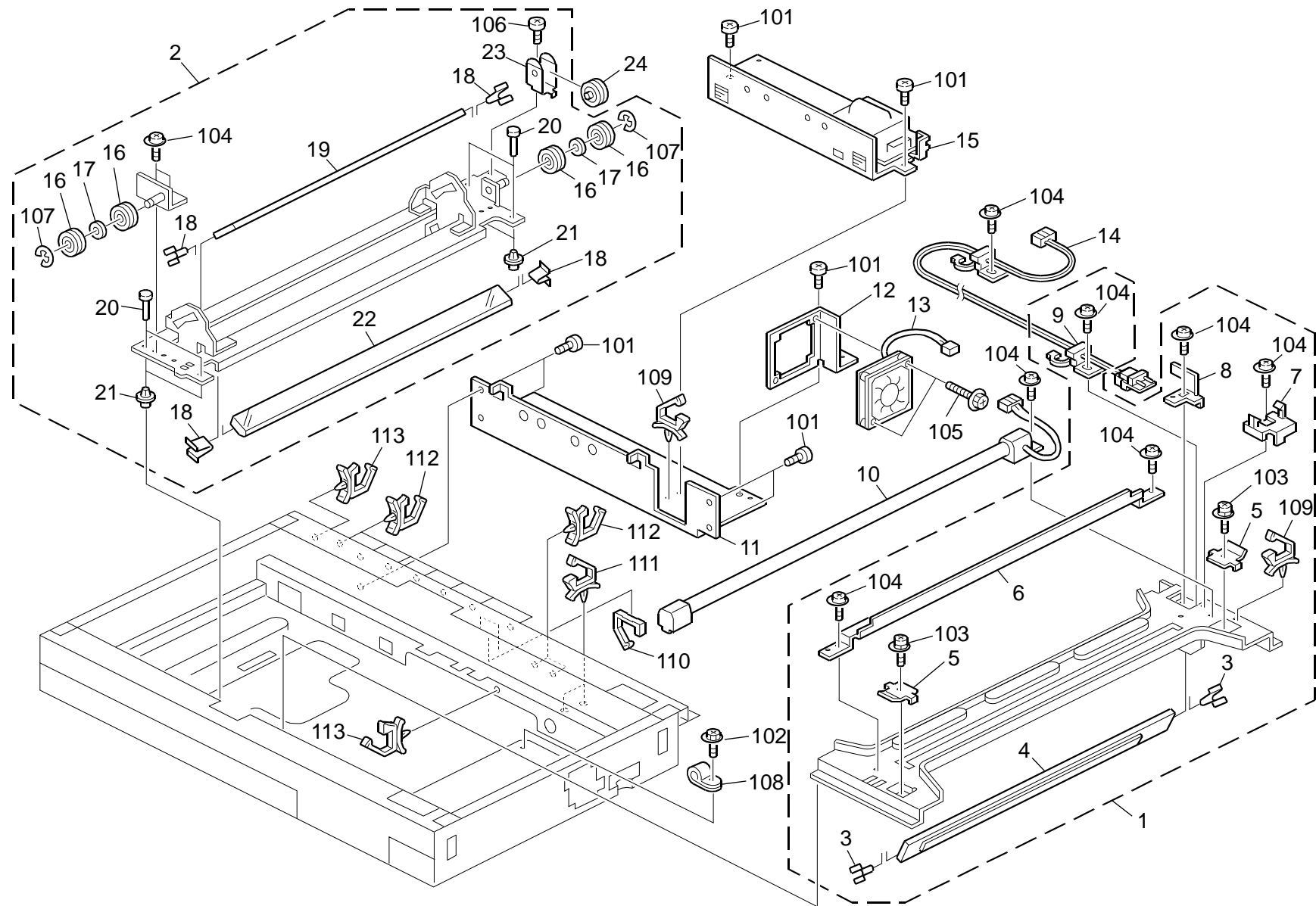


### 19.Optics Section 2 (D131/D132/D133)

Index No.	Part No.	Description	Q'ty Per Assembly
1	D131 1731	Image Scanning Board: Ass'y	1
2	AW01 0133	Original Sensor - 66mm	1
3	D062 1677	Duct: Cooling: CCD	2
4	D062 1669	Filter: Duct: CCD: Cooling	2
5	D131 5305	Interface Cable: Scanner : Image Processing Unit	1
6	D081 5490	PCB: SIOB	1
7	AA00 0217	Decal - LD 655	1
8	D062 1739	Cushion: Scanner	2
9	D081 5304	Harness: SBU: Power	1
10	D131 5303	Harness: SBU	1
11	D131 5300	Harness: Siob: Original Sensor	1
12	D062 5467	Harness: Siob: BCU: Connecting: Fanlamp	1
13	D081 1716	Cover: Shaft	1
14	D131 1679	Cover: Polygon Mirror Motor: Ass'y	1
15	AX64 0201	Fan: MM60: DC 3.12W	2
16	D062 1172	Harness: Development: Fan: Connecting	1
17	B065 1845	Grounding Plate	1
18	D062 1032	Ground Plate: Frame	1
19	AX64 0211	Fan: Mm60	1
20	D062 1732	Bracket: Fix: Front	2
21	D062 1734	Bracket: Fix: Rear	2

Index No.	Part No.	Description	Q'ty Per Assembly
101	0353 0060N	Bind Screw - M3x6	
102	0354 0080N	Screw: M4X8	
103	0453 3006N	Tapping Screw - M3x6	
104	0354 0100N	Screw - M4X10	
105	0454 4020Q	Tapping Screw: 4x20	
106	0451 4020N	Tapping Screw - M4x20	
107	0451 4008N	Tapping Screw: 4x8	
108	0707 4050N	Bushing - 4x5	
109	1105 0522	Edge Saddle - LES0510	
110	1105 0487	Harness Clamp	
111	1105 0511	Harness Clamp - LWS-0306ZC	
112	1105 0508	Harness Clamp - LWS-0711	
113	1105 0516	Clamp	
114	1105 0518	Clamp: LES-1010	
115	0360 3006N	Screw - M3X6	
116	1105 0625	Clamp: EMT-6N	

## 20. Optics Section 3 (D131/D132/D133)

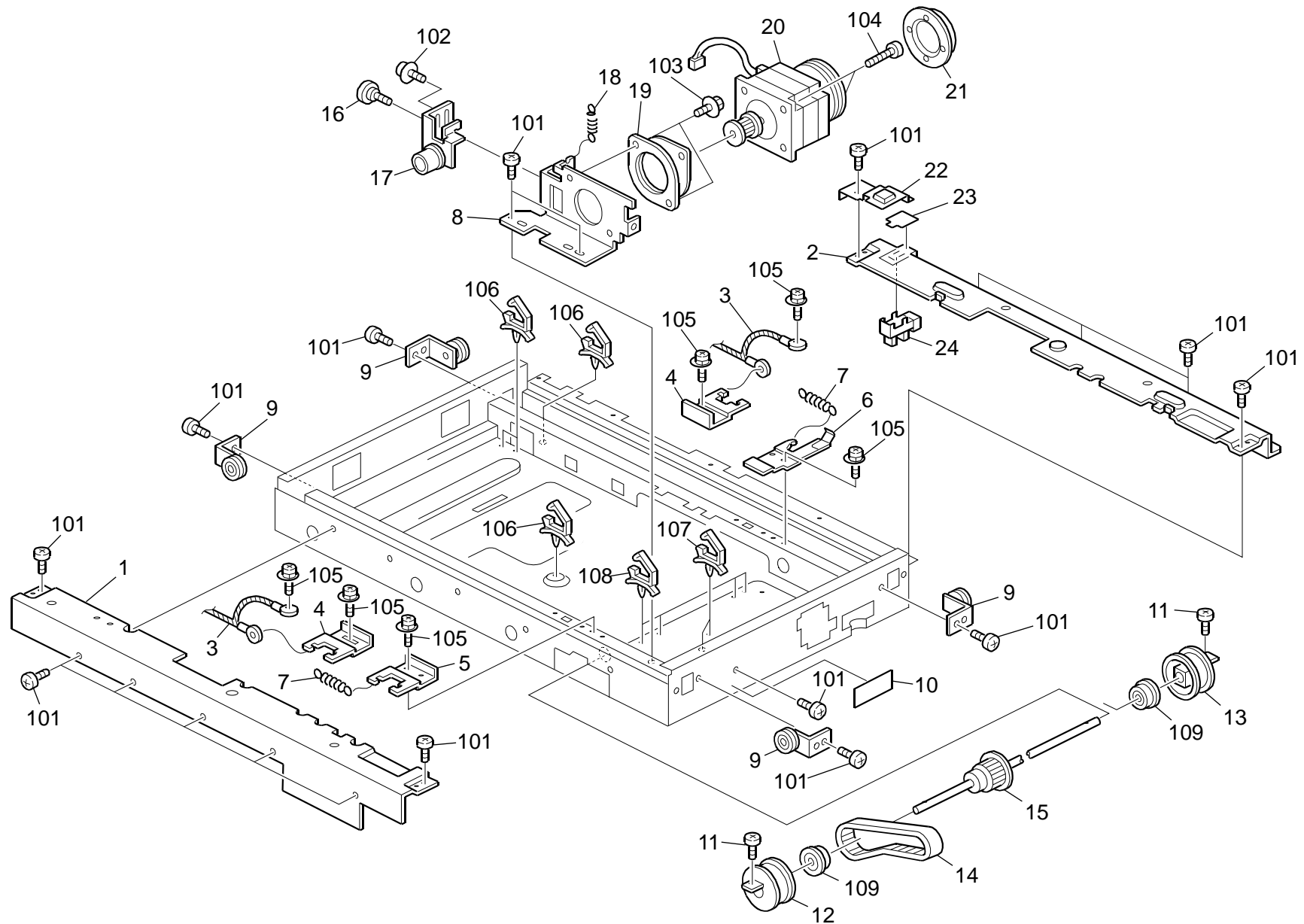


## 20.Optics Section 3 (D131/D132/D133)

Index No.	Part No.	Description	Q'ty Per Assembly
1	D014 1751	Carriage: No.1	1
2	D062 1801	Carriage: No.2: Ass'y	1
3	A193 1767	1st Mirror Holder	2
4	B132 1757	Mirror: No.1: Ass'y	1
5	B132 1758	Stay: Wire	2
6	D014 1762	Reflector	1
7	B132 1767	Holder: Connector	1
8	B132 1766	Feeler: Home Position Sensor: No.1	1
9	G570 2731	Grip	1
10	AX50 0103	Xenon Lamp: 66000LX	1
11	B132 1851	Bracket: Invertor	1
12	B132 1852	Bracket: Fan: MM40: Invertor	1
13	AX64 0149	Fan Motor: MM40: 15mm	1
14	B132 5304	Harness: Connecting: Scanner: Lamp	1
15	AZ50 0076	Stabilizer	1
16	AB03 2717	Pulley - 26Z	4
17	AA13 2142	Spacer - M8	2
18	G404 2810	Spring Plate - 2Nd Mirror	4
19	B132 1818	Mirror: No.2	1
20	B132 1820	Scanner Shoe Pin	4
21	A069 1883	Shoe - Scanner	4
22	B132 1819	Mirror: No.3	1
23	B132 1815	Holder: Pulley	1
24	G570 2834	Pulley - High Voltage Supply Cord	1

Index No.	Part No.	Description	Q'ty Per Assembly
101	0353 0060N	Bind Screw - M3x6	
102	0451 3006N	Tapping Screw - 3x6	
103	0954 4008N	Screw - M4x8	
104	0951 3006N	Screw - M3x6	
105	0451 3020N	Tapping Screw: 3x20	
106	0313 0050N	Philips Pan Head Screw - M3x5	
107	0720 0060E	Retaining Ring - M6	
108	1105 0559	Clamp: EMT-5N	
109	1105 0516	Clamp	
110	1105 0518	Clamp: LES-1010	
111	1105 0489	Harness Clamp - LWS 1316	
112	1105 0460	Clamp	
113	1105 0511	Harness Clamp - LWS-0306ZC	

## 21. Optics Section 4 (D131/D132/D133)



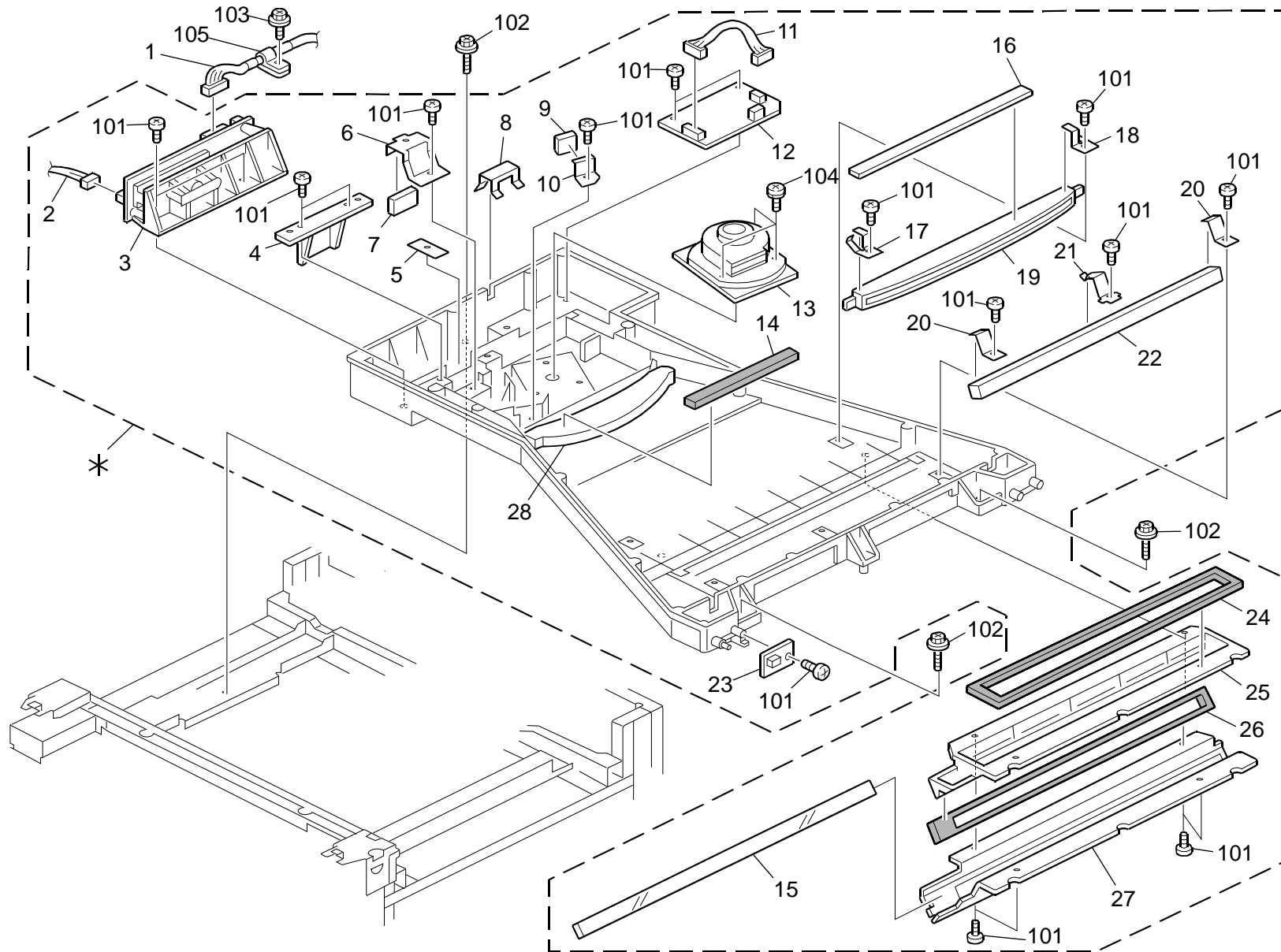
## 21.Optics Section 4 (D131/D132/D133)

Index No.	Part No.	Description	Q'ty Per Assembly
1	B132 1666	Frame: Front	1
2	D014 1667	Frame: Rear	1
3	B132 1729	Drive Wire: Scanner	2
4	B132 1724	Bracket: Tension	2
5	B132 1725	Bracket: Tension: Fix	1
6	D014 1722	Bracket: Tension: Inner Back: Peen	1
7	B132 1723	Spring: Drive Were	2
8	D062 1707	Bracket: Motor	1
9	B132 1671	Bracket: Pulley	4
10	AA00 0217	Decal - LD 655	1
11	B132 1719	Screw: Mechanical Drive Section	2
12	D062 1708	Pulley: Drive: Front: Ass'y	1
13	D062 1709	Pulley: Drive: Rear: Ass'y	1
14	AA04 3314	Timing Belt: 100S2M266	1
15	B132 1720	Pulley: 40T	1
16	AA14 3802	Screw: 6X1.7	1
17	B132 1710	Pulley: Tension: Timing Belt: Ass'y	1
18	G029 4150	Pressure Spring	1
19	A134 1724	Cushion - Stepper Motor	1
20	D014 1703	Stepper Motor: DC1.98V 7.13W	1
21	B132 1714	Cover: Damper	1
22	B132 1898	Spring Plate: Ground Plate: ADF	1
23	A267 1820	Sheet - Photointerrupter	1
24	AW02 0145	Photointerruptor: Flat	1

Index No.	Part No.	Description	Q'ty Per Assembly
101	0353 0060N	Bind Screw - M3x6	
102	0951 3006N	Screw - M3X6	
103	0451 4008N	Tapping Screw: 4x8	
104	0314 0120N	Screw - M4X12	
105	0954 4008N	Screw - M4X8	
106	1105 0511	Harness Clamp - LWS-0306ZC	
107	1105 0460	Clamp	
108	1105 0487	Harness Clamp	
109	0805 3368	Ball Bearing - 8x16x5mm	



## 22.Laser Unit (D131/D132/D133)

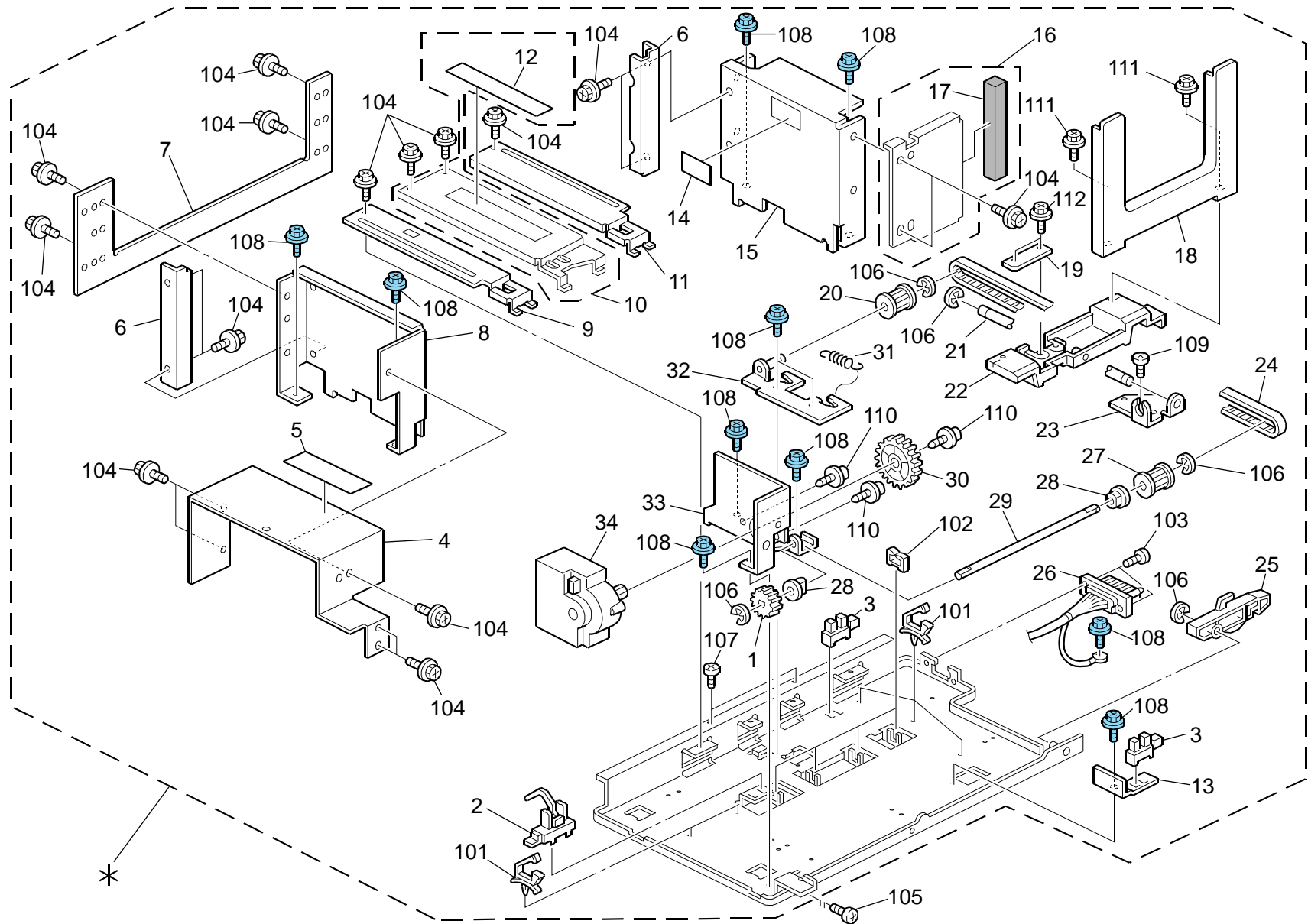


## 22.Laser Unit (D131/D132/D133)

Index No.	Part No.	Description	Q'ty Per Assembly
*	D062 1852	Imaging Unit: Ass'y	1
1	D131 5403	Harness: LVDS: LDB	1
2	D062 5437	Harness: Laser Diode Control: Power Source	1
3	D062 1859	Laser Diode Unit: Ass'y	1
4	D062 1908	Aperture	1
5	B070 1921	Spacer: Laser Diode Unit: 25micron	1
5	B070 1922	Spacer: Laser Diode Unit: 50micron	1
5	B070 1923	Spacer: Laser Diode Unit: 75micron	1
5	B070 1924	Spacer: Laser Diode Unit: 100micron	1
6	D062 1912	Plate: Lens: L0	1
7	AC02 4019	Lens: Cylindrical Lens	1
8	D062 1904	Plate: Harness: LVDS	1
9	AC03 0175	Mirror: No.1	1
10	B065 1915	1st Mirror Holder	1
11	D062 5412	Harness: Dc Polygon Mirror Motor	1
12	D062 5271	Motor Control Board: DC Polygon Mirror Motor	1
13	AX06 0382	DC Polygon Mirror Motor: Ass'y	1
14	B065 1955	Seal: Lens: L1	1
15	AC01 5037	Shield Glass	1
16	G570 2827	Supporting Plate	1
17	B065 1925	Lens Holder - L2 Right	1
18	B065 1926	Lens Holder - L2 Left	1
19	GC02 5010	DTL	1
20	B065 1930	2Nd Mirror Holder	2
21	B065 1932	Middle Mirror Holder	1
22	AC03 0176	Mirror: No.2	1
23	D054 5330	PCB: Sync Detector Board	1
24	B065 1946	Seal - Shield Glass Holder	1
25	B065 1944	Shield Glass Holder	1
26	B065 1945	Seal - Shield Glass	1
27	B065 1940	Shield Glass Rail	1
28	GC02 5009	Lens L1	1

Index No.	Part No.	Description	Q'ty Per Assembly
101	0353 0080N	Screw: M3X8	
102	0451 4010N	Tapping Screw: 4x10	
103	0451 4008N	Tapping Screw: 4x8	
104	0957 3010N	Screw: Small Round/Spring: M3x10	
105	1105 0306	Metal Clamp - Al-4	

## 23. Tandem Tray 1 (D131/D132/D133)

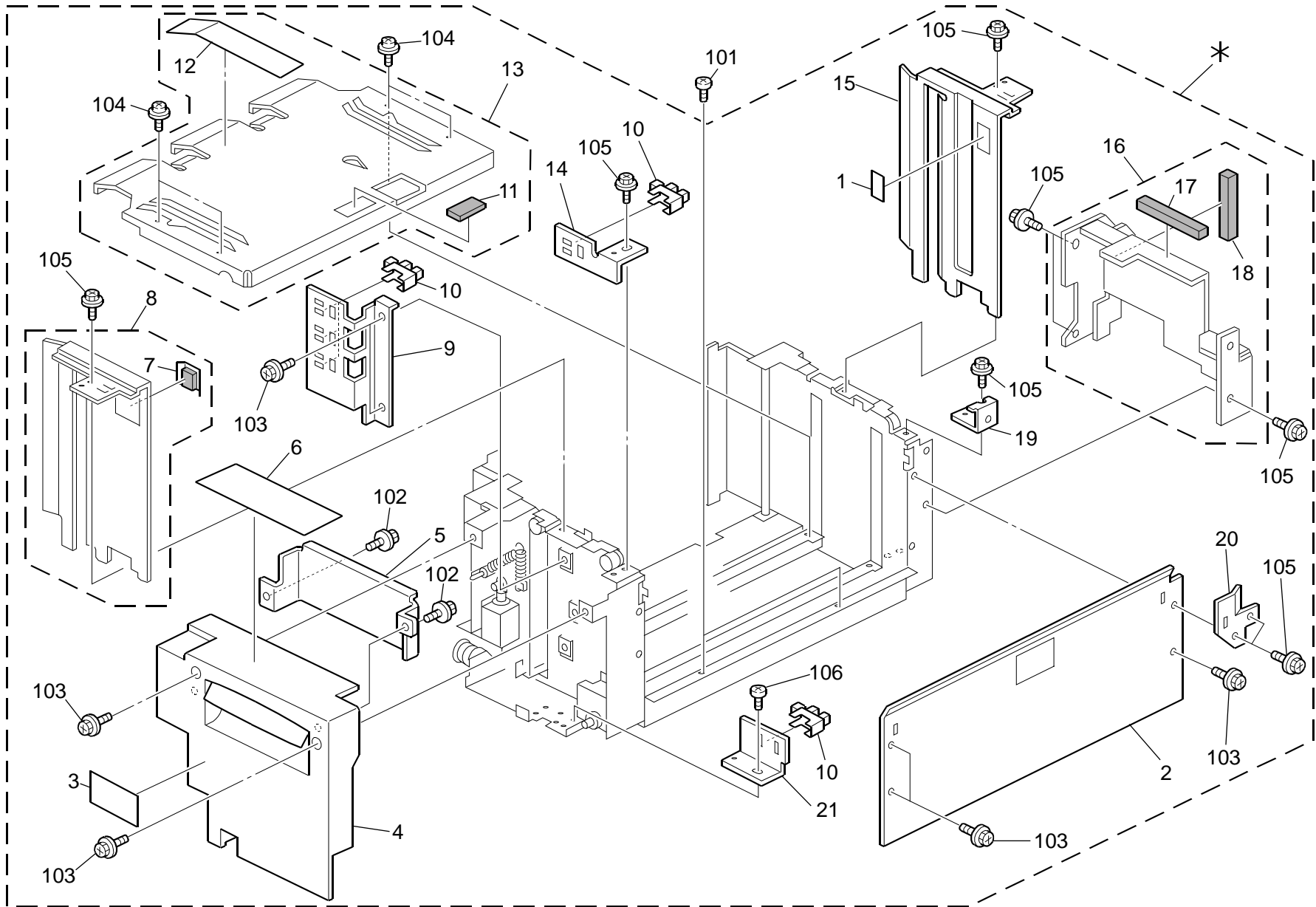


### 23.Tandem Tray 1 (D131/D132/D133)

Index No.	Part No.	Description	Q'ty Per Assembly
*	D131 6623	Tandem LCT: Left: Ass'y	1
*	D131 6625	Tandem LCT: Left: Letter: Ass'y	1
1	AB01 3798	Gear - Z18	1
2	AW02 0163	Paper Feed Sensor	1
3	AW02 0145	Photointerruptor: Flat	2
4	D062 6646	Inner Cover: Tandem LCT: Left	1
5	D131 6846	Decal: Paper Set Direction: Tandem LCT: Left	1
6	B098 6647	End Fence: Auxiliary	2
7	B098 6645	Side Plate: Tandem LCT: Left Sideways	1
8	B098 6643	Side Fence: Tandem LCT: Left Front	1
9	B098 6640	Tray Bottom Plate: Left Front	1
10	D131 6839	Tray Bottom Plate: Left Middle: Ass'y	1
11	B098 6642	Tray Bottom Plate: Left Rear	1
12	D131 6876	Decal: Paper Set Direction: Tandem Tray: Left	1
13	B065 6831	Sensor Bracket	1
14	AA00 1586	Decal: Side Fence: 40x30	1
15	B098 6644	Side Fence: Tandem LCT: Left Rear	1
16	B098 6649	Cover: Rear: Tandem LCT: Ass'y	1
17	A293 6649	Rear Cover Cushion - Tandem LCT	1
18	B247 6624	Back Fence - Left	1
19	B065 6823	Timing Belt Cover	1
20	AB03 3085	Timing Pulley - 15T	1
21	B247 6950	Shaft: Slider: Back Fence	1
22	B132 7564	Slider: Back Fence: Left	1
23	B065 6830	Pulley Bracket	1
24	AA04 3271	Timing Belt S3M 196T	1
25	D059 6620	Lever: Coupling: Left	1
26	D131 6701	Harness: Tandem LCT: Left	1
27	AB03 3084	Timing Pulley - 15T	1
28	5053 0447	Bushing - 6mm	2
29	AA14 0686	Shaft - Timing Pulley	1
30	AB01 9475	Gear - 48T	1
31	B247 6755	Tension Spring - 10N	1
32	B247 6951	Bracket: Pulley: Driven: Ass'y	1
33	D062 6665	Bracket: Dc Motor: Left: Peen	1

Index No.	Part No.	Description	Q'ty Per Assembly
34	AX04 0145	DC Motor: Tandem LCT	1
101	1105 0516	Clamp	
102	1105 0328	Harness Clamp - ES-0505	
103	0453 3008N	Binding Self Tapping Screw: 3x8	
104	0451 4006N	Tapping Screw - 4x6	
105	0314 0060N	Screw - M4X6	
106	0720 0040E	Retaining Ring - M4	
107	0354 0040N	Screw-m4x4	
108	0454 4006Q	Tapping Screw: 4x6	
109	0453 4006N	Binding Self Tapping Screw: 4x6	
110	0450 3008N	Tapping Screw - M3x8	
111	0450 4010N	Tapping Screw: M4x10	
112	0450 4008N	Tapping Screw - M4x8	

## 24. Tandem Tray 2 (D131/D132/D133)

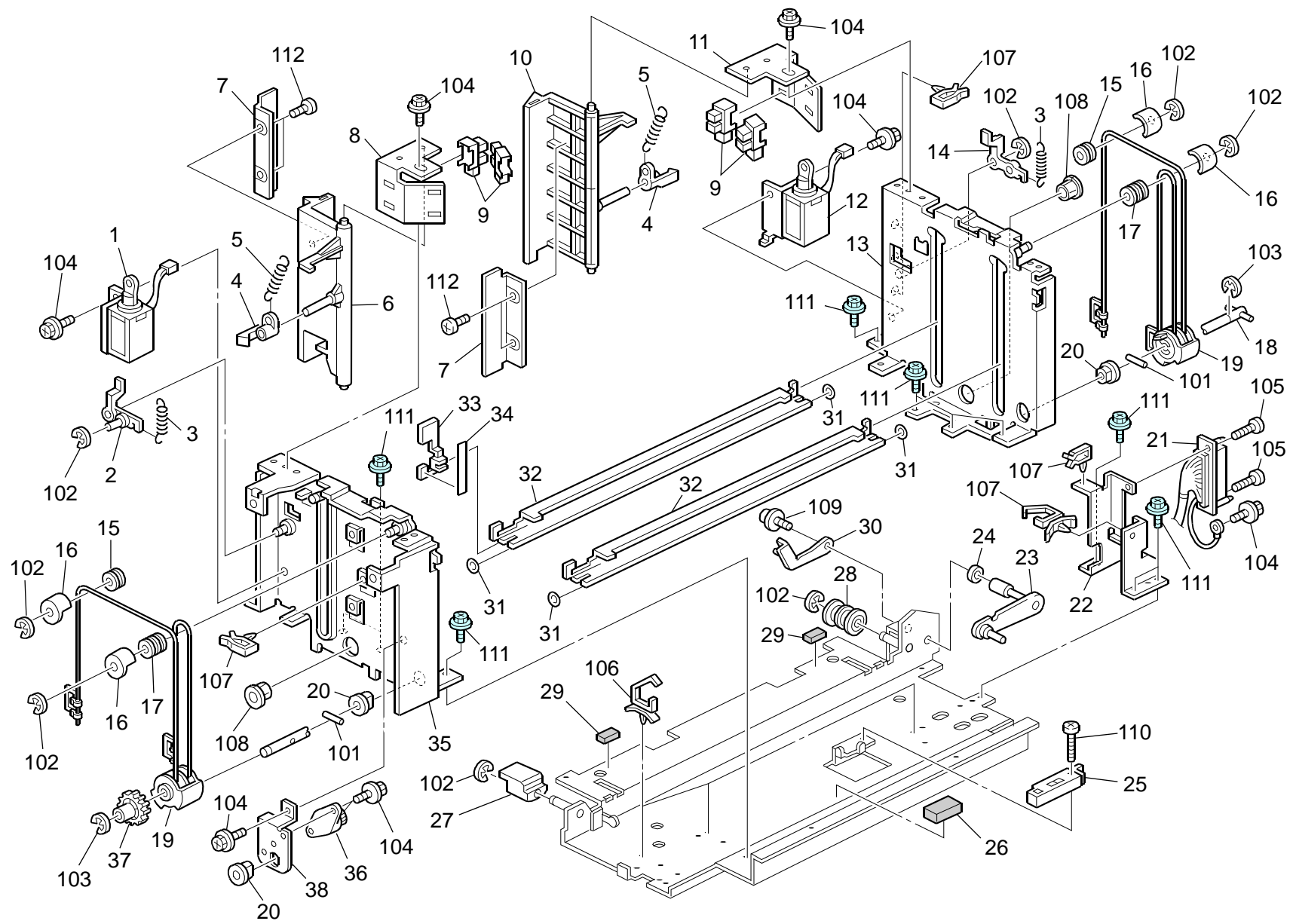


## 24. Tandem Tray 2 (D131/D132/D133)

Index No.	Part No.	Description	Q'ty Per Assembly
*	D131 6608	Tandem LCT: Right: Ass'y	1
*	D131 6609	Tandem LCT: Right: Letter: Ass'y	1
1	AA00 1587	Decal: Side Fence: 16x30	1
2	A248 6666	Side Plate: Side: Ass'y	1
3	D131 6871	Decal: Caution Chart: Tandem LCT	1
4	D131 6780	Inner Cover: Tandem LCT: Right	1
5	B065 6875	Protection -inner Cover	1
6	D131 6870	Decal: Paper Set Direction: Tandem LCT: Right	1
7	B234 6690	Plate: Paper	1
8	B098 6736	Side Fence: Tandem LCT: Right Front	1
8	B098 6737	Side Fence: Tandem LCT: Right Front	1
9	B065 6706	Bracket: Paper Volume Sensor: Tandem LCT	1
10	AW02 0145	Photointerruptor: Flat	3
11	5201 2858	Friction Pad	1
12	D131 6877	Decal: Paper Set Direction: Tandem Tray: Right	1
13	D131 6716	Base: Tandem LCT: Right: Adhesion	1
14	B065 6874	Bracket: Sensor: Paper Volume	1
15	B247 6738	Side Fence: Tandem LCT: Right Rear	1
16	B098 6739	Supporting Plate: Tandem: Right Rear	1
17	B475 6855	Shield: Tandem LCT: Rear Right	1
18	AA15 3138	Inner Cover Cushion - Right Rear	1
19	B247 6695	Guide: Misfeed Removal: Paper Tray	1
20	B247 6672	Guide: Interlock: Tandem LCT	1
21	B065 6873	Bracket: Sensor: Fall	1

Index No.	Part No.	Description	Q'ty Per Assembly
101	0314 0060N	Screw - M4X6	
102	0450 4008N	Tapping Screw - M4x8	
103	0451 4008N	Tapping Screw: 4x8	
104	0951 4006N	Screw: Polished Round: M4x6	
105	0451 4006N	Tapping Screw - 4x6	
106	0354 0040N	Screw-m4x4	

## 25. Tandem Tray 3 (D131/D132/D133)



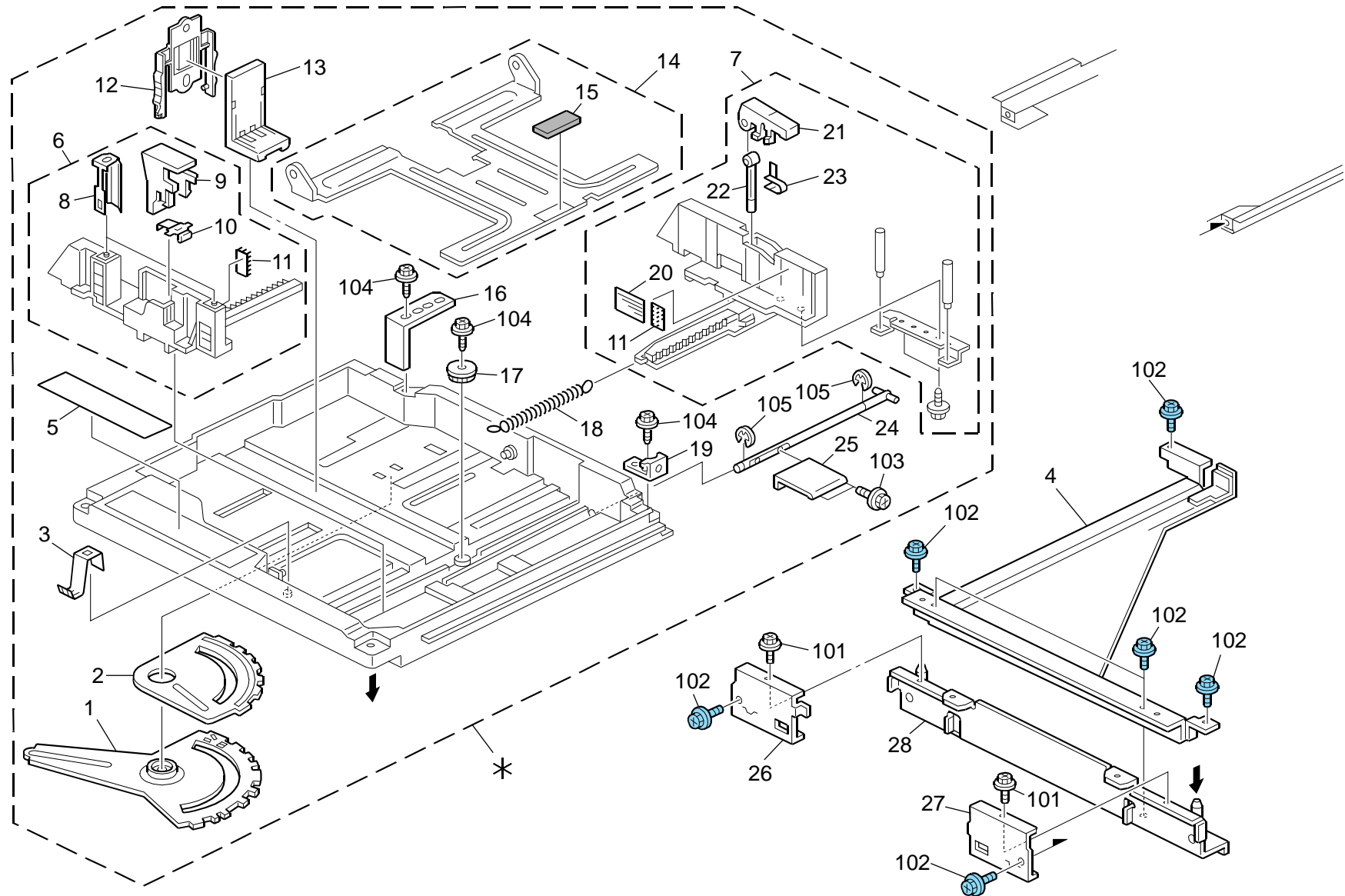
## 25.Tandem Tray 3 (D131/D132/D133)

Index No.	Part No.	Description	Q'ty Per Assembly
1	B132 7547	DC Solenoid: End Fence: Front: Ass'y	1
2	B070 6683	Lever: Release: Front	1
3	AA06 0758	Tension Spring - Short	2
4	A248 6713	Hook - Tension Spring	2
5	AA06 0757	Tension Spring - Long	2
6	B247 6713	End Fence - Front	1
7	B065 6712	End Fence Guide	2
8	B065 6881	Bracket: ON OFF Detector: Front	1
9	AW02 0145	Photointerruptor: Flat	4
10	B247 6714	End Fence - Rear	1
11	B065 6884	Detector Bracket	1
12	D131 7571	DC Solenoid: End Fence: Rear: Ass'y	1
13	B247 6811	Side Plate: Tandem Lct: Right Rear: Ass'y	1
14	B070 6684	Lever: Release: Rear	1
15	AB03 2058	Wire Pulley - M10	2
16	A248 6695	Guide - Pulley	4
17	AB03 2719	Pulley - M10	2
18	B247 6958	Shaft: Drive: Tray Bottom Plate: Right: Press Fit	1
19	B247 6694	Pulley: Drive Were: Ass'y	1
20	5053 0223	Bushing - 8mm	2
21	D131 6703	Harness: Tandem LCT: Right	1
22	B065 6743	Right Bracket	1
23	B065 6862	Large Lever	1
24	AA13 2203	Spacer - 6mm	1
25	AW01 0113	Sensor	1
26	AA16 1129	Cushion - Large	1
27	A294 6655	Front Roller - Slide Rail	1
28	AF02 2105	Roller - Slide Rail	1
29	AA16 1130	Cushion - Small	2
30	B065 6864	Small Lever	1
31	A248 6694	Wire Ring	4
32	B065 6870	Stay -Right Base	2
33	A294 6690	Feeler - Paper Height Sensor	1
34	B065 6717	Paper Volume Shield Plate	1
35	B247 6955	Side Plate: Tandem LCT: Front Right: Ass'y	1

Index No.	Part No.	Description	Q'ty Per Assembly
36	B247 6901	Oil Damper: Fall	1
37	AB01 3781	Gear - 30Z	1
38	B065 6872	Oil Damper Bracket	1
101	0633 0200G	Pin - M3x20	
102	0720 0040E	Retaining Ring - M4	
103	0720 0060E	Retaining Ring - M6	
104	0451 4006N	Tapping Screw - 4x6	
105	0453 3008N	Binding Self Tapping Screw: 3x8	
106	1105 0516	Clamp	
107	1105 0291	Harness Clamp - LWS-3S	
108	1106 0411	Bushing - 11.5mm	
109	0951 3006N	Screw - M3X6	
110	0313 0120N	Pan Head Screw: M3x12	
111	0454 4006Q	Tapping Screw: 4x6	
112	0452 3006N	Binding Self-tapping Screw: 3x6	



## 26. Universal Tray (D131/D132/D133)



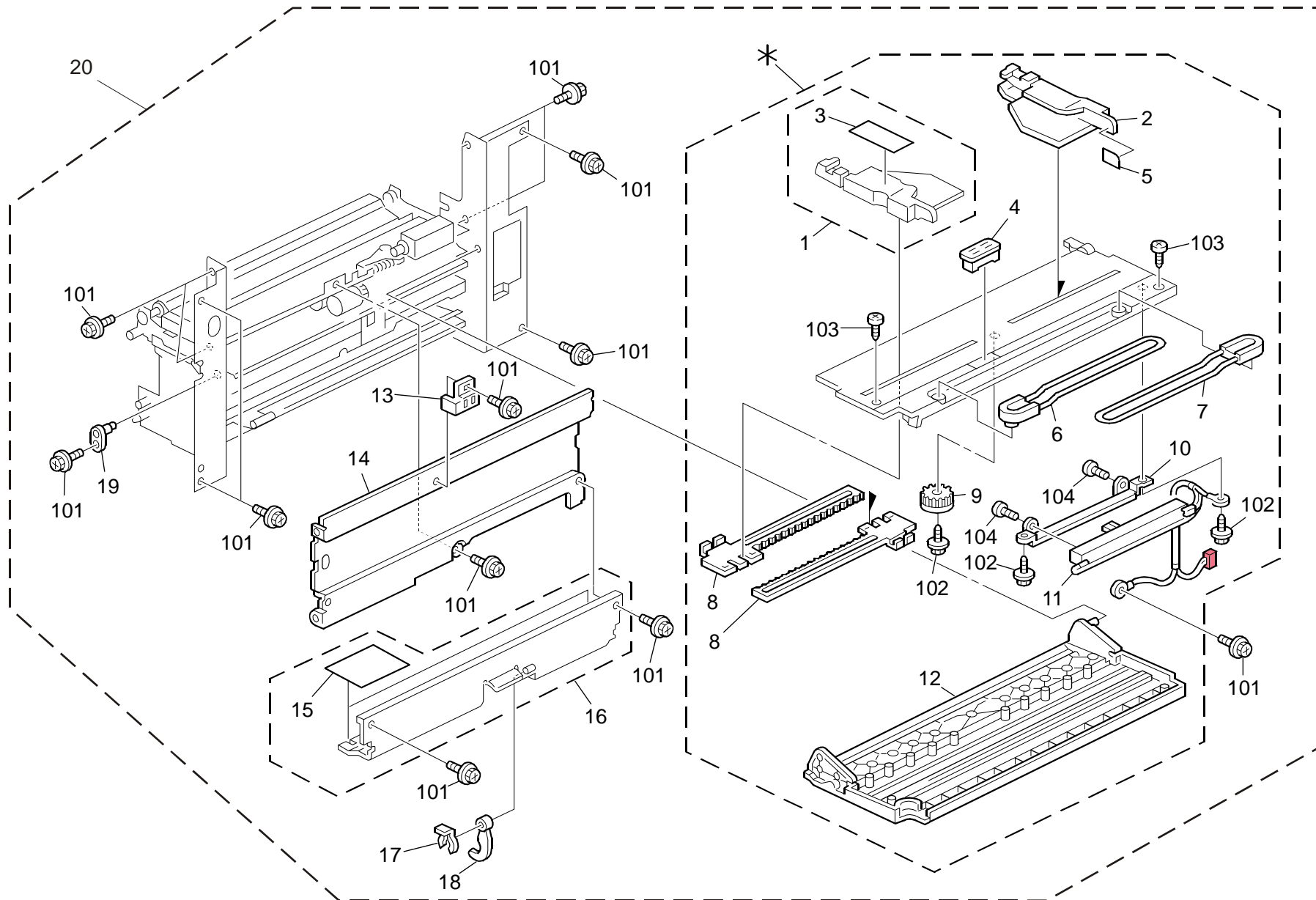
## 26.Universal Tray (D131/D132/D133)

Index No.	Part No.	Description	Q'ty Per Assembly
*	D131 6771	Paper Tray: Universal: Ass'y	1
1	B181 6780	Link: End Fence: Paper Size Sensor: Ass'y	1
2	B181 6789	Link: Side Fence: Paper Size Sensor	1
3	B132 6798	Spring Plate: Paper Tray: Earth	1
4	B065 6591	Paper Tray Holder Base	1
5	D131 6786	Decal: Paper Tray: Paper Set Direction	1
6	D131 6777	Side Fence: Front: Ass'y	1
7	D131 6775	Side Fence: Rear: Ass'y	1
8	B132 6791	Plate: Side Fence	2
9	D131 6538	Lever: Stopper: Positioning	1
10	A134 2978	Spring Plate	1
11	B234 2864	Pad: Cleaner	2
12	D131 6783	Arm: End Fence: Lock	1
13	D131 7032	End Fence	1
14	D014 6780	Tray Bottom Plate: Ass'y	1
15	AF01 3005	Bottom Plate Pad	1
16	B132 6797	Side Fence: Rear: Auxiliary	1
17	AB01 2327	Gear: 16Z	1
18	AA06 0961	Tension Spring: Side Fence: Rear	1
19	B247 6695	Guide: Misfeed Removal: Paper Tray	1
20	AA00 1597	Decal: Side Fence: Rear	1
21	D120 2864	Lever: Stopper: Positioning	1
22	A267 2859	Side Fence Stopper	1
23	A267 2857	Spring Plate - Side Fence	1
24	D062 6524	Shaft: Rise: Tray Bottom Plate: Press Fit	1
25	B065 6526	Lift Lever	1
26	B065 6589	Left Support Plate	1
27	B065 6588	Right Support Plate	1
28	B065 6581	Paper Tray Holder Stay	1

Index No.	Part No.	Description	Q'ty Per Assembly
101	0451 3008N	Tapping Screw - M3x8	
102	0454 4008Q	Tapping Screw - M4x8	
103	0360 4008N	Screw - M4X8	
104	0450 4008N	Tapping Screw - M4x8	
105	0720 0060E	Retaining Ring - M6	

# 27.By-pass Feed Tray (D131/D132/D133)

Rev. 9/19/2012



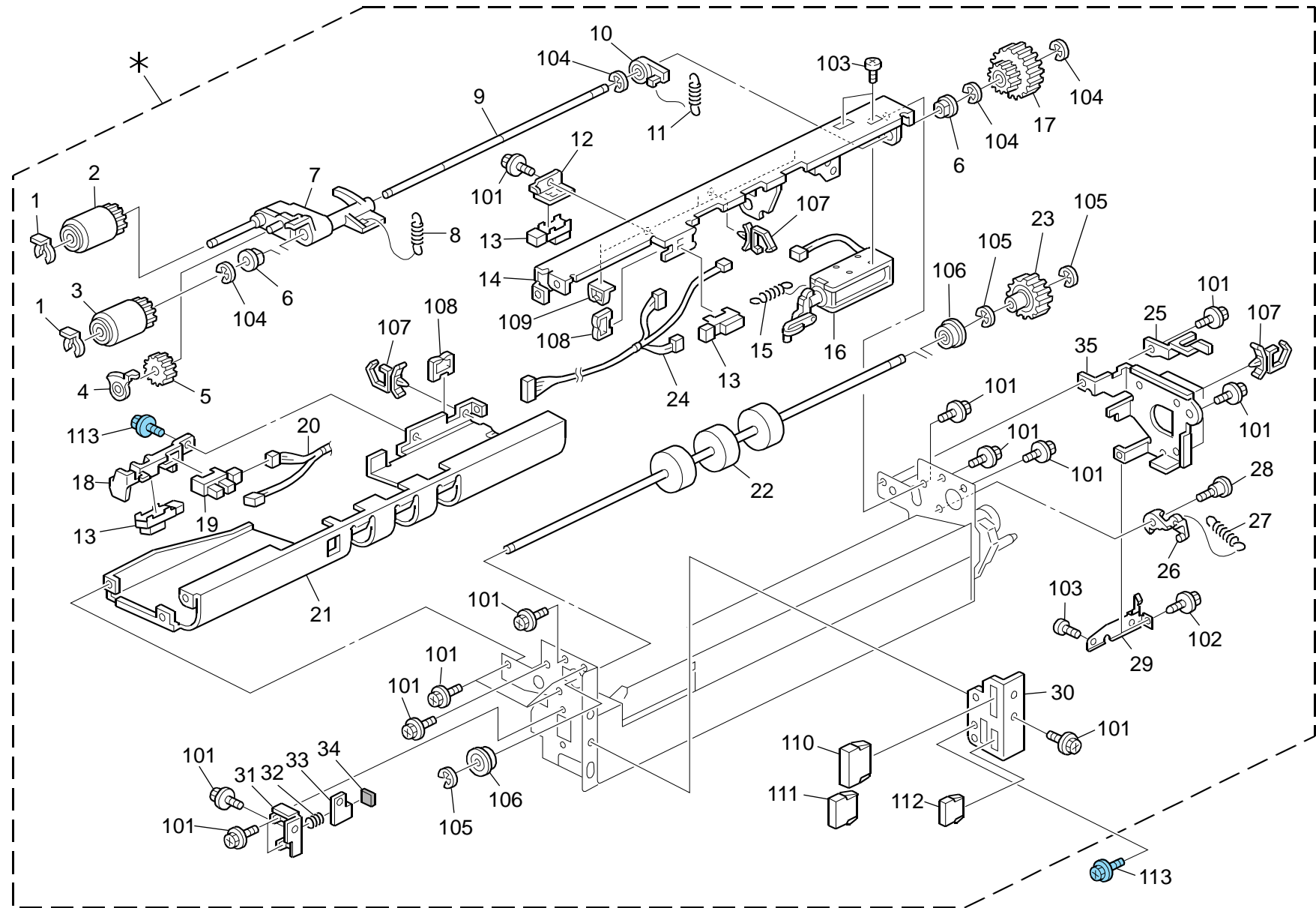
## 27.By-pass Feed Tray (D131/D132/D133)

Rev. 9/19/2012

Index No.	Part No.	Description	Q'ty Per Assembly
*	D131 2730	Manual Feed Table: Ass'y	1
1	D131 2736	Side Fence: Manual Feed: Front: Ass'y	1
2	D131 2735	Side Fence: Manual Feed: Rear	1
3	D131 2875	Decal: Paper Set Direction: Manual Feed	1
4	AG07 0513	Magnet Catch	1
5	D131 2876	Decal: Side Fence: Manual Feed	1
6	D131 2738	Support Stay: Manual Feed: Front: Ass'y	1
7	D131 2740	Support Stay: Manual Feed: Rear: Ass'y	1
8	A096 2780	Feed Guide Gear	2
9	B098 3492	Gear: Manual Feed Table	1
10	B065 2741	Sensor Bracket	1
11	B247 2745	Paper Size Sensor	1
12	D131 2733	Cover: Manual Feed Table	1
13	B140 2662	Magnet Catch Bracket	1
14	B140 2660	Machine Or Copier Paper Feed Cover	1
15	B065 2723	Sheet - Manual Feed Guide Plate	2
16	B247 2721	Guide Plate: Manual Feed: Peen	1
17	5206 2686	Snap Ring	1
18	B065 2729	Paper End Feeler	1
19	B065 2743	Front Shaft - By-pass	1
20	D131 2550	Paper Feed Unit: Machine or Copier: Ass'y	1

Index No.	Part No.	Description	Q'ty Per Assembly
101	0451 4008N	Tapping Screw: 4x8	
102	0450 3008N	Tapping Screw - M3x8	
103	0452 3008N	Tapping Screw - M3x8	
104	0453 3006N	Tapping Screw - M3x6	

## 28.Paper Feed Unit 1 (D131/D132/D133)



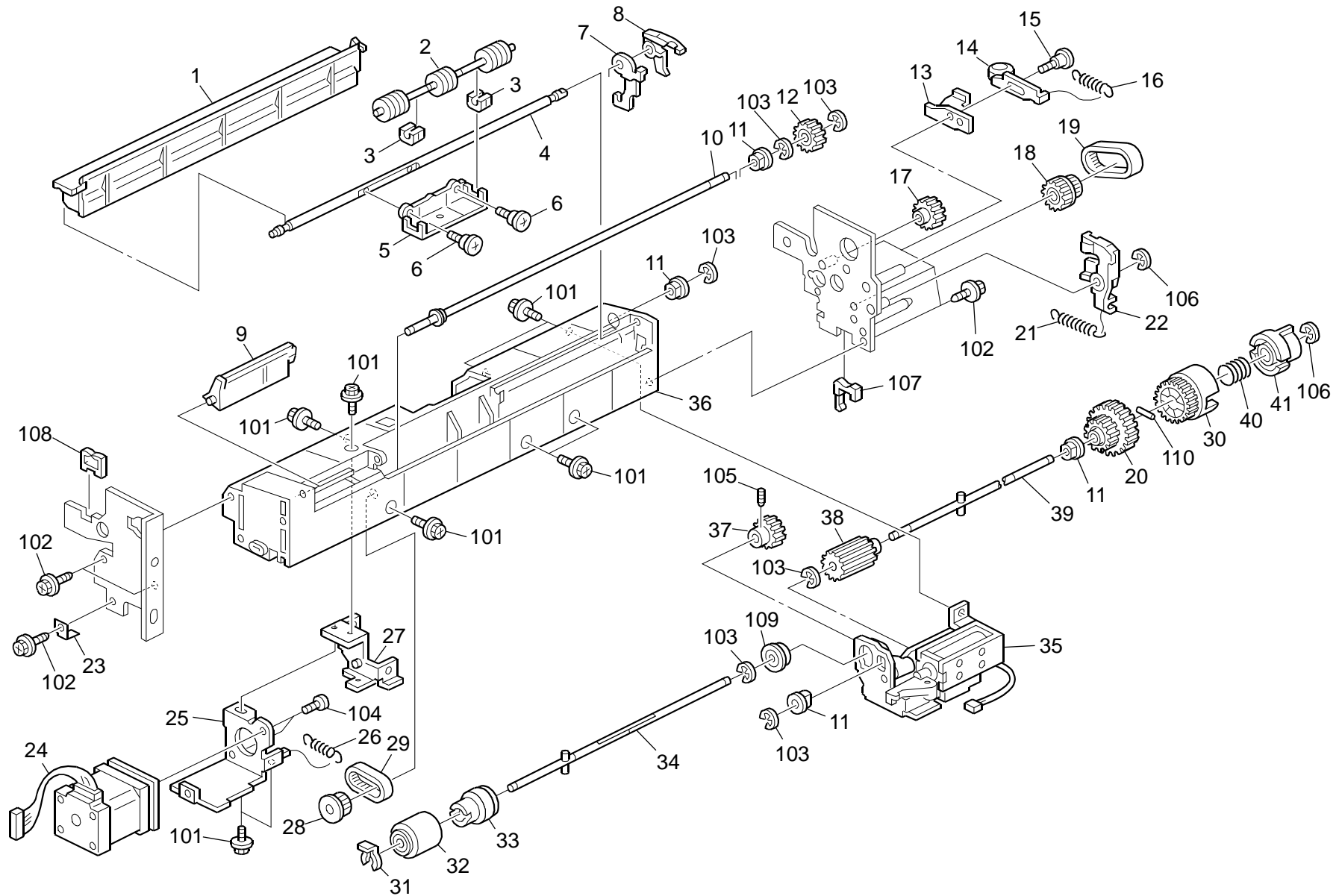
## 28.Paper Feed Unit 1 (D131/D132/D133)

Rev. 9/19/2012

Index No.	Part No.	Description	Q'ty Per Assembly
*	D131 6200	Paper Feed Unit: Bank: M: Ass'y (for Trays 1 & 2)	1
*	D131 6201	Paper Feed Unit: Bank: V: Ass'y (for Tray 3)	1
1	5447 2681	Snap Ring	2
<b>2</b>	<b>AF03 0081</b>	<b>Paper Feed Roller: Pickup</b>	<b>1</b>
<b>3</b>	<b>AF03 1082</b>	<b>Paper Feed Roller: Feed</b>	<b>1</b>
4	B065 6350	Pick-up Gear Cover	1
5	AB01 1465	Idler Gear	1
6	AA08 2118	Bushing - M6	2
7	B065 6357	Pick-up Arm	1
8	AA06 0898	Spring	1
9	D062 6356	Shaft: Feed Roller	1
10	B065 6445	Feed Lever	1
11	AA06 0897	Spring	1
12	B065 6358	Paper Feed Sensor Bracket	1
13	AW01 0107	Paper Feed Sensor (for Trays 1 & 2)	1
13	AW01 0149	Photo Reflection Sensor:PS122TL8-A (for Tray 3)	3
14	B065 6364	Feed Stay (for Trays 1 & 2)	1
14	D081 6664	Stay: Feed: Ass'y (for Tray 3)	1
15	AA06 1076	Coil Spring: Pressure Release: Pickup	1
16	B132 6659	DC Solenoid: Pickup: Ass'y	1
17	D131 6665	Gear: Feed: 21Z	1
18	B065 6345	Paper End Sensor Bracket	1
19	AW02 0160	Paper Feed Sensor	1
20	B247 6487	Harness: Paper Feed Unit: Lower: Ass'y	1
21	B140 6339	Paper Feed Guide Plate (for Trays 1 & 2)	1
21	D081 6639	Guide Plate: Feed (for Tray 3)	1
22	AF02 0726	Transport Roller: Drive: Grip	1
23	AB01 1466	Gear - 35Z	1
24	B247 6488	Harness: Paper Feed Unit: Upper: Ass'y	1
25	B065 6353	Feed Gear Cover	1
26	B065 6457	Driven Pressure Lever	1
27	AA06 0896	Spring	1
28	AA14 3718	Stepped Screw - M4	1
29	B140 6377	Ground Plate: Reverse: Paper Feed Unit	1
30	B065 6375	Paper Feed Unit Stay (for Trays 1 & 2)	1

Index No.	Part No.	Description	Q'ty Per Assembly
30	D081 6675	Bracket: Connector: 2 (for Tray 3)	1
31	B065 6334	Heat Sink Base	1
32	AA06 3889	Heat Sink Spring	1
33	B065 6337	Heat Sink	1
34	B065 6338	Heat Sink Sheet	1
35	D062 2752	Bracket: Dc Stepper Motor: Mm56	1
101	0451 4008N	Tapping Screw: 4x8	
102	0450 4008N	Tapping Screw - M4x8	
103	0353 0040N	Screw - M3x4	
104	0720 0040E	Retaining Ring - M4	
105	0720 0060E	Retaining Ring - M6	
106	0742 3808	Ball Bearing - 8x16x5	
107	1105 0511	Harness Clamp - LWS-0306ZC	
108	1105 0328	Harness Clamp - ES-0505	
109	1105 0542	Harness Clamp - MSBS-1207	
110	1102 6252	Connector - 9P	
111	1102 6251	Connector - 8P	
112	1102 6249	Relay Connector - 6P	
113	0454 4008Q	Tapping Screw - M4x8	

## 29.Paper Feed Unit 2 (D131/D132/D133)



## 29.Paper Feed Unit 2 (D131/D132/D133)

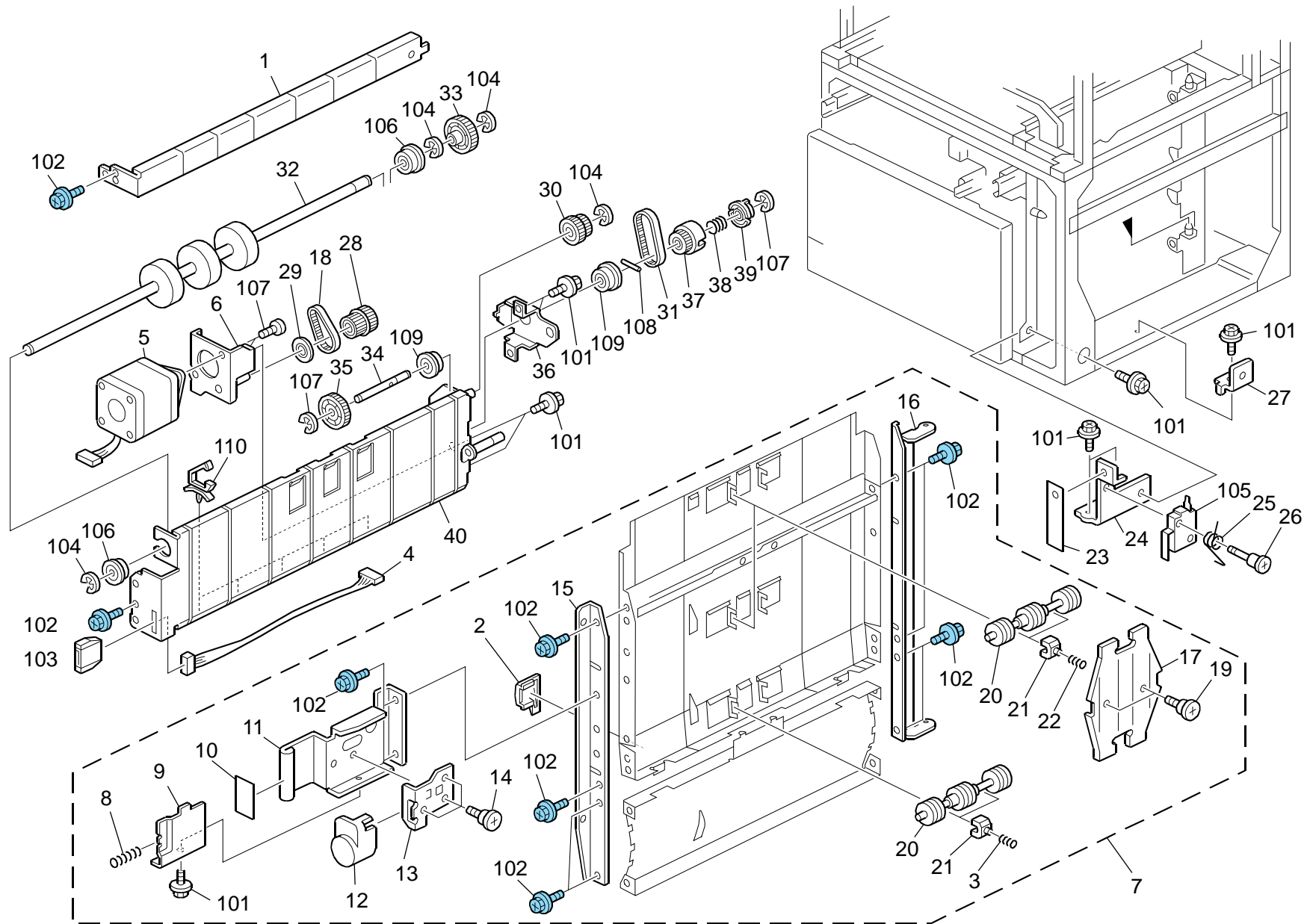
Rev. 9/19/2012

Index No.	Part No.	Description	Q'ty Per Assembly
1	B181 6640	Guide Plate: Swivel: Adhesion (for Trays 1 & 2)	1
1	D081 6671	Guide Plate: Swivel: Auxiliary (for Tray 3)	1
2	AF02 2149	Transport Roller	1
3	AA08 0327	Bushing - M4	2
4	AA14 0829	Driven Shaft	1
5	B065 6453	Transport Roller Lever	1
6	AA14 3812	Screw - Scale	2
7	B065 6454	Driven Release Lever	1
8	B065 6455	Driven Pressure Lever	1
9	B065 6371	Support Guide Plate (for Trays 1 & 2)	1
9	D081 6672	Guide Plate: Swivel (for Tray 3)	1
10	B065 6317	Relay Shaft	1
11	AA08 2118	Bushing - M6	4
12	AB01 1469	Gear - 19Z	1
13	B065 6452	Tray Link Guide	1
14	B065 6346	Paper Tray Link	1
15	5894 2540	Arm Screw	1
16	AA06 0901	Spring	1
17	AB01 1470	Gear - 18Z	1
18	AB01 7690	Pulley: Idler: 30T/24Z	1
19	AA04 3675	Synchronous Belt: Reverse: S2M118	1
20	D131 6666	Gear: Reverse: 38Z21Z	1
21	AA06 0900	Spring	1
22	B065 6456	Vertical Transport Link	1
23	B140 6378	Ground Plate: Stepper Motor: Paper Feed Unit	1
24	D131 6660	DC Stepper Motor: Paper Feed Unit: MM42: Ass'y	1
25	B065 6394	Motor Bracket	1
26	AA06 0904	Spring	1
27	B065 6415	Motor Base	1
28	AB03 0733	Pulley - 20T	1
29	AA04 3676	Synchronous Belt: Connecting: DC Stepper Motor	1
30	D131 6664	Joint: Timing Pulley: Reverse: T30	1

Index No.	Part No.	Description	Q'ty Per Assembly
31	5447 2681	Snap Ring	1
32	<b>AF03 2080</b>	<b>Paper Feed Roller: Separate</b>	<b>1</b>
33	A294 6700	Torque Limiter - 53MNXM	1
34	B065 6307	Reverse Driven Shaft	1
35	B132 6670	DC Solenoid: Reverse: Ass'y	1
36	B065 6333	Reverse Housing	1
37	AB01 1591	Gear: Reverse	1
38	AB01 1471	Reverse Gear	1
39	D131 6661	Shaft: Drive: Reverse: Ass'y	1
40	D131 6693	Compression Spring: Joint: 2.0N	1
41	D131 6663	Joint: Slider: Grip	1
101	0451 4008N	Tapping Screw: 4x8	
102	0450 4008N	Tapping Screw - M4x8	
103	0720 0040E	Retaining Ring - M4	
104	0353 0040N	Screw - M3x4	
105	0573 0030E	Hexagon Headless Set Screw - M3x3	
106	0720 0060E	Retaining Ring - M6	
107	1105 0522	Edge Saddle - LES0510	
108	1105 0328	Harness Clamp - ES-0505	
109	0741 3506	Ball Bearing - 6x12x4 MM	
110	0632 0140G	Parallel Pin	



### 30.Vertical Transport (D131/D132/D133)

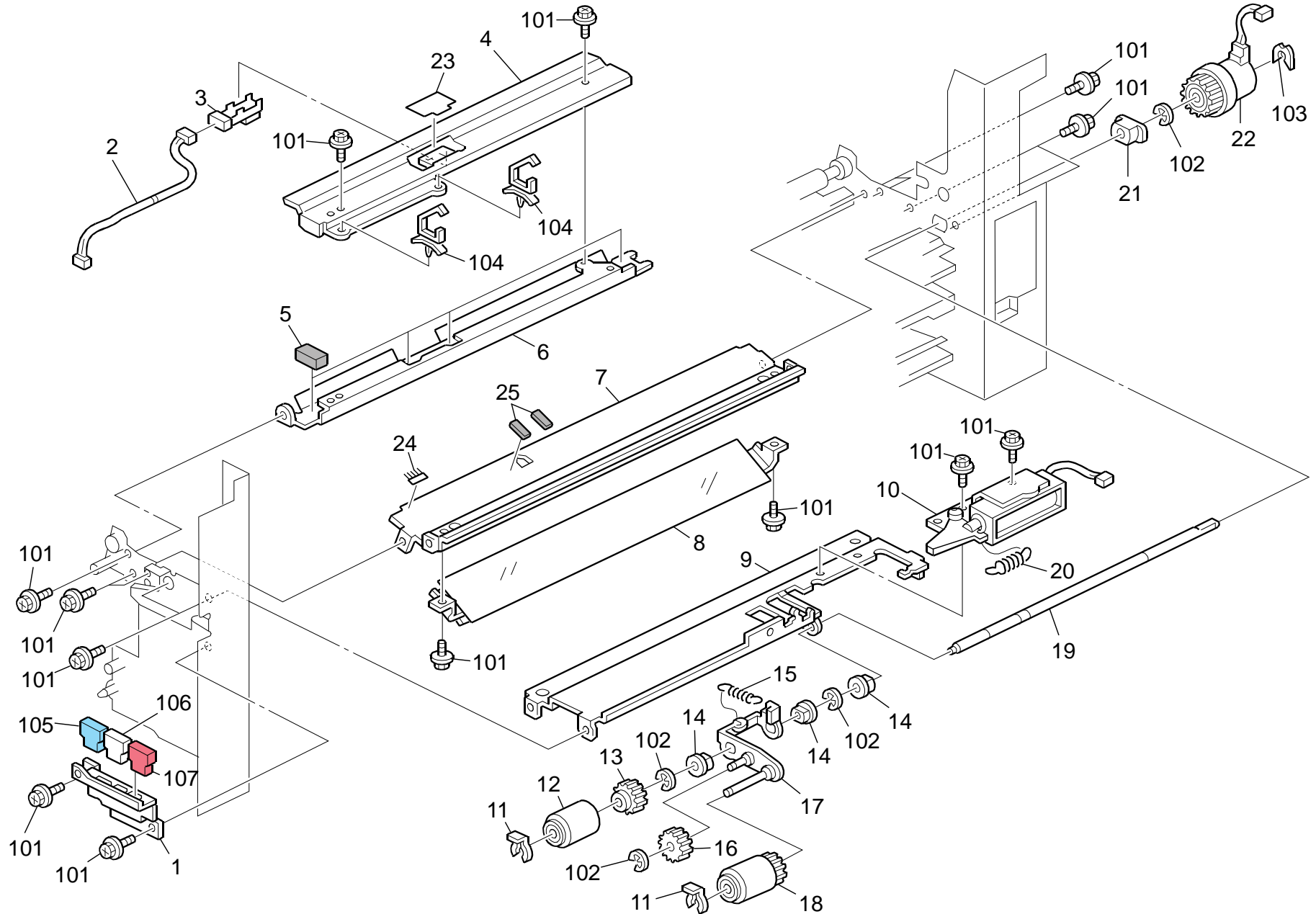


### 30.Vertical Transport (D131/D132/D133)

Index No.	Part No.	Description	Q'ty Per Assembly
1	B140 6361	Paper Bank Connecting Guide Plate	1
2	D131 6456	Stopper: Guide Plate: Vertical Transport	1
3	AA06 3480	Compression Spring: Transport Roller: 12.5N	2
4	B132 7583	Harness - Joint Unit	1
5	B132 6655	Stepper Motor: Paper Feed Unit: Ass'y	1
6	D131 6686	Bracket: Dc Stepper Motor: Joint Unit	1
7	D131 6420	Transport Unit: Vertical Transport: Ass'y	1
8	AA06 3878	Spring	1
9	B247 6430	Cover: Release: Vertical Transport	1
10	D131 6429	Decal: Grip: Transport Sub-unit: Open And Close	1
11	B247 6426	Lever: Release: Vertical Transport	1
12	D131 6428	Button: Release: Vertical Transport	1
13	B065 6427	Release Lever - Vertical Transport	1
14	AA14 3560	Stepped Screw - M4	3
15	D131 6452	Side Plate: Front: Vertical Transport	1
16	D131 6451	Side Plate: Rear: Vertical Transport	1
17	B065 6402	Transport Pressure Plate	1
18	D131 6689	Synchronous Belt: Joint Unit: 92	1
19	B247 6982	Stepped Screw - M5	2
20	AF02 0295	Vertical Driven Roller	3
21	AA08 0241	Bushing - M4	6
22	AA06 3487	Spring - 10mm	4
23	A096 5528	Micro Switch Sheet	1
24	B065 6122	Micro Switchbracket	1
25	A423 4433	Spring	1
26	AA14 3809	Shoulder Screw - M2.5	1
27	B065 6078	Bracket: Fix: Large Capacity Trat	1
28	AB01 7690	Pulley: Idler: 30T/24Z	1
29	D131 6685	Flange: Pulley: Drive: Joint Unit	1
30	D131 6684	Gear: Idler: 24Z30T	1
31	AA04 3974	Timing Belt - B60S2M112	1
32	AF02 0726	Transport Roller: Drive: Grip	1
33	AB01 1466	Gear - 35Z	1
34	D131 6692	Shaft: Reverse: Joint Unit	1

Index No.	Part No.	Description	Q'ty Per Assembly
35	D131 6691	Gear: Grip: Joint Unit	1
36	D131 6683	Bracket: Grip: Shaft: Joint Unit	1
37	D131 6664	Joint: Timing Pulley: Reverse: T30	1
38	D131 6693	Compression Spring: Joint: 2.0N	1
39	D131 6663	Joint: Slider: Grip	1
40	D131 6681	Guide Plate: Joint Unit: Ass'y	1
101	0451 4008N	Tapping Screw: 4x8	
102	0454 4008Q	Tapping Screw - M4x8	
103	1102 6249	Relay Connector - 6P	
104	0720 0060E	Retaining Ring - M6	
105	1204 2521	Micro Switch	
106	0743 3808	Radial Ball Bearing: DIA8XDIA16X5	
107	0720 0040E	Retaining Ring - M4	
108	0632 0140G	Parallel Pin	
109	0741 3506	Ball Bearing - 6x12x4 MM	
110	1105 0511	Harness Clamp - LWS-0306ZC	

### 31.Paper Registration 1 (D131/D132/D133)

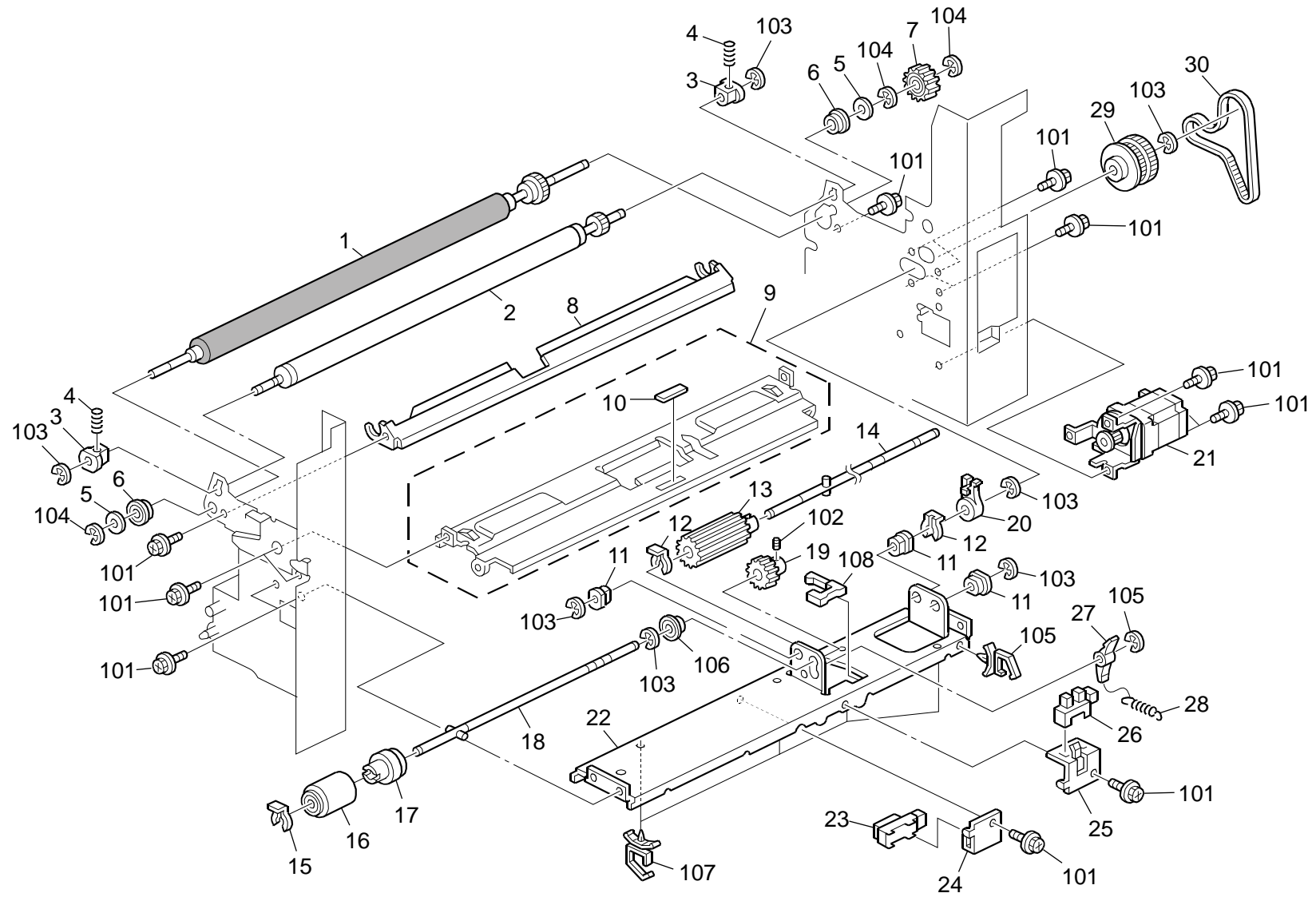


### 31.Paper Registration 1 (D131/D132/D133)

Index No.	Part No.	Description	Q'ty Per Assembly
1	B065 2608	Development Connector Bracket	1
2	B065 2763	Relay Registration Harness	1
3	AW01 0107	Paper Feed Sensor	1
4	B065 2621	Sensor Bracket	1
5	AA15 2441	Case Seal	4
6	B065 2620	Paper Dust Removal Case	1
7	B140 2614	Upper Front Registration Guide	1
8	B140 2622	Lower Front Registration Guide	1
9	B065 2682	Paper Feed Stay	1
10	B247 2690	DC Solenoid 24V	1
11	5447 2681	Snap Ring	2
12	<b>AF03 1083</b>	<b>Paper Feed Roller: Feed: Manual Feed</b>	<b>1</b>
13	AB01 1478	Gear - 18Z	1
14	AA08 2116	Bushing - M8	3
15	AA06 0888	Spring	1
16	5447 2706	Gear - 15T	1
17	B065 2688	Pick-up Roller Arm	1
18	<b>AF03 0080</b>	<b>Paper Feed Roller: Pickup</b>	<b>1</b>
19	AA14 0819	Feed Roller Shaft	1
20	AA06 0887	Spring	1
21	AA08 3019	Bushing	1
22	AX20 0277	Magnetic Clutch: 0.53N M: 36Z	1
23	D131 2622	Sheet: Guard: Registration Sensor	1
24	D131 2620	Discharge Brush: Paper Feed Unit: Registration	1
25	D131 2615	Sponge: Registration Sensor: Guard	1

Index No.	Part No.	Description	Q'ty Per Assembly
101	0451 4008N	Tapping Screw: 4x8	
102	0720 0060E	Retaining Ring - M6	
103	0805 0088	Retaining Ring - M6	
104	1105 0511	Harness Clamp - LWS-0306ZC	
105	1102 6279	Connector - 3P	
106	1102 6247	Connector - 4P	
107	1102 6260	Relay Connector - 3P	

## 32.Paper Registration 2 (D131/D132/D133)

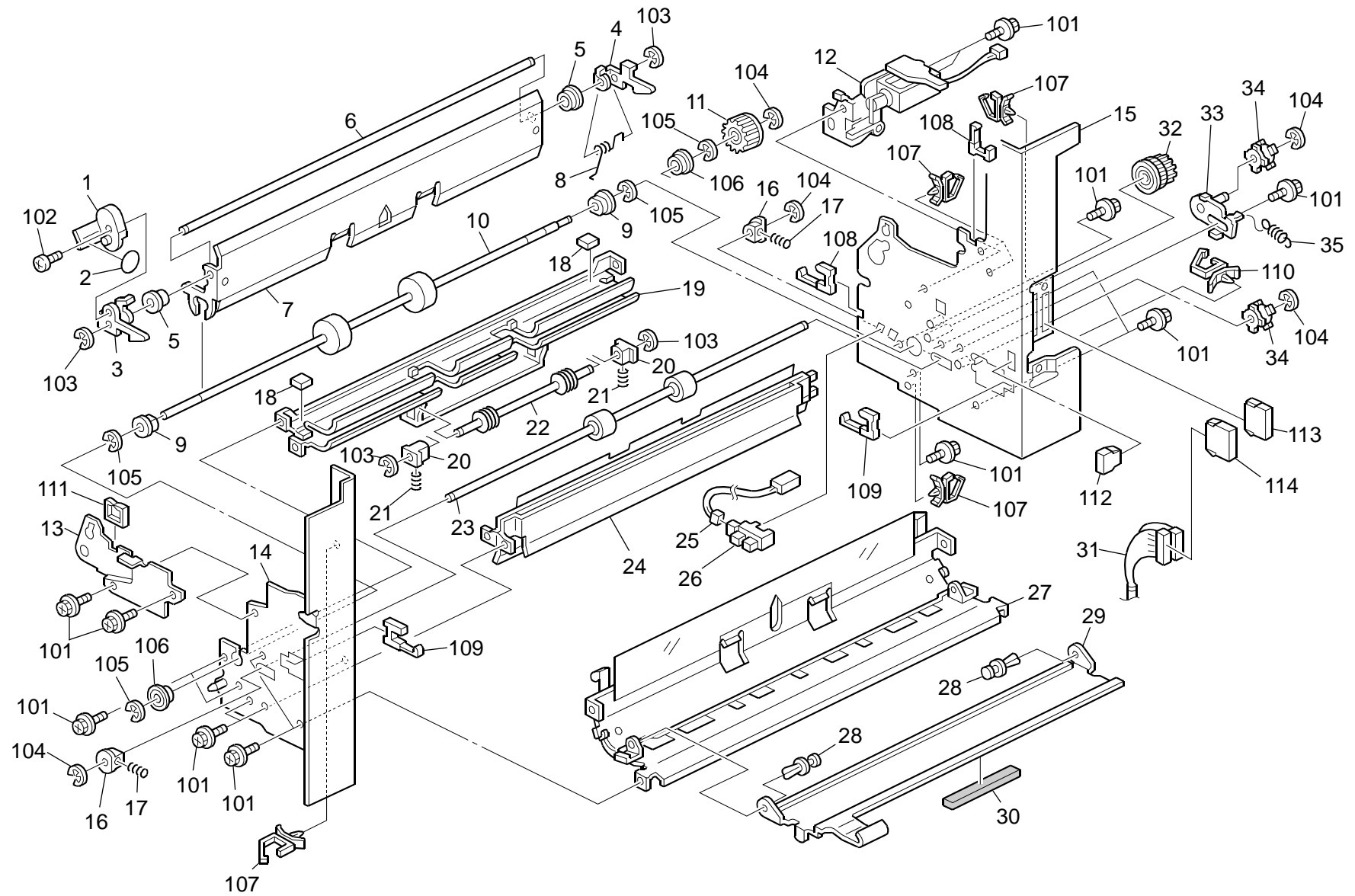


### 32.Paper Registration 2 (D131/D132/D133)

Index No.	Part No.	Description	Q'ty Per Assembly
1	B247 2627	Registration Roller - Lower	1
2	B247 2623	Registration Roller: Upper: Press Fit	1
3	AA08 0037	Bushing - 6mm	2
4	5442 2754	Spring - Registration Roller	2
5	AA13 2025	Spacer - 1x8x12	2
6	A247 2800	Ball Bearing - 8x12x5	2
7	AB01 4077	Registration Roller Gear	1
8	B247 2611	Lower Registration Guide	1
9	B247 2700	Stay: Reverse: Ass'y	1
10	B247 2702	Friction Pad - B	1
11	AA08 2118	Bushing - M6	3
12	G011 1058	Snap Ring	2
13	AB01 1392	Drive Reverse Gear - 24z	1
14	G126 2713	Shaft: Reverse: Drive: Ass'y	1
15	5447 2681	Snap Ring	1
16	<b>AF03 2080</b>	<b>Paper Feed Roller: Separate</b>	<b>1</b>
17	A294 6700	Torque Limiter - 53MNXM	1
18	G126 2714	Shaft: Reverse Roller: Ass'y	1
19	AB01 1591	Gear: Reverse	1
20	B065 6445	Feed Lever	1
21	D066 2751	DC Stepper Motor: Paper Feed: Main: Ass'y	1
22	B247 2699	Stay: Reverse Roller: Peen	1
23	AW01 0107	Paper Feed Sensor	1
24	B065 2708	Middle Sensor Bracket	1
25	B065 2707	Paper End Sensor Bracket	1
26	AW02 0145	Photointerruptor: Flat	1
27	B065 2709	Reverse Pressure Lever	1
28	AA06 0911	Spring	1
29	AB01 7606	Gear - 24Z/46Z	1
30	GA04 3028	Timing Belt: 60S2M288	1

Index No.	Part No.	Description	Q'ty Per Assembly
101	0451 4008N	Tapping Screw: 4x8	
102	0573 0030E	Hexagon Headless Set Screw - M3x3	
103	0720 0040E	Retaining Ring - M4	
104	0720 0060E	Retaining Ring - M6	
105	1105 0511	Harness Clamp - LWS-0306ZC	
106	0741 3506	Ball Bearing - 6x12x4 MM	
107	1105 0487	Harness Clamp	
108	1105 0522	Edge Saddle - LES0510	

### 33.Paper Registration 3 (D131/D132/D133)



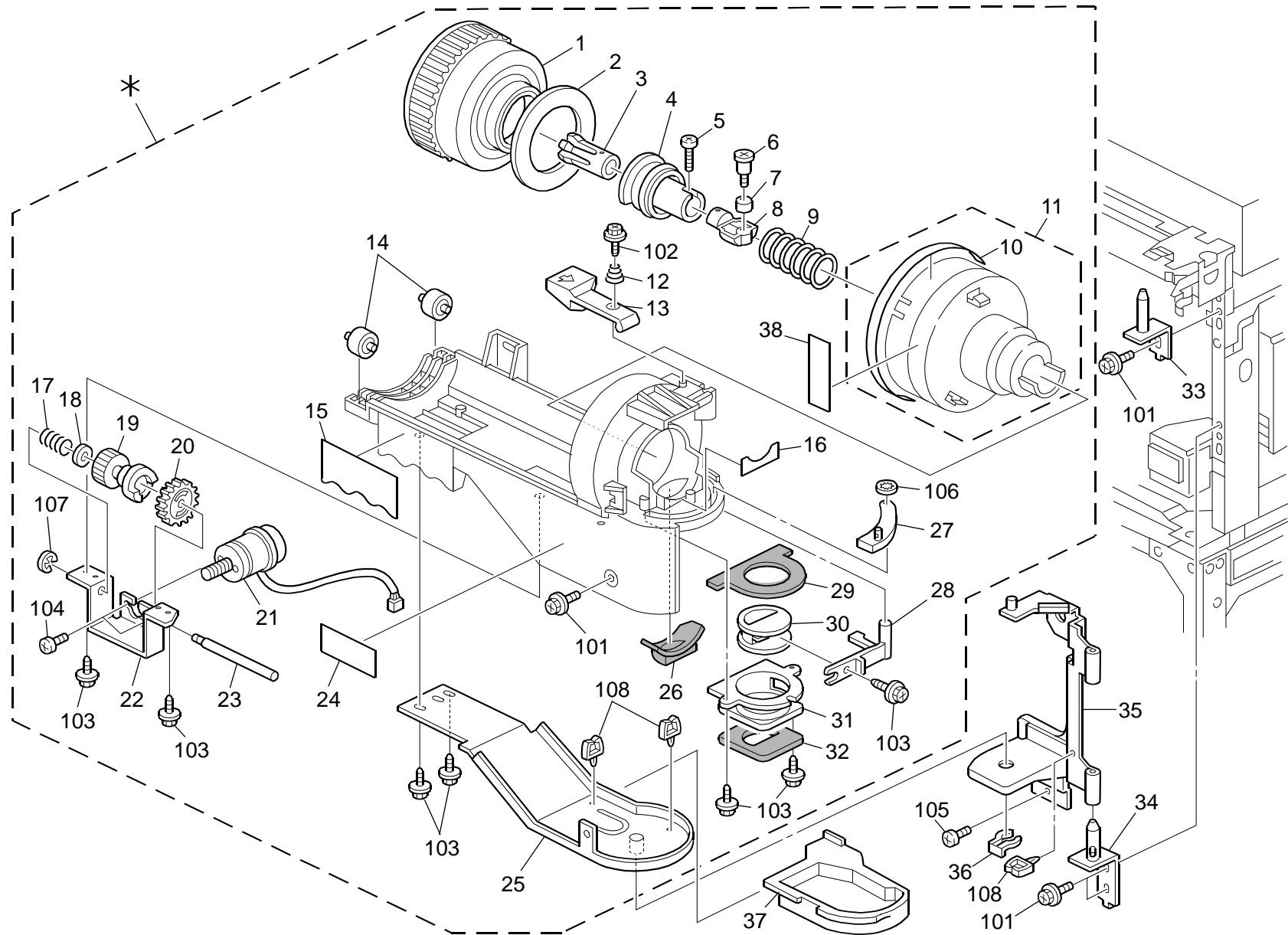
### 33.Paper Registration 3 (D131/D132/D133)

Index No.	Part No.	Description	Q'ty Per Assembly
1	D131 2717	Lever: Lock	1
2	D131 2643	Decal: Positioning Display: B2	1
3	A096 2633	Front Lock	1
4	A229 2655	Read Rock	1
5	5443 2668	Bushing - 4x6x7mm	1
6	B247 2642	Lock Shaft	1
7	B140 2647	Open And Close Guide Ass'y	1
8	B247 2644	Rear Lock Spring	1
9	AA08 2116	Bushing - M8	2
10	AF02 0564	Connecting Roller	1
11	AB01 1457	Transport Roller Gear	1
12	B247 2655	DC Solenoid 24V/16.5w	1
13	B065 2607	Front Support Plate	1
14	B247 2605	Side Plate: Paper Feed: Front: Peen	1
15	D062 2600	Side Plate: Paper Feed: Rear: Peen	1
16	AA08 0037	Bushing - 6mm	1
17	AA06 3254	Driven Roller Spring	1
18	A469 2123	Rubber Cushion - 1x10x10mm	2
19	B140 2671	Exit Duplex Guide Ass'y	1
20	AA08 0034	Bushing - 4x5x7	2
21	B247 2669	Exit Roller Spring	2
22	B247 2678	Duplex Exit Roller	1
23	B247 2643	Transport Roller: Right: Driven: Ass'y	1
24	B140 2665	Paper Bank Guide Plate Ass'y	1
25	B065 2762	Relay Paper Feed Harness	1
26	AW02 0145	Photointerruptor: Flat	1
27	B140 2675	Option Tray Guide Ass'y	1
28	A048 2838	Nylon Rivet	2
29	B140 2673	Open And Close Option Tray Exit Guide	1
30	AA16 2079	Cushion	1
31	B247 2764	Harness: Manual Feed Unit: Ass'y	1
32	AB01 7607	Gear - 22Z/39Z	1
33	B247 2754	Bracket: Tightener: Peen	1
34	AB03 0722	Pulley - 13MM	2
35	AA06 0722	Tension Spring	1

Index No.	Part No.	Description	Q'ty Per Assembly
101	0451 4008N	Tapping Screw: 4x8	
102	0453 3006N	Tapping Screw - M3x6	
103	0720 0030E	Retaining Ring - M3	
104	0720 0040E	Retaining Ring - M4	
105	0720 0060E	Retaining Ring - M6	
106	0742 3808	Ball Bearing - 8x16x5	
107	1105 0511	Harness Clamp - LWS-0306ZC	
108	1105 0522	Edge Saddle - LES0510	
109	1105 0518	Clamp: LES-1010	
110	1105 0487	Harness Clamp	
111	1105 0328	Harness Clamp - ES-0505	
112	1102 6246	Relay Connector - 3P	
113	1102 6257	Relay Connector - 14P	
114	1102 6258	Relay Connector - 15P	



### 34.Toner Hopper Section (D131/D132/D133)

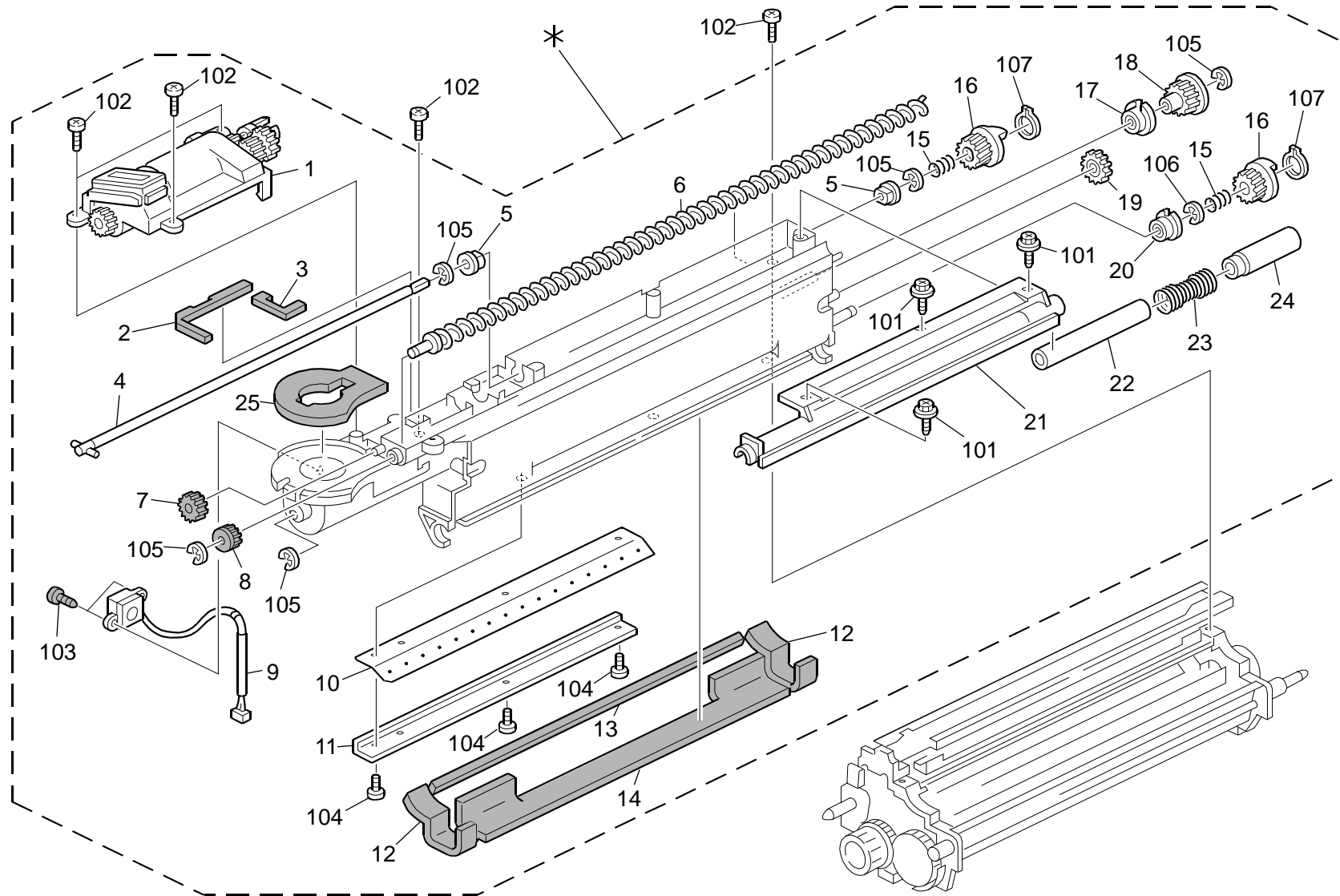


### 34.Toner Hopper Section (D131/D132/D133)

Index No.	Part No.	Description	Q'ty Per Assembly
*	D131 3301	Bottle: Drive: Ass'y	1
1	B065 3306	Gear: Toner Bottle: Ass'y	1
2	A293 3234	Shield Plate - Toner Bottle	1
3	A293 3230	Toner Bottle Chuck	1
4	A293 3227	Toner Slider	1
5	AA14 3816	Flat Screw: Chuck: Bottle	1
6	B247 3331	Screw	1
7	A229 3232	Chuck Roller	1
8	B247 3345	Shaft: Chuck	1
9	AA06 3366	Chuck Spring	1
10	A134 3192	Seal - Toner Bottle	1
11	A293 3220	Toner Bottle Stopper	1
12	B247 3330	Spring	1
13	D131 3282	Pawl: Toner Bottle: Fix	1
14	A096 3224	Bottle Roller	2
15	D131 3306	Decal: Toner Supply	1
16	A293 3231	Shield Holder	1
17	AA06 0291	Spring	1
18	AA13 2024	Spacer - M6	1
19	A229 3243	Motor Joint Gear	1
20	A229 3242	Toner Bottle Joint Gear	1
21	B247 5312	DC Motor: Toner Bottle: DC24V 5.85W	1
22	B065 3309	Toner Bottle Drive Bracket	1
23	B247 3332	Shaft: Idler: Drive: Toner Bottle	1
24	D131 1383	Decal: Toner Supply Sub-unit: EXP	1
25	B247 3311	Bracket: Turn: Toner Bottle: Sub-ass'y	1
26	A229 3219	Rubber Bushing - Toner Supply Unit	1
27	A229 3285	Shutter Cover	1
28	A229 3264	Shutter Lever	1
29	A229 3266	Upper Shutter Shield	1
30	A229 3262	Inner Shutter	1
31	A229 3261	Outer Shutter	1
32	A229 3263	Outer Shutter Shield	1
33	B247 3273	Contact Point Stay - Upper	1
34	B247 3271	Contact Point Stay - Lower	1

Index No.	Part No.	Description	Q'ty Per Assembly
35	B247 3316	Bracket: Hinge: Open And Close: Ass'y	1
36	A222 2724	External Circlip - MM8	1
37	B247 3258	Toner Catchpan Bottle	1
101	0451 4008N	Tapping Screw: 4x8	
102	0450 3006N	Tapping Screw - M3x6	
103	0450 3008N	Tapping Screw - M3x8	
104	0800 0072	Philips Pan Head Screw - M2.6x4	
105	0354 0080N	Screw: M4X8	
106	0805 0072	Cs Ring	
107	0720 0040E	Retaining Ring - M4	
108	1105 0229	Clamp	

# 35.Toner Supply Unit (D131/D132/D133)

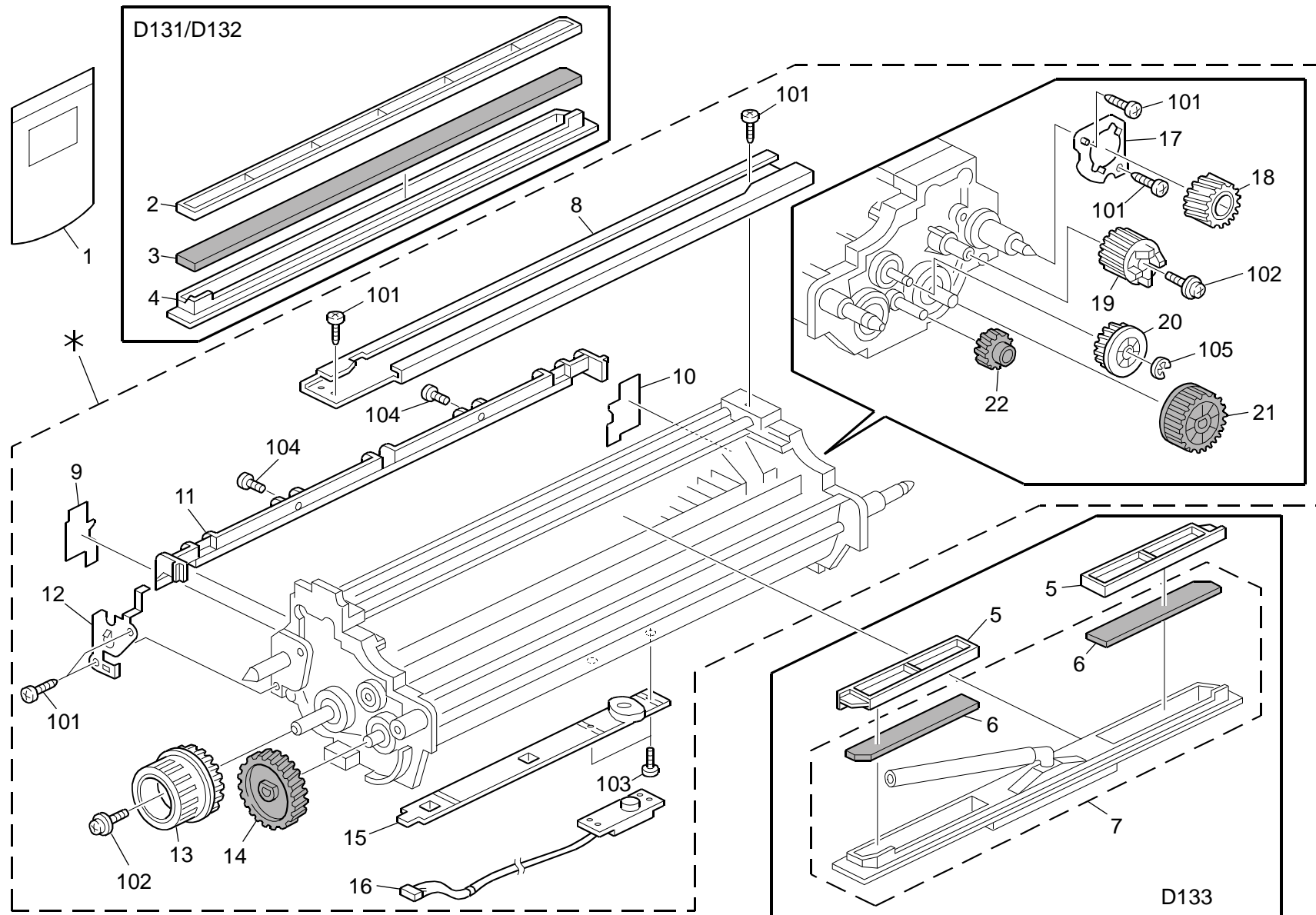


### 35.Toner Supply Unit (D131/D132/D133)

Index No.	Part No.	Description	Q'ty Per Assembly
*	D131 3210	Toner Supply Unit: Ass'y	1
*	D133 3210	Toner Supply Unit: M-90: Ass'y	1
<b>1</b>	<b>D131 3161</b>	<b>Case: Classification: Ass'y</b>	<b>1</b>
<b>1</b>	<b>D133 3161</b>	<b>Case: Classification: D133: Ass'y</b>	<b>1</b>
2	B065 3122	Toner Separation Joint Seal	1
3	B065 3123	Rear Toner Separation Joint Seal	1
4	B065 3125	Toner Separation Drive Shaft	1
5	5053 0447	Bushing - 6mm	2
6	B247 3720	Transport Screw	1
7	B065 3138	Idle Gear	1
8	B065 3139	Toner Collection Gear	1
<b>9</b>	<b>B247 5311</b>	<b>Toner End Sensor: Ass'y</b>	<b>1</b>
10	A096 3181	Slitter	1
11	B065 3146	Nut	1
12	B065 3152	Lower Front Case Seal - Rear	2
13	B065 3151	Lower Right Case Seal	1
14	B065 3153	Lower Filter Case Filter	1
15	AA06 0291	Spring	2
16	AB01 3748	Joint Gear - 15z	2
17	B247 3176	Boss: Bearing: Agitator: Press Fit	1
18	AB01 3749	Gear - 15Z	1
19	AB01 3747	Gear - 16Z	1
20	B247 3175	Bushing 8x14x8	1
21	B065 3140	Upper Cover	1
22	B065 3141	Exit Toner Pile	1
23	B065 3143	Toner Separation Spring	1
24	B065 3142	Toner Separation Shutter	1
25	A229 3154	Case Seal	1

Index No.	Part No.	Description	Q'ty Per Assembly
101	0450 4008N	Tapping Screw - M4x8	
102	0354 0080N	Screw: M4X8	
103	0452 3008P	Binding Self-tapping Screw 3x8	
104	0314 0060N	Screw - M4X6	
105	0720 0040E	Retaining Ring - M4	
106	0720 0060E	Retaining Ring - M6	
107	0727 0060E	Retaining Ring - M6	

### 36.Development Unit 1 (D131/D132/D133)

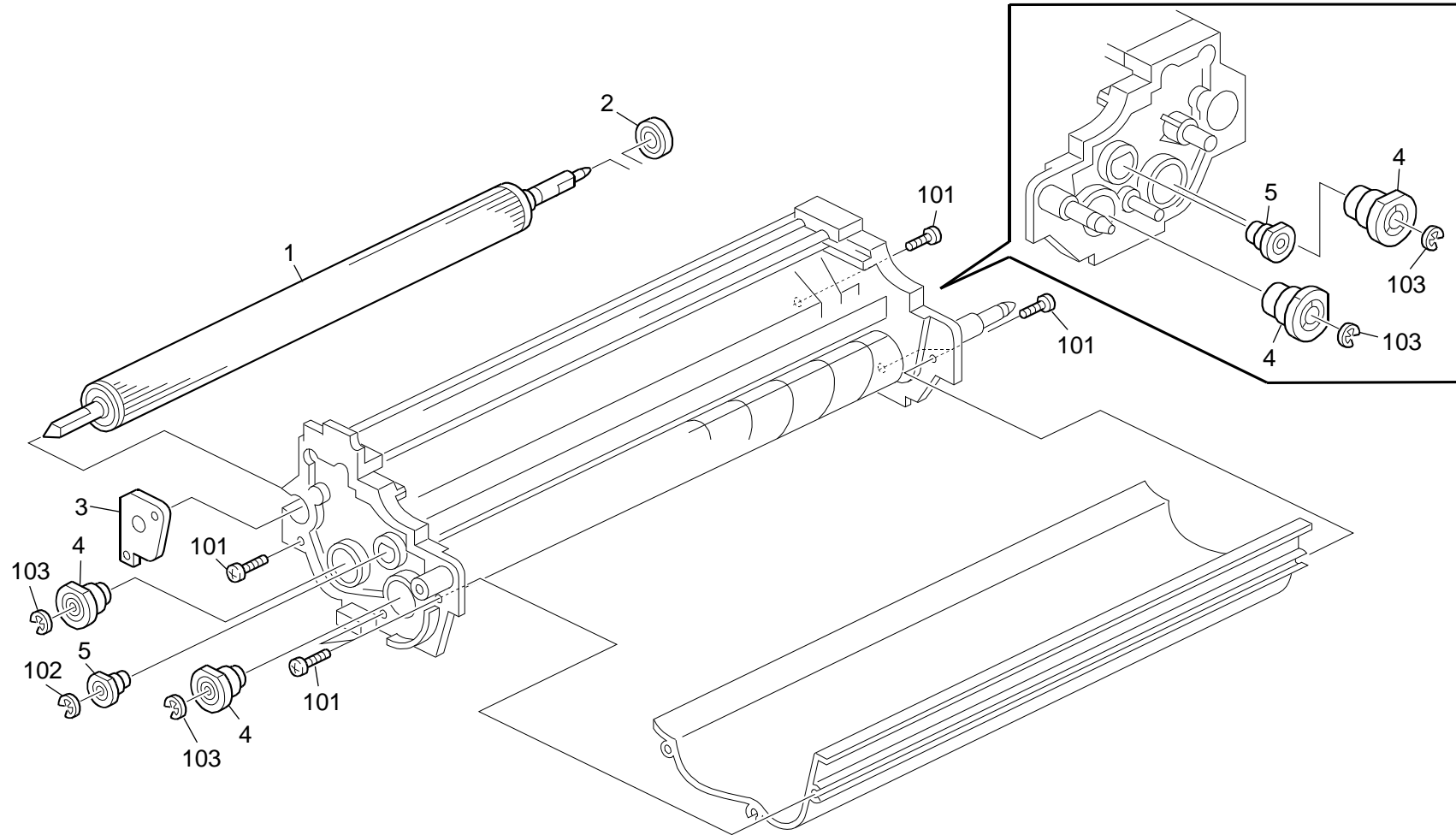


### 36.Development Unit 1 (D131/D132/D133)

Index No.	Part No.	Description	Q'ty Per Assembly
*	D062 3051	Development Unit: Ass'y	1
1	B064 9640	Developer Type 24 Black	1
2	B065 3108	Filter Plate	1
<b>3</b>	<b>D131 3340</b>	<b>Filter: Development</b>	<b>2</b>
4	A096 3141	Development Filter Case	1
5	D062 3108	Plate: Filter	2
<b>6</b>	<b>D133 3340</b>	<b>Filter: Development: M-90</b>	<b>1</b>
7	D133 3045	Duct: Development: Ass'y	1
8	B065 3095	Development Guide Rail	1
9	D062 3099	Seal: Drum: Front	1
10	D062 3100	Seal: Drum: Rear	1
11	B110 3091	Entrance Seal Ass'y	1
12	B065 3082	Development Bias Plate	1
13	B065 3071	Development Knob	1
14	B065 3076	Gear - 41Z	1
15	B065 3065	Toner Sensor Guide	1
16	B247 5310	Toner Density Sensor	1
17	B065 3079	Ball Bearing Bracket	1
18	B065 3081	Gear - 21Z	1
19	B065 3096	Gear - 20Z	1
20	AB01 3790	Gear - 25Z	1
21	B065 3073	Gear - 31Z	1
22	B065 3098	Gear - 17Z	1

Index No.	Part No.	Description	Q'ty Per Assembly
101	0452 3010N	Binding Self-tapping Screw: 3x10	
102	0951 4008N	Screw: Polished Round: M4x8	
103	0353 0060N	Bind Screw - M3x6	
104	0354 0080N	Screw: M4X8	
105	0720 0030E	Retaining Ring - M3	

### 37.Development Unit 2 (D131/D132/D133)



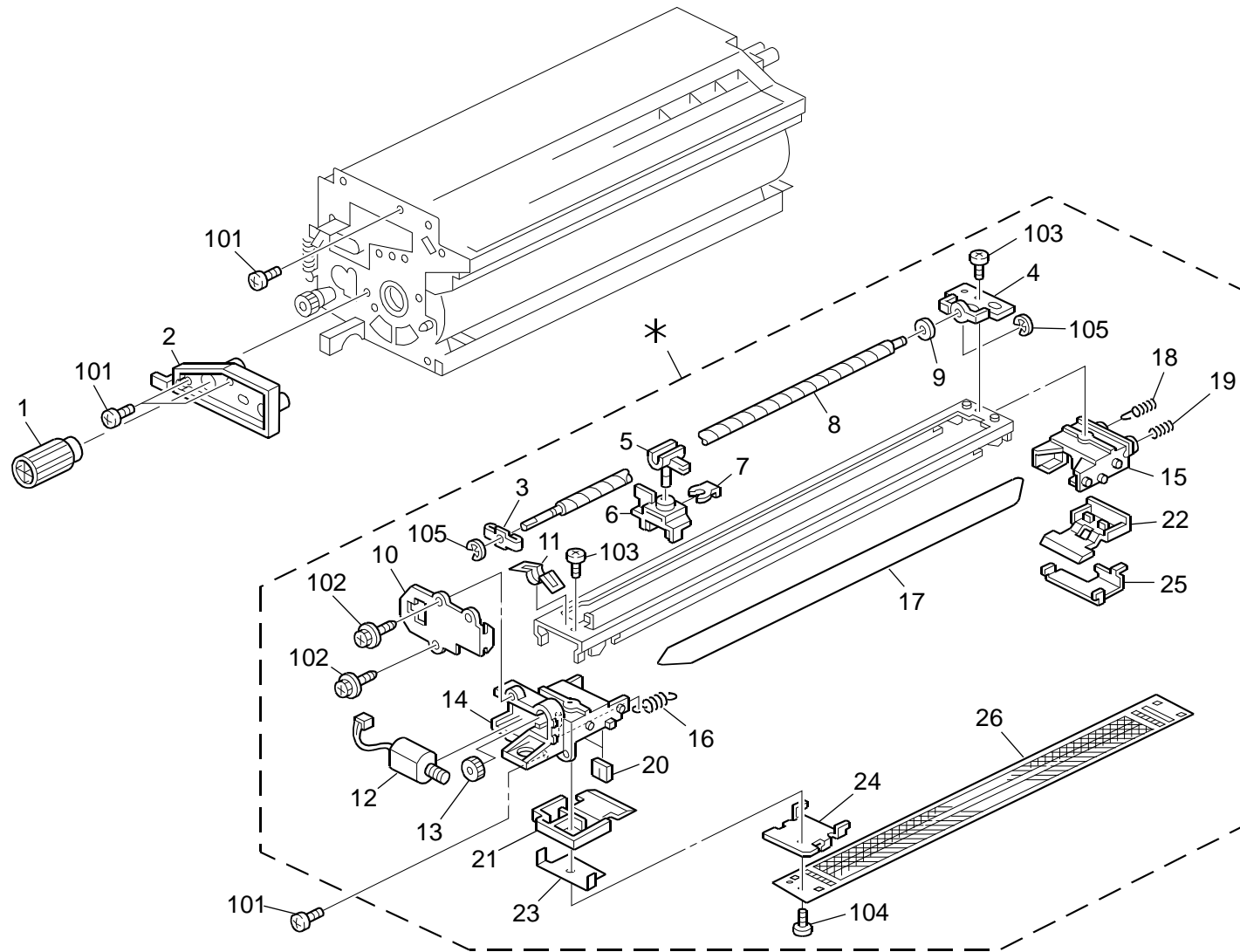
### 37.Development Unit 2 (D131/D132/D133)

Index No.	Part No.	Description	Q'ty Per Assembly
1	B065 3062	Development Roller	1
2	B065 3080	Ball Bearing - 12x21x5	1
3	B065 3077	Development Roller Adjuster	1
4	B065 3069	Bushing - 8mm	4
5	B070 3115	Bushing: 4mm	2

Index No.	Part No.	Description	Q'ty Per Assembly
101	0354 0120N	Screw M4x12	
102	0720 0030E	Retaining Ring - M3	
103	0720 0060E	Retaining Ring - M6	



### 38.Charge Unit (D131/D132/D133)

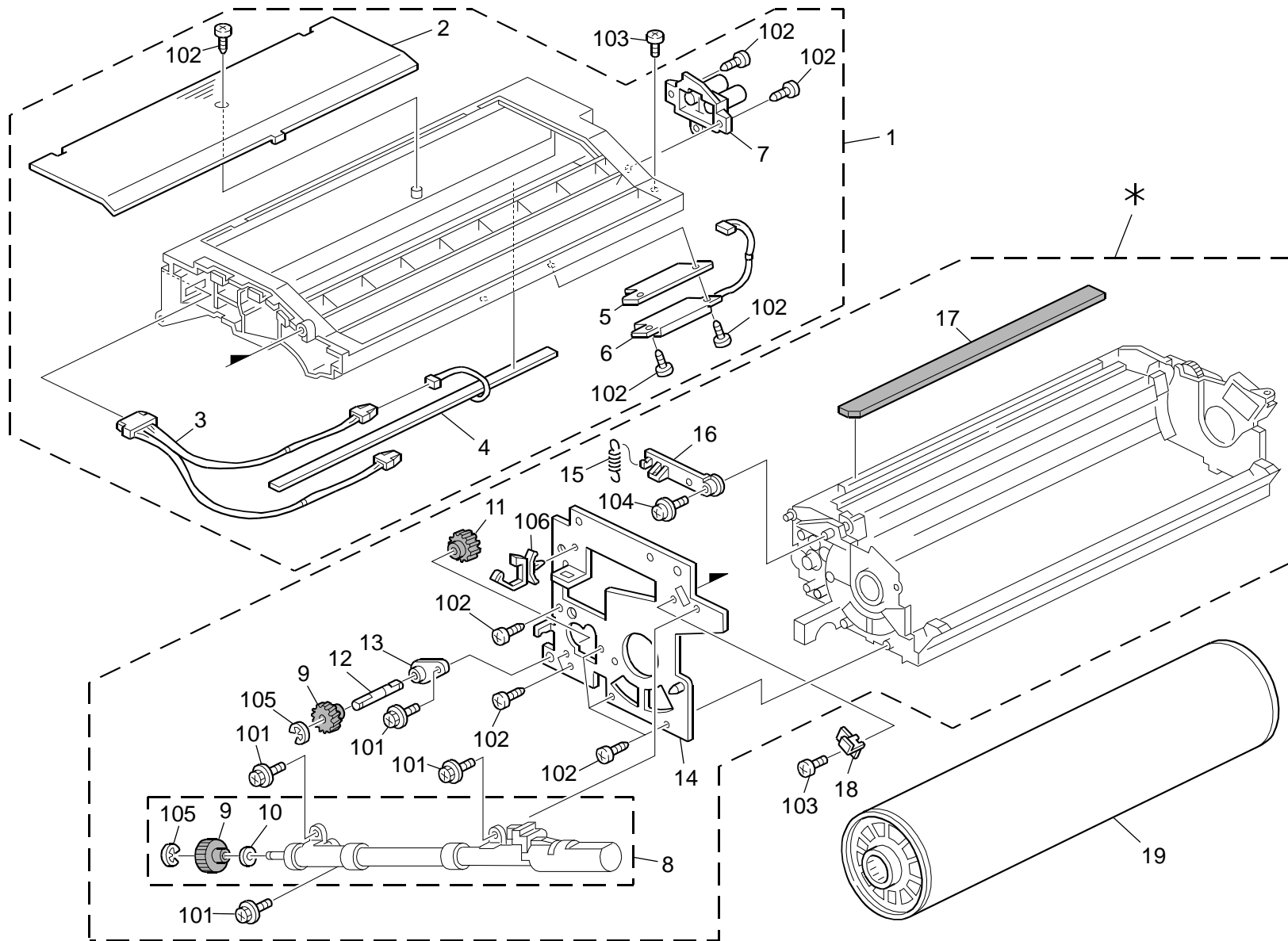


### 38.Charge Unit (D131/D132/D133)

Index No.	Part No.	Description	Q'ty Per Assembly
*	B247 2010	Charge Corona Unit	1
1	B247 2410	Drum Shaft Knob	1
2	B065 3258	Development Drum Stay	1
3	AA08 0147	Front Bushing	1
4	B140 2291	Bushing: Screw Shaft: Rear	1
5	A096 2062	Wire Cleaner Slider	1
<b>6</b>	<b>A096 2063</b>	<b>Corona Wire Cleaner</b>	<b>1</b>
7	A096 2065	Slider Ring	1
8	A176 2061	Screw Shaft	1
9	B247 2295	Cushion - Spacer	1
10	B070 2365	Cleaner Motor Cover	1
11	A176 2054	Grounding Plate	1
12	AX04 0147	DC Motor: Cleaner: 0.5W	1
13	AB01 0087	Gear - 20Z	1
14	AD02 2283	Front End Block	1
15	AD02 2285	Rear End Block	1
<b>16</b>	<b>AA06 2284</b>	<b>Pressure Spring</b>	<b>1</b>
<b>17</b>	<b>B070 2364</b>	<b>Charge Corona Wire</b>	<b>1</b>
18	AA06 3248	Charge Terminal Spring	1
19	AA06 3249	Grid Terminal Spring	1
<b>20</b>	<b>B234 2123</b>	<b>Cushion - Wire</b>	<b>2</b>
21	AD02 2306	Cover - Front End Block	1
22	AD02 2307	Cover - Rear End Block	1
23	A134 2363	Terminal Plate	1
24	A096 2052	Front Grid Anchor	1
25	A096 2051	Rear Grid Anchor	1
<b>26</b>	<b>A096 2060</b>	<b>Grid: Charge Corona: N</b>	<b>1</b>

Index No.	Part No.	Description	Q'ty Per Assembly
101	0354 0080N	Screw: M4x8	
102	0450 3008N	Tapping Screw - M3x8	
103	0971 4008A	Philips Polycarbonate Screw - M4x8	
104	0971 4006A	Philips Polycarbonate Screw - M4x6	
105	0720 0025E	Retaining Ring - M2.5	

# 39.PCU 1 (D131/D132/D133)

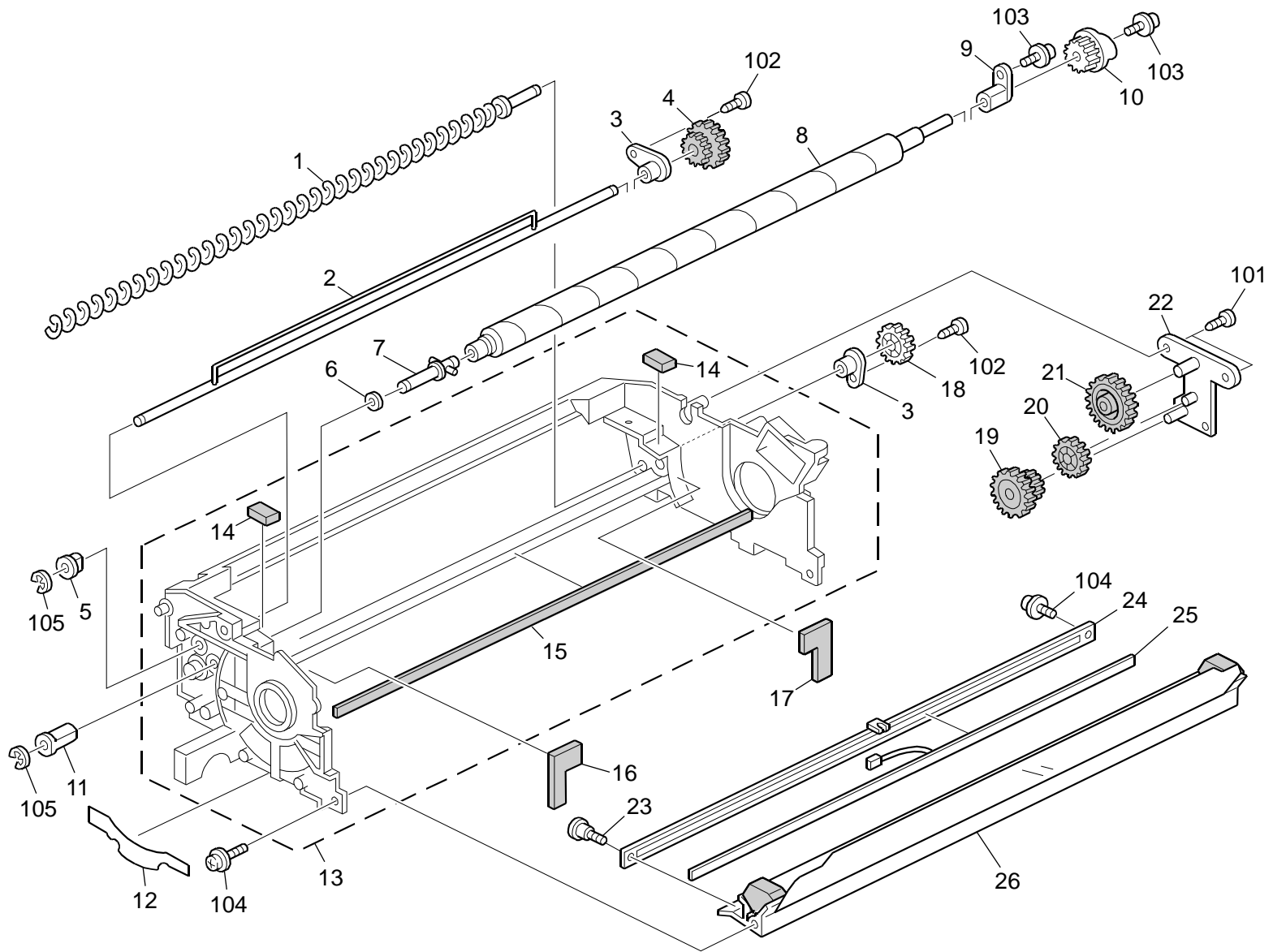


### 39.PCU 1 (D131/D132/D133)

Index No.	Part No.	Description	Q'ty Per Assembly
*	D131 2260	PCU: Lower: Ass'y	1
*	D131 2261	PCU: Lower: NA: Ass'y	1
1	B247 2270	PCU Unit - Upper	1
2	A293 2418	Upper Unit Cover	1
3	B065 2494	Upper PCU Harness	1
4	B234 2270	LED Array	1
5	A096 2301	Grounding Plate	1
6	B247 2271	Electric Potential Sensor	1
7	B065 2392	Receptacle	1
8	B247 2395	Toner Recycling Ass'y	1
9	AB01 1462	Toner Recycling Gear	2
10	AA13 2208	Spacer - M6	1
11	AB01 1461	Toner Recycling Connecting Gear	1
12	B247 2377	Shaft: Connecting: Toner Recycling	1
13	AA08 2122	Bushing	1
14	B065 2371	Drum Stay	1
15	AA06 0891	Spring	1
16	B065 2426	Pressure Release Lever	1
17	<b>B247 3340</b>	<b>Filter: Development</b>	<b>1</b>
18	B065 1957	Shield Glass Cover	1
19	<b>B246 9510</b>	<b>OPC Drum: Mt-C3</b>	<b>1</b>

Index No.	Part No.	Description	Q'ty Per Assembly
101	0451 4008N	Tapping Screw: 4x8	
102	0452 3008N	Tapping Screw - M3x8	
103	0354 0080N	Screw: M4x8	
104	0951 3006N	Screw - M3x6	
105	0720 0040E	Retaining Ring - M4	
106	1105 0534	Clamp	

# 40.PCU 2 (D131/D132/D133)

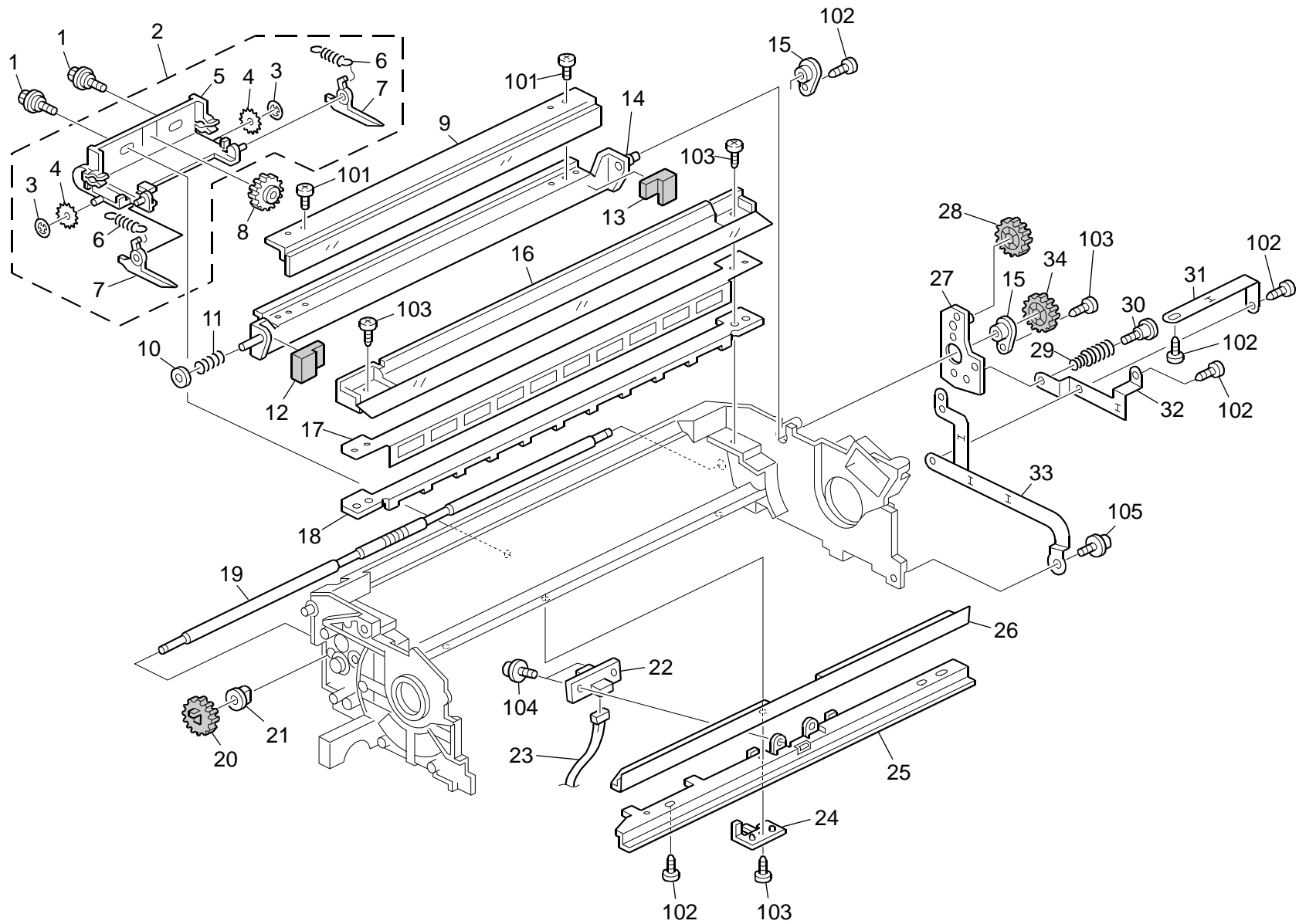


### 40.PCU 2 (D131/D132/D133)

Index No.	Part No.	Description	Q'ty Per Assembly
1	B247 2326	Toner Collection Coil	1
2	B247 2322	Agitator: Ass'y	1
3	AA08 2121	Toner Collection Coil Bushing	2
4	B065 2428	Agitator Gear	1
5	AA08 2101	Bushing - 6x10x6	1
6	AA13 2208	Spacer - M6	1
7	B247 2366	Shaft: Brush Roller: Front: Ass'y	1
<b>8</b>	<b>B247 2330</b>	<b>Brush Roller: Cleaning</b>	<b>1</b>
9	AA08 2119	Roller Bushing	1
10	D062 2425	Gear: Brush Roller	1
11	AA08 2094	Bushing - Brush Roller	1
12	B140 2421	Pre-transfer Lamp Harness Plate	1
13	B247 2300	Case: PCU: Lower: Ass'y	1
14	AA15 3085	Inner Case Seal	2
15	AA15 3088	Cleaning Entrance Seal - 3x345x2	1
16	AA15 2431	Front Drum Seal	1
17	A294 3572	Rear Drum Seal	1
18	AB01 1459	Toner Collection Coil Gear	1
19	AB01 7612	Gear	1
20	AB01 1460	Idler Gear	1
21	B065 2427	Cam - Blade	1
22	B247 2353	Bracket: Swivel: Blade: Ass'y	1
23	5206 2684	Shoulder Screw - M3	1
24	B140 2382	Pre-transfer Lamp Case Ass'y	1
25	B234 2270	LED Array	1
26	D131 2413	Stay: Transfer: Entrance: Ass'y	1

Index No.	Part No.	Description	Q'ty Per Assembly
101	0452 3008N	Tapping Screw - M3x8	
102	0452 3010N	Binding Self-tapping Screw: 3x10	
103	0951 3006N	Screw - M3x6	
104	0951 3008N	Screw: Polished Round: M3X8	
105	0720 0040E	Retaining Ring - M4	

# 41.PCU 3 (D131/D132/D133)



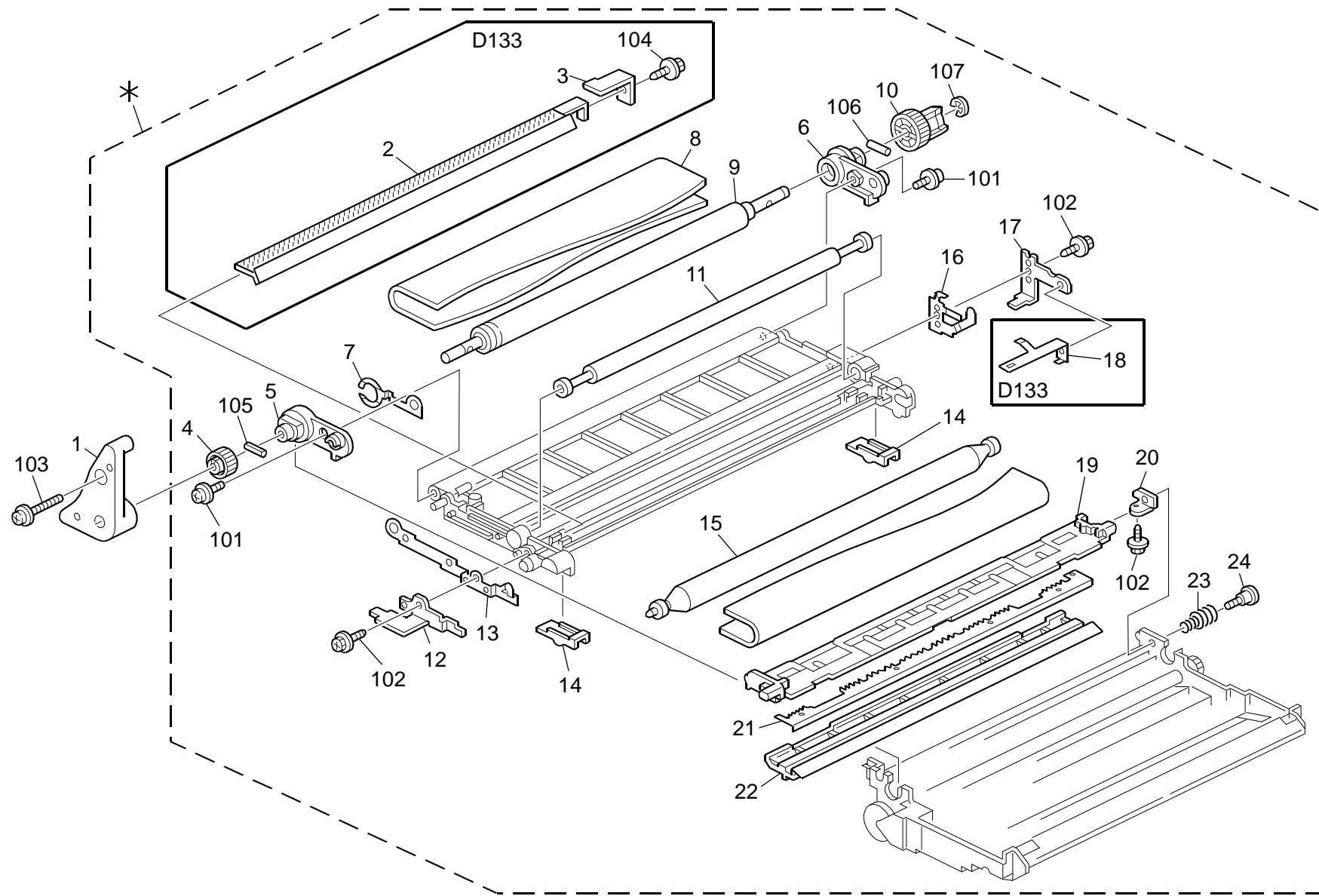
### 41.PCU 3 (D131/D132/D133)

Index No.	Part No.	Description	Q'ty Per Assembly
1	AA14 3523	Shoulder Screw - M3	2
2	B065 2336	Pickoff Pawl: Drum: Ass'y	1
3	G020 3566	Nut - 2.4mm	2
4	A048 2276	Ring - Transport Bracket	2
5	B065 2337	Pick-off Pawl Holder	1
6	AA06 0892	Pick-off Pawl Spring	2
7	AD02 5024	Pick-off Pawl	2
8	AB01 7611	Pick-off Pawl Cam	1
<b>9</b>	<b>AD04 1140</b>	<b>Cleaning Blade</b>	<b>1</b>
10	AA13 2208	Spacer - M6	1
11	AA06 3610	Spring - 4060mn	1
12	B065 2316	Front Blade Seal	1
13	B065 2317	Rear Blade Seal	1
14	B247 2314	Bracket: Blade: Ass'y	1
15	AA08 2120	Bushing	2
16	B065 2386	Middle PCU Casing	1
17	D062 2388	Spring Plate: Brush Roller	1
18	D062 2389	Holder: Spring Plate: Brush Roller	1
19	B247 2342	Shaft: Pickoff Pawl: Swivel	1
20	AB01 1459	Toner Collection Coil Gear	2
21	AA08 2101	Bushing - 6x10x6	1
22	B234 2279	Density Sensor P	1
23	B247 2497	Harness: PCU: Lower	1
24	B065 2364	Pick-off Pawl Positioning Plate	1
25	B065 2361	Entrance Seal Holder	1
26	D131 2362	Entrance Seal: Cleaning: Ass'y	1
27	B247 2344	Bracket: Idler: Pickoff Pawl: Ass'y	1
28	AB01 1460	Idler Gear	1
29	AA06 3576	Spring	1
30	AA14 3544	Screw - M3	1
31	B065 2369	Grounding Plate - Entrance Seal	1
32	B065 2358	Bracket Grounding Bracket	1
33	B065 2381	Grounding Plate	1
34	AA08 2121	Toner Collection Coil Bushing	1

Index No.	Part No.	Description	Q'ty Per Assembly
101	0314 0060N	Screw - M4X6	
102	0452 3008N	Tapping Screw - M3x8	
103	0452 3010N	Binding Self-tapping Screw: 3x10	
104	0951 3006N	Screw - M3X6	
105	0951 3008N	Screw: Polished Round: M3x8	



## 42. Transfer Belt Unit 1 (D131/D132/D133)

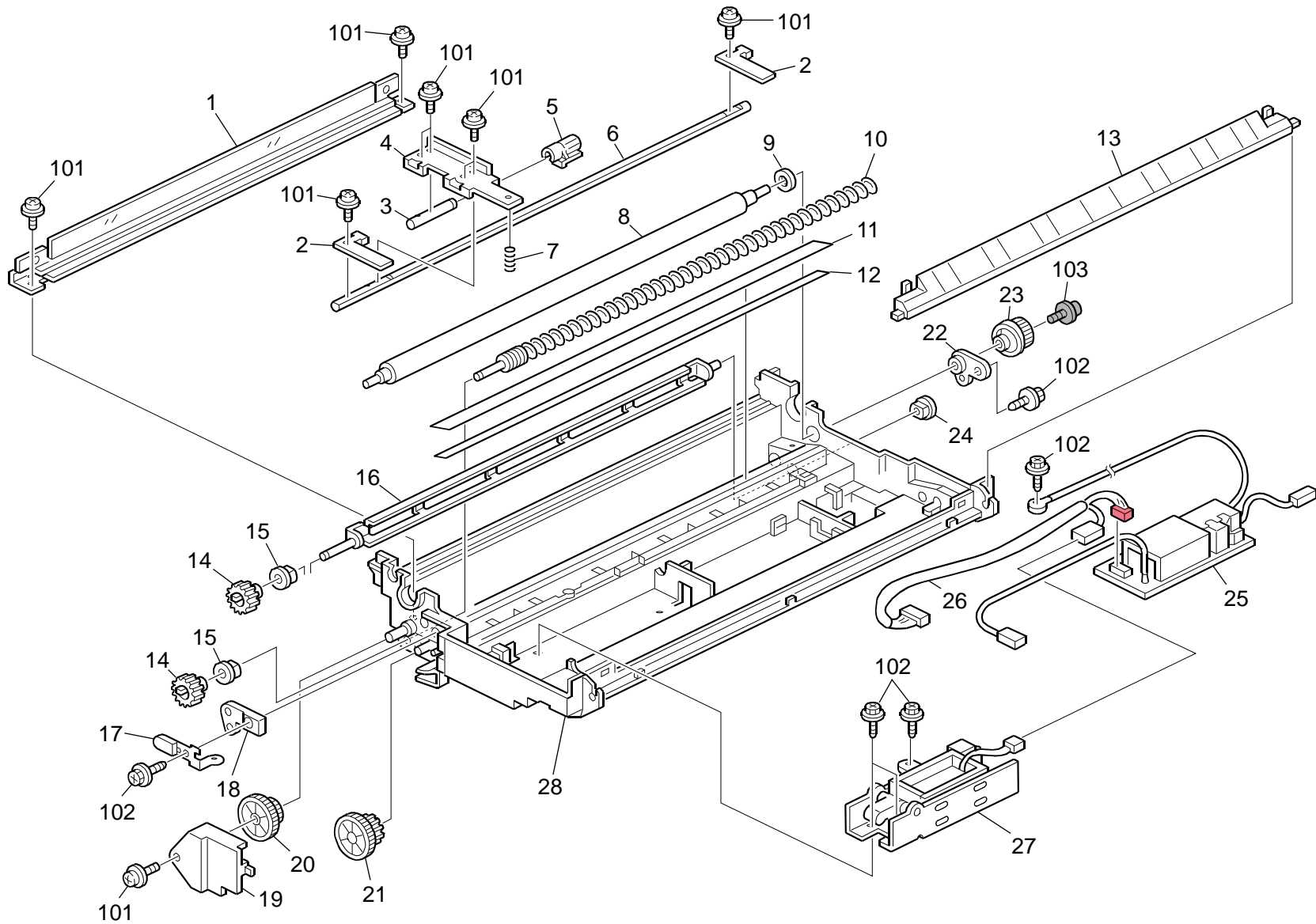


## 42. Transfer Belt Unit 1 (D131/D132/D133)

Index No.	Part No.	Description	Q'ty Per Assembly
*	D131 3855	Transfer Unit: Ass'y	1
*	D133 3856	Transfer Unit: D133: Ass'y	1
1	B065 3818	Transfer Unit Guide Plate	1
2	D066 3984	Brush: Flat Belt-transfer: Ass'y	1
3	D066 3990	Cover: Electrode Plate	1
4	B065 3873	Toner Collection Gear	1
5	A229 3861	Front Arm	1
6	A229 3862	Rear Arm	1
7	A229 3875	Drive Electrode	1
<b>8</b>	<b>A293 3899</b>	<b>Transfer Belt - Mojito Service</b>	<b>1</b>
9	B247 3866	Drive Roller	1
10	B065 3872	Transfer Unit Joint	1
11	B247 3870	Bias Roller	1
12	B065 3875	Terminal	1
13	B065 3874	Electrode Plate	1
14	B065 3868	Pressure Arm	2
15	A229 3865	Transport Driven Roller	1
16	B247 3980	Electrode: Bias	1
17	B065 3878	Bias Terminal	1
18	D066 3988	Electrode: Bias: Transfer: Ass'y	1
19	D131 3951	Guide Plate: Transfer/Separation Unit: Vapor Deposition	1
20	D131 3950	Bracket: Earth	1
21	D131 3949	Electrode Plate: Flat Belt-transfer	1
22	D131 3945	Holder: Entrance Seal: Ass'y	1
23	AA06 3310	Guide Plate Spring	1
24	H053 1150	Stepped Screw - Locking	1

Index No.	Part No.	Description	Q'ty Per Assembly
101	0951 3008N	Screw: Polished Round: M3x8	
102	0450 3008N	Tapping Screw - M3x8	
103	0951 4014N	Screw: Polished Round: M4x14	
104	0450 3010N	Tapping Screw - M3x10	
105	0623 0120E	Spring Pin - M3x12	
106	0633 0180G	Parallel Pin - 3x18mm	
107	0720 0060E	Retaining Ring - M6	

# 43. Transfer Belt Unit 2 (D131/D132/D133)

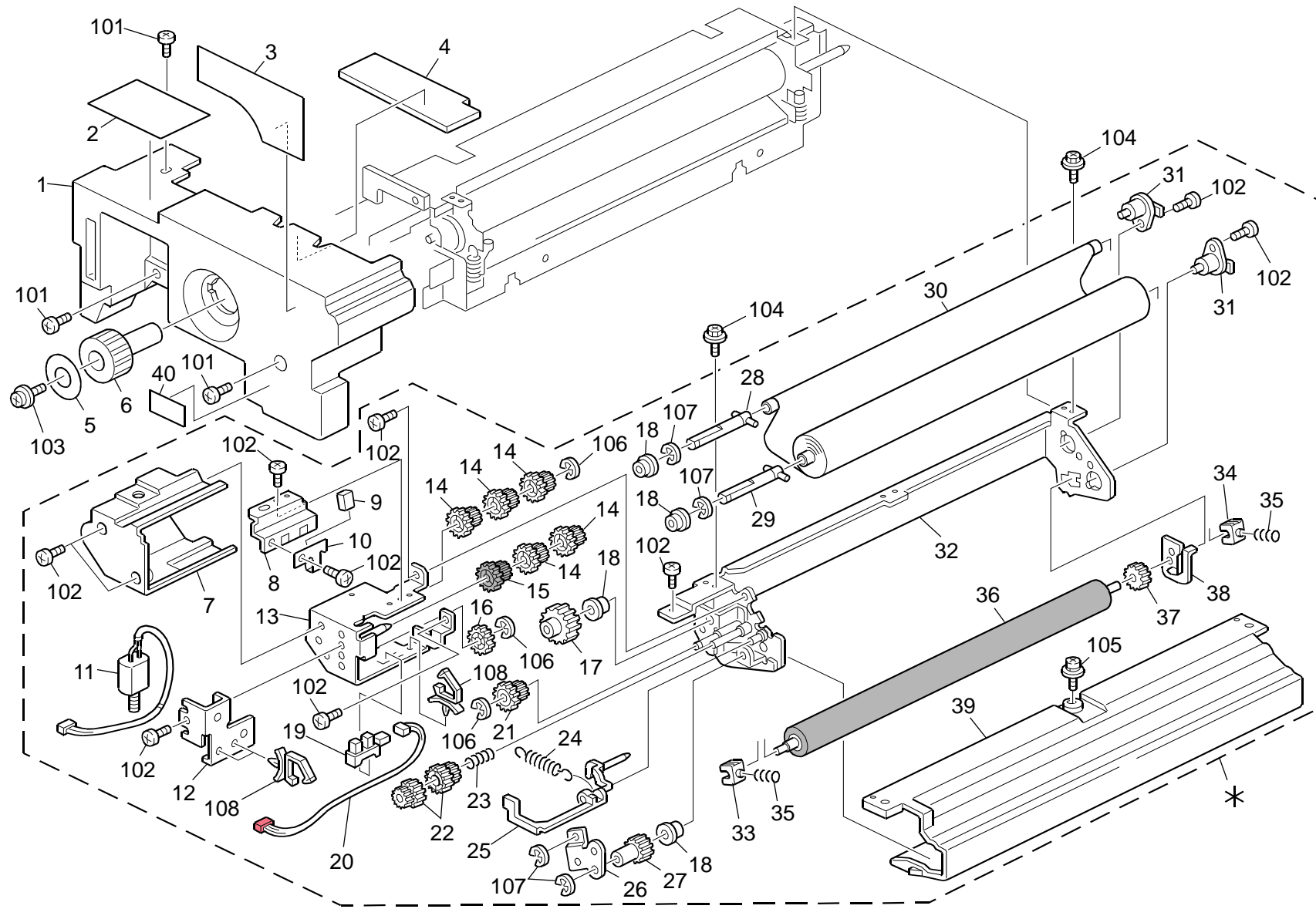


### 43.Transfer Belt Unit 2 (D131/D132/D133)

Index No.	Part No.	Description	Q'ty Per Assembly
1	<b>AD04 1126</b>	<b>Transfer Belt Cleaning Blade</b>	1
2	B065 3962	Spring Plate	2
3	B247 3965	Lever Shaft	1
4	B065 3963	Lever	1
5	B065 3964	Bushing	1
6	B247 3961	Shaft - On-off	1
7	AA06 3877	Spring	1
8	D062 3925	Cleaning Roller: Transfer Belt: Ass'y	1
9	AA13 2024	Spacer - M6	1
10	B247 3911	Toner Collection Coil	1
11	AD04 7025	Exit Seal	1
12	A229 3934	Tape	1
13	B065 3955	Entrance Guide Plate	1
14	B065 3918	Toner Collection Gear Coil	1
15	AA08 2101	Bushing - 6x10x6	2
16	B247 3914	Agitator	1
17	B065 3928	Cleaning Roller Terminal	1
18	A229 3910	Front Bushing	1
19	B065 3922	Electrode Plate Cover	1
20	B065 3920	Idle Gear - 1	1
21	B065 3921	Idle Gear - 2	1
22	A229 3911	Rear Bushing	1
23	AB01 4176	Cam Gear - 37z	1
24	AA08 2058	Bushing - 6x10x9mm	1
25	AZ32 0164	Power Pack	1
26	B247 3976	Harness - Transfer Unit	1
27	D062 3966	DC Solenoid: On-off: MC4: Ass'y	1
27	D066 3966	DC Solenoid: On-off: MC4: Type-e: Ass'y	1
28	B247 3905	Casing: Transfer Unit: Ass'y	1

Index No.	Part No.	Description	Q'ty Per Assembly
101	0951 3006N	Screw - M3x6	
102	0450 3008N	Tapping Screw - M3x8	
103	0951 3004P	Screw: Polished Round: M3x4	

# 44.Fusing Unit 1 (D131/D132/D133)



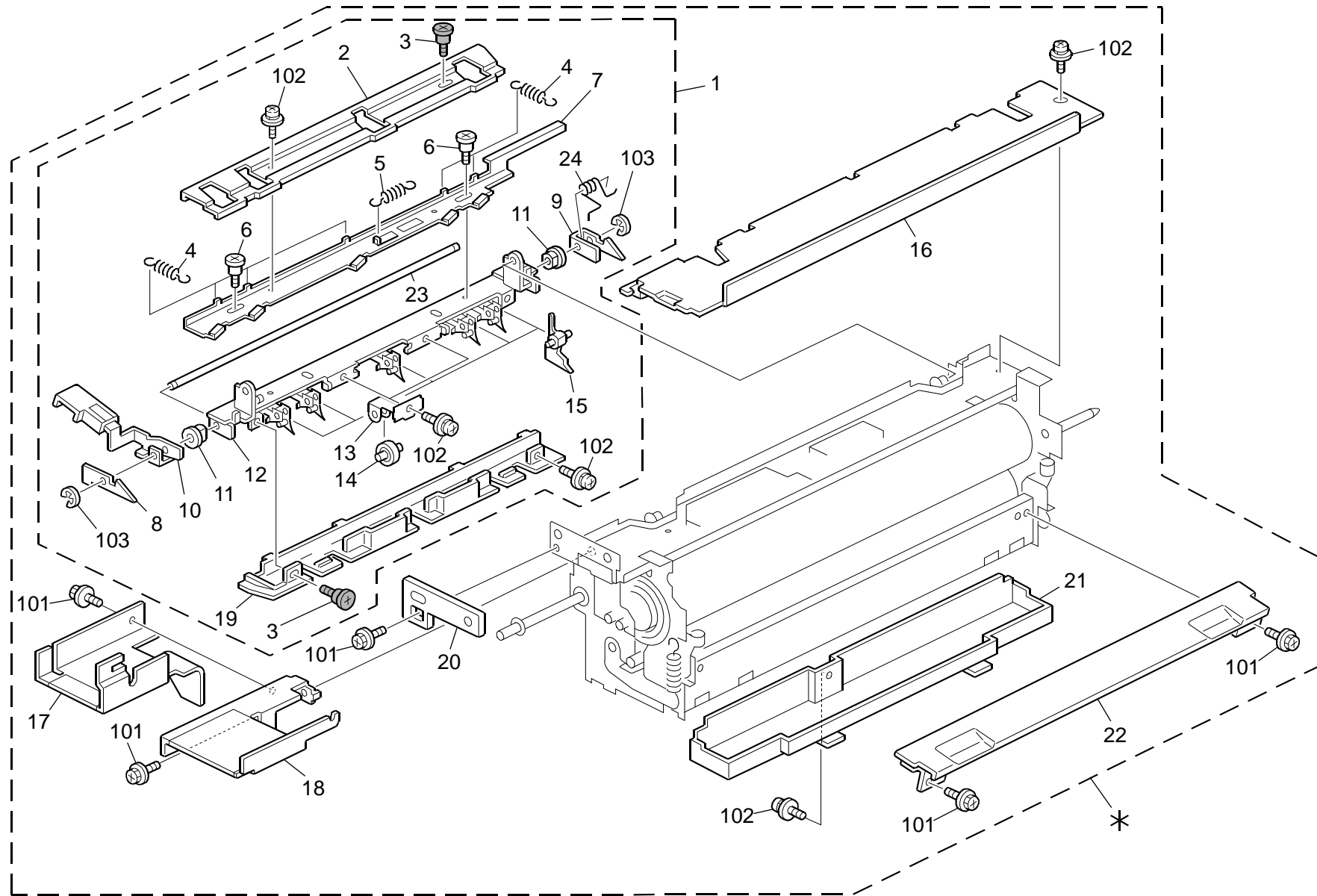
#### 44.Fusing Unit 1 (D131/D132/D133)

Rev. 09/12/2012

Index No.	Part No.	Description	Q'ty Per Assembly
*	D062 4098	Cleaning Unit: Hot Roller: Ass'y (D131/D132)	1
*	D066 4202	Cleaning Unit: Hot Roller: Ass'y (D133)	1
1	D131 4268	Inner Cover: Fusing/Paper Exit Unit	1
1	D133 4278	Inner Cover: Fusing/Paper Exit Unit	1
2	D131 4481	Decal: Exit	1
3	D131 4274	Decal: Misfeed Removal: D1/E1: EXP	1
4	D131 4255	Heat Insulation: Inner Cover: Fusing/Paper Exit	1
5	D131 4167	Decal: Knob: Fusing	1
6	AG05 0104	Knob: Fusing	1
7	B065 4231	Web Cover	1
8	D062 4232	Bracket: Guard: Feeler	1
9	<b>B065 4247</b>	<b>Brake Pad</b>	<b>1</b>
10	B140 4190	Brake Spring Plate	1
11	AX04 0187	DC Motor: Cleaning	1
12	B065 4225	Motor Plate Bracket	1
13	B247 4188	Bracket: Drive: Ass'y (D131/D132)	1
13	G148 4226	Bracket: Drive (D133)	1
14	B065 4222	Gear - 37Z	5
15	B065 4241	Gear	1
16	B065 4223	Motor Gear	1
17	B065 4238	Gear - 50Z	1
18	D062 4236	Bushing: DIA6	4
19	AW02 0145	Photointerruptor: Flat	1
20	B065 4248	Web Harness	1
21	B065 4235	Web Idle Gear (D133)	1
21	B247 4235	Gear: Idler: Cleaning Unit (D131/D132)	1
22	B065 4234	Stopper Gear (D133)	2
22	B247 4234	Gear: Stopper: Oil Supply Roller (D131/D132)	1
23	AA06 3851	Pressure Spring	1
24	B065 4221	Feeler Spring	1
25	B065 4219	Web End Feeler (D133)	1
25	B140 4195	Feeler: Oil End Sensor (D131/D132)	1
26	B065 4251	Positioning Plate - Web Unit (D133)	1
26	B140 4187	Cleaning Unit Drive Positioning Plate (D131/D132)	1

Index No.	Part No.	Description	Q'ty Per Assembly
27	B065 4244	Gear - 23Z (D133)	1
27	B247 4244	Gear: Z23: Oil Supply Roller (D131/D132)	1
28	B247 4242	Shaft: Drive: Rolling: Ass'y	1
29	B247 4239	Shaft: Drive: Oil Supply Roller: Ass'y	1
30	<b>AE04 5067</b>	<b>Roller: Cleaning Felt: 32m: Ass'y (D131/D132)</b>	<b>1</b>
30	<b>AE04 5068</b>	<b>Roller: Cleaning Felt: 28m: Ass'y (D133)</b>	<b>1</b>
31	D062 4207	Shaft: Plate: Cleaning Felt	2
32	G148 4202	Bracket: Cleaning Unit: Ass'y	1
33	<b>D062 4191</b>	<b>Bushing: Front: Oil Supply</b>	<b>1</b>
34	<b>D062 4192</b>	<b>Bushing: Inner Back: Oil Supply</b>	<b>1</b>
35	AA06 3886	Spring	2
36	<b>AE04 4068</b>	<b>Pressure Roller: Cleaning Felt</b>	<b>1</b>
37	B065 4211	Pressure Roller Gear	1
38	B140 4209	Bracket: Stopper: Ass'y	1
39	B140 4193	Cleaning Unit Cover	1
40	D131 4281	Decal: Misfeed Removal: D3/D4: EXP	1
101	0354 0080N	Screw: M4X8	
102	0354 0060N	Screw-m4x6	
103	0951 4008N	Screw: Polished Round: M4x8	
104	0360 4006N	Screw - M4X6	
105	0954 4008N	Screw - M4X8	
106	0720 0030E	Retaining Ring - M3	
107	0720 0040E	Retaining Ring - M4	
108	1105 0511	Harness Clamp - LWS-0306ZC	

# 45.Fusing Unit 2 (D131/D132/D133)



## 45.Fusing Unit 2 (D131/D132/D133)

Rev. 09/12/2012

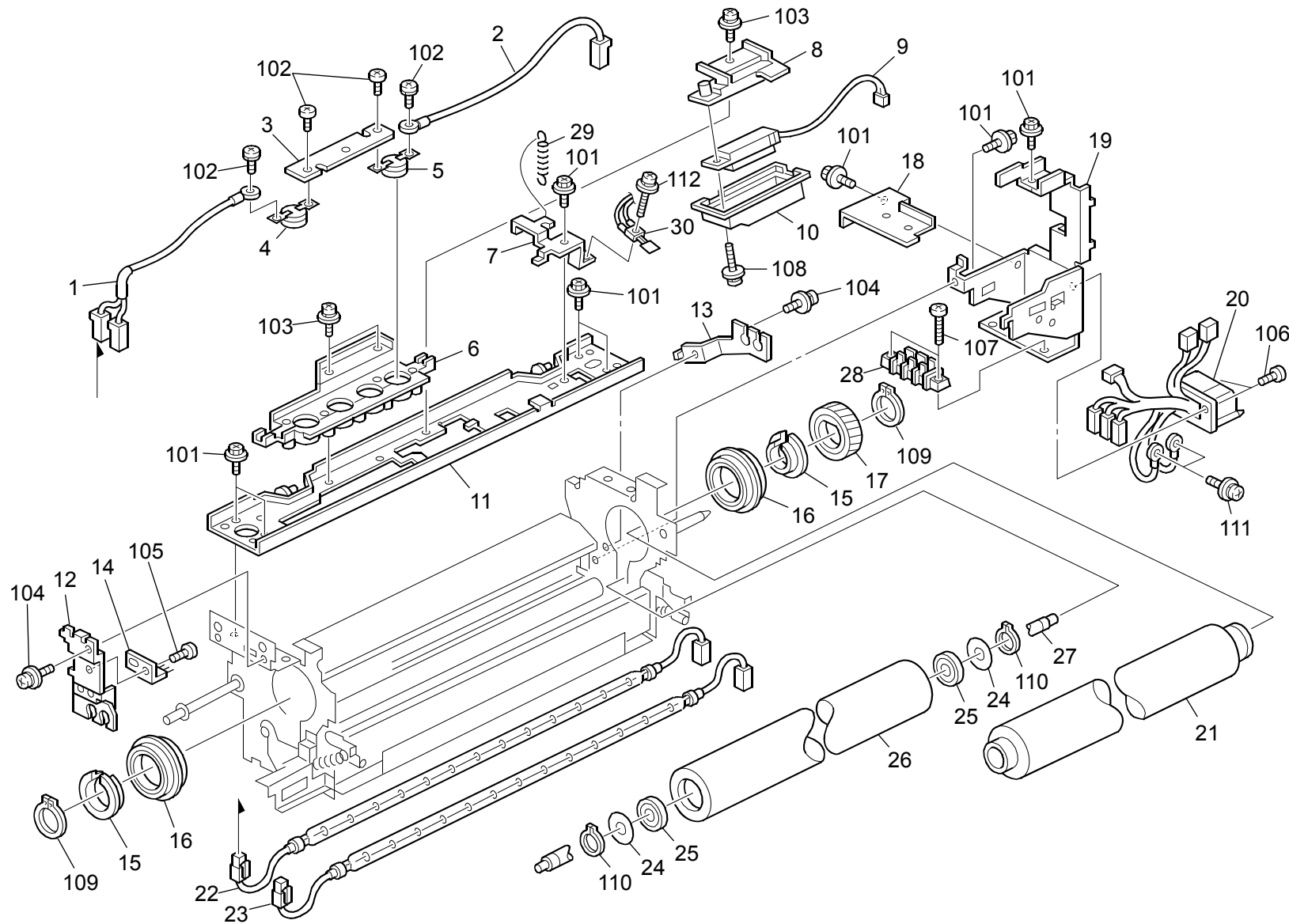
Index No.	Part No.	Description	Q'ty Per Assembly
*	D131 4584	Fusing Unit: NA: Ass'y (D131/D132) NA	1
*	D131 4587	Fusing Unit: EU: Ass'y (D131/D132) EU	1
*	D133 4001	Fusing Unit: D133: Ass'y (D133) NA/EU	1
1	D131 4080	Stripper Pawls: Open and Close: Ass'y (D131/D132)	1
1	D133 4080	Stripper Pawls: Open and Close: Ass'y (D133)	1
2	B065 4398	Slider Cover	1
3	AA14 3810	Development Cover Screw	2
4	AA06 0539	Stripper Pawl Spring	4
5	AA06 0916	Slider Spring	1
6	B247 4247	Screw: Slider	2
7	B065 4397	Release Slider	1
8	B065 4188	Front Lock Pawl	1
9	B065 4189	Rear Lock Pawl	1
10	D131 4184	Grip: Stripper Pawls: Printing	1
11	AA08 0274	Bushing	2
12	B140 4240	Bracket: Guide Plate: Fusing Exit: Upper: Ass'y (D131/D132)	1
12	D066 4291	Bracket: Guide Plate: Fusing Exit: Upper: Ass'y (D133)	1
13	B140 4141	Fusing Exit Roller Holder (D131/D132)	2
13	A096 4319	Exit Roller Holder (D133)	2
14	AF04 0629	Roller: Fusing Exit: Upper	2
<b>15</b>	<b>AE04 4060</b>	<b>Stripper Pawls</b>	<b>5</b>
16	D131 4117	Fusing Cover: Upper: Ass'y (D131/D132)	1
16	D133 4117	Fusing Cover: Upper: D133: Ass'y (D133)	1
17	B140 4113	Bracket: Cover: Connector: Ass'y	1
18	D062 4174	Grip: Fusing Unit: Front: Ass'y	1
19	B140 4234	Upper Fusing Exit Guide Plate (D131/D132)	1
19	B065 4390	Fusing Exit Guide Plate (D133)	1
20	B065 4138	Side Plate Cover	1
21	B140 4203	Lower Fusing Cover (D131/D132)	1
21	B065 4116	Lower Fusing Cover (D133)	1
22	B065 4135	Lower Fusing Entrance Plate - 240V (D133)	1
22	D062 4131	Fusing Entrance Guide Plate: NA: Ass'y (D131/D132 NA)	1

Index No.	Part No.	Description	Q'ty Per Assembly
22	D062 4135	Fusing Entrance Guide Plate: Lower: Ass'y (D131/D132 EU)	1
23	B247 4083	Shaft: Release: Stripper Pawls	1
24	AA06 6352	Spring	1
101	0360 4006N	Screw - M4x6	
102	0954 4008N	Screw - M4x8	
103	0720 0030E	Retaining Ring - M3	



# 46.Fusing Unit 3 (D133)

Rev. 09/12/2012



## 46.Fusing Unit 3 (D133)

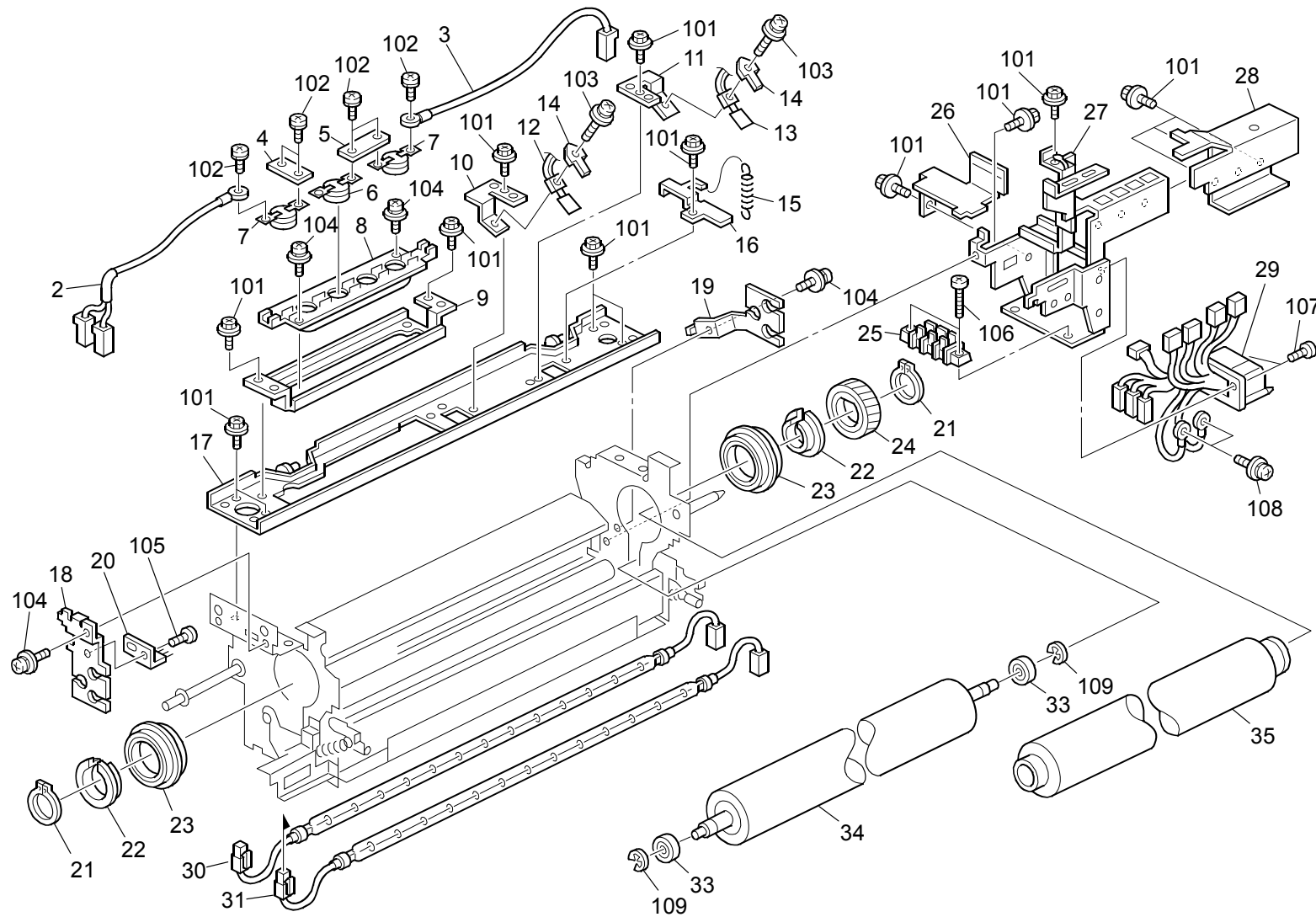
Rev. 09/12/2012

Index No.	Part No.	Description	Q'ty Per Assembly
1	B065 4150	Front Harness	1
2	B065 4151	Rear Harness	1
3	D066 4223	Electrode Plate: Thermostat	1
4	AW11 0085	Thermostat: 190	1
5	AW11 0084	Thermostat: 193	1
6	D066 4221	Housing: Thermostat	1
7	B110 4231	Bracket: Thermistor: Inner Back	1
8	B065 4132	Middle Thermistor Cover	1
9	AW10 0084	Middle Thermistor (D133)	1
10	B065 4130	Thermostat Housing - Middle	1
11	D066 4211	Stay: Fusing: Upper: Ass'y	1
12	B065 4124	Front Heater Holder	1
13	B065 4170	Rear Heater Holder	1
14	A413 1670	Antistatic Brush	1
15	AE03 2014	Bushing - 30x35x13.5	1
16	<b>AE03 0017</b>	<b>Ball Bearing - 35x50x10</b>	<b>1</b>
17	AB01 2316	Fusing Gear	1
18	B065 4159	Harness Holder	1
19	B065 4157	Connector Bracket	1
20	D066 4156	Harness: Fusing Unit: EXP	1
21	<b>AE01 1044</b>	<b>Hot Roller</b>	<b>1</b>
22	AX44 0285	Heater: 220V: 600W	1
23	AX44 0301	Heater: 220V: 700W	1
24	B065 4180	Spacer - 16mm	1
25	<b>AE03 0018</b>	<b>Ball Bearing - 12x28x8</b>	<b>1</b>
26	<b>AE02 0178</b>	<b>Pressure Roller: DIA50</b>	<b>1</b>
27	AA14 0823	Pressure Roller Shaft	1
28	A247 4249	Connector - 3P	1
29	AA06 0894	Spring	1
30	AW10 0076	Thermistor: Inner Back	1

Index No.	Part No.	Description	Q'ty Per Assembly
101	0360 4006N	Screw - M4X6	
102	0950 3006M	Philips Screw With Lock Washer	
103	0954 4006N	Screw: Polished Round/Spring: M4x6	
104	0954 4008N	Screw - M4x8	
105	0313 0050N	Philips Pan Head Screw - M3x5	
106	0313 0080N	Pan Head Screw: M3x8	
107	0314 0120N	Screw - M4x12	
108	0954 3012N	Screw - M3X12	
109	0725 0300E	Retaining Ring C - M30	
110	0725 0120E	Retaining Ring C - M12	
111	0951 3005N	Screw: Polished Round: M3x5	
112	0954 3010N	Screw: Polished Round/Spring: M3x10	

# 47.Fusing Unit 4 (D131/D132)

Rev. 09/12/2012



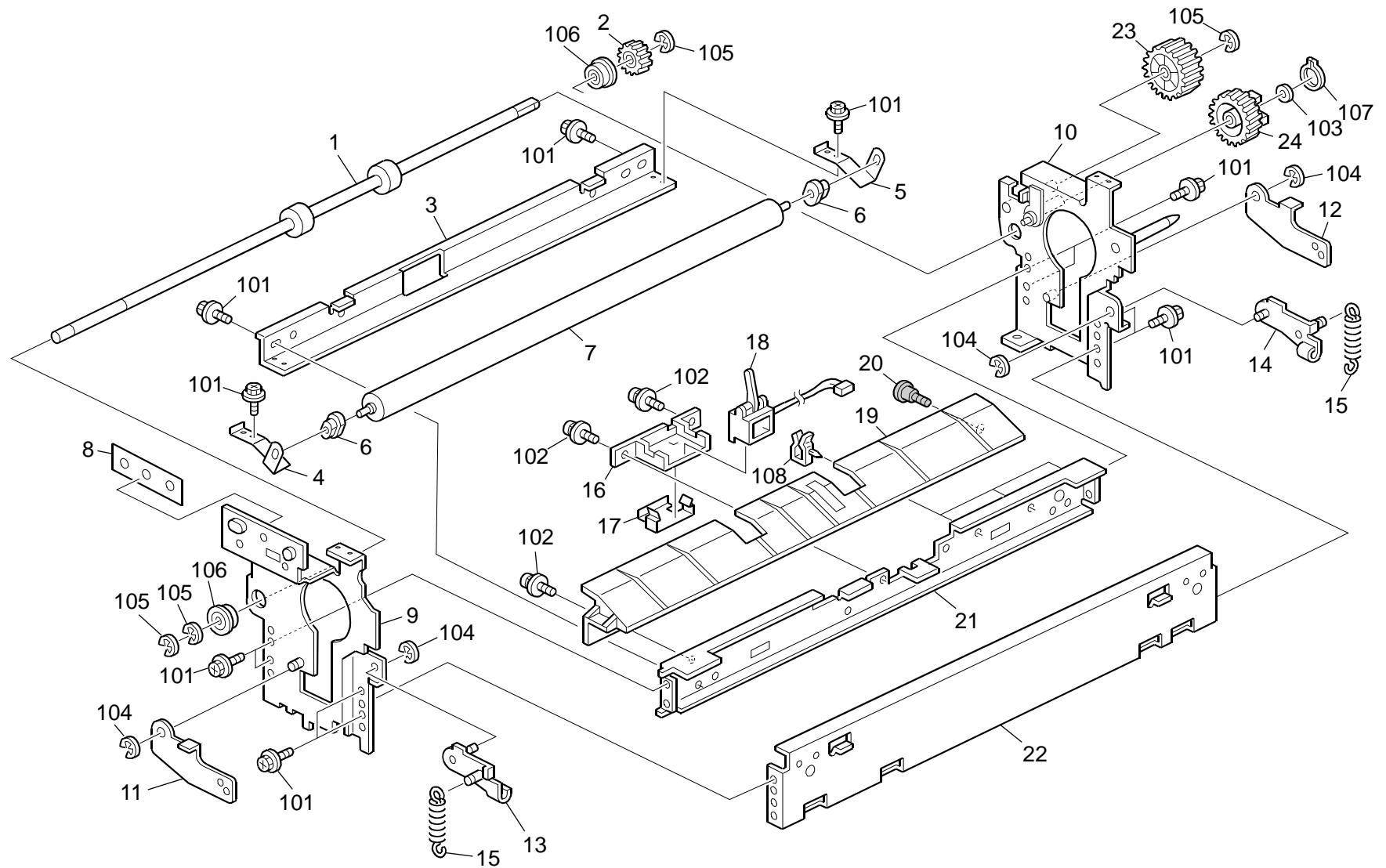
## 47.Fusing Unit 4 (D131/D132)

Rev. 09/12/2012

Index No.	Part No.	Description	Q'ty Per Assembly
2	B247 4149	Harness - Front	1
3	B065 4151	Rear Harness	1
4	B110 4223	Electrode Plate: Thermostat: Coupling	1
5	B140 4169	Thermostat Electrode Plate	1
6	AW11 0066	Thermostat- 211C	1
7	AW11 0064	Thermostat-192C	1
8	B247 4128	Housing: Thermostat: EXP	1
9	B140 4145	Bracket: Thermostat	1
10	D062 4197	Bracket: Thermistor: Middle	1
11	D062 4196	Bracket: Thermistor: Inner Back	1
12	<b>AW10 0131</b>	<b>Thermistor: Fusing: Middle</b>	<b>1</b>
13	<b>AW10 0132</b>	<b>Thermistor: Fusing: Inner Back</b>	<b>1</b>
14	B140 4179	Plate: Thermistor	1
15	AA06 0894	Spring	1
16	B065 4185	Exit Plate	1
17	B247 4142	Upper Stay	1
18	B140 4171	Front Heater Holder	1
19	B140 4170	Rear Heater Holder	1
20	A413 1670	Antistatic Brush	1
21	D054 4172	Retaining Rings-C: Hot Roller	1
22	AE03 2033	Thermal Insulating Bushing: DIA34	1
23	<b>AE03 0054</b>	<b>Ball Bearing - 40x52x7</b>	<b>1</b>
24	AB01 2062	Gear: Hot Roller	1
25	A247 4249	Connector - 3P	1
26	B140 4159	Harness Plate	1
27	B140 4157	Drawer Bracket Ass'y	1
28	B140 4167	Connector Cover Bracket	1
29	B140 4162	Harness: Fusing Unit: NA	1
29	B140 4164	Harness: Fusing Unit: EU	1
30	<b>AX44 0305</b>	<b>Heater: 120V: 650W (NA)</b>	<b>1</b>
30	<b>AX44 0307</b>	<b>Heater: 230V: 650W (EU)</b>	<b>1</b>
31	<b>AX44 0304</b>	<b>Heater: 120V: 550W (NA)</b>	<b>1</b>
31	<b>AX44 0306</b>	<b>Heater: 230V: 550W (EU)</b>	<b>1</b>
33	<b>AE03 0053</b>	<b>Ball Bearing - 8x19x6</b>	<b>1</b>
34	AE02 0209	Pressure Roller: DIA40	1

Index No.	Part No.	Description	Q'ty Per Assembly
35	AE01 1117	Hot Roller: MM40	1
101	0360 4006N	Screw - M4x6	
102	0950 3006M	Philips Screw With Lock Washer	
103	0954 3012N	Screw - M3x12	
104	0951 4008N	Screw: Polished Round: M4x8	
105	0353 0050N	Screw-m3x5	
106	0354 0120N	Screw M4x12	
107	0353 0080N	Screw: M3X8	
108	0954 3006N	Screw - M3X6	
109	0720 0060E	Retaining Ring - M6	

# 48.Fusing Unit 5 (D131/D132/D133)

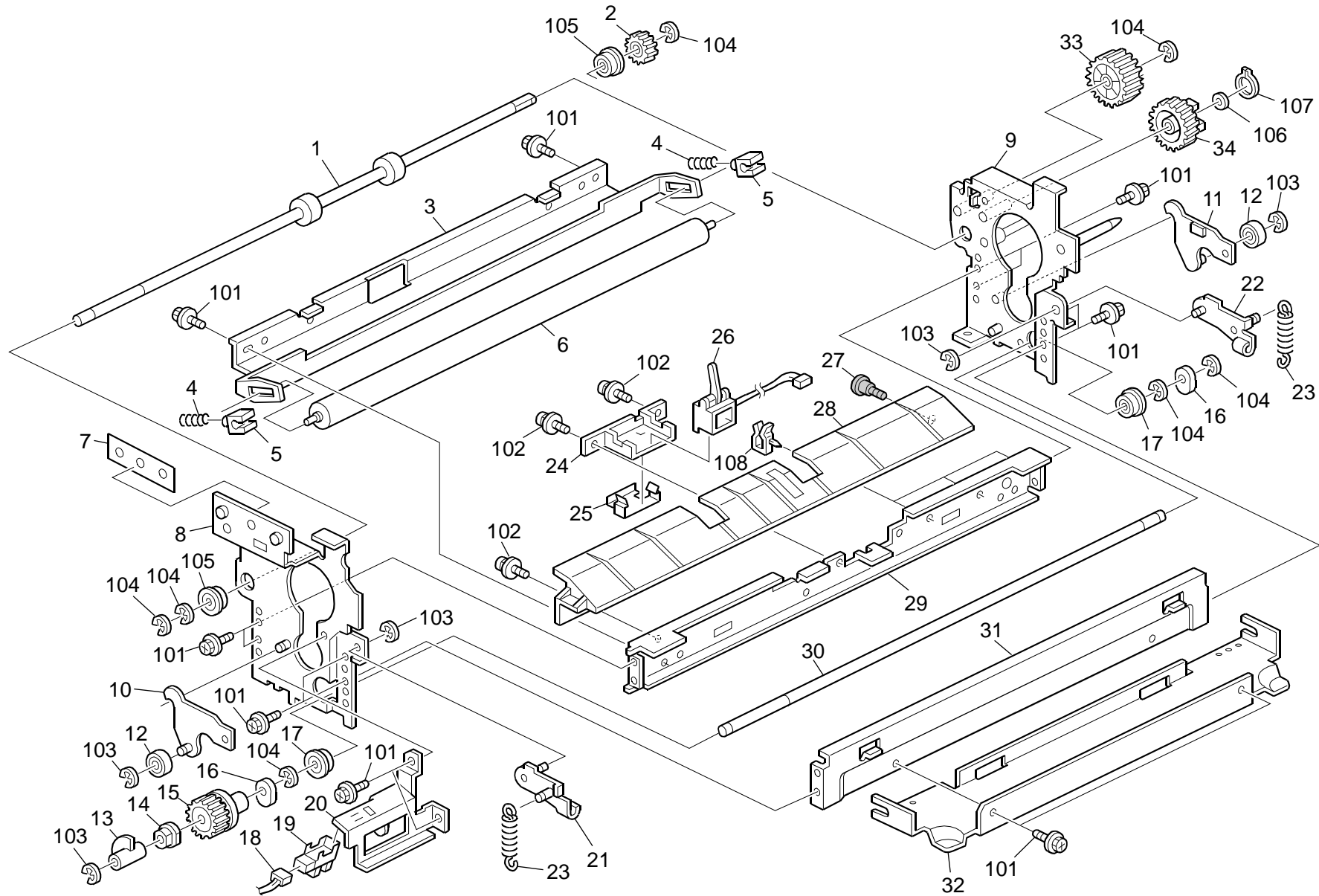


### 48.Fusing Unit 5 (D131/D132/D133)

Index No.	Part No.	Description	Q'ty Per Assembly
1	AF04 0055	Fusing Exit Roller	1
2	AB01 9479	Gear: Fusing Exit	1
3	B065 4160	Cleaning Roller Guide Plate	1
4	B065 4161	Left Support Bracket	1
5	B065 4164	Right Support Bracket	1
6	<b>AE03 1024</b>	<b>Bushing - M4x7</b>	<b>1</b>
7	<b>AE04 2052</b>	<b>Cleaning Roller</b>	<b>1</b>
8	B065 4129	Sheet: Fiber: Side Plate	1
9	B247 4101	Side Plate: Fusing: Front: Ass'y	1
10	B247 4105	Side Plate: Fusing: Rear: Ass'y	1
11	B065 4177	Front Pressure Lever	1
12	B065 4178	Rear Pressure Lever	1
13	B247 4131	Lever: Release: Front: Ass'y	1
14	B247 4147	Lever: Release: Pressure: Rear: Ass'y	1
15	AA06 0893	Spring	1
16	B065 4139	Switch Holder	1
17	B065 4141	Spring Plate - Switch	1
18	AW20 0010	Paper Feed Sensor	1
19	B065 4140	Lower Guide Plate - Exit	1
20	AA14 3810	Development Cover Screw	1
21	D131 4114	Stay: Fusing: Left	1
22	B065 4112	Right Stay	1
23	AB01 2318	Idler Gear	1
24	AB01 2328	Gear: Drive: Fusing	1

Index No.	Part No.	Description	Q'ty Per Assembly
101	0360 4006N	Screw - M4X6	
102	0954 4008N	Screw - M4X8	
103	0807 5056	Washer - 8.1mm	
104	0720 0040E	Retaining Ring - M4	
105	0720 0060E	Retaining Ring - M6	
106	0742 3808	Ball Bearing - 8x16x5	
107	0727 0080G	Retaining Ring - M8	
108	1105 0283	Clamp	

# 49.Fusing Unit 6 (D131/D132/D133)



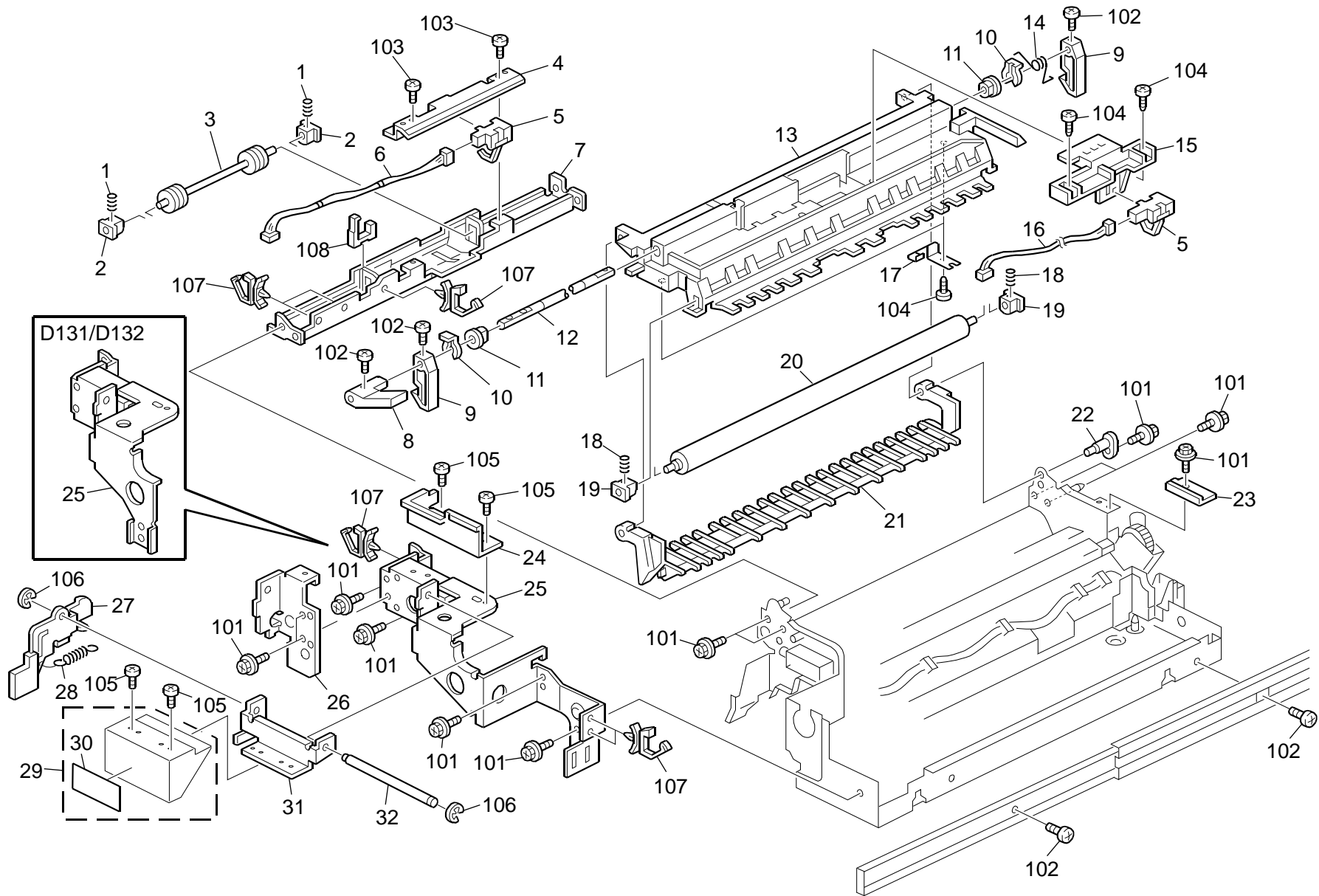
### 49.Fusing Unit 6 (D131/D132/D133)

Index No.	Part No.	Description	Q'ty Per Assembly
1	AF04 0055	Fusing Exit Roller	1
2	AB01 9479	Gear: Fusing Exit	1
3	B140 4198	Fusing Cleaning Roller Bracket	1
4	B140 4200	Pressure Cleaning Roller Spring	1
5	<b>D062 4226</b>	<b>Bushing: Oil Supply</b>	<b>1</b>
6	<b>AE04 2066</b>	<b>Fusing Cleaning Roller</b>	<b>1</b>
7	B065 4129	Sheet: Fiber: Side Plate	1
8	B247 4101	Side Plate: Fusing: Front: Ass'y	1
9	B247 4105	Side Plate: Fusing: Rear: Ass'y	1
10	B247 4323	Lever: Front: Ass'y	1
11	B247 4231	Lever: Rear: Ass'y	1
12	AE03 0055	Ball Bearing - 6x15x5	1
13	B140 4320	Sensor Feeler	1
14	AA08 2117	Bushing - M6	1
15	B247 4264	Gear: Pressuer	1
16	B140 4256	Pressure Release Eccentric Cam	1
17	AE03 0056	Ball Bearing - 8x16x5	1
18	B140 4498	Harness - Positioning Sensor	1
19	AW02 0160	Paper Feed Sensor	1
20	B140 4258	Sensor Bracket Ass'y	1
21	B247 4131	Lever: Release: Front: Ass'y	1
22	B247 4147	Lever: Release: Pressure: Rear: Ass'y	1
23	AA06 0946	Pressure Tension Spring	1
24	B065 4139	Switch Holder	1
25	B065 4141	Spring Plate - Switch	1
26	AW20 0010	Paper Feed Sensor	1
27	AA14 3810	Development Cover Screw	1
28	B140 4140	Lower Fusing Exit Guide	1
29	D131 4114	Stay: Fusing: Left	1
30	D054 4254	Shaft: Turn	1
31	B140 4112	Right Fusing Stay	1
32	B140 4205	Pressure Oil Supply Roller Bracket	1
33	AB01 2318	Idler Gear	1
34	AB01 2328	Gear: Drive: Fusing	1

Index No.	Part No.	Description	Q'ty Per Assembly
101	0360 4006N	Screw - M4x6	
102	0954 4008N	Screw - M4x8	
103	0720 0040E	Retaining Ring - M4	
104	0720 0060E	Retaining Ring - M6	
105	0742 3808	Ball Bearing - 8x16x5	
106	0807 5056	Washer - 8.1mm	
107	0727 0080G	Retaining Ring - M8	
108	1105 0283	Clamp	



# 50.Paper Exit Section 1 (D131/D132/D133)

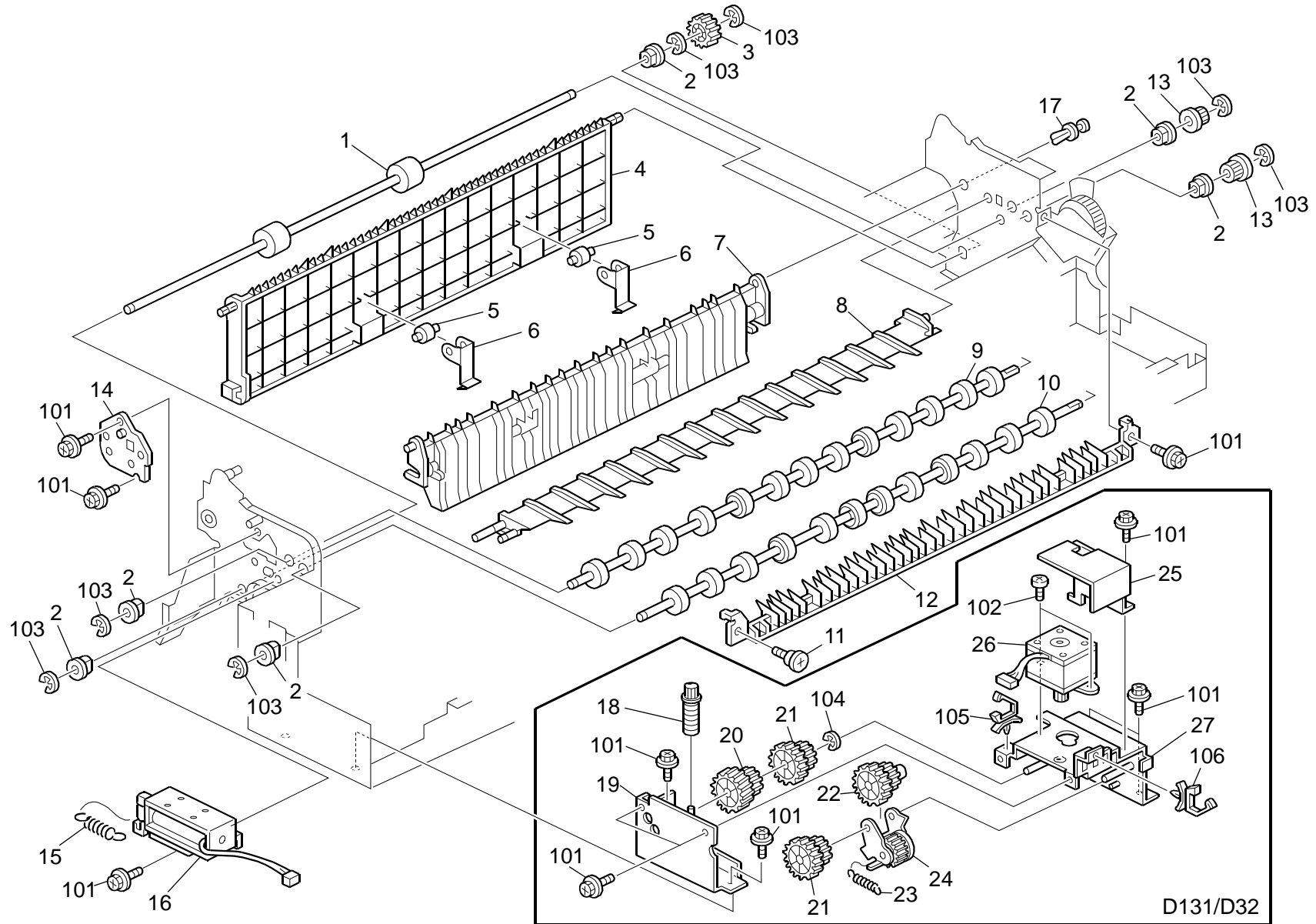


### 50.Paper Exit Section 1 (D131/D132/D133)

Index No.	Part No.	Description	Q'ty Per Assembly
1	B247 4455	Compression Spring	2
2	AA08 0034	Bushing - 4x5x7	2
3	AF02 2126	Exit Roller - Driven	1
4	B065 4358	Paper Feed Sensor Bracket	1
5	AW02 0197	Photointerruptor: Exit	2
6	B065 4496	Relay Harness -exit	1
7	B140 4354	Upper Exhaust Guide Plate	1
8	D131 4363	Grip: Guide Plate: Upper: Ass'y	1
9	B065 4359	Grip Supporter	2
10	5447 2681	Snap Ring	2
11	AA08 0184	Bushing - Fusing Exit	2
12	B247 4361	Shaft: Grip: Guide Plate	1
13	B065 4373	Upper Exit Guide Plate	1
14	AA06 6592	Spring	1
15	B065 4374	Exit Entrance Sensor Bracket	1
16	B065 4495	Relay Harness - Guide Plate	1
17	B065 4360	Spring Plate	2
18	AA06 3879	Spring	2
19	AA08 0240	Bushing - MM5	2
20	B247 4378	Roller: Decura: Driven: Ass'y	1
21	B065 4453	Middle Exit Guide Plate	1
22	B247 4381	Shaft: Contact Point: Ass'y	1
23	B065 4154	Rear Fusing Plate	1
24	D131 4273	Cover: Grip: Exit	1
25	B140 4470	Protect Bracket Ass'y	1
26	B065 4266	Lever Contact Bracket	1
27	B247 4259	Lock Lever	1
28	AA06 0903	Spring	1
29	D131 4683	Grip: Release: Fusing/Paper Exit Unit: Ass'y	1
30	D131 4287	Decal: Grip: Fusing/Paper Exit Unit	1
31	B065 4262	Lock Lever Bracket	1
32	B247 4260	Shaft: Contact Point: Lever	1

Index No.	Part No.	Description	Q'ty Per Assembly
101	0451 4008N	Tapping Screw: 4x8	
102	0353 0060N	Bind Screw - M3x6	
103	0453 3006N	Tapping Screw - M3x6	
104	0452 3008N	Tapping Screw - M3x8	
105	0354 0080N	Screw: M4x8	
106	0720 0040E	Retaining Ring - M4	
107	1105 0511	Harness Clamp - LWS-0306ZC	
108	1105 0522	Edge Saddle - LES0510	

# 51.Paper Exit Section 2 (D131/D132/D133)

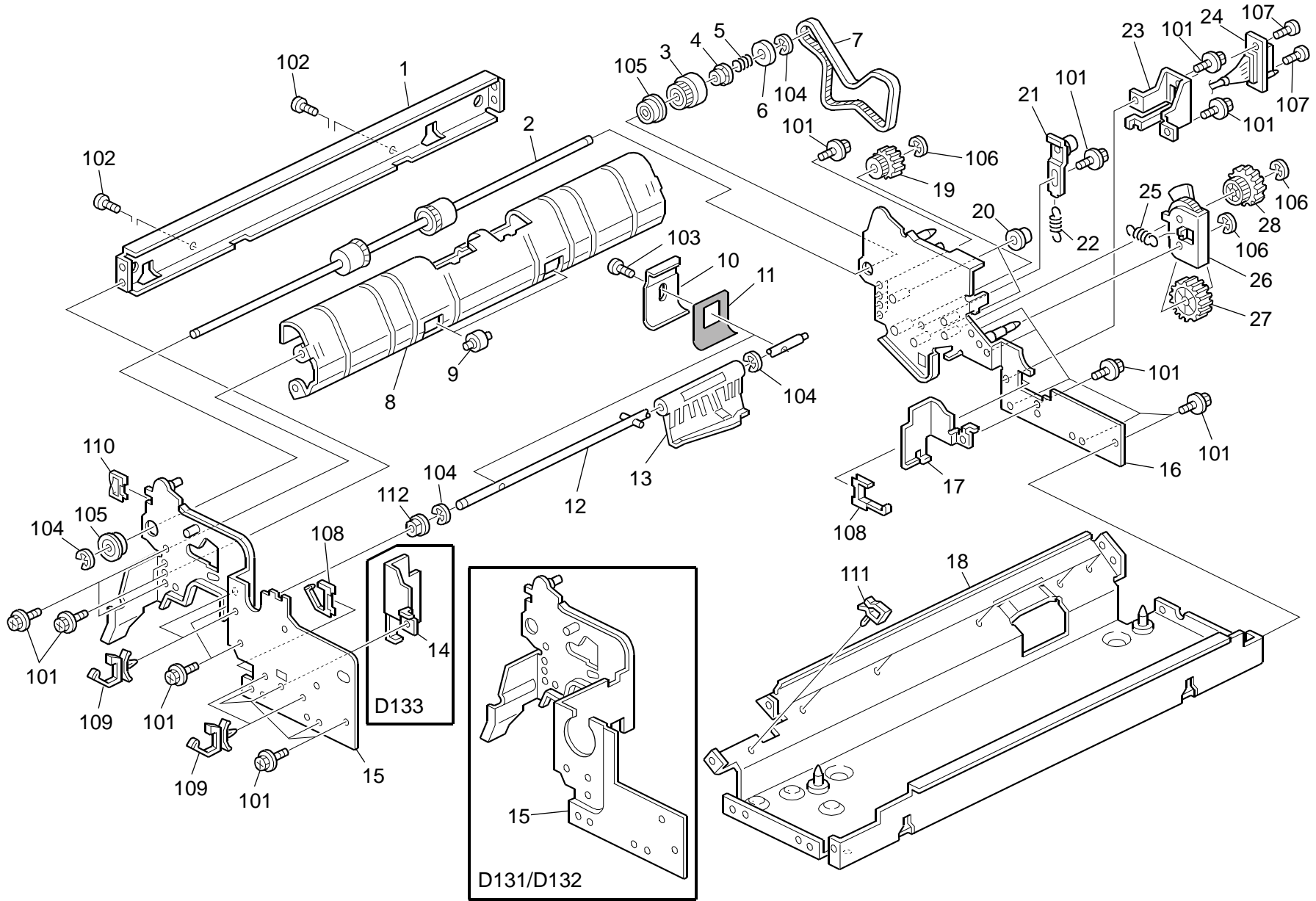


### 51.Paper Exit Section 2 (D131/D132/D133)

Index No.	Part No.	Description	Q'ty Per Assembly
1	B247 4463	Reverse Roller: Drive	1
2	AA08 2117	Bushing - M6	6
3	AB01 2028	Gear - 19Z	1
4	A229 4479	Reverse Guide Plate - Right	1
5	AA04 0056	Driven Roller	2
6	A229 4482	Exit Roller Holder	2
7	A229 4477	Reverse Guide Plate	1
8	B065 4413	Exit Gate Pawl	1
9	AF02 0579	Exitdecura Roller	1
9	B247 4439	Roller: Decura: Exit	1
10	AF02 0578	Entrancedecura Roller	1
10	B247 4438	Roller: Decura: Entrance	1
11	AA14 3807	Screw: A	1
12	B065 4254	Lower Entrance Guide Plate	1
13	AB03 0578	Timing Pulley - 18Z	2
14	B065 4441	Exit Drum Stay	1
15	AA06 0902	Spring	1
16	D066 4415	DC Solenoid: Gate Pawl: Ass'y	1
17	A048 2838	Nylon Rivet	1
18	B140 4336	Gear - Idler Worm Gear	1
19	B140 4329	Front Drive Bracket Ass'y	1
20	B140 4322	Gear - 21/33Z	1
21	B140 4306	Gear - 21/35Z	2
22	B140 4304	Gear - 21/35Z	1
23	B140 4300	Pressure Tension Spring	1
24	B247 4317	Gear: Swivle: Ass'y	1
25	B140 4474	Heat Insulating Plate Bracket	1
26	B247 4324	Stepper Motor DC3.4V	1
27	B140 4325	Drive Bracket Ass'y	1

Index No.	Part No.	Description	Q'ty Per Assembly
101	0451 4008N	Tapping Screw: 4x8	
102	0313 0060N	Screw - M3x6	
103	0720 0040E	Retaining Ring - M4	
104	0720 0060E	Retaining Ring - M6	
105	1105 0516	Clamp	
106	1105 0511	Harness Clamp - LWS-0306ZC	

# 52.Paper Exit Section 3 (D131/D132/D133)

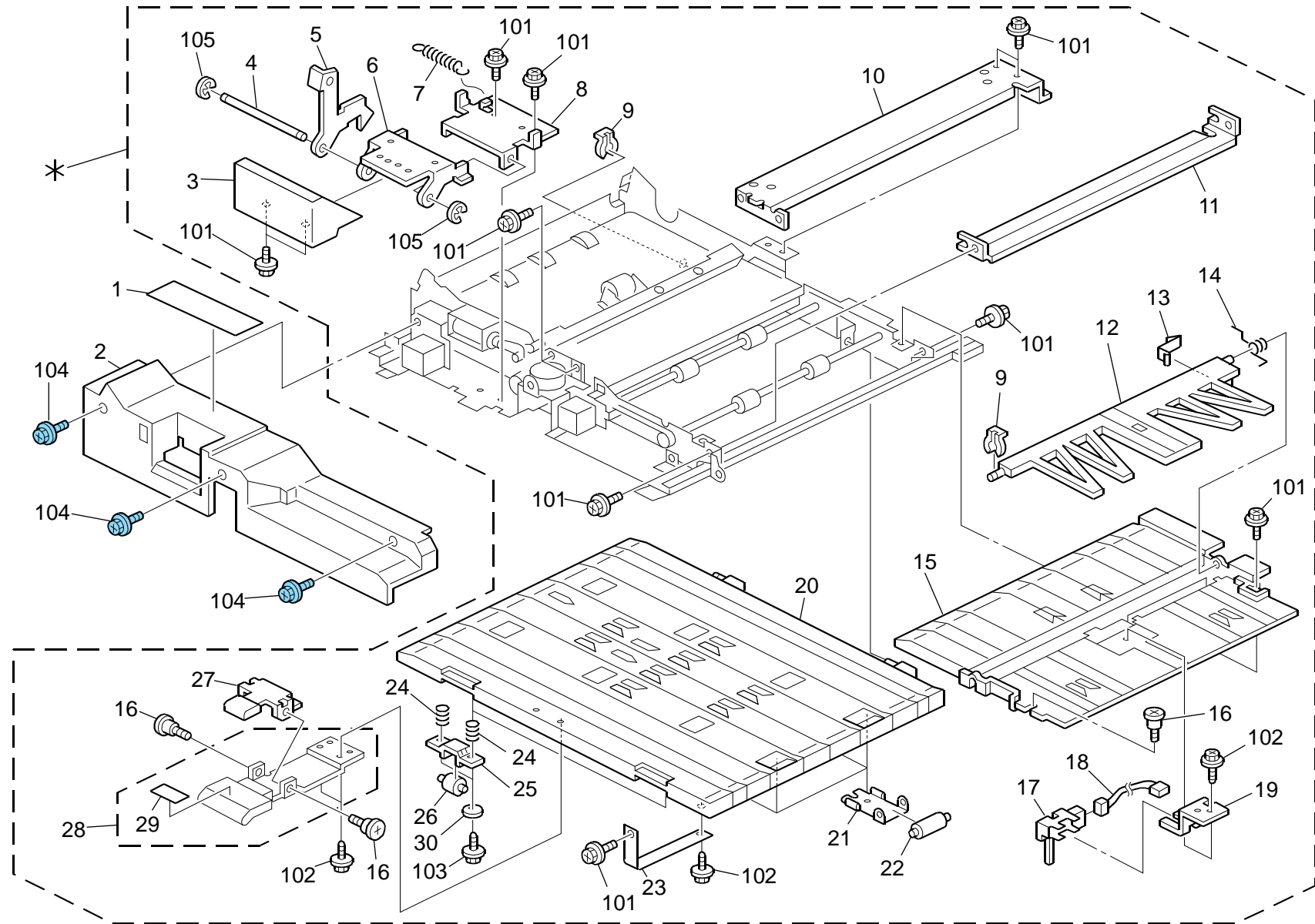


### 52.Paper Exit Section 3 (D131/D132/D133)

Index No.	Part No.	Description	Q'ty Per Assembly
1	D131 4252	Stay: Exit: Left	1
2	B247 4460	Exit Roller: Drive: Exit	1
3	AB03 0579	Timing Pulley - 27Z	1
4	A470 1703	Shift Clutch	1
5	B247 4456	Spring - Lower Exit Roller	1
6	B247 4487	Washer: DIA6.3xdia18x1	1
7	AA04 3290	Timing Belt	1
7	AA04 3315	Timing Belt: S2M: 40X426	1
8	B140 4308	Eft Reverse Guide Plate Ass'y	1
9	AA04 0056	Driven Roller	2
10	A229 4467	Pressure Arm	1
11	B065 4424	Exit Arm Pad	1
12	B247 4421	Shaft: Pressure: Guide Plate: Ass'y	1
13	B065 4422	Guide Plate Lever	1
14	B065 4460	Bracket: Harness: Plate: Front (D133)	1
15	B247 4429	Side Plate: Front: Exit	1
15	G148 4429	Side Plate: Front: Exit: Ass'y (D133)	1
16	B247 4433	Side Plate: Rear: Exit	1
16	G148 4433	Side Plate: Rear: Exit: Ass'y (D133)	1
17	B065 4459	Rear Harness Bracket	1
18	B065 4249	Right Exit Stay	1
18	D131 4249	Stay: Exit: Right: Ass'y	1
19	AB01 9200	Gear	1
20	B065 4317	Idle Pulley - 11mm	2
21	B247 4315	Tightener: Exit: Ass'y	1
22	B247 4454	Tension Spring	1
23	B065 4458	Exit Drawer Bracket	1
23	B140 4458	Exit Drawer Bracket	1
24	B065 4497	Exit Harness	1
24	B140 4497	Harness - Paper Exit Unit Drawer	1
25	B247 4403	Lock Spring	1
26	B247 4400	Bracket: Swivel: Ass'y	1
27	AB01 2031	Gear	1
28	AB01 9197	Exit Gear	1

Index No.	Part No.	Description	Q'ty Per Assembly
101	0451 4008N	Tapping Screw: 4x8	
102	0354 0060N	Screw-M4x6	
103	0353 0060N	Bind Screw - M3x6	
104	0720 0040E	Retaining Ring - M4	
105	0742 3906	Ball Bearing - 6x14x5mm	
106	0720 0060E	Retaining Ring - M6	
107	0353 0080N	Screw: M3x8	
107	0453 3008N	Binding Self Tapping Screw: 3x8	
108	1105 0518	Clamp: LES-1010	
109	1105 0511	Harness Clamp - LWS-0306ZC	
110	1105 0328	Harness Clamp - ES-0505	
111	1105 0290	Harness Clamp - HORIZONTAL	
112	0805 3480	Bushing - 6mm	

# 53.Duplex Unit 1 (D131/D132/D133)



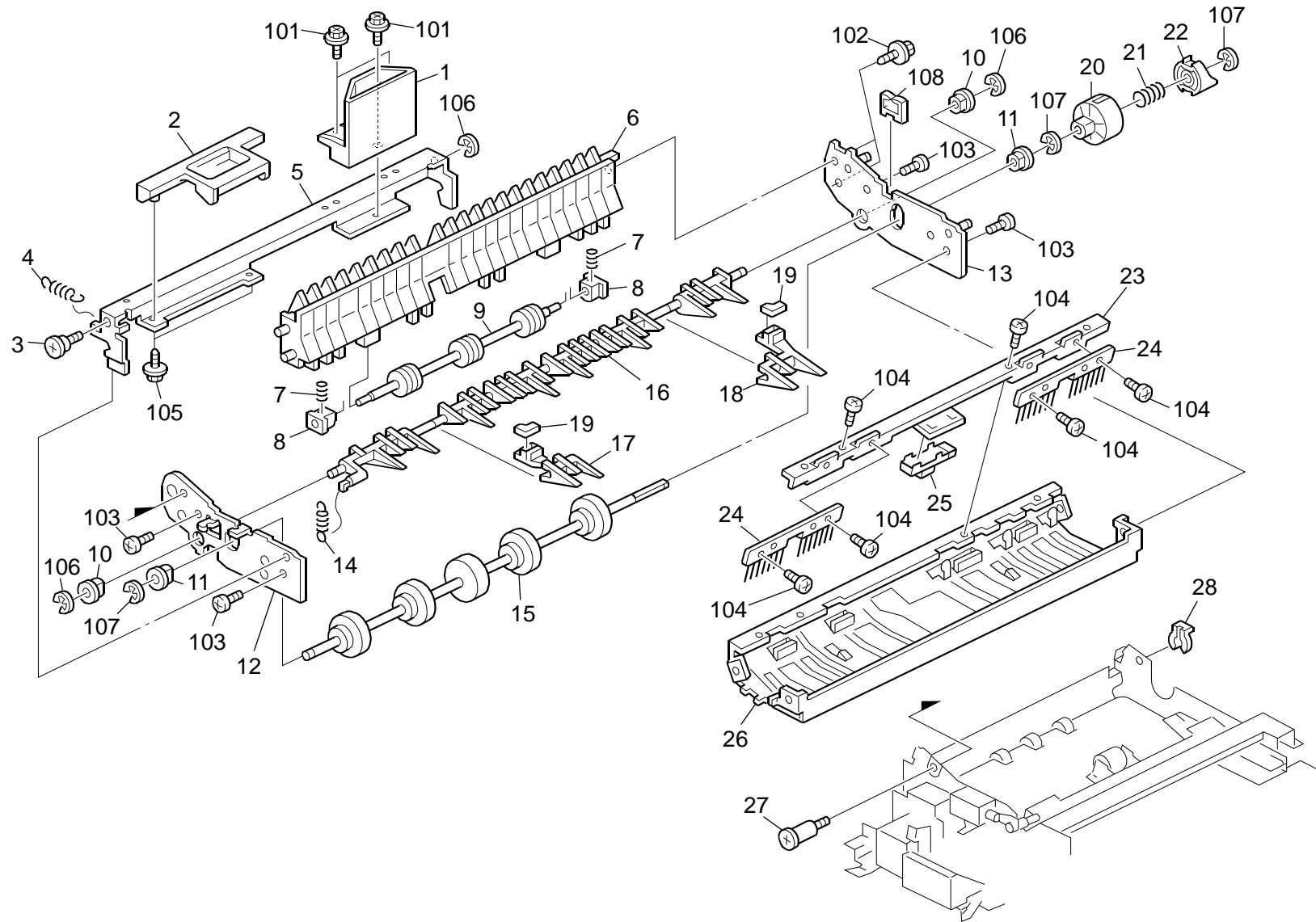
### 53.Duplex Unit 1 (D131/D132/D133)

Index No.	Part No.	Description	Q'ty Per Assembly
*	D131 4500	Duplex Unit: Ass'y	1
1	D131 4797	Decal: H-temp Warning: Duplex Unit	1
2	D131 4799	Inner Cover: Duplex Unit	1
3	D131 4675	Grip: Release: Duplex Unit: Ass'y	1
4	B247 4673	Shaft: Lever: Release	1
5	B065 4671	Duplex Lock Arm	1
6	B065 4675	Duplex Release Bracket	1
7	AA06 2320	Spring	1
8	B065 4672	Release Lever Bracket	1
9	5447 2681	Snap Ring	2
10	B065 4987	Upper Duplex Stay	1
11	B140 4800	Exit Duplex Guide Plate	1
12	B065 4726	Right Guide Table	1
13	B065 4728	Spring Plate - Right Table Guide	1
14	AA06 6353	Spring	1
15	B065 4725	Right Duplex Bracket	1
16	AA14 3811	Stepped Screw - M3x4	3
17	AW02 0149	Paper Feed Sensor	1
18	D131 4590	Harness: Connecting: Duplex	1
19	B065 4727	Right Sensor Bracket	1
20	D062 4730	Guide Plate: Transport: Lower	1
21	B065 4731	Spring Plate - Driven Roller	8
22	AF02 2077	Driven Roller	8
23	A096 4928	Guide Plate Band	1
24	D062 4741	Compression Spring: Holder: Guide Plate	4
25	D062 4727	Holder: Pressure: Guide Plate	2
26	AF02 2067	Guide Stopper Roller	2
27	D131 4933	Guide Plate Lever Hook	1
28	D131 4515	Lever: Guide Plate: Adhesion	1
29	D131 4867	Decal: Lever: Guide Plate	1
30	B180 1743	SBU Washer	1

Index No.	Part No.	Description	Q'ty Per Assembly
101	0451 4006N	Tapping Screw - 4x6	
102	0450 4008N	Tapping Screw - M4x8	
103	0802 5320	Hexagon Head Tapping Screw: ES: 3x10	
104	0454 4008Q	Tapping Screw - M4x8	
105	0720 0040E	Retaining Ring - M4	



# 54. Duplex Unit 2 (D131/D132/D133)

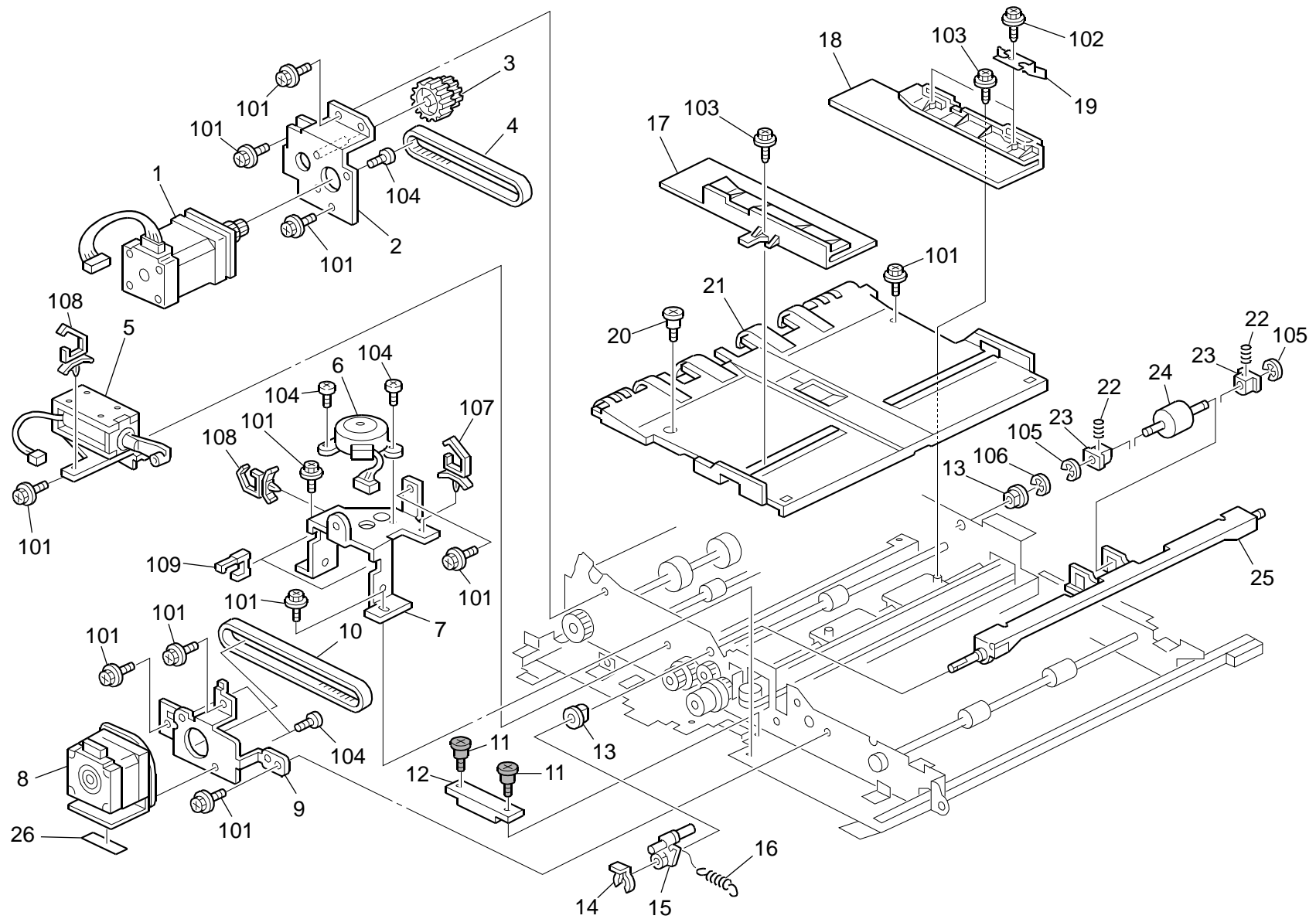


### 54.Duplex Unit 2 (D131/D132/D133)

Index No.	Part No.	Description	Q'ty Per Assembly
1	B065 4648	Lever Cam	1
2	D131 4866	Knob: Reverse Unit	1
3	AA14 3129	Shoulder Screw - Front Cover	1
4	AA06 2318	Spring	1
5	B065 4647	Invertor Lever	1
6	A229 4623	Lower Entrance Guide Plate	1
7	B247 4817	Compression Spring	2
8	AA08 0034	Bushing - 4x5x7	2
9	B247 4624	Roller: Driven: Duplex	1
10	AA08 2118	Bushing - M6	2
11	AA08 2116	Bushing - M8	2
12	B065 4627	Front Side Plate	1
13	B247 4620	Side Plate: Rear: Reverse Unit: Ass'y	1
14	B247 4816	Tension Spring	1
15	B247 4818	Reverse Roller: Entrance	1
16	B247 4645	Gate Pawl: Reverse	1
17	A293 4613	Front Gate Pawl	1
18	A293 4614	Rear Gate Pawl	1
19	B247 4615	Spacer	2
20	B065 4632	Joint Holder	1
21	B247 4815	Compression Spring	1
22	A229 4740	Drive Joint	1
23	B065 4644	Sensor Bracket	1
24	B247 4617	Discharge Brush: Duplex	2
25	AW01 0119	Paper Feed Sensor	1
26	B140 4640	Upper Entrance Guide Plate Ass'y	1
27	AA14 3426	Stopped Screw - M4x17	1
28	5447 2681	Snap Ring	1

Index No.	Part No.	Description	Q'ty Per Assembly
101	0451 4006N	Tapping Screw - 4x6	
102	0450 4008N	Tapping Screw - M4x8	
103	0354 0060N	Screw-m4x6	
104	0353 0050N	Screw-m3x5	
105	0450 3008N	Tapping Screw - M3x8	
106	0720 0040E	Retaining Ring - M4	
107	0720 0060E	Retaining Ring - M6	
108	1105 0328	Harness Clamp - ES-0505	

# 55.Duplex Unit 3 (D131/D132/D133)

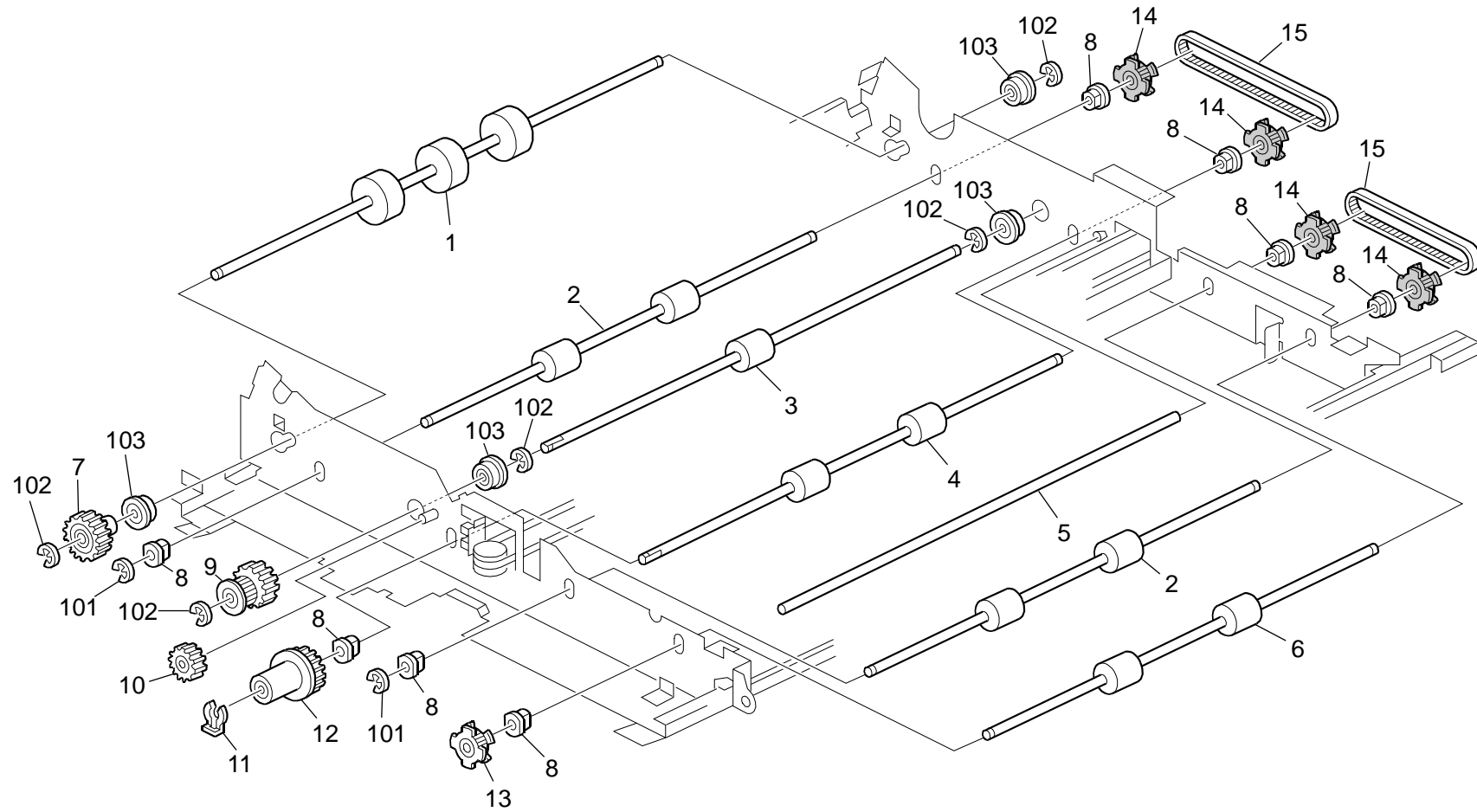


### 55.Duplex Unit 3 (D131/D132/D133)

Index No.	Part No.	Description	Q'ty Per Assembly
1	B132 4780	Stepper Motor: Reverse: Ass'y	1
2	B247 4810	Bracket: Motor: Reverse: Ass'y	1
3	AB01 7616	Gear	1
4	AA04 3291	Timing Belt	1
5	D062 4745	DC Solenoid: Reversal: Ass'y	1
6	B132 4650	Stepper Motor: Jogger: Ass'y	1
7	B065 4696	Jogger Motor Bracket	1
8	D062 4785	Stepper Motor: Transport: Ass'y	1
9	B065 4789	Transport Motor Bracket	1
10	AA04 3292	Timing Belt	1
11	AA14 3183	Stepped Screw	2
12	AA02 1034	Magnetic	1
13	AA08 2118	Bushing - M6	2
14	5447 2681	Snap Ring	1
15	A294 4754	Roller Lever	1
16	AA06 0806	Spring	1
17	B065 4681	Front Jogger Fence	1
18	B065 4682	Rear Jogger Fence	1
19	B065 4683	Spring Plate - Rear Jogger Fence	2
20	AA14 3811	Stepped Screw - M3x4	1
21	B065 4720	Left Duplex Table	1
22	AA06 3655	Spring	2
23	AA08 0034	Bushing - 4x5x7	2
24	B247 4594	Roller: Reversal: Driven	1
25	B247 4655	Bracket: Reversal: Driven: Ass'y	1
26	D066 4782	Sheet: Heat Sink: DC Stepper Motor: Transport: Duplex	1

Index No.	Part No.	Description	Q'ty Per Assembly
101	0451 4006N	Tapping Screw - 4x6	
102	0450 3006N	Tapping Screw - M3x6	
103	0450 3008N	Tapping Screw - M3x8	
104	0353 0050N	Screw-m3x5	
105	0720 0030E	Retaining Ring - M3	
106	0720 0040E	Retaining Ring - M4	
107	1105 0508	Harness Clamp - LWS-0711	
108	1105 0511	Harness Clamp - LWS-0306ZC	
109	1105 0522	Edge Saddle - LES0510	

# 56.Duplex Unit 4 (D131/D132/D133)

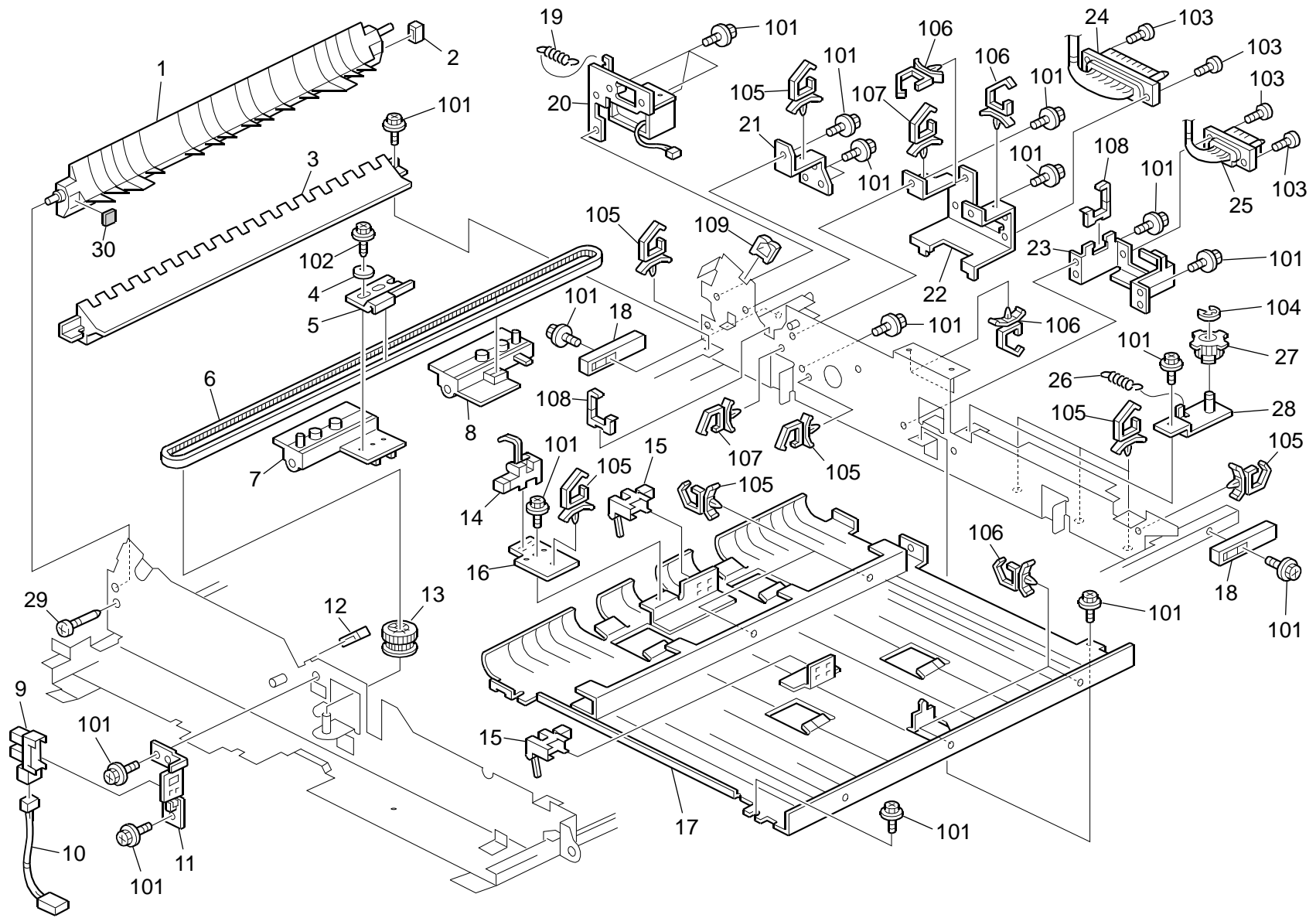


### 56. Duplex Unit 4 (D131/D132/D133)

Index No.	Part No.	Description	Q'ty Per Assembly
1	D131 4814	Roller: Turn: Duplex	1
2	B247 4812	Roller: Transport: Driven: Left: Right	2
3	B247 4813	Roller: Reversal: Drive	1
4	B247 4825	Roller: Drive: Left	1
5	B065 4694	Jogger Guide Rod	1
6	AF02 1079	Right Drive Roller	1
7	AB01 1464	Turn Gear	1
8	AA08 2118	Bushing - M6	8
9	AB01 7614	Pulley	1
10	AB01 1463	Connecting Gear	1
11	5447 2681	Snap Ring	1
12	AB01 1496	Gear - 32Z	1
13	AB03 0731	Pulley - 29Z	1
14	AB03 0583	Timing Pulley - 24Z	4
15	AA04 3293	Timing Belt - 40S2M268G	2

Index No.	Part No.	Description	Q'ty Per Assembly
101	0720 0040E	Retaining Ring - M4	
102	0720 0060E	Retaining Ring - M6	
103	0742 3808	Ball Bearing - 8x16x5	

# 57.Duplex Unit 5 (D131/D132/D133)



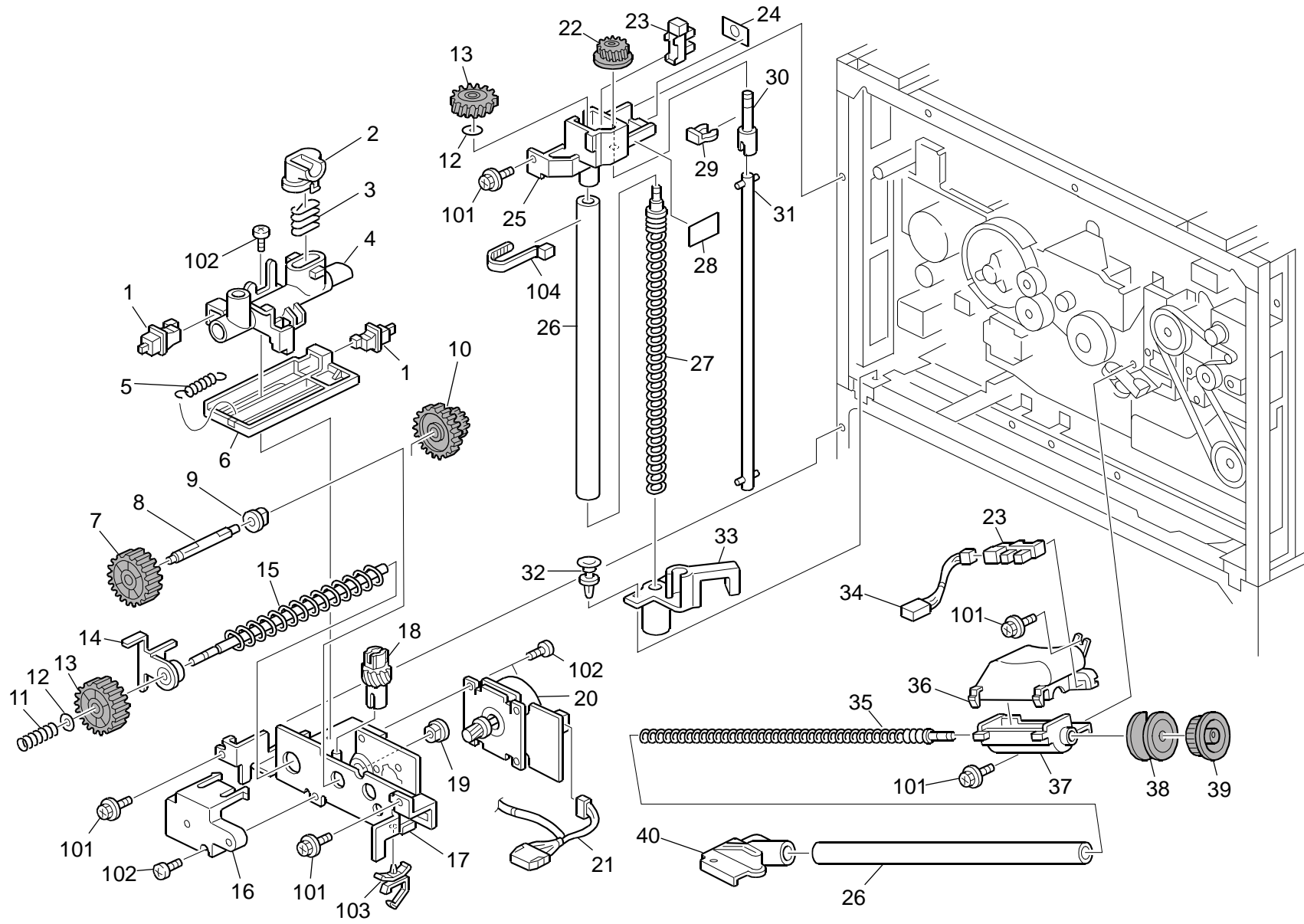
### 57.Duplex Unit 5 (D131/D132/D133)

Index No.	Part No.	Description	Q'ty Per Assembly
1	B065 4733	Duplex Gate Pawl	1
2	B065 4738	Gate Pawl Cushion	1
3	D131 4860	Guide Plate: Duplex: Lower	1
4	B065 4865	Spacer	1
5	A294 4723	Belt Holder Fixing Plate	1
6	AA04 3435	Timing Belt: 40S2M810	1
7	B065 4692	Front Jogger Fence Slider	1
8	B065 4693	Rear Jogger Fence Slider	1
9	AW02 0145	Photointerruptor: Flat	1
10	B065 2762	Relay Paper Feed Harness	1
11	B065 4699	Jogger H.p. Sensor Bracket	1
12	A294 4669	Cushion	1
13	AB01 7615	Gear - 30Z/45Z	1
14	AW02 0148	Paper Feed Sensor	1
15	AW02 0149	Paper Feed Sensor	2
16	B065 4715	Exit Reverse Sensor Bracket	1
17	B140 4710	Upper Transport Guide Plate Ass'y	1
18	A096 4595	Duplex Guide	2
19	D131 4734	Spring: Gate Pawl: Duplex	1
20	D131 4740	DC Solenoid: Gate Pawl: Ass'y	1
21	B065 4619	Support Bracket	1
22	B065 4790	Drawer Bracket - 32P	1
23	B065 4791	Drawer Bracket - 12P	1
24	D131 4980	Harness: Duplex Unit: 32Pin	1
25	D131 4983	Harness: Duplex Unit: 12Pin	1
26	AA06 2318	Spring	1
27	AB03 0732	Jogger Pulley	1
28	B247 4820	Bracket: Jogger: Ass'y	1
29	AA14 3788	Pin: Guide Plate: Paper Feed	1
30	B234 4846	Cushion: Gate Pawl: Switchback	1

Index No.	Part No.	Description	Q'ty Per Assembly
101	0451 4006N	Tapping Screw - 4x6	
102	0450 4008N	Tapping Screw - M4x8	
103	0453 3008N	Binding Self Tapping Screw: 3x8	
104	0720 0040E	Retaining Ring - M4	
105	1105 0511	Harness Clamp - LWS-0306ZC	
106	1105 0508	Harness Clamp - LWS-0711	
107	1105 0516	Clamp	
108	1105 0522	Edge Saddle - LES0510	
109	1105 0328	Harness Clamp - ES-0505	



# 58.Waste Toner Drive (D131/D132/D133)

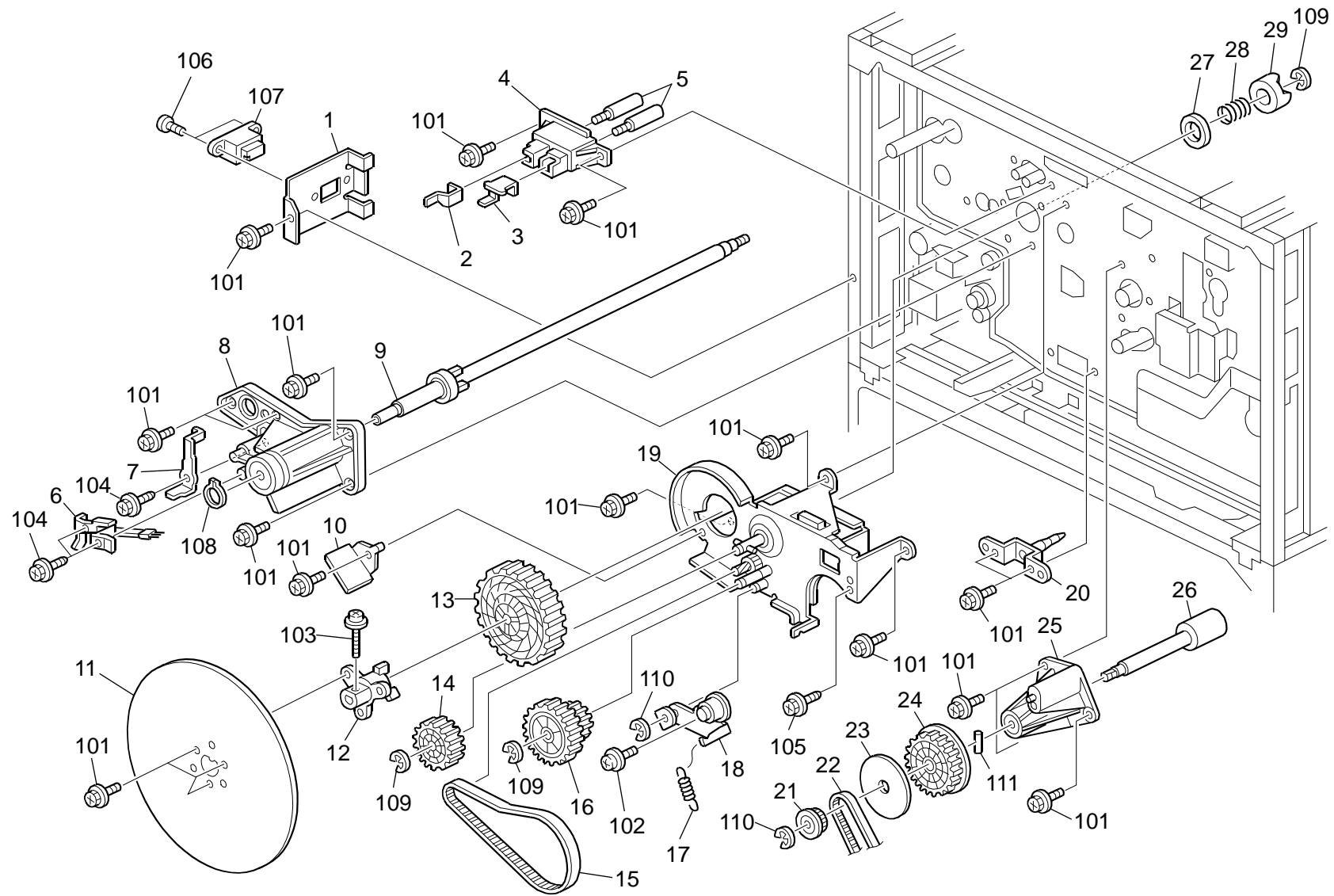


### 58.Waste Toner Drive (D131/D132/D133)

Index No.	Part No.	Description	Q'ty Per Assembly
1	AW50 0023	Push Switch	2
2	B065 3568	Case Cap	1
3	B065 3573	Toner Correction Agitator	1
4	B065 3565	Toner Collection Case	1
5	B065 3566	Toner Receiving Spring	1
6	B065 3557	Toner Catchpan	1
7	B065 3588	Toner Collection Idle Gear	1
8	B247 3590	Shaft: Idler: Discharge Used Toner	1
9	5053 0447	Bushing - 6mm	1
10	B065 3585	Screw Gear	1
11	B065 3561	Spring	1
12	AA13 2208	Spacer - M6	2
13	B065 3587	Toner Collection Gear	2
14	B065 3581	Bushing	1
15	B247 3570	Transport Screw: Discharge Used Toner: Ass'y	1
16	B065 3583	Spring Guide	1
17	B247 3559	Base: Discharge Used Toner: Ass'y	1
18	B065 3586	Screw Gear	1
19	H053 2208	Bushing - M4	1
20	AX06 0302	Brushless Motordc24V 2.4W	1
21	B065 3593	Toner Collection Discharge Harness	1
22	B065 3645	Gear - 22Z	1
23	AW02 0145	Photointerruptor: Flat	2
24	B065 3636	Toner Collection Seal	1
25	B065 3629	Toner Separation Case	1
26	B065 3601	Toner Collection Pipe	2
27	B247 3670	Transport Screw: Used Toner: Unit	1
28	B065 3637	Seal - 40x68	1
29	5447 2681	Snap Ring	1
30	B247 3604	Shaft: Discharge Used Toner: Classification: Ass'y	1
31	B247 3609	Shaft: Discharge Used Toner: Long: Ass'y	1
32	A096 3712	Ratch	1
33	B065 3610	Toner Collection Shaft	1

Index No.	Part No.	Description	Q'ty Per Assembly
34	B065 2762	Relay Paper Feed Harness	1
35	B247 3641	Transport Screw: Discharge Used Toner: Classification: Ass'y	1
36	B065 3650	Toner Collection Joint	1
37	B065 3649	Toner Collection Case - Transport	1
38	B247 3652	Shielding Plate: Discharge Used Toner: Transfer	1
39	B065 3660	Pulley	1
40	B065 3654	Toner Collection Cap	1
101	0451 4008N	Tapping Screw: 4x8	
102	0354 0080N	Screw: M4X8	
103	1105 0511	Harness Clamp - LWS-0306ZC	
104	1105 0046	Harness Band	

# 59.Drive Section 1 (D131/D132/D133)

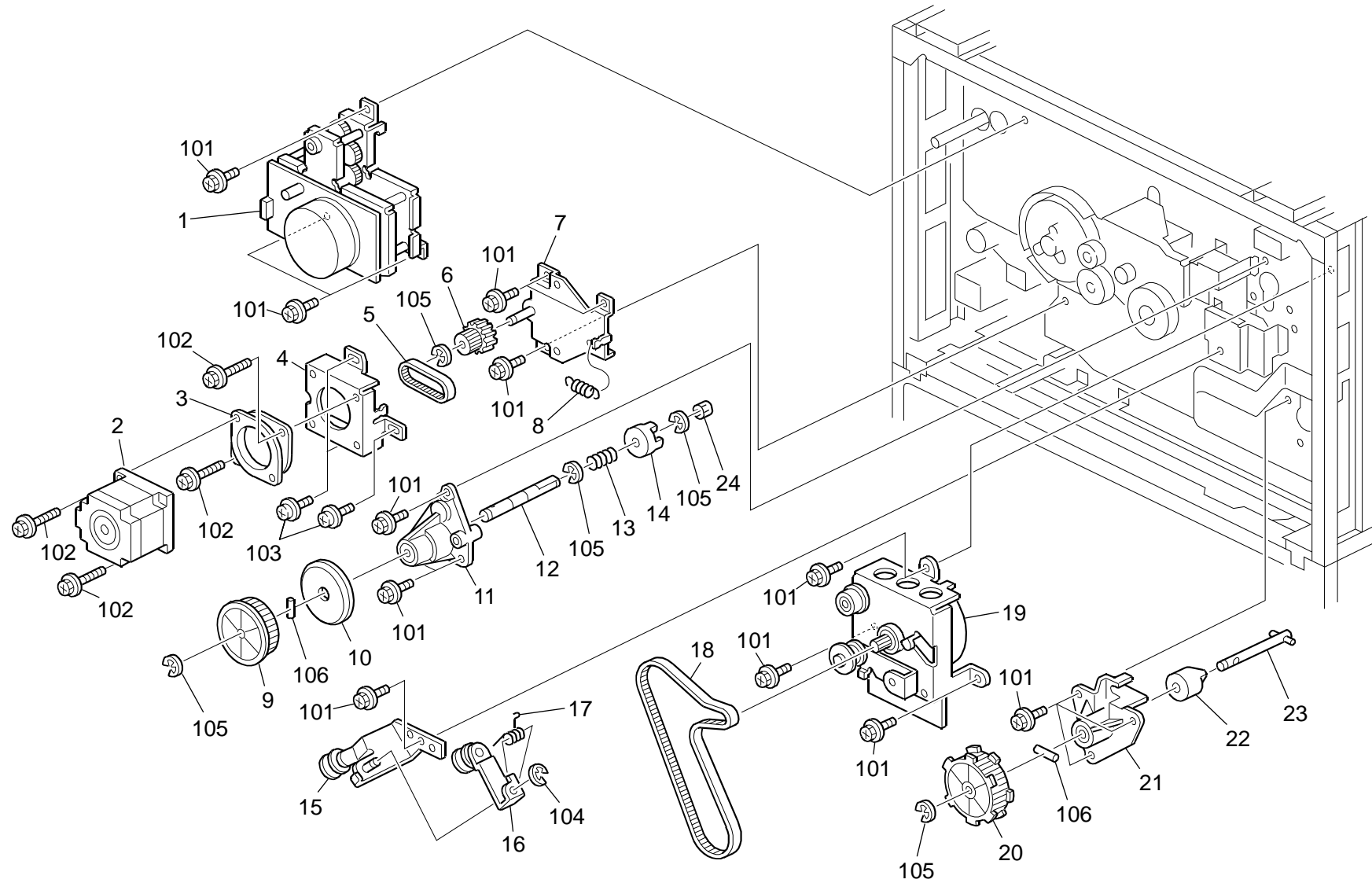


### 59. Drive Section 1 (D131/D132/D133)

Index No.	Part No.	Description	Q'ty Per Assembly
1	B065 5808	LCT Cable Bracket	1
2	B065 2481	Grid Receptacle Terminal	1
3	B065 2482	Charge Receptacle Terminal	1
4	A294 2051	Rear Receptacle	1
5	A294 2052	Receptacle Pin	2
6	B247 1154	Electrode Plate: Drum Shaft: Ass'y	1
7	B065 3262	Electrode Plate	1
8	B065 1137	Bracket	1
9	D062 1140	Drum Shaft: Ass'y	1
10	B065 1134	Partition Plate	1
11	A294 1119	Fly Wheel	1
12	D062 1145	Boss: Gear	1
13	AB01 2315	Gear - 156Z	1
14	AB01 1482	Gear - Z40	1
14	AB01 1507	Gear: Z31	1
15	AA04 3948	Timing Belt	1
16	AB01 7640	Gear -38/Z59	1
16	AB01 7760	Gear: Z38/Z67	1
17	AA06 0792	Tension Spring	1
18	B247 1122	Bracket: Tightener: Ass'y	1
19	B247 1110	Brushless Motor DC24V/25W	1
20	B247 1084	Guide Plate: Positioning Pin: Duplex: Ass'y	1
21	AB03 0458	Pulley - 28Z	1
22	AA04 3945	Timing Belt	1
23	A229 1135	Ring - 55	1
24	AB03 0724	Pulley - 74Z	1
25	B065 1147	Transfer Drive Bracket	1
26	B247 1149	Joint: Transfer Drive: Ass'y	1
27	AA13 2025	Spacer - 1x8x12	1
28	AA06 3654	Spring	1
29	B065 1131	Joint	1

Index No.	Part No.	Description	Q'ty Per Assembly
101	0451 4008N	Tapping Screw: 4x8	
102	0951 4005N	Screw: Polished Round: M4x5	
103	0951 4012N	Screw: Polished Round: M4x12	
104	0450 3008N	Tapping Screw - M3x8	
105	0450 4008N	Tapping Screw - M4x8	
106	0453 3008N	Binding Self Tapping Screw: 3x8	
107	1102 8504	Connector	
108	0725 0120E	Retaining Ring C - M12	
109	0720 0060E	Retaining Ring - M6	
110	0720 0040E	Retaining Ring - M4	
111	0633 0180G	Parallel Pin - 3x18mm	

# 60. Drive Section 2 (D131/D132/D133)

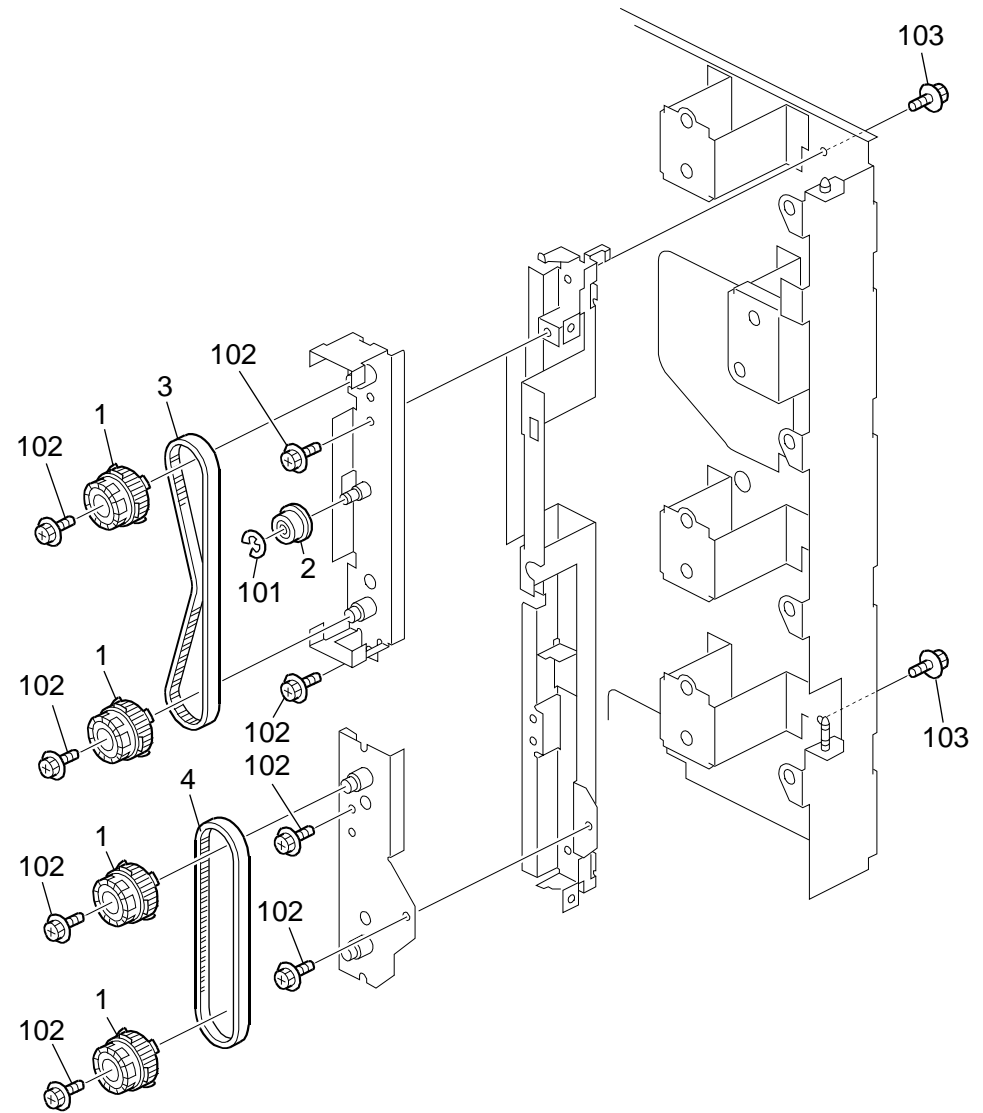


## 60. Drive Section 2 (D131/D132/D133)

Index No.	Part No.	Description	Q'ty Per Assembly
1	D062 5325	Brushless Motor: Development Unit: 90: Ass'y	1
1	D131 3326	Brushless Motor: Development Drive Unit: Ass'y	1
2	B247 1028	Stepper Motor: MM56x54: DC 36W	1
3	AA16 1122	Motor Cushion	1
4	D054 1132	Bracket: Stepper Motor	1
5	AA04 3269	Timing Belt - S2M114	1
6	AB01 7449	Gear - 21Z/24T	1
7	B247 1133	Base: Stepper Motor: Ass'y	1
8	B247 1027	Tension Spring: 7.75N	1
9	AB03 0427	Pulley - 81Z	1
10	A229 1135	Ring - 55	1
11	B065 1168	Fusing Drive Bracket	1
12	D131 1136	Shaft: Fusing Drive Sub-unit	1
13	AA06 3490	Spring - 21.6mm	1
14	B140 1173	Fusing Drive Sub-unit Joint	1
15	B247 1157	Bracket: Toner Recycling: Ass'y	1
15	G148 1157	Bracket: Toner Recycling	1
16	B065 1160	Toner Recycling Tightener	1
17	AA06 6651	Spring	1
18	AA04 3946	Timing Belt	1
19	B247 1044	DC Brushless Motor: Drive: Fusing/Paper Exit Unit: Ass'y	1
20	AB03 0725	Pulley - 89Z	1
21	A293 1155	Duplex Drive Bracket	1
22	B065 1167	Duplex Drive Joint	1
23	B247 1166	Shaft: Drive: Duplex: Ass'y	1
24	G178 3232	Terminal: Development Roller	1

Index No.	Part No.	Description	Q'ty Per Assembly
101	0451 4008N	Tapping Screw: 4x8	
102	0451 4012N	Tapping Screw: 4x12	
103	0951 4008N	Screw: Polished Round: M4x8	
104	0720 0040E	Retaining Ring - M4	
105	0720 0060E	Retaining Ring - M6	
106	0623 0140E	Spring Pin - 3x14mm	

# 61.Drive Section 3 (D132/D133)



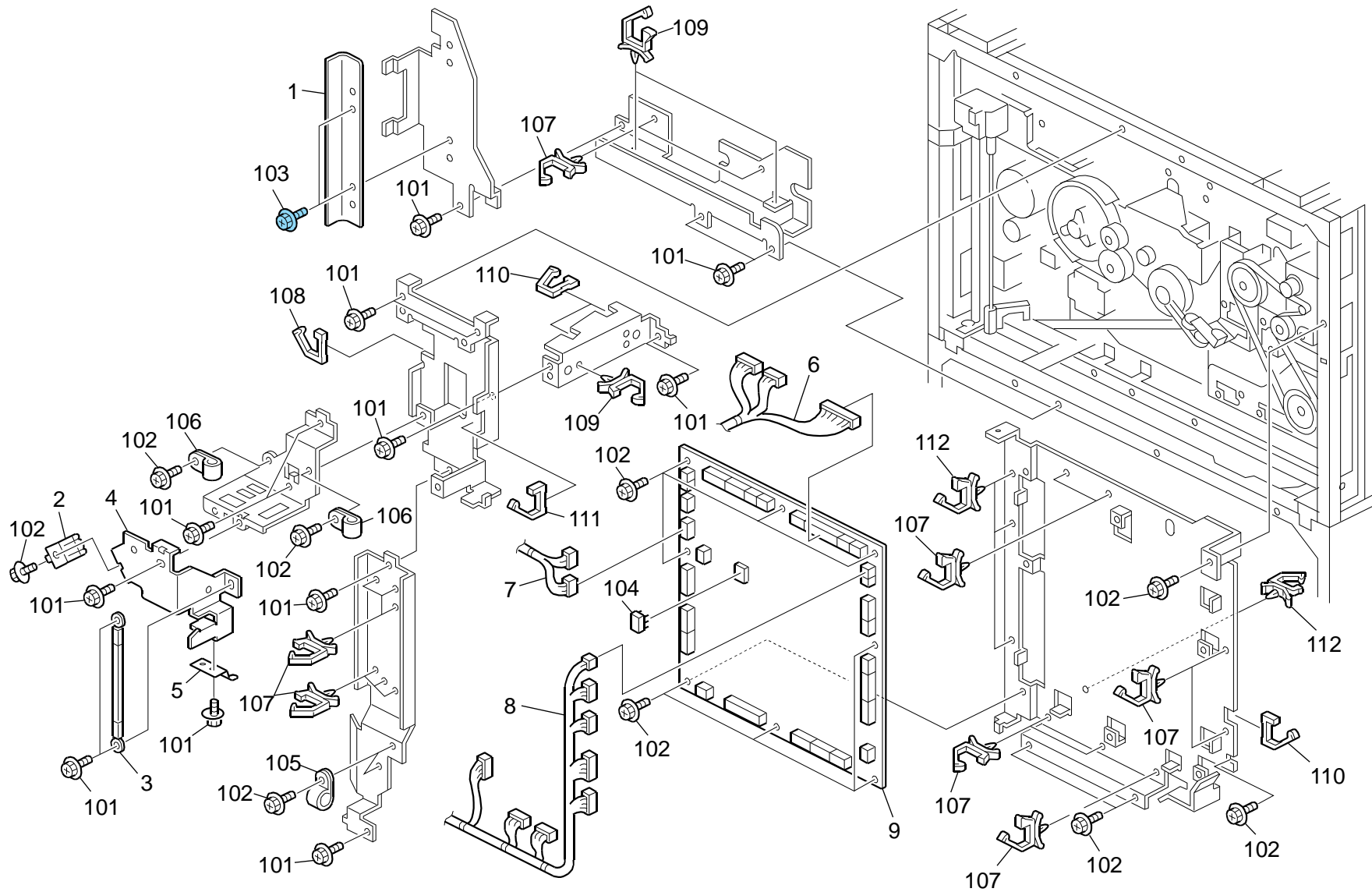
### 61. Drive Section 3 (D132/D133)

Index No.	Part No.	Description	Q'ty Per Assembly
1	D131 6751	Joint: Pulley: Frame: 43T	1
2	D131 6764	Pulley: Tensioner: DIA15	1
3	D131 6765	Synchronous Belt: Coupling: 360	1
4	D131 6757	Synchronous Belt: Coupling: 278	1

Index No.	Part No.	Description	Q'ty Per Assembly
101	0720 0040E	Retaining Ring - M4	
102	0451 4006N	Tapping Screw - 4x6	
103	0451 4008N	Tapping Screw: 4x8	



## 62.Electrical Section 1 (D131/D132/D133)

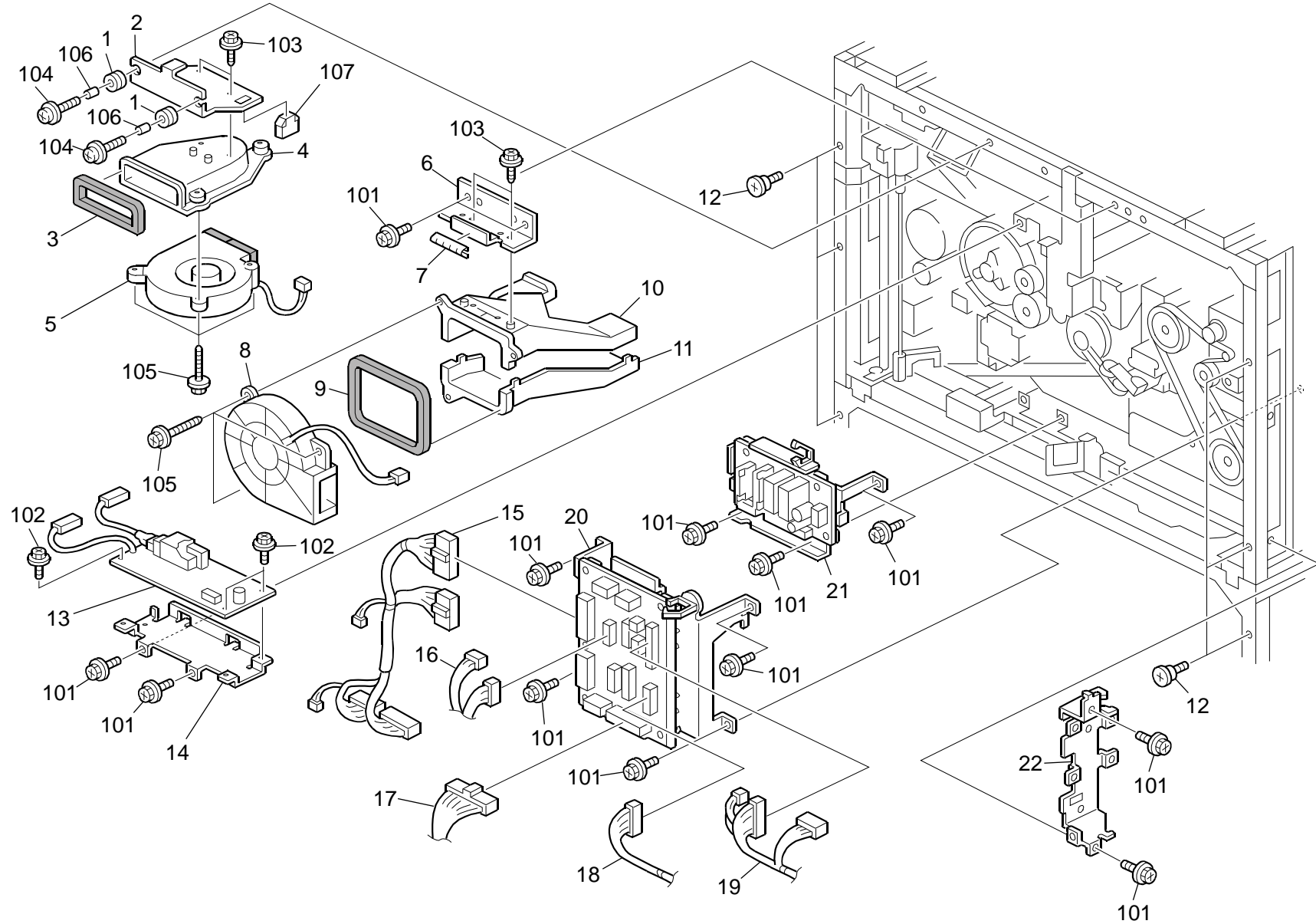


## 62.Electrical Section 1 (D131/D132/D133)

Index No.	Part No.	Description	Q'ty Per Assembly
1	D062 5995	Cover: Harness: Image Processing Unit	1
2	A294 1838	Ground Plate - Lens Stay	1
3	D062 5987	Ground Wire: Connecting: Earth	1
4	D062 5981	Bracket: Connecting: Earth	1
5	D062 5856	Ground Plate: Power Supply Unit	1
6	D131 5416	Harness: Main: Upper	1
7	D062 5472	Harness: SIOB: BCU	1
8	D062 5414	Harness: Main: Left: Low Speed: EXP (D131/D132)	1
1			
8	D066 5419	Harness: Machine or Copier: Left (D133)	1
9	<b>D131 5122</b>	<b>PCB: BCU: 60-75CPM: Service</b>	<b>1</b>
9	<b>D133 5122</b>	<b>PCB: BCU: 90CPM: Service</b>	<b>1</b>

Index No.	Part No.	Description	Q'ty Per Assembly
101	0451 4008N	Tapping Screw: 4x8	
102	0451 3008N	Tapping Screw - M3x8	
103	0454 3006Q	Tapping Screw - M3x6	
104	1407 5404	IC - EEPROM I2C BUS 32K DIP	
105	1105 0529	Nylon Clamp-EMT-3N	
106	1105 0314	Metal Clamp - Al-5	
107	1105 0488	Harness Clamp	
108	1105 0522	Edge Saddle - LES0510	
109	1105 0490	Harness Clamp - IWS-2218	
110	1105 0518	Clamp: LES-1010	
111	1105 0521	Clamp - LES-1017	
112	1105 0516	Clamp	

## 63.Electrical Section 2 (D131/D132/D133)

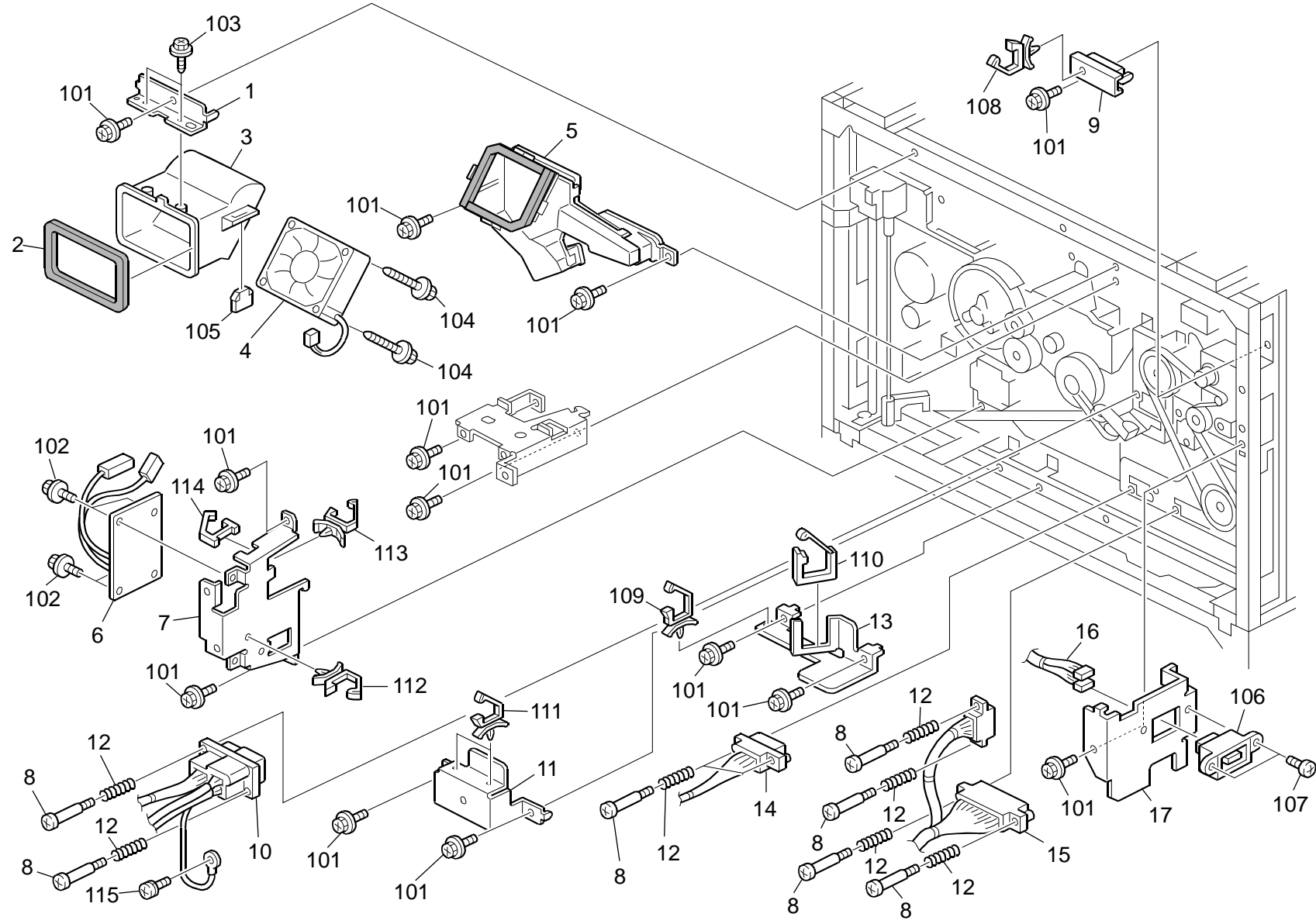


### 63.Electrical Section 2 (D131/D132/D133)

Index No.	Part No.	Description	Q'ty Per Assembly
1	AA16 1104	Cushion - Motor	2
2	B065 1178	Fan Bracket - IPS	1
3	AA15 3155	Duct Seal - IPS	1
4	B065 1175	Entrance IPS Duct	1
5	B247 1195	Fan: Sirocco: DC24V: Z: Ass'y	1
6	D062 1194	Bracket: Duct: Exhaust	1
7	D062 1031	Ground Plate: Panel: Large: 5	1
8	AX65 0044	Sirocco Fan Motor DC24V/8.5W	1
9	AA15 3156	Exhaust Duct Seal	2
10	D062 1192	Duct: Exhaust: Upper	1
11	D062 1193	Duct: Exhaust: Lower	1
12	AA14 3801	Screw: M4: Exterior	6
13	AZ32 0163	Power Pack - Charactor Generator	1
14	B065 5804	Charge Power Pack Bracket	1
15	D062 5500	Harness: DC Power Supply: CNB: BCU	1
16	D131 5504	Harness: CNB: ADF: Connecting	1
17	D062 5509	Harness: Power Source: BCU: DRB	1
18	D062 5421	Harness: Safety Switch	1
19	D062 5420	Harness: Cnb: Main: Upper	1
20	<b>D131 5014</b>	<b>PCB: CNB: Ass'y (D131/D132)</b>	<b>1</b>
20	<b>D133 5014</b>	<b>PCB: CNB: 90: Ass'y (D133)</b>	<b>1</b>
21	<b>D062 5016</b>	<b>PCB: DRB: 60-75: Ass'y (D131/D132)</b>	<b>1</b>
21	<b>D066 5016</b>	<b>PCB: DRB: 80-90: Ass'y (D133)</b>	<b>1</b>
22	B065 5805	CSS Bracket	1

Index No.	Part No.	Description	Q'ty Per Assembly
101	0451 4008N	Tapping Screw: 4x8	
102	0451 3008N	Tapping Screw - M3x8	
103	0450 4008N	Tapping Screw - M4x8	
104	0951 4010N	Screw: Polished Round: M4x10	
105	0450 4016N	Tapping Screw - M4x16	
106	0707 4050N	Bushing - 4x5	
107	1102 6245	Relay Connector - 2P	

# 64.Electrical Section 3 (D131/D132/D133)

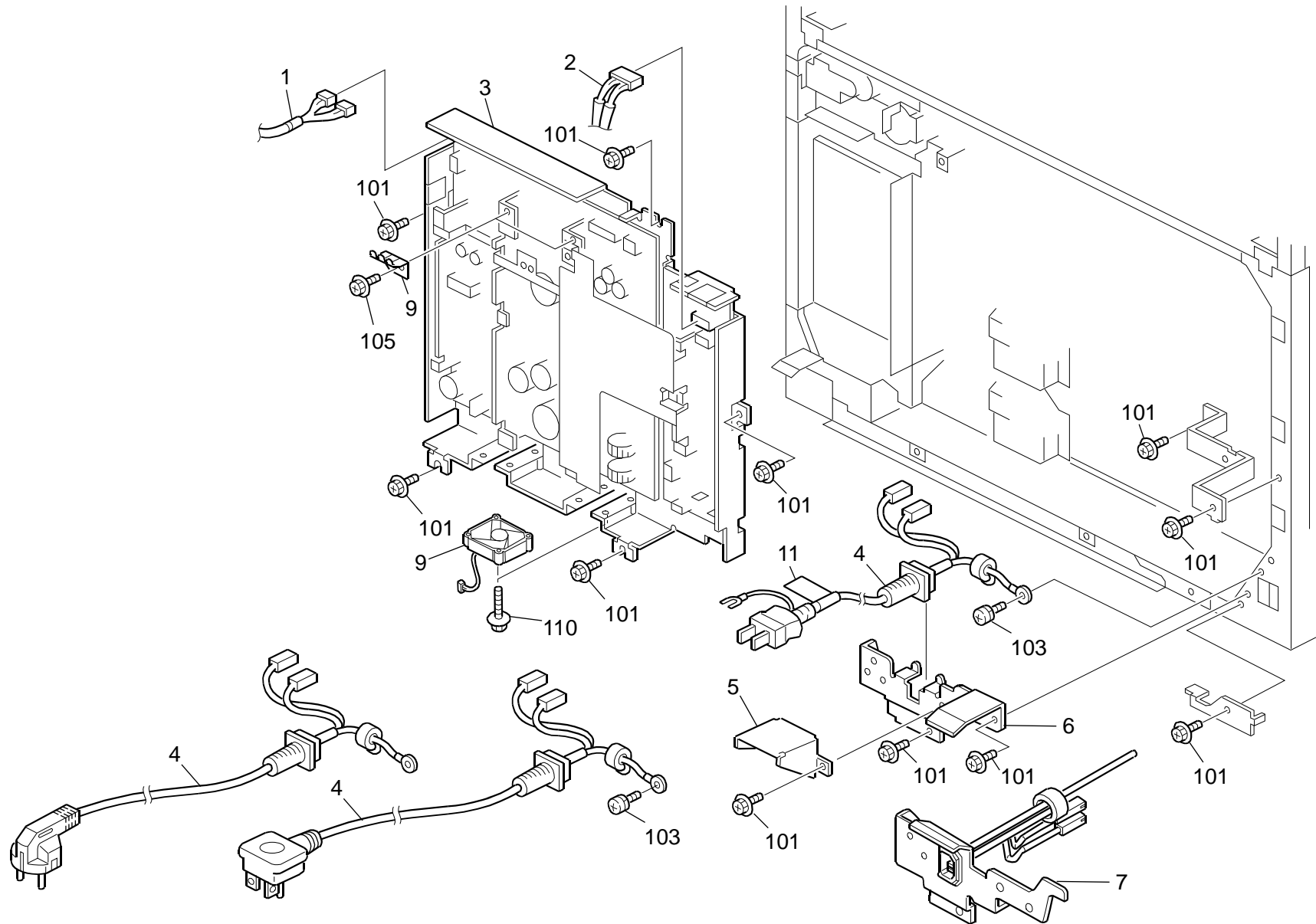


### 64.Electrical Section 3 (D131/D132/D133)

Index No.	Part No.	Description	Q'ty Per Assembly
1	B065 1183	Fan Bracket	1
2	AA15 3154	Duct Seal - PCU	1
3	B065 1184	Entrance PCU Duct	1
4	AX64 0183	Fan Motor DC24V/1.92W	1
5	D062 1180	Duct: PCU: Ass'y	1
6	AZ30 0057	Power Pack - Development	1
7	G126 5892	Bracket: Power Pack: Development	1
8	AA14 3797	Connector Guide Pin	8
9	B065 5818	Main Switch Harness Guide	1
10	D131 5615	Harness: AC Power Supply: Main: NA	1
10	D131 5617	Harness: AC Power Supply: Main: EU	1
10	D133 5616	Harness: AC Power Supply: Main: EXP: 90CPM	1
11	B065 5817	Slide Rail Cover	1
12	AA06 3880	Spring	6
13	B247 5712	Hinge Bracket - Lower	1
14	D062 5422	Harness: DRB: Duplex	1
15	D062 5418	Harness: Machine or Copier: Duplex: Exit	1
15	D066 5418	Harness: Main: Duplex: Exit: 90	1
16	D062 5445	Harness: CNB: Fin	1
17	B065 5807	Finisher Cable Bracket	1

Index No.	Part No.	Description	Q'ty Per Assembly
101	0451 4008N	Tapping Screw: 4x8	
102	0451 3006N	Tapping Screw - 3x6	
103	0450 4008N	Tapping Screw - M4x8	
104	0450 4035N	Tapping Screw: 4x35	
105	1102 6245	Relay Connector - 2P	
106	1102 8502	Connector - 54679-1615	
107	0453 3008N	Binding Self Tapping Screw: 3x8	
108	1105 0488	Harness Clamp	
109	1105 0490	Harness Clamp - IWS-2218	
110	1105 0532	Edge Saddle - LES-25L	
111	1105 0489	Harness Clamp - LWS 1316	
112	1105 0516	Clamp	
113	1105 0511	Harness Clamp - LWS-0306ZC	
114	1105 0522	Edge Saddle - LES0510	
115	0950 4008N	Screw: Spring Washer: M4x8	

# 65.Electrical Section 4 (D131/D132/D133)



### 65.Electrical Section 4 (D131/D132/D133)

Index No.	Part No.	Description	Q'ty Per Assembly
1	D062 5561	Harness: PWRCTL_DC24V: Connecting: EXP	1
2	D062 5602	Harness: Bank: Dehumidifier: 60/75	1
3	<b>AZ24 0174</b>	<b>Power Supply Unit: Main: DOM/NA: MC-4</b>	<b>1</b>
3	<b>AZ24 0182</b>	<b>Power Supply Unit: Main: EU/AA: M-C4</b>	<b>1</b>
3	<b>AZ24 0186</b>	<b>Power Supply Unit: Main: NA/KOR/TWN : M-C4</b>	<b>1</b>
4	B065 5672	Power Supply Cord - 120V	1
4	B246 5677	Power Supply Cord: EU	1
4	D062 5057	Power Supply Cord: EU: Ass'y	1
4	D066 5057	Power Supply Cord: EU: 90: Ass'y	1
4	D066 5672	Power Supply Cord: NA: 250V: Ass'y	1
4	D131 5677	Power Supply Cord: 250V: 10A: EU	1
4	D131 5678	Power Supply Code: 250V: 10A: UK	1
5	D062 5885	Stopper: Power Supply Cord: Typec	1
5	D131 5985	Stopper: Power Supply Cord: EU	1
6	D062 5880	Bracket: Power Supply Cord: DOM	1
6	D062 5881	Bracket: Power Supply Cord: EXP	1
7	D131 5980	Harness: AC: Inlet: Ass'y	1
9	D062 5856	Ground Plate: Power Supply Unit	2

Index No.	Part No.	Description	Q'ty Per Assembly
101	0451 4008N	Tapping Screw: 4x8	
102	0951 4008N	Screw: Polished Round: M4x8	
103	0801 0234	Screw With Washer: Small Round With Spring Washer: M5x8	
104	1105 0518	Clamp: LES-1010	
105	0360 4008N	Screw - M4x8	



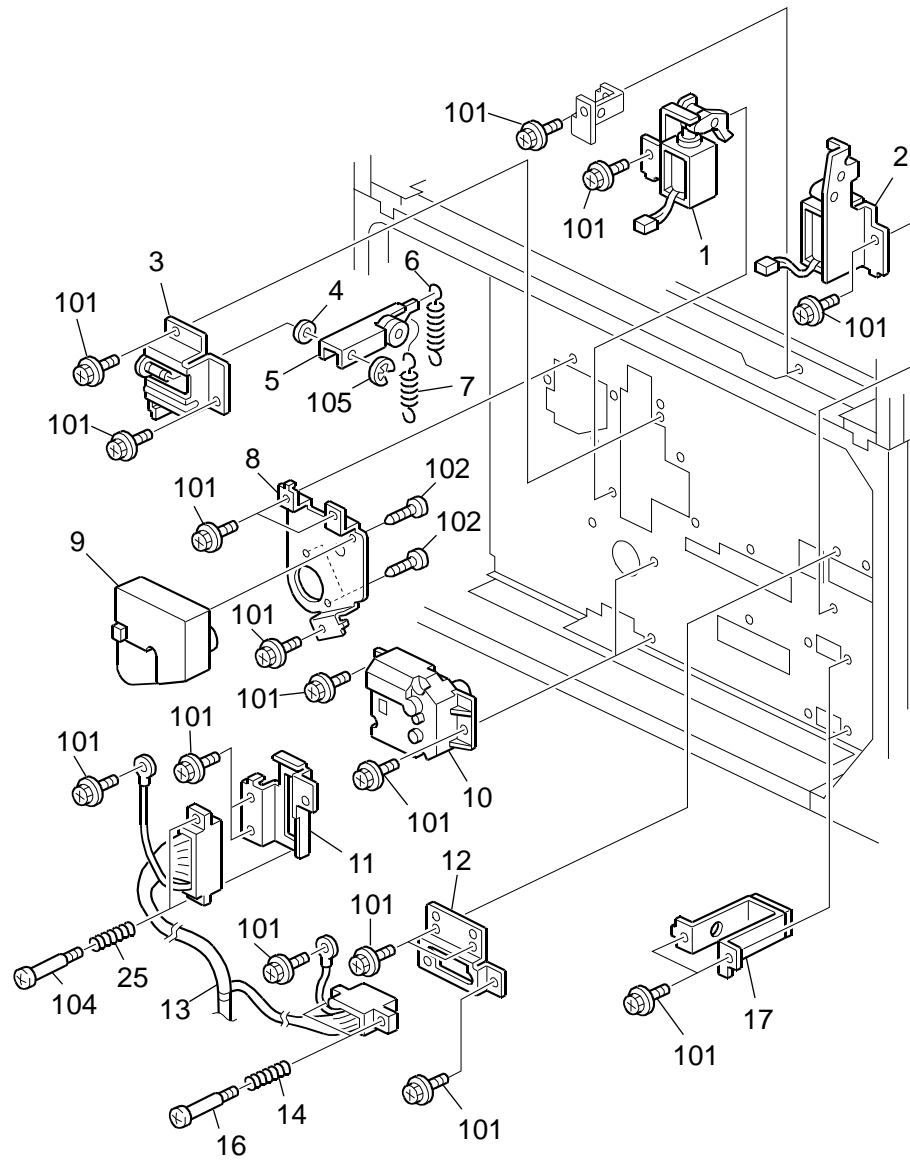


### 66.Electrical Section 5 (D131/D132/D133)

Index No.	Part No.	Description	Q'ty Per Assembly
1	B110 3777	Cover Temperature & Humidity Sensor	1
2	B065 3695	Bottle Guide	1
3	AW10 0107	Thermistor	1
4	B065 1845	Grounding Plate	1
5	D131 5132	PCB: pFB: Three Way	1
6	D062 5701	Harness: Bank: Front: Three Way	1
7	D062 5703	Harness: BCU: pFB: Connecting	1
8	D062 5502	Harness: Dc Power Supply: pFB	1
9	AX64 0150	Fan Motor: Mm60: 25mm: DC24V 4.8W	2

Index No.	Part No.	Description	Q'ty Per Assembly
101	0451 4008N	Tapping Screw: 4x8	
102	0451 3008N	Tapping Screw - M3x8	
103	1105 0488	Harness Clamp	
104	1105 0516	Clamp	
105	0454 3006Q	Tapping Screw - M3x6	
106	1105 0489	Harness Clamp - LWS 1316	
107	1105 0721	Clamp: LES-1808	
108	1105 0518	Clamp: LES-1010	
109	0313 0060N	Screw - M3x6	
110	0354 0300N	Screw: M4x30	

# 67.Electrical Section 6 (D131/D132/D133)

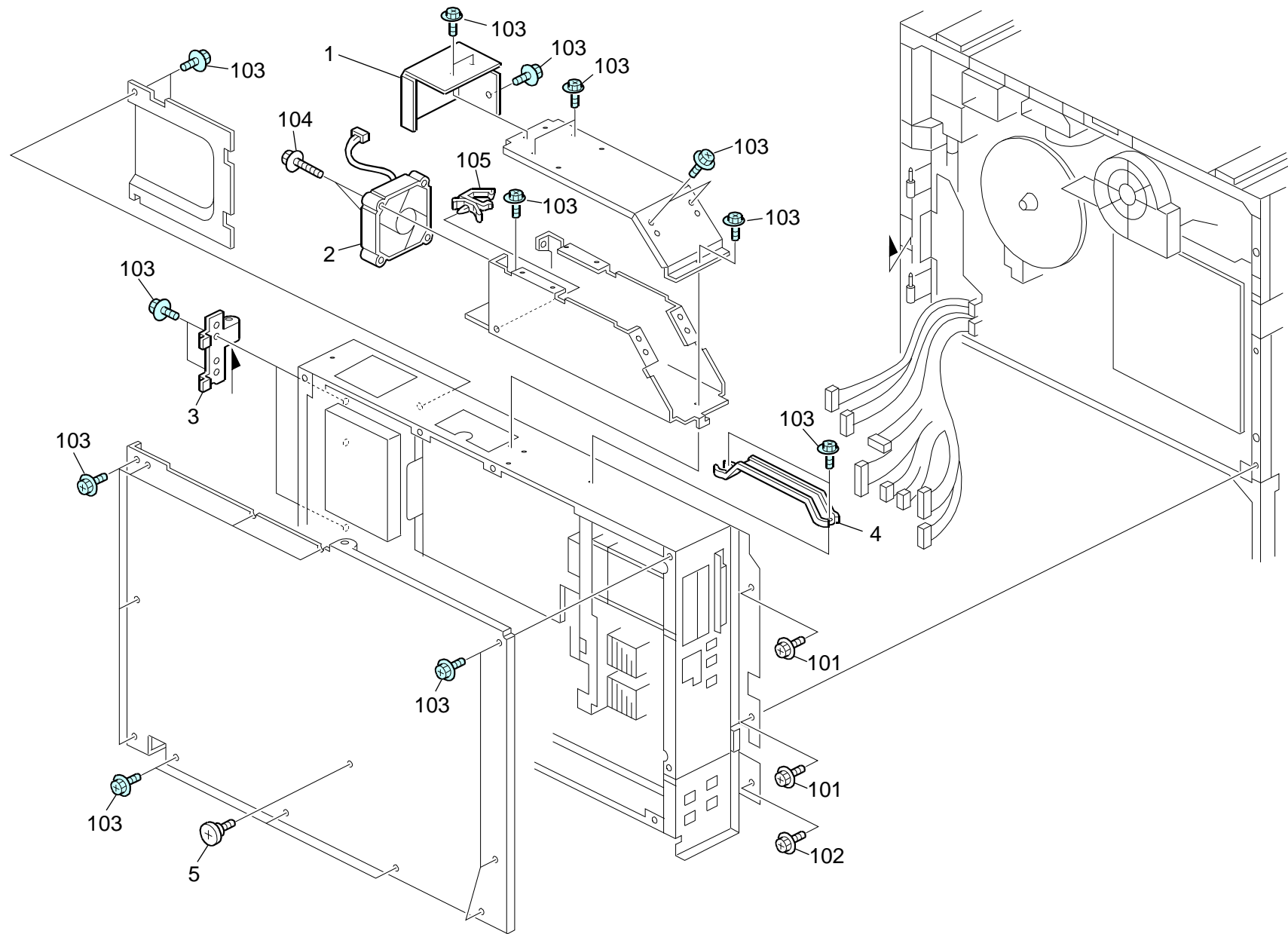


### 67.Electrical Section 6 (D131/D132/D133)

Index No.	Part No.	Description	Q'ty Per Assembly
1	B132 6762	DC Solenoid: Coupling: Ass'y	1
2	D059 6765	DC Solenoid: Lock: Ass'y	1
3	B132 6726	Bracket: Arm: Ass'y	1
4	AA13 2203	Spacer - 6mm	1
5	B065 6769	Lock Arm	1
6	B247 6753	Lock Spring - Large	1
7	B247 6754	Lock Spring - Small	1
8	D066 6738	Bracket: Lift Motor: Tandem LCT	1
9	B132 6760	DC Motor 24V 19.6W	1
10	AX04 0254	DC Motor: Rising Tray: Ass'y	2
11	B065 6767	Right Connecting Bracket	1
12	B132 6763	Bracket: Connector: Left	1
13	D066 5700	Harness: Bank: Rear: Three Way	1
13	D066 5709	Harness: Bank: Rear: Three Way: Ass'y	1
14	AA06 3880	Spring	2
16	AA14 3797	Connector Guide Pin	2
17	D059 6172	Paper Tray Stopper	2
25	AA06 3901	Compression Spring: Drawer	2

Index No.	Part No.	Description	Q'ty Per Assembly
101	0451 4008N	Tapping Screw: 4x8	
102	0452 4010N	Binding Self-tapping Screw: 4x10	
103	0313 0050N	Philips Pan Head Screw - M3x5	
104	0803 0058	Stepped Screw	
105	0720 0040E	Retaining Ring - M4	
106	1102 6245	Relay Connector - 2P	

# 68.Electrical Section 7 (D131/D132/D133)

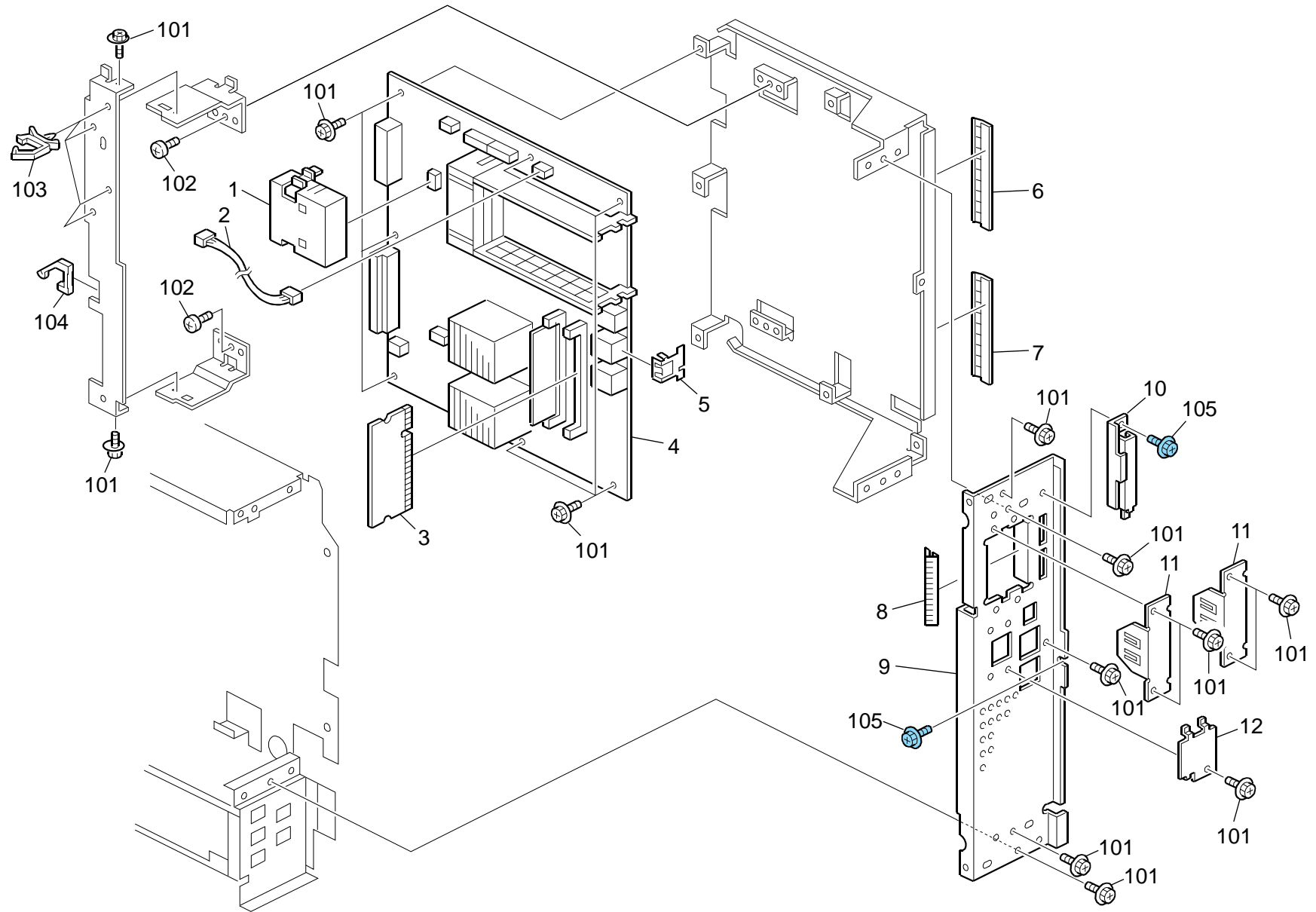


### 68.Electrical Section 7 (D131/D132/D133)

Index No.	Part No.	Description	Q'ty Per Assembly
1	D062 5891	Cover: Dc Fan Motor	1
2	AX64 0177	Fan Motor DC12V 3.6W	1
3	D062 5817	Hinge: Control Unit	2
4	B712 5605	Grip: Application	1
5	AA14 3801	Screw: M4: Exterior	1

Index No.	Part No.	Description	Q'ty Per Assembly
101	0451 3008N	Tapping Screw - M3x8	
102	0451 4008N	Tapping Screw: 4x8	
103	0454 3006Q	Tapping Screw - M3x6	
104	0451 3030N	Tapping Screw: 3x30	
105	1105 0516	Clamp	

# 69.Electrical Section 8 (D131/D132/D133)



**69.Electrical Section 8 (D131/D132/D133)**

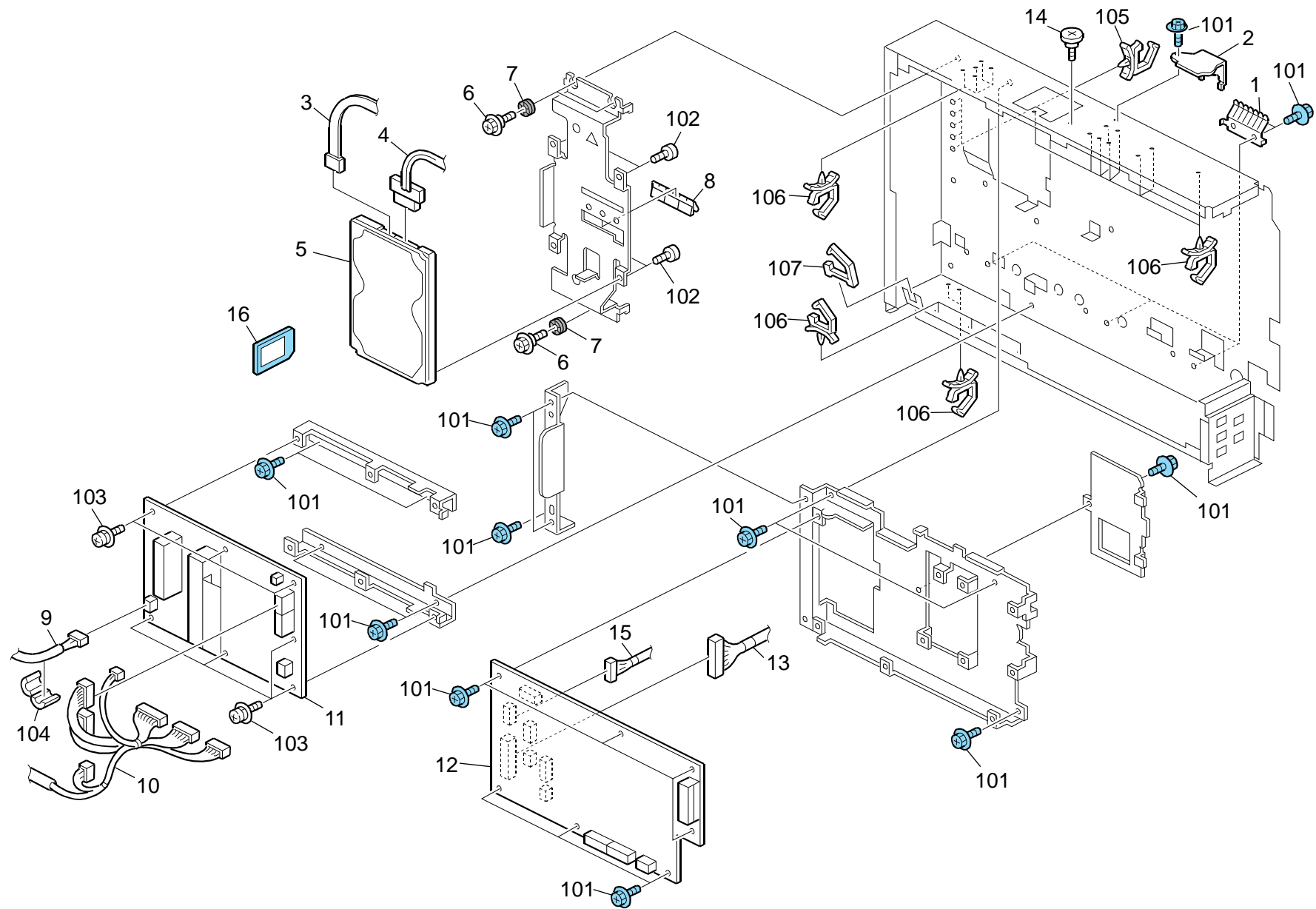
Rev. 09/12/2012

Index No.	Part No.	Description	Q'ty Per Assembly
1	AX31 0045	Total Counter: 7FIG: 24V	1
1	D131 9590	Total Counter: Service	1
2	D062 5513	Harness: CTL: Fan: Connecting	1
3	G178 6062	PCB: PC4200: RAWCARD-C: 512MB	1
3	G178 6072	PCB: PC4200: RAWCARD-A: 1GB	1
4	D131 5608	PCB: EXP_CTL: Service: D131	1
4	D132 5608	PCB: EXP_CTL: Service: D132	1
4	D133 5608	PCB: EXP_CTL: Service: D133	1
5	D131 5979	Ground Plate: USB	1
6	D062 5883	Ground Plate: Control Board: L63.2	1
7	D062 5884	Ground Plate: Control Board: L76	1
8	B070 6877	Large Drum Stay Ground Plate	1
9	D062 5851	Bracket: Drum Stay: Control Board	1
10	D014 5973	Cover: SD-Card	1
11	B101 5993	Interface Panel	2
12	D014 5974	Cover: Connector: EFI	1

Index No.	Part No.	Description	Q'ty Per Assembly
101	0451 3006N	Tapping Screw - 3x6	
102	0353 0040N	Screw - M3x4	
103	1105 0516	Clamp	
104	1105 0521	Clamp - LES-1017	
105	0454 3006Q	Tapping Screw - M3x6	



# 70.Electrical Section 9 (D131/D132/D133)

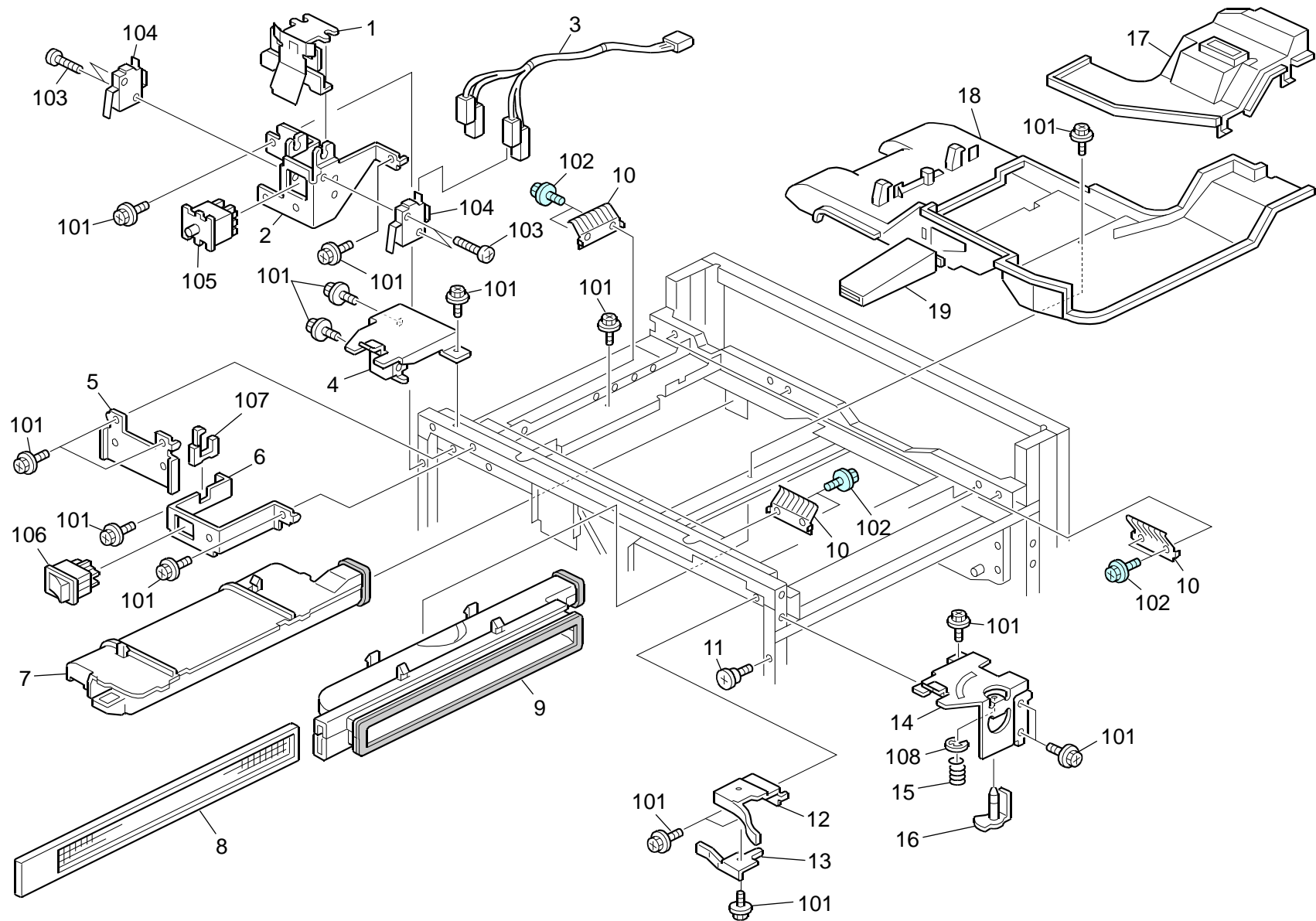


### 70.Electrical Section 9 (D131/D132/D133)

Index No.	Part No.	Description	Q'ty Per Assembly
1	B065 1844	Grounding Plate	5
2	D131 5820	Cover: USB	1
3	D062 5782	Cable: HDD: SATA: Gray: M-C4	1
4	D131 5784	Cable: HDD: SATA: Power: M-C5	1
5	<b>D142 5765</b>	<b>HDD: Toshiba: 250GB</b>	<b>1</b>
6	AA14 3848	Stepped Screw - M3	3
7	AA16 1125	Rubber Cushion	3
8	D131 5834	Ground Plate: HDD	1
9	D062 5625	Harness: AC Power Supply: CTL-PSU	1
10	D062 5517	Harness: DC Power Supply: IPU	1
11	<b>AZ23 0235</b>	<b>Power Supply Unit: CTL: DOM/NA: M-C4</b>	<b>1</b>
11	<b>AZ23 0244</b>	<b>Power Supply Unit: CTL: EU/AA: M-C4</b>	<b>1</b>
12	<b>D131 5141</b>	<b>PCB: IPU</b>	<b>1</b>
13	D062 5451	Harness: IPU: BCU: 50	1
14	5206 2684	Shoulder Screw - M3	1
15	D062 5452	Harness: IPU: BCU: 40	1
16	D131 5595	SD-Card: PSunit/VM_Calypso: EXP: Ass'y	1

Index No.	Part No.	Description	Q'ty Per Assembly
101	0454 3006Q	Tapping Screw - M3x6	
102	0353 0040N	Screw - M3x4	
103	0954 3008N	Screw - M3x8	
104	1607 1092	Ferrite Core: RFC-10	
105	1105 0488	Harness Clamp	
106	1105 0516	Clamp	
107	1105 0518	Clamp: LES-1010	

# 71.Frame Section 1 (D131/D132/D133)

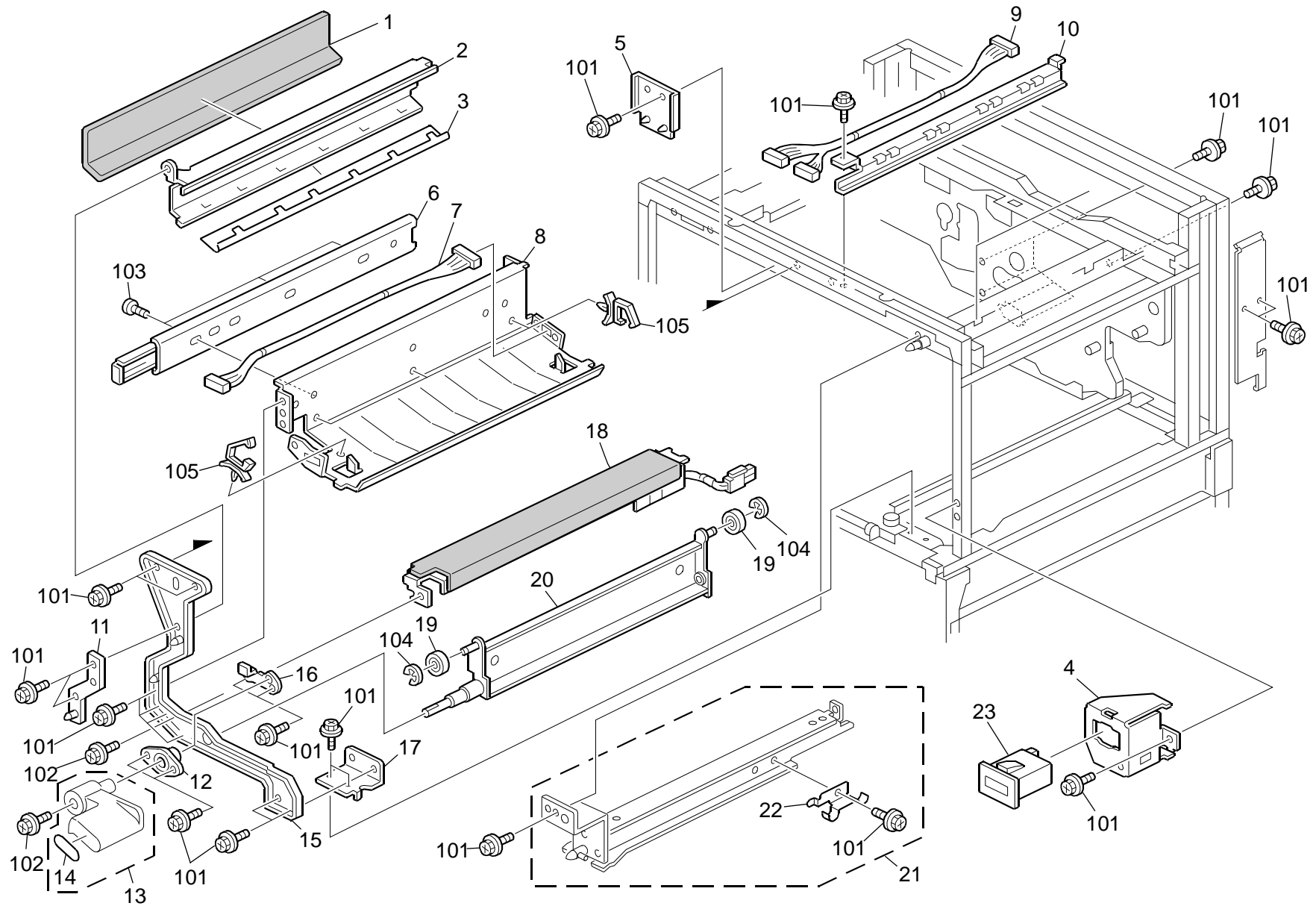


### 71.Frame Section 1 (D131/D132/D133)

Index No.	Part No.	Description	Q'ty Per Assembly
1	B065 5041	Safety Switch Lever	1
2	D131 5812	Bracket: Safety Switch	1
3	D131 5430	Harness: Switch: Laser Diode	1
4	B065 1320	Receiving Tray - Operation Panel	1
5	B065 5816	Safety Switch Harness Cover	1
6	D131 5715	Bracket: Main Switch: C5	1
7	B065 1188	Duct - Fusing	1
<b>8</b>	<b>B070 2114</b>	<b>Filter - Toner</b>	<b>1</b>
9	B065 1185	Duct - Charge	1
10	B065 1845	Grounding Plate	7
11	AA14 3801	Screw: M4: Exterior	1
12	B065 3266	Toner Bottle Cam	1
13	B065 3267	Inner Back Cam	1
14	B065 1328	Upper Hinge Guide Plate	1
15	AA06 3052	Turret Spring	1
16	B132 1463	Hinge Shaft	1
17	D062 1179	Duct: Image Forming Section: Gate: Ass'y	1
18	D062 1175	Duct: Image Forming Section: Main: Ass'y	1
19	D062 1177	Duct: Toner Bottle	1

Index No.	Part No.	Description	Q'ty Per Assembly
101	0451 4008N	Tapping Screw: 4x8	
102	0454 3006Q	Tapping Screw - M3x6	
103	0353 0120N	Screw M3x12	
104	1204 2521	Micro Switch	
105	1204 2390	Interlock Switch - FA8L-AB24	
106	1204 2903	Rocker Switch: A8GS-TGP85KR	
107	1105 0518	Clamp: LES-1010	
108	0720 0040E	Retaining Ring - M4	

## 72.Frame Section 2 (D131/D132/D133)

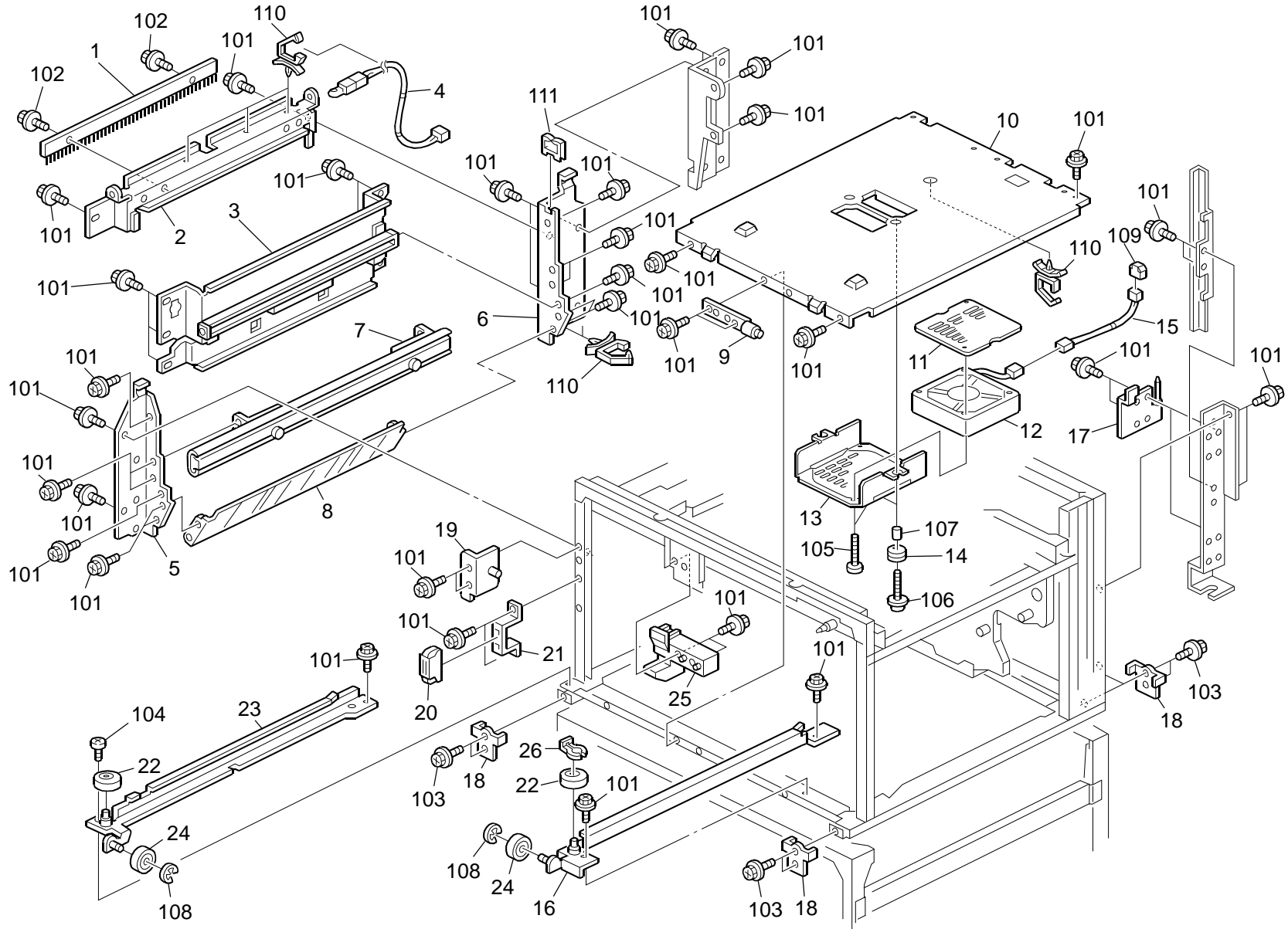


## 72.Frame Section 2 (D131/D132/D133)

Index No.	Part No.	Description	Q'ty Per Assembly
1	B065 1095	Heat Insulation	1
2	B065 1091	Left Duct - PCU	1
3	B065 1094	Duct Clip	1
4	D062 5918	Bracket: Total Counter	1
5	B247 4168	Positioning Plate: Fusing Unit: Ass'y	1
6	AA07 0084	Slide Rail: Fusing/Paper Exit Unit: Right	1
7	B065 3812	Transfer Rely Harness	1
8	B065 3811	Transfer Unit Stay	1
9	D131 2496	Harness: Connecting: PCU	1
10	B065 1098	Left Rail	1
11	B247 3820	Positioning Plate: Transfer Unit: Ass'y	1
12	AA08 2064	Bushing - 10mm	1
13	D131 3832	Lever: Transfer Unit: Ass'y	1
14	D131 3833	Decal: Lever: Transfer Unit	1
15	B247 3815	Channel: Lengthwise: Middle Front: Ass'y	1
16	B065 3831	Release Positioning Plate	1
17	B065 1096	Front Transfer Stay	1
<b>18</b>	<b>B246 3841</b>	<b>Heater: 120V</b>	<b>1</b>
18	B246 3843	Heater: 240V	1
19	6754 2866	Roller - Positioning Guide	2
20	B247 3827	Handle Stay	1
21	B065 3250	Rail: Development Unit: Ass'y	1
21	D066 3250	Rail: Development Unit: 90: Ass'y	1
22	A096 1679	Development Grounding Plate	1
23	AX31 0045	Total Counter: 7FIG: 24V	1

Index No.	Part No.	Description	Q'ty Per Assembly
101	0451 4008N	Tapping Screw: 4x8	
102	0360 4008N	Screw - M4X8	
103	0453 4008N	Binding Self Tapping Screw: 4x8	
104	0720 0040E	Retaining Ring - M4	
105	1105 0487	Harness Clamp	

# 73.Frame Section 3 (D131/D132/D133)



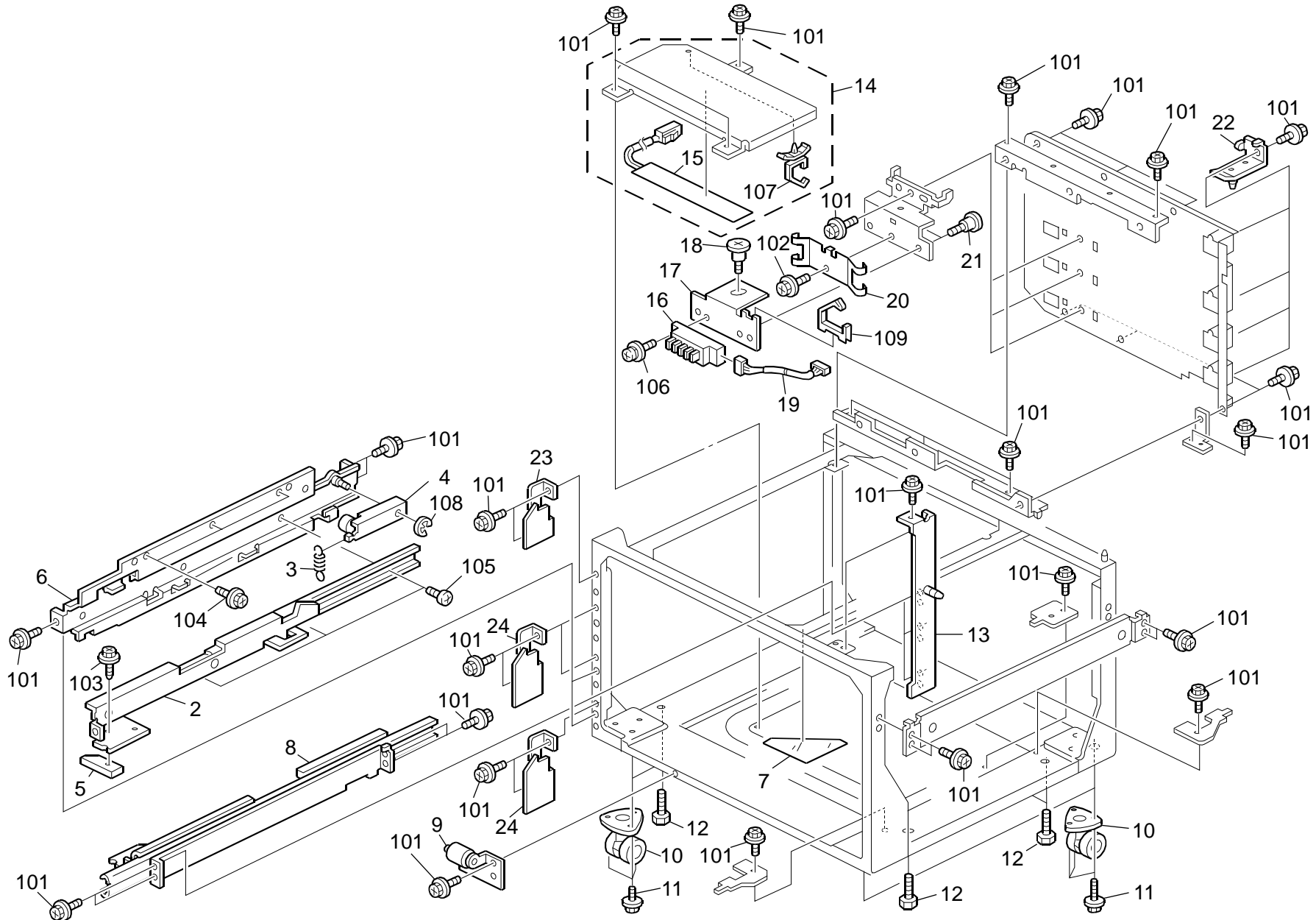
### 73.Frame Section 3 (D131/D132/D133)

Index No.	Part No.	Description	Q'ty Per Assembly
1	AA12 0067	Anti Static Brush	1
2	B246 4311	Guide Plate: Exit: Exit: Upper	1
3	B140 4313	Exhaust Cover Ass'y	1
4	B065 4499	Exit Detection Harness	1
5	D131 4306	Side Plate: Exhaust: Front	1
6	D131 4307	Side Plate: Exhaust: Rear	1
7	D062 4440	Slide Rail: Fusing/Paper Exit Unit: Left: Ass'y	1
8	B140 4312	Left Rise Guide Plate	1
9	B065 4830	Holder Bracket	1
10	B065 1075	Base Cover	1
11	D062 1199	Guard: Fan: MM80	1
12	AX64 0183	Fan Motor DC24V/1.92W	1
13	D062 1198	Bracket: DC Fan Motor: Duplex	1
14	AA16 1104	Cushion - Motor	2
15	B065 1198	Duplex Fan Harness	1
16	B247 4591	Right Duplex Rail	1
17	D062 5824	Hinge: Control Unit: Main: Ass'y	2
18	B065 1092	Bracket	4
19	B247 4263	Bracket: Shaft: Lock: Ass'y	1
20	AG07 1012	Magnet Catch: Ass'y	1
21	B065 1197	Magnet Catch Bracket	1
22	A300 2134	Guide Roller - B	2
23	B247 4835	Rail: Left: Machine or Copier: Ass'y	1
24	6754 2866	Roller - Positioning Guide	2
25	B065 4179	Stripper Pawls Plate	1
26	5447 2681	Snap Ring	1

Index No.	Part No.	Description	Q'ty Per Assembly
101	0451 4008N	Tapping Screw: 4x8	
102	0451 3006N	Tapping Screw - 3x6	
103	0451 4010N	Tapping Screw: 4x10	
104	0434 0080N	Pan Self-tapping Screw: M4x8	
105	0354 0300N	Screw: M4x30	
106	0951 4010N	Screw: Polished Round: M4x10	
107	0707 4050N	Bushing - 4x5	
108	0720 0040E	Retaining Ring - M4	
109	1102 6245	Relay Connector - 2P	
110	1105 0511	Harness Clamp - LWS-0306ZC	
111	1105 0328	Harness Clamp - ES-0505	



# 74.Frame Section 4 (D131/D132/D133)

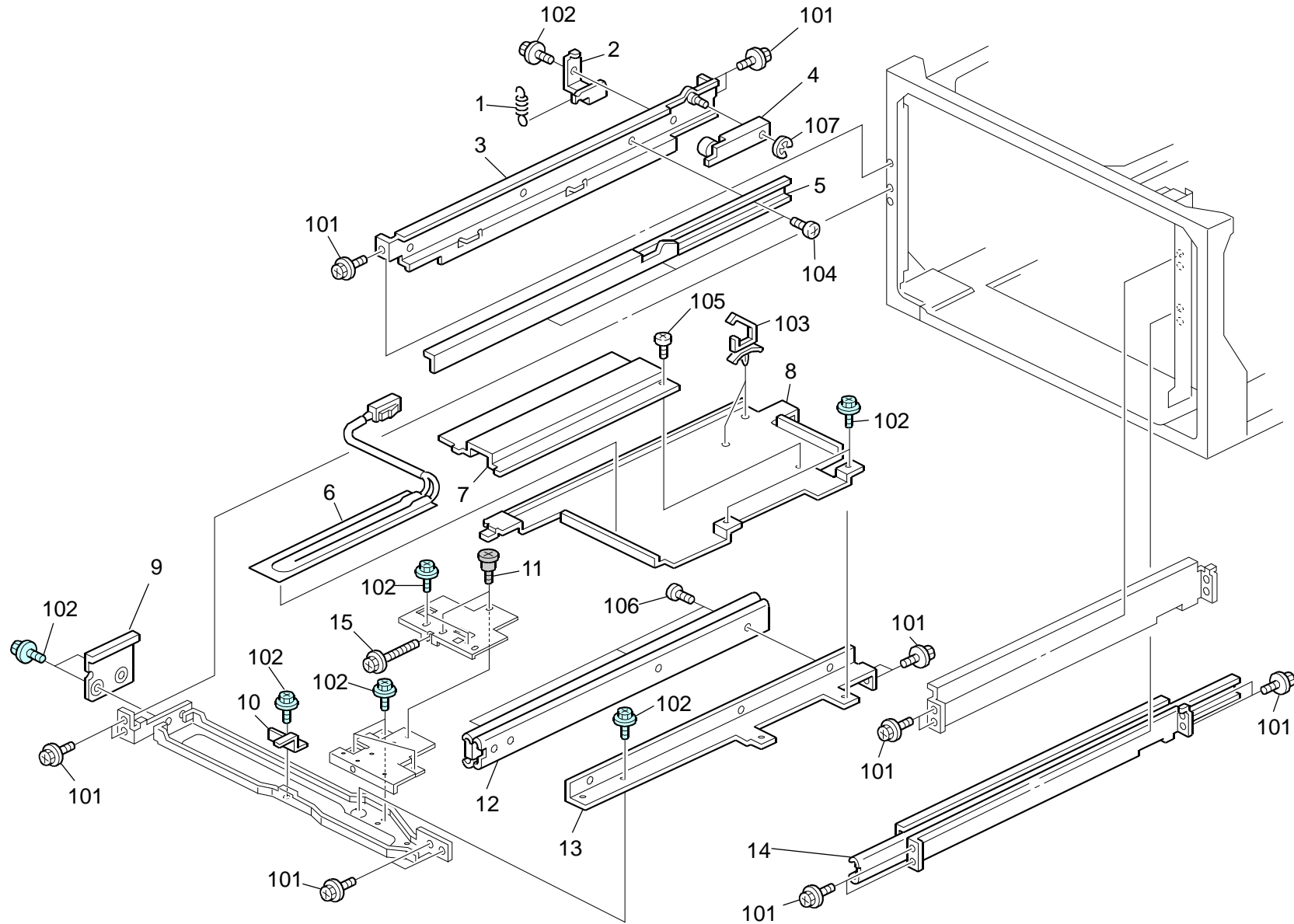


### 74.Frame Section 4 (D131/D132/D133)

Index No.	Part No.	Description	Q'ty Per Assembly
2	<b>D062 6246</b>	<b>Slide Rail: Paper Tray: Left: Sub-ass'y</b>	<b>2</b>
3	D059 6591	Spring: Paper Tray: Lock	2
4	B065 6136	Tray Lock Arm	2
5	D062 6610	Block: Positioning: Paper Tray	2
6	B247 6783	Base: Slide Rail: No.3: Peen	2
7	B098 6693	Shield: Frame: Paper Bank: Upper	1
8	D062 6280	Slide Rail: Right: Ass'y	2
9	B247 6062	Bracket: Holder: Ass'y	1
10	AH01 2040	Caster: 1470N: DIA60	4
11	AA14 3803	Flanged Hexagonal Head Bolt: Caster	12
12	AA14 3798	Hexagonal Bolt: M12x35	4
13	B065 6191	Side Plate - Paper Tray	1
14	B140 6221	Heat Sink: Heater: Lower: Sub-ass'y	1
14	B140 6226	Heat Sink: Heater: Lower: EU: Ass'y	1
15	AX40 0176	Heater: 115V: 18W: Upper	1
15	AX40 0178	Heater: 240V: 18W: Upper	1
16	AW50 0010	Push Switch	1
17	D059 6152	Bracket: Sensor: Paper Size Sensor: Moveable	1
18	AA14 0912	Screw - 8x14x2.8	1
19	B247 6800	Harness - Paper Size Sensor	1
20	D059 6153	Spring Plate: Bracket: Sensor: Paper Tray	1
21	AA14 3569	Screw	2
22	B247 6174	Bracket: Positioning: Paper Tray: Ass'y	4
23	D062 6859	Holder: Stopper: Tandem LCT	1
24	D062 6458	Holder: Stopper: Paper Tray	2

Index No.	Part No.	Description	Q'ty Per Assembly
101	0451 4008N	Tapping Screw: 4x8	
102	0451 4006N	Tapping Screw - 4x6	
103	0450 4008N	Tapping Screw - M4x8	
104	0451 3006N	Tapping Screw - 3x6	
105	0453 3006N	Tapping Screw - M3x6	
106	0954 3008N	Screw - M3X8	
107	1105 0516	Clamp	
108	0720 0040E	Retaining Ring - M4	
109	1105 0522	Edge Saddle - LES0510	

# 75.Frame Section 5 (D131/D132/D133)

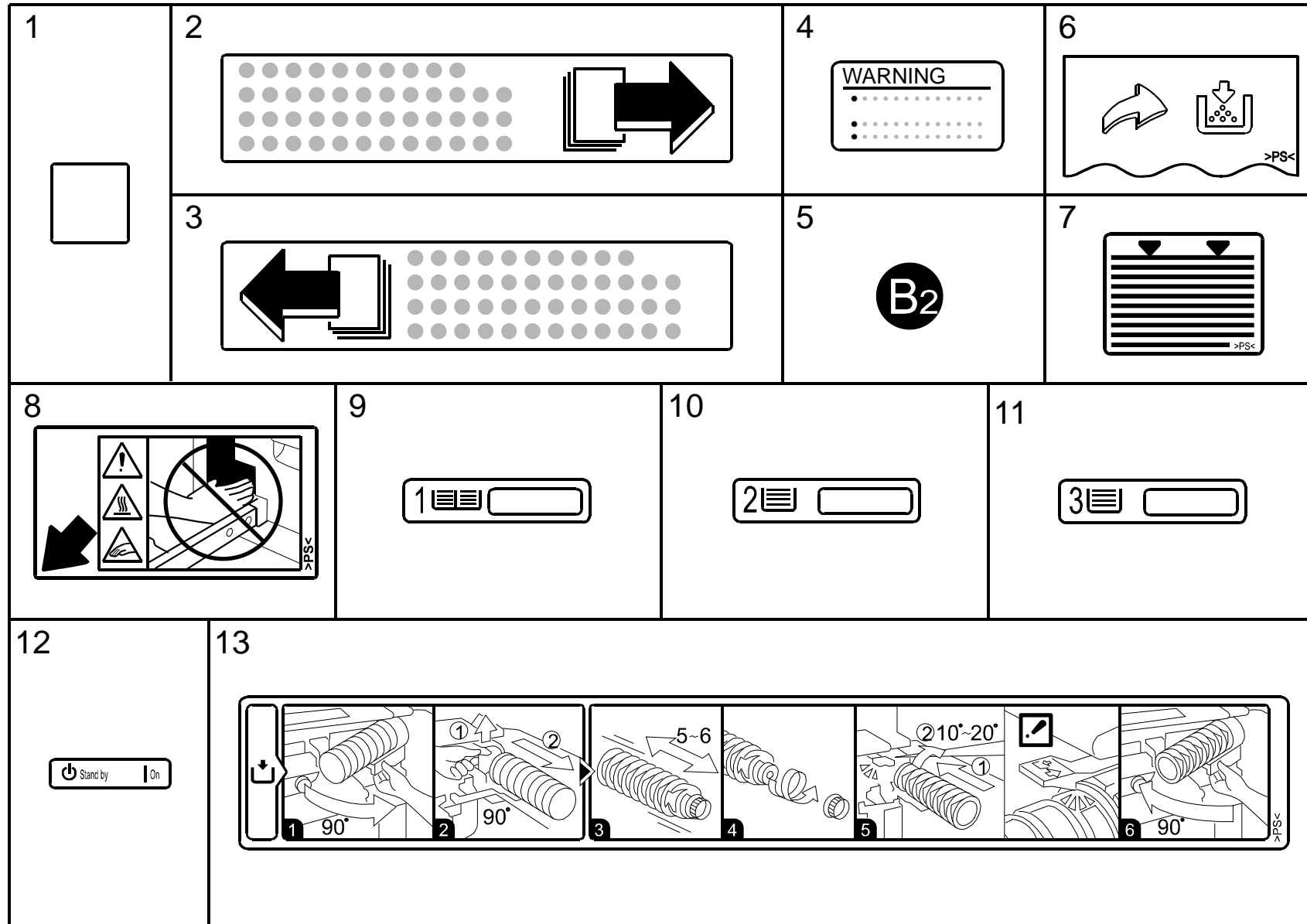


### 75.Frame Section 5 (D131/D132/D133)

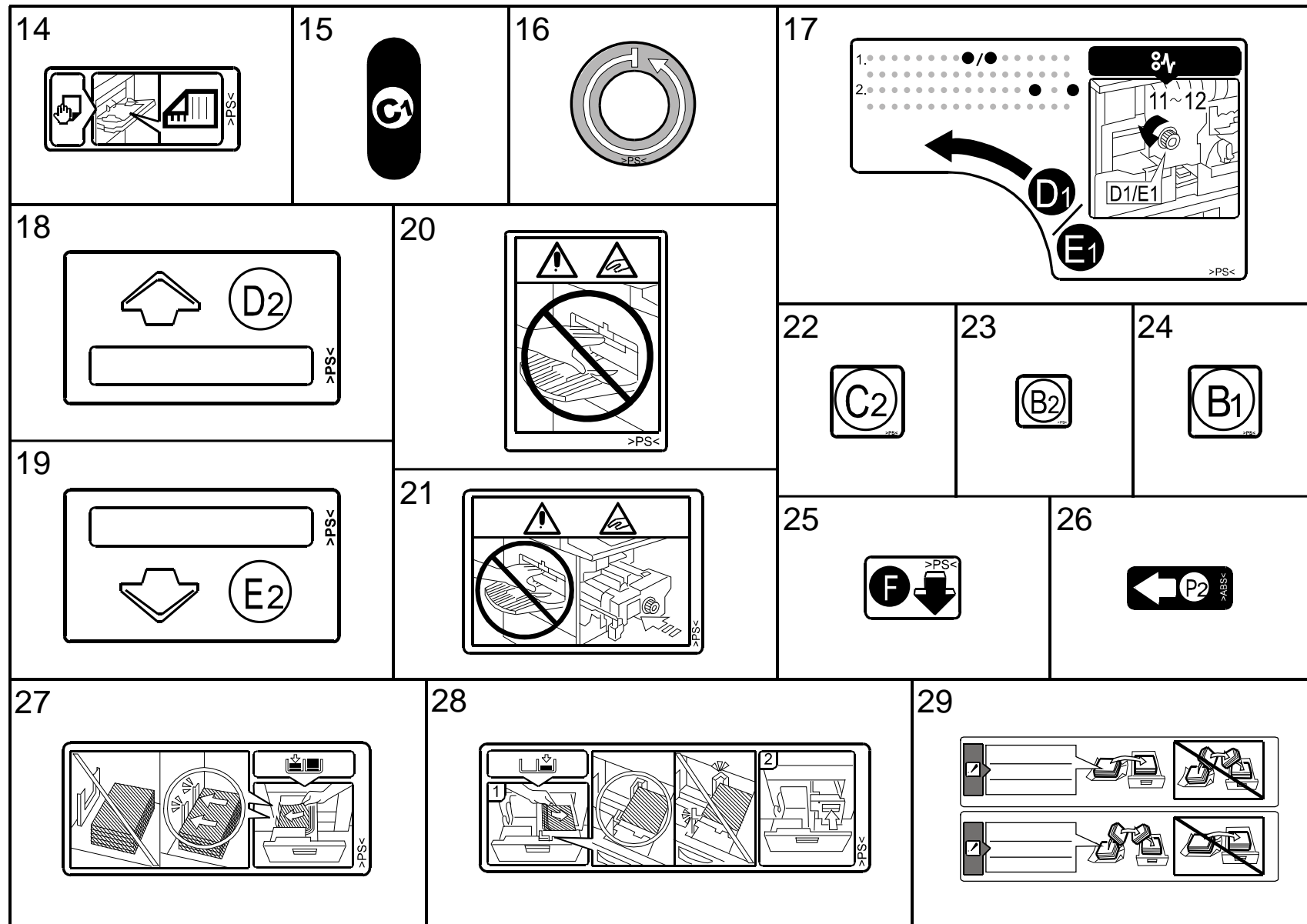
Index No.	Part No.	Description	Q'ty Per Assembly
1	D062 6590	Spring: Tandem LCT: Lock	1
2	D059 6742	Bracket: Rail: Left	1
3	B247 6792	Base: Slide Rail: Tandem LCT: Peen	1
4	B065 6136	Tray Lock Arm	1
5	D062 6256	Slide Rail: Tandem LCT: Left: Ass'y	1
6	AX40 0122	Anticondensation Heater - 120V 9W	1
6	AX40 0123	Anticondensation Heater - 230V 10W	1
7	A248 6103	Guide Plate - Upper Heat Sink	1
8	B065 6116	Upper Heat Sink	1
9	B065 6777	Supporting Plate: Stay	1
10	D062 6777	Bracket: Lever: Slide: Auxiliary	1
11	AA14 3810	Development Cover Screw	2
12	AA07 0087	Slide Rail: Tandem LCT	1
13	B065 6774	Slidebracket	1
14	D062 6275	Slide Rail: Tandem Lct: Right: Ass'y	1
15	D059 6858	Screw: M4x10	1

Index No.	Part No.	Description	Q'ty Per Assembly
101	0451 4008N	Tapping Screw: 4x8	
102	0454 4006Q	Tapping Screw: 4x6	
103	1105 0516	Clamp	
104	0453 3006N	Tapping Screw - M3x6	
105	0360 4006N	Screw - M4X6	
106	0314 0040N	Pan Head Screw - M4x4	
107	0720 0040E	Retaining Ring - M4	

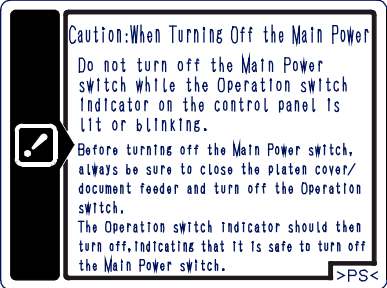
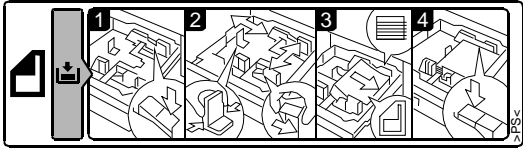
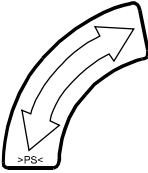
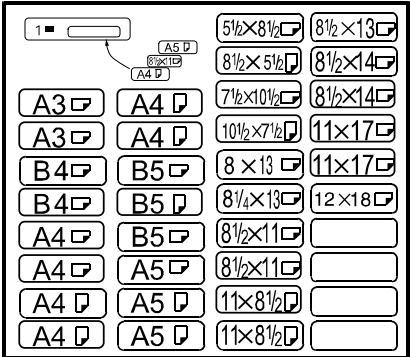
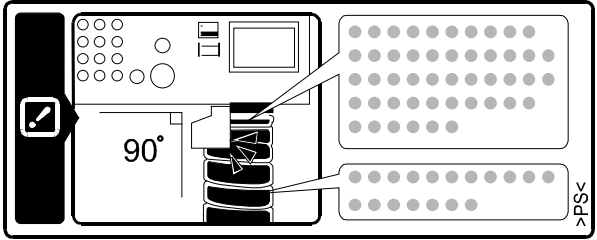
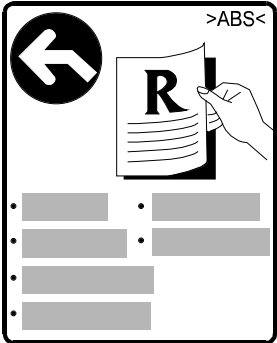
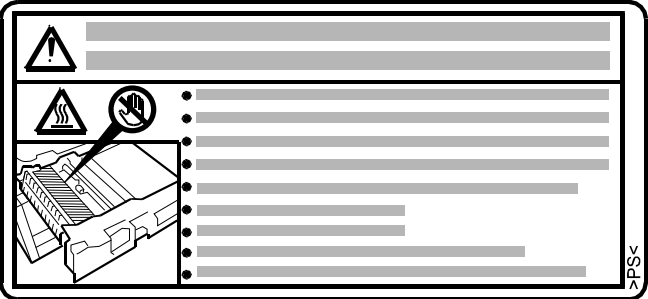
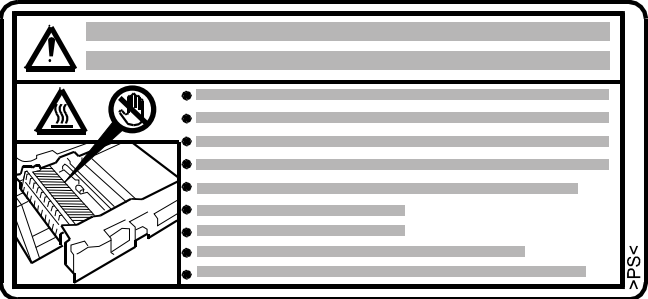
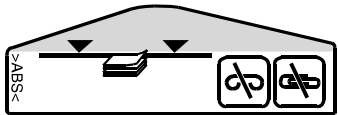
## 76.Decal and Documents (D131/D132/D133)



# 76. Decal and Documents (D131/D132/D133)

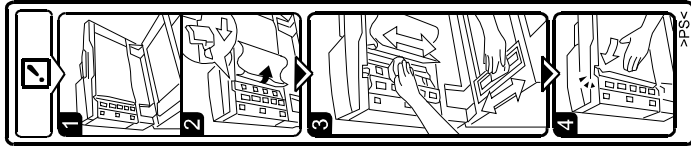


# 76.Decal and Documents (D131/D132/D133)

<p>30</p>  <p>Caution:When Turning Off the Main Power Do not turn off the Main Power switch while the Operation switch Indicator on the control panel is lit or blinking. Before turning off the Main Power switch, always be sure to close the platen cover/document feeder and turn off the Operation switch. The Operation switch Indicator should then turn off,indicating that it is safe to turn off the Main Power switch.</p> <p>&gt;PS&lt;</p>	<p>31</p> 	<p>35</p>  <p>&gt;PS&lt;</p>																																								
<p>36</p>  <table border="1"> <tr> <td>1</td> <td>A5 D 8 1/2 x 11</td> <td>5 1/2 x 8 1/2</td> <td>8 1/2 x 13</td> </tr> <tr> <td></td> <td>A4 D 8 1/2 x 11</td> <td>8 1/2 x 5 1/2</td> <td>8 1/2 x 14</td> </tr> <tr> <td>A3</td> <td>A4</td> <td>7 1/2 x 10 1/2</td> <td>8 1/2 x 14</td> </tr> <tr> <td>A3</td> <td>A4</td> <td>10 1/2 x 7 1/2</td> <td>11 x 17</td> </tr> <tr> <td>B4</td> <td>B5</td> <td>8 x 13</td> <td>11 x 17</td> </tr> <tr> <td>B4</td> <td>B5</td> <td>8 1/4 x 13</td> <td>12 x 18</td> </tr> <tr> <td>A4</td> <td>B5</td> <td>8 1/2 x 11</td> <td></td> </tr> <tr> <td>A4</td> <td>A5</td> <td>8 1/2 x 11</td> <td></td> </tr> <tr> <td>A4</td> <td>A5</td> <td>11 x 8 1/2</td> <td></td> </tr> <tr> <td>A4</td> <td>A5</td> <td>11 x 8 1/2</td> <td></td> </tr> </table>	1	A5 D 8 1/2 x 11	5 1/2 x 8 1/2	8 1/2 x 13		A4 D 8 1/2 x 11	8 1/2 x 5 1/2	8 1/2 x 14	A3	A4	7 1/2 x 10 1/2	8 1/2 x 14	A3	A4	10 1/2 x 7 1/2	11 x 17	B4	B5	8 x 13	11 x 17	B4	B5	8 1/4 x 13	12 x 18	A4	B5	8 1/2 x 11		A4	A5	8 1/2 x 11		A4	A5	11 x 8 1/2		A4	A5	11 x 8 1/2		<p>37</p>  <p>90°</p> <p>&gt;PS&lt;</p>	<p>39</p>  <p>&gt;ABS&lt;</p>
1	A5 D 8 1/2 x 11	5 1/2 x 8 1/2	8 1/2 x 13																																							
	A4 D 8 1/2 x 11	8 1/2 x 5 1/2	8 1/2 x 14																																							
A3	A4	7 1/2 x 10 1/2	8 1/2 x 14																																							
A3	A4	10 1/2 x 7 1/2	11 x 17																																							
B4	B5	8 x 13	11 x 17																																							
B4	B5	8 1/4 x 13	12 x 18																																							
A4	B5	8 1/2 x 11																																								
A4	A5	8 1/2 x 11																																								
A4	A5	11 x 8 1/2																																								
A4	A5	11 x 8 1/2																																								
<p>38</p>  <p>&gt;PS&lt;</p>	<p>38</p>  <p>&gt;PS&lt;</p>	<p>40</p>  <p>&gt;ABS&lt;</p>																																								

## 76.Decal and Documents (D131/D132/D133)

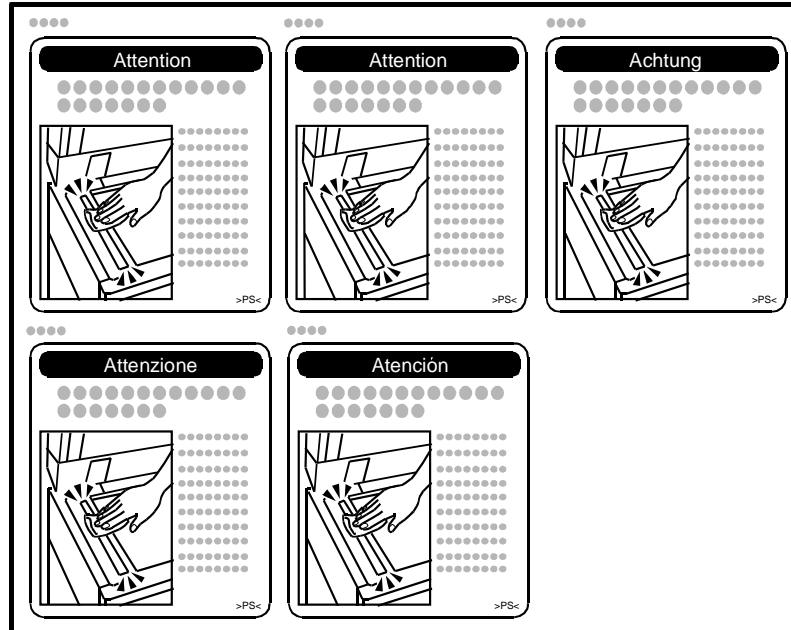
41



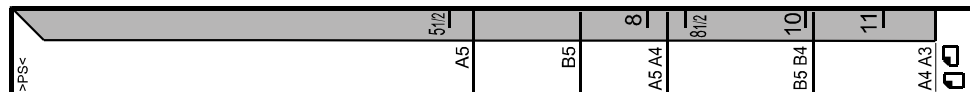
42

I/F Card Slot	
A	Option
B	Tandem
C	External CTL/ GIGA
SD Card Slot	
1	Option Slot
2	Service Slot
>PS<	

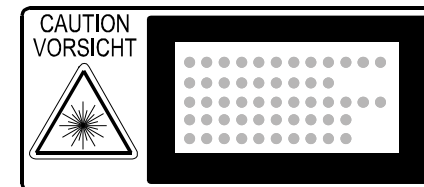
43



44



45





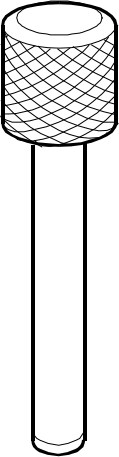
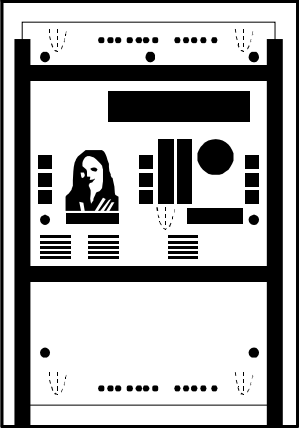
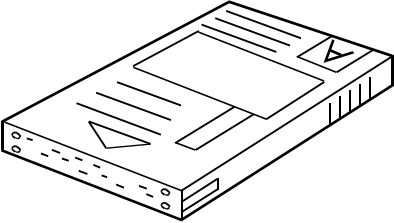
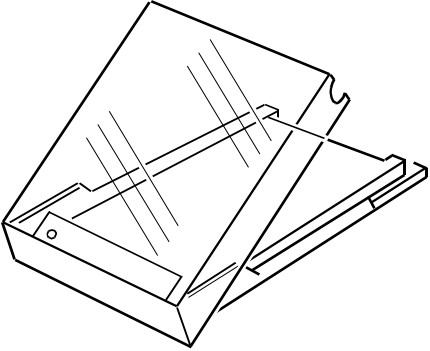
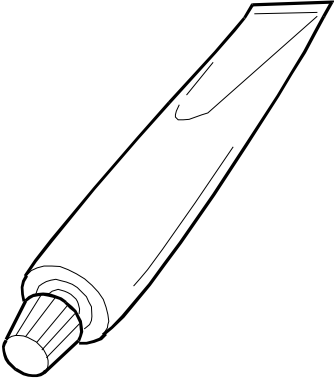
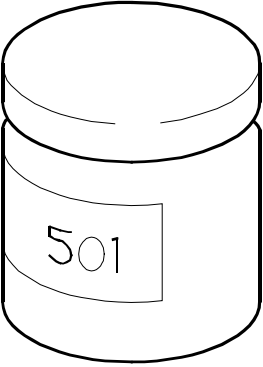
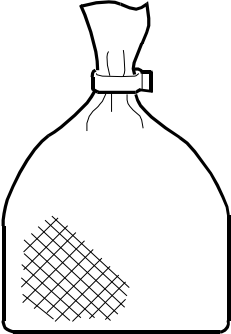


## 76.Decal and Documents (D131/D132/D133)

Index No.	Part No.	Description	Q'ty Per Assembly
1	AA00 0217	Decal - LD 655	1
2	AA00 1586	Decal: Side Fence: 40x30	1
3	AA00 1587	Decal: Side Fence: 16x30	1
4	AA00 1597	Decal: Side Fence: Rear	1
5	AA00 3048	Decal: Caution Chart: Paper Set Direction	1
6	AA00 3221	Decal: Paper Tray: Design Sketch: Multi-language	1
7	B065 3833	Decal - Transfer Unit Lever	1
8	D131 1361	Decal: Misfeed Removal: Main	1
9	D131 1362	Decal: Total Counter	1
10	D131 1363	Decal: Inner Cover: Right Lower	1
11	D131 1364	Decal: Toner: Supply	1
12	D131 1365	Decal: Lever: Release: Transfer	1
13	D131 1366	Decal: Cover	1
14	D131 1367	Decal: Main Switch: EU	1
15	D131 1368	Decal: Exposure Glass: Cleaning	1
16	D131 1369	Decal: Main Switch: Dom/Na	1
17	D131 1376	Decal: Caption: Interface	1
18	D131 1379	Decal: Caution: Original: EXP	1
19	D131 1383	Decal: Toner Supply Sub-unit: EXP	1
20	D131 1391	Decal: Caution: Original: English	1
21	D131 2643	Decal: Positioning Display: B2	1
22	D131 2876	Decal: Side Fence: Manual Feed	1
23	D131 3306	Decal: Toner Supply	1
24	D131 3833	Decal: Lever: Transfer Unit	1
25	D131 4167	Decal: Knob: Fusing	1
26	D131 4272	Decal: D1/E1: Multi-language : Many Languages	1
27	D131 4274	Decal: Misfeed Removal: D1/E1: EXP	1
28	D131 4281	Decal: Misfeed Removal: D3/D4: EXP	1
29	D131 4284	Decal: D3/D4: Multi-language : Many Languages	1
30	D131 4287	Decal: Grip: Fusing/Paper Exit Unit	1
31	D131 4481	Decal: Exit	1
32	D131 4797	Decal: H-temp Warning: Duplex Unit	1

Index No.	Part No.	Description	Q'ty Per Assembly
33	D131 4867	Decal: Lever: Guide Plate	1
34	D131 6429	Decal: Grip: Transport Sub-unit: Open And Close	1
35	D131 6786	Decal: Paper Tray: Paper Set Direction	1
36	D131 6846	Decal: Paper Set Direction: Tandem Lct: Left	1
37	D131 6870	Decal: Paper Set Direction: Tandem LCT: Right	1
38	D131 6871	Decal: Caution Chart: Tandem LCT	1
39	D131 6876	Decal: Paper Set Direction: Tandem Tray: Left	1
40	D131 6877	Decal: Paper Set Direction: Tandem Tray: Right	1
41	D131 7041	Decal: Model Name Plate: D131: EXP	1
41	D131 7042	Decal: Model Name Plate: D131: EXP: SP	1
41	D131 7044	Decal: Model Name Plate: D131: LAN	1
41	D131 7047	Decal: Model Name Plate: D131: GES	1
41	D132 7041	Decal: Model Name Plate: D132	1
41	D132 7042	Decal: Model Name Plate: D132: EXP: SP	1
41	D132 7044	Decal: Model Name Plate: D132: LAN	1
41	D132 7047	Decal: Model Name Plate: D132: GES	1
41	D133 7041	Decal: Model Name Plate: D133: EXP	1
41	D133 7042	Decal: Model Name Plate: D133: EXP: SP	1
41	D133 7044	Decal: Model Name Plate: D133: LAN	1
41	D133 7047	Decal: Model Name Plate: D133: GES	1
42	D131 7911	Decal: Caution: Original: Many Languages	1
43	D131 7913	Decal: Toner Supply Sub-unit: Many Languages	1
44	D131 8510	Decal: Size Indication: Multi-language: C5	1
45	D609 4402	Decal: Set: Original Table	1
46	D609 4406	Decal: Size: Original	1
47	D609 4407	Decal: Base: Original	1
48	D609 4408	Decal: Misfeed Removal: Lever	1
49	GA00 3274	Decal: PDF Direct: I-gray: PS	1

# 77.Special Tools (D131/D132/D133)

<p>1</p> 	<p>2</p> 	<p>3</p> 	<p>4</p> 
<p>5</p> 	<p>6</p> 	<p>7</p> 	

### 77.Special Tools (D131/D132/D133)

Index No.	Part No.	Description	Q'ty Per Assembly
1	A006 9104	Adjusting Scanner Pin (4pcs/set)	1
2	A292 9500	Test Chart - S5S (10 pcs/set)	1
2	VSST 9500	Test Chart - S5S- DF (10 sheet/set)	1
3	N803 6701	Flash Memory Card-4MB	1
4	N803 1000	Case - Flash Memory Card	1
5	A257 9300	Grease - Barrierta S552R	1
6	5203 9501	Grease 501	1
6	5203 9502	Grease 501	1
7	5442 9101	Setting Powder	1

Index No.	Part No.	Description	Q'ty Per Assembly



**D131/D132/D133  
PARTS INDEX**

This section shows you the part numbers and descriptions used on this machine.

## PM Parts Index

Section Name	Part No.	Description in Service Manual	Description in Parts Catalog	Q'ty Per Assembly	Page and Index No.
Exterior 2 (D131/D132/D133) Operation Panel (D131/D132/D133)	D131 1233	Ozone Filter: Main: Exhaust	Ozone Filter: Main: Exhaust	1	19 - 13
	D132 1403	Operation Panel: M-c5: NA: Service Par	Operation Panel: M-c5: NA: Service Par	1	27 -
	*				
	D132 1405	Operation Panel: EU: Service Parts: As	Operation Panel: EU: Service Parts: As	1	27 -
	*				
	D132 1409	Operation Panel: M-c5: AA: Service Par	Operation Panel: M-c5: AA: Service Par	1	27 -
	*				
SADF 3 (D131/D132/D133)	A806 1295	Feed Belt	Feed Belt	1	33 - 12
	B477 2225	Pick-up Roller	Pick-up Roller	1	33 - 20
SADF 6 (D131/D132/D133)	B652 3121	Transport Belt	Transport Belt	1	39 - 18
Paper Feed Unit 1 (D131/D132/D133)	AF03 0081	Paper Feed Roller: Pickup	Paper Feed Roller: Pickup	1	71 - 2
	AF03 1082	Paper Feed Roller: Feed	Paper Feed Roller: Feed	1	71 - 3
Paper Registration 1 (D131/D132/D133)	AF03 1083	Paper Feed Roller: Feed: Manual Feed	Paper Feed Roller: Feed: Manual Feed	1	77 -
	12				
	AF03 0080	Paper Feed Roller: Pickup	Paper Feed Roller: Pickup	1	77 - 18
Paper Registration 2 (D131/D132/D133)	AF03 2080	Paper Feed Roller: Separate	Paper Feed Roller: Separate	1	79 - 16
Toner Supply Unit (D131/D132/D133)	D131 3161	Case: Classification: Ass'y	Case: Classification: Ass'y	1	85 - 1
	D133 3161	Case: Classification: D133: Ass'y	Case: Classification: D133: Ass'y	1	85 - 1
	B247 5311	Toner End Sensor: Ass'y	Toner End Sensor: Ass'y	1	85 - 9
Development Unit 1 (D131/D132/D133)	D131 3340	Filter: Development	Filter: Development	2	87 - 3
	D133 3340	Filter: Development: M-90	Filter: Development: M-90	1	87 - 6
Charge Unit (D131/D132/D133)	A096 2063	Corona Wire Cleaner	Corona Wire Cleaner	1	91 - 6
	AA06 2284	Pressure Spring	Pressure Spring	1	91 - 16
	B070 2364	Charge Corona Wire	Charge Corona Wire	1	91 - 17
	B234 2123	Cushion - Wire	Cushion - Wire	2	91 - 20
Charge Unit (D131/D132/D133)	A096 2060	Grid: Charge Corona: N	Grid: Charge Corona: N	1	91 - 26
PCU 1 (D131/D132/D133)	B247 3340	Filter: Development	Filter: Development	1	93 - 17
	B246 9510	OPC Drum: Mt-c3	OPC Drum: Mt-c3	1	93 - 19
PCU 2 (D131/D132/D133)	B247 2330	Brush Roller: Cleaning	Brush Roller: Cleaning	1	95 - 8
PCU 3 (D131/D132/D133)	AD04 1140	Cleaning Blade	Cleaning Blade	1	97 - 9
Transfer Belt Unit 1 (D131/D132/D133)	A293 3899	Transfer Belt - Mojito Service	Transfer Belt - Mojito Service	1	99 - 8
Transfer Belt Unit 2 (D131/D132/D133)	AD04 1126	Transfer Belt Cleaning Blade	Transfer Belt Cleaning Blade	1	101 - 1
Fusing Unit 1 (D131/D132/D133)	B065 4247	Brake Pad	Brake Pad	1	103 - 9
	AE04 5067	Roller: Cleaning Felt: 32m: Ass'y	Roller: Cleaning Felt: 32m: Ass'y	1	103 - 30
	AE04 5068	Roller: Cleaning Felt: 28m: Ass'y	Roller: Cleaning Felt: 28m: Ass'y	1	103 - 30



Section Name	Part No.	Description in Service Manual	Description in Parts Catalog	Q'ty Per Assembly	Page and Index No.
Fusing Unit 2 (D131/D132/D133) Fusing Unit 3 (D131/D132/D133)	D062 4191	Bushing: Front: Oil Supply	Bushing: Front: Oil Supply	1	103 - 33
	D062 4192	Bushing: Inner Back: Oil Supply	Bushing: Inner Back: Oil Supply	1	103 - 34
	AE04 4068	Pressure Roller: Cleaning Felt	Pressure Roller: Cleaning Felt	1	103 - 36
	AE04 4060	Stripper Pawls	Stripper Pawls	5	105 - 15
	AE03 0017	Ball Bearing - 35x50x10	Ball Bearing - 35x50x10	1	107 - 16
	AE01 1044	Hot Roller	Hot Roller	1	107 - 21
	AX44 0306	Heater: 230V: 550W	Heater: 230V: 550W	1	107 - 22
	AX44 0307	Heater: 230V: 650W	Heater: 230V: 650W	1	107 - 23
	AE03 0018	Ball Bearing - 12x28x8	Ball Bearing - 12x28x8	1	107 - 25
	AE02 0178	Pressure Roller: DIA50	Pressure Roller: DIA50	1	107 - 26
Fusing Unit 4 (D131/D132/D133)	AW10 0131	Thermistor: Fusing: Middle	Thermistor: Fusing: Middle	1	109 - 12
	AW10 0132	Thermistor: Fusing: Inner Back	Thermistor: Fusing: Inner Back	1	109 - 13
	AE03 0054	Ball Bearing - 40x52x7	Ball Bearing - 40x52x7	1	109 - 23
	AX44 0305	Heater: 120V: 650W	Heater: 120V: 650W (NA)	1	109 - 30
	AX44 0304	Heater: 120V: 550W	Heater: 120V: 550W (NA)	1	109 - 31
	AE03 0053	Ball Bearing - 8x19x6	Ball Bearing - 8x19x6	1	109 - 33
	AE02 0209	Pressure Roller: DIA40	Pressure Roller: DIA40	1	109 - 34
	AE01 1117	Hot Roller: Mm40	Hot Roller: Mm40	1	109 - 35
	AE03 1024	Bushing - M4x7	Bushing - M4x7	1	111 - 6
	AE04 2052	Cleaning Roller	Cleaning Roller	1	111 - 7
Fusing Unit 5 (D131/D132/D133)	D062 4226	Bushing: Oil Supply	Bushing: Oil Supply	1	113 - 5
Fusing Unit 6 (D131/D132/D133)	AE04 2066	Fusing Cleaning Roller	Fusing Cleaning Roller	1	113 - 6
Electrical Section 1 (D131/D132/D133)	D131 5122	PCB: BCU: 60-75cpm: Service	PCB: BCU: 60-75cpm: Service	1	139 - 9
Electrical Section 2 (D131/D132/D133)	D133 5122	PCB: BCU: 90Cpm: Service	PCB: BCU: 90Cpm: Service	1	139 - 9
	D131 5014	PCB: Cnb: Ass'y	PCB: Cnb: Ass'y	1	141 - 20
	D133 5014	PCB: Cnb: 90: Ass'y	PCB: Cnb: 90: Ass'y	1	141 - 20
	D062 5016	PCB: Drb: 60-75: Ass'y	PCB: Drb: 60-75: Ass'y	1	141 - 21
	D066 5016	PCB: Drb: 80-90: Ass'y	PCB: Drb: 80-90: Ass'y	1	141 - 21
Electrical Section 4 (D131/D132/D133)	AZ24 0174	Power Supply Unit: Main: Dom/Na: Mc-4	Power Supply Unit: Main: Dom/Na: Mc-4	1	145 -
	3				
	AZ24 0182	Power Supply Unit: Main: Eu/Aa: M-c4	Power Supply Unit: Main: Eu/Aa: M-c4	1	145 - 3
Electrical Section 4 (D131/D132/D133)	AZ24 0186	Power Supply Unit: Main: Na/kor/Twn: M	Power Supply Unit: Main: Na/kor/Twn: M	1	145 -
	3				
Electrical Section 9 (D131/D132/D133)	D142 5765	HDD: Toshiba: 250GB	HDD: Toshiba: 250GB	1	155 - 5

Section Name	Part No.	Description in Service Manual	Description in Parts Catalog	Q'ty Per Assembly	Page and Index No.
	AZ23 0235 11	Power Supply Unit: CTL: Dom/Na: M-c4	Power Supply Unit: CTL: Dom/Na	M-c4	1 155 -
	AZ23 0244	Power Supply Unit: CTL: Eu/Aa: M-c4	Power Supply Unit: CTL: Eu/Aa: M-c4	1	155 - 11
	D131 5141	PCB: IPU	PCB: IPU	1	155 - 12
Frame Section 1 (D131/D132/D133)	B070 2114	Filter - Toner	Filter - Toner	1	157 - 8
Frame Section 2 (D131/D132/D133)	B246 3841	Heater: 120V	Heater: 120V	1	159 - 18
Frame Section 4 (D131/D132/D133)	D062 6246	Slide Rail: Paper Tray: Left: Sub-ass'	Slide Rail: Paper Tray: Left: Sub-ass'	2	163 - 2



## Parts Index

Part No.	Description	Page and Index No.
D131 1136	Shaft: Fusing Drive Sub-unit	135 - 12
D131 1233	Ozone Filter: Main: Exhaust	19 - 13
D131 1301	Door: Front	17 - 1
D131 1302	Cover: Right Upper	19 - 20
D131 1303	Cover: LCT (EU/AA)	19 - 23
D131 1304	Cover: Left Upper	19 - 2
D131 1305	Cover: Rear Upper	19 - 10
D131 1306	Cover: Rear Lower	19 - 26
D131 1309	Cover: Upper Rear	21 - 9
D131 1310	Cover: Upper Right	21 - 13
D131 1311	Cover: Upper Left	21 - 2
D131 1312	Inner Cover: Right Lower	17 - 27
D131 1313	Inner Cover: Around The Photoconductor	17 - 21
D131 1314	Inner Cover: Operation Sub-unit	21 - 18
D131 1315	Inner Cover: Main Switch	17 - 18
D131 1316	Inner Cover: Fusing Unit: Upper	17 - 19
D131 1318	Cover: Rear Lower: NA	19 - 26
D131 1320	Seal: Door: Right Upper	17 - 37
D131 1323	Lever: Guide Plate: Vertical Transport	17 - 10
D131 1325	Cover: Main Switch	17 - 8
D131 1326	Design Plate: Right Rear	21 - 11
D131 1327	Design Plate: Left Rear	21 - 10
D131 1328	Design Plate: Right	21 - 14
D131 1329	Design Plate: Left	21 - 3
D131 1332	Louver: Filter	19 - 18
D131 1333	Cover: Right Lower	19 - 24
D131 1334	Cover: Left Lower	19 - 3
D131 1336	Duct: Cover: Exhaust	19 - 14
D131 1341	Cap: Connector	19 - 21
D131 1342	Cap: Coupling	19 - 25
D131 1344	Cap: G4	19 - 22
D131 1345	Cover: Upper Front	21 - 6
D131 1346	Design Plate: Front Right	21 - 8
D131 1347	Design Plate: Front Left	21 - 7
D131 1351	Cover: Operation Panel	27 - 28

Part No.	Description	Page and Index No.
D131 1354	Ground Plate: Operation Panel: Side	21 - 15
D131 1356	Bracket: Cover: Rear Lower	19 - 19
D131 1361	Decal: Misfeed Removal: Main	17 - 4
D131 1361	Decal: Misfeed Removal: Main	167 - 8
D131 1362	Decal: Total Counter	167 - 9
D131 1362	Decal: Total Counter	17 - 25
D131 1363	Decal: Inner Cover: Right Lower	167 - 10
D131 1363	Decal: Inner Cover: Right Lower	17 - 28
D131 1364	Decal: Toner: Supply	17 - 5
D131 1364	Decal: Toner: Supply	167 - 11
D131 1365	Decal: Lever: Release: Transfer	17 - 20
D131 1365	Decal: Lever: Release: Transfer	167 - 12
D131 1366	Decal: Cover	19 - 1
D131 1366	Decal: Cover	167 - 13
D131 1367	Decal: Main Switch: EU	167 - 14
D131 1368	Decal: Exposure Glass: Cleaning	167 - 15
D131 1368	Decal: Exposure Glass: Cleaning	21 - 1
D131 1369	Decal: Main Switch: Dom/Na	17 - 17
D131 1369	Decal: Main Switch: Dom/Na	167 - 16
D131 1376	Decal: Caption: Interface	167 - 17
D131 1376	Decal: Caption: Interface	19 - 12
D131 1379	Decal: Caution: Original: EXP	17 - 16
D131 1379	Decal: Caution: Original: EXP	21 - 12
D131 1379	Decal: Caution: Original: EXP	167 - 18
D131 1383	Decal: Toner Supply Sub-unit: EXP	167 - 19
D131 1383	Decal: Toner Supply Sub-unit: EXP	83 - 24
D131 1391	Decal: Caution: Original: English	167 - 20
D131 1461	PCB: LCDC: NA: FT	27 - 27
D131 1462	PCB: LCDC: EU: FT	27 - 27
D131 1480	PCB: OP-R	27 - 22
D131 1518	Ground Plate: Operation Panel: Left	27 - 25
D131 1519	Ground Plate: Operation Panel: Right	27 - 26
D131 1679	Cover: Polygon Mirror Motor: Ass'y	53 - 14
D131 1683	Insulating Sheet: Original Sensor	51 - 24
D131 1686	Scale: Sheet Through: Ass'y	51 - 15

Part No.	Description	Page and Index No.
D131 1687	Scale: Sheet Through: NA: Ass'y	51 - 15
D131 1692	Scale: Rear: Printing	51 - 14
D131 1731	Image Scanning Board: Ass'y	53 - 1
D131 1772	Scale: Left	51 - 3
D131 2260	PCU: Lower: Ass'y	93 - *
D131 2261	PCU: Lower: NA: Ass'y	93 - *
D131 2362	Entrance Seal: Cleaning: Ass'y	97 - 26
D131 2413	Stay: Transfer: Entrance: Ass'y	95 - 26
D131 2496	Harness: Connecting: PCU	159 - 9
D131 2550	Paper Feed Unit: Machine Or Copier: Ass'y	71 - *
D131 2552	Knob: Duplex	17 - 24
D131 2615	Sponge: Registration Sensor: Guard	77 - 25
D131 2620	Discharge Brush: Paper Feed Unit: Registration	77 - 24
D131 2622	Sheet: Guard: Registration Sensor	77 - 23
D131 2643	Decal: Positioning Display: B2	81 - 2
D131 2643	Decal: Positioning Display: B2	167 - 21
D131 2717	Lever: Lock	81 - 1
D131 2730	Manual Feed Table: Ass'y	69 - *
D131 2733	Cover: Manual Feed Table	69 - 12
D131 2735	Side Fence: Manual Feed: Rear	69 - 2
D131 2736	Side Fence: Manual Feed: Front: Ass'y	69 - 1
D131 2738	Support Stay: Manual Feed: Front: Ass'y	69 - 6
D131 2740	Support Stay: Manual Feed: Rear: Ass'y	69 - 7
D131 2875	Decal: Paper Set Direction: Manual Feed	69 - 3
D131 2876	Decal: Side Fence: Manual Feed	167 - 22
D131 2876	Decal: Side Fence: Manual Feed	69 - 5
D131 3161	Case: Classification: Ass'y	85 - 1
D131 3210	Toner Supply Unit: Ass'y	85 - *
D131 3282	Pawl: Toner Bottle: Fix	83 - 13
D131 3290	Inner Cover: Development Sub-unit: Right: Ass'y	17 - 31
D131 3301	Bottle: Drive: Ass'y	83 - *
D131 3306	Decal: Toner Supply	167 - 23
D131 3306	Decal: Toner Supply	83 - 15

Part No.	Description	Page and Index No.
D131 3326	Brushless Motor: Development Drive Unit: Ass'y	135 - 1
D131 3340	Filter: Development	87 - 3
D131 3832	Lever: Transfer Unit: Ass'y	159 - 13
D131 3833	Decal: Lever: Transfer Unit	167 - 24
D131 3833	Decal: Lever: Transfer Unit	159 - 14
D131 3855	Transfer Unit: Ass'y	99 - *
D131 3945	Holder: Entrance Seal: Ass'y	99 - 22
D131 3949	Electrode Plate: Flat Belt-transfer	99 - 21
D131 3950	Bracket: Earth	99 - 20
D131 3951	Guide Plate: Transfer/Separation Unit: Vapor Deposition	99 - 19
D131 4001	Fusing Unit: NA: Ass'y	105 - *
D131 4003	Fusing Unit: M-C5: EU: Ass'y	105 - *
D131 4080	Stripper Pawls: Open And Close: Ass'y	105 - 1
D131 4114	Stay: Fusing: Left	111 - 21
D131 4114	Stay: Fusing: Left	113 - 29
D131 4117	Fusing Cover: Upper: Ass'y (D131/D132)	105 - 16
D131 4167	Decal: Knob: Fusing	103 - 5
D131 4167	Decal: Knob: Fusing	167 - 25
D131 4184	Grip: Stripper Pawls: Printing	105 - 10
D131 4249	Stay: Exit: Right: Ass'y	119 - 18
D131 4252	Stay: Exit: Left	119 - 1
D131 4255	Heat Insulation: Inner Cover: Fusing/Paper Exit	103 - 4
D131 4268	Inner Cover: Fusing/Paper Exit Unit	103 - 1
D131 4272	Decal: D1/E1: Multi-language: Many Languages	167 - 26
D131 4273	Cover: Grip: Exit	115 - 24
D131 4274	Decal: Misfeed Removal: D1/E1: EXP	103 - 3
D131 4274	Decal: Misfeed Removal: D1/E1: EXP	167 - 27
D131 4281	Decal: Misfeed Removal: D3/D4: EXP	103 - 40
D131 4281	Decal: Misfeed Removal: D3/D4: EXP	167 - 28
D131 4284	Decal: D3/D4: Multi-language: Many Languages	167 - 29
D131 4287	Decal: Grip: Fusing/Paper Exit Unit	115 - 30
D131 4287	Decal: Grip: Fusing/Paper Exit Unit	167 - 30

Part No.	Description	Page and Index No.
D131 4306	Side Plate: Exhaust: Front	161 - 5
D131 4307	Side Plate: Exhaust: Rear	161 - 6
D131 4363	Grip: Guide Plate: Upper: Ass'y	115 - 8
D131 4481	Decal: Exit	103 - 2
D131 4481	Decal: Exit	167 - 31
D131 4500	Duplex Unit: Ass'y	121 - *
D131 4515	Lever: Guide Plate: Adhesion	121 - 28
D131 4590	Harness: Connecting: Duplex	121 - 18
D131 4675	Grip: Release: Duplex Unit: Ass'y	121 - 3
D131 4683	Grip: Release: Fusing/Paper Exit Unit: Ass'y	115 - 29
D131 4734	Spring: Gate Pawl: Duplex	129 - 19
D131 4740	DC Solenoid: Gate Pawl: Ass'y	129 - 20
D131 4797	Decal: H-temp Warning: Duplex Unit	167 - 32
D131 4797	Decal: H-temp Warning: Duplex Unit	121 - 1
D131 4799	Inner Cover: Duplex Unit	121 - 2
D131 4814	Roller: Turn: Duplex	127 - 1
D131 4860	Guide Plate: Duplex: Lower	129 - 3
D131 4866	Knob: Reverse Unit	123 - 2
D131 4867	Decal: Lever: Guide Plate	121 - 29
D131 4867	Decal: Lever: Guide Plate	167 - 33
D131 4933	Guide Plate Lever Hook	121 - 27
D131 4980	Harness: Duplex Unit: 32Pin	129 - 24
D131 4983	Harness: Duplex Unit: 12Pin	129 - 25
D131 5014	PCB: CNB: Ass'y (D131/D132)	141 - 20
D131 5122	PCB: BCU: 60-75CPM: Service	139 - 9
D131 5132	PCB: PFB: Three Way	147 - 5
D131 5141	PCB: IPU	155 - 12
D131 5300	Harness: Siob: Original Sensor	53 - 11
D131 5303	Harness: SBU	53 - 10
D131 5305	Interface Cable: Scanner: Image Processing Unit	53 - 5
D131 5306	Cable: USB: 2640	27 - 30
D131 5307	Harness: LVDS: Cable	27 - 31
D131 5371	PCB: EXP_CTL: EX2.5: M-C5: SUB-Ass'y	153 - 4
D131 5403	Harness: LVDS: LDB	59 - 1
D131 5416	Harness: Main: Upper	139 - 6

Part No.	Description	Page and Index No.
D131 5430	Harness: Switch: Laser Diode	157 - 3
D131 5504	Harness: CNB: ADF: Connecting	141 - 16
D131 5511	Harness: BCU: MKB	17 - 14
D131 5595	SD-Card: PSunit/VM_Calypso: EXP: Ass'y	155 - 16
D131 5615	Harness: AC Power Supply: Main: NA	143 - 10
D131 5617	Harness: AC Power Supply: Main: EU	143 - 10
D131 5677	Power Supply Cord: 250V: 10A: EU	145 - 4
D131 5678	Power Supply Code: 250V: 10A: UK	145 - 4
D131 5715	Bracket: Main Switch: C5	157 - 6
D131 5784	Cable: HDD: SATA: Power: M-C5	155 - 4
D131 5812	Bracket: Safety Switch	157 - 2
D131 5820	Cover: USB	155 - 2
D131 5834	Ground Plate: HDD	155 - 8
D131 5979	Ground Plate: USB	153 - 5
D131 5980	Harness: AC: Inlet: Ass'y	145 - 7
D131 5985	Stopper: Power Supply Cord: EU	145 - 5
D131 6200	Paper Feed Unit: Bank: M: Ass'y	71 - *
D131 6201	Paper Feed Unit: Bank: V: Ass'y	71 - *
D131 6420	Transport Unit: Vertical Transport: Ass'y	75 - 7
D131 6428	Button: Release: Vertical Transport	75 - 12
D131 6429	Decal: Grip: Transport Sub-unit: Open And Close	75 - 10
D131 6429	Decal: Grip: Transport Sub-unit: Open And Close	167 - 34
D131 6451	Side Plate: Rear: Vertical Transport	75 - 16
D131 6452	Side Plate: Front: Vertical Transport	75 - 15
D131 6456	Stopper: Guide Plate: Vertical Transport	75 - 2
D131 6538	Lever: Stopper: Positioning	67 - 9
D131 6608	Tandem LCT: Right: Ass'y	63 - *
D131 6609	Tandem LCT: Right: Letter: Ass'y	63 - *
D131 6623	Tandem LCT: Left: Ass'y	61 - *
D131 6625	Tandem LCT: Left: Letter: Ass'y	61 - *
D131 6627	Grip: Paper Tray	25 - 3
D131 6627	Grip: Paper Tray	23 - 4
D131 6630	Cover: Tandem LCT	25 - 1

Part No.	Description	Page and Index No.
D131 6632	Cover: Paper Tray: Long	23 - 6
D131 6633	Cover: Paper Tray: Short	23 - 5
D131 6640	Paper Feed Unit: Bank: M: Ass'y	71 - *
D131 6660	DC Stepper Motor: Paper Feed Unit: MM42: Ass'y	73 - 24
D131 6661	Shaft: Drive: Reverse: Ass'y	73 - 39
D131 6663	Joint: Slider: Grip	73 - 41
D131 6663	Joint: Slider: Grip	75 - 39
D131 6664	Joint: Timing Pulley: Reverse: T30	75 - 37
D131 6664	Joint: Timing Pulley: Reverse: T30	73 - 30
D131 6665	Gear: Feed: 21Z	71 - 17
D131 6666	Gear: Reverse: 38Z21Z	73 - 20
D131 6681	Guide Plate: Joint Unit: Ass'y	75 - 40
D131 6683	Bracket: Grip: Shaft: Joint Unit	75 - 36
D131 6684	Gear: Idler: 24Z30T	75 - 30
D131 6685	Flange: Pulley: Drive: Joint Unit	75 - 29
D131 6686	Bracket: Dc Stepper Motor: Joint Unit	75 - 6
D131 6689	Synchronous Belt: Joint Unit: 92	75 - 18
D131 6691	Gear: Grip: Joint Unit	75 - 35
D131 6692	Shaft: Reverse: Joint Unit	75 - 34
D131 6693	Compression Spring: Joint: 2.0N	75 - 38
D131 6693	Compression Spring: Joint: 2.0N	73 - 40
D131 6701	Harness: Tandem LCT: Left	61 - 26
D131 6703	Harness: Tandem LCT: Right	65 - 21
D131 6716	Base: Tandem LCT: Right: Adhesion	63 - 13
D131 6751	Joint: Pulley: Frame: 43T	137 - 1
D131 6757	Synchronous Belt: Coupling: 278	137 - 4
D131 6764	Pulley: Tensioner: DIA15	137 - 2
D131 6765	Synchronous Belt: Coupling: 360	137 - 3
D131 6771	Paper Tray: Universal: Ass'y	67 - *
D131 6775	Side Fence: Rear: Ass'y	67 - 7
D131 6777	Side Fence: Front: Ass'y	67 - 6
D131 6780	Inner Cover: Tandem LCT: Right	63 - 4
D131 6783	Arm: End Fence: Lock	67 - 12
D131 6786	Decal: Paper Tray: Paper Set Direction	67 - 5

Part No.	Description	Page and Index No.
D131 6786	Decal: Paper Tray: Paper Set Direction	167 - 35
D131 6839	Tray Bottom Plate: Left Middle: Ass'y	61 - 10
D131 6846	Decal: Paper Set Direction: Tandem LCT: Left	61 - 5
D131 6846	Decal: Paper Set Direction: Tandem Lct: Left	167 - 36
D131 6870	Decal: Paper Set Direction: Tandem LCT: Right	167 - 37
D131 6870	Decal: Paper Set Direction: Tandem LCT: Right	63 - 6
D131 6871	Decal: Caution Chart: Tandem LCT	63 - 3
D131 6871	Decal: Caution Chart: Tandem LCT	167 - 38
D131 6876	Decal: Paper Set Direction: Tandem Tray: Left	61 - 12
D131 6876	Decal: Paper Set Direction: Tandem Tray: Left	167 - 39
D131 6877	Decal: Paper Set Direction: Tandem Tray: Right	167 - 40
D131 6877	Decal: Paper Set Direction: Tandem Tray: Right	63 - 12
D131 7032	End Fence	67 - 13
D131 7041	Decal: Model Name Plate: D131: EXP	167 - 41
D131 7041	Decal: Model Name Plate: D131: EXP	17 - 13
D131 7042	Decal: Model Name Plate: D131: EXP: SP	167 - 41
D131 7042	Decal: Model Name Plate: D131: EXP: SP	17 - 13
D131 7044	Decal: Model Name Plate: D131: LAN	167 - 41
D131 7044	Decal: Model Name Plate: D131: LAN	17 - 13
D131 7047	Decal: Model Name Plate: D131: GES	167 - 41
D131 7047	Decal: Model Name Plate: D131: GES	17 - 13
D131 7571	DC Solenoid: End Fence: Rear: Ass'y	65 - 12
D131 7700	SADF: Ass'y	29 - *
D131 7701	SADF: DOM: MON-C: Ass'y	29 - *
D131 7911	Decal: Caution: Original: Many Languages	167 - 42
D131 7913	Decal: Toner Supply Sub-unit: Many Languages	167 - 43
D131 8459	Accessory: Logo: AA: Ass'y	17 - 15
D131 8510	Decal: Size Indication: Multi-language: C5	167 - 44
D131 8510	Decal: Size Indication: Multi-language: C5	17 - 30
D131 9590	Total Counter: Service	153 - 1

Part No.	Description	Page and Index No.
A006 9104	Adjusting Scanner Pin (4pcs/set)	169 - 1
A007 3751	Large Cap - Toner Collection Tank	19 - 6
A048 2276	Ring - Transport Bracket	97 - 4
A048 2838	Nylon Rivet	117 - 17
A048 2838	Nylon Rivet	81 - 28
A069 1883	Shoe - Scanner	55 - 21
A096 1679	Development Grounding Plate	159 - 22
A096 2051	Rear Grid Anchor	91 - 25
A096 2052	Front Grid Anchor	91 - 24
A096 2060	Grid: Charge Corona: N	91 - 26
A096 2062	Wire Cleaner Slider	91 - 5
A096 2063	Corona Wire Cleaner	91 - 6
A096 2065	Slider Ring	91 - 7
A096 2301	Grounding Plate	93 - 5
A096 2633	Front Lock	81 - 3
A096 2780	Feed Guide Gear	69 - 8
A096 3141	Development Filter Case	87 - 4
A096 3181	Slitter	85 - 10
A096 3224	Bottle Roller	83 - 14
A096 3712	Ratch	19 - 8
A096 3712	Ratch	131 - 32
A096 4319	Exit Roller Holder (D133)	105 - 13
A096 4595	Duplex Guide	129 - 18
A096 4928	Guide Plate Band	121 - 23
A096 5528	Micro Switch Sheet	75 - 23
A134 1724	Cushion - Stepper Motor	57 - 19
A134 2363	Terminal Plate	91 - 23
A134 2978	Spring Plate	67 - 10
A134 3192	Seal - Toner Bottle	83 - 10
A176 2054	Grounding Plate	91 - 11
A176 2061	Screw Shaft	91 - 8
A193 1767	1st Mirror Holder	55 - 3
A222 2724	External Circlip - MM8	83 - 36
A229 1135	Ring - 55	133 - 23
A229 1135	Ring - 55	135 - 10

Part No.	Description	Page and Index No.
A229 2655	Read Rock	81 - 4
A229 3154	Case Seal	85 - 25
A229 3219	Rubber Bushing - Toner Supply Unit	83 - 26
A229 3232	Chuck Roller	83 - 7
A229 3242	Toner Bottle Joint Gear	83 - 20
A229 3243	Motor Joint Gear	83 - 19
A229 3261	Outer Shutter	83 - 31
A229 3262	Inner Shutter	83 - 30
A229 3263	Outer Shutter Shield	83 - 32
A229 3264	Shutter Lever	83 - 28
A229 3266	Upper Shutter Shield	83 - 29
A229 3285	Shutter Cover	83 - 27
A229 3861	Front Arm	99 - 5
A229 3862	Rear Arm	99 - 6
A229 3865	Transport Driven Roller	99 - 15
A229 3875	Drive Electrode	99 - 7
A229 3910	Front Bushing	101 - 18
A229 3911	Rear Bushing	101 - 22
A229 3934	Tape	101 - 12
A229 4467	Pressure Arm	119 - 10
A229 4477	Reverse Guide Plate	117 - 7
A229 4479	Reverse Guide Plate - Right	117 - 4
A229 4482	Exit Roller Holder	117 - 6
A229 4623	Lower Entrance Guide Plate	123 - 6
A229 4740	Drive Joint	123 - 22
A247 2800	Ball Bearing - 8x12x5	79 - 6
A247 4249	Connector - 3P	107 - 28
A247 4249	Connector - 3P	109 - 25
A248 6103	Guide Plate - Upper Heat Sink	165 - 7
A248 6666	Side Plate: Side: Ass'y	63 - 2
A248 6694	Wire Ring	65 - 31
A248 6695	Guide - Pulley	65 - 16
A248 6713	Hook - Tension Spring	65 - 4
A250 1752	Exposure Glass	51 - 16
A257 6112	Pulley: Belt Tensioner	39 - 23



Part No.	Description	Page and Index No.
A257 9300	Grease - Barrierta S552R	169 - 5
A267 1820	Sheet - Photointerrupter	57 - 23
A267 2857	Spring Plate - Side Fence	67 - 23
A267 2859	Side Fence Stopper	67 - 22
A292 9500	Test Chart - S5S (10 pcs/set)	169 - 2
A293 1155	Duplex Drive Bracket	135 - 21
A293 1332	Duct Holder	19 - 16
A293 2418	Upper Unit Cover	93 - 2
A293 3220	Toner Bottle Stopper	83 - 11
A293 3227	Toner Slider	83 - 4
A293 3230	Toner Bottle Chuck	83 - 3
A293 3231	Shield Holder	83 - 16
A293 3234	Shield Plate - Toner Bottle	83 - 2
A293 3899	Transfer Belt - Mojito Service	99 - 8
A293 4613	Front Gate Pawl	123 - 17
A293 4614	Rear Gate Pawl	123 - 18
A293 6649	Rear Cover Cushion - Tandem LCT	61 - 17
A294 1119	Fly Wheel	133 - 11
A294 1292	Door Switch Bracket	17 - 6
A294 1838	Ground Plate - Lens Stay	139 - 2
A294 2051	Rear Receptacle	133 - 4
A294 2052	Receptacle Pin	133 - 5
A294 3572	Rear Drum Seal	95 - 17
A294 4669	Cushion	129 - 12
A294 4723	Belt Holder Fixing Plate	129 - 5
A294 4754	Roller Lever	125 - 15
A294 6655	Front Roller - Slide Rail	65 - 27
A294 6690	Feeler - Paper Height Sensor	65 - 33
A294 6700	Torque Limiter - 53MNXM	79 - 17
A294 6700	Torque Limiter - 53MNXM	73 - 33
A300 2134	Guide Roller - B	161 - 22
A374 2181	Spacer	37 - 3
A376 4599	Side Fence Pad	31 - 3
A413 1670	Antistatic Brush	107 - 14
A413 1670	Antistatic Brush	109 - 20

Part No.	Description	Page and Index No.
A418 1158	Spacer - M6.5x1	33 - 2
A422 1063	Seal - 0.7x13x20	37 - 7
A422 1063	Seal - 0.7x13x20	43 - 22
A422 1078	Bushing - 6x12x4mm	41 - 10
A423 4433	Spring	75 - 25
A469 2123	Rubber Cushion - 1x10x10mm	81 - 18
A470 1703	Shift Clutch	119 - 4
A548 2139	Pulley	45 - 10
A628 1225	Bushing - 8mm	33 - 9
A680 1621	Feed-in Unit Stopper	33 - 8
A680 2262	Feeler - Pick-up Roller Cam	45 - 22
A697 2131	Antistatic Brush	35 - 25
A806 1135	Contact Point Shaft	49 - 12
A806 1163	Guide Plate Cushion	33 - 5
A806 1292	Feed Belt Bracket	33 - 16
A806 1293	Feed Belt Drive Roller	33 - 10
A806 1294	Feed Belt Driven Roller	33 - 13
A806 1295	Feed Belt	33 - 12
A806 1298	Transport Belt Roller Shaft	33 - 14
A806 2151	Timing Pulley - T19/Z23 S2M/M0.6	33 - 26
A806 2271	Gear - Z18	33 - 27
A859 2230	Ball Bearing - 6x13x5	41 - 7
A859 2230	Ball Bearing - 6x13x5	45 - 15
A859 4836	Bushing- Exit Driven Roller	29 - 9
A859 7211	Stepped Screw	29 - 1
B064 9640	Developer Type 24 Black	87 - 1
B065 1075	Base Cover	161 - 10
B065 1091	Left Duct - PCU	159 - 2
B065 1092	Bracket	161 - 18
B065 1094	Duct Clip	159 - 3
B065 1095	Heat Insulation	159 - 1
B065 1096	Front Transfer Stay	159 - 17
B065 1098	Left Rail	159 - 10
B065 1131	Joint	133 - 29
B065 1134	Partition Plate	133 - 10

Part No.	Description	Page and Index No.
B065 1137	Bracket	133 - 8
B065 1147	Transfer Drive Bracket	133 - 25
B065 1160	Toner Recycling Tightener	135 - 16
B065 1167	Duplex Drive Joint	135 - 22
B065 1168	Fusing Drive Bracket	135 - 11
B065 1175	Entrance IPS Duct	141 - 4
B065 1178	Fan Bracket - IPS	141 - 2
B065 1183	Fan Bracket	143 - 1
B065 1184	Entrance PCU Duct	143 - 3
B065 1185	Duct - Charge	157 - 9
B065 1188	Duct - Fusing	157 - 7
B065 1197	Magnet Catch Bracket	161 - 21
B065 1198	Duplex Fan Harness	161 - 15
B065 1318	PCU Duct Inner Cover	17 - 23
B065 1320	Receiving Tray - Operation Panel	157 - 4
B065 1326	Micro Switchlever	17 - 11
B065 1328	Upper Hinge Guide Plate	157 - 14
B065 1345	Fan Bracket	21 - 16
B065 1374	Cloth - Df Exposure Glass	17 - 12
B065 1773	Scale Bracket Seal	51 - 7
B065 1782	Seal	51 - 5
B065 1785	Right Stay	51 - 22
B065 1787	Scale Bracket	51 - 6
B065 1843	Grounding Plate	51 - 17
B065 1844	Grounding Plate	155 - 1
B065 1845	Grounding Plate	157 - 10
B065 1845	Grounding Plate	53 - 17
B065 1845	Grounding Plate	147 - 4
B065 1915	1st Mirror Holder	59 - 10
B065 1925	Lens Holder - L2 Right	59 - 17
B065 1926	Lens Holder - L2 Left	59 - 18
B065 1930	2Nd Mirror Holder	59 - 20
B065 1932	Middle Mirror Holder	59 - 21
B065 1940	Shield Glass Rail	59 - 27
B065 1944	Shield Glass Holder	59 - 25

Part No.	Description	Page and Index No.
B065 1945	Seal - Shield Glass	59 - 26
B065 1946	Seal - Shield Glass Holder	59 - 24
B065 1955	Seal: Lens: L1	59 - 14
B065 1957	Shield Glass Cover	93 - 18
B065 2316	Front Blade Seal	97 - 12
B065 2317	Rear Blade Seal	97 - 13
B065 2336	Pickoff Pawl: Drum: Ass'y	97 - 2
B065 2337	Pick-off Pawl Holder	97 - 5
B065 2358	Bracket Grounding Bracket	97 - 32
B065 2361	Entrance Seal Holder	97 - 25
B065 2364	Pick-off Pawl Positioning Plate	97 - 24
B065 2369	Grounding Plate - Entrance Seal	97 - 31
B065 2371	Drum Stay	93 - 14
B065 2381	Grounding Plate	97 - 33
B065 2386	Middle PCU Casing	97 - 16
B065 2392	Receptacle	93 - 7
B065 2426	Pressure Release Lever	93 - 16
B065 2427	Cam - Blade	95 - 21
B065 2428	Agitator Gear	95 - 4
B065 2481	Grid Receptacle Terminal	133 - 2
B065 2482	Charge Receptacle Terminal	133 - 3
B065 2494	Upper PCU Harness	93 - 3
B065 2607	Front Support Plate	81 - 13
B065 2608	Development Connector Bracket	77 - 1
B065 2620	Paper Dust Removal Case	77 - 6
B065 2621	Sensor Bracket	77 - 4
B065 2682	Paper Feed Stay	77 - 9
B065 2688	Pick-up Roller Arm	77 - 17
B065 2707	Paper End Sensor Bracket	79 - 25
B065 2708	Middle Sensor Bracket	79 - 24
B065 2709	Reverse Pressure Lever	79 - 27
B065 2723	Sheet - Manual Feed Guide Plate	69 - 15
B065 2729	Paper End Feeler	69 - 18
B065 2741	Sensor Bracket	69 - 10
B065 2743	Front Shaft - By-pass	69 - 19

Part No.	Description	Page and Index No.
B065 2762	Relay Paper Feed Harness	129 - 10
B065 2762	Relay Paper Feed Harness	81 - 25
B065 2762	Relay Paper Feed Harness	131 - 34
B065 2763	Relay Registration Harness	77 - 2
B065 3062	Development Roller	89 - 1
B065 3065	Toner Sensor Guide	87 - 15
B065 3069	Bushing - 8mm	89 - 4
B065 3071	Development Knob	87 - 13
B065 3073	Gear - 31Z	87 - 21
B065 3076	Gear - 41Z	87 - 14
B065 3077	Development Roller Adjuster	89 - 3
B065 3079	Ball Bearing Bracket	87 - 17
B065 3080	Ball Bearing - 12x21x5	89 - 2
B065 3081	Gear - 21Z	87 - 18
B065 3082	Development Bias Plate	87 - 12
B065 3095	Development Guide Rail	87 - 8
B065 3096	Gear - 20Z	87 - 19
B065 3098	Gear - 17Z	87 - 22
B065 3108	Filter Plate	87 - 2
B065 3122	Toner Separation Joint Seal	85 - 2
B065 3123	Rear Toner Separation Joint Seal	85 - 3
B065 3125	Toner Separation Drive Shaft	85 - 4
B065 3138	Idle Gear	85 - 7
B065 3139	Toner Collection Gear	85 - 8
B065 3140	Upper Cover	85 - 21
B065 3141	Exit Toner Pile	85 - 22
B065 3142	Toner Separation Shutter	85 - 24
B065 3143	Toner Separation Spring	85 - 23
B065 3146	Nut	85 - 11
B065 3151	Lower Right Case Seal	85 - 13
B065 3152	Lower Front Case Seal - Rear	85 - 12
B065 3153	Lower Filter Case Filter	85 - 14
B065 3250	Rail: Development Unit: Ass'y	159 - 21
B065 3258	Development Drum Stay	91 - 2
B065 3262	Electrode Plate	133 - 7

Part No.	Description	Page and Index No.
B065 3266	Toner Bottle Cam	157 - 12
B065 3267	Inner Back Cam	157 - 13
B065 3306	Gear: Toner Bottle: Ass'y	83 - 1
B065 3309	Toner Bottle Drive Bracket	83 - 22
B065 3557	Toner Catchpan	131 - 6
B065 3561	Spring	131 - 11
B065 3565	Toner Collection Case	131 - 4
B065 3566	Toner Receiving Spring	131 - 5
B065 3568	Case Cap	131 - 2
B065 3573	Toner Correction Agitator	131 - 3
B065 3581	Bushing	131 - 14
B065 3583	Spring Guide	131 - 16
B065 3585	Screw Gear	131 - 10
B065 3586	Screw Gear	131 - 18
B065 3587	Toner Collection Gear	131 - 13
B065 3588	Toner Collection Idle Gear	131 - 7
B065 3593	Toner Collection Discharge Harness	131 - 21
B065 3601	Toner Collection Pipe	131 - 26
B065 3610	Toner Collection Shaft	131 - 33
B065 3629	Toner Separation Case	131 - 25
B065 3636	Toner Collection Seal	131 - 24
B065 3637	Seal - 40x68	131 - 28
B065 3645	Gear - 22Z	131 - 22
B065 3649	Toner Collection Case - Transport	131 - 37
B065 3650	Toner Collection Joint	131 - 36
B065 3654	Toner Collection Cap	131 - 40
B065 3660	Pulley	131 - 39
B065 3689	Toner Collection Bottle Bracket	19 - 9
B065 3690	Tank: Discharge Used Toner	19 - 4
B065 3695	Bottle Guide	147 - 2
B065 3811	Transfer Unit Stay	159 - 8
B065 3812	Transfer Rely Harness	159 - 7
B065 3818	Transfer Unit Guide Plate	99 - 1
B065 3831	Release Positioning Plate	159 - 16
B065 3833	Decal - Transfer Unit Lever	167 - 7

Part No.	Description	Page and Index No.
B065 3868	Pressure Arm	99 - 14
B065 3872	Transfer Unit Joint	99 - 10
B065 3873	Toner Collection Gear	99 - 4
B065 3874	Electrode Plate	99 - 13
B065 3875	Terminal	99 - 12
B065 3878	Bias Terminal	99 - 17
B065 3918	Toner Collection Gear Coil	101 - 14
B065 3920	Idle Gear - 1	101 - 20
B065 3921	Idle Gear - 2	101 - 21
B065 3922	Electrode Plate Cover	101 - 19
B065 3928	Cleaning Roller Terminal	101 - 17
B065 3955	Entrance Guide Plate	101 - 13
B065 3962	Spring Plate	101 - 2
B065 3963	Lever	101 - 4
B065 3964	Bushing	101 - 5
B065 4112	Right Stay	111 - 22
B065 4116	Lower Fusing Cover (D133)	105 - 21
B065 4124	Front Heater Holder	107 - 12
B065 4129	Sheet: Fiber: Side Plate	111 - 8
B065 4129	Sheet: Fiber: Side Plate	113 - 7
B065 4130	Thermostat Housing - Middle	107 - 10
B065 4132	Middle Thermistor Cover	107 - 8
B065 4135	Lower Fusing Entrance Plate - 240V (D133)	105 - 22
B065 4138	Side Plate Cover	105 - 20
B065 4139	Switch Holder	113 - 24
B065 4139	Switch Holder	111 - 16
B065 4140	Lower Guide Plate - Exit	111 - 19
B065 4141	Spring Plate - Switch	111 - 17
B065 4141	Spring Plate - Switch	113 - 25
B065 4150	Front Harness	107 - 1
B065 4151	Rear Harness	109 - 3
B065 4151	Rear Harness	107 - 2
B065 4154	Rear Fusing Plate	115 - 23
B065 4157	Connector Bracket	107 - 19
B065 4159	Harness Holder	107 - 18

Part No.	Description	Page and Index No.
B065 4160	Cleaning Roller Guide Plate	111 - 3
B065 4161	Left Support Bracket	111 - 4
B065 4164	Right Support Bracket	111 - 5
B065 4170	Rear Heater Holder	107 - 13
B065 4177	Front Pressure Lever	111 - 11
B065 4178	Rear Pressure Lever	111 - 12
B065 4179	Stripper Pawls Plate	161 - 25
B065 4180	Spacer - 16mm	107 - 24
B065 4185	Exit Plate	109 - 16
B065 4188	Front Lock Pawl	105 - 8
B065 4189	Rear Lock Pawl	105 - 9
B065 4211	Pressure Roller Gear	103 - 37
B065 4219	Web End Feeler	103 - 25
B065 4221	Feeler Spring	103 - 24
B065 4222	Gear - 37Z	103 - 14
B065 4223	Motor Gear	103 - 16
B065 4225	Motor Plate Bracket	103 - 12
B065 4231	Web Cover	103 - 7
B065 4234	Stopper Gear	103 - 22
B065 4235	Web Idle Gear	103 - 21
B065 4238	Gear - 50Z	103 - 17
B065 4241	Gear	103 - 15
B065 4244	Gear - 23Z	103 - 27
B065 4247	Brake Pad	103 - 9
B065 4248	Web Harness	103 - 20
B065 4249	Right Exit Stay	119 - 18
B065 4251	Positioning Plate - Web Unit	103 - 26
B065 4254	Lower Entrance Guide Plate	117 - 12
B065 4262	Lock Lever Bracket	115 - 31
B065 4266	Lever Contact Bracket	115 - 26
B065 4317	Idle Pulley - 11mm	119 - 20
B065 4358	Paper Feed Sensor Bracket	115 - 4
B065 4359	Grip Supporter	115 - 9
B065 4360	Spring Plate	115 - 17
B065 4373	Upper Exit Guide Plate	115 - 13

Part No.	Description	Page and Index No.
B065 4374	Exit Entrance Sensor Bracket	115 - 15
B065 4390	Fusing Exitguide Plate (D133)	105 - 19
B065 4397	Release Slider	105 - 7
B065 4398	Slider Cover	105 - 2
B065 4413	Exit Gate Pawl	117 - 8
B065 4422	Guide Plate Lever	119 - 13
B065 4424	Exit Arm Pad	119 - 11
B065 4441	Exit Drum Stay	117 - 14
B065 4453	Middle Exit Guide Plate	115 - 21
B065 4458	Exit Drawer Bracket	119 - 23
B065 4459	Rear Harness Bracket	119 - 17
B065 4460	Bracket: Harness: Plate: Front (D133)	119 - 14
B065 4495	Relay Harness - Guide Plate	115 - 16
B065 4496	Relay Harness -exit	115 - 6
B065 4497	Exit Harness	119 - 24
B065 4499	Exit Detection Harness	161 - 4
B065 4619	Support Bracket	129 - 21
B065 4627	Front Side Plate	123 - 12
B065 4632	Joint Holder	123 - 20
B065 4644	Sensor Bracket	123 - 23
B065 4647	Invertor Lever	123 - 5
B065 4648	Lever Cam	123 - 1
B065 4671	Duplex Lock Arm	121 - 5
B065 4672	Release Lever Bracket	121 - 8
B065 4675	Duplex Release Bracket	121 - 6
B065 4681	Front Jogger Fence	125 - 17
B065 4682	Rear Jogger Fence	125 - 18
B065 4683	Spring Plate - Rear Jogger Fence	125 - 19
B065 4692	Front Jogger Fence Slider	129 - 7
B065 4693	Rear Jogger Fence Slider	129 - 8
B065 4694	Jogger Guide Rod	127 - 5
B065 4696	Jogger Motor Bracket	125 - 7
B065 4699	Jogger H.p. Sensor Bracket	129 - 11
B065 4715	Exit Reverse Sensor Bracket	129 - 16
B065 4720	Left Duplex Table	125 - 21

Part No.	Description	Page and Index No.
B065 4725	Right Duplex Bracket	121 - 15
B065 4726	Right Guide Table	121 - 12
B065 4727	Right Sensor Bracket	121 - 19
B065 4728	Spring Plate - Right Table Guide	121 - 13
B065 4731	Spring Plate - Driven Roller	121 - 21
B065 4733	Duplex Gate Pawl	129 - 1
B065 4738	Gate Pawl Cushion	129 - 2
B065 4789	Transport Motor Bracket	125 - 9
B065 4790	Drawer Bracket - 32P	129 - 22
B065 4791	Drawer Bracket - 12P	129 - 23
B065 4830	Holder Bracket	161 - 9
B065 4865	Spacer	129 - 4
B065 4987	Upper Duplex Stay	121 - 10
B065 5041	Safety Switch Lever	157 - 1
B065 5672	Power Supply Cord - 120V	145 - 4
B065 5804	Charge Power Pack Bracket	141 - 14
B065 5805	CSS Bracket	141 - 22
B065 5807	Finisher Cable Bracket	143 - 17
B065 5808	LCT Cable Bracket	133 - 1
B065 5816	Safety Switch Harness Cover	157 - 5
B065 5817	Slide Rail Cover	143 - 11
B065 5818	Main Switch Harness Guide	143 - 9
B065 6078	Bracket: Fix: Large Capacity Trat	75 - 27
B065 6116	Upper Heat Sink	165 - 8
B065 6122	Micro Switchbracket	75 - 24
B065 6136	Tray Lock Arm	163 - 4
B065 6136	Tray Lock Arm	165 - 4
B065 6191	Side Plate - Paper Tray	163 - 13
B065 6307	Reverse Driven Shaft	73 - 34
B065 6317	Relay Shaft	73 - 10
B065 6333	Reverse Housing	73 - 36
B065 6334	Heat Sink Base	71 - 31
B065 6337	Heat Sink	71 - 33
B065 6338	Heat Sink Sheet	71 - 34
B065 6345	Paper End Sensor Bracket	71 - 18

Part No.	Description	Page and Index No.
B065 6346	Paper Tray Link	73 - 14
B065 6350	Pick-up Gear Cover	71 - 4
B065 6353	Feed Gear Cover	71 - 25
B065 6357	Pick-up Arm	71 - 7
B065 6358	Paper Feed Sensor Bracket	71 - 12
B065 6364	Feed Stay	71 - 14
B065 6371	Support Guide Plate	73 - 9
B065 6375	Paper Feed Unit Stay	71 - 30
B065 6394	Motor Bracket	73 - 25
B065 6402	Transport Pressure Plate	75 - 17
B065 6415	Motor Base	73 - 27
B065 6427	Release Lever - Vertical Transport	75 - 13
B065 6445	Feed Lever	79 - 20
B065 6445	Feed Lever	71 - 10
B065 6452	Tray Link Guide	73 - 13
B065 6453	Transport Roller Lever	73 - 5
B065 6454	Driven Release Lever	73 - 7
B065 6455	Driven Pressure Lever	73 - 8
B065 6456	Vertical Transport Link	73 - 22
B065 6457	Driven Pressure Lever	71 - 26
B065 6526	Lift Lever	67 - 25
B065 6581	Paper Tray Holder Stay	67 - 28
B065 6588	Right Support Plate	67 - 27
B065 6589	Left Support Plate	67 - 26
B065 6591	Paper Tray Holder Base	67 - 4
B065 6706	Bracket: Paper Volume Sensor: Tandem LCT	63 - 9
B065 6712	End Fence Guide	65 - 7
B065 6717	Paper Volume Shield Plate	65 - 34
B065 6743	Right Bracket	65 - 22
B065 6767	Right Connecting Bracket	149 - 11
B065 6769	Lock Arm	149 - 5
B065 6774	Slidebracket	165 - 13
B065 6777	Supporting Plate: Stay	165 - 9
B065 6823	Timing Belt Cover	61 - 19
B065 6830	Pulley Bracket	61 - 23

Part No.	Description	Page and Index No.
B065 6831	Sensor Bracket	61 - 13
B065 6862	Large Lever	65 - 23
B065 6864	Small Lever	65 - 30
B065 6870	Stay -Right Base	65 - 32
B065 6872	Oil Damper Bracket	65 - 38
B065 6873	Bracket: Sensor: Fall	63 - 21
B065 6874	Bracket: Sensor: Paper Volume	63 - 14
B065 6875	Protection -inner Cover	63 - 5
B065 6881	Bracket: ON OFF Detector: Front	65 - 8
B065 6884	Detector Bracket	65 - 11
B070 1921	Spacer: Laser Diode Unit: 25micron	59 - 5
B070 1922	Spacer: Laser Diode Unit: 50micron	59 - 5
B070 1923	Spacer: Laser Diode Unit: 75micron	59 - 5
B070 1924	Spacer: Laser Diode Unit: 100micron	59 - 5
B070 2114	Filter - Toner	157 - 8
B070 2364	Charge Corona Wire	91 - 17
B070 2365	Cleaner Motor Cover	91 - 10
B070 3115	Bushing: 4mm	89 - 5
B070 6683	Lever: Release: Front	65 - 2
B070 6684	Lever: Release: Rear	65 - 14
B070 6877	Large Drum Stay Ground Plate	153 - 8
B098 1342	Hinge: Upper	17 - 2
B098 3492	Gear: Manual Feed Table	69 - 9
B098 6640	Tray Bottom Plate: Left Front	61 - 9
B098 6642	Tray Bottom Plate: Left Rear	61 - 11
B098 6643	Side Fence: Tandem LCT: Left Front	61 - 8
B098 6644	Side Fence: Tandem LCT: Left Rear	61 - 15
B098 6645	Side Plate: Tandem LCT: Left Sideways	61 - 7
B098 6647	End Fence: Auxiliary	61 - 6
B098 6649	Cover: Rear: Tandem LCT: Ass'y	61 - 16
B098 6693	Shield: Frame: Paper Bank: Upper	163 - 7
B098 6736	Side Fence: Tandem LCT: Right Front	63 - 8
B098 6737	Side Fence: Tandem LCT: Right Front	63 - 8
B098 6739	Supporting Plate: Tandem: Right Rear	63 - 16
B101 5993	Interface Panel	153 - 11

Part No.	Description	Page and Index No.
B110 3091	Entrance Seal Ass'y	87 - 11
B110 3777	Cover Temperature & Humidity Sensor	147 - 1
B110 4223	Electrode Plate: Thermostat: Coupling	109 - 4
B110 4231	Bracket: Thermistor: Inner Back	107 - 7
B132 1226	Holder: Stand	17 - 39
B132 1463	Hinge Shaft	157 - 16
B132 1526	Door Catch	17 - 7
B132 1666	Frame: Front	57 - 1
B132 1671	Bracket: Pulley	57 - 9
B132 1683	Mylar: Frame: Front	51 - 10
B132 1684	Mylar: Frame: Middle	51 - 11
B132 1685	Mylar: Frame: Rear	51 - 12
B132 1710	Pulley: Tension: Timing Belt: Ass'y	57 - 17
B132 1714	Cover: Damper	57 - 21
B132 1719	Screw: Mechanical Drive Section	57 - 11
B132 1720	Pulley: 40T	57 - 15
B132 1723	Spring: Drive Were	57 - 7
B132 1724	Bracket: Tension	57 - 4
B132 1725	Bracket: Tension: Fix	57 - 5
B132 1729	Drive Wire: Scanner	57 - 3
B132 1757	Mirror: No.1: Ass'y	55 - 4
B132 1758	Stay: Wire	55 - 5
B132 1766	Feeler: Home Position Sensor: No.1	55 - 8
B132 1767	Holder: Connector	55 - 7
B132 1815	Holder: Pulley	55 - 23
B132 1818	Mirror: No.2	55 - 19
B132 1819	Mirror: No.3	55 - 22
B132 1820	Scanner Shoe Pin	55 - 20
B132 1851	Bracket: Invertor	55 - 11
B132 1852	Bracket: Fan: MM40: Invertor	55 - 12
B132 1898	Spring Plate: Ground Plate: ADF	57 - 22
B132 4650	Stepper Motor: Jogger: Ass'y	125 - 6
B132 4780	Stepper Motor: Reverse: Ass'y	125 - 1
B132 5304	Harness: Connecting: Scanner: Lamp	55 - 14
B132 6655	Stepper Motor: Paper Feed Unit: Ass'y	75 - 5

Part No.	Description	Page and Index No.
B132 6659	DC Solenoid: Pickup: Ass'y	71 - 16
B132 6670	DC Solenoid: Reverse: Ass'y	73 - 35
B132 6726	Bracket: Arm: Ass'y	149 - 3
B132 6760	DC Motor 24V 19.6W	149 - 9
B132 6762	DC Solenoid: Coupling: Ass'y	149 - 1
B132 6763	Bracket: Connector: Left	149 - 12
B132 6791	Plate: Side Fence	67 - 8
B132 6797	Side Fence: Rear: Auxiliary	67 - 16
B132 6798	Spring Plate: Paper Tray: Earth	67 - 3
B132 7547	DC Solenoid: End Fence: Front: Ass'y	65 - 1
B132 7564	Slider: Back Fence: Left	61 - 22
B132 7583	Harness - Joint Unit	75 - 4
B140 1173	Fusing Drive Sub-unit Joint	135 - 14
B140 2291	Bushing: Screw Shaft: Rear	91 - 4
B140 2382	Pre-transfer Lamp Case Ass'y	95 - 24
B140 2421	Pre-transfer Lamp Harness Plate	95 - 12
B140 2614	Upper Front Registration Guide	77 - 7
B140 2622	Lower Front Registration Guide	77 - 8
B140 2647	Open And Close Guide Ass'y	81 - 7
B140 2660	Machine Or Copier Paper Feed Cover	69 - 14
B140 2662	Magnet Catch Bracket	69 - 13
B140 2665	Paper Bank Guide Plate Ass'y	81 - 24
B140 2671	Exit Duplex Guide Ass'y	81 - 19
B140 2673	Open And Close Option Tray Exit Guide	81 - 29
B140 2675	Option Tray Guide Ass'y	81 - 27
B140 4112	Right Fusing Stay	113 - 31
B140 4113	Bracket: Cover: Connector: Ass'y	105 - 17
B140 4140	Lower Fusing Exit Guide	113 - 28
B140 4141	Fusing Exit Roller Holder (D131/D132)	105 - 13
B140 4145	Bracket: Thermostat	109 - 9
B140 4157	Drawer Bracket Ass'y	109 - 27
B140 4159	Harness Plate	109 - 26
B140 4162	Harness: Fusing Unit: NA	107 - 20
B140 4162	Harness: Fusing Unit: NA	109 - 29
B140 4164	Harness: Fusing Unit: EU	107 - 20

Part No.	Description	Page and Index No.
B140 4167	Connector Cover Bracket	109 - 28
B140 4169	Thermostat Electrode Plate	109 - 5
B140 4170	Rear Heater Holder	109 - 19
B140 4171	Front Heater Holder	109 - 18
B140 4179	Plate: Thermistor	109 - 14
B140 4187	Cleaning Unit Drive Positioning Plate	103 - 26
B140 4190	Brake Spring Plate	103 - 10
B140 4193	Cleaning Unit Cover	103 - 39
B140 4195	Feeler: Oil End Sensor	103 - 25
B140 4198	Fusing Cleaning Roller Bracket	113 - 3
B140 4200	Pressure Cleaning Roller Spring	113 - 4
B140 4203	Lower Fusing Cover (D131/D132)	105 - 21
B140 4205	Pressure Oil Supply Roller Bracket	113 - 32
B140 4209	Bracket: Stopper: Ass'y	103 - 38
B140 4234	Upper Fusing Exit Guide Plate (D131/D132)	105 - 19
B140 4240	Bracket: Guide Plate: Fusing Exit: Upper: Ass'y (D131/D132)	105 - 12
B140 4256	Pressure Release Eccentric Cam	113 - 16
B140 4258	Sensor Bracket Ass'y	113 - 20
B140 4300	Pressure Tension Spring	117 - 23
B140 4304	Gear - 21/35Z	117 - 22
B140 4306	Gear - 21/35Z	117 - 21
B140 4308	Eft Reverse Guide Plate Ass'y	119 - 8
B140 4312	Left Rise Guide Plate	161 - 8
B140 4313	Exhaust Cover Ass'y	161 - 3
B140 4320	Sensor Feeler	113 - 13
B140 4322	Gear - 21/33Z	117 - 20
B140 4325	Drive Bracket Ass'y	117 - 27
B140 4329	Front Drive Bracket Ass'y	117 - 19
B140 4336	Gear - Idler Worm Gear	117 - 18
B140 4354	Upper Exhaust Guide Plate	115 - 7
B140 4458	Exit Drawer Bracket	119 - 23
B140 4470	Protect Bracket Ass'y	115 - 25
B140 4474	Heat Insulating Plate Bracket	117 - 25
B140 4497	Harness - Paper Exit Unit Drawer	119 - 24

Part No.	Description	Page and Index No.
B140 4498	Harness - Positioning Sensor	113 - 18
B140 4640	Upper Entrance Guide Plate Ass'y	123 - 26
B140 4710	Upper Transport Guide Plate Ass'y	129 - 17
B140 4800	Exit Duplex Guide Plate	121 - 11
B140 6221	Heat Sink: Heater: Lower: Sub-ass'y	163 - 14
B140 6226	Heat Sink: Heater: Lower: EU: Ass'y	163 - 14
B140 6339	Paper Feed Guide Plate	71 - 21
B140 6361	Paper Bank Connecting Guide Plate	75 - 1
B140 6377	Ground Plate: Reverse: Paper Feed Unit	71 - 29
B140 6378	Ground Plate: Stepper Motor: Paper Feed Unit	73 - 23
B180 1743	SBU Washer	121 - 30
B181 6640	Guide Plate: Swivel: Adhesion	73 - 1
B181 6780	Link: End Fence: Paper Size Sensor: Ass'y	67 - 1
B181 6789	Link: Side Fence: Paper Size Sensor	67 - 2
B234 2123	Cushion - Wire	91 - 20
B234 2270	LED Array	93 - 4
B234 2270	LED Array	95 - 25
B234 2279	Density Sensor P	97 - 22
B234 2864	Pad: Cleaner	67 - 11
B234 4846	Cushion: Gate Pawl: Switchback	129 - 30
B234 6690	Plate: Paper	63 - 7
B238 1534	LCD Spacer A	27 - 11
B238 1535	LCD Spacer B	27 - 12
B246 3841	Heater: 120V	159 - 18
B246 3843	Heater: 240V	159 - 18
B246 4311	Guide Plate: Exit: Exit: Upper	161 - 2
B246 5677	Power Supply Cord: EU	145 - 4
B246 9510	OPC Drum: Mt-C3	93 - 19
B247 1027	Tension Spring: 7.75N	135 - 8
B247 1028	Stepper Motor: MM56x54: DC 36W	135 - 2
B247 1044	DC Brushless Motor: Drive: Fusing/Paper Exit Unit: Ass'y	135 - 19
B247 1084	Guide Plate: Positioning Pin: Duplex: Ass'y	133 - 20
B247 1110	Brushless Motor DC24V/25W	133 - 19



Part No.	Description	Page and Index No.
B247 1122	Bracket: Tightener: Ass'y	133 - 18
B247 1133	Base: Stepper Motor: Ass'y	135 - 7
B247 1149	Joint: Transfer Drive: Ass'y	133 - 26
B247 1154	Electrode Plate: Drum Shaft: Ass'y	133 - 6
B247 1157	Bracket: Toner Recycling: Ass'y	135 - 15
B247 1166	Shaft: Drive: Duplex: Ass'y	135 - 23
B247 1195	Fan: Sirocco: DC24V: Z: Ass'y	141 - 5
B247 1223	Hinge: Lower: Ass'y	17 - 3
B247 1250	Seal: Fan: Exhaust: Adhesion	19 - 15
B247 2010	Charge Corona Unit	91 - *
B247 2270	PCU Unit - Upper	93 - 1
B247 2271	Electric Potential Sensor	93 - 6
B247 2295	Cushion - Spacer	91 - 9
B247 2300	Case: PCU: Lower: Ass'y	95 - 13
B247 2314	Bracket: Blade: Ass'y	97 - 14
B247 2322	Agitator: Ass'y	95 - 2
B247 2326	Toner Collection Coil	95 - 1
B247 2330	Brush Roller: Cleaning	95 - 8
B247 2342	Shaft: Pickoff Pawl: Swivel	97 - 19
B247 2344	Bracket: Idler: Pickoff Pawl: Ass'y	97 - 27
B247 2353	Bracket: Swivel: Blade: Ass'y	95 - 22
B247 2366	Shaft: Brush Roller: Front: Ass'y	95 - 7
B247 2377	Shaft: Connecting: Toner Recycling	93 - 12
B247 2395	Toner Recycling Ass'y	93 - 8
B247 2410	Drum Shaft Knob	91 - 1
B247 2497	Harness: PCU: Lower	97 - 23
B247 2605	Side Plate: Paper Feed: Front: Peen	81 - 14
B247 2611	Lower Registration Guide	79 - 8
B247 2623	Registration Roller: Upper: Press Fit	79 - 2
B247 2627	Registration Roller - Lower	79 - 1
B247 2642	Lock Shaft	81 - 6
B247 2643	Transport Roller: Right: Driven: Ass'y	81 - 23
B247 2644	Rear Lock Spring	81 - 8
B247 2655	DC Solenoid 24V/16.5w	81 - 12
B247 2669	Exit Roller Spring	81 - 21

Part No.	Description	Page and Index No.
B247 2678	Duplex Exit Roller	81 - 22
B247 2690	DC Solenoid 24V	77 - 10
B247 2699	Stay: Reverse Roller: Peen	79 - 22
B247 2700	Stay: Reverse: Ass'y	79 - 9
B247 2702	Friction Pad - B	79 - 10
B247 2721	Guide Plate: Manual Feed: Peen	69 - 16
B247 2745	Paper Size Sensor	69 - 11
B247 2754	Bracket: Tightener: Peen	81 - 33
B247 2764	Harness: Manual Feed Unit: Ass'y	81 - 31
B247 3175	Bushing 8x14x8	85 - 20
B247 3176	Boss: Bearing: Agitator: Press Fit	85 - 17
B247 3258	Toner Catchpan Bottle	83 - 37
B247 3271	Contact Point Stay - Lower	83 - 34
B247 3273	Contact Point Stay - Upper	83 - 33
B247 3311	Bracket: Turn: Toner Bottle: Sub-ass'y	83 - 25
B247 3316	Bracket: Hinge: Open And Close: Ass'y	83 - 35
B247 3330	Spring	83 - 12
B247 3331	Screw	83 - 6
B247 3332	Shaft: Idler: Drive: Toner Bottle	83 - 23
B247 3340	Filter: Development	93 - 17
B247 3345	Shaft: Chuck	83 - 8
B247 3559	Base: Discharge Used Toner: Ass'y	131 - 17
B247 3570	Transport Screw:	
	Discharge Used Toner: Ass'y	131 - 15
B247 3590	Shaft: Idler: Discharge Used Toner	131 - 8
B247 3604	Shaft: Discharge Used Toner:	
	Classification: Ass'y	131 - 30
B247 3609	Shaft: Discharge Used Toner: Long: Ass'y	131 - 31
B247 3641	Transport Screw: Discharge Used Toner:	
	Classification: Ass'y	131 - 35
B247 3652	Shielding Plate:	
	Discharge Used Toner: Transfer	131 - 38
B247 3670	Transport Screw: Used Toner: Unit	131 - 27
B247 3720	Transport Screw	85 - 6
B247 3815	Channel: Lengthwise: Middle Front: Ass'y	159 - 15

Part No.	Description	Page and Index No.
B247 3820	Positioning Plate: Transfer Unit: Ass'y	159 - 11
B247 3827	Handle Stay	159 - 20
B247 3866	Drive Roller	99 - 9
B247 3870	Bias Roller	99 - 11
B247 3905	Casing: Transfer Unit: Ass'y	101 - 28
B247 3911	Toner Collection Coil	101 - 10
B247 3914	Agitator	101 - 16
B247 3961	Shaft - On-off	101 - 6
B247 3965	Lever Shaft	101 - 3
B247 3976	Harness - Transfer Unit	101 - 26
B247 3980	Electrode: Bias	99 - 16
B247 4083	Shaft: Release: Stripper Pawls	105 - 23
B247 4101	Side Plate: Fusing: Front: Ass'y	111 - 9
B247 4101	Side Plate: Fusing: Front: Ass'y	113 - 8
B247 4105	Side Plate: Fusing: Rear: Ass'y	113 - 9
B247 4105	Side Plate: Fusing: Rear: Ass'y	111 - 10
B247 4128	Housing: Thermostat: EXP	109 - 8
B247 4131	Lever: Release: Front: Ass'y	113 - 21
B247 4131	Lever: Release: Front: Ass'y	111 - 13
B247 4142	Upper Stay	109 - 17
B247 4147	Lever: Release: Pressure: Rear: Ass'y	113 - 22
B247 4147	Lever: Release: Pressure: Rear: Ass'y	111 - 14
B247 4149	Harness - Front	109 - 2
B247 4168	Positioning Plate: Fusing Unit: Ass'y	159 - 5
B247 4188	Bracket: Drive: Ass'y	103 - 13
B247 4231	Lever: Rear: Ass'y	113 - 11
B247 4234	Gear: Stopper: Oil Supply Roller	103 - 22
B247 4235	Gear: Idler: Cleaning Unit	103 - 21
B247 4239	Shaft: Drive: Oil Supply Roller: Ass'y	103 - 29
B247 4242	Shaft: Drive: Rolling: Ass'y	103 - 28
B247 4244	Gear: Z23: Oil Supply Roller	103 - 27
B247 4247	Screw: Slider	105 - 6
B247 4259	Lock Lever	115 - 27
B247 4260	Shaft: Contact Point: Lever	115 - 32
B247 4263	Bracket: Shaft: Lock: Ass'y	161 - 19

Part No.	Description	Page and Index No.
B247 4264	Gear: Pressuer	113 - 15
B247 4315	Tightener: Exit: Ass'y	119 - 21
B247 4317	Gear: Swivle: Ass'y	117 - 24
B247 4323	Lever: Front: Ass'y	113 - 10
B247 4324	Stepper Motor DC3.4V	117 - 26
B247 4361	Shaft: Grip: Guide Plate	115 - 12
B247 4378	Roller: Decura: Driven: Ass'y	115 - 20
B247 4381	Shaft: Contact Point: Ass'y	115 - 22
B247 4400	Bracket: Swivel: Ass'y	119 - 26
B247 4403	Lock Spring	119 - 25
B247 4421	Shaft: Pressure: Guide Plate: Ass'y	119 - 12
B247 4429	Side Plate: Front: Exit	119 - 15
B247 4433	Side Plate: Rear: Exit	119 - 16
B247 4438	Roller: Decura: Entrance	117 - 10
B247 4439	Roller: Decura: Exit	117 - 9
B247 4454	Tension Spring	119 - 22
B247 4455	Compression Spring	115 - 1
B247 4456	Spring - Lower Exit Roller	119 - 5
B247 4460	Exit Roller: Drive: Exit	119 - 2
B247 4463	Reverse Roller: Drive	117 - 1
B247 4487	Washer: DIA6.3xdia18x1	119 - 6
B247 4591	Right Duplex Rail	161 - 16
B247 4594	Roller: Reversal: Driven	125 - 24
B247 4615	Spacer	123 - 19
B247 4617	Discharge Brush: Duplex	123 - 24
B247 4620	Side Plate: Rear: Reverse Unit: Ass'y	123 - 13
B247 4624	Roller: Driven: Duplex	123 - 9
B247 4645	Gate Pawl: Reverse	123 - 16
B247 4655	Bracket: Reversal: Driven: Ass'y	125 - 25
B247 4673	Shaft: Lever: Release	121 - 4
B247 4810	Bracket: Motor: Reverse: Ass'y	125 - 2
B247 4812	Roller: Transport: Driven: Left: Right	127 - 2
B247 4813	Roller: Reversal: Drive	127 - 3
B247 4815	Compression Spring	123 - 21
B247 4816	Tension Spring	123 - 14

Part No.	Description	Page and Index No.
B247 4817	Compression Spring	123 - 7
B247 4818	Reverse Roller: Entrance	123 - 15
B247 4820	Bracket: Jogger: Ass'y	129 - 28
B247 4825	Roller: Drive: Left	127 - 4
B247 4835	Rail: Left: Machine or Copier: Ass'y	161 - 23
B247 5310	Toner Density Sensor	87 - 16
B247 5311	Toner End Sensor: Ass'y	85 - 9
B247 5312	DC Motor: Toner Bottle: DC24V 5.85W	83 - 21
B247 5712	Hinge Bracket - Lower	143 - 13
B247 6062	Bracket: Holder: Ass'y	163 - 9
B247 6174	Bracket: Positioning: Paper Tray: Ass'y	163 - 22
B247 6184	Inner Cover	17 - 33
B247 6426	Lever: Release: Vertical Transport	75 - 11
B247 6430	Cover: Release: Vertical Transport	75 - 9
B247 6487	Harness: Paper Feed Unit: Lower: Ass'y	71 - 20
B247 6488	Harness: Paper Feed Unit: Upper: Ass'y	71 - 24
B247 6624	Back Fence - Left	61 - 18
B247 6672	Guide: Interlock: Tandem LCT	63 - 20
B247 6694	Pulley: Drive Were: Ass'y	65 - 19
B247 6695	Guide: Misfeed Removal: Paper Tray	63 - 19
B247 6695	Guide: Misfeed Removal: Paper Tray	67 - 19
B247 6713	End Fence - Front	65 - 6
B247 6714	End Fence - Rear	65 - 10
B247 6738	Side Fence: Tandem LCT: Right Rear	63 - 15
B247 6753	Lock Spring - Large	149 - 6
B247 6754	Lock Spring - Small	149 - 7
B247 6755	Tension Spring - 10N	61 - 31
B247 6783	Base: Slide Rail: No.3: Peen	163 - 6
B247 6792	Base: Slide Rail: Tandem LCT: Peen	165 - 3
B247 6800	Harness - Paper Size Sensor	163 - 19
B247 6811	Side Plate: Tandem Lct: Right Rear: Ass'y	65 - 13
B247 6901	Oil Damper: Fall	65 - 36
B247 6950	Shaft: Slider: Back Fence	61 - 21
B247 6951	Bracket: Pulley: Driven: Ass'y	61 - 32
B247 6955	Side Plate: Tandem LCT: Front Right: Ass'y	65 - 35

Part No.	Description	Page and Index No.
B247 6958	Shaft: Drive: Tray Bottom Plate: Right: Press Fit	65 - 18
B247 6982	Stepped Screw - M5	75 - 19
B247 8701	Stand: Auxiliary: Ass'y	17 - 34
B247 8706	Adjusting Pin: Auxiliary	17 - 38
B247 8710	Flange: Nut: M12	17 - 36
B301 1155	Separation Support Pad	37 - 25
B301 2141	Pulley - 39Z	45 - 13
B475 6855	Shield: Tandem LCT: Rear Right	63 - 17
B477 1161	Right Frame Stay	49 - 5
B477 1171	Arm Shaft	49 - 8
B477 1181	Sensor Bracket	49 - 14
B477 1185	Sensor Feeler	49 - 13
B477 1191	Front Left Stopper	39 - 19
B477 1831	Grip Shaft	35 - 8
B477 1841	Front Cover Bracket	35 - 1
B477 1851	Rear Cover Bracket	35 - 2
B477 2151	Separation Cap	37 - 22
B477 2172	Front Entrance Guide	33 - 6
B477 2182	Rear Entrance Guide	33 - 7
B477 2191	Separation Shaft	33 - 11
B477 2222	Pick-up Roller Bracket	33 - 25
B477 2225	Pick-up Roller	33 - 20
B477 2227	Pickup Roller: Coupling	33 - 19
B477 2231	Pick-up Roller Lever	33 - 17
B477 2244	Stopper: Shaft: Separation	45 - 19
B477 2263	Cushion	31 - 6
B477 2264	Base Cushion Sheet	31 - 7
B477 2281	Original Sensor Bracket	31 - 11
B477 2323	Base Lift Lever	31 - 15
B477 2372	Driven Paper Feed Roller	35 - 20
B477 2495	Bracket: Paper Feed Sebsor	39 - 27
B477 2561	Entrance Scanning Base	37 - 8
B477 2574	Arm: Roller: Scanning: Entrance	37 - 27
B477 2575	Entrance Scanning Roller Shaft	37 - 4
B477 2622	Discharge Brush: L11	49 - 3

Part No.	Description	Page and Index No.
B477 2622	Discharge Brush: L11	37 - 30
B477 2622	Discharge Brush: L11	43 - 21
B477 2622	Discharge Brush: L11	41 - 9
B477 2636	Driven Exit Scanning Roller	43 - 9
B477 2637	Driven Exit Arm	43 - 7
B477 2665	Registration Sensor Bracket	37 - 9
B477 2715	Pressure Plate Tape	29 - 7
B477 2715	Pressure Plate Tape	43 - 25
B477 2811	Drive Exit Roller	41 - 14
B477 2826	Discharge Brush: Exit	41 - 16
B477 2861	Driven Exit Roller	29 - 11
B477 2872	Exit Arm	43 - 11
B477 3111	Paper Feed Motor Bracket	45 - 3
B477 3115	Paper Feed Motor Stay	45 - 2
B477 3123	Gear - 24Z	45 - 20
B477 3144	Gear: Z20/T21: Input: Rear	45 - 25
B477 3145	Pulley	45 - 14
B477 3147	Gear: Z23: Input: Front	45 - 27
B477 3151	Gear - 31Z	45 - 8
B477 3177	Pulley	45 - 28
B477 3217	Pulley	47 - 17
B477 3241	Gear - 21Z	43 - 24
B477 3251	Pick-up Roller Cam	45 - 23
B477 3711	Paper Feed Motor - DC 7.4W	45 - 1
B477 3721	Scanning Motor- DC 7.4W	47 - 13
B477 4111	Spring	35 - 14
B477 4117	Spring	35 - 7
B477 4129	Spring - 12N	43 - 19
B477 4131	Spring	29 - 10
B477 4921	Clamp	49 - 9
B477 4921	Clamp	45 - 5
B477 5611	Detection Sensor Harness	49 - 16
B477 5691	Paper Feed Motor Harness	47 - 8
B652 1132	Tension Spring	39 - 10
B652 1133	Shaft: Slider	47 - 35

Part No.	Description	Page and Index No.
B652 1134	Compression Spring	47 - 34
B652 1136	Compression Spring	49 - 11
B652 1141	Adjusting Pin: Transport Belt Unit	49 - 1
B652 1152	Stay: Frame: Left	49 - 4
B652 1613	Timing Belt: B60S2M212	45 - 12
B652 1633	Spacer: Reverse Roller: Rear	45 - 6
B652 1643	Timing Belt: B40S3M186	45 - 26
B652 1673	Timing Belt: B40S3M180	45 - 31
B652 1674	Timing Belt: B40S2M170	45 - 30
B652 1773	Timing Belt: B40S2M178	45 - 11
B652 1816	Link: Stopper: Cover: Paper Feed	39 - 17
B652 1822	Bracket: Pressure: Pickup	35 - 3
B652 1823	Pressure Plate: Pickup	35 - 5
B652 1824	Compression Spring	35 - 4
B652 2146	Holder: Separation Pad	37 - 26
B652 2213	Timing Belt: B40S2M142	33 - 22
B652 2215	Guide: Paper Feed Belt: Front	33 - 24
B652 2392	Stopper: Original Table	31 - 17
B652 2393	Compression Spring	31 - 18
B652 2411	Roller: Scanning: Entrance: Drive	37 - 12
B652 2421	Roller: Scanning: Exit: Drive	41 - 12
B652 2516	Discharge Brush: Exit: L45	35 - 29
B652 3116	Guide: Transport Belt: Front	39 - 6
B652 3117	Guide: Transport Belt: Rear	39 - 7
B652 3119	Stopper: Roller: Drive	39 - 15
B652 3121	Transport Belt	39 - 18
B652 3125	Compression Spring	39 - 1
B652 3129	Bracket: Roller: Driven: Transport Belt	39 - 2
B652 3135	Timing Belt: B60S2M172	39 - 25
B652 3136	Cover: Roller: Scanning: Peen	39 - 24
B652 3156	Spacer: Transport Belt	39 - 5
B652 3174	Tension Spring	47 - 31
B652 4519	Roller: Scanning: Exit: Driven	43 - 5
B700 4428	Timing Belt: B40S2M158	47 - 24
B700 5805	Stepper Motor: Pm: S2m: T15: Ass'y	45 - 24

Part No.	Description	Page and Index No.
B712 5605	Grip: Application	151 - 4
B802 2255	Torque Limiter Mechanical Clutch: Separator	41 - 5
C269 3957	Timing Belt: S2M200	47 - 20
D009 1511	Stopper: Core	27 - 16
D014 1667	Frame: Rear	57 - 2
D014 1677	Cover: Siob	51 - 21
D014 1681	Spring Plate: Cover: Siob	51 - 20
D014 1703	Stepper Motor: DC1.98V 7.13W	57 - 20
D014 1722	Bracket: Tension: Inner Back: Peen	57 - 6
D014 1751	Carriage: No.1	55 - 1
D014 1762	Reflector	55 - 6
D014 5973	Cover: Sd-card	153 - 10
D014 5974	Cover: Connector: EFI	153 - 12
D014 6780	Tray Bottom Plate: Ass'y	67 - 14
D054 1132	Bracket: Stepper Motor	135 - 4
D054 4172	Retaining Rings-C: Hot Roller	109 - 21
D054 4254	Shaft: Turn	113 - 30
D054 5330	PCB: Sync Detector Board	59 - 23
D059 6152	Bracket: Sensor: Paper Size Sensor: Moveable	163 - 17
D059 6153	Spring Plate: Bracket: Sensor: Paper Tray	163 - 20
D059 6172	Paper Tray Stopper	149 - 17
D059 6591	Spring: Paper Tray: Lock	163 - 3
D059 6620	Lever: Coupling: Left	61 - 25
D059 6699	Bracket: Base: Stopper: Tandem LCT	25 - 7
D059 6742	Bracket: Rail: Left	165 - 2
D059 6765	DC Solenoid: Lock: Ass'y	149 - 2
D059 6858	Screw: M4x10	165 - 15
D062 1031	Ground Plate: Panel: Large: 5	141 - 7
D062 1032	Ground Plate: Frame	53 - 18
D062 1093	Bracket: ADF	51 - 18
D062 1140	Drum Shaft: Ass'y	133 - 9
D062 1145	Boss: Gear	133 - 12
D062 1172	Harness: Development: Fan: Connecting	53 - 16
D062 1175	Duct: Image Forming Section: Main: Ass'y	157 - 18

Part No.	Description	Page and Index No.
D062 1177	Duct: Toner Bottle	157 - 19
D062 1179	Duct: Image Forming Section: Gate: Ass'y	157 - 17
D062 1180	Duct: PCU: Ass'y	143 - 5
D062 1192	Duct: Exhaust: Upper	141 - 10
D062 1193	Duct: Exhaust: Lower	141 - 11
D062 1194	Bracket: Duct: Exhaust	141 - 6
D062 1198	Bracket: DC Fan Motor: Duplex	161 - 13
D062 1199	Guard: Fan: MM80	161 - 11
D062 1354	Sheet: Duct: Cover	19 - 11
D062 1669	Filter: Duct: CCD: Cooling	53 - 4
D062 1677	Duct: Cooling: CCD	53 - 3
D062 1707	Bracket: Motor	57 - 8
D062 1708	Pulley: Drive: Front: Ass'y	57 - 12
D062 1709	Pulley: Drive: Rear: Ass'y	57 - 13
D062 1732	Bracket: Fix: Front	53 - 20
D062 1734	Bracket: Fix: Rear	53 - 21
D062 1739	Cushion: Scanner	53 - 8
D062 1801	Carriage: No.2: Ass'y	55 - 2
D062 1852	Imaging Unit: Ass'y	59 - *
D062 1859	Laser Diode Unit: Ass'y	59 - 3
D062 1904	Plate: Harness: LVDS	59 - 8
D062 1908	Aperture	59 - 4
D062 1912	Plate: Lens: L0	59 - 6
D062 2388	Spring Plate: Brush Roller	97 - 17
D062 2389	Holder: Spring Plate: Brush Roller	97 - 18
D062 2425	Gear: Brush Roller	95 - 10
D062 2600	Side Plate: Paper Feed: Rear: Peen	81 - 15
D062 2752	Bracket: Dc Stepper Motor: Mm56	71 - 35
D062 3051	Development Unit: Ass'y	87 - *
D062 3099	Seal: Drum: Front	87 - 9
D062 3100	Seal: Drum: Rear	87 - 10
D062 3108	Plate: Filter	87 - 5
D062 3925	Cleaning Roller: Transfer Belt: Ass'y	101 - 8
D062 3966	DC Solenoid: On-off: MC4: Ass'y	101 - 27
D062 4098	Cleaning Unit: Hot Roller: Ass'y	103 - *

Part No.	Description	Page and Index No.
D062 4131	Fusing Entrance Guide Plate: NA: Ass'y (D131/D132 NA)	105 - 22
D062 4135	Fusing Entrance Guide Plate: Lower: Ass'y (D131/D132 AA)	105 - 22
D062 4174	Grip: Fusing Unit: Front: Ass'y	105 - 18
D062 4191	Bushing: Front: Oil Supply	103 - 33
D062 4192	Bushing: Inner Back: Oil Supply	103 - 34
D062 4196	Bracket: Thermistor: Inner Back	109 - 11
D062 4197	Bracket: Thermistor: Middle	109 - 10
D062 4207	Shaft: Plate: Cleaning Felt	103 - 31
D062 4226	Bushing: Oil Supply	113 - 5
D062 4232	Bracket: Guard: Feeler	103 - 8
D062 4236	Bushing: DIA6	103 - 18
D062 4440	Slide Rail: Fusing/Paper Exit Unit: Left: Ass'y	161 - 7
D062 4727	Holder: Pressure: Guide Plate	121 - 25
D062 4730	Guide Plate: Transport: Lower	121 - 20
D062 4741	Compression Spring: Holder: Guide Plate	121 - 24
D062 4745	DC Solenoid: Reversal: Ass'y	125 - 5
D062 4785	Stepper Motor: Transport: Ass'y	125 - 8
D062 5016	PCB: DRB: 60-75: Ass'y (D131/D132)	141 - 21
D062 5057	Power Supply Cord: EU: Ass'y	145 - 4
D062 5271	Motor Control Board: DC Polygon Mirror Motor	59 - 12
D062 5325	Brushless Motor: Development Unit: 90: Ass'y	135 - 1
D062 5412	Harness: Dc Polygon Mirror Motor	59 - 11
D062 5414	Harness: Main: Left: Low Speed: EXP (D131/D132)	139 - 8
D062 5418	Harness: Machine or Copier: Duplex: Exit	143 - 15
D062 5420	Harness: Cnb: Main: Upper	141 - 19
D062 5421	Harness: Safety Switch	141 - 18
D062 5422	Harness: DRB: Duplex	143 - 14
D062 5437	Harness: Laser Diode Control: Power Source	59 - 2
D062 5445	Harness: CNB: Fin	143 - 16
D062 5451	Harness: IPU: BCU: 50	155 - 13

Part No.	Description	Page and Index No.
D062 5452	Harness: IPU: BCU: 40	155 - 15
D062 5467	Harness: Siob: BCU: Connecting: Fanlamp	53 - 12
D062 5472	Harness: SIOB: BCU	139 - 7
D062 5500	Harness: DC Power Supply: CNB: BCU	141 - 15
D062 5502	Harness: Dc Power Supply: PFB	147 - 8
D062 5509	Harness: Power Source: BCU: DRB	141 - 17
D062 5513	Harness: CTL: Fan: Connecting	153 - 2
D062 5517	Harness: DC Power Supply: IPU	155 - 10
D062 5561	Harness: PWRCTL_DC24V: Connecting: EXP	145 - 1
D062 5602	Harness: Bank: Dehumidifier: 60/75	145 - 2
D062 5625	Harness: AC Power Supply: CTL-PSU	155 - 9
D062 5701	Harness: Bank: Front: Three Way	147 - 6
D062 5703	Harness: BCU: PFB: Connecting	147 - 7
D062 5782	Cable: HDD: SATA: Gray: M-C4	155 - 3
D062 5817	Hinge: Control Unit	151 - 3
D062 5824	Hinge: Control Unit: Main: Ass'y	161 - 17
D062 5851		153 - 9
D062 5856	Ground Plate: Power Supply Unit	145 - 9
D062 5856	Ground Plate: Power Supply Unit	139 - 5
D062 5880	Bracket: Power Supply Cord: DOM	145 - 6
D062 5881	Bracket: Power Supply Cord: EXP	145 - 6
D062 5883	Ground Plate: Control Board: L63.2	153 - 6
D062 5884	Ground Plate: Control Board: L76	153 - 7
D062 5885	Stopper: Power Supply Cord: Typec	145 - 5
D062 5891	Cover: Dc Fan Motor	151 - 1
D062 5918	Bracket: Total Counter	159 - 4
D062 5981	Bracket: Connecting: Earth	139 - 4
D062 5987	Ground Wire: Connecting: Earth	139 - 3
D062 5995	Cover: Harness: Image Processing Unit	139 - 1
D062 6246	Slide Rail: Paper Tray: Left: Sub-ass'y	163 - 2
D062 6256	Slide Rail: Tandem LCT: Left: Ass'y	165 - 5
D062 6275	Slide Rail: Tandem Lct: Right: Ass'y	165 - 14
D062 6280	Slide Rail: Right: Ass'y	163 - 8
D062 6356	Shaft: Feed Roller	71 - 9
D062 6433	Shaft: Stopper: Paper Tray	23 - 14

Part No.	Description	Page and Index No.
D062 6434	Link: Stopper: Paper Tray	23 - 12
D062 6435	Arm: Stopper: Paper Tray: Peen	23 - 3
D062 6438	Roller: Stopper: Paper Tray	23 - 11
D062 6439	Torsion Spring: Stopper: Paper Tray	23 - 13
D062 6441	Shaft: Grip: Paper Tray	23 - 10
D062 6442	Arm: Grip: Paper Tray: Left: Peen	23 - 9
D062 6447	Arm: Grip: Paper Tray: Right	23 - 8
D062 6449	Torsion Spring: Grip: Paper Tray	23 - 7
D062 6458	Holder: Stopper: Paper Tray	163 - 24
D062 6524	Shaft: Rise: Tray Bottom Plate: Press Fit	67 - 24
D062 6590	Spring: Tandem LCT: Lock	165 - 1
D062 6610	Block: Positioning: Paper Tray	163 - 5
D062 6646	Inner Cover: Tandem LCT: Left	61 - 4
D062 6665	Bracket: Dc Motor: Left: Peen	61 - 33
D062 6701	Torsion Spring: Stopper: Tandem LCT	25 - 4
D062 6702	Stopper: Tandem LCT	25 - 5
D062 6703	Link: Stopper: Tandem LCT: Peen	25 - 6
D062 6705	Arm: Grip: Tandem LCT: Left	25 - 9
D062 6706	Shaft: Grip: Tandem LCT	25 - 10
D062 6707	Base: Stopper: Tandem LCT: Peen	25 - 14
D062 6713	Arm: Grip: Tandem LCT: Right	25 - 8
D062 6715	Torsion Spring: Grip: Tandem LCT	25 - 11
D062 6716	Bracket: Grip: Tandem LCT: Left	25 - 12
D062 6717	Bracket: Grip: Tandem LCT: Right	25 - 13
D062 6777	Bracket: Lever: Slide: Auxiliary	165 - 10
D062 6859	Holder: Stopper: Tandem LCT	163 - 23
D062 8498	Heater: Scanner: NA: Ass'y	51 - 1
D062 8499	Heater: Scanner: EU: Ass'y	51 - 1
D066 2751	DC Stepper Motor: Paper Feed: Main: Ass'y	79 - 21
D066 3250	Rail: Development Unit: 90: Ass'y	159 - 21
D066 3966	DC Solenoid: On-off: MC4: Type-e: Ass'y	101 - 27
D066 3984	Brush: Flat Belt-transfer: Ass'y	99 - 2
D066 3988	Electrode: Bias: Transfer: Ass'y	99 - 18
D066 3990	Cover: Electrode Plate	99 - 3
D066 4156	Harness: Fusing Unit: EXP	107 - 20

Part No.	Description	Page and Index No.
D066 4202	Cleaning Unit: Hot Roller: C4: E: Ass'y	103 - *
D066 4211	Stay: Fusing: Upper: Ass'y	107 - 11
D066 4221	Housing: Thermostat	107 - 6
D066 4223	Electrode Plate: Thermostat	107 - 3
D066 4291	Bracket: Guide Plate: Fusing Exit: Upper: Ass'y (D133)	105 - 12
D066 4415	DC Solenoid: Gate Pawl: Ass'y	117 - 16
D066 4782	Sheet: Heat Sink: DC Stepper Motor: Transport: Duplex	125 - 26
D066 5016	PCB: DRB: 80-90: Ass'y (D133)	141 - 21
D066 5057	Power Supply Cord: EU: 90: Ass'y	145 - 4
D066 5418	Harness: Main: Duplex: Exit: 90	143 - 15
D066 5419	Harness: Machine or Copier: Left (D133)	139 - 8
D066 5672	Power Supply Cord: NA: 250V: Ass'y	145 - 4
D066 5700	Harness: Bank: Rear: Three Way	149 - 13
D066 5709	Harness: Bank: Rear: Three Way: Ass'y	149 - 13
D066 6738	Bracket: Lift Motor: Tandem LCT	149 - 8
D081 1674	Cover: Optics Section	51 - 19
D081 1716	Cover: Shaft	53 - 13
D081 5304	Harness: SBU: Power	53 - 9
D081 5490	PCB: SIOB	53 - 6
D081 6639	Guide Plate: Feed	71 - 21
D081 6664	Stay: Feed: Ass'y	71 - 14
D081 6671	Guide Plate: Swivel: Auxiliary	73 - 1
D081 6672	Guide Plate: Swivel	73 - 9
D081 6675	Bracket: Connector: 2	71 - 30
D120 1551	Sheet: Logo	27 - 2
D120 1556	Sheet: Logo: LAN	27 - 2
D120 1557	Sheet: Logo: GES	27 - 2
D120 2864	Lever: Stopper: Positioning	67 - 21
D129 1420	LCD: TFT: WVGA: LED: MV	27 - 14
D129 1421	Touch Panel: WVGA: MV	27 - 10
D129 1430	Cable: FFC: Opr	27 - 21
D129 1431	Cable: FFC: OPL	27 - 7
D129 1432	Cable: FFC: LCD	27 - 15

Part No.	Description	Page and Index No.
D129 1459	PCB: OP-L: Ass'y	27 - 8
D129 1502	Keytop: Start	27 - 18
D129 1503	Keytop: Stop	27 - 17
D129 1504	Keytop: 10key	27 - 29
D129 1506	Keytop: Reset Switch	27 - 19
D129 1507	Keytop: Power Source	27 - 20
D129 1508	Keytop: Home	27 - 6
D129 1509	Keytop: Left	27 - 5
D129 1510	Lens: Front	27 - 4
D129 1513	Shadeing Plate: Touch Panel	27 - 9
D129 1514	Bracket: LCDC: Ass'y	27 - 24
D129 1519	Sheet: Journal: AA-C3: NA	27 - 1
D129 1525	Sheet: Side: NA	27 - 23
D129 1531	Cover: Upper: NA/AA	27 - 3
D129 1532	Cover: Upper: EU/CHN/TWN	27 - 3
D129 1533	Keytop: 10key: NA	27 - 29
D129 1534	Keytop: 10key: EU	27 - 29
D129 1566	Sheet: Application: Multi-Language: NA	17 - 40
D129 1567	Sheet: Application: Multi-Language: EU	17 - 40
D129 1568	Sheet: Application: Multi-Language: Blank	17 - 9
D132 1246	Cover: Left Upper: NA: Ass'y	19 - 2
D132 1302	Cover: Right Upper: NA	19 - 20
D132 1303	Cover: LCT: NA	19 - 23
D132 1305	Cover: Rear Upper: NA	19 - 10
D132 1333	Cover: Right Lower: NA	19 - 24
D132 1334	Cover: Left Lower: NA	19 - 3
D132 1403	Operation Panel: M-C5: NA: Service Parts: Ass'y	27 - *
D132 1405	Operation Panel: EU: Service Parts: Ass'y Service Parts: Ass'y	27 - *
D132 1409	Operation Panel: M-C5: AA:	27 - *
D132 7041	Decal: Model Name Plate: D132	167 - 41
D132 7041	Decal: Model Name Plate: D132	17 - 13
D132 7042	Decal: Model Name Plate: D132: EXP: SP	167 - 41
D132 7042	Decal: Model Name Plate: D132: EXP: SP	17 - 13

Part No.	Description	Page and Index No.
D132 7044	Decal: Model Name Plate: D132: LAN	17 - 13
D132 7044	Decal: Model Name Plate: D132: LAN	167 - 41
D132 7047	Decal: Model Name Plate: D132: GES	17 - 13
D132 7047	Decal: Model Name Plate: D132: GES	167 - 41
D133 3045	Duct: Development: Ass'y	87 - 7
D133 3161	Case: Classification: D133: Ass'y	85 - 1
D133 3210	Toner Supply Unit: M-90: Ass'y	85 - *
D133 3340	Filter: Development: M-90	87 - 6
D133 3856	Transfer Unit: D133: Ass'y	99 - *
D133 4001	Fusing Unit: D133: Ass'y	105 - *
D133 4080	Stripper Pawls: Open And Close: Ass'y	105 - 1
D133 4117	Fusing Cover: Upper: D133: Ass'y (D133)	105 - 16
D133 4278	Inner Cover: Fusing/Paper Exit Unit	103 - 1
D133 5014	PCB: CNB: 90: Ass'y (D133)	141 - 20
D133 5122	PCB: BCU: 90CPM: Service	139 - 9
D133 5616	Harness: AC Power Supply: Main: EXP: 90CPM	143 - 10
D133 7041	Decal: Model Name Plate: D133: EXP	17 - 13
D133 7041	Decal: Model Name Plate: D133: EXP	167 - 41
D133 7042	Decal: Model Name Plate: D133: EXP: SP	17 - 13
D133 7042	Decal: Model Name Plate: D133: EXP: SP	167 - 41
D133 7044	Decal: Model Name Plate: D133: LAN	17 - 13
D133 7044	Decal: Model Name Plate: D133: LAN	167 - 41
D133 7047	Decal: Model Name Plate: D133: GES	167 - 41
D133 7047	Decal: Model Name Plate: D133: GES	17 - 13
D142 5765	HDD: Toshiba: 250GB	155 - 5
D144 1396	Holder: Exposure Glass: Ig: Ass'y	17 - 41
D412 0331	Transport Belt Unit: Ass'y	39 - *
D412 1131	Bracket: Pressure: Transport Belt: Rear	39 - 8
D412 1211	Hinge: Left: Ass'y	49 - 6
D412 1250	Hinge: Right: Ass'y	49 - 7
D412 1622	Shaft: Separation: Drive: Input	45 - 21
D412 1632	Shaft: Reverse Roller: Sub-ass'y	41 - 6
D412 1651	Gear: Z37: Reverse Roller: Front	45 - 7
D412 1661	Timing Pulley: T23: S3M	45 - 16
D412 1662	Timing Pulley: T26: S2M	45 - 29



Part No.	Description	Page and Index No.
D412 1711	Bracket: Motor: Scanning: Ass'y	47 - 16
D412 1726	Stay: Motor: Scanning	47 - 14
D412 1731	Stepper Motor: Exit: Ass'y	47 - 12
D412 1741	Timing Belt: 40S2M132	47 - 18
D412 1742	Timing Belt: 80S3M507	47 - 21
D412 1743	Timing Belt: 40S3M291	47 - 19
D412 1751	Bracket: Tensioner: Scanning: Ass'y	47 - 30
D412 1754	Pulley: Idler: DIA18	47 - 29
D412 1771	Timing Pulley: GEAR: T21-Z21	39 - 26
D412 1791	Bracket: Cover: Drive	47 - 33
D412 1912	Bracket: DC Fan Motor	47 - 10
D412 2111	Roller: Pull Out: Drive	37 - 13
D412 2115	Driven Roller: Pull Out: Press Fit	35 - 15
D412 2121	Roller: Middle: Drive	37 - 11
D412 2200	Shaft: Separation: Drive: Ass'y	33 - *
D412 2212	Timing Pulley: T21: S2M	33 - 23
D412 2232	Compression Spring: Paper Feed Belt	33 - 15
D412 2244	Sheet: Stay: Reverse Roller	41 - 8
D412 2246	Bracket: Sheet: CIS	41 - 2
D412 2248	Sheet: CIS	41 - 1
D412 2252	Guide: Paper Feed: Lower	37 - 21
D412 2255	Roller: Guide: Middle	37 - 24
D412 2256	Shaft: Roller: Guide: Middle	37 - 28
D412 2282	Guide Plate: Original Table	31 - 12
D412 2292	Shaft: Rise: Base	31 - 16
D412 2321	Stepper Motor: DIA42: Ass'y	47 - 23
D412 2345	Gear: Z47: M0.8	31 - 20
D412 2346	Gear: Z20/Z47: M0.8: Right: Front	47 - 26
D412 2347	Gear: Z20/Z47: M0.8: Left: Rear	47 - 28
D412 2348	Gear: Z20/Z47: M0.8: Right: Rear	47 - 25
D412 2349	Timing Pulley: T30/Z20: S2M/M0.8	47 - 27
D412 2357	Feeler: Sensor: Original Sensor	31 - 4
D412 2364	Bracket: Pressure Plate: Pull Out	35 - 12
D412 2393	Bracket: Stopper: Original Table	31 - 19
D412 2441	Roller: Contact Image Sensor: Exit: Drive	41 - 13

Part No.	Description	Page and Index No.
D412 2474	Discharge Brush: L82	37 - 18
D412 2475	Discharge Brush: L228	37 - 17
D412 2485	Sheet: Scanning: Exit: Upper: Ass'y	39 - 31
D412 2523	Bracket: Paper Size Sensor	35 - 26
D412 2553	Arm: Roller: Middle: Driven	35 - 18
D412 2555	Compression Spring: Middle	35 - 19
D412 2577	Driven Roller: Scanning: Entrance	37 - 6
D412 2578	Tension Spring: Scanning: Entrance	37 - 5
D412 2632	Guide Plate: Exit: Lower	43 - 4
D412 2641	Shaft: Contact Point: Scanning: Exit: Long	43 - 2
D412 2645	Shaft: Contact Point: Scanning: Exit: Short	43 - 3
D412 2646	Compression Spring: Scanning: Exit	43 - 6
D412 2651	Roller: Scanning: Behind: Ass'y	43 - 20
D412 2653	Bushing: DIA6	43 - 18
D412 2662	Spacer: Guide Plate:	
	Contact Image Sensor: Entra	43 - 13
D412 2669	Tension Spring: Guide Plate: Pressure: 2N	43 - 17
D412 2672	Guide Plate: Exit: Lower	43 - 8
D412 2676	Shaft: Contact Point: Exit	43 - 12
D412 2677	Compression Spring:	
	Contact Image Sensor: Exit	43 - 10
D412 3111	Housing: Transport Belt: Scanning	39 - 32
D412 3113	Roller: Scanning: Pressure	39 - 4
D412 3125	Driven Roller: Scanning	39 - 3
D412 3145	Tension Spring: Lever: Misfeed Removal	39 - 9
D412 3146	Shaft: Lever: Misfeed Removal: Ass'y	39 - 22
D412 3152	Shaft: Scanning: Transport Belt: Drive	39 - 14
D412 3153	Roller: Scanning: Transport Belt	39 - 13
D412 3154	Bushing: Drive Roller: Transport Belt Unit	39 - 12
D412 3156	Roller: Drive Roller: Transport Belt Unit	39 - 11
D412 4911	Pressure Plate: Ass'y	29 - 5
D412 5850	Harness: Motor: Exit	47 - 6
D412 5870	Harness: Motor: Base	47 - 5
D412 5890	Harness: Motor: Pick Up	47 - 7
D412 5900	Harness: Sensor: Paper Size Sensor	35 - 22

Part No.	Description	Page and Index No.
D412 5910	Harness: Sensor: Base: Connecting	47 - 3
D412 5920	Harness: Sensor: Base	31 - 14
D501 2618	Cover: Roller: Scanning: Behind	43 - 23
D541 2241	Reverse Roller: Paper Feed	41 - 4
D543 3664	Lever: Guide Plate:	
	Contact Image Sensor: Front	43 - 15
D543 3665	Lever: Guide Plate:	
	Contact Image Sensor: Rear	43 - 16
D609 1790	Cover: Paper Feed	35 - 9
D609 1825	Lever: Release: Paper Feed	35 - 6
D609 1922	Cover: Lower	29 - 6
D609 2145	Bracket: Guide: Paper Feed: Lower	37 - 16
D609 2259	Guide: Paper Feed: Upper	37 - 29
D609 2286	Seal: Stay: Original Table	31 - 23
D609 2347	Guide: Paper Feed: Upper	35 - 21
D609 2351	Base: Original Table: Ass'y	31 - 5
D609 2362	Side Fence: Original Table	31 - 2
D609 2367	Rail: Side Fence	31 - 1
D609 2371	Original Table: Face Front: Ass'y	31 - 24
D609 2382	Original Table: Behind	31 - 28
D609 2471	Guide Plate: Scanning: Entrance: Ass'y	37 - 19
D609 2481	Guide Plate: Scanning: Exit	39 - 30
D609 2581	Guide: Scanning: Entrance: Ass'y	37 - 1
D609 2655	Guide Plate: Contact Image Sensor:	
	Entrance: Cementaion	43 - 14
D609 2825	Guide Plate: Exit: Upper	41 - 15
D609 3148	Hook: Lock: Image Reading Unit: Front	39 - 21
D609 4371	Grip: Cover: Paper Feed	35 - 10
D609 4402	Decal: Set: Original Table	31 - 25
D609 4402	Decal: Set: Original Table	167 - 45
D609 4406	Decal: Size: Original	35 - 11
D609 4406	Decal: Size: Original	167 - 46
D609 4407	Decal: Base: Original	31 - 8
D609 4407	Decal: Base: Original	167 - 47
D609 4408	Decal: Misfeed Removal: Lever	29 - 2

Part No.	Description	Page and Index No.
D609 4408	Decal: Misfeed Removal: Lever	167 - 48
D609 4511	Cover: Rear	29 - 4
D609 4612	Cover: Front	29 - 3
D609 4711	Cover: Paper Feed: Upper	35 - 28
D609 4713	Cover: Upper	29 - 13
D609 4811	Tray: Exit	29 - 12
D609 5120	PCB: Main Control: Montblanc-c: Ass'y	47 - 9
D609 5400	Harness: CIS: Power Source	47 - 36
D609 5410	Harness: CIS: Control	47 - 4
D609 5420	Harness: Sensor: Registration	39 - 29
D609 5430	Harness: Sensor: Original Table	31 - 27
D609 5500	Harness: CIS: Image Data	47 - 2
D609 5510	Harness: Interface Cable	47 - 1
D609 5861	Contact Image Sensor: Collar: 600DPI: Ass'y	41 - 11
D642 3666	Discharge Brush: Exit	43 - 26
G011 1058	Snap Ring	79 - 12
G020 3566	Nut - 2.4mm	97 - 3
G029 4150	Pressure Spring	57 - 18
G126 2713	Shaft: Reverse: Drive: Ass'y	79 - 14
G126 2714	Shaft: Reverse Roller: Ass'y	79 - 18
G126 5892	Bracket: Power Pack: Development	143 - 7
G126 8705	Bracket: Stand: Auxiliary	17 - 35
G148 1157	Bracket: Toner Recycling	135 - 15
G148 4202	Bracket: Cleaning Unit: Ass'y	103 - 32
G148 4226	Bracket: Drive	103 - 13
G148 4429	Side Plate: Front: Exit: Ass'y (D133)	119 - 15
G148 4433	Side Plate: Rear: Exit: Ass'y (D133)	119 - 16
G178 3232	Terminal: Development Roller	135 - 24
G178 6062	PCB: PC4200: RAWCARD-C: 512MB	153 - 3
G178 6072	PCB: PC4200: RAWCARD-A: 1GB	153 - 3
G404 2810	Spring Plate - 2Nd Mirror	55 - 18
G570 2731	Grip	55 - 9
G570 2827	Supporting Plate	59 - 16
G570 2834	Pulley - High Voltage Supply Cord	55 - 24
H053 1150	Stepped Screw - Locking	99 - 24

Part No.	Description	Page and Index No.
H053 2208	Bushing - M4	131 - 19
M052 1553	Cushion: Core	27 - 13
N803 1000	Case - Flash Memory Card	169 - 4
N803 6701	Flash Memory Card-4MB	169 - 3

Part No.	Description	Page and Index No.
AA00 0059	Caution Decal - English	19 - 7
AA00 0217	Decal - LD 655	53 - 7
AA00 0217	Decal - LD 655	57 - 10
AA00 0217	Decal - LD 655	167 - 1
AA00 1564	Plate: Logotype: RIC	17 - 15
AA00 1565	Plate: Logotype: LAN	17 - 15
AA00 1567	Plate: Logotype: GES	17 - 15
AA00 1586	Decal: Side Fence: 40x30	167 - 2
AA00 1586	Decal: Side Fence: 40x30	61 - 14
AA00 1587	Decal: Side Fence: 16x30	167 - 3
AA00 1587	Decal: Side Fence: 16x30	63 - 1
AA00 1597	Decal: Side Fence: Rear	167 - 4
AA00 1597	Decal: Side Fence: Rear	67 - 20
AA00 3048	Decal: Caution Chart: Paper Set Direction	167 - 5
AA00 3048	Decal: Caution Chart: Paper Set Direction	17 - 42
AA00 3221	Decal: Paper Tray: Design Sketch: Multi-language	25 - 2
AA00 3221	Decal: Paper Tray: Design Sketch: Multi-language	23 - 1
AA00 3221	Decal: Paper Tray: Design Sketch: Multi-language	167 - 6
AA00 3224	Decal: Paper Tray: Design Sketch: Multi-language: ABS	23 - 2
AA01 2128	Machine Or Copier Filter	19 - 17
AA02 1034	Magnetic	125 - 12
AA04 0056	Driven Roller	117 - 5
AA04 0056	Driven Roller	119 - 9
AA04 3269	Timing Belt - S2M114	135 - 5
AA04 3271	Timing Belt S3M 196T	61 - 24
AA04 3290	Timing Belt	119 - 7
AA04 3291	Timing Belt	125 - 4
AA04 3292	Timing Belt	125 - 10
AA04 3293	Timing Belt - 40S2M268G	127 - 15
AA04 3314	Timing Belt: 100S2M266	57 - 14

Part No.	Description	Page and Index No.
AA04 3315	Timing Belt: S2M: 40X426	119 - 7
AA04 3435	Timing Belt: 40S2M810	129 - 6
AA04 3675	Synchronous Belt: Reverse: S2M118	73 - 19
AA04 3676	Synchronous Belt: Connecting: DC Stepper Motor	73 - 29
AA04 3945	Timing Belt	133 - 22
AA04 3946	Timing Belt	135 - 18
AA04 3948	Timing Belt	133 - 15
AA04 3974	Timing Belt - B60S2M112	75 - 31
AA06 0291	Spring	85 - 15
AA06 0291	Spring	83 - 17
AA06 0539	Stripper Pawl Spring	105 - 4
AA06 0722	Tension Spring	81 - 35
AA06 0757	Tension Spring - Long	65 - 5
AA06 0758	Tension Spring - Short	65 - 3
AA06 0792	Tension Spring	133 - 17
AA06 0806	Spring	125 - 16
AA06 0842	Tension Spring	45 - 4
AA06 0887	Spring	77 - 20
AA06 0888	Spring	77 - 15
AA06 0891	Spring	93 - 15
AA06 0892	Pick-off Pawl Spring	97 - 6
AA06 0893	Spring	111 - 15
AA06 0894	Spring	109 - 15
AA06 0894	Spring	107 - 29
AA06 0896	Spring	71 - 27
AA06 0897	Spring	71 - 11
AA06 0898	Spring	71 - 8
AA06 0900	Spring	73 - 21
AA06 0901	Spring	73 - 16
AA06 0902	Spring	117 - 15
AA06 0903	Spring	115 - 28
AA06 0904	Spring	73 - 26
AA06 0911	Spring	79 - 28
AA06 0916	Slider Spring	105 - 5

Part No.	Description	Page and Index No.
AA06 0946	Pressure Tension Spring	113 - 23
AA06 0961	Tension Spring: Side Fence: Rear	67 - 18
AA06 0991	Tension Spring: Tension: Transport	47 - 15
AA06 1076	Coil Spring: Pressure Release: Pickup	71 - 15
AA06 2284	Pressure Spring	91 - 16
AA06 2318	Spring	129 - 26
AA06 2318	Spring	123 - 4
AA06 2320	Spring	121 - 7
AA06 3052	Turret Spring	157 - 15
AA06 3248	Charge Terminal Spring	91 - 18
AA06 3249	Grid Terminal Spring	91 - 19
AA06 3254	Driven Roller Spring	81 - 17
AA06 3310	Guide Plate Spring	99 - 23
AA06 3366	Chuck Spring	83 - 9
AA06 3435	Compression Spring: Paper Feed: Joint	33 - 3
AA06 3480	Compression Spring: Transport Roller: 12.5N	75 - 3
AA06 3487	Spring - 10mm	75 - 22
AA06 3490	Spring - 21.6mm	135 - 13
AA06 3576	Spring	97 - 29
AA06 3610	Spring - 4060mn	97 - 11
AA06 3654	Spring	133 - 28
AA06 3655	Spring	125 - 22
AA06 3851	Pressure Spring	103 - 23
AA06 3877	Spring	101 - 7
AA06 3878	Spring	75 - 8
AA06 3879	Spring	115 - 18
AA06 3880	Spring	149 - 14
AA06 3880	Spring	143 - 12
AA06 3886	Spring	103 - 35
AA06 3889	Heat Sink Spring	71 - 32
AA06 3901	Compression Spring: Drawer	149 - 25
AA06 6352	Spring	105 - 24
AA06 6353	Spring	121 - 14
AA06 6592	Spring	115 - 14
AA06 6651	Spring	135 - 17

Part No.	Description	Page and Index No.
AA07 0084	Slide Rail: Fusing/Paper Exit Unit: Right	159 - 6
AA07 0087	Slide Rail: Tandem LCT	165 - 12
AA08 0034	Bushing - 4x5x7	123 - 8
AA08 0034	Bushing - 4x5x7	81 - 20
AA08 0034	Bushing - 4x5x7	115 - 2
AA08 0034	Bushing - 4x5x7	125 - 23
AA08 0037	Bushing - 6mm	81 - 16
AA08 0037	Bushing - 6mm	79 - 3
AA08 0037	Bushing - 6mm	35 - 13
AA08 0147	Front Bushing	91 - 3
AA08 0184	Bushing - Fusing Exit	115 - 11
AA08 0240	Bushing - MM5	115 - 19
AA08 0241	Bushing - M4	75 - 21
AA08 0274	Bushing	105 - 11
AA08 0327	Bushing - M4	73 - 3
AA08 2058	Bushing - 6x10x9mm	101 - 24
AA08 2064	Bushing - 10mm	159 - 12
AA08 2094	Bushing - Brush Roller	95 - 11
AA08 2101	Bushing - 6x10x6	33 - 1
AA08 2101	Bushing - 6x10x6	97 - 21
AA08 2101	Bushing - 6x10x6	95 - 5
AA08 2101	Bushing - 6x10x6	45 - 17
AA08 2101	Bushing - 6x10x6	101 - 15
AA08 2104	Bushing - 8x12x7	31 - 13
AA08 2116	Bushing - M8	123 - 11
AA08 2116	Bushing - M8	77 - 14
AA08 2116	Bushing - M8	81 - 9
AA08 2117	Bushing - M6	117 - 2
AA08 2117	Bushing - M6	113 - 14
AA08 2118	Bushing - M6	71 - 6
AA08 2118	Bushing - M6	73 - 11
AA08 2118	Bushing - M6	79 - 11
AA08 2118	Bushing - M6	123 - 10
AA08 2118	Bushing - M6	127 - 8
AA08 2118	Bushing - M6	125 - 13

Part No.	Description	Page and Index No.
AA08 2119	Roller Bushing	95 - 9
AA08 2120	Bushing	97 - 15
AA08 2121	Toner Collection Coil Bushing	97 - 34
AA08 2121	Toner Collection Coil Bushing	95 - 3
AA08 2122	Bushing	93 - 13
AA08 2141	Bushing - 16x18x5	37 - 14
AA08 3019	Bushing	77 - 21
AA10 0006	Nut - M3.6	17 - 32
AA12 0067	Anti Static Brush	161 - 1
AA13 2013	Spacer	33 - 4
AA13 2024	Spacer - M6	83 - 18
AA13 2024	Spacer - M6	101 - 9
AA13 2025	Spacer - 1x8x12	79 - 5
AA13 2025	Spacer - 1x8x12	133 - 27
AA13 2142	Spacer - M8	55 - 17
AA13 2171	Spacer - 6x20x1	33 - 21
AA13 2203	Spacer - 6mm	149 - 4
AA13 2203	Spacer - 6mm	65 - 24
AA13 2208	Spacer - M6	93 - 10
AA13 2208	Spacer - M6	95 - 6
AA13 2208	Spacer - M6	131 - 12
AA13 2208	Spacer - M6	97 - 10
AA14 0686	Shaft - Timing Pulley	61 - 29
AA14 0819	Feed Roller Shaft	77 - 19
AA14 0823	Pressure Roller Shaft	107 - 27
AA14 0829	Driven Shaft	73 - 4
AA14 0912	Screw - 8x14x2.8	163 - 18
AA14 3129	Shoulder Screw - Front Cover	123 - 3
AA14 3183	Stepped Screw	125 - 11
AA14 3426	Stopped Screw - M4x17	123 - 27
AA14 3523	Shoulder Screw - M3	97 - 1
AA14 3537	Screw: M3: Black	51 - 2
AA14 3544	Screw - M3	97 - 30
AA14 3555	Screw - M3x5	29 - 8
AA14 3560	Stepped Screw - M4	75 - 14

Part No.	Description	Page and Index No.
AA14 3569	Screw	163 - 21
AA14 3718	Stepped Screw - M4	71 - 28
AA14 3788	Pin: Guide Plate: Paper Feed	129 - 29
AA14 3788	Pin: Guide Plate: Paper Feed	49 - 2
AA14 3788	Pin: Guide Plate: Paper Feed	35 - 27
AA14 3788	Pin: Guide Plate: Paper Feed	43 - 1
AA14 3788	Pin: Guide Plate: Paper Feed	39 - 20
AA14 3789	Shaft: Cleaner	33 - 28
AA14 3789	Shaft: Cleaner	31 - 22
AA14 3790	Screw: Contact Point	37 - 20
AA14 3791	Screw: Safety	37 - 15
AA14 3791	Screw: Safety	47 - 32
AA14 3797	Connector Guide Pin	149 - 16
AA14 3797	Connector Guide Pin	143 - 8
AA14 3798	Hexagonal Bolt: M12x35	163 - 12
AA14 3801	Screw: M4: Exterior	151 - 5
AA14 3801	Screw: M4: Exterior	141 - 12
AA14 3801	Screw: M4: Exterior	157 - 11
AA14 3802	Screw: 6X1.7	57 - 16
AA14 3803	Flanged Hexagonal Head Bolt: Caster	163 - 11
AA14 3807	Screw: A	117 - 11
AA14 3809	Shoulder Screw - M2.5	75 - 26
AA14 3810	Development Cover Screw	113 - 27
AA14 3810	Development Cover Screw	165 - 11
AA14 3810	Development Cover Screw	111 - 20
AA14 3810	Development Cover Screw	105 - 3
AA14 3811	Stepped Screw - M3x4	121 - 16
AA14 3811	Stepped Screw - M3x4	125 - 20
AA14 3812	Screw - Scale	73 - 6
AA14 3816	Flat Screw: Chuck: Bottle	83 - 5
AA14 3842	Screw: DIA6: 14.5: M4	49 - 10
AA14 3846	Tapping Screw: M3x6	39 - 16
AA14 3848	Stepped Screw - M3	155 - 6
AA14 3878	Screw: M3: DIA5	21 - 5
AA14 3879	Screw: M4: DIA5	21 - 4

Part No.	Description	Page and Index No.
AA15 2315	Tank Seal	19 - 5
AA15 2431	Front Drum Seal	95 - 16
AA15 2441	Case Seal	77 - 5
AA15 3085	Inner Case Seal	95 - 14
AA15 3088	Cleaning Entrance Seal - 3x345x2	95 - 15
AA15 3138	Inner Cover Cushion - Right Rear	63 - 18
AA15 3154	Duct Seal - PCU	143 - 2
AA15 3155	Duct Seal - IPS	141 - 3
AA15 3156	Exhaust Duct Seal	141 - 9
AA16 1104	Cushion - Motor	141 - 1
AA16 1104	Cushion - Motor	161 - 14
AA16 1122	Motor Cushion	135 - 3
AA16 1125	Rubber Cushion	155 - 7
AA16 1129	Cushion - Large	65 - 26
AA16 1130	Cushion - Small	65 - 29
AA16 1137	Cushion - 0.5	51 - 9
AA16 2079	Cushion	81 - 30
AB01 0087	Gear - 20Z	91 - 13
AB01 1392	Drive Reverse Gear - 24z	79 - 13
AB01 1457	Transport Roller Gear	81 - 11
AB01 1459	Toner Collection Coil Gear	95 - 18
AB01 1459	Toner Collection Coil Gear	97 - 20
AB01 1460	Idler Gear	97 - 28
AB01 1460	Idler Gear	95 - 20
AB01 1461	Toner Recycling Connecting Gear	93 - 11
AB01 1462	Toner Recycling Gear	93 - 9
AB01 1463	Connecting Gear	127 - 10
AB01 1464	Turn Gear	127 - 7
AB01 1465	Idler Gear	71 - 5
AB01 1466	Gear - 35Z	75 - 33
AB01 1466	Gear - 35Z	71 - 23
AB01 1469	Gear - 19Z	73 - 12
AB01 1470	Gear - 18Z	73 - 17
AB01 1471	Reverse Gear	73 - 38
AB01 1478	Gear - 18Z	77 - 13

Part No.	Description	Page and Index No.
AB01 1482	Gear - Z40	133 - 14
AB01 1496	Gear - 32Z	127 - 12
AB01 1507	Gear: Z31	133 - 14
AB01 1591	Gear: Reverse	79 - 19
AB01 1591	Gear: Reverse	73 - 37
AB01 2028	Gear - 19Z	117 - 3
AB01 2031	Gear	119 - 27
AB01 2062	Gear: Hot Roller	109 - 24
AB01 2315	Gear - 156Z	133 - 13
AB01 2316	Fusing Gear	107 - 17
AB01 2318	Idler Gear	113 - 33
AB01 2318	Idler Gear	111 - 23
AB01 2327	Gear: 16Z	67 - 17
AB01 2328	Gear: Drive: Fusing	111 - 24
AB01 2328	Gear: Drive: Fusing	113 - 34
AB01 3747	Gear - 16Z	85 - 19
AB01 3748	Joint Gear - 15z	85 - 16
AB01 3749	Gear - 15Z	85 - 18
AB01 3781	Gear - 30Z	65 - 37
AB01 3790	Gear - 25Z	87 - 20
AB01 3798	Gear - Z18	61 - 1
AB01 4077	Registration Roller Gear	79 - 7
AB01 4176	Cam Gear - 37z	101 - 23
AB01 7449	Gear - 21Z/24T	135 - 6
AB01 7606	Gear - 24Z/46Z	79 - 29
AB01 7607	Gear - 22Z/39Z	81 - 32
AB01 7611	Pick-off Pawl Cam	97 - 8
AB01 7612	Gear	95 - 19
AB01 7614	Pulley	127 - 9
AB01 7615	Gear - 30Z/45Z	129 - 13
AB01 7616	Gear	125 - 3
AB01 7640	Gear -38/Z59	133 - 16
AB01 7690	Pulley: Idler: 30T/24Z	75 - 28
AB01 7690	Pulley: Idler: 30T/24Z	73 - 18
AB01 7760	Gear: Z38/Z67	133 - 16

Part No.	Description	Page and Index No.
AB01 9197	Exit Gear	119 - 28
AB01 9200	Gear	119 - 19
AB01 9475	Gear - 48T	61 - 30
AB01 9479	Gear: Fusing Exit	113 - 2
AB01 9479	Gear: Fusing Exit	111 - 2
AB03 0427	Pulley - 81Z	135 - 9
AB03 0458	Pulley - 28Z	133 - 21
AB03 0578	Timing Pulley - 18Z	117 - 13
AB03 0579	Timing Pulley - 27Z	119 - 3
AB03 0583	Timing Pulley - 24Z	127 - 14
AB03 0722	Pulley - 13MM	81 - 34
AB03 0724	Pulley - 74Z	133 - 24
AB03 0725	Pulley - 89Z	135 - 20
AB03 0731	Pulley - 29Z	127 - 13
AB03 0732	Jogger Pulley	129 - 27
AB03 0733	Pulley - 20T	73 - 28
AB03 2058	Wire Pulley - M10	65 - 15
AB03 2717	Pulley - 26Z	55 - 16
AB03 2719	Pulley - M10	65 - 17
AB03 3084	Timing Pulley - 15T	61 - 27
AB03 3085	Timing Pulley - 15T	61 - 20
AC01 5037	Shield Glass	59 - 15
AC02 4019	Lens: Cylindrical Lens	59 - 7
AC03 0175	Mirror: No.1	59 - 9
AC03 0176	Mirror: No.2	59 - 22
AD02 2283	Front End Block	91 - 14
AD02 2285	Rear End Block	91 - 15
AD02 2306	Cover - Front End Block	91 - 21
AD02 2307	Cover - Rear End Block	91 - 22
AD02 5024	Pick-off Pawl	97 - 7
AD04 1126	Transfer Belt Cleaning Blade	101 - 1
AD04 1140	Cleaning Blade	97 - 9
AD04 7025	Exit Seal	101 - 11
AE01 1044	Hot Roller	107 - 21
AE01 1117	Hot Roller: MM40	109 - 35

Part No.	Description	Page and Index No.
AE02 0178	Pressure Roller: DIA50	107 - 26
AE02 0209	Pressure Roller: DIA40	109 - 34
AE03 0017	Ball Bearing - 35x50x10	107 - 16
AE03 0018	Ball Bearing - 12x28x8	107 - 25
AE03 0053	Ball Bearing - 8x19x6	109 - 33
AE03 0054	Ball Bearing - 40x52x7	109 - 23
AE03 0055	Ball Bearing - 6x15x5	113 - 12
AE03 0056	Ball Bearing - 8x16x5	113 - 17
AE03 1024	Bushing - M4x7	111 - 6
AE03 2014	Bushing - 30x35x13.5	107 - 15
AE03 2033	Thermal Insulating Bushing: DIA34	109 - 22
AE04 2052	Cleaning Roller	111 - 7
AE04 2066	Fusing Cleaning Roller	113 - 6
AE04 4060	Stripper Pawls	105 - 15
AE04 4068	Pressure Roller: Cleaning Felt	103 - 36
AE04 5067	Roller: Cleaning Felt: 32m: Ass'y	103 - 30
AE04 5068	Roller: Cleaning Felt: 28m: Ass'y	103 - 30
AF01 3005	Bottom Plate Pad	67 - 15
AF02 0295	Vertical Driven Roller	75 - 20
AF02 0564	Connecting Roller	81 - 10
AF02 0578	Entrancedecura Roller	117 - 10
AF02 0579	Exitdecura Roller	117 - 9
AF02 0726	Transport Roller: Drive: Grip	71 - 22
AF02 0726	Transport Roller: Drive: Grip	75 - 32
AF02 1079	Right Drive Roller	127 - 6
AF02 2067	Guide Stopper Roller	121 - 26
AF02 2077	Driven Roller	121 - 22
AF02 2105	Roller - Slide Rail	65 - 28
AF02 2126	Exit Roller - Driven	115 - 3
AF02 2149	Transport Roller	73 - 2
AF03 0080	Paper Feed Roller: Pickup	77 - 18
AF03 0081	Paper Feed Roller: Pickup	71 - 2
AF03 1082	Paper Feed Roller: Feed	71 - 3
AF03 1083	Paper Feed Roller: Feed: Manual Feed	77 - 12
AF03 2080	Paper Feed Roller: Separate	73 - 32

Part No.	Description	Page and Index No.
AF03 2080	Paper Feed Roller: Separate	79 - 16
AF04 0055	Fusing Exit Roller	113 - 1
AF04 0055	Fusing Exit Roller	111 - 1
AF04 0629	Roller: Fusing Exit: Upper	105 - 14
AG05 0104	Knob: Fusing	103 - 6
AG07 0513	Magnet Catch	69 - 4
AG07 1012	Magnet Catch: Ass'y	161 - 20
AH01 2040	Caster: 1470N: DIA60	163 - 10
AW01 0107	Paper Feed Sensor	35 - 17
AW01 0107	Paper Feed Sensor	71 - 13
AW01 0107	Paper Feed Sensor	79 - 23
AW01 0107	Paper Feed Sensor	77 - 3
AW01 0113	Sensor	65 - 25
AW01 0115	Original Sensor: H=81.5	51 - 13
AW01 0117	Paper Feed Sensor	39 - 28
AW01 0117	Paper Feed Sensor	37 - 10
AW01 0117	Paper Feed Sensor	35 - 16
AW01 0119	Paper Feed Sensor	123 - 25
AW01 0129	Photo Reflection Sensor	31 - 26
AW01 0133	Original Sensor - 66mm	53 - 2
AW01 0149	Photo Reflection Sensor: PS122TL8-A	71 - 13
AW01 0153	Original Sensor: H1-81.5mm	51 - 23
AW02 0141	Photointerruptor	41 - 17
AW02 0145	Photointerruptor: Flat	65 - 9
AW02 0145	Photointerruptor: Flat	81 - 26
AW02 0145	Photointerruptor: Flat	61 - 3
AW02 0145	Photointerruptor: Flat	131 - 23
AW02 0145	Photointerruptor: Flat	57 - 24
AW02 0145	Photointerruptor: Flat	79 - 26
AW02 0145	Photointerruptor: Flat	63 - 10
AW02 0145	Photointerruptor: Flat	103 - 19
AW02 0145	Photointerruptor: Flat	129 - 9
AW02 0148	Paper Feed Sensor	129 - 14
AW02 0149	Paper Feed Sensor	129 - 15
AW02 0149	Paper Feed Sensor	121 - 17



Part No.	Description	Page and Index No.
AW02 0160	Paper Feed Sensor	71 - 19
AW02 0160	Paper Feed Sensor	113 - 19
AW02 0163	Paper Feed Sensor	61 - 2
AW02 0195	Photointerruptor: Paper Size Sensor: Document F	35 - 24
AW02 0196	Photointerruptor: Paper Size Sensor: Document F	35 - 23
AW02 0197	Photointerruptor: Exit	115 - 5
AW02 0203	Photointerruptor: GP1A173LCS2F	31 - 10
AW02 0203	Photointerruptor: GP1A173LCS2F	45 - 18
AW02 0203	Photointerruptor: GP1A173LCS2F	49 - 15
AW02 0203	Photointerruptor: GP1A173LCS2F	41 - 18
AW10 0076	Thermistor: Inner Back	107 - 30
AW10 0084	Middle Thermistor (D133)	107 - 9
AW10 0107	Thermistor	147 - 3
AW10 0131	Thermistor: Fusing: Middle	109 - 12
AW10 0132	Thermistor: Fusing: Inner Back	109 - 13
AW11 0064	Thermostat-192C	109 - 7
AW11 0066	Thermostat- 211C	109 - 6
AW11 0084	Thermostat: 193	107 - 5
AW11 0085	Thermostat: 190	107 - 4
AW20 0010	Paper Feed Sensor	113 - 26
AW20 0010	Paper Feed Sensor	111 - 18
AW50 0010	Push Switch	163 - 16
AW50 0023	Push Switch	131 - 1
AX04 0145	DC Motor: Tandem LCT	61 - 34
AX04 0147	DC Motor: Cleaner: 0.5W	91 - 12
AX04 0187	DC Motor: Cleaning	103 - 11
AX04 0254	DC Motor: Rising Tray: Ass'y	149 - 10
AX06 0302	Brushless Motordc24V 2.4W	131 - 20
AX06 0382	DC Polygon Mirror Motor: Ass'y	59 - 13
AX20 0277	Magnetic Clutch: 0.53N M: 36Z	77 - 22
AX31 0045	Total Counter: 7FIG: 24V	153 - 1
AX31 0045	Total Counter: 7FIG: 24V	159 - 23
AX40 0122	Anticondensation Heater - 120V 9W	165 - 6

Part No.	Description	Page and Index No.
AX40 0123	Anticondensation Heater - 230V 10W	165 - 6
AX40 0176	Heater: 115V: 18W: Upper	163 - 15
AX40 0178	Heater: 240V: 18W: Upper	163 - 15
AX44 0213	Heater: 120V: 550W	109 - 31
AX44 0213	Heater: 120V: 550W	107 - 22
AX44 0214	Heater: 120V: 650W	107 - 23
AX44 0214	Heater: 120V: 650W	109 - 30
AX44 0285	Heater: 220V: 600W	109 - 31
AX44 0285	Heater: 220V: 600W	107 - 22
AX44 0301	Heater: 220V: 700W	107 - 23
AX44 0301	Heater: 220V: 700W	109 - 30
AX44 0306	Heater: 230V: 550W	109 - 31
AX44 0306	Heater: 230V: 550W	107 - 22
AX44 0307	Heater: 230V: 650W	107 - 23
AX44 0307	Heater: 230V: 650W	109 - 30
AX50 0103	Xenon Lamp: 66000LX	55 - 10
AX64 0149	Fan Motor: MM40: 15mm	55 - 13
AX64 0150	Fan Motor: Mm60: 25mm: DC24V 4.8W	147 - 9
AX64 0175	Fan Motor DC24V/1.44W	21 - 17
AX64 0177	Fan Motor DC12V 3.6W	151 - 2
AX64 0183	Fan Motor DC24V/1.92W	143 - 4
AX64 0183	Fan Motor DC24V/1.92W	161 - 12
AX64 0201	Fan: MM60: DC 3.12W	53 - 15
AX64 0203	Fan: Mm60	17 - 22
AX64 0211	Fan: Mm60	53 - 19
AX65 0044	Sirocco Fan Motor DC24V/8.5W	141 - 8
AZ23 0235	Power Supply Unit: CTL: DOM/NA: M-C4	155 - 11
AZ23 0244	Power Supply Unit: CTL: Eu/Aa: M-c4	155 - 11
AZ24 0174	Power Supply Unit: Main: DOM/NA: MC-4	145 - 3
AZ24 0182	Power Supply Unit: Main: EU/AA: M-C4	145 - 3
AZ24 0186	Power Supply Unit: Main: NA/KOR/TWN: M-C4	145 - 3
AZ30 0057	Power Pack - Development	143 - 6
AZ32 0163	Power Pack - Charactor Generator	141 - 13
AZ32 0164	Power Pack	101 - 25
AZ50 0076	Stabilizer	55 - 15

Part No.	Description	Page and Index No.
BC01 2008	Exposure Glass	51 - 4
GA00 3274	Decal: PDF Direct: I-gray: PS	167 - 49
GA04 3028	Timing Belt: 60S2M288	79 - 30
GC02 5009	Lens L1	59 - 28
GC02 5010	DTL	59 - 19
GX64 0028	Fan Motor DC24V 1.92W	47 - 11
VSST 9500	Test Chart - S5S- DF (10 sheet/set)	169 - 2

Part No.	Description	Page and Index No.
0313 0050N	Philips Pan Head Screw - M3x5	149 -103
0313 0050N	Philips Pan Head Screw - M3x5	55 - 106
0313 0050N	Philips Pan Head Screw - M3x5	107 -105
0313 0060N	Screw - M3x6	117 -102
0313 0060N	Screw - M3x6	147 -109
0313 0080N	Pan Head Screw: M3x8	107 -106
0313 0100N	Pan Head Screw: M3x10	21 - 106
0313 0120N	Pan Head Screw: M3x12	65 - 110
0314 0040N	Pan Head Screw - M4x4	165 -106
0314 0060N	Screw - M4X6	61 - 105
0314 0060N	Screw - M4X6	63 - 101
0314 0060N	Screw - M4X6	97 - 101
0314 0060N	Screw - M4X6	85 - 104
0314 0120N	Screw - M4x12	107 -107
0314 0120N	Screw - M4X12	57 - 104
0353 0040N	Screw - M3x4	73 - 104
0353 0040N	Screw - M3x4	71 - 103
0353 0040N	Screw - M3x4	27 - 101
0353 0040N	Screw - M3x4	153 -102
0353 0040N	Screw - M3x4	155 -102
0353 0050N	Screw-m3x5	125 -104
0353 0050N	Screw-m3x5	123 -104
0353 0050N	Screw-m3x5	109 -105
0353 0060N	Bind Screw - M3x6	25 - 102
0353 0060N	Bind Screw - M3x6	23 - 102
0353 0060N	Bind Screw - M3x6	115 -102
0353 0060N	Bind Screw - M3x6	53 - 101
0353 0060N	Bind Screw - M3x6	57 - 101
0353 0060N	Bind Screw - M3x6	47 - 110
0353 0060N	Bind Screw - M3x6	87 - 103
0353 0060N	Bind Screw - M3x6	51 - 103
0353 0060N	Bind Screw - M3x6	119 -103
0353 0060N	Bind Screw - M3x6	55 - 101
0353 0080N	Screw: M3x8	119 -107

Part No.	Description	Page and Index No.
0353 0080N	Screw: M3X8	59 - 101
0353 0080N	Screw: M3X8	109 -107
0353 0120N	Screw M3x12	157 -103
0354 0040N	Screw-m4x4	63 - 106
0354 0040N	Screw-m4x4	61 - 107
0354 0060N	Screw-m4x6	123 -103
0354 0060N	Screw-M4x6	119 -102
0354 0060N	Screw-m4x6	103 -102
0354 0080N	Screw: M4x8	115 -105
0354 0080N	Screw: M4X8	87 - 104
0354 0080N	Screw: M4x8	17 - 108
0354 0080N	Screw: M4X8	131 -102
0354 0080N	Screw: M4X8	103 -101
0354 0080N	Screw: M4x8	91 - 101
0354 0080N	Screw: M4x8	93 - 103
0354 0080N	Screw: M4X8	83 - 105
0354 0080N	Screw: M4X8	85 - 102
0354 0080N	Screw: M4X8	53 - 102
0354 0100N	Screw - M4X10	53 - 104
0354 0120N	Screw M4x12	89 - 101
0354 0120N	Screw M4x12	109 -106
0354 0300N	Screw: M4x30	161 -105
0354 0300N	Screw: M4x30	147 -110
0360 3006N	Screw - M3X6	53 - 115
0360 4006N	Screw - M4x6	109 -101
0360 4006N	Screw - M4X6	107 -101
0360 4006N	Screw - M4x6	105 -101
0360 4006N	Screw - M4X6	111 -101
0360 4006N	Screw - M4X6	165 -105
0360 4006N	Screw - M4x6	113 -101
0360 4006N	Screw - M4X6	103 -104
0360 4008N	Screw - M4X8	159 -102
0360 4008N	Screw - M4X8	67 - 103
0360 4008N	Screw - M4x8	145 -105
0434 0080N	Pan Self-tapping Screw: M4x8	161 -104

Part No.	Description	Page and Index No.
0450 3006N	Tapping Screw - M3x6	125 -102
0450 3006N	Tapping Screw - M3x6	83 - 102
0450 3008N	Tapping Screw - M3x8	31 - 102
0450 3008N	Tapping Screw - M3x8	125 -103
0450 3008N	Tapping Screw - M3x8	69 - 102
0450 3008N	Tapping Screw - M3x8	43 - 102
0450 3008N	Tapping Screw - M3x8	37 - 102
0450 3008N	Tapping Screw - M3x8	133 -104
0450 3008N	Tapping Screw - M3x8	99 - 102
0450 3008N	Tapping Screw - M3x8	35 - 103
0450 3008N	Tapping Screw - M3x8	61 - 110
0450 3008N	Tapping Screw - M3x8	101 -102
0450 3008N	Tapping Screw - M3x8	29 - 104
0450 3008N	Tapping Screw - M3x8	17 - 111
0450 3008N	Tapping Screw - M3x8	83 - 103
0450 3008N	Tapping Screw - M3x8	91 - 102
0450 3008N	Tapping Screw - M3x8	123 -105
0450 3010N	Tapping Screw - M3x10	99 - 104
0450 4008N	Tapping Screw - M4x8	143 -103
0450 4008N	Tapping Screw - M4x8	71 - 102
0450 4008N	Tapping Screw - M4x8	63 - 102
0450 4008N	Tapping Screw - M4x8	61 - 112
0450 4008N	Tapping Screw - M4x8	19 - 103
0450 4008N	Tapping Screw - M4x8	133 -105
0450 4008N	Tapping Screw - M4x8	141 -103
0450 4008N	Tapping Screw - M4x8	163 -103
0450 4008N	Tapping Screw - M4x8	129 -102
0450 4008N	Tapping Screw - M4x8	73 - 102
0450 4008N	Tapping Screw - M4x8	123 -102
0450 4008N	Tapping Screw - M4x8	121 -102
0450 4008N	Tapping Screw - M4x8	85 - 101
0450 4008N	Tapping Screw - M4x8	67 - 104
0450 4010N	Tapping Screw: M4x10	61 - 111
0450 4010N	Tapping Screw: M4x10	23 - 101
0450 4010N	Tapping Screw: M4x10	25 - 104

Part No.	Description	Page and Index No.
0450 4016N	Tapping Screw - M4x16	141 -105
0450 4035N	Tapping Screw: 4x35	143 -104
0451 3006N	Tapping Screw - 3x6	41 - 101
0451 3006N	Tapping Screw - 3x6	163 -104
0451 3006N	Tapping Screw - 3x6	43 - 101
0451 3006N	Tapping Screw - 3x6	45 - 101
0451 3006N	Tapping Screw - 3x6	143 -102
0451 3006N	Tapping Screw - 3x6	37 - 101
0451 3006N	Tapping Screw - 3x6	51 - 104
0451 3006N	Tapping Screw - 3x6	35 - 101
0451 3006N	Tapping Screw - 3x6	55 - 102
0451 3006N	Tapping Screw - 3x6	47 - 101
0451 3006N	Tapping Screw - 3x6	31 - 101
0451 3006N	Tapping Screw - 3x6	153 -101
0451 3006N	Tapping Screw - 3x6	49 - 101
0451 3006N	Tapping Screw - 3x6	161 -102
0451 3006N	Tapping Screw - 3x6	39 - 101
0451 3006N	Tapping Screw - 3x6	29 - 101
0451 3008N	Tapping Screw - M3x8	151 -101
0451 3008N	Tapping Screw - M3x8	141 -102
0451 3008N	Tapping Screw - M3x8	139 -102
0451 3008N	Tapping Screw - M3x8	39 - 102
0451 3008N	Tapping Screw - M3x8	47 - 105
0451 3008N	Tapping Screw - M3x8	35 - 102
0451 3008N	Tapping Screw - M3x8	147 -102
0451 3008N	Tapping Screw - M3x8	67 - 101
0451 3012N	Tapping Screw: 3x12	19 - 102
0451 3020N	Tapping Screw: 3x20	47 - 106
0451 3020N	Tapping Screw: 3x20	55 - 105
0451 3030N	Tapping Screw: 3x30	151 -104
0451 4006N	Tapping Screw - 4x6	61 - 104
0451 4006N	Tapping Screw - 4x6	137 -102
0451 4006N	Tapping Screw - 4x6	129 -101
0451 4006N	Tapping Screw - 4x6	45 - 102
0451 4006N	Tapping Screw - 4x6	123 -101

Part No.	Description	Page and Index No.
0451 4006N	Tapping Screw - 4x6	121 -101
0451 4006N	Tapping Screw - 4x6	63 - 105
0451 4006N	Tapping Screw - 4x6	163 -102
0451 4006N	Tapping Screw - 4x6	125 -101
0451 4006N	Tapping Screw - 4x6	65 - 104
0451 4006N	Tapping Screw - 4x6	47 - 103
0451 4008N	Tapping Screw: 4x8	25 - 103
0451 4008N	Tapping Screw: 4x8	47 - 104
0451 4008N	Tapping Screw: 4x8	117 -101
0451 4008N	Tapping Screw: 4x8	145 -101
0451 4008N	Tapping Screw: 4x8	131 -101
0451 4008N	Tapping Screw: 4x8	165 -101
0451 4008N	Tapping Screw: 4x8	93 - 101
0451 4008N	Tapping Screw: 4x8	135 -101
0451 4008N	Tapping Screw: 4x8	63 - 103
0451 4008N	Tapping Screw: 4x8	71 - 101
0451 4008N	Tapping Screw: 4x8	157 -101
0451 4008N	Tapping Screw: 4x8	115 -101
0451 4008N	Tapping Screw: 4x8	79 - 101
0451 4008N	Tapping Screw: 4x8	147 -101
0451 4008N	Tapping Screw: 4x8	83 - 101
0451 4008N	Tapping Screw: 4x8	143 -101
0451 4008N	Tapping Screw: 4x8	137 -103
0451 4008N	Tapping Screw: 4x8	141 -101
0451 4008N	Tapping Screw: 4x8	53 - 107
0451 4008N	Tapping Screw: 4x8	17 - 101
0451 4008N	Tapping Screw: 4x8	151 -102
0451 4008N	Tapping Screw: 4x8	75 - 101
0451 4008N	Tapping Screw: 4x8	161 -101
0451 4008N	Tapping Screw: 4x8	133 -101
0451 4008N	Tapping Screw: 4x8	163 -101
0451 4008N	Tapping Screw: 4x8	159 -101
0451 4008N	Tapping Screw: 4x8	59 - 103
0451 4008N	Tapping Screw: 4x8	21 - 101
0451 4008N	Tapping Screw: 4x8	149 -101

Part No.	Description	Page and Index No.
0451 4008N	Tapping Screw: 4x8	57 - 103
0451 4008N	Tapping Screw: 4x8	69 - 101
0451 4008N	Tapping Screw: 4x8	119 -101
0451 4008N	Tapping Screw: 4x8	81 - 101
0451 4008N	Tapping Screw: 4x8	51 - 101
0451 4008N	Tapping Screw: 4x8	77 - 101
0451 4008N	Tapping Screw: 4x8	73 - 101
0451 4008N	Tapping Screw: 4x8	139 -101
0451 4010N	Tapping Screw: 4x10	19 - 101
0451 4010N	Tapping Screw: 4x10	21 - 102
0451 4010N	Tapping Screw: 4x10	161 -103
0451 4010N	Tapping Screw: 4x10	59 - 102
0451 4012N	Tapping Screw: 4x12	135 -102
0451 4020N	Tapping Screw - M4x20	53 - 106
0452 3006N	Binding Self-tapping Screw: 3x6	65 - 112
0452 3006N	Binding Self-tapping Screw: 3x6	39 - 104
0452 3008N	Tapping Screw - M3x8	115 -104
0452 3008N	Tapping Screw - M3x8	93 - 102
0452 3008N	Tapping Screw - M3x8	69 - 103
0452 3008N	Tapping Screw - M3x8	97 - 102
0452 3008N	Tapping Screw - M3x8	21 - 105
0452 3008N	Tapping Screw - M3x8	95 - 101
0452 3008P	Binding Self-tapping Screw 3x8	85 - 103
0452 3010N	Binding Self-tapping Screw: 3x10	97 - 103
0452 3010N	Binding Self-tapping Screw: 3x10	87 - 101
0452 3010N	Binding Self-tapping Screw: 3x10	95 - 102
0452 4010N	Binding Self-tapping Screw: 4x10	149 -102
0453 3006N	Tapping Screw - M3x6	51 - 102
0453 3006N	Tapping Screw - M3x6	53 - 103
0453 3006N	Tapping Screw - M3x6	115 -103
0453 3006N	Tapping Screw - M3x6	163 -105
0453 3006N	Tapping Screw - M3x6	81 - 102
0453 3006N	Tapping Screw - M3x6	69 - 104
0453 3006N	Tapping Screw - M3x6	37 - 103
0453 3006N	Tapping Screw - M3x6	165 -104

Part No.	Description	Page and Index No.
0453 3008N	Binding Self Tapping Screw: 3x8	65 - 105
0453 3008N	Binding Self Tapping Screw: 3x8	119 -107
0453 3008N	Binding Self Tapping Screw: 3x8	133 -106
0453 3008N	Binding Self Tapping Screw: 3x8	129 -103
0453 3008N	Binding Self Tapping Screw: 3x8	143 -107
0453 3008N	Binding Self Tapping Screw: 3x8	61 - 103
0453 4006N	Binding Self Tapping Screw: 4x6	61 - 109
0453 4008N	Binding Self Tapping Screw: 4x8	159 -103
0453 4008N	Binding Self Tapping Screw: 4x8	23 - 103
0453 4008N	Binding Self Tapping Screw: 4x8	25 - 101
0454 3006Q	Tapping Screw - M3x6	147 -105
0454 3006Q	Tapping Screw - M3x6	157 -102
0454 3006Q	Tapping Screw - M3x6	155 -101
0454 3006Q	Tapping Screw - M3x6	151 -103
0454 3006Q	Tapping Screw - M3x6	47 - 102
0454 3006Q	Tapping Screw - M3x6	39 - 103
0454 3006Q	Tapping Screw - M3x6	29 - 102
0454 3006Q	Tapping Screw - M3x6	45 - 103
0454 3006Q	Tapping Screw - M3x6	153 -105
0454 3006Q	Tapping Screw - M3x6	139 -103
0454 3006Q	Tapping Screw - M3x6	41 - 102
0454 3006Q	Tapping Screw - M3x6	49 - 102
0454 3008Q	Tapping Screw: 3x8	17 - 107
0454 4006Q	Tapping Screw: 4x6	61 - 108
0454 4006Q	Tapping Screw: 4x6	65 - 111
0454 4006Q	Tapping Screw: 4x6	165 -102
0454 4008Q	Tapping Screw - M4x8	67 - 102
0454 4008Q	Tapping Screw - M4x8	75 - 102
0454 4008Q	Tapping Screw - M4x8	121 -104
0454 4008Q	Tapping Screw - M4x8	71 - 113
0454 4008Q	Tapping Screw - M4x8	17 - 102
0454 4020Q	Tapping Screw: 4x20	53 - 105
0458 3008N	Hexagon Head Tapping Screw: 3x8	19 - 104
0458 3008N	Hexagon Head Tapping Screw: 3x8	21 - 104
0458 3008N	Hexagon Head Tapping Screw: 3x8	17 - 103

Part No.	Description	Page and Index No.
0458 3008N	Hexagon Head Tapping Screw: 3x8	27 - 102
0459 3006N	Binding Head Tapping Screw: 3x6	21 - 103
0459 3010N	Binding Head Tapping Screw: 3x10	27 - 103
0573 0030E	Hexagon Headless Set Screw - M3x3	73 - 105
0573 0030E	Hexagon Headless Set Screw - M3x3	79 - 102
0623 0120E	Spring Pin - M3x12	99 - 105
0623 0140E	Spring Pin - 3x14mm	135 -106
0632 0120G	Parallel Pin - 2x12	45 - 106
0632 0140G	Parallel Pin	31 - 104
0632 0140G	Parallel Pin	73 - 110
0632 0140G	Parallel Pin	75 - 108
0633 0180G	Parallel Pin - 3x18mm	133 -111
0633 0180G	Parallel Pin - 3x18mm	99 - 106
0633 0200G	Pin - M3x20	65 - 101
0707 4050N	Bushing - 4x5	141 -106
0707 4050N	Bushing - 4x5	161 -107
0707 4050N	Bushing - 4x5	53 - 108
0707 4060N	Bushing: DIA4x6	47 - 107
0712 0120N	Hexagonal Nut: M12	17 - 112
0712 0120N	Hexagonal Nut: M12	17 - 110
0720 0025E	Retaining Ring - M2.5	91 - 105
0720 0030E	Retaining Ring - M3	81 - 103
0720 0030E	Retaining Ring - M3	105 -103
0720 0030E	Retaining Ring - M3	89 - 102
0720 0030E	Retaining Ring - M3	87 - 105
0720 0030E	Retaining Ring - M3	47 - 108
0720 0030E	Retaining Ring - M3	49 - 103
0720 0030E	Retaining Ring - M3	43 - 103
0720 0030E	Retaining Ring - M3	125 -105
0720 0030E	Retaining Ring - M3	103 -106
0720 0030E	Retaining Ring - M3	33 - 101
0720 0040E	Retaining Ring - M4	61 - 106
0720 0040E	Retaining Ring - M4	123 -106
0720 0040E	Retaining Ring - M4	163 -108
0720 0040E	Retaining Ring - M4	95 - 105

Part No.	Description	Page and Index No.
0720 0040E	Retaining Ring - M4	115 -106
0720 0040E	Retaining Ring - M4	33 - 102
0720 0040E	Retaining Ring - M4	23 - 104
0720 0040E	Retaining Ring - M4	103 -107
0720 0040E	Retaining Ring - M4	121 -105
0720 0040E	Retaining Ring - M4	127 -101
0720 0040E	Retaining Ring - M4	125 -106
0720 0040E	Retaining Ring - M4	25 - 105
0720 0040E	Retaining Ring - M4	65 - 102
0720 0040E	Retaining Ring - M4	157 -108
0720 0040E	Retaining Ring - M4	73 - 103
0720 0040E	Retaining Ring - M4	149 -105
0720 0040E	Retaining Ring - M4	71 - 104
0720 0040E	Retaining Ring - M4	117 -103
0720 0040E	Retaining Ring - M4	39 - 105
0720 0040E	Retaining Ring - M4	35 - 104
0720 0040E	Retaining Ring - M4	135 -104
0720 0040E	Retaining Ring - M4	161 -108
0720 0040E	Retaining Ring - M4	165 -107
0720 0040E	Retaining Ring - M4	159 -104
0720 0040E	Retaining Ring - M4	113 -103
0720 0040E	Retaining Ring - M4	41 - 103
0720 0040E	Retaining Ring - M4	79 - 103
0720 0040E	Retaining Ring - M4	83 - 107
0720 0040E	Retaining Ring - M4	45 - 104
0720 0040E	Retaining Ring - M4	111 -104
0720 0040E	Retaining Ring - M4	81 - 104
0720 0040E	Retaining Ring - M4	133 -110
0720 0040E	Retaining Ring - M4	85 - 105
0720 0040E	Retaining Ring - M4	137 -101
0720 0040E	Retaining Ring - M4	47 - 111
0720 0040E	Retaining Ring - M4	119 -104
0720 0040E	Retaining Ring - M4	129 -104
0720 0040E	Retaining Ring - M4	75 - 107
0720 0040E	Retaining Ring - M4	93 - 105

Part No.	Description	Page and Index No.
0720 0060E	Retaining Ring - M6	109 -109
0720 0060E	Retaining Ring - M6	37 - 104
0720 0060E	Retaining Ring - M6	117 -104
0720 0060E	Retaining Ring - M6	73 - 106
0720 0060E	Retaining Ring - M6	77 - 102
0720 0060E	Retaining Ring - M6	111 -105
0720 0060E	Retaining Ring - M6	79 - 104
0720 0060E	Retaining Ring - M6	75 - 104
0720 0060E	Retaining Ring - M6	113 -104
0720 0060E	Retaining Ring - M6	127 -102
0720 0060E	Retaining Ring - M6	123 -107
0720 0060E	Retaining Ring - M6	135 -105
0720 0060E	Retaining Ring - M6	39 - 106
0720 0060E	Retaining Ring - M6	133 -109
0720 0060E	Retaining Ring - M6	41 - 104
0720 0060E	Retaining Ring - M6	45 - 105
0720 0060E	Retaining Ring - M6	85 - 106
0720 0060E	Retaining Ring - M6	81 - 105
0720 0060E	Retaining Ring - M6	47 - 109
0720 0060E	Retaining Ring - M6	89 - 103
0720 0060E	Retaining Ring - M6	119 -106
0720 0060E	Retaining Ring - M6	33 - 103
0720 0060E	Retaining Ring - M6	31 - 103
0720 0060E	Retaining Ring - M6	71 - 105
0720 0060E	Retaining Ring - M6	99 - 107
0720 0060E	Retaining Ring - M6	55 - 107
0720 0060E	Retaining Ring - M6	67 - 105
0720 0060E	Retaining Ring - M6	65 - 103
0725 0120E	Retaining Ring C - M12	133 -108
0725 0120E	Retaining Ring C - M12	107 -110
0725 0300E	Retaining Ring C - M30	107 -109
0727 0060E	Retaining Ring - M6	85 - 107
0727 0080G	Retaining Ring - M8	111 -107
0727 0080G	Retaining Ring - M8	113 -107
0740 3508	Ball Bearing -8x14x4	39 - 108

Part No.	Description	Page and Index No.
0740 3706	Ball Bearing - M6x10x3	39 - 107
0741 3506	Ball Bearing - 6x12x4 MM	73 - 109
0741 3506	Ball Bearing - 6x12x4 MM	75 - 109
0741 3506	Ball Bearing - 6x12x4 MM	79 - 106
0742 3808	Ball Bearing - 8x16x5	37 - 105
0742 3808	Ball Bearing - 8x16x5	41 - 105
0742 3808	Ball Bearing - 8x16x5	111 -106
0742 3808	Ball Bearing - 8x16x5	71 - 106
0742 3808	Ball Bearing - 8x16x5	113 -105
0742 3808	Ball Bearing - 8x16x5	81 - 106
0742 3808	Ball Bearing - 8x16x5	127 -103
0742 3906	Ball Bearing - 6x14x5mm	119 -105
0743 3808	Radial Ball Bearing: DIA8XDIA16X5	75 - 106
0800 0072	Philips Pan Head Screw - M2.6x4	83 - 104
0801 0234	Screw With Washer: Small Round With Spring Washer: M5x8	145 -103
0802 5320	Hexagon Head Tapping Screw: ES: 3x10	121 -103
0802 5324	Hexagon Head Tapping Screw: PF: 4x10	17 - 106
0803 0058	Stepped Screw	149 -104
0805 0072	Cs Ring	83 - 106
0805 0088	Retaining Ring - M6	77 - 103
0805 0089	Retaining Ring - M4	35 - 105
0805 0089	Retaining Ring - M4	43 - 104
0805 0089	Retaining Ring - M4	39 - 109
0805 3368	Ball Bearing - 8x16x5mm	57 - 109
0805 3480	Bushing - 6mm	119 -112
0807 5056	Washer - 8.1mm	111 -103
0807 5056	Washer - 8.1mm	113 -106
0950 3006M	Philips Screw With Lock Washer	109 -102
0950 3006M	Philips Screw With Lock Washer	107 -102
0950 4008N	Screw: Spring Washer: M4x8	143 -115
0951 3004P	Screw: Polished Round: M3x4	101 -103
0951 3005N	Screw: Polished Round: M3x5	107 -111
0951 3006N	Screw - M3X6	65 - 109
0951 3006N	Screw - M3X6	97 - 104

Part No.	Description	Page and Index No.
0951 3006N	Screw - M3x6	93 - 104
0951 3006N	Screw - M3x6	95 - 103
0951 3006N	Screw - M3x6	55 - 104
0951 3006N	Screw - M3x6	101 -101
0951 3006N	Screw - M3X6	57 - 102
0951 3008N	Screw: Polished Round: M3x8	97 - 105
0951 3008N	Screw: Polished Round: M3x8	99 - 101
0951 3008N	Screw: Polished Round: M3X8	95 - 104
0951 4005N	Screw: Polished Round: M4x5	133 -102
0951 4006N	Screw: Polished Round: M4x6	63 - 104
0951 4008N	Screw: Polished Round: M4x8	103 -103
0951 4008N	Screw: Polished Round: M4x8	109 -104
0951 4008N	Screw: Polished Round: M4x8	87 - 102
0951 4008N	Screw: Polished Round: M4x8	135 -103
0951 4008N	Screw: Polished Round: M4x8	17 - 104
0951 4008N	Screw: Polished Round: M4x8	145 -102
0951 4010N	Screw: Polished Round: M4x10	161 -106
0951 4010N	Screw: Polished Round: M4x10	141 -104
0951 4012N	Screw: Polished Round: M4x12	133 -103
0951 4012N	Screw: Polished Round: M4x12	17 - 105
0951 4014N	Screw: Polished Round: M4x14	99 - 103
0951 5010N	Screw: M5x10	29 - 103
0954 3006N	Screw - M3X6	109 -108
0954 3008N	Screw - M3x8	155 -103
0954 3008N	Screw - M3X8	163 -106
0954 3010N	Screw: Polished Round/Spring: M3x10	107 -112
0954 3012N	Screw - M3X12	107 -108
0954 3012N	Screw - M3x12	109 -103
0954 4006N	Screw: Polished Round/Spring: M4x6	107 -103
0954 4008N	Screw - M4X8	103 -105
0954 4008N	Screw - M4x8	55 - 103
0954 4008N	Screw - M4x8	107 -104
0954 4008N	Screw - M4X8	57 - 105
0954 4008N	Screw - M4X8	111 -102
0954 4008N	Screw - M4x8	113 -102

Part No.	Description	Page and Index No.
0954 4008N	Screw - M4x8	105 -102
0957 3010N	Screw: Small Round/Spring: M3x10	59 - 104
0971 4006A	Philips Polycarbonate Screw - M4x6	91 - 104
0971 4008A	Philips Polycarbonate Screw - M4x8	91 - 103
1102 6245	Relay Connector - 2P	143 -105
1102 6245	Relay Connector - 2P	149 -106
1102 6245	Relay Connector - 2P	141 -107
1102 6245	Relay Connector - 2P	161 -109
1102 6246	Relay Connector - 3P	81 - 112
1102 6247	Connector - 4P	77 - 106
1102 6249	Relay Connector - 6P	71 - 112
1102 6249	Relay Connector - 6P	75 - 103
1102 6251	Connector - 8P	71 - 111
1102 6252	Connector - 9P	71 - 110
1102 6257	Relay Connector - 14P	81 - 113
1102 6258	Relay Connector - 15P	81 - 114
1102 6260	Relay Connector - 3P	77 - 107
1102 6279	Connector - 3P	77 - 105
1102 8502	Connector - 54679-1615	143 -106
1102 8504	Connector	133 -107
1105 0046	Harness Band	131 -104
1105 0229	Clamp	83 - 108
1105 0283	Clamp	111 -108
1105 0283	Clamp	113 -108
1105 0290	Harness Clamp - HORIZONTAL	119 -111
1105 0291	Harness Clamp - LWS-3S	65 - 107
1105 0306	Metal Clamp - Al-4	59 - 105
1105 0314	Metal Clamp - Al-5	139 -106
1105 0328	Harness Clamp - ES-0505	81 - 111
1105 0328	Harness Clamp - ES-0505	161 -111
1105 0328	Harness Clamp - ES-0505	123 -108
1105 0328	Harness Clamp - ES-0505	119 -110
1105 0328	Harness Clamp - ES-0505	73 - 108
1105 0328	Harness Clamp - ES-0505	129 -109
1105 0328	Harness Clamp - ES-0505	71 - 108



Part No.	Description	Page and Index No.
1105 0328	Harness Clamp - ES-0505	61 - 102
1105 0460	Clamp	55 - 112
1105 0460	Clamp	57 - 107
1105 0487	Harness Clamp	57 - 108
1105 0487	Harness Clamp	159 -105
1105 0487	Harness Clamp	21 - 107
1105 0487	Harness Clamp	53 - 110
1105 0487	Harness Clamp	79 - 107
1105 0487	Harness Clamp	47 - 117
1105 0487	Harness Clamp	81 - 110
1105 0487	Harness Clamp	45 - 108
1105 0487	Harness Clamp	35 - 107
1105 0488	Harness Clamp	139 -107
1105 0488	Harness Clamp	147 -103
1105 0488	Harness Clamp	155 -105
1105 0488	Harness Clamp	143 -108
1105 0489	Harness Clamp - LWS 1316	55 - 111
1105 0489	Harness Clamp - LWS 1316	143 -111
1105 0489	Harness Clamp - LWS 1316	147 -106
1105 0490	Harness Clamp - IWS-2218	143 -109
1105 0490	Harness Clamp - IWS-2218	139 -109
1105 0508	Harness Clamp - LWS-0711	125 -107
1105 0508	Harness Clamp - LWS-0711	53 - 112
1105 0508	Harness Clamp - LWS-0711	129 -106
1105 0511	Harness Clamp - LWS-0306ZC	71 - 107
1105 0511	Harness Clamp - LWS-0306ZC	77 - 104
1105 0511	Harness Clamp - LWS-0306ZC	53 - 111
1105 0511	Harness Clamp - LWS-0306ZC	129 -105
1105 0511	Harness Clamp - LWS-0306ZC	45 - 107
1105 0511	Harness Clamp - LWS-0306ZC	39 - 110
1105 0511	Harness Clamp - LWS-0306ZC	103 -108
1105 0511	Harness Clamp - LWS-0306ZC	35 - 106
1105 0511	Harness Clamp - LWS-0306ZC	31 - 105
1105 0511	Harness Clamp - LWS-0306ZC	115 -107
1105 0511	Harness Clamp - LWS-0306ZC	117 -106

Part No.	Description	Page and Index No.
1105 0511	Harness Clamp - LWS-0306ZC	75 - 110
1105 0511	Harness Clamp - LWS-0306ZC	161 -110
1105 0511	Harness Clamp - LWS-0306ZC	57 - 106
1105 0511	Harness Clamp - LWS-0306ZC	79 - 105
1105 0511	Harness Clamp - LWS-0306ZC	49 - 104
1105 0511	Harness Clamp - LWS-0306ZC	125 -108
1105 0511	Harness Clamp - LWS-0306ZC	119 -109
1105 0511	Harness Clamp - LWS-0306ZC	131 -103
1105 0511	Harness Clamp - LWS-0306ZC	143 -113
1105 0511	Harness Clamp - LWS-0306ZC	81 - 107
1105 0511	Harness Clamp - LWS-0306ZC	55 - 113
1105 0511	Harness Clamp - LWS-0306ZC	47 - 115
1105 0514	Edge Saddle - EDS-0607L	37 - 106
1105 0516	Clamp	153 -103
1105 0516	Clamp	129 -107
1105 0516	Clamp	151 -105
1105 0516	Clamp	155 -106
1105 0516	Clamp	163 -107
1105 0516	Clamp	53 - 113
1105 0516	Clamp	117 -105
1105 0516	Clamp	139 -112
1105 0516	Clamp	147 -104
1105 0516	Clamp	65 - 106
1105 0516	Clamp	55 - 109
1105 0516	Clamp	61 - 101
1105 0516	Clamp	143 -112
1105 0516	Clamp	165 -103
1105 0518	Clamp: LES-1010	157 -107
1105 0518	Clamp: LES-1010	119 -108
1105 0518	Clamp: LES-1010	81 - 109
1105 0518	Clamp: LES-1010	155 -107
1105 0518	Clamp: LES-1010	145 -104
1105 0518	Clamp: LES-1010	139 -110
1105 0518	Clamp: LES-1010	55 - 110
1105 0518	Clamp: LES-1010	53 - 114

Part No.	Description	Page and Index No.
1105 0518	Clamp: LES-1010	147 -108
1105 0521	Clamp - LES-1017	139 -111
1105 0521	Clamp - LES-1017	153 -104
1105 0522	Edge Saddle - LES0510	143 -114
1105 0522	Edge Saddle - LES0510	53 - 109
1105 0522	Edge Saddle - LES0510	73 - 107
1105 0522	Edge Saddle - LES0510	139 -108
1105 0522	Edge Saddle - LES0510	125 -109
1105 0522	Edge Saddle - LES0510	163 -109
1105 0522	Edge Saddle - LES0510	81 - 108
1105 0522	Edge Saddle - LES0510	115 -108
1105 0522	Edge Saddle - LES0510	79 - 108
1105 0522	Edge Saddle - LES0510	129 -108
1105 0529	Nylon Clamp-EMT-3N	139 -105
1105 0532	Edge Saddle - LES-25L	143 -110
1105 0534	Clamp	93 - 106
1105 0534	Clamp	47 - 116
1105 0542	Harness Clamp - MSBS-1207	71 - 109
1105 0559	Clamp: EMT-5N	55 - 108
1105 0559	Clamp: EMT-5N	51 - 105
1105 0559	Clamp: EMT-5N	47 - 113
1105 0598	Clamp: LWSS-1N	27 - 105
1105 0625	Clamp: EMT-6N	53 - 116
1105 0692	Clamp: LES-0503	47 - 114
1105 0721	Clamp: LES-1808	147 -107
1106 0411	Bushing - 11.5mm	65 - 108
1204 2390	Interlock Switch - FA8L-AB24	157 -105
1204 2521	Micro Switch	75 - 105
1204 2521	Micro Switch	157 -104
1204 2903	Rocker Switch: A8GS-TGP85KR	157 -106
1407 5404	IC - EEPROM I2C BUS 32K DIP	139 -104
1607 1092	Ferrite Core: RFC-10	155 -104
1607 1461	Ferrite Core	17 - 109
1607 2253	Ferrite Core: K3 NF-110-A(N)BK0	47 - 112
1607 2468	Ferrite Core: K3 FF 25.00x12.00x5.00x0.80	27 - 104

Part No.	Description	Page and Index No.
5053 0223	Bushing - 8mm	65 - 20
5053 0447	Bushing - 6mm	131 - 9
5053 0447	Bushing - 6mm	61 - 28
5053 0447	Bushing - 6mm	85 - 5
5201 2858	Friction Pad	63 - 11
5203 9501	Grease 501	169 - 6
5203 9502	Grease 501	169 - 6
5206 2684	Shoulder Screw - M3	155 - 14
5206 2684	Shoulder Screw - M3	95 - 23
5206 2686	Snap Ring	31 - 9
5206 2686	Snap Ring	37 - 23
5206 2686	Snap Ring	69 - 17
5215 2621	Snap Ring - M6	31 - 21
5324 1658	Bushing- 4x8x4.5mm	37 - 2
5442 1924	Exposure Glass Cushion	51 - 8
5442 2754	Spring - Registration Roller	79 - 4
5442 9101	Setting Powder	169 - 7
5443 2668	Bushing - 4x6x7mm	81 - 5
5447 2681	Snap Ring	77 - 11
5447 2681	Snap Ring	33 - 18
5447 2681	Snap Ring	41 - 3
5447 2681	Snap Ring	161 - 26
5447 2681	Snap Ring	45 - 9
5447 2681	Snap Ring	131 - 29
5447 2681	Snap Ring	127 - 11
5447 2681	Snap Ring	125 - 14
5447 2681	Snap Ring	123 - 28
5447 2681	Snap Ring	121 - 9
5447 2681	Snap Ring	115 - 10
5447 2681	Snap Ring	71 - 1
5447 2681	Snap Ring	79 - 15
5447 2681	Snap Ring	73 - 31
5447 2706	Gear - 15T	77 - 16
5894 2540	Arm Screw	73 - 15

Part No.	Description	Page and Index No.
5936 2321	Rubber Bushing - Vibration Damper	47 - 22
6754 2866	Roller - Positioning Guide	159 - 19
6754 2866	Roller - Positioning Guide	161 - 24

Part No.	Description	Page and Index No.
----------	-------------	--------------------