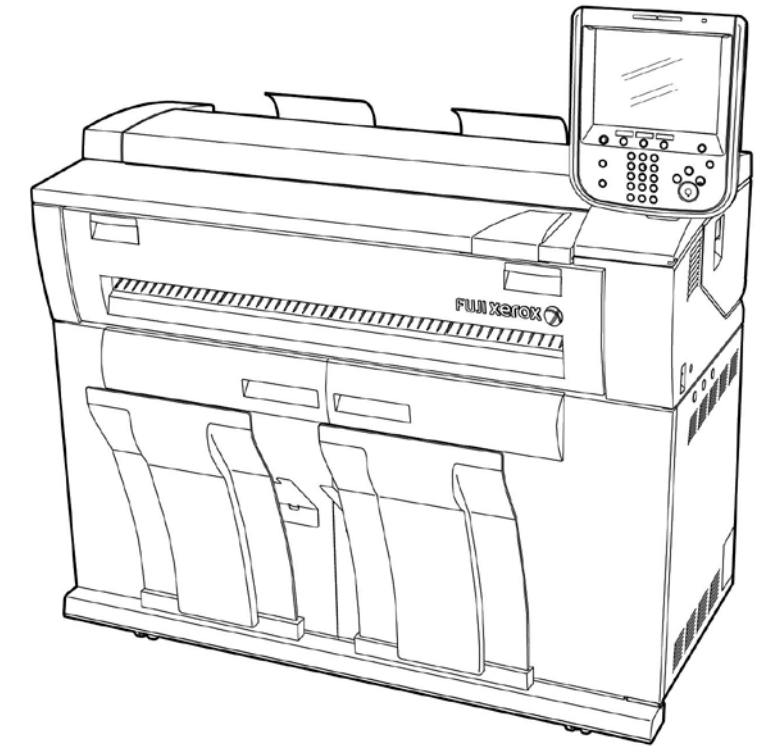




# Xerox Wide Format 6705 System

## Service Manual 1st Edition





# Xerox Wide Format 6705 System Service Manual 1st Edition

Issued: January 2013

- This service manual covers the following models:

XEROX  
Xerox Wide Format 6705 System

- Related:

No related manuals other than Xerox Wide Format 6705 System Service Manual

- Confidentiality:

- This service manual is issued intending use by maintenance service personnel authorized by Xerox. Copying, transferring or leasing this manual without prior consent by Xerox is prohibited.
- Whenever a page is eliminated because of issuance of a replacement page containing changes or modifications, burn it or take the necessary action including cutting by a shredder.
- Be careful of handling to avoid losing or damaging the manual.

- Revision and Modification Information:

When design changes or revisions relating to this service manual occur, overseas technical information or overseas service bulletins may be provided to cover them until such changes are accommodated in an appropriate updated version of this service manual.

**Note** Important changes including revisions of spare part numbers and adjustment specifications must immediately be reflected on appropriate pages of this service manual upon reception of such information.

Company Name			
Department			
Tel No.			
Name		Employee No.	



Introduction

Chapter 1 Service Summary

Chapter 2 Troubleshooting

Chapter 3 Image Quality Troubleshooting

Chapter 4 Disassembly/Assembly and Adjustment

Chapter 5 Parts List

Chapter 6 General

Chapter 7 Wiring Data

Chapter 8 Installation and Removal



# Introduction





## Table of Contents

1 Getting to know this Service Manual .....	xi
2 How to use the Service Manual .....	xi
2.1 Contents of Manual .....	xi
2.2 About the Revision Information .....	xi
3 Terms and Symbols .....	xii



## 1 Getting to know this Service Manual

This manual is used as the standard service manual for the Xerox Wide Format 6705 System.

- Publication Comment Sheet

Enter any comments and/or corrections regarding the Xerox Wide Format 6705 System service manual into the Publication Comment Sheet, and send it to the CS Department TS Section.

## 2 How to use the Service Manual

This manual describes the standard service procedures for the Xerox Wide Format 6705 System. Refer to Chapter 1 Service Call Procedure for efficient and effective servicing during maintenance calls.

### 2.1 Contents of Manual

- Hardware

This manual summarizes all technical information on the Xerox Wide Format 6705 System.

- Chapters

This manual is divided into 9 chapters as follows.

#### Chapter 1 Service Summary

This chapter describes the general work and servicing procedures for maintenance.

#### Chapter 2 Troubleshooting

This chapter describes the troubleshooting procedures other than image quality troubleshooting.

#### Chapter 3 Image Quality Troubleshooting

This chapter describes the types of test patterns and the image quality troubleshooting procedures.

#### Chapter 4 Disassembly/Assembly and Adjustment

This chapter describes the disassembly, assembly, and adjustment procedures for the components.

#### Chapter 5 Parts List

This chapter contains the spare parts list.

#### Chapter 6 General

This chapter contains the following information.

6.1 Specifications

6.2 Tools/Service Consumables/Consumables/Modifications

6.3 Service Data

6.4 Service Mode

6.5 IIT PC-Diag

6.6 Firmware Version Update

6.7 System Settings (Detailed Settings) List

### Chapter 7 Wiring Data

This chapter contains the wiring information.

7.1 Plug/Jack Locations

7.2 Wire Network

7.3 BSD (Block Schematic Diagram)

### Chapter 8 Accessories

This chapter contains the installation and removal procedures for the Accessories.

### Chapter 9 Installation and Removal

This chapter describes the machine installation and removal procedures, as well as the option installation procedures.

### 2.2 About the Revision Information

This manual will be revised as follows. Revisions must be incorporated correctly to keep the manual up-to-date.

- Updating Procedure:

When the entire manual is revised, "1st Edition" on the front cover will be renamed to 1st Edition, 2nd Edition, 3rd Edition and so on.

Partial revisions will be marked starting with "Revision A", and follows the order of Revision A, Revision B, Revision C and so on. Each revised page is marked with "Revision A" or "Revision B" to clearly distinguish the revision status.

- Revision Sidebar

When any paragraph, table or figure has been added or amended, a revision sidebar will be added to indicate where the revision was made.




(E.g.) 

If the same page is changed again due to a subsequent revision, revision sidebars associated with the previous revision(s) will be deleted.

### 3 Terms and Symbols

The symbols used in each chapter are listed on their respective introduction. The symbols listed here are used across all chapters.

The terms and symbols used at the beginning of a text are defined as follows:

-  **DANGER** Indicates an imminently hazardous situation, such as death or serious injury if operators do not handle the machine correctly by disregarding the statement.
-  **WARNING** Indicates a potentially hazardous situation, such as death or serious injury if operators do not handle the machine correctly by disregarding the statement.
-  **CAUTION** Indicates a potentially hazardous situation, such as injury or property damage if operators do not handle the machine correctly by disregarding the statement.

**Instruction** Used to alert you to a procedure, if not strictly observed, could result in damage to the machine or equipment.

**Note** Used when work procedures and rules are emphasized.

**Reference** Used when other explanations are given.

**Purpose** Used to explain purpose of adjustment.

The terms and symbols used within the text are defined as follows:

REP Indicates the disassembly/assembly procedure for reference.

ADJ Indicates the adjustment procedure for reference.

PL Indicates the Parts List for reference.

CH Indicates the BSD for reference.

SCC (**S**afety **C**ritical **C**omponent)

For the safety management, etc. of components that have been specified as Safety Critical Components, follow the regulations regarding the Safety Critical Components set by Xerox Co., Ltd.

A component that is designated as an SCC has to be replaced whole, as a unit. Do not attempt to disassemble it or replace its internal parts.

Doing so is prohibited as Xerox Co., Ltd. is not able to guarantee the quality and safety of the machine if anything other than the specified parts had been installed.

ISC (**I**mportant Information **S**tored **C**omponent)

This component stores all the important customer information that is input after the installation. When performing replacement, follow the procedures in [Chapter 4 Adjustment] to replace/discard. Make absolutely sure that no customer information gets leaked outside.

The brackets used within the text are defined as follows:

[ ]: Indicates the section to refer to in the service manual.

[ ]: Indicates the message and setting item displayed in the UI Panel, the name of a PC folder/file and dialog box, and the message displayed in a dialog box.

[ ]: Indicates the name of a menu or button displayed in the UI Panel, the menu and button displayed in a PC screen and dialog box, the name of a command.

' ': Indicates setting data and entered characters.

< >: Indicates the hardware key and LED at the UI Panel and the hardware key at the PC.

# Chapter 1 Service Summary



## Table of Contents

1.1 Things to take note during maintenance service .....	3
1.1.1 Note on Safety .....	3
1.1.2 Things to Take Note When Handling Customer Information.....	4
1.1.3 Other Precautions .....	4
1.2 Service Call Procedure .....	6
1.3 TRIM Service .....	7
1.3.1 TRIM Service Interval.....	7
1.3.2 Consumables and Periodic Replacement Parts .....	7
1.3.3 TRIM Checklist.....	8





## 1.1 Things to take note during maintenance service

### 1.1.1 Note on Safety

To prevent any accident that may occur during a maintenance service, any warning or any caution regarding the servicing must be strictly observed.

Do not perform any hazardous operation.

#### 1. Power Supply

To prevent electrical shocks, burns, or injury, etc., be sure to switch OFF the machine and unplug the power plug before starting the maintenance service. If the machine has to be switched ON, such as when measuring the voltage, take extra care so as not to get an electrical shock.

#### 2. Drive Area

Never inspect or lubricate the moving parts such as the chain, belt, sprocket and gears when the machine is in operation.

#### 3. Heavy Parts

When removing or installing heavy parts, take extra care of your working posture to prevent potential back injuries.

#### 4. Safety Device

Make sure that the safety devices for preventing mechanical accidents, such as fuses, circuit breakers, interlock switches, etc., and those for protecting customers from injury, such as panels and covers, function properly. Modifications that hinder the function of any safety devices are strictly prohibited.

#### 5. Installing and Removing Parts

The edge of parts and covers may be sharp, take care not to touch them. If oil gets onto your hand, wipe it off before getting on with servicing. When removing parts or cables, do not pull them out by force but remove them slowly.

#### 6. Specified Tools

Follow the instruction when a tool is specified.

#### 7. Organic Solvents

When using an organic solvent such as the Drum Cleaner, pay attention to the following:

- When using the Drum Cleaner, wear gloves for protection.
- Pay extra attention to the ventilation of the room so that you will not inhale steam in a large amount or continuously.
- As the organic solvent is a flammable liquid, keep it from a fire, do not discard into a fire or do not heat it.
- Never store it near open flames or sparks.

#### 8. Cleaning the Toner and Developer

As the toner can be explosive, sweep or brush the spilled toner into a container for collecting the sweepings. To clean away the remaining toner using a vacuum cleaner, always use an FX standard vacuum cleaner that is toner-tolerant. Never use the customer's vacuum cleaner. Take note of this when cleaning the Developer also because it contains some toner as well.

#### 9. Earthquake Preparedness Measures

If the customer requests earthquake proofing, an earthquake preparedness kit that is to be secured to the bottom of the machine is available. As the earthquake preparedness kit is a charged sales promotion parts, the sales representative has to issue a sales promotion parts application and deliver the kit to the customer.

The earthquake preparedness kit can take up to 3 months for delivery as it is only produced upon an order.

#### 10. Modifications to the Machine

Although modifications to the machine is "Prohibited in principle", in case you need to carry it out, be sure to go through a prior inspection.

#### 11. Lithium Battery



#### **CAUTION**

The battery may explode if it is not replaced properly.

Replace the battery with only the spare part battery (same model or equivalent).

After the replacement, follow the handling instruction by the manufacturer to dispose the used battery.

#### 12. Other Safety Precautions

For safety, you should also pay attention to precautions other than the above items 1 to 11.

Follow the instructions in the Safe Working Practices for Engineers to ensure greater safety during servicing.

### 1.1.2 Things to Take Note When Handling Customer Information

1. Handling of customer's electronic information - samples of copy/print/received fax (paper data), log files (Activity Report), and etc.

Before you bring back any samples for the purpose of investigation/analysis, always obtain permission from the customer. Make sure to assure them that the data will not be used for any other purpose.

When requesting for a retrieval application from the customer, either use the "FX Data Security Regulations: Annex 15 - Confidential Information/Personal Information Request Form (IS-019)" or use a letterhead that has been specified by the customer after obtaining their agreement.

2. Handling of a PWB/HDD, etc. that contains customer information.

Data such as Fax Address Numbers and URLs that are registered in the customer's machine are all important customer information. These types of information are stored in the PWB/HDD, etc. within the machine. Take extra care when handling them.

- 1) In case of replacements, transfer the data to the new PWB/HDD and make sure that all data in the old components are thoroughly erased before disposing them. Make sure that no important customer information gets leaked. (For details, refer to the preface in Chapter 4 and 5)
  - 2) If a component was replaced and it was not found to be the cause of the malfunction, return it to the machine it came from. (For components that were temporarily installed/removed for troubleshooting, etc. clear the data using Diag etc.)
  - 3) When unable to electrically erase the data in the HDD and the customer has requested for it, destroy the HDD (charges applies).
3. Security related NVM values that were changed during maintenance.

If any security related NVM values, such as polling, were set for test purposes, make sure you return them to their original values after the test. (E.g.: for the details on polling, refer to the Common Technical Information No. 2-202 for all machines.)

4. When connecting our company machine to the customer's network during maintenance, make sure that you have gone through the person-in-charge to obtain permission from the customer's systems administrator (or person-in-charge) before proceeding.

5. Other things to take note when handling customer data  
When handling customer data, you should also pay attention to precautions other than the above items 1 to 4.

[FX]

Follow the "Excellence in Customer Information Asset Protection - Do it Now! Do it Together!" issued by CS Department and ensure that customer data do not get leaked out when servicing.

[IBG]

Follow the safety guidelines established within the OpCo and ensure that customer data do not get leaked out when servicing.

### 1.1.3 Other Precautions

Pay attention to the following when performing maintenance service to avoid wrong or redundant servicing:

1. Reference Materials

Before performing a maintenance service, read all relevant materials such as the Technical Information, and use a systematic approach to proceed.

2. Disassembling

Make sure to check that the machine is in a properly assembled condition before proceeding with parts removal or disassembling it.

3. Installation/Adjustment

After the installation or adjustment is complete, check that no parts or tools are left inside or on the assemblies before using the machine.

4. Handling of replaced parts/consumables

Make sure that the replaced parts or consumables as well as their packaging materials are collected back to the Service Center.

**Note**

For the separation and processing methods for the collected items, refer to the Common Technical Information No. 2-138 for all machines.



#### **WARNING** Drum Cleaner

Never discard the Drum Cleaner into a fire. Always keep it from open flames to prevent it from catching and causing a fire. Always dispose the Drum Cleaner after it is completely used up.

For recyclable parts, fill the necessary items in the "U-TAG" and perform collection.

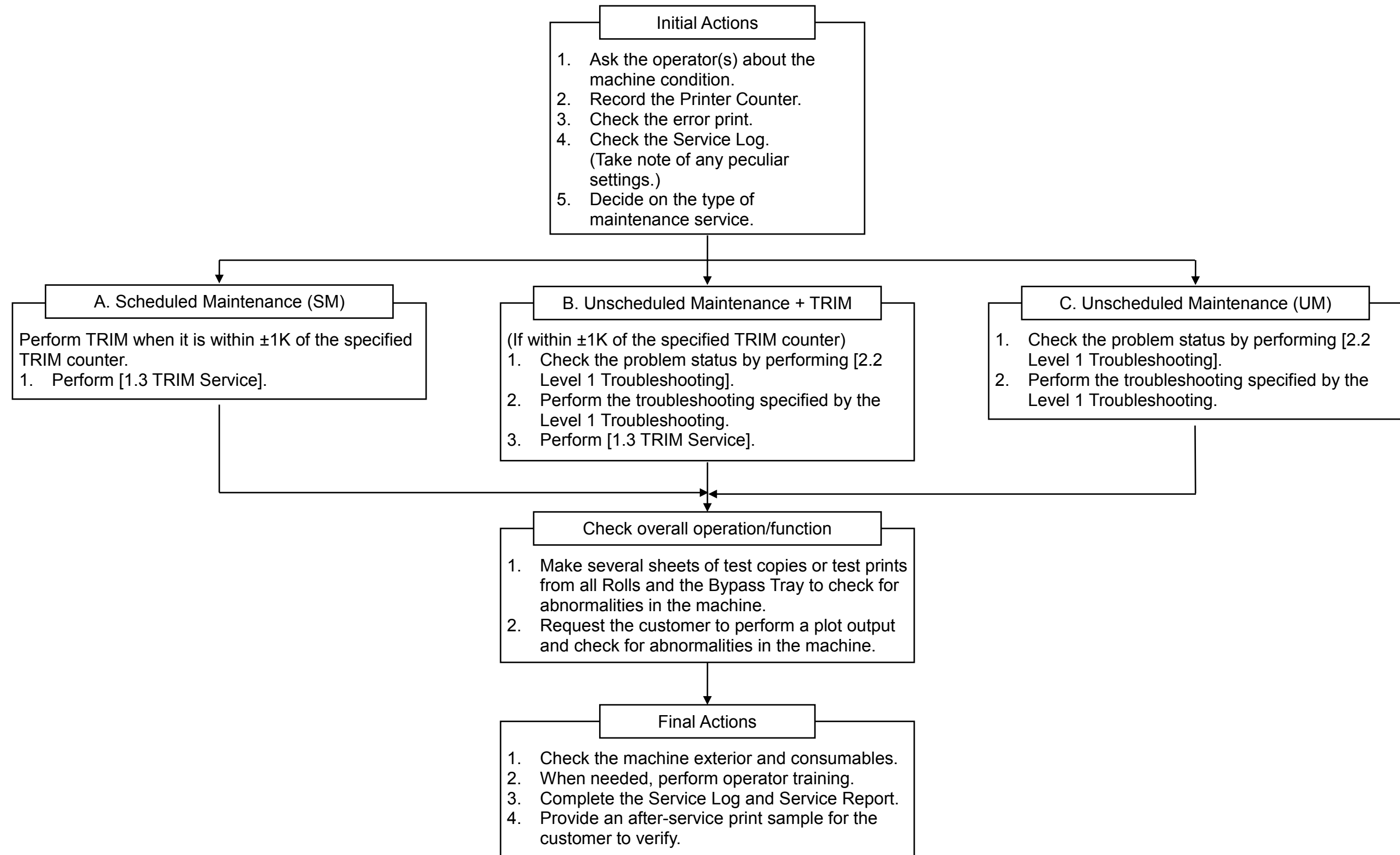
5. General Precautions

- Take care not to disturb the customer's daily work.
- When there is a high probability that the workspace might get dirty, take note to make sure to spread a drop cloth or paper to prevent this.
- Throw any trash generated during the maintenance service into a trash bag and bring them back to the Service Center.

- Record clearly the service details and the consumables and parts replaced at visit in the Machine Service Log.

## 1.2 Service Call Procedure

Service Call Procedure Flowchart



### 1.3 TRIM Service

#### 1.3.1 TRIM Service Interval

The Servicing Items of a TRIM Service for the purpose of maintaining machine performance differs by the C/V.

It is performed at the following C/V intervals according to the [1.3.3 TRIM Checklist].

- Perform for every 10 kCV

#### 1.3.2 Consumables and Periodic Replacement Parts

During TRIM Service, check the C/V usage to determine whether to replace the consumables and periodic replacement parts.

##### <Consumables>

Consumables	Product Code	Replacement Guideline
Drum	CT100063	36 km
Toner Cartridge	CT200647	3.6 km/unit (image density 3%)
Waste Toner Container	CWAA0608	22 km (image density 3%)

##### <Periodic Replacement Parts>

Periodic Replacement Parts	Replacement Guideline (CV conversion value)	Remarks
BCR	36 km (64.8 kCV)	
BTR	60 km (108 kCV)	
DTS	60 km (108 kCV)	
Drum	36 km (64.8 kCV)	
Drum Finger	60 km (108 kCV)	
Mag Roll	90 km (162 kCV)	
Mag Blade	90 km (162 kCV)	
Cleaner Blade	36 km (64.8 kCV)	
Heat Roll	80 km (144 kCV)	
Strip Finger	80 km (144 kCV)	
Heat Roll Thermistor	80 km (144 kCV)	
RFC1/2 Cutter	150 k times	

##### <Recording of Service Report>

If consumables and/or periodic replacement parts are replaced during the TRIM Service, record the following in the parts section of the Service Report.

Pro	AREA	Cause	Action	Parts No.	Qty
949	XXXX	39	51	XXXXXXXXXX	XX

### 1.3.3 TRIM Checklist

▽ : Perform checking. Clean, replace or supply if necessary. ▼ : Always perform cleaning and checking.

No.	Servicing Items	Replacement Guideline (CV conversion value)	C/V Interval		Things to Take Note when Servicing	Service Details	Related Problems
			Every time	10 kCV			
1	Checking the overall operation before servicing	-	▽	▽		Output a test print from each roll and perform checks such as print quality, paper movement, and abnormal noise.	
2	Check the history file	-	▽	▽		Check the history file for information such as paper jam and parts life, and decide on the necessary procedures.	
3	Add Toner	-	▽	▽		Check that the toner in the toner box is filled evenly.	
Optical System							
4	Platen Glass	-	▼	▼		Clean by using a damp cloth and allow it to dry sufficiently.	Black Streaks
5	White Platen	-	▼	▼		Clean by using a damp cloth and allow it to dry sufficiently.	Black Streaks
6	LPH	-	▽	▼	Drum cleaner can be used. To prevent joint misalignment, wipe the lens lightly.	Use silicon cloth to perform cleaning.	white streaks in solid 1 dot line becomes thinner black streaks in halftone
XERO							
7	BCR	36 km (64.8 kCV)	▽	▼		For extremely dirty area, use a wet cloth to clean before wiping with a dry cloth. Pay special attention as not to get oily residue on. Clean the shaft and inner side of the bearing with a dry cloth.	Density difference, background, abnormal noise, horizontal lines.
8	BTR	60 km (108 kCV)	▽	▽	Do not use a damp cloth.	Usually not cleaned. If it is very dirty, use dry cloth to clean it. (Do not use cloth that shed fibers when used, such as cotton.)	Poor transfer, uneven density
9	DTS	60 km (108 kCV)	▽	▼	Do not allow to change shape.	Clean using a brush.	Lead Edge finger mark Mis-strip
10	Upper Baffle/Lower Baffle	-	▽	▼	Do not allow to change shape.	Use a wet cloth to clean off excess toner that has piled on the chutes.	Side 2 contamination, Lead Edge contamination.
11	Drum	36 km (64.8 kCV)	▽	▽	When removing the Drum, cover it with black vinyl cover to prevent light fatigue. Do not use Drum cleaner or refiner.	Usually, only cleaning of toner that sticks to both sides of the Drum is needed. If the Drum is extremely dirty, use rayon wool to clean it. When installing, use the dusting pouch.	background

No.	Servicing Items	Replacement Guideline (CV conversion value)	C/V Interval		Things to Take Note when Servicing	Service Details	Related Problems
			Every time	10 kCV			
12	Drum Finger	60 km (108 kCV)	▽	▽	Do not allow to change shape.	Retract the Finger Shaft and clean the finger tips by using a cloth.	Lead Edge finger mark Mis-strip
13	Mag Roll/Mag Blade	90 km (162 kCV)	▽	▽	Assemble such that the layer of toner on the magnetic roll is of even thickness. Do not allow other objects (e.g. screws) to stick to the magnets.	Only replace, there is no cleaning. Check that the layer of toner on the magnetic roll is of even thickness after assembling.	Uneven density
14	Waste Toner Container	22 km (39.6 kCV)	▽	▽	Make sure to perform replacement with the Clamshell in open state	Consider the usage C/V and remaining amount for replacement. (The guideline for replacement is 2/3 and above)	If the specified sheet number after "Waste Toner Bottle Full" was detected is exceeded, the machine will no longer accept any print request.
Cleaning							
15	Cleaner Blade	36 km (64.8 kCV)	▽	▽	Take note so as not to cause the blade edge to chip.		Black streaks, Ghost image
16	Toner Seal	-	▽	▽	Service carefully to prevent change of shape.	After cleaning with a brush, use a damp cloth to clean off clinging toner, and allow it to dry sufficiently. If the part that contacts the Drum is wavy or has cracks, replace it.	Scratched Drum, Toner droplet.
Paper Transport							
17	Manual Feed Roller	-		▽		Clean off paper dust with a damp cloth and allow it to dry sufficiently.	Paper Jam
18	Regi Roll	-		▽		Use a damp cloth to clean off paper dust and toner from the surface of the roller.	Registration failure, dirty printout
Paper System							
19	RFC1/2 Cutter			▽	Be careful with the blade of the cutter.	Check for bits and pieces of paper that might remain in the cutter. If found, remove them.	Paper jam within the RFC
Fusing							
20	Inlet Chute	-	▽	▽	Wait until the hot fuser area cools down before servicing.	Clean off toner that got stuck and paper dust with a damp cloth and allow it to dry sufficiently.	Creased paper
21	Heat Roll	80 km (144 kCV)		▽	Be careful as the finger tips break easily.	Clean off toner contamination from the surface of Heat Roll.	Thin black spots
22	Pressure Roll	-		▽	Do not scratch the surface of the Heat Roll.	Clean off toner contamination from the surface of Pressure Roll.	Thin black spots

No.	Servicing Items	Replacement Guideline (CV conversion value)	C/V Interval		Things to Take Note when Servicing	Service Details	Related Problems
			Every time	10 kCV			
23	Strip Finger	80 km (144 kCV)		▽	Wait until the hot fuser area cools down before servicing.	Clean off toner contamination on the tips of the Strip Finger.	Paper Jam, scratches on Heat Roll
24	Heat Roll Thermistor (STS)	80 km (144 kCV)		▽	Be careful as the finger tips break easily.	Clean off toner that piled up on the lower section of the Thermistor using a damp cloth.	Creased paper, Paper Jam Overheat
25	Exit Chute and Exit Baffle Guide	-		▼	Do not scratch the surface of the Heat Roll.	Clean off toner that got stuck and paper dust with a damp cloth and allow it to dry sufficiently.	Contamination due to rubbing parts



# Chapter 2 Troubleshooting



## Table of Contents

2.1 Preface .....	5
2.1.1 Troubleshooting Procedures .....	5
2.1.2 Notes for Troubleshooting .....	5
2.1.3 Glossary .....	5
2.2 Level 1 Troubleshooting .....	6
2.3 Level 2 Troubleshooting .....	7
2.3.1 Error Code List .....	7
<IIT> .....	7
<IOT> .....	20
<CP-Cont> .....	29
2.3.2 Error Code FIP .....	31
<IIT> .....	31
005-102 IIT Sensor Static Jam 2A .....	31
005-103 IIT Sensor Static Jam 2B .....	31
005-104 IIT Size Sensor Miss Set Jam 2A .....	32
005-105 IIT Size Sensor Miss Set Jam 2B .....	32
005-106 IIT Sensor Pull Out Jam 2A .....	33
005-107 IIT Sensor Pull Out Jam 2B .....	33
005-108 IIT Sensor Push In Jam 2A .....	33
005-109 IIT Sensor Push In Jam 2B .....	33
005-120 IIT Feed Right Over Skew .....	33
005-121 IIT Feed Left Over Skew .....	33
005-122 IIT Feed Max Length Error .....	34
005-132 IIT Regi Sensor Lead Edge Jam .....	34
005-133 IIT Regi Sensor Tail Edge Jam .....	34
005-300 IIT Cover Open (In Operation) .....	34
005-301 IIT Cover Open (Not in Operation) .....	34
005-900 IIT Sensor Stay Jam A .....	35
005-901 IIT Sensor Stay Jam B .....	35
005-902 IIT Sensor Static Jam 1A .....	35
005-903 IIT Sensor Static Jam 1B .....	35
005-904 IIT Size Sensor Miss Set Jam 1A .....	35
005-905 IIT Size Sensor Miss Set Jam 1B .....	35

005-906 IIT Sensor Pull Out Jam 1A .....	35
005-907 IIT Sensor Pull Out Jam 1B .....	35
005-908 IIT Sensor Push In Jam 1A .....	35
005-909 IIT Sensor Push In Jam 1B .....	35
062-371 IIT CIS Lamp Failure .....	35
062-372 Image Sensor Failure .....	36
062-373 Image Sensor Not Connect .....	36
062-374 Image Sensor Communication Fail .....	36
062-375 Image Sensor Control Fail .....	36
<IOT> .....	37
010-310 Overheated Thermistor 1 (Software) .....	37
010-311 Overheated Thermistor 2 (Software) .....	37
010-312 Overheated Thermistor 3 (Software) .....	37
010-313 Overheated Thermostat (Hardware) .....	38
010-314 Overheated Thermistor 2 (Hardware) .....	38
010-315 Overheated Thermistor 4 (Hardware) .....	38
010-316 Low Temp. Thermistor 1 .....	38
010-317 Low Temp. Thermistor 3 .....	39
010-318 Thermistor Open (Thermistor 1) .....	40
010-319 Thermistor Open (Thermistor 2) .....	40
010-320 Thermistor Open (Thermistor 3) .....	40
010-321 Thermistor Open (Thermistor 4) .....	41
010-322 Warm Up Time-out (Thermistor 1) .....	41
010-323 Warm Up Time-out (Thermistor 3) .....	42
010-324 Fusing Drive Motor Error .....	42
010-325 RH Exhaust Fan Error .....	43
010-326 LH Exhaust Fan Error .....	43
010-327 Temp. Incline Error (Thermistor 1) .....	44
010-328 Temp. Incline Error (Thermistor 3) .....	44
010-329 Temp. Gap Error (Thermistor 1) .....	44
010-330 Temp. Gap Error (Thermistor 2) .....	44
010-331 Temp. Minimum Error (Thermistor 1) .....	45
010-332 Temp. Minimum Error (Thermistor 3) .....	45
010-970 Re-WarmUp Error .....	45
042-312 USB Disconnected Error .....	45

046-310 LVPS 24B Monitor Error .....	46	072-313 Roll 2 Cutter Fail (Cutter at Abnormal Position) .....	56
046-311 LVPS 24C Monitor Error .....	46	072-900 Static Jam (RFC 2).....	56
046-312 LVPS 5B Monitor Error .....	46	072-940 Roll 2 No Paper .....	56
061-310 LVPS 5C Monitor Error .....	47	072-941 Roll 2 Cutter Cover Open.....	57
061-316 LPH Error (FPGA Initializing) .....	47	075-100 Manual Feed Stop Sensor ON Jam .....	57
061-319 LPH Error (Data Reading) .....	47	075-101 Manual Page Sync Sensor ON Jam .....	57
061-320 LPH Error (Data Comparison).....	47	075-102 Manual Page Sync Sensor OFF Jam.....	58
061-321 Thermistor Error (LPH Overheat).....	48	075-900 Static Jam (MSI).....	58
061-322 Thermistor Error (LPH Disconnected/ Open Wire).....	48	075-940 MSI No Paper .....	58
071-100 Roll 1 A3 Sensor ON Jam (Auto-load) .....	48	075-941 MSI Size Mismatch .....	59
071-101 Roll 1 A3 Sensor ON Jam (Rewind) .....	48	077-100 RFC Vertical Jam Sensor ON Jam.....	59
071-102 Roll 1 Feed Jam (Core Peeled Off).....	48	077-101 RFC Page Sync Sensor ON Jam.....	60
071-103 Roll 1 Cut Trigger Sensor ON Jam .....	49	077-103 Exit Jam Switch ON Jam .....	60
071-104 Roll 1 Cut Trigger OFF Jam.....	49	077-104 RFC Vertical Jam Sensor OFF Jam.....	60
071-105 Roll 1 Mis-cut Jam .....	49	077-105 RFC Page Sync Sensor OFF Jam.....	61
071-300 Roll 1 Cutter Cover Open (During Printing) .....	49	077-106 Exit Jam Switch OFF Jam.....	61
071-301 RFC 1 Drawer Open (During Printing).....	50	077-107 Exit Motion Sensor Jam.....	61
071-310 Roll 1 Feed Motor Fail .....	50	077-300 Swing Frame Interlock Open .....	62
071-311 Roll 1 Cutter Fail (Move Not Complete) .....	51	077-301 Fusing Cover Interlock Open .....	62
071-312 Roll 1 Cutter Fail (Bounce) .....	51	077-302 Front Door Interlock Open .....	62
071-313 Roll 1 Cutter Fail (Cutter at Abnormal Position).....	51	077-303 H-Tra Interlock Open.....	63
071-900 Static Jam (RFC 1) .....	52	077-304 Swing Frame Interlock Open (During Printing) .....	63
071-940 Roll 1 No Paper .....	52	077-305 Fusing Cover Interlock Open (During Printing) .....	63
071-941 Roll 1 Cutter Cover Open .....	52	077-306 Front Door Interlock Open (During Printing) .....	63
072-100 Roll 2 A3 Sensor ON Jam (Auto-load).....	53	077-307 H-Tra Interlock Open (During Printing).....	63
072-101 Roll 2 A3 Sensor ON Jam (Rewind) .....	53	077-310 Main Motor Fail .....	64
072-102 Roll 2 Feed Jam (Core Peeled Off).....	53	077-900 Static Jam .....	65
072-103 Roll 2 Cut Trigger Sensor ON Jam .....	53	077-901 Static Jam (Low Power Mode) .....	65
072-104 Roll 2 Cut Trigger OFF Jam.....	53	077-902 Static Jam (After Paper Output) .....	65
072-105 Roll 2 Mis-cut Jam .....	54	091-300 Rear Top Cover Open .....	66
072-300 Roll 2 Cutter Cover Open (During Printing) .....	54	091-301 Rear Top Cover Open (During Printing) .....	66
072-301 RFC 2 Drawer Open (During Printing).....	54	091-310 Open Air Sensor Fail 1 (Humidity) .....	66
072-310 Roll 2 Feed Motor Fail .....	54	091-311 Open Air Sensor Fail 2 (Humidity).....	66
072-311 Roll 2 Cutter Fail (Move Not Complete) .....	55	091-312 Open Air Sensor Disconnect Fail .....	66
072-312 Roll 2 Cutter Fail (Bounce) .....	55	091-313 Open Air Sensor Short Circuit Fail .....	66

091-910 Toner Empty .....	66
091-911 Toner Pot Full.....	67
<CP-Cont> .....	68
103-311 CP Cont-IIT Communication Fail .....	68
121-311 EPSV Communication Fail.....	68
124-311 CP Cont-IOT Communication Fail.....	68
2.3.3 Other FIP .....	69
Not Powered Failure FIP .....	69
Nothing Displayed in UI Panel FIP.....	70
HEATER Lamp Not Turn On Failure FIP (100-120V).....	71
HEATER Lamp Not Turn On Failure FIP (200-240V).....	72
HEATER Lamp Not Turn Off Failure FIP (100-120V).....	74
HEATER Lamp Not Turn Off Failure FIP (200-240V).....	74
2.3.4 Generic FIP .....	75
Reflective Sensor Failure FIP .....	75
Permeable Sensor Failure FIP.....	75
Switch (Normal Open) Failure FIP .....	75
Solenoid/Clutch Not Energized Failure FIP .....	76
Solenoid/Clutch Left Energized Failure FIP .....	76
Motor Not Rotate Failure FIP .....	76
Motor Not Stop Failure FIP .....	77
2.4 UI Panel Troubleshooting.....	78
2.5 Troubleshooting When CP-Cont is Started.....	79
2.5.1 Screen Numbers in UI Panel and CP-Cont Startup States .....	79
2.5.2 Identifying CP-Cont Errors .....	81
2.6 Troubleshooting During Copy/Plot Output.....	82
2.6.1 Collecting Diag Report .....	82
2.6.2 Output Plot Error (Common among Data Formats).....	82



## 2.1 Preface

### 2.1.1 Troubleshooting Procedures

Troubleshooting procedures are roughly divided into two categories.

#### Level 1 Troubleshooting

Check error codes and the symptoms of the trouble by using Level 1 FIP.

#### Level 2 Troubleshooting


Identify the cause of the trouble using the error code list, level 2 FIP and BSD and then repair the machine.

### 2.1.2 Notes for Troubleshooting

- Check that connectors are securely connected before replacing parts.
- Turn the power OFF before replacing parts.

 **WARNING**  
Do not touch the following parts when power is ON. Else you may get an electric shock.

- HVPS
- LVPS

 **WARNING**  
Be careful of the heat on and around the Heat Roll and Pressure Roll. Do not touch them unless they are cool enough. Or you may get burn injury.


### 2.1.3 Glossary

Error Code:

A code that appears on the UI Panel when a problem occurs

Power OFF:

The status when the Main Power Switch is turned OFF


 **WARNING**  
Make sure to turn the Circuit Breaker OFF and unplug the power plug from the supply when instructed in the maintenance procedure. Or you may get electrical shock or be injured.

Power ON:

The status when the Main Switch is turned ON

Turn the power OFF then ON.

Turn the Main Switch OFF once and ON again.

 **Note** After turning the power OFF, make sure that the machine has completely shut down, and wait for 5 seconds before turning it ON again.

Enter IIT DC330 [004-001] and turn it ON:

Execute the IIT sub system diag code DC330 [004-001].

Turn the IIT DC330 [004-001] OFF:

End the IIT sub system diag code DC330 [004-001].

REP4.1.3:

Refer to REP4.1.3 in Chapter 4  
Disassembly/Assembly and Adjustment.

ADJ4.1.3:

Refer to ADJ4.1.3 in Chapter 4  
Disassembly/Assembly and Adjustment.

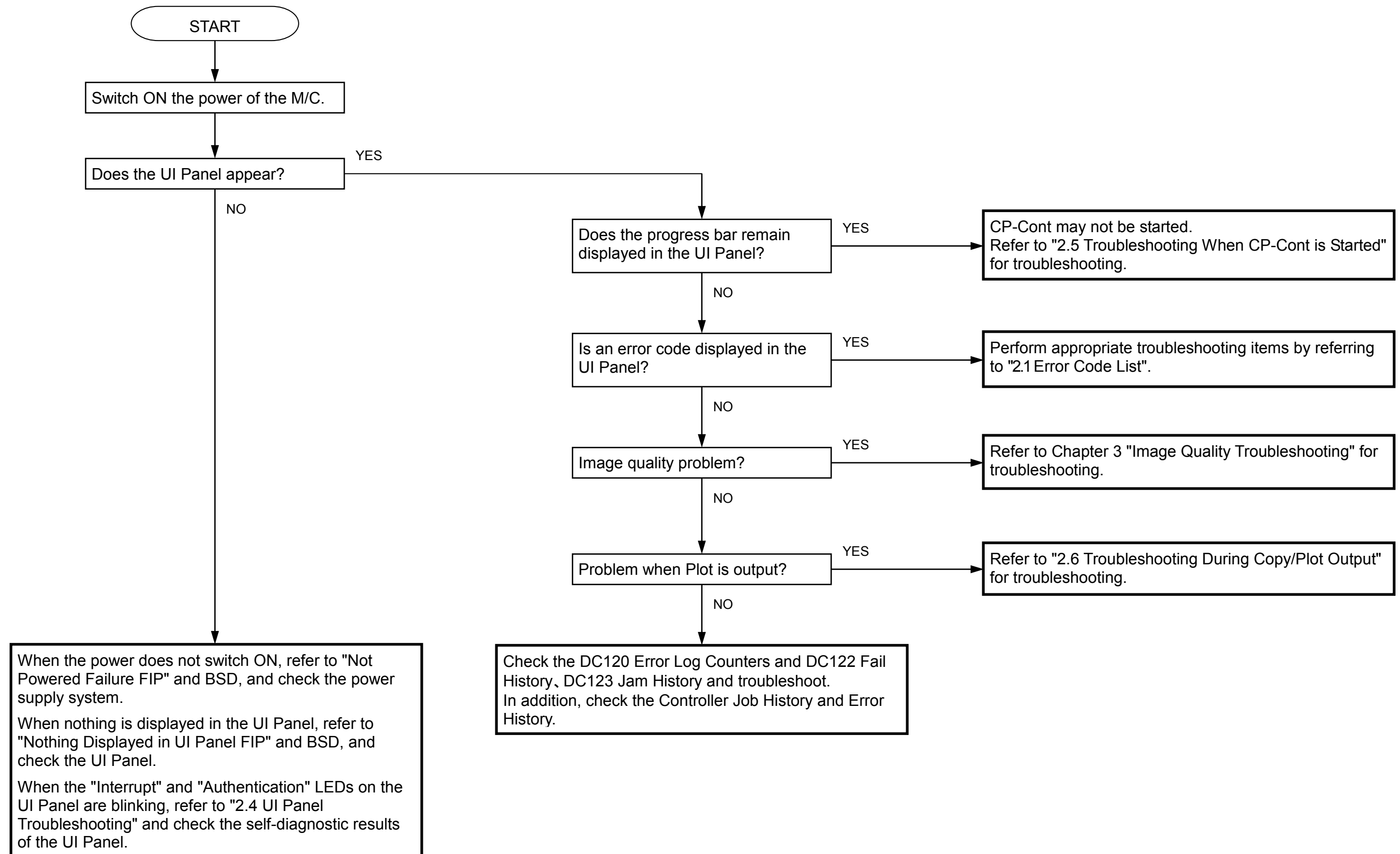
PL4.2:

Refer to PL4.2 in Chapter 5 Parts List.

CH1.2:

Refer to CH1.2 in Chapter 7 Electrical Wiring Data  
BSD.

## 2.2 Level 1 Troubleshooting





## 2.3 Level 2 Troubleshooting

### 2.3.1 Error Code List

**Note** Refer to the list for the IIT, IOT, or CP-Cont depending on the error code (Chain-Link code).

005-xxx / 062-xxx / 063-xxx: Refer to <IIT>

010-xxx / 012-xxx / 041-xxx / 042-xxx / 046-xxx / 061-xxx / 071-xxx / 072-xxx / 075-xxx / 077-xxx / 091-xxx: Refer to <IOT>

016-xxx/102-xxx/103-xxx/116-xxx/121-xxx/124-xxx: Refer to <CP-Cont>

#### <IIT>

Chain-Link	Error	Contents	Type	Error Log			Remarks	BSD
				DC120	DC122	DC123		
005-102	Document Stay Jam 2A (occurred when stopped)	<p>Detected document jam, which is not due to document feeding, between the period after N.B.R is received and document is being fed.</p> <p>Detected document anew by one of Document Detection Feed Sensor when system call occurred, open cover, or when the key that stops document is activated. (Equivalent to STATIC JAM Error)</p> <p>Message appears when a jam that can be resolved by opening and closing the cover had occurred.</p>	Operator Call	-	-	-	Refer to 005-102 FIP	CH6.10
005-103	Document Stay Jam 2B (occurred when stopped)	<p>Detected document jam, which is not due to document feeding, between the period after N.B.R is received and document is being fed.</p> <p>Detected document anew by one of Document Detection Feed Sensor when system call occurred, open cover, or when the key that stops document is activated. (Equivalent to STATIC JAM Error)</p> <p>Message appears when a jam that can be resolved by simply pulling out the document had occurred.</p>	Operator Call	-	-	-	Refer to 005-103 FIP	CH6.10
005-104	Document Misaligned 2A	<p>Detected document misalignment between the period when N.B.R is received and when Document Scan Feed starts.</p> <p>Document Misaligned describes the situation when noncontiguous logic is detected on the sensor layout by Document Size Detection Sensor. (Example: The presence of document is detected by A4 or A2 sensor, etc.)</p> <p>Message appears when a jam that can be resolved by opening and closing the cover had occurred.</p>	Operator Call	-	-	-	Refer to 005-104 FIP	CH6.10

Chain-Link	Error	Contents	Type	Error Log			Remarks	BSD
				DC120	DC122	DC123		
005-105	Document Misaligned 2B	Detected document misalignment between the period when N.B.R is received and when Document Scan Feed starts. Document Misaligned describes the situation when noncontiguous logic is detected on the sensor layout by Document Size Detection Sensor. (Example: The presence of document is detected by A4 or A2 sensor, etc.) Message appears when a jam that can be resolved by simply pulling out the document had occurred.	Operator Call	-	-	-	Refer to 005-105 FIP	CH6.10
005-106	Originals Pulled Out Jam 2A	Detected document being pulled out from the document insertion slot between the period after N.B.R is received and document is being fed. Message appears when a jam that can be resolved by opening and closing the cover had occurred.	Operator Call	-	-	-	Refer to 005-106 FIP	CH6.10
005-107	Originals Pulled Out Jam 2B	Detected document being pulled out from the document insertion slot between the period after N.B.R is received and document is being fed. Message appears when a jam that can be resolved by simply pulling out the document had occurred.	Operator Call	-	-	-	Refer to 005-107 FIP	CH6.10
005-108	Originals Pushed In Jam 2A	Regi Sensor has detected document being pushed in at the Pre-Feed Completion Pause after N.B.R is received. Detected document being pulled out from the document output slot between the period after N.B.R is received and document is being fed. Message appears when a jam that can be resolved by opening and closing the cover had occurred.	Operator Call	O	-	O	Refer to 005-108 FIP	CH6.10
005-109	Originals Pushed In Jam 2B	Regi Sensor has detected document being pushed in at the Pre-Feed Completion Pause after N.B.R is received. Detected document being pulled out from the document output slot between the period after N.B.R is received and document is being fed. Message appears when a jam that can be resolved by simply pulling out the document had occurred.	Operator Call	O	-	O	Refer to 005-109 FIP	CH6.10
005-120	Right Overskew	Right Skew Sensor has detected document when document is being transported.	Operator Call	O	-	O	Refer to 005-120 FIP	CH6.10
005-121	Left Overskew	Left Skew Sensor has detected document when document is being transported.	Operator Call	O	-	O	Refer to 005-121 FIP	CH6.10
005-122	Max Document Length Exceeded	The Regi Sensor detected that the paper being fed is over the max length during original feed.	Operator Call	O	-	O	Refer to 005-122 FIP	CH6.10

Chain-Link	Error	Contents	Type	Error Log			Remarks	BSD
				DC120	DC122	DC123		
005-132	Regi Sensor Lead Edge Jam	The Regi Sensor did not detect the document lead edge at the scheduled timing during original feed.	Operator Call	O	-	O	Refer to 005-132 FIP	CH6.10
005-133	Regi Sensor Tail Edge Jam	The Regi Sensor did not detect the document tail edge at the scheduled timing during original feed.	Operator Call	O	-	O	Refer to 005-133 FIP	CH6.10
005-300	Cover Open During Feed	The Interlock SW was detected to be open during IIT operation.	Operator Call	O	-	-	Refer to 005-300 FIP	CH1.14
005-301	Cover Open When Stopped	The Interlock SW was detected to be open when IIT has stopped.	Operator Call	-	-	-	Refer to 005-301 FIP	CH1.14
005-900	Document Remaining Jam A	One of the Document Detection Feed Sensor has newly detected document when right after power was turned ON or when cover is closed. Message appears when a jam that can be resolved by opening and closing the cover had occurred.	Operator Call	-	-	-	Refer to 005-900 FIP	CH6.10
005-901	Document Remaining Jam B	One of the Document Detection Feed Sensor has newly detected document when right after power was turned ON or when cover is closed. Message appears when a jam that can be resolved by simply pulling out the document had occurred.	Operator Call	-	-	-	Refer to 005-901 FIP	CH6.10
005-902	Document Stay Jam 1A (occurred when stopped)	Detected document jam, which is not due to document feeding, outside the period when N.B.R is received and document is fed. Detected document anew by one of Document Detection Feed Sensor when system call occurred, open cover, or when the key that stops document is activated. (Equivalent to STATIC JAM Error) Message appears when a jam that can be resolved by opening and closing the cover had occurred.	Operator Call	-	-	-	Refer to 005-902 FIP	CH6.10
005-903	Document Stay Jam 1B (occurred when stopped)	Detected document jam, which is not due to document feeding, outside the period when N.B.R is received and document is fed. Detected document anew by one of Document Detection Feed Sensor when system call occurred, open cover, or when the key that stops document is activated. (Equivalent to STATIC JAM Error) Message appears when a jam that can be resolved by simply pulling out the document had occurred.	Operator Call	-	-	-	Refer to 005-903 FIP	CH6.10

Chain -Link	Error	Contents	Type	Error Log			Remarks	BSD
				DC120	DC122	DC123		
005-904	Document Misaligned 1A	<p>Detected document misalignment from the point when document insertion is detected to Document Pre-Feed to before N.B.R is received.</p> <p>Document Misaligned describes the situation when noncontiguous logic is detected on the sensor layout by Document Size Detection Sensor.</p> <p>(Example: The presence of document is detected by A4 or A2 sensor, etc.)</p> <p>Message appears when a jam that can be resolved by opening and closing the cover had occurred.</p>	Operator Call	-	-	-	Refer to 005-904 FIP	CH6.10
005-905	Document Misaligned 1B	<p>Detected document misalignment from the point when document insertion is detected to Document Pre-Feed to before N.B.R is received.</p> <p>Document Misaligned describes the situation when noncontiguous logic is detected on the sensor layout by Document Size Detection Sensor.</p> <p>(Example: The presence of document is detected by A4 or A2 sensor, etc.)</p> <p>Message appears when a jam that can be resolved by simply pulling out the document had occurred.</p>	Operator Call	-	-	-	Refer to 005-905 FIP	CH6.10
005-906	Originals Pulled Out Jam 1A	<p>Detected document being pulled out from the document insertion slot from the point when document insertion is detected to Document Pre-Feed to before N.B.R is received.</p> <p>Message appears when a jam that can be resolved by opening and closing the cover had occurred.</p>	Operator Call	-	-	-	Refer to 005-906 FIP	CH6.10
005-907	Originals Pulled Out Jam 1B	<p>Detected document being pulled out from the document insertion slot from the point when document insertion is detected to Document Pre-Feed to before N.B.R is received.</p> <p>Message appears when a jam that can be resolved by simply pulling out the document had occurred.</p>	Operator Call	-	-	-	Refer to 005-907 FIP	CH6.10
005-908	Originals Pushed In Jam 1A	<p>The Regi Sensor detected document push-in at the period from document insertion detection to the start of document pre-feed</p> <p>The Regi Sensor detected document push-in before the Pre-Feed Completion Pause before N.B.R is received</p> <p>Message appears when a jam that can be resolved by opening and closing the cover had occurred.</p>	Operator Call	O	-	O	Refer to 005-908 FIP	CH6.10

Chain-Link	Error	Contents	Type	Error Log			Remarks	BSD
				DC120	DC122	DC123		
005-909	Originals Pushed In Jam 1B	The Regi Sensor has detected document being pushed in from the point when document insertion is detected to the start of Document Pre-Feed. Regi Sensor has detected document being pushed in prior to the Pre-Feed Completion Pause before N.B.R is received. Message appears when a jam that can be resolved by simply pulling out the document had occurred.	Operator Call	O	-	O	Refer to 005-909 FIP	CH6.10
062-220	FPGA SHINANO IIS Block Operation Error	Operation error caused by the FPGA SHINANO IIS block was detected.	Service Call	-	O	-		CH3.7
062-227	FPGA SHINANO IPS2 Block BKG Module Operation Error	Operation error caused by the FPGA SHINANO IPS2 block BKG module was detected.	Service Call	-	O	-		CH3.7
062-228	FPGA SHINANO IPS2 Block RE Module Operation Error	Operation error caused by the FPGA SHINANO IPS2 block RE module was detected.	Service Call	-	O	-		CH3.7
062-229	FPGA SHINANO IPS2 Block TRC Module Operation Error	Operation error caused by the FPGA SHINANO IPS2 block TRC module was detected.	Service Call	-	O	-		CH3.7
062-230	FPGA SHINANO IPS2 Block DF Module Operation Error	Operation error caused by the FPGA SHINANO IPS2 block DF module was detected.	Service Call	-	O	-		CH3.7
062-231	FPGA SHINANO IPS2 Block SG Module Operation Error	Operation error caused by the FPGA SHINANO IPS2 block SG module was detected.	Service Call	-	O	-		CH3.7
062-240	FPGA SHINANO IOS Block DMAC2 Module Operation Error	Operation error caused by the FPGA SHINANO IOS block DMAC2 module was detected.	Service Call	-	O	-		CH3.7
062-241	FPGA SHINANO IOS Block SDRAM Module Operation Error	Operation error caused by the FPGA SHINANO IOS block SDRAM module was detected.	Service Call	-	O	-		CH3.7
062-242	FPGA SHINANO IOS Block OUT (CONT Output) Module Operation Error	Operation error caused by the FPGA SHINANO IOS block OUT (CONT Output) module was detected.	Service Call	-	O	-		CH3.7
062-243	CONT-USB IC Operation Error	Operation error caused by the CONT-USB IC was detected.	Service Call	-	O	-		CH3.7
062-290	Watch Dog Error	The CPU Watch Dog timer activated S/W reset.	Service Call	-	O	-		CH3.7
062-295	IPS Data Version Error (Unsupported IPS module version detected)	Unsupported version of IPS Module is detected.	Service Call	-	O	-		CH3.7
062-320	FPGA SHINANO IIS Block H/W Error	R/W check error for the FPGA SHINANO IIS block register/built-in memory.	Service Call	-	O	-		CH3.7
062-321	FPGA SHINANO IIS Block SDRAM R/W Error	R/W check error for the SDRAM used by the FPGA SHINANO IIS block.	Service Call	-	O	-		CH3.7
062-325	FPGA SHINANO IPS2 Block H/W Error	R/W check error for the FPGA SHINANO IPS2 block register/built-in memory.	Service Call	-	O	-		CH3.7

Chain-Link	Error	Contents	Type	Error Log			Remarks	BSD
				DC120	DC122	DC123		
062-326	FPGA SHINANO IPS2 Block SDRAM R/W Error	R/W check error for the SDRAM used by the FPGA SHINANO IPS2 block.	Service Call	-	0	-		CH3.7
062-330	FPGA SHINANO IOS Block H/W Error	R/W check error for the FPGA SHINANO IOS block register/built-in memory.	Service Call	-	0	-		CH3.7
062-331	FPGA SHINANO IOS Block SDRAM R/W Error	R/W check error for the SDRAM used by the FPGA SHINANO IOS block.	Service Call	-	0	-		CH3.7
062-336	USB IC (for CONT I/F) H/W Error	R/W check error for CONT I/F USB IC register/built-in memory.	Service Call	-	0	-		CH3.7
062-357	Bus Error Between FPGA SHINANO IOS - CONT-USB IC	Bus check error between FPGA SHINANO IOS - CONT-USB IC.	Service Call	-	0	-		CH3.7
062-371	CIS Lamp Error	Lamp error is detected. Lamp was lit and the unit output average for all ICs were below the limit.	Service Call	0	0	-	Refer to 062-371 FIP	CH6.11
062-372	Image Sensor Error	The output average for the IC unit in the sensor is below the limit for more than one IC. If all IC is below the limit, it will be considered as lamp error.	Service Call	0	0	-	Refer to 062-372 FIP	CH6.11
062-373	Image Sensor Connection Failure	Sensor connection was not detected. (Initialization of Input FIFO from the sensor was not completed)	Service Call	-	0	-	Refer to 062-373 FIP	CH6.11
062-374	Poor Communication with Image Sensor	Failed to establish serial communication with sensor.	Service Call	-	0	-	Refer to 062-374 FIP	CH6.11
062-375	Image Sensor Control Error	Sensor control failed. (e.g., Register R/W failed, not functioning, etc.)	Service Call	-	0	-	Refer to 062-375 FIP	CH6.11
062-376	Error Between Image Sensor - SHINANO	Error was detected during the bus check between the sensor and FPGA SHINANO. (Check SHINANO by outputting test pattern from the sensor)	Service Call	-	0	-		CH6.11
062-380	Abnormal EEPROM System Data Sum Value	Abnormal SUM value was detected in the system data stored in the EEPROM.	Service Call	-	0	-		CH3.7
062-382	EEPROM Write Error	Error was detected while writing data into the EEPROM.	Service Call	-	0	-		CH3.7
062-383	EEPROM Verify Error	The value written in the EEPROM is different from the one written by user.	Service Call	-	0	-		CH3.7
062-384	Abnormal EEPROM Error History/Error Log Data	Abnormal data was detected in the error history/error log stored in the EEPROM.	Service Call	-	0	-		CH3.7
062-385	Abnormal EEPROM Feed Count/Recycle Data	Error was detected in the Feed Count/Recycle Data stored in the EEPROM.	Service Call	-	0	-		CH3.7
062-386	System Data Setting Error	Unable to function due to abnormal system data setting.	Service Call	-	0	-		CH3.7
062-390	Abnormal User Part S/W SUM Value	Abnormal SUM value was detected in the User part program.	Service Call	-	0	-		CH3.7

Chain -Link	Error	Contents	Type	Error Log			Remarks	BSD
				DC120	DC122	DC123		
062-391	Abnormal Boot Part S/W SUM Value	Abnormal SUM value was detected in the Boot part program.	Service Call	-	0	-		CH3.7
062-392	Abnormal IPS Data Sum Value	Abnormal SUM value was detected in IPS data.	Service Call	-	0	-		CH3.7
062-393	CPU Built-in RAM R/W Error	Error was detected during CPU Built-in RAM R/W check.	Service Call	-	0	-		CH3.7
062-394	External RAM R/W Error	Error was detected during R/W check for the areas except the data backup area of the external RAM.	Service Call	-	0	-		CH3.7
062-395	Flash ROM Erase Error	Error was detected while erasing the Flash ROM.	Service Call	-	0	-		CH3.7
062-396	Flash ROM Write Error	Error was detected while writing data into the Flash ROM.	Service Call	-	0	-		CH3.7
062-397	Flash ROM Verify Error	The value written in the Flash ROM is different from the one written by user.	Service Call	-	0	-		CH3.7
062-701	CIS Position Adjustment, Input Line Count Error	CIS position adjustment cannot be performed because the image line count read during CIS position adjustment process is less than the specified value.	CIS Position Adjustment Error	-	-	-		CH6.11
062-702	CIS Position Adjustment, Execution Aborted	CIS position adjustment process was aborted due to an abort request or occurrence of an error.	CIS Position Adjustment Error	-	-	-		CH6.11
062-703	CIS Position Adjustment, Parameter Error	A parameter error has occurred during CIS position adjustment process.	CIS Position Adjustment Error	-	-	-		CH6.11
062-704	CIS Position Adjustment, Internal Control Error	An internal control error has occurred during CIS position adjustment process.	CIS Position Adjustment Error	-	-	-		CH6.11
062-710	CIS Position Adjustment, Horizontal Line Detection Error For Fast Scan Position Adjustment	Horizontal lines for fast scan adjustment on the pattern read during CIS position adjustment process could not be detected. (Indicates that one of the 062-71x errors has occurred)	CIS Position Adjustment Error	0	-	-		CH6.11
062-711	CIS Position Adjustment, Horizontal Line Width Error For Fast Scan Position Adjustment	The width of the horizontal lines for fast scan adjustment on the pattern read during CIS position adjustment process exceeded the upper limit.	CIS Position Adjustment Error	-	-	-		CH6.11
062-712	CIS Position Adjustment, Horizontal Line Count Error For Fast Scan Position Adjustment	The number of the horizontal lines for fast scan adjustment on the pattern read during CIS position adjustment process exceeded the upper limit.	CIS Position Adjustment Error	-	-	-		CH6.11
062-713	CIS Position Adjustment, Horizontal Line Count Error For Fast Scan Position Adjustment	The number of the horizontal lines for fast scan adjustment on the pattern read during CIS position adjustment process is less than the upper limit.	CIS Position Adjustment Error	-	-	-		CH6.11
062-714	CIS Position Adjustment, Horizontal Line For Fast Scan Position Adjustment Not Detected	Horizontal lines for fast scan adjustment on the pattern read during CIS position adjustment process could not be detected.	CIS Position Adjustment Error	-	-	-		CH6.11

Chain -Link	Error	Contents	Type	Error Log			Remarks	BSD
				DC120	DC122	DC123		
062-715	CIS Position Adjustment, Horizontal Line Detection Position Error For Fast Scan Position Adjustment	The position of the horizontal lines for fast scan adjustment on the pattern read during CIS position adjustment process was abnormal.	CIS Position Adjustment Error	-	-	-		CH6.11
062-720	CIS Position Adjustment, Vertical Line Detection Error For Fast Scan Position Adjustment	Vertical lines for fast scan adjustment on the pattern read during CIS position adjustment process could not be detected. (Indicates that one of the 062-72x errors has occurred)	CIS Position Adjustment Error	0	-	-		CH6.11
062-721	CIS Position Adjustment, Vertical Line Width Error For Fast Scan Position Adjustment	The width of the vertical lines for fast scan adjustment on the pattern read during CIS position adjustment process exceeded the upper limit.	CIS Position Adjustment Error	-	-	-		CH6.11
062-722	CIS Position Adjustment, Vertical Line Count Error For Fast Scan Position Adjustment	The number of the vertical lines for fast scan adjustment on the pattern read during CIS position adjustment process exceeded the upper limit.	CIS Position Adjustment Error	-	-	-		CH6.11
062-723	CIS Position Adjustment, Vertical Line For Fast Scan Position Adjustment Not Detected	Vertical lines for fast scan adjustment on the pattern read during CIS position adjustment process could not be detected.	CIS Position Adjustment Error	-	-	-		CH6.11
062-724	CIS Position Adjustment, Vertical Line Detection Position Error For Fast Scan Position Adjustment	The position of the vertical lines for fast scan adjustment on the pattern read during CIS position adjustment process was abnormal.	CIS Position Adjustment Error	-	-	-		CH6.11
062-725	CIS Position Adjustment, Intersection Count Error of Horizontal and Vertical Lines for Fast Scan Position Adjustment	The number of intersections of the horizontal and vertical lines for fast scan adjustment on the pattern read during CIS position adjustment process was abnormal.	CIS Position Adjustment Error	-	-	-		CH6.11
062-726	CIS Position Adjustment, Intersection Position Error of Horizontal and Vertical Lines for Fast Scan Position Adjustment	The position of intersections of the horizontal and vertical lines for fast scan adjustment on the pattern read during CIS position adjustment process was abnormal.	CIS Position Adjustment Error	-	-	-		CH6.11
062-730	CIS Position Adjustment, Horizontal Line Detection Error For Slow Scan Position Adjustment	Horizontal lines for slow scan adjustment on the pattern read during CIS position adjustment process could not be detected. (Indicates that one of the 062-73x errors has occurred)	CIS Position Adjustment Error	0	-	-		CH6.11
062-731	CIS Position Adjustment, Horizontal Line Width Error For Slow Scan Position Adjustment	The width of the horizontal lines for slow scan adjustment on the pattern read during CIS position adjustment process exceeded the upper limit.	CIS Position Adjustment Error	-	-	-		CH6.11
062-732	CIS Position Adjustment, Horizontal Line Count Error For Slow Scan Position Adjustment	The number of the horizontal lines for slow scan adjustment on the pattern read during CIS position adjustment process exceeded the upper limit.	CIS Position Adjustment Error	-	-	-		CH6.11
062-733	CIS Position Adjustment, Horizontal Line For Slow Scan Position Adjustment Not Detected	Horizontal lines for slow scan adjustment on the pattern read during CIS position adjustment process could not be detected.	CIS Position Adjustment Error	-	-	-		CH6.11



Chain -Link	Error	Contents	Type	Error Log			Remarks	BSD
				DC120	DC122	DC123		
062-734	CIS Position Adjustment, Horizontal Line Interval Error For Slow Scan Position Adjustment	The interval between the horizontal lines for slow scan adjustment on the pattern read during CIS position adjustment process was abnormal.	CIS Position Adjustment Error	-	-	-		CH6.11
062-735	CIS Position Adjustment, Horizontal Line Position Error For Slow Scan Position Adjustment	The position of the horizontal lines for slow scan adjustment on the pattern read during CIS position adjustment process was abnormal.	CIS Position Adjustment Error	-	-	-		CH6.11
062-740	CIS Position Adjustment, CIS 2 to 5 Fast Scan Position Adjustment Value Judgment Error	An error was detected at judgment of the fast scan position adjustment value of one of the CIS 2 to 5. (Indicates that one of the 062-74x errors has occurred)	CIS Position Adjustment Error	O	-	-		CH6.11
062-741	CIS Position Adjustment, CIS 2 Fast Scan Position Adjustment Value Judgment Error	As a result of judgment of the CIS 2 fast scan position adjustment value, it was detected that a difference between the current value and calculated value was more than the specified value.	CIS Position Adjustment Error	-	-	-		CH6.11
062-742	CIS Position Adjustment, CIS 3 Fast Scan Position Adjustment Value Judgment Error	As a result of judgment of the CIS 3 fast scan position adjustment value, it was detected that a difference between the current value and calculated value was more than the specified value.	CIS Position Adjustment Error	-	-	-		CH6.11
062-743	CIS Position Adjustment, CIS 4 Fast Scan Position Adjustment Value Judgment Error	As a result of judgment of the CIS 4 fast scan position adjustment value, it was detected that a difference between the current value and calculated value was more than the specified value.	CIS Position Adjustment Error	-	-	-		CH6.11
062-744	CIS Position Adjustment, CIS 5 Fast Scan Position Adjustment Value Judgment Error	As a result of judgment of the CIS 5 fast scan position adjustment value, it was detected that a difference between the current value and calculated value was more than the specified value.	CIS Position Adjustment Error	-	-	-		CH6.11
062-750	CIS Position Adjustment, CIS 2 to 5 Slow Scan Position Adjustment Value Judgment Error	An error was detected at judgment of the slow scan position adjustment value of one of the CIS 2 to 5. (Indicates that one of the 062-75x errors has occurred)	CIS Position Adjustment Error	O	-	-		CH6.11
062-751	CIS Position Adjustment, CIS 2 Slow Scan Position Adjustment Value Judgment Error	As a result of judgment of the CIS 2 slow scan position adjustment value, it was detected that a difference between the current value and calculated value was more than the specified value.	CIS Position Adjustment Error	-	-	-		CH6.11
062-752	CIS Position Adjustment, CIS 3 Slow Scan Position Adjustment Value Judgment Error	As a result of judgment of the CIS 3 slow scan position adjustment value, it was detected that a difference between the current value and calculated value was more than the specified value.	CIS Position Adjustment Error	-	-	-		CH6.11
062-753	CIS Position Adjustment, CIS 4 Slow Scan Position Adjustment Value Judgment Error	As a result of judgment of the CIS 4 slow scan position adjustment value, it was detected that a difference between the current value and calculated value was more than the specified value.	CIS Position Adjustment Error	-	-	-		CH6.11

Chain-Link	Error	Contents	Type	Error Log			Remarks	BSD
				DC120	DC122	DC123		
062-754	CIS Position Adjustment, CIS 5 Slow Scan Position Adjustment Value Judgment Error	As a result of judgment of the CIS 5 slow scan position adjustment value, it was detected that a difference between the current value and calculated value was more than the specified value.	CIS Position Adjustment Error	-	-	-		CH6.11
062-940	Self Diagnosis Sequence Error	Sequence error occurred while receiving Diag parameter	Self Diagnosis	-	-	-		CH3.7
062-941	Self Diagnosis Parameter Error	Parameter error occurred while receiving Diag parameter	Self Diagnosis	-	-	-		CH3.7
062-942	Self Diagnosis Aborted	The diagnosis was aborted by the abort diag request	Self Diagnosis	-	-	-		CH3.7
062-943	Self Diagnosis Execution Error (Document Jam)	Paper was jammed during the diagnosis that requires original feed	Self Diagnosis	-	-	-		CH3.7
062-944	Self Diagnosis Execution Error (Cover Open)	Cover was opened during the diagnosis that requires original feed	Self Diagnosis	-	-	-		CH3.7
062-945	Self Diagnosis Execution Error (Others)	An error occurred during diagnosis	Self Diagnosis	-	-	-		CH3.7
062-946	Self Diagnosis Execution Error (Not Installed)	Diagnosis is not available because the item targeted for diagnosis is missing.	Self Diagnosis	-	-	-		CH3.7
062-950	CP-Cont Communication Not Established	CP-Cont communication has not been established since power was turned ON.	Warning	-	-	-	Code used only in IIT This was not used for external notification purpose	CH3.7
062-951	CP-Cont Communication Error	Communication still failed after three retries when transferring data (Text, ACK, NAK) to the CP-Cont	Warning	-	-	-	Code used only in IIT This was not used for external notification purpose	CH3.7
062-952	CP-Cont Unavailable	Received notification on inoperability from CP-Cont (CP-Cont error)	Warning	-	-	-	Code used only in IIT This was not used for external notification purpose	CH3.7
062-961	USB Output Buffer Storage/Overflow Error	Overflow of final output buffer occurred during image transfer via the USB (Data read delay occurred at CONT or HOST)	Warning	O	-	-		CH3.7
062-962	IPS Reset Error	The IPS parameter reset process did not complete within a specified time.	Warning	O	-	-		CH3.8
062-963	CONT USB Image Transfer Timeout	No data output for image transfer using CONT USB after a period of time	Warning	O	-	-		CH3.8
063-240	FPGA AZUSA IOS Block DMAC2 Module Operation Error	Operation error caused by the FPGA AZUSA IOS block DMAC2 module was detected	Service Call	-	O	-		CH3.8
063-241	FPGA AZUSA IOS Block SDRAM Module Operation Error	Operation error caused by the FPGA AZUSA IOS block SDRAM module was detected	Service Call	-	O	-		CH3.8
063-242	FPGA AZUSA IOS Block OUT Module Operation Error	Operation error caused by the FPGA AZUSA IOS block OUT module was detected	Service Call	-	O	-		CH3.8
063-244	FPGA TAKASE IOS Block DMAC2 Module Operation Error	Operation error caused by the FPGA TAKASE IOS block DMAC2 module was detected	Service Call	-	O	-		CH3.8
063-245	FPGA TAKASE IOS Block SDRAM Module Operation Error	Operation error caused by the FPGA TAKASE IOS block SDRAM module was detected	Service Call	-	O	-		CH3.8

Chain-Link	Error	Contents	Type	Error Log			Remarks	BSD
				DC120	DC122	DC123		
063-246	FPGA TAKASE IOS Block OUT (HOST Output) Module Operation Error	Operation error caused by the FPGA TAKASE IOS block OUT (HOST Output) module was detected.	Service Call	-	0	-		CH3.8
063-247	Post-Codec Encoder (PM-36) Operation Error	Operation error caused by the Post-Codec Encoder (PM-36) was detected	Service Call	-	0	-		CH3.8
063-248	HOST-USB IC Operation Error	Operation error caused by the HOST-USB IC was detected.	Service Call	-	0	-		CH3.8
063-250	FPGA CHIKUMA PMC Encoder Module Operation Error	Operation error caused by the FPGA CHIKUMA PMC block Encoder module was detected	Service Call	-	0	-		CH3.8
063-251	FPGA CHIKUMA PMC Decoder Module Operation Error	Operation error caused by the FPGA CHIKUMA PMC block Decoder module was detected	Service Call	-	0	-		CH3.8
063-252	Pre-Codec Encoder (RB5C634 Encoding) Operation Error	Operation error caused by the Pre-Codec Encoder (RB5C634 encoding) was detected	Service Call	-	0	-		CH3.8
063-253	Pre-Codec Decoder (RB5C634 Decoding) Operation Error	Operation error caused by the Pre-Codec Decoder (RB5C634 decoding) was detected	Service Call	-	0	-		CH3.8
063-254	FPGA AZUSA ICS Block Operation Error	Operation error caused by the FPGA AZUSA ICS block was detected	Service Call	-	0	-		CH3.8
063-255	ASIC PRATO1 Operation Error	Operation error caused by the ASIC PRATO1 was detected	Service Call	-	0	-		CH3.8
063-256	ASIC PRATO1 Operation Error	Operation error caused by the ASIC PRATO1 was detected	Service Call	-	0	-		CH3.8
063-257	ASIC PRATO1 Operation Error	Operation error caused by the ASIC PRATO1 was detected	Service Call	-	0	-		CH3.8
063-258	Color Processing Board Not Installed Error	Color Processing Board (CIPS) is not installed	Service Call	-	0	-		CH3.8
063-280	DIMM Combination Error	The combination of DIMM installed in all DIMM slots is NG	Service Call	-	0	-		CH3.8
063-281	DIMM slot 1 R/W Error	Error was detected during R/W check for DIMM in slot 1	Service Call	-	0	-		CH3.8
063-282	DIMM slot 2 R/W Error	Error was detected during R/W check for DIMM in slot 2	Service Call	-	0	-		CH3.8
063-289	DIMM or PMEM Board Not Installed Error	Memory is not installed in all DIMM slots Or, the PMEM Board is not installed	Service Call	-	0	-		CH3.8
063-330	FPGA AZUSA IOS Block H/W Error	R/W check error for the FPGA AZUSA IOS block register/built-in memory	Service Call	-	0	-		CH3.8
063-331	FPGA AZUSA IOS Block SDRAM R/W Error	R/W check error for the SDRAM used by the FPGA AZUSA IOS block	Service Call	-	0	-		CH3.8
063-332	Post-Codec (Encode) H/W Error	R/W check error for the JPEG decoder register/built-in memory at final output	Service Call	-	0	-		CH3.8
063-334	FPGA TAKASE IOS Block H/W Error	R/W check error for the FPGA TAKASE IOS block register/built-in memory	Service Call	-	0	-		CH3.8
063-335	FPGA TAKASE IOS Block SDRAM R/W Error	R/W check error for the SDRAM used by the FPGA TAKASE IOS block	Service Call	-	0	-		CH3.8

### 2.2 2.3

Chain-Link	Error	Contents	Type	Error Log			Remarks	BSD
				DC120	DC122	DC123		
063-337	USB IC (for HOST I/F) H/W Error	R/W check error for HOST I/F USB IC register/built-in memory	Service Call	-	0	-		CH3.8
063-340	FPGA CHIKUMA PMC H/W Error	R/W check error for the FPGA CHIKUMA PMC block register/built-in memory	Service Call	-	0	-		CH3.8
063-341	FPGA CHIKUMA PMC SDRAM R/W Error	R/W check error for the SDRAM used by the FPGA CHIKUMA PMC block	Service Call	-	0	-		CH3.8
063-342	Pre-Codec (Encode) H/W Error	R/W check error for the register/built-in memory of JPEG encoder before page memory	Service Call	-	0	-		CH3.8
063-343	Pre-Codec (Decode) H/W Error	R/W check error for the register/built-in memory of JPEG encoder after page memory	Service Call	-	0	-		CH3.8
063-344	FPGA AZUSA ICS Block H/W Error	R/W check error for the FPGA AZUSA ICS block register/built-in memory	Service Call	-	0	-		CH3.8
063-345	ASIC PRATO1 H/W Error	R/W check error for the ASIC PRATO1 register/built-in memory	Service Call	-	0	-		CH3.8
063-346	ASIC PRATO2 H/W Error	R/W check error for the ASIC PRATO2 register/built-in memory	Service Call	-	0	-		CH3.8
063-347	ASIC PRATO3 H/W Error	R/W check error for the ASIC PRATO3 register/built-in memory	Service Call	-	0	-		CH3.8
063-350	Bus Error Between FPGA SHINANO IIS - FPGA CHIKUMA ENC	Bus check error between FPGA SHINANO IIS - FPGA CHIKUMA ENC	Service Call	-	0	-		CH3.8
063-351	Bus Error Between FPGA CHIKUMA ENC - JPEG 2000 IC (ENC)	Bus check error between FPGA CHIKUMA ENC - JPEG 2000 IC (ENC)	Service Call	-	0	-		CH3.8
063-352	Bus Error Between JPEG 2000 IC (ENC) - Page Memory	Bus check error between JPEG 2000 IC (ENC) - Page Memory	Service Call	-	0	-		CH3.8
063-353	Bus Error Between Page Memory - JPEG 2000 IC (DEC)	Bus check error between Page Memory - JPEG 2000 IC (DEC)	Service Call	-	0	-		CH3.8
063-354	Bus Error Between JPEG 2000 IC (DEC) - FPGA CHIKUMA DEC	Bus check error between JPEG 2000 IC (DEC) - FPGA CHIKUMA DEC	Service Call	-	0	-		CH3.8
063-355	Bus Error Between FPGA CHIKUMA ENC/DEC - FPGA SHINANO IPS	Bus check error between FPGA CHIKUMA ENC/DEC - FPGA SHINANO IPS	Service Call	-	0	-		CH3.8
063-356	Bus Error Between FPGA CHIKUMA ENC/DEC - FPGA AZUSA ICS	Bus check error between FPGA CHIKUMA ENC/DEC - FPGA AZUSA ICS	Service Call	-	0	-		CH3.8
063-357	Bus Error Between FPGA SHINANO IIS - FPGA AZUSA ICS	Bus check error between FPGA SHINANO IIS - FPGA AZUSA ICS	Service Call	-	0	-		CH3.8
063-360	Bus Error Between FPGA AZUSA ICS - ASIC PRATO1	Bus check error between FPGA AZUSA ICS - ASIC PRATO1	Service Call	-	0	-		CH3.8
063-361	Bus Error Between FPGA AZUSA ICS - ASIC PRATO2	Bus check error between FPGA AZUSA ICS - ASIC PRATO2	Service Call	-	0	-		CH3.8
063-362	Bus Error Between FPGA AZUSA ICS - ASIC PRATO3	Bus check error between FPGA AZUSA ICS - ASIC PRATO3	Service Call	-	0	-		CH3.8

Chain -Link	Error	Contents	Type	Error Log			Remarks	BSD
				DC120	DC122	DC123		
063-366	Bus Error Between ASIC PRATO1 - FPGA AZUSA ICS	Bus check error between ASIC PRATO1 - FPGA AZUSA ICS	Service Call	-	0	-		CH3.8
063-367	Bus Error Between ASIC PRATO2 - FPGA AZUSA ICS	Bus check error between ASIC PRATO2 - FPGA AZUSA ICS	Service Call	-	0	-		CH3.8
063-368	Bus Error Between ASIC PRATO3 - FPGA AZUSA ICS	Bus check error between ASIC PRATO3 - FPGA AZUSA ICS	Service Call	-	0	-		CH3.8
063-370	Bus Error Between FPGA SHINANO IPS2 - FPGA AZUSA IOS	Bus check error between FPGA SHINANO IPS2 - FPGA AZUSA IOS	Service Call	-	0	-		CH3.8
063-371	Bus Error Between FPGA AZUSA IOS - FPGA TAKASE IOS	Bus check error between FPGA AZUSA IOS - FPGA TAKASE IOS	Service Call	-	0	-		CH3.8
063-372	Bus Error Between FPGA TAKASE IOS - FPGA SHINANO IOS	Bus check error between FPGA TAKASE IOS - FPGA SHINANO IOS	Service Call	-	0	-		CH3.8
063-374	Bus Error Between FPGA AZUSA IOS - JPEG IC (OUT)	Bus check error between FPGA AZUSA IOS - JPEG IC (OUT)	Service Call	-	0	-		CH3.8
063-375	Bus Error Between JPEG IC (OUT) - FPGA AZUSA IOS	Bus check error between JPEG IC (OUT) - FPGA AZUSA IOS	Service Call	-	0	-		CH3.8
063-376	Bus Error Between FPGA TAKASE IOS - HOST-USB IC	Bus check error between FPGA TAKASE IOS - HOST-USB IC	Service Call	-	0	-		CH3.8
063-955	HOST Data Transfer Suspended Error	Data transfer during Scan Mode or Scan & Copy (alternating output) Mode was stopped due to Stop request from Host	Warning	-	-	-		CH3.8
063-956	Abnormal HOST Communication Error	Communication with Host is cut off after a period of time for Scan Mode and Scan & Copy Mode	Warning	-	-	-		CH3.8
063-957	HOST Communication Not Established/Cut Off	Communication with Host was not established. Communication line cutoff is detected	Warning	-	-	-		CH3.8
063-960	Page Memory Storage/Overflow Error	Page memory has failed to contain all scan data	Warning	0	-	-		CH3.8
063-964	HOST USB Image Transfer Timeout	No data output for image transfer using HOST USB after a period of time	Warning	0	-	-		CH3.8

<IOT>

Chain-Link	Error	Sub System	Contents	Type	Error Log			Action	BSD
					DC120	DC122	DC123		
010-310	Overheat/Control/Thermistor-1	Fusing	Overheat due to SW was detected.	System error	0	0	-	Refer to 010-310FIP	CH10.8
010-311	Overheat/Control/Thermistor-2	Fusing	Overheat due to SW was detected.	System error	0	0	-	Refer to 010-311FIP	CH10.8
010-312	Overheat/Control/Thermistor-3	Fusing	Overheat due to SW was detected.	System error	0	0	-	Refer to 010-312FIP	CH10.8
010-313	Overheat/HW/Thermostat	Fusing	Overheat due to HW was detected.	System error	0	0	-	Refer to 010-313FIP	CH10.8
010-314	Overheat/HW/Thermistor-2	Fusing	Overheat due to HW was detected.	System error	0	0	-	Refer to 010-314FIP	CH10.8
010-315	Overheat/HW/Thermistor-4	Fusing	Overheat due to HW was detected.	System error	0	0	-	Refer to 010-315FIP	CH10.8
010-316	Abnormally Low Temperature Error/Thermistor-1	Fusing	Temperature that is lower than the abnormal low temperature setting value was detected.	System error	0	0	-	Refer to 010-316FIP	CH10.8
010-317	Abnormally Low Temperature Error/Thermistor-3	Fusing	Temperature that is lower than the abnormal low temperature setting value was detected.	System error	0	0	-	Refer to 010-317FIP	CH10.8
010-318	Thermistor Open Error/Thermistor -1	Fusing	Open circuit in the Thermistor was detected.	System error	0	0	-	Refer to 010-318FIP	CH10.8
010-319	Thermistor Open Error/Thermistor -2	Fusing	Open circuit in the Thermistor was detected.	System error	0	0	-	Refer to 010-319FIP	CH10.8
010-320	Thermistor Open Error/Thermistor -3	Fusing	Open circuit in the Thermistor was detected.	System error	0	0	-	Refer to 010-320FIP	CH10.8
010-321	Thermistor Open Error/Thermistor -4	Fusing	Open circuit in the Thermistor was detected.	System error	0	0	-	Refer to 010-321FIP	CH10.8
010-322	Warm Up Time Out/Thermistor -1	Fusing	Warm up was not completed within the specified time.	System error	0	0	-	Refer to 010-322FIP	CH10.8
010-323	Warm Up Time Out/Thermistor -3	Fusing	Warm up was not completed within the specified time.	System error	0	0	-	Refer to 010-323FIP	CH10.8
010-324	Motor Error/Fusing	Fusing	It was detected that the Fusing Drive Motor was out of sync (Lock).	System error	0	0	-	Refer to 010-324FIP	CH10.8
010-325	Exhaust Fan Error/RH	Fusing	It was detected that the Exhaust Fan RH had stopped.	System error	0	0	-	Refer to 010-325FIP	CH10.8
010-326	Exhaust Fan Error/LH	Fusing	It was detected that the Exhaust Fan LH had stopped.	System error	0	0	-	Refer to 010-326FIP	CH10.8
010-327	Thermistor Error/Temperature Gradient/Thermistor-1	Fusing	Temperature did not rise regardless of whether the lamp is turned ON	System error	0	0	-		CH10.8
010-328	Thermistor Error/Temperature Gradient/Thermistor-3	Fusing	Temperature did not rise regardless of whether the lamp is turned ON	System error	0	0	-		CH10.8
010-329	Thermistor Error/Temperature Difference/Thermistor-1	Fusing	Temperature did not exceed 93 degrees celsius after Power ON	System error	0	0	-		CH10.8
010-330	Thermistor Error/Temperature Difference/Thermistor-2	Fusing	Temperature did not exceed 93 degrees celsius after Power ON	System error	0	0	-		CH10.8
010-331	Thermistor Error/Temperature Not Reached/Thermistor-1	Fusing	Temperature did not exceed 93 degrees celsius after Power ON	System error	0	0	-		CH10.8
010-332	Thermistor Error/Temperature Not Reached/Thermistor-3	Fusing	Temperature did not exceed 93 degrees celsius after Power ON	System error	0	0	-		CH10.8
010-970	Re-Warm Up Error	Fusing	The control temperature went below the Warm Up transition temperature.	Load error	-	-	-	Refer to 010-970FIP	CH10.8

Chain-Link	Error	Sub System	Contents	Type	Error Log			Action	BSD
					DC120	DC122	DC123		
041-312	Communication Command Length Error	System	Error was detected in the command length (Fail Safe)	System error	0	0	-	Replace the IOT PWB. (PL8.1)	CH3.9
041-313	Cut Length Notification Delay Error	System	Cut length notification error was detected (during synchronized cut)	System error	0	0	-	Reinstall the CP-Cont firmware.	CH3.9
041-314	Image Length Not Notified Error	System	Image length was not notified during stop process or when UNDERRUN interruption occurred (during synchronized cut)	System error (log record only)	0	0	-	Replace the IOT PWB. (PL8.1)	CH3.9
042-310	Watch Dog Timer Error	Driver	Watch Dog Timer time out was detected. (Software (CPU) out of control)	System error	0	0	-	Reinstall the IOT firmware.	CH3.9
042-311	Flash ROM Error	Driver	Flash ROM write or erase failure was detected	System error	0	0	-	Replace the IOT PWB. (PL8.1)	CH3.9
042-312	USB Disconnected Detection Error	Driver	It was detected that the USB communication line was cut (USB control line) due to disconnected USB connector or powered-off CP-Cont	System error	0	0	-	Refer to 042-312FIP	CH3.9
042-313	USB Video Control Interruption Status UNDERRUN Error	Driver	Image data from the CP-Cont for video transmission to the LPHC was delayed.	System error	0	0	-	Replace the IOT PWB and CP Control PWB in sequence. (PL8.1/PL 8.6)	CH3.9
042-314	EEPROM Error/Startup	Driver	Startup via an uninitialized EEPROM	System error	0	0	-	The EEPROM is not used (blank). When the IOT PWB has been replaced, always reinstall the used EEPROM on the new IOT PWB.	CH3.9
042-315	NVM Error/Both Abnormal	Driver	SUM error of both Flash ROM and EEPROM occurred immediately after startup	System error	0	0	-	Replace the IOT PWB. (PL8.1) At this time, also replace the EEPROM with a new one.	CH3.9
042-601	EEPROM Error/Read/ACK No Response	Driver	There were no ACK response when address/data was sent to the EEPROM device	System error	0	-	-	1. Replace the IOT PWB. (PL8.1) 2. Enter Self Diagnosis mode and check the Error History. If the error is resolved, it ends here. 3. If the error cannot be resolved, reuse the old IOT PWB and replace the EEPROM with a new one.	CH3.9
042-602	EEPROM Error/Read/Time Out	Driver	A time out occurred after address/data was sent to the EEPROM device	System error	0	-	-	1. Replace the IOT PWB. (PL8.1) 2. Enter Self Diagnosis mode and check the Error History. If the error is resolved, it ends here. 3. If the error cannot be resolved, reuse the old IOT PWB and replace the EEPROM with a new one.	CH3.9

Chain-Link	Error	Sub System	Contents	Type	Error Log			Action	BSD
					DC120	DC122	DC123		
042-603	EEPROM Error/Write/ACK No Response	Driver	There were no ACK response when address/data was sent to the EEPROM device	System error	0	-	-	1. Replace the IOT PWB. (PL8.1) 2. Enter Self Diagnosis mode and check the Error History. If the error is resolved, it ends here. 3. If the error cannot be resolved, reuse the old IOT PWB and replace the EEPROM with a new one.	CH3.9
042-604	EEPROM Error/Write/Time Out	Driver	A time out occurred after address/data was sent to the EEPROM device	System error	0	-	-	1. Replace the IOT PWB. (PL8.1) 2. Enter Self Diagnosis mode and check the Error History. If the error is resolved, it ends here. 3. If the error cannot be resolved, reuse the old IOT PWB and replace the EEPROM with a new one.	CH3.9
042-605	NVM Error/SUM Mismatch	Driver	The respective SUM in the Flash ROM and EEPROM were correct directly after startup but their SUM mismatched (The NVM data is read from the EEPROM)	System error (log record only)	0	0	-	Unless there is abnormal machine operation, no action is required as it is log record only. Normally, the error can be resolved by saving NVM using DC131. If the error cannot be resolved or there is abnormal machine operation, replace the IOT PWB or the EEPROM. (PL8.1)	CH3.9
042-606	NVM Error/Flash ROM Error	Driver	Flash ROM SUM error occurred immediately after startup (The NVM data is read from the EEPROM)	System error (log record only)	0	0	-	Unless there is abnormal machine operation, no action is required as it is log record only. Normally, the error can be resolved by saving NVM using DC131. If the error cannot be resolved or there is abnormal machine operation, replace the IOT PWB. (PL8.1)	CH3.9
042-607	NVM Error/EEPROM Error	Driver	EEPROM SUM error occurred immediately after startup (The NVM data is read from the Flash ROM)	System error (log record only)	0	0	-	Unless there is abnormal machine operation, no action is required as it is log record only. Normally, the error can be resolved by saving NVM using DC131. If the error cannot be resolved or there is abnormal machine operation, replace the EEPROM.	CH3.9



Chain-Link	Error	Sub System	Contents	Type	Error Log			Action	BSD
					DC120	DC122	DC123		
042-608	EEPROM Verify Error/Recycle Identification Information	Driver	Verify error occurred while writing data into the EEPROM	System error (log record only)	0	-	-	Unless there is abnormal machine operation, no action is required as it is log record only. If there is abnormal machine operation or 042-608 occurs frequently, replace the EEPROM.	CH3.9
042-609	EEPROM Verify Error/Recycle Data	Driver	Verify error occurred while writing data into the EEPROM	System error (log record only)	0	-	-	Unless there is abnormal machine operation, no action is required as it is log record only. If there is abnormal machine operation or 042-609 occurs frequently, replace the EEPROM.	CH3.9
042-610	EEPROM Verify Error/NVM	Driver	Verify error occurred while writing data into the EEPROM	System error (log record only)	0	-	-	Unless there is abnormal machine operation, no action is required as it is log record only. If there is abnormal machine operation or 042-610 occurs frequently, replace the EEPROM.	CH3.9
046-310	LVPS Error/24B Monitor	PSLV	The LVPS 24B monitor signal was OFF	System error	0	0	-	Refer to 046-310FIP	CH1.14
046-311	LVPS Error/24C Monitor	PSLV	The LVPS 24C monitor signal was OFF	System error	0	0	-	Refer to 046-311FIP	CH1.14
046-312	LVPS Error/5B Monitor	PSLV	The LVPS 5B monitor signal was OFF	System error	0	0	-	Refer to 046-312FIP	CH1.14
061-310	LVPS Error/5C Monitor	ROS	The LVPS 5C monitor signal was OFF	System error	0	0	-	Refer to 061-310FIP	CH1.14
061-311	ROS On Timing Error/Roll 1	ROS	ROS ON interruption occurred during exposure preparation operation. (Normally, this seldom occurs)	System error	0	-	-	Reinstall the IOT firmware.	CH6.10
061-312	ROS On Timing Error/Roll 2	ROS	ROS ON interruption occurred during exposure preparation operation. (Normally, this seldom occurs)	System error	0	-	-	Reinstall the IOT firmware.	CH6.10
061-314	ROS On Timing Error/Manual	ROS	ROS ON interruption occurred during exposure preparation operation. (Normally, this seldom occurs)	System error	0	-	-	Reinstall the IOT firmware.	CH6.10
061-315	Clear Feature Delay Error	ROS	ROS ON interruption occurred before receiving Clear Feature (Normally, this seldom occurs)	System error	0	0	-	Reinstall the CP-Cont firmware.	CH6.10
061-316	LPHC Error/FPGA Initialization	ROS	An error in the LPHC of the IOT PWB was detected	System error	0	0	-	Refer to 061-316FIP	CH6.10
061-317	LPHC Error/Data Acquisition Operation	ROS	An error in the LPHC of the IOT PWB was detected	System error	0	0	-	Replace the IOT PWB. (PL8.1)	CH6.10
061-318	LPHC Error/Data Transfer Operation	ROS	An error in the LPHC of the IOT PWB was detected	System error	0	0	-	Replace the IOT PWB. (PL8.1)	CH6.10

Chain-Link	Error	Sub System	Contents	Type	Error Log			Action	BSD
					DC120	DC122	DC123		
061-319	LPHC Error/Data Read	ROS	An error in the LPHC of the IOT PWB was detected	System error	O	O	-	Refer to 061-319FIP	CH6.10
061-320	LPHC Error/Data Comparison	ROS	An error in the LPHC of the IOT PWB was detected	System error	O	O	-	Refer to 061-320FIP	CH6.10
061-321	LPH Temperature Sensor Error/Overheat Detected	ROS	An earth fault of the LPH temperature sensor was detected (Step 150 or lower).	System error	O	O	-	Refer to 061-321FIP	CH6.10
061-322	LPH Temperature Sensor Error/Open Circuit	ROS	An open circuit of the LPH temperature sensor was detected (Step 1000 or higher).	System error	O	O	-	Refer to 061-322FIP	CH6.10
071-100	Feed Jam/Auto Load/Roll 1 A3	RFC	The Roll 1 A3 Sensor was not turned ON within a specified time during Roll 1 auto loading (forward rotation after backward rotation)	Door jam error	O	-	O	Refer to 071-100FIP	CH7.5
071-101	Feed Jam/Rewind/Roll 1 A3	RFC	The Roll 1 A3 Sensor was not turned OFF within a specified time during Roll 1 auto loading (When auto loading/No Paper occurred)	Door jam error	O	-	O	Refer to 071-101FIP	CH7.5
071-102	Feed Jam/Core Peeled Off/Roll 1	RFC	Peeled-off core was detected during Roll 1 feed (Roll 1 A3 Sensor is turned OFF)	Door jam error	O	-	O	Refer to 071-102FIP	CH7.5
071-103	Lead Edge Jam/Roll 1 Cut Trigger	RFC	The Roll 1 Cut Trigger Sensor was not turned ON within a specified time.	Door jam error	O	-	O	Refer to 071-103FIP	CH8.8
071-104	Tail Edge Jam/Roll 1 Cut Trigger	RFC	The Roll 1 Cut Trigger Sensor was not turned OFF within a specified time.	Door jam error	O	-	O	Refer to 071-104FIP	CH8.8
071-105	Jam/Cut Error/Roll 1	RFC	Cutter error was detected during printing (Jam when 071-311 occurred)	Door jam error	-	-	-	Refer to 071-105FIP	CH8.8
071-300	Door Open/Roll 1 Cutter/During Printing	RFC	Roll 1 Cutter Cover was detected to be open during printing (Normally, this seldom occurs)	Door jam error	O	-	O	Refer to 071-300FIP	CH1.14
071-301	Drawer Open/RFC 1/During Printing	RFC	RFC 1 Drawer was detected to be open during printing (This seldom occurs normally)	Door jam error	O	-	O	Refer to 071-301FIP	CH1.14
071-310	Motor Pulse Error/Roll 1	RFC	Motor pulses from the Roll 1 Feeder Motor cannot be detected.	System error	O	O	-	Refer to 071-310FIP	CH8.8
071-311	Cutter Error/Roll 1/Move Complete Not Detected	RFC	Cutter was moved but its completion was not detected. (The Roll 1 Cutter Switch RH or Roll 1 Cutter Switch LH was not ON)	System error	O	O	-	Refer to 071-311FIP	CH8.8

Chain-Link	Error	Sub System	Contents	Type	Error Log			Action	BSD
					DC120	DC122	DC123		
071-312	Cutter Error/Roll 1/Bounce Detected	RFC	Bounce was detected after the cutter motion had completed. (The Roll 1 Cutter Switch RH or Roll 1 Cutter Switch LH was detected to be turned ON then OFF)	System error	O	O	-	Refer to 071-312FIP	CH8.8
071-313	Cutter Error/Roll 1/Error	RFC	The cutter is at an abnormal position. (Both the Roll 1 Cutter Switch RH and Roll 1 Cutter Switch LH were either ON or OFF)	System error	O	O	-	Refer to 071-313FIP	CH8.8
071-900	Remaining Jam/RFC 1	RFC	The Roll 1 Cut Trigger Sensor or RFC Page Sync Sensor was detected to be ON when the Front Door was closed	Door jam error	-	-	-	Refer to 071-900FIP	CH8.8
071-940	Out of Paper/Roll 1	RFC	Out of Paper was detected during feed (during printing)	Load error	-	O	-	Refer to 071-940FIP	CH7.5
071-941	Cutter Cover Error/Roll 1	RFC	The Roll 1 Cutter Cover was detected to be open when the lead edge was cut as the Roll was removed or when paper was loaded	Load error	-	-	-	Refer to 071-941FIP	CH1.14
072-100	Feed Jam/Auto Load/Roll 2 A3	RFC	The Roll 2 A3 Sensor was not turned ON within a specified time during Roll 2 auto loading (forward rotation after backward rotation)	Door jam error	O	-	O	Refer to 072-100FIP	CH7.5
072-101	Feed Jam/Rewind/Roll 2 A3	RFC	The Roll 2 A3 Sensor was not turned OFF within a specified time during Roll 2 auto loading (When auto loading/No Paper occurred)	Door jam error	O	-	O	Refer to 072-101FIP	CH7.5
072-102	Feed Jam/Core Peeled Off/Roll 2	RFC	Peeled-off core was detected during Roll 2 feed (Roll 2 A3 Sensor is turned OFF)	Door jam error	O	-	O	Refer to 072-102FIP	CH7.5
072-103	Lead Edge Jam/Roll 2 Cut Trigger	RFC	The Roll 2 Cut Trigger Sensor was not turned ON within a specified time.	Door jam error	O	-	O	Refer to 072-103FIP	CH8.8
072-104	Tail Edge Jam/Roll 2 Cut Trigger	RFC	The Roll 2 Cut Trigger Sensor was not turned OFF within a specified time.	Door jam error	O	-	O	Refer to 072-104FIP	CH8.8
072-105	Jam/Cut Error/Roll 2	RFC	Cutter error was detected during printing (Jam when 072-311 occurred)	Door jam error	-	-	-	Refer to 072-105FIP	CH8.8
072-300	Door Open/Roll 2 Cutter/During Printing	RFC	Roll 2 Cutter Cover was detected to be open during printing (Normally, this seldom occurs)	Door jam error	O	-	O	Refer to 072-300FIP	CH1.14
072-301	Drawer Open/RFC 2/During Printing	RFC	RFC 2 Drawer was detected to be open during printing (This seldom occurs normally)	Door jam error	O	-	O	Refer to 072-301FIP	CH1.14
072-310	Motor Pulse Error/Roll 2	RFC	Motor pulses from the Roll 2 Feeder Motor cannot be detected.	System error	O	O	-	Refer to 072-310FIP	CH8.8

Chain-Link	Error	Sub System	Contents	Type	Error Log			Action	BSD
					DC120	DC122	DC123		
072-311	Cutter Error/Roll 2/Move Complete Not Detected	RFC	Cutter was moved but its completion was not detected. (The Roll 2 Cutter Switch RH or Roll 2 Cutter Switch LH was not ON)	System error	O	O	-	Refer to 072-311FIP	CH8.8
072-312	Cutter Error/Roll 2/Bounce Detected	RFC	Bounce was detected after the cutter motion had completed. (The Roll 2 Cutter Switch RH or Roll 2 Cutter Switch LH was detected to be turned ON then OFF)	System error	O	O	-	Refer to 072-312FIP	CH8.8
072-313	Cutter Error/Roll 2/Error	RFC	The cutter is at an abnormal position. (Both the Roll 2 Cutter Switch RH and Roll 2 Cutter Switch LH were either ON or OFF)	System error	O	O	-	Refer to 072-313FIP	CH8.8
072-900	Remaining Jam/RFC 2	RFC	The Roll 2 Cut Trigger Sensor or RFC Vertical Jam Sensor was detected to be ON when the Front Door was closed	Door jam error	-	-	-	Refer to 072-900FIP	CH8.8
072-940	Out of Paper/Roll 2	RFC	Out of Paper was detected during feed (during printing)	Load error	-	O	-	Refer to 072-940FIP	CH7.5
072-941	Cutter Cover Error/Roll 2	RFC	The Roll 2 Cutter Cover was detected to be open when the lead edge was cut as the Roll was removed or when paper was loaded	Load error	-	-	-	Refer to 072-941FIP	CH1.14
075-100	Feed Jam/Pre-feed/Bypass/Feed Stop	Bypass	The Manual Feed Stop Sensor did not turn ON within a specified time after Pre-Feed had started.	Door jam error	O	-	O	Refer to 075-100FIP	CH8.8
075-101	Lead Edge Jam/Manual Page Sync	Bypass	The Manual Page Sync Sensor did not turn ON within a specified time.	Door jam error	O	-	O	Refer to 075-101FIP	CH8.8
075-102	Tail Edge Jam/Manual Page Sync	Bypass	The Manual Page Sync Sensor did not turn OFF within a specified time.	Door jam error	O	-	O	Refer to 075-102FIP	CH8.8
075-900	Remaining Jam/Bypass	Bypass	The Manual Feed Stop Sensor or Manual Page Sync Sensor was detected to be ON when paper was loaded	Door jam error	-	-	-	Refer to 075-900FIP	CH8.8
075-940	Out of Paper/Bypass	Bypass	Paper was not loaded within a specified time after Out of Paper had been detected (during printing)	Load error	-	O	-	Refer to 075-940FIP	CH7.5
075-941	Manual Size Mismatch	Bypass	Paper of a different width to the first piece was loaded for the same job during bypass printing	Load error	-	O	-	Refer to 075-941FIP	CH7.5
077-100	Lead Edge Jam/RFC Vertical Jam	PH	The RFC Vertical Jam Sensor did not turn ON within a specified time.	Door jam error	O	-	O	Refer to 077-100FIP	CH8.8
077-101	Lead Edge Jam/RFC Page Sync	PH	The RFC Page Sync Sensor did not turn ON within a specified time.	Door jam error	O	-	O	Refer to 077-101FIP	CH8.8

Chain-Link	Error	Sub System	Contents	Type	Error Log			Action	BSD
					DC120	DC122	DC123		
077-103	Lead Edge Jam/Exit Jam	PH	The Exit Jam Sensor did not turn ON within a specified time.	Door jam error	O	-	O	Refer to 077-103FIP	CH10.8
077-104	Tail Edge Jam/RFC Vertical Jam	PH	The RFC Vertical Jam Sensor did not turn OFF within a specified time.	Door jam error	O	-	O	Refer to 077-104FIP	CH8.8
077-105	Tail Edge Jam/RFC Page Sync	PH	The RFC Page Sync Sensor did not turn OFF within a specified time.	Door jam error	O	-	O	Refer to 077-105FIP	CH8.8
077-106	Tail Edge Jam/Exit Jam	PH	The Exit Jam Sensor did not turn OFF within a specified time.	Door jam error	O	-	O	Refer to 077-106FIP	CH10.8
077-107	Motion Jam	PH	The pulse detection time in the Exit Motion Sensor was below the specified time range.	Door jam error	O	-	O	Refer to 077-107FIP	CH10.8
077-300	Door Open/Swing Frame	PH	Swing Frame was detected to be open.	Door jam error	-	-	-	Refer to 077-300FIP	CH1.14
077-301	Door Open/Fusing Cover	PH	Fusing Cover was detected to be open.	Door jam error	-	-	-	Refer to 077-301FIP	CH1.14
077-302	Door Open/Front Door	PH	Front Door was detected to be open.	Door jam error	-	-	-	Refer to 077-302FIP	CH1.14
077-303	Door Open/H-Tra	PH	H-Tra was detected to be open.	Door jam error	-	-	-	Refer to 077-303FIP	CH10.8
077-304	Door Open/Swing Frame/During Printing	PH	Swing Frame was detected to be open during printing	Door jam error	O	-	O	Refer to 077-304FIP	CH1.14
077-305	Door Open/Fusing Cover/During Printing	PH	Fusing Cover was detected to be open during printing	Door jam error	O	-	O	Refer to 077-305FIP	CH1.14
077-306	Door Open/Front Door/During Printing	PH	Front Door was detected to be open during printing	Door jam error	O	-	O	Refer to 077-306FIP	CH1.14
077-307	Door Open/H-Tra/During Printing	PH	H-Tra was detected to be open during printing (Normally, this seldom occurs)	Door jam error	O	-	O	Refer to 077-307FIP	CH10.8
077-310	Motor Error/Main	PH	It was detected that the Main Drive Motor was out of sync (Lock).	System error	O	O	-	Refer to 077-310FIP	CH4.2
077-900	Remaining Jam	PH	Paper was detected when the machine is stopped.	Door jam error	-	-	-	Refer to 077-900FIP	CH7.5
077-901	Remaining Jam/In Low Power Mode	PH	Remaining Jam was detected in low power mode.	Door jam error	-	-	-	Refer to 077-901FIP	CH7.5
077-902	Remaining Jam/After Paper Output	PH	Remaining paper was detected after paper was output.	Door jam error	-	-	-	Refer to 077-902FIP	CH7.5
091-300	Door Open/Rear Top Cover	XERO	Rear Top Cover was detected to be open.	Door jam error	-	-	-	Refer to 091-300FIP	CH1.14
091-301	Door Open/Rear Top Cover/During Printing	XERO	Rear Top Cover was detected to be open during printing	Door jam error	O	-	O	Refer to 091-301FIP	CH1.14
091-310	Environment Humidity Sensor Malfunction 1	XERO	Open Air Sensor (Hum) error was detected (Step 700 or higher).	System error	O	O	-	Refer to 091-310FIP	CH9.5
091-311	Environment Humidity Sensor Malfunction 2	XERO	Open Air Sensor (Hum) error was detected (Step 10 or lower)	System error	O	O	-	Refer to 091-311FIP	CH9.5
091-312	Environment Temperature Sensor Error/Open Circuit	XERO	Open Air Sensor (Air) error was detected (Step 1000 or higher).	System error	O	O	-	Refer to 091-312FIP	CH9.5

Chain-Link	Error	Sub System	Contents	Type	Error Log			Action	BSD
					DC120	DC122	DC123		
091-313	Environment Temperature Sensor Error/Earth Fault	XERO	Open Air Sensor (Air) error was detected (Step 100 or lower).	System error	O	O	-	Refer to 091-313FIP	CH9.5
091-910	Toner Empty Error	XERO	Printed paper longer than the specified length (*) was output after Toner Low had been detected * Setting value in IOT DC131 910-429	Load error	O	O	-	Refer to 091-910FIP	CH9.5
091-911	Toner Pot Full	XERO	Printed paper longer than the specified length (*) was output after Toner Pot Full had been detected * Setting value in IOT DC131 910-430	Load error	O	O	-	Refer to 091-911FIP	CH9.5

<CP-Cont>

Chain -Link	Error	Module	Type	Error Log			Remarks	BSD
				DC120	DC122	DC123		
016-320	NVM Initialization Error	HWInit	System Fail	0	0	-		-
016-321	NVM Connection Error	HWInit	System Fail	0	0	-		-
016-350	SW Process Conflict	StampCps	System Fail	0	0	-		-
016-351	SW Process Conflict	StampCps	System Fail	0	0	-		-
016-360	SW Process Conflict	WaterMarkFix	System Fail	0	0	-		-
016-361	SW Process Conflict	WaterMarkNum	System Fail	0	0	-		-
016-362	SW Process Conflict	WaterMark	System Fail	0	0	-		-
016-370	Job Log Full	LogService	System Fail	0	0	-		-
016-375	Login Data Damaged	AuthLib	System Fail	0	0	-		-
016-380	Delete All Data Failed	COMMON/common_lib	System Fail	0	0	-	(The system received a PIN signal from the remote machine.)	-
016-385	Error Occurred at Controller Fan (Stops)	FAN Task	System Fail	0	0	-		-
016-750	SW Process Conflict	StampCpd	Warning	0	0	-		-
016-751	SW Process Conflict	WaterMark	Warning	0	0	-		-
102-311	SW Process Conflict	UI Lib	System Fail	0	0	-		-
102-320	SW Process Conflict	Dsp Mgr	System Fail	0	0	-		-
102-610	UI Parameter Corrected	UI Mgr	Record	0	0	-		-
103-310	SW Process Conflict	IIT IF	System Fail	0	0	-		-
103-311	IIT Communication Error	IIT IF	System Fail	0	0	-	HW may be malfunctioning.	CH3.9
103-390	IIT FW Download Failed (Boot Type Unknown)	Fwdl Mgr	System Fail	-	-	-	Only Display System Error	-
103-391	IIT FW Download Failed (DL Mode Reset NG)	Fwdl Mgr	System Fail	-	-	-	Only Display System Error	-
103-392	IIT FW Download Failed (DL Ready NG)	Fwdl Mgr	System Fail	-	-	-	Only Display System Error	-
103-393	IIT FW Download Failed (DL Proc NG)	Fwdl Mgr	System Fail	-	-	-	Only Display System Error	-
103-394	IIT FW Download Failed (Normal Mode Reset NG)	Fwdl Mgr	System Fail	-	-	-	Only Display System Error	-
103-395	IIT FW Download Failed (DL Proc Time Out)	Fwdl Mgr	System Fail	-	-	-	Only Display System Error	-
103-710	SW Process Conflict	IIT IF	Warning	0	0	-		-
116-330	SW Process Conflict	Copy Mgr	System Fail	0	0	-		-
116-335	SW Process Conflict	HD Long RW	System Fail	0	0	-		-
116-340	SW Process Conflict	Image Lib	System Fail	0	0	-		-
116-350	SW Process Conflict	Job Mgr	System Fail	0	0	-		-
116-351	SW Process Conflict	Job Mgr	System Fail	0	0	-		-
116-352	SW Process Conflict	Job Mgr	System Fail	0	0	-		-
116-353	SW Process Conflict	Job Mgr	System Fail	0	0	-		-
116-354	SW Process Conflict	Job Mgr	System Fail	0	0	-		-
116-355	SW Process Conflict	Job Mgr	System Fail	0	0	-		-
116-360	SW Process Conflict	Net Scan Mgr	System Fail	0	0	-		-

Chain-Link	Error	Module	Type	Error Log			Remarks	BSD
				DC120	DC122	DC123		
116-365	SW Process Conflict	Print Ctrl	System Fail	0	0	-		-
116-370	SW Process Conflict	Scan Ctrl	System Fail	0	0	-		-
116-375	SW Process Conflict	Sys Mgr	System Fail	0	0	-		-
116-380	SW Process Conflict	Util Lib	System Fail	0	0	-		-
116-383	SW Process Conflict	NetworkEP Mgr	System Fail	0	0	-		-
116-390	FW Update Failed (Error Detected in Update Setting File)	Fwdl Mgr	System Fail	-	-	-	Only Display System Error	-
116-391	FW Update Failed (One Generation Backup Failed)	Fwdl Mgr	System Fail	-	-	-	Only Display System Error	-
116-392	FW Update Failed (Cont SW Update Failed, Recovery to Original Ver. Successful)	Fwdl Mgr	System Fail	-	-	-	Only Display System Error	-
116-393	FW Update Failed (IIT SW Update Failed, Recovery to Original Ver. Successful)	Fwdl Mgr	System Fail	-	-	-	Only Display System Error	-
116-396	FW Update Failed (Cont SW Update Failed, Recovery to Original Ver. Failed)	Fwdl Mgr	System Fail	-	-	-	Only Display System Error	-
116-397	FW Update Failed (IIT SW Update Failed, Recovery to Original Ver. Failed)	Fwdl Mgr	System Fail	-	-	-	Only Display System Error	-
116-740	SW Process Conflict	Image Lib	Warning	0	0	-		-
116-741	SW Process Conflict	Image Lib	Warning	0	0	-		-
116-750	SW Process Conflict	Job Mgr	Warning	0	0	-		-
116-751	SW Process Conflict	Job Mgr	Warning	0	0	-		-
116-752	SW Process Conflict	Job Mgr	Warning	0	0	-		-
116-765	SW Process Conflict	Print Ctrl	Warning	0	0	-		-
116-770	SW Process Conflict	Scan Ctrl	Warning	0	0	-		-
116-780	SW Process Conflict	Util Lib	Warning	0	0	-		-
121-311	EPSV Communication Error	EPSV	System Fail	0	0	-	HW may be malfunctioning.	CH3.9
124-310	SW Process Conflict	IOT IF	System Fail	0	0	-		-
124-311	IOT Communication Error	IOT IF	System Fail	0	0	-	HW may be malfunctioning.	CH3.9
124-312	IOT Communication Error (Recycle Data Overflow)	IOT IF	System Fail	0	0	-	HW may be malfunctioning.	CH3.9
124-320	All Billing Mismatch	IOT IF	System Fail	0	0	-	HW may be malfunctioning.	CH3.9
124-321	NVM Billing Value Repair Failed	IOT IF	System Fail	0	0	-	HW may be malfunctioning.	CH3.9
124-322	HDD Billing Value Repair Failed	IOT IF	System Fail	0	0	-	HW may be malfunctioning.	CH3.9
124-323	IOT Billing Value Repair Failed	IOT IF	System Fail	0	0	-	HW may be malfunctioning.	CH3.9
124-324	Billing Value Overflow	IOT IF	System Fail	0	0	-	HW may be malfunctioning.	CH3.9
124-325	Serial Number Mismatch	IOT IF	System Fail	0	0	-	HW may be malfunctioning.	CH3.9
124-326	Product Number Mismatch	IOT IF	System Fail	0	0	-	HW may be malfunctioning.	CH3.9
124-610	NVM Billing Value Corrected	IOT IF	Record	0	0	-		CH3.9
124-611	HDD Billing Value Corrected	IOT IF	Record	0	0	-		CH3.9
124-612	IOT Billing Value Corrected	IOT IF	Record	0	0	-		CH3.9
124-710	SW Process Conflict	IOT IF	Warning	0	0	-		-



## 2.3.2 Error Code FIP

<IIT>

### 005-102 IIT Sensor Static Jam 2A

Reference BSD: CH6.1, CH6.2, CH6.10

#### Check Items

- Check the 34 INCH SIZE SENSOR (PL3.5), A0 SIZE SENSOR (PL3.5), A1 SIZE SENSOR (PL3.5), 17 INCH SIZE SENSOR (PL3.5), A2 SIZE SENSOR (PL3.5), A3 SIZE SENSOR (PL3.5), and A4 SIZE SENSOR (PL3.5) for improper installation, contamination, and foreign substances.
- Check to see whether there is any remaining document, paper dust, or foreign substances on the document transport path.
- Check whether the voltage of the customer's power supply and the +5V LVPS (5B) has fallen

#### Procedure

Enter IIT DC330 [005-107].

Block the 34 INCH SIZE SENSOR by using a sheet of blank paper. **Does the display of IIT DC330 [005-107] change from "H" to "L"?**

Y N

Go to the Reflective Sensor Failure FIP and check the 34 INCH SIZE SENSOR (PL3.5).

Enter IIT DC330 [005-106].

Block the A0 SIZE SENSOR by using a sheet of blank paper. **Does the display of IIT DC330 [005-106] change from "H" to "L"?**

Y N

Go to the Reflective Sensor Failure FIP and check the A0 SIZE SENSOR (PL3.5).

Enter IIT DC330 [005-105].

Block the A1 SIZE SENSOR by using a sheet of blank paper. **Does the display of IIT DC330 [005-105] change from "H" to "L"?**

Y N

Go to the Reflective Sensor Failure FIP and check the A1 SIZE SENSOR (PL3.5).

A

A

Enter IIT DC330 [005-104].

Block the 17 INCH SIZE SENSOR by using a sheet of blank paper. **Does the display of IIT DC330 [005-104] change from "H" to "L"?**

Y N

Go to the Reflective Sensor Failure FIP and check the 17 INCH SIZE SENSOR (PL3.5).

Enter IIT DC330 [005-103].

Block the A2 SIZE SENSOR by using a sheet of blank paper. **Does the display of IIT DC330 [005-103] change from "H" to "L"?**

Y N

Go to the Reflective Sensor Failure FIP and check the A2 SIZE SENSOR (PL3.5).

Enter IIT DC330 [005-102].

Block the A3 SIZE SENSOR by using a sheet of blank paper. **Does the display of IIT DC330 [005-102] change from "H" to "L"?**

Y N

Go to the Reflective Sensor Failure FIP and check the A3 SIZE SENSOR (PL3.5).

Enter IIT DC330 [005-101].

Block the A4 SIZE SENSOR by using a sheet of blank paper. **Does the display of IIT DC330 [005-101] change from "H" to "L"?**

Y N

Go to the Reflective Sensor Failure FIP and check the A4 SIZE SENSOR (PL3.5).

Replace the IIT PWB (PL3.1).

### 005-103 IIT Sensor Static Jam 2B

Reference BSD: CH6.1, CH6.2, CH6.3, CH6.10

#### Check Items

- Check the 34 INCH SIZE SENSOR (PL3.5), A0 SIZE SENSOR (PL3.5), A1 SIZE SENSOR (PL3.5), 17 INCH SIZE SENSOR (PL3.5), A2 SIZE SENSOR (PL3.5), A3 SIZE SENSOR (PL3.5), A4 SIZE SENSOR (PL3.5), IIT RIGHT SKEW SENSOR (PL3.5), and IIT REGI SENSOR (PL3.5) for improper installation, contamination, and foreign substances.
- Check to see whether there is any remaining document, paper dust, or foreign substances on the document transport path.
- Check whether the voltage of the customer's power supply and the +5V LVPS (5B) has fallen

#### Procedure

Enter IIT DC330 [005-107].

Block the 34 INCH SIZE SENSOR by using a sheet of blank paper. **Does the display of IIT DC330 [005-107] change from "H" to "L"?**

Y N

Go to the Reflective Sensor Failure FIP and check the 34 INCH SIZE SENSOR (PL3.5).

Enter IIT DC330 [005-106].

Block the A0 SIZE SENSOR by using a sheet of blank paper. **Does the display of IIT DC330 [005-106] change from "H" to "L"?**

Y N

Go to the Reflective Sensor Failure FIP and check the A0 SIZE SENSOR (PL3.5).

Enter IIT DC330 [005-105].

Block the A1 SIZE SENSOR by using a sheet of blank paper. **Does the display of IIT DC330 [005-105] change from "H" to "L"?**

Y N

Go to the Reflective Sensor Failure FIP and check the A1 SIZE SENSOR (PL3.5).

A

## 2.3 2.3

### Level 2 Troubleshooting Chapter 2 Troubleshooting

A

Enter IIT DC330 [005-104].

Block the 17 INCH SIZE SENSOR by using a sheet of blank paper. **Does the display of IIT DC330 [005-104] change from "H" to "L"?**

Y N

Go to the Reflective Sensor Failure FIP and check the 17 INCH SIZE SENSOR (PL3.5).

Enter IIT DC330 [005-103].

Block the A2 SIZE SENSOR by using a sheet of blank paper. **Does the display of IIT DC330 [005-103] change from "H" to "L"?**

Y N

Go to the Reflective Sensor Failure FIP and check the A2 SIZE SENSOR (PL3.5).

Enter IIT DC330 [005-102].

Block the A3 SIZE SENSOR by using a sheet of blank paper. **Does the display of IIT DC330 [005-102] change from "H" to "L"?**

Y N

Go to the Reflective Sensor Failure FIP and check the A3 SIZE SENSOR (PL3.5).

Enter IIT DC330 [005-101].

Block the A4 SIZE SENSOR by using a sheet of blank paper. **Does the display of IIT DC330 [005-101] change from "H" to "L"?**

Y N

Go to the Reflective Sensor Failure FIP and check the A4 SIZE SENSOR (PL3.5).

Enter IIT DC330 [005-111].

Block the IIT RIGHT SKEW SENSOR by using a sheet of blank paper. **Does the display of IIT DC330 [005-111] change from "H" to "L"?**

Y N

Go to the Reflective Sensor Failure FIP and check the IIT RIGHT SKEW SENSOR (PL3.5).

Enter IIT DC330 [005-122].

Block the IIT REGI SENSOR by using a sheet of blank paper. **Does the display of IIT DC330 [005-122] change from "H" to "L"?**

Y N

Go to the Reflective Sensor Failure FIP and check the IIT REGI SENSOR (PL3.5).

Replace the IIT PWB (PL3.1).

## 005-104 IIT Size Sensor Miss Set Jam 2A

## 005-105 IIT Size Sensor Miss Set Jam 2B

Reference BSD: CH6.1, CH6.2, CH6.10

### Check Items

- Check that the UPPER DOCUMENT TRANSPORT (PL3.3) is installed properly.
- Check the document thickness and status (folding way, etc).
- Check the 34 INCH SIZE SENSOR (PL3.5), A0 SIZE SENSOR (PL3.5), A1 SIZE SENSOR (PL3.5), 17 INCH SIZE SENSOR (PL3.5), A2 SIZE SENSOR (PL3.5), A3 SIZE SENSOR (PL3.5), and A4 SIZE SENSOR (PL3.5) for improper installation, contamination, and foreign substances.
- Check whether an out of spec document is being used.

### Procedure

Enter IIT DC330 [005-107].

Block the 34 INCH SIZE SENSOR by using a sheet of blank paper.

**Does the display of IIT DC330 [005-107] change from "H" to "L"?**

Y N

Go to the Reflective Sensor Failure FIP and check the 34 INCH SIZE SENSOR (PL3.5).

Enter IIT DC330 [005-106].

Block the A0 SIZE SENSOR by using a sheet of blank paper.

**Does the display of IIT DC330 [005-106] change from "H" to "L"?**

Y N

Go to the Reflective Sensor Failure FIP and check the A0 SIZE SENSOR (PL3.5).

Enter IIT DC330 [005-105].

Block the A1 SIZE SENSOR by using a sheet of blank paper.

**Does the display of IIT DC330 [005-105] change from "H" to "L"?**

Y N

Go to the Reflective Sensor Failure FIP and check the A1 SIZE SENSOR (PL3.5).

A

A

Enter IIT DC330 [005-104].

Block the 17 INCH SIZE SENSOR by using a sheet of blank paper.

**Does the display of IIT DC330 [005-104] change from "H" to "L"?**

Y N

Go to the Reflective Sensor Failure FIP and check the 17 INCH SIZE SENSOR (PL3.5).

Enter IIT DC330 [005-103].

Block the A2 SIZE SENSOR by using a sheet of blank paper.

**Does the display of IIT DC330 [005-103] change from "H" to "L"?**

Y N

Go to the Reflective Sensor Failure FIP and check the A2 SIZE SENSOR (PL3.5).

Enter IIT DC330 [005-102].

Block the A3 SIZE SENSOR by using a sheet of blank paper.

**Does the display of IIT DC330 [005-102] change from "H" to "L"?**

Y N

Go to the Reflective Sensor Failure FIP and check the A3 SIZE SENSOR (PL3.5).

Enter IIT DC330 [005-101].

Block the A4 SIZE SENSOR by using a sheet of blank paper.

**Does the display of IIT DC330 [005-101] change from "H" to "L"?**

Y N

Go to the Reflective Sensor Failure FIP and check the A4 SIZE SENSOR (PL3.5).

Replace the IIT PWB (PL3.1).

### 005-106 IIT Sensor Pull Out Jam 2A

### 005-107 IIT Sensor Pull Out Jam 2B

### 005-108 IIT Sensor Push In Jam 2A

### 005-109 IIT Sensor Push In Jam 2B

Reference BSD: CH6.3, CH6.2, CH6.10

#### Check Items

- Check that the UPPER DOCUMENT TRANSPORT (PL3.3) is installed properly.
- Check the document thickness and status (folding way, etc).
- Check the IIT REGI SENSOR (PL3.5) and A4 SIZE SENSOR (PL3.5) for improper installation, contamination, and foreign substances.
- Check the IIT DOCUMENT TRANSPORT ROLL (PL3.6) and PINCH ROLL (PL3.3) for contamination, wear, and revolution failure.
- Check whether an out of spec document is being used.

#### Procedure

Enter IIT DC330 [005-122].

Block the IIT REGI SENSOR by using a sheet of blank paper.

**Does the display of IIT DC330 [005-122] change from "H" to "L"?**

**Y N**

Go to the Reflective Sensor Failure FIP and check the IIT REGI SENSOR (PL3.5).

Enter IIT DC330 [005-101].

Block the A4 SIZE SENSOR by using a sheet of blank paper.

**Does the display of IIT DC330 [005-101] change from "H" to "L"?**

**Y N**

Go to the Reflective Sensor Failure FIP and check the A4 SIZE SENSOR (PL3.5).

Replace the IIT PWB (PL3.1).

### 005-120 IIT Feed Right Over Skew

Reference BSD: CH6.3, CH6.10

#### Check Items

- Check that the UPPER DOCUMENT TRANSPORT (PL3.3) is installed properly.
- Check the document thickness and status (folding way, etc).
- Check the IIT RIGHT SKEW SENSOR (PL3.5) for improper installation, contamination, and foreign substances.
- Check the document transport path for anything that might obstruct the document.
- Check the IIT DOCUMENT TRANSPORT ROLL (PL3.6) and PINCH ROLL (PL3.3) for contamination, wear, and revolution failure.
- Check whether an out of spec document is being used.

#### Procedure

Enter IIT DC330 [005-111].

Block the IIT RIGHT SKEW SENSOR by using a sheet of blank paper.

**Does the display of IIT DC330 [005-111] change from "H" to "L"?**

**Y N**

Go to the Reflective Sensor Failure FIP and check the IIT RIGHT SKEW SENSOR (PL3.5).

Replace the IIT PWB (PL3.1).

### 005-121 IIT Feed Left Over Skew

Reference BSD: CH6.3, CH6.10

#### Check Items

- Check that the UPPER DOCUMENT TRANSPORT (PL3.3) is installed properly.
- Check the document thickness and status (folding way, etc).
- Check the IIT LEFT SKEW SENSOR (PL3.5) for improper installation, contamination, and foreign substances.
- Check the document transport path for anything that might obstruct the document.
- Check the IIT DOCUMENT TRANSPORT ROLL (PL3.6) and PINCH ROLL (PL3.3) for contamination, wear, and revolution failure.
- Check whether an out of spec document is being used.

#### Procedure

Enter IIT DC330 [005-112].

Block the IIT LEFT SKEW SENSOR by using a sheet of blank paper.

**Does the display of IIT DC330 [005-112] change from "H" to "L"?**

**Y N**

Go to the Reflective Sensor Failure FIP and check the IIT LEFT SKEW SENSOR (PL3.5).

Replace the IIT PWB (PL3.1).

### 005-122 IIT Feed Max Length Error

### 005-132 IIT Regi Sensor Lead Edge Jam

### 005-133 IIT Regi Sensor Tail Edge Jam

Reference BSD: CH6.3, CH6.10, CH1.13

**Note** When the SWING FRAME INTERLOCK SWITCH and the FUSING COVER INTERLOCK SWITCH are open, the INTLK ON +24VDC is cut off and thus, the IIT DRIVE MOTOR does not turn ON. Keep the SWING FRAME and the FUSING COVER closed during Diag and during voltage measurement.

#### Check Items

- Check the IIT REGI SENSOR (PL3.5) for improper installation, contamination, and foreign substances.
- Check the document transport path for anything that might obstruct the document.
- Rotate the rotor of the IIT DRIVE MOTOR (PL3.6) manually to check for loading.
- Check the IIT DOCUMENT TRANSPORT ROLL (PL3.6) and PINCH ROLL (PL3.3) for contamination, wear, and revolution failure.
- Check the BELT (PL3.6), BEARING (PL3.6), PULLEY (PL3.6), and etc. for disengagement and damage.
- Check whether an out of spec document is being used.

#### Procedure

Enter IIT DC330 [005-122].

Block the IIT REGI SENSOR by using a sheet of blank paper.

**Does the display of IIT DC330 [005-122] change from "H" to "L"?**

Y N

Go to the Reflective Sensor Failure FIP and check the IIT REGI SENSOR (PL3.5).

Enter IIT DC330 [005-001] and turn it ON.

**Does the IIT DRIVE MOTOR rotate?**

Y N

**Is the voltage between the IIT PWB J630-7 (+) and GND (-) +24VDC?**

Y N

Check the +24VDC circuit to the IIT PWB J630-7 by referring to Chapter 7 Wirenet.

A B

A B

Check the following connection for open circuit and poor contact.

- Between the IIT DRIVE MOTOR J703-2,5 and the IIT PWB J704-2,5.
- Between the IIT DRIVE MOTOR J703-1,3,4,6 and the IIT PWB J704-1,3,4,6.

If no problems are found, replace the following parts in sequence:

- IIT DRIVE MOTOR (PL3.6)
- IIT PWB (PL3.1)

Replace the IIT PWB (PL3.1).

### 005-300 IIT Cover Open (In Operation)

### 005-301 IIT Cover Open (Not in Operation)

Reference BSD: CH1.13, CH1.14

#### Check Items

- Check the IIT COVER OPEN SENSOR R (PL3.5) for improper installation, contamination, and foreign substances.
- Check that the UPPER DOCUMENT TRANSPORT (PL3.3) is installed properly.

#### Procedure

Enter IIT DC330 [005-301].

Move the IIT COVER OPEN SENSOR R Actuator manually to block/clear the light path to the sensor.

**Does the display of IIT DC330 [005-301] change between "H" and "L"?**

Y N

Go to the Permeable Sensor Failure FIP and check the IIT COVER OPEN SENSOR R (PL3.5).

Replace the IIT PWB (PL3.1).

### 005-900 IIT Sensor Stay Jam A

Reference BSD: CH6.1, CH6.2, CH6.10

#### Procedure

Go to the 005-102 IIT Sensor Static Jam 2A FIP.

### 005-901 IIT Sensor Stay Jam B

Reference BSD: CH6.1, CH6.2, CH6.3, CH6.10

#### Procedure

Go to the 005-103 IIT Sensor Static Jam 2B FIP.

### 005-902 IIT Sensor Static Jam 1A

Reference BSD: CH6.1, CH6.2, CH6.10

#### Procedure

Go to the 005-102 IIT Sensor Static Jam 2A FIP.

### 005-903 IIT Sensor Static Jam 1B

Reference BSD: CH6.1, CH6.2, CH6.3, CH6.10

#### Procedure

Go to the 005-103 IIT Sensor Static Jam 2B FIP.

### 005-904 IIT Size Sensor Miss Set Jam 1A

### 005-905 IIT Size Sensor Miss Set Jam 1B

Reference BSD: CH6.1, CH6.2, CH6.10

#### Procedure

Go to the 005-104 IIT Size Sensor Miss Set Jam 2A FIP.

### 005-906 IIT Sensor Pull Out Jam 1A

### 005-907 IIT Sensor Pull Out Jam 1B

Reference BSD: CH6.3, CH6.2, CH6.10

#### Procedure

Go to the 005-106 IIT Sensor Pull Out Jam 2A FIP.

### 005-908 IIT Sensor Push In Jam 1A

### 005-909 IIT Sensor Push In Jam 1B

Reference BSD: CH6.3, CH6.2, CH6.10

#### Procedure

Go to the 005-108 IIT Sensor Push In Jam 2A FIP.

### 062-371 IIT CIS Lamp Failure

Reference BSD: CH6.4, CH6.5, CH6.11, CH1.6

#### Check Items

- Check the CIS ASSEMBLY (PL3.7) for improper installation, contamination, and foreign substances.
- Check the PLATEN GLASS (PL3.7) for improper installation, contamination, and foreign substances.

#### Procedure

Enter IIT DC330 [062-002] and turn it ON.

**Does the CIS LED LAMP light up?**

**Y N**

**Is the voltage between the IIT PWB J630-11, 12 (+) and GND (-) +5VDC?**

**Y N**

Check the +5VDC circuit to the IIT PWB J630-11,12 by referring to Chapter 7 Wirenet.

Check the following CIS CABLE (PL3.7) for open circuit and poor contact.

- Between the IIT PWB J740 to CIS\_1.
- Between the IIT PWB J741 to CIS\_2.
- Between the IIT PWB J742 to CIS\_3.
- Between the IIT PWB J743 to CIS\_4.
- Between the IIT PWB J744 to CIS\_5.

If no problems are found, replace the following parts in sequence:

- CIS ASSEMBLY (PL3.7)
- IIT PWB (PL3.1)

Check the following CIS CABLE (PL3.7) for open circuit and poor contact.

- Between the IIT PWB J740 to CIS\_1.
- Between the IIT PWB J741 to CIS\_2.
- Between the IIT PWB J742 to CIS\_3.
- Between the IIT PWB J743 to CIS\_4.
- Between the IIT PWB J744 to CIS\_5.

If no problems are found, replace the IIT PWB (PL3.1).

### 062-372 Image Sensor Failure

Reference BSD: CH6.4, CH6.5, CH6.11, CH1.6

#### Procedure

Go to the 062-371 IIT CIS Lamp Failure FIP.

### 062-373 Image Sensor Not Connect

Reference BSD: CH6.4, CH6.5, CH6.11, CH1.6

#### Check Items

- Check the CIS ASSEMBLY (PL3.7) for improper installation, contamination, and foreign substances.
- Check the PLATEN GLASS (PL3.7) for improper installation, contamination, and foreign substances.

#### Procedure

Is the voltage between the IIT PWB J630-11, 12 (+) and GND (-) +5VDC?

**Y    N**

    |    Check the +5VDC circuit to the IIT PWB J630-11,12 by referring to Chapter 7 Wirenet.

Check the following CIS CABLE (PL3.7) for open circuit and poor contact.

- Between the IIT PWB J740 to CIS\_1.
- Between the IIT PWB J741 to CIS\_2.
- Between the IIT PWB J742 to CIS\_3.
- Between the IIT PWB J743 to CIS\_4.
- Between the IIT PWB J744 to CIS\_5.

If no problems are found, replace the following parts in sequence:

- CIS ASSEMBLY (PL3.7)
- IIT PWB (PL3.1)

### 062-374 Image Sensor Communication Fail

Reference BSD: CH6.4, CH6.5, CH6.11, CH1.6

#### Procedure

Go to the 062-373 Image Sensor Not Connect FIP.

### 062-375 Image Sensor Control Fail

Reference BSD: CH6.4, CH6.5, CH6.11, CH1.6

#### Procedure

1. Turn the power OFF and ON.
2. If the problem persists, replace the following parts in sequence:
  - CIS ASSEMBLY (PL3.7)
  - IIT PWB (PL3.1)

<IOT>

**010-310 Overheated Thermistor 1 (Software)**

Reference BSD: CH10.5, CH10.8

**Check Items**

- Check if fusing setting temperature is too high.
- Check the HEAT ROLL THERMISTOR 1 (PL7.3) for improper installation, contamination, and foreign substances.

**Procedure**

Turn OFF the power and allow the FUSING UNIT to cool down.

Disconnect the IOT PWB P/J447.

**Is the resistance between J447-13 and J447-14 a few dozen kOhm?**

**(Reference value: approximately 50 k to 90 kOhm)**

**Y N**

Check the connection between the relay connector P695-3 and the IOT PWB J447-13 for short circuit. If no problems are found, replace the HEAT ROLL THERMISTOR 1 (PL7.3).

Connect the IOT PWB P/J447. Turn the power ON. Go to HEATER Lamp Not Turn Off Failure FIP.

**010-311 Overheated Thermistor 2 (Software)**

Reference BSD: CH10.5, CH10.8

**Check Items**

- Check if fusing setting temperature is too high.
- Check the HEAT ROLL THERMISTOR 2 (PL7.3) for improper installation, contamination, and foreign substances.

**Procedure**

Turn OFF the power and allow the FUSING UNIT to cool down.

Disconnect the IOT PWB P/J447.

**Is the resistance between J447-17 and J447-18 a few dozen kOhm?**

**(Reference value: approximately 50 k to 90 kOhm)**

**Y N**

Check the connection between the relay connector P695-5 and the IOT PWB J447-17 for short circuit. If no problems are found, replace the HEAT ROLL THERMISTOR 2 (PL7.3).

Connect the IOT PWB P/J447. Turn the power ON. Go to HEATER Lamp Not Turn Off Failure FIP.

**010-312 Overheated Thermistor 3 (Software)**

Reference BSD: CH10.5, CH10.8

**Check Items**

- Check if fusing setting temperature is too high.
- Check the HEAT ROLL THERMISTOR 3 (PL7.3) for improper installation, contamination, and foreign substances.

**Procedure**

Turn OFF the power and allow the FUSING UNIT to cool down.

Disconnect the IOT PWB P/J447.

**Is the resistance between J447-15 and J447-16 a few dozen kOhm?**

**(Reference value: approximately 50 k to 90 kOhm)**

**Y N**

Check the connection between the relay connector P695-7 and the IOT PWB J447-15 for short circuit. If no problems are found, replace the HEAT ROLL THERMISTOR 3 (PL7.3).

Connect the IOT PWB P/J447. Turn the power ON. Go to HEATER Lamp Not Turn Off Failure FIP.

### 010-313 Overheated Thermostat (Hardware)

Reference BSD: CH10.3 (100/120V), CH10.4 (200-240V), CH10.8

**Note** When the SWING FRAME INTERLOCK SWITCH and the FUSING COVER INTERLOCK SWITCH are open, the INTLK ON +24VDC is cut off and thus, cheat the INTERLOCK SWITCH during voltage measurement.

#### Check Items

- Check if fusing setting temperature is too high.
- Check the OVER HEAT THERMOSTAT (PL7.3) for improper installation and check that the OVER HEAT THERMOSTAT and the HEAT ROLL (PL7.2) are too near due to deformed part, etc.

#### Procedure

**Is the voltage between the OVER HEAT THERMOSTAT FS95 (+) and GND (-) +24VDC?**

**Y N**

Check the +24VDC circuit to the OVER HEAT THERMOSTAT FS95 by referring to Chapter 7 Wirenet. Check the connection between the OVER HEAT THERMOSTAT FS96 and the IOT PWB J446-13 for open circuit and poor contact. If no problems are found, replace the OVER HEAT THERMOSTAT (PL7.3). After replacing the OVER HEAT THERMOSTAT, go to HEATER Lamp Not Turn Off Failure FIP.

### 010-314 Overheated Thermistor 2 (Hardware)

Reference BSD: CH10.5, CH10.8

#### Procedure

Go to 010-311 Overheated Thermistor 2 (Software) FIP.

### 010-315 Overheated Thermistor 4 (Hardware)

Reference BSD: CH10.5, CH10.8

#### Check Items

- Check if fusing setting temperature is too high.
- Check the HEAT ROLL THERMISTOR 4 (PL7.3) for improper installation, contamination, and foreign substances.

#### Procedure

Turn OFF the power and allow the FUSING UNIT to cool down.

Disconnect the IOT PWB P/J447.

**Is the resistance between J447-19 and J447-20 a few dozen kOhm?**

**(Reference value: approximately 50 k to 90 kOhm)**

**Y N**

Check the connection between the relay connector P695-9 and the IOT PWB J447-19 for short circuit. If no problems are found, replace the HEAT ROLL THERMISTOR 4 (PL7.3).

Connect the IOT PWB P/J447. Turn the power ON.

Go to HEATER Lamp Not Turn Off Failure FIP.

### 010-316 Low Temp. Thermistor 1

Reference BSD: CH10.3 (100/120V), CH10.4 (200-240V), CH10.5, CH10.8

**Note** When the SWING FRAME INTERLOCK SWITCH and the FUSING COVER INTERLOCK SWITCH are open, the INTLK ON +24VDC is cut off and thus, the HEATER ROD does not turn ON. Cheat the INTERLOCK SWITCH during Diag and voltage measurement.

#### Check Items

- Check the HEAT ROLL (PL7.2) for remaining paper and foreign substances.
- Check the HEAT ROLL THERMISTOR 1 (PL7.3) for improper installation, contamination, and foreign substances.
- Check that IOT DC120 and IOT DC122[010-310 to 315, 318 to 321] (HEAT ROLL THERMISTOR or OVER HEAT THERMOSTAT Open Circuit and Overheat Error) have not occurred.

#### Procedure

Check the following Diags:

- Enter IOT DC330 [010-001] and turn it ON.
- Enter IOT DC330 [010-002] and turn it ON. (200-240V only)
- Enter IOT DC330 [010-003] and turn it ON.
- Enter IOT DC330 [010-004] and turn it ON.

**Is each HEATER ROD turned ON normally?**

**Y N**

Go to HEATER Lamp Not Turn On Failure FIP.

A



A

Turn OFF the power and allow the FUSING UNIT to cool down.

Disconnect the IOT PWB P/J447.

**Is the resistance between J447-13 and J447-14 a few dozen kOhm?**

**(Reference value: approximately 50 k to 90 kOhm)**

Y N

Check the following connection for open circuit and poor contact.

- Between the relay connector P695-3 and the IOT PWB J447-13.
- Between the relay connector P695-4 and the IOT PWB J447-14.

If no problems are found, replace the HEAT ROLL THERMISTOR 1 (PL7.3).

Connect the IOT PWB P/J447.

Turn the power ON.

**Does the voltage between the IOT PWB J447-13 (+) and GND (-) fall gradually?**

**(Reference value: Approximately +2 to +3VDC when the FUSING UNIT is cooled down -> Approximately +0.1 to +0.2VDC during Ready)**

Y N

Replace the HEAT ROLL THERMISTOR 1 (PL7.3).

Replace the IOT PWB (PL8.1).

### 010-317 Low Temp. Thermistor 3

**Reference BSD: CH10.3 (100/120V), CH10.4 (200-240V), CH10.5, CH10.8**

**Note**

When the SWING FRAME INTERLOCK SWITCH and the FUSING COVER INTERLOCK SWITCH are open, the INTLK ON +24VDC is cut off and thus, the HEATER ROD does not turn ON. Cheat the INTERLOCK SWITCH during Diag and voltage measurement.

#### Check Items

- Check the HEAT ROLL (PL7.2) for remaining paper and foreign substances.
- Check the HEAT ROLL THERMISTOR 3 (PL7.3) for improper installation, contamination, and foreign substances.
- Check that IOT DC120 and IOT DC122[010-310 to 315, 318 to 321] (HEAT ROLL THERMISTOR or OVER HEAT THERMOSTAT Open Circuit and Overheat Error) have not occurred.

#### Procedure

Check the following Diags:

- Enter IOT DC330 [010-001] and turn it ON.
- Enter IOT DC330 [010-002] and turn it ON. (200-240V only)
- Enter IOT DC330 [010-003] and turn it ON.
- Enter IOT DC330 [010-004] and turn it ON.

**Is each HEATER ROD turned ON normally?**

Y N

Go to HEATER Lamp Not Turn On Failure FIP.

A

A

Turn OFF the power and allow the FUSING UNIT to cool down.

Disconnect the IOT PWB P/J447.

**Is the resistance between J447-15 and J447-16 a few dozen kOhm?**

**(Reference value: approximately 50 k to 90 kOhm)**

Y N

Check the following connection for open circuit and poor contact.

- Between the relay connector P695-7 and the IOT PWB J447-15.
- Between the relay connector P695-8 and the IOT PWB J447-16.

If no problems are found, replace the HEAT ROLL THERMISTOR 3 (PL7.3).

Connect the IOT PWB P/J447.

Turn the power ON.

**Does the voltage between the IOT PWB J447-15 (+) and GND (-) fall gradually?**

**(Reference value: Approximately +2 to +3VDC when the FUSING UNIT is cooled down -> Approximately +0.1 to +0.2VDC during Ready)**

Y N

Replace the HEAT ROLL THERMISTOR 3 (PL7.3).

Replace the IOT PWB (PL8.1).

### 010-318 Thermistor Open (Thermistor 1)

Reference BSD: CH10.5, CH10.8

#### Check Items

- Check the HEAT ROLL THERMISTOR 1 (PL7.3) for improper installation.

#### Procedure

Turn OFF the power and allow the FUSING UNIT to cool down.

Disconnect the IOT PWB P/J447.

**Is the resistance between J447-13 and J447-14 a few dozen kOhm?**

(Reference value: approximately 50 k to 90 kOhm)

**Y N**

Check the following connection for open circuit and poor contact.

- Between the relay connector P695-3 and the IOT PWB J447-13.
- Between the relay connector P695-4 and the IOT PWB J447-14.

If no problems are found, replace the HEAT ROLL THERMISTOR 1 (PL7.3).

Replace the IOT PWB (PL8.1).

### 010-319 Thermistor Open (Thermistor 2)

Reference BSD: CH10.5, CH10.8

#### Check Items

- Check the HEAT ROLL THERMISTOR 2 (PL7.3) for improper installation.

#### Procedure

Turn OFF the power and allow the FUSING UNIT to cool down.

Disconnect the IOT PWB P/J447.

**Is the resistance between J447-17 and J447-18 a few dozen kOhm?**

(Reference value: approximately 50 k to 90 kOhm)

**Y N**

Check the following connection for open circuit and poor contact.

- Between the relay connector P695-5 and the IOT PWB J447-17.
- Between the relay connector P695-6 and the IOT PWB J447-18.

If no problems are found, replace the HEAT ROLL THERMISTOR 2 (PL7.3).

Replace the IOT PWB (PL8.1).

### 010-320 Thermistor Open (Thermistor 3)

Reference BSD: CH10.5, CH10.8

#### Check Items

- Check the HEAT ROLL THERMISTOR 3 (PL7.3) for improper installation.

#### Procedure

Turn OFF the power and allow the FUSING UNIT to cool down.

Disconnect the IOT PWB P/J447.

**Is the resistance between J447-15 and J447-16 a few dozen kOhm?**

(Reference value: approximately 50 k to 90 kOhm)

**Y N**

Check the following connection for open circuit and poor contact.

- Between the relay connector P695-7 and the IOT PWB J447-15.
- Between the relay connector P695-8 and the IOT PWB J447-16.

If no problems are found, replace the HEAT ROLL THERMISTOR 3 (PL7.3).

Replace the IOT PWB (PL8.1).

### 010-321 Thermistor Open (Thermistor 4)

Reference BSD: CH10.5, CH10.8

#### Check Items

- Check the HEAT ROLL THERMISTOR 4 (PL7.3) for improper installation.

#### Procedure

Turn OFF the power and allow the FUSING UNIT to cool down.

Disconnect the IOT PWB P/J447.

**Is the resistance between J447-19 and J447-20 a few dozen kOhm?**

**(Reference value: approximately 50 k to 90 kOhm)**

**Y N**

Check the following connection for open circuit and poor contact.

- Between the relay connector P695-9 and the IOT PWB J447-19.
- Between the relay connector P695-10 and the IOT PWB J447-20.

If no problems are found, replace the HEAT ROLL THERMISTOR 4 (PL7.3).

Replace the IOT PWB (PL8.1).

### 010-322 Warm Up Time-out (Thermistor 1)

Reference BSD: CH10.3 (100/120V), CH10.4 (200-240V), CH10.5, CH10.8

**Note**

When the SWING FRAME INTERLOCK SWITCH and the FUSING COVER INTERLOCK SWITCH are open, the INTLK ON +24VDC is cut off and thus, the HEATER ROD does not turn ON.

Cheat the INTERLOCK SWITCH during Diag and voltage measurement.

#### Check Items

- Check the HEAT ROLL (PL7.2) for remaining paper and foreign substances.
- Check the HEAT ROLL THERMISTOR 1 (PL7.3) for improper installation, contamination, and foreign substances.
- Check that IOT DC120 and IOT DC122[010-310 to 315, 318 to 321] (HEAT ROLL THERMISTOR or OVER HEAT THERMOSTAT Open Circuit and Overheat Error) have not occurred.
- Check if Ready temperature is set too high.

#### Procedure

Check the following Diags:

- Enter IOT DC330 [010-001] and turn it ON.
- Enter IOT DC330 [010-002] and turn it ON. (200-240V only)
- Enter IOT DC330 [010-003] and turn it ON.
- Enter IOT DC330 [010-004] and turn it ON.

**Is each HEATER ROD turned ON normally?**

**Y N**

| Go to HEATER Lamp Not Turn On Failure FIP.

A

A

Turn OFF the power and allow the FUSING UNIT to cool down.

Disconnect the IOT PWB P/J447.

**Is the resistance between J447-13 and J447-14 a few dozen kOhm?**

**(Reference value: approximately 50 k to 90 kOhm)**

**Y N**

Check the following connection for open circuit and poor contact.

- Between the relay connector P695-3 and the IOT PWB J447-13.
- Between the relay connector P695-4 and the IOT PWB J447-14.

If no problems are found, replace the HEAT ROLL THERMISTOR 1 (PL7.3).

Connect the IOT PWB P/J447.

Turn the power ON.

**Does the voltage between the IOT PWB J447-13 (+) and GND (-) fall gradually?**

**(Reference value: Approximately +2 to +3VDC when the FUSING UNIT is cooled down -> Approximately +0.1 to +0.2VDC during Ready)**

**Y N**

| Replace the HEAT ROLL THERMISTOR 1 (PL7.3).

Replace the IOT PWB (PL8.1).

### 010-323 Warm Up Time-out (Thermistor 3)

Reference BSD: CH10.3 (100/120V), CH10.4 (200-240V), CH10.5, CH10.8

**Note** When the SWING FRAME INTERLOCK SWITCH and the FUSING COVER INTERLOCK SWITCH are open, the INTLK ON +24VDC is cut off and thus, the HEATER ROD does not turn ON. Cheat the INTERLOCK SWITCH during Diag and voltage measurement.

#### Check Items

- Check the HEAT ROLL (PL7.2) for remaining paper and foreign substances.
- Check the HEAT ROLL THERMISTOR 3 (PL7.3) for improper installation, contamination, and foreign substances.
- Check that IOT DC120 and IOT DC122[010-310 to 315, 318 to 321] (HEAT ROLL THERMISTOR or OVER HEAT THERMOSTAT Open Circuit and Overheat Error) have not occurred.
- Check if Ready temperature is set too high.

#### Procedure

Check the following Diags:

- Enter IOT DC330 [010-001] and turn it ON.
- Enter IOT DC330 [010-002] and turn it ON. (200-240V only)
- Enter IOT DC330 [010-003] and turn it ON.
- Enter IOT DC330 [010-004] and turn it ON.

**Is each HEATER ROD turned ON normally?**

**Y N**  
| Go to HEATER Lamp Not Turn On Failure FIP.

A

A

Turn OFF the power and allow the FUSING UNIT to cool down.

Disconnect the IOT PWB P/J447.

**Is the resistance between J447-15 and J447-16 a few dozen kOhm?**

**(Reference value: approximately 50 k to 90 kOhm)**

**Y N**  
| Check the following connection for open circuit and poor contact.  
- Between the relay connector P695-7 and the IOT PWB J447-15.  
- Between the relay connector P695-8 and the IOT PWB J447-16.  
If no problems are found, replace the HEAT ROLL THERMISTOR 3 (PL7.3).

Connect the IOT PWB P/J447.

Turn the power ON.

**Does the voltage between the IOT PWB J447-15 (+) and GND (-) fall gradually?**

**(Reference value: Approximately +2 to +3VDC when the FUSING UNIT is cooled down -> Approximately +0.1 to +0.2VDC during Ready)**

**Y N**  
| Replace the HEAT ROLL THERMISTOR 3 (PL7.3).  
Replace the IOT PWB (PL8.1).

### 010-324 Fusing Drive Motor Error

Reference BSD: CH10.2, CH10.8, CH1.7

**Note** When the SWING FRAME INTERLOCK SWITCH and the FUSING COVER INTERLOCK SWITCH are open, the INTLK ON +24VDC is cut off and thus, the FUSING DRIVE MOTOR does not turn ON. Cheat the INTERLOCK SWITCH during Diag and voltage measurement.

#### Check Items

- With the FUSING UNIT in nipped state, rotate the Roller manually to check for loading.

#### Procedure

Enter IOT DC330 [010-011 to 013] and rotate the FUSING DRIVE MOTOR by combining output signals (Bit0, Bit1, and Bit2).

(Refer to Chapter 7 BSD CH10.2.)

**Is the FUSING DRIVE MOTOR rotating?**

**Y N**  
| **Is the voltage between the FUSING DRIVE MOTOR J397-1 (+) and J397-3 (-) +24VDC?**  
**Y N**  
| Check the +24VDC circuit to the FUSING DRIVE MOTOR J397-1 and the 24V RTN circuit to J397-3 by referring to Chapter 7 Wirenet.  
**Is the voltage between the RFC MOTOR PWB J560-2 (+) and GND (-) +5VDC?**  
**Y N**  
| Check the +5VDC circuit to the RFC MOTOR PWB J560-2 by referring to Chapter 7 Wirenet.  
Enter IOT DC330 [010-011 to 013] and change output signals (Bit0, Bit1, and Bit2) to "L".  
**Is each voltage between the RFC MOTOR PWB J561-4,5,6 (+) and GND (-) 0VDC at "L"?**

**Y N**  
| |  
A B C

A	B	C
		Enter IOT DC330 [010-011 to 013] and change output signals (Bit0, Bit1, and Bit2) to "L".
		<b>Is each voltage between the IOT PWB J445-9,10,11 (+) and GND (-) +5VDC at "L"?</b>
	Y	N
		Check the connection between the RFC MOTOR PWB J561-4,5,6 and the IOT PWB J445-9,10,11 for open circuit and poor contact.
		Replace the IOT PWB (PL8.1).
		<b>Is the voltage between the FUSING DRIVE MOTOR J397-5 and GND (-) 0VDC at MOTOR ON?</b>
	Y	N
		<b>Is the voltage between the RFC MOTOR PWB J562-4 (+) and GND (-) +5VDC at MOTOR ON?</b>
	Y	N
		Check the connection between the FUSING DRIVE MOTOR J397-5 and the RFC MOTOR PWB J562-4 for open circuit and poor contact.
		Replace the RFC MOTOR PWB (PL8.5).
		<b>Is the Clock frequency of the FUSING DRIVE MOTOR J397-7 normal? (Refer to Chapter 7 BSD CH10.2.)</b>
	Y	N
		Check the connection between the FUSING DRIVE MOTOR J397-7 and the RFC MOTOR PWB J562-5 for open circuit and poor contact.
		If no problems are found, replace the RFC MOTOR PWB (PL8.5). If the problem persists, replace the FUSING DRIVE MOTOR (PL7.1).
		Replace the FUSING DRIVE MOTOR (PL7.1).
		<b>Is the voltage between the IOT PWB J442-23 (+) and GND (-) 0VDC when the MOTOR is rotating?</b>
	Y	N
		Check the connection between the FUSING DRIVE MOTOR J397-6 and the IOT PWB J442-23 for open circuit and poor contact.
		If no problems are found, replace the FUSING DRIVE MOTOR (PL7.1).
		Replace the IOT PWB (PL8.1).

### 010-325 RH Exhaust Fan Error

Reference BSD: CH10.7, CH10.8

#### Check Items

- Rotate the R/H EXHAUST FAN (PL7.1) manually to check for loading.

#### Procedure

Enter IOT DC330 [010-008] and turn it ON.

**Is the R/H EXHAUST FAN revolving?**

Y	N
	Is the voltage between the relay connector J396-4 (+) and the GND (-) +24VDC?
Y	N
	Check the +24VDC circuit to the relay connector J396-4 by referring to Chapter 7 Wirenet.
	<b>Is the voltage between the IOT PWB J446-4 (+) and GND (-) +19VDC at FAN ON?</b>
Y	N
	<b>Is the voltage between the relay connector J396-1 (+) and GND (-) +19VDC at FAN ON?</b>
Y	N
	Replace the R/H EXHAUST FAN (PL7.1).
	Check the connection between the IOT PWB J446-4 and the relay connector J396-1 for open circuit and poor contact.
	Replace the IOT PWB (PL8.1).
	<b>Is the voltage between the IOT PWB J442-22 (+) and GND (-) 0VDC when the FAN is rotating?</b>
Y	N
	Check the connection between the relay connector J396-2 and the IOT PWB J442-22 for open circuit and poor contact.
	If no problems are found, replace the R/H EXHAUST FAN (PL7.1).
	Replace the IOT PWB (PL8.1).

### 010-326 LH Exhaust Fan Error

Reference BSD: CH10.7, CH10.8

#### Check Items

- Rotate the L/H EXHAUST FAN (PL7.1) manually to check for loading.

#### Procedure

Enter IOT DC330 [010-006] and turn it ON.

**Is the L/H EXHAUST FAN revolving?**

Y	N
	<b>Is the voltage between the relay connector J395-4 (+) and the GND (-) +24VDC?</b>
Y	N
	Check the +24VDC circuit to the relay connector J395-4 by referring to Chapter 7 Wirenet.
	<b>Is the voltage between the IOT PWB J446-3 (+) and GND (-) +19VDC at FAN ON?</b>
Y	N
	<b>Is the voltage between the relay connector J395-1 (+) and GND (-) +19VDC at FAN ON?</b>
Y	N
	Replace the L/H EXHAUST FAN (PL7.1).
	Check the connection between the IOT PWB J446-3 and the relay connector J395-1 for open circuit and poor contact.
	Replace the IOT PWB (PL8.1).
	<b>Is the voltage between the IOT PWB J442-21 (+) and GND (-) 0VDC when the FAN is rotating?</b>
Y	N
	Check the connection between the relay connector J395-2 and the IOT PWB J442-21 for open circuit and poor contact.
	If no problems are found, replace the L/H EXHAUST FAN (PL7.1).
	Replace the IOT PWB (PL8.1).

### 010-327 Temp. Incline Error (Thermistor 1)

Reference BSD: CH10.3 (100/120V), CH10.4 (200-240V), CH10.5, CH10.8

#### Procedure

Go to 010-316 Low Temp. Thermistor 1 FIP.

### 010-328 Temp. Incline Error (Thermistor 3)

Reference BSD: CH10.3 (100/120V), CH10.4 (200-240V), CH10.5, CH10.8

#### Procedure

Go to 010-317 Low Temp. Thermistor 3 FIP.

### 010-329 Temp. Gap Error (Thermistor 1)

Reference BSD: CH10.3 (100/120V), CH10.4 (200-240V), CH10.5, CH10.8

#### Procedure

Go to 010-316 Low Temp. Thermistor 1 FIP.

### 010-330 Temp. Gap Error (Thermistor 2)

Reference BSD: CH10.3 (100/120V), CH10.4 (200-240V), CH10.5, CH10.8

#### Note

When the SWING FRAME INTERLOCK SWITCH and the FUSING COVER INTERLOCK SWITCH are open, the INTLK ON +24VDC is cut off and thus, the HEATER ROD does not turn ON. Cheat the INTERLOCK SWITCH during Diag and voltage measurement.

#### Check Items

- Check the HEAT ROLL (PL7.2) for remaining paper and foreign substances.
- Check the HEAT ROLL THERMISTOR 2 (PL7.3) for improper installation, contamination, and foreign substances.
- Check that IOT DC120 and IOT DC122[010-310 to 315, 318 to 321] (HEAT ROLL THERMISTOR or OVER HEAT THERMOSTAT Open Circuit and Overheat Error) have not occurred.

#### Procedure

Check the following Diags:

- Enter IOT DC330 [010-001] and turn it ON.
- Enter IOT DC330 [010-002] and turn it ON. (200-240V only)
- Enter IOT DC330 [010-003] and turn it ON.
- Enter IOT DC330 [010-004] and turn it ON.

Is each HEATER ROD turned ON normally?

Y N

| Go to HEATER Lamp Not Turn On Failure FIP.

A

A

Turn OFF the power and allow the FUSING UNIT to cool down.

Disconnect the IOT PWB P/J447.

Is the resistance between J447-17 and J447-18 a few dozen kOhm?

(Reference value: approximately 50 k to 90 kOhm)

Y N

| Check the following connection for open circuit and poor contact.

- Between the relay connector P695-5 and the IOT PWB J447-17.
- Between the relay connector P695-6 and the IOT PWB J447-18.

If no problems are found, replace the HEAT ROLL THERMISTOR 2 (PL7.3).

Connect the IOT PWB P/J447.

Turn the power ON.

Does the voltage between the IOT PWB J447-17 (+) and GND (-) fall gradually?

(Reference value: Approximately +2 to +3VDC when the FUSING UNIT is cooled down -> Approximately +0.1 to +0.2VDC during Ready)

Y N

| Replace the HEAT ROLL THERMISTOR 2 (PL7.3).

Replace the IOT PWB (PL8.1).

### 010-331 Temp. Minimum Error (Thermistor 1)

Reference BSD: CH10.3 (100/120V), CH10.4 (200-240V), CH10.5, CH10.8

#### Procedure

Go to 010-316 Low Temp. Thermistor 1 FIP.

### 010-332 Temp. Minimum Error (Thermistor 3)

Reference BSD: CH10.3 (100/120V), CH10.4 (200-240V), CH10.5, CH10.8

#### Procedure

Go to 010-317 Low Temp. Thermistor 3 FIP.

### 010-970 Re-WarmUp Error

Reference BSD: CH10.5, CH10.8

#### Note

Due to the machine performance, this error occurs after continuous printing. When the machine has a failure or this error occurs frequently, perform the following procedures.

#### Procedure

Check IOT DC120 and IOT DC122 to see whether the following Warm Up Time-out and Low Temp. Thermistor errors have occurred.

- 010-316 Low Temp. Thermistor 1
- 010-317 Low Temp. Thermistor 3
- 010-322 Warm Up Time-out (Thermistor 1)
- 010-323 Warm Up Time-out (Thermistor 3)

**Have the Warm Up Time-out and Low Temp. Thermistor errors occurred?**

**Y   N**

|    Check if Warm Up transition temperature is set too high.  
Go to the appropriate FIP.

### 042-312 USB Disconnected Error

Reference BSD: CH3.1, CH3.9

#### Procedure

Check the IOT USB CABLE (PL8.3) between the CP CONTROL PWB J414 (LOWER) and the IOT PWB J451 for open circuit and poor contact.

If no problems are found, replace the following parts in sequence:

- IOT PWB (PL8.1)
- CP CONTROL PWB (PL8.6)

## 046-310 LVPS 24B Monitor Error

Reference BSD: CH1.10, CH1.14

### Check Items

- Check whether IOT DC120 and IOT DC122[046-312] (LVPS 5B Monitor Error) have occurred.

### Procedure

Turn the power ON.

**Does the voltage between the +24V LVPS (24B) J2-1 and J2-3 satisfy the power supply AC listed in the spec?**

Y N

Check the AC circuits to the +24V LVPS (24B) J2-1 and J2-3 by referring to Chapter 7 Wirenet.

**Is the voltage between the +24V LVPS (24B) J502-1 (+) and GND (-) +24VDC?**

Y N

**Is the voltage between the +24V LVPS (24B) J505-1 (+) and GND (-) +5VDC?**

Y N

Check the +5VDC circuit to the +24V LVPS (24B) J505-1 by referring to Chapter 7 Wirenet.

**Are both sides of the FUSE F2 on the +24V LVPS (24B) conducting?**

Y N

Replace the +24V LVPS (24B) (PL8.2).

Check the +24VDC circuit from the +24V LVPS (24B) for short circuit by referring to Chapter 7 Wirenet.

If no problems are found, replace the +24V LVPS (24B) (PL8.2).

**Is +24VDC measured between the HVPS J542-1 (+) and GND (-)?**

Y N

Check the connection between the HVPS J542-1 and the +24V LVPS (24B) J502-1 for open circuit and poor contact.

**Is +24VDC measured between the HVPS J543-4 (+) and GND (-)?**

Y N

Replace the HVPS (PL8.2).

**Is the voltage between the IOT PWB J440-5 (+) and GND (-) +24VDC?**

Y N

Check the connection between the IOT PWB J440-5 and the HVPS J543-4 for open circuit and poor contact.

Replace the IOT PWB (PL8.1).

## 046-311 LVPS 24C Monitor Error

Reference BSD: CH1.13, CH1.14

### Note

When the SWING FRAME INTERLOCK SWITCH and the FUSING COVER INTERLOCK SWITCH are open, the INTLK ON +24VDC is cut off and thus, keep the SWING FRAME and the FUSING COVER closed during voltage measurement.

### Check Items

- Check whether IOT DC120 and IOT DC122[046-310] (LVPS 24B Monitor Error) have occurred.

### Procedure

Turn the power ON.

**Is +24VDC measured between the HVPS J542-2 (+) and GND (-)?**

Y N

Check the +24VDC circuit to the HVPS J542-2 by referring to Chapter 7 Wirenet.

**Is +24VDC measured between the HVPS J543-13 (+) and GND (-)?**

Y N

Check the +24VDC circuit to the HVPS J543-13 by referring to Chapter 7 Wirenet.

**Is the RELAY K4 on the HVPS turned ON?**

Y N

**Is the voltage between the IOT PWB J446-1 (+) and GND (-) +24VDC?**

Y N

**Is +24VDC measured between the HVPS J543-14 (+) and GND (-)?**

Y N

Replace the HVPS (PL8.2).

Check the connection between the IOT PWB J446-1 and the HVPS J543-14 for open circuit and poor contact.

Replace the IOT PWB (PL8.1).

**Is +24VDC measured between the HVPS J543-10 (+) and GND (-)?**

Y N

Replace the HVPS (PL8.2).

**Is the voltage between the IOT PWB J442-28 (+) and GND (-) +24VDC?**

Y N

Check the connection between the IOT PWB J442-28 and the HVPS J543-10 for open circuit and poor contact.

Replace the IOT PWB (PL8.1).

## 046-312 LVPS 5B Monitor Error

Reference BSD: CH1.6, CH1.7, CH1.14

### Procedure

Turn the power ON.

**Does the voltage between the +5V LVPS (5B) J16B-1 and J16B-3 satisfy the power supply AC listed in the spec?**

Y N

Check the AC circuits to the +5V LVPS (5B) J16B-1 and J16B-3 by referring to Chapter 7 Wirenet.

**Is the voltage between the +5V LVPS (5B) J511B-4 (+) and GND (-) +5VDC?**

Y N

**Are both sides of the FUSE F1 on the +5V LVPS (5B) conducting?**

Y N

Replace the +5V LVPS (5B) (PL8.2).

Check the +5VDC circuit from the +5V LVPS (5B) for short circuit by referring to Chapter 7 Wirenet.

If no problems are found, replace the +5V LVPS (5B) (PL8.2).

**Is the voltage between the AC RELAY PWB J544-10 (+) and GND (-) +5VDC?**

Y N

Check the connection between the AC RELAY PWB J544-10 and the +5V LVPS (5B) J511B-4 for open circuit and poor contact.

**Is the voltage between the AC RELAY PWB J544-2 (+) and GND (-) +5VDC?**

Y N

Replace the AC RELAY PWB (PL8.1).

**Is the voltage between the IOT PWB J442-1 (+) and GND (-) +5VDC?**

Y N

Check the connection between the IOT PWB J442-1 and the AC RELAY PWB J544-2 for open circuit and poor contact.

Replace the IOT PWB (PL8.1).



## 061-310 LVPS 5C Monitor Error

Reference BSD: CH1.8, CH1.9, CH1.14

### Procedure

Turn the power ON.

**Does the voltage between the +5V LVPS (5C) J16C-1 and J16C-3 satisfy the power supply AC listed in the spec?**

Y N

Check the AC circuits to the +5V LVPS (5C) J16C-1 and J16C-3 by referring to Chapter 7 Wirenet.

**Is the voltage between the +5V LVPS (5C) J511C-2 (+) and GND (-) +5VDC?**

Y N

**Is the voltage between the +5V LVPS (5C) J511C-1 (+) and GND (-) 0VDC?**

(Reference value: 0VDC when enabled -> Approximately +1.67VDC when disabled)

Y N

Check the following connection for open circuit and poor contact.

- Between the +5V LVPS (5C) J511C-1 and the LPH I/F PWB J490-4.
- Between the LPH I/F PWB J491-B12 and the IOT PWB J450-B12.

If no problems are found, replace the LPH I/F PWB (PL4.1). If the problem persists, replace the IOT PWB (PL8.1).

**Are both sides of the FUSE F1 on the +5V LVPS (5C) conducting?**

Y N

Replace the +5V LVPS (5C) (PL8.4).

Check the +5VDC circuit from the +5V LVPS (5C) for short circuit by referring to Chapter 7 Wirenet.

If no problems are found, replace the +5V LVPS (5C) (PL8.4).

**Is the voltage between the LPH I/F PWB J490-1 (+) and GND (-) +5VDC?**

Y N

Check the connection between the LPH I/F PWB J490-1 and the +5V LVPS (5C) J511C-2 for open circuit and poor contact.

Check the connection between the LPH I/F PWB J491-A13 and the IOT PWB J450-A13 for open circuit and poor contact. If no problems are found, replace the LPH I/F PWB (PL4.1). If the problem persists, replace the IOT PWB (PL8.1).

2.3 2.3

## 061-316 LPH Error (FPGA Initializing)

Reference BSD: CH1.5, CH6.7, CH6.8, CH6.9, CH6.10

### Procedure

**Is the voltage between the IOT PWB J440-1 (+) and GND (-) +3.5VDC?**

Y N

**Is the voltage between the +3.5V LVPS J510-6 (+) and GND (-) +3.5VDC?**

Y N

**Does the voltage between the +3.5V LVPS J15-1 and J15-3 satisfy the power supply AC listed in the spec?**

Y N

Check the AC circuits to the +3.5V LVPS J15-1 and J15-3 by referring to Chapter 7 Wirenet.

**Are both sides of the FUSE F1 on the +3.5V LVPS conducting?**

Y N

Replace the +3.5V LVPS (PL8.2).

Check the +3.5VDC circuit from the +3.5V LVPS for short circuit by referring to Chapter 7 Wirenet. If no problems are found, replace the +3.5V LVPS (PL8.2).

Check the connection between the IOT PWB J440-1 and the +3.5V LVPS J510-6 for open circuit and poor contact.

Replace the IOT PWB (PL8.1).

## 061-319 LPH Error (Data Reading)

## 061-320 LPH Error (Data Comparison)

Reference BSD: CH6.7, CH6.8, CH6.9, CH6.10

### Check Items

- Check the LPH ASSEMBLY (PL4.1) for improper installation, contamination, and foreign substances.

### Procedure

Check the following connection for open circuit and poor contact.

- Between LPH 1 J1 and the LPH I/F PWB J493.
  - Between LPH 1 J15 and the LPH I/F PWB J494.
  - Between LPH 1 J594 and the LPH I/F PWB J492.
  - Between LPH 2 J1 and the LPH I/F PWB J495.
  - Between LPH 2 J15 and the LPH I/F PWB J496.
  - Between LPH 2 J595 and the LPH I/F PWB J492.
  - Between LPH 3 J1 and the LPH I/F PWB J497.
  - Between LPH 3 J15 and the LPH I/F PWB J498.
  - Between LPH 3 J596 and the LPH I/F PWB J492.
  - Between the LPH I/F PWB J491 and the IOT PWB J450.
- If no problems are found, replace the following parts in sequence:
- LPH ASSEMBLY (PL4.1)
  - LPH I/F PWB (PL4.1)
  - IOT PWB (PL8.1)

### 061-321 Thermistor Error (LPH Overheat)

Reference BSD: CH6.7, CH6.10

#### Check Items

- Since the machine internal temperature rises due to abnormal heating of the FUSING UNIT, check whether IOT DC120、IOT DC122[010-310~315] (HEAT ROLL THERMISTOR and OVER HEAT THERMOSTAT Overheat Error) have occurred.

#### Procedure

Turn OFF the power switch and unplug the power plug. Wait until the LPH ASSEMBLY (LPH 1) is cooled down, and then turn ON the power.

**Did this error occur again immediately after Power ON?**

**Y N**

When this error occurs during operation, check IOT DC952[Temp(LPH)] for the LPH Temperature Sensor monitor value.

**Is the monitor value of [Temp (LPH)] is "600" or higher?**

**Y N**

Replace the IOT PWB (PL8.1).

Replace the LPH ASSEMBLY (LPH 1) (PL4.1).

Check the connection between the IOT PWB J450-A15 and the LPH I/F PWB J491-A15 for short circuit.

If no problems are found, replace the LPH I/F PWB (PL4.1).

### 061-322 Thermistor Error (LPH Disconnected/ Open Wire)

Reference BSD: CH6.7, CH6.10

#### Procedure

Check the LPH I/F CABLE (PL8.1) between the LPH I/F PWB J491 and the IOT PWB J450 for open circuit and poor contact.

If no problems are found, replace the LPH I/F PWB (PL4.1).

### 071-100 Roll 1 A3 Sensor ON Jam (Auto-load)

### 071-101 Roll 1 A3 Sensor ON Jam (Rewind)

### 071-102 Roll 1 Feed Jam (Core Peeled Off)

Reference BSD: CH7.1, CH8.1, CH7.5

#### Check Items

- Check the ROLL 1 A3 SENSOR (PL10.6) for improper installation, contamination, and foreign substances.
- Check the paper transport path for anything that might obstruct the paper.
- Rotate the rotor of the ROLL 1 FEED MOTOR (PL10.4) manually to check for loading.
- Check the ROLL PAPER TUBE (PL10.1) for disengagement and revolution failure.
- Check whether an out of spec paper is being used.

#### Procedure

Enter IOT DC330 [071-101].

Block the ROLL 1 A3 SENSOR by using a sheet of blank paper.

**Does the display of IOT DC330 [071-101] change from "H" to "L"?**

**Y N**

Go to the Reflective Sensor Failure FIP and check the ROLL 1 A3 SENSOR (PL10.6).

Enter IOT DC330 [071-001 to 003] and rotate the ROLL 1 FEED MOTOR forward and backward by combining output signals (Bit0, Bit1, and Bit2). (Refer to Chapter 7 BSD CH8.1.)

**Is the ROLL 1 FEED MOTOR rotating forward and backward?**

**Y N**

Go to 071-310 Roll 1 Feed Motor Fail FIP.

Replace the IOT PWB (PL8.1).

### 071-103 Roll 1 Cut Trigger Sensor ON Jam

Reference BSD: CH8.2, CH8.1, CH8.8

#### Check Items

- Check the ROLL 1 CUT TRIGGER SENSOR (PL10.4) for improper installation, contamination, and foreign substances.
- Check the paper transport path for anything that might obstruct the paper.
- Rotate the rotor of the ROLL 1 FEED MOTOR (PL10.4) manually to check for loading.
- Check the ROLL PAPER TUBE (PL10.1) for disengagement and revolution failure.
- Check whether an out of spec paper is being used.

#### Procedure

Enter IOT DC330 [071-105].

Block the ROLL 1 CUT TRIGGER SENSOR by using a sheet of blank paper.

**Does the display of IOT DC330 [071-105] change from "H" to "L"?**

**Y N**

| Go to the Reflective Sensor Failure FIP and check the ROLL 1 CUT TRIGGER SENSOR (PL10.4).

Enter IOT DC330 [071-001 to 003] and rotate the ROLL 1 FEED MOTOR forward and backward by combining output signals (Bit0, Bit1, and Bit2). (Refer to Chapter 7 BSD CH8.1.)

**Is the ROLL 1 FEED MOTOR rotating forward and backward?**

**Y N**

| Go to 071-310 Roll 1 Feed Motor Fail FIP.

Replace the IOT PWB (PL8.1).

### 071-104 Roll 1 Cut Trigger OFF Jam

Reference BSD: CH8.2, CH4.1, CH8.5, CH8.8

#### Check Items

- Check the ROLL 1 CUT TRIGGER SENSOR (PL10.4) for improper installation, contamination, and foreign substances.
- Check the paper transport path for anything that might obstruct the paper.
- Check the RFC 1 TAKE AWAY ROLL (PL10.1) for contamination, wear, and revolution failure.
- Check the GEAR (PL1.1/PL 10.1), BELT (PL1.1/PL 10.1), and etc. for disengagement and damage.
- Check whether an out of spec paper is being used.

#### Procedure

Enter IOT DC330 [071-105].

Block the ROLL 1 CUT TRIGGER SENSOR by using a sheet of blank paper.

**Does the display of IOT DC330 [071-105] change from "H" to "L"?**

**Y N**

| Go to the Reflective Sensor Failure FIP and check the ROLL 1 CUT TRIGGER SENSOR (PL10.4).

Enter IOT DC330 [091-001] and turn it ON.

**Is the MAIN MOTOR rotating?**

**Y N**

| Go to 077-310 Main Motor Fail FIP.

While keeping IOT DC330 [091-001] turned ON, enter IOT DC330 [071-006] and turn it ON.

**Is the RFC 1 TAKE AWAY ROLL rotating?**

**Y N**

| Go to the Solenoid/Clutch Not Energized FIP and check the RFC TAKEAWAY CLUTCH (PL1.1).

Replace the IOT PWB (PL8.1).

### 071-105 Roll 1 Mis-cut Jam

Reference BSD: CH8.2, CH1.12, CH8.8

#### Procedure

Go to 071-311 Roll 1 Cutter Fail (Move Not Complete) FIP.

### 071-300 Roll 1 Cutter Cover Open (During Printing)

Reference BSD: CH1.12, CH1.14

#### Procedure

Go to 071-941 Roll 1 Cutter Cover Open FIP.

## 071-301 RFC 1 Drawer Open (During Printing)

Reference BSD: CH1.12, CH1.14

### Check Items

- Check the RFC 1 DRAWER OPEN SWITCH (PL10.1) for improper installation, contamination, and foreign substances.

### Procedure

Enter IOT DC330 [071-301].

Turn OFF then ON the RFC 1 DRAWER OPEN SWITCH using a screw driver, etc.

**Does the display of IOT DC330 [071-301] change between "H" and "L"?**

**Y N**

Go to Switch (Normal Open) Fail FIP and check the RFC 1 DRAWER OPEN SWITCH (PL10.1).

Check the RFC 1 for closing status and foreign substances, as well as the LEFT INNER COVER (PL10.1) for deformation and improper installation.

If no problems are found, replace the IOT PWB (PL8.1).

## 071-310 Roll 1 Feed Motor Fail

Reference BSD: CH8.1, CH1.7, CH8.8

### Check Items

- Rotate the rotor of the ROLL 1 FEED MOTOR (PL10.4) manually to check for loading.

### Procedure

Enter IOT DC330 [071-001 to 003] and rotate the ROLL 1 FEED MOTOR by combining output signals (Bit0, Bit1, and Bit2).

(Refer to Chapter 7 BSD CH8.1.)

**Is the ROLL 1 FEED MOTOR rotating?**

**Y N**

**Is the voltage between the ROLL 1 FEED MOTOR P361-3.4 (+) and GND (-) +24VDC?**

**Y N**

Check the +24VDC circuit to the ROLL 1 FEED MOTOR P361-3,4 by referring to Chapter 7 Wirenet.

**Is the voltage between the RFC MOTOR PWB J560-2 (+) and GND (-) +5VDC?**

**Y N**

Check the +5VDC circuit to the RFC MOTOR PWB J560-2 by referring to Chapter 7 Wirenet.

Enter IOT DC330 [071-001 to 003] and change output signals (Bit0, Bit1, and Bit2) to "L".

**Is each voltage between the RFC MOTOR PWB J561-1,2,3 (+) and GND (-) 0VDC at "L"?**

**Y N**

Enter IOT DC330 [071-001 to 003] and change output signals (Bit0, Bit1, and Bit2) to "L".

**Is each voltage between the IOT PWB J443-16,17,18 (+) and GND (-) +5VDC at "L"?**

**Y N**

Check the connection between the RFC MOTOR PWB J561-1,2,3 and the IOT PWB J443-16,17,18 for open circuit and poor contact.

Replace the IOT PWB (PL8.1).

**A**

**B**

Check the connection between the RFC MOTOR PWB J564-1,2,5,6 and the ROLL 1 FEED MOTOR P361-1,2,5,6 for open circuit and poor contact.

If no problems are found, replace the following parts in sequence:

- ROLL 1 FEED MOTOR (PL10.4)
- RFC MOTOR PWB (PL8.5)

Check the connection between the RFC MOTOR PWB J562-1 and the IOT PWB J443-9 for open circuit and poor contact.

If no problems are found, replace the following parts in sequence:

- RFC MOTOR PWB (PL8.5)
- IOT PWB (PL8.1)

### 071-311 Roll 1 Cutter Fail (Move Not Complete)

### 071-312 Roll 1 Cutter Fail (Bounce)

Reference BSD: CH8.2, CH1.12, CH8.8

**⚠ WARNING**  
When the ROLL 1 CUTTER INTERLOCK SWITCH is turned ON, the ROLL 1 CUTTER MOTOR may operate suddenly. Do not touch the CUTTER. Or you may get injury.

#### Check Items

- Check the cut section, gear, and pulley for foreign substances and remaining paper, etc.
- Check the Cutter Blade for disengagement, contamination, and damage.
- Check whether an out of spec paper is being used.

#### Procedure

Enter IOT DC330 [071-200].

Move the Cutter Lever and turn the ROLL 1 CUTTER L/H SWITCH OFF then ON.

**Does the display of IOT DC330 [071-200] change between "H" and "L"?**

**Y N**  
| Go to Switch (Normal Open) Fail FIP and check the ROLL 1 CUTTER L/H SWITCH (PL10.3).

Enter IOT DC330 [071-201].

Move the Cutter Lever and turn the ROLL 1 CUTTER R/H SWITCH OFF then ON.

**Does the display of IOT DC330 [071-201] change between "H" and "L"?**

**Y N**  
| Go to Switch (Normal Open) Fail FIP and check the ROLL 1 CUTTER R/H SWITCH (PL10.3).

A

A

Move the Cutter Lever and move the Cutter Blade at the position where the ROLL 1 CUTTER L/H SWITCH or ROLL 1 CUTTER R/H SWITCH is turned ON.

Close the CUTTER COVER.

Enter IOT DC330 [071-004] (Move From L/H To R/H) or IOT DC330 [071-005] (Move From R/H To L/H) and turn it ON.

**Does the ROLL 1 CUTTER MOTOR operate?**

**Y N**  
| **Is the voltage between the IOT PWB J443-22 (+) and GND (-) +24VDC?**

**Y N**  
| Go to 071-941 Roll 1 Cutter Cover Open FIP.

Check the following connection for open circuit and poor contact.

- Between the ROLL 1 CUTTER MOTOR P362-1 and the IOT PWB J443-19.
- Between the ROLL 1 CUTTER MOTOR P362-2 and the IOT PWB J443-21.

If no problem is found, replace the CUTTER (PL10.3).

If the problem persists, replace the IOT PWB (PL8.1).

Replace the IOT PWB (PL8.1).

### 071-313 Roll 1 Cutter Fail (Cutter at Abnormal Position)

Reference BSD: CH8.2, CH8.8

#### Check Items

- Check the Cutter Switch for deformation and improper installation.
- Check to see whether there is any foreign substances near the Cutter Switch.

#### Procedure

Enter IOT DC330 [071-200].

Move the Cutter Lever and turn the ROLL 1 CUTTER L/H SWITCH OFF then ON.

**Does the display of IOT DC330 [071-200] change between "H" and "L"?**

**Y N**  
| Go to Switch (Normal Open) Fail FIP and check the ROLL 1 CUTTER L/H SWITCH (PL10.3).

Enter IOT DC330 [071-201].

Move the Cutter Lever and turn the ROLL 1 CUTTER R/H SWITCH OFF then ON.

**Does the display of IOT DC330 [071-201] change between "H" and "L"?**

**Y N**  
| Go to Switch (Normal Open) Fail FIP and check the ROLL 1 CUTTER R/H SWITCH (PL10.3).

Replace the IOT PWB (PL8.1).

## 071-900 Static Jam (RFC 1)

Reference BSD: CH8.2, CH8.7, CH8.8

### Check Items

- Check the ROLL 1 CUT TRIGGER SENSOR (PL10.4) and RFC PAGE SYNC SENSOR (PL2.4) for improper installation, contamination, and foreign substances.
- Check to see whether there is any remaining paper, paper dust, or foreign substances on the paper transport path.
- Check whether the voltage of the customer's power supply and the +5V LVPS (5B) has fallen

### Procedure

Enter IOT DC330 [071-105].

Block the ROLL 1 CUT TRIGGER SENSOR by using a sheet of blank paper.

**Does the display of IOT DC330 [071-105] change from "H" to "L"?**

Y N

Go to the Reflective Sensor Failure FIP and check the ROLL 1 CUT TRIGGER SENSOR (PL10.4).

Enter IOT DC330 [077-100].

Block the RFC PAGE SYNC SENSOR by using a sheet of blank paper.

**Does the display of IOT DC330 [077-100] change from "H" to "L"?**

Y N

Go to the Reflective Sensor Failure FIP and check the RFC PAGE SYNC SENSOR (PL2.4).

Replace the IOT PWB (PL8.1).

## 071-940 Roll 1 No Paper

Reference BSD: CH7.1, CH8.1, CH7.5

### Note

It is no problem if this error is recorded in IOT DC122. This error occurs when out of paper is detected during printing. If this error occurs though enough paper is loaded, check the following and perform the subsequent procedures.

### Check Items

- Check the ROLL 1 NO PAPER SENSOR (PL10.5) for improper installation, contamination, and foreign substances.
- Check the WHEEL of ROLL 1 NO PAPER SENSOR (PL10.5) for damage, contamination, and revolution failure.
- Check the paper transport path for anything that might obstruct the paper.
- Check whether an out of spec paper is being used.

### Procedure

Remove the WHEEL of ROLL 1 NO PAPER SENSOR and remove the block from the sensor light path.

Use a sheet of blank paper to block/clear the light path to the sensor.

**Does the voltage between the IOT PWB J443-10 (+) and GND (-) change between +5VDC (when the light is blocked) and 0VDC (when it is clear)?**

Y N

Go to the Permeable Sensor Failure FIP and check the ROLL 1 NO PAPER SENSOR (PL10.5).

Install the WHEEL of ROLL 1 NO PAPER SENSOR.

Enter IOT DC330 [071-001 to 003] and rotate the ROLL 1 FEED MOTOR forward by combining output signals (Bit0, Bit1, and Bit2).

(Refer to Chapter 7 BSD CH8.1.)

**Is the WHEEL of ROLL 1 NO PAPER SENSOR rotating?**

Y N

Go to 071-310 Roll 1 Feed Motor Fail FIP.

Replace the IOT PWB (PL8.1).

## 071-941 Roll 1 Cutter Cover Open

Reference BSD: CH1.12, CH1.14



### WARNING

When the ROLL 1 CUTTER INTERLOCK SWITCH is turned ON, the ROLL 1 CUTTER MOTOR may operate suddenly. Do not touch the CUTTER. Or you may get injury.

### Check Items

- Check the ROLL 1 CUTTER INTERLOCK SWITCH (PL10.4) for improper installation, contamination, and foreign substances.
- Check the CUTTER COVER (PL10.3) for closing status, foreign substances, deformation, and improper installation.

### Procedure

Close the CUTTER COVER.

**Is the voltage between the IOT PWB J443-22 (+) and GND (-) +24VDC?**

Y N

**Is the voltage between the ROLL 1 CUTTER INTERLOCK SWITCH J261-2 (+) and the GND (-) +24VDC?**

Y N

**Is the voltage between the ROLL 1 CUTTER INTERLOCK SWITCH J261-1 (+) and the GND (-) +24VDC?**

Y N

Check the +24VDC circuit to the ROLL 1 CUTTER INTERLOCK SWITCH J261-1 by referring to Chapter 7 Wirenet.

Replace the ROLL 1 CUTTER INTERLOCK SWITCH (PL10.4).

Check the connection between the IOT PWB J443-22 and the ROLL 1 CUTTER INTERLOCK SWITCH J261-2 for open circuit and poor contact.

If no problems are found, replace the IOT PWB (PL8.1).

Replace the IOT PWB (PL8.1).

### 072-100 Roll 2 A3 Sensor ON Jam (Auto-load)

### 072-101 Roll 2 A3 Sensor ON Jam (Rewind)

### 072-102 Roll 2 Feed Jam (Core Peeled Off)

Reference BSD: CH7.2, CH8.3, CH7.5

#### Check Items

- Check the ROLL 2 A3 SENSOR (PL10.6) for improper installation, contamination, and foreign substances.
- Check the paper transport path for anything that might obstruct the paper.
- Rotate the rotor of the ROLL 2 FEED MOTOR (PL10.4) manually to check for loading.
- Check the ROLL PAPER TUBE (PL10.1) for disengagement and revolution failure.
- Check whether an out of spec paper is being used.

#### Procedure

Enter IOT DC330 [072-101].

Block the ROLL 2 A3 SENSOR by using a sheet of blank paper.

**Does the display of IOT DC330 [072-101] change from "H" to "L"?**

**Y N**

| Go to the Reflective Sensor Failure FIP and check the ROLL 2 A3 SENSOR (PL10.6).

Enter IOT DC330 [072-001 to 003] and rotate the ROLL 2 FEED MOTOR forward and backward by combining output signals (Bit0, Bit1, and Bit2). (Refer to Chapter 7 BSD CH8.3.)

**Is the ROLL 2 FEED MOTOR rotating forward and backward?**

**Y N**

| Go to 072-310 Roll 2 Feed Motor Fail FIP.  
Replace the IOT PWB (PL8.1).

### 072-103 Roll 2 Cut Trigger Sensor ON Jam

Reference BSD: CH8.4, CH8.3, CH8.8

#### Check Items

- Check the ROLL 2 CUT TRIGGER SENSOR (PL10.4) for improper installation, contamination, and foreign substances.
- Check the paper transport path for anything that might obstruct the paper.
- Rotate the rotor of the ROLL 2 FEED MOTOR (PL10.4) manually to check for loading.
- Check the ROLL PAPER TUBE (PL10.1) for disengagement and revolution failure.
- Check whether an out of spec paper is being used.

#### Procedure

Enter IOT DC330 [072-105].

Block the ROLL 2 CUT TRIGGER SENSOR by using a sheet of blank paper.

**Does the display of IOT DC330 [072-105] change from "H" to "L"?**

**Y N**

| Go to the Reflective Sensor Failure FIP and check the ROLL 2 CUT TRIGGER SENSOR (PL10.4).

Enter IOT DC330 [072-001 to 003] and rotate the ROLL 2 FEED MOTOR forward and backward by combining output signals (Bit0, Bit1, and Bit2). (Refer to Chapter 7 BSD CH8.3.)

**Is the ROLL 2 FEED MOTOR rotating forward and backward?**

**Y N**

| Go to 072-310 Roll 2 Feed Motor Fail FIP.  
Replace the IOT PWB (PL8.1).

### 072-104 Roll 2 Cut Trigger OFF Jam

Reference BSD: CH8.4, CH4.1, CH8.5, CH8.8

#### Check Items

- Check the ROLL 2 CUT TRIGGER SENSOR (PL10.4) for improper installation, contamination, and foreign substances.
- Check the paper transport path for anything that might obstruct the paper.
- Check the RFC 2 TAKE AWAY ROLL (PL10.1) for contamination, wear, and revolution failure.
- Check the GEAR (PL1.1/PL 10.1), BELT (PL1.1/PL 10.1), and etc. for disengagement and damage.
- Check whether an out of spec paper is being used.

#### Procedure

Enter IOT DC330 [072-105].

Block the ROLL 2 CUT TRIGGER SENSOR by using a sheet of blank paper.

**Does the display of IOT DC330 [072-105] change from "H" to "L"?**

**Y N**

| Go to the Reflective Sensor Failure FIP and check the ROLL 2 CUT TRIGGER SENSOR (PL10.4).

Enter IOT DC330 [091-001] and turn it ON.

**Is the MAIN MOTOR rotating?**

**Y N**

| Go to 077-310 Main Motor Fail FIP.

While keeping IOT DC330 [091-001] turned ON, enter IOT DC330 [071-006] and turn it ON.

**Is the RFC 2 TAKE AWAY ROLL rotating?**

**Y N**

| Go to the Solenoid/Clutch Not Energized FIP and check the RFC TAKEAWAY CLUTCH (PL1.1).

Replace the IOT PWB (PL8.1).

### 072-105 Roll 2 Mis-cut Jam

Reference BSD: CH8.4, CH1.12, CH8.8

#### Procedure

Go to 072-311 Roll 2 Cutter Fail (Move Not Complete) FIP.

### 072-300 Roll 2 Cutter Cover Open (During Printing)

Reference BSD: CH1.12, CH1.14

#### Procedure

Go to 072-941 Roll 2 Cutter Cover Open FIP.

### 072-301 RFC 2 Drawer Open (During Printing)

Reference BSD: CH1.12, CH1.14

#### Check Items

- Check the RFC 2 DRAWER OPEN SWITCH (PL10.1) for improper installation, contamination, and foreign substances.

#### Procedure

Enter IOT DC330 [072-301].

Turn OFF then ON the RFC 2 DRAWER OPEN SWITCH using a screw driver, etc.

**Does the display of IOT DC330 [072-301] change between "H" and "L"?**

Y N

Y	Go to Switch (Normal Open) Fail FIP and check the RFC 2 DRAWER OPEN SWITCH (PL10.1).
---	--

Check the RFC 2 for closing status and foreign substances, as well as the LEFT INNER COVER (PL10.1) for deformation and improper installation.

If no problems are found, replace the IOT PWB (PL8.1).

### 072-310 Roll 2 Feed Motor Fail

Reference BSD: CH8.3, CH1.7, CH8.8

#### Check Items

- Rotate the rotor of the ROLL 2 FEED MOTOR (PL10.4) manually to check for loading.

#### Procedure

Enter IOT DC330 [072-001 to 003] and rotate the ROLL 2 FEED MOTOR by combining output signals (Bit0, Bit1, and Bit2).

(Refer to Chapter 7 BSD CH8.3.)

**Is the ROLL 2 FEED MOTOR rotating?**

Y N

Y	<b>Is the voltage between the ROLL 2 FEED MOTOR P361-3.4 (+) and GND (-) +24VDC?</b>
---	--

Y N

Y	Check the +24VDC circuit to the ROLL 2 FEED MOTOR P361-3,4 by referring to Chapter 7 Wirenet.
---	---

**Is the voltage between the RFC MOTOR PWB J560-2 (+) and GND (-) +5VDC?**

Y N

Y	Check the +5VDC circuit to the RFC MOTOR PWB J560-2 by referring to Chapter 7 Wirenet.
---	--

Enter IOT DC330 [072-001 to 003] and change output signals (Bit0, Bit1, and Bit2) to "L".

**Is each voltage between the RFC MOTOR PWB J563-1,2,3 (+) and GND (-) 0VDC at "L"?**

Y N

Y	Enter IOT DC330 [072-001 to 003] and change output signals (Bit0, Bit1, and Bit2) to "L".
---	---

**Is each voltage between the IOT PWB J444-14,15,16 (+) and GND (-) +5VDC at "L"?**

Y N

Y	Check the connection between the RFC MOTOR PWB J563-1,2,3 and the IOT PWB J444-14,15,16 for open circuit and poor contact.
---	--

Replace the IOT PWB (PL8.1).

A B



A B  
 Check the connection between the RFC MOTOR PWB J565-1,2,5,6 and the ROLL 2 FEED MOTOR P361-1,2,5,6 for open circuit and poor contact.  
 If no problems are found, replace the following parts in sequence:

- ROLL 2 FEED MOTOR (PL10.4)
- RFC MOTOR PWB (PL8.5)

Check the connection between the RFC MOTOR PWB J563-4 and the IOT PWB J444-9 for open circuit and poor contact.

If no problems are found, replace the following parts in sequence:

- RFC MOTOR PWB (PL8.5)
- IOT PWB (PL8.1)

### 072-311 Roll 2 Cutter Fail (Move Not Complete)

### 072-312 Roll 2 Cutter Fail (Bounce)

Reference BSD: CH8.4, CH1.12, CH8.8

**⚠ WARNING**  
 When the ROLL 2 CUTTER INTERLOCK SWITCH is turned ON, the ROLL 2 CUTTER MOTOR may operate suddenly. Do not touch the cutter. Or you may get injury.

#### Check Items

- Check the cut section, gear, and pulley for foreign substances and remaining paper, etc.
- Check the Cutter Blade for disengagement, contamination, and damage.
- Check whether an out of spec paper is being used.

#### Procedure

Enter IOT DC330 [072-200].

Move the Cutter Lever and turn the ROLL 2 CUTTER L/H SWITCH OFF then ON.

**Does the display of IOT DC330 [072-200] change between "H" and "L"?**

Y N  
 | Go to Switch (Normal Open) Fail FIP and check the ROLL 2 CUTTER L/H SWITCH (PL10.2).

Enter IOT DC330 [072-201].

Move the Cutter Lever and turn the ROLL 2 CUTTER R/H SWITCH OFF then ON.

**Does the display of IOT DC330 [072-201] change between "H" and "L"?**

Y N  
 | Go to Switch (Normal Open) Fail FIP and check the ROLL 2 CUTTER R/H SWITCH (PL10.2).

A

A  
 Move the Cutter Lever and move the Cutter Blade at the position where the ROLL 2 CUTTER L/H SWITCH or ROLL 2 CUTTER R/H SWITCH is turned ON.

Close the CUTTER COVER.

Enter IOT DC330 [072-004] (Move From L/H To R/H) or IOT DC330 [072-005] (Move From R/H To L/H) and turn it ON.

**Does the ROLL 2 CUTTER MOTOR operate?**

Y N  
 | **Is the voltage between the IOT PWB J444-20 (+) and GND (-) +24VDC?**

Y N  
 | Go to 072-941 Roll 2 Cutter Cover Open FIP.  
 Check the following connection for open circuit and poor contact.

- Between the ROLL 2 CUTTER MOTOR P362-1 and the IOT PWB J444-17.
- Between the ROLL 2 CUTTER MOTOR P362-2 and the IOT PWB J444-19.

If no problem is found, replace the CUTTER (PL10.2). If the problem persists, replace the IOT PWB (PL8.1).

Replace the IOT PWB (PL8.1).

## 072-313 Roll 2 Cutter Fail (Cutter at Abnormal Position)

Reference BSD: CH8.4, CH8.8

### Check Items

- Check the Cutter Switch for deformation and improper installation.
- Check to see whether there is any foreign substances near the Cutter Switch.

### Procedure

Enter IOT DC330 [072-200].

Move the Cutter Lever and turn the ROLL 2 CUTTER L/H SWITCH OFF then ON.

**Does the display of IOT DC330 [072-200] change between "H" and "L"?**

**Y N**

Go to Switch (Normal Open) Fail FIP and check the ROLL 2 CUTTER L/H SWITCH (PL10.2).

Enter IOT DC330 [072-201].

Move the Cutter Lever and turn the ROLL 2 CUTTER R/H SWITCH OFF then ON.

**Does the display of IOT DC330 [072-201] change between "H" and "L"?**

**Y N**

Go to Switch (Normal Open) Fail FIP and check the ROLL 2 CUTTER R/H SWITCH (PL10.2).

Replace the IOT PWB (PL8.1).

## 072-900 Static Jam (RFC 2)

Reference BSD: CH8.4, CH8.5, CH8.8

### Check Items

- Check the ROLL 2 CUT TRIGGER SENSOR (PL10.4) and RFC VERTICAL JAM SENSOR (PL10.3) for improper installation, contamination, and foreign substances.
- Check to see whether there is any remaining paper, paper dust, or foreign substances on the paper transport path.
- Check whether the voltage of the customer's power supply and the +5V LVPS (5B) has fallen

### Procedure

Enter IOT DC330 [072-105].

Block the ROLL 2 CUT TRIGGER SENSOR by using a sheet of blank paper.

**Does the display of IOT DC330 [072-105] change from "H" to "L"?**

**Y N**

Go to the Reflective Sensor Failure FIP and check the ROLL 2 CUT TRIGGER SENSOR (PL10.4).

Enter IOT DC330 [071-106].

Block the RFC VERTICAL JAM SENSOR by using a sheet of blank paper.

**Does the display of IOT DC330 [071-106] change from "H" to "L"?**

**Y N**

Go to the Reflective Sensor Failure FIP and check the RFC VERTICAL JAM SENSOR (PL10.3).

Replace the IOT PWB (PL8.1).

## 072-940 Roll 2 No Paper

Reference BSD: CH7.2, CH8.3, CH7.5

### Note

It is no problem if this error is recorded in IOT DC122. This error occurs when out of paper is detected during printing. If this error occurs though enough paper is loaded, check the following and perform the subsequent procedures.

### Check Items

- Check the ROLL 2 NO PAPER SENSOR (PL10.5) for improper installation, contamination, and foreign substances.
- Check the WHEEL of ROLL 2 NO PAPER SENSOR (PL10.5) for damage, contamination, and revolution failure.
- Check the paper transport path for anything that might obstruct the paper.
- Check whether an out of spec paper is being used.

### Procedure

Remove the WHEEL of ROLL 2 NO PAPER SENSOR and remove the block from the sensor light path.

Use a sheet of blank paper to block/clear the light path to the sensor.

**Does the voltage between the IOT PWB J444-10 (+) and GND (-) change between +5VDC (when the light is blocked) and 0VDC (when it is clear)?**

**Y N**

Go to the Permeable Sensor Failure FIP and check the ROLL 2 NO PAPER SENSOR (PL10.5).

Install the WHEEL of ROLL 2 NO PAPER SENSOR.

Enter IOT DC330 [072-001 to 003] and rotate the ROLL 2 FEED MOTOR forward by combining output signals (Bit0, Bit1, and Bit2).

(Refer to Chapter 7 BSD CH8.3.)

**Is the WHEEL of ROLL 2 NO PAPER SENSOR rotating?**

**Y N**

Go to 072-310 Roll 2 Feed Motor Fail FIP.

Replace the IOT PWB (PL8.1).

## 072-941 Roll 2 Cutter Cover Open

Reference BSD: CH1.12, CH1.14

### **WARNING**

When the ROLL 2 CUTTER INTERLOCK SWITCH is turned ON, the ROLL 2 CUTTER MOTOR may operate suddenly. Do not touch the cutter. Or you may get injury.

### Check Items

- Check the ROLL 2 CUTTER INTERLOCK SWITCH (PL10.4) for improper installation, contamination, and foreign substances.
- Check the CUTTER COVER (PL10.2) for closing status, foreign substances, deformation, and improper installation.

### Procedure

Close the CUTTER COVER.

**Is the voltage between the IOT PWB J444-20 (+) and GND (-) +24VDC?**

Y N

Is the voltage between the ROLL 2 CUTTER INTERLOCK SWITCH J261-2 (+) and the GND (-) +24VDC?

Y N

Is the voltage between the ROLL 2 CUTTER INTERLOCK SWITCH J261-1 (+) and the GND (-) +24VDC?

Y N

Check the +24VDC circuit to the ROLL 2 CUTTER INTERLOCK SWITCH J261-1 by referring to Chapter 7 Wirenet.

Replace the ROLL 2 CUTTER INTERLOCK SWITCH (PL10.4).

Check the connection between the IOT PWB J444-20 and the ROLL 2 CUTTER INTERLOCK SWITCH J261-2 for open circuit and poor contact.

If no problems are found, replace the IOT PWB (PL8.1).

Replace the IOT PWB (PL8.1).

## 075-100 Manual Feed Stop Sensor ON Jam

Reference BSD: CH8.6, CH7.3, CH4.1, CH8.8

### Check Items

- Check the MANUAL FEED STOP SENSOR (PL2.3) and MANUAL NO PAPER SENSOR (PL2.3) for improper installation, contamination, and foreign substances.
- Check the paper transport path for anything that might obstruct the paper.
- Check the MANUAL FEED ROLL (PL2.1) for contamination, wear, and revolution failure.
- Check the GEAR (PL1.1), BELT (PL1.1), and etc. for disengagement and damage.
- Check whether an out of spec paper is being used.

### Procedure

Enter IOT DC330 [075-105].

Block the MANUAL FEED STOP SENSOR by using a sheet of blank paper.

**Does the display of IOT DC330 [075-105] change from "H" to "L"?**

Y N

Go to the Reflective Sensor Failure FIP and check the MANUAL FEED STOP SENSOR (PL2.3).

Enter IOT DC330 [075-100].

Block the MANUAL NO PAPER SENSOR by using a sheet of blank paper.

**Does the display of IOT DC330 [075-100] change from "H" to "L"?**

Y N

Go to the Reflective Sensor Failure FIP and check the MANUAL NO PAPER SENSOR (PL2.3).

Enter IOT DC330 [091-001] and turn it ON.

**Is the MAIN MOTOR rotating?**

Y N

Go to 077-310 Main Motor Fail FIP.

While keeping IOT DC330 [091-001] turned ON, enter IOT DC330 [075-001] and turn it ON.

**Is the MANUAL FEED ROLL rotating?**

Y N

Go to the Solenoid/Clutch Not Energized FIP and check the MANUAL FEED CLUTCH (PL1.1).

Replace the IOT PWB (PL8.1).

## 075-101 Manual Page Sync Sensor ON Jam

Reference BSD: CH8.7, CH4.1, CH8.6, CH8.8

### Check Items

- Check the MANUAL PAGE SYNC SENSOR (PL2.4) for improper installation, contamination, and foreign substances.
- Check the paper transport path for anything that might obstruct the paper.
- Check the MANUAL FEED ROLL (PL2.1) for contamination, wear, and revolution failure.
- Check the GEAR (PL1.1), BELT (PL1.1), and etc. for disengagement and damage.
- Check whether an out of spec paper is being used.

### Procedure

Enter IOT DC330 [075-106].

Block the MANUAL PAGE SYNC SENSOR by using a sheet of blank paper.

**Does the display of IOT DC330 [075-106] change from "H" to "L"?**

Y N

Go to the Reflective Sensor Failure FIP and check the MANUAL PAGE SYNC SENSOR (PL2.4).

Enter IOT DC330 [091-001] and turn it ON.

**Is the MAIN MOTOR rotating?**

Y N

Go to 077-310 Main Motor Fail FIP.

While keeping IOT DC330 [091-001] turned ON, enter IOT DC330 [075-001] and turn it ON.

**Is the MANUAL FEED ROLL rotating?**

Y N

Go to the Solenoid/Clutch Not Energized FIP and check the MANUAL FEED CLUTCH (PL1.1).

Replace the IOT PWB (PL8.1).

## 075-102 Manual Page Sync Sensor OFF Jam

Reference BSD: CH8.7, CH4.1, CH8.8

### Check Items

- Check the MANUAL PAGE SYNC SENSOR (PL2.4) for improper installation, contamination, and foreign substances.
- Check the paper transport path for anything that might obstruct the paper.
- Check the REGI ROLL (PL2.1) for contamination, wear, and revolution failure.
- Check the GEAR (PL1.1), BELT (PL1.1), and etc. for disengagement and damage.
- Check whether an out of spec paper is being used.

### Procedure

Enter IOT DC330 [075-106].

Block the MANUAL PAGE SYNC SENSOR by using a sheet of blank paper.

**Does the display of IOT DC330 [075-106] change from "H" to "L"?**

**Y N**

Go to the Reflective Sensor Failure FIP and check the MANUAL PAGE SYNC SENSOR (PL2.4).

Enter IOT DC330 [091-001] and turn it ON.

**Is the REGI ROLL rotating?**

**Y N**

Go to 077-310 Main Motor Fail FIP.

Replace the IOT PWB (PL8.1).

## 075-900 Static Jam (MSI)

Reference BSD: CH8.6, CH8.7, CH8.8

### Check Items

- Check the MANUAL FEED STOP SENSOR (PL2.3) and MANUAL PAGE SYNC SENSOR (PL2.4) for improper installation, contamination, and foreign substances.
- Check to see whether there is any remaining paper, paper dust, or foreign substances on the paper transport path.
- Check whether the voltage of the customer's power supply and the +5V LVPS (5B) has fallen

### Procedure

Enter IOT DC330 [075-105].

Block the MANUAL FEED STOP SENSOR by using a sheet of blank paper.

**Does the display of IOT DC330 [075-105] change from "H" to "L"?**

**Y N**

Go to the Reflective Sensor Failure FIP and check the MANUAL FEED STOP SENSOR (PL2.3).

Enter IOT DC330 [075-106].

Block the MANUAL PAGE SYNC SENSOR by using a sheet of blank paper.

**Does the display of IOT DC330 [075-106] change from "H" to "L"?**

**Y N**

Go to the Reflective Sensor Failure FIP and check the MANUAL PAGE SYNC SENSOR (PL2.4).

Replace the IOT PWB (PL8.1).

## 075-940 MSI No Paper

Reference BSD: CH7.3, CH7.5

### Note

It is no problem if this error is recorded in IOT DC122. This error occurs when out of paper is detected during bypass printing. If this error occurs even when paper is loaded within 20 s after the MANUAL FEED STOP SENSOR is turned OFF, check the following and perform the subsequent procedures.

### Check Items

- Check the MANUAL NO PAPER SENSOR (PL2.3) for improper installation, contamination, and foreign substances.
- Check whether an out of spec paper is being used.

### Procedure

Enter IOT DC330 [075-100].

Block the MANUAL NO PAPER SENSOR by using a sheet of blank paper.

**Does the display of IOT DC330 [075-100] change from "H" to "L"?**

**Y N**

Go to the Reflective Sensor Failure FIP and check the MANUAL NO PAPER SENSOR (PL2.3).

Replace the IOT PWB (PL8.1).

## 075-941 MSI Size Mismatch

Reference BSD: CH7.3, CH7.5

**Note** It is no problem if this error is recorded in IOT DC122. This error occurs when paper with width narrower than the image width is loaded during bypass printing. When the machine has a failure or this error occurs frequently, perform the following procedures.

### Check Items

- Check the MANUAL 30" SENSOR (PL2.3), MANUAL A1 SENSOR (PL2.3), MANUAL A2 SENSOR (PL2.3), and MANUAL A3 SENSOR (PL2.3) for improper installation, contamination, and foreign substances.
- Check whether an out of spec paper is being used.

### Procedure

Enter IOT DC330 [075-104].

Block the MANUAL 30" SENSOR by using a sheet of blank paper.

**Does the display of IOT DC330 [075-104] change from "H" to "L"?**

**Y N**

| Go to the Reflective Sensor Failure FIP and check the MANUAL 30" SENSOR (PL2.3).

Enter IOT DC330 [075-103].

Block the MANUAL A1 SENSOR by using a sheet of blank paper.

**Does the display of IOT DC330 [075-103] change from "H" to "L"?**

**Y N**

| Go to the Reflective Sensor Failure FIP and check the MANUAL A1 SENSOR (PL2.3).

Enter IOT DC330 [075-102].

Block the MANUAL A2 SENSOR by using a sheet of blank paper.

**Does the display of IOT DC330 [075-102] change from "H" to "L"?**

**Y N**

| Go to the Reflective Sensor Failure FIP and check the MANUAL A2 SENSOR (PL2.3).

A

A

Enter IOT DC330 [075-101].

Block the MANUAL A3 SENSOR by using a sheet of blank paper.

**Does the display of IOT DC330 [075-101] change from "H" to "L"?**

**Y N**

| Go to the Reflective Sensor Failure FIP and check the MANUAL A3 SENSOR (PL2.3).

Replace the IOT PWB (PL8.1).

## 077-100 RFC Vertical Jam Sensor ON Jam

Reference BSD: CH8.5, CH4.1, CH8.8

### Check Items

- Check the RFC VERTICAL JAM SENSOR (PL10.3) for improper installation, contamination, and foreign substances.
- Check the paper transport path for anything that might obstruct the paper.
- Check the RFC 2 TAKE AWAY ROLL (PL10.1) for contamination, wear, and revolution failure.
- Check the GEAR (PL1.1/PL 10.1), BELT (PL1.1/PL 10.1), and etc. for disengagement and damage.
- Check whether an out of spec paper is being used.

### Procedure

Enter IOT DC330 [071-106].

Block the RFC VERTICAL JAM SENSOR by using a sheet of blank paper.

**Does the display of IOT DC330 [071-106] change from "H" to "L"?**

**Y N**

| Go to the Reflective Sensor Failure FIP and check the RFC VERTICAL JAM SENSOR (PL10.3).

Enter IOT DC330 [091-001] and turn it ON.

**Is the MAIN MOTOR rotating?**

**Y N**

| Go to 077-310 Main Motor Fail FIP.

While keeping IOT DC330 [091-001] turned ON, enter IOT DC330 [071-006] and turn it ON.

**Is the RFC 2 TAKE AWAY ROLL rotating?**

**Y N**

| Go to the Solenoid/Clutch Not Energized FIP and check the RFC TAKEAWAY CLUTCH (PL1.1).

Replace the IOT PWB (PL8.1).

## 077-101 RFC Page Sync Sensor ON Jam

Reference BSD: CH8.7, CH4.1, CH8.5, CH8.8

### Check Items

- Check the RFC PAGE SYNC SENSOR (PL2.4) for improper installation, contamination, and foreign substances.
- Check the paper transport path for anything that might obstruct the paper.
- Check the RFC 1 TAKE AWAY ROLL (PL10.1) for contamination, wear, and revolution failure.
- Check the GEAR (PL1.1/PL 10.1), BELT (PL1.1/PL 10.1), and etc. for disengagement and damage.
- Check whether an out of spec paper is being used.

### Procedure

Enter IOT DC330 [077-100].

Block the RFC PAGE SYNC SENSOR by using a sheet of blank paper.

**Does the display of IOT DC330 [077-100] change from "H" to "L"?**

**Y N**

Go to the Reflective Sensor Failure FIP and check the RFC PAGE SYNC SENSOR (PL2.4).

Enter IOT DC330 [091-001] and turn it ON.

**Is the MAIN MOTOR rotating?**

**Y N**

Go to 077-310 Main Motor Fail FIP.

While keeping IOT DC330 [091-001] turned ON, enter IOT DC330 [071-006] and turn it ON.

**Is the RFC 1 TAKE AWAY ROLL rotating?**

**Y N**

Go to the Solenoid/Clutch Not Energized FIP and check the RFC TAKEAWAY CLUTCH (PL1.1).

Replace the IOT PWB (PL8.1).

## 077-103 Exit Jam Switch ON Jam

Reference BSD: CH10.6, CH10.2, CH10.8

### Check Items

- Check the EXIT JAM SWITCH (PL7.4) for improper installation, bent Actuator, and foreign substances.
- Check the paper transport path for anything that might obstruct the paper.
- Check the PRESSURE ROLL (PL7.2) and HEAT ROLL (PL7.2) for contamination, wear, and revolution failure.
- Check the GEAR (PL7.2), BELT (PL7.2), and etc. for disengagement and damage.
- Check whether an out of spec paper is being used.

### Procedure

Enter IOT DC330 [010-208].

Activate the EXIT JAM SWITCH Actuator and turn the switch OFF then ON.

**Does the display of IOT DC330 [010-208] change between "H" and "L"?**

**("H": Paper detected/"L": Paper not detected)**

**Y N**

Go to Switch (Normal Open) Fail FIP and check the EXIT JAM SWITCH (PL7.4).

Enter IOT DC330 [010-011 to 013] and rotate the FUSING DRIVE MOTOR by combining output signals (Bit0, Bit1, and Bit2).

(Refer to Chapter 7 BSD CH10.2.)

**Are the HEAT ROLL and PRESSURE ROLL rotating?**

**Y N**

Go to 010-324 Fusing Drive Motor Error FIP.

Replace the IOT PWB (PL8.1).

## 077-104 RFC Vertical Jam Sensor OFF Jam

Reference BSD: CH8.5, CH4.1, CH8.8

### Check Items

- Check the RFC VERTICAL JAM SENSOR (PL10.3) for improper installation, contamination, and foreign substances.
- Check the paper transport path for anything that might obstruct the paper.
- Check the RFC 1 TAKE AWAY ROLL (PL10.1) for contamination, wear, and revolution failure.
- Check the GEAR (PL1.1/PL 10.1), BELT (PL1.1/PL 10.1), and etc. for disengagement and damage.
- Check whether an out of spec paper is being used.

### Procedure

Enter IOT DC330 [071-106].

Block the RFC VERTICAL JAM SENSOR by using a sheet of blank paper.

**Does the display of IOT DC330 [071-106] change from "H" to "L"?**

**Y N**

Go to the Reflective Sensor Failure FIP and check the RFC VERTICAL JAM SENSOR (PL10.3).

Enter IOT DC330 [091-001] and turn it ON.

**Is the MAIN MOTOR rotating?**

**Y N**

Go to 077-310 Main Motor Fail FIP.

While keeping IOT DC330 [091-001] turned ON, enter IOT DC330 [071-006] and turn it ON.

**Is the RFC 1 TAKE AWAY ROLL rotating?**

**Y N**

Go to the Solenoid/Clutch Not Energized FIP and check the RFC TAKEAWAY CLUTCH (PL1.1).

Replace the IOT PWB (PL8.1).

## 077-105 RFC Page Sync Sensor OFF Jam

Reference BSD: CH8.7, CH4.1, CH8.8

### Check Items

- Check the RFC PAGE SYNC SENSOR (PL2.4) for improper installation, contamination, and foreign substances.
- Check the paper transport path for anything that might obstruct the paper.
- Check the REGI ROLL (PL2.1) for contamination, wear, and revolution failure.
- Check the GEAR (PL1.1), BELT (PL1.1), and etc. for disengagement and damage.
- Check whether an out of spec paper is being used.

### Procedure

Enter IOT DC330 [077-100].

Block the RFC PAGE SYNC SENSOR by using a sheet of blank paper.

**Does the display of IOT DC330 [077-100] change from "H" to "L"?**

**Y N**

Go to the Reflective Sensor Failure FIP and check the RFC PAGE SYNC SENSOR (PL2.4).

Enter IOT DC330 [091-001] and turn it ON.

**Is the REGI ROLL rotating?**

**Y N**

Go to 077-310 Main Motor Fail FIP.

Replace the IOT PWB (PL8.1).

## 077-106 Exit Jam Switch OFF Jam

Reference BSD: CH10.6, CH10.2, CH10.8

### Check Items

- Check the EXIT JAM SWITCH (PL7.4) for improper installation, bent Actuator, and foreign substances.
- Check the paper transport path for anything that might obstruct the paper.
- Check the FUSING EXIT ROLL (PL7.2) for contamination, wear, and revolution failure.
- Check the GEAR (PL7.2), BELT (PL7.2), and etc. for disengagement and damage.
- Check whether an out of spec paper is being used.

### Procedure

Enter IOT DC330 [010-208].

Activate the EXIT JAM SWITCH Actuator and turn the switch OFF then ON.

**Does the display of IOT DC330 [010-208] change between "H" and "L"?**

**("H": Paper detected/"L": Paper not detected)**

**Y N**

Go to Switch (Normal Open) Fail FIP and check the EXIT JAM SWITCH (PL7.4).

Enter IOT DC330 [010-011 to 013] and rotate the FUSING DRIVE MOTOR by combining output signals (Bit0, Bit1, and Bit2).

(Refer to Chapter 7 BSD CH10.2.)

**Is the FUSING EXIT ROLL rotating?**

**Y N**

Go to 010-324 Fusing Drive Motor Error FIP.

Replace the IOT PWB (PL8.1).

## 077-107 Exit Motion Sensor Jam

Reference BSD: CH10.6, CH10.2, CH10.8

### Check Items

- Check the EXIT MOTION SENSOR (PL7.4) for improper installation, contamination, and foreign substances.
- Check the SENSOR WHEEL of EXIT MOTION SENSOR (PL7.4) for damage, contamination, and revolution failure.
- Check the paper transport path for anything that might obstruct the paper.
- Check the PRESSURE ROLL (PL7.2), HEAT ROLL (PL7.2), and FUSING EXIT ROLL (PL7.2) for contamination, wear, and revolution failure.
- Check whether an out of spec paper is being used.

### Procedure

Remove the SENSOR WHEEL of EXIT MOTION SENSOR and remove the block from the sensor light path.

Use a sheet of blank paper to block/clear the light path to the sensor.

**Does the voltage between the IOT PWB J442-19 (+) and GND (-) change between +5VDC (when the light is blocked) and 0VDC (when it is clear)?**

**Y N**

Go to the Permeable Sensor Failure FIP and check the EXIT MOTION SENSOR (PL7.4).

Install the SENSOR WHEEL of EXIT MOTION SENSOR. Enter IOT DC330 [010-011 to 013] and rotate the FUSING DRIVE MOTOR by combining output signals (Bit0, Bit1, and Bit2).

(Refer to Chapter 7 BSD CH10.2.)

**Is the FUSING DRIVE MOTOR rotating?**

**Y N**

Go to 010-324 Fusing Drive Motor Error FIP.

Replace the IOT PWB (PL8.1).

## 077-300 Swing Frame Interlock Open

Reference BSD: CH1.11, CH1.14

### Check Items

- Check the SWING FRAME INTERLOCK SWITCH (PL8.3) for improper installation, contamination, and foreign substances.

### Procedure

Enter IOT DC330 [077-300].

Cheat the SWING FRAME INTERLOCK SWITCH.

**Does the display of IOT DC330 [077-300] change from "H" to "L"?**

Y N

**Is the voltage between the SWING FRAME INTERLOCK SWITCH J255-2A (+) and the GND (-) +5VDC?**

Y N

Check the connection between the IOT PWB J442-2 and the SWING FRAME INTERLOCK SWITCH J255-2A for open circuit and poor contact. If no problems are found, replace the IOT PWB (PL8.1).

**Is the voltage between the SWING FRAME INTERLOCK SWITCH J255-2B (+) and the GND (-) +5VDC?**

Y N

Replace the SWING FRAME INTERLOCK SWITCH (PL8.3).

Check the 5V RTN circuit to the SWING FRAME INTERLOCK SWITCH J255-2B by referring to Chapter 7 Wirenet.

Check the SWING FRAME (PL11.1) for closing status and foreign substances, as well as the INTERLOCK SWITCH ACTUATOR (PL6.1) for deformation and improper installation. If no problems are found, replace the IOT PWB (PL8.1).

## 077-301 Fusing Cover Interlock Open

Reference BSD: CH1.11, CH1.14

### Check Items

- Check the FUSING COVER INTERLOCK SWITCH (PL8.4) for improper installation, contamination, and foreign substances.

### Procedure

Enter IOT DC330 [077-301].

Cheat the FUSING COVER INTERLOCK SWITCH.

**Does the display of IOT DC330 [077-301] change from "H" to "L"?**

Y N

**Is the voltage between the FUSING COVER INTERLOCK SWITCH J256-2A (+) and the GND (-) +5VDC?**

Y N

Check the connection between the IOT PWB J442-3 and the FUSING COVER INTERLOCK SWITCH J256-2A for open circuit and poor contact. If no problems are found, replace the IOT PWB (PL8.1).

**Is the voltage between the FUSING COVER INTERLOCK SWITCH J256-2B (+) and the GND (-) +5VDC?**

Y N

Replace the FUSING COVER INTERLOCK SWITCH (PL8.4).

Check the 5V RTN circuit to the FUSING COVER INTERLOCK SWITCH J256-2B by referring to Chapter 7 Wirenet.

Check the FUSING COVER (PL9.1) for closing status, foreign substances, deformation, and improper installation. If no problems are found, replace the IOT PWB (PL8.1).

## 077-302 Front Door Interlock Open

Reference BSD: CH1.11, CH1.14

### Check Items

- Check the FRONT DOOR L/H INTERLOCK SWITCH (PL9.1) and FRONT DOOR R/H INTERLOCK SWITCH (PL9.1) for improper installation, contamination, and foreign substances.

### Procedure

Enter IOT DC330 [077-302].

Cheat the FRONT DOOR L/H INTERLOCK SWITCH and FRONT DOOR R/H INTERLOCK SWITCH.

**Does the display of IOT DC330 [077-302] change from "H" to "L"?**

Y N

**Is the voltage between the FRONT DOOR L/H INTERLOCK SWITCH J253-2A (+) and the GND (-) +5VDC?**

Y N

Check the connection between the IOT PWB J442-4 and the FRONT DOOR L/H INTERLOCK SWITCH J253-2A for open circuit and poor contact. If no problems are found, replace the IOT PWB (PL8.1).

**Is the voltage between the FRONT DOOR L/H INTERLOCK SWITCH J253-2B (+) and the GND (-) +5VDC?**

Y N

Replace the FRONT DOOR L/H INTERLOCK SWITCH (PL9.1).

**Is the voltage between the FRONT DOOR R/H INTERLOCK SWITCH J254-2A (+) and the GND (-) +5VDC?**

Y N

Check the connection between the FRONT DOOR R/H INTERLOCK SWITCH J254-2A and the FRONT DOOR L/H INTERLOCK SWITCH J253-2B for open circuit and poor contact.

A

B



A B  
Is the voltage between the FRONT DOOR R/H INTERLOCK SWITCH J254-2B (+) and the GND (-) +5VDC?  
Y N  
Replace the FRONT DOOR R/H INTERLOCK SWITCH (PL9.1).  
Check the 5V RTN circuit to the FRONT DOOR R/H INTERLOCK SWITCH J254-2B by referring to Chapter 7 Wirenet.

Check the FRONT LEFT DOOR (PL9.1) and FRONT RIGHT DOOR (PL9.1) for closing status, foreign substances, deformation, and improper installation.  
If no problems are found, replace the IOT PWB (PL8.1).

### 077-303 H-Tra Interlock Open

Reference BSD: CH10.1, CH10.8

#### Check Items

- Check the H-TRA OPEN SENSOR (PL2.5) for improper installation, contamination, and foreign substances.

#### Procedure

Enter IOT DC330 [077-303].

Open the HORIZONTAL LOWER BAFFLE and remove the block from the H-TRA OPEN SENSOR light path.

Use a sheet of blank paper to block/clear the light path to the sensor.

Does the display of IOT DC330 [077-303] change between "H" and "L"?

Y N

Go to the Permeable Sensor Failure FIP and check the H-TRA OPEN SENSOR (PL2.5).

Check the HORIZONTAL LOWER BAFFLE (PL2.1) for closing status, foreign substances, and improper installation.

If no problems are found, replace the IOT PWB (PL8.1).

### 077-304 Swing Frame Interlock Open (During Printing)

Reference BSD: CH1.11, CH1.14

#### Procedure

Go to 077-300 Swing Frame Interlock Open FIP.

### 077-305 Fusing Cover Interlock Open (During Printing)

Reference BSD: CH1.11, CH1.14

#### Procedure

Go to 077-301 Fusing Cover Interlock Open FIP.

### 077-306 Front Door Interlock Open (During Printing)

Reference BSD: CH1.11, CH1.14

#### Procedure

Go to 077-302 Front Door Interlock Open FIP.

### 077-307 H-Tra Interlock Open (During Printing)

Reference BSD: CH10.1, CH10.8

#### Procedure

Go to 077-303 H-Tra Interlock Open FIP.

## 077-310 Main Motor Fail

Reference BSD: CH4.1, CH1.7, CH4.2

**Note** When the SWING FRAME INTERLOCK SWITCH and the FUSING COVER INTERLOCK SWITCH are open, the INTLK ON +24VDC is cut off and thus, the MAIN MOTOR does not turn ON. Keep the SWING FRAME and the FUSING COVER closed during Diag and during voltage measurement.

### Procedure

Turn the power OFF. Open the SWING FRAME.

Turn the rotor of the MAIN MOTOR manually.

**Does it rotate with no overload?**

**Y N**  
Check the following:

- The MAIN MOTOR AND DEVE. CLUTCH (PL1.2) for gear bite.
- The CLEANER BLADE (PL6.4) for curling.
- The XERO MODULE (PL6.1) for gear bite.

Close the SWING FRAME.

Turn the rotor of the MAIN MOTOR manually.

**Does it rotate with no overload?**

**Y N**  
Check the following:

- The gear bite with the BTR (PL6.3).
- The gear bite with the RFC TAKE AWAY CLUTCH (PL1.1).

Turn the power ON.

Enter IOT DC330 [091-001] and turn it ON.

**Is the MAIN MOTOR rotating?**

**Y N**  
**Is the voltage between the MAIN MOTOR J391-1 (+) and J391-2 (-) +24VDC?**

**Y N**  
Check the +24VDC circuit to the MAIN MOTOR J391-1 and the 24V RTN circuit to J391-2 by referring to Chapter 7 Wirenet.

A B

A

**B**  
**Is the voltage between the MAIN MOTOR J391-3 (+) and GND (-) +5VDC?**

**Y N**  
Check the +5VDC circuit to the MAIN MOTOR J391-3 by referring to Chapter 7 Wirenet.

**Is the voltage between the RFC MOTOR PWB J560-2 (+) and GND (-) +5VDC?**

**Y N**  
Check the +5VDC circuit to the RFC MOTOR PWB J560-2 by referring to Chapter 7 Wirenet.

**Is the voltage between the RFC MOTOR PWB J561-7 (+) and GND (-) 0VDC at MOTOR ON?**

**Y N**  
**Is the voltage between the IOT PWB J445-19 (+) and GND (-) +5VDC when the MOTOR is turned ON?**

**Y N**  
Check the connection between the IOT PWB J445-19 and the RFC MOTOR PWB J561-7 for open circuit and poor contact.  
Replace the IOT PWB (PL8.1).

**Is the voltage between the MAIN MOTOR J391-5 (+) and GND (-) 0VDC when the MOTOR is turned ON?**

**Y N**  
**Is the voltage between the RFC MOTOR PWB J562-2 (+) and GND (-) +5VDC at MOTOR ON?**

**Y N**  
Check the connection between the MAIN MOTOR J391-5 and the RFC MOTOR PWB J562-2 for open circuit and poor contact.  
Replace the RFC MOTOR PWB (PL8.5).

**Is the Clock frequency of the MAIN MOTOR J391-6 approx. 847Hz when the MOTOR is turned ON?**

**Y N**  
Check the connection between the MAIN MOTOR J391-6 and the RFC MOTOR PWB J562-3 for open circuit and poor contact.  
If no problems are found, replace the RFC MOTOR PWB (PL8.5). If the problem persists, replace the MAIN MOTOR AND DEVE. CLUTCH (PL1.2).

Replace the MAIN MOTOR AND DEVE. CLUTCH (PL1.2).

C

C

**Is the voltage between the IOT PWB J442-15 (+) and GND (-) 0VDC when the MOTOR is rotating?**

**Y N**  
Check the connection between the MAIN MOTOR J391-7 and the IOT PWB J442-15 for open circuit and poor contact.  
If no problems are found, replace the MAIN MOTOR AND DEVE. CLUTCH (PL1.2).  
Replace the IOT PWB (PL8.1).

## 077-900 Static Jam

### 077-901 Static Jam (Low Power Mode)

### 077-902 Static Jam (After Paper Output)

Reference BSD: CH8.2, CH8.4, CH8.5, CH8.6, CH8.7, CH10.1, CH10.6, CH7.5

**Note** The MANUAL FEED STOP SENSOR does not detect Static Jam when it has recovered from Low Power Mode.

#### Check Items

- Check to see whether there is any remaining paper, paper dust, or foreign substances on the paper transport path.
- Check whether the voltage of the customer's power supply and the +5V LVPS (5B) has fallen
- Check the following sensors for improper installation, contamination, and foreign substances.
  - ROLL 1 CUT TRIGGER SENSOR (PL10.4)
  - ROLL 2 CUT TRIGGER SENSOR (PL10.4)
  - RFC VERTICAL JAM SENSOR (PL10.3)
  - MANUAL FEED STOP SENSOR (PL2.3)
  - MANUAL PAGE SYNC SENSOR (PL2.4)
  - RFC PAGE SYNC SENSOR (PL2.4)
  - H-TRA JAM SENSOR (PL2.5)
  - EXIT JAM SWITCH (PL7.4)

#### Procedure

Enter IOT DC330 [071-105].

Block the ROLL 1 CUT TRIGGER SENSOR by using a sheet of blank paper.

**Does the display of IOT DC330 [071-105] change from "H" to "L"?**

**Y N**

Go to the Reflective Sensor Failure FIP and check the ROLL 1 CUT TRIGGER SENSOR (PL10.4).

Enter IOT DC330 [072-105].

Block the ROLL 2 CUT TRIGGER SENSOR by using a sheet of blank paper.

**Does the display of IOT DC330 [072-105] change from "H" to "L"?**

**Y N**

Go to the Reflective Sensor Failure FIP and check the ROLL 2 CUT TRIGGER SENSOR (PL10.4).

A

A

Enter IOT DC330 [071-106].

Block the RFC VERTICAL JAM SENSOR by using a sheet of blank paper.

**Does the display of IOT DC330 [071-106] change from "H" to "L"?**

**Y N**

Go to the Reflective Sensor Failure FIP and check the RFC VERTICAL JAM SENSOR (PL10.3).

Enter IOT DC330 [075-105].

Block the MANUAL FEED STOP SENSOR by using a sheet of blank paper.

**Does the display of IOT DC330 [075-105] change from "H" to "L"?**

**Y N**

Go to the Reflective Sensor Failure FIP and check the MANUAL FEED STOP SENSOR (PL2.3).

Enter IOT DC330 [075-106].

Block the MANUAL PAGE SYNC SENSOR by using a sheet of blank paper.

**Does the display of IOT DC330 [075-106] change from "H" to "L"?**

**Y N**

Go to the Reflective Sensor Failure FIP and check the MANUAL PAGE SYNC SENSOR (PL2.4).

Enter IOT DC330 [077-100].

Block the RFC PAGE SYNC SENSOR by using a sheet of blank paper.

**Does the display of IOT DC330 [077-100] change from "H" to "L"?**

**Y N**

Go to the Reflective Sensor Failure FIP and check the RFC PAGE SYNC SENSOR (PL2.4).

Enter IOT DC330 [077-101].

Move the H-TRA JAM SENSOR Actuator manually to block/clear the light path to the sensor.

**Does the display of IOT DC330 [077-101] change between "H" and "L"?**

**Y N**

Go to the Permeable Sensor Failure FIP and check the H-TRA JAM SENSOR (PL2.5).

B

B

Enter IOT DC330 [010-208].

Activate the EXIT JAM SWITCH Actuator and turn the switch OFF then ON.

**Does the display of IOT DC330 [010-208] change between "H" and "L"?**

**("H": Paper detected/"L": Paper not detected)**

**Y N**

Go to Switch (Normal Open) Fail FIP and check the EXIT JAM SWITCH (PL7.4).

Replace the IOT PWB (PL8.1).

### 091-300 Rear Top Cover Open

#### 091-301 Rear Top Cover Open (During Printing)

Reference BSD: CH1.13, CH1.14

#### Check Items

- Check the REAR TOP COVER SENSOR (PL9.3) for improper installation, contamination, and foreign substances.

#### Procedure

Enter IOT DC330 [091-300].

Block the REAR TOP COVER SENSOR by using a sheet of blank paper.

**Does the display of IOT DC330 [091-300] change from "H" to "L"?**

**Y    N**

Go to the Reflective Sensor Failure FIP and check the REAR TOP COVER SENSOR (PL9.3).

Check the PLATE (PL9.3), etc. of the REAR TOP COVER (PL9.3) and the LEVER COVER (PL9.3) for deformation and improper installation.

If no problems are found, replace the IOT PWB (PL8.1).

### 091-310 Open Air Sensor Fail 1 (Humidity)

#### 091-311 Open Air Sensor Fail 2 (Humidity)

#### 091-312 Open Air Sensor Disconnect Fail

#### 091-313 Open Air Sensor Short Circuit Fail

Reference BSD: CH9.4, CH9.5

#### Check Items

- Check the OPEN AIR SENSOR (PL8.5) for improper installation, contamination, and foreign substances.

#### Procedure

**Is the voltage between the OPEN AIR SENSOR J193-1 (+) and GND (-) +5VDC?**

**Y    N**

Check the +5VDC circuit to the OPEN AIR SENSOR J193-1 by referring to Chapter 7 Wirenet.

Check the following connection for poor contact, open circuit, and short circuit.

- Between the IOT PWB J447-23 and the OPEN AIR SENSOR J193-2.
- Between the IOT PWB J447-21 and the OPEN AIR SENSOR J193-4.
- Between the IOT PWB J447-24 and the OPEN AIR SENSOR J193-3.

If no problems are found, replace the OPEN AIR SENSOR (PL8.5). If the problem persists, replace the IOT PWB (PL8.1).

### 091-910 Toner Empty

Reference BSD: CH9.2, CH9.5

**Note** Perform this procedure when this error occurs even after supplying enough toner.

#### Check Items

- Check whether toner in the DEVELOPER ASSEMBLY (PL5.2) is not inclined.
- Check whether an out of spec toner is being used.
- Check the TONER EMPTY SENSOR (PL5.2) for improper installation, contamination, and foreign substances.

#### Procedure

**Is the voltage between the TONER EMPTY SENSOR J191-1 (+) and J191-3 (-) +24VDC?**

**Y    N**

Check the +24VDC circuit to the TONER EMPTY SENSOR J191-1 and the 5V RTN circuit to J191-3 by referring to Chapter 7 Wirenet.

Check the connection between the IOT PWB J442-16 and the TONER EMPTY SENSOR J191-4 for open circuit and poor contact.

If no problems are found, replace the TONER EMPTY SENSOR (PL5.2). If the problem persists, replace the IOT PWB (PL8.1).

## 091-911 Toner Pot Full

Reference BSD: CH9.4, CH9.5

**Note** Before performing this procedure, check that the toner in the TONER BOTTLE is not filled up to the TONER POT FULL SENSOR position.

### Check Items

- Check the TONER POT FULL SENSOR (PL6.1) for improper installation, contamination, and foreign substances.

### Procedure

Enter IOT DC330 [091-202].

Remove the TONER BOTTLE and remove the block from the TONER POT FULL SENSOR light path.

Use a sheet of blank paper to block/clear the light path to the sensor.

**Does the display of IOT DC330 [091-202] change between "H" and "L"?**

**Y    N**

Go to the Permeable Sensor Failure FIP and check the TONER POT FULL SENSOR (PL6.1).

Clean the sensor detecting area of the TONER BOTTLE (PL6.1).

If the problem persists, replace the IOT PWB (PL8.1).

<CP-Cont>

**103-311 CP Cont-IIT Communication Fail**

Reference BSD: CH3.1, CH3.9

**Procedure**

1. Check the IIT USB CABLE (PL8.3) between the CP CONTROL PWB J414 (UPPER) and the IIT PWB J746 for open circuit and poor contact.
2. Perform re-installation of firmware.  
(Refer to 6.7 "Firmware Installation".)
3. If the problem persists, replace the following parts in sequence:
  - IIT PWB (PL3.1)
  - CP CONTROL PWB (PL8.6)

**121-311 EPSV Communication Fail**

Reference BSD: CH3.4, CH3.5, CH3.9

**Check Items**

- Check whether an out of spec accessory is connected.

**Procedure**

**Are the voltages between the WF02 PWB P411-14 (+) and P411-13 (-) +24VDC?**

**Y N**

Check the +24VDC circuit to the WF02 PWB P411-14 and the 24V RTN circuit to P411-13 by referring to Chapter 7 Wirenet.

**Are the voltages between the WF02 PWB P411-8,9 (+) and GND (-) +5VDC?**

**Y N**

Check the +5VDC circuit to the WF02 PWB P411-8,9 by referring to Chapter 7 Wirenet.

Check the following connection for open circuit and poor contact.

- Between the WF01 PWB J403 and the WF02 PWB J413.
- Between the connector P2 and the accessory P1 or J1.

If no problems are found, replace the following parts in sequence:

- Accessories
- WF01 PWB (PL8.6)
- WF02 PWB (PL8.6)

**124-311 CP Cont-IOT Communication Fail**

Reference BSD: CH3.1, CH3.9

**Procedure**

1. Check the IOT USB CABLE (PL8.3) between the CP CONTROL PWB J414 (LOWER) and the IOT PWB J451 for open circuit and poor contact.
2. Perform re-installation of firmware.  
(Refer to 6.7 "Firmware Installation".)
3. If the problem persists, replace the following parts in sequence:
  - IOT PWB (PL8.1)
  - CP CONTROL PWB (PL8.6)

### 2.3.3 Other FIP

#### Not Powered Failure FIP

Reference BSD: CH1.1, CH1.9, CH1.2, CH1.3

##### Procedure

Is the CIRCUIT BREAKER turned ON?

Y N

Turn the CIRCUIT BREAKER ON. If the CIRCUIT BREAKER is turned OFF after Power ON, check the AC circuit for short circuit by referring to Chapter 7 Wirenet.

Does the voltage between the INLET J21-1 and J22-1 satisfy the power supply AC listed in the spec?

Y N

Unplug the POWER CORD from the outlet.

Does the voltage at the outlet satisfy the power supply AC listed in the spec?

Y N

Check the customer's breaker.

Check the POWER CORD (PL8.1) for open circuit and poor contact.

Does the voltage between the CIRCUIT BREAKER J23-1 and J23-2 satisfy the power supply AC listed in the spec?

Y N

Check the following connection for open circuit and poor contact.

- Between the INLET J21-1 and the CIRCUIT BREAKER J23-1.
- Between the INLET J22-1 and the CIRCUIT BREAKER J23-2.

Does the voltage between the CIRCUIT BREAKER J24-2 and J24-1 satisfy the power supply AC listed in the spec?

Y N

Replace the INLET AND BREAKER (PL8.1).

Does the voltage between the AC FILTER PWB T75 and T74 satisfy the power supply AC listed in the spec?

Y N

Check the following connection for open circuit and poor contact.

- Between the CIRCUIT BREAKER J24-2 and the AC FILTER PWB T75.
- Between the CIRCUIT BREAKER J24-1 and the AC FILTER PWB T74.

A

A

Does the voltage between the AC FILTER PWB T77 and T76 satisfy the power supply AC listed in the spec?

Y N

Replace the AC FILTER PWB (PL8.1).

Does the voltage between the AC RELAY PWB J25-1 and J25-3 satisfy the power supply AC listed in the spec?

Y N

Check the following connection for open circuit and poor contact.

- Between the AC FILTER PWB T77 and the AC RELAY PWB J25-1.
- Between the AC FILTER PWB T76 and the AC RELAY PWB J25-3.

Does the voltage between the AC RELAY PWB J10-1 and J10-10 satisfy the power supply AC listed in the spec?

Y N

Replace the AC RELAY PWB (PL8.1).

Does the voltage between the +24V LVPS (24A) J1-1 and J1-3 satisfy the power supply AC listed in the spec?

Y N

Check the following connection for open circuit and poor contact.

- Between the AC RELAY PWB J10-1 and the +24V LVPS (24A) J1-1.
- Between the AC RELAY PWB J10-10 and the +24V LVPS (24A) J1-3.

Is the voltage between the +24V LVPS (24A) J501-1 (+) and J501-7 (-) +24VDC?

Y N

Replace the +24V LVPS (24A) (PL8.1).

Are the voltages between the CP CONTROL PWB P512-1 (+) and P512-2 (-) +24VDC?

Y N

Check the following connection for open circuit and poor contact.

- Between the +24V LVPS (24A) J501-1 and the CP CONTROL PWB P512-1.
- Between the +24V LVPS (24A) J501-7 and the CP CONTROL PWB P512-2.

B

B

Turn ON the MAIN SWITCH.

Is the voltage between the CP CONTROL LVPS J516-14 (+) and GND (-) +5VDC?

Y N

Is the voltage between the CP CONTROL LVPS J513-2 (+) and GND (-) 0VDC?

Y N

Check the circuit to J513-2 of the CP CONTROL LVPS.

Replace the CP CONTROL LVPS (PL8.6).

Is the voltage between the CP CONTROL PWB J405-9 (+) and GND (-) +5VDC?

Y N

Check the connection between the CP CONTROL LVPS J516-14 and the CP CONTROL PWB J405-9 for open circuit and poor contact.

Is the voltage between the CP CONTROL LVPS J516-12 (+) and GND (-) 0VDC?

Y N

Is the voltage between the CP CONTROL PWB J405-16 (+) and GND (-) +5VDC?

Y N

Check the connection between the CP CONTROL PWB J405-16 and the CP CONTROL LVPS J516-12 for open circuit and poor contact.

Replace the CP CONTROL PWB (PL8.6).

Check the voltage between the following pin (+) and GND (-).

- J515-1 of the CP CONTROL LVPS (+24VDC)
- J515-10 of the CP CONTROL LVPS (+5VDC)
- J516-2,3,13 of the CP CONTROL LVPS (+3.3VDC)
- J516-4,15,16 of the CP CONTROL LVPS (+5VDC)
- J516-11,21,22 of the CP CONTROL LVPS (+12VDC)

Are the voltage values correct?

Y N

Replace the CP CONTROL LVPS (PL8.6).

C

### 2.3 2.3

#### Level 2 Troubleshooting Chapter 2 Troubleshooting

C

**Is the voltage between the AC RELAY PWB J550-2 (+) and GND (-) 0VDC?**

Y N

Check the connection between the CP CONTROL LVPS J513-1 and the AC RELAY PWB J550-2 for open circuit and poor contact.

If no problems are found, replace the CP CONTROL LVPS (PL8.6).

**Is the voltage between the AC RELAY PWB J550-1 (+) and GND (-) +24VDC?**

Y N

Check the +24VDC circuit to the AC RELAY PWB J550-1 by referring to Chapter 7 Wirenet.

Check the AC circuit from the AC RELAY PWB by referring to Chapter 7 Wirenet.

If no problems are found, replace the AC RELAY PWB (PL8.1).

## Nothing Displayed in UI Panel FIP

Reference BSD: CH1.3, CH2.4, CH2.3

### Procedure

Turn the power ON.

**Are the voltages between the WF02 PWB J413-A13 (+) and GND (-) +5VDC?**

Y N

Check the +5VDC circuit to the WF02 PWB J413-A13 by referring to Chapter 7 Wirenet.

**Are the voltages between the WF02 PWB J412-B9,B10 (+) and GND (-) +3.3VDC?**

Y N

Check the +3.3VDC circuit to the WF02 PWB J412-B9,B10 by referring to Chapter 7 Wirenet.

**Are the voltages between the WF02 PWB J413-A7 (+) and GND (-) +2.7VDC?**

Y N

Check the connection between the WF01 PWB J403-A7 and the WF02 PWB J413-A7 for open circuit and poor contact.

If no problems are found, replace the following parts in sequence:

- WF01 PWB (PL8.6)
- CP CONTROL PWB (PL8.6)

**Are the voltages between the WF02 PWB J413-B3 (+) and GND (-) +5VDC?**

Y N

Check the +5VDC circuit to the WF02 PWB J413-B3 by referring to Chapter 7 Wirenet.

**Are the voltages between the WF02 PWB J413-A9 (+) and GND (-) +24VDC?**

Y N

Check the +24VDC circuit to the WF02 PWB J413-A9 by referring to Chapter 7 Wirenet.

A

A

Check the following connection for open circuit and poor contact.

- Between the WF02 PWB J410 and the UI I/F PWB J1.
- Between the UI I/F PWB J9 and the UI LED BACK LIGHT PWB J18.
- Between the UI I/F PWB J7 and the S104 LCD MODULE J17.
- Between the UI LED BACK LIGHT PWB J19 and the S104 LCD MODULE.

If no problems are found, replace the following parts in sequence:

- UI I/F PWB (PL12.3)
- WF02 PWB (PL8.6)
- UI LED BACK LIGHT PWB (PL12.3)
- LCD MODULE (PL12.3)
- CP CONTROL PWB (PL8.6)



## HEATER Lamp Not Turn On Failure FIP (100-120V)

Reference BSD: CH10.3

**Note** When the SWING FRAME INTERLOCK SWITCH and the FUSING COVER INTERLOCK SWITCH are open, the INTLK ON +24VDC is cut off and thus, the HEATER ROD does not turn ON. Cheat the INTERLOCK SWITCH during Diag and voltage measurement.

### Check Items

- Check that IOT DC120 and IOT DC122[010-310 to 315, 318 to 321] (HEAT ROLL THERMISTOR or OVER HEAT THERMOSTAT Open Circuit and Overheat Error) have not occurred.

### Procedure

Enter IOT DC330 [010-001] and turn it ON. (It turns OFF 5 s later.)

**Did the SIDE HEATER ROD turn ON?**

**Y N**  
Is the voltage between the SIDE TRIAC J95A-3 (+) and GND (-) +5VDC?  
**Y N**  
| Check the +5VDC circuit to the SIDE TRIAC J95A-3 by referring to Chapter 7 Wirenet.  
Enter IOT DC330 [010-001] and turn it ON. (It turns OFF 5 s later.)  
Is the voltage between the SIDE TRIAC J95A-2 (+) and GND (-) 0VDC when it is turned ON?  
**Y N**  
| Enter IOT DC330 [010-001] and turn it ON. (It turns OFF 5 s later.)  
Is the voltage between the IOT PWB J445-2 (+) and GND (-) approx. +4.38VDC when it is turned ON?  
**Y N**  
| Check the connection between the SIDE TRIAC J95A-2 and the IOT PWB J445-2 for open circuit and poor contact.  
If no problems are found, replace the SIDE TRIAC (PL8.2).

A B C

A B C  
| Replace the IOT PWB (PL8.1).  
Turn the power OFF.  
Remove the connectors P96 and P92 on both sides of the SIDE HEATER ROD.  
**Are the connectors on both sides of the SIDE HEATER ROD conducting?**  
**Y N**  
| Replace the SIDE HEATER ROD (PL7.1).  
Check the following connection for poor contact, open circuit, and short circuit.  
- Between the IOT PWB J446-14 and the AC RELAY PWB J550-5.  
- Between the IOT PWB J446-2 and the AC RELAY PWB J550-6.  
Also, check the AC circuit to the SIDE HEATER ROD by referring to Chapter 7 Wirenet.  
If no problems are found, replace the following parts in sequence:  
- SIDE TRIAC (PL8.2)  
- AC RELAY PWB (PL8.1)  
- IOT PWB (PL8.1)

Enter IOT DC330 [010-003] and turn it ON. (It turns OFF 5 s later.)

**Did the CENTER HEATER ROD turn ON?**

**Y N**  
Is the voltage between the CENTER TRIAC J95B-3 (+) and GND (-) +5VDC?  
**Y N**  
| Check the +5VDC circuit to the CENTER TRIAC J95B-3 by referring to Chapter 7 Wirenet.

D E

D E  
| Enter IOT DC330 [010-003] and turn it ON. (It turns OFF 5 s later.)  
**Is the voltage between the CENTER TRIAC J95B-2 (+) and GND (-) 0VDC when it is turned ON?**  
**Y N**  
| Enter IOT DC330 [010-003] and turn it ON. (It turns OFF 5 s later.)  
**Is the voltage between the IOT PWB J445-4 (+) and GND (-) approx. +4.38VDC when it is turned ON?**  
**Y N**  
| Check the connection between the CENTER TRIAC J95B-2 and the IOT PWB J445-4 for open circuit and poor contact.  
If no problems are found, replace the CENTER TRIAC (PL8.2).  
Replace the IOT PWB (PL8.1).  
Turn the power OFF.  
Remove the connectors P97 and P93 on both sides of the CENTER HEATER ROD.  
**Are the connectors on both sides of the CENTER HEATER ROD conducting?**  
**Y N**  
| Replace the CENTER HEATER ROD (PL7.1).  
Check the AC circuit to the CENTER HEATER ROD by referring to Chapter 7 Wirenet.  
If no problems are found, replace the CENTER TRIAC (PL8.2).

F

F

Enter IOT DC330 [010-004] and turn it ON. (It turns OFF 5 s later.)

**Did the SUB HEATER ROD turn ON?**

Y N

Enter IOT DC330 [010-004] and turn it ON. (It turns OFF 5 s later.)

**Is the voltage between the CENTER TRIAC J95B-1 (+) and GND (-) 0VDC when it is turned ON?**

Y N

Enter IOT DC330 [010-004] and turn it ON. (It turns OFF 5 s later.)

**Is the voltage between the IOT PWB J445-5 (+) and GND (-) approx. +4.38VDC when it is turned ON?**

Y N

Check the connection between the CENTER TRIAC J95B-1 and the IOT PWB J445-5 for open circuit and poor contact.

If no problems are found, replace the CENTER TRIAC (PL8.2).

Replace the IOT PWB (PL8.1).

Turn the power OFF.

Remove the connectors P98 and P94 on both sides of the SUB HEATER ROD.

**Are the connectors on both sides of the SUB HEATER ROD conducting?**

Y N

Replace the SUB HEATER ROD (PL7.1).

Check the AC circuit to the SUB HEATER ROD by referring to Chapter 7 Wirenet.

If no problems are found, replace the CENTER TRIAC (PL8.2).

Replace the IOT PWB (PL8.1).

## HEATER Lamp Not Turn On Failure FIP (200-240V)

Reference BSD: CH10.4

Note

When the SWING FRAME INTERLOCK SWITCH and the FUSING COVER INTERLOCK SWITCH are open, the INTLTK ON +24VDC is cut off and thus, the HEATER ROD does not turn ON. Cheat the INTERLOCK SWITCH during Diag and voltage measurement.

### Check Items

- Check that IOT DC120 and IOT DC122[010-310 to 315, 318 to 321] (HEAT ROLL THERMISTOR or OVER HEAT THERMOSTAT Open Circuit and Overheat Error) have not occurred.

### Procedure

Enter IOT DC330 [010-001] and turn it ON. (It turns OFF 5 s later.)

**Did the SIDE HEATER ROD turn ON?**

Y N

**Is the voltage between the SIDE TRIAC J95A-3 (+) and GND (-) +5VDC?**

Y N

Check the +5VDC circuit to the SIDE TRIAC J95A-3 by referring to Chapter 7 Wirenet.

Enter IOT DC330 [010-001] and turn it ON. (It turns OFF 5 s later.)

**Is the voltage between the SIDE TRIAC J95A-2 (+) and GND (-) 0VDC when it is turned ON?**

Y N

Enter IOT DC330 [010-001] and turn it ON. (It turns OFF 5 s later.)

**Is the voltage between the IOT PWB J445-2 (+) and GND (-) approx. +4.38VDC when it is turned ON?**

Y N

Check the connection between the SIDE TRIAC J95A-2 and the IOT PWB J445-2 for open circuit and poor contact.

If no problems are found, replace the SIDE TRIAC (PL8.2).

Replace the IOT PWB (PL8.1).

A

B

A

B

Turn the power OFF.

Remove the connectors P96 and P92 on both sides of the SIDE HEATER ROD.

**Are the connectors on both sides of the SIDE HEATER ROD conducting?**

Y N

Replace the SIDE HEATER ROD (PL7.1).

Check the following connection for poor contact, open circuit, and short circuit.

- Between the IOT PWB J446-14 and the AC RELAY PWB J550-5.
- Between the IOT PWB J446-2 and the AC RELAY PWB J550-6.

Also, check the AC circuit to the SIDE HEATER ROD by referring to Chapter 7 Wirenet.

If no problems are found, replace the following parts in sequence:

- SIDE TRIAC (PL8.2)
- AC RELAY PWB (PL8.1)
- IOT PWB (PL8.1)

C

C

Enter IOT DC330 [010-003] and turn it ON. (It turns OFF 5 s later.)

**Did the CENTER HEATER ROD turn ON?**

Y N

**Is the voltage between the CENTER TRIAC J95B-3 (+) and GND (-) +5VDC?**

Y N

Check the +5VDC circuit to the CENTER TRIAC J95B-3 by referring to Chapter 7 Wirenet.

Enter IOT DC330 [010-003] and turn it ON. (It turns OFF 5 s later.)

**Is the voltage between the CENTER TRIAC J95B-2 (+) and GND (-) 0VDC when it is turned ON?**

Y N

Enter IOT DC330 [010-003] and turn it ON. (Turned OFF in 5 seconds)

**Is the voltage between the IOT PWB J445-4 (+) and GND (-) approx. +4.38VDC when it is turned ON?**

Y N

Check the connection between the CENTER TRIAC J95B-2 and the IOT PWB J445-4 for open circuit and poor contact.

If no problems are found, replace the CENTER TRIAC (PL8.2).

Replace the IOT PWB (PL8.1).

Turn the power OFF.

Remove the connectors P97 and P93 on both sides of the CENTER HEATER ROD.

**Are the connectors on both sides of the CENTER HEATER ROD conducting?**

Y N

Replace the CENTER HEATER ROD (PL7.1).

Check the AC circuit to the CENTER HEATER ROD by referring to Chapter 7 Wirenet.

If no problems are found, replace the CENTER TRIAC (PL8.2).

D

D

Enter IOT DC330 [010-004] and turn it ON. (It turns OFF 5 s later.)

**Did the SUB HEATER ROD turn ON?**

Y N

Enter IOT DC330 [010-004] and turn it ON. (It turns OFF 5 s later.)

**Is the voltage between the CENTER TRIAC J95B-1 (+) and GND (-) 0VDC when it is turned ON?**

Y N

Enter IOT DC330 [010-004] and turn it ON. (It turns OFF 5 s later.)

**Is the voltage between the IOT PWB J445-5 (+) and GND (-) approx. +4.38VDC when it is turned ON?**

Y N

Check the connection between the CENTER TRIAC J95B-1 and the IOT PWB J445-5 for open circuit and poor contact.

If no problems are found, replace the CENTER TRIAC (PL8.2).

Replace the IOT PWB (PL8.1).

Turn the power OFF.

Remove the connectors P98 and P94 on both sides of the SUB HEATER ROD.

**Are the connectors on both sides of the SUB HEATER ROD conducting?**

Y N

Replace the SUB HEATER ROD (PL7.1).

Check the AC circuit to the SUB HEATER ROD by referring to Chapter 7 Wirenet.

If no problems are found, replace the CENTER TRIAC (PL8.2).

E

E

Enter IOT DC330 [010-002] and turn it ON. (It turns OFF 5 s later.)

**Did the SUB HEATER ROD turn ON?**

Y N

Enter IOT DC330 [010-002] and turn it ON. (It turns OFF 5 s later.)

**Is the voltage between the SIDE TRIAC J95A-1 (+) and GND (-) 0VDC when it is turned ON?**

Y N

Enter IOT DC330 [010-002] and turn it ON. (It turns OFF 5 s later.)

**Is the voltage between the IOT PWB J445-3 (+) and GND (-) approx. +4.38VDC when it is turned ON?**

Y N

Check the connection between the SIDE TRIAC J95A-1 and the IOT PWB J445-3 for open circuit and poor contact.

If no problems are found, replace the SIDE TRIAC (PL8.2).

Replace the IOT PWB (PL8.1).

Check the AC circuit to the SUB HEATER ROD by referring to Chapter 7 Wirenet.

If no problems are found, replace the SIDE TRIAC (PL8.2).

Replace the IOT PWB (PL8.1).

## HEATER Lamp Not Turn Off Failure FIP (100-120V)

Reference BSD: CH10.3

### Procedure

Enter IOT DC330 [010-001] and turn it OFF.

**Is the voltage between the IOT PWB J445-2 (+) and GND (-) approx. +4.38VDC when it is turned OFF?**

Y N

Turn OFF the power. Disconnect the IOT PWB P/J445.

**Is the resistance between the connector J445-2 (+) and the frame (-) 100hm or less?**

Y N

Replace the IOT PWB (PL8.1).

Check the connection between the SIDE TRIAC J95A-2 and the IOT PWB J445-2 for short circuit.

If no problems are found, replace the SIDE TRIAC (PL8.2).

Enter IOT DC330 [010-003] and turn it OFF.

**Is the voltage between the IOT PWB J445-4 (+) and GND (-) approx. +4.38VDC when it is turned OFF?**

Y N

Turn OFF the power. Disconnect the IOT PWB P/J445.

**Is the resistance between the connector J445-4 (+) and the frame (-) 100hm or less?**

Y N

Replace the IOT PWB (PL8.1).

Check the connection between the CENTER TRIAC J95B-2 and the IOT PWB J445-4 for short circuit.

If no problems are found, replace the CENTER TRIAC (PL8.2).

Enter IOT DC330 [010-004] and turn it OFF.

**Is the voltage between the IOT PWB J445-5 (+) and GND (-) approx. +4.38VDC when it is turned OFF?**

Y N

Turn OFF the power. Disconnect the IOT PWB P/J445.

**Is the resistance between the connector J445-5 (+) and the frame (-) 100hm or less?**

Y N

Replace the IOT PWB (PL8.1).

Check the connection between the CENTER TRIAC J95B-1 and the IOT PWB J445-5 for short circuit.

If no problems are found, replace the CENTER TRIAC (PL8.2).

Replace the following parts in sequence:

- SIDE TRIAC (PL8.2)
- CENTER TRIAC (PL8.2)
- IOT PWB (PL8.1)

## HEATER Lamp Not Turn Off Failure FIP (200-240V)

Reference BSD: CH10.4

### Procedure

Enter IOT DC330 [010-001] and turn it OFF.

**Is the voltage between the IOT PWB J445-2 (+) and GND (-) approx. +4.38VDC when it is turned OFF?**

Y N

Turn OFF the power. Disconnect the IOT PWB P/J445.

**Is the resistance between the connector J445-2 (+) and the frame (-) 100hm or less?**

Y N

Replace the IOT PWB (PL8.1).

Check the connection between the SIDE TRIAC J95A-2 and the IOT PWB J445-2 for short circuit.

If no problems are found, replace the SIDE TRIAC (PL8.2).

Enter IOT DC330 [010-002] and turn it OFF.

**Is the voltage between the IOT PWB J445-3 (+) and GND (-) approx. +4.38VDC when it is turned OFF?**

Y N

Turn OFF the power. Disconnect the IOT PWB P/J445.

**Is the resistance between the connector J445-3 (+) and the frame (-) 100hm or less?**

Y N

Replace the IOT PWB (PL8.1).

Check the connection between the SIDE TRIAC J95A-1 and the IOT PWB J445-3 for short circuit.

If no problems are found, replace the SIDE TRIAC (PL8.2).

Enter IOT DC330 [010-003] and turn it OFF.

**Is the voltage between the IOT PWB J445-4 (+) and GND (-) approx. +4.38VDC when it is turned OFF?**

Y N

Turn OFF the power. Disconnect the IOT PWB P/J445.

**Is the resistance between the connector J445-4 (+) and the frame (-) 100hm or less?**

Y N

Replace the IOT PWB (PL8.1).

Check the connection between the CENTER TRIAC J95B-2 and the IOT PWB J445-4 for short circuit.

If no problems are found, replace the CENTER TRIAC (PL8.2).

A

A

Enter IOT DC330 [010-004] and turn it OFF.

**Is the voltage between the IOT PWB J445-5 (+) and GND (-) approx. +4.38VDC when it is turned OFF?**

Y N

Turn OFF the power. Disconnect the IOT PWB P/J445.

**Is the resistance between the connector J445-5 (+) and the frame (-) 100hm or less?**

Y N

Replace the IOT PWB (PL8.1).

Check the connection between the CENTER TRIAC J95B-1 and the IOT PWB J445-5 for short circuit.

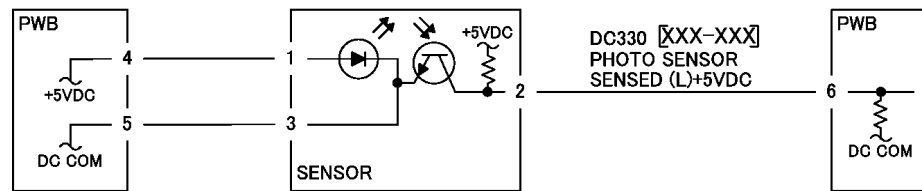
If no problems are found, replace the CENTER TRIAC (PL8.2).

Replace the following parts in sequence:

- SIDE TRIAC (PL8.2)
- CENTER TRIAC (PL8.2)
- IOT PWB (PL8.1)

## 2.3.4 Generic FIP

### Reflective Sensor Failure FIP



Enter DC330 [XXX-XXX] and remove the block from the sensor.

**Is the voltage between the sensor pin-2 (+) and the GND (-) +5VDC?**

Y N

**Is the voltage between the sensor pin-1 (+) and pin-3 (-) +5VDC?**

Y N

Check the connection between the PWB pin-4 and the sensor pin-1, as well as between the PWB pin-5 and the sensor pin-3 for open circuits and poor contacts.

If no problem is found, replace the PWB.

Check the connection between the sensor pin-2 and the PWB pin-6 for a short circuit.

Also, check the sensor for contamination and improper installation.

If no problem is found, replace the sensor.

Block the sensor with a sheet of blank paper.

**Is the voltage between the sensor pin-2 (+) and the GND (-) 0VDC?**

Y N

Check the connection between the sensor pin-3 and the PWB pin-5 for open circuit and poor contact.

Also, check the sensor for improper installation and incident light diffraction.

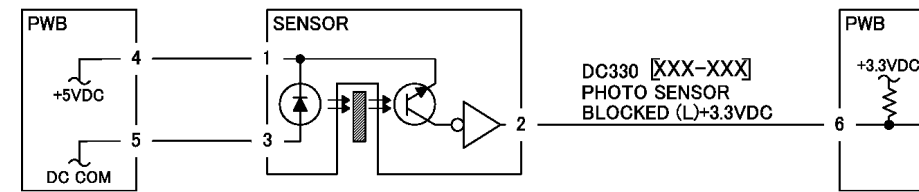
If no problem is found, replace the sensor.

Check the connection between the sensor pin-2 and the PWB pin-6 for open circuit and poor contact.

Also, check the installation of the sensor.

If no problem is found, replace the PWB.

### Permeable Sensor Failure FIP



Enter DC330 [XXX-XXX] and remove the block from the sensor light path.

**Is the voltage between the sensor pin-2 (+) and the GND (-) +3.3VDC?**

Y N

Disconnect the sensor connector.

**Is the voltage between the connector pin-2 (+) and the GND (-) +3.3VDC?**

Y N

Check the connection between the connector pin-2 and the PWB pin-6 for open circuit and poor contact.

If no problem is found, replace the PWB.

**Is the voltage between the sensor pin-1 (+) and pin-3 (-) +5VDC?**

Y N

Check the connection between the PWB pin-4 and the sensor pin-1, as well as between the PWB pin-5 and the sensor pin-3 for open circuits and poor contacts.

If no problem is found, replace the PWB.

Check the sensor for contamination and improper installation.

If no problem is found, replace the sensor.

Block the sensor light path by using a sheet of blank paper.

**Is the voltage between the sensor pin-2 (+) and the GND (-) 0VDC?**

Y N

Check the connection between the sensor pin-3 and the PWB pin-5 for open circuit and poor contact.

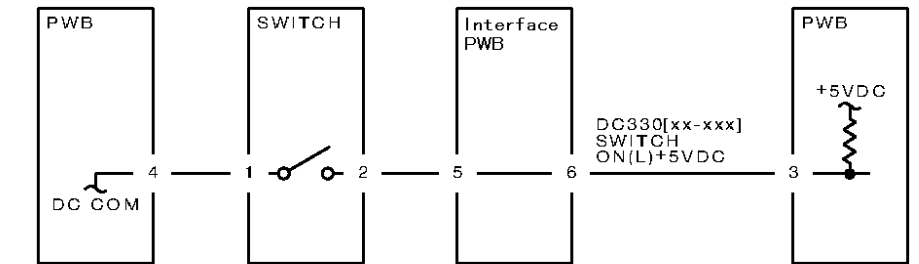
Also, check the sensor for improper installation and incident light diffraction.

If no problem is found, replace the sensor.

Check the installation of the sensor, the Shielding Board for deformation, and etc.

If no problem is found, replace the PWB.

### Switch (Normal Open) Failure FIP



Enter DC330 [XXX-XXX] and turn ON the Switch.

**Is the voltage between the PWB pin-3 (+) and the GND (-) 0VDC?**

Y N

**Is +5VDC measured between the pin-2 (+) and the GND (-) of the switch?**

Y N

Check the connection between the switch pin-2 and the PWB pin-3 for open circuit and poor contact.

If no problem is found, replace the PWB.

**Is the voltage between the PWB pin-1 (+) and the GND (-) +5VDC when the switch is turned ON?**

Y N

Replace the switch.

Check the connection between the PWB pin-4 and the switch pin-1 for open circuit and poor contact.

If no problem is found, replace the PWB.

Turn the switch OFF.

**Is the voltage between the PWB pin-3 (+) and the GND (-) 0VDC?**

Y N

Disconnect the switch connector.

**Is the voltage between the PWB pin-3 (+) and the GND (-) 0VDC?**

Y N

Check the connection between the switch pin-2 and the PWB pin-3 for a short circuit.

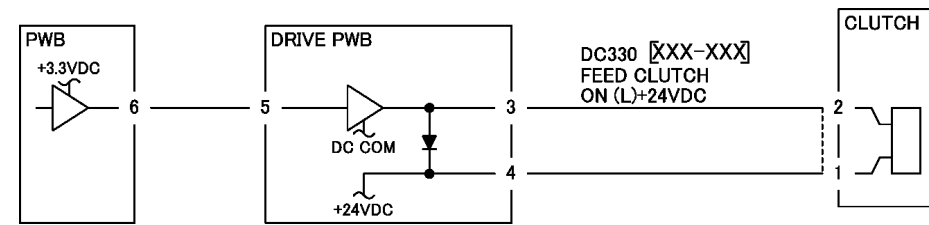
If no problem is found, replace the PWB.

Replace the switch.

Check the installation of the switch.

If no problem is found, replace the switch.

## Solenoid/Clutch Not Energized Failure FIP



**Note** Before performing this FIP, ensure that there is no mechanical operation failure with the solenoid and the clutch.

Turn the power ON.

**Is the voltage between the solenoid/clutch pin-1 (+) and the GND (-) +24VDC?**

**Y N**  
 Check the connection between the DRIVE PWB pin-4 and the solenoid/clutch pin-1 for open circuit and poor contact.  
 If no problem is found, replace the DRIVE PWB.

**Is the voltage between the solenoid/clutch pin-2 (+) and the GND (-) +24VDC?**

**Y N**  
 Replace the solenoid/clutch.

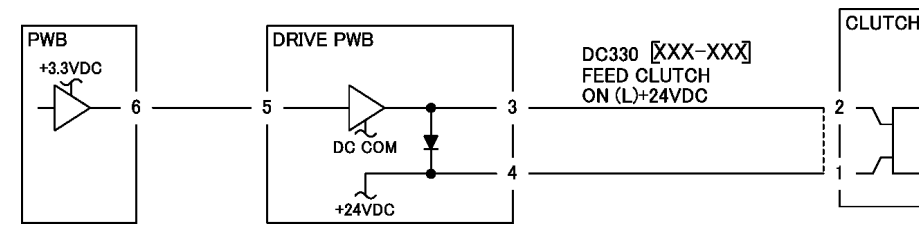
Enter DC330 [XXX-XXX] and turn it ON.

**Is the voltage between the solenoid/clutch pin-2 (+) and the GND (-) 0VDC?**

**Y N**  
 Check the connection between the solenoid/clutch pin-2 and the DRIVE PWB pin-3, as well as between the PWB pin-6 and the DRIVE PWB pin-5 for open circuits and poor contacts.  
 If no problem is found, replace the DRIVE PWB, followed by the PWB.

Replace the solenoid/clutch.

## Solenoid/Clutch Left Energized Failure FIP

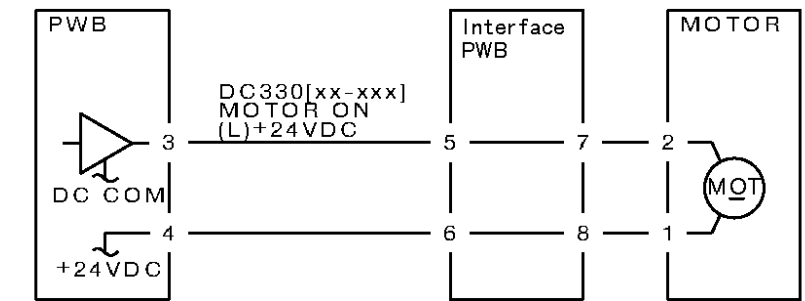


Turn OFF the power and disconnect the DRIVE PWB connector.

**Is the resistance between the connector pin-3 and the frame 100hm or less?**

**Y N**  
 Replace the DRIVE PWB, followed by the PWB.  
 Check the connection between the connector pin-3 and the solenoid/clutch pin-2 for a short circuit.  
 If no problem is found, replace the solenoid/clutch.

## Motor Not Rotate Failure FIP



**Note** Before performing this FIP, ensure that the motor is not locked or loaded.

Enter DC330 [XXX-XXX] and turn it ON.

**Is the voltage between the PWB pin-3 (+) and the GND (-) +24VDC?**

**Y N**  
**Is the voltage between the motor pin-2 (+) and the GND (-) +24VDC?**

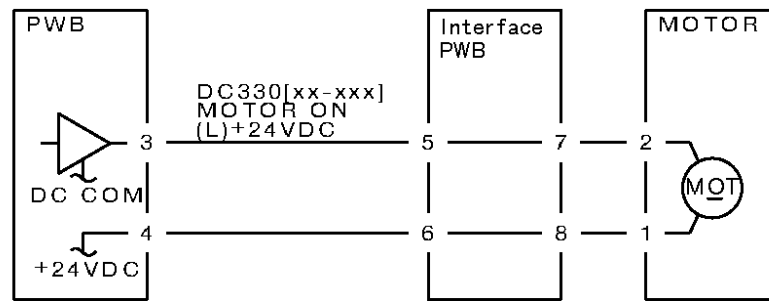
**Y N**  
**Is the voltage between the motor pin-1 (+) and the GND (-) +24VDC?**

**Y N**  
 Check the connection between the PWB pin-4 and the motor pin-1 for open circuit and poor contact.  
 If no problem is found, replace the PWB.  
 Replace the motor.

Check the connection between the PWB pin-3 and the motor pin-2 for open circuit and poor contact.

Replace the PWB.

## Motor Not Stop Failure FIP



Turn OFF the power and disconnect the PWB connector.

**Is the resistance between the connector pin-3 and the frame 100hm or less?**

**Y N**

| Replace the PWB.

Check the connection between the connector pin-3 and the motor pin-2 for a short circuit.

If no problem is found, replace the motor.

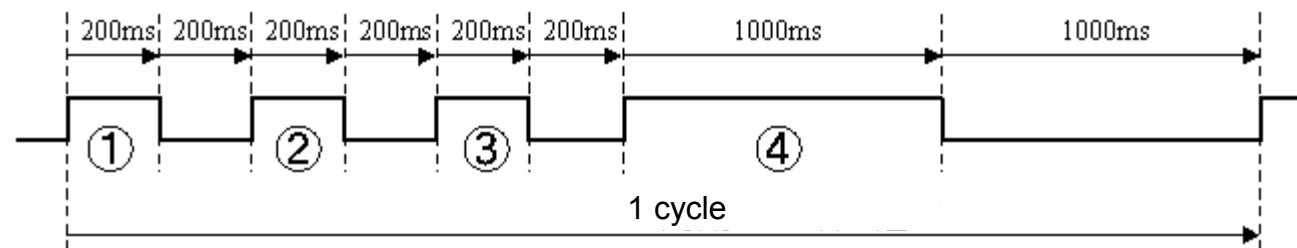
## 2.4 UI Panel Troubleshooting

When a failure such as the UI panel not displayed at startup has occurred, the "Interrupt" and "Authentication" LEDs on the UI Panel show the self-diagnostic results of the UI Panel.

The following lists the self-diagnostic result indicated by each blinking pattern of the "Interrupt" and "Authentication" LED patterns.

	Self-diagnostic Item in UI Panel	Priority	LED Blinking Count	Chain-Link	Internal Log Write
1	Communication	2	Repeat twice	123-333	-
2	Read EEPROM for Sys	4	Repeat three times	123-352	-
3	UI Cable Half-Contact	1	Repeat four times	123-353	O
4	24V Supply Line Voltage Level Monitoring	5	Repeat five times	123-354	O
5	5V Supply Line Voltage Level Monitoring	8	-	123-355	-
6	-	7	-	-	-
7	Hard Key Pressed Continuously (Keypad/menu keys)	6	-	023-600	O
8	Touch Panel Pressed Continuously	6	-	023-601	O
9	Write EEPROM for Sys	3	Repeat seven times	123-357	O
	Write EEPROM for Log	3	Repeat seven times	123-358	-

Example) When the "Interrupt" and "Authentication" LEDs "repeat blinking four times", the following blinking patterns are generated:





## 2.5 Troubleshooting When CP-Cont is Started

### 2.5.1 Screen Numbers in UI Panel and CP-Cont Startup States

When CP-Cont is started, a progress bar and screen number are displayed in the UI Panel. This screen number indicates a startup step of CP-Cont. When a failure such as CP-Cont not started has occurred, the displayed or restarted screen number allows you to identify the step in which the startup was stopped.

The following lists the screen numbers in UI Panel, CP-Cont states, systems that caused the failure, and probable causes.

Stopped Screen	State		System That Caused the Failure	Probable Cause	Action
No Display	-		Hardware	A hardware may have a failure	<p><b>Is the power turned ON?</b></p> <p><b>No:</b> Check the following: AC input route, controller 24V input route, power switch wiring route, WF01 PWB to Power Board wiring route, and WF01 PWB to Motherboard wiring route</p> <p><b>Yes:</b> Check the following: UI Panel signal connection route (UI Panel, UI Panel to CP-Cont wiring route, WF02 PWB to Motherboard wiring route, and WF02 PWB to WF01 PWB wiring route)</p>
1/7	BIOS startup	IPL BOOT selector OS boot OS startup Device driver loading and device file generation (udev)	BIOS, BOOT, OS	OS startup may have failed	Refer to 2.5.2 "Identifying CP-Cont Errors" to further identify the error of CP-Cont.
2/7	OS basic service startup	HDD recovery (root file system) Encrypted mapping HDD recovery File system mounting Network setting Time setting Power control program	OS	OS startup may have failed	
3/7	OS service startup	CWIS/SOAP/WebDAV service startup SNPM/MIB service startup Routing service startup	Service	A service startup may have failed	
4/7	Window system startup	Diag startup check	Diag startup	A special startup key-related failure may have occurred	

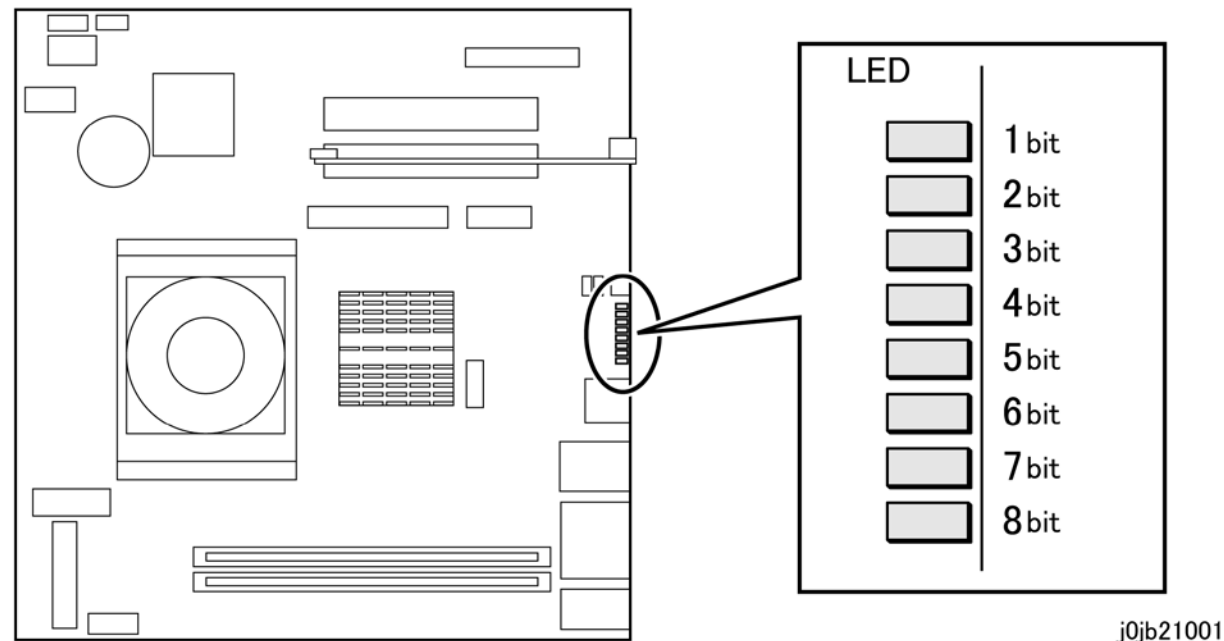
Stopped Screen	State		System That Caused the Failure	Probable Cause	Action
Black	(Backlight turned OFF)	X startup	Window system	Window system startup may have failed	Check the following: UI Panel signal connection route (UI Panel, UI Panel to CP-Cont wiring route, WF02 PWB to Motherboard wiring route, and WF02 PWB to WF01 PWB wiring route)
5/7	Window system background setting	Controller SW startup	Controller	The controller startup may have failed (Process startup failure)	
6/7	Controller startup		Controller	The controller startup may have failed (Hang up during process)	
Services Home	Controller startup complete		Normal	The controller is in operation	
5/7	-		Controller	The controller startup may have failed (Process stopped)	

## 2.5.2 Identifying CP-Cont Errors

When a problem caused by CP-Cont has occurred, the LED on the CP Control PWB and beep sounds indicate the details of the CP-Cont error.

The following lists the LED light ON patterns on the CP Control PWB and beep sound patterns when a CP-Cont error has occurred.

Error Contents	LED (●: ON, ○: OFF)								Beep	Action
	8bit	7bit	6bit	5bit	4bit	3bit	2bit	1bit		
Normal	●	●	○	○	○	○	○	○	None	
CPU FAN Error	○	○	○	●	○	○	○	○	None	Check if the CPU FAN is connected properly.
Memory Error	●	●	○	●	●	○	○	○	4 times > 2 times > 3 times > 1 time	Check if the DIMM is connected properly.
Memory Not Installed	●	●	○	●	●	○	●	●	4 times > 2 times > 3 times > 4 time	Check whether the DIMM is installed.
Hard Disk Error	●	●	●	○	●	○	○	○	None	Check if the HDD is connected properly.
Memory Error (Extended Memory)	●	●	●	○	●	●	○	●	None	Check whether the DIMM has an error. Pull out the DIMM and insert again. Replace the DIMM.
ROM for PCI Card Not Initialized	●	●	●	●	●	○	○	○	None	Check whether the PCI Card (CT BL01 PWB) is connected properly.
PCI Interrupt Not Set Correctly	●	●	●	●	●	○	○	●	None	
PCI Card Resources Not Mapped Correctly	●	●	●	●	●	○	●	○	None	
No OS (No bootable devices are found)	●	●	●	●	●	●	●	○	None	Check if the HDD is connected properly.
Others	Light ON patterns except the above								None	Check whether the Wire Harness of the CP-Cont is connected properly.



## 2.6 Troubleshooting During Copy/Plot Output

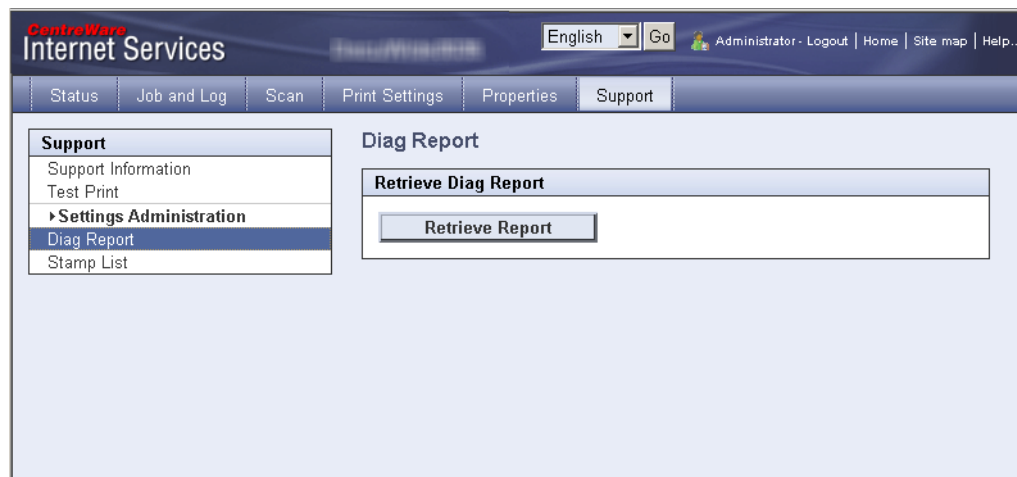
### 2.6.1 Collecting Diag Report

Using CentreWare Internet Services (CWIS), download the diag report into the PC.

#### **Equipment Required for Collecting Diag Report**

- A LAN-ready PC
- LAN cross-cable

1. Connect the PC to the CP-Cont.
  - a. Remove the I/F Cover. (PL9.2)
  - b. Connect the CP-Cont LAN connector and the PC LAN connector with the cross-cable.
2. Access CentreWare Internet Services (CWIS) and log in as the System Administrator.
3. Click [Diag Report] on the [Support] tab.
4. Click [Retrieve Report].



5. Specify a save destination for the Diag Report file and click [Save].

**Note** The Diag Report file cannot be checked in the field.

### 2.6.2 Output Plot Error (Common among Data Formats)

- **Cannot output the desired paper size.**

- Check the values of Size In and Size Out in Job History.

When the value of Size In is not the one you desire (when an expected size determination was not performed)

- Increase the input size determination margin (Media Margin).
- For long paper, change the value for the Size Recognition mode.

When the value of Size Out is not the one you desire

- Check the settings for Size/Media Mapping in the logical printer that outputs paper.

- **The output drawing is clipped**

- Check the setting for Auto Scale.

- If it is "disabled", change it to "enabled".

- Check the setting for Auto Layout.

- If it is "disabled", change it to "enabled" or adjust the offset value.

- **Some elements are missing**

- Check if the condition repeats by outputting the same data again.

When the error does not repeat

- Collect error log to check if there were any failures during transfer.

When the error repeats

- Check the output status with another printer or another logical printer with different settings.
- If the result is normal in another printer, request for analysis with data and the logical printer settings list.
- If the result is normal in the logical printer with different settings, print out the settings list for each logical printer and check for differences.

# Chapter 3 Image Quality Troubleshooting



## Table of Contents

3.1 Preface .....	3
3.1.1 Composition of Chapter 3 Image Quality Troubleshooting .....	3
3.1.2 Image Quality Troubleshooting Procedures .....	3
3.2 Test Pattern.....	4
3.2.1 Test Chart for Copy Quality Check (499T 00286).....	4
3.2.2 Built-in Test Patterns for Print Quality Check .....	5
3.3 Image Quality Troubleshooting .....	12
3.3.1 About Copy/Print Sample .....	12
3.3.2 Note When Checking for Image Quality Problems .....	12
3.3.3 Basic Rules for Image Quality Adjustment .....	12
3.3.4 Determining Image Quality Problems.....	12
3.3.5 Image quality problems accompanying the pitch in the paper feed direction (Cause and corrective action) .....	13
3.3.6 Image Quality Troubleshooting .....	14





## 3.1 Preface

### 3.1.1 Composition of Chapter 3 Image Quality Troubleshooting

This chapter is made up of 2 sections: test patterns and reference materials related to Image Quality Troubleshooting.

1. [3.2 Test Pattern]

It contains test charts for checking the quality of copied images, and built-in test patterns for checking the quality of prints.

2. [3.3 Image Quality Troubleshooting]

It describes items with bad image quality, the reason for that bad image quality and the procedure for repairing the problems.

### 3.1.2 Image Quality Troubleshooting Procedures

When there are problems with image quality, look for the appropriate item in [3.3 Image Quality Troubleshooting] and troubleshoot.

### 3.2 Test Pattern

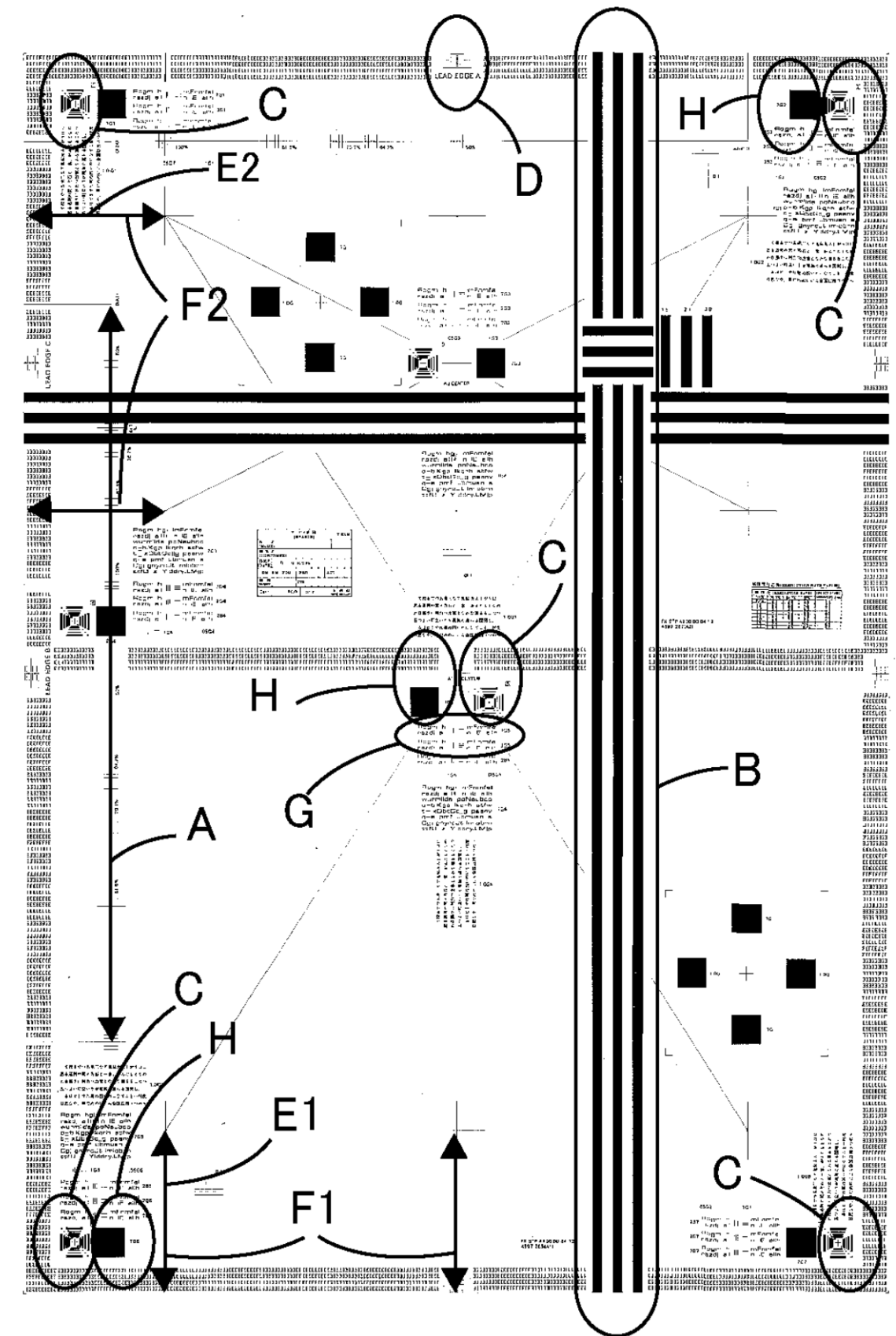
The test patterns used by WF6705 are as follows:

1. The copy quality check mainly uses the A1 Test Chart (499T 00286).  
As there is also an A3 Test Chart (499T 00283), choose one according to the document width or paper width in use. Use Plain Paper for the copy quality check.
2. The print quality check uses the IOT Built-in Test Patterns stored in the ROM of IOT PWB or the HDD Built-in Test Patterns stored in the HDD of CP-Cont.  
Use the IOT DC606 Test Copy in the Diag Mode to print the IOT Built-in Test Patterns or the CE Mode to print the HDD Built-in Test Patterns. Use Plain Paper to print these.

#### 3.2.1 Test Chart for Copy Quality Check (499T 00286)

Copy Quality Check Items (Figure 1: A to H)

A: Reduce/Enlarge	G: Line Density
B: Skip/Smear	H: Solid Reproducibility
C: Resolution	J: Low Contrast Reproducibility
D: Lead Edge Registration	K: Blue Color Reproducibility
E: Side Registration E1: A1 Landscape Feed Evaluation E2: A1 Portrait Feed Evaluation	L: Fine Lines Reproducibility
F: Skew F1: A1 Landscape Feed Evaluation F2: A1 Portrait Feed Evaluation	Margin part: Background



(Figure 1) A1 Test Chart for Copy Quality Check (499T 00286)

### 3.2.2 Built-in Test Patterns for Print Quality Check

The types of IOT Built-in Test Patterns and their usage purposes are as follows.

#### **IOT Built-in Test Patterns and Usage Purposes**

Test Pattern	Usage Purpose	Figure No.
H/W All 2 dot Line	-	-
Basic Pattern	-	Figure 2
Print Quality Pattern	Print Density (Light, Dark)	Figure 3
	Solid Reproducibility	
	Background	
	Reproduction of 1 dot line	
	Resolution	
	Skip and Smear	
	Fusing Level	
All 2 dot Line	IOT Side Registration Adjustment (Chapter 4 [ADJ 8.1.1])	Figure 4
	Roll Paper/Bypass Tray Lead Edge Registration Adjustment (Chapter 4 [ADJ 8.1.3/ADJ 8.1.4])	
	Skew	
	Reduce/Enlarge	
	RFC Cut Length (Chapter 4 [ADJ 8.1.2])	
	RFC Cut Perpendicularity	
All Ladder	Margin at Lead Edge/Tail Edge	Figure 5
Ladder	-	Figure 6
Gray Scale	-	Figure 7
Nip Adjust	-	Figure 8
Hasika	LPH adjustment, checking of "Hasika"	Figure 9
2 dot Half Dark	Banding (periodical pixel position shift) Dark/Light (color variation)	Figure 10
2 dot Half	-	Figure 11
1 dot Half	Banding (periodical pixel position shift) Dark/Light (color variation)	Figure 12
LPH	LPH Joint Adjustment (Chapter 4 [ADJ 8.1.5])	Figure 13
All Black	Drum Dilation, Other Defects	-

The parameters for IOT DC606 Test Print to output an IOT Built-in Test Pattern are as follows.

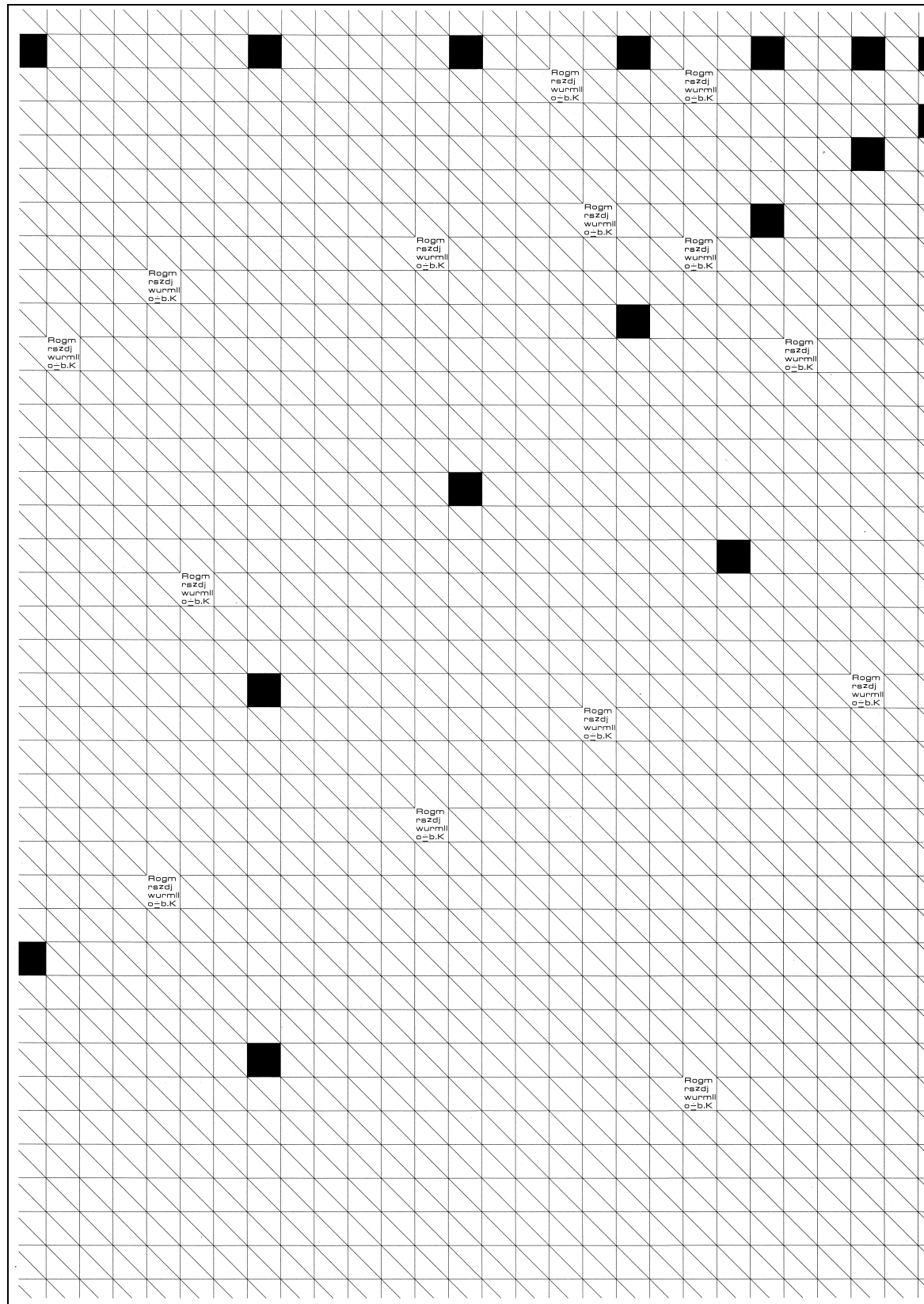
#### **IOT DC606 Test Print Parameters**

No.	Settings Item	Settings Range
1	Output Image	H/W All 2 dot Line (2 dot Grid and diagonal line created by H/W) Basic Pattern (2 dot Grid and diagonal line, Black patch, Rogm text) Print Quality Pattern (Resolution, Black patch, Rogm text, 1 to 3 dot aspect diagonals) All 2 dot Line (2 dot Grid and diagonal line) All Ladder (2 dot ON/OFF horizontal line) Ladder (vertical/horizontal Ladder) Gray Scale (density pattern of dither and Error Diffusion) Nip Adjust (Horizontal) (black band) Hasika (1, 2, 3, and 4 dot horizontal line) 2 dot Half Dark (2 dot ON/OFF staggered) 2 dot Half (2 dot ON/OFF dot) 1 dot Half (1 dot ON/OFF dot) LPH (LPH Adjustment Pattern) All Black (All black)
2	Quantity	1 to 999 set
3	Paper Supply	Roll 1, Roll 2, Bypass Tray
4	Media Cut Mode	Fixed Portrait, Fixed Landscape, Variable Length
5	Variable Length	210 to 32,767 mm
6	Toner Density	Lighten +2, Lighten +1, Normal, Darken +1, Darken +2
7	Jam Detection	OFF, ON

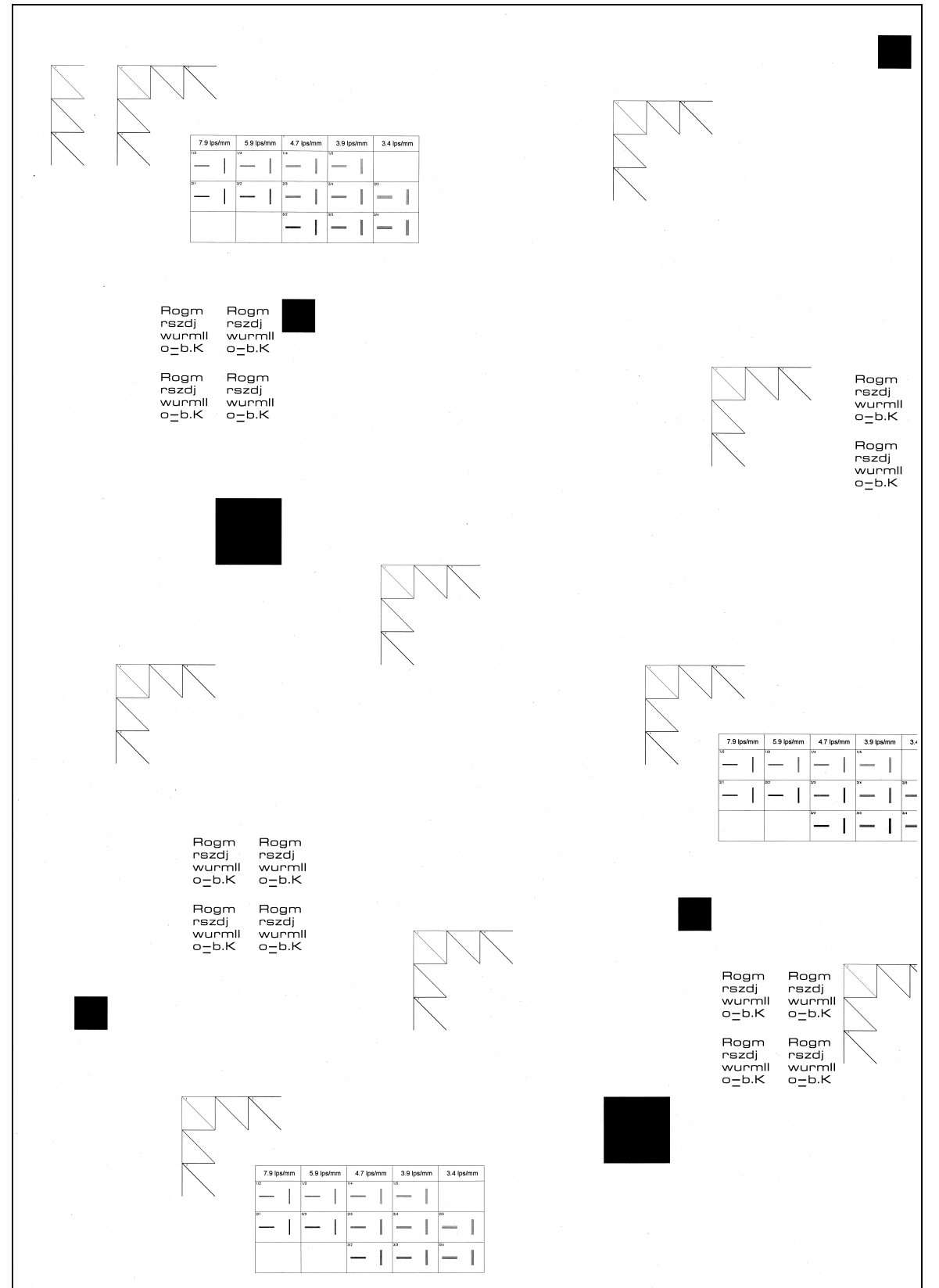
The types of HDD Built-in Test Patterns that can be output in CE Mode and their usage purposes are as follows. (Excluding the Service Log and the NVM Data List)

#### **HDD Built-in Test Patterns and Usage Purposes**

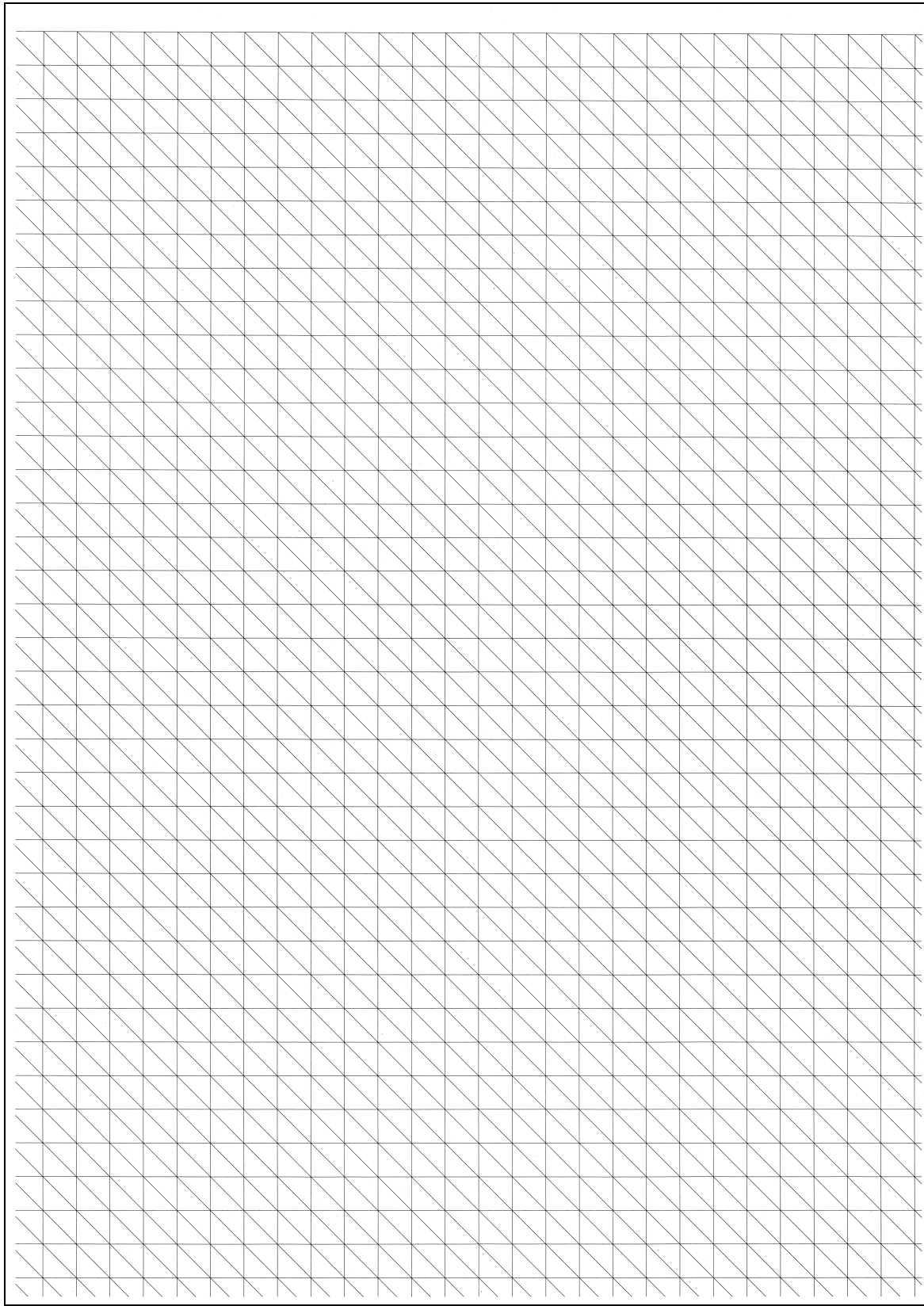
Output Pattern	Usage Purpose	Figure No.
Basic Pattern	-	Figure 2
Print Quality Pattern	-	Figure 3
IIT Chart	IIT Side Registration Adjustment (Chapter 4 [ADJ 3.1.1]) IIT Vertical Reduce/Enlarge Adjustment (Chapter 4 [ADJ 3.1.2]) IIT Lead Edge Registration Adjustment (Chapter 4 [ADJ 3.1.3]) IIT Document Length Adjustment (Chapter 4 [ADJ 3.1.4])	-



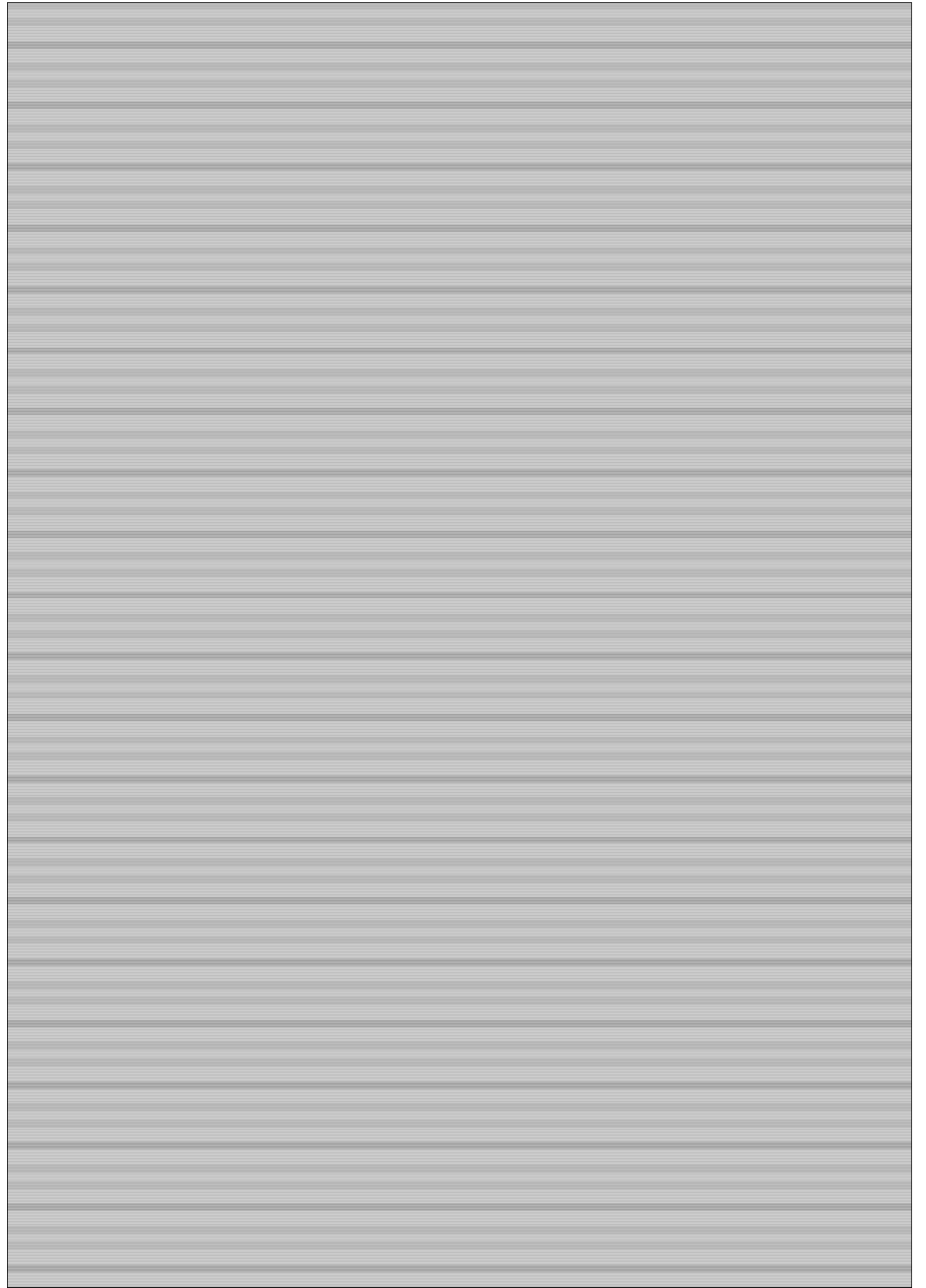
(Figure 2) Basic Pattern



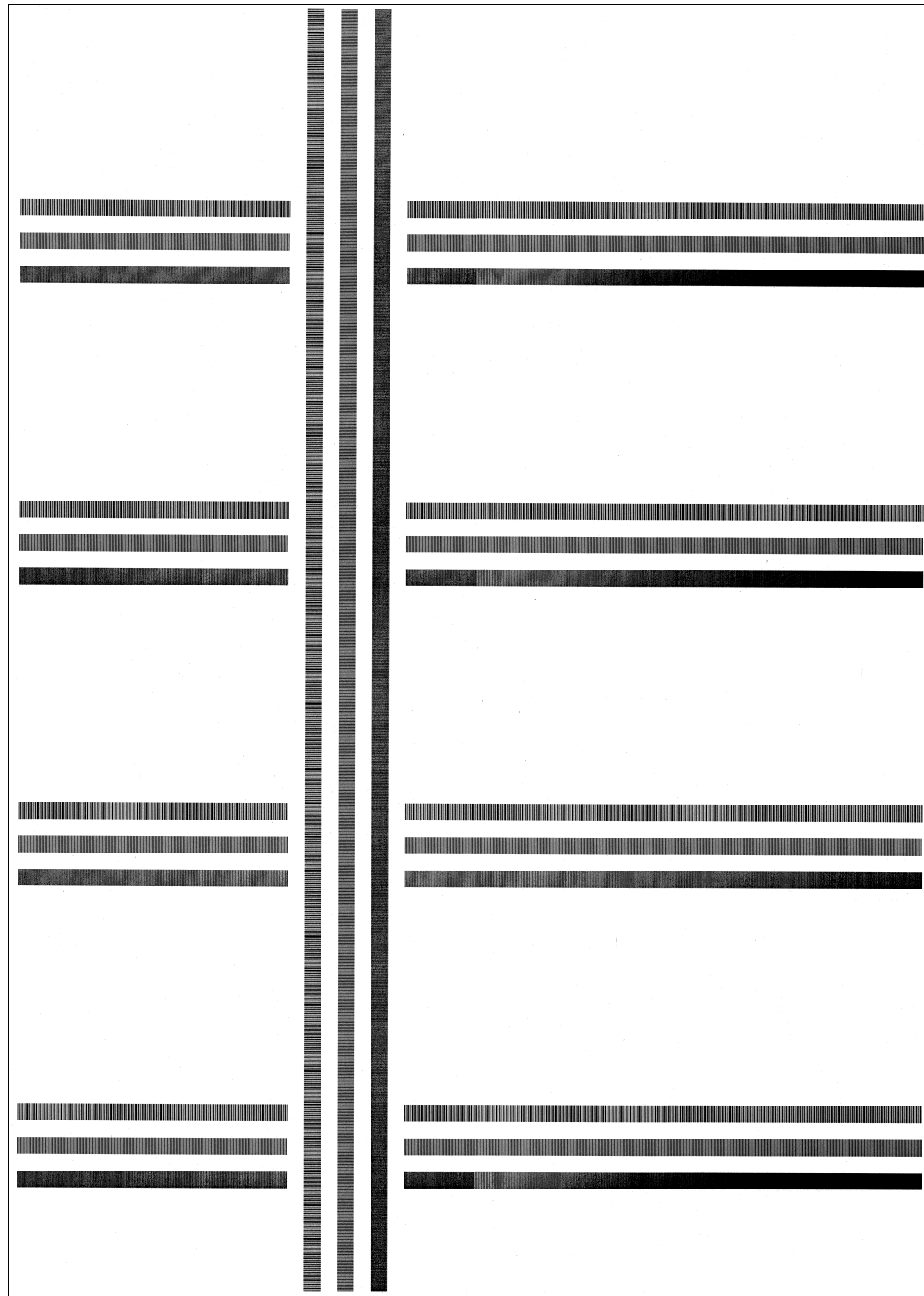
(Figure 3) Print Quality Pattern



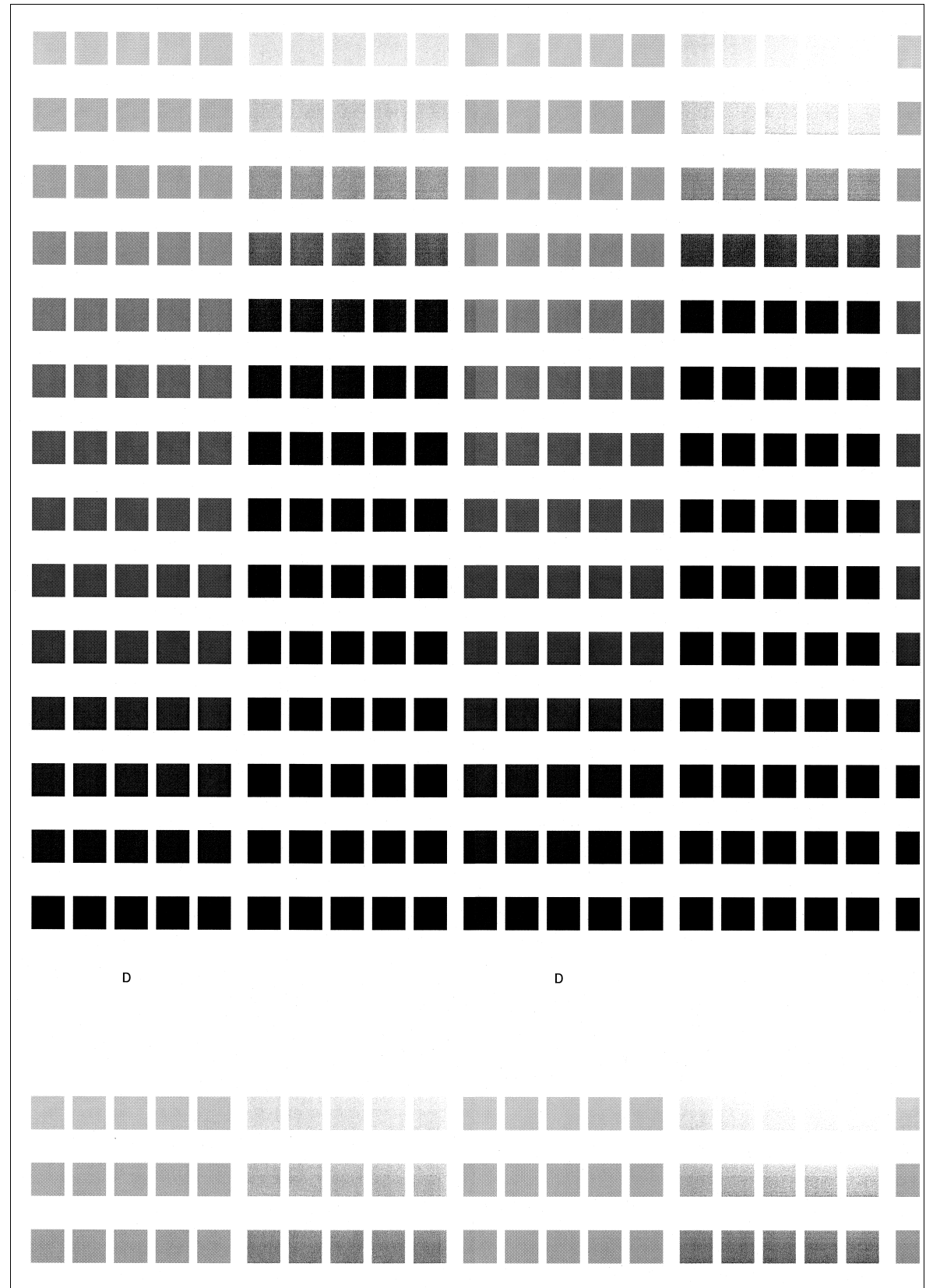
(Figure 4) All 2 dot Line



(Figure 5) All Ladder



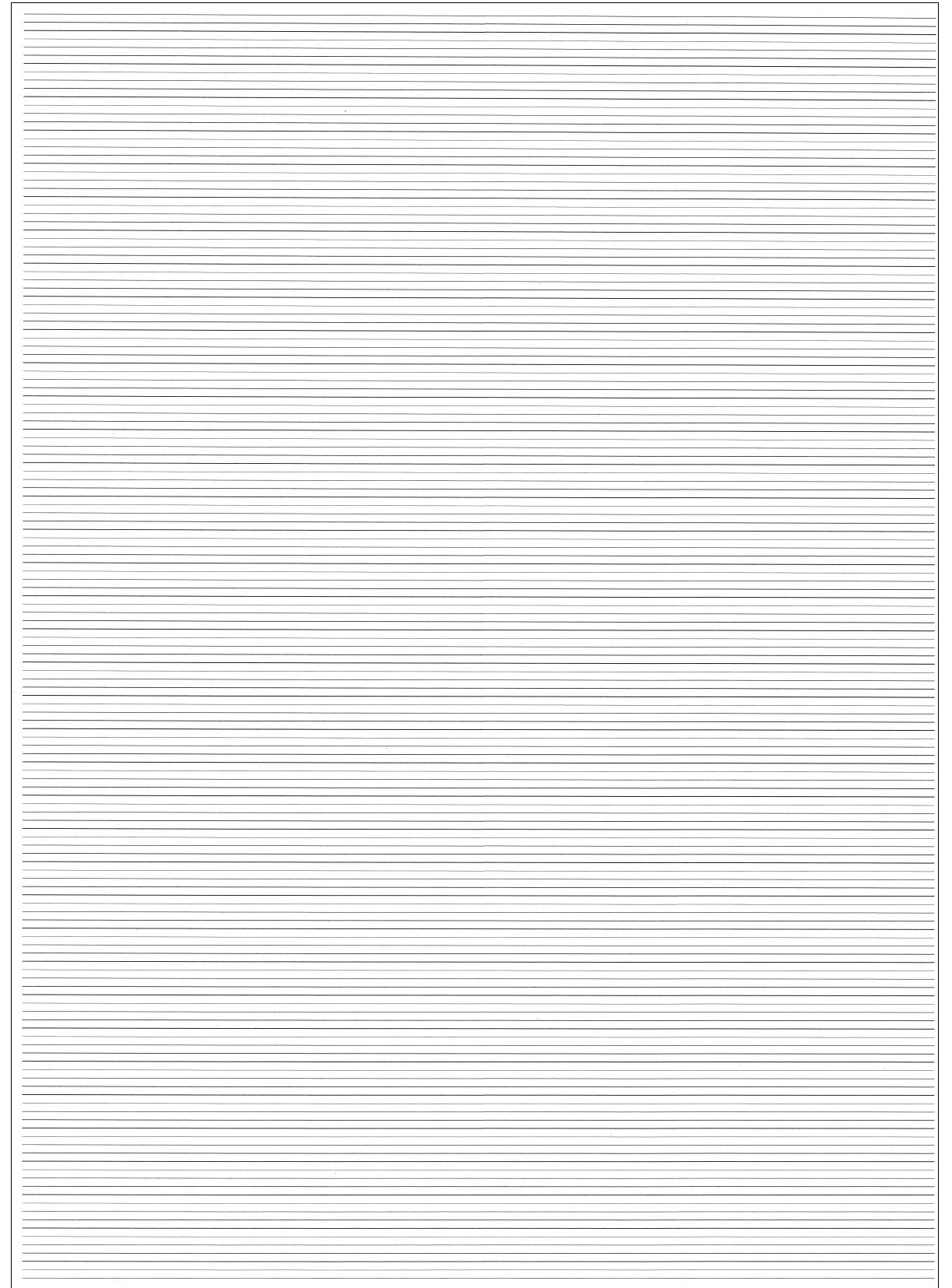
(Figure 6) Ladder



(Figure 7) Gray Scale



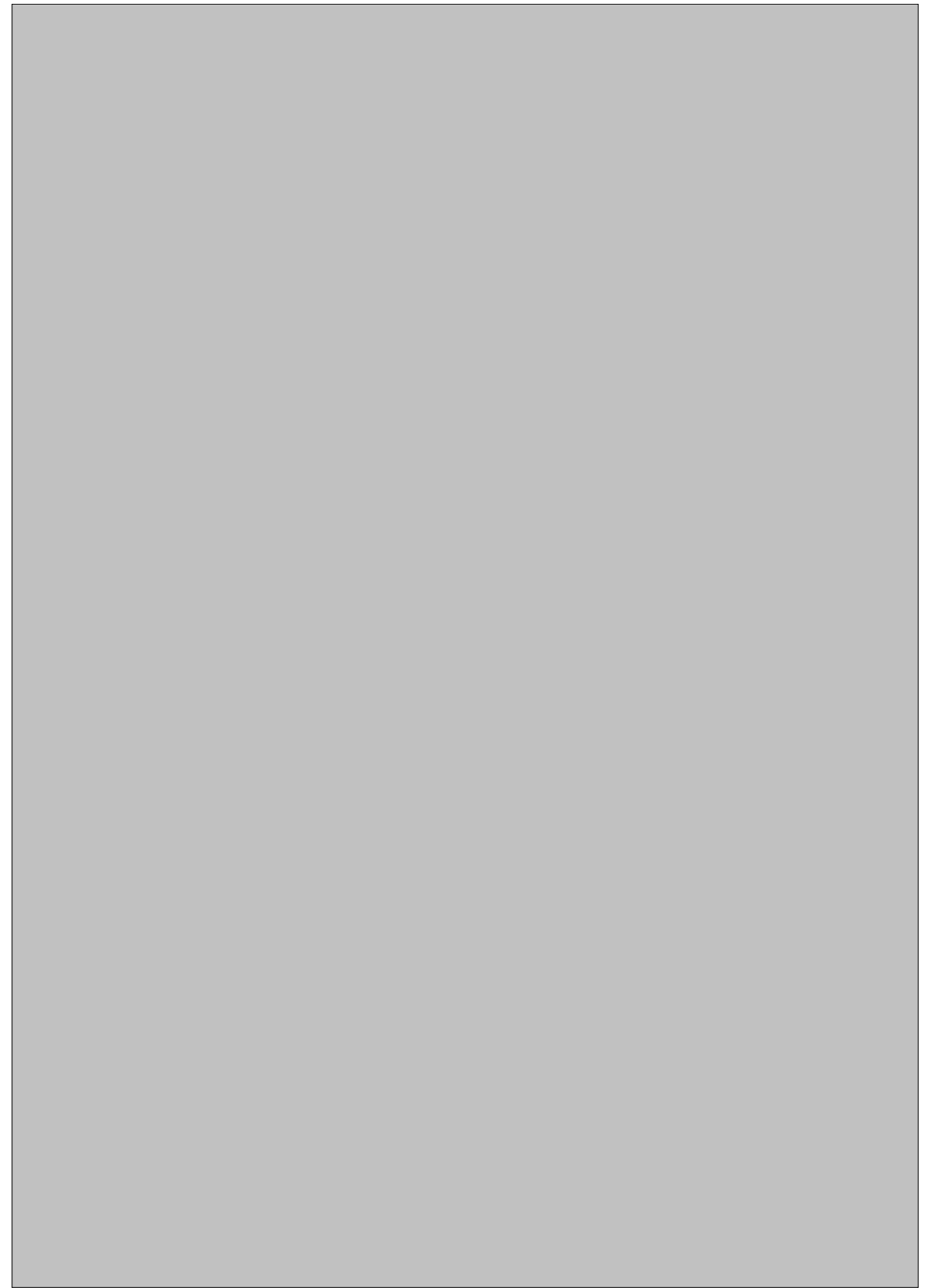
(Figure 8) Nip Adjust



(Figure 9) Hasika

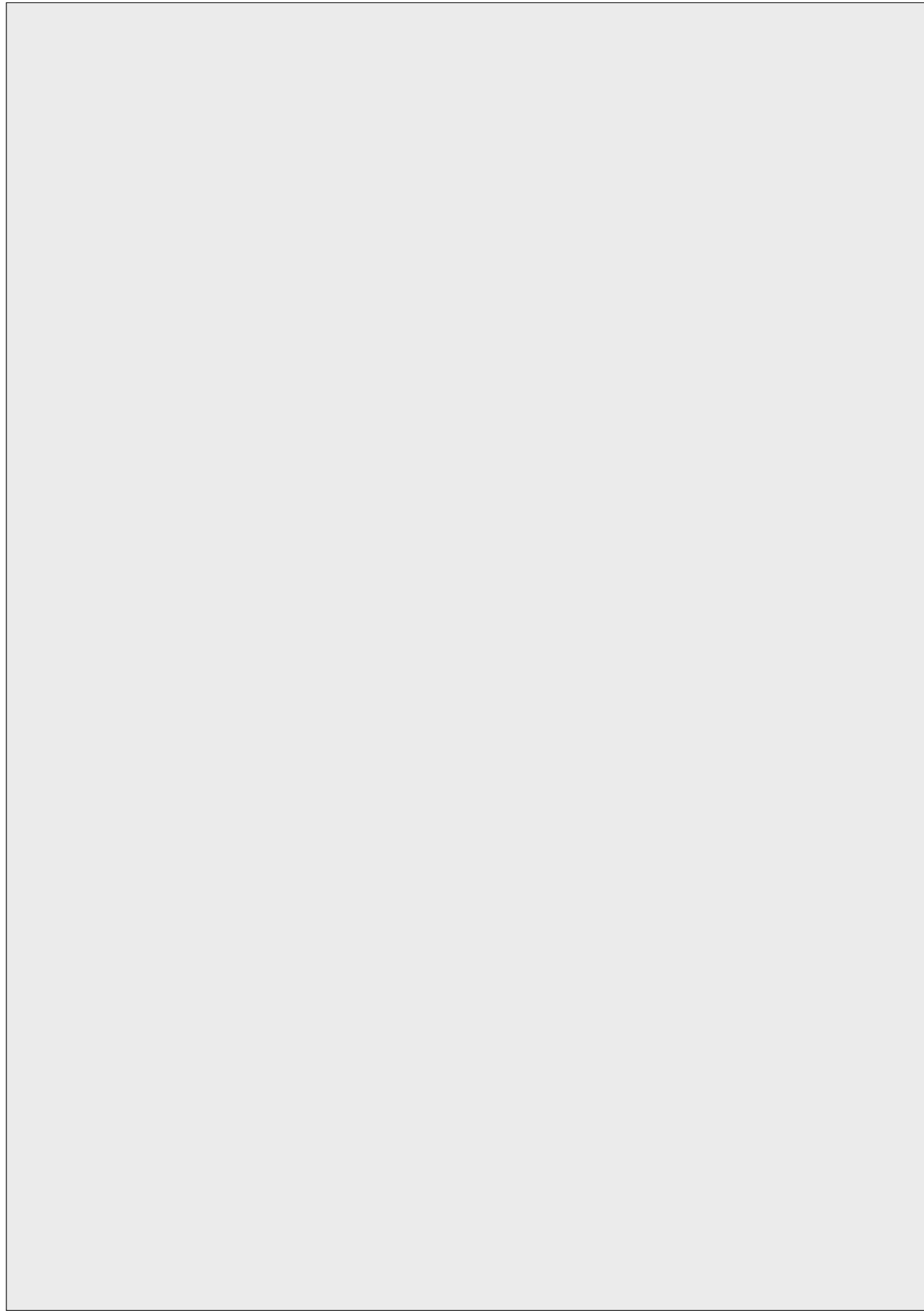


(Figure 10) 2 dot Half Dark

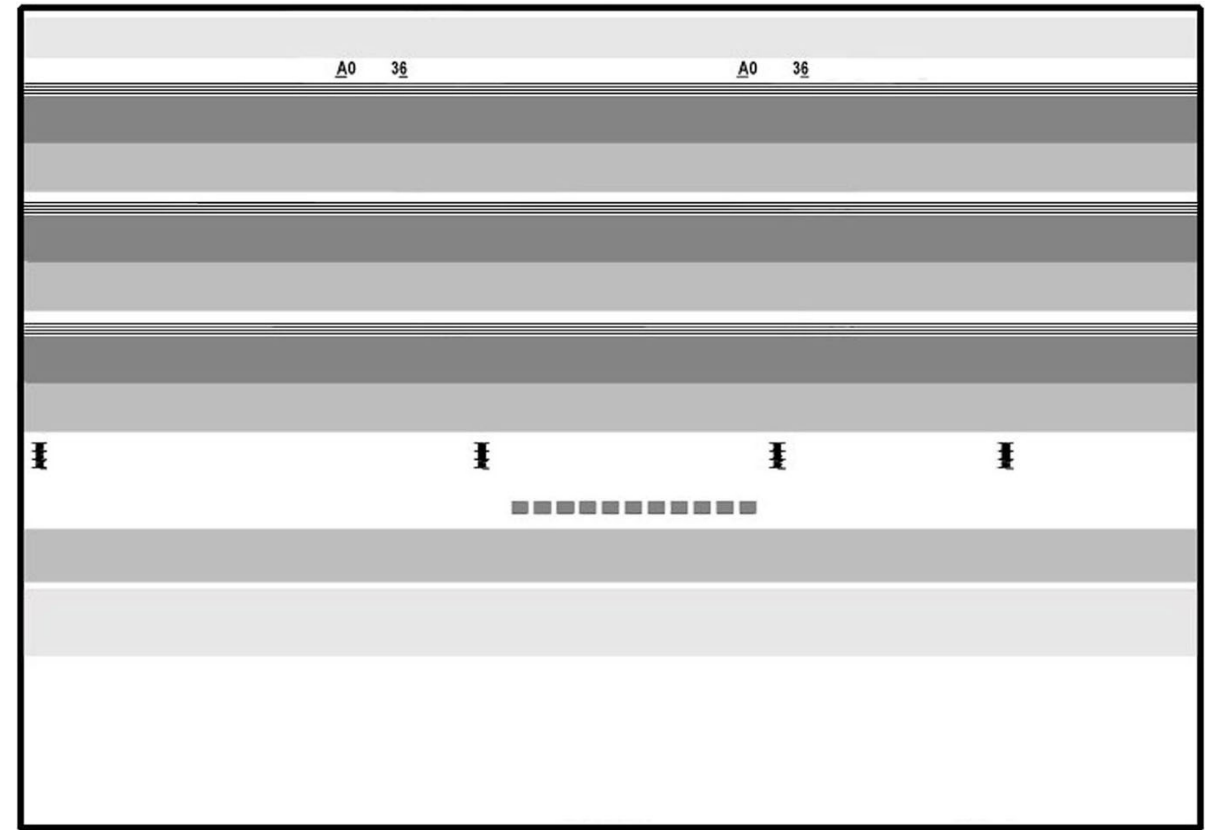


(Figure 11) 2 dot Half





(Figure 12) 1 dot Half



(Figure 13) LPH

### 3.3 Image Quality Troubleshooting

#### 3.3.1 About Copy/Print Sample

When an image quality problem occurs, use the Test Chart (499T286 (A1) or 499T283 (A3)) to make a copy or obtain the Test Pattern by using the Diag Mode (IOT DC606 Test Print) and then use these to accurately evaluate and understand the content of the problem and perform the appropriate action.

#### 3.3.2 Note When Checking for Image Quality Problems

Although the checking and processing of an image quality problem should be performed according to the troubleshooting for each symptom, if abnormalities and poor image quality continue to occur, check other factors such as the installation environment, documents used, life of consumables, etc.

##### 1. Installation Environment

- The Power Supply voltage is within specification.
- Avoid high-temperature, high-humidity (e.g. near a water tap, water heater, humidifier, air conditioner, or heat source), and dusty areas.
- Avoid areas where ammonia gas may be created.
- Avoid direct sunlight. (Request that curtains be hanged if there are no other alternatives)
- A well-ventilated area.
- An area where the machine can maintain a level position.

##### 2. Checking document for poor image quality

Check the document density

E.g.) The system is likely to misidentify Blueprint documents or newspapers as "Copy Smear" when processing.

E.g.) The system is likely to misidentify documents with light pencil prints or blue prints on no-carbon paper as "Light Copy".

#### 3.3.3 Basic Rules for Image Quality Adjustment

##### 1. One of the basic rules for image quality adjustment is to first clean the machine parts.

First of all, each document handler, Platen Glass, BCR, BTR, DTS, Transport parts, Fusing parts, and Developer parts must be cleaned.

Any significant contaminations or short-term contaminations in the machine parts are usually due to the installation environment. Therefore, the appropriate actions must be taken.

##### 2. If abnormalities and poor image quality continue to occur, check other factors such as the documents used, life of consumables, exhaustible parts, etc.

#### 3.3.4 Determining Image Quality Problems

##### 1. Preparation

- 1) Make a copy using the Test Chart (499T 00286).
- 2) Print the IOT Built-in Test Pattern by using IOT DC606 Test Print.
- 3) Print the HDD Built-in Test Pattern in CE Mode.
- 4) Collect the history data of BTR Voltage Measurement Value by using IOT DC952 BTR History.
- 5) Check whether there are errors related to image quality by using DC120/DC122.

##### 2. Perform the following Diags to identify the image quality problems:

O: Has occurred    -: Has not occurred

	IIT CIS Platen	Drum BCR Deve BTR Fusing	CP-Cont HDD Memory	Data
Test Chart (499T 00286)	O	O	-	-
IOT Built-in Test Patterns	-	O	-	-
HDD Built-in Test Patterns	-	O	O	-
Plot Data	-	O	O	O
Fail Location	IIT	IOT	CP-Cont	Data

##### 3. Diagnosing image quality problems that happen periodically during copying/printing.

The following indicates the diameter and pitch of Fusing parts and those in the vicinity of the Drum:

Parts Name	Diameter	Pitch (Interval)
Drum	80 mm	251 mm
BCR	14 mm	44 mm
Mag Roll	37 mm	116 mm
BTR	35 mm	110 mm
Heat Roll	40 mm	125 mm

For image quality problems that happen periodically during copying/printing, refer to [3.3.5 Image quality problems accompanying the pitch in the paper feed direction (Cause and corrective action)] to identify the Fail Location.

### 3.3.5 Image quality problems accompanying the pitch in the paper feed direction (Cause and corrective action)

Parts Name	Diameter	Pitch	Symptom	Cause of Problem	Check Item, Corrective Action
Drum	80 mm	251 mm	Uneven Density Blank Area	Periodic uneven exposures or uneven development due to Drum vibration	<ul style="list-style-type: none"> <li>- Correct the falling of the Drum Drive Gear (reinstall)</li> <li>- Check the LPH Focus</li> <li>- Check the LPF Duty (check the NVM/raise it if it is low)</li> <li>- Check the BCR DC (check DC951/lower it if it is high)</li> <li>- Check the tracking float of the Deve</li> <li>- Check the Deve Bias AC/DC (check DC951/raise it if it is low)</li> </ul>
			White Spots	Minor Drum scratches and presence of foreign substances (including sweat and other transparent matter)	<ul style="list-style-type: none"> <li>- Replace the Drum or clean off the foreign substances</li> </ul>
			Black Spots Black Streaks	Drum scratches	<ul style="list-style-type: none"> <li>- Replace the Drum</li> </ul>
			Black Bands	Electrical damage of the Drum due to leakage of charging device, etc.	<ul style="list-style-type: none"> <li>- Replace the Drum or wait for auto recovery by letting it rest</li> </ul>
			Shift in Slow Scan Direction	Periodic uneven exposures due to Drum vibration	<ul style="list-style-type: none"> <li>- Correct the falling of the Drum Drive Gear (reinstall)</li> </ul>
BCR	14 mm	44 mm	Black Spots Black Streaks	Poor charging due to BCR scratches or presence of foreign substances (including toner bonding)	<ul style="list-style-type: none"> <li>- Clean off the foreign substances adhered to the BCR (wipe with water)</li> <li>- Replace the BCR</li> </ul>
Mag Roll	37 mm	116 mm	Uneven Density Blank Area	<p>Uneven density at the Drum caused by gap fluctuation due to Mag Roll vibration (the influence of vibrations manifests due to the deterioration of toner electrostatic property)</p> <p>(the influence of vibrations manifests due to improper Deve Bias, improper LPH Focus/Duty, improper BCR DC)</p> <p>(the influence of vibrations manifests due to tracking float)</p>	<ul style="list-style-type: none"> <li>- Check the LPH Focus</li> <li>- Check the LPF Duty (check the NVM/raise it if it is low)</li> <li>- Check the BCR DC value (check DC951/lower it if it is high)</li> <li>- Check the tracking float of the Deve</li> <li>- Check the Deve Bias AC/DC (check DC951/raise it if it is low)</li> </ul>
				Poor delivery of Toner to the Mag Roll due to improper installation of Charging Blade	<ul style="list-style-type: none"> <li>- Reinstall the Charging Blade</li> </ul>
				Poor development due to the presence of foreign substances on the surface of the Mag Roll	<ul style="list-style-type: none"> <li>- Clean off the foreign substances on the surface of the Mag Roll (clean by using alcohol)</li> </ul>
BTR	35 mm	110 mm	Blank Area	Poor transfer due to partial distortion of BTR	<ul style="list-style-type: none"> <li>- Replace the BTR</li> </ul>
Heat Roll	40 mm	125 mm	Black Spots Black Streaks	Toner contamination on the surface of the roll due to Heat Roll scratches	<ul style="list-style-type: none"> <li>- Replace the Heat Roll</li> </ul>
			White Spots	Poor fusing that appear in form of spots due to Heat Roll scratches and presence of foreign substances (including toner bonding)	<ul style="list-style-type: none"> <li>- Replace the Heat Roll or clean off the foreign substances</li> </ul>
			Afterimage (Offset)	Adherence of toner to the Heat Roll due to improper fusing temperature settings or problems caused by static electricity	<ul style="list-style-type: none"> <li>- Check the Fusing Temperature (check the NVM)</li> </ul>

### 3.3.6 Image Quality Troubleshooting

#### 1. Light

Image Symptoms		The overall text and image density is lower than the standard density.	
		Print the Basic Pattern or Print Quality Pattern by using IOT DC606 Test Print and check the image symptoms.	
No.	Type	Check Item	Action
1	Light overall	Is the output from the BCR normal?	Perform [ADJ 8.1.6 Xerographic Setup].
		Is the output from the Deve Bias normal?	Perform [ADJ 8.1.6 Xerographic Setup].
		Is the Deve Bias Plate having poor contact or contaminated?	Clean it.
		Is the toner adhered evenly to the Mag Roll?	Check the Toner supply and the Deve Assy.
		Is the Drum disconnected from the earth? (Check the conductivity between Drum - Drum Bearing - Frame)	Clean or replace them.
		Is the toner for WF6705 being used?	Instruct the Users
		Is the LPH contaminated? Check the LPH Duty.	Clean the LPH. Check the values of IOT DC131 910-390 to 392 (LPH 1 to 3 Power).
		Is the Drum suffering from light fatigue?	Place the Drum in a dark place for about 15 mins and wait for it to recover.
		Is there Background smear?	Go to [2. Smear]
		Is it possible to perform copy normally using FX standard paper?	Instruct the Users
Is the Toner just refilled?	1. Output about 10 sheets of A0 size solid black copies (prints). 2. Remove all Toner within the Deve Assy and refill with new Toner.		

No.	Type	Check Item	Action
2	Light on one side (Paper feed direction)	Check the difference in density between the right and the left. Check the levelness of the left and right sides of the machine. Remove the Toner Housing and check the levelness of the Toner. Check the latch of the Deve Assy.	
		Check the Deve Latch Spring.	Replace the Deve Latch Spring.
3	Light in some areas (Output is light in the form of spots or bands)	Is it possible to perform copy normally using FX standard paper?	Instruct the Users
		Is the contact width of the Mag Blade even?	Replace the Mag Blade.
		Check the direction of paper feed, the left and right pitches, and check the corresponding parts.	Clean or replace the corresponding parts.
		Does the Tracking Roll have deformations or foreign substances?	Clean or replace the Tracking Roll.
		Are the BTR and DTS contaminated?	Clean the BTR and DTS.
		Is the surface of the Mag Roll abnormal?	Clean the surface of the Mag Roll by using drum cleaner or replace the Mag Roll.
		Is the Toner Box over-filled with Toner?	If the Toner Box is too full, the Agitator can't rotate and could cause unevenness to occur in some areas. Use only 1 box when refilling the toner.
		Is the BCR contaminated?	Clean or replace the BCR.
		Is the border 140 mm away from the center?	1. Check the values of IOT DC131 910-390 to 392 (LPH 1 to 3 Power). 2. Replace the LPH Assy. 3. Replace the IOT PWB.

## 2. Smear

Image Symptoms		The area other than text/image areas looks grayish.	
		Print the Basic Pattern or Print Quality Pattern by using IOT DC606 Test Print and check the image symptoms.	
No.	Type	Check Item	Action
1	Background spreads all over the paper and the image is copied as normal	Is the toner for WF6705 being used?	Clean or replace the Deve.
		Is the Drum suffering from light fatigue?	Place the Drum in a dark place for about 15 mins and wait for it to recover.
		Is the output from the Deve Bias normal?	Perform [ADJ 8.1.6 Xerographic Setup].
		Is the output from the DTS normal?	Perform [ADJ 8.1.6 Xerographic Setup].
		Check for over delivery of toner, as well as the Mag Blade, Mag Roll, and Tracking Roll.	Replace the Deve Assy.
2	Background spreads all over the paper and the copied image is dark	Is the Drum disconnected from the earth? (Check the conductivity between Drum - Drum Bearing - Frame)	Clean or replace them.
		Is the BCR contaminated? Is the BCR Support abnormal? Are the BCR and Drum nipped?	Clean or replace the BCR.
3	Background on the right or left side of a copy	Is incident light getting into the machine?	Prevent intrusion of incident light.
4	Background in a form of cyclical spots	Is the Drum contaminated?	Clean the Drum.

## 3. Blank Paper

Image Symptoms		The page is copied as blank, without any image.	
No.	Type	Check Item	Action
1	BCR BTR DTS	Is the BCR contaminated?	Clean or replace the BCR.
		Is the output from the HVPS normal? (Check the connection of the connector and check the harness) Pause the machine and check whether there are images on the Drum.	Perform [ADJ 8.1.6 Xerographic Setup]. 1. Replace the HVPS. 2. Replace the IOT PWB.
2	Development System	Is the Mag Roll rotating? (Check the Mag Roll drive system)	Replace the Deve Assy or related parts.
		Is the Deve Assy properly installed?	Reinstall it.
		Is the output from the Deve Bias normal?	Perform [ADJ 8.1.6 Xerographic Setup].
		Is the Developer Bias Plate contaminated or having poor contact?	Clean it.
3	LPH	Is the LPH ON? (Check the harness)	1. Replace the LPH Assy. 2. Replace the IOT PWB.

#### 4. Poor Resolution

Image Symptoms		Cannot scan copy images clearly even when factors such as smear and fusing are normal.	
		Print the Basic Pattern, Print Quality Pattern, or Ladder by using IOT DC606 Test Print and check the image symptoms.	
No.	Type	Check Item	Action
1	Cyclical blurring and bleeding (approx. 251 mm cycle)	Is there any foreign substances stuck to the Drum?	Clean the Drum.
		Is the Drum degenerated by chemical agents in the air?	Replace the Drum.
		Is the Drum degenerated due to storage in a high humidity environment?	Replace the Drum.
2	Cyclical blurring and bleeding (including symptoms that affect the whole surface)	Is the paper damp due to moisture absorption?	Replace the paper.
		Is the Drum degenerated due to storage in a high temperature environment?	Replace the Drum.
		Is the Drum degenerated by chemical agents in the air?	Replace the Drum.
		Are there fold lines in the document?	Spread the fold line well and copy again.
3	Whole surface or partial blurring	Is the LPH installed correctly?	

#### 5. Creased Paper

Image Symptoms		Uneven creases arising due to pressure on paper.	
No.	Type	Check Item	Action
1	Paper	Does the problem disappear when the paper feed direction is changed?	Change the paper feed direction. (Paper creases are often caused by moisture absorption and undulations on Paper Lead Edge.)
		Is the pressure at the left and right sides of the Pressure Roll appropriate?	Adjust the Nip balance. (Adjust the Right and Left Nip Spring lengths to the proper values) (Refer to [ADJ 7.2.1 Nip Balance Adjustment]) <b>Note</b> Measure the Nip Spring lengths when the Fusing Unit is cool. (If the Fusing Unit is in hot state, the Pressure Roll is expanded and it will not possible to measure the accurate value.)
2	Paper Feed System	Is the Pressure Roll contaminated or deformed?	Clean or replace the Pressure Roll.
		Is the Inlet Chute contaminated?	Clean or replace the Inlet Chute.
		Is the paper skewed?	Check for skew. Check the paper loading tube for rattling and check the length of the tube.
		Are there undulations on the tracing paper?	Check whether the thickness setting matches the paper that is in use.
		Is the Star Wheel rotating properly?	Clean the Star Wheel and check that it rotates smoothly.
3	DTS	Is the DTS contaminated? (Check the conductivity/output of the DTS)	Clean or replace the DTS.

## 6. Afterimage

Image Symptoms		An image that appears repeatedly on copies/printouts during continuous printing. (Check whether the image appears at a regular intervals)	
		Print the Basic Pattern or Print Quality Pattern by using IOT DC606 Test Print and check the image symptoms.	
No.	Type	Check Item	Action
1	BCR	Is the BCR contaminated (residual charge due to poor discharging)?	Clean or replace the BCR.
2	Cleaning Mechanism	Is the Cleaning Blade deformed?	Replace the Cleaning Blade.
3	DTS	Is the DTS contaminated?	Clean or replace the DTS.
4	Heat Roll (Copy image appears at approx. 125 mm intervals)	Is there any Heat Roll offset, or foreign substances stuck to the Heat Roll?	Clean or replace the Heat Roll. Lower the ID.
		Check the thickness setting of the paper.	Check whether the thickness setting matches the paper that is in use.
		Check for faulty fusing temperature setting and things that may generate static electricity.	Check the NVM setting value of the fusing temperature.
5	Drum (Copy image appears at approx. 251 mm intervals)	Is the Drum deteriorated or degenerated?	Replace the Drum.

## 7. Black Fill

Image Symptoms		The image is not displayed. No image has been created.	
		Print the Print Quality Pattern by using IOT DC606 Test Print and check the image symptoms.	
No.	Type	Check Item	Action
1	Copied images appear.	Is the output from the Deve Bias normal?	Perform [ADJ 8.1.6 Xerographic Setup]. 1. Replace the HVPS. 2. Replace the IOT PWB.
		Is the Drum disconnected from the earth? (Check the conductivity between Drum - Drum Bearing - Frame) Is the BCR normal?	Clean or replace the BCR.
2	Copy image appears at approx. 251 mm intervals.	Is the Cleaning Blade deformed?	Replace the Cleaning Blade.
3.	Copied images do not appear	Is the LPH ON? (Check the harness)	1. Replace the LPH Assy. 2. Replace the IOT PWB.

### 8. Skip

Image Symptoms		Blank area appears as straight line in the Drum Shaft direction.	
		Print the Print Quality Pattern or Ladder by using IOT DC606 Test Print and check the image symptoms.	
No.	Type	Check Item	Action
1	If the problem also occurs during Test Print	Is the Developer Housing Assembly having revolution failure? (Check the drive system)	Replace the related parts.
		Is the Tracking Roll scratched, contaminated, or deformed?	
		Is the Drum having a revolution failure? (Check the drive system)	Replace the related parts.
		Is the Cleaning Blade curled or deformed?	
Is the cleaner clogged? (Is the Waste Toner Container full?) Is the Drum deformed, contaminated, or have dirt stuck to it?			
		Is the paper damp due to moisture absorption?	Replace the paper.

### 9. Black Lines

Image Symptoms		Line image of width narrower than 1 mm that does not exist in the original document appears in the copy feed direction.	
		Print the Basic Pattern or Print Quality Pattern by using IOT DC606 Test Print and check the image symptoms.	
No.	Type	Check Item	Action
1	It appears from Lead Edge to the Tail Edge of the copy	Is the Drum scratched?	Check if anything is in contact with the Drum and replace the Drum.
		Is the Cleaning Blade edge damaged?	Replace the Cleaning Blade.
		Is the LPH lit poorly?	Check whether the position of the LPH joints match. (If the position of the LPH joints match, perform [ADJ 8.1.5 LPH Joint Adjustment]) Check the lighting of the LPH. (Check the harness) Replace the LPH Assy.
		Is the Heat Roll contaminated or scratched?	Perform cleaning or replacement.
		Is the Mag Roll scratched?	Replace the Mag Roll as necessary.
2	The problem appears in the Halftone area at approx. 251 mm cycles.	Is the Drum contaminated?	Clean the Drum.
		Is the Drum scratched?	Check if anything is in contact with the Drum and replace the Drum.



### 10. Lead Edge Registration Failure

Image Symptoms		The copied/printed image shifted out from within the specified distance.	
		Print the All 2 dot Line by using IOT DC606 Test Print and check the image symptoms.	
No.	Type	Check Item	Action
1	Paper Feed System	Does the output become normal when new paper is used? (Paper had absorbed moisture)	Replace the paper.
		Is there slippage due to contaminated disk surface of the RFC Roll Clutch?	Clean the Clutch Disk or replace the Clutch.
		Is the bearing the RFC Roll Clutch blocked?	Clean, lubricate, or replace the bearing.
		Is the RFC Vertical Roll contaminated or worn out?	Clean or replace the RFC Vertical Roll.
2	Control System	Is the adjustment of the Lead Edge Registration correct?	Perform [ADJ 8.1.3 Roll Paper Lead Edge Registration Adjustment] and [ADJ 8.1.4 Bypass Tray Lead Edge Registration Adjustment].

### 11. Smudge

Image Symptoms		Toner spreads out on the paper because the transferred texts and images rubbed against something before they are fused.	
		Print the Basic Pattern or Print Quality Pattern by using IOT DC606 Test Print and check the image symptoms.	
No.	Type	Check Item	Action
1	Paper	Is the paper suitable?	Recommend FX standard paper.
2	DTS	Is the DTS contaminated?	Clean the DTS.
3	Paper Feed	Is the Star Wheel rotating properly?	Clean the Star Wheel and check that it rotates smoothly.
		Is the Star Wheel positioned improperly? (Push it up manually and check that it falls by its own weight)	Clean or replace the Star Wheel

## 12. Skew

Image Symptoms		Document or paper was fed in skewed manner.	
		Print the All 2 dot Line by using IOT DC606 Test Print and check the image symptoms.	
No.	Type	Check Item	Action
1	Document Feed	Is the Upper Document Transport set properly? (Insert a long document correctly and visually check whether it is fed in parallel with the Document Shelf guideline)	Replace the Pinch Roller.
2	Paper Feed	Is the paper loaded properly?	Reload the paper.
		Is each roller contacting properly (no one-sided contact or uneven wear)?	Clean or replace the feed roller as necessary.
		Is the Nip of the Fusing Unit balanced properly?	Adjust the Nip balance. (Adjust the Right and Left Nip Spring lengths to the proper values) (Refer to [ADJ 7.2.1 Nip Balance Adjustment]) <b>Note</b> Measure the Nip Spring lengths when the Fusing Unit is cool. (If the Fusing Unit is in hot state, the Pressure Roll is expanded and it will not possible to measure the accurate value.)  Replace the Heat Roll and Pressure Roll as necessary.

## 13. Halftone Density Differences, Stripes/Unevenness

Image Symptoms		Halftone Density Differences, Stripes/Unevenness	
		Print the LPH by using IOT DC606 Test Print and check the image symptoms.	
No.	Type	Check Item	Action
1	The border is 140 mm away from the center	Is the LPH Joint adjusted properly?	Perform [ADJ 8.1.5 LPH Joint Adjustment].
2	A band of width 30 mm appears at 140 mm from the center	Is the BCR contaminated?	Replace the BCR.
		The Drum is worn out.	Replace the Drum.
There are cases where an approx. 30 mm wide vertical band of uneven density appears at the LPH joint section when the Drum is nearing its lifespan. This band is the result of the overlapping parts of 3 BCRs which coincides with the wear and tear of the Drum, and has got nothing to do with the difference in LPH density.			
3	Incident light has intruded	Is incident light getting into the machine?	Prevent intrusion of incident light.

## 14. Side 2 Contamination

Image Symptoms		Side 2 Contamination of Copy/Print	
No.	Cause	Check Item	Action
1	The image at the paper's edge is not completely erased	Check the image erase amount.	Adjust the image erase amount. - 910-416 Lead Edge/During Copy - 910-417 Tail Edge/During Copy - 910-418 Left and Right Edge/During Copy - 910-419 Lead Edge/During Plot - 910-420 Tail Edge/During Plot - 910-421 Left and Right Edge/During Plot
2	Shift in the Lead Edge and Side registration		Perform [ADJ 8.1.1 IOT Side Registration Adjustment], [ADJ 8.1.3 Roll Paper Lead Edge Registration Adjustment], and [ADJ 8.1.4 Bypass Tray Lead Edge Registration Adjustment].

Intentionally Blank

# Chapter 4 Disassembly/Assembly and Adjustment



## Table of Contents

4.1 Preface .....	3
4.1.1 How to Use the Disassembly/Assembly and Adjustment .....	3
4.1.2 Terms and Symbols.....	3
4.2 Disassembly/Assembly .....	5
1. Drive.....	5
REP1.1.1 RFC Takeaway Clutch .....	5
REP1.2.1 Main Motor and Deve. Clutch .....	6
2. Paper Transport .....	8
REP2.1.1 Manual Feed Lower Baffle Assembly .....	8
REP2.1.2 Vertical Front Baffle Assembly .....	11
REP2.1.3 Manual Feed Roll .....	13
REP2.1.4 Regi Roll.....	16
REP2.2.1 Vertical Rear Baffle Assembly .....	18
3. IIT .....	20
REP3.1.1 IIT PWB .....	20
REP3.3.1 Pinch Roller.....	23
REP3.3.2 White Platen Assembly.....	25
REP3.4.1 (Heavyweight Document Supporting Kit) Pinch Roller.....	26
REP3.4.2 White Platen Assembly (Heavyweight Document Supporting Kit) .....	28
REP3.5.1 IIT Cover Open Sensor.....	29
REP3.6.1 (SCC) IIT Drive Motor .....	33
REP3.6.2 IIT Document Transport Roll.....	34
REP3.7.1 CIS Assembly .....	37
REP3.7.2 Platen Glass .....	41
REP3.7.3 CIS Cable .....	43
4. LPH .....	46
REP4.1.1 LPH Assembly .....	46
REP4.1.2 (SCC) LPH I/F PWB .....	50
5. Development.....	52
REP5.1.1 Developer Assembly.....	52
REP5.2.1 Mag. Roll .....	54
REP5.2.2 Mag. Blade .....	57
REP5.2.3 Toner Housing .....	59

6. Xero.....	60
REP6.1.1 Xero Module .....	60
REP6.1.2 BTR Housing Assembly .....	62
REP6.2.1 Drum.....	64
REP6.2.2 BCR.....	67
REP6.2.3 Drum Assembly.....	68
REP6.3.1 BTR .....	70
REP6.3.2 DTS .....	73
REP6.4.1 Cleaner Blade .....	75
REP6.4.2 Finger Shaft .....	76
REP6.4.3 BCR Holder Assembly .....	78
REP6.4.4 Auger .....	79
7. Fusing Unit .....	81
REP7.1.1 (SCC) Heater Rod (Center/Side/Sub).....	81
REP7.1.2 (SCC) Fusing Drive Motor .....	84
REP7.2.1 Heat Roll.....	86
REP7.2.2 Pressure Roll .....	90
REP7.3.1 Upper Exit Baffle Assembly.....	94
REP7.3.2 Heat Roll Thermistor 1, 2, 3, 4.....	96
REP7.3.3 Thermostat.....	98
REP7.4.1 Strip Finger .....	100
8. Electrical.....	101
REP8.1.1 (SCC) IOT PWB.....	101
REP8.1.2 (SCC) AC Relay PWB.....	103
REP8.2.1 (SCC) HVPS .....	104
REP8.5.1 (SCC) RFC Motor PWB .....	105
REP8.6.1 (SCC) WF01 PWB .....	106
REP8.6.2 CP Control LVPS .....	108
REP8.6.3 (SCC) (ISC) HDD.....	110
REP8.6.4 (SCC) WF02 PWB Assembly.....	112
REP8.6.5 (SCC) CP Control PWB Assembly .....	114
REP8.6.6 CP Control CPU.....	117
9. Cover.....	118
REP9.1.1 Front Upper Cover .....	118
REP9.1.2 Front Left Door.....	119

REP9.1.3 Front Right Door .....	120	ADJ8.1.4 Bypass Tray Lead Edge Registration Adjustment.....	166
REP9.2.1 Right Upper Cover.....	122	ADJ8.1.5 LPH Joint Adjustment.....	167
REP9.2.2 Right Swing Cover.....	124	ADJ8.1.5.1 LPH Focus Rough Adjustment .....	168
REP9.2.3 Right Lower Cover.....	125	ADJ8.1.5.2 LPH Density Difference Fine Adjustment (Light Duty Adjustment) .....	170
REP9.2.4 Document Shelf Assembly.....	126	ADJ8.1.5.3 LPH Joint Fast Scan Direction Adjustment.....	171
REP9.3.1 Left Upper Cover .....	127	ADJ8.1.5.4 LPH Joint Slow Scan Direction Adjustment.....	172
REP9.3.2 Left Swing Cover .....	129	ADJ8.1.6 Xero Graphic Setup.....	173
REP9.3.3 Rear Cover Assembly.....	130	ADJ8.6.1 Things to Take Note	
REP9.3.4 Left Lower Cover .....	131	when Replacing Important Information Stored Components.....	181
REP9.3.5 Rear Lower Cover .....	132	12. UI.....	182
10. RFC.....	133	ADJ12.1.1 UI Touch Panel Origin Point Adjustment.....	182
REP10.1.1 RFC Assembly.....	133		
REP10.1.2 Left Rail and Right Rail.....	135		
REP10.2.1 (SCC) Cutter Assembly .....	137		
REP10.4.1 Feed Roll.....	139		
12. UI .....	140		
REP12.1.1 (SCC) UI Assembly.....	140		
REP12.1.2 Left Hinge Cover and Right Hinge Cover .....	141		
REP12.1.3 Post Rear Cover and Post Front Upper Cover, Post Front Lower Cover.....	142		
REP12.1.4 UI I/F Cable .....	143		
99. (SCC) Safety Critical Components.....	146		
REP99.1.1 (SCC) Safety Critical Components .....	146		
4.3 Adjustment.....	<b>Error! Bookmark not defined.</b>		
3. IIT.....	147		
ADJ3.1.1 IIT Side Registration Adjustment.....	147		
ADJ3.1.2 IIT Vertical Reduce/Enlarge Adjustment.....	149		
ADJ3.1.3 IIT Lead Edge Registration Adjustment.....	151		
ADJ3.1.4 IIT Document Length Adjustment.....	153		
ADJ3.1.5 CIS Gap Correction.....	155		
7. Fusing Unit.....	160		
ADJ7.2.1 Nip Balance Adjustment.....	160		
8. Electrical .....	162		
ADJ8.1.1 IOT Side Registration Adjustment .....	162		
ADJ8.1.2 Roll Paper Fixed Cut Length Adjustment .....	163		
ADJ8.1.3 Roll Paper Lead Edge Registration Adjustment .....	165		



## 4.1 Preface

### 4.1.1 How to Use the Disassembly/Assembly and Adjustment

The following are some of the rules for procedures involving the disassembly, assembly, replacement, and adjustment of parts that are required during field service.

#### 1. Sub System

The WF6705 is described by Sub System. Each Sub System is separated into several items (titles) and each title has an item number assigned to it. These numbers match the Plate No. of Parts List in Chapter 5. This helps to easily find the relevant procedures from parts list, or vice versa.

E.g.) Disassembly/Assembly and Adjustment:

Parts List            REP1.1.1 LPH Assembly  
                              : PL1.1 LPH Unit

#### 2. Figure

(Figure X) at the end of a section indicates that the illustrated action step is a detailed procedure.

Furthermore, the illustrations only show one side of the parts that has a symmetrical top and bottom or Left and Right sides.

#### 3. Installation

Installation only indicates things that you have to note when performing the removal procedures in reverse.

#### 4. Replacement Procedure

Simple replacement procedures that do not require removal and installation steps are not listed here. However, when relevant adjustments are required, they are listed in notes.

#### 5. Referral Procedure

The (REP1.2.3) or (ADJ1.2.3) after a procedure indicates the disassembling, assembling, or adjustment sections used for reference.

#### 6. Prerequisite

Make sure to verify this as it is stated in the notes before the procedure.

#### 7. Modification

When there are differences due to modifications to the title item or procedure, a modification number will be listed at the start of that procedure.

E.g. 1: REP1.2.3 "A" Roller [Models with 5V]

Indicates that the entire procedure under this title applies to models with 5V modification.

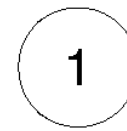
E.g. 2: 2. [Models without 3V] Remove Roller "B".

Indicates that this procedure only applies to machines without 3V modification.

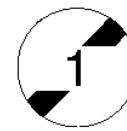
E.g. 3: Figure 1 [Models with 3V]

Indicates that Figure 1 is a reference figure consisting of a model with 3V modification.

E.g. 4:



This symbol indicates the configuration of the part after a modification with the number shown in the symbol is introduced.

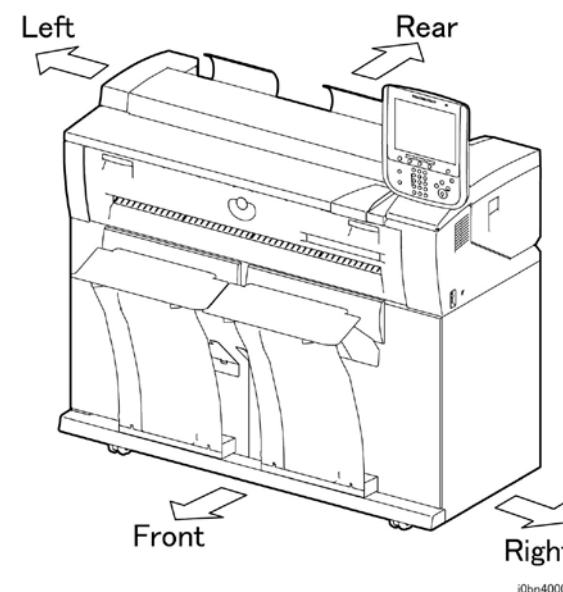


This symbol indicates the configuration of the part before a modification with the number shown in the symbol is introduced.

#### 8. Names for machine orientation

Positions or directions of the machine and directions of the machine interior used in procedures are defined as follows.

- Front : front of the machine
- Right : Right-hand side when facing the front of the machine
- Left : Left-hand side when facing the front of the machine
- Rear : Rear when facing the front of the machine



### 4.1.2 Terms and Symbols

The symbols listed here are used across all chapters.

The terms and symbols used at the beginning of a text are defined as follows:

**⚠ DANGER** Indicates an imminently hazardous situation, such as death or serious injury if operators do not handle the machine correctly by disregarding the statement.

**⚠ WARNING** Indicates a potentially hazardous situation, such as death or serious injury if operators do not handle the machine correctly by disregarding the statement.

**⚠ CAUTION** Indicates a potentially hazardous situation, such as injury or property damage if operators do not handle the machine correctly by disregarding the statement.

**Instruction** Used to alert you to a procedure, if not strictly observed, could result in damage to the machine or equipment.

**Note** Used when work procedures and rules are emphasized.

**Reference** Used when other explanations are given.

**Purpose** Used to explain purpose of adjustment.

The terms and symbols used within the text are defined as follows:

**REP** Indicates the disassembly/assembly procedure for reference.

**ADJ** Indicates the adjustment procedure for reference.

**PL** Indicates the Parts List for reference.

**CH** Indicates the BSD for reference.

**SCC** Safety Critical Components (SCC)

For the safety control of the Safety Critical Components and the components specified, follow the regulations regarding the Safety Critical Components set by Xerox Co., Ltd.

Parts defined as SCC must be replaced as a whole part. Never disassemble it or replace its internal parts. Installation of a part not specified by Xerox is strictly prohibited because we cannot guarantee quality and safety.

ISC Important Information Stored Component (ISC)

This component stores all the important customer information that is input after the installation. When performing replacement, follow the procedures in "Chapter 4 Adjustment" to replace/discard. Make absolutely sure that no customer information gets leaked outside.

## 4.2 Disassembly/Assembly

### 1. Drive

#### REP1.1.1 RFC Takeaway Clutch

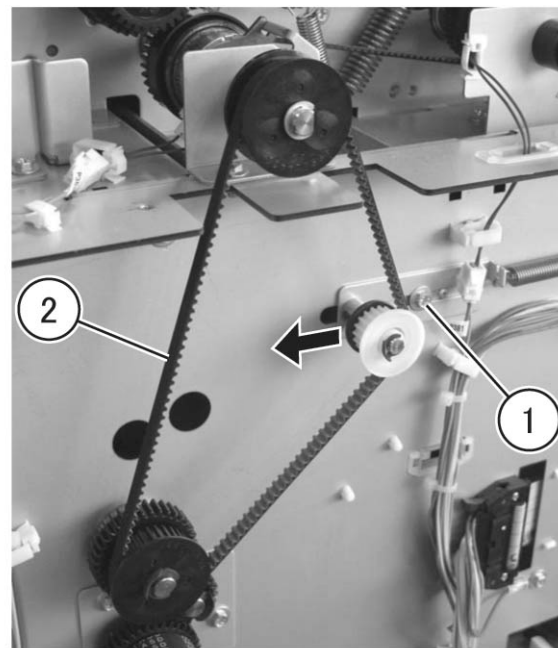
Reference PL: PL1.1

#### Removal

**⚠ WARNING**  
Turn OFF the power and the breaker, then unplug the power plug to prevent electric shock.

#### Procedure

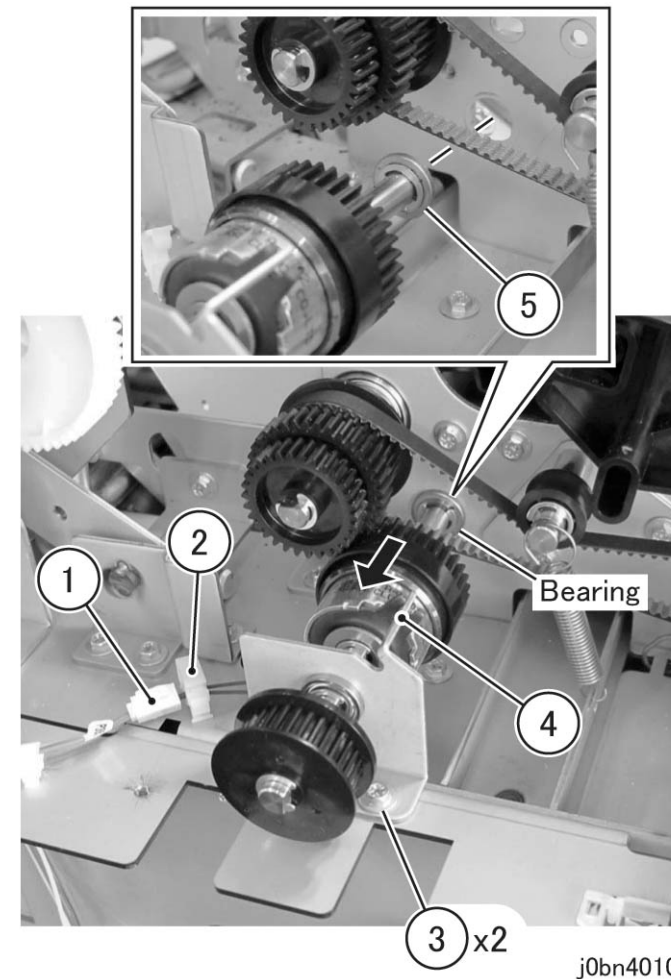
1. Remove the Left Upper Cover. (REP9.3.1)
2. Remove the Left Lower Cover. (REP9.3.4)
3. Remove the belt. (Figure 1)
  - 1) Loosen the screw to relax belt tension.
  - 2) Move the Tension Pulley in the direction of the arrow to remove the belt.



j0bn40101

(Figure 1) j0bn40101

4. Remove the RFC Takeaway Clutch. (Figure 2)
  - 1) Disconnect the connector.
  - 2) Release the clamp to remove the Wire Harness.
  - 3) Remove the screw (x2).
  - 4) Remove the RFC Takeaway Clutch while preventing the bearing from falling off.
  - 5) Remove the Powdered Metal Bearing.



j0bn40102

(Figure 2) j0bn40102

#### Installation

#### Procedure

To install, carry out the removal steps in reverse order.

## REP1.2.1 Main Motor and Deve. Clutch

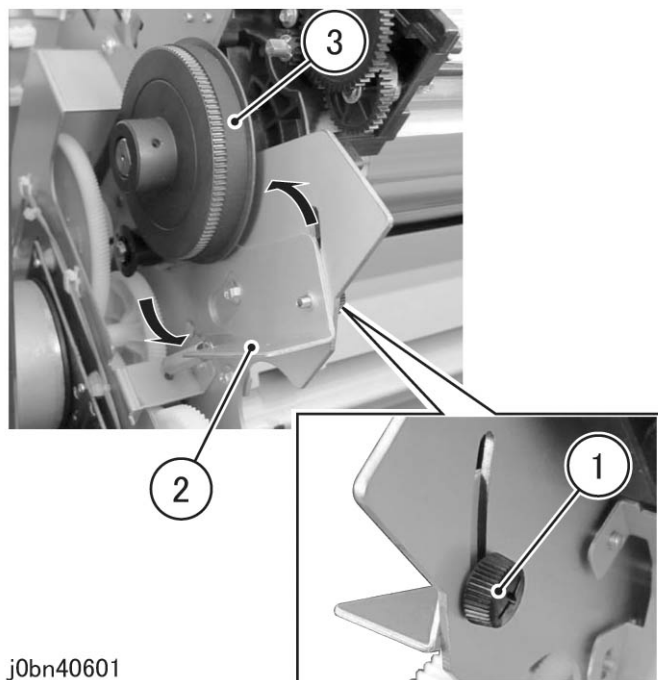
Reference PL: PL1.2

### Removal

**⚠ WARNING**  
Turn OFF the power and the breaker, then unplug the power plug to prevent electric shock.

### Procedure

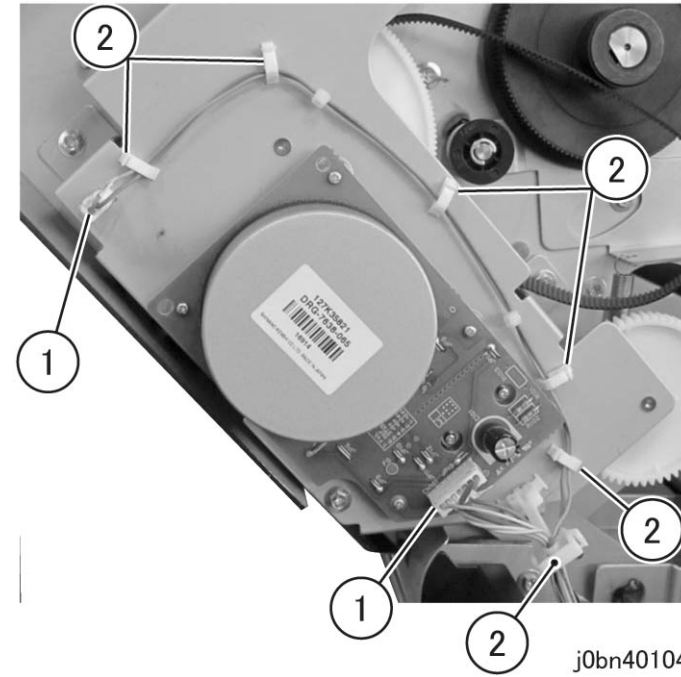
1. Remove the Left Swing Cover. (REP9.3.2)
2. Remove the belt from the Drum Pulley of Xero Module. (Figure 1)
  - 1) Loosen the Knob Screw.
  - 2) Relax the tension of the belt by moving the Tension Arm in the direction of the arrow.
  - 3) Remove the belt from the Drum Pulley.



j0bn40601

(Figure 1) j0bn40601

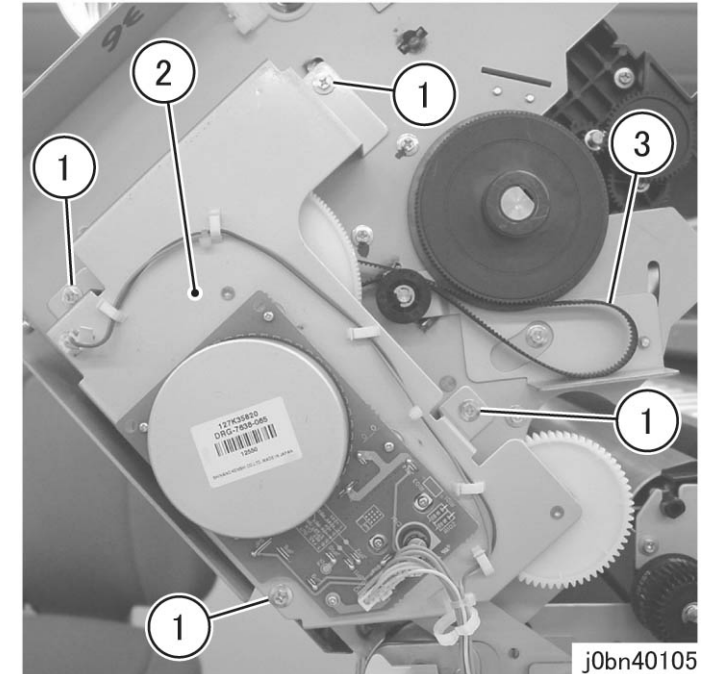
3. Disconnect the Main Motor and Deve. Clutch connectors. (Figure 2)
  - 1) Disconnect the connectors (x2).
  - 2) Release the clamp (x6) to remove the Wire Harness.



j0bn40104

(Figure 2) j0bn40104

4. Remove the Main Motor and Deve. Clutch. (Figure 3)
  - 1) Remove the screw (x4).
  - 2) Remove the Main Drive Motor and Deve. Clutch.
  - 3) Remove the belt.



j0bn40105

(Figure 3) j0bn40105

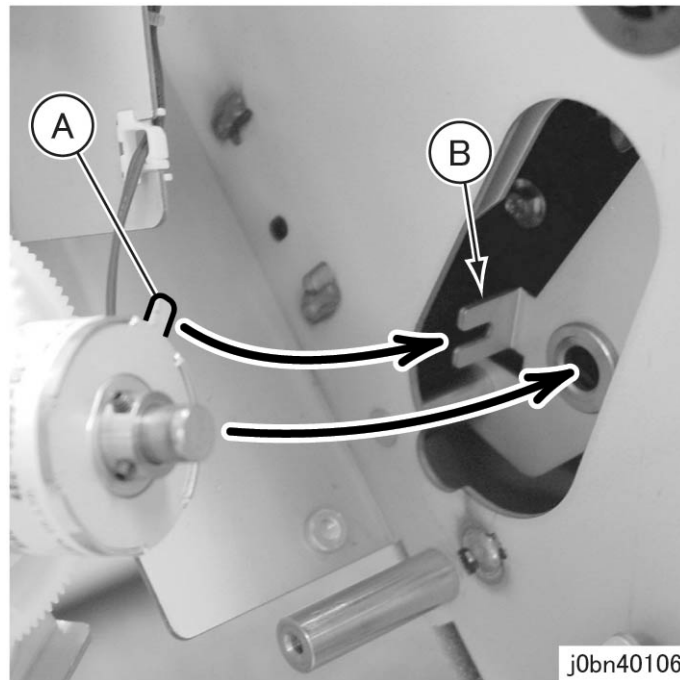
## Installation

### Procedure

To install, carry out the removal steps in reverse order.

**Note** When installing the Main Motor and Deve. Clutch, insert and set the Tab (protrusion) of the Deve Clutch into the U-Groove of the Plate Bearing. (Figure 4)

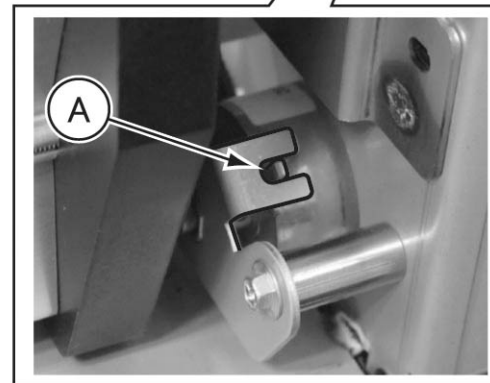
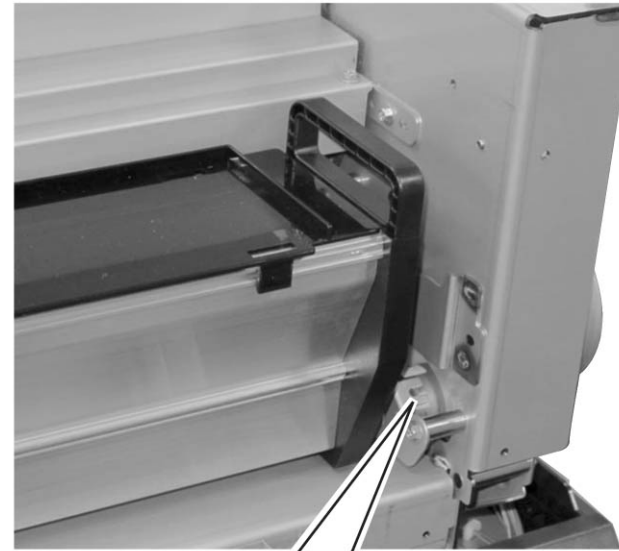
- A) Tab (protrusion) of the Deve. Clutch.
- B) U-Groove of the Plate Bearing.



(Figure 4) j0bn40106

**Note** Remove the Rear Cover Assembly (REP9.3.3), and check that the Tab (protrusion) of the Deve. Clutch is properly inserted into the U-Groove of the Plate. (Figure 5)

- A) Check the installation of Tab (protrusion)



(Figure 5) j0bn40107

## 2. Paper Transport

### REP2.1.1 Manual Feed Lower Baffle Assembly

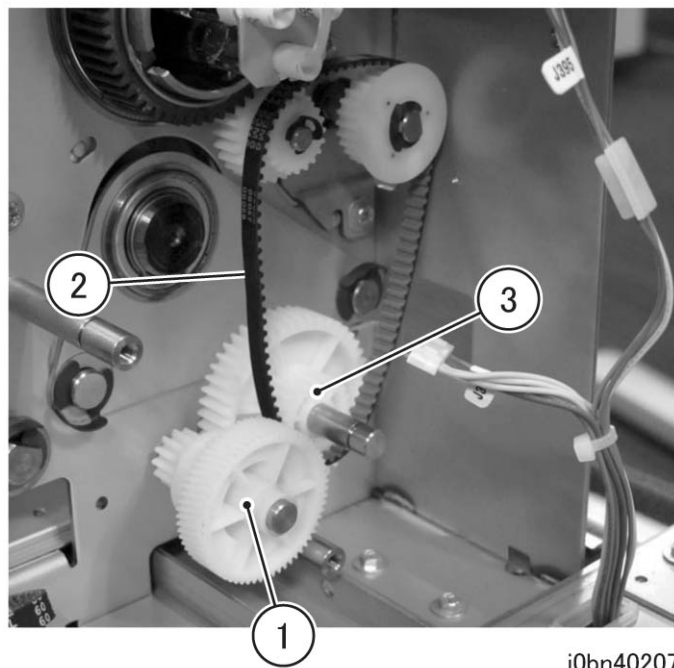
Reference PL: PL2.1

#### Removal

- ⚠ WARNING**  
Turn OFF the power and the breaker, then unplug the power plug to prevent electric shock.

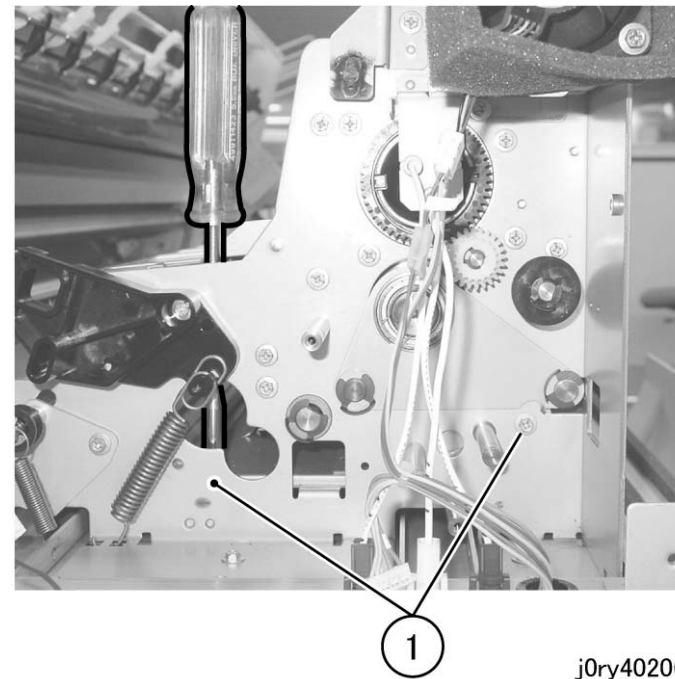
#### Procedure

1. Remove the Left Upper Cover. (REP9.3.1)
2. Remove the Right Upper Cover. (REP9.2.1)
3. Remove the Front Upper Cover. (REP9.1.1 Steps 1 to 4)
4. Remove the BTR Housing Assembly. (REP6.1.2)
5. Remove the Fusing Drive Motor. (REP7.1.2)
6. Remove the Manual Feed Roll. (REP2.1.3)
7. Remove the Gear Pulley. (Figure 1)
  - 1) Remove the gear.
  - 2) Remove the belt.
  - 3) Remove the Gear Pulley.



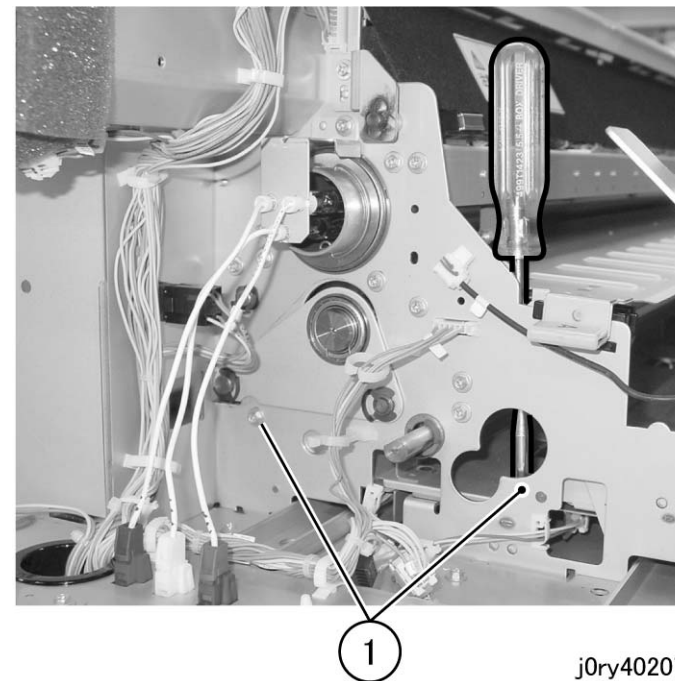
(Figure 1) j0bn40207

8. Remove the screws on the Left side of the Manual Feed Upper Baffle-1. (Figure 2)
  - 1) Remove the screw (x2).



(Figure 2) j0ry40206

9. Remove the screws on the Right side of the Manual Feed Upper Baffle-1. (Figure 3)
  - 1) Remove the screw (x2).

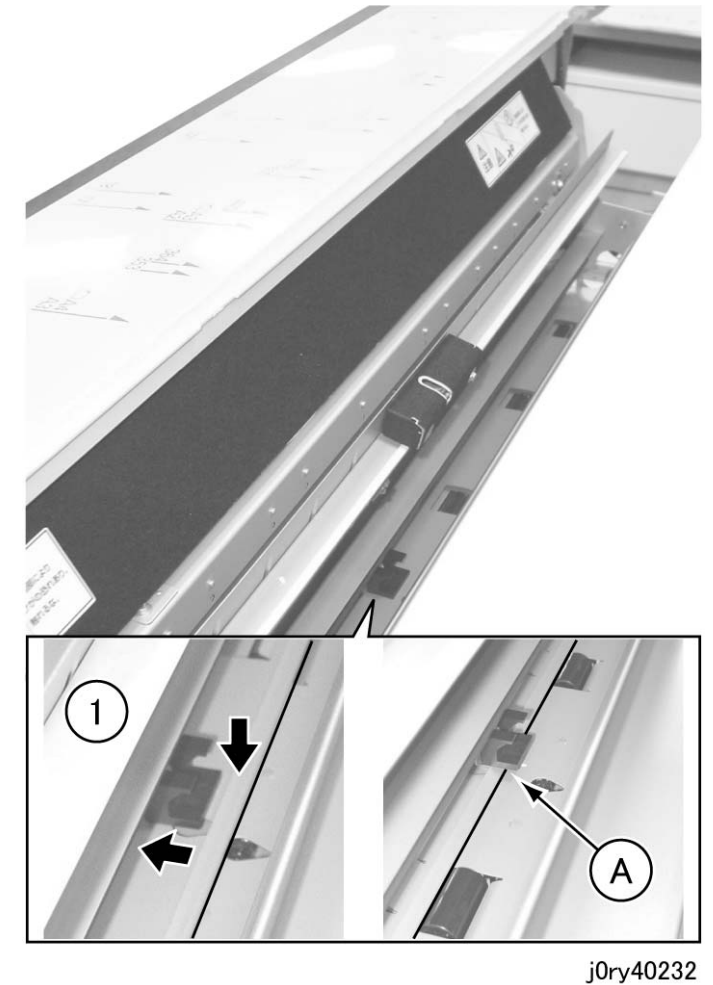


(Figure 3) j0ry40207

10. Pass the Tail Edge of the Manual Feed Upper Baffle-1 through the bottom of the Manual Feed Roll Block. (Figure 4)

- 1) While pressing the center of the Tail Edge of the Manual Feed Upper Baffle-1, pass it through the bottom of the Manual Feed Roll Block.

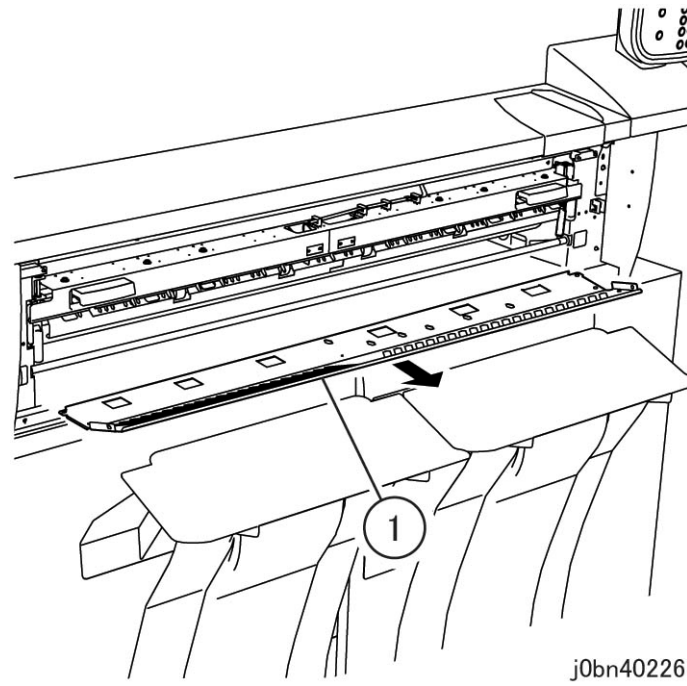
A) Passing through the bottom of the Manual Feed Roll Block



(Figure 4) j0ry40232

11. Remove the Manual Feed Upper Baffle-1. (Figure 5)

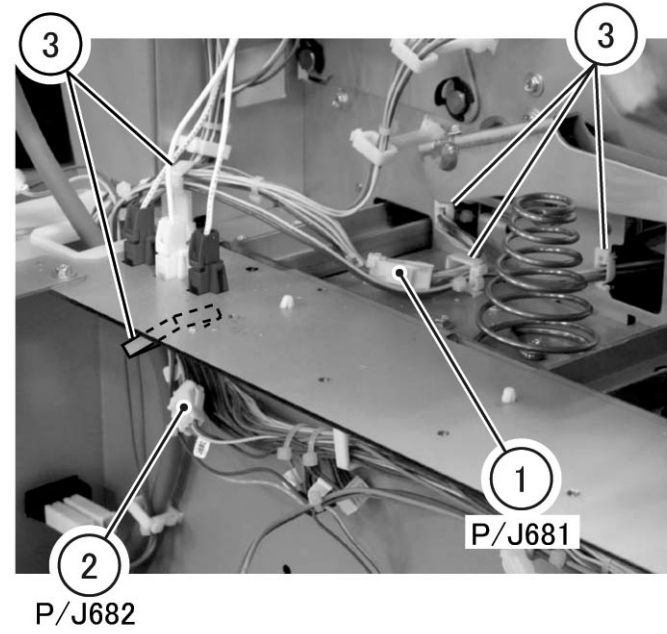
- 1) Remove the Manual Feed Upper Baffle-1.



(Figure 5) j0bn40226

12. Disconnect the Manual Feed Lower Baffle Assembly connector. (Figure 6)

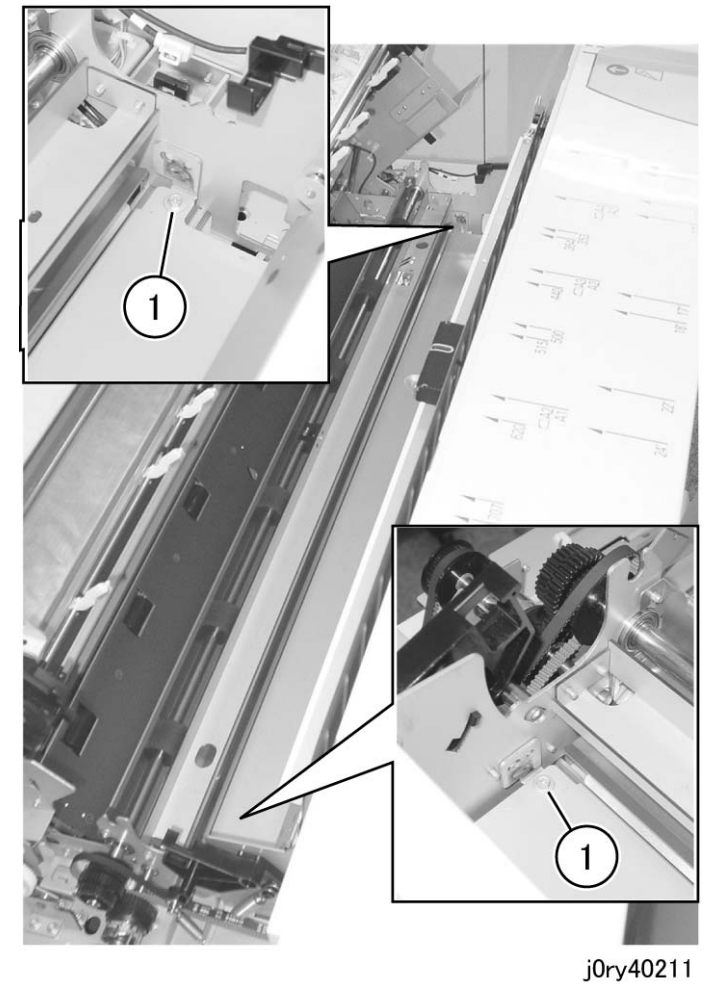
- 1) Disconnect the connector (P/J681).
- 2) Disconnect the connector (P/J682).
- 3) Release the clamp (x5) to remove the Wire Harness.



(Figure 6) j0bn40201

13. Remove the screws on the Manual Feed Lower Baffle. (Figure 7)

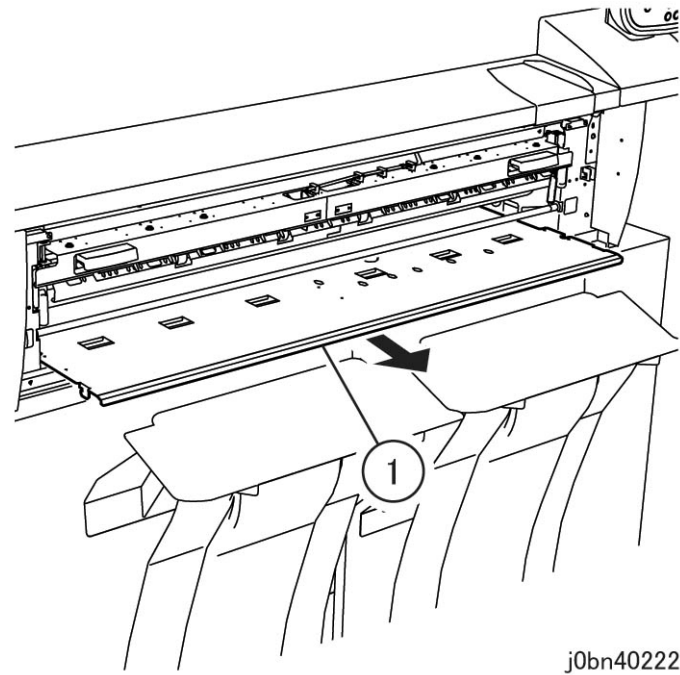
- 1) Remove the screw (x2).



(Figure 7) j0ry40211

14. Remove the Manual Feed Lower Baffle Assembly. (Figure 8)

- 1) Remove the Manual Feed Lower Baffle Assembly in the direction of the arrow.



(Figure 8) j0bn40222

j0bn40222

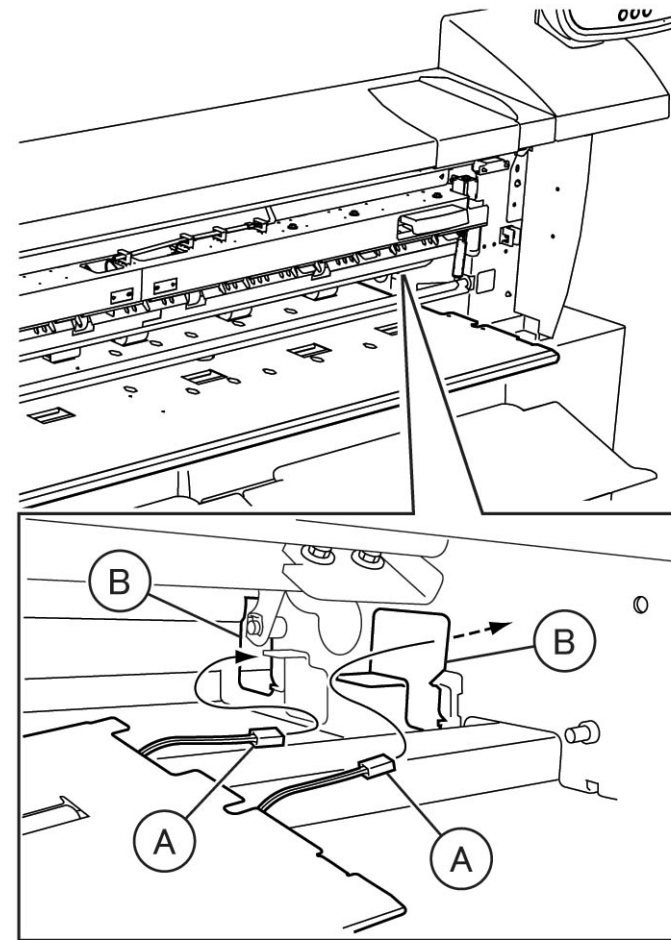
### Installation

#### Procedure

To install, carry out the removal steps in reverse order.

**Note** The Connector Housing of the Manual Feed Lower Baffle Assembly is taken out of the Frame hole. (Figure 9)

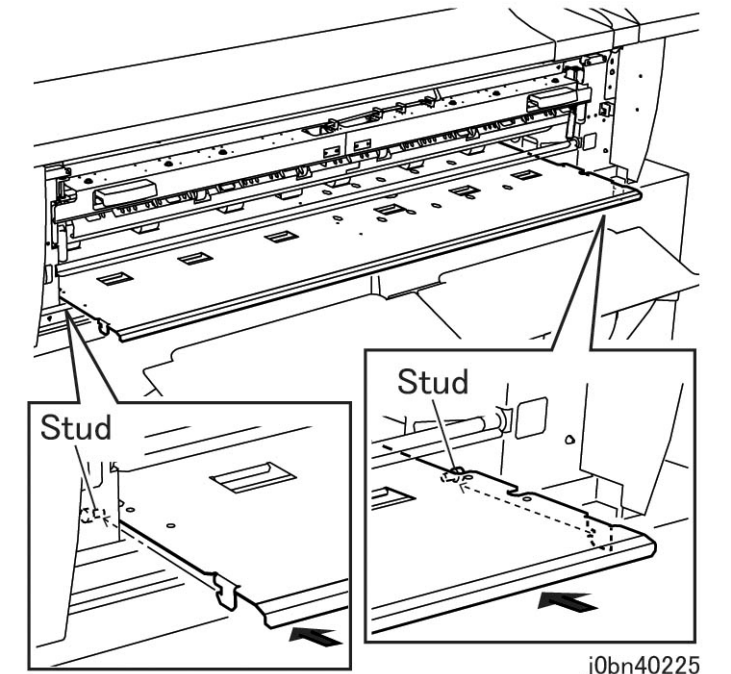
- A) Connector Housing
- B) Frame hole



(Figure 9) j0bn40224

j0bn40224

**Note** When installing the Manual Feed Lower Baffle Assembly, insert and set the Studs of the Frame into the U-Grooves of the Manual Feed Lower Baffle Assembly. (Figure 10)



(Figure 10) j0bn40225

j0bn40225



## REP2.1.2 Vertical Front Baffle Assembly

Reference PL: PL2.1

### Removal

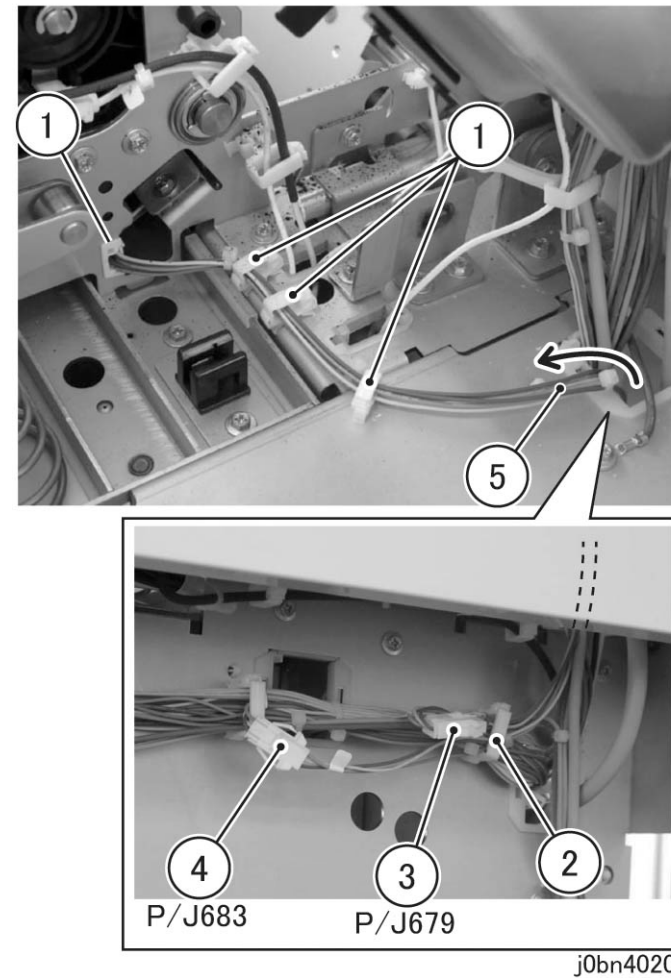
**⚠ WARNING**  
Turn OFF the power and the breaker, then unplug the power plug to prevent electric shock.

### Procedure

1. Remove the Rear Lower Cover. (REP9.3.5)
2. Remove the Right Lower Cover. (REP9.2.3)
3. Remove the Left Lower Cover. (REP9.3.4)
4. Remove the Xero Module. (REP6.1.1)
5. Vertical Rear Baffle Assembly (REP2.2.1)

6. Disconnect the Vertical Front Baffle Assembly connectors. (Figure 1)

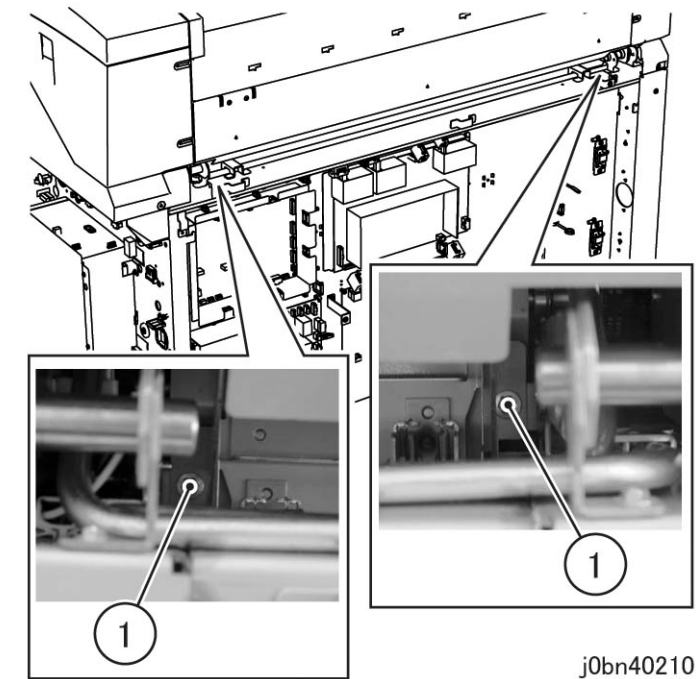
- 1) Release the clamp (x4) to remove the Wire Harness.
- 2) Release the clamp to remove the Wire Harness.
- 3) Disconnect the connector (P/J697).
- 4) Disconnect the connector (P/J683).
- 5) Pull out the Wire Harness from the clamp.



(Figure 1) j0bn40208

7. Remove the screws on the Rear of the Vertical Front Baffle Assembly. (Figure 2)

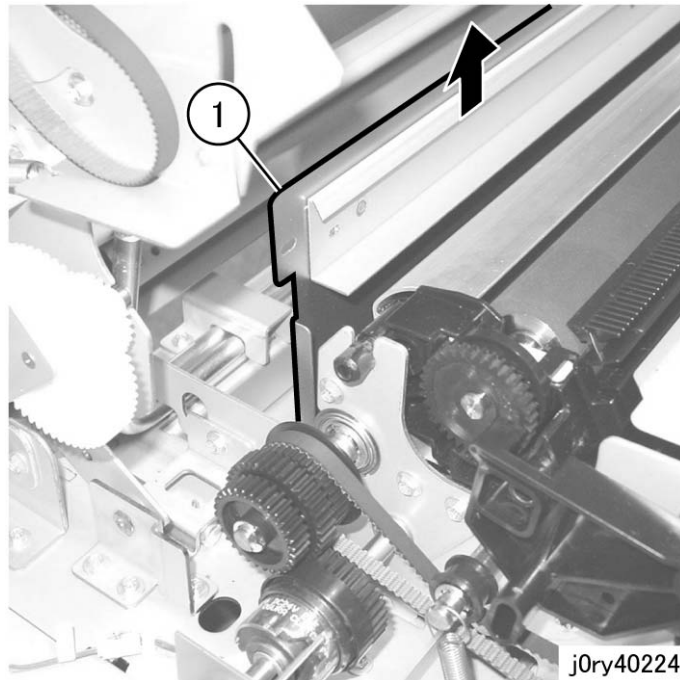
- 1) Remove the screw (x2).



(Figure 2) j0bn40210

8. Remove the Vertical Front Baffle Assembly. (Figure 3)

- 1) Take out the Vertical Front Baffle Assembly in the direction of the arrow.



(Figure 3) j0ry40224

### Installation

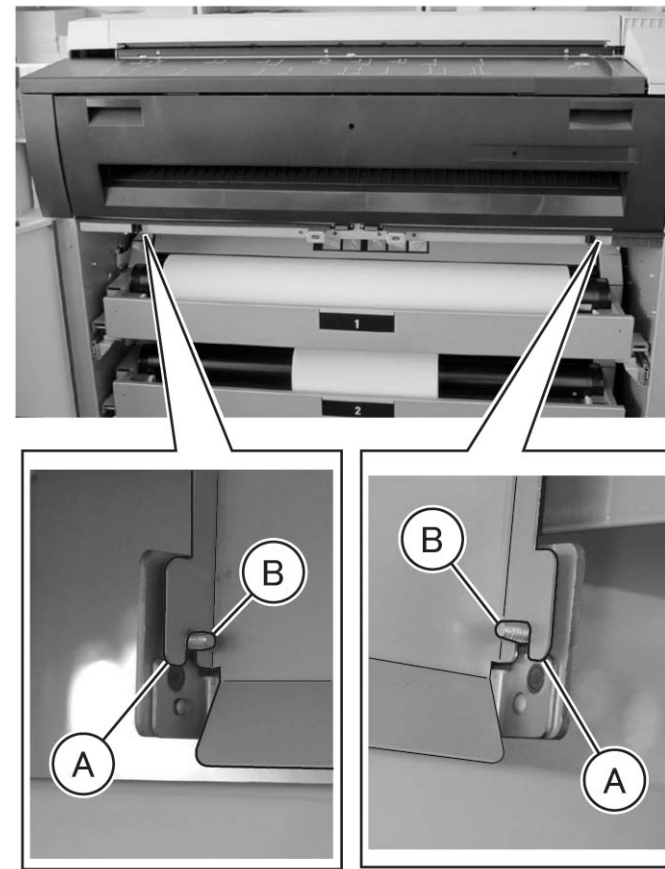
#### Procedure

To install, carry out the removal steps in reverse order.

**Note** When installing the Vertical Front Baffle Assembly, insert and set the threads of the screws into the U-Grooves at both lower edges of the Vertical Front Baffle Assembly. (Figure 4)  
(Open the Front Left/Right Door and check at the rear of the RFC.)

A) U-Groove of the Vertical Front Baffle Assembly

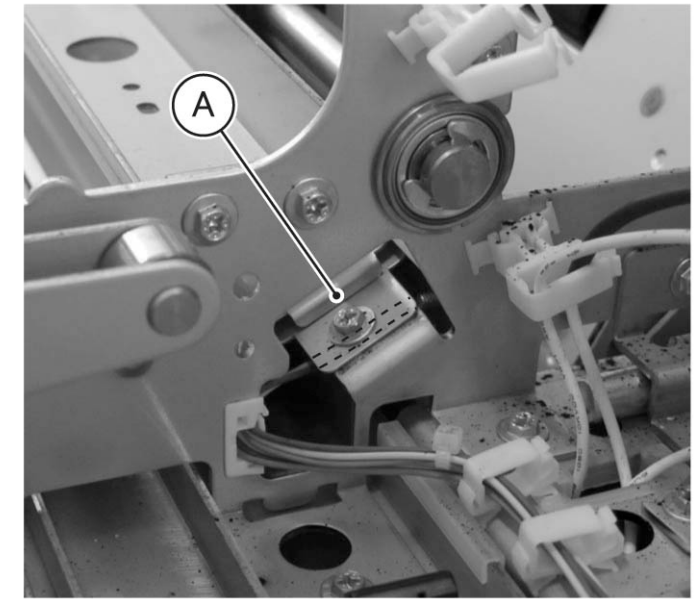
B) Thread of screw



j0bn40209

(Figure 4) j0bn40209

**Note** The Wire Harness of the Vertical Front Baffle Assembly goes through the bottom of the Manual Feed Baffle-3 (A). (Figure 5)



j0bn40211

(Figure 5) j0bn40211

### REP2.1.3 Manual Feed Roll

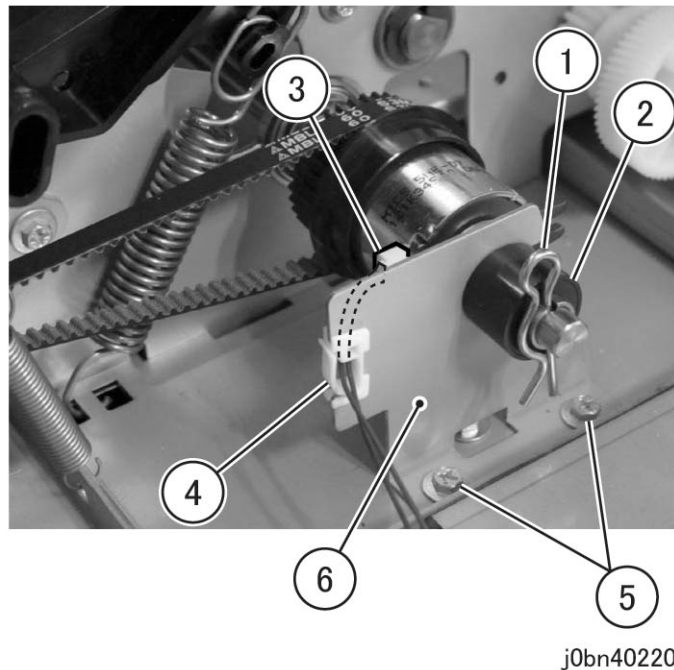
Reference PL: PL2.1

#### Removal

**⚠ WARNING**  
Turn OFF the power and the breaker, then unplug the power plug to prevent electric shock.

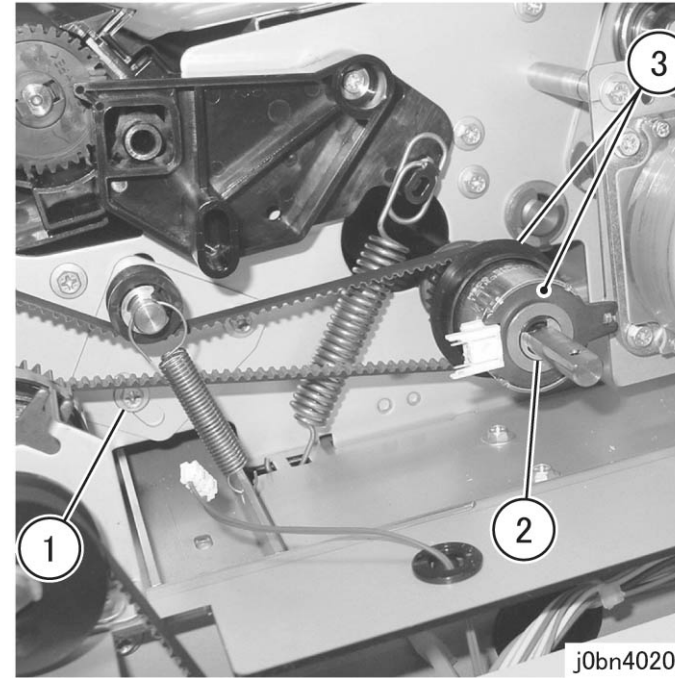
#### Procedure

1. Remove the Left Upper Cover. (REP9.3.1)
2. Remove the Right Upper Cover. (REP9.2.1)
3. Remove the Clutch Bracket. (Figure 1)
  - 1) Remove the Stopper Pin.
  - 2) Remove the Friction Clutch.
  - 3) Disconnect the connector.
  - 4) Release the clamp to remove the Wire Harness.
  - 5) Remove the screw (x2).
  - 6) Remove the Clutch Bracket.



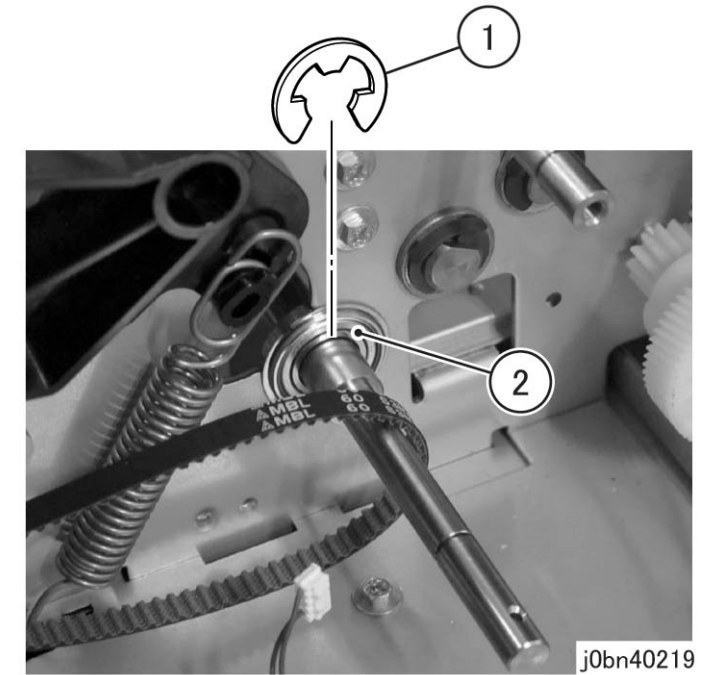
(Figure 1) j0bn40220

4. Remove the Manual Feed Clutch. (Figure 2)
  - 1) Loosen the screw to relax belt tension.
  - 2) Remove the E-Clip.
  - 3) Remove the Manual Feed Clutch.



(Figure 2) j0bn40203

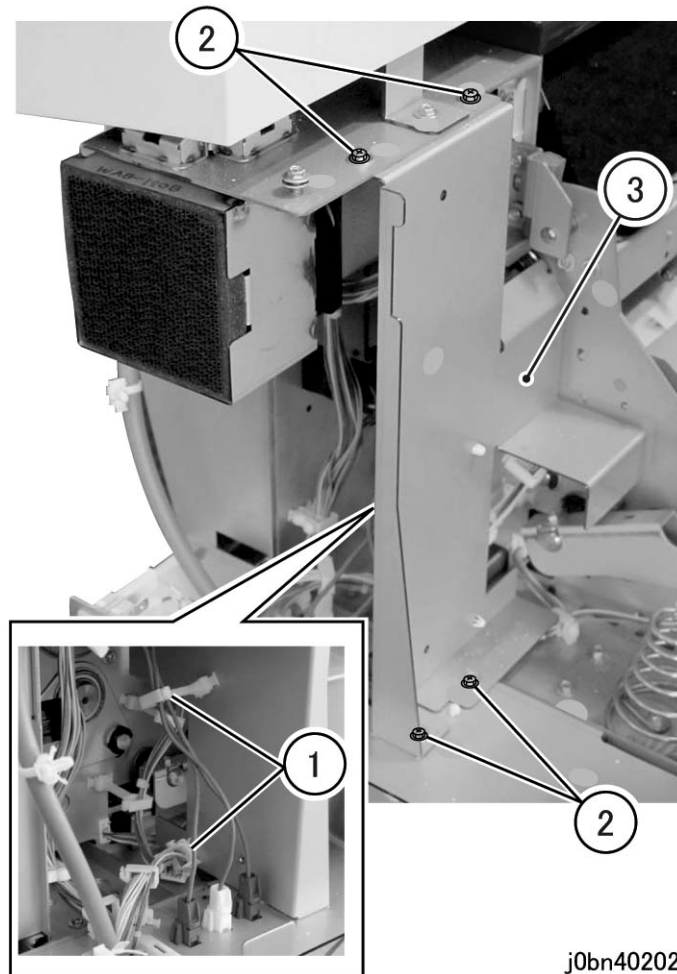
5. Remove the bearing at the Left side of the Manual Feed Roll. (Figure 3)
  - 1) Remove the E-Clip.
  - 2) Remove the bearing.



(Figure 3) j0bn40219

6. Remove the Right Inner Cover. (Figure 4)

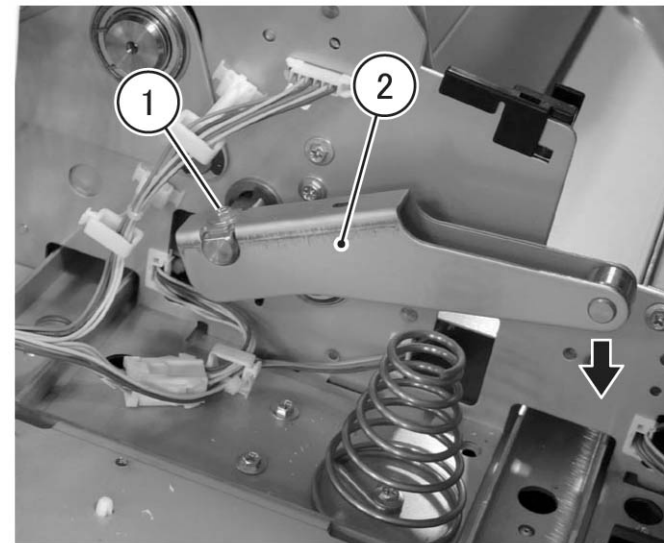
- 1) Release the clamp (x2) to remove the Wire Harness (x4).
- 2) Remove the screw (x4).
- 3) Remove the Right Inner Cover.



(Figure 4) j0bn40202

7. Remove the Nip Lever. (Figure 5)

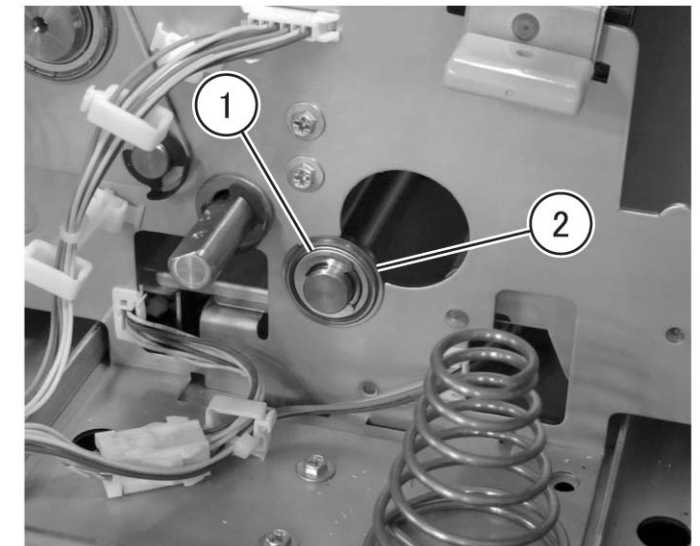
- 1) Lower the Nip Lever to remove the screw.
- 2) Remove the Nip Lever.



(Figure 5) j0bn40204

8. Remove the bearing at the Right side of the Manual Feed Roll. (Figure 6)

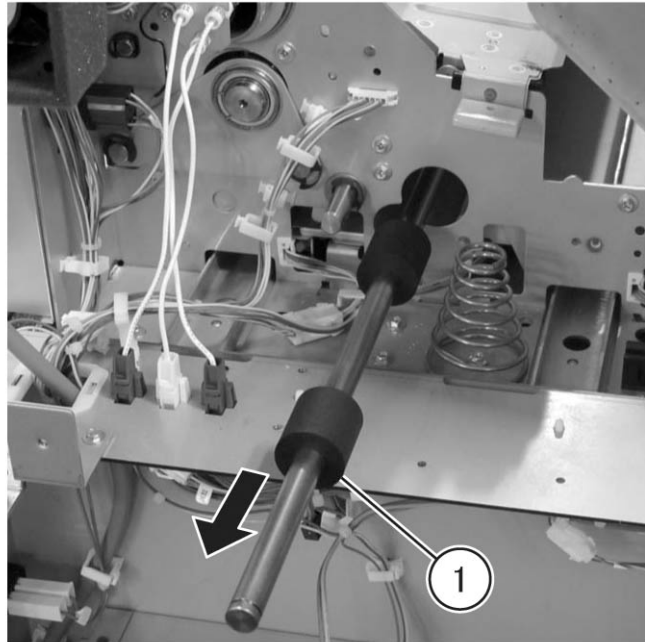
- 1) Remove the E-Clip.
- 2) Remove the bearing.



(Figure 6) j0bn40205

9. Remove the Manual Feed Roll. (Figure 7)

- 1) Remove the Manual Feed Roll from the hole.



j0bn40206

(Figure 7) j0bn40206

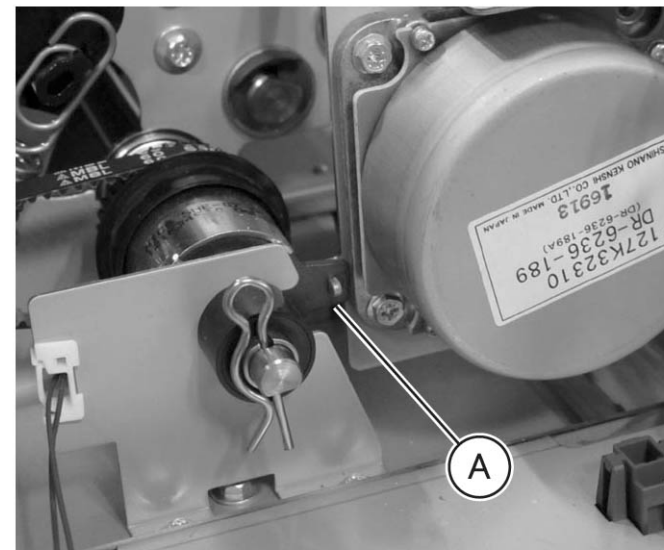
**Installation**

**Procedure**

To install, carry out the removal steps in reverse order.

**Note** When installing the Manual Feed Clutch, insert and set the Tab (protrusion) of the Fusing Drive Motor into the U-Groove of the Manual Feed Clutch. (Figure 8)

A) Tab (protrusion) of the Fusing Drive Motor



j0bn40709

(Figure 8) j0bn40709

## REP2.1.4 Regi Roll

Reference PL: PL2.1

### Removal

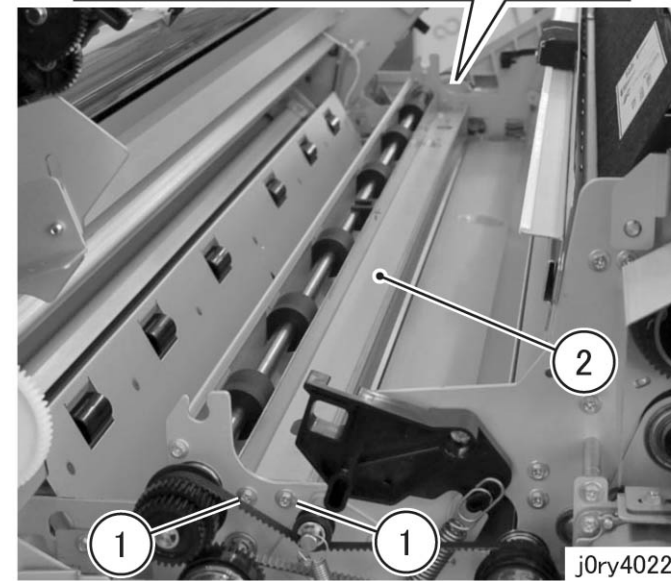
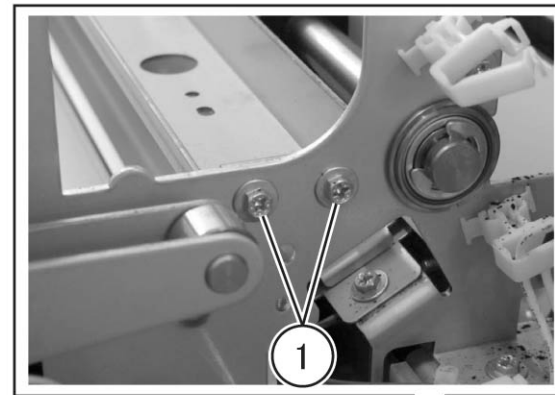
**⚠ WARNING**  
Turn OFF the power and the breaker, then unplug the power plug to prevent electric shock.

### Procedure

1. Open the Swing Frame.
2. Open the Horizontal Lower Baffle. (PL2.1)
3. Remove the BTR Housing Assembly. (REP6.1.2)
4. Remove the Left Upper Cover. (REP9.3.1)
5. Remove the Left Lower Cover. (REP9.3.4)
6. Remove the Right Upper Cover. (REP9.2.1)
7. Remove the RFC Takeaway Clutch. (REP1.1.1)

### 8. Remove the Tie Plate. (Figure 1)

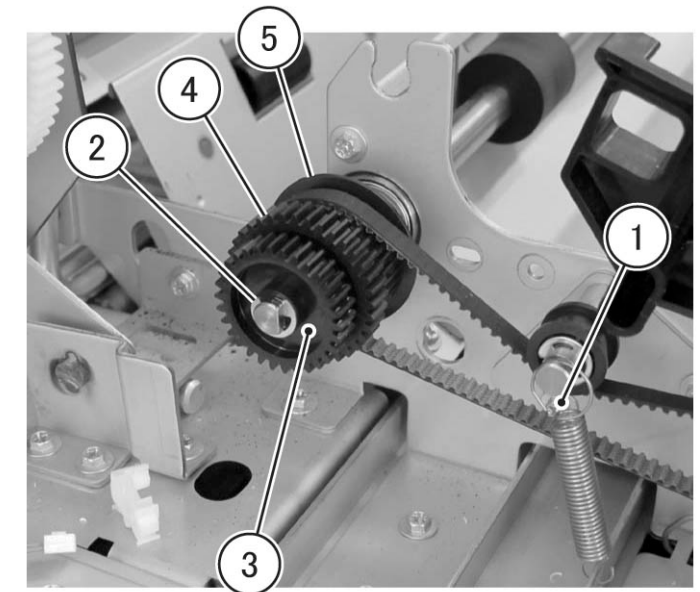
- 1) Remove the screw (x4).
- 2) Remove the Tie Plate.



(Figure 1) j0bn40212

### 9. Remove the pulley. (Figure 2)

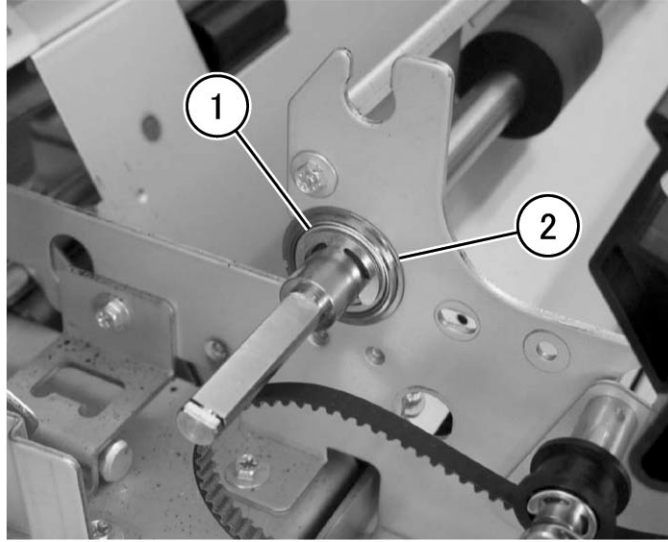
- 1) Loosen the screw to relax belt tension.
- 2) Remove the E-Clip.
- 3) Remove the gear (small).
- 4) Remove the gear (medium).
- 5) Remove the pulley.



(Figure 2) j0bn40213

10. Remove the bearing. (Figure 3)

- 1) Remove the E-Clip.
- 2) Remove the bearing.

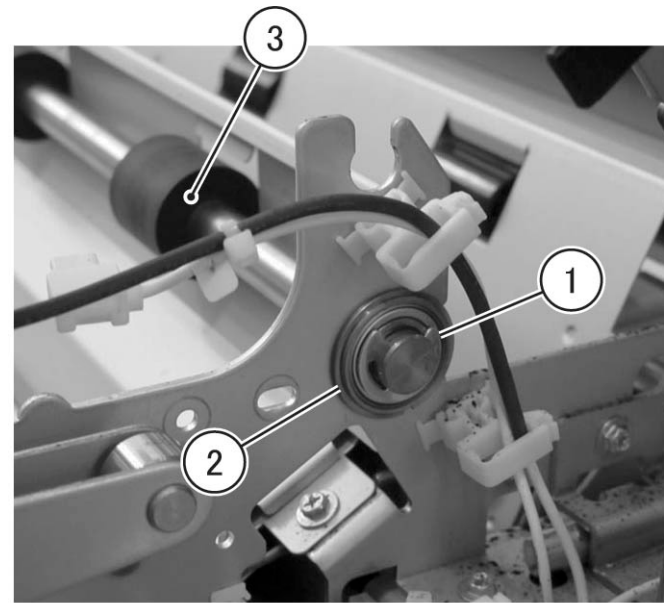


j0bn40214

(Figure 3) j0bn40214

11. Remove the Regi Roll. (Figure 4)

- 1) Remove the E-Clip.
- 2) Remove the bearing.
- 3) Regi Roll



j0bn40215

(Figure 4) j0bn40215

### Installation

#### Procedure

To install, carry out the removal steps in reverse order.

## REP2.2.1 Vertical Rear Baffle Assembly

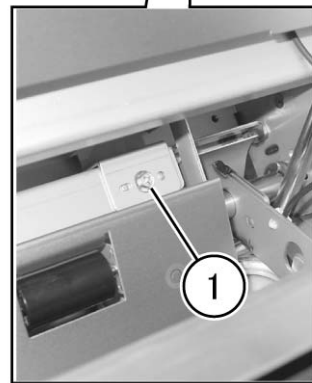
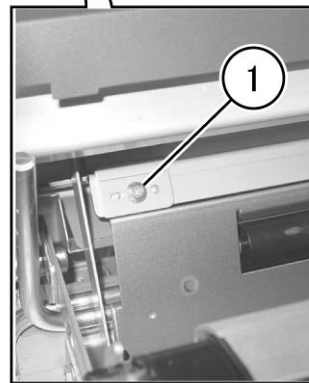
Reference PL: PL2.2

### Removal

**⚠ WARNING**  
Turn OFF the power and the breaker, then unplug the power plug to prevent electric shock.

### Procedure

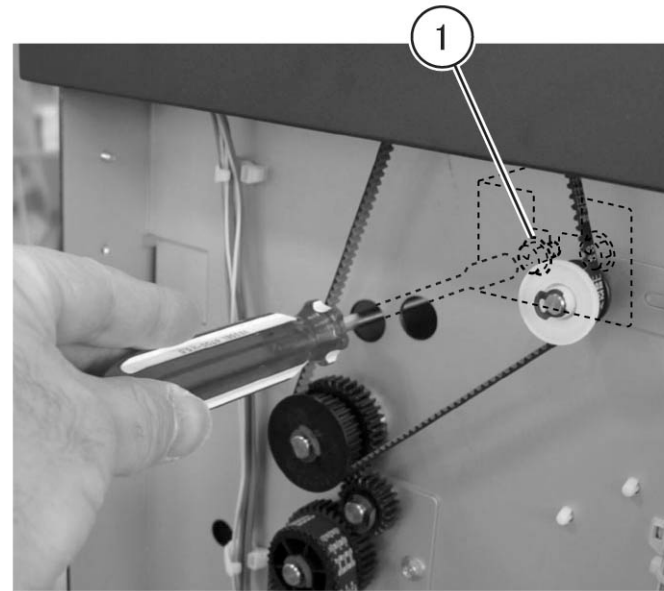
1. Remove the Right Lower Cover. (REP9.2.3)
2. Remove the Left Lower Cover. (REP9.3.4)
3. Remove the Xero Module. (REP6.1.1)
4. Remove the screws on the bracket of the Link. (Figure 1)
  - 1) Remove the screw (x2).



j0ry40215

(Figure 1) j0ry40215

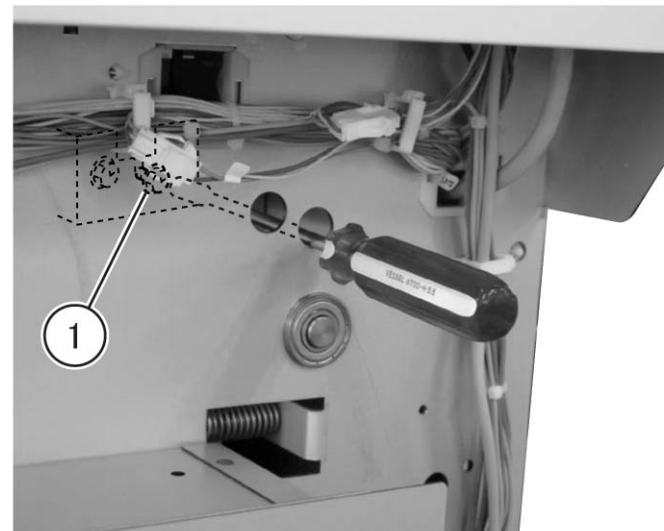
5. Remove the screws that secure the Stud at the Left side of the Vertical Rear Baffle Assembly. (Figure 2)
  - 1) Remove the screw.



j0bn40217

(Figure 2) j0bn40217

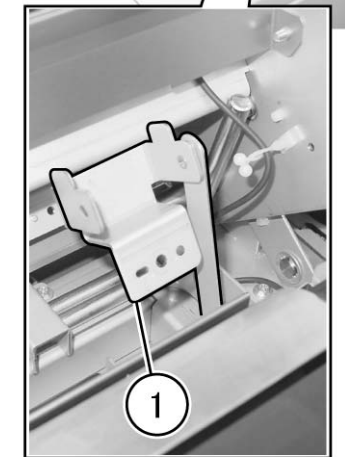
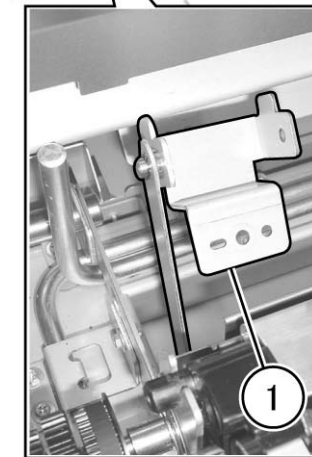
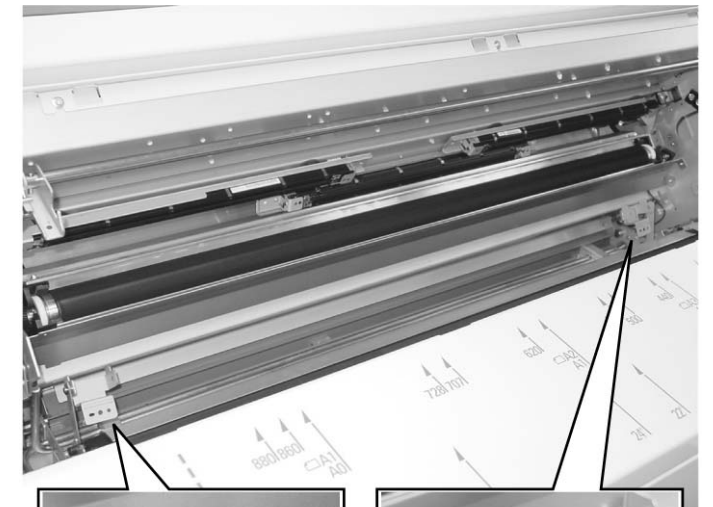
6. Remove the screws that secure the Stud at the Right side of the Vertical Rear Baffle Assembly. (Figure 3)
  - 1) Remove the screw.



j0bn40218

(Figure 3) j0bn40218

7. Move the Link and Bracket of the Vertical Rear Baffle Assembly to the front. (Figure 4)
  - 1) Move the Link and Bracket to the front.



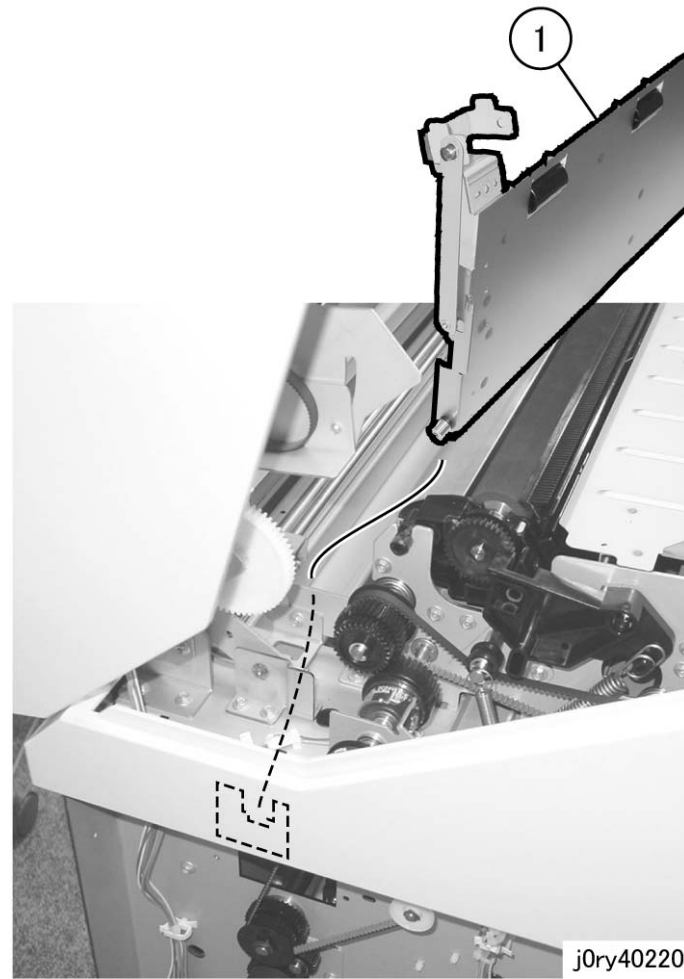
j0ry40219

(Figure 4) j0ry40219



8. Remove the Vertical Rear Baffle Assembly. (Figure 5)

1) Remove the Vertical Rear Baffle Assembly.



(Figure 5) j0ry40220

### Installation

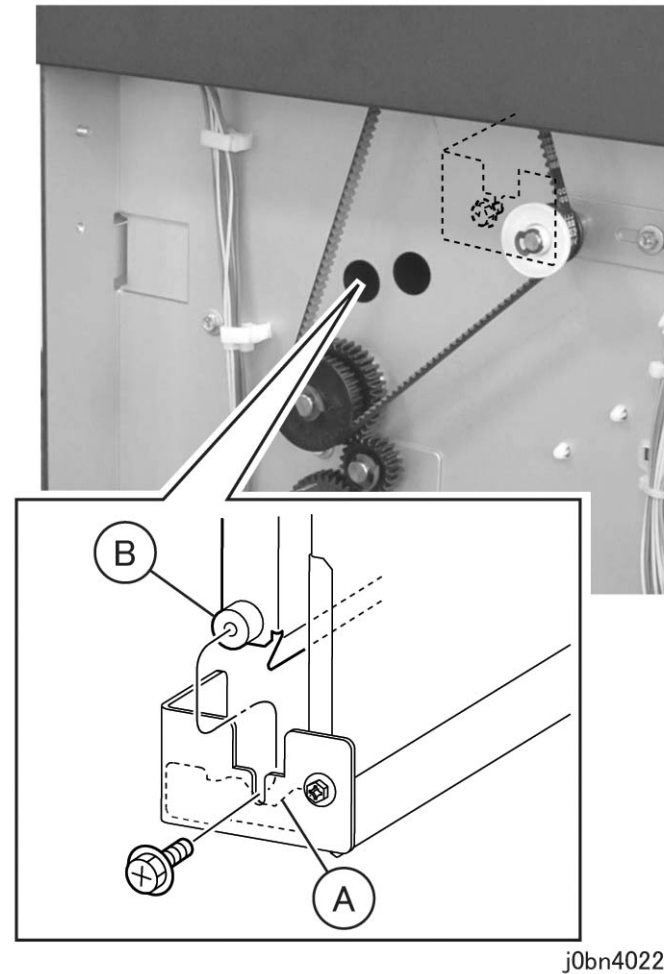
#### Procedure

To install, carry out the removal steps in reverse order.

**Note** When installing the Vertical Rear Baffle Assembly, place and set the Stud (x2) of the Vertical Rear Baffle Assembly on the V-Grooves of the bracket. (Figure 6)

A) V-Groove of the bracket

B) Stud of the Vertical Rear Baffle Assembly



(Figure 6) j0bn40221

### 3. IIT

#### REP3.1.1 IIT PWB

Reference PL: PL3.1

#### Removal

**⚠ WARNING**  
Turn OFF the power and the breaker, then unplug the power plug to prevent electric shock.

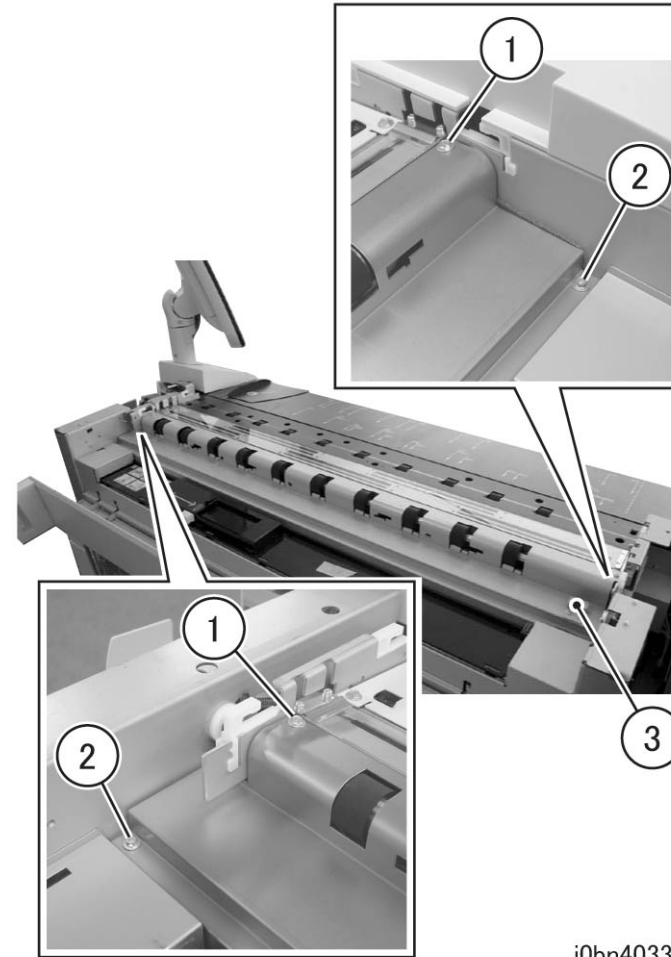
**⚠ WARNING**  
Static electricity may damage electrical parts. Always wear a wrist strap to protect electrical parts from static damage. If a wrist strap is not available, touch some metallic parts before servicing to discharge the static electricity.

#### Procedure

1. Remove the Right Swing Cover. (REP9.2.2)
2. Remove the Left Swing Cover. (REP9.3.2)

### 3. Remove the Rear Lower Baffle. (Figure 1)

- 1) Remove the screw (x2).
- 2) Remove the screw (x2).
- 3) Remove the Rear Lower Baffle.

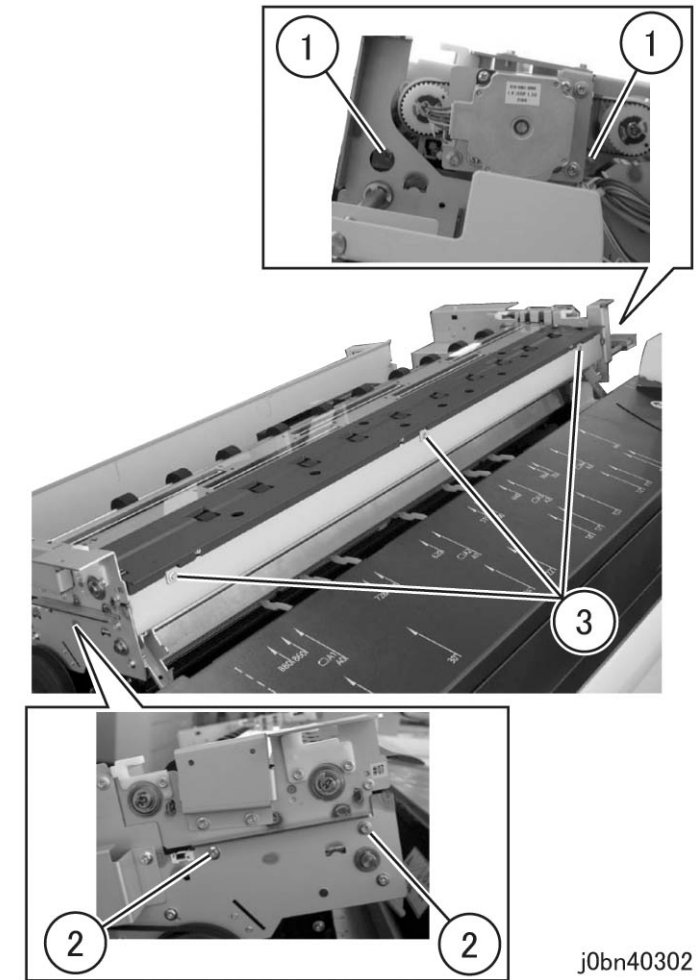


(Figure 1) j0bn40339

### 4. Open the Swing Frame.

### 5. Remove the screws on the IIT Frame. (Figure 2)

- 1) Remove the screw (x2).
- 2) Remove the screw (x2).
- 3) Remove the screw (x3).



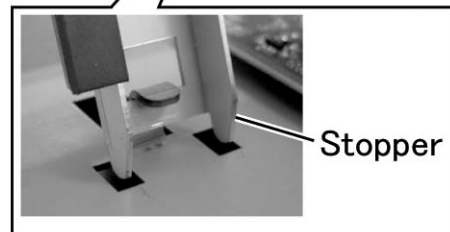
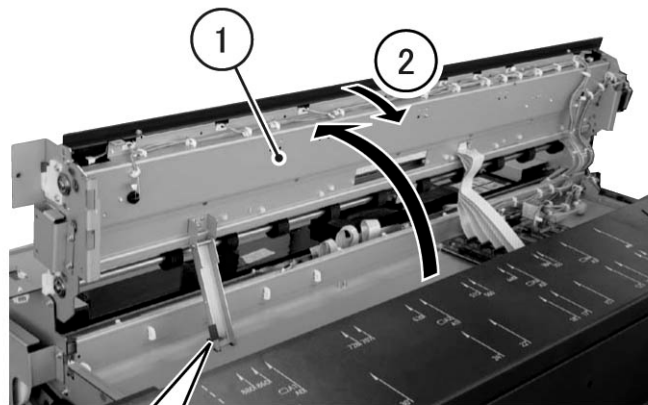
(Figure 2) j0bn40302

### 6. Close the Swing Frame.

7. Open the IIT Frame. (Figure 4)

**Note** Always open the IIT Frame with the Swing Frame closed.

- 1) Open the IIT Frame until the Stopper is set into the Frame holes.
- 2) Return the IIT Frame to the original position while checking that the IIT Frame is held by the Stopper.



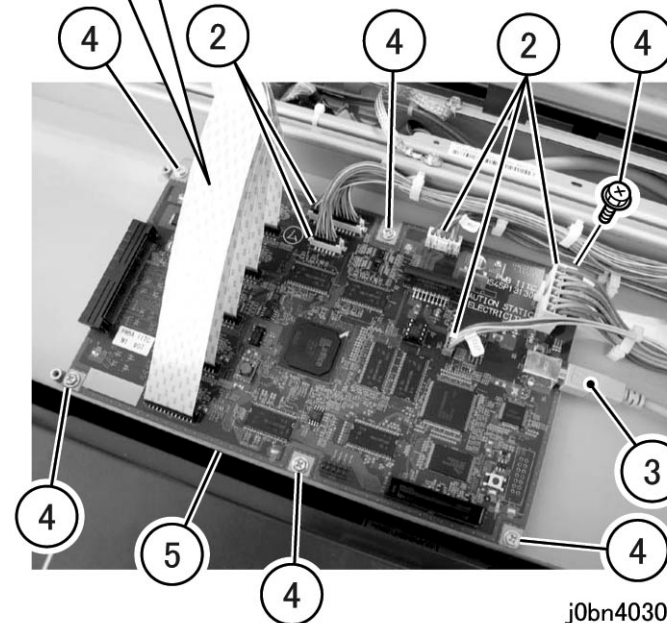
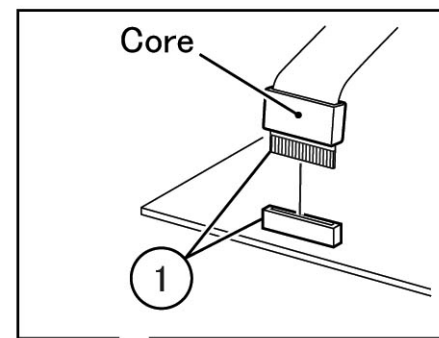
j0bn40303

(Figure 4) j0bn40303

8. Remove the IIT PWB. (Figure 5)

- 1) Disconnect the CIS Cable (x5) and remove the Core (x5) from the CIS Cable (x5).
- 2) Disconnect the connector (x5).
- 3) Disconnect the USB Cable.
- 4) Remove the screw (x6).
- 5) Remove the IIT PWB.

**Note** When an optional PMEM PWB is installed, shift the IIT PWB to the Right side and disconnect it from the PMEM PWB, and then remove the IIT PWB.



j0bn40304

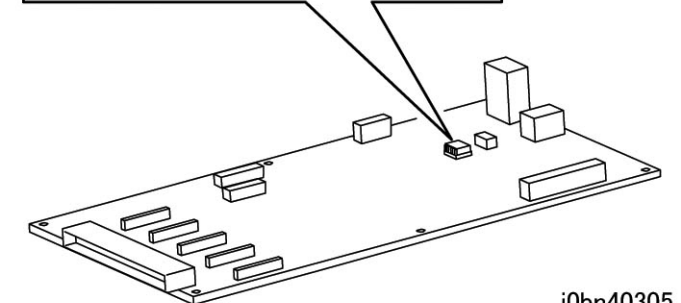
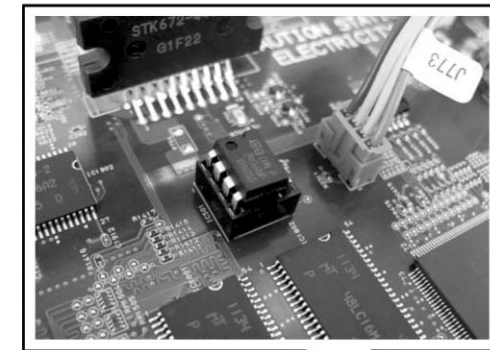
(Figure 5) j0bn40304

**Installation**

Procedure

To install, carry out the removal steps in reverse order.

**Note** Before replacing the IIT PWB, install the NVM (ROM) attached to the IIT PWB to the new IIT PWB. (Figure 6)

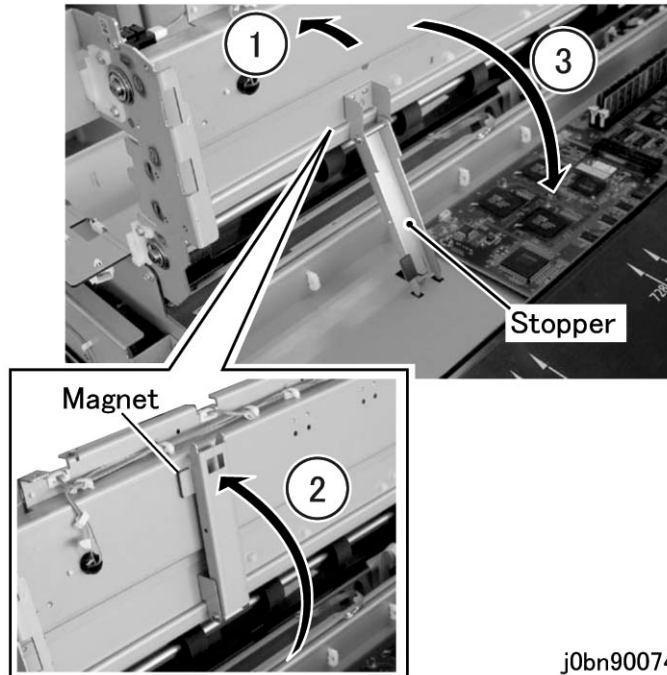


j0bn40305

(Figure 6) j0bn40305

**Note** To close the IIT Frame, perform the following procedures. (Figure 7)

- 1) Lift up the IIT Frame slightly and remove the Stopper.
- 2) Attach the Stopper Magnet to the IIT Frame.
- 3) Close the IIT Frame gently.

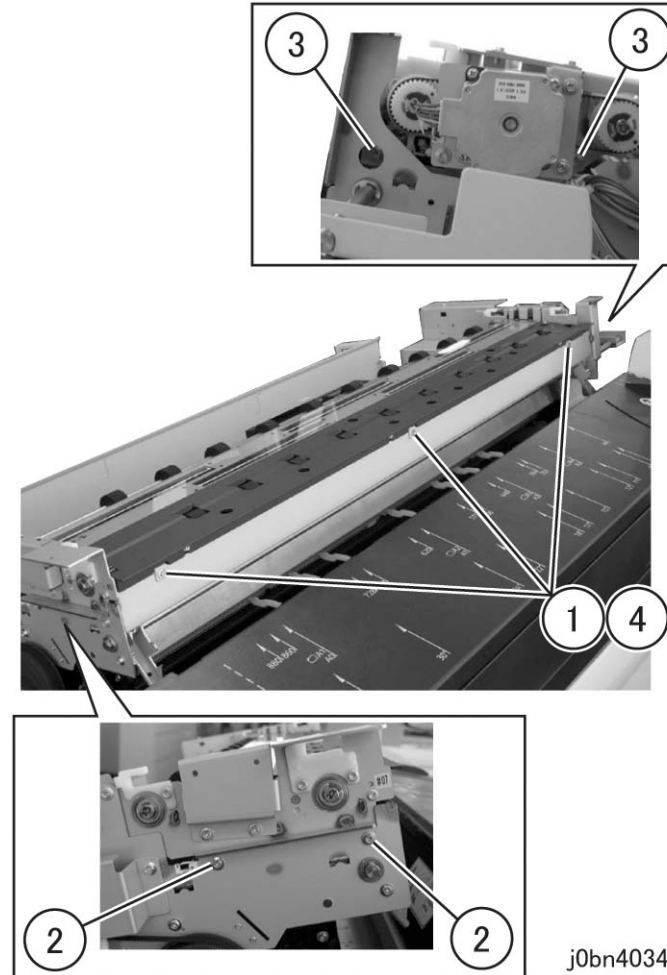


(Figure 7) j0bn90074

j0bn90074

**Note** To fix the IIT Frame, perform the following procedures. (Figure 8)

- 1) Loosely affix the screw (x3).
- 2) Tighten the screw (x2).
- 3) Tighten the screw (x2).
- 4) Tighten the screw (x3) securely.

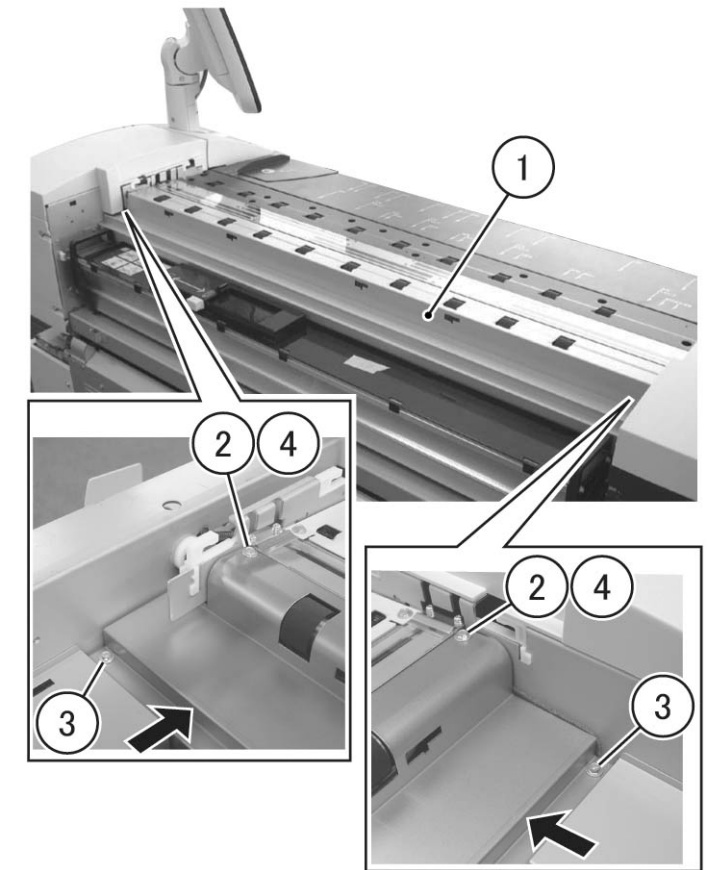


(Figure 8) j0bn40344

j0bn40344

**Note** To install the Rear Lower Baffle, perform the following procedures. (Figure 9)

- 1) Install the Rear Lower Baffle.
- 2) Loosely affix the screw (x2).
- 3) Tighten the screw (x2) while pushing the Rear Lower Baffle to the front.
- 4) Tighten the screw (x2).



(Figure 9) j0bn40338

j0bn40338

### REP3.3.1 Pinch Roller

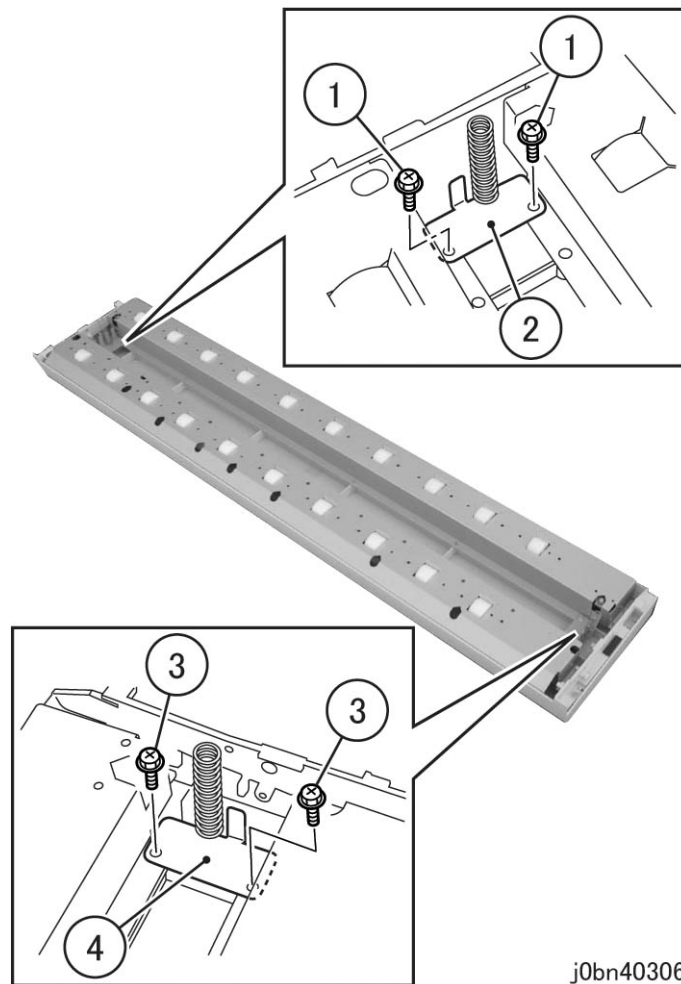
Reference PL: PL3.3

#### Removal

**⚠ WARNING**  
Turn OFF the power and the breaker, then unplug the power plug to prevent electric shock.

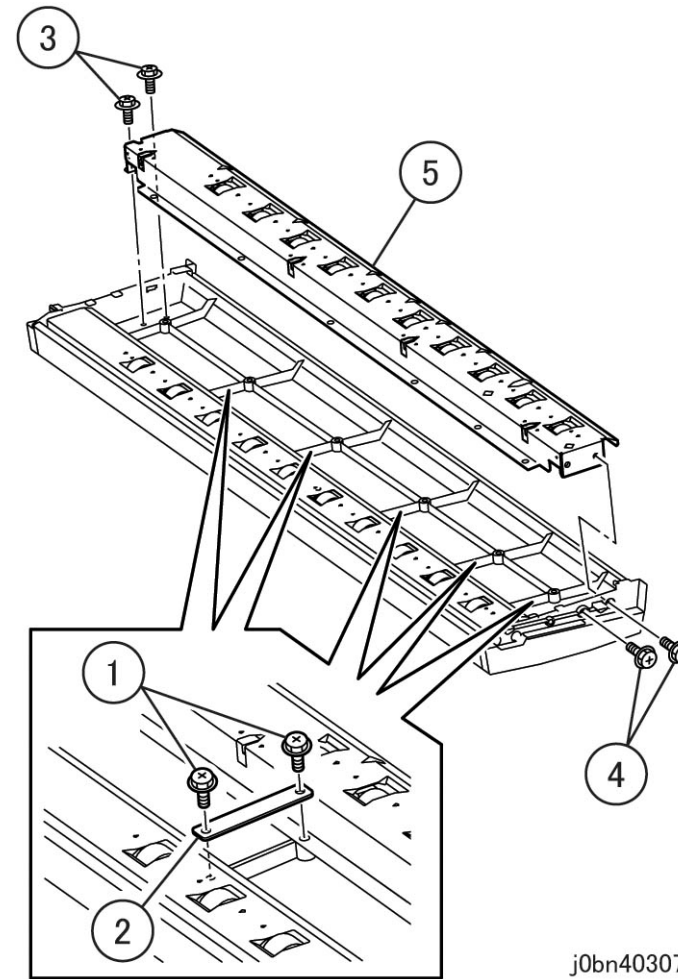
#### Procedure

1. Remove the White Platen Assembly. (REP3.3.2)
2. Remove the Spring Bracket (x2). (Figure 1)
  - 1) Remove the screw (x2).
  - 2) Remove the Spring Bracket.
  - 3) Remove the Tapping Screw (x2).
  - 4) Remove the Spring Bracket.



(Figure 1) j0bn40306

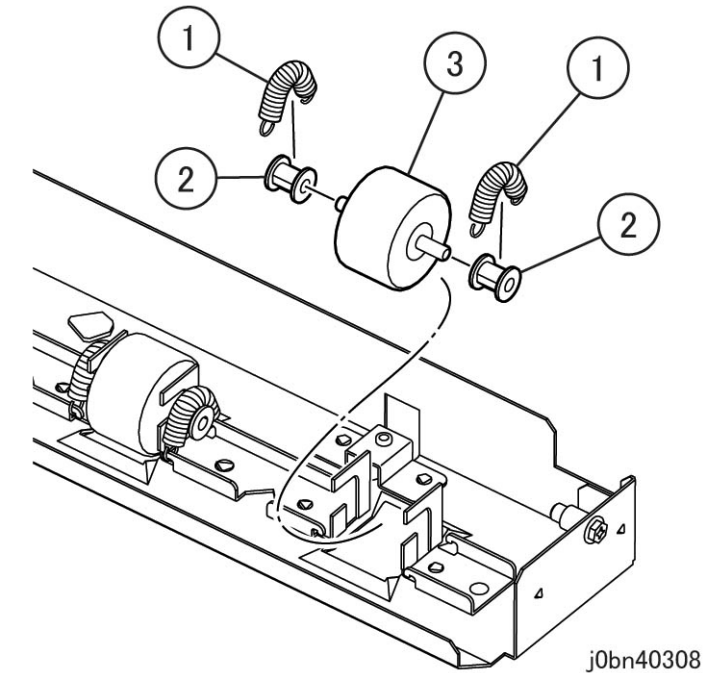
3. Remove the Baffle. (Figure 2)
  - 1) Remove the Tapping Screw (x10).
  - 2) Remove the Earth Plate (x5).
  - 3) Remove the Tapping Screw (x2).
  - 4) Remove the screw (x2).
  - 5) Remove the Baffle.



(Figure 2) j0bn40307

4. Turn the Baffle upside down and remove the Pinch Roller. (Figure 3)

- 1) Remove the spring (x2).
- 2) Remove the collar (x2).
- 3) Remove the Pinch Roller.



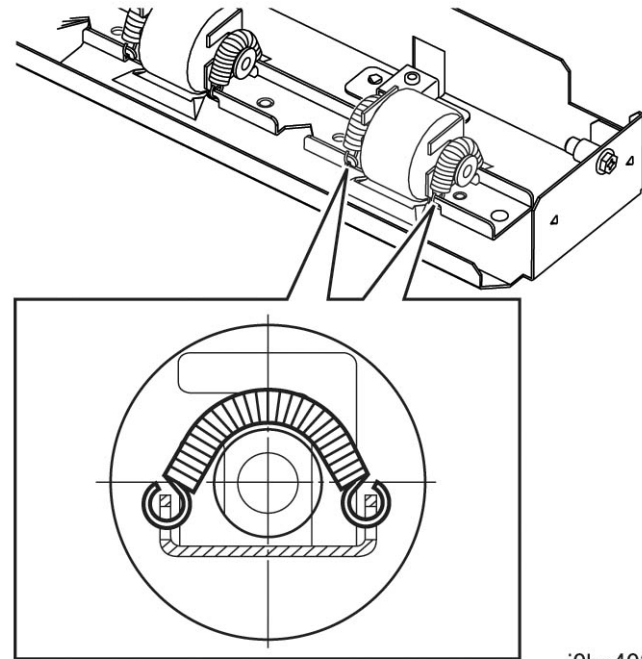
(Figure 3) j0bn40308

## Installation

### Procedure

To install, carry out the removal steps in reverse order.

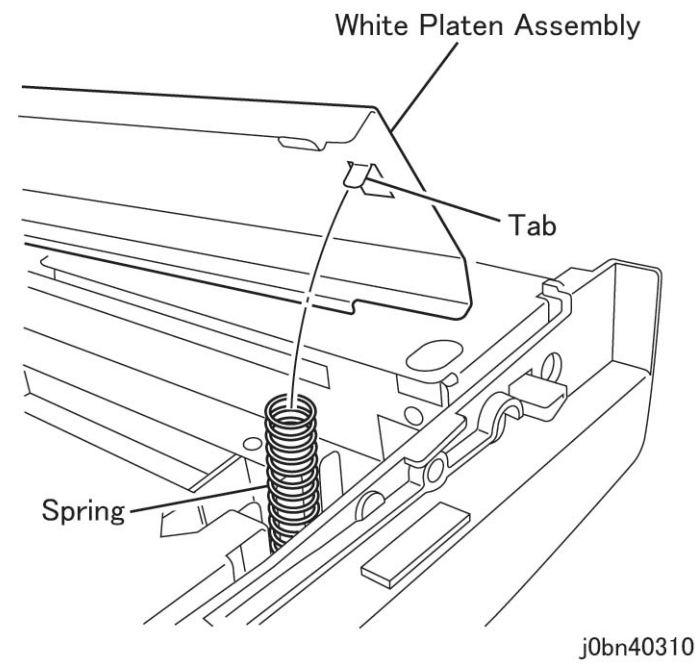
**Note** Install the spring (x2) to the Pinch Roller in the direction shown in the following figure. (Figure 4)



j0bn40343

(Figure 4) j0bn40343

**Note** When installing the White Platen Assembly, check that the Tab (x2, at both sides) on the inside of the White Platen Assembly is fit into the spring (x2). (Figure 5)



j0bn40310

(Figure 5) j0bn40310

## REP3.3.2 White Platen Assembly

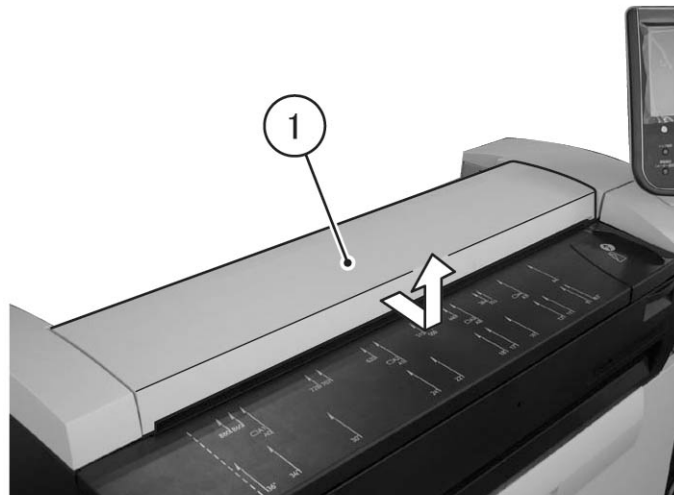
Reference PL: PL3.3

### Removal

**⚠ WARNING**  
Turn OFF the power and the breaker, then unplug the power plug to prevent electric shock.

### Procedure

1. Remove the Turn Guide (x2). (PL3.1)
2. Remove the Upper Document Transport. (Figure 1)
  - 1) Remove the Upper Document Transport in the direction of the arrow.



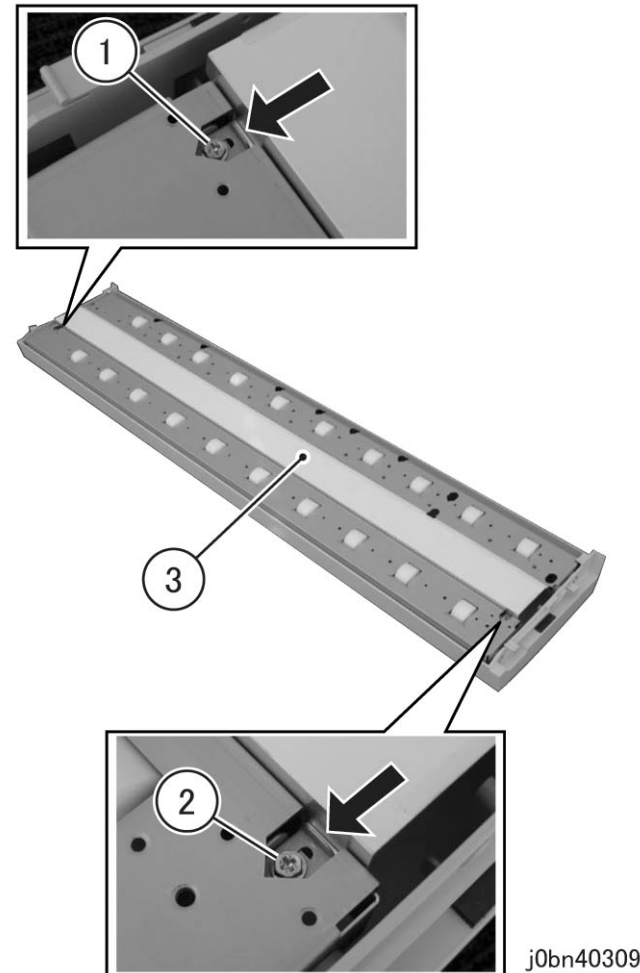
j0bn40407

(Figure 1) j0bn40407

3. Turn and place the Upper Document Transport upside down.

4. Remove the White Platen Assembly. (Figure 2)

- 1) Loosen the screw and shift the Stopper.
- 2) Loosen the screw and shift the Stopper.
- 3) Remove the White Platen Assembly.



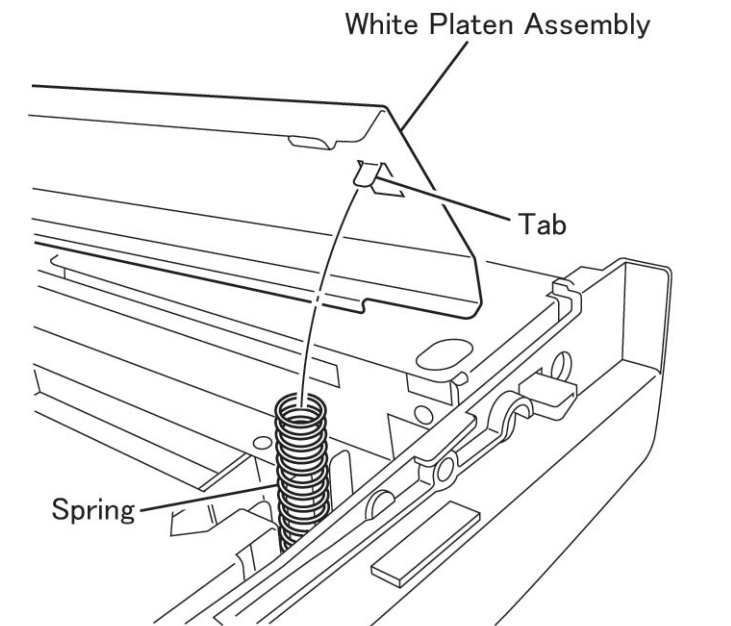
(Figure 2) j0bn40309

### Installation

#### Procedure

To install, carry out the removal steps in reverse order.

**Note** When installing the White Platen Assembly, check that the Tab (x2, at both sides) on the inside of the White Platen Assembly is fit into the spring (x2). (Figure 3)



(Figure 3) j0bn40310

## REP3.4.1 (Heavyweight Document Supporting Kit) Pinch Roller

Reference PL: PL3.4

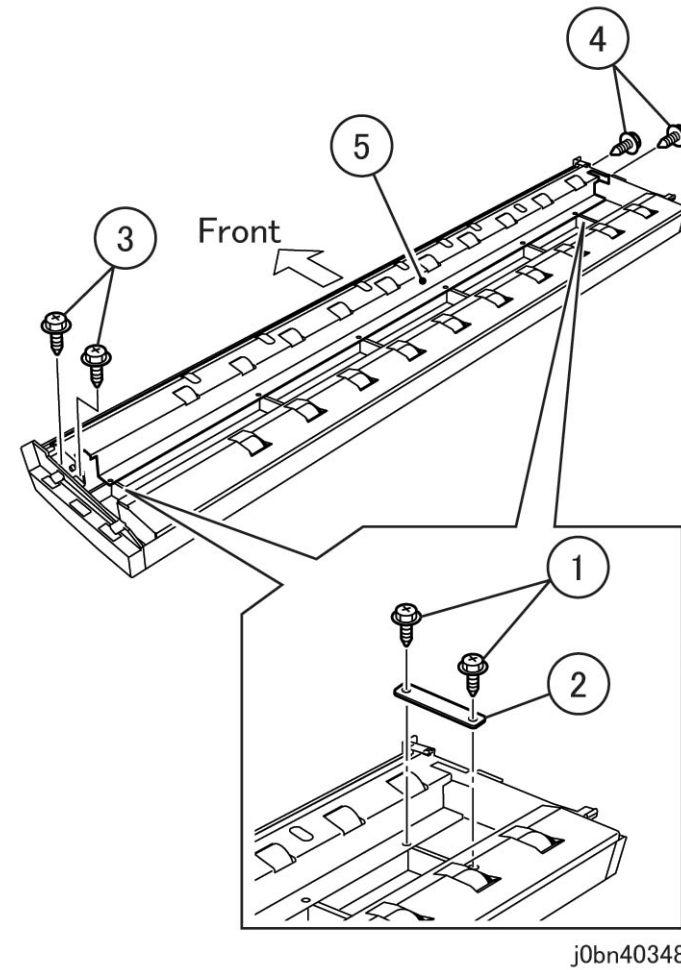
### Removal

**⚠ WARNING**  
Turn OFF the power and the breaker, then unplug the power plug to prevent electric shock.

### Procedure

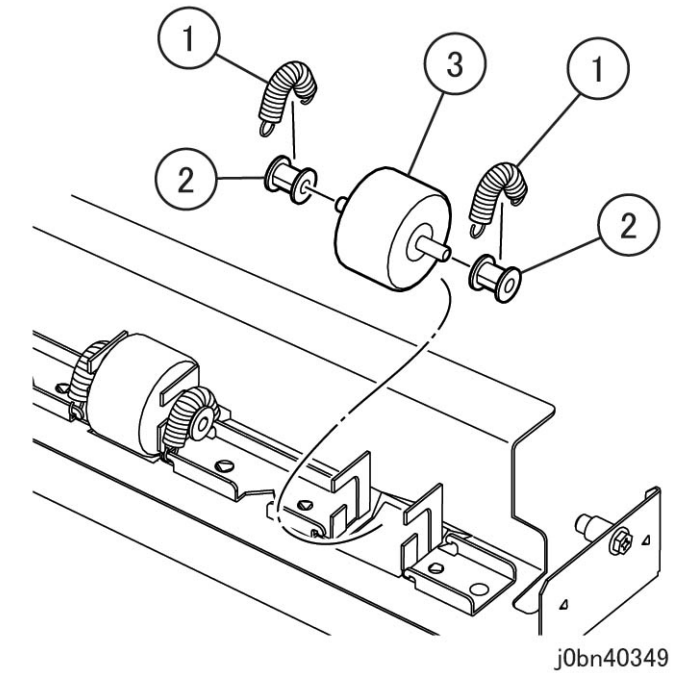
1. Remove the White Platen Assembly. (REP3.4.2)

2. Remove the Baffle. (Figure 2)
  - 1) Remove the Tapping Screw (x4).
  - 2) Remove the Earth Plate (x2).
  - 3) Remove the Tapping Screw (x2).
  - 4) Remove the screw (x2).
  - 5) Remove the Baffle.



(Figure 2) j0bn40348

3. Turn the Baffle upside down and remove the Pinch Roller. (Figure 3)
  - 1) Remove the spring (x2).
  - 2) Remove the collar (x2).
  - 3) Remove the Pinch Roller.



(Figure 3) j0bn40349

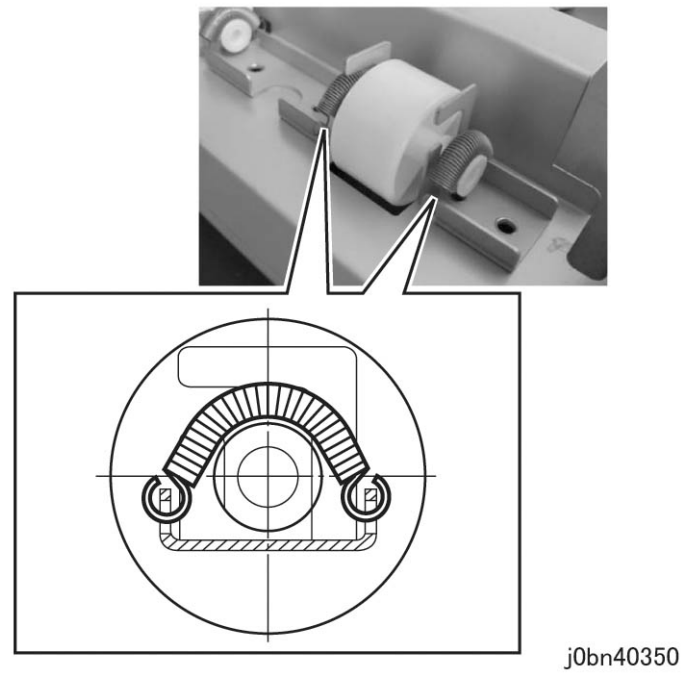


## Installation

### Procedure

To install, carry out the removal steps in reverse order.

**Note** Install the spring (x2) to the Pinch Roller in the direction shown in the following figure. (Figure 4)



(Figure 4) j0bn40350

## REP3.4.2 White Platen Assembly (Heavyweight Document Supporting Kit)

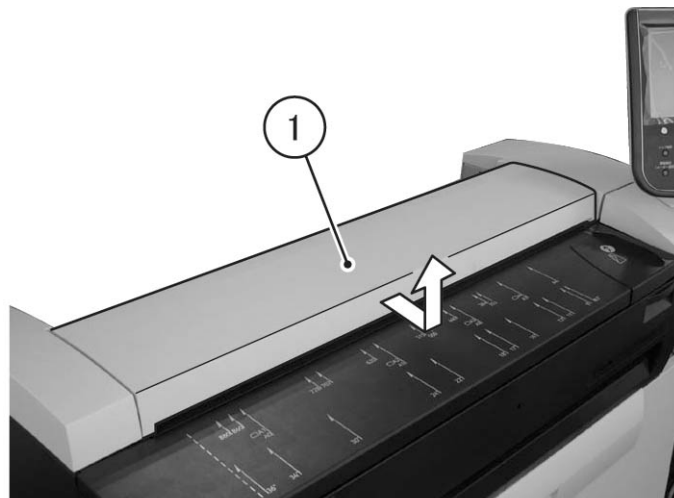
Reference PL: PL3.4

### Removal

**⚠ WARNING**  
Turn OFF the power and the breaker, then unplug the power plug to prevent electric shock.

#### Procedure

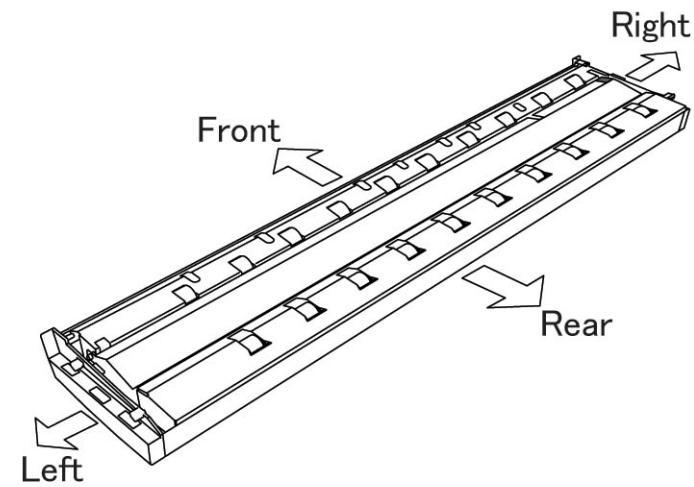
1. Remove the Turn Guide (x2). (PL3.1)
2. Remove the Upper Document Transport. (Figure 1)
  - 1) Remove the Upper Document Transport in the direction of the arrow.



j0bn40407

(Figure 1) j0bn40407

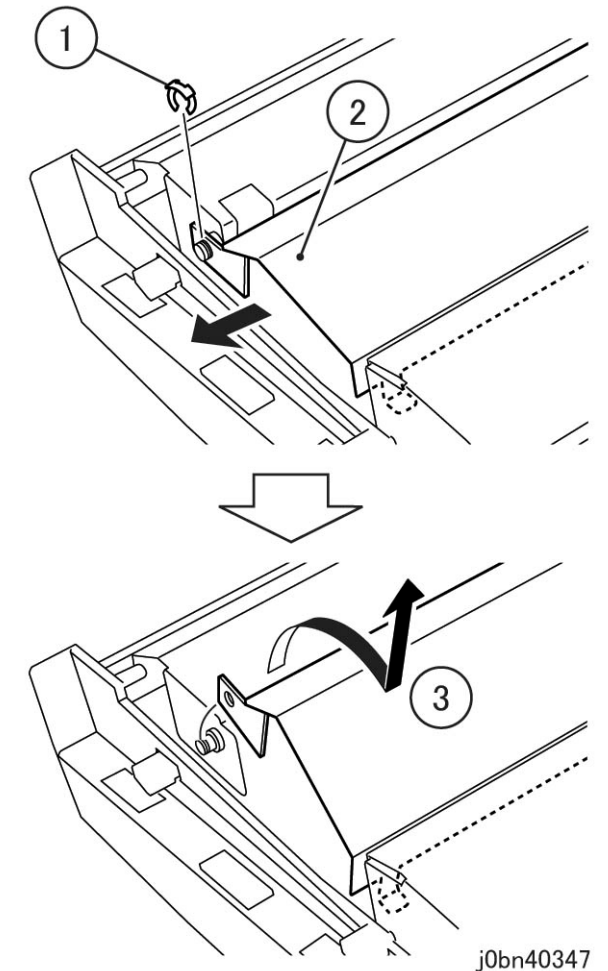
3. Turn the Upper Document Transport upside down and place it in the direction shown in the following figure. (Figure 2)



j0bn40351

(Figure 2) j0bn40351

4. Remove the White Platen Assembly. (Figure 3)
  - 1) Remove the KL-Clip.
  - 2) Shift the White Platen Assembly to the Left side.
  - 3) Raise the White Platen Assembly toward you and remove it.



j0bn40347

(Figure 3) j0bn40347

### Installation

#### Procedure

To install, carry out the removal steps in reverse order.

## REP3.5.1 IIT Cover Open Sensor

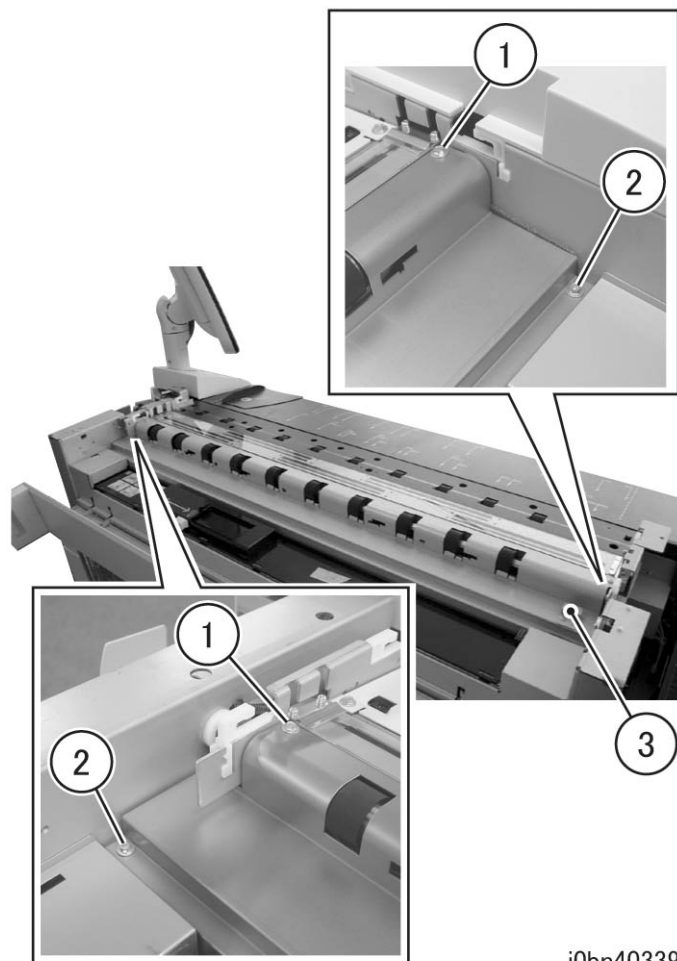
Reference PL: PL3.5

### Removal

**⚠ WARNING**  
Turn OFF the power and the breaker, then unplug the power plug to prevent electric shock.

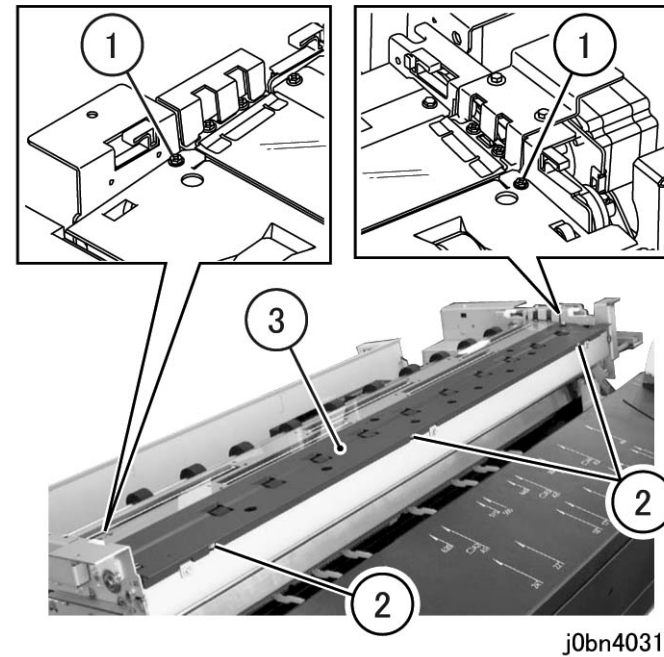
### Procedure

1. Remove the Right Swing Cover. (REP9.2.2)
2. Remove the Left Swing Cover. (REP9.3.2)
3. Remove the Rear Lower Baffle. (Figure 1)
  - 1) Remove the screw (x2).
  - 2) Remove the screw (x2).
  - 3) Remove the Rear Lower Baffle.



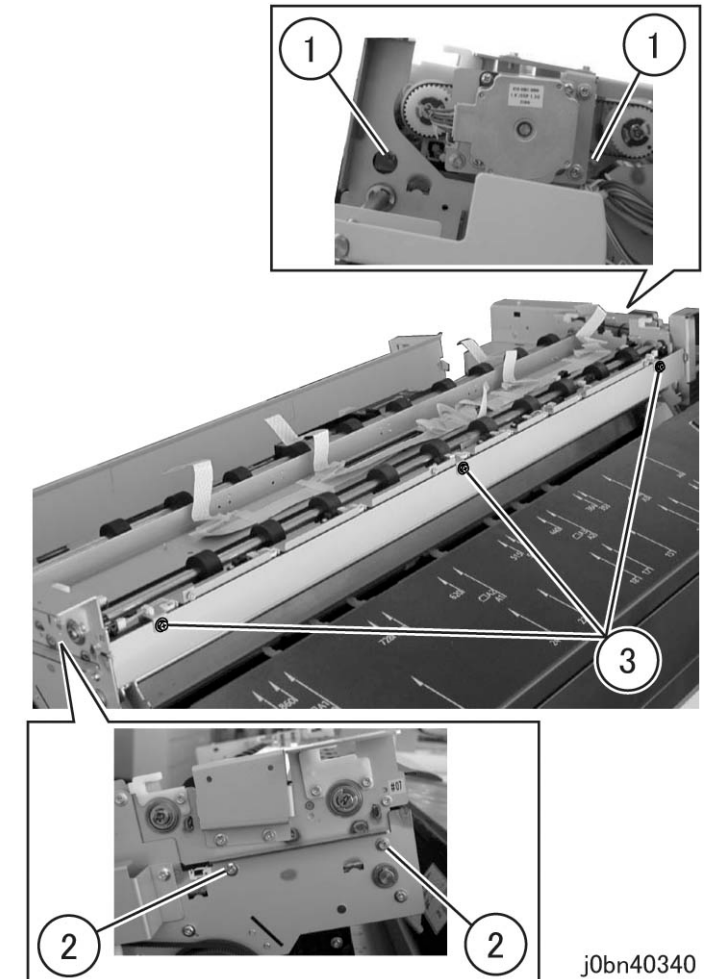
(Figure 1) j0bn40339

4. Open the Swing Frame.
5. Remove the Baffle. (Figure 2)
  - 1) Remove the screw (x2).
  - 2) Loosen the screw (x3).
  - 3) Remove the Front Baffle.



(Figure 2) j0bn40311

6. Remove the screws on the IIT Frame. (Figure 3)
  - 1) Remove the screw (x2).
  - 2) Remove the screw (x2).
  - 3) Remove the screw (x3).



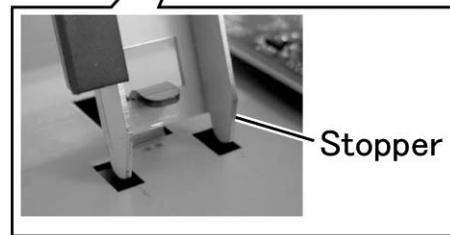
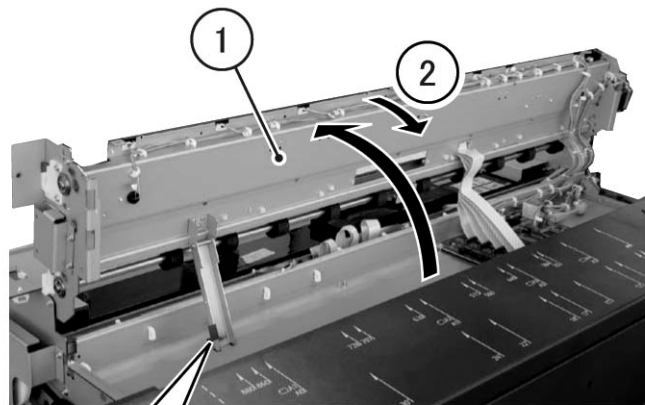
(Figure 3) j0bn40340

7. Close the Swing Frame.

8. Open the IIT Frame. (Figure 4)

**Note** Always open the IIT Frame with the Swing Frame closed.

- 1) Open the IIT Frame until the Stopper is set into the Frame holes.
- 2) Return the IIT Frame to the original position while checking that the IIT Frame is held by the Stopper.

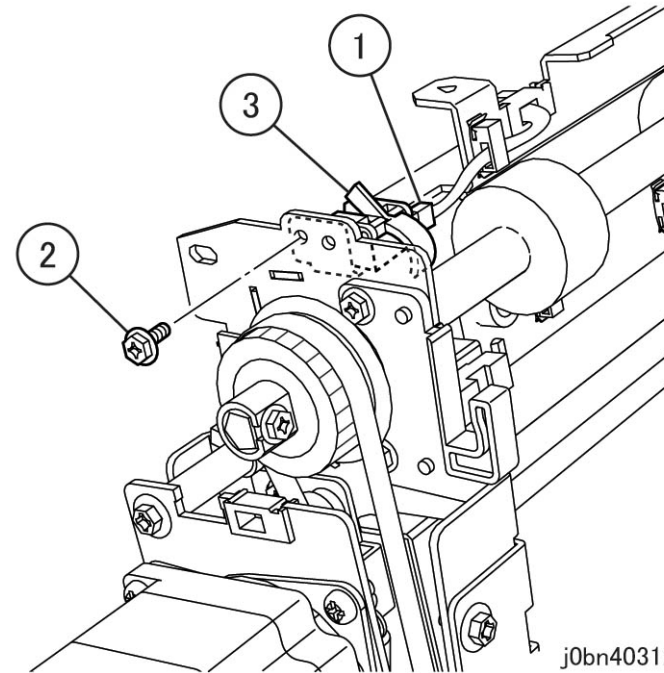


(Figure 4) j0bn40341

j0bn40341

9. Remove the IIT Cover Open Sensor. (Figure 5)

- 1) Disconnect the connector.
- 2) Remove the screw.
- 3) Remove the IIT Cover Open Sensor.

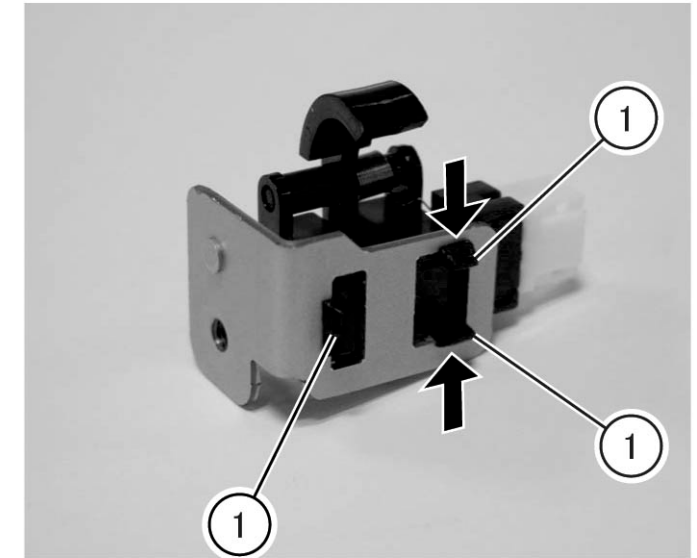


(Figure 5) j0bn40312

j0bn40312

10. Remove the IIT Cover Open Sensor from the Sensor Bracket. (Figure 6)

- 1) Remove the hook (x3) and remove the IIT Cover Open Sensor from the Sensor Bracket.



j0bn40313

(Figure 6) j0bn40313

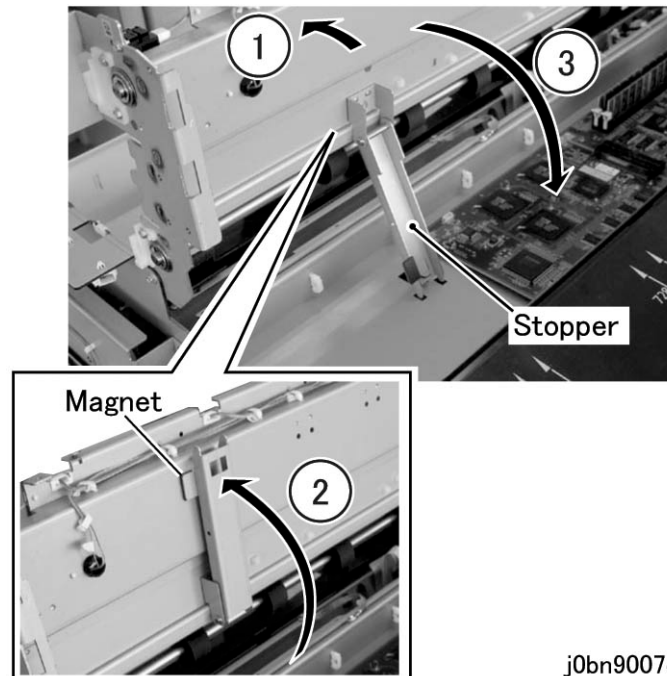
## Installation

### Procedure

To install, carry out the removal steps in reverse order.

**Note** To close the IIT Frame, perform the following procedures. (Figure 7)

- 1) Lift up the IIT Frame slightly and remove the Stopper.
- 2) Attach the Stopper Magnet to the IIT Frame.
- 3) Close the IIT Frame gently.

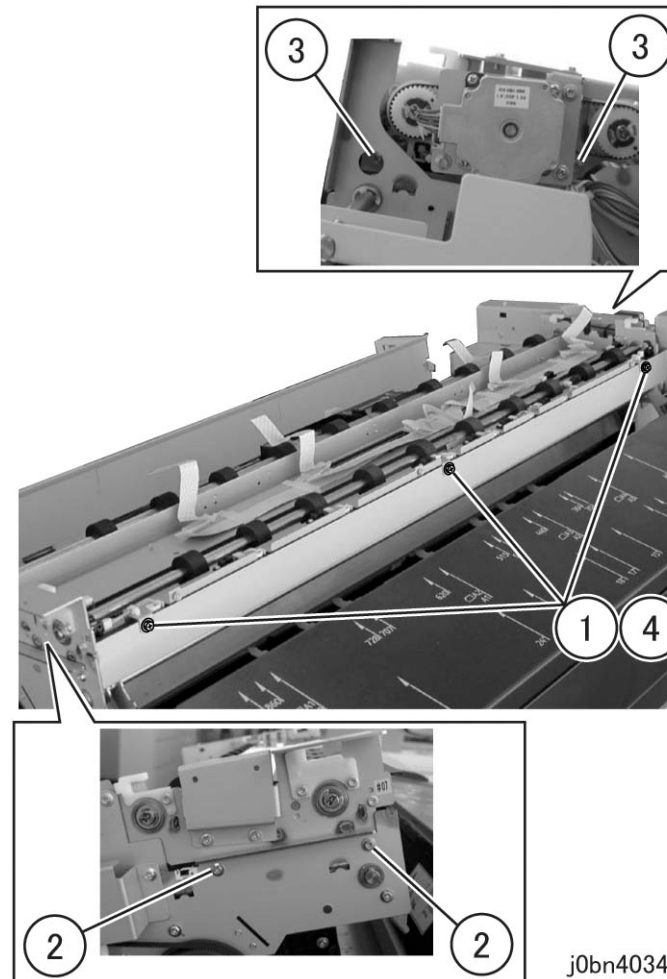


(Figure 7) j0bn90074

j0bn90074

**Note** To fix the IIT Frame, perform the following procedures. (Figure 8)

- 1) Loosely affix the screw (x3).
- 2) Tighten the screw (x2).
- 3) Tighten the screw (x2).
- 4) Tighten the screw (x3) securely.

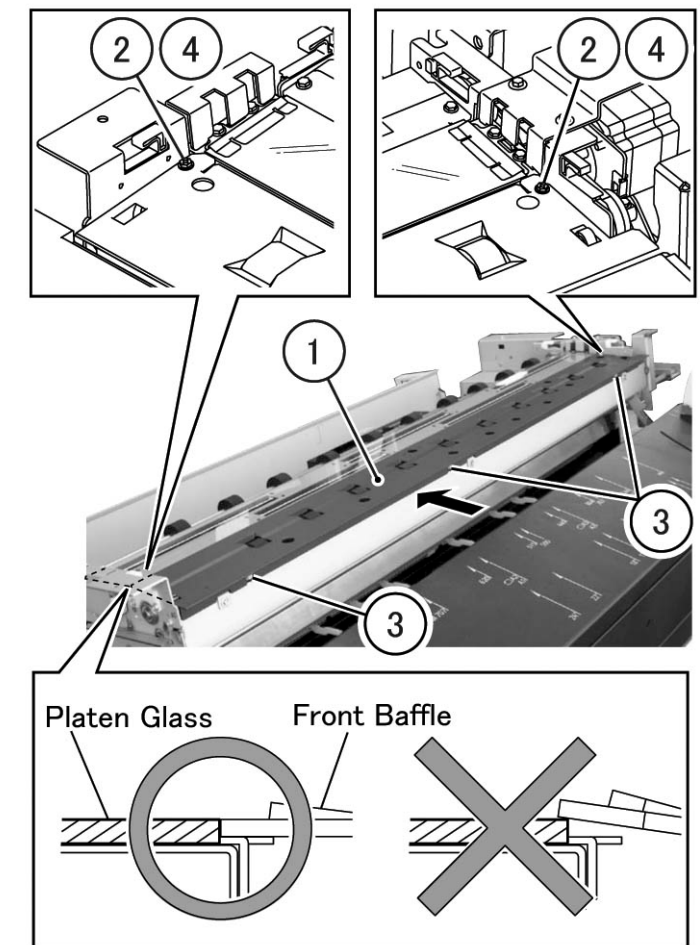


(Figure 8) j0bn40345

j0bn40345

**Note** To install the Front Baffle, perform the following procedures. (Figure 9)

- 1) While preventing from a gap between the Platen Glass and the Front Baffle, install the Front Baffle.
- 2) Loosely affix the screw (x2).
- 3) Tighten the screw (x3) while checking that there is no gap between the Platen Glass and the Front Baffle.
- 4) Tighten the screw (x2).

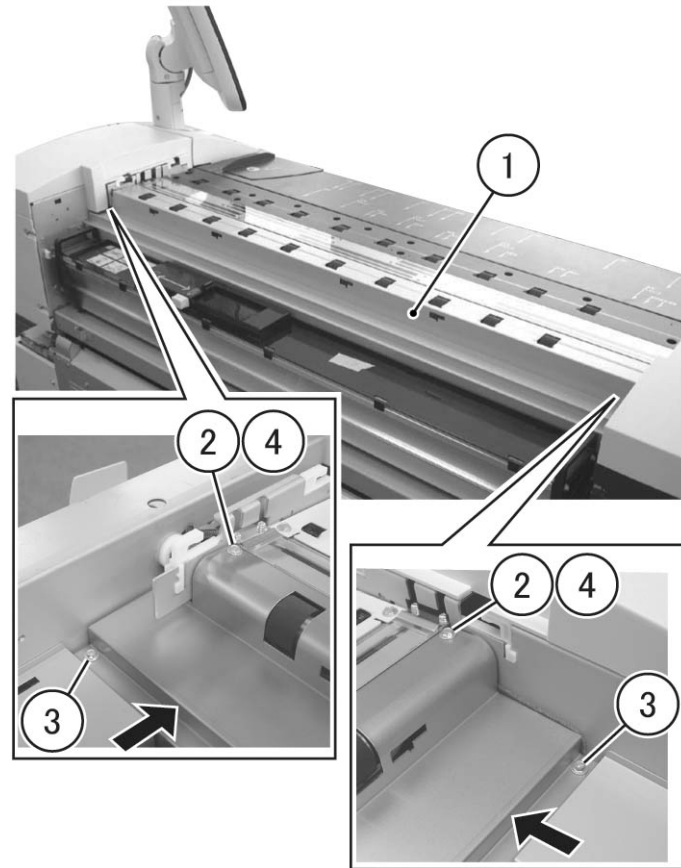


(Figure 9) j0bn40327

j0bn40327

**Note** To install the Rear Lower Baffle, perform the following procedures. (Figure 10)

- 1) Install the Rear Lower Baffle.
- 2) Loosely affix the screw (x2).
- 3) Tighten the screw (x2) while pushing the Rear Lower Baffle to the front.
- 4) Tighten the screw (x2).



j0bn40338

(Figure 10) j0bn40338

## REP3.6.1 (SCC) IIT Drive Motor

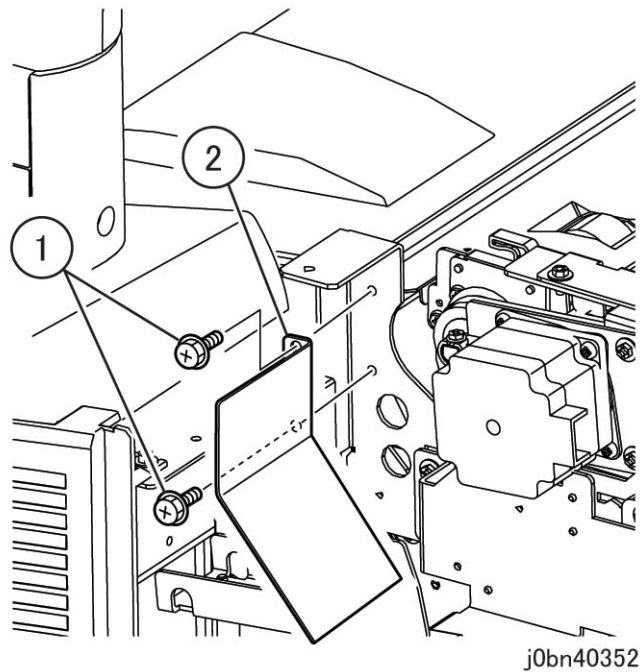
Reference PL: PL3.6

### Removal

**⚠ WARNING**  
Turn OFF the power and the breaker, then unplug the power plug to prevent electric shock.

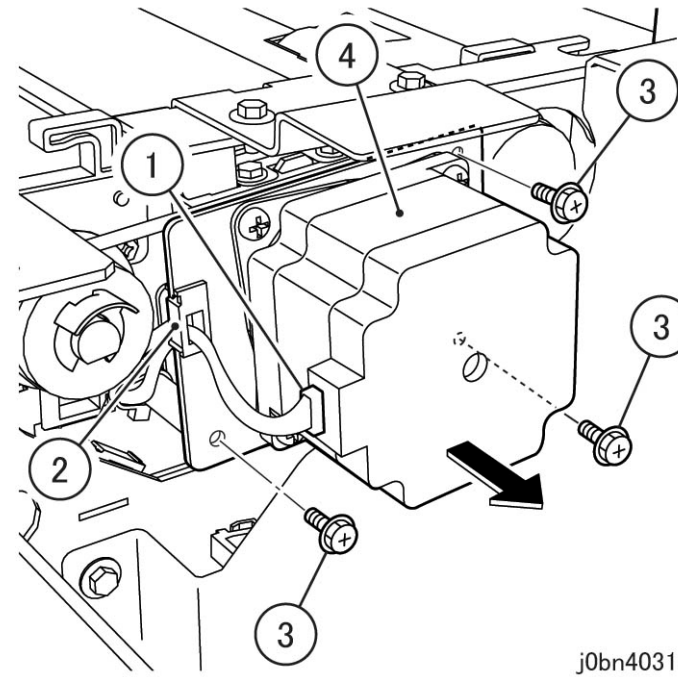
### Procedure

1. Remove the Right Swing Cover. (REP9.2.2)
2. Remove the Motor Cover. (Figure 1)
  - 1) Remove the screw (x2).
  - 2) Remove the Motor Cover.



(Figure 1) j0bn40352

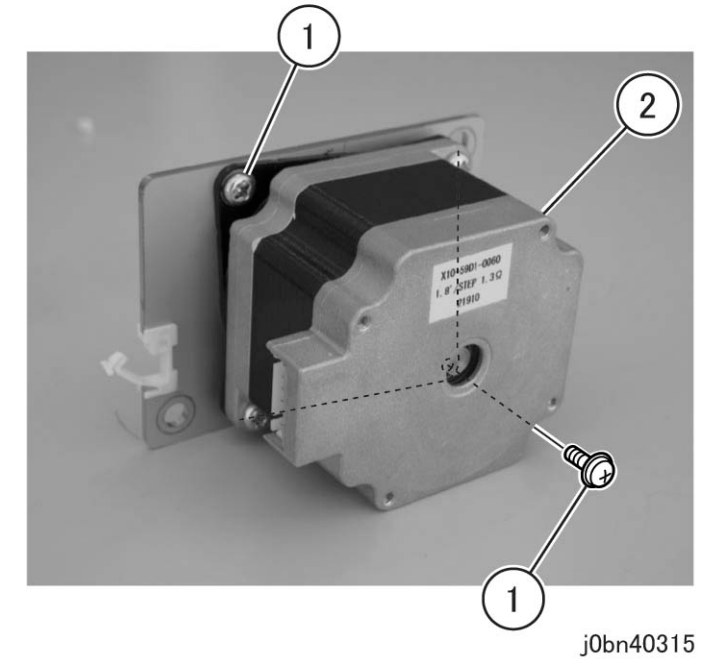
3. Remove the IIT Drive Motor Assembly. (Figure 2)
  - 1) Disconnect the connector.
  - 2) Release the clamp to remove the Wire Harness.
  - 3) Remove the screw (x3).
  - 4) Remove the IIT Drive Motor Assembly.



(Figure 2) j0bn40314

4. Remove the IIT Drive Motor. (Figure 3)

- 1) Remove the screw (x2).
- 2) Remove the IIT Drive Motor.



(Figure 3) j0bn40315

### Installation

#### Procedure

To install, carry out the removal steps in reverse order.

## REP3.6.2 IIT Document Transport Roll

Reference PL: PL3.6

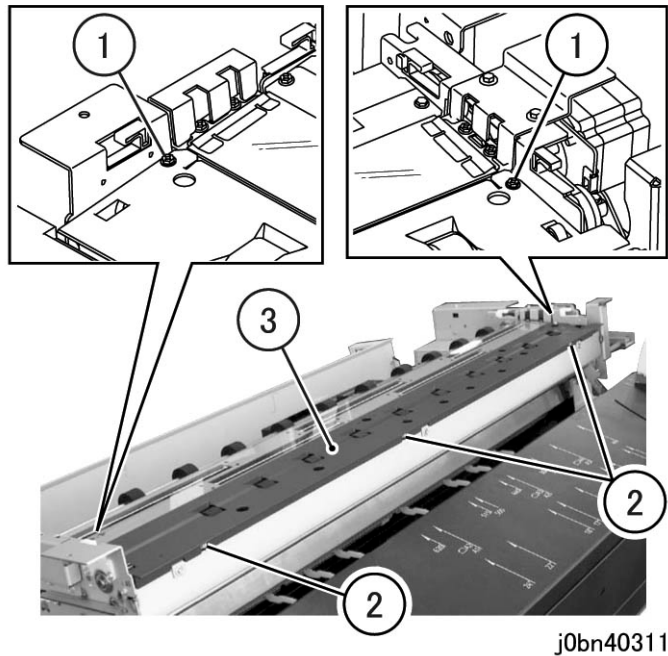
### Removal

**⚠ WARNING**  
Turn OFF the power and the breaker, then unplug the power plug to prevent electric shock.

**Note** The figures in Steps 8 to 10 show the IIT Document Transport Roll at the Front as an example. Perform the same procedures when removing the IIT Document Transport Roll at the Rear.

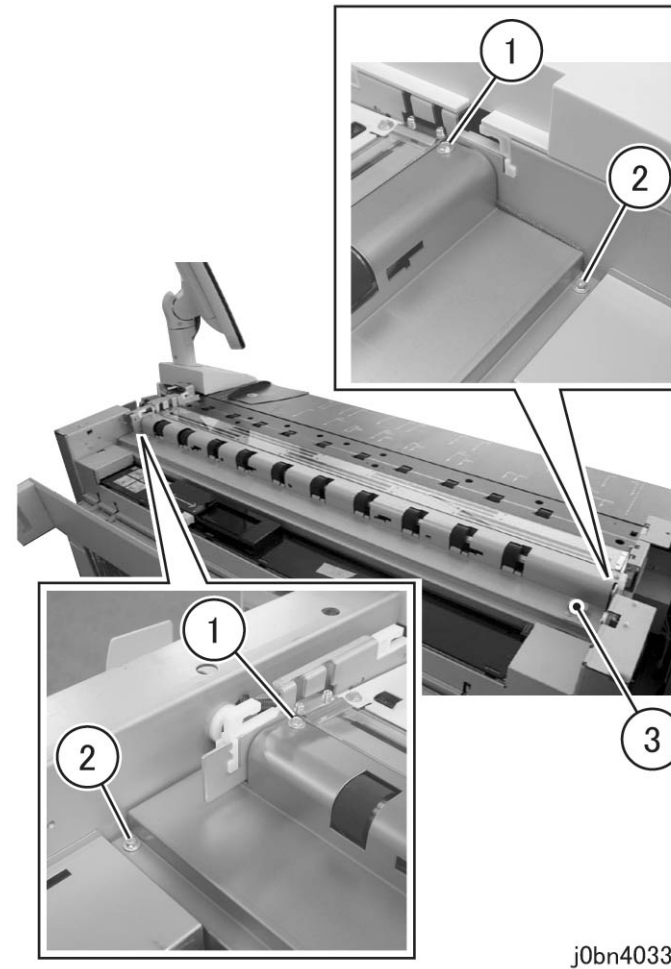
### Procedure

1. Remove the Right Swing Cover. (REP9.2.2)
2. Remove the Left Swing Cover. (REP9.3.2)
3. [Only when the IIT Document Transport Roll at the Front is removed] Remove the Front Baffle. (Figure 1)
  - 1) Remove the screw (x2).
  - 2) Loosen the screw (x3).
  - 3) Remove the Front Baffle.



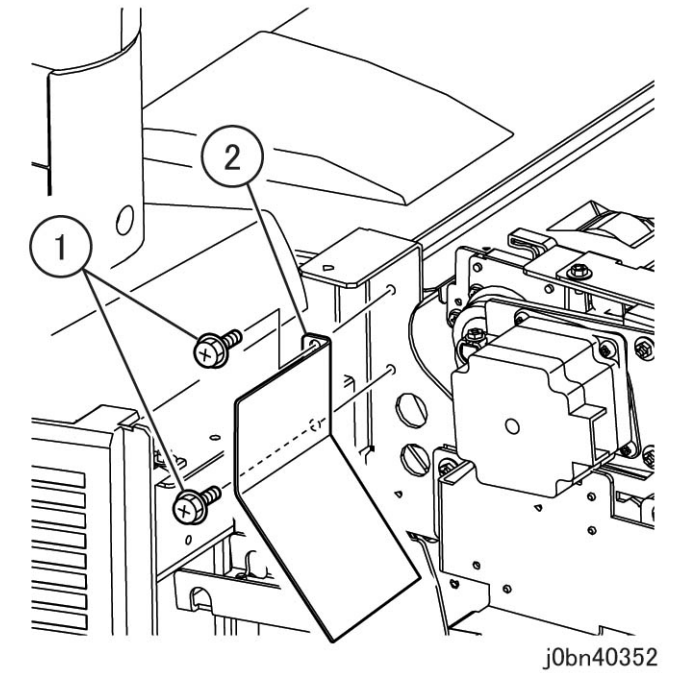
(Figure 1) j0bn40311

4. [Only when the IIT Document Transport Roll at the Rear is removed] Remove the Rear Lower Baffle. (Figure 2)
  - 1) Remove the screw (x2).
  - 2) Remove the screw (x2).
  - 3) Remove the Rear Lower Baffle.



(Figure 2) j0bn40339

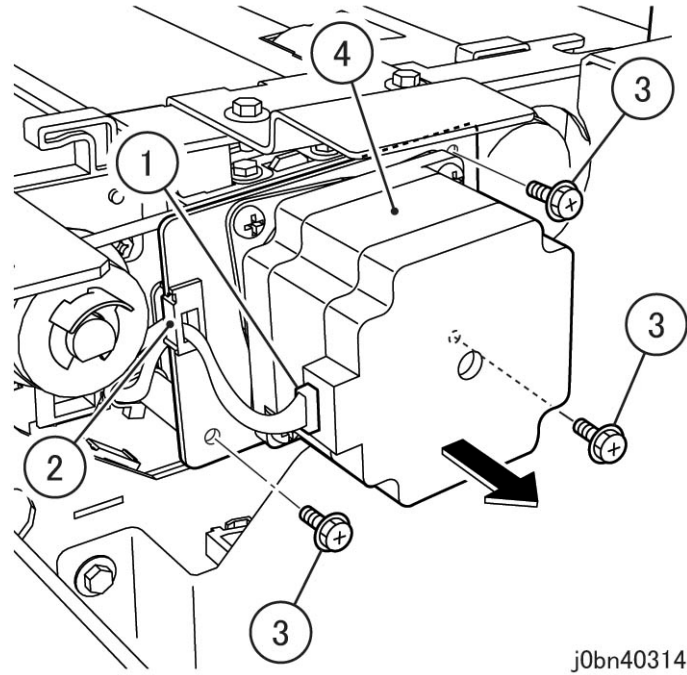
5. Remove the Motor Cover. (Figure 3)
  - 1) Remove the screw (x2).
  - 2) Remove the Motor Cover.



(Figure 3) j0bn40352



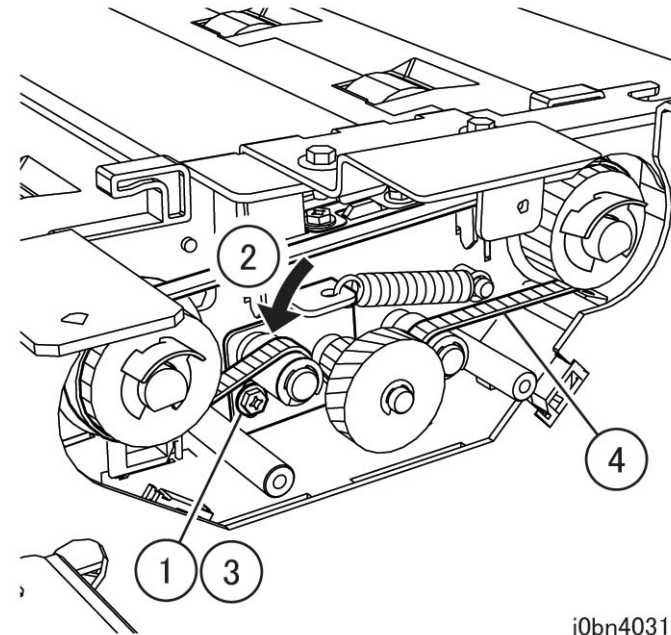
6. Remove the IIT Drive Motor Assembly. (Figure 4)
  - 1) Disconnect the connector.
  - 2) Release the clamp to remove the Wire Harness.
  - 3) Remove the screw (x3).
  - 4) Remove the IIT Drive Motor Assembly.



(Figure 4) j0bn40314

j0bn40314

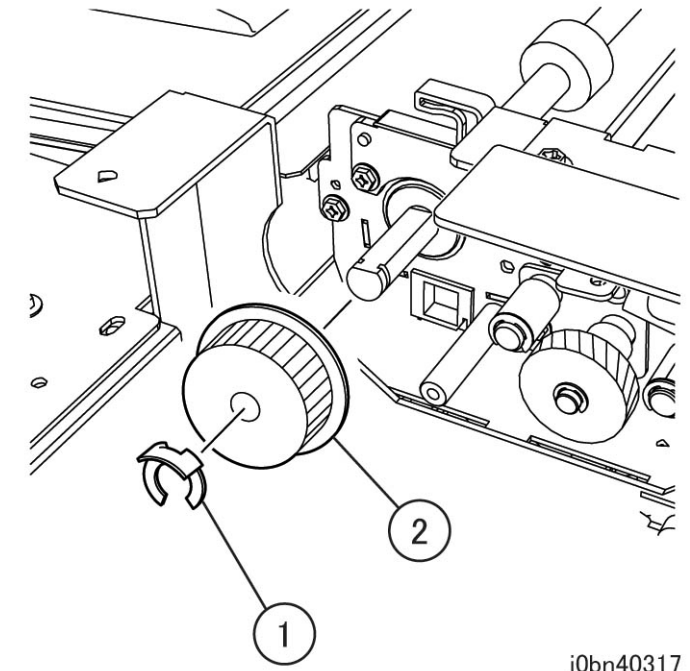
7. Remove the belt from the pulley. (Figure 5)
  - 1) Loosen the screw.
  - 2) Relax the belt tension.
  - 3) Tighten the screw.
  - 4) Remove the belt.



(Figure 5) j0bn40316

j0bn40316

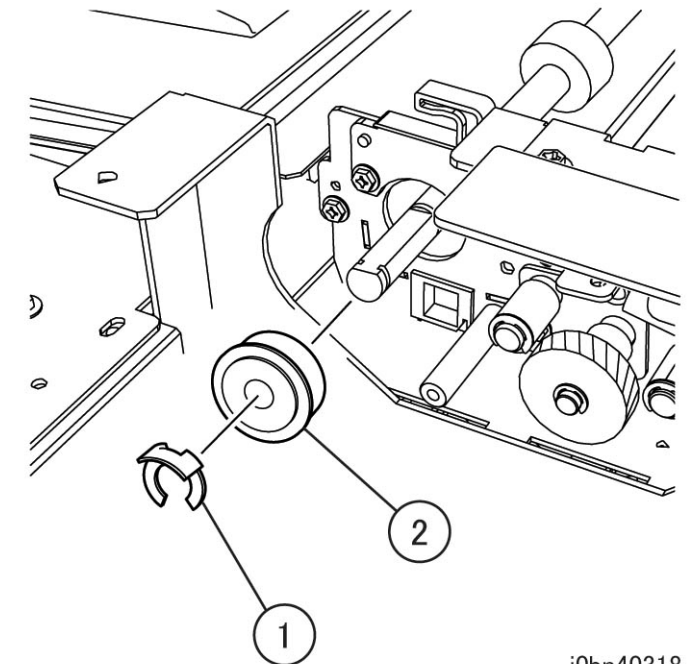
8. Remove the pulley. (Figure 6)
  - 1) Remove the KL-Clip.
  - 2) Remove the pulley.



j0bn40317

(Figure 6) j0bn40317

9. Remove the Ball Bearing. (Figure 7)
  - 1) Remove the KL-Clip.
  - 2) Remove the Ball Bearing.

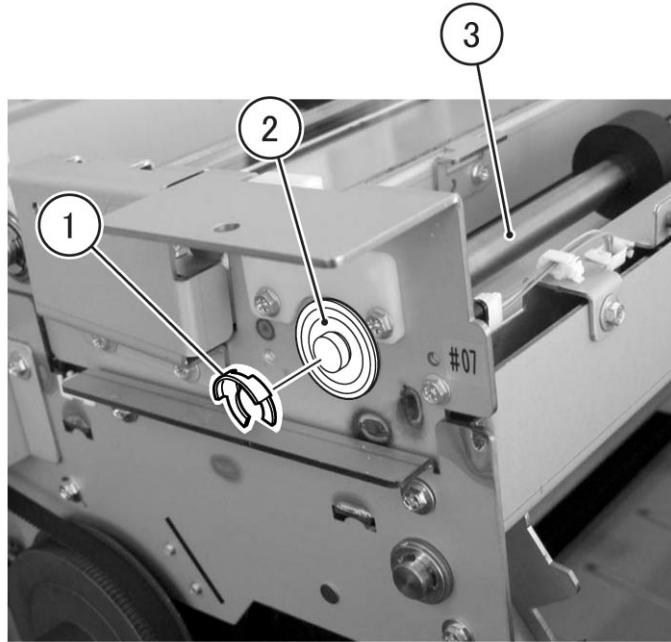


j0bn40318

(Figure 7) j0bn40318

10. Remove the IIT Document Transport Roll. (Figure 8)

- 1) Remove the KL-Clip.
- 2) Remove the Ball Bearing.
- 3) Remove the IIT Document Transport Roll.



j0bn40319

(Figure 8) j0bn40319

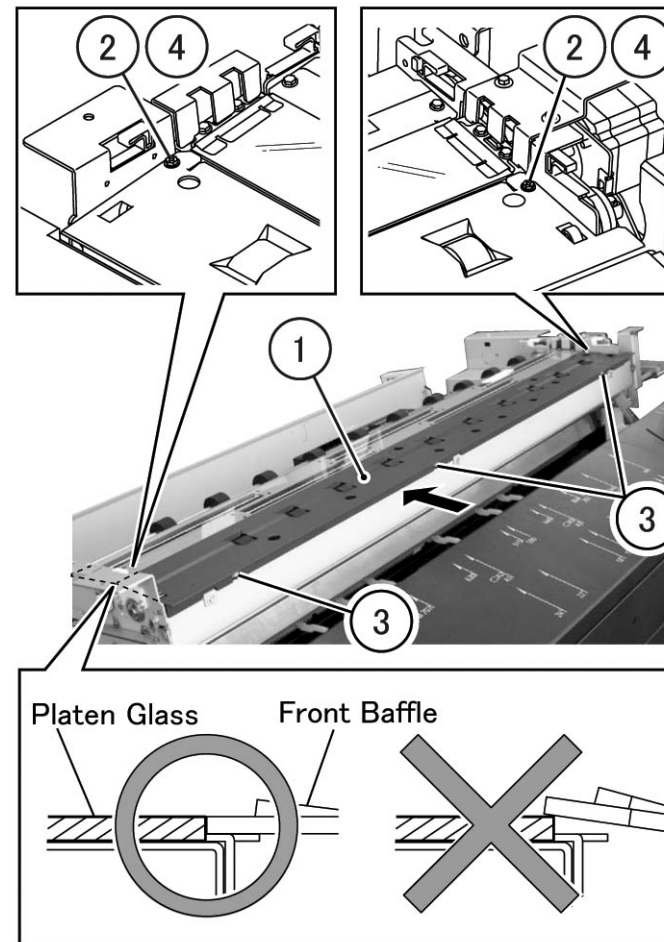
**Installation**

**Procedure**

To install, carry out the removal steps in reverse order.

**Note** [Only when the IIT Document Transport Roll at the Front is removed] To install the Front Baffle, perform the following procedures. (Figure 9)

- 1) While preventing from a gap between the Platen Glass and the Front Baffle, install the Front Baffle.
- 2) Loosely affix the screw (x2).
- 3) Tighten the screw (x3) while checking that there is no gap between the Platen Glass and the Front Baffle.
- 4) Tighten the screw (x2).



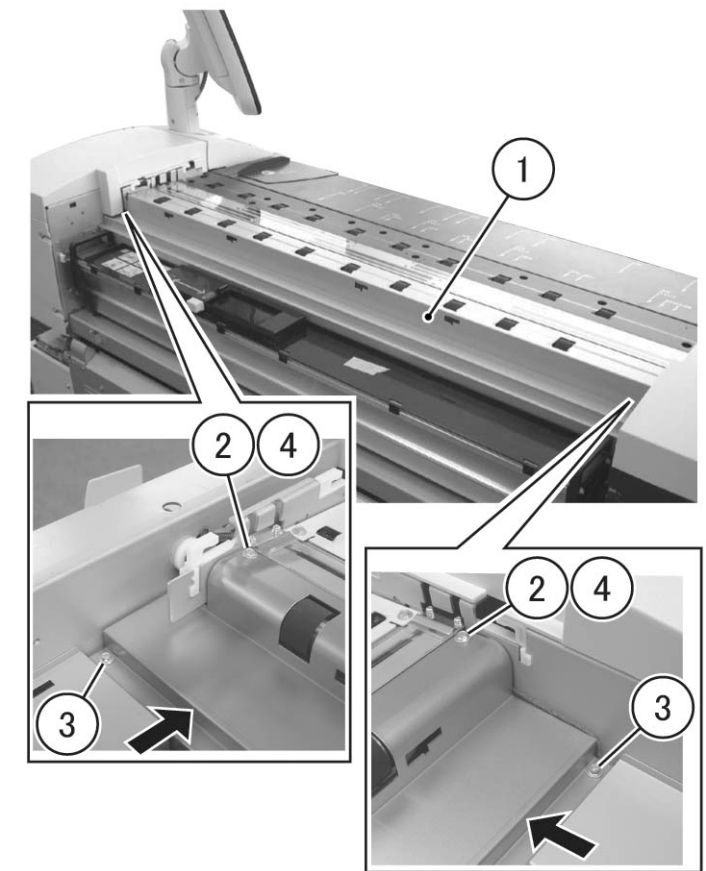
j0bn40327

(Figure 9) j0bn40327

**Note**

[Only when the IIT Document Transport Roll at the Rear is removed] To install the Rear Lower Baffle, perform the following procedures. (Figure 10)

- 1) Install the Rear Lower Baffle.
- 2) Loosely affix the screws (x4).
- 3) Tighten the screw (x2) while pushing the Rear Lower Baffle to the front.
- 4) Tighten the screw (x2).



j0bn40338

(Figure 10) j0bn40338

**Note**

After replacing the IIT Document Transport Roll, be sure to correct the CIS joint. (ADJ3.1.5)

## REP3.7.1 CIS Assembly

Reference PL: PL3.7

### Removal

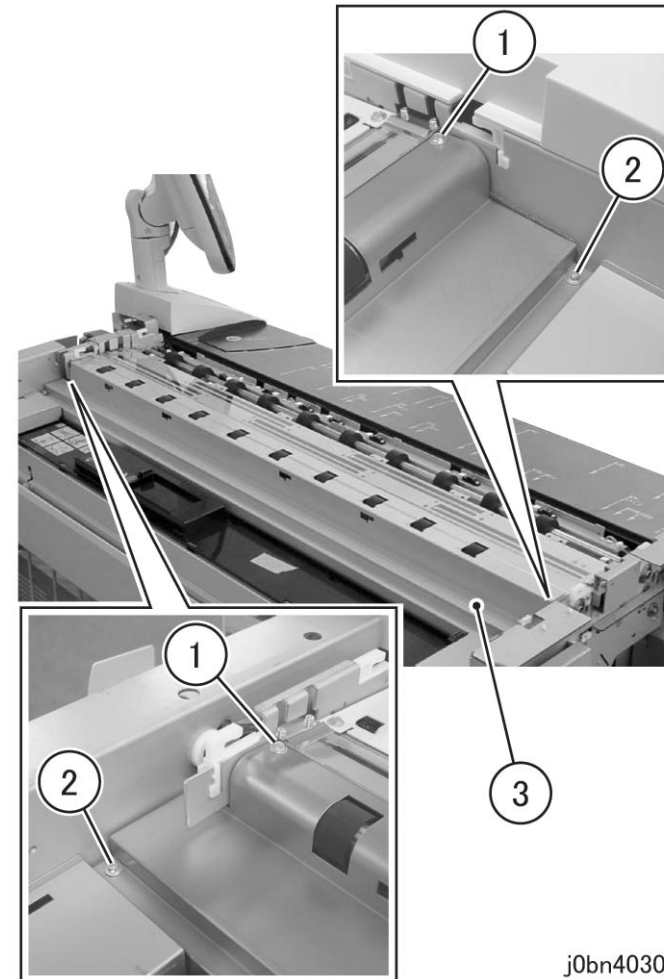
**⚠ WARNING**  
Turn OFF the power and the breaker, then unplug the power plug to prevent electric shock.

**⚠ CAUTION**  
Do not touch the surface of the Platen Glass with your bare hands. Also, handle the Platen Glass with extra care to prevent damage.

1. Remove the Right Swing Cover. (REP9.2.2)
2. Remove the Left Swing Cover. (REP9.3.2)

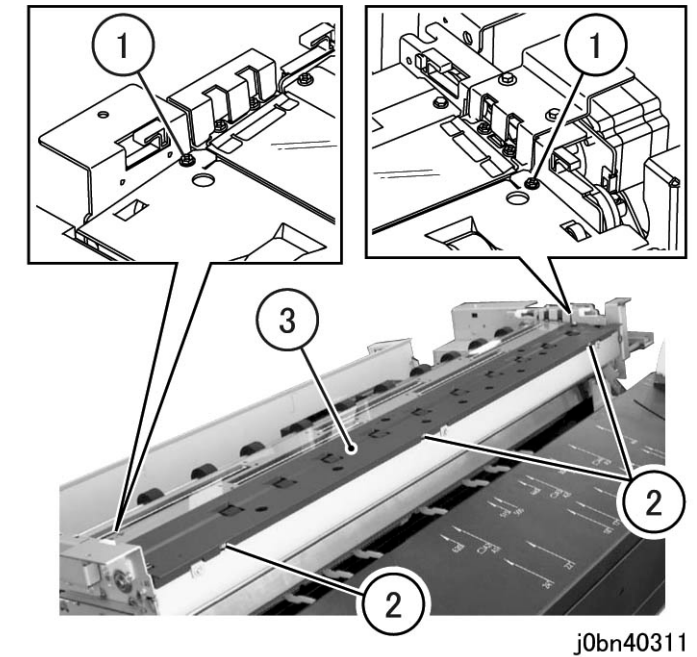
3. Remove the Rear Lower Baffle. (Figure 1)

- 1) Remove the screw (x2).
- 2) Remove the screw (x2).
- 3) Remove the Rear Lower Baffle.



(Figure 1) j0bn40301

4. Open the Swing Frame.
5. Remove the Baffle. (Figure 2)
  - 1) Remove the screw (x2).
  - 2) Loosen the screw (x3).
  - 3) Remove the Front Baffle.

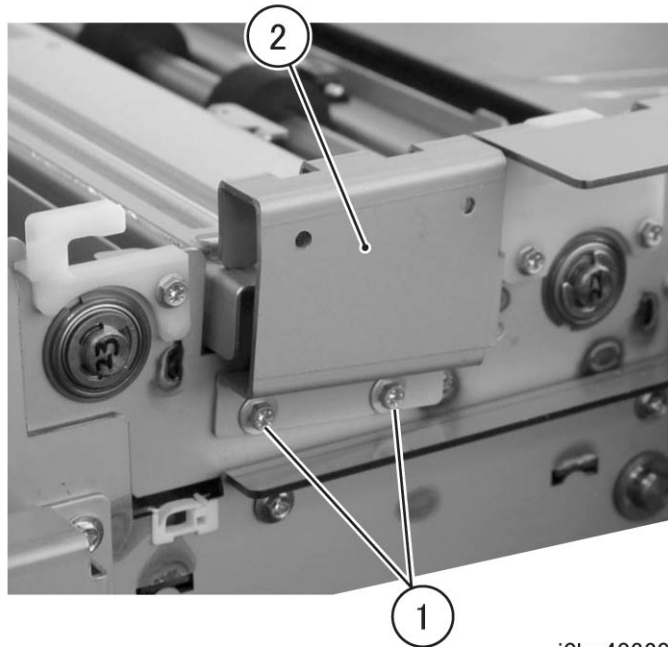


(Figure 2) j0bn40311

6. Close the Swing Frame.

7. Remove the Left CIS Bracket. (Figure 3)

- 1) Loosen the screw (x2).
- 2) Remove the Left CIS Bracket.

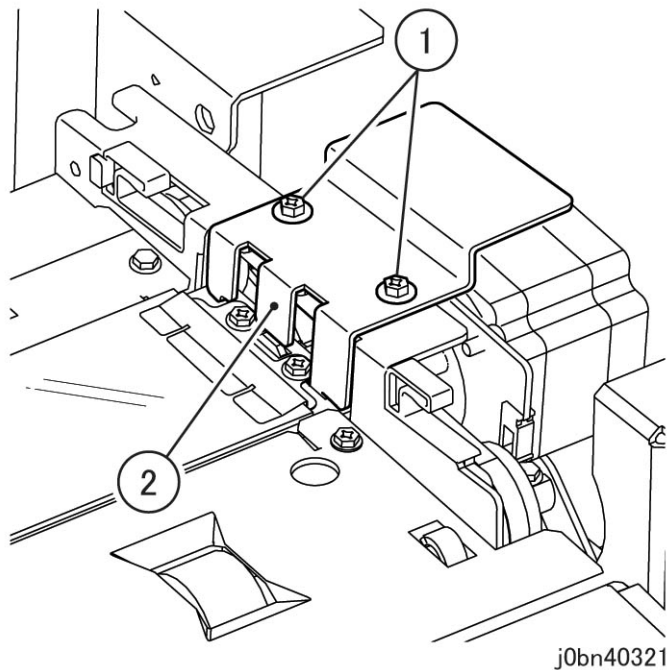


j0bn40320

(Figure 3) j0bn40320

8. Remove the Right CIS Bracket. (Figure 4)

- 1) Remove the screw (x2).
- 2) Remove the Right CIS Bracket.

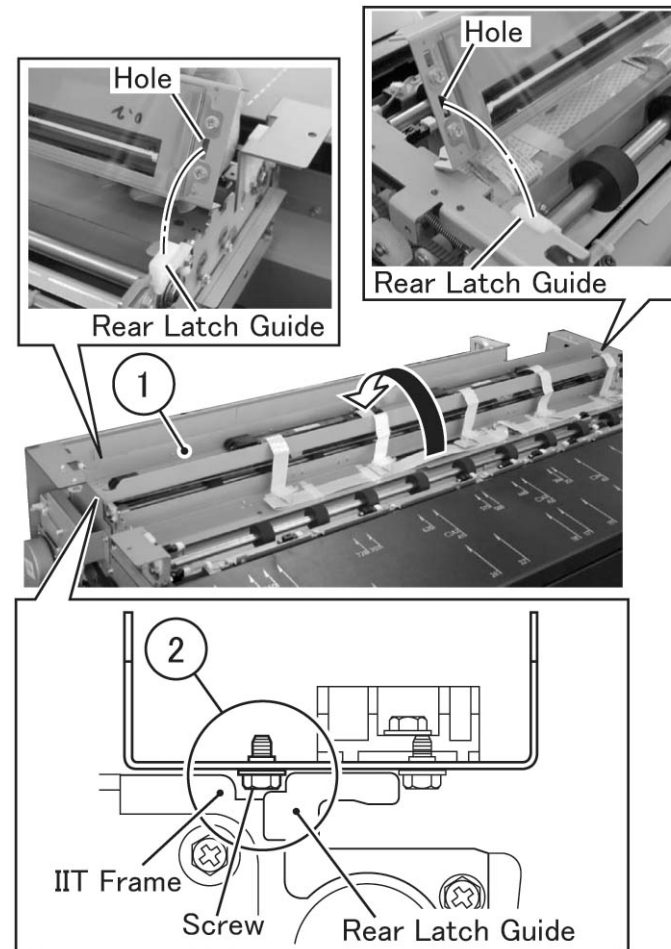


j0bn40321

(Figure 4) j0bn40321

9. Take out the CIS Assembly and place it on the Rear Latch Guide. (Figure 5)

- 1) Take out the CIS Assembly and place it on the Rear Latch Guide with the Platen Glass facing down. At this time, place it so that the square hole (x2) at both edges is fit on the Rear Latch Guide (x2).
- 2) Check that the screw of the CIS Assembly is fit between the Rear Latch Guide and the IIT Frame when viewed from the Left side.

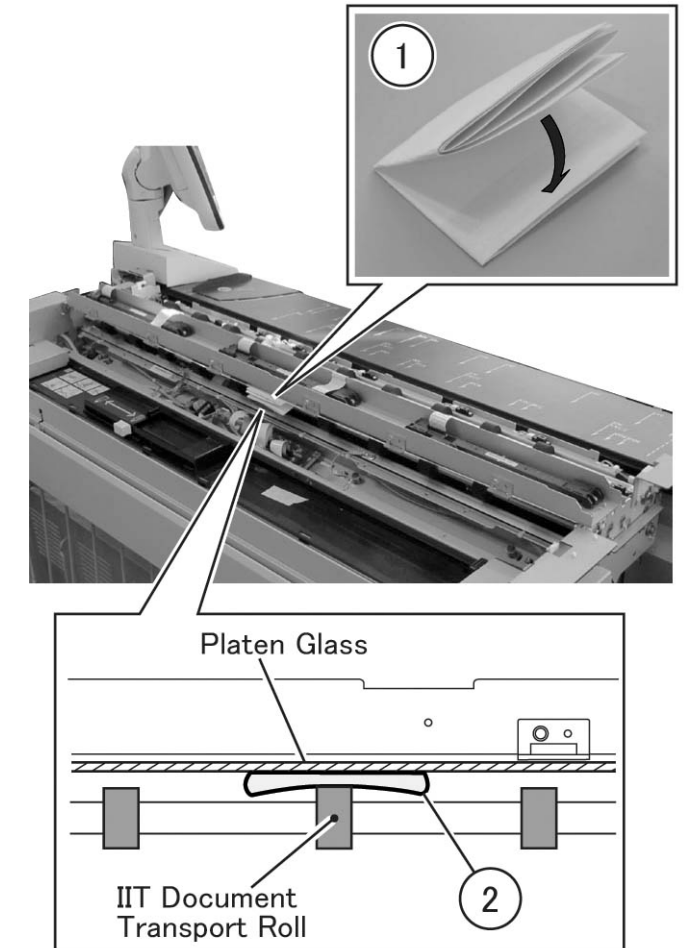


j0bn40322

(Figure 5) j0bn40322

10. Fold A4 paper four times to make it 16-folded and insert it between the IIT Document Transport Roll at the Rear and the Platen Glass to reduce the sag of the Platen Glass. (Figure 6)

- 1) Fold A4 paper four times to make it 16-folded.
- 2) Insert the 16-folded paper between the IIT Document Transport Roll and the Platen Glass.



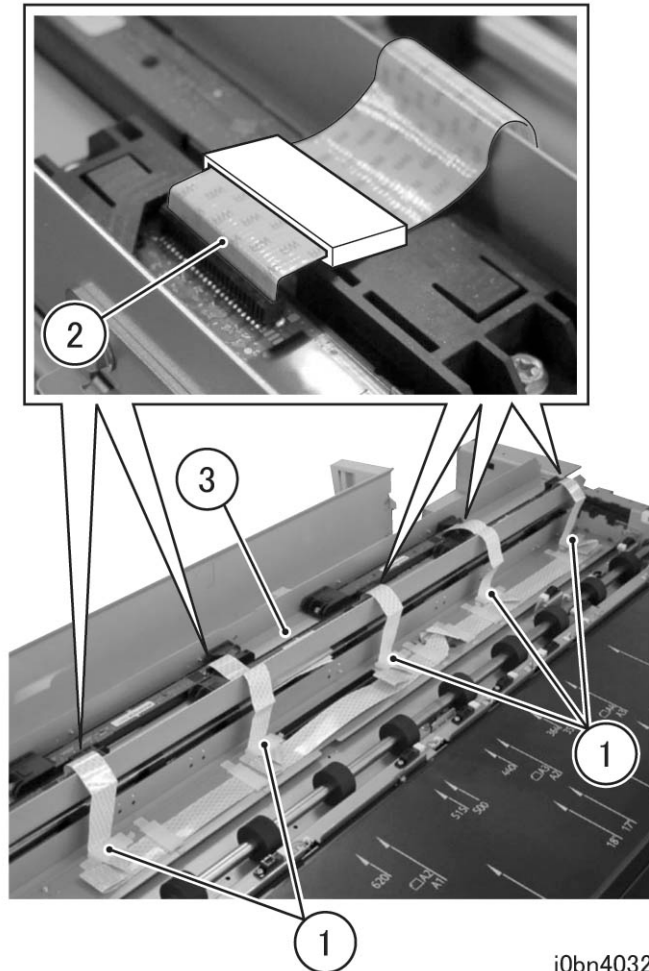
j0bn40323

(Figure 6) j0bn40323

11. Remove the CIS Assembly. (Figure 7)

**Note** Since the terminal of the CIS Cable is easy to damage, hold the both sides of the CIS Cable by both hands and pull it out straight with power applied equally.

- 1) Release the clamp (x5) and detach the CIS Cable.
- 2) Disconnect the CIS Cables (x5).
- 3) Take out the CIS Assembly and store it with the Platen Glass facing up in a stable location.



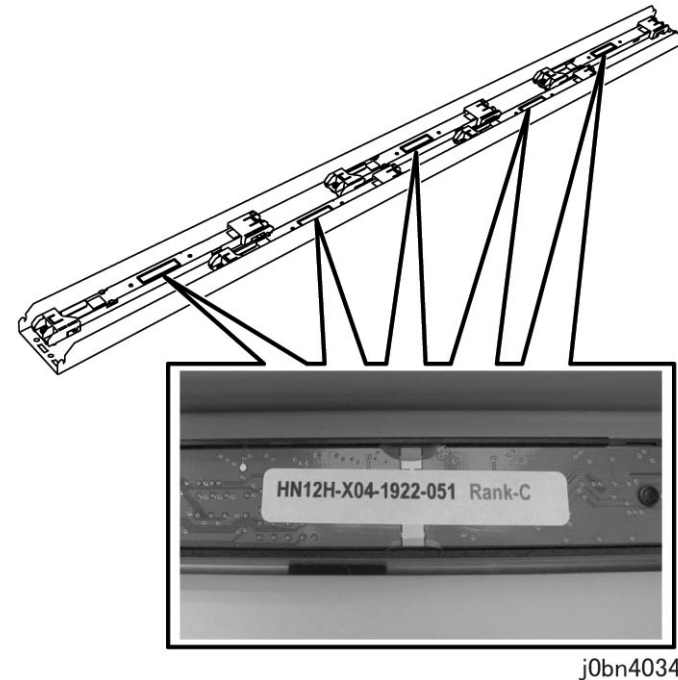
(Figure 7) j0bn40324

**Installation**

**Procedure**

To install, carry out the removal steps in reverse order.

**Note** When replacing the CIS Assembly, make a note of the rank symbol (A, B, C, or D) on the label, which is stuck on the back of the new CIS Assembly (back of each CIS). (Figure 8)

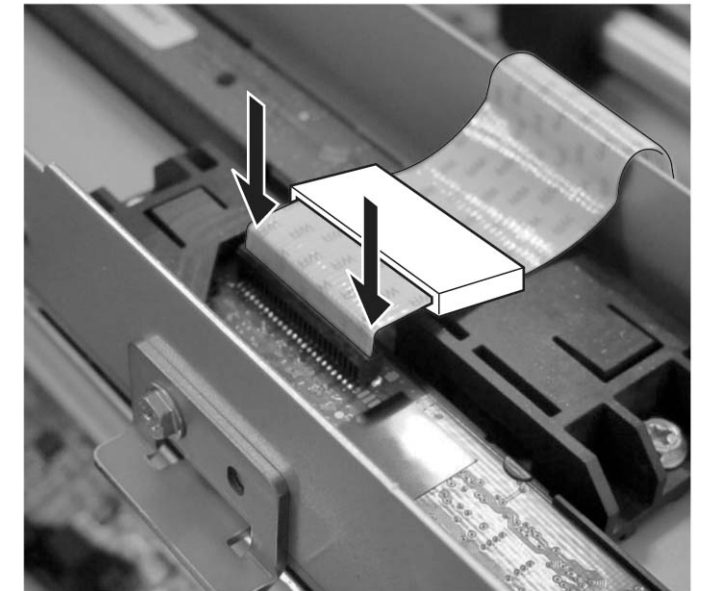


(Figure 8) j0bn40346

After replacing the CIS Assembly, be sure to change the value of IIT DC131 [710-039] (CIS Rank) according to the rank symbol you have made a note of in this step.

- h'01: Rank A
- h'02: Rank B
- h'03: Rank C
- h'04: Rank D

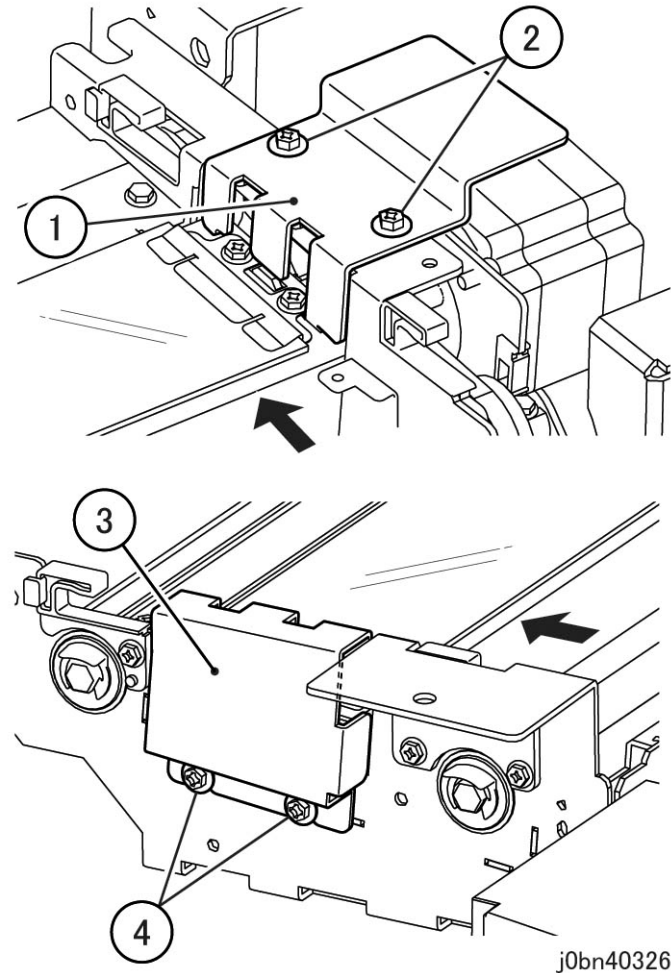
**Note** Since the terminal of the CIS Cable is easy to damage, hold the both sides of the CIS Cable by both hands and connect it straight with power applied equally. (Figure 9)



(Figure 9) j0bn40325

**Note** To install the CIS Assembly, perform the following procedures. (Figure 10)

- 1) Install the Right CIS Bracket.
- 2) While pressing the CIS Assembly to the rear side and tighten the screw (x2).
- 3) Install the Left CIS Bracket.
- 4) While pressing the CIS Assembly to the rear side and tighten the screw (x2).

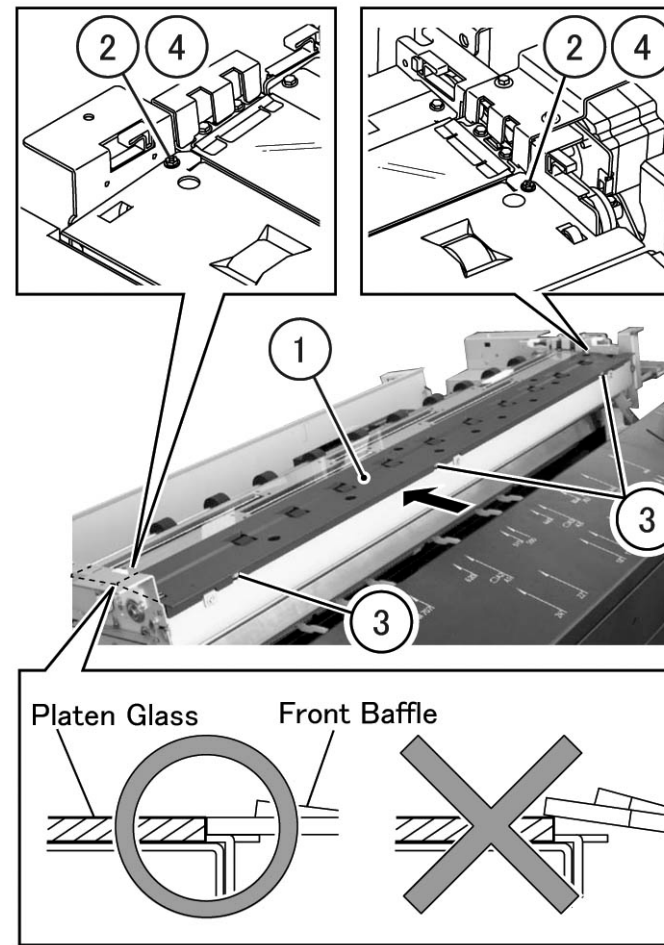


(Figure 10) j0bn40326

j0bn40326

**Note** To install the Front Baffle, perform the following procedures. (Figure 11)

- 1) While preventing from a gap between the Platen Glass and the Front Baffle, install the Front Baffle.
- 2) Loosely affix the screw (x2).
- 3) Tighten the screw (x3) while checking that there is no gap between the Platen Glass and the Front Baffle.
- 4) Tighten the screw (x2).

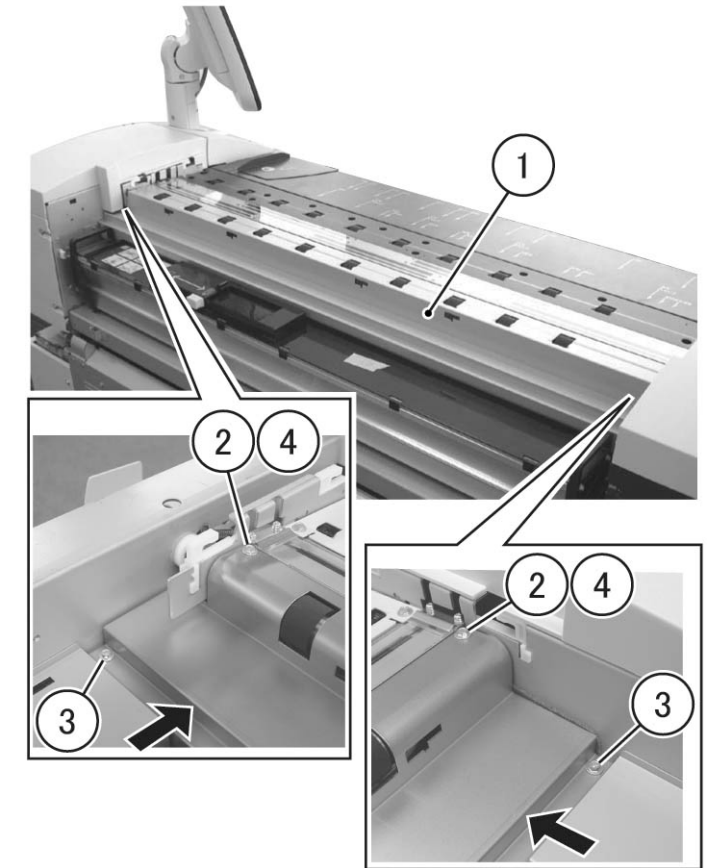


(Figure 11) j0bn40327

j0bn40327

**Note** To install the Rear Lower Baffle, perform the following procedures. (Figure 12)

- 4) Install the Rear Lower Baffle.
- 5) Loosely affix the screws (x4).
- 6) Tighten the screw (x2) while pushing the Rear Lower Baffle to the front.
- 7) Tighten the screw (x2).



(Figure 12) j0bn40338

j0bn40338

**Note** After replacing the CIS Assembly, be sure to correct the CIS joint. (ADJ3.1.5)

## REP3.7.2 Platen Glass

Reference PL: PL3.7

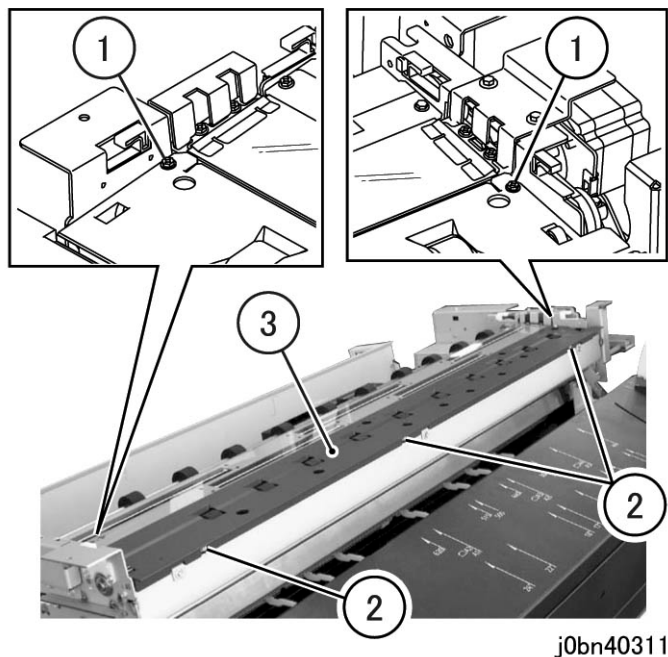
### Removal

**⚠ WARNING**  
Turn OFF the power and the breaker, then unplug the power plug to prevent electric shock.

**⚠ CAUTION**  
Do not touch the surface of the Platen Glass with your bare hands. Also, handle the Platen Glass with extra care to prevent damage.

### Procedure

1. Remove the Right Swing Cover. (REP9.2.2)
2. Remove the Left Swing Cover. (REP9.3.2)
3. Open the Swing Frame.
4. Remove the Baffle. (Figure 1)
  - 1) Remove the screw (x2).
  - 2) Loosen the screw (x3).
  - 3) Remove the Front Baffle.

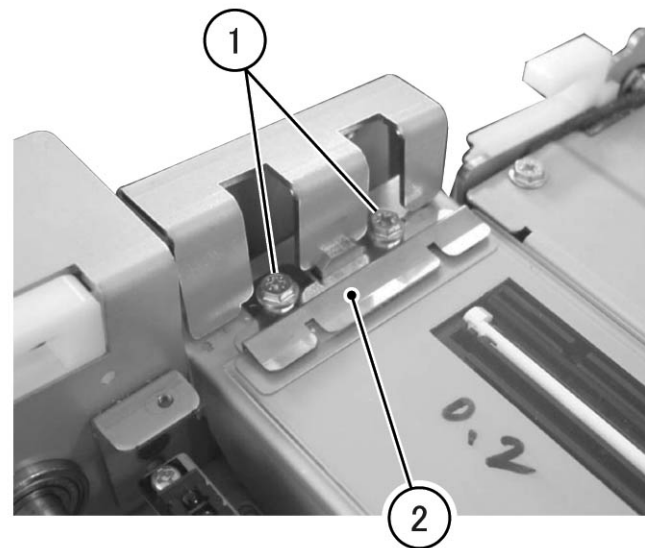


(Figure 1) j0bn40311

5. Close the Swing Frame.

6. Remove the Spring Plate at the Left side. (Figure 2)

- 1) Remove the screw (x2).
- 2) Remove the Spring Plate.



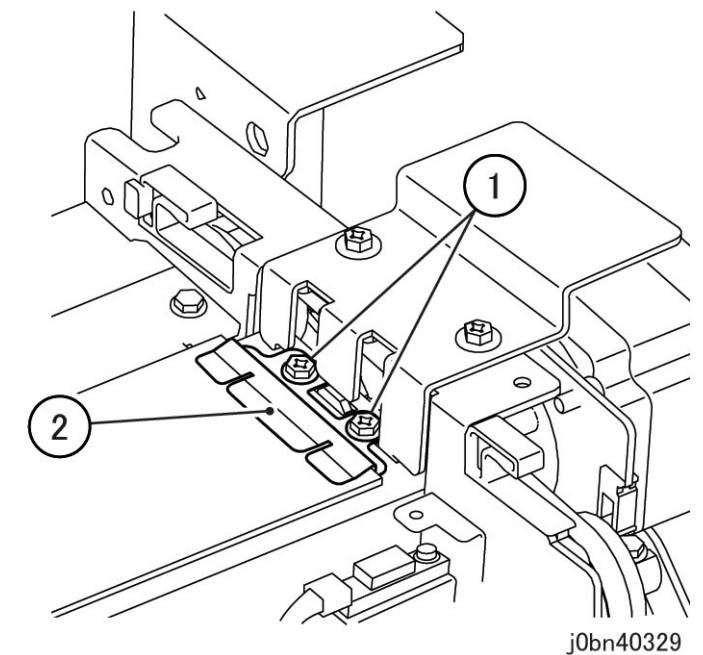
j0bn40328

(Figure 2) j0bn40328

7. Remove the Platen Glass. (Figure 3)

**Note** When removing the Platen Glass, be careful not to lose the Spacer attached under the Platen Glass.

- 1) Remove the screw (x2).
- 2) Remove the Spring Plate.
- 3) Remove the Platen Glass.



j0bn40329

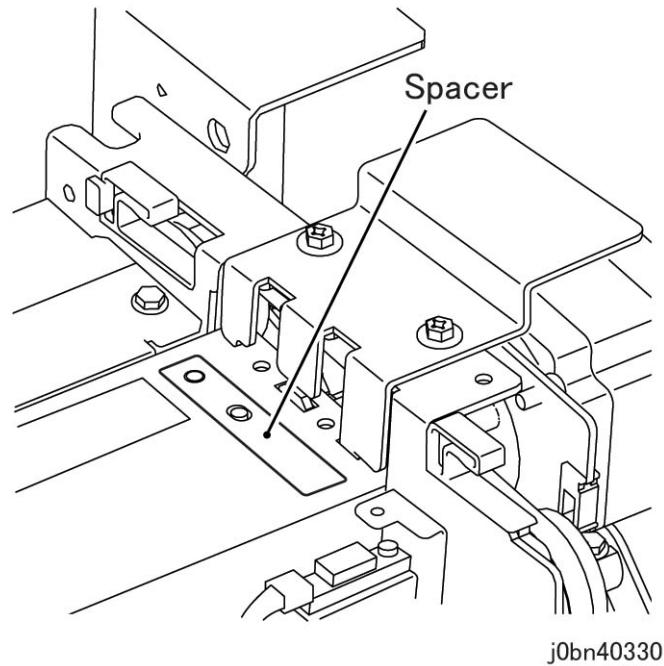
(Figure 3) j0bn40329

## Installation

### Procedure

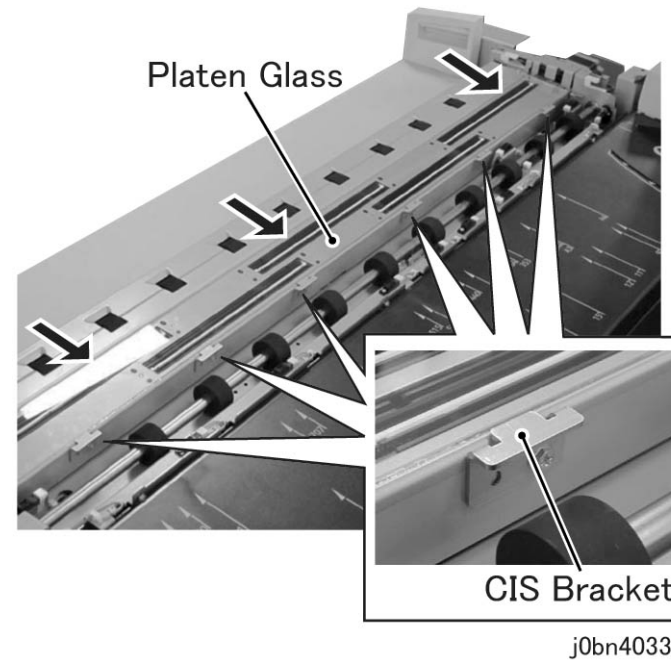
To install, carry out the removal steps in reverse order.

**Note** When installing the Platen Glass, be sure to install the Spacer (x2, at both sides) under the Platen Glass as well. (Figure 4)



(Figure 4) j0bn40330

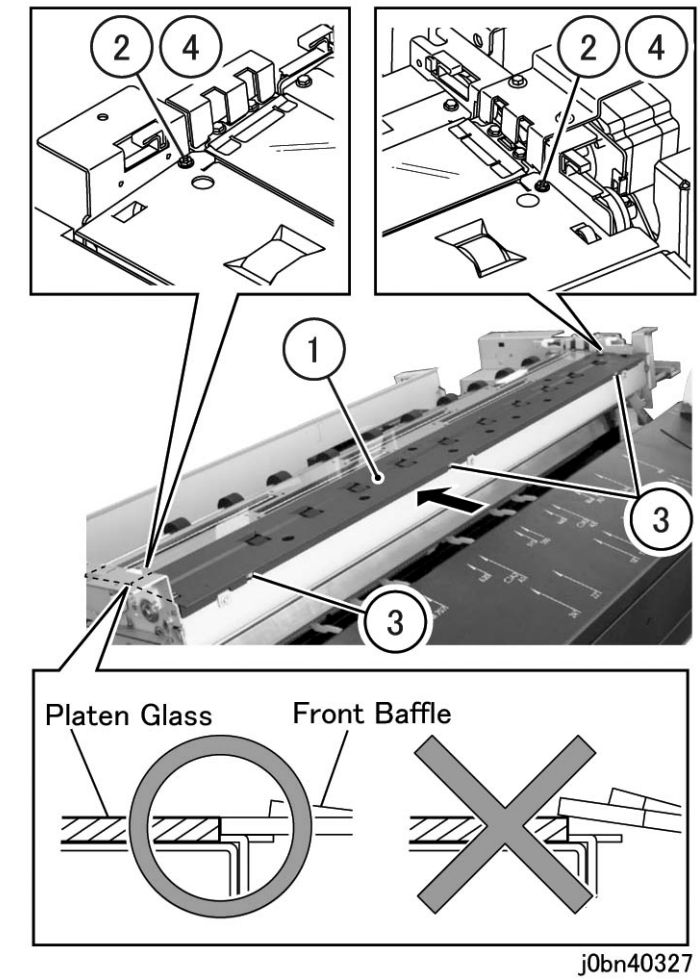
**Note** When installing the Platen Glass, secure the Spring Plate while pressing the Platen Glass to the CIS Bracket (x6) at the Front. (Figure 5)



(Figure 5) j0bn40331

**Note** To install the Front Baffle, perform the following procedures. (Figure 6)

- 1) While preventing from a gap between the Platen Glass and the Front Baffle, install the Front Baffle.
- 2) Loosely affix the screw (x2).
- 3) Tighten the screw (x3) while checking that there is no gap between the Platen Glass and the Front Baffle.
- 4) Tighten the screw (x2).



(Figure 6) j0bn40327



### REP3.7.3 CIS Cable

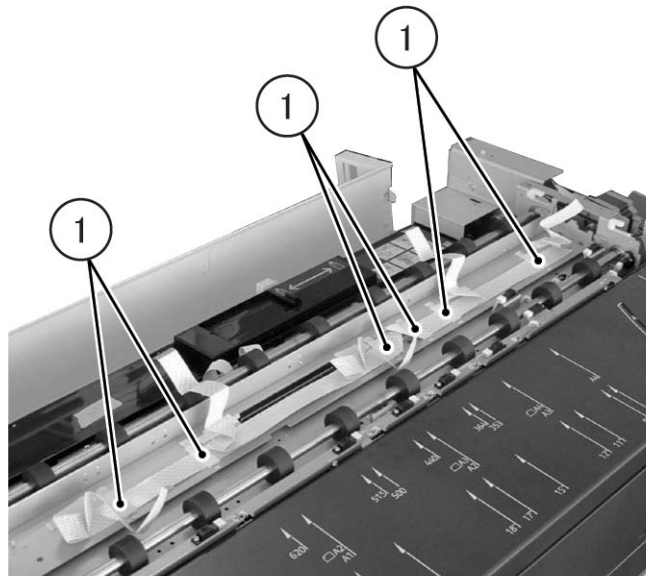
Reference PL: PL3.7

#### Removal

**⚠ WARNING**  
Turn OFF the power and the breaker, then unplug the power plug to prevent electric shock.

#### Procedure

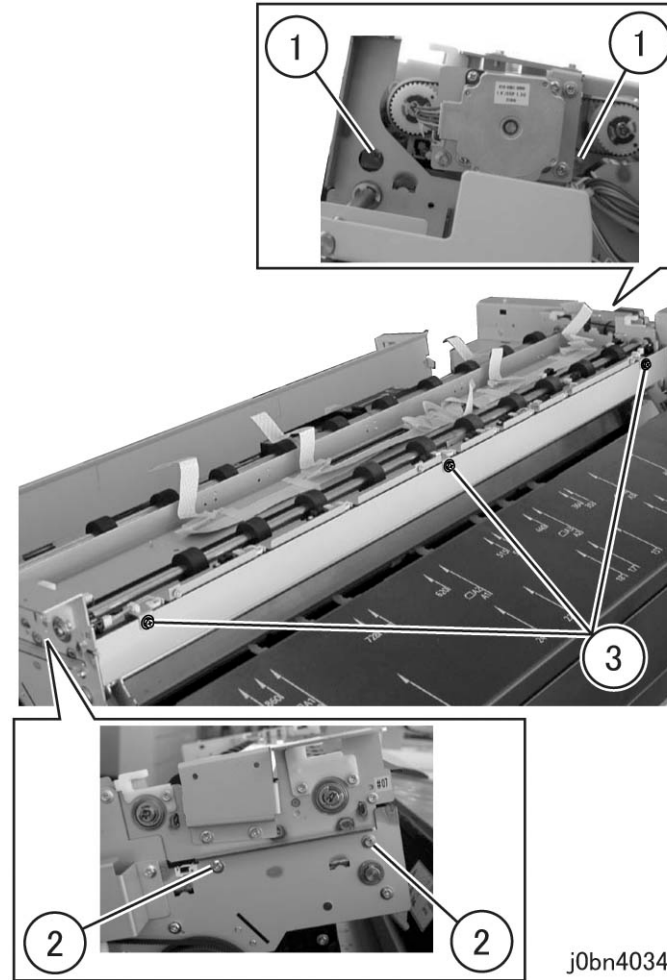
1. Remove the CIS Assembly. (REP3.6.1)
2. Release the clamp (x6) and detach the CIS Cable. (Figure 1)
  - 1) Release the clamp (x6) and detach the CIS Cable.



j0bn40332

(Figure 1) j0bn40332

3. Open the Swing Frame.
4. Remove the screws on the IIT Frame. (Figure 2)
  - 1) Remove the screw (x2).
  - 2) Remove the screw (x2).
  - 3) Remove the screw (x3).



j0bn40340

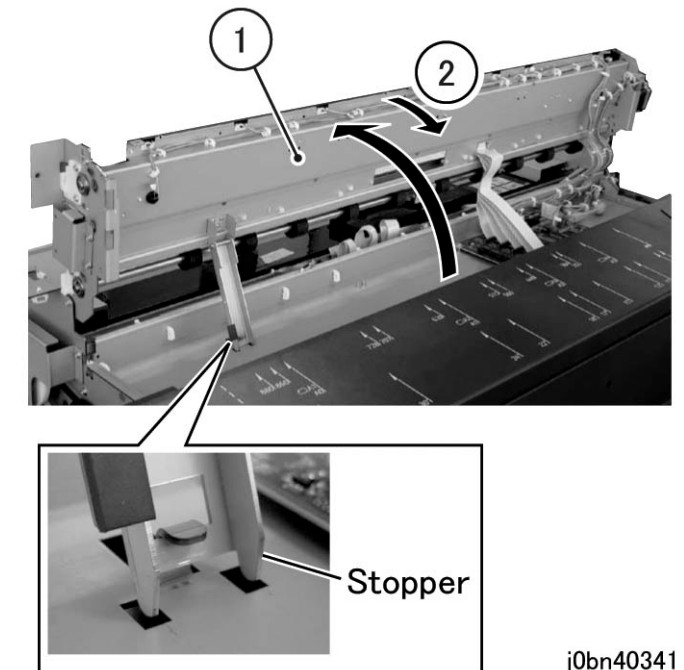
(Figure 2) j0bn40340

5. Close the Swing Frame.

6. Open the IIT Frame. (Figure 3)

**Note** Always open the IIT Frame with the Swing Frame closed.

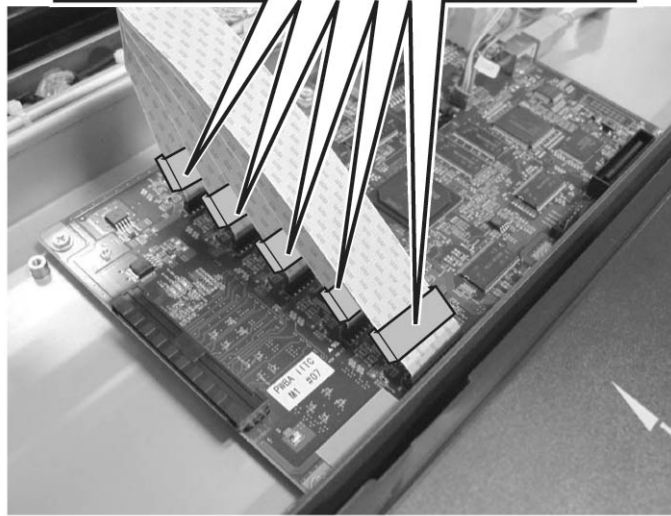
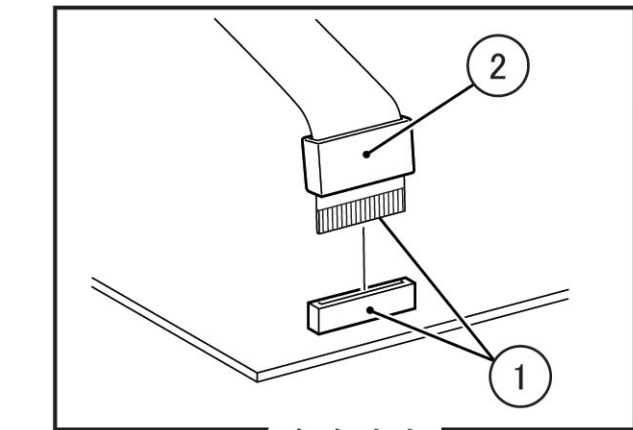
- 1) Open the IIT Frame until the Stopper is set into the Frame holes.
- 2) Return the IIT Frame to the original position while checking that the IIT Frame is held by the Stopper.



j0bn40341

(Figure 3) j0bn40341

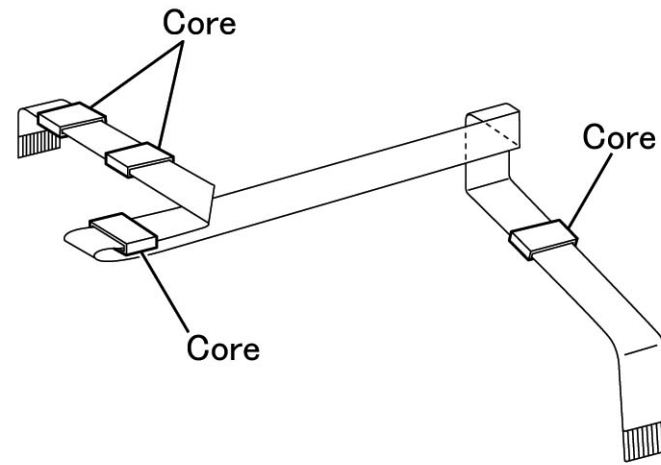
7. Remove the CIS Cable. (Figure 4)
  - 1) Disconnect the CIS Cables (x5).
  - 2) Remove the Core (x5) from the CIS Cable.



j0bn40333

(Figure 4) j0bn40333

8. Remove the Core (x4) from the removed CIS Cable. (Figure 5)



j0bn40336

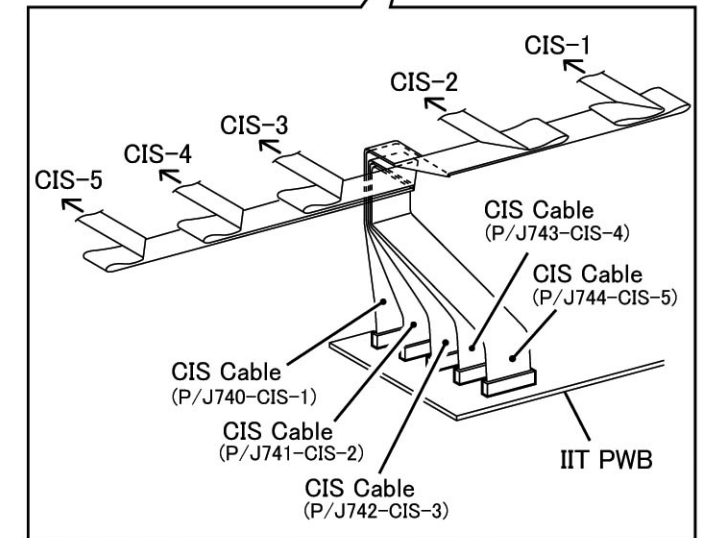
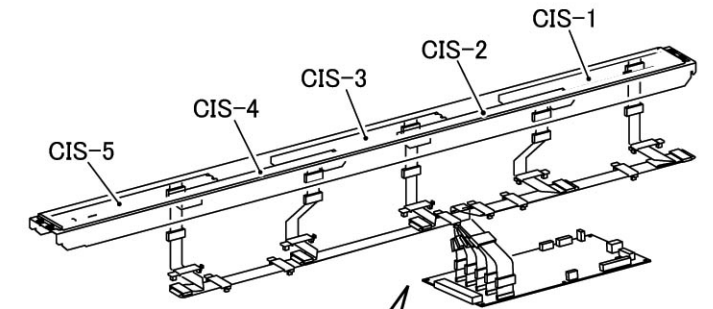
(Figure 5) j0bn40336

## Installation

### Procedure

To install, carry out the removal steps in reverse order.

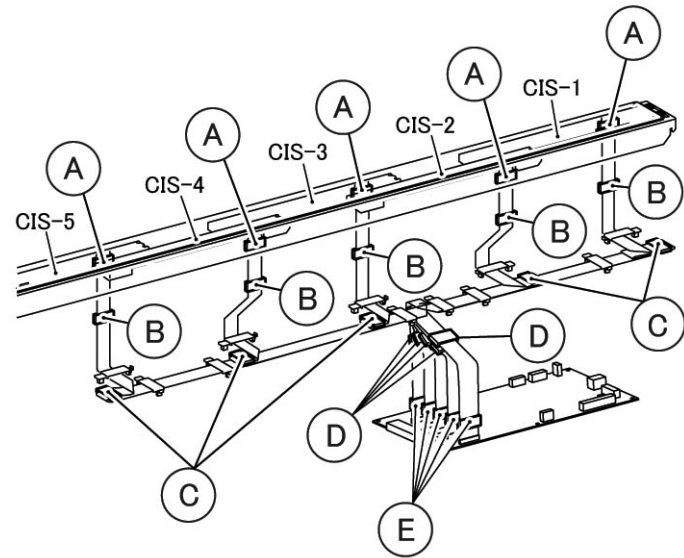
**Note** The five CIS Cables have different lengths and must be connected to a proper CIS. Wire and connect them by referring to the following figure and being careful of the correspondences of the CIS and CIS Cable. (Figure 6)



j0bn40334

(Figure 6) j0bn40334

**Note** Install the Core (x5) of CIS Cable to the A-E positions shown in the following diagram.

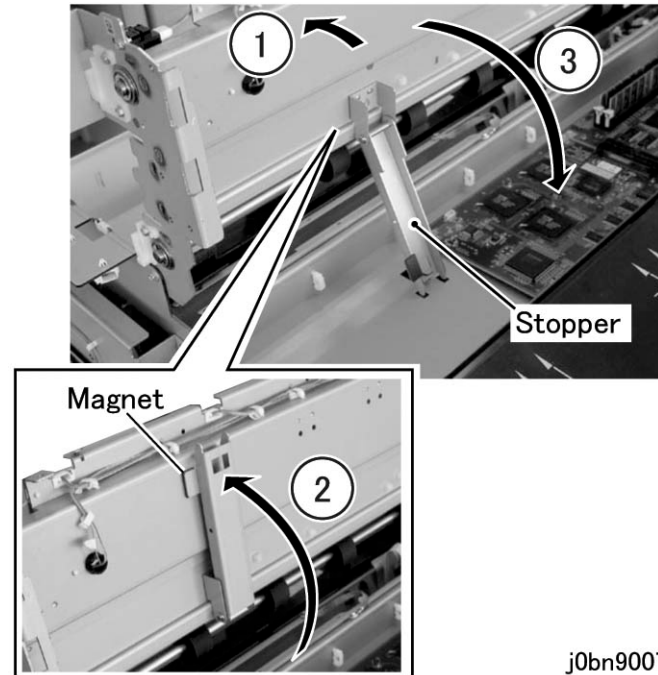


j0bn40335

(Figure 7) j0bn40335

**Note** To close the IIT Frame, perform the following procedures. (Figure 8)

- 1) Lift up the IIT Frame slightly and remove the Stopper.
- 2) Attach the Stopper Magnet to the IIT Frame.
- 3) Close the IIT Frame gently.

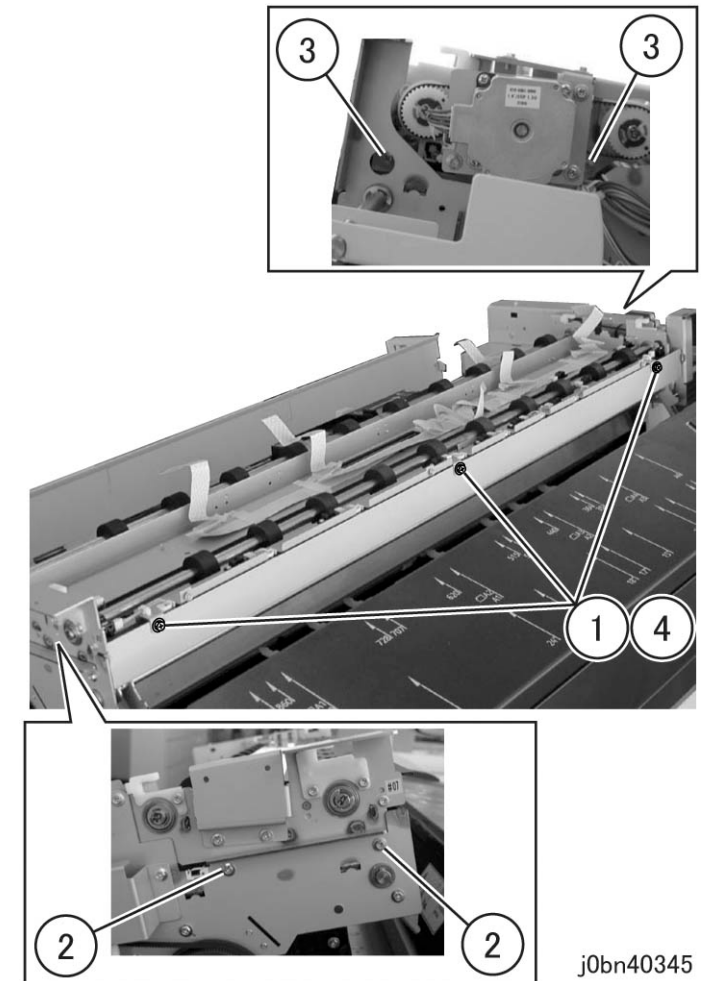


j0bn90074

(Figure 8) j0bn90074

**Note** To fix the IIT Frame, perform the following procedures. (Figure 9)

- 1) Loosely affix the screw (x3).
- 2) Tighten the screw (x2).
- 3) Tighten the screw (x2).
- 4) Tighten the screw (x3) securely.



j0bn40345

(Figure 9) j0bn40345

#### 4. LPH

##### REP4.1.1 LPH Assembly

Reference PL: PL4.1

#### Removal

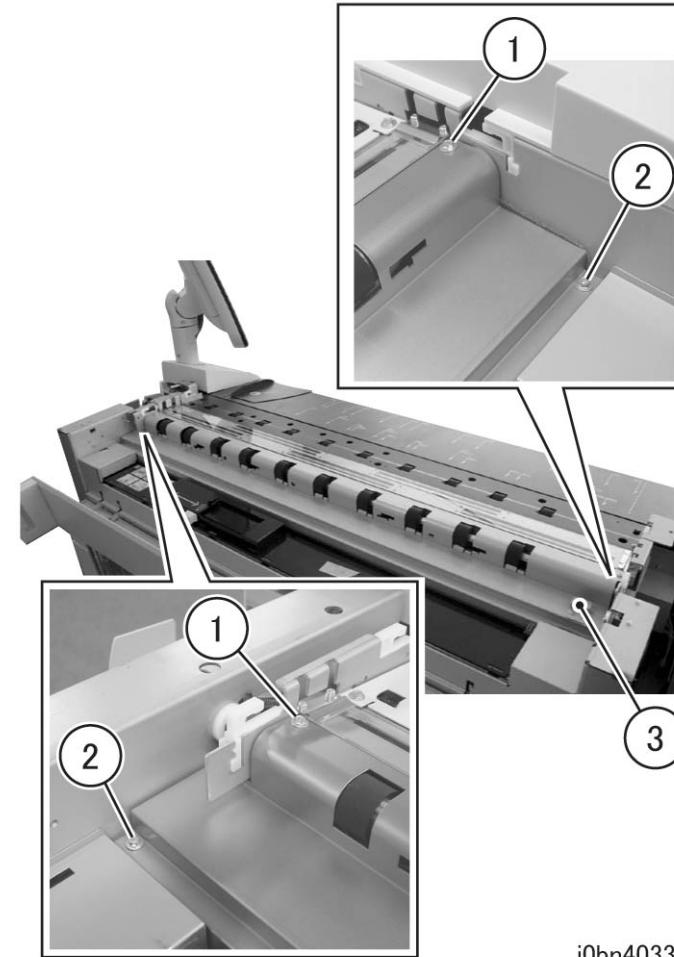
**⚠ WARNING**  
Turn OFF the power and the breaker, then unplug the power plug to prevent electric shock.

#### Procedure

1. Remove the Right Swing Cover. (REP9.2.2)
2. Close the Swing Frame.
3. Remove the Rear Cover Assembly. (REP9.3.3)

#### 4. Remove the Rear Lower Baffle. (Figure 1)

- 1) Remove the screw (x2).
- 2) Remove the screw (x2).
- 3) Remove the Rear Lower Baffle.

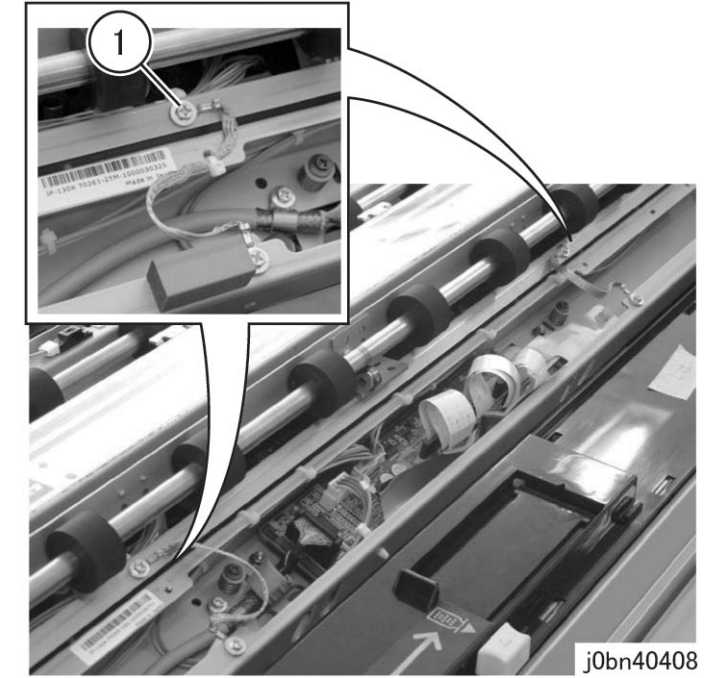


j0bn40339

(Figure 1) j0bn40339

#### 5. Remove the Earth Wire from the Frame. (Figure 2)

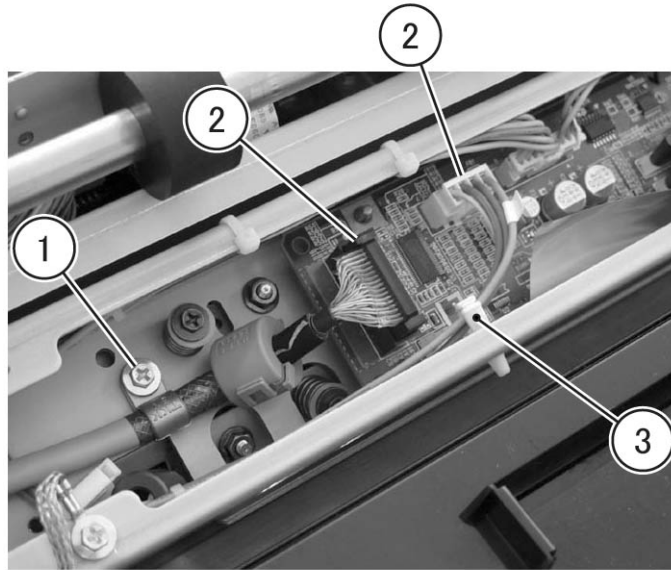
- 1) Remove the screw (x2).
- 2) Remove the screw (x2).
- 3) Remove the Earth Wire from the clamp (x2).



j0bn40408

(Figure 2) j0bn40408

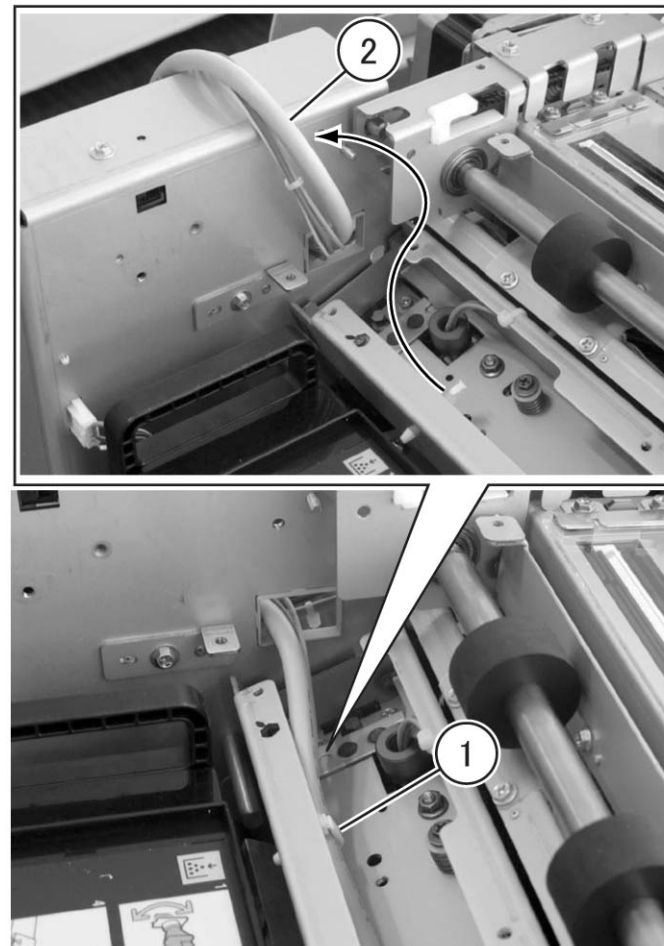
6. Disconnect the LPH connector. (Figure 3)
  - 1) Remove the screw from the clamp.
  - 2) Disconnect the connector (x2).
  - 3) Release the clamp to remove the Wire Harness.



j0bn40409

(Figure 3) j0bn40409

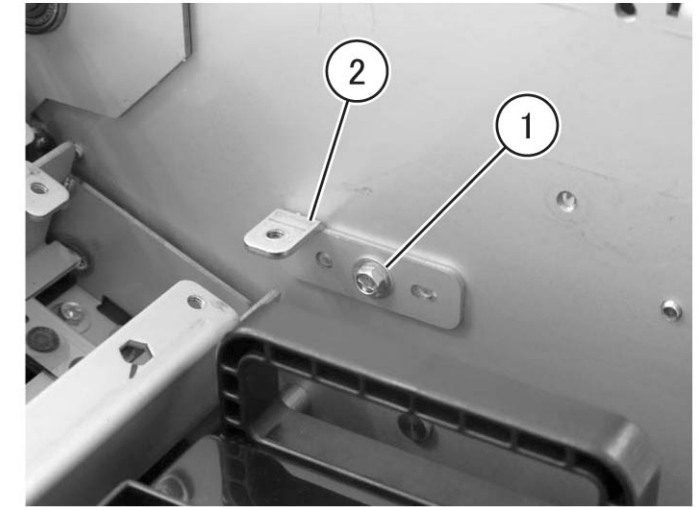
7. Place the Wire Harness at the position shown in the figure. (Figure 4)
  - 1) Release the clamp to remove the Wire Harness.
  - 2) Place the Wire Harness (x2) at the position shown in the figure.



j0bn40402

(Figure 4) j0bn40402

8. Remove the Rear Baffle Bracket at the rear. (Figure 5)
  - 1) Remove the screw.
  - 2) Remove the Rear Baffle Bracket.

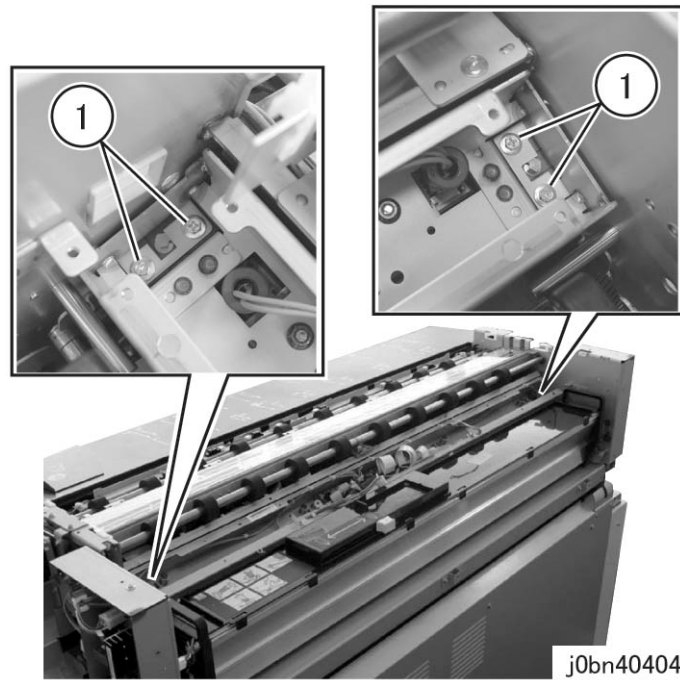


j0bn40403

(Figure 5) j0bn40403

9. Remove the screws on the LPH. (Figure 6)

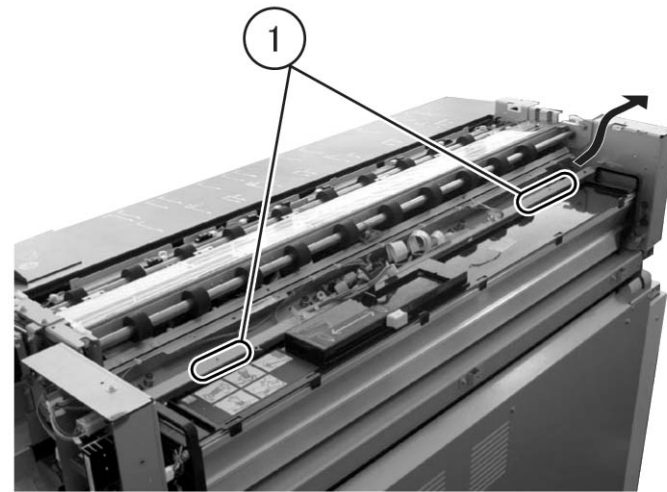
1) Remove the screw (x4).



(Figure 6) j0bn40404

10. Remove the LPH. (Figure 7)

1) Hold the positions (x2) on the LPH shown in the figure and remove the LPH in the direction of the arrow.



(Figure 7) j0bn40405

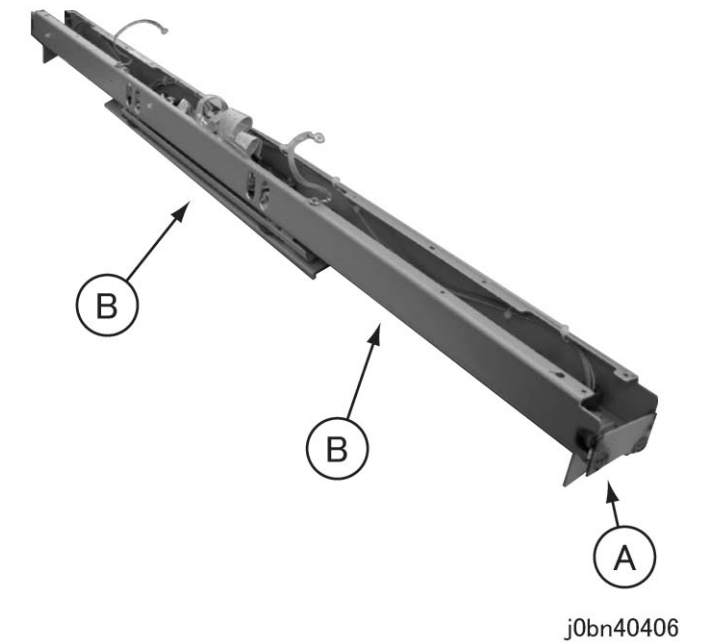
11. Place the LPH on a flat place with its Foot Bracket facing down. (Figure 8)

**Note** Do not hit the LPH against any objects.

**Note** Do not touch the LED surface by your finger.

A) Front Bracket

B) LED surface



(Figure 8) j0bn40406

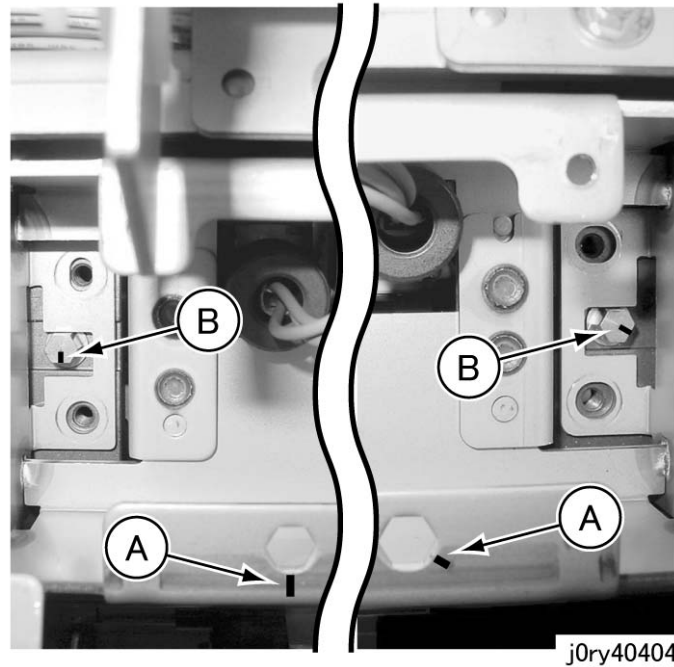
## Installation

### Procedure

To install, carry out the removal steps in reverse order.

**Note** The positions of the LPH Frame Marking and the Adjust Pin Marking were set to the same at factory shipment. (Figure 9)

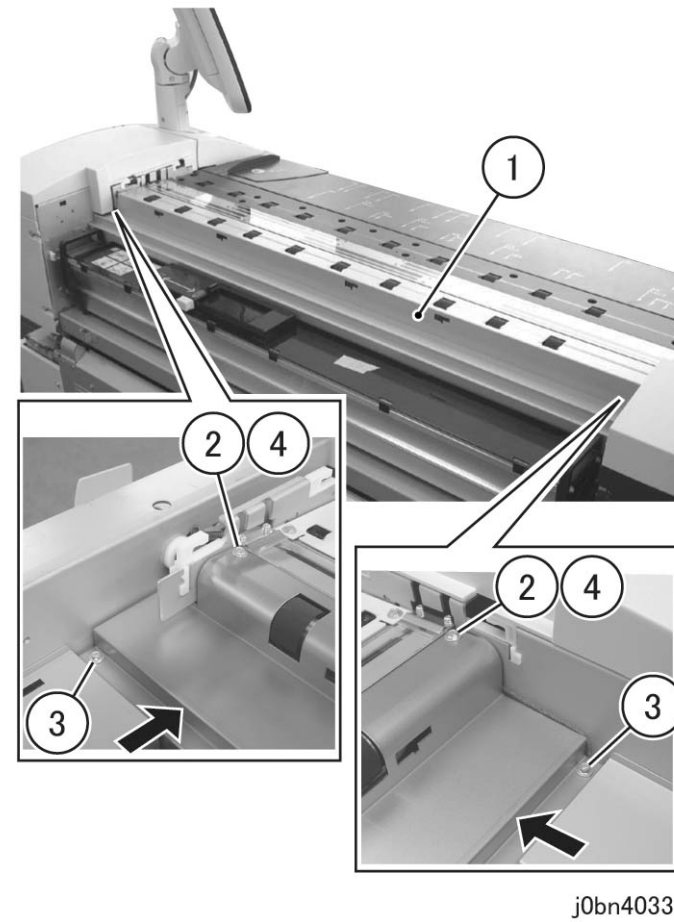
A=B (Marking positions at factory shipment)



(Figure 9) j0ry40404

**Note** To install the Rear Lower Baffle, perform the following procedures. (Figure 10)

- 1) Install the Rear Lower Baffle.
- 2) Loosely affix the screws (x4).
- 3) Tighten the screw (x2) while pushing the Rear Lower Baffle to the front.
- 4) Tighten the screw (x2).



(Figure 10) j0bn40338

**Note** After replacing the LPH Assembly, correct the LPH joint if required. (ADJ8.3.6)

## REP4.1.2 (SCC) LPH I/F PWB

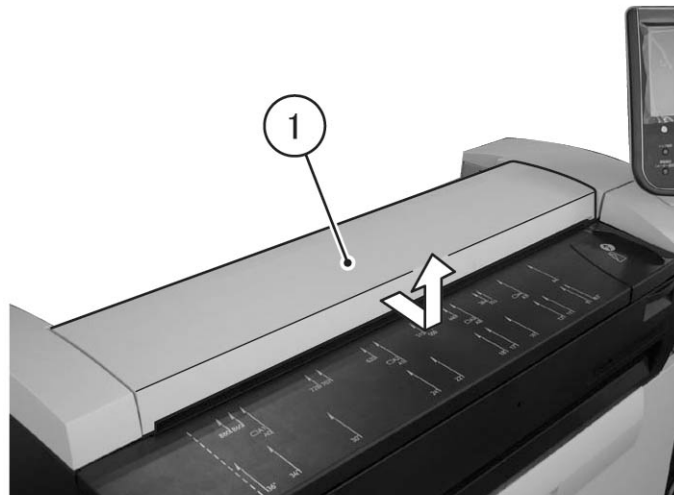
Reference PL: PL4.2

### Removal

**⚠ WARNING**  
Turn OFF the power and the breaker, then unplug the power plug to prevent electric shock.

#### Procedure

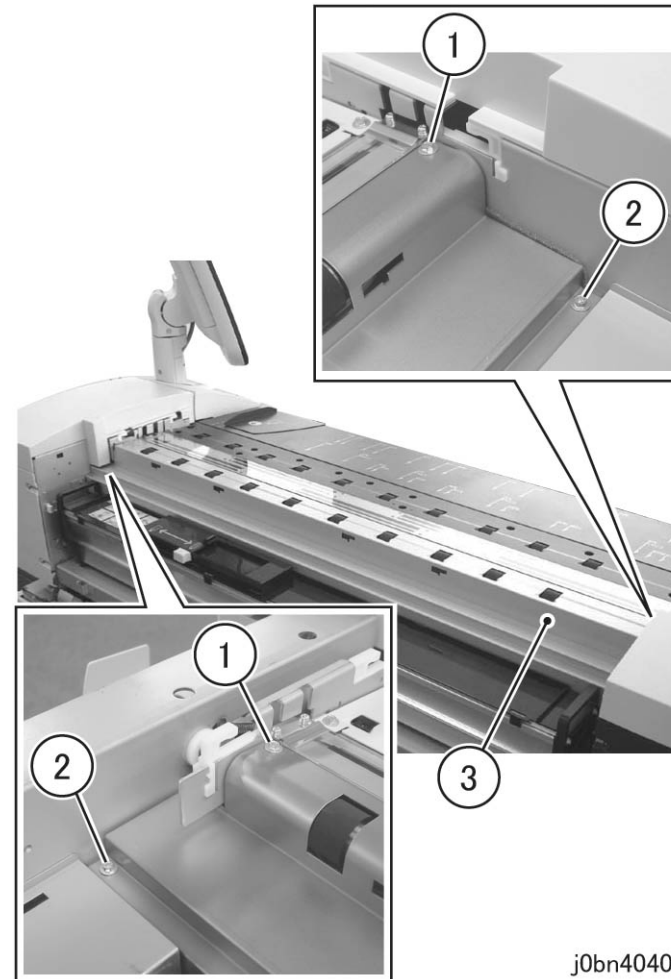
1. Remove the Turn Guide (x2). (PL3.1)
2. Remove the Upper Document Transport. (Figure 1)
  - 1) Remove the Upper Document Transport in the direction of the arrow.



j0bn40407

(Figure 1) j0bn40407

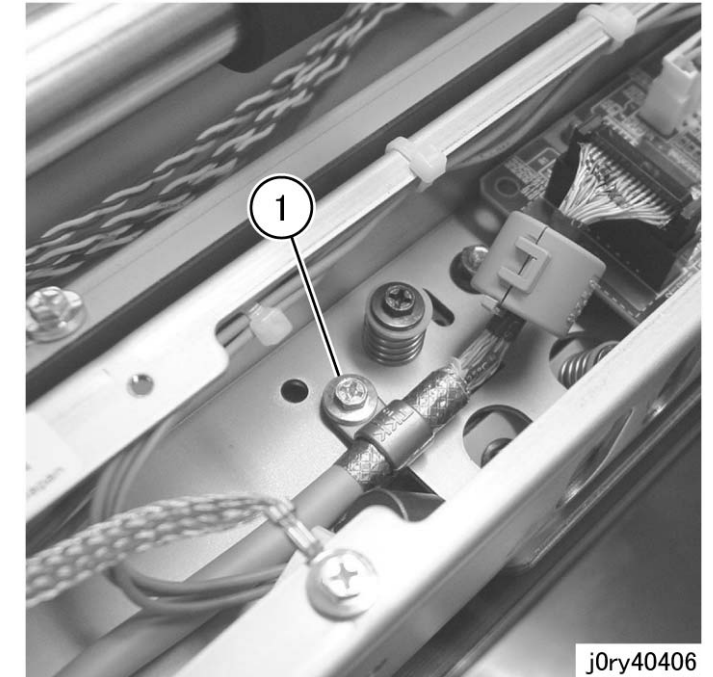
3. Open the Rear Top Cover. (PL9.3)
4. Remove the Rear Lower Baffle. (Figure 2)
  - 1) Remove the screw (x2).
  - 2) Remove the screw (x2).
  - 3) Remove the Rear Lower Baffle.



j0bn40401

(Figure 2) j0bn40401

5. Remove the screw on the clamp. (Figure 3)
  - 1) Remove the screw.

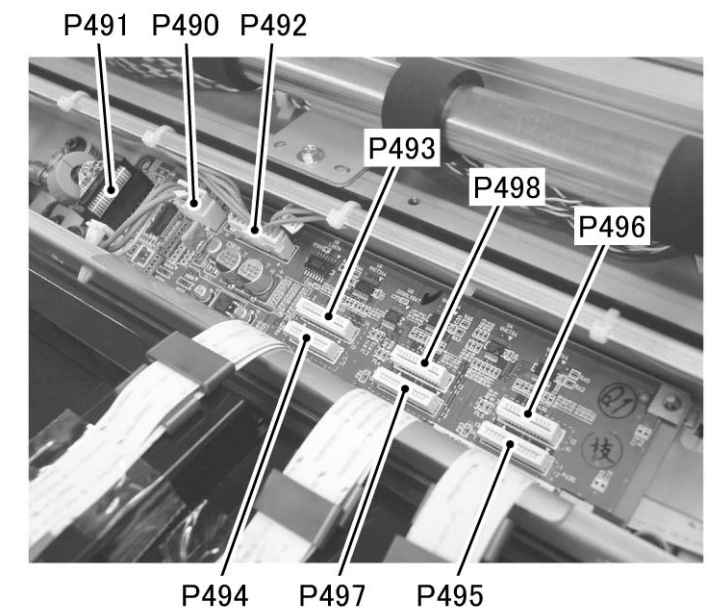


j0ry40406

(Figure 3) j0ry40406

6. Disconnect the LHP I/F PWB connectors (x9). (Figure 4)

**Note** When pulling out the Flat Cable (P493 to P498) from the Connector Housing, hold the both sides of the Flat Cable and pull it out straight with power applied equally.



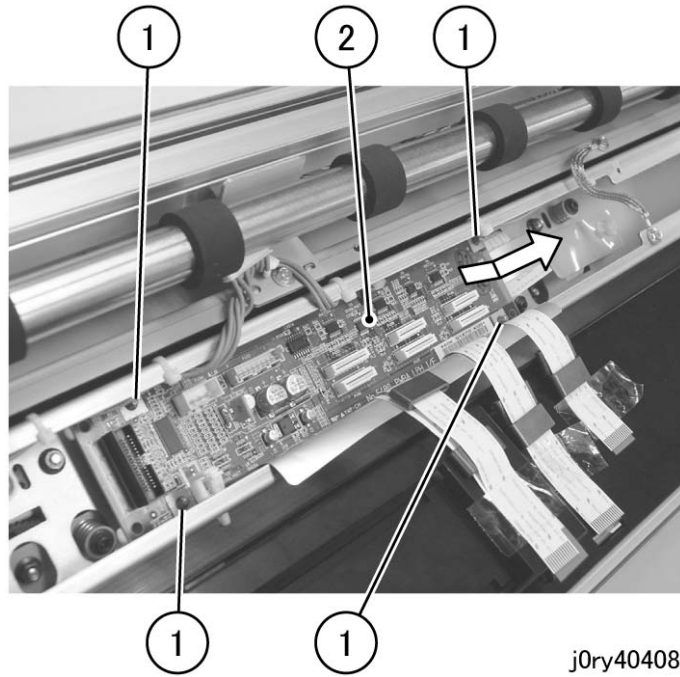
j0ry40407

(Figure 4) j0ry40407



7. Remove the LPH I/F PWB. (Figure 5)

- 1) Release the hook (x4) of the PWB Support.
- 2) Remove the LPH I/F PWB in the direction of the arrow.



(Figure 5) j0ry40408

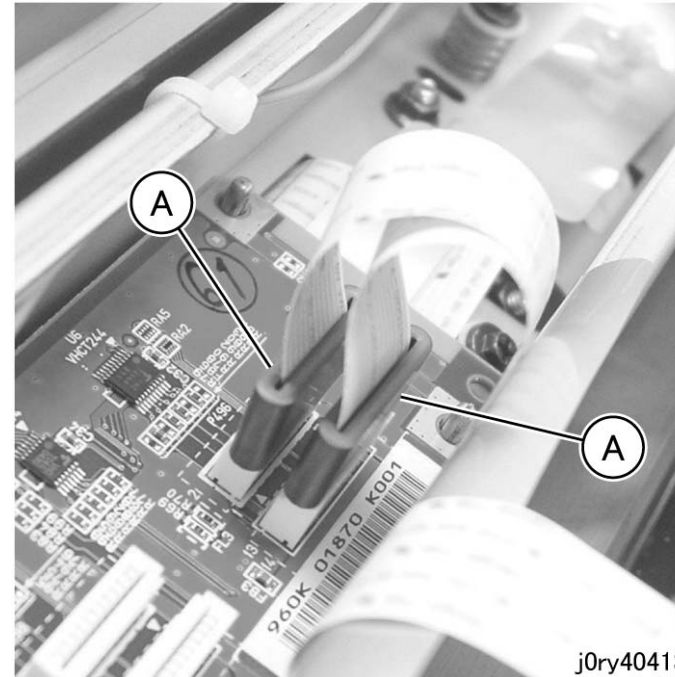
**Installation**

**Procedure**

To install, carry out the removal steps in reverse order.

**Note** Install the Core to the Connector Housing side of the Flat Cable. (Figure 6)

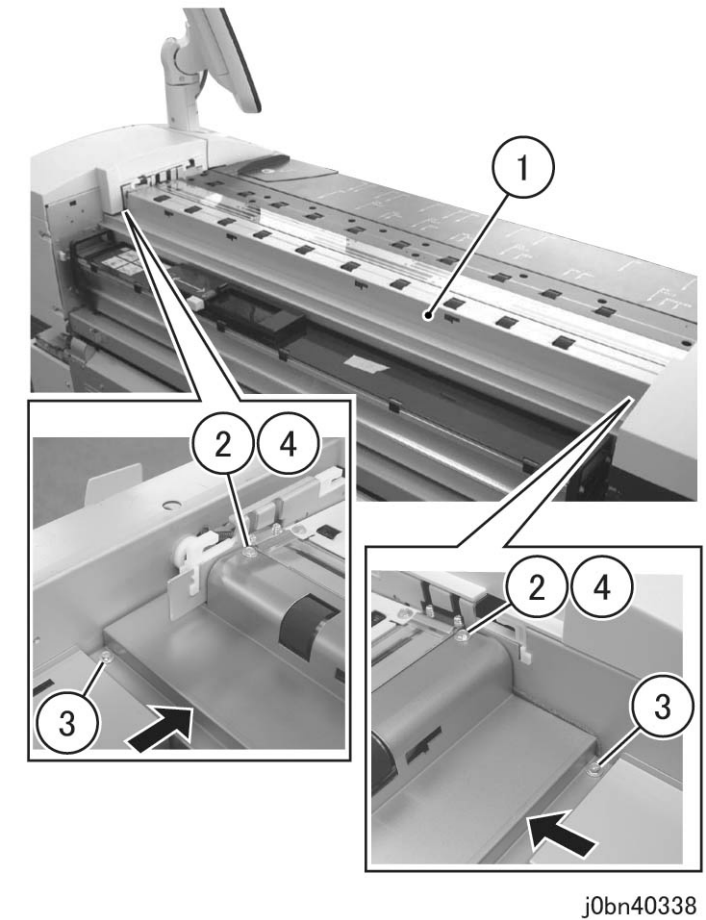
A) Core



(Figure 6) j0ry40413

**Note** To install the Rear Lower Baffle, perform the following procedures. (Figure 7)

- 1) Install the Rear Lower Baffle.
- 2) Loosely affix the screws (x4).
- 3) Tighten the screw (x2) while pushing the Rear Lower Baffle to the front.
- 4) Tighten the screw (x2).



(Figure 7) j0bn40338

**Note** After replacing the LPH I/F PWB, correct the LPH joint if required. (ADJ8.3.6)

## 5. Development

### REP5.1.1 Developer Assembly

Reference PL: PL5.1

#### Removal

**⚠ WARNING**  
When cleaning away the toner using a vacuum cleaner, always use an FX standard vacuum cleaner that is toner-tolerant to prevent toner dust explosion. (Never use an off the shelf vacuum cleaner)

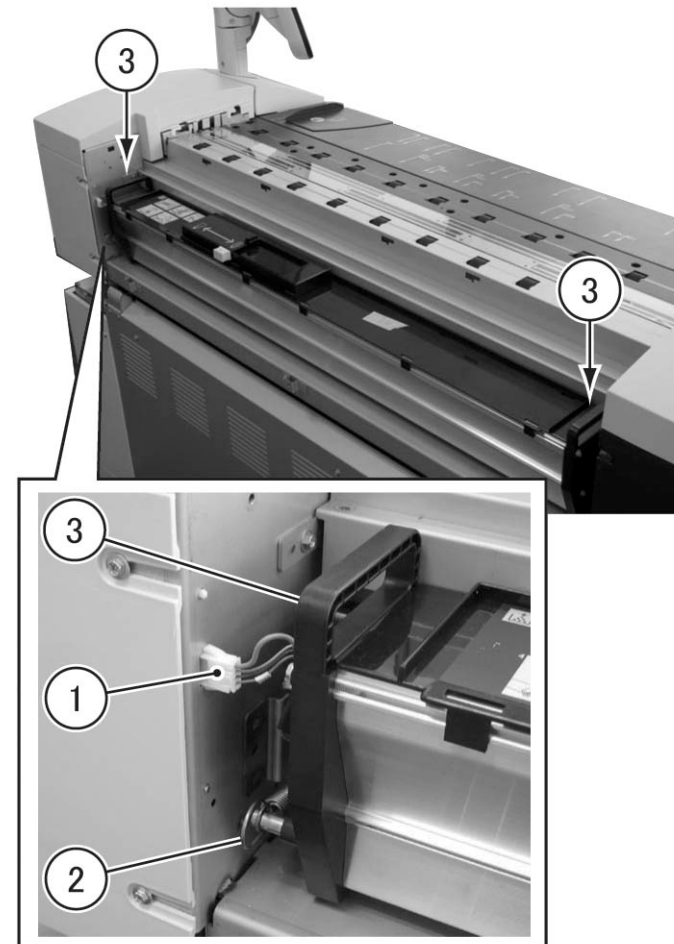
**⚠ WARNING**  
Turn OFF the power and the breaker, then unplug the power plug to prevent electric shock.

**Note** Spread paper to cover the floor to prevent toner from dirtying the place.

#### Procedure

1. Remove the Rear Cover Assembly. (REP9.3.3)

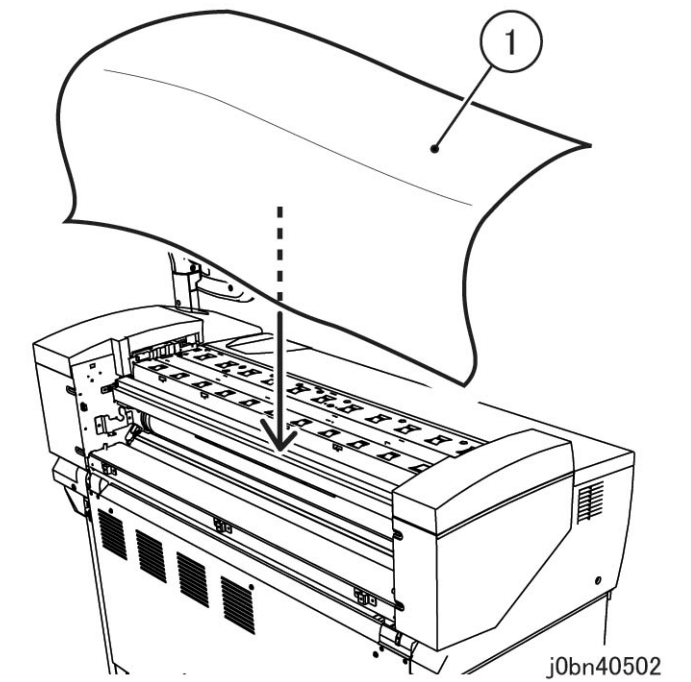
2. Remove the Developer Assembly. (Figure 1)
  - 1) Disconnect the connector.
  - 2) Remove the Developer Tension Spring.
  - 3) Remove the Developer Assembly by holding the handle (x2).



j0bn40501

(Figure 1) j0bn40501

3. Cover the Drum with paper to prevent light fatigue.  
(Figure 2)
  - 1) Cover the Drum with paper.



j0bn40502

(Figure 2) j0bn40502

## Installation

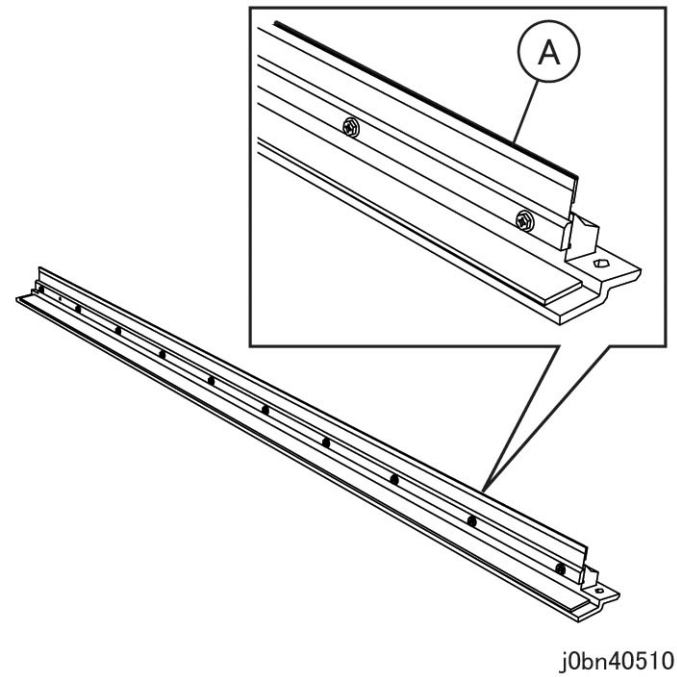
### Procedure

To install, carry out the removal steps in reverse order.

However, since the Blade of the spare part is packaged separately, perform the following procedures to install it.

1. Apply toner on the edge of the Blade. (Figure 3)

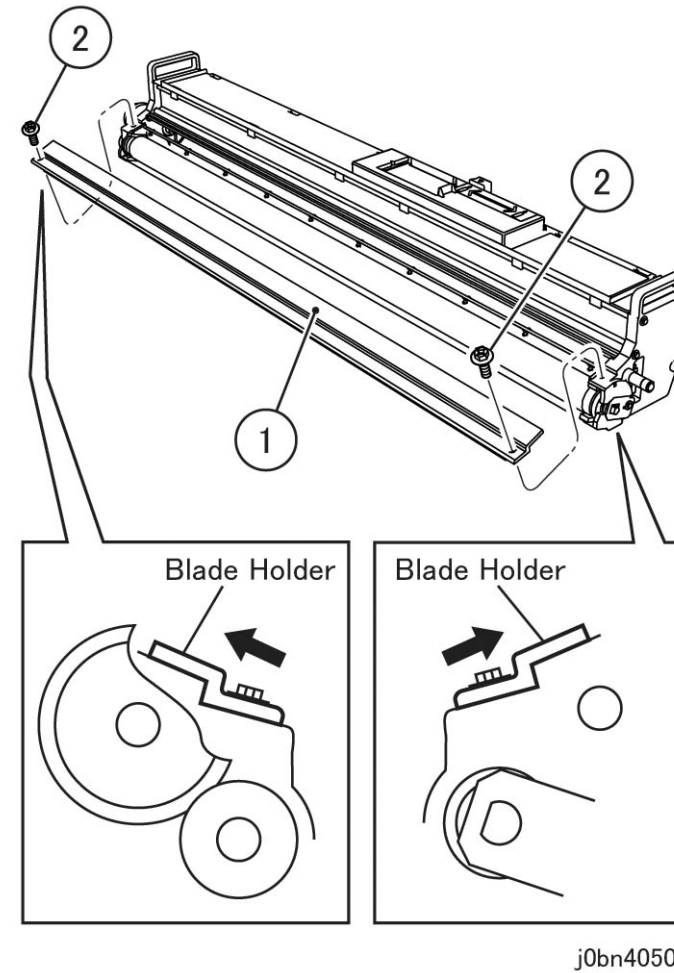
A) Apply toner on the edge of the Blade



(Figure 3) j0bn40510

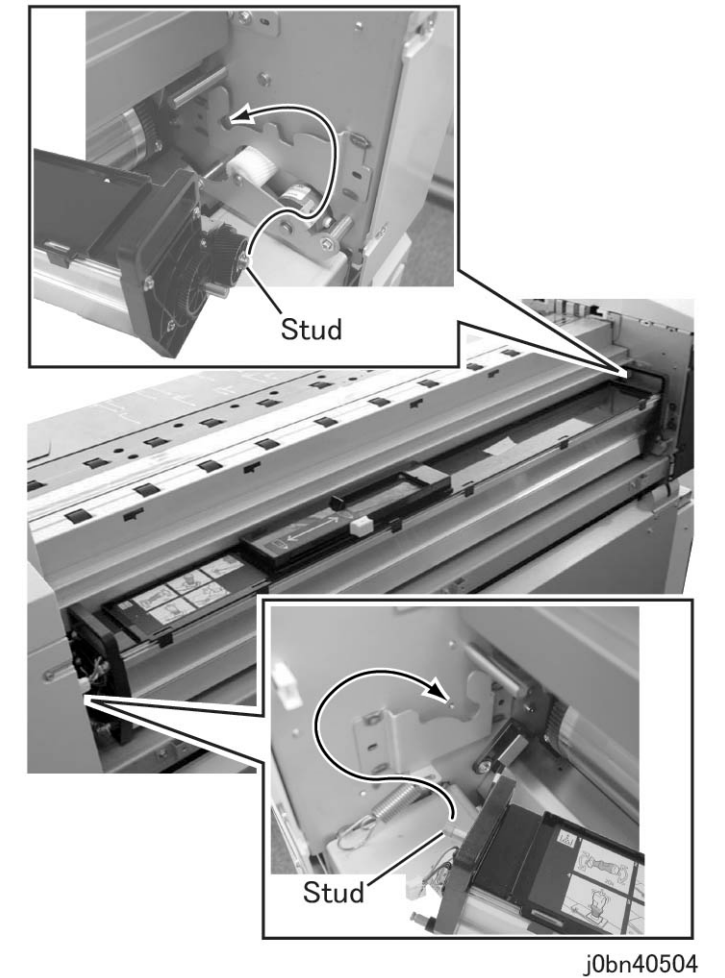
2. Install the Blade Holder. (Figure 4)

- 1) Install the Blade Holder.
- 2) While pressing the Blade Holder in the direction of the arrow, tighten the screw (x2).



(Figure 4) j0bn40503

3. Insert and set the Stud (x2) of the Developer Assembly into the U-Groove on the bracket of the Swing Frame. (Figure 5)



(Figure 5) j0bn40504

## REP5.2.1 Mag. Roll

Reference PL: PL5.2

### Removal

**⚠ WARNING**  
When cleaning away the toner using a vacuum cleaner, always use an FX standard vacuum cleaner that is toner-tolerant to prevent toner dust explosion. (Never use an off the shelf vacuum cleaner)

**⚠ WARNING**  
Turn OFF the power and the breaker, then unplug the power plug to prevent electric shock.

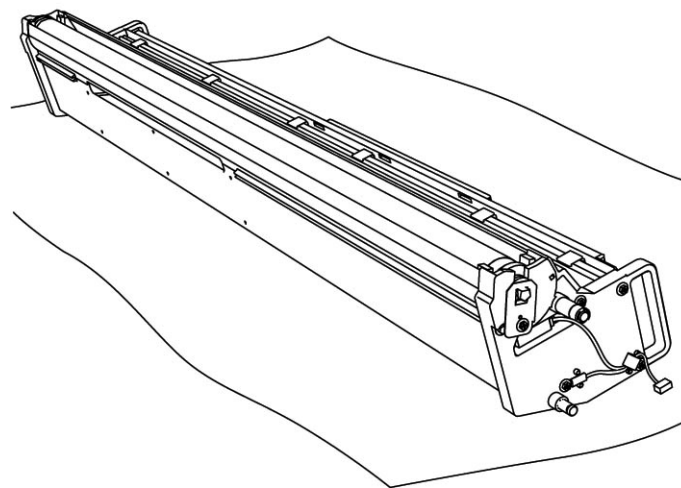
**Instruction** When replacing the Mag. Roll at life replacement, replace the Seal (x2) as well at the same time.

Replacement Kit: 499K13530

**Note** Spread paper to cover the floor to prevent toner from dirtying the place.

### Procedure

1. Remove the Rear Cover Assembly. (REP9.3.3)
2. Remove the Developer Assembly. (REP5.1.1)
3. Remove the Blade Holder. (REP5.2.2 Steps 1 to 3)
4. Put down the Developer Assembly with its Rear side facing down. (Figure 1)

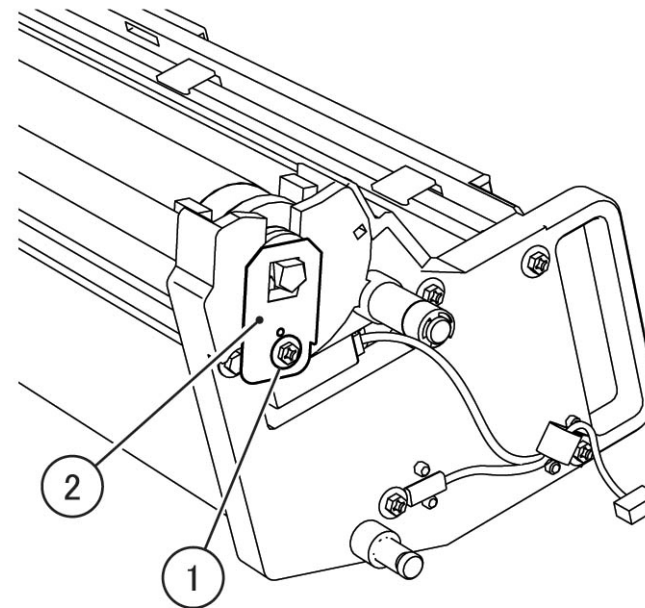


j0bn40511

(Figure 1) j0bn40511

5. Remove the MSA Plate at the Right side of the Developer Assembly. (Figure 2)

- 1) Remove the Tapping Screw.
- 2) Remove the MSA Plate.

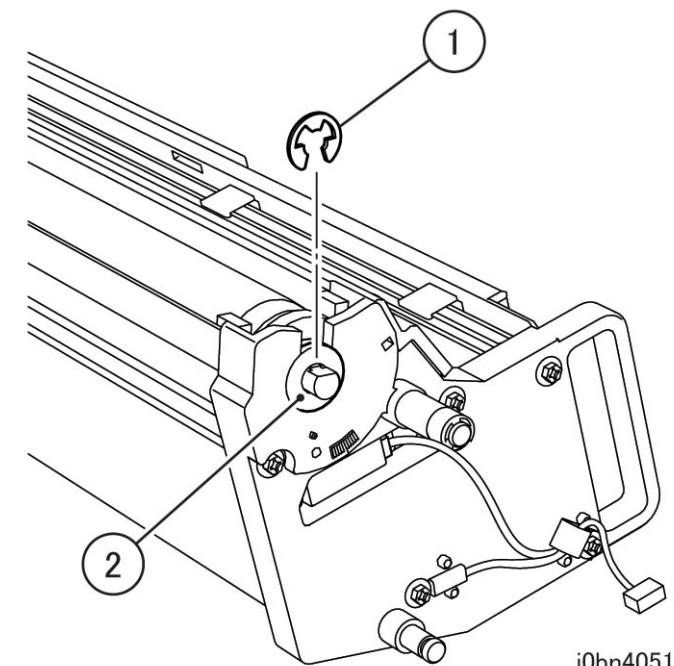


j0bn40512

(Figure 2) j0bn40512

6. Remove the Mag. Roll Bush at the Right side of the Developer Assembly. (Figure 3)

- 1) Remove the E-Clip.
- 2) Remove the Mag. Roll Bush.

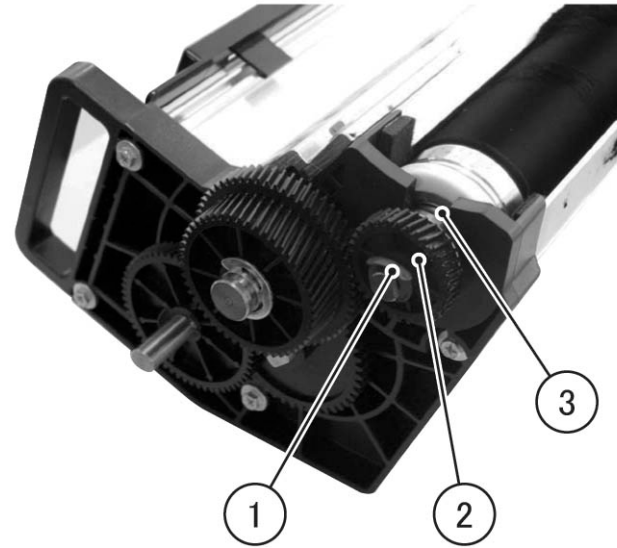


j0bn40513

(Figure 3) j0bn40513

7. Remove the Mag. Roll Gear and the Ball Bearing at the Left side of the Developer Assembly. (Figure 4)

- 1) Remove the KL-Clip.
- 2) Remove the Mag. Roll Gear.
- 3) Remove the Ball Bearing.

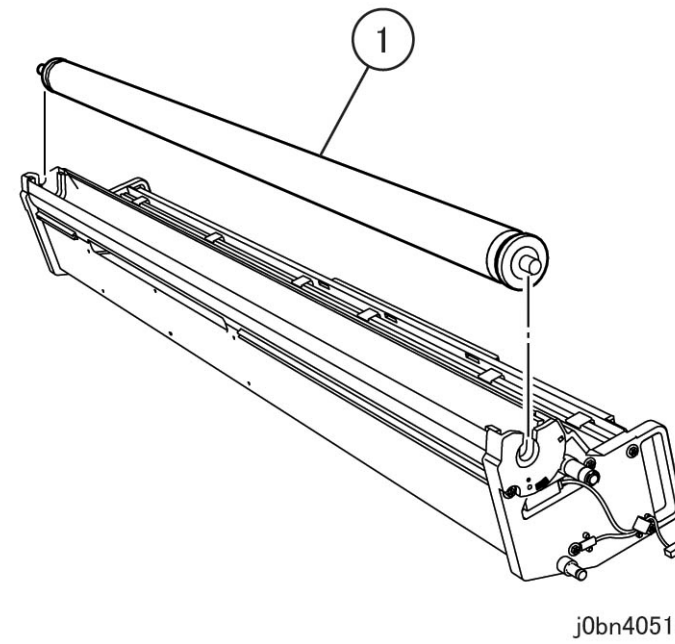


j0bn40506

(Figure 4) j0bn40506

8. Remove the Mag. Roll. (Figure 5)

- 1) Remove the Mag. Roll.

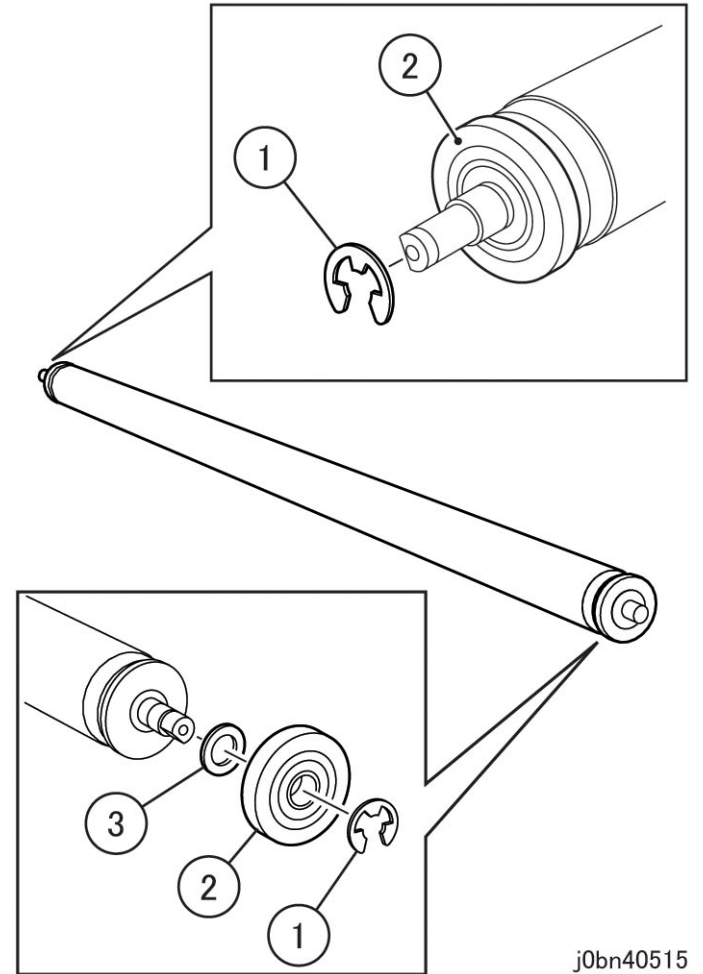


j0bn40514

(Figure 5) j0bn40514

9. Remove the Tracking Roll and Spacer from the Mag. Roll. (Figure 6)

- 1) Remove the E-Clips (x2).
- 2) Remove the Tracking Roll (x2).
- 3) Remove the Spacer.



j0bn40515

(Figure 6) j0bn40515

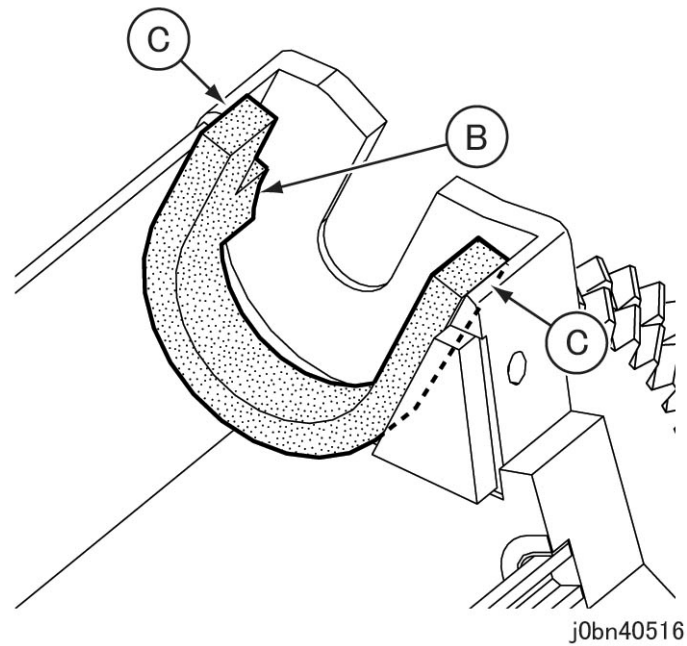
## Installation

### Procedure

To install, carry out the removal steps in reverse order.

**Note** When the Mag. Roll has been replaced at life replacement, replace the Seal (Left/Right) provided in the Replacement Kit. (Figure 7)

- A) Degrease the installation side.
- B) Push and paste the Seal.
- C) Paste it flat.

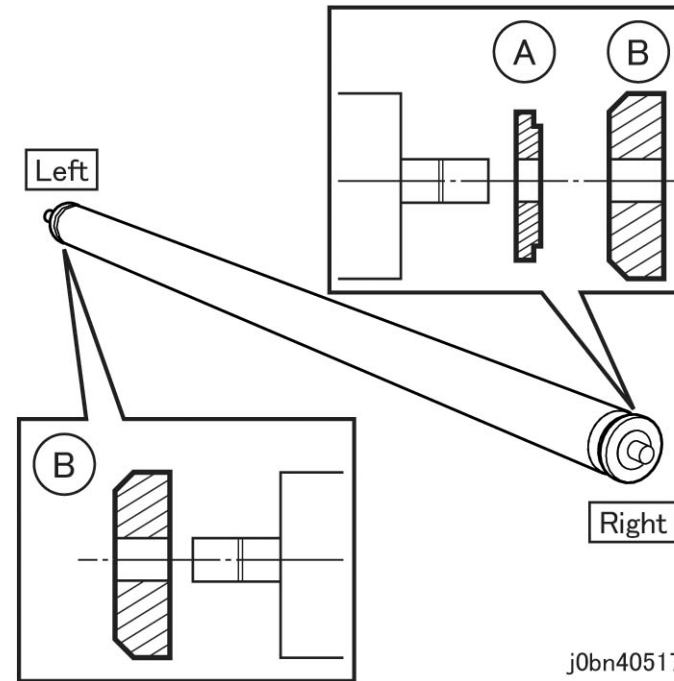


(Figure 7) j0bn40516

**Note** The Spacer and Tracking Rolls are installed in the following direction. (Figure 8)

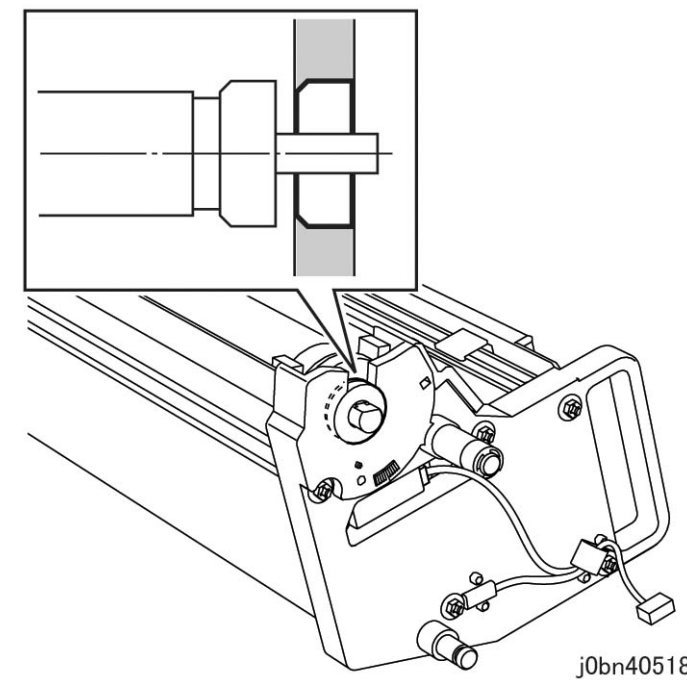
A) The Spacer is installed with its protruding part pointing outwards.

B) The Tracking Rolls are installed with their beveled side pointing inwards.



(Figure 8) j0bn40517

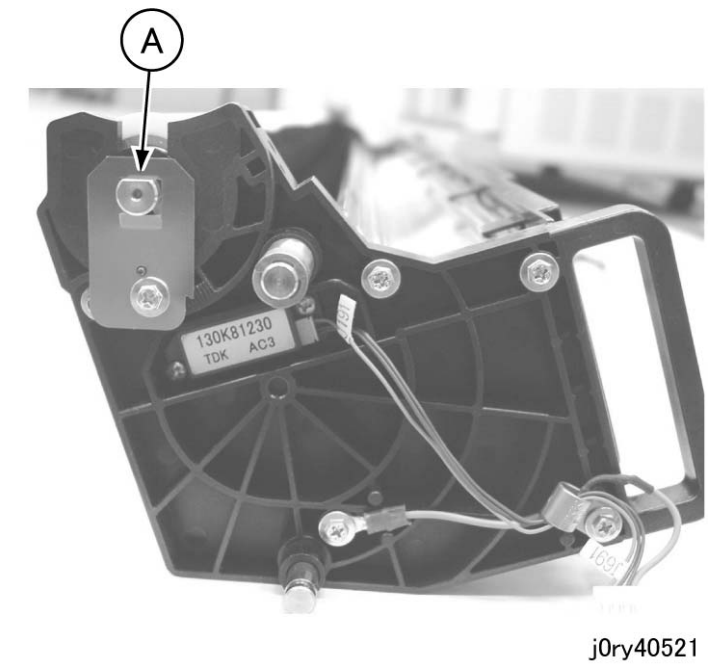
**Note** The Mag. Roll Bush is installed with its beveled side pointing inwards. (Figure 9)



(Figure 9) j0bn40518

**Note** Install the MSA Plate with the D-Cut of the Mag. Roll Shaft facing upwards. (Figure 10)

A) D-Cut of the Shaft: Upwards



(Figure 10) j0ry40521

## REP5.2.2 Mag. Blade

Reference PL: PL5.2

### Removal

#### ⚠ WARNING

When cleaning away the toner using a vacuum cleaner, always use an FX standard vacuum cleaner that is toner-tolerant to prevent toner dust explosion. (Never use an off the shelf vacuum cleaner)

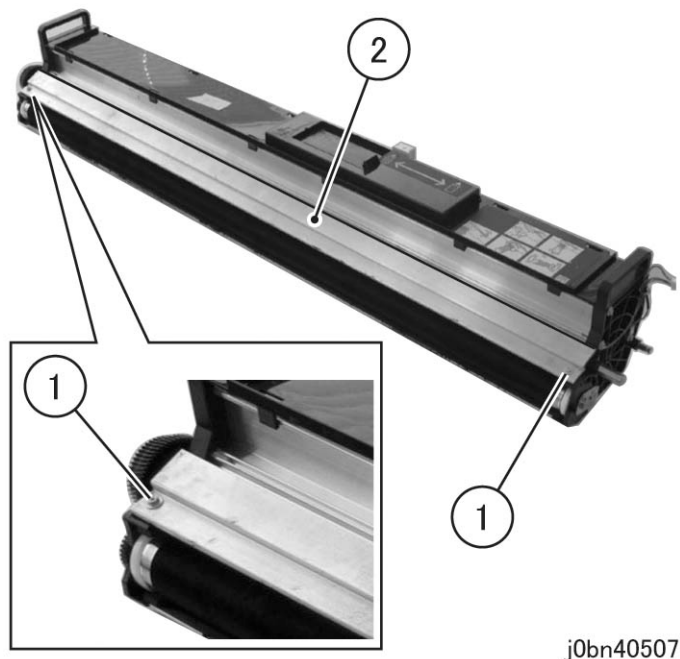
#### ⚠ WARNING

Turn OFF the power and the breaker, then unplug the power plug to prevent electric shock.

**Note** Spread paper to cover the floor to prevent toner from dirtying the place.

### Procedure

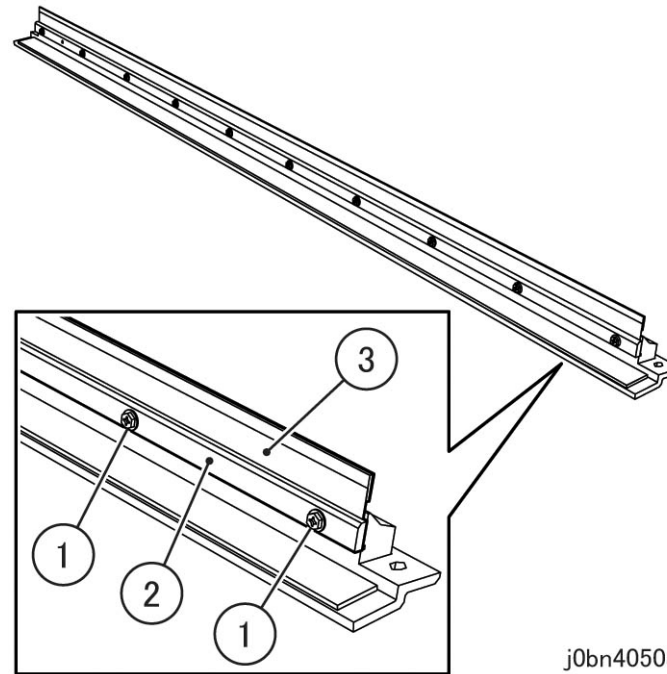
1. Remove the Rear Cover Assembly. (REP9.3.3)
2. Remove the Developer Assembly. (REP5.1.1)
3. Remove the Blade Holder. (Figure 1)
  - 1) Remove the screw (x2).
  - 2) Remove the Blade Holder.



(Figure 1) j0bn40507

4. Remove the Mag. Blade from the Blade Holder. (Figure 2)

- 1) Remove the screw (x10).
- 2) Remove the Blade Block.
- 3) Remove the Mag. Blade.



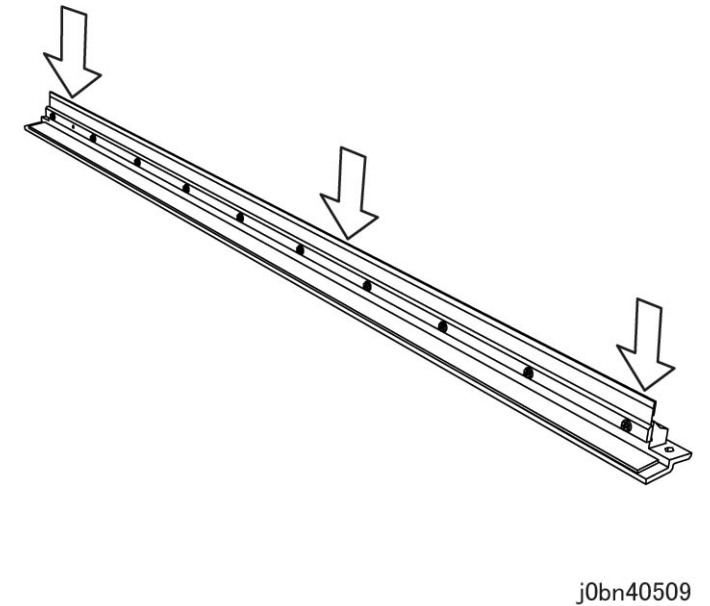
(Figure 2) j0bn40508

### Installation

#### Procedure

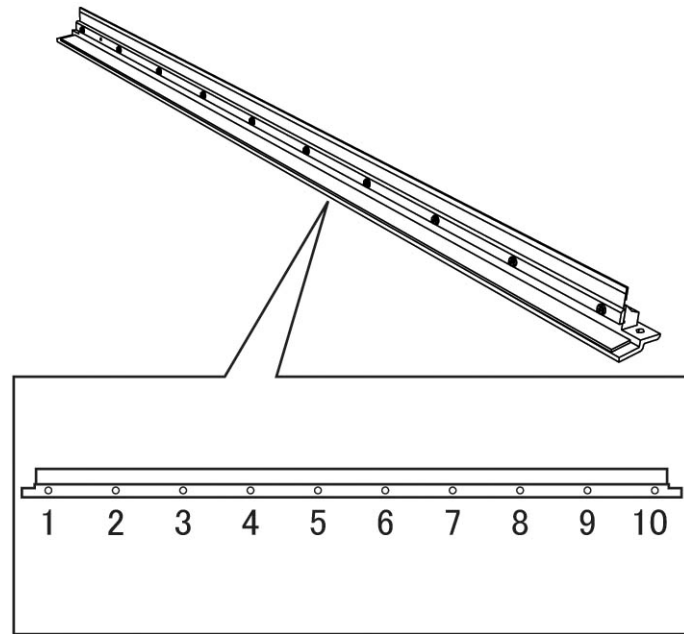
To install, carry out the removal steps in reverse order.

1. Push the Mag. Blade in the direction of the arrow to install it to the Blade Holder. (Figure 3)



(Figure 3) j0bn40509

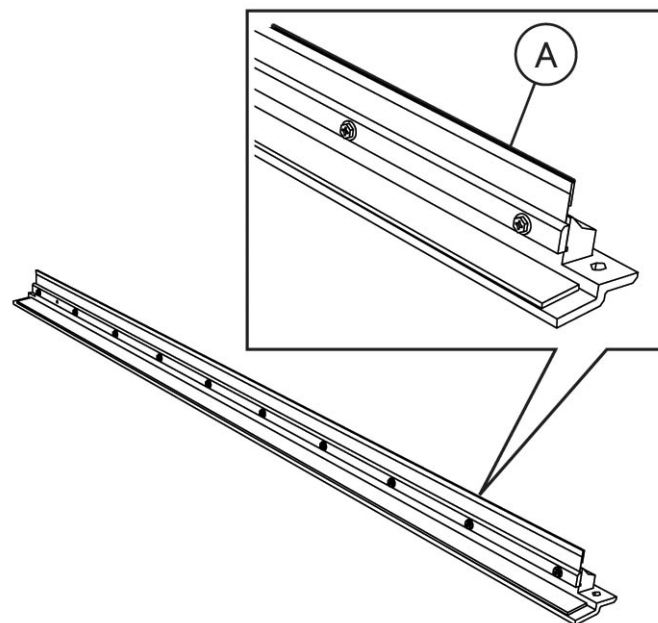
2. Tighten the screws in the order shown in the following figure to secure the Mag. Blade. (Figure 4)



j0bn40519

(Figure 4) j0bn40519

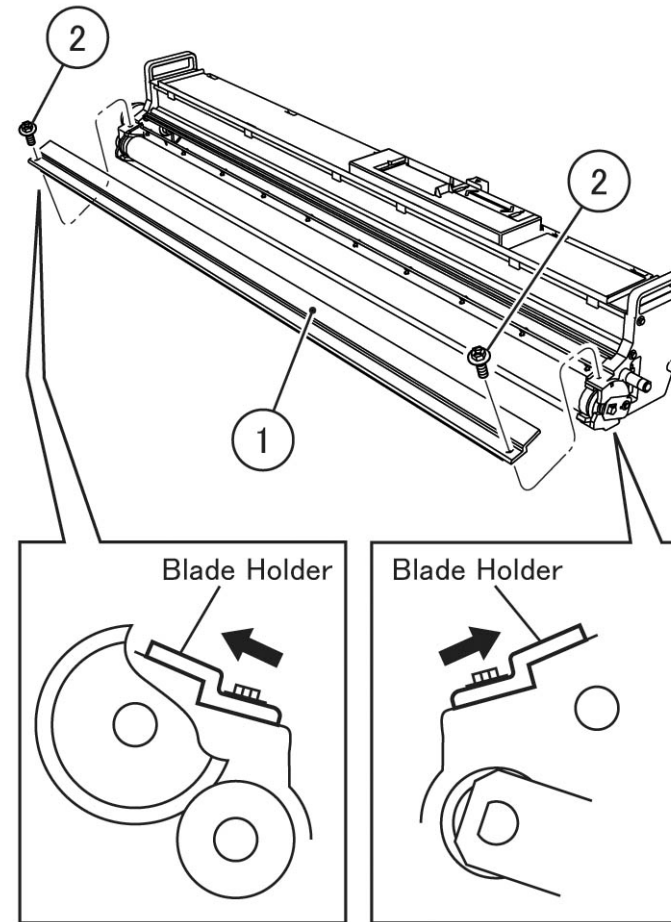
3. Apply toner on the edge of the Mag. Blade. (Figure 5)



j0bn40510

(Figure 5) j0bn40510

4. Install the Blade Holder. (Figure 6)
- 1) Install the Blade Holder.
  - 2) While pressing the Blade Holder in the direction of the arrow, tighten the screw (x2).



j0bn40503

(Figure 6) j0bn40503



## REP5.2.3 Toner Housing

Reference PL: PL5.2

### Removal

#### **WARNING**

When cleaning away the toner using a vacuum cleaner, always use an FX standard vacuum cleaner that is toner-tolerant to prevent toner dust explosion. (Never use an off the shelf vacuum cleaner)

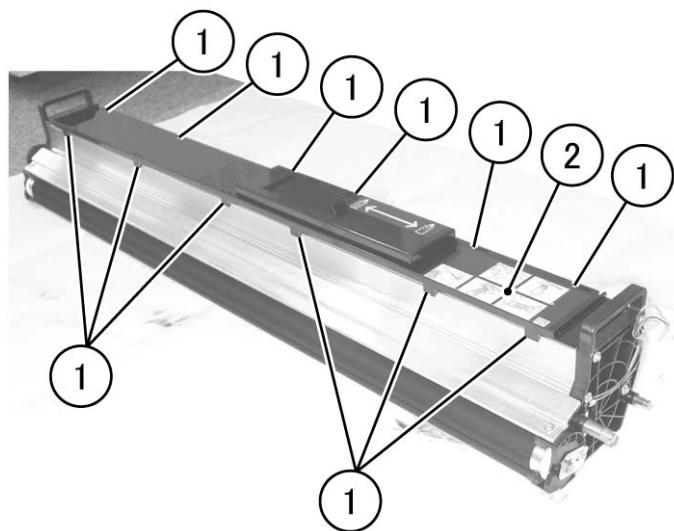
#### **WARNING**

Turn OFF the power and the breaker, then unplug the power plug to prevent electric shock.

**Note** Spread paper to cover the floor to prevent toner from dirtying the place.

### Procedure

1. Remove the Rear Cover Assembly. (REP9.3.3)
2. Remove the Developer Assembly. (REP5.1.1)
3. Remove the Toner Housing. (Figure 1)
  - 1) Remove the hook (x12).
  - 2) Remove the Toner Housing.



j0ry40517

(Figure 1) j0ry40517

### Installation

#### Procedure

To install, carry out the removal steps in reverse order.

## 6. Xero

### REP6.1.1 Xero Module

Reference PL: PL6.1

#### Removal

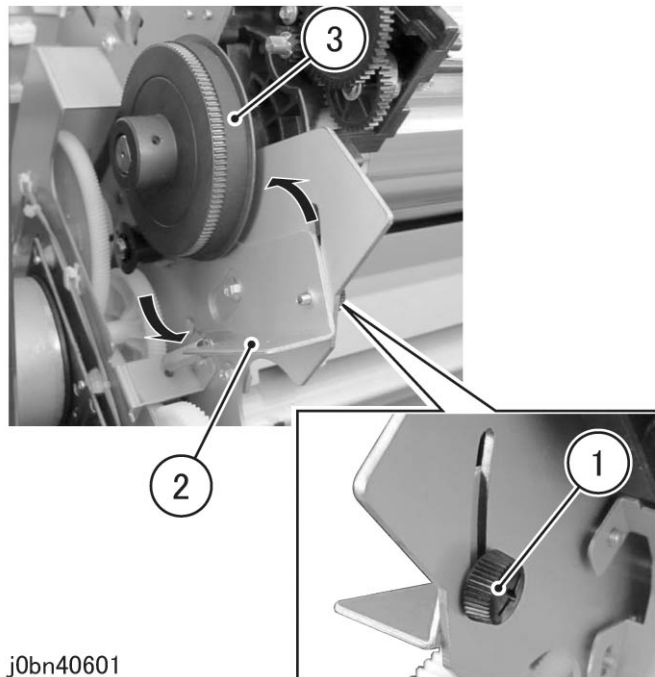
**⚠ WARNING**  
When cleaning away the toner using a vacuum cleaner, always use an FX standard vacuum cleaner that is toner-tolerant to prevent toner dust explosion. (Never use an off the shelf vacuum cleaner)

**⚠ WARNING**  
Turn OFF the power and the breaker, then unplug the power plug to prevent electric shock.

**Note** Spread paper to cover the floor to prevent toner from dirtying the place.

#### Procedure

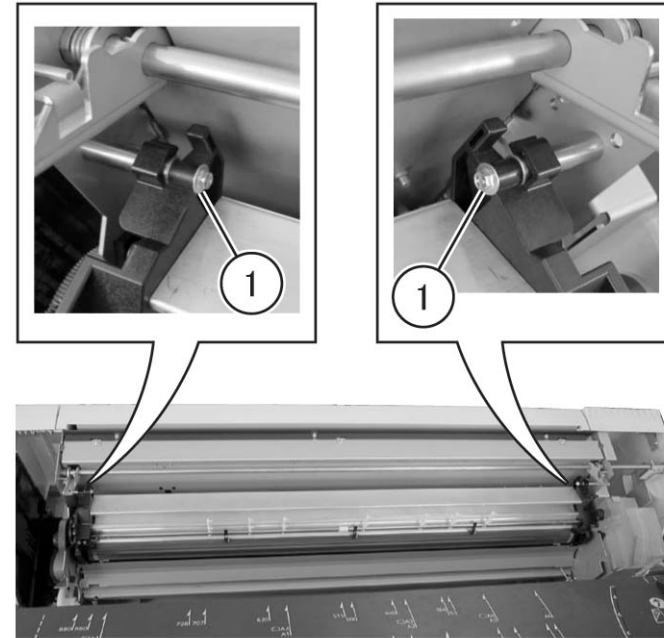
1. Open the Swing Frame.
2. Remove the Toner Bottle. (PL6.1)
3. Remove the belt from the Drum Pulley of Xero Module. (Figure 1)
  - 1) Loosen the Knob Screw.
  - 2) Relax the tension of the belt by moving the Tension Arm in the direction of the arrow.
  - 3) Remove the belt from the Drum Pulley.



j0bn40601

(Figure 1) j0bn40601

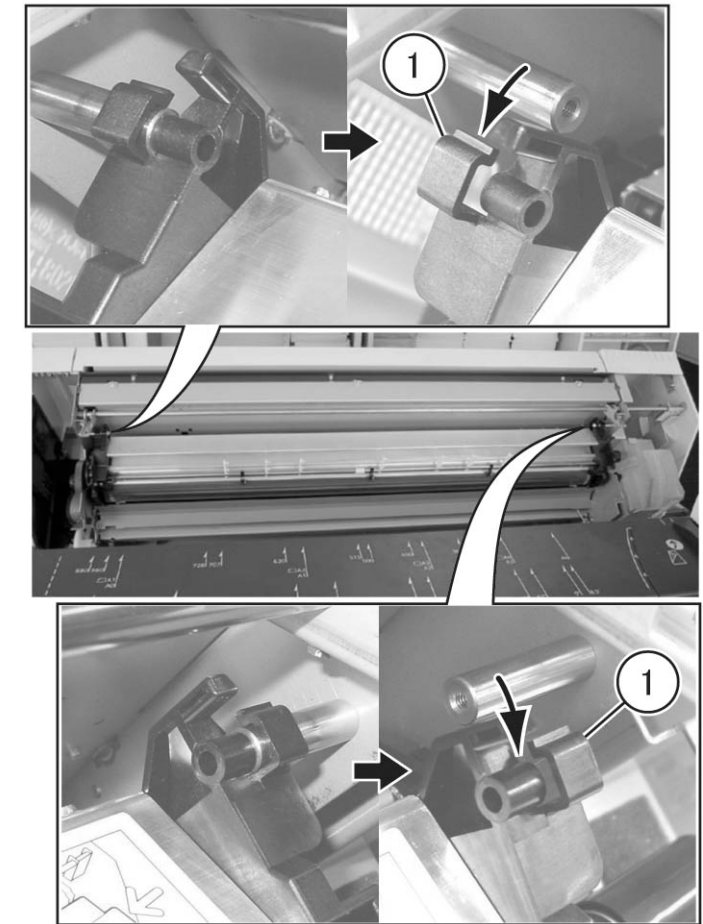
4. Remove the screws that secure the Xero Module. (Figure 2)
  - 1) Remove the screw (x2).



j0bn40602

(Figure 2) j0bn40602

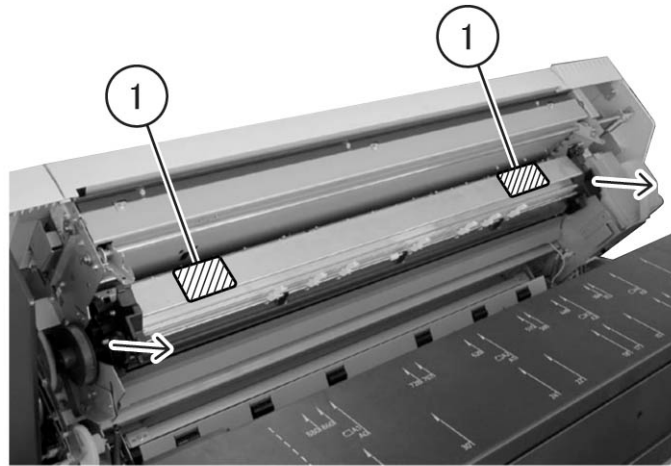
5. Remove the hooks from the Xero Module. (Figure 3)
  - 1) Remove the hook (x2) from the Stud (x2).



j0bn40603

(Figure 3) j0bn40603

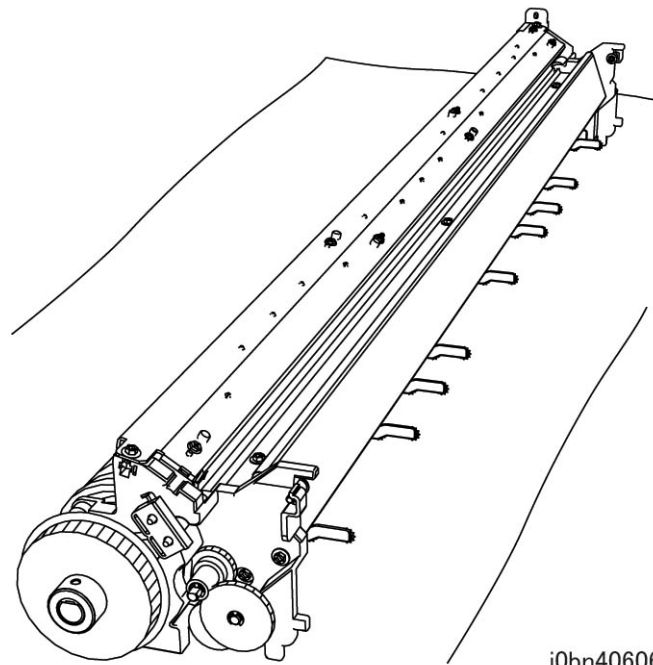
6. Remove the Xero Module. (Figure 4)
  - 1) Hold onto the portion indicated in the figure and remove the Xero Module in the direction of the arrow. Be careful not to touch the Drum surface beneath the portion indicated in the figure.



j0bn40605

(Figure 4) j0bn40605

7. Put down the Xero Module in the direction shown in the figure. (Figure 5)



j0bn40606

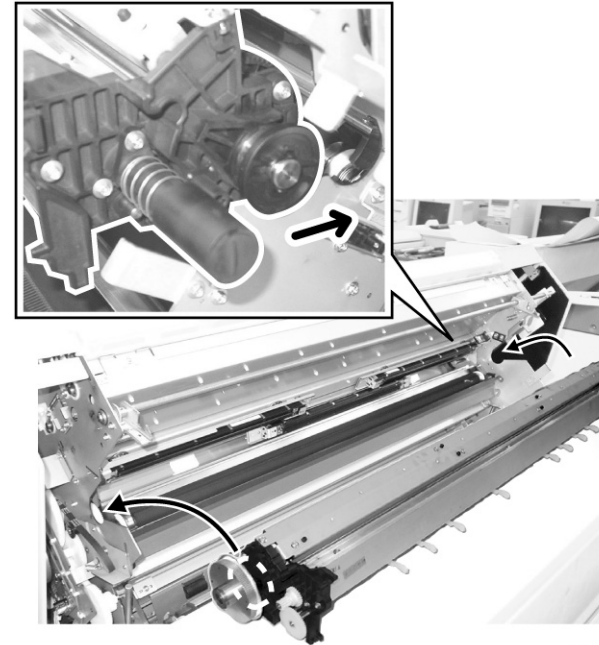
(Figure 5) j0bn40606

### Installation

#### Procedure

To install, carry out the removal steps in reverse order.

**Note** When installing the Xero Module, insert the Drum Bearing of the Xero Module in the U-Groove of the Swing Frame. (Figure 6)



j0ry40607

(Figure 6) j0ry40607

**Note** When a part has been replaced, check copy/print quality and if required, perform Xerographic Set Up. (ADJ8.1.6)

## REP6.1.2 BTR Housing Assembly

Reference PL: PL6.1

### Removal

**⚠ WARNING**  
Turn OFF the power and the breaker, then unplug the power plug to prevent electric shock.

**Note** Spread paper to cover the floor to prevent toner from dirtying the place.

**Note** Keep your hands off the surface of the BTR.

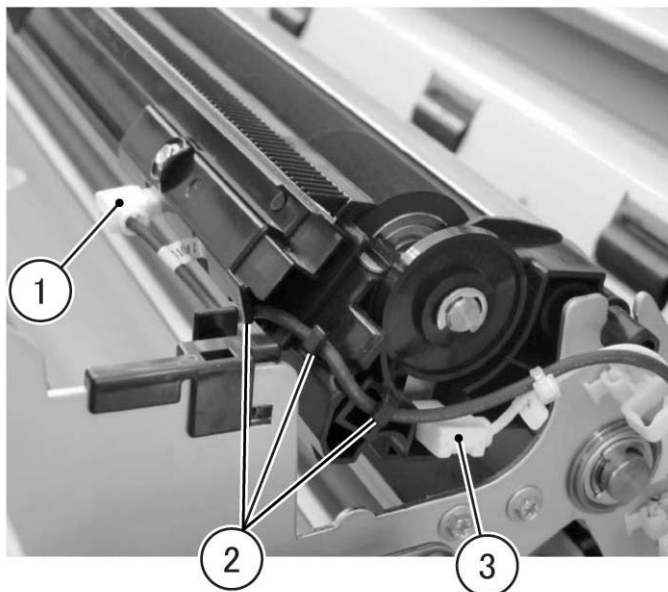
**Note** Do not push the surface of the BTR to prevent deformation.

### Procedure

1. Open the Swing Frame.
2. Open the Horizontal Lower Baffle. (PL2.1)
3. Disconnect the connector of the BTR Housing Assembly. (Figure 1)

**⚠ CAUTION**  
When disconnecting the connector, and removing the cable from the clamp, do not use any tool with a sharp tip. It might damage the high voltage cable.

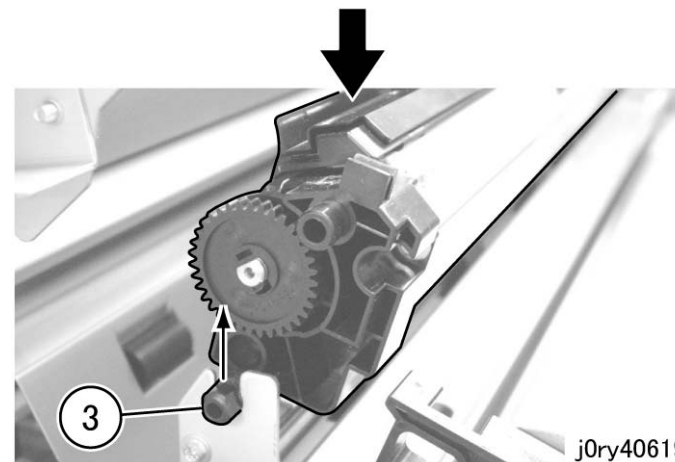
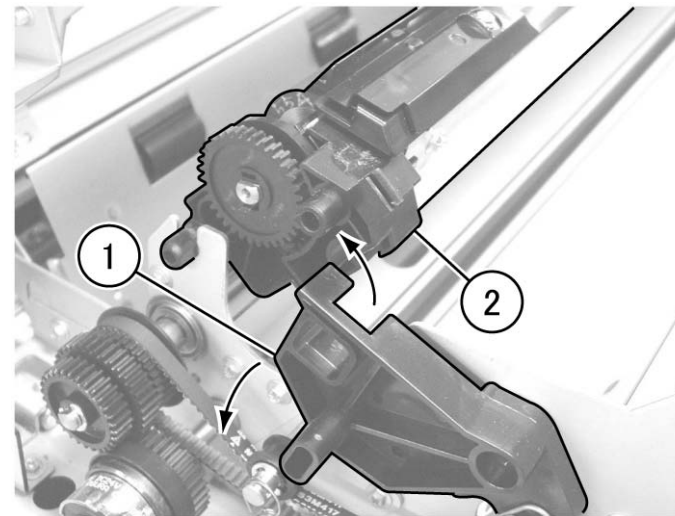
- 1) Disconnect the connector.
- 2) Remove the DTS Cable from the clamp (x3).
- 3) Disconnect the connector.



j0bn40604

(Figure 1) j0bn40604

4. Remove the BTR Housing Assembly. (Figure 2)
  - 1) Lower the BTR Link Plate.
  - 2) Lift up the Front side of the BTR Housing Assembly.
  - 3) Remove the Stud of the BTR Housing Assembly from the U-Groove on the Frame of the Fusing Unit.



j0ry40619

(Figure 2) j0ry40619

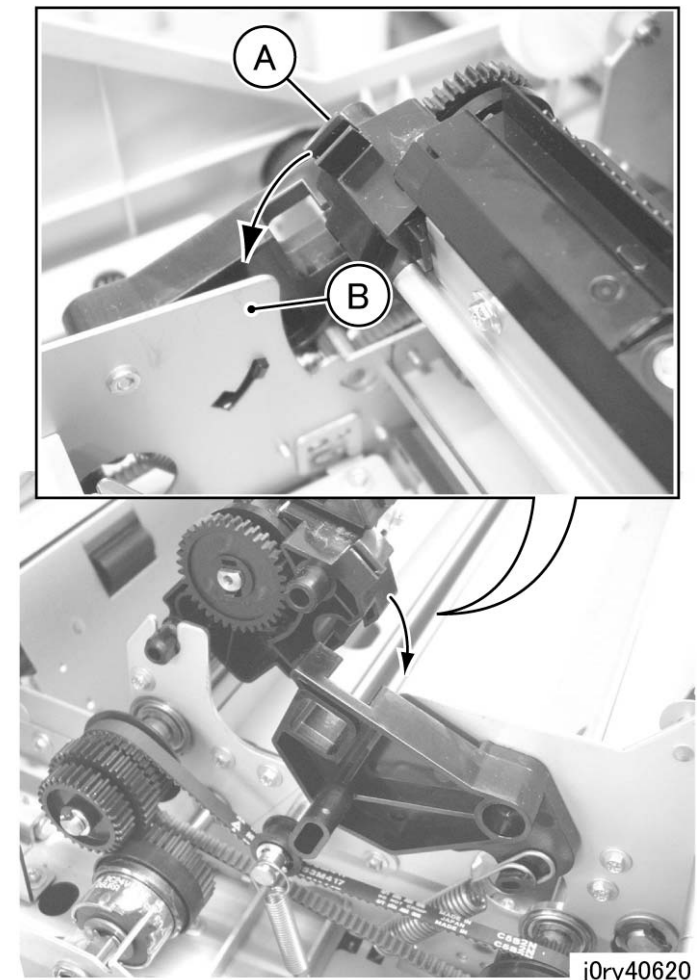
### Installation

#### Procedure

To install, carry out the removal steps in reverse order.

**Note** Do not touch or press the BTR surface.

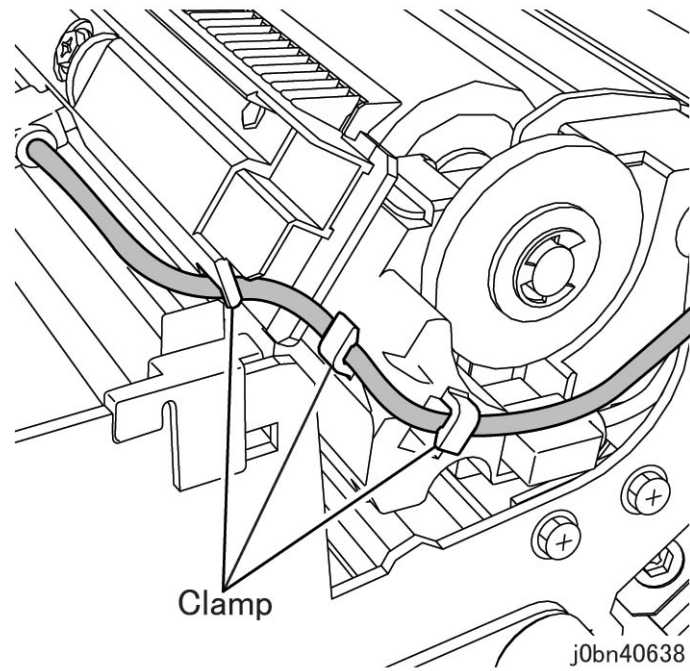
**Note** When installing the BTR Housing Assembly, insert the Frame (B) of the Fusing Unit into the groove of the BTR Left Frame (A). (Figure 3)



j0ry40620

(Figure 3) j0ry40620

**CAUTION**  
After connecting the connector of DTS cable, always fix the DTS cable by clamp (x3). (Figure 4)



(Figure 4) j0bn40638

**Note** When a part has been replaced, check copy/print quality and if required, perform Xerographic Set Up. (ADJ8.1.6)

## REP6.2.1 Drum

Reference PL: PL6.2

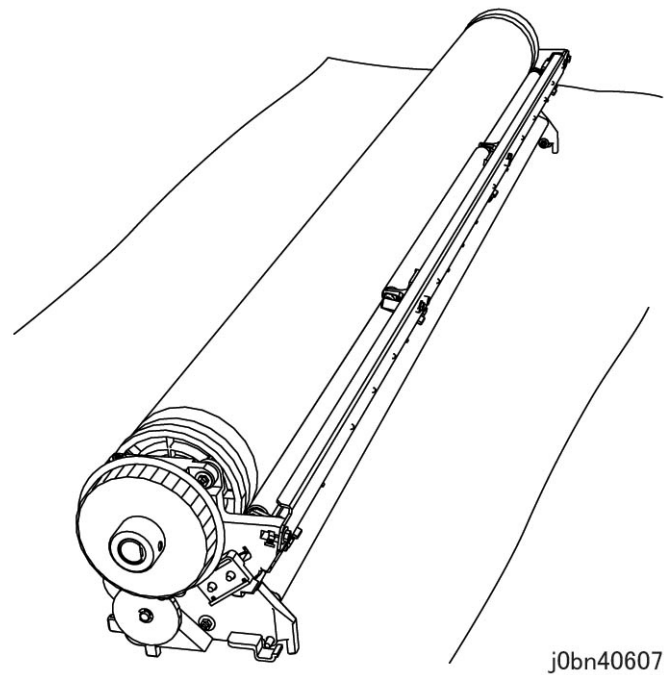
### Removal

**⚠ WARNING**  
Turn OFF the power and the breaker, then unplug the power plug to prevent electric shock.

**Note** Spread paper to cover the floor to prevent toner from dirtying the place.

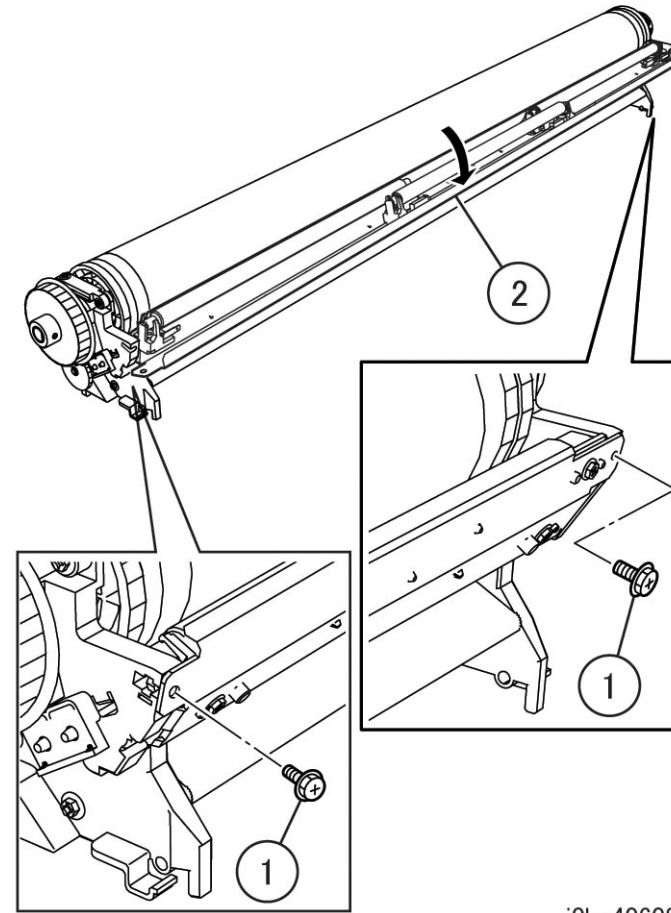
### Procedure

1. Open the Swing Frame.
2. Remove the Toner Bottle. (PL6.1)
3. Remove the Xero Module. (REP6.1.1)
4. Put down the Xero Module with its Front side facing down. (Figure 1)



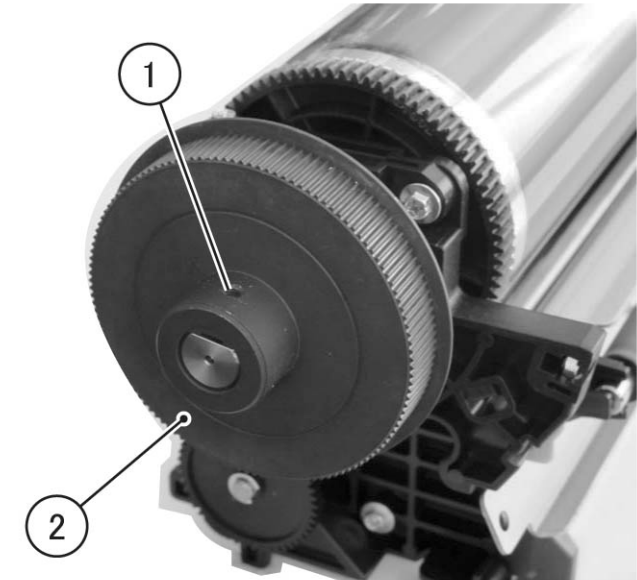
(Figure 1) j0bn40607

5. Open the BCR Frame. (Figure 2)
  - 1) Remove the screw (x2).
  - 2) Open the BCR Frame.



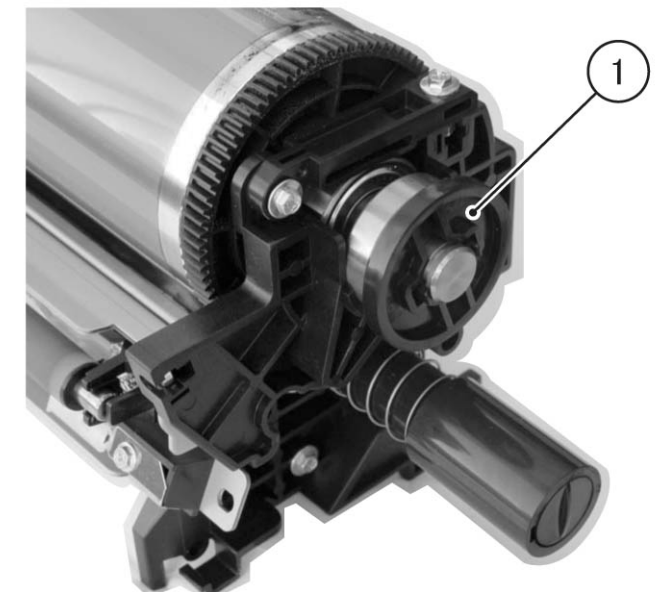
(Figure 2) j0bn40608

6. Remove the Drum Pulley. (Figure 3)
  - 1) Loosen the Set Screw.
  - 2) Remove the Drum Pulley.



(Figure 3) j0bn40610

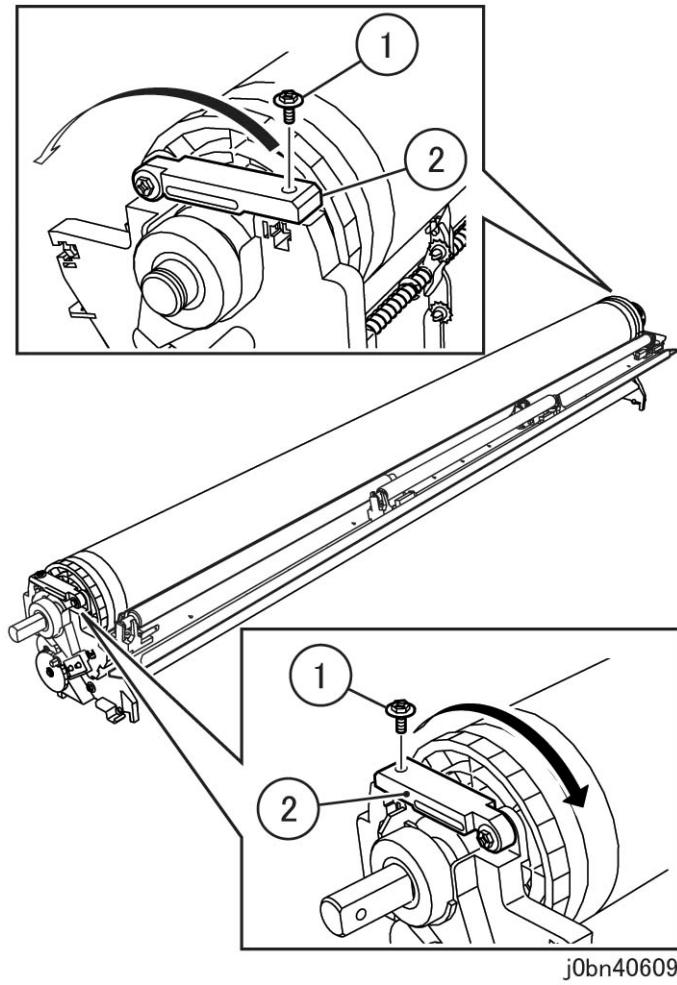
7. Remove the Drum Guide. (Figure 4)
  - 1) Remove the hook (x2) to remove the Drum Guide.



(Figure 4) j0bn40611

8. Lift the Drum Stopper. (Figure 5)

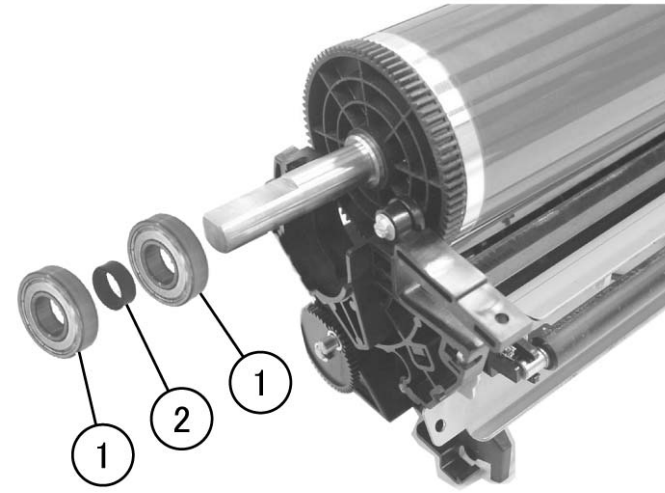
- 1) Remove the screw (x2).
- 2) Lift the Drum Stopper (x2).



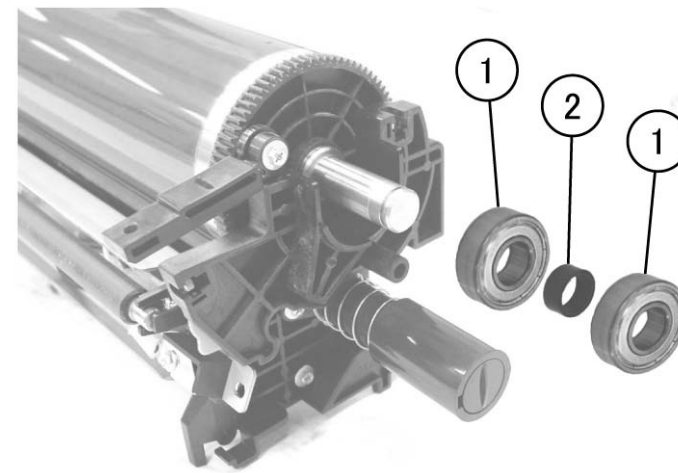
(Figure 5) j0bn40609

9. Lift the Drum Shaft to remove the Drum Bearing. (Figures 6 and 7)

- 1) Remove the Drum Bearing (x2).
- 2) Remove the Drum Collar.



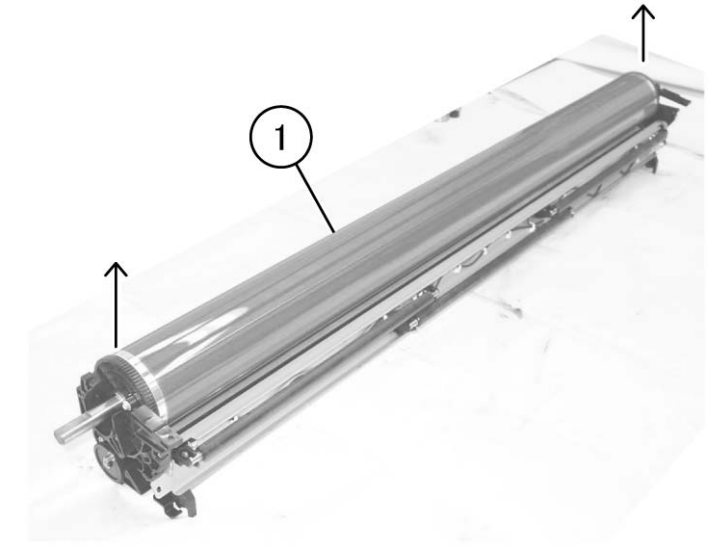
(Figure 6) j0ry40643



(Figure 7) j0ry40644

10. Remove the Drum. (Figure 8)

- 1) Remove the Drum in the direction of the arrow.



(Figure 8) j0ry40645

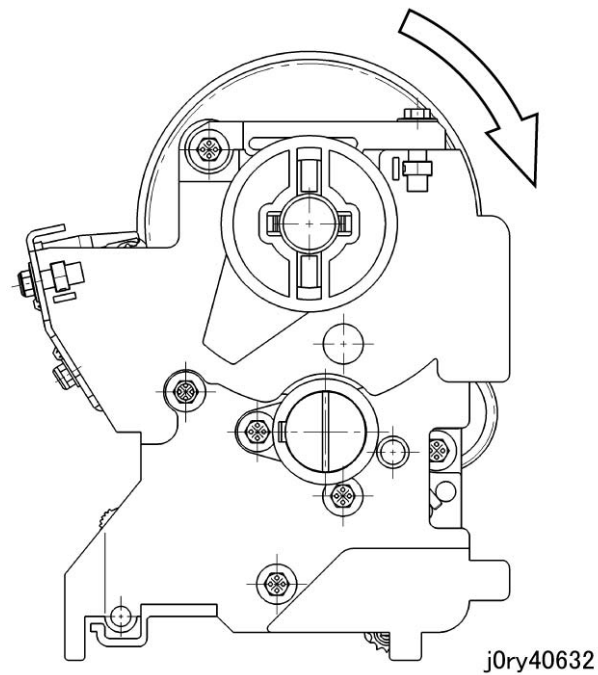
## Installation

### Procedure

To install, carry out the removal steps in reverse order.

**Note** After the Drum has been installed, rotate the Drum in the direction of the arrow to check that the Drum rotates smoothly. (Figure 9)

**Note** When the Drum has been replaced, apply the Dusting Porch on the Drum surface and turn it for one round in the direction of the arrow to adapt the Cleaner Blade to the Drum. (Figure 9)



(Figure 9) j0ry40632

**Note** When a part has been replaced, check copy/print quality and if required, perform Xerographic Set Up. (ADJ8.1.6)



## REP6.2.2 BCR

Reference PL: PL6.2

### Removal

**⚠ WARNING**  
Turn OFF the power and the breaker, then unplug the power plug to prevent electric shock.

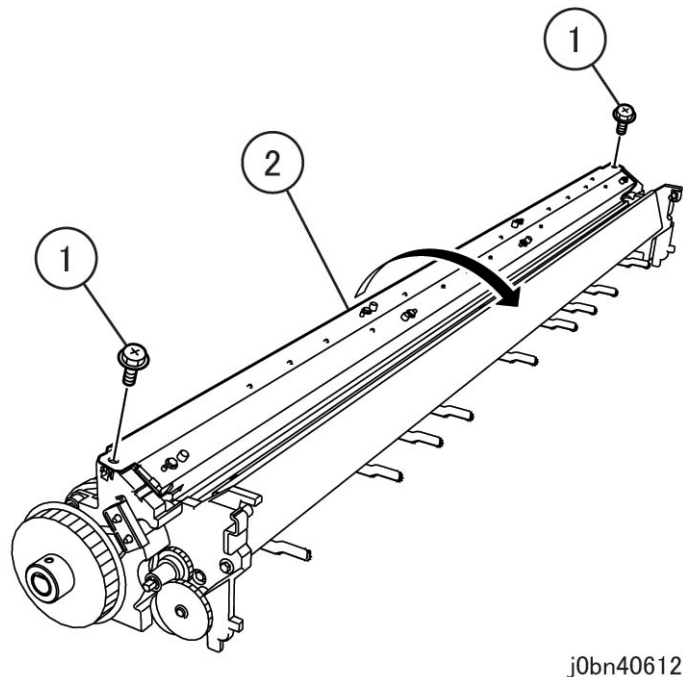
**Note** Spread paper to cover the floor to prevent toner from dirtying the place.

**Note** Keep your hands off the surface of the BCR.

**Note** If the life of one of the parts has been exceeded, replace all 3 parts simultaneously.

### Procedure

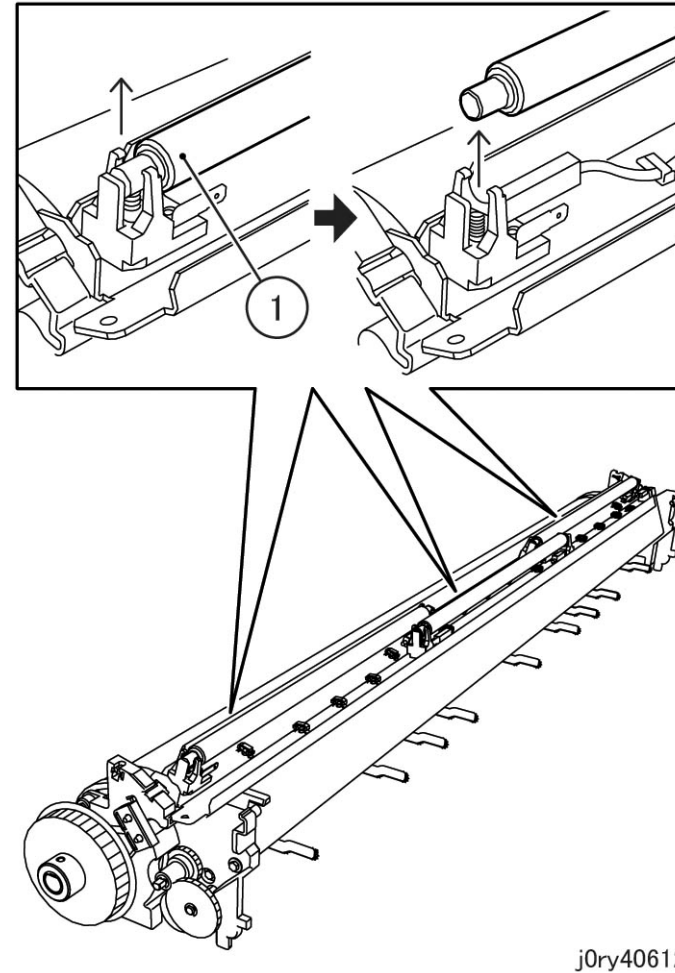
1. Open the Swing Frame.
2. Remove the Toner Bottle. (PL6.1)
3. Remove the Xero Module. (REP6.1.1)
4. Open the BCR Frame. (Figure 1)
  - 1) Remove the screw (x2).
  - 2) Open the BCR Frame.



(Figure 1) j0bn40612

5. Remove the BCR. (Figure 2)

- 1) Remove the BCR in the direction of the arrow.



(Figure 2) j0bn40613

### Installation

#### Procedure

To install, carry out the removal steps in reverse order.

**Note** When a part has been replaced, check copy/print quality and if required, perform Xerographic Set Up. (ADJ8.1.6)

## REP6.2.3 Drum Assembly

Reference PL: PL6.2

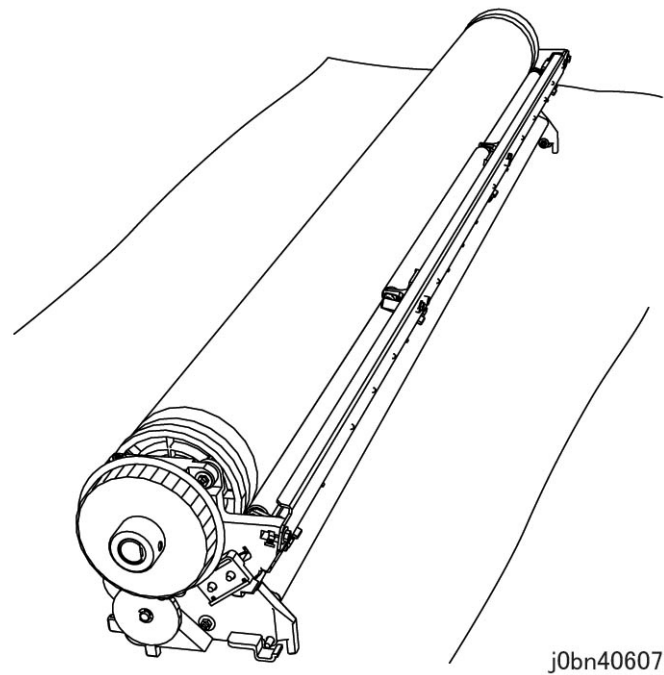
### Removal

**⚠ WARNING**  
Turn OFF the power and the breaker, then unplug the power plug to prevent electric shock.

**Note** Spread paper to cover the floor to prevent toner from dirtying the place.

### Procedure

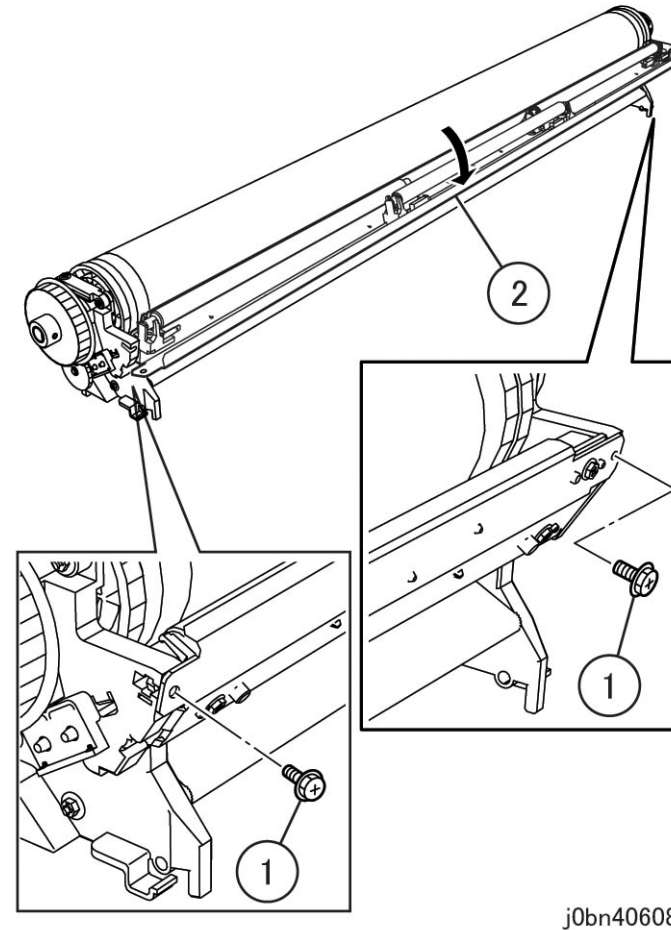
1. Open the Swing Frame.
2. Remove the Toner Bottle. (PL6.1)
3. Remove the Xero Module. (REP6.1.1)
4. Put down the Xero Module with its Front side facing down. (Figure 1)



(Figure 1) j0bn40607

5. Open the BCR Frame. (Figure 2)

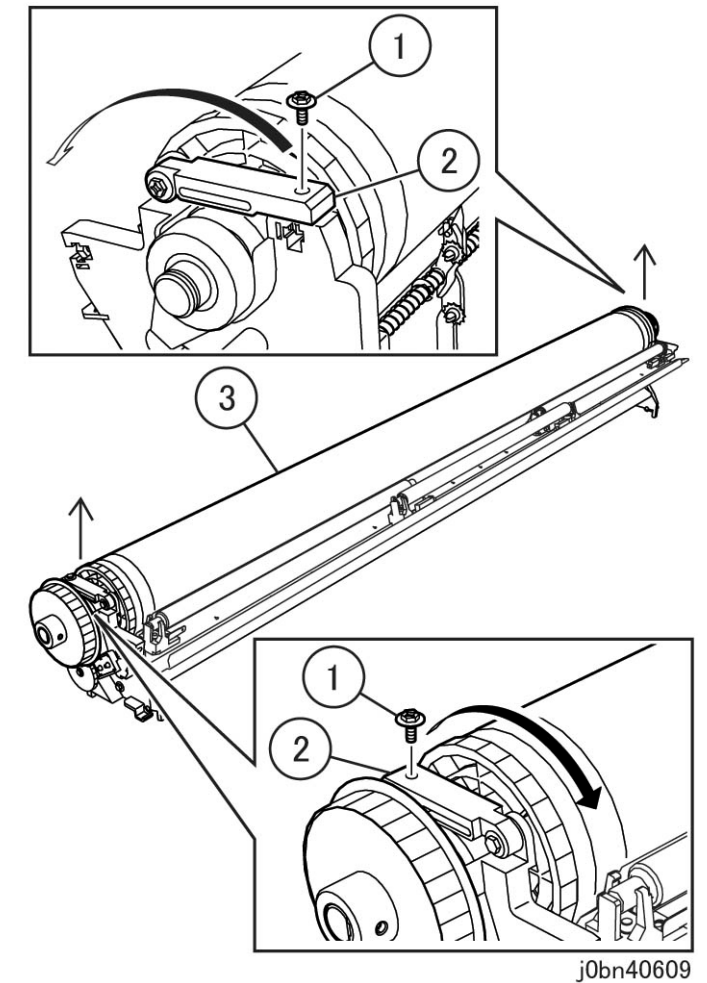
- 1) Remove the screw (x2).
- 2) Open the BCR Frame.



(Figure 2) j0bn40608

6. Remove the Drum Assembly. (Figure 3)

- 1) Remove the screw (x2).
- 2) Lift the Drum Stopper (x2).
- 3) Remove the Drum Assembly.



(Figure 3) j0bn40614

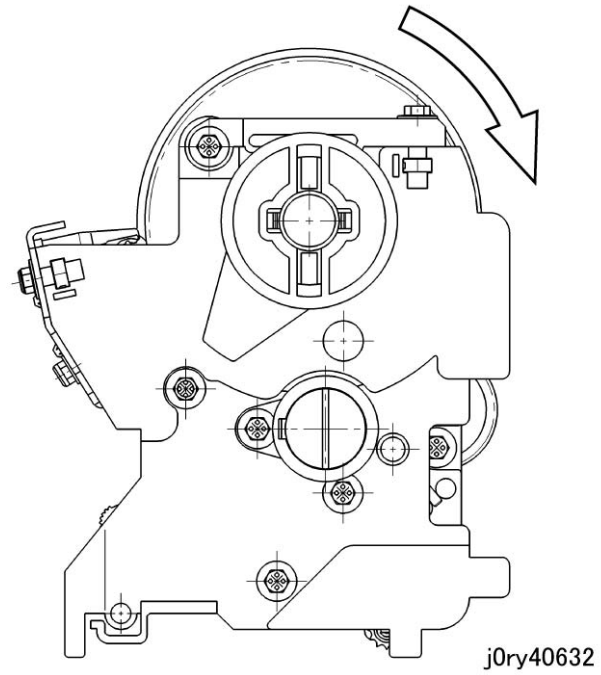
7. Cover the Drum with paper to prevent light fatigue.

## Installation

### Procedure

To install, carry out the removal steps in reverse order.

**Note** After the Drum Assembly has been installed, rotate the Drum in the direction of the arrow to check that the Drum rotates smoothly. (Figure 4)



(Figure 4) j0ry40632

## REP6.3.1 BTR

Reference PL: PL6.3

### Removal

**⚠ WARNING**  
Turn OFF the power and the breaker, then unplug the power plug to prevent electric shock.

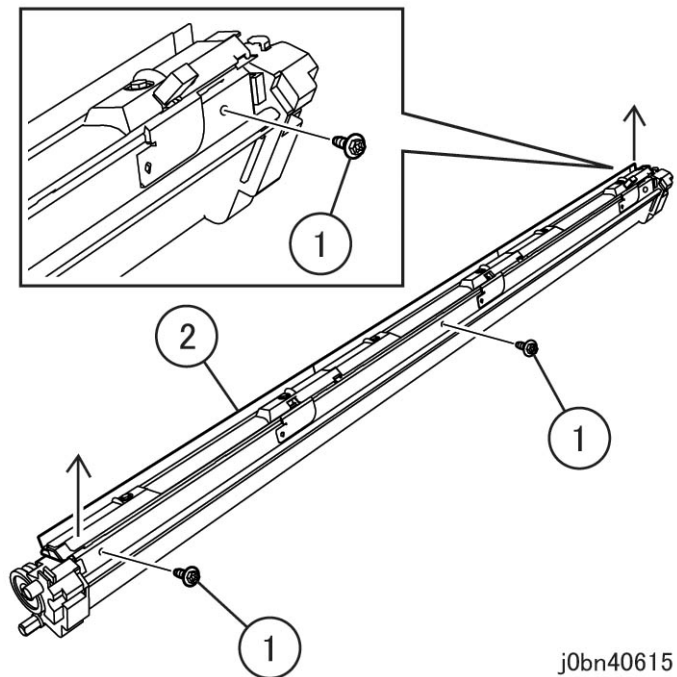
**Note** Spread paper to cover the floor to prevent toner from dirtying the place.

**Note** Keep your hands off the surface of the BTR.

**Note** Do not push the surface of the BTR to prevent deformation.

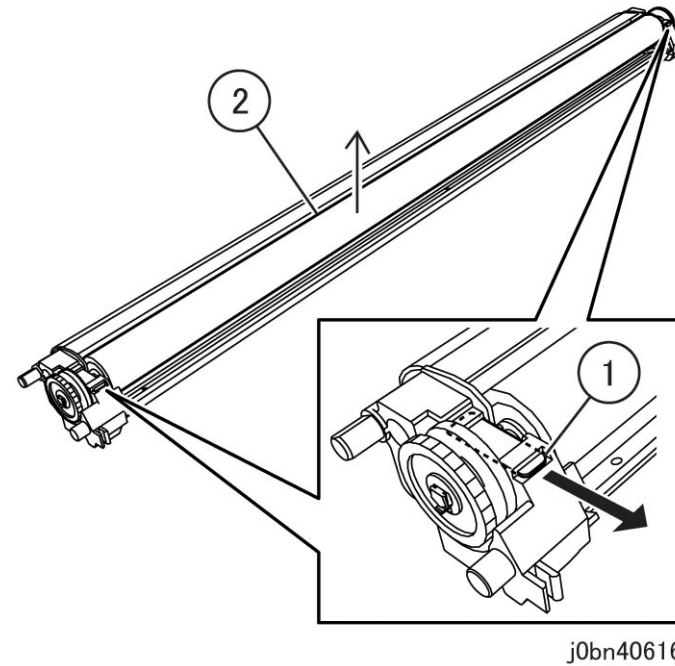
### Procedure

1. Open the Swing Frame.
2. Open the Horizontal Lower Baffle. (PL2.1)
3. Remove the BTR Housing Assembly. (REP6.1.2)
4. Remove the DTS Bias Plate with the Rear side of the BTR Housing Assembly facing downwards. (Figure 1)
  - 1) Remove the screw (x3).
  - 2) Remove the DTS Bias Plate in the direction of the arrow.



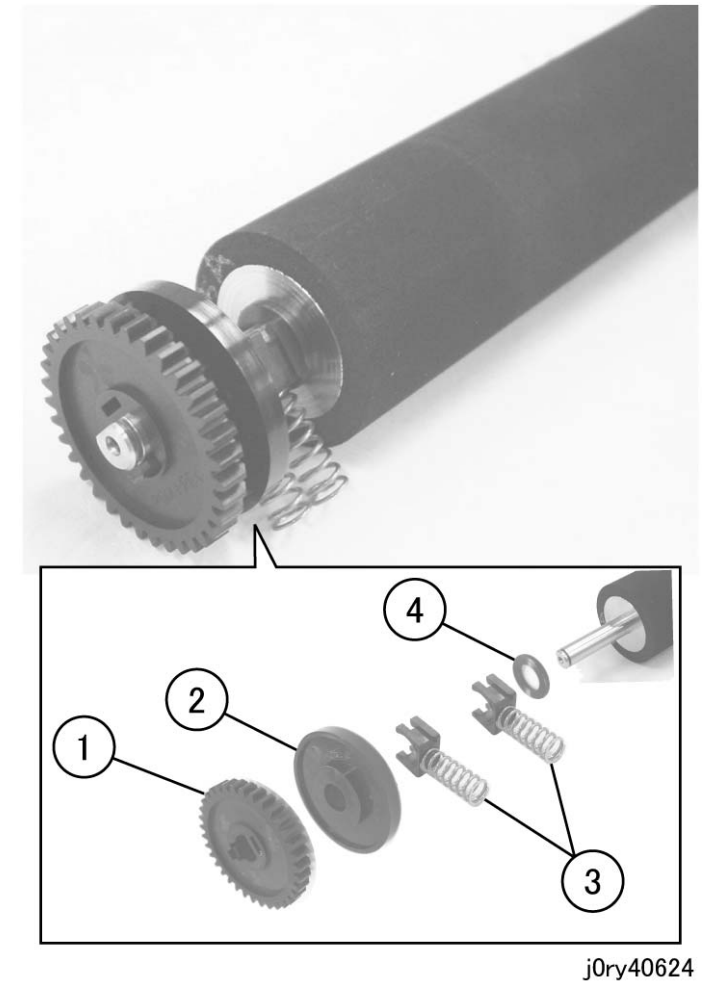
(Figure 1) j0bn40615

5. Remove the BTR Stopper Plate (x2) and remove the BTR. (Figure 2)
  - 1) Pull out the BTR Stopper Plate (x2).
  - 2) Remove the BTR in the direction of the arrow.



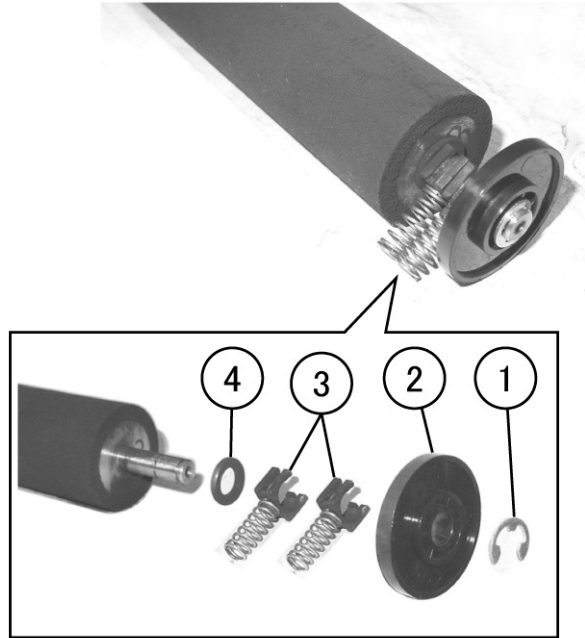
(Figure 2) j0bn40616

6. Remove the Tracking Roll on the Left side of the BTR. (Figure 3)
  - 1) Release the hook to remove the gear.
  - 2) Remove the Tracking Roll.
  - 3) Remove the BTR Bearing (x2) and BTR Spring (x2).
  - 4) Remove the washer.



(Figure 3) j0ry40624

7. Remove the Tracking Roll on the Right side of the BTR. (Figure 4)
  - 1) Remove the E-Clip.
  - 2) Remove the Tracking Roll.
  - 3) Remove the BTR Bearing (x2) and BTR Spring (x2).
  - 4) Remove the washer.



j0ry40625

(Figure 4) j0ry40625

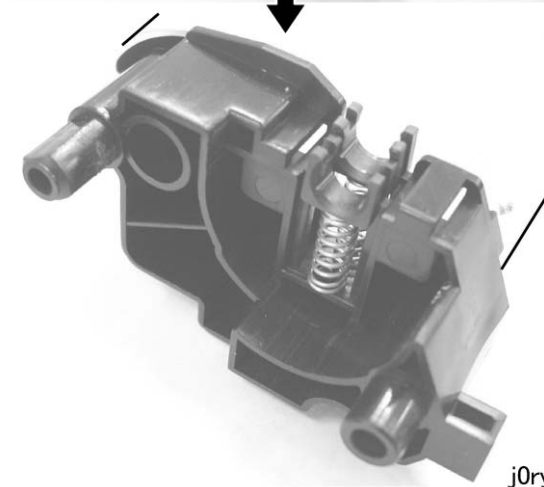
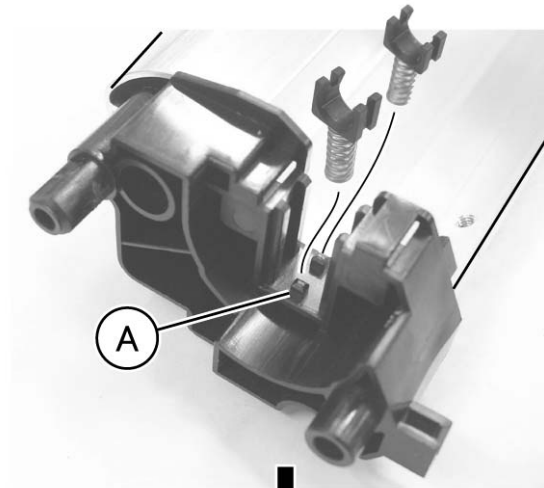
### Installation

#### Procedure

To install, carry out the removal steps in reverse order.

However, install the parts in the following order:

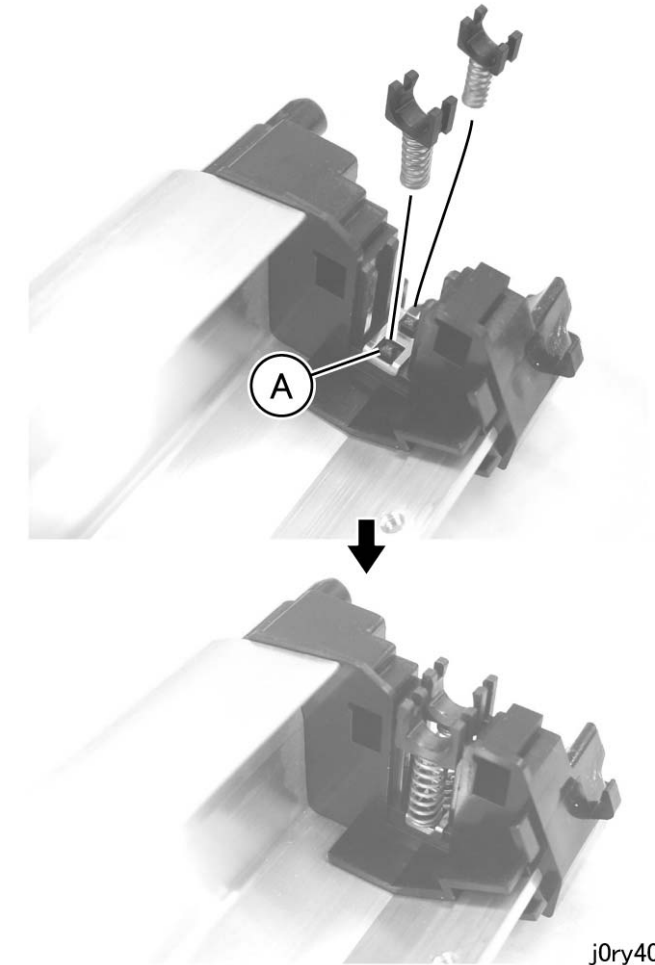
1. Install the BTR Bearing (x4) and BTR Spring (x4) to the BTR Frame first.
2. Fit the BTR Spring (x2) to the Boss (x2) of the BTR Left Frame. (Figure 5)
  - A) Boss of the BTR Left Frame



j0ry40626

(Figure 5) j0ry40626

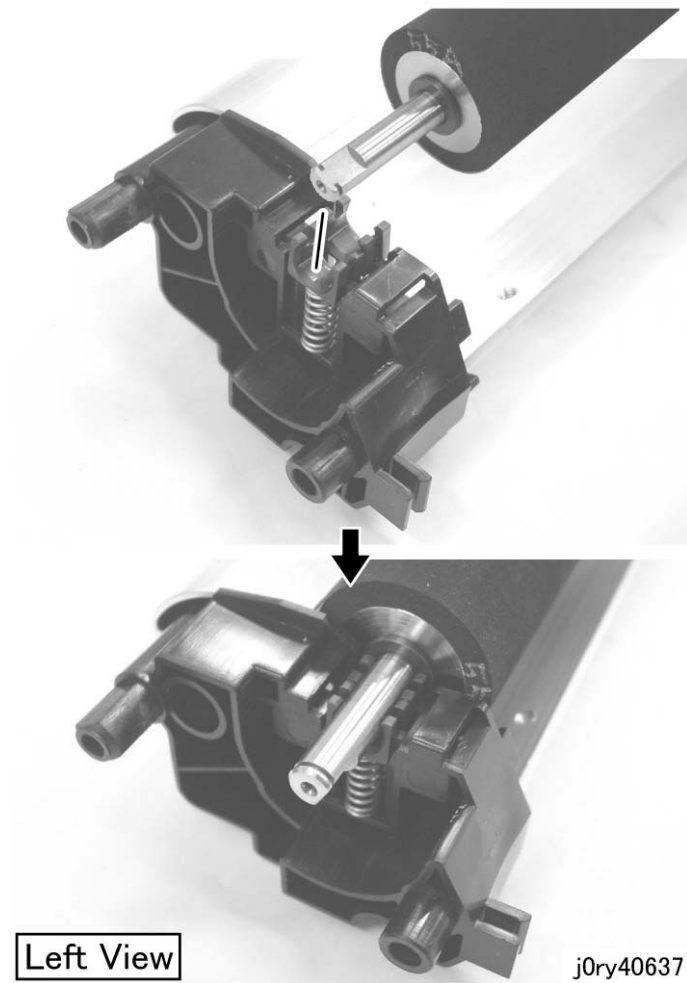
3. Fit the BTR Spring (x2) to the Boss (x2) of the BTR Right Frame. (Figure 6)
  - A) Boss of the BTR Right Frame



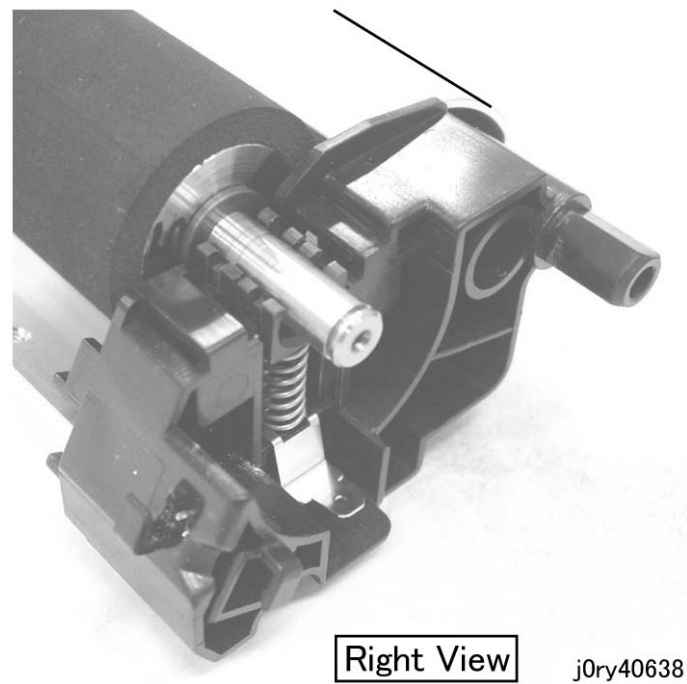
j0ry40627

(Figure 6) j0ry40627

4. Install the BTR. (Figures 7 and 8)

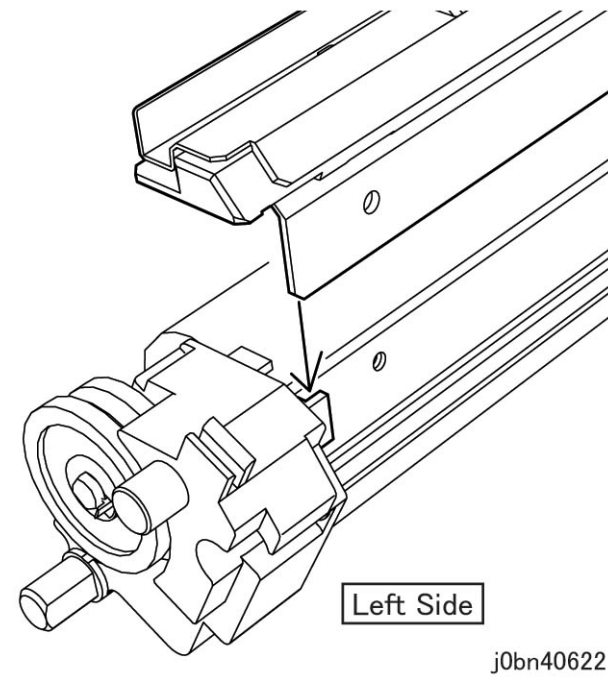


(Figure 7) j0ry40637

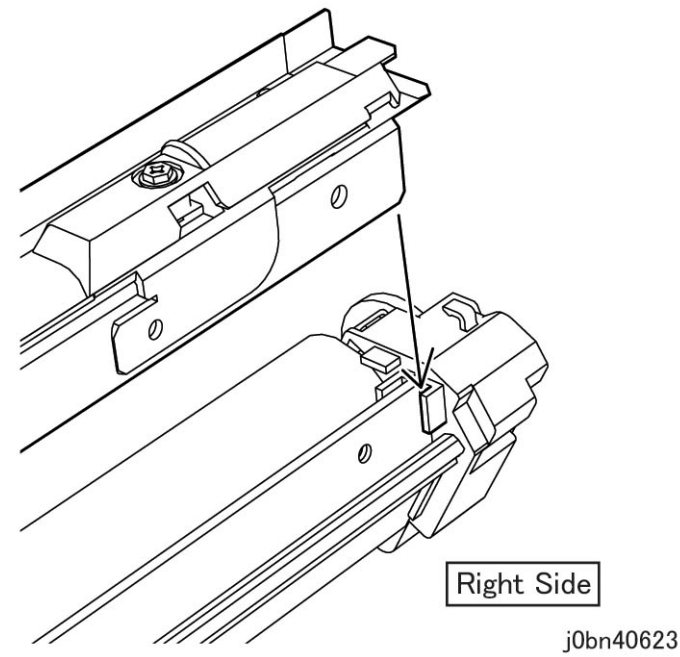


(Figure 8) j0ry40638

5. Install the Tracking Roll (x2) and the gear to the BTR.
6. Install the DTS Bias Plate as shown in the figure. (Figures 9 and 10)



(Figure 9) j0bn40622



(Figure 10) j0bn40623

**Note** When a part has been replaced, check copy/print quality and if required, perform Xerographic Set Up. (ADJ8.1.6)

## REP6.3.2 DTS

Reference PL: PL6.3

### Removal

**⚠ WARNING**  
Turn OFF the power and the breaker, then unplug the power plug to prevent electric shock.

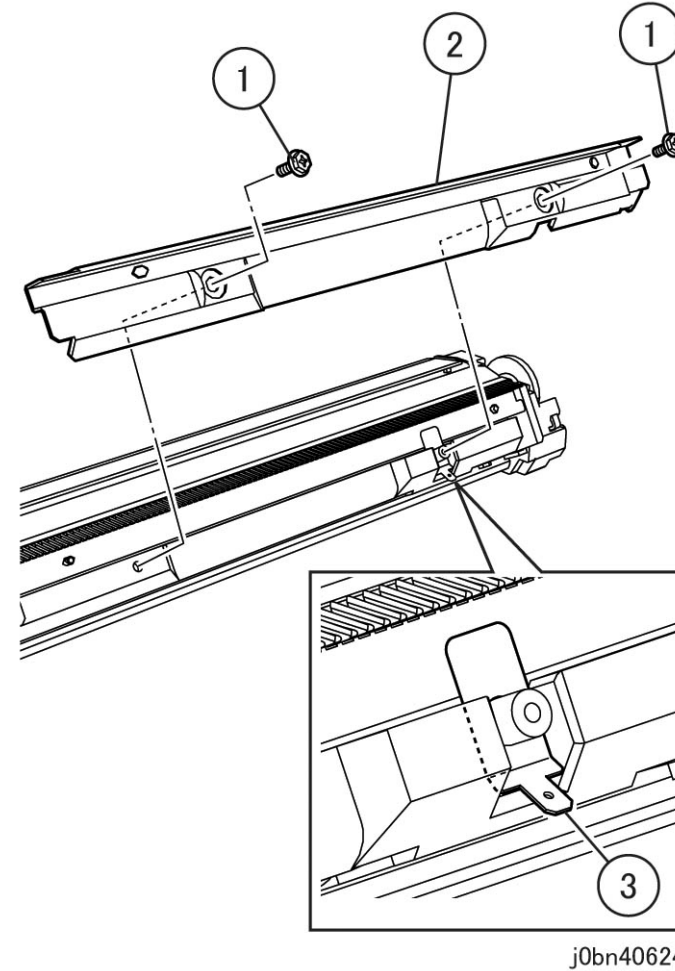
**Note** If the life of one of the parts has been exceeded, replace all 3 parts simultaneously.

**Note** Spread paper to cover the floor to prevent toner from dirtying the place.

### Procedure

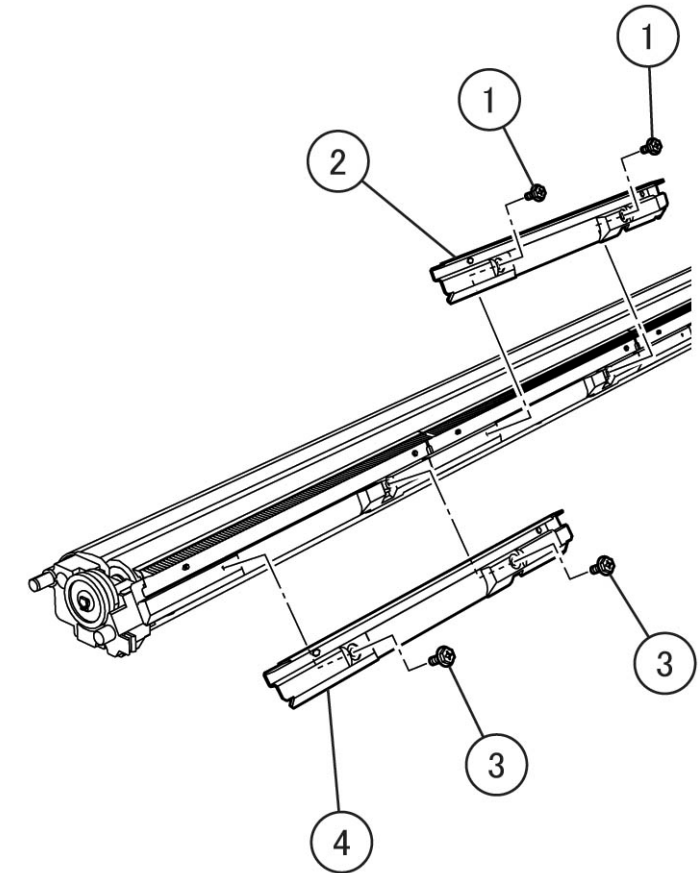
1. Open the Swing Frame.
2. Open the Horizontal Lower Baffle. (PL2.1)
3. Remove the BTR Housing Assembly. (REP6.1.2)

4. Remove the DTS Holder. (Figure 1)
  - 1) Remove the Tapping Screw (x2).
  - 2) Remove the DTS Holder.
  - 3) Remove the DTS Bias Plate.



(Figure 1) j0bn40624

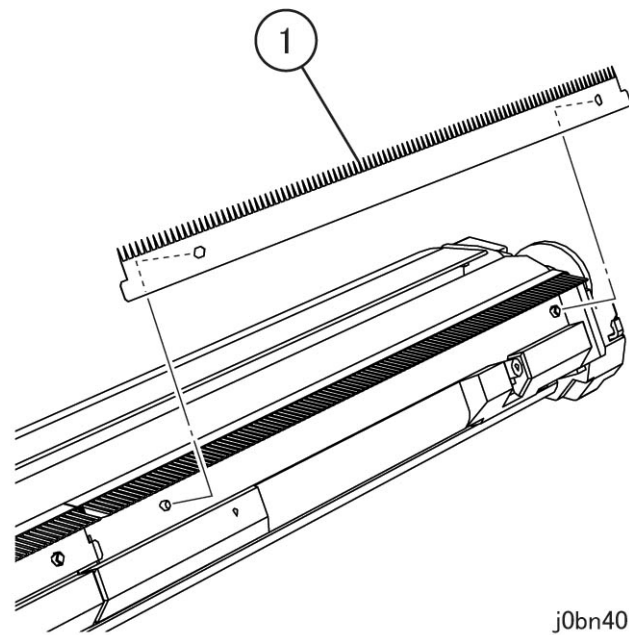
5. Remove the DTS Holder (x2). (Figure 2)
  - 1) Remove the Tapping Screw (x2).
  - 2) Remove the DTS Holder.
  - 3) Remove the Tapping Screw (x2).
  - 4) Remove the DTS Holder.



(Figure 2) j0bn40625

6. Remove the DTS. (Figure 3)

- 1) Remove the DTS.

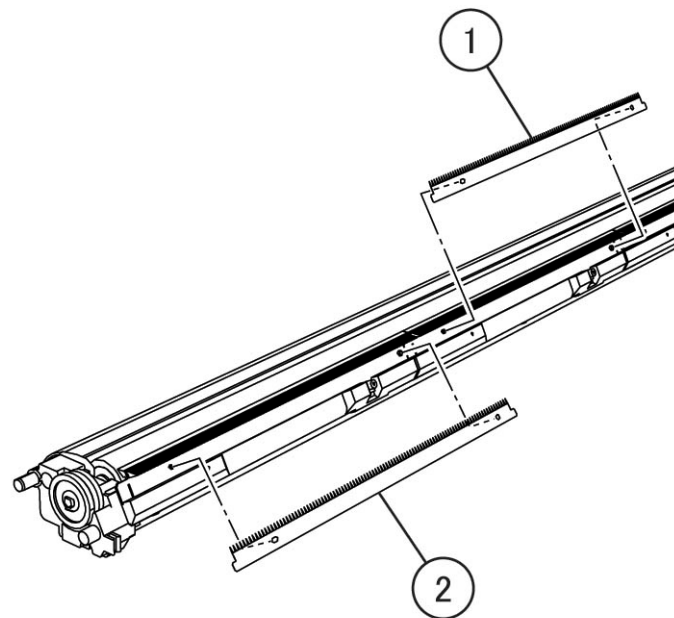


j0bn40626

(Figure 3) j0bn40626

7. Remove the DTS (x2). (Figure 4)

- 1) Remove the DTS.
- 2) Remove the DTS.



j0bn40627

(Figure 3) j0bn40627

**Installation**

Procedure

To install, carry out the removal steps in reverse order.

**Note** When a part has been replaced, check copy/print quality and if required, perform Xerographic Set Up. (ADJ8.1.6)



## REP6.4.1 Cleaner Blade

Reference PL: PL6.4

### Removal

**⚠ WARNING**  
Turn OFF the power and the breaker, then unplug the power plug to prevent electric shock.

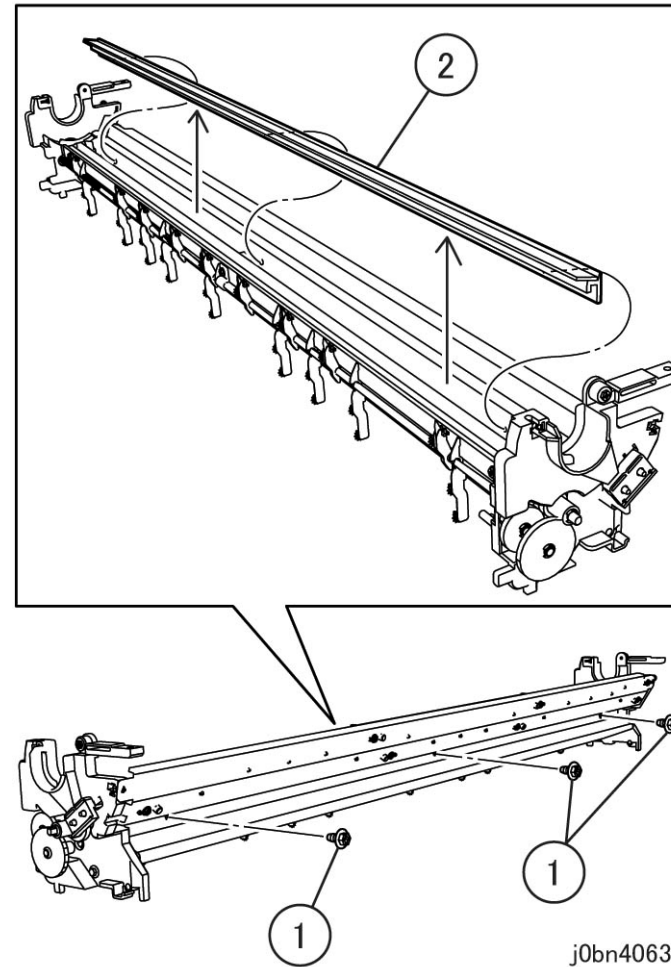
**Note** Spread paper to cover the floor to prevent toner from dirtying the place.

### Procedure

1. Open the Swing Frame.
2. Remove the Toner Bottle. (PL6.1)
3. Remove the Xero Module. (REP6.1.1)
4. Remove the Drum Assembly. (REP6.2.3)
5. Cover the Drum with paper to prevent light fatigue.
6. Close the BCR Frame and tighten the screw (x2).

### 7. Remove the Cleaner Blade. (Figure 1)

- 1) Remove the screw (x3).
- 2) Remove the Cleaner Blade in the direction of the arrow.



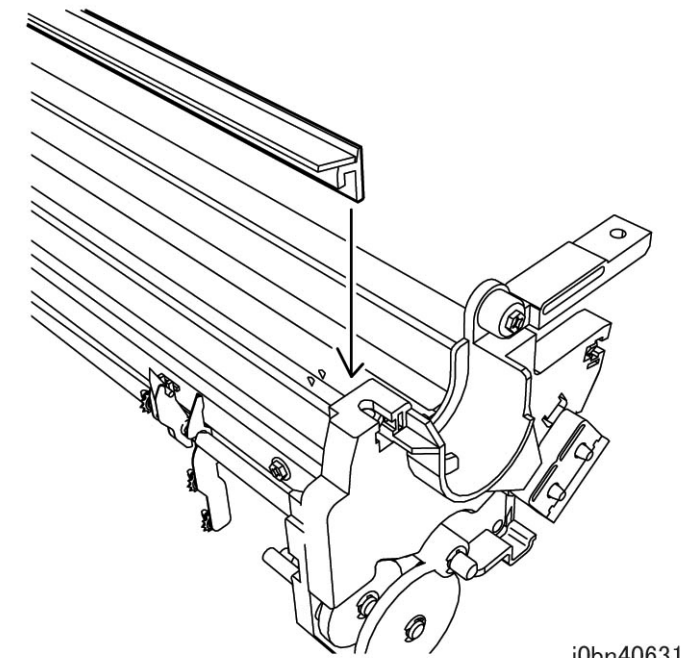
(Figure 1) j0bn40630

### Installation

#### Procedure

To install, carry out the removal steps in reverse order.

**Note** Install the Cleaner Blade as shown in the figure. (Figure 2)



j0bn40631

(Figure 2) j0bn40631

## REP6.4.2 Finger Shaft

Reference PL: PL6.4

### Removal

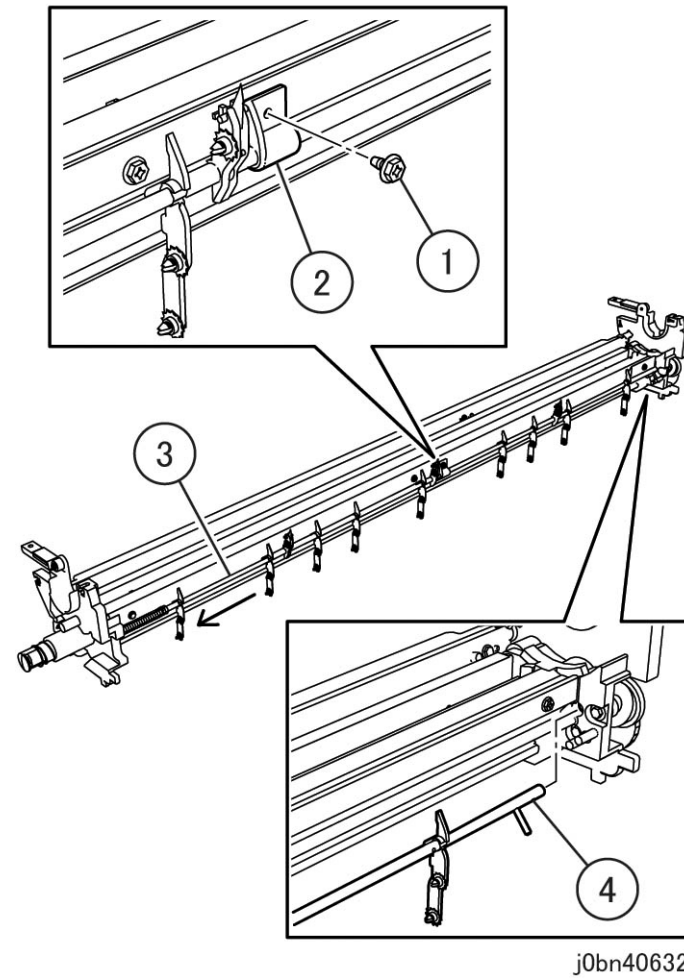
**⚠ WARNING**  
Turn OFF the power and the breaker, then unplug the power plug to prevent electric shock.

**Note** Spread paper to cover the floor to prevent toner from dirtying the place.

### Procedure

1. Open the Swing Frame.
2. Remove the Toner Bottle. (PL6.1)
3. Remove the Xero Module. (REP6.1.1)
4. Remove the Drum Assembly. (REP6.2.3)
5. Cover the Drum with paper to prevent light fatigue.

6. Remove the Finger Shaft. (Figure 1)
  - 1) Remove the screw.
  - 2) Remove the Shaft Holder.
  - 3) Move the Finger Shaft in the direction of the arrow.
  - 4) Pull the Finger Shaft from the hole to remove it.



(Figure 1) j0bn40632

### Installation

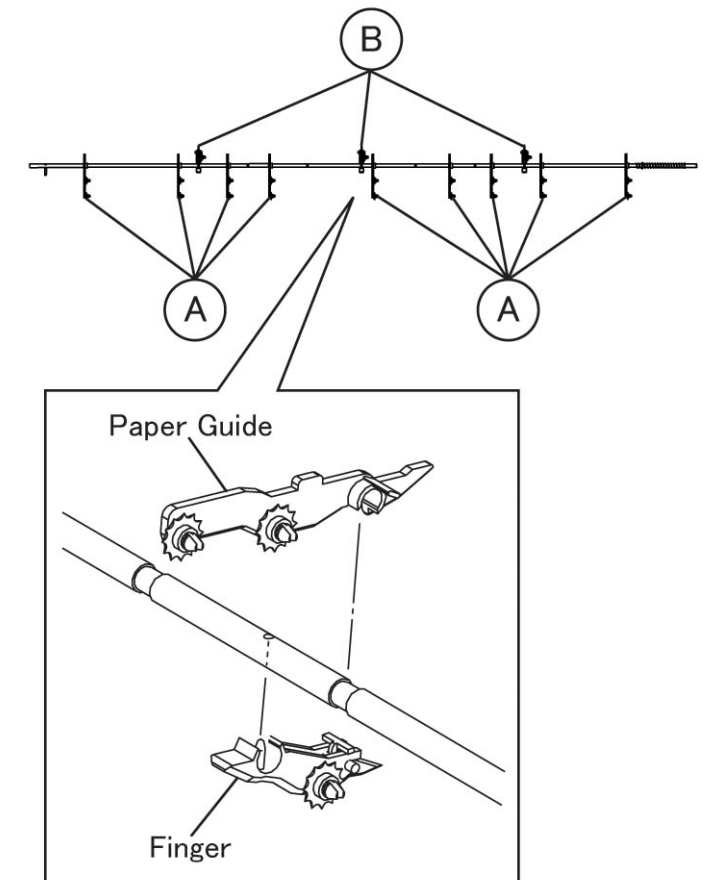
#### Procedure

To install, carry out the removal steps in reverse order.

**Note** Install the Finger and the Paper Guide at the positions shown in the following figure. (Figure 2)

A) Paper Guide (x9)

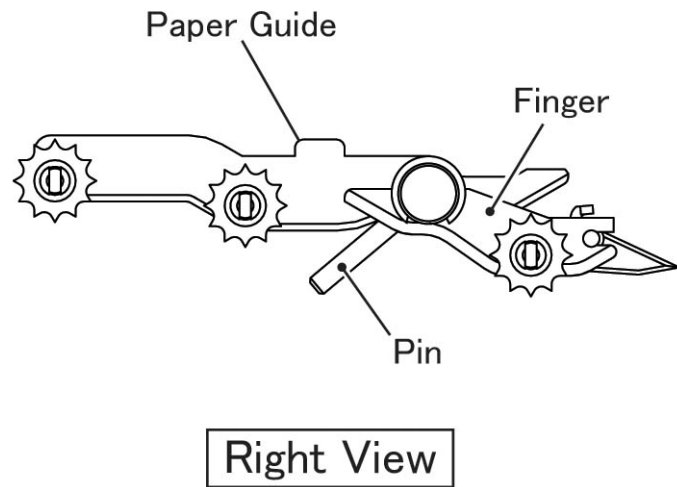
B) Finger (x3)



j0bn40633

(Figure 2) j0bn40633

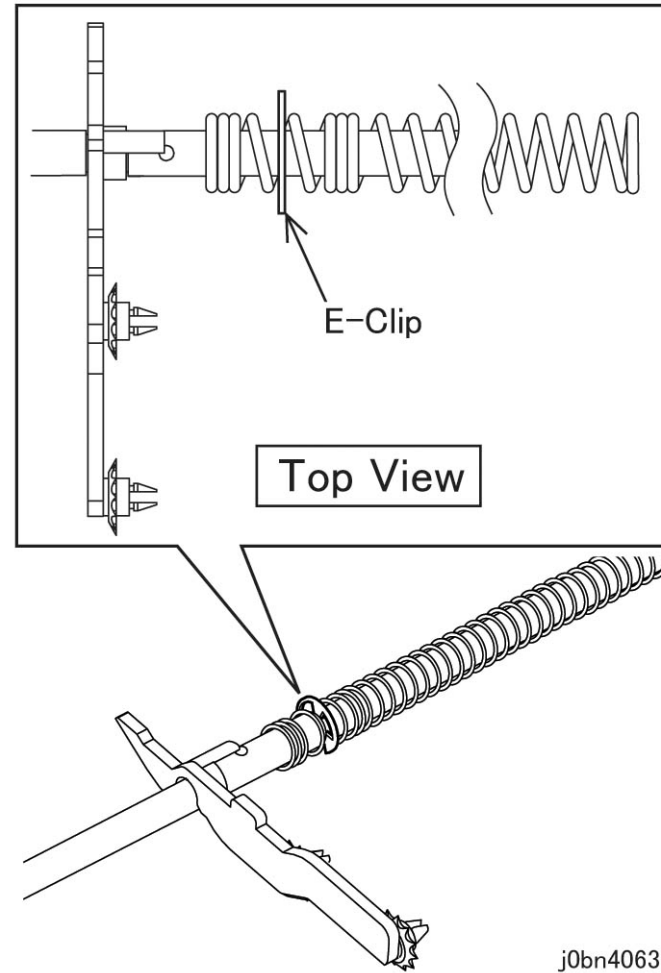
**Note** Install the Finger and the Paper Guide in the directions shown in the following figure. Take extra care of the positional relationship among the Pin, Finger, and Paper Guide. (Figure 3)



j0bn40634

(Figure 3) j0bn40634

**Note** Install the Compression Spring to the Shaft so that the Compression Spring faces in the direction shown in the following figure. In addition, secure the E-Clip at the position of the Compression Spring shown in the following figure. (Figure 4)

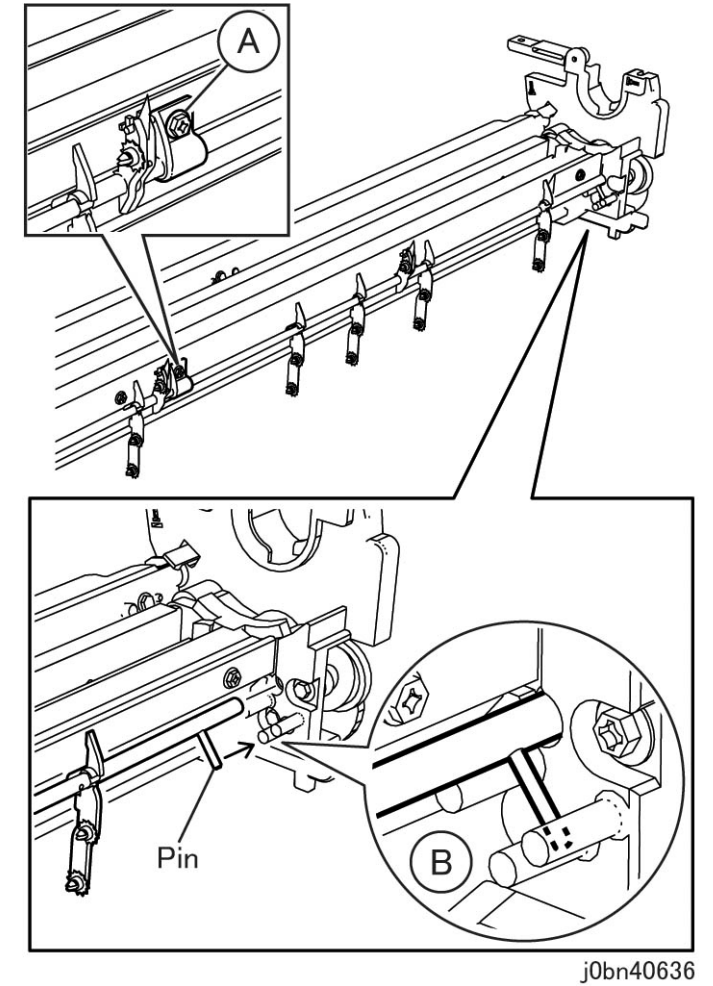


j0bn40635

(Figure 4) j0bn40635

**Note** When installing the Finger Shaft, take note of the following. (Figure 5)

- A) Since the screw that fixes the Shaft Holder are tightened together with the Toner Seal, secure the screw so as not to apply loads to the Toner Seal.
- B) Set the Pin of the Finger Shaft at the position shown in the following figure.



(Figure 5) j0bn40636

### REP6.4.3 BCR Holder Assembly

Reference PL: PL6.4

#### Removal

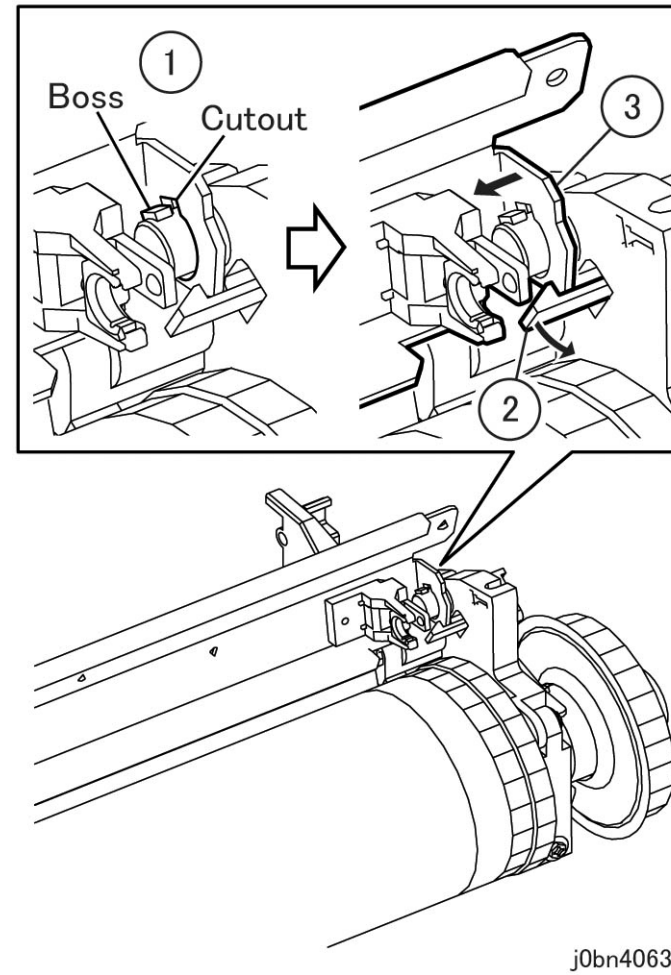
**⚠ WARNING**  
Turn OFF the power and the breaker, then unplug the power plug to prevent electric shock.

**Note** Spread paper to cover the floor to prevent toner from dirtying the place.

#### Procedure

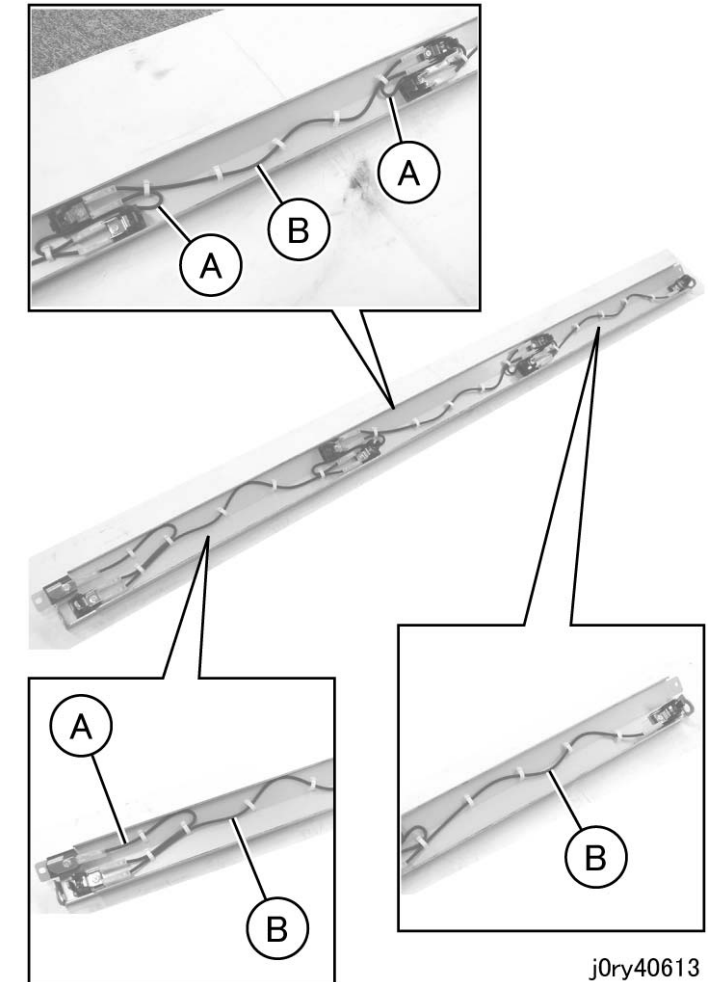
1. Open the Swing Frame.
2. Remove the Toner Bottle. (PL6.1)
3. Remove the Xero Module. (REP6.1.1)
4. Remove the BCR (x3). (REP6.2.2)

5. Remove the BCR Holder Assembly. (Figure 1)
  - 1) Align the Cutout position of the BCR Frame to the Boss for the Stud of the Xero Left Frame.
  - 2) Remove the hook.
  - 3) Remove the BCR Holder Assembly.



(Figure 1) j0bn40637

6. Remove the BCR Cord (Short, Long) from the BCR Holder Assembly. (Figure 2)
  - A) BCR Cord (Short)
  - B) BCR Cord (Long)



(Figure 2) j0ry40613

#### Installation

##### Procedure

To install, carry out the removal steps in reverse order.

## REP6.4.4 Auger

Reference PL: PL6.4

### Removal

#### ⚠ WARNING

When cleaning away the toner using a vacuum cleaner, always use an FX standard vacuum cleaner that is toner-tolerant to prevent toner dust explosion. (Never use an off the shelf vacuum cleaner)

#### ⚠ WARNING

Turn OFF the power and the breaker, then unplug the power plug to prevent electric shock.

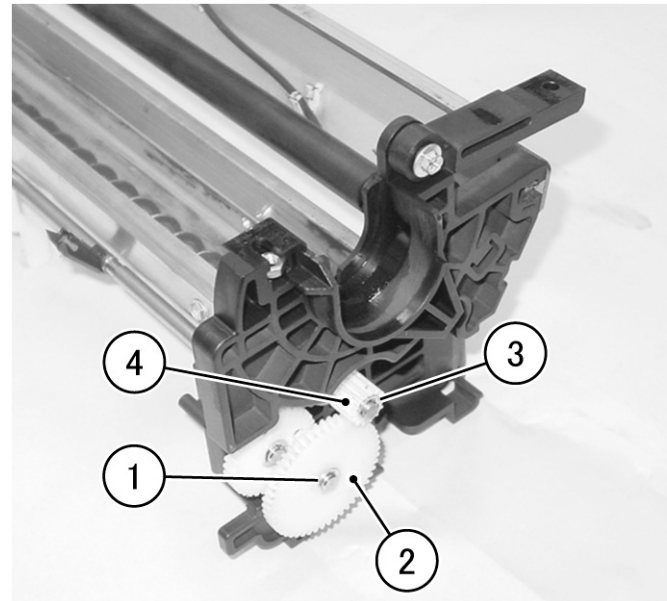
**Note** Spread paper to cover the floor to prevent toner from dirtying the place.

### Procedure

1. Open the Swing Frame.
2. Remove the Toner Bottle. (PL6.1)
3. Remove the Xero Module. (REP6.1.1)
4. Remove the Drum. (REP6.2.1 Steps 1 to 5)
5. Cover the Drum with paper to prevent light fatigue.
6. Remove the Cleaner Blade. (REP6.4.1)

7. Remove the Auger Gear on the Left side of the Xero Housing. (Figure 1)

- 1) Remove the E-Clip.
- 2) Remove the gear.
- 3) Remove the E-Clip.
- 4) Remove the Auger Gear.

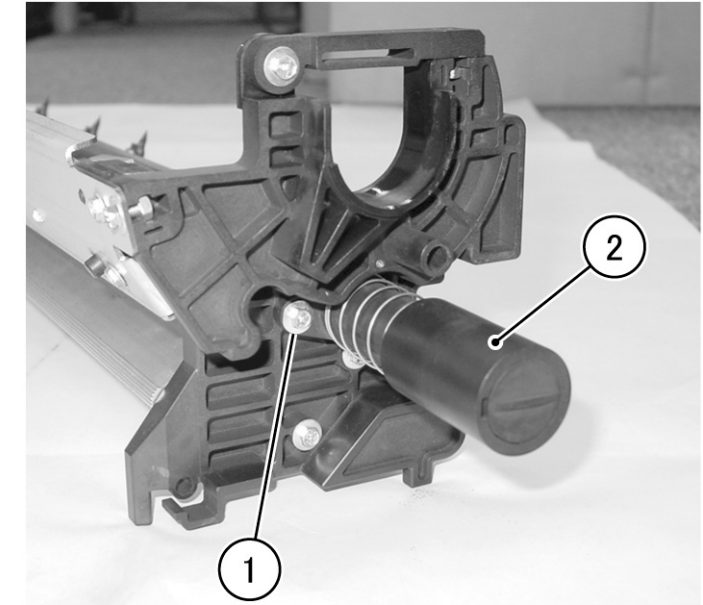


j0ry40628

(Figure 1) j0ry40628

8. Remove the Toner Pipe on the Right side of the Xero Housing. (Figure 2)

- 1) Remove the Tapping Screw.
- 2) Remove the Toner Pipe.

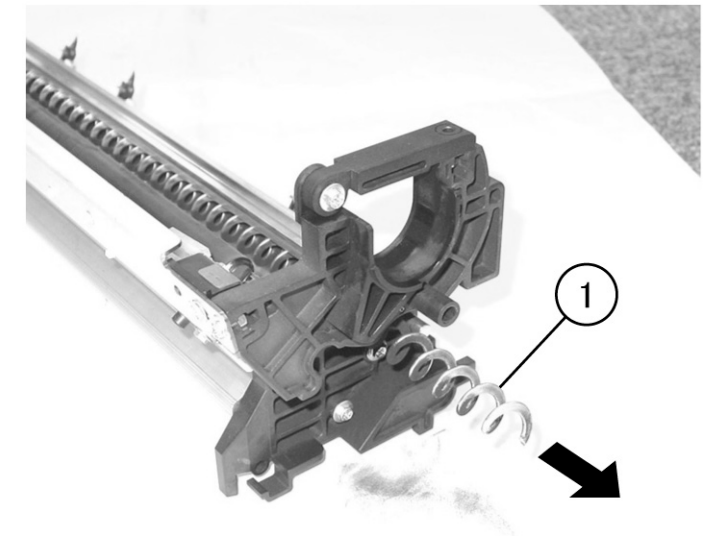


j0ry40629

(Figure 2) j0ry40629

9. Remove the Auger. (Figure 3)

- 1) Remove the Auger.



j0ry40630

(Figure 3) j0ry40630

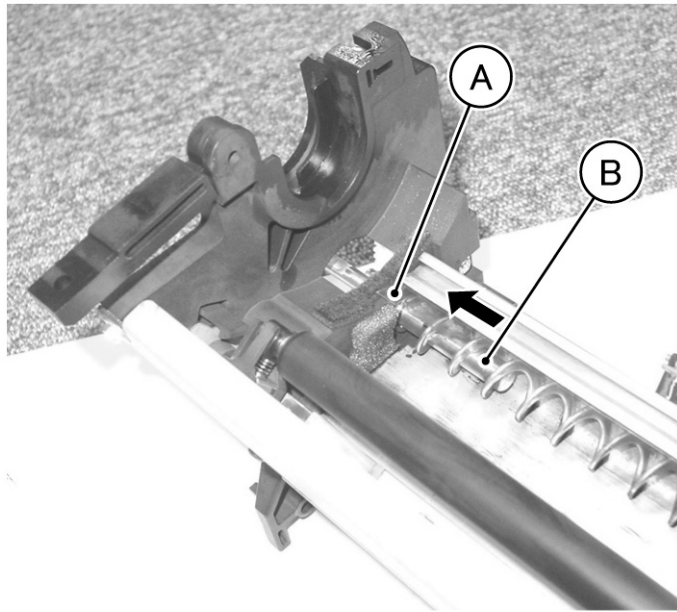
## Installation

### Procedure

To install, carry out the removal steps in reverse order.

**Note** When installing the Auger, push the Auger Shaft into the Left Frame of the Xero Housing. (Figure 4)

- A) Left Frame
- B) Auger Shaft



j0ry40631

(Figure 4) j0ry40631

## 7. Fusing Unit

### REP7.1.1 (SCC) Heater Rod (Center/Side/Sub)

Reference PL: PL7.1

#### Removal

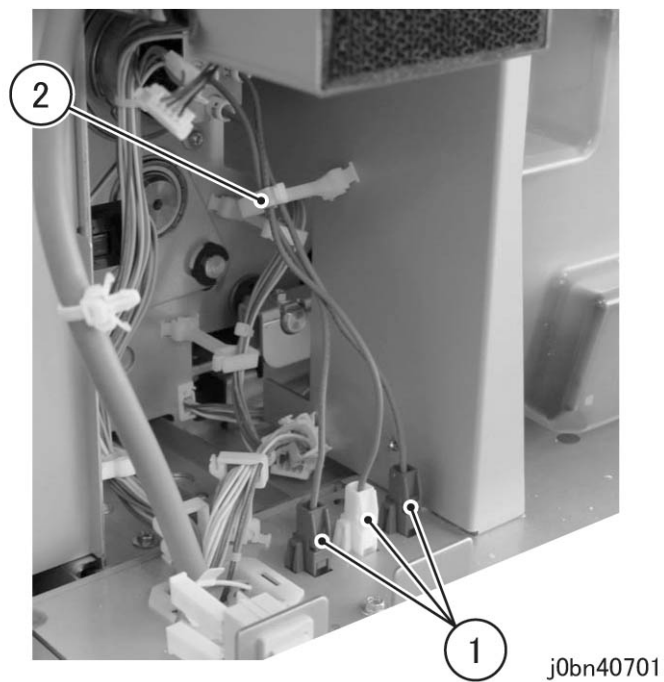
**⚠ WARNING**  
Because of high temperature, perform the following procedures only after the parts cool down enough.

**⚠ WARNING**  
Turn OFF the power and the breaker, then unplug the power plug to prevent electric shock.

**⚠ CAUTION**  
Do not touch the surface of the Platen Glass with your bare hands.

#### Procedure

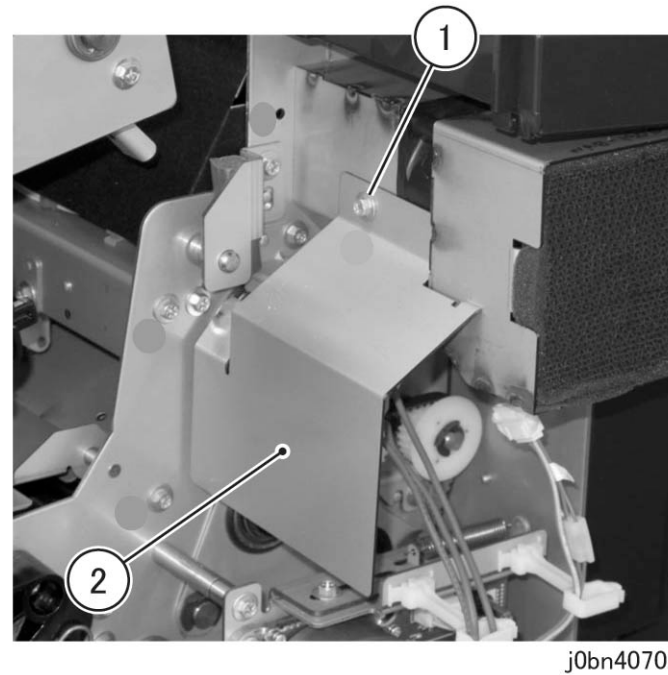
1. Remove the Left Upper Cover. (REP9.3.1)
2. Remove the Right Upper Cover. (REP9.2.1)
3. Disconnect the connectors at the Right side of the Heater Rod. (Figure 1)
  - 1) Disconnect the connector (x3).
  - 2) Release the clamp to remove the Wire Harness (x3).



(Figure 1) j0bn40701

4. Remove the Left Inner Cover. (Figure 2)

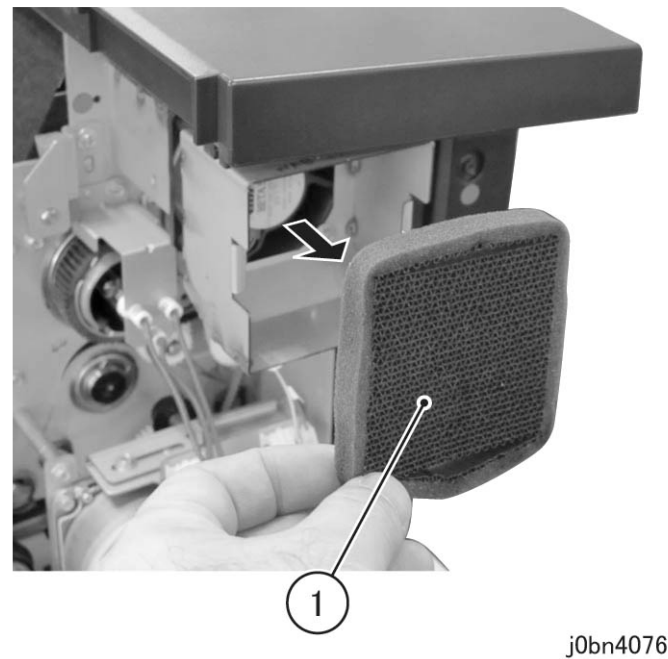
- 1) Remove the screw.
- 2) Remove the Left Inner Cover.



(Figure 2) j0bn40702

5. Remove the Filter. (Figure 3)

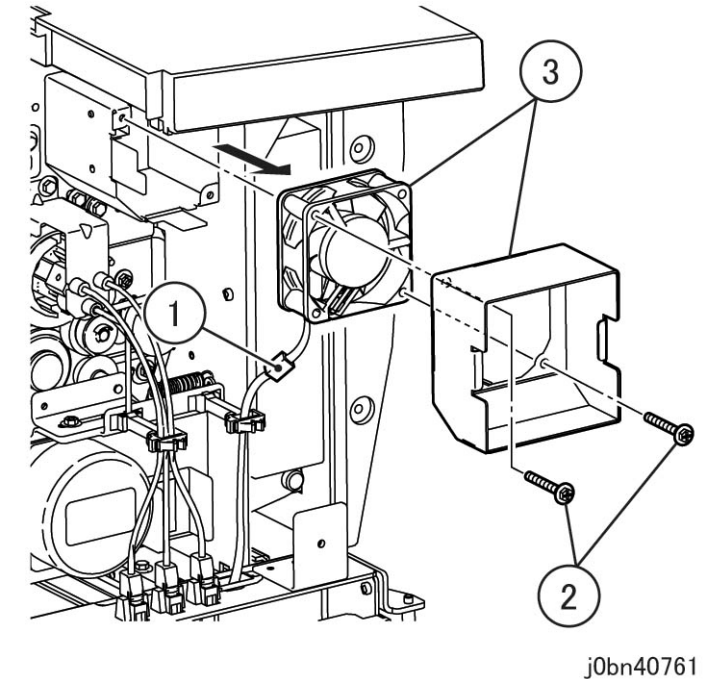
- 1) Remove the Filter.



(Figure 3) j0bn40760

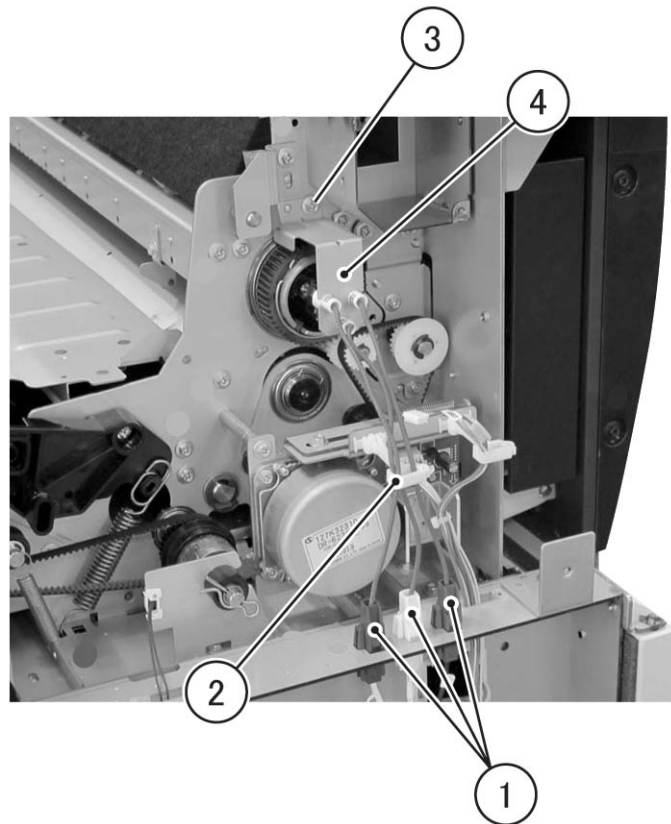
6. Remove the Filter Duct and the Left Hand Exhaust Fan. (Figure 4)

- 1) Disconnect the connector.
- 2) Remove the screw (x2).
- 3) Remove the Filter Duct and the Left Hand Exhaust Fan at the same time.



(Figure 4) j0bn40761

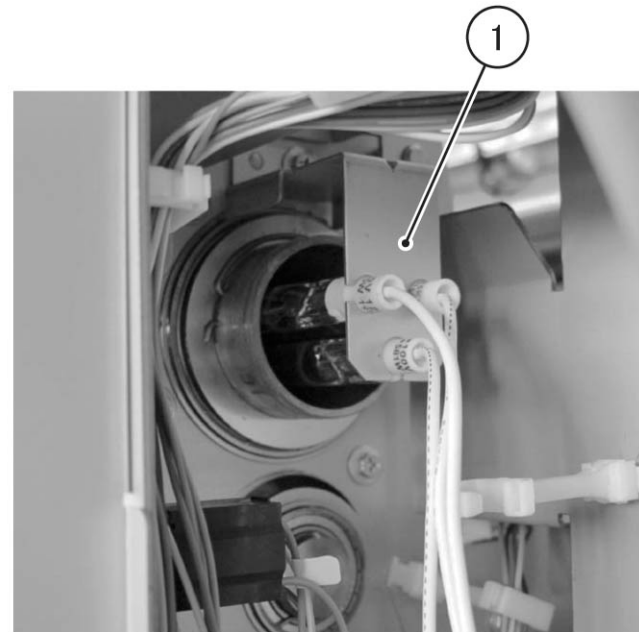
7. Remove the Lamp Bracket at the Left side. (Figure 5)
  - 1) Disconnect the connector (x3).
  - 2) Release the clamp to remove the Wire Harness (x3).
  - 3) Remove the screws.
  - 4) Remove the Lamp Bracket.



j0bn40703

(Figure 5) j0bn40703

8. Remove the Heater Rod (x3) from the Lamp Bracket at the Right side. (Figure 6)
  - 1) Remove the Heater Rod (x3) from the Lamp Bracket.

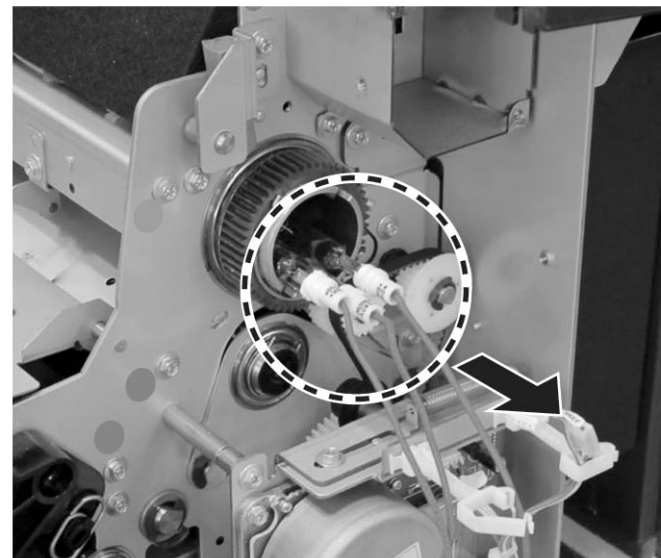


j0bn40704

(Figure 6) j0bn40704

9. Remove the Heater Rod (x3) from the Left side. (Figure 7)

**⚠ WARNING**  
To prevent burn injuries, remove carefully.



j0bn40705

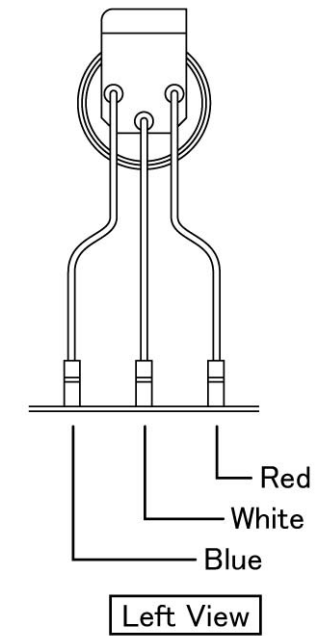
(Figure 7) j0bn40705

### Installation

#### Procedure

To install, carry out the removal steps in reverse order.

**Note** Install the Heater Rod (x3) at the positions shown in the following figure. (Figure 8)



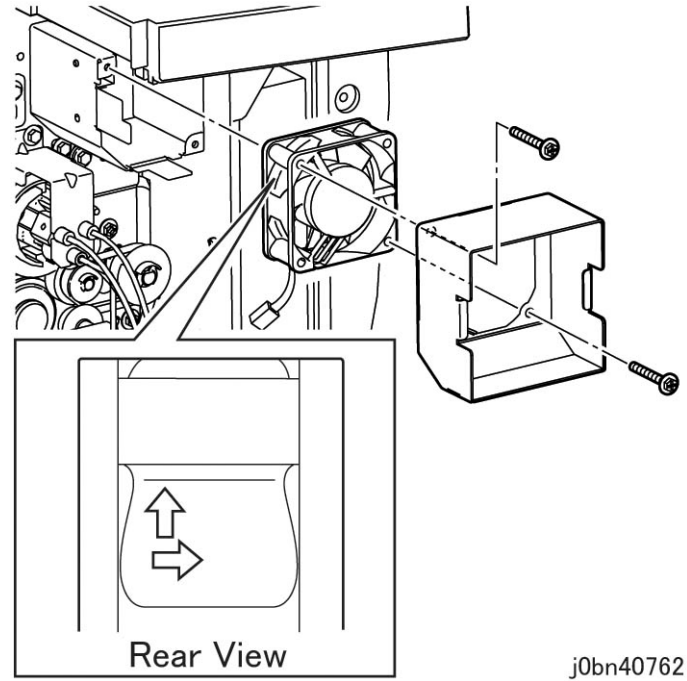
j0ry40705

(Figure 8) j0ry40705

**Reference** The Heater Rods do not have a difference between Right and Left sides and can be installed at opposite side.



**Note** Install the Left Hand Exhaust Fan in the direction shown in the following figure. (Figure 9)



(Figure 9) j0bn40762

## REP7.1.2 (SCC) Fusing Drive Motor

Reference PL: PL7.1

### Removal

**⚠ WARNING**  
Because of high temperature, perform the following procedures only after the parts cool down enough.

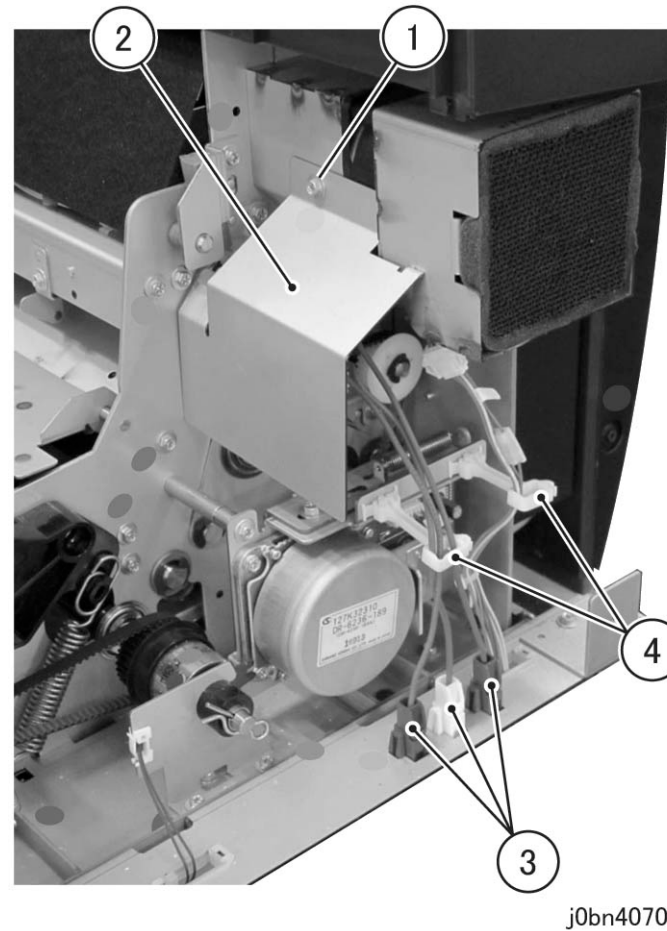
**⚠ WARNING**  
Turn OFF the power and the breaker, then unplug the power plug to prevent electric shock.

### Procedure

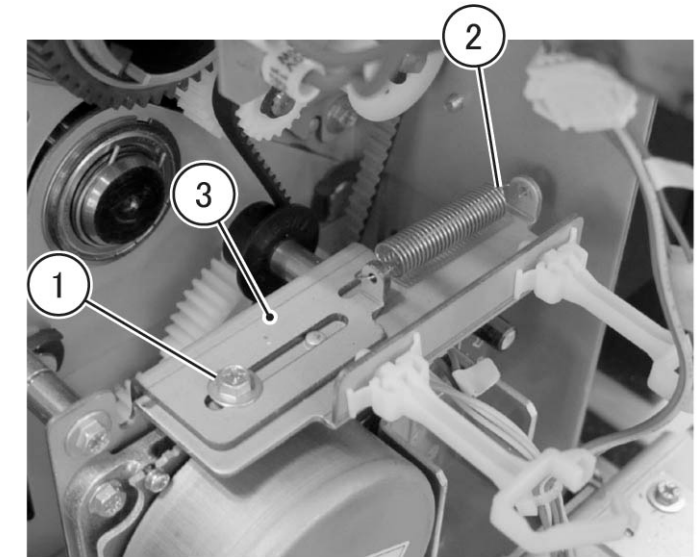
1. Remove the Left Upper Cover. (REP9.3.1)

2. Disconnect the Left Inner Cover and Heater Rod connector. (Figure 1)
  - 1) Remove the screw.
  - 2) Remove the Left Inner Cover.
  - 3) Disconnect the connector (x3).
  - 4) Release the clamp (x2) to remove the Wire Harness (x4).

3. Remove the Tension Bracket. (Figure 2)
  - 1) Remove the screw.
  - 2) Remove the hook of the Tension Spring.
  - 3) Remove the Tension Bracket.



(Figure 1) j0bn40706

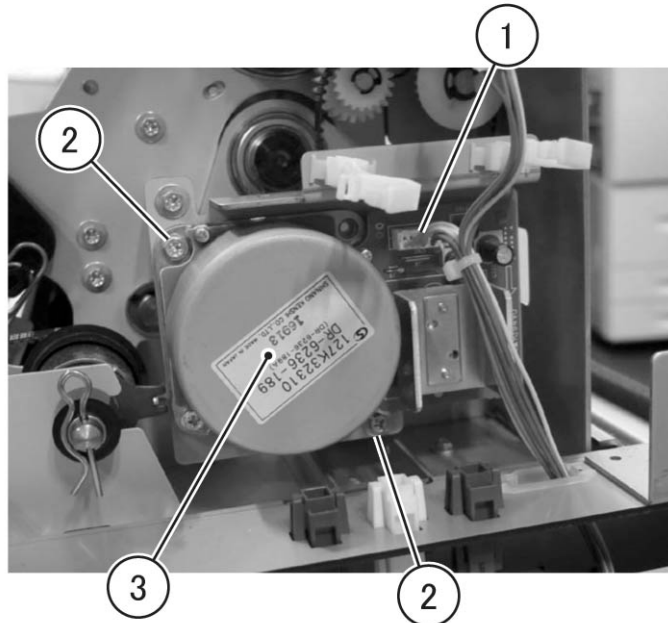


j0bn40707

(Figure 2) j0bn40707

4. Remove the Fusing Drive Motor. (Figure 3)

- 1) Disconnect the connector.
- 2) Remove the screw (x2).
- 3) Remove the Fusing Drive Motor.



j0bn40708

(Figure 3) j0bn40708

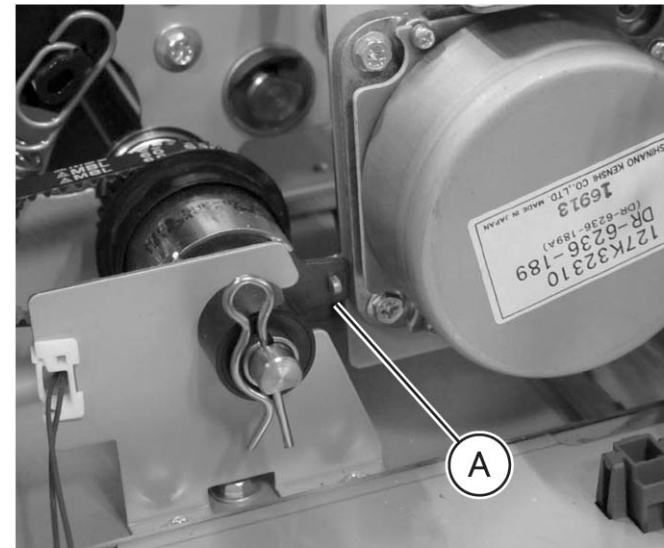
**Installation**

Procedure

To install, carry out the removal steps in reverse order.

**Note** When installing the Fusing Drive Motor, insert and set the Tab (protrusion) of the Fusing Drive Motor into the U-Groove of the Manual Feed Clutch. (Figure 4)

A) U-Groove of the Manual Feed Clutch



j0bn40709

(Figure 4) j0bn40709

## REP7.2.1 Heat Roll

Reference PL: PL7. 2

### Removal

**⚠ WARNING**  
Because of high temperature, perform the following procedures only after the parts cool down enough.

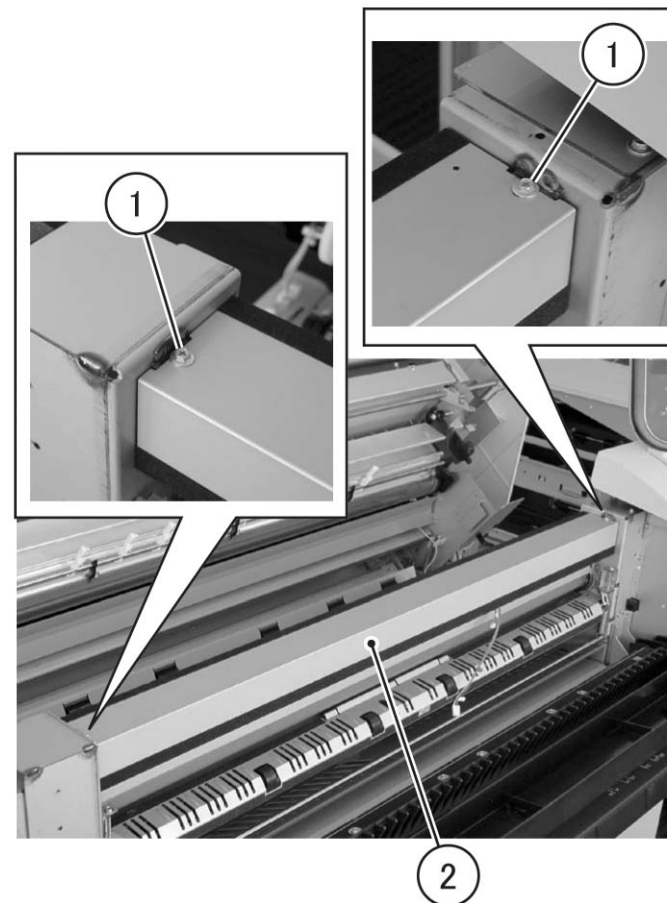
**⚠ WARNING**  
Turn OFF the power and the breaker, then unplug the power plug to prevent electric shock.

### Procedure

1. Remove the Right Upper Cover. (REP9.2.1)
2. Remove the Left Upper Cover. (REP9.3.1)
3. Remove the Toner Bottle. (PL 6.1)
4. Remove the Document Shelf. (REP9.2.4)
5. Remove the Heater Rod (Center/Side/Sub). (REP7.1.1)
6. Remove the Upper Exit Baffle Assembly. (REP7.3.1)

### 7. Remove the Upper Duct. (Figure 1)

- 1) Remove the screw (x2).
- 2) Remove the Upper Duct.

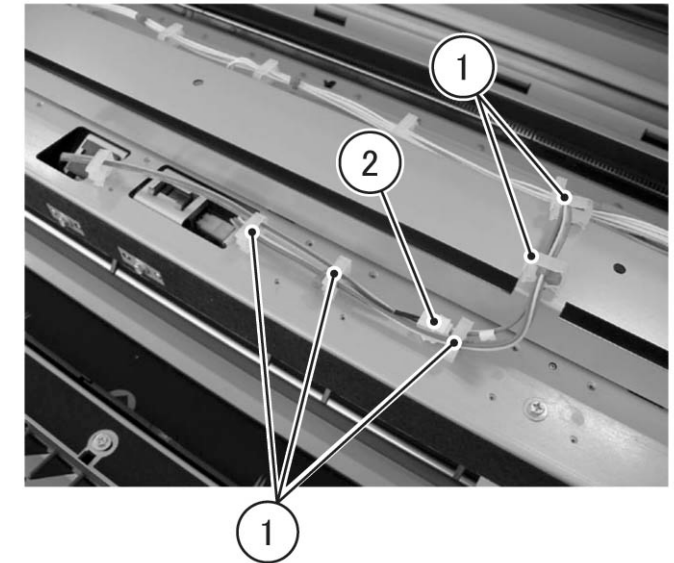


j0bn40710

(Figure 1) j0bn40710

### 8. Release the clamp (x5) to remove the Wire Harness. (Figure 2)

- 1) Release the clamp (x5) to remove the Wire Harness.
- 2) Disconnect the connector.



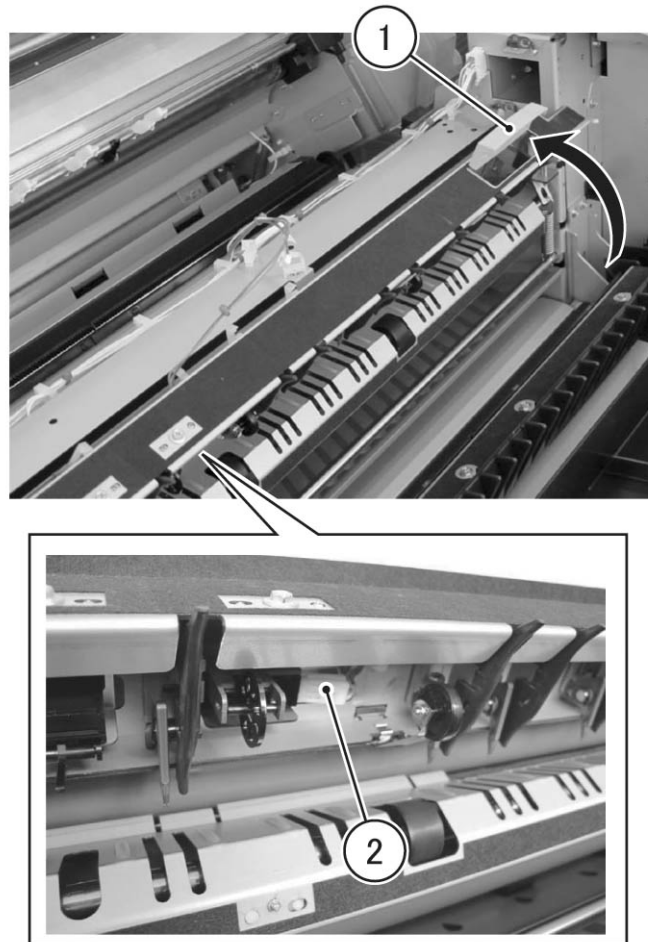
j0bn40711

(Figure 2) j0bn40711

9. Lift the Upper Exit Baffle and disconnect the connector of the Exit Motion Sensor. (Figure 3)

**⚠ CAUTION**  
 When disconnecting the connector, take extra care not to touch the Strip Finger etc. to prevent injury.

- 1) Lift the Upper Exit Baffle.
- 2) Disconnect the connector.

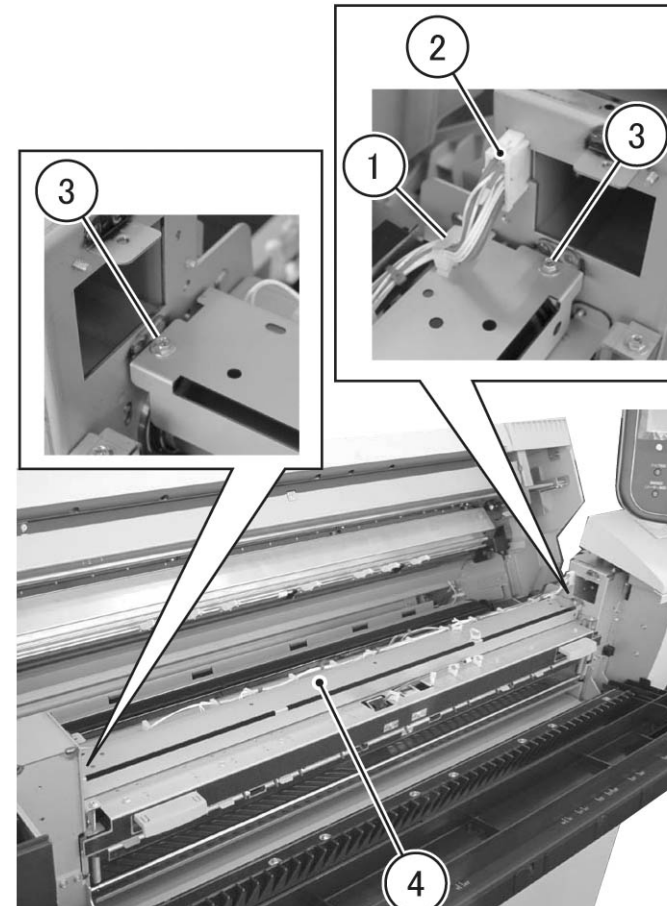


j0bn40712

(Figure 3) j0bn40712

10. Remove the Lower Duct. (Figure 4)

- 1) Release the clamp to remove the Wire Harness.
- 2) Disconnect the connector.
- 3) Remove the screw (x2).
- 4) Remove the Lower Duct.

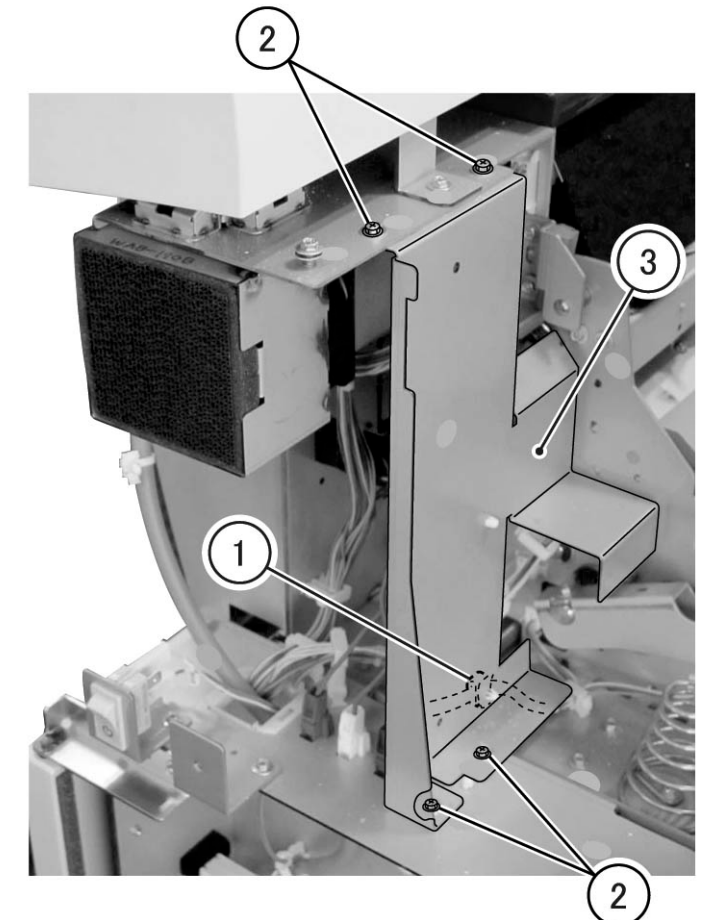


j0bn40713

(Figure 4) j0bn40713

11. Remove the Right Inner Cover. (Figure 3)

- 1) Release the clamp to remove the Wire Harness.
- 2) Remove the screw (x4).
- 3) Remove the Right Inner Cover.

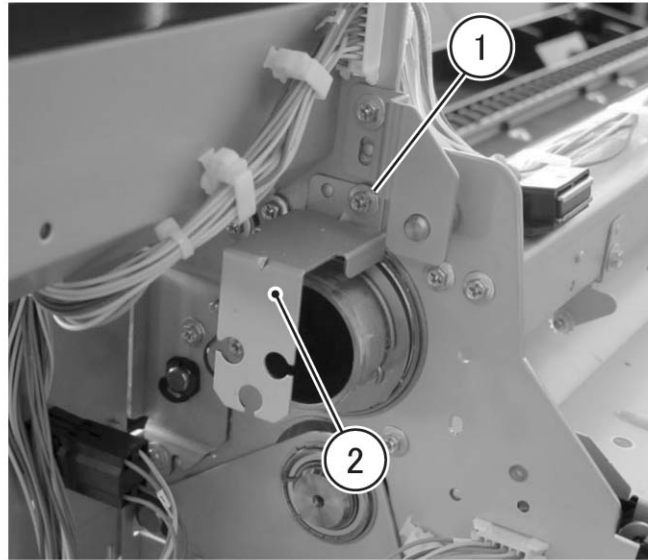


j0bn40230

(Figure 3) j0bn40230

12. Remove the Lamp Bracket at the Right side. (Figure 4)

- 1) Remove the screw.
- 2) Remove the Lamp Bracket.

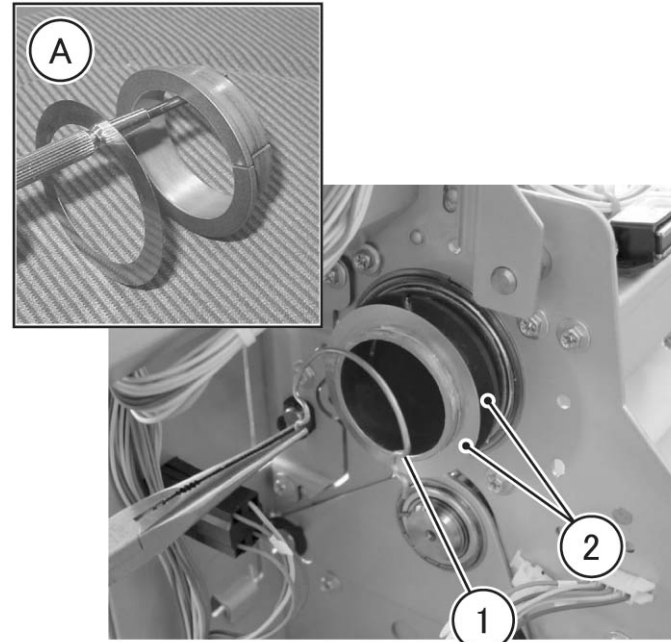


j0bn40714

(Figure 4) j0bn40714

13. Remove the Bearing Collar at the Right side of the Heat Roll. (Figure 5)

- 1) Remove the Heat Roll Ring.
  - 2) Remove the collar and Bearing Collar.
- A) The removed collar and Bearing Collar

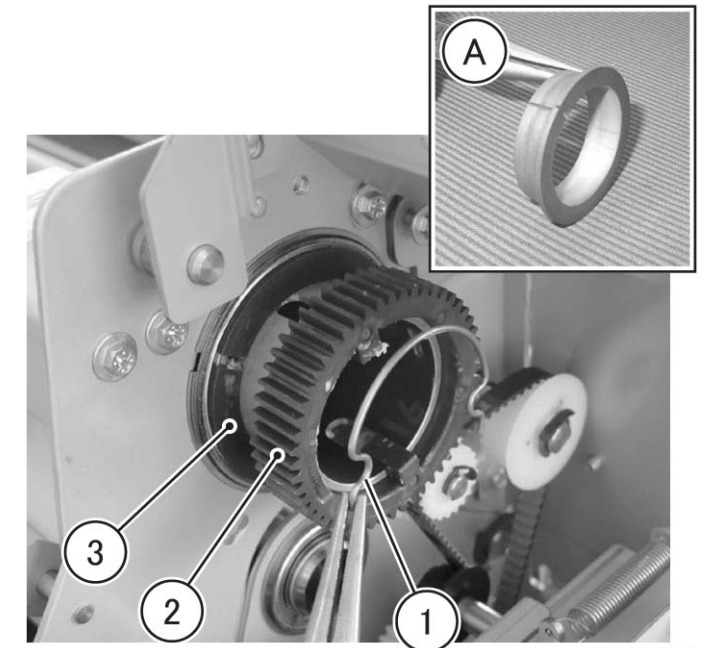


j0bn40715

(Figure 5) j0bn40715

14. Remove the Bearing Collar at the Left side of the Heat Roll. (Figure 6)

- 1) Remove the Heat Roll Ring.
  - 2) Remove the Heat Roll Gear. Remove the Heat Roll Gear.
  - 3) Remove the Bearing Collar.
- A) The removed Bearing Collar



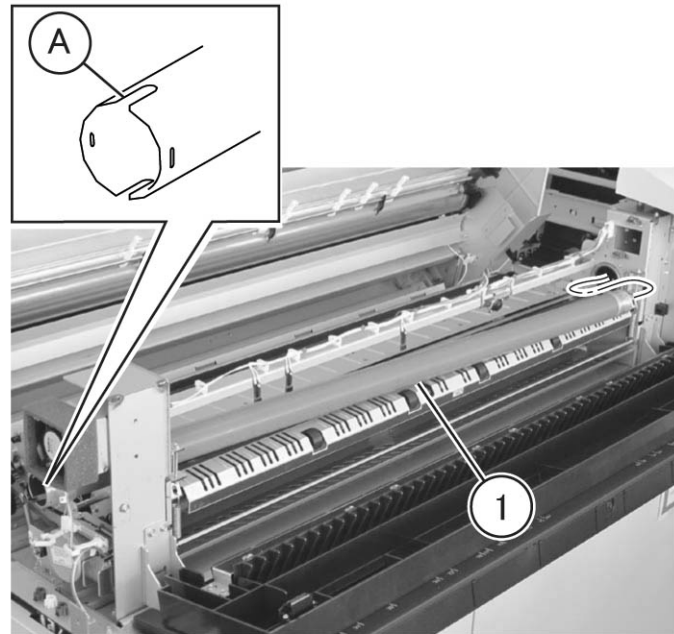
j0bn40716

(Figure 6) j0bn40716

15. Remove the Heat Roll. (Figure 7)

1) Remove the Heat Roll.

A) Installation Precautions: Notch on Left side



j0bn40717

(Figure 7) j0bn40717

**Installation**

Procedure

To install, carry out the removal steps in reverse order.

## REP7.2.2 Pressure Roll

Reference PL: PL7.2

### Removal

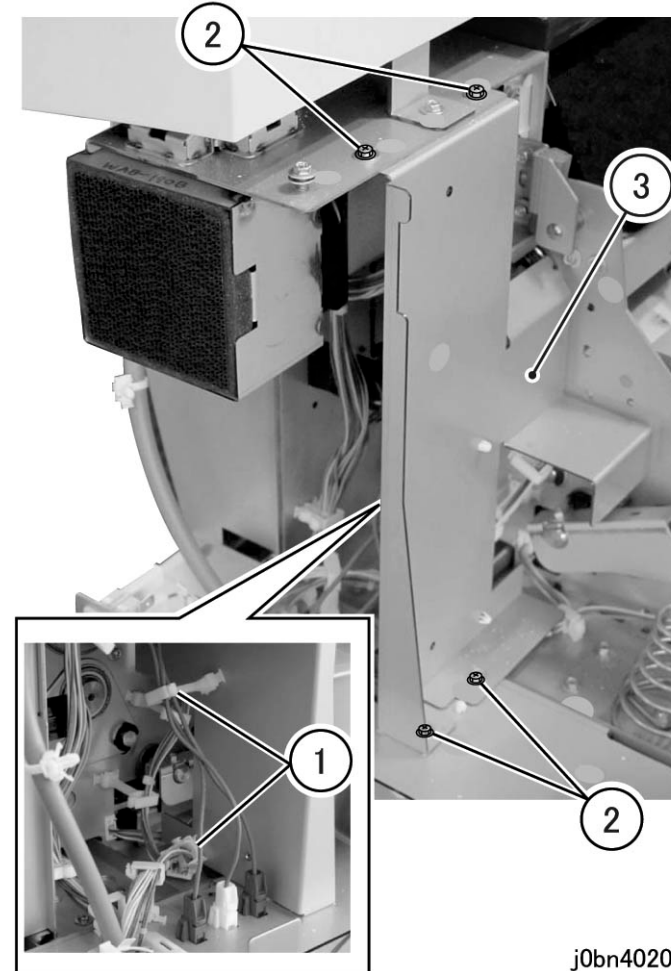
**⚠ WARNING**  
Because of high temperature, perform the following procedures only after the parts cool down enough.

**⚠ WARNING**  
Turn OFF the power and the breaker, then unplug the power plug to prevent electric shock.

### Procedure

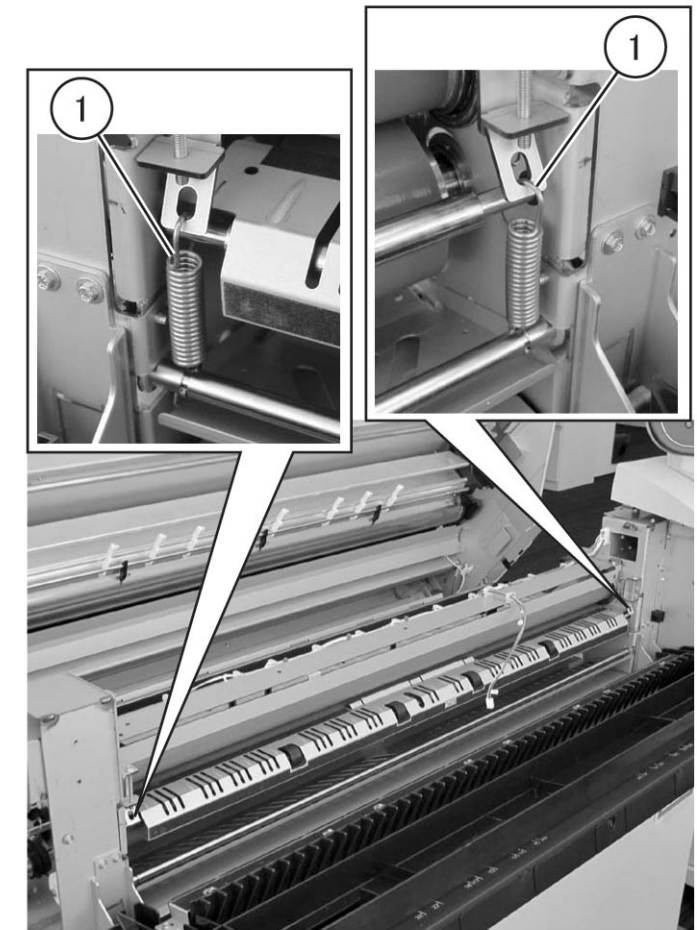
1. Remove the Right Upper Cover. (REP9.2.1)
2. Remove the Left Upper Cover. (REP9.3.1)
3. Remove the Toner Bottle. (PL 6.1)
4. Remove the Fusing Drive Motor. (REP7.1.2)
5. Remove the Upper Exit Baffle Assembly. (REP7.3.1)

6. Remove the Right Inner Cover. (Figure 1)
  - 1) Release the clamp (x2) to remove the Wire Harness.
  - 2) Remove the screw (x4).
  - 3) Remove the Right Inner Cover.



(Figure 1) j0bn40202

7. Remove the Nip Spring.
  - 1) Use the Tool (Spring Release) to remove the Nip Spring (x2).

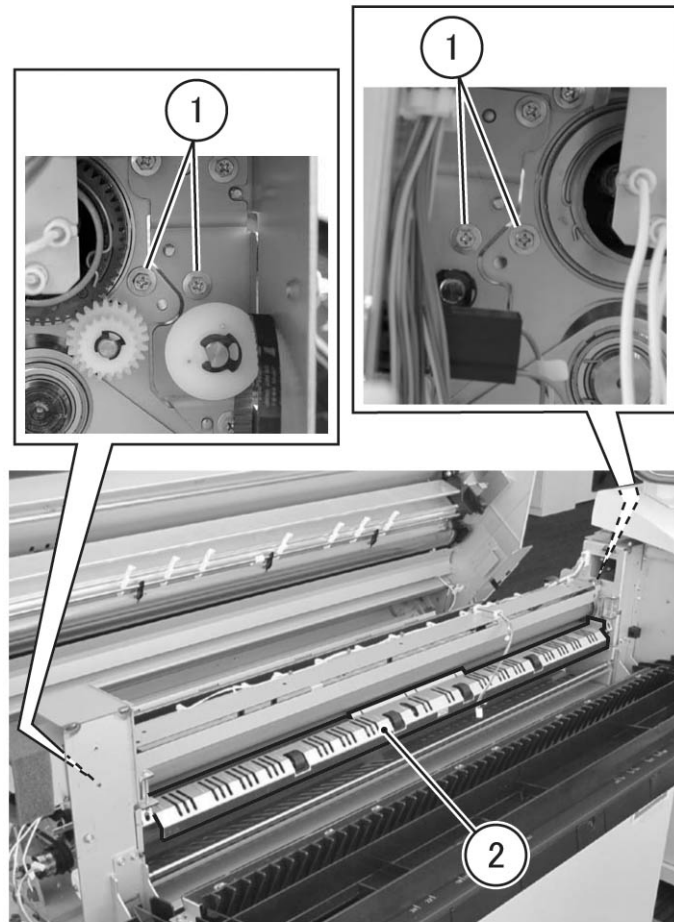


(Figure 2) j0bn40718



8. Remove the Lower Exit Chute. (Figure 3)

- 1) Remove the screw (x4).
- 2) Remove the Lower Exit Chute.

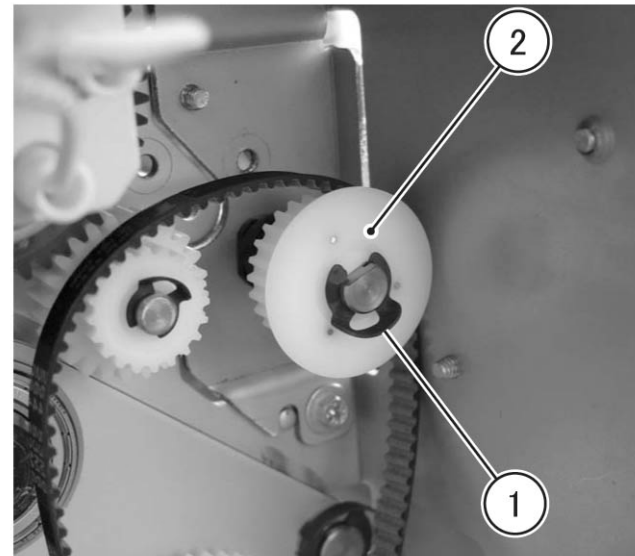


j0bn40719

(Figure 3) j0bn40719

9. Remove the pulley on the Left side of the Fusing Exit Roll. (Figure 4)

- 1) Remove the KL-Clip.
- 2) Remove the pulley.

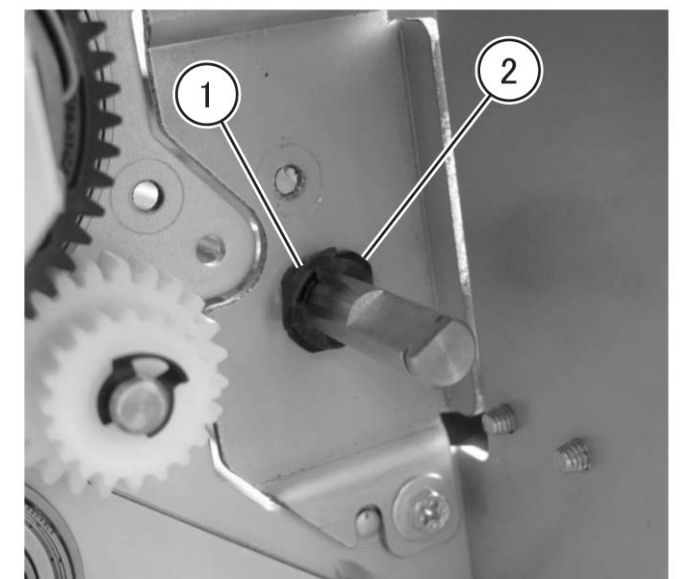


j0bn40720

(Figure 4) j0bn40720

10. Remove the Plastic Sleeve Bearing of the Fusing Exit Roll. (Figure 5)

- 1) Remove the KL-Clip.
- 2) Remove the Plastic Sleeve Bearing.

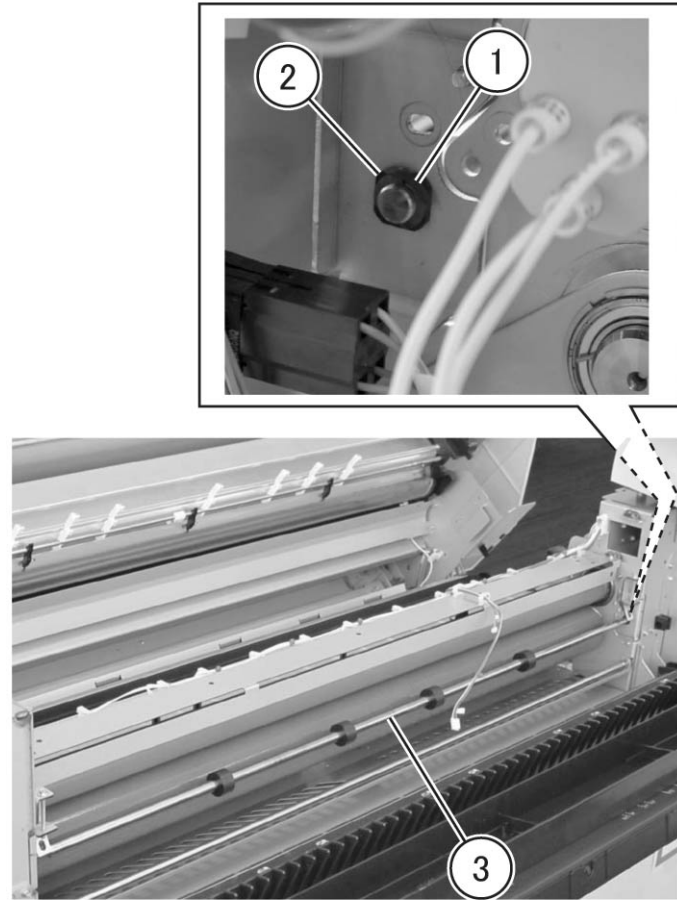


j0bn40721

(Figure 5) j0bn40721

11. Remove the Fusing Exit Roll. (Figure 6)

- 1) Remove the KL-Clip.
- 2) Remove the Plastic Sleeve Bearing.
- 3) Remove the Fusing Exit Roll.

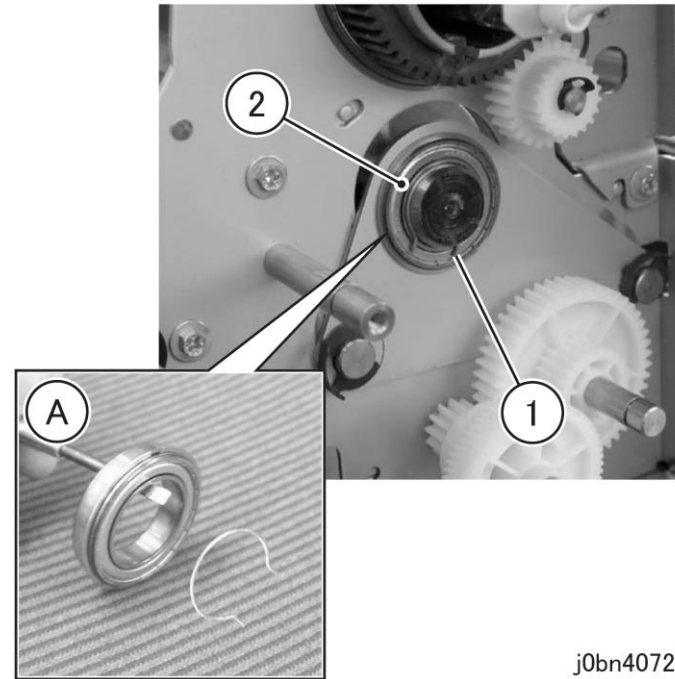


j0bn40722

(Figure 6) j0bn40722

12. Remove the Pressure Roll Ball Bearing at the Left side of the Pressure Roll. (Figure 7)

- 1) Remove the Pressure Roll Ring.
  - 2) Remove the Pressure Roll Ball Bearing.
- A) The removed Pressure Roll Ring and Pressure Roll Ball Bearing.

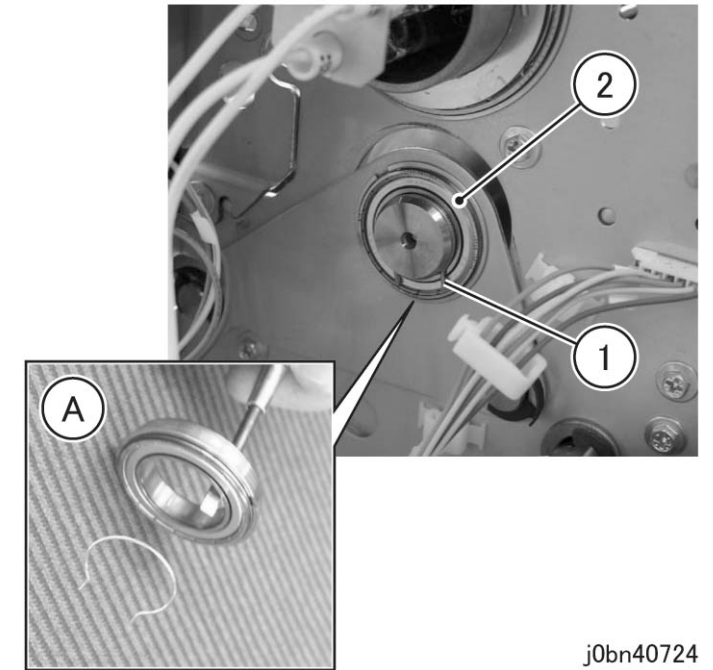


j0bn40723

(Figure 7) j0bn40723

13. Remove the Pressure Roll Ball Bearing at the Right side in the same way. (Figure 8)

- 1) Remove the Pressure Roll Ring.
  - 2) Remove the Pressure Roll Ball Bearing.
- A) The removed Pressure Roll Ring and Pressure Roll Ball Bearing.

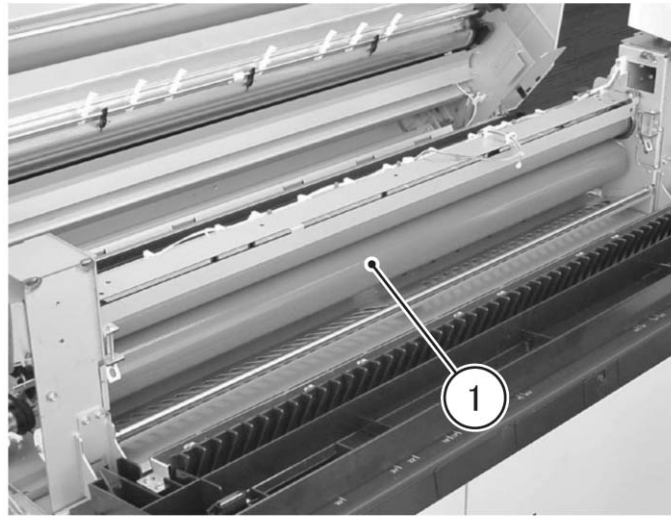


j0bn40724

(Figure 8) j0bn40724

14. Remove the Pressure Roll. (Figure 9)

- 1) Remove the Pressure Roll.



j0bn40725

(Figure 9) j0bn40725

**Installation**

Procedure

To install, carry out the removal steps in reverse order.

## REP7.3.1 Upper Exit Baffle Assembly

Reference PL: PL7.3

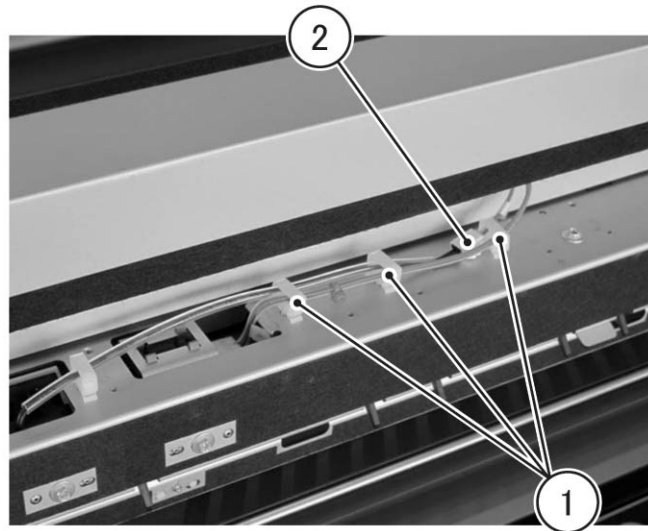
### Removal

**⚠ WARNING**  
Because of high temperature, perform the following procedures only after the parts cool down enough.

**⚠ WARNING**  
Turn OFF the power and the breaker, then unplug the power plug to prevent electric shock.

### Procedure

1. Remove the Document Shelf. (REP9.2.4)
2. Remove the Left Upper Cover. (REP9.3.1)
3. Disconnect the Upper Exit Baffle Assembly connector. (Figure 1)
  - 1) Release the clamp (x3) to remove the Wire Harness.
  - 2) Disconnect the connector.



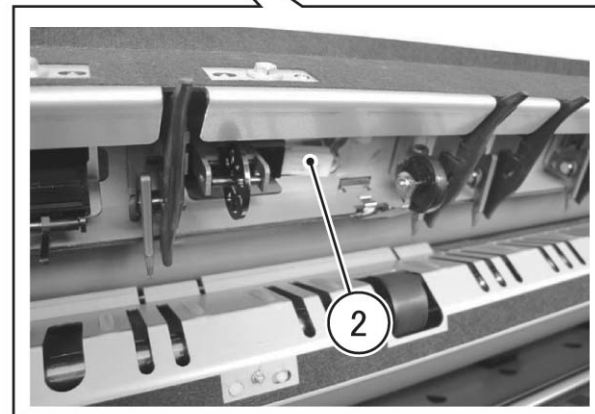
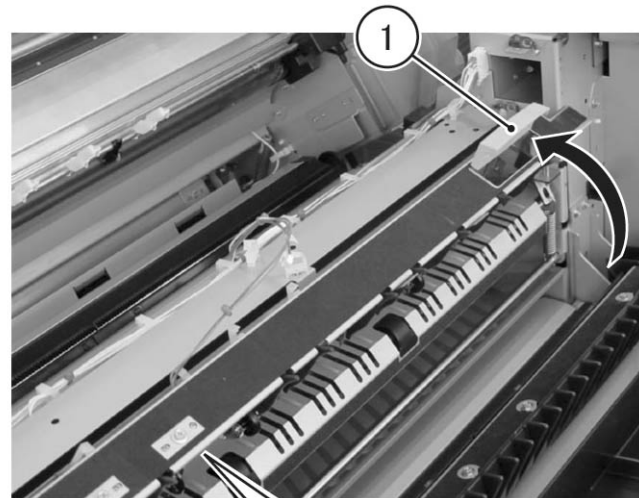
j0bn40726

(Figure 1) j0bn40726

4. Lift the Upper Exit Baffle Assembly and disconnect the connector of the Exit Motion Sensor. (Figure 3)

**⚠ CAUTION**  
When disconnecting the connector, take extra care not to touch the Strip Finger etc. to prevent injury.

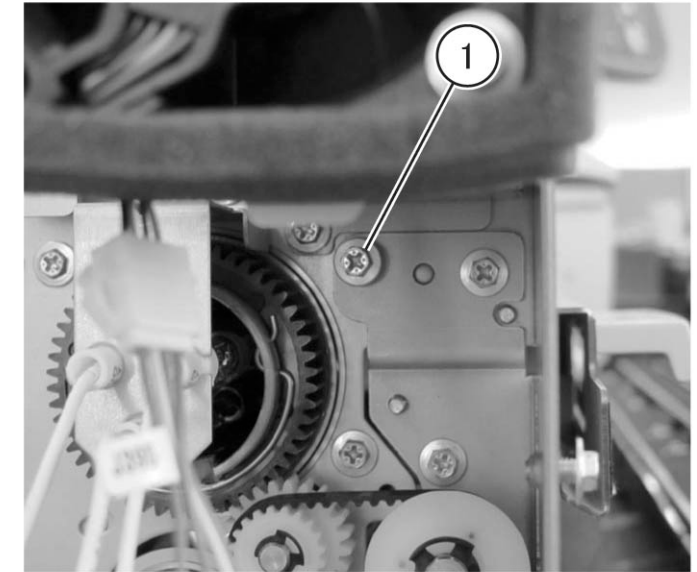
- 1) Lift the Upper Exit Baffle Assembly.
- 2) Disconnect the connector.



j0bn40712

(Figure 2) j0bn40712

5. Remove the screws on the Left side of the Upper Exit Baffle Assembly. (Figure 2)
  - 1) Remove the screw.



j0bn40727

(Figure 2) j0bn40727

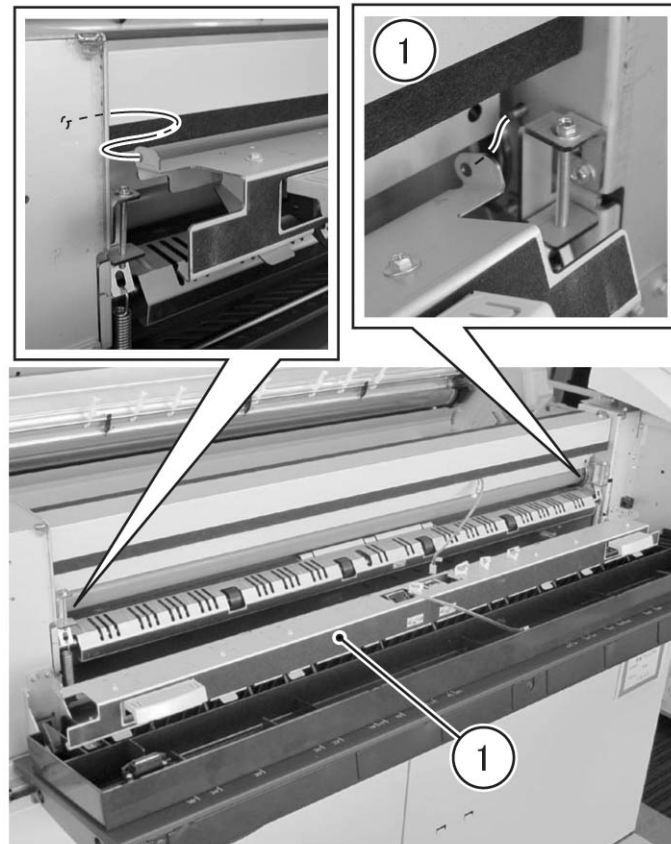
6. Remove the Upper Exit Baffle Assembly. (Figure 3)



**CAUTION**

When removing the Upper Exit Baffle, take extra care not to touch the Strip Finger etc. to prevent injury.

- 1) Remove the Upper Exit Baffle Assembly from the thread of the screw.



j0bn40728

(Figure 3) j0bn40728

**Installation**

Procedure

To install, carry out the removal steps in reverse order.

## REP7.3.2 Heat Roll Thermistor 1, 2, 3, 4

Reference PL: PL7.3

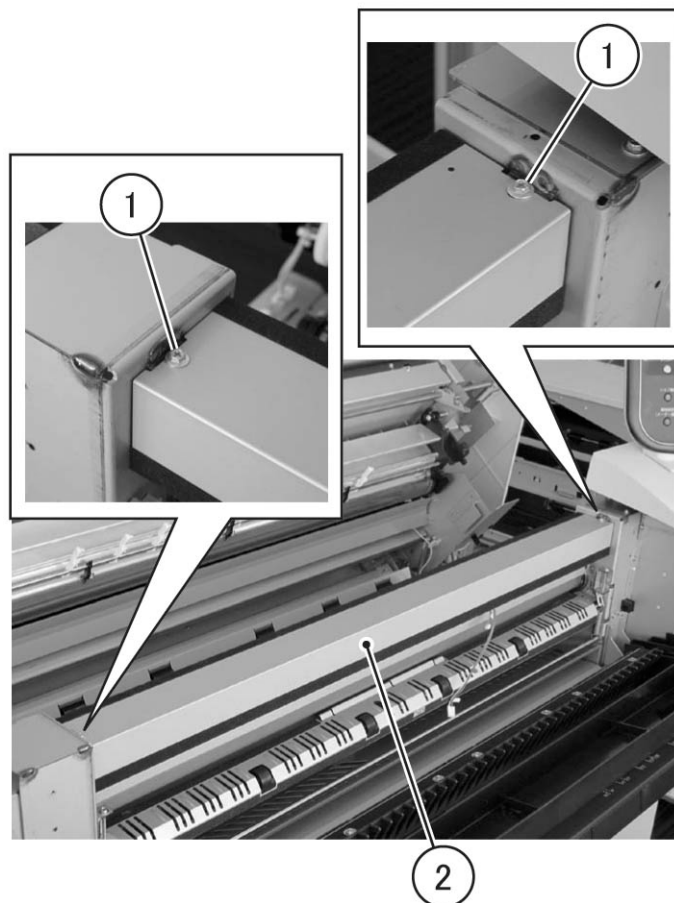
### Removal

**⚠ WARNING**  
Because of high temperature, perform the following procedures only after the parts cool down enough.

**⚠ WARNING**  
Turn OFF the power and the breaker, then unplug the power plug to prevent electric shock.

### Procedure

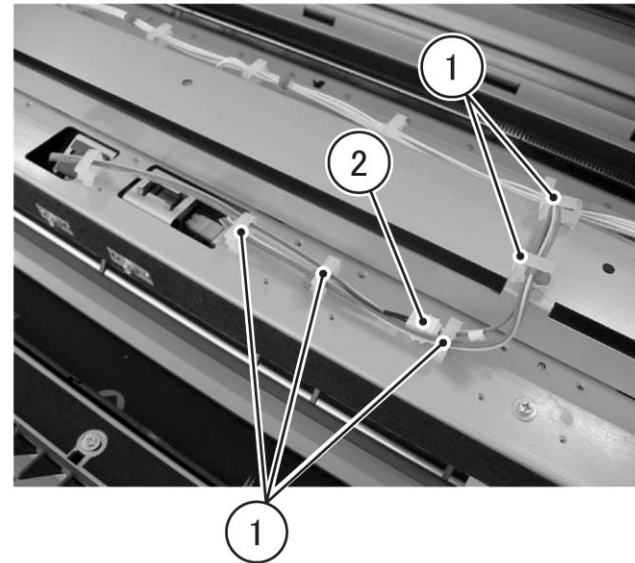
1. Remove the Document Shelf. (REP9.2.4)
2. Remove the Upper Duct. (Figure 1)
  - 1) Remove the screw (x2).
  - 2) Remove the Upper Duct.



j0bn40710

(Figure 1) j0bn40710

3. Release the clamp (x5) to remove the Wire Harness. (Figure 2)
  - 1) Release the clamp (x5) to remove the Wire Harness.
  - 2) Disconnect the connector.



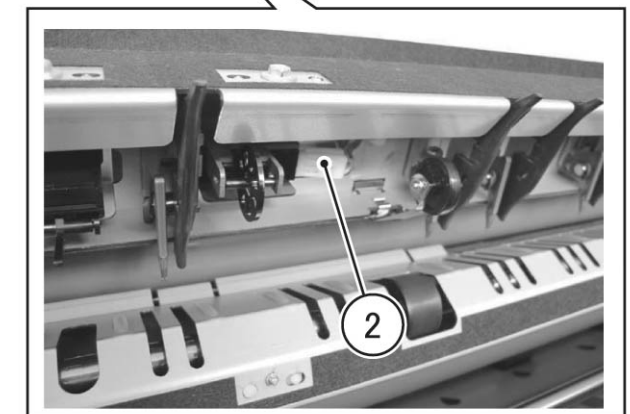
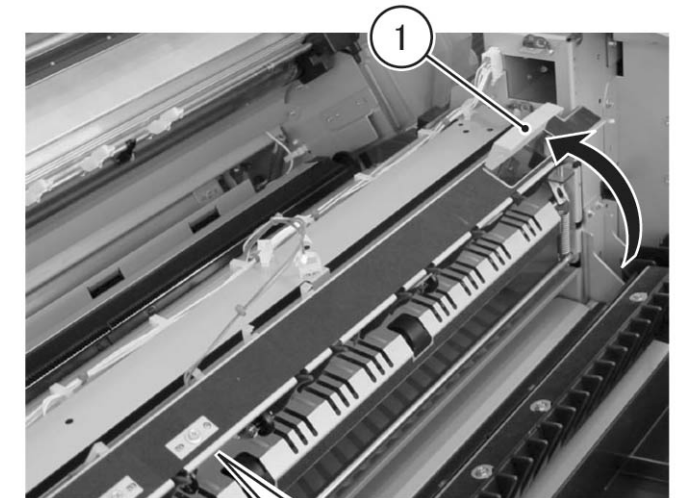
j0bn40711

(Figure 2) j0bn40711

4. Lift the Upper Exit Baffle and disconnect the connector of the Exit Motion Sensor. (Figure 3)

**⚠ CAUTION**  
When disconnecting the connector, take extra care not to touch the Strip Finger etc. to prevent injury.

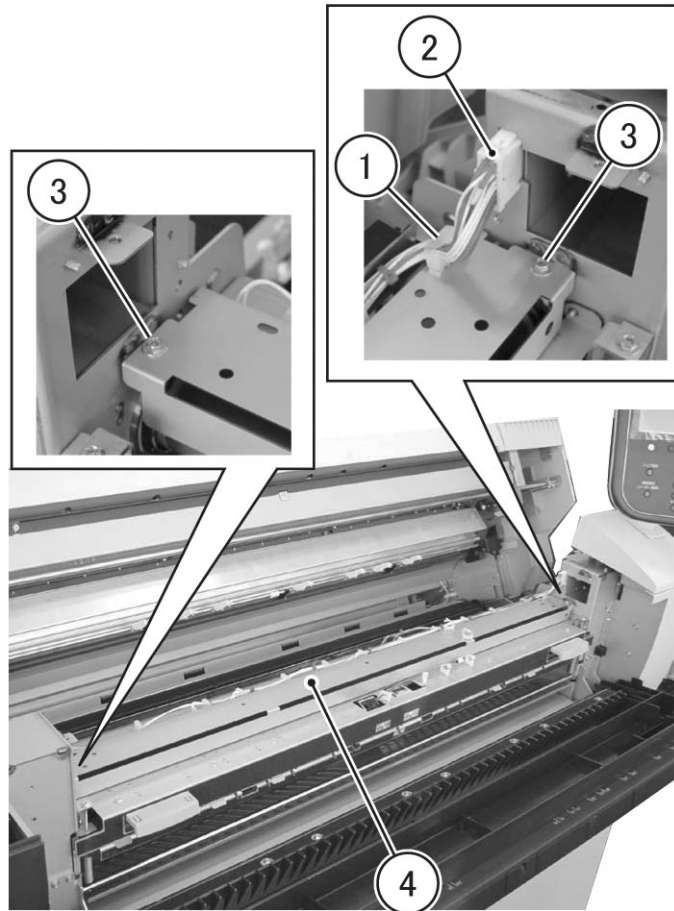
- 1) Lift the Upper Exit Baffle.
- 2) Disconnect the connector.



j0bn40712

(Figure 3) j0bn40712

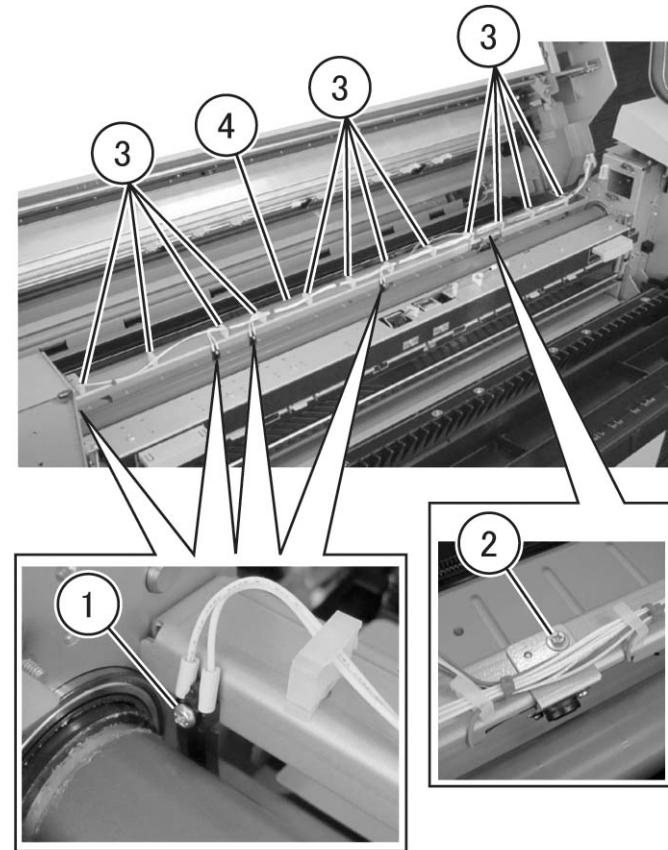
5. Remove the Lower Duct. (Figure 4)
  - 1) Release the clamp to remove the Wire Harness.
  - 2) Disconnect the connector.
  - 3) Remove the screw (x2).
  - 4) Remove the Lower Duct.



j0bn40713

(Figure 4) j0bn40713

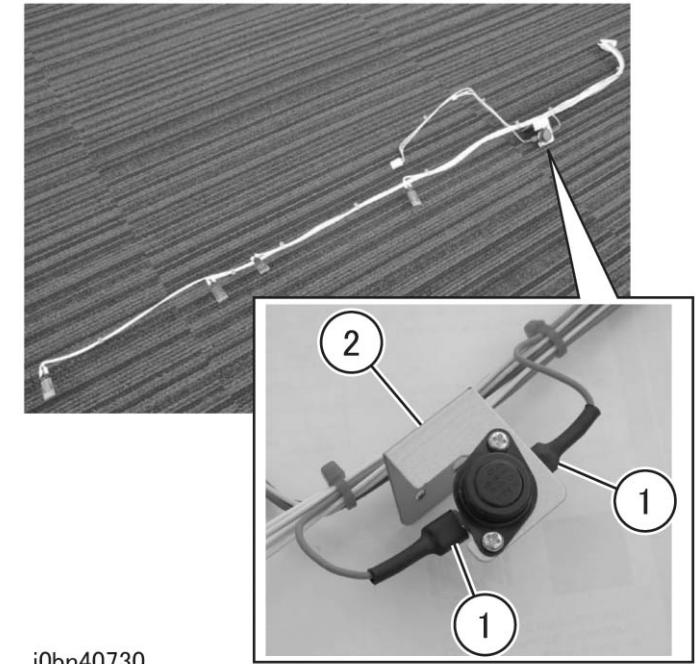
6. Remove the Heat Roll Thermistor 1, 2, 3, and 4. (Figure 4)
  - 1) Remove the screw (x4).
  - 2) Remove the screw.
  - 3) Release the clamp (x12) and remove the Heat Roll Thermistor 1, 2, 3, and 4.
  - 4) Remove the Heat Roll Thermistor 1, 2, 3, and 4.



j0bn40729

(Figure 4) j0bn40729

7. When replacing the Heat Roll Thermistor 1, 2, 3, and 4, remove the Thermostat from the Heat Roll Thermistor 1, 2, 3, and 4.
  - 1) Remove the Faston Terminal (x2) connected to the Thermostat.
  - 2) Remove the Thermostat.



j0bn40730

(Figure 5) j0bn40730

### Installation

#### Procedure

To install, carry out the removal steps in reverse order.

### REP7.3.3 Thermostat

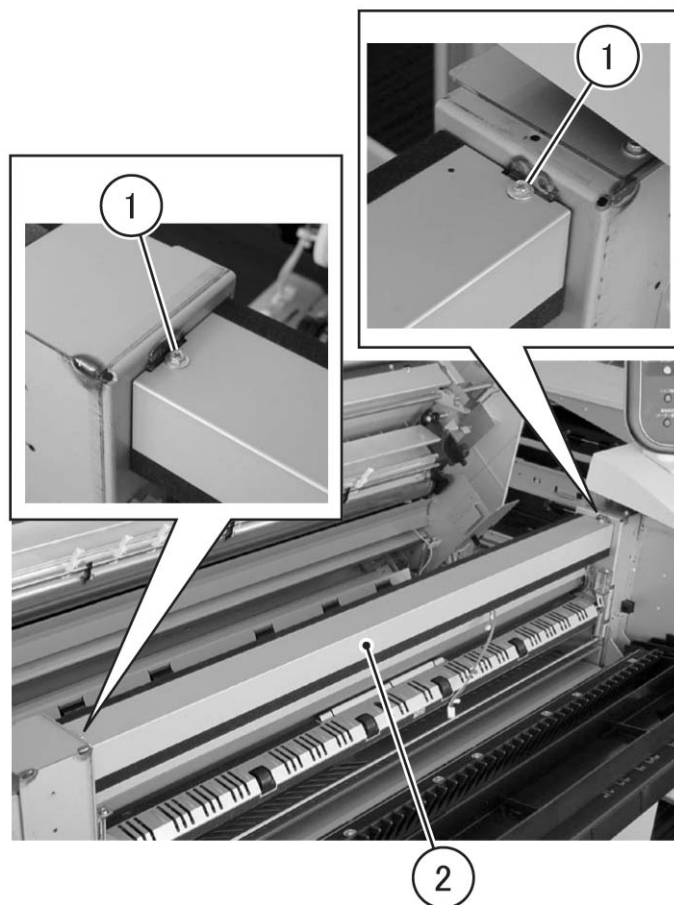
Reference PL: PL7.3

#### Removal

**⚠ WARNING**  
Turn OFF the power and the breaker, then unplug the power plug to prevent electric shock.

#### Procedure

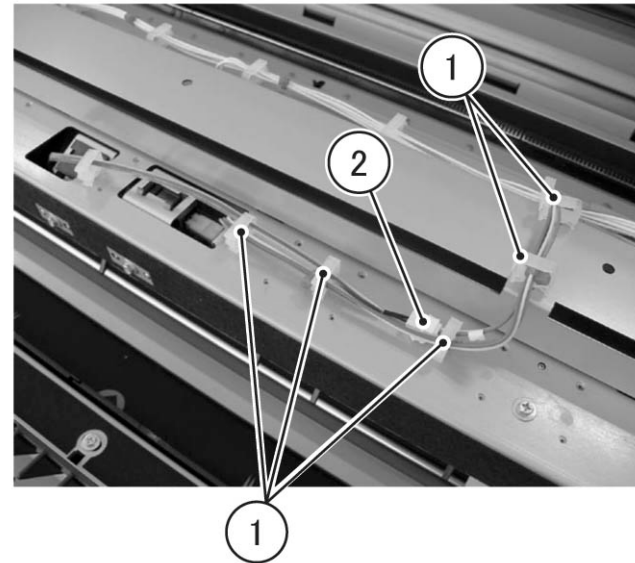
1. Remove the Document Shelf. (REP9.2.4)
2. Remove the Upper Duct. (Figure 1)
  - 1) Remove the screw (x2).
  - 2) Remove the Upper Duct.



j0bn40710

(Figure 1) j0bn40710

3. Release the clamp (x5) to remove the Wire Harness. (Figure 2)
  - 1) Release the clamp (x5) to remove the Wire Harness.
  - 2) Disconnect the connector.



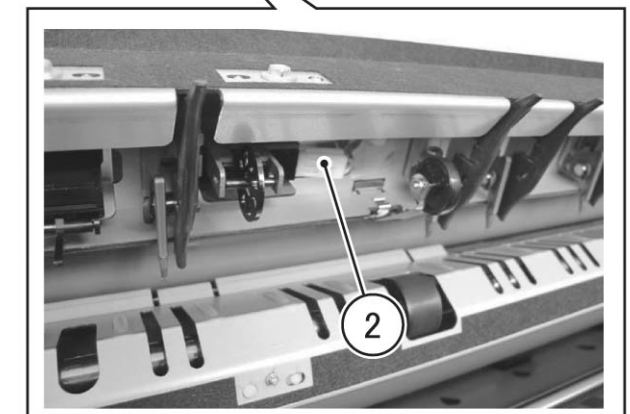
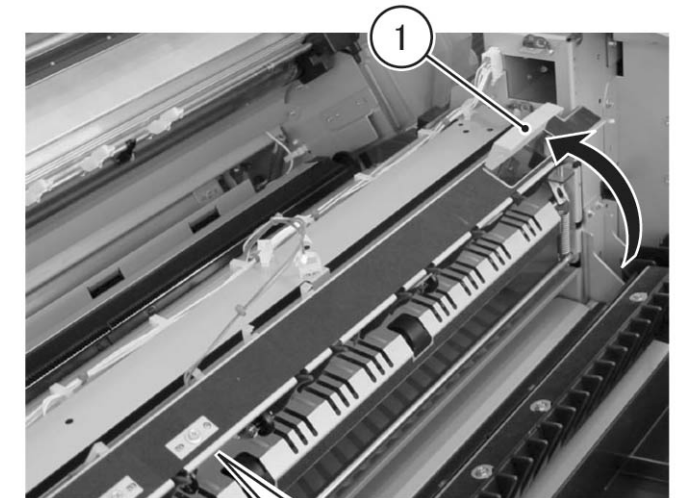
j0bn40711

(Figure 2) j0bn40711

4. Lift the Upper Exit Baffle and disconnect the connector of the Exit Motion Sensor. (Figure 3)

**⚠ CAUTION**  
When disconnecting the connector, take extra care not to touch the Strip Finger etc. to prevent injury.

- 1) Lift the Upper Exit Baffle.
- 2) Disconnect the connector.

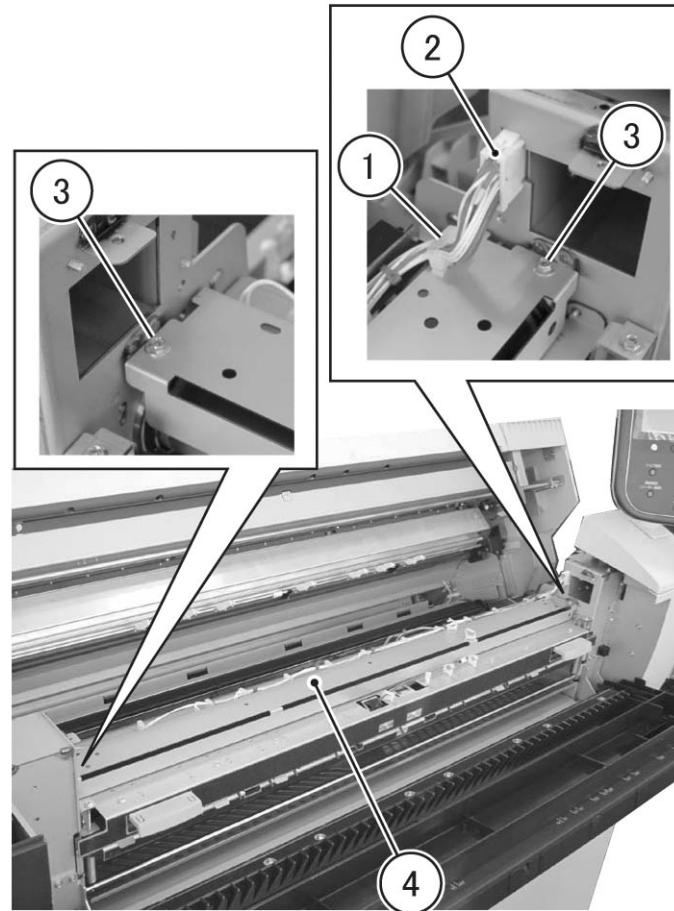


j0bn40712

(Figure 3) j0bn40712



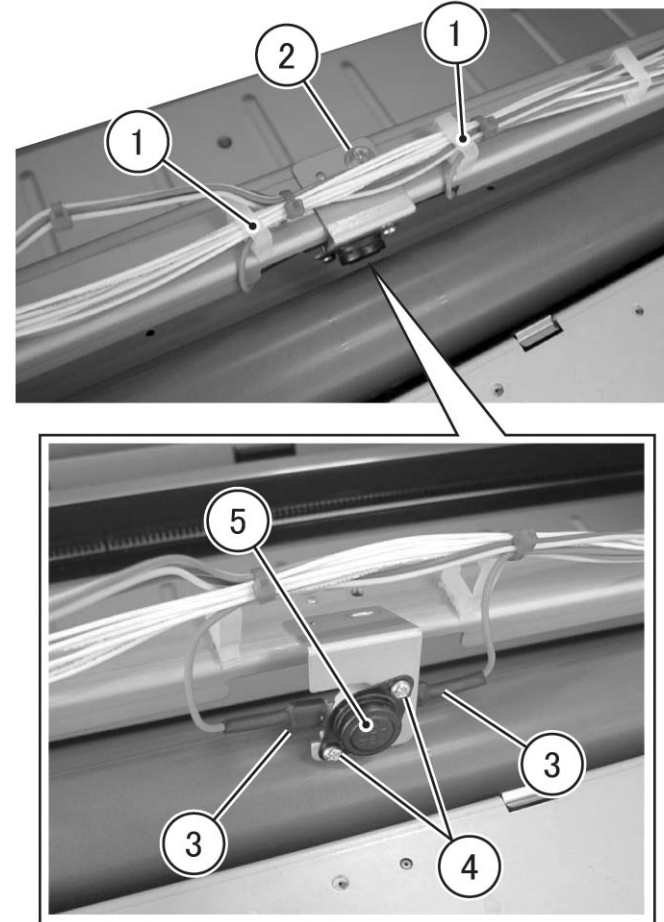
5. Remove the Lower Duct. (Figure 4)
  - 1) Release the clamp to remove the Wire Harness.
  - 2) Disconnect the connector.
  - 3) Remove the screw (x2).
  - 4) Remove the Lower Duct.



j0bn40713

(Figure 4) j0bn40713

6. Remove the Thermostat. (Figure 5)
  - 1) Release the clamp (x2) to remove the Wire Harness.
  - 2) Remove the screw.
  - 3) Disconnect the Faston (x2).
  - 4) Remove the screw (x2).
  - 5) Remove the Thermostat.



j0bn40731

(Figure 5) j0bn40731

### Installation

#### Procedure

To install, carry out the removal steps in reverse order.

## REP7.4.1 Strip Finger

Reference PL: PL7.4

### Removal

**⚠ WARNING**  
Because of high temperature, perform the following procedures only after the parts cool down enough.

**⚠ WARNING**  
Turn OFF the power and the breaker, then unplug the power plug to prevent electric shock.

**⚠ CAUTION**  
Since the tip of the Strip Finger is sharp, take extra care not to touch it to prevent injury.

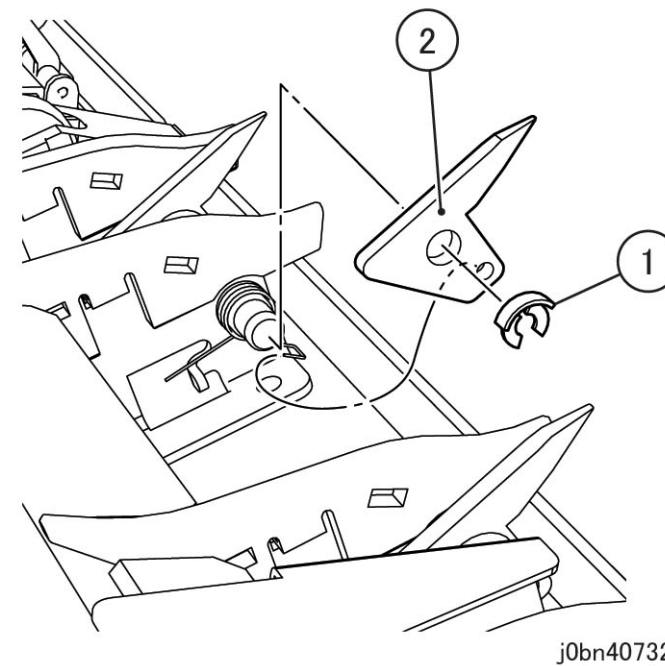
**Note** If the life of one of the parts has been exceeded, replace all 15 parts simultaneously.

### Procedure

1. Remove the Document Shelf. (REP9.2.4)
2. Remove the Left Upper Cover. (REP9.3.1)
3. Remove the Upper Exit Baffle Assembly. (REP7.3.1)
4. Turn the Upper Exit Baffle Assembly upside down.

### 5. Remove the Strip Finger. (Figure 1)

- 1) Remove the KL-Clip.
- 2) Remove the Strip Finger.



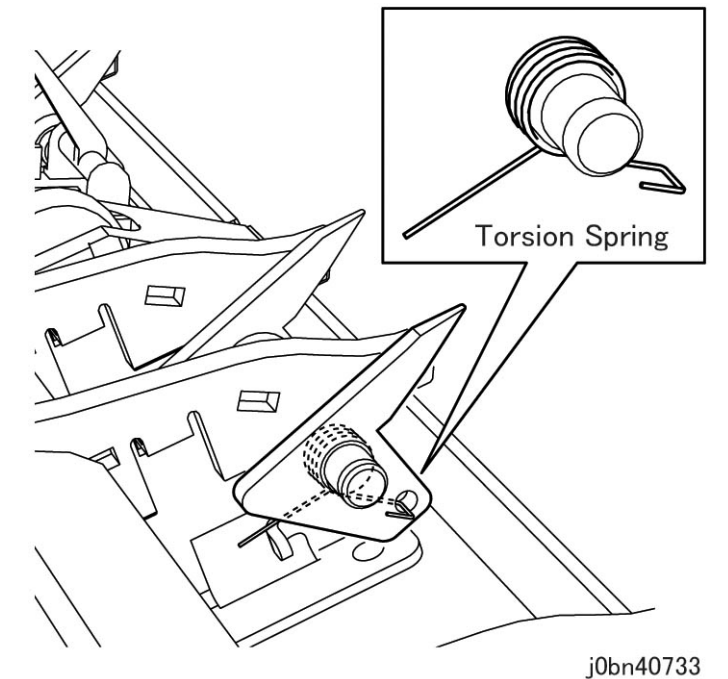
(Figure 1) j0bn40732

### Installation

#### Procedure

To install, carry out the removal steps in reverse order.

**Note** Install the Torsion Spring as shown in the figure. (Figure 2)



(Figure 2) j0bn40733

## 8. Electrical

### REP8.1.1 (SCC) IOT PWB

Reference PL: PL8.1

#### Removal

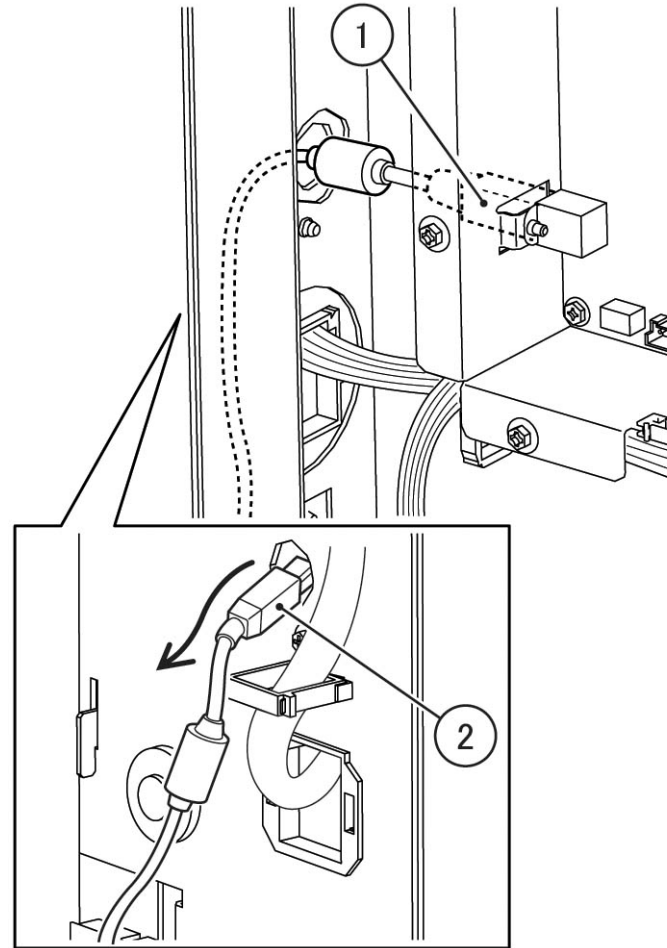
**⚠ WARNING**  
Turn OFF the power and the breaker, then unplug the power plug to prevent electric shock.

**⚠ CAUTION**  
Static electricity may damage electrical parts. Always wear a wrist strap to protect electrical parts from static damage. If a wrist strap is not available, touch some metallic parts before servicing to discharge the static electricity.

#### Procedure

1. Remove the Rear Lower Cover. (REP9.3.5)
2. Remove the Right Lower Cover. (REP9.2.3)

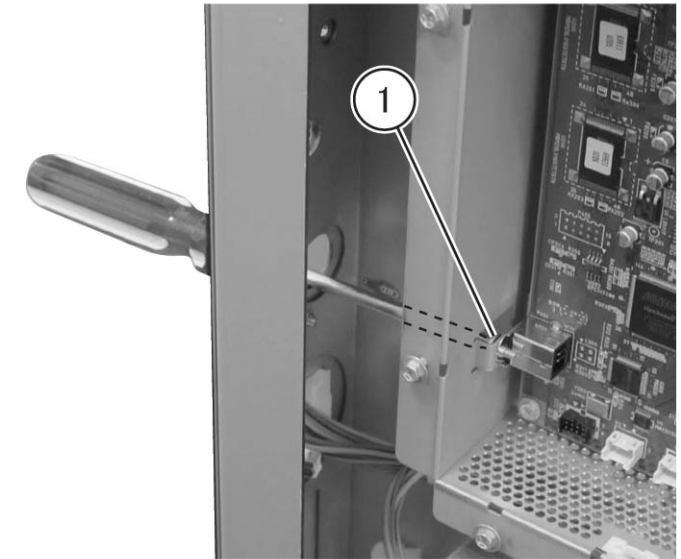
3. Disconnect the IOT USB Cable. (Figure 1)
  - 1) Disconnect the connector.
  - 2) Remove the IOT USB Cable connector through the hole.



j0bn40801

(Figure 1) j0bn40801

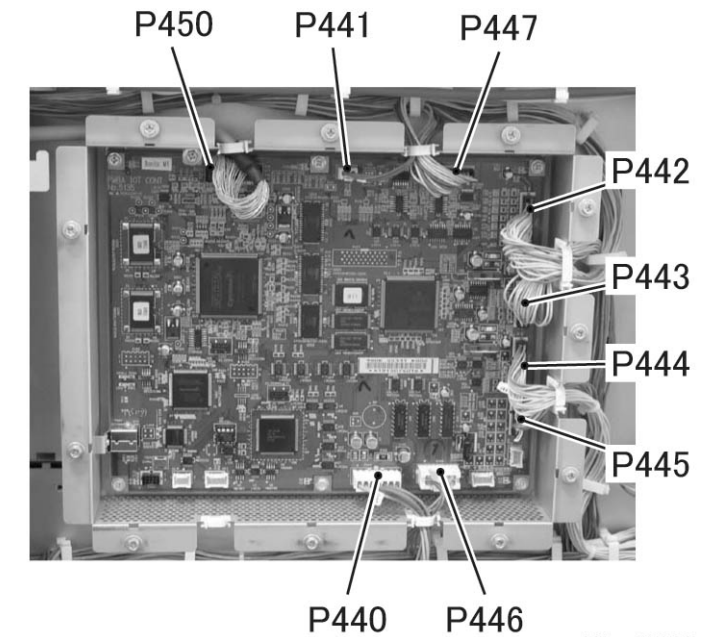
4. Remove the screw for the USB Connector (P451). (Figure 2)
  - 1) Remove the screw.



j0bn40802

(Figure 2) j0bn40802

5. Disconnect the IOT PWB connectors (x9). (Figure 3)

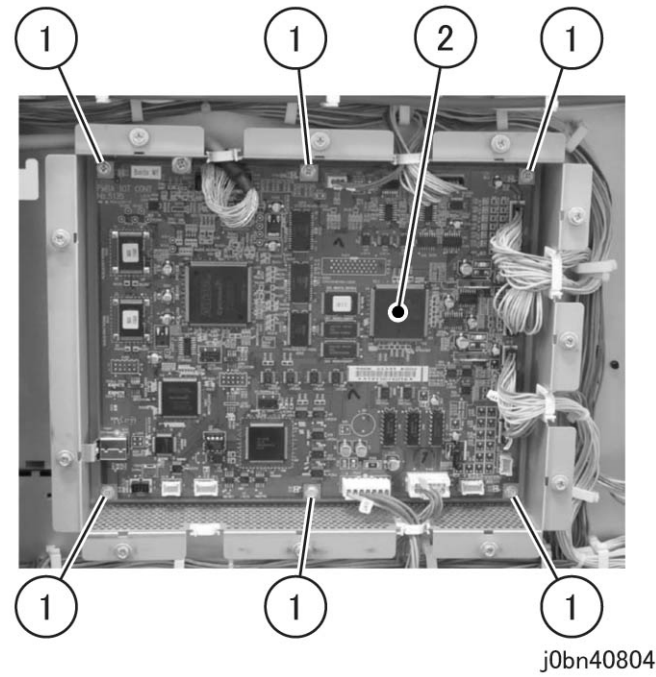


j0bn40803

(Figure 3) j0bn40803

6. Remove the IOT PWB. (Figure 4)

- 1) Remove the screw (x6).
- 2) Remove the IOT PWB.



(Figure 4) j0bn40804

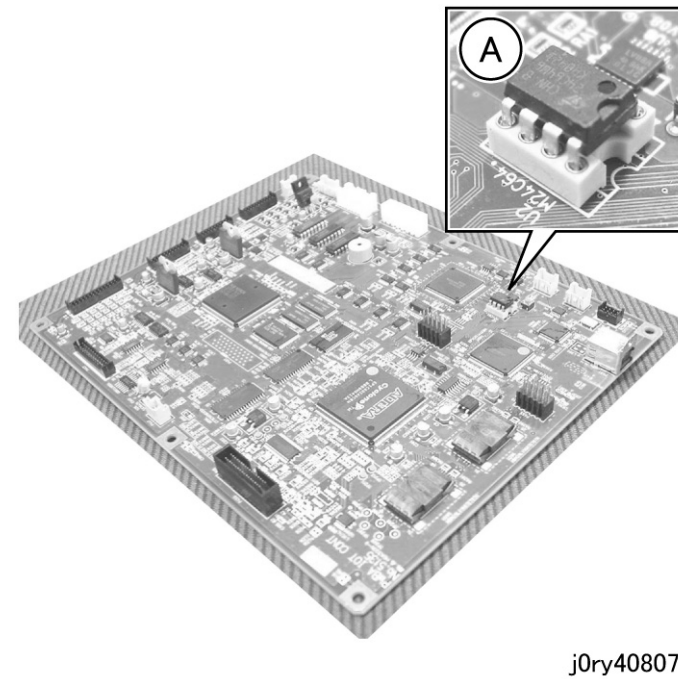
**Installation**

Procedure

To install, carry out the removal steps in reverse order.

**Note** Before replacing the IOT PWB, install the NVM (ROM) attached to the IOT PWB to the new IOT PWB. (Figure 5)

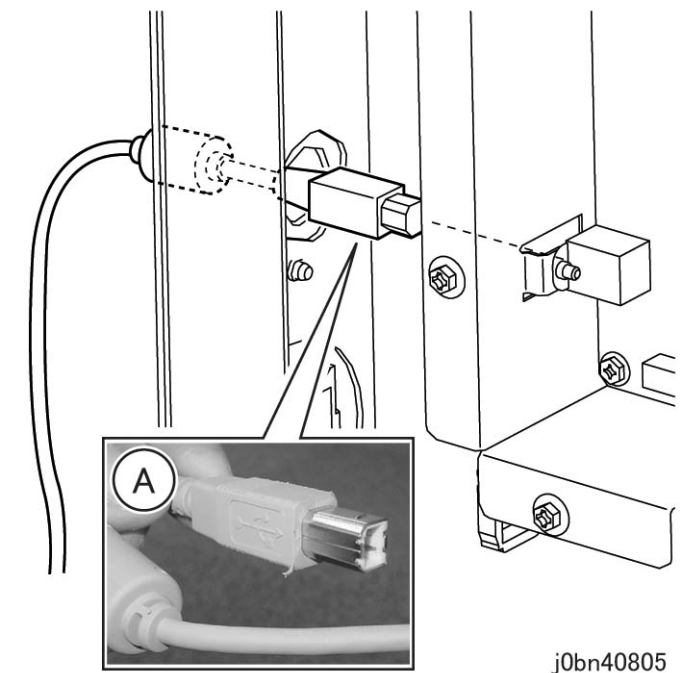
A) U2 ROM



(Figure 5) j0ry40807

**Note** Connect the IOT USB Cable connector following the direction in the figure. (Figure 6)

A) Orientation of connector



(Figure 6) j0bn40805

**Note** Enter the Self Diagnosis mode and execute IOT DC108 SOFTWARE LEVES to check the version. If required, perform version update. (Refer to 6.8 "Firmware Update" in Chapter 6 "General".)

## REP8.1.2 (SCC) AC Relay PWB

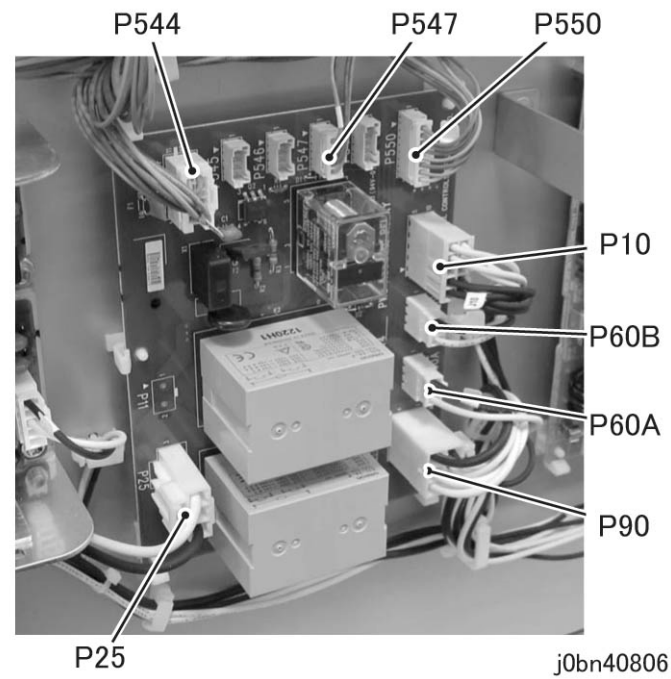
Reference PL: PL8.1

### Removal

**⚠ WARNING**  
Turn OFF the power and the breaker, then unplug the power plug to prevent electric shock.

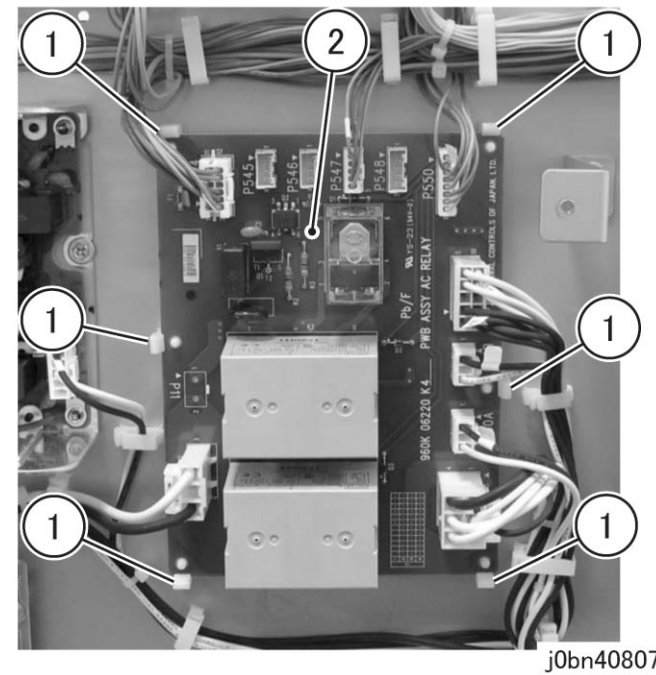
### Procedure

1. Remove the Rear Lower Cover. (REP9.3.5)
2. Disconnect the AC Relay PWB connectors (x8). (Figure 1)



(Figure 1) j0bn40806

3. Remove the AC Relay PWB. (Figure 2)
  - 1) Release the hook (x6) of the PWB Support.
  - 2) Remove the AC Relay PWB.



(Figure 2) j0bn40807

### Installation

#### Procedure

To install, carry out the removal steps in reverse order.

## REP8.2.1 (SCC) HVPS

Reference PL: PL8.2

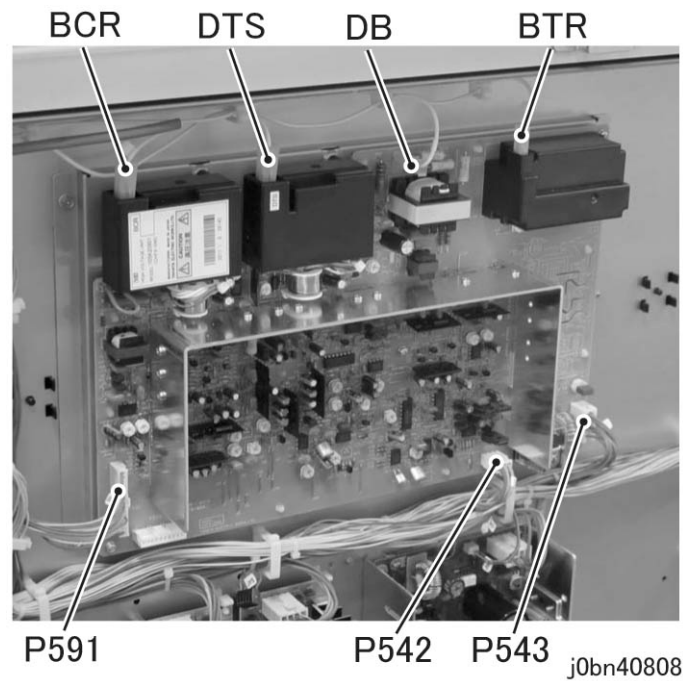
### Removal

**⚠ WARNING**  
Turn OFF the power and the breaker, then unplug the power plug to prevent electric shock.

**⚠ CAUTION**  
Static electricity may damage electrical parts.  
Always wear a wrist strap to protect electrical parts from static damage. If a wrist strap is not available, touch some metallic parts before servicing to discharge the static electricity.

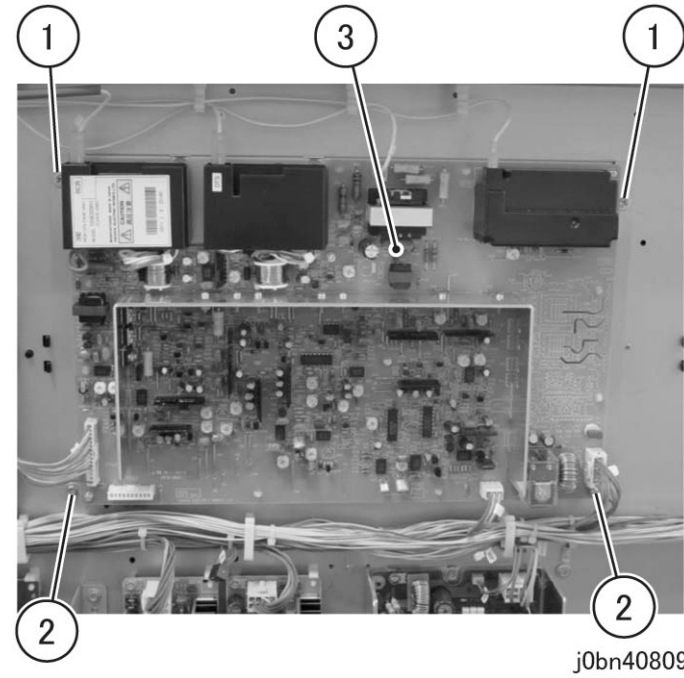
### Procedure

1. Remove the Rear Lower Cover. (REP9.3.5)
2. Disconnect the HVPS connectors (x7). (Figure 1)



(Figure 1) j0bn40808

3. Remove the HVPS. (Figure 2)
  - 1) Remove the Forming Screws (x2).
  - 2) Loosen the screw (x2). Loosen the screw (x2).
  - 3) Remove the HVPS.



(Figure 2) j0bn40809

### Installation

#### Procedure

To install, carry out the removal steps in reverse order.

**Note** When the HVPS has been replaced, check copy/print quality and if required, perform Xerographic Set Up. (ADJ8.1.6)

## REP8.5.1 (SCC) RFC Motor PWB

Reference PL: PL8.5

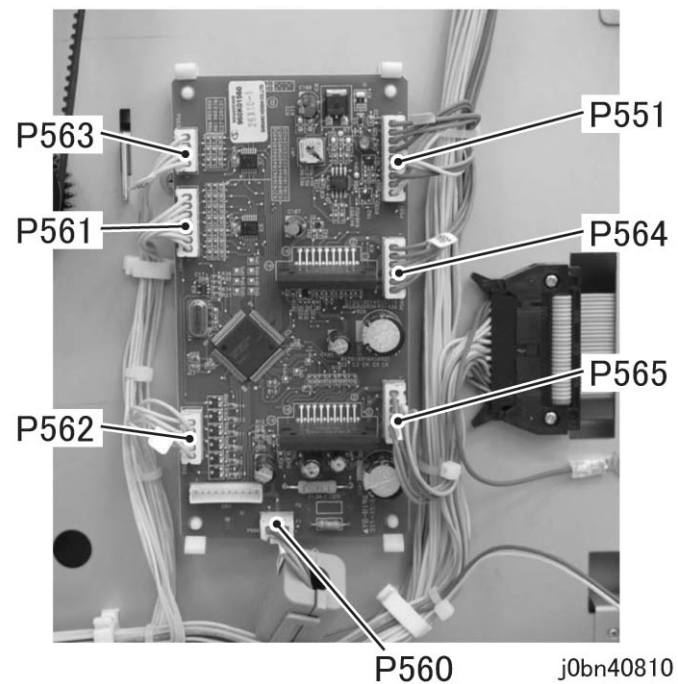
### Removal

**⚠ WARNING**  
Turn OFF the power and the breaker, then unplug the power plug to prevent electric shock.

**⚠ CAUTION**  
Static electricity may damage electrical parts.  
Always wear a wrist strap to protect electrical parts from static damage. If a wrist strap is not available, touch some metallic parts before servicing to discharge the static electricity.

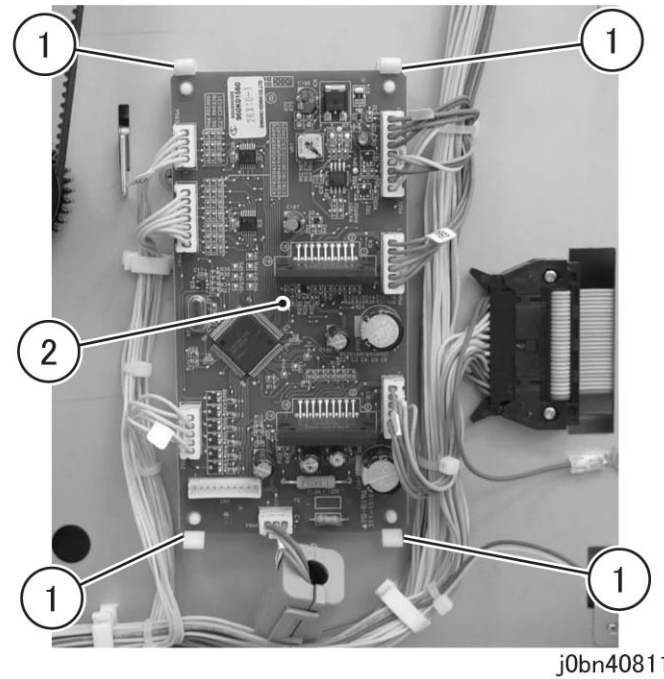
### Procedure

1. Remove the Left Lower Cover. (REP9.3.4)
2. Disconnect the RFC Motor PWB connectors (x7). (Figure 1)



(Figure 1) j0bn40810

3. Remove the RFC Motor PWB. (Figure 2)
  - 1) Release the hook (x4) of the PWB Support.
  - 2) Remove the RFC Motor PWB.



(Figure 2) j0bn40811

### Installation

#### Procedure

To install, carry out the removal steps in reverse order.

## REP8.6.1 (SCC) WF01 PWB

Reference PL: PL8.6

### Removal

**⚠ WARNING**  
Turn OFF the power and the breaker, then unplug the power plug to prevent electric shock.

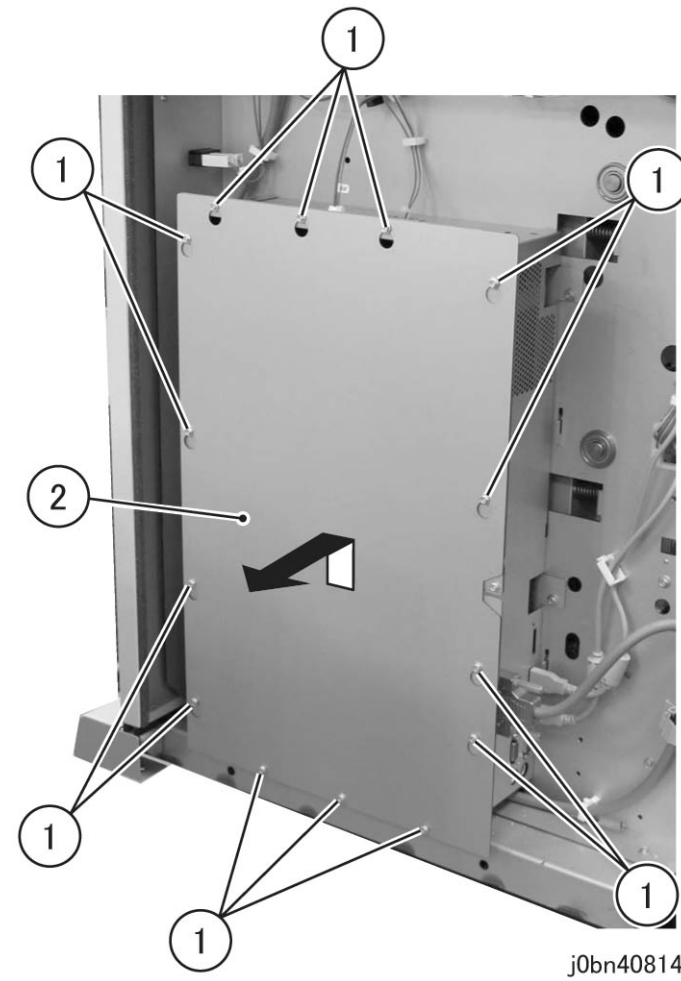
**⚠ CAUTION**  
Static electricity may damage electrical parts.  
Always wear a wrist strap to protect electrical parts from static damage. If a wrist strap is not available, touch some metallic parts before servicing to discharge the static electricity.

### Procedure

1. Remove the Right Lower Cover. (REP9.2.3)

2. Remove the ESS Cover. (Figure 1)

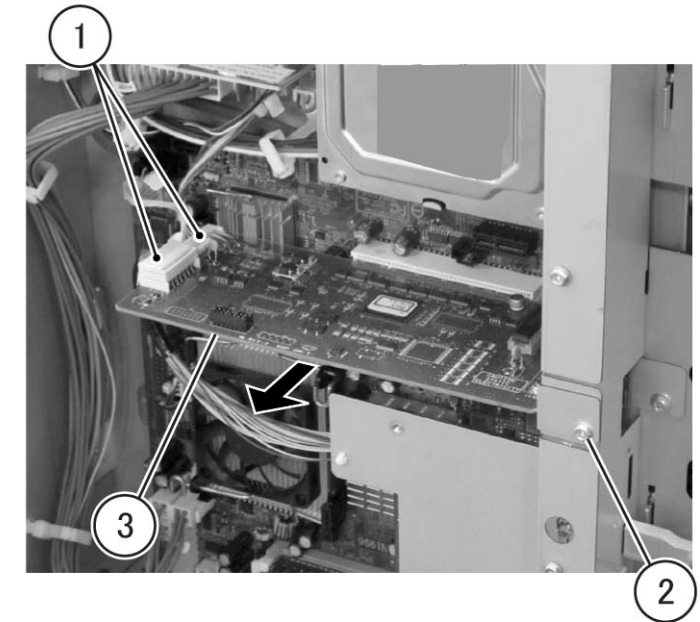
- 1) Loosen the screw (x14).
- 2) Remove the ESS Cover.



(Figure 1) j0bn40814

3. Remove the WF01 PWB. (Figure 2)

- 1) Disconnect the connector (x2).
- 2) Remove the screw.
- 3) Remove the WF01 PWB.



(Figure 2) j0bn40812

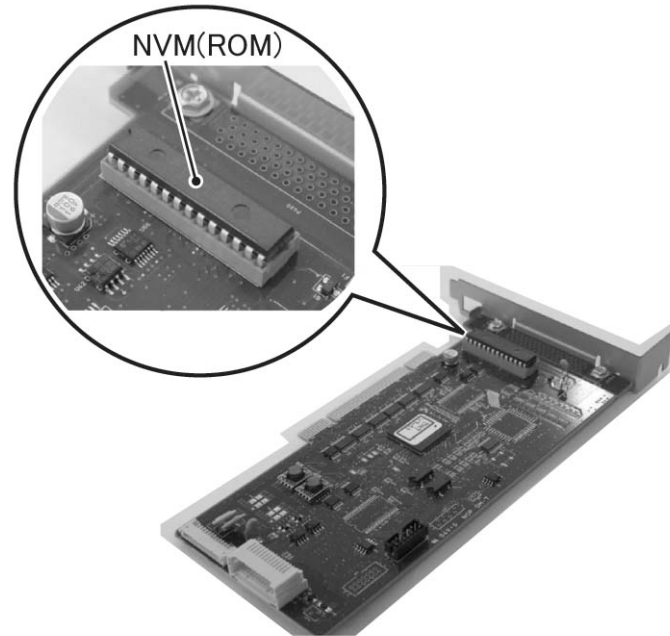


## Installation

### Procedure

To install, carry out the removal steps in reverse order.

**Note** Before replacing the WF01 PWB, install the NVM (ROM) attached to the WF01 PWB to the new WF01 PWB. (Figure 3)



j0bn40813

(Figure 3) j0bn40813

## REP8.6.2 CP Control LVPS

Reference PL: PL8.6

### Removal

**⚠ WARNING**  
Turn OFF the power and the breaker, then unplug the power plug to prevent electric shock.

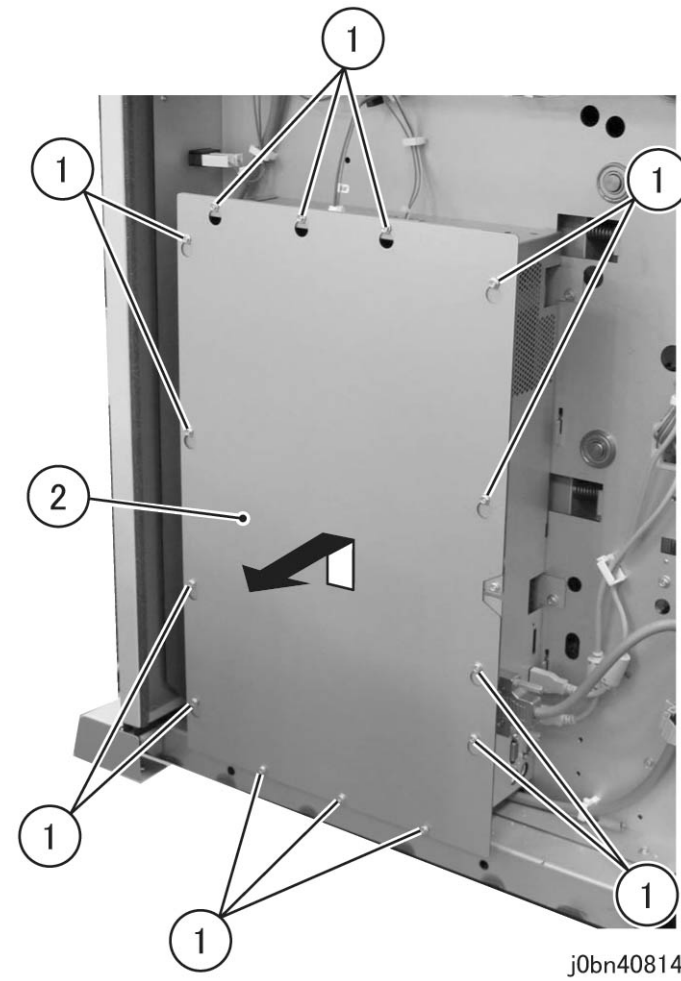
**⚠ CAUTION**  
Static electricity may damage electrical parts. Always wear a wrist strap to protect electrical parts from static damage. If a wrist strap is not available, touch some metallic parts before servicing to discharge the static electricity.

### Procedure

1. Remove the Right Lower Cover. (REP9.2.3)

2. Remove the ESS Cover. (Figure 1)

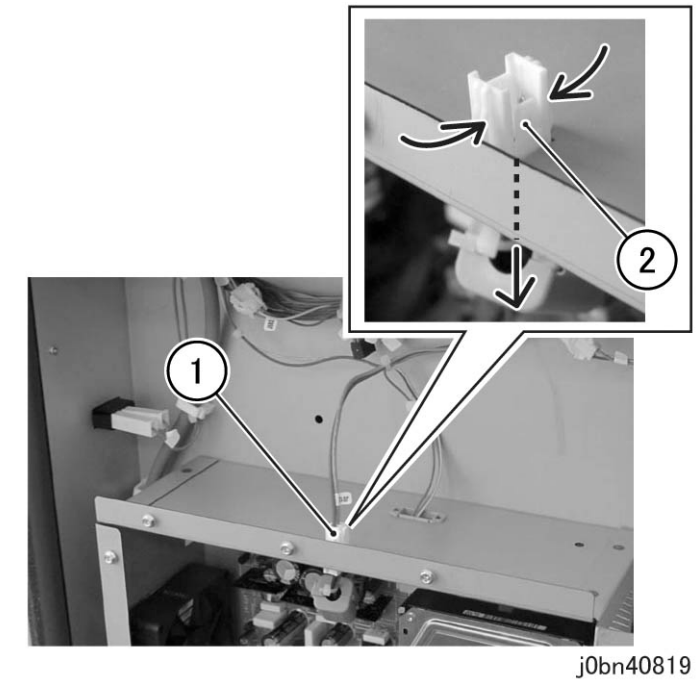
- 1) Loosen the screw (x14).
- 2) Remove the ESS Cover.



(Figure 1) j0bn40814

3. Disconnect the CP Control PWB Chassis connectors. (Figure 2)

- 1) Disconnect the connector.
- 2) Disconnect the connector from the CP Control PWB Chassis.

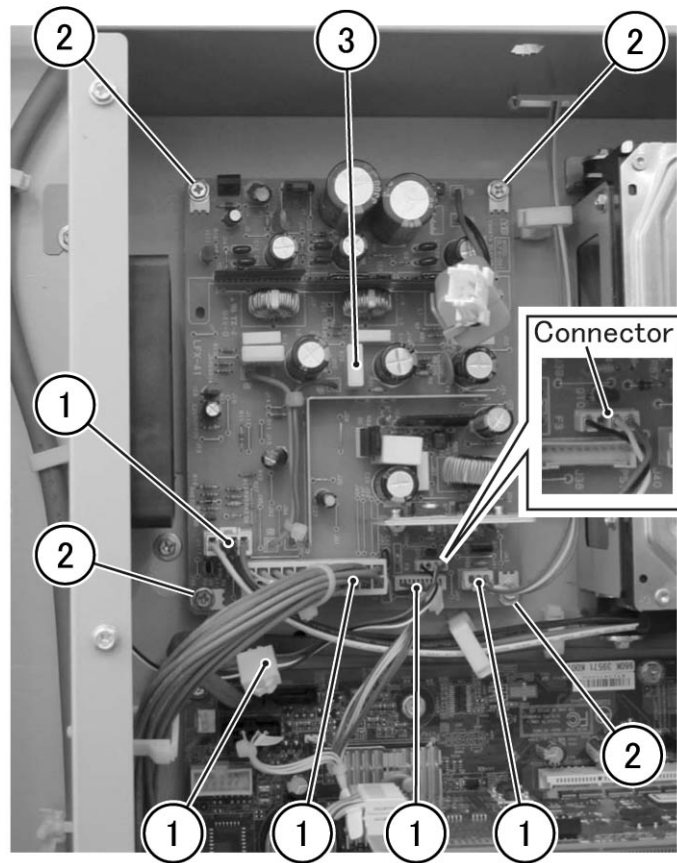


(Figure 2) j0bn40819

4. Remove the CP Control LVPS. (Figure 3)

**Note** Since the Wire Harness for the CP Cont Exhaust Fan is installed directly to the CP Control LVPS, do not disconnect the connector shown in the blowout section in the following figure.

- 1) Disconnect the connector (x5).
- 2) Remove the screw (x4).
- 3) Remove the CP Control LVPS.



j0bn40820

(Figure 3) j0bn40820

**Installation**

**Procedure**

To install, carry out the removal steps in reverse order.

## REP8.6.3 (SCC) (ISC) HDD

Reference PL: PL8.6

### Removal

**⚠ WARNING**  
Turn OFF the power and the breaker, then unplug the power plug to prevent electric shock.

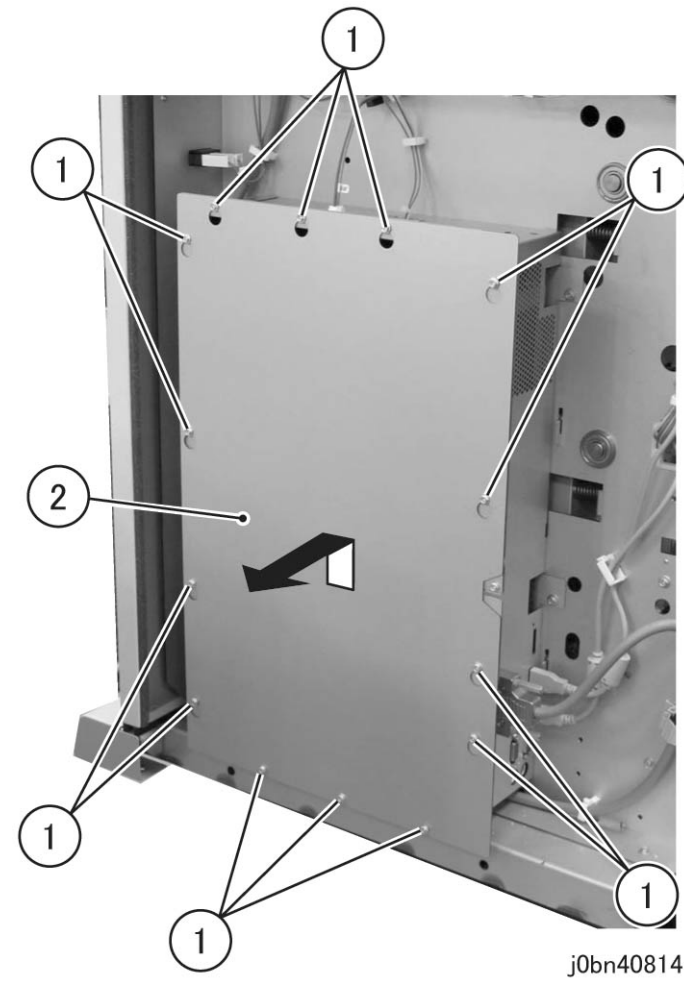
**⚠ CAUTION**  
Static electricity may damage electrical parts.  
Always wear a wrist strap to protect electrical parts from static damage. If a wrist strap is not available, touch some metallic parts before servicing to discharge the static electricity.

### Procedure

1. Remove the Right Lower Cover. (REP9.2.3)

2. Remove the ESS Cover. (Figure 1)

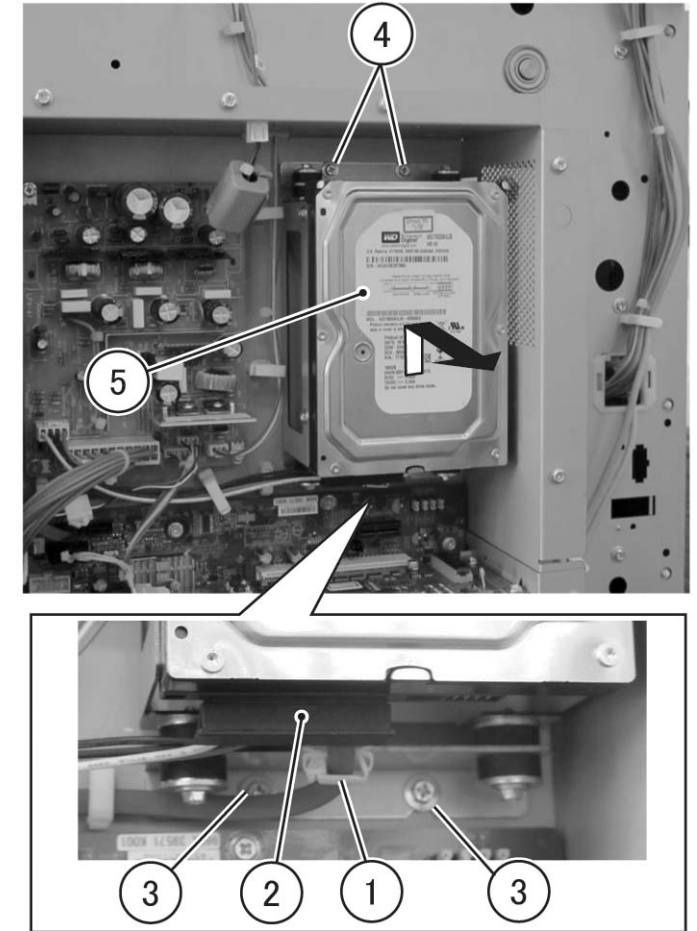
- 1) Loosen the screw (x14).
- 2) Remove the ESS Cover.



(Figure 1) j0bn40814

3. Remove the HDD Assembly. (Figure 2)

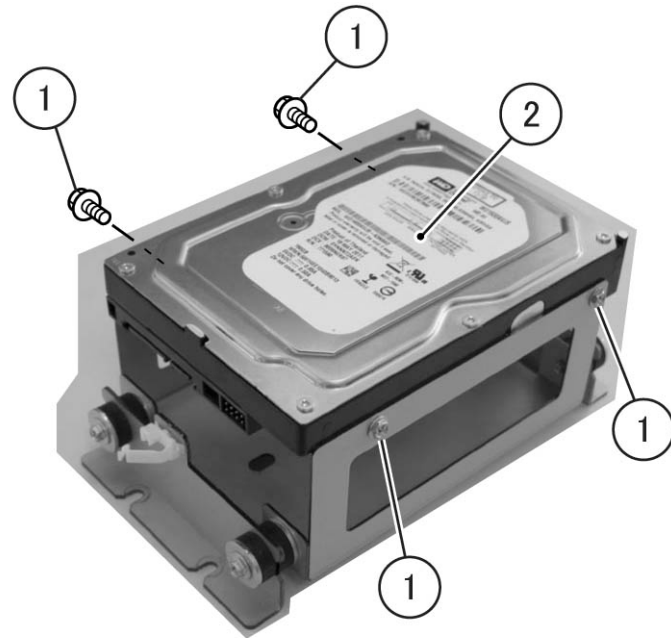
- 1) Release the clamp.
- 2) Disconnect the connector.
- 3) Loosen the screw (x2).
- 4) Remove the screw (x2).
- 5) Remove the HDD Assembly.



(Figure 2) j0bn40817

4. Remove the HDD from the HDD Bracket. (Figure 3)

- 1) Remove the screw (x4).
- 2) Remove the HDD.



j0bn40818

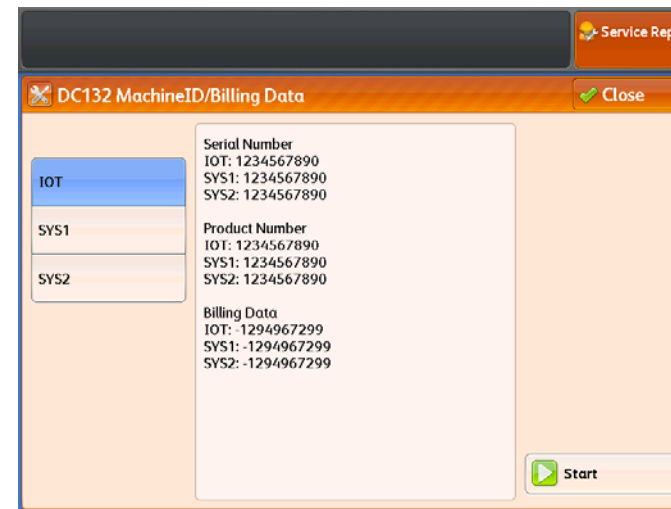
(Figure 3) j0bn40818

### Installation

#### Procedure

To install, carry out the removal steps in reverse order.

**Note** If the power is turned ON after the HDD has been replaced, the error code 124-325 (Serial Number Mismatch) is displayed. In this case, enter the Diag mode and execute DC132 Machine ID/Billing Data to match the billing data with that of the IOT or SYS1. (Figure 4)  
At this time, never match with the data of the SYS2.  
(For details, refer to 6.4.5 "Diag Code Functions and Operation Procedures" in Chapter 6 "General".)



(Figure 4)

**Note** After replacing the HDD, update the firmware.

## REP8.6.4 (SCC) WF02 PWB Assembly

Reference PL: PL8.6

### Removal

**⚠ WARNING**  
Turn OFF the power and the breaker, then unplug the power plug to prevent electric shock.

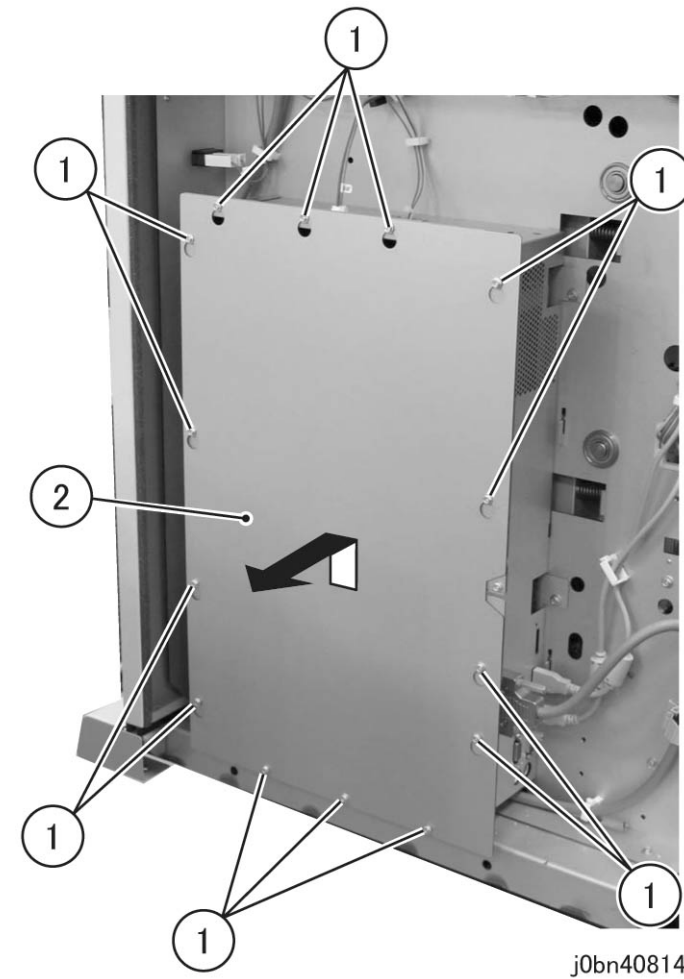
**⚠ CAUTION**  
Static electricity may damage electrical parts.  
Always wear a wrist strap to protect electrical parts from static damage. If a wrist strap is not available, touch some metallic parts before servicing to discharge the static electricity.

### Procedure

1. Remove the Right Lower Cover. (REP9.2.3)

2. Remove the ESS Cover. (Figure 1)

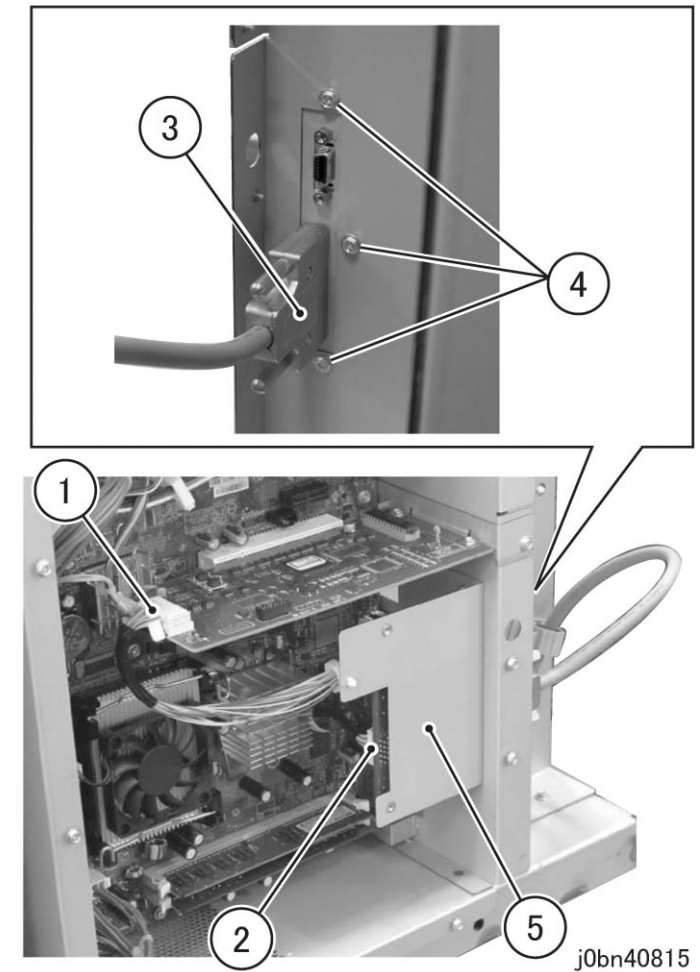
- 1) Loosen the screw (x14).
- 2) Remove the ESS Cover.



(Figure 1) j0bn40814

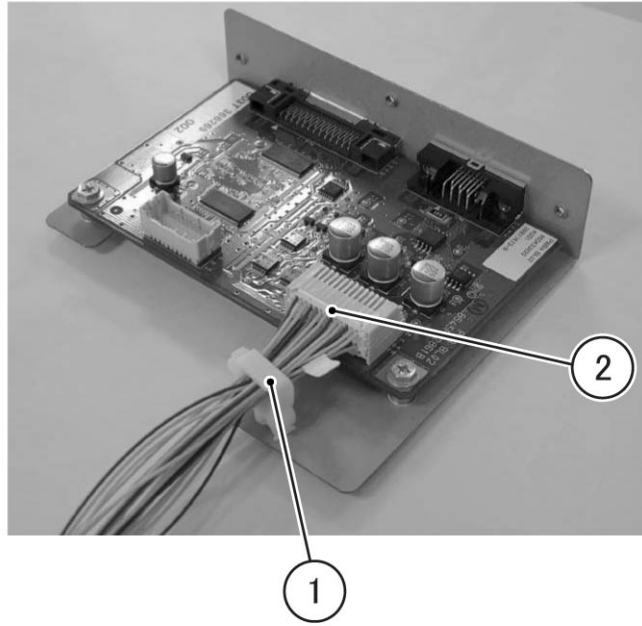
3. Remove the WF02 PWB Assembly. (Figure 2)

- 1) Disconnect the connector.
- 2) Disconnect the connector.
- 3) Disconnect the UI I/F Cable.
- 4) Remove the screw (x3).
- 5) Remove the WF02 PWB Assembly.



(Figure 2) j0bn40815

4. Before replacing the WF02 PWB Assembly, disconnect the connector from the WF02 PWB. (Figure 3)
  - 1) Release the clamp.
  - 2) Disconnect the connector.



j0bn40816

(Figure 3) j0bn40816

### Installation

#### Procedure

To install, carry out the removal steps in reverse order.

## REP8.6.5 (SCC) CP Control PWB Assembly

Reference PL: PL8.6

### Removal

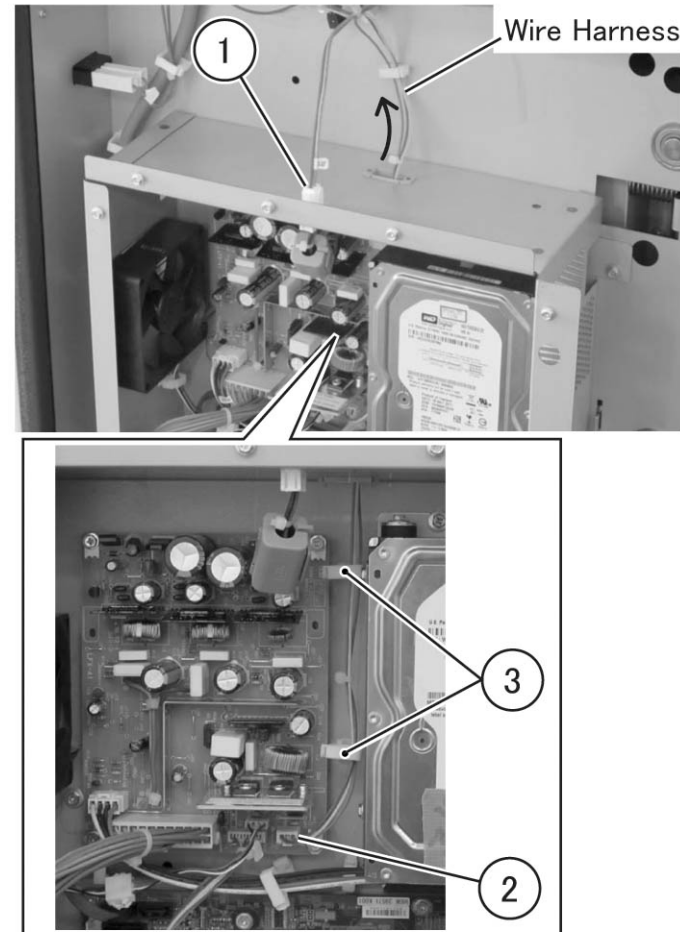
**⚠ WARNING**  
Turn OFF the power and the breaker, then unplug the power plug to prevent electric shock.

**⚠ CAUTION**  
Static electricity may damage electrical parts.  
Always wear a wrist strap to protect electrical parts from static damage. If a wrist strap is not available, touch some metallic parts before servicing to discharge the static electricity.

### Procedure

1. Remove the WF01 PWB. (REP8.6.1)
2. Remove the WF02 PWB Assembly. (REP8.6.2)
3. Disconnect the IIT USB Cable and IOT USB Cable from the ESS Assembly.

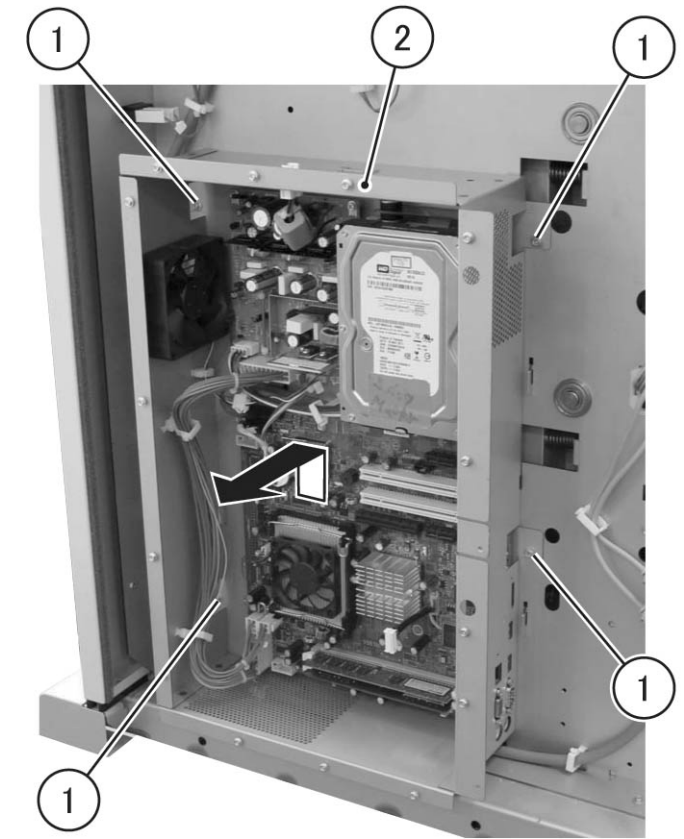
4. Disconnect the connector from the ESS Chassis. (Figure 1)
  - 1) Disconnect the connector.
  - 2) Disconnect the connector.
  - 3) Release the clamp (x2) and pull out the Wire Harness from the hole of the ESS Chassis.



j0bn40821

(Figure 1) j0bn40821

5. Remove the ESS Assembly. (Figure 2)
  - 1) Loosen the screw (x4).
  - 2) Remove the ESS Assembly.



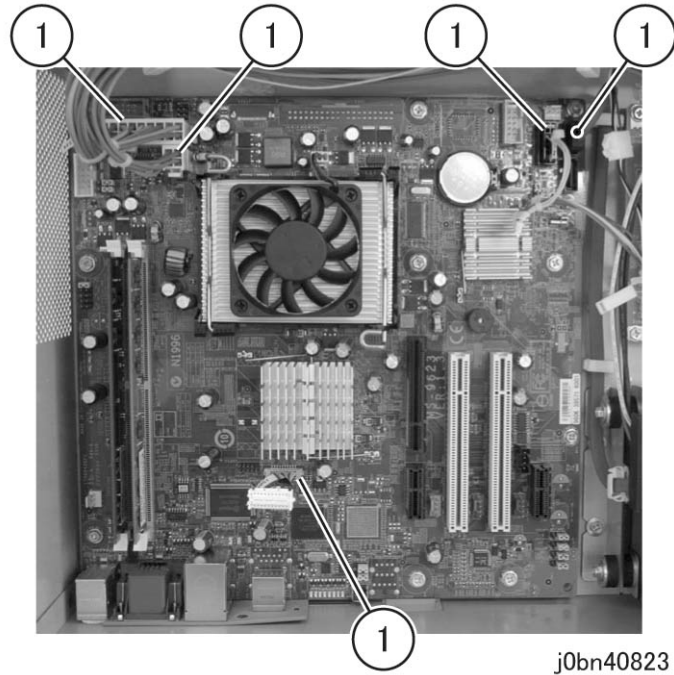
j0bn40822

(Figure 2) j0bn40822



6. Disconnect the CP Control PWB connectors. (Figure 3)

- 1) Disconnect the connector (x5).

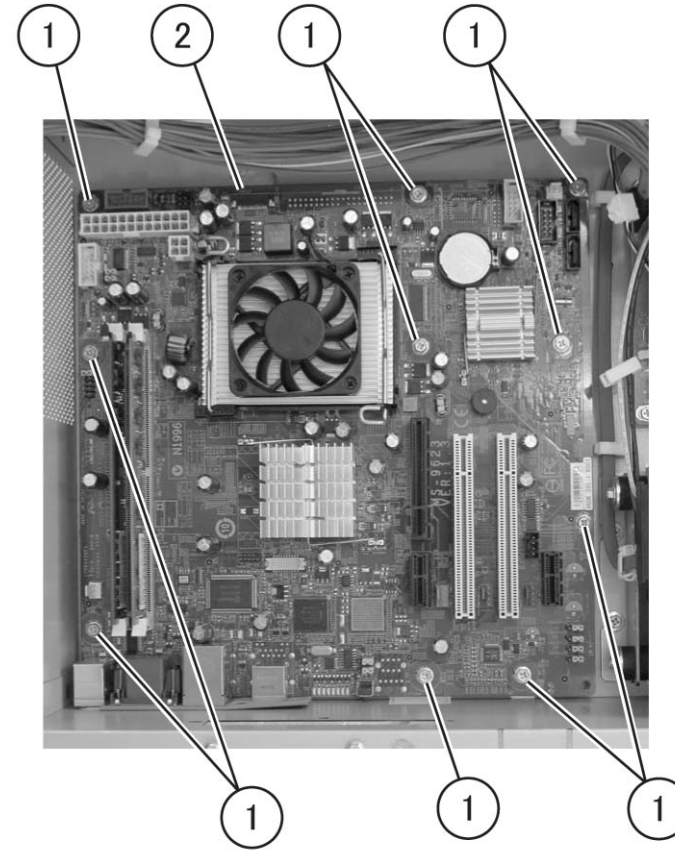


(Figure 3) j0bn40823

j0bn40823

7. Remove the CP Control PWB Assembly. (Figure 4)

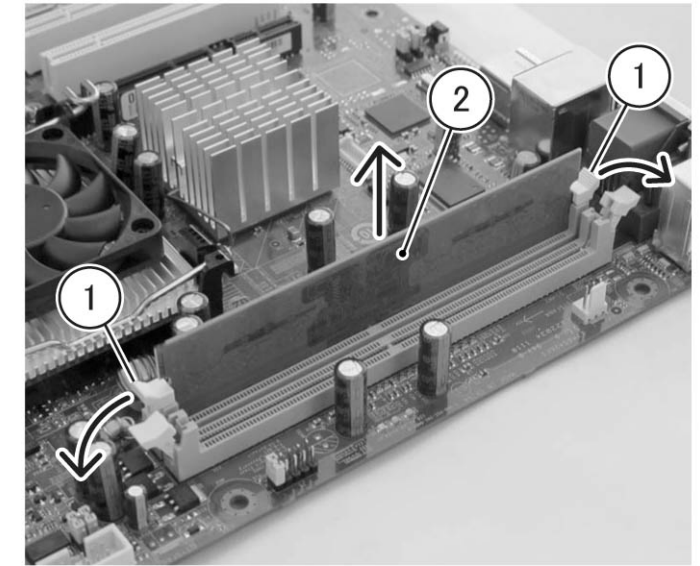
- 1) Remove the screw (x10).
- 2) Remove the CP Control PWB Assembly.



(Figure 4) j0bn40824

j0bn40824

8. Remove the DIMM. (Figure 5)



(Figure 5) j0bn40825

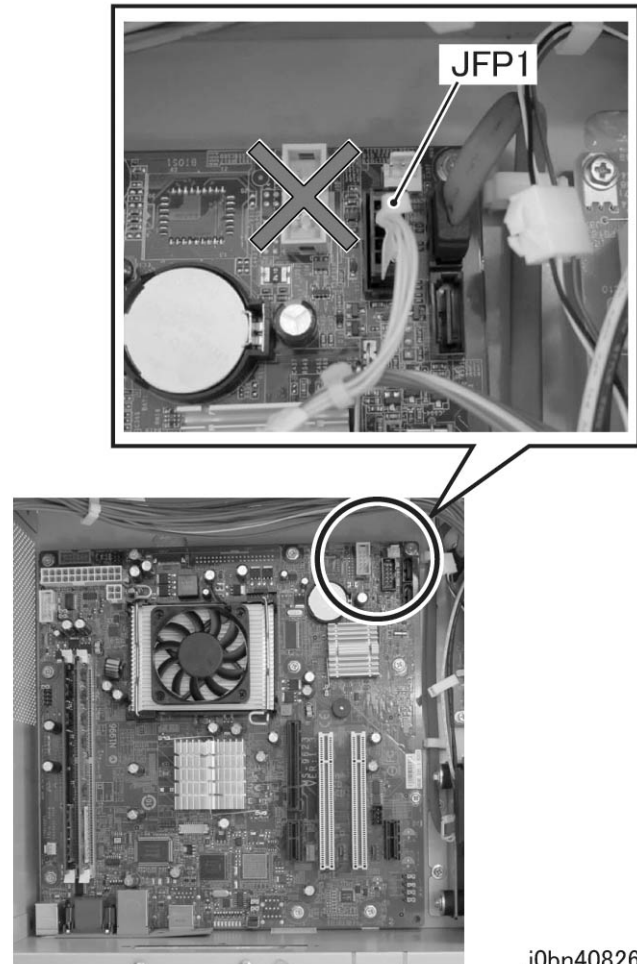
j0bn40825

## Installation

### Procedure

To install, carry out the removal steps in reverse order.

**Note** When connecting the connectors to the CP Control PWB Assembly, connect the JFP1 to the black connector under the SATA Connector. Do not connect it to the neighboring yellow connector which has the same number of pins. (Figure 6)



(Figure 6) j0bn40826

j0bn40826

## REP8.6.6 CP Control CPU

Reference PL: PL8.6

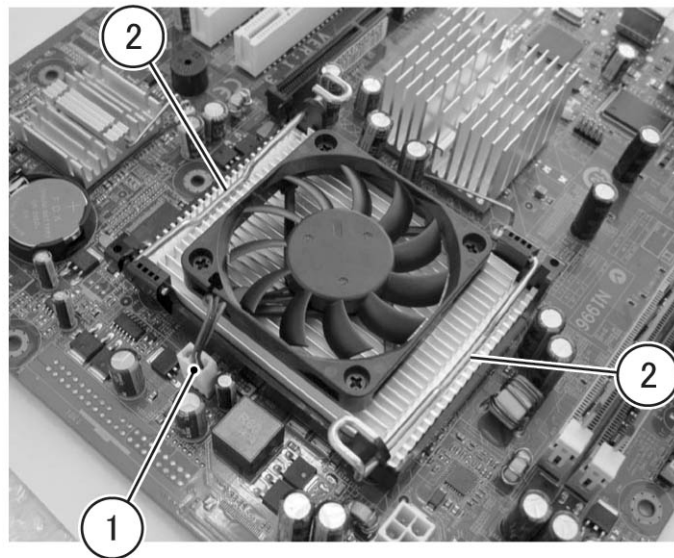
### Removal

**⚠ WARNING**  
Turn OFF the power and the breaker, then unplug the power plug to prevent electric shock.

**⚠ CAUTION**  
Static electricity may damage electrical parts. Always wear a wrist strap to protect electrical parts from static damage. If a wrist strap is not available, touch some metallic parts before servicing to discharge the static electricity.

### Procedure

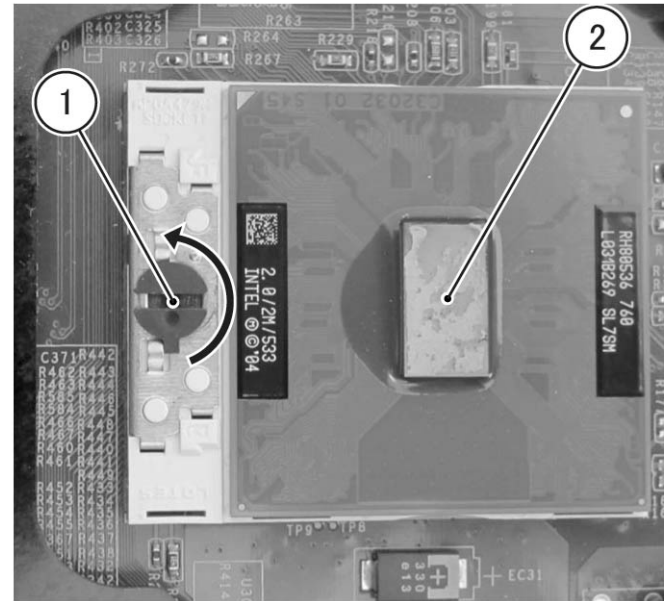
1. Remove the CP Control PWB Assembly. (REP8.6.5)
2. Remove the Heat Sink Fan. (Figure 1)
  - 1) Disconnect the connector.
  - 2) Release the hook (x2) and remove the Heat Sink Fan.



j0bn40827

(Figure 1) j0bn40827

3. Remove the CP Control CPU. (Figure 2)
  - 1) Turn the Lock Screw counterclockwise by 180 degrees.
  - 2) Remove the CP Control CPU.



j0bn40828

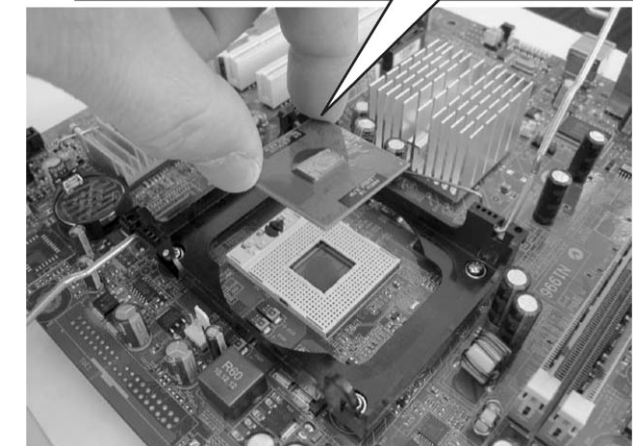
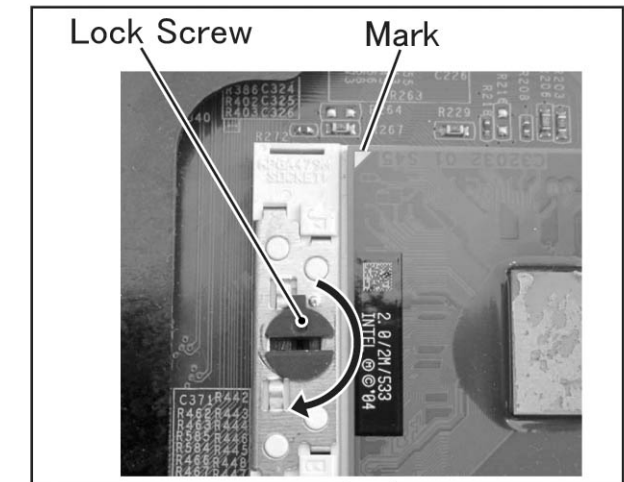
(Figure 2) j0bn40828

### Installation

#### Procedure

To install, carry out the removal steps in reverse order.

**Note** To install the CP Control CPU, insert the CP Control CPU into the CPU Socket with the triangle mark on the CP Control CPU facing downwards and securely turn the Lock Screw clockwise by 180 degrees. (Figure 3)



j0bn40829

(Figure 3) j0bn40829

## 9. Cover

### REP9.1.1 Front Upper Cover

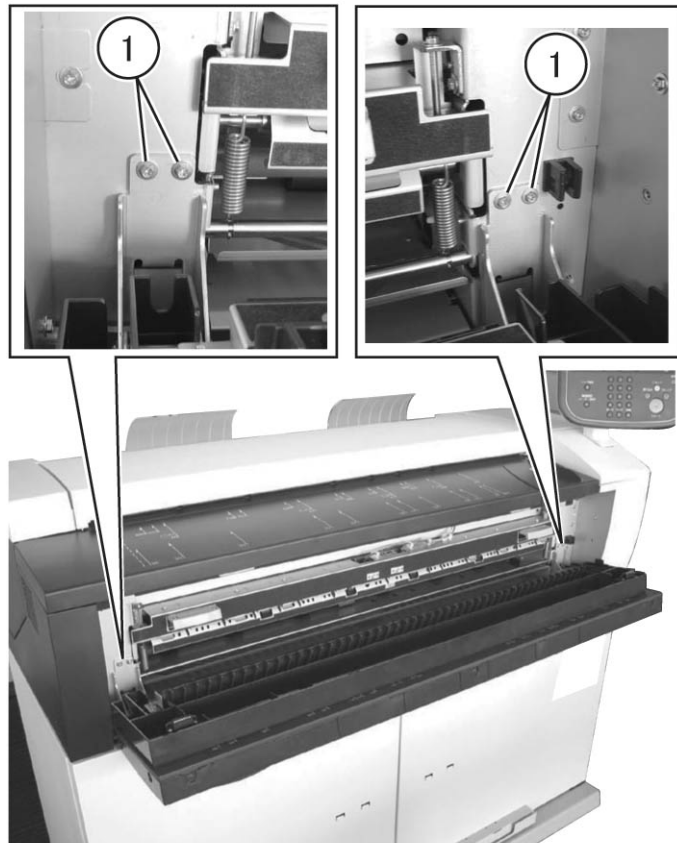
Reference PL: PL9.1

#### Removal

**⚠ WARNING**  
Turn OFF the power and the breaker, then unplug the power plug to prevent electric shock.

#### Procedure

1. Open the Front Upper Cover.
2. Open the Fusing Cover.
3. Remove the screw (x4) on the PWB Bracket (x2). (Figure 1)
  - 1) Remove the screw (x4).



j0bn40901

(Figure 1) j0bn40901

4. Remove the Pivot Bracket, Fusing Cover and Front Upper Cover together in one piece. (Figure 2)

- 1) Remove the Pivot Bracket (x2) from the square hole (x2) of the Frame.

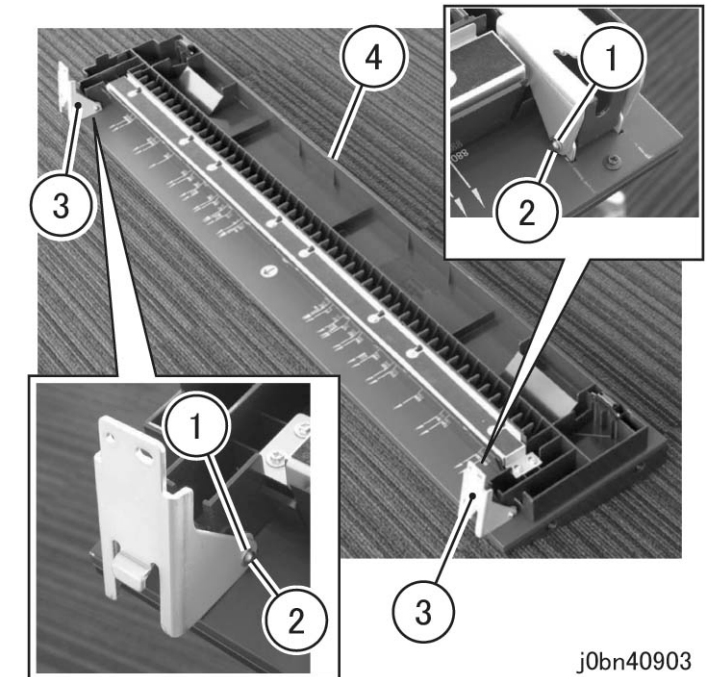


j0bn40902

(Figure 2) j0bn40902

5. Remove the Pivot Bracket, Fusing Cover from the Front Upper Cover. (Figure 3)

- 1) Remove the E-Clip (x2).
- 2) Remove the pivot (x2).
- 3) Remove the Pivot Bracket (x2).
- 4) Remove the Fusing Cover.



j0bn40903

(Figure 3) j0bn40903

#### Installation

#### Procedure

To install, carry out the removal steps in reverse order.

## REP9.1.2 Front Left Door

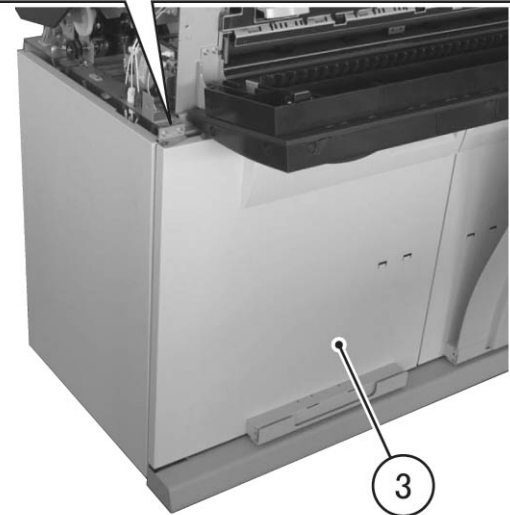
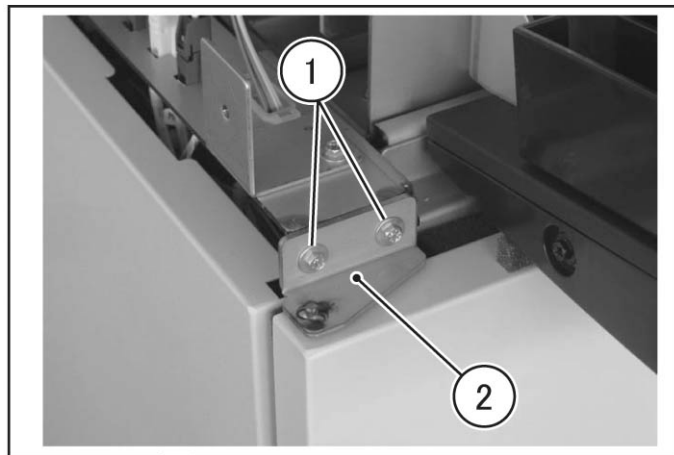
Reference PL: PL9.1

### Removal

**⚠ WARNING**  
Turn OFF the power and the breaker, then unplug the power plug to prevent electric shock.

### Procedure

1. Remove the Catch Tray and Stopper. (PL9.1)
2. Remove the Left Upper Cover. (REP9.3.1)
3. Remove the Front Left Door. (Figure 1)
  - 1) Remove the screw (x2).
  - 2) Remove the bracket.
  - 3) Remove the Front Left Door.



(Figure 1) j0bn40904

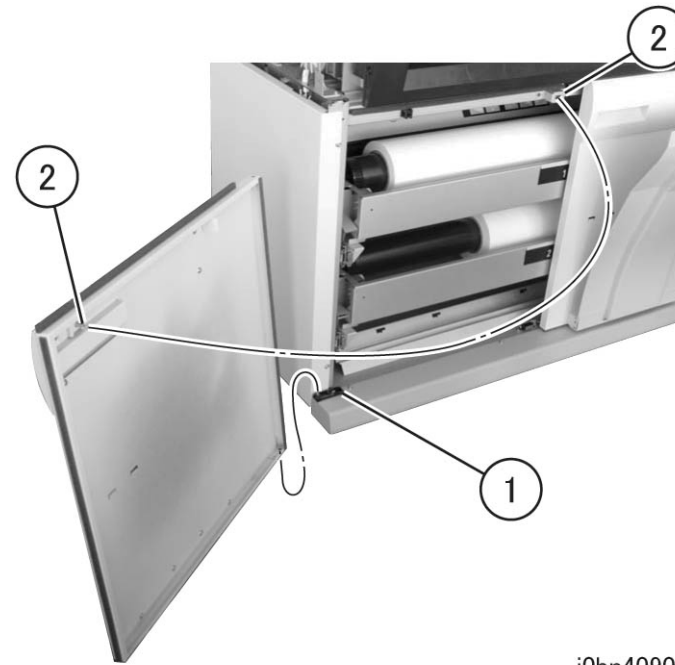
j0bn40904

### Installation

#### Procedure

To install, carry out the removal steps in reverse order.

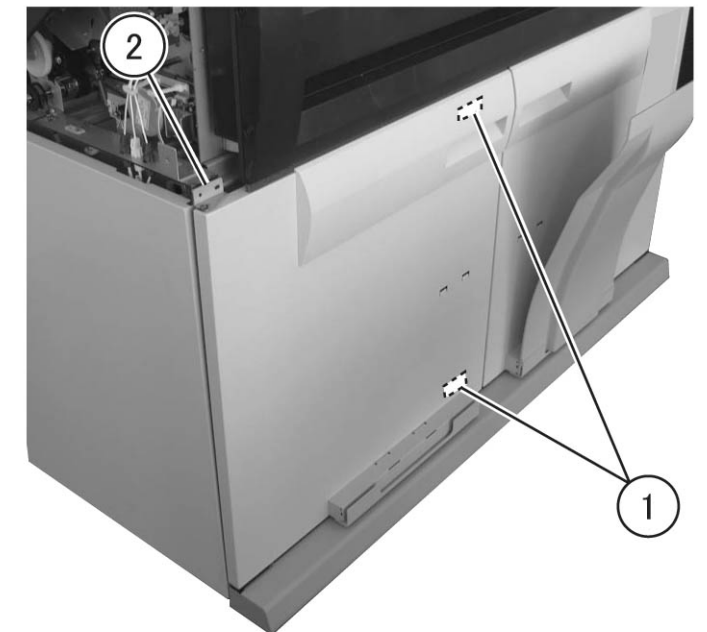
1. Install the Front Left Door. (Figure 2)
  - 1) Attach the Front Left Door to the Stud of the bracket.
  - 2) Insert the Pin of the Front Left Door into the positioning hole on the bracket.



(Figure 2) j0bn40905

j0bn40905

2. Install the bracket. (Figure 3)
  - 1) Stick the Front Left Door to the Catch Magnets (x2).
  - 2) Install the bracket.



j0bn40906

(Figure 3) j0bn40906

### REP9.1.3 Front Right Door

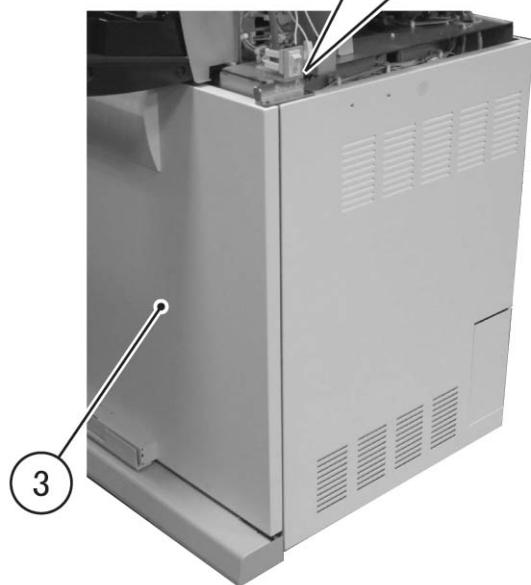
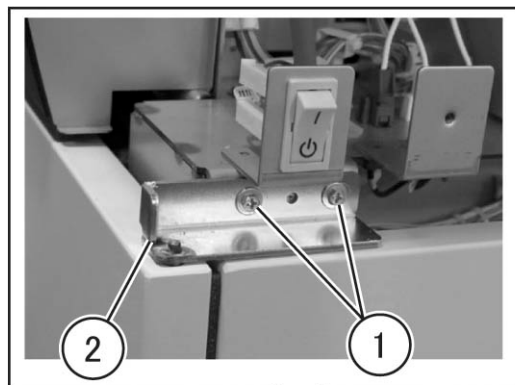
Reference PL: PL9.1

#### Removal

**⚠ WARNING**  
Turn OFF the power and the breaker, then unplug the power plug to prevent electric shock.

#### Procedure

1. Remove the Catch Tray and Stopper. (PL9.1)
2. Remove the Right Upper Cover. (REP9.2.1)
3. Remove the Front Right Door. (Figure 1)
  - 1) Remove the screw (x2).
  - 2) Remove the bracket.
  - 3) Remove the Front Right Door.



(Figure 1) j0bn40907

j0bn40907

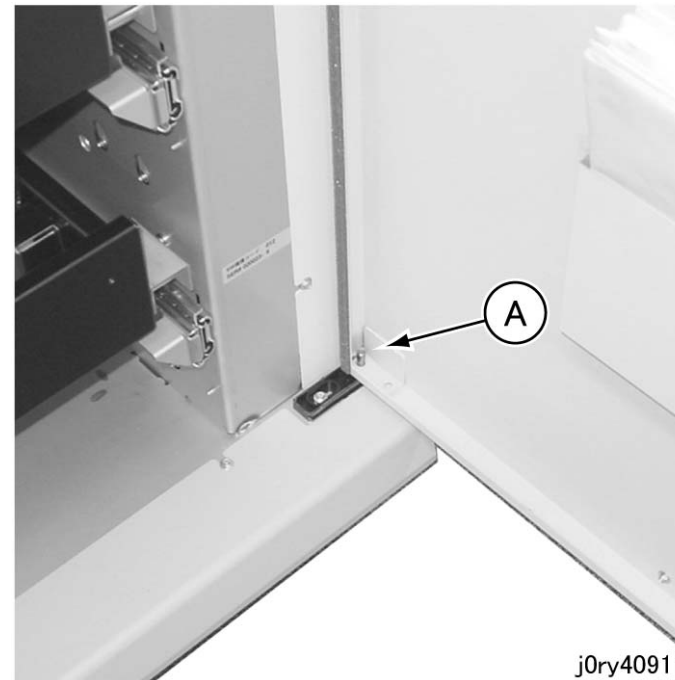
#### Installation

#### Procedure

To install, carry out the removal steps in reverse order.

1. Attach the Front Right Door to the Stud of the Bracket. (Figure 2)

A) Stud of Bracket



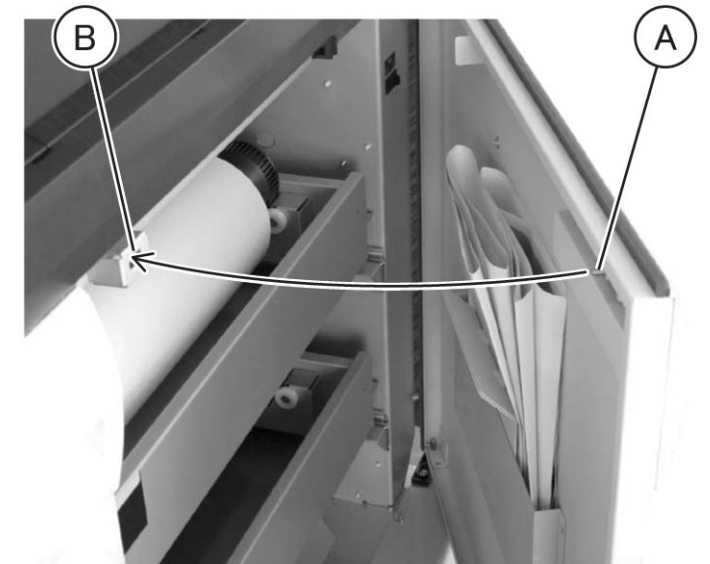
(Figure 2) j0ry40911

j0ry40911

2. Insert the Pin of the Front Right Door into the positioning hole on the Bracket. (Figure 3)

A) Pin

B) Positioning hole



j0bn40908

(Figure 3) j0bn40908

3. Stick the Front Right Door to the Catch Magnets (x2). (Figure 4)

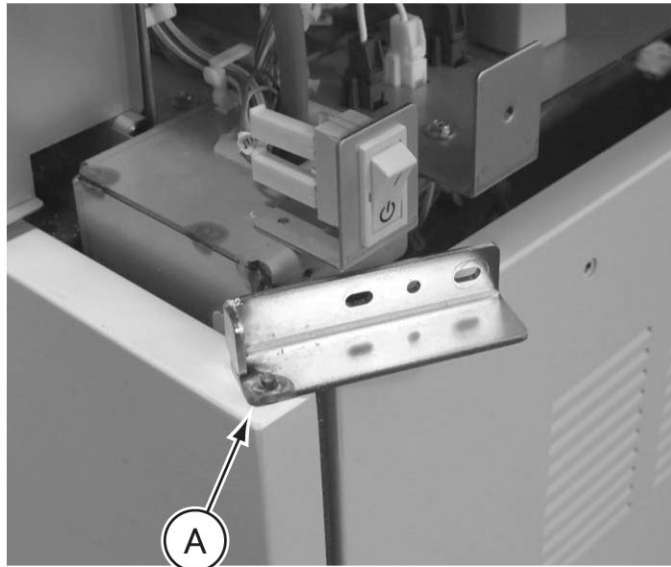
A) Catch Magnet



j0ry40913

(Figure 4) j0bn40909

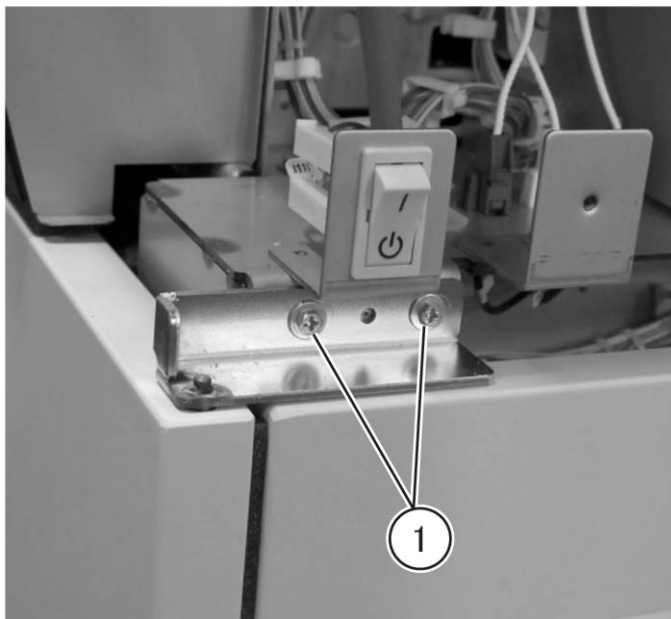
4. Insert Stud of the Bracket into the hole on the Front Right Door. (Figure 5)  
A) Stud of Bracket



j0bn40918

(Figure 5) j0bn40918

5. Install the bracket. (Figure 6)
  - 1) Tighten the screw (x2).



j0bn40919

(Figure 6) j0bn40919

6. After replacing the Front Right Door, remove the Tag Label from the old Front Right Door and install it to the new Front Right Door.

## REP9.2.1 Right Upper Cover

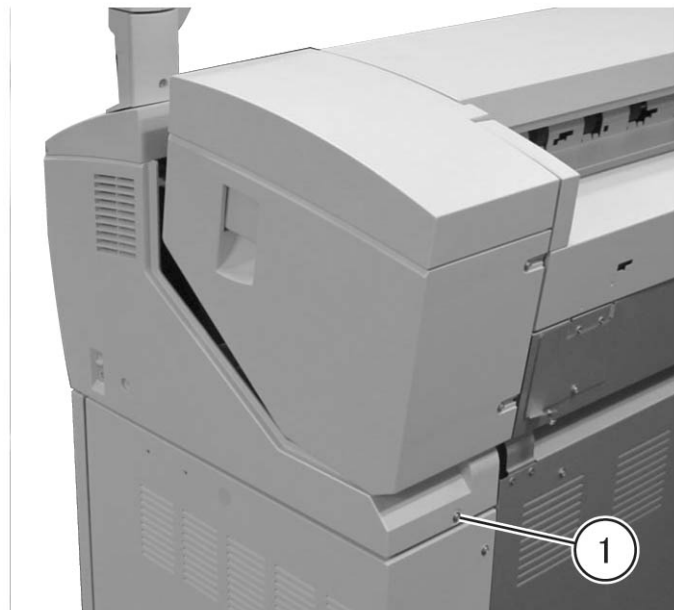
Reference PL: PL9.2

### Removal

**⚠ WARNING**  
Turn OFF the power and the breaker, then unplug the power plug to prevent electric shock.

### Procedure

1. Open the Swing Frame.
2. Remove the screw on the Right Upper Cover. (Figure 1)
  - 1) Remove the screw (x2).



j0bn40910

(Figure 1) j0bn40910

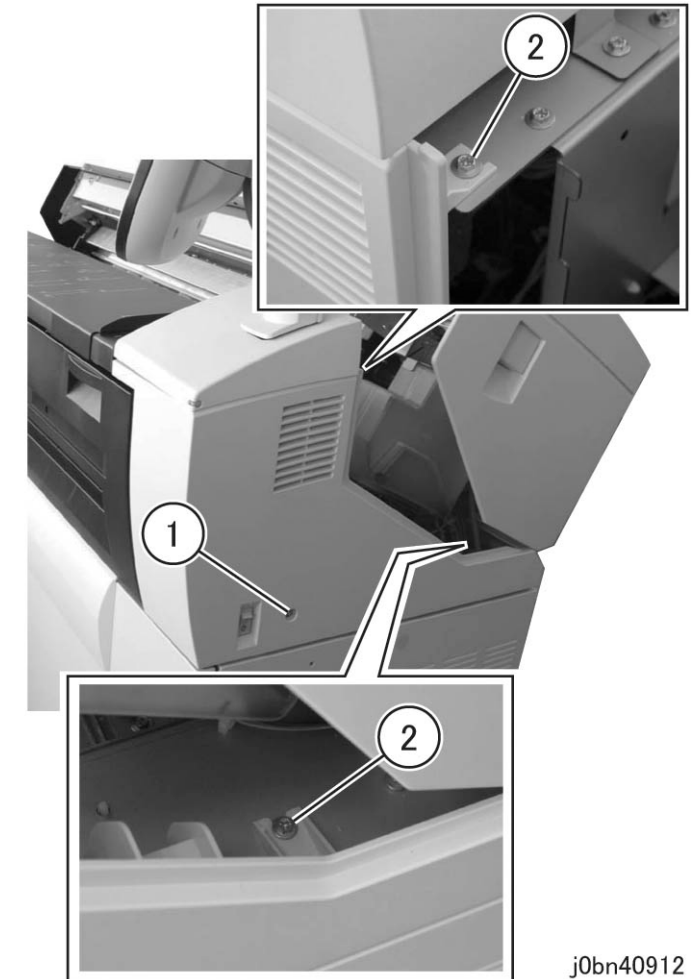
3. Open the Front Upper Cover.
4. Open the Fusing Cover.
5. Remove the screw on the Right Upper Cover. (Figure 2)
  - 1) Remove the screw (x2).



j0bn40911

(Figure 2) j0bn40911

6. Loosen the screws on the Right Upper Cover. (Figure 3)
  - 1) Remove the screw.
  - 2) Loosen the screw (x2).

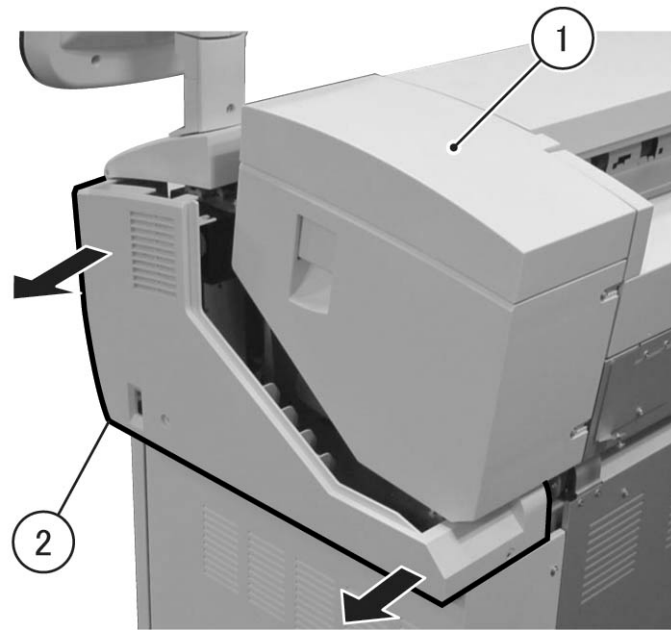


j0bn40912

(Figure 3) j0bn40912



7. Remove the Right Upper Cover.
  - 1) Close the Swing Frame up to the position indicated in the figure.
  - 2) Remove the Right Upper Cover in the direction of the arrow. (Figure 4)



j0bn40913

(Figure 4) j0bn40913

### Installation

#### Procedure

To install, carry out the removal steps in reverse order.

## REP9.2.2 Right Swing Cover

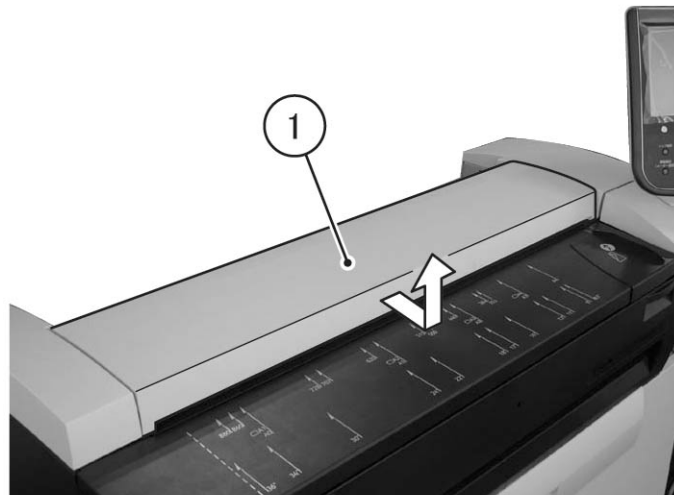
Reference PL: PL9.2

### Removal

**⚠ WARNING**  
Turn OFF the power and the breaker, then unplug the power plug to prevent electric shock.

#### Procedure

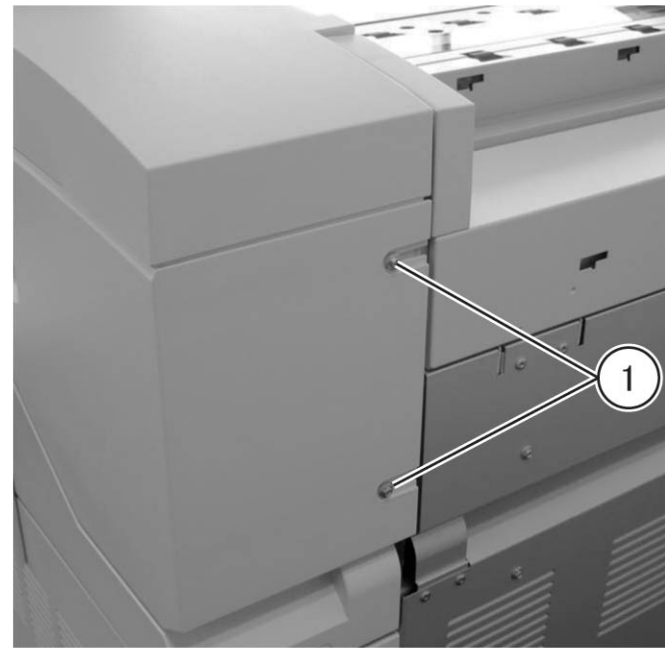
1. Remove the Turn Guide (x2). (PL3.1)
2. Remove the Upper Document Transport. (Figure 1)
  - 1) Remove the Upper Document Transport in the direction of the arrow.



j0bn40407

(Figure 1) j0bn40407

3. Remove the screw at the rear of the Right Swing Cover. (Figure 2)
  - 1) Remove the screw (x2).

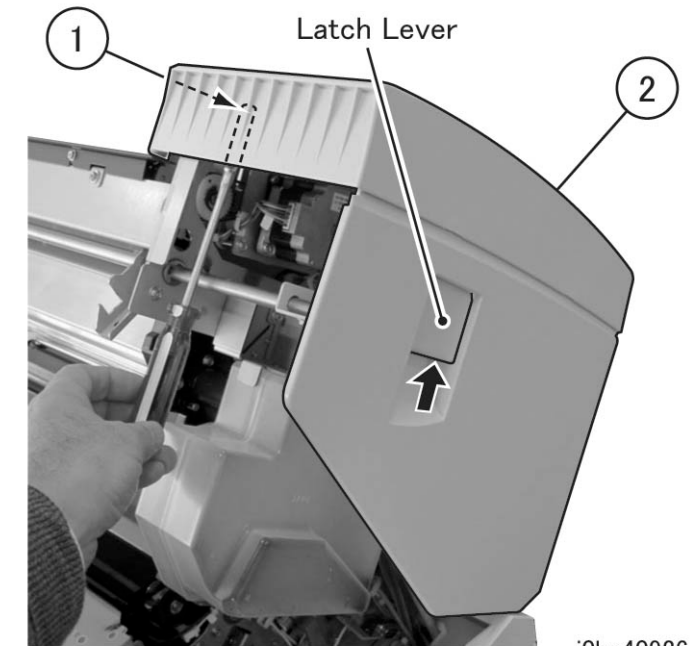


j0bn40914

(Figure 2) j0bn40914

4. Open the Rear Top Cover. (PL9.3)
5. Open the Swing Frame.

6. Remove the Right Swing Cover. (Figure 3)
  - 1) Remove the Tapping Screw.
  - 2) Remove the Right Swing Cover while raising the Latch Lever.



j0bn40926

(Figure 3) j0bn40926

### Installation

#### Procedure

To install, carry out the removal steps in reverse order.

**Note** For easy installation, set the Right Swing Cover while raising the Latch Lever.

### REP9.2.3 Right Lower Cover

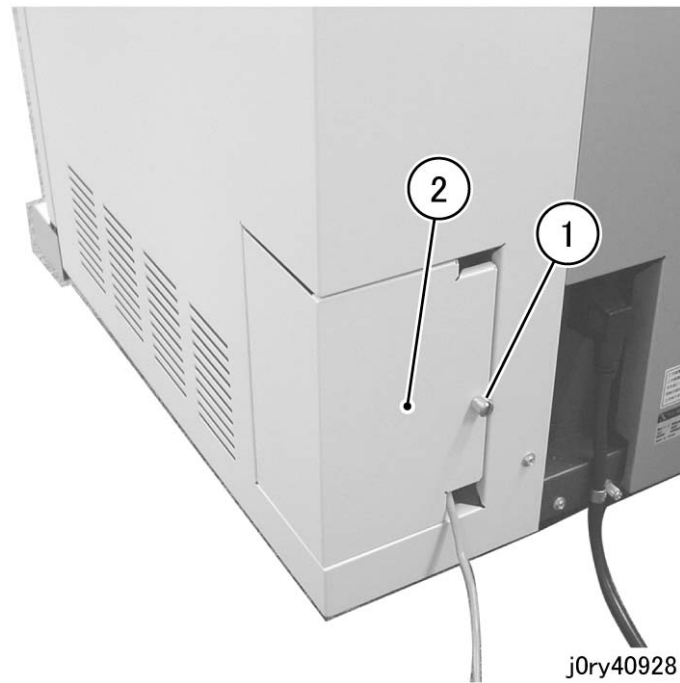
Reference PL: PL9.2

#### Removal

**⚠ WARNING**  
Turn OFF the power and the breaker, then unplug the power plug to prevent electric shock.

#### Procedure

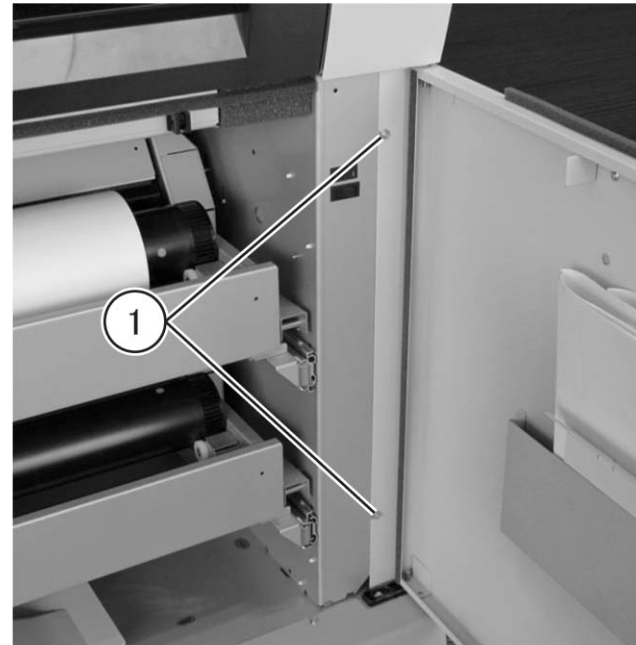
1. Remove the I/F Cover. (Figure 1)
  - 1) Loosen the Knob Screw.
  - 2) Remove the I/F Cover.



(Figure 1) j0ry40928

2. Disconnect the CP Control PWB Chassis LAN connector and the optional machine cables.

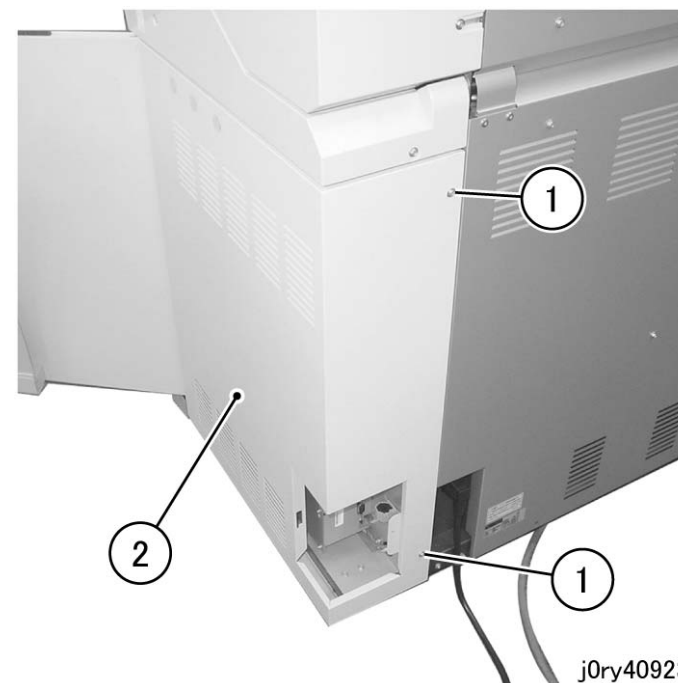
3. Open the Front Right Door.
4. Loosen the screws at the Front side of the Right Lower Cover. (Figure 2)
  - 1) Loosen the screw (x2).



j0bn40917

(Figure 2) j0bn40917

5. Remove the Right Lower Cover. (Figure 3)
  - 1) Remove the screw (x2).
  - 2) Remove the Right Lower Cover.



j0ry40923

(Figure 3) j0ry40923

#### Installation

#### Procedure

To install, carry out the removal steps in reverse order.

## REP9.2.4 Document Shelf Assembly

Reference PL: PL9.2

### Installation

Procedure

To install, carry out the removal steps in reverse order.

### Removal

#### **WARNING**

Turn OFF the power and the breaker, then unplug the power plug to prevent electric shock.

Procedure

1. Open the Swing Frame.
2. Open the Front Upper Cover.
3. Remove the Document Shelf Assembly. (Figure 1)
  - 1) Remove the screw (x2).
  - 2) Remove the Document Shelf Assembly.



j0bn40928

(Figure 1) j0bn40928

## REP9.3.1 Left Upper Cover

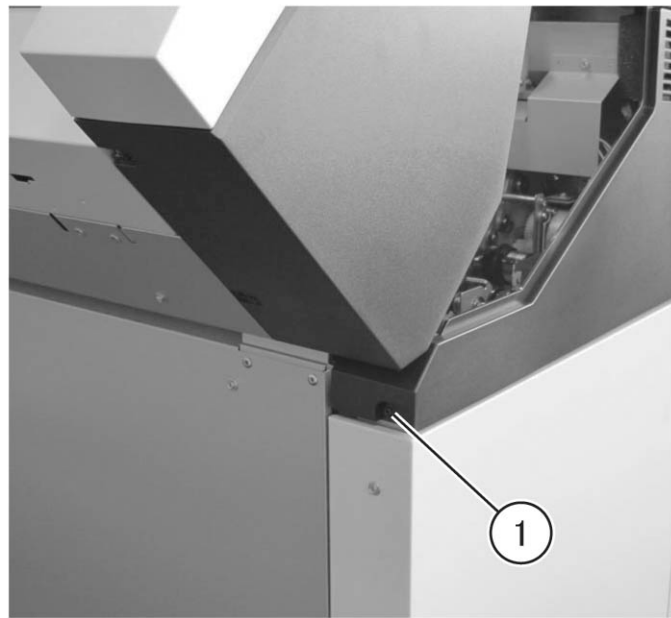
Reference PL: PL9.3

### Removal

**⚠ WARNING**  
Turn OFF the power and the breaker, then unplug the power plug to prevent electric shock.

### Procedure

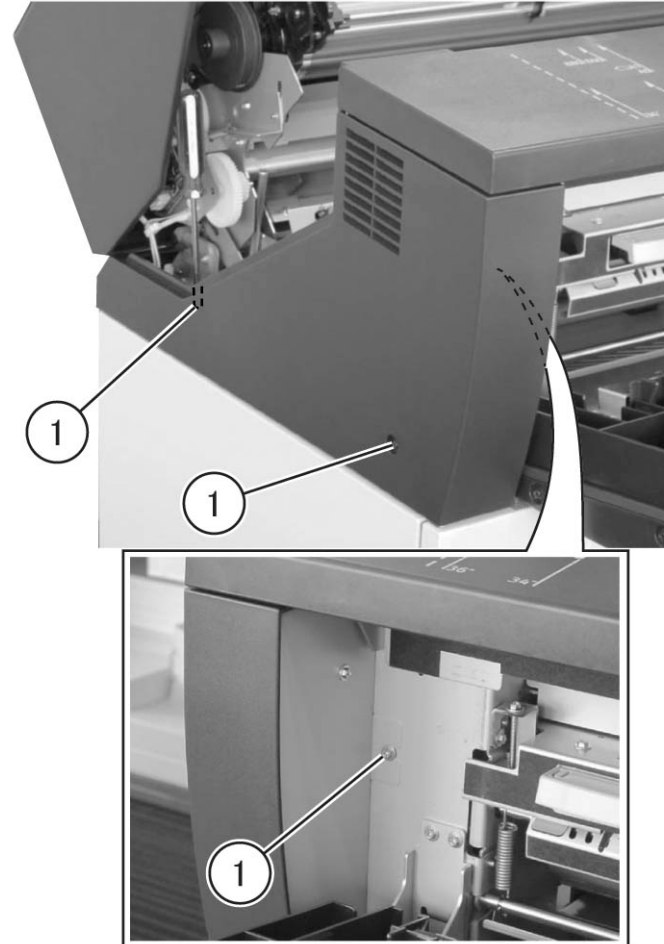
1. Open the Swing Frame.
2. Remove the screw on the rear of the Left Upper Cover. (Figure 1)
  - 1) Remove the screw.



j0bn40929

(Figure 1) j0bn40929

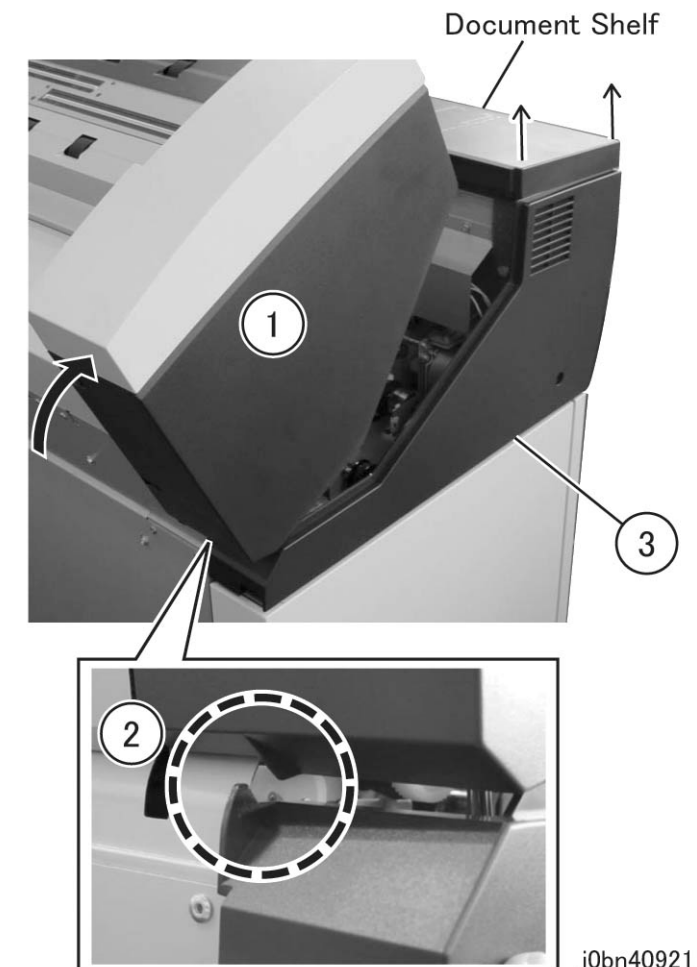
3. Open the Front Upper Cover.
4. Open the Fusing Cover.
5. Remove the screw on the Left Upper Cover. (Figure 2)
  - 1) Remove the screw (x3).



j0bn40930

(Figure 2) j0bn40930

6. Remove the Left Upper Cover. (Figure 3)
  - 1) Close the Swing Frame up to the position indicated in the figure.
  - 2) Bend the Rear side of the Left Upper Cover to release the catch of the Tab.
  - 3) Bend the Left side of the Document Shelf in the direction of the arrow and remove the Left Upper Cover.



j0bn40921

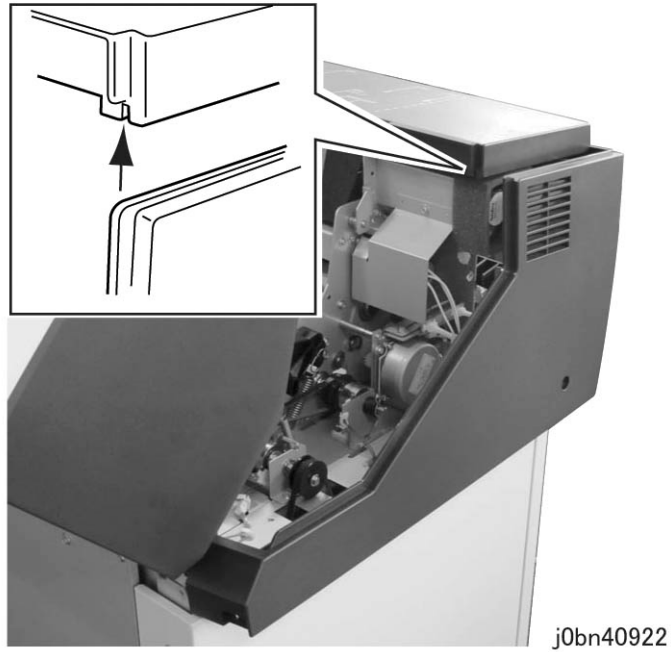
(Figure 3) j0bn40921

## Installation

### Procedure

To install, carry out the removal steps in reverse order.

**Note** Insert the Left Upper Cover in the groove of the Document Shelf. (Figure 4)



(Figure 4) j0bn40922

## REP9.3.2 Left Swing Cover

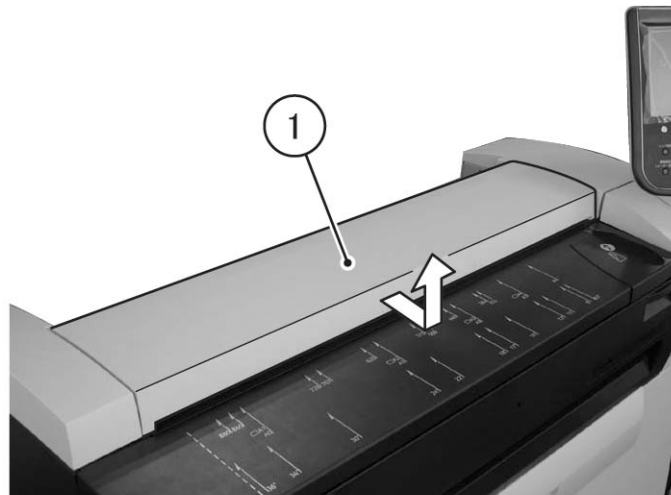
Reference PL: PL9.2

### Removal

**⚠ WARNING**  
Turn OFF the power and the breaker, then unplug the power plug to prevent electric shock.

### Procedure

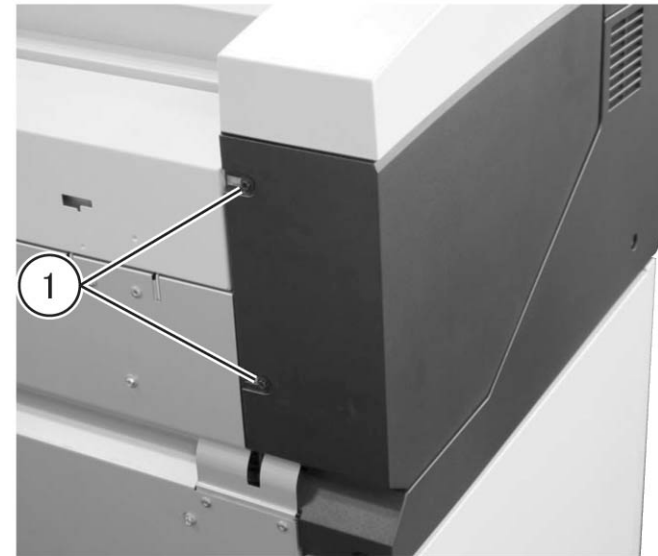
1. Remove the Turn Guide (x2). (PL3.1)
2. Remove the Upper Document Transport. (Figure 1)
  - 1) Remove the Upper Document Transport in the direction of the arrow.



j0bn40407

(Figure 1) j0bn40407

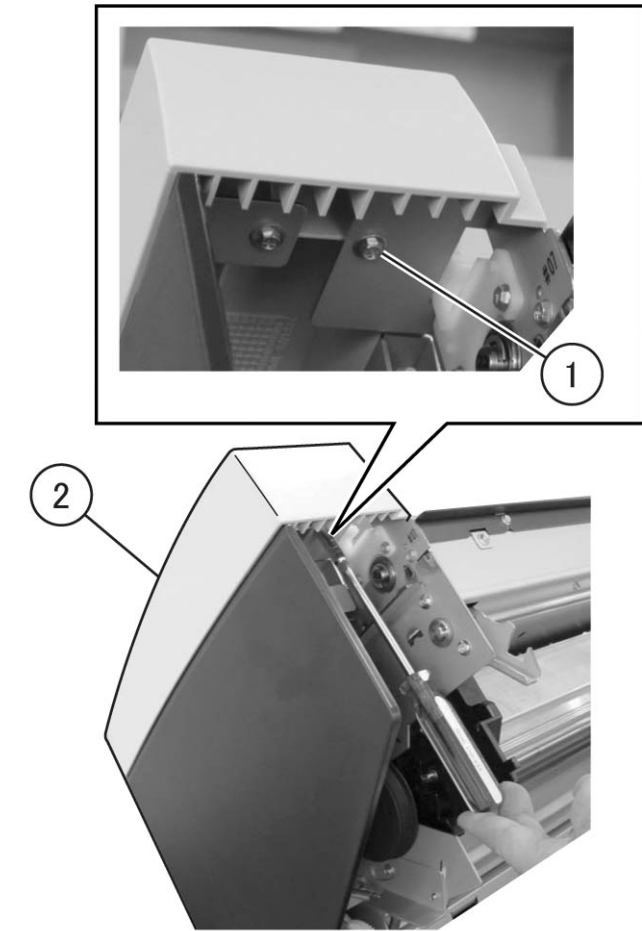
3. Remove the screw at the rear of the Left Swing Cover. (Figure 2)
  - 1) Remove the screw (x2).



j0bn40924

(Figure 2) j0bn40924

4. Open the Swing Frame.
5. Remove the Left Swing Cover. (Figure 3)
  - 1) Remove the Tapping Screw.
  - 2) Remove the Left Swing Cover.



j0bn40925

(Figure 3) j0bn40925

### Installation

#### Procedure

To install, carry out the removal steps in reverse order.

### REP9.3.3 Rear Cover Assembly

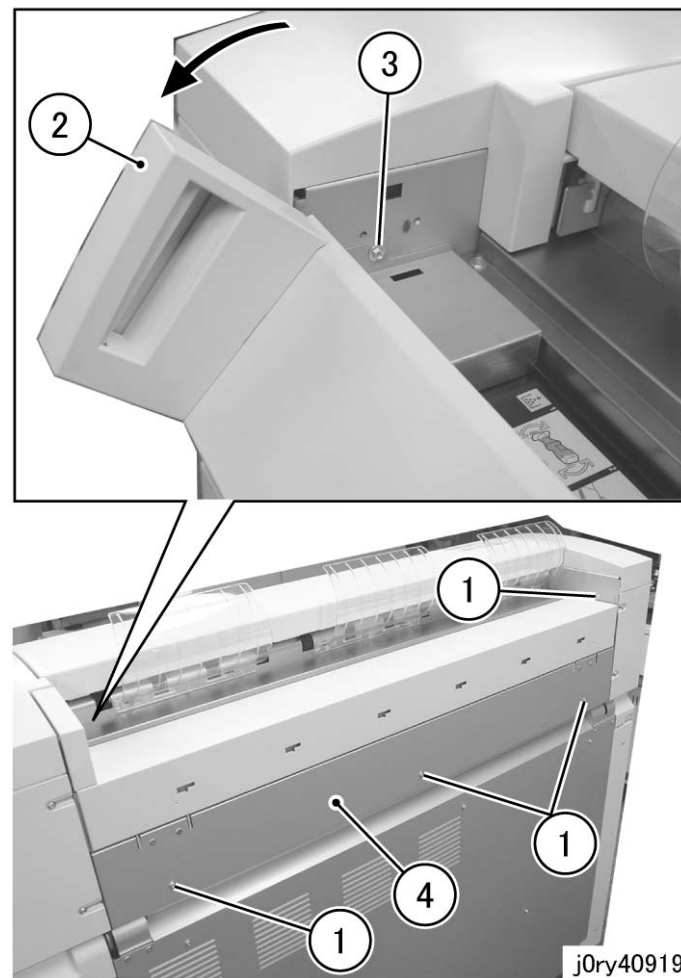
Reference PL: PL9.3

#### Removal

**⚠ WARNING**  
Turn OFF the power and the breaker, then unplug the power plug to prevent electric shock.

#### Procedure

1. Remove the Turn Guide (x2). (PL3.1)
2. Remove the Rear Cover Assembly. (Figure 1)
  - 1) Remove the screw (x3).
  - 2) Open the Rear Top Cover.
  - 3) Remove the screw (x2).
  - 4) Remove the Rear Cover Assembly.



(Figure 1) j0ry40919

#### Installation

#### Procedure

To install, carry out the removal steps in reverse order.



## REP9.3.4 Left Lower Cover

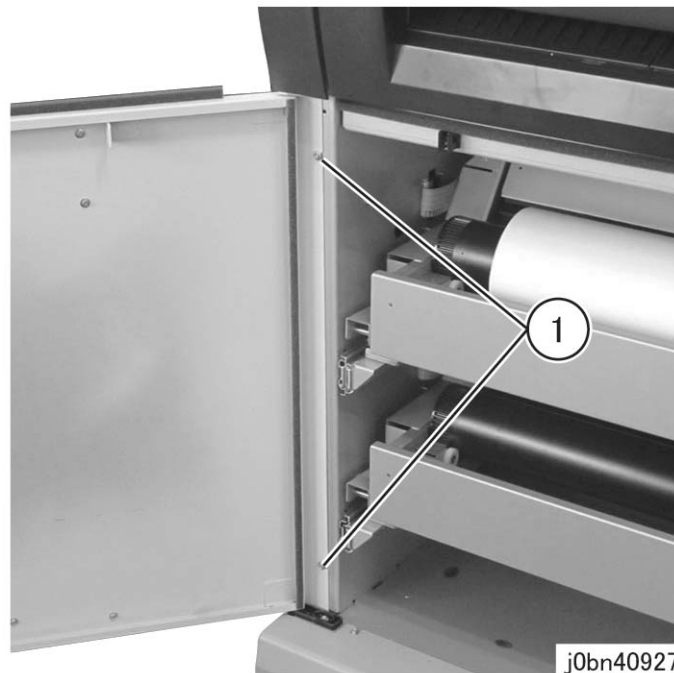
Reference PL: PL9.3

### Removal

**⚠ WARNING**  
Turn OFF the power and the breaker, then unplug the power plug to prevent electric shock.

### Procedure

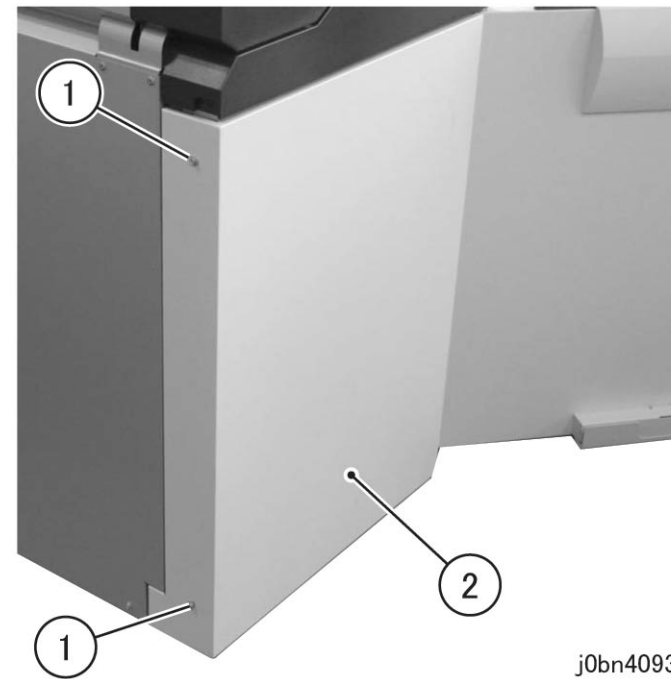
1. Open the Front Left Door.
2. Loosen the screws at the Front side of the Front Left Cover. (Figure 1)
  - 1) Loosen the screw (x2).



(Figure 1) j0bn40927

3. Remove the Left Lower Cover. (Figure 2)

- 1) Remove the screw (x2).
- 2) Remove the Left Lower Cover.



j0bn40931

(Figure 2) j0bn40931

### Installation

#### Procedure

To install, carry out the removal steps in reverse order.

## REP9.3.5 Rear Lower Cover

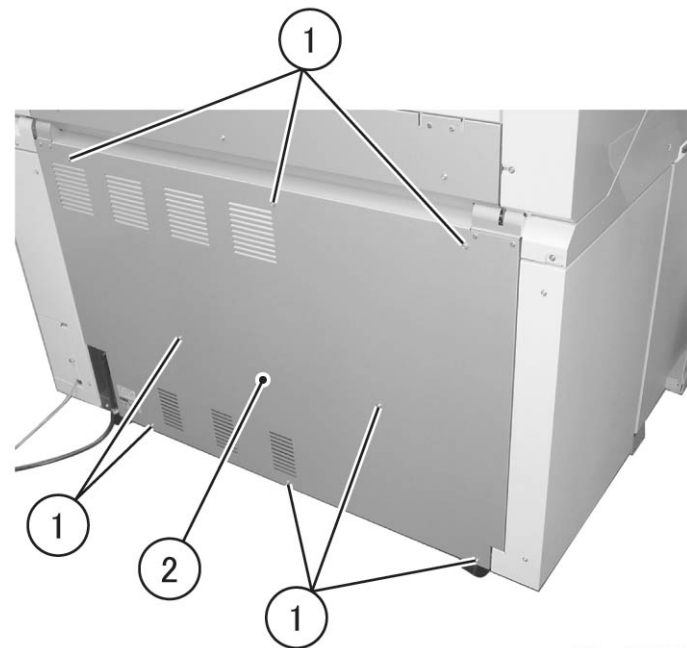
Reference PL: PL9.3

### Removal

**⚠ WARNING**  
Turn OFF the power and the breaker, then unplug the power plug to prevent electric shock.

### Procedure

1. Remove the Rear Lower Cover. (Figure 1)
  - 1) Remove the screw (x8).
  - 2) Remove the Rear Lower Cover.



j0bn40933

(Figure 1) j0bn40933

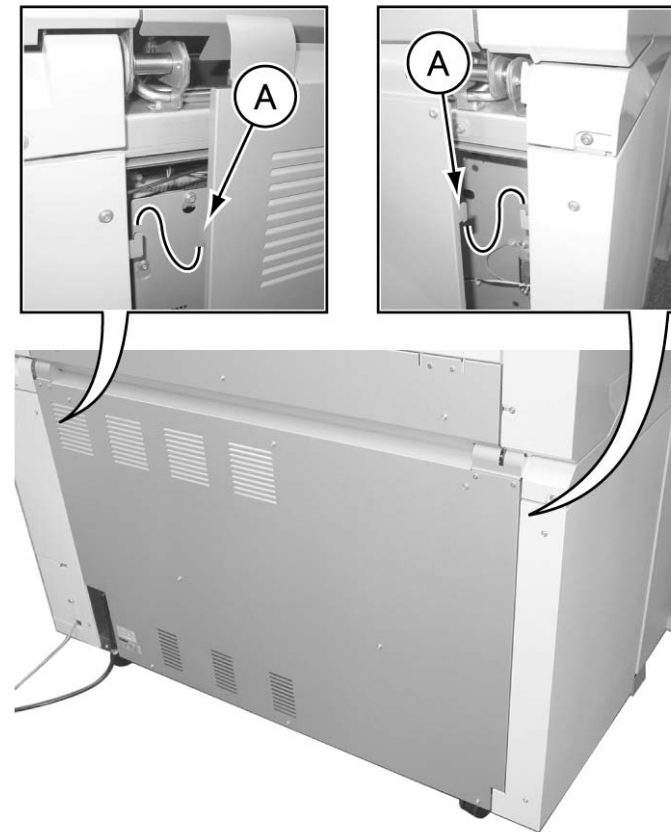
### Installation

#### Procedure

To install, carry out the removal steps in reverse order.

1. Attach the hook (x2) of the Rear Lower Cover to the Frame Bracket. (Figure 2)

A) Hook



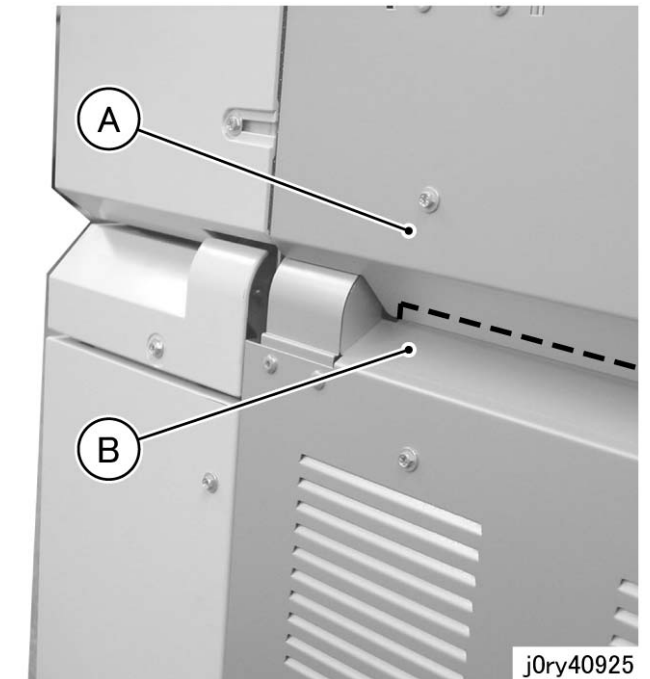
j0ry40926

(Figure 2) j0ry40926

2. When installing the Rear Lower Cover, orientate it such that Rear Cover is on top, and Rear Lower Cover is below. (Figure 3)

A) Rear Cover: Top

B) Rear Lower Cover: Bottom



j0ry40925

(Figure 3) j0ry40925

3. When the Rear Lower Cover has been replaced, remove the Data Plate, VCCI Label, and Earth Label from the old Rear Lower Cover and install them to the new Rear Lower Cover.

## 10. RFC

### REP10.1.1 RFC Assembly

Reference PL: PL10.1

#### Removal

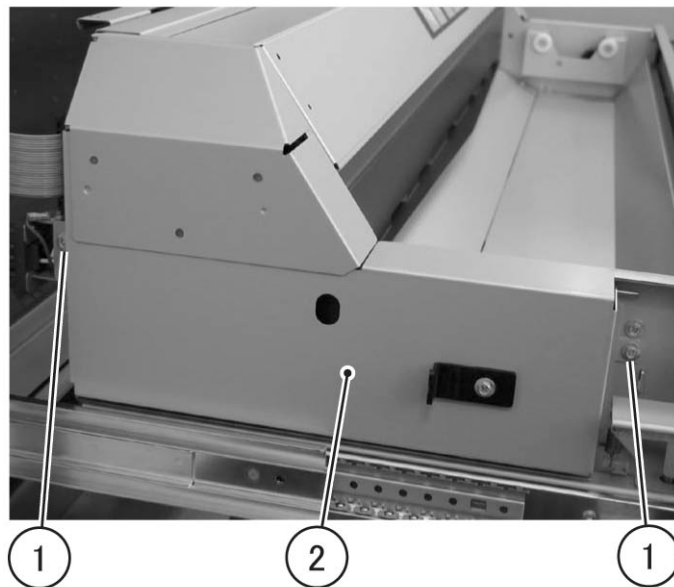
**⚠ WARNING**  
The RFC is a heavy component (22kg), perform service with 2 personnel.

**⚠ WARNING**  
Turn OFF the power and the breaker, then unplug the power plug to prevent electric shock.

**Note** The procedure here is for removing the lower section of the 2-RFC Type.

#### Procedure

1. Pull out the RFC.
2. Remove the Roll Paper.
3. Remove the Left Inner Cover. (Figure 1)
  - 1) Remove the screw (x2).
  - 2) Remove the Left Inner Cover.

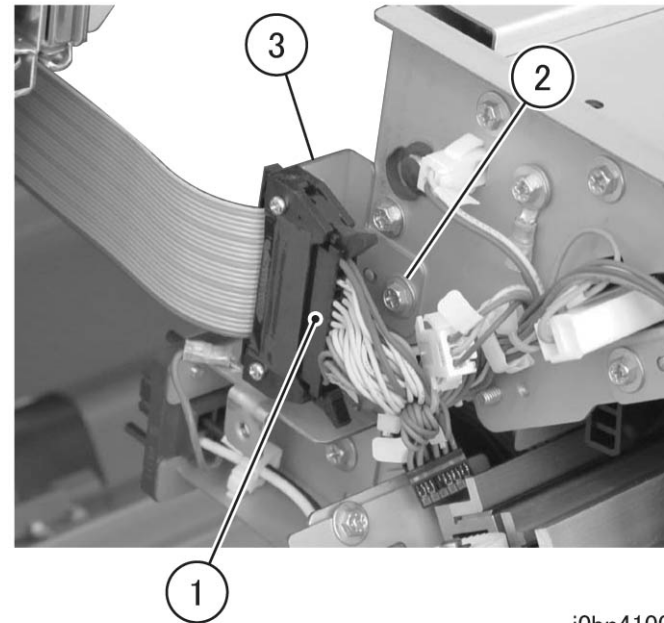


j0bn41001

(Figure 1) j0bn41001

4. Move the Connector Bracket. (Figure 2)

- 1) Disconnect the connector.
- 2) Remove the screw.
- 3) Move the Connector Bracket.

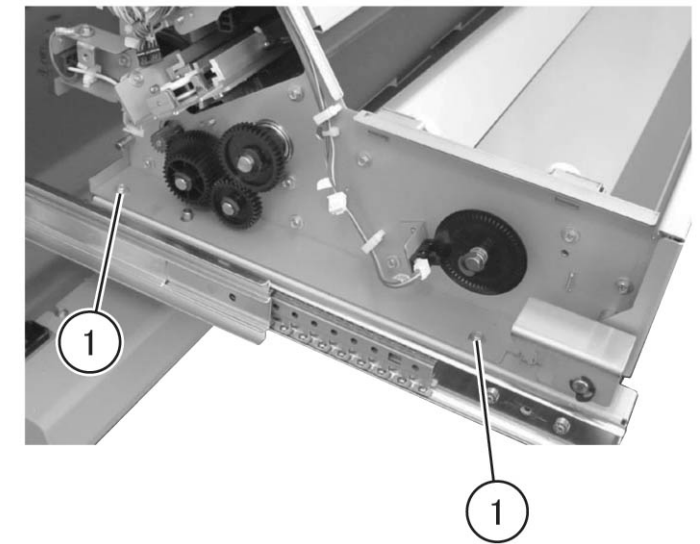


j0bn41005

(Figure 2) j0bn41005

5. Remove the screws at the Left side of the RFC. (Figure 3)

- 1) Remove the screw (x2).

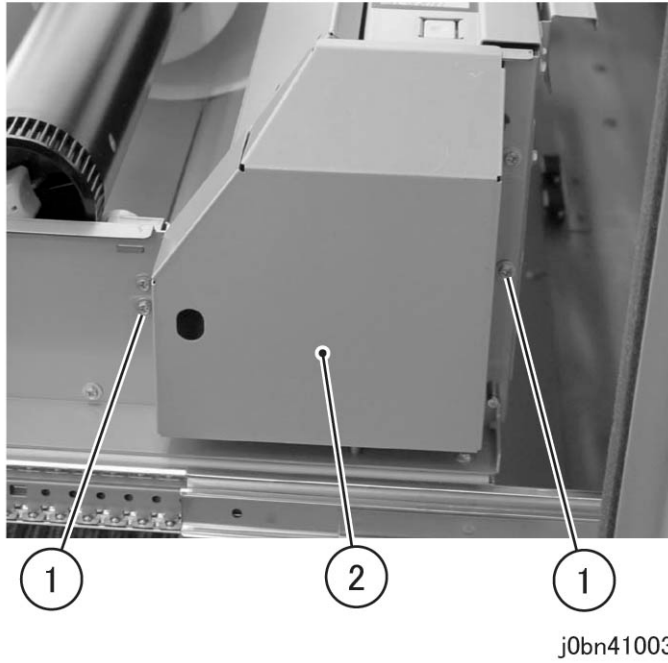


j0bn41006

(Figure 3) j0bn41006

6. Remove the Right Inner Cover. (Figure 4)

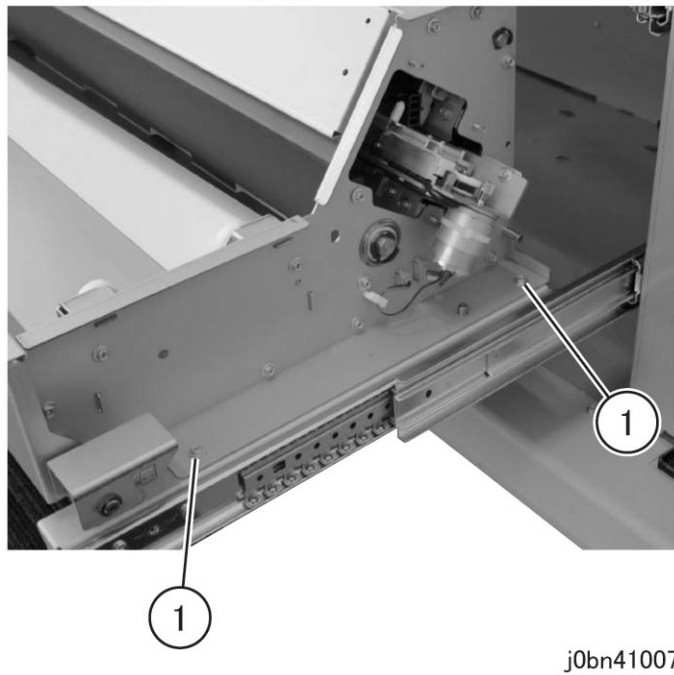
- 1) Remove the screw (x2).
- 2) Remove the Right Inner Cover.



(Figure 4) j0bn41003

7. Remove the screws at the Right side of the RFC. (Figure 5)

- 1) Remove the Round Point Screw (x2).

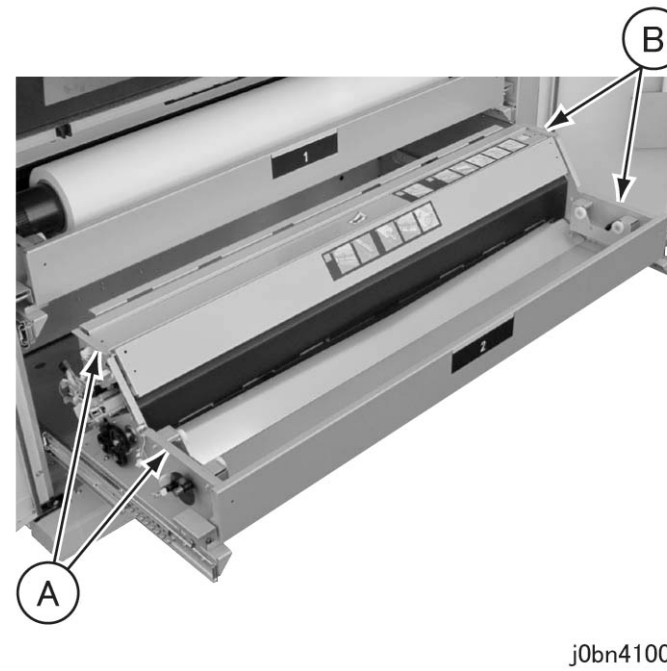


(Figure 5) j0bn41007

8. Remove the RFC. (2 person operation) (Figure 6)

**⚠ WARNING**  
2 person operation: Have one person hold section A and another person hold section B when pulling out from the Rail. (Do not hold onto any other section other than A and B.)

**⚠ WARNING:**  
The Frame in the middle section is fragile and hence must not be used for holding.



(Figure 6) j0bn41008

**Installation**

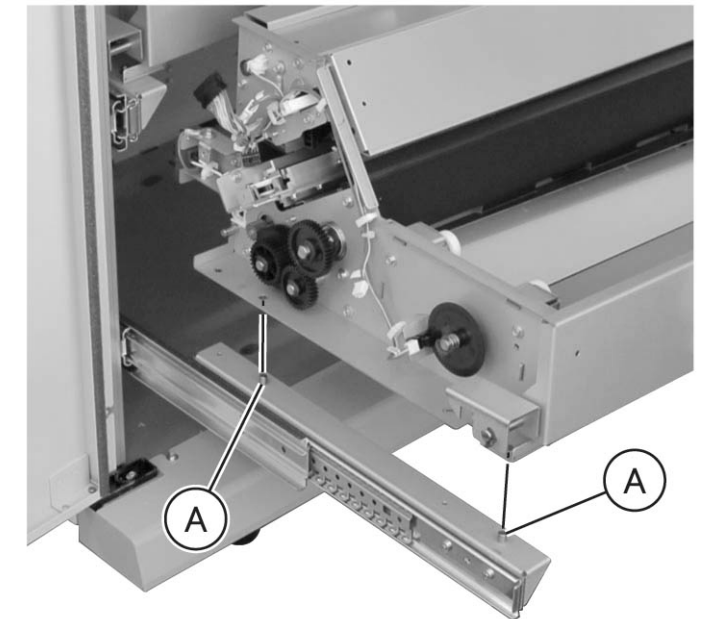
Procedure

To install, carry out the removal steps in reverse order.

**⚠ WARNING**  
Refer to the removal step 8 to perform installation with 2 persons.

**Note** When installing the RFC, align with the Pin of the Rail. (Figure 5)

A) Pin of the Rail



(Figure 5) j0bn41009

## REP10.1.2 Left Rail and Right Rail

Reference PL: PL10.1

### Removal

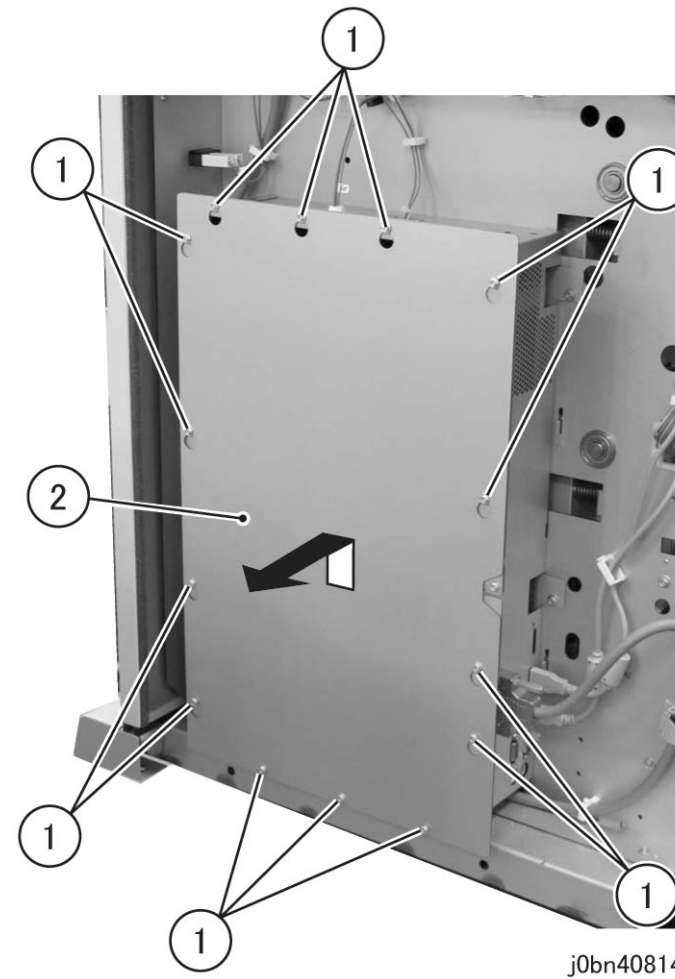
**⚠ WARNING**  
Turn OFF the power and the breaker, then unplug the power plug to prevent electric shock.

#### Procedure

1. Pull out the RFC.
2. Remove the Roll Paper.
3. Remove the RFC. (REP10.1.1)
4. Remove the Right Lower Cover. (REP9.2.3)

5. Remove the ESS Cover. (Figure 1)

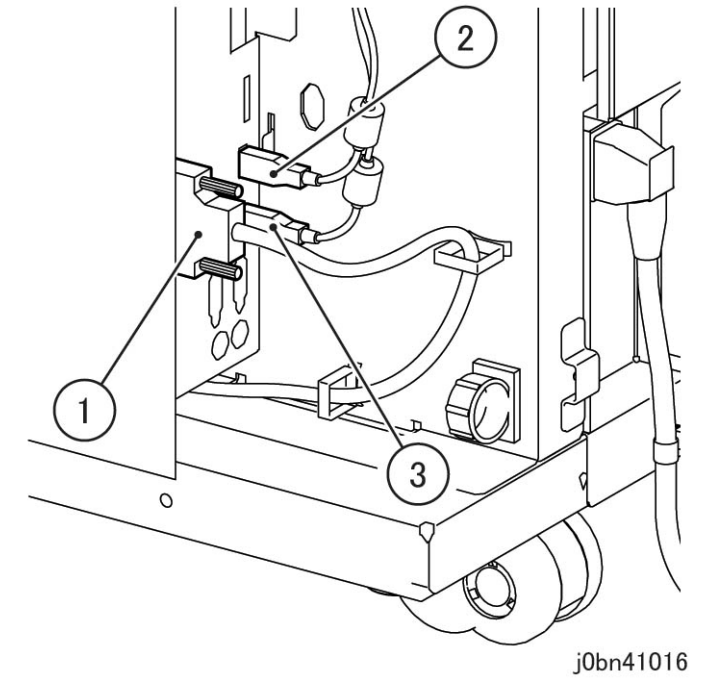
- 1) Loosen the screw (x14).
- 2) Remove the ESS Cover.



(Figure 1) j0bn40814

6. Disconnect the UI I/F Cable, the IIT USB Cable, and the IOT USB Cable from the ESS Assembly. (Figure 2)

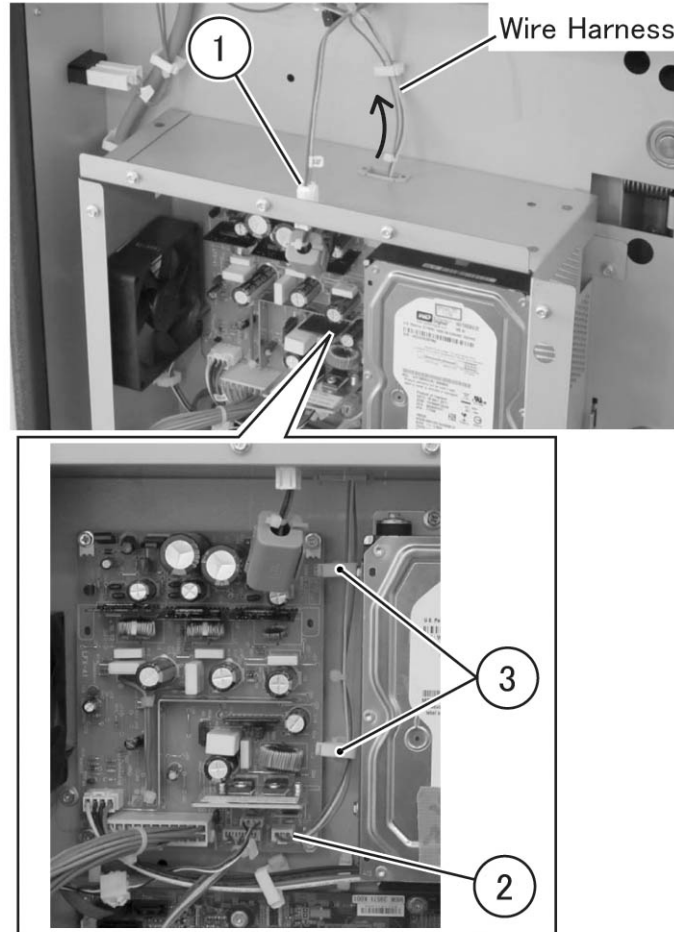
- 1) Disconnect the UI I/F Cable.
- 2) Disconnect the IIT USB Cable.
- 3) Disconnect the IOT USB Cable.



j0bn41016

(Figure 2) j0bn41016

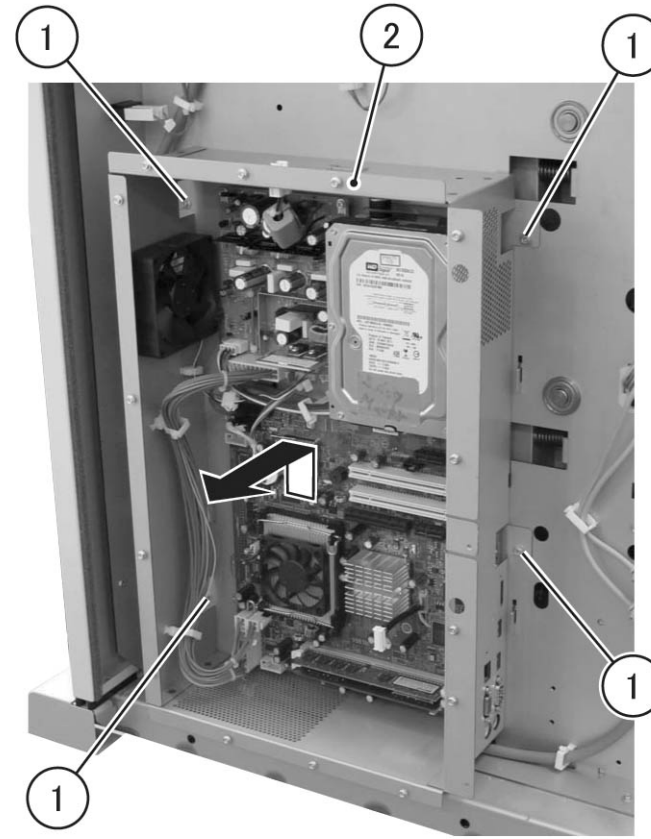
7. Disconnect the connector from the ESS Chassis. (Figure 3)
  - 1) Disconnect the connector.
  - 2) Disconnect the connector.
  - 3) Release the clamp (x2) and pull out the Wire Harness from the hole of the ESS Chassis.



j0bn40821

(Figure 3) j0bn40821

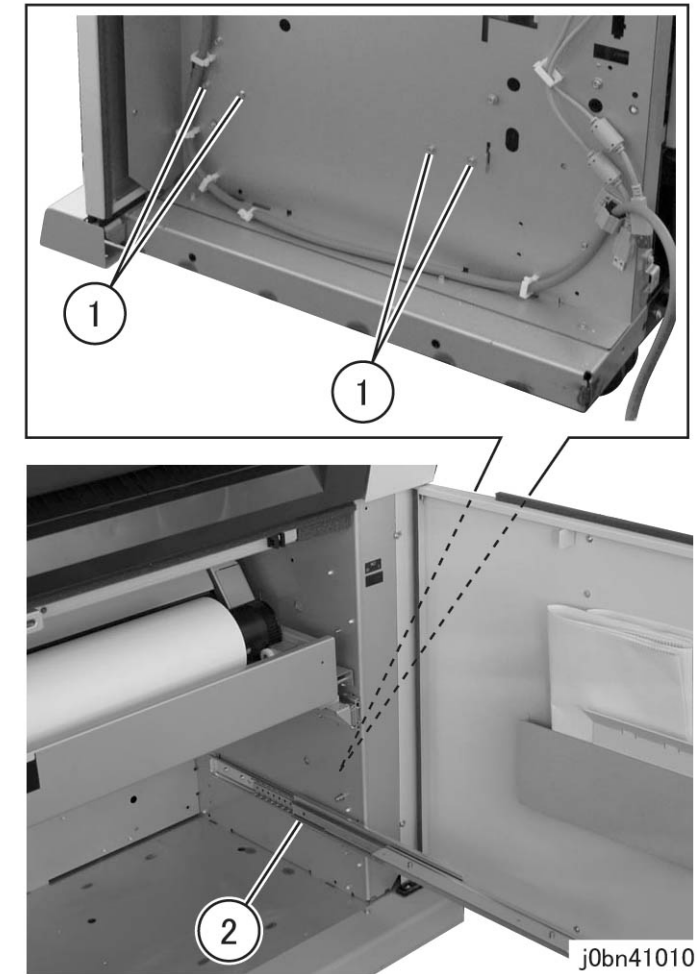
8. Remove the ESS Assembly. (Figure 4)
  - 1) Loosen the screw (x4).
  - 2) Remove the ESS Assembly.



j0bn40822

(Figure 4) j0bn40822

9. Remove the Right Rail. (Figure 5)
  - 1) Remove the screw (x4).
  - 2) Remove the Right Rail.



j0bn41010

(Figure 5) j0bn41010

### Installation

#### Procedure

To install, carry out the removal steps in reverse order.

## REP10.2.1 (SCC) Cutter Assembly

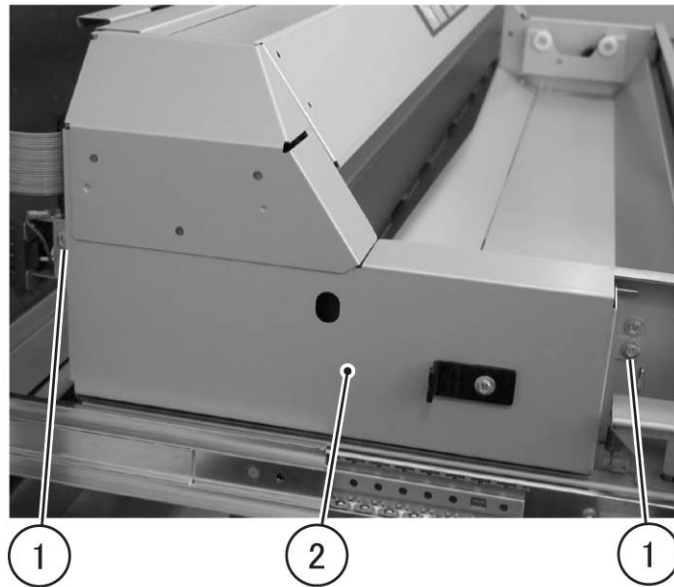
Reference PL: PL10.2

### Removal

**⚠ WARNING**  
Turn OFF the power and the breaker, then unplug the power plug to prevent electric shock.

#### Procedure

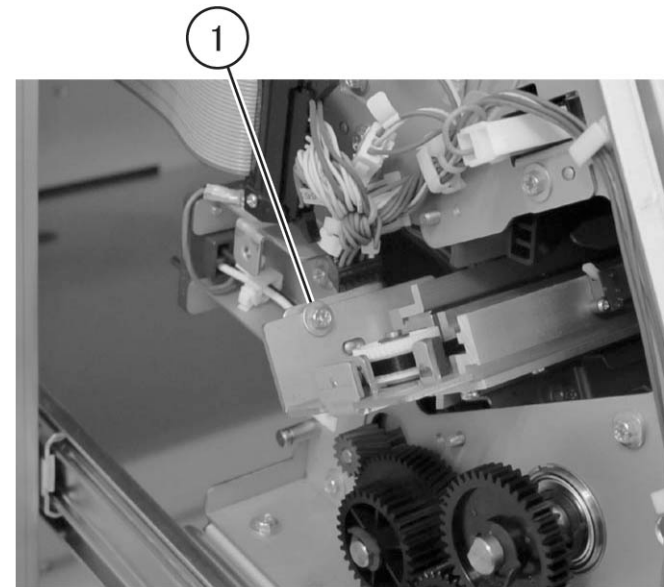
1. Pull out the RFC.
2. Remove the Roll Paper.
3. Remove the Left Inner Cover. (Figure 1)
  - 1) Remove the screw (x2).
  - 2) Remove the Left Inner Cover.



j0bn41001

(Figure 1) j0bn41001

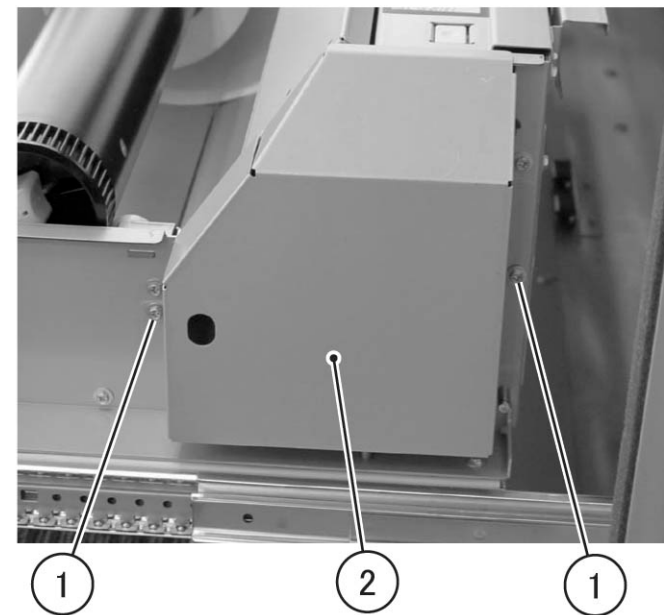
4. Remove the screw at the Left side of the Cutter. (Figure 2)
  - 1) Remove the screw.



j0bn41011

(Figure 2) j0bn41011

5. Remove the Right Inner Cover. (Figure 3)
  - 1) Remove the screw (x2).
  - 2) Remove the Right Inner Cover.

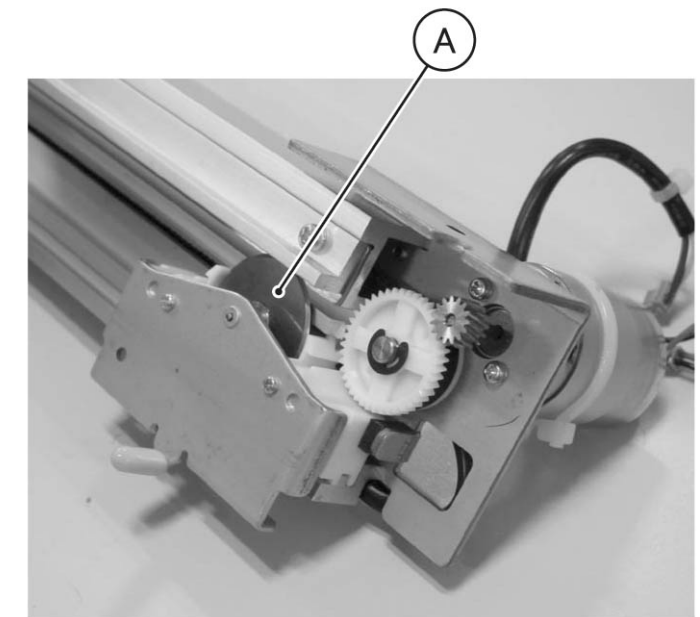


j0bn41003

(Figure 3) j0bn41003

**⚠ CAUTION**  
Do not touch the Cutter Blade to prevent injury. (Figure 4)

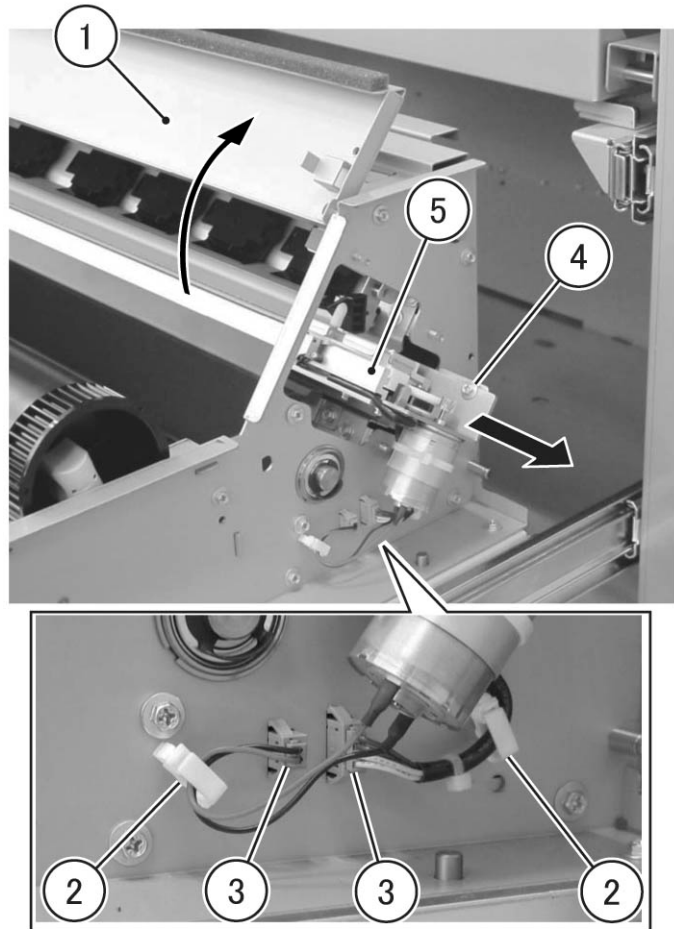
A) Cutter Blade



j0bn41012

(Figure 4) j0bn41012

6. Remove the Cutter Assembly. (Figure 5)
  - 1) Open the Cutter Cover.
  - 2) Release the clamp (x2) to remove the Wire Harness (x2).
  - 3) Disconnect the connector (x2).
  - 4) Remove the screw.
  - 5) Remove the Cutter Assembly.



j0bn41013

(Figure 5) j0bn41013

### Installation

#### Procedure

To install, carry out the removal steps in reverse order.



## REP10.4.1 Feed Roll

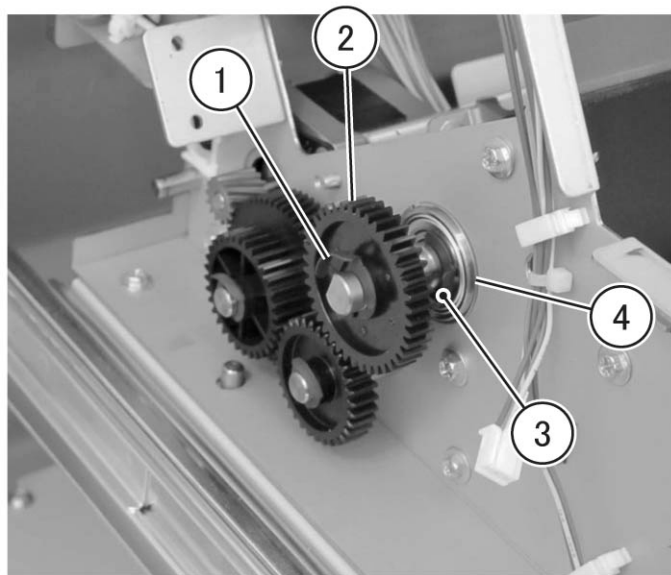
Reference PL: PL10.4

### Removal

**⚠ WARNING**  
Turn OFF the power and the breaker, then unplug the power plug to prevent electric shock.

#### Procedure

1. Pull out the RFC.
2. Remove the Roll Paper.
3. Remove the Cutter. (REP10.3.1)
4. Remove the Ball Bearing at the Left side of the Feed Roll. (Figure 1)
  - 1) Remove the KL-Clip.
  - 2) Remove the gear.
  - 3) Remove the KL-Clip.
  - 4) Remove the Ball Bearing.

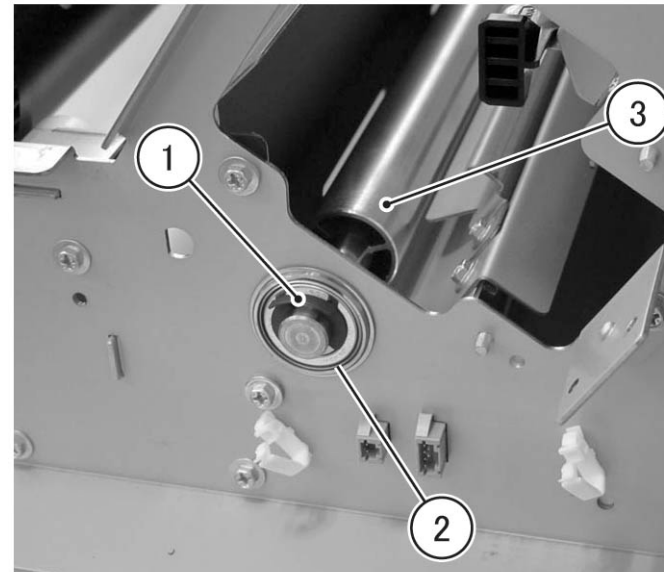


j0bn41014

(Figure 1) j0bn41014

### 5. Remove the Feed Roll. (Figure 2)

- 1) Remove the KL-Clip.
- 2) Remove the Ball Bearing.
- 3) Remove the Feed Roll.



j0bn41015

(Figure 2) j0bn41015

### Installation

#### Procedure

To install, carry out the removal steps in reverse order.

## 12. UI

### REP12.1.1 (SCC) UI Assembly

Reference PL: PL12.1

#### Removal

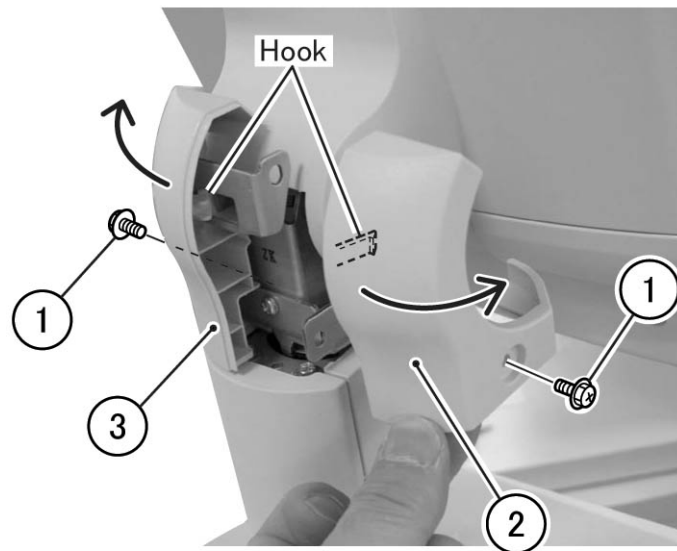
- ⚠ WARNING**  
Turn OFF the power and the breaker, then unplug the power plug to prevent electric shock.

#### Procedure

1. Remove the Left Hinge Cover and the Right Hinge Cover. (Figure 1)

**Note** When removing the Left/Right Hinge Covers, be careful not to damage the hooks.

- 1) Remove the screw (x2).
- 2) Remove the hook of the Left Hinge Cover from the hole of the Hinge Assembly, and then remove the Left Hinge Cover.
- 3) Remove the hook of the Right Hinge Cover from the hole of the Hinge Assembly, and then remove the Right Hinge Cover.

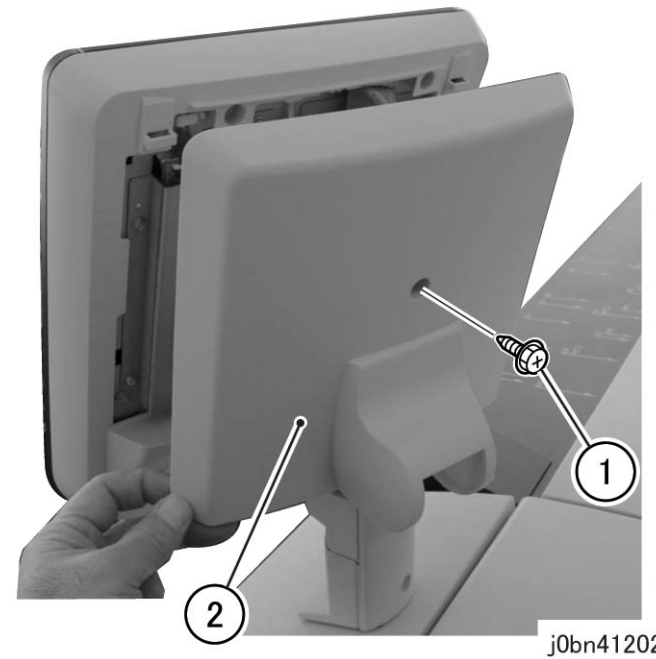


j0bn41201

(Figure 1) j0bn41201

2. Remove the UI Rear Cover. (Figure 2)

- 1) Remove the screw.
- 2) Remove the UI Rear Cover.

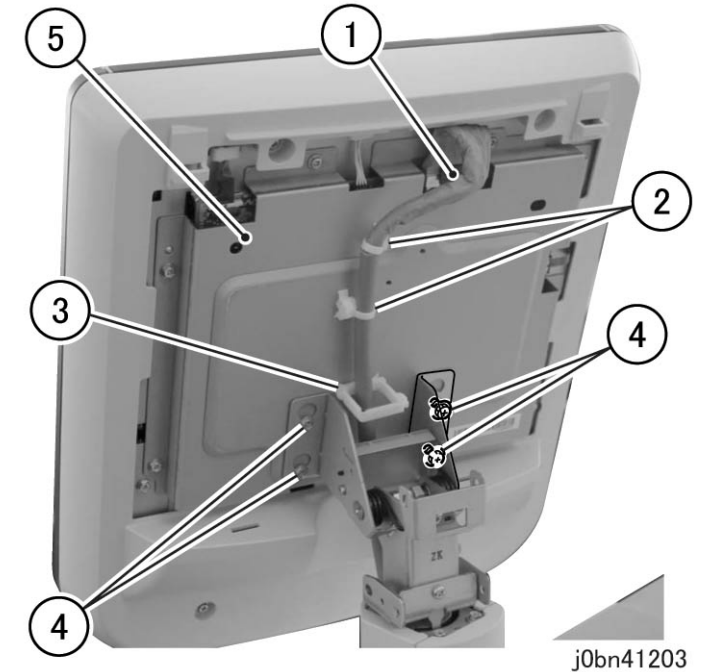


j0bn41202

(Figure 2) j0bn41202

3. Remove the UI Assembly. (Figure 3)

- 1) Disconnect the UI I/F Cable.
- 2) Remove the clamp (x2) of the UI I/F Cable.
- 3) Release the clamp to remove the UI I/F Cable.
- 4) Loosen the screw (x4).
- 5) Remove the UI Assembly.



j0bn41203

(Figure 3) j0bn41203

#### Installation

##### Procedure

To install, carry out the removal steps in reverse order.

## REP12.1.2 Left Hinge Cover and Right Hinge Cover

Reference PL: PL12.1

### Removal

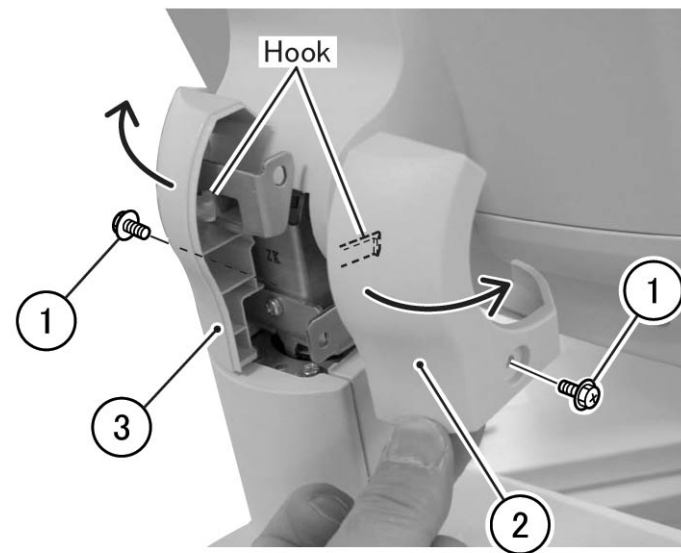
**⚠ WARNING**  
Turn OFF the power and the breaker, then unplug the power plug to prevent electric shock.

### Procedure

1. Remove the Left Hinge Cover and the Right Hinge Cover. (Figure 1)

**Note** When removing the Left Hinge Cover and the Right Hinge Cover, be careful not to damage the hooks.

- 1) Remove the screw (x2).
- 2) Remove the hook of the Left Hinge Cover from the hole of the Hinge Assembly, and then remove the Left Hinge Cover.
- 3) Remove the hook of the Right Hinge Cover from the hole of the Hinge Assembly, and then remove the Right Hinge Cover.



j0bn41201

(Figure 1) j0bn41201

### Installation

#### Procedure

To install, carry out the removal steps in reverse order.

### REP12.1.3 Post Rear Cover and Post Front Upper Cover, Post Front Lower Cover

Reference PL: PL12.1

#### Removal

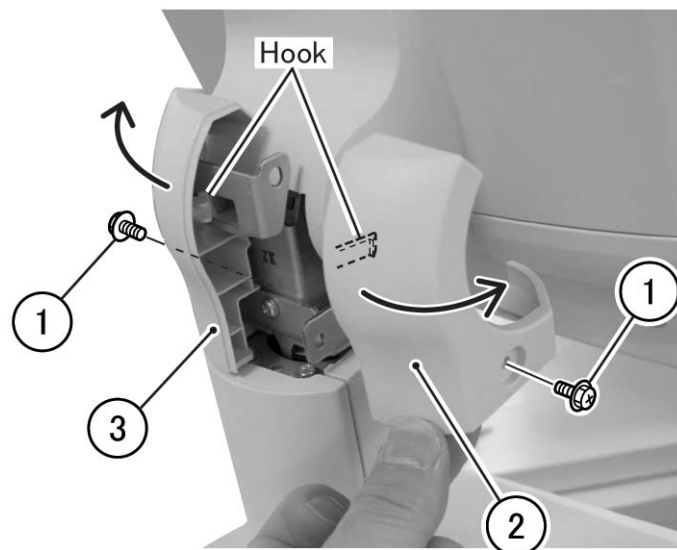
**⚠ WARNING**  
Turn OFF the power and the breaker, then unplug the power plug to prevent electric shock.

#### Procedure

1. Remove the Left Hinge Cover and the Right Hinge Cover. (Figure 1)

**Note** When removing the Left Hinge Cover and the Right Hinge Cover, be careful not to damage the hooks.

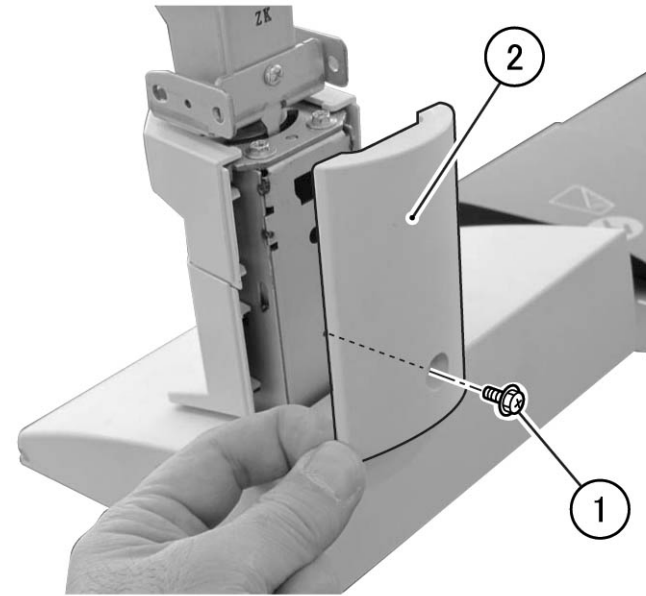
- 1) Remove the screw (x2).
- 2) Remove the hook of the Left Hinge Cover from the hole of the Hinge Assembly, and then remove the Left Hinge Cover.
- 3) Remove the hook of the Right Hinge Cover from the hole of the Hinge Assembly, and then remove the Right Hinge Cover.



j0bn41201

(Figure 1) j0bn41201

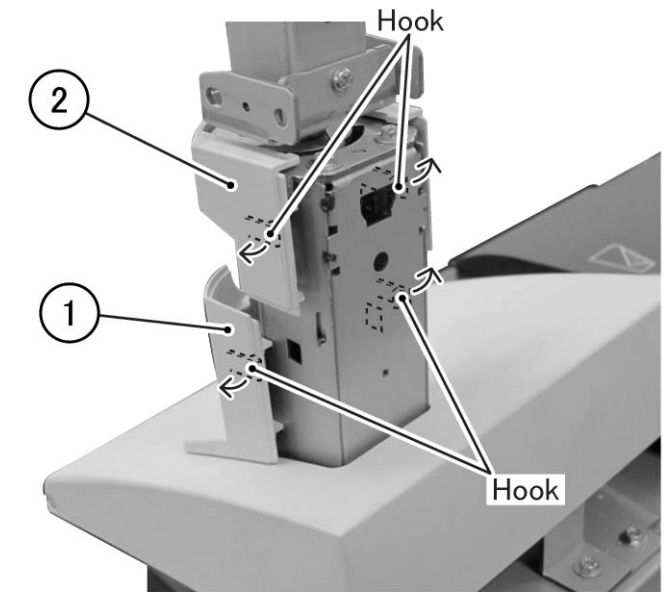
2. Remove the Post Rear Cover. (Figure 2)
  - 1) Remove the screw.
  - 2) Remove the Post Rear Cover.



j0bn41204

(Figure 2) j0bn41204

3. Remove the Post Front Upper Cover and the Post Front Lower Cover. (Figure 3)
  - 1) Release the hook (x2) and remove the Post Front Upper Cover.
  - 2) Release the hook (x2) and remove the Post Front Lower Cover.



j0bn41205

(Figure 3) j0bn41205

#### Installation

##### Procedure

To install, carry out the removal steps in reverse order.

## REP12.1.4 UI I/F Cable

Reference PL: PL12.1

### Removal

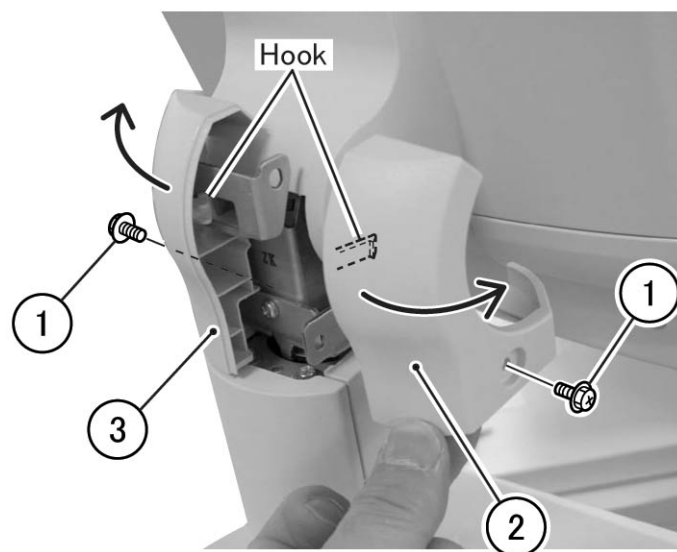
**⚠ WARNING**  
Turn OFF the power and the breaker, then unplug the power plug to prevent electric shock.

### Procedure

1. Remove the Right Upper Cover. (REP9.2.1)
2. Remove the Right Lower Cover. (REP9.2.3)
3. Remove the Left Hinge Cover and the Right Hinge Cover. (Figure 1)

**Note** When removing the Left Hinge Cover and the Right Hinge Cover, be careful not to damage the hooks.

- 1) Remove the screw (x2).
- 2) Remove the hook of the Left Hinge Cover from the hole of the Hinge Assembly, and then remove the Left Hinge Cover.
- 3) Remove the hook of the Right Hinge Cover from the hole of the Hinge Assembly, and then remove the Right Hinge Cover.

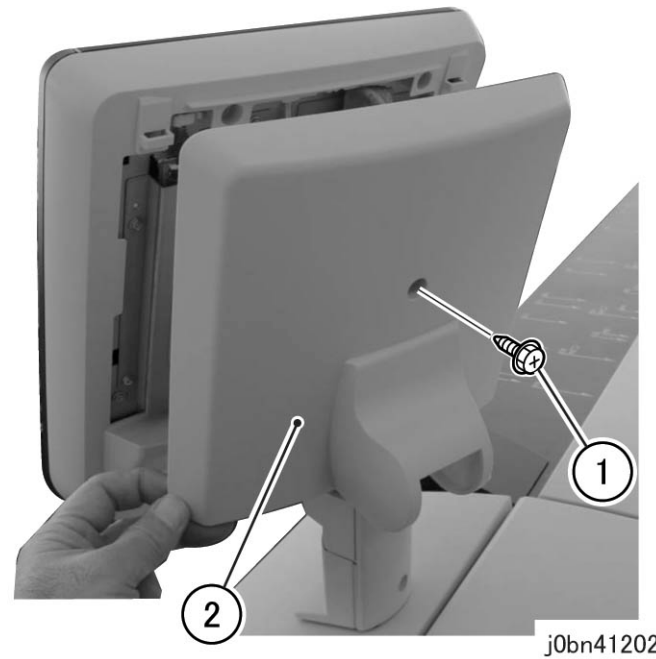


j0bn41201

(Figure 1) j0bn41201

4. Remove the UI Rear Cover. (Figure 2)

- 1) Remove the screw.
- 2) Remove the UI Rear Cover.

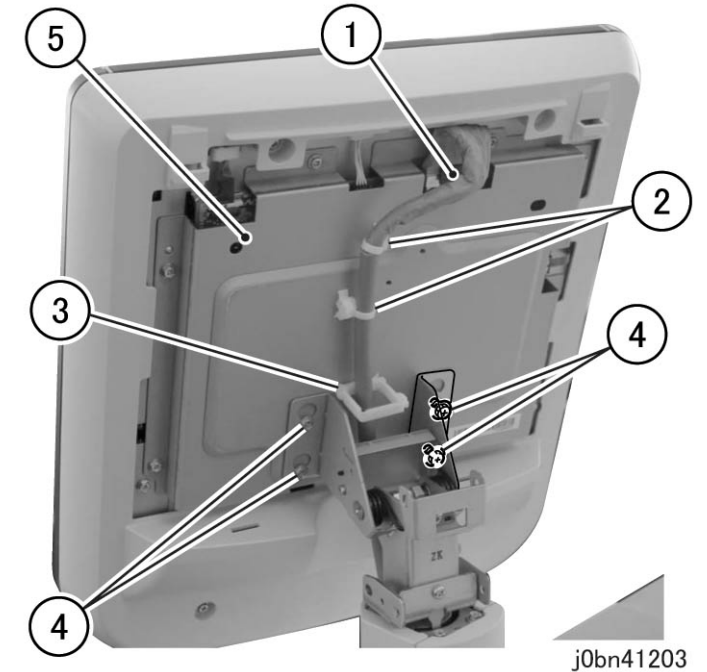


j0bn41202

(Figure 2) j0bn41202

5. Remove the UI Assembly. (Figure 3)

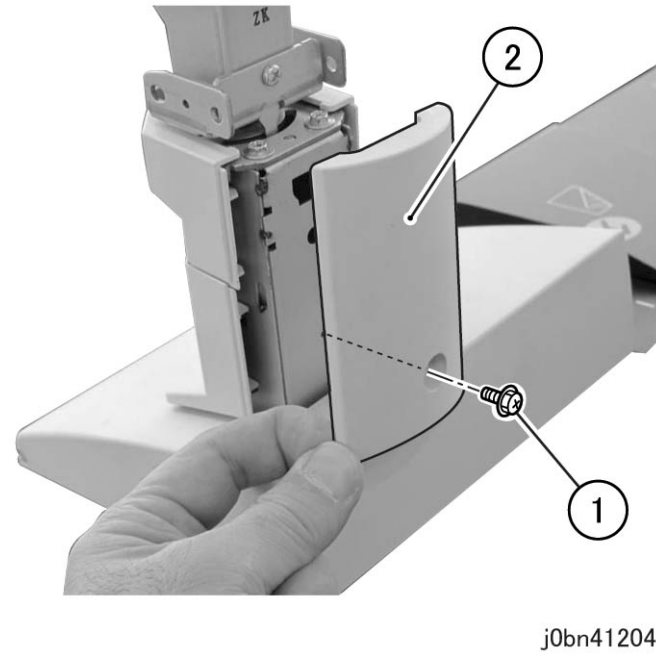
- 1) Disconnect the UI I/F Cable.
- 2) Remove the clamp (x2) of the UI I/F Cable.
- 3) Release the clamp to remove the UI I/F Cable.
- 4) Loosen the screw (x4).
- 5) Remove the UI Assembly.



j0bn41203

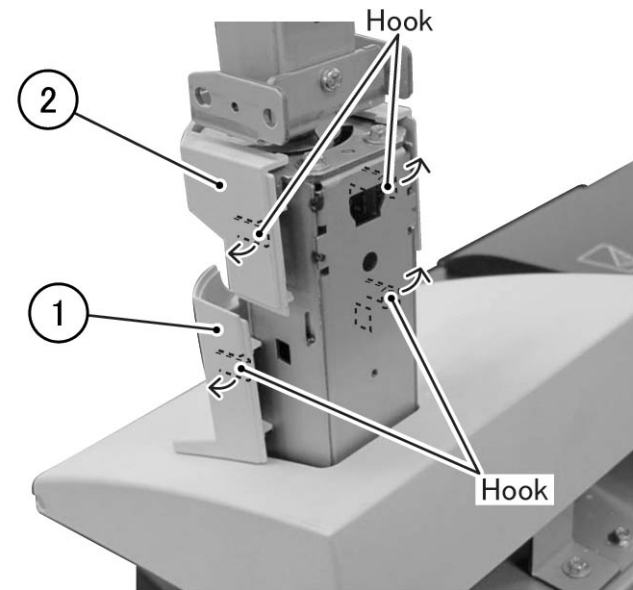
(Figure 3) j0bn41203

6. Remove the Post Rear Cover and the Post Front Cover. (Figure 4)
  - 1) Remove the screw.
  - 2) Remove the Post Rear Cover.



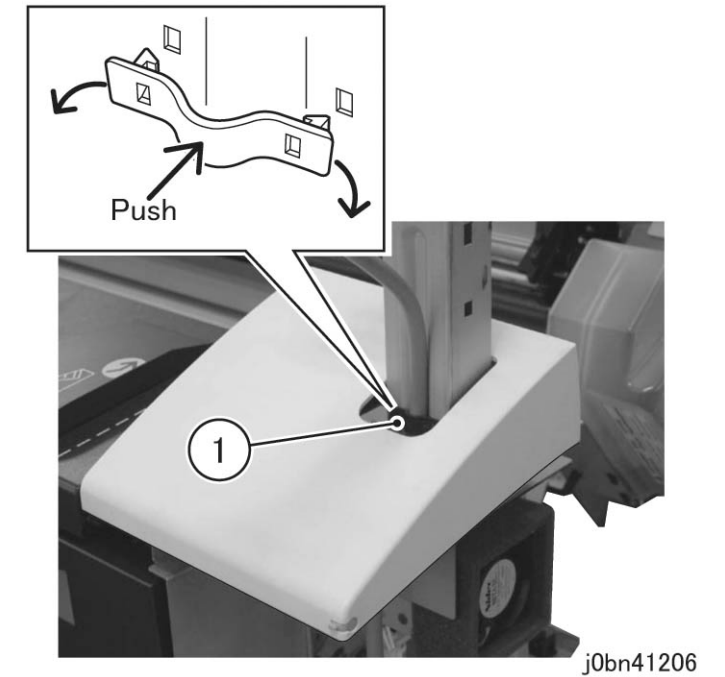
(Figure 4) j0bn41204

7. Remove the Post Front Lower Cover and the Post Front Upper Cover. (Figure 5)
  - 1) Release the hook (x2) and remove the Post Front Lower Cover.
  - 2) Release the hook (x2) and remove the Post Front Upper Cover.



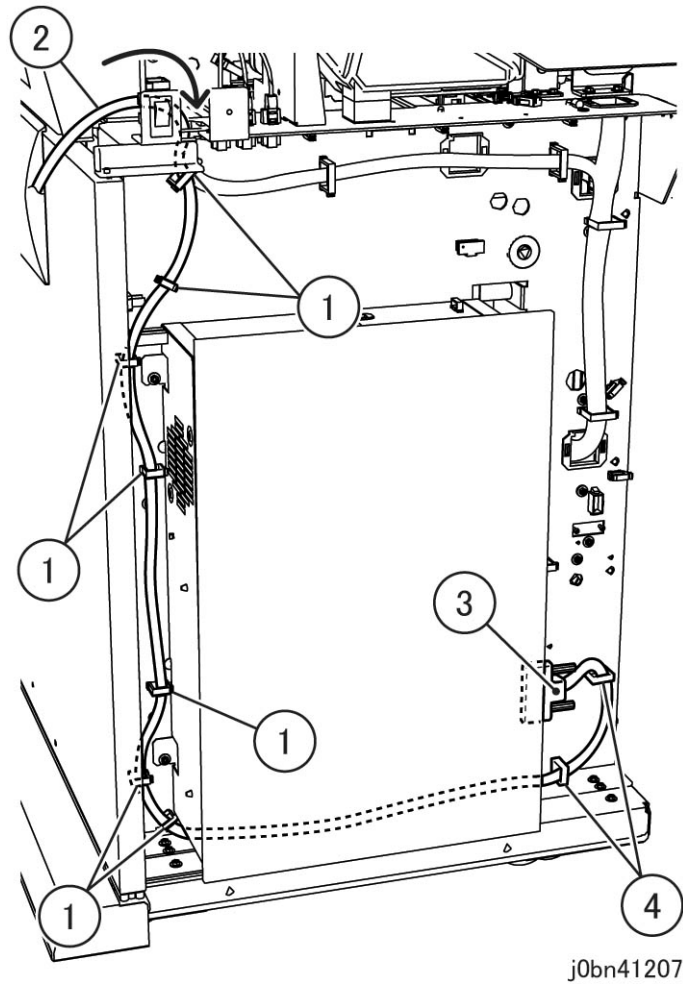
(Figure 5) j0bn41205

8. Remove the UI I/F Cable from the Post. (Figure 6)
  - 1) Remove the clamp.
  - 2) Release the clamp to remove the UI I/F Cable.



(Figure 6) j0bn41206

9. Disconnect the UI I/F Cable. (Figure 7)
  - 1) Release the clamp (x7) to remove the UI I/F Cable.
  - 2) Pull out the UI I/F Cable from the hole of the Frame.
  - 3) Disconnect the UI I/F Cable.
  - 4) Release the clamp (x2) to remove the UI I/F Cable.



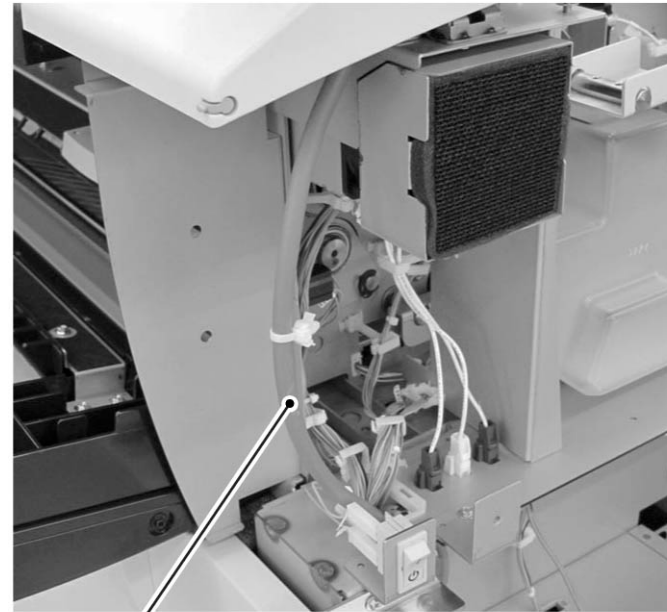
(Figure 7) j0bn41207

### Installation

#### Procedure

To install, carry out the removal steps in reverse order.

**Note** After wiring the UI I/F Cable, connect the UI I/F Cable with the UI Assembly attached temporarily to adjust the slack of the Cable. At this time, shift the slack of the Cable to the Assembly side and store the extra portion in the I/F Cover. (Figure 8)



UI I/F Cable

j0bn41208

(Figure 8) j0bn41208

## 99. (SCC) Safety Critical Components

### REP99.1.1 (SCC) Safety Critical Components



#### **CAUTION**

Parts indicated as SCC are safety critical components.

Parts defined as SCC must be replaced as a whole part.

Never disassemble it or replace its internal parts. In addition, when instructions come with a spare part, follow the instructions during the servicing.

Installation of a part not specified by Xerox is strictly prohibited because we cannot guarantee quality and safety.



## 4.3 Adjustment

### 3. IIT

#### ADJ3.1.1 IIT Side Registration Adjustment

**Purpose** To correct the Side Registration of the IIT.

**Note** The various IIT adjustments must be performed on the order of: Side Registration Adjustment, Vertical Reduce/Enlarge Adjustment, Lead Edge Registration Adjustment, and Document Length Adjustment.

**Note** Perform the adjustment in an air conditioned environment.

#### Check Procedure

1. In the normal Copy Mode (100% magnification), scan the A1 sized IIT Pattern (IIT Adjustment Pattern) to make a copy and repeat this 3 times to obtain 3 copies.

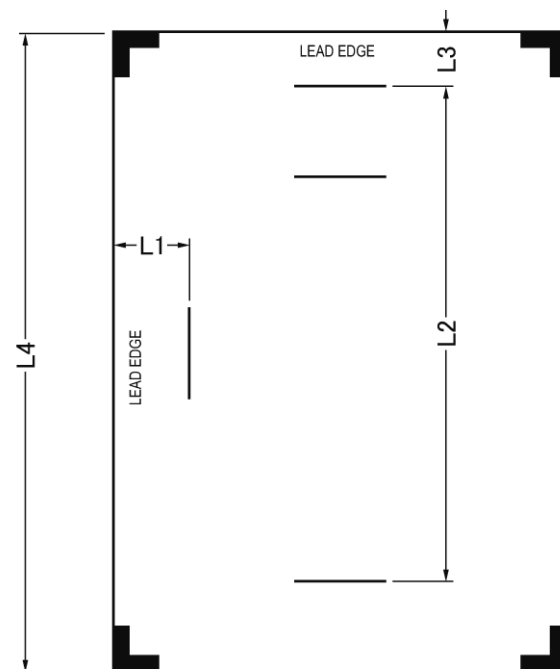
**Note** The IIT Pattern (IIT Adjustment Pattern) can be obtained from among the HDD Built-in Test Pattern in CE Mode.  
(Refer to [6.4.3.2 Printing the HDD Built-in Patterns] in Chapter 6 General)

**Note** When using the IIT Pattern (IIT Adjustment Pattern) as the document, use it in SEF orientation.

2. Measure the L1 sections of the 3 copies of IIT Pattern (up to the first decimal number) and use the average of those values as the scanned value. (Figure 1)

**Note** When measuring the L1 section, measure it from the left edge of the copy until the center of the reference line.

**Note** If there is a value that deviate by a large margin within the 3 measurement values, perform the copying again.

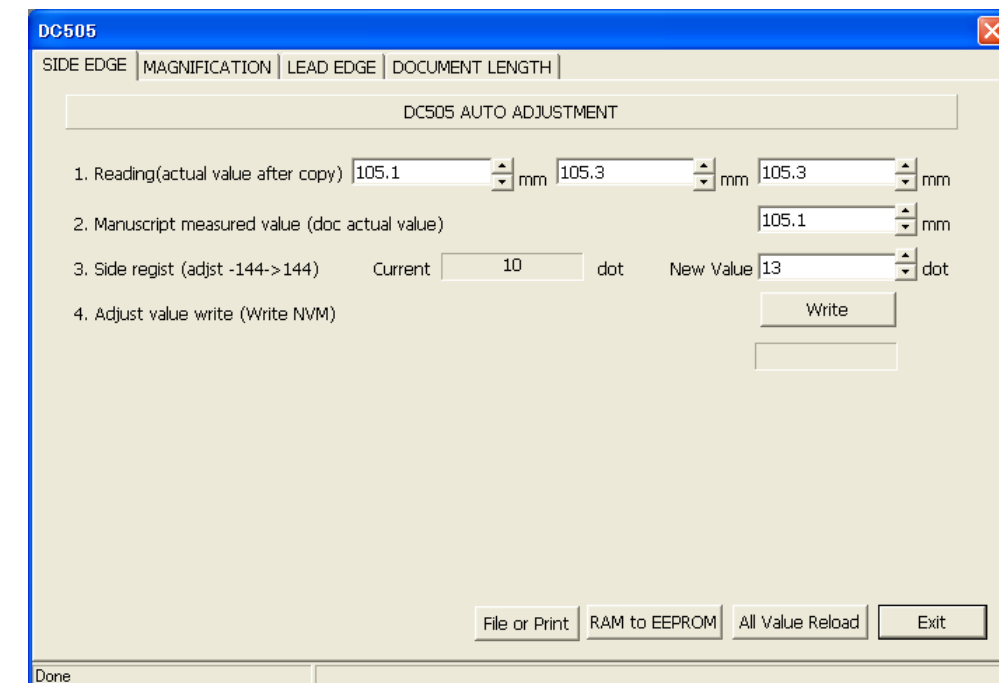


(Figure 1)

3. Measure the L1 section of the IIT Pattern that was used as the document in the same way and use the value as the original measured value.
4. Check whether the difference between the scanned value and the original measured value is within the range of the following specification values.  
Scanned value - original measured value =  $\pm 1.5$  mm (when in an air conditioned environment, at 100% magnification)
5. If the difference between the scanned value and the original measured value is not within the specification value, perform **Adjustment Procedure**.

#### Adjustment Procedure

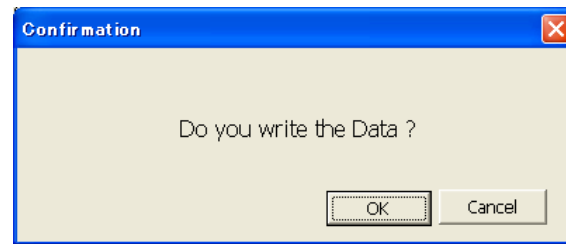
1. Start up the IIT PC-Diag, select [DC505 AUTO ADJUSTMENT], and click [OK].
2. Click [All Value Reload] in the [SIDE EDGE] tab to obtain the current value.
3. Enter the respective L1 section values of the 3 copies that were measured in Check Procedure Step 2. into the three entry areas of [1. Reading (Actual Measurement after Copy)].
4. Enter the L1 section value of the document that was measured in Check Procedure Step 3. into the entry area of [2. Manuscript measured value (Actual Measurement of Original)].
5. The automatically adjusted value is displayed in the [New adjustment value] area of [3. Side regist]. (Figure 2)



(Figure 2)

6. Click [Write] to write the data into the NVM. (Write into the RAM)

7. A confirmation message will be displayed. To write the data, click [OK]. (Figure 3)



(Figure 3)

8. Click [RAM to EEPROM] to write the data into the EEPROM.

**Note** To make the data that was written in the RAM valid, it must also be written into the EEPROM.

**Note** The data can also be written into the EEPROM later by using [DC131 NOVRAM ACCESS]. (Refer to [6.5.6.8 DC131 NOVRAM ACCESS] in Chapter 6 General)

### ADJ3.1.2 IIT Vertical Reduce/Enlarge Adjustment

**Purpose** To correct the magnification ratio in the IIT vertical (slow scan) direction.

**Note** The various IIT adjustments must be performed on the order of: Side Registration Adjustment, Vertical Reduce/Enlarge Adjustment, Lead Edge Registration Adjustment, and Document Length Adjustment.

**Note** After performing the Vertical Reduce/Enlarge Adjustment, the Lead Edge Registration Adjustment and Document Length Adjustment must also be performed.

**Note** Perform the adjustment in an air conditioned environment.

#### Check Procedure

1. In the normal Copy Mode (100% magnification), scan the A1 sized IIT Pattern (IIT Adjustment Pattern) to make a copy and repeat this 3 times to obtain 3 copies.

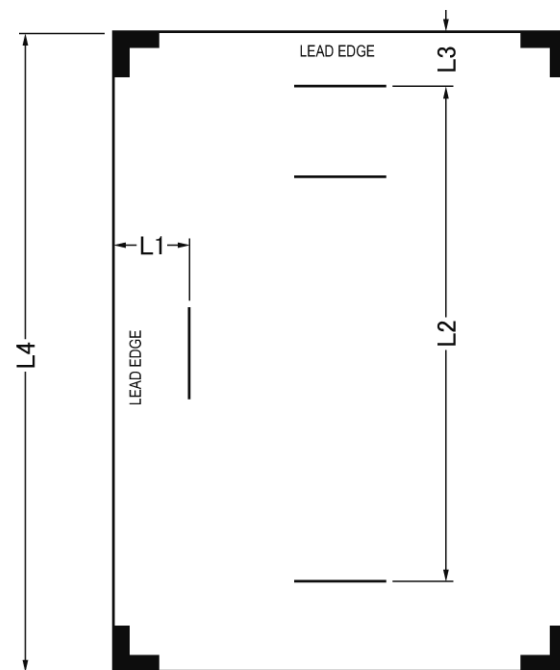
**Note** The IIT Pattern (IIT Adjustment Pattern) can be obtained from among the HDD Built-in Test Pattern in CE Mode.  
(Refer to [6.4.3.2 Printing the HDD Built-in Patterns] in Chapter 6 General)

**Note** When using the IIT Pattern (IIT Adjustment Pattern) as the document, use it in SEF orientation.

2. Measure the L2 sections of the 3 copies of IIT Pattern (up to the first decimal number) and use the average of those values as the scanned value. (Figure 1)

**Note** When measuring the L2 section, measure it from the center of the reference line until the center of the other reference line.

**Note** If there is a value that deviate by a large margin within the 3 measurement values, perform the copying again.

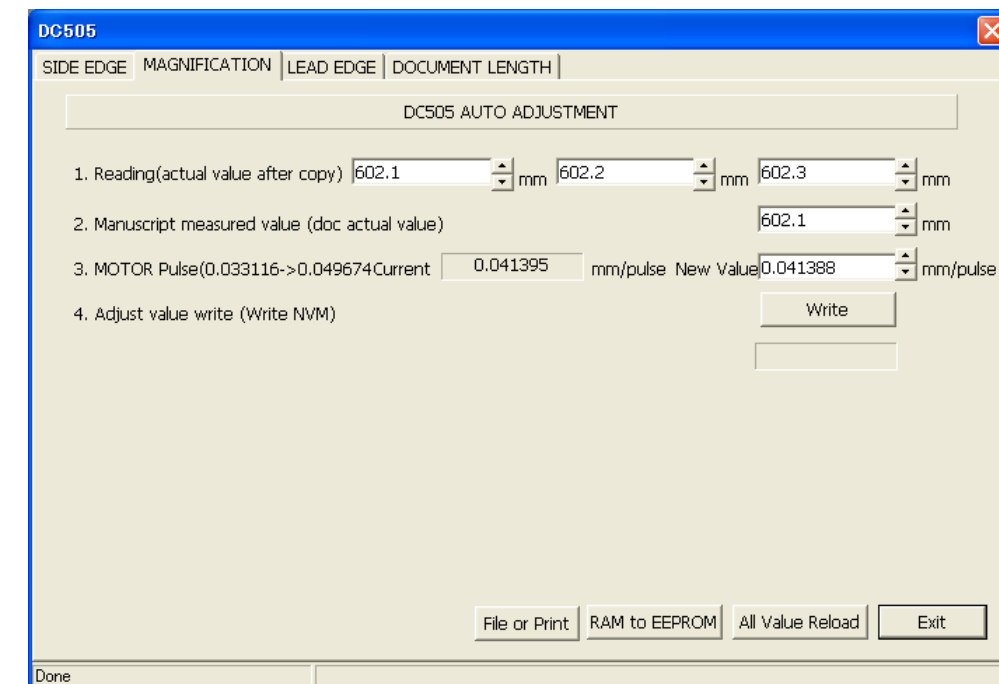


(Figure 1)

3. Measure the L2 section of the IIT Pattern that was used as the document in the same way and use the value as the original measured value.
4. Obtain the value of M by using the following formula.  
 $M = \text{original measured value} / \text{scanned value}$
5. Check that the value of M is within the range of the following specification values.  
 $99.6\% \leq M \leq 100.4\%$  (when in B Zone or an air conditioned environment, at 100% magnification)
6. If the value of M is not within the specification value, perform **Adjustment Procedure**.

#### Adjustment Procedure

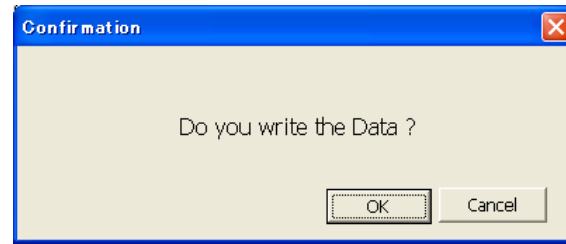
1. Start up the IIT PC-Diag, select [DC505 AUTO ADJUSTMENT], and click [OK].
2. Click [All Value Reload] in the [MAGNIFICATION] tab to obtain the current value.
3. Enter the respective L2 section values of the 3 copies that were measured in Check Procedure Step 2. into the three entry areas of [1. Reading (Actual Measurement after Copy)].
4. Enter the L2 section value of the document that was measured in Check Procedure Step 3. into the entry area of [2. Manuscript measured value (Actual Measurement of Original)].
5. The automatically adjusted value is displayed in the [New adjustment value] area of [3. MOTOR Pulse]. (Figure 2)



(Figure 2)

6. Click [Write] to write the data into the NVM. (Write into the RAM)

7. A confirmation message will be displayed. To write the data, click [OK]. (Figure 3)



(Figure 3)

8. Click [RAM to EEPROM] to write the data into the EEPROM.

**Note** To make the data that was written in the RAM valid, it must also be written into the EEPROM.

**Note** The data can also be written into the EEPROM later by using [DC131 NOVRAM ACCESS]. (Refer to [6.5.6.8 DC131 NOVRAM ACCESS] in Chapter 6 General)

### ADJ3.1.3 IIT Lead Edge Registration Adjustment

**Purpose** To correct the Lead Edge Registration of the IIT.

**Note** The various IIT adjustments must be performed on the order of: Side Registration Adjustment, Vertical Reduce/Enlarge Adjustment, Lead Edge Registration Adjustment, and Document Length Adjustment.

**Note** Before performing the Lead Edge Registration Adjustment, the Vertical Reduce/Enlarge must already be adjusted correctly.

**Note** After performing the Lead Edge Registration Adjustment, the Document Length Adjustment must also be performed.

**Note** Perform the adjustment in an air conditioned environment.

#### Check Procedure

1. In the normal Copy Mode (100% magnification), scan the A1 sized IIT Pattern (IIT Adjustment Pattern) to make a copy and repeat this 3 times to obtain 3 copies.

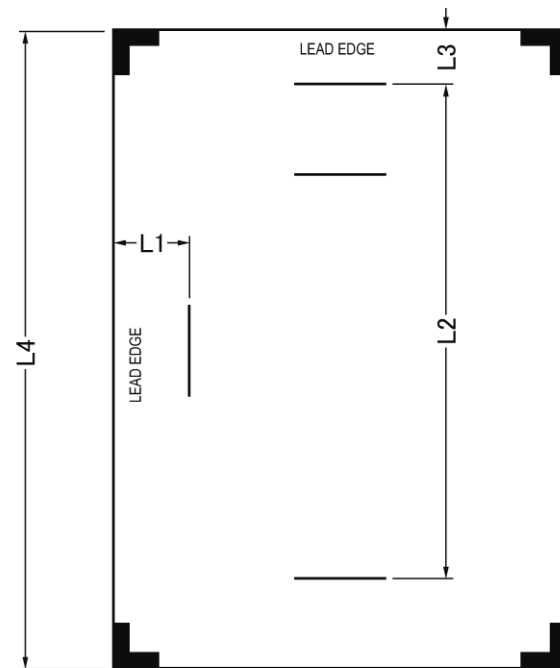
**Note** The IIT Pattern (IIT Adjustment Pattern) can be obtained from among the HDD Built-in Test Pattern in CE Mode.  
(Refer to [6.4.3.2 Printing the HDD Built-in Patterns] in Chapter 6 General)

**Note** When using the IIT Pattern (IIT Adjustment Pattern) as the document, use it in SEF orientation.

2. Measure the L3 sections of the 3 copies of IIT Pattern (up to the first decimal number) and use the average of those values as the scanned value. (Figure 1)

**Note** When measuring the L3 section, measure it from the Lead Edge of the copy until the center of the reference line.

**Note** If there is a value that deviate by a large margin within the 3 measurement values, perform the copying again.

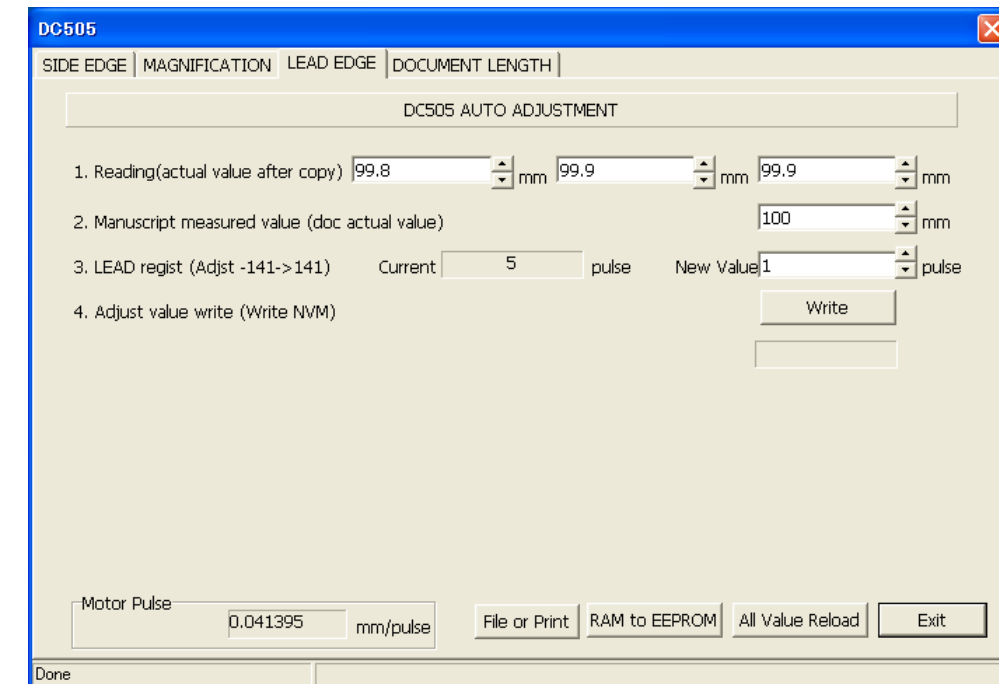


(Figure 1)

3. Measure the L3 section of the IIT Pattern that was used as the document in the same way and use the value as the original measured value.
4. Check whether the difference between the scanned value and the original measured value is within the range of the following specification values.  
Scanned value - original measured value =  $\pm 3.0$  mm (when in an air conditioned environment, at 100% magnification)
5. If the difference between the scanned value and the original measured value is not within the specification value, perform **Adjustment Procedure**.

#### Adjustment Procedure

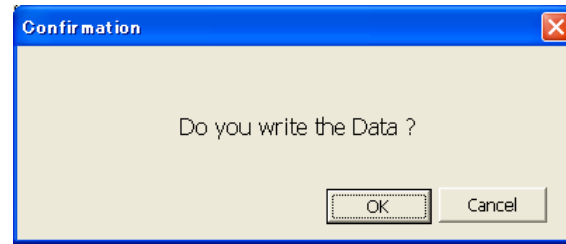
1. Start up the IIT PC-Diag, select [DC505 AUTO ADJUSTMENT], and click [OK].
2. Click [All Value Reload] in the [LEAD EDGE] tab to obtain the current value.
3. Enter the respective L3 section values of the 3 copies that were measured in Check Procedure Step 2. into the three entry areas of [1. Reading (Actual Measurement after Copy)].
4. Enter the L3 section value of the document that was measured in Check Procedure Step 3. into the entry area of [2. Manuscript measured value (Actual Measurement of Original)].
5. The automatically adjusted value is displayed in the [New adjustment value] area of [3. LEAD regist]. (Figure 2)



(Figure 2)

6. Click [Write] to write the data into the NVM. (Write into the RAM)

7. A confirmation message will be displayed. To write the data, click [OK]. (Figure 3)



(Figure 3)

8. Click [RAM to EEPROM] to write the data into the EEPROM.

**Note** To make the data that was written in the RAM valid, it must also be written into the EEPROM.

**Note** The data can also be written into the EEPROM later by using [DC131 NOVRAM ACCESS]. (Refer to [6.5.6.8 DC131 NOVRAM ACCESS] in Chapter 6 General)

### ADJ3.1.4 IIT Document Length Adjustment

**Purpose** To correct the document scan length of the IIT.

**Note** The various IIT adjustments must be performed on the order of: Side Registration Adjustment, Vertical Reduce/Enlarge Adjustment, Lead Edge Registration Adjustment, and Document Length Adjustment.

**Note** Before performing the Document Length Adjustment, the Vertical Reduce/Enlarge and the Lead Edge Registration must already be adjusted correctly.

**Note** Perform the adjustment in an air conditioned environment.

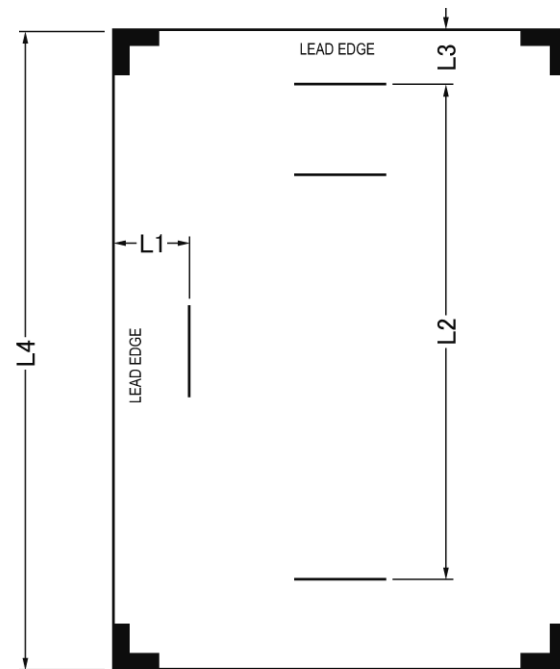
#### Adjustment Procedure

1. Print the IIT Pattern (IIT Adjustment Pattern).

**Note** The IIT Pattern (IIT Adjustment Pattern) can be obtained from among the HDD Built-in Test Pattern in CE Mode.  
(Refer to [6.4.3.2 Printing the HDD Built-in Patterns] in Chapter 6 General)

2. Measure the L4 section of the IIT Pattern that was printed in Step 1. (up to the first decimal number) and use the value as the original measured value. (Figure 1)

**Note** When measuring the L4 section, measure it from the Lead Edge until the Tail Edge of the copy.



(Figure 1)

3. Start up the IIT PC-Diag, select [DC505 AUTO ADJUSTMENT], and click [OK].

4. Click [All Value Reload] in the [DOCUMENT LENGTH] tab to obtain the current value.

5. Click [Measurement Start].

6. Allow the IIT Pattern that was printed in Step 1. to be scanned 3 times.

7. The respective measured values are displayed in [MEASURE1], [MEASURE2], and [MEASURE3], and then the [AVERAGE] (calculated automatically) is displayed.

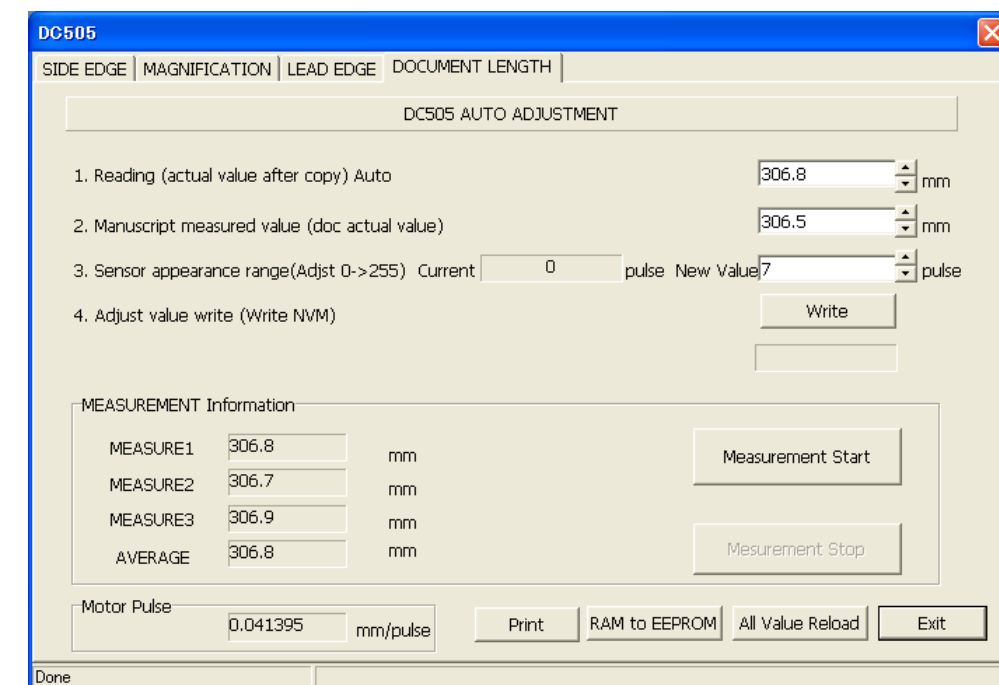
**Note** The [AVERAGE] is automatically displayed in the area of [1. Reading (Actual Measurement after Copy)].

8. Click [Measurement Stop].

Reference The document can be scanned continuously until [Measurement Stop] is clicked.

9. Enter the L4 section value of the document that was measured in Step 2. into the entry area of [2. Manuscript measured value (Actual Measurement of Original)].

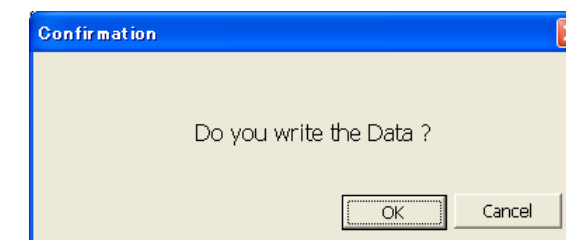
10. The automatically adjusted value is displayed in the [New adjustment value] area of [3. Sensor appearance range]. (Figure 2)



(Figure 2)

11. Click [Write] to write the data into the NVM. (Write into the RAM)

12. A confirmation message will be displayed. To write the data, click [OK]. (Figure 3)



(Figure 3)

13. Click [RAM to EEPROM] to write the data into the EEPROM.

**Note** To make the data that was written in the RAM valid, it must also be written into the EEPROM.

**Note** The data can also be written into the EEPROM later by using [DC131 NOVRAM ACCESS]. (Refer to [6.5.6.8 DC131 NOVRAM ACCESS] in Chapter 6 General)



### ADJ3.1.5 CIS Gap Correction

**Purpose** To correct any misalignment of the CIS (CIS 1 to 5) gaps in the fast scan direction and slow scan direction.

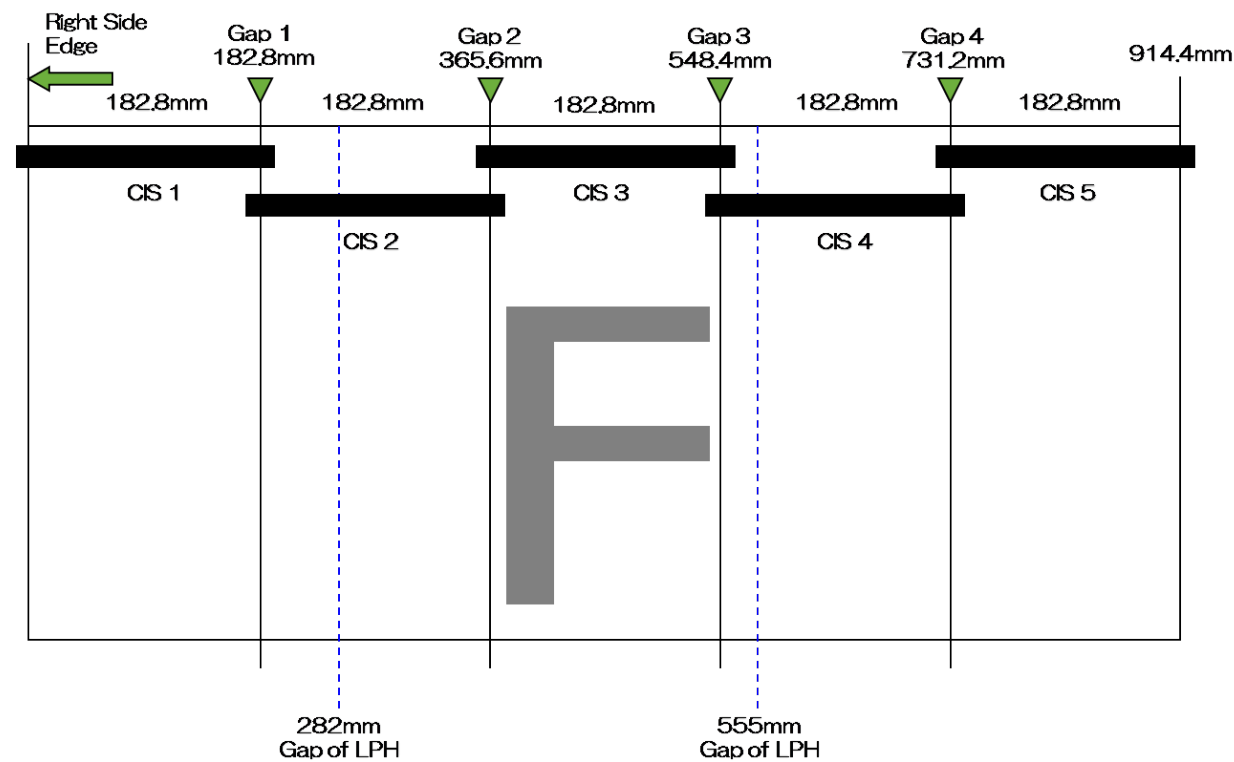
**Note** The CIS Gap Correction is an adjustment that is usually performed by the customer.

#### About the CIS Gap

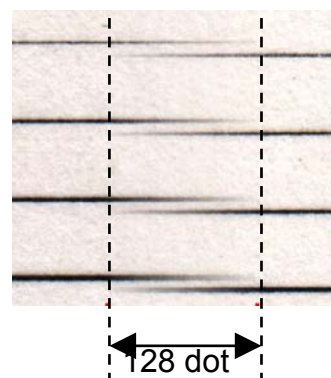
In WF6705, as scanning is possible up to a maximum 36" (914.4 mm) width for 5 A4 size CIS positioned in staggered pattern, correction is required for the CIS gaps in the fast scan direction and slow scan direction.

The following figure shows the positions of the CIS gaps (top part of image).

**Note** As there are locations where the CIS gap is close to the LPH gap, you have to be very careful when checking the gaps.



Instead of simply joining the scan data at each gap, gap image data correction is performed on the combination of left and right image data within 128 dot (= 5.4 mm) width at the center of the gap to reduce the misalignment at the gap.



#### About the CIS Gap Correction

In the CIS Gap Correction, there are 2 methods - the [Auto Correction] and the [Additional Correction] and the gaps are corrected using the total value of [Auto Correction] and [Additional Correction].

**Note** Performing [Auto Correction] clears the adjustment value of [Additional Correction].

- Auto Adjust

This method scans the Correction Chart and automatically corrects any misalignment of the gaps in the fast scan direction and slow scan direction. Usually, the [Auto Correction] by itself is sufficient to correct any misalignment of the gaps in the fast scan direction and slow scan direction.

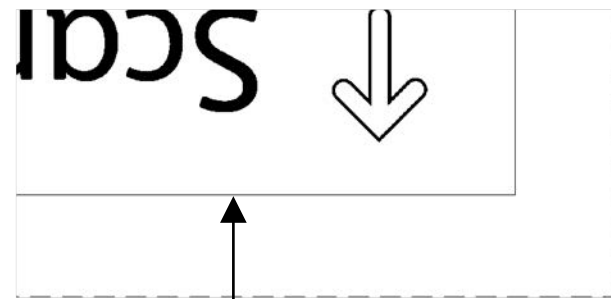
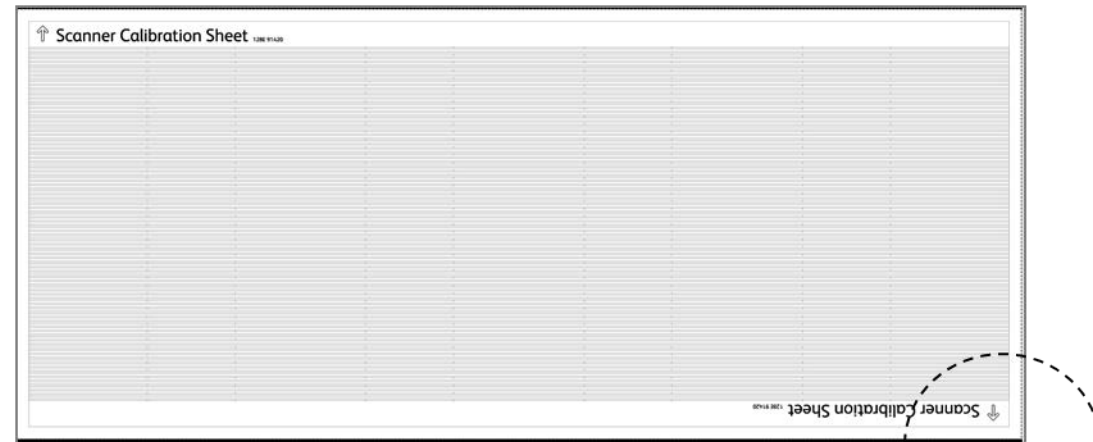
The adjustment values generated by performing [Auto Correction] are stored in the following NVMs.

Chain-Link	Item Name	Settings Range	Contents
710-448	User Settings: CIS 2 Fast Scan Position Adjustment	-32 to +32 dot (Default: 0 dot)	The Fast Scan Position between CIS 1 and CIS 2. (The Fast Scan Gap Position of CIS 2 relative to CIS 1)
710-449	User Settings: CIS 3 Fast Scan Position Adjustment	-32 to +32 dot (Default: 0 dot)	The Fast Scan Position between CIS 2 and CIS 3. (The Fast Scan Gap Position of CIS 3 relative to CIS 2)
710-450	User Settings: CIS 4 Fast Scan Position Adjustment	-32 to +32 dot (Default: 0 dot)	The Fast Scan Position between CIS 3 and CIS 4. (The Fast Scan Gap Position of CIS 4 relative to CIS 3)
710-451	User Settings: CIS 5 Fast Scan Position Adjustment	-32 to +32 dot (Default: 0 dot)	The Fast Scan Position between CIS 4 and CIS 5. (The Fast Scan Gap Position of CIS 5 relative to CIS 4)
710-452	User Settings: CIS 2 Slow Scan Position Adjustment (for 600 dpi Scan)	-32 to +32 lines (Default: 0 line)	The Slow Scan Position between CIS 1 and CIS 2. (The Slow Scan Gap Position of CIS 2 relative to CIS 1)
710-453	User Settings: CIS 3 Slow Scan Position Adjustment (for 600 dpi Scan)	-32 to +32 lines (Default: 0 line)	The Slow Scan Position between CIS 2 and CIS 3. (The Slow Scan Gap Position of CIS 3 relative to CIS 2)
710-454	User Settings: CIS 4 Slow Scan Position Adjustment (for 600 dpi Scan)	-32 to +32 lines (Default: 0 line)	The Slow Scan Position between CIS 3 and CIS 4. (The Slow Scan Gap Position of CIS 4 relative to CIS 3)

Chain-Link	Item Name	Settings Range	Contents
710-455	User Settings: CIS 5 Slow Scan Position Adjustment (for 600 dpi Scan)	-32 to +32 lines (Default: 0 line)	The Slow Scan Position between CIS 4 and CIS 5. (The Slow Scan Gap Position of CIS 5 relative to CIS 4)

The following shows the Correction Chart that is used in [Auto Correction].

Several sheets of this Correction Chart are bundled with the machine at shipment and more can be printed from the Gap Calibration screen.



This frame is used for checking the completion of whole sheet print.

If this was printed on paper that is larger than A0 size, cut along this dotted line before using.

- Option Adjust  
This method is for manually adjusting any misalignment that still remained after the [Auto Adjust] adjustment. Up to 3 adjusted values can be registered.

In the Option Adjust, there are 2 types of correction - [Adjust All] and [Adjust By Gap].

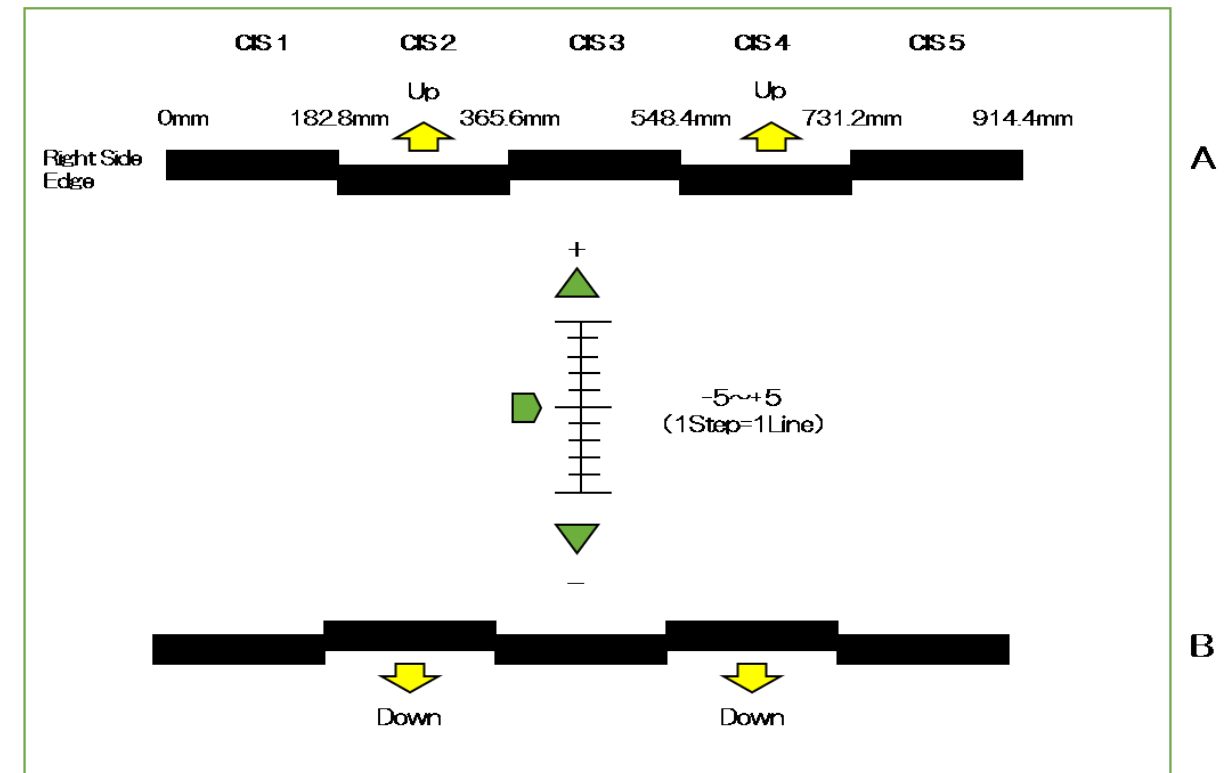
- Adjust All  
This adjusts the document scan speed (the motor transport speed) and performs overall correction for the gaps in the slow scan direction by changing the transport speed between CIS 1/3/5 and CIS 2/4.

The adjustment range of the transport speed is  $\pm 5$  steps, where 1 step = 1 line (default).

**Note** The adjustment amount for 1 step can be changed at IIT DC131 [710-257] (Scan Speed Fine Adjustment Unit).

Setting Range: 1 to 10 (0.1 to 1.0 line), Default: 10 (1.0 line)

Although making the adjustment amount smaller allows for finer adjustment, it also reduces the maximum adjustment amount.

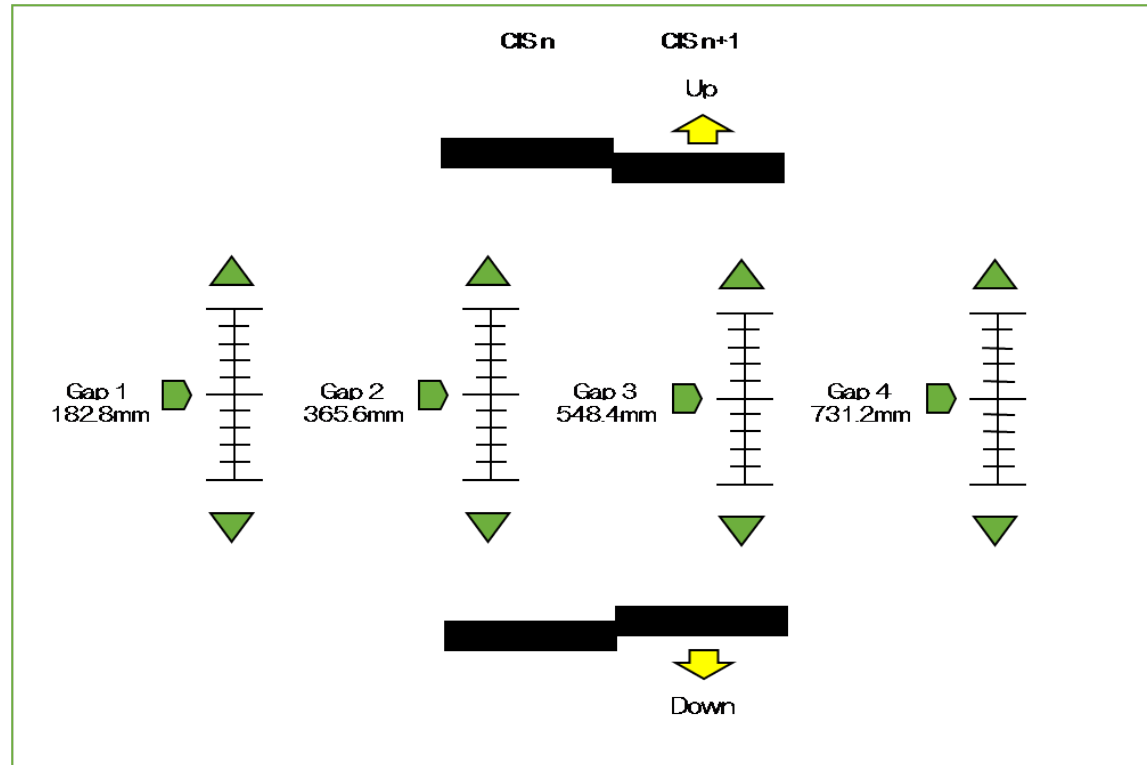


**A:** Increase the transport speed as the document is moving slowly.  
**B:** Reduce the transport speed as the document is moving quickly.

- Adjust By Gap

After the Overall Correction, if there is still one gap that is misaligned, this can individually correct the gap in slow scan direction between the adjoining CIS.

The adjustment range is  $\pm 5$  steps, where 1 step = 1 dot.

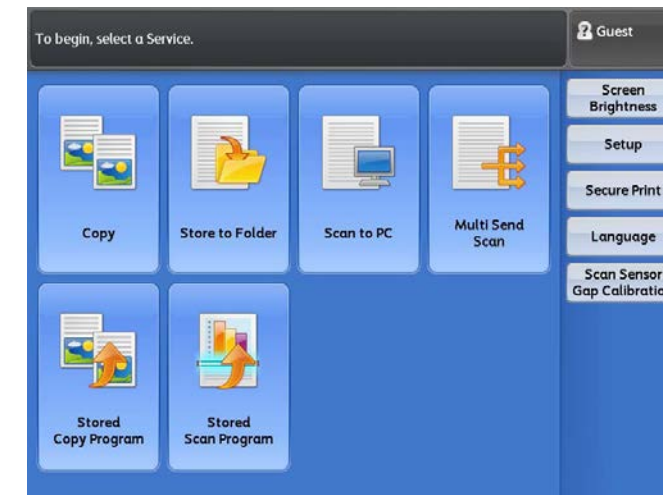


**Adjustment Procedure**

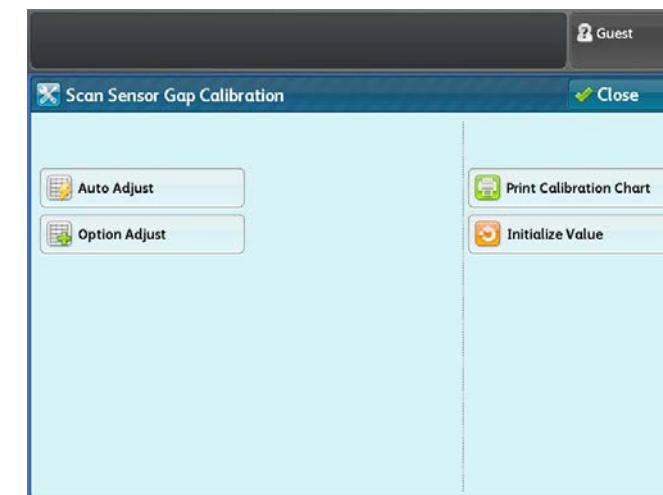
**Auto Adjust**

**Note** Performing [Auto Adjust] clears the adjustment value of [Option Adjust].

1. On the Services Home screen, select [Scan Sensor Gap Calibration].



2. Select [Auto Adjust].



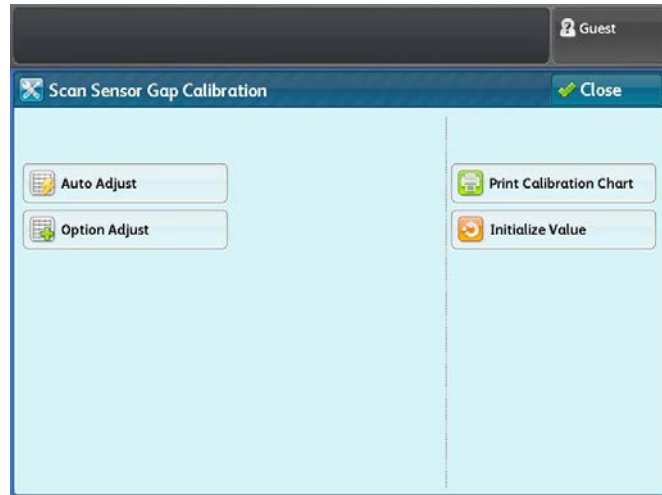
3. Set the Calibration Chart at the IIT and press <Start>.



4. The Correction Chart is scanned and the gaps are automatically corrected.

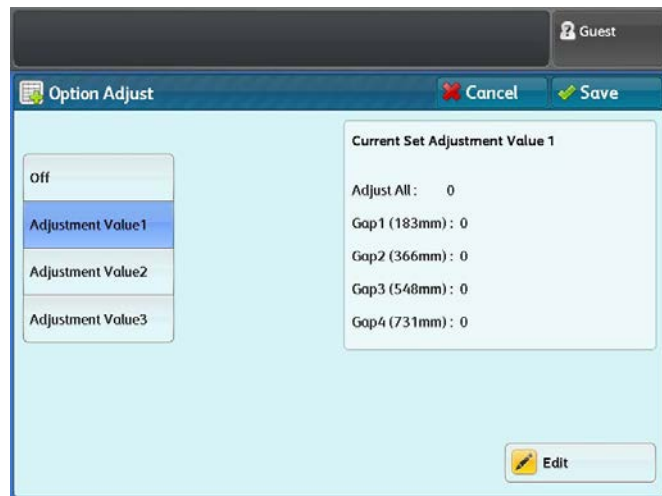
### Option Adjust

1. Select [Option Adjust].

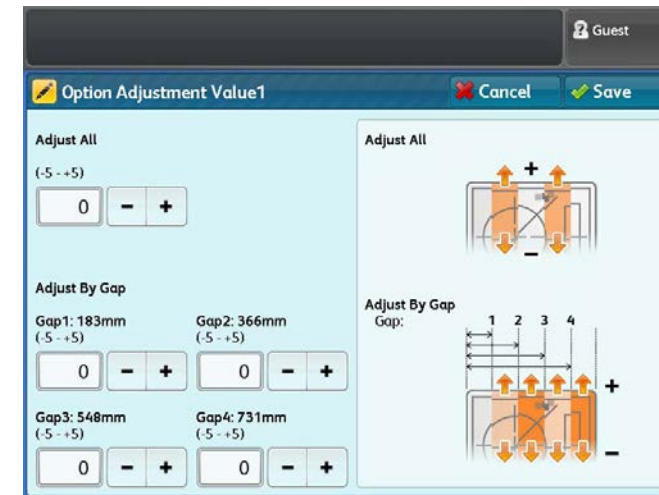


2. Register the Adjustment Values.

1) Select [Adjustment Value 1], [Adjustment Value 2], or [Adjustment Value 3] and select [Edit].



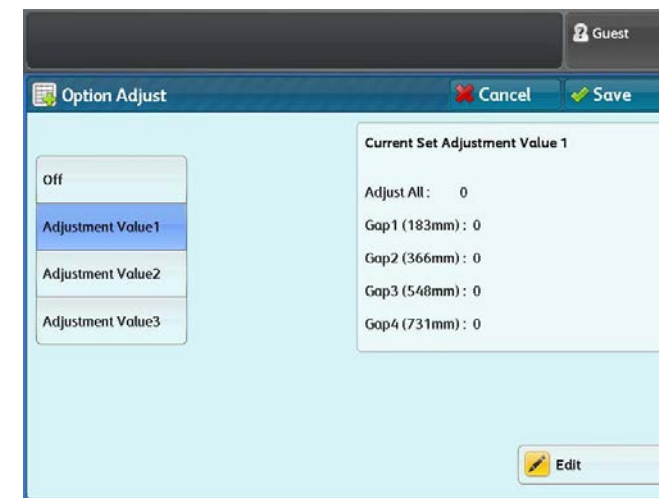
2) Set the adjustment values for [Adjust All] and [Gap 1] to [Gap 4] of [Adjust By Gap], and select [Save].



3) The adjustment values are registered.

3. Select the registered [Adjustment Value 1], [Adjustment Value 2], or [Adjustment Value 3].

**Note** Selecting [Off] means that no [Option Adjust] will be performed.

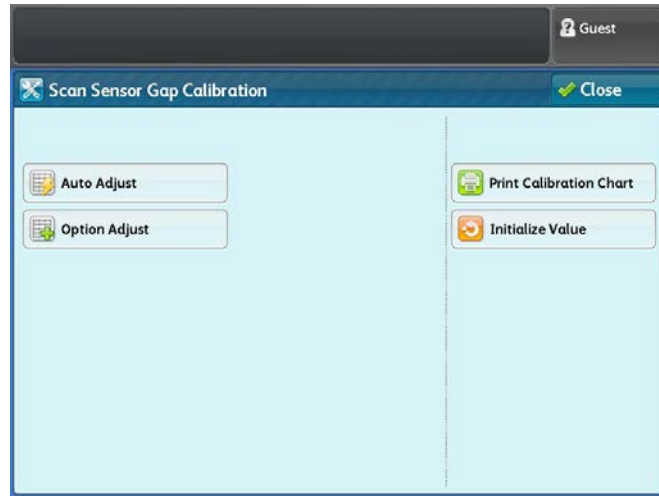


4. The gap correction will be performed based on the selected adjustment value.

## **Initialize Value**

**Note** Performing [Initialize Value] clears all the adjustment values of [Auto Adjust] and [Option Adjust].

1. Select [Initialize Value].



2. Select [Yes].



3. All the adjustment values are initialized.

## 7. Fusing Unit

### ADJ7.2.1 Nip Balance Adjustment

**Purpose** To correct the Left/Right Nip spring length whenever any of the accompanying Pressure Roll components (Pressure Roll, Nip Spring, Nip Lever, Nip Adjust Screw, etc.) had been replaced or removed. (For WF6705, there is no adjustment of Nip width)

**Note** Measure the Nip Spring lengths when the Fusing Unit is cool. (If the Fusing Unit is in hot state, the Pressure Roll is expanded and it will not possible to measure the accurate value.)

**Note** Close the Swing Frame in advance.

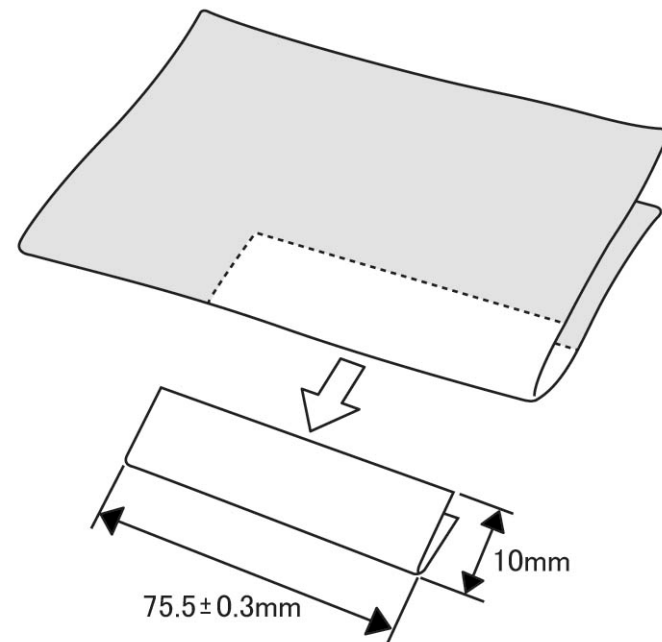
#### Check Procedure

**WARNING**  
Because of high temperature, perform the following procedure only after the parts have sufficiently cooled down.

**WARNING**  
Turn OFF the power and the breaker, and unplug the power plug to prevent electric shock.

1. Turn OFF the power and wait until the Fusing Unit has sufficiently cooled down.
2. While waiting, take a piece of A4 or B5 paper, fold it in 4 and cut out a strip with length of  $75.5 \pm 0.3$  mm (with width of approx. 10 mm) to make a measuring paper. (Figure 1)

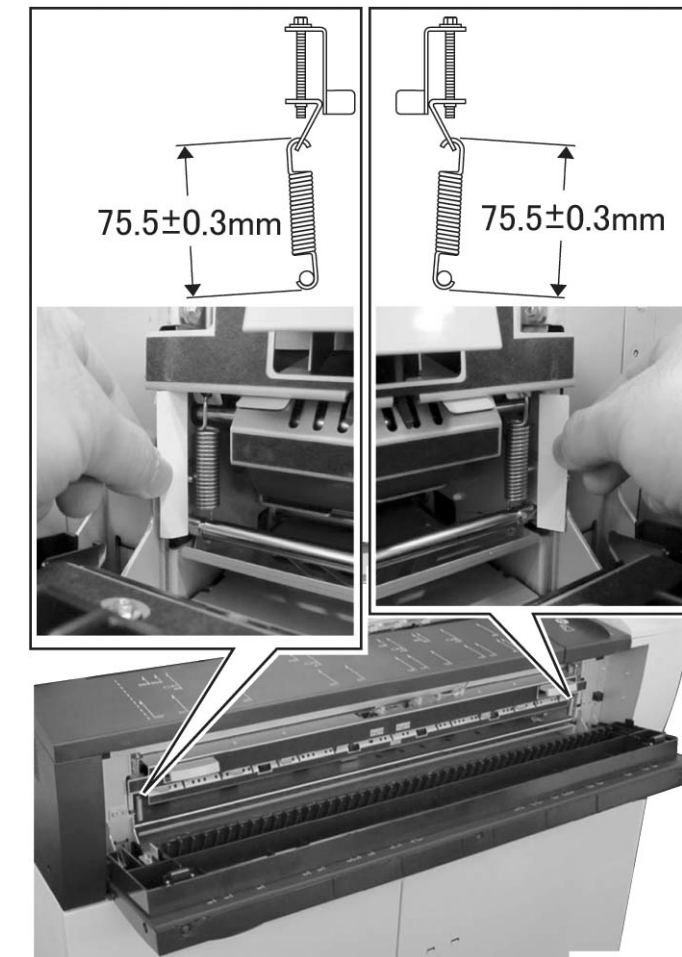
**Reference** The measuring paper is made as it is difficult to perform the measurement here and measurement error can occur easily when using a ruler.



j0bn40751

(Figure 1) j0bn40751

3. Open the Front Upper Cover (PL 9.1) and Fusing Cover (PL 9.1).
4. With the Knob of the Upper Exit Baffle Assembly in the open state, use the measuring paper that was made in Step 2. to measure the length of the Nip Spring and check whether it is within the range of specification value ( $75.5 \pm 0.3$  mm). (Figure 2)

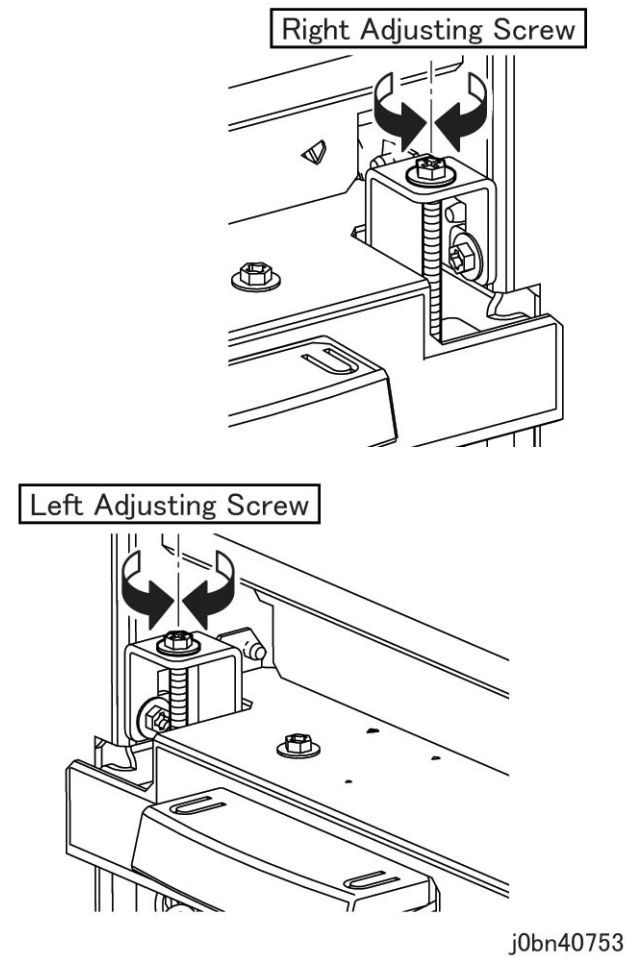


j0bn40752

(Figure 2) j0bn40752

### Adjustment Procedure

1. Remove the Document Shelf. (REP 9.2.4)
2. Turn the Adjusting Screw at the Left/Right to adjust the length of the Nip Spring to be within  $75.5 \pm 0.3$  mm. (Figure 3)
  - Turning the Adjusting Screw clockwise shortens the spring.
  - Turning the Adjusting Screw counterclockwise lengthens the spring.



(Figure 3) j0bn40753

3. Perform the **Check Procedure** and repeat the **Adjustment Procedure** until the specification value is met.

## 8. Electrical

### ADJ8.1.1 IOT Side Registration Adjustment

**Purpose** To correct the Side Registration of the IOT.

**Note** The following procedure uses Roll 1 as an example. The adjustment is the same for the other Trays.

#### Check Procedure

1. Load paper in Roll 1.

**Note** Align the paper edge to the scale at the Mandrill Shaft.

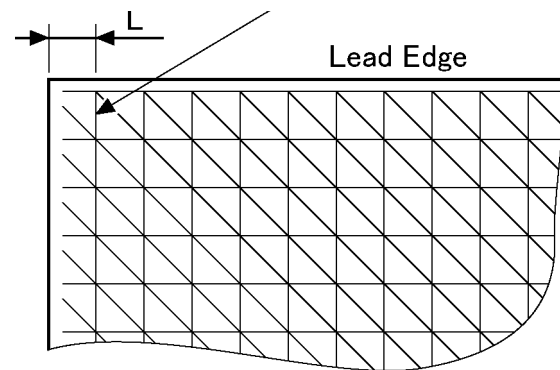
2. Enter the Diag Mode and select IOT DC606 Test Print.

3. Print the Test Pattern by using the following parameter settings.

- 1. Output Image : All 2 dot Line
- 2. Quantity : 1 sheet
- 3. Paper Supply : Roll 1
- 4. Media Cut Mode: Fixed Portrait

4. Measure the length of the printed Test Pattern and check whether it is within the specification value (Table 1). (Figure 1)

**Note** The specification value of length L varies depending on the paper size.



j0jb43001

(Figure 1) j0jb43001

Paper Size	Specification Value of Length L	Paper Size	Specification Value of Length L
A0	11.0 ±0.5 mm	36"	11.2 ±0.5 mm
A1	11.1 ±0.5 mm	24"	11.1 ±0.5 mm
A2	10.9 ±0.5 mm	18"	11.0 ±0.5 mm
A3	10.9 ±0.5 mm	12"	10.9 ±0.5 mm
A4	10.8 ±0.5 mm	9"	10.9 ±0.5 mm

(Table 1)

5. If length L is not within the specification value (Table 1), perform **Adjustment Procedure**.

#### Adjustment Procedure

1. Use IOT DC131 NVM Access to change the following NVM values until length L is within the specification value.

- Roll 1: 910-412 (Side Registration Adjustment / Roll 1)
- Roll 2: 910-413 (Side Registration Adjustment / Roll 2)
- Bypass Tray: 910-415 (Side Registration Adjustment / Bypass Tray)

Changing the NVM value in the positive direction lengthens the length L, while changing it in the negative direction shortens the length L. (Default = 0, Setting Range = -30 to 30, 1 step = 8 dot (0.34 mm))

**Note** The guideline for the adjustment value is as follows. (Rounded up to the nearest whole number)

$$(\text{Value after change}) = (\text{Value before change}) + (\text{Specification value of length L} - \text{Measured value of length L}) / 0.34.$$

2. Save the NVM settings.

**Note** If the settings is not saved, the changed setting will be lost once the power is turned OFF.

3. Return to **Check Procedure** and repeat the adjustment until length L is within the specification value.

**Note** If the adjustment cannot be completed within the following adjustment range, save the limit value and end the adjustment.

36" paper : lower limit value = -14 steps, upper limit value = +30 steps

Other paper : lower limit value = -30 steps, upper limit value = +30 steps



## ADJ8.1.2 Roll Paper Fixed Cut Length Adjustment

**Purpose** To correct the fixed cut length of the roll paper.

**Note** The following procedure uses Roll 1 as an example. The adjustment is the same for Roll 2.

### Adjustment Procedure

1. Load A0 (36") roll paper (Plain Paper) into Roll 1.
2. Enter the Diag Mode and select IOT DC606 Test Print.
3. Print the Test Pattern by using the following parameter settings.
  - 1. Output Image : All 2 dot Line
  - 2. Quantity : 3 sheets
  - 3. Paper Supply : Roll 1
  - 4. Media Cut Mode: Fixed Portrait
4. Measure the lengths at the center of the 2nd and 3rd sheets from the 3 printed A0 (36") portrait Test Patterns and obtain the average value L0.
5. Load A3 (12") roll paper (Plain Paper) into Roll 1.
6. Print the Test Pattern by using the following parameter settings.
  - 1. Output Image : All 2 dot Line
  - 2. Quantity : 3 sheets
  - 3. Paper Supply : Roll 1
  - 4. Media Cut Mode: Fixed Landscape
7. Measure the lengths at the center of the 2nd and 3rd sheets from the 3 printed A4 (9") landscape Test Patterns and obtain the average value L4.
8. Obtain the Correction Values A and B by using the following formula. (You can also refer to the Fixed Cut Length Adjustment Correction Value Table (Table 1))

**Note** Round the calculated value to the nearest whole number.

$$A = \{[(L0 - L4) \times (502.7 + Ap \times 0.1) / (D0 - D4)] - 502.7\} \times 10$$

$$B = [L0 - 28.9 - \{(D0 - 28.9 - Bp \times 0.2) \times (L0 - L4) / (D0 - D4)\}] \times 5$$

L0: the average value of A0 portrait (1,189 mm) or 36" portrait (1,219.2 mm) lengths.

L4: the average value of A4 landscape (210 mm) or 9" landscape (228.6 mm) lengths.

Ap: the cut length adjustment value 'a' during the adjustment (the value of 910-112 for Roll 1) (Default is '0')

Bp: the cut length adjustment value 'b' during the adjustment (the value of 910-115 for Roll 1) (Default is '0')

D0: 1,189 (in A series) or 1,219.2 (in 9" series)

D4: 210 (in A series) or 228.6 (in 9" series)

9. Use IOT DC131 NVM Access to set the Correction Values A and B into the following NVMs.
  - Roll 1 Value of A: 910-112 (Cut Length Adjustment Value/Roll 1/a/Plain Paper) Value of B: 910-115 (Cut Length Adjustment Value/Roll 1/b/Plain Paper)
  - Roll 2 Value of A: 910-118 (Cut Length Adjustment Value/Roll 2/a/Plain Paper) Value of B: 910-121 (Cut Length Adjustment Value/Roll 2/b/Plain Paper)(Default = 0, Setting Range = -99 to 99)
10. Save the NVM settings.
11. Use the same procedure as in Steps 1. to 6. to print 3 sheets each of the A0 (36") portrait and A4 (9") landscape Test Patterns, measure the lengths at the center of each of the 2nd and 3rd sheets and check that all of them fall within  $\pm 1$  mm of the fixed dimension.
12. If any is not within  $\pm 1$  mm of the fixed dimension, return to Step 1 to perform the adjustment again.
13. After the adjustment for Plain Paper is completed, proceed to set the adjustment values for Tracing Paper and Transparency into the following NVMs.

#### Tracing Paper

- Roll 1 910-113 (Cut Length Adjustment Value/Roll 1/a/Tracing Paper): value of A that was adjusted for Plain Paper - 7910-116 (Cut Length Adjustment Value/Roll 1/b/Plain Paper): the same value of B that was adjusted for Plain Paper
- Roll 2 910-119 (Cut Length Adjustment Value/Roll 2/a/Tracing Paper): value of A that was adjusted for Plain Paper - 7910-122 (Cut Length Adjustment Value/Roll 2/b/Plain Paper): the same value of B that was adjusted for Plain Paper

(Default = 0, Setting Range = -99 to 99)

#### Transparency

- Roll 1 910-114 (Cut Length Adjustment Value/Roll 1/a/Transparency): value of A that was adjusted for Plain Paper + 2910-117 (Cut Length Adjustment Value/Roll 1/b/Transparency): the same value of B that was adjusted for Plain Paper
- Roll 2 910-120 (Cut Length Adjustment Value/Roll 2/a/Transparency): value of A that was adjusted for Plain Paper + 2910-123 (Cut Length Adjustment Value/Roll 2/b/Transparency): the same value of B that was adjusted for Plain Paper

(Default = 0, Setting Range = -99 to 99)

14. Save the NVM settings.

**Note** If the settings is not saved, the changed setting will be lost once the power is turned OFF.

**Reference** Fixed Cut Length Adjustment Correction Value Table

The value at the intersection between the average value of the length at the center of A0 (36") portrait (the difference from the fixed dimension) and the average value of the length at the center of A4 (9") landscape (the difference from the fixed dimension) is taken as the Correction Values A and B.

The values in the following table are for when the cut length adjustment value 'a' and 'b' during the adjustment are '0'. If the cut length adjustment value 'a' and 'b' are already set during the adjustment, add those value to the make the new Correction Values A and B.

A0 (36") Portrait A4 (9") Landscape		A4 (9") Landscape											
		-1.0	-0.8	-0.6	-0.4	-0.2	0.0	0.2	0.4	0.6	0.8	1.0	
-1.0	A	0	1	2	3	4	5	6	7	8	9	10	
	B	-5	-5	-5	-6	-6	-6	-6	-6	-6	-7	-7	
-0.8	A	-1	0	1	2	3	4	5	6	7	8	9	
	B	-4	-4	-4	-4	-5	-5	-5	-5	-5	-5	-6	
-0.6	A	-2	-1	0	1	2	3	4	5	6	7	8	
	B	-3	-3	-3	-3	-3	-4	-4	-4	-4	-4	-4	
-0.4	A	-3	-2	-1	0	1	2	3	4	5	6	7	
	B	-1	-2	-2	-2	-2	-2	-3	-3	-3	-3	-3	
-0.2	A	-4	-3	-2	-1	0	1	2	3	4	5	6	
	B	0	0	-1	-1	-1	-1	-1	-2	-2	-2	-2	
0.0	A	-5	-4	-3	-2	-1	0	1	2	3	4	5	
	B	1	1	1	0	0	0	0	0	-1	-1	-1	
0.2	A	-6	-5	-4	-3	-2	-1	0	1	2	3	4	
	B	2	2	2	2	1	1	1	1	1	0	0	
0.4	A	-7	-6	-5	-4	-3	-2	-1	0	1	2	3	
	B	3	3	3	3	3	2	2	2	2	2	1	
0.6	A	-8	-7	-6	-5	-4	-3	-2	-1	0	1	2	
	B	4	4	4	4	4	4	3	3	3	3	3	
0.8	A	-9	-8	-7	-6	-5	-4	-3	-2	-1	0	1	
	B	6	5	5	5	5	5	5	4	4	4	4	
1.0	A	-10	-9	-8	-7	-6	-5	-4	-3	-2	-1	0	
	B	7	7	6	6	6	6	6	6	5	5	5	

(Table 1)

**Reference** The reference information for Correction Values A and B are as follows.

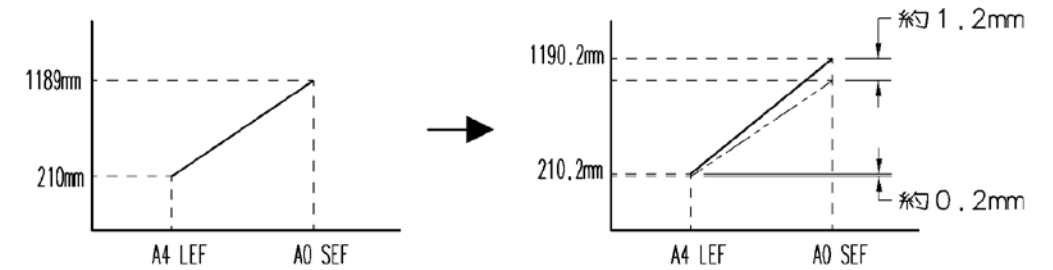
1) Correction Value A

Adding +1 to Correction Value A changes the paper length for A0 portrait by -0.23 mm and A4 landscape by -0.04 mm.

Adding -1 to Correction Value A changes the paper length for A0 portrait by +0.23 mm and A4 landscape by +0.04 mm.

E.g.)

When Correction Value A = '0', adding -5 to Correction Value A for a Roll with cut length of A0 portrait = 1,189 mm and A4 landscape = 210 mm lengthens the A0 portrait by approx. 1.2 mm and A4 landscape by approx. 0.2 mm. (Figure 1)



(Figure 1)

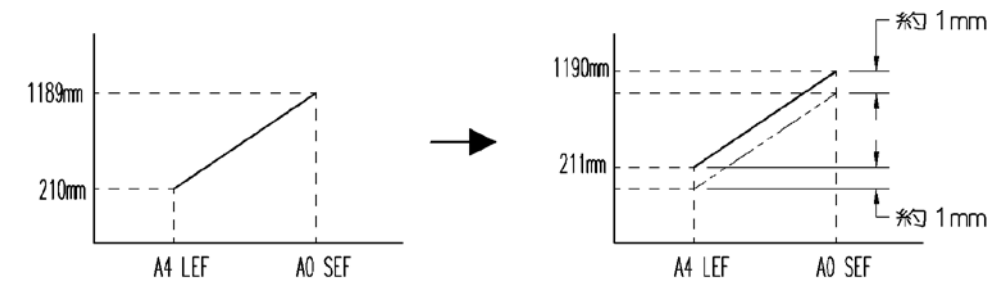
2) Correction Value B

Adding +1 to Correction Value B changes the paper length for both A0 portrait and A4 landscape by -0.2 mm.

Adding -1 to Correction Value B changes the paper length for both A0 portrait and A4 landscape by +0.2 mm.

E.g.)

When Correction Value B = '0', adding -5 to Correction Value B for a Roll with cut length of A0 portrait = 1,189 mm and A4 landscape = 210 mm lengthens both the A0 portrait and A4 landscape by approx. 1.0 mm. (Figure 2)



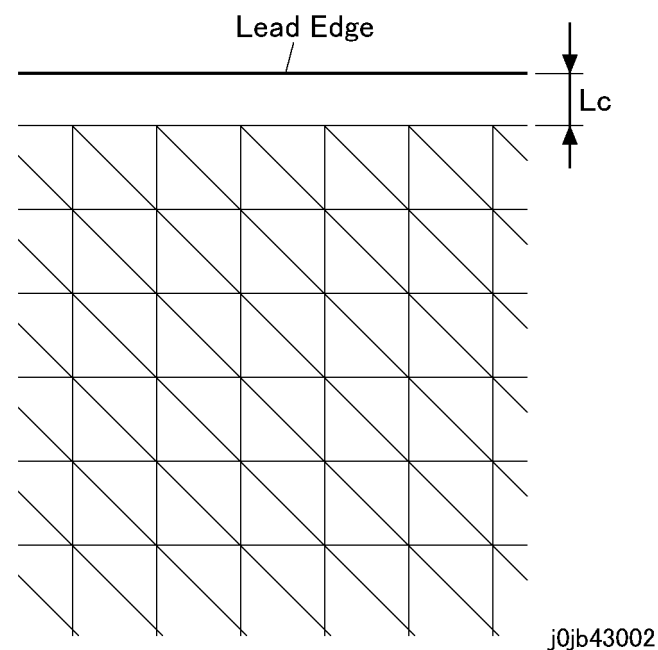
(Figure 2)

### ADJ8.1.3 Roll Paper Lead Edge Registration Adjustment

**Purpose** To correct the Lead Edge Registration of the roll paper.

#### Check Procedure

1. Load A0 (36") roll paper (Plain Paper) into Roll 1.
2. Enter the Diag Mode and select IOT DC606 Test Print.
3. Print the Test Pattern by using the following parameter settings.
  - 1. Output Image : All 2 dot Line
  - 2. Quantity : 4 sheets
  - 3. Paper Supply : Roll 1
  - 4. Media Cut Mode: Fixed Landscape
4. Measure the lengths  $L_c$  at the center of the 3rd and 4th sheets from the 4 printed A1 (24") landscape Test Patterns and obtain the average value  $L_{AVE}$ . (Figure 1)



(Figure 1) j0jb43002

5. Check whether it is within the range of the following specification value.  
 $|10.8 - L_{AVE}| \leq 0.5$
6. If it is not within the specification value, perform **Adjustment Procedure**.

#### Adjustment Procedure

1. Use IOT DC131 NVM Access to change the following NVM values.
  - 910-101 (Lead Edge Registration Adjustment Value/RFC/Plain Paper)Changing the NVM value in the positive direction lengthens the length  $L_c$ , while changing it in the negative direction shortens the length  $L_c$ . (Default = 0, Setting Range = -100 to 100, 1 step = 0.2 mm)
  - Note** As 1 step changes by 0.2 mm, increasing/decreasing by  $(10.8 - L_{AVE}) / 0.2$  should be sufficient.
2. Save the NVM settings.
  - Note** If the settings is not saved, the changed setting will be lost once the power is turned OFF.
3. Return to **Check Procedure** and repeat the adjustment until it is within the specification value.
4. After the adjustment for Plain Paper is completed, proceed to set the adjustment values for Tracing Paper and Transparency into the following NVMs.

#### Tracing Paper

- 910-102 (Lead Edge Registration Adjustment Value/RFC/Tracing Paper): value that was adjusted for Plain Paper

#### Transparency

- 910-103 (Lead Edge Registration Adjustment Value/RFC/Transparency): value that was adjusted for Plain Paper

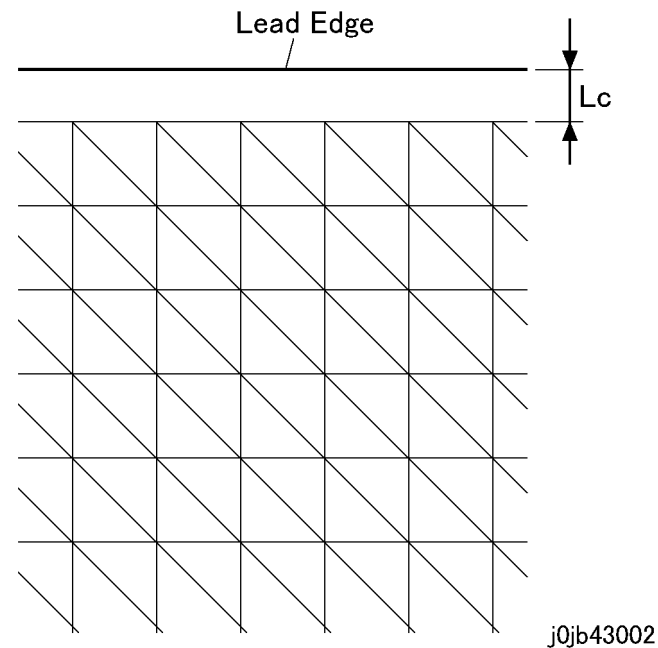
5. Save the NVM settings.
  - Note** If the settings is not saved, the changed setting will be lost once the power is turned OFF.
6. When all the above adjustments have completed, set the correction values into the following NVMs.
  - 910-387 (Sensor Page Sync Timing Correction/RFC): value that was adjusted for Plain Paper
7. Save the NVM settings.
  - Note** If the settings is not saved, the changed setting will be lost once the power is turned OFF.

## ADJ8.1.4 Bypass Tray Lead Edge Registration Adjustment

**Purpose** To correct the Lead Edge Registration of the Bypass Tray.

### Check Procedure

1. Enter the Diag Mode and select IOT DC606 Test Print.
2. Print the Test Pattern by using the following parameter settings.
  - 1. Output Image : All 2 dot Line
  - 2. Quantity : 4 sheets
  - 3. Paper Supply : Bypass Tray
3. Load A3 (12" x 18") cut paper (Plain Paper) into the Bypass Tray in SEF orientation.
4. Measure the lengths  $L_c$  at the center of the 3rd and 4th sheets from the 4 printed A3 (12" x 18") portrait Test Patterns and obtain the average value  $L_{AVE}$ . (Figure 1)



(Figure 1) j0jb43002

5. Check whether it is within the range of the following specification value.  
 $|10.8 - L_{AVE}| \leq 0.5$
6. If it is not within the specification value, perform **Adjustment Procedure**.

### Adjustment Procedure

1. Use IOT DC131 NVM Access to change the following NVM values.
  - 910-107 (Lead Edge Registration Adjustment Value/Bypass Tray/Plain Paper)Changing the NVM value in the positive direction lengthens the length  $L_c$ , while changing it in the negative direction shortens the length  $L_c$ . (Default = 0, Setting Range = -100 to 100, 1 step = 0.2 mm)
  - Note** As 1 step changes by 0.2 mm, increasing/decreasing by  $(10.8 - L_{AVE}) / 0.2$  should be sufficient.
2. Save the NVM settings.
  - Note** If the settings is not saved, the changed setting will be lost once the power is turned OFF.
3. Return to **Check Procedure** and repeat the adjustment until it is within the specification value.
4. After the adjustment for Plain Paper is completed, proceed to set the adjustment values for Tracing Paper and Transparency into the following NVMs.
  - Tracing Paper**
    - 910-108 (Lead Edge Registration Adjustment Value/Bypass Tray/Tracing Paper): value that was adjusted for Plain Paper - 2
  - Transparency**
    - 910-109 (Lead Edge Registration Adjustment Value/Bypass Tray/Transparency): value that was adjusted for Plain Paper - 6
5. Save the NVM settings.
  - Note** If the settings is not saved, the changed setting will be lost once the power is turned OFF.
6. When all the above adjustments have completed, set the correction values into the following NVMs.
  - 910-386 (Sensor Page Sync Timing Correction/Bypass Tray): value that was adjusted for Plain Paper
7. Save the NVM settings.
  - Note** If the settings is not saved, the changed setting will be lost once the power is turned OFF.

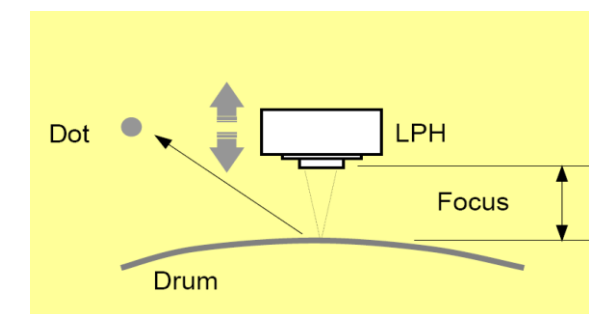
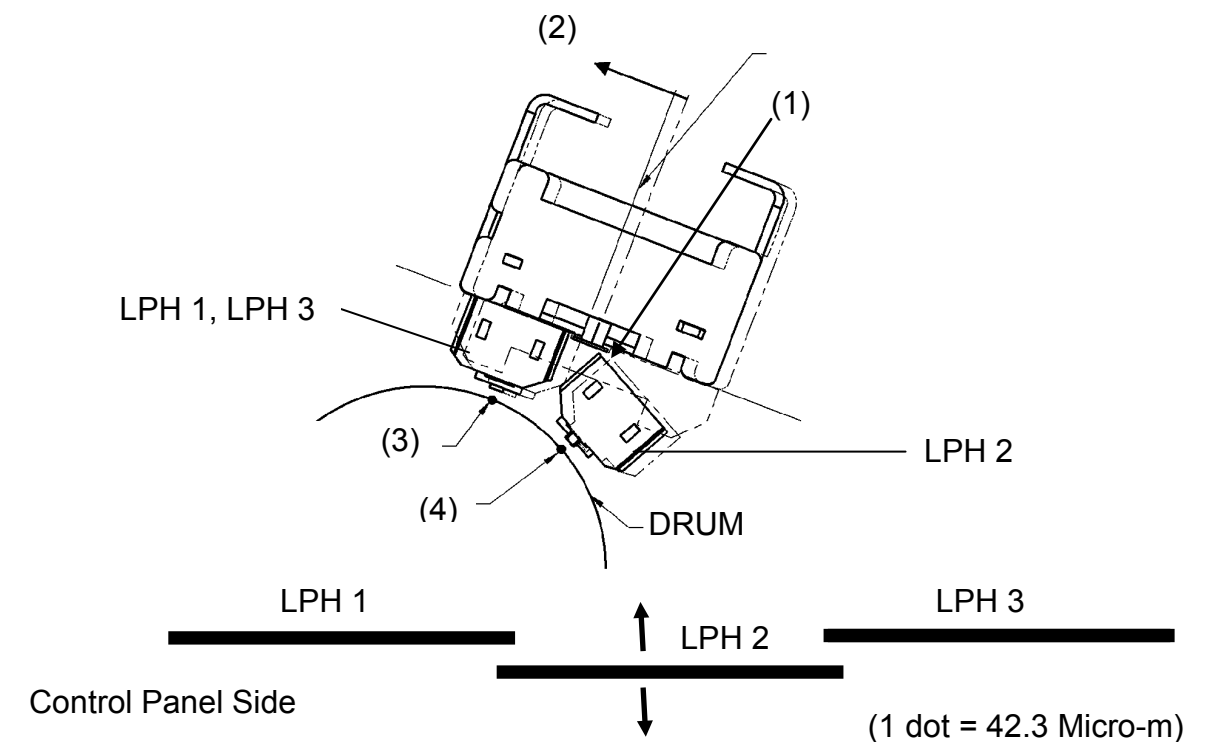
### ADJ8.1.5 LPH Joint Adjustment

**Purpose** To fix the density difference of the 3 LPH (LPH 1 (left image), LPH 2 (center image), LPH 3 (right image), as well as the image misalignment in the fast scan direction and slow scan direction.

**Note** The LPH Joint Adjustment is performed in the order of Step 1 - Focus Adjustment and Step 2 - Density Difference Adjustment (which are the basic), then Step 3 - Fast Scan Direction Adjustment, Step 4 - Slow Scan Direction Adjustment, and finally Steps 5 and 6 - Side Registration Adjustment.

Step	Adjustment No	Detailed Description
1	8.1.5.1 LPH Focus Rough Adjustment	(Figure 1) Turn the adjustment pin (1) of LPH Assy to move the LPH Assy in the direction of arrow (2). Moving the LPH Assy in the direction of arrow changes only the focus of LPH 2 (4) and does not change the focus of LPH 1 and LPH 3 (3). Matching the focus of LPH 2 to those of LPH 1 and LPH 3 this way eliminates the density difference.
2	8.1.5.2 LPH Density Difference Fine Adjustment (Light Duty Adjustment) <b>Note</b> Step 1 must already be adjusted correctly.	Adjust the fine density differences that cannot be eliminated in Step 1 using DC131 parameter. <b>Reference</b> Duty refers to the strength of the light intensity based on the ratio of time when the LED is ON and the time when it is OFF. (The amount can be changed in 1% units.) - 910-390 (LPH 1 Power): Light Intensity Error Correction for LPH 1 (left image) - 910-391 (LPH 2 Power): Light Intensity Error Correction for LPH 2 (center image) - 910-392 (LPH 3 Power): Light Intensity Error Correction for LPH 3 (right image)
3	8.1.5.3 LPH Joint Fast Scan Direction Adjustment <b>Note</b> Steps 1 and 2 must already be adjusted correctly.	To eliminate the image misalignment (white streaks, black streaks) in the fast scan direction for the 3 LPH (LPH 1 (left image), LPH 2 (center image), LPH 3 (right image)). - 910-408 (LPH 1 (left image) Fast Scan Shift): Fast Scan direction shift amount for LPH 1 (left image) - 910-409 (LPH 3 (right image) Fast Scan Shift): Fast Scan direction shift amount for LPH 3 (right image)

Step	Adjustment No	Detailed Description
4	8.1.5.4 LPH Joint Slow Scan Direction Adjustment <b>Note</b> Steps 1, 2, and 3 must already be adjusted correctly.	To eliminate the image misalignment (horizontal line misalignment) in the slow scan direction for the 3 LPH (LPH 1 (left image), LPH 2 (center image), LPH 3 (right image)). - 910-410 (LPH 2 (center image) Slow Scan Shift): Slow Scan direction shift amount for LPH 2 (center image) image relative to LPH 1 (left image) - 910-411 (LPH 3 (right image) Slow Scan Shift): Slow Scan direction shift amount for LPH 3 (right image) image relative to LPH 1 and 2
5	8.1.1 IOT Side Registration Adjustment	As the adjustments in Steps 1 to 4 will cause the position of the whole image in the slow scan direction to be misaligned, the IOT Side Regi Adjustment must be performed.
6	3.1.1 IIT Side Registration Adjustment	After performing the IOT Side Registration Adjustment, also check the IIT Side Registration and perform the adjustment where necessary.



(Figure 1)

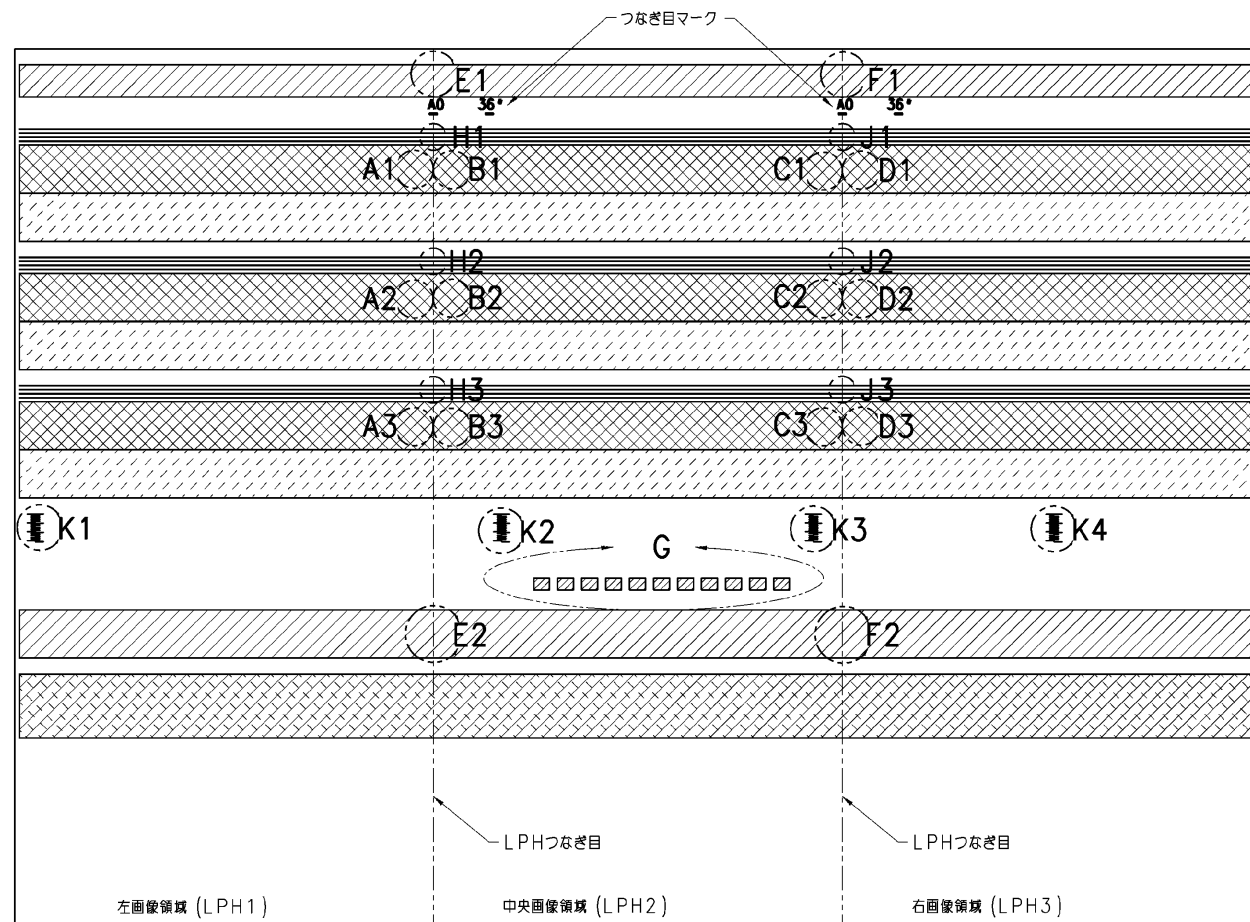
### ADJ8.1.5.1 LPH Focus Rough Adjustment

**Purpose** To eliminate the density difference that occurs due to focus error of the 3 LPH.

**Note** There are cases where an approx. 30 mm wide vertical band of uneven density appears at the LPH joint section when the Drum is nearing the end of its lifespan. This band is the result of the overlapping parts of 3 BCRs which coincides with the wear and tear of the Drum, and it has got nothing to do with the focus error of the LPH.

#### Check Procedure

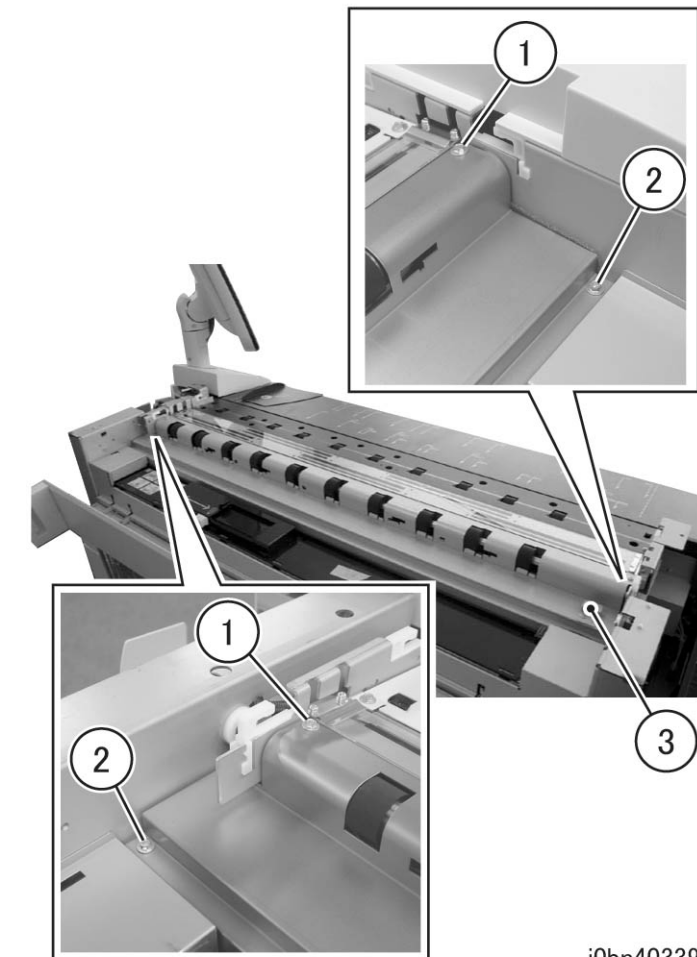
1. Load A0 (36") roll paper into Roll 1.
2. Enter the Diag Mode and select IOT DC606 Test Print.
3. Print the Test Pattern by using the following parameter settings.
  - 1. Output Image : LPH Adjust
  - 2. Quantity : 1 sheet
  - 3. Paper Supply : Roll 1
  - 4. Media Cut Mode: Fixed Landscape
4. Check for density difference at the joints of the 3 LPH (Figure 1: between A1 to A3 and B1 to B3, between C1 to C3 and D1 to D3).



(Figure 1)

#### Adjustment Procedure

1. Turn OFF the power.
2. Remove the Right Swing Cover. (REP 9.2.2)
3. Remove the Rear Lower Baffle. (Figure 2)
  - 1) Remove the screw (x2).
  - 2) Remove the screw (x2).
  - 3) Remove the Rear Lower Baffle.



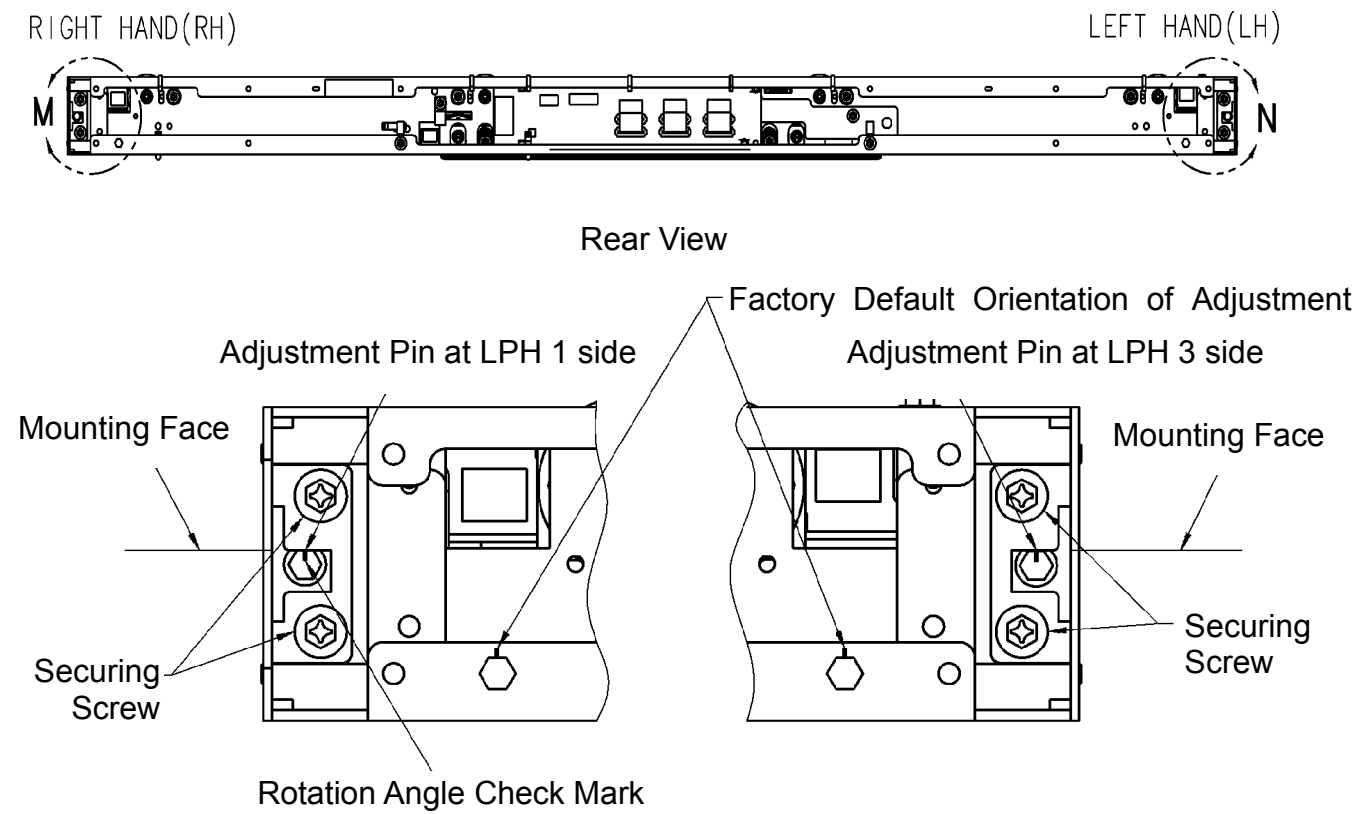
j0bn40339

(Figure 2) j0bn40339

4. Close the Swing Frame.

**Note** As the check is performed with the power turned ON while the Right Swing Cover and Rear Lower Baffle remain removed, use paper to cover the surface to prevent external light from entering and darkening the print surface.

5. Loosen the screw (x4) at the LPH 1 side and LPH 3 side that secure the LPH. (Figure 3)

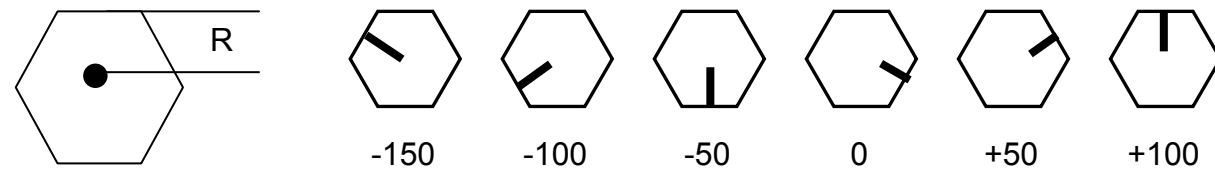


(Figure 3) LPH and Adjustment Pin Markings

6. After turning the Adjustment Pin according to the following guideline, tighten the screws that are in contact with the Frame Mounting Face.

<Adjustment Pin Turning Guideline>

**Reference** The Adjustment Pin adjusts the focus by changing the separation R between the shaft and the Frame contact surface for each surface. (1 dot = 42.3 Micro-m)  
(Figure 4)



(Figure 4) Adjustment Range of Adjustment Pin (1 Step 60 degrees = 50 Micro-m)

Check for density difference at the joint sections (Figure 1: between A1 to A3 and B1 to B3, between C1 to C3 and D1 to D3) and decide on the direction and amount of rotation based on the severity.

	Case	Adjustment Pin at LPH 1 side	Adjustment Pin at LPH 3 side
1	When the density difference between A - B and the density difference between C - D is the same	Rotate 1/6 in clockwise direction	Rotate 1/6 in clockwise direction
2	When the density difference between A - B is more striking	Rotate 1/6 in clockwise direction	Do not rotate
3	When the density difference between C - D is more striking	Do not rotate	Rotate 1/6 in clockwise direction

- Note** If the density difference worsened after turning the Adjustment Pin in clockwise direction, it indicates that the amount of turning was excessive. Revert by turning it in counterclockwise direction.
- 1) If the density difference between A - B has worsened, turn the Adjustment Pin at LPH 1 side in counterclockwise direction to revert.
  - 2) If the density difference between C - D has worsened, turn the Adjustment Pin at LPH 3 side in counterclockwise direction to revert.

7. Return to **Check Procedure**, check whether the density difference at the joints of the 3 LPH has been eliminated and, if it has not, repeat the adjustment until it is.

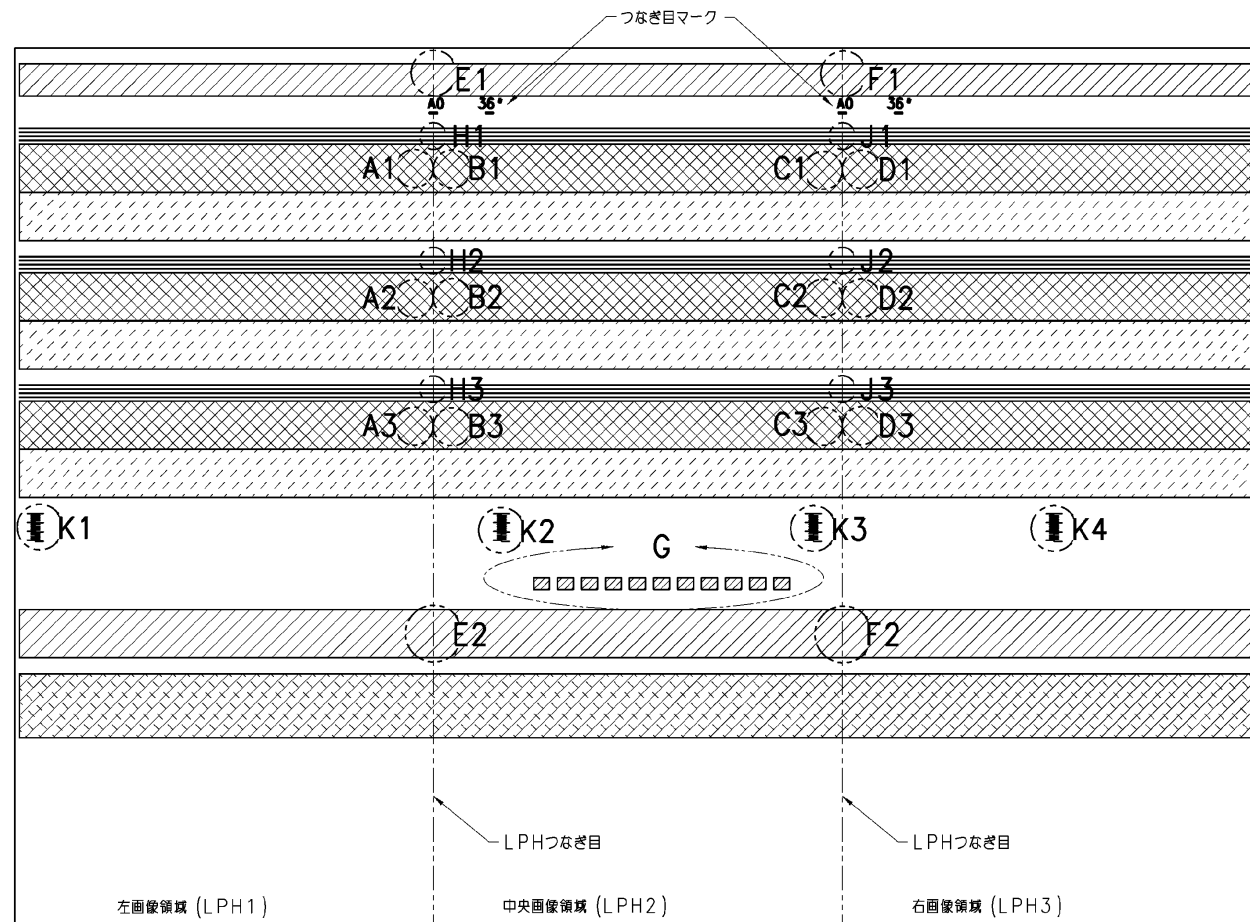
### ADJ8.1.5.2 LPH Density Difference Fine Adjustment (Light Duty Adjustment)

**Purpose** To correct small density differences that cannot be eliminated in 8.1.5.1 LPH Focus Rough Adjustment by using the LPH light intensity.

**Note** 8.1.5.1 LPH Focus Rough Adjustment must already be adjusted correctly.

#### Check Procedure

1. Load A0 (36") roll paper into Roll 1.
2. Enter the Diag Mode and select IOT DC606 Test Print.
3. Print the Test Pattern by using the following parameter settings.
  - 1. Output Image : LPH Adjust
  - 2. Quantity : 1 sheet
  - 3. Paper Supply : Roll 1
  - 4. Media Cut Mode: Fixed Landscape
4. Check whether there is any density difference at the halftone density of the LPH 1 (left image), LPH 2 (center image), LPH 3 (right image).



(Figure 1)

#### Adjustment Procedure

1. Use IOT DC131 NVM Access to change the following NVM values until the density difference at the halftone density of the LPH 1 (left image), LPH 2 (center image), LPH 3 (right image) is eliminated.
  - LPH 1 (left image) halftone density: 910-390 (LPH 1 Power) Light Intensity Error Correction for LPH 1
  - LPH 2 (center image) halftone density: 910-391 (LPH 2 Power) Light Intensity Error Correction for LPH 2
  - LPH 3 (right image) halftone density: 910-392 (LPH 3 Power) Light Intensity Error Correction for LPH 3

Changing the NVM value in the positive direction darkens the density, while changing it in the negative direction lightens the density. (Default = 0, Setting Range = -50 to 50, 1 step = 1%)

**Note:** As much as possible, match the density to the area with darker density. If matched to the lighter area, there are cases where the light halftone band becomes even lighter and resulted in patchy output.

2. Save the NVM settings.
 

**Note** If the settings is not saved, the changed setting will be lost once the power is turned OFF.
3. Return to **Check Procedure** and repeat the adjustment until the density difference of the halftone density is eliminated.



### ADJ8.1.5.3 LPH Joint Fast Scan Direction Adjustment

**Purpose** To eliminate the image misalignment (white streaks or black streaks) in the fast scan direction for the 3 LPH.

**Note** 8.1.5.1 LPH Focus Rough Adjustment and 8.1.5.2 LPH Density Difference Fine Adjustment (Light Duty Adjustment) must already be adjusted correctly.

#### Check Procedure

1. Load A0 (36") roll paper into Roll 1.
2. Enter the Diag Mode and select IOT DC606 Test Print.
3. Print the Test Pattern by using the following parameter settings.
  - 1. Output Image : LPH Adjust
  - 2. Quantity : 1 sheet
  - 3. Paper Supply : Roll 1
  - 4. Media Cut Mode: Fixed Landscape
4. Check for image misalignment (black streaks (overlapping direction misalignment) or white streaks (gap direction misalignment)) at the joints if the 3 LPH (Figure 1: between E1 and F1, E2 and F2).

#### Adjustment Procedure

1. Use IOT DC131 NVM Access to change the following NVM values until the image misalignment (black streaks (overlapping direction misalignment) or white streaks (gap direction misalignment)) at the joints if the 3 LPH are eliminated.

**Note** Compare the black streaks or white streaks that are visible at the check location with the sample at G section in Figure 1 and change the sample value (step value) that is the closest.

$$(\text{Value after change}) = (\text{Value before change}) - (\text{sample value (step value)})$$

Changing the value in the positive direction shifts the image in the gap direction, while changing it in the negative direction shifts the image in the overlapping direction.

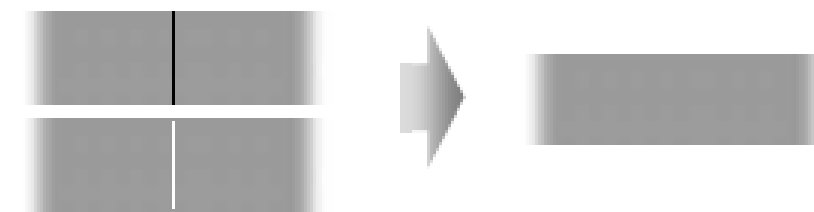
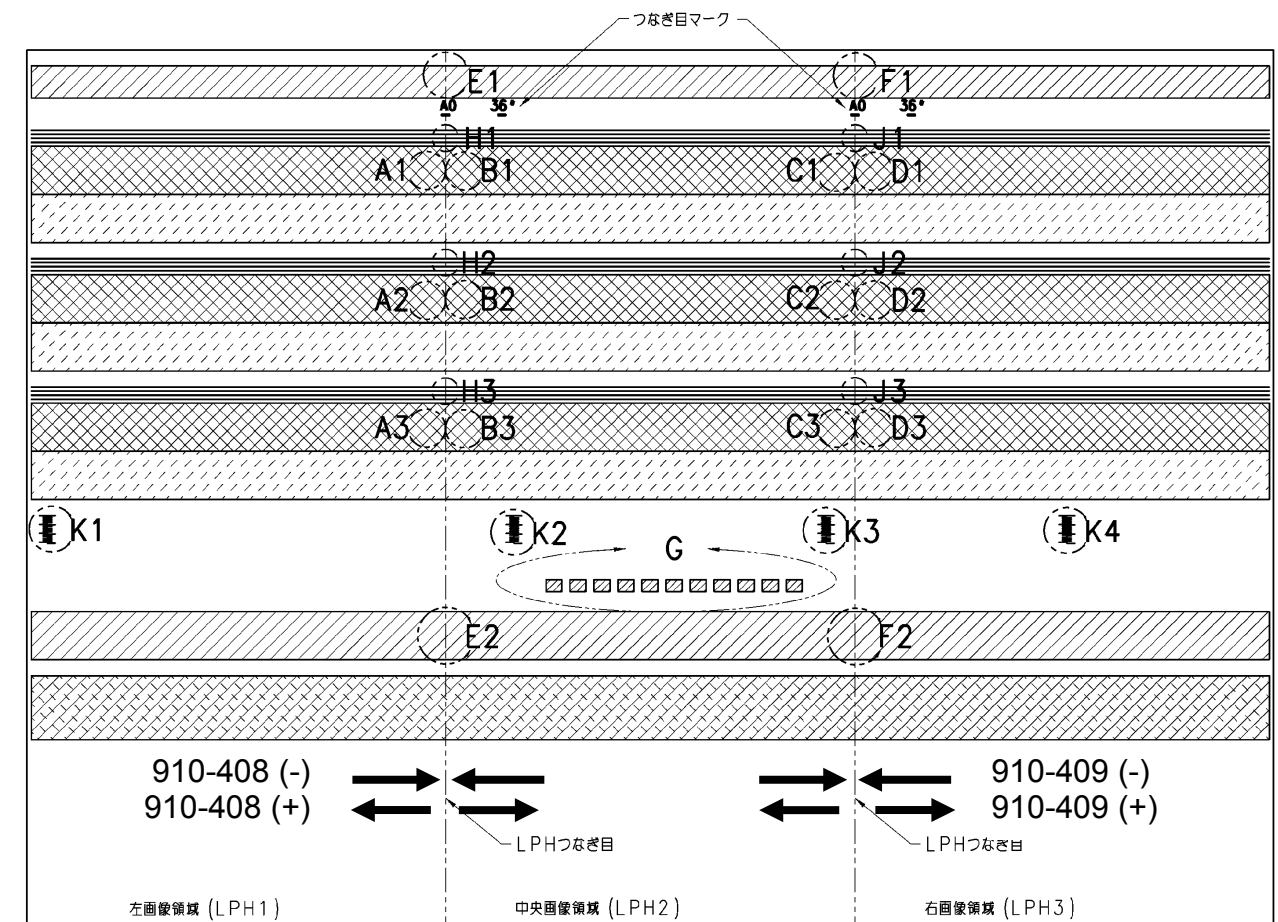
- When black streaks (overlapping direction error) occur between LPH 1 and 2: Change the value of 910-408 (LPH 1 (left image) Fast Scan Shift) in the positive direction. (1 step = 0.0141 mm (1/3 dot))
- When white streaks (gap direction error) occur between LPH 1 and 2: Change the value of 910-408 (LPH 1 (left image) Fast Scan Shift) in the negative direction. (1 step = 0.0141 mm (1/3 dot))
- When black streaks (overlapping direction error) occur between LPH 2 and 3: Change the value of 910-409 (LPH 3 (right image) Fast Scan Shift) in the positive direction. (1 step = 0.0141 mm (1/3 dot))

- When white streaks (gap direction error) occur between LPH 2 and 3: Change the value of 910-409 (LPH 3 (right image) Fast Scan Shift) in the negative direction. (1 step = 0.0141 mm (1/3 dot))

2. Save the NVM settings.

**Note** If the settings is not saved, the changed setting will be lost once the power is turned OFF.

3. Return to **Check Procedure**, check whether the black streaks (overlapping direction misalignment) or white streaks (gap direction misalignment) at the joints of the 3 LPH are no longer noticeable and, if they still are, repeat the adjustment until they are.



(Figure 1)

### ADJ8.1.5.4 LPH Joint Slow Scan Direction Adjustment

**Purpose** To eliminate the image misalignment (horizontal line misalignment) in the slow scan direction for the 3 LPH.

**Note** 8.1.5.1 LPH Focus Rough Adjustment, 8.1.5.2 LPH Density Difference Fine Adjustment (Light Duty Adjustment), and 8.1.5.3 LPH Joint Fast Scan Direction Adjustment must already be adjusted correctly.

#### Check Procedure

1. Load A0 (36") roll paper into Roll 1.
2. Enter the Diag Mode and select IOT DC606 Test Print.
3. Print the Test Pattern by using the following parameter settings.
  - 1. Output Image : LPH Adjust
  - 2. Quantity : 1 sheet
  - 3. Paper Supply : Roll 1
  - 4. Media Cut Mode: Fixed Landscape
4. Check for image misalignment (horizontal line misalignment) at the joints of the 3 LPH (Figure 1: between H1 and J1, H2 and J2, H3 and J3).

#### Adjustment Procedure

1. Use IOT DC131 NVM Access to change the following NVM values until the image misalignment (horizontal line misalignment) at the joints if the 3 LPH are eliminated.

**Note** Compare the amount of horizontal line misalignment at the check location with the sample at K1 to K4 in Figure 1 and change the scale value (step value) that is closest to the amount of misalignment.

- When horizontal line misalignment occurs between LPH 1 and 2: Change the value of 910-410 (LPH 2 (center image) Slow Scan Shift) in the positive or the negative direction. (1 step = 0.021 mm (1/2 dot))

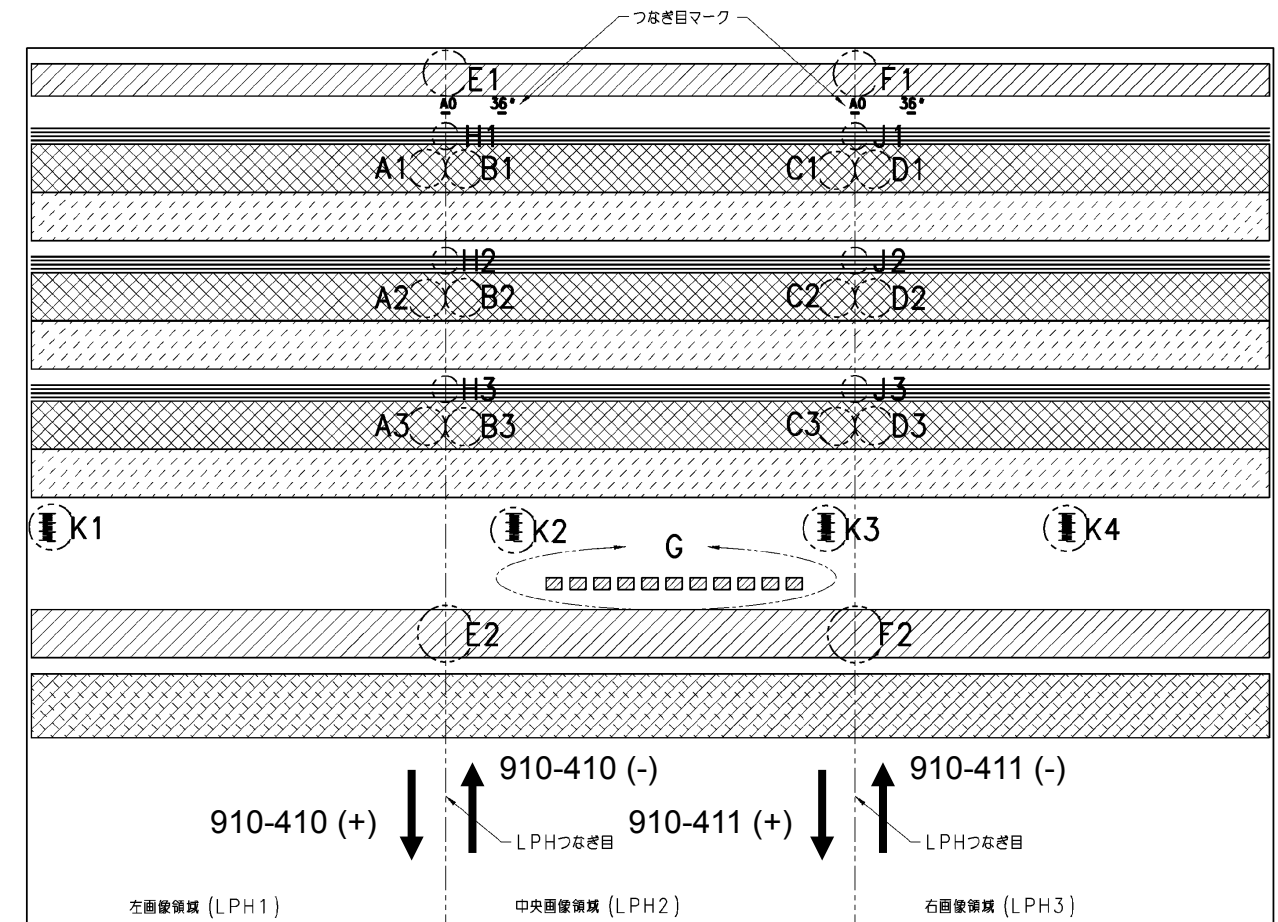
**Note** Changing 910-410 (LPH 2 (center image) Slow Scan Shift) changes the amount of misalignment of the LPH joint at 2 locations. If you want to make the adjustment only between LPH 1 and 2, change the values (step value) of 910-410 (LPH 2 (center image) Slow Scan Shift) and 910-411 (LPH 3 (right image) Slow Scan Shift) by the same amount.

- When horizontal line misalignment occurs between LPH 2 and 3: Change the value of 910-411 (LPH 3 (right image) Slow Scan Shift) in the positive or the negative direction. (1 step = 0.021 mm (1/2 dot))

2. Save the NVM settings.

**Note** If the settings is not saved, the changed setting will be lost once the power is turned OFF.

3. Return to **Check Procedure**, check whether the horizontal line misalignment at the joints of the 3 LPH are no longer noticeable and, if they still are, repeat the adjustment until they are.



(Figure 1)

4. Check the IOT Side Registration and adjust where necessary.

**Note** If 8.1.1 IOT Side Registration Adjustment was performed, 3.1.1 IIT Side Registration Adjustment must also be performed.

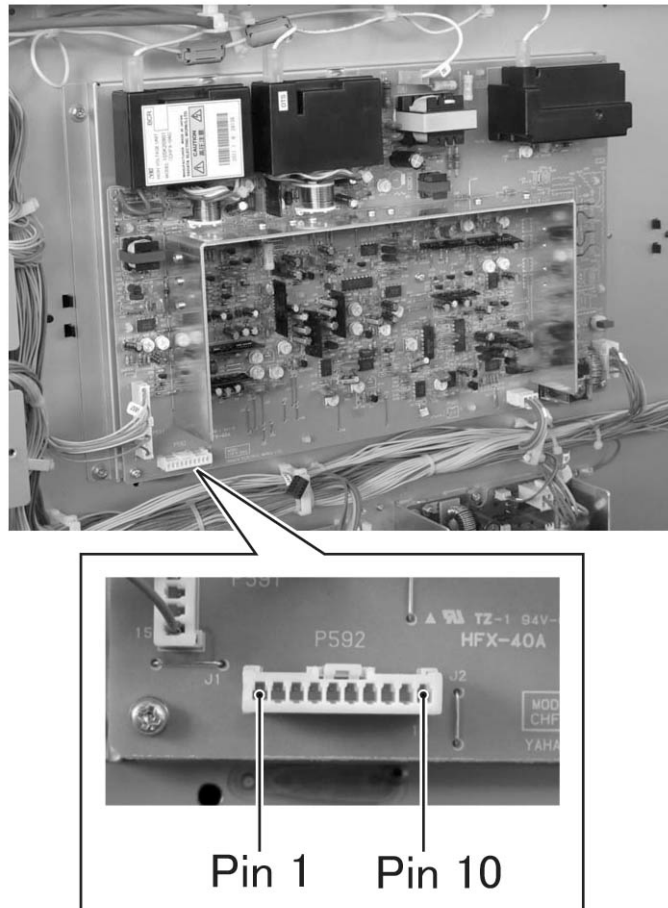
## ADJ8.1.6 Xero Graphic Setup

**Purpose** To perform output adjustment for BCR, Deve Bias, BTR, and DTS. Perform this adjustment if problems are encountered during printing or after replacing the HVPS.

### Check Procedure

1. Remove the Rear Lower Cover. (REP 9.3.5)
2. Connect a tester to the HPVS P592. (Figure 1)

**Note** Refer to Table 1 for the Adjustment Items and the Pin No.



j0bn43001

(Figure 1) j0bn43001

3. Enter the Diag Mode and select IOT DC951 Xerographic Setup.

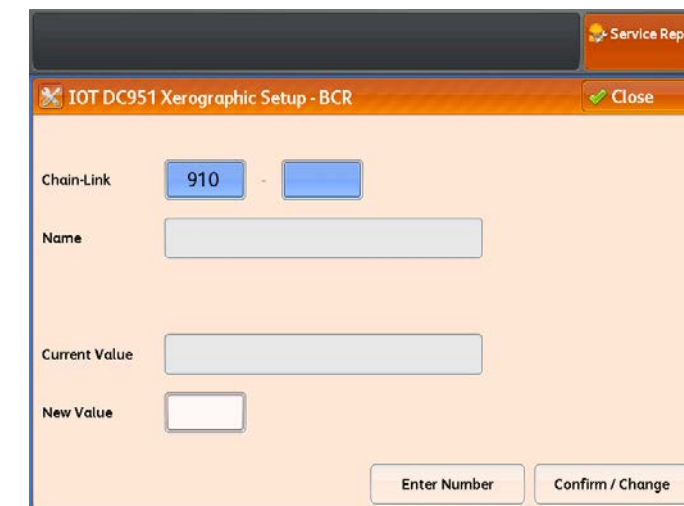
4. Select the output item to be adjusted (BCR, Deve Bias, BTR, DTS). (Figure 2)



(Figure 2)

5. The Drum operation starts automatically and the HVPS output turns ON according to the selected output item.
6. Input the Chain-Link Code of the settings item to be adjusted into the [Chain-Link] field and select [Confirm / Change]. (Figure 3)

**Note** Refer to Table 1 for the Chain-Link Codes of the Adjustment Items.



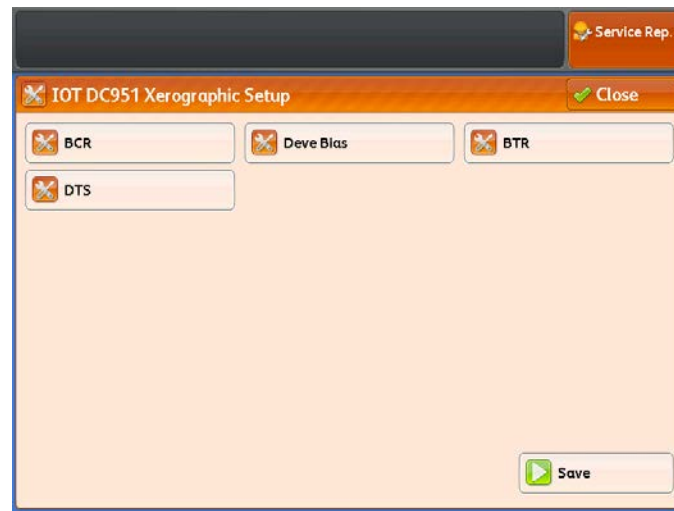
(Figure 3)

7. The current setting value appears.
8. Check that the value read by the tester is within the range of the adjustment values (Table 1). If the value read by the tester is not within the range of the adjustment values (Table 1), perform Adjustment Procedure.
9. Selecting [Clear Number] clears the Chain-Link Code and allows you to input another Chain-Link Code.

### Adjustment Procedure

1. While checking the value read by the tester, input a value into the [New Value] field by using the keypad and select [Confirm / Change].
2. Repeat Step 1 until the value read by the tester is within the specification value, then complete the adjustment and select [Close].
3. The Drum operation stops automatically.
4. Select [Save]. (Figure 4)

**Note** If the settings is not saved, the changed setting will be lost once the power is turned OFF.



(Figure 4)

5. On the confirmation screen, select [Yes]. (Figure 5)

**Note** Select [No] to return to the previous screen.



(Figure 5)

(Table 1) HPVS Output Adjustment Value

Adjustment Items	Chain-Link	NVM Settings Item	Pin No. of P592		Adjustment Value (Tester Read Value)			NVM Initial Value			NVM Settings Range	NVM Change Amount
			+	-	JPN	AP	GCO	JPN	AP	GCO		
BCR	910-225	BCR AC/Normal Temperature	1	10	1.5 ±0.05 VAC	1.5 ±0.05 VAC	1.5 ±0.05 VAC	150	150	150	70 to 380	0.01 mA
	910-226	BCR AC/Low Temperature			1.7 ±0.05 VAC	1.7 ±0.05 VAC	1.7 ±0.05 VAC	170	170	170	70 to 380	0.01 mA
	910-227	BCR DC			2	4.0 ±0.05 VDC	4.0 ±0.05 VDC	4.0 ±0.05 VDC	400	400	400	206 to 644
Deve Bias	910-228	Deve Bias AC	3	10	0.7 ±0.01 VAC	0.7 ±0.01 VAC	0.7 ±0.01 VAC	700	700	700	438 to 1063	1VAC
	910-229	Deve Bias DC 1	4		3.0 ±0.05 VDC	3.0 ±0.05 VDC	3.0 ±0.05 VDC	300	300	300	50 to 550	-1VDC
	910-230	Deve Bias DC 2			3.0 ±0.05 VDC	3.0 ±0.05 VDC	3.0 ±0.05 VDC	300	300	300	50 to 550	-1VDC
	910-231	Deve Bias DC 3			3.0 ±0.05 VDC	3.0 ±0.05 VDC	3.0 ±0.05 VDC	300	300	300	50 to 550	-1VDC
	910-232	Deve Bias DC 4			3.0 ±0.05 VDC	3.0 ±0.05 VDC	3.0 ±0.05 VDC	300	300	300	50 to 550	-1VDC
	910-233	Deve Bias DC 5			3.0 ±0.05 VDC	3.0 ±0.05 VDC	3.0 ±0.05 VDC	300	300	300	50 to 550	-1VDC
BTR	910-345	BTR Control Bias		5	10	0.6 ±0.02 VDC	0.6 ±0.02 VDC	0.6 ±0.02 VDC	60	60	60	0 to 200
	910-346	BTR Bias Between Papers	1.0 ±0.02VDC			1.0 ±0.02VDC	1.0 ±0.02VDC	100	100	100	0 to 200	0.1 Micro-A
	910-354	BTR Transfer/A Zone/Plain Paper/Large Size	1.3 ±0.01 VDC			1.5 ±0.01 VDC	1.3 ±0.01 VDC	130	150	130	0 to 450	0.1 Micro-A
	910-355	BTR Transfer/A Zone/Plain Paper/Small Size	1.3 ±0.01 VDC			1.5 ±0.01 VDC	1.3 ±0.01 VDC	130	150	130	0 to 450	0.1 Micro-A
	910-356	BTR Transfer/A Zone/Tracing Paper/Large Size/Normal	1.5 ±0.01 VDC			1.3 ±0.01 VDC	1.2 ±0.01 VDC	150	130	120	0 to 450	0.1 Micro-A
	910-357	BTR Transfer/A Zone/Tracing Paper/Large Size/Other than Normal	1.2 ±0.01 VDC			1.3 ±0.01 VDC	1.2 ±0.01 VDC	120	130	120	0 to 450	0.1 Micro-A
	910-358	BTR Transfer/A Zone/Tracing Paper/Small Size/Normal	1.5 ±0.01 VDC			1.3 ±0.01 VDC	1.2 ±0.01 VDC	150	130	120	0 to 450	0.1 Micro-A
	910-359	BTR Transfer/A Zone/Tracing Paper/Small Size/Other than Normal	1.2 ±0.01 VDC			1.3 ±0.01 VDC	1.2 ±0.01 VDC	120	130	120	0 to 450	0.1 Micro-A
	910-360	BTR Transfer/A Zone/Transparency/Large Size/Heavy	1.0 ±0.01 VDC			1.3 ±0.01 VDC	1.0 ±0.01 VDC	100	130	100	0 to 450	0.1 Micro-A
	910-361	BTR Transfer/A Zone/Transparency/Large Size/Other than Heavy	1.0 ±0.01 VDC			1.3 ±0.01 VDC	1.0 ±0.01 VDC	100	130	100	0 to 450	0.1 Micro-A
	910-362	BTR Transfer/A Zone/Transparency/Small Size/Heavy	1.0 ±0.01 VDC			1.3 ±0.01 VDC	1.0 ±0.01 VDC	100	130	100	0 to 450	0.1 Micro-A
	910-363	BTR Transfer/A Zone/Transparency/Small Size/Other than Heavy	1.0 ±0.01 VDC			1.3 ±0.01 VDC	1.0 ±0.01 VDC	100	130	100	0 to 450	0.1 Micro-A
	910-364	BTR Transfer/B Zone/Plain Paper/Large Size	1.6 ±0.01 VDC			1.5 ±0.01 VDC	1.6 ±0.01 VDC	160	150	160	0 to 450	0.1 Micro-A
	910-365	BTR Transfer/B Zone/Plain Paper/Small Size	1.6 ±0.01 VDC			1.5 ±0.01 VDC	1.6 ±0.01 VDC	160	150	160	0 to 450	0.1 Micro-A
	910-366	BTR Transfer/B Zone/Tracing Paper/Large Size/Normal	1.5 ±0.01 VDC			1.3 ±0.01 VDC	1.3 ±0.01 VDC	150	130	130	0 to 450	0.1 Micro-A
	910-367	BTR Transfer/B Zone/Tracing Paper/Large Size/Other than Normal	1.3 ±0.01 VDC			1.3 ±0.01 VDC	1.3 ±0.01 VDC	130	130	130	0 to 450	0.1 Micro-A
910-368	BTR Transfer/B Zone/Tracing Paper/Small Size/Normal	1.5 ±0.01 VDC	1.3 ±0.01 VDC	1.3 ±0.01 VDC	150	130	130	0 to 450	0.1 Micro-A			

Adjustment Items	Chain-Link	NVM Settings Item	Pin No. of P592		Adjustment Value (Tester Read Value)			NVM Initial Value			NVM Settings Range	NVM Change Amount
			+	-	JPN	AP	GCO	JPN	AP	GCO		
BTR	910-369	BTR Transfer/B Zone/Tracing Paper/Small Size/Other than Normal	5	10	1.3 ±0.01 VDC	1.3 ±0.01 VDC	1.3 ±0.01 VDC	130	130	130	0 to 450	0.1 Micro-A
	910-370	BTR Transfer/B Zone/Transparency/Large Size/Heavy			1.2 ±0.01 VDC	1.3 ±0.01 VDC	1.2 ±0.01 VDC	120	130	120	0 to 450	0.1 Micro-A
	910-371	BTR Transfer/B Zone/Transparency/Large Size/Other than Heavy			1.2 ±0.01 VDC	1.3 ±0.01 VDC	1.2 ±0.01 VDC	120	130	120	0 to 450	0.1 Micro-A
	910-372	BTR Transfer/B Zone/Transparency/Small Size/Heavy			1.2 ±0.01 VDC	2.4 ±0.01 VDC	1.2 ±0.01 VDC	120	240	120	0 to 450	0.1 Micro-A
	910-373	BTR Transfer/B Zone/Transparency/Small Size/Other than Heavy			1.2 ±0.01 VDC	1.3 ±0.01 VDC	1.2 ±0.01 VDC	120	130	120	0 to 450	0.1 Micro-A
	910-374	BTR Transfer/C Zone/Plain Paper/Large Size			1.3 ±0.01 VDC	1.5 ±0.01 VDC	1.3 ±0.01 VDC	130	150	130	0 to 450	0.1 Micro-A
	910-375	BTR Transfer/C Zone/Plain Paper/Small Size			1.3 ±0.01 VDC	1.5 ±0.01 VDC	1.3 ±0.01 VDC	130	150	130	0 to 450	0.1 Micro-A
	910-376	BTR Transfer/C Zone/Tracing Paper/Large Size/Normal			1.5 ±0.01 VDC	1.6 ±0.01 VDC	1.2 ±0.01 VDC	150	160	120	0 to 450	0.1 Micro-A
	910-377	BTR Transfer/C Zone/Tracing Paper/Large Size/Other than Normal			1.2 ±0.01 VDC	1.6 ±0.01 VDC	1.2 ±0.01 VDC	120	160	120	0 to 450	0.1 Micro-A
	910-378	BTR Transfer/C Zone/Tracing Paper/Small Size/Normal			1.5 ±0.01 VDC	1.6 ±0.01 VDC	1.2 ±0.01 VDC	150	160	120	0 to 450	0.1 Micro-A
	910-379	BTR Transfer/C Zone/Tracing Paper/Small Size/Other than Normal			1.2 ±0.01 VDC	1.6 ±0.01 VDC	1.2 ±0.01 VDC	120	160	120	0 to 450	0.1 Micro-A
	910-380	BTR Transfer/C Zone/Transparency/Large Size/Heavy			1.0 ±0.01 VDC	1.1 ±0.01 VDC	1.0 ±0.01 VDC	100	110	100	0 to 450	0.1 Micro-A
	910-381	BTR Transfer/C Zone/Transparency/Large Size/Other than Heavy			1.0 ±0.01 VDC	1.1 ±0.01 VDC	1.0 ±0.01 VDC	100	110	100	0 to 450	0.1 Micro-A
	910-382	BTR Transfer/C Zone/Transparency/Small Size/Heavy			1.0 ±0.01 VDC	1.1 ±0.01 VDC	1.0 ±0.01 VDC	100	110	100	0 to 450	0.1 Micro-A
	910-383	BTR Transfer/C Zone/Transparency/Small Size/Other than Heavy			1.0 ±0.01 VDC	1.1 ±0.01 VDC	1.0 ±0.01 VDC	100	110	100	0 to 450	0.1 Micro-A
DTS	910-240	DTS H1 A Zone/Roll Paper/Plain Paper	7	10	3.0±0.15VAC	3.0±0.15VAC	3.0±0.15VAC	300	300	300	113 to 487	10V
	910-241	DTS H1 A Zone/Roll Paper/Tracing Paper/Normal			4.5 ±0.15 VAC	3.0 ±0.15 VAC	3.0 ±0.15 VAC	450	300	300	113 to 487	10V
	910-242	DTS H1 A Zone/Roll Paper/Tracing Paper/Other than Normal			3.0 ±0.15 VAC	3.0 ±0.15 VAC	3.0 ±0.15 VAC	300	300	300	113 to 487	10V
	910-243	DTS H1 A Zone/Roll Paper/Transparency			3.0 ±0.15 VAC	3.0 ±0.15 VAC	3.0 ±0.15 VAC	300	300	300	113 to 487	10V
	910-244	DTS H1 A Zone/Cut Paper/Plain Paper			4.2 ±0.15 VAC	4.0 ±0.15 VAC	4.2 ±0.15 VAC	420	400	420	113 to 487	10V
	910-245	DTS H1 A Zone/Cut Paper/Tracing Paper/Normal			4.0 ±0.15 VAC	4.0 ±0.15 VAC	4.0 ±0.15 VAC	400	400	400	113 to 487	10V

Adjustment Items	Chain-Link	NVM Settings Item	Pin No. of P592		Adjustment Value (Tester Read Value)			NVM Initial Value			NVM Settings Range	NVM Change Amount
			+	-	JPN	AP	GCO	JPN	AP	GCO		
	910-246	DTS H1 A Zone/Cut Paper/Tracing Paper/Other than Normal			4.0 ±0.15 VAC	4.0 ±0.15 VAC	4.0 ±0.15 VAC	400	400	400	113 to 487	10V
DTS	910-247	DTS H1 A Zone/Cut Paper/Transparency	7	10	3.0 ±0.15 VAC	3.0 ±0.15 VAC	3.0 ±0.15 VAC	300	300	300	113 to 487	10V
	910-248	DTS H1 B Zone/Roll Paper/Plain Paper			3.0±0.15VAC	3.0±0.15VAC	3.0±0.15VAC	300	300	300	113 to 487	10V
	910-249	DTS H1 B Zone/Roll Paper/Tracing Paper/Normal			4.5 ±0.15 VAC	3.0 ±0.15 VAC	3.0 ±0.15 VAC	450	300	300	113 to 487	10V
	910-250	DTS H1 B Zone/Roll Paper/Tracing Paper/Other than Normal			3.0 ±0.15 VAC	3.0 ±0.15 VAC	3.0 ±0.15 VAC	300	300	300	113 to 487	10V
	910-251	DTS H1 B Zone/Roll Paper/Transparency			3.0 ±0.15 VAC	3.5 ±0.15 VAC	3.0 ±0.15 VAC	300	350	300	113 to 487	10V
	910-252	DTS H1 B Zone/Cut Paper/Plain Paper			4.2 ±0.15 VAC	3.5 ±0.15 VAC	4.2 ±0.15 VAC	420	350	420	113 to 487	10V
	910-253	DTS H1 B Zone/Cut Paper/Tracing Paper/Normal			4.0 ±0.15 VAC	3.5 ±0.15 VAC	4.0 ±0.15 VAC	400	350	400	113 to 487	10V
	910-254	DTS H1 B Zone/Cut Paper/Tracing Paper/Other than Normal			3.5 ±0.15 VAC	3.5 ±0.15 VAC	3.5 ±0.15 VAC	350	350	350	113 to 487	10V
	910-255	DTS H1 B Zone/Cut Paper/Transparency			3.0 ±0.15 VAC	3.5 ±0.15 VAC	3.0 ±0.15 VAC	300	350	300	113 to 487	10V
	910-256	DTS H1 C Zone/Roll Paper/Plain Paper			3.0 ±0.15 VAC	3.0 ±0.15 VAC	3.0 ±0.15 VAC	300	300	300	113 to 487	10V
	910-257	DTS H1 C Zone/Roll Paper/Tracing Paper/Normal			4.5 ±0.15 VAC	3.0 ±0.15 VAC	3.0 ±0.15 VAC	450	300	300	113 to 487	10V
	910-258	DTS H1 C Zone/Roll Paper/Tracing Paper/Other than Normal			3.5±0.15VAC	3.5±0.15VAC	3.5±0.15VAC	350	350	350	113 to 487	10V
	910-259	DTS H1 C Zone/Roll Paper/Transparency			3.0 ±0.15 VAC	3.5 ±0.15 VAC	3.0 ±0.15 VAC	300	350	300	113 to 487	10V
	910-260	DTS H1 C Zone/Cut Paper/Plain Paper			4.2 ±0.15 VAC	3.5 ±0.15 VAC	4.2 ±0.15 VAC	420	350	420	113 to 487	10V
	910-261	DTS H1 C Zone/Cut Paper/Tracing Paper/Normal			3.5 ±0.15 VAC	3.5 ±0.15 VAC	3.5 ±0.15 VAC	350	350	350	113 to 487	10V
	910-262	DTS H1 C Zone/Cut Paper/Tracing Paper/Other than Normal			2.3±0.15VAC	3.5±0.15VAC	2.5±0.15VAC	230	350	250	113 to 487	10V
	910-263	DTS H1 C Zone/Cut Paper/Transparency			3.0 ±0.15 VAC	3.5 ±0.15 VAC	3.0 ±0.15 VAC	300	350	300	113 to 487	10V
	910-264	DTS L1 A Zone/Roll Paper/Plain Paper			3.0±0.15VAC	3.0±0.15VAC	3.0±0.15VAC	300	300	300	113 to 487	10V
	910-265	DTS L1 A Zone/Roll Paper/Tracing Paper/Normal			3.5 ±0.15 VAC	2.8 ±0.15 VAC	2.8 ±0.15 VAC	350	280	280	113 to 487	10V
	910-266	DTS L1 A Zone/Roll Paper/Tracing Paper/Other than Normal			2.8 ±0.15 VAC	2.8 ±0.15 VAC	2.8 ±0.15 VAC	280	280	280	113 to 487	10V
910-267	DTS L1 A Zone/Roll Paper/Transparency	3.0 ±0.15 VAC	3.0 ±0.15 VAC	3.0 ±0.15 VAC	300	300	300	113 to 487	10V			
910-268	DTS L1 A Zone/Cut Paper/Plain Paper	2.8 ±0.15 VAC	2.8 ±0.15 VAC	2.8 ±0.15 VAC	280	280	280	113 to 487	10V			
910-269	DTS L1 A Zone/Cut Paper/ Tracing Paper/Normal	3.0 ±0.15 VAC	2.8 ±0.15 VAC	3.0 ±0.15 VAC	300	280	300	113 to 487	10V			
910-270	DTS L1 A Zone/Cut Paper/Tracing Paper/Other than Normal	2.8 ±0.15 VAC	2.8 ±0.15 VAC	2.8 ±0.15 VAC	280	280	280	113 to 487	10V			
910-271	DTS L1 A Zone/Cut Paper/Transparency	3.0 ±0.15 VAC	3.0 ±0.15 VAC	3.0 ±0.15 VAC	300	300	300	113 to 487	10V			

Adjustment Items	Chain-Link	NVM Settings Item	Pin No. of P592		Adjustment Value (Tester Read Value)			NVM Initial Value			NVM Settings Range	NVM Change Amount
			+	-	JPN	AP	GCO	JPN	AP	GCO		
	910-272	DTS L1 B Zone/Roll Paper/Plain Paper			3.0±0.15VAC	3.0±0.15VAC	3.0±0.15VAC	300	300	300	113 to 487	10V
DTS	910-273	DTS L1 B Zone/Roll Paper/Tracing Paper/Normal	7	10	3.5 ±0.15 VAC	2.8 ±0.15 VAC	2.8 ±0.15 VAC	350	280	280	113 to 487	10V
	910-274	DTS L1 B Zone/Roll Paper/Tracing Paper/Other than Normal			2.8 ±0.15 VAC	2.8 ±0.15 VAC	2.8 ±0.15 VAC	280	280	280	113 to 487	10V
	910-275	DTS L1 B Zone/Roll Paper/Transparency			3.0 ±0.15 VAC	3.5 ±0.15 VAC	3.0 ±0.15 VAC	300	350	300	113 to 487	10V
	910-276	DTS L1 B Zone/Cut Paper/Plain Paper			3.0±0.15VAC	3.0±0.15VAC	3.0±0.15VAC	300	300	300	113 to 487	10V
	910-277	DTS L1 B Zone/Cut Paper/ Tracing Paper/Normal			2.5 ±0.15 VAC	2.8 ±0.15 VAC	2.5 ±0.15 VAC	250	280	250	113 to 487	10V
	910-278	DTS L1 B Zone/Cut Paper/ Tracing Paper/Other than Normal			2.8 ±0.15 VAC	2.8 ±0.15 VAC	2.8 ±0.15 VAC	280	280	280	113 to 487	10V
	910-279	DTS L1 B Zone/Cut Paper/Transparency			3.0 ±0.15 VAC	3.5 ±0.15 VAC	3.0 ±0.15 VAC	300	350	300	113 to 487	10V
	910-280	DTS L1 C Zone/Roll Paper/Plain Paper			3.5±0.15VAC	3.5±0.15VAC	3.5±0.15VAC	350	350	350	113 to 487	10V
	910-281	DTS L1 C Zone/Roll Paper/Tracing Paper/Normal			3.5±0.15VAC	3.0±0.15VAC	3.0±0.15VAC	350	300	300	113 to 487	10V
	910-282	DTS L1 C Zone/Roll Paper/Tracing Paper/Other than Normal			2.5±0.15VAC	3.5±0.15VAC	3.5±0.15VAC	250	350	350	113 to 487	10V
	910-283	DTS L1 C Zone/Roll Paper/Transparency			3.0±0.15VAC	3.5±0.15VAC	3.0±0.15VAC	300	350	300	113 to 487	10V
	910-284	DTS L1 C Zone/Cut Paper/Plain Paper			3.5±0.15VAC	3.5±0.15VAC	3.5±0.15VAC	350	350	350	113 to 487	10V
	910-285	DTS L1 C Zone/Cut Paper/ Tracing Paper/Normal			3.0±0.15VAC	3.0±0.15VAC	3.0±0.15VAC	300	300	300	113 to 487	10V
	910-286	DTS L1 C Zone/Cut Paper/ Tracing Paper/Other than Normal			2.3±0.15VAC	3.0±0.15VAC	2.5±0.15VAC	230	300	250	113 to 487	10V
	910-287	DTS L1 C Zone/Cut Paper/Transparency			3.0 ±0.15 VAC	3.5 ±0.15 VAC	3.0 ±0.15 VAC	300	350	300	113 to 487	10V
	910-288	DTS L2 A Zone/Roll Paper/Plain Paper			2.8 ±0.15 VAC	2.8 ±0.15 VAC	2.8 ±0.15 VAC	280	280	280	113 to 487	10V
	910-289	DTS L2 A Zone/Roll Paper/Tracing Paper/Normal			2.8 ±0.15 VAC	2.8 ±0.15 VAC	2.8 ±0.15 VAC	280	280	280	113 to 487	10V
	910-290	DTS L2 A Zone/Roll Paper/Tracing Paper/Other than Normal			2.8 ±0.15 VAC	2.8 ±0.15 VAC	2.8 ±0.15 VAC	280	280	280	113 to 487	10V
	910-291	DTS L2 A Zone/Roll Paper/Transparency			2.2 ±0.15 VAC	2.2 ±0.15 VAC	2.2 ±0.15 VAC	220	220	220	113 to 487	10V
	910-292	DTS L2 A Zone/Cut Paper/Plain Paper			2.8 ±0.15 VAC	2.8 ±0.15 VAC	2.8 ±0.15 VAC	280	280	280	113 to 487	10V
910-293	DTS L2 A Zone/Cut Paper/ Tracing Paper/Normal	2.8 ±0.15 VAC	2.8 ±0.15 VAC	2.8 ±0.15 VAC	280	280	280	113 to 487	10V			
910-294	DTS L2 A Zone/Cut Paper/Tracing Paper/Other than Normal	2.8 ±0.15 VAC	2.8 ±0.15 VAC	2.8 ±0.15 VAC	280	280	280	113 to 487	10V			
910-295	DTS L2 A Zone/Cut Paper/Transparency	2.2 ±0.15 VAC	2.2 ±0.15 VAC	2.2 ±0.15 VAC	220	220	220	113 to 487	10V			
910-296	DTS L2 B Zone/Roll Paper/Plain Paper	2.5 ±0.15 VAC	2.5 ±0.15 VAC	2.5 ±0.15 VAC	250	250	250	113 to 487	10V			
910-297	DTS L2 B Zone/Roll Paper/Tracing Paper/Normal	2.8 ±0.15 VAC	2.8 ±0.15 VAC	2.8 ±0.15 VAC	280	280	280	113 to 487	10V			



Adjustment Items	Chain-Link	NVM Settings Item	Pin No. of P592		Adjustment Value (Tester Read Value)			NVM Initial Value			NVM Settings Range	NVM Change Amount
			+	-	JPN	AP	GCO	JPN	AP	GCO		
DTS	910-298	DTS L2 B Zone/Roll Paper/Tracing Paper/Other than Normal	7	10	2.8 ±0.15 VAC	2.8 ±0.15 VAC	2.8 ±0.15 VAC	280	280	280	113 to 487	10V
	910-299	DTS L2 B Zone/Roll Paper/Transparency			2.4 ±0.15 VAC	2.4 ±0.15 VAC	2.4 ±0.15 VAC	240	240	240	113 to 487	10V
	910-300	DTS L2 B Zone/Cut Paper/Plain Paper			2.5 ±0.15 VAC	2.5 ±0.15 VAC	2.5 ±0.15 VAC	250	250	250	113 to 487	10V
	910-301	DTS L2 B Zone/Cut Paper/ Tracing Paper/Normal			2.8 ±0.15 VAC	2.8 ±0.15 VAC	2.8 ±0.15 VAC	280	280	280	113 to 487	10V
	910-302	DTS L2 B Zone/Cut Paper/ Tracing Paper/Other than Normal			2.8 ±0.15 VAC	2.8 ±0.15 VAC	2.8 ±0.15 VAC	280	280	280	113 to 487	10V
	910-303	DTS L2 B Zone/Cut Paper/Transparency			2.4 ±0.15 VAC	2.4 ±0.15 VAC	2.4 ±0.15 VAC	240	240	240	113 to 487	10V
	910-304	DTS L2 C Zone/Roll Paper/Plain Paper			2.6 ±0.15 VAC	2.6 ±0.15 VAC	2.6 ±0.15 VAC	260	260	260	113 to 487	10V
	910-305	DTS L2 C Zone/Roll Paper/Tracing Paper/Normal			2.6 ±0.15 VAC	2.6 ±0.15 VAC	2.6 ±0.15 VAC	260	260	260	113 to 487	10V
	910-306	DTS L2 C Zone/Roll Paper/Tracing Paper/Other than Normal			2.6 ±0.15 VAC	2.6 ±0.15 VAC	2.6 ±0.15 VAC	260	260	260	113 to 487	10V
	910-307	DTS L2 C Zone/Roll Paper/Transparency			2.5 ±0.15 VAC	2.5 ±0.15 VAC	2.5 ±0.15 VAC	250	250	250	113 to 487	10V
	910-308	DTS L2 C Zone/Cut Paper/Plain Paper			2.6 ±0.15 VAC	2.6 ±0.15 VAC	2.6 ±0.15 VAC	260	260	260	113 to 487	10V
	910-309	DTS L2 C Zone/Cut Paper/ Tracing Paper/Normal			2.6 ±0.15 VAC	2.6 ±0.15 VAC	2.6 ±0.15 VAC	260	260	260	113 to 487	10V
	910-310	DTS L2 C Zone/Cut Paper/ Tracing Paper/Other than Normal			2.6 ±0.15 VAC	2.6 ±0.15 VAC	2.6 ±0.15 VAC	260	260	260	113 to 487	10V
	910-311	DTS L2 C Zone/Cut Paper/Transparency			2.5 ±0.15 VAC	2.5 ±0.15 VAC	2.5 ±0.15 VAC	250	250	250	113 to 487	10V
	910-312	DTS H2 A Zone/Roll Paper/Plain Paper			3.8 ±0.15 VAC	3.8 ±0.15 VAC	3.8 ±0.15 VAC	380	380	380	113 to 487	10V
	910-313	DTS H2 A Zone/Roll Paper/Tracing Paper/Normal			3.8 ±0.15 VAC	3.8 ±0.15 VAC	3.8 ±0.15 VAC	380	380	380	113 to 487	10V
	910-314	DTS H2 A Zone/Roll Paper/Tracing Paper/Other than Normal			3.8 ±0.15 VAC	3.8 ±0.15 VAC	3.8 ±0.15 VAC	380	380	380	113 to 487	10V
	910-315	DTS H2 A Zone/Roll Paper/Transparency			3.8 ±0.15 VAC	3.8 ±0.15 VAC	3.8 ±0.15 VAC	380	380	380	113 to 487	10V
	910-316	DTS H2 A Zone/Cut Paper/Plain Paper			3.8 ±0.15 VAC	3.8 ±0.15 VAC	3.8 ±0.15 VAC	380	380	380	113 to 487	10V
	910-317	DTS H2 A Zone/Cut Paper/Tracing Paper/Normal			3.8 ±0.15 VAC	3.8 ±0.15 VAC	3.8 ±0.15 VAC	380	380	380	113 to 487	10V
	910-318	DTS H2 A Zone/Cut Paper/Tracing Paper/Other than Normal			3.8 ±0.15 VAC	3.8 ±0.15 VAC	3.8 ±0.15 VAC	380	380	380	113 to 487	10V
	910-319	DTS H2 A Zone/Cut Paper/Transparency			3.8 ±0.15 VAC	3.8 ±0.15 VAC	3.8 ±0.15 VAC	380	380	380	113 to 487	10V
	910-320	DTS H2 B Zone/Roll Paper/Plain Paper			3.8 ±0.15 VAC	3.8 ±0.15 VAC	3.8 ±0.15 VAC	380	380	380	113 to 487	10V
910-321	DTS H2 B Zone/Roll Paper/Tracing Paper/Normal	3.8 ±0.15 VAC	3.8 ±0.15 VAC	3.8 ±0.15 VAC	380	380	380	113 to 487	10V			
910-322	DTS H2 B Zone/Roll Paper/Tracing Paper/Other than Normal	3.8 ±0.15 VAC	3.8 ±0.15 VAC	3.8 ±0.15 VAC	380	380	380	113 to 487	10V			
910-323	DTS H2 B Zone/Roll Paper/Transparency	3.8 ±0.15 VAC	3.8 ±0.15 VAC	3.8 ±0.15 VAC	380	380	380	113 to 487	10V			

Adjustment Items	Chain-Link	NVM Settings Item	Pin No. of P592		Adjustment Value (Tester Read Value)			NVM Initial Value			NVM Settings Range	NVM Change Amount
			+	-	JPN	AP	GCO	JPN	AP	GCO		
DTS	910-324	DTS H2 B Zone/Cut Paper/Plain Paper	7	10	3.8 ±0.15 VAC	3.8 ±0.15 VAC	3.8 ±0.15 VAC	380	380	380	113 to 487	10V
	910-325	DTS H2 B Zone/Cut Paper/Tracing Paper/Normal			3.8 ±0.15 VAC	3.8 ±0.15 VAC	3.8 ±0.15 VAC	380	380	380	113 to 487	10V
	910-326	DTS H2 B Zone/Cut Paper/Tracing Paper/Other than Normal			3.8 ±0.15 VAC	3.8 ±0.15 VAC	3.8 ±0.15 VAC	380	380	380	113 to 487	10V
	910-327	DTS H2 B Zone/Cut Paper/Transparency			3.8 ±0.15 VAC	3.8 ±0.15 VAC	3.8 ±0.15 VAC	380	380	380	113 to 487	10V
	910-328	DTS H2 C Zone/Roll Paper/Plain Paper			3.8 ±0.15 VAC	3.8 ±0.15 VAC	3.8 ±0.15 VAC	380	380	380	113 to 487	10V
	910-329	DTS H2 C Zone/Roll Paper/Tracing Paper/Normal			3.8 ±0.15 VAC	3.8 ±0.15 VAC	3.8 ±0.15 VAC	380	380	380	113 to 487	10V
	910-330	DTS H2 C Zone/Roll Paper/Tracing Paper/Other than Normal			3.8 ±0.15 VAC	3.8 ±0.15 VAC	3.8 ±0.15 VAC	380	380	380	113 to 487	10V
	910-331	DTS H2 C Zone/Roll Paper/Transparency			3.8 ±0.15 VAC	3.8 ±0.15 VAC	3.8 ±0.15 VAC	380	380	380	113 to 487	10V
	910-332	DTS H2 C Zone/Cut Paper/Plain Paper			3.8 ±0.15 VAC	3.8 ±0.15 VAC	3.8 ±0.15 VAC	380	380	380	113 to 487	10V
	910-333	DTS H2 C Zone/Cut Paper/Tracing Paper/Normal			3.8 ±0.15 VAC	3.8 ±0.15 VAC	3.8 ±0.15 VAC	380	380	380	113 to 487	10V
	910-334	DTS H2 C Zone/Cut Paper/Tracing Paper/Other than Normal			3.8 ±0.15 VAC	3.8 ±0.15 VAC	3.8 ±0.15 VAC	380	380	380	113 to 487	10V
	910-335	DTS H2 C Zone/Cut Paper/Transparency			3.8 ±0.15 VAC	3.8 ±0.15 VAC	3.8 ±0.15 VAC	380	380	380	113 to 487	10V
	910-336	DTS INT A Zone/Plain Paper			1.5 ±0.15 VAC	1.5 ±0.15 VAC	1.5 ±0.15 VAC	150	150	150	113 to 487	10V
	910-337	DTS INT A Zone/Tracing Paper			1.5 ±0.15 VAC	1.5 ±0.15 VAC	1.5 ±0.15 VAC	150	150	150	113 to 487	10V
	910-338	DTS INT A Zone/Transparency			1.5 ±0.15 VAC	1.5 ±0.15 VAC	1.5 ±0.15 VAC	150	150	150	113 to 487	10V
	910-339	DTS INT B Zone/Plain Paper			1.5 ±0.15 VAC	1.5 ±0.15 VAC	1.5 ±0.15 VAC	150	150	150	113 to 487	10V
	910-340	DTS INT B Zone/Tracing Paper			1.5 ±0.15 VAC	1.5 ±0.15 VAC	1.5 ±0.15 VAC	150	150	150	113 to 487	10V
	910-341	DTS INT B Zone/Transparency			1.5 ±0.15 VAC	1.5 ±0.15 VAC	1.5 ±0.15 VAC	150	150	150	113 to 487	10V
	910-342	DTS INT C Zone/Plain Paper			1.5 ±0.15 VAC	1.5 ±0.15 VAC	1.5 ±0.15 VAC	150	150	150	113 to 487	10V
	910-343	DTS INT C Zone/Tracing Paper			1.5 ±0.15 VAC	1.5 ±0.15 VAC	1.5 ±0.15 VAC	150	150	150	113 to 487	10V
910-344	DTS INT C Zone/Transparency	1.5 ±0.15 VAC	1.5 ±0.15 VAC	1.5 ±0.15 VAC	150	150	150	113 to 487	10V			

## ADJ8.6.1 Things to Take Note when Replacing Important Information Stored Components

**Note** Any data that the customer has registered after the installation are very important. To lose or leak the data would be an unforgivable offence. To gain the trust of customers, it is essential for CE to be knowledgeable about the name of components that store these data. The CE must also have full understanding on how to handle these components when replacing them.

### Procedure

This product stores important data in the following components. Perform the operation according to the following procedure.

**Note** Collect/discard these components according to the separately pre-determined procedures.

	Component Name	Stored Information	Pre-replacement operation	Post-replacement operation
1	HDD	<ol style="list-style-type: none"> <li>1) Remaining data (the data left behind) <ul style="list-style-type: none"> <li>• Unprinted copy/print document data</li> <li>• Additional copy document data</li> <li>• Data that was scanned and stored in a Folder</li> <li>• Data that was saved for Print Stored File</li> <li>• Job History</li> <li>• Error History</li> <li>• Stored Programming</li> <li>• Settings</li> <li>• Logical Printer Settings</li> <li>• System Settings</li> <li>• Authentication Settings (System Administrator Settings, Registered User)</li> <li>• Folder Settings</li> </ul> </li> <li>2) Deleted data (data that has been deleted but still physically remain in the HDD. Usually, this is difficult to recover. To prevent the data from being recovered, [Overwrite Hard Disk] can be provided as a charged security option.) <ul style="list-style-type: none"> <li>• Temporarily saved image data for Copy/Print output / Scan.</li> </ul> </li> </ol>	<ul style="list-style-type: none"> <li>• Procedures before servicing Obtain the System Settings/Logical Printer Settings/Authentication Settings (System Administrator Settings, Registered User)/Stored Programming Settings Information via the PC so that they can be used for re-configuration.</li> </ul> <p>Also, check that the &lt;Data&gt; lamp on the UI Panel is not blinking. If the lamp is ON, any document data that is stored in the Folders will be erased when the component is replaced. Ask for the customer's agreement to proceed.</p> <p>Document data that is stored when using Secure Print or Private Charge Print will also be erased after the component is replaced. Ask for the customer's agreement to proceed.</p> <p>To check whether there is any stored document for Secure Print, press the &lt;Job Status&gt; button at the UI Panel and see whether there is any User ID listed in the displayed [Secure Print Jobs &amp; More] tab. For Private Charge Print, enter the System Administrator Mode from the UI Panel, then press the &lt;Job Status&gt; button and see whether there is any User ID listed in the displayed [Secure Print Jobs &amp; More] tab.</p>	<ul style="list-style-type: none"> <li>• Handling of replaced HDD Before you bring back the HDD, always notify the customer. Explain that the removed HDD will be sent to an FX Recycling Station where it will either undergo the "Overwriting Process" or the "Destruction Process" in order to prevent security problems from occurring. If the customer would like to personally confirm that the removed HDD is destroyed, destroy the HDD on the spot (charges applies).</li> <li>• Procedures after servicing Upload the System Settings/Logical Printer Settings/Authentication Settings (System Administrator Settings, Registered User)/Stored Programming Settings Information that were obtained via the PC.</li> </ul>

(Table 1)

## 12. UI

### ADJ12.1.1 UI Touch Panel Origin Point Adjustment

**Purpose** To align the position of the buttons on the display and the Touch Panel so that a User can select the contents on the display by using the Touch Panel.  
This adjustment is performed after replacing the UI Panel.

**Note** As the adjustment is performed using your finger, be careful not to scratch the UI surface.

#### Adjustment Procedure

1. Press and hold down the <0>, <1>, and <3> keys on the UI Panel, and turn ON the power while keeping them pressed.

The following will appear on the display. (Figure 1)

P1	P2	P3	
P4	P5	P6	
P7	P8	P9	

j0bg40100

(Figure 1) j0bg40100

2. Using your finger, touch the intersections of the vertical and horizontal lines, P1 to P9, in sequence.

When P1 is pressed, the following is displayed and the buzzer sounds. (Figure 2)

P1	P2	P3	
Point Number : 1			
P4	P5	P6	
P7	P8	P9	

j0bg40101

(Figure 2) j0bg40101

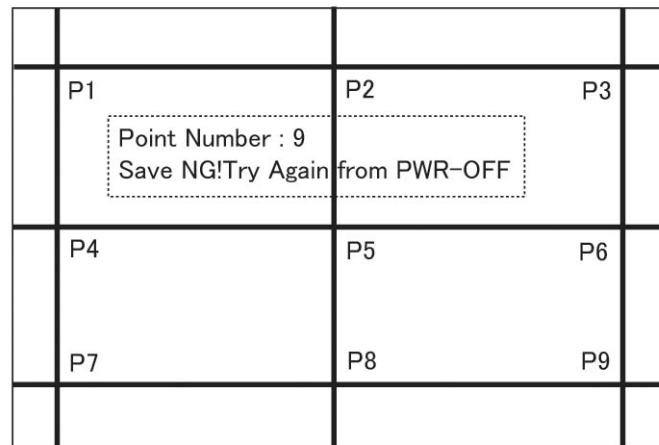
3. Each time you press the intersections from P2 to P9 using your finger, the Point Number will increase.
4. After pressing P9, Origin Point Correction is carried out and the following screen will appear for a moment when the corrected data has been saved. (Figure 3)

P1	P2	P3	
Point Number : 9 Save Success!!			
P4	P5	P6	
P7	P8	P9	

j0bg40102

(Figure 3) j0bg40102

If the correction has failed, the following screen appears. (Figure 4)



j0bg40103

(Figure 4) j0bg40103

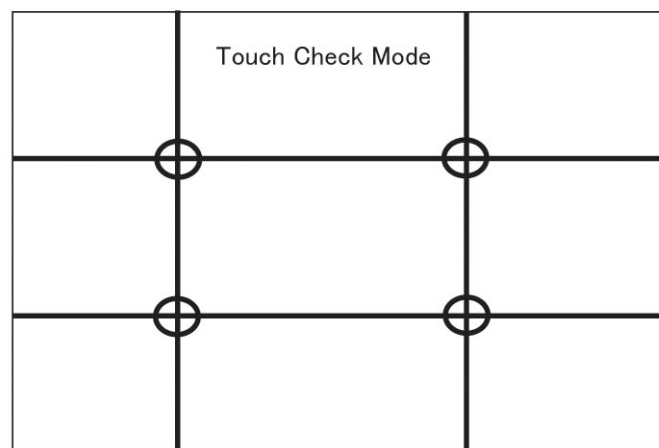
5. When the Origin Point Correction is complete, the following screen is displayed. (Figure 5)

Press on the 4 circled intersections. (In any order)

A black box will be displayed on the pressed parts and remains until the next input.

The buzzer sounds when the correction is complete → Origin Point Correction complete.

The buzzer does not sound if the correction has failed → Perform correction again.



j0bg40104

(Figure 5) j0bg40104

6. Turn OFF the power.

If correction has failed, repeat Steps 1. to 5.

**Note** If the power is turned ON immediately after it is turned OFF, the screen in Figure 5 is displayed. Therefore, when the power is turned OFF after the adjustment, make sure that the machine has completely shut down and wait for approx. 1 minute before turning ON the power.

Intentionally Blank

## Chapter 5 Parts List





## Table of Contents

5.1 Preface .....	3
5.1.1 How to use the Parts List .....	3
5.1.2 Precautions .....	3
5.1.3 Plate Composition .....	3
5.1.4 Terms and Symbols.....	3
5.2 Parts List.....	5
PL1 DRIVE.....	5
PL1.1 Drive-Paper Transport.....	5
PL1.2 Main Motor Assembly .....	6
PL2 PAPER Hand .....	7
PL2.1 Paper Hand Component.....	7
PL2.2 Vertical Rear Baffle Assembly .....	8
PL2.3 Manual Feed Baffle Assembly .....	9
PL2.4 Manual Feed Baffle-3, Vertical Front Baffle .....	10
PL2.5 Horizontal Lower Baffle Assembly .....	11
PL3 IIT .....	12
PL3.1 IIT Document Transport Component .....	12
PL3.2 Color Board & Page Memory for IIT (Option) .....	13
PL3.3 Upper Document Transport .....	14
PL3.4 Upper Document Transport for Heavy Document (Option).....	15
PL3.5 Scanner Assembly (1/2) .....	16
PL3.6 Scanner Assembly (2/2) .....	17
PL3.7 CIS Assembly .....	18
PL4 LPH.....	19
PL4.1 LPH Component.....	19
PL5 DEVE .....	20
PL5.1 Developer Component .....	20
PL5.2 Developer Assembly.....	21
PL6 XERO .....	22
PL6.1 Xero Accessory .....	22
PL6.2 Xero Module Component.....	23
PL6.3 BTR Housing Component.....	24
PL6.4 Xero Housing Component .....	25

PL7 Fusing .....	26
PL7.1 Fusing Component .....	26
PL7.2 Fusing Assembly (1/2) .....	27
PL7.3 Fusing Assembly (2/2) .....	28
PL7.4 Upper Exit Baffle Assembly .....	29
PL8 ELEC .....	30
PL8.1 Electrical-Rear 1 .....	30
PL8.2 Electrical-Rear 2 .....	31
PL8.3 Electrical-Right Lower .....	32
PL8.4 Electrical-Right Upper.....	33
PL8.5 Electrical-Left.....	34
PL8.6 ESS Assembly .....	35
PL9 Cover .....	36
PL9.1 Cover-Front Upper Cover, Front Door .....	36
PL9.2 Cover-Right Cover, Document Shelf.....	37
PL9.3 Cover-Left Cover, Rear Cover .....	38
PL9.4 Document Shelf Assembly.....	39
PL10 RFC .....	40
PL10.1 RFC Component.....	40
PL10.2 RFC (A-Type) .....	41
PL10.3 RFC (B-Type) .....	42
PL10.4 RFC Assembly-Paper Feed.....	43
PL10.5 RFC Assembly-Latch, Roll Paper Tube Support.....	44
PL10.6 Paper Heater / Paper Size Sensor Housing Assembly .....	45
PL10.7 Takeaway Baffle Assembly .....	46
PL11 Frame.....	47
PL11.1 Swing Frame Latch Component.....	47
PL12 UI .....	48
PL12.1 UI Component .....	48
PL12.2 UI Assembly (1/2) .....	49
PL12.3 UI Assembly (2/2) .....	50
PL13 Catch Tray.....	51
PL13.1 Document Catch Tray Assembly (Option).....	51
PL13.2 Print Catch Tray Assembly (Option).....	52
5.3 Screw Types .....	53

5.4 Other Area Codes .....56

## 5.1 Preface

### 5.1.1 How to use the Parts List

Chapter 5 Parts List contains the information on the spare parts.

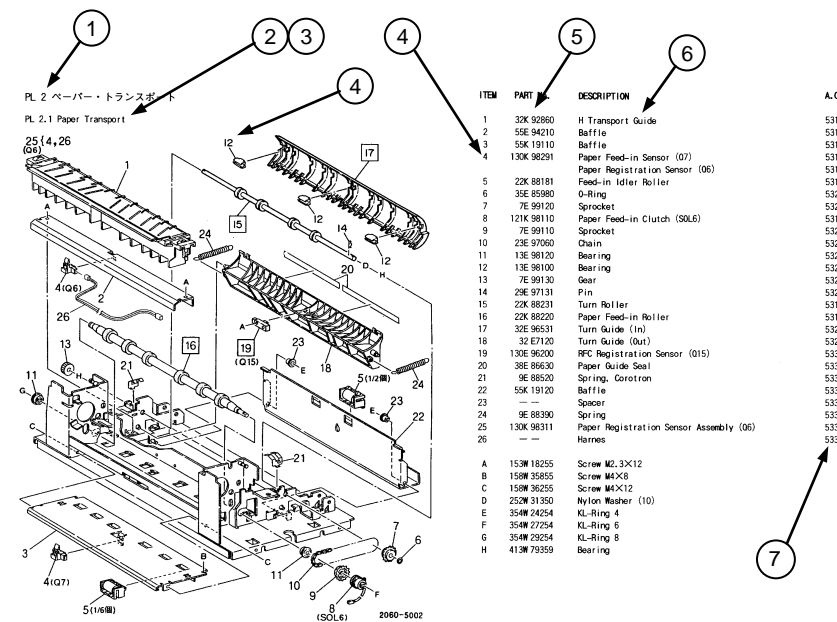
It is used for purposes such as a request for parts replacement and making an area code entry. Before using, read the following explanations carefully and use it correctly.

### 5.1.2 Precautions

- To make the list simple and easy to read, screws and related parts are indicated by alphabets and numbers without any illustrations.
- When "Note" is indicated on the DESCRIPTION column, read the note carefully before ordering and replacing parts.
- The parts with (SCC) indicated in front of their names in the DESCRIPTION column are the **Safety Critical Components**. When handling the Safety Critical Components, follow the regulations regarding the Safety Critical Components set by Xerox Co., Ltd.  
A component that is designated as an SCC has to be replaced whole, as a unit. Do not attempt to disassemble it or replace its internal parts. Doing so is prohibited as Xerox Co., Ltd. is not able to guarantee the quality and safety of the machine if anything other than the specified parts had been installed.
- The parts with (ISC) indicated in front of their names in the DESCRIPTION column are the **Important Information Stored Components**, and these components store all the important customer information. Perform the replacement/discarding operation according to the procedures described in Chapter 4.
- Area codes are indicated on the respective plates. Area codes that cannot be described by parts on the respective plates (toner, current value adjustment, etc.) are indicated on the related plates or in the Area Code Table at the end of this chapter.



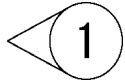
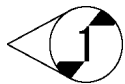
### 5.1.3 Plate Composition

- 1) PLATE NAME..... Name of the module.
- 2) SUB PLATE No. .... Parts List reference number that is indicated in each chapter.
- 3) SUB PLATE NAME .. Title name of the illustration that divides each module mechanically.
- 4) ITEM ..... Corresponds to the number in the illustration of the same SUB PLATE No.
- 5) PARTS No. .... Number to be entered when ordering parts and making record on the service report.
- 6) DESCRIPTION..... Indicates the parts name, V (MOD) code and note, etc.
- 7) AREA CODE ..... Code to be entered in the failure column of the service report.



### 5.1.4 Terms and Symbols

Symbol and Terminology	Description
<b>4</b>	Used to alert you that the adjustment procedures of the corresponding parts are described in Chapter 4 Disassembly/Assembly and Adjustment.
<b>1</b>	Used to alert you that the removal, installation and replacement procedures are described in Chapter 4 Disassembly/Assembly and Adjustment.
<b>7</b>	Used to alert you that the removal, installation, replacement and adjustment procedures are described in Chapter 4 Disassembly/Assembly and Adjustment.
3{4~10	This is located at the top left or top right side of an illustration to indicate that an Assembly of the parts is listed as an Item. This example indicates that Item 3 is an assembly of Items 4 to 10.
(1/4 Pcs.)	Used to alert you that 4 identical parts are installed but only a representative part is indicated in the illustration.
--	When this symbol is indicated in the PARTS No. column, that parts is not individually managed as a spare parts.
(P/O Item 5)	When this symbol is indicated in the DESCRIPTION column, that parts is not managed as a spare parts. This indicates that the Assembly is Item 5.
(New) (Old)	When this is indicated in the DESCRIPTION column, the interchangeable parts come in New and Old versions. When there are no specific instructions or reasons, order Old parts.
(Alternate)	When this is indicated in the DESCRIPTION column, order either one of the parts as a replacement part.

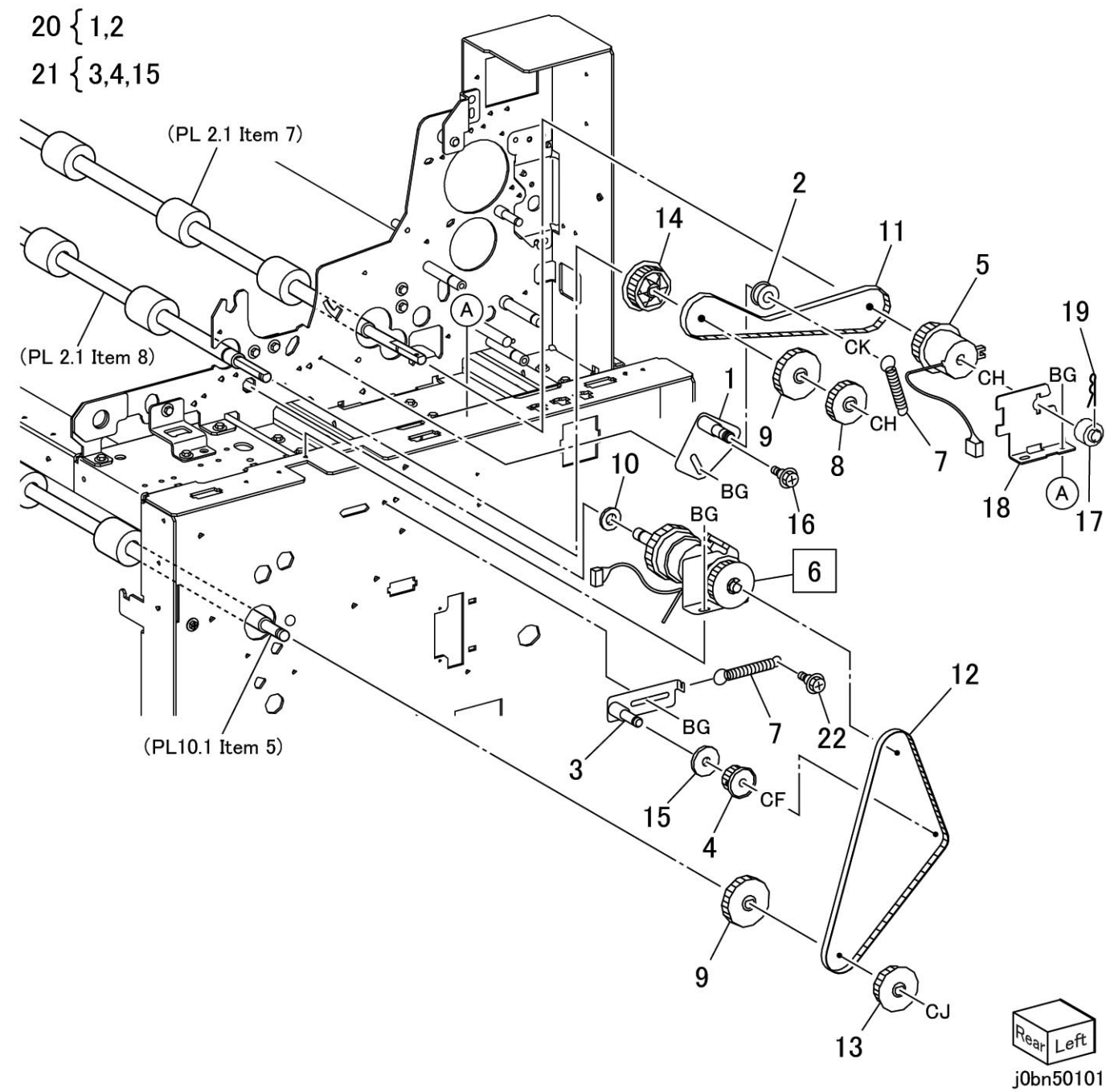
Symbol and Terminology	Description
	When this symbol is indicated in the PARTS No. column, a number within a circle shows that the whole and framed areas of the figure are the configurations after the part was modified by the Tag No. within the circle.
	When this symbol is indicated in the PARTS No. column, a number within a circle shows that the whole and framed areas of the figure are the configurations before the part was modified by the Tag No. within the circle.
	The symbol shows the part item number within a circle is the configuration after the part was modified by the Tag No. within the circle.
	The symbol shows the part item number within a circle is the configuration before the part was modified by the Tag No. within the circle.
[Models with 5V]	When this is indicated in the DESCRIPTION column, the number shows the configuration of the part after the part was modified.
[Models without 5V]	When this is indicated in the DESCRIPTION column, the number shows the configuration of the part before the part was modified.

Symbol and Terminology	Description
(SCC)	<p>The parts with (SCC) indicated in front of their names in the DESCRIPTION column are the <b>S</b>afety <b>C</b>ritical <b>C</b>omponents. When handling the Safety Critical Components, follow the regulations regarding the Safety Critical Components set by Xerox Co., Ltd.</p> <p>A component that is designated as an SCC has to be replaced whole, as a unit. Do not attempt to disassemble it or replace its internal parts. Doing so is prohibited as Xerox Co., Ltd. is not able to guarantee the quality and safety of the machine if anything other than the specified parts had been installed.</p>
(ISC)	<p>The parts with (ISC) indicated in front of their names in the DESCRIPTION column are the <b>I</b>mportant Information <b>S</b>tored <b>C</b>omponents, and these components store all the important customer information. Follow the procedures in [Chapter 4 Adjustment] to replace/discard them.</p>

5.2 Parts List

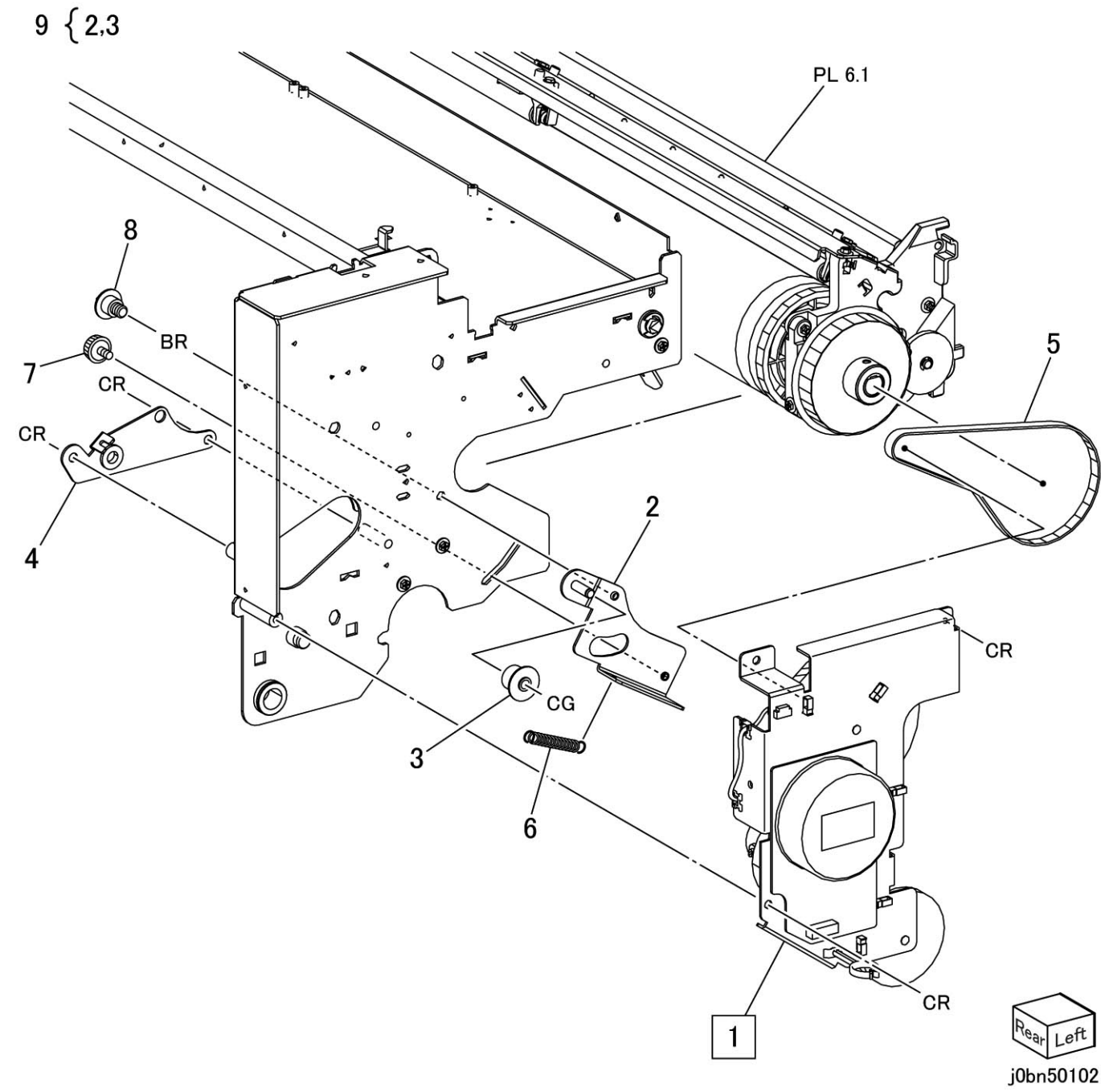
PL1 DRIVE

PL1.1 Drive-Paper Transport



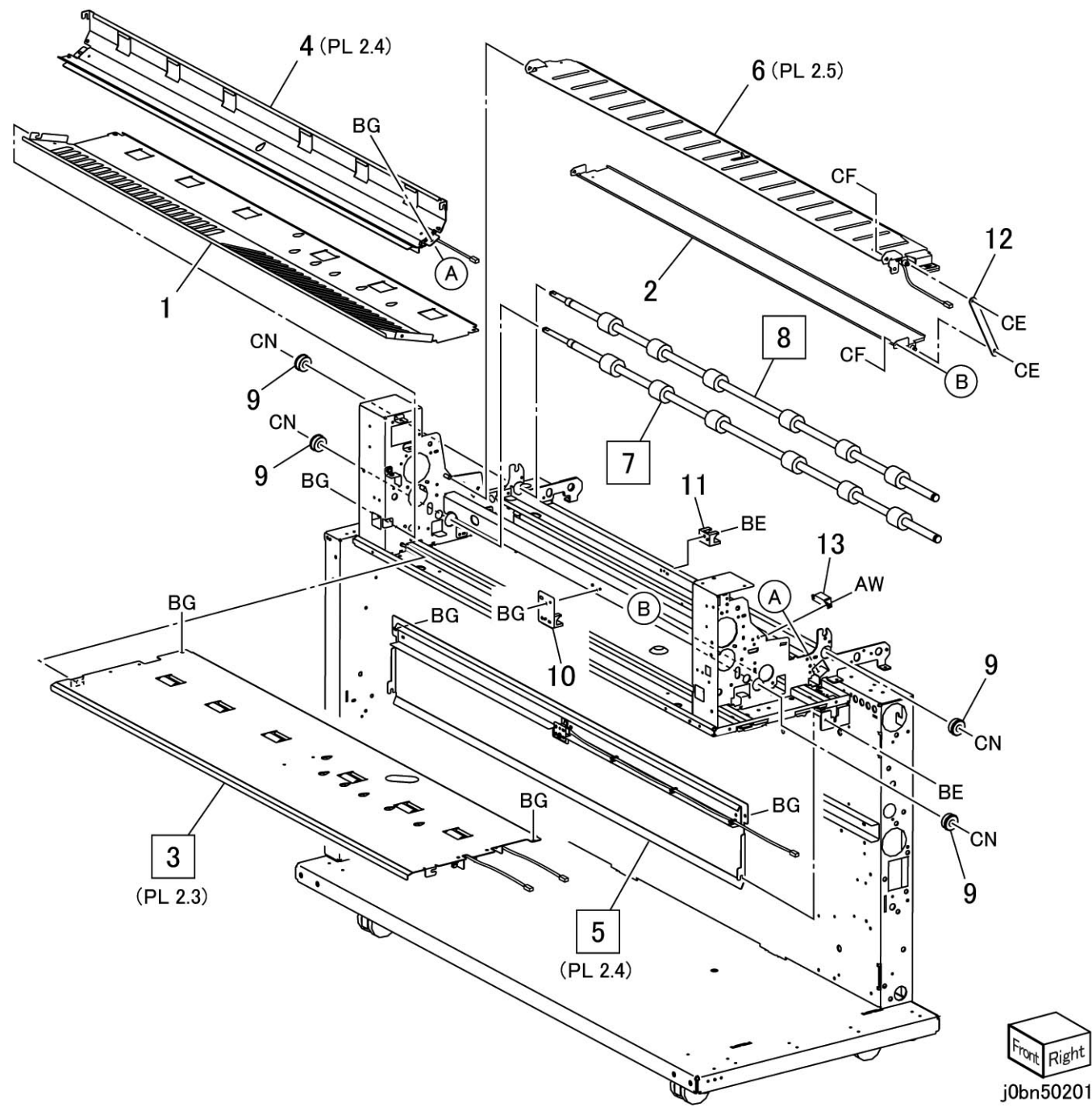
ITEM	PARTS No.	DESCRIPTION	A.C.
2	020E 98790	Pulley	3002
5	121K 34540	(SCC) Manual Feed Clutch (REP99.1.1)	3012
6	121K 34890	RFC Takeaway Clutch (REP1.1.1)	3005
10	413W 77359	Powdered Metal Bearing	3009
13	499W 14432	Pulley (32T)	300C

PL1.2 Main Motor Assembly



ITEM	PARTS No.	DESCRIPTION	A.C.
1	127K 35823	(SCC) Main Motor and Deve Clutch (REP1.2.1, REP99.1.1)	3011
5	023E 21500	Belt	3024
6	809E 56800	Tension Spring	3025

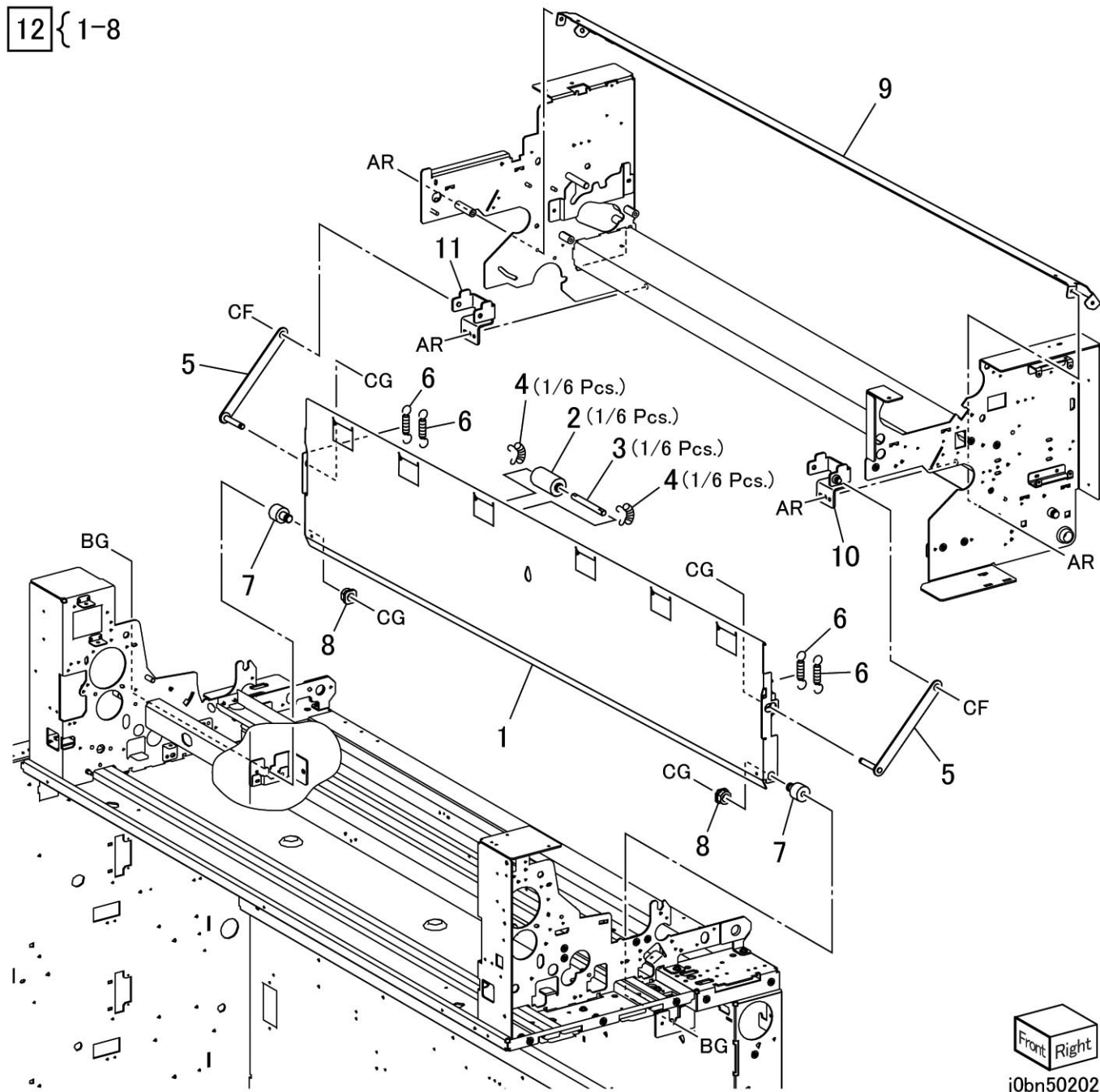
PL2 PAPER Hand  
 PL2.1 Paper Hand Component



ITEM	PARTS No.	DESCRIPTION	A.C.
7	059K 76010	Manual Feed Roll (REP2.1.3)	5107
8	059K 76000	Regi Roll (REP2.1.4)	5108
9	013P 61299	Bearing	5109
13	121E 20780	Catch Magnet (installation location: PL7.3)	510D

PL2.2 Vertical Rear Baffle Assembly

12 { 1-8



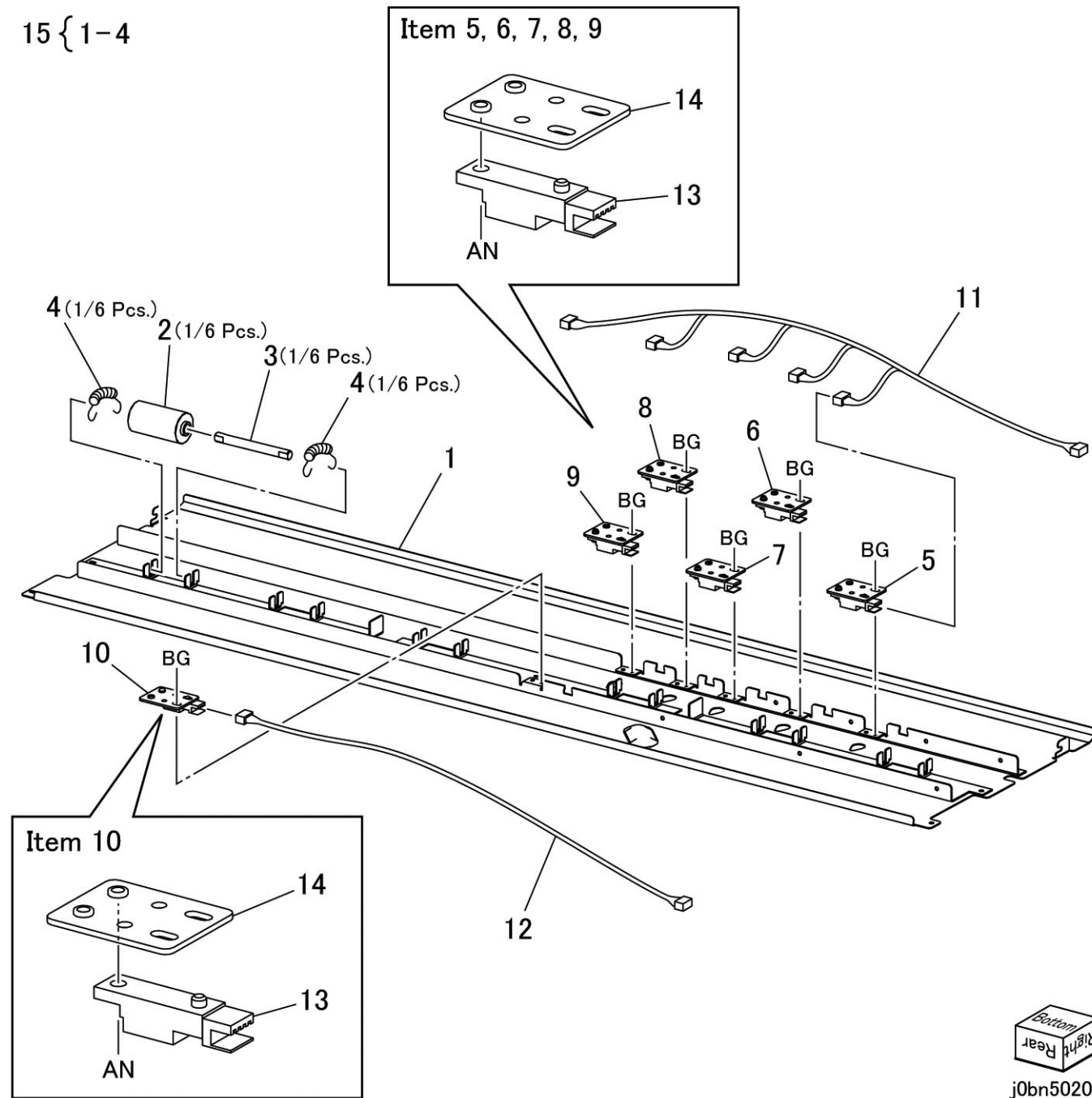
Front Right  
j0bn50202

ITEM	PARTS No.	DESCRIPTION	A.C.
8	413W 11660	Plastic Sleeve Bearing	5307



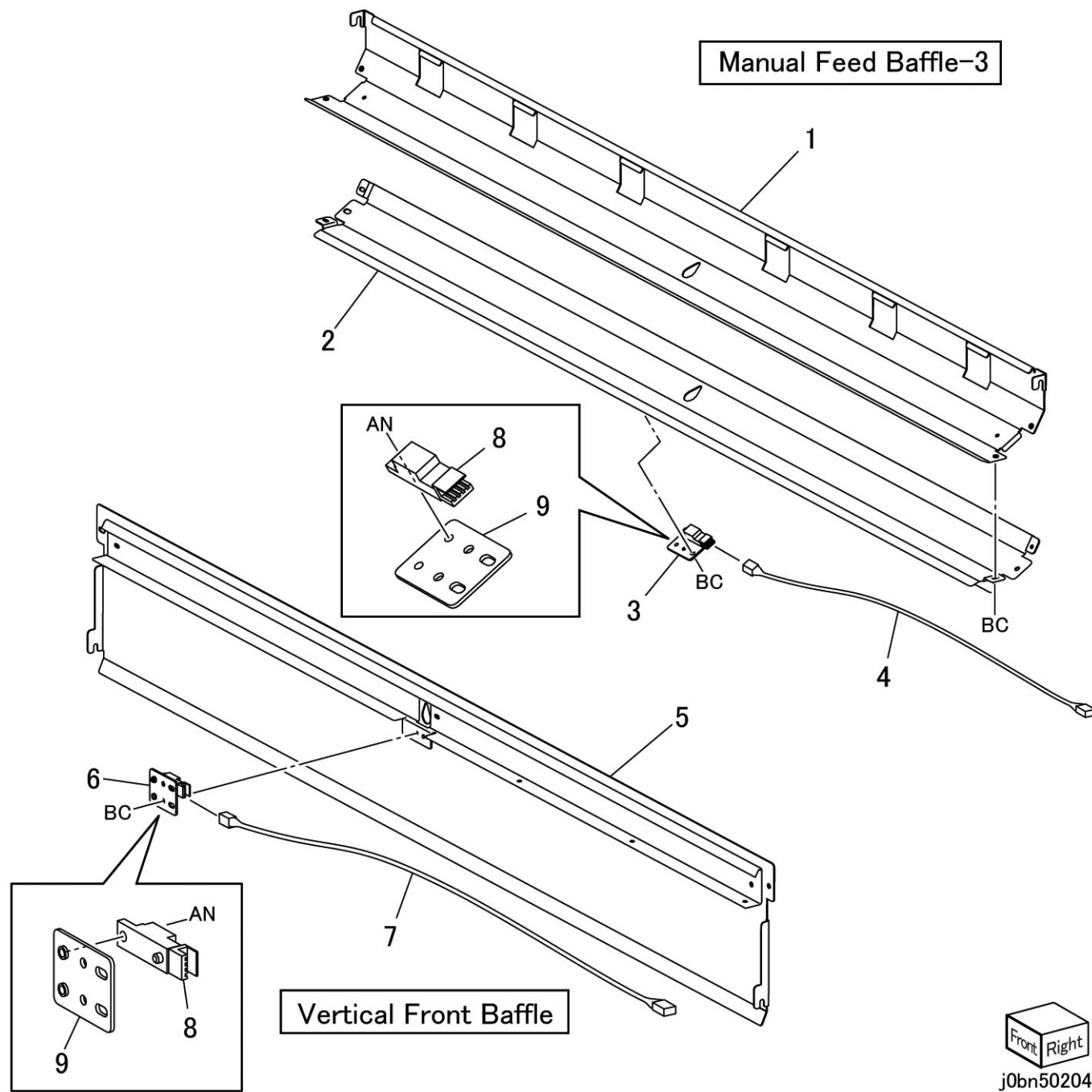
# PL2.3 Manual Feed Baffle Assembly

15 { 1-4



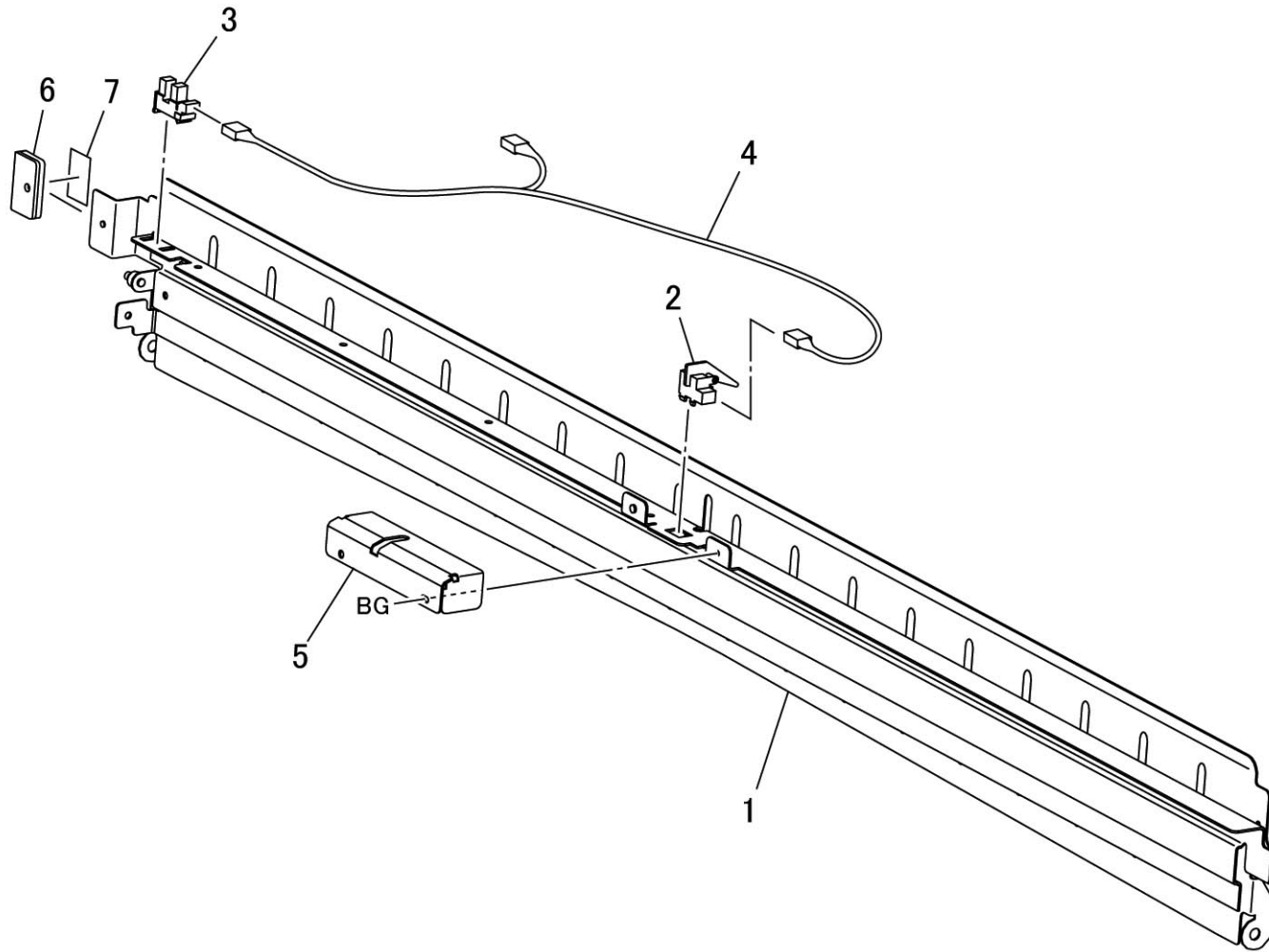
ITEM	PARTS No.	DESCRIPTION	A.C.
2	059E 92390	Pinch Roll	5135
4	809E 36250	Extension Spring	5123
13	930W 00211	Sensor	512A

PL2.4 Manual Feed Baffle-3, Vertical Front Baffle



ITEM	PARTS No.	DESCRIPTION	A.C.
8	930W 00211	Sensor	5144

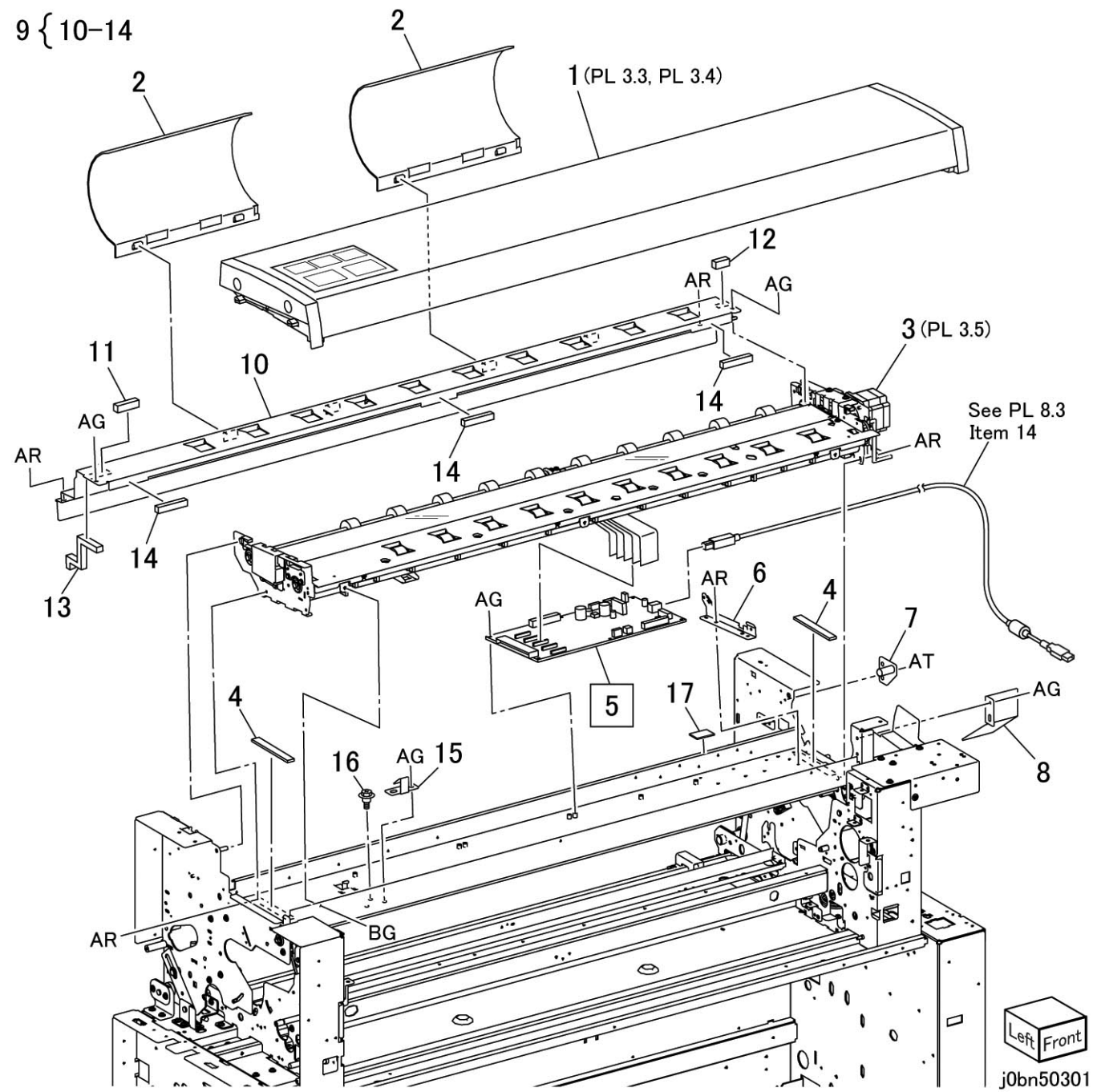
PL2.5 Horizontal Lower Baffle Assembly



  
 j0bn50205

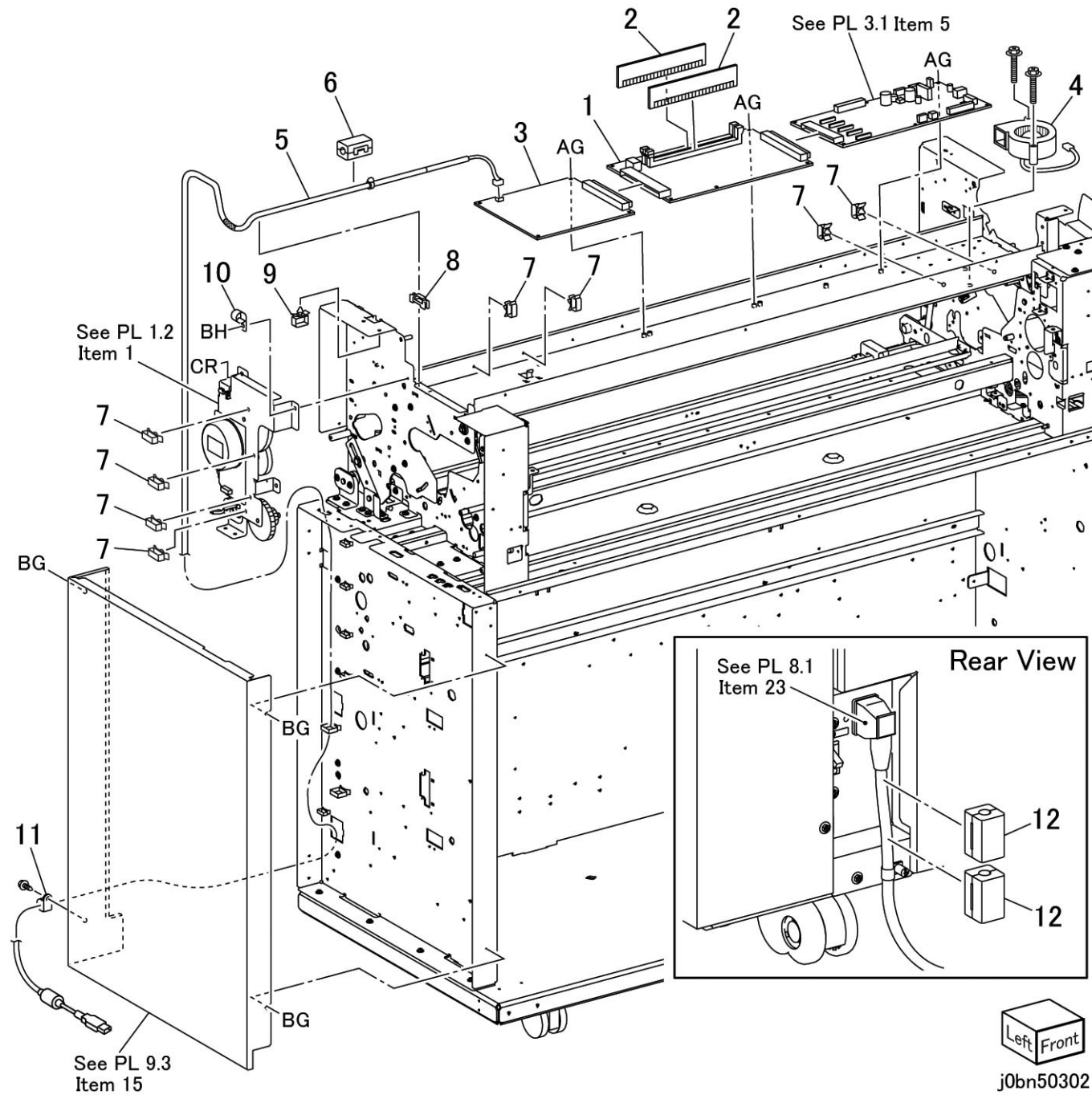
ITEM	PARTS No.	DESCRIPTION	A.C.
2	130K 70430	H-Tra Jam Sensor	5172
3	930W 00112	H-Tra Open Sensor	5173
6	003E 84580	Knob	5176

PL3 IIT  
 PL3.1 IIT Document Transport Component



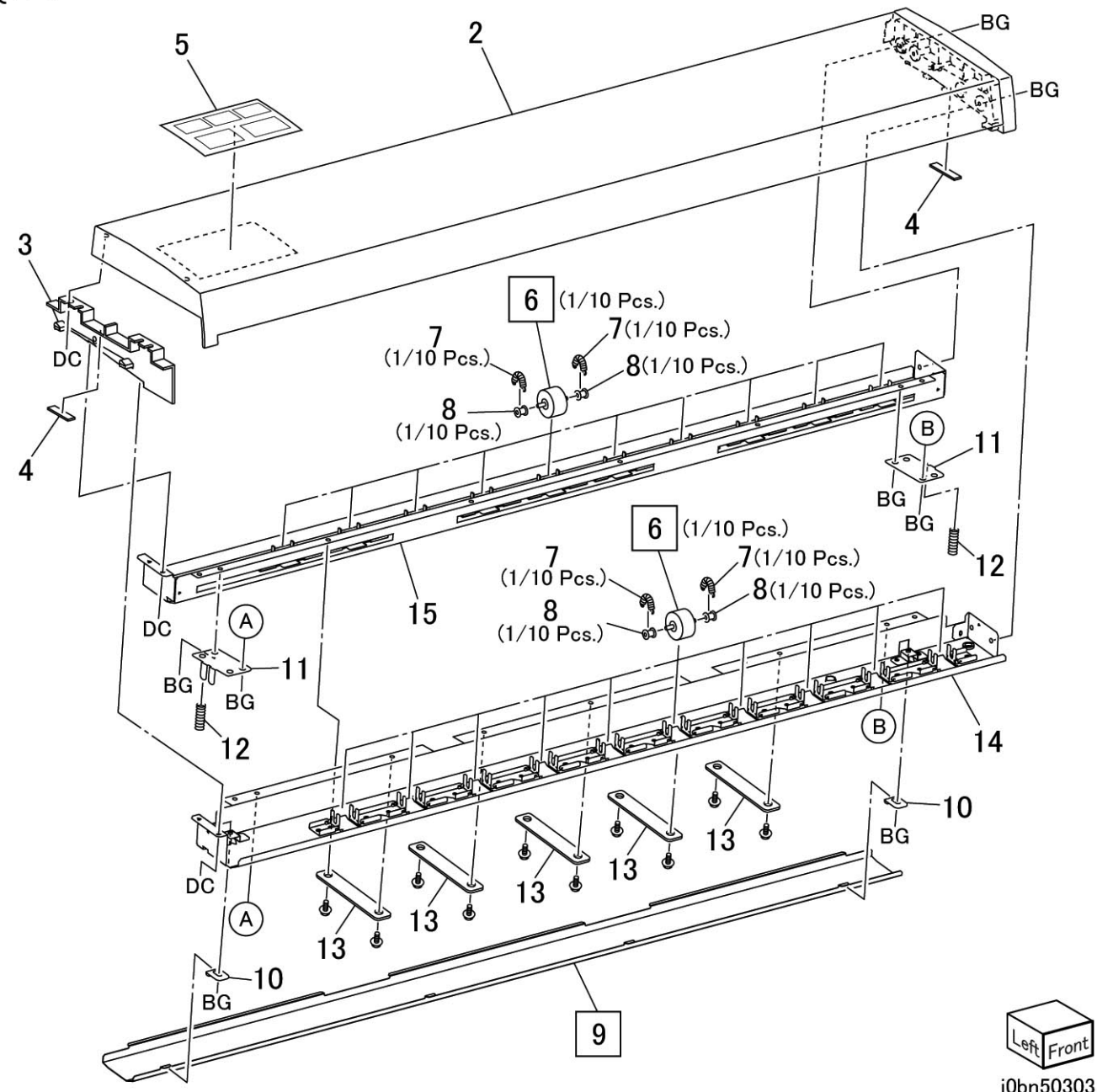
ITEM	PARTS No.	DESCRIPTION	A.C.
2	038E 31501	Turn Guide	2251

PL3.2 Color Board & Page Memory for IIT (Option)



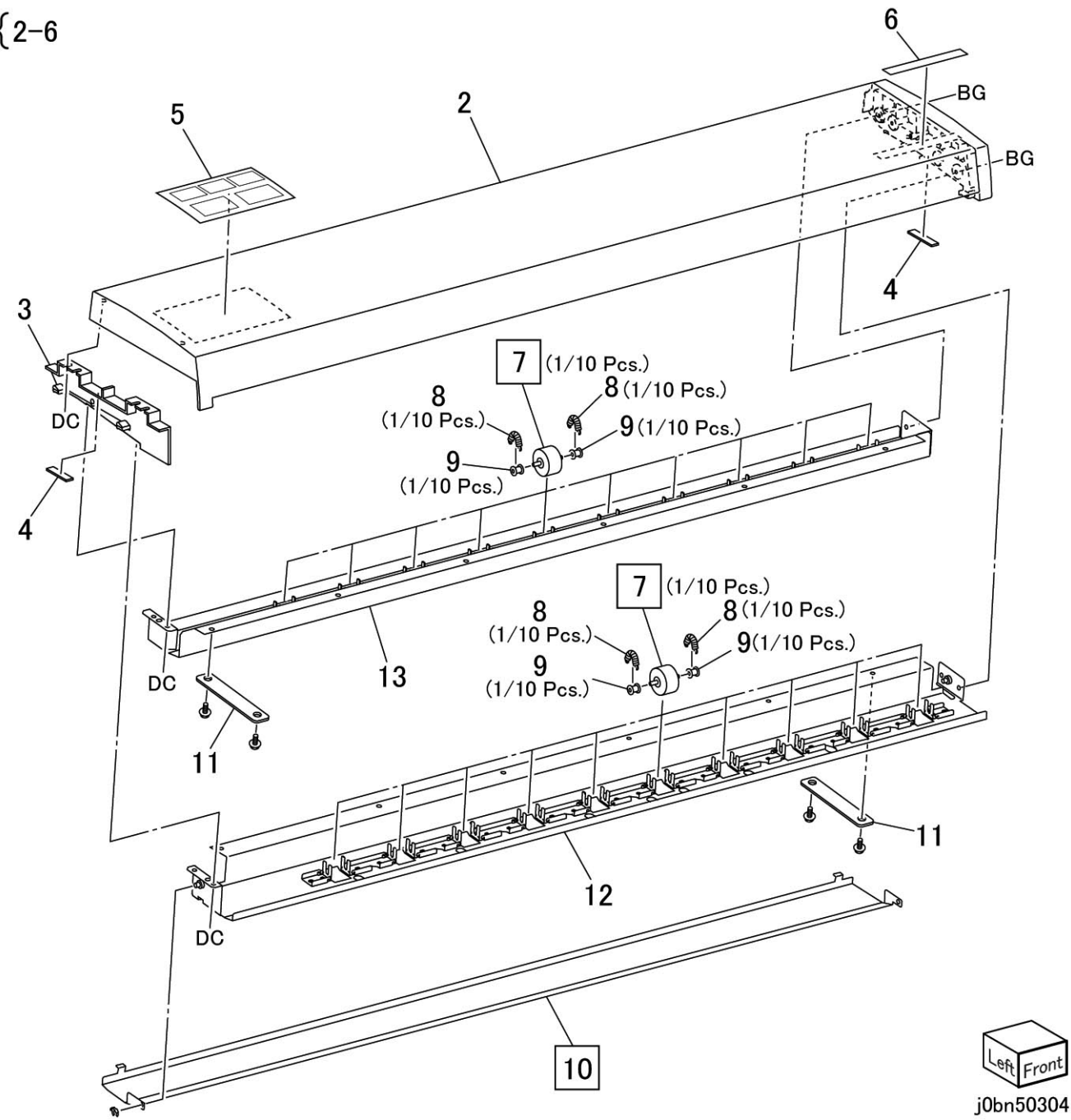
PL3.3 Upper Document Transport

1 { 2-5

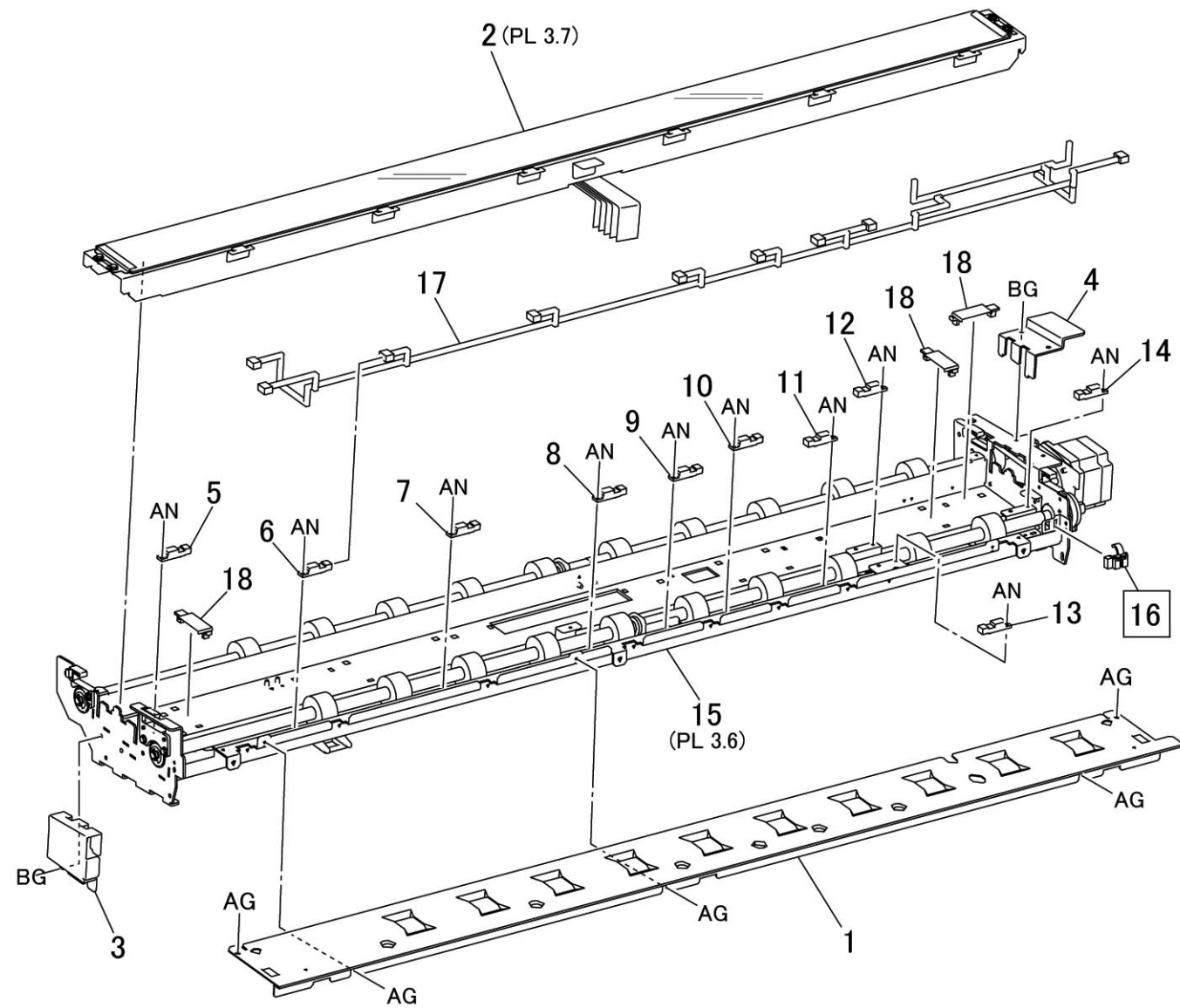


PL3.4 Upper Document Transport for Heavy Document (Option)

1 {2-6



PL3.5 Scanner Assembly (1/2)



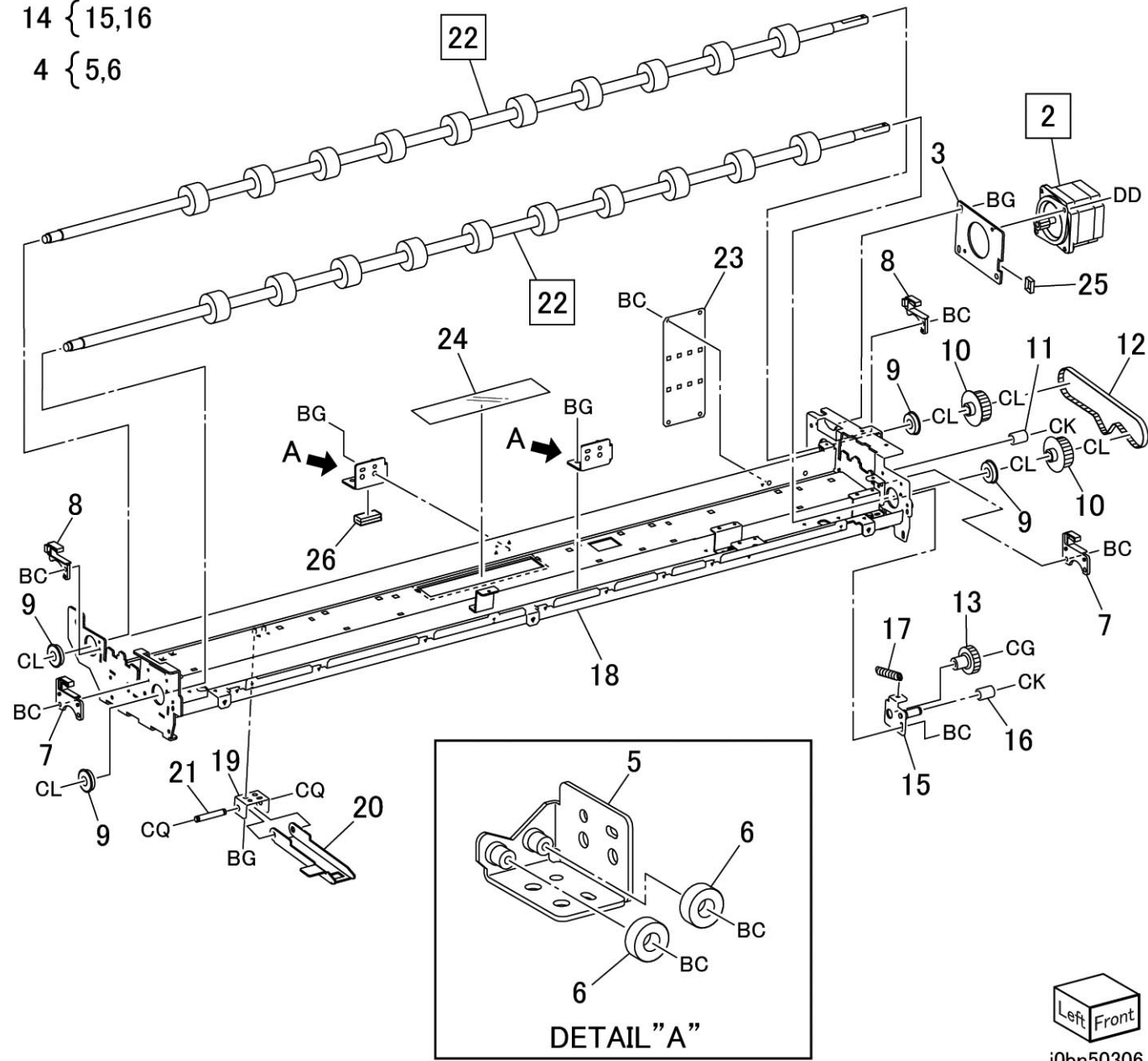
j0bn50305

ITEM	PARTS No.	DESCRIPTION	A.C.
5	930W 00211	IIT Left Skew Sensor	22D4
6	930W 00211	IIT 34" Sensor	22D5
7	930W 00211	IIT A0 Sensor	22D6
8	930W 00211	IIT A1 Sensor	22D7
9	930W 00211	IIT 17" Sensor	22D8
10	930W 00211	IIT A2 Sensor	22D9
11	930W 00211	IIT A3 Sensor	22DA
12	930W 00211	IIT Regi Sensor	22DB
13	930W 00211	IIT A4 Sensor	22DC
14	930W 00211	IIT Right Skew Sensor	22DD
16	130K 88870	IIT Cover Open Right Sensor (REP3.5.1)	22DF



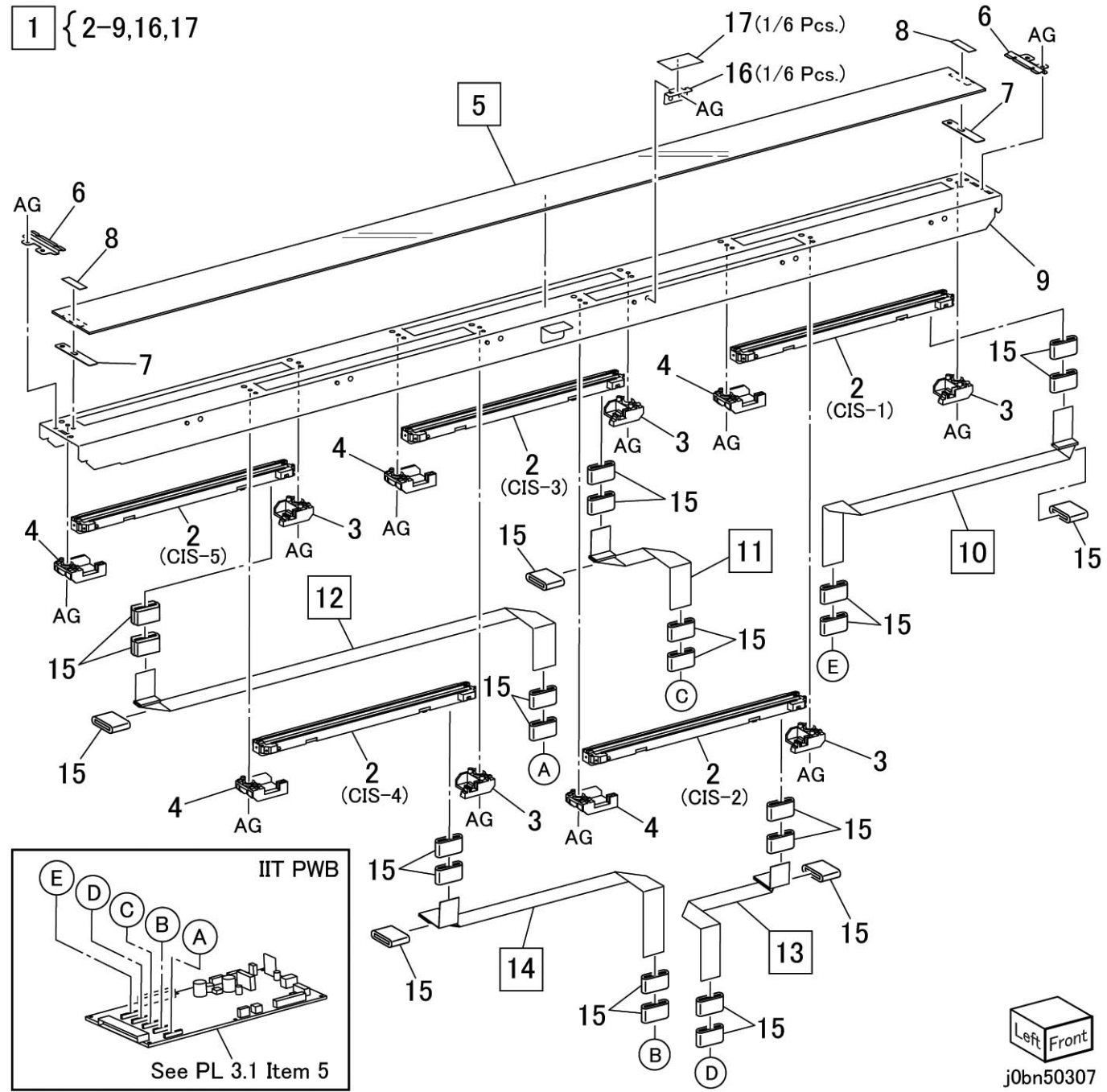
PL3.6 Scanner Assembly (2/2)

- 1 { 2,3,25
- 14 { 15,16
- 4 { 5,6

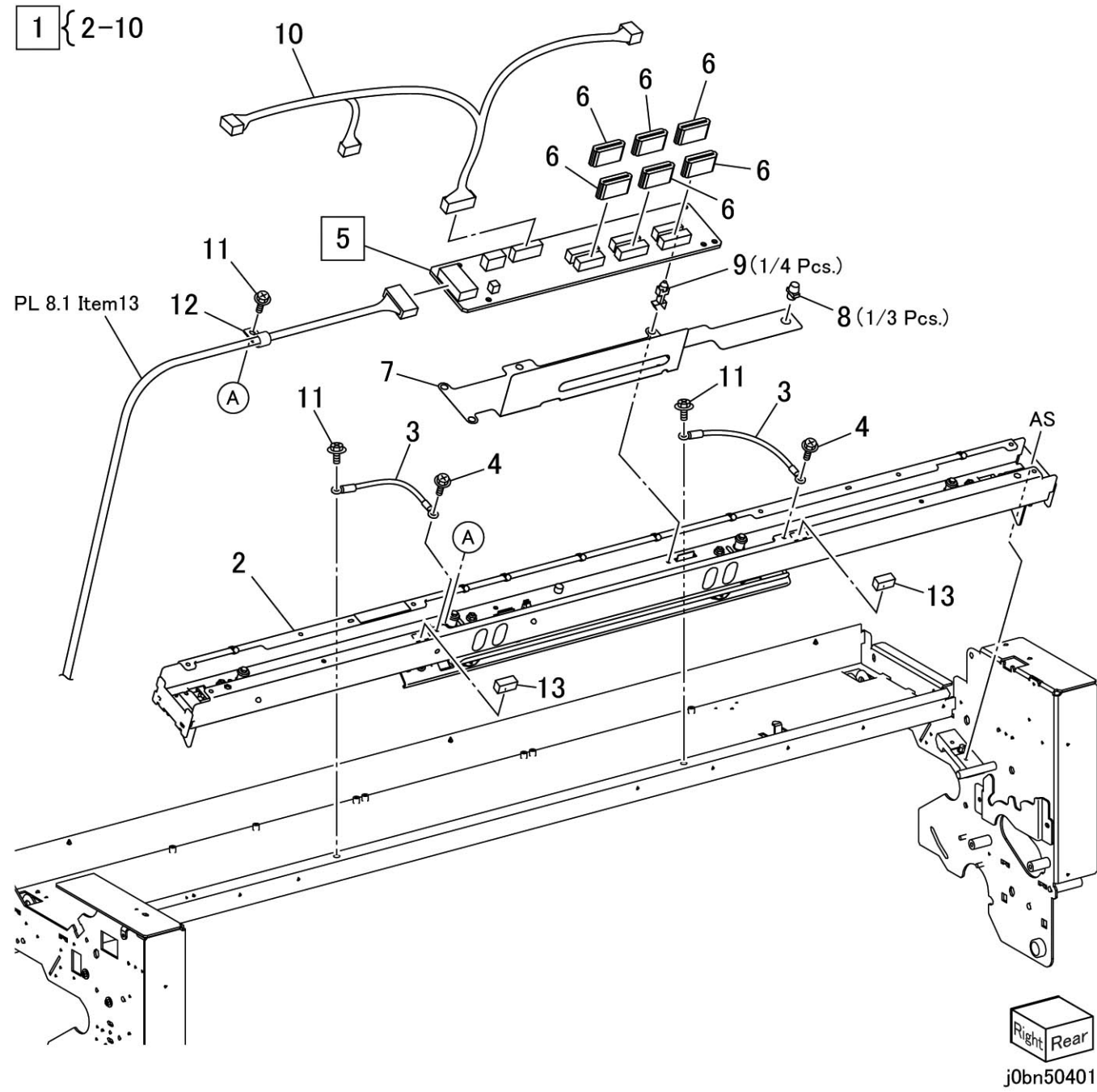


PL3.7 CIS Assembly

1 { 2-9, 16, 17

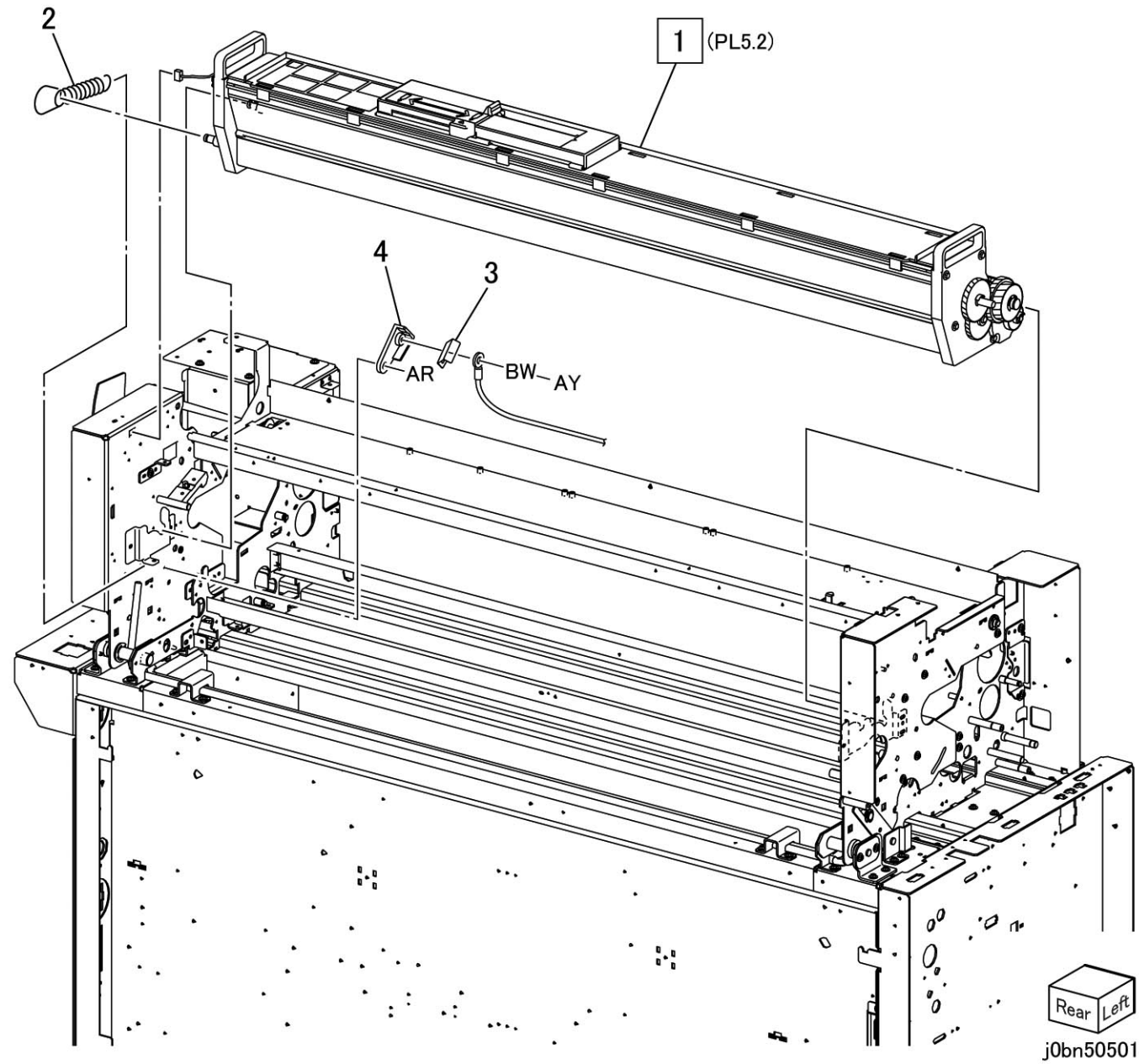


PL4 LPH  
 PL4.1 LPH Component



ITEM	PARTS No.	DESCRIPTION	A.C.
3	117E 21380	Earth Wire	1313
5	960K 01872	(SCC) LPH I/F PWB (REP4.1.2, REP99.1.1)	1330

PL5 DEVE  
 PL5.1 Developer Component

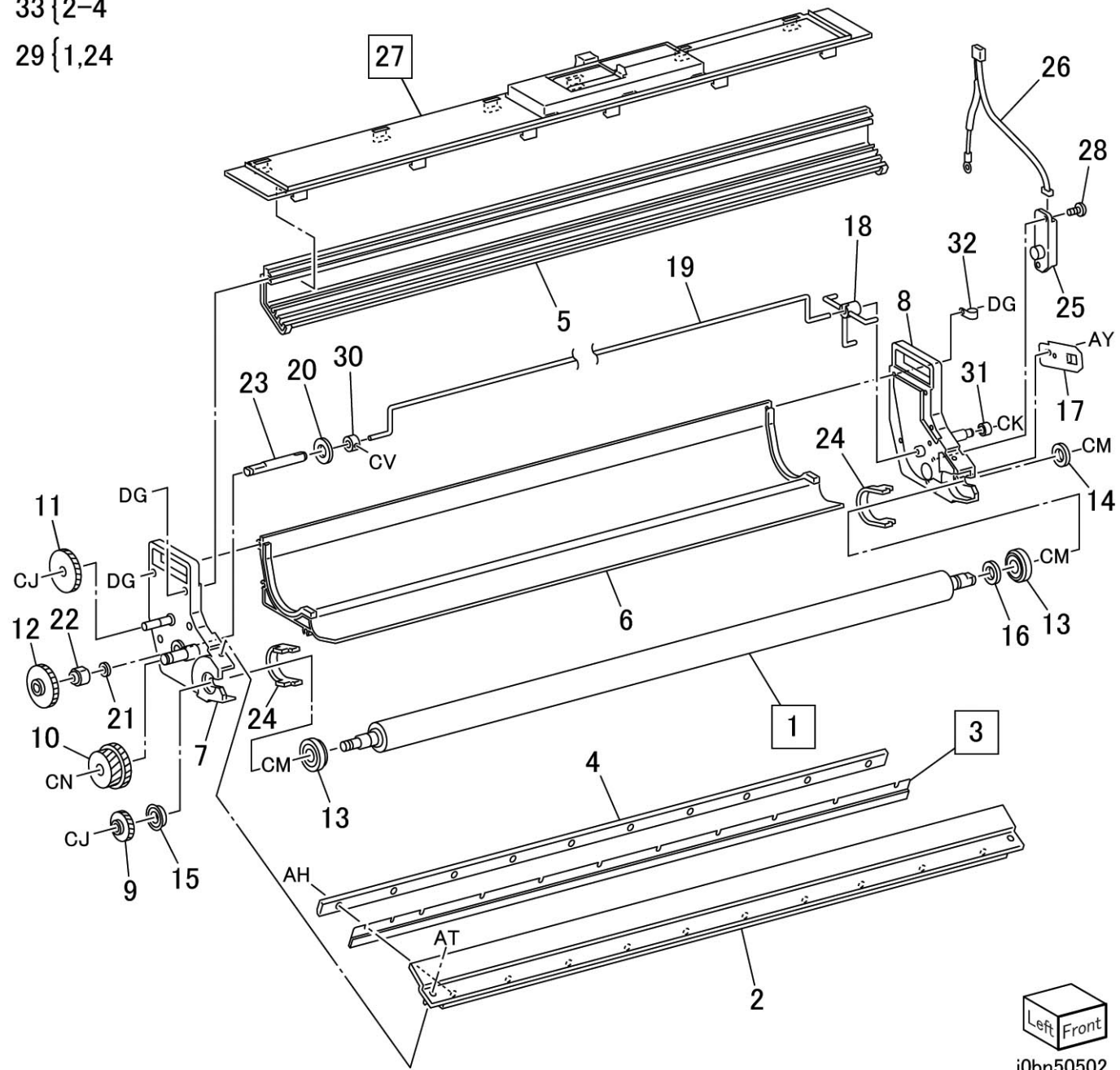


ITEM	PARTS No.	DESCRIPTION	A.C.
1	802K 67450	Developer Assembly (PL5.2) (REP5.1.1) (Note)	4000
2	809E 58190	Developer Tension Spring	4003

PL5.2 Developer Assembly

33 {2-4

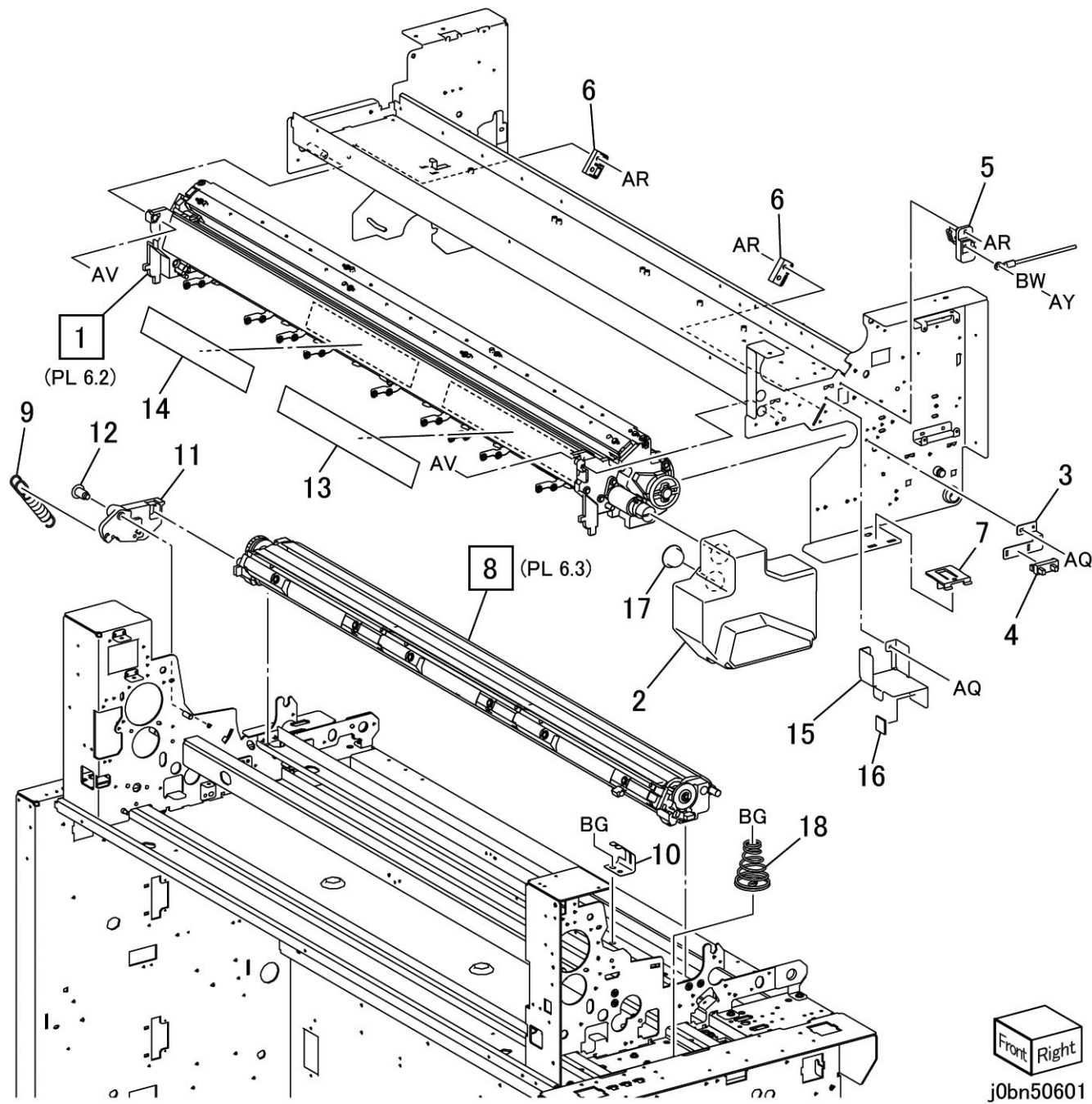
29 {1,24



ITEM	PARTS No.	DESCRIPTION	A.C.
1	121K 34532	Mag Roll (REP5.2.1)	4051
3	033K 94710	Mag Blade (REP5.2.2)	4053
14	016E 95410	Mag Roll Bush	405E
25	130K 81230	Toner Empty Sensor	4012
26	962K 24611	Sensor Wire Harness	405O

PL6 XERO  
 PL6.1 Xero Accessory

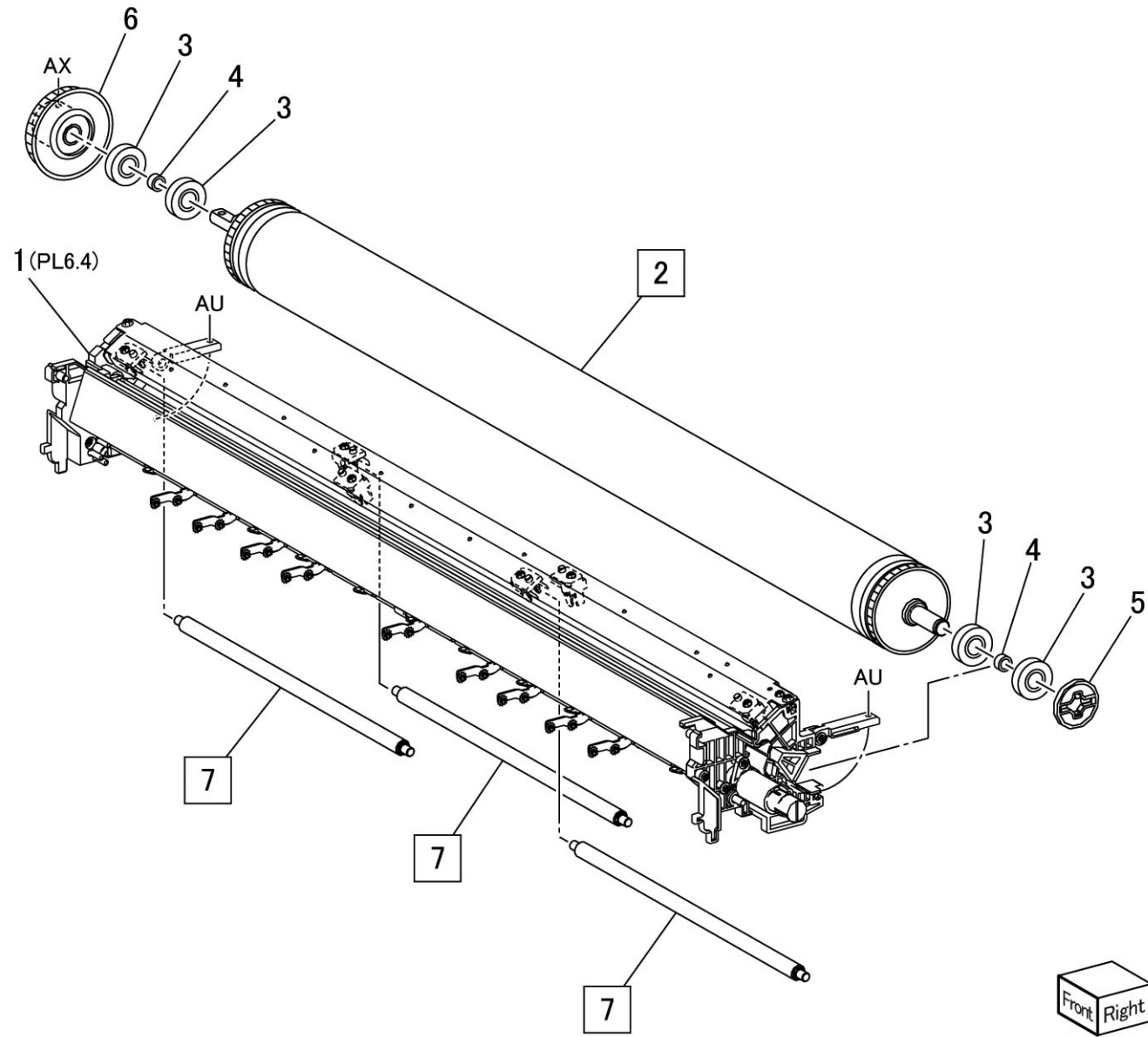
ITEM	PARTS No.	DESCRIPTION	A.C.
4	130E 91010	Toner Pot Full Sensor	4503
5	014K 82160	Spring Block	4504
7	815E 08940	Interlock Switch Actuator	4506
9	809E 56640	Tension Spring	4507
10	809E 56650	Earth Spring	4508



PL6.2 Xero Module Component

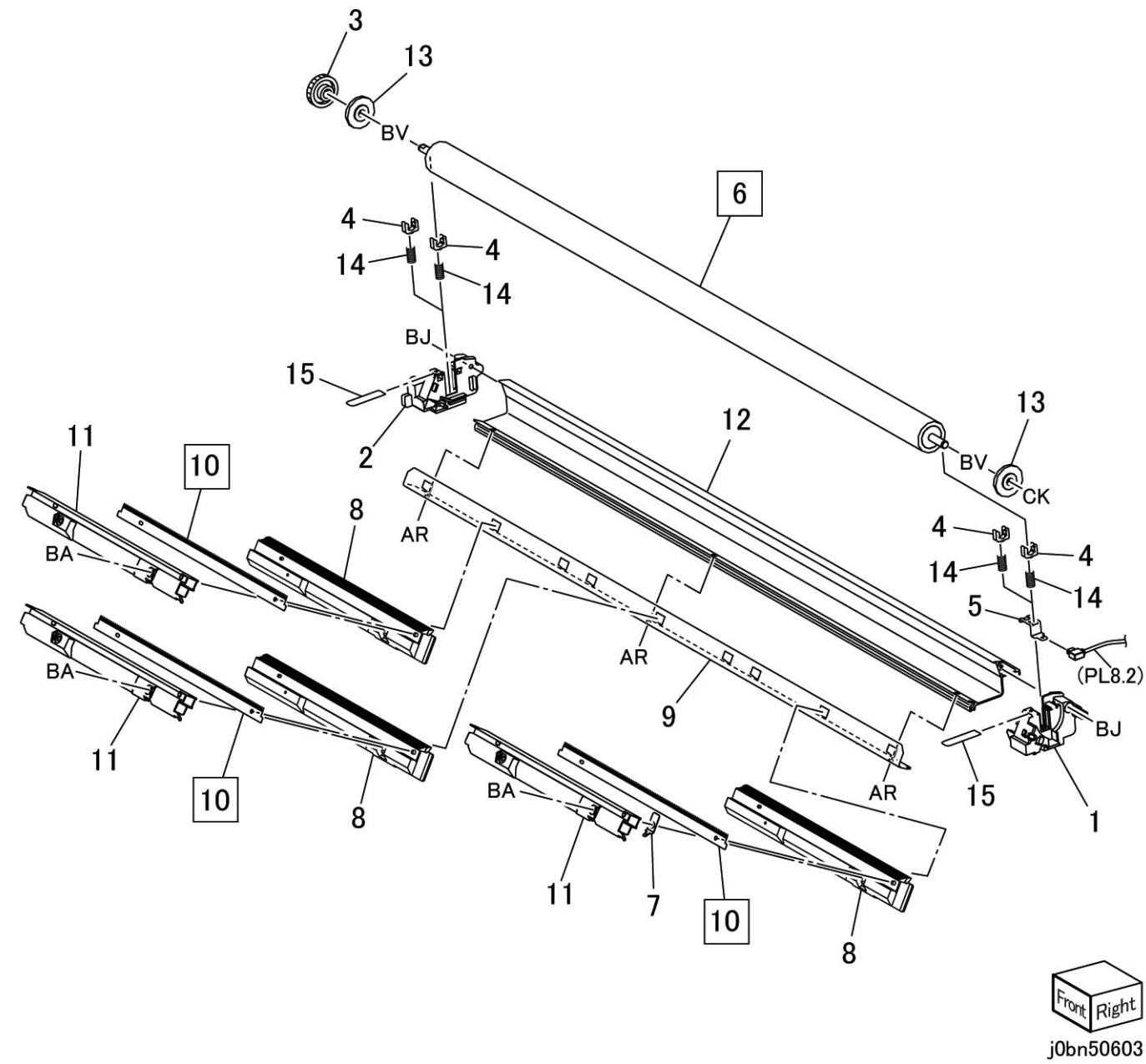
- 8 { 2-6
- 9 { 7(3 Pcs.)

ITEM	PARTS No.	DESCRIPTION	A.C.
6	020E 37560	Drum Pulley	4516



Front Right  
j0bn50602

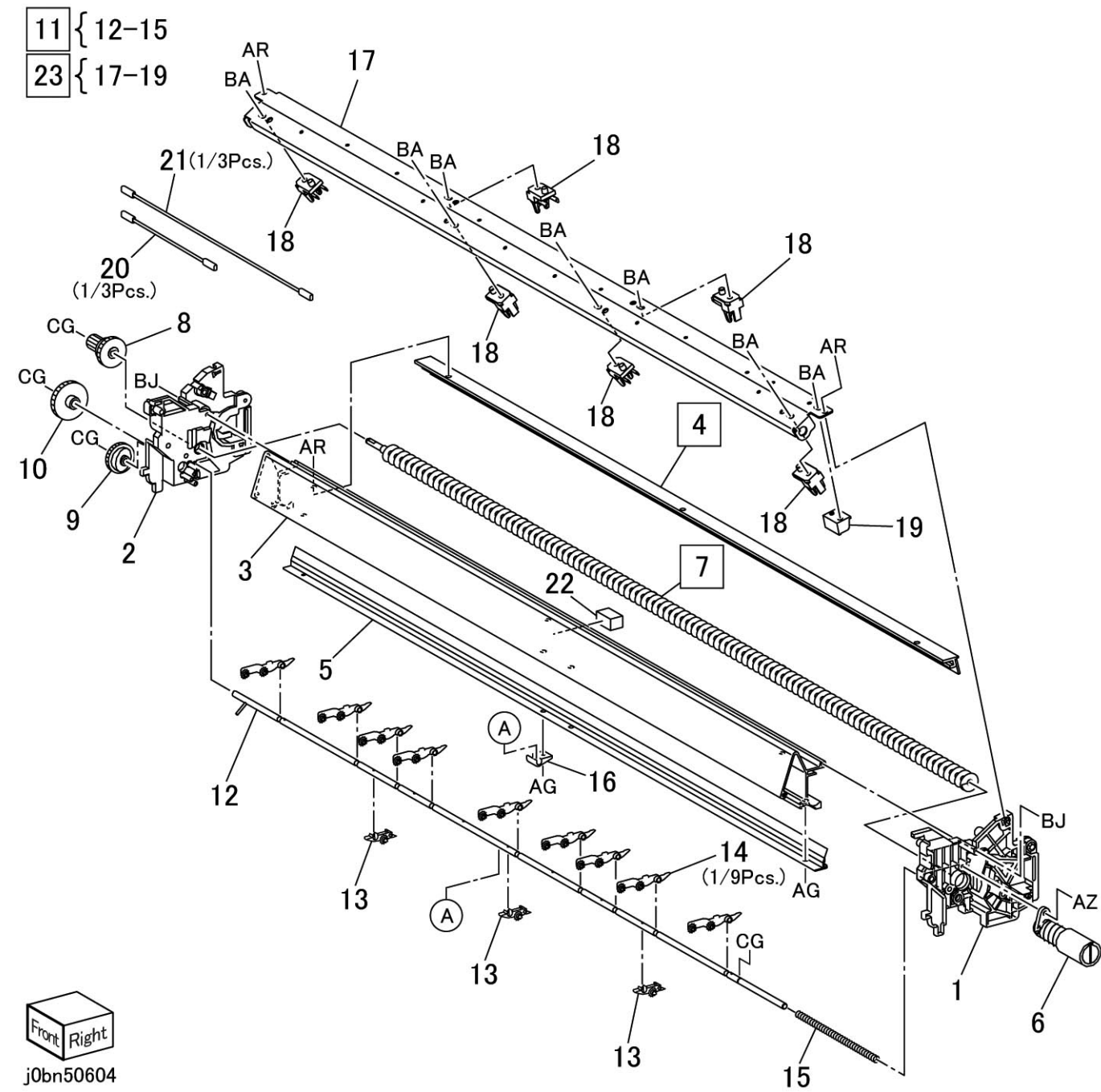
PL6.3 BTR Housing Component



ITEM	PARTS No.	DESCRIPTION	A.C.
10	815E 09000	DTS (REP6.3.2)	4102
14	809E 22970	BTR Spring	410H

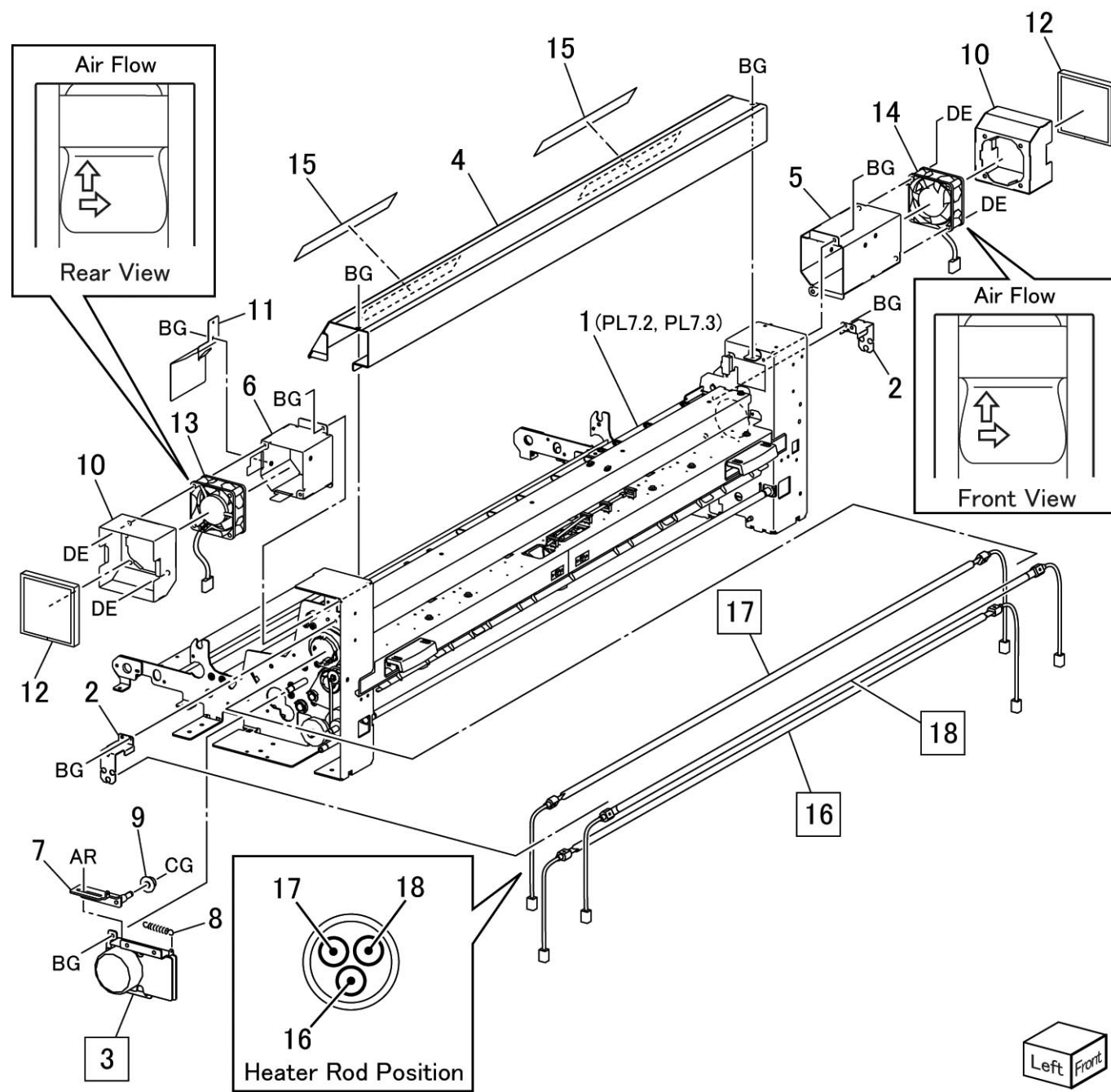


PL6.4 Xero Housing Component



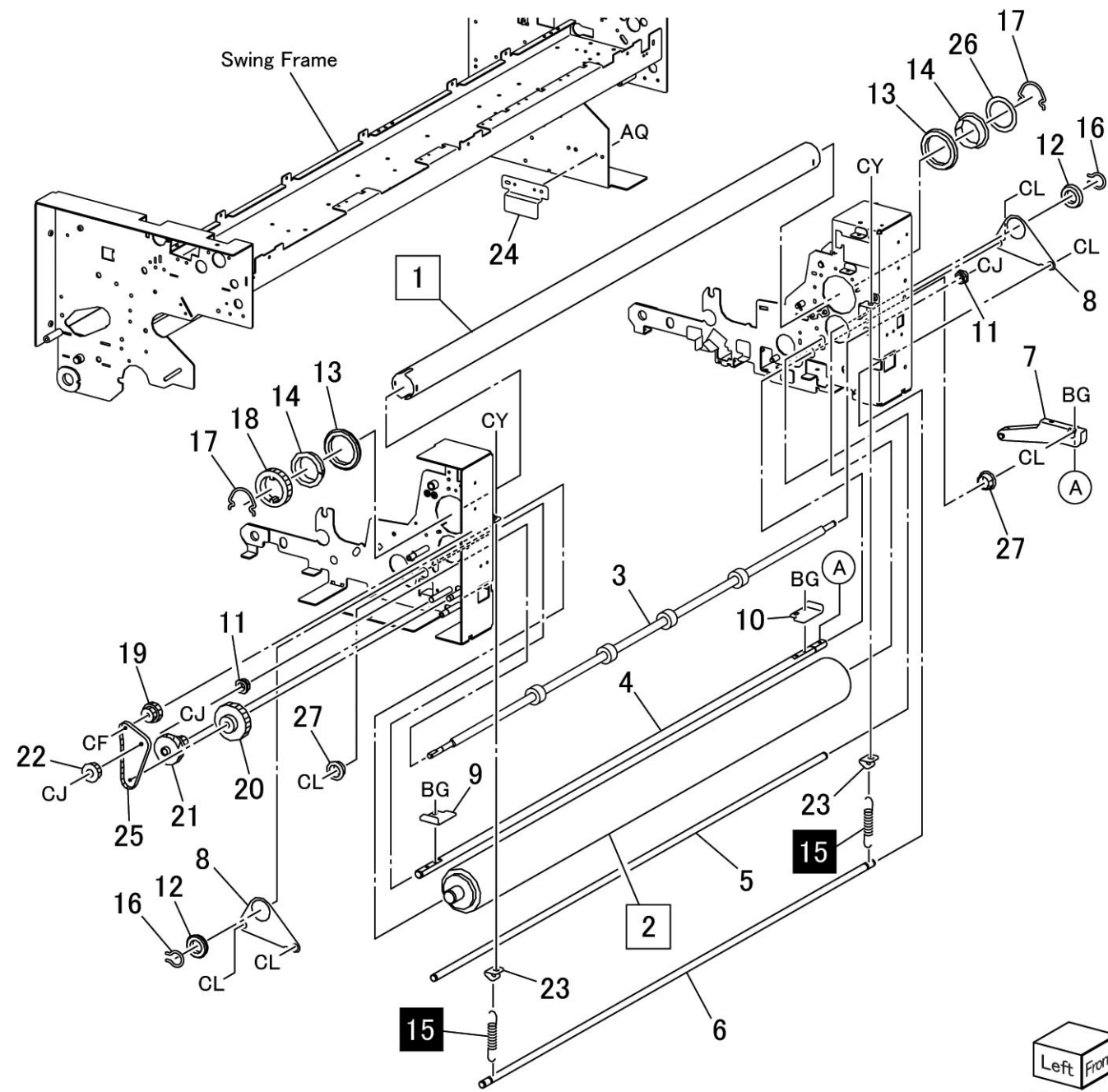
ITEM	PARTS No.	DESCRIPTION	A.C.
4	033K 94740	Cleaner Blade (REP6.4.1)	4211
5	035K 82960	Toner Seal	4202
6	052K 92220	Toner Pipe	4209
7	006K 23770	Auger (REP6.4.4)	4201
13	019K 06901	Finger	420F
14	038K 88110	Paper Guide	420G
15	809E 56630	Compression Spring	420H

PL7 Fusing  
 PL7.1 Fusing Component



ITEM	PARTS No.	DESCRIPTION	A.C.
2	849E 34160	Lamp Bracket	4301
3	127K 31870	(SCC) Fusing Drive Motor (REP7.1.2, REP99.1.1)	4341
9	499W 17061	Pulley	4307
16	126K 17751	(SCC) Center Heater Rod (Connector: White) (AP/GCO: 240V) (REP7.1.1, REP99.1.1)	4311
17	126K 17761	(SCC) Side Heater Rod (Connector: Blue) (AP/GCO: 240V) (REP7.1.1, REP99.1.1)	4312
18	126K 17771	(SCC) Sub Heater Rod (Connector: Red) (AP/GCO: 240V) (REP7.1.1, REP99.1.1)	430F

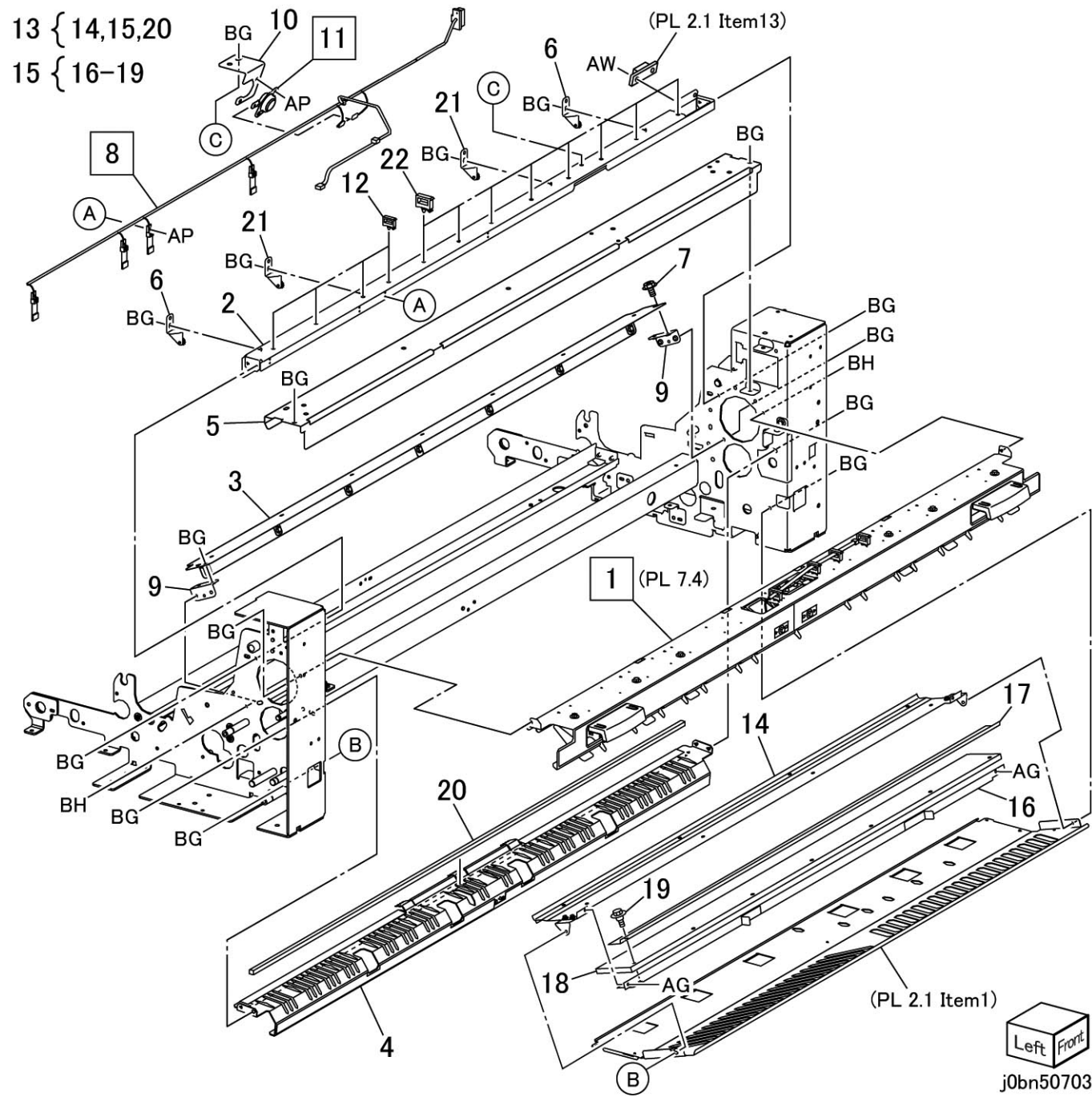
PL7.2 Fusing Assembly (1/2)



Left Front  
j0bn50702

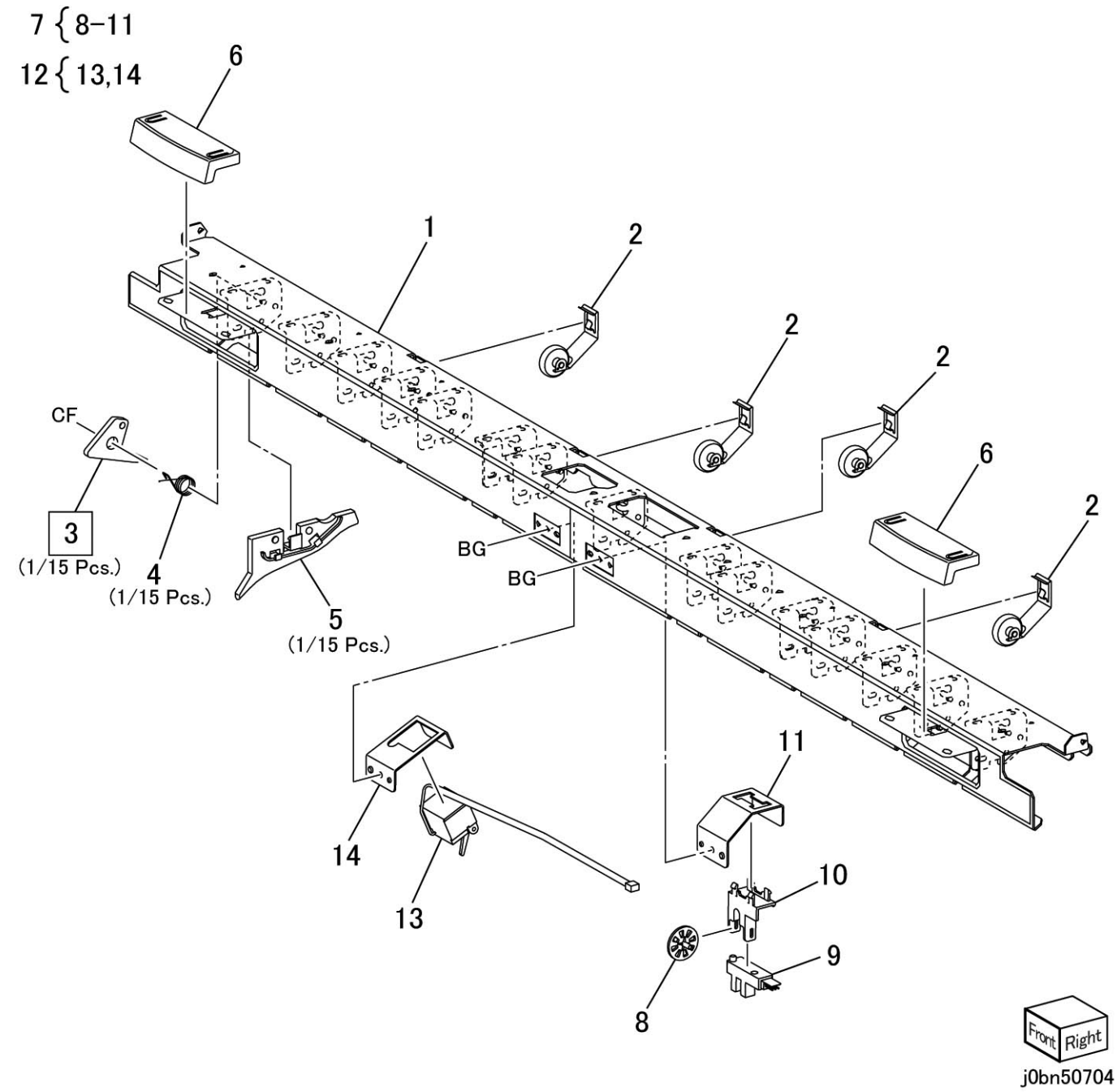
ITEM	PARTS No.	DESCRIPTION	A.C.
1	059K 75970	Heat Roll (REP7.2.1 )	4318
27	013P 60672	Bearing	432R

PL7.3 Fusing Assembly (2/2)



ITEM	PARTS No.	DESCRIPTION	A.C.
8	962K 98721	Heat Roll Thermistor 1, 2, 3, 4 (REP7.3.2)	4314
11	130E 82881	Thermostat (REP7.3.3)	4315

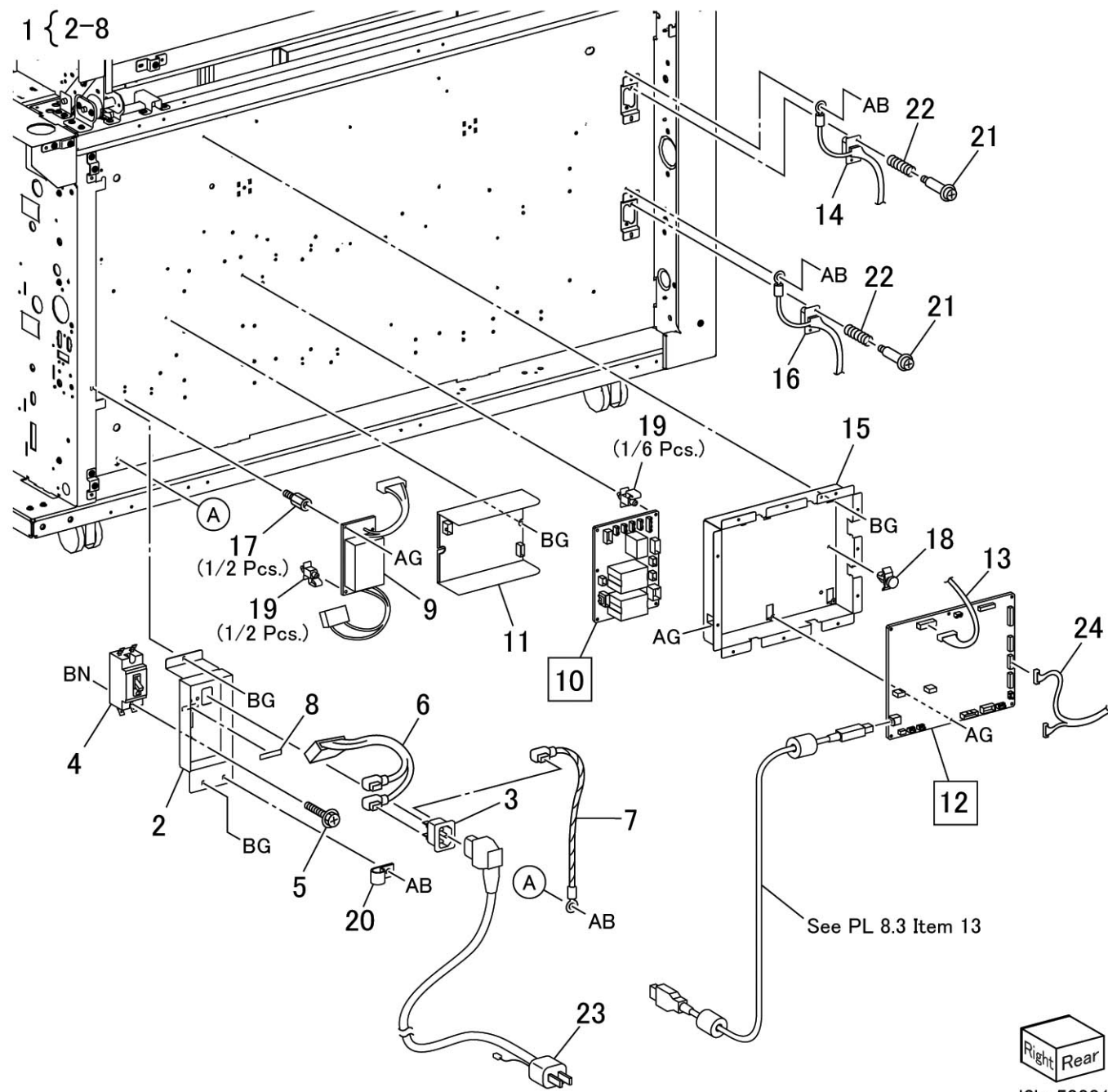
PL7.4 Upper Exit Baffle Assembly



ITEM	PARTS No.	DESCRIPTION	A.C.
3	019E 92900	Strip Finger (REP7.4.1)	4313
4	009E 58670	Torsion Spring	4363
8	020E 15691	Sensor Wheel	4367
9	130E 89260	Exit Motion Sensor	4368

PL8 ELEC

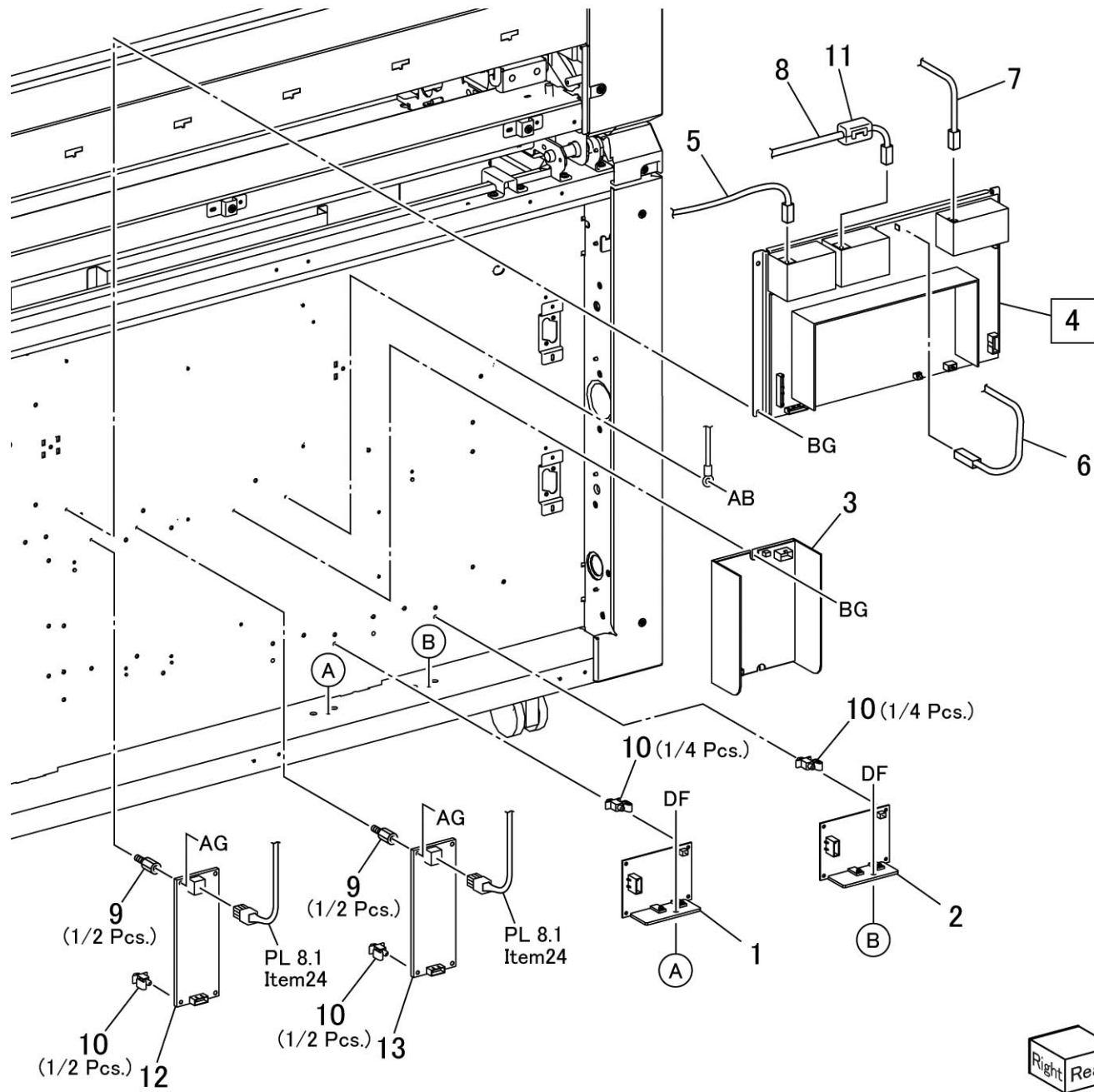
PL8.1 Electrical-Rear 1



Right Rear  
j0bn50801

ITEM	PARTS No.	DESCRIPTION	A.C.
2	101E 15040	Breaker Chassis (P/O Item 1)	7302
3	913W 02321	(SCC) Inlet Connector (REP99.1.1)	7303
6	962K 24220	(SCC) Inlet Harness (REP99.1.1)	7306
9	960K 08750	AC Filter PWB	7309
10	960K 06221	(SCC) AC Relay PWB (REP8.1.2, REP99.1.1)	730A

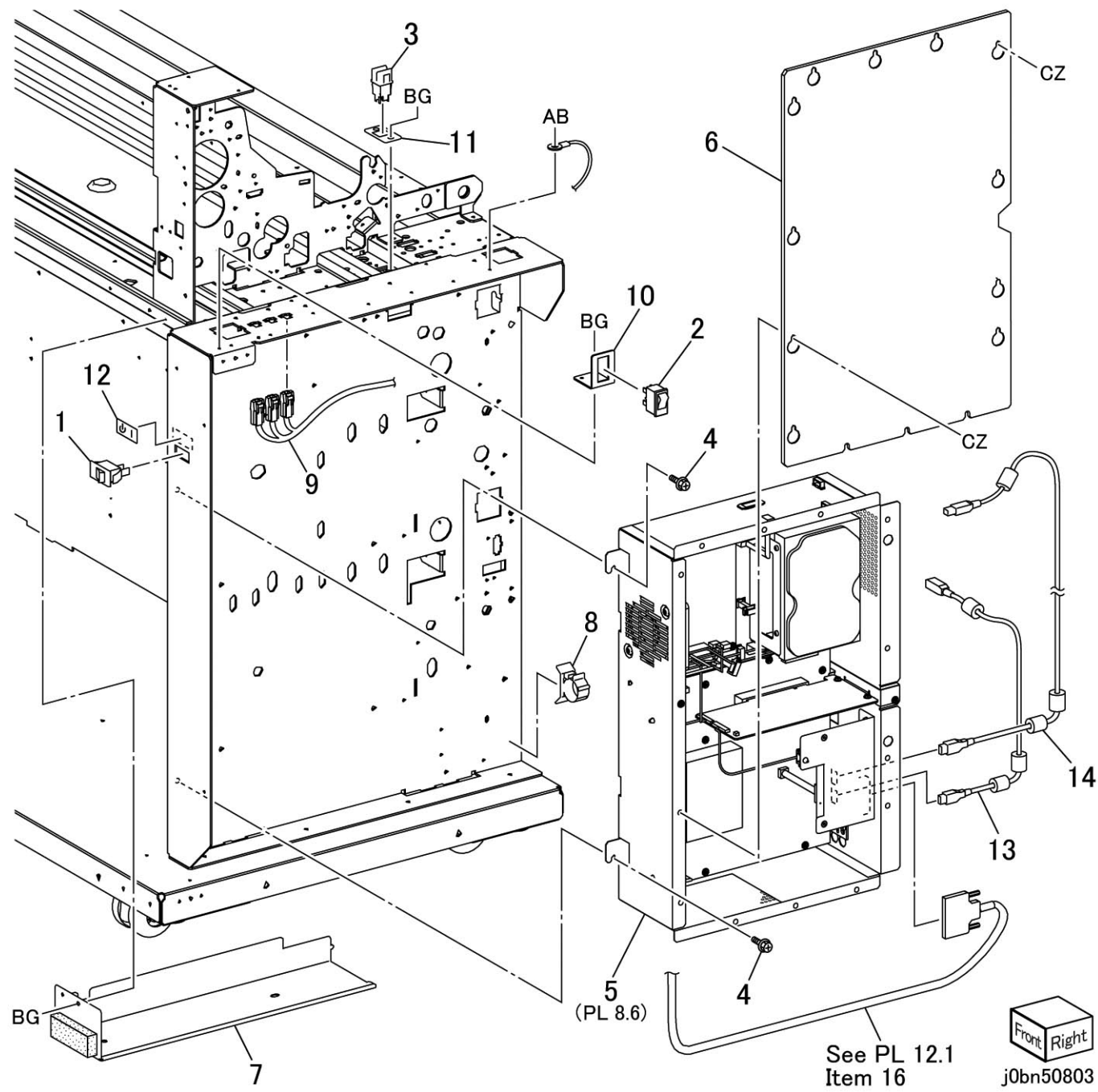
PL8.2 Electrical-Rear 2



Right Rear  
j0bn50802

ITEM	PARTS No.	DESCRIPTION	A.C.
1	960K 08820	(SCC) Side Triac (REP99.1.1)	7361
2	960K 08820	(SCC) Center Triac (REP99.1.1)	7362
4	105K 20901	(SCC) HVPS (REP8.2.1, REP99.1.1)	7363
5	117K 36421	BCR Cord	7364
6	117K 36451	Deve Bias Cord	7365
7	117K 36461	BTR Cord	7366
8	117K 36472	DTS Cord	7367
12	105E 16260	(SCC) +3.5 LVPS (AP/GCO: 200V) (REP99.1.1)	731E
13	105E 16280	(SCC) +5V LVPS (5B) (AP/GCO: 200V) (REP99.1.1)	731B

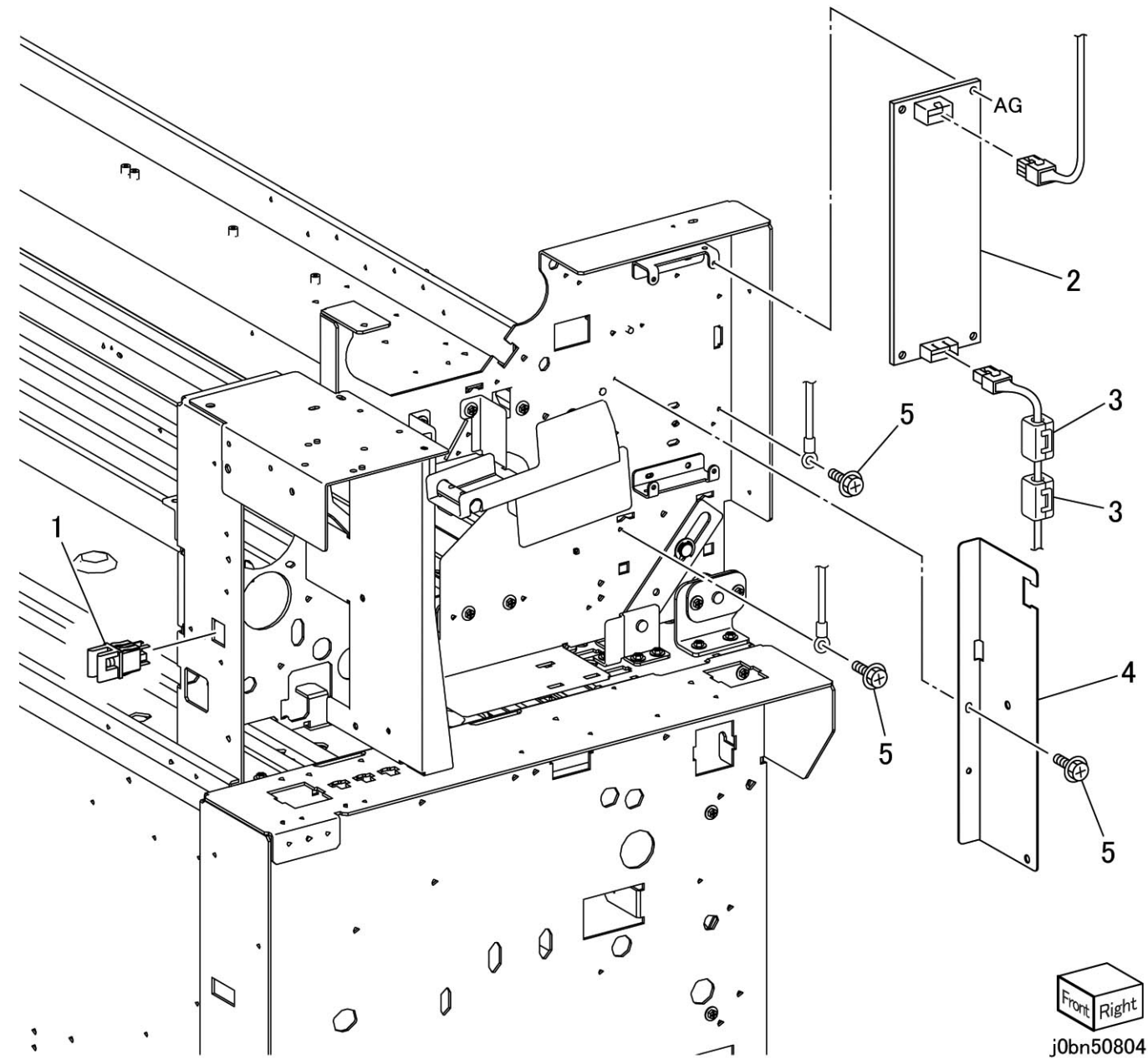
PL8.3 Electrical-Right Lower



ITEM	PARTS No.	DESCRIPTION	A.C.
1	110E 10660	Paper Heater Switch	7601
2	110E 11230	(SCC) Main Switch (REP99.1.1)	7602
3	110E 97990	Swing Frame Interlock Switch	7603

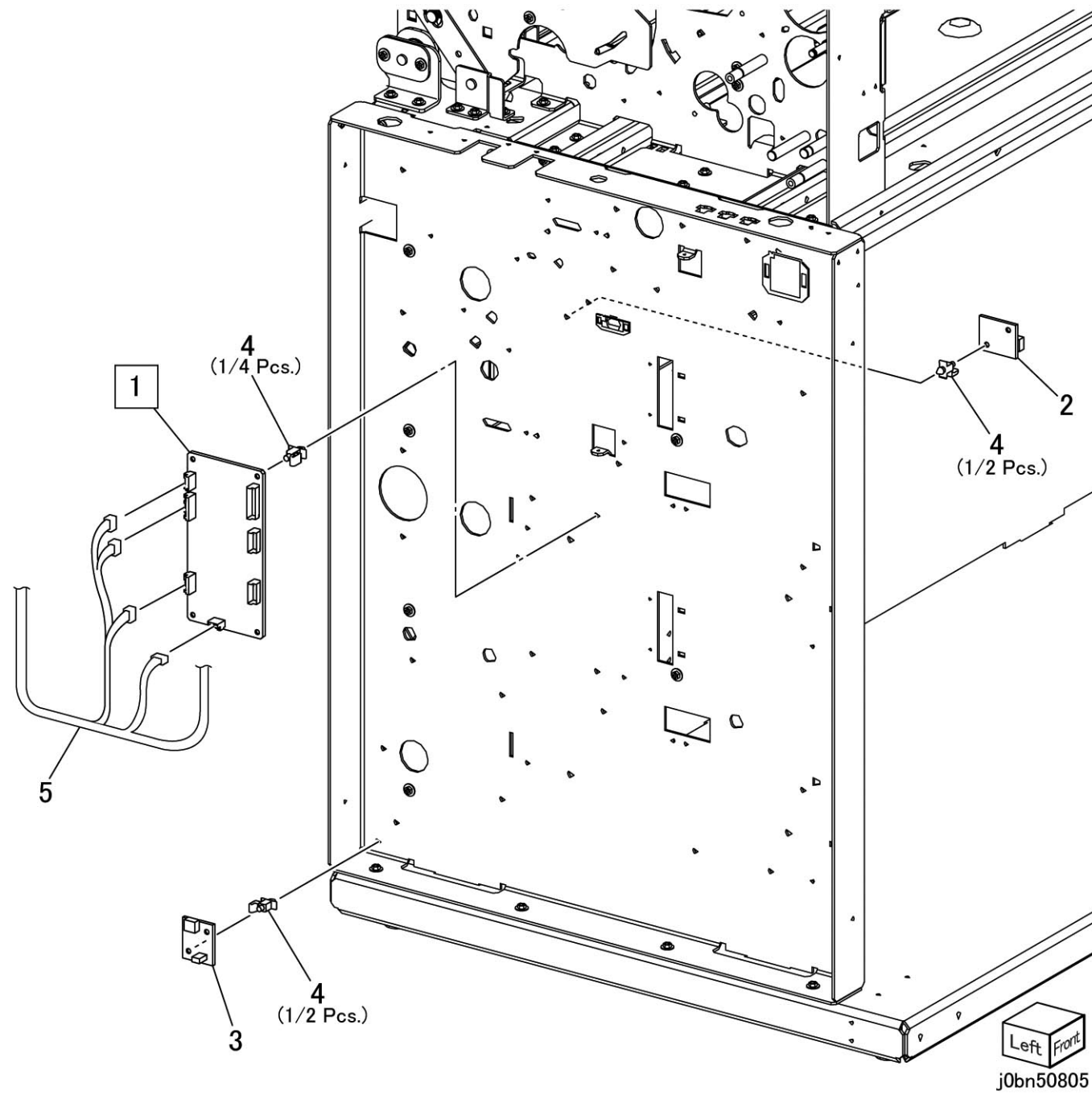


PL8.4 Electrical-Right Upper



ITEM	PARTS No.	DESCRIPTION	A.C.
1	110E 97990	Fusing Cover Interlock Switch	4381
2	105E 16280	(SCC) +5V LVPS (5C) (AP/GCO: 200V) (REP99.1.1)	731C

PL8.5 Electrical-Left

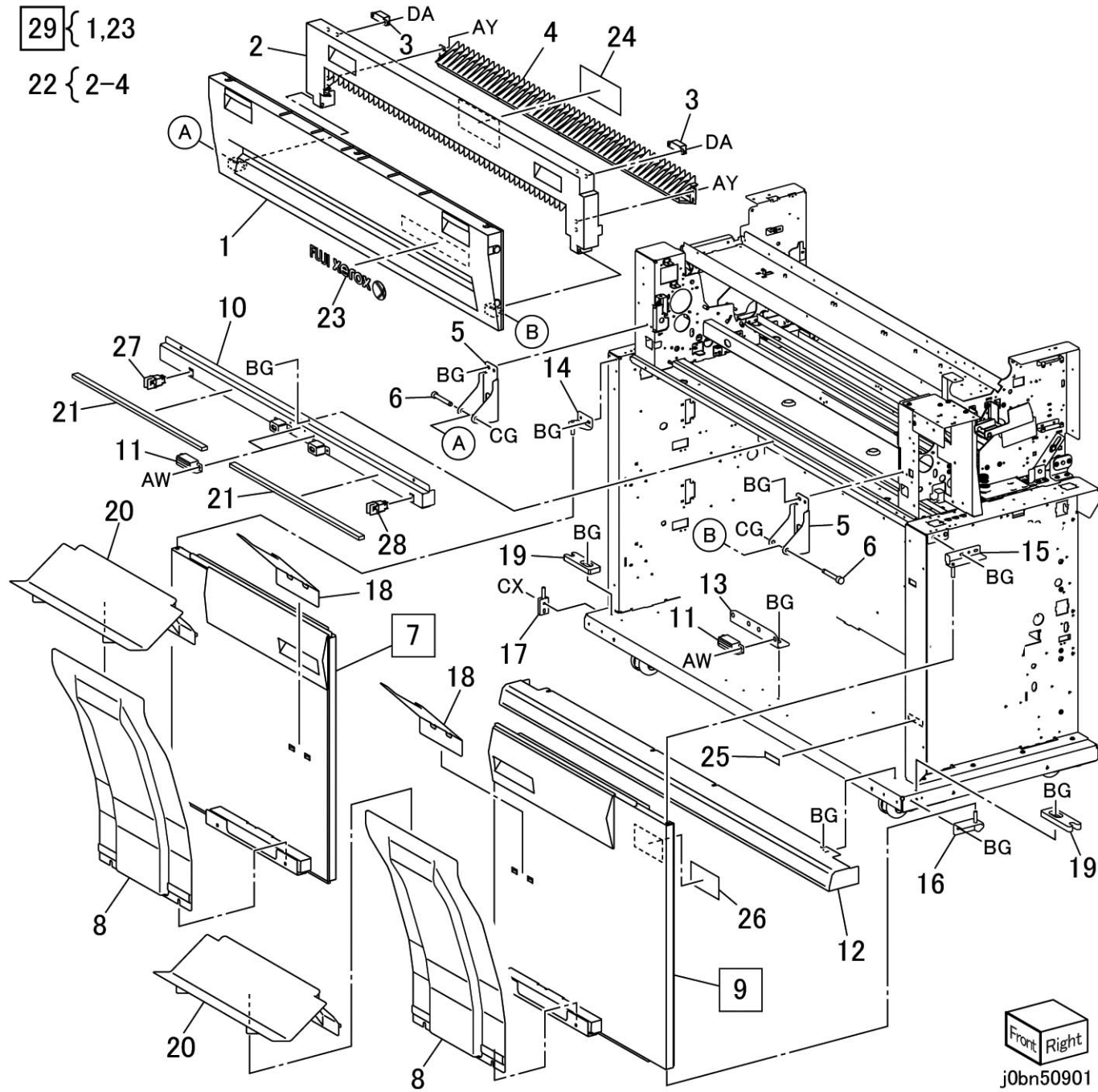


ITEM	PARTS No.	DESCRIPTION	A.C.
1	960K 01560	(SCC) RFC Motor PWB (REP8.5.1, REP99.1.1)	50A1
2	130K 87980	RFC Air Sensor	50A2
3	130K 87980	Open Air Sensor	50A3



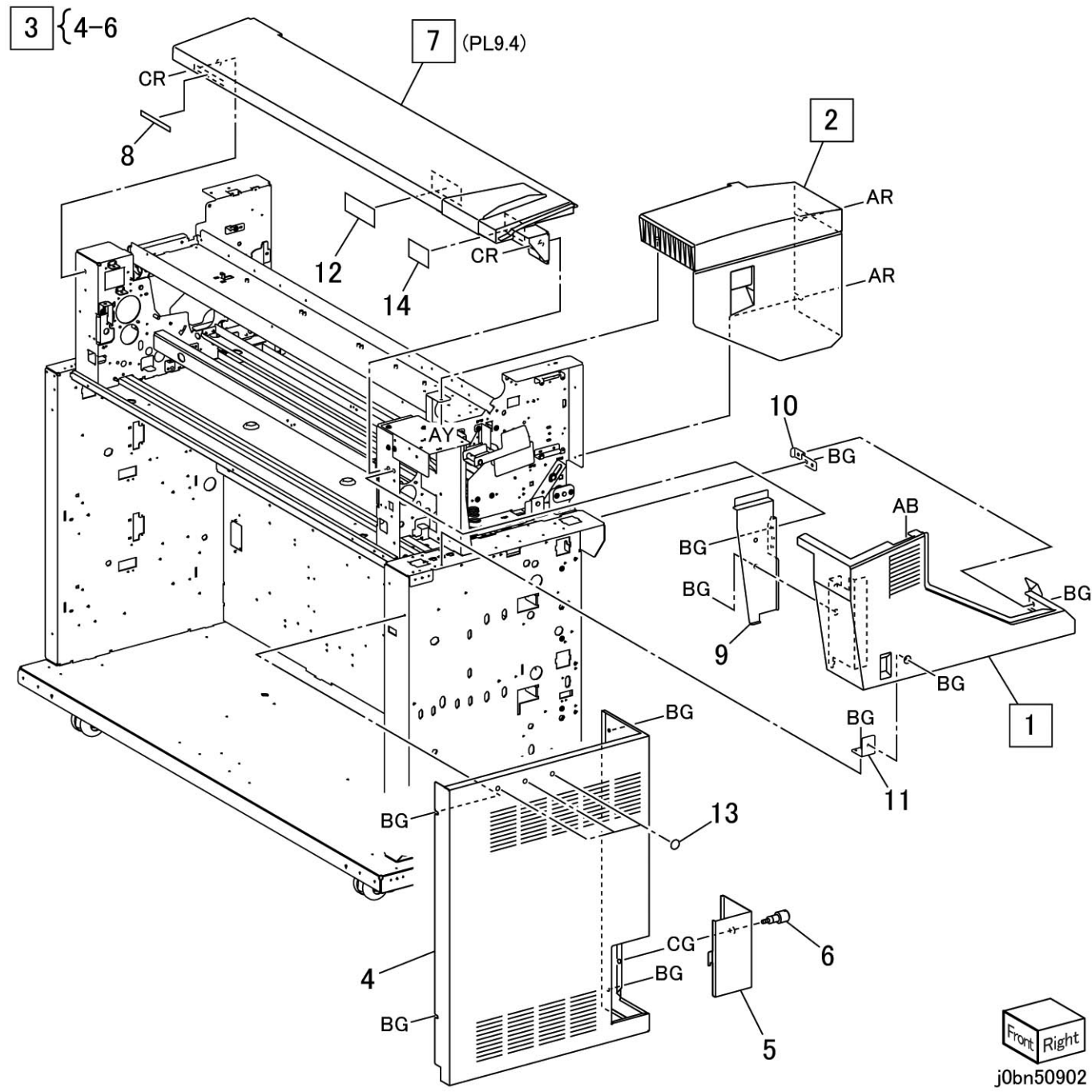
PL9 Cover

PL9.1 Cover-Front Upper Cover, Front Door



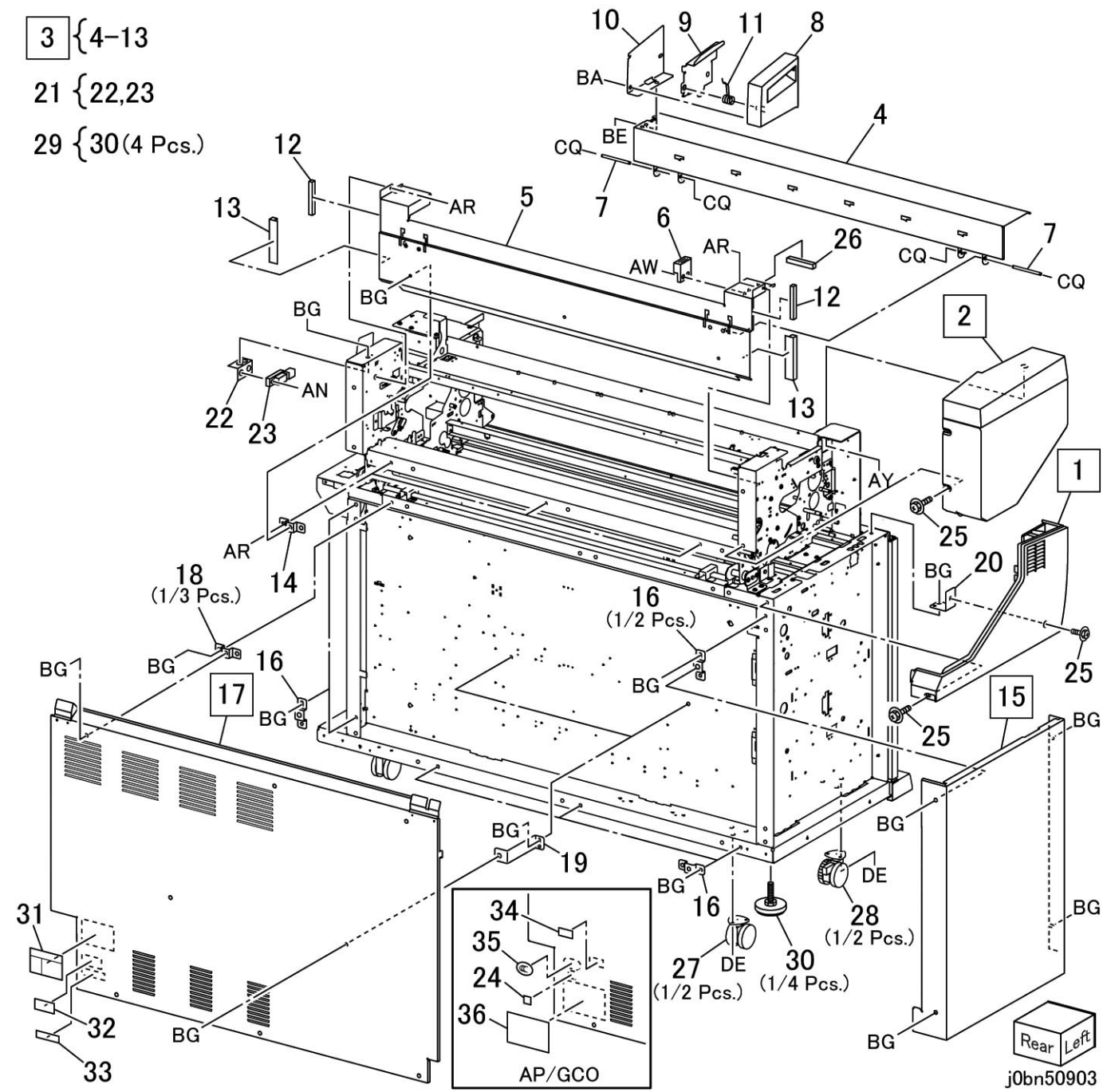
ITEM	PARTS No.	DESCRIPTION	A.C.
3	121E 84820	Catch Magnet	3203
11	121E 86350	Catch Magnet	320B
12	802E 72150	Foot Cover	320C
17	029E 35732	Pin	320H
19	014E 58570	Spacer (thickness = 7 mm)	320J
27	110E 97990	Front Door Right Hand Interlock Switch	320R
28	110E 97990	Front Door Left Hand Interlock Switch	320S

PL9.2 Cover-Right Cover, Document Shelf



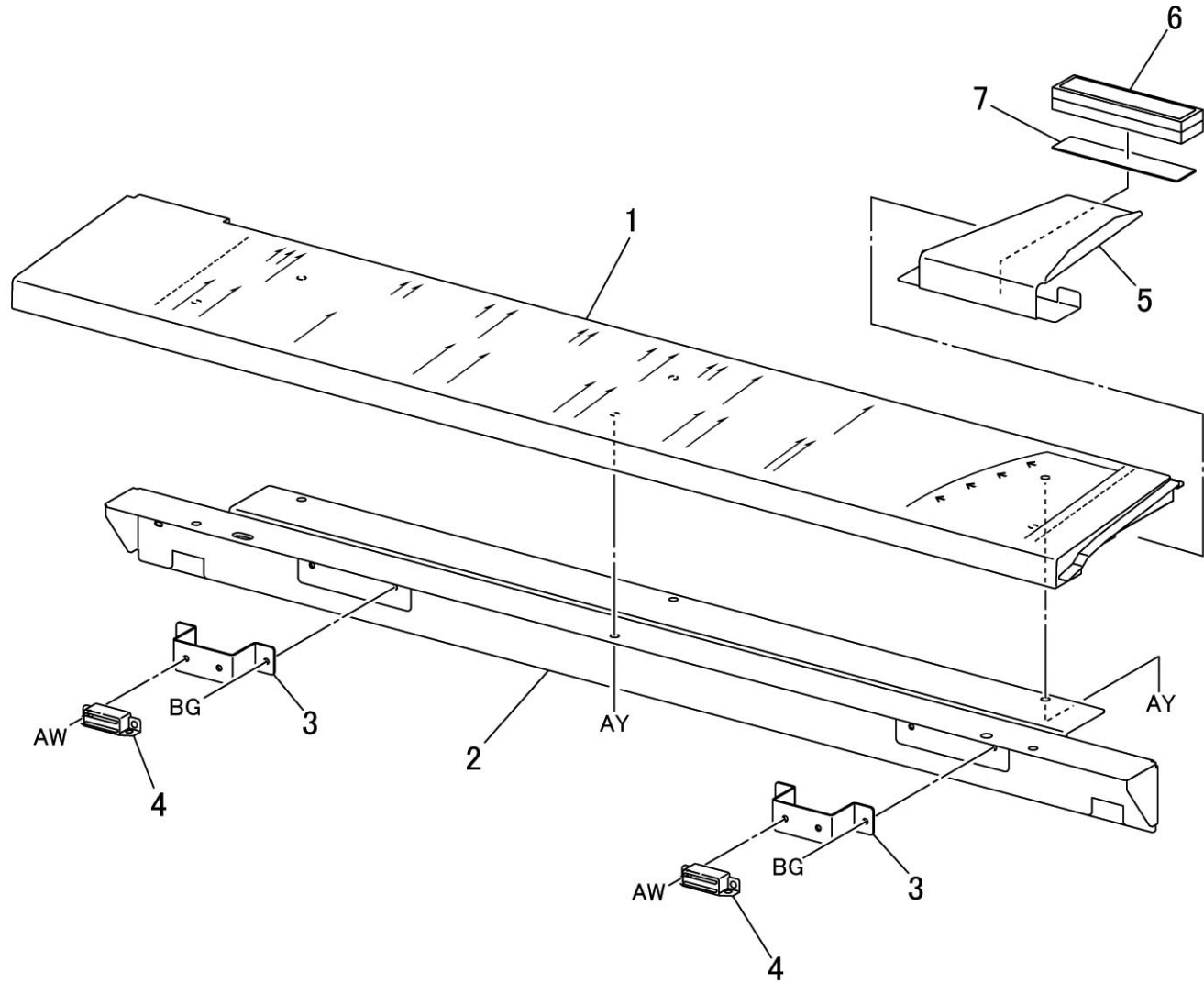
ITEM	PARTS No.	DESCRIPTION	A.C.
2	802K 68340	Right Swing Cover (REP9.2.2)	3212
6	826E 12421	Knob Screw	3216

PL9.3 Cover-Left Cover, Rear Cover



ITEM	PARTS No.	DESCRIPTION	A.C.
6	121E 89690	Catch Magnet	3226
17	802K 76781	Rear Lower Cover (REP9.3.5)	322H
27	017K 93170	Caster	322R
28	017K 93160	Caster (with Stopper)	322S

PL9.4 Document Shelf Assembly

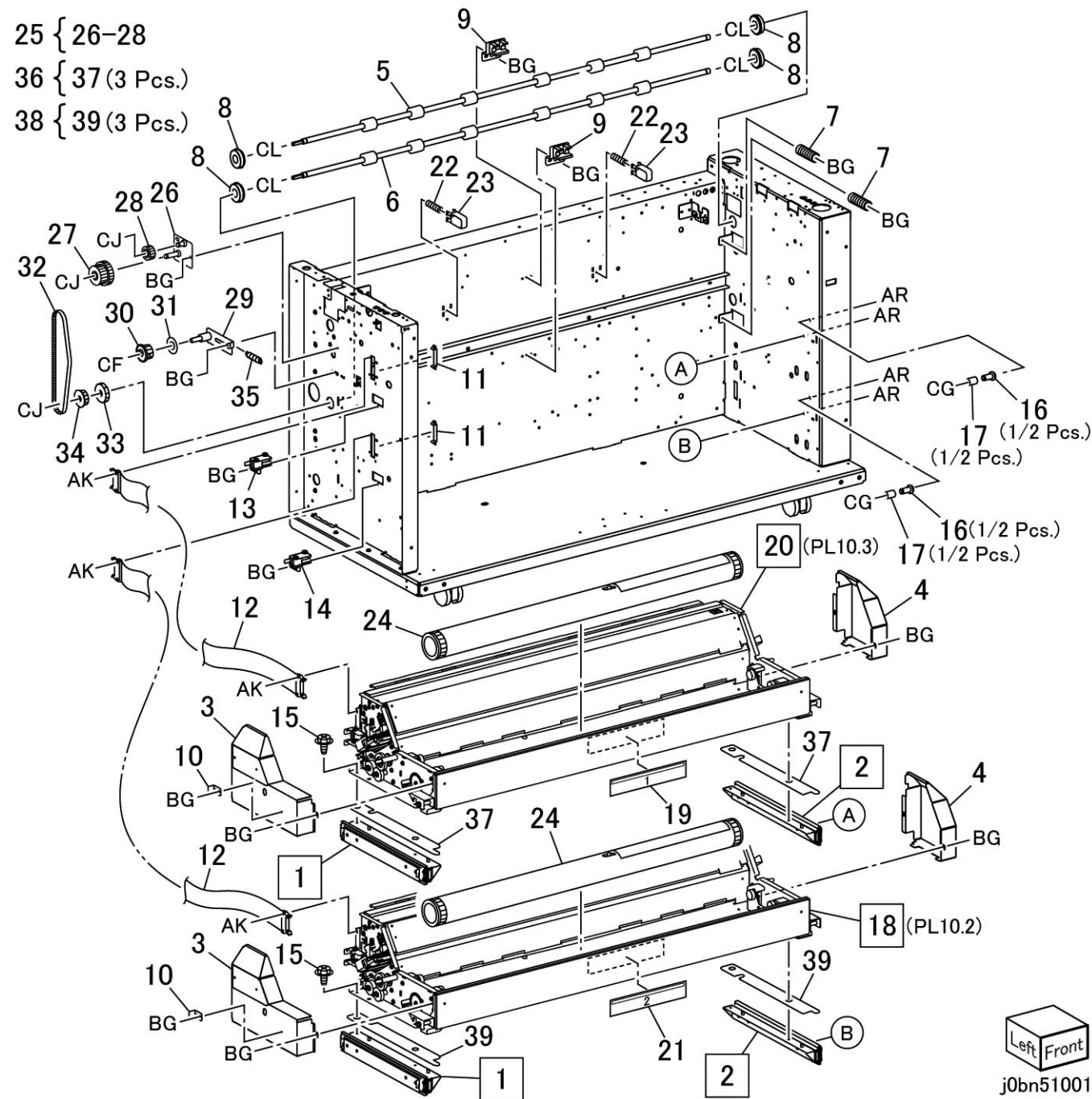


Front Right  
j0ry50904

ITEM	PARTS No.	DESCRIPTION	A.C.
3	849E 38520	Catch Magnet Bracket	3243
4	121E 86350	Catch Magnet	3244

PL10 RFC

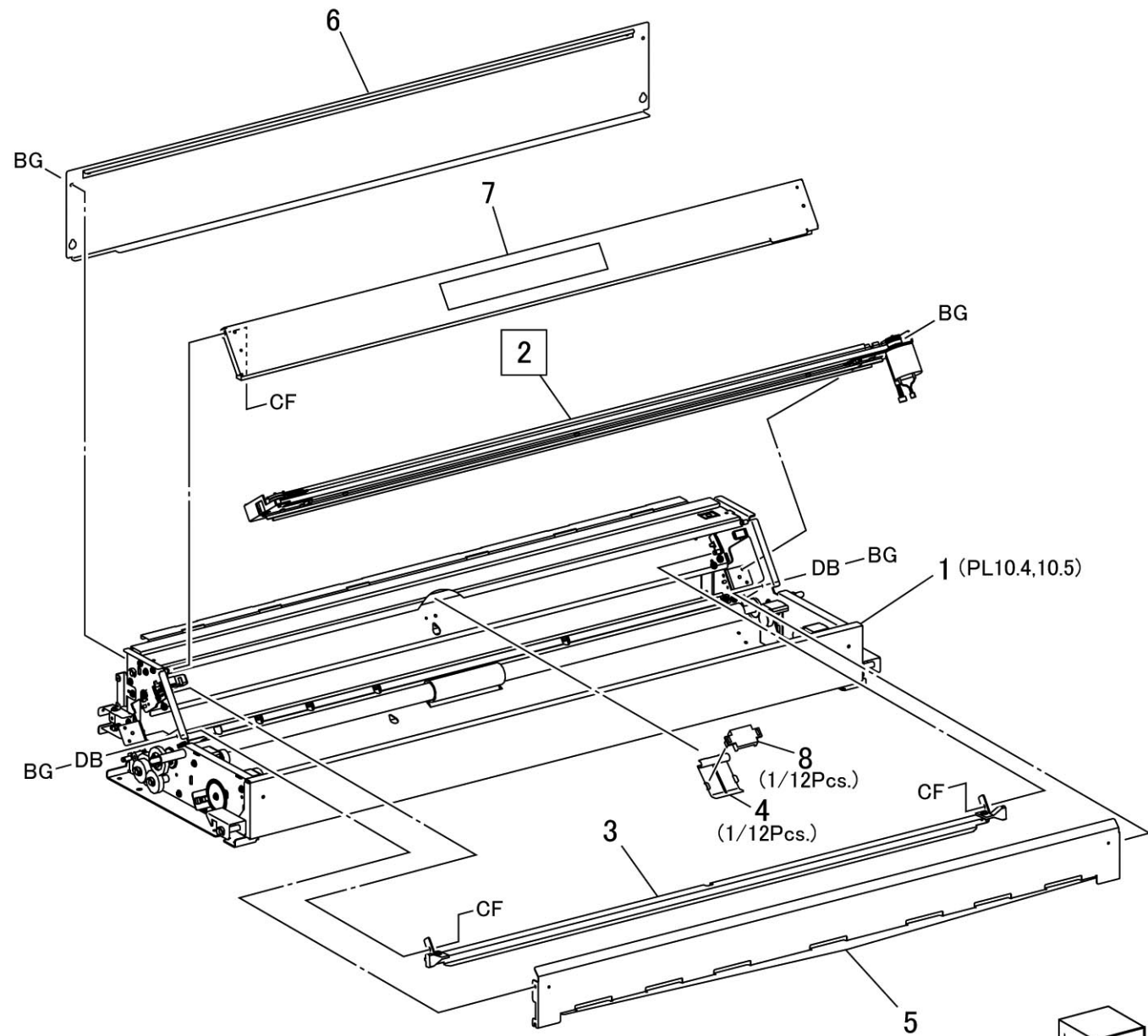
PL10.1 RFC Component



ITEM	PARTS No.	DESCRIPTION	A.C.
6	059K 36241	RFC 2 Takeaway Roll	50B6
7	809E 58220	Compression Spring	50B7
8	413W 12350	Ball Bearing	50B8
9	014K 82210	RFC Takeaway Roll Block	50B9
12	117K 36556	RFC Flat Cable	50BC
13	110K 10520	RFC 1 Drawer Open Switch	50BD
14	110K 10520	RFC 2 Drawer Open Switch	50BE
16	826E 12370	Stud	50BG
17	005E 19270	Collar	50BH
23	014E 55930	Block	50BJ
25	007K 85260	RFC 2 Gear and Pulley (Item 26-28)	50BL
32	423W 73154	Belt (P/O PL1.1 Item 21)	50BS
34	499W 14432	Pulley	50BU



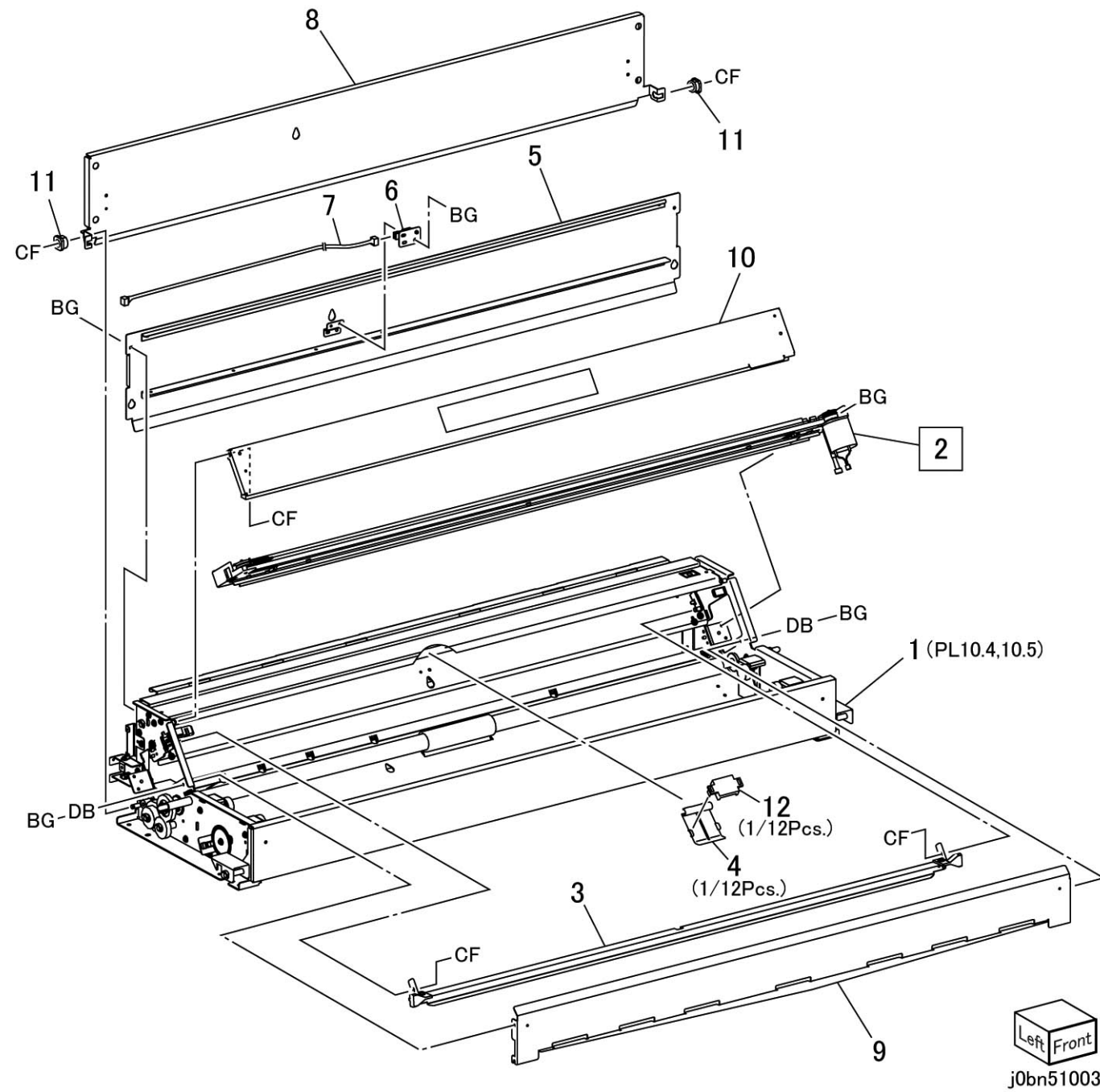
PL10.2 RFC (A-Type)



Left Front  
j0bn51002

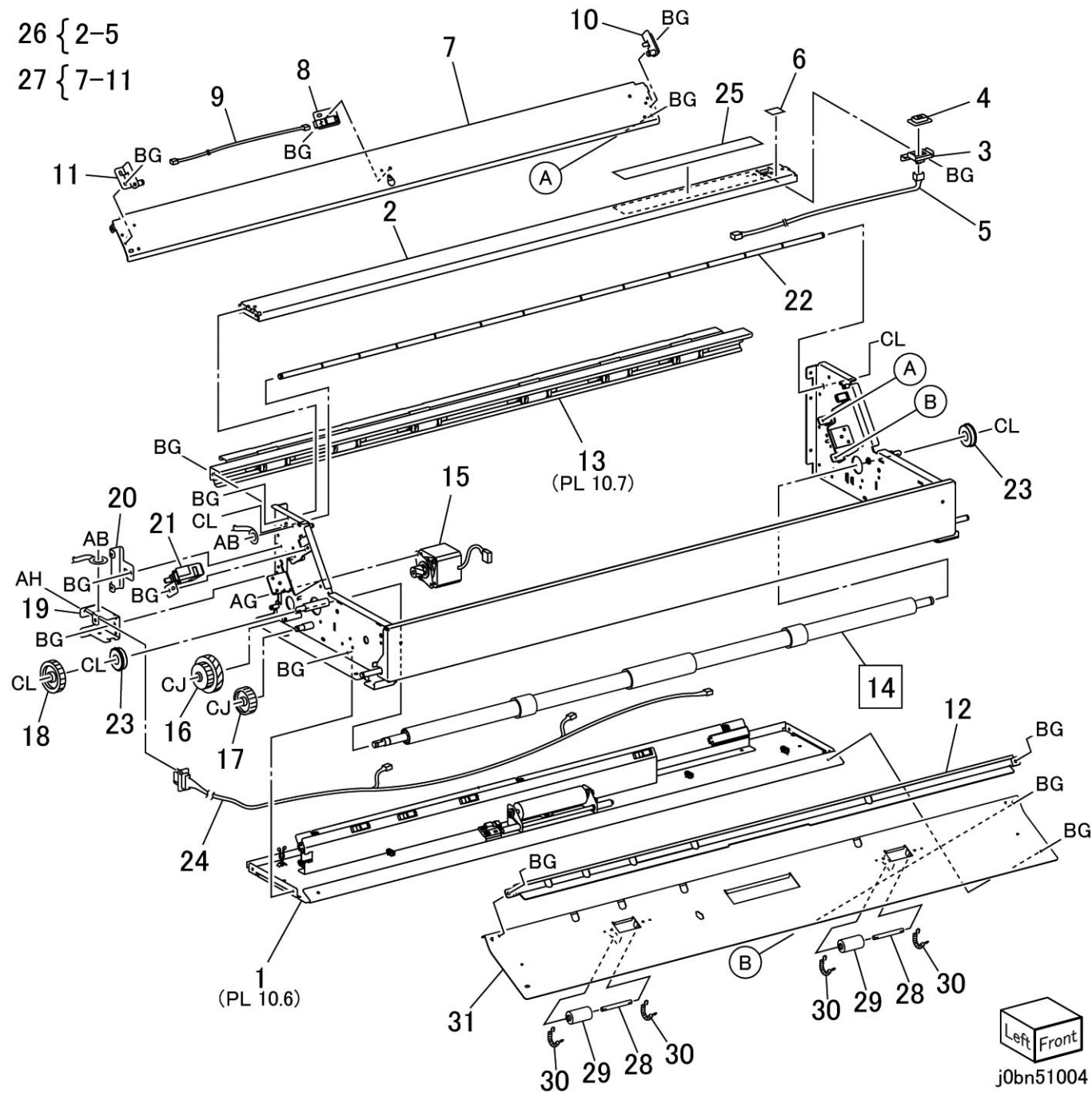
ITEM	PARTS No.	DESCRIPTION	A.C.
2	037K 90870	(SCC) Cutter Assembly (REP10.2.1, REP99.1.1)	5081
3	055K 30133	Upper Baffle	5047

PL10.3 RFC (B-Type)



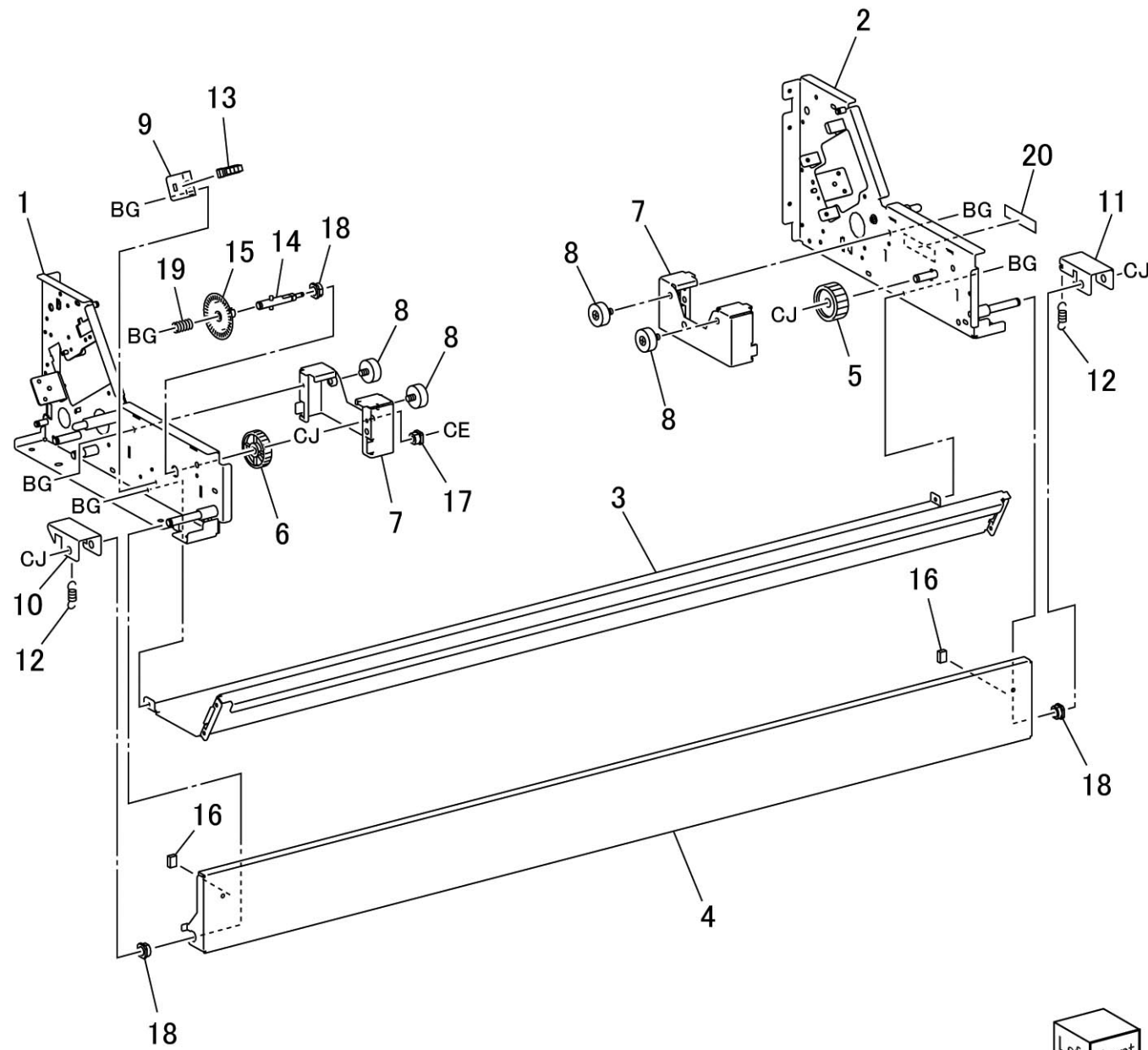
ITEM	PARTS No.	DESCRIPTION	A.C.
2	037K 90870	(SCC) Cutter Assembly (REP10.2.1, REP99.1.1)	5080
3	055K 30133	Upper Baffle	5037
6	130K 62700	RFC Vertical Jam Sensor	503D
11	413W 11660	Plastic Sleeve Bearing	503I

PL10.4 RFC Assembly-Paper Feed



ITEM	PARTS No.	DESCRIPTION	A.C.
3	110K 11380	Roll 1 Auto Cut Switch	50C3
3	110K 11380	Roll 2 Auto Cut Switch	50C3
8	130K 62700	Roll 1 Cut Trigger Sensor	50C8
8	130K 62700	Roll 2 Cut Trigger Sensor	50C8
13	055K 28732	Takeaway Baffle (PL10.8)	50CD
15	127K 33340	(SCC) Roll 1 Feeder Motor (REP99.1.1)	50CE
15	127K 33340	(SCC) Roll 2 Feeder Motor (REP99.1.1)	50CE
18	007P 60934	Gear (Spur 40T)	50CH
21	110K 11370	Roll 1 Cutter Interlock Switch	50CK
21	110K 11370	Roll 2 Cutter Interlock Switch	50CK
23	413W 12350	Ball Bearing	50CM
29	059E 92390	Pinch Roller	50CS

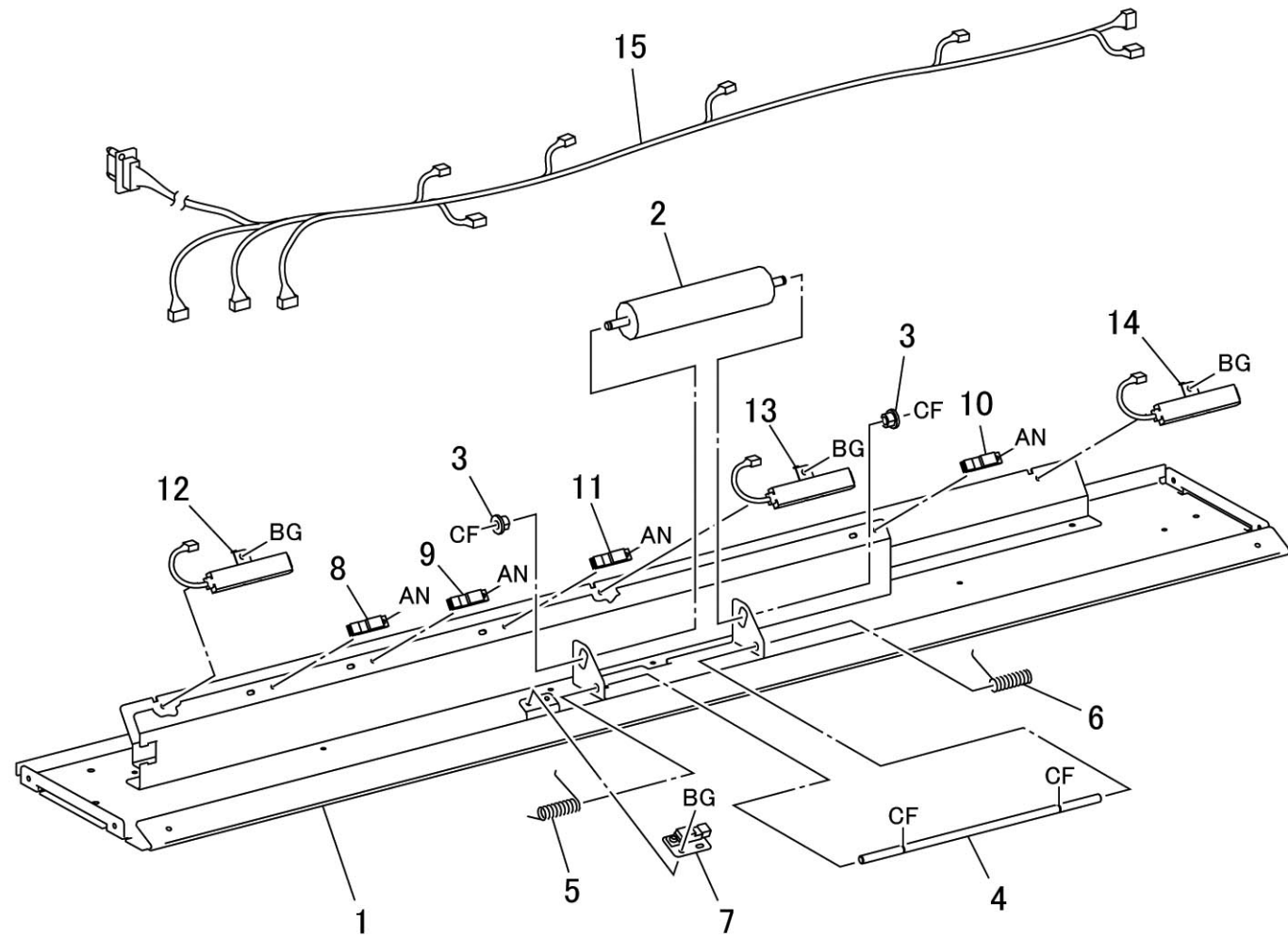
PL10.5 RFC Assembly-Latch, Roll Paper Tube Support



Left Front  
j0bn51005

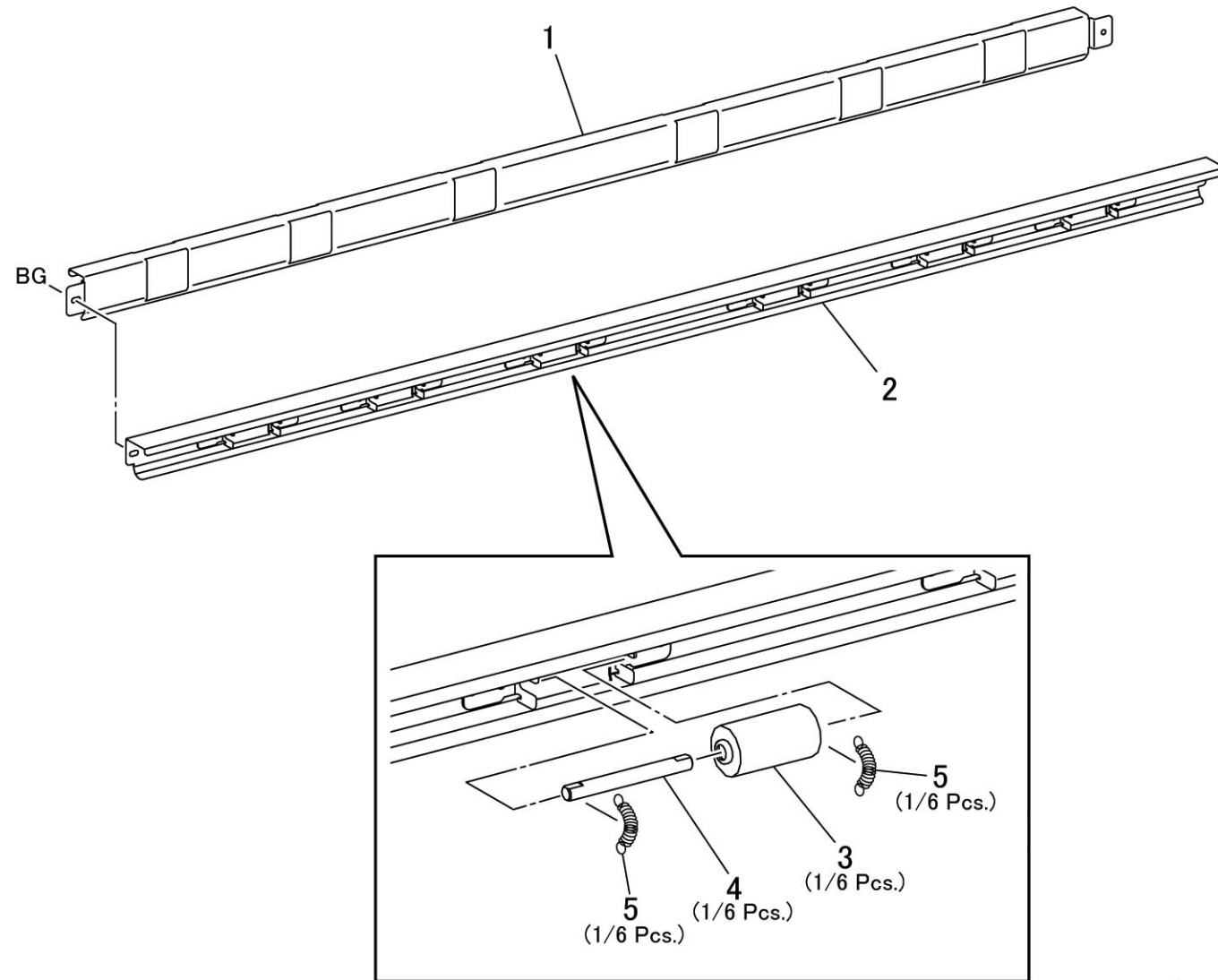
ITEM	PARTS No.	DESCRIPTION	A.C.
5	005K 07210	Friction Clutch	50D5
8	013E 19240	Bearing	50D8
10	003E 56250	Left Latch	50DA
11	003E 56260	Right Latch	50DB
12	809E 61120	Tension Spring	50DC
13	930W 00112	Roll 1 No Paper Sensor	50DD
13	930W 00112	Roll 2 No Paper Sensor	50DD
15	005E 88740	Wheel	50DF
17	413W 11460	Plastic Sleeve Bearing (Inside Diameter: 4 mm)	50DH

PL10.6 Paper Heater / Paper Size Sensor Housing Assembly



ITEM	PARTS No.	DESCRIPTION	A.C.
3	413W 75959	Powdered Metal Bearing	50E2
7	130K 62700	Roll 1 Set Sensor	50E6
7	130K 62700	Roll 2 Set Sensor	50E6
8	930W 00211	Roll 1 Size 30" Sensor	50E7
8	930W 00211	Roll 2 Size 30" Sensor	50E7
9	930W 00211	Roll 1 Size A1 Sensor	50E8
9	930W 00211	Roll 2 Size A1 Sensor	50E8
10	930W 00211	Roll 1 Size A2 Sensor	50E9
10	930W 00211	Roll 2 Size A2 Sensor	50E9
11	930W 00211	Roll 1 Size A3 Sensor	50EA
11	930W 00211	Roll 2 Size A3 Sensor	50EA
12	126E 93151	(SCC) Left Hand Paper Heater (AP/GCO: 200V) (REP99.1.1)	50EB
13	126E 93151	(SCC) Center Paper Heater (AP/GCO: 200V) (REP99.1.1)	50EC
14	126E 93151	(SCC) Right Hand Paper Heater (AP/GCO: 200V) (REP99.1.1)	50ED

PL10.7 Takeaway Baffle Assembly

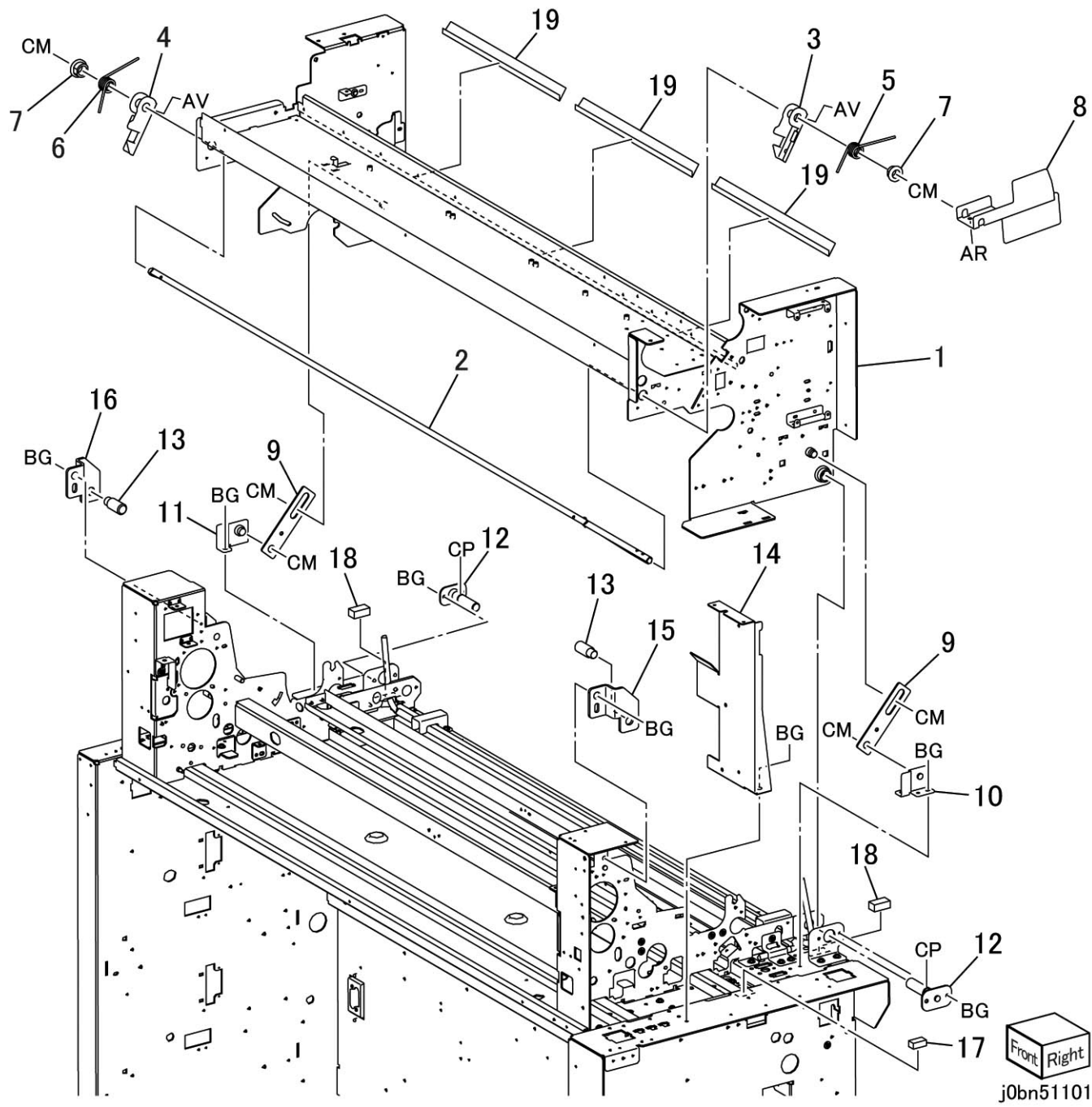


Left Front  
j0bn51007

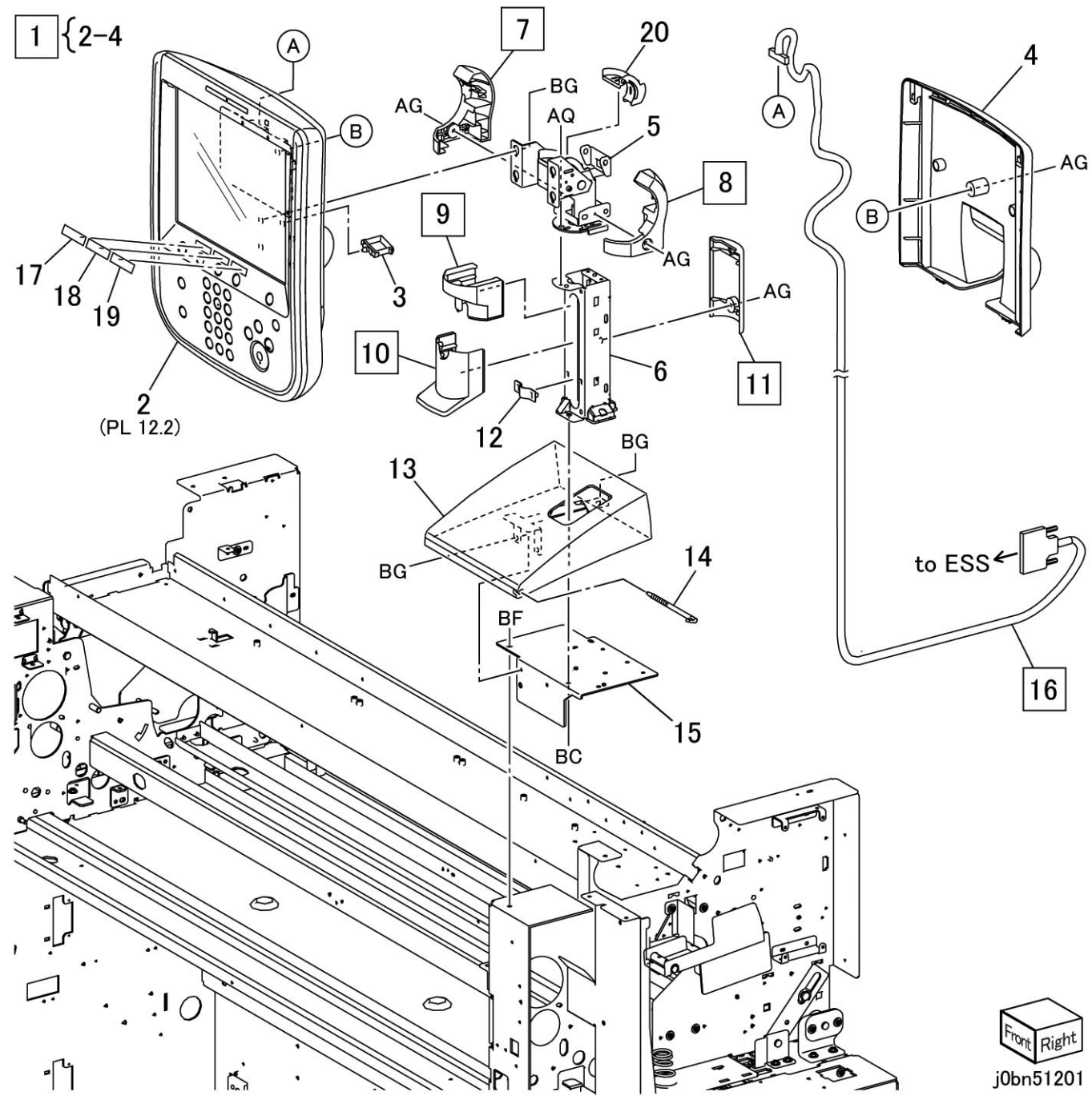
ITEM	PARTS No.	DESCRIPTION	A.C.
3	059E 92390	Pinch Roll	50F3

PL11 Frame

PL11.1 Swing Frame Latch Component

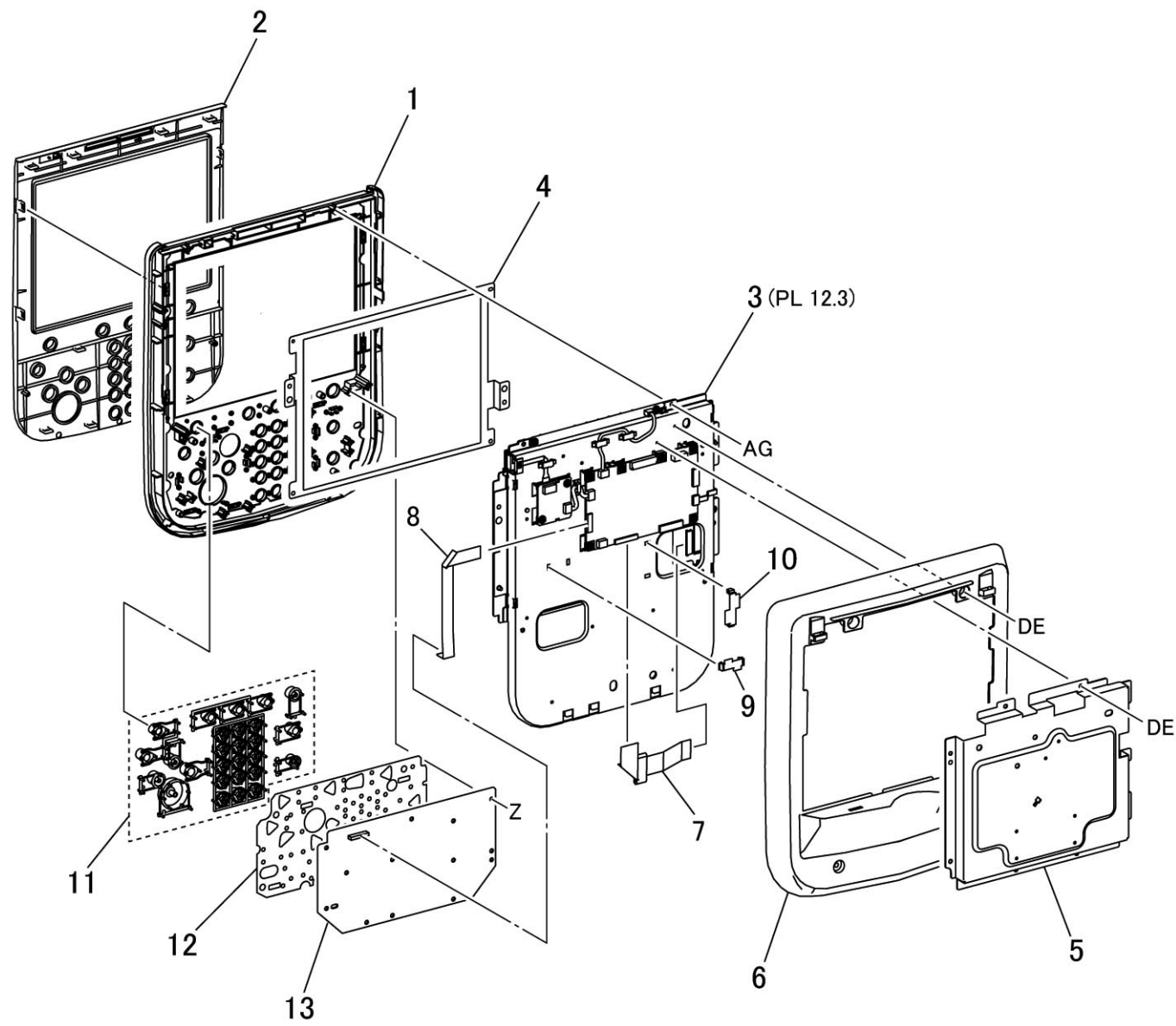


PL12 UI  
PL12.1 UI Component

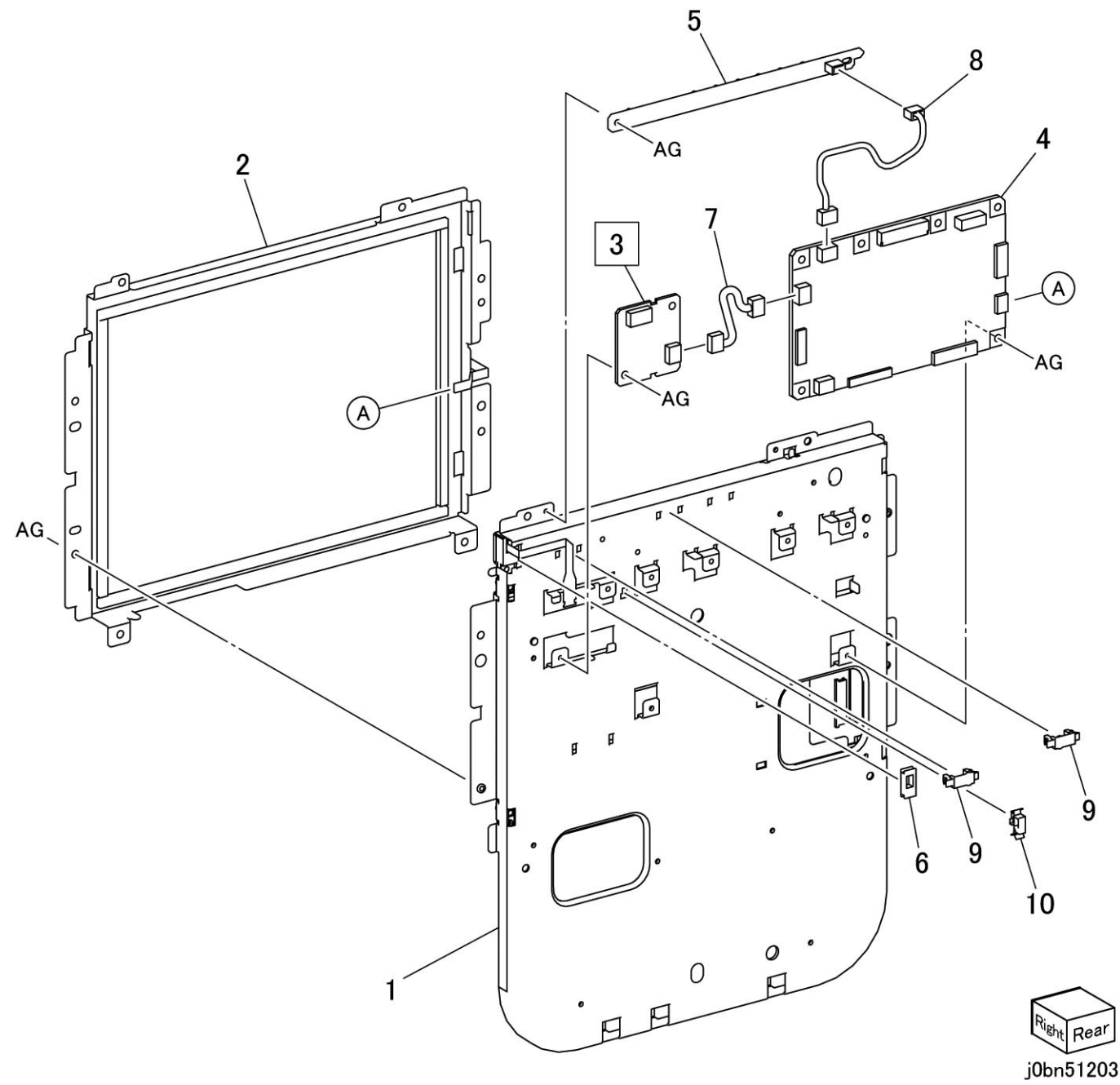




PL12.2 UI Assembly (1/2)



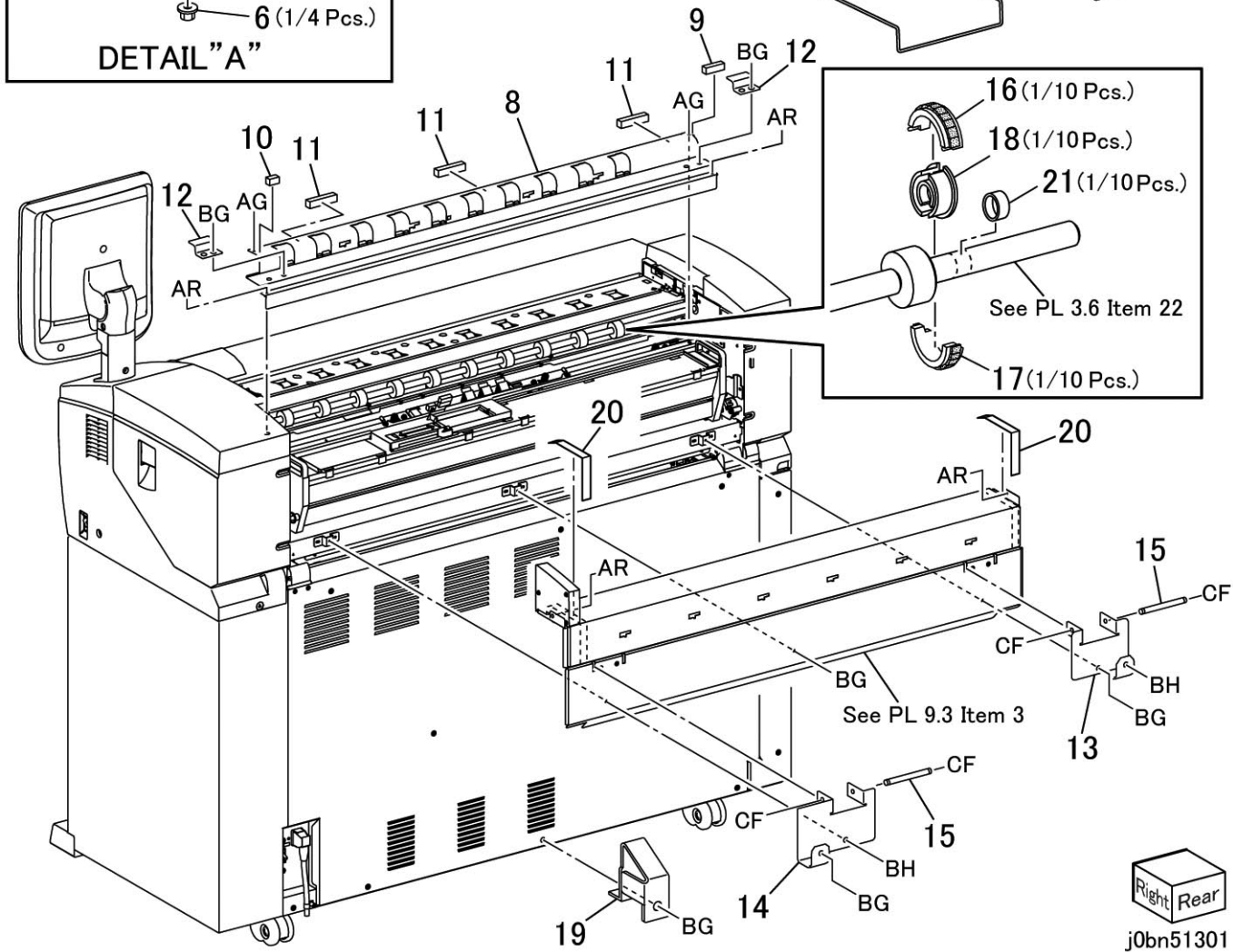
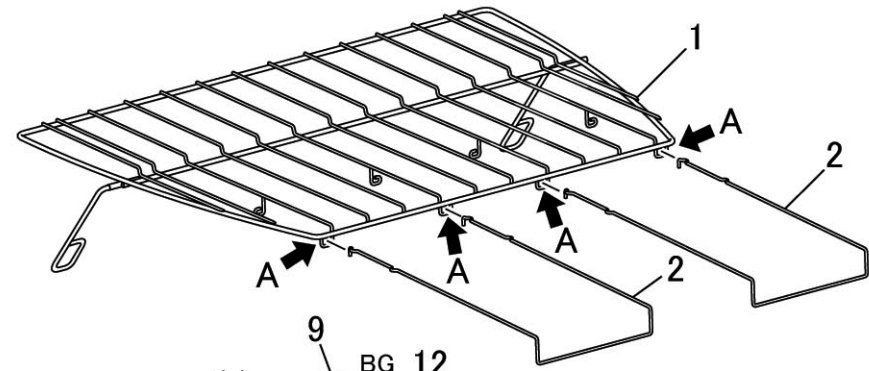
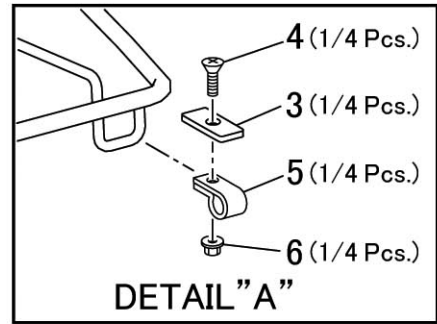
PL12.3 UI Assembly (2/2)



PL13 Catch Tray

PL13.1 Document Catch Tray Assembly (Option)

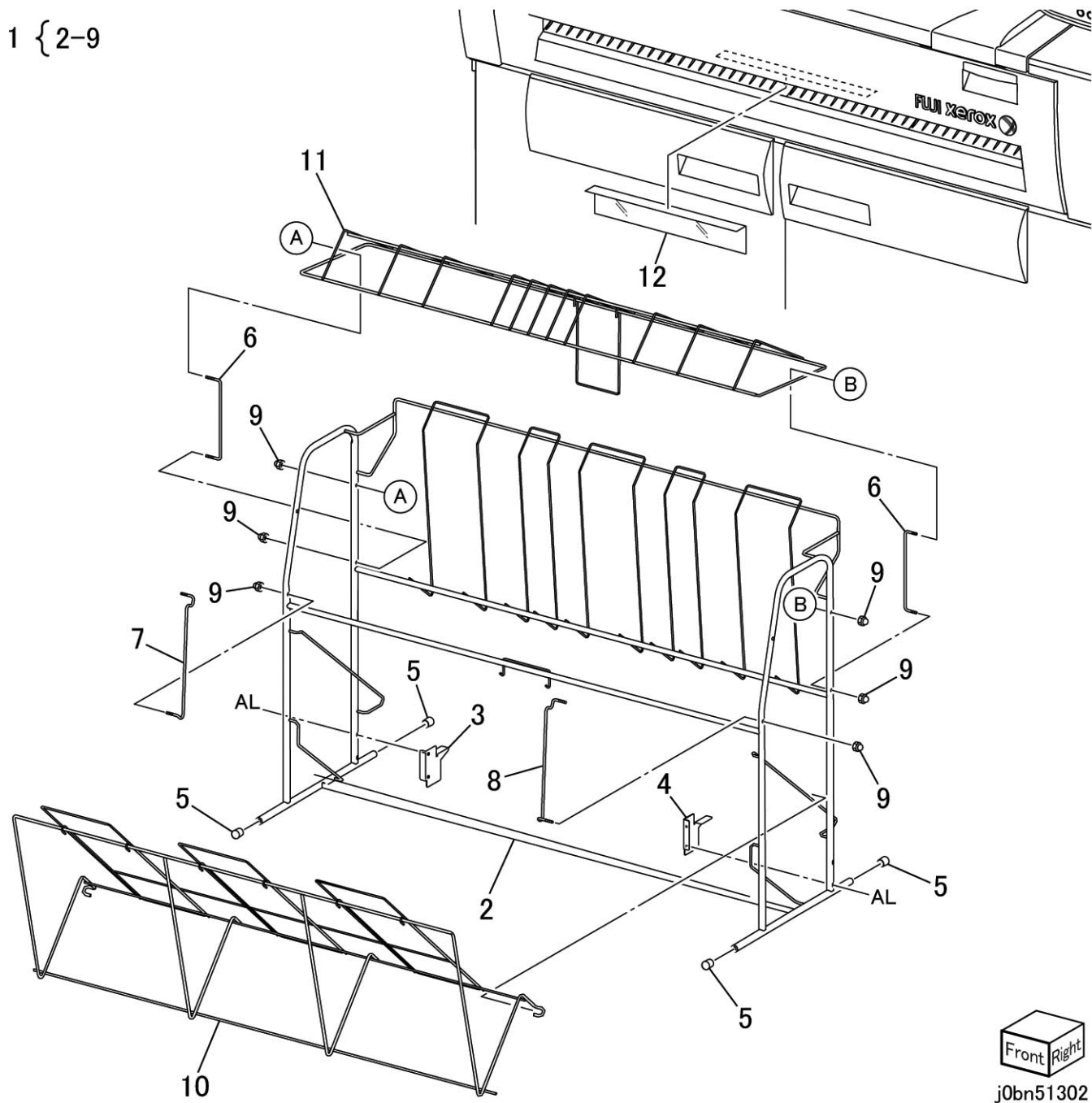
7 { 8-12



Right Rear  
j0bn51301

PL13.2 Print Catch Tray Assembly (Option)

1 {2-9



### 5.3 Screw Types

ITEM	PARTS No.	DESCRIPTION
AA	112W 28451	Pan Head Screw (M3x14)
AB	112W 35878	Screw (M4x8: White)
AC	112W 37188	Screw (M4x25: White)
AD	112W 50688	Screw (M6x16: White)
AE	113W 15588	Pan Head Screw (M2x5: White)
AF	113W 20478	Screw (M3x4: White)
AG	113W 20678	Screw (M3x6: White)
AH	113W 20878	Screw (M3x8: White)
AJ	113W 21478	Screw (M3x14: White)
AK	113W 21488	Pan Head Screw (M2.5x14: White)
AL	113W 21678	Screw (M3x16: White)
AM	113W 27488	Pan Head Screw (M3x4: White)
AN	113W 27688	Pan Head Screw (M3x6: White)
AP	113W 27888	Pan Head Screw (M3x8: White)
AQ	113W 35678	Screw (M4x6: White)
AR	113W 35878	Screw (M4x8: White)
AS	113W 36078	Screw (M4x10: White)
AT	113W 36278	Screw (M4x12: White)
AU	113W 36478	Screw (M4x14: White)
AV	113W 36678	Screw (M4x16: White)
AW	114W 27678	Tapping Screw (M3x6: White)
AX	141W 35651	Setscrew (M4x6)
AY	153W 15888	Tapping Screw (4x8: White)
AZ	153W 16288	Tapping Screw (4x12: White)
BA	153W 17888	Tapping Screw (3x8: White)
BB	153W 27678	Tapping Screw (3x6: White)
BC	158W 27678	Screw (M3x6: White)
BD	158W 27863	Screw (M3x8: Silver)
BE	158W 27878	Screw (M3x8: White)
BF	158W 35678	Screw (M4x6: White)
BG	158W 35878	Screw (M4x8: White)
BH	158W 36078	Screw (M4x10: White)

ITEM	PARTS No.	DESCRIPTION
BJ	158W 36678	Screw (M4x16: White)
BK	201W 21278	Nut (M3: White)
BL	201W 24278	Nut (M4: White)
BM	201W 29278	Nut (M8: White)
BN	220W 24378	Flange Nut (M4: White)
BP	220W 26278	Flange Nut (M5: White)
BQ	251W 15178	Washer (2: White)
BR	251W 27278	Washer (6: White)
BS	251W 29278	Washer (8: White)
BT	252W 27350	Nylon Washer (6) (t0.5)
BU	252W 29350	Nylon Washer (8) (t0.5)
BV	252W 29550	Nylon Washer (8) (t1.5)
BW	256W 24278	Spring Washer (4: White)
BX	256W 29278	Spring Washer (8: White)
BY	271W 21850	Dowel Pin (2.5x20)
BZ	271W 28050	Dowel Pin (3x10)
CA	285W 16251	Spring Pin (2x12)
CB	354W 13278	E-Clip (1.5: White)
CC	354W 15251	E-Clip (2)
CD	354W 15278	E-Clip (2: White)
CE	354W 21254	KL-Clip (3)
CF	354W 24254	KL-Clip (4)
CG	354W 24278	E-Clip (4: White)
CH	354W 26278	E-Clip (5: White)
CJ	354W 27254	KL-Clip (6)
CK	354W 27278	E-Clip (6: White)
CL	354W 29254	KL-Clip (8)
CM	354W 29278	E-Clip (8: White)
CN	354W 30278	E-Clip (9: White)
CP	354W 33278	E-Clip (12: White)
CQ	354W 21278	E-Clip (3: White)
CR	113W 35578	Screw (M4x5: White)
CS	113W 20688	Pan Head Screw (M2.5x6: White)

ITEM	PARTS No.	DESCRIPTION
CT	251W 26478	Washer (5: White)
CU	113W 28288	Pan Head Screw (M3x12: White)
CV	141W 35451	Setscrew (M4x4)
CW	153W 27878	Tapping Screw (M3x8: White)
CX	158W 36278	Tapping Screw (M4x12)
CY	113W 38278	Tapping Screw
CZ	113W 20698	Tapping Screw
DA	153W 28078	Tapping Screw (M3x10)
DB	251W 24278	Washer (4x9)
DC	153W 16088	Tapping Screw (M4x10)
DD	113W 35888	Screw (M4x8)
DE	113W 37478	Tapping Screw (M4x30)
DF	112W 36078	Tapping Screw (M4x10)
DG	158W 37178	Screw
AA	112W 28451	Pan Head Screw (M3x14)
AB	112W 35878	Screw (M4x8: White)
AC	112W 37188	Screw (M4x25: White)
AD	112W 50688	Screw (M6x16: White)
AE	113W 15588	Pan Head Screw (M2x5: White)
AF	113W 20478	Screw (M3x4: White)
AG	113W 20678	Screw (M3x6: White)
AH	113W 20878	Screw (M3x8: White)
AJ	113W 21478	Screw (M3x14: White)
AK	113W 21488	Pan Head Screw (M2.5x14: White)
AL	113W 21678	Screw (M3x16: White)
AM	113W 27488	Pan Head Screw (M3x4: White)
AN	113W 27688	Pan Head Screw (M3x6: White)
AP	113W 27888	Pan Head Screw (M3x8: White)
AQ	113W 35678	Screw (M4x6: White)
AR	113W 35878	Screw (M4x8: White)
AS	113W 36078	Screw (M4x10: White)
AT	113W 36278	Screw (M4x12: White)
AU	113W 36478	Screw (M4x14: White)

ITEM	PARTS No.	DESCRIPTION
AV	113W 36678	Screw (M4x16: White)
AW	114W 27678	Tapping Screw (M3x6: White)
AX	141W 35651	Setscrew (M4x6)
AY	153W 15888	Tapping Screw (4x8: White)
AZ	153W 16288	Tapping Screw (4x12: White)
BA	153W 17888	Tapping Screw (3x8: White)
BB	153W 27678	Tapping Screw (3x6: White)
BC	158W 27678	Screw (M3x6: White)
BD	158W 27863	Screw (M3x8: Silver)
BE	158W 27878	Screw (M3x8: White)
BF	158W 35678	Screw (M4x6: White)
BG	158W 35878	Screw (M4x8: White)
BH	158W 36078	Screw (M4x10: White)
BJ	158W 36678	Screw (M4x16: White)
BK	201W 21278	Nut (M3: White)
BL	201W 24278	Nut (M4: White)
BM	201W 29278	Nut (M8: White)
BN	220W 24378	Flange Nut (M4: White)
BP	220W 26278	Flange Nut (M5: White)
BQ	251W 15178	Washer (2: White)
BR	251W 27278	Washer (6: White)
BS	251W 29278	Washer (8: White)
BT	252W 27350	Nylon Washer (6) (t0.5)
BU	252W 29350	Nylon Washer (8) (t0.5)
BV	252W 29550	Nylon Washer (8) (t1.5)
BW	256W 24278	Spring Washer (4: White)
BX	256W 29278	Spring Washer (8: White)
BY	271W 21850	Dowel Pin (2.5x20)
BZ	271W 28050	Dowel Pin (3x10)
CA	285W 16251	Spring Pin (2x12)
CB	354W 13278	E-Clip (1.5: White)
CC	354W 15251	E-Clip (2)
CD	354W 15278	E-Clip (2: White)

ITEM	PARTS No.	DESCRIPTION
CE	354W 21254	KL-Clip (3)
CF	354W 24254	KL-Clip (4)
CG	354W 24278	E-Clip (4: White)
CH	354W 26278	E-Clip (5: White)
CJ	354W 27254	KL-Clip (6)
CK	354W 27278	E-Clip (6: White)
CL	354W 29254	KL-Clip (8)
CM	354W 29278	E-Clip (8: White)
CN	354W 30278	E-Clip (9: White)
CP	354W 33278	E-Clip (12: White)
CQ	354W 21278	E-Clip (3: White)
CR	113W 35578	Screw (M4x5: White)
CS	113W 20688	Pan Head Screw (M2.5x6: White)
CT	251W 26478	Washer (5: White)
CU	113W 28288	Pan Head Screw (M3x12: White)
CV	141W 35451	Setscrew (M4x4)
CW	153W 27878	Tapping Screw (M3x8: White)
CX	158W 36278	Tapping Screw (M4x12)
CY	113W 38278	Tapping Screw
CZ	113W 20698	Tapping Screw
DA	153W 28078	Tapping Screw (M3x10)
DB	251W 24278	Washer (4x9)
DC	153W 16088	Tapping Screw (M4x10)
DD	113W 35888	Screw (M4x8)
DE	113W 37478	Tapping Screw (M4x30)
DF	112W 36078	Tapping Screw (M4x10)
DG	158W 37178	Screw

#### 5.4 Other Area Codes

Adjustment	A.C.
IIT Vertical Reduce/Enlarge Adjustment	7711
IIT Document Length Adjustment	7714
IIT Lead Edge Registration Adjustment	7715
IIT Side Registration Adjustment	7716
CIS Joint Correction	7717
Roll Paper Fixed Cut Length Adjustment	7713
IOT Lead Edge Registration Adjustment	7718
IOT Side Registration Adjustment	7719
LPH Density Difference Fine Adjustment (Light Duty Adjustment)	7721
LPH Joint Fast Scan Direction Adjustment	7724
LPH Joint Slow Scan Direction Adjustment	7725
BCR AC	7760
BCR DC	7761
Deve Bias AC	7770
Deve Bias DC 1-5	7771
BTR Control Bias	7780
BTR Bias Between Papers	7781
BTR Transfer/A Zone/Plain Paper	7782
BTR Transfer/A Zone/Tracing Paper	7783
BTR Transfer/A Zone/Transparency	7784
BTR Transfer/B Zone/Plain Paper	7785
BTR Transfer/B Zone/Tracing Paper	7786
BTR Transfer/B Zone/Transparency	7787
BTR Transfer/C Zone/Plain Paper	7788
BTR Transfer/C Zone/Tracing Paper	7789
BTR Transfer/C Zone/Transparency	778A
DTS H1, H2/A Zone/Plain Paper	7790
DTS H1, H2/A Zone/Tracing Paper	7791
DTS H1, H2/A Zone/Transparency	7792
DTS H1, H2/B Zone/Plain Paper	7793
DTS H1, H2/B Zone/Tracing Paper	7794
DTS H1, H2/B Zone/Transparency	7795

Adjustment	A.C.
DTS H1, H2/C Zone/Plain Paper	7796
DTS H1, H2/C Zone/Tracing Paper	7797
DTS H1, H2/C Zone/Transparency	7798
DTS L1, L2/A Zone/Plain Paper	7799
DTS L1, L2/A Zone/Tracing Paper	779A
DTS L1, L2/A Zone/Transparency	779B
DTS L1, L2/B Zone/Plain Paper	779C
DTS L1, L2/B Zone/Tracing Paper	779D
DTS L1, L2/B Zone/Transparency	779E
DTS L1, L2/C Zone/Plain Paper	779F
DTS L1, L2/C Zone/Tracing Paper	779G
DTS L1, L2/C Zone/Transparency	779H
DTS INT A Zone/Plain Paper	779I
DTS INT A Zone/Tracing Paper	779J
DTS INT A Zone/Transparency	779K
DTS INT B Zone/Plain Paper	779L
DTS INT B Zone/Tracing Paper	779M
DTS INT B Zone/Transparency	779N
DTS INT C Zone/Plain Paper	779O
DTS INT C Zone/Tracing Paper	779P
DTS INT C Zone/Transparency	779Q

Paper	A.C.
Plain Paper (XEROX Paper)	5711
Recycled Paper (XEROX Paper)	5712
Application Paper	5713
Plain Paper (Non-standard)	5715
Recycled Paper (Non-standard)	5716
Tracing Paper	5717

Document	A.C.
Dirty/creased Document	5723
Paste-up Document	5724



<b>Document</b>	<b>A.C.</b>
Blue Text, Diazo Document	5725
Low Contrast Document	5726
Other Documents	5727

<b>Software</b>	<b>A.C.</b>
Firmware (including re-installation)	7020
Application	7030

<b>Accessory Related</b>	<b>A.C.</b>
Accessory Related	80AA

<b>Network</b>	<b>A.C.</b>
External Network	9030

<b>Operator (used when the area cannot be specified)</b>	<b>A.C.</b>
Corrective Action Failure (Within User Guide)	9051
Corrective Action Failure (Out of User Guide)	9052
Operation Failure (Within User Guide)	9053
Operation Failure (Out of User Guide)	9054

Intentionally Blank

# Chapter 6 General



## Table of Contents

6.1 Specifications.....	3
6.1.1 Product Name/Product Code/FWSS Code/Serial No. ....	3
6.1.1.1 DocuWide 3035 Main Unit/Kit .....	3
6.1.1.2 Options.....	3
6.1.2 Machine Size and Weight .....	4
6.1.3 Installation Space.....	4
6.1.4 Electrical Specifications .....	4
6.1.5 Installation Environment .....	5
6.1.6 Function/Operation Specifications .....	5
6.1.7 CP-Cont Specifications .....	9
6.1.8 Paper .....	10
6.2 Tools/Service Consumables/Consumables/Modifications.....	12
6.2.1 Tools .....	12
6.2.2 Service Consumables.....	12
6.2.3 Consumables.....	12
6.2.4 Modification (FX Only) .....	13
6.2.4.1 Explanation of Symbols.....	13
6.2.4.2 Modification .....	13
6.3 Service Data .....	14
6.3.1 DC131 NVM LIST .....	14
6.3.2 DC330 Component Code List.....	70
6.4 Service Mode.....	79
6.4.1 How to Use the Service Mode .....	79
6.4.2 How to Enter and Exit the CE Mode .....	79
6.4.2.1 How to Enter the CE Mode.....	79
6.4.2.2 How to Exit the CE Mode .....	80
6.4.3 CE Mode Functions and Operation Procedures .....	80
6.4.3.1 Test Copy .....	80
6.4.3.2 Printing the HDD Built-in Patterns .....	81
6.4.4 How to Enter and Exit the Diag Mode.....	82
6.4.4.1 How to Enter the Diag Mode .....	82
6.4.4.2 How to Exit the Diag Mode.....	84
6.4.5 Diag Code Functions and Operation Procedures .....	85
6.5 IIT PC-Diag.....	101
6.5.1 IIT PC-Diag Operating Environment.....	101
6.5.2 IIT PC-Diag Installation .....	101
6.5.3 Driver Installation .....	102
6.5.4 IIT PC-Diag Operation Procedure Overview .....	107
6.5.5 Main Menu and IIT Diag Menu Functions and Operation Procedures .....	110
6.5.5.1 Main Menu.....	110
6.5.5.2 IIT Diag Menu .....	112
6.5.6 Diag Code Functions and Operation Procedures.....	116
6.6 Firmware Update .....	140
6.7 System Settings (Detailed Settings) List .....	145



## 6.1 Specifications

### 6.1.1 Product Name/Product Code/FWSS Code/Serial No.

#### 6.1.1.1 DocuWide 3035 Main Unit/Kit

Product Name	Product Code	FWSS Code	Serial No.	Destination Markets		
				FX	AP	GCO
DocuWide 3035 MF	NB100064	WF6705	100001~	O	-	-
DocuWide 3035 MF AP	TB100074	-	300001~	-	O	-
DocuWide 3035 MF GCO	TB100073	-	200001~	-	-	O

#### <Kit>

Product Name	Product Code	Remarks	Destination Markets		
			FX	AP	GCO
WF6705 Kit-JPN	EB100387	Kit containing DVD-ROM, Utility Guide, DocuWide 3035 MF Quick Guide, and DocuWide 3035 MF User Guide	O	-	-
WF6705 Kit-ENG	EB100396	Kit containing DVD-ROM, Utility Guide, and Safety Guide	-	O	O

#### 6.1.1.2 Options

**Note** For the related optional products, refer to [Chapter 8 Accessories].

#### <HW Options>

Product Name	Product Code	Remarks	Destination Markets		
			FX	AP	GCO
Add System Memory (512 MB)	EB100297	Expansion System Memory for CP-Font 512 MB By adding this, the copy/print length output can go up to 15 m.	O	O	O
Paper Roll Shaft	EB100302	Spare Roll Shaft	O	O	O
Print Catch Tray	EB100380	Wire type Paper Tray	O	O	O
Color Board & Page Memory for IIT	EB100381	Color Board and Page Memory for IIT	O	O	O
Scanner Catch Tray	EB100382	Wire type Document Tray	O	O	O
Heavy Document Kit	EB100383	Upper Document Transport for heavy documents.	O	O	O
Attention Light	WF82		O	-	-

Product Name	Product Code	Remarks	Destination Markets		
			FX	AP	GCO
Attention Light Connection Harness	EB100219	An internal wiring harness for connecting the Attention Light.	O	-	-
Document Carrier (Coating Type A0)	CWAA0839	For apparel (Size A0)	O	-	-
Document Carrier (Coating Type A1)	CWAA0840	For apparel (Size A1)	O	-	-

#### <SW Key Options>

Product Name	Product Code	Remarks	Destination Markets		
			FX	AP	GCO
PS/PDF	EB100385	PS/PDF option	O	-	-
Security Key	EB100386	Data Security option	O	-	-
Speed up Key AP	EB100390	Speed up option	-	O	-
Speed up Key GCO	EB100391	Speed up option	-	-	O
PS/PDF AP	EB100392	PS/PDF option	-	O	-
PS/PDF GCO	EB100393	PS/PDF option	-	-	O
CGM AP	EB100394	CGM option	-	O	-
CGM GCO	EB100395	CGM option	-	-	O

#### <Manual>

Product Name	Product Code	Remarks	Destination Markets		
			FX	AP	GCO
DocuWide 3035 MF Quick Guide	EB100388	Physical Manual for additional sale	O	-	-
DocuWide 3035 MF User Guide	EB100389	Physical Manual for additional sale	O	-	-
DocuWide 3035 MF Quick Guide-ENG	EB100398	Physical Manual for additional sale	-	O	-
DocuWide 3035 MF User Guide-ENG	EB100399	Physical Manual for additional sale	-	O	-
DocuWide 3035 MF Quick Guide-SC	EB100400	Physical Manual for additional sale	-	-	O
DocuWide 3035 MF User Guide-SC	EB100401	Physical Manual for additional sale	-	-	O

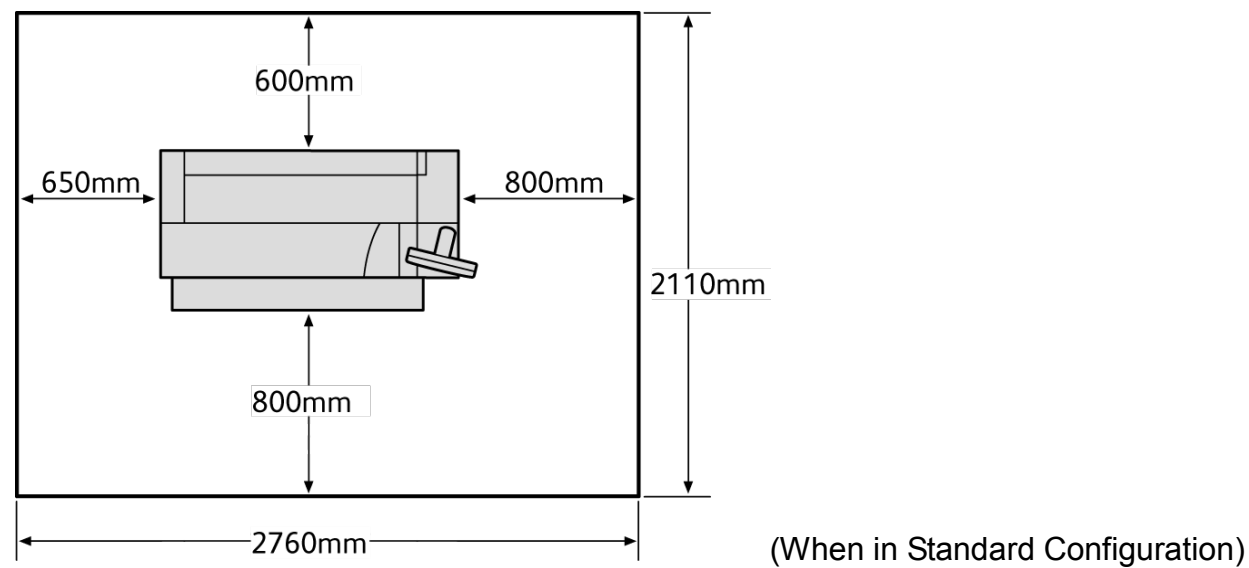
<Other Options>

Product Name	Product Code	Remarks	Destination Markets
PWRCORD (AUS/NZL)	ED200145	Power Cord	FXA, FXNZ
PWRCORD (SIN/MAS/HKG)	ED200146	Power Cord	FXM, FXHK, FXS
PWRCORD (INA/VIE)	ED200147	Power Cord	AG, ICO
PWRCORD (PHI)	ED200148	Power Cord	FXP
PWRCORD (KOR)	ED200168	Power Cord	FXK
Power Cord for THFX	EL200915	Power Cord	THFX
CABLE-PWR-AP-KR-CHINA	EL200600	Power Cord	FXCL
CABLE-PWR-AP-TAWAN	EL200601	Power Cord	TFX

6.1.2 Machine Size and Weight

- Machine Size  
 Width 1,410 x Depth 710 x Height 1,420 mm (including the UI Panel)  
 Width 1,310 x Depth 710 x Height 1,160 mm (excluding the UI Panel)  
Note When the Scanner Catch Tray (option) is installed, the Depth will be 1,510 mm.
- Weight  
 260 kg (excluding Toner and Paper)

6.1.3 Installation Space



6.1.4 Electrical Specifications

- Power Supply

	FX	AP/GCO
Voltage	AC 100V +/-10%	AC 220 to 240 +6/-10%
Frequency	50Hz +/- 2% or 60Hz +/- 2% (usable with both 50Hz and 60Hz)	
Phase	Two-wire line single phase with earthing	

- Operating Current

	FX	AP/GCO
At Copying/Printing	15A and below (AC 100V)	10A and below (AC 220 to 240V)

- Power Consumption

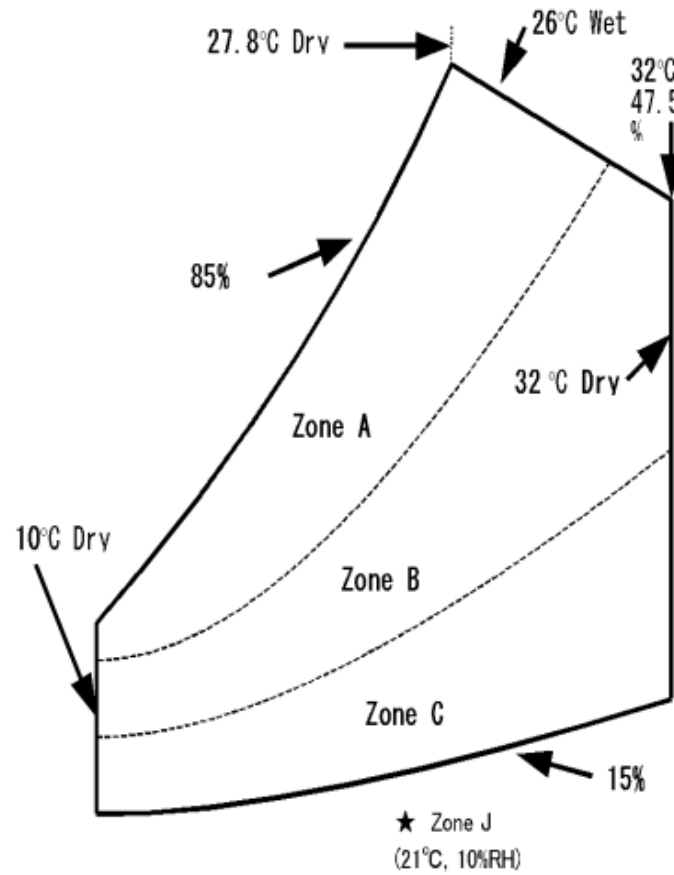
	FX	AP/GCO
Max	1.5 kW (AC 100V)	2.4 kW (AC 240V)
Sleep Mode	13 W	13 W



### 6.1.5 Installation Environment

- Temperature  
10 to 32 degrees C
- Humidity  
15 to 85% (No condensation)

**Note** Keep the humidity at 47.5% or lower when the temperature is 32 degrees C;  
Keep temperature at 27.8 degrees C or lower when the humidity is 85%.



### 6.1.6 Function/Operation Specifications

#### <Main Specifications>

- Format  
Console Type
- Resolution  
Input Resolution: 600 x 600 dpi RGB color (256 gradation per color)  
Output Resolution: 600 x 600 dpi Monochrome Binary
- Photoreceptor Type  
OPC Drum
- Duplication Method  
Electrophotography
- Development Method  
Dry type (single component) development
- Fusing Method  
Heat Roll pressure method
- Warm Up Time  
145 seconds or faster (FX), 135 seconds or faster (AP/GCO)  
(Environment with temperature 22 degrees C, Humidity 55% RH, Power Consumption 100V (FX)/220V (AP/GCO), from the time the power is turned ON until the machine is in Ready state)
- Feed Method  
2 Level Roll Paper Supply  
JIS/ISO A series : A0, A1, A2, A3  
JIS B series : B1, B2, B3  
ISO B series : B1, B2, B3  
Special A series : Special A0 (880 mm/860 mm), Special A1 (625 mm/620 mm),  
Special A2 (440 mm/435 mm), Special A3 (310 mm)  
ANSI series : E (34"), D (22"), C (17"), B (11")  
Arch series : E (36"), D (24"), C (18"), B (12")  
Arch 2 series : E (30"), D (24"), C (15"), B (12")  
Bypass Tray  
JIS/ISO A series : A0, A1, A2, A3, A4  
JIS B series : B1, B2, B3, B4  
ISO B series : B1, B2, B3, B4  
Special A series : Special A0 (880 mm/860 mm), Special A1 (625 mm/620 mm),  
Special A2 (440 mm/435 mm), Special A3 (310 mm), A4

ANSI series : E (34"), D (22"), C (17"), B (11"), A (8.5")

Arch series : E (36"), D (24"), C (18"), B (12"), A (9")

Arch 2 series : E (30"), D (24"), C (15"), B (12"), A (9")

- Roll Paper Cutting Method

Fixed Cut, Synchronized Cut, Variable Length Cut

- RFC Cut Length Precision

Paper Dimensions	Cut Length Precision	
	Fixed Cut/Variable Length Cut	Synchro Cut
Shorter than 610 mm	Within +/- 2 mm	Within +/- 3 mm (The deviation among multiple copies is within +/-2 mm)
610 mm or more, less than 1220 mm	Within +/- 3 mm	Within +/- 4 mm (The deviation among multiple copies is within +/-3 mm)
1,220 mm or longer	Not defined	Not defined

- RFC Cut Perpendicularity

Paper Dimensions	Cut Perpendicularity
Shorter than 1,220 mm	0.25% of Paper Width or smaller However, for A3 SEF or smaller, follow A2 SEF.
1,220 mm or longer	Not defined

- Image Omission Width

Roll Paper: External diameter of 100 mm or longer: 5 mm or shorter at Lead Edge, 5 mm or shorter at Tail Edge, and 5 mm or shorter at Left & Right

External diameter of shorter than 100 mm: 8 mm or shorter at Lead Edge, 8 mm or shorter at Tail Edge, and 5 mm or shorter at Left & Right

Cut Paper: 5 mm or shorter at Lead Edge, 5 mm or shorter at Tail Edge, and 5 mm or shorter at Left & Right

- Continuous Copy Speed

When continuous copy is performed from one page of document, the following number of subsequent copies will be output in 1 minute. (In an environment with temperature of 22 degrees C/humidity of 55% RH)

Size	3-sheet machine		2-sheet machine (AP/GCO only)	
	Vertical Feed (SEF)	Horizontal Feed (LEF)	Vertical Feed (SEF)	Horizontal Feed (LEF)
A0	2.7 sheets or more	-	2.1 sheets or more	-

Size	3-sheet machine		2-sheet machine (AP/GCO only)	
	Vertical Feed (SEF)	Horizontal Feed (LEF)	Vertical Feed (SEF)	Horizontal Feed (LEF)
A1	3.7 sheets or more	5.0 sheets or more	2.8 sheets or more	4.1 sheets or more
A2	5.0 sheets or more	6.7 sheets or more	4.1 sheets or more	5.1 sheets or more
A3	6.7 sheets or more	8.7 sheets or more	5.1 sheets or more	6.9 sheets or more
A4	-	11.0 sheets or more	-	8.8 sheets or more

### <Copy Specifications>

- Document Platen Method

By document movement

- Document Size

Width: 176 to 914.4 mm

Length: 210 to 15,000 mm

- Document Thickness

At Forward Output (when U-turn Guide is installed): 0.05 to 0.2 mm

At Backward Output: 0.05 to 1 mm

(by installing the Heavy Document Kit (option), document with thickness of 1 to 5 mm can be supported)

- Scan Resolution

600 x 600 dpi

- Scan Speed

4 ips (101.6 mm/s), 2 ips (50.8 mm/s)

At Density/Saturation Adjustment by Color - 1.33 ips (33.8 mm/s)

**Note** The Density/Saturation Adjustment by Color requires the Color Board & Page Memory for IIT (option).

- Copy Size

Width: 210 to 914.4 mm

Length: 210 to 5,000 mm (Plain Paper), 210 to 2,500 mm (Tracing Paper/Transparency)

The maximum output length for Copy at Long Paper Support (with no limiter) depends on the Paper Width and the installed CP-Cont memory capacity as shown in the following table.

**Note** For the following table, it is the same even when the PS/PDF option is installed.

**Note** For Tracing Paper and Transparency, these become 2.5 m.

Memory Capacity Paper Width	1 GB (Standard)	1.5 GB (Standard + 512MB)
36"	8.42 m	15.00 m
24"	12.62 m	15.00 m
18"	15.00 m	15.00 m
12"	15.00 m	15.00 m
34"	8.91 m	15.00 m
22"	13.77 m	15.00 m
17"	15.00 m	15.00 m
11"	15.00 m	15.00 m
30"	10.10 m	15.00 m
15"	15.00 m	15.00 m
A0	9.15 m	15.00 m
A1	12.96 m	15.00 m
A2	15.00 m	15.00 m
A3	15.00 m	15.00 m
Special A0 (880 mm)	8.74 m	15.00 m
Special A0 (860 mm)	8.95 m	15.00 m
Special A1 (625 mm)	12.31 m	15.00 m
Special A1 (620 mm)	12.41 m	15.00 m
Special A2 (440 mm)	15.00 m	15.00 m
Special A2 (435 mm)	15.00 m	15.00 m

- Continuous Copy No. of Sheets  
99 sheets
- First Copy Output Time (FCOT)  
35 s or faster  
(Under the condition of: A0 document, 100% magnification, Roll 1/Plain)
- Copy Reduce/Enlarge Accuracy
  - 1) In B Zone or air-conditioned environment
    - 49.9% or lower : +/-1.0%
    - 50.0 to 70.6% : +/-0.6%
    - 70.7 to 200.0% : +/-0.4%
    - 200.1% or higher : +/-1.0%
  - 2) Under all environmental conditions indicated in [6.1.5 Installation Environment]
    - 49.9% or lower : +/-1.6%
    - 50.0 to 200.0% : +/-0.8%
    - 200.1% or higher : +/-1.6%
- Copy Alignment  
Lead Edge Registration

Roll Paper : Within +/- 3.0 mm  
Bypass : Within +/- 3.0 mm

Side Registration

The deviation among multiple copies is within +/-1.5 mm (except for Bypass Feed)  
However, this does not include the 2nd sheet that comes directly after the loaded paper.

Skew

When the document is inserted correctly along the document guide, it is within +/- 1.5 mm for length of 200 mm (except for Bypass Feed)

**<Print Specifications>**

- Print Size  
Same as Copy Size
- Continuous Print No. of Sheets  
99 sheets
- First Print Output Time (FPOT)  
40 s or faster  
(Under the condition of: 100 Base-TX LAN connection, A0 size, HP-GL/2, 1.28 MB data output via FTP, Roll 1/Plain Paper)
- Print Reduce/Enlarge Accuracy
  - 1) In B Zone or air-conditioned environment  
Within +/- 0.4%
  - 2) Under all environmental conditions indicated in [6.1.5 Installation Environment]  
Within +/- 0.8%
- Print Alignment  
Lead Edge Registration
  - Roll Paper : Within +/- 2.0 mm
  - Bypass : Within +/- 3.0 mm
- Side Registration  
The deviation among multiple copies is within +/-1.5 mm (except for Bypass Feed)  
However, this does not include the 2nd sheet that comes directly after the loaded paper.
- Skew  
Within +/-1.0 mm for Length of 200 mm  
However, it is within +/- 1.2 mm for A4 (LEF)/8.5"x11" (LEF)/9"x12" (LEF) (except for Bypass Feed)

- Data Format
  - HP-GL System : HP-GL, HP-GL/2, HP-RTL, (HP Designjet 1050c compliant)
  - VERSATEC System : VRF, VCGL, FXMMR
  - TIFF/JFIF (JPEG) System: TIFF Version 6.0 compliant, JFIF (JPEG) Version 1.02 compliant
  - CALS System : CALS Type 1
  - PS/PDF System (optional): PostScript 3, PDF Version 1.7
  - CGM System (optional) : CGM Version 1 compliant (not supported in FX)

- Logical Printer

Logical Printer Name	Logical Printer Number	Supported Data Format
PLT00H ~ PLT99H	100	HP-GL, HP-GL/2, HP-RTL
PLT00V ~ PLT99V	100	VRF, VCGL, FX-MMR
PLT00T ~ PLT99T	100	TIFF, JFIF (JPEG)
PLT00C ~ PLT99C	100	CALS
PLT00A ~ PLT99A	100	PS/PDF (optional)
PLT00M ~ PLT99M	100	CGM (optional) (not supported in FX)

### <Scan Specifications>

- Scan Resolution
  - 600 x 600 dpi, 400 x 400 dpi, 300 x 300 dpi, 200 x 200 dpi, 150 x 150 dpi
- Scan Gradation
  - Full Color, Grayscale (256 gradation), Halftone, Black & White
- Note** The Full Color and Grayscale (256 gradation) requires the Color Board & Page Memory for IIT (option).
- Scan Speed
  - Monochrome/Gray Scan (300 dpi and lower)
    - 8 ips (203.2 mm/s), 4 ips (101.6 mm/s), 2 ips (50.8 mm/s)
    - At Density/Saturation Adjustment by Color - 2.66 ips (67.6 mm/s) and 1.33 ips (33.8 mm/s)
  - Monochrome/Gray Scan (400 dpi and higher)
    - 4 ips (101.6 mm/s), 2 ips (50.8 mm/s)
    - At Density/Saturation Adjustment by Color - 1.33 ips (33.8 mm/s)
  - Color Scan (300 dpi and lower)
    - 2.66 ips (67.6 mm/s), 1.33 ips (33.8 mm/s)
    - At Density/Saturation Adjustment by Color - 2.66 ips (67.6 mm/s), 1.33 ips (33.8 mm/s)
  - Color Scan (400 dpi and higher)
    - 1.33 ips (33.8 mm/s)
    - At Density/Saturation Adjustment by Color - 1.33 ips (33.8 mm/s)

**Note** The Density/Saturation Adjustment by Color requires the Color Board & Page Memory for IIT (option).

- Scan Size

Width: 176 to 914.4 mm

Length: 210 to 15,000 mm (Monochrome), 210 to 7,500 mm (Color)

However, the Scan Width/Height is restricted by the Color, Format, and Resolution.

#### Monochrome Binary

Format	Data Size	Width/Height (mm) restriction for each resolution				
		600 dpi	400 dpi	300 dpi	200 dpi	150 dpi
TIFF/PDF	~2 GB*2	Same as the Copy Scan Length Restriction	~15,000			
XDW*1	~1 GB*3	~2,774	~4,161	~5,548	~6,250	~6,250

#### Grayscale

Format	Data Size	Width/Height (mm) restriction for each resolution				
		600 dpi	400 dpi	300 dpi	200 dpi	150 dpi
TIFF/PDF/JFIF	~2 GB*2	~2,772	~4,159	~5,545	~8,318	~11,091
XDW*1	~50MB*3	~2,772	~4,159	~5,545	~6,250	~6,250

#### Color

Format	Data Size	Width/Height (mm) restriction for each resolution				
		600 dpi	400 dpi	300 dpi	200 dpi	150 dpi
TIFF/PDF/JFIF	~2 GB*2	~2,772	~4,159	~5,545	~7,500	~7,500
XDW*1	~50MB*3	~2,772	~4,159	~5,545	~6,250	~6,250

\*1: For the XDW format, when the document length (vertical/horizontal) has exceeded the range of 30 to 500 mm, it will be reduced (by changing its resolution) until it falls within the range. (There will be no loss in image quality)

\*2: The TIFF/PDF/JFIF data capacity is the restriction on the amount of image data that can be processed into the formats.

\*3: The XDW data capacity is the restriction on the amount of image data that can be handled by DocuWorks V6.

- Scan Reduce/Enlarge Accuracy

1) In B Zone or air-conditioned environment

49.9% or lower : +/-0.71%

50.0 to 70.6% : +/-0.42%

70.7 to 200.0% : +/-0.35%

200.1% or higher : +/-0.71%

2) Under all environmental conditions indicated in [6.1.5 Installation Environment]

49.9% or lower : +/-1.13%

50.0 to 200.0% : +/-0.70%

200.1% or higher : +/-1.13%

• Scan Alignment

Lead Registration

Within +/- 1.5 mm

(The Skew in Lead Edge Registration when in an air-conditioned environment, the document is loaded correctly, and at 100% magnification)

Side Registration

Within +/- 1.5 mm

(The Skew in Side Registration when in an air-conditioned environment, the document is loaded correctly, and at 100% magnification)

Skew

Within +/- 1.5 mm for Feed Length of 200 mm

(The Skew amount when in an air-conditioned environment, at 100% magnification, and the document is loaded correctly)

• Output Format

Format: TIFF, PDF, XDW, JFIF (JPEG)

Compression Format: MMR (Monochrome), JPEG (Grayscale/Color)

### 6.1.7 CP-Cont Specifications

• CPU

Pentium M 2 GHz or equivalent

• Memory

DDR2 DIMM Slot x2

Standard: 1 GB, Max: 1.5 GB (1 GB + 512MB)

• HDD

S-ATA HDD x1

• Interface

Ethernet : 10 Mbps/100 Mbps/1000 Mbps (Auto Switching) x1

USB2.0 : For IIT connection x1  
For IOT connection x1

UI I/F : For UI Panel connection x1

RS422 : For EPA I/F connection x1

• Applications and the Ports they use

	LPD	SMB	SNMP	FTP	HTTP	SOAP	WebDAV
BT-PlotAssistant	-	-	-	○	-	-	-
BT2DH Converter	-	-	-	○	-	-	-
Print Driver (TIFF/PS)	○	-	○	-	-	-	-
Network Scan Utility 3	-	-	○	-	-	○	○
Mailbox Viewer 3	-	-	○	-	-	○	○
Document Monitor	-	-	○	-	-	-	-
Color Copy Assistant (At print output)	○	-	-	-	-	-	-
Scan to PC * Including the Scan to PC using Multi-send	-	○	-	-	-	-	-
CentreWare Internet Services	-	-	-	-	○	-	-
ApeosWare Management Suite	-	-	○	-	-	○	-
MacPPD	○	-	-	-	-	-	-

### 6.1.8 Paper

- Type

Roll Paper Supply : Plain, Tracing Paper, Transparency

Bypass : Plain, Tracing Paper, Transparency

- Weight

Roll Paper Supply

Plain : 64 to 81.4 gsm (FX), 60 to 110 gsm (AP/GCO)

Tracing paper : 55 to 85 gsm (FX), 90 to 112 gsm (AP/GCO)

Transparency : 90 Micro-m (FX), 75 to 100 Micro-m (AP/GCO)

Bypass

Plain : 64 to 78 gsm (FX), 60 to 110 gsm (AP/GCO)

Tracing paper : 55 to 85 gsm (FX), 90 to 112 gsm (AP/GCO)

Transparency : 90 Micro-m (FX), 75 to 100 Micro-m (AP/GCO)

- Size

Roll Paper Supply

Width: 279.4 to 914.4 mm

Roll External Diameter: 185 mm or shorter

Bypass

Width: 210 to 914.4 mm

Length: 210 to 2,000 mm

The categories for media type, standard paper, recommended paper, and feedable paper is as follows.

**Note** Feedable paper refers to paper that can be fed, but the image quality and feed performance is not guaranteed.

<FX>

Type	Paper Type	Paper Name	Size	Weight (g/m <sup>2</sup> )	Thickness (Micro-m)	Standard Paper (A)	Standard Paper (B)	Recommended Paper	Feedable Paper
Roll Paper	Plain	E Paper	A0 to A3	64	81	R			
		G70	A0 to A3	67	94			R	
	Tracing paper	SX55	A0 to A3	55	58				R
		GX65	A1, A3	65	60				R
		GX75	A0 to A3	75	68			R	
	Transparency	GX85	A0 to A3	85	75				R
		PF90	A1 to A3	-	75			R	
Cut Paper	Plain	P Paper (Heavyweight)	A2 to A4	78	101				M
		P Paper	A3, A4	64	88		M		
		G70	A2 to A4	67	94			M	
		E Paper	A1, A2	64	81		M		
	Tracing paper	SX55	A1 to A4	55	58				M
		GX65	A2 to A4	65	60				M
		GX75	A1 to A4	75	68			M	
		GX85	A1 to A4	85	75				M
	Transparency	PF90	A1 to A4	-	75			M	

R: Applicable for RFC, M: Applicable for Bypass Tray (Manual)

<API/GCO>

Type	Paper Type	Paper Name	Size	Weight (g/m <sup>2</sup> )	Thickness (Micro-m)	Standard Paper (A)	Standard Paper (B)	Recommended Paper	Feedable Paper
Roll Paper	Plain	Premium	A0 to A2, 36"	75	102	R			
		Performance	A0, A2, A3	75	96			R	
		Xcellent 80	A3, 440, 620, 880	80				R	
	Tracing paper	Premium Tracing 90	A0 to A2, 36", 620	90	75			R	
		Premium Tracing 112	A0 to A2, 36", 620	112	89				R
		Gateway 73	A3, 440, 620, 880	73				R	
	Transparency	Premium Translucent 75	A0 to A1		75			R	
Premium Translucent 100		A0 to A3		100			R		
Cut Paper	Plain	Premium	A0 to A2	75	102		M		
	Tracing paper	Premium Tracing 90	A1 to A4	90	75			M	
		Premium Tracing 112	A0 to A2	112	89				M
	Transparency	Premium Translucent 75	A3		75			M	
		Premium Translucent 100	A1		100			M	

R: Applicable for RFC, M: Applicable for Bypass Tray (Manual)

## 6.2 Tools/Service Consumables/Consumables/Modifications

### 6.2.1 Tools

	Tool No.	Description
1	499T 00286	TEST PATTERN A1
2	499T 00301	SCREW DRIVER (-) 3 x 50
3	499T 00302	SCREW DRIVER (-) 6 x 100
4	499T 00351	SCREW DRIVER (-) No.1
5	499T 00353	STUBBY DRIVER (+)
6	499T 00355	SCREW DRIVER (+) WITH MAGNET
7	499T 01015	HEX KEY SET (mm size)
8	499T 01423	BOX DRIVER (5.5 mm)
9	499T 01426	LONG BIT DRIVER
10	499T 01804	ADJUSTABLE SPANNER
11	499T 01901	SIDE CUTTING NIPPER
12	499T 02005	ROUND NOSE PLIER
13	499T 02324	DIGITAL MULTIMETER SET
14	499T 02601	SILVER SCALE (150 mm)
15	499T 02701	THICKNESS GAUGE SET
16	499T 05503	PIN EXTRACTION (2.56: AMP)
17	499T 06402	MAGNETIC SCREW PICK UP
18	499T 07004	CHART HOLDER (ROUND) A1
19	499T 08108	FLASH LIGHT
20	499T 08902	BRUSH

### 6.2.2 Service Consumables

There are no WF6705-specific service consumables.

### 6.2.3 Consumables

Product Name	Product Code	Remarks
Drum	CT100063	
Toner	CT200647	
Toner Waste Bottle	CWAA0608	



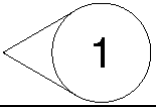
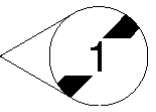
## 6.2.4 Modification (FX Only)

### 6.2.4.1 Explanation of Symbols

Modifications that cause the machine to differ from the original specifications will be indicated with following symbols or codes.

[Models with 1V]: Indicates the Code applies to machines that have undergone the 1V modification.

[Models without 1V]: Indicates the Code applies to machines that have not undergone the 1V modification.

Symbol	Description
	This symbol indicates the configuration of the part after a modification with the number shown in the symbol is introduced.
	This symbol indicates the configuration of the part before a modification with the number shown in the symbol is introduced.

### 6.2.4.2 Modification

V Code	Titles and Overview	Product Code	Remarks

V Code	Titles and Overview	Product Code	Remarks

## 6.3 Service Data

### 6.3.1 DC131 NVM LIST

#### <IIT>

**Note** When entering the values for DC131 from the UI Panel, it can only be done using decimals. The entry from IIT PC-Diag can be done using both decimals and hexadecimals. h' means hexadecimal.

#### **IIT System Data**

Chain-Link	Item Name	Default Value	Setting Range	Contents	Remarks
710-000	IIT/IPS Device Configuration	h'0701	h'0701: WF6705	Sets IIT system configuration.	This cannot be changed.
710-002	Destination Markets	h'00	h'00: FX/AP/GCO	Sets destination information.	This cannot be changed.
710-016	Specify Page Memory Installation	h'02	h'01: Not installed h'02: Always auto detect	Specifies the installation judgment for the Page Memory option. When specified as not installed, the machine will operate as if the option is not installed even if it is installed.	Can be used for specifying the availability of Page Memory.
710-018	Specify Color Board Installation	h'02	h'01: Not installed h'02: Always auto detect	Specifies the installation judgment for the Color option. When specified as not installed, the machine will operate as if the option is not installed even if it is installed.	Can be used for specifying the availability of Color Scan.
710-020	Specify HOST USB I/F Installation	h'02	h'01: Not installed h'02: Always auto detect	Specifies the installation judgment for the HOST USB I/F option. When specified as not installed, the machine will operate as if the option is not installed even if it is installed.	Can be used for specifying the availability of HOST USB I/F.
710-030	Scan Limit Double Length Specification	h'01	h'01: Double Length Mode Not Allowed	Specify whether or not to allow the Double Length Mode for Scan Limit Length.	This cannot be changed.
710-032	Main Motor 1 - Pulse Feed Amount	41395 (= 0.041395 mm)	40567 - 42223: 0.040567 - 0.042223 mm	Sets the 1-pulse feed amount of the main motor. Used during enlargement/reduction by document feed and document length measurement.	The factory default is the value after the adjustment.
710-034	Top Registration Adjustment Value	0	-141 pulse to +141 pulse (For hexadecimal input, the negative setting is 2's complement)	Sets the top (Lead Edge) Registration Adjustment Value. The adjustment range is approx. +/- 6.0 mm.	The factory default is the value after the adjustment.
710-036	Side Registration Adjustment Value	0	-144 dot to +144 dot (For hexadecimal input, the negative setting is 2's complement)	Sets the Side Registration Adjustment Value. The adjustment range is approx. +/- 6.1 mm.	The factory default is the value after the adjustment.
710-038	Registration Sensor Detection Range	0	0 pulse to 255 pulse	Specifies the detection range of registration sensors. This value and the Lead Edge Registration Adjustment Value determine the Tail Edge Registration Adjustment Value.	The factory default is the value after the adjustment.
710-039	CIS Rank	h'00	h'00: Rank not specified h'01: Rank A h'02: Rank B h'03: Rank C h'04: Rank D	Sets the CIS Rank.	The factory default is the Rank value of the CIS that is installed.

Chain-Link	Item Name	Default Value	Setting Range	Contents	Remarks
710-051	Serial Number (10th digit: 1000000000 digits)	h'30 (= '0')	h'30 to h'39: '0' to '9' in ASCII data	Sets the 10th digit of the serial number in ASCII data.	The applicable serial number is set as the factory default.
710-052	Serial Number (9th digit: 100000000 digits)			Sets the 9th digit of the serial number in ASCII data.	
710-053	Serial Number (8th digit: 10000000 digits)			Sets the 8th digit of the serial number in ASCII data.	
710-054	Serial Number (7th digit: 1000000 digits)			Sets the 7th digit of the serial number in ASCII data.	
710-055	Serial Number (6th digit: 100000 digits)			Sets the 6th digit of the serial number in ASCII data.	
710-056	Serial Number (5th digit: 10000 digits)			Sets the 5th digit of the serial number in ASCII data.	
710-057	Serial Number (4th digit: 1000 digits)			Sets the 4th digit of the serial number in ASCII data.	
710-058	Serial Number (3rd digit: 100 digits)			Sets the 3rd digit of the serial number in ASCII data.	
710-059	Serial Number (2nd digit: 10 digits)			Sets the 2nd digit of the serial number in ASCII data.	
710-060	Serial Number (1st digit: 1 digit)			Sets the 1st digit of the serial number in ASCII data.	
710-068	Image Sensor Output Interpolation Operation			h'01	
710-069	Image Sensor Joint Correction Settings	h'14 (= linear interpolation, 128 pixels)	Upper 4 bit: Interpolation Table Settings 0: No table settings process 1: Specify linear interpolation table Lower 4 bit: Interpolation Pixel Count Settings 0: No joint correction 1 to 4: Interpolation pixel count (x32 dots)	Sets the correction for the joint between image sensors. The Upper 4 bit specifies the selection in the 32 gradation interpolation table while the lower 4 bit specifies the number of pixels for the interpolation. Upper 4 bit = 0: The interpolation table process is specified as none and the interpolation table settings by the F/W is not performed.	
710-070	CIS Settings: CIS Lamp Current (ILED) Setting	h'00 (= FC: 100%. GR: 100%)	Upper 4 bit: FC Scan Time Setting Lower 4 bit: GR Scan Time Setting	Sets the current value of the CIS Lamp (LED).	
710-071	CIS Settings: CIS Lamp ON Start Time	h'90 (= 144 CLK)	64 to 255: The Clock Count (CLK) from CSSP Signal	Sets the timing for the CIS Lamp to turn ON.	
710-072	CIS Settings: Lamp ON Method during Gray Scan	h'01	0x00: Turn ON simultaneously 0x01: Turn ON in order	Sets how the CIS Lamp (LED) should turn ON during Gray/Monochrome Scan.	
710-073	CIS Lamp Brightness Adjustment: Operation Instruction	h'03	0x03: Execute (Data Before Black Correction, White Correction, LIB)	Specifies whether to perform/prohibit the Lamp Brightness Correction, as well as the method for the brightness adjustment.	
710-074	CIS Lamp Brightness Adjustment: Specify Peak Value Calculation Method	h'00	h'00: Average value	Specifies the method for calculating the CIS input peak value for brightness adjustment.	

Chain-Link	Item Name	Default Value	Setting Range	Contents	Remarks
710-075	CIS Lamp Brightness Adjustment: Peak Value Retrieval Count	h'10 (= 16)	1 to 16	Specifies the number of times to retrieve the CIS input peak value for Lamp brightness adjustment.	
710-076	CIS Lamp Brightness Adjustment: Execution Timing	h'01	h'00: Use the value stored in Flash or perform after the power is turned ON h'01: Perform after the power is turned ON h'02: Perform using the condition in h'01 + after returning from Energy Saver h'03: Perform using the condition in h'02 + after opening/closing the Cover h'04: Perform every time	Specifies at which timing to perform the Lamp brightness adjustment. (This is not performed during diagnosis operation during Self Diagnosis or from PC monitor.)	
710-077	CIS Lamp Brightness Adjustment: CIS Lamp ON Reference Time during Gray Scan	h'32 (= 50= 25.0%)	0 to 200: 0 to 100% (the proportion compared to the Color Scan ON Time)	Sets the CIS Lamp ON Time at the retrieval of the CIS input peak value during Gray/Monochrome Scan.	
710-078	CIS Lamp Brightness Adjustment: CIS Lamp ON Reference Time during Color Scan	h'0384 (= 900 CLK)	64 to 3764: CIS Lamp ON Time (CLK)	Sets the CIS Lamp ON Time at the retrieval of the CIS input peak value during Color Scan. Sets the clock count for the ON Time.	
710-080	Black Correction Value Retrieval Settings	h'01	h'00: Prohibit h'01: Perform at Lamp OFF h'02: Perform at Lamp ON h'03: Load Save Data	Specifies whether to turn ON the lamp when executing the specification for performing or stopping Black Correction Value Retrieval Operation.	
710-081	Black Correction Value Calculation Method Settings	h'00	h'00: Average value h'01: Maximum value h'02: Minimum value h'03: Last retrieved value	Specify the black correction value calculation method.	
710-082	Number of Black Correction Value Retrievals	h'10 (= 16)	1 to 16	Specifies how many times black correction value is retrieved. If the setting is out of range, the lower/upper limit of the setting range will be used.	
710-084	Upper Transport Guide Position Specification for Performing Black Correction	h'00	h'00: Perform Black Correction only at H.P. position	Specify the upper transport guide position when black correction is performed.	
710-089	Black Correction Value Retrieval Check Execution Specification	h'00	h'00: No check	Sets whether to execute/prohibit the data check after retrieving the black correction value.	
710-094	CIS Output Offset Voltage	h'14 (= 20 = 46 mV)	h'99 to h'00 to h'67 (-103 to 0 to 103) (For hexadecimal input, the negative setting is 2's complement)	Sets the input offset voltage to the CIS. This is set in the analog input register of the CIS register.	

Chain-Link	Item Name	Default Value	Setting Range	Contents	Remarks
710-095	Black Correction Offset Value	h'00 (= 0)	h'C0 to h'00 to h'3F (-63 to 0 to 63) (For hexadecimal input, the negative setting is 2's complement)	Sets the Black Correction Offset Value. Reduce the setting value for Black Correction.	
710-096	White Correction Retrieval Settings	h'02	h'00: Prohibit h'01: Perform at Lamp OFF h'02: Perform at Lamp ON h'03: Load Save Data	Specifies whether to turn ON the lamp when executing the specification for performing or stopping White Correction Value Retrieval Operation.	
710-097	White Correction Value Calculation Method Settings	h'00	h'00: Average value h'01: Maximum value h'02: Minimum value h'03: Last retrieved value	Specify the white correction value calculation method.	
710-098	Number of White Correction Retrievals	h'10 (= 16)	1 to 16	Specifies how many times white correction value is retrieved. If the setting is out of range, the lower/upper limit of the setting range will be used.	
710-100	Upper Transport Guide Position Specification for White Correction Execution	h'00	h'00: Perform White Correction only at H.P. position	Specify the upper transport guide position when White Correction is executed.	
710-101	Use Black Correction Value at White Correction	h'01	h'00: Not in use h'01: Use	Sets whether black correction value is used/not used during white correction value retrieval process.	
710-102	White Correction Sampling Interval	h'00 (= 0 = 0.0 s)	0 to 2.55 s	Sets the data sampling interval for white correction.	
710-103	White Correction Execution Timing	h'01	h'00: Immediately after Pre-Feed has completed h'01: When N.B.R command is received	Sets the timing on the sequence for executing white correction.	
710-104	White Correction Execution Cancellation Time for Continuous Scan	h'0 (= 0 = Always perform)	0: Always perform White Correction 1 - 254: 1 - 254 min 255: Prohibit White Correction	For scanning with continuous document insertion, White Correction at the start of scan operation will not be performed for the period beginning from the last White Correction until the specified period of time has elapsed. If '0' is specified, White Correction will be performed every time for continuous document insertion. When 255 is set, White Correction will not be performed for continuous document insertion.	
710-105	White Correction Value Retrieval Check Execution Specification	h'00	h'00: No check	Sets whether to execute/prohibit the data check after retrieving the white correction value.	
710-107	White Reference Value for Brightness Adjustment	h'F5 (= 245)	h'00 to h'FF (0 to 255)	Sets the white reference value (absolute value) for the white correction operation. This is used as the brightness adjustment reference value during the CIS Lamp brightness adjustment.	
710-108	White Reference Value for White Output	h'00 (= 0)	h'80 to h'00 to h'7F (-128 to 0 to +127)	Sets the white reference value (adjustment value) for the white output	

Chain-Link	Item Name	Default Value	Setting Range	Contents	Remarks
710-109	White Reference Value for Red Output	h'00 (= 0)	h'80 to h'00 to h'7F (-128 to 0 to +127)	Sets the white reference value (adjustment value) for the red output	
710-110	White Reference Value for Green Output	h'00 (= 0)	h'80 to h'00 to h'7F (-128 to 0 to +127)	Sets the white reference value (adjustment value) for the green output	
710-111	White Reference Value for Blue Output	h'00 (= 0)	h'80 to h'00 to h'7F (-128 to 0 to +127)	Sets the white reference value (adjustment value) for the blue output	
710-112	White Scan Error Level Lower Limit for White Output	h'00 (= 0)	h'00 to h'FF (0 to 255)	Sets the error determination lower limit for the scan value during the white correction for white output.	
710-113	White Scan Error Level Lower Limit for Red Output	h'00 (= 0)	h'00 to h'FF (0 to 255)	Sets the error determination lower limit for the scan value during the white correction for red output.	
710-114	White Scan Error Level Lower Limit for Green Output	h'00 (= 0)	h'00 to h'FF (0 to 255)	Sets the error determination lower limit for the scan value during the white correction for green output.	
710-115	White Scan Error Level Lower Limit for Blue Output	h'00 (= 0)	h'00 to h'FF (0 to 255)	Sets the error determination lower limit for the scan value during the white correction for blue output.	
710-122	Calculation Method Specification when Registering the Black Correction Value	h'00	h'00: Average value h'01: Maximum value h'02: Minimum value	Specifies the Registered Black Correction Value Calculation Method to be used in the process that calculates the black correction value to be registered from the black correction values that were obtained from the multiple black correction retrieval operations.	
710-123	Number of Correction Operations when Registering the Black Correction Value	h'01	1 to 3: Specifies the number of times to perform	Specifies how many times the black correction retrieval operation has to be performed to obtain black correction values in the process that calculates the black correction value to be registered from the black correction values that were obtained from the multiple black correction retrieval operations.	
710-124	Calculation Method Specification when Registering the White Correction Value	h'03	h'03: Selects the correction value by the maximum value difference comparison	Specifies the Registered White Correction Value Calculation Method to be used in the process that calculates the white correction value to be registered from the white correction values that were obtained from the multiple white correction retrieval operations.	
710-125	Number of Correction Operations when Registering the White Correction Value	h'03	1 to 3: Specifies the number of times to perform	Specifies how many times the white correction retrieval operation has to be performed to obtain white correction values in the process that calculates the white correction value to be registered from the white correction values that were obtained from the multiple white correction retrieval operations.	
710-128	P-MEM Gray: Jpeg Q Table Coefficient Settings during Normal Mode	h'50 (= 80)	0: Use default table (Q-Factor undefined) 1 to 255: Specifies the Q-Factor coefficient (unit: %)	Sets the coefficient (Q-Factor) that multiplies the JPEG standard Q table when storing Gray Data in Page Memory at normal mode.	

Chain-Link	Item Name	Default Value	Setting Range	Contents	Remarks
710-129	P-MEM Gray: Jpeg Compression Ratio (RateLimit) Settings during Normal Mode	h'66 (= 102)	0: Compression rate limit not specified 1 to 255: Specifies the compression rate	Sets the compression ratio limit per block during Jpeg compression when storing Gray Data in Page Memory at normal mode.	
710-130	P-MEM Gray: Jpeg Compression Ratio (SizeLimit) Settings during Normal Mode	h'00 (= 0)	0: Compression size limit not specified 1 to 255: Specifies the compression size	Sets the compression size limit of the block during Jpeg compression when storing Gray Data in Page Memory at normal mode.	
710-132	P-MEM Color: Jpeg Q Table Coefficient Settings during Normal Mode	h'50 (= 80)	0: Use default table (Q-Factor undefined) 1 to 255: Specifies the Q-Factor coefficient (unit: %)	Sets the coefficient (Q-Factor) that multiplies the JPEG standard Q table when storing Color Data in Page Memory at normal mode.	
710-133	P-MEM Color: Jpeg Compression Ratio (RateLimit) Settings during Normal Mode	h'40 (= 64)	0: Compression rate limit not specified 1 to 255: Specifies the compression rate	Sets the compression ratio limit per block during Jpeg compression when storing Color Data in Page Memory at normal mode.	
710-134	P-MEM Color: Jpeg Compression Ratio (SizeLimit) Settings during Normal Mode	h'00 (= 0)	0: Compression size limit not specified 1 to 255: Specifies the compression size	Sets the compression size limit of the block during Jpeg compression when storing Color Data in Page Memory at normal mode.	
710-144	RB5C Rate Control Table 0 Specification (GR-DWT Mode)	h'0D (= 13)	0: Table registration not yet performed 1 to 19: Specifies the data table number	Specifies the table data number that is used as the rate control table when using RB5C to store JPEG2000 Data in the Page Memory.	
710-145	RB5C Rate Control Table 1 Specification (GR-DWT Mode)	h'0C (= 12)	0: Table registration not yet performed 1 to 19: Specifies the data table number	Refer to Table 710-144	
710-146	RB5C Rate Control Table 2 Specification (GR-DWT Mode)	h'0B (= 11)	0: Table registration not yet performed 1 to 19: Specifies the data table number	Refer to Table 710-144	
710-147	RB5C Rate Control Table 3 Specification (GR-DWT Mode)	h'0B (= 11)	0: Table registration not yet performed 1 to 19: Specifies the data table number	Refer to Table 710-144	
710-148	RB5C Rate Control Table 0 Specification (GR-DIV Mode)	h'0E (= 14)	0: Table registration not yet performed 1 to 19: Specifies the data table number	Specifies the table data number that is used as the rate control table when using RB5C to store JPEG2000 Data in the Page Memory.	
710-149	RB5C Rate Control Table 1 Specification (GR-DIV Mode)	h'0F (= 15)	0: Table registration not yet performed 1 to 19: Specifies the data table number	Refer to Table 710-148	
710-150	RB5C Rate Control Table 2 Specification (GR-DIV Mode)	h'10 (= 16)	0: Table registration not yet performed 1 to 19: Specifies the data table number	Refer to Table 710-148	
710-151	RB5C Rate Control Table 3 Specification (GR-DIV Mode)	h'10 (= 16)	0: Table registration not yet performed 1 to 19: Specifies the data table number	Refer to Table 710-148	
710-152	RB5C Rate Control Table 0 Specification (FC)	h'07 (= 7)	0: Table registration not yet performed 1 to 19: Specifies the data table number	Specifies the table data number that is used as the rate control table when using RB5C to store JPEG2000 Data in the Page Memory.	
710-153	RB5C Rate Control Table 1 Specification (FC)	h'05 (= 5)	0: Table registration not yet performed 1 to 19: Specifies the data table number	Refer to Table 710-152	

Chain-Link	Item Name	Default Value	Setting Range	Contents	Remarks
710-154	RB5C Rate Control Table 2 Specification (FC)	h'04 (= 4)	0: Table registration not yet performed 1 to 19: Specifies the data table number	Refer to Table 710-152	
710-155	RB5C Rate Control Table 3 Specification (FC)	h'04 (= 4)	0: Table registration not yet performed 1 to 19: Specifies the data table number	Refer to Table 710-152	
710-156	RB5C Gray Compression Conversion Method	h'01	h'00: Wavelet conversion mode h'01: Odd frame partition mode	Specifies the data conversion method to be used when using RB5C to store Gray Data in the Page Memory.	
710-157	RB5C Gray Compression Uncoded Path Number Settings	h'19 (= 25 = 1200-i665)	0: OFF (= All path coded) 1: All path coded setting 2 to 33: Settings level 0 to 31 (1200-i113) 34 to 65: Settings level 0 to 31 (1300-i115) 66 to 97: Settings level 0 to 31 (1700-i159)	Specifies the path number from the lowest level path which is not to be coded (Uncoded Path Number) for each sub-path when using RB5C to store Gray Data in the Page Memory.	
710-158	RB5C Color Compression Uncoded Path Number Settings	h'01 (= 1)	0: OFF (= All path coded) 1: All path coded setting 2 to 33: Settings level 0 to 31 (1200-i113) 34 to 65: Settings level 0 to 31 (1300-i115) 66 to 97: Settings level 0 to 31 (1700-i159)	Specifies the path number from the lowest level path which is not to be coded (Uncoded Path Number) for each sub-path when using RB5C to store Color Data in the Page Memory.	
710-160	Jpeg Q Table Coefficient Settings during JPEG Compression Output (0)	h'50 (= 80)	0: Use default table (Q-Factor undefined) 1 to 255: Specifies the Q-Factor coefficient (unit: %)	Sets the coefficient (Q-Factor) that multiplies the JPEG standard Q table during JPEG compression output.	
710-161	Jpeg Q Table Coefficient Settings during JPEG Compression Output (1)	h'50 (= 80)	0: Use default table (Q-Factor undefined) 1 to 255: Specifies the Q-Factor coefficient (unit: %)	Refer to Table 710-160	
710-162	Jpeg Q Table Coefficient Settings during JPEG Compression Output (2)	h'50 (= 80)	0: Use default table (Q-Factor undefined) 1 to 255: Specifies the Q-Factor coefficient (unit: %)	Refer to Table 710-160	
710-163	Jpeg Q Table Coefficient Settings during JPEG Compression Output (3)	h'50 (= 80)	0: Use default table (Q-Factor undefined) 1 to 255: Specifies the Q-Factor coefficient (unit: %)	Refer to Table 710-160	
710-164	Jpeg Q Table Coefficient Settings during JPEG Compression Output (4)	h'50 (= 80)	0: Use default table (Q-Factor undefined) 1 to 255: Specifies the Q-Factor coefficient (unit: %)	Refer to Table 710-160	
710-165	Jpeg Compression Ratio (RateLimit) Settings during JPEG Compression Output (0)	h'00 (= 0)	0: Compression rate limit not specified 1 to 255: Specifies the compression rate	Set the compression ratio limit per block during Jpeg compression during JPEG compression output.	
710-166	Jpeg Compression Ratio (RateLimit) Settings during JPEG Compression Output (1)	h'00 (= 0)	0: Compression rate limit not specified 1 to 255: Specifies the compression rate	Refer to Table 710-165	



Chain-Link	Item Name	Default Value	Setting Range	Contents	Remarks
710-167	Jpeg Compression Ratio (RateLimit) Settings during JPEG Compression Output (2)	h'00 (= 0)	0: Compression rate limit not specified 1 to 255: Specifies the compression rate	Refer to Table 710-165	
710-168	Jpeg Compression Ratio (RateLimit) Settings during JPEG Compression Output (3)	h'00 (= 0)	0: Compression rate limit not specified 1 to 255: Specifies the compression rate	Refer to Table 710-165	
710-169	Jpeg Compression Ratio (RateLimit) Settings during JPEG Compression Output (4)	h'00 (= 0)	0: Compression rate limit not specified 1 to 255: Specifies the compression rate	Refer to Table 710-165	
710-170	Jpeg Compression Ratio (SizeLimit) Settings during JPEG Compression Output (0)	h'00 (= 0)	0: Compression size limit not specified 1 to 255: Specifies the compression size	Sets the compression size limit of the block during Jpeg compression during JPEG compression output.	
710-171	Jpeg Compression Ratio (SizeLimit) Settings during JPEG Compression Output (1)	h'00 (= 0)	0: Compression size limit not specified 1 to 255: Specifies the compression size	Refer to Table 710-170	
710-172	Jpeg Compression Ratio (SizeLimit) Settings during JPEG Compression Output (2)	h'00 (= 0)	0: Compression size limit not specified 1 to 255: Specifies the compression size	Refer to Table 710-170	
710-173	Jpeg Compression Ratio (SizeLimit) Settings during JPEG Compression Output (3)	h'00 (= 0)	0: Compression size limit not specified 1 to 255: Specifies the compression size	Refer to Table 710-170	
710-174	Jpeg Compression Ratio (SizeLimit) Settings during JPEG Compression Output (4)	h'00 (= 0)	0: Compression size limit not specified 1 to 255: Specifies the compression size	Refer to Table 710-170	
710-175	Output Jpeg RateLimit Settings Method	h'02	h'02: Refer to System Data	In the compression rate limit settings during JPEG compression output, sets whether to operate using the System Data 710-165 to 169 settings value or operate using the fixed compression rate for each destination.	

Chain-Link	Item Name	Default Value	Setting Range	Contents	Remarks
710-176	Output Buffer: Loading Stop Limit	h'FF (= 255)	0 to 255: Loading Stop Limit (n) (Output Buffer Full Capacity x n / 256) = Loading Stop Limit Capacity	Specify the limit at the output buffer that will determine loading stop. For the full capacity of output buffer, if data storage has exceeded ((settings value x 100) / 256)%, it will be considered as Data Scan Stop and data scanning from the upper level will stop. If it does not go through Page Memory, it will be considered as Data Loading Stop = Overflow.	
710-177	Output Buffer: Loading Resume Limit	h'3F (= 63)	0 to 255: Loading Resume Limit(n) (Output Buffer Full Capacity x n / 256) = Loading Resume Limit Capacity	Specify the limit that will determine resumption of data loading after it is stopped at the output buffer. Data will resume to load from the upper level when data storage falls below ((settings value x 100) / 256)% for full output buffer capacity.	
710-178	Data Output Sequence at RGB-JPEG Data Output	h'04	h'04: R-G-B Output	Specifies the JPEG Data Output Sequence when RGB Format is specified for Color Space.	
710-179	Data Output Sequence at YCrCb-RAW Data Output	h'00	h'00: Y-Cr-Cb Output	Specifies the RAW Data Output Sequence when CrCb Format is specified for Color Space.	
710-180	Data Output Sequence at Lab-RAW Data Output	h'00	h'00: L-a-b Output	Specifies the RAW Data Output Sequence when Lab Format is specified for Color Space.	
710-181	Data Output Sequence at RGB-RAW Data Output	h'04	h'04: R-G-B Output	Specifies the RAW Data Output Sequence when RGB Format is specified for Color Space.	
710-182	Fast Scan Reduce/Enlarge Ratio Fine Adjustment (at Copy Image Quality Specification)	h'00 (= 0= 0.00%)	-128 to 0 to +127: -1.28 to 0.00 to +1.27%	Sets the Reduce/Enlarge fine adjustment value in the Fast Scan direction when specifying the Copy Image Quality.	
710-183	Fast Scan Reduce/Enlarge Ratio Fine Adjustment (at Scan Image Quality Specification)	h'E9 (=-23=-0.23%)	-128 to 0 to +127: -1.28 to 0.00 to +1.27%	Sets the Reduce/Enlarge fine adjustment value in the Fast Scan direction when specifying the Scan Image Quality.	
710-186	Binary RAW Data Output Path when CSCN PWB is Installed/during PMEM Through	h'01	h'00: Output from FPGA SHINANO h'01: Output from FPGA AZUSA	Specifies the image path for binary RAW data output during Page Memory through specification when CSCNPWB is installed.	
710-187	Binary RAW Data Output Path when CSCN PWB is Installed/Via PMEM	h'01	h'00: Output from FPGA SHINANO h'01: Output from FPGA AZUSA	Specifies the image path for binary RAW data output during via Page Memory specification when CSCN PWB is installed.	
710-188	JPEG Parameter Selection at Page Memory Storage	h'00	h'00: Use IPS Module Parameter h'01: Use IIT Independent Parameter	Select JPEG parameter when storing Page Memory. Select from either referencing from IPS module or using IIT independent parameter.	
710-189	JPEG Parameter Selection at JPEG Data Output	h'00	h'00: Use IPS Module Parameter h'01: Use IIT Independent Parameter	Select JPEG parameter when outputting JPEG data. Select from either referencing from IPS module or using IIT independent parameter.	

Chain-Link	Item Name	Default Value	Setting Range	Contents	Remarks
710-192	Document Insertion Detection Time	h'05 (= 5 = 0.5 s)	0 to 255: 0 to 25.5 s	The time taken from when the document was inserted until the document is detected. Pre-Feed starts when documents are detected to be present continuously for the specified portion of time.	
710-193	Running Motor Wait Time (Shading Re-execution Determination Time)	h'96 (= 150 = 15.0 s)	0 to 255: 0 to 25.5 s	The time taken from when Pre-Feed has completed until the motor is stopped. The motor stops when no scan start instructions were issued before this specified time has elapsed after Pre-Feed complete was detected. White Correction is re-executed if a scan start instruction is issued after this specified time has passed.	
710-194	Minimum Scan Start Wait Time	h'03 (= 3 = 0.3 s)	0 to 255: 0 to 25.5 s	Specifies the minimum time until the scan start is allowed after Pre-Feed has been completed.	
710-195	Continuous Scan Wait Time	h'00 (= 0 = 0.0 s)	0 to 255: 0 to 25.5 s	The time from when a document output has completed until it was determined to be a continuous document feed. The motor stops when this time has passed after output has completed. If a subsequent document insertion is detected within this time, no black/white correction is performed.	
710-196	Minimum Feed Start Wait Time at Document Size Detection Feed	h'05 (= 5 = 0.5 s)	0 to 255: 0 to 25.5 s	Specifies the minimum time for the duration from Document Size Detection Pre-Scan Feed Stop to Document Back Feed Start and from Document Back Feed Stop to Document Loading Feed Start.	
710-197	Document Misload Detection Judgment Time during Document Insertion	h'1E (= 30 = 3.0 s)	10 to 255: 1 to 25.5 s	When a document had been inserted, this is the time taken for it to be judged as an error after the document misload state was detected. The error will occur when documents are detected to be in misloaded state continuously for the specified portion of time.	
710-200	Feed Speed at Pre-Feed	h'0007 (= 3 inch/s)	2: 1 inch/s (25.40 mm/s) 3: 1.33 inch/s (33.78 mm/s) 4: 1.5 inch/s (38.10 mm/s) 5: 2 inch/s (50.80 mm/s) 6: 2.66 inch/s (67.56 mm/s) 7: 3 inch/s (76.20 mm/s)	Sets the document feed speed at Pre-Feed. When 2 to 10 is specified, document is fed in the specified feeding speed. When the Pre-Feed Speed is specified from an upper I/F, this setting will be ignored. (This setting is only applicable when referencing system data from upper I/F is specified.)	

Chain-Link	Item Name	Default Value	Setting Range	Contents	Remarks
710-202	Transport Speed at Document Output	h'0000 (= Scan Speed)	0: Transport in Scan Speed 1: Transport in Paper Feed Speed 2: 1 inch/s (25.40 mm/s) 3: 1.33 inch/s (33.78 mm/s) 4: 1.5 inch/s (38.10 mm/s) 5: 2 inch/s (50.80 mm/s) 6: 2.66 inch/s (67.56 mm/s)	Specifies the document transport speed at which to output the document. When 0 to 10 is specified, document is transported in the specified transport speed.	
710-206	Feed-In Sensor Not Reached Jam Detection Limit Time	h'05 (= 5 = 5 s)	0 to 255 s	Specify the time limit for detecting Feed-In Sensor Not Reached Jam during Pre-Feed. This time setting sets the window time until Feed-In Sensor Not Reached Jam is detected. If a setting shorter than the Feed-In Sensor Not Reached Jam Limit Length (= 90 mm), Jam Detection Limit Length (90 mm) will apply.	
710-207	Hanging Holder Hole Cancel Limit	h'00 (= 0 = 0 mm)	0: Hole Cancel Operation Not Allowed 1 to 30: Cancel Hole of Length (unit: mm) If the setting is above 30, it will be taken as 30 mm.	Specify the hole radius limit to be canceled by the Hole Cancellation Operation of the Hanging Holder. For hole radius that falls below the setting, it will be considered as the document Tail Edge. When 0 is specified, it means no hole cancellation operation for the hanging holder.	
710-208	Jam Clear Method Settings	h'01	h'00: Resolve Jam by Document Pull-Out h'01: Resolve Jam by Document Pull-Out or Cover Close h'02: Resolve Jam by Cover Close	Specifies the document jam clear method.	
710-209	Left Skew Sensor Detection Settings	h'00	h'00: Allow Detection h'01: Do not allow Detection	Specifies whether to allow/prohibit the left skew sensor to detect a document skew.	
710-210	Document Scan Length Limit Detection Settings	h'00	h'00: Allow Detection h'01: Do not allow Detection	Specifies whether to allow/prohibit execution of document scan length limit processing. When there is no memory, the allowed setting limit is 15 m, or unlimited for prohibited setting. When there is memory, the allowed setting limit is set to 7.5 m for 512 MB/15 m for 1024 MB depending on the memory capacity, and the prohibited setting limit is up to the full memory capacity.	
710-211	Feed Counter Operation	h'01 (=b'001)	h'00 (b'000) to h'07 (b'111): Stipulated for each bit b'XX1: Count during normal feed b'X1X: Count during Diag Feed b'1XX: Count during No Document Feed	Specify the condition for renewing Feed Counter. If Count No Document Feed is specified, the operations for actual document feed and no document feed will be counted. If none is specified, only actual document feed will be counted.)	

Chain-Link	Item Name	Default Value	Setting Range	Contents	Remarks
710-212	Document Counter Operation	h'07 (=b'111)	h'00 (b'000) to h'07 (b'111): Stipulated for each bit b'XX1: Count during normal feed b'X1X: Count during Diag Feed b'1XX: Count during No Document Feed	Specify the condition for renewing Document Counter. If Count No Document Feed is specified, the operations for actual document feed and no document feed will be counted. If none is specified, only actual document feed will be counted.)	
710-214	Feed Motor: Excitation Time before Drive Start	h'32 (= 50 = 0.5 s)	1 to 100: 0.01 to 1.00 s	Specifies the time to maintain the excitation before the Feed Motor drive is started.	
710-215	Feed Motor: Excitation Time after Drive Stop	h'32 (= 50 = 0.5 s)	1 to 100: 0.01 to 1.00 s	Specifies the time to maintain the excitation after the Feed Motor drive is stopped.	
710-216	Feed Motor: Fixed Speed Pulse Count at Motor Stop -> Drive	h'00 (= 0 pulse)	0 to 8 pulses	Specifies the number of fixed speed drive pulses before the acceleration for when the Feed Motor goes from stop -> driven.	
710-217	Feed Motor: Fixed Speed Pulse Count at Motor Drive -> Stop	h'00 (= 0 pulse)	0 to 8 pulses	Specifies the number of fixed speed drive pulses after the deceleration for when the Feed Motor goes from driven -> stop.	
710-218	Feed Motor: Drive Start Speed (Self Startup Speed)	h'01F4 (= 500 pps)	282 to 1000 pps	Specifies the drive frequency (= self startup frequency) at the start of the Feed Motor drive. This is also used as the Drive Start Speed of one of the 3 parameters (Drive Start Speed, Target Speed, and Acceleration Time) for creating the acceleration curve of the Feed Roll.	
710-220	Feed Motor: Acceleration Control Parameter (Target Speed)	h'1388 (= 5000 pps)	1000 to 10000 pps	Specifies the Target Speed of one of the 3 parameters (Drive Start Speed, Target Speed, and Acceleration Time) for creating the acceleration curve of the Feed Roll.	
710-222	Feed Motor: Acceleration Control Parameter (Acceleration Time)	h'0096 (= 150 ms)	10 to 10000 ms	Specifies the Acceleration Time of one of the 3 parameters (Drive Start Speed, Target Speed, and Acceleration Time) for creating the acceleration curve of the Feed Roll.	
710-224	Front Roll Scan Transport Speed Correction	0 (= +/-0.00%)	-200 to 0 to +200: -2.00 to 0 to +2.00%	Specifies the value of Transport Speed Correction when using only the Front Roll for scan transport by referencing the scan transport speed when using both the Front and Rear Rolls.	
710-226	Rear Roll Scan Transport Speed Correction	0 (= +/-0.00%)	-200 to 0 to +200: -2.00 to 0 to +2.00%	Specifies the value of Transport Speed Correction when using only the Rear Roll for scan transport by referencing the scan transport speed when using both the Front and Rear Rolls.	
710-228	Front -> Front & Rear Rolls Switching Position Correction	0 (= +/-0 pulse)	-240 to 0 to +240 pulses	Specifies the correction value of the timing when switching from using only the Front Roll for scan transport to using both the Front and Rear Rolls.	
710-230	Front & Rear -> Rear Roll Switching Position Correction	0 (= +/-0 pulse)	-240 to 0 to +240 pulses	Specifies the correction value of the timing when switching from using both the Front and Rear Rolls for scan transport to using only the Rear Roll.	

Chain-Link	Item Name	Default Value	Setting Range	Contents	Remarks
710-256	CONT I/F Connection Type for Scanner Standalone Configuration	h'01	h'00: Do not allow connection h'01: Allow connection	Specifies whether to connect with Cont I/F when in scanner standalone configuration.	
710-257	Scan Speed Fine Adjustment Unit	h'0A (= 10 = 1.0 line)	1 to 10: 0.1 to 1.0 line	Specifies the unit for the amount of Scan Speed Fine Adjustment. The Scan Speed Fine Adjustment amount is the adjustment amount for the distances between CIS 1 and CIS 2/CIS 4.	
710-271	Information Category for Key Information Notification from CONT in CONT I/F	h'01	h'00: Notify Key ON/OFF information h'01: Notify only Key ON information	Specify key information category that is notified from CONT in CONT I/F.	
710-272	Initialization Start Wait Time at CONT I/F USB Power-Up	h'1E (= 30 = 3.0 s)	0 to 255: 0 to 25.5 s	Specify the time from power-up to the start of CONT USB I/F initialization.	
710-273	Initialization Start Wait Time at CONT I/F USB Restart	h'64 (= 100 = 10.0 s)	0 to 255: 0 to 25.5 s	Specify the time from F/W Restart to the start of CONT USB I/F initialization. (When restarting F/W according to F/W Reset and Boot/User Mode Change)	
710-274	Operation When CONT I/F USB Image Transfer Overflow Occurred	h'00	h'00: Error detection only (data transfer continues) h'01: Interrupt data transfer when error occurred	Specifies the operation when an overflow occurs during USB image data transfer.	
710-275	Reply Category After CONT I/F USB Image Data Output	h'01	h'00: NAK response h'01: STALL response	Specify the response type after USB image data transfer. To be applied to the response packets after the last short packet has been output.	
710-276	CONT I/F USB Image Data Transfer Wait Limit Time 1	h'000F (= 15 = 15 s)	0: No limit detection 1 to 300: 1 to 300 s (= 5 min)	Specify Image Data Transfer Wait Limit for transferring data by Page Memory through in CONT USB. If data transfer is not performed within the specified time frame, time-out will occur.	
710-278	CONT I/F USB Image Data Transfer Wait Limit Time 2	h'0258 (= 600 = 600 s)	0: No limit detection 1 to 600: 1 to 600 s (= 10 min)	Specify Image Data Transfer Wait Limit for transferring data via Page Memory in CONT USB. If data transfer is not performed within the specified time frame, time-out will occur.	
710-287	CONT I/F USB Serial No. Notification Operation	h'01	h'00: System Data Settings Notification h'01: Notify All 0 (h'30)	Specify the notification category of the serial No. when connected to CONT USB.	
710-292	HOST I/F USB Image Data Transfer Wait Limit Time 1	h'000F (= 15 = 15 s)	0: No limit detection 1 to 300: 1 to 300 s (= 5 min)	Specify Image Data Transfer Wait Limit for transferring data by Page Memory through in HOST USB. If data transfer is not performed within the specified time frame, time-out will occur.	
710-294	HOST I/F USB Image Data Transfer Wait Limit Time 2	h'001E (= 30 = 30 s)	0: No limit detection 1 to 600: 1 to 600 s (= 10 min)	Specify Image Data Transfer Wait Limit for transferring data via Page Memory in HOST USB. If data transfer is not performed within the specified time frame, time-out will occur.	

Chain-Link	Item Name	Default Value	Setting Range	Contents	Remarks
710-303	HOST I/F USB Serial No. Notification Operation	h'00	h'00: System Data Settings Notification h'01: Notify All 0 (h'30)	Specify the notification category of the serial No. when connected to HOST USB.	
710-304	Simple Binary Threshold Specification for DIAG DC505 Operation	h'80 (= 128)	0: Output in Halftone 1 to 255: Output in plain binary and threshold specification	Specifies the Halftone/Plain Binary Operation during the execution of Self Diagnostic DC505 Auto Adjustment. Take note as plain binary specification also consists of threshold specification.	
710-305	Document Type Specification for DIAG DC505 Operation	h'00 (= 0)	0: Text/Drawing Originals	Specify document type for the execution of Self Diagnostic DC505 Auto Adjustment.	
710-306	Brightness Specification for DIAG DC505 Operation	h'04 (= 4)	0 to 8 (9 levels), Center = 4	Specifies the brightness for the execution of Self Diagnostic DC505 Auto Adjustment.	
710-307	Background Suppression Specification for DIAG DC505 Operation	h'00	h'00: Auto Background Suppression	Specifies the Background Suppression Mode for the execution of Self Diagnostic DC505 Auto Adjustment.	
710-308	Auto Background Suppression Level for DIAG 505 Operation	h'03 (= 3)	0 to 6 (7 levels), Center = 3	Specifies the Auto Background Suppression Mode for the execution of Self Diagnostic DC505 Auto Adjustment.	
710-309	Manual Background Suppression Level for DIAG 505 Operation	h'00 (= 0)	0 to 38 (39 levels)	Specifies the Manual Background Suppression Mode for the execution of Self Diagnostic DC505 Auto Adjustment.	
710-310	Mode Specification for IPS Parameter Configuration at DIAG 505 Operation	h'01	h'01: Copy Only	Specifies the IPS Parameter Configuration Background Suppression Mode for the execution of Self Diagnostic DC505 Auto Adjustment.	
710-311	Simple Binary Threshold Specification for DIAG DC606 Operation	h'80 (= 128)	0: Output in Halftone 1 to 255: Output in plain binary and threshold specification	Specifies the Halftone/Plain Binary Operation for the execution of Self Diagnostic DC606 Test Print. Take note as plain binary specification also consists of threshold specification.	
710-312	Pattern Check Method Specification for DIAG DC317 Operation	h'01	h'00: Minimum Limit h'01: All	Specify pattern check method for the execution of Self Diagnostic DC317 Pattern Test.	
710-320	Page Memory Through Operation Specification	h'00	h'00: Always accept memory through operation request h'01: Accept memory through operation request only when Page Memory is not installed h'02: Always reject memory through operation request	Specifies the operation method for Page Memory Through Operation Request.	

Chain-Link	Item Name	Default Value	Setting Range	Contents	Remarks
710-321	1 Path Pre-Scan Operation Specification	h'01	h'00: Accept 1 Path Pre-Scan Request h'01: Accept 1 Path Pre-Scan Request in Simple Pre-Scan Operation h'02: Reject 1 Path Pre-Scan Request	Specify the operation method for 1 Path Pre-Scan Request. ("h'01: When Accept 1 Path Pre-Scan Request in Simple Pre-Scan Operation is selected, the operation will be to notify the Original Series size specified from the detected data of the original size detection sensor as the Pre-Scan detection result, without detecting size while reading the original.)	
710-322	2 Path Pre-Scan Operation Specification	h'02	h'00: Accept 2 Path Pre-Scan Request h'01: Accept 2 Path Pre-Scan Request in Simple Pre-Scan Operation h'02: Reject 2 Path Pre-Scan Request	Specify the operation method for 2 Path Pre-Scan Request. ("h'01: When Accept 2 Path Pre-Scan Request in Simple Pre-Scan Operation is selected, the operation will be to notify the Original Series size specified from the detected data of the original size detection sensor as the Pre-Scan detection result, without detecting size based on reading for size detection.)	
710-323	Scan & Copy Concurrent Output Mode Operation Specification	h'01	h'00: Accept Scan & Copy Concurrent Mode Request h'01: Reject Scan & Copy Concurrent Mode Request	Specify the operation method for the request to switch to Scan & Copy Concurrent Output Mode.	
710-324	Scan & Copy Alternating Output Mode Operation Specification	h'01	h'00: Accept Scan & Copy Alternating Mode Request h'01: Reject Scan & Copy Alternating Mode Request	Specify the operation method for the request to switch to Scan & Copy Alternating Output Mode.	
710-325	Color Scan -> Gray Output Operation Specification	h'00	h'00: Accept Color -> Gray Output Request h'01: Reject Color -> Gray Output Request	Specify whether to accept or reject Color Scan -> Gray / B/W Output Operation for Page Memory Through.	
710-326	Original Series Specification Notified During Simple Pre-Scan	h'01	h'01: JIS/ISO A series h'02: JIS B series h'03: ISO B series h'04: Special A(880mm) series h'05: Special A(860mm) series h'06: 8.5" series h'07: 9" series	Specify the Original Series when requesting for the document width from the original size sensor as the original detected width during Simple Pre-Scan Operation.	
710-334	Color Board Not Installed Operation Specification	h'00	h'00: No Action h'01: Notify system call during startup	When Color Board Auto Detect is specified, this specifies the operation after the Color Board is detected to be not installed.	
710-335	Page Memory Not Installed Operation Specification	h'00	h'00: No Action h'01: Notify system call during startup	When Page Memory Auto Detect is specified, this specifies the operation after the Page Memory is detected to be not installed.	



Chain-Link	Item Name	Default Value	Setting Range	Contents	Remarks
710-336	HOST Transition Request Operation During MF Configuration	h'00	h'00: MODE SELECT command C.C. Reply h'01: Always reply when mode shift is not allowed h'02: Reply when shift to Scan Mode is allowed	Specifies the response method for the Scan mode transition request from the HOST during MF configuration when the communication to the CP-Cont is not yet established.	
710-337	HOST Transition Request Operation when Page Memory Not Used	h'01	h'00: Always reply when mode shift is not allowed h'01: Mode transition is possible	Specifies the response method for the mode transition request from the HOST when the Page Memory is not in use.	
710-338	Default Value Notification Operation during MODE SENSE and GET WINDOW Request	h'00	h'00: Default = Notify 'Actual value' h'01: Default = Notify '0'	Specifies the notification method for the default value '0' item of the parameter when there is a MODE SENSE or GET WINDOW request from the HOST.	
710-339	HOST USB I/F Allow Connection Timing during HOST I/F MF Configuration	h'00	h'00: At the end of configuration between IIT-CONT h'01: At startup of IIT	Specifies the connection timing for the HOST USB when in MF configuration.	
710-340	Energy Saver Transition Time in Single Scanner Configuration	h'0F (= 15 = 15 min)	0: No transition to energy saver 1 - 255: 1 - 255 min	Sets the transition time to energy saver for a single-scanner configuration. When the system receives no commands within the setting time in Copy Mode, it will enter the energy saver mode. Return from Energy Saver Mode will be performed after the mode has transitioned to Scan Mode.	
710-341	Cancel Specification with Energy Saver Key for Standalone Scanner Configuration	h'01	h'00: Disable cancelation by Energy Saver key h'01: Enable cancelation by Energy Saver key	Specifies the Energy Saver cancelation operation using Energy Saver key for Standalone Scanner Configuration. Energy Save Cancelation by Energy Save key cannot be performed regardless of this setting for MF Configuration.	
710-342	Operation for HOST Shift Request During Energy Save in MF Configuration	h'02	h'00: IIT Reply (Copy Mode Shift Prohibited) h'01: IIT Reply (Copy Mode Shift Allowed) h'02: CONT Query (Other than Current Copy Mode) h'03: CONT Query (All)	Specifies the response method for the mode transition request from a HOST in Energy Save during MF configuration when the communication to the CP-Cont is established.	
710-343	Operation for HOST Shift Request During Power OFF Wait in MF Configuration	h'02	h'00: IIT Reply (Copy Mode Shift Prohibited) h'01: IIT Reply (Copy Mode Shift Allowed) h'02: CONT Query (Other than Current Copy Mode) h'03: CONT Query (All)	Specifies the response method for the mode transition request from a HOST in Power OFF Wait during MF configuration when the communication to the CP-Cont is established.	
710-344	HOST Output Start Condition during Scan & Copy Alternating Output Mode	h'00	h'00: CONT output has completed and image storage in Page Memory has completed h'01: CONT output has completed	Specifies the condition at which to start data output to the HOST in Scan & Copy Alternating Output Mode.	

Chain-Link	Item Name	Default Value	Setting Range	Contents	Remarks
710-345	Window Size Notification Method during Scan & Copy Mode	h'00	h'00: Window Size = output pixels/line Output Size = output pixels/line	Specifies the notification values of Window Size of Window Parameter during a GET WINDOW request from the HOST in Scan & Copy Simultaneous Output Mode.	
710-352	Pattern Test Execution Specification For Power Up	h'01	h'00: Perform h'01: Do not perform	Specifies whether to execute the pattern test at Power Up.	
710-353	System Test Execution Specification For Power Up	h'01	h'00: Perform h'01: Do not perform	Specifies whether to execute the system test at Power Up.	
710-354	Correction Value Copy Execution Specification For Power Up	h'01	h'00: Always copy h'01: Copy only when specified to use stored value h'02: Do not copy	Specifies whether to copy the correction value at Power Up.	
710-360	Image Sensor Lamp OFF Stability Time	h'01 (= 1 = 0.01 s)	0 to 255: 0 to 2.55 s	Sets the brightness stabilizing wait time after the image sensor lamp is turned OFF.	
710-361	Image Sensor Lamp Brightness Stability Time	h'0E (= 14 = 0.14 s)	0 to 255: 0 to 2.55 s	Sets the brightness stabilizing wait time after the image sensor lamp is turned ON.	
710-362	Image Sensor Lamp Brightness Stability Time At CIS Lamp Check	h'0A (= 10 = 0.1 s)	0 to 255: 0 to 2.55 s	Sets the Brightness Stability Wait Time after the lamp is lit during CIS lamp ON check.	
710-364	CIS Lamp ON Check Timing	h'00	h'00: Do not check for Lamp ON h'01: Before performing Black Correction h'02: Immediately after performing Black Correction h'03: At the start of Pre-Feed h'04: Before performing White Correction	Specify the timing to perform CIS Lamp ON Check. For h'03: Pre-Feed Start check is the operation for Document Pre-Feed Operation during normal operation. (This is not performed during diagnosis operation during Self Diagnosis or from PC monitor.)	
710-365	Upper Transport Guide Position Specification at CIS Lamp ON Check Execution	h'00	h'00: Perform check only at H.P. position h'01: Perform check regardless of the guide position	Specify the Upper Transport Guide Position when executing CIS Lamp ON Check If there is no upper transport guide position at the specified position, CIS Lamp ON Check cannot be executed.	
710-366	CIS Lamp ON Check Error Detection Value Threshold Value	h'20 (= 32)	0: No Error Detection 1 to 255: Error Detection Threshold Value	Specify the threshold for determining lamp error in CIS Lamp ON Check If the smallest value of the various CIS scan data at Lamp ON is below the threshold value, it will be determined as error pixel. Actually, the condition for lamp error is when more than 25% of the above-mentioned error pixels are detected.	

Chain-Link	Item Name	Default Value	Setting Range	Contents	Remarks
710-367	CIS Lamp ON Check Error P-P Value Threshold Value	h'80 (= 128)	0: No Error Detection 1 to 255: Error Detection Threshold Value	Specify the threshold for determining lamp error in CIS Lamp ON Check If the density difference between the smallest value and largest value (P-P value) of the various CIS scan data at Lamp ON is below the threshold value, it will be determined as error pixel. Actually, the condition for lamp error is when more than 25% of the above-mentioned error pixels are detected.	
710-368	CIS Position Adjustment - Pattern Detection Method during Fast/Slow Scan Adjustment	h'50 (= 80%)	0: Detect using density average value 1 to 100: Detect using black pixel ratio (unit: %)	Specifies the pattern recognition method for the CIS Position Adjustment Document that is used in the CIS Position Adjustment Pattern Scan. Detect using density average value: Recognize the pattern when the density average value of each pixel has exceeded the density threshold value. Detect using black pixel ratio: Recognize the pattern using the ratio of pixels that have exceeded the density threshold value from among every pixel.	
710-369	CIS Position Adjustment - Pattern Detection Density Threshold Value during Fast/Slow Scan Adjustment	h'80	1 to 255	Specifies the pattern recognition density threshold value for the CIS Position Adjustment Document that is used in the CIS Position Adjustment Pattern Scan.	
710-370	CIS Position Adjustment - Line Width Upper Limit during Fast/Slow Scan Adjustment	h'8 (= 8 dot)	1 to 16 dot	Specifies the limit of each line width for the CIS Position Adjustment Document that is used in the CIS Position Adjustment Pattern Scan. If the line width that was determined from the pattern has exceeded the limit, it becomes a CIS Position Adjustment Error.	
710-371	CIS Position Adjustment - Document Skew Amount Upper Limit during Fast Scan Adjustment	h'8 (= 8 lines)	0 to 32 lines	Specifies the limit of skew amount for the CIS Position Adjustment Document that is used in the CIS Position Adjustment Pattern Scan. If the skew amount that was determined from the pattern has exceeded the limit, it becomes a CIS Position Adjustment Error.	
710-372	CIS Position Adjustment - Fast Scan Position Adjustment Upper Limit during Fast Scan Adjustment	h'10 (= 16 dot)	0 to 32 dot	Specifies the limit for the Fast Scan Position Adjustment value that is calculated in the CIS Position Adjustment Pattern Scan. If the calculated Fast Scan Position Adjustment value has exceeded the limit, it becomes a CIS Position Adjustment Error.	

Chain-Link	Item Name	Default Value	Setting Range	Contents	Remarks
710-373	CIS Position Adjustment - Slow Scan Position Adjustment Upper Limit during Fast Scan Adjustment	h'10 (= 16 lines)	0 to 32 lines	Specifies the limit for the Slow Scan Position Adjustment value that is calculated in the CIS Position Adjustment Pattern Scan. If the calculated Slow Scan Position Adjustment value has exceeded the limit, it becomes a CIS Position Adjustment Error.	
710-374	CIS Position Adjustment - Line Pitch Tolerance Upper Limit during Slow Scan Adjustment	h'8 (= 8 lines)	0 to 32 lines	Specifies the limit of misregistration between horizontal lines for the CIS Position Adjustment Document that is used in the CIS Position Adjustment Pattern Scan. If the misregistration that was determined from the pattern has exceeded the limit, it becomes a CIS Position Adjustment Error.	
710-375	CIS Position Adjustment - Slow Scan Position Adjustment Upper Limit during Slow Scan Adjustment	h'10 (= 16 lines)	0 to 32 lines	Specifies the limit for the Slow Scan Position Adjustment value that is calculated in the CIS Position Adjustment Pattern Scan. If the calculated Slow Scan Position Adjustment value has exceeded the limit, it becomes a CIS Position Adjustment Error.	
710-376	CIS Position Adjustment - Pattern Search Width during Fast Scan Adjustment	h'60 (= 96 dot)	8 to 255 dot	Specifies the Fast Scan Width when searching the pattern at Fast Scan Position Adjustment of CIS Position Adjustment Pattern Scan.	
710-377	CIS Position Adjustment - Pattern Search Height during Fast Scan Adjustment	h'24 (= 36 lines)	8 to 72 lines	Specifies the Slow Scan Width when searching the pattern at Fast Scan Position Adjustment of CIS Position Adjustment Pattern Scan.	
710-378	CIS Position Adjustment - Pattern Search Width during Slow Scan Adjustment	h'60 (= 96 dot)	8 to 96 dot	Specifies the Fast Scan Width when searching the pattern at Slow Scan Position Adjustment of CIS Position Adjustment Pattern Scan.	
710-379	CIS Position Adjustment - Pattern Search Height during Slow Scan Adjustment	h'10 (= 16 lines)	8 to 72 lines	Specifies the Slow Scan Width when searching the pattern at Slow Scan Position Adjustment of CIS Position Adjustment Pattern Scan.	
710-380	CIS Position Adjustment - Fast Scan Position Adjustment Determination Margin	h'2 (= 2 dot)	0 to 32 dot	Specifies the determination margin for the Fast Scan Position Adjustment value of CIS Position Adjustment Pattern Scan. If the Fast Scan Position Adjustment has exceeded the value by +/-margin at the determination, it becomes an Adjustment Value Determination Error.	
710-381	CIS Position Adjustment - Slow Scan Position Adjustment Determination Margin	h'2 (= 2 lines)	0 to 32 lines	Specifies the determination margin for the Slow Scan Position Adjustment value of CIS Position Adjustment Pattern Scan. If the Slow Scan Position Adjustment has exceeded the value by +/-margin at the determination, it becomes an Adjustment Value Determination Error.	

Chain-Link	Item Name	Default Value	Setting Range	Contents	Remarks
710-448	User Settings: CIS 2 Fast Scan Position Adjustment	0 (= +/-0 dot)	-32 to 0 to +32 dot	Adjusts the Fast Scan Position between CIS 1 and CIS 2. Adjusts the Fast Scan Joint Position for CIS 2 relative to CIS 1.	
710-449	User Settings: CIS 3 Fast Scan Position Adjustment	0 (= +/-0 dot)	-32 to 0 to +32 dot	Adjusts the Fast Scan Position between CIS 2 and CIS 3. Adjusts the Fast Scan Joint Position for CIS 3 relative to CIS 2.	
710-450	User Settings: CIS 4 Fast Scan Position Adjustment	0 (= +/-0 dot)	-32 to 0 to +32 dot	Adjusts the Fast Scan Position between CIS 3 and CIS 4. Adjusts the Fast Scan Joint Position for CIS 4 relative to CIS 3.	
710-451	User Settings: CIS 5 Fast Scan Position Adjustment	0 (= +/-0 dot)	-32 to 0 to +32 dot	Adjusts the Fast Scan Position between CIS 4 and CIS 5. Adjusts the Fast Scan Joint Position for CIS 5 relative to CIS 4.	
710-452	User Settings: CIS 2 Slow Scan Position Adjustment (for 600 dpi Scan)	0 (= +/-0 line)	-32 to 0 to +32 lines	Adjusts the Slow Scan Position between CIS 1 and CIS 2. Adjusts the Slow Scan Joint Position for CIS 2 relative to CIS 1.	
710-453	User Settings: CIS 3 Slow Scan Position Adjustment (for 600 dpi Scan)	0 (= +/-0 line)	-32 to 0 to +32 lines	Adjusts the Slow Scan Position between CIS 2 and CIS 3. Adjusts the Slow Scan Joint Position for CIS 3 relative to CIS 2.	
710-454	User Settings: CIS 4 Slow Scan Position Adjustment (for 600 dpi Scan)	0 (= +/-0 line)	-32 to 0 to +32 lines	Adjusts the Slow Scan Position between CIS 3 and CIS 4. Adjusts the Slow Scan Joint Position for CIS 4 relative to CIS 3.	
710-455	User Settings: CIS 5 Slow Scan Position Adjustment (for 600 dpi Scan)	0 (= +/-0 line)	-32 to 0 to +32 lines	Adjusts the Slow Scan Position between CIS 4 and CIS 5. Adjusts the Slow Scan Joint Position for CIS 5 relative to CIS 4.	

## IPS System Data

Chain-Link	Item Name	Default Value	Setting Range	Contents	Remarks
710-502	(Black) Output Gamma Correction	0	0: Do not perform gamma correction (= 100) 1 to 65535: 0.01 to 655.35	Performs gamma correction of image output.	Can perform density adjustment of the images to be output to the IOT. Consistent regardless of UI features, such as document type, etc. E.g.) - Copy density is light:->change to 1.1 to make it darker - Copy density is dark->hange to 0.9 to make it lighter * However, this adjustment is common between Copy/Scan image quality and individual adjustment is impossible.
710-504	(Black) Image Quality Selection for Uneven-Toned BG Mode	1	0: IIT-Default image quality 1: Text & Drawing 2: Photo & Text 3: Text & Drawing (cannot select for Printed Original) 4: Text & Drawing (cannot select for Photograph) 5: Blueprint 6: Uneven-Toned BG 7: Transparent	Selects which document image quality to aim for during the Uneven-Toned BG Mode that utilizes the dynamic background detection/removal.	
710-505	(Black) Minimum Width for Uneven-Toned BG Mode	2	0 to 38	Specifies the minimum width for Uneven-Toned BG Mode	
710-506	(Black) Increase/Decrease Range of Detection Upper Limit that is linked to the Fine Adjustment for Auto Background Suppression	0	0 to 255	Links 710-628 to 634 (Auto Background Detection Level) to the Background Fine Adjustment and increases/decreases it. E.g.) 710-628= 60, 710-506= 10 Fine Adjustment of Auto Background Suppression Detection Level of Auto Background Suppression (Setting this to '0' fixes the value to '24'.)	Less <- 0 1 2 3 4 5 6 -> More 30 40 50 60 70 80 90
710-507	(Black) Adj.Color Density (Uncolored Area) Threshold Value	66	0 to 255	Specifies the background (increase density) to darken the uncolored area for Adj.Color Density.	
710-508	(Color -> BW) Uncolored Area Threshold Value during Auto Background Suppression	30	0 to 255	Specifies the background (increase density) to darken the uncolored area for Adj.Color Density.	
710-509	(Color -> BW) Uncolored Area Threshold Value during Manual Background Suppression	0	0 to 255	Specifies the background (increase density) to darken the uncolored area for Adj.Color Density.	

Chain-Link	Item Name	Default Value	Setting Range	Contents	Remarks
710-511	(Black) Background Suppression Level for Background Suppression OFF	0	0 to 38		
710-512	(Black) Grayscale Gamma Correction	220	0: Do not perform gamma correction (= 100) 1 to 65535: 0.01 to 655.35		
710-514	(Black) Auto Background Level during Invert Image	128	0 to 255	The threshold value for Auto Background Suppression Control when Invert Image is specified.	
710-515	(Black) Low Contrast Enhancement Mode	0	0: OFF 1: ON	Bit specification	Bit specification 01h: Text & Drawing 02h: Photo & Text 04h: Printed Original 08h: Photograph 10h: Blueprint 20h: Uneven-Toned BG 40h: Transparent E.g.) When setting only 'Text & Drawing' and 'Blueprint' Modes to 1: Set '17' (01h + 10h = 11h = 17 (in decimal)).
710-516	(Black) Dirt Removal Function	0	0: Depend on IIT I/F 1: OFF 2: Less 3: More		PC-Host only Excluding CP-Cont (Copy/Scan)
710-517	(Black) Inter-Block Smoothing for Uneven-Toned BG Mode	1	0: OFF 1: ON		
710-518	(Black) Filter for 8090 Selection	0	0: Normal Mode 1: Text Enhanced Mode		
710-519	(Black) Filter for 8090 Document Type Selection	0	0: OFF 1: ON	Bit specification	Bit specification 01h: Text & Drawing 02h: Photo & Text 04h: Printed Original 08h: Photograph 10h: Blueprint 20h: Uneven-Toned BG 40h: Transparent E.g.) When setting only 'Text & Drawing' and 'Blueprint' Modes to 1: Set '17' (01h + 10h = 11h = 17 (in decimal)).
710-520	BW ED EH	0	0: Depend on System 1 to 255		
710-521	BW ED BLACK LEVEL	0	0: Depend on System 1 to 255		

Chain-Link	Item Name	Default Value	Setting Range	Contents	Remarks
710-522	BW PRE PROCESS LOWPASS	1	0, 1		
710-564	(Black) Contrast - Text & Drawing	0	0: Normal (= 3: Default) 1: Less Contrast (UI: -2) to 5: More Contrast (UI: +2)	You can increase/decrease the default value of contrast. (By document mode type) E.g.) An image with 'Normal' contrast can be adjusted like: - If the contrast is low -> 4 - If the contrast is high -> 2 * However, this adjustment is common between Copy/Scan image quality and individual adjustment is impossible.	
710-565	(Black) Contrast - Photo & Text	0			
710-566	(BW) Contrast - Printed Original	0			
710-567	(BW) Contrast - Photograph	0			
710-568	(Black) Contrast - Blueprint	0			
710-569	(Black) Contrast - Uneven-Toned BG	0			
710-570	(Black) Contrast - Transparent Document	0			
710-572	(Black) Density - Text & Drawing	0	0: Normal (= 3: Default) 1: Lighten (UI: +2) to 5: Darken (UI: +2)	You can increase/decrease the default value of density adjustment. (By document mode type) E.g.) Image with 'Normal' density can be adjusted like: - if it is light -> 4 - if it is dark -> 2 * However, this adjustment is common between Copy/Scan image quality and individual adjustment is impossible.	
710-573	(Black) Density - Photo & Text	0			
710-574	(Black) Density - Printed Original	0			
710-575	(Black) Density - Photograph	0			
710-576	(Black) Density - Blueprint	0			
710-577	(Black) Density - Uneven-Toned BG	0			
710-578	(Black) Density - Transparent Document	0			
710-580	(Black) Density Control at Auto Background Suppression - Text & Drawing	240	0: White to 255: Black	When the auto background suppression is ON, the background detection level can be specified up to the upper limit of 255 density level. For example, it is used when you do not want to suppress the background of high-density document (by document mode type). * However, this adjustment is common between Copy/Scan image quality and individual adjustment is impossible.	
710-581	(Black) Density Control at Auto Background Suppression - Photo & Text	240			
710-584	(Black) Density Control at Auto Background Suppression - Blueprint	240			
710-585	(Black) Density Control at Auto Background Suppression - Uneven-Toned BG	240			
710-586	(Black) Density Control at Auto Background Suppression - Transparent Document	240			



Chain-Link	Item Name	Default Value	Setting Range	Contents	Remarks
710-588	(Black) Threshold Value at Auto Background Suppression - Text & Drawing	0	0: Normal (= 3: Default) 1: Less (UI: -2) to 5: More (UI: +2)	During auto background suppression, the strength of background suppression can be specified. (By document mode type) E.g.) Image with 'Normal' density can be adjusted like: - Suppress the background -> 4 - Do not suppress the background -> 2 * However, this adjustment is common between Copy/Scan image quality and individual adjustment is impossible.	
710-589	(Black) Threshold Value at Auto Background Suppression - Photo & Text	0			
710-592	(Black) Threshold Value at Auto Background Suppression - Blueprint	0			
710-593	(Black) Threshold Value at Auto Background Suppression - Uneven-Toned BG	0			
710-594	(Black) Threshold Value at Auto Background Suppression - Transparent Document	0			
710-596	(Black) Threshold Value at Manual Background Suppression - Text & Drawing	0	0: Normal (= 3: Default) 1: Less (UI: -2) to 5: More (UI: +2)	During manual background suppression, the strength of background suppression can be specified. (By document mode type) E.g.) Image with 'Normal' density can be adjusted like: - Suppress the background -> 4 - Do not suppress the background -> 2 * However, this adjustment is common between Copy/Scan image quality and individual adjustment is impossible.	
710-597	(Black) Threshold Value at Manual Background Suppression - Photo & Text	0			
710-598	(Black) Threshold Value at Manual Background Suppression - Printed Original	0			
710-599	(Black) Threshold Value at Manual Background Suppression - Photograph	0			
710-600	(Black) Threshold Value at Manual Background Suppression - Blueprint	0			
710-601	(Black) Threshold Value at Manual Background Suppression - Uneven-Toned BG	0			
710-602	(Black) Threshold Value at Manual Background Suppression - Transparent Document	0			
710-612	(Black) BW Binary Threshold Value - Text & Drawing	160	0 to 255	Changes the BW binary threshold value. Increasing the value lightens the density. - The document is a bad one, with background appearing on most areas, and requires a more extensive background suppression -> Increase the value - Need to make the fine lines stand out more -> Decrease the value	As the BW binarization does not render the gradation, it is of an image quality that is different from a pseudo-gradation. When the background remains on Blueprints, etc., the whole surface will tend to be darker as the background density halftone rendering is not performed.
710-613	(Black) BW Binary Threshold Value - Photo & Text	127			
710-616	(Black) Simple Binary Threshold Value - Blueprint	70			
710-617	(Black) Simple Binary Threshold Value - Uneven-Toned BG	70			
710-618	(Black) Simple Binary Threshold Value - Transparent Document	100			

Chain-Link	Item Name	Default Value	Setting Range	Contents	Remarks
710-620	(BW) Auto Background Suppression, Small Block Upper Limit Value (Text/Drawing)	0	0: System Default Value 1 to 255: Background Suppression Level Adjustment based only on area ratio		
710-621	(BW) Auto Background Suppression, Small Block Upper Limit Value (Text/Photo)	0			
710-622	(BW) Auto Background Suppression, Small Block Upper Limit Value (Blueprint)	0			
710-623	(BW) Auto Background Suppression, Small Block Upper Limit Value (Transparent)	0			
710-628	(Black) Detection Level of Auto Background Suppression (Text & Drawing)	60	0: 24 (Default value) 1 to 255: Level  (When '0' is selected, the default value of '24' is set)	Adjusts the Detection Level of Auto Background Suppression. (Permissible level for up & down movement) <b>&lt;About the permissible level for up &amp; down movement&gt;</b> The Auto Background Suppression has a control that excludes the marks, etc. that are not the target for background suppression from getting processed. It detects the up & down movement of the background density and, when a difference that is at the "permitted level" or above is detected, uses the lowest density from among the background density threshold values to prevent the image from getting erased. As this function (by the same principle) might cause some background to remain for documents with extremely Uneven-Toned BG surface or which had undergone correction for blank areas, adjust the density and background as much as possible. This setting can adjust the "permitted level" for background fluctuation even for the previously mentioned case. However, take note that because the extent of the background suppression effect becomes larger, the density will tend to get lighter even for normal documents.	Be very careful when changing this setting as it changes the behavior of the background suppression function.  Although the default value is 60, if it has to be changed, increase/reduce it by +/-10 while checking the output image.
710-629	(Black) Detection Level of Auto Background Suppression (Photo & Text)	60			
710-632	(Black) Detection Level of Auto Background Suppression (Blueprint)	60			
710-633	(Black) Detection Level of Auto Background Suppression (Uneven-Toned BG)	60			
710-634	(Black) Detection Level of Auto Background Suppression (Transparent)	0			

Chain-Link	Item Name	Default Value	Setting Range	Contents	Remarks
710-636	(Black) Reference Chart Selection (Text & Drawing)	0	0: STP5001 (print type) 1: IT8 FujiFilm (photo type) 2: IT8 Kodac (photo type)	Selects the chart that is to be used as the base for output.	
710-637	(Black) Reference Chart Selection (Photo & Text)	0			
710-638	(Black) Reference Chart Selection (Printed Original)	0			
710-639	(Black) Reference Chart Selection (Photograph)	2			
710-640	(Black) Reference Chart Selection (Blueprint)	0			
710-641	(Black) Reference Chart Selection (Uneven-Toned BG)	0			
710-642	(Black) Reference Chart Selection (Transparent)	0			
710-644	(Black) Adj.Color Density Fine Adjustment	254	0: OFF 1: ON	Bit specification	Bit specification 01h: Master (all colors) 02h: Gray 04h: Red 08h: Yellow 10h: Green 20h: Cyan 40h: Blue 80h: Magenta
710-645	(Black) Master (All Colors) Light Side - Maximum Decrement Value	80	0 to 255	Sets the 0 to 2 (lightening side) from among the 7 levels of UI Adjustment (0 to 6). E.g.) Set 255 UI: 0 -> 255 (settings value) UI: 1 -> -170 (equal distribution) UI: 2 -> -85 (equal distribution) UI: 3 -> +/-0 (default setting) * UI 1 and 2 use equal distribution.	

Chain-Link	Item Name	Default Value	Setting Range	Contents	Remarks
710-646	(Black) Master (All Colors) Dark Side - Maximum Increment Value	80	0 to 255	Sets the 4 to 6 (darkening side) from among the 7 levels of UI Adjustment (0 to 6). E.g.) Set 175 UI: 3 -> +/-0 (default setting) UI: 4 -> +58 (equal distribution) UI: 5 -> +116 (equal distribution) UI: 6 -> +175 (settings value) * UI 4 and 5 use equal distribution.	
710-647	(Black) Gray Color Light Side - Maximum Decrement Value	128	0 to 255	For how to set, refer to 710-645.	
710-648	(Black) Gray Color Dark Side - Maximum Increment Value	80	0 to 255	For how to set, refer to 710-646.	
710-649	(Black) Red Color Light Side - Maximum Decrement Value	80	0 to 255	For how to set, refer to 710-645.	
710-650	(Black) Red Color Dark Side - Maximum Increment Value	80	0 to 255	For how to set, refer to 710-646.	
710-651	(Black) Yellow Color Light Side - Maximum Decrement Value	80	0 to 255	For how to set, refer to 710-645.	
710-652	(Black) Yellow Color Dark Side - Maximum Increment Value	80	0 to 255	For how to set, refer to 710-646.	
710-653	(Black) Green Color Light Side - Maximum Decrement Value	80	0 to 255	For how to set, refer to 710-645.	
710-654	(Black) Green Color Dark Side - Maximum Increment Value	80	0 to 255	For how to set, refer to 710-646.	
710-655	(Black) Cyan Color Light Side - Maximum Decrement Value	80	0 to 255	For how to set, refer to 710-645.	
710-656	(Black) Cyan Color Dark Side - Maximum Increment Value	80	0 to 255	For how to set, refer to 710-646.	
710-657	(Black) Blue Color Light Side - Maximum Decrement Value	128	0 to 255	For how to set, refer to 710-645.	
710-658	(Black) Blue Color Dark Side - Maximum Increment Value	80	0 to 255	For how to set, refer to 710-646.	
710-659	(Black) Magenta Color Light Side - Maximum Decrement Value	80	0 to 255	For how to set, refer to 710-645.	
710-660	(Black) Magenta Color Dark Side - Maximum Increment Value	80	0 to 255	For how to set, refer to 710-646.	

Chain-Link	Item Name	Default Value	Setting Range	Contents	Remarks
710-661	(Black) Master Color Light Side - Minimum Multiplication Value	10	0 to 255: 0 to 25.5	Sets the 0 to 2 (lightening side) from among the 7 levels of UI Adjustment (0 to 6). E.g.) Set 0 UI: 0 -> x 0.0 (settings value) UI: 1 -> x 0.33 (equal distribution) UI: 2 -> x 0.66 (equal distribution) UI: 3 -> x 1.0 (default setting) * UI 1 and 2 use equal distribution.	
710-662	(Black) Master Color Dark Side - Maximum Multiplication Value	10	0 to 255: 0 to 25.5	Sets the 4 to 6 (darkening side) from among the 7 levels of UI Adjustment (0 to 6). E.g.) Set 40 UI: 3 -> x 1.0 (default setting) UI: 4 -> x 2.0 (equal distribution) UI: 5 -> x 3.0 (equal distribution) UI: 6 -> x 4.0 (settings value) * UI 4 and 5 use equal distribution.	
710-663	(Black) Gray Color Light Side - Minimum Multiplication Value	10	0 to 255: 0 to 25.5	For how to set, refer to 710-661.	
710-664	(Black) Gray Color Dark Side - Maximum Multiplication Value	10	0 to 255: 0 to 25.5	For how to set, refer to 710-662.	
710-665	(Black) Red Color Light Side - Minimum Multiplication Value	10	0 to 255: 0 to 25.5	For how to set, refer to 710-661.	
710-666	(Black) Red Color Dark Side - Maximum Multiplication Value	10	0 to 255: 0 to 25.5	For how to set, refer to 710-662.	
710-667	(Black) Yellow Color Light Side - Minimum Multiplication Value	10	0 to 255: 0 to 25.5	For how to set, refer to 710-661.	
710-668	(Black) Yellow Color Dark Side - Maximum Multiplication Value	10	0 to 255: 0 to 25.5	For how to set, refer to 710-662.	
710-669	(Black) Green Color Light Side - Minimum Multiplication Value	10	0 to 255: 0 to 25.5	For how to set, refer to 710-661.	
710-670	(Black) Green Color Dark Side - Maximum Multiplication Value	10	0 to 255: 0 to 25.5	For how to set, refer to 710-662.	
710-671	(Black) Cyan Color Light Side - Minimum Multiplication Value	10	0 to 255: 0 to 25.5	For how to set, refer to 710-661.	
710-672	(Black) Cyan Color Dark Side - Maximum Multiplication Value	10	0 to 255: 0 to 25.5	For how to set, refer to 710-662.	
710-673	(Black) Blue Color Light Side - Minimum Multiplication Value	10	0 to 255: 0 to 25.5	For how to set, refer to 710-661.	

Chain-Link	Item Name	Default Value	Setting Range	Contents	Remarks
710-674	(Black) Blue Color Dark Side - Maximum Multiplication Value	10	0 to 255: 0 to 25.5	For how to set, refer to 710-662.	
710-675	(Black) Magenta Color Light Side - Minimum Multiplication Value	10	0 to 255: 0 to 25.5	For how to set, refer to 710-661.	
710-676	(Black) Magenta Color Dark Side - Maximum Multiplication Value	10	0 to 255: 0 to 25.5	For how to set, refer to 710-662.	
710-693	(Color) Shadow Suppression Level	0	0: N.A. 1: Less to 5: More		
710-694	(Color) DRGB Output Brightness Conversion	1	0: Through 1: Brightness Conversion (print type) 2: Brightness Conversion (IT8 FujiFilm) 3: Brightness Conversion (IT8 Kodac)	Converts the RGB brightness when DRGB is selected.	FX Specification requires this brightness conversion.
710-695	(Color) Background Suppression at Nega Specification	0	0: Perform background suppression 1: Do not perform background suppression	Removes the remaining background when inverting nega documents.	
710-696	(Color) Auto Background Suppression Level	0	0: Less to 4: More		
710-697	(Color) Uncolored Area Forced Suppression Threshold Value (Background Suppression OFF)	28	0 to 255		
710-698	(Color) Uncolored Area Forced Suppression Threshold Value (Auto Background Suppression)	10	0 to 255		
710-699	(Color) Uncolored Area Forced Suppression Threshold Value (Manual Background Suppression)	0	0 to 255		
710-700	(Color) Uncolored Area Forced Equalization Adjustment Value	1	0 to 255	Forcedly reduces the saturation for uncolored (black).	
710-701	(Color) Background Level at Background Suppression OFF	0	0 to 38		
710-702	(Color) Lowpass Filter (Photo & Text)	0	0: OFF 1: ON		
710-703	(Color -> BW) Brightness -> Reflective Ratio Complementary Fine Adjustment for Each Color	0	0: OFF 1: ON		
710-704	(Color) Auto Background Suppression with BW/Color Determination Function	0	0: OFF 1: ON		

Chain-Link	Item Name	Default Value	Setting Range	Contents	Remarks
710-705	(Color) Adj.Color Density Light Side ab Ratio Relative to L (1/x)	4	1 to 255		
710-706	(Color) Color Output Brightness Conversion	0	0: Convert Brightness 1: Through		
710-708	(Color) Adj.Color Density Fine Adjustment	254	0: OFF 1: ON	Bit specification	Bit specification 01h: Master (all colors) 02h: Gray 04h: Red 08h: Yellow 10h: Green 20h: Cyan 40h: Blue 80h: Magenta
710-709	(Color) Master (All Colors) Light Side - Maximum Decrement Value	64	0 to 255	Sets the 0 to 2 (lightening side) from among the 7 levels of UI Adjustment (0 to 6). E.g.) Set 255 UI: 0 -> 255 (settings value) UI: 1 -> -170 (equal distribution) UI: 2 -> -85 (equal distribution) UI: 3 -> +/-0 (default setting) * UI 1 and 2 use equal distribution.	
710-710	(Color) Master (All Colors) Dark Side - Maximum Increment Value	64	0 to 255	Sets the 4 to 6 (darkening side) from among the 7 levels of UI Adjustment (0 to 6). E.g.) Set 175 UI: 3 -> +/-0 (default setting) UI: 4 -> +58 (equal distribution) UI: 5 -> +116 (equal distribution) UI: 6 -> +175 (settings value) * UI 4 and 5 use equal distribution.	
710-711	(Color) Gray Color Light Side - Maximum Decrement Value	64	0 to 255	For how to set, refer to 710-709.	
710-712	(Color) Gray Color Dark Side - Maximum Increment Value	64	0 to 255	For how to set, refer to 710-710.	
710-713	(Color) Red Color Light Side - Maximum Decrement Value	64	0 to 255	For how to set, refer to 710-709.	
710-714	(Color) Red Color Dark Side - Maximum Increment Value	64	0 to 255	For how to set, refer to 710-710.	

Chain-Link	Item Name	Default Value	Setting Range	Contents	Remarks
710-715	(Color) Yellow Color Light Side - Maximum Decrement Value	168	0 to 255	For how to set, refer to 710-709.	
710-716	(Color) Yellow Color Dark Side - Maximum Increment Value	64	0 to 255	For how to set, refer to 710-710.	
710-717	(Color) Green Color Light Side - Maximum Decrement Value	48	0 to 255	For how to set, refer to 710-709.	
710-718	(Color) Green Color Dark Side - Maximum Increment Value	64	0 to 255	For how to set, refer to 710-710.	
710-719	(Color) Cyan Color Light Side - Maximum Decrement Value	48	0 to 255	For how to set, refer to 710-709.	
710-720	(Color) Cyan Color Dark Side - Maximum Increment Value	64	0 to 255	For how to set, refer to 710-710.	
710-721	(Color) Blue Color Light Side - Maximum Decrement Value	52	0 to 255	For how to set, refer to 710-709.	
710-722	(Color) Blue Color Dark Side - Maximum Increment Value	64	0 to 255	For how to set, refer to 710-710.	
710-723	(Color) Magenta Color Light Side - Maximum Decrement Value	72	0 to 255	For how to set, refer to 710-709.	
710-724	(Color) Magenta Color Dark Side - Maximum Increment Value	64	0 to 255	For how to set, refer to 710-710.	
710-725	(Color) Master Color Light Side - Minimum Multiplication Value	10	0 to 255: 0 to 25.5	Sets the 0 to 2 (lightening side) from among the 7 levels of UI Adjustment (0 to 6). E.g.) Set 0 UI: 0 -> x 0.0 (settings value) UI: 1 -> x 0.33 (equal distribution) UI: 2 -> x 0.66 (equal distribution) UI: 3 -> x 1.0 (default setting) * UI 1 and 2 use equal distribution.	
710-726	(Color) Master Color Dark Side - Maximum Multiplication Value	10	0 to 255: 0 to 25.5	Sets the 4 to 6 (darkening side) from among the 7 levels of UI Adjustment (0 to 6). E.g.) Set 40 UI: 3 -> x 1.0 (default setting) UI: 4 -> x 2.0 (equal distribution) UI: 5 -> x 3.0 (equal distribution) UI: 6 -> x 4.0 (settings value) * UI 4 and 5 use equal distribution.	
710-727	(Color) Gray Color Light Side - Minimum Multiplication Value	10	0 to 255: 0 to 25.5	For how to set, refer to 710-725.	



Chain-Link	Item Name	Default Value	Setting Range	Contents	Remarks
710-728	(Color) Gray Color Dark Side - Maximum Multiplication Value	10	0 to 255: 0 to 25.5	For how to set, refer to 710-726.	
710-729	(Color) Red Color Light Side - Minimum Multiplication Value	10	0 to 255: 0 to 25.5	For how to set, refer to 710-725.	
710-730	(Color) Red Color Dark Side - Maximum Multiplication Value	10	0 to 255: 0 to 25.5	For how to set, refer to 710-726.	
710-731	(Color) Yellow Color Light Side - Minimum Multiplication Value	10	0 to 255: 0 to 25.5	For how to set, refer to 710-725.	
710-732	(Color) Yellow Color Dark Side - Maximum Multiplication Value	10	0 to 255: 0 to 25.5	For how to set, refer to 710-726.	
710-733	(Color) Green Color Light Side - Minimum Multiplication Value	10	0 to 255: 0 to 25.5	For how to set, refer to 710-725.	
710-734	(Color) Green Color Dark Side - Maximum Multiplication Value	10	0 to 255: 0 to 25.5	For how to set, refer to 710-726.	
710-735	(Color) Cyan Color Light Side - Minimum Multiplication Value	10	0 to 255: 0 to 25.5	For how to set, refer to 710-725.	
710-736	(Color) Cyan Color Dark Side - Maximum Multiplication Value	10	0 to 255: 0 to 25.5	For how to set, refer to 710-726.	
710-737	(Color) Blue Color Light Side - Minimum Multiplication Value	10	0 to 255: 0 to 25.5	For how to set, refer to 710-725.	
710-738	(Color) Blue Color Dark Side - Maximum Multiplication Value	10	0 to 255: 0 to 25.5	For how to set, refer to 710-726.	
710-739	(Color) Magenta Color Light Side - Minimum Multiplication Value	10	0 to 255: 0 to 25.5	For how to set, refer to 710-725.	
710-740	(Color) Magenta Color Dark Side - Maximum Multiplication Value	10	0 to 255: 0 to 25.5	For how to set, refer to 710-726.	
710-741	(Color) Reference Chart Selection (Photo & Text)	0	0: STP5001 (print type) 1: IT8 FujiFilm (photo type) 2: IT8 Kodac (photo type)	Selects the chart that is to be used as the base for output.	
710-742	(Color) Reference Chart Selection (Printed Original)	0			
710-743	(Color) Reference Chart Selection (Photograph)	2			
710-744	(Color) Coated Paper Red Only Correction	0	0: N.A. 1: Red only correction	Bit specification	Bit specification 02h: Photo & Text 04h: Printed Original 08h: Photograph

Chain-Link	Item Name	Default Value	Setting Range	Contents	Remarks
710-745	(Color) Density - Photo & Text	0	0: Normal (= 3: Default) 1: Lighten (UI: +2) to 5: Darken (UI: +2)		<b>Note</b> E.g., when the Level is set to '4', it will be switched as follows. * This refers to the UI ( ) display on the Control Panel. UI (0) -> UI (1), UI (1) -> UI (2), UI (2) -> UI (3), UI (3) -> UI (4), UI (4) -> UI (5), UI (5) -> UI (6), UI (6) -> UI (6)
710-746	(Color) Density - Printed Original	0			
710-747	(Color) Density - Photograph	0			
710-748	(Color) Contrast - Photo & Text	0	0: Normal (= 3: Default) 1: Less (UI: -2) to 5: More (UI: +2)		<b>Note</b> E.g., when the Level is set to '4', it will be switched as follows. * This refers to the UI ( ) display on the Control Panel. UI (0) -> UI (1), UI (1) -> UI (2), UI (2) -> UI (3), UI (3) -> UI (4), UI (4) -> UI (4)
710-749	(Color) Contrast - Printed Original	0			
710-750	(Color) Contrast - Photograph	0			
710-751	(Color) Dirt Removal Function	0	0: Depend on IIT I/F 1: OFF 2: Weak 3: Strong		PC-Host only Excluding CP-Cont (Copy/Scan)
710-752	(Color) Contrast Reduction when Uncolored Density was Lightened	20	0 to 255		
710-756	(Black) Uncolored Area Adjustment Mode	126	0: OFF 1: ON	Bit specification	Bit specification 01h: Master (all colors) 02h: Gray 04h: Red 08h: Yellow 10h: Green 20h: Cyan 40h: Blue 80h: Magenta
710-757	(Black) Uncolored Area Offset - Master (All Colors)	0	-128 to 127		
710-758	(Black) Uncolored Area Offset - Red Color	0	-128 to 127		
710-759	(Black) Uncolored Area Offset - Yellow Color	0	-128 to 127		
710-760	(Black) Uncolored Area Offset - Green Color	0	-128 to 127		
710-761	(Black) Uncolored Area Offset - Cyan Color	3	-128 to 127		
710-762	(Black) Uncolored Area Offset - Blue Color	0	-128 to 127		
710-763	(Black) Uncolored Area Offset - Magenta Color	0	-128 to 127		
710-764	(Black) Uncolored Area Multiplication Value - Master (All Colors)	100	0 to 255: 0 to 2.55		

Chain-Link	Item Name	Default Value	Setting Range	Contents	Remarks
710-765	(Black) Uncolored Area Multiplication Value - Red Color	50	0 to 255: 0 to 2.55		
710-766	(Black) Uncolored Area Multiplication Value - Yellow Color	9	0 to 255: 0 to 2.55		
710-767	(Black) Uncolored Area Multiplication Value - Green Color	40	0 to 255: 0 to 2.55		
710-768	(Black) Uncolored Area Multiplication Value - Cyan Color	45	0 to 255: 0 to 2.55		
710-769	(Black) Uncolored Area Multiplication Value - Blue Color	50	0 to 255: 0 to 2.55		
710-770	(Black) Uncolored Area Multiplication Value - Magenta Color	50	0 to 255: 0 to 2.55		
710-771	(Black) Uncolored Area Offset Gamma Mode	0	0: Mode 1 (Default) 1: Mode 2		
710-772	(Black) Uncolored Area Gamma Value - Master (All Colors)	100	0 to 255: 0 to 2.55		
710-773	(Black) Uncolored Area Gamma Value - Red Color	70	0 to 255: 0 to 2.55		
710-774	(Black) Uncolored Area Gamma Value - Yellow Color	70	0 to 255: 0 to 2.55		
710-775	(Black) Uncolored Area Gamma Value - Green Color	70	0 to 255: 0 to 2.55		
710-776	(Black) Uncolored Area Gamma Value - Cyan Color	70	0 to 255: 0 to 2.55		
710-777	(Black) Uncolored Area Gamma Value - Blue Color	70	0 to 255: 0 to 2.55		
710-778	(Black) Uncolored Area Gamma Value - Magenta Color	70	0 to 255: 0 to 2.55		
710-779	(Color) Uncolored Area Adjustment Mode	126	0: OFF 1: ON	Bit specification	Bit specification 01h: Master (all colors) 02h: Gray 04h: Red 08h: Yellow 10h: Green 20h: Cyan 40h: Blue 80h: Magenta
710-780	(Color) Uncolored Area Offset - Master (All Colors)	0	-128 to 127		
710-781	(Color) Uncolored Area Offset - Red Color	0	-128 to 127		
710-782	(Color) Uncolored Area Offset - Yellow Color	0	-128 to 127		

Chain-Link	Item Name	Default Value	Setting Range	Contents	Remarks
710-783	(Color) Uncolored Area Offset - Green Color	0	-128 to 127		
710-784	(Color) Uncolored Area Offset - Cyan Color	0	-128 to 127		
710-785	(Color) Uncolored Area Offset - Blue Color	0	-128 to 127		
710-786	(Color) Uncolored Area Offset - Magenta Color	0	-128 to 127		
710-787	(Color) Uncolored Area Multiplication Value - Master (All Colors)	100	0 to 255: 0 to 2.55		
710-788	(Color) Uncolored Area Multiplication Value - Red Color	50	0 to 255: 0 to 2.55		
710-789	(Color) Uncolored Area Multiplication Value - Yellow Color	9	0 to 255: 0 to 2.55		
710-790	(Color) Uncolored Area Multiplication Value - Green Color	30	0 to 255: 0 to 2.55		
710-791	(Color) Uncolored Area Multiplication Value - Cyan Color	45	0 to 255: 0 to 2.55		
710-792	(Color) Uncolored Area Multiplication Value - Blue Color	50	0 to 255: 0 to 2.55		
710-793	(Color) Uncolored Area Multiplication Value - Magenta Color	50	0 to 255: 0 to 2.55		
710-794	(Color) Uncolored Area Offset Gamma Mode	0	0: Mode 1 (Default) 1: Mode 2		
710-795	(Color) Uncolored Area Gamma Value - Master (All Colors)	100	0 to 255: 0 to 2.55		
710-796	(Color) Uncolored Area Gamma Value - Red Color	70	0 to 255: 0 to 2.55		
710-797	(Color) Uncolored Area Gamma Value - Yellow Color	70	0 to 255: 0 to 2.55		
710-798	(Color) Uncolored Area Gamma Value - Green Color	70	0 to 255: 0 to 2.55		
710-799	(Color) Uncolored Area Gamma Value - Cyan Color	70	0 to 255: 0 to 2.55		
710-800	(Color) Uncolored Area Gamma Value - Blue Color	70	0 to 255: 0 to 2.55		
710-801	(Color) Uncolored Area Gamma Value - Magenta Color	70	0 to 255: 0 to 2.55		

Chain-Link	Item Name	Default Value	Setting Range	Contents	Remarks
710-802	(Color -> Black) Uncolored Area Adjustment Mode	126	0: OFF 1: ON	Bit specification	Bit specification 01h: Master (all colors) 02h: Gray 04h: Red 08h: Yellow 10h: Green 20h: Cyan 40h: Blue 80h: Magenta
710-803	(Color -> Black) Uncolored Area Offset - Master (All Colors)	0	-128 to 127		
710-804	(Color -> Black) Uncolored Area Offset - Red Color	0	-128 to 127		
710-805	(Color -> Black) Uncolored Area Offset - Yellow Color	0	-128 to 127		
710-806	(Color -> Black) Uncolored Area Offset - Green Color	0	-128 to 127		
710-807	(Color -> Black) Uncolored Area Offset - Cyan Color	0	-128 to 127		
710-808	(Color -> Black) Uncolored Area Offset - Blue Color	0	-128 to 127		
710-809	(Color -> Black) Uncolored Area Offset - Magenta Color	0	-128 to 127		
710-810	(Color -> Black) Uncolored Area Multiplication Value - Master (All Colors)	100	0 to 255: 0 to 2.55		
710-811	(Color -> Black) Uncolored Area Multiplication Value - Red Color	50	0 to 255: 0 to 2.55		
710-812	(Color -> Black) Uncolored Area Multiplication Value - Yellow Color	9	0 to 255: 0 to 2.55		
710-813	(Color -> Black) Uncolored Area Multiplication Value - Green Color	30	0 to 255: 0 to 2.55		
710-814	(Color -> Black) Uncolored Area Multiplication Value - Cyan Color	45	0 to 255: 0 to 2.55		
710-815	(Color -> Black) Uncolored Area Multiplication Value - Blue Color	50	0 to 255: 0 to 2.55		
710-816	(Color -> Black) Uncolored Area Multiplication Value - Magenta Color	50	0 to 255: 0 to 2.55		
710-817	(Color -> Black) Uncolored Area Offset Gamma Mode	0	0: Mode 1 (Default) 1: Mode 2		
710-820	(Color -> Black) Uncolored Area Gamma Value - Master (All Colors)	100	0 to 255: 0 to 2.55		

Chain-Link	Item Name	Default Value	Setting Range	Contents	Remarks
710-821	(Color -> Black) Uncolored Area Gamma Value - Red Color	70	0 to 255: 0 to 2.55		
710-822	(Color -> Black) Uncolored Area Gamma Value - Yellow Color	70	0 to 255: 0 to 2.55		
710-823	(Color -> Black) Uncolored Area Gamma Value - Green Color	70	0 to 255: 0 to 2.55		
710-824	(Color -> Black) Uncolored Area Gamma Value - Cyan Color	70	0 to 255: 0 to 2.55		
710-825	(Color -> Black) Uncolored Area Gamma Value - Blue Color	70	0 to 255: 0 to 2.55		
710-826	(Color -> Black) Uncolored Area Gamma Value - Magenta Color	70	0 to 255: 0 to 2.55		
710-900	CIS ILLUMINA WHITE BASE	245	0 to 255		
710-901	CL ILLMINA COE CALC MODE	0	0, 1		
710-902	BW ILLMINA COE CALC MODE	0	0, 1		
710-903	BW ILLMINA COE USE	1	0, 1		
710-904	CL ILLMINA RED COE	100	0 to 255		
710-905	CL ILLMINA GREEN COE	100	0 to 255		
710-906	CL ILLMINA BLUE COE	100	0 to 255		
710-907	BW ILLMINA RED COE	30	0 to 255		
710-908	BW ILLMINA GREEN COE	100	0 to 255		
710-909	BW ILLMINA BLUE COE	0	0 to 255		

<IOT>

Chain-Link	Settings Item	Sub	Default Value			Setting Range	Change Amount	Setting Data	DC951
			JPN	AP	GCO				
910-001	Region Code	System	-	-	-	-	-		
910-002	Country Code	System	-	-	-	-	-		
910-003	Billing Specification	System	-	-	-	-	-		
910-004	Length Counter Counting Unit Settings	System	-	-	-	-	-		
910-005	Roll 2 Connection State	System	0	0	0	0, 1	-	0: None, 1: Available	
910-007	Finisher Connection Status	System	0	0	0	0, 1, 2	-	0: None, 2: GFI (Unsupported by FX)	
910-008	Attention Light Connection Status	System	0	0	0	0, 1	-	0: None, 1: Available	
910-011	Max Additional Length/Plain Paper/36"	System	0	0	0	0 to 1000	1 mm		
910-012	Max Additional Length/Plain Paper/A0, A1	System	0	0	0	0 to 1000	1 mm		
910-013	Max Additional Length/Plain Paper/A2, A3	System	0	0	0	0 to 1000	1 mm		
910-014	Max Additional Length/Tracing Paper	System	0	0	0	0 to 1000	1 mm		
910-015	Max Additional Length/Transparency	System	0	0	0	0 to 1000	1 mm		
910-016	Max Length Control Mode	System	0	0	0	-	-		
910-024	Attention Light Extended Function	System	0	0	0	0 to 255	-	No Paper (Roll 1): 1, No Paper (Roll 2): 2, No Paper (CSF): 4, No Paper (Bypass): 8, Buzzer Stop: 16, Waste Toner Container Full: 32, Remaining Capacity Low (Roll 1): 64, Remaining Capacity Low (Roll 2): 128	
910-101	Lead Edge Registration Adjustment Value/RFC/Plain Paper	PH	0	0	0	-100 to 100	0.2 mm		
910-102	Lead Edge Registration Adjustment Value/RFC/Tracing Paper	PH	0	0	0	-100 to 100	0.2 mm		
910-103	Lead Edge Registration Adjustment Value/RFC/Transparency	PH	0	0	0	-100 to 100	0.2 mm		
910-107	Lead Edge Registration Adjustment Value/Bypass/Plain Paper	PH	0	0	0	-100 to 100	0.2 mm		
910-108	Lead Edge Registration Adjustment Value/Bypass/Tracing Paper	PH	-2	-2	-2	-100 to 100	0.2 mm		
910-109	Lead Edge Registration Adjustment Value/Bypass/Transparency	PH	-6	-6	-6	-100 to 100	0.2 mm		
910-110	Jam Margin Addition/Sensor when No Paper Detected	PH	0	0	0	0 to 50	100 ms		
910-111	Motion Jam Detection Interval	PH	5	5	5	1 to 15	100 ms		
910-112	Cut Length Adjustment Value/Roll 1/a/Plain Paper	RFC	0	0	0	-99 to 99	-		
910-113	Cut Length Adjustment Value/Roll 1/a/Tracing Paper	RFC	0	0	0	-99 to 99	-		
910-114	Cut Length Adjustment Value/Roll 1/a/Transparency	RFC	0	0	0	-99 to 99	-		
910-115	Cut Length Adjustment Value/Roll 1/b/Plain Paper	RFC	0	0	0	-99 to 99	-		
910-116	Cut Length Adjustment Value/Roll 1/b/Tracing Paper	RFC	0	0	0	-99 to 99	-		
910-117	Cut Length Adjustment Value/Roll 1/b/Transparency	RFC	0	0	0	-99 to 99	-		
910-118	Cut Length Adjustment Value/Roll 2/a/Plain Paper	RFC	0	0	0	-99 to 99	-		

Chain-Link	Settings Item	Sub	Default Value			Setting Range	Change Amount	Setting Data	DC951
			JPN	AP	GCO				
910-119	Cut Length Adjustment Value/Roll 2/a/Tracing Paper	RFC	0	0	0	-99 to 99	-		
910-120	Cut Length Adjustment Value/Roll 2/a/Transparency	RFC	0	0	0	-99 to 99	-		
910-121	Cut Length Adjustment Value/Roll 2/b/Plain Paper	RFC	0	0	0	-99 to 99	-		
910-122	Cut Length Adjustment Value/Roll 2/b/Tracing Paper	RFC	0	0	0	-99 to 99	-		
910-123	Cut Length Adjustment Value/Roll 2/b/Transparency	RFC	0	0	0	-99 to 99	-		
910-124	Cut Length Correction Temperature/High Temperature	RFC	30	30	30	22 to 50	1 degree C		
910-125	Cut Length Correction Temperature/Low Temperature	RFC	16	16	16	0 to 21	1 degree C		
910-126	Cut Length Environment Correction Value/High Temperature	RFC	5	5	5	-99 to 99	-		
910-127	Cut Length Environment Correction Value/Low Temperature	RFC	-8	-8	-8	-99 to 99	-		
910-128	Cut Loop Speed Up Timing/Roll 1	RFC	93	93	93	50 to 200	1 mm	Speed Up Start Timing = (paper length - this setting value)	
910-129	Cut Loop Speed Up Timing/Roll 2	RFC	93	93	93	50 to 200	1 mm	Speed Up Start Timing = (paper length - this setting value)	
910-130	Home Position Stop Timing	RFC	61	61	61	0 to 90	10 ms		
910-131	Paper Stop Wait Time	RFC	20	20	20	0 to 50	10 ms		
910-132	RFC Blank Paper Output/Rest Time/Plain Paper	RFC	6	6	6	1 to 300	10 min		
910-133	RFC Blank Paper Output/Rest Time/Tracing Paper	RFC	6	6	6	1 to 300	10 min		
910-134	RFC Blank Paper Output/Rest Time/Transparency	RFC	6	6	6	1 to 300	10 min		
910-135	RFC Blank Paper Output/Output Sheets/Plain Paper	RFC	0	0	0	0 to 10	1 sheets		
910-136	RFC Blank Paper Output/Output Sheets/Tracing Paper	RFC	0	0	0	0 to 10	1 sheets		
910-137	RFC Blank Paper Output/Output Sheets/Transparency	RFC	0	0	0	0 to 10	1 sheets		
910-138	Feed Wait Time When Paper is Loaded	RFC	7	7	7	0 to 20	100 ms		
910-139	No Paper Detection Yes/No	RFC	1	1	1	0, 1	-	0: Disabled, 1: Enabled	
910-140	RFC No Paper/Detection Start Timing/First Sheet	RFC	20	20	20	0 to 100	100 ms	Note that the unit of measurement is different for the second and subsequent sheets.	
910-141	RFC No Paper/Detection Start Timing/Second Sheet Onwards	RFC	70	70	70	0 to 100	10 ms	Note that the unit of measurement is different compared to the first sheet.	
910-142	RFC No Paper/Detection Pulse Count	RFC	0	0	0	0 to 10	1 pulse		
910-143	RFC No Paper/Detection Interval	RFC	14	14	14	7 to 20	10 ms		
910-144	RFC No Paper/Detection Interval/High Speed	RFC	7	7	7	3 to 20	10 ms		
910-145	RFC No Paper/Rewind Feed Length Correction Value	RFC	6	6	6	0 to 20	10 mm		
910-146	No Paper Detection End Timing	RFC	0	0	0	0 to 10	10 ms	Sets the No Paper detection end delay time during cutting since Motor Stop instruction is issued until the paper completely stopped.	
910-147	RFC Remaining Paper/Detection Count Start Timing	RFC	50	50	50	0 to 70	10 ms		
910-148	RFC Remaining Paper/Detection Interval	RFC	150	150	150	10 to 200	10 ms		
910-149	RFC Remaining Paper/Detection Pulse Count	RFC	34	34	34	10 to 100	1 pulse		
910-150	RFC Jam Margin Addition/Immediately After Feed	RFC	200	200	200	0 to 500	10 ms	Slow Up's worth of time	



Chain-Link	Settings Item	Sub	Default Value			Setting Range	Change Amount	Setting Data	DC951
			JPN	AP	GCO				
910-151	Inter-image for Paper/Roll 1	RFC	149	149	149	50 to 200	10 ms		
910-152	Inter-image for Paper/Roll 2	RFC	149	149	149	50 to 200	10 ms		
910-154	Inter-image for Paper/Bypass	Bypass	150	150	150	50 to 200	10 ms		
910-155	Buzzer ON Timing When Setting Bypass	Bypass	22	22	22	0 to 50	100 ms		
910-156	Pre-Feed Start Adjustment Time	Bypass	19	19	19	0 to 50	100 ms		
910-201	Switch Image Control Settings	Image	1	1	1	0, 1	-		
910-202	BTR T Switch Timing	XERO	-5	-5	-5	-50 to 50	10 ms		
910-203	BTR INT Switch Timing	XERO	-10	-10	-10	-50 to 50	10 ms		
910-204	DTS H1 ON Timing	XERO	-20	-20	-20	-150 to 50	10 ms		
910-205	DTS L1 Switch Timing/Roll Paper/Plain Paper	XERO	50	50	50	-50 to 350	10 ms		
910-206	DTS L1 Switch Timing/Roll Paper/Tracing Paper	XERO	220	220	220	-50 to 350	10 ms		
910-207	DTS L1 Switch Timing/Roll Paper/Transparency	XERO	50	50	50	-50 to 350	10 ms		
910-208	DTS L1 Switch Timing/Cut Paper/Plain Paper	XERO	50	50	50	-50 to 350	10 ms		
910-209	DTS L1 Switch Timing/Cut Paper/Tracing Paper	XERO	220	220	220	-50 to 350	10 ms		
910-210	DTS L1 Switch Timing/Cut Paper/Transparency	XERO	50	50	50	-50 to 350	10 ms		
910-211	DTS L2 Switch Timing/Roll Paper/Plain Paper	XERO	-33	-33	-33	-150 to 100	10 ms		
910-212	DTS L2 Switch Timing/Roll Paper/Tracing Paper	XERO	-33	-33	-33	-150 to 100	10 ms		
910-213	DTS L2 Switch Timing/Roll Paper/Transparency	XERO	-37	-37	-37	-150 to 100	10 ms		
910-214	DTS L2 Switch Timing/Cut Paper/Plain Paper	XERO	-33	-33	-33	-150 to 100	10 ms		
910-215	DTS L2 Switch Timing/Cut Paper/Tracing Paper	XERO	-33	-33	-33	-150 to 100	10 ms		
910-216	DTS L2 Switch Timing/Cut Paper/Transparency	XERO	-37	-37	-37	-150 to 100	10 ms		
910-217	DTS H2 Switch Timing/Roll Paper/Plain Paper	XERO	-10	-10	-10	-150 to 100	10 ms		
910-218	DTS H2 Switch Timing/Roll Paper/Tracing Paper	XERO	-10	-10	-10	-150 to 100	10 ms		
910-219	DTS H2 Switch Timing/Roll Paper/Transparency	XERO	-10	-10	-10	-150 to 100	10 ms		
910-220	DTS H2 Switch Timing/Cut Paper/Plain Paper	XERO	-10	-10	-10	-150 to 100	10 ms		
910-221	DTS H2 Switch Timing/Cut Paper/Tracing Paper	XERO	-10	-10	-10	-150 to 100	10 ms		
910-222	DTS H2 Switch Timing/Cut Paper/Transparency	XERO	-10	-10	-10	-150 to 100	10 ms		
910-223	DTS INT Switch Timing	XERO	20	20	20	-50 to 150	10 ms		
910-224	BCR Temperature Threshold Value	XERO	15	15	15	0 to 30	1 degree C		
910-225	BCR AC/Normal Temperature	XERO	150	150	150	70 to 380	0.01 mA		BCR
910-226	BCR AC/Low Temperature	XERO	170	170	170	70 to 380	0.01 mA		BCR
910-227	BCR DC	XERO	400	400	400	206 to 644	-1VDC		BCR
910-228	Deve Bias AC	XERO	700	700	700	438 to 1063	1V AC		Deve Bias
910-229	Deve Bias DC 1	XERO	300	300	300	50 to 550	-1VDC		Deve Bias
910-230	Deve Bias DC 2	XERO	300	300	300	50 to 550	-1VDC		Deve Bias
910-231	Deve Bias DC 3	XERO	300	300	300	50 to 550	-1VDC		Deve Bias
910-232	Deve Bias DC 4	XERO	300	300	300	50 to 550	-1VDC		Deve Bias
910-233	Deve Bias DC 5	XERO	300	300	300	50 to 550	-1VDC		Deve Bias
910-234	Deve Bias DC Humidity Correction/Reference Value	XERO	15	15	15	5 to 95	1%	Humidity based on the standard for humidity correction	

Chain-Link	Settings Item	Sub	Default Value			Setting Range	Change Amount	Setting Data	DC951
			JPN	AP	GCO				
910-235	Deve Bias DC Humidity Correction/Changed Amount	XERO	35	35	35	-1000 to 1000	0.01V	Changed amount equivalent to 1% humidity	
910-236	Deve Bias DC Temperature Correction/Reference Value	XERO	10	10	10	0 to 40	1 degree C	Temperature based on the standard for temperature correction	
910-237	Deve Bias DC Temperature Correction/Changed Amount	XERO	100	100	100	-1000 to 1000	0.01V	Changed amount equivalent to 1 degree C	
910-238	Deve Bias DC/Tracing Paper (increasing/decreasing value)	XERO	0	0	0	-200 to 200	-1VDC		
910-239	Deve Bias DC/Transparency (increasing/decreasing value)	XERO	0	0	0	-200 to 200	-1VDC		
910-240	DTS H1 A Zone/Roll Paper/Plain Paper	XERO	300	300	300	113 to 487	10V		DTS
910-241	DTS H1 A Zone/Roll Paper/Tracing Paper/Normal	XERO	450	300	300	113 to 487	10V		DTS
910-242	DTS H1 A Zone/Roll Paper/Tracing Paper/Other than Normal	XERO	300	300	300	113 to 487	10V		DTS
910-243	DTS H1 A Zone/Roll Paper/Transparency	XERO	300	300	300	113 to 487	10V		DTS
910-244	DTS H1 A Zone/Cut Paper/Plain Paper	XERO	420	400	420	113 to 487	10V		DTS
910-245	DTS H1 A Zone/Cut Paper/Tracing Paper/Normal	XERO	400	400	400	113 to 487	10V		DTS
910-246	DTS H1 A Zone/Cut Paper/Tracing Paper/Other than Normal	XERO	400	400	400	113 to 487	10V		DTS
910-247	DTS H1 A Zone/Cut Paper/Transparency	XERO	300	300	300	113 to 487	10V		DTS
910-248	DTS H1 B Zone/Roll Paper/Plain Paper	XERO	300	300	300	113 to 487	10V		DTS
910-249	DTS H1 B Zone/Roll Paper/Tracing Paper/Normal	XERO	450	300	300	113 to 487	10V		DTS
910-250	DTS H1 B Zone/Roll Paper/Tracing Paper/Other than Normal	XERO	300	300	300	113 to 487	10V		DTS
910-251	DTS H1 B Zone/Roll Paper/Transparency	XERO	300	350	300	113 to 487	10V		DTS
910-252	DTS H1 B Zone/Cut Paper/Plain Paper	XERO	420	350	420	113 to 487	10V		DTS
910-253	DTS H1 B Zone/Cut Paper/Tracing Paper/Normal	XERO	400	350	400	113 to 487	10V		DTS
910-254	DTS H1 B Zone/Cut Paper/Tracing Paper/Other than Normal	XERO	350	350	350	113 to 487	10V		DTS
910-255	DTS H1 B Zone/Cut Paper/Transparency	XERO	300	350	300	113 to 487	10V		DTS
910-256	DTS H1 C Zone/Roll Paper/Plain Paper	XERO	300	300	300	113 to 487	10V		DTS
910-257	DTS H1 C Zone/Roll Paper/Tracing Paper/Normal	XERO	450	300	300	113 to 487	10V		DTS
910-258	DTS H1 C Zone/Roll Paper/Tracing Paper/Other than Normal	XERO	350	350	350	113 to 487	10V		DTS
910-259	DTS H1 C Zone/Roll Paper/Transparency	XERO	300	350	300	113 to 487	10V		DTS
910-260	DTS H1 C Zone/Cut Paper/Plain Paper	XERO	420	350	420	113 to 487	10V		DTS
910-261	DTS H1 C Zone/Cut Paper/Tracing Paper/Normal	XERO	350	350	350	113 to 487	10V		DTS
910-262	DTS H1 C Zone/Cut Paper/Tracing Paper/Other than Normal	XERO	230	350	250	113 to 487	10V		DTS
910-263	DTS H1 C Zone/Cut Paper/Transparency	XERO	300	350	300	113 to 487	10V		DTS
910-264	DTS L1 A Zone/Roll Paper/Plain Paper	XERO	300	300	300	113 to 487	10V		DTS

Chain-Link	Settings Item	Sub	Default Value			Setting Range	Change Amount	Setting Data	DC951
			JPN	AP	GCO				
910-265	DTS L1 A Zone/Roll Paper/Tracing Paper/Normal	XERO	350	280	280	113 to 487	10V		DTS
910-266	DTS L1 A Zone/Roll Paper/Tracing Paper/Other than Normal	XERO	280	280	280	113 to 487	10V		DTS
910-267	DTS L1 A Zone/Roll Paper/Transparency	XERO	300	300	300	113 to 487	10V		DTS
910-268	DTS L1 A Zone/Cut Paper/Plain Paper	XERO	280	280	280	113 to 487	10V		DTS
910-269	DTS L1 A Zone/Cut Paper/ Tracing Paper/Normal	XERO	300	280	300	113 to 487	10V		DTS
910-270	DTS L1 A Zone/Cut Paper/Tracing Paper/Other than Normal	XERO	280	280	280	113 to 487	10V		DTS
910-271	DTS L1 A Zone/Cut Paper/Transparency	XERO	300	300	300	113 to 487	10V		DTS
910-272	DTS L1 B Zone/Roll Paper/Plain Paper	XERO	300	300	300	113 to 487	10V		DTS
910-273	DTS L1 B Zone/Roll Paper/Tracing Paper/Normal	XERO	350	280	280	113 to 487	10V		DTS
910-274	DTS L1 B Zone/Roll Paper/Tracing Paper/Other than Normal	XERO	280	280	280	113 to 487	10V		DTS
910-275	DTS L1 B Zone/Roll Paper/Transparency	XERO	300	350	300	113 to 487	10V		DTS
910-276	DTS L1 B Zone/Cut Paper/Plain Paper	XERO	300	300	300	113 to 487	10V		DTS
910-277	DTS L1 B Zone/Cut Paper/ Tracing Paper/Normal	XERO	250	280	250	113 to 487	10V		DTS
910-278	DTS L1 B Zone/Cut Paper/ Tracing Paper/Other than Normal	XERO	280	280	280	113 to 487	10V		DTS
910-279	DTS L1 B Zone/Cut Paper/Transparency	XERO	300	350	300	113 to 487	10V		DTS
910-280	DTS L1 C Zone/Roll Paper/Plain Paper	XERO	350	350	350	113 to 487	10V		DTS
910-281	DTS L1 C Zone/Roll Paper/Tracing Paper/Normal	XERO	350	300	300	113 to 487	10V		DTS
910-282	DTS L1 C Zone/Roll Paper/Tracing Paper/Other than Normal	XERO	250	350	350	113 to 487	10V		DTS
910-283	DTS L1 C Zone/Roll Paper/Transparency	XERO	300	350	300	113 to 487	10V		DTS
910-284	DTS L1 C Zone/Cut Paper/Plain Paper	XERO	350	350	350	113 to 487	10V		DTS
910-285	DTS L1 C Zone/Cut Paper/ Tracing Paper/Normal	XERO	300	300	300	113 to 487	10V		DTS
910-286	DTS L1 C Zone/Cut Paper/ Tracing Paper/Other than Normal	XERO	230	300	250	113 to 487	10V		DTS
910-287	DTS L1 C Zone/Cut Paper/Transparency	XERO	300	350	300	113 to 487	10V		DTS
910-288	DTS L2 A Zone/Roll Paper/Plain Paper	XERO	280	280	280	113 to 487	10V		DTS
910-289	DTS L2 A Zone/Roll Paper/Tracing Paper/Normal	XERO	280	280	280	113 to 487	10V		DTS
910-290	DTS L2 A Zone/Roll Paper/Tracing Paper/Other than Normal	XERO	280	280	280	113 to 487	10V		DTS
910-291	DTS L2 A Zone/Roll Paper/Transparency	XERO	220	220	220	113 to 487	10V		DTS
910-292	DTS L2 A Zone/Cut Paper/Plain Paper	XERO	280	280	280	113 to 487	10V		DTS
910-293	DTS L2 A Zone/Cut Paper/ Tracing Paper/Normal	XERO	280	280	280	113 to 487	10V		DTS
910-294	DTS L2 A Zone/Cut Paper/Tracing Paper/Other than Normal	XERO	280	280	280	113 to 487	10V		DTS
910-295	DTS L2 A Zone/Cut Paper/Transparency	XERO	220	220	220	113 to 487	10V		DTS
910-296	DTS L2 B Zone/Roll Paper/Plain Paper	XERO	250	250	250	113 to 487	10V		DTS

Chain-Link	Settings Item	Sub	Default Value			Setting Range	Change Amount	Setting Data	DC951
			JPN	AP	GCO				
910-297	DTS L2 B Zone/Roll Paper/Tracing Paper/Normal	XERO	280	280	280	113 to 487	10V		DTS
910-298	DTS L2 B Zone/Roll Paper/Tracing Paper/Other than Normal	XERO	280	280	280	113 to 487	10V		DTS
910-299	DTS L2 B Zone/Roll Paper/Transparency	XERO	240	240	240	113 to 487	10V		DTS
910-300	DTS L2 B Zone/Cut Paper/Plain Paper	XERO	250	250	250	113 to 487	10V		DTS
910-301	DTS L2 B Zone/Cut Paper/ Tracing Paper/Normal	XERO	280	280	280	113 to 487	10V		DTS
910-302	DTS L2 B Zone/Cut Paper/ Tracing Paper/Other than Normal	XERO	280	280	280	113 to 487	10V		DTS
910-303	DTS L2 B Zone/Cut Paper/Transparency	XERO	240	240	240	113 to 487	10V		DTS
910-304	DTS L2 C Zone/Roll Paper/Plain Paper	XERO	260	260	260	113 to 487	10V		DTS
910-305	DTS L2 C Zone/Roll Paper/Tracing Paper/Normal	XERO	260	260	260	113 to 487	10V		DTS
910-306	DTS L2 C Zone/Roll Paper/Tracing Paper/Other than Normal	XERO	260	260	260	113 to 487	10V		DTS
910-307	DTS L2 C Zone/Roll Paper/Transparency	XERO	250	250	250	113 to 487	10V		DTS
910-308	DTS L2 C Zone/Cut Paper/Plain Paper	XERO	260	260	260	113 to 487	10V		DTS
910-309	DTS L2 C Zone/Cut Paper/ Tracing Paper/Normal	XERO	260	260	260	113 to 487	10V		DTS
910-310	DTS L2 C Zone/Cut Paper/ Tracing Paper/Other than Normal	XERO	260	260	260	113 to 487	10V		DTS
910-311	DTS L2 C Zone/Cut Paper/Transparency	XERO	250	250	250	113 to 487	10V		DTS
910-312	DTS H2 A Zone/Roll Paper/Plain Paper	XERO	380	380	380	113 to 487	10V		DTS
910-313	DTS H2 A Zone/Roll Paper/Tracing Paper/Normal	XERO	380	380	380	113 to 487	10V		DTS
910-314	DTS H2 A Zone/Roll Paper/Tracing Paper/Other than Normal	XERO	380	380	380	113 to 487	10V		DTS
910-315	DTS H2 A Zone/Roll Paper/Transparency	XERO	380	380	380	113 to 487	10V		DTS
910-316	DTS H2 A Zone/Cut Paper/Plain Paper	XERO	380	380	380	113 to 487	10V		DTS
910-317	DTS H2 A Zone/Cut Paper/Tracing Paper/Normal	XERO	380	380	380	113 to 487	10V		DTS
910-318	DTS H2 A Zone/Cut Paper/Tracing Paper/Other than Normal	XERO	380	380	380	113 to 487	10V		DTS
910-319	DTS H2 A Zone/Cut Paper/Transparency	XERO	380	380	380	113 to 487	10V		DTS
910-320	DTS H2 B Zone/Roll Paper/Plain Paper	XERO	380	380	380	113 to 487	10V		DTS
910-321	DTS H2 B Zone/Roll Paper/Tracing Paper/Normal	XERO	380	380	380	113 to 487	10V		DTS
910-322	DTS H2 B Zone/Roll Paper/Tracing Paper/Other than Normal	XERO	380	380	380	113 to 487	10V		DTS
910-323	DTS H2 B Zone/Roll Paper/Transparency	XERO	380	380	380	113 to 487	10V		DTS
910-324	DTS H2 B Zone/Cut Paper/Plain Paper	XERO	380	380	380	113 to 487	10V		DTS
910-325	DTS H2 B Zone/Cut Paper/Tracing Paper/Normal	XERO	380	380	380	113 to 487	10V		DTS
910-326	DTS H2 B Zone/Cut Paper/Tracing Paper/Other than Normal	XERO	380	380	380	113 to 487	10V		DTS
910-327	DTS H2 B Zone/Cut Paper/Transparency	XERO	380	380	380	113 to 487	10V		DTS
910-328	DTS H2 C Zone/Roll Paper/Plain Paper	XERO	380	380	380	113 to 487	10V		DTS

Chain-Link	Settings Item	Sub	Default Value			Setting Range	Change Amount	Setting Data	DC951
			JPN	AP	GCO				
910-329	DTS H2 C Zone/Roll Paper/Tracing Paper/Normal	XERO	380	380	380	113 to 487	10V		DTS
910-330	DTS H2 C Zone/Roll Paper/Tracing Paper/Other than Normal	XERO	380	380	380	113 to 487	10V		DTS
910-331	DTS H2 C Zone/Roll Paper/Transparency	XERO	380	380	380	113 to 487	10V		DTS
910-332	DTS H2 C Zone/Cut Paper/Plain Paper	XERO	380	380	380	113 to 487	10V		DTS
910-333	DTS H2 C Zone/Cut Paper/Tracing Paper/Normal	XERO	380	380	380	113 to 487	10V		DTS
910-334	DTS H2 C Zone/Cut Paper/Tracing Paper/Other than Normal	XERO	380	380	380	113 to 487	10V		DTS
910-335	DTS H2 C Zone/Cut Paper/Transparency	XERO	380	380	380	113 to 487	10V		DTS
910-336	DTS INT A Zone/Plain Paper	XERO	150	150	150	113 to 487	10V		DTS
910-337	DTS INT A Zone/Tracing Paper	XERO	150	150	150	113 to 487	10V		DTS
910-338	DTS INT A Zone/Transparency	XERO	150	150	150	113 to 487	10V		DTS
910-339	DTS INT B Zone/Plain Paper	XERO	150	150	150	113 to 487	10V		DTS
910-340	DTS INT B Zone/Tracing Paper	XERO	150	150	150	113 to 487	10V		DTS
910-341	DTS INT B Zone/Transparency	XERO	150	150	150	113 to 487	10V		DTS
910-342	DTS INT C Zone/Plain Paper	XERO	150	150	150	113 to 487	10V		DTS
910-343	DTS INT C Zone/Tracing Paper	XERO	150	150	150	113 to 487	10V		DTS
910-344	DTS INT C Zone/Transparency	XERO	150	150	150	113 to 487	10V		DTS
910-345	BTR Control Bias	XERO	60	60	60	0 to 200	0.1 Micro-A		BTR
910-346	BTR Bias Between Papers	XERO	100	100	100	0 to 200	0.1 Micro-A		BTR
910-347	BTR Cleaning Bias (-ve)/A Zone	XERO	150	150	150	25 to 275	-10VDC		
910-348	BTR Cleaning Bias (-ve)/B Zone	XERO	125	125	125	25 to 275	-10VDC		
910-349	BTR Cleaning Bias (-ve)/C Zone	XERO	125	125	125	25 to 275	-10VDC		
910-350	BTR Cleaning Bias (+ve)/A Zone	XERO	120	120	120	0 to 450	0.1 Micro-A		
910-351	BTR Cleaning Bias (+ve)/B Zone	XERO	120	120	120	0 to 450	0.1 Micro-A		
910-352	BTR Cleaning Bias (+ve)/C Zone	XERO	120	120	120	0 to 450	0.1 Micro-A		
910-353	BTR Transfer/Small Size Determination Reference	XERO	2	2	2	0 to 2	-	0: A3 or smaller, 1: A2 or smaller, 2: A1 or smaller	
910-354	BTR Transfer/A Zone/Plain Paper/Large Size	XERO	130	150	130	0 to 450	0.1 Micro-A		BTR
910-355	BTR Transfer/A Zone/Plain Paper/Small Size	XERO	130	150	130	0 to 450	0.1 Micro-A		BTR
910-356	BTR Transfer/A Zone/Tracing Paper/Large Size/Normal	XERO	150	130	120	0 to 450	0.1 Micro-A		BTR
910-357	BTR Transfer/A Zone/Tracing Paper/Large Size/Other Than Normal	XERO	120	130	120	0 to 450	0.1 Micro-A		BTR
910-358	BTR Transfer/A Zone/Tracing Paper/Small Size/Normal	XERO	150	130	120	0 to 450	0.1 Micro-A		BTR
910-359	BTR Transfer/A Zone/Tracing Paper/Small Size/Other Than Normal	XERO	120	130	120	0 to 450	0.1 Micro-A		BTR
910-360	BTR Transfer/A Zone/Transparency/Large Size/Heavy	XERO	100	130	100	0 to 450	0.1 Micro-A		BTR
910-361	BTR Transfer/A Zone/Transparency/Large Size/Other Than Heavy	XERO	100	130	100	0 to 450	0.1 Micro-A		BTR
910-362	BTR Transfer/A Zone/Transparency/Small Size/Heavy	XERO	100	130	100	0 to 450	0.1 Micro-A		BTR

Chain-Link	Settings Item	Sub	Default Value			Setting Range	Change Amount	Setting Data	DC951
			JPN	AP	GCO				
910-363	BTR Transfer/A Zone/Transparency/Small Size/Other Than Heavy	XERO	100	130	100	0 to 450	0.1 Micro-A		BTR
910-364	BTR Transfer/B Zone/Plain Paper/Large Size	XERO	160	150	160	0 to 450	0.1 Micro-A		BTR
910-365	BTR Transfer/B Zone/Plain Paper/Small Size	XERO	160	150	160	0 to 450	0.1 Micro-A		BTR
910-366	BTR Transfer/B Zone/Tracing Paper/Large Size/Normal	XERO	150	130	130	0 to 450	0.1 Micro-A		BTR
910-367	BTR Transfer/B Zone/Tracing Paper/Large Size/Other Than Normal	XERO	130	130	130	0 to 450	0.1 Micro-A		BTR
910-368	BTR Transfer/B Zone/Tracing Paper/Small Size/Normal	XERO	150	130	130	0 to 450	0.1 Micro-A		BTR
910-369	BTR Transfer/B Zone/Tracing Paper/Small Size/Other Than Normal	XERO	130	130	130	0 to 450	0.1 Micro-A		BTR
910-370	BTR Transfer/B Zone/Transparency/Large Size/Heavy	XERO	120	130	120	0 to 450	0.1 Micro-A		BTR
910-371	BTR Transfer/B Zone/Transparency/Large Size/Other Than Heavy	XERO	120	130	120	0 to 450	0.1 Micro-A		BTR
910-372	BTR Transfer/B Zone/Transparency/Small Size/Heavy	XERO	120	240	120	0 to 450	0.1 Micro-A		BTR
910-373	BTR Transfer/B Zone/Transparency/Small Size/Other Than Heavy	XERO	120	130	120	0 to 450	0.1 Micro-A		BTR
910-374	BTR Transfer/C Zone/Plain Paper/Large Size	XERO	130	150	130	0 to 450	0.1 Micro-A		BTR
910-375	BTR Transfer/C Zone/Plain Paper/Small Size	XERO	130	150	130	0 to 450	0.1 Micro-A		BTR
910-376	BTR Transfer/C Zone/Tracing Paper/Large Size/Normal	XERO	150	160	120	0 to 450	0.1 Micro-A		BTR
910-377	BTR Transfer/C Zone/Tracing Paper/Large Size/Other Than Normal	XERO	120	160	120	0 to 450	0.1 Micro-A		BTR
910-378	BTR Transfer/C Zone/Tracing Paper/Small Size/Normal	XERO	150	160	120	0 to 450	0.1 Micro-A		BTR
910-379	BTR Transfer/C Zone/Tracing Paper/Small Size/Other Than Normal	XERO	120	160	120	0 to 450	0.1 Micro-A		BTR
910-380	BTR Transfer/C Zone/Transparency/Large Size/Heavy	XERO	100	110	100	0 to 450	0.1 Micro-A		BTR
910-381	BTR Transfer/C Zone/Transparency/Large Size/Other Than Heavy	XERO	100	110	100	0 to 450	0.1 Micro-A		BTR
910-382	BTR Transfer/C Zone/Transparency/Small Size/Heavy	XERO	100	110	100	0 to 450	0.1 Micro-A		BTR
910-383	BTR Transfer/C Zone/Transparency/Small Size/Other Than Heavy	XERO	100	110	100	0 to 450	0.1 Micro-A		BTR
910-384	Measure Against Bleed/Interval	XERO	10	10	10	0 to 60	1 day	0: Operation prohibited	
910-385	Measure Against Bleed/Working Time	XERO	60	60	60	3 to 180	1 s		
910-386	Sensor Page Sync Timing Correction/Manual	XERO	0	0	0	-100 to 100	0.2 mm	Logical value and timing correction value for the Page Sync Sensor	
910-387	Sensor Page Sync Timing Correction/RFC	XERO	0	0	0	-100 to 100	0.2 mm	Logical value and timing correction value for the Page Sync Sensor	
910-388	A Zone Determination Value: X	BTR	430	430	430	0 to 1650	1VDC		
910-389	C Zone Determination Value: Y	BTR	700	700	700	0 to 1650	1VDC		
910-390	LPH 1 Power	ROS	0	0	0	-50 to 50	1%		
910-391	LPH 2 Power	ROS	0	0	0	-50 to 50	1%		

Chain-Link	Settings Item	Sub	Default Value			Setting Range	Change Amount	Setting Data	DC951
			JPN	AP	GCO				
910-392	LPH 3 Power	ROS	0	0	0	-50 to 50	1%		
910-393	LPH Exposure Amount / Default	ROS	93	93	93	30 to 700	Step		
910-394	LPH Exposure Amount/Lighten +2	ROS	-20	-20	-20	-90 to 90	1%		
910-395	LPH Exposure Amount/Lighten +1	ROS	-10	-10	-10	-90 to 90	1%		
910-396	LPH Exposure Amount/Darken +1	ROS	10	10	10	-90 to 90	1%		
910-397	LPH Exposure Amount/Darken +2	ROS	20	20	20	-90 to 90	1%		
910-398	LPH Exposure Amount/Exposure Up Ratio at Low Humidity/Plain Paper	ROS	12	12	12	0 to 100	0.1%/%		
910-399	LPH Exposure Amount/Exposure Up Ratio at Low Humidity/Tracing Paper	ROS	12	12	12	0 to 100	0.1%/%		
910-400	LPH Exposure Amount/Exposure Up Ratio at Low Humidity/Transparency	ROS	5	5	5	0 to 100	0.1%/%		
910-401	LPH Exposure Amount/Low Humidity Switch Humidity	ROS	55	55	55	0 to 100	1%		
910-402	LPH Exposure Amount / Increasing/Decreasing Percentage / Tracing Paper	ROS	0	0	-15	-50 to 50	1%		
910-403	LPH Exposure Amount / Increasing/Decreasing Percentage / Transparency	ROS	-15	-15	-15	-50 to 50	1%		
910-404	LPH Exposure Amount/Brightness Up Percentage at Joint	ROS	30	30	30	-30 to 30	5%		
910-405	LPH Exposure Amount/Brightness Down Percentage at Joint	ROS	-30	-30	-30	-30 to 30	5%		
910-406	LPH Joint Control/LPH Temperature	ROS	0	0	0	-100 to 100	0.1 Micro-m/degrees C		
910-407	LPH Joint Control/Environment Temperature	ROS	0	0	0	-100 to 100	0.1 Micro-m/degrees C		
910-408	LPH 1 (Left Image) Shift Fast Scan	ROS	0	0	0	-150 to 150	1/3 dot		
910-409	LPH 3 (Right Image) Shift Fast Scan	ROS	0	0	0	-150 to 150	1/3 dot		
910-410	LPH 2 (Center Image) Shift Slow Scan	ROS	0	0	0	-94 to 96	1/2 dot	Adjustment Range: +/-2 mm	
910-411	LPH 3 (Right Image) Shift Slow Scan	ROS	0	0	0	-48 to 48	1/2 dot	Adjustment Range: +/-1 mm	
910-412	Side Registration Adjustment/Roll 1	ROS	0	0	0	-30 to 30	8 dot		
910-413	Side Registration Adjustment/Roll 2	ROS	0	0	0	-30 to 30	8 dot		
910-415	Side Registration Adjustment/Bypass	ROS	0	0	0	-30 to 30	8 dot		
910-416	Lead Edge Erase/During Copy	ROS	30	30	30	0 to 50	0.1 mm		
910-417	Tail Edge Erase/During Copy	ROS	20	20	20	0 to 50	0.1 mm		
910-418	Both Edges Erase/During Copy	ROS	6	6	6	0 to 50	8 dot		
910-419	Lead Edge Erase/During Plot	ROS	30	30	30	0 to 50	0.1 mm		
910-420	Tail Edge Erase/During Plot	ROS	20	20	20	0 to 50	0.1 mm		
910-421	Both Edges Erase/During Plot	ROS	6	6	6	0 to 50	8 dot		
910-422	Image Erase Disabled/Both Edges/A0 Width	ROS	0	0	0	0, 1	-	0: Erase Enabled, 1: Erase Disabled	

Chain-Link	Settings Item	Sub	Default Value			Setting Range	Change Amount	Setting Data	DC951
			JPN	AP	GCO				
910-423	Image Erase Disabled/Both Edges/A1 Width	ROS	0	0	0	0, 1	-	0: Erase Enabled, 1: Erase Disabled	
910-424	Image Erase Disabled/Both Edges/A2 Width	ROS	0	0	0	0, 1	-	0: Erase Enabled, 1: Erase Disabled	
910-425	Image Erase Disabled/Both Edges/A3 Width	ROS	0	0	0	0, 1	-	0: Erase Enabled, 1: Erase Disabled	
910-426	Image Erase Disabled/Both Edges/A4 Width	ROS	0	0	0	0, 1	-	0: Erase Enabled, 1: Erase Disabled	
910-427	Paper Tail Edge ROS OFF Margin/Shorter Than 1.5 m	ROS	-10	-10	-10	-20 to 20	10 ms		
910-428	Paper Tail Edge ROS OFF Margin/1.5 m or Longer	ROS	-10	-10	-10	-20 to 20	10 ms		
910-429	Printable Length After Toner Empty (Pixel Count)	Toner	9	9	9	0 to 300	1K Count		
910-430	Printable Length After Waste Toner Container Full (Pixel Count)	Toner	50	50	50	0 to 300	1K Count		
910-431	Near Empty from After Toner Empty (Pixel Count)	Toner	0	0	0	0 to 300	1K Count		
910-501	Fusing Temperature/Standard Room Temperature/Plain Paper/Center/Normal	Fusing	14	14	14	0 to 22	5 degrees C	90 degrees C + (settings value x 5 degrees C)	
910-502	Fusing Temperature/Standard Room Temperature/Plain Paper/Center/Slightly Heavy	Fusing	18	17	17	0 to 22	5 degrees C	90 degrees C + (settings value x 5 degrees C)	
910-503	Fusing Temperature/Standard Room Temperature/Plain Paper/Center/Heavy	Fusing	19	18	18	0 to 22	5 degrees C	90 degrees C + (settings value x 5 degrees C)	
910-504	Fusing Temperature/Standard Room Temperature/Tracing Paper/Center/Normal	Fusing	14	15	15	0 to 22	5 degrees C	90 degrees C + (settings value x 5 degrees C)	
910-505	Fusing Temperature/Standard Room Temperature/Tracing Paper/Center/Slightly Heavy	Fusing	18	17	17	0 to 22	5 degrees C	90 degrees C + (settings value x 5 degrees C)	
910-506	Fusing Temperature/Standard Room Temperature/Tracing Paper/Center/Heavy	Fusing	21	19	19	0 to 22	5 degrees C	90 degrees C + (settings value x 5 degrees C)	
910-507	Fusing Temperature/Standard Room Temperature/Transparency/Center/Normal	Fusing	10	10	10	0 to 22	5 degrees C	90 degrees C + (settings value x 5 degrees C)	
910-508	Fusing Temperature/Standard Room Temperature/Transparency/Center/Slightly Heavy	Fusing	12	10	10	0 to 22	5 degrees C	90 degrees C + (settings value x 5 degrees C)	
910-509	Fusing Temperature/Standard Room Temperature/Transparency/Center/Heavy	Fusing	16	14	14	0 to 22	5 degrees C	90 degrees C + (settings value x 5 degrees C)	
910-510	Fusing Temperature/Standard Room Temperature/Plain Paper/A0 Side/Normal	Fusing	14	12	12	0 to 22	5 degrees C	90 degrees C + (settings value x 5 degrees C)	
910-511	Fusing Temperature/Standard Room Temperature/Plain Paper/A0 Side/Slightly Heavy	Fusing	18	15	15	0 to 22	5 degrees C	90 degrees C + (settings value x 5 degrees C)	
910-512	Fusing Temperature/Standard Room Temperature/Plain Paper/A0 Side/Heavy	Fusing	19	16	16	0 to 22	5 degrees C	90 degrees C + (settings value x 5 degrees C)	
910-513	Fusing Temperature/Standard Room Temperature/Plain Paper/A1 Side/Normal	Fusing	14	12	12	0 to 22	5 degrees C	90 degrees C + (settings value x 5 degrees C)	
910-514	Fusing Temperature/Standard Room Temperature/Plain Paper/A1 Side/Slightly Heavy	Fusing	18	15	15	0 to 22	5 degrees C	90 degrees C + (settings value x 5 degrees C)	
910-515	Fusing Temperature/Standard Room Temperature/Plain Paper/A1 Side/Heavy	Fusing	19	12	12	0 to 22	5 degrees C	90 degrees C + (settings value x 5 degrees C)	



Chain-Link	Settings Item	Sub	Default Value			Setting Range	Change Amount	Setting Data	DC951
			JPN	AP	GCO				
910-516	Fusing Temperature/Standard Room Temperature/Plain Paper/A2 Side/Normal	Fusing	14	12	12	0 to 22	5 degrees C	90 degrees C + (settings value x 5 degrees C)	
910-517	Fusing Temperature/Standard Room Temperature/Plain Paper/A2 Side/Slightly Heavy	Fusing	18	15	15	0 to 22	5 degrees C	90 degrees C + (settings value x 5 degrees C)	
910-518	Fusing Temperature/Standard Room Temperature/Plain Paper/A2 Side/Heavy	Fusing	19	12	12	0 to 22	5 degrees C	90 degrees C + (settings value x 5 degrees C)	
910-519	Fusing Temperature/Standard Room Temperature/Tracing Paper/A0 Side/Normal	Fusing	12	9	9	0 to 22	5 degrees C	90 degrees C + (settings value x 5 degrees C)	
910-520	Fusing Temperature/Standard Room Temperature/Tracing Paper/A0 Side/Slightly Heavy	Fusing	14	11	11	0 to 22	5 degrees C	90 degrees C + (settings value x 5 degrees C)	
910-521	Fusing Temperature/Standard Room Temperature/Tracing Paper/A0 Side/Heavy	Fusing	21	13	13	0 to 22	5 degrees C	90 degrees C + (settings value x 5 degrees C)	
910-522	Fusing Temperature/Standard Room Temperature/Tracing Paper/A1 Side/Normal	Fusing	12	9	9	0 to 22	5 degrees C	90 degrees C + (settings value x 5 degrees C)	
910-523	Fusing Temperature/Standard Room Temperature/Tracing Paper/A1 Side/Slightly Heavy	Fusing	14	11	11	0 to 22	5 degrees C	90 degrees C + (settings value x 5 degrees C)	
910-524	Fusing Temperature/Standard Room Temperature/Tracing Paper/A1 Side/Heavy	Fusing	21	13	13	0 to 22	5 degrees C	90 degrees C + (settings value x 5 degrees C)	
910-525	Fusing Temperature/Standard Room Temperature/Tracing Paper/A2 Side/Normal	Fusing	12	9	9	0 to 22	5 degrees C	90 degrees C + (settings value x 5 degrees C)	
910-526	Fusing Temperature/Standard Room Temperature/Tracing Paper/A2 Side/Slightly Heavy	Fusing	14	11	11	0 to 22	5 degrees C	90 degrees C + (settings value x 5 degrees C)	
910-527	Fusing Temperature/Standard Room Temperature/Tracing Paper/A2 Side/Heavy	Fusing	21	13	13	0 to 22	5 degrees C	90 degrees C + (settings value x 5 degrees C)	
910-528	Fusing Temperature/Standard Room Temperature/Transparency/A0 Side/Normal	Fusing	10	6	6	0 to 22	5 degrees C	90 degrees C + (settings value x 5 degrees C)	
910-529	Fusing Temperature/Standard Room Temperature/Transparency/A0 Side/Slightly Heavy	Fusing	10	6	6	0 to 22	5 degrees C	90 degrees C + (settings value x 5 degrees C)	
910-530	Fusing Temperature/Standard Room Temperature/Transparency/A0 Side/Heavy	Fusing	16	8	8	0 to 22	5 degrees C	90 degrees C + (settings value x 5 degrees C)	
910-531	Fusing Temperature/Standard Room Temperature/Transparency/A1 Side/Normal	Fusing	10	6	6	0 to 22	5 degrees C	90 degrees C + (settings value x 5 degrees C)	
910-532	Fusing Temperature/Standard Room Temperature/Transparency/A1 Side/Slightly Heavy	Fusing	14	6	6	0 to 22	5 degrees C	90 degrees C + (settings value x 5 degrees C)	
910-533	Fusing Temperature/Standard Room Temperature/Transparency/A1 Side/Heavy	Fusing	16	8	8	0 to 22	5 degrees C	90 degrees C + (settings value x 5 degrees C)	
910-534	Fusing Temperature/Standard Room Temperature/Transparency/A2 Side/Normal	Fusing	10	6	6	0 to 22	5 degrees C	90 degrees C + (settings value x 5 degrees C)	
910-535	Fusing Temperature/Standard Room Temperature/Transparency/A2 Side/Slightly Heavy	Fusing	10	6	6	0 to 22	5 degrees C	90 degrees C + (settings value x 5 degrees C)	

Chain-Link	Settings Item	Sub	Default Value			Setting Range	Change Amount	Setting Data	DC951
			JPN	AP	GCO				
910-536	Fusing Temperature/Standard Room Temperature/Transparency/A2 Side/Heavy	Fusing	16	8	8	0 to 22	5 degrees C	90 degrees C + (settings value x 5 degrees C)	
910-537	Correction Coefficient/High Room Temperature/Plain Paper/Center/Normal	Fusing	0	0	0	0 to 50	-		
910-538	Correction Coefficient/High Room Temperature/Plain Paper/Center/Slightly Heavy	Fusing	0	0	0	0 to 50	-		
910-539	Correction Coefficient/High Room Temperature/Plain Paper/Center/Heavy	Fusing	0	0	0	0 to 50	-		
910-540	Correction Coefficient/High Room Temperature/Tracing Paper/Center/Normal	Fusing	0	0	0	0 to 50	-		
910-541	Correction Coefficient/High Room Temperature/Tracing Paper/Center/Slightly Heavy	Fusing	0	0	0	0 to 50	-		
910-542	Correction Coefficient/High Room Temperature/Tracing Paper/Center/Heavy	Fusing	0	0	0	0 to 50	-		
910-543	Correction Coefficient/High Room Temperature/Transparency/Center/Normal	Fusing	0	0	0	0 to 50	-		
910-544	Correction Coefficient/High Room Temperature/Transparency/Center/Slightly Heavy	Fusing	0	0	0	0 to 50	-		
910-545	Correction Coefficient/High Room Temperature/Transparency/Center/Heavy	Fusing	0	0	0	0 to 50	-		
910-546	Correction Coefficient/High Room Temperature/Plain Paper/A0 Side/Normal	Fusing	0	0	0	0 to 50	-		
910-547	Correction Coefficient/High Room Temperature/Plain Paper/A0 Side/Slightly Heavy	Fusing	0	0	0	0 to 50	-		
910-548	Correction Coefficient/High Room Temperature/Plain Paper/A0 Side/Heavy	Fusing	0	0	0	0 to 50	-		
910-549	Correction Coefficient/High Room Temperature/Plain Paper/A1 Side/Normal	Fusing	0	0	0	0 to 50	-		
910-550	Correction Coefficient/High Room Temperature/Plain Paper/A1 Side/Slightly Heavy	Fusing	0	0	0	0 to 50	-		
910-551	Correction Coefficient/High Room Temperature/Plain Paper/A1 Side/Heavy	Fusing	0	0	0	0 to 50	-		
910-552	Correction Coefficient/High Room Temperature/Plain Paper/A2 Side/Normal	Fusing	0	0	0	0 to 50	-		
910-553	Correction Coefficient/High Room Temperature/Plain Paper/A2 Side/Slightly Heavy	Fusing	0	0	0	0 to 50	-		
910-554	Correction Coefficient/High Room Temperature/Plain Paper/A2 Side/Heavy	Fusing	0	0	0	0 to 50	-		
910-555	Correction Coefficient/High Room Temperature/Tracing Paper/A0 Side/Normal	Fusing	0	0	0	0 to 50	-		

Chain-Link	Settings Item	Sub	Default Value			Setting Range	Change Amount	Setting Data	DC951
			JPN	AP	GCO				
910-556	Correction Coefficient/High Room Temperature/Tracing Paper/A0 Side/Slightly Heavy	Fusing	0	0	0	0 to 50	-		
910-557	Correction Coefficient/High Room Temperature/Tracing Paper/A0 Side/Heavy	Fusing	0	0	0	0 to 50	-		
910-558	Correction Coefficient/High Room Temperature/Tracing Paper/A1 Side/Normal	Fusing	0	0	0	0 to 50	-		
910-559	Correction Coefficient/High Room Temperature/Tracing Paper/A1 Side/Slightly Heavy	Fusing	0	0	0	0 to 50	-		
910-560	Correction Coefficient/High Room Temperature/Tracing Paper/A1 Side/Heavy	Fusing	0	0	0	0 to 50	-		
910-561	Correction Coefficient/High Room Temperature/Tracing Paper/A2 Side/Normal	Fusing	0	0	0	0 to 50	-		
910-562	Correction Coefficient/High Room Temperature/Tracing Paper/A2 Side/Slightly Heavy	Fusing	0	0	0	0 to 50	-		
910-563	Correction Coefficient/High Room Temperature/Tracing Paper/A2 Side/Heavy	Fusing	0	0	0	0 to 50	-		
910-564	Correction Coefficient/High Room Temperature/Transparency/A0 Side/Normal	Fusing	0	0	0	0 to 50	-		
910-565	Correction Coefficient/High Room Temperature/Transparency/A0 Side/Slightly Heavy	Fusing	0	0	0	0 to 50	-		
910-566	Correction Coefficient/High Room Temperature/Transparency/A0 Side/Heavy	Fusing	0	0	0	0 to 50	-		
910-567	Correction Coefficient/High Room Temperature/Transparency/A1 Side/Normal	Fusing	0	0	0	0 to 50	-		
910-568	Correction Coefficient/High Room Temperature/Transparency/A1 Side/Slightly Heavy	Fusing	0	0	0	0 to 50	-		
910-569	Correction Coefficient/High Room Temperature/Transparency/A1 Side/Heavy	Fusing	0	0	0	0 to 50	-		
910-570	Correction Coefficient/High Room Temperature/Transparency/A2 Side/Normal	Fusing	0	0	0	0 to 50	-		
910-571	Correction Coefficient/High Room Temperature/Transparency/A2 Side/Slightly Heavy	Fusing	0	0	0	0 to 50	-		
910-572	Correction Coefficient/High Room Temperature/Transparency/A2 Side/Heavy	Fusing	0	0	0	0 to 50	-		
910-573	Correction Coefficient/Low Room Temperature/Plain Paper/Center/Normal	Fusing	10	10	10	0 to 30	-		
910-574	Correction Coefficient/Low Room Temperature/Plain Paper/Center/Slightly Heavy	Fusing	15	15	15	0 to 30	-		
910-575	Correction Coefficient/Low Room Temperature/Plain Paper/Center/Heavy	Fusing	15	15	15	0 to 30	-		

Chain-Link	Settings Item	Sub	Default Value			Setting Range	Change Amount	Setting Data	DC951
			JPN	AP	GCO				
910-576	Correction Coefficient/Low Room Temperature/Tracing Paper/Center/Normal	Fusing	15	20	0	0 to 30	-		
910-577	Correction Coefficient/Low Room Temperature/Tracing Paper/Center/Slightly Heavy	Fusing	10	20	0	0 to 30	-		
910-578	Correction Coefficient/Low Room Temperature/Tracing Paper/Center/Heavy	Fusing	10	20	0	0 to 30	-		
910-579	Correction Coefficient/Low Room Temperature/Transparency/Center/Normal	Fusing	10	25	25	0 to 30	-		
910-580	Correction Coefficient/Low Room Temperature/Transparency/Center/Slightly Heavy	Fusing	15	25	25	0 to 30	-		
910-581	Correction Coefficient/Low Room Temperature/Transparency/Center/Heavy	Fusing	10	20	20	0 to 30	-		
910-582	Correction Coefficient/Low Room Temperature/Plain Paper/A0 Side/Normal	Fusing	10	10	10	0 to 30	-		
910-583	Correction Coefficient/Low Room Temperature/Plain Paper/A0 Side/Slightly Heavy	Fusing	15	15	15	0 to 30	-		
910-584	Correction Coefficient/Low Room Temperature/Plain Paper/A0 Side/Heavy	Fusing	15	15	15	0 to 30	-		
910-585	Correction Coefficient/Low Room Temperature/Plain Paper/A1 Side/Normal	Fusing	10	10	10	0 to 30	-		
910-586	Correction Coefficient/Low Room Temperature/Plain Paper/A1 Side/Slightly Heavy	Fusing	15	15	15	0 to 30	-		
910-587	Correction Coefficient/Low Room Temperature/Plain Paper/A1 Side/Heavy	Fusing	15	10	10	0 to 30	-		
910-588	Correction Coefficient/Low Room Temperature/Plain Paper/A2 Side/Normal	Fusing	10	10	10	0 to 30	-		
910-589	Correction Coefficient/Low Room Temperature/Plain Paper/A2 Side/Slightly Heavy	Fusing	15	15	15	0 to 30	-		
910-590	Correction Coefficient/Low Room Temperature/Plain Paper/A2 Side/Heavy	Fusing	15	10	10	0 to 30	-		
910-591	Correction Coefficient/Low Room Temperature/Tracing Paper/A0 Side/Normal	Fusing	10	20	10	0 to 30	-		
910-592	Correction Coefficient/Low Room Temperature/Tracing Paper/A0 Side/Slightly Heavy	Fusing	10	20	10	0 to 30	-		
910-593	Correction Coefficient/Low Room Temperature/Tracing Paper/A0 Side/Heavy	Fusing	10	20	10	0 to 30	-		
910-594	Correction Coefficient/Low Room Temperature/Tracing Paper/A1 Side/Normal	Fusing	10	20	20	0 to 30	-		
910-595	Correction Coefficient/Low Room Temperature/Tracing Paper/A1 Side/Slightly Heavy	Fusing	10	20	20	0 to 30	-		

Chain-Link	Settings Item	Sub	Default Value			Setting Range	Change Amount	Setting Data	DC951
			JPN	AP	GCO				
910-596	Correction Coefficient/Low Room Temperature/Tracing Paper/A1 Side/Heavy	Fusing	10	20	20	0 to 30	-		
910-597	Correction Coefficient/Low Room Temperature/Tracing Paper/A2 Side/Normal	Fusing	10	20	20	0 to 30	-		
910-598	Correction Coefficient/Low Room Temperature/Tracing Paper/A2 Side/Slightly Heavy	Fusing	10	20	20	0 to 30	-		
910-599	Correction Coefficient/Low Room Temperature/Tracing Paper/A2 Side/Heavy	Fusing	10	20	20	0 to 30	-		
910-600	Correction Coefficient/Low Room Temperature/Transparency/A0 Side/Normal	Fusing	15	10	10	0 to 30	-		
910-601	Correction Coefficient/Low Room Temperature/Transparency/A0 Side/Slightly Heavy	Fusing	15	10	10	0 to 30	-		
910-602	Correction Coefficient/Low Room Temperature/Transparency/A0 Side/Heavy	Fusing	10	20	20	0 to 30	-		
910-603	Correction Coefficient/Low Room Temperature/Transparency/A1 Side/Normal	Fusing	15	10	10	0 to 30	-		
910-604	Correction Coefficient/Low Room Temperature/Transparency/A1 Side/Slightly Heavy	Fusing	15	10	10	0 to 30	-		
910-605	Correction Coefficient/Low Room Temperature/Transparency/A1 Side/Heavy	Fusing	10	20	20	0 to 30	-		
910-606	Correction Coefficient/Low Room Temperature/Transparency/A2 Side/Normal	Fusing	15	10	10	0 to 30	-		
910-607	Correction Coefficient/Low Room Temperature/Transparency/A2 Side/Slightly Heavy	Fusing	15	10	10	0 to 30	-		
910-608	Correction Coefficient/Low Room Temperature/Transparency/A2 Side/Heavy	Fusing	10	20	20	0 to 30	-		
910-609	Warm Up Transition Temperature/High or Standard Room Temperature/Plain Paper/Normal	Fusing	28	28	28	0 to 28	5 degrees C	Fusing Temperature - (settings value x 5 degrees C)	
910-610	Warm Up Transition Temperature/High or Standard Room Temperature/Plain Paper/Slightly Heavy	Fusing	28	28	28	0 to 28	5 degrees C	Fusing Temperature - (settings value x 5 degrees C)	
910-611	Warm Up Transition Temperature/High or Standard Room Temperature/Plain Paper/Heavy	Fusing	28	28	28	0 to 28	5 degrees C	Fusing Temperature - (settings value x 5 degrees C)	
910-612	Warm Up Transition Temperature/High or Standard Room Temperature/Tracing Paper/Normal	Fusing	28	28	28	0 to 28	5 degrees C	Fusing Temperature - (settings value x 5 degrees C)	
910-613	Warm Up Transition Temperature/High or Standard Room Temperature/Tracing Paper/Slightly Heavy	Fusing	28	28	28	0 to 28	5 degrees C	Fusing Temperature - (settings value x 5 degrees C)	
910-614	Warm Up Transition Temperature/High or Standard Room Temperature/Tracing Paper/Heavy	Fusing	28	28	28	0 to 28	5 degrees C	Fusing Temperature - (settings value x 5 degrees C)	
910-615	Warm Up Transition Temperature/High or Standard Room Temperature/Transparency/Normal	Fusing	28	28	28	0 to 28	5 degrees C	Fusing Temperature - (settings value x 5 degrees C)	

Chain-Link	Settings Item	Sub	Default Value			Setting Range	Change Amount	Setting Data	DC951
			JPN	AP	GCO				
910-616	Warm Up Transition Temperature/High or Standard Room Temperature/Transparency/Slightly Heavy	Fusing	28	28	28	0 to 28	5 degrees C	Fusing Temperature - (settings value x 5 degrees C)	
910-617	Warm Up Transition Temperature/High or Standard Room Temperature/Transparency/Heavy	Fusing	28	28	28	0 to 28	5 degrees C	Fusing Temperature - (settings value x 5 degrees C)	
910-618	Warm Up Transition Temperature/Low Room Temperature/Plain Paper/Normal	Fusing	28	28	28	0 to 28	5 degrees C	Fusing Temperature - (settings value x 5 degrees C)	
910-619	Warm Up Transition Temperature/Low Room Temperature/Plain Paper/Slightly Heavy	Fusing	28	28	28	0 to 28	5 degrees C	Fusing Temperature - (settings value x 5 degrees C)	
910-620	Warm Up Transition Temperature/Low Room Temperature/Plain Paper/Heavy	Fusing	28	28	28	0 to 28	5 degrees C	Fusing Temperature - (settings value x 5 degrees C)	
910-621	Warm Up Transition Temperature/Low Room Temperature/Tracing Paper/Normal	Fusing	8	8	8	0 to 28	5 degrees C	Fusing Temperature - (settings value x 5 degrees C)	
910-622	Warm Up Transition Temperature/Low Room Temperature/Tracing Paper/Slightly Heavy	Fusing	8	4	8	0 to 28	5 degrees C	Fusing Temperature - (settings value x 5 degrees C)	
910-623	Warm Up Transition Temperature/Low Room Temperature/Tracing Paper/Heavy	Fusing	8	4	8	0 to 28	5 degrees C	Fusing Temperature - (settings value x 5 degrees C)	
910-624	Warm Up Transition Temperature/Low Room Temperature/Transparency/Normal	Fusing	28	28	28	0 to 28	5 degrees C	Fusing Temperature - (settings value x 5 degrees C)	
910-625	Warm Up Transition Temperature/Low Room Temperature/Transparency/Slightly Heavy	Fusing	8	4	4	0 to 28	5 degrees C	Fusing Temperature - (settings value x 5 degrees C)	
910-626	Warm Up Transition Temperature/Low Room Temperature/Transparency/Heavy	Fusing	8	8	8	0 to 28	5 degrees C	Fusing Temperature - (settings value x 5 degrees C)	
910-627	Long Paper Warm Up Transition/Adjusted Length/Plain Paper/Normal	Fusing	510	510	510	21 to 2000	10 mm		
910-628	Long Paper Warm Up Transition/Adjusted Length/Plain Paper/Slightly Heavy	Fusing	510	510	510	21 to 2000	10 mm		
910-629	Long Paper Warm Up Transition/Adjusted Length/Plain Paper/Heavy	Fusing	510	510	510	21 to 2000	10 mm		
910-630	Long Paper Warm Up Transition/Adjusted Length/Tracing Paper/Normal	Fusing	260	260	260	21 to 2000	10 mm		
910-631	Long Paper Warm Up Transition/Adjusted Length/Tracing Paper/Slightly Heavy	Fusing	260	260	260	21 to 2000	10 mm		
910-632	Long Paper Warm Up Transition/Adjusted Length/Tracing Paper/Heavy	Fusing	260	260	260	21 to 2000	10 mm		
910-633	Long Paper Warm Up Transition/Adjusted Length/Transparency/Normal	Fusing	260	260	260	21 to 2000	10 mm		
910-634	Long Paper Warm Up Transition/Adjusted Length/Transparency/Slightly Heavy	Fusing	260	260	260	21 to 2000	10 mm		
910-635	Long Paper Warm Up Transition/Adjusted Length/Transparency/Heavy	Fusing	260	260	260	21 to 2000	10 mm		
910-636	Standby Temperature Settings/Paper Weight	Fusing	0	1	1	0, 1, 2	-	0: Normal, 1: Slightly Heavy, 2: Heavy	

Chain-Link	Settings Item	Sub	Default Value			Setting Range	Change Amount	Setting Data	DC951
			JPN	AP	GCO				
910-637	Standby Temperature Settings/Restore Time	Fusing	30	0	0	0 to 600	1 s		
910-638	Power Saving Mode Control Temperature	Fusing	100	100	100	91 to 150	1 degree C	When changing, consider the relationship with the setting values from 910-554 to 559.	
910-639	JOB Accept Temperature	Fusing	5	5	5	1 to 50	1 degree C		
910-640	JOB Accept Temperature/High-Standard Room Temperature/Plain Paper/Normal	Fusing	10	5	5	1 to 50	1 degree C		
910-641	JOB Accept Temperature/High-Standard Room Temperature/Plain Paper/Slightly Heavy	Fusing	5	5	15	1 to 50	1 degree C		
910-642	Hysteresis X/Low Temperature Control	Fusing	28	28	28	0 to 50	Step		
910-643	Hysteresis Y/Low Temperature Control	Fusing	12	12	12	1 to 50	Step		
910-644	Hysteresis X/Middle Temperature Control	Fusing	4	4	4	0 to 20	Step		
910-645	Hysteresis Y/Middle Temperature Control	Fusing	2	2	2	1 to 20	Step		
910-646	Hysteresis X/High Temperature Control	Fusing	2	2	2	0 to 10	Step		
910-647	Hysteresis Y/High Temperature Control	Fusing	1	1	1	1 to 10	Step		
910-648	Hysteresis/Lower Setting Temperature	Fusing	140	140	140	100 to 150	1 degree C		
910-649	Hysteresis/Higher Setting Temperature	Fusing	190	190	190	170 to 240	1 degree C		
910-650	Fusing Motor Low Speed/A0 Width/Plain Paper	Fusing	2	1	1	1 to 7	Step		
910-651	Fusing Motor Low Speed/A0 Width/Tracing Paper	Fusing	2	1	2	1 to 7	Step		
910-652	Fusing Motor Low Speed/A0 Width/Transparency	Fusing	2	2	2	1 to 7	Step		
910-653	Fusing Motor Low Speed/A1 Width/Plain Paper	Fusing	1	1	1	1 to 7	Step		
910-654	Fusing Motor Low Speed/A1 Width/Tracing Paper	Fusing	2	1	2	1 to 7	Step		
910-655	Fusing Motor Low Speed/A1 Width/Transparency	Fusing	4	4	4	1 to 7	Step		
910-656	Fusing Motor Low Speed/A2 Width/Plain Paper	Fusing	5	5	5	1 to 7	Step		
910-657	Fusing Motor Low Speed/A2 Width/Tracing Paper	Fusing	5	5	5	1 to 7	Step		
910-658	Fusing Motor Low Speed/A2 Width/Transparency	Fusing	5	5	5	1 to 7	Step		
910-659	Fusing Motor Low Speed/A3 Width or Smaller/Plain Paper	Fusing	5	5	5	1 to 7	Step		
910-660	Fusing Motor Low Speed/A3 Width or Smaller/Tracing Paper	Fusing	5	5	5	1 to 7	Step		
910-661	Fusing Motor Low Speed/A3 Width or Smaller/Transparency	Fusing	5	5	5	1 to 7	Step		
910-662	Fusing Motor High Speed/A0 Width/Plain Paper	Fusing	3	2	2	1 to 7	Step		
910-663	Fusing Motor High Speed/A0 Width/Tracing Paper	Fusing	4	3	3	1 to 7	Step		
910-664	Fusing Motor High Speed/A0 Width/Transparency	Fusing	4	4	4	1 to 7	Step		
910-665	Fusing Motor High Speed/A1 Width/Plain Paper	Fusing	4	4	4	1 to 7	Step		
910-666	Fusing Motor High Speed/A1 Width/Tracing Paper	Fusing	6	5	5	1 to 7	Step		
910-667	Fusing Motor High Speed/A1 Width/Transparency	Fusing	6	6	6	1 to 7	Step		
910-668	Fusing Motor High Speed/A2 Width/Plain Paper	Fusing	6	6	6	1 to 7	Step		
910-669	Fusing Motor High Speed/A2 Width/Tracing Paper	Fusing	6	6	6	1 to 7	Step		
910-670	Fusing Motor High Speed/A2 Width/Transparency	Fusing	6	6	6	1 to 7	Step		
910-671	Fusing Motor High Speed/A3 Width or Smaller/Plain Paper	Fusing	6	6	6	1 to 7	Step		

Chain-Link	Settings Item	Sub	Default Value			Setting Range	Change Amount	Setting Data	DC951
			JPN	AP	GCO				
910-672	Fusing Motor High Speed/A3 Width or Smaller/Tracing Paper	Fusing	6	6	6	1 to 7	Step		
910-673	Fusing Motor High Speed/A3 Width or Smaller/Transparency	Fusing	7	7	7	1 to 7	Step		
910-674	Paper Lead Edge High Time/A0 Width/Plain Paper	Fusing	0	0	0	0 to 50	500 ms		
910-675	Paper Lead Edge High Time/A0 Width/Tracing Paper	Fusing	30	18	18	0 to 50	500 ms		
910-676	Paper Lead Edge High Time/A0 Width/Transparency	Fusing	18	18	18	0 to 50	500 ms		
910-677	Paper Lead Edge High Time/A1 Width/Plain Paper	Fusing	0	0	0	0 to 50	500 ms		
910-678	Paper Lead Edge High Time/A1 Width/Tracing Paper	Fusing	8	8	8	0 to 50	500 ms		
910-679	Paper Lead Edge High Time/A1 Width/Transparency	Fusing	8	8	8	0 to 50	500 ms		
910-680	Paper Lead Edge High Time/A2 Width/Plain Paper	Fusing	24	24	24	0 to 50	500 ms		
910-681	Paper Lead Edge High Time/A2 Width/Tracing Paper	Fusing	3	24	24	0 to 50	500 ms		
910-682	Paper Lead Edge High Time/A2 Width/Transparency	Fusing	24	24	24	0 to 50	500 ms		
910-683	Paper Lead Edge High Time/A3 Width or Smaller/Plain Paper	Fusing	18	18	18	0 to 50	500 ms		
910-684	Paper Lead Edge High Time/A3 Width or Smaller/Tracing Paper	Fusing	3	18	18	0 to 50	500 ms		
910-685	Paper Lead Edge High Time/A3 Width or Smaller/Transparency	Fusing	18	18	18	0 to 50	500 ms		
910-686	Test Operation Settings/Test Operation Start Temperature During Warm Up	Fusing	155	155	145	90 to 250	1 degree C		
910-687	Test Operation Settings/Test Operation Time During Warm Up	Fusing	15	15	30	0 to 255	1 s		
910-688	Test Operation Settings/Correction Coefficient for Test Operation After Warm Up	Fusing	0	0	0	0 to 255	1 s		
910-689	Test Operation Settings/Test Operation Time Before Heavyweight Job	Fusing	0	0	0	0 to 120	1 s		
910-690	Test Operation Settings/Test Operation Time During Wait	Fusing	12	12	15	0 to 600	1 s		
910-691	Test Operation Settings/Test Operation Start Interval During Wait	Fusing	15	15	1	1 to 60	1 min		
910-692	Wait Settings When Temperature Difference Occurs/Temperature Difference Before Job Start	Fusing	15	15	15	5 to 100	1 degree C		
910-693	Fusing Exhaust Fan Speed Switch Delay Time	Fusing	0	0	0	0 to 1000	1 s		
910-751	Toner Empty Cancel Determination Printing Length	Diag	10	10	10	10	1 m		
910-752	Printable Length After Waste Toner Container Full Cancel	Diag	10	10	10	10	1 m		
910-753	Test Print/Finisher/GFI /Program Number	Diag	0	0	0	0 to 20	-	0: Bypass	
910-754	Test Print/Finisher/GFI/Override	Diag	0	0	0	0 to 95	-	Bit Assign	
910-755	Test Print/Finisher/GFI/Sort Byte	Diag	0	0	0	0 to 15	-		
910-756	Test Print/Finisher/GFI/Title Box	Diag	0	0	0	0 to 4	-		



**<CP-Cont>**

Chain-Link	Settings Item	category	Default Value	Setting Data	Remarks
850-000	EP-SV Connection Availability	EP-SV	0	0: None, 1: Available	When connected to the EP-SV, it will be automatically recognized and set to '1'. When disconnecting the EP-SV, this must be set to '0'.
850-001	EP-SV Telephone Line Connection Availability	EP-SV	0	0: None, 1: Available	
850-002	Closing Day Billing Data Display	EP-SV	0	0: OFF, 1: ON	
850-004	Optional Counter Notification to EP-SV	EP-SV	0	0: Do not notify, 1: Notify	Enabled for DocuLyzer only
850-010	Card Reader Connection Info	EP-SV	0	0: Not connected (Include connection for EPnet-BOX only) 1: DocuLyzer Format 2: IC Card Gate (FX)/IC Card Reader (IBG) Format	
850-015	Fault Info Send Info	EP-SV	0	0: Invalid (Do not send), 1: Valid (send)	

### 6.3.2 DC330 Component Code List

#### <IIT>

Type) DI: Digital Input, DO: Digital Output

Chain-Link	Component Name (Part Name or Signal Name)	Type	H (1) / L (0) State	Remarks
005-001	IIT Drive Motor Gray Scan Drive (600 dpi, 100% = 4.00 ips)	DO	1: ON / 0: OFF	The IIT Drive Motor drive operates exclusively from each other (only one can be ON at any time).
005-002	IIT Drive Motor Color Scan Drive (600 dpi, 100% = 1.33 ips)	DO	1: ON / 0: OFF	
005-003	IIT Drive Motor Highest Speed Drive (8.00 ips)	DO	1: ON / 0: OFF	
005-004	IIT Drive Motor Lowest Speed Drive (1.00 ips)	DO	1: ON / 0: OFF	
005-101	A4 Size Sensor	DI	H: Paper exists/L: No paper	005-499 1 bit
005-102	A3 Size Sensor	DI	H: Paper exists/L: No paper	005-499 2 bit
005-103	A2 Size Sensor	DI	H: Paper exists/L: No paper	005-499 3 bit
005-104	15" Size Sensor	DI	H: Paper exists/L: No paper	005-499 4 bit
005-105	A1 Size Sensor	DI	H: Paper exists/L: No paper	005-499 5 bit
005-106	A0 Size Sensor	DI	H: Paper exists/L: No paper	005-499 6 bit
005-107	30" Size Sensor	DI	H: Paper exists/L: No paper	005-499 7 bit
005-111	Right Skew Sensor	DI	H: Paper exists/L: No paper	005-499 11 bit
005-112	Left Skew Sensor	DI	H: Paper exists/L: No paper	005-499 12 bit
005-122	Registration Sensor	DI	H: Paper exists/L: No paper	005-499 9 bit
005-301	R/H Cover Sensor	DI	H: Open / L: Close	005-499 15 bit
005-499	IIT ALL Input Component	DI	-	Monitor all IIT sensors. Refers to the Remark column of each sensor for Bit Assign.

Chain-Link	Component Name (Part Name or Signal Name)	Type	H (1) / L (0) State	Remarks
062-002	CIS Lamp	DO	1: ON (lit up) / 0: OFF (light out)	

#### <IOT>

Type) DI: Digital Input, DO: Digital Output, AI: Analog Input, AO: Analog Output, I: Interrupt Input, TI: Timer Input (AI has steps from 0 to 1023 and AO has steps from 0 to 255)

Chain-Link	Component Name (Part Name or Signal Name)	Type	H/L Status	Remarks
010-001	Side FP Triac (100/200V machines)	DO	H: OFF/L: ON	Turns OFF in 5 s.
010-002	Side LP Triac (200V machine)	DO	H: OFF/L: ON	Turns OFF in 5 s.
010-003	Center FP Triac (100 / 200V machines)	DO	H: OFF/L: ON	Turns OFF in 5 s.
010-004	Center LP (200V machine)/ Sub Heater Triac (100V machine)	DO	H: OFF/L: ON	Turns OFF in 5 s.
010-005	Exhaust Fan LH: Speed	DO	H: Low Speed / L: High Speed	
010-006	Exhaust Fan LH: ON	DO	H: OFF/L: ON	
010-007	Exhaust Fan RH: Speed	DO	H: Low Speed / L: High Speed	
010-008	Exhaust Fan RH: ON	DO	H: OFF/L: ON	
010-011	Fusing Drive Motor: Bit 0	DO	*1	
010-012	Fusing Drive Motor: Bit 1			
010-013	Fusing Drive Motor: Bit 2			
010-200	Overheat Thermostat	DI	H: Normal / L: Overheat	
010-201	Thermistor 1: Open	DI	*4	
010-202	Thermistor 2: Overheat	DI	*5	
010-203	Thermistor 2: Open	DI	*4	
010-204	Thermistor 3: Open	DI	*4	
010-205	Thermistor 4: Overheat	DI	*5	
010-206	Thermistor 4: Open	DI	*4	
010-207	Exit Motion Sensor	DI	(pulse)	
010-208	Exit Jam Switch	DI	H: Paper exists/L: No paper	
010-209	Exhaust Fan LH: Fail	DI	H: Abnormal / L: Normal	

Chain-Link	Component Name (Part Name or Signal Name)	Type	H/L Status	Remarks
010-210	Exhaust Fan RH: Fail	DI	H: Abnormal / L: Normal	
010-211	Fusing Drive Motor: Lock	DI	H: Asynchronous/L: Synchronous	
010-250	Thermistor 1: Temp	AI	*6	
010-251	Thermistor 2: Temp	AI	*6	
010-252	Thermistor 3: Temp	AI	*6	
042-002	IOTC: WR Protect	DO	H: Disabled/L: Enabled	For Development
042-005	Attention Light: Lamp ON	DO	H: OFF/L: ON	Machines with option connected
042-006	Attention Light: Lamp Color	DO	H: Amber/L: Green	Machines with option connected
042-007	Attention Light: Buzzer	DO	H: OFF/L: ON	Machines with option connected
042-202	IOTC: Vref Monitor	DI	H: Normal / L: Abnormal	For Development
042-261	IOTC: Int Cut Trigger	II	H: - / L: Interrupt	
042-262	IOTC: Int Page Sync	II	H: - / L: Interrupt	
046-001	HVPS: BCR On	DO	H: OFF/L: ON	
046-002	HVPS: DB On	DO	H: OFF/L: ON	
046-003	HVPS: BTR On	DO	H: OFF/L: ON	
046-004	HVPS: BTR +/-	DO	H: - / L: +	
046-005	HVPS: DTS On	DO	H: OFF/L: ON	
046-050	HVPS: BCR ACI Control	AO	*10	
046-051	HVPS: BCR DCV Control	AO	*10	
046-052	HVPS: DB ACV Control	AO	*10	
046-053	HVPS: DB DCV Control	AO	*10	
046-054	HVPS: BTR DCIV Control	AO	*10	
046-055	HVPS: DTS ACV Control	AO	*10	
046-200	24B Monitor	DI	H: Normal / L: Abnormal	
046-201	5B Monitor	DI	H: Normal / L: Abnormal	
046-202	24C Monitor	DI	H: Normal / L: Abnormal	
046-250	HVPS: BTR DCV Monitor	AI	*11	
061-001	IOTC: LPH On	DO	H: ON/L: OFF	
061-002	IOTC: LPHC Reset	DO	H: - / L: Reset	For Development

Chain-Link	Component Name (Part Name or Signal Name)	Type	H/L Status	Remarks
061-200	LPHIF: 5C Monitor	DI	H: Abnormal / L: Normal	
061-201	IOTC: LPHC Acc Ready	DI	H: Ready / L: Busy	For Development
061-250	LPHIF: LPH Temp Thermistor	AI	*7	
061-270	IOTC: Line Sync	TI	(pulse)	For Development
071-001	Roll 1 Feeder Motor: Bit 0	DO	*2	
071-002	Roll 1 Feeder Motor: Bit 1			
071-003	Roll 1 Feeder Motor: Bit 2			
071-004	Roll 1 Cutter Motor: Bit 0	DO	*3	Turns OFF in 0.8 s.
071-005	Roll 1 Cutter Motor: Bit 1			
071-006	RFC Takeaway Clutch	DO	H: OFF/L: ON	
071-100	Roll 1 Set Sensor	DI	H: No paper detected/L: Paper detected	
071-101	Roll 1 A3 Sensor	DI	H: No paper detected/L: Paper detected	
071-102	Roll 1 A2 Sensor	DI	H: No paper detected/L: Paper detected	
071-103	Roll 1 A1 Sensor	DI	H: No paper detected/L: Paper detected	
071-104	Roll 1 30" Sensor	DI	H: No paper detected/L: Paper detected	
071-105	Roll 1 Cut Trigger Sensor	DI	H: No paper detected/L: Paper detected	
071-106	RFC Vertical Jam Sensor	DI	H: No paper detected/L: Paper detected	
071-200	Roll 1 Cutter Switch LH	DI	H: Not Detected/L: Detected	
071-201	Roll 1 Cutter Switch RH	DI	H: Not Detected/L: Detected	
071-202	Roll 1 Auto Cut Switch	DI	H: Released/L: Pressed	
071-270	Roll 1 Feeder Motor: Clock	TI	(pulse)	
071-271	Roll 1 No Paper Sensor	TI	(pulse)	
071-300	Roll 1 Cutter Interlock Switch	DI	H: Close/Open	

Chain-Link	Component Name (Part Name or Signal Name)	Type	H/L Status	Remarks
071-301	RFC1 Drawer Open Switch	DI	H: Open/Close	
072-001	Roll 2 Feeder Motor: Bit 0	DO	*2	
072-002	Roll 2 Feeder Motor: Bit 1			
072-003	Roll 2 Feeder Motor: Bit 2			
072-004	Roll 2 Cutter Motor: Bit 0	DO	*3	Turns OFF in 0.8 s.
072-005	Roll 2 Cutter Motor: Bit 1			
072-100	Roll 2 Set Sensor	DI	H: No paper detected/L: Paper detected	
072-101	Roll 2 A3 Sensor	DI	H: No paper detected/L: Paper detected	
072-102	Roll 2 A2 Sensor	DI	H: No paper detected/L: Paper detected	
072-103	Roll 2 A1 Sensor	DI	H: No paper detected/L: Paper detected	
072-104	Roll 2 30" Sensor	DI	H: No paper detected/L: Paper detected	
072-105	Roll 2 Cut Trigger Sensor	DI	H: No paper detected/L: Paper detected	
072-200	Roll 2 Cutter LH Switch	DI	H: Not Detected/L: Detected	
072-201	Roll 2 Cutter RH Switch	DI	H: Not Detected/L: Detected	
072-202	Roll 2 Auto Cut Switch	DI	H: Released/L: Pressed	
072-270	Roll 2 Feeder Motor: Clock	TI	(pulse)	
072-271	Roll 2 No Paper Sensor	TI	(pulse)	
072-300	Roll 2 Cutter Interlock Switch	DI	H: Close/L: Open	
072-301	RFC2 Drawer Open Switch	DI	H: Open / L: Close	
075-001	Manual Feed Clutch	DO	H: OFF/L: ON	
075-100	Manual No Paper Sensor	DI	H: No paper detected/L: Paper detected	
075-101	Manual A3 Sensor	DI	H: No paper detected/L: Paper detected	

Chain-Link	Component Name (Part Name or Signal Name)	Type	H/L Status	Remarks
075-102	Manual A2 Sensor	DI	H: No paper detected/L: Paper detected	
075-103	Manual A1 Sensor	DI	H: No paper detected/L: Paper detected	
075-104	Manual 30" Sensor	DI	H: No paper detected/L: Paper detected	
075-105	Manual Feed Stop Sensor	DI	H: No paper detected/L: Paper detected	
075-106	Manual Page Sync Sensor	DI	H: No paper detected/L: Paper detected	
077-001	Paper Heater Triac (Tr side)	DO	H: ON/L: OFF	
077-100	RFC Page Sync Sensor	DI	H: No paper detected/L: Paper detected	
077-101	H-Tra Jam Sensor	DI	H: No paper detected/L: Paper detected	
077-300	Swing Frame Interlock Switch	DI	H: Open / L: Close	
077-301	Fusing Cover Interlock Switch	DI	H: Open / L: Close	
077-302	Front Door Interlock Switch	DI	H: Open / L: Close	
077-303	H-Tra Open Sensor	DI	H: Close/L: Open	
091-001	Main Drive Motor: ON	DO	H: OFF/L: ON	
091-200	Main Drive Motor: Lock	DI	H: Asynchronous/L: Synchronous	
091-201	Toner Empty Sensor	DI	H: No toner detected L: Toner detected	
091-202	Waste Toner Container Full Sensor	DI	H: Full/L: Not Full	
091-250	Open Air Sensor: Hum	AI	*9	
091-251	Open Air Sensor: Temp	AI	*8	
091-300	Rear Top Cover Switch	DI	H: Open / L: Close	
093-001	Deve Drive Clutch	DO	H: OFF/L: ON	

\*1) Fusing Drive Motor: Bit 0 to 2

Output Voltage			Step	Motor Operation	
Bit 2	Bit 1	Bit 0		Clock Frequency (Hz)	H/Roll Peripheral Velocity (reference) (mm/s)
H	H	H	0	0.000	0
H	H	L	1	1111.596	59.4 (TBD)
H	L	H	2	1113.452	59.6 (TBD)
H	L	L	3	1115.308	59.8 (TBD)
L	H	H	4	1117.163	60.0 (TBD)
L	H	L	5	1119.019	60.2 (TBD)
L	L	H	6	1120.875	60.4 (TBD)
L	L	L	7	1122.731	60.6 (TBD)

\*2) Roll 1/2 Feeder Motor: Bit 0 to 2

Output Voltage			Step	Motor Operation
Bit 2	Bit 1	Bit 0		
H	H	H	0	OFF (No slow down, Energizing OFF)
H	H	L	1	Reverse rotation
H	L	H	2	Ignore (Continue the control before this)
H	L	L	3	Ignore (Continue the control before this)
L	H	H	4	Forward rotation at low speed
L	H	L	5	Forward rotation at high speed
L	L	H	6	Stop (Slow down, Energizing OFF)
L	L	L	7	Hold (Slow down, Energizing ON)

\*3) Roll 1/2 Cutter Motor: Bit 0 to 1

Internal Voltage		Output Voltage		Cutter Operation
Bit 1	Bit 0	*2	*1	
H	H	0V	0V	Brake
L	H	+24V	0V	Scan from LH side to RH side
H	L	0V	+24V	Scan from RH side to LH side
L	L	OFF	OFF	OFF

\*1) RFC1: P443-21Pin, RFC2: P444-19Pin

\*2) RFC1: P443-19Pin, RFC2: P444-17Pin

\*4) Thermistor 1 to 4: Open

Thermistor Status	Scan Temperature	Resistance	Voltage	Internal Voltage
Open Circuit	Lower or equal to -15 degrees C	680 KOhm or higher	3.17V or higher	L

	equivalent			
Normal	Higher than -15 degrees C equivalent	Lower than 680 KOhm	Lower than 3.17V	H

\*5) Thermistor 2/4: Overheat

Thermistor Status	Scan Temperature	Resistance	Voltage	Internal Voltage
Normal	247 degrees C or lower	Higher than 220 Ohm	Lower than 0.027V	H
Overheat	Higher than 247 degrees C	Lower than 220 Ohm	0.027V or higher	L

\*6) Thermistor 1 to 3: Temp

Temperature (degrees C)	Resistance (Ohm)	Input Voltage (V)	Amplified Voltage (V)	Step
87	8917	0.819281	3.35905	1024 over
88	8636	0.799719	3.278849	1016
89	8365	0.78056	3.200295	992
90	8102	0.761683	3.122901	968
91	7850	0.743329	3.047647	945
92	7607	0.725376	2.974043	922
93	7373	0.707849	2.902182	900
94	7147	0.690693	2.831842	878
95	6929	0.673928	2.763104	857
96	6719	0.657573	2.696049	836
97	6516	0.641568	2.63043	815
98	6320	0.62593	2.566315	796
99	6131	0.610676	2.503771	776
100	5948	0.595739	2.442529	757
101	5772	0.581216	2.382984	739
102	5602	0.567039	2.324859	721
103	5437	0.553137	2.267861	703
104	5278	0.539606	2.212384	686
105	5125	0.526459	2.158482	669
106	4976	0.513535	2.105494	653
107	4833	0.501018	2.054173	637
108	4694	0.488742	2.003844	621
109	4560	0.476806	1.954905	606
110	4431	0.465219	1.907398	591
111	4305	0.453809	1.860618	577

Temperature (degrees C)	Resistance (Ohm)	Input Voltage (V)	Amplified Voltage (V)	Step
112	4184	0.442766	1.815339	563
113	4067	0.432005	1.771221	549
114	3953	0.421442	1.727913	536
115	3843	0.411176	1.685821	523
116	3737	0.401214	1.644975	510
117	3634	0.391467	1.605015	498
118	3534	0.381941	1.56596	485
119	3438	0.372738	1.528226	474
120	3344	0.36367	1.491047	462
121	3254	0.354935	1.455233	451
122	3166	0.346344	1.420009	440
123	3081	0.337997	1.385789	430
124	2999	0.329901	1.352594	419
125	2920	0.322059	1.320441	409
126	2842	0.314275	1.288528	399
127	2767	0.306752	1.257685	390
128	2695	0.299495	1.227929	381
129	2625	0.292405	1.198861	372
130	2556	0.285384	1.170073	363
131	2490	0.278637	1.142411	354
132	2426	0.272066	1.115469	346
133	2364	0.265672	1.089256	338
134	2303	0.259356	1.063358	330
135	2245	0.253325	1.038634	322
136	2188	0.247376	1.01424	314
137	2133	0.241613	0.990612	307
138	2079	0.235933	0.967326	300
139	2027	0.230444	0.944821	293
140	1977	0.225148	0.923105	286
141	1928	0.219939	0.901751	280
142	1880	0.21482	0.880762	273
143	1834	0.209898	0.860582	267
144	1789	0.205068	0.840778	261
145	1746	0.200438	0.821797	255
146	1703	0.195795	0.802759	249
147	1662	0.191354	0.784553	243
148	1622	0.18701	0.766741	238

Temperature (degrees C)	Resistance (Ohm)	Input Voltage (V)	Amplified Voltage (V)	Step
149	1583	0.182762	0.749326	232
150	1546	0.178722	0.73276	227
151	1509	0.174671	0.716152	222
152	1473	0.17072	0.69995	217
153	1439	0.166978	0.684612	212
154	1405	0.163228	0.669236	207
155	1372	0.15958	0.654277	203
156	1340	0.156034	0.639739	198
157	1309	0.152591	0.625623	194
158	1279	0.149252	0.611934	190
159	1250	0.146018	0.598673	186
160	1221	0.142777	0.585384	181
161	1193	0.139641	0.572528	177
162	1166	0.136612	0.560107	174
163	1140	0.133689	0.548124	170
164	1114	0.13076	0.536118	166
165	1089	0.12794	0.524553	163
166	1065	0.125227	0.513431	159
167	1041	0.12251	0.502291	156
168	1018	0.119901	0.491596	152
169	996	0.117368	0.48121	149
170	974	0.114888	0.471041	146
171	953	0.112461	0.46109	143
172	932	0.110099	0.451405	140
173	912	0.10779	0.44194	137
174	892	0.105536	0.432696	134
175	873	0.103335	0.423674	131
176	854	0.101189	0.414875	129
177	836	0.099086	0.406253	126
178	818	0.097049	0.397903	123
179	801	0.095056	0.389731	121
180	784	0.093107	0.381738	118
181	767	0.091201	0.373925	116
182	751	0.089351	0.36634	114
183	736	0.087534	0.358888	111
184	720	0.085761	0.351619	109
185	706	0.084044	0.344579	107

Temperature (degrees C)	Resistance (Ohm)	Input Voltage (V)	Amplified Voltage (V)	Step
186	691	0.082348	0.337627	105
187	677	0.080709	0.330906	103
188	663	0.079091	0.324274	101
189	650	0.077519	0.317826	99
190	636	0.075991	0.311563	97
191	624	0.074485	0.305391	95
192	611	0.073025	0.299403	93
193	599	0.071587	0.293507	91
194	587	0.070194	0.287797	89
195	575	0.068824	0.282179	87
196	564	0.067488	0.276699	86
197	553	0.066185	0.27136	84
198	542	0.064917	0.266161	83
199	531	0.063672	0.261054	81
200	521	0.062449	0.25604	79
201	511	0.06126	0.251167	78
202	501	0.060094	0.246386	76
203	491	0.058963	0.241748	75
204	482	0.057842	0.237154	74
205	473	0.056757	0.232703	72
206	464	0.055694	0.228345	71
207	455	0.054654	0.224082	69
208	446	0.053637	0.219912	68
209	438	0.052643	0.215837	67
210	430	0.051672	0.211857	66
211	422	0.050725	0.207972	64
212	414	0.049788	0.204133	63
213	406	0.048887	0.200437	62
214	399	0.047997	0.196788	61
215	391	0.047119	0.193186	60
216	384	0.046263	0.18968	59
217	377	0.045431	0.186269	58
218	370	0.044623	0.182953	57
219	363	0.043814	0.179637	56
220	357	0.04304	0.176464	55
221	350	0.042278	0.17334	54
222	344	0.041527	0.170262	53

Temperature (degrees C)	Resistance (Ohm)	Input Voltage (V)	Amplified Voltage (V)	Step
223	338	0.040788	0.167233	52
224	332	0.040073	0.164299	51
225	326	0.039369	0.161413	50
226	320	0.038689	0.158624	49
227	315	0.038008	0.155834	48
228	309	0.037351	0.15314	47
229	304	0.036706	0.150495	47
230	298	0.036072	0.147897	46
231	293	0.035451	0.145347	45
232	288	0.034852	0.142895	44
233	283	0.034254	0.140442	44
234	278	0.033667	0.138036	43
235	274	0.033105	0.135729	42
236	269	0.032541	0.13342	41
237	264	0.03199	0.13116	41
238	260	0.031463	0.128997	40
239	256	0.030935	0.126834	39
240	251	0.030419	0.124719	39
241	247	0.029915	0.122652	38
242	243	0.029423	0.120635	37
243	239	0.028931	0.118616	37
244	235	0.028462	0.116696	36
245	231	0.027994	0.114775	36
246	227	0.027537	0.112902	35
247	224	0.027092	0.111079	34
248	220	0.026648	0.109255	34
249	216	0.026227	0.107529	33
250	213	0.025806	0.105803	33

\*7) LPH Thermistor: Temp

Temperature (degrees C)	Resistance (Ohm)	Voltage (V)	Step
-10.0	21.477	2.708	839
-9.0	20.510	2.685	832
-8.0	19.593	2.662	825
-7.0	18.721	2.638	818
-6.0	17.894	2.614	810
-5.0	17.108	2.589	803

Temperature (degrees C)	Resistance (Ohm)	Voltage (V)	Step
-4.0	16.360	2.564	795
-3.0	15.650	2.538	787
-2.0	14.975	2.512	779
-1.0	14.332	2.485	770
0.0	13.721	2.458	762
1.0	13.140	2.431	753
2.0	12.586	2.403	745
3.0	12.059	2.375	736
4.0	11.556	2.346	727
5.0	11.078	2.317	718
6.0	10.622	2.288	709
7.0	10.187	2.258	700
8.0	9.773	2.228	691
9.0	9.377	2.198	681
10.0	9.000	2.168	672
11.0	8.640	2.137	663
12.0	8.297	2.107	653
13.0	7.969	2.076	643
14.0	7.656	2.045	634
15.0	7.357	2.014	624
16.0	7.071	1.982	615
17.0	6.798	1.951	605
18.0	6.537	1.920	595
19.0	6.287	1.888	585
20.0	6.048	1.857	576
21.0	5.820	1.826	566
22.0	5.601	1.794	556
23.0	5.392	1.763	547
24.0	5.192	1.732	537
25.0	5.000	1.701	527
26.0	4.816	1.670	518
27.0	4.640	1.639	508
28.0	4.472	1.609	499
29.0	4.310	1.579	489
30.0	4.156	1.549	480
31.0	4.007	1.519	471
32.0	3.865	1.489	462

Temperature (degrees C)	Resistance (Ohm)	Voltage (V)	Step
33.0	3.728	1.460	453
34.0	3.597	1.431	444
35.0	3.471	1.402	435
36.0	3.351	1.373	426
37.0	3.235	1.345	417
38.0	3.124	1.318	408
39.0	3.017	1.290	400
40.0	2.914	1.263	392
41.0	2.816	1.236	383
42.0	2.721	1.210	375
43.0	2.630	1.184	367
44.0	2.542	1.158	359
45.0	2.458	1.133	351
46.0	2.377	1.108	344
47.0	2.299	1.084	336
48.0	2.224	1.060	329
49.0	2.152	1.036	321
50.0	2.083	1.013	314
51.0	2.016	0.991	307
52.0	1.952	0.968	300
53.0	1.890	0.946	293
54.0	1.830	0.925	287
55.0	1.772	0.904	280
56.0	1.717	0.883	274
57.0	1.664	0.863	267
58.0	1.612	0.843	261
59.0	1.563	0.823	255
60.0	1.515	0.804	249
61.0	1.469	0.786	244
62.0	1.424	0.767	238
63.0	1.381	0.750	232
64.0	1.340	0.732	227
65.0	1.300	0.715	222
66.0	1.261	0.698	216
67.0	1.224	0.682	211
68.0	1.188	0.666	206
69.0	1.153	0.650	202



Temperature (degrees C)	Resistance (Ohm)	Voltage (V)	Step
70.0	1.120	0.635	197
71.0	1.087	0.620	192
72.0	1.056	0.605	188
73.0	1.026	0.591	183
74.0	0.997	0.577	179
75.0	0.968	0.564	175
76.0	0.941	0.550	171
77.0	0.915	0.538	167
78.0	0.889	0.525	163
79.0	0.864	0.513	159
80.0	0.840	0.501	155
81.0	0.817	0.489	152
82.0	0.795	0.477	148
83.0	0.773	0.466	145
84.0	0.752	0.455	141
85.0	0.732	0.445	138
86.0	0.712	0.434	135
87.0	0.693	0.424	131
88.0	0.675	0.414	128
89.0	0.657	0.405	125
90.0	0.640	0.395	123
91.0	0.623	0.386	120
92.0	0.607	0.377	117
93.0	0.591	0.369	114
94.0	0.576	0.360	112
95.0	0.561	0.352	109
96.0	0.546	0.344	107
97.0	0.533	0.336	104
98.0	0.519	0.328	102
99.0	0.506	0.321	99
100.0	0.493	0.313	97

\*8) Open Air Sensor: Temp

Temperature (degrees C)	Resistance (Ohm)	Voltage (V)	Step
0.0	34.060	2.551	791
1.0	32.310	2.520	781
2.0	30.660	2.488	771

Temperature (degrees C)	Resistance (Ohm)	Voltage (V)	Step
3.0	29.100	2.456	761
4.0	27.630	2.423	751
5.0	26.250	2.390	741
6.0	24.940	2.356	730
7.0	23.700	2.321	719
8.0	22.540	2.286	709
9.0	21.430	2.250	698
10.0	20.390	2.214	686
11.0	19.400	2.178	675
12.0	18.470	2.141	664
13.0	17.590	2.104	652
14.0	16.750	2.066	641
15.0	15.960	2.029	629
16.0	15.210	1.991	617
17.0	14.500	1.953	605
18.0	13.830	1.915	594
19.0	13.190	1.877	582
20.0	12.590	1.839	570
21.0	12.020	1.801	558
22.0	11.470	1.763	547
23.0	10.960	1.726	535
24.0	10.470	1.688	523
25.0	10.000	1.650	512
26.0	9.558	1.613	500
27.0	9.137	1.576	488
28.0	8.734	1.538	477
29.0	8.358	1.502	466
30.0	7.997	1.466	455
31.0	7.653	1.431	443
32.0	7.326	1.395	433
33.0	7.015	1.361	422
34.0	6.719	1.326	411
35.0	6.437	1.292	401
36.0	6.168	1.259	390
37.0	5.912	1.226	380
38.0	5.668	1.194	370
39.0	5.435	1.162	360

Temperature (degrees C)	Resistance (Ohm)	Voltage (V)	Step
40.0	5.213	1.131	351
41.0	5.002	1.100	341
42.0	4.800	1.070	332
43.0	4.607	1.041	323
44.0	4.423	1.012	314
45.0	4.248	0.984	305
46.0	4.080	0.956	296
47.0	3.920	0.929	288
48.0	3.767	0.903	280
49.0	3.621	0.877	272
50.0	3.481	0.852	264

\*9) Open Air Sensor: Hum

Input Step Value (0 to 1023) = X  
 Input Voltage E (V) =  $3.3X / 1023$   
 Humidity (%) =  $6.6015E^2 + 65.428E - 7.3546$

\*10) BCR/DB/BTR/DTS: AC/DC Control

Relationship between Step Value and Remote Voltage

Step	Remote Voltage (V)
0	0.012890625
255	3.3
N (0 to 255)	$3.3/256 \times (N + 1)$

Relationship between Remote Voltage and High-Voltage Output

Component Name	High-Voltage Output Corresponding to Remote Voltage of 0.33 to 2.97V (linear change)
BCR : AC Control	1.0 Micro-A to 3.5 Micro-A
BCR : DC Control	-250V to -600V
DB : AC Control	500V to 1,000V
DB : DC Control	-100V to -500V
BTR : DC Control	0.5 Micro-A to 40 Micro-A (at +ve output) -500V to -2500V (at -ve output)
DTS : AC Control	1500V to 4500V

\*11) BTR: DCV Monitor

Relationship between Step Value and Monitor Voltage

Step	Monitor Voltage (V)
0	0
1023	3.295166016
N (1 to 1023)	$3.3 / 1024 \times N - 0.001611328125$

Relationship between Remote Voltage and High-Voltage Output

Component Name	High-Voltage Output Corresponding to Monitor Voltage of 0.33 to 2.97V (linear change)
BTR : DCV Monitor	165V to 1485V (at +ve output)

## 6.4 Service Mode

### 6.4.1 How to Use the Service Mode

By logging in as a CE User, the CE Mode and the Diag Mode become accessible.

The following operations are available in the CE Mode. (For more details, refer to [6.4.3 CE Mode Functions and Operation Procedures])

- Make a Test Copy just like performing a normal copy.
- Transition to the Diag Mode.
- Print the HDD Built-in Test Pattern and Service Report (Service Log), etc.

In the Diag Mode, you can perform diagnostics for the various Sub Systems by performing Diag Codes.

(For more details, refer to [6.4.5 Diag Code Functions and Operation Procedures])

Although it is possible to transition from the CE Mode to the Diag Mode, it is not possible to transition from the Diag Mode to the CE Mode.

**Reference** As the system cannot return to the Services Home screen if an error had occurred when performing the Test Copy in CE Mode, you will not be able to transition to the Diag Mode. In this case, using <0> + <Start> to exit the CE Mode and then using <0> + <Start> again to login enables you to transition to the Diag Mode.

### 6.4.2 How to Enter and Exit the CE Mode

#### 6.4.2.1 How to Enter the CE Mode

1. Press and hold the <0> key on the UI Panel for 3 seconds or longer and then press the <Start> key, keeping your finger on the <0> key.

**Note** <0> + <Start> input is not accepted the following screen.

- Screen Brightness
- Tools (Setup)
- Job Status
- Machine Status

2. Enter the password '6789' using the Keypad and select [Enter].

**Note** The password entered will be displayed as ' \*\*\*\* '.

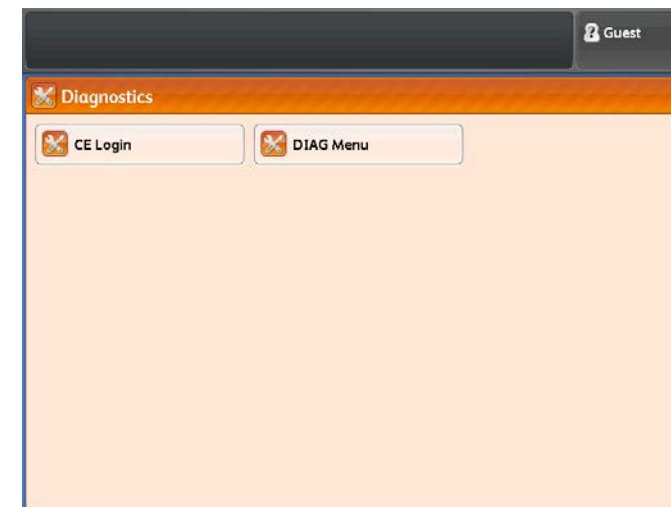


3. Select [CE Login].

**Note** If <0> + <Start> were pressed in the following screen, [CE Login] input is not accepted.

- Store to Folder Service
- Scan to PC Service
- Multi E-mail Service
- Stored Programming

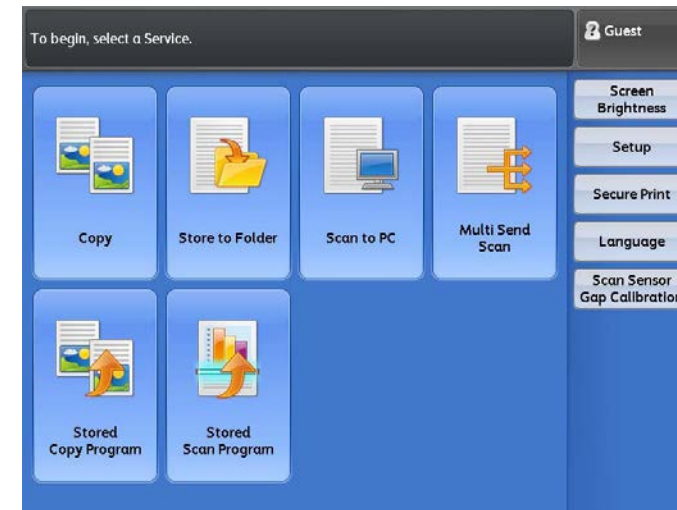
**Note** Selecting [DIAG Menu] brings you straight into the Diag Mode and displays the Sub System Selection screen. (Refer to [6.4.4.1 How to Enter the Diag Mode])



- The system transitions to the CE Mode and 'Service Rep.' is displayed in the User Details display area at the upper right corner of the screen.

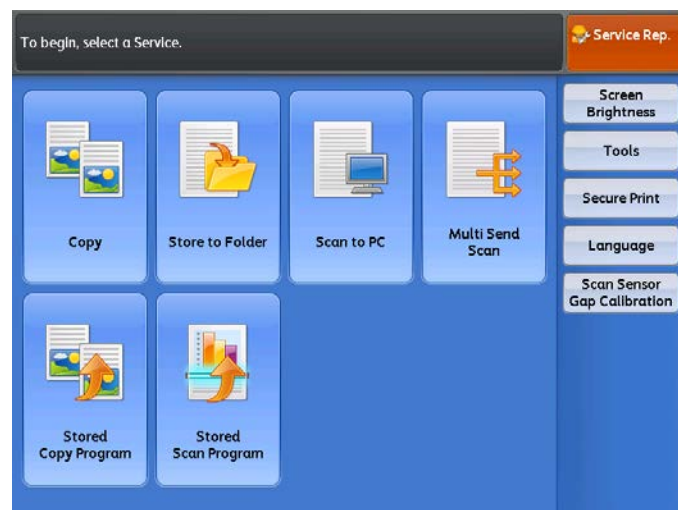


- The system transitions to the User Mode and 'Guest' is displayed in the User Details display area at the upper right corner of the screen.



#### 6.4.2.2 How to Exit the CE Mode

- Press and hold the <0> key on the UI Panel for 3 seconds or longer and then press the <Start> key, keeping your finger on the <0> key.



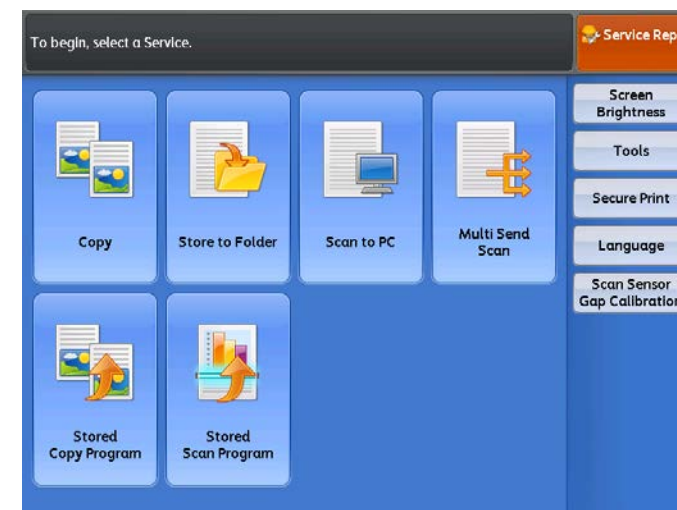
#### 6.4.3 CE Mode Functions and Operation Procedures

##### 6.4.3.1 Test Copy

Make a Test Copy in CE Mode just like performing a normal copy.

**CAUTION**  
A Test Copy that is performed in CE Mode is also included in the usual Billing and adds up to the bill.

- Enter the CE Mode.
- Select [Copy].



3. Make a Copy just like performing a normal copy.



#### 6.4.3.2 Printing the HDD Built-in Patterns

- Print the Test Pattern and Service Report (Service Log), etc. that are stored in the HDD of CP-Cont.

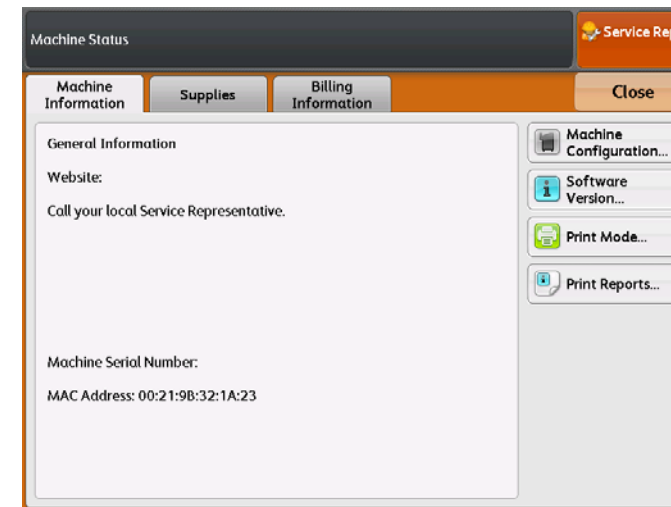
The pattern/data that can be printed are as follows.

- Basic Pattern (2 dot Grid and diagonal lines, Black patch, Rogm text)
- Print Quality Pattern (Resolution, Black patch, Rogm text, 1~3 dot aspect diagonals)
- IIT Chart (Chart for IIT Adjustment)
- Service Report FX-J (Service Log (Japanese))
- Service Report FX-E (Service Log (English))
- IOT NOVRAM Data (NVM Data of IOT)

**Note** The HDD Built-in Test Patterns are all printed from Roll 1 and this paper supply position cannot be changed. Switch the Roll Paper with the appropriate size according to the pattern/data that is going to be output.

1. Enter the CE Mode.
2. Press <Machine Status> on the UI Panel.

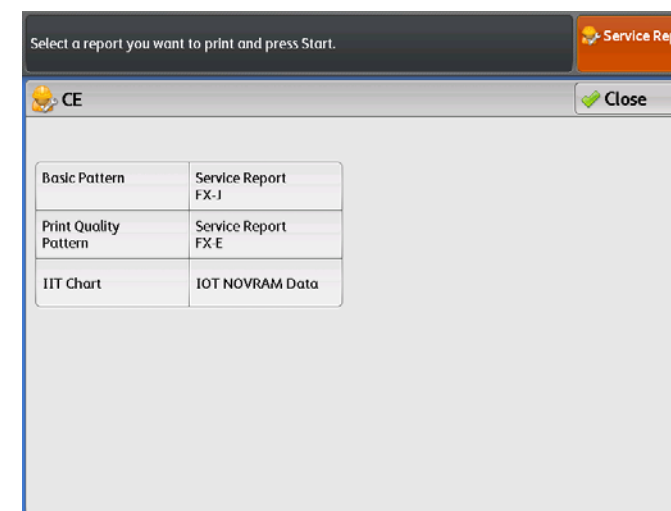
3. Select [Print Reports] on the [Machine Information] tab.



4. Select [CE].



5. Select the pattern to print and press <Start> on the UI Panel.



## 6.4.4 How to Enter and Exit the Diag Mode

### 6.4.4.1 How to Enter the Diag Mode

There are 3 ways to enter the Diag Mode as follows.

#### **After Login, Directly Transition to Diag Mode**

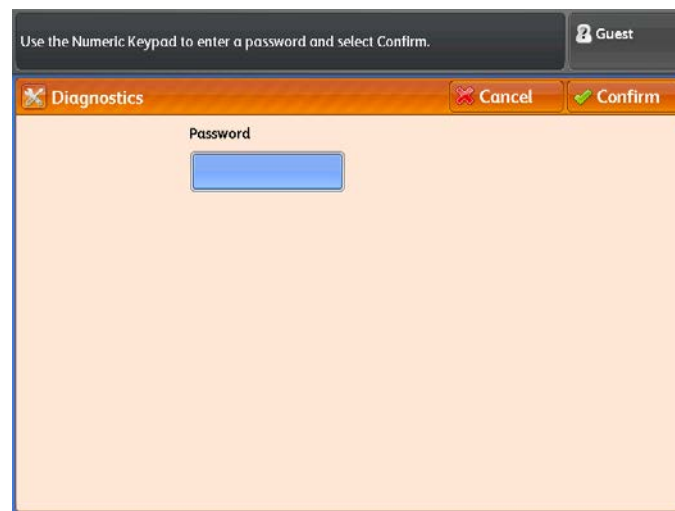
1. Press and hold the <0> key on the UI Panel for 3 seconds or longer and then press the <Start> key, keeping your finger on the <0> key.

**Note** <0> + <Start> input is not accepted the following screen.

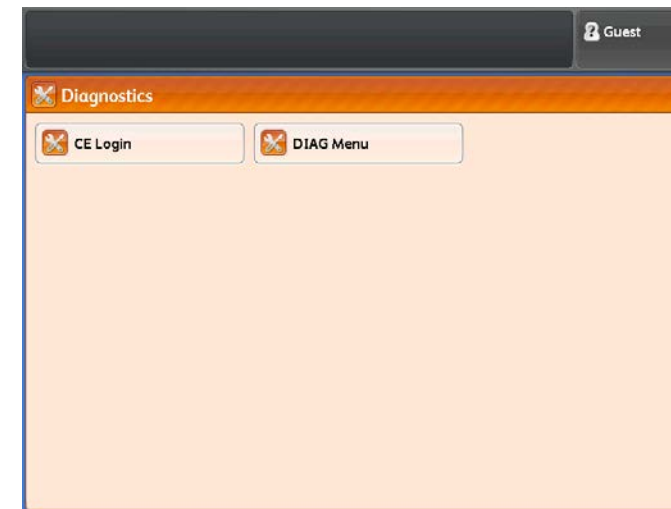
- Screen Brightness
- Tools (Setup)
- Job Status
- Machine Status

2. Enter the password '6789' using the Keypad and select [Enter].

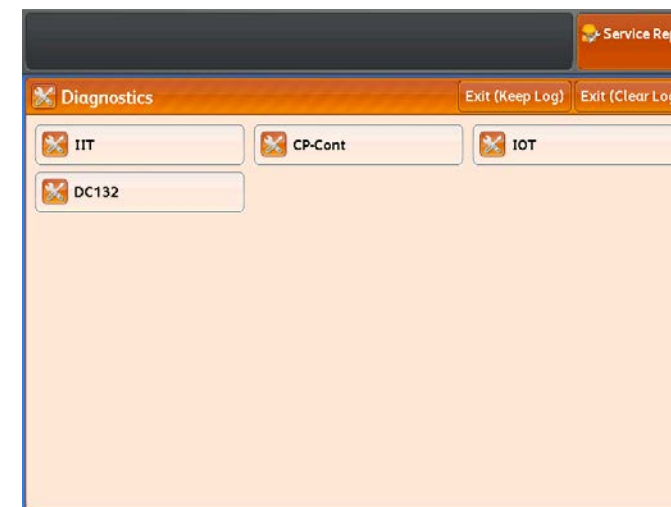
**Note** The password entered will be displayed as ' \*\*\*\* '.



3. Select [DIAG Menu].



4. The system transitions to the Diag Mode and displays the Sub System Selection screen.



5. Selecting a Sub System to diagnose displays the Diag Code Selection screen.

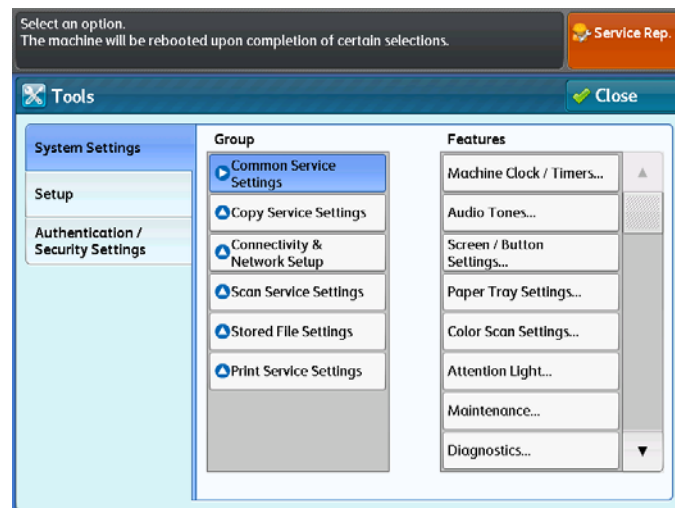
**Note** Selecting [DC132] performs the DC132 Machine ID/Billing Data. (For more details, refer to [6.4.5 Diag Code Functions and Operation Procedures])

## Transition from CE Mode to Diag Mode

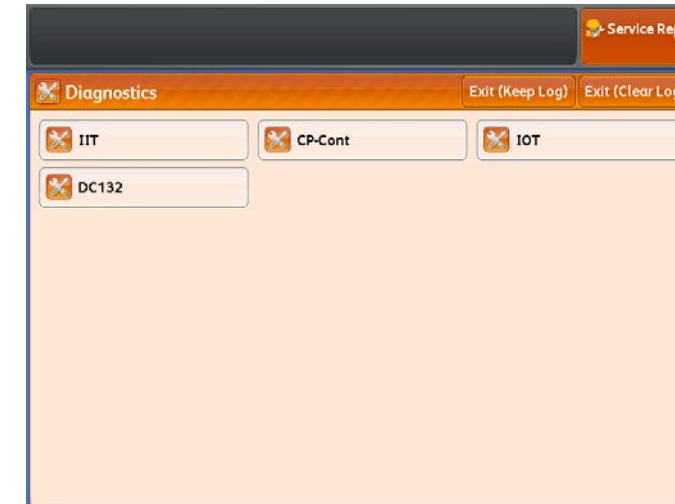
1. Enter the CE Mode.
2. Select [Tools].



3. Select [System Settings] -> [Common Service Settings] -> [Diagnostics].



4. The system transitions to the Diag Mode and displays the Sub System Selection screen.



5. Selecting a Sub System to diagnose displays the Diag Code Selection screen.

**Note** Selecting [DC132] performs the DC132 Machine ID/Billing Data. (For more details, refer to [6.4.5 Diag Code Functions and Operation Procedures])

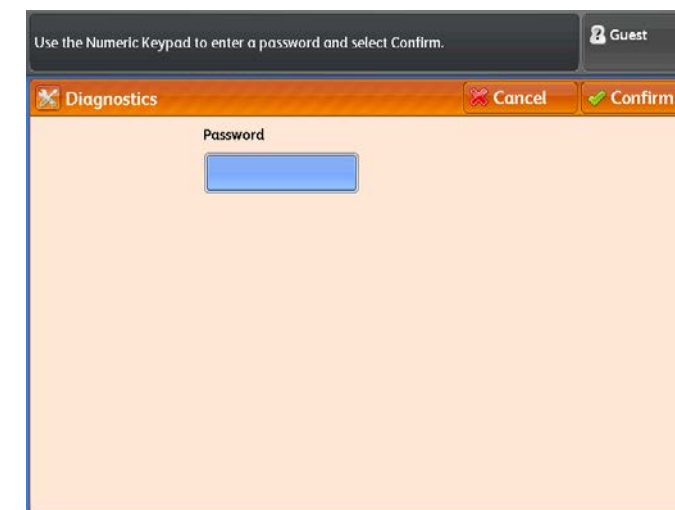
## After Power ON, Immediately Transition to Diag Mode

1. With the machine turned OFF, press and hold down both the <0> and <Start> keys on the UI Panel and then turn ON the machine, keeping your fingers on the keys.

**Note** Keep the <0> and <Start> keys pressed down until approximately 4/7 of the screen is displayed.

2. Enter the password '6789' using the Keypad and select [Enter].

**Note** The password entered will be displayed as '\*\*\*\*'.



- The system transitions to the Diag Mode and displays the Sub System Selection screen.



- Selecting a Sub System to diagnose displays the Diag Code Selection screen.

**Note** Selecting [DC132] performs the DC132 Machine ID/Billing Data. (For more details, refer to [6.4.5 Diag Code Functions and Operation Procedures])

#### 6.4.4.2 How to Exit the Diag Mode

- If the Diag Code screen is displayed, select [Close] several times to return to the Sub System Selection screen.
- Select [Exit (Keep Log)] or [Exit (Clear Log)].

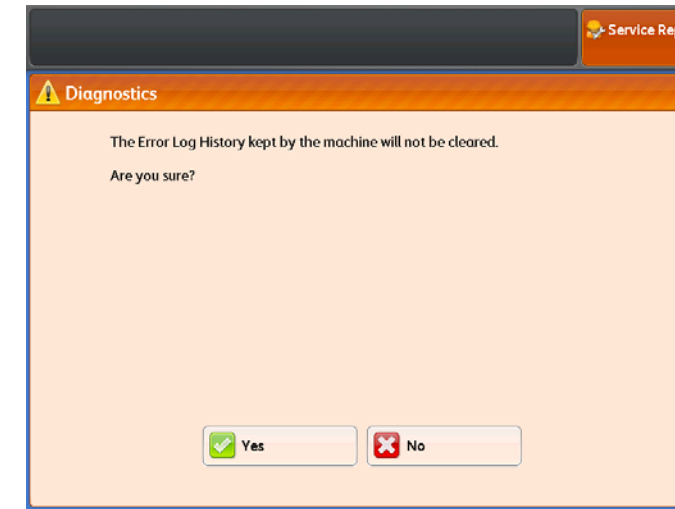
**Note** Selecting [Exit (Keep Log)] exits the Diag Mode without deleting the Error Log. Selecting [Exit (Clear Log)] exits the Diag Mode and deletes the Error Log.



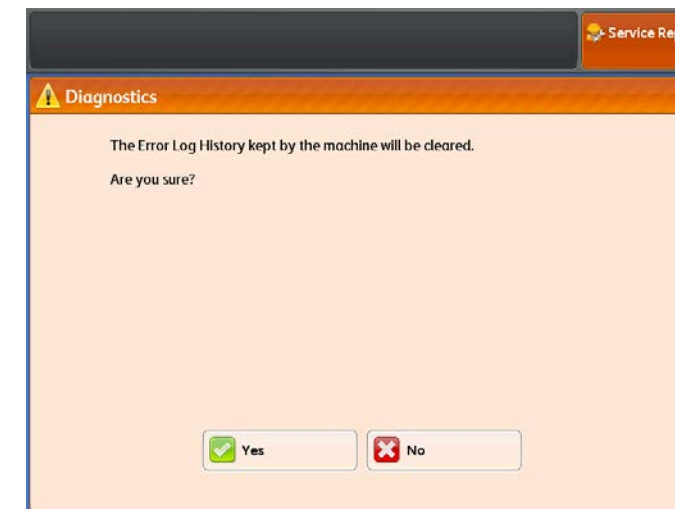
- On the confirmation screen, select [Yes].

**Note** Selecting [No] returns you to the previous screen.

The screen when [Exit (Keep Log)] is selected:



The screen when [Exit (Clear Log)] is selected:



- The machine will reboot automatically.

**Note** If the Diag Mode was entered from a Fault/Error screen, it will return to the Fault/Error screen without rebooting.



### 6.4.5 Diag Code Functions and Operation Procedures

The Diag Codes and their applicable Sub Systems are as follows.

**Note** Even if a Diag Code can be performed in multiple Sub Systems, the display content may be different depending on the particular Sub Systems where it is being performed. Make sure to perform the diagnosis in the correct Sub System.

Diag Code	Parameter	Sub System		
		IIT	CP-Cont	IOT
DC108 Software Levels	-	-	O	-
DC120 Error Log Counters	-	O	O	O
DC122 Fail History	-	O	O	O
DC123 Jam History	-	O	-	O
DC131 NVM Access	Read-Write	O	O	O
	Initialize	O	-	O
	Load/Save	O	-	O
DC132 Machine ID/Billing Data *	-	-	-	-
DC135 HFSI Counters	-	-	-	O
DC138 Print Count	-	-	-	O
DC160 Data File Clear	-	-	O	-
DC301 Reset Service Count	All Clear	O	O	O
DC330 Component Control	-	O	-	O
DC361 System Data Save/Restore	Save	-	-	O
	Restore	-	-	O
DC606 Test Print	-	-	-	O
DC951 Xerographic Setup	BCR	-	-	O
	Deve Bias	-	-	O
	BTR	-	-	O
	DTS	-	-	O
	Save	-	-	O
DC952 BTR History	-	-	-	O

\* The DC132 Machine ID/Billing Data does not belong to any Sub System although it is displayed on the Sub System Selection screen.

### DC108 Software Levels

#### <Sub System>

IIT	CP-Cont	IOT
-	O	-

#### <Function>

Displays the software version of the CP-Cont.



## DC120 Error Log Counters

### <Sub System>

IIT	CP-Cont	IOT
0	0	0

### <Function>

Displays the error log counter for each Sub System.

The maximum error log counter value is '9,999'.

Chain-Link	Name	Count
046-310	Drawer Open / Tray Open	999
046-311	Drawer Open / RFC1 Open	999
046-312	Drawer Open / RFC2 Open	999
042-310	Door Open / Front Door	999
042-311	Door Open / Clam Shell	999
042-312	Door Open / RFC1 Door	999
042-313	Door Open / RFC2 Door	999

## DC122 Fail History

### <Sub System>

IIT	CP-Cont	IOT
0	0	0

### <Function>

Displays the Fail History for each Sub System.

The IIT displays the 20 latest errors while the CP-Cont and IOT display the 40 latest errors in the error log.

Chain-Link	Name	Date & Time
046-310	Drawer Open / Tray Open	2010/12/11 11:20
046-311	Drawer Open / RFC1 Open	2010/12/11 11:20
046-312	Drawer Open / RFC2 Open	2010/12/11 11:20
042-310	Door Open / Front Door	2010/12/11 11:20
042-311	Door Open / Clam Shell	2010/12/11 11:20
042-312	Door Open / RFC1 Door	2010/12/11 11:20
042-313	Door Open / RFC2 Door	2010/12/11 11:20

Selecting an item on the list shows the detailed display where, together with the error history, the Count column displays the Feed Volume when the error occurred for IIT, the Error Sub Code for CP-Cont, and the Copy Volume when the error occurred for IOT and Finisher.

The maximum value for Feed Volume and Copy Volume is '99,999,999'.

Chain-Link: 046-310  
 Name: Drawer Open / Tray Open  
 Date & Time: 2010/12/11 11:20  
 Count: 99999999

## DC123 Jam History

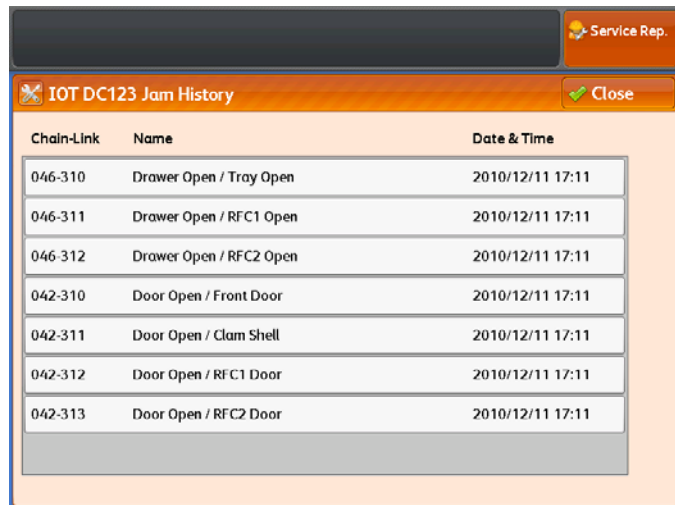
### <Sub System>

IIT	CP-Cont	IOT
0	-	0

### <Function>

Displays the Jam History for each Sub System.

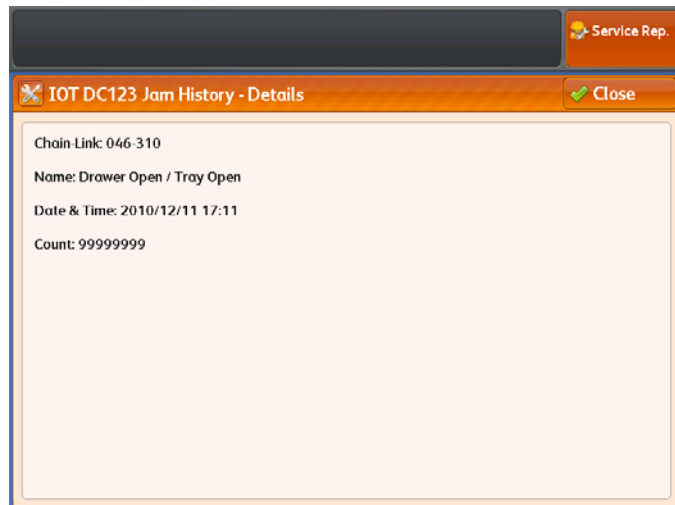
The IIT displays the 20 latest jams and the IOT displays the 40 latest jams in the jam history.



Chain-Link	Name	Date & Time
046-310	Drawer Open / Tray Open	2010/12/11 17:11
046-311	Drawer Open / RFC1 Open	2010/12/11 17:11
046-312	Drawer Open / RFC2 Open	2010/12/11 17:11
042-310	Door Open / Front Door	2010/12/11 17:11
042-311	Door Open / Clam Shell	2010/12/11 17:11
042-312	Door Open / RFC1 Door	2010/12/11 17:11
042-313	Door Open / RFC2 Door	2010/12/11 17:11

Selecting an item on the list shows the detailed display where, together with the jam history, the Count column displays the Feed Volume when the jam occurred for IIT and the Copy Volume when the jam occurred for IOT.

The maximum value for Feed Volume and Copy Volume is '99,999,999'.



Chain-Link: 046-310
Name: Drawer Open / Tray Open
Date & Time: 2010/12/11 17:11
Count: 99999999

## DC131 NVM Access

### <Sub System>

IIT	CP-Cont	IOT
0	0	0

### <Function>

Displays/sets and initializes the NVM data for each Sub System.

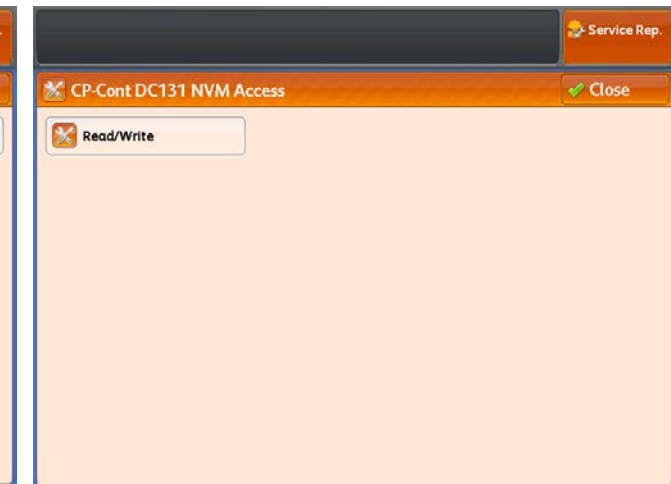
**Note** For the NVM settings data, refer to [6.3.1 DC131 NVM LIST].

#### IIT



Read/Write	Initialize	Load/Save
------------	------------	-----------

#### CP-Cont



Read/Write
------------

#### IOT

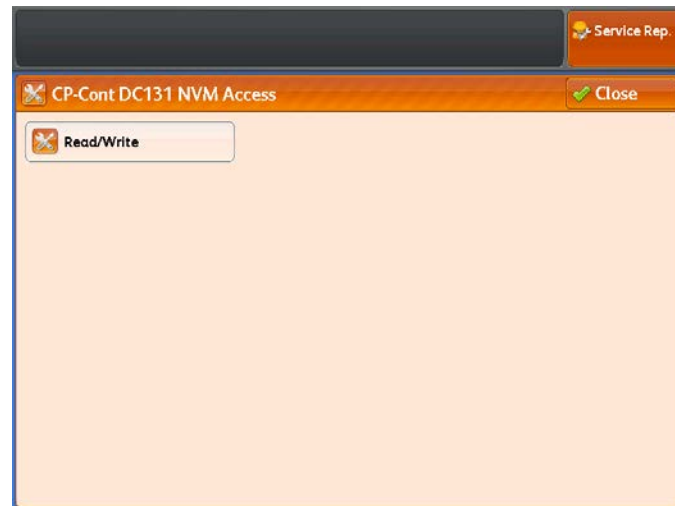


Read/Write	Initialize	Load/Save
------------	------------	-----------

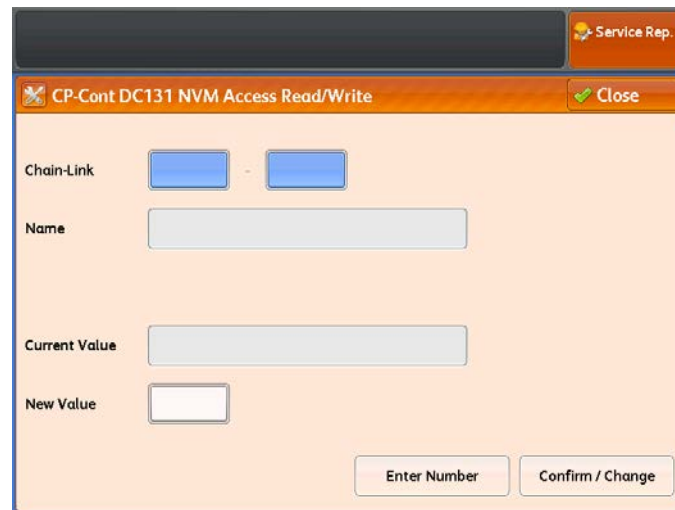
## <Operation Procedure>

### Display and Change Current Settings

1. Select [Read/Write].



2. Input the Chain-Link Code into the [Chain-Link] field and select [Confirm / Change].



3. The current setting value appears.
4. To change the settings value, enter the value in the [New Value] field using the Keypad and select [Confirm / Change].

**Note** Press the <- (Pause)> key to change the value to negative (minus). Press the <- (Pause)> key again to change it back to positive (plus).

**Note** If you have entered a value outside the valid range, the value will be rounded up to one that is within the valid range for IIT and Finisher Sub System. For CP-Cont Sub System the value entered will not be reflected and the setting will not be changed.

5. Selecting [Input Number] clears the Chain-Link Code and allows another Chain-Link Code to be input.
6. For IIT and IOT Sub Systems, the changed settings will be saved. (For more details, refer to **Saving IIT/IOT Settings**)

**Note** If the setting is not saved, the changed setting will be lost once the power is turned OFF.

### Initializing IIT/IOT Settings (IIT/IOT Sub System Only)

1. Select [Initialize].



2. Select the item to be initialized and select [Start].

**Note** For the IIT Sub System, the following areas will be initialized according to the selected area.

- IIT Debug Data  
Only the Debug area (the System Data area provided for development) is initialized.  
(710-384 to 447)
- IIT Adjustment / Debug Data  
The User-specific Adjustment Data area and the Debug area (the System Data area provided for development) are initialized.  
(710-064 to 447)  
Usually, this is the area that is selected to be initialized.
- IIT All System Data  
In addition to the IIT Adjustment / Debug Data, the Machine-specific Adjustment Data (Regi Adjustment Values, Motor Pulse Adjustment Values, and etc.) area and the Joint Correction Data for performing CIS Joint Correction area are all also initialized.  
(710-000 to 499)
- IPS System Data  
The IPS System Data area is initialized.  
(710-500 to 947)



3. On the confirmation screen, select [Yes].

**Note** Select [No] to return to the previous screen.

4. Save the initialized contents.(For more details, refer to **Saving IIT/IOT Settings**)

**Note** If the setting is not saved, the initialized setting will be lost once the power is turned OFF.

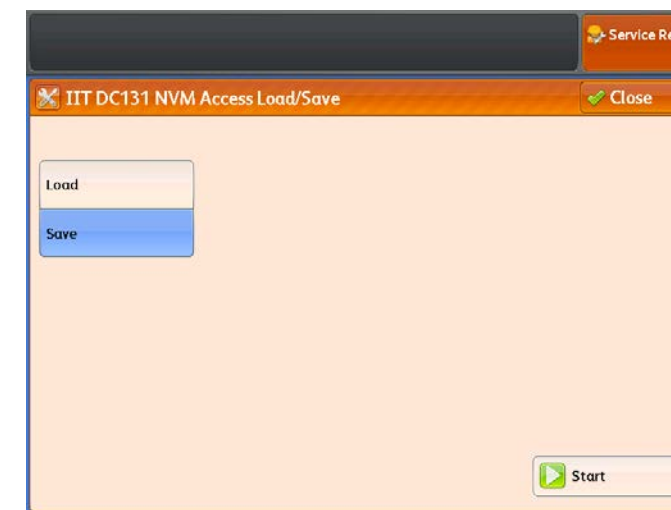
### **Saving IIT/IOT Settings (IIT/IOT Sub System Only)**

**Note** After changing NVM settings for IIT/IOT Sub Systems, they must be saved.If the setting is not saved, the changed setting will be lost once the power is turned OFF.

5. Select [Load/Save].



6. Select [Save] and select [Start].



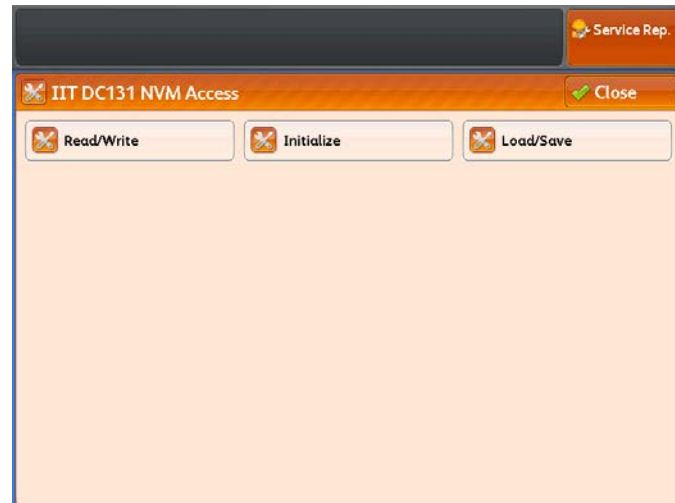
7. On the confirmation screen, select [Yes].

**Note** Select [No] to return to the previous screen.

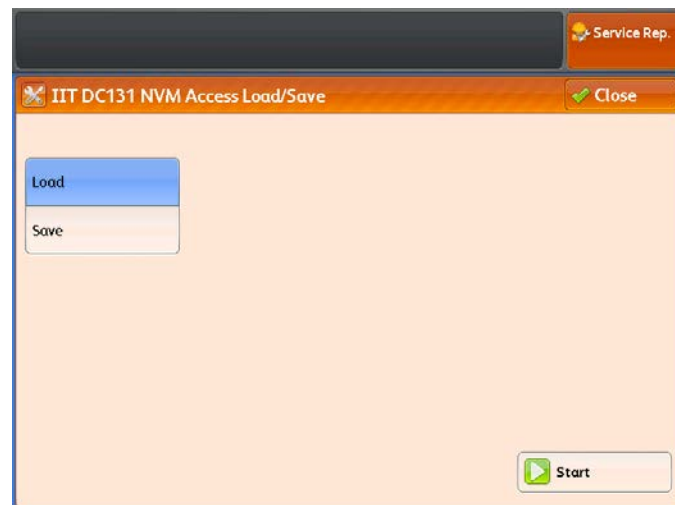
## Canceling IIT/IOT Settings (IIT/IOT Sub System Only)

**Note** You can only cancel the setting immediately after NVM setting has changed. After the setting is saved, it cannot be canceled.

1. Select [Load/Save].



2. Select [Load] and select [Start].



3. On the confirmation screen, select [Yes].

**Note** Select [No] to return to the previous screen.

## DC132 Machine ID/Billing Data

### <Sub System>

**Note** The DC132 Machine ID/Billing Data does not belong to any Sub System although it is displayed on the Sub System Selection screen.

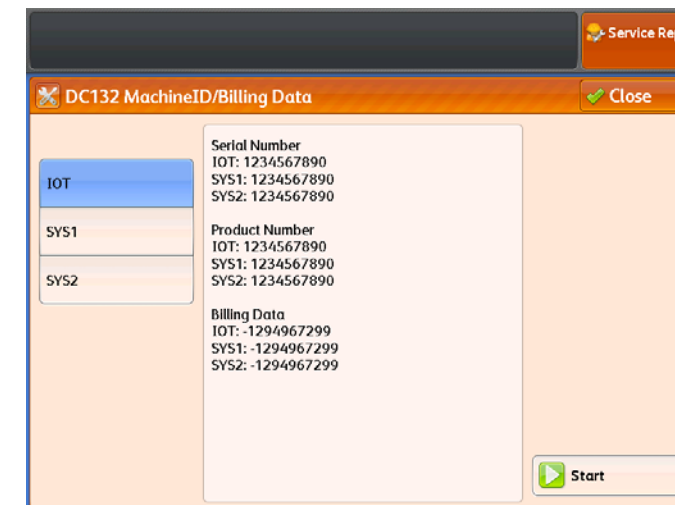
IIT	CP-Cont	IOT
-	-	-

### <Function>

If inconsistency in billing data occurred, select any one of the IOT (IOT PWB), SYS1 (WF01 PWB), SYS2 (HDD) data, and then use it to overwrite the other two data to ensure consistency in billing data.

**Note** If all three billing data are already showing the same value, performing the consistency operation will not do anything.

The billing data will show the Total Area count.

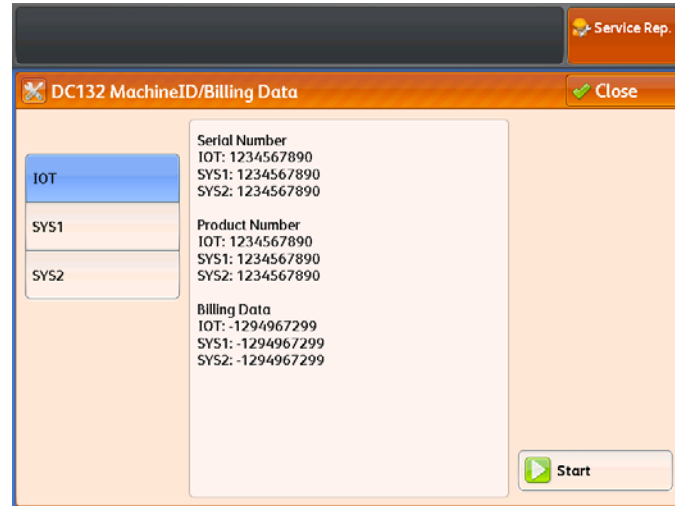


**<Operation Procedure>**

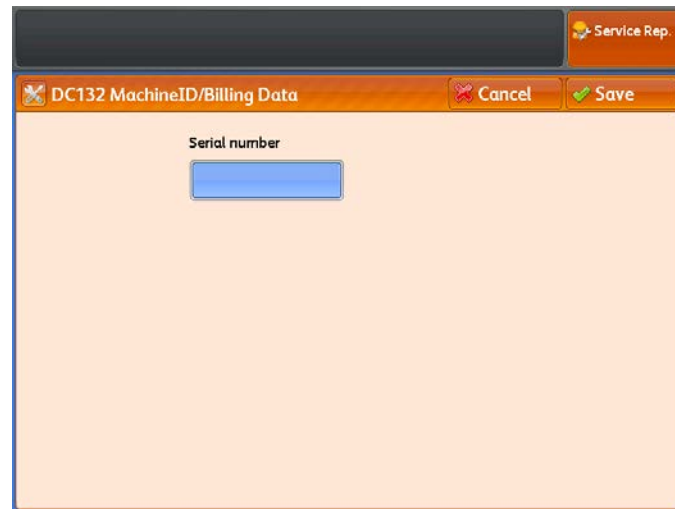
**Consistency Operation for Billing Data**

1. Select a data to be the reference (matching source) from IOT, SYS1, or SYS2 and select [Start].

**Note** Note down the Serial Number of the reference data in advance.



2. Enter the Serial Number of the reference data and select [Save].



3. If the correct number is entered, the system will overwrite the billing data and then return to the previous screen.

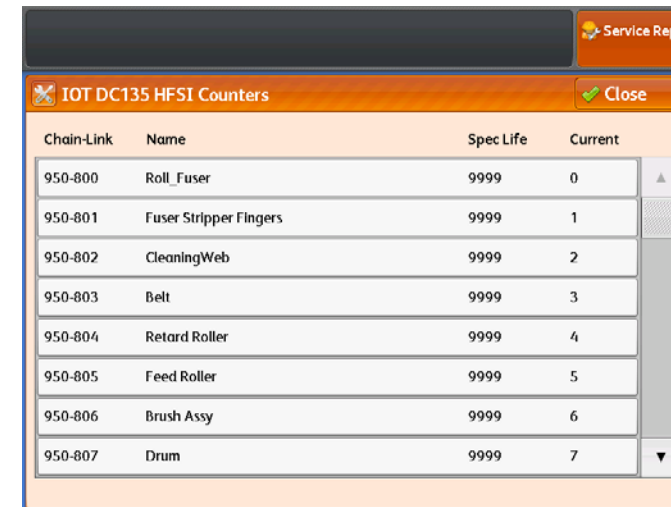
**DC135 HFSI Counters**

**<Sub System>**

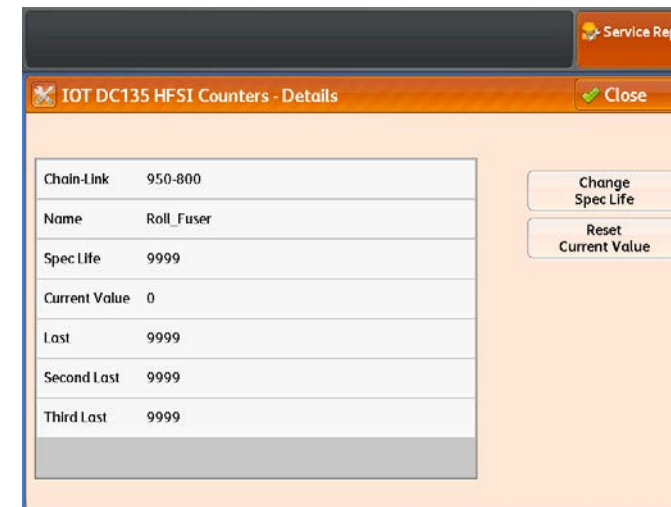
IIT	CP-Cont	IOT
-	-	0

**<Function>**

Displays/clears the life settings and usage status of periodic replacement parts. (For instructions about when to replace the periodic replacement parts, refer to '1.3 TRIM Servicing' in Chapter 1 Service Call Procedure)




Selecting an item on the list shows the detailed display.



## <Operation Procedure>

### Setting the Spec Life

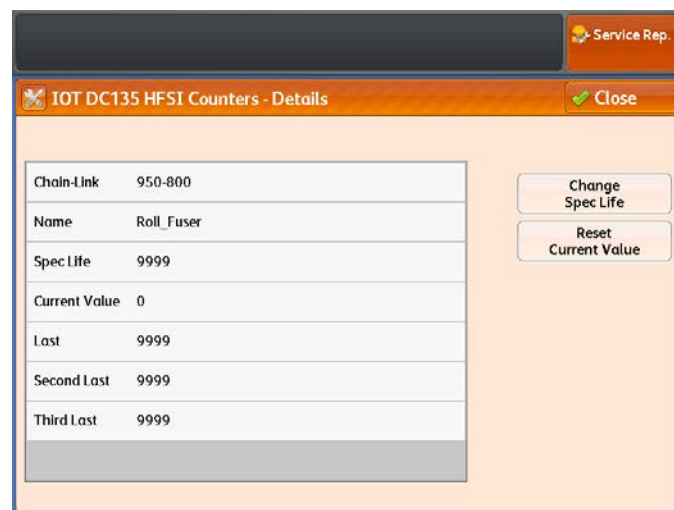
1. Select a HFSI Counter to set the life.



The screenshot shows a window titled "IOT DC135 HFSI Counters" with a "Close" button. It contains a table with the following data:

Chain-Link	Name	Spec Life	Current
950-800	Roll_Fuser	9999	0
950-801	Fuser Stripper Fingers	9999	1
950-802	CleaningWeb	9999	2
950-803	Belt	9999	3
950-804	Retard Roller	9999	4
950-805	Feed Roller	9999	5
950-806	Brush Assy	9999	6
950-807	Drum	9999	7


2. Select [Change Spec Life].



The screenshot shows a window titled "IOT DC135 HFSI Counters - Details" with a "Close" button. It displays the details for Chain-Link 950-800 (Roll\_Fuser). On the right side, there are two buttons: "Change Spec Life" and "Reset Current Value".

Chain-Link	950-800
Name	Roll_Fuser
Spec Life	9999
Current Value	0
Last	9999
Second Last	9999
Third Last	9999

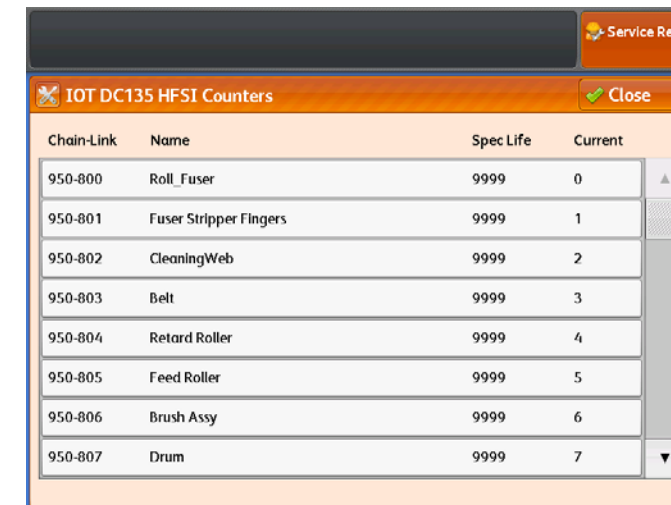
3. Set the replacement life and select [Save].



The screenshot shows a window titled "IOT DC135 HFSI Counters - Change Spec Life" with "Cancel" and "Save" buttons. It features a numeric input field for "Spec Life (0 - 65535)" with the value "9999" and minus/plus buttons.

### Clear the Current Value

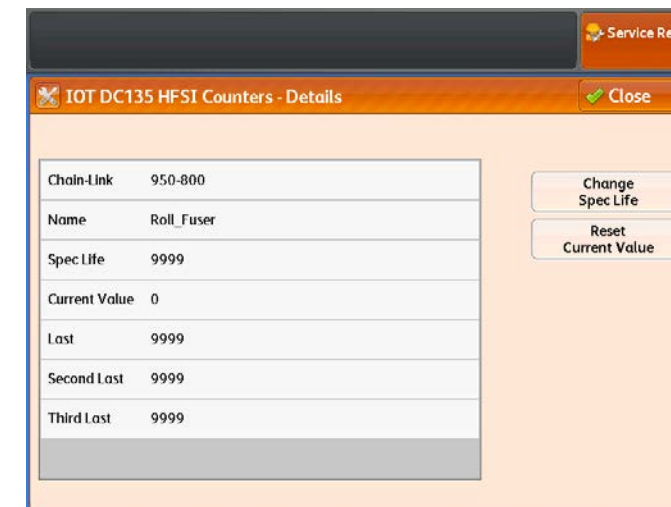
1. Select a HFSI Counter to clear.



The screenshot shows a window titled "IOT DC135 HFSI Counters" with a "Close" button. It contains a table with the following data:

Chain-Link	Name	Spec Life	Current
950-800	Roll_Fuser	9999	0
950-801	Fuser Stripper Fingers	9999	1
950-802	CleaningWeb	9999	2
950-803	Belt	9999	3
950-804	Retard Roller	9999	4
950-805	Feed Roller	9999	5
950-806	Brush Assy	9999	6
950-807	Drum	9999	7

2. Select [Reset Current Value].

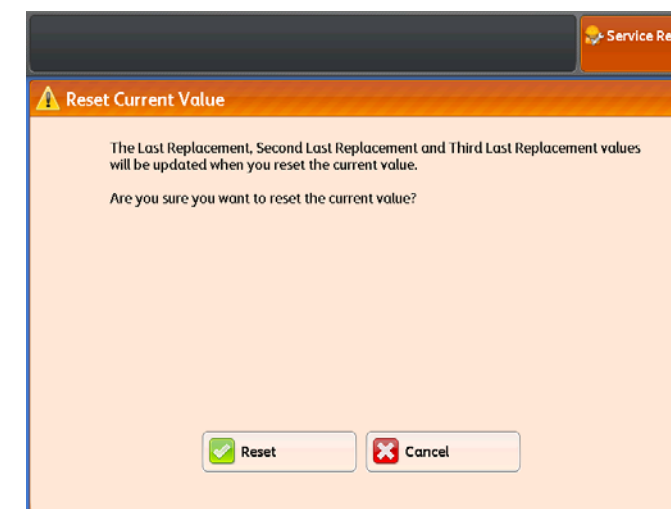


The screenshot shows a window titled "IOT DC135 HFSI Counters - Details" with a "Close" button. It displays the details for Chain-Link 950-800 (Roll\_Fuser). On the right side, there are two buttons: "Change Spec Life" and "Reset Current Value".

Chain-Link	950-800
Name	Roll_Fuser
Spec Life	9999
Current Value	0
Last	9999
Second Last	9999
Third Last	9999

3. On the confirmation screen, select [Reset].

**Note** Selecting [Cancel] returns you to the previous screen.



The screenshot shows a window titled "Reset Current Value" with a warning icon. It contains the following text:

The Last Replacement, Second Last Replacement and Third Last Replacement values will be updated when you reset the current value.

Are you sure you want to reset the current value?

At the bottom, there are two buttons: "Reset" (with a green checkmark) and "Cancel" (with a red X).



- The [Current Value] is set to '0', while the values that were displayed will shift in the order of [Current Value] to [Last Replacement], [Last Replacement] to [Second Last Replacement], and [Second Last Replacement] to [Third Last Replacement].

**DC138 Print Count**

**<Sub System>**

IIT	CP-Cont	IOT
-	-	0

**<Function>**

Displays the total no. of prints made for each Paper Size.

The unit for the count is no. of sheets and it counts up by 1 regardless of whether the length is 210 mm or 15 m.

The maximum value for the count is '99,999,999'.



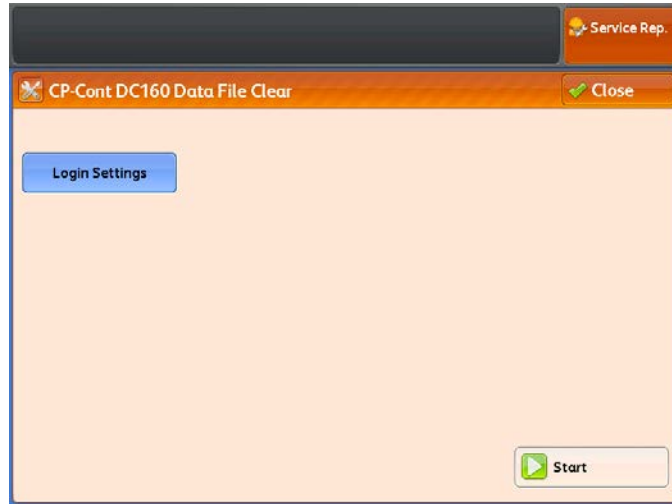
## DC160 Data File Clear

### <Sub System>

IIT	CP-Cont	IOT
-	0	-

### <Function>

Initializes the Authentication Info File.

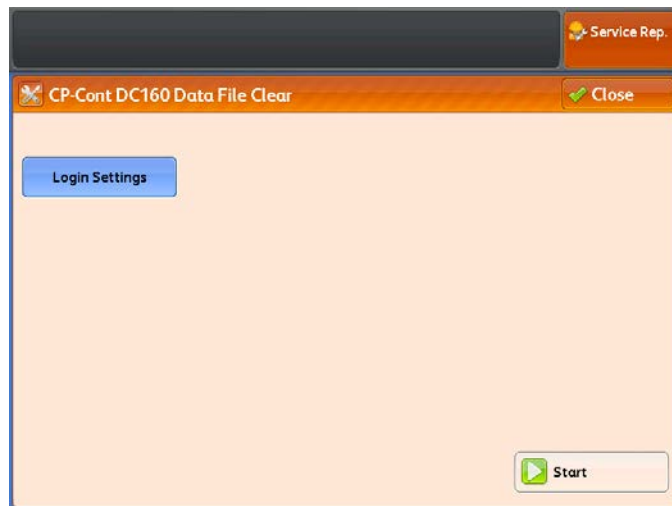


### <Operation Procedure>

#### Initializing Authentication Info File

**Note** Once initialization of Authentication Info File is executed, the original file will be deleted and new file created.

1. Select [Login Settings] and select [Start].



2. On the confirmation screen, select [Yes].

**Note** Select [No] to return to the previous screen.

## DC330 Component Control

### <Sub System>

IIT	CP-Cont	IOT
0	-	0

### <Function>

Tests the components in each Sub System.

**Note** For Chain-Link codes for the components, refer to [6.3.2 DC330 Component Code List].



**<Operation Procedure>**

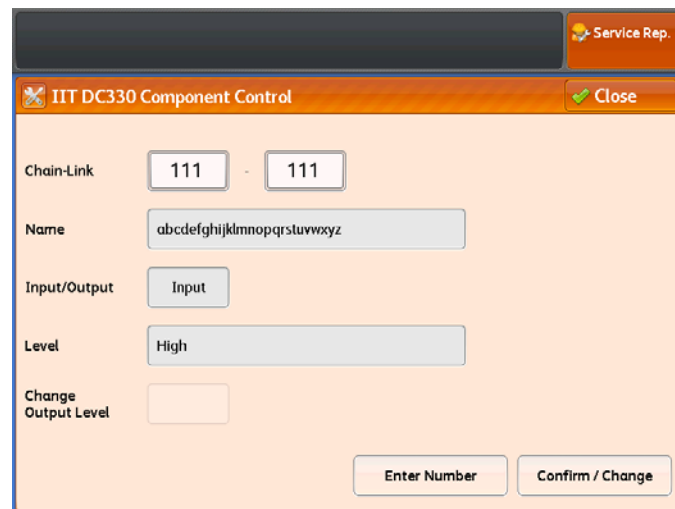
**Monitoring of an INPUT Component**

1. Input the Chain-Link Code into the [Chain-Link] field and select [Confirm / Change].

**Note** If OUTPUT component is selected in IIT Sub System, INPUT component cannot be monitored.



2. The current level appears.



3. Selecting [Input Number] clears the Chain-Link Code and allows another Chain-Link Code to be input.

**Note** Monitoring of the previously selected INPUT component is canceled and the last selected INPUT component is always monitored.

**Monitoring of All INPUT Components (IIT Sub System only)**

1. To monitor the IIT Sensor, input '005-499' (IIT ALL Input Component).
2. The current level appears.



The following shows the correspondence between High/Low display positions and INPUT components.

**005-499 IIT ALL Input Component**

Display Position (From the right)	Chain-Link	Component Name	H/L Status
1	005-101	A4 Size Sensor	Paper is Available/No Paper
2	005-102	A3 Size Sensor	Paper is Available/No Paper
3	005-103	A2 Size Sensor	Paper is Available/No Paper
4	005-104	15" Size Sensor	Paper is Available/No Paper
5	005-105	A1 Size Sensor	Paper is Available/No Paper
6	005-106	A0 Size Sensor	Paper is Available/No Paper
7	005-107	30" Size Sensor	Paper is Available/No Paper
8	-	-	-
9	005-122	Registration Sensor	Paper is Available/No Paper
10	-	-	-
11	005-111	Right Skew Sensor	Paper is Available/No Paper
12	005-112	Left Skew Sensor	Paper is Available/No Paper
13	-	-	-
14	-	-	-
15	005-301	R/H Cover Sensor	Open/Close
16	-	-	-

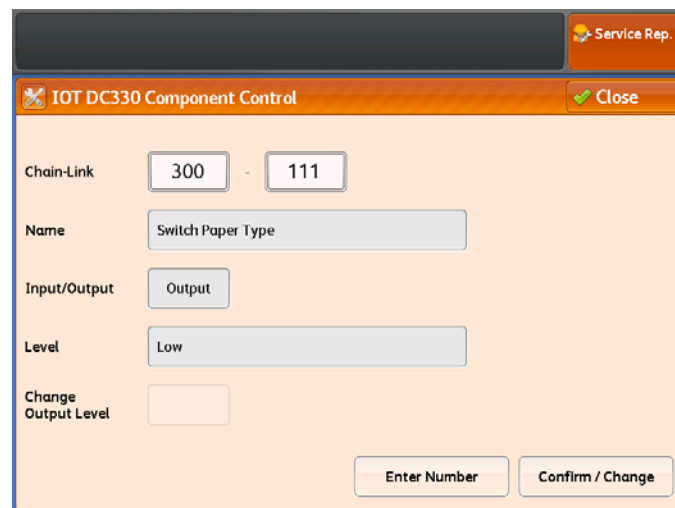
## OUTPUT Component Operation

1. Input the Chain-Link Code into the [Chain-Link] field and select [Confirm / Change].

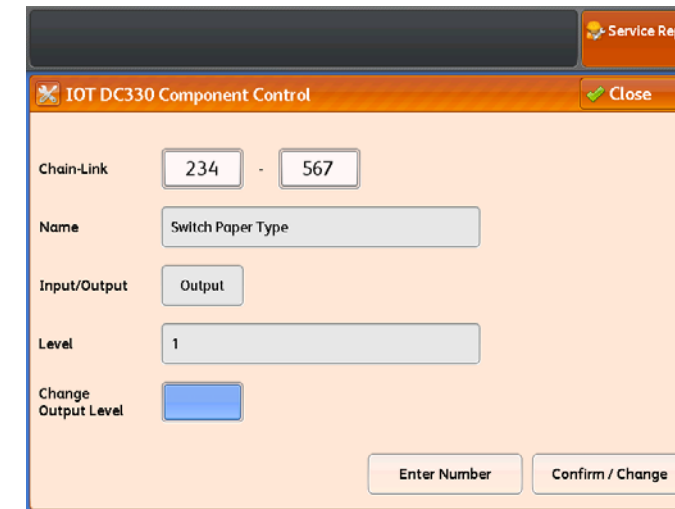


2. Press the following key on the UI Panel to switch between High/Low for the OUTPUT component.
  - <Start>: High
  - <Stop>: Low

**Note** For the High/Low status (ON/OFF logic) for OUTPUT components, refer to [6.3.2 DC330 Component Code List].



For OUTPUT components capable of variable outputs, e.g. remote signals, the output value can be changed by entering a value in the [Change Output Level] field using the Keypad and selecting [Change Settings].



3. Selecting [Input Number] clears the Chain-Link Code and allows another Chain-Link Code to be input.

**Note** IIT Sub System cannot produce multiple outputs of OUTPUT components.

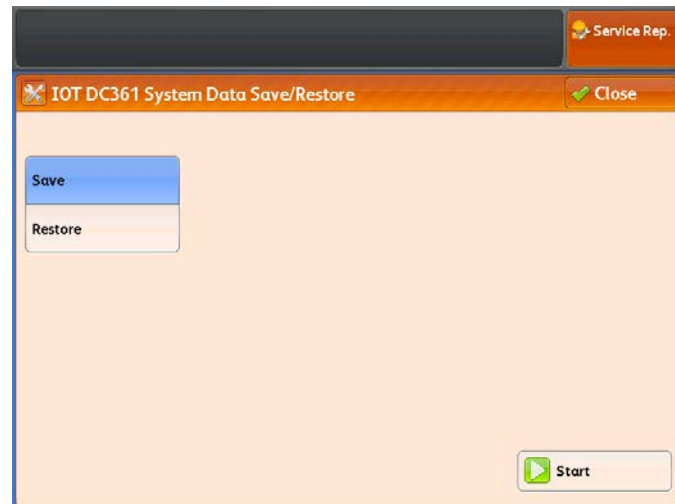
## DC361 System Data Save/Restore

### <Sub System>

IIT	CP-Cont	IOT
-	-	0

### <Function>

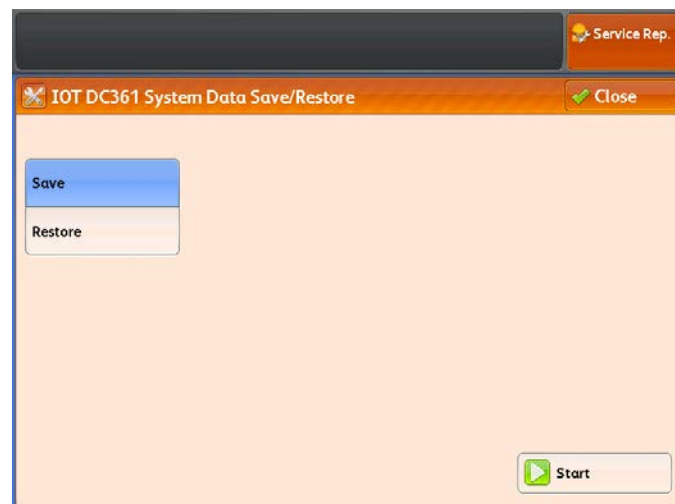
Saves the NVM Data of the IOT in the HDD or writes the data that was saved in the HDD into the NVM of the IOT.



### <Operation Procedure>

#### Saving Data to HDD (NVM -> HDD)

1. Select [Save] and select [Start].



2. On the confirmation screen, select [Yes].

**Note** Select [No] to return to the previous screen.

#### Writing Data to NVM (HDD -> NVM)

1. Select [Restore] and select [Start].



2. On the confirmation screen, select [Yes].

**Note** Select [No] to return to the previous screen.

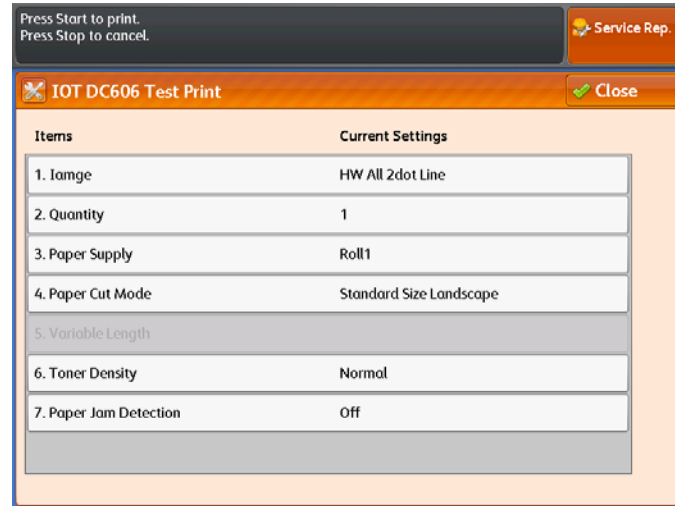
## DC606 Test Print

### <Sub System>

IIT	CP-Cont	IOT
-	-	O

### <Function>

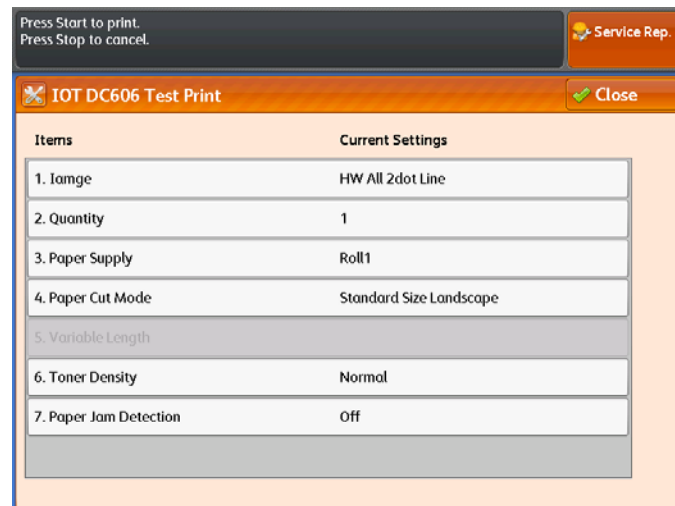
Prints a Test Pattern that is stored in the IOT PWB.



### <Operation Procedure>

#### Printing an IOT Built-in Test Pattern

1. Set parameters.



Settings Item	Setting Range
1. Image	HW All 2 dot Line (2 dot Grid and diagonal line created by H/W) Basic Pattern (2 dot Grid and diagonal line, Black patch, Rogm text) Print Quality Pattern (Resolution, Black patch, Rogm text, 1~3 dot aspect diagonals) All 2 dot Line (2 dot Grid and diagonal line) All Ladder (2 dot ON/OFF horizontal line) Ladder (vertical/horizontal Ladder) Gray Scale (Density Pattern of dither and Error Diffusion) Nip Adjust (Horizontal) (Black band) Hasika (1, 2, 3, and 4 dot horizontal line) 2 dot Half Dark (2 dot ON/OFF Zig Zag Grid) 2 dot Half (2 dot ON/OFF dot) 1 dot Half (1 dot ON/OFF dot) LPH (LPH Adjustment Pattern) All Black (All black)
2. Quantity	1 to 999 set
3. Paper Supply	Roll 1, Roll 2, Bypass
4. Paper Cut Mode	Standard Size Portrait, Standard Size Landscape, Variable Length
5. Variable Length	210 to 32,767 mm
6. Toner Density	Lighten +2, Lighten +1, Normal, Darken +1, Darken +2
7. Paper Jam Detection	Off, On

2. Operate the following keys on the UI Panel.

- <Start>: Starts the Test Print
- <Stop>: Cancels the Test Print
- <Reset>: Resets the parameters

## DC951 Xerographic Setup

### <Sub System>

IIT	CP-Cont	IOT
-	-	O

### <Function>

Performs output adjustment for BCR, Deve Bias, BTR, and DTS.

**Note** For the NVM which output is adjusted, refer to <IOT> in [6.3.1 DC131 NVM LIST].



### <Operation Procedure>

For the BCR, Deve Bias, BTR, and DTS output adjustment procedures, refer to [ADJ8.1.6 Xerographic Setup] in Chapter 4: Disassembly/Assembly and Adjustment.

## DC952 BTR History

### <Sub System>

IIT	CP-Cont	IOT
-	-	O

### <Function>

Displays the Xerographic component histories.

Up to 100 latest histories can be displayed.

**Reference** At the start of a cycle, external environment (temperature/humidity), LPH temperature, BTR Voltage Measurement Value, Deve Bias DC output to be used for the Job, and the three LPH Duties are logged as history data.

Date	Tmp	Hmc	BTR	Deve	LPH1	LPH2	LPH3	LPH Tmp
001 08/02/06 12:59	99	99	9999	999	999	999	999	999
002 00/00/00 00:00	00	00	0000	000	000	000	000	000
003 00/00/00 00:00	00	00	0000	000	000	000	000	000
004 00/00/00 00:00	00	00	0000	000	000	000	000	000
005 00/00/00 00:00	00	00	0000	000	000	000	000	000
006 00/00/00 00:00	00	00	0000	000	000	000	000	000
007 00/00/00 00:00	00	00	0000	000	000	000	000	000
008 00/00/00 00:00	00	00	0000	000	000	000	000	000

### Xerographic History Display Contents

Item	Displayed Contents	Display Unit and Range
Date	Date & Time when the log was recorded	YYYY/MM/DD hh:mm
Tmp	Temperature monitored by the external environment sensor	Unit (degrees C) = Actual temperature Display Range: 00 to 99
Hmd	Humidity monitored by the external environment sensor	Unit (%) = Actual humidity Display Range: 00 to 99
BTR	Output voltage when Control Bias is applied (BTR Voltage Measurement Value)	Unit (V) = Actual output Display Range: 0000 to 1650
Deve	Deve Bias DC output voltage	Unit (-V) = Actual output Display Range: 000 to 999
LPH1	Duty of the LPH1	Unit (%) = Actual Duty x 100 Display Range: 000 to 999
LPH2	Duty of the LPH2	Unit (%) = Actual Duty x 100 Display Range: 000 to 999

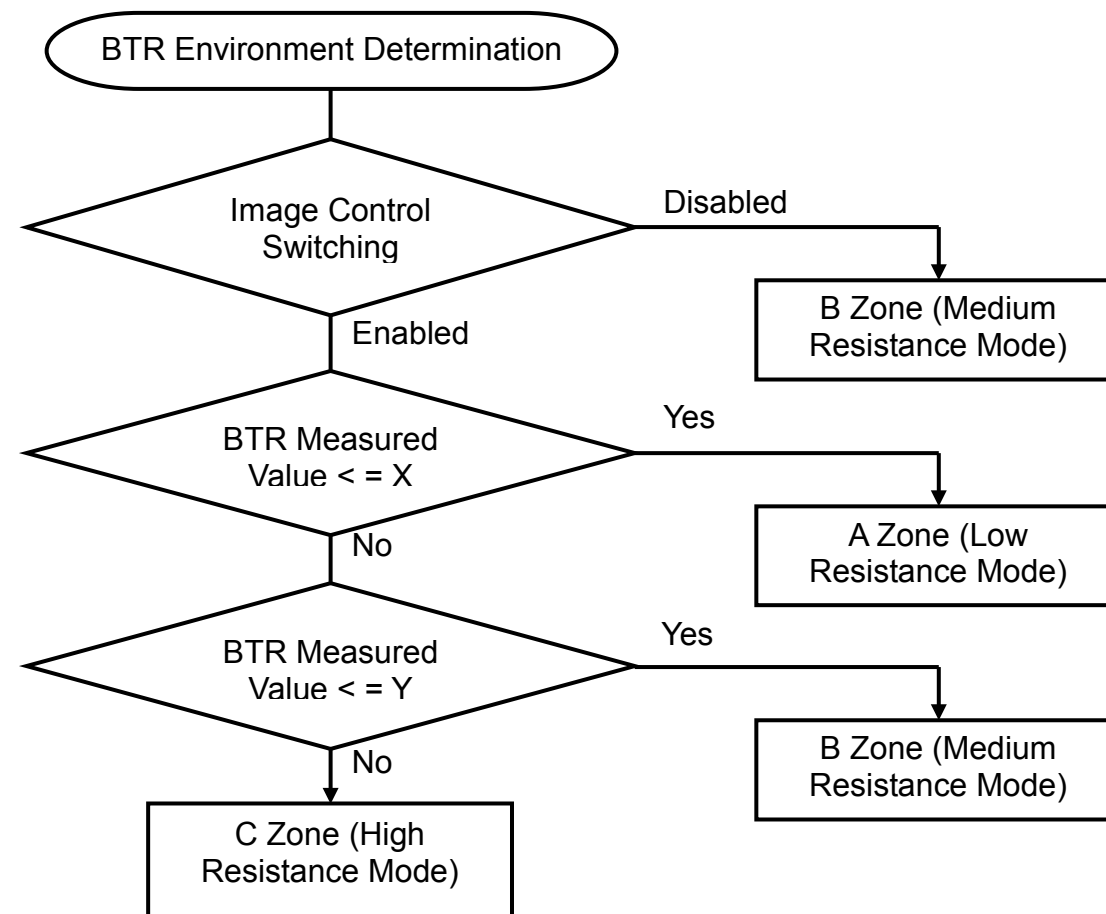
Item	Displayed Contents	Display Unit and Range
LPH3	Duty of the LPH3	Unit (%) = Actual Duty x 100 Display Range: 000 to 999
LPH Temp	Monitored value of the LPH Humidity Sensor	Unit (0.1 degrees C) = Actual temperature Display Range: 000 to 999

**Reference** About the BTR Environment Determination

Environment mode is determined by comparing BTR Voltage Measurement Value at Cycle Start with 'A Zone Determination Value: X (910-388)' and 'C Zone Determination Value: Y (910-389)'.

However, if 'Switch Image Control Setting (910-201)' is [Disabled], it will be considered as 'B Zone (Medium Resistance Mode)'.

The settings parameter for [BTR Transfer Bias], [BTR Cleaning Bias +/-], [DTS H1], [DTS L1], [DTS L2], [DTS H2], and [DTS INT] will be switched according to the determination result.



A Zone Determination Value: X (910-388) = 460 (Default)  
C Zone Determination Value: Y (910-389) = 820 (Default)



## 6.5 IIT PC-Diag

### 6.5.1 IIT PC-Diag Operating Environment

The following describes the operating environment of the IIT-PC Diag.

#### **System Environment**

- PC: DOS/V-compatible machine
- CPU: Pentium 800 MHz or higher
- Memory: OS usage recommendation + 60 MB or more
- Free HDD space: 200 MB or higher
- Display: 1024 x 768 or higher resolution is recommended
- Port: Serial Port (COM 1 to 16 can be specified), or USB 2.0 Port

#### **OS Environment**

- Windows XP, Windows Vista, Windows 7

Depending on the port being used, the 64 bit edition might not be usable.

Port	x86 (32 bit)	x64 (64 bit)
Serial Port *	O	O
USB Port for CP-Cont connection	O	X

\*: Cannot be used in WF6705 as it not installed.

### 6.5.2 IIT PC-Diag Installation

#### **<Preparing the DW Series IIT PC-Diag software>**

WF6705 is supported from DW Series IIT PC-Diag V0.1.27 onwards.

Either prepare a media (CD-ROM, USB memory, etc.) that contains the DW Series IIT PC-Diag V0.1.27 software or download the DW Series IIT PC-Diag V0.1.27 or later software using the PC and decompress it.

#### **<Installation Procedure>**

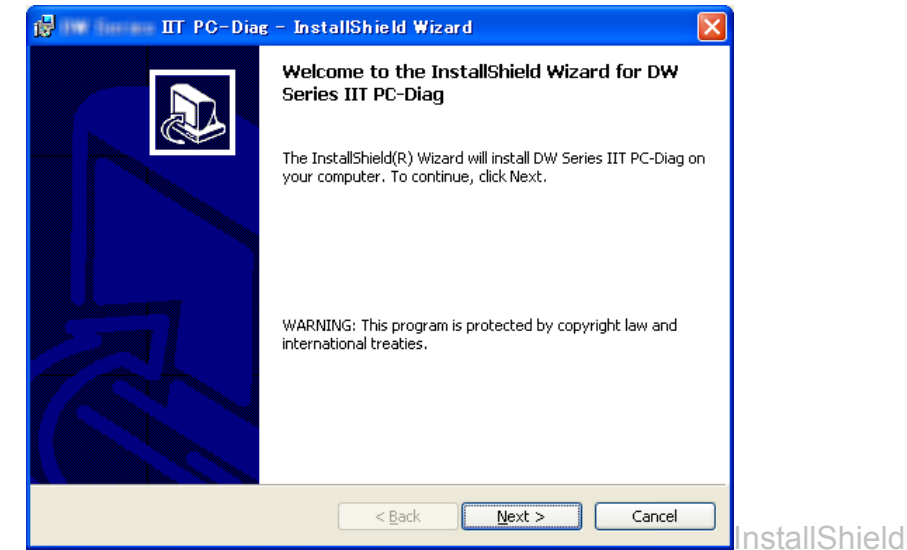
**Note** If an older version of IIT PC-Diag is installed, the new IIT PC-Diag cannot be installed. In the case of an upgrade, first uninstall the old version of IIT PC-Diag by using [Control Panel] -> [Add/Remove Programs].

**Note** The IIT PC-Diag for another machine can co-exist with this software in a PC because they are installed in different directories. However, they cannot be used at the same time.

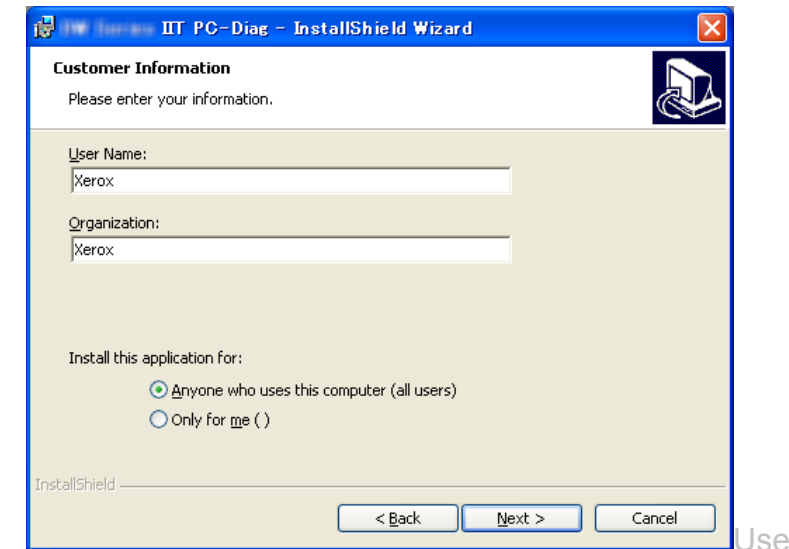
**Note** Do not connect the IIT and the PC until the IIT PC-Diag installation is complete.

1. Load the media containing the IIT PC-Diag.
2. Activate Explorer and double-click on 'Setup.exe' in the drive or directory of the loaded media.

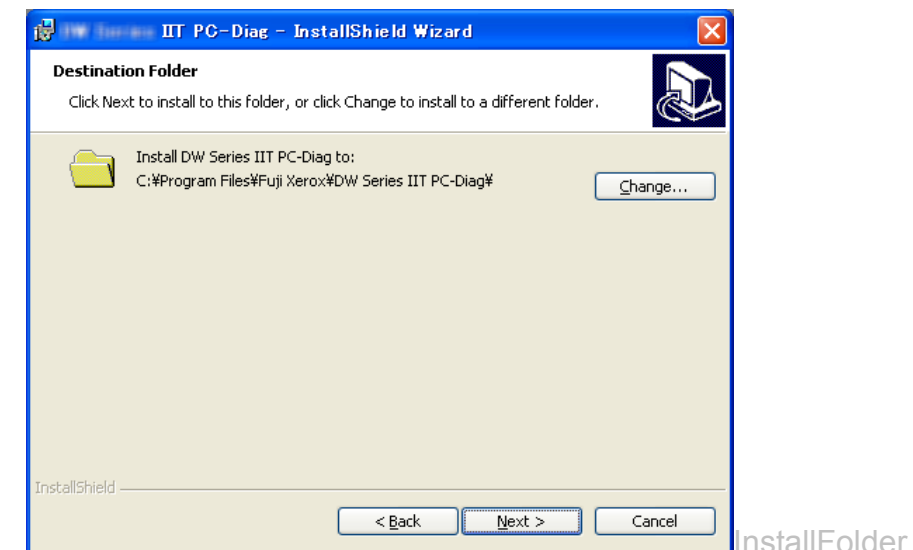
3. The InstallShield wizard is activated. Click [Next].



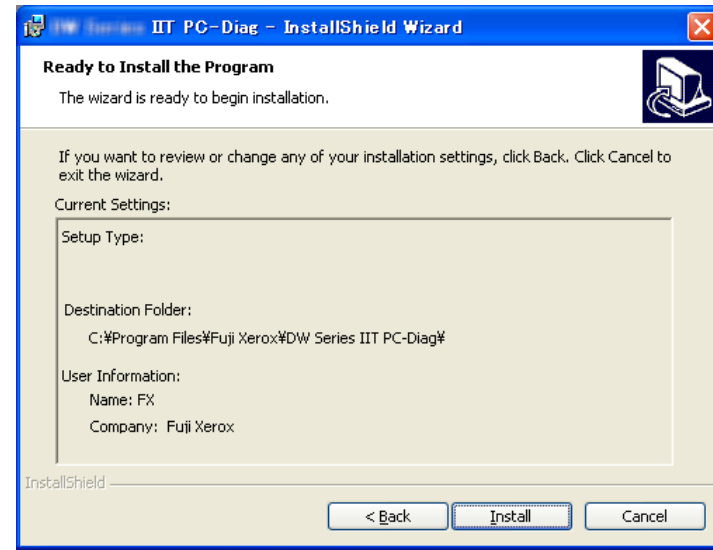
4. Enter the User Name and Organization, and then click [Next].



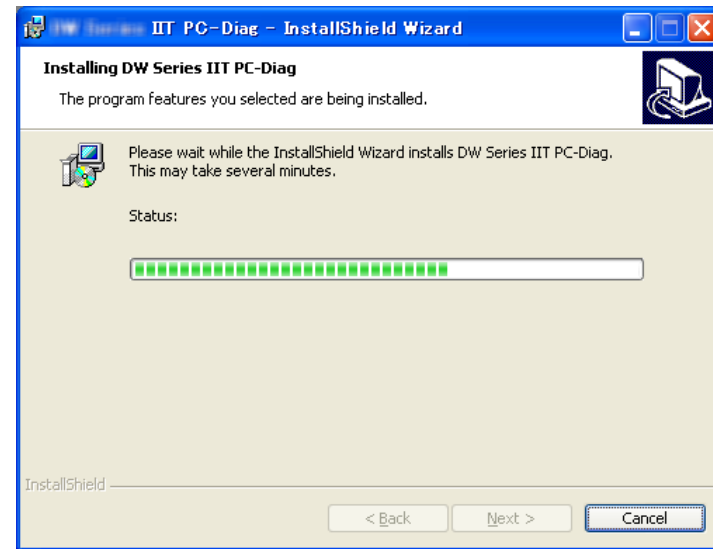
5. Verify the folder to install to and click [Next].



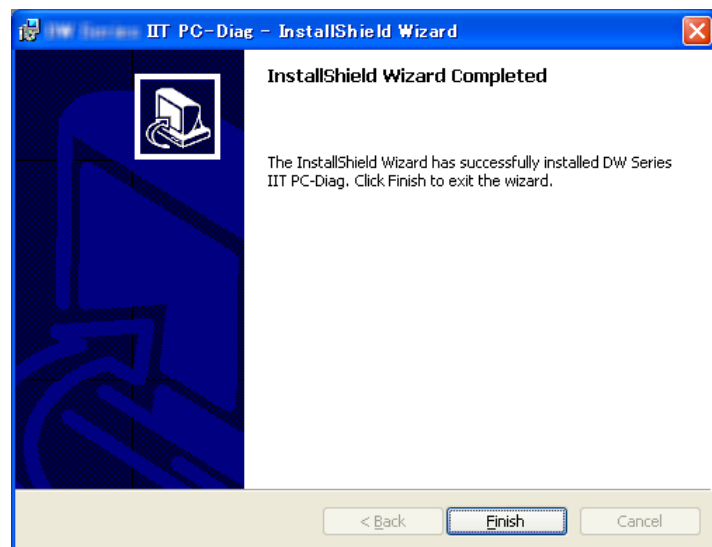
6. Check the setup contents and click [Install].



7. The IIT PC-Diag installation starts.



8. When the installation has completed, click [Finish].



### 6.5.3 Driver Installation

WF6705 uses a USB Port to connect to the PC.

**Note** Although the Serial Port is also supported by the IIT PC-Diag, the Serial Port cannot be used as it is not installed in WF6705.

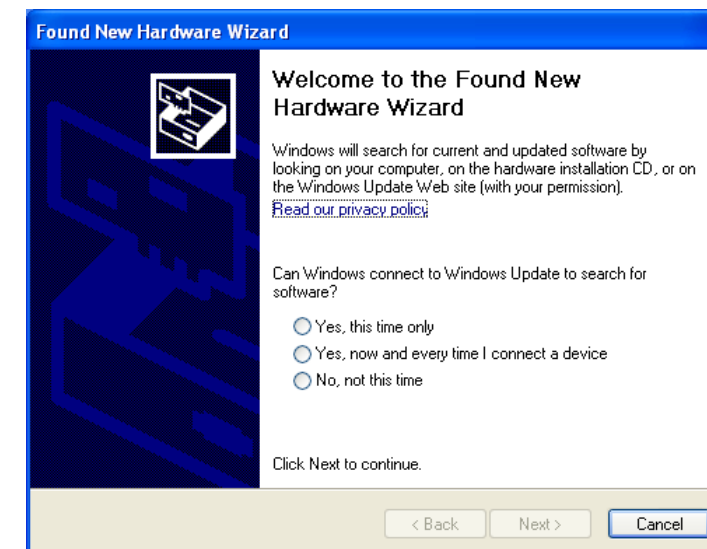
When connecting the IIT to the PC for the very first time or when changing the USB Port for connecting, the driver must be installed.

#### <IIT - PC Connection and Driver Installation Procedure>

Perform the following procedure to connect the IIT to the PC and install the driver.

1. Connect the IIT to the PC.
  - a. Remove the Right Lower Cover.(REP 9.2.3)
  - b. Disconnect the IIT USB Cable from the CP Control PWB Chassis and connect it to the PC.
2. Turn ON the machine.
3. The 'Found New Hardware Wizard' is activated.

**Note** If the 'Found New Hardware Wizard' is not activated, the IIT might not have been recognized correctly. In this case, go to <Procedure when IIT is not recognized>.

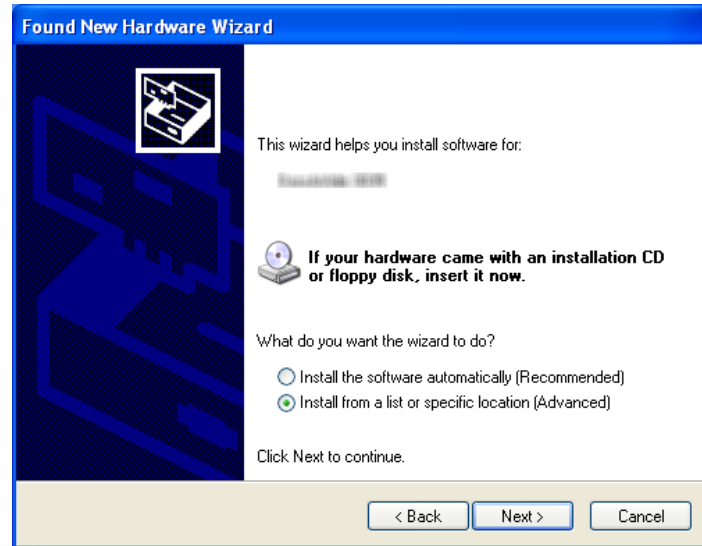


4. Select [No, not this time] and click [Next].



HWSearch1

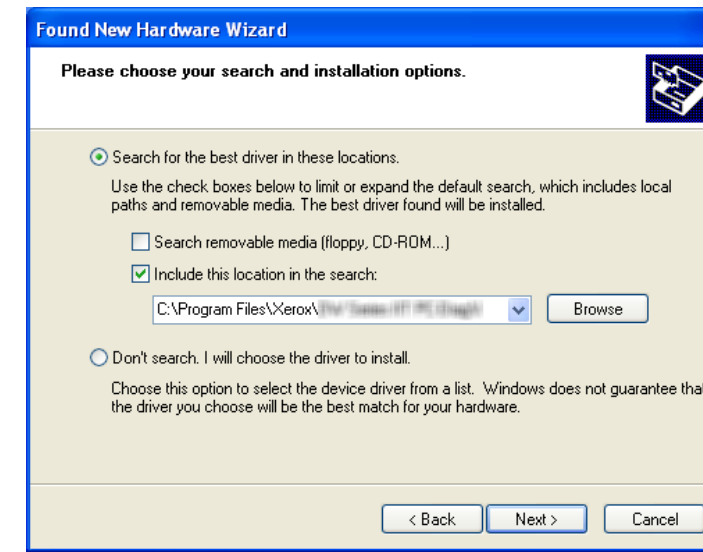
5. Select [Install from a list or specific location] and click [Next].



HWSearch2

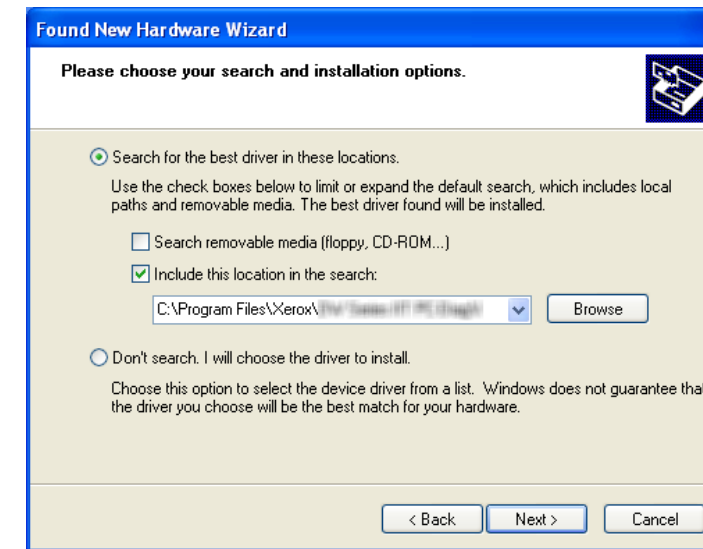
6. Select [Include this location in the search:], click [Browse], and select the 'C:\Program Files\Xerox\DW Series IIT PC-Diag\Driver' folder.

**Note** If the installation folder was changed, select that folder instead.



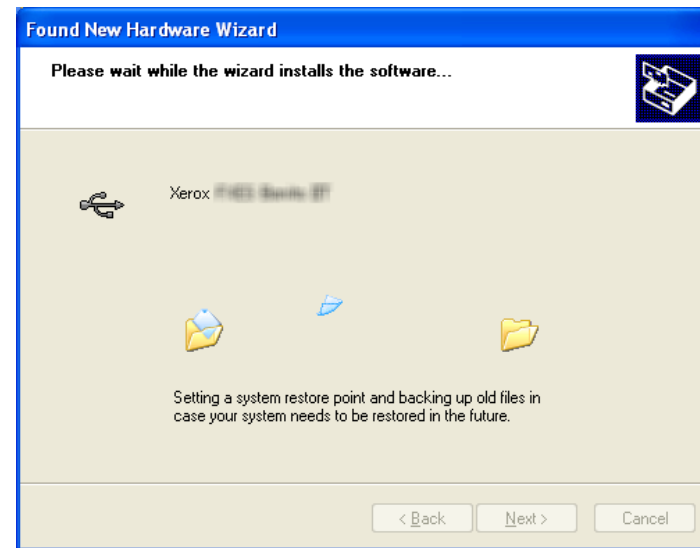
HWSearch3

7. Click [Next].

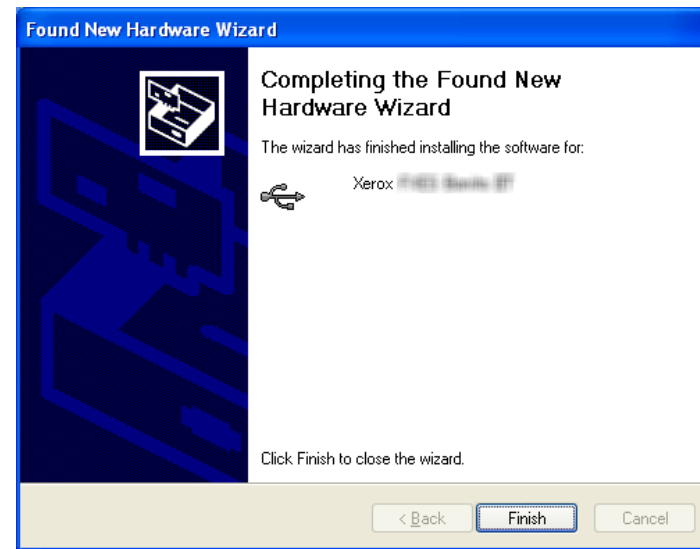


HWSearch3

8. The driver installation starts.



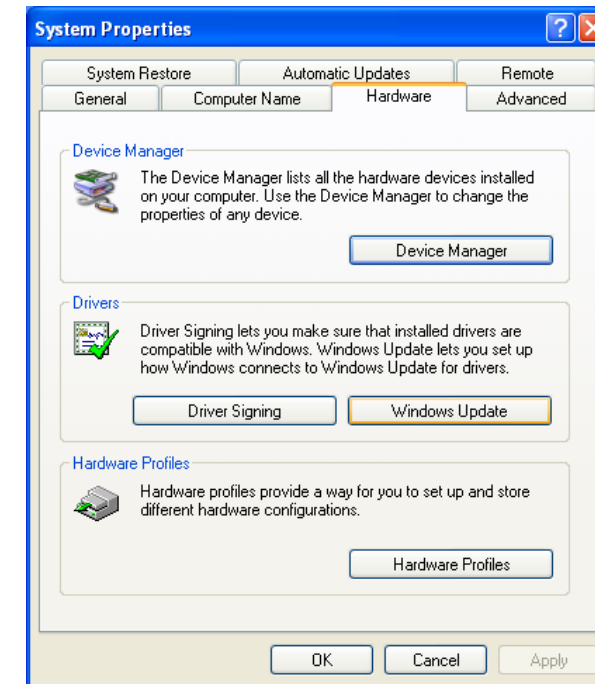
9. Click [Finish].



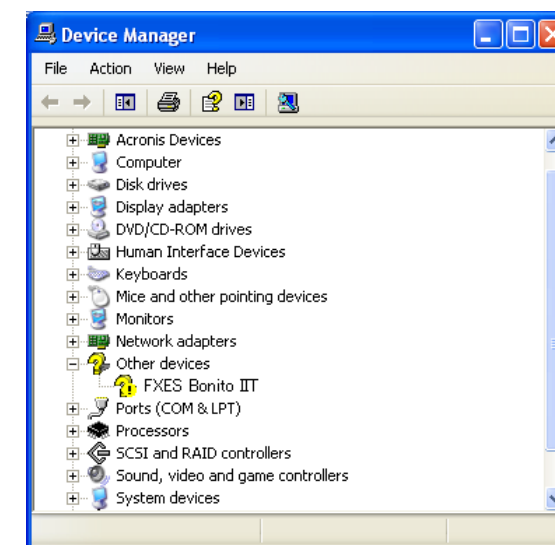
### <Procedure when IIT is not recognized>.

If the 'Found New Hardware Wizard' startup screen is not displayed after connecting the IIT to the PC, perform the following procedure to install the driver.

1. Start up the Device Manager from the [Hardware] tab of System Properties.

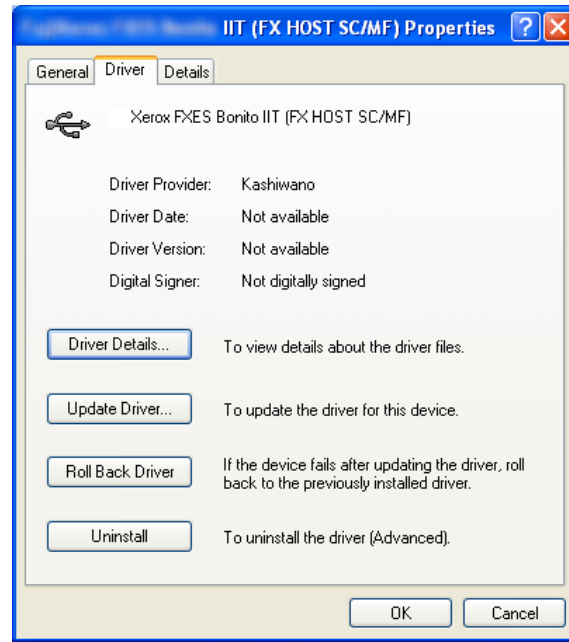


2. Verify that 'FXES Bonito IIT' is displayed with '?' mark under 'Other Devices'.

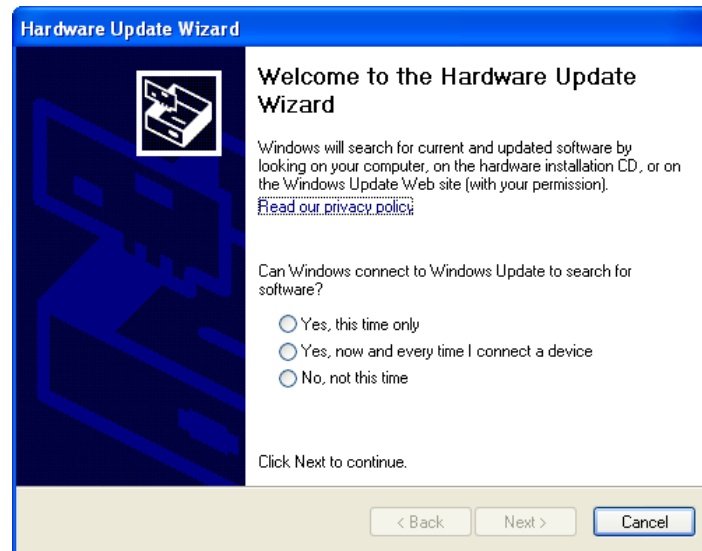


3. Right-click the 'FXES Bonito IIT' and open its [Properties].

4. Click [Update Driver] at the [Drivers] tab.



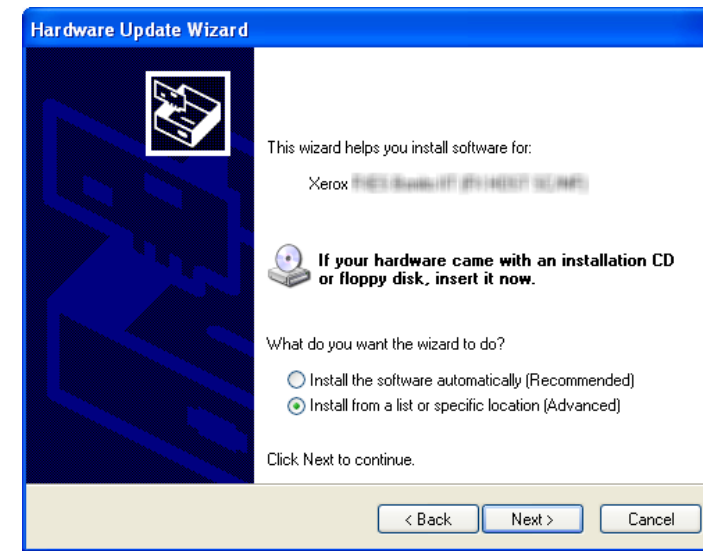
5. The 'Hardware Update Wizard' is activated.



6. Select [No, not this time] and click [Next].

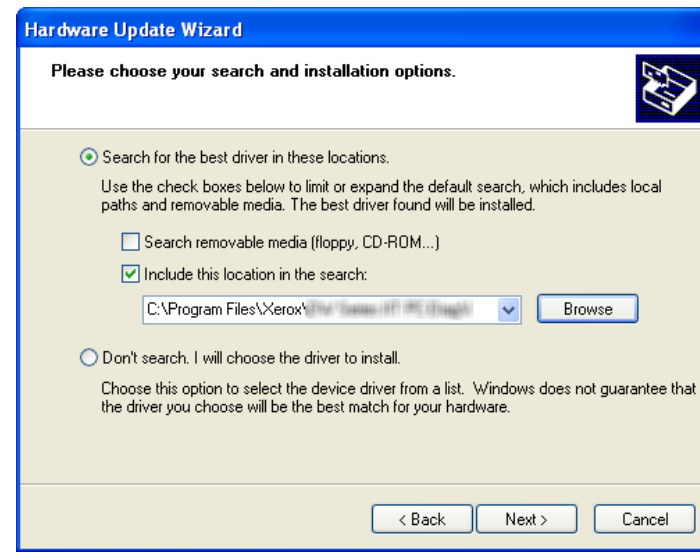


7. Select [Install from a list or specific location] and click [Next].



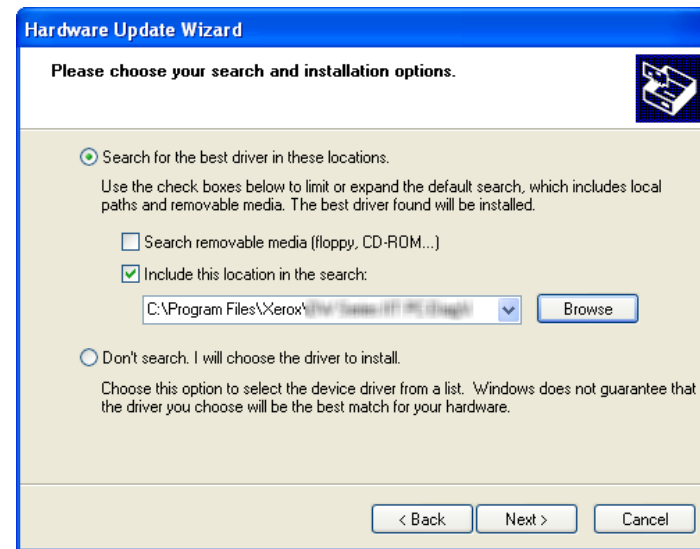
8. Select [Include this location in the search:], click [Browse], and select the 'C:\Program Files\Xerox\DW Series IIT PC-Diag\Driver' folder.

**Note** If the installation folder was changed, select that folder instead.



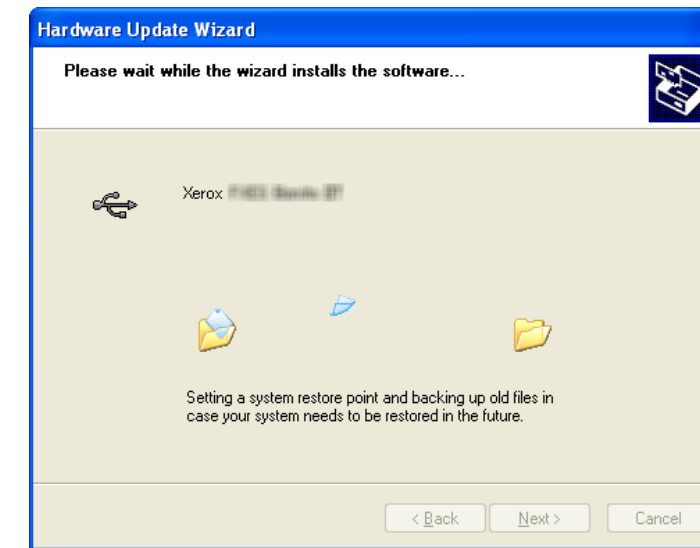
HWUpdate3

9. Click [Next].



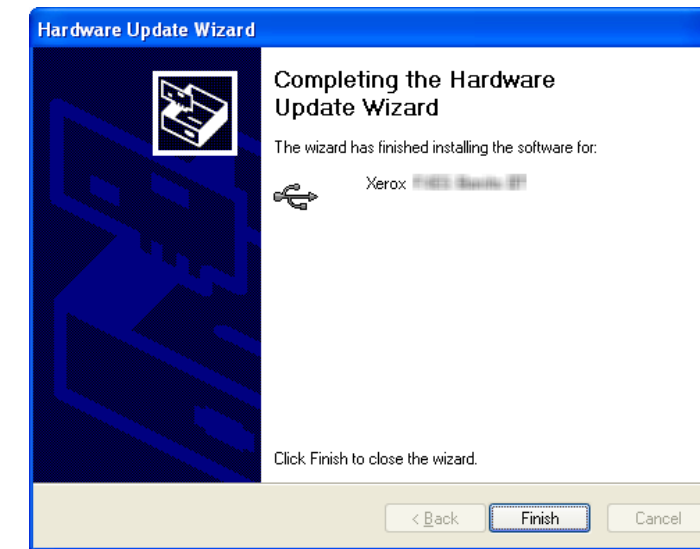
HWUpdate3

10. The driver installation starts.



HWUpdate4

11. Click [Finish].



HWUpdate5

12. Verify that 'Xerox FXES Bonito IIT' is displayed under 'USB Devices'.



USBDevice

#### 6.5.4 IIT PC-Diag Operation Procedure Overview

The following describes the series of operation procedures - activating the IIT PC-Diag, starting the IIT PC-Diag Mode, selecting and executing the Diag Codes, exiting the IIS PC-Diag Mode, and shutting down the IIT PC-Diag.

Check the specified references for more details on the menus and procedures as required.

#### **Connecting the IIT and the PC**

1. Connect the IIT to the PC.
  - a. Remove the Right Lower Cover.(REP 9.2.3)
  - b. Disconnect the IIT USB Cable from the CP Control PWB Chassis and connect it to the PC.
2. Turn ON the machine.

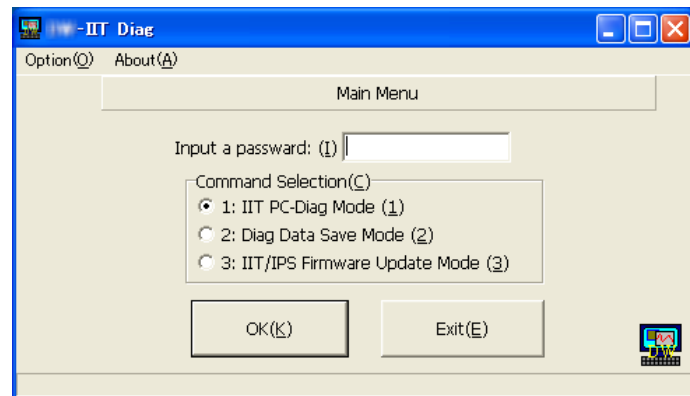
**Note** If the 'Found New Hardware Wizard' is activated, refer to [6.5.3 Driver Installation] and install the driver.

#### **Activating the IIT PC-Diag**

3. Either double-click the DW IIT PC-Diag icon at the Desktop or click [Start] menu -> [Programs] -> [Xerox] -> [DW Series IIT PC-Diag] -> [DW IIT PC-Diag].



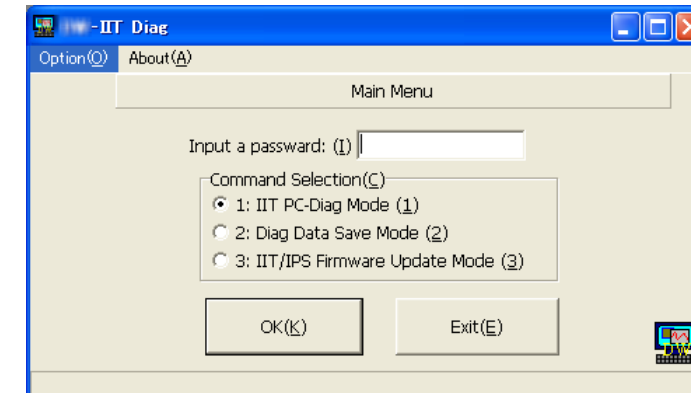
4. The 'Main Menu' is displayed. (For more details on the Main Menu, refer to [6.5.5.1 Main Menu])



MainMenu

#### **Selecting the Model, Communication Port, Language, and Starting the IIT PC-Diag Mode**

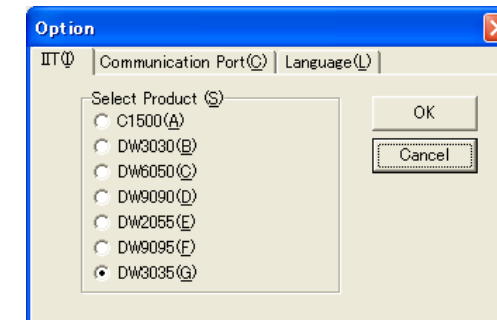
5. Click [Option].



MainMenu\_Option

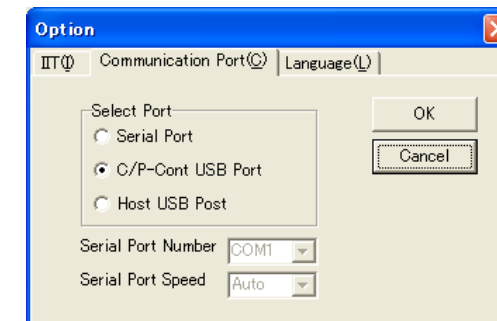
6. Select the Model, Communication Port, and Language, and then click [OK].

- a. On the [IIT] tab, select [WF6705].



OptionIIT

- b. On the [Communication Port] tab, select [CP-Cont USB Port].



OptionPort

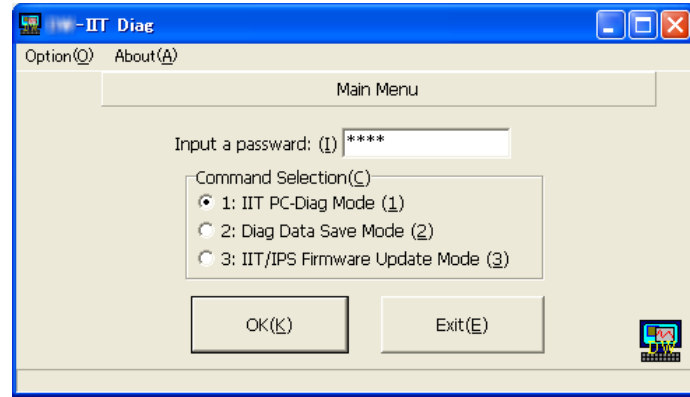
- c. On the [Language] tab, select the display language.



OptionLang

7. Input the password '6789', select [IIT PC-Diag Mode], and click [OK].

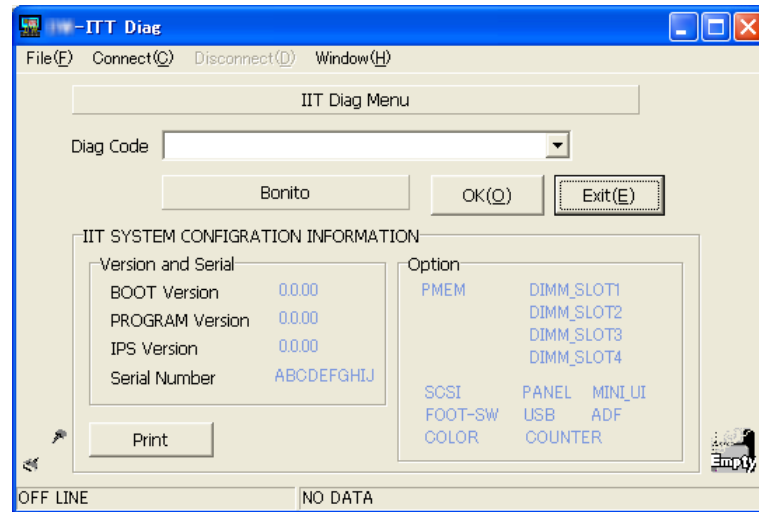
**Note** The password entered will be displayed as '\*'.s.



MainMenu\_PW

8. The IIT Diag Menu is displayed. (For more details on the IIT Diag Menu, refer to [6.5.5.2 IIT Diag Menu])

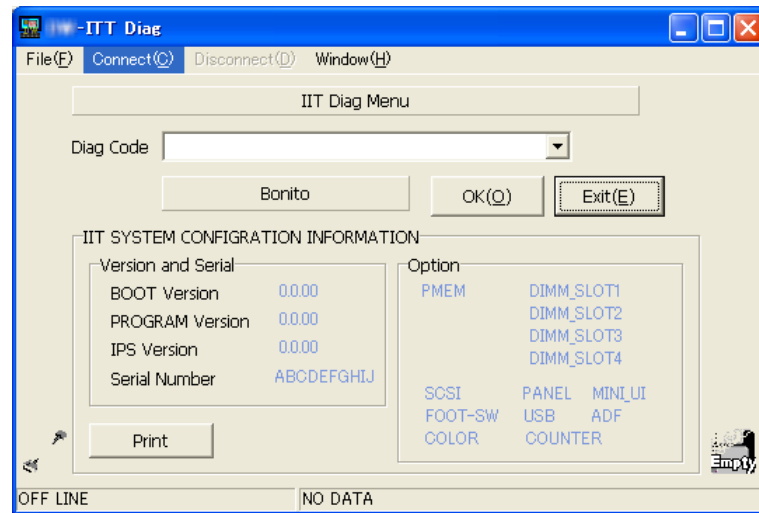
**Note** At this time, it is not connected to the IIT yet. (OFF LINE and NO DATA status)



IITDisconnect

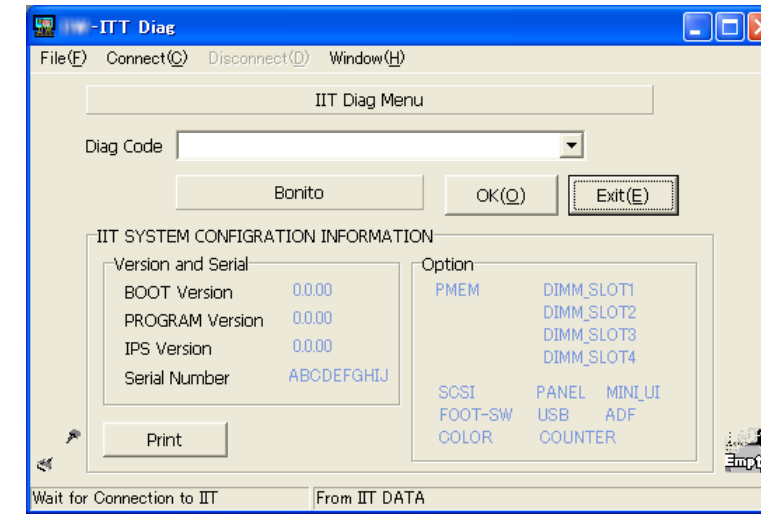
### Connecting with the IIT

9. Click [Connect].



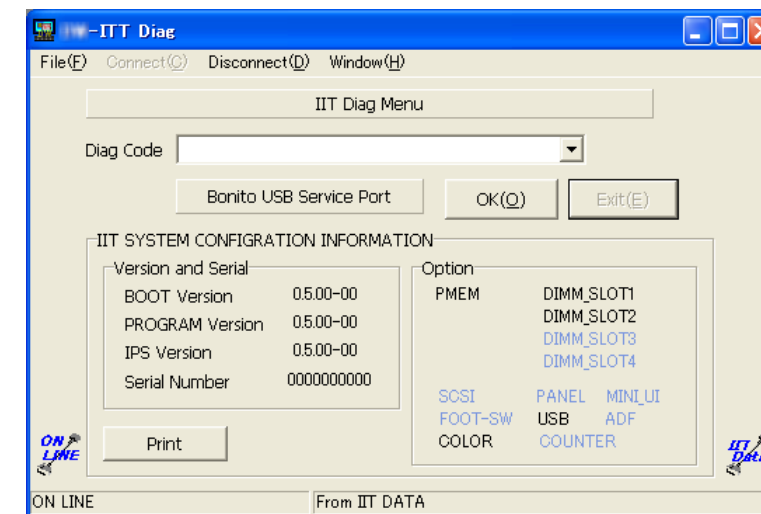
IIT\_Connect

10. The connection with the IIT is started and 'Wait connection to IIT/From IIT DATA' is displayed in the message bar at the bottom of the screen.



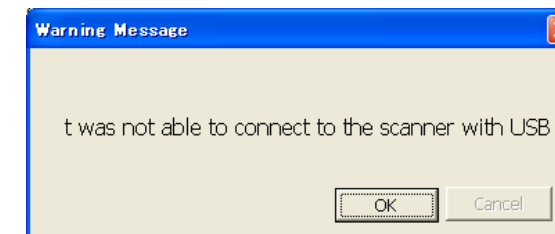
IITConnectWait

11. If the connection with the IIT is successful, 'ON LINE/From IIT DATA' will be displayed in the message bar at the bottom of the screen.

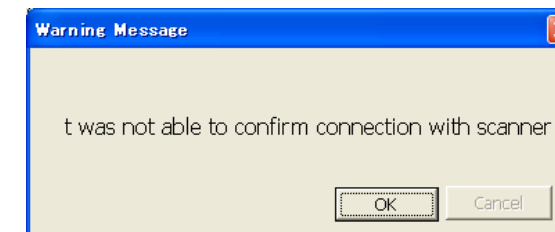


IITConnect

If the following message is displayed, click [OK], check the connection of the USB Cable between the IIT and the PC, the machine's Power Supply, Model, and Communication Port settings, and then start again from Step 1.



USBConnectNG

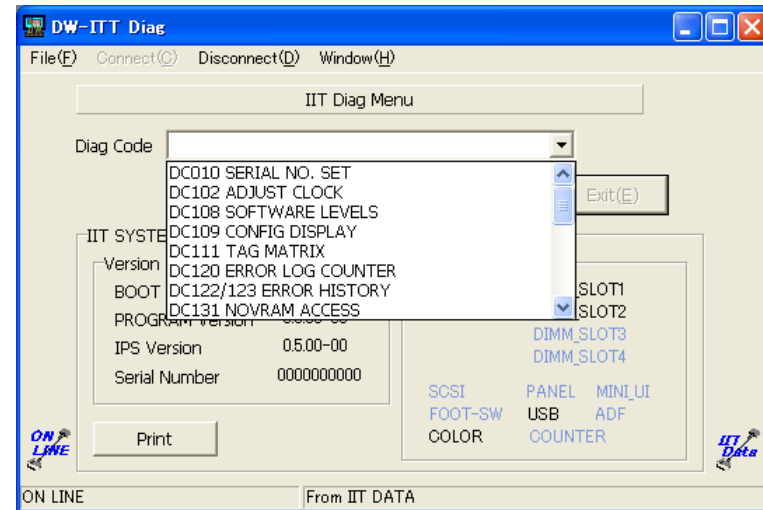


IITConnectNG



## Selecting, Executing, and Ending a Diag Code

12. Select a Diag Code from the [Diag Code] pull-down menu and click [OK].

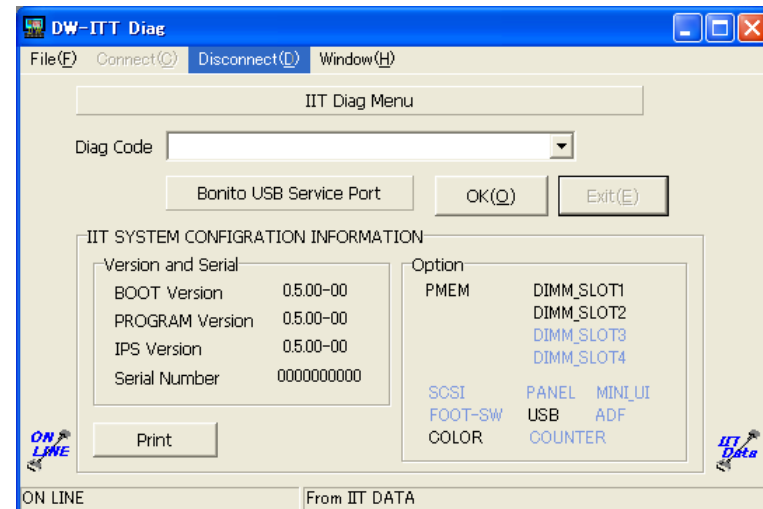


DCPulldown

13. The selected Diag Code screen is displayed.  
(For more details on the Diag Code, refer to [6.5.6 Diag Code Functions and Operation Procedures])

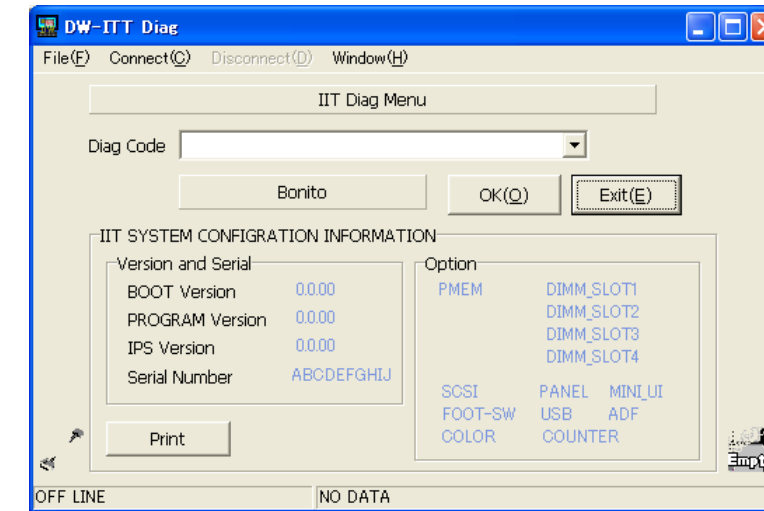
## Disconnecting the IIT

14. Click [Disconnect].



IIT\_Disconnect

15. The IIT Diag Menu becomes in 'OFF LINE' state.

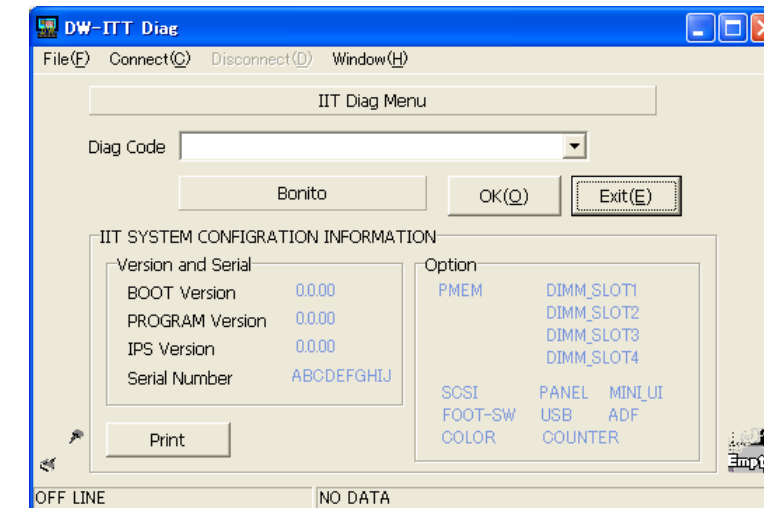


IITDisconnect

## Exiting the IIT PC-Diag Mode

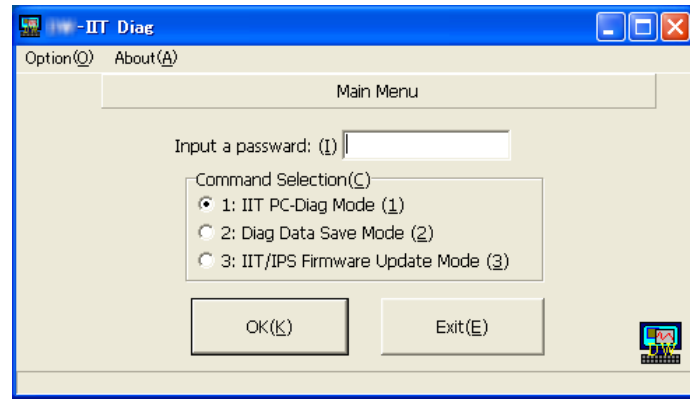
16. Exit the IIT PC-Diag Mode by using any of the following method.

- On the IIT Diag Menu, click [Exit].
- Click the [X] (Close) button at the top right corner of the IIT Diag Menu.
- On the IIT Diag Menu, select the [File] menu and click [Exit].



IITDisconnect

17. Returns to the Main Menu.

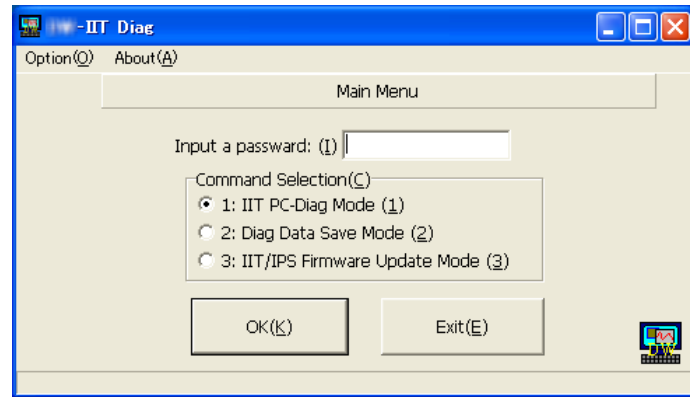


MainMenu

### Shutting Down the IIT PC-Diag

18. Shut down the IIT PC-Diag by using any of the following method.

- On the Main Menu, click [Exit].
- Click the [X] (Close) button at the top right corner of the Main Menu.



MainMenu

### Disconnecting the IIT USB Cable

19. Click the [Safely Remove Hardware and Eject Media] icon in the Task Tray and click [Safely Remove Xerox FXES Bonito IIT].



USBDisconnect

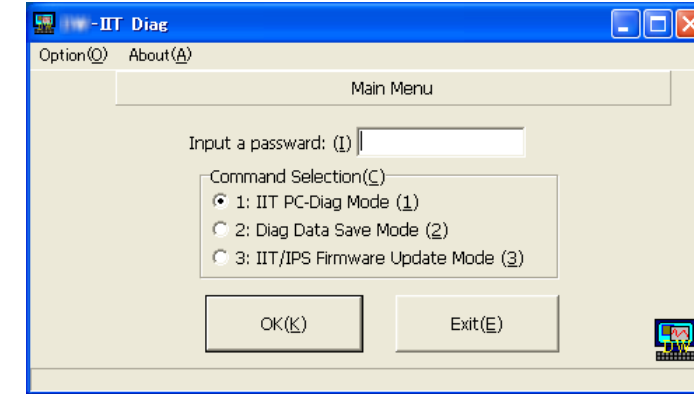
20. Verify the 'Xerox FXES Bonito IIT can now be safely removed' message and disconnect the IIT USB Cable from the PC.

## 6.5.5 Main Menu and IIT Diag Menu Functions and Operation Procedures

### 6.5.5.1 Main Menu

#### <Function Overview>

The Main Menu is the first screen that is displayed when the IIT PC-Diag is activated.



MainMenu

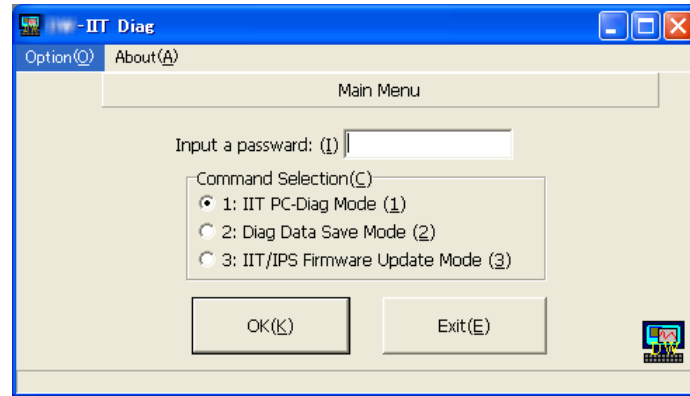
From the Main Menu, it can transition to the following modes.

- IIT PC-Diag Mode  
This mode transitions to the IIT Diag Menu where the Diag Codes can be selected and executed.  
(Refer to [6.5.5.2 IIT Diag Menu])
- Diag Data Save Mode  
This mode automatically collects the IIT Diag Data and saves it to any directory in the PC.  
Not all the IIT Diag Data is collected. The collection is limited to only the Diag Data that are simply read from the IIT and does not include the Diag Data that involve Diag operations.  
The saved data are the same as the text files (dcxxx.txt) when [Print] was performed at each Diag Code screen and the file (xxx.pcd) when [File] -> [Save] was performed at the IIT Diag Menu screen.
- IIT/IPS Firmware Update Mode  
This mode updates the IIT/IPS Firmware. (Not used in WF6705)

## <Operation Procedure>

### Selecting the Model, Communication Port, and Language

1. Click [Option].

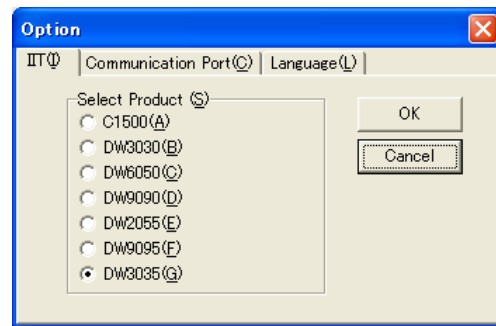


MainMenu\_Option

2. Select the Model, Communication Port, and Language, and then click [OK].

#### IIT

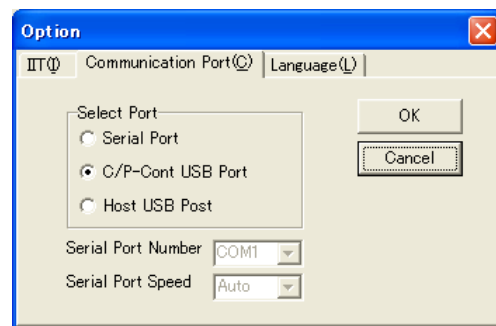
Select the Model.



OptionIIT

#### Communication Port

Select the port at the IIT to be used for connecting with the PC.



OptionPort

- Serial Port

Select this when using a Serial Port to connect with the PC. (Cannot be used in WF6705 as it not installed)

When [Serial Port] is selected, set the following.

- Serial Port Number (COM 1 to COM 16)  
Sets the COM Port No. at the PC.
- Serial Port Speed (Auto/4800/9600/14400/19200/38400/57600/115200)

Sets the communication speed for the Serial Port for when a communication error has occurred during the communication with the IIT in the 'Auto' setting.

**Note** The communication speed in the 'Auto' setting is 115200 bps. If a communication error has occurred during the communication in the 'Auto' setting, this is set to 57600 or lower.

- CP-Cont USB Port

Select this when using the USB Port for CP-Cont to connect with the PC.

- Host USB Port

(For Debugging)

#### Language

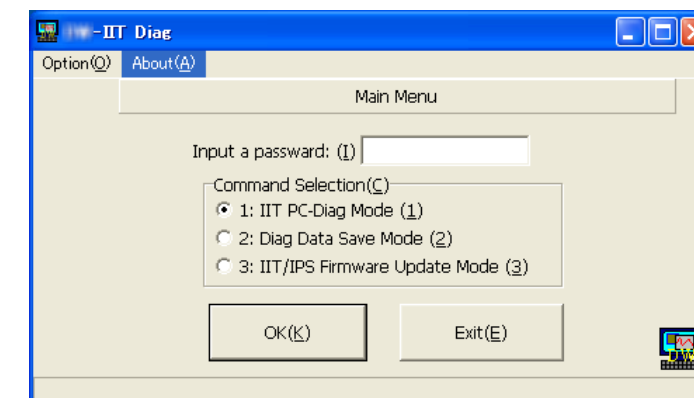
Selects the display language of the IIT PC-Diag.



OptionLang

### Checking the IIT PC-Diag Version

1. Click [About].



MainMenu\_About

2. The IIT PC-Diag version is displayed.

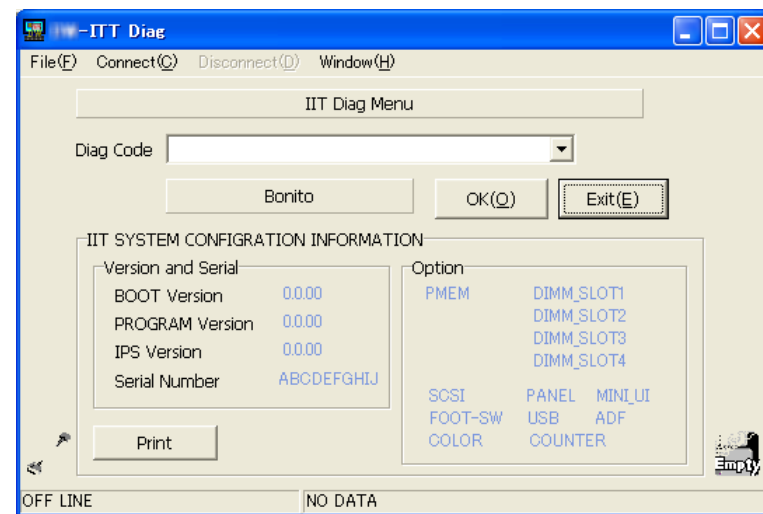


About\_0127

### 6.5.5.2 IIT Diag Menu

#### <Function Overview>

The IIT Diag Menu is the screen where the connection/disconnection with the IIT is controlled and the Diag Codes can be selected to transition to the various Diag Code screens.



IITDisconnect

Immediately after the transition from the Main Menu to the IIT Diag Menu, the status of the IIT will become disconnected (OFF LINE) and to execute the Diag Codes, the IIT must be connected (ON LINE).

These IIT connection status and data retrieval status can be known from the icons that are displayed in the IIT Diag Menu.

#### Icons displayed at the bottom left corner of the screen



Offline.ico

Not connected to IIT (OFF LINE) status.



Online.ico

Connected to IIT (ON LINE) status. The Diag Codes can be executed.

#### Icons displayed at the bottom right corner of the screen



Empty.ico

Indicates that no data has been retrieved from the IIT or the file.



File.ico

Indicates that the IIT PC-Diag data that was loaded from a file is being displayed.



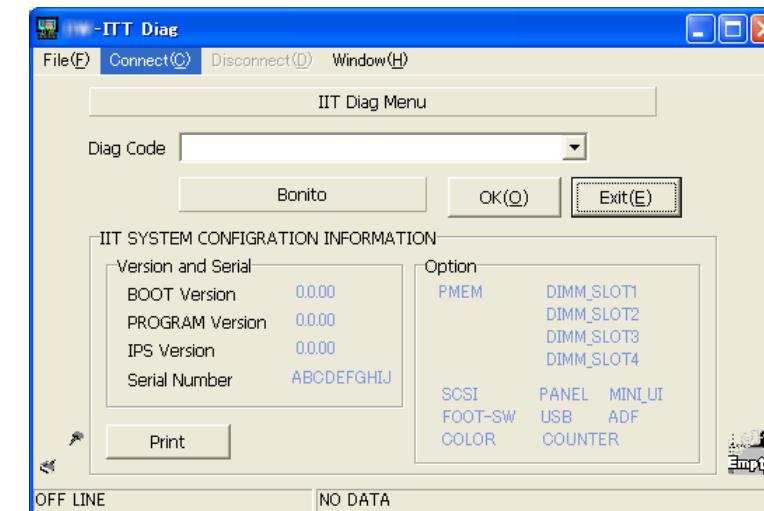
IITData.ico

Indicates that the results of the Diag Codes that were executed during ON LINE are being displayed.

#### <Operation Procedure>

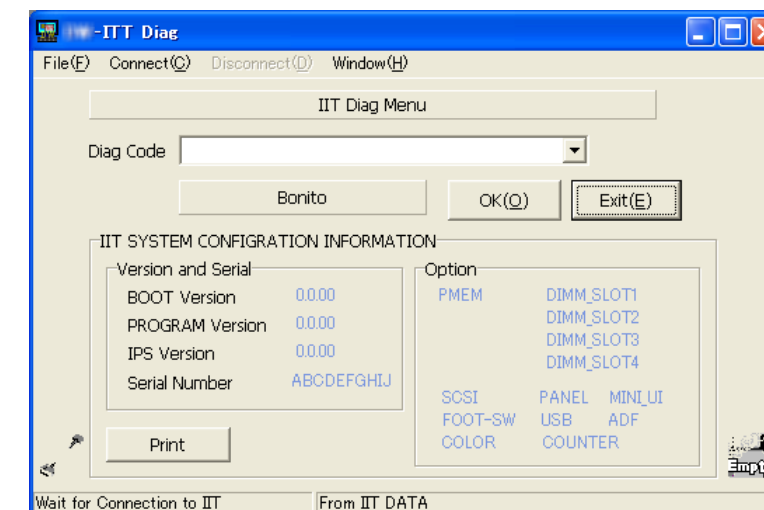
##### Connecting with the IIT

1. Click [Connect].



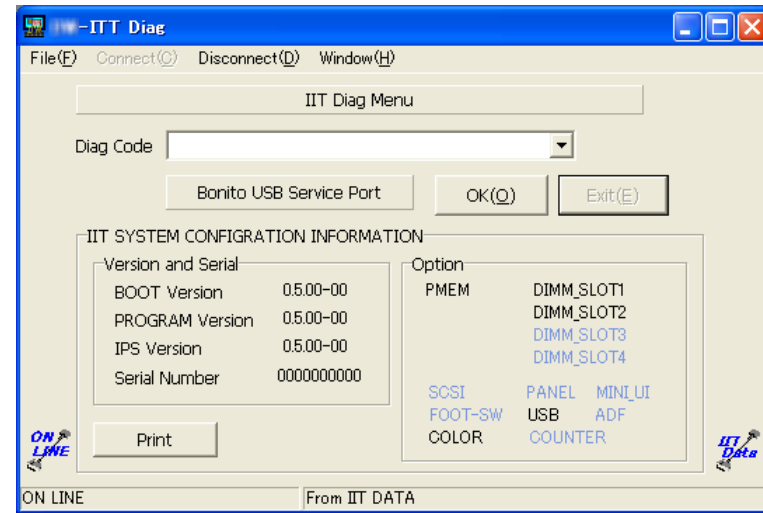
IIT\_Connect

2. The connection with the IIT is started and 'Wait connection to IIT/From IIT DATA' is displayed in the message bar at the bottom of the screen.



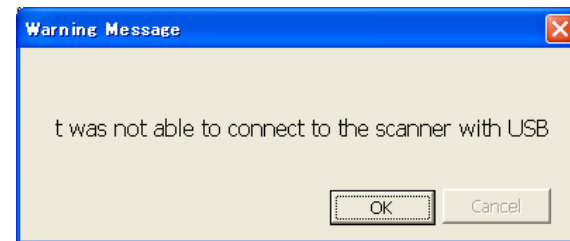
IITConnectWait

- If the connection with the IIT is successful, 'ON LINE/From IIT DATA' will be displayed in the message bar at the bottom of the screen, the IIT Version, Serial No., Option Information are displayed in the 'IIT SYSTEM CONFIGURATION INFORMATION', and the Diag Codes can be executed.

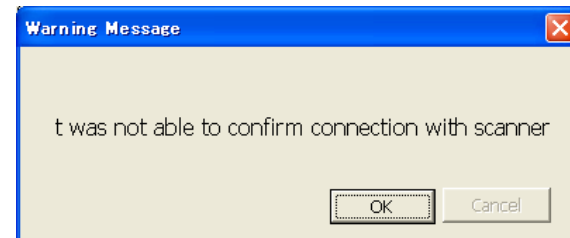


IITConnect

If the following message is displayed, click [OK], check the connection of the USB Cable between the IIT and the PC, the machine's Power Supply, Model, and Communication Port settings, and then start again from Step 1.



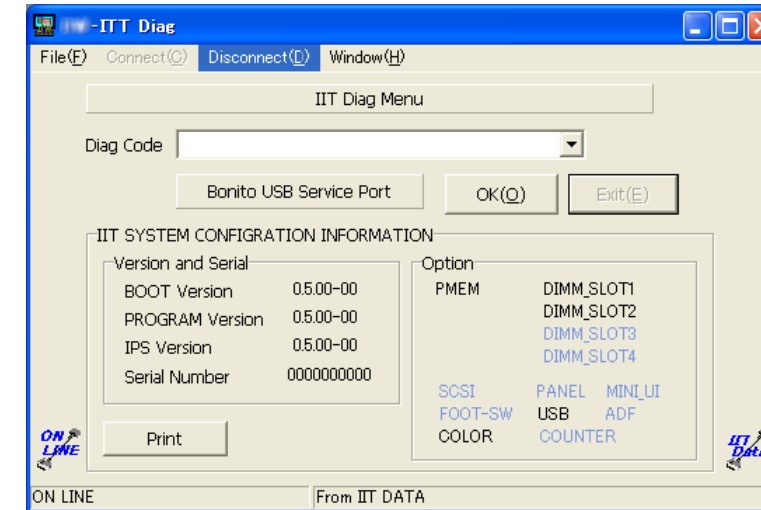
USBConnectNG



IITConnectNG

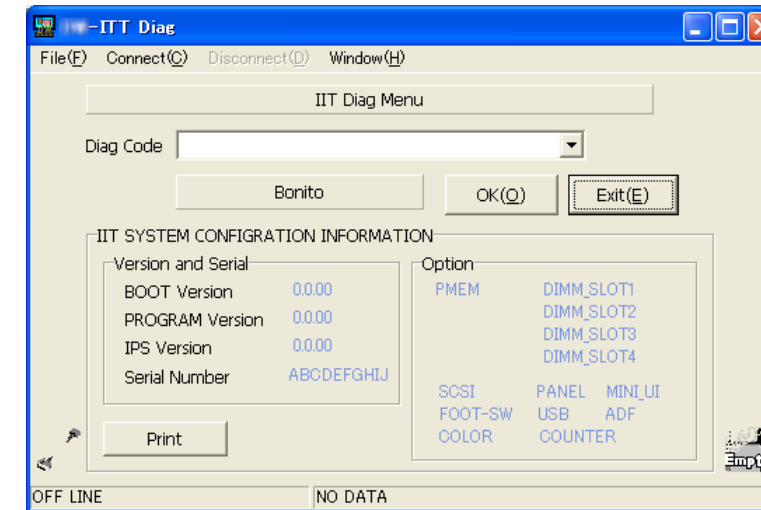
## Disconnecting the IIT

- Click [Disconnect].



IIT\_Disconnect

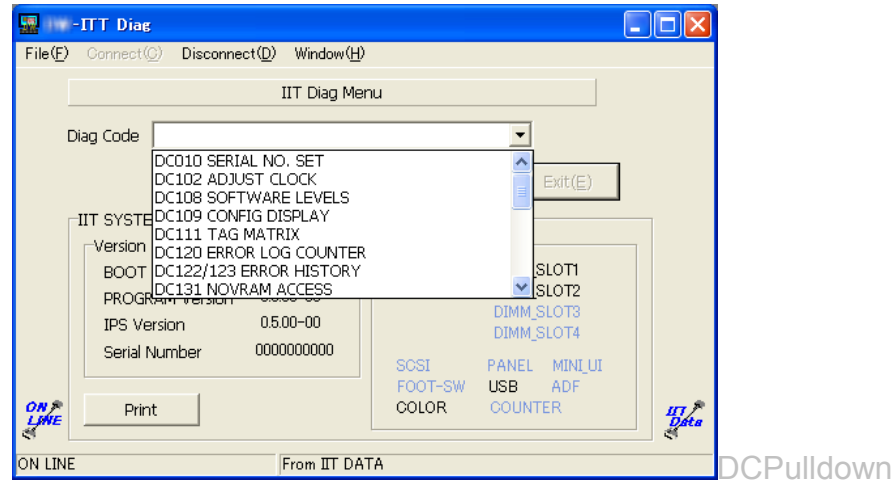
- The IIT Diag Menu becomes in 'OFF LINE' state.



IITDisconnect

## Selecting the Diag Code

1. Select a Diag Code from the [Diag Code] pull-down menu and click [OK].



2. The selected Diag Code screen is displayed.  
(For more details on the Diag Code, refer to [6.5.6 Diag Code Functions and Operation Procedures])

## Print

Outputs the IIT Configuration Information that is displayed in 'IIT SYSTEM CONFIGURATION INFORMATION' as a text file (config.txt) or prints it out.

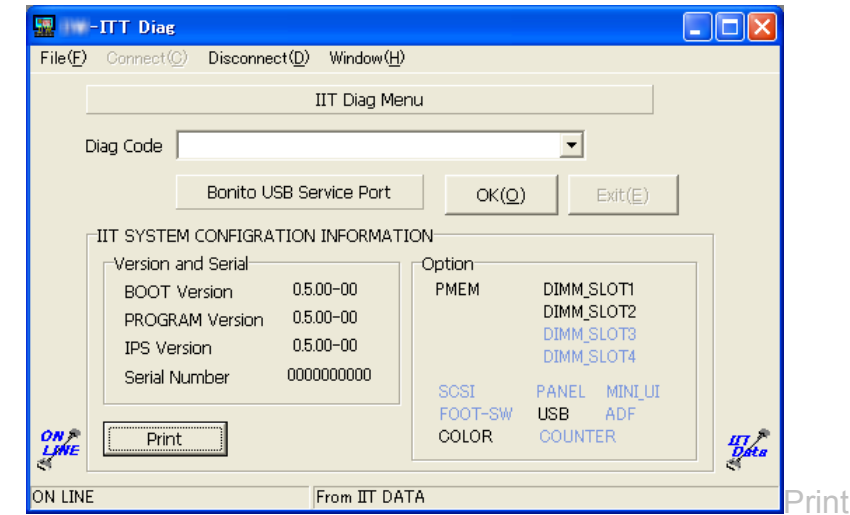
**Note** If the IIT connection is not performed (not ON LINE) or if the file containing the IIT Configuration Information is not loaded, the following text file will be created.

```
<F/W INFORMATION>
BOOT Version      : 0.0.00
PROGRAM Version   : 0.0.00
IPS Version       : 0.0.00

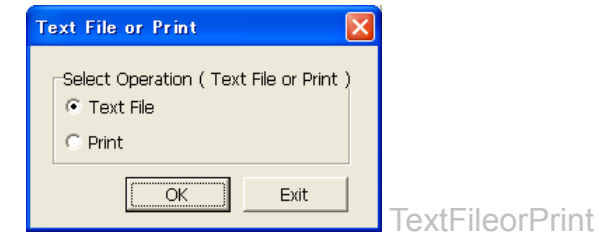
<SERIAL NUMBER>
ABCDEFGHIJ

<OPTION INFORMATION>
PMEM              : NONE
DIMM_SLOT1       : NONE
DIMM_SLOT2       : NONE
DIMM_SLOT3       : NONE
DIMM_SLOT4       : NONE
SCSI              : NONE
PANEL            : NONE
MINI_UI          : NONE
FOOT-SW          : NONE
ADF              : NONE
USB              : NONE
COLOR            : NONE
COUNTER          : NONE
```

1. Click [Print].



2. Select [Text File] or [Print] and click [OK].



- Text File

Creates the 'config.txt' file in any folder. (The file name can be changed into any name)

**Note** When performing [Text File], if a text file with the same name is found in the specified storage destination, the following 'Confirmation Message' screen will be displayed.

- Clicking [Overwrite] overwrites the text file with the same name. (A new file is created)
- Clicking [Addition] adds the current data that was supposed to be output as a text file into the existing text file. (Makes history management possible)
- Clicking [Cancel] cancels the [Text File] operation.

- Print

Prints the same contents as in the text file (config.txt) that was created when [Text File] was performed.

**Note** When [Print] is performed, the data will be printed and so the 'config.txt' file is not created. If the file is required, perform [Text File].

**Note** The various Diag Code screens that will be described later also comes with a **Print** feature which, except for the following points, has the same function and operation procedure as the contents explained here.

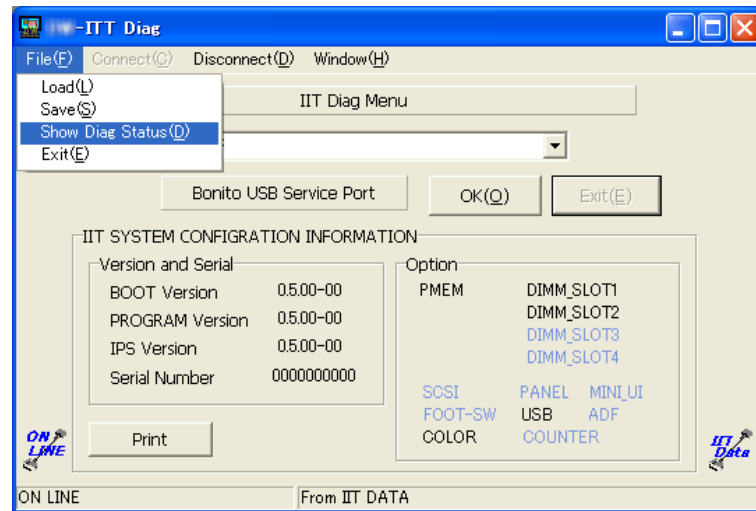
- Text File  
Creates the text file for each Diag Code Name 'dcxxx.txt' in any folder. (The file name can be changed into any name)
- Print  
Prints the same contents as in the text file (dcxxx.txt) that was created when [Text File] was performed.

### Load and Save Files

Saves all the data from the Diag Codes that were executed in a file (xxxx.pcd) or loads them from the file.

**Note** Only the data from a Diag Code that was executed will be saved in the file. The Diag Codes that were not executed ([Read] was not executed for every Diag Code) are saved as empty data.

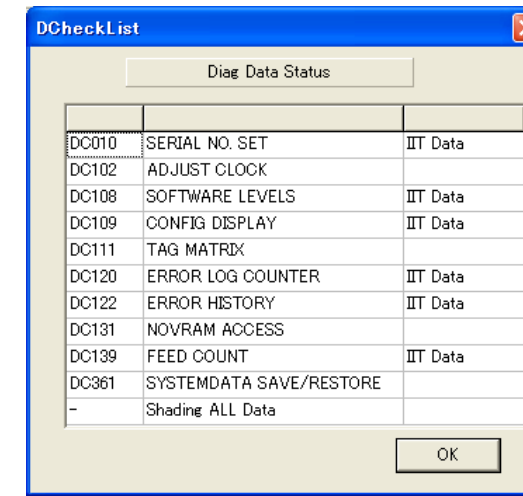
On whether a Diag Code had been executed or not, it can be checked by clicking the [Show Diag Status] at the [File] menu.



File\_DiagStatus

A Diag Code with 'IIT Data' displayed at its right is a Diag Code that had been executed and its data is saved in the file.

When loading the Diag Code data from the file, only the Diag Log displayed with 'IIT Data' will have its data loaded.



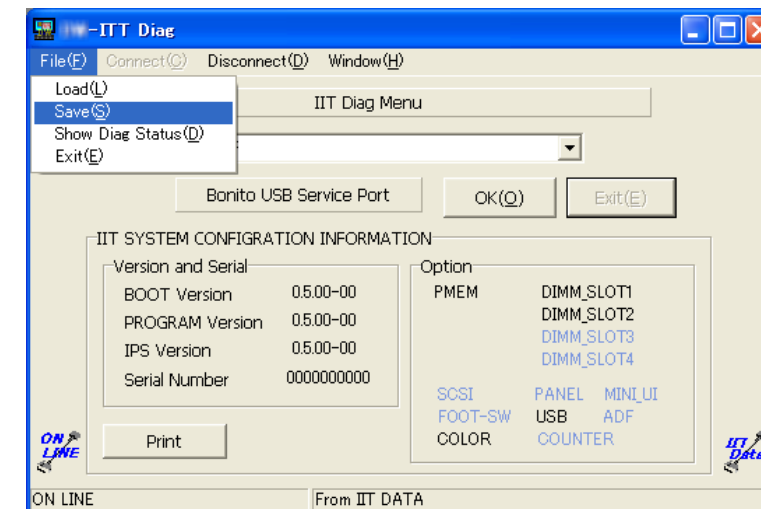
DiagDataStatus

**Note** Depending on the version of the IIT PC-Diag, some of the saved file will not be able to be loaded.

**Reference** This can be used to load the updated NVM values that are provided by the Development department or to copy the NVM data from any machine to a different one.

### Save File

1. Click [Save] under the [File] menu.

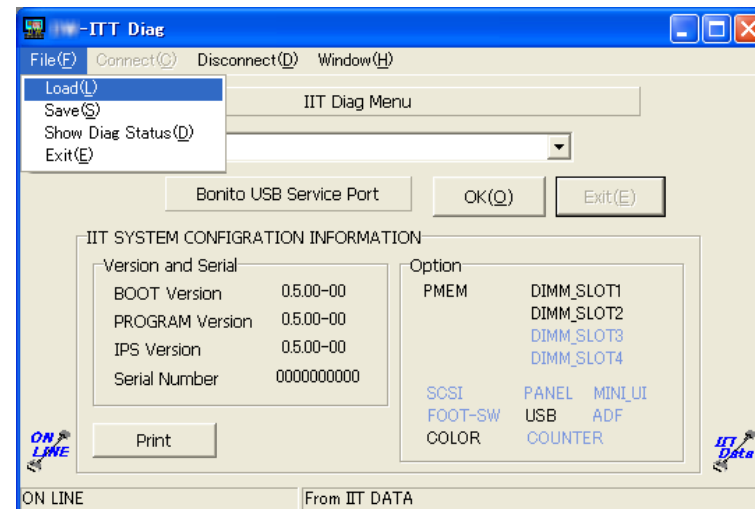


File\_Save

2. Specify the folder to save the file and any file name, and then click [Save].
3. All the data from the Diag Code that were executed are saved in the file (xxxx.pcd).

## Load File

1. Click [Load] under the [File] menu.



File\_Load

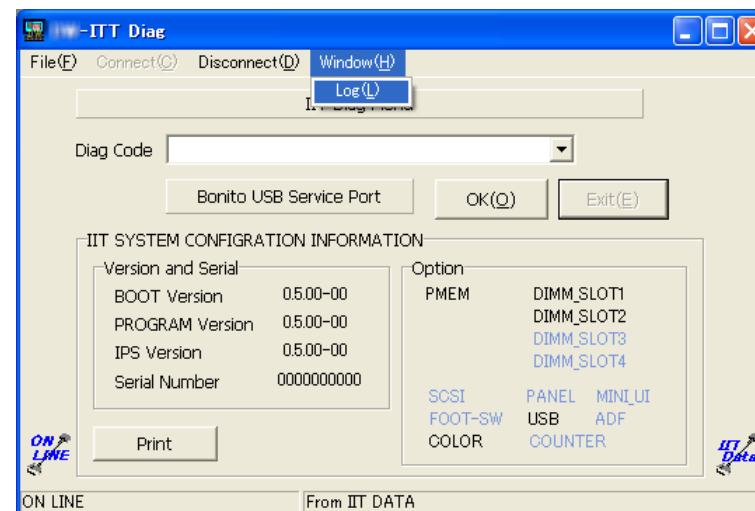
2. Select the file (xxxx.pcd) containing the data of the Diag Codes that were executed and click [OK].
3. The data from the Diag Codes that were executed are loaded.

**Note** The Diag results obtained here are the Diag results that were saved from the previous time. They can be referred to by using the various Diag Codes.

## Re-displaying the Log Window

When the IIT PC-Diag is activated, the Log Window is displayed together with the Main Menu, which enables the monitoring of communication log with the IIT. This re-displays the Log Window if it had been closed inadvertently.

1. Click [Log] under the [Window] menu.



Window\_Log

2. The Log Window is displayed.

## 6.5.6 Diag Code Functions and Operation Procedures

Diag Code that can be executed at WF6705 are as follows.

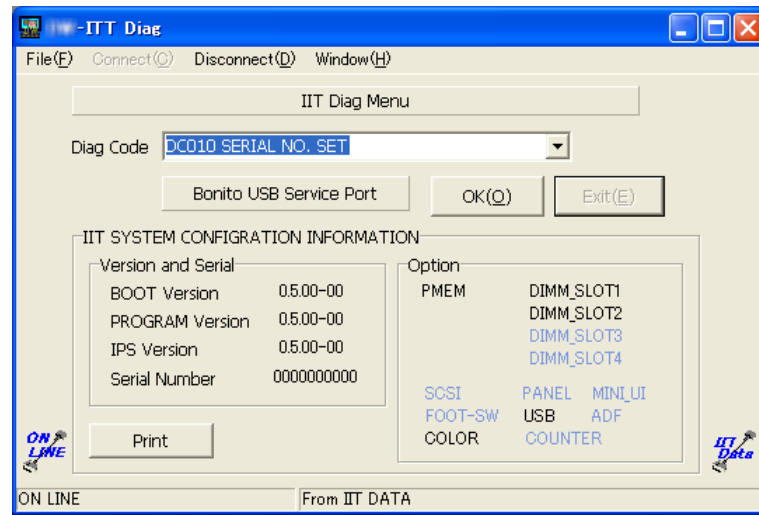
Diag Code	Remarks
DC010 SERIAL NO. SET	
DC102 ADJUST CLOCK	
DC108 SOFTWARE LEVELS	
DC109 CONFIG DISPLAY	
DC120 ERROR LOG COUNTERS	
DC122/123 ERROR HISTORY	
DC131 NOVRAM ACCESS	
DC139 FEED COUNT	
DC151 SHADING	
DC188 CALL CLOSEOUT	
DC301 RESET SERVICE COUNTERS	
DC315 IPS SELF TEST	
DC317 PATTERN TEST	
DC330 COMPONENT CONTROL	
DC361 SYSTEM DATA SAVE/RESTORE	
DC501 SCAN TEST	
DC505 AUTO ADJUSTMENT	
DC606 TEST PRINT	
SHADING ALL DATA	Not used in WF6705
GET DIAG DATA (For Debugging)	Not used in WF6705



## DC010 SERIAL NO. SET

### <Function Overview>

Displays/overwrites the serial number.

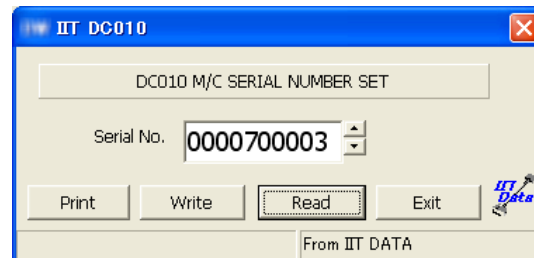


DC010\_top

### <Operation Procedure>

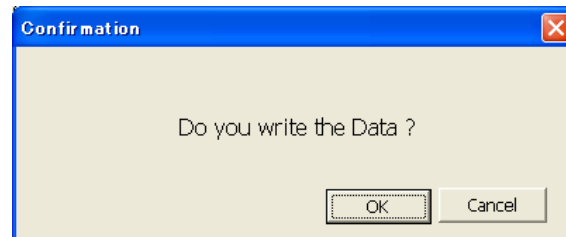
#### Updating the Serial No.

1. Select 'DC010 SERIAL NO. SET' from the [Diag Code] pull-down menu and click [OK].
2. Click [Read] to load the current data.
3. The current data appears.



DC010\_Dis

4. To change the M/C Serial No., select the Serial No. by using the scroll buttons and click [Write].  
**Reference** You can also enter the new number directly in the Serial No. display area.
5. A confirmation message will be displayed. To write the data, click [OK].



WriteDataOk

6. To exit the DC010, click [Exit].

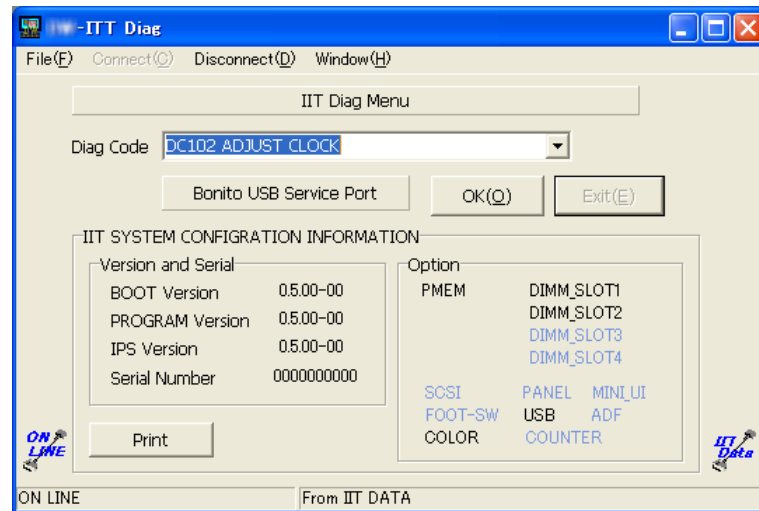
### **Print**

Outputs the DC010 information as a text file, or prints it out.  
(For the operation procedure, refer to **Print** of [6.5.5.2 IIT Diag Menu].)

## DC102 ADJUST CLOCK

### <Function Overview>

**Note** This Diag Code is not used because the IIT of WF6705 does not have a clock function.

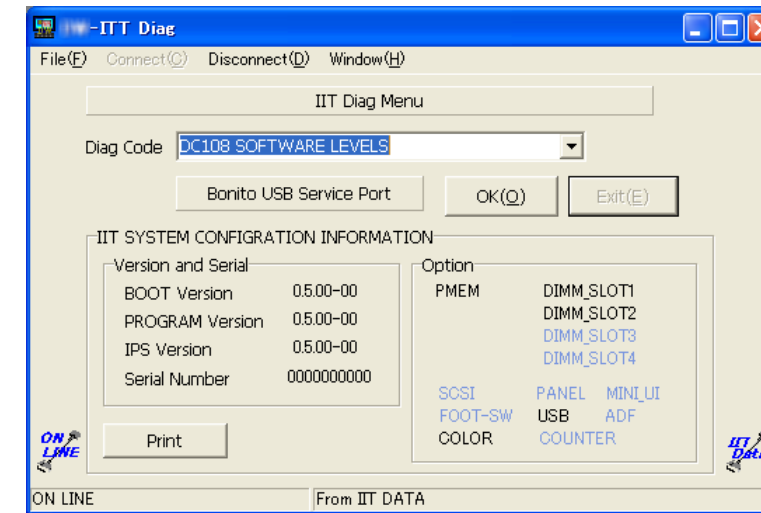


DC102\_top

## DC108 SOFTWARE LEVELS

### <Function Overview>

Displays the software version.

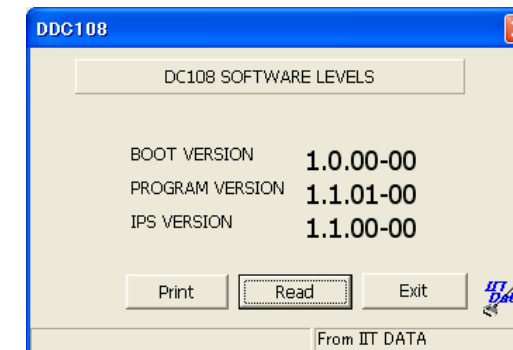


DC108\_top

### <Operation Procedure>

#### Reading the Software Version

1. Select 'DC108 SOFTWARE LEVELS' from the [Diag Code] pull-down menu and click [OK].
2. Click [Read] to load the current data.
3. The current data appears.



DC108\_Displ

4. To exit the DC108, click [Exit].

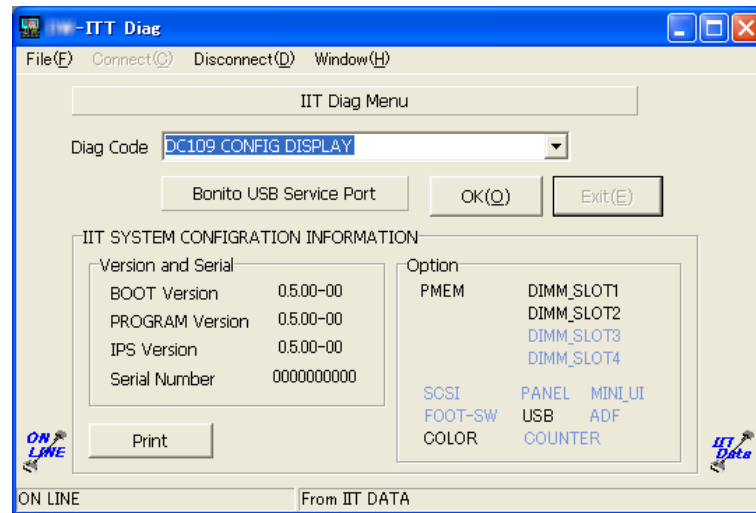
#### Print

Outputs the DC108 information as a text file, or prints it out.  
(For the operation procedure, refer to **Print** of [6.5.5.2 IIT Diag Menu].)

## DC109 CONFIG DISPLAY

### <Function Overview>

Displays the settings status of the options that are installed to the IIT.

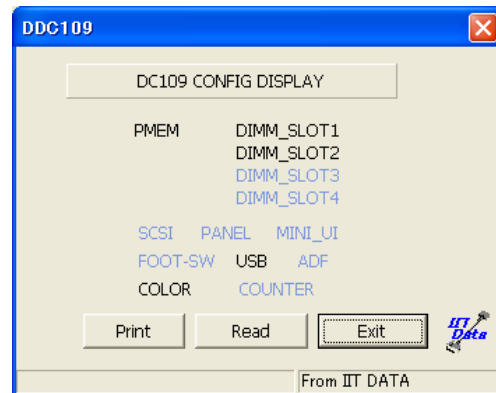


DC109\_top

### <Operation Procedure>

#### Reading the IIT Configuration

1. Select 'DC109 CONFIG DISPLAY' from the [Diag Code] pull-down menu and click [OK].
2. Click [Read] to load the current data.
3. The current data appears.



DC109\_Dis

4. To exit the DC109, click [Exit].

#### Print

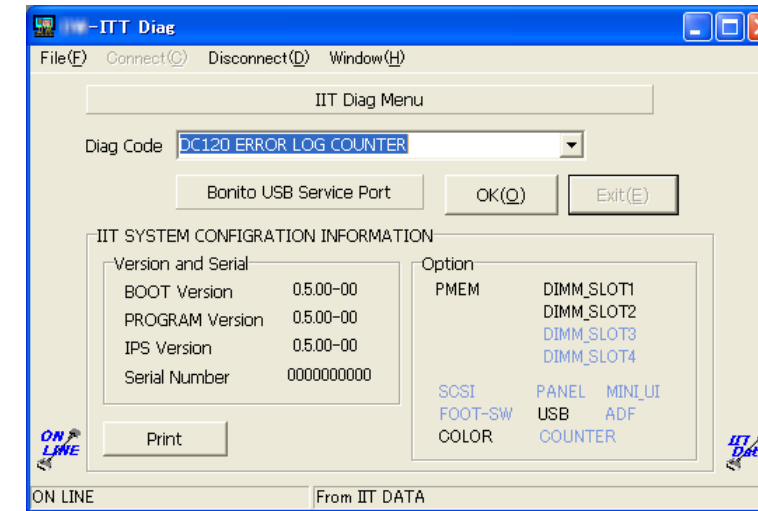
Outputs the DC109 information as a text file, or prints it out.  
(For the operation procedure, refer to **Print** of [6.5.5.2 IIT Diag Menu].)

## DC120 ERROR LOG COUNTERS

### <Function Overview>

Displays or clears the log counter of the errors that have occurred in the IIT.

The listed items are: Chain-Link No., Description, and Count.

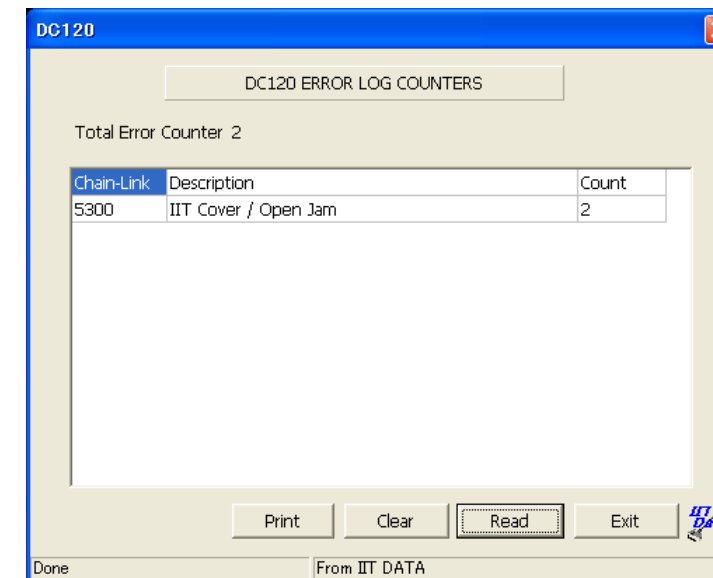


DC120\_top

### <Operation Procedure>

#### Reading the Error Log Counter

1. Select 'DC120 ERROR LOG COUNTERS' from the [Diag Code] pull-down menu and click [OK].
2. Click [Read] to load the current data.
3. The current data appears.

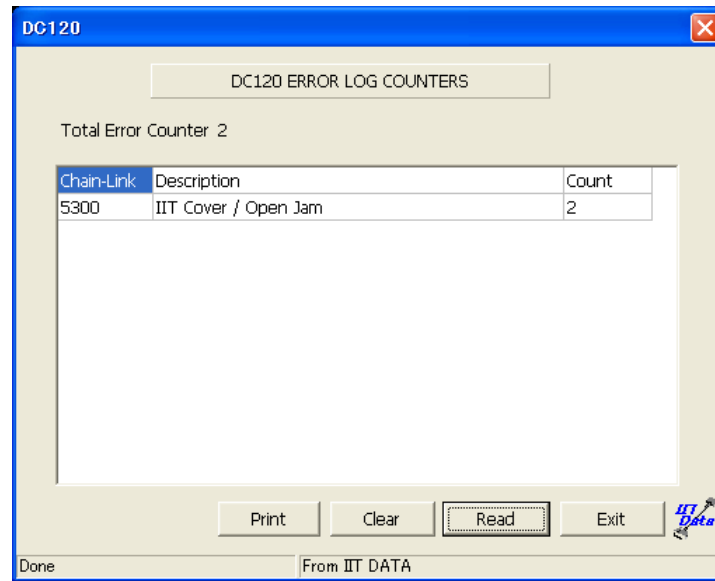


DC120\_Dis

4. To exit the DC120, click [Exit].

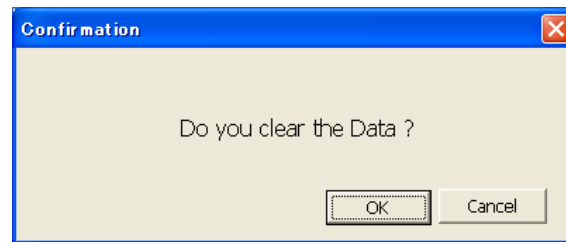
## Clearing the Error Log Counter

1. Select 'DC120 ERROR LOG COUNTERS' from the [Diag Code] pull-down menu and click [OK].
2. Click [Read] to load the current data.
3. Click [Clear].



DC120\_Displ

4. A confirmation message will be displayed. To clear the data, click [OK].



ClearDataOk

5. To exit the DC120, click [Exit].

## Print

Outputs the DC120 information as a text file, or prints it out.  
(For the operation procedure, refer to **Print** of [6.5.5.2 IIT Diag Menu].)

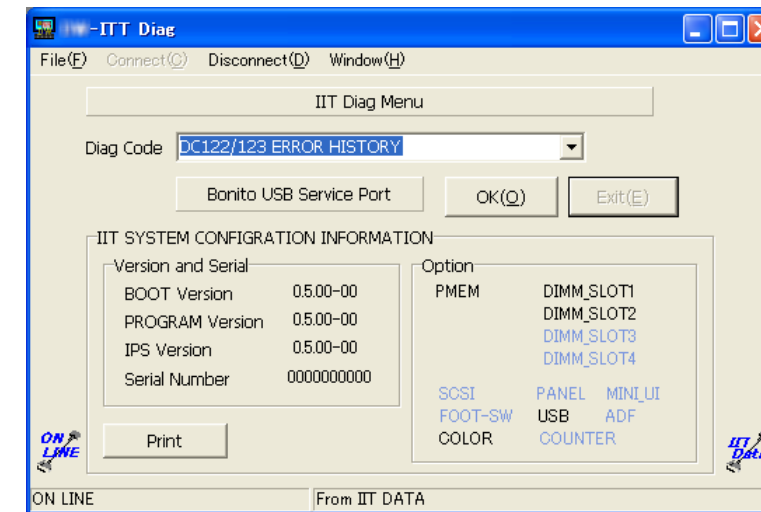
## DC122/123 ERROR HISTORY

### <Function Overview>

Displays or clears the failure/jam history in the IIT that had caused the machine to stop.

The listed items are: Chain-Link No., Description, Date, and Feed Count.

The item that occurred most recently will appear first in the list.

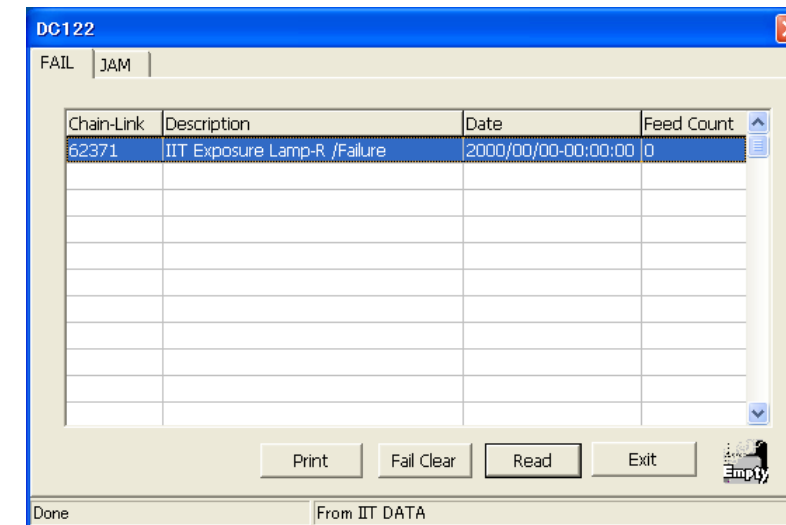


DC122\_top

### <Operation Procedure>

#### Reading the Error/Jam History

1. Select 'DC122/123 ERROR HISTORY' from the [Diag Code] pull-down menu and click [OK].
2. On the [FAIL] tab or the [JAM] tab, click [Read] to load the current data.
3. The current data appears.

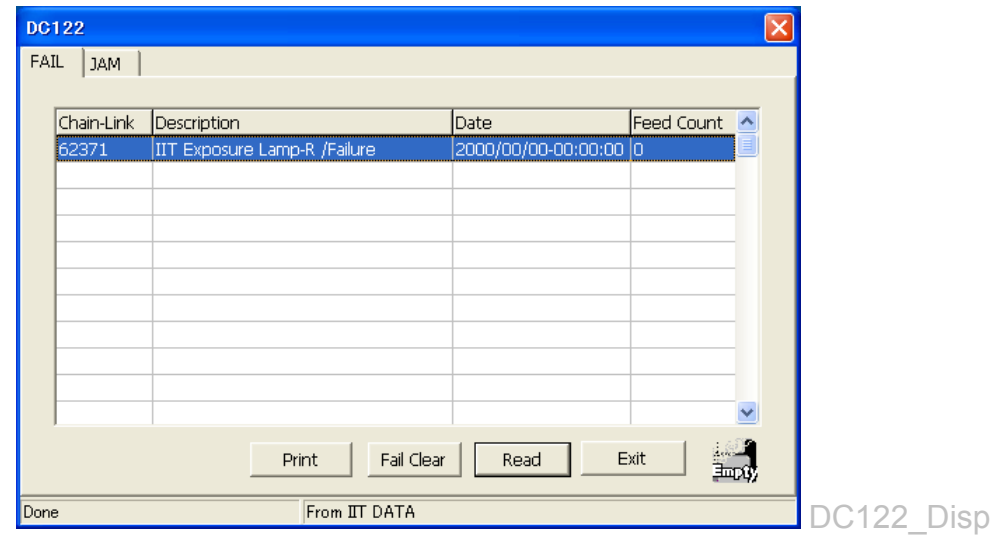


DC122\_Displ

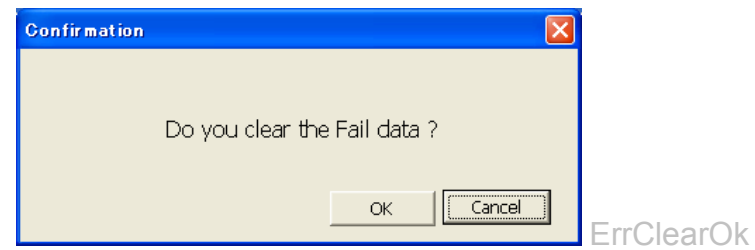
4. To exit the DC122/123, click [Exit].

### Clearing the Error History

1. Select 'DC122/123 ERROR HISTORY' from the [Diag Code] pull-down menu and click [OK].
2. On the [FAIL] tab, click [Read] to load the current data.
3. Click [Fail Clear].



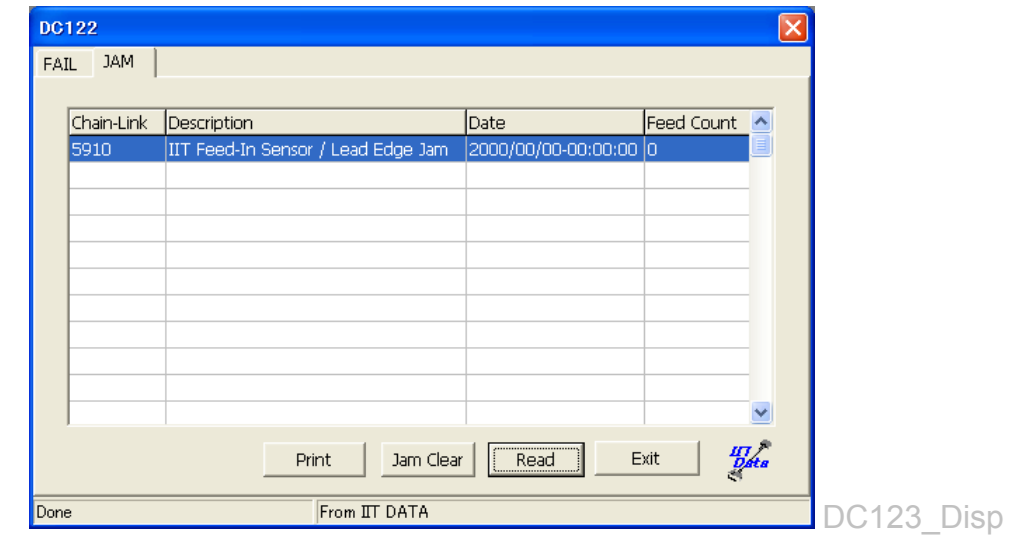
4. A confirmation message will be displayed. To clear the data, click [OK].



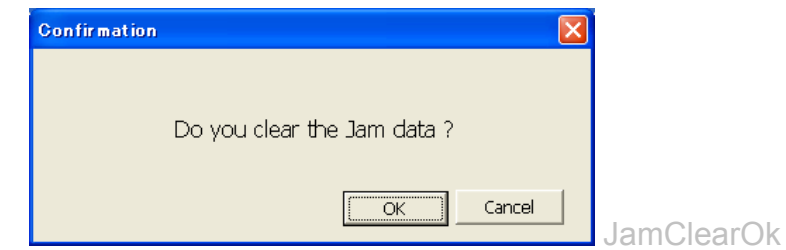
5. To exit the DC122/123, click [Exit].

### Clearing the Jam History

1. Select 'DC122/123 ERROR HISTORY' from the [Diag Code] pull-down menu and click [OK].
2. On the [JAM] tab, click [Read] to load the current data.
3. Click [Jam Clear].



4. A confirmation message will be displayed. To clear the data, click [OK].



5. To exit the DC122/123, click [Exit].

### Print

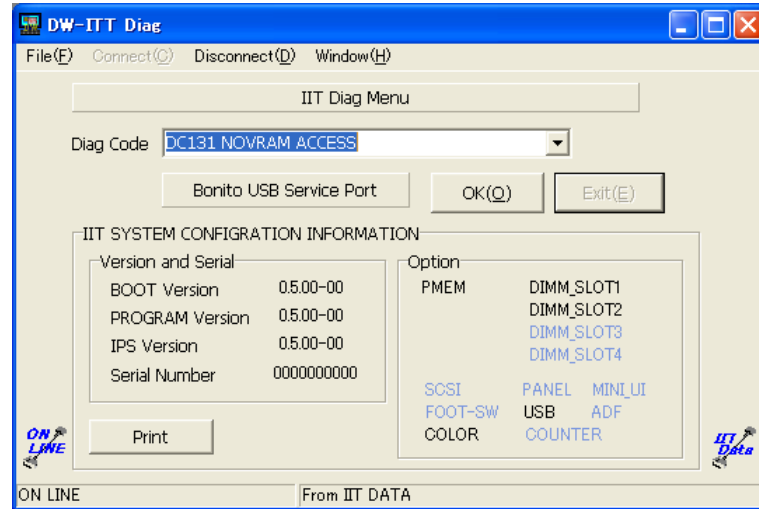
Outputs the DC122/123 information as a text file, or prints them out. (For the operation procedure, refer to **Print** of [6.5.5.2 IIT Diag Menu].)

## DC131 NOVRAM ACCESS

### <Function Overview>

Reads, writes, and initializes the NVM Data.

The listed items are: Chain-Link No., Description, C, Value, Initial, Unit, Min/Max (for value).



DC131\_top

Chain-Link : Number of System Data

Description : Detailed information

C (= Changed): A '\*' is displayed for data that is different from its default value.

Value : Current value

Initial : Default value

Unit : Unit

Min : The minimum value that can be set

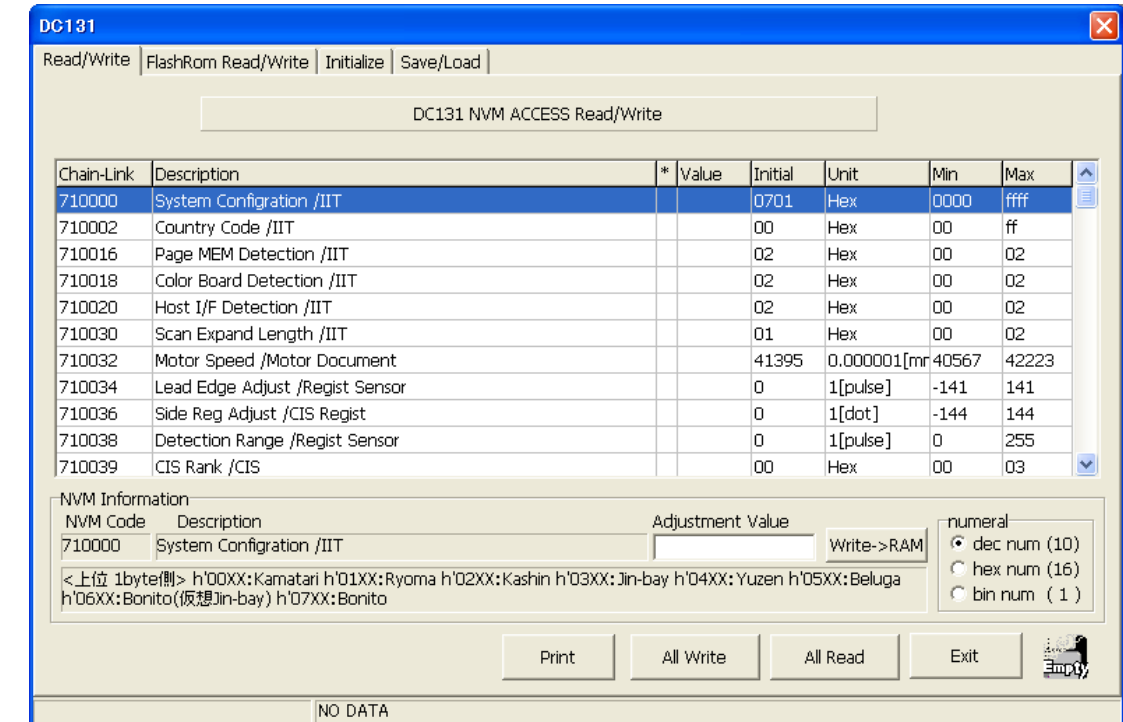
Max : The maximum value that can be set

### <Operation Procedure>

#### Read/Write

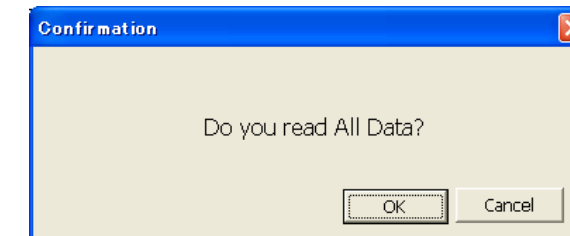
##### <<Reading All NVM Data>>

1. Select 'DC131 NOVRAM ACCESS' from the [Diag Code] pull-down menu and click [OK].
2. On the [Read/Write] tab, click [All Read] to read the current data.



DC131\_RW\_top

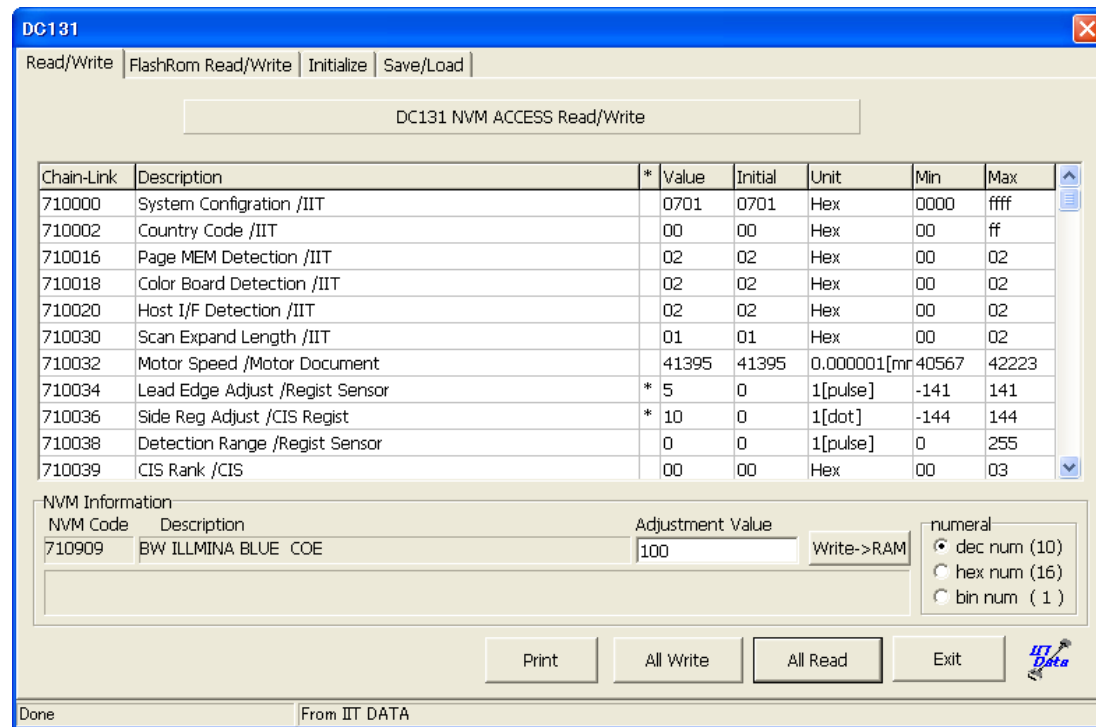
3. A confirmation message will be displayed. To read the data, click [OK].



ReadAllDataOk

4. The current data appears.

**Note** Values with '\*' indicates that they have changed from the default value.



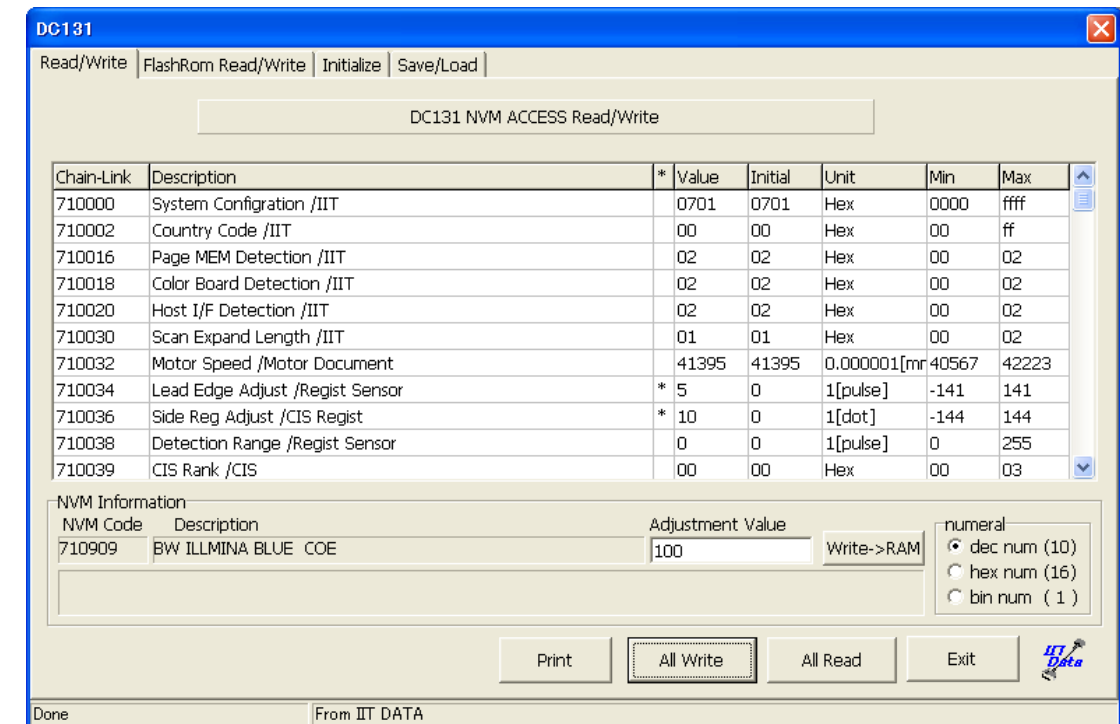
DC131\_RW\_AllRead

<<Writing All NVM Data>>

Perform this when you want to overwrite all the data that was loaded from a file (by performing [Load] at the [File] menu in the IIT Diag Menu screen) in one go. (Performs batch processing for the change in individual NVM data by the execution of [Write->RAM], which will be described later.)

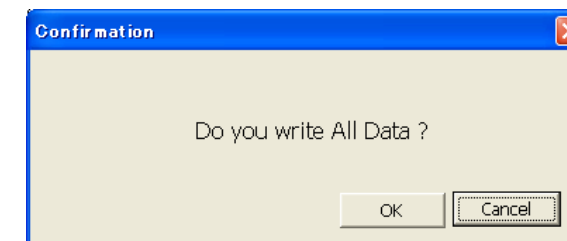
**Note** Because this will overwrite all the data, make sure that all NVM data items have been correctly entered before performing it.

1. Select 'DC131 NOVRAM ACCESS' from the [Diag Code] pull-down menu and click [OK].
2. On the [Read/Write] tab, click [All Write].



DC131\_RW\_AllWrite

3. A confirmation message will be displayed. To write the data, click [OK].

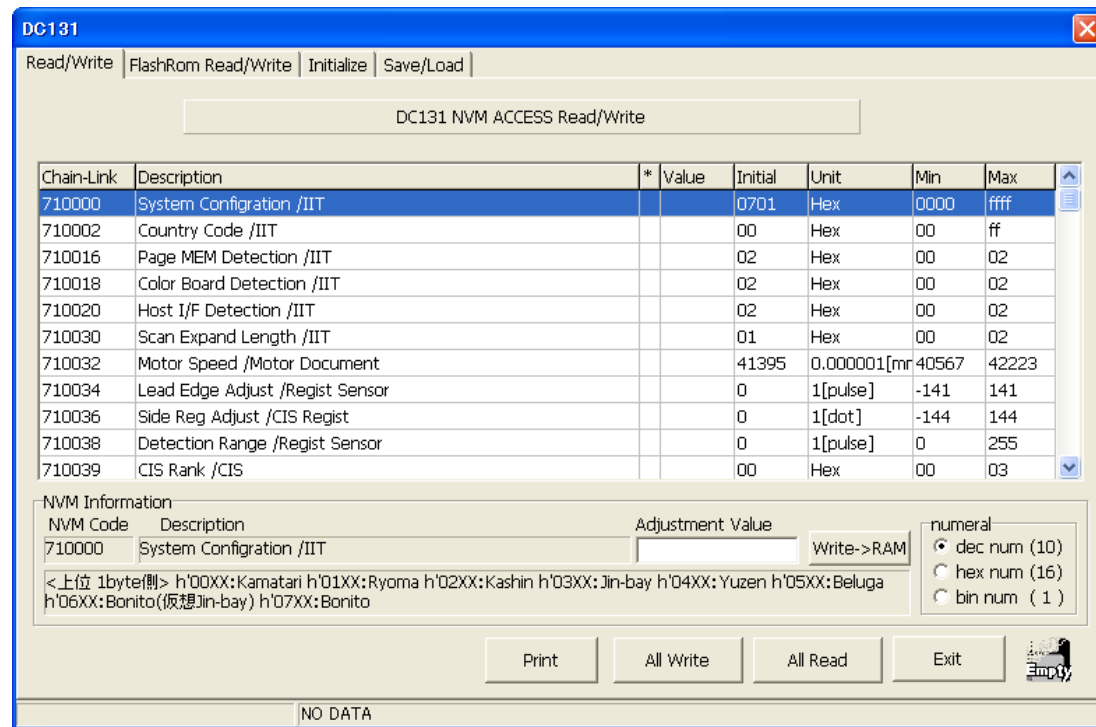


WriteAllDataOk

4. On the [Save/Load] tab, perform [Save (RAM->EEPROM (Rewrite))]. (For more details, refer to **Save/Load**)

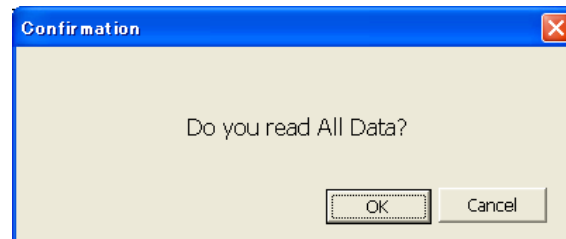
<<Changing the NVM Value>>

1. Select 'DC131 NOVRAM ACCESS' from the [Diag Code] pull-down menu and click [OK].
2. On the [Read/Write] tab, click [All Read] to read the current data.



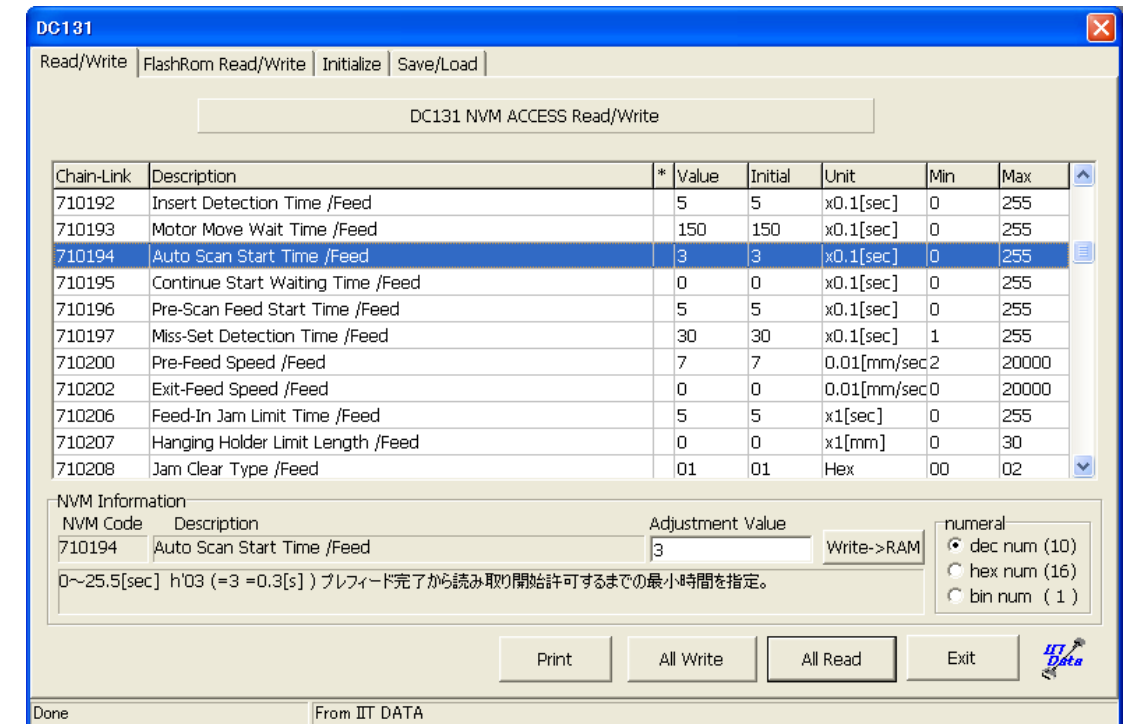
DC131\_RW\_top

3. A confirmation message will be displayed. To read the data, click [OK].



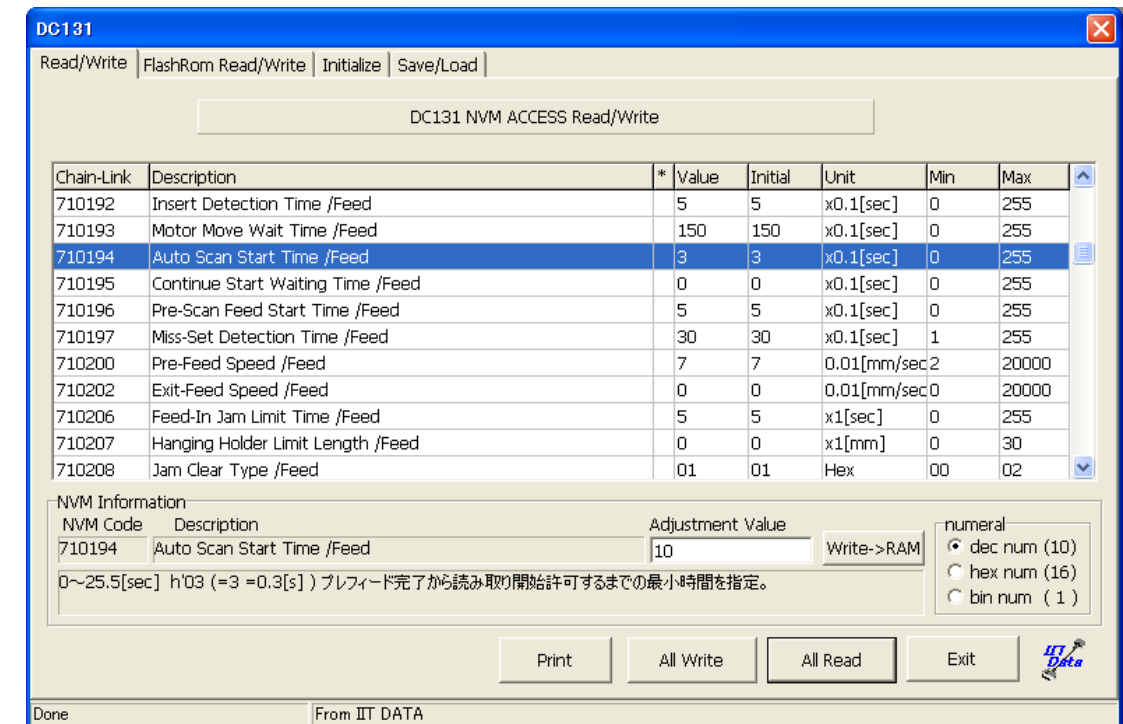
ReadAllDataOk

4. Selecting a code to change displays the current value of the selected code in [Adjustment Value] under [NVM Information].



DC131\_RW\_Select

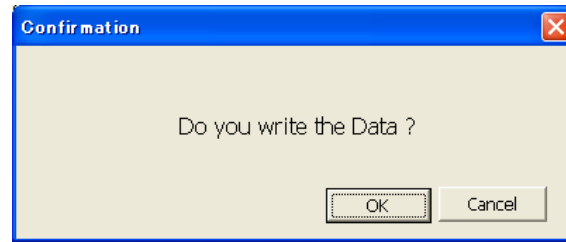
5. Change the NVM value and click [Write->RAM].



DC131\_RW\_Value

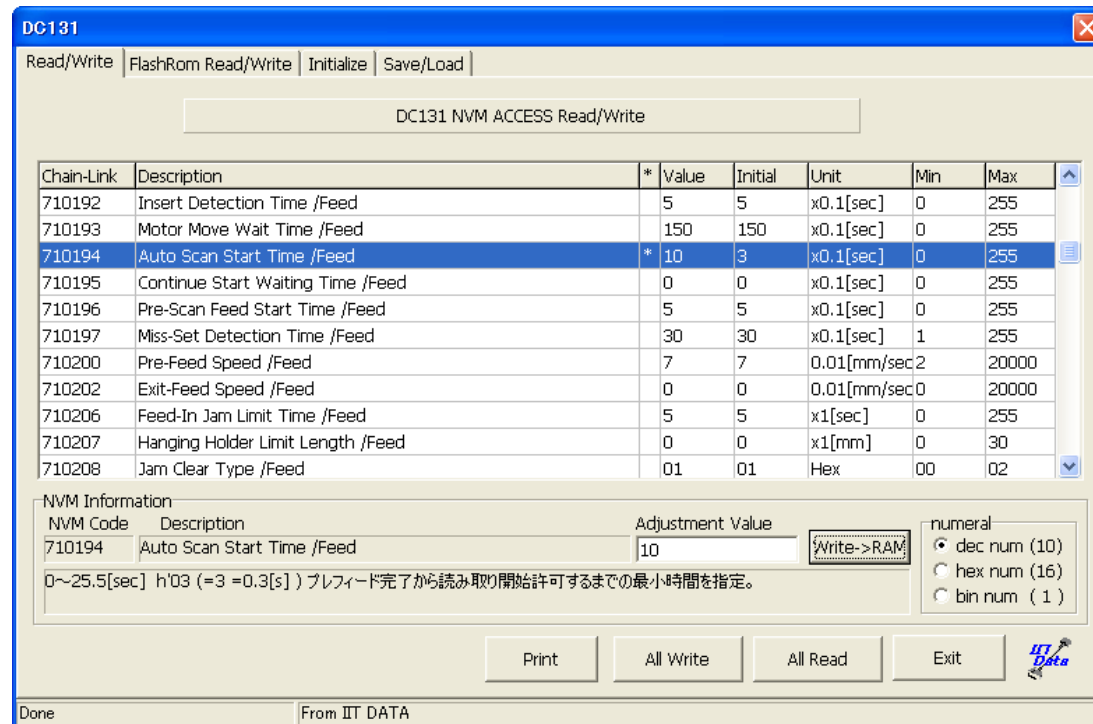


6. A confirmation message will be displayed. To write the data, click [OK].



WriteDataOk

7. The NVM value of the selected code is changed to the value that you have entered.

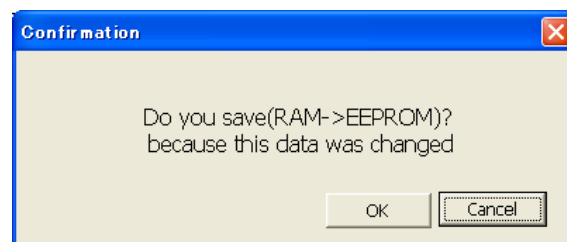


DC131\_RW\_Change

8. On the [Save/Load] tab, perform [Save (RAM->EEPROM (Rewrite))]. (For more details, refer to **[Save/Load]**)

**Note** After changing an NVM value, if you try to exit DC131 without overwriting the data in the EEPROM, the following message will be displayed.

To overwrite the data in the EEPROM, click [OK]. To keep the data in the EEPROM, click [Cancel].



SaveRamEepromBeforeDc131Exit

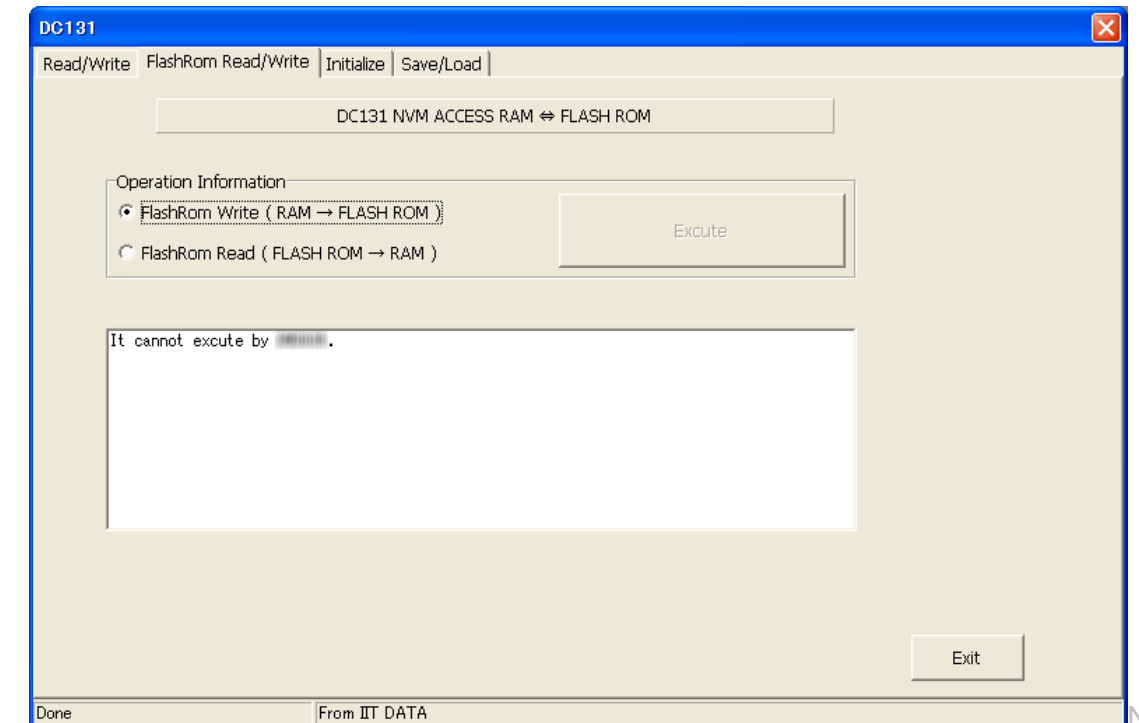
## Print

Outputs the DC131 information as a text file, or prints it out. (For the operation procedure, refer to **Print** of [6.5.5.2 IIT Diag Menu].)

## Flash ROM Read/Write

Writes the NVM data in the RAM into the Flash ROM. Also reads the NVM data in the Flash ROM and loads it into the RAM.

**Note** Although this operation is required when replacing the backup battery, this function is not available for WF6705 because it does not have a backup battery.



\_RamFlashrom\_write

NVM

## Initialize

Initializes the NVM data.

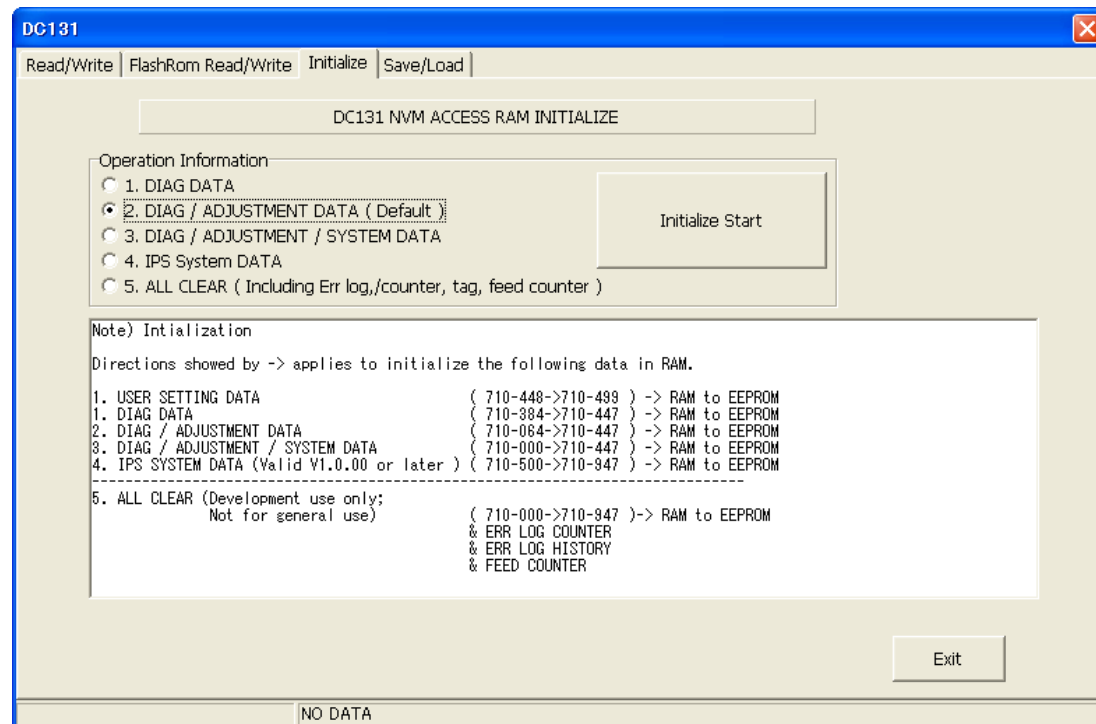
**Note** Normally, the NVM data is initialized using [2. DIAG/ADJUSTMENT DATA].

Do not use [5. ALL CLEAR] because it is a tool dedicated for development.

**Note** As performing **Initialize** only initializes the data in the RAM, to ensure that it remains valid even after the power is turned OFF/ON, perform [Save (RAM->EEPROM (Rewrite))], which will be described later.

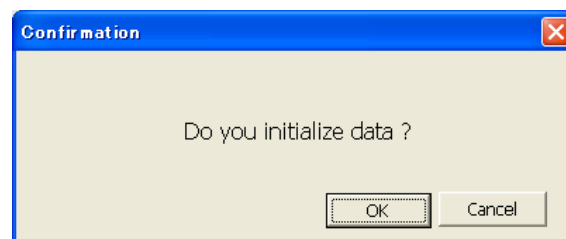
### <<DIAG/ADJUSTMENT DATA>>

1. Select 'DC131 NOVRAM ACCESS' from the [Diag Code] pull-down menu and click [OK].
2. Select [2. DIAG/ADJUSTMENT DATA] under [Operation Information] at the [Initialize] tab, and then click [Initialize Start].



DC131\_Initialize

3. A confirmation message will be displayed. To initialize the data, click [OK].



InitializeDataOk

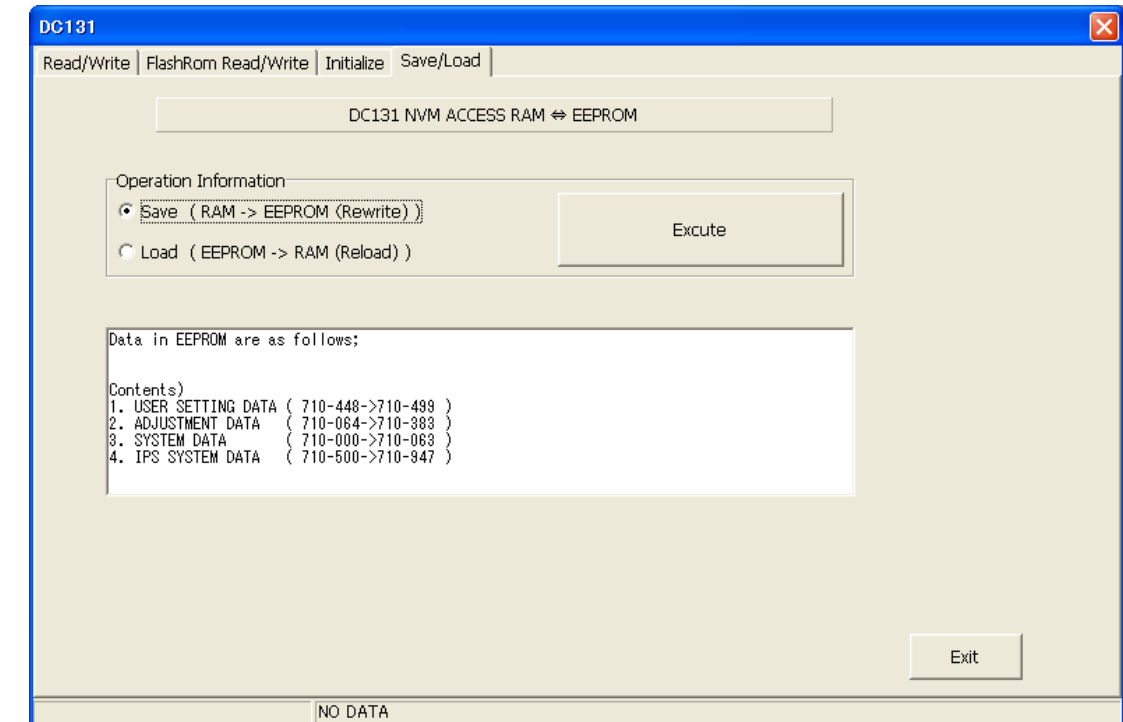
4. After the initialization has completed, perform [Save (RAM->EEPROM (Rewrite))] at the [Save/Load] tab. (For more details, refer to **Save/Load**)

## Save/Load

Writes the NVM data in the RAM into the EEPROM. Also reads the NVM data in the EEPROM and loads it into the RAM.

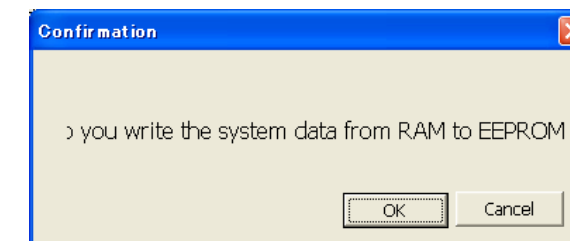
### <<Save (RAM->EEPROM (Rewrite))>>

1. Select 'DC131 NOVRAM ACCESS' from the [Diag Code] pull-down menu and click [OK].
2. On the [Save/Load] tab, select [Save (RAM->EEPROM (Rewrite))] under [Operation Information] and click [Execute].



DC131\_Save

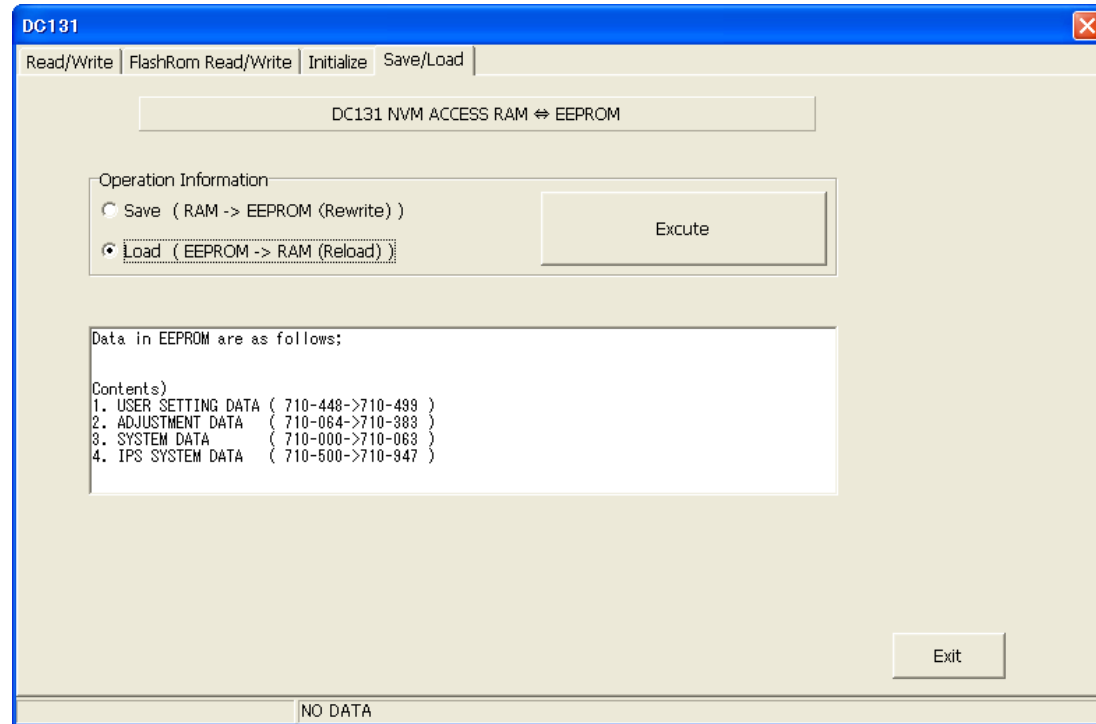
3. A confirmation message will be displayed. To write the data, click [OK].



RamEepromOk

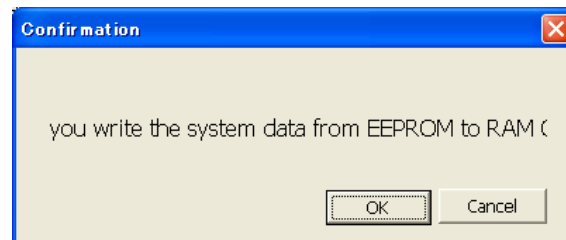
<<Load (EEPROM->RAM (Reload))>>

1. Select 'DC131 NOVRAM ACCESS' from the [Diag Code] pull-down menu and click [OK].
2. On the [Save/Load] tab, select [Load (EEPROM->RAM (Reload))] under [Operation Information] and click [Execute].



DC131\_Load

3. A confirmation message will be displayed. To read the data, click [OK].



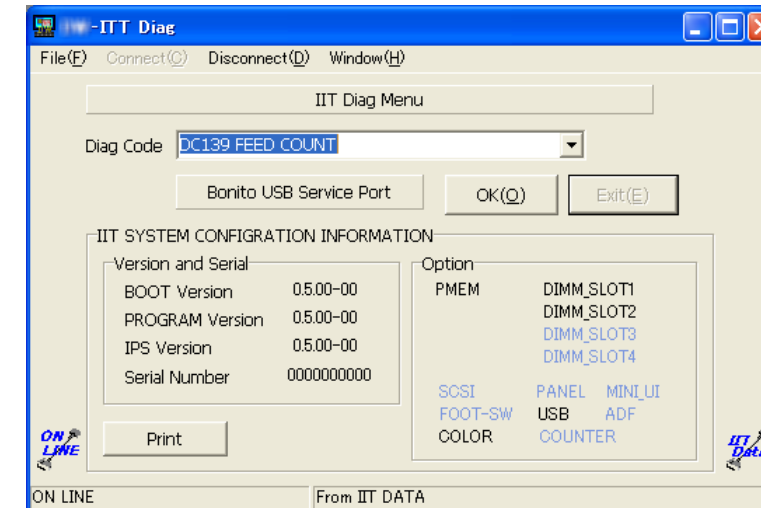
EepromRamOk

**DC139 FEED COUNT**

<Function Overview>

Displays or clears the document feed count.

The listed items are: No., Counter indication classification, and Feed Count.

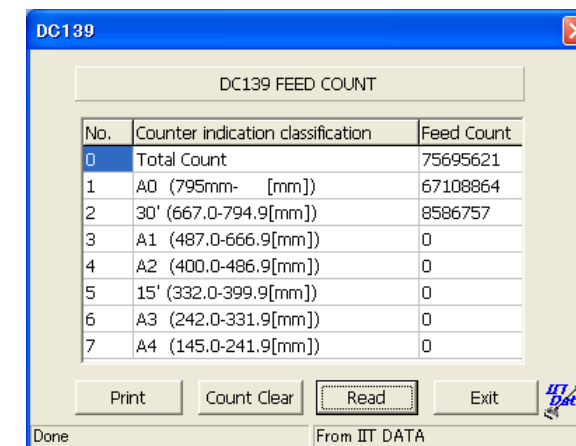


DC139\_top

<Operation Procedure>

Reading the Feed Count

1. Select 'DC139 FEED COUNT' from the [Diag Code] pull-down menu and click [OK].
2. Click [Read] to load the current data.
3. The current data appears.

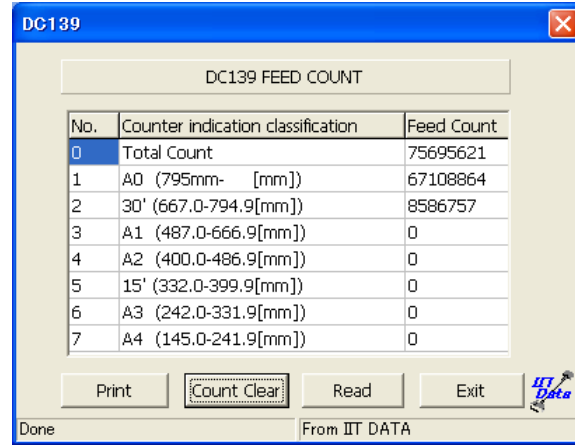


DC139\_read

4. To exit the DC139, click [Exit].

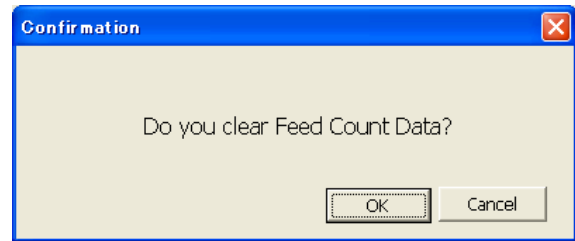
## Clearing the Feed Count

1. Select 'DC139 FEED COUNT' from the [Diag Code] pull-down menu and click [OK].
2. Click [Read] to load the current data.
3. Click [Count Clear].



DC139\_clear

4. A confirmation message will be displayed. To clear the data, click [OK].



ClearFeedCntDataOk

5. To exit the DC139, click [Exit].

## Print

Outputs the DC139 information as a text file, or prints it out.  
(For the operation procedure, refer to **Print** of [6.5.5.2 IIT Diag Menu].)

## DC151 SHADING

### <Function Overview>

Performs shading.

Can be used to independently perform black, white, and color shadings.

**Note** Normally, the shading is performed in the order of black, white, then color.

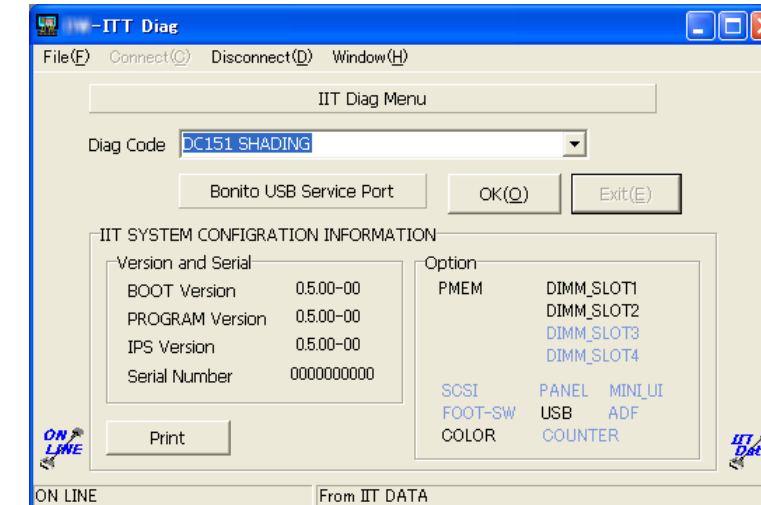
**Reference** In WF6705, normally a fixed shading data is not used as the shading is performed for each Job.

To scan using fixed shading data for the purpose of isolating shading-related visible image problems, perform the following.

1. Perform DC151 and save the shading data.
2. Use DC131 to change the value of 710-096 (White Correction Retrieval Settings) from 'h'02' (Perform at Lamp ON) to 'h'03' (Load Save Data).

By doing this, the subsequent scans will use the fixed shading data that was saved by DC151 for scanning.

After the image problem is isolated, **make sure to return the value of 710-096 from 'h'03' (Load Save Data) to 'h'02' (Perform at Lamp ON).**



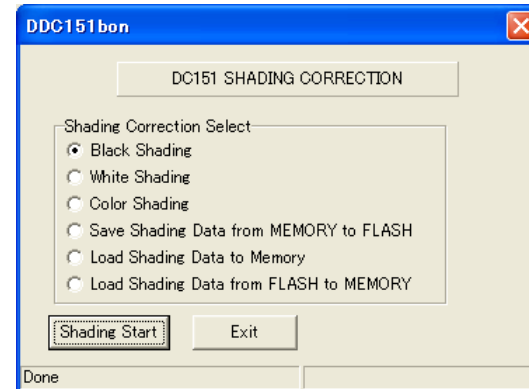
DC151\_top

## <Operation Procedure>

### Performing Shading

1. Select 'DC151 SHADING' from the [Diag Code] pull-down menu and click [OK].
2. Select [Black Shading] under [Shading Correction Select] and click [Shading Start].

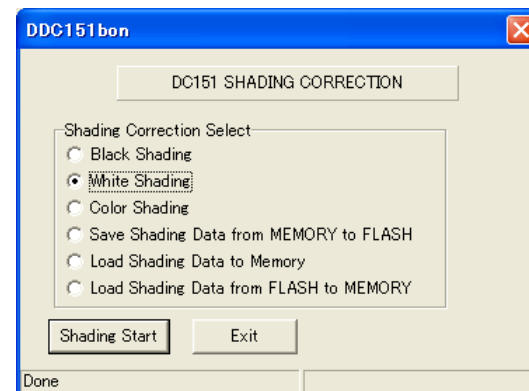
Wait until the status display at the bottom left of the dialog changes from 'Wait' to 'Done'.



DC151\_Black

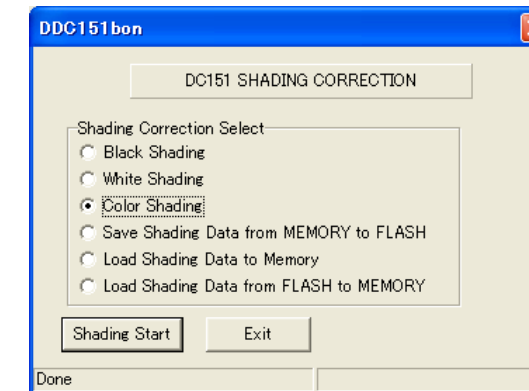
3. Remove the Upper Document Transport and clean the Platen Glass.
4. Place the Shading Correction sheet on the Platen Glass and install the Upper Document Transport.
5. Select [White Shading] under [Shading Correction Select] and click [Shading Start].

Wait until the status display at the bottom left of the dialog changes from 'Wait' to 'Done'.



DC151\_White

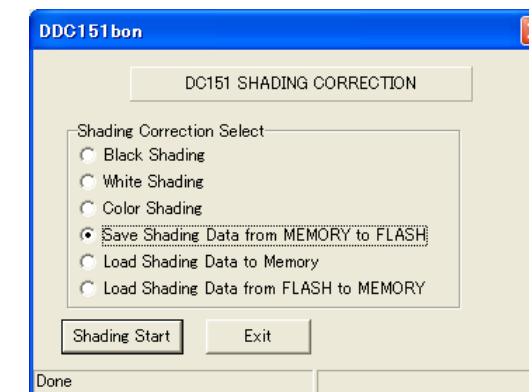
6. Select [Color Shading] under [Shading Correction Select] and click [Shading Start].  
Wait until the status display at the bottom left of the dialog changes from 'Wait' to 'Done'.



DC151\_Color

7. Repeat Steps 3. to 6. 2 more times to perform the white and color shading a total of 3 times each.
8. Select [Save Shading Data from MEMORY to FLASH] under [Shading Correction Select] and click [Shading Start] to save the shading data.

Wait until the status display at the bottom left of the dialog changes from 'Wait' to 'Done'.



DC151\_Save

9. To exit the DC151, click [Exit].

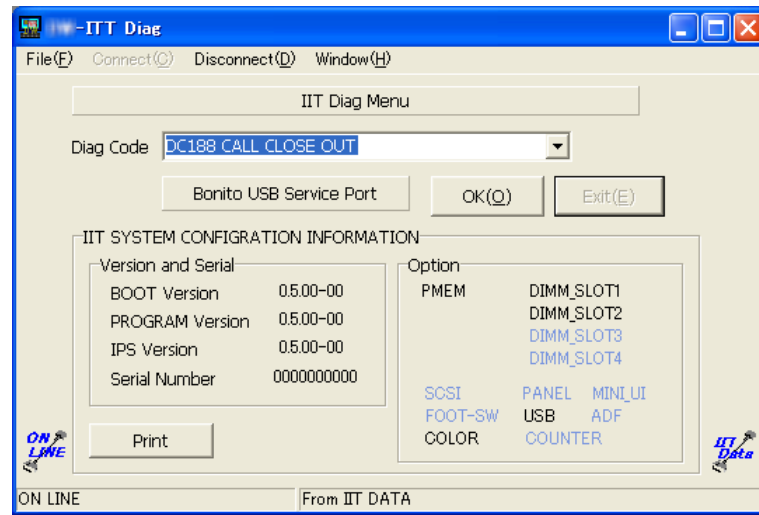
### Print

Outputs the DC151 information as a text file, or prints it out.  
(For the operation procedure, refer to **Print** of [6.5.5.2 IIT Diag Menu].)

## DC188 CALL CLOSEOUT

### <Function Overview>

Exits the IIT PC-Diag Mode.



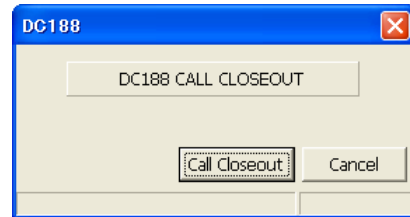
DC188\_top

### <Operation Procedure>

#### Exiting the IIT PC-Diag Mode

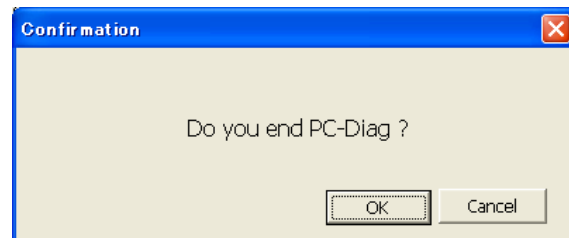
1. Select 'DC188 CALL CLOSEOUT' from the [Diag Code] pull-down menu and click [OK].
2. Click [Call Closeout].

**Note** Clicking [Cancel] returns you to the IIT Diag Menu.



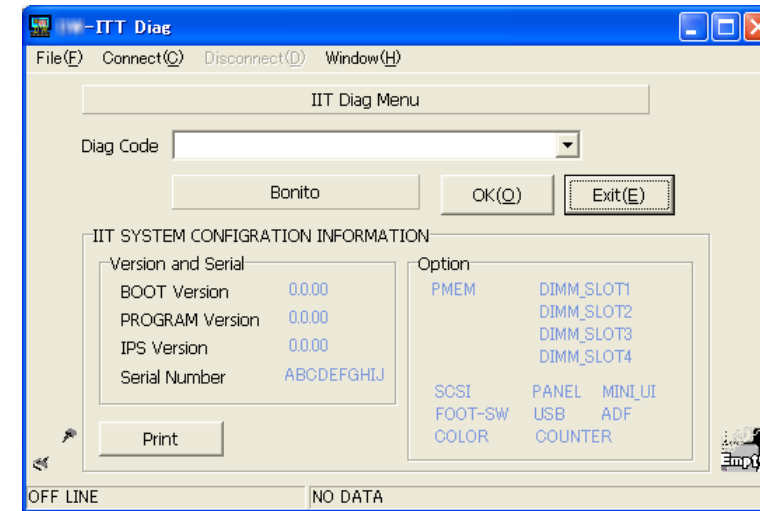
CallCloseout

3. A confirmation message will be displayed. To exit the IIT PC-Diag Mode, click [OK].



PcDiagEndOk

4. The IIT Diag Menu becomes in 'OFF LINE' state.

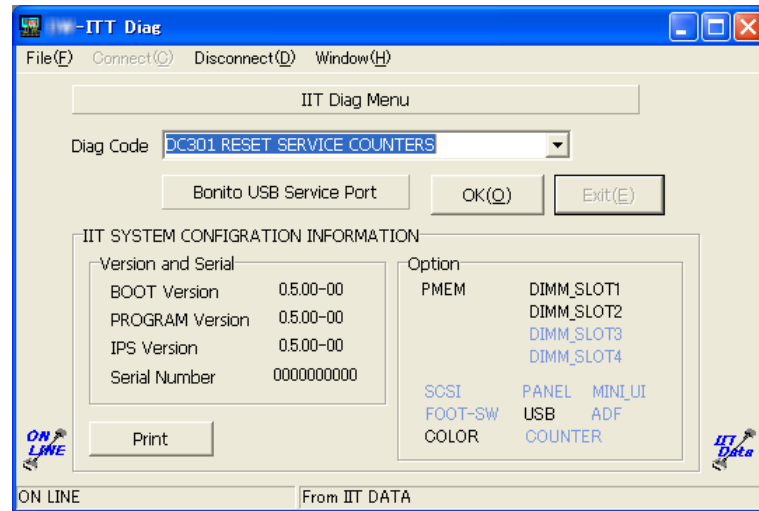


IITDisconnect

## DC301 RESET SERVICE COUNTERS

### <Function Overview>

Resets the specified counters (ERROR LOG, ERROR HISTORY (JAM/FAIL), FEED COUNTER).



DC301\_top

### <Operation Procedure>

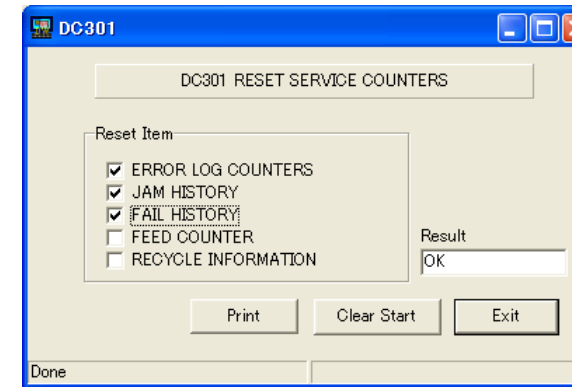
#### Resetting the Specified Counter

1. Select 'DC301 RESET SERVICE COUNTERS' from the [Diag Code] pull-down menu and click [OK].
2. Select the item(s) to be reset under [Reset Item] and click [Clear Start].



DC301\_Select

3. OK/NG will be displayed in the Result column.



DC301\_ResultOK

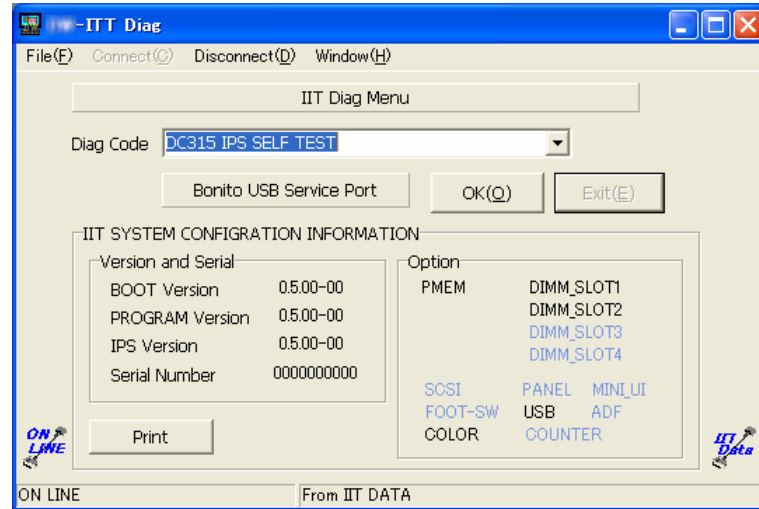
4. To exit the DC301, click [Exit].

## DC315 IPS SELF TEST

### <Function Overview>

Checks operations of the IPS.

- Can also be used to test all the IPS Self Tests (Read/Write) in one go.

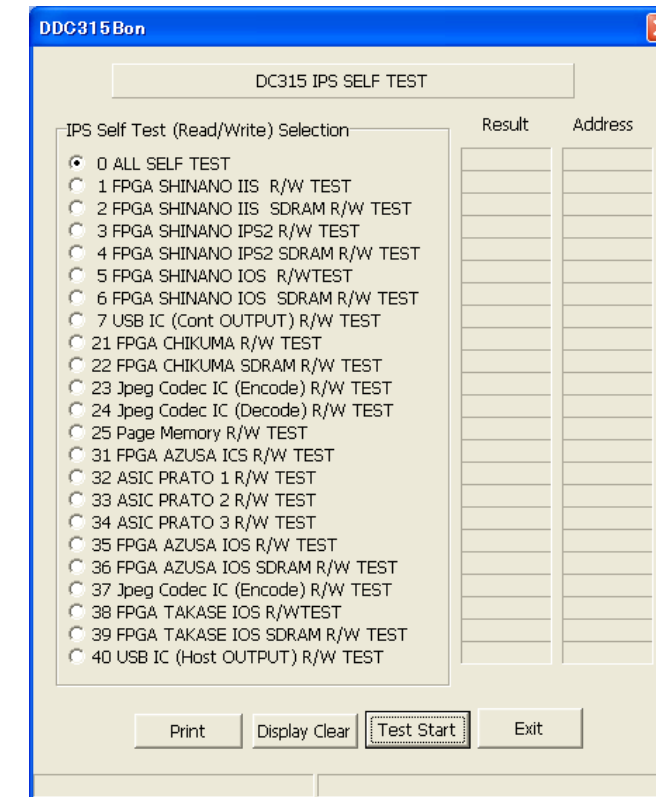


DC315\_top

### <Operation Procedure>

#### Performing the Test

1. Select 'DC315 IPS SELF TEST' from the [Diag Code] pull-down menu and click [OK].
2. Select the item to be tested under [IPS Self Test (Read/Write) Selection] and click [Test Start].



DC315\_Selection

3. OK/NG (error information) will be displayed in the Result column.  
Reference Clicking [Display Clear] clears the display in the Result column.
4. To exit the DC315, click [Exit].

#### Print

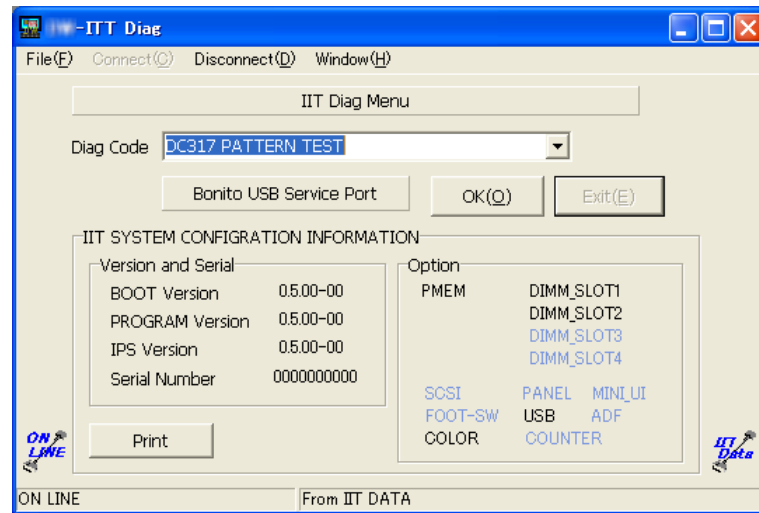
Outputs the DC315 information as a text file, or prints it out.  
(For the operation procedure, refer to **Print** of [6.5.5.2 IIT Diag Menu].)



## DC317 PATTERN TEST

### <Function Overview>

Checks the IPS data path.

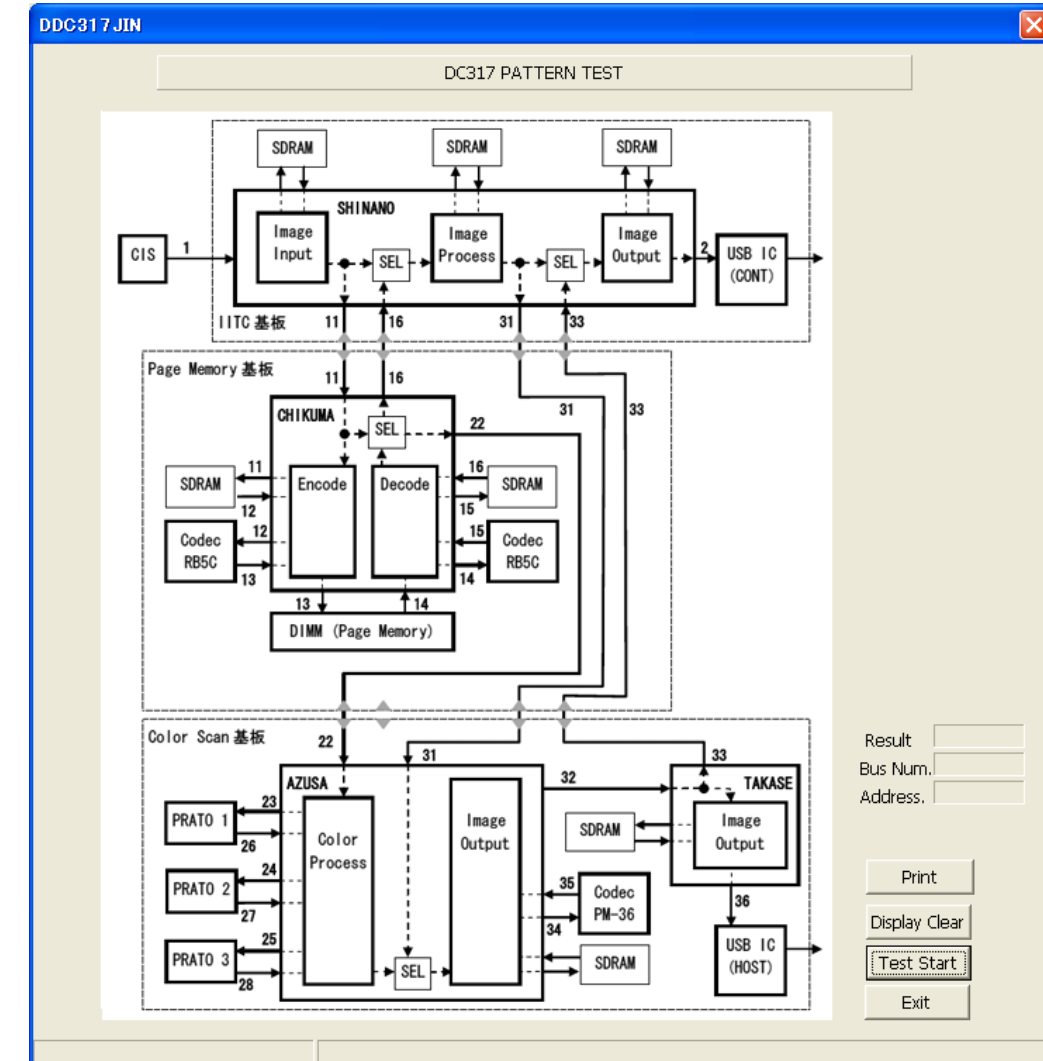


DC317\_top

### <Operation Procedure>

#### Performing the Test

1. Select 'DC317 PATTERN TEST' from the [Diag Code] pull-down menu and click [OK].
2. Click [Test Start].



DC317\_Pattern

3. After 1 minute or so, OK/NG (error information) will be displayed in the Result column.  
Reference Clicking [Display Clear] clears the display in the Result column.
4. To exit the DC317, click [Exit].

#### Print

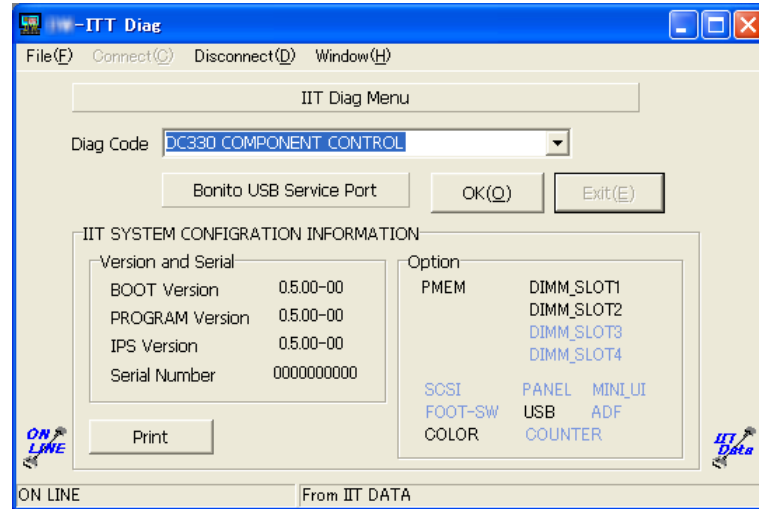
Outputs the DC317 information as a text file, or prints it out.  
 (For the operation procedure, refer to **Print** of [6.5.5.2 IIT Diag Menu].)

## DC330 COMPONENT CONTROL

### <Function Overview>

Checks the I/O of the components, and etc.

The listed items are: Chain-Link No., Description, and Status.



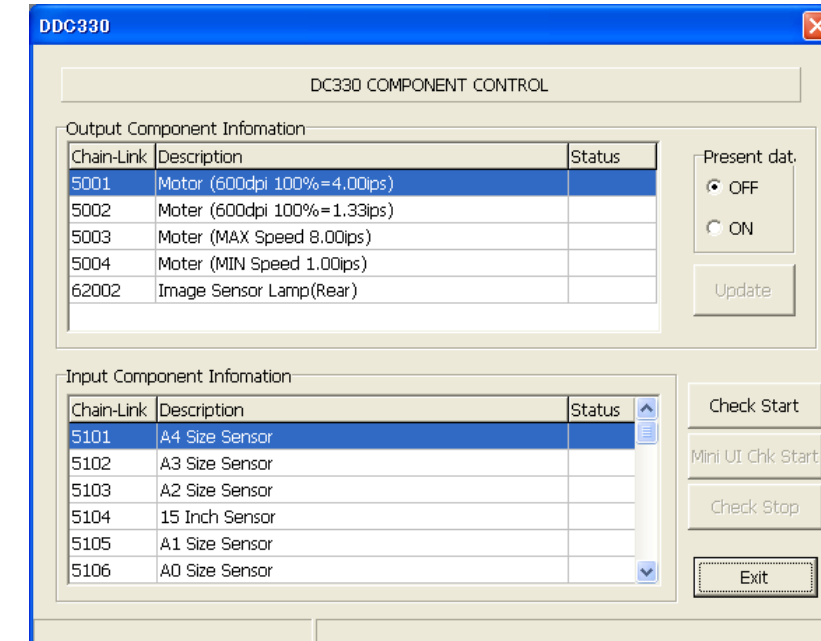
DC330\_top

### <Operation Procedure>

#### Checking the INPUT Parts

1. Select 'DC330 COMPONENT CONTROL' from the [Diag Code] pull-down menu and click [OK].
2. The INPUT parts will be displayed under 'Input Component Information'. Click [Check Start] to test the item you want to check.

**Note** Clicking [Check Start] prompts the INPUT component to monitor all the INPUT parts in real time.



DC330\_Input

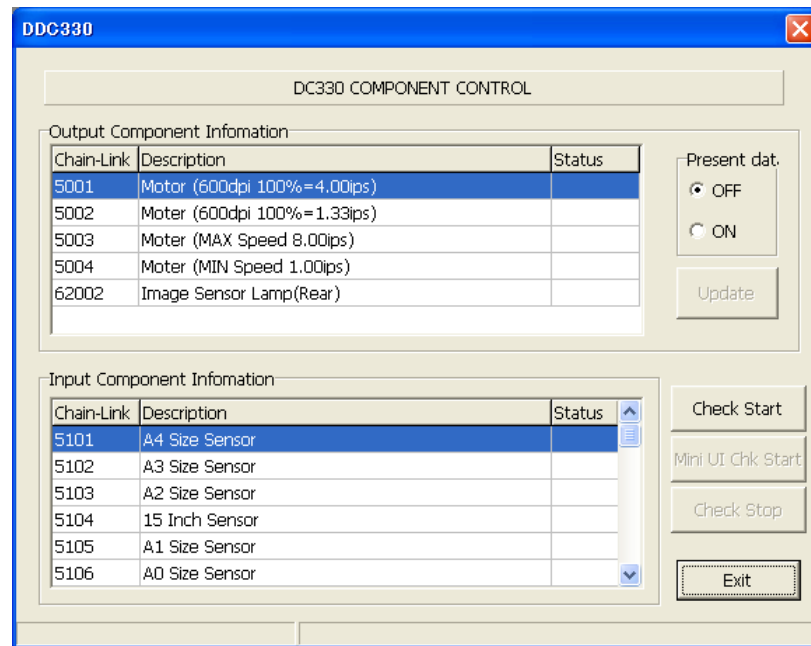
3. To exit the DC330, click [Check Stop] and then click [Exit].

## Checking the OUTPUT Parts

1. Select 'DC330 COMPONENT CONTROL' from the [Diag Code] pull-down menu and click [OK].

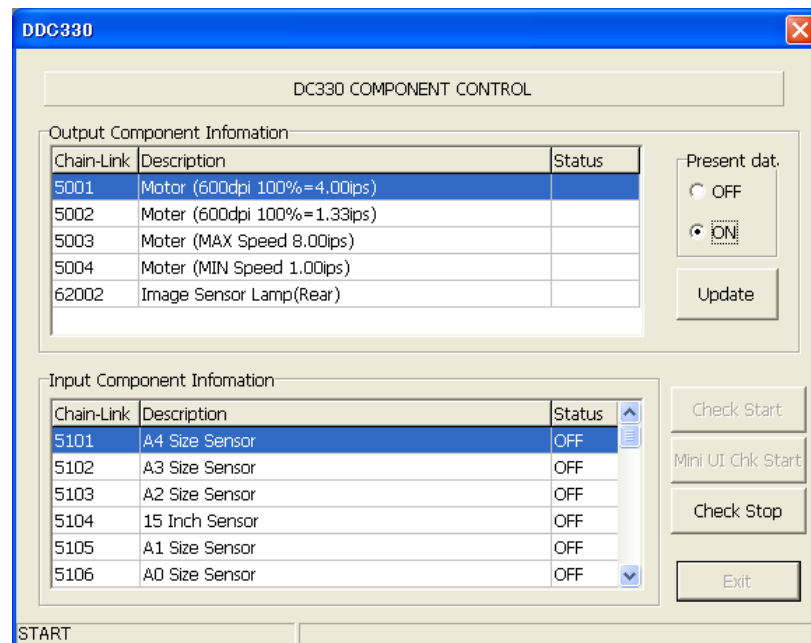
**Note** Before turning ON/OFF the OUTPUT component, make sure that the INPUT has started (by clicking [Check Start]). The INPUT component monitors all the INPUT parts in real time.

2. The OUTPUT parts will be displayed under 'Output Component Information'. Click [Check Start].



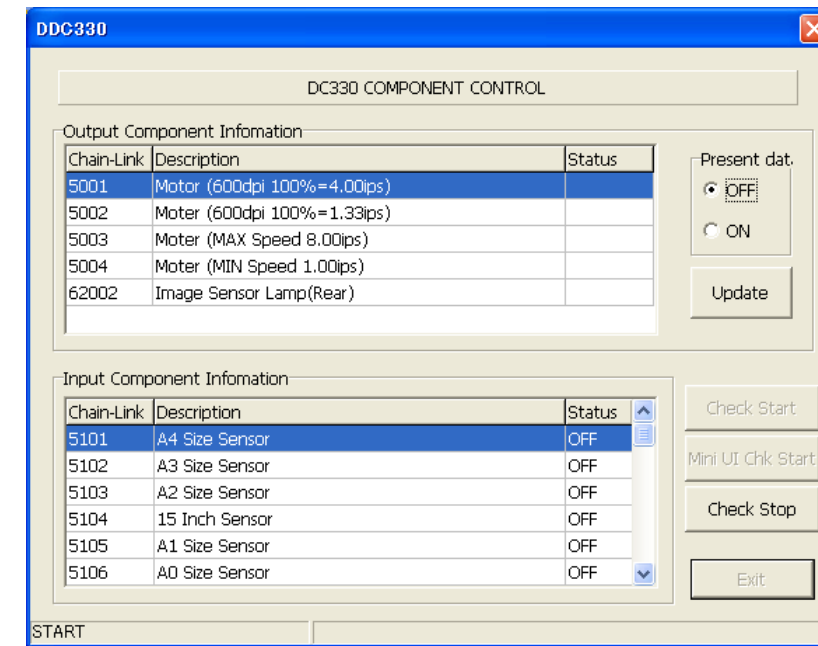
DC330\_Output1

3. Select the item you want to test, select [ON] under [Present data], and then click [Update].



DC330\_Output2

4. To end the test, select [OFF] under [Present data] and click [Update].



DC330\_Output3

5. To exit the DC330, click [Check Stop] and then click [Exit].

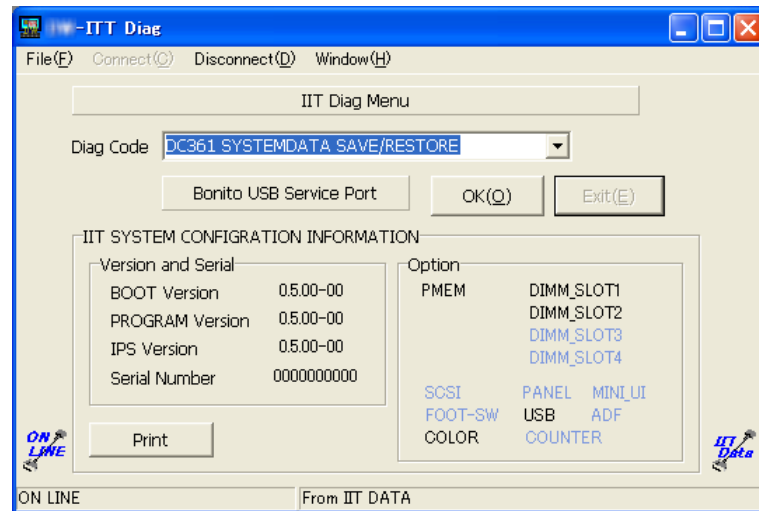
## DC361 SYSTEM DATA SAVE/RESTORE

### <Function Overview>

Saves the NVM Data of the IIT in the PC or writes the NVM Data that was saved in the PC into the IIT.

**Note** The DC361 is meant for saving the NVM Data of the IIT in the PC temporarily and then returning the same data back to the IIT. Hence, DC361 cannot be used to save the NVM Data as a file.

To save the NVM Data as a file, either perform the **Print** of DC131 or use [Save] under the [File] menu at the IIT Diag Menu after performing DC361.

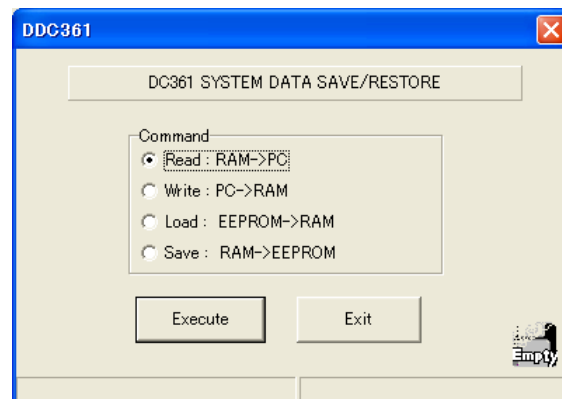


DC361\_top

### <Operation Procedure>

#### Reading NVM Data (RAM -> PC)

1. Select 'DC361 SYSTEM DATA SAVE/RESTORE' from the [Diag Code] pull-down menu and click [OK].
2. Select [Read] and click [Execute].

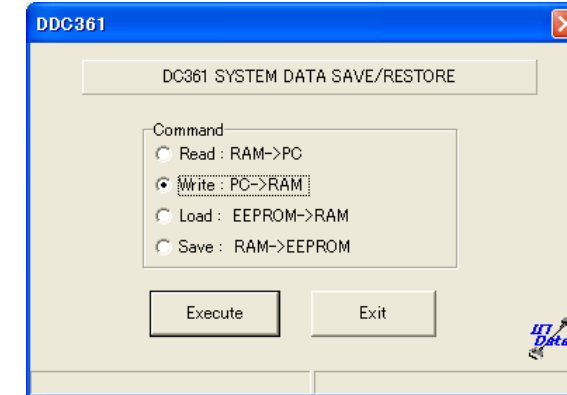


DC361\_Read

3. The NVM data in the IIT RAM is read into the PC.

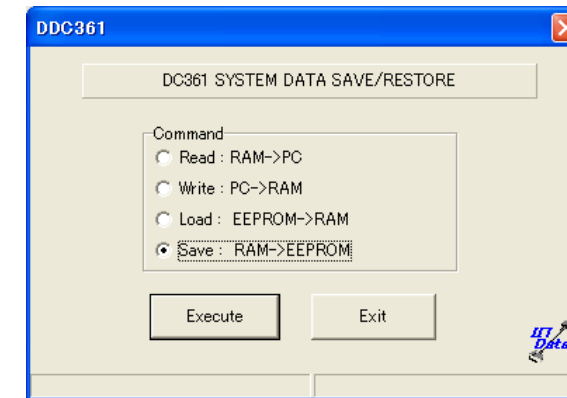
#### Writing NVM Data (PC -> RAM)

1. Select 'DC361 SYSTEM DATA SAVE/RESTORE' from the [Diag Code] pull-down menu and click [OK].
2. Select [Write] and click [Execute].



DC361\_Write

3. The NVM data that was read into the PC is written into the IIT RAM.
4. To save the NVM data that was written in the RAM into the EEPROM, select [Save] and click [Execute].



DC361\_Save

#### Print

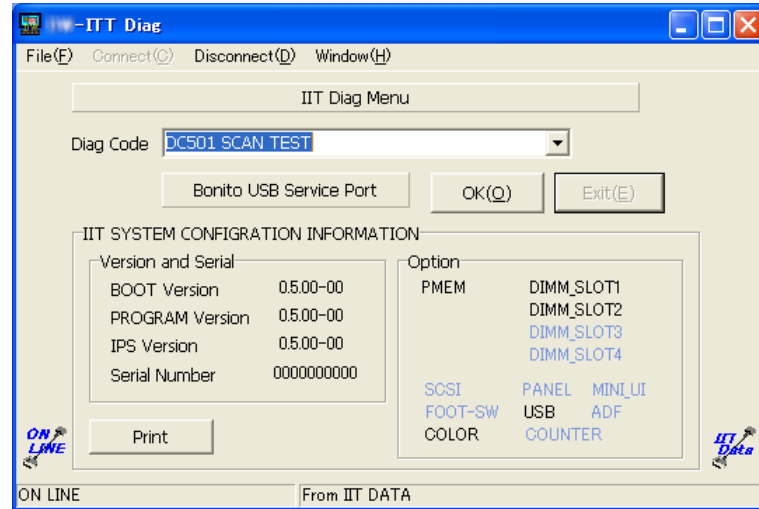
Outputs the DC361 information as a text file, or prints it out.  
(For the operation procedure, refer to **Print** of [6.5.5.2 IIT Diag Menu].)

## DC501 SCAN TEST

### <Function Overview>

Performs the IIT Scan Test.

- The test can be run with any Reduce/Enlarge Ratio between 100% and 400%.



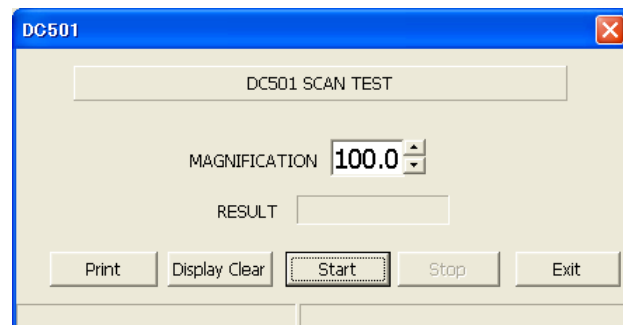
DC501\_top

### <Operation Procedure>

#### Performing the Test

- Select 'DC501 SCAN TEST' from the [Diag Code] pull-down menu and click [OK].
- Select any Reduce/Enlarge ratio by using the 'MAGNIFICATION' scroll buttons and click [Start].

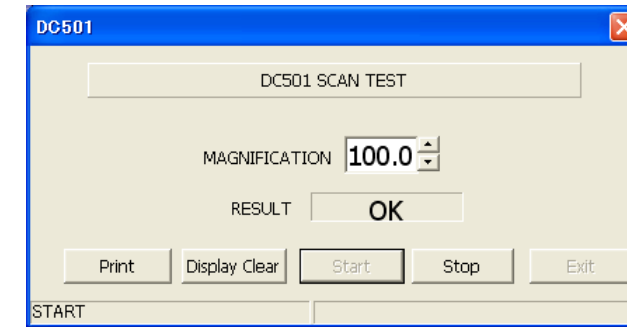
**Reference** You can also directly enter the number in the 'MAGNIFICATION' display area.



DC501\_Start

- Load the document.

- OK/NG (error information) will be displayed in the Result column.



DC501\_Result

- Click [Stop].  
**Reference** The document can be scanned continuously until [Stop] is clicked.
- To exit the DC501, click [Exit].

#### Print

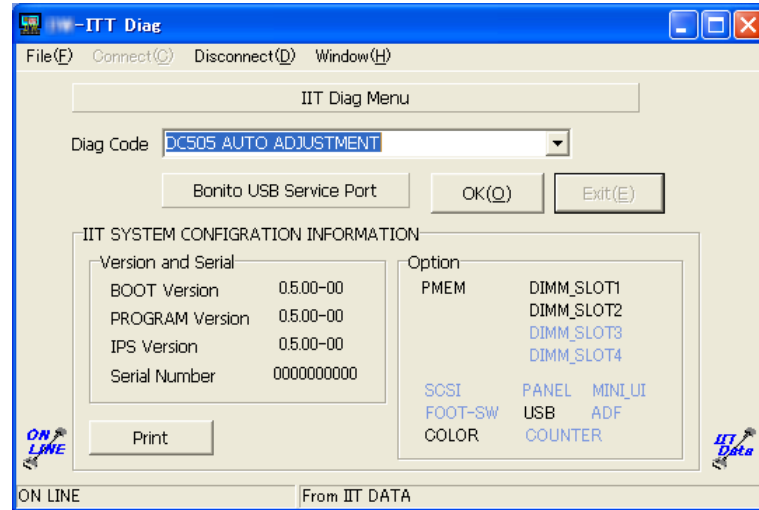
Outputs the DC501 information as a text file, or prints it out.  
(For the operation procedure, refer to **Print** of [6.5.5.2 IIT Diag Menu].)

## DC505 AUTO ADJUSTMENT

### <Function Overview>

Performs IIT Side Edge Registration Adjustment, Vertical Reduce/Enlarge Adjustment, Lead Edge Registration Adjustment, and Document Length Adjustment.

**Note** When performing all the adjustments, perform them in the above order.



DC505\_top

### <Operation Procedure>

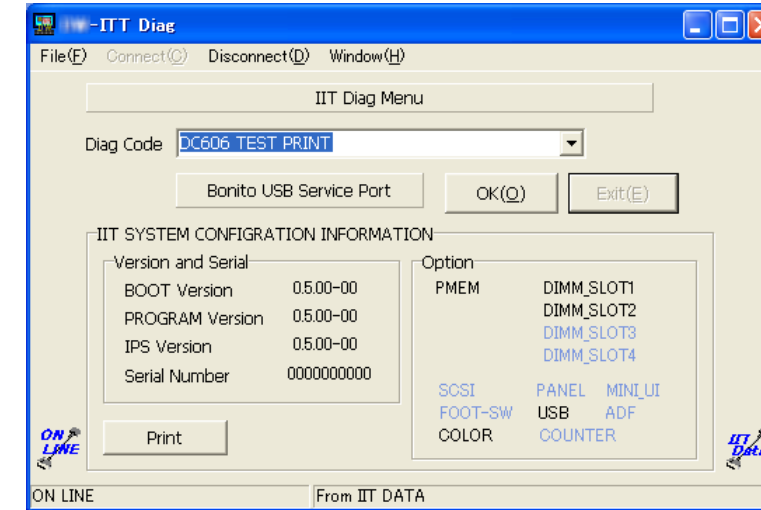
For the procedures for IIT Side Edge Registration Adjustment, Reduce/Enlarge Adjustment, Lead Edge Registration Adjustment, and Document Length Adjustment, refer to 'ADJ 3.1.1 IIT Side Edge Registration Adjustment' to 'ADJ 3.1.4 IIT Document Length Adjustment' in Chapter 4 Disassembly/Assembly and Adjustment.

## DC606 TEST PRINT

### <Function Overview>

Outputs a Test Pattern.

**Note** Output the Test Pattern to any folder as the "image.bmp" file (can be changed to any file name).

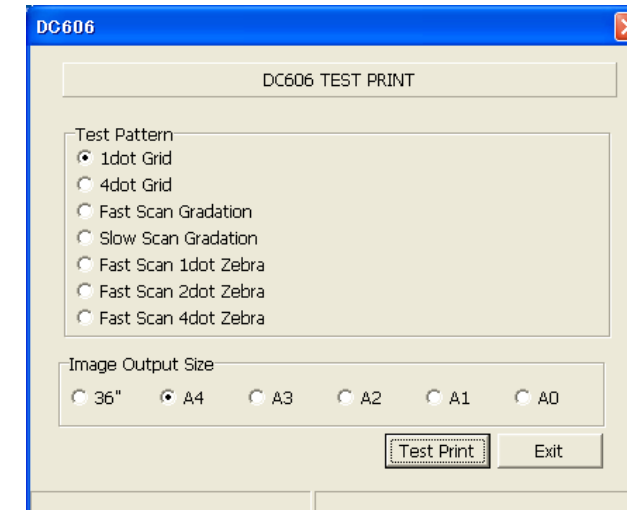


DC606\_top

### <Operation Procedure>

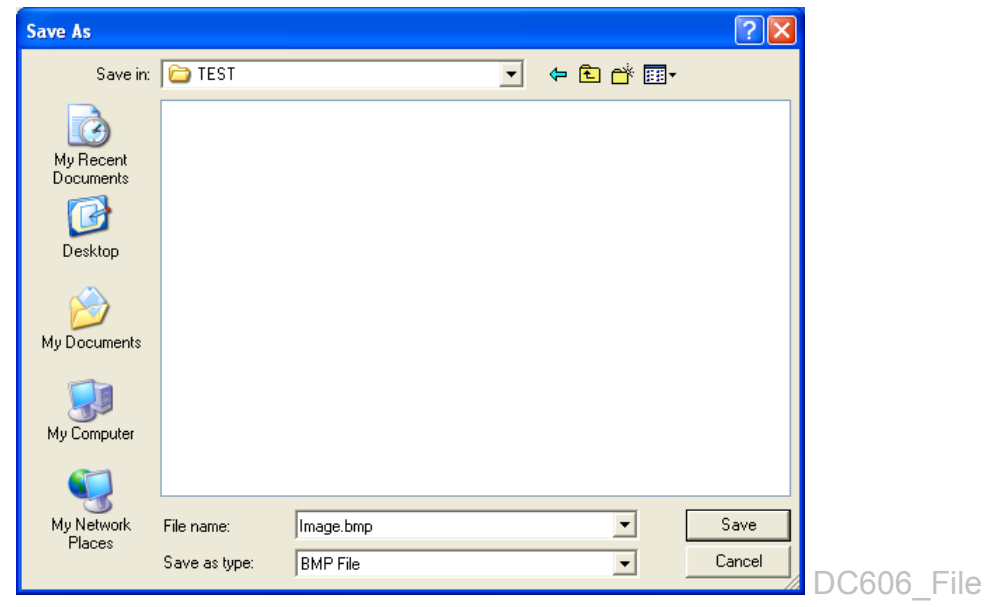
#### Outputting the Test Pattern

1. Select 'DC606 TEST PRINT' from the [Diag Code] pull-down menu and click [OK].
2. Select a 'Test Pattern' and an 'Image Output Size', and then click [Test Print].



DC606\_Select

3. Specify the save location and file name of the Test Pattern, and click [Save].



4. The Test Pattern is output to the specified folder.

## 6.6 Firmware Update

The WF6705 Firmware contains the IIT, IOT, and CP-Cont Firmware and performing this update automatically updates all the IIT, IOT, and CP-Cont Firmware.

**Note** The WF6705 uses the BT-PlotAssistant (FWInstaller version) for Service to perform the Firmware Update. Install the BT-PlotAssistant (FWInstaller version) for Service V3.9 or later in advance.

Take note that the BT-PlotAssistant (FWInstaller version) for Service V3.8 that is used in DW6055/DW9095 is not supported in WF6705.

The BT-PlotAssistant (FWInstaller version) for Service V3.9 is also supported by DW6055/DW9095.

**Note** Download the Firmware Update Data into the PSW in advance.

**Note** Never ever turn OFF the power during an update. If the power is turned OFF during the update, the machine may end up not being able to start up.

If the power got turned OFF by accident during the process, turn ON the power, wait until the message that indicates the completion of the update process is displayed and then turn the power ON/OFF to attempt system recovery. If the recovery is successful, it will start up with the version before the update.

If the machine remains unable to start up after multiple attempts of system recovery, the HDD has to be replaced.

### <Update Procedure>

1. Connect the PSW to the CP-Cont.
  - a. Remove the I/F Cover.(PL9.2)
  - b. Connect the CP-Cont LAN connector and the PSW LAN connector with the cross-cable.
2. Enable the software download by using any of the following method.

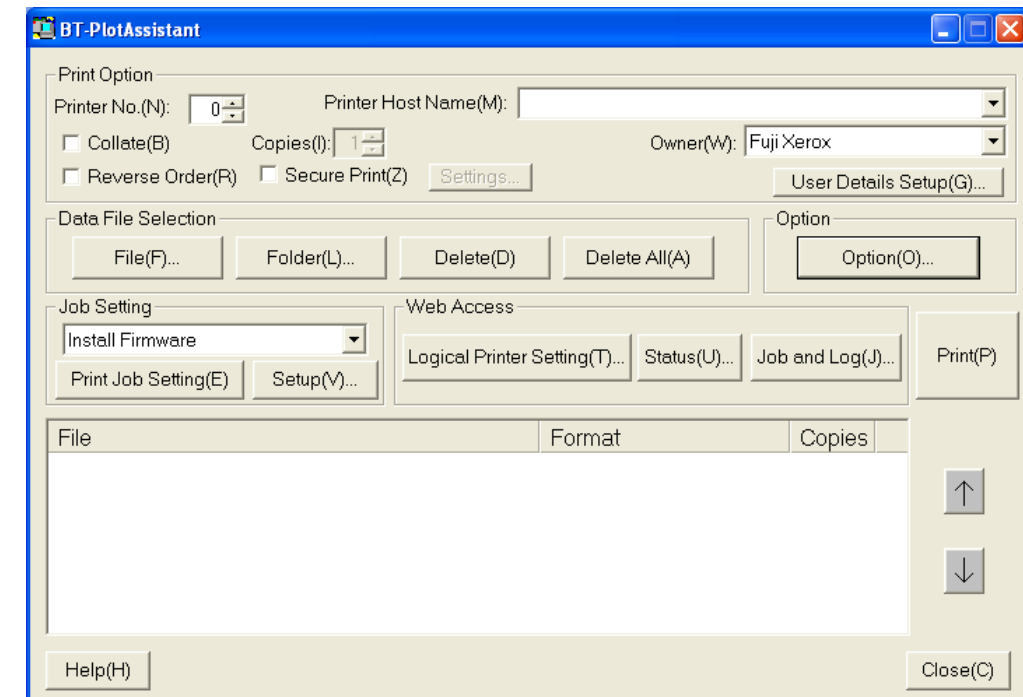
#### **Enable the software download from UI Panel**

- a. Enter the CE Mode.
- b. Select [Tools] -> [System Settings] -> [Common Service Settings] -> [Other Settings] -> [3.Software Download].
- c. Select 'Enabled' and select [Save].
- d. Select [Close] several times to return to the 'Services Home' screen.
- e. Exit the CE Mode.

#### **Enable the software download from CentreWare Internet Services (CWIS)**

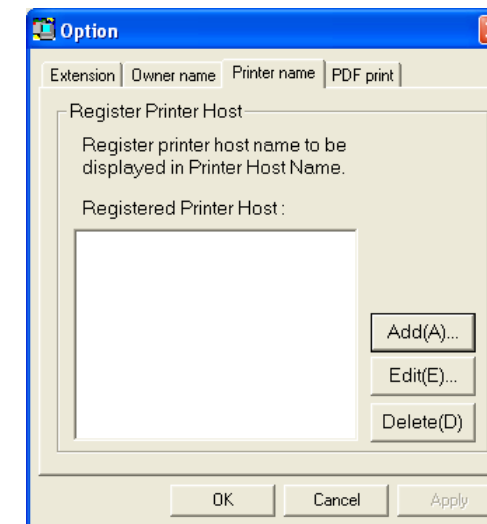
- a. Access the CentreWare Internet Services (CWIS) and log in as the System Administrator.
- b. Click [Properties] tab -> [Update] -> at the [Software Upgrades].
- c. Put a check mark in the [Enabled] check box of 'Software Upgrade Settings' and click [Apply].

- d. Log out from the CentreWare Internet Services (CWIS).
3. Start up the BT-PlotAssistant (FWInstaller version) at the PSW.
  4. Set the Host Name of the WF6705.
    - a. Click [Option] under 'Option'.



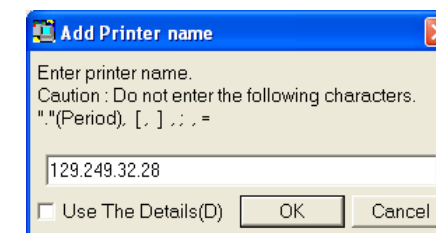
BTPATop

- b. Click [New] at the [Printer host name] tab.



BTPAHostNew

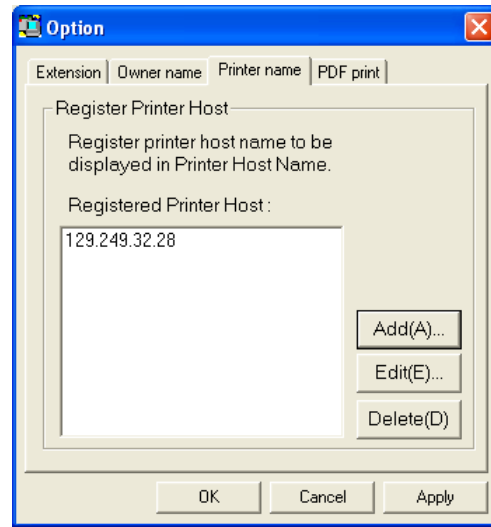
- c. Enter the Host Name or the IP Address of the WF6705 and click [OK].



BTPAHostInput

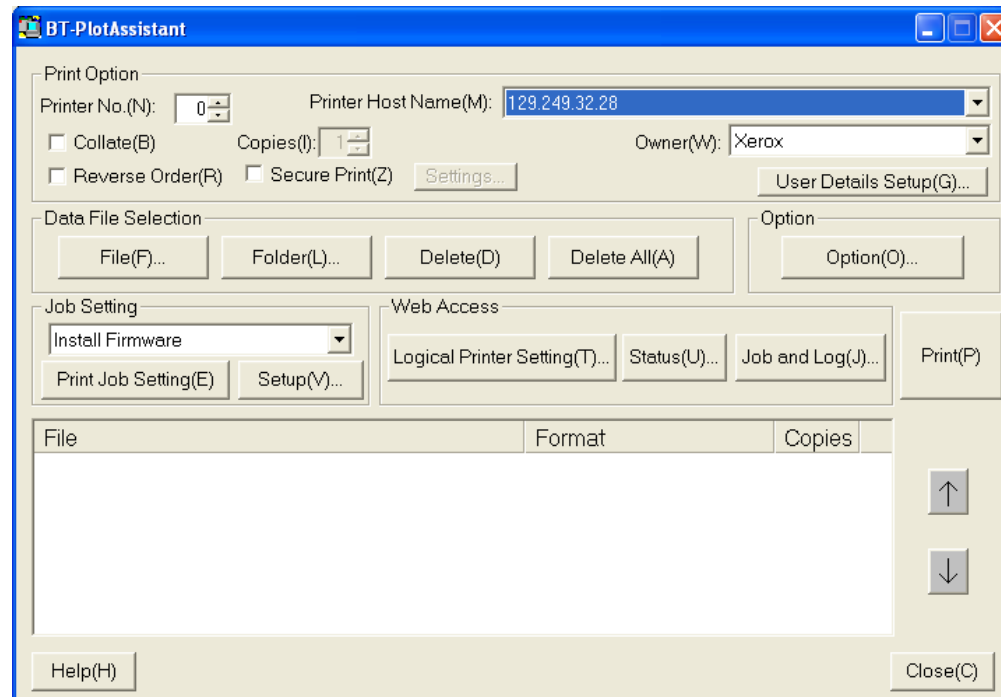


d. Click [Apply] and then click [OK].



BTPAHostOK

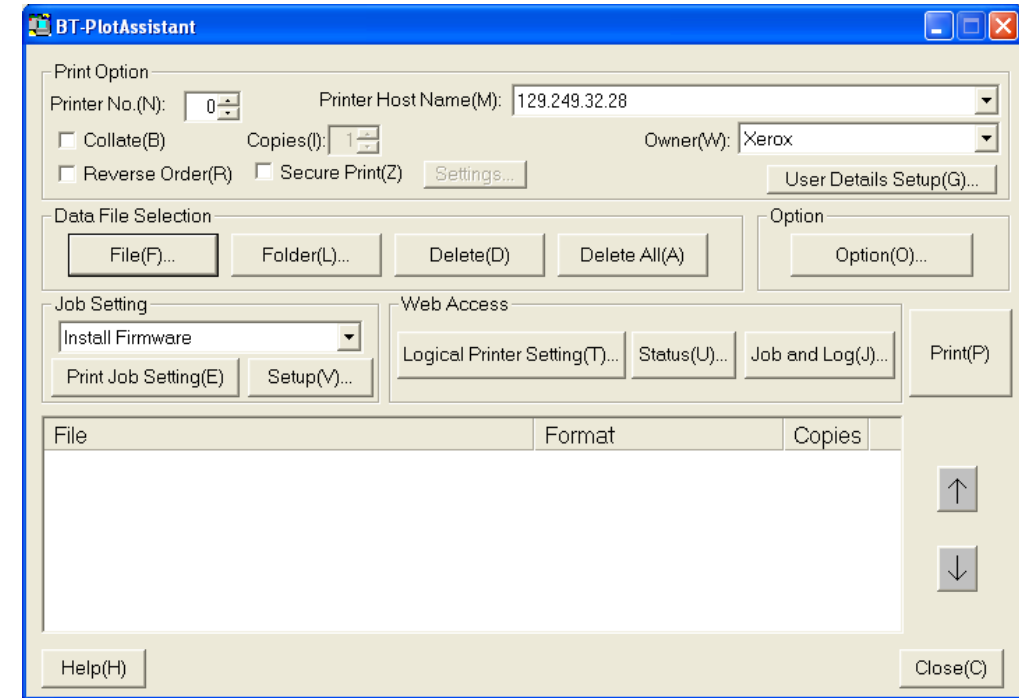
5. Select the Host Name or the IP Address of the WF6705 to perform the Firmware Update for from the [Printer host name] pull-down menu.



BTPAHost

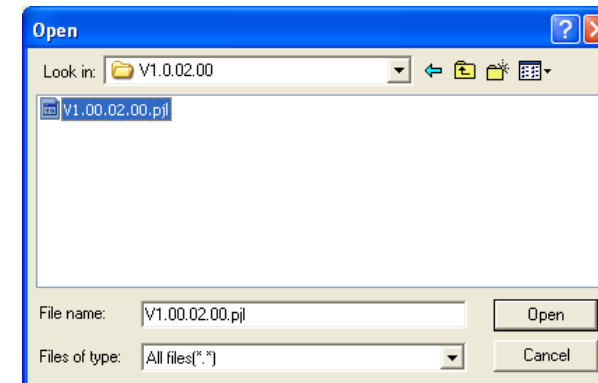
6. The Firmware is sent as a Print Job.

a. Click [File] under 'Data File Selection'.



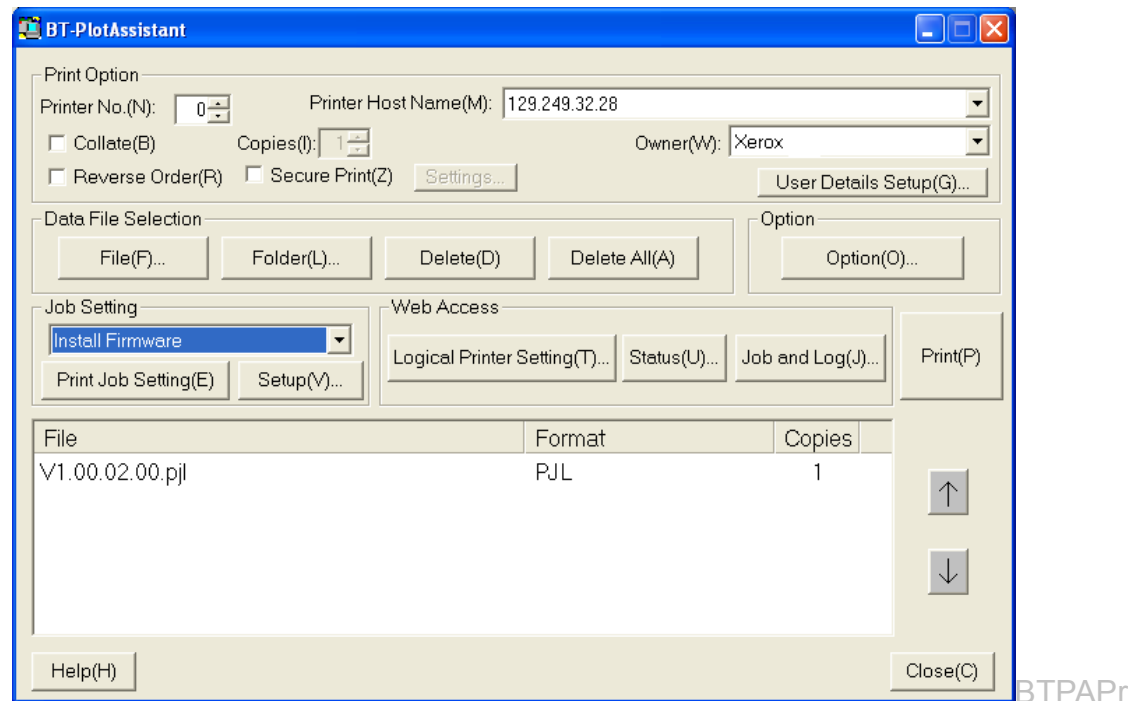
BTPAFile

b. Select the Firmware that was downloaded into the PSW and click [Open].



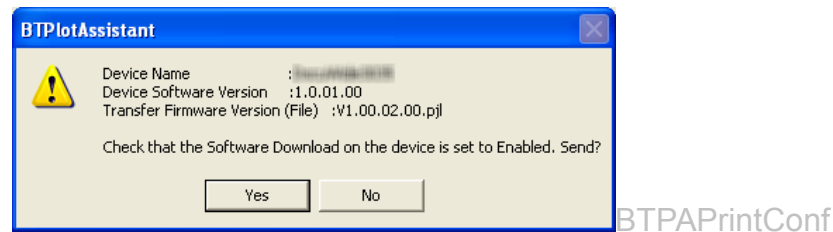
BTPAFileSel

c. Select 'Install FW' from the [Job Setting] pull-down menu and click [Print].

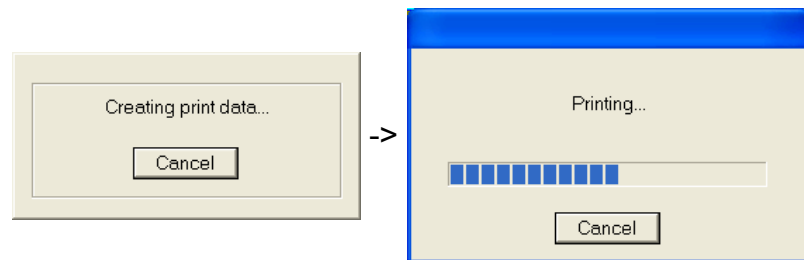


int

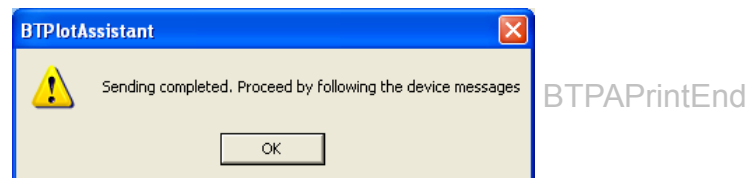
d. When the confirmation message is displayed, click [Yes].



e. The Firmware transfer will start.



f. When the message indicating the completion of the transfer is displayed, click [OK].

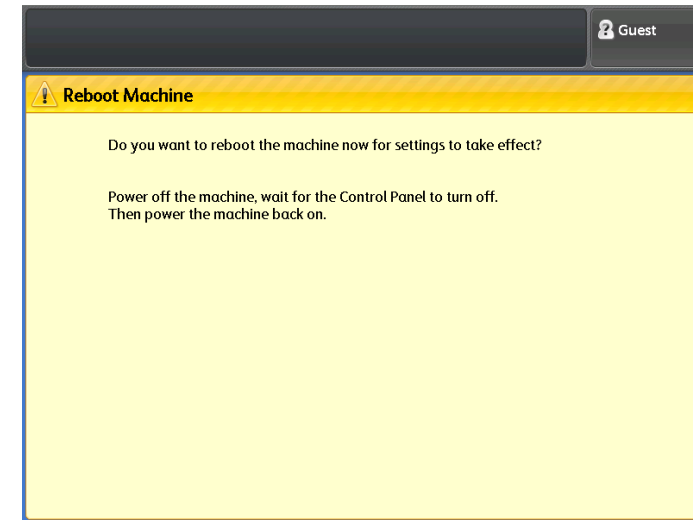


7. Shut down the BT-PlotAssistant (FWInstaller version).

8. When the extraction of the Firmware that was sent to the machine has completed and the message that requests a reboot is displayed, turn the power OFF and ON.

**Note** After the message that indicates the transfer to the PSW has completed is displayed, the sent Firmware will be extracted and it will take a few minutes until the screen that requests the reboot is displayed at the UI Panel.

**Note** After turning the power OFF, make sure that the machine has completely shut down (the Main Power Lamp is OFF), and wait for 5 seconds or longer before turning it ON again.



PowerOFFON

9. After the reboot, the Firmware Update will start and the text message showing the content of the progress is displayed at the UI Panel.

**Note** There is no need to specially check the text message that is displayed during the update process.

**Note** The UI Panel display might turn OFF during the update process. Pressing any key on the UI Panel will make the display appear.

10. If the following message is displayed, the update is successful.

**Reference** It takes approx. 15 minutes from the reboot until the display of the update completion message.



If the following Chain-Link code is displayed, go to <Procedure When Error Occurs>.



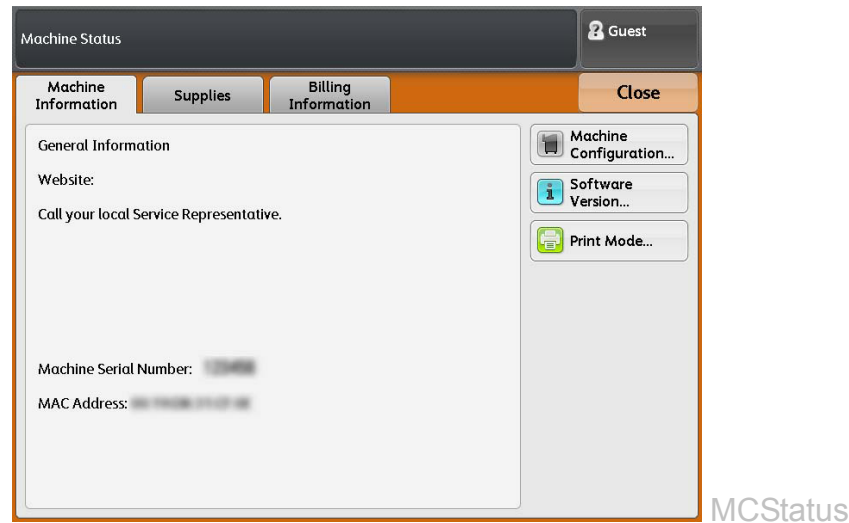
11. Turn the power OFF and ON.

**Note** After turning the power OFF, make sure that the machine has completely shut down (the Main Power Lamp is OFF), and wait for 5 seconds or longer before turning it ON again.

**Note** If the update was successful, it will start up with the updated version.

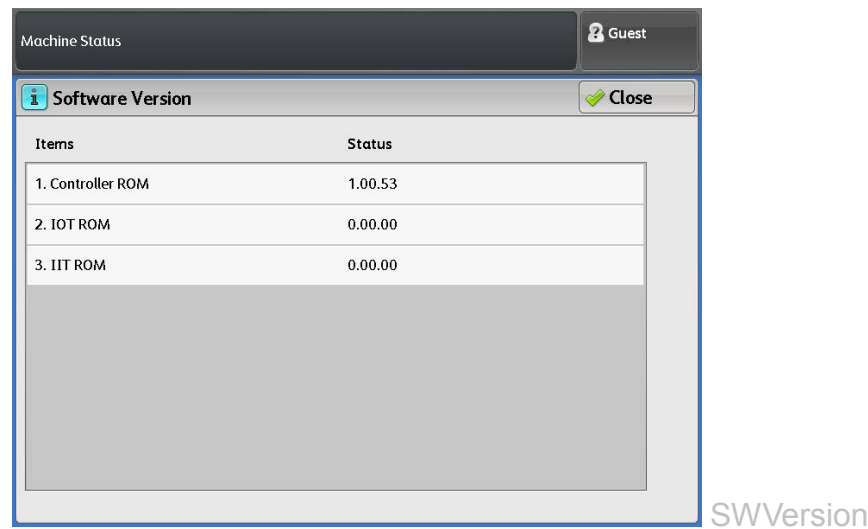
12. Check the version.

- a. Press <Machine Status> on the UI Panel.
- b. Select [Software Version] on the [Machine Information] tab.



c. Verify that the various versions are correct.

1. Controller ROM : System Version of the Controller
2. IOT ROM : FW Version of the IOT
3. IIT ROM : IIT Main Program Version



13. Disable the software download by using any of the following method.

**Disable the software download from UI Panel**

- a. Enter the CE Mode.
- b. Select [Tools] -> [System Settings] -> [Common Service Settings] -> [Other Settings] -> [3.Software Download].
- c. Select 'Disabled' and select [Save].
- d. Select [Close] several times to return to the 'Services Home' screen.
- e. Exit the CE Mode.

**Disable the software download from CentreWare Internet Services (CWIS)**

- a. Access the CentreWare Internet Services (CWIS) and log in as the System Administrator.
- b. Click [Properties] tab -> [Update] -> at the [Software Upgrades].
- c. Remove the check mark from the [Enabled] check box of 'Software Upgrade Settings' and click [Apply].
- d. Log out from the CentreWare Internet Services (CWIS).

14. For [FX Only] Firmware Update, issue the MOD report of MOD Codes that correspond to the version as WF6705 Main Unit MOD.

**<Procedure When Error Occurs>**

If a Chain-Link Code is displayed in Step 10. of <Update Procedure>, it means that the Firmware Update has failed and the following procedure must be performed to recover the system.

1. Record the Chain-Link code that is displayed.
2. Turn the power OFF and ON.

**Note** After turning the power OFF, make sure that the machine has completely shut down (the Main Power Lamp is OFF), and wait for 5 seconds or longer before turning it ON again.

**Note** It will start up with the version before the update.

3. If a text message is displayed at the UI Panel, the recovery process is in progress.

**Note** There is no need to specially check the text message that is displayed during the recovery process.

4. If the following message is displayed, the recovery is successful.

```
#####
Recovery successfully completed!!
#####
```

5. Turn the power OFF and ON.

**Note** After turning the power OFF, make sure that the machine has completely shut down (the Main Power Lamp is OFF), and wait for 5 seconds or longer before turning it ON again.

6. If an update is required, perform the **<Update Procedure>** again.

**Note** If the updating of firmware fails repeatedly and each time the recovery succeeds, a part of the root file system may be damaged.

When this happens, try to use the pjl data for restoring the root file system to restore the damaged file system.

The pjl data for restoring the root file system are usually included in the firmware update data with the file name of "fsck\_XXXXXXX.pjl".

For details on the restoration procedure, refer to the restoration manual contained in the update data of similar firmware.

## 6.7 System Settings (Detailed Settings) List

The following indicates various detailed settings for the Common Service Settings, Copy Service Settings, Scan Service Settings, Print Service Settings, Connectivity & Network Setup, and Authentication Settings that can be configured from among the system settings items at the 'Tools' menu of the UI Panel.

**Note** As the detailed settings items also contain machine-specific numbers that are not known to the customer, take note during the handling.

### <Common Detailed Settings>

Type No.	Item	Contents	Default Value	Setting Range	Remarks
3	Original Standard Size Margin (+)	Sets the positive direction Margin for determining whether the Document Size is standard/non-standard.	5 mm	0 to 20 mm	If this is set to '5 mm', any size that is longer than the standard size by up to 5 mm will still be determined as standard.
4	Original Standard Size Margin (-)	Sets the negative direction Margin for determining whether the Document Size is standard/non-standard.	5 mm	0 to 20 mm	If this is set to '5 mm', any size that is shorter than the standard size by up to 5 mm will still be determined as standard.
5	Guaranteed Scan Length	Sets the length for guaranteed scan when Copy using [Media Cut Mode: Synchronized].	6 m	0 to 15 m	When "0" or a value more than the mounting memory is set, reading of the next original is not performed until the copy output is completed.
12	Plot Transition Suspense Time	Sets the time taken before transitioning to Plot Mode.	30 s	3 to 60 s	
14	Accept Additional Copy Key	Sets whether to use the Additional Copy feature.	1: Use	0: Do not use, 1: Use	
53	Exclusive Image Quality Settings (Text & Drawing)	Sets whether to emphasize the lines for the Image Quality of each document.	0: OFF	0: OFF, 1: ON	
54	Exclusive Image Quality Settings (Photo & Text)		0: OFF	0: OFF, 1: ON	
55	Exclusive Image Quality Settings (Printed Original)		0: OFF	0: OFF, 1: ON	
56	Exclusive Image Quality Settings (Photograph)		0: OFF	0: OFF, 1: ON	
57	Exclusive Image Quality Settings (Blueprint)		0: OFF	0: OFF, 1: ON	
58	Exclusive Image Quality Settings (Transparent)		0: OFF	0: OFF, 1: ON	
59	Exclusive Image Quality Settings (Uneven-Toned BG)		0: OFF	0: OFF, 1: ON	
65	Scan Uncolored Adjustment	Adjusts the uncolored level for scanning.	5	0 to 254	
66	Dirty Streak Reduction Function (other than Full Color)	Sets the dirty streak reduction function for other than Full Color.	0: OFF	0: OFF, 1: Less, 2: More	
67	Dirty Streak Reduction Function (Full Color)	Sets the dirty streak reduction function for Full Color.	0: OFF	0: OFF, 1: Less, 2: More	

Type No.	Item	Contents	Default Value	Setting Range	Remarks
70	Special A Series Standard Definition	Defines the standard size for Special A series.	1. China market settings	1. China market settings Standard Portrait: 880x1240, 620x880, 440x620, 310x440 Standard Landscape: 880x620, 620x440, 440x310, 310x220 2. Default settings	
120	Interrupt Protection Time		30 s	30 to 9999 (s)	
121	Additional Copy Protection Time		30 s	30 to 60 s	

### <Copy Detailed Settings>

Type No.	Item	Contents	Default Value	Setting Range	Remarks
30	Banner Sheet Paper Supply	Sets the paper supply for banner sheets.	1: Roll 1	1: Roll 1, 2: Roll 2	
31	Banner Sheet Paper Length	Sets the length of paper for banner sheets.	210 mm	210 to 2,500 mm	
70	Uneven-Toned BG	Sets the default value for the size of the irregularity in Uneven-Toned BG.	20	1 to 80	
80	Sample Job: Scan Start Position	Sets the default value for Scan Start Position of Sample Job.	0 mm	0 to 1,200 mm	
81	Sample Job: Measurement Method	Sets the default value for Scan Measurement of Sample Job.	50 mm	50 to 200 mm	

### <Scan Detailed Settings>

Type No.	Item	Contents	Default Value	Setting Range	Remarks
0	Append User ID to Scanned Document	Sets whether to append the User ID to the file name for Scan to PC documents and Multi E-mail documents.	0: Do not add	0: Do not add, 1: Add	
70	Uneven-Toned BG	Sets the default value for the size of the irregularity in Uneven-Toned BG.	20	1 to 80	
100	Adj.Color Density Document Transport Speec		0: 1.33 ips	0: 1.33 ips, 1: 2.66 ips	When "2.66ips" is set, the document transporting speed will be 2.66ips only when the reading resolution is 300dpi or less.

<Print Detailed Settings>

Type No.	Item	Contents	Default Value	Setting Range	Remarks
1	Switching to Paper Supply with Different Width when Remaining Paper is Low	Sets whether to switch the paper output orientation to continue the output when the paper is detected to be running out in the middle of a Job.	0: Do not switch	0: Do not switch 1: Switch	If multiple pages were output from the print driver, they will not be subject to this switching as each Job becomes 1 page.
3	Job Log Path Name	Sets the path display for the Job Log.	1: Display	0: Do not display, 1: Display	
102	RO Command		1: Enabled	0: Disabled (Ignore), 1: Enabled	
104	TIFF Binary Data Compression/Extraction	Sets whether to use the RESCON method when compressing/extracting the TIFF Binary Data.	0: Do not use	0: Do not use, 1: Use	
105	MC Command		1: Enabled	0: Disabled (Ignore), 1: Enabled	
200	Failure Analysis Debug Function Enhancement	Enhances the debug function for failure analysis.	0: Normal	0: Normal, 48: Enhanced debug function	If '48: Enhanced debug function' is set, the SMB Access Log and the browse list from the WINS Server are retrieved.

<Network Detailed Settings>

Type No.	Item	Contents	Default Value	Setting Range	Remarks
0	Active Directory Invalid User	Sets the determination of Invalid Users for the Active Directory.	0: Do not determine	0: Do not determine, 1: Determine	
100	Retrieve IPv6 Address from DHCP Server	Sets whether to retrieve the IPv6 Address from the DHCPv6 Server.	0: Do not obtain	0: Do not obtain, 1: Obtain	
101	Stateless Auto Setting by RA		1: Allow	0: Prohibit, 1: Allow	

<Authentication Detailed Settings>

Type No.	Item	Contents	Default Value	Setting Range	Remarks
0	Private Charge Print by LPR/FTP User ID	Sets the print operation using the User ID retrieved from LPR/FTP.	0: No feature	0: No feature 1: Cancel 2: Print 3: Save to Private Charge Print	
1	User ID Display	Sets whether to display the retrieved Related ID instead of the Entered ID for the User ID Display.	1: Use the Related ID	0: Use the Entered ID 1: Use the Related ID	

Intentionally Blank



# Chapter 7 Wiring Data



## Table of Contents

7.1 Plug/Jack Location.....	3	7.2.13 5V RTN-3 .....	29
7.1.1 How to use the Plug/Jack List.....	3	7.2.14 5V RTN-4 .....	30
7.1.2 Plug/Jack List.....	3	7.2.15 5V RTN-5 .....	31
7.1.3 Plug/Jack Location.....	8	7.2.16 +24VDC-1 .....	32
7.1.3.1 IOT L/H Location.....	8	7.2.17 +24VDC-2 .....	33
7.1.3.2 RFC Motor PWB, RFC Drawer Open Switch, Open Air Sensor.....	8	7.2.18 +24VDC-3 .....	34
7.1.3.3 IOT R/H Location.....	9	7.2.19 24V RTN.....	35
7.1.3.4 UI Assembly.....	9	7.2.20 CP CONT +3.3VDC.....	36
7.1.3.5 CIS, IIT PWB, PMEM PWB, CSCN PWB .....	10	7.2.21 CP CONT 3.3V RETURN.....	37
7.1.3.6 Front Baffle Assembly.....	10	7.2.22 CP CONT +5VDC.....	38
7.1.3.7 Manual Size Sensor, Interlock Switch.....	11	7.2.23 CP CONT +5V_SB .....	39
7.1.3.8 LPH Assembly .....	11	7.2.24 CP CONT 5V RETURN .....	40
7.1.3.9 Fusing Assembly.....	12	7.2.25 CP CONT +12VDC.....	41
7.1.3.10 Developer Assembly .....	12	7.2.26 CP CONT 12V RETURN .....	42
7.1.3.11 RFC 1 (RFC B-Type).....	13	7.2.27 CP CONT +24VDC.....	43
7.1.3.12 RFC 2 (RFC A-Type).....	13	7.2.28 CP CONT 24V RETURN .....	44
7.1.3.13 HVPS, LVPS (3.5V / 5V / 24V), Side Triac, Center Triac .....	14	7.3 BSD (Block Schematic Diagram) .....	45
7.1.3.14 IOT PWB, AC Relay PWB, LVPS (24V).....	14	7.3.1 Preface.....	45
7.1.3.15 Breaker, Inlet, AC Filter PWB.....	15	7.3.1.1 How to Use the BSDs .....	45
7.1.3.16 ESS Assembly, Paper Heater Switch.....	15	7.3.1.2 Explanation of Symbols.....	45
7.2 WIRENET .....	17	7.3.1.3 Signal Name .....	46
7.2.1 ACH .....	17	7.3.1.4 DC Voltage.....	46
7.2.2 CAN .....	18	7.3.1.5 Other Descriptions .....	46
7.2.3 +3.5VDC .....	19	7.3.2 BSD (Block Schematic Diagram).....	47
7.2.4 3.5V RTN/ANALOG GND.....	20	Chain 1 Standby Power.....	47
7.2.5 +5VDC-1 .....	21	CH1.1 Main Power On.....	47
7.2.6 +5VDC-2 .....	22	CH1.2 DC Power Generation (1/9).....	48
7.2.7 +5VDC-3.....	23	CH1.3 DC Power Generation (2/9).....	49
7.2.8 +5VDC-4 .....	24	CH1.4 DC Power Generation (3/9).....	50
7.2.9 +5VDC-5 .....	25	CH1.5 DC Power Generation (4/9).....	51
7.2.10 +5VDC-6 .....	26	CH1.6 DC Power Generation (5/9).....	52
7.2.11 5V RTN-1 .....	27	CH1.7 DC Power Generation (6/9).....	53
7.2.12 5V RTN-2 .....	28	CH1.8 DC Power Generation (7/9).....	54
		CH1.9 DC Power Generation (8/9).....	55
		CH1.10 DC Power Generation (9/9).....	56

CH1.11 Power Interlock Switching (1/3) .....	57	CH7.1 RFC 1 Paper Size Sensing and Stacking .....	87
CH1.12 Power Interlock Switching (2/3).....	58	CH7.2 RFC 2 Paper Size Sensing and Stacking .....	88
CH1.13 Power Interlock Switching (3/3).....	59	CH7.3 MSI Paper Size Sensing and Stacking .....	89
CH1.14 Monitoring .....	60	CH7.4 Paper Heater Control.....	90
Chain 2 Mode Selection.....	61	CH7.5 Monitoring.....	91
CH2.1 UI Switches .....	61	CH7.6 Paper Path & Drive Transmission.....	92
CH2.2 UI LED.....	62	Chain 8 Paper Transportation .....	93
CH2.3 LCD Control .....	63	CH8.1 RFC 1 Paper Feeding.....	93
CH2.4 Touch Panel and UI LED .....	64	CH8.2 RFC 1 Paper Cut Control .....	94
Chain 3 Machine Run Control .....	65	CH8.3 RFC 2 Paper Feeding.....	95
CH3.1 PWBS Communication.....	65	CH8.4 RFC 2 Paper Cut Control .....	96
CH3.2 PWBS Communication (WF01-UI).....	66	CH8.5 Vertical Transportation.....	97
CH3.3 Attention Light .....	67	CH8.6 MSI Paper Feeding.....	98
CH3.4 Accessory (1/2) .....	68	CH8.7 Registration .....	99
CH3.5 Accessory (21/2) .....	69	CH8.8 Monitoring.....	100
CH3.6 Electric Billing.....	70	Chain 9 Marking.....	101
CH3.7 Monitoring (1/3).....	71	CH9.1 Charging and Exposure.....	101
CH3.8 Monitoring (2/3).....	72	CH9.2 Development .....	102
CH3.9 Monitoring (3/3).....	73	CH9.3 Image Transfer and Stripping .....	103
Chain 4 Start Print Power .....	74	CH9.4 Environment Sensing and Drum Cleaning.....	104
CH4.1 Main Drive Control .....	74	CH9.5 Monitoring.....	105
CH4.2 Monitoring .....	75	Chain 10 Fusing & Paper Transportation .....	106
Chain 6 Imaging.....	76	CH10.1 H-Tra. Paper Transportation .....	106
CH6.1 Document Size Sensing (1/2).....	76	CH10.2 Fusing Drive Control .....	107
CH6.2 Document Size Sensing (2/2).....	77	CH10.3 Fusing Heat Control (100/120V) (1 of 3).....	108
CH6.3 Document Feeding & Registration .....	78	CH10.4 Fusing Heat Control (200-240V) (2 of 3) .....	109
CH6.4 Image Input (1/2).....	79	CH10.5 Fusing Heat Control (3 of 3) .....	110
CH6.5 Image Input (2/2).....	80	CH10.6 Fusing and Exit Transportation.....	111
CH6.6 Color Scanning (Option) .....	81	CH10.7 Exhaust Fan Control .....	112
CH6.7 LPH 1 Control.....	82	CH10.8 Monitoring.....	113
CH6.8 LPH 2 Control.....	83	Chain 25 ESS .....	113
CH6.9 LPH 3 Control.....	84	CH25.1 ESS .....	114
CH6.10 Monitoring (1/2).....	85		
CH6.11 Monitoring (2/2) .....	86		
Chain 7 Paper Supplying .....	87		

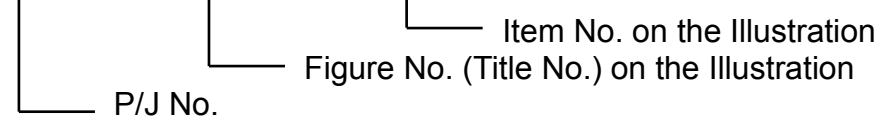
## 7.1 Plug/Jack Location

### 7.1.1 How to use the Plug/Jack List

- To know the installation position of the Connector, refer to the Figure No. (Title No.) and Item No. of [7.1.3 Plug/Jack Location] from [7.1.2 Plug/Jack List] to check the position.

E.g.)

P/J No.	Figure No.	Item No.	Description
250	7.1.2.3	10	Main PWB



- The Plug/Jack No. in [7.1.2 Plug/Jack List] are identified by following method:
  - 250 represents Plug/Jack 250.
  - P250 represents Plug 250.
  - J250 represents Jack 250.
  - FS represents Faston Terminal.
  - SJ represents Shorting Plug.
  - T represents Terminal.

### 7.1.2 Plug/Jack List

P/J No.	Figure No.	Item No.	Description	BSD CH	Remarks (Connection destination)
1	7.1.3.4	5	UI I/F PWB	2.2 / 2.3 / 2.4 / 3.2	
1	7.1.3.8	8	LPH 2	6.8	
1	7.1.3.8	11	LPH 3	6.9	
1	7.1.3.8	16	LPH 1	6.7	
1	7.1.3.14	20	24V LVPS (24A)	1.9	
2	7.1.3.13	16	24V LVPS (24B)	1.10	
3	7.1.3.4	6	UI I/F PWB	2.4	
5	7.1.3.4	10	UI I/F PWB	2.1 / 2.2	
7	7.1.3.4	8	UI I/F PWB	2.3	
8	7.1.3.4	3	UI I/F PWB	2.4	
9	7.1.3.4	2	UI I/F PWB	2.3	
10	7.1.3.14	13	AC Relay PWB	1.1	
15	7.1.3.8	1	LPH 1	6.7	
15	7.1.3.8	9	LPH 3	6.9	
15	7.1.3.8	12	LPH 2	6.8	
15	7.1.3.13	19	3.5 LVPS	1.5	
16	7.1.3.4	9	S104 UI 10 Key PWB	2.1 / 2.2	
16B	7.1.3.13	18	5V LVPS (5B)	1.5	
16C	7.1.3.3	7	LVPS (5C)	1.8	
17	7.1.3.4	7	S104 LCD Module	2.3	
18	7.1.3.4	11	UI LED Back Light PWB	2.3	
19	7.1.3.4	1	UI LED Back Light PWB	2.3	
20	7.1.3.4	4	UI LED PWB	2.4	
J20	7.1.3.15	5	Inlet	1.1	
J21	7.1.3.15	2	Inlet	1.1	
J22	7.1.3.15	9	Inlet	1.1	
J23	7.1.3.15	1	Breaker	1.1	
J24	7.1.3.15	8	Breaker	1.1	
25	7.1.3.14	19	AC Relay PWB	1.1	
P60A	7.1.3.14	15	AC Relay PWB	7.4	
P60B	7.1.3.14	14	AC Relay PWB	7.4	
J60	7.1.3.14	14	AC Relay PWB	7.4	to RFC 2
J60	7.1.3.14	15	AC Relay PWB	7.4	to RFC 1
P61	7.1.3.11	24	RFC 1 Drawer Connector	7.4	
P61	7.1.3.12	22	RFC 2 Drawer Connector	7.4	
J61	7.1.3.13	10	RFC 1 Drawer Connector	7.4	
J61	7.1.3.13	11	RFC 2 Drawer Connector	7.4	

P/J No.	Figure No.	Item No.	Description	BSD CH	Remarks (Connection destination)
62	7.1.3.11	21	RFC 1 L / H Paper Heater	7.4	
62	7.1.3.12	19	RFC 2 L / H Paper Heater	7.4	
63	7.1.3.11	15	RFC 1 Center Paper Heater	7.4	
63	7.1.3.12	14	RFC 2 Center Paper Heater	7.4	
64	7.1.3.11	12	RFC 1 R/H Paper Heater	7.4	
64	7.1.3.12	11	RFC 2 R/H Paper Heater	7.4	
90	7.1.3.14	16	AC Relay PWB	10.3 / 10.4	
91A	7.1.3.13	15	Side Triac	10.3 / 10.4	
91B	7.1.3.13	13	Center Triac	10.3 / 10.4	
92	7.1.3.3	12	Side Heater Rod	10.3 / 10.4	
93	7.1.3.3	14	Center Heater Rod	10.3 / 10.4	
94	7.1.3.3	15	Sub Heater Rod	10.3 / 10.4	
95A	7.1.3.13	14	Side Triac	10.3 / 10.4	
95B	7.1.3.13	12	Center Triac	10.3 / 10.4	
96	7.1.3.1	6	Side Heater Rod	10.3 / 10.4	
97	7.1.3.1	5	Center Heater Rod	10.3 / 10.4	
98	7.1.3.1	4	Sub Heater Rod	10.3 / 10.4	
J115	7.1.3.3	17	Main Switch	1.1	
J116	7.1.3.3	16	Main Switch	1.1	
151	7.1.3.2	2	RFC Air Sensor	7.4	
161	7.1.3.11	10	Roll 1 Cutter Switch	8.2	
161	7.1.3.12	9	Roll 2 Cutter Switch	8.4	
J163	7.1.3.2	5	RFC1 Drawer Open Switch	1.12	
J164	7.1.3.2	8	RFC2 Drawer Open Switch	1.12	
165	7.1.3.11	19	Roll 1 No Paper Sensor	7.1	
165	7.1.3.12	17	Roll 2 No Paper Sensor	7.2	
166	7.1.3.11	14	Roll 1 Set Sensor	7.1	
166	7.1.3.12	13	Roll 2 Set Sensor	7.2	
167	7.1.3.11	7	Roll 1 A3 Sensor	7.1	
167	7.1.3.12	6	Roll 2 A3 Sensor	7.2	
168	7.1.3.11	13	Roll 1 A2 Sensor	7.1	
168	7.1.3.12	12	Roll 2 A2 Sensor	7.2	
169	7.1.3.11	17	Roll 1 A1 Sensor	7.1	
169	7.1.3.12	5	Roll 2 A1 Sensor	7.2	
170	7.1.3.11	5	Roll 1 30" Sensor	7.1	

P/J No.	Figure No.	Item No.	Description	BSD CH	Remarks (Connection destination)
170	7.1.3.12	4	Roll 2 30" Sensor	7.2	
172	7.1.3.11	8	Roll 1 Cut Trigger Sensor	8.2	
172	7.1.3.12	7	Roll 2 Cut Trigger Sensor	8.4	
173	7.1.3.11	6	RFC Vertical Jam Sensor	8.5	
J174	7.1.3.11	11	Roll 1 Auto Cut Switch	8.2	
J174	7.1.3.12	10	Roll 2 Auto Cut Switch	8.4	
179	7.1.3.7	1	RFC Page Sync Sensor	8.7	
180	7.1.3.7	13	Manual No Paper Sensor	7.3	
181	7.1.3.7	12	Manual A3 Sensor	7.3	
182	7.1.3.7	11	Manual A2 Sensor	7.3	
183	7.1.3.7	9	Manual A1 Sensor	7.3	
184	7.1.3.7	8	Manual 30" Sensor	7.3	
186	7.1.3.7	14	Manual Feed Stop Sensor	8.6	
187	7.1.3.7	3	Manual Page Sync Sensor	8.7	
188	7.1.3.7	2	H – Tra. Jam Sensor	10.1	
189	7.1.3.7	4	H – Tra. Open Sensor	10.1	
190	7.1.3.3	4	Rear Top Cover Sensor	1.13	
191	7.1.3.10	2	Toner Empty Sensor	9.2	
192	7.1.3.3	6	Waste Toner Bottle Full Sensor	9.4	
193	7.1.3.2	11	Open Air Sensor	9.4	
198	7.1.3.9	1	Exit Motion Sensor	10.6	
199	7.1.3.9	2	Exit Jam Sensor	10.6	
J251	7.1.3.16	1	Paper Heater Switch	1.11	
J252	7.1.3.16	2	Paper Heater Switch	1.11	
J253	7.1.3.7	15	Front Door LH Interlock Switch	1.11	
J254	7.1.3.7	7	Front Door RH Interlock Switch	1.11	
J255	7.1.3.7	5	Swing Frame Interlock Switch	1.11	
J256	7.1.3.7	6	Fusing Cover Interlock Switch	1.11	
J261	7.1.3.11	4	Roll 1 Cutter Interlock Switch	1.12	
J261	7.1.3.12	3	Roll 2 Cutter Interlock Switch	1.12	
361	7.1.3.11	20	Roll 1 Feed Motor	8.1	
361	7.1.3.12	18	Roll 2 Feed Motor	8.3	

P/J No.	Figure No.	Item No.	Description	BSD CH	Remarks (Connection destination)
362	7.1.3.11	9	Roll 1 Cutter Motor	8.2	
362	7.1.3.12	8	Roll 2 Cutter Motor:	8.4	
363	7.1.3.1	7	RFC Takeaway Clutch	8.5	
381	7.1.3.2	1	Manual Feed Clutch	8.6	
391	7.1.3.1	8	Main Motor	4.1	
392	7.1.3.1	1	Deve. Clutch	9.2	
395	7.1.3.1	2	L / H Exhaust Fan	10.7	
396	7.1.3.3	19	R / H Exhaust Fan	10.7	
397	7.1.3.1	3	Fusing Drive Motor	10.2	
P401	7.1.3.16	9	WF01 PWB	25.1	
402	7.1.3.16	7	WF01 PWB	1.1 / 1.2 / 1.3 / 25.1	
403	7.1.3.16	22	WF01 PWB	1.3 / 2.2 / 2.4 / 3.2 / 3.4 / 3.5	
J405	7.1.3.16	20	CP Control PWB	1.2 / 1.3 / 1.4	
J406	7.1.3.16	19	CP Control PWB	1.3 / 1.4	
408	7.1.3.16	14	CP Control PWB	1.3 / 2.3 / 3.2	
410	7.1.3.16	17	WF02 PWB	2.2 / 2.3 / 2.4 / 3.2	
P411	7.1.3.16	13	WF02 PWB	3.4 / 3.5	
412	7.1.3.16	18	WF02 PWB	1.3 / 2.3 / 3.2	
413	7.1.3.16	12	WF02 PWB	1.3 / 2.2 / 2.4 / 3.2 / 3.4 / 3.5	
414	7.1.3.16	15	CP Control PWB	3.1	USB (Upper)
414	7.1.3.16	16	CP Control PWB	3.1	USB (Lower)
440	7.1.3.14	23	IOT PWB	1.5 / 1.9 / 1.10	
441	7.1.3.14	4	IOT PWB	1.5 / 1.9	
442	7.1.3.14	6	IOT PWB	1.7 / 1.11 / 1.13 / 4.1 / 7.3 / 8.6 / 8.7 / 9.2 / 9.4 / 10.1 / 10.2 / 10.6 / 10.7	
443	7.1.3.14	7	IOT PWB	1.12 / 7.1 / 8.1 / 8.2 / 8.5	
444	7.1.3.14	8	IOT PWB	1.12 / 7.2 / 8.3 / 8.4	
445	7.1.3.14	9	IOT PWB	4.1 / 7.4 / 9.1 / 9.2 / 9.3 / 10.2 / 10.3 / 10.4 / 10.7	

P/J No.	Figure No.	Item No.	Description	BSD CH	Remarks (Connection destination)
446	7.1.3.14	25	IOT PWB	1.13 / 8.5 / 8.6 / 9.2 / 10.3 / 10.4 / 10.7	
447	7.1.3.14	5	IOT PWB	9.1 / 9.2 / 9.3 / 9.4 / 10.5	
449	7.1.3.14	10	IOT PWB	3.2	
450	7.1.3.14	3	IOT PWB	1.8 / 1.9 / 6.7 / 6.8 / 6.9	
451	7.1.3.14	24	IOT PWB	3.1	
490	7.1.3.8	3	LPH I / F PWB	1.8 / 1.9	
491	7.1.3.8	2	LPH I / F PWB	1.8 / 1.9 / 6.7 / 6.8 / 6.9	
492	7.1.3.8	4	LPH I / F PWB	6.7 / 6.8 / 6.9	
493	7.1.3.8	5	LPH I / F PWB	6.7	
494	7.1.3.8	15	LPH I / F PWB	6.7	
495	7.1.3.8	13	LPH I / F PWB	6.8	
496	7.1.3.8	7	LPH I / F PWB	6.8	
497	7.1.3.8	14	LPH I / F PWB	6.9	
498	7.1.3.8	6	LPH I / F PWB	6.9	
501	7.1.3.14	22	24V LVPS (24A)	1.9	
502	7.1.3.13	7	24V LVPS (24B)	1.10	
505	7.1.3.13	5	24V LVPS (24B)	1.10	
J506	7.1.3.13	17		1.10	N.C
510	7.1.3.13	1	3.5 LVPS	1.5	
511B	7.1.3.13	4	5V LVPS (5B)	1.5	
511C	7.1.3.3	5	5V LVPS (5C)	1.8	
512	7.1.3.16	3	CP Control LVPS	1.2	
513	7.1.3.16	6	CP Control LVPS	1.1	
514	7.1.3.16	25	CP Cont Exhaust Fan	25.1	
515	7.1.3.16	5	CP Control LVPS	1.1 / 1.2 / 1.3 / 25.1	
516	7.1.3.16	4	CP Control LVPS	1.2 / 1.3 / 1.4	
P517	7.1.3.16	26	CP Control LVPS	25.1	
542	7.1.3.13	6	HVPS	1.10 / 1.13 / 9.1	
543	7.1.3.13	8	HVPS	1.10 / 1.13 / 4.1 / 10.2	
544	7.1.3.14	21	AC Relay PWB	1.5 / 1.6 / 1.7 / 1.10 / 4.1	
P545	7.1.3.14	18	AC Relay PWB		N.C

P/J No.	Figure No.	Item No.	Description	BSD CH	Remarks (Connection destination)
546	7.1.3.14	17	AC Relay PWB	3.3	
547	7.1.3.14	11	AC Relay PWB	1.6 / 1.7 / 1.12	
550	7.1.3.14	12	AC Relay PWB	1.1 / 7.4 / 10.3 / 10.4	
551	7.1.3.2	4	RFC Motor PWB	1.9 / 7.4	
560	7.1.3.2	10	RFC Motor PWB	1.10	
561	7.1.3.2	13	RFC Motor PWB	4.1 / 8.1 / 10.2	
562	7.1.3.2	12	RFC Motor PWB	4.1 / 8.1 / 10.2	
563	7.1.3.2	16	RFC Motor PWB	8.3	
564	7.1.3.2	6	RFC Motor PWB	8.1	
565	7.1.3.2	9	RFC Motor PWB	8.3	
591	7.1.3.13	2	HVPS	9.1 / 9.2 / 9.3	
594	7.1.3.8	18	LPH 1 LED	6.7	
595	7.1.3.8	17	LPH 2 LED	6.8	
596	7.1.3.8	10	LPH 3 LED	6.6	
630	7.1.3.5	8	IIT PWB	1.5 / 1.6 / 1.10 / 1.13	
641	7.1.3.16	11	Relay Connector	3.3	to Attention Light:
J661A	7.1.3.2	3	Relay Connector	1.6 / 1.7 / 1.12 / 7.1 / 8.1 / 8.2 / 8.5	to RFC 1
P661	7.1.3.2	3	Relay Connector	1.6 / 1.7 / 1.12 / 7.1 / 8.1 / 8.2 / 8.5	to RFC 1
J661B	7.1.3.2	7	Relay Connector	1.6 / 1.7 / 1.12 / 7.2 / 8.3 / 8.4	to RFC 2
P661	7.1.3.2	7	Relay Connector	1.6 / 1.7 / 1.12 / 7.2 / 8.3 / 8.4	to RFC 2
662	7.1.3.11	1	Relay Connector	1.6 / 1.7 / 1.12 / 7.1 / 8.2 / 8.4 / 8.5	to RFC 1
662	7.1.3.12	1	Relay Connector	1.6 / 1.7 / 1.12 / 7.2 / 8.3 / 8.4	to RFC 2
665	7.1.3.11	23	Relay Connector	8.2	to Roll 1 Cut Trigger Sensor
665	7.1.3.12	21	Relay Connector	8.4	to Roll 2 Cut Trigger Sensor
666	7.1.3.11	3	Relay Connector	8.5	to RFC Vertical Jam Sensor
667	7.1.3.11	2	Relay Connector	8.2	to Roll 1 Auto Cut Switch

P/J No.	Figure No.	Item No.	Description	BSD CH	Remarks (Connection destination)
667	7.1.3.12	2	Relay Connector	8.4	to Roll 2 Auto Cut Switch
679	7.1.3.3	8	Relay Connector	8.7	to RFC Page Sync Sensor
681	7.1.3.3	18	Relay Connector	1.6 / 1.7 / 7.3	to Manual Sensor
682	7.1.3.3	13	Relay Connector	8.6	to Manual Feed Stop Sensor
683	7.1.3.3	9	Relay Connector	8.7	to Manual Page Sync Sensor
684	7.1.3.3	3	Relay Connector	10.1	to H-Tra. Jam Sensor
691	7.1.3.10	1	Relay Connector	9.2	to Toner Empty Sensor
P695	7.1.3.3	1	Relay Connector	10.3 / 10.4 / 10.5	to Exit Motion Sensor, Thermistor
J695	7.1.3.9	5	Relay Connector	10.3 / 10.4 / 10.5	to Exit Motion Sensor, Thermistor
J703	7.1.3.3	2	IIT Drive Motor	6.3	
704	7.1.3.5	6	IIT PWB	6.3	
720	7.1.3.6	4	IIT Right Skew Sensor	6.3	
721	7.1.3.6	5	IIT Cover Open Sensor	1.13	
722	7.1.3.6	3	IIT Regi Sensor	6.3	
723	7.1.3.6	2	A4 Sensor	6.2	
724	7.1.3.6	6	A3 Sensor	6.2	
725	7.1.3.6	7	A2 Sensor	6.2	
726	7.1.3.6	8	17 Inch Sensor	6.1	
727	7.1.3.6	9	A1 Sensor	6.1	
728	7.1.3.6	10	A0 Sensor	6.1	
729	7.1.3.6	11	34 Inch Sensor	6.1	
730	7.1.3.5	10	IIT Fan (Option)	6.6	
731	7.1.3.6	1	IIT Left Skew Sensor	6.3	
733	7.1.3.5	5	IIT PWB	1.13 / 6.1 / 6.2 / 6.3	
734	7.1.3.5	12	IIT PWB	6.1 / 6.3	
J740	7.1.3.5	4	IIT PWB	6.5	
J741	7.1.3.5	3	IIT PWB	6.5	
J742	7.1.3.5	2	IIT PWB	6.5	
J743	7.1.3.5	13	IIT PWB	6.4	
J744	7.1.3.5	14	IIT PWB	6.4	

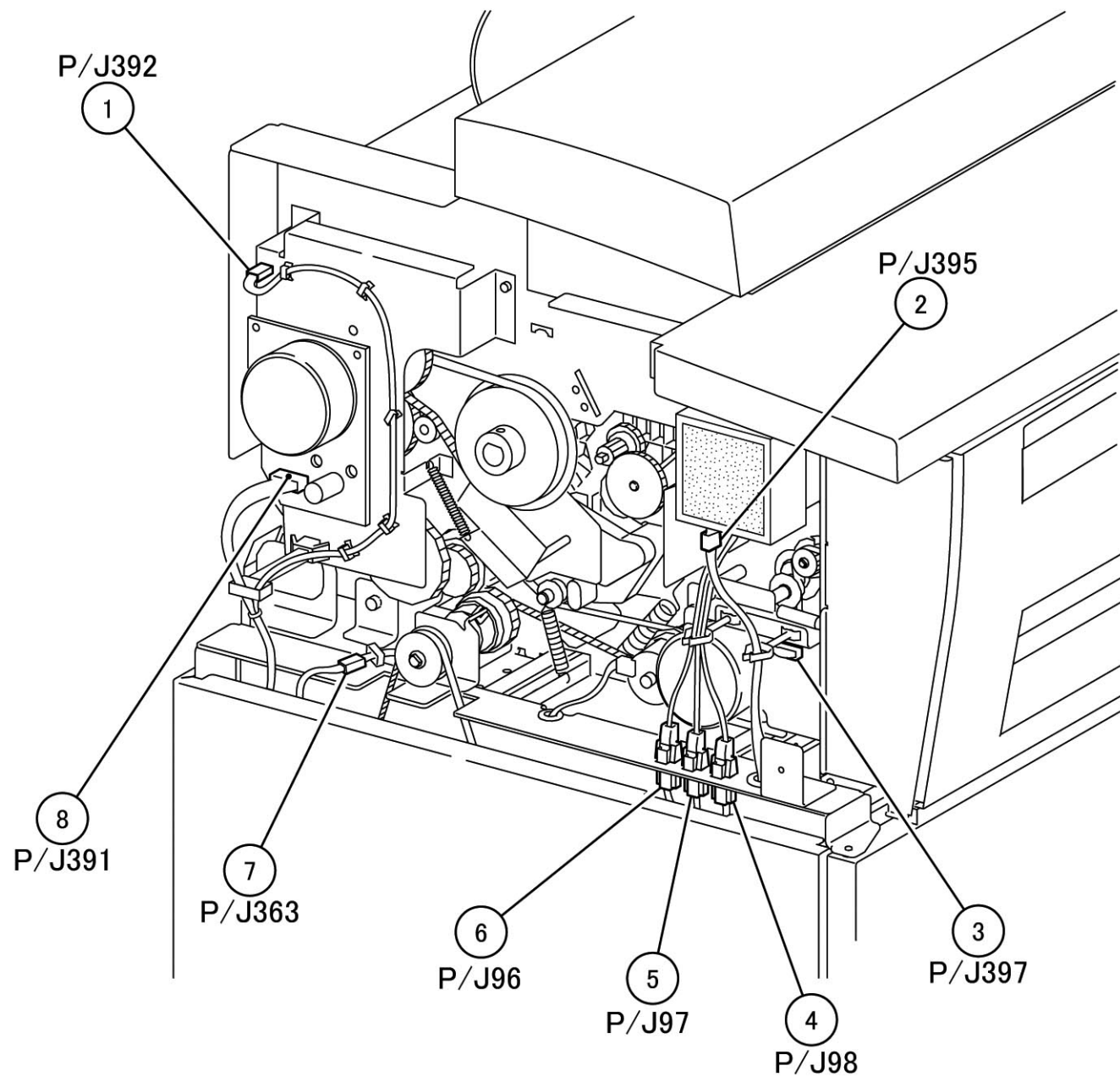


P/J No.	Figure No.	Item No.	Description	BSD CH	Remarks (Connection destination)
746	7.1.3.5	11	IIT PWB	3.1	
P747	7.1.3.5	15	IIT PWB	6.6	
J748	7.1.3.5	18	CSCN PWB (Option)	6.6	
J749	7.1.3.5	16	PMEM PWB (Option)	6.6	
P750	7.1.3.5	17	PMEM PWB (Option)	6.6	
P751	7.1.3.5	1	PMEM PWB (Option)	6.6	
P773	7.1.3.5	7	IIT PWB		N.C
ATX1	7.1.3.16	20	CP Control PWB	1.3 / 25.1	
CN1	7.1.3.16	8	HDD	25.1	
CN2	7.1.3.16	24	CP Control PWB	25.1	
CN3	7.1.3.16	26	CP Control LVPS	25.1	
CPU FAN1	7.1.3.16	21	Heatsink Fan	25.1	
FS95	7.1.3.9	4	Fasten	10.3 / 10.4	to Overheat Thermostat
FS96	7.1.3.9	3	Fasten	10.3 / 10.4	to Overheat Thermostat
JFP1	7.1.3.16	23	CP Control PWB	25.1	
JN1	7.1.3.16	8	HDD	25.1	
JPW1	7.1.3.16	19	CP Control PWB	1.3 / 25.1	
PCI1	7.1.3.16	10	CP Control PWB		N.C
PCI2	7.1.3.16	9	CP Control PWB	25.1	
SATA2	7.1.3.16	24	CP Control PWB	25.1	
SJ30	7.1.3.5	9	Shorting Jack	1.10 / 1.13	
SJ41	7.1.3.14	26	Shorting Jack	1.10 / 1.11 / 9.2 / 10.7	
SJ42	7.1.3.2	15	Shorting Jack	1.10 / 1.12 / 8.5 / 8.6 / 9.2	
SJ43	7.1.3.13	9	Shorting Jack	1.7 / 9.4 / 10.3 / 10.4	
SJ44	7.1.3.3	11	Shorting Jack	1.11 / 8.6 / 10.1 / 10.6	
SJ45	7.1.3.14	1	Shorting Jack	1.6 / 1.7 / 1.13 / 8.7 / 9.2 / 9.4	
SJ46	7.1.3.2	14	Shorting Jack	1.10 / 4.1 / 10.2	
SJ47	7.1.3.13	3	Shorting Jack	1.6 / 1.11 / 1.12	
SJ48	7.1.3.14	2	Shorting Jack	1.6 / 1.7 / 1.13	
SJ49	7.1.3.3	10	Shorting Jack	1.6 / 1.11 / 8.6 / 10.1 / 10.6	

P/J No.	Figure No.	Item No.	Description	BSD CH	Remarks (Connection destination)
SJ65	7.1.3.11	22	Shorting Jack	1.6 / 1.7 / 7.1 / 8.4 / 8.5	to RFC 1
SJ65	7.1.3.12	20	Shorting Jack	1.6 / 1.7 / 7.2 / 8.2	to RFC 2
SJ66	7.1.3.11	18	Shorting Jack	1.6 / 1.7 / 7.1	to RFC 1
SJ66	7.1.3.12	16	Shorting Jack	1.6 / 1.7 / 7.2	to RFC 2
SJ67	7.1.3.11	16	Shorting Jack	1.6 / 1.7 / 7.1 / 8.2 / 8.4	to RFC 1
SJ67	7.1.3.12	15	Shorting Jack	1.6 / 1.7 / 7.2	to RFC 2
SJ81	7.1.3.7	10	Shorting Jack	1.6 / 1.7 / 7.3	
T74	7.1.3.15	7	Terminal	1.1	to AC Filter PWB
T75	7.1.3.15	6	Terminal	1.1	to AC Filter PWB
T76	7.1.3.15	3	Terminal	1.1	to AC Filter PWB
T77	7.1.3.15	4	Terminal	1.1	to AC Filter PWB

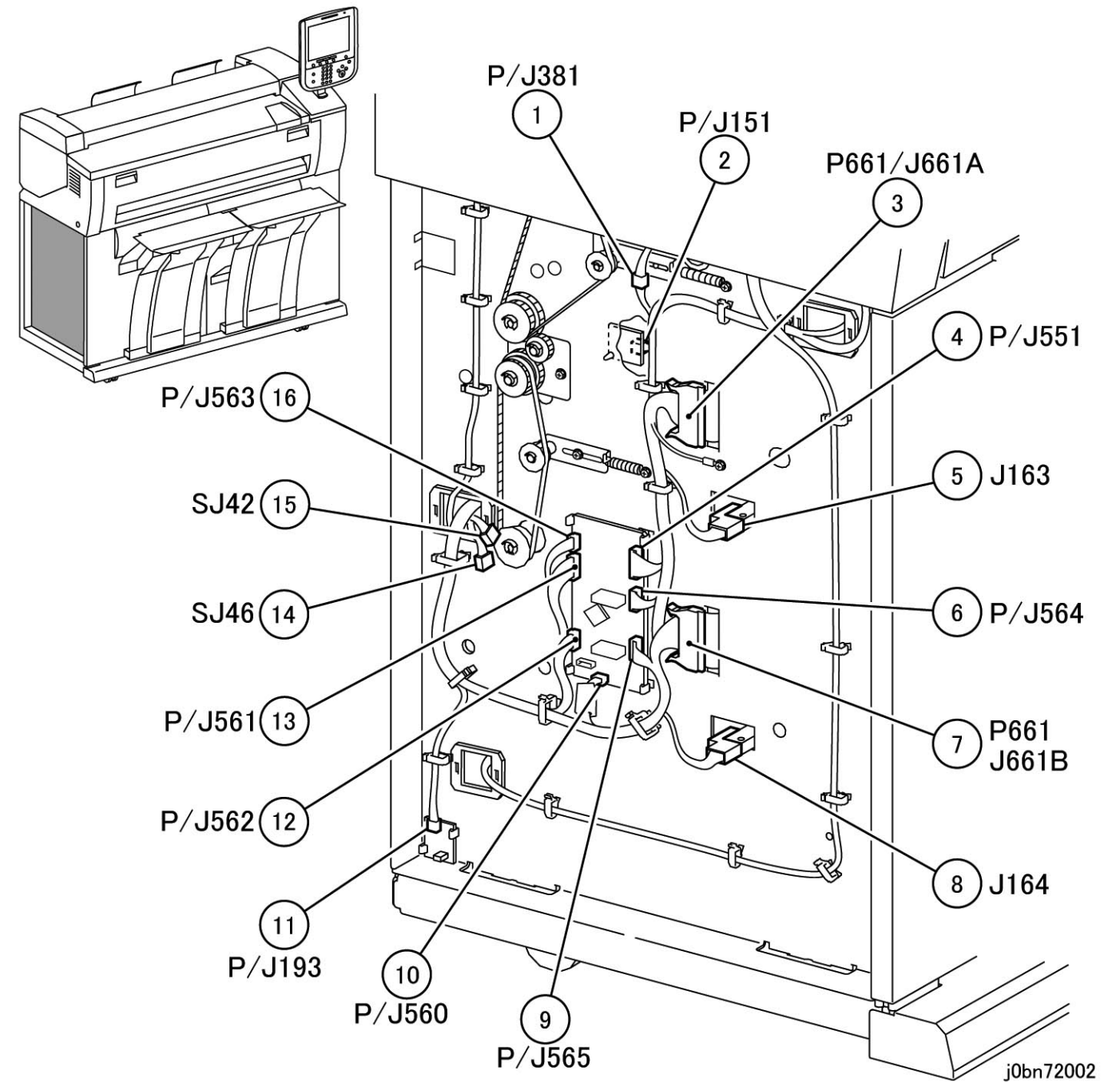
7.1.3 Plug/Jack Location

7.1.3.1 IOT L/H Location



j0bn72001

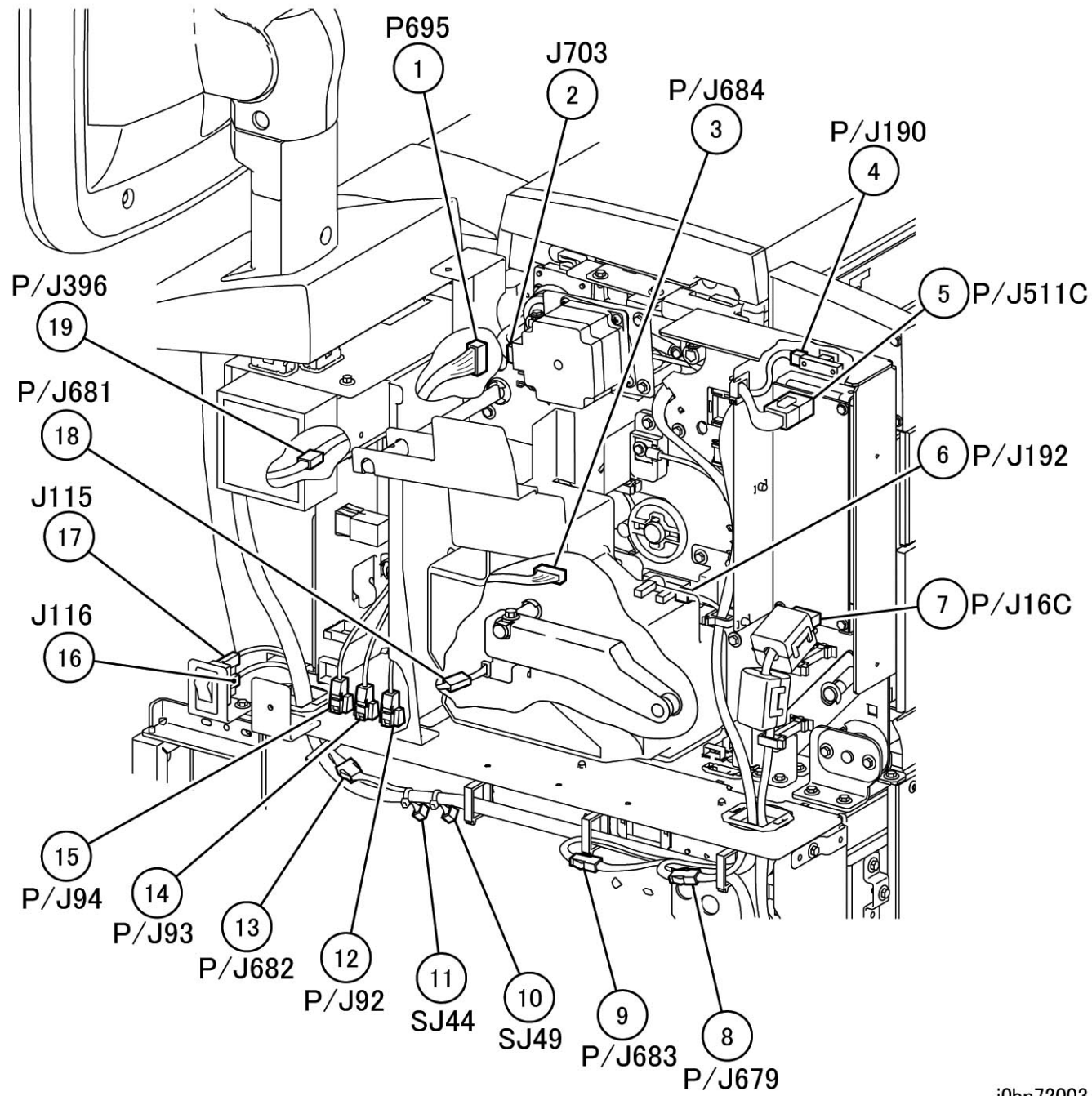
7.1.3.2 RFC Motor PWB, RFC Drawer Open Switch, Open Air Sensor



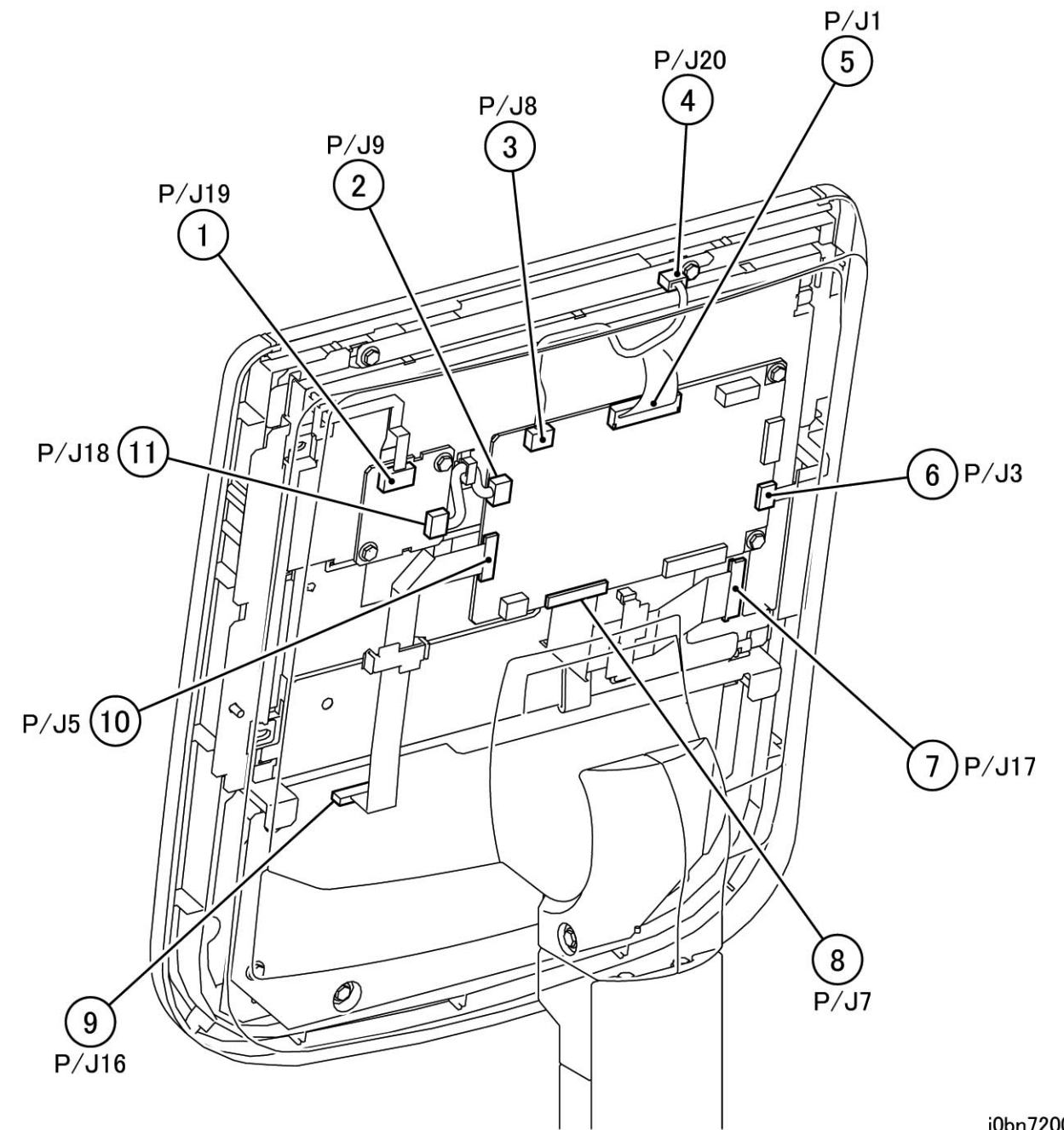
j0bn72002

7.1.3.3 IOT R/H Location

7.1.3.4 UI Assembly

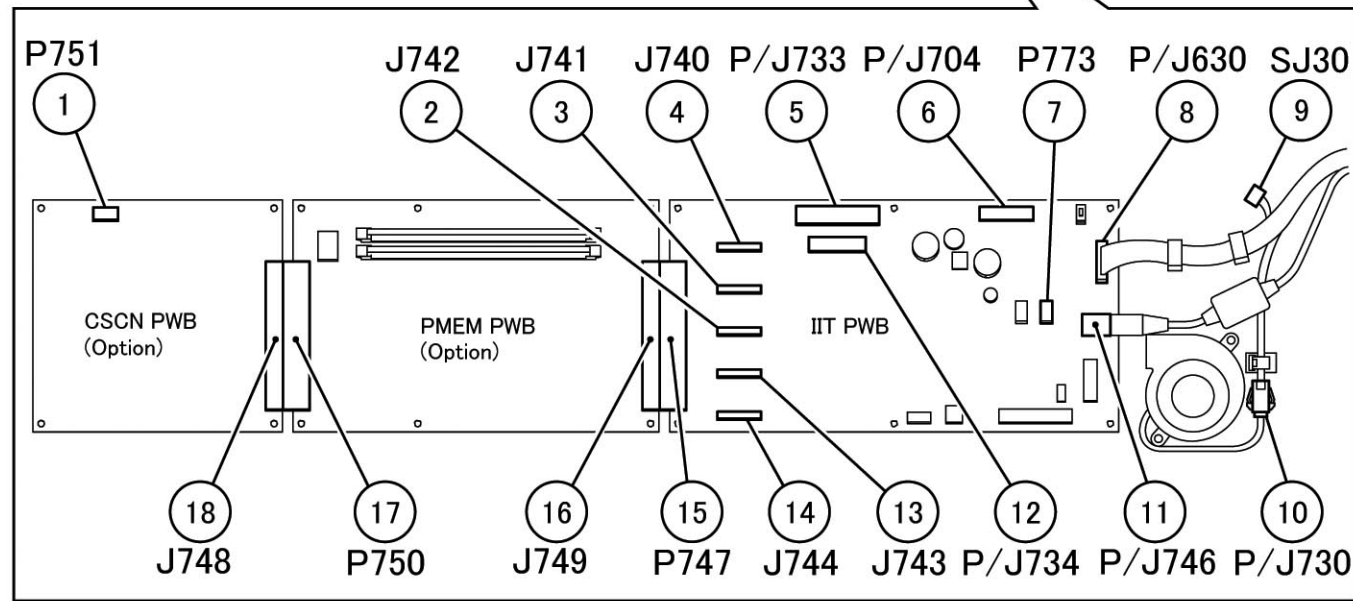
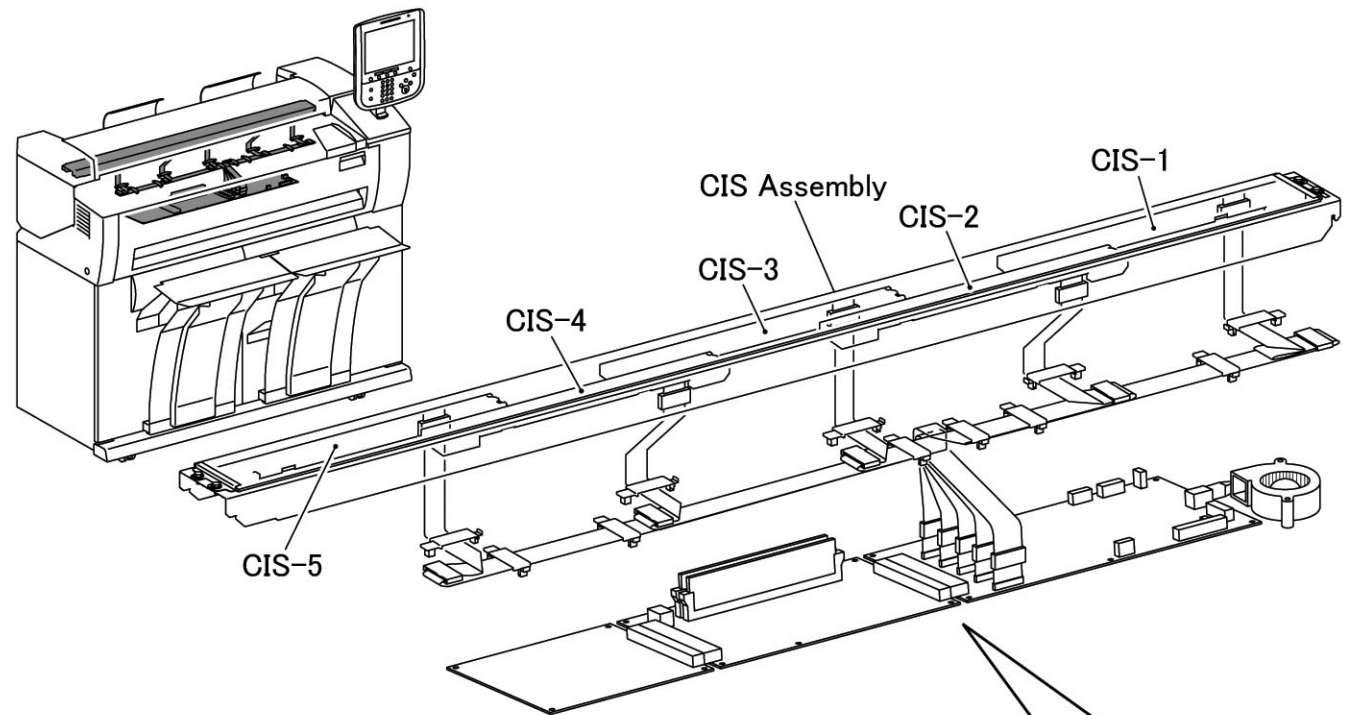


j0bn72003



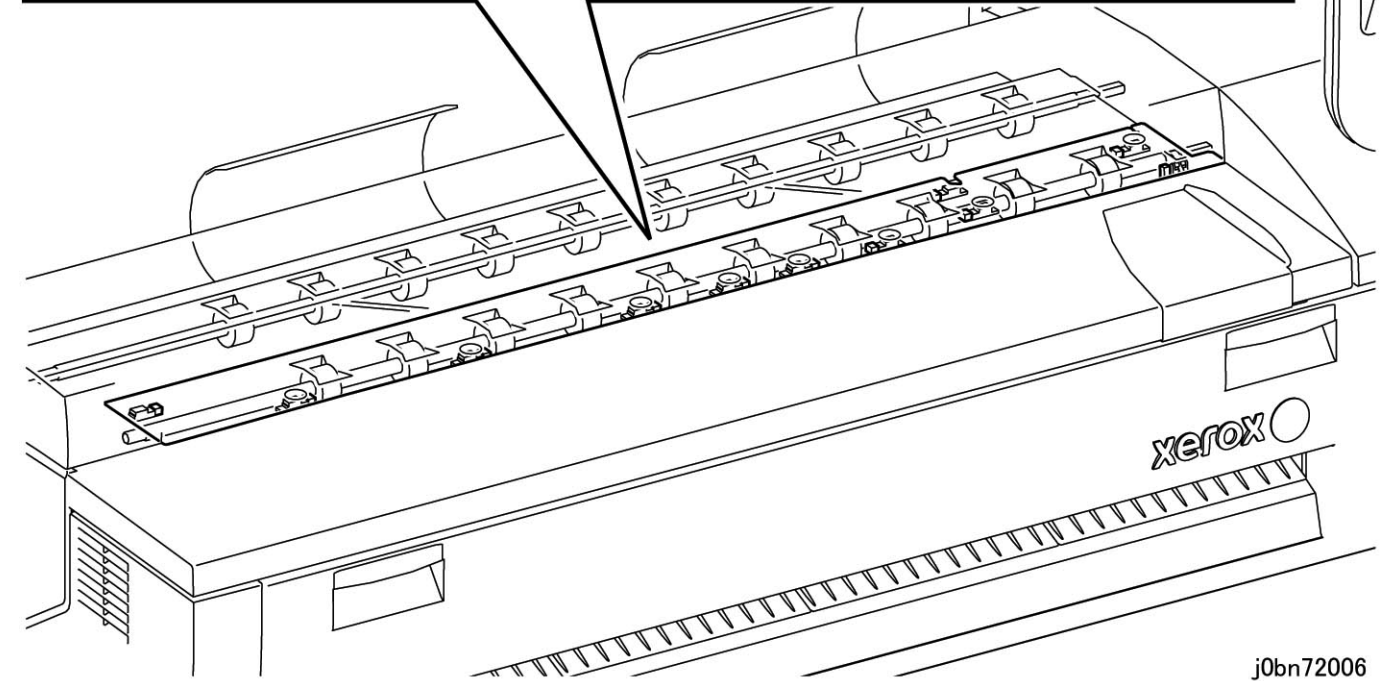
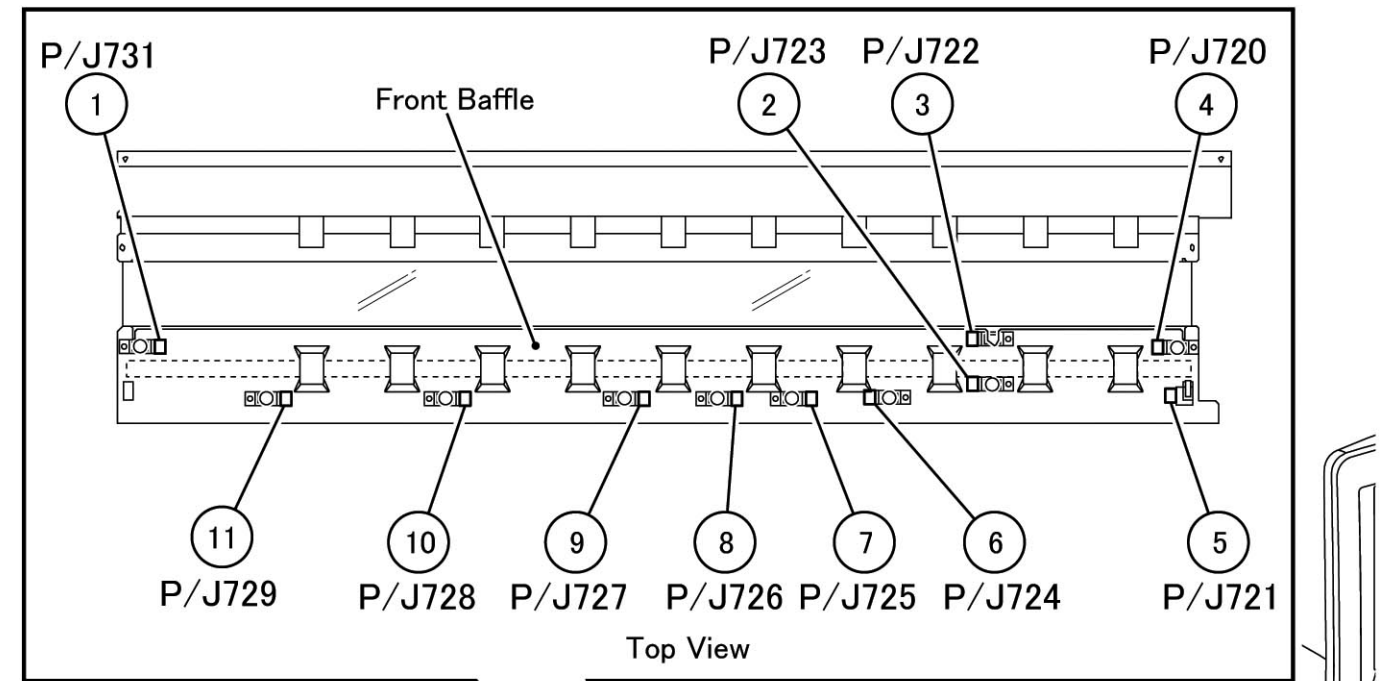
j0bn72004

7.1.3.5 CIS, IIT PWB, PMEM PWB, CSCN PWB



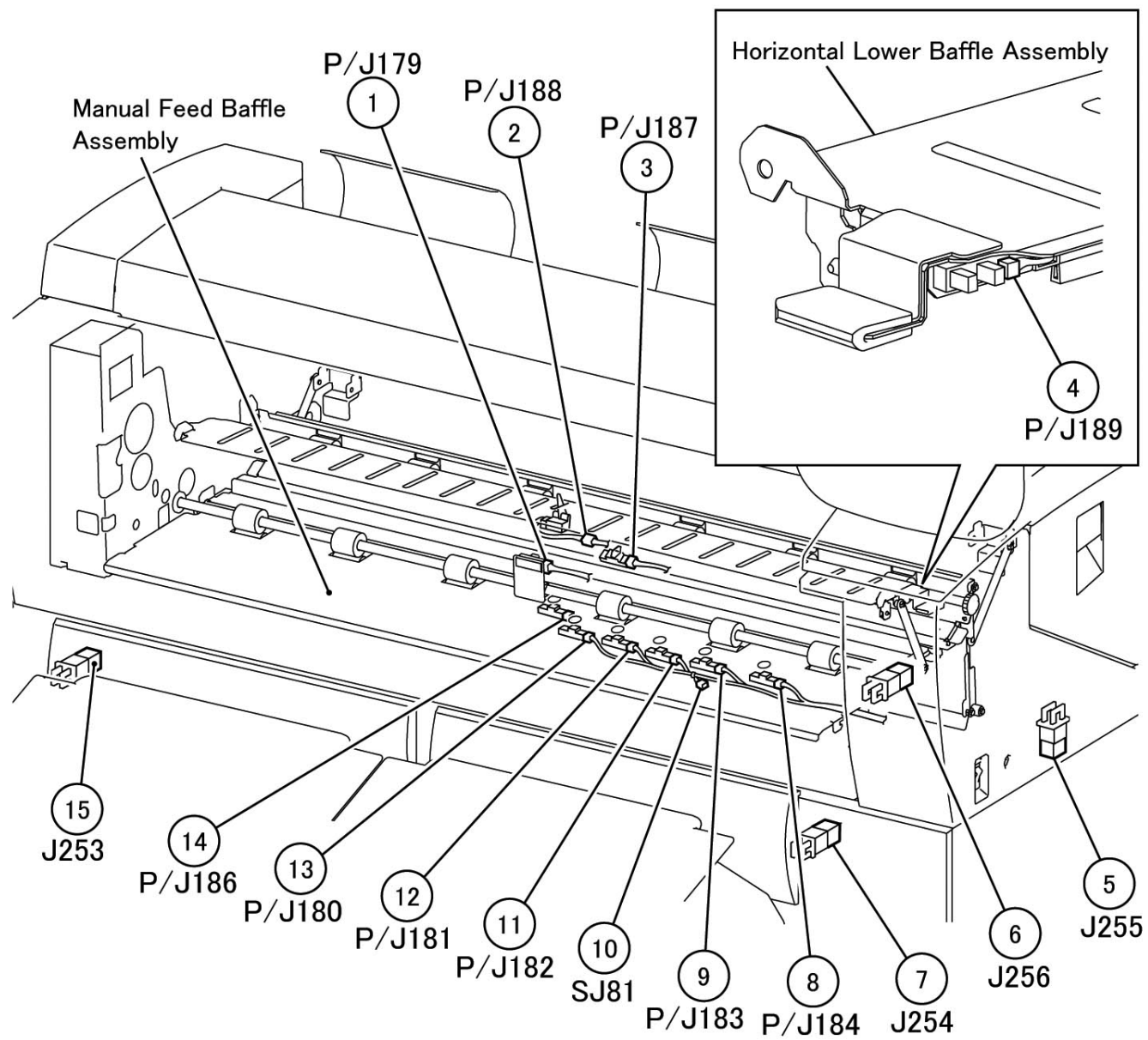
j0bn72005

7.1.3.6 Front Baffle Assembly



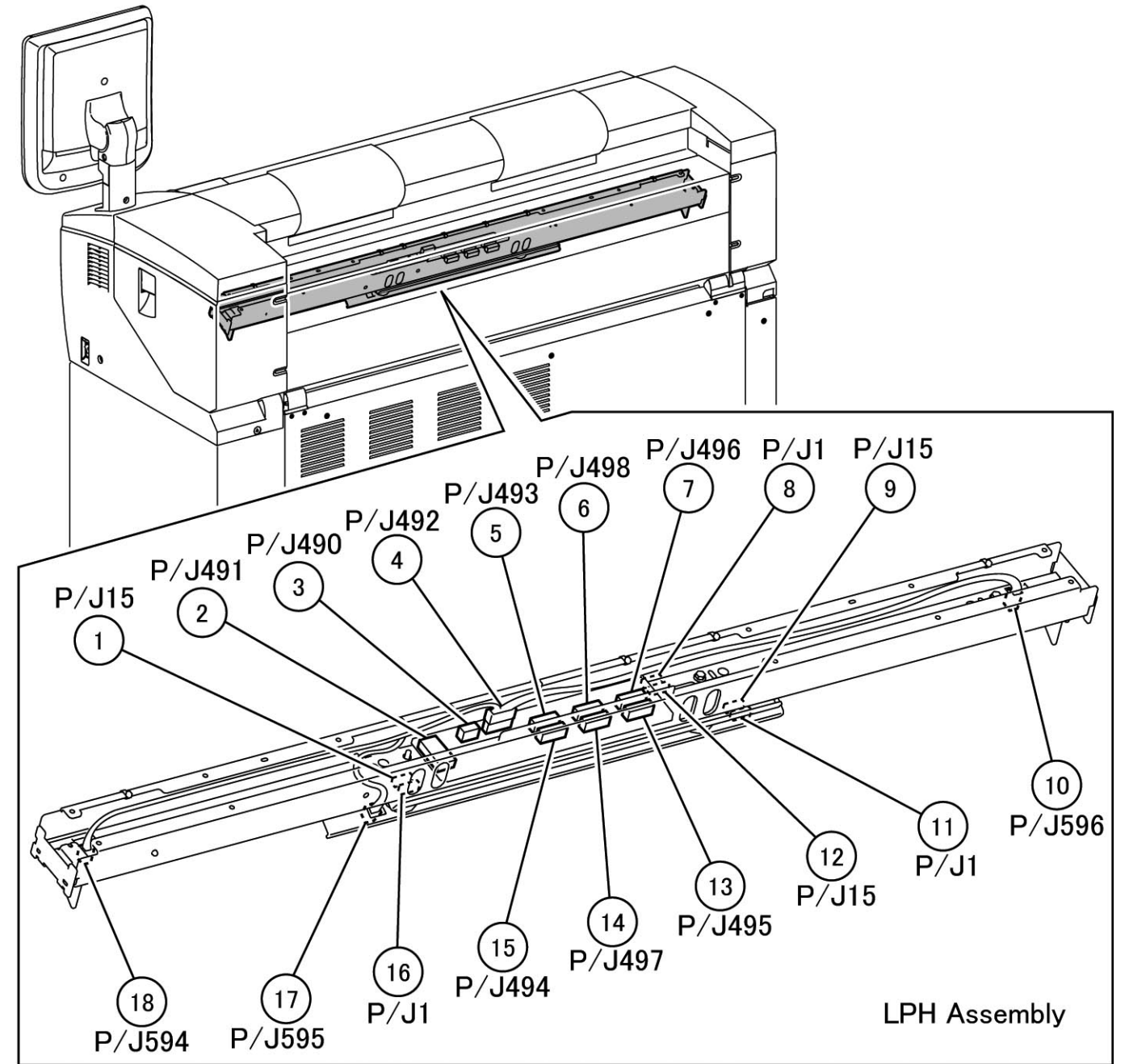
j0bn72006

7.1.3.7 Manual Size Sensor, Interlock Switch



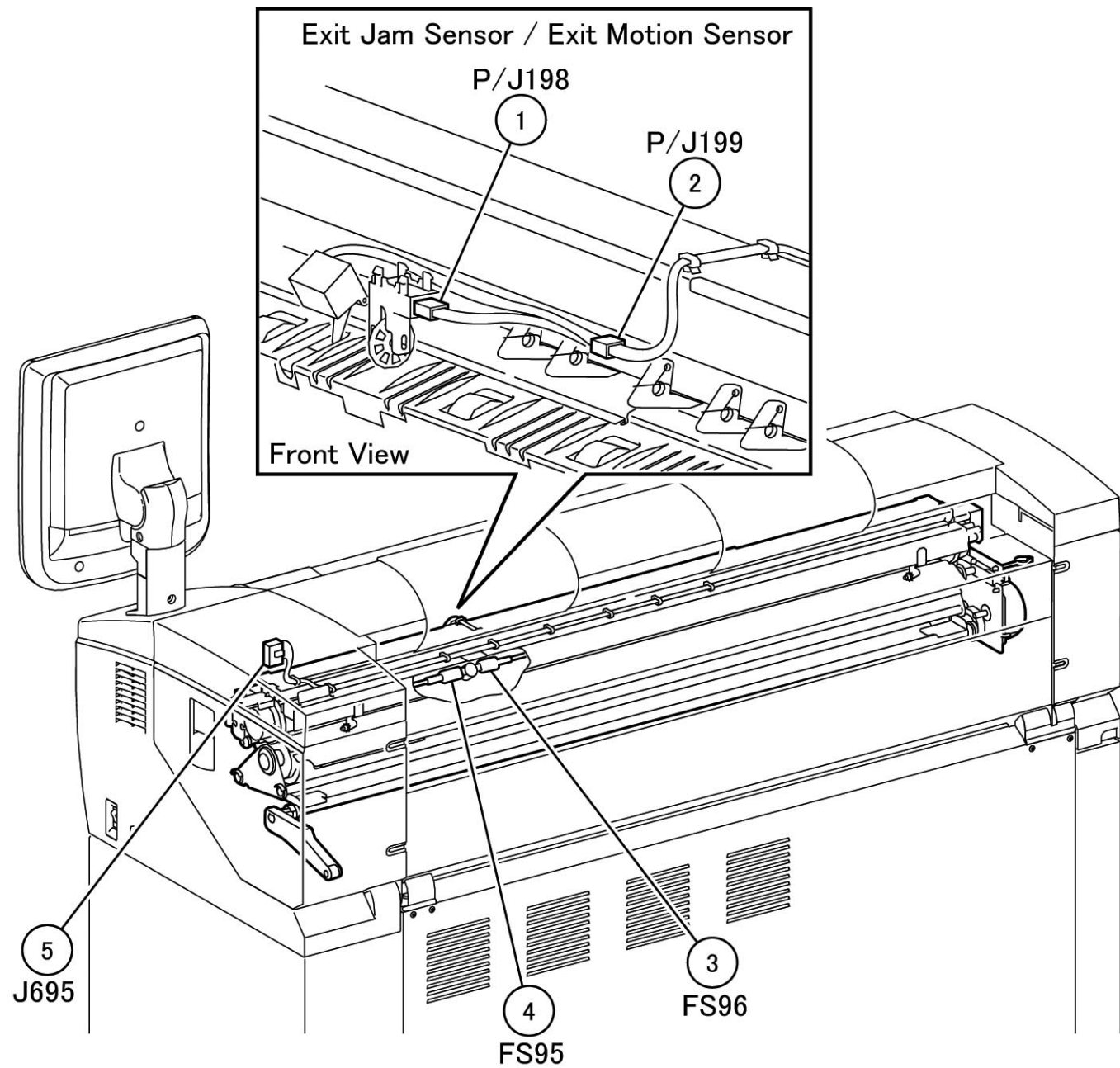
j0bn72007

7.1.3.8 LPH Assembly



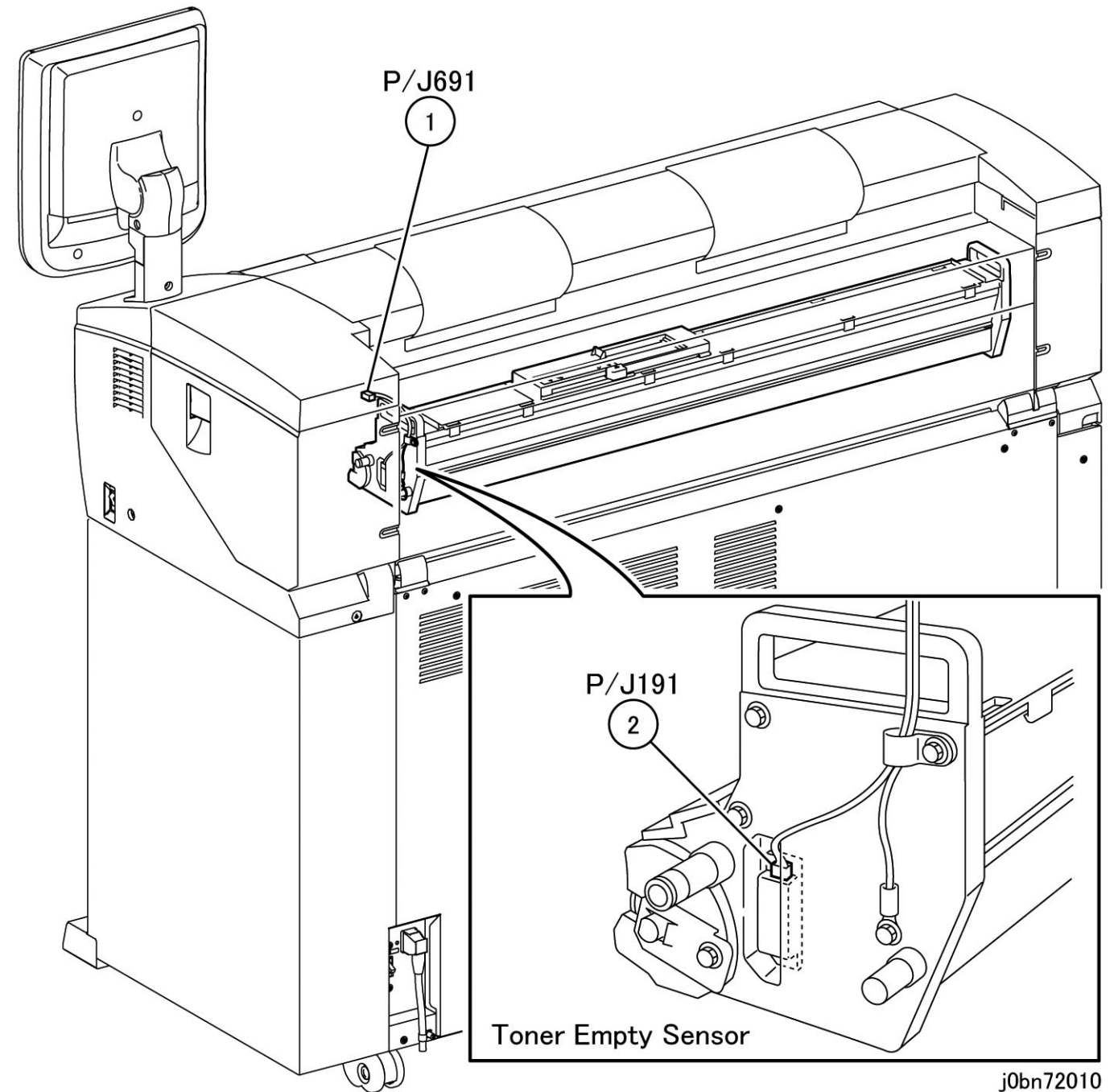
j0bn72008

7.1.3.9 Fusing Assembly



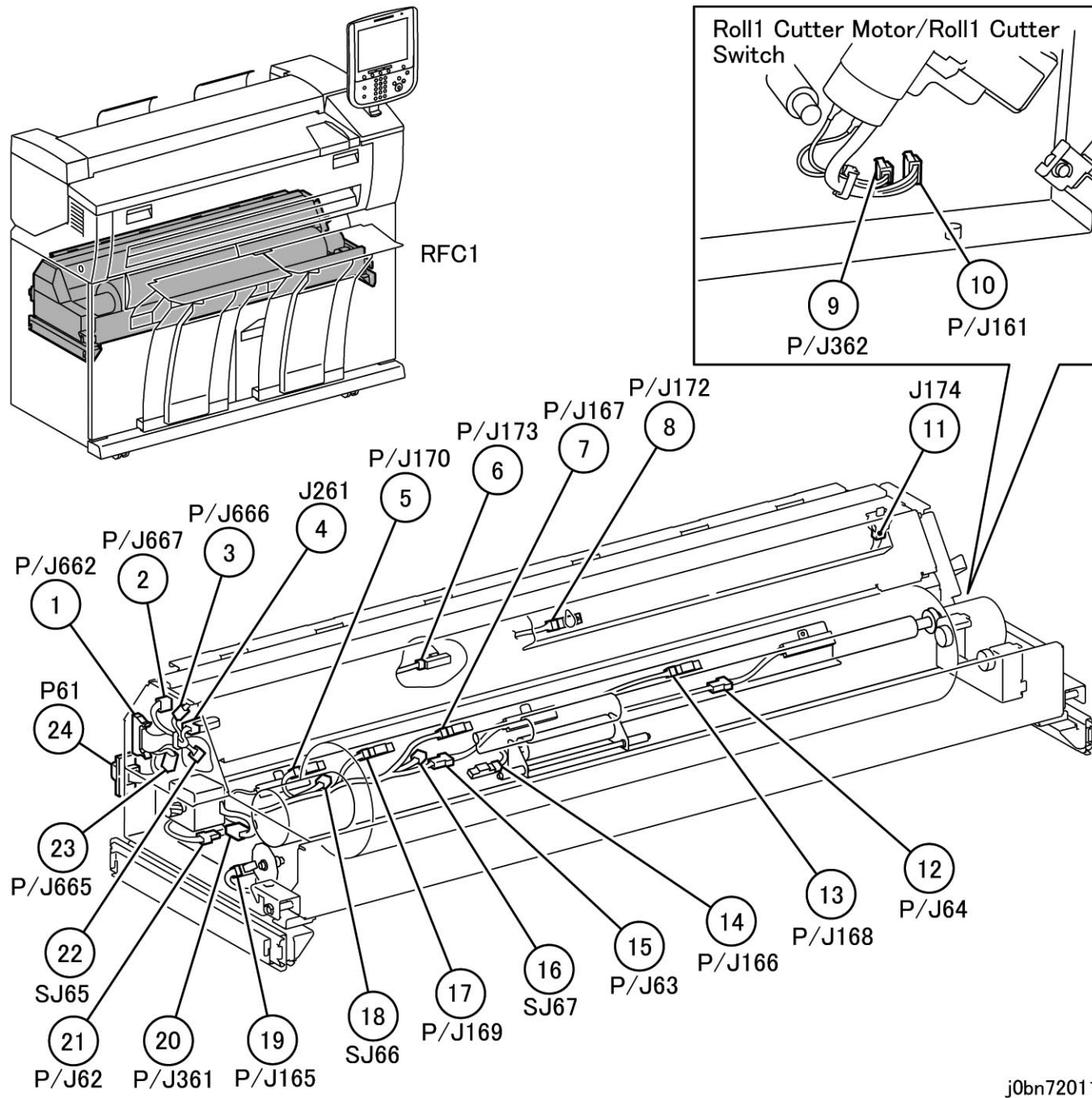
j0bn72009

7.1.3.10 Developer Assembly



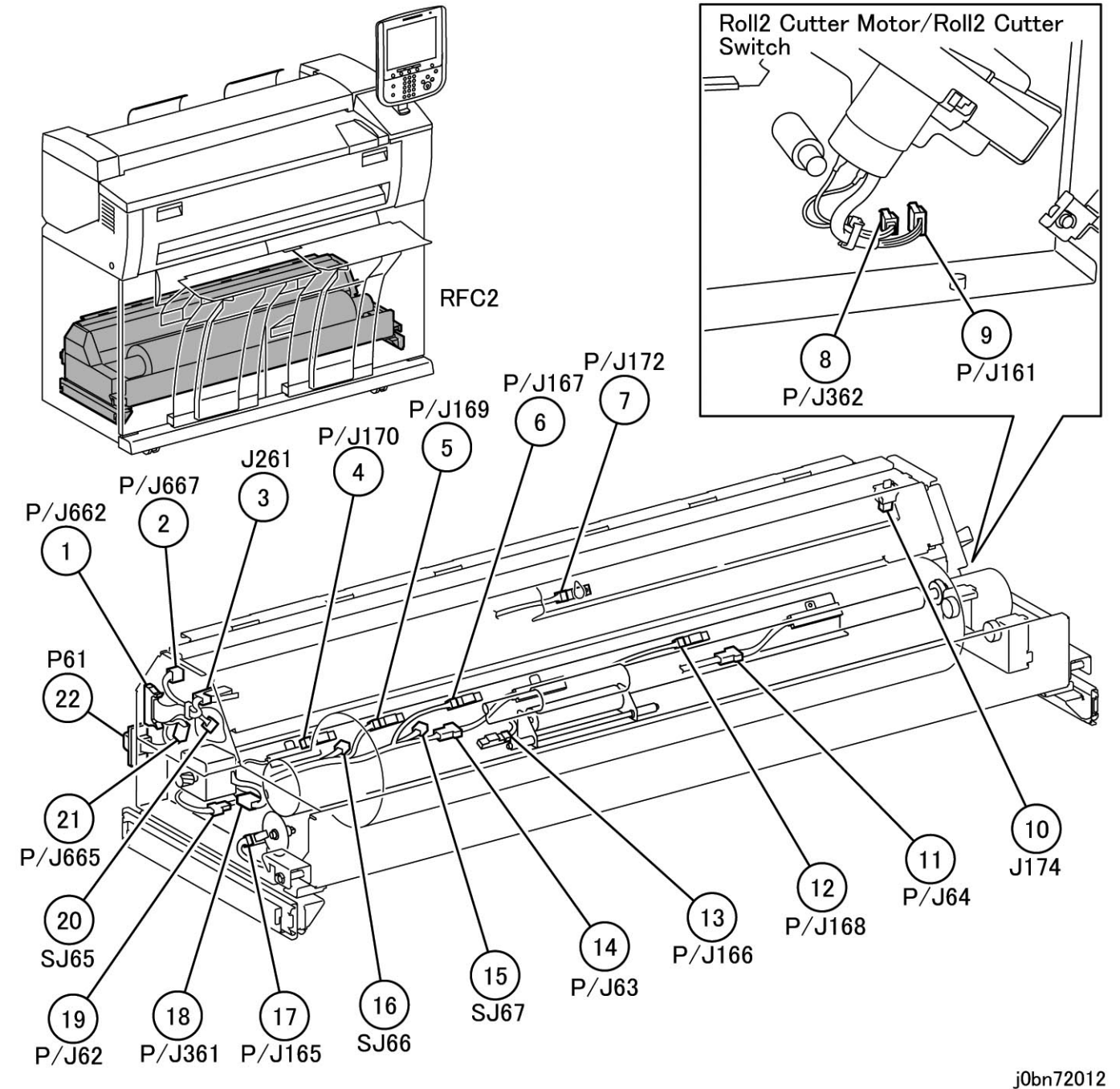
j0bn72010

### 7.1.3.11 RFC 1 (RFC B-Type)



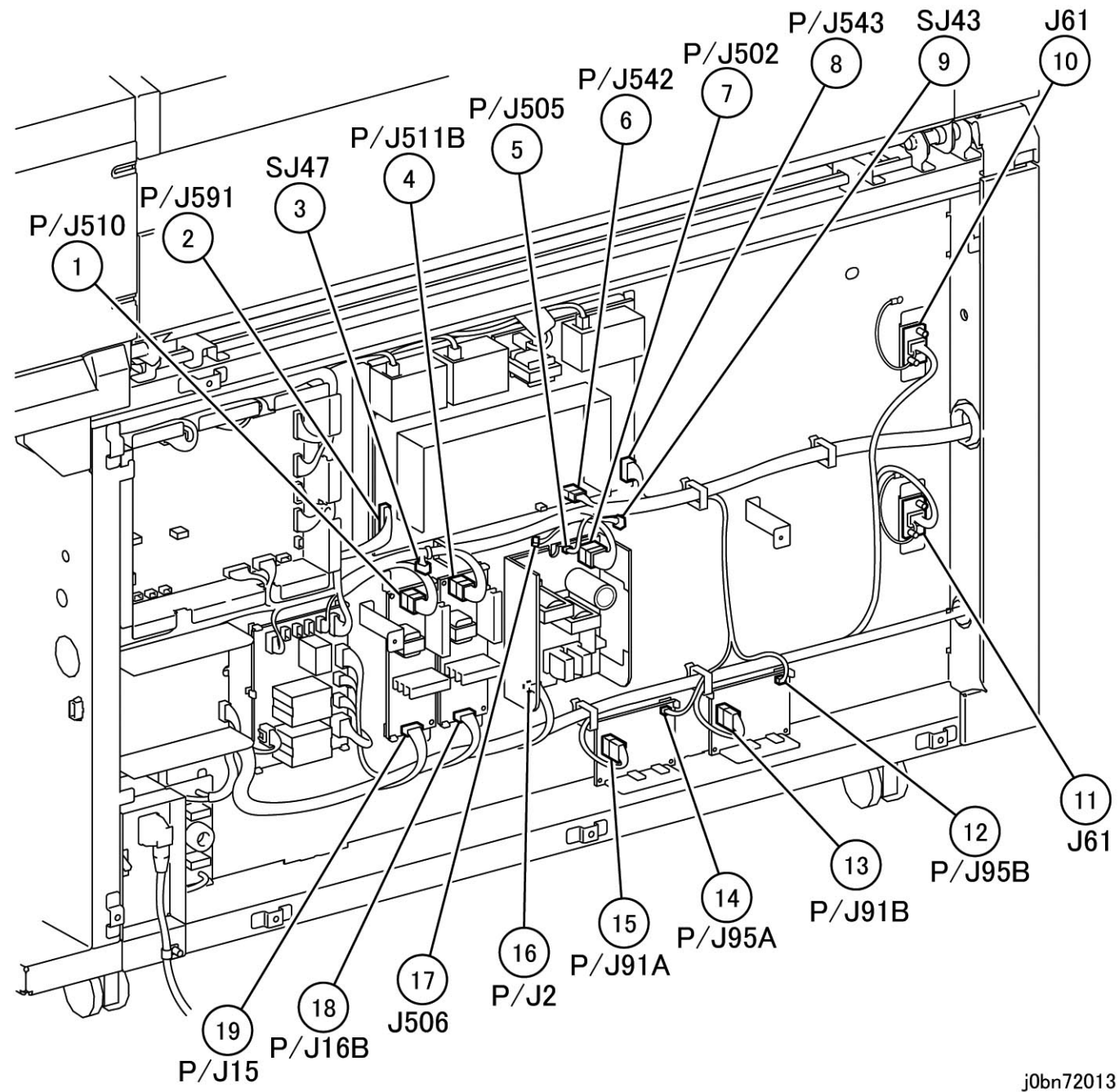
j0bn72011

### 7.1.3.12 RFC 2 (RFC A-Type)

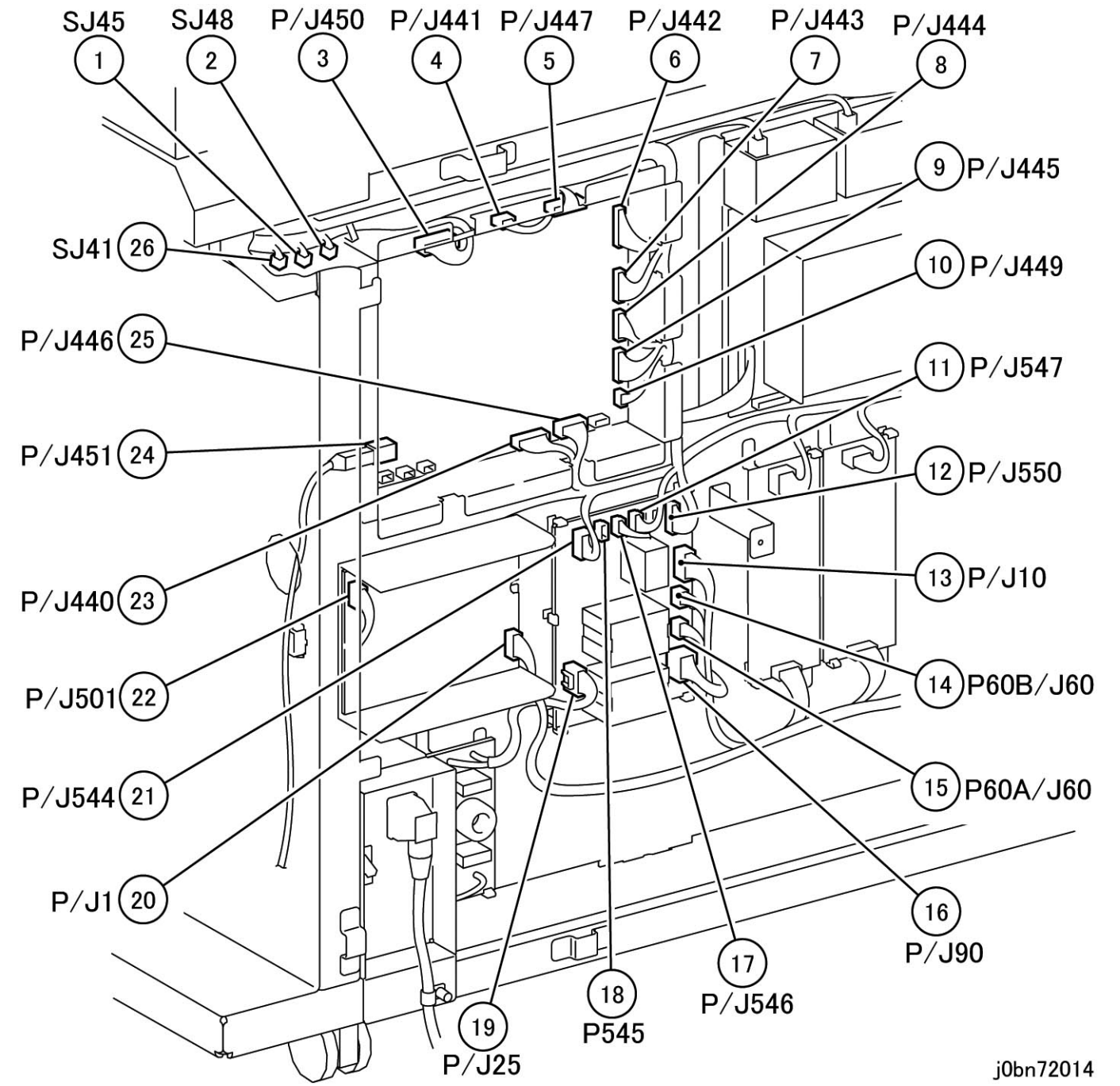


j0bn72012

7.1.3.13 HVPS, LVPS (3.5V / 5V / 24V), Side Triac, Center Triac

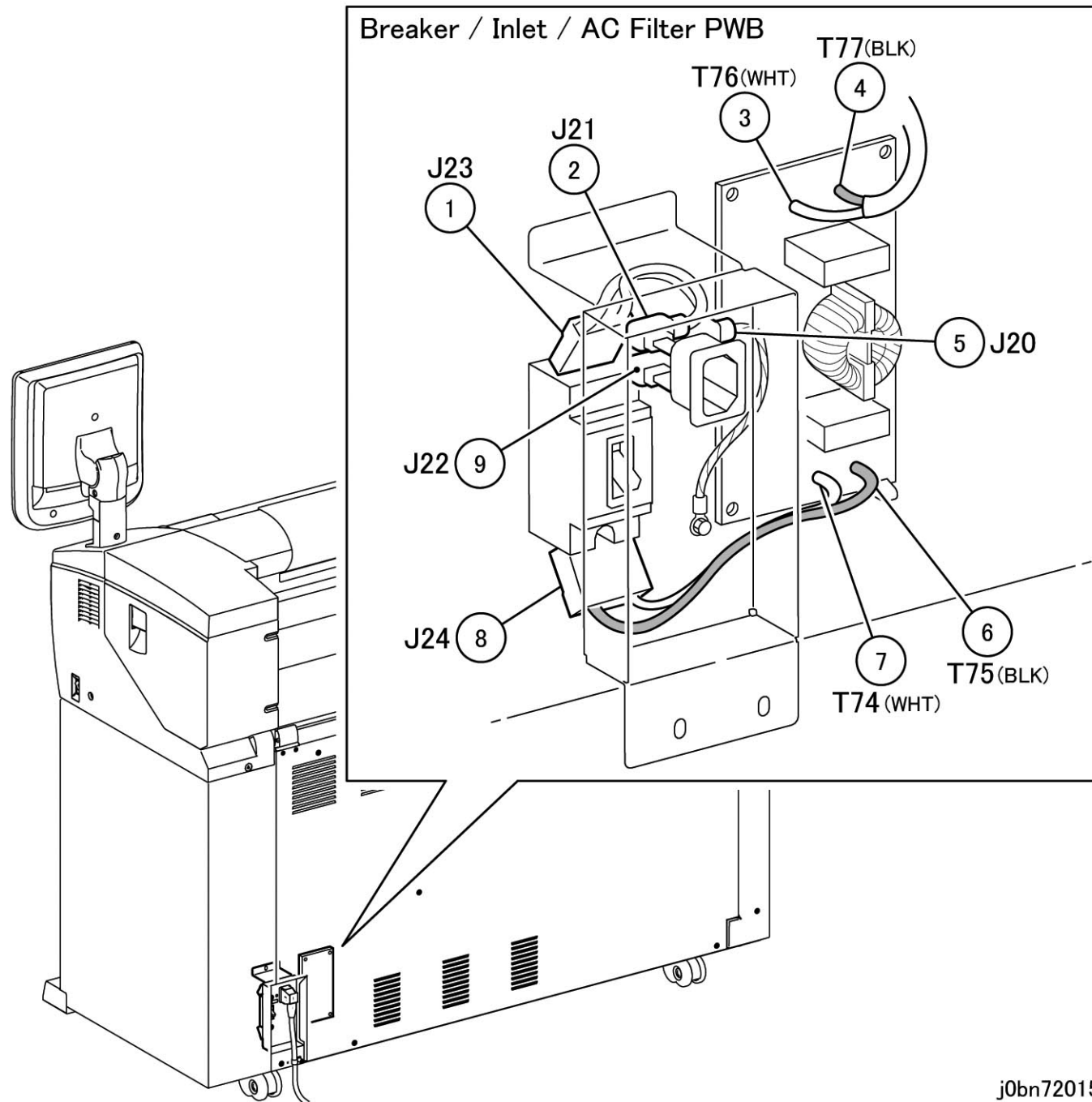


7.1.3.14 IOT PWB, AC Relay PWB, LVPS (24V)

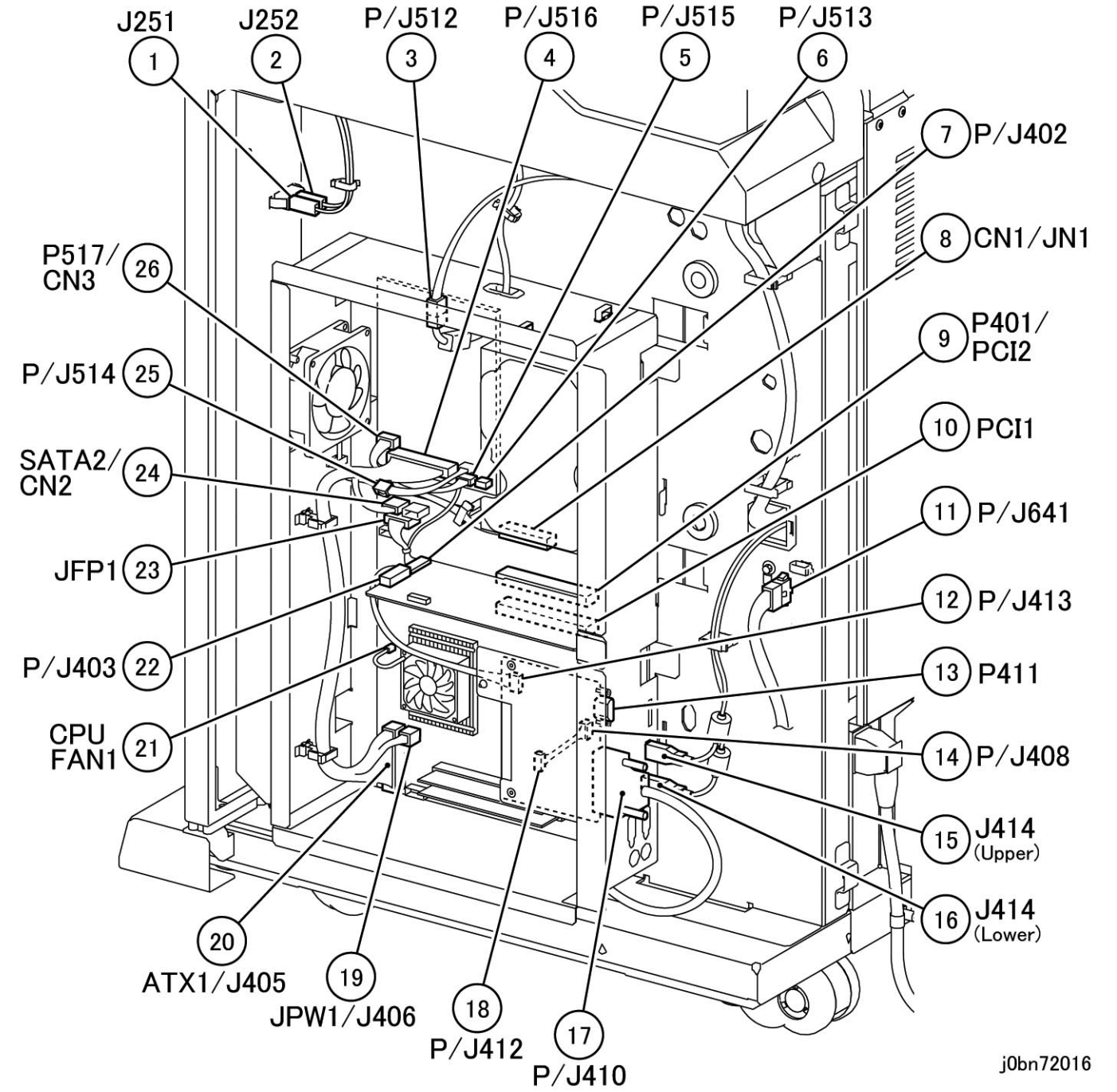




7.1.3.15 Breaker, Inlet, AC Filter PWB



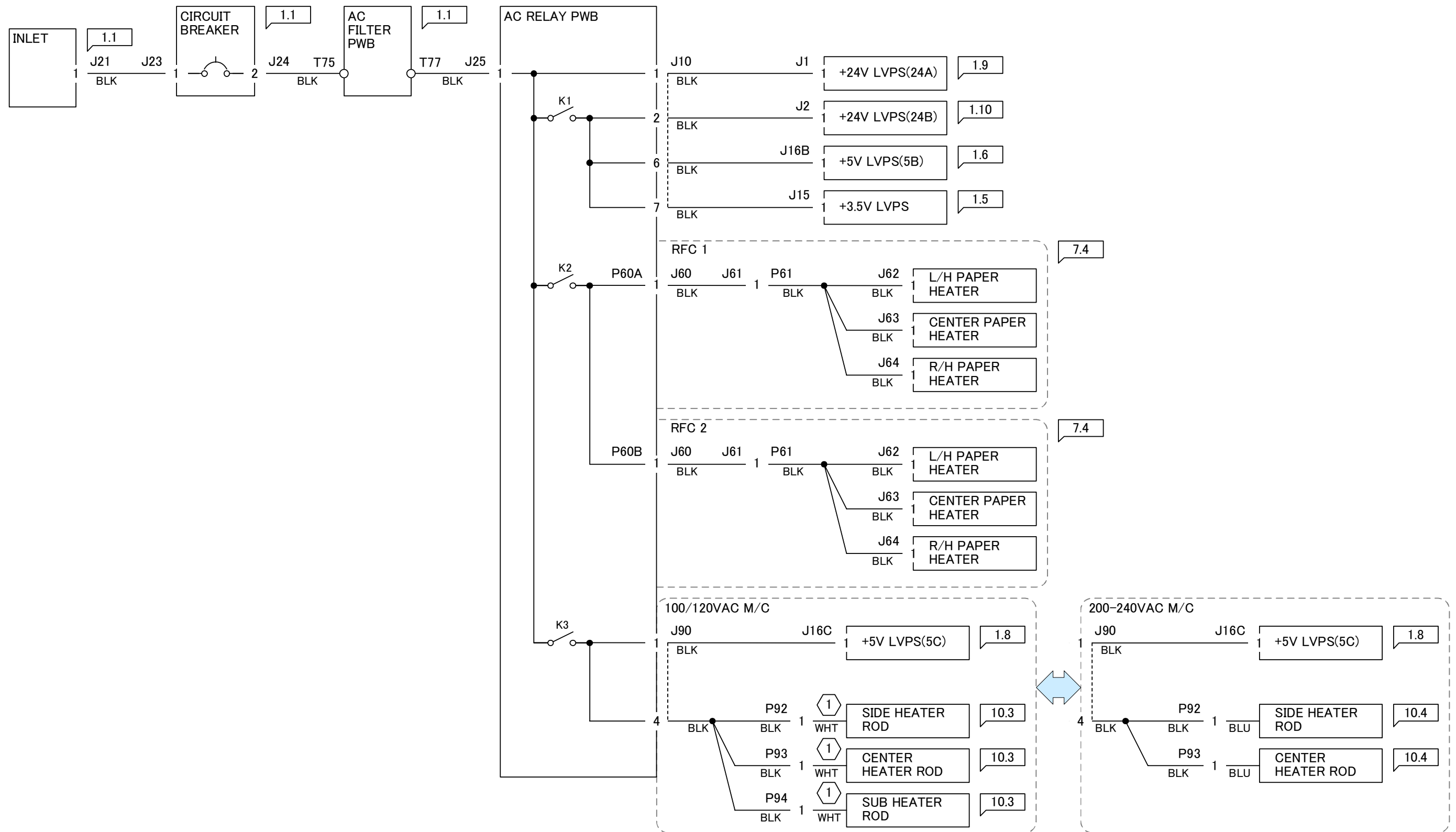
7.1.3.16 ESS Assembly, Paper Heater Switch



Intentionally Blank

## 7.2 WIRENET

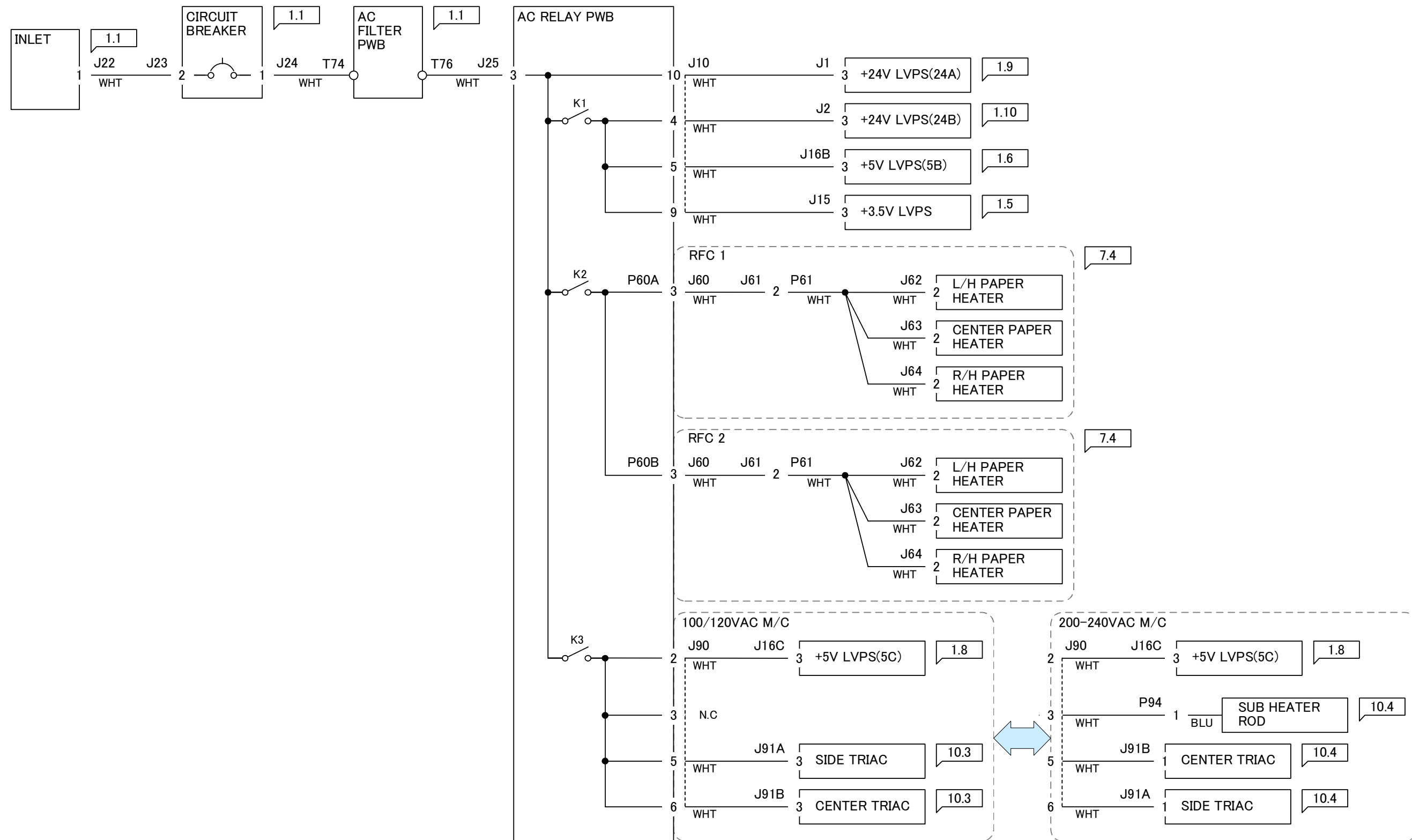
### 7.2.1 ACH



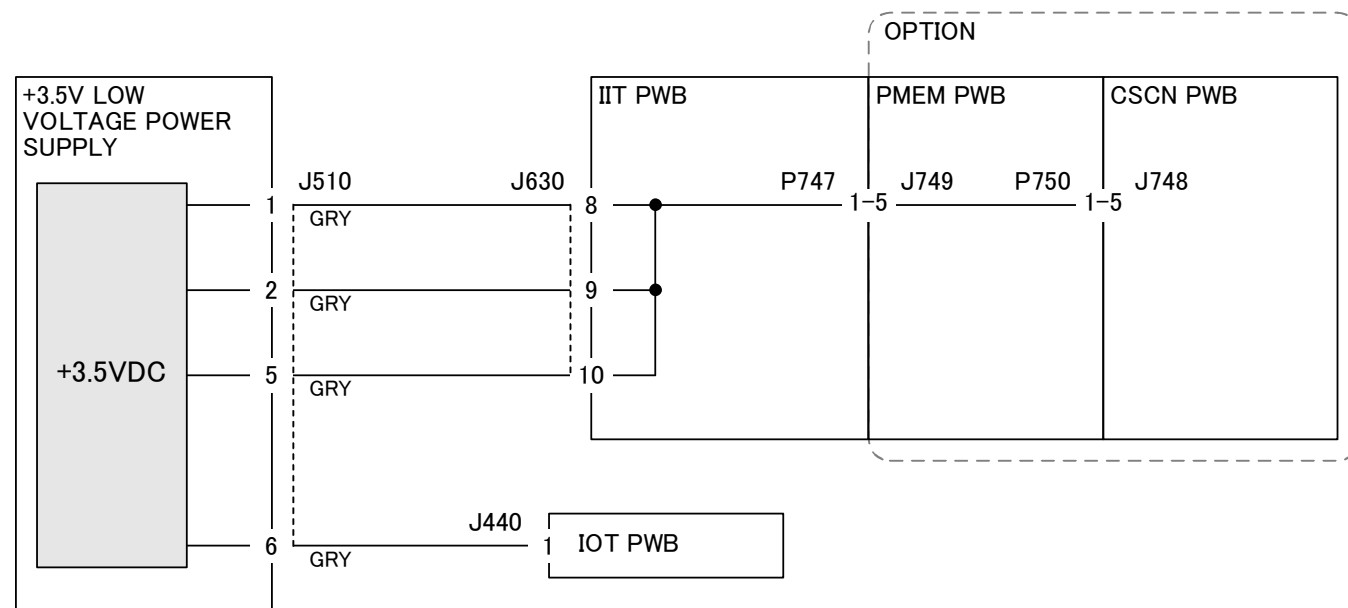
① Harness color is white for 100VAC M/C and red for 120VAC M/C.

j0bnt7201

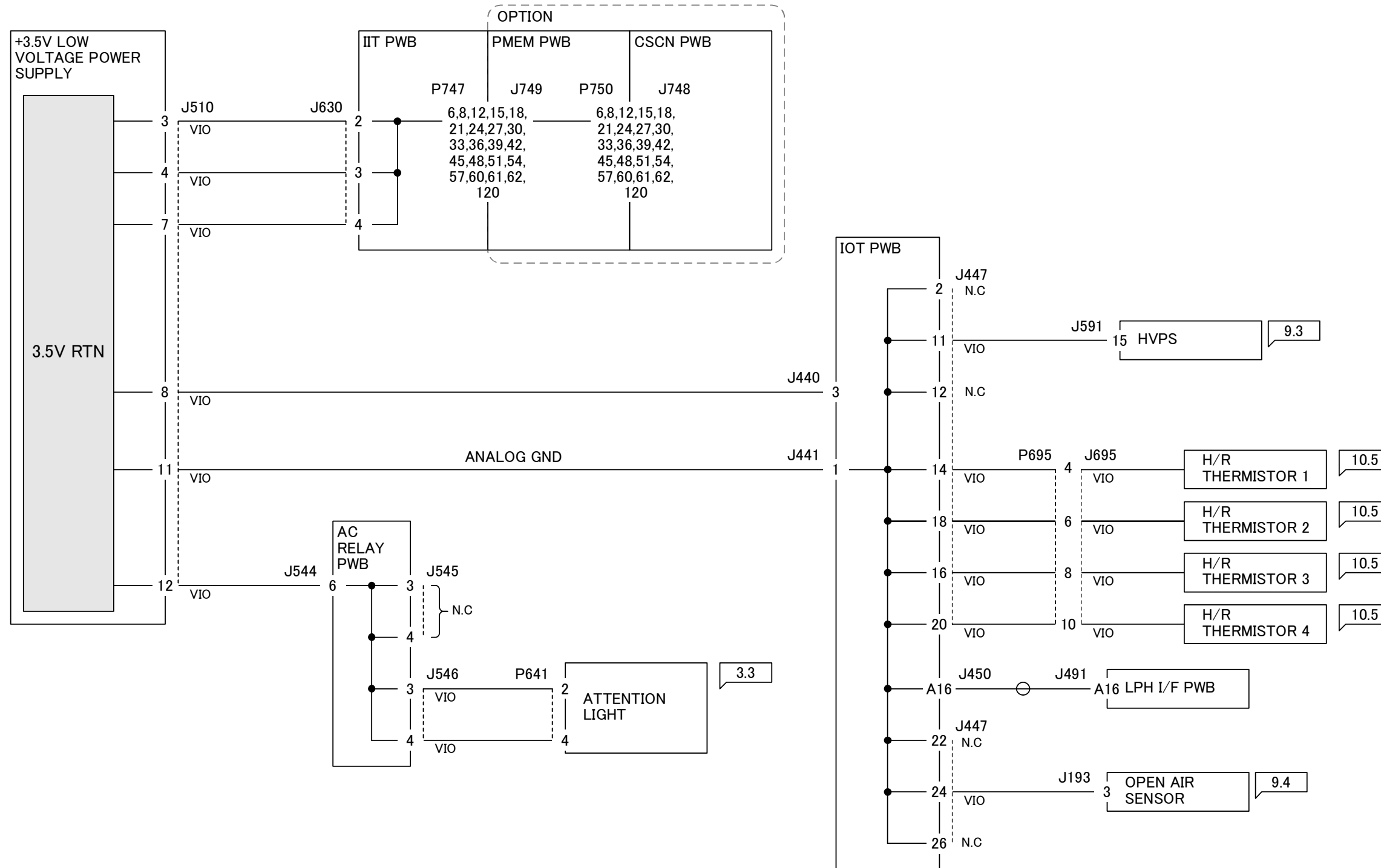
7.2.2 ACN



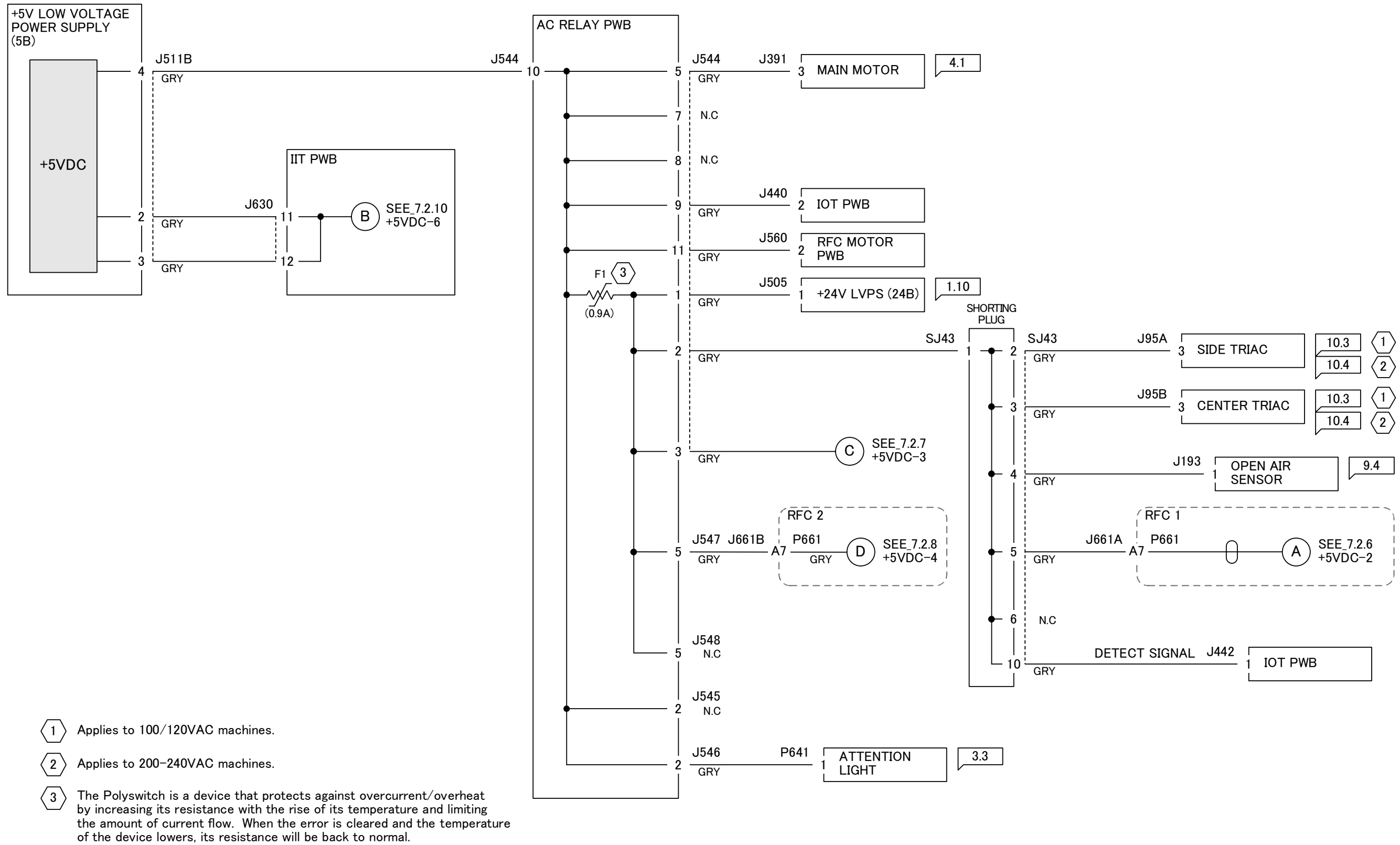
### 7.2.3 +3.5VDC



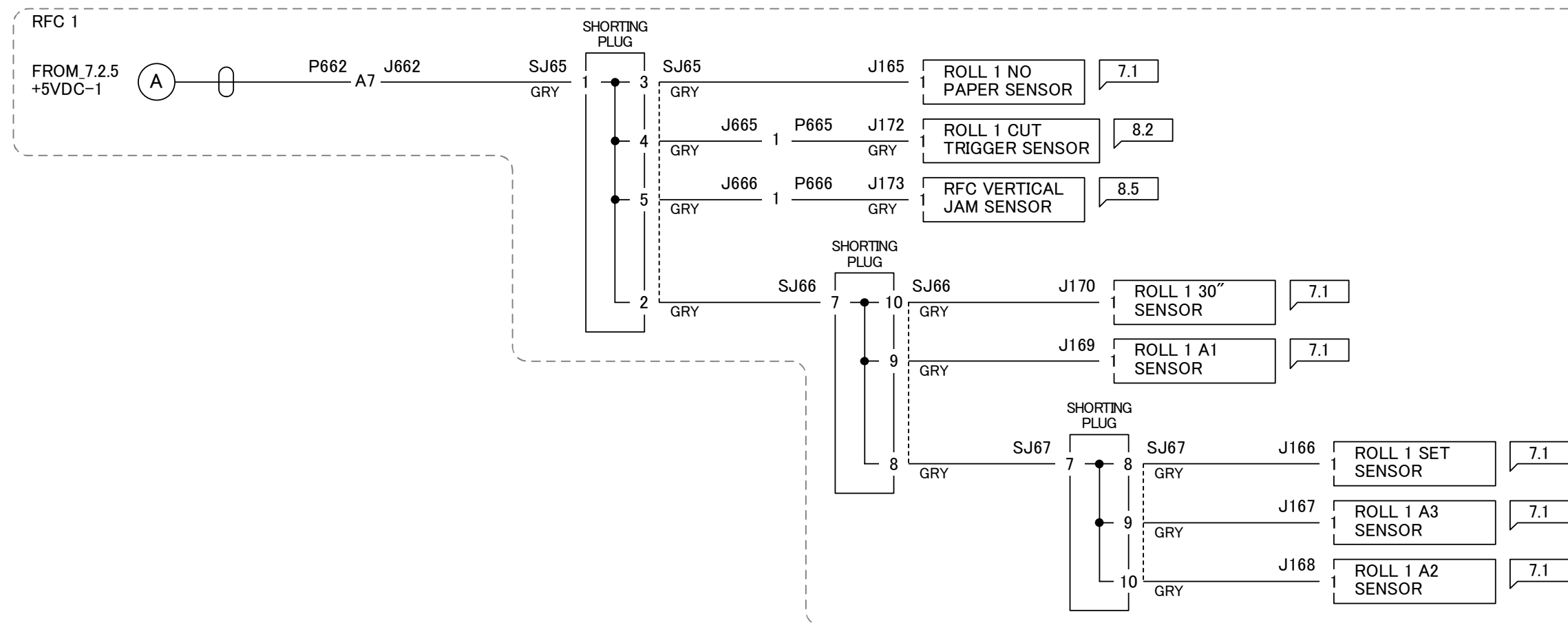
7.2.4 3.5V RTN/ANALOG GND



## 7.2.5 +5VDC-1

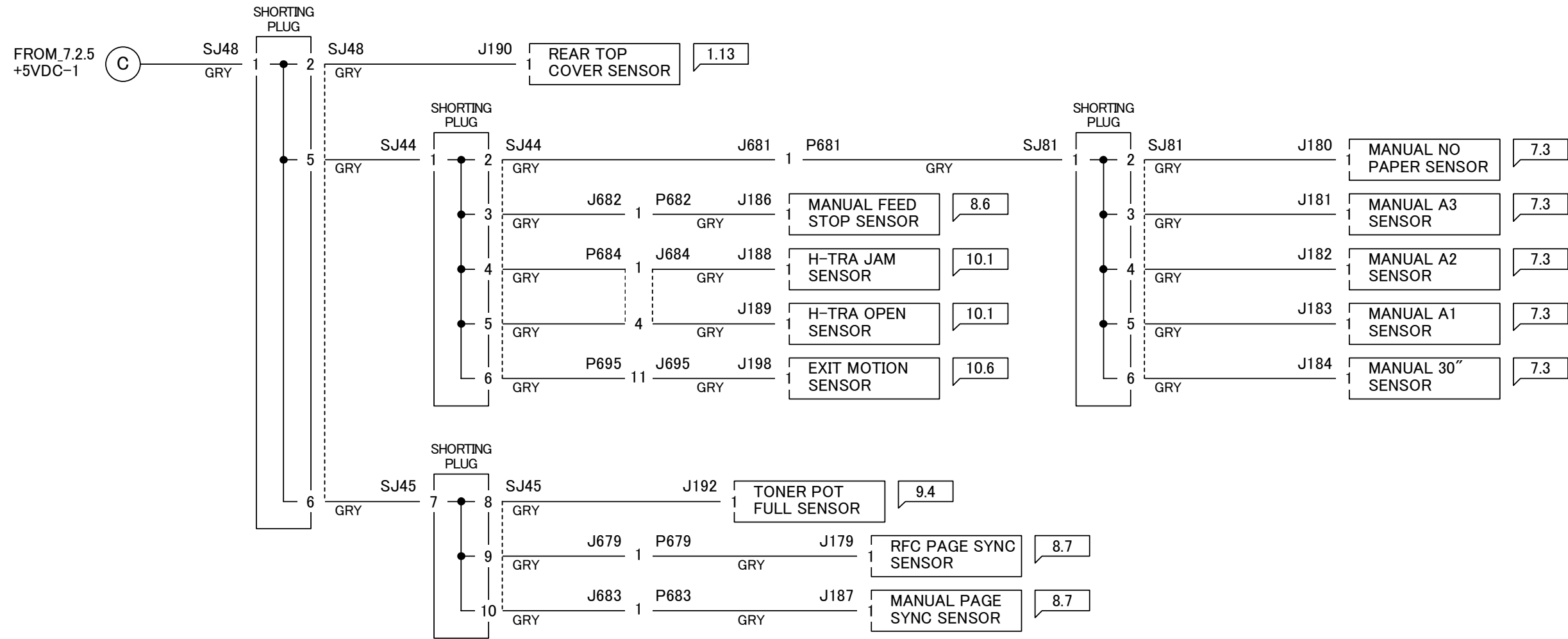


7.2.6 +5VDC-2

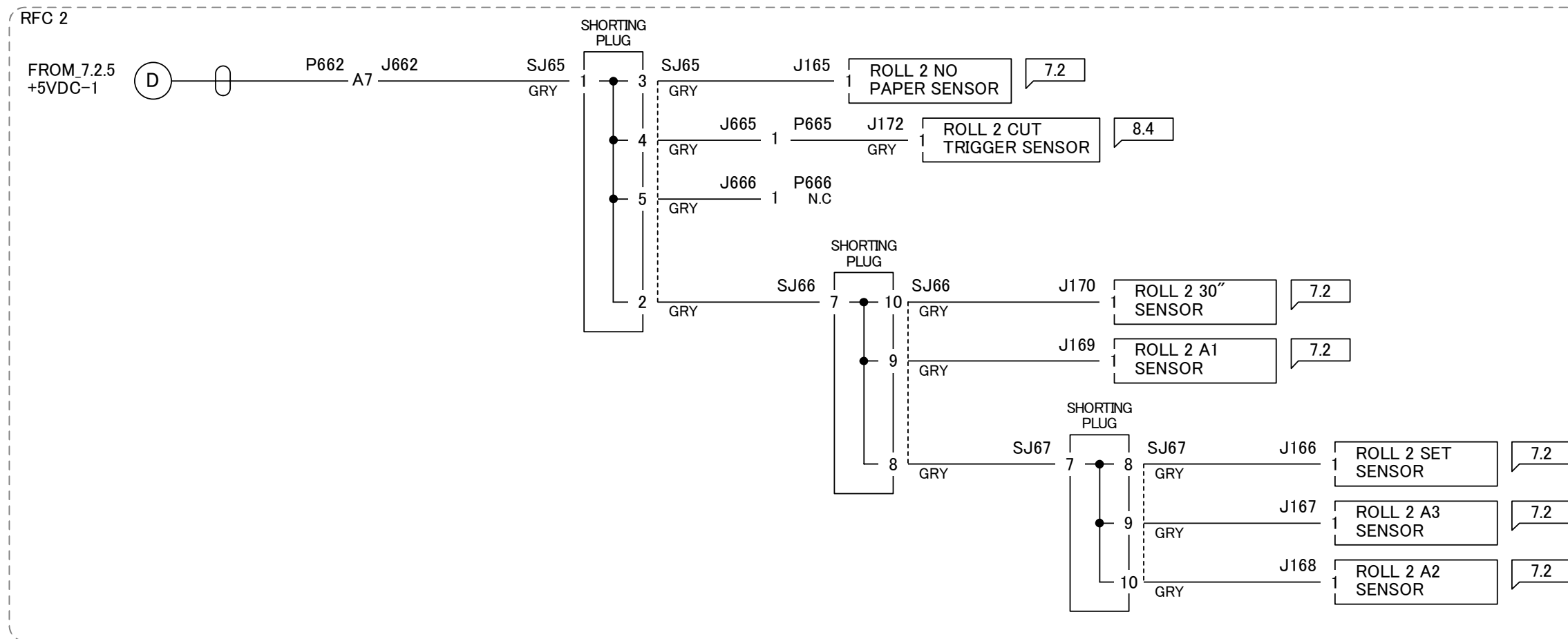




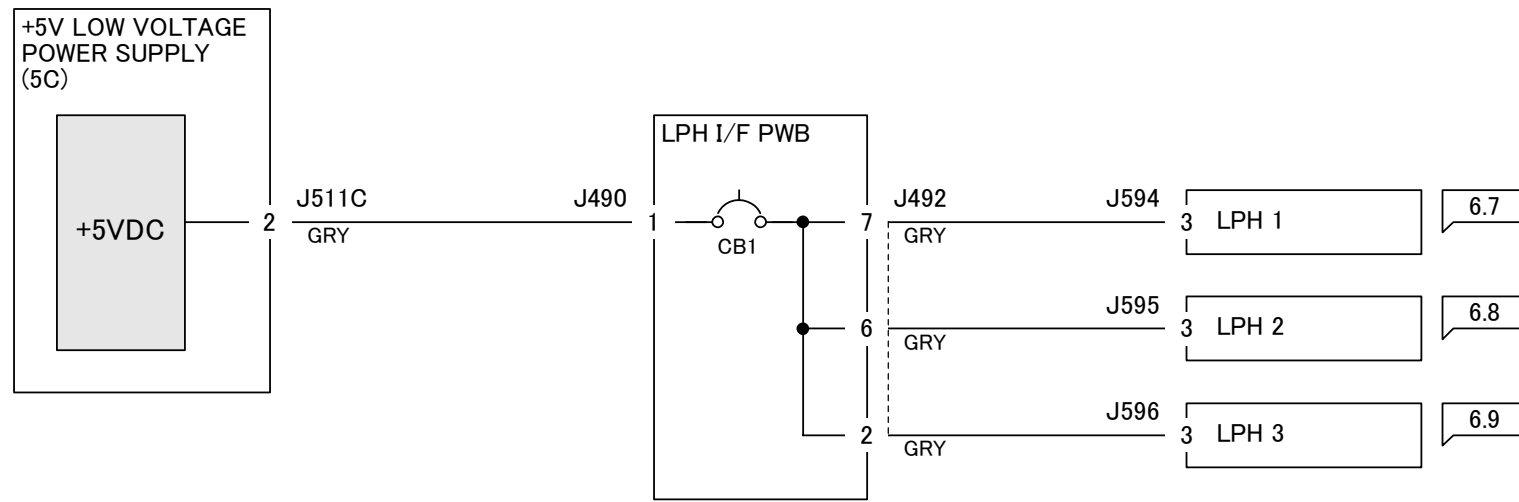
## 7.2.7 +5VDC-3



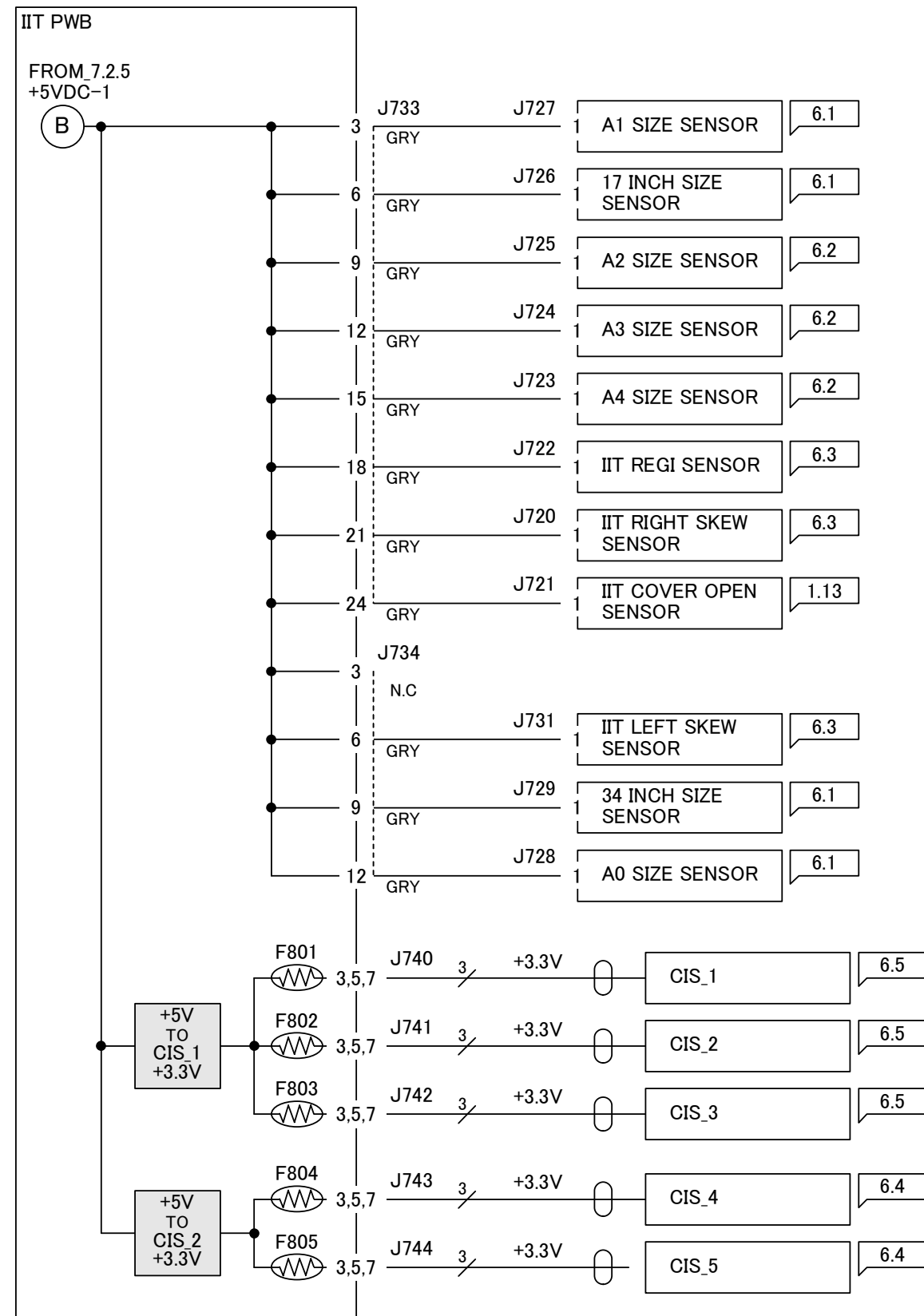
7.2.8 +5VDC-4



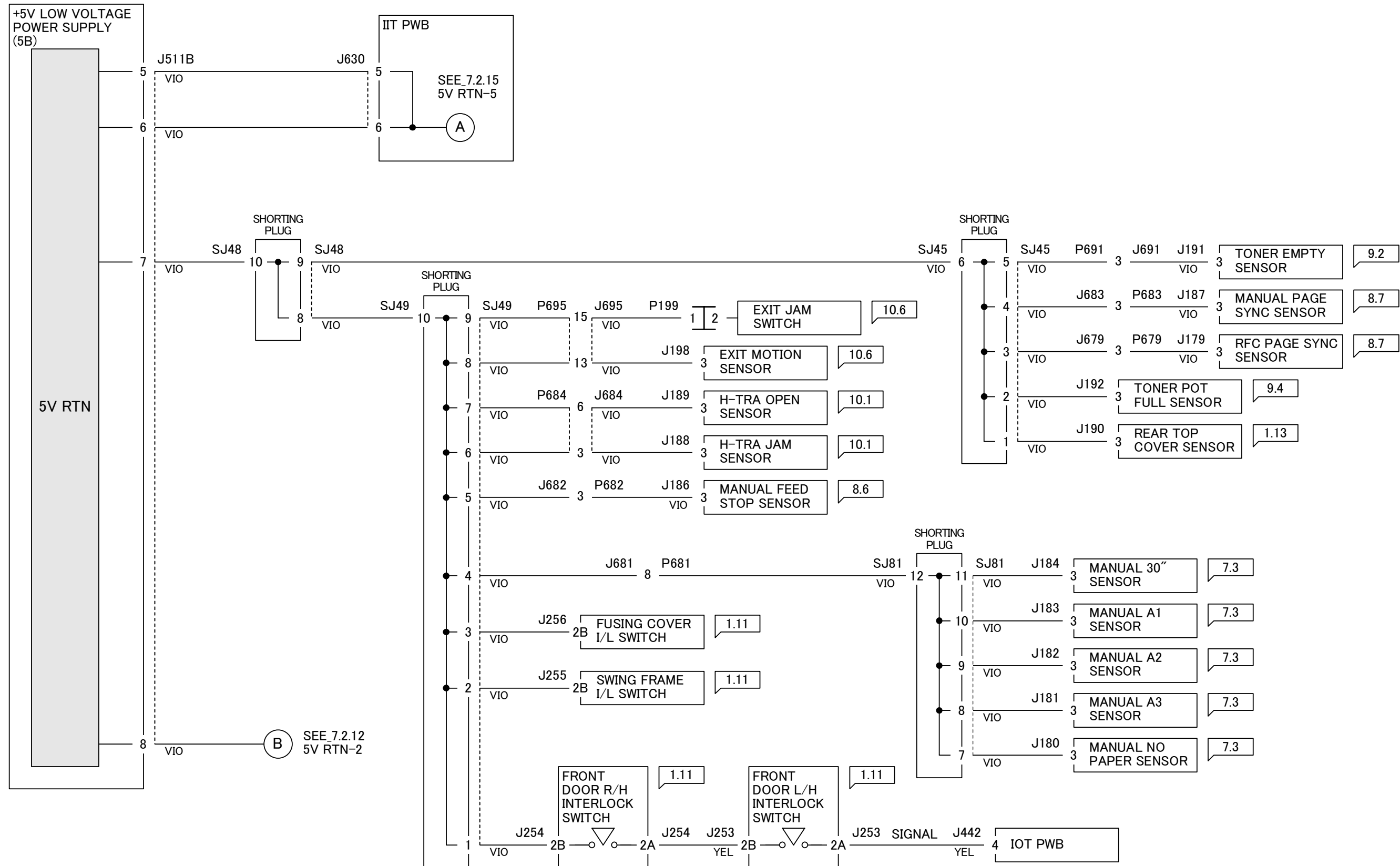
### 7.2.9 +5VDC-5



7.2.10 +5VDC-6

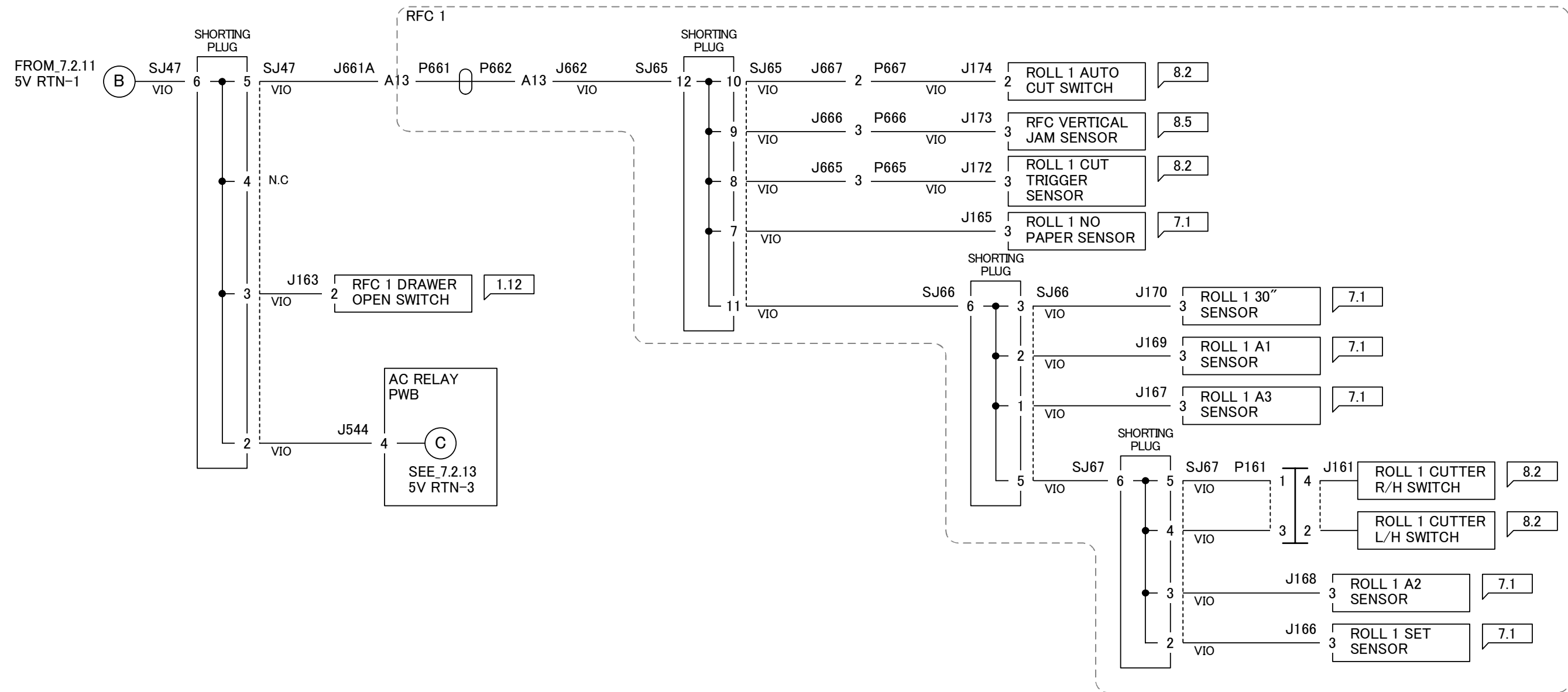


### 7.2.11 5V RTN-1

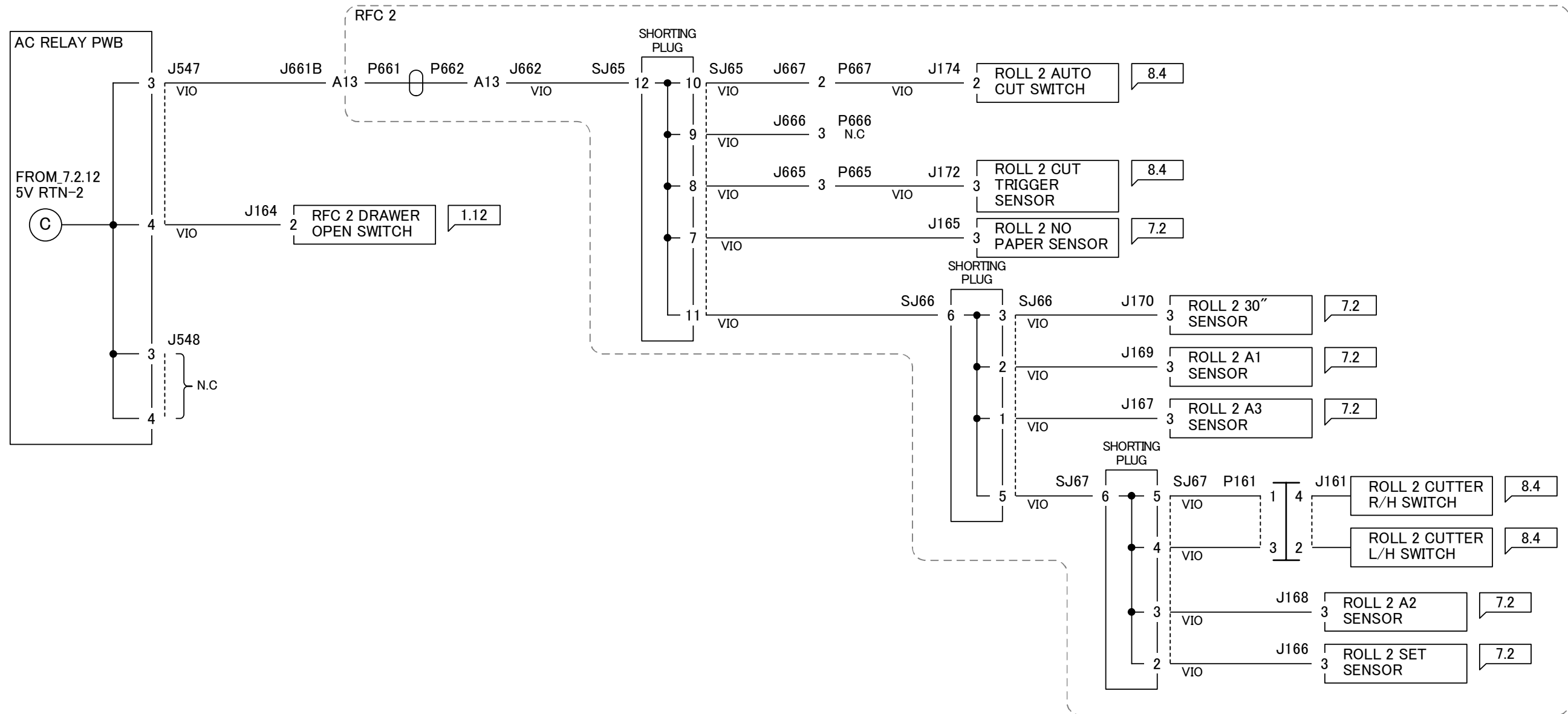


j0bnt7211

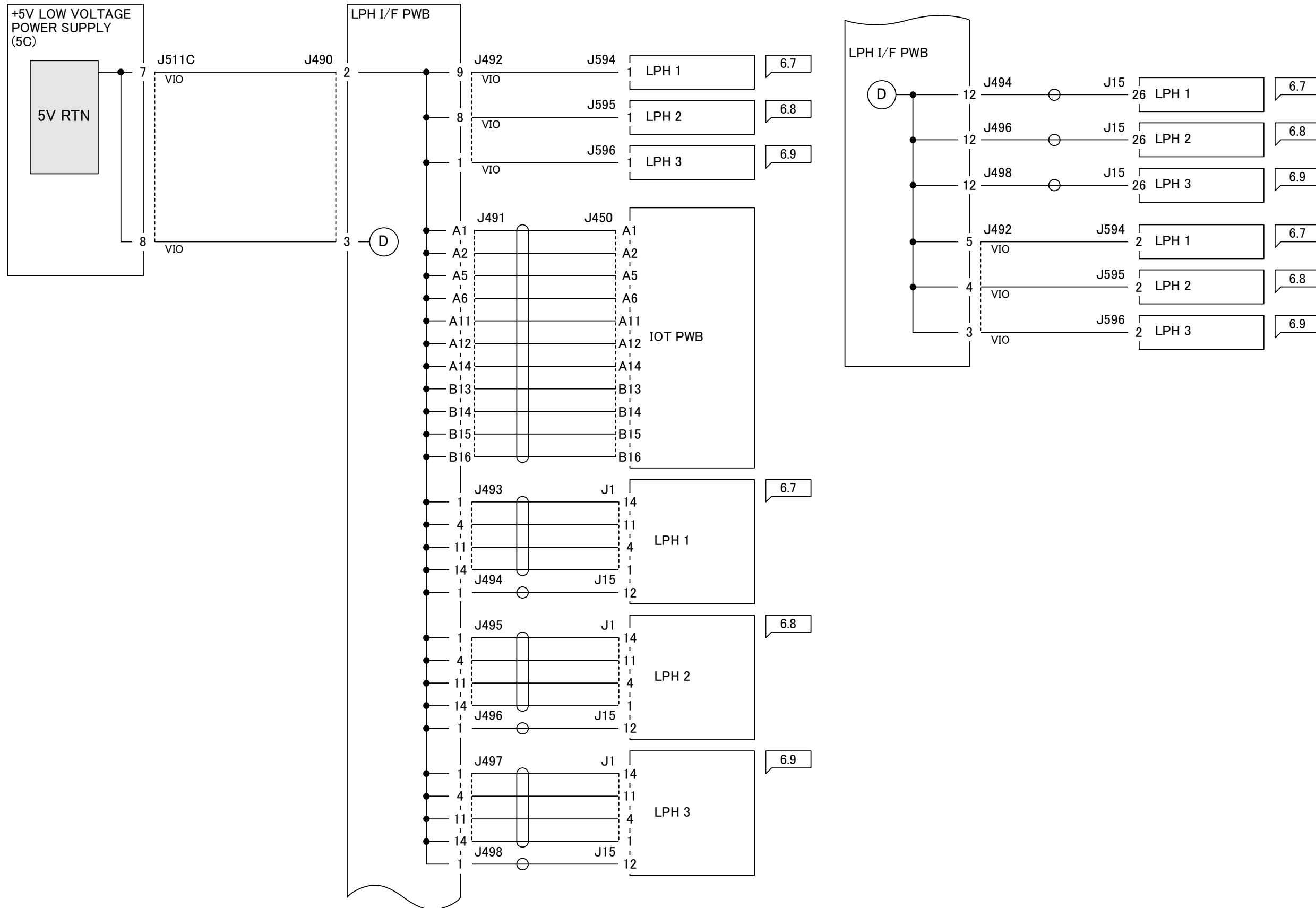
7.2.12 5V RTN-2



### 7.2.13 5V RTN-3

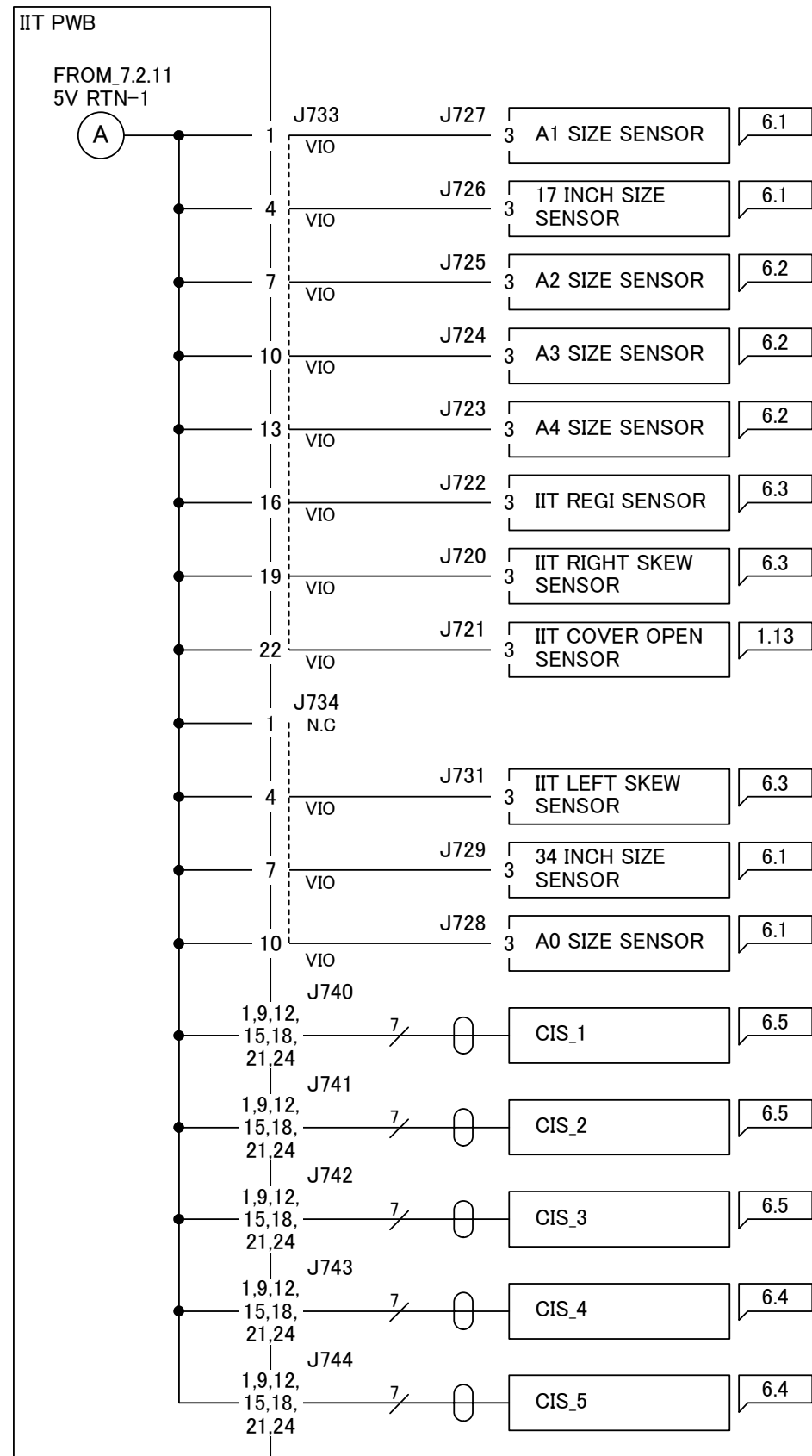


7.2.14 5V RTN-4



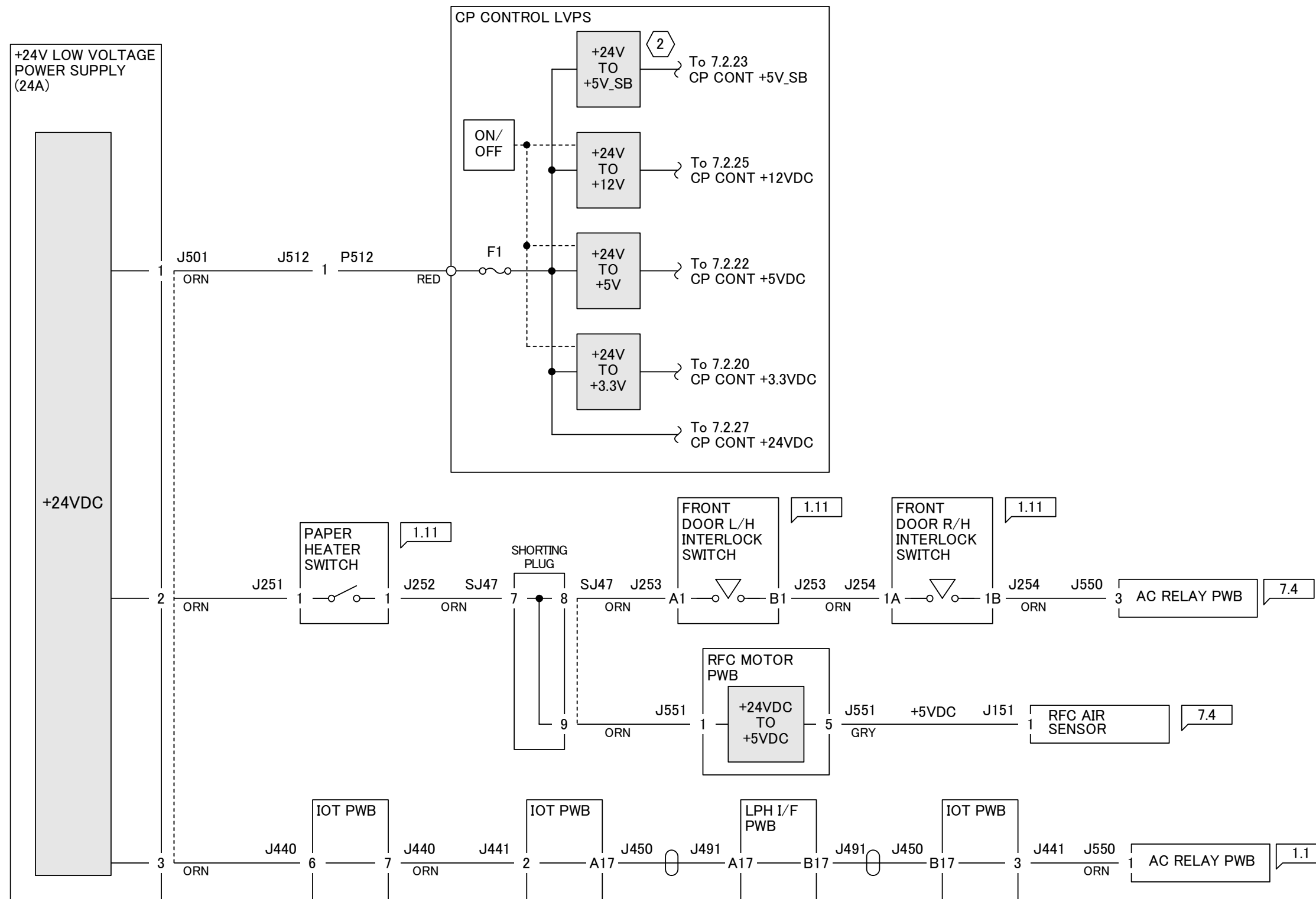


### 7.2.15 5V RTN-5



j0bnt7215

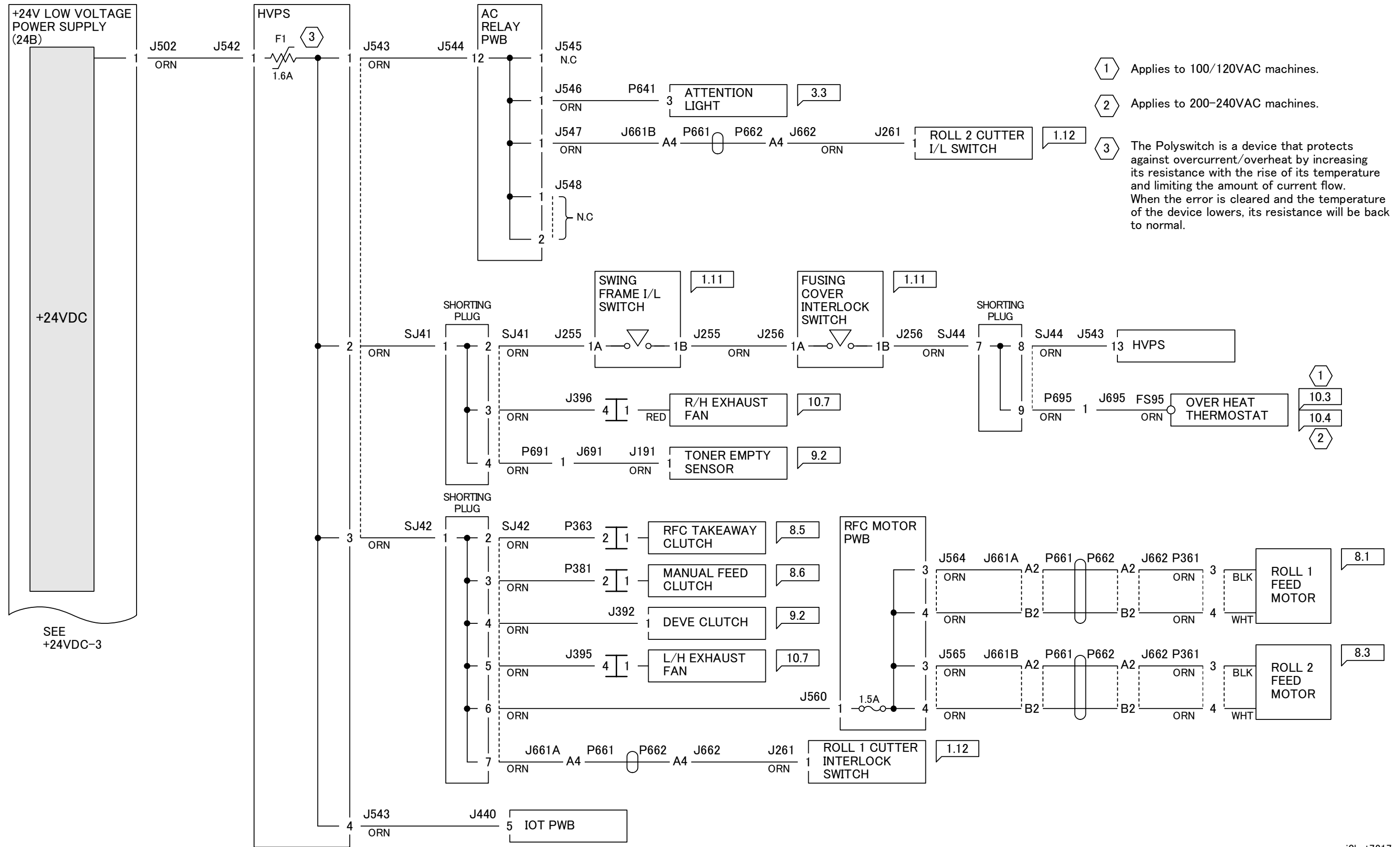
7.2.16 +24VDC-1



1 The Polyswitch is a device that protects against overcurrent/overheat by increasing its resistance with the rise of its temperature and limiting the amount of current flow. When the error is cleared and the temperature of the device lowers, its resistance will be back to normal.

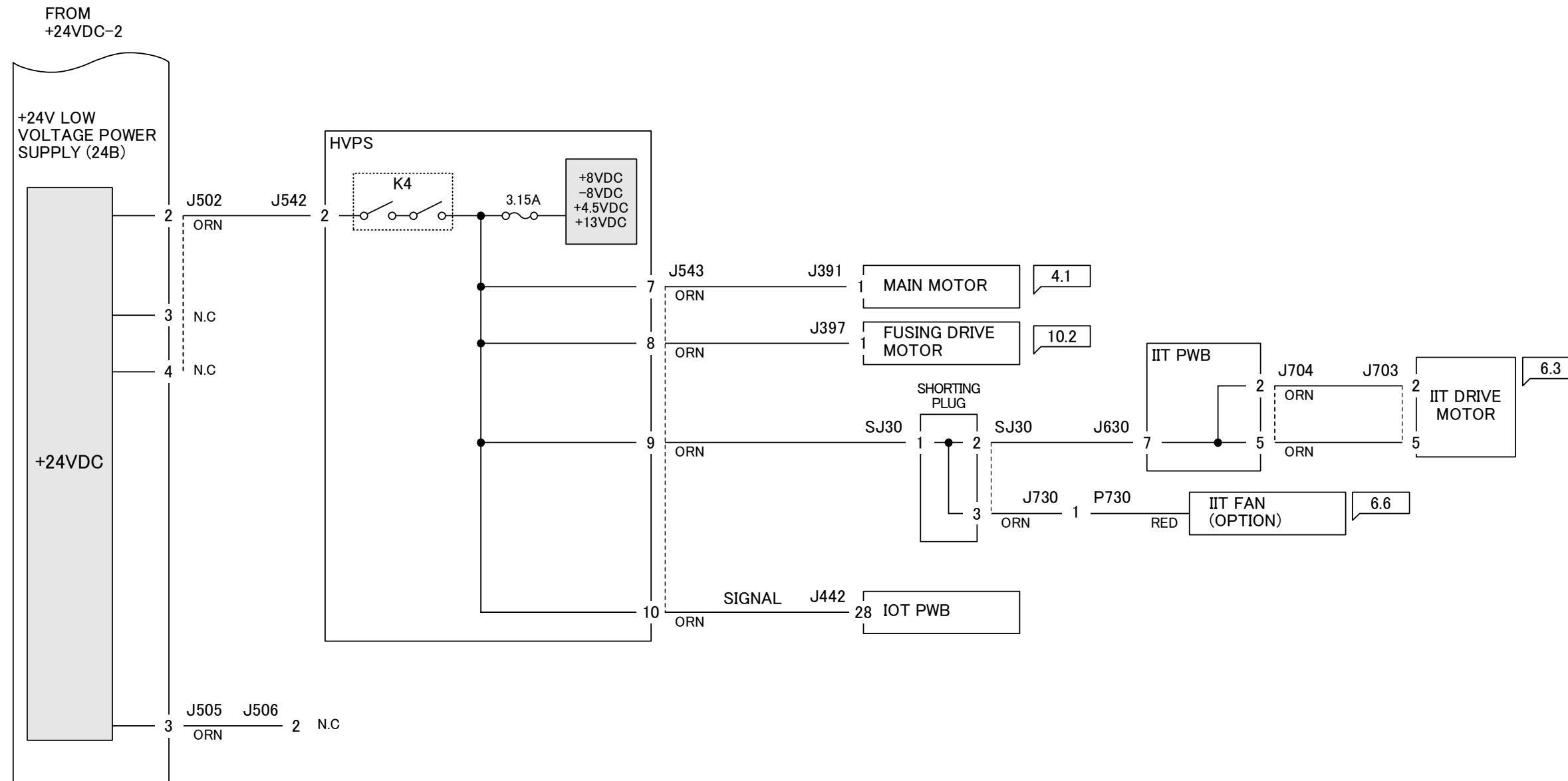
2 +5V\_SB is output when the Main Switch is turned On.

### 7.3.17 +24VDC-2

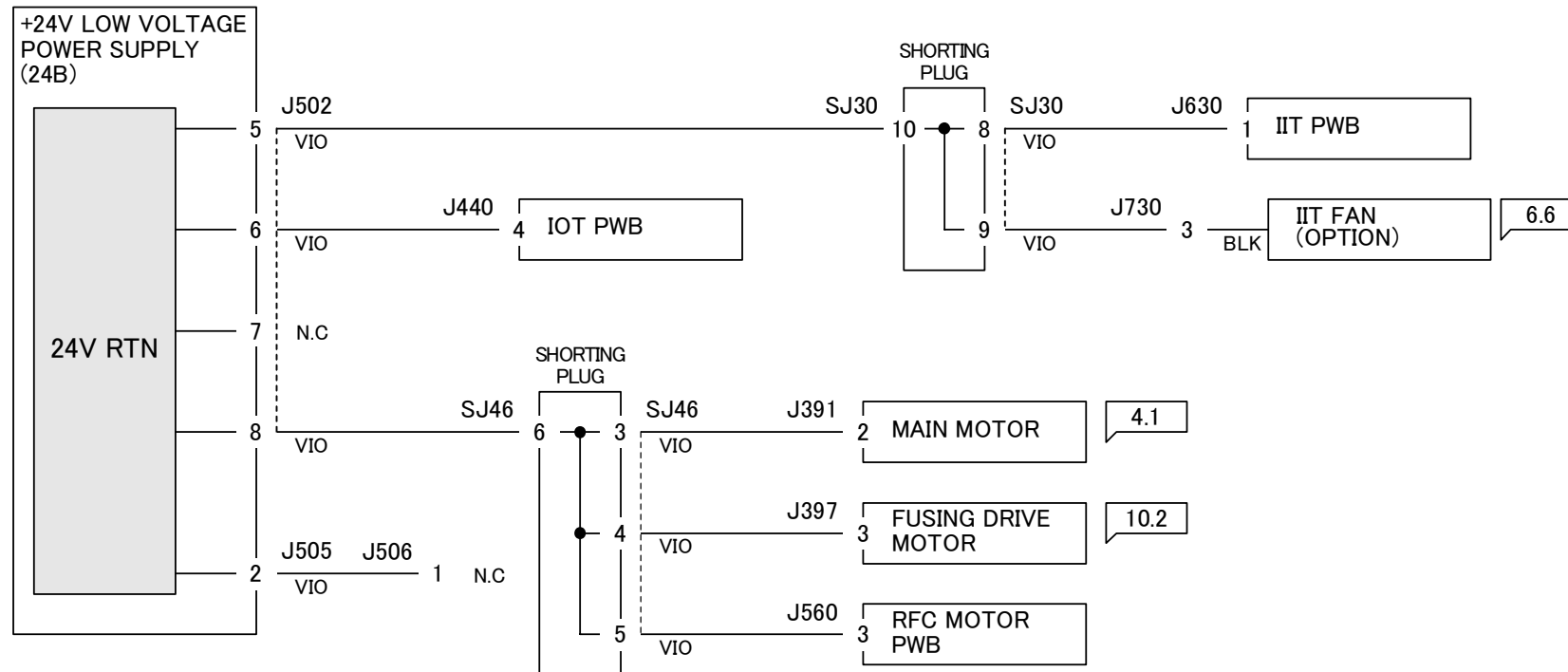
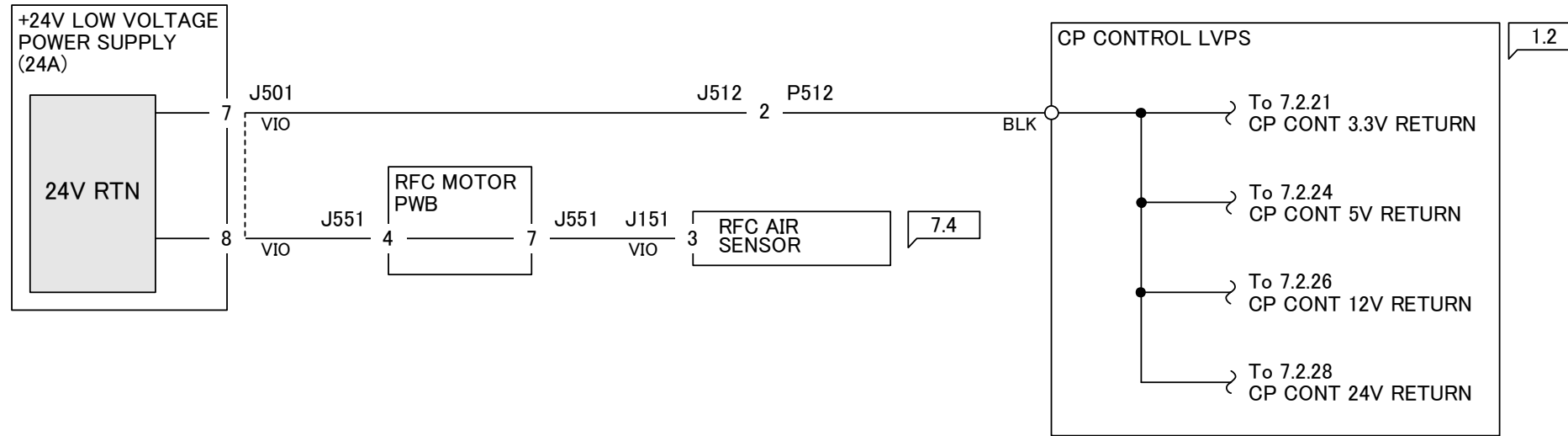


j0bnt7217

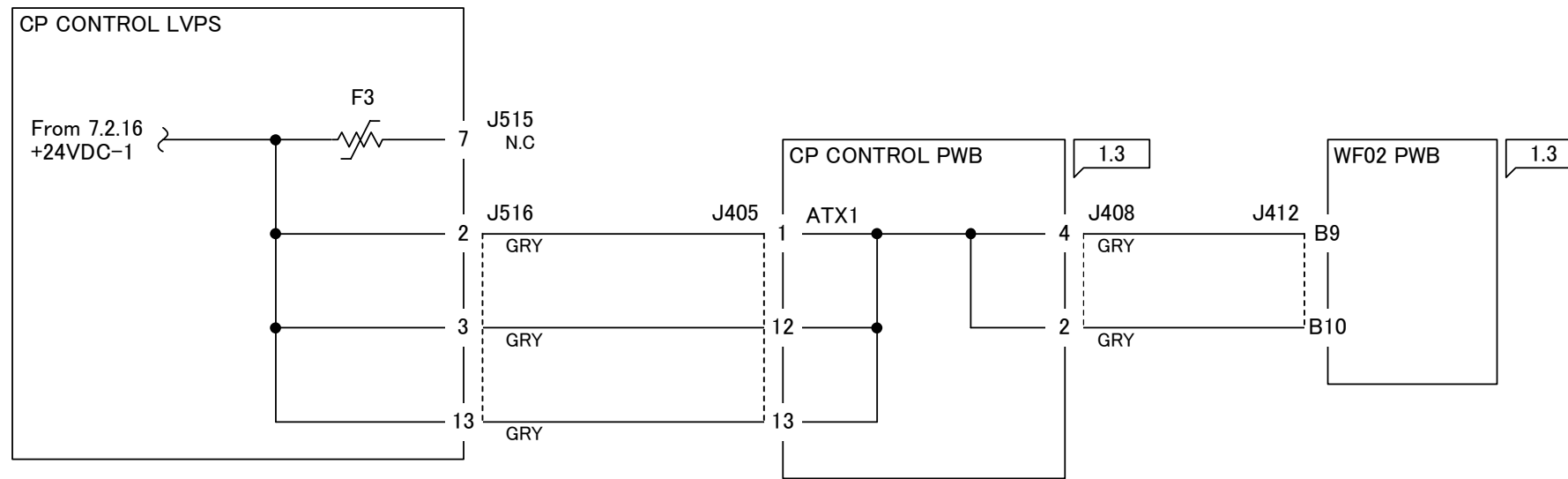
7.2.18 +24VDC-3



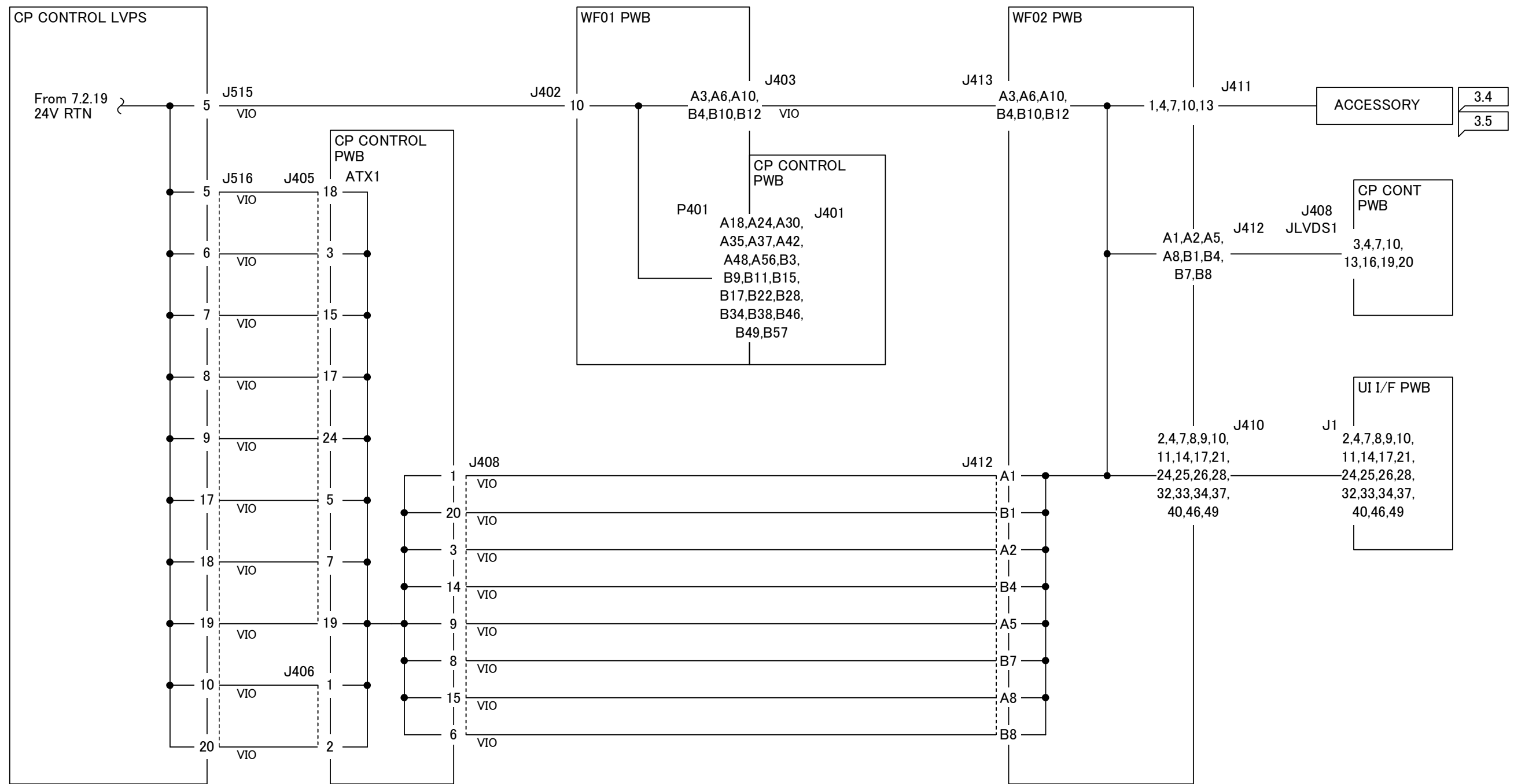
## 7.2.19 24V RTN



7.2.20 CP CONT +3.3VDC

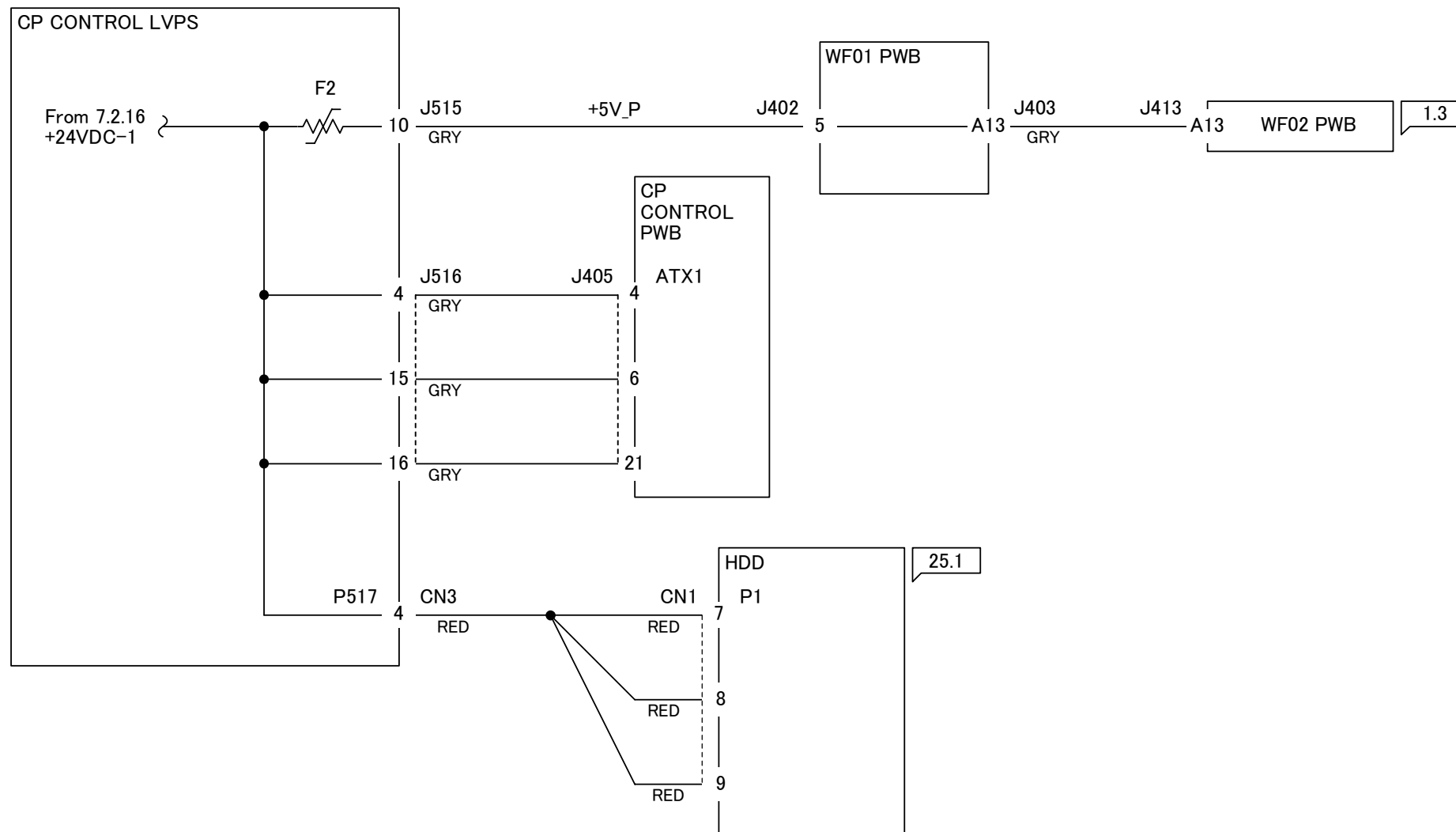


## 7.2.21 CP CONT 3.3V RETURN



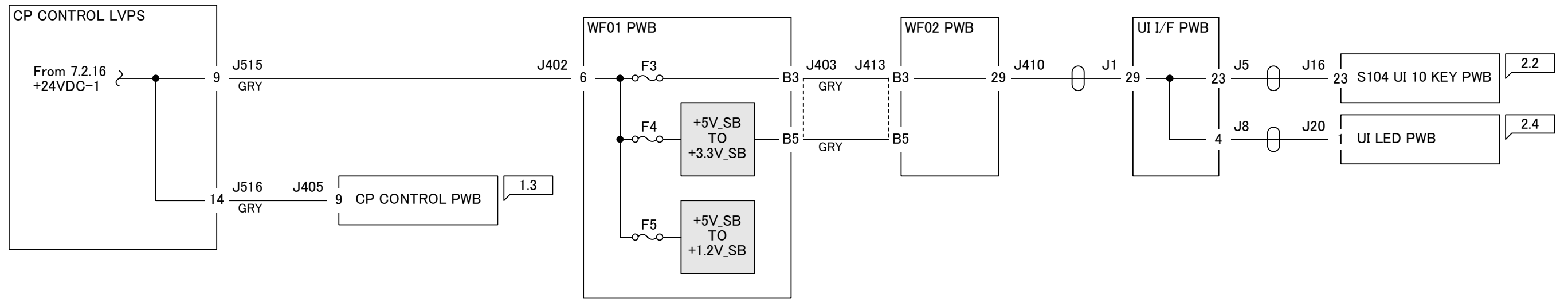
j0bnt7221

7.2.22 CP CONT +5VDC



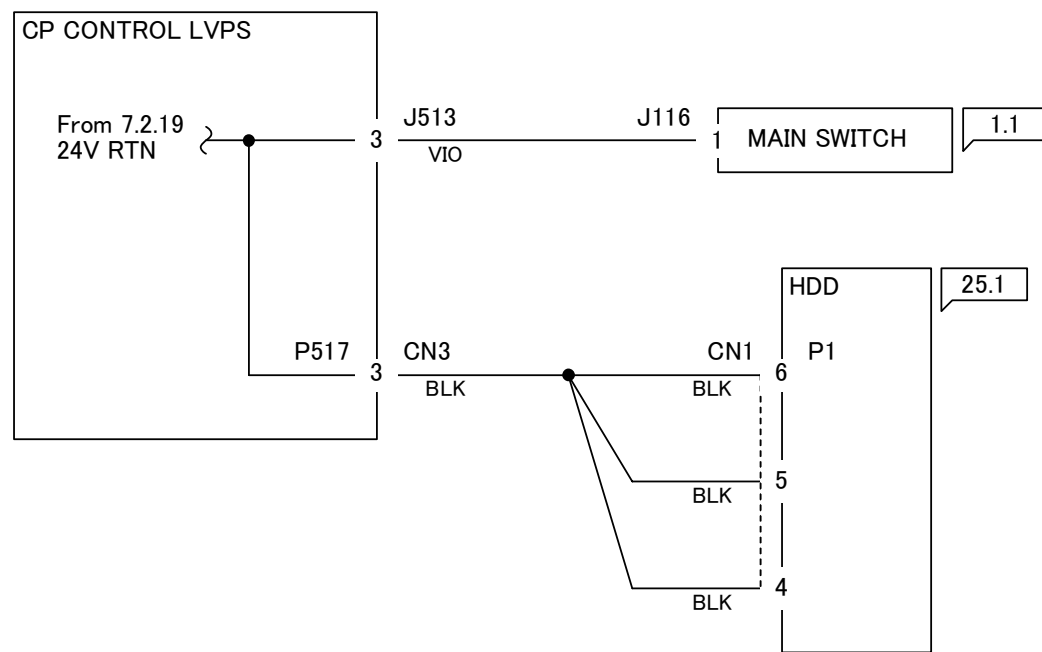


### 7.2.23 CP CONT +5V\_SB

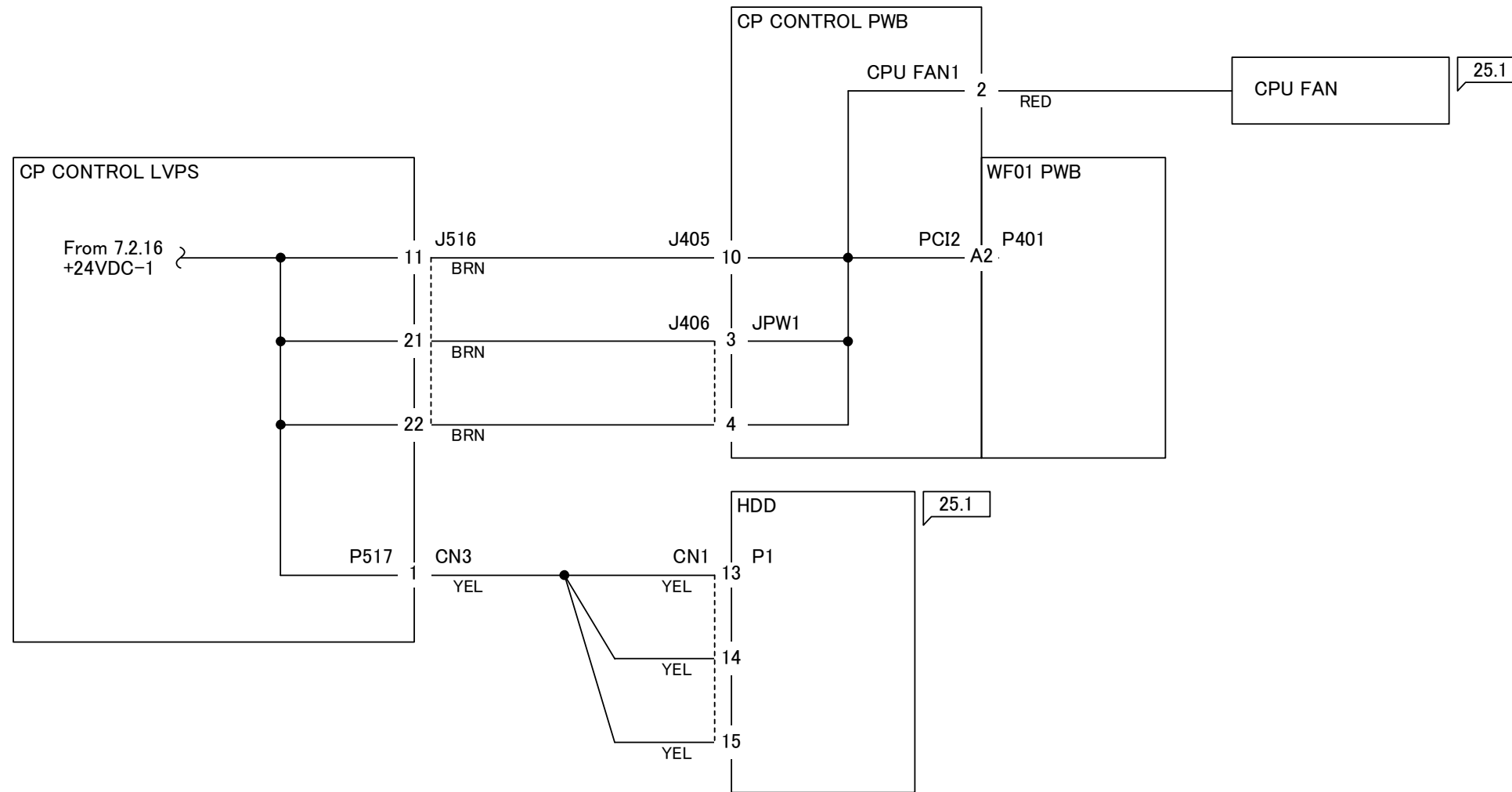


j0bnt7223

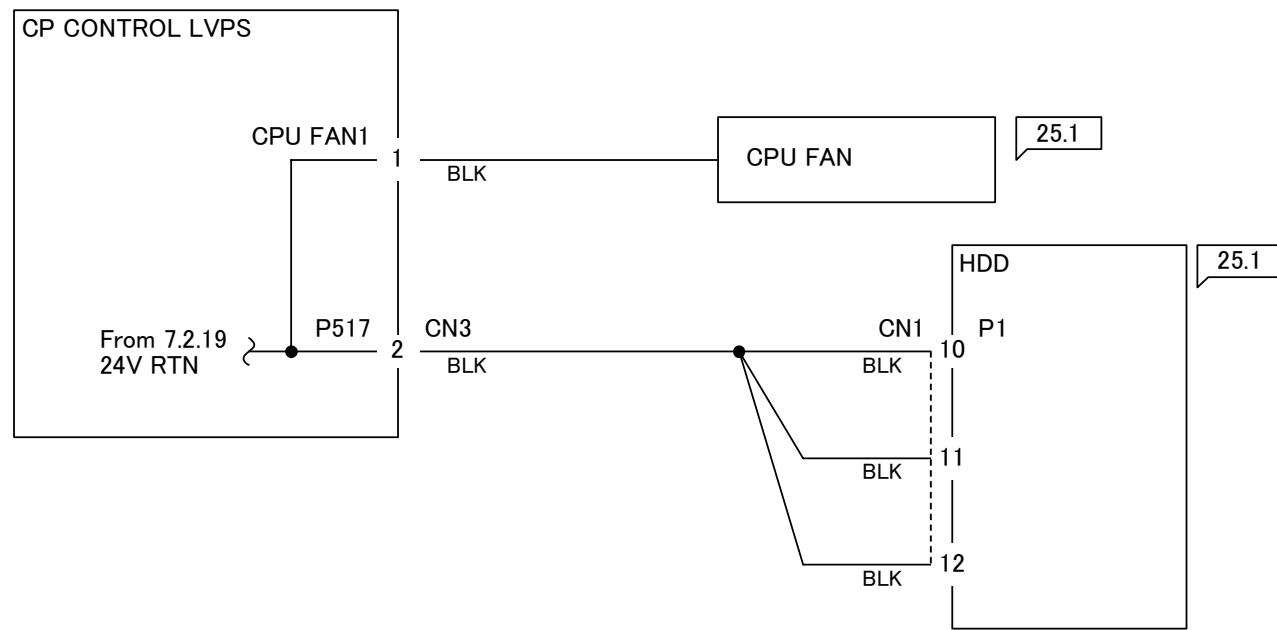
7.2.24 CP CONT 5V RETURN



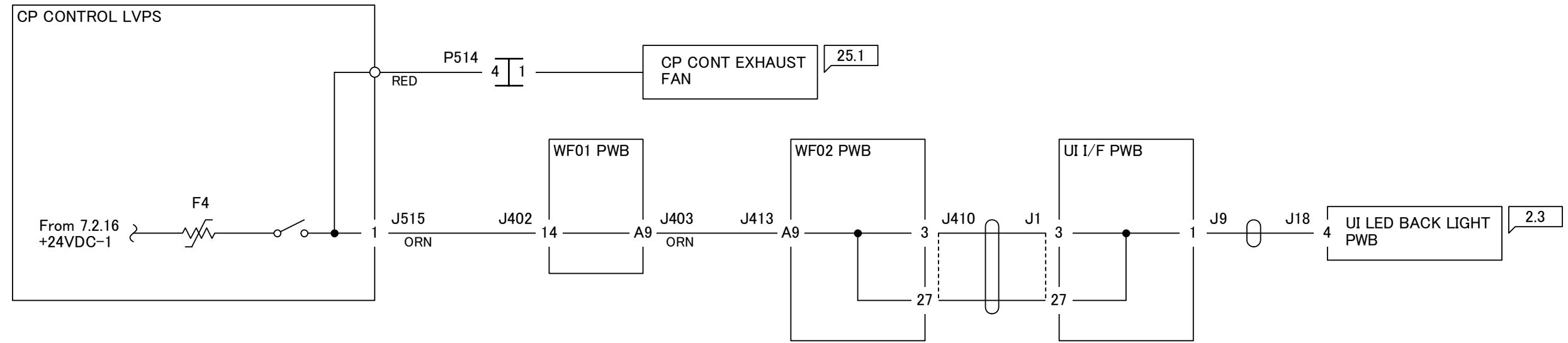
### 7.2.25 CP CONT +12VDC



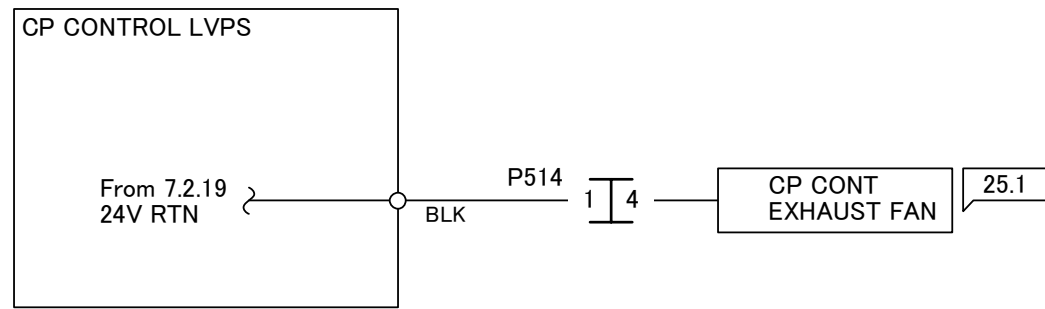
7.2.26 CP CONT 12V RETURN



### 7.2.27 CP CONT +24VDC




7.2.28 CP CONT 24V RETURN



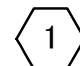
### 7.3.1 Preface


#### 7.3.1.1 How to Use the BSDs

1. Enter the Chain specified in the Troubleshooting chapter.
2. Or enter the appropriate Chain, referring to the Contents.
3. Perform failure analysis in the Chain, using test data and the general procedures in the General chapter.
4. Once you have located the failure, go to the Parts List No. and/or Adjustment No. indicated for reference on the BSD.


 **Warning** Before installing or removing parts, switch off the main power switch and disconnect the power cord from the outlet to avoid possible electric shocks or injuries.


#### 7.3.1.2 Explanation of Symbols

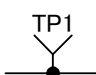
 Refers to the note that is usually on the same page.

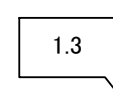
 Refers to test data that is usually on the same page when the voltage value shown on the BSD is different from the measured value.

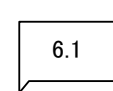
PL7.7 Refers to the Parts List No. PL stands for Parts List. 7.7 refers to the Plate No. PL No. indicates that the part is listed on the specified plate. PL No. is shown for all the replaceable parts on the BSDs.

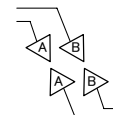
 7.7.1 Refers to the adjustment item(s) in the Disassembly, Assembly, and Adjustment chapter. 7.7.1 indicates that the adjustment procedure is described under the 7.7.1 section in the Disassembly, Assembly, and Adjustment chapter.

 VR3 Indicates a variable register that is adjustable in the field.

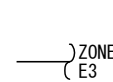
 Indicates a signal test point.

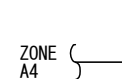
 1.3 Indicates where the input to a function originates. The example indicates that the input originates from group function 3 of Chain 1

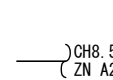
 6.1 Indicates where the output from a function goes. The example indicates that the output goes to group function 1 of chain 6.

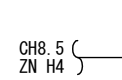
 Indicates that the signal line continues vertically.

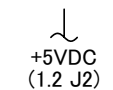
 Indicates that the signal line continues horizontally.

 Indicates that the signal line goes to another zone in the same function. The example refers to zone E3.


 Indicates that the signal line goes back to another zone in the same function. The example refers to zone A4

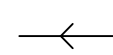
 Indicates that the signal line goes to a zone in another sheet. The example refers to zone A2, CH8.5.

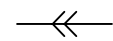
 Indicates that the signal line goes back to a zone in another sheet. The example refers to zone H4, CH8.5.

 +5VDC (1.2 J2) Indicates a power line output from Chain 1.

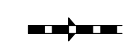
 Indicates frame ground.

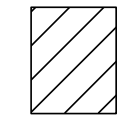
 Indicates a twisted pair of wires.

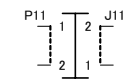
 Indicates that the signal goes from right to left, in the opposite direction to the normal direction.

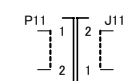
 Indicates a feedback signal.

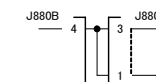
----- Indicates a mechanical connection to a part.

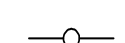
 Indicates that a mechanical drive signal goes in the direction indicated.

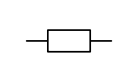
 Indicates Control Logic.

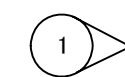
 P11 J11 Indicates a double plug connector.


 P11 J11 Indicates a drawer connector.


 J880B J880A Indicates a shorting plug connector.


 Indicates that the fastener is used for connection.

 Indicates that an electrically conductive material such as a leaf spring and a plate is used for connection.

 1 Indicates that the symbol-pointed-to section has been modified to code 1V.

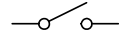
 1 Indicates the symbol-pointed-to section has not been modified to code 1V.

 1 Indicates that the whole figure or the framed illustration has information with 1V installed.

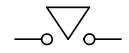
 1 Indicates that the whole figure or the framed illustration has information without 1V installed.



Indicates direction the air flows.



Indicates switch and is also used as Interlock Switch.



Indicates the Cheater type of Interlock Switch.



Indicates the Chip Fuse.

### 7.3.1.3 Signal Name

Signal name structure

- Input component

PAPER SENSED      (L)      +5VDC  
 Operation state   Logical value   Voltage with signal (H)

The example indicates that when paper is sensed, this signal level is (L) and that otherwise, the signal level is (H) with the voltage +5VDC.

- Output components

ON      (L)      +24VDC  
 Operation state   Logical value   Voltage with signal (H)

The example indicates that when the part is ON, the signal level is (L) and that when it is OFF, the signal level is (H) with the voltage +24VDC.

### 7.3.1.4 DC Voltage

A measurement of DC voltage is made between the particular test point and the frame unless otherwise specified by note and test data. The measured DC voltage is in the range below:

LVPS	Voltage	Level	Range
CP Control LVPS	+3.3VDC	(H)	+3.15~+3.45VDC
	+5VDC	(H)	+4.75~+5.25VDC
	+5V_SB	(H)	+4.75~+5.25VDC
	+12VDC	(H)	+11.5~+12.5VDC
+3.5V_LVPS (308)	+3.5VDC	(H)	+3.33~+3.66VDC
+5V_LVPS (506)	+5VDC	(H)	+4.91~+5.39VDC
+24V_LVPS A/B (GU5H)	+24VDC	(H)	+23.28~+25.72VDC

### 7.3.1.5 Other Descriptions

#### DC330 Input Component Voltage Level

The voltage levels (H/L) shown on the BSDs are the levels that are measured by the tester. Some of them are therefore different from H/L displayed on the UI panel.

#### Wiring Color

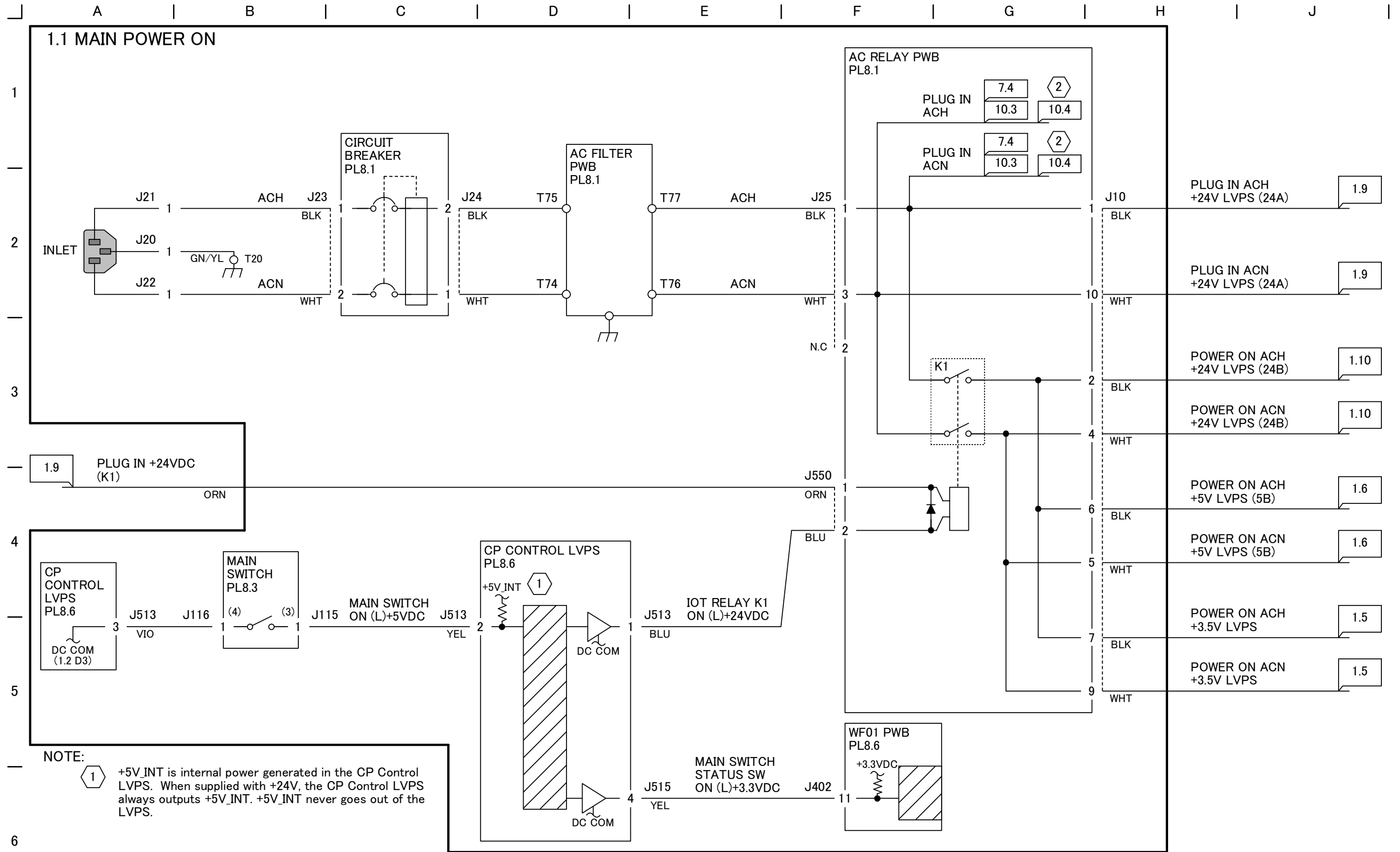
Wires are distinguished by color in part of the BSDs for this model. The colors of wires are shown below the signal lines in their respective abbreviations listed below:

Abbreviation	Color
BRN	BROWN
RED	RED
ORN	ORANGE
YEL	YELLOW
GRN	GREEN
BLU	BLUE
VIO	VIOLET
GRY	GRAY
WHT	WHITE
BLK	BLACK
GRN/YEL	GREEN/YELLOW
PNK	PINK
SKY	SKY

### Figures on the BSDs

The grayed-out portion of the figure shows the path from Motor or Solenoid to parts to drive.

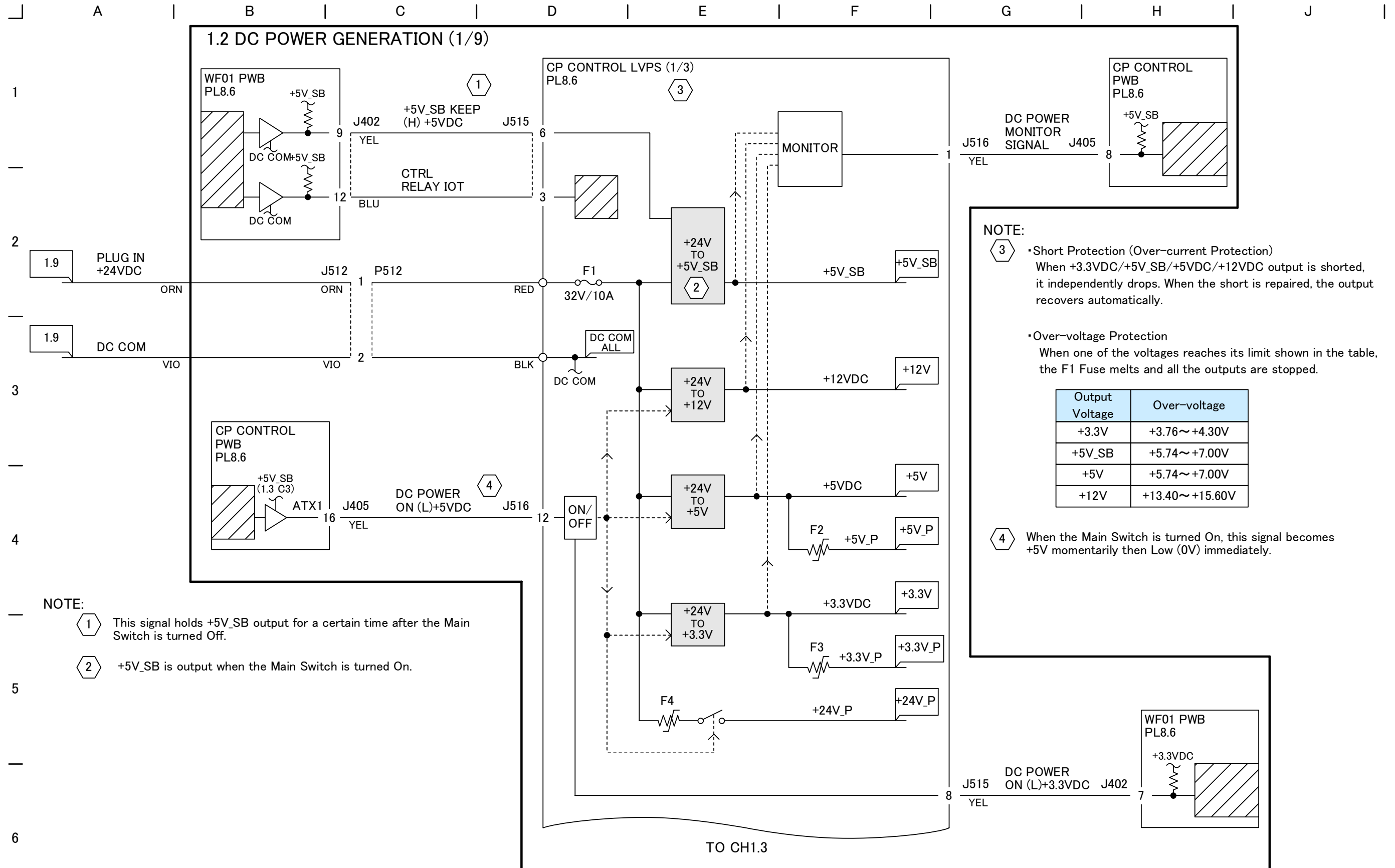




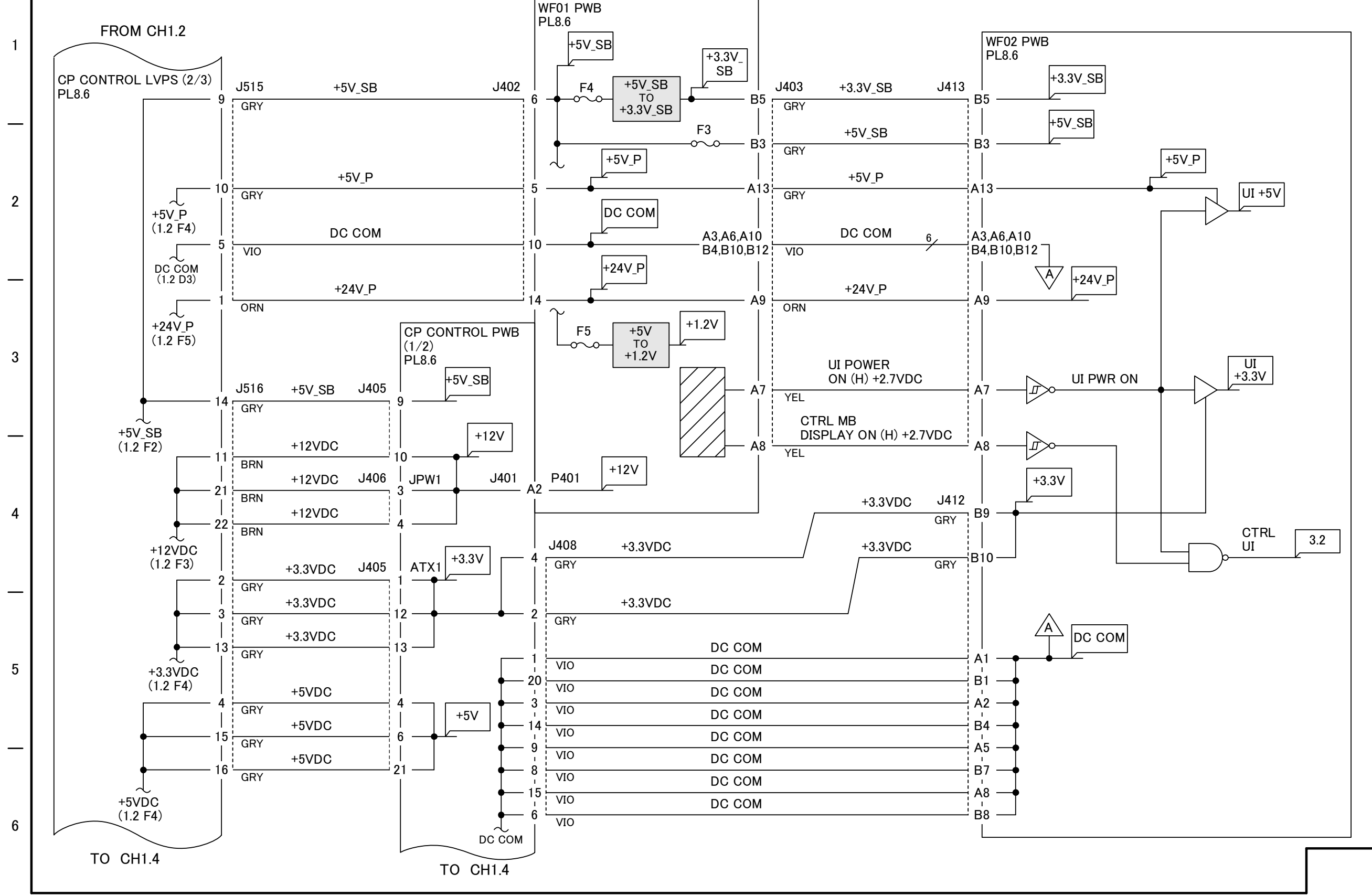
NOTE: 1 +5V\_INT is internal power generated in the CP Control LVPS. When supplied with +24V, the CP Control LVPS always outputs +5V\_INT. +5V\_INT never goes out of the LVPS.

2 CH10.3 applies to 100/120VAC machines.  
CH10.4 applies to 200-240VAC machines.

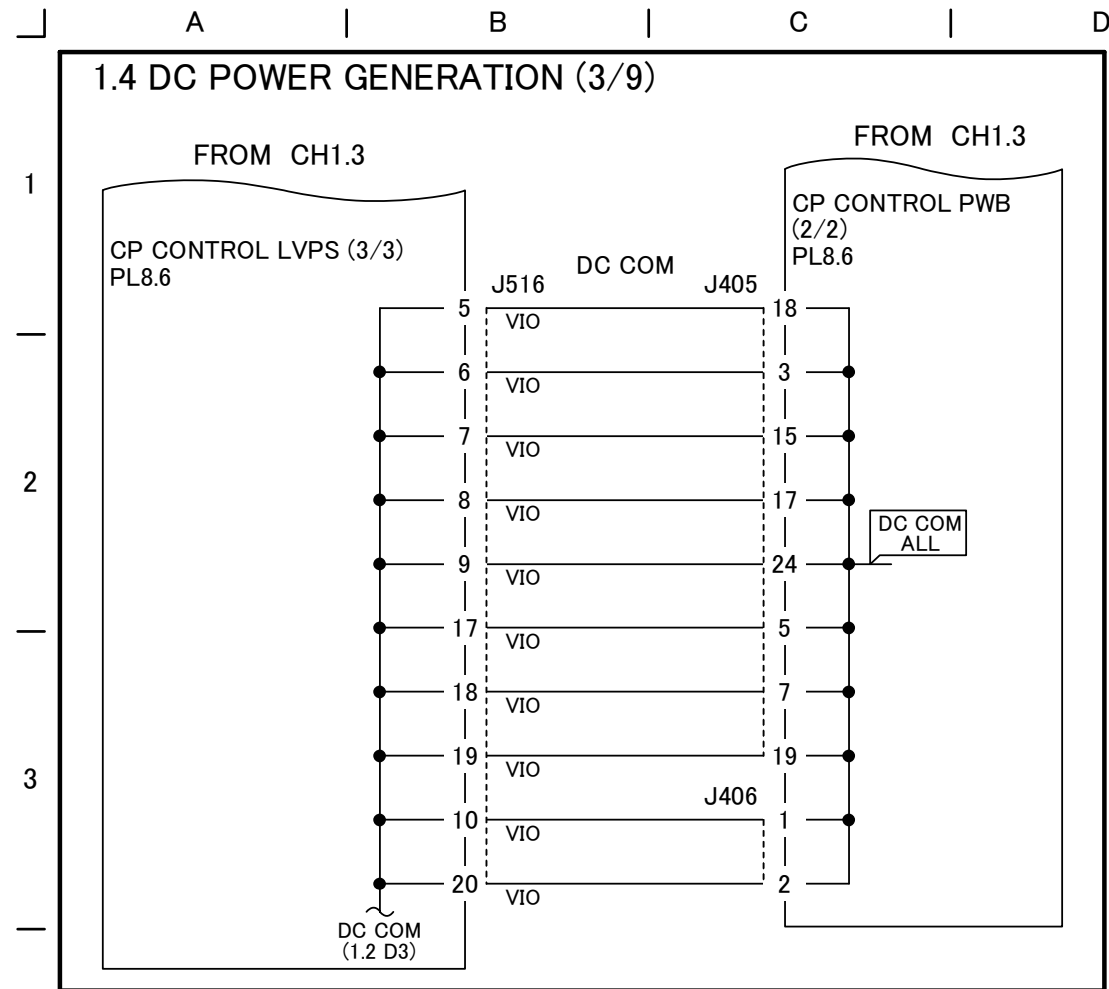
e0bnt070101



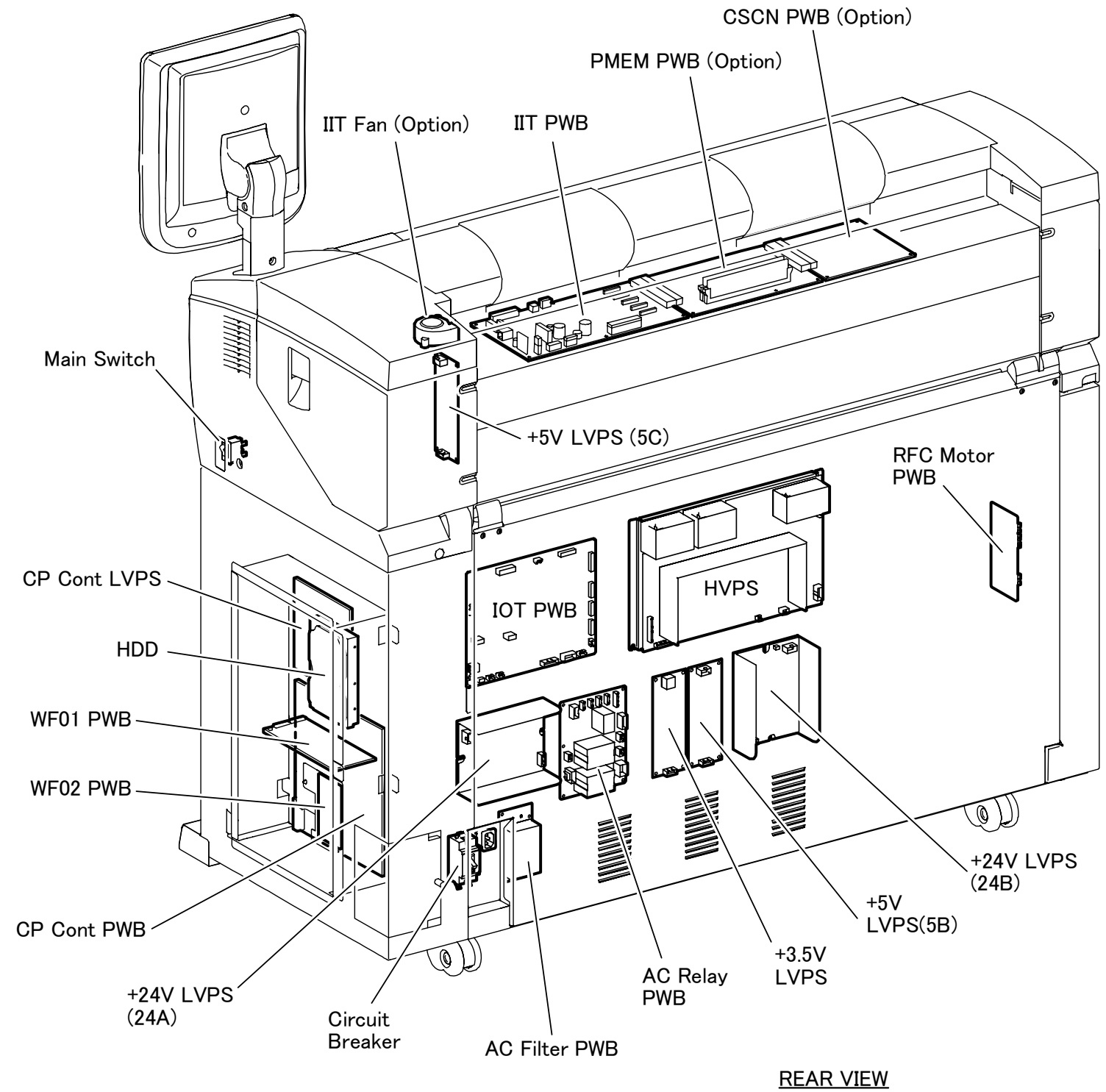
1.3 DC POWER GENERATION (2/9)

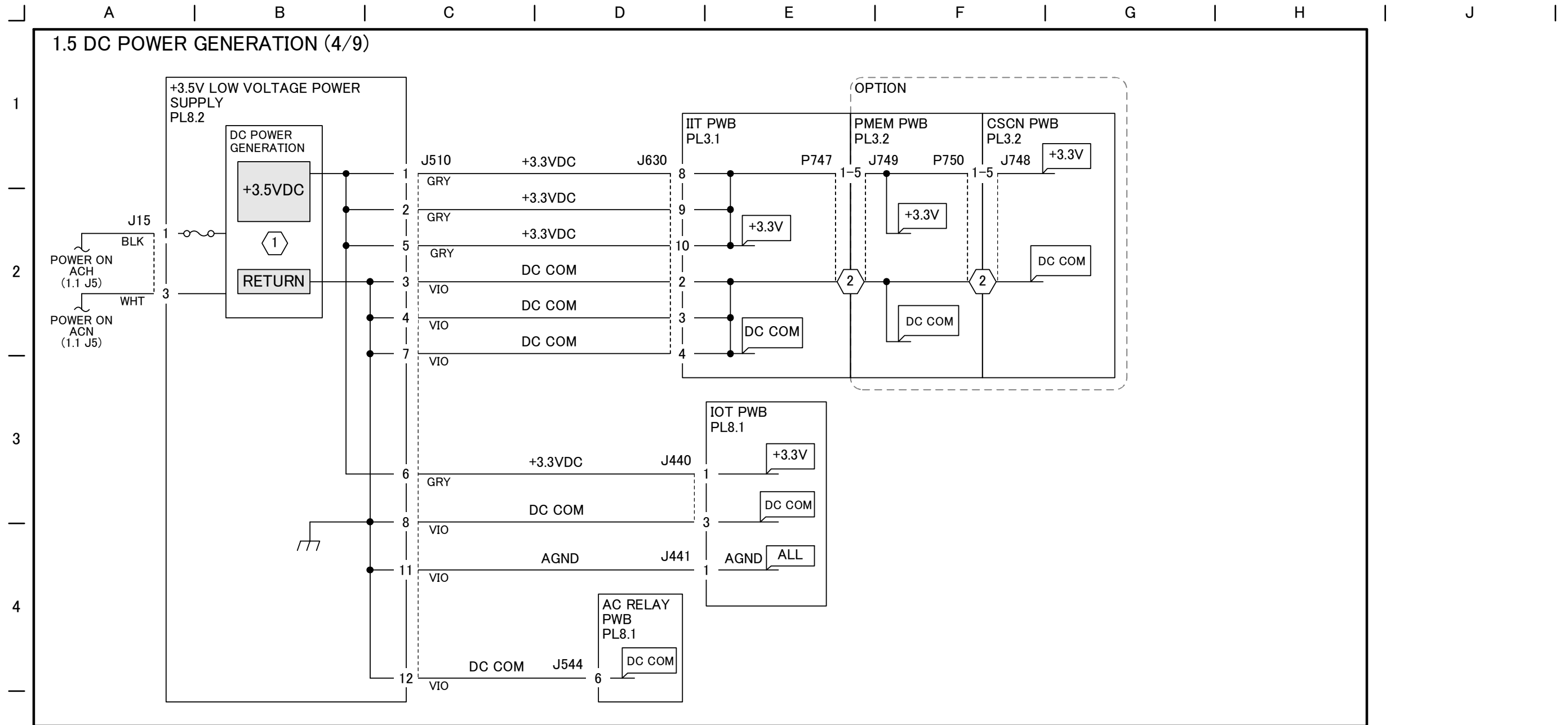


e0bnt070103



ELECTRICAL COMPONENTS

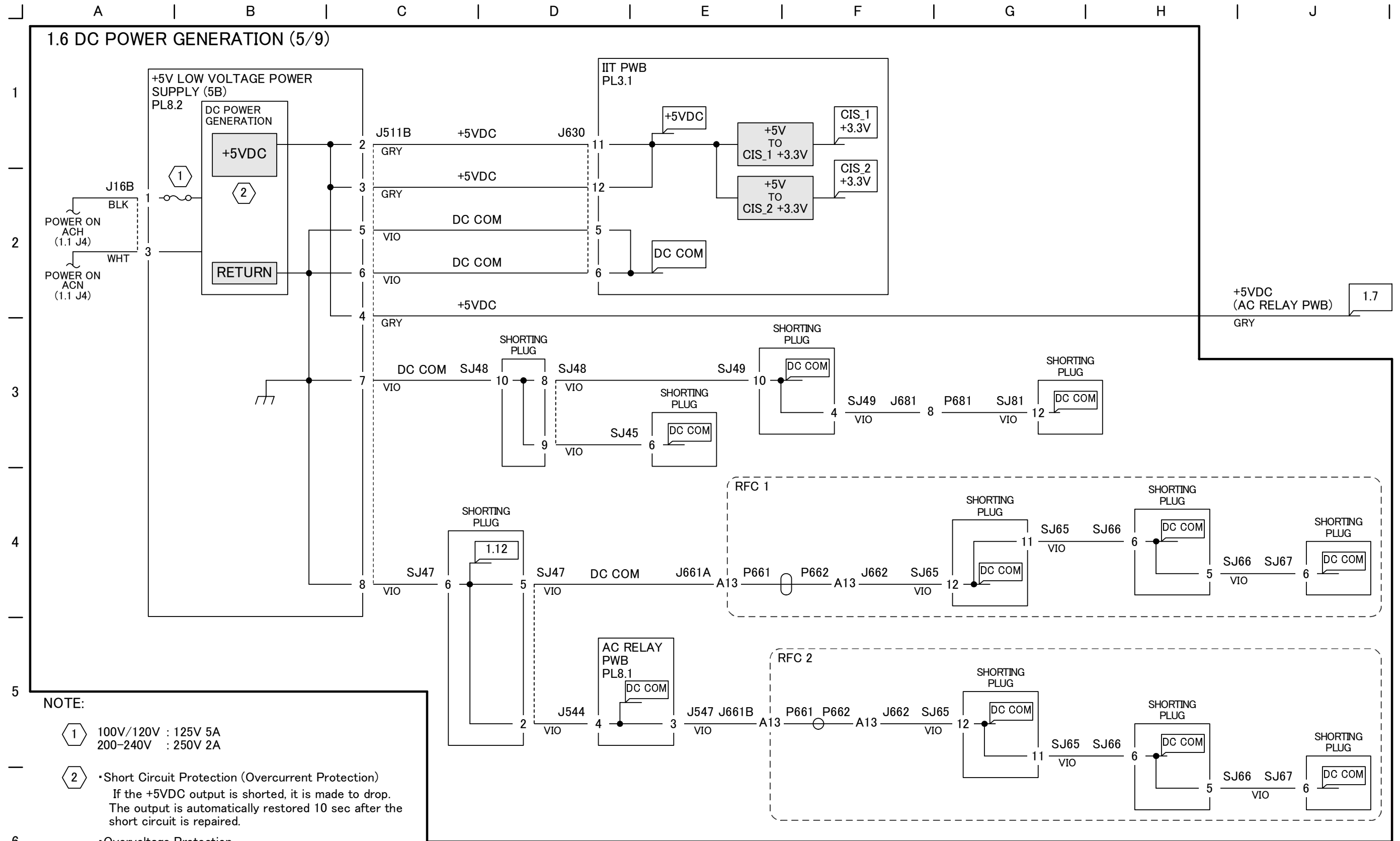


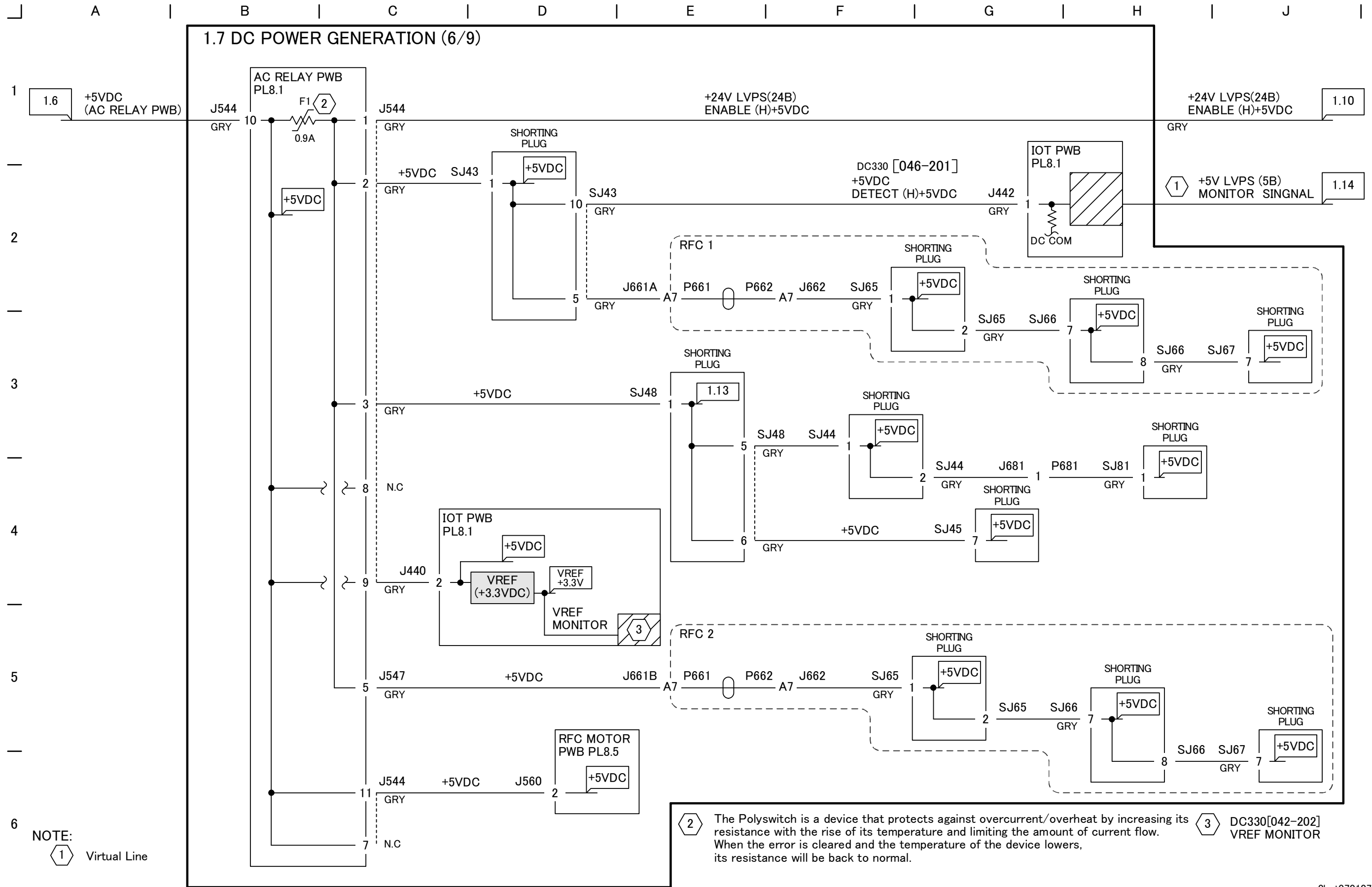


NOTE: 1 •Short Circuit Protection (Overcurrent Protection)  
 If the +3.5VDC output is shorted, it is made to drop.  
 The output is automatically restored 10 sec after the short circuit is repaired.

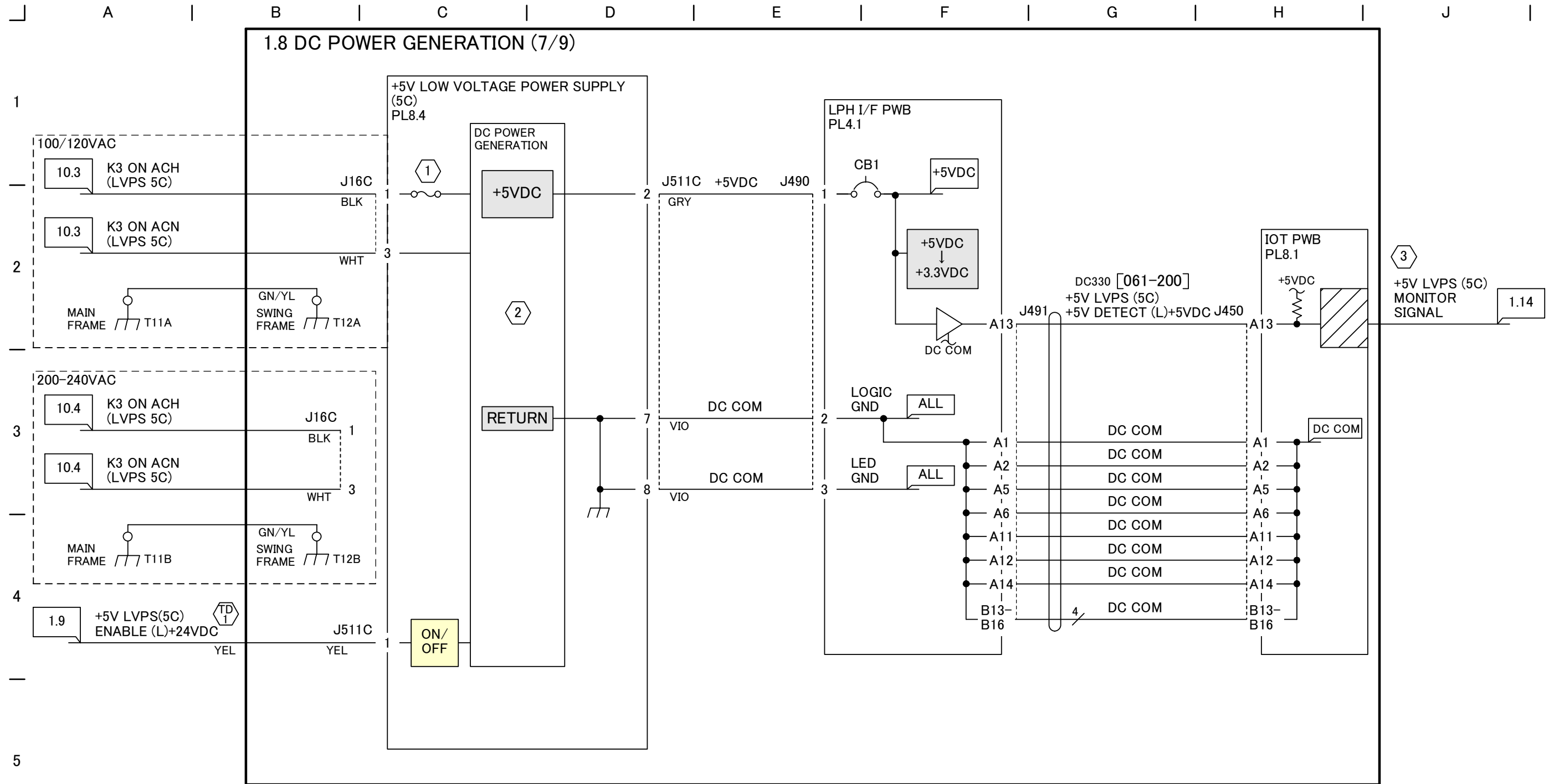
•Overvoltage Protection  
 If the +3.5VDC output reaches +4VDC, the output is cut off.  
 To restore the output, power off, wait 60 sec, and then power on.

2 For details on the pin number assignment, see Chapter 7 Wire Network.





e0bnt070107



NOTE:



100V/120V : 125V 5A  
200-240V : 250V 2A



• Short Circuit Protection (Overcurrent Protection)  
If the +5VDC output is shorted, it is made to drop.  
The output is automatically restored 10 sec after the short circuit is repaired.

• Overvoltage Protection  
If the +5VDC output reaches +6VDC, the output is cut off. To restore the output, power off, wait 60 sec, and then power on.

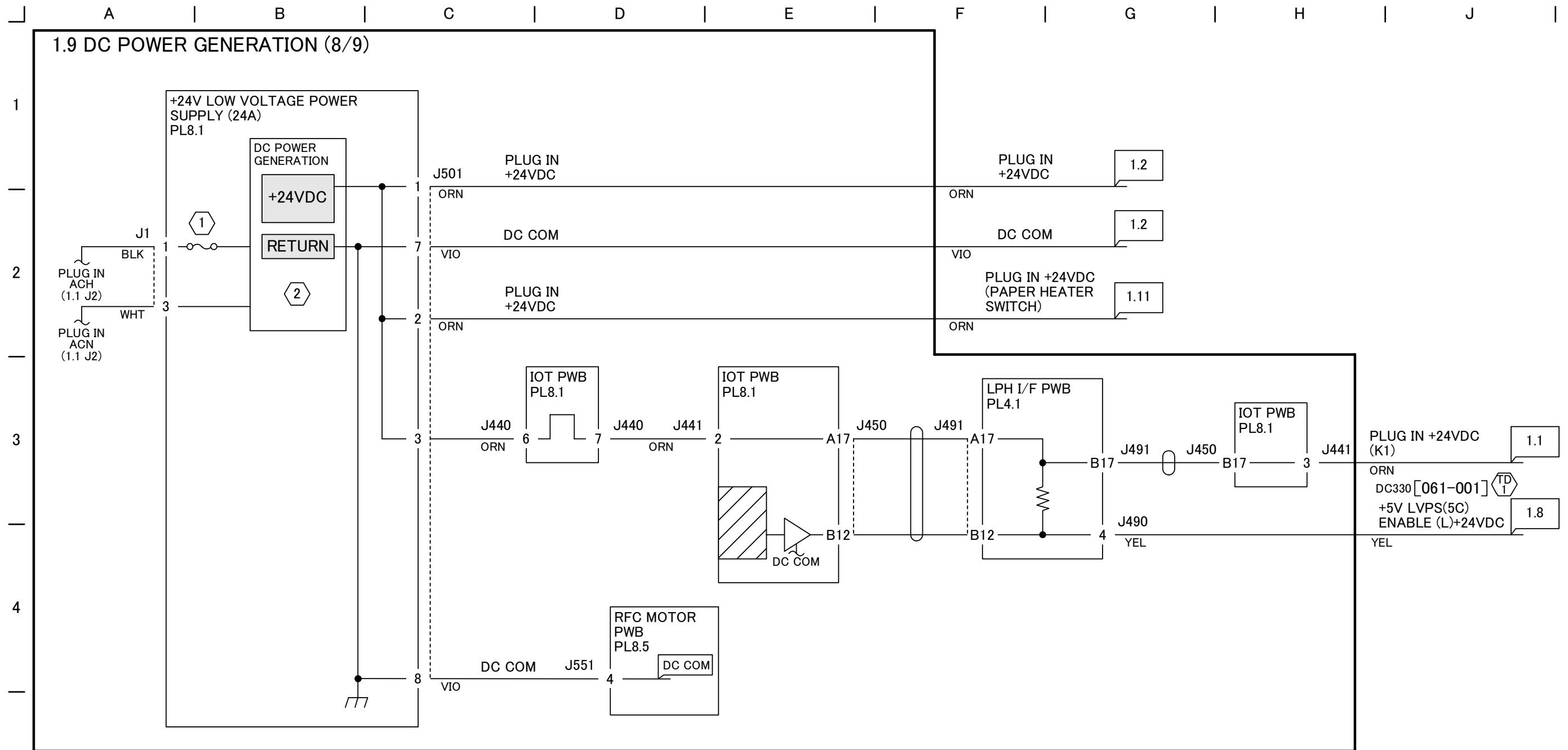


Virtual Line



Test Point : +5V LVPS(5C) J511C-1(+) to GND(-)  
Enable: approx. 0VDC  
Disable: approx. +1.67VDC

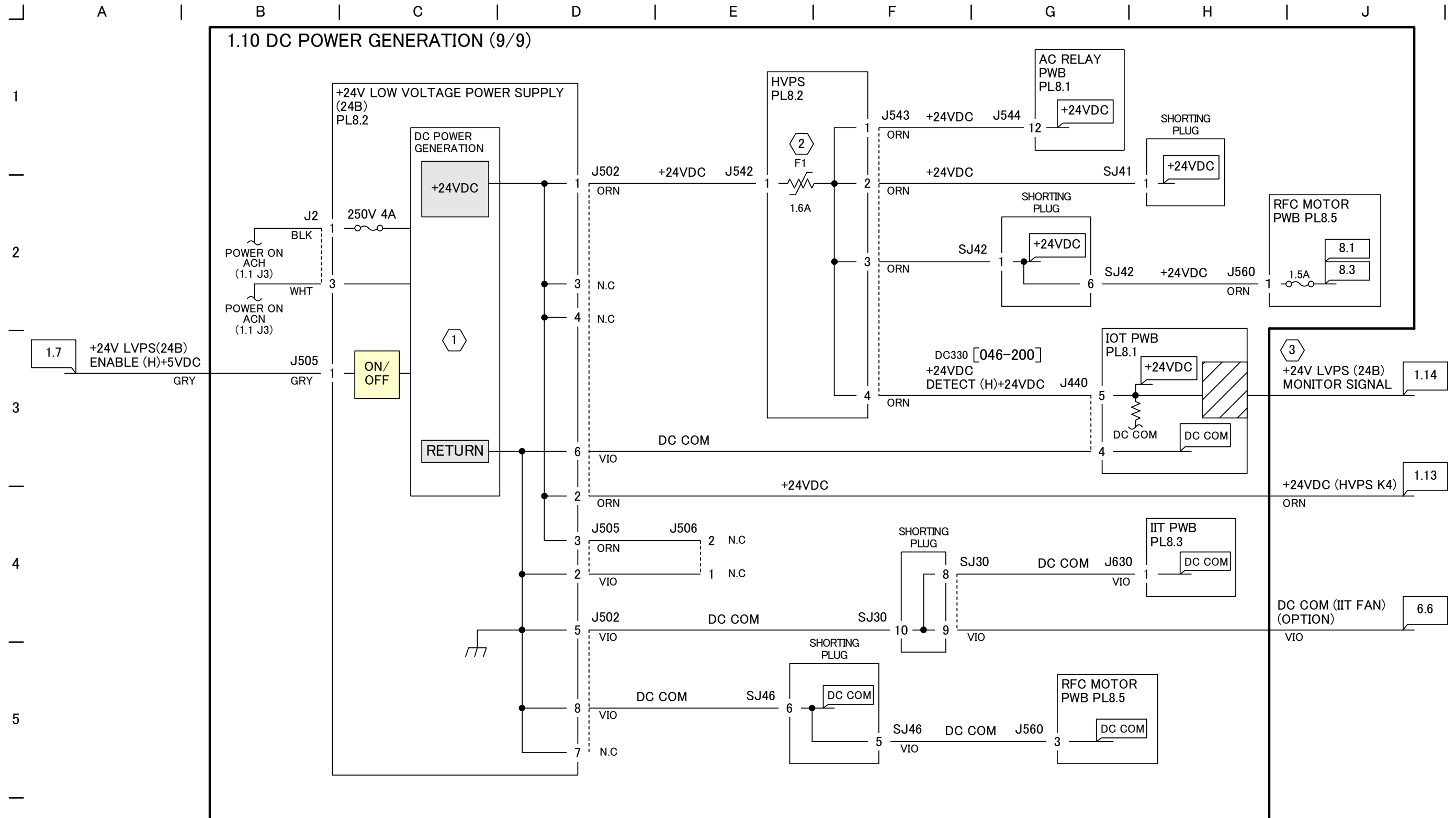




NOTE:

- 1 250V 4A
- 2 • Short Circuit Protection (Overcurrent Protection)  
If the +24VDC output is shorted, it is cut off.  
To restore the output, repair the short circuit, power off, wait 40 sec, and then power on.
- Overvoltage protection  
If the +24VDC output reaches +28VDC, the output is cut off. To restore the output, power off, wait 40 sec, and then power on.

TD 1 Test Point : +5V LVPS(5C) J511C-1(+) to GND(-)  
Enable: approx. 0VDC  
Disable: approx. +1.67VDC



NOTE:



•Short Circuit Protection (Overcurrent Protection)  
If the +24VDC output is shorted, it is cut off. To restore the output, repair the short circuit, power off, wait 15 sec, and then power on.

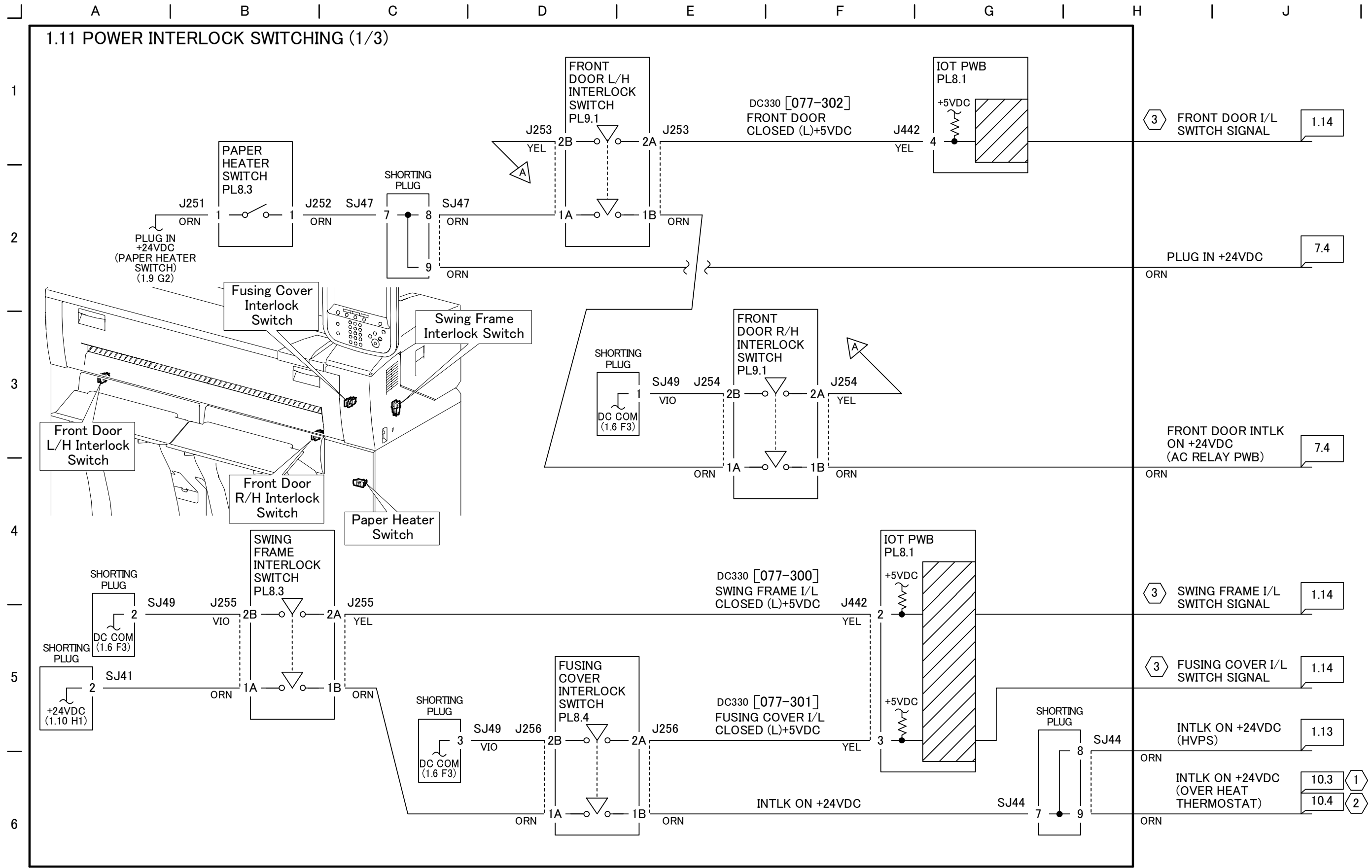
• Overvoltage protection  
If the +24VDC output reaches +26.7VDC, the output is cut off. To restore the output, power off, wait 15 sec, and then power on.



The Polyswitch is a device that protects against overcurrent/overheat by increasing its resistance with the rise of its temperature and limiting the amount of current flow. When the error is cleared and the temperature of the device lowers, its resistance will be back to normal.

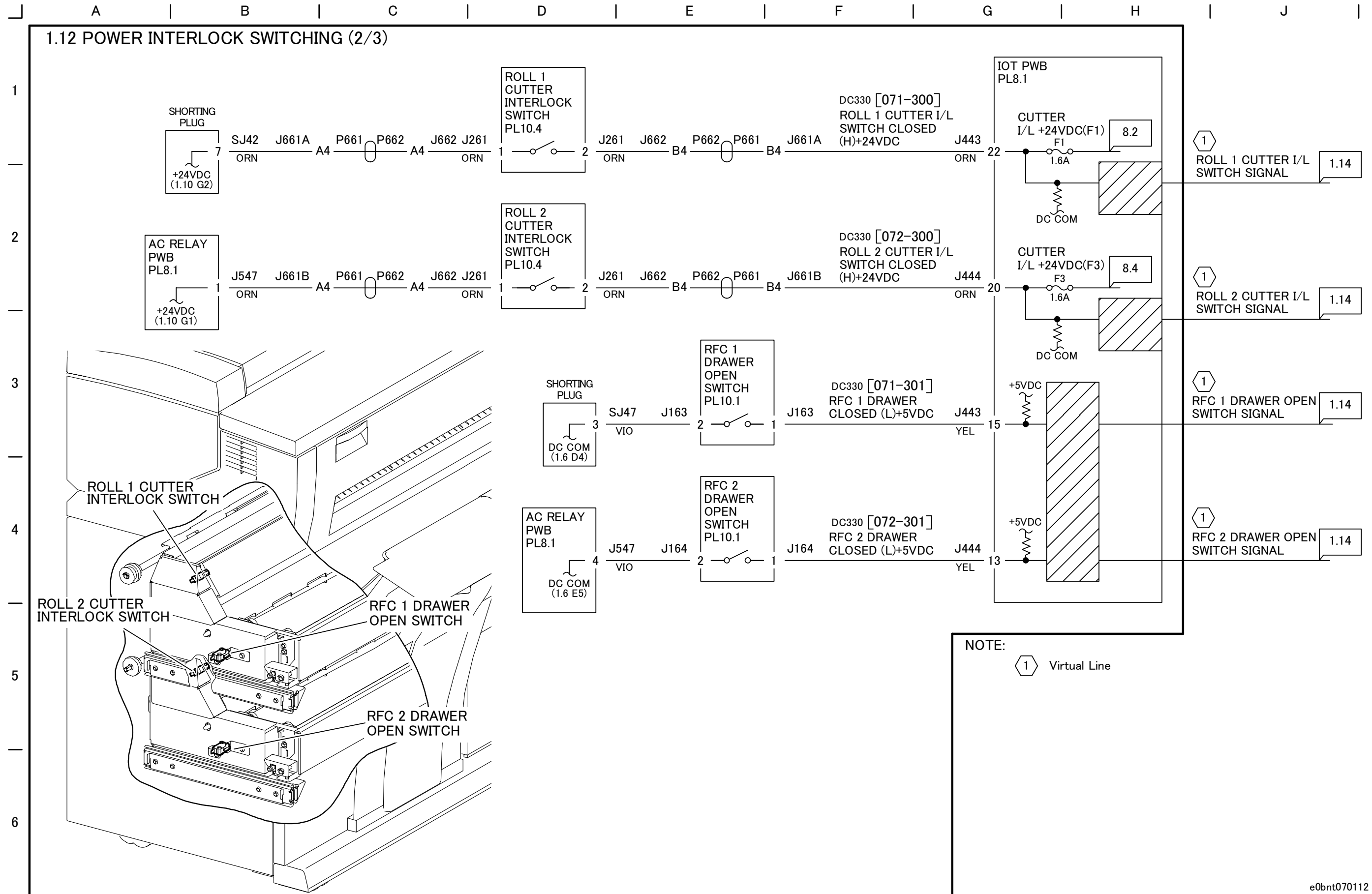


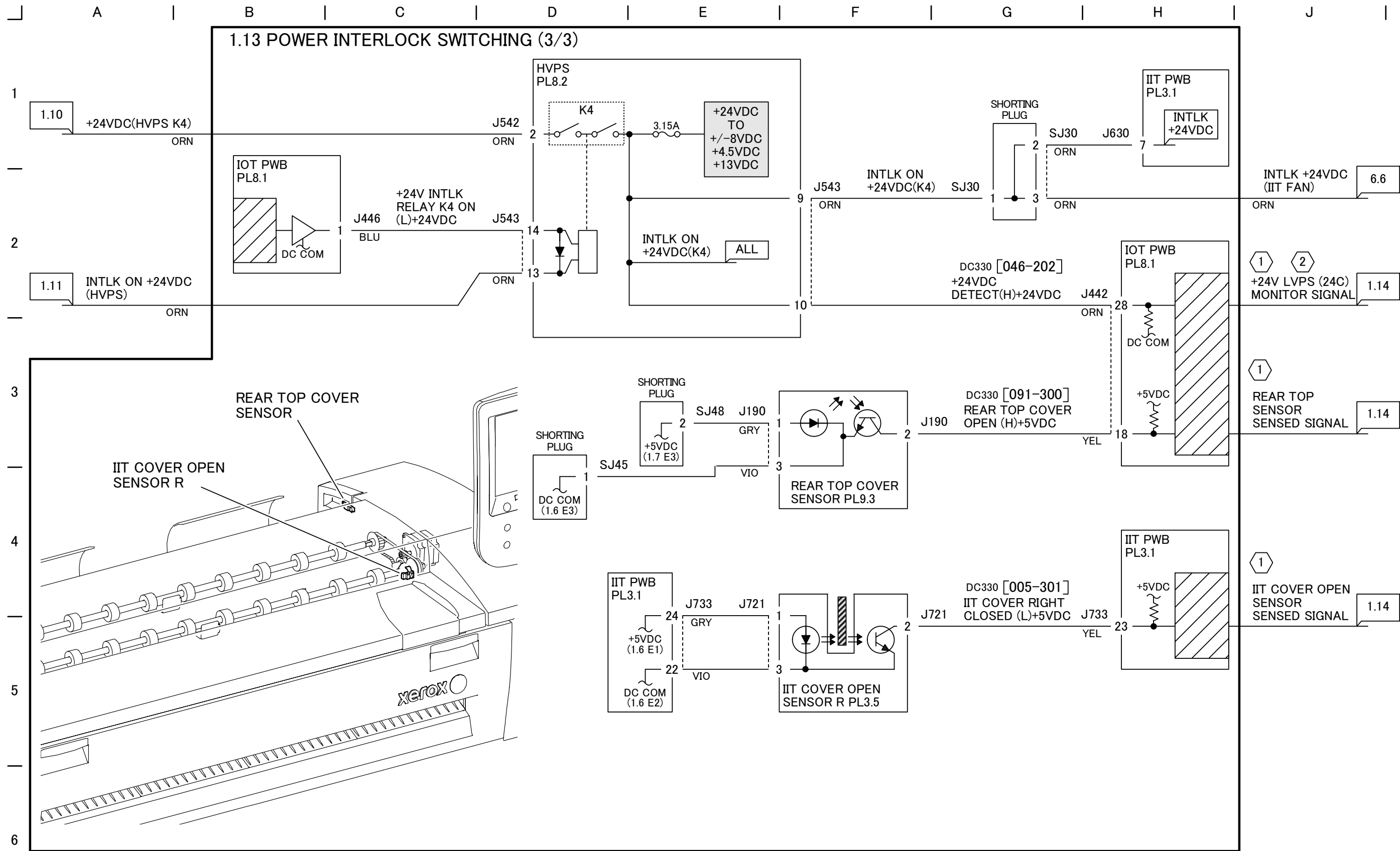
Virtual Line



NOTE: (1) Applies to 100/120VAC machines. (2) Applies to 200-240VAC machines. (3) Virtual Line

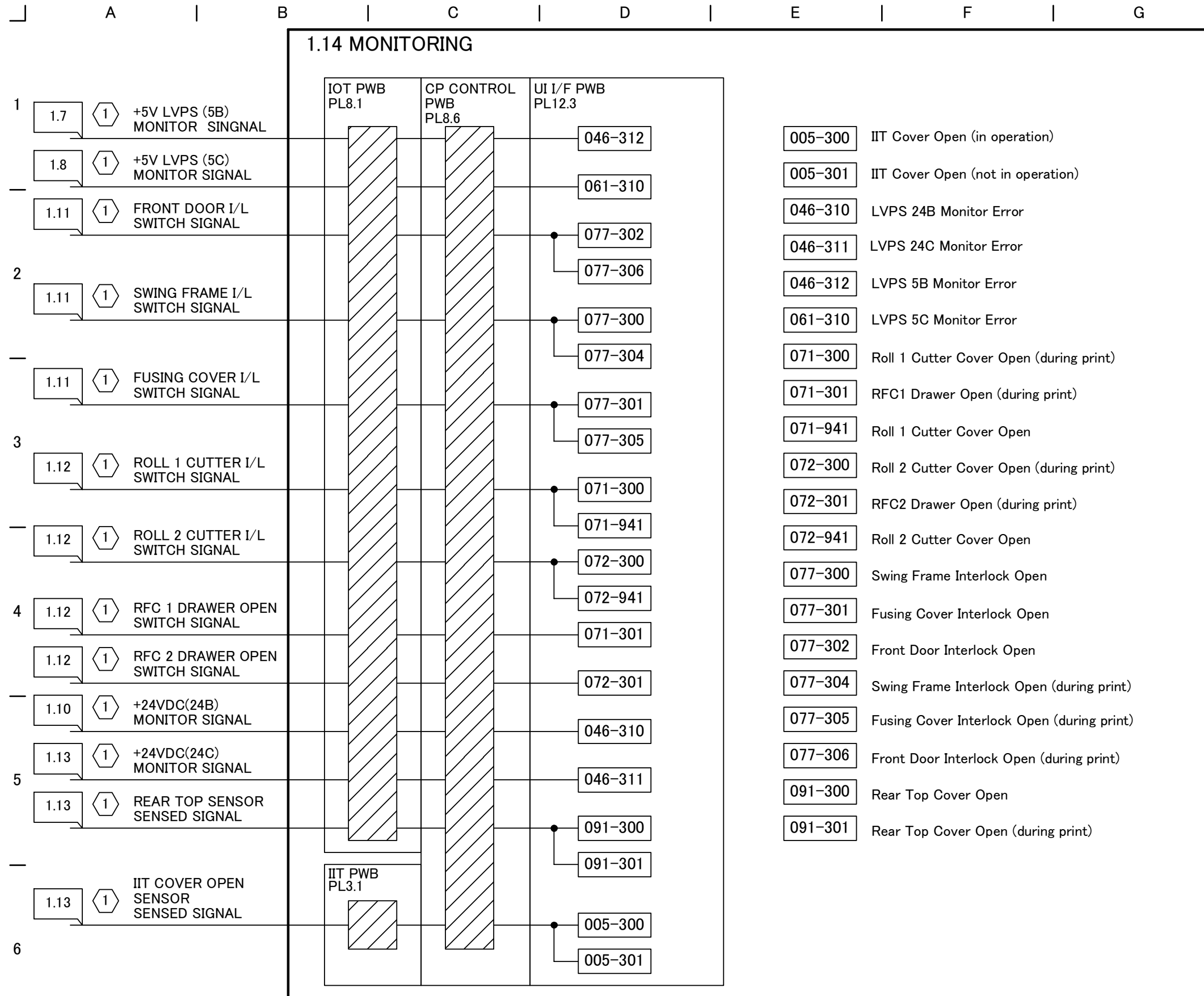
e0bnt070111



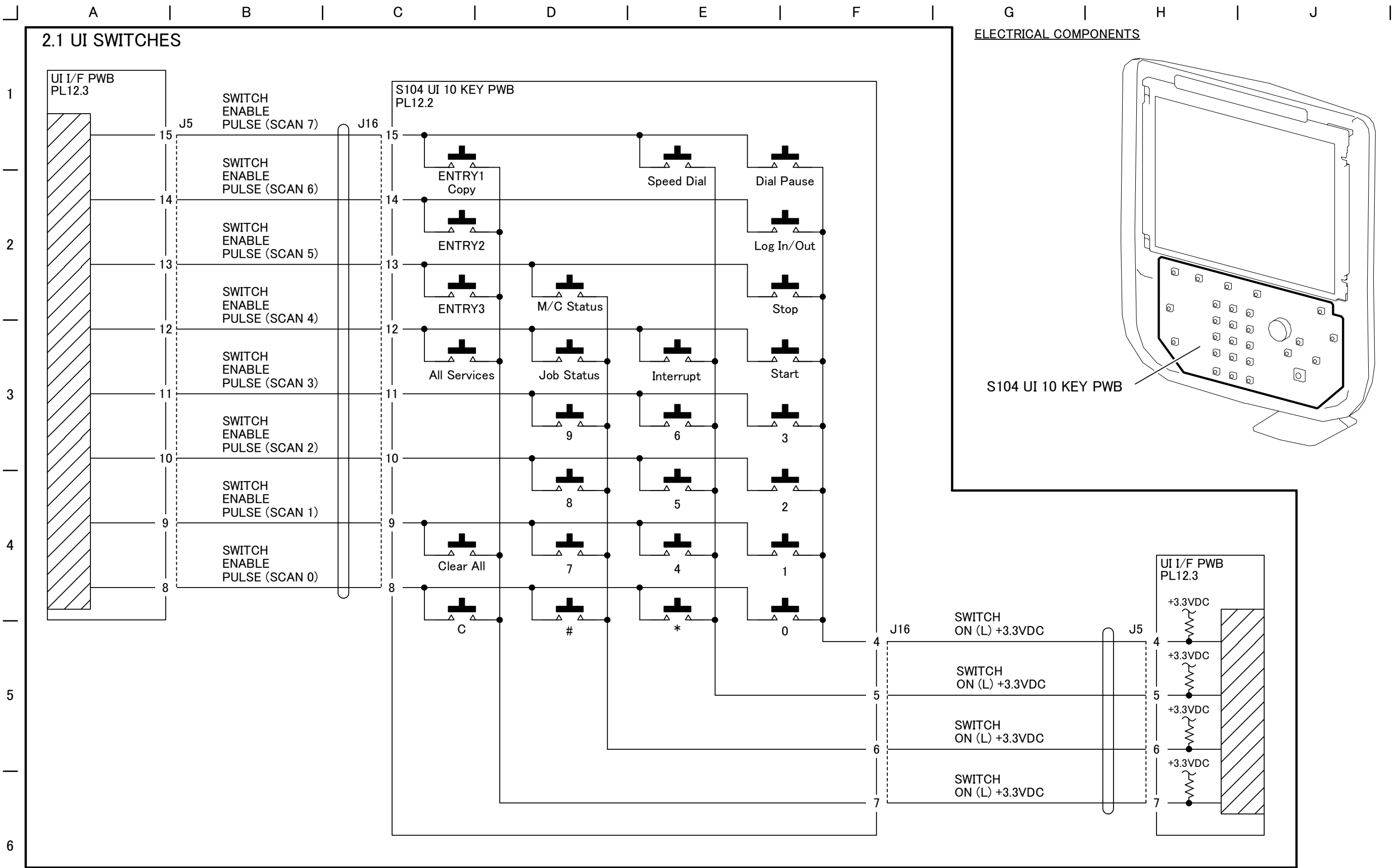


NOTE: (1) Virtual Line (2) An error in the +24V line ahead from HVPS relay K4 is handled as Fail Code 046-311 (LVPS 24C Monitor Error).

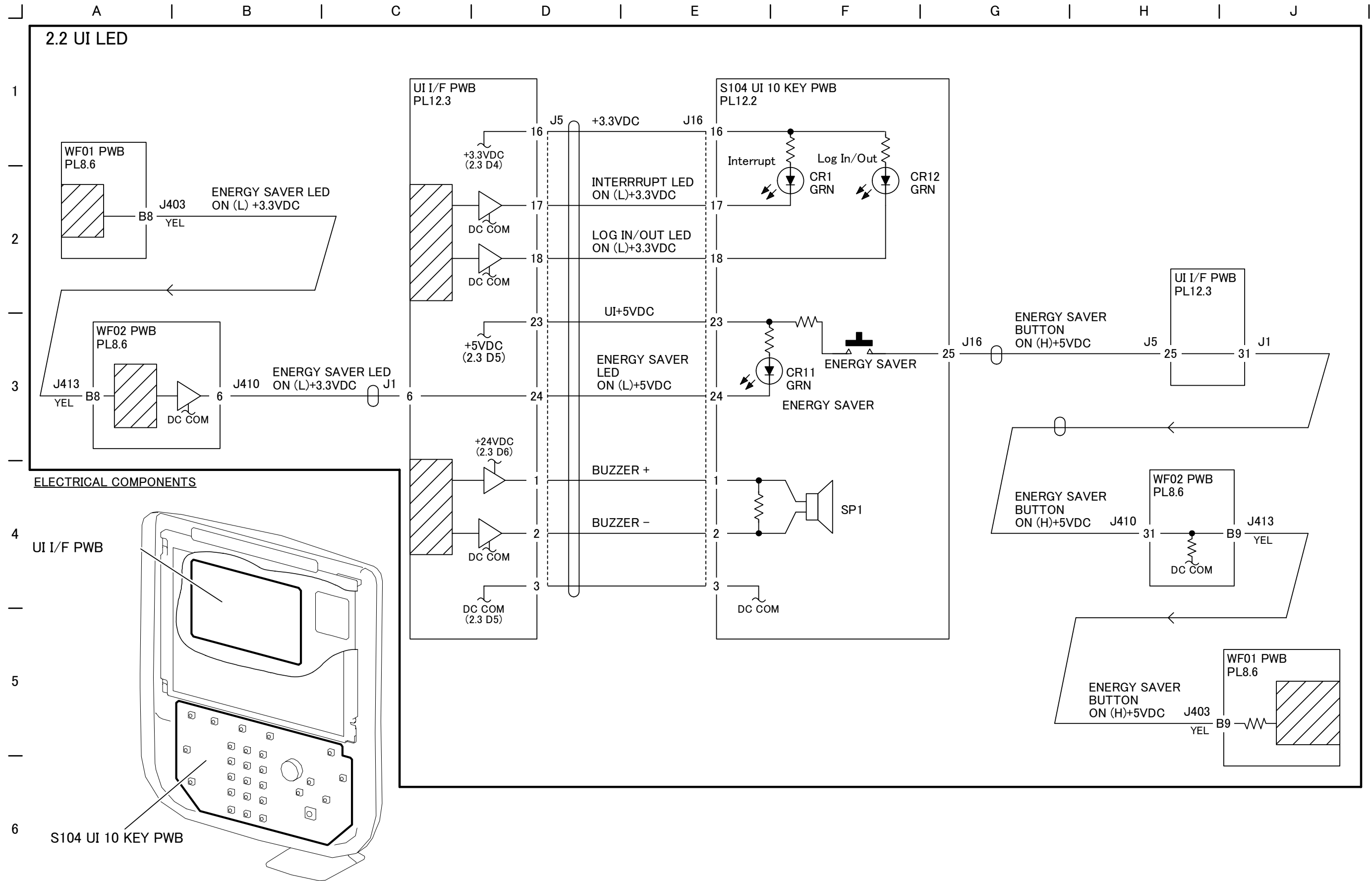
e0bnt070113



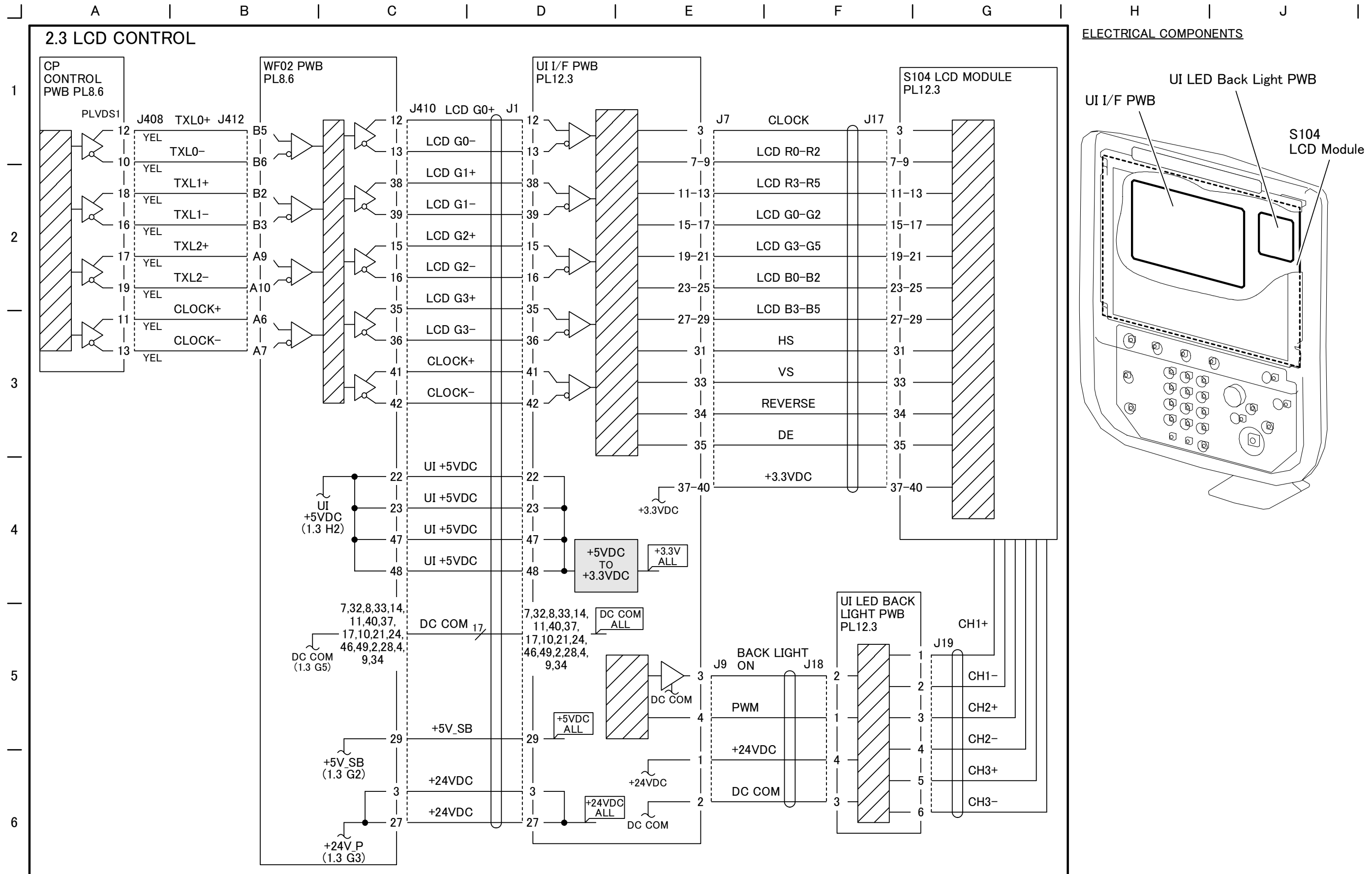
NOTE: Virtual Line



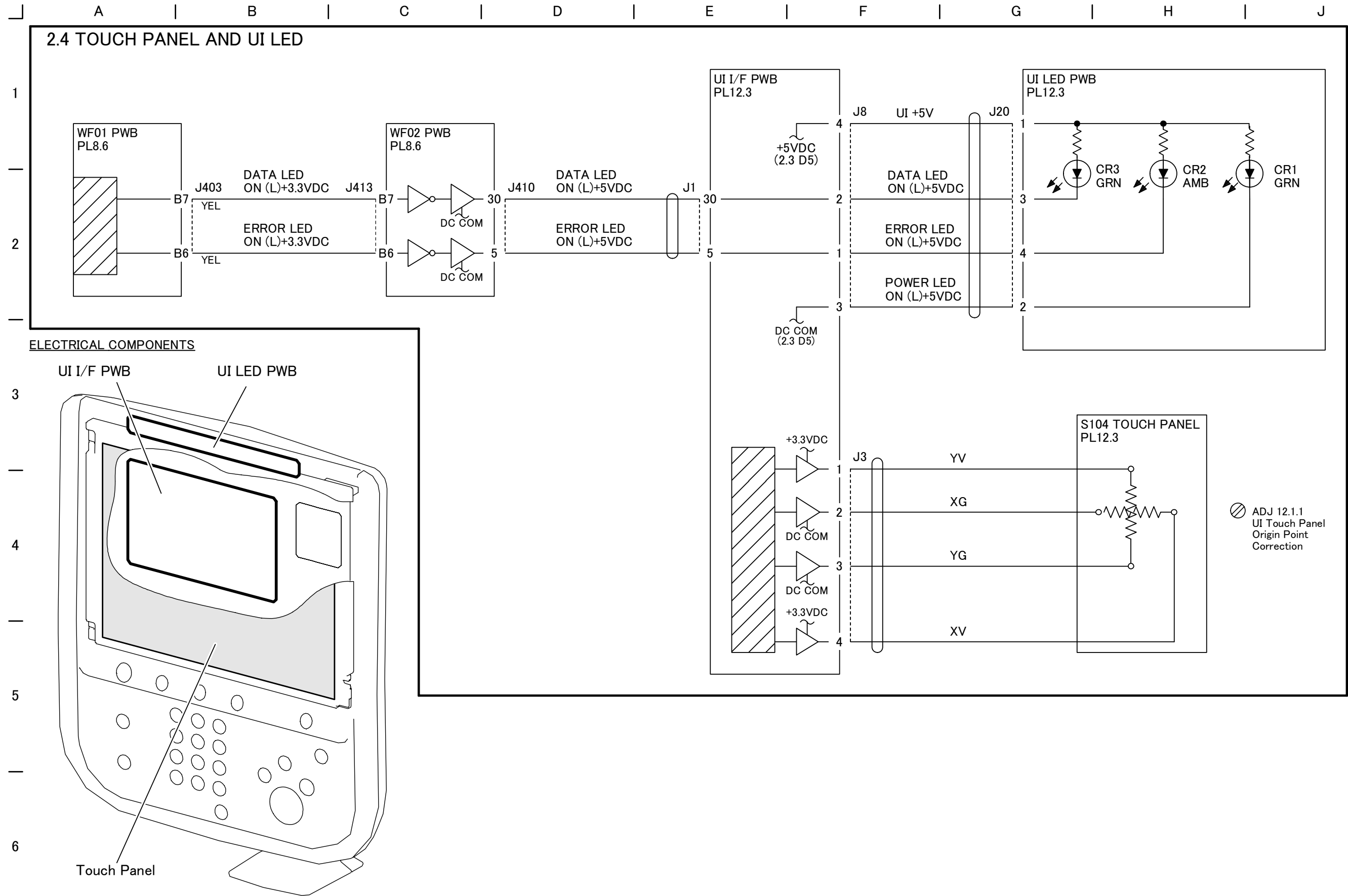
j0bnt730201



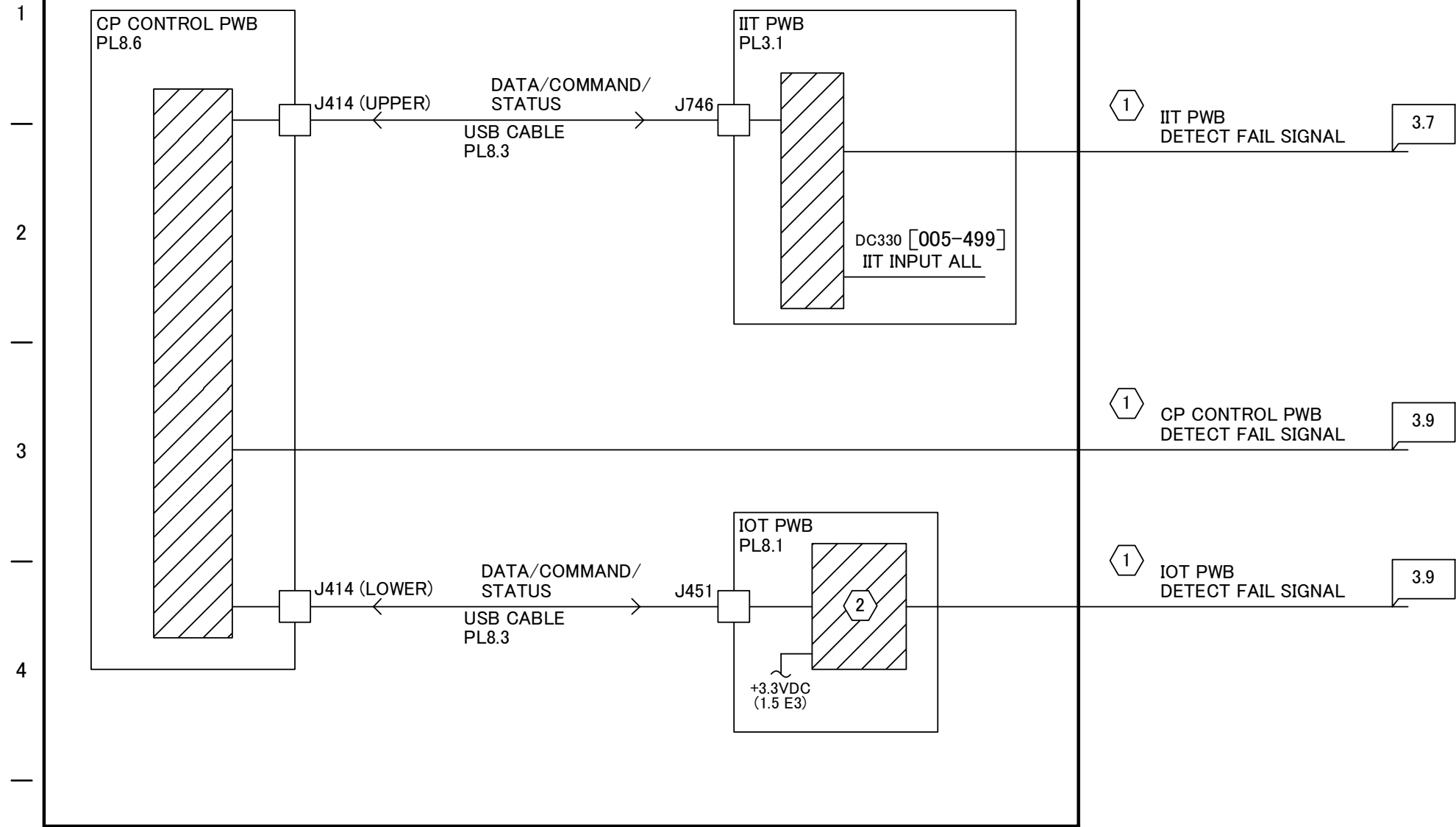




j0bnt730203

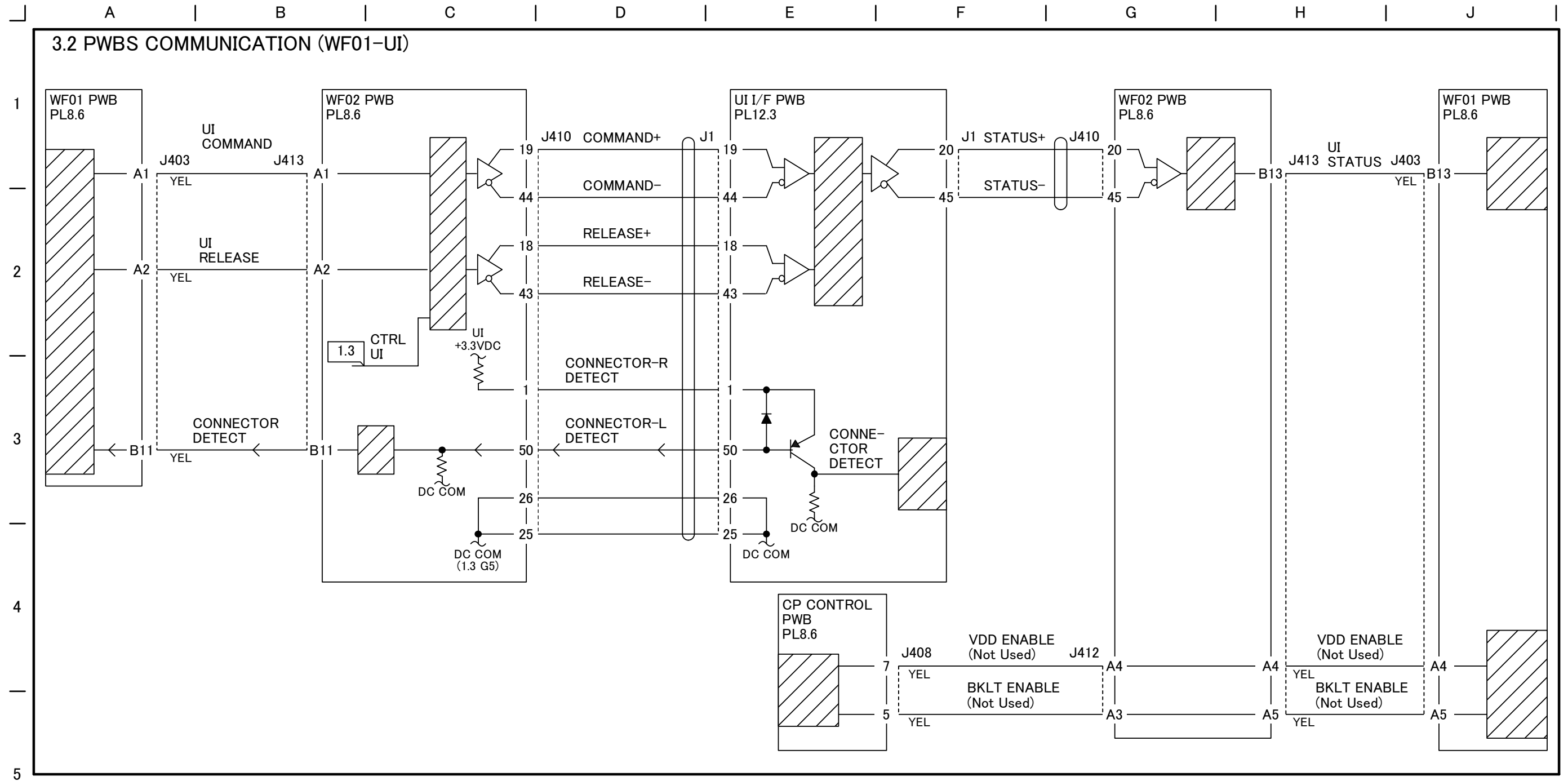


3.1 PWBS COMMUNICATION

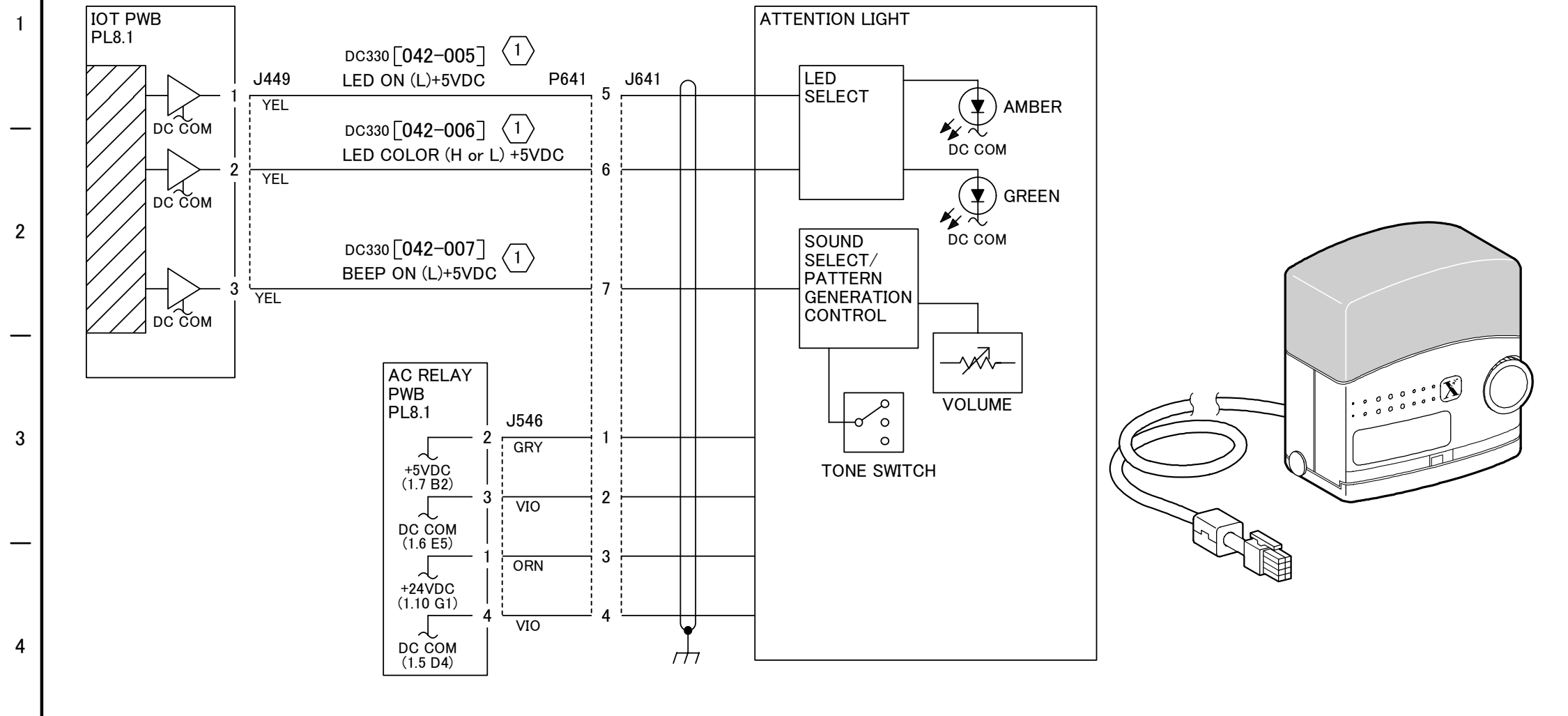


NOTE:

- 1 Virtual Line
- 2 DC330 [042-002] WR Protect  
[042-261] Int Cut Trigger  
[042-262] Int Page Sync



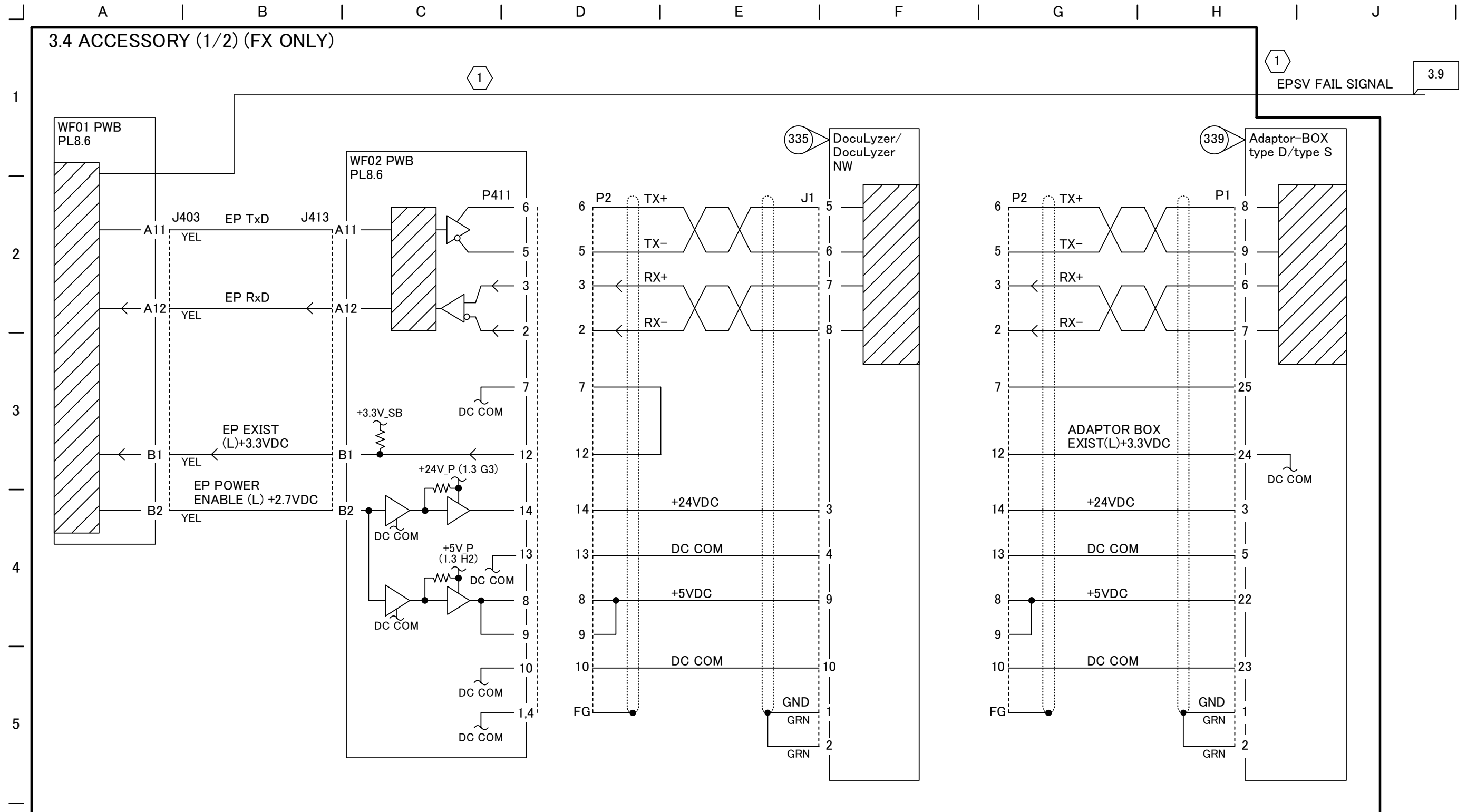
### 3.3 ATTENTION LIGHT



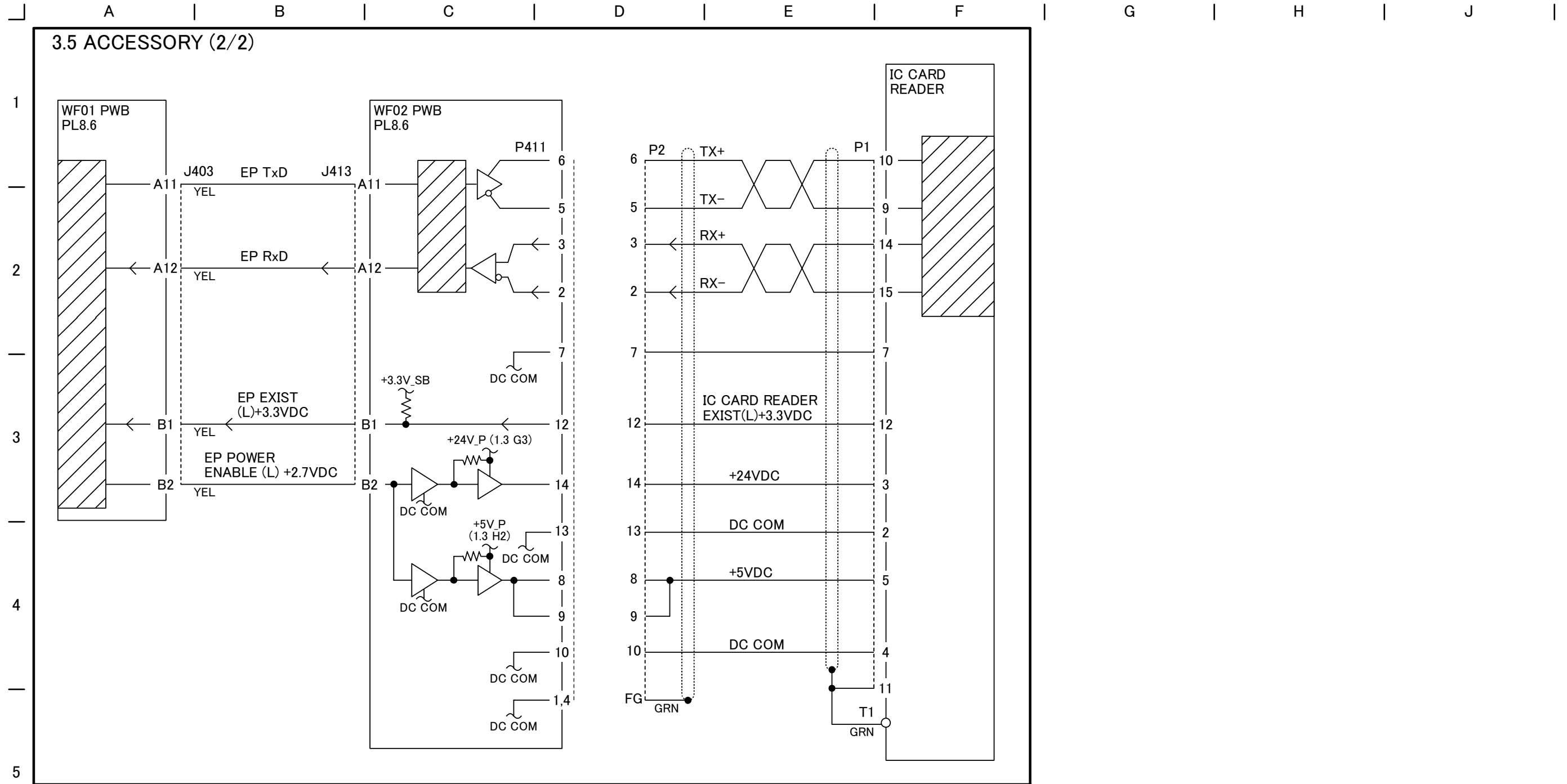
NOTE:

① Operational relationship between each signal and Attention Light is as shown below.

Signal Name	Signal Level	Action
LED ON	High	LED OFF
LED ON	Low	LED Blink
LED COLOR	High	Amber
LED COLOR	Low	Green
BEEP ON	High	Beep OFF
BEEP ON	Low	Beep ON



NOTE:  
① Virtual Line



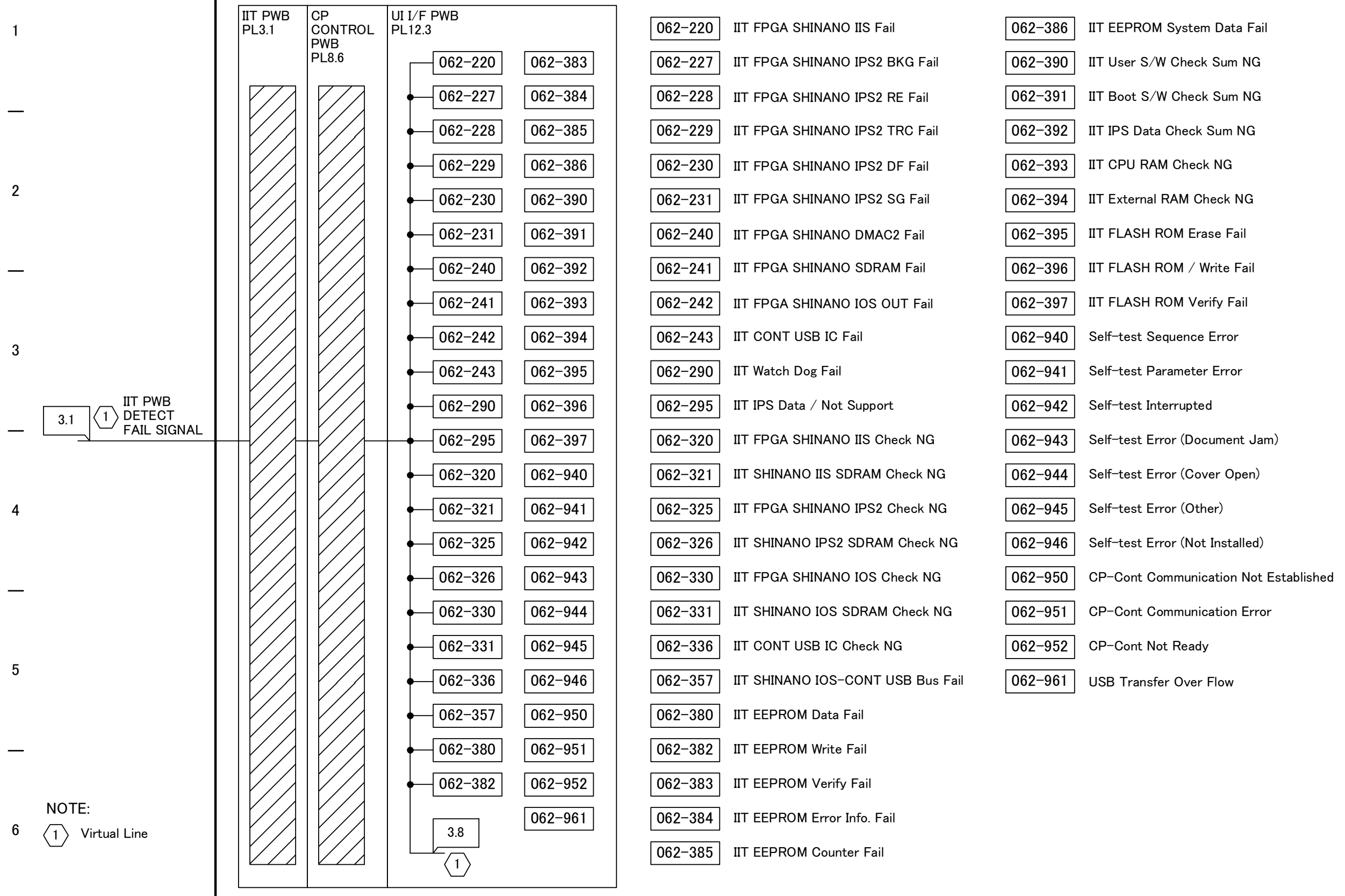


NOTE: ① CP Control PWB also counts up and maintains its billing counter, following a count up signal from IOT PWB. CP Control PWB compares its billing counter to the IOT PWB-maintained billing counter by asking about it. If CP Control PWB detects a mismatch between both the billing counters, it instructs IOT PWB to update its billing counter so that the counts will be the same.

② Virtual Line



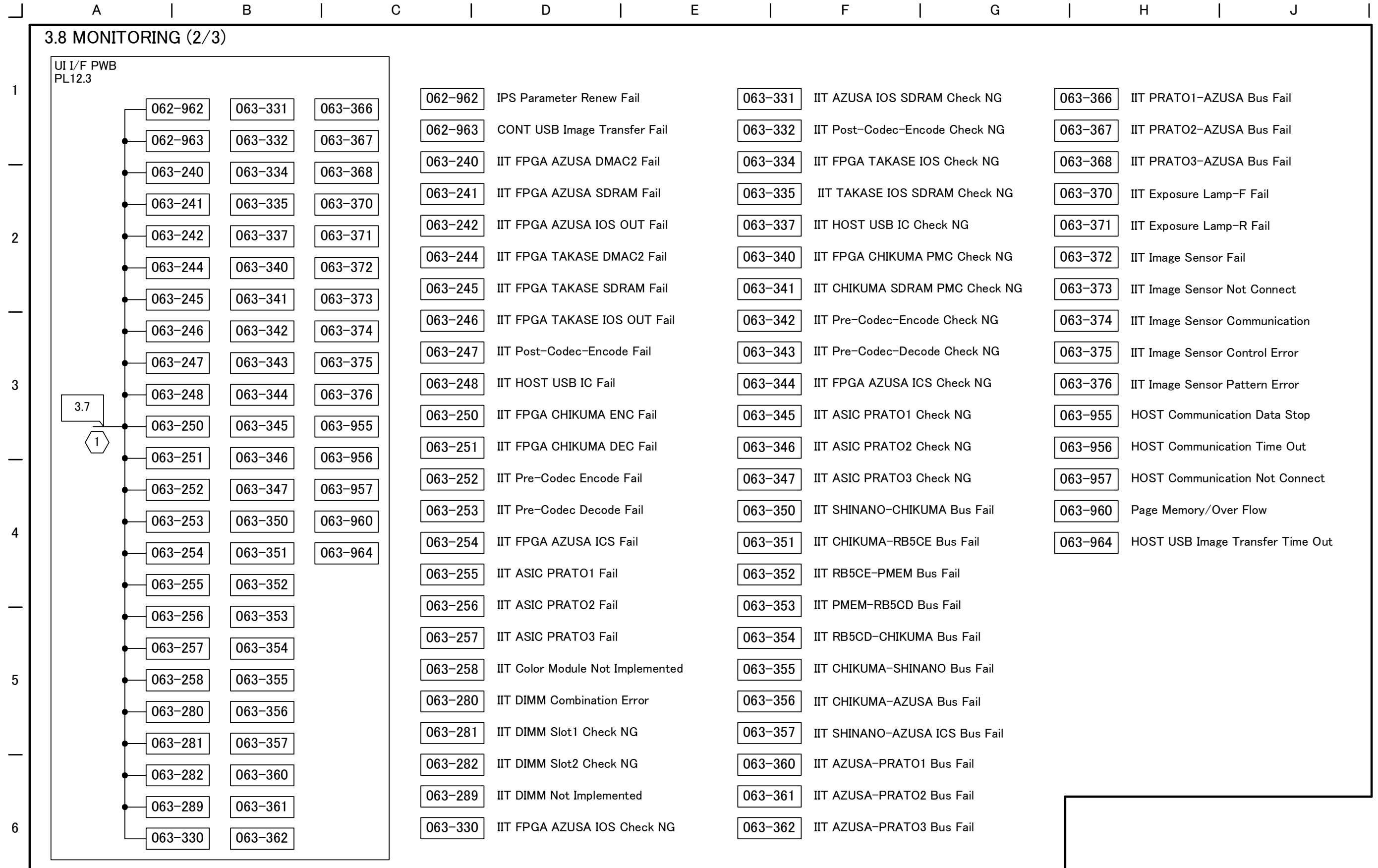
3.7 MONITORING (1/3)



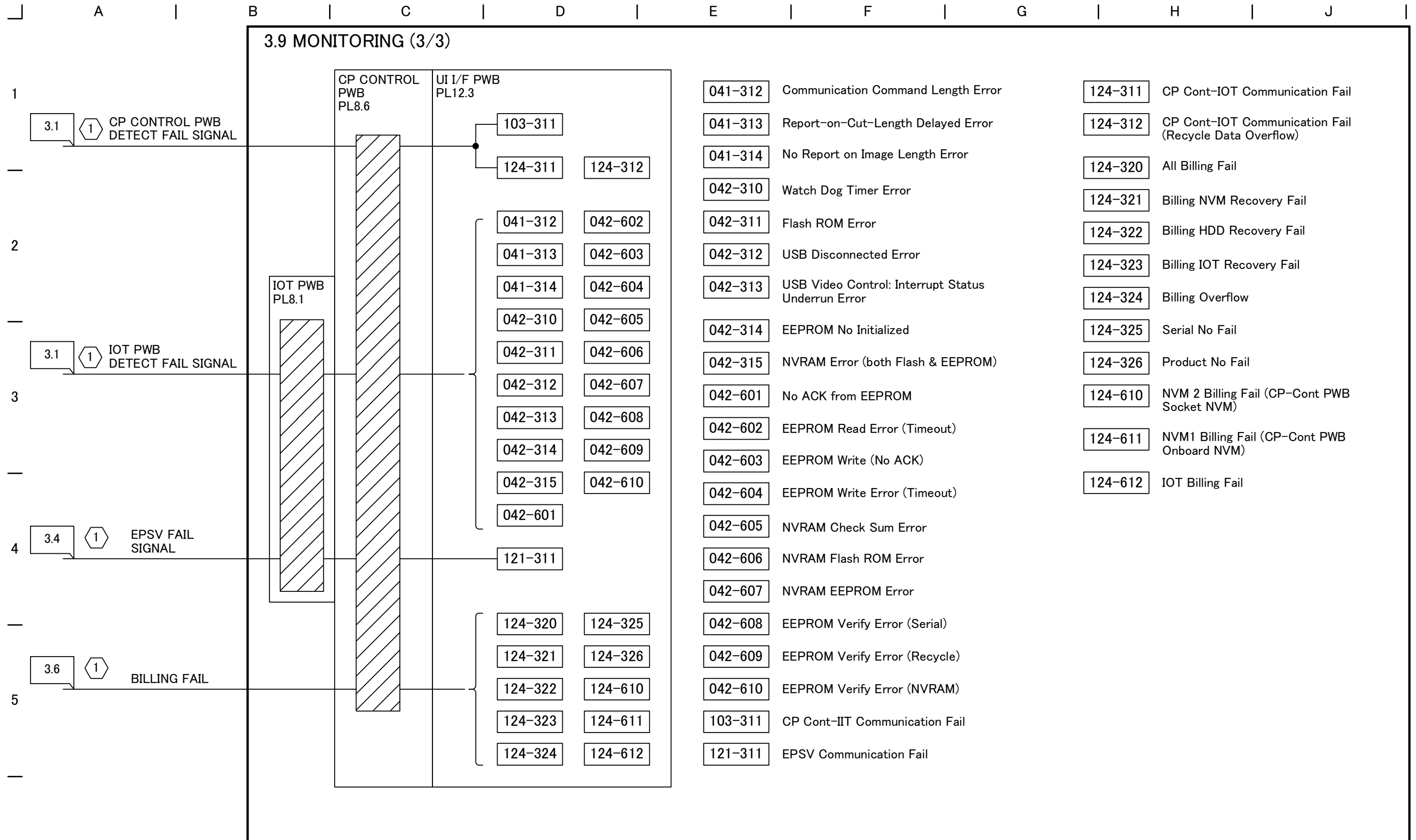
3.1 1 IIT PWB DETECT FAIL SIGNAL

NOTE: 1 Virtual Line

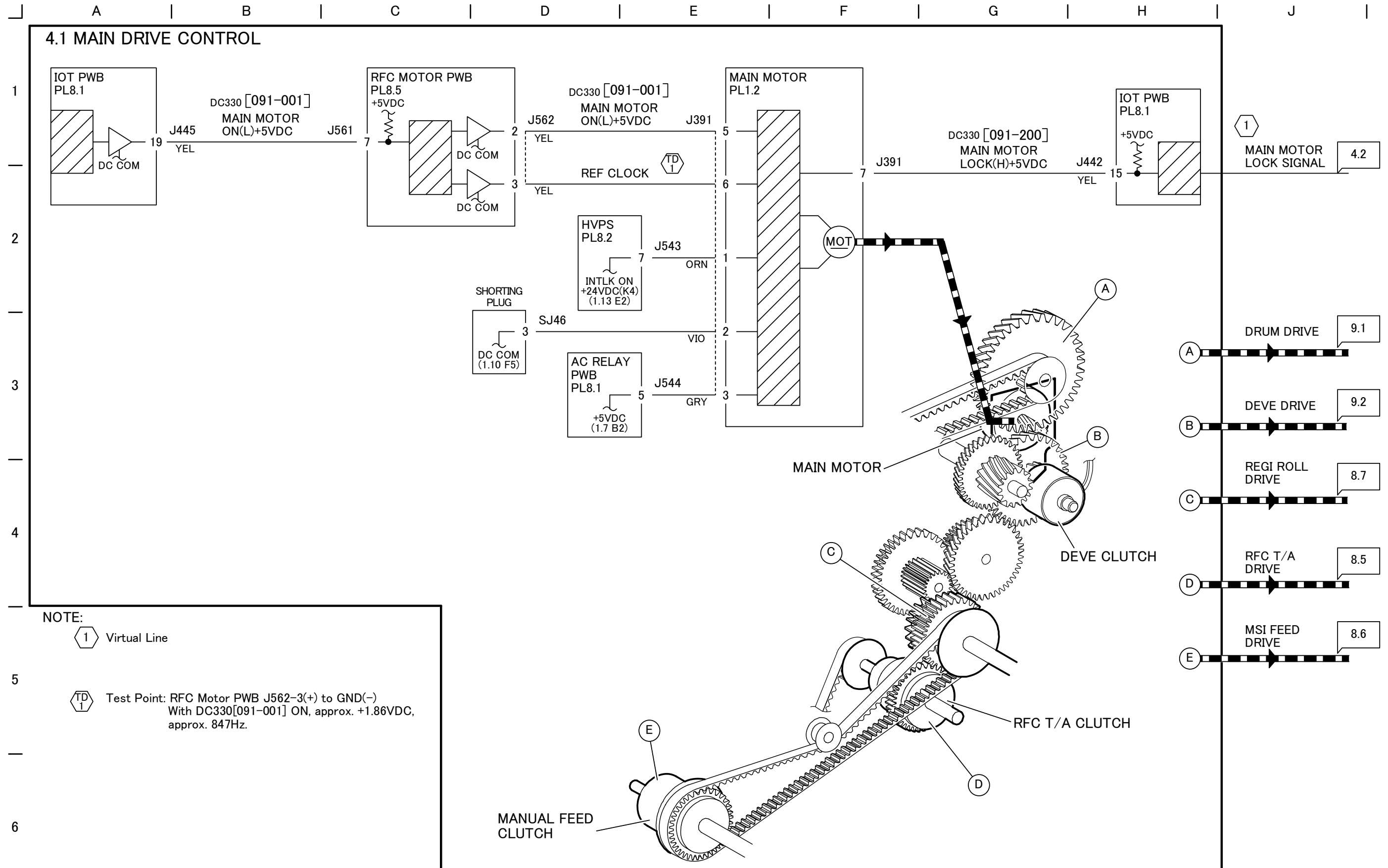
3.8 1



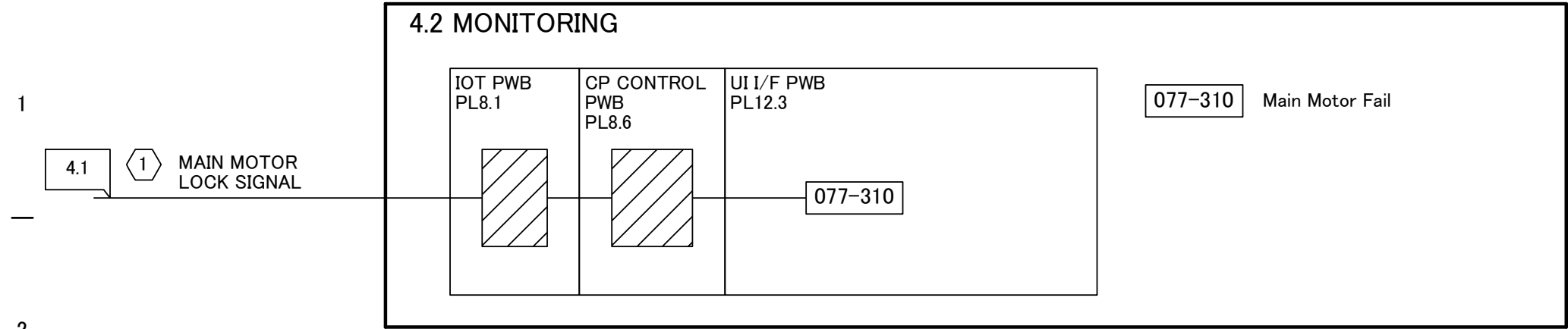
NOTE: 1 Virtual Line



NOTE: Virtual Line



A | B | C | D | E | F | G | H | J |



1

2

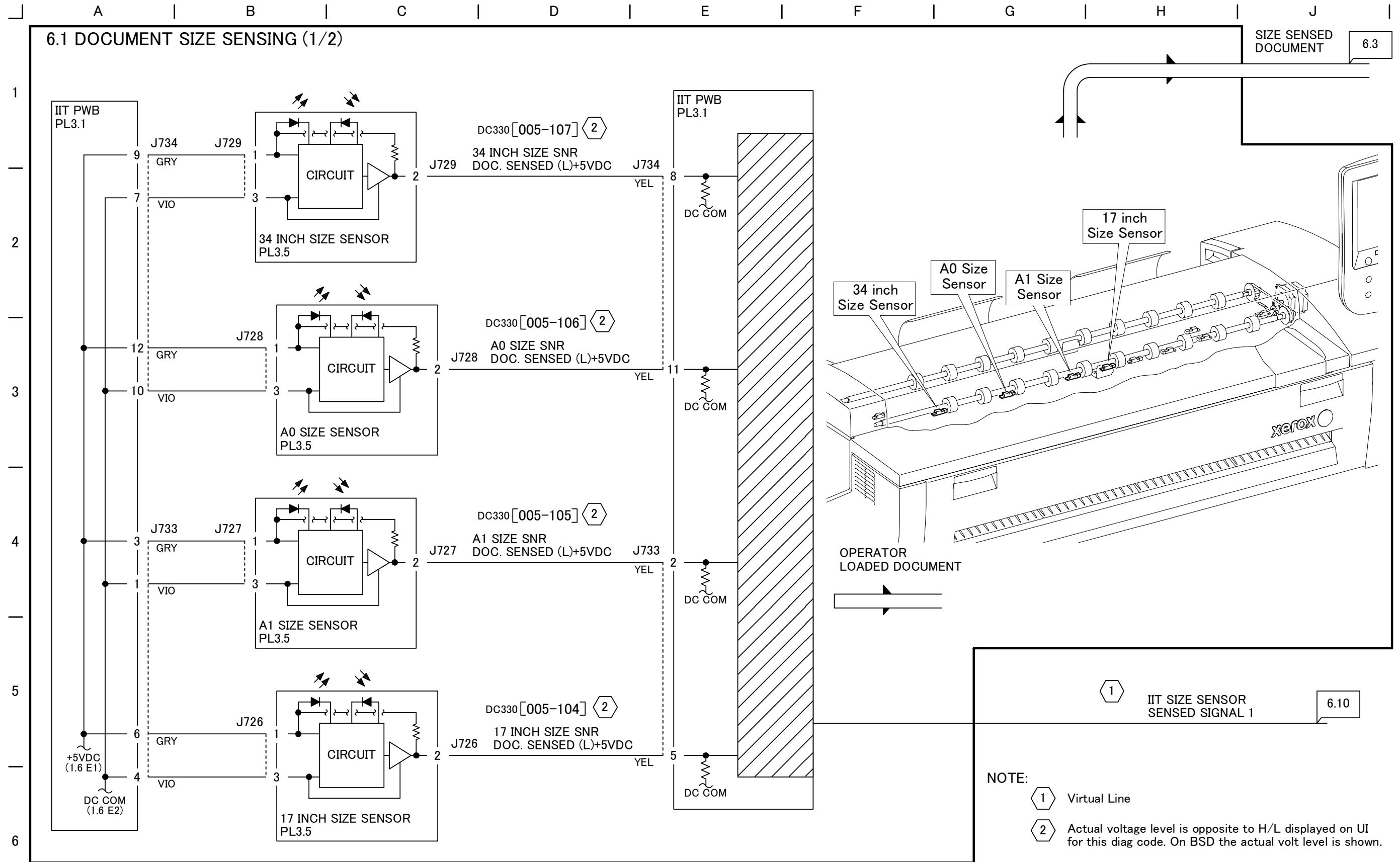
NOTE:  Virtual Line

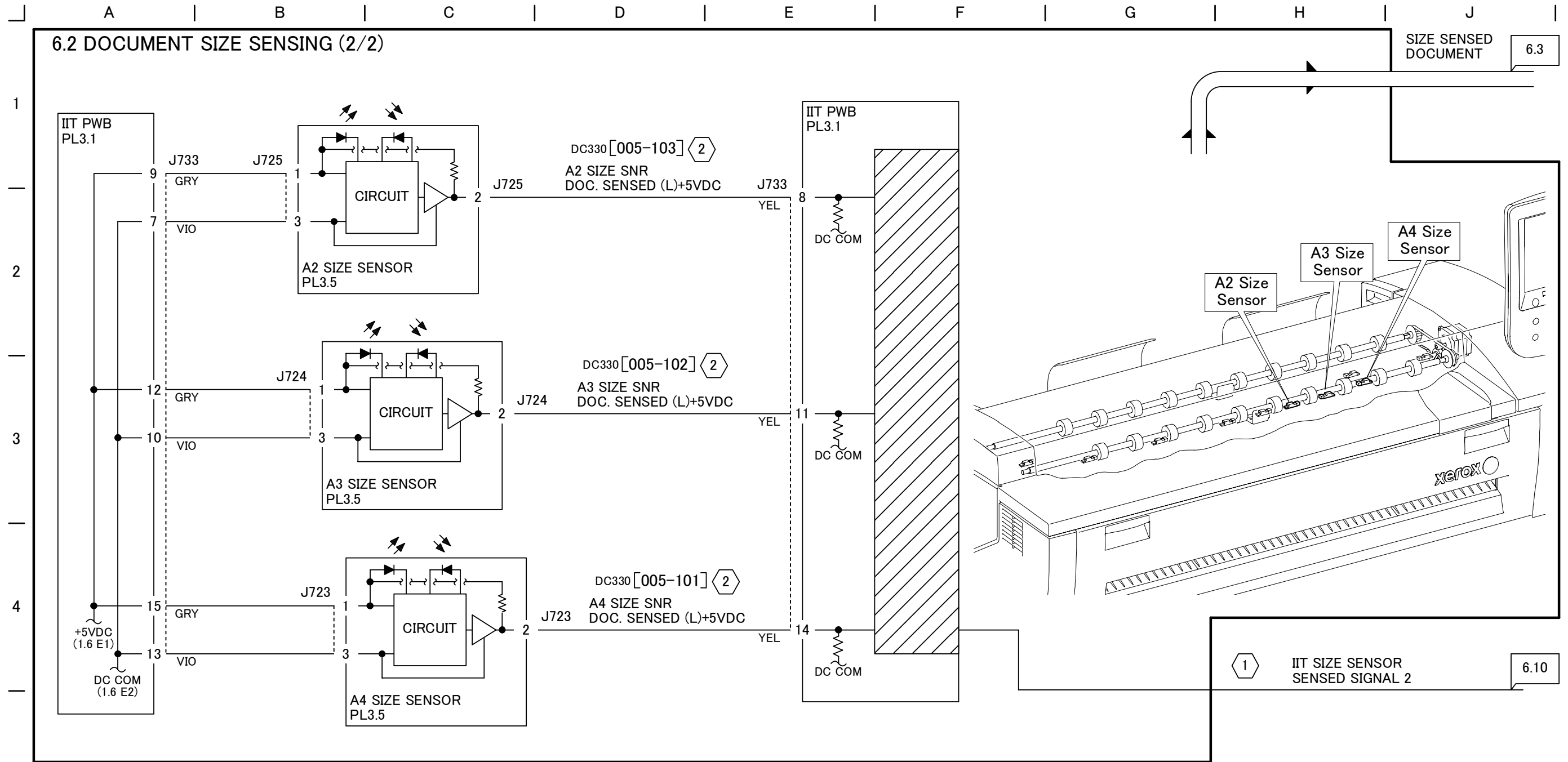
3

4

5

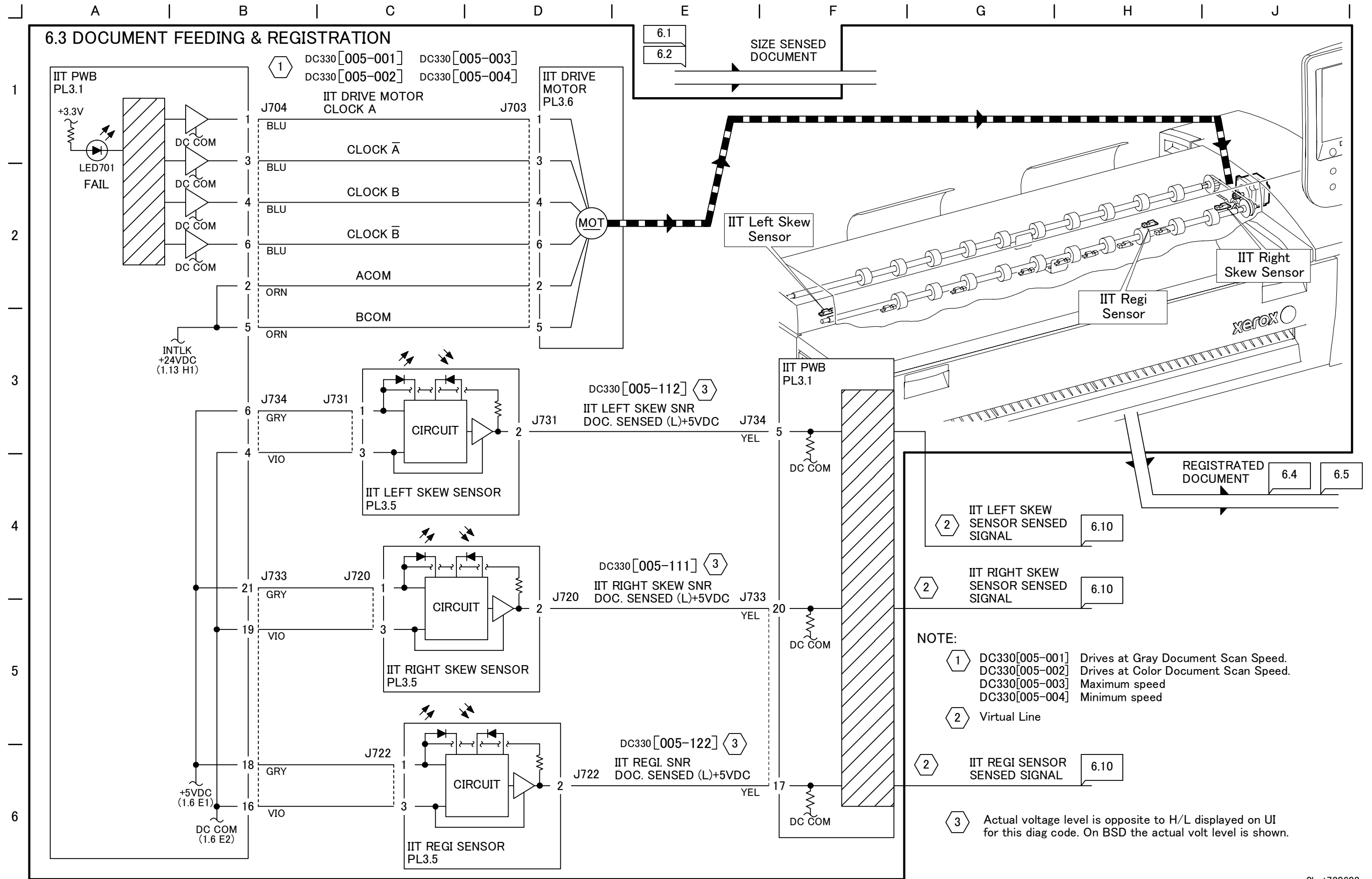
6



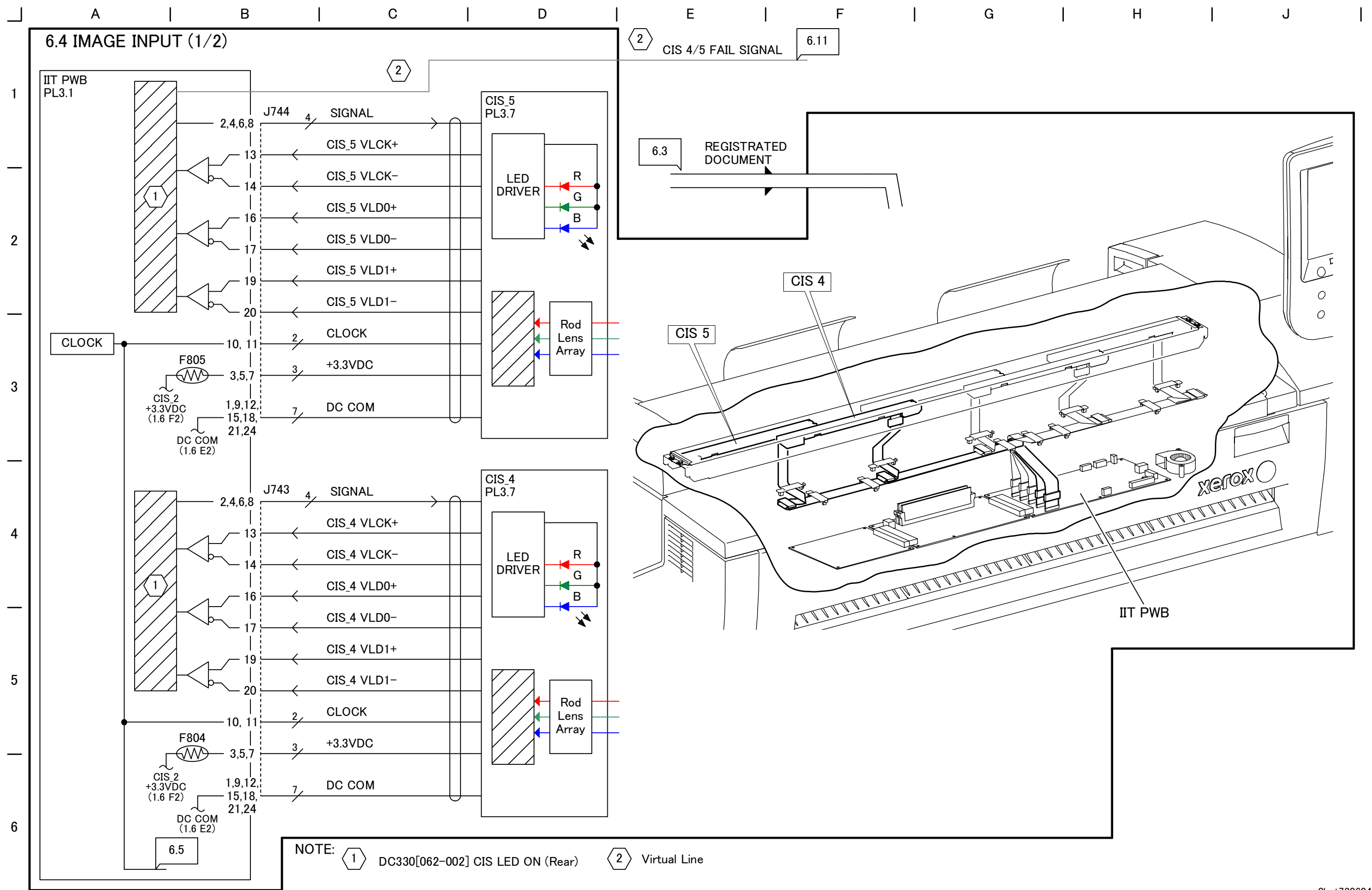


NOTE:

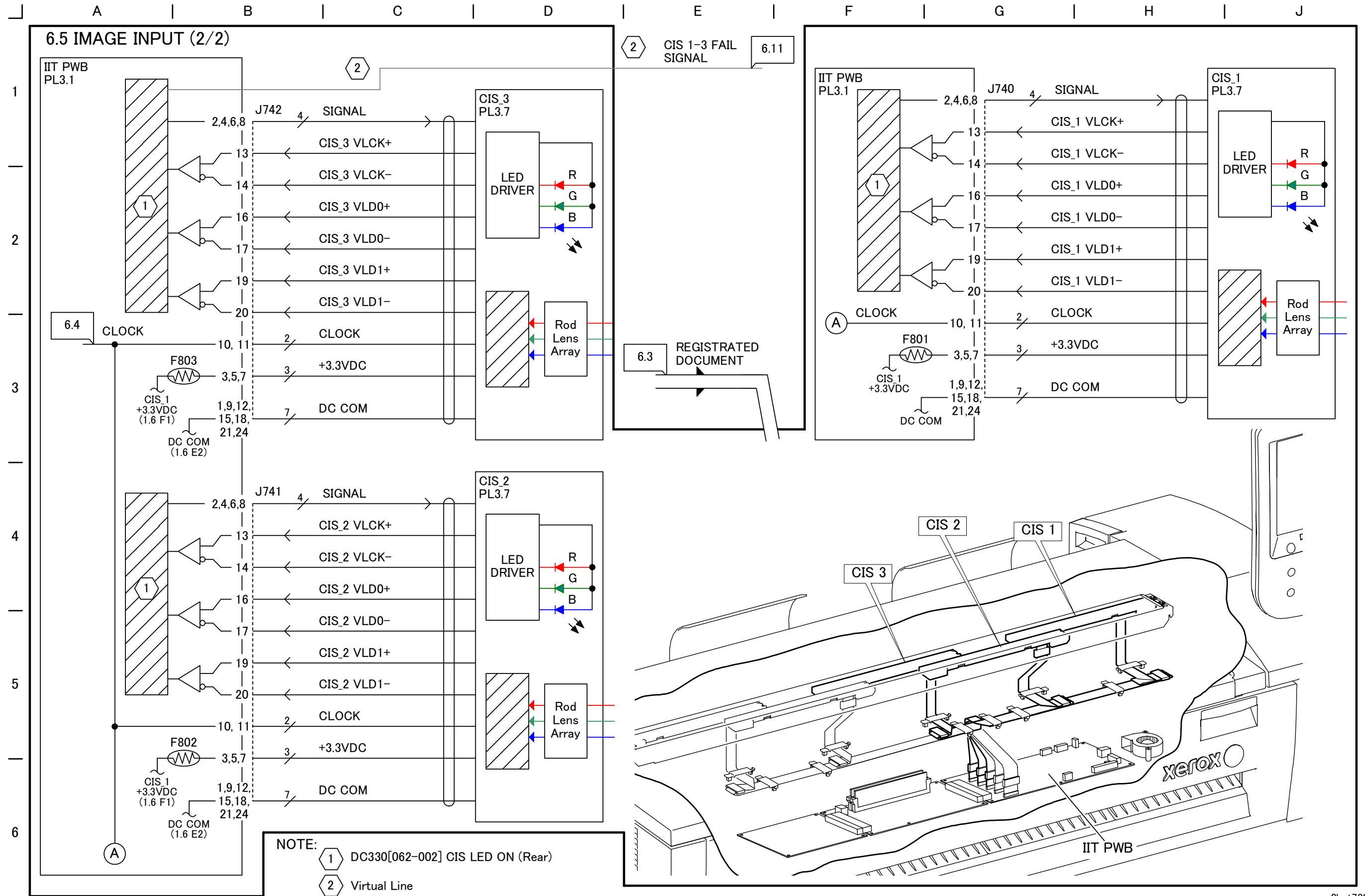
- (1) Virtual Line
- (2) Actual voltage level is opposite to H/L displayed on UI for this diag code. On BSD the actual volt level is shown.



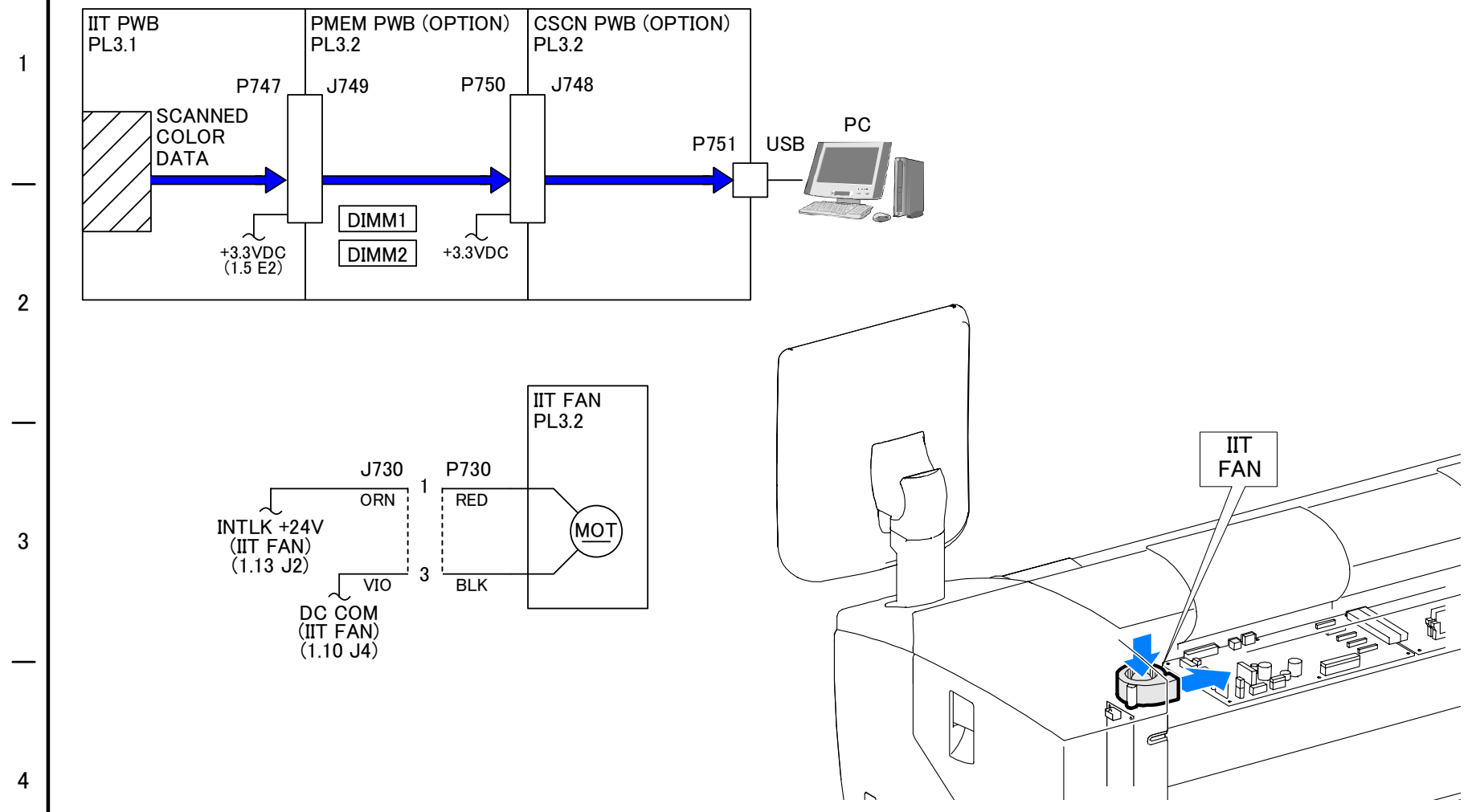


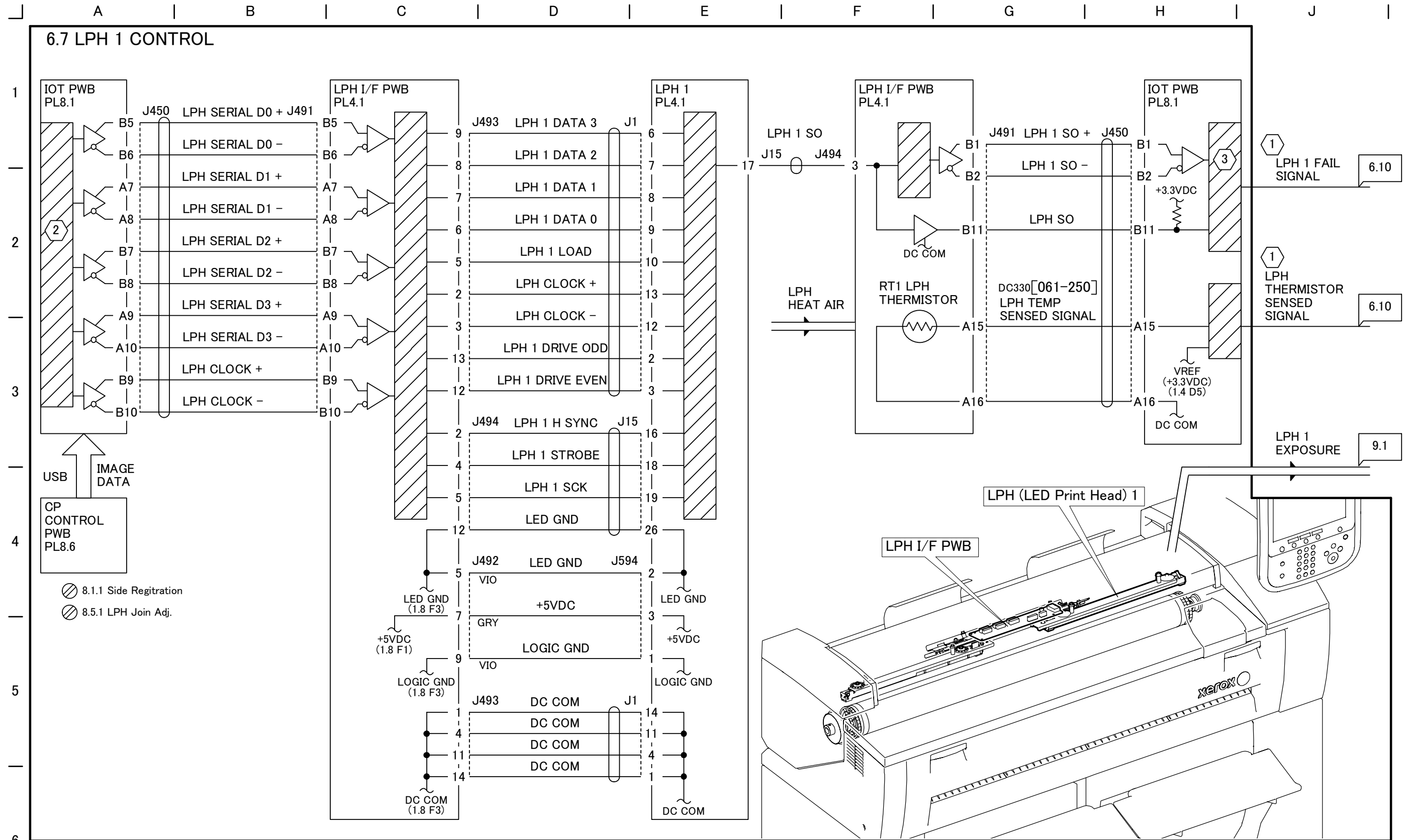


e0bnt730604



### 6.6 COLOR SCANNING (OPTION)



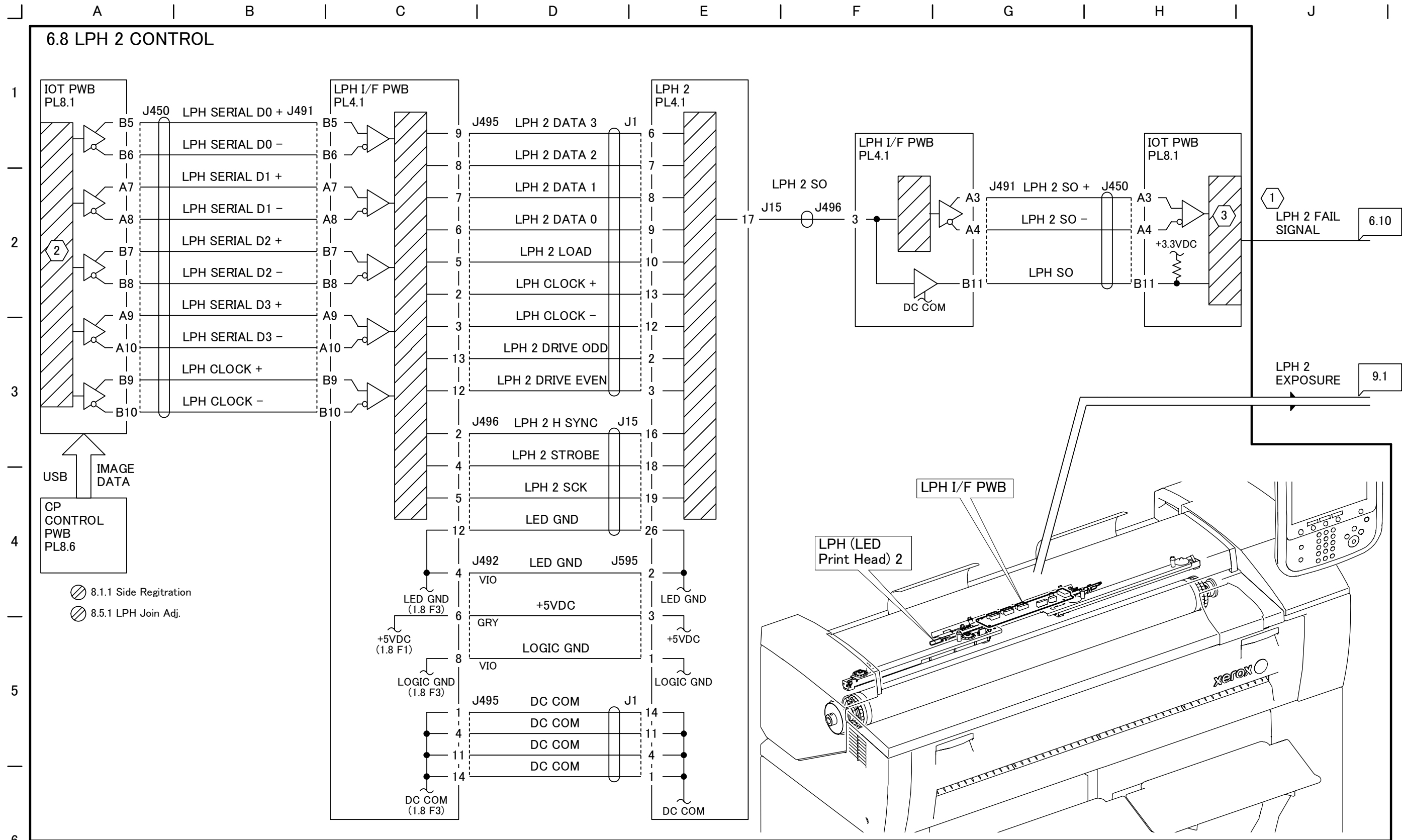


NOTE:

① Virtual Line

② DC330 [061-002] LPH Reset

③ DC330 [061-201] LPH Acc Ready  
[061-270] Line Sync



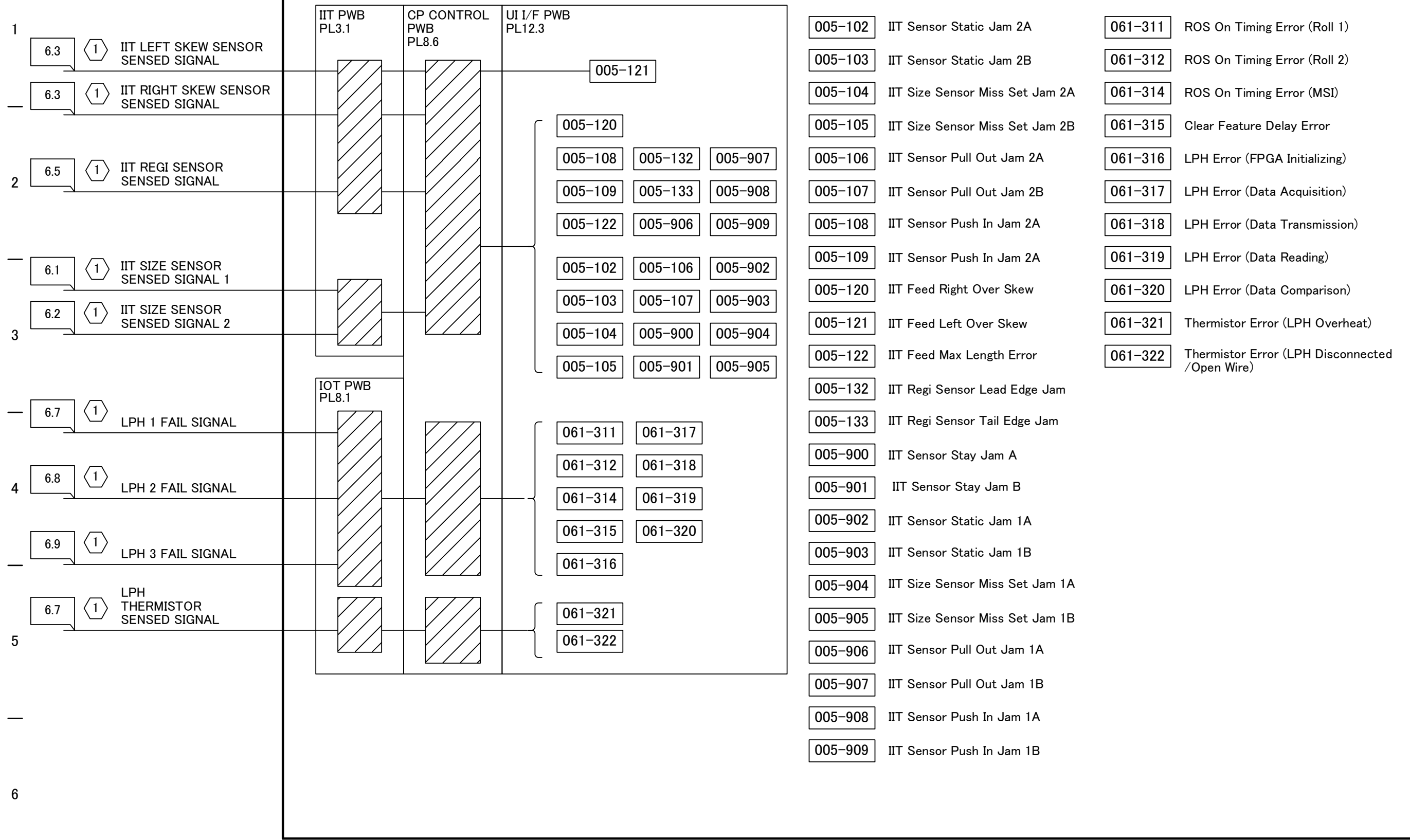
NOTE:

- 1 Virtual Line
- 2 DC330 [061-002] LPH Reset
- 3 DC330 [061-201] LPH Acc Ready [061-270] Line Sync

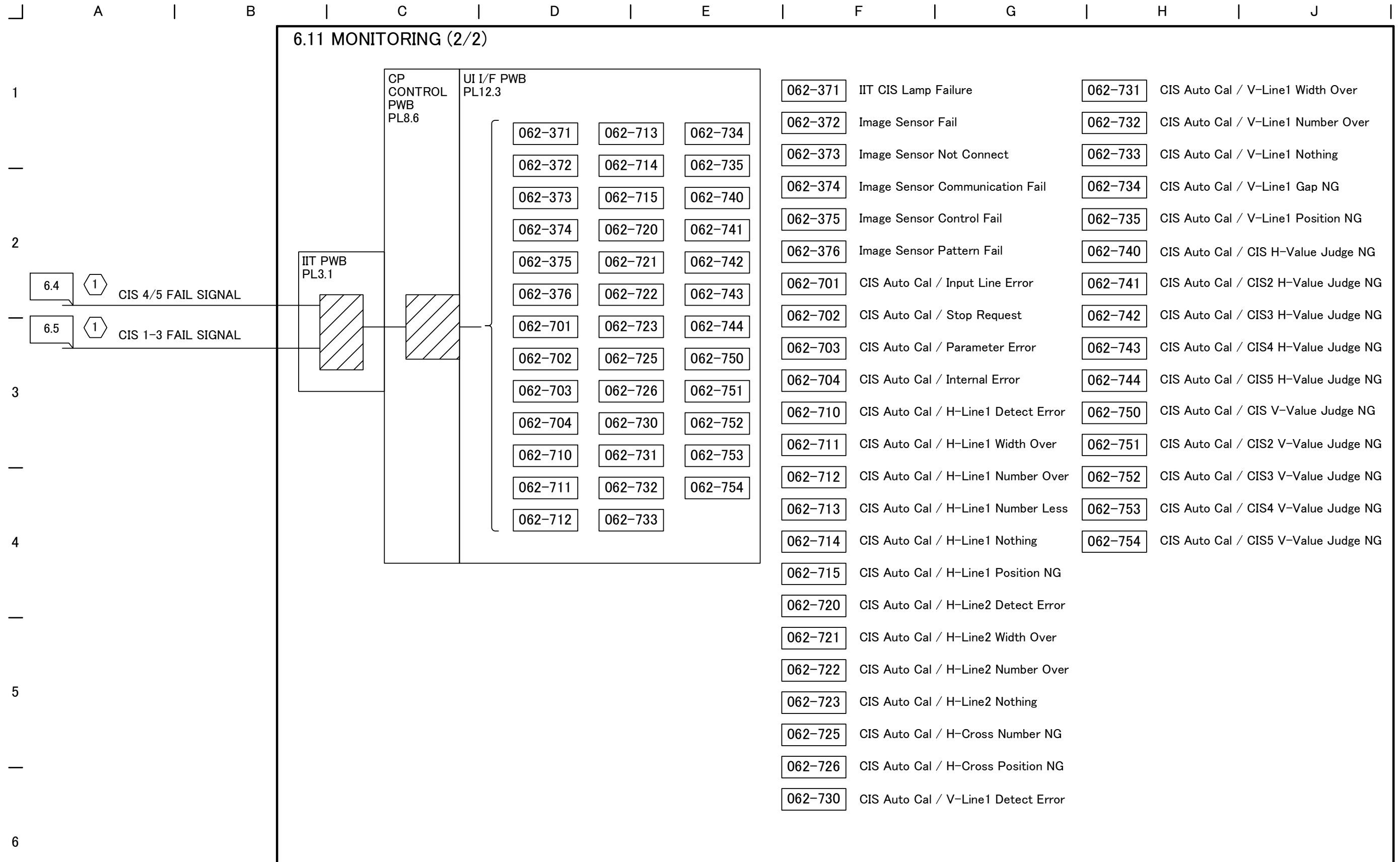
e0bnt730608



6.10 MONITORING (1/2)



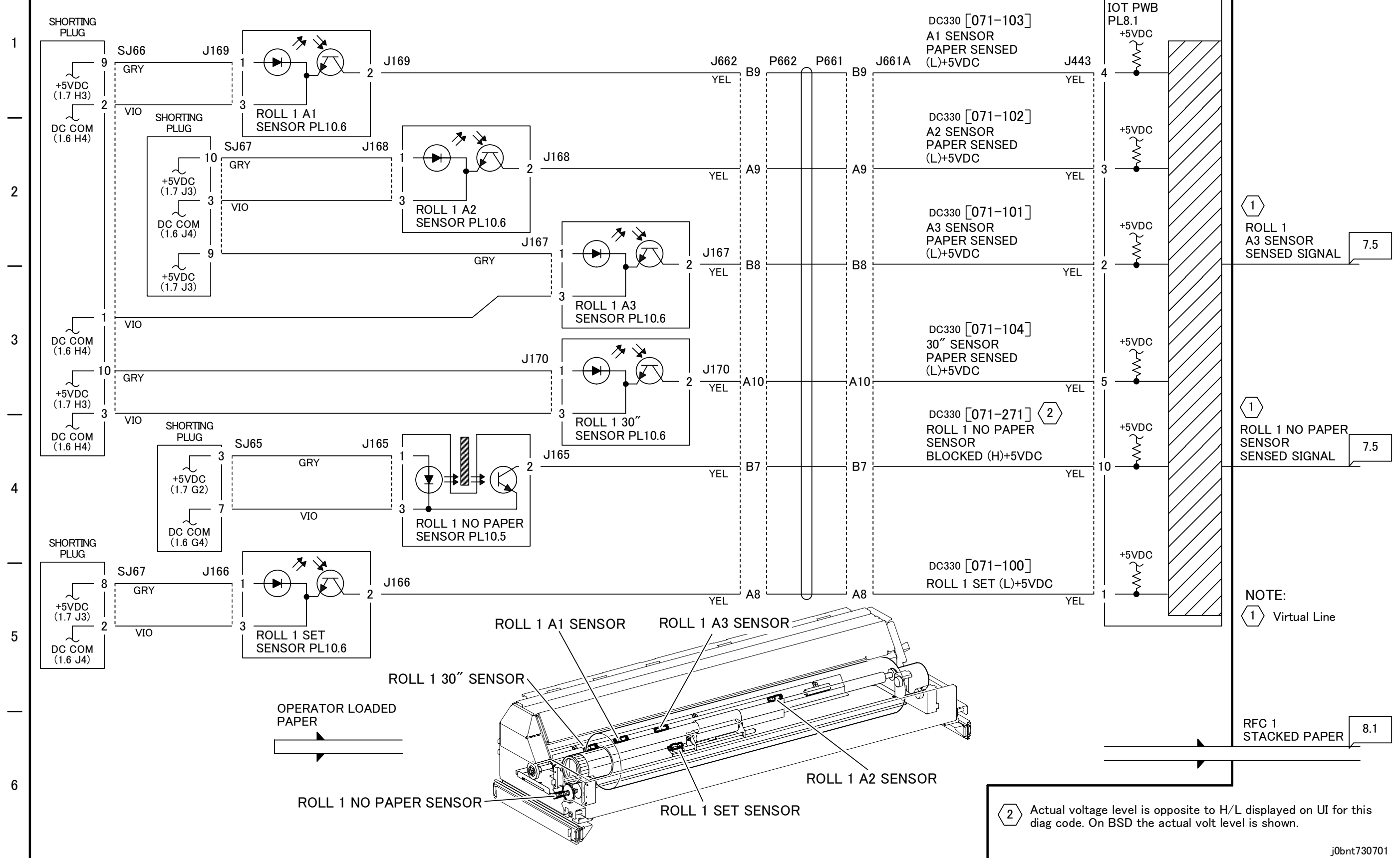
NOTE: Virtual Line



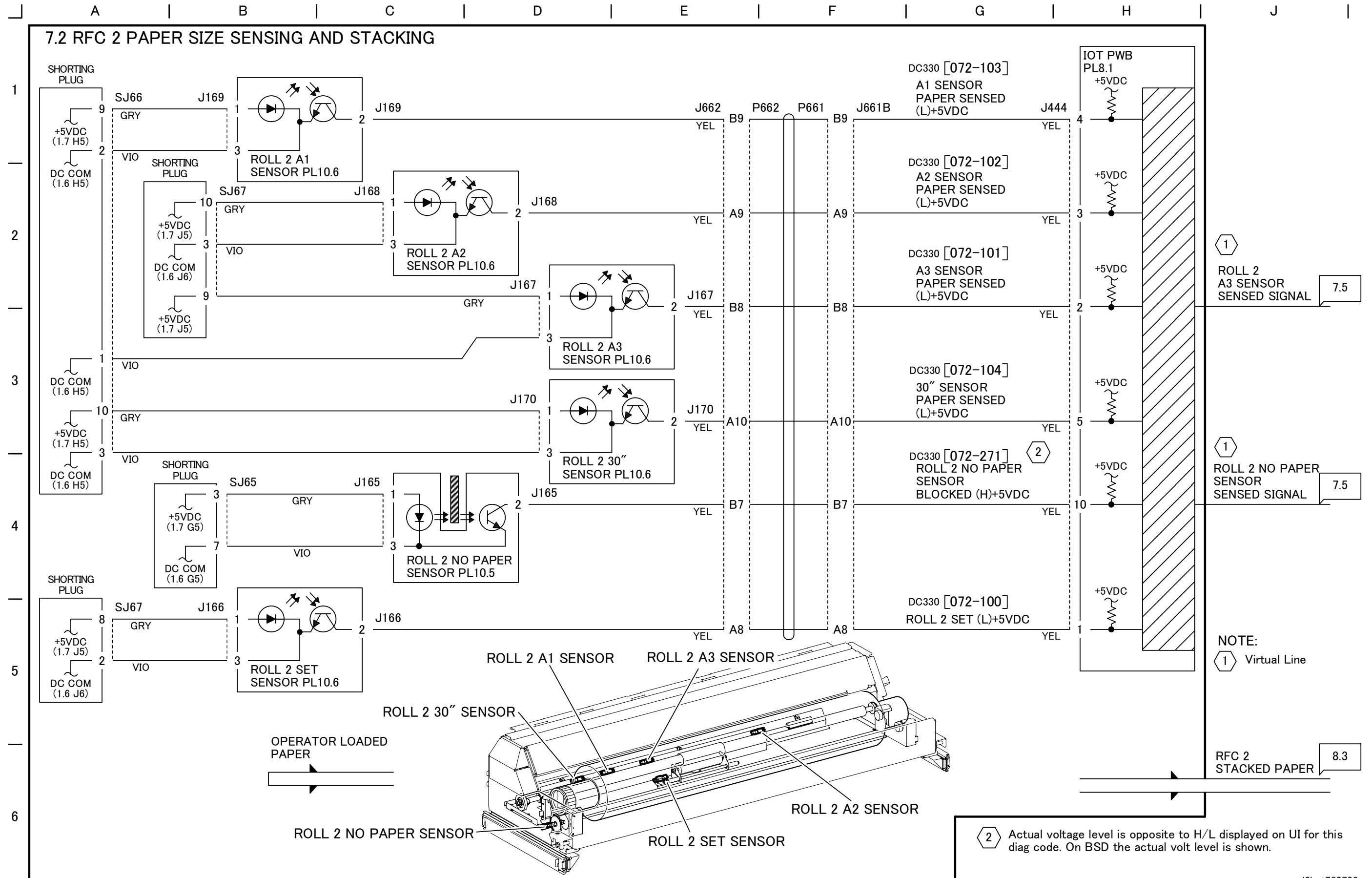
NOTE: 1 Virtual Line



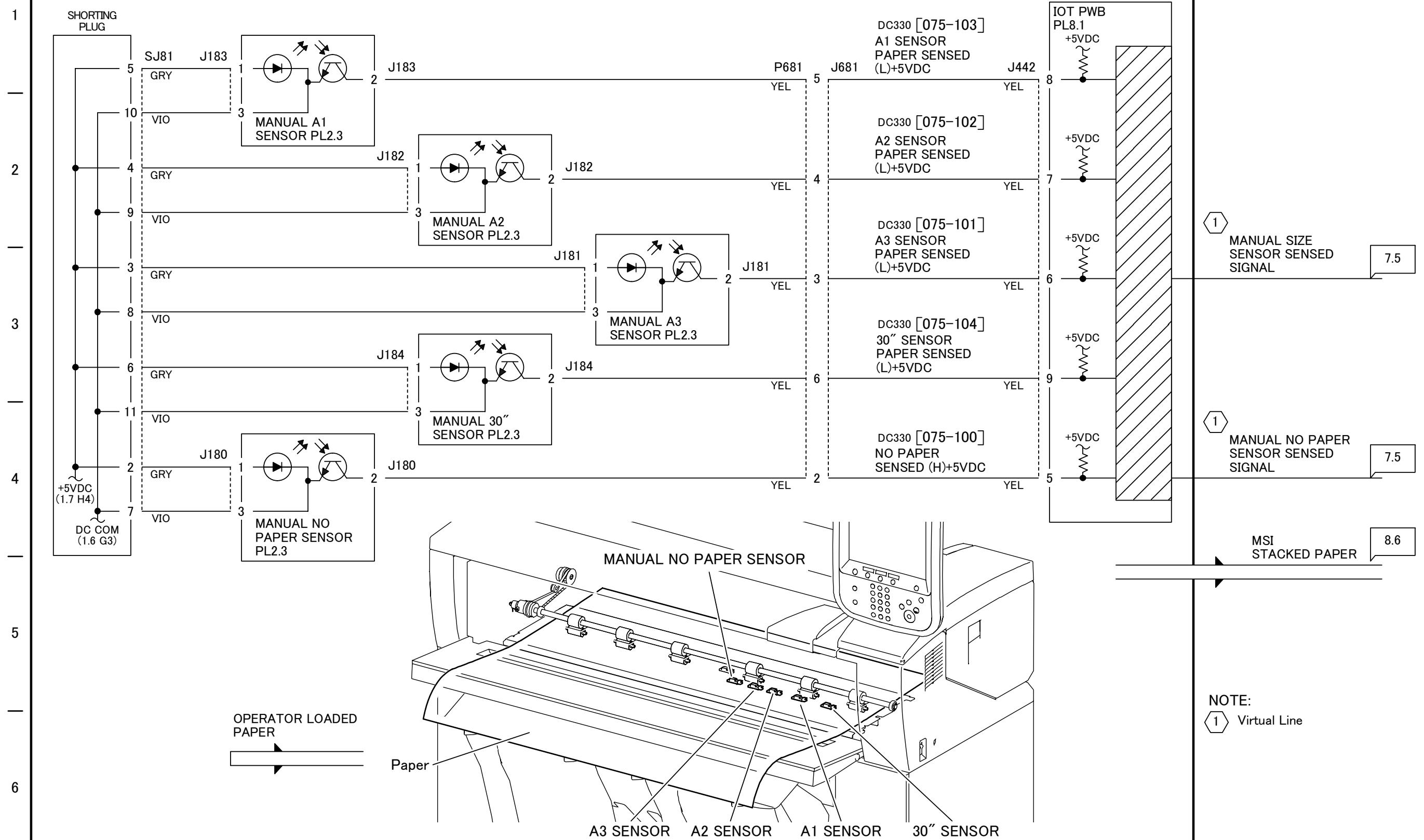
# 7.1 RFC 1 PAPER SIZE SENSING AND STACKING



j0bnt730701

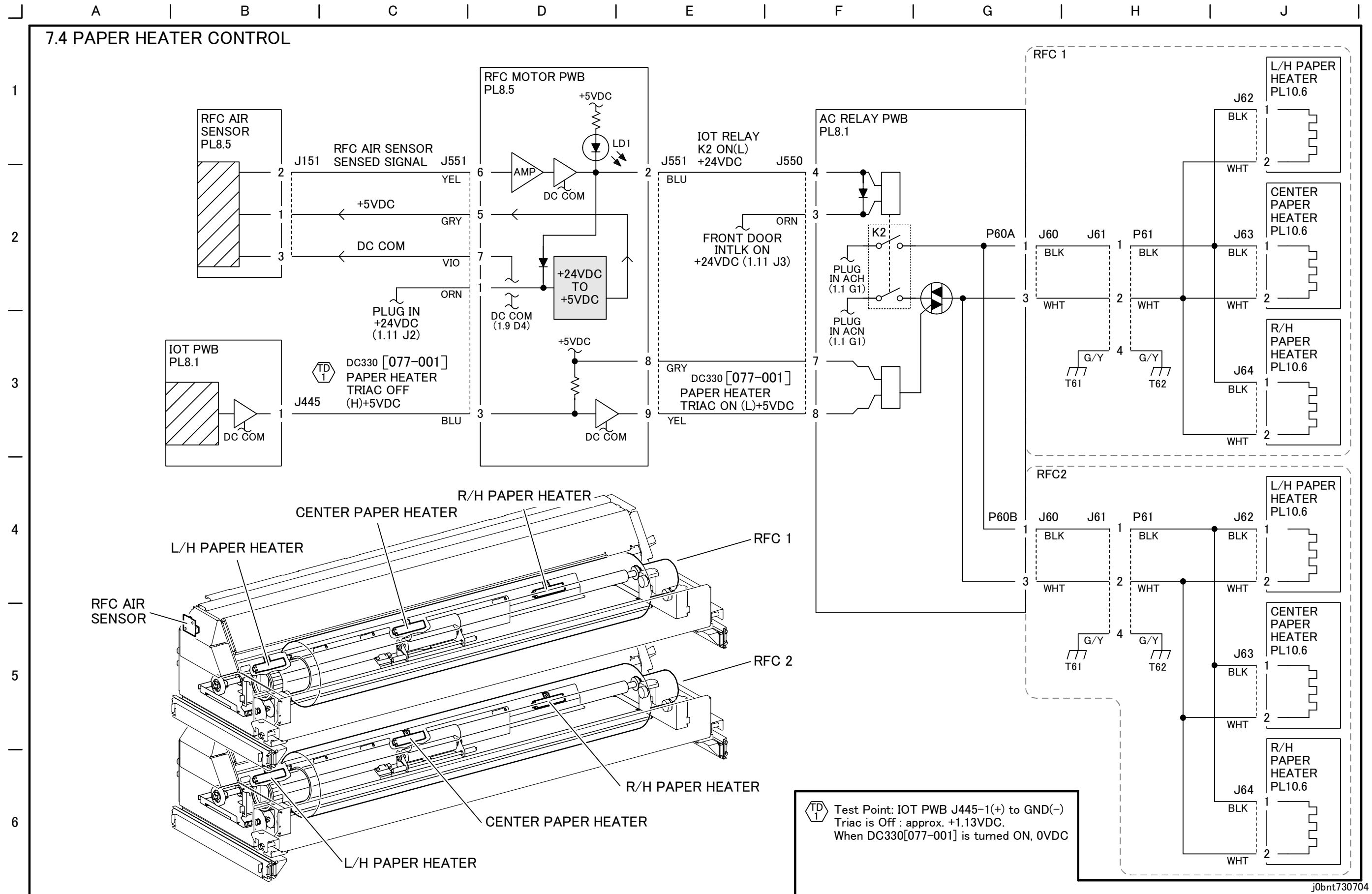


# 7.3 MSI PAPER SIZE SENSING AND STACKING

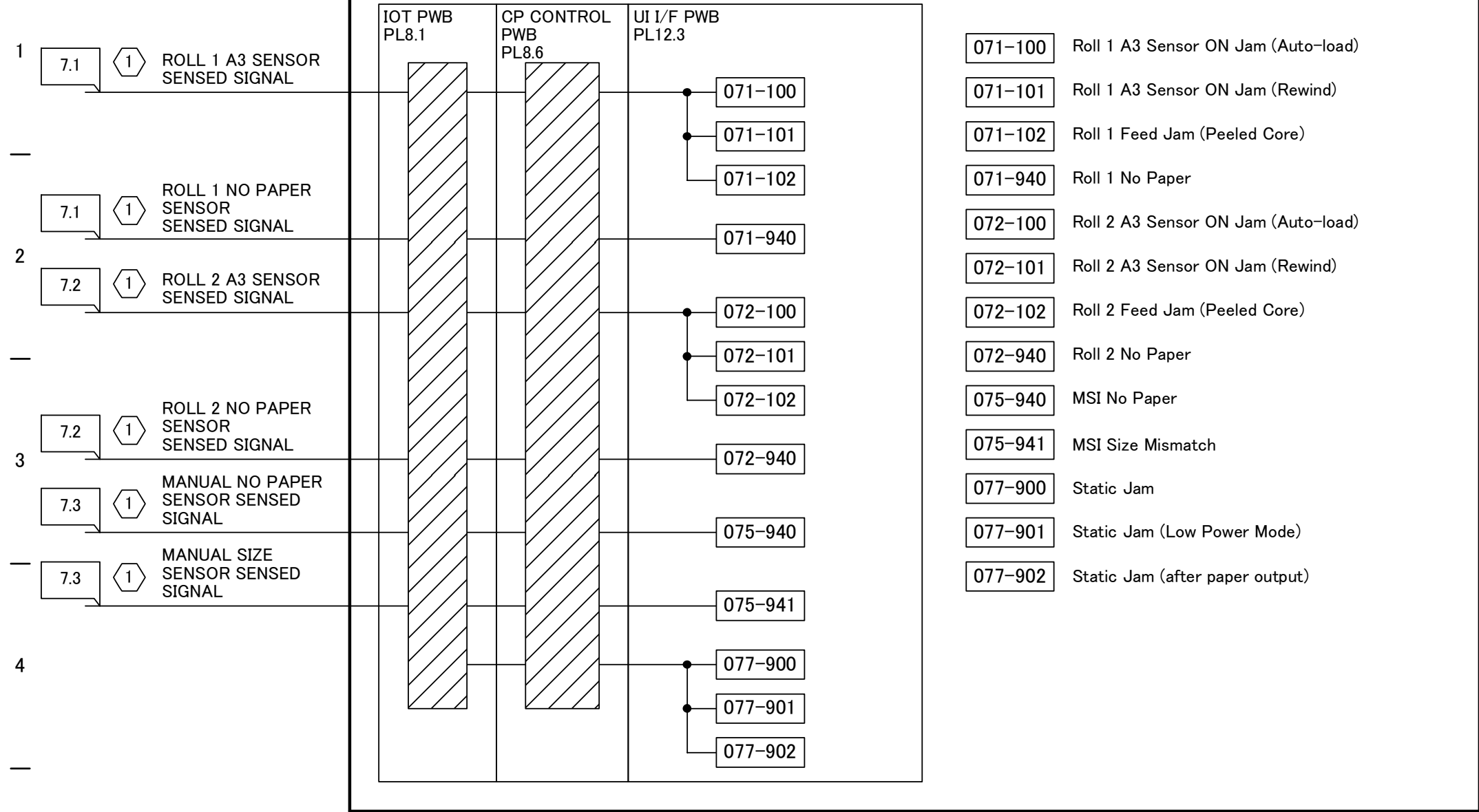


NOTE:  
 ① Virtual Line

j0bnt730703



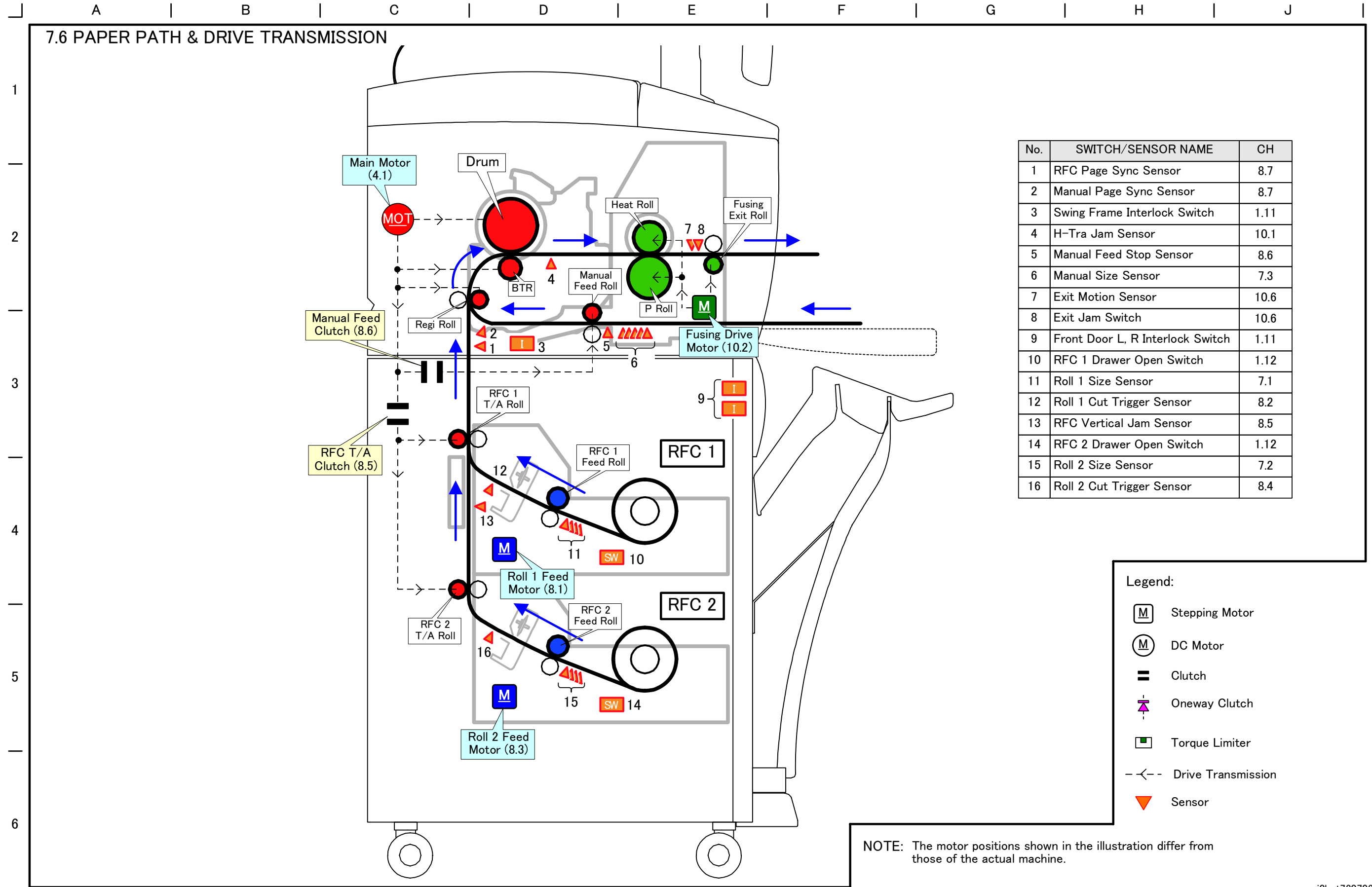
**7.5 MONITORING**



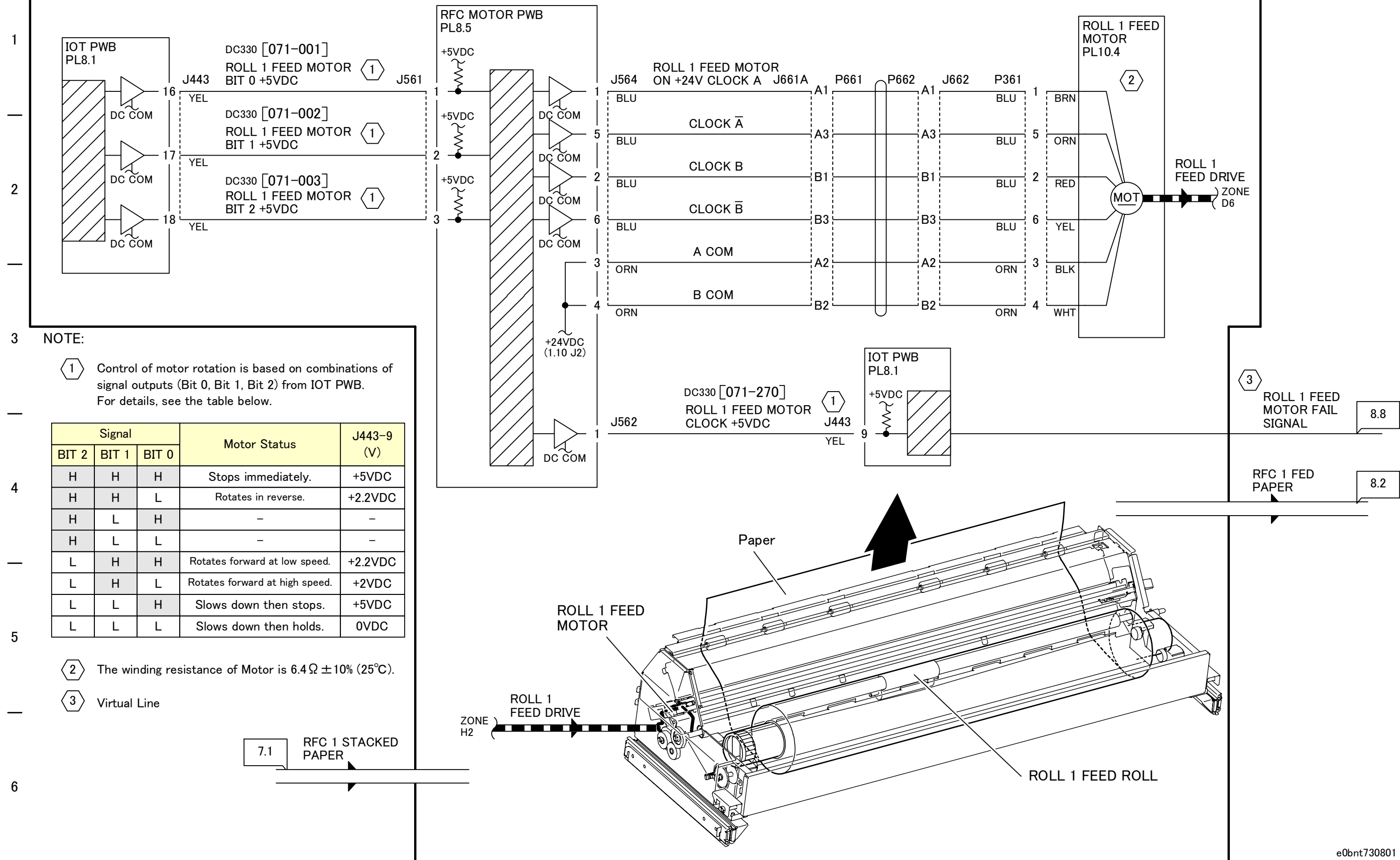
NOTE: Virtual Line

5

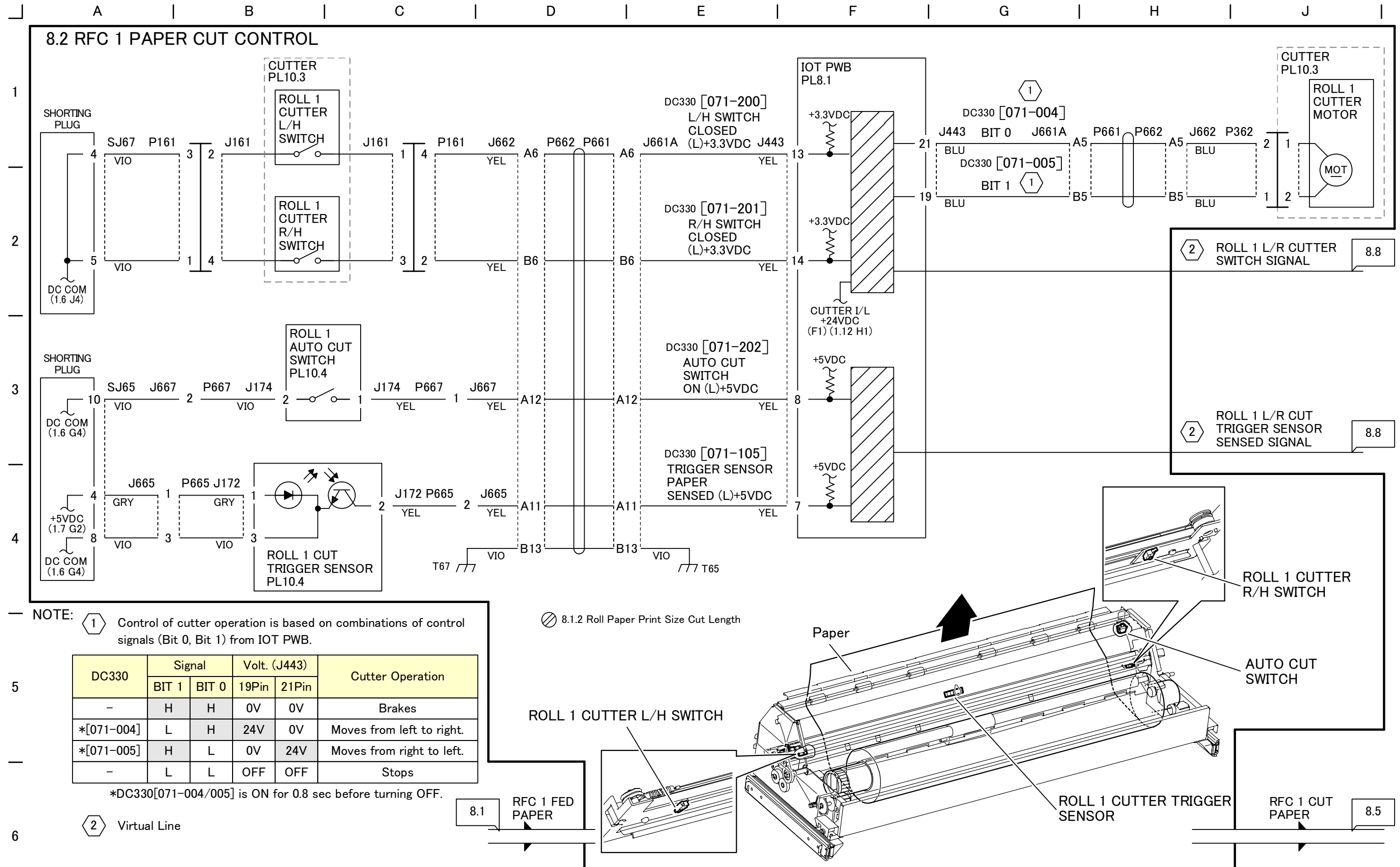
6



# 8.1 RFC 1 PAPER FEEDING

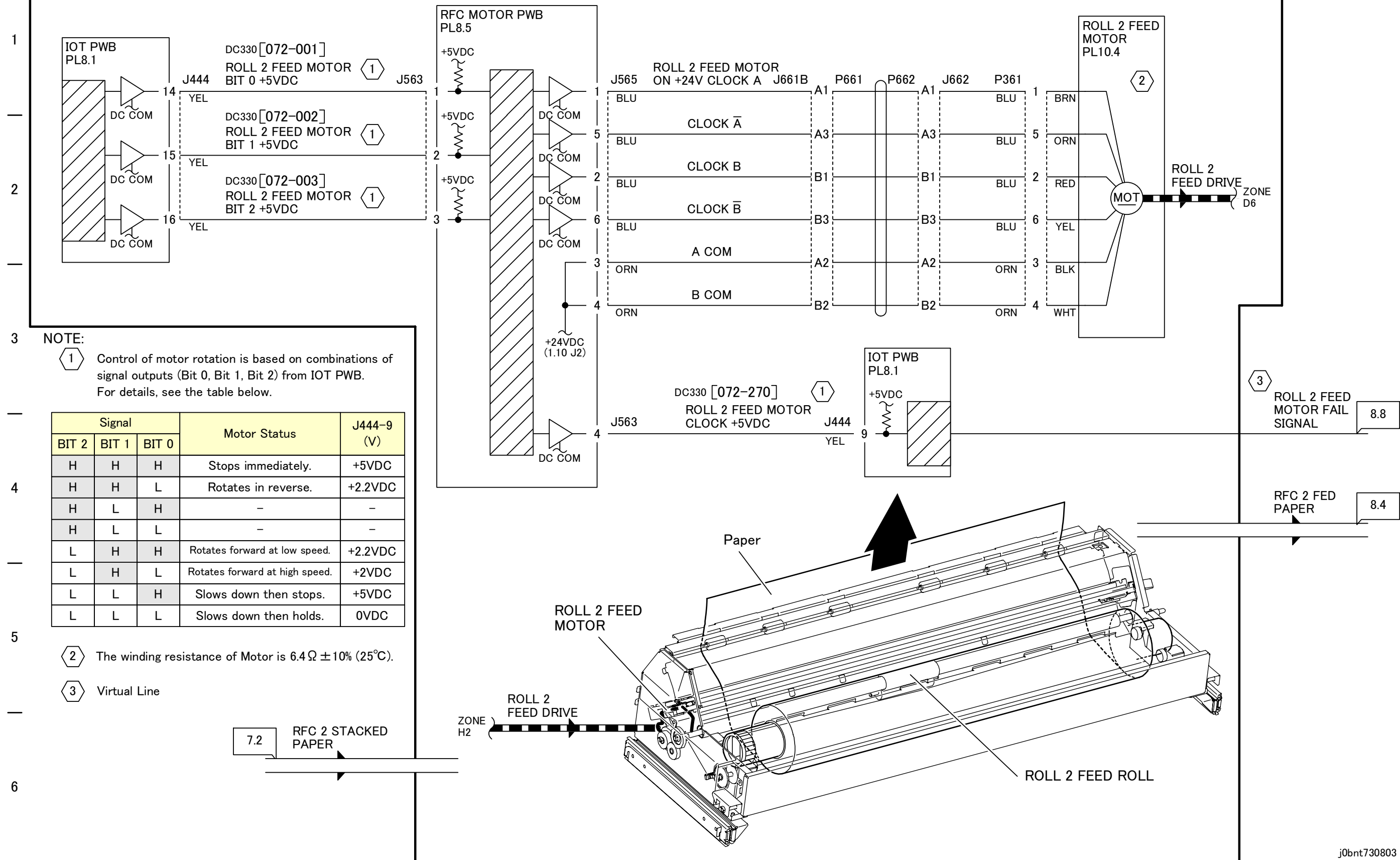


e0bnt730801





### 8.3 RFC 2 PAPER FEEDING

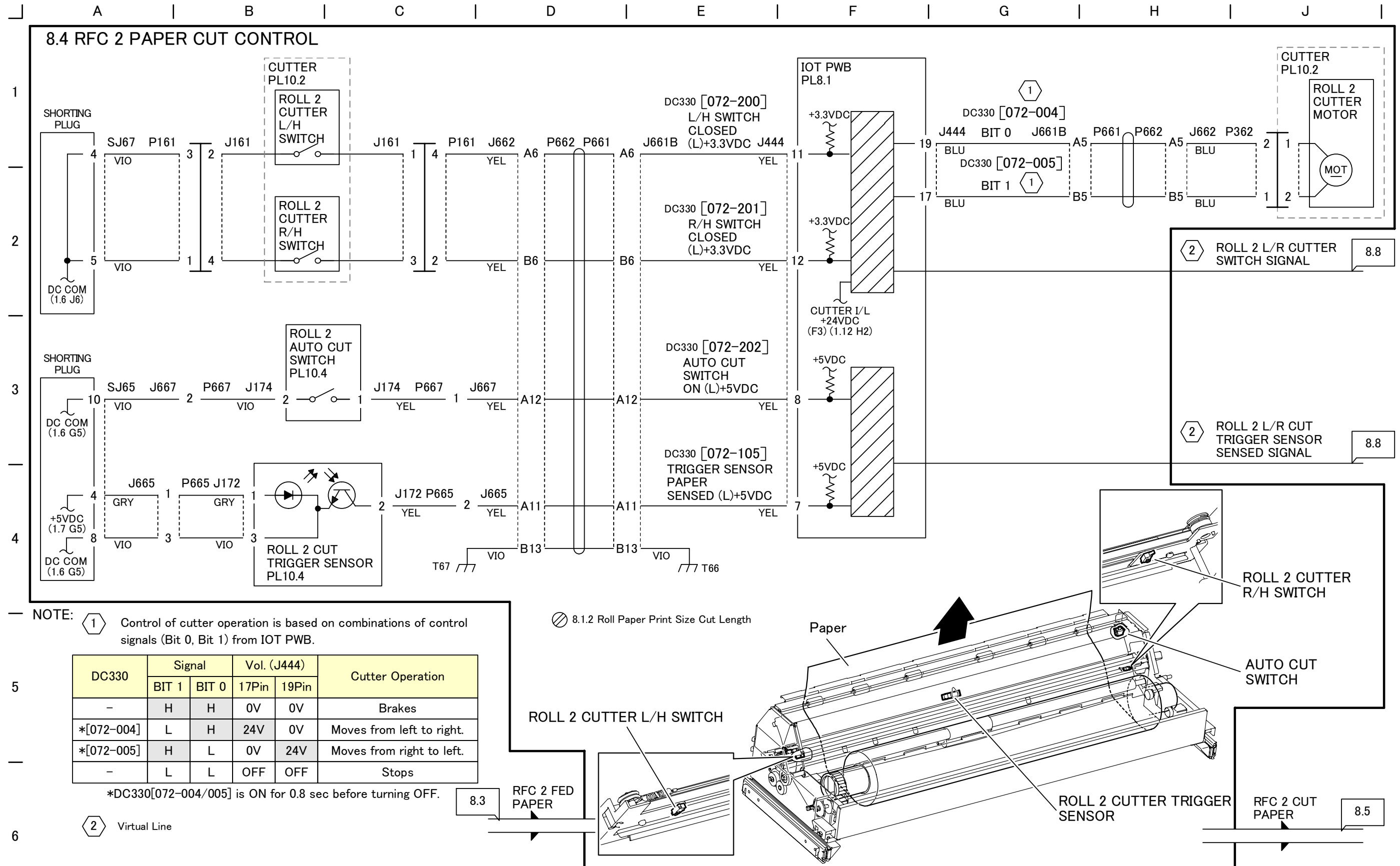


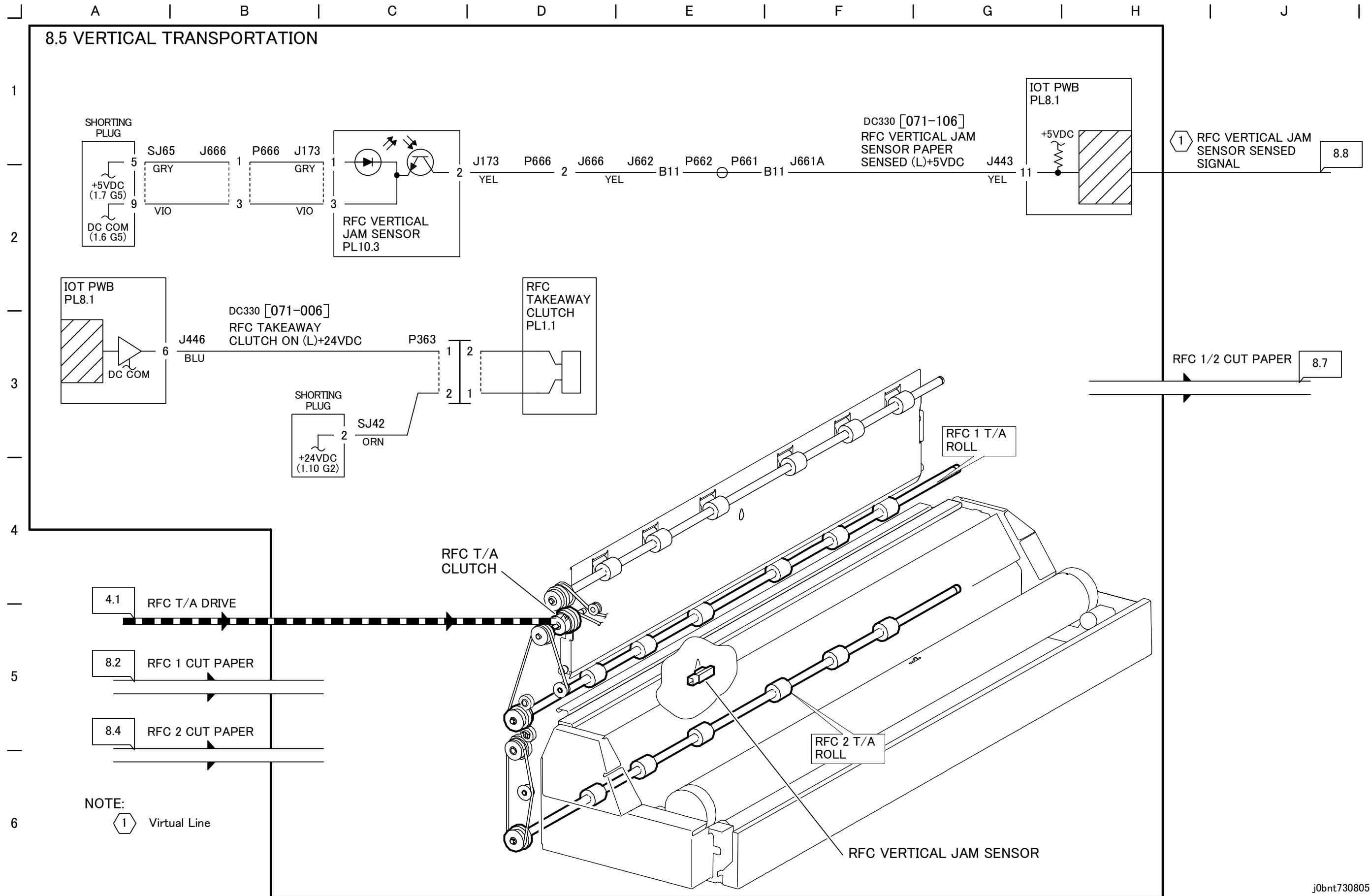
**NOTE:**

① Control of motor rotation is based on combinations of signal outputs (Bit 0, Bit 1, Bit 2) from IOT PWB. For details, see the table below.

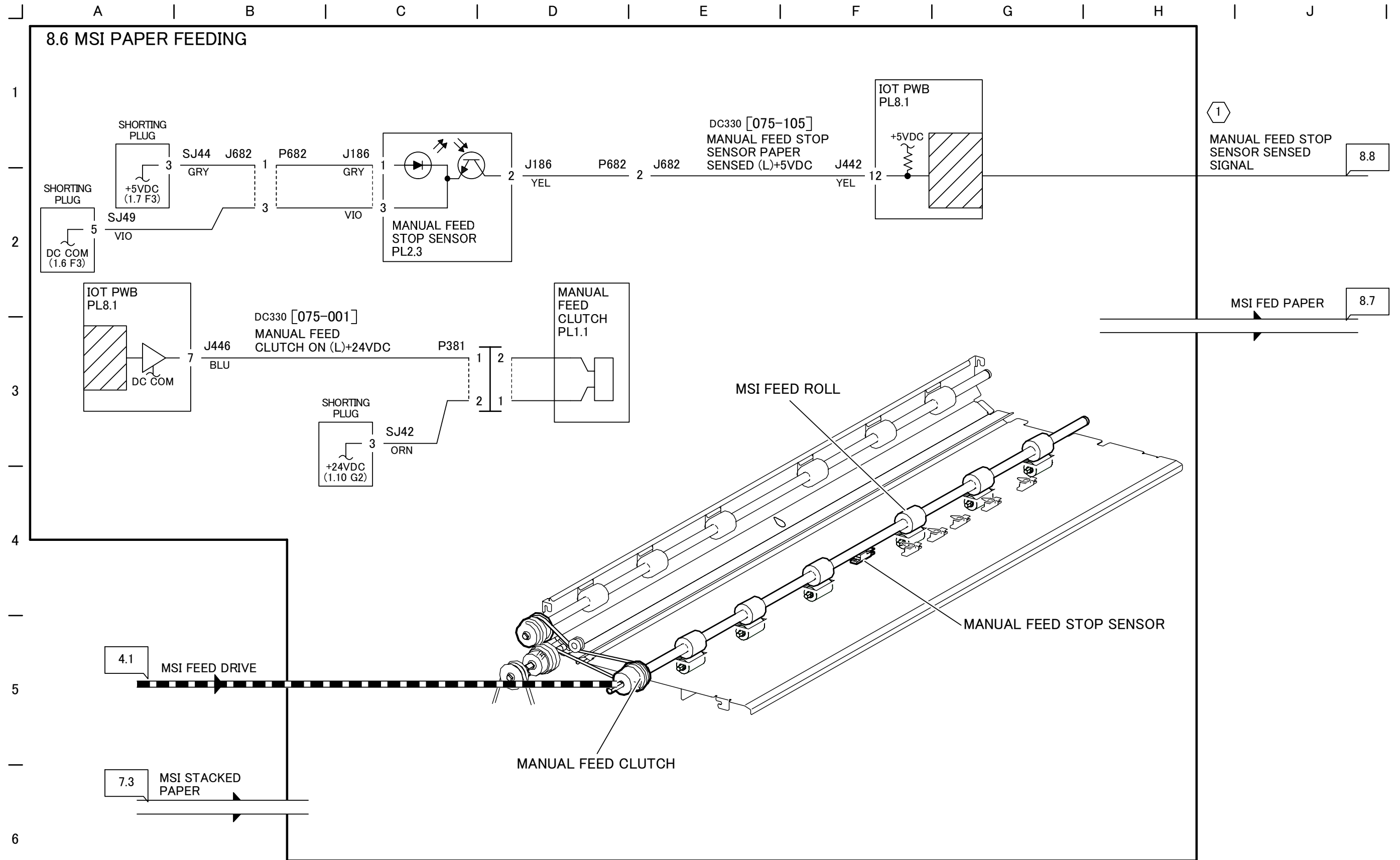
Signal			Motor Status	J444-9 (V)
BIT 2	BIT 1	BIT 0		
H	H	H	Stops immediately.	+5VDC
H	H	L	Rotates in reverse.	+2.2VDC
H	L	H	-	-
H	L	L	-	-
L	H	H	Rotates forward at low speed.	+2.2VDC
L	H	L	Rotates forward at high speed.	+2VDC
L	L	H	Slows down then stops.	+5VDC
L	L	L	Slows down then holds.	0VDC

② The winding resistance of Motor is  $6.4 \Omega \pm 10\%$  (25°C).  
 ③ Virtual Line

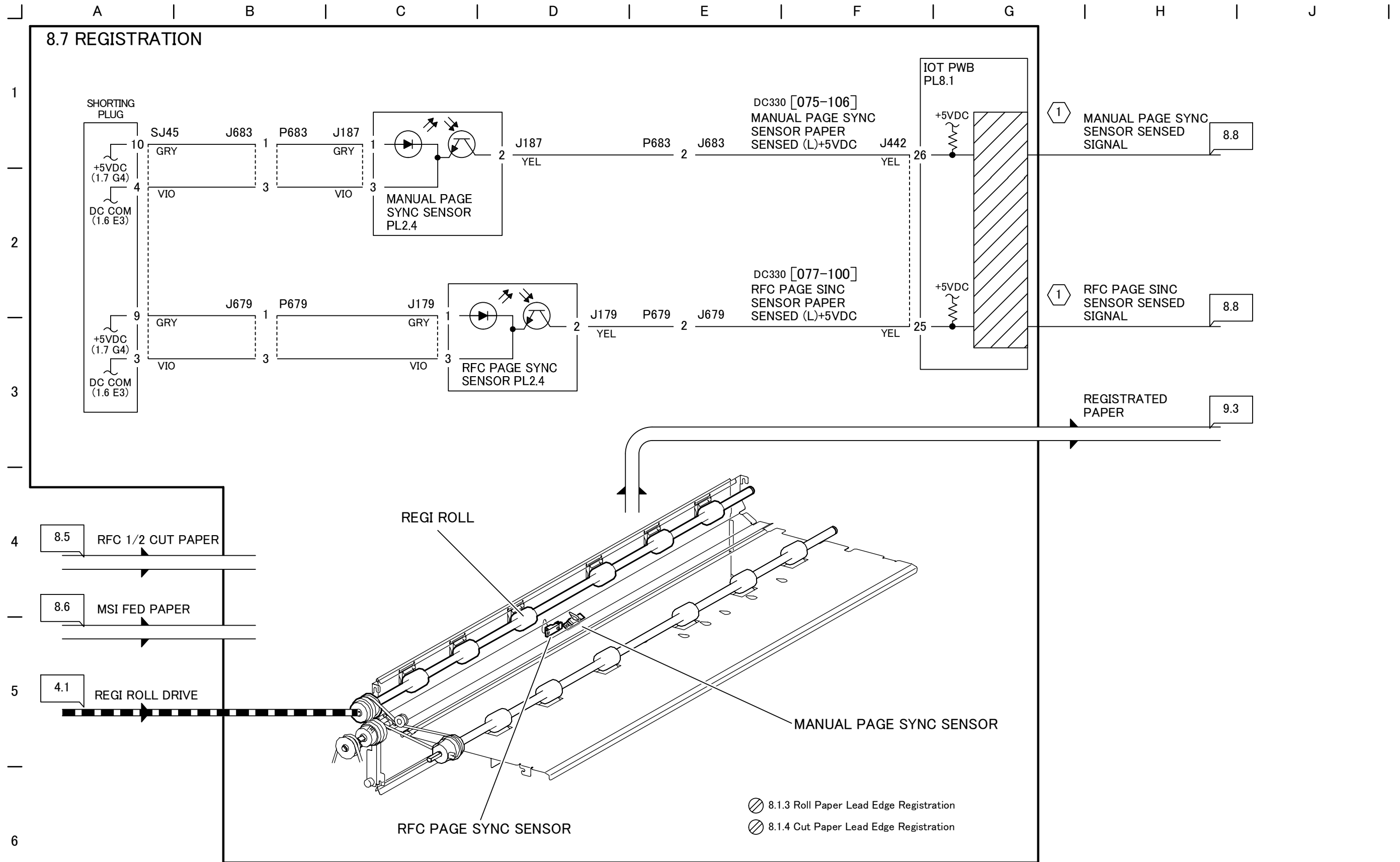




j0bnt730805



NOTE:  
① Virtual Line

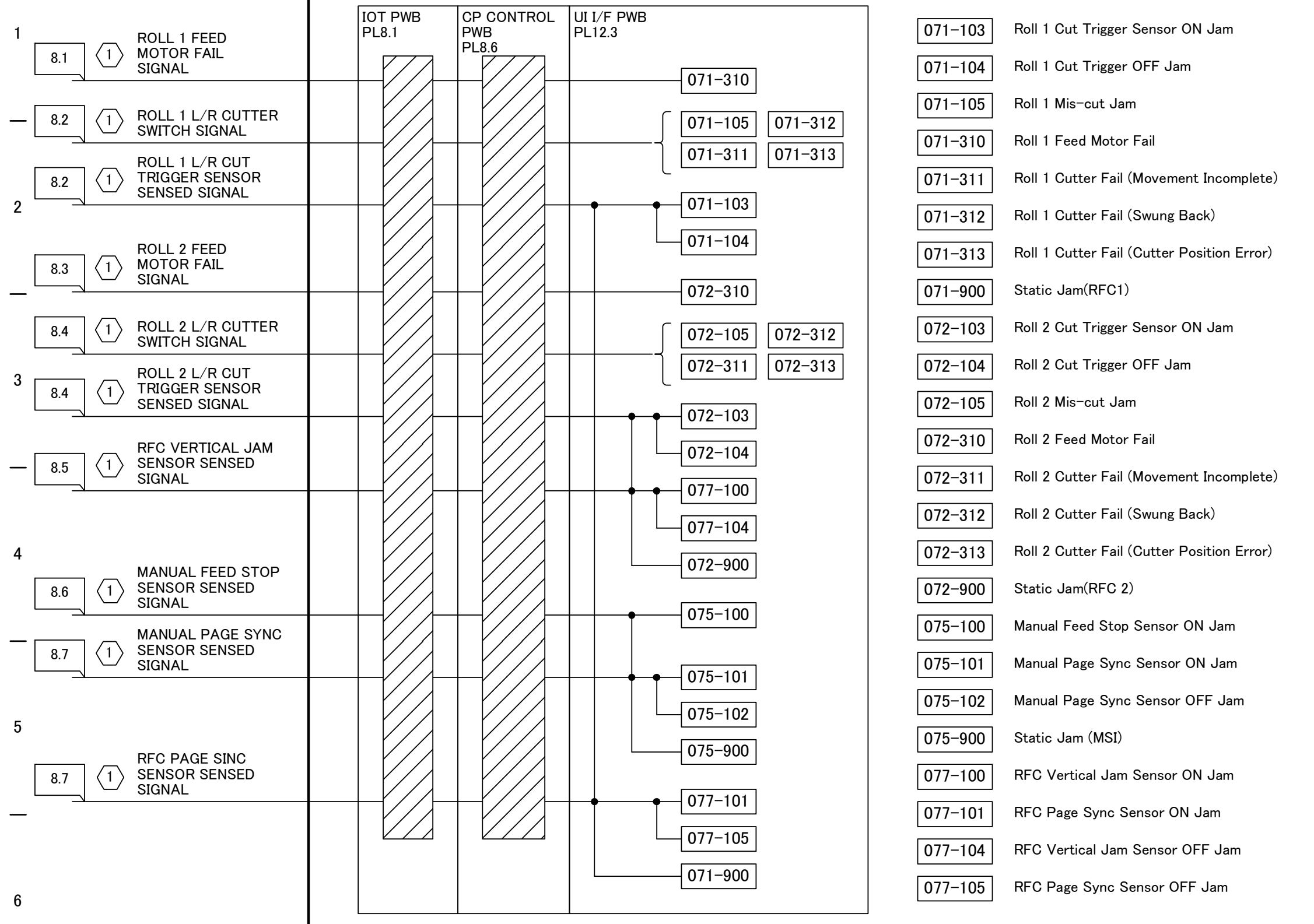


NOTE:  
 1 Virtual Line

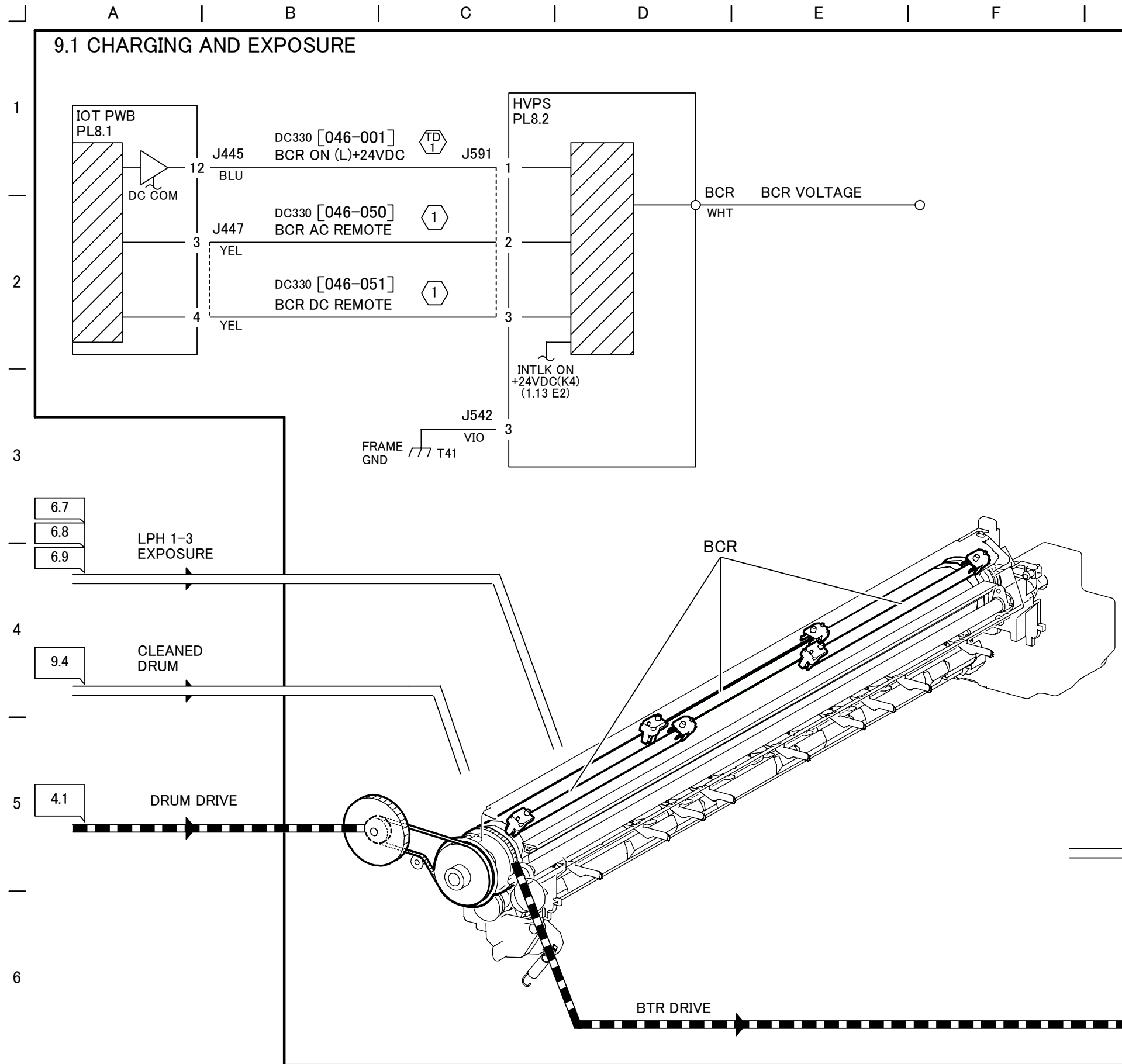
j0bnt730807

J | A | B | C | D | E | F | G | H | J |

8.8 MONITORING



NOTE: Virtual Line



NOTE:

① The following shows the relation between diag value and remote voltage.

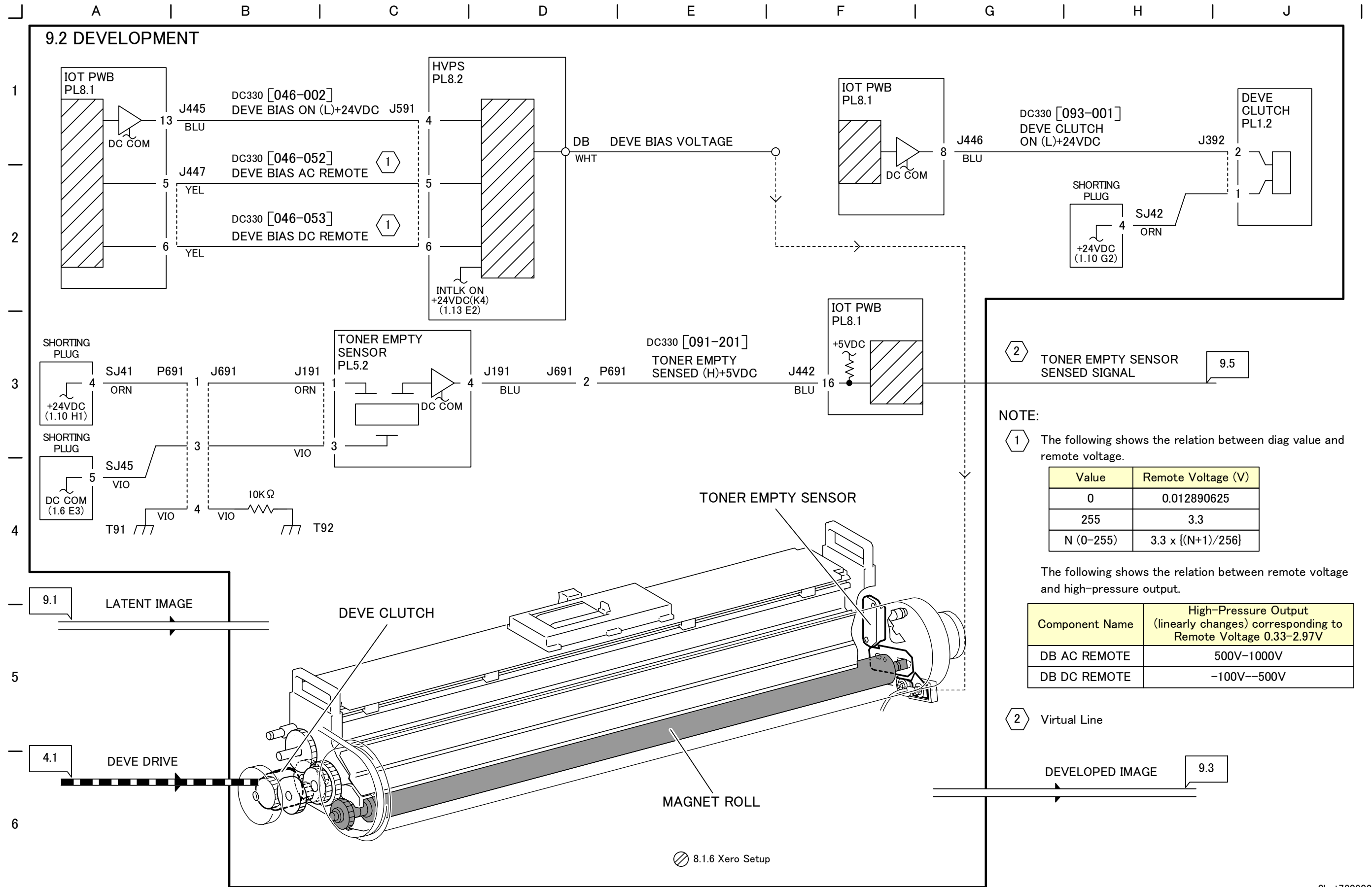
Value	Remote Voltage (V)
0	0.012890625
255	3.3
N (0-255)	$3.3 \times \{(N+1)/256\}$

The following shows the relation between remote voltage and high-pressure output.

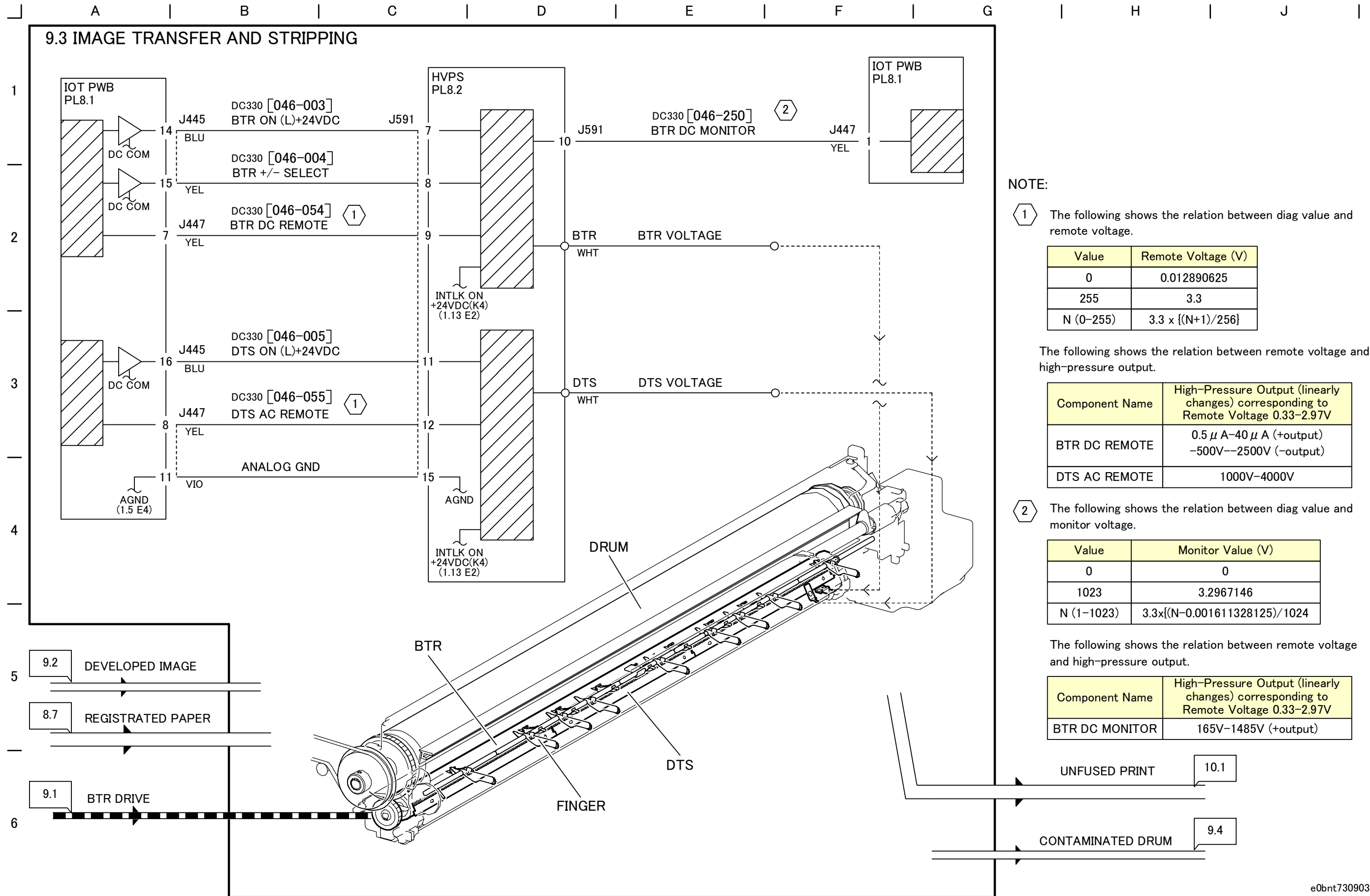
Component Name	High-Pressure Output (linearly changes) corresponding to Remote Voltage 0.33-2.97V
BCR AC REMOTE	1.0mA-3.5mA
BCR DC REMOTE	-250V--600V

① Test Point : IOT PWB J445-12(+) to GND(-)  
When DC330[046-001] is turned ON,  
approx. +24VDC changes to +12VDC.

e0bnt730901







NOTE:

(1) The following shows the relation between diag value and remote voltage.

Value	Remote Voltage (V)
0	0.012890625
255	3.3
N (0-255)	$3.3 \times \{(N+1)/256\}$

The following shows the relation between remote voltage and high-pressure output.

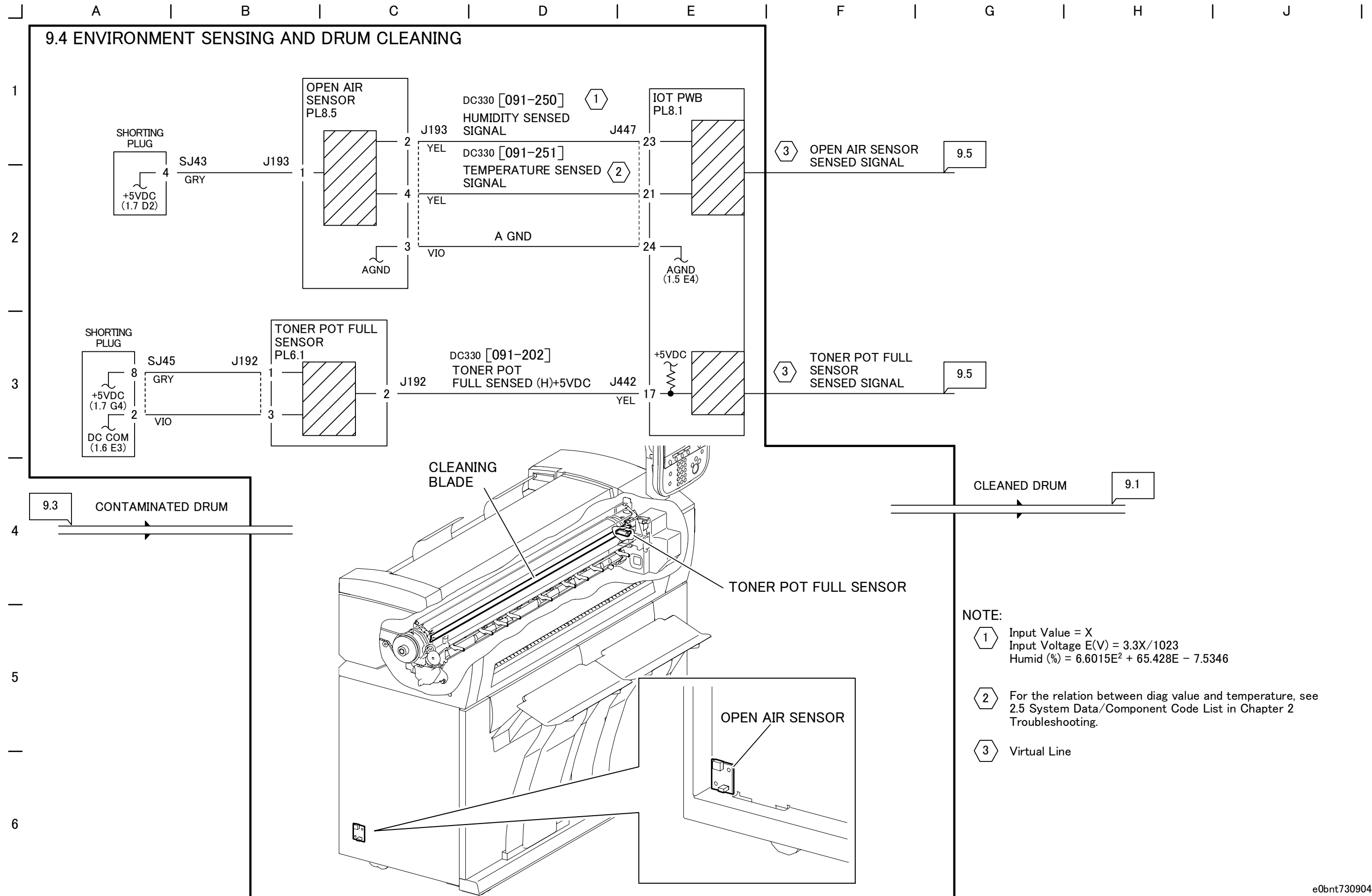
Component Name	High-Pressure Output (linearly changes) corresponding to Remote Voltage 0.33-2.97V
BTR DC REMOTE	0.5 μA-40 μA (+output) -500V--2500V (-output)
DTS AC REMOTE	1000V-4000V

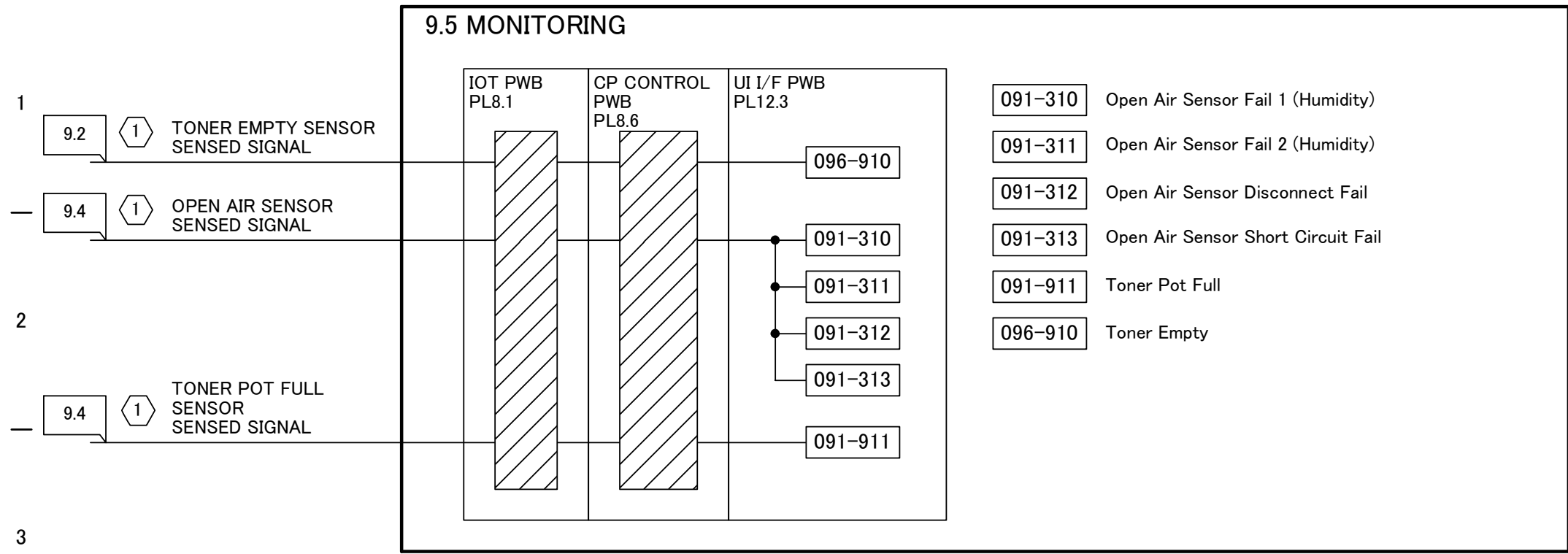
(2) The following shows the relation between diag value and monitor voltage.

Value	Monitor Value (V)
0	0
1023	3.2967146
N (1-1023)	$3.3 \times \{(N-0.001611328125)/1024\}$

The following shows the relation between remote voltage and high-pressure output.

Component Name	High-Pressure Output (linearly changes) corresponding to Remote Voltage 0.33-2.97V
BTR DC MONITOR	165V-1485V (+output)





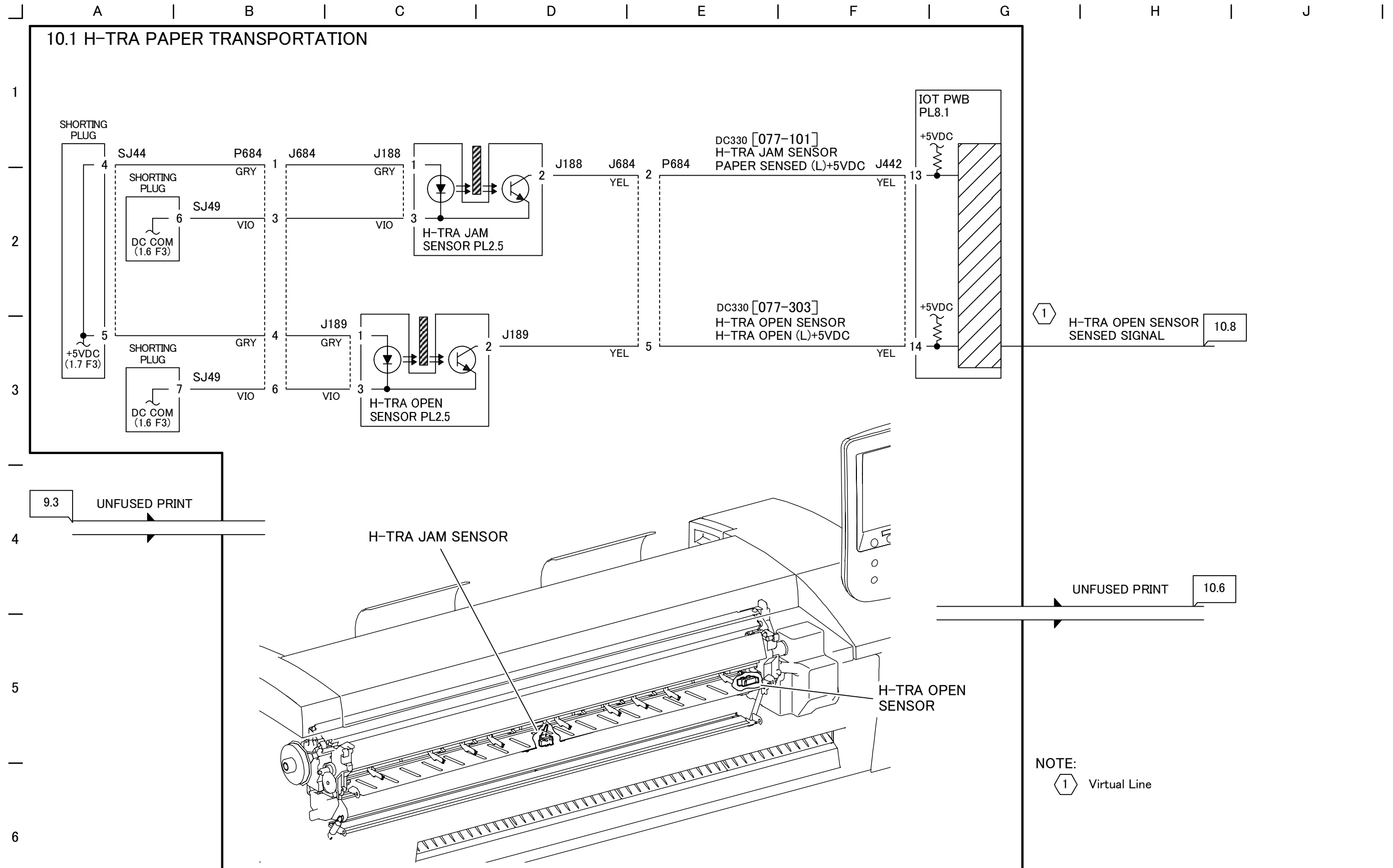
NOTE: (1) Virtual Line

3

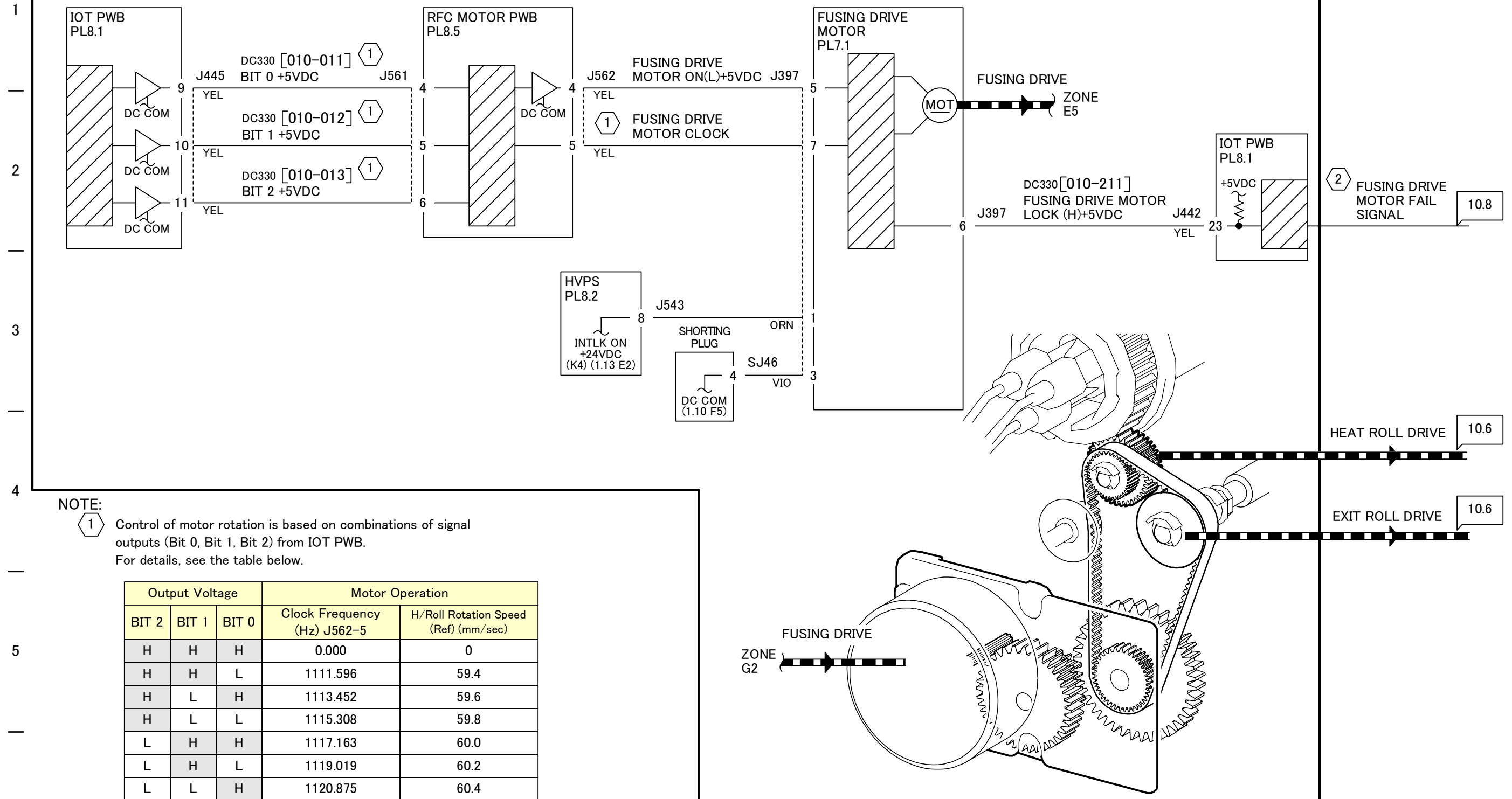
4

5

6



## 10.2 FUSING DRIVE CONTROL



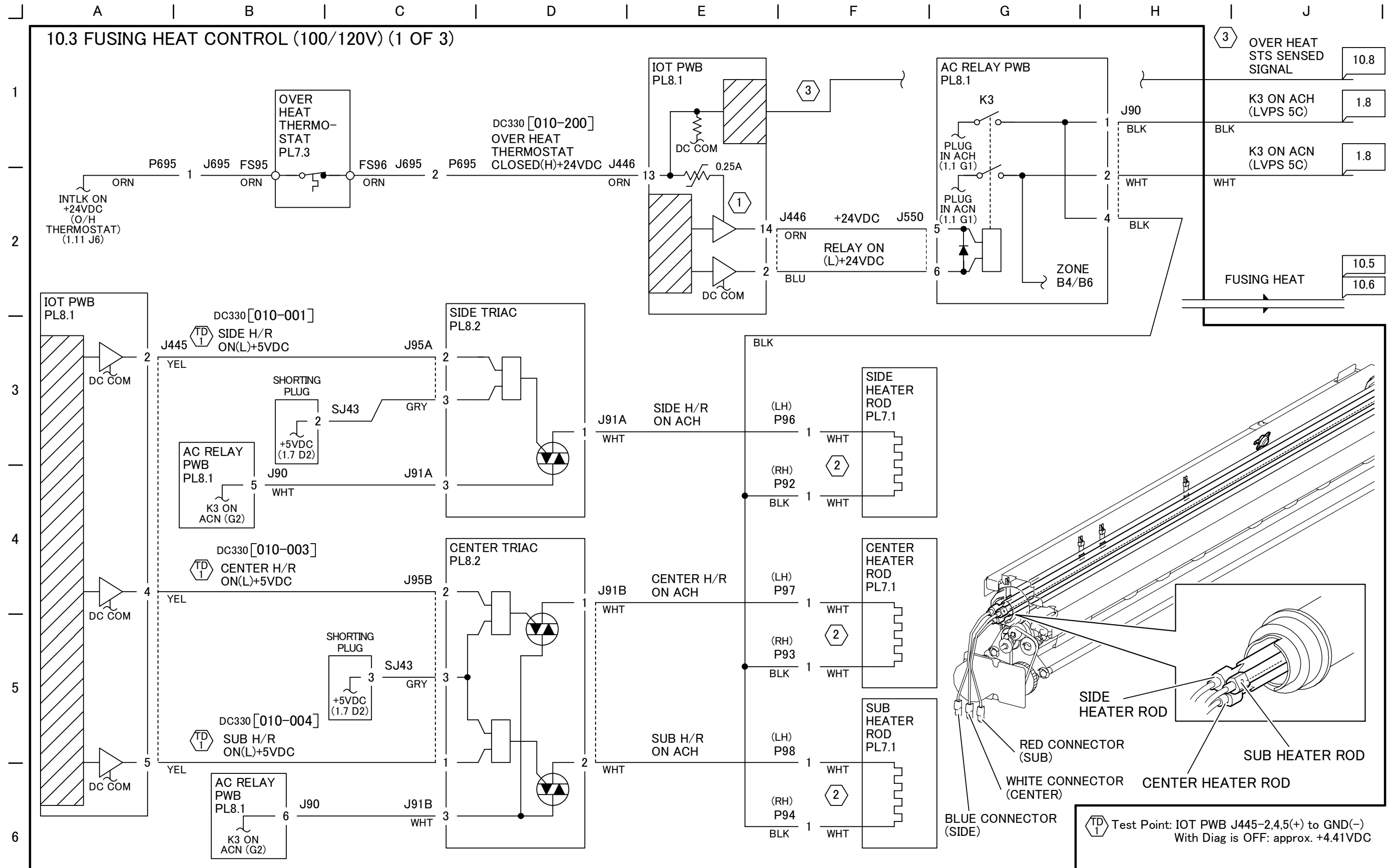
**NOTE:**

① Control of motor rotation is based on combinations of signal outputs (Bit 0, Bit 1, Bit 2) from IOT PWB. For details, see the table below.

Output Voltage			Motor Operation	
BIT 2	BIT 1	BIT 0	Clock Frequency (Hz) J562-5	H/Roll Rotation Speed (Ref) (mm/sec)
H	H	H	0.000	0
H	H	L	1111.596	59.4
H	L	H	1113.452	59.6
H	L	L	1115.308	59.8
L	H	H	1117.163	60.0
L	H	L	1119.019	60.2
L	L	H	1120.875	60.4
L	L	L	1122.731	60.6

② Virtual Line

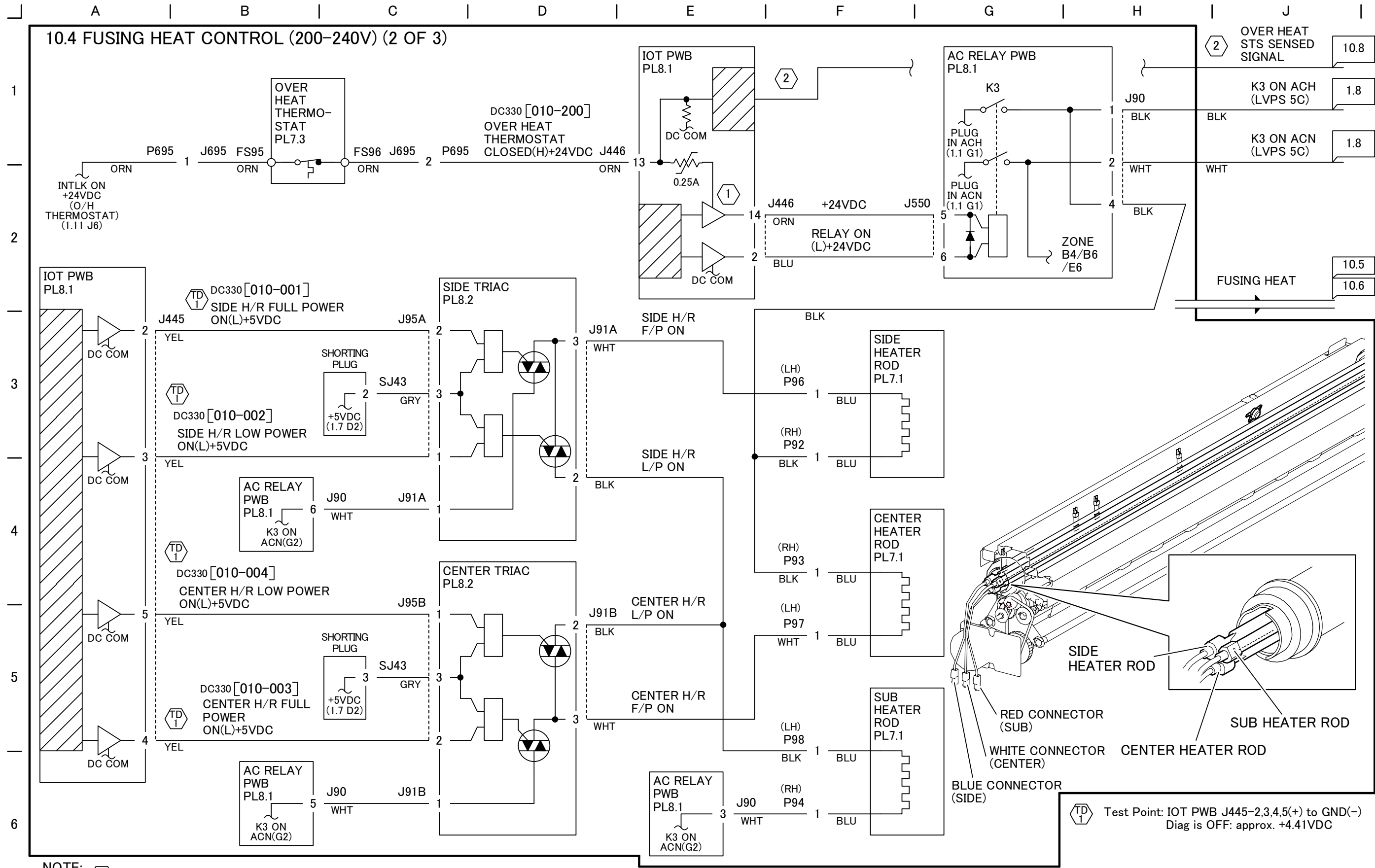
e0bnt731002



**NOTE:** (1) If it is detected that one of THs 1-4 has an open wire or that TH 2/4 is overheated, +24VDC is not output. (TH=Thermistor)

(2) 120V machine: the color of the harness of Side/Center/Sub Heater Rod is red.

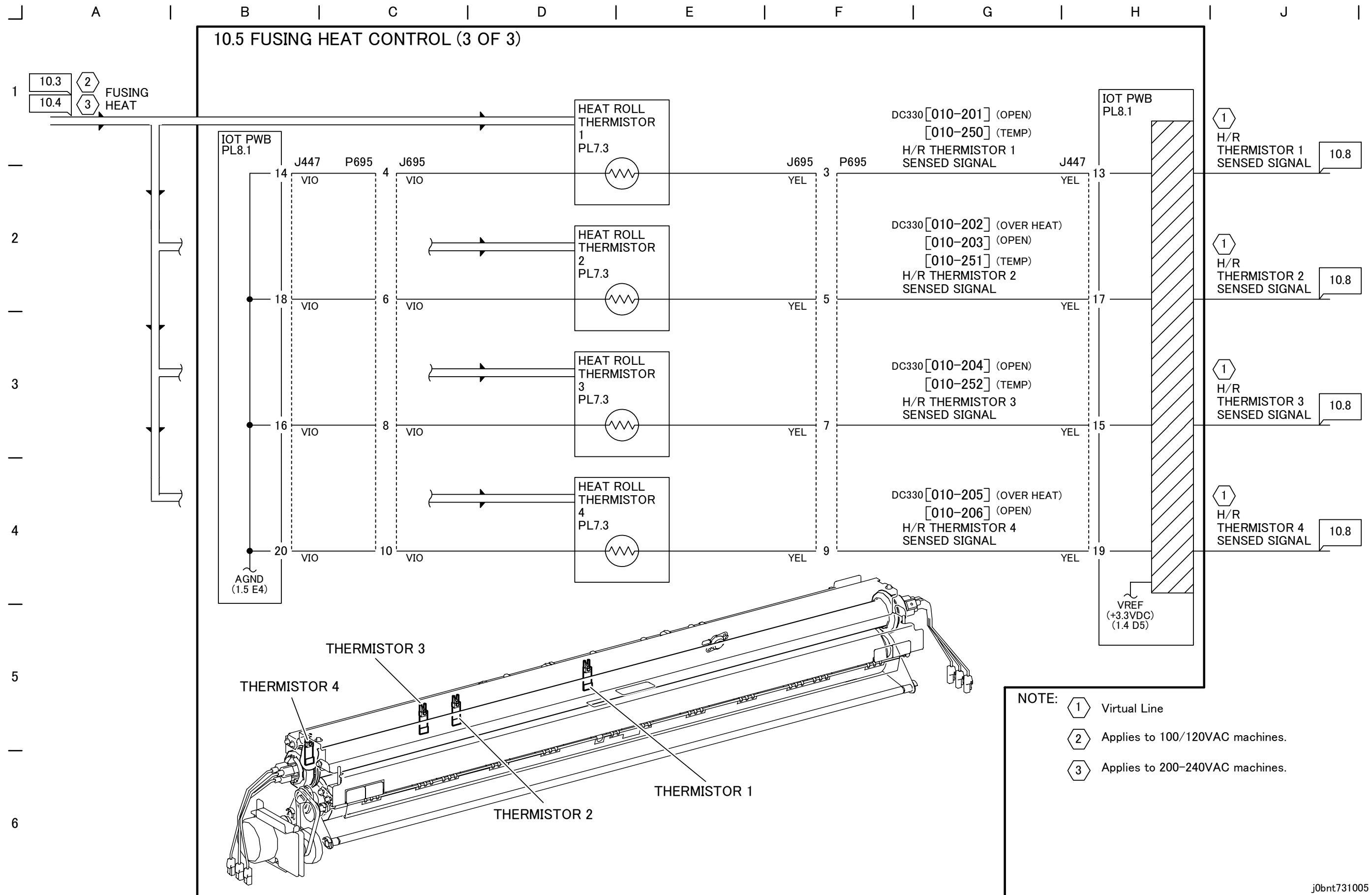
(3) Virtual Line



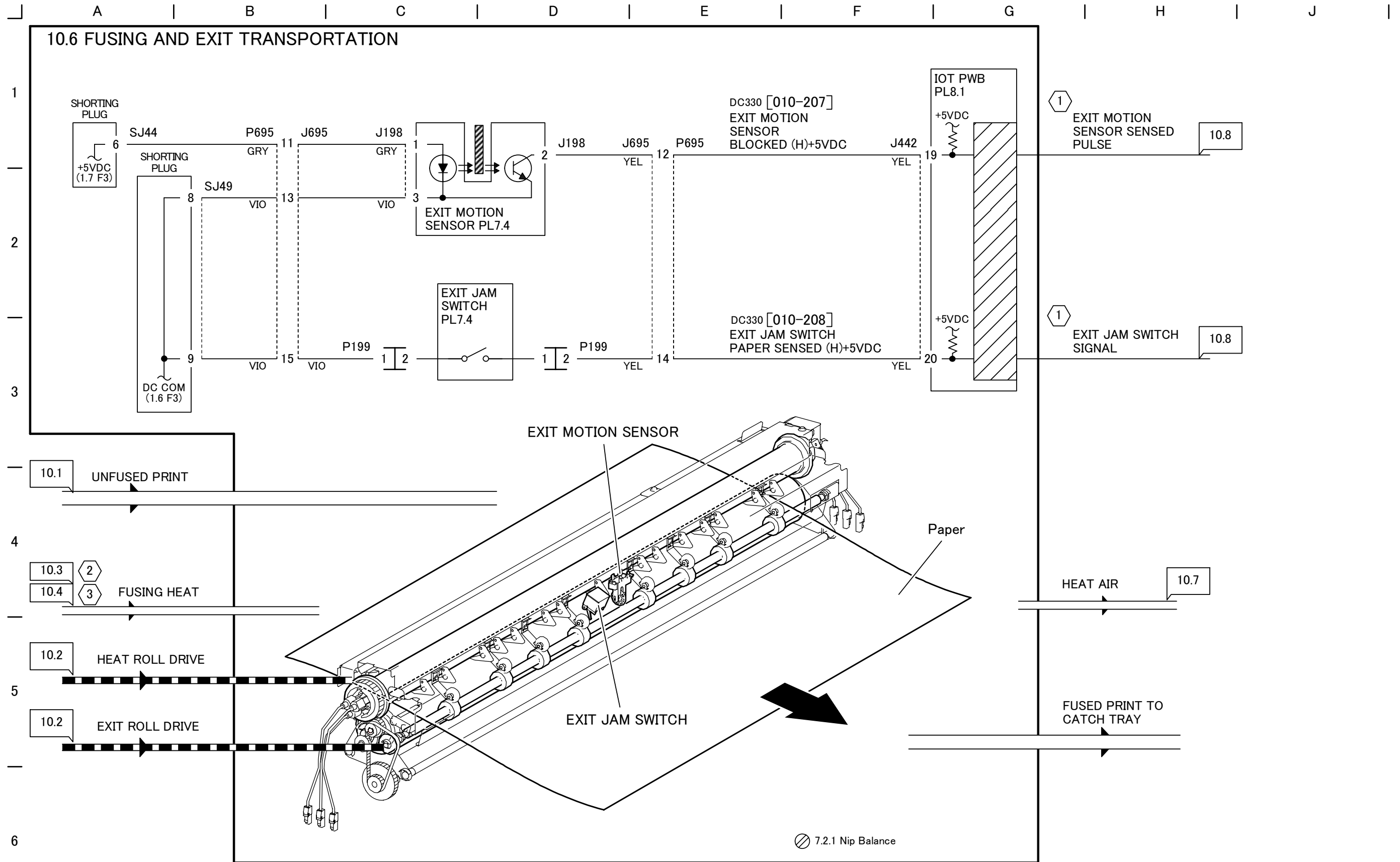
**NOTE:** (1) If it is detected that one of THs 1-4 has an open wire or that TH2/TH4 is overheated, +24VDC is not output. (TH=Thermistor)

(2) Virtual Line

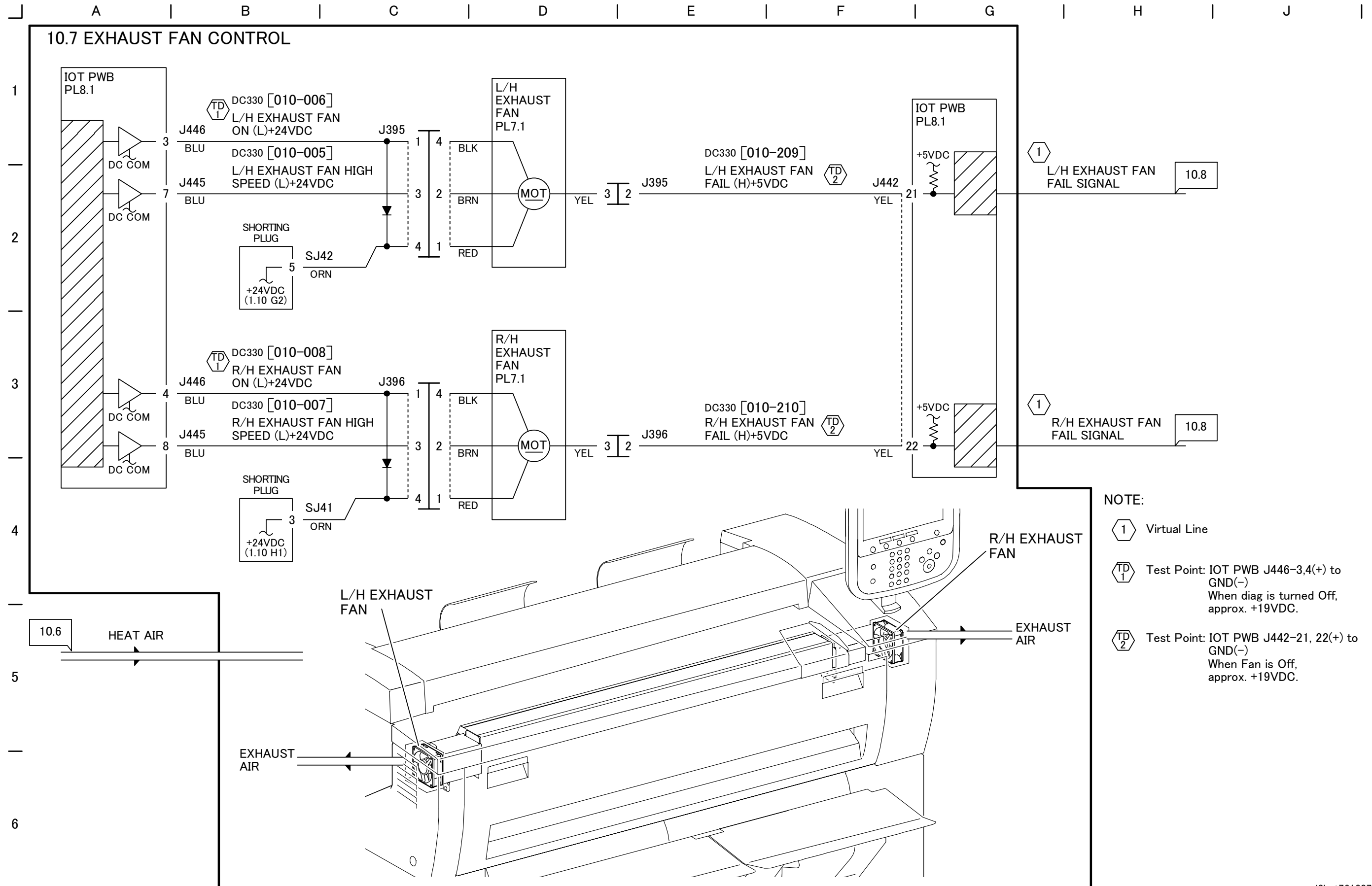
e0bnt731004

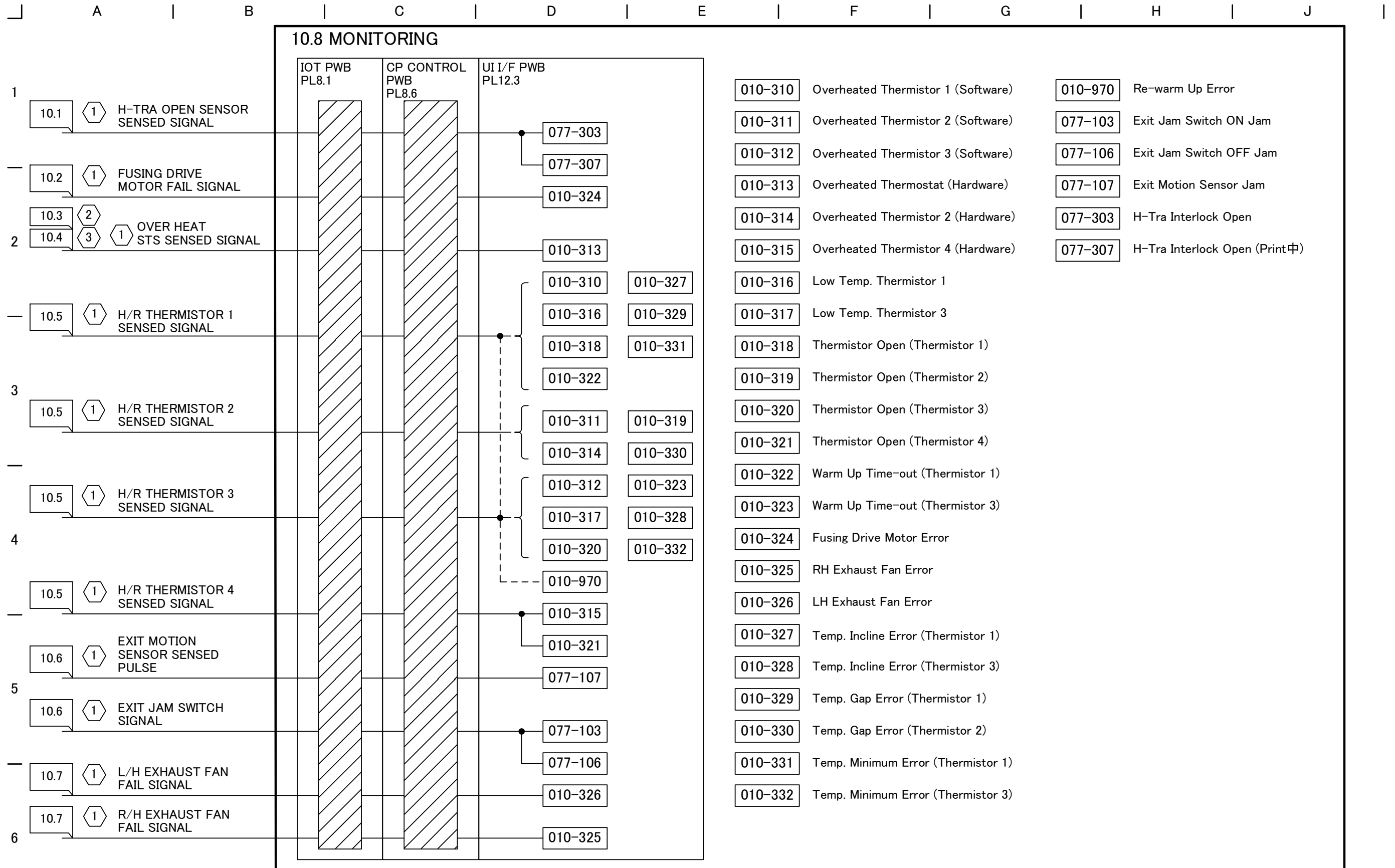


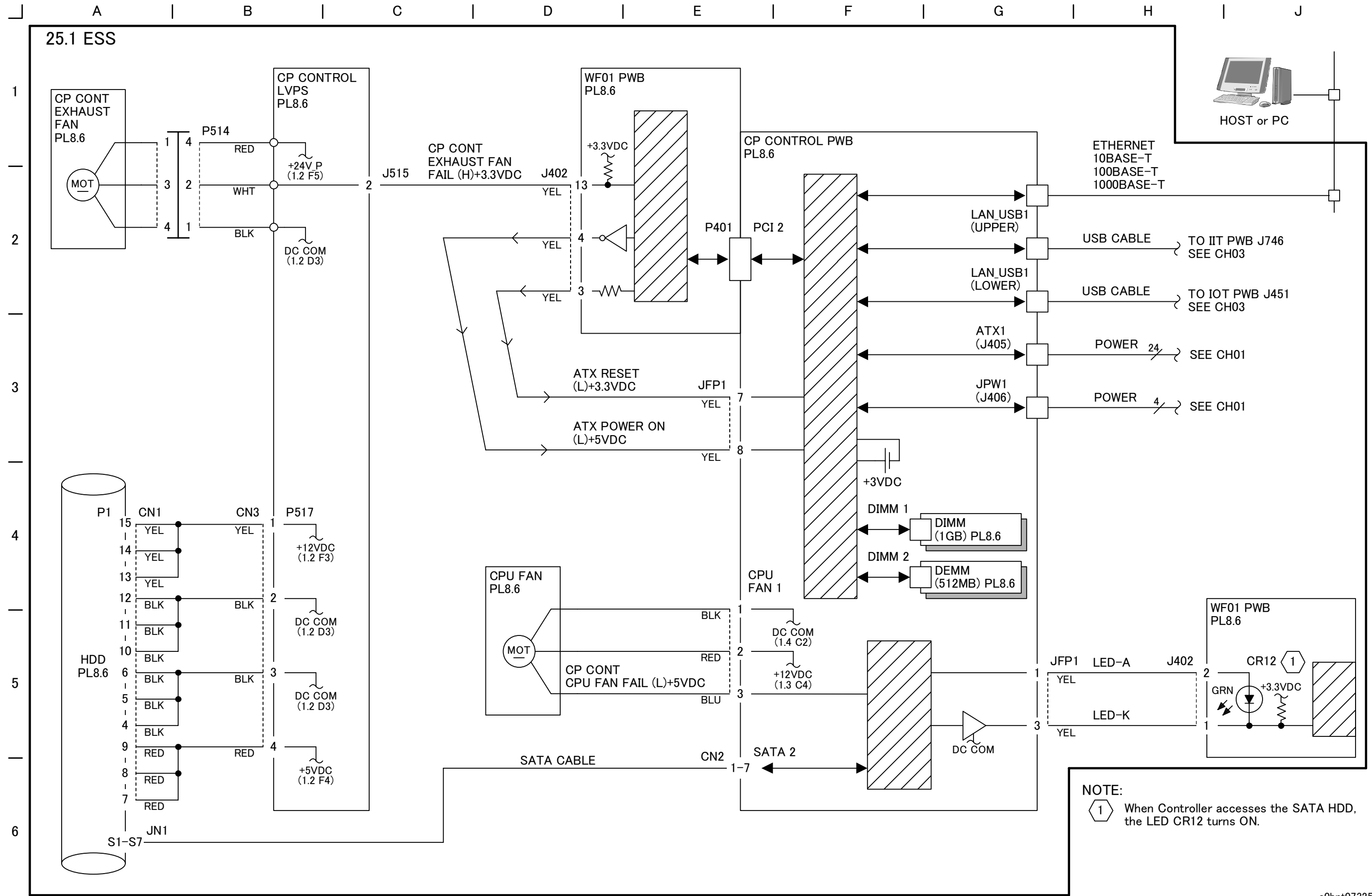


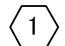


e0bnt731006







**NOTE:**  
 When Controller accesses the SATA HDD, the LED CR12 turns ON.

# Chapter 8 Installation and Removal



## Table of Contents

8.1 Installation.....	3
8.1.1 Installation of Main Unit.....	3
8.1.2 Installation of Color Board & Page Memory for IIT.....	20
8.1.3 Scanner Catch Tray Installation.....	29
8.1.4 Print Catch Tray Installation.....	35
8.1.5 Horizontal Conveyance Service Procedure.....	37
8.2 Cancel Registration.....	39





## 8.1 Installation

### 8.1.1 Installation of Main Unit

**⚠ WARNING**  
When moving the machine to its installation location, make sure to unlock the two caster locks at the front and be careful not to upset the machine. After the moving has completed, make sure to lock the casters.

**⚠ CAUTION**  
Drastic temperature change may cause condensation in the machine, resulting in malfunctions. If there is a big temperature difference between the room and ambient temperatures, such as when installing in winter, adapt the machine to the room temperature without unpacking it before starting the installation procedures.

1. Place the machine at a location where the temperature is roughly between the room and the ambient temperatures for approx. one hour.
2. Place the machine at a location where the temperature is about the same as the room temperature of the installation location for another two hours or more.

#### <Check the Bundled Items>

Check the following bundled items. (Figure 1, Figure 2, Figure 3, Figure 4, Figure 5)

#### Xerox Wide Format 6705 MF (NB100064) (FX Only)

#### Xerox Wide Format 6705 MF AP (TB100074) (AP Only)

#### Xerox Wide Format 6705 MF GCO (TB100073) (GCO Only)

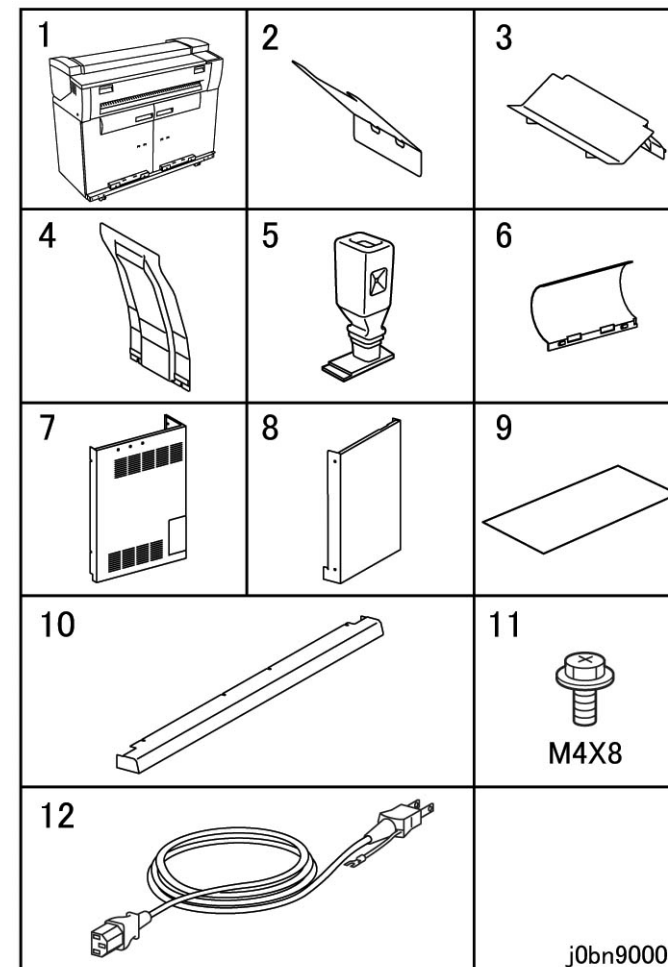
1. WF6705 Main Unit
2. Stopper x2
3. Tray Attachment x2
4. Catch Tray x2
5. Toner Cartridge
6. Turn Guide x2
7. Right Lower Cover
8. Left Lower Cover
9. Calibration Sheet (stored under RFC)
10. Foot Cover
11. Del TP Screw (M4x8) x12

### 12. Power Cord (FX Only)

**Note** As the Power Cord is not bundled for non-FX markets, the Power Cord (a separate option) must be ordered.  
For the Product Code, refer to 'Chapter 6 General'.

13. S104 FX Kit (FX Only) (other figure)  
Large Size UI Kit For ENG (AP Only) (other figure)  
Large Size UI Kit For SC (GCO Only) (other figure)

### 14. UI Installation Kit (other figure)



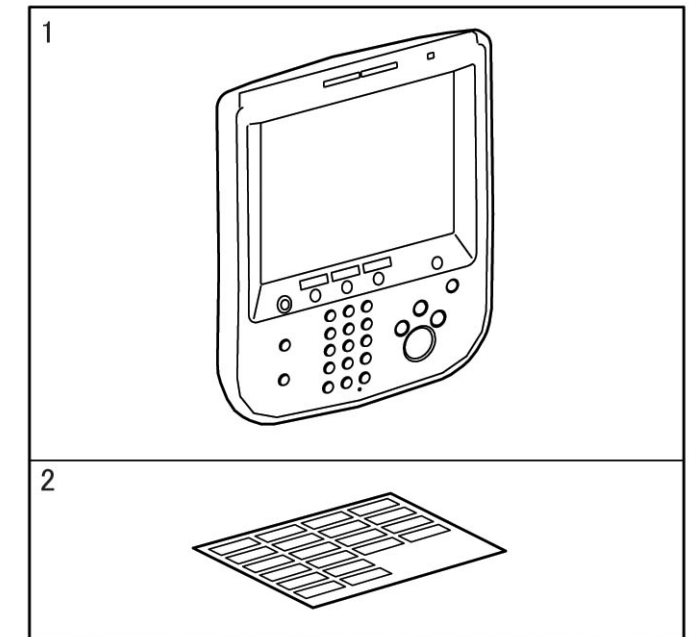
(Figure 1) j0bn90001

### S104 FX Kit (FX Only)

#### Large Size UI Kit for ENG (AP Only)

#### Large Size UI Kit for SC (GCO Only)

1. UI Assembly
2. Function Label

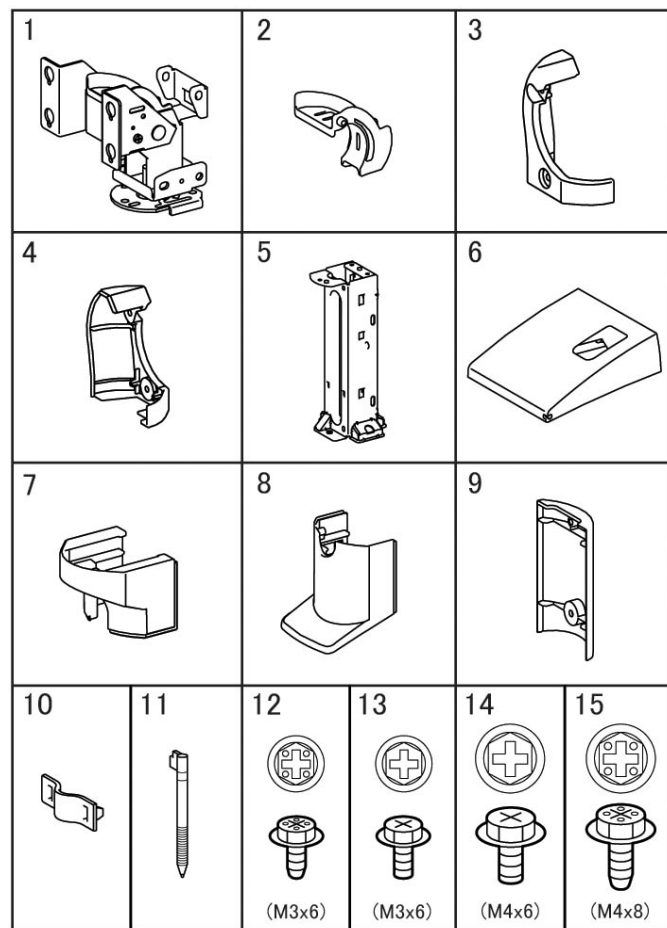


j0bn90002

(Figure 2) j0bn90002

**UI Installation Kit**

1. Hinge Assembly
2. Harness Guide
3. Left Hinge Cover
4. Right Hinge Cover
5. Post
6. UI Top Cover
7. Post Front Upper Cover
8. Post Front Lower Cover
9. Post Rear Cover
10. Clamp
11. Stylus Pen
12. Del TP Screw (M3x6) x4
13. TP Screw (M3x6) x3
14. TP Screw (M4x6) x3
15. Del TP Screw (M4x8) x3

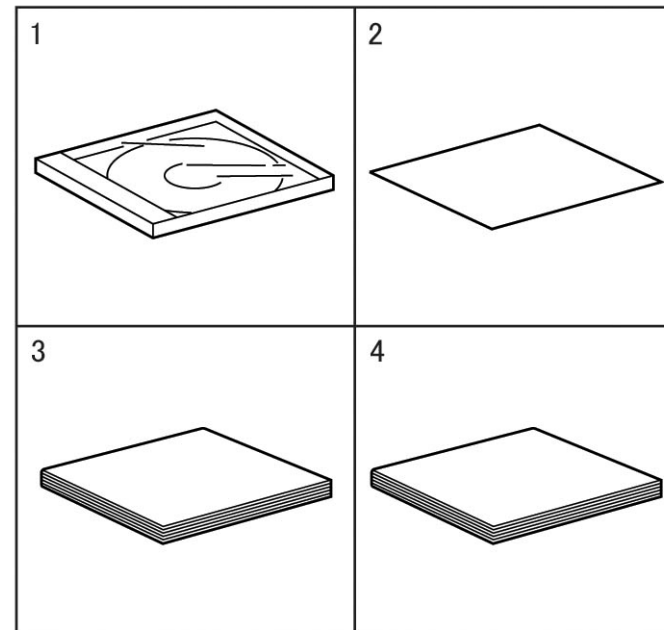


j0bn90003

(Figure 3) j0bn90003

**WF6705 Kit-JPN (EB100387) (FX Only)**

1. DVD-ROM
2. Utility Guide
3. Xerox Wide Format 6705 System MF Quick Guide
4. Xerox Wide Format 6705 System MF User Guide

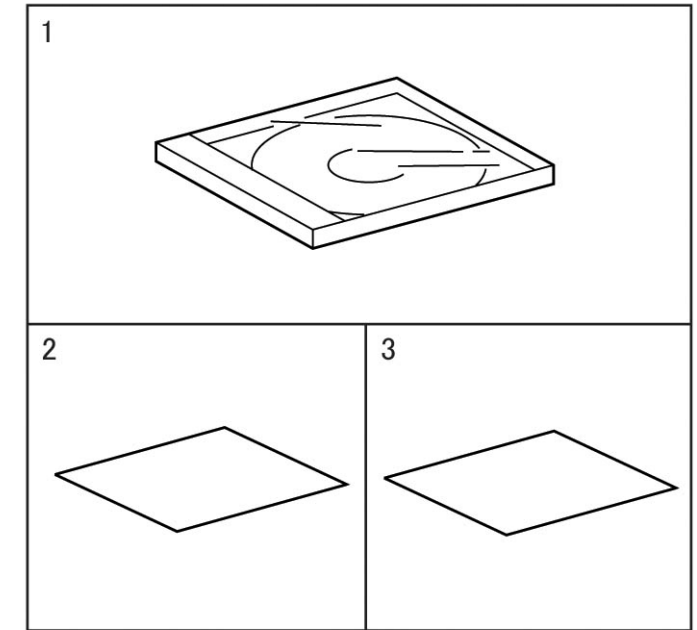


j0bn90004

(Figure 4) j0bn90004

**WF6705 Kit ENG (EB100396) (AP/GCO Only)**

1. DVD-ROM
2. Utility Guide x2
3. Safety Guide



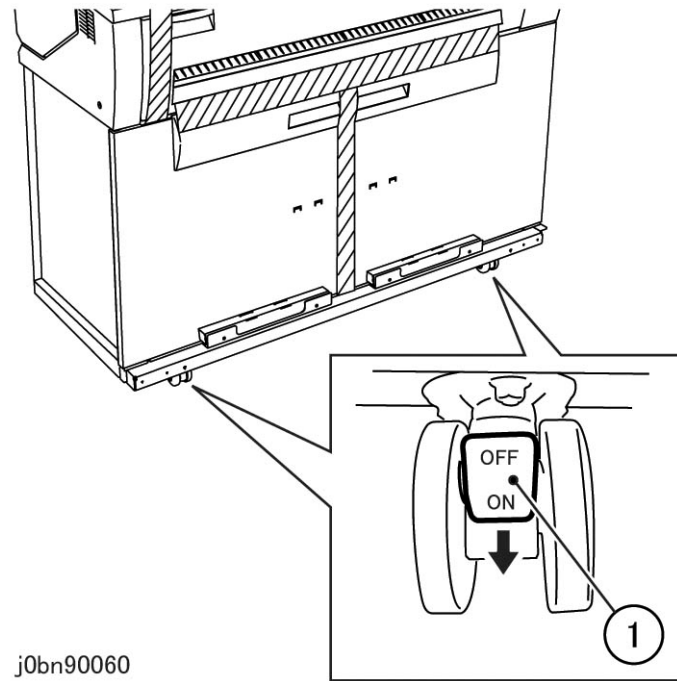
j0bn90006

(Figure 5) j0bn90006

<Installation Procedure>

**CAUTION**  
When removing the Tape, Cushion, and Packaging Material (such as protective sheet), do not use any tool with a sharp tip. It might damage the high voltage cable/harness.

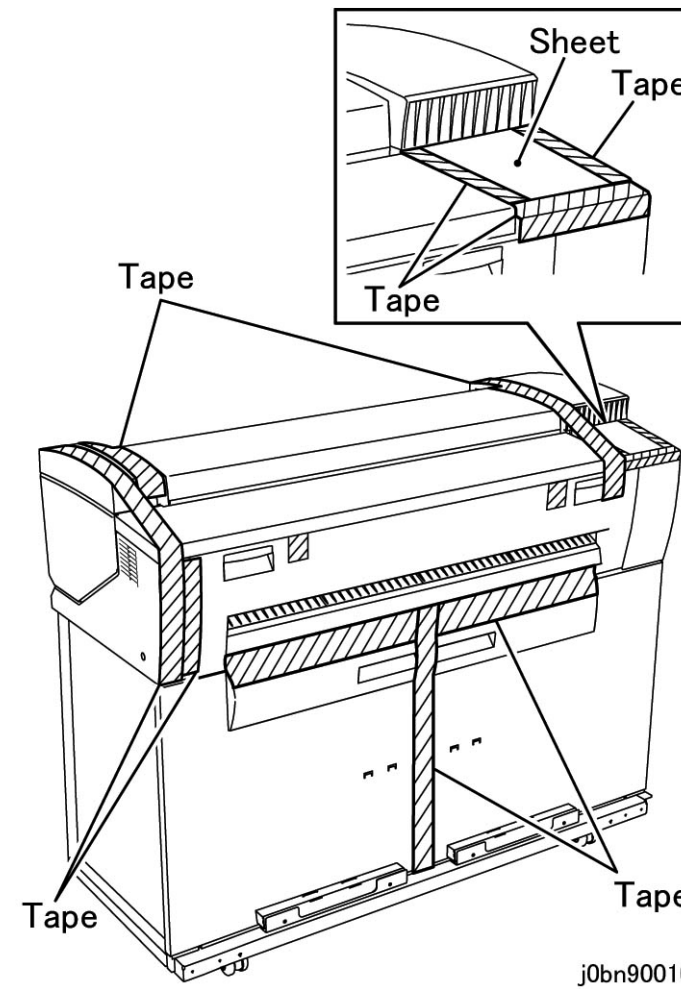
1. Check the machine exterior for damage.
2. Check that the Caster (x2) at the front are locked. (Figure 6)



j0bn90060

(Figure 6) j0bn90060

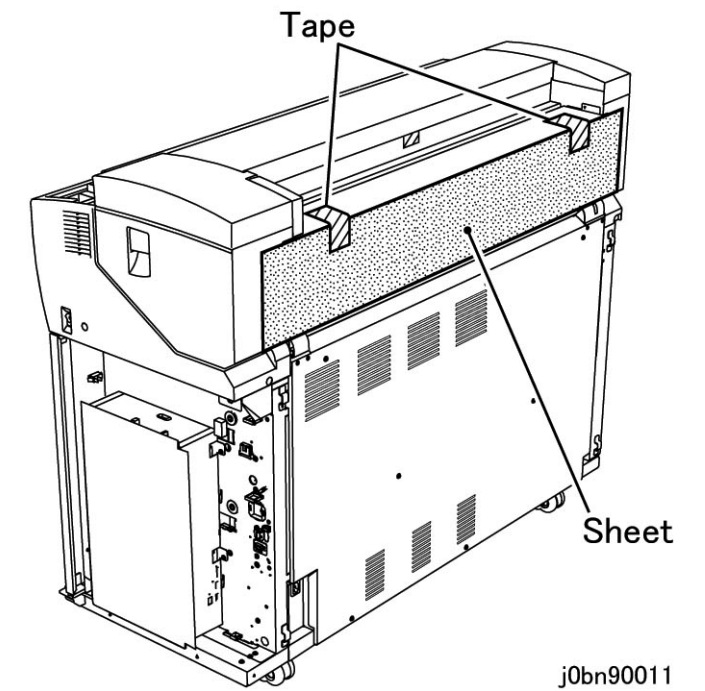
3. Peel off the Tape at the machine exterior and remove the Sheet. (Figure 7, Figure 8)
  - 1) Front side/Left side



j0bn90010

(Figure 7) j0bn90010

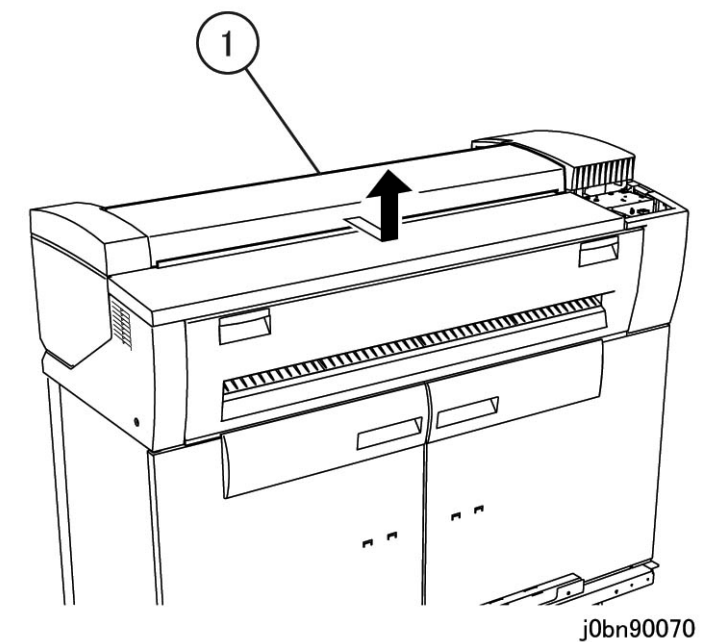
- 2) Rear side/Right side



j0bn90011

(Figure 8) j0bn90011

4. Remove the Upper Document Transport. (Figure 9)
  - 1) Remove the Upper Document Transport in the direction of the arrow.

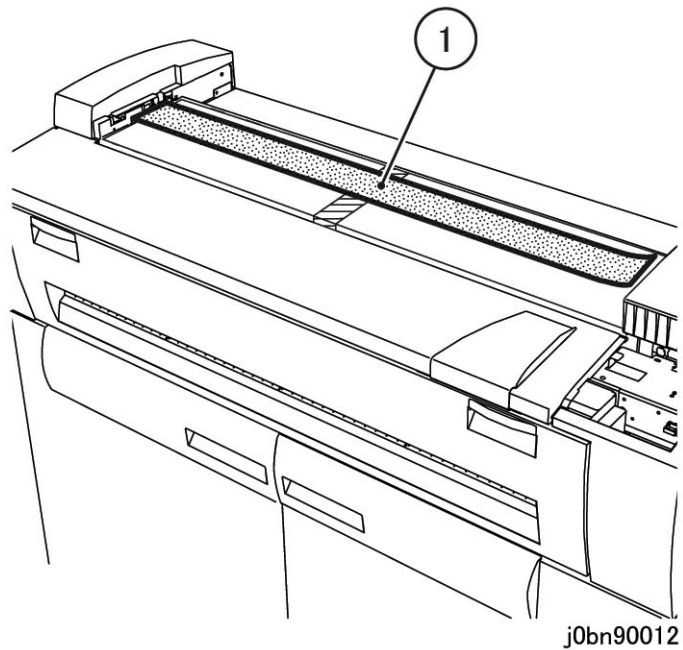


j0bn90070

(Figure 9) j0bn90070

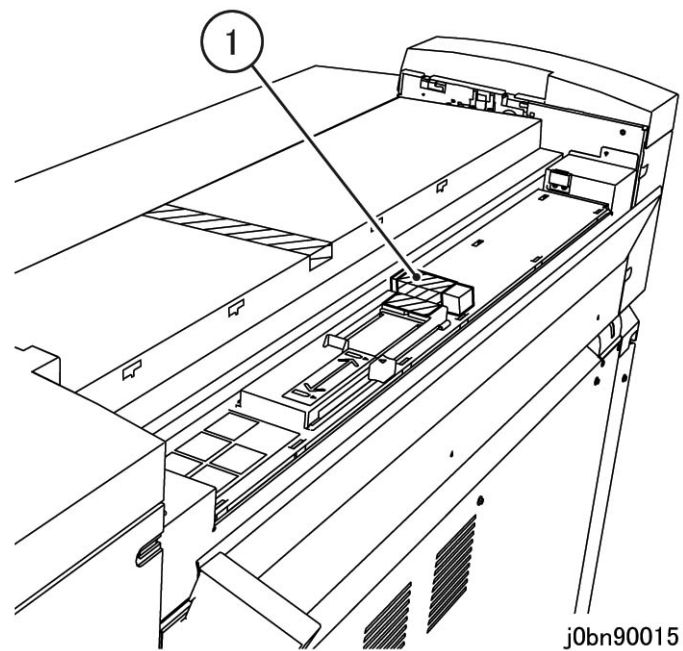
5. Turn the Upper Document Transport upside down.

6. Remove the protective sheet of the Platen Glass.  
(Figure 10)
- 1) Remove the protective sheet of the Platen Glass.



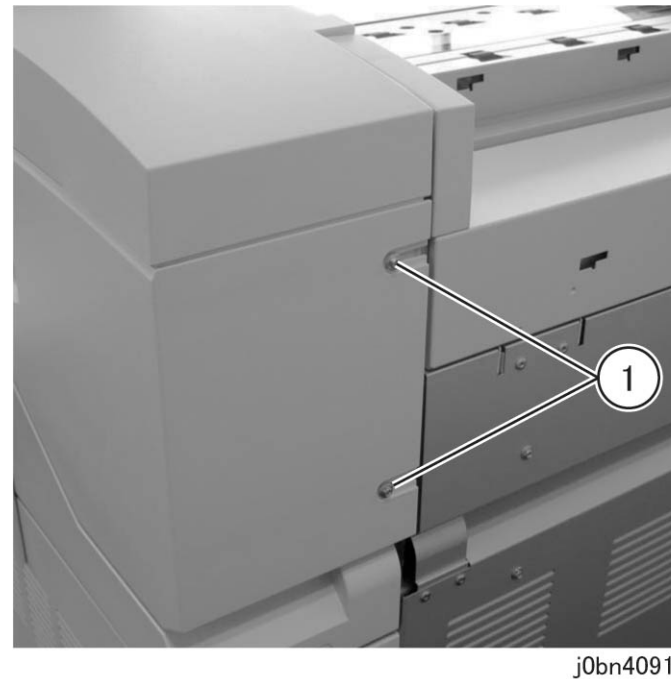
(Figure 10) j0bn90012

7. Open the Rear Top Cover.
8. Remove the Tape and Cushion of the Toner Supply Inlet.  
(Figure 11)
- 1) Remove the Tape and Cushion of the Toner Supply Inlet.



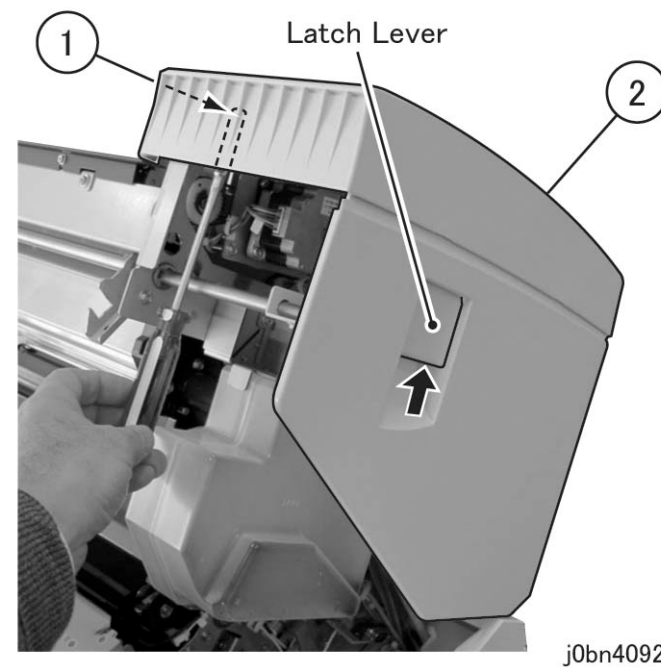
(Figure 11) j0bn90015

9. Remove the screw at the Rear of the Right Swing Cover.  
(Figure 12)
- 1) Remove the screw (x2).



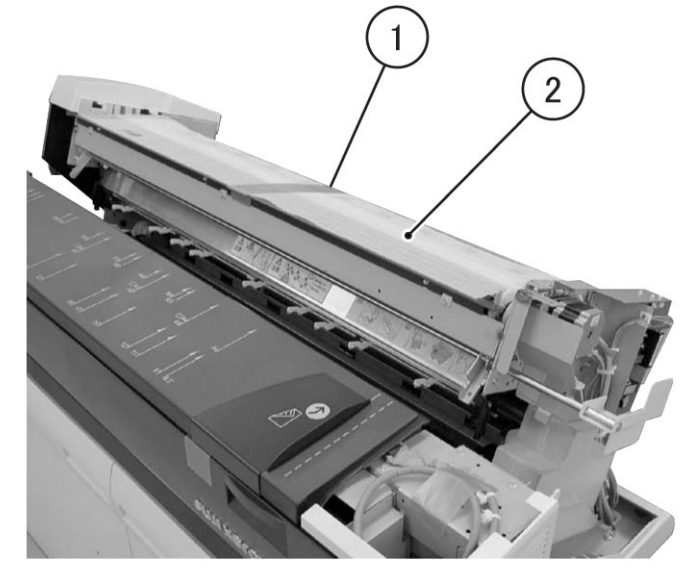
(Figure 12) j0bn40914

10. Open the Swing Frame.
11. Remove the Right Swing Cover. (Figure 13)
- 1) Remove the Tapping Screw.
- 2) Raise the Latch Lever to remove the Right Swing Cover.



(Figure 13) j0bn40926

12. Remove the protective sheet of the Platen Glass.  
(Figure 14)
- 1) Peel off the Tape.
- 2) Remove the protective sheet of the Platen Glass.

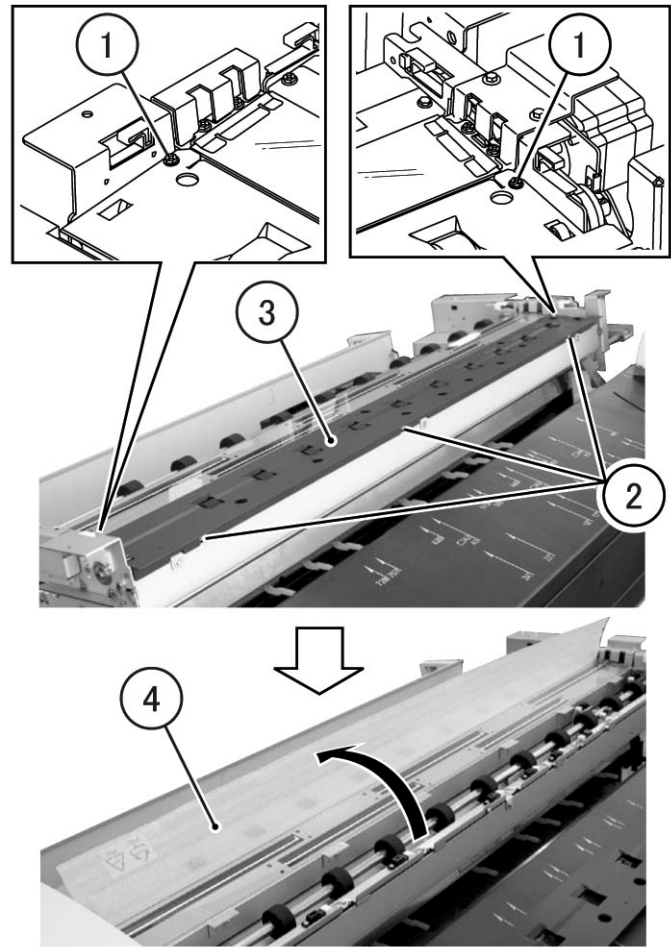


j0bn90142

(Figure 14) j0bn90142

13. Remove the Front Baffle and pull out the protective sheet of the CIS. (Figure 15)

- 1) Remove the screw (x2).
- 2) Loosen the screw (x3).
- 3) Remove the Front Baffle.
- 4) Pull out the protective sheet of the CIS.

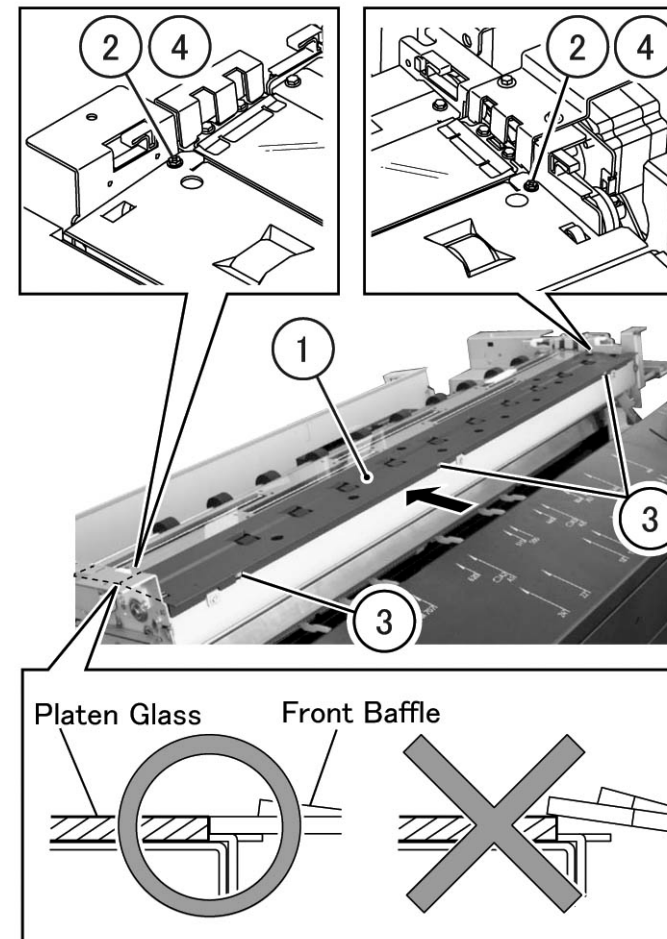


j0bn90143

(Figure 15) j0bn90143

14. Install the Front Baffle. (Figure 16)

- 1) Install the Front Baffle while making sure that there is no level gap between the Platen Glass and the Front Baffle.
- 2) Loosely affix the screw (x2).
- 3) Tighten the screw (x3) while checking that there is no level gap between the Platen Glass and the Front Baffle.
- 4) Tighten the screw (x2).

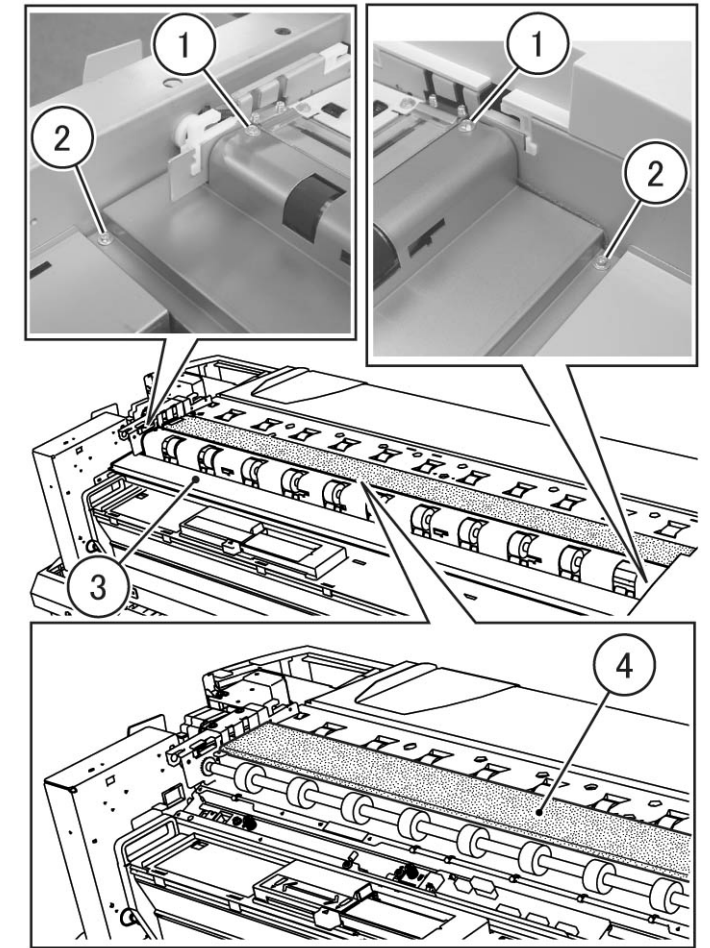


j0bn40327

(Figure 16) j0bn40327

15. Remove the Rear Lower Baffle and remove the protective sheet of the CIS. (Figure 17)

- 1) Remove the screw (x2).
- 2) Remove the screw (x2).
- 3) Remove the Rear Lower Baffle.
- 4) Remove the protective sheet of the CIS.

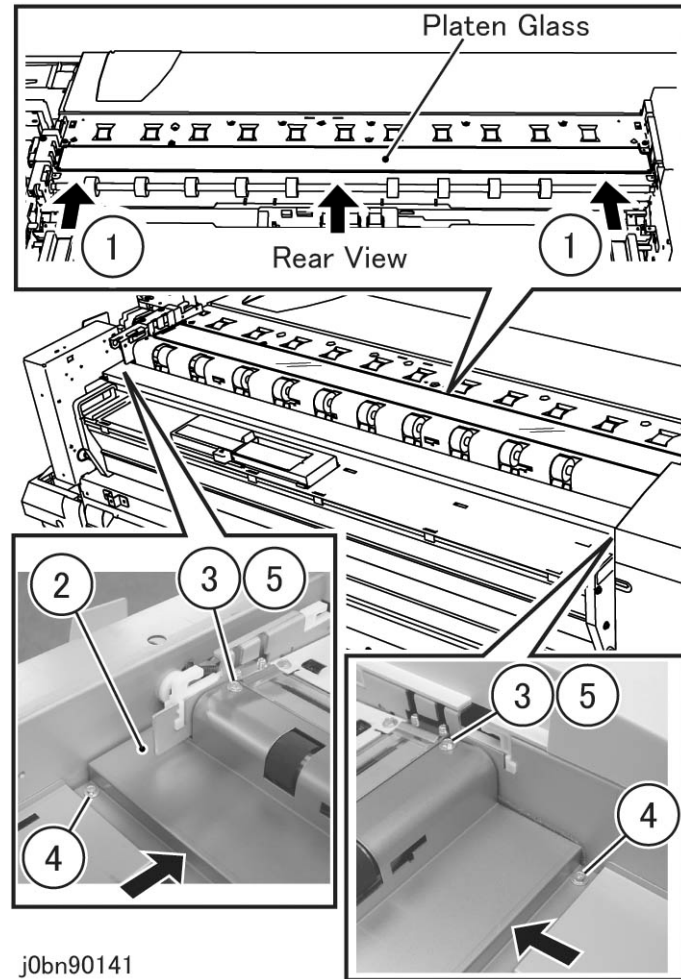


j0bn90140

(Figure 17) j0bn90140

16. Install the Rear Lower Baffle. (Figure 18)

- 1) Press the Platen Glass against the Front side.
- 2) Install the Rear Lower Baffle.
- 3) Loosely affix the screw (x2).
- 4) Tighten the screw (x2) while pressing the Rear Lower Baffle against the Front side.
- 5) Tighten the screw (x2).

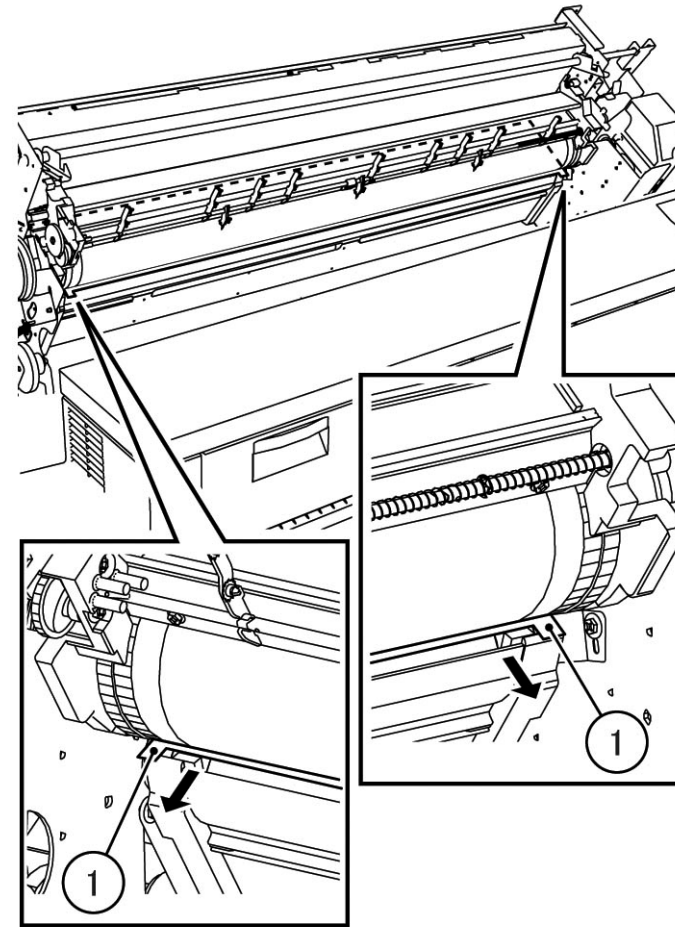


j0bn90141

(Figure 18) j0bn90141

17. Remove the protective paper of the Xero Module (Mag. Roll). (Figure 19)

- 1) Hold onto the tab (3x8 cm) at both sides and slowly pull out the protective paper (A0 width x 20 cm).



j0bn90018

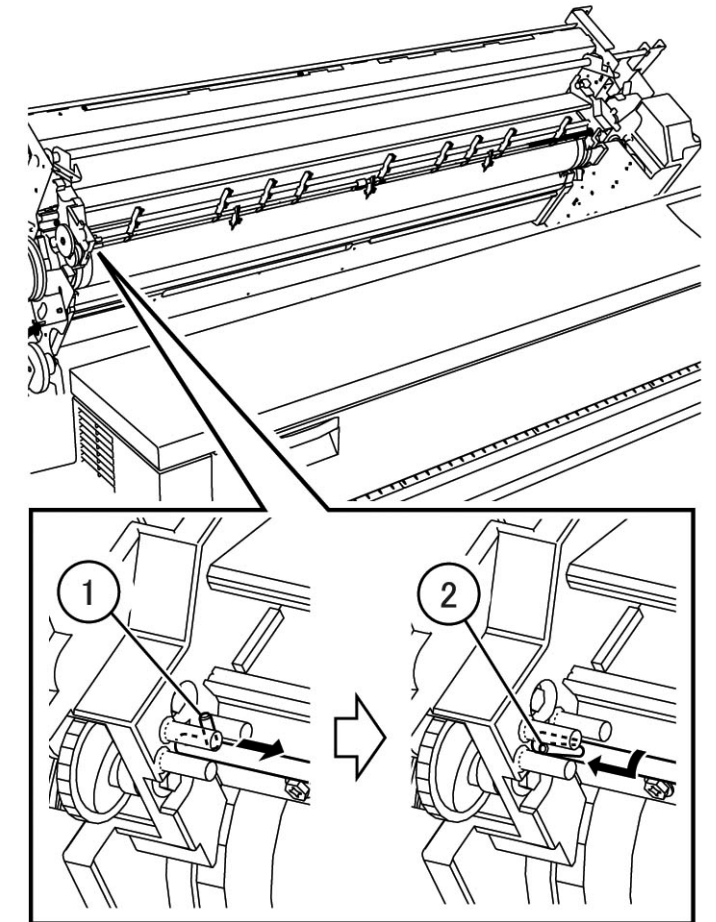
(Figure 19) j0bn90018

18. Set the Drum Finger Shaft. (Figure 20)

- 1) Hold the Left side of the Drum Finger Shaft and move it to the left and right by approx. 2 cm.

**Note** If the Drum Finger Shaft is moved more than necessary, the Drum Finger Shaft might come off.

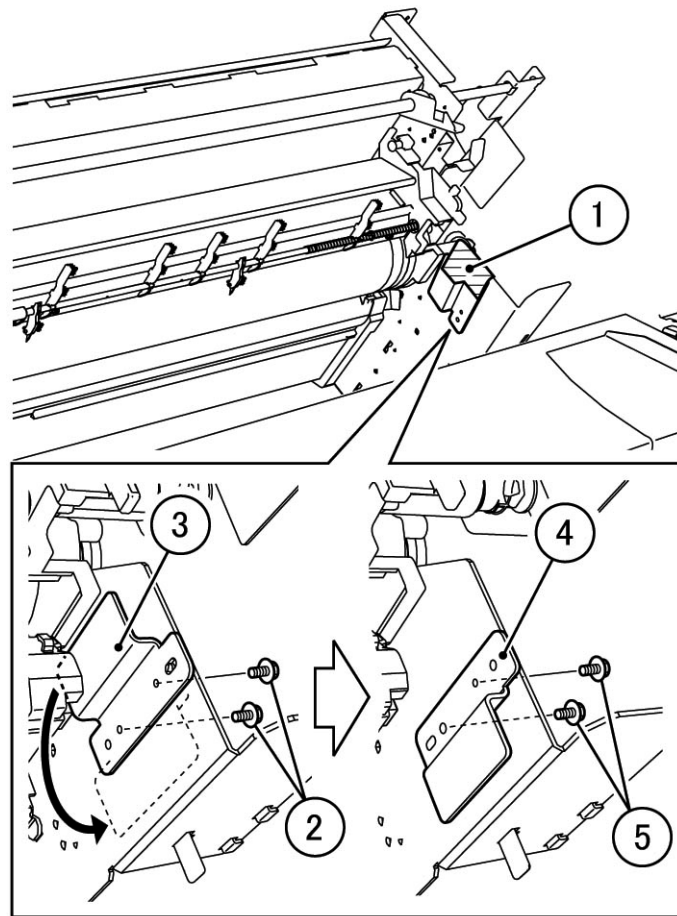
- 2) Move the pin of the Drum Finger Shaft slowly to the position indicated in the figure.



j0bn90019

(Figure 20) j0bn90019

19. Remove the Toner Waste Bottle.
20. Put the Fusing Assembly into nipped operation state. (Figure 21)
  - 1) Peel off the Tape.
  - 2) Remove the screw (x2).
  - 3) Remove the Nip Lever.
  - 4) Reverse the Nip Lever and install it.
  - 5) Tighten the screw (x2).



j0bn90024

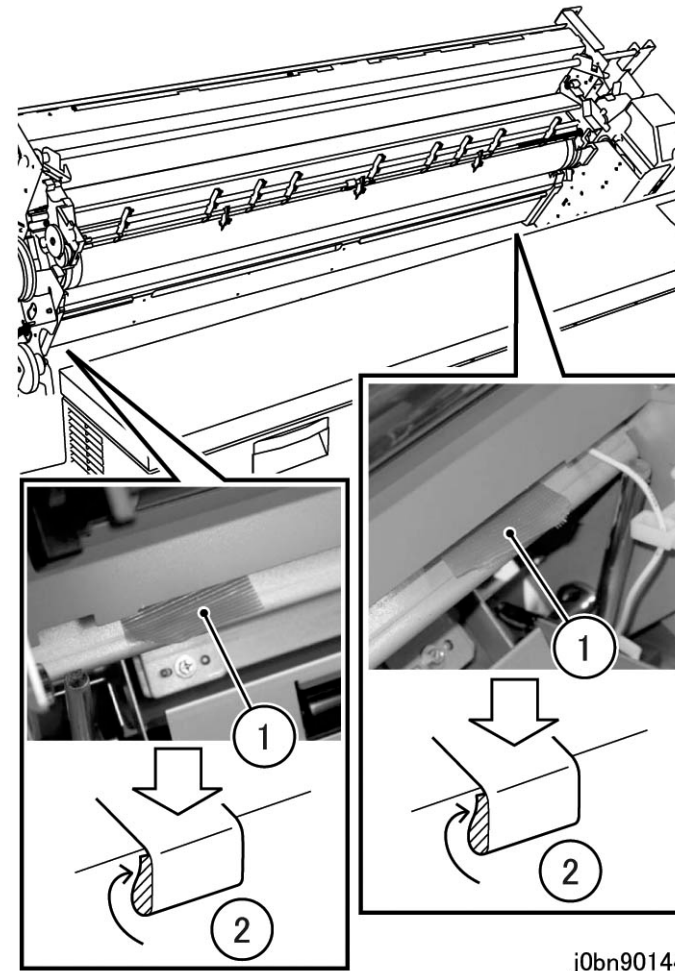
(Figure 21) j0bn90024

21. Reinstall the Toner Waste Bottle back to how it was.

22. Peel off the tape of the protection sheet under the Developer Assembly, and roll up the ends of the tape so that they do not stick anymore. (Figure 22)

**Note** As the protection sheets will be removed in a later procedure, it is OK to just peel off the tape here.

- 1) Peel off the Tape.
- 2) TRoll up the ends of the tape.

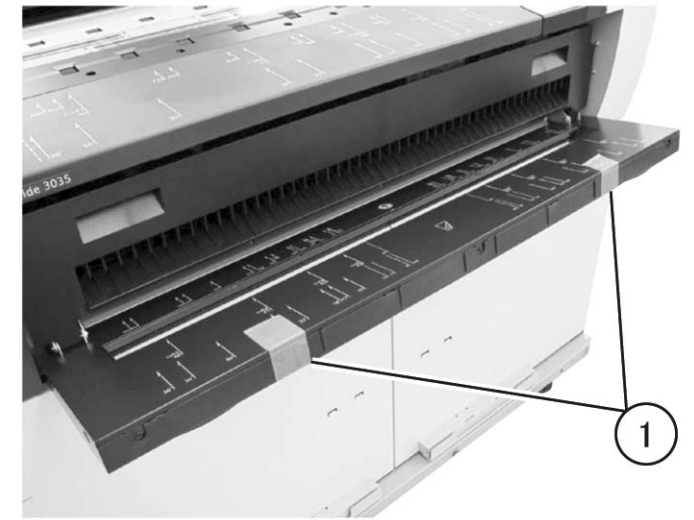


j0bn90144

(Figure 22) j0bn90144

23. Close the Swing Frame.

24. Open the Front Upper Cover and peel off the Tape. (Figure 23)
  - 1) Peel off the Tape.



j0bn90145

(Figure 23) j0bn90145

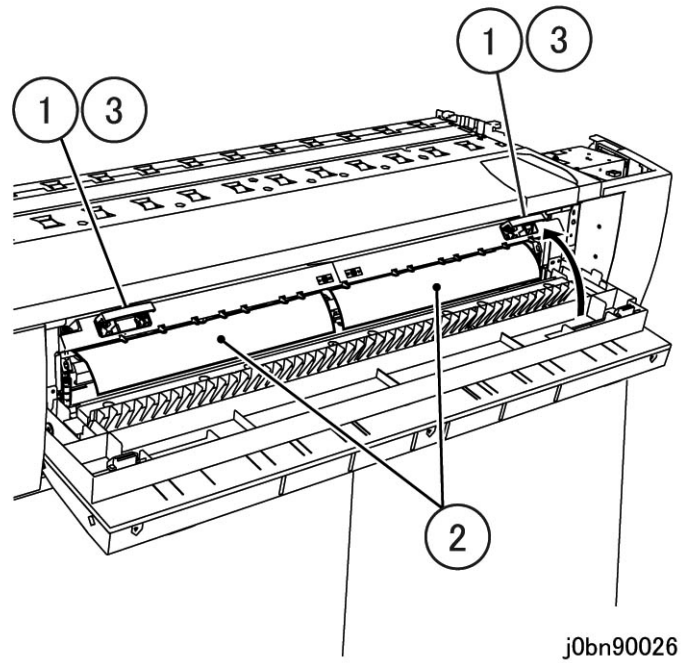
25. Open the Fusing Cover.

26. Remove the protective sheet of the Fusing Assembly.  
(Figure 24)

- 1) Raise the Upper Exit Baffle Assembly.
- 2) Slowly pull out the protective sheet (x2).

**Note** Pull out the protective sheet slowly and carefully so that it does not get snagged to the edge of the Strip Finger.

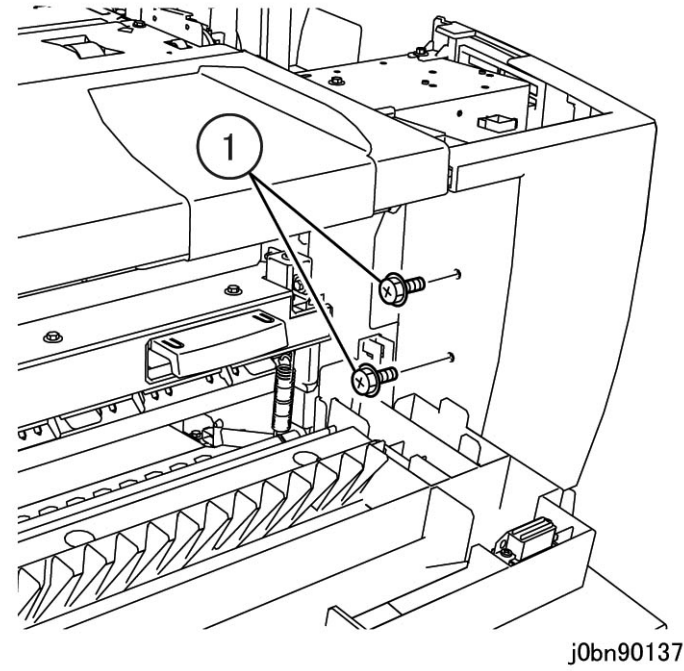
- 3) Close the Upper Exit Baffle Assembly.



(Figure 24) j0bn90026

27. Remove the screw of the Right Upper Cover. (Figure 25)

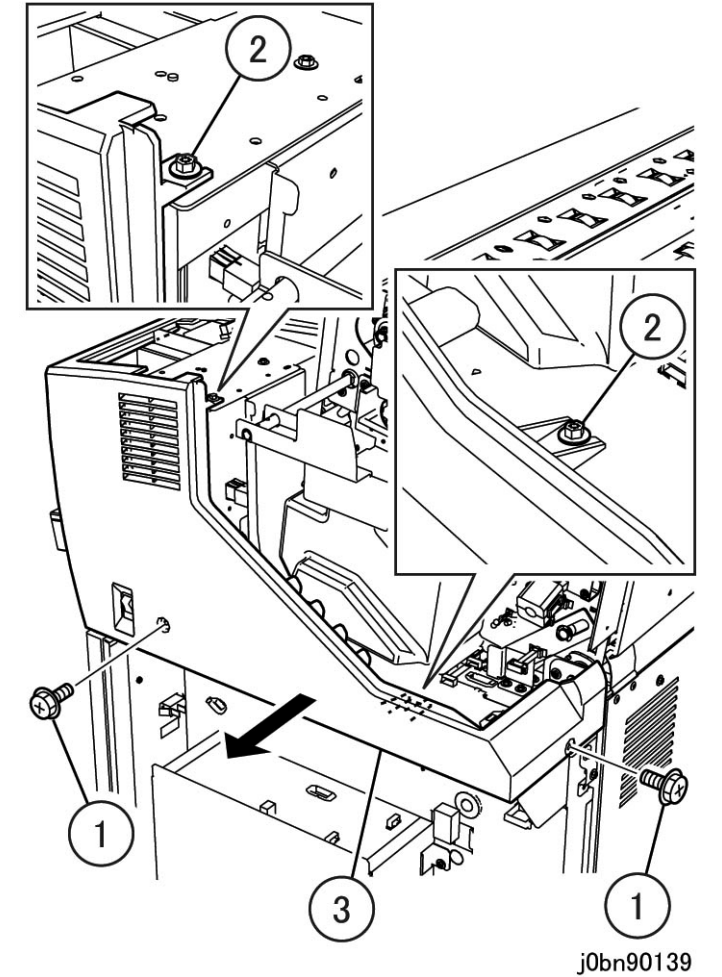
- 1) Remove the screw (x2).



(Figure 25) j0bn90137

28. Remove the Right Upper Cover. (Figure 26)

- 1) Remove the screw (x2).
- 2) Loosen the screw (x2).
- 3) Remove the Right Upper Cover.

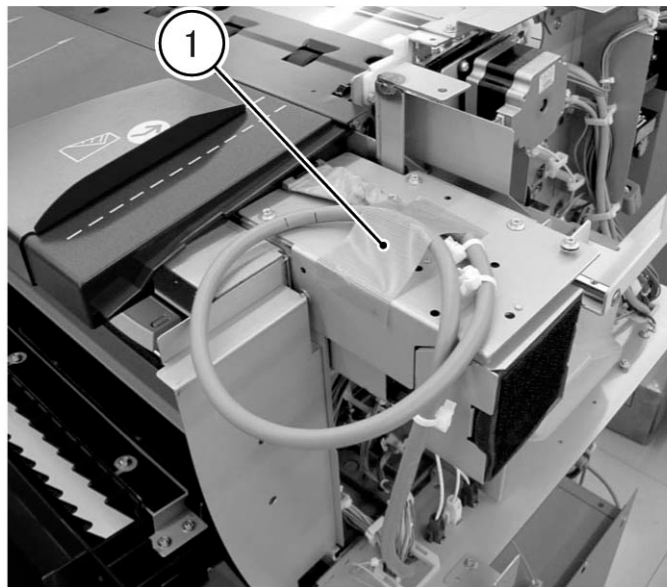


(Figure 26) j0bn90139



29. Peel off the Tape of UI I/F Cable.(Figure 27)

- 1) Peel off the Tape.

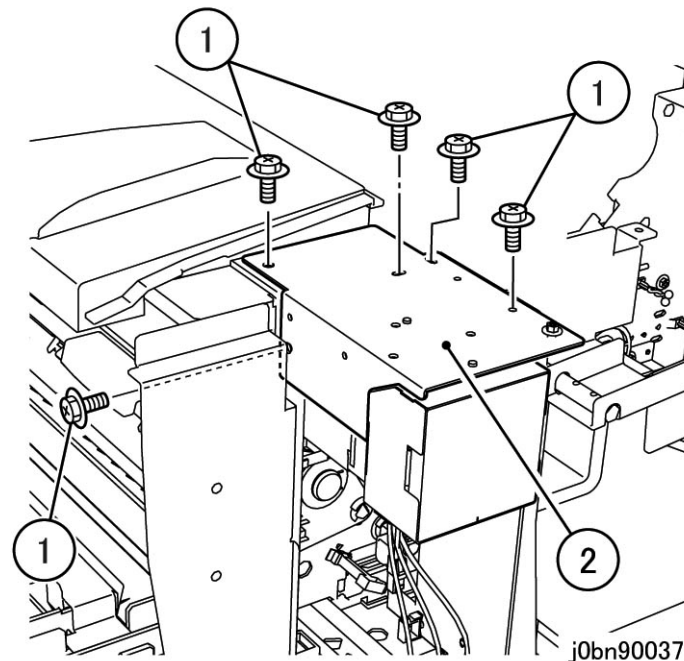


j0bn90146

(Figure 27) j0bn90146

30. Remove the UI Bracket. (Figure 28)

- 1) Remove the screw (x5).
- 2) Remove the UI Bracket.



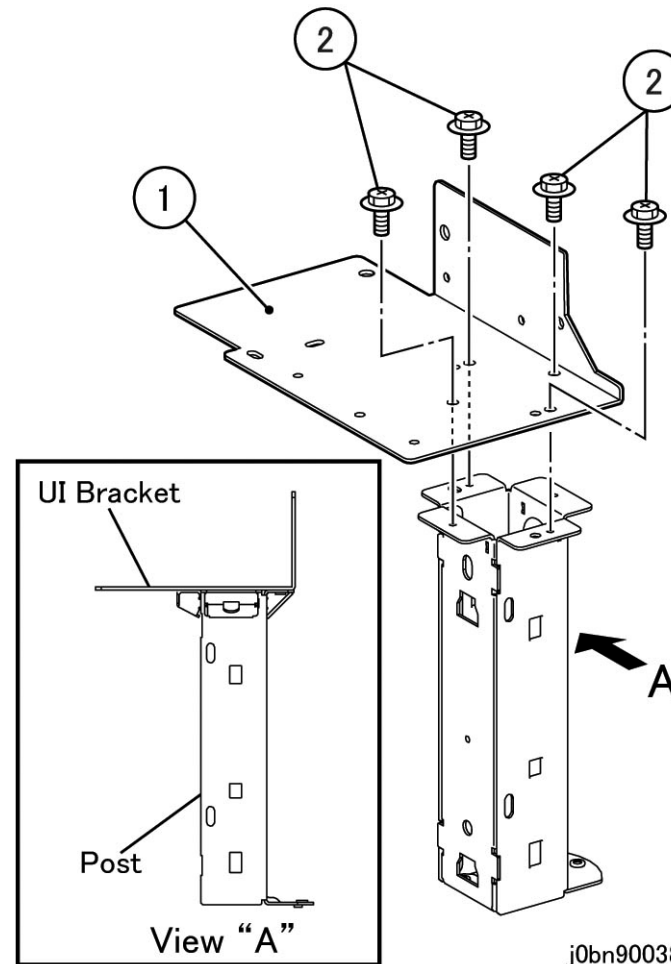
j0bn90037

(Figure 28) j0bn90037

31. Install the Post provided in the bundle to the UI Bracket. (Figure 29)

**Note** When installing the Post to the UI Bracket, take note of the direction of the UI Bracket and the Post. (Refer to View 'A')

- 1) Turn the UI Bracket upside down and install the Post.
- 2) Tighten the Del TP screw (M3x6) (x4) provided in the bundle.

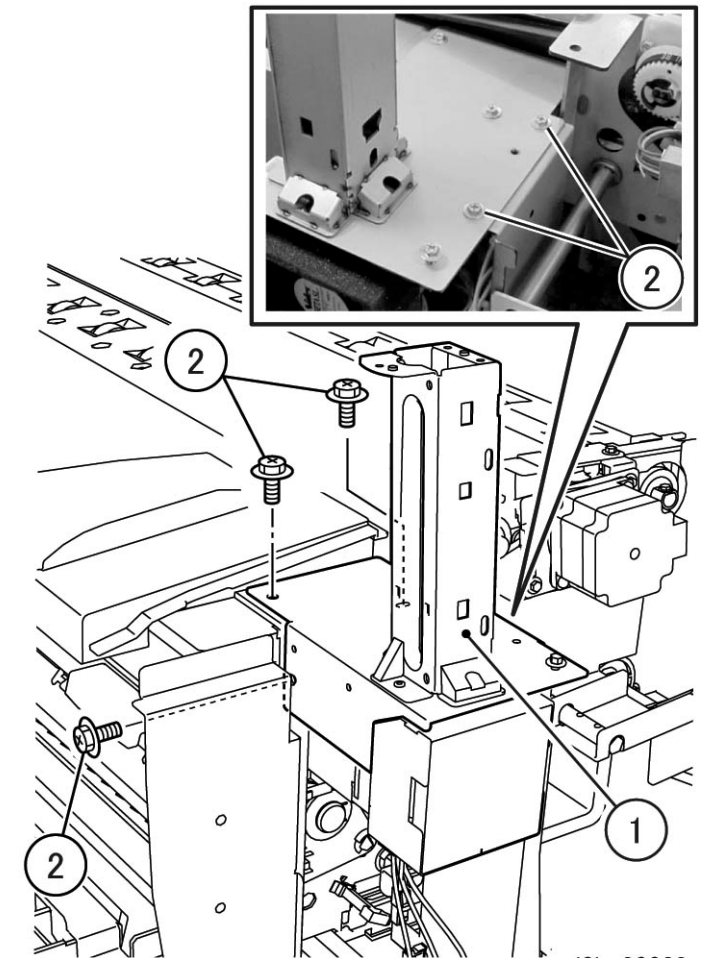


j0bn90038

(Figure 29) j0bn90038

32. Install the UI Bracket & Post. (Figure 30)

- 1) Install the UI Bracket & Post.
- 2) Tighten the screw (x5).



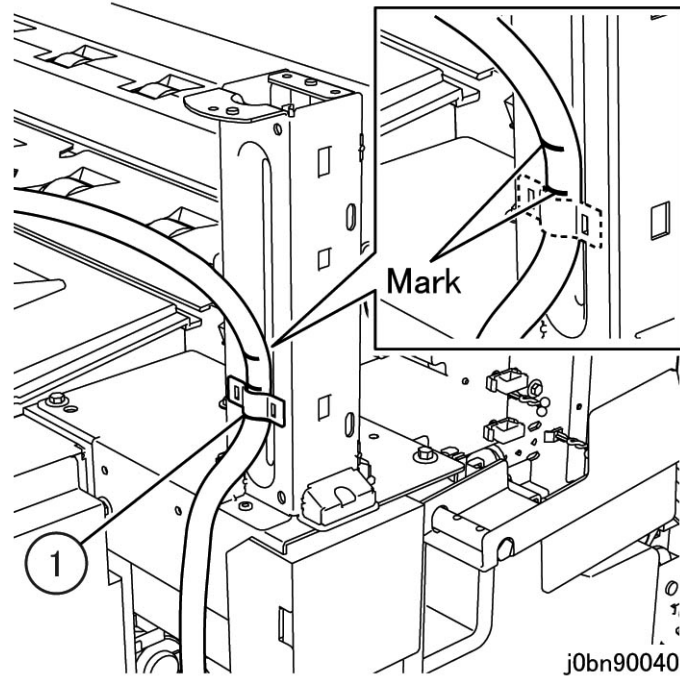
j0bn90039

(Figure 30) j0bn90039

33. Secure the UI I/F Cable to the Post by using the clamp provided in the bundle. (Figure 31)

- 1) Secure the UI I/F Cable by using the clamp.

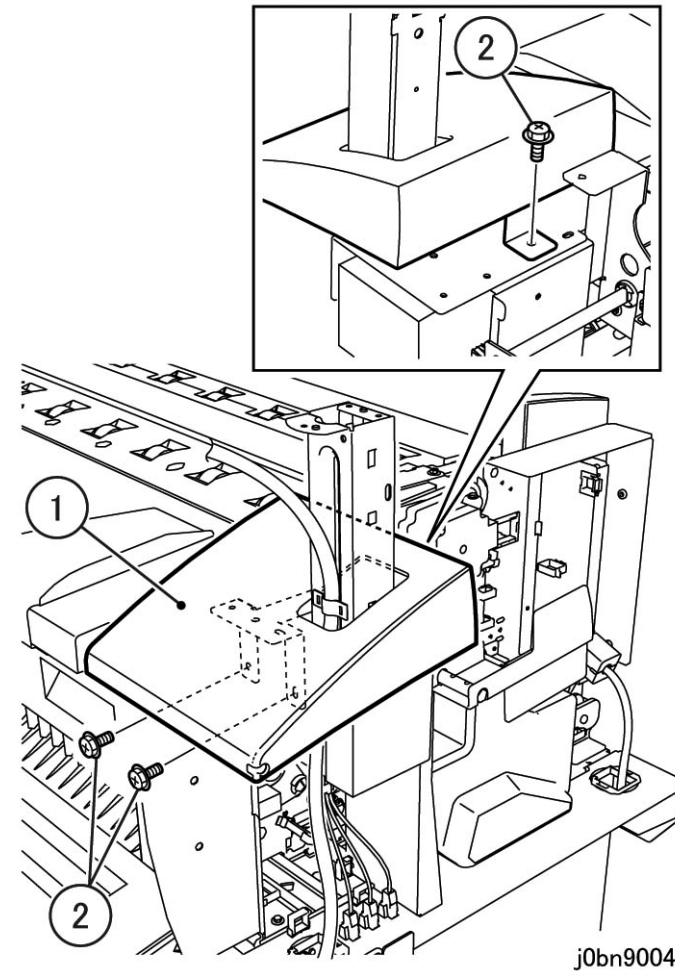
**Note** Two lines are drawn in the UI I/F Cable as the target clamp positions. Here, adjust the top end of the clamp to the lower line to secure the clamp.



(Figure 31) j0bn90040

34. Install the UI Top Cover provided in the bundle.(Figure 32)

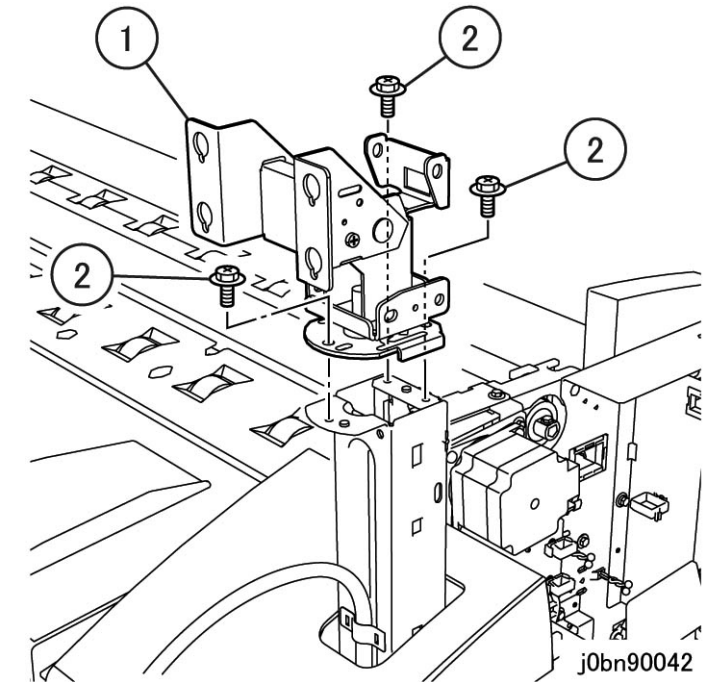
- 1) Install the UI Top Cover.
- 2) Tighten the Del TP screw (M4x8) (x3) provided in the bundle.



(Figure 32) j0bn90041

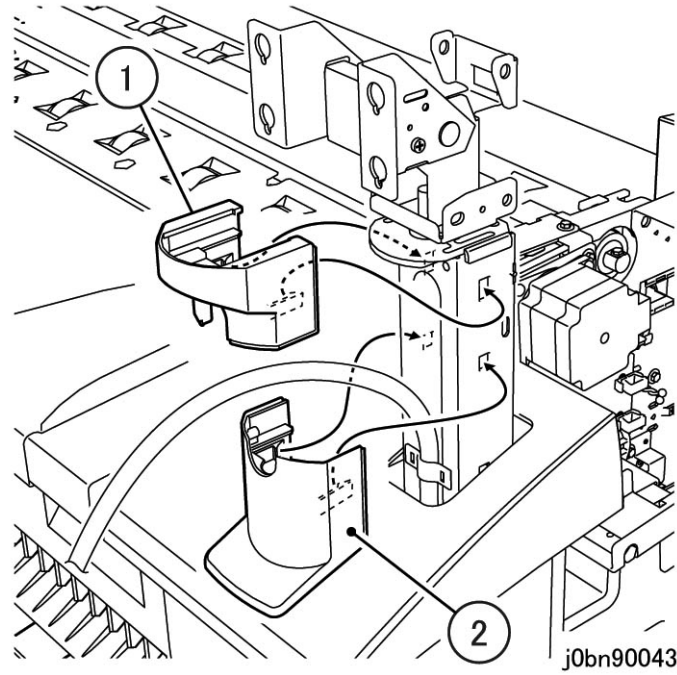
35. Install the Hinge Assembly provided in the bundle. (Figure 33)

- 1) Install the Hinge Assembly.
- 2) Tighten the TP screw (M4x6) (x3) provided in the bundle.



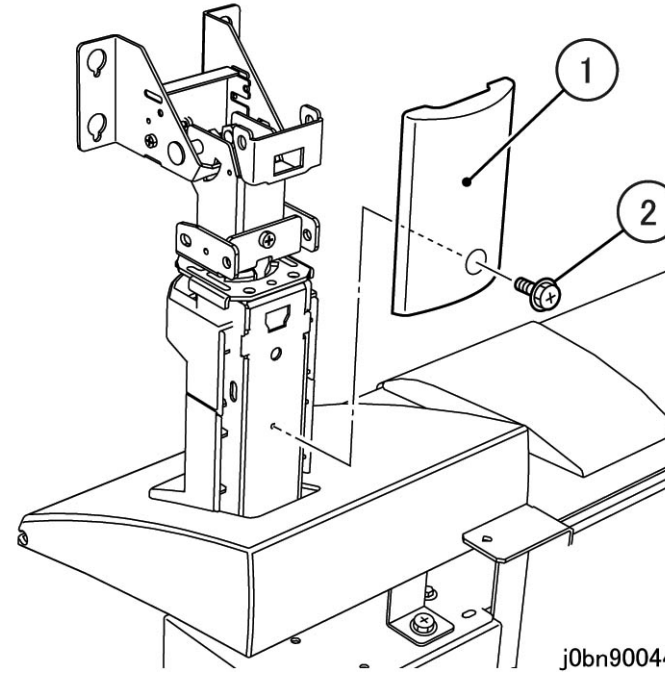
(Figure 33) j0bn90042

36. Install the Post Front Upper Cover and Post Front Lower Cover provided in the bundle. (Figure 34)
- 1) Install the Post Front Upper Cover.
  - 2) Install the Post Front Lower Cover.



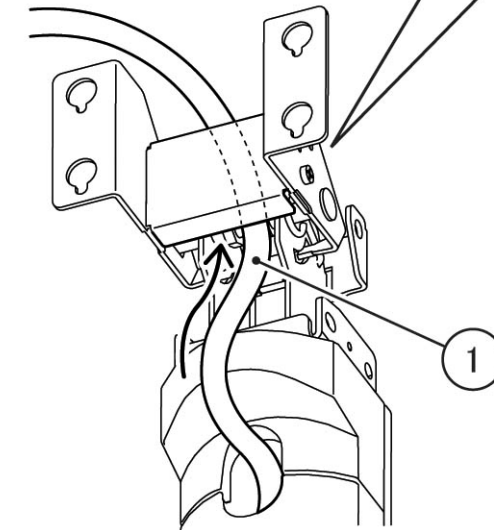
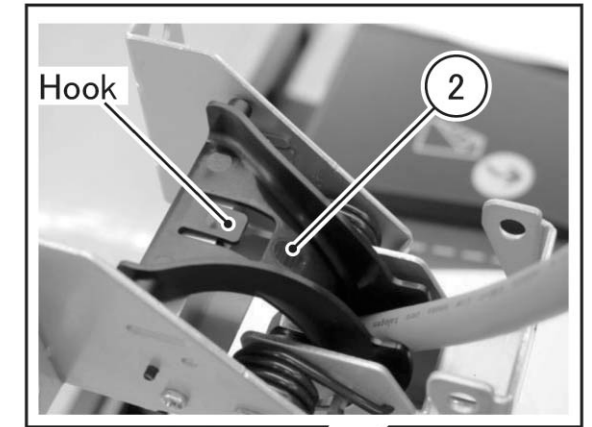
(Figure 34) j0bn90043

37. Install the Post Rear Cover provided in the bundle. (Figure 35)
- 1) Install the Post Rear Cover.
  - 2) Tighten the TP screw (M3x6) provided in the bundle.



(Figure 35) j0bn90044

38. Bring up the connector of the UI I/F Cable from underneath the Hinge Assembly and install the Harness Guide provided in the bundle between the Hinge Assembly and the UI I/F Cable. (Figure 36)
- 1) Bring up the UI I/F Cable from underneath the Hinge Assembly.
  - 2) Install the Harness Guide between the Hinge Assembly and the UI I/F Cable.

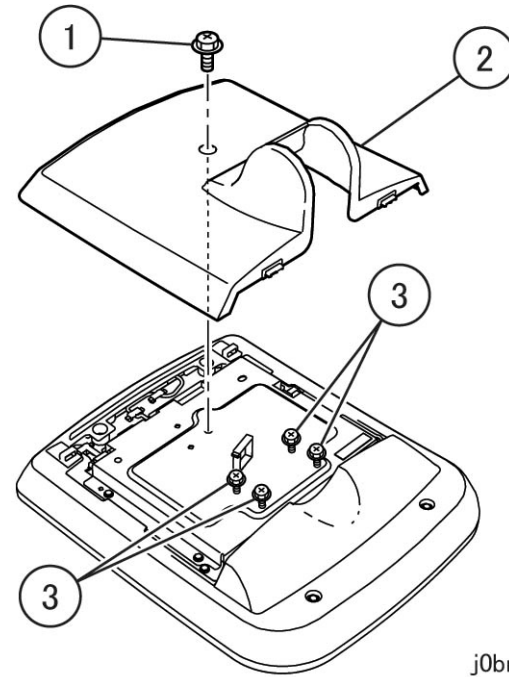


j0bn90062

(Figure 36) j0bn90062

39. Remove the UI Rear Cover from the UI provided in the bundle and loosen the screw (x4). (Figure 37)

- 1) Remove the screw.
- 2) Remove the UI Rear Cover.
- 3) Loosen the screw (x4).

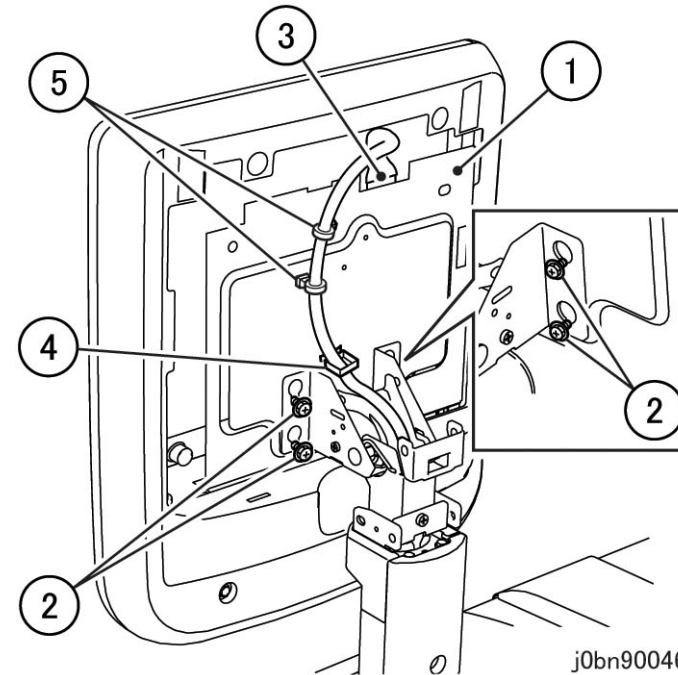


(Figure 37) j0bn90045

j0bn90045

40. Install the UI to the Hinge Assembly. (Figure 38)

- 1) Install the UI.
- 2) Tighten the screw (x4).
- 3) Connect the connector of the UI I/F Cable.
- 4) Secure the UI I/F Cable by using the clamp.
- 5) Install the clamp (x2) of the UI I/F Cable.

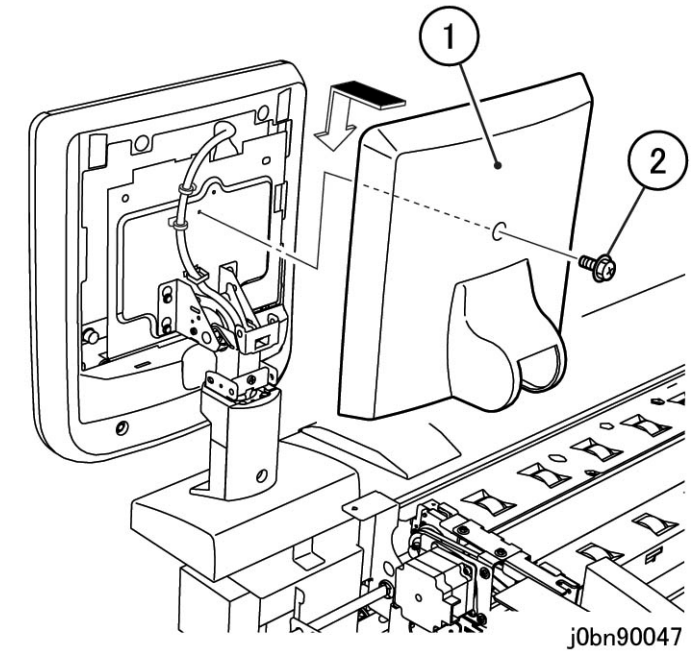


(Figure 38) j0bn90046

j0bn90046

41. Install the UI Rear Cover. (Figure 39)

- 1) Install the UI Rear Cover.
- 2) Tighten the screw.



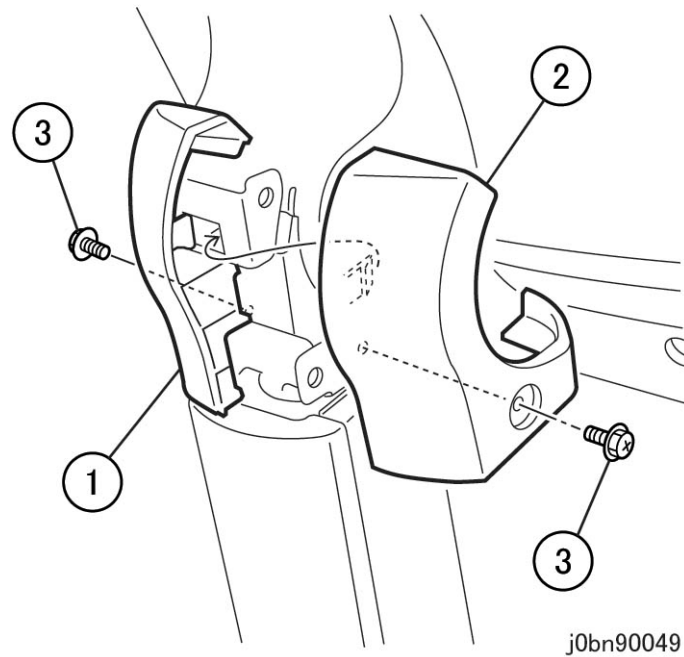
(Figure 39) j0bn90047

j0bn90047

42. Install the Right Hinge Cover and Left Hinge Cover provided in the bundle. (Figure 40)

**注記** Insert the nail of Right Hinge Cover and Left Hinge Cover into the hole of the Hinge Assembly while taking care that the UI I/F cable is not wedged by the Right Hinge Cover and Left Hinge Cover.

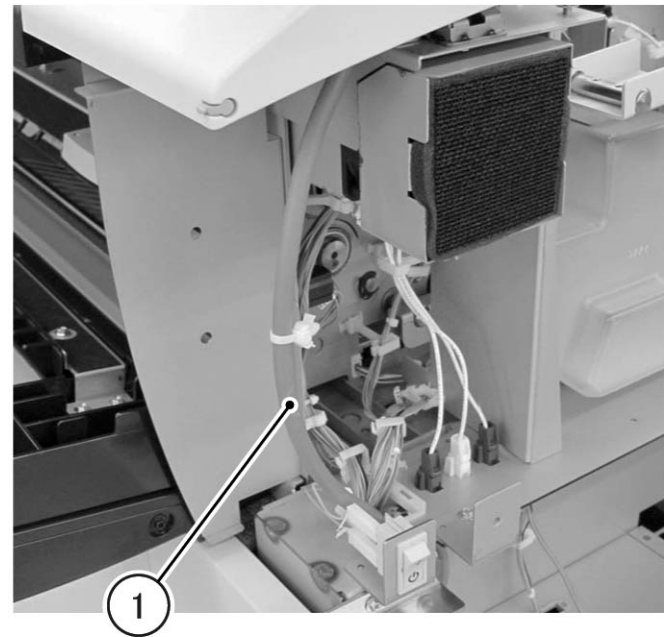
- 1) Install the Right Hinge Cover.
- 2) Install the Left Hinge Cover.
- 3) Tighten the TP screw (M3x6) (x2) provided in the bundle.



(Figure 40) j0bn90049

43. Take in the slack of the UI I/F Cable (Figure 41).

- 1) Put the extra length of the UI I/F Cable into the ESS Assembly to take in the slack of the UI I/F Cable.



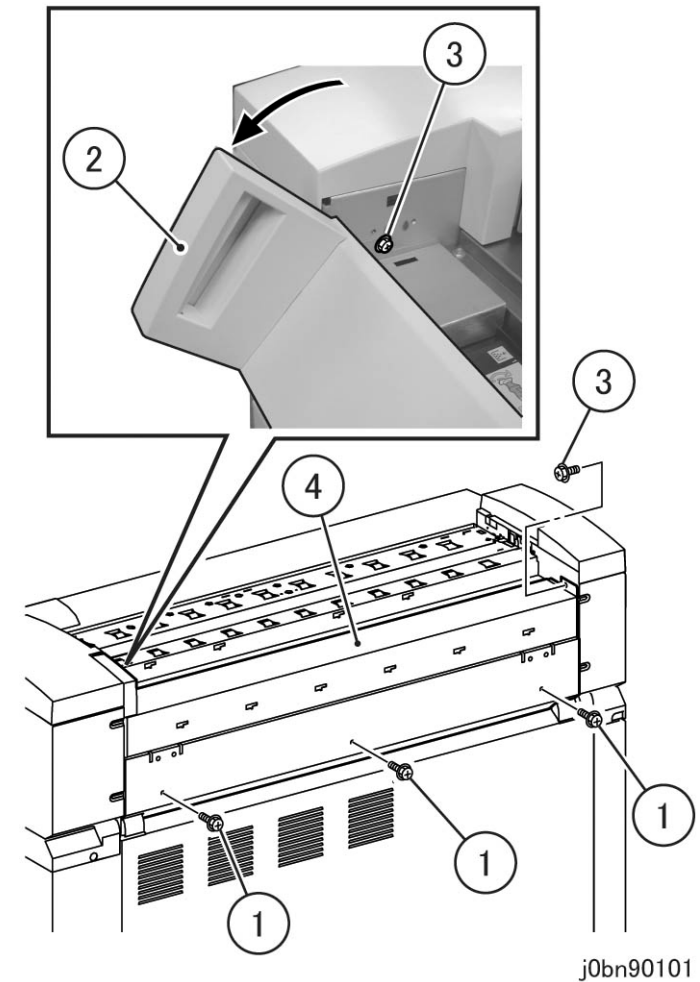
j0bn90156

(Figure 41) j0bn90156

44. Reinstall the Right Upper Cover back to how it was.
45. Close the Fusing Cover.
46. Close the Front Upper Cover.
47. Reinstall the Right Swing Cover back to how it was.

48. Remove the Rear Cover Assembly. (Figure 42)

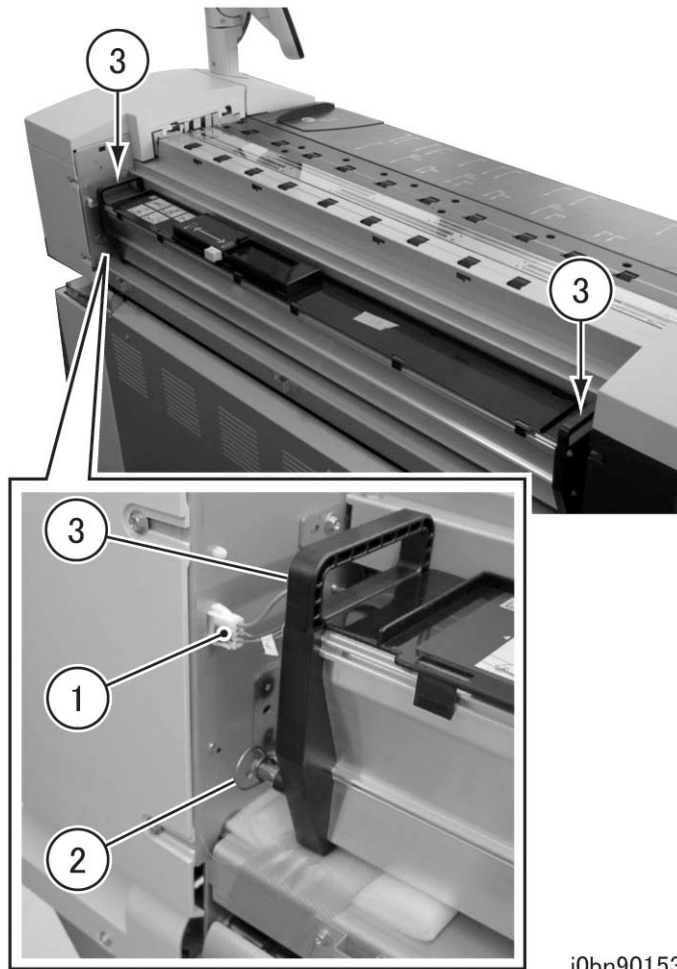
- 1) Remove the screw (x3).
- 2) Open the Rear Top Cover.
- 3) Remove the screw (x2).
- 4) Remove the Rear Cover Assembly.



(Figure 42) j0bn90101

49. Remove the Developer Assembly.(Figure 43)

- 1) Disconnect the connector
- 2) Remove the Developer Tension Spring.
- 3) Hold the Handle (2) to remove the Developer Assembly.

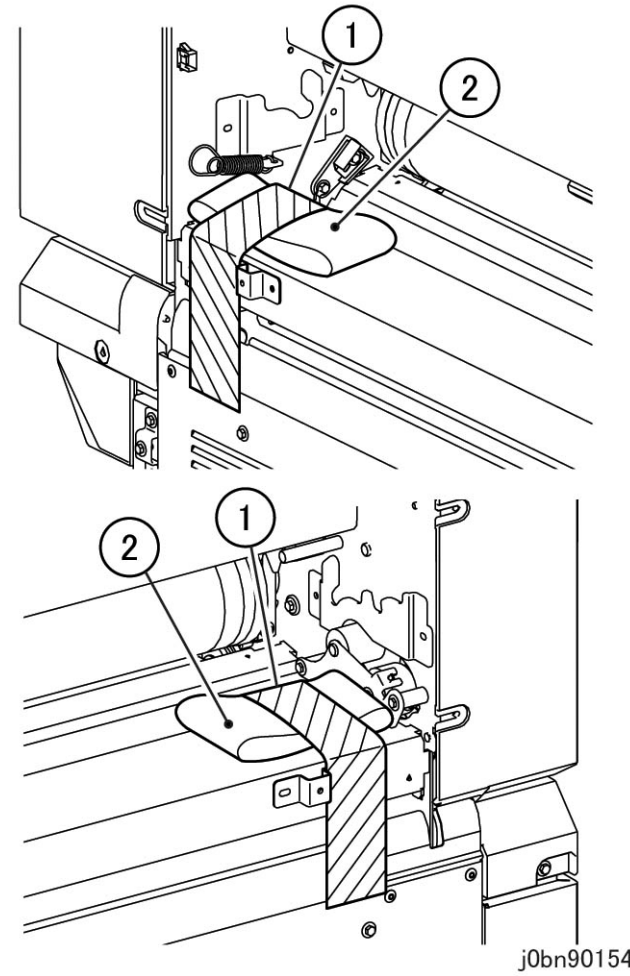


j0bn90153

(Figure 43) j0bn90153

50. Remove the protective sheet. (Figure 44)

- 1) Peel off the Tape.
- 2) Remove the protective sheet.



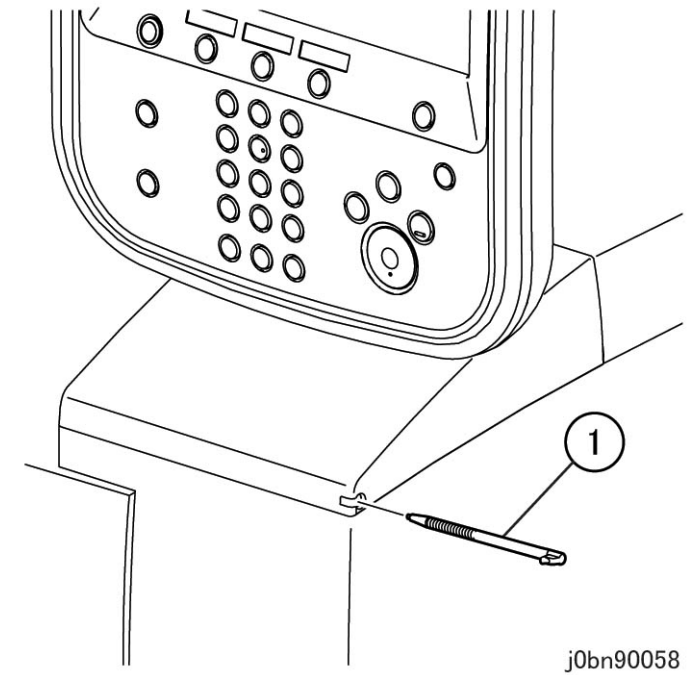
j0bn90154

(Figure 44) j0bn90154

51. Reinstall the Developer Assembly back to how it was.
52. Reinstall the Rear Cover Assembly back to how it was.

53. Reinstall the Upper Document Transport back to how it was.

54. Set the Stylus Pen provided in the bundle on the UI Top Cover. (Figure 45)
  - 1) Set the Stylus Pen.



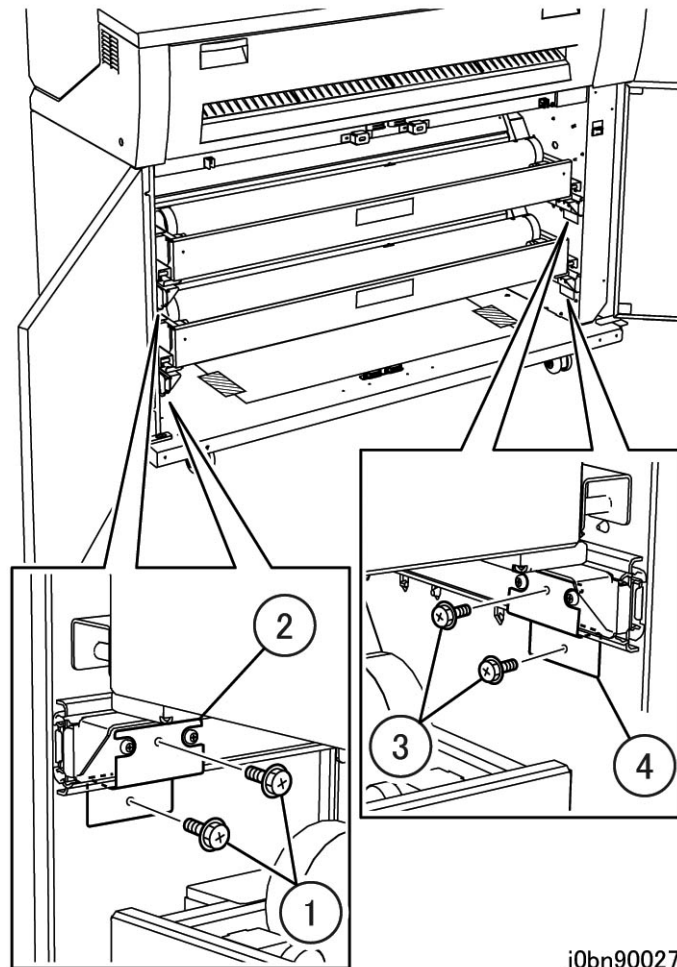
j0bn90058

(Figure 45) j0bn90058

55. Open the Front Right Door and the Front Left Door.
56. Remove the Bracket that secures the Rail of RFC 1 and RFC 2. (Figure 46)

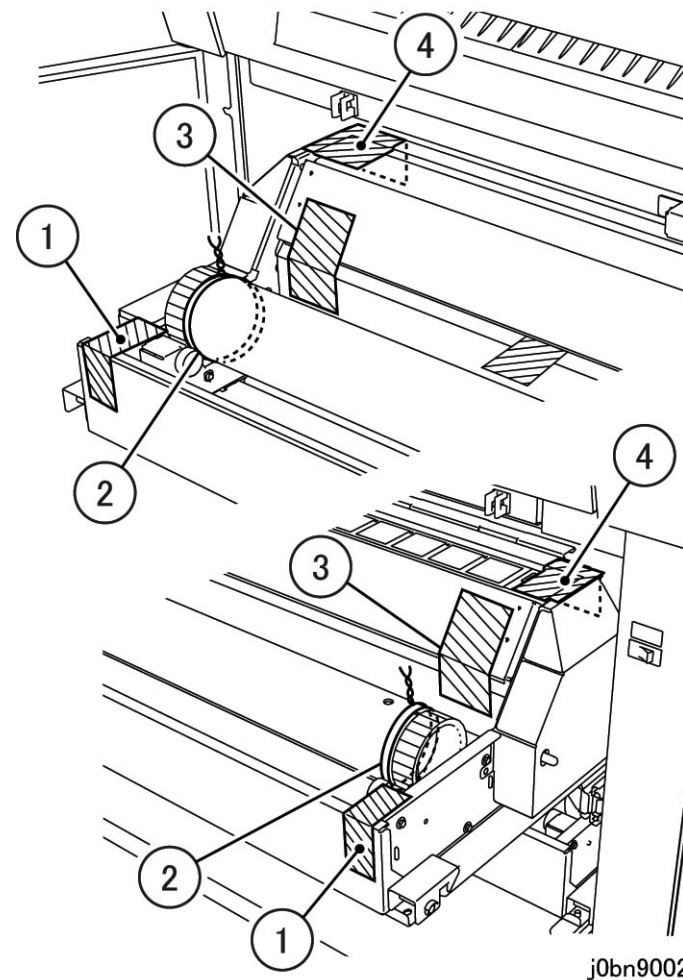
**Note** Put the removed Bracket (x4) and screw (x8) in the extra plastic bag and secure the bag by taping it to the bottom of the RFC board.

- 1) Remove the screw (x2).
- 2) Remove the bracket.
- 3) Remove the screw (x2).
- 4) Remove the bracket.



(Figure 46) j0bn90027

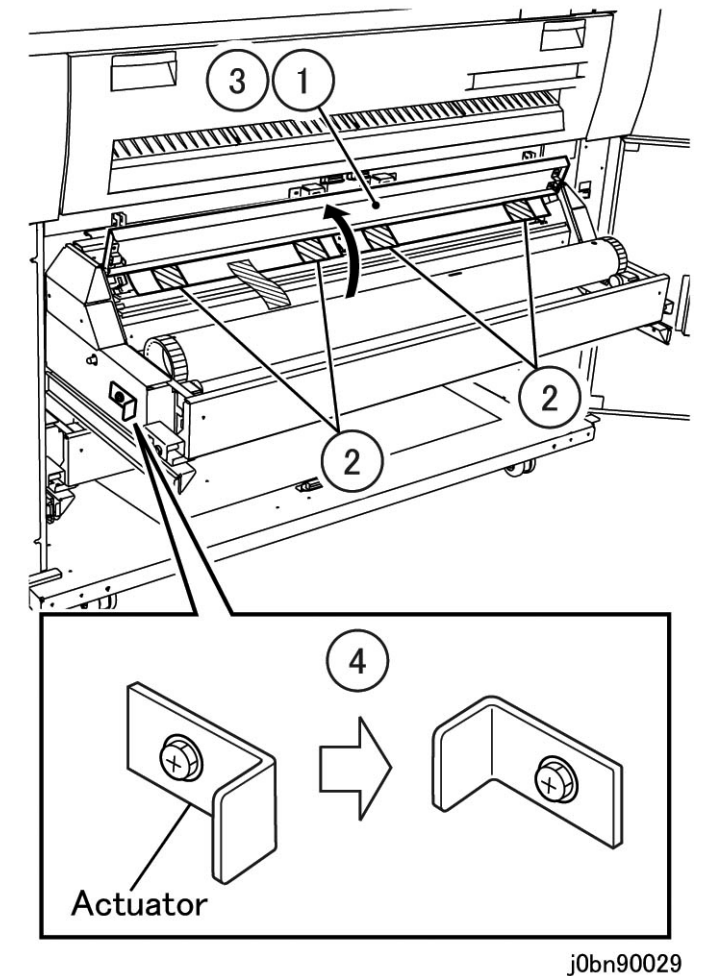
57. Remove the Tape and Twist Tie from the RFC 1. (Figure 47)
- 1) Peel off the Tape and pull out the RFC.
  - 2) Remove the Twist Tie (x2) that secure the Roll Paper Tube.
  - 3) Peel off the Tape.
  - 4) [RFC 1 only] Peel off the Tape.



(Figure 47) j0bn90028

58. Remove the protective sheet of the Cutter of RFC 1 and switch the Actuator of Drawer Open Switch. (Figure 48)

- 1) Open the Cutter Cover.
- 2) Peel off the Tape and remove the protective sheet.
- 3) Close the Cutter Cover.
- 4) Remove the Actuator of the Drawer Open Switch, reverse it, and then reinstall it.

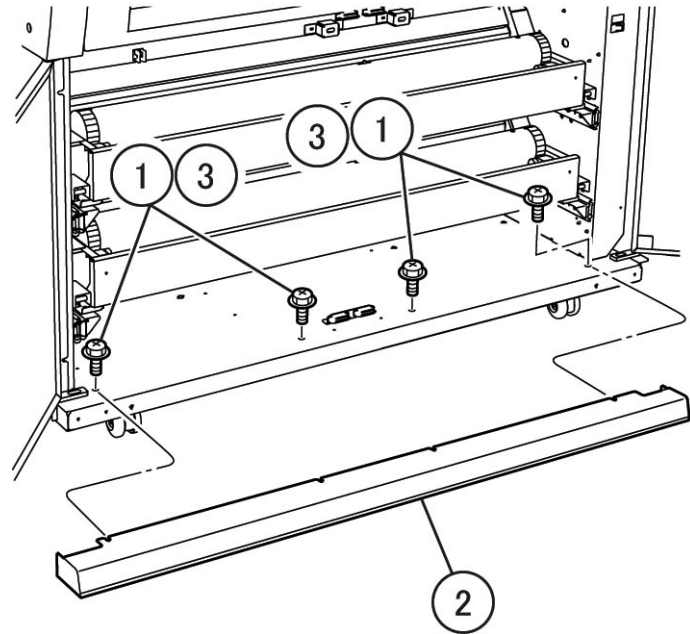


(Figure 48) j0bn90029

59. Remove the Tape and Twist Tie of the RFC 2 and switch the Actuator of Drawer Open Switch using the same procedure as in Step 57. and Step 58.

60. Install the Foot Cover provided in the bundle. (Figure 49)

- 1) Loosely affix the Del TP screw (M4x8) (x4) provided in the bundle.
- 2) Attach the Foot Cover and press it towards the Rear side.
- 3) Tighten the Del TP screw (x4).

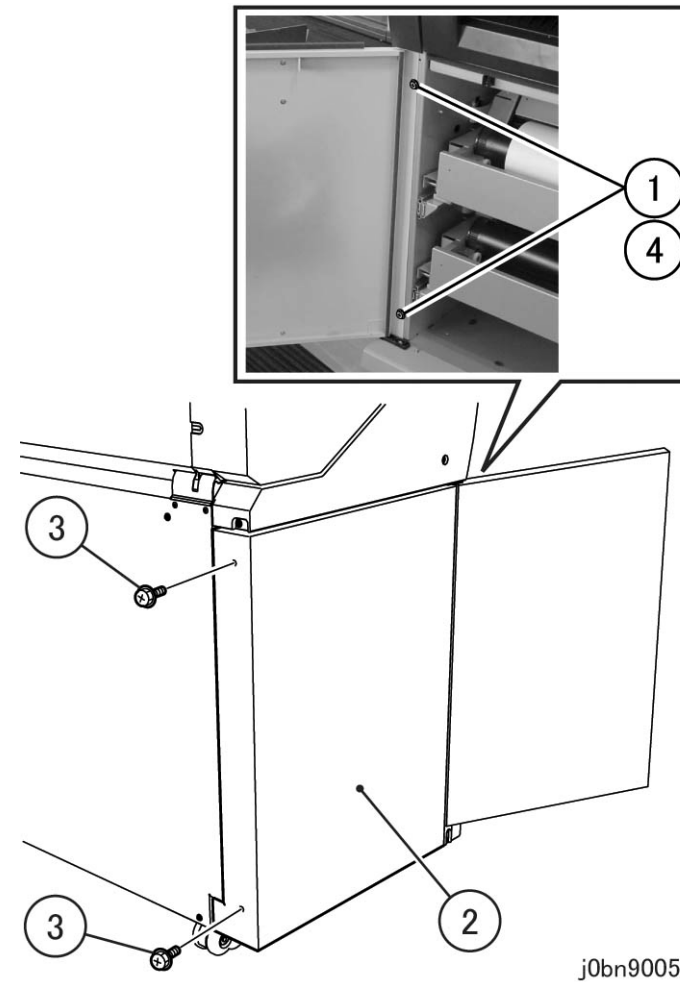


(Figure 49) j0bn90030

j0bn90030

61. Install the Left Lower Cover provided in the bundle. (Figure 50)

- 1) Loosely affix the Del TP screw (M4x8) (x2) provided in the bundle.
- 2) Install the Left Lower Cover.
- 3) Tighten the Del TP screw (M4x8) (x2) provided in the bundle.
- 4) Tighten the Del TP screw (x2).

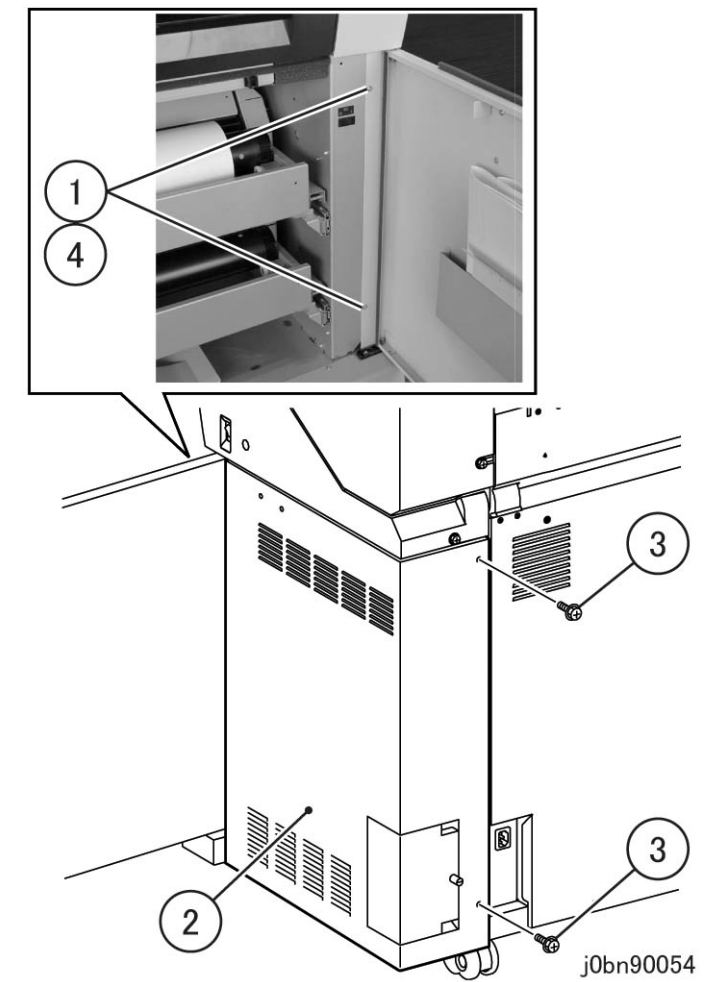


(Figure 50) j0bn90053

j0bn90053

62. Install the Right Lower Cover provided in the bundle. (Figure 51)

- 1) Loosely affix the Del TP screw (M4x8) (x2) provided in the bundle.
- 2) Install the Right Lower Cover.
- 3) Tighten the Del TP screw (M4x8) (x2) provided in the bundle.
- 4) Tighten the Del TP screw (x2).



(Figure 51) j0bn90054

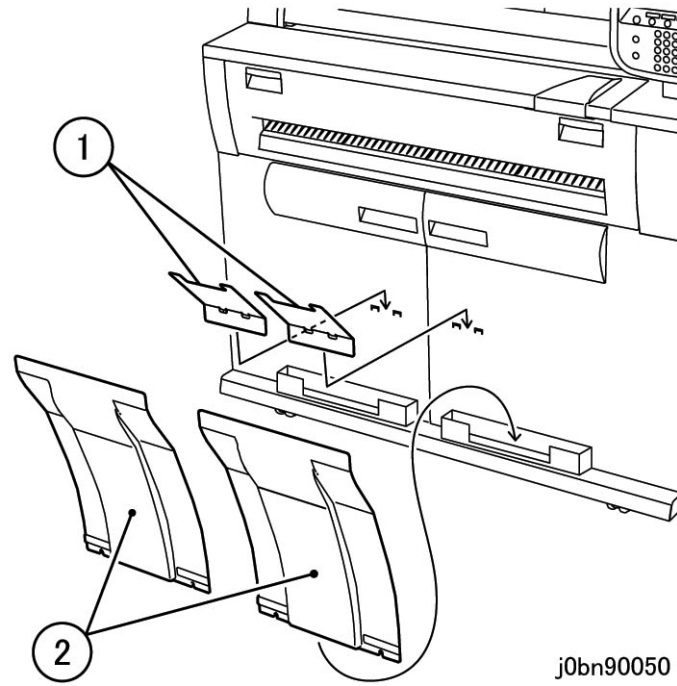
j0bn90054

63. Close the Front Right Door/Front Left Door.



64. Install the Catch Tray and the Stopper provided in the bundle. (Figure 52)

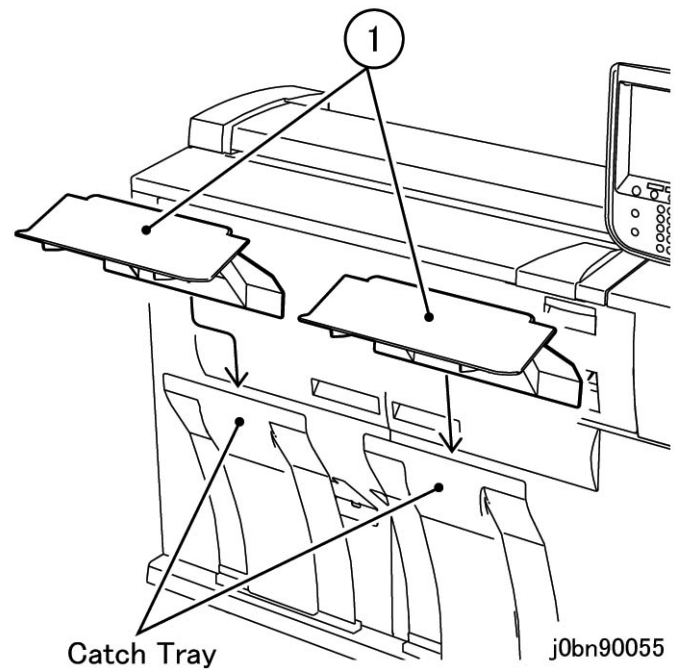
- 1) Install the Catch Tray (x2).
- 2) Install the Stopper (x2).



(Figure 52) j0bn90050

65. Install the Tray Attachment (x2) provided in the bundle. (Figure 53)

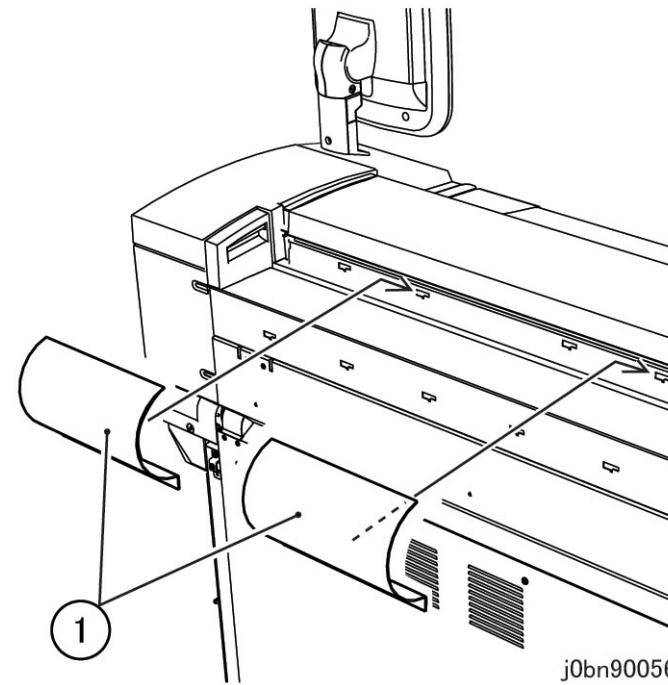
- 1) Install the Catch Tray (x2) to the Tray Attachment (x2).



(Figure 53) j0bn90055

66. Install the Turn Guide provided in the bundle. (Figure 54)

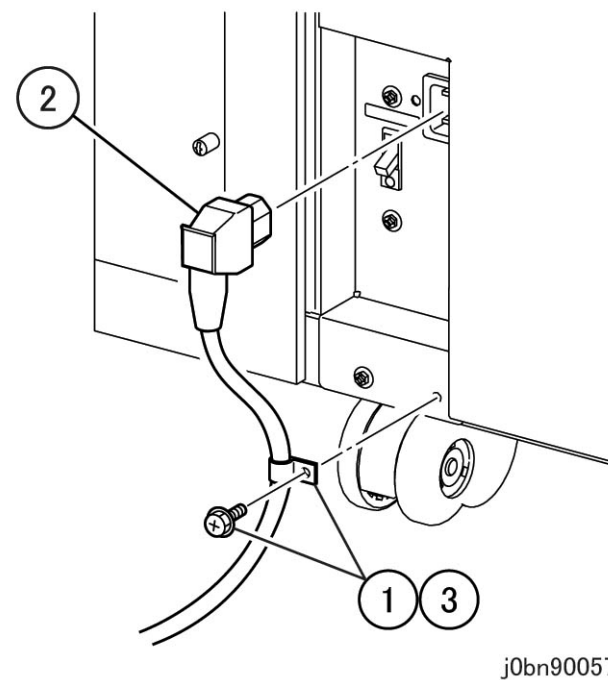
- 1) Install the Turn Guide (x2).



(Figure 54) j0bn90056

67. Connect the Power Cord. (Figure 55)

- 1) Remove the screw and remove the clamp.
- 2) Connect the Power Cord to the Inlet.
- 3) Attach the Power Cord to the clamp and tighten the screw.

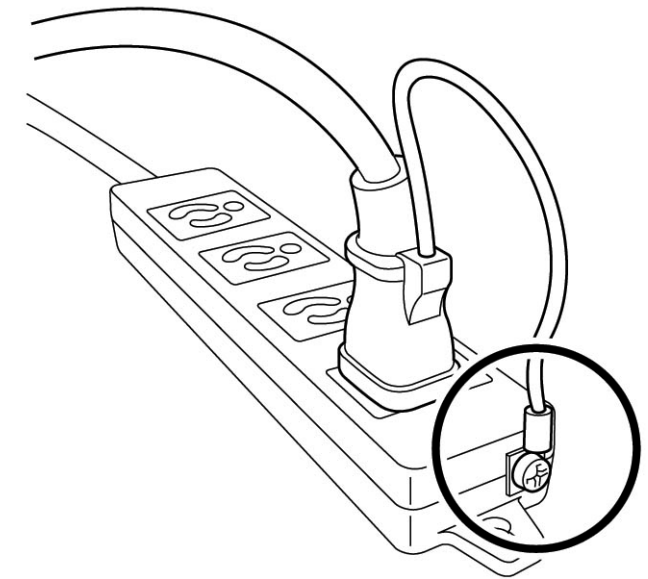


(Figure 55) j0bn90057

68. Check that the Breaker is turned OFF and plug in the power plug to the outlet.

**Note** [FX Only] Make sure that the Ground Wire of the Power Cord is securely connected to the Ground Terminal at the outlet. (Figure 56)

Issue the '1V' MOD Report as the MOD of the WF6705 Main Unit for the Ground Wire connection of the Power Cord.



(Figure 56) j0bn90133

69. Turn ON the Breaker and turn ON the power.
70. Set the Toner Cartridge and supply the Toner.
71. Set the A0 or 36" Roll Paper to either the RFC 1 or RFC 2.
72. Enter the CE Mode to output the Test Pattern or make a copy using the Test Chart (499T 00286) and check the machine operation for problems.
73. Perform the CIS gap Correction. (ADJ 3.1.5)
74. Set the various Software License Options as required.
75. Install the driver and the client software in the Client PC and then verify that the Scan and Print operations are normal.
76. Output the Service Log, record the required items, and then keep it in the designated location.

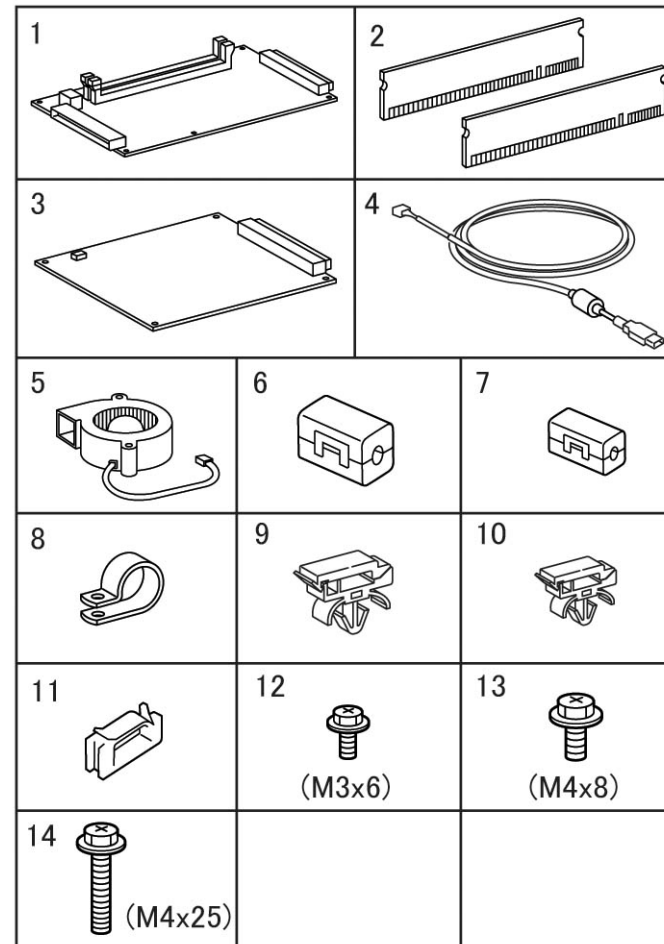
### 8.1.2 Installation of Color Board & Page Memory for IIT

#### <Check the Bundled Items>

Check the following bundled items. (Figure 1)

#### Color Board & Page Memory for IIT (EB100381)

1. PMEM PWB
2. DIMM x2
3. CSCN PWB
4. USB Cable
5. IIT Fan
6. Core (large) x2
7. Core (small)
8. P-Clamp x2
9. Clamp (large)
10. Clamp (small) x8
11. Square Bush
12. Screw (M3x6) x8
13. Screw (M4x8) x2
14. Screw (M4x25) x2



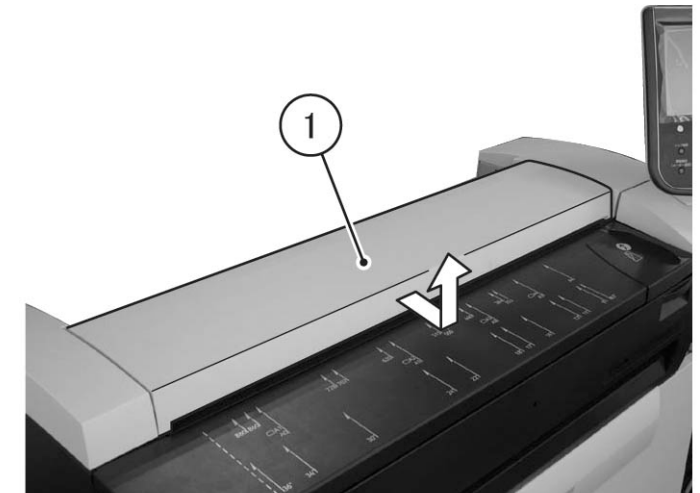
j0bn90007

(Figure 1) j0bn90007

#### <Installation Procedure>

- ⚠ **WARNING**  
Turn OFF the power and the Breaker, and unplug the power plug to prevent electric shock.
- ⚠ **WARNING**  
Static electricity may damage some parts. Wear a wrist strap when servicing. If a wrist strap is not available, touch some metallic parts before servicing to discharge the static electricity.

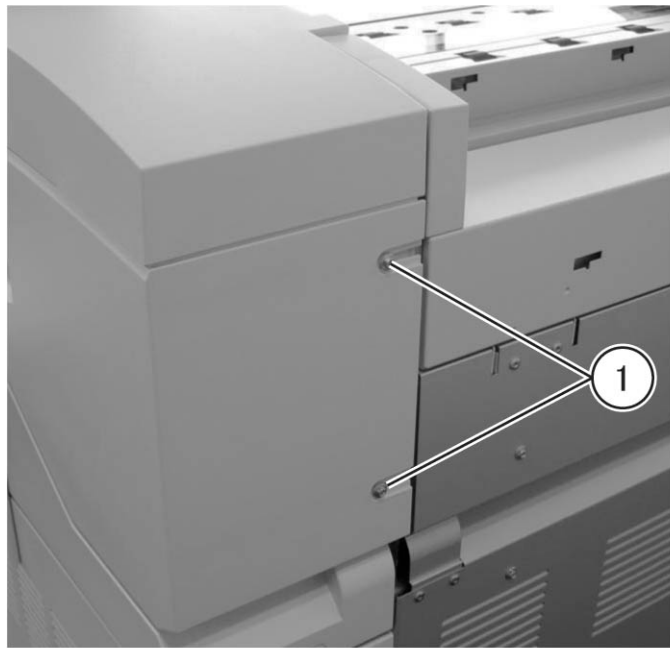
1. Remove the Turn Guide (x2).
2. Remove the Upper Document Transport. (Figure 2)
  - 1) Remove the Upper Document Transport in the direction of the arrow.



j0bn40407

(Figure 2) j0bn40407

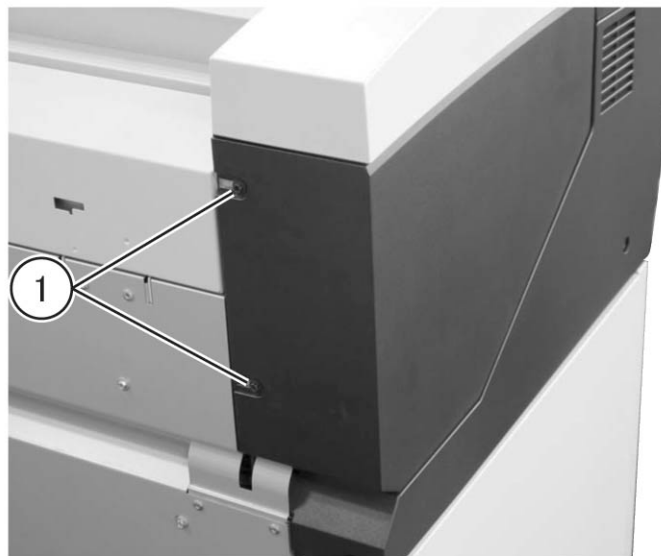
3. Remove the screw at the Rear of the Right Swing Cover. (Figure 3)
  - 1) Remove the screw (x2).



j0bn40914

(Figure 3) j0bn40914

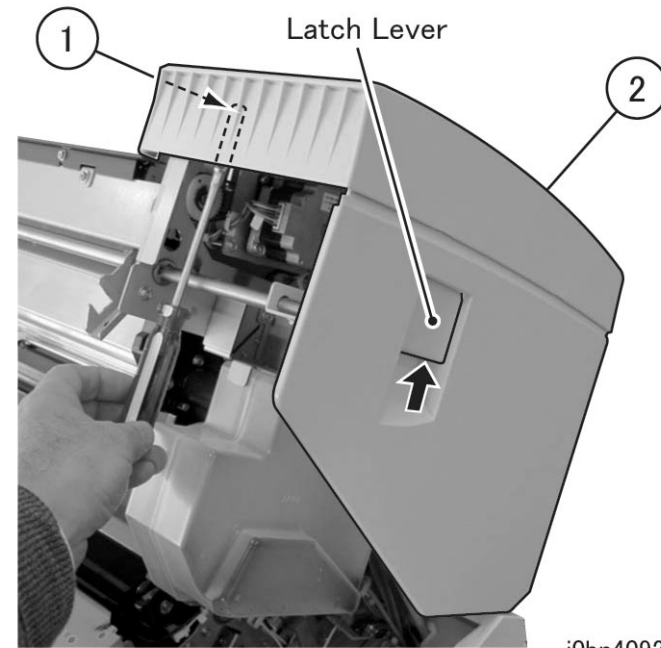
4. Remove the screw at the Rear of the Left Swing Cover. (Figure 4)
  - 1) Remove the screw (x2).



j0bn40924

(Figure 4) j0bn40924

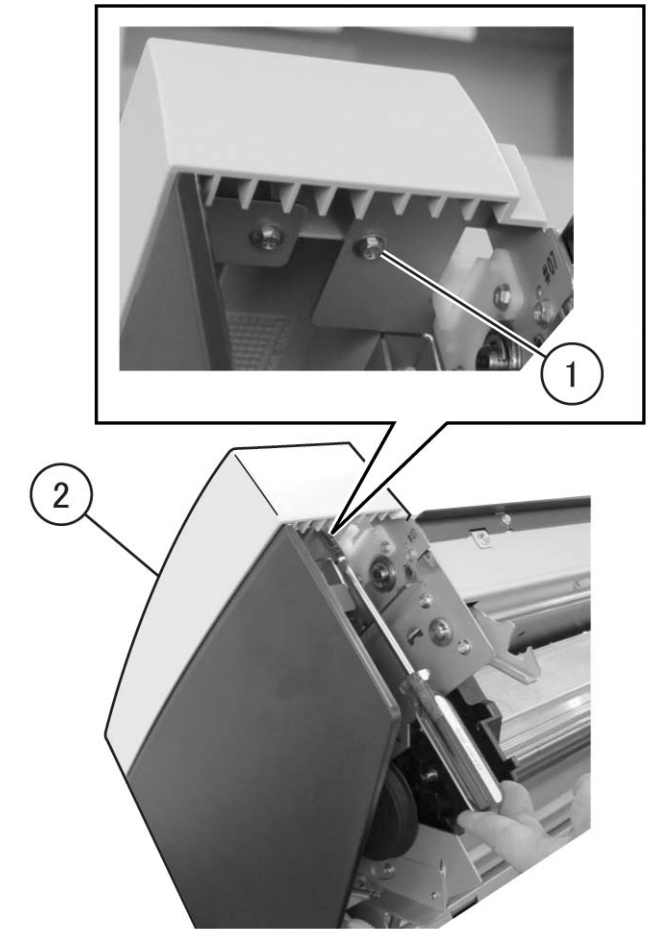
5. Open the Rear Top Cover.
6. Open the Swing Frame.
7. Remove the Right Swing Cover. (Figure 5)
  - 1) Remove the Tapping Screw.
  - 2) Raise the Latch Lever to remove the Right Swing Cover.



j0bn40926

(Figure 5) j0bn40926

8. Remove the Left Swing Cover. (Figure 6)
  - 1) Remove the Tapping Screw.
  - 2) Remove the Left Swing Cover.

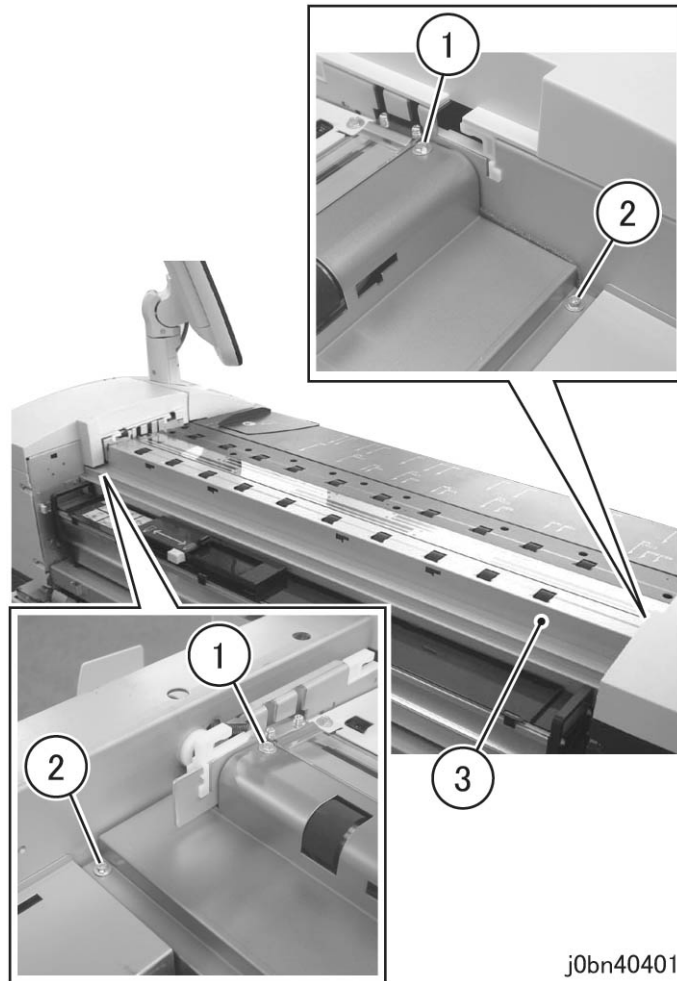


j0bn40925

(Figure 6) j0bn40925

9. Remove the Rear Lower Baffle. (Figure 7)

- 1) Remove the screw (x2).
- 2) Remove the screw (x2).
- 3) Remove the Rear Lower Baffle.

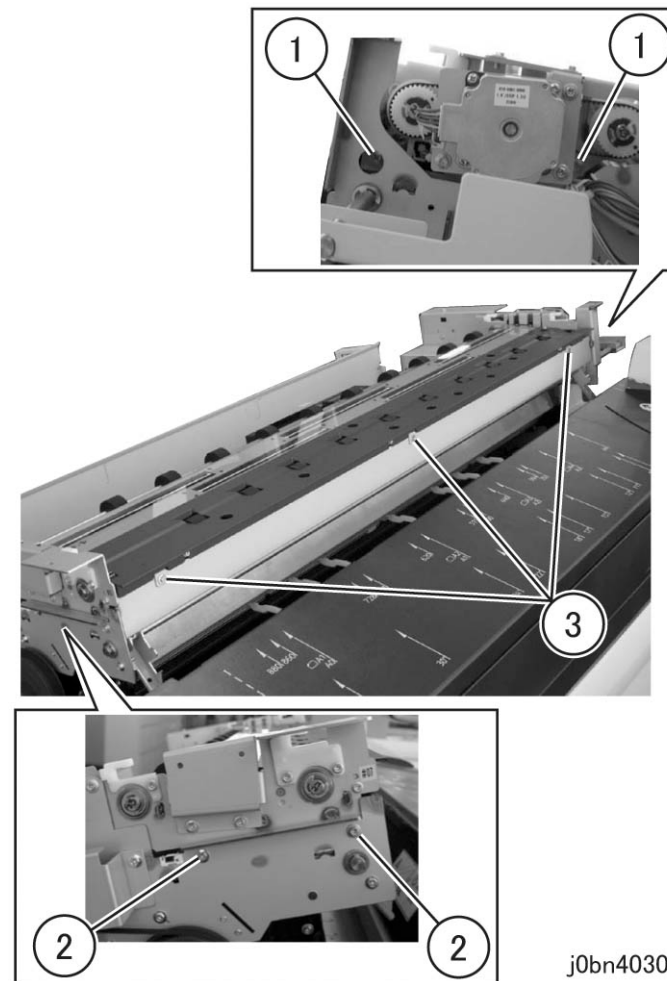


j0bn40401

(Figure 7) j0bn40401

10. Remove the screw of the IIT Frame. (Figure 8)

- 1) Remove the screw (x2).
- 2) Remove the screw (x2).
- 3) Remove the screw (x3).



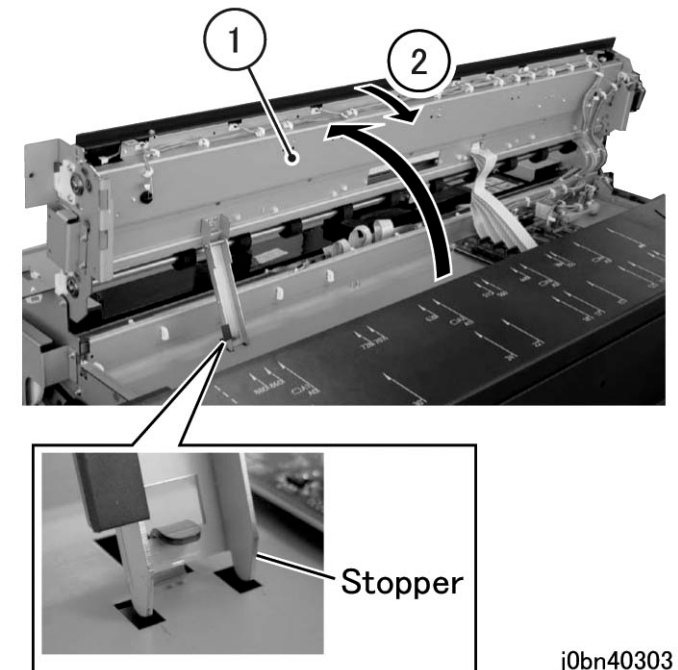
j0bn40302

(Figure 8) j0bn40302

12. Open the IIT Frame. (Figure 9)

**Note** When opening the IIT Frame, make sure to do it with the Swing Frame closed.

- 1) Open the IIT Frame until the Stopper is set into the hole of the Frame.
- 2) Return it while making sure that the IIT Frame is being held by the Stopper.

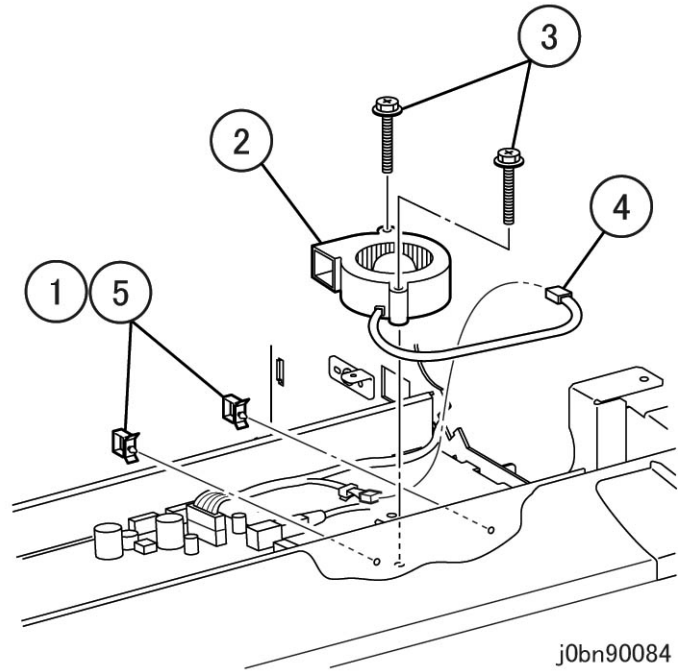


j0bn40303

(Figure 9) j0bn40303

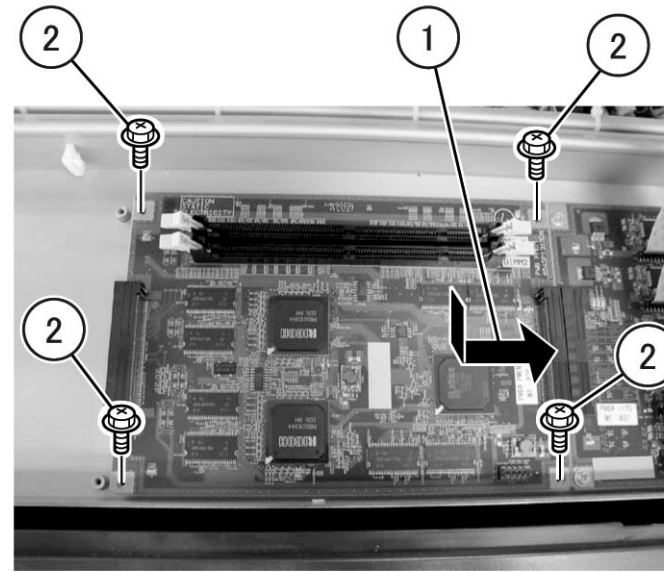
11. Close the Swing Frame.

13. Install the IIT Fan provided in the bundle. (Figure 10)
  - 1) Install the clamp (small) (x2) provided in the bundle.
  - 2) Install the IIT Fan.
  - 3) Tighten the screw (M4x25) (x2) provided in the bundle.
  - 4) Connect the connector.
  - 5) Secure the harness of the IIT Fan by using the clamp (small) (x2).



(Figure 10) j0bn90084

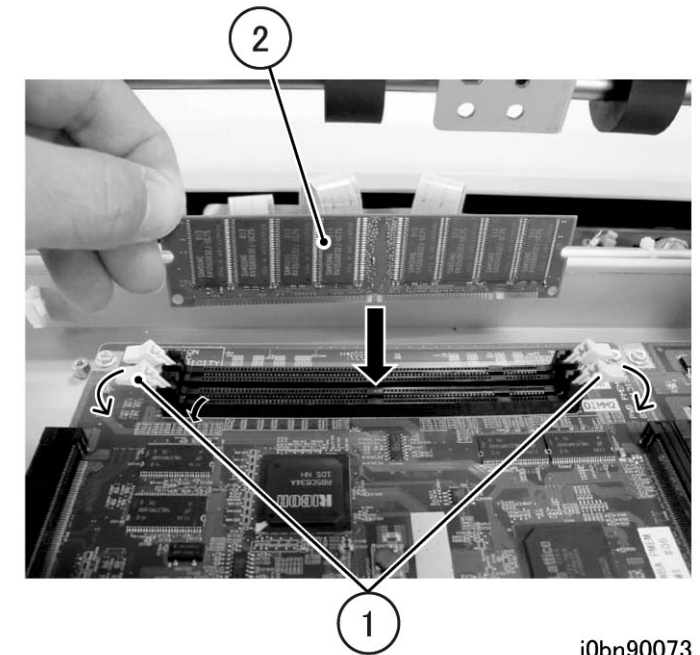
14. Install the PMEM PWB provided in the bundle. (Figure 11)
  - 1) Install the PMEM PWB and connect it to the connector of the IIT PWB.
  - 2) Tighten the screw (M3x6) (x4) provided in the bundle.



j0bn90071

(Figure 11) j0bn90071

15. Install the DIMM (x2) provided in the bundle. (Figure 12)
  - 1) Open the hook (x2) of DIMM 2 Slot.
  - 2) Align the U-shaped gutter of the DIMM to the protrusion of the Slot and insert it.
  - 3) Open the hook (x2) of the DIMM 1 Slot in the same way and align the DIMM to the protrusion of the Slot and insert it.

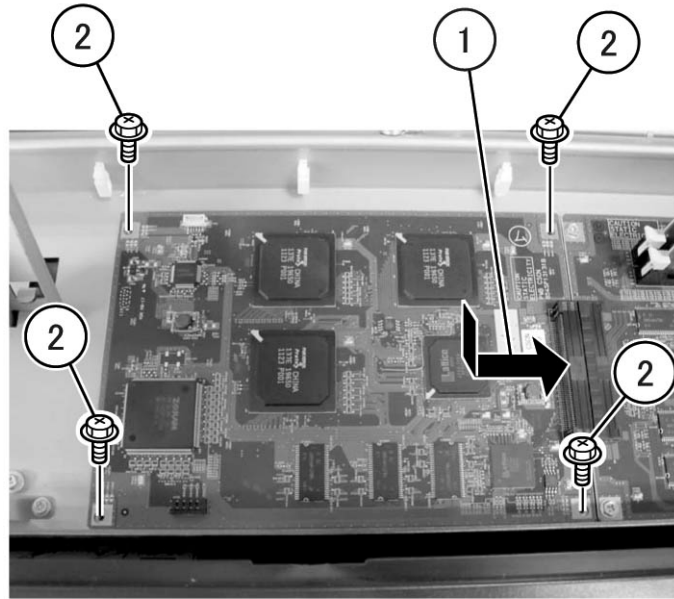


j0bn90073

(Figure 12) j0bn90073

16. Install the CSCN PWB provided in the bundle. (Figure 13)

- 1) Install the CSCN PWB and connect it to the connector of the PMEM PWB.
- 2) Tighten the screw (M3x6) (x4) provided in the bundle.



j0bn90072

(Figure 13) j0bn90072

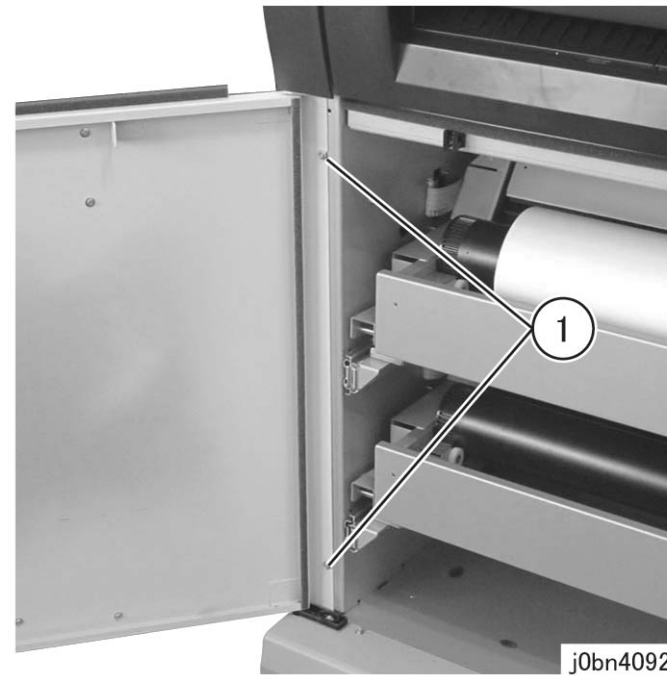
The subsequent procedures show how to set up the USB cable for connecting to the host (for Direct Scan).

If you are not setting up the USB cable for connecting to the host (for Direct Scan), omit the procedure of [When Installing USB Cable Only], and proceed.

17. [When Installing USB Cable Only] Open the Front Left Door.

18. [When Installing USB Cable Only] Loosen the screw at the Front of the Left Lower Cover. (Figure 14)

- 1) Loosen the screw (x2).

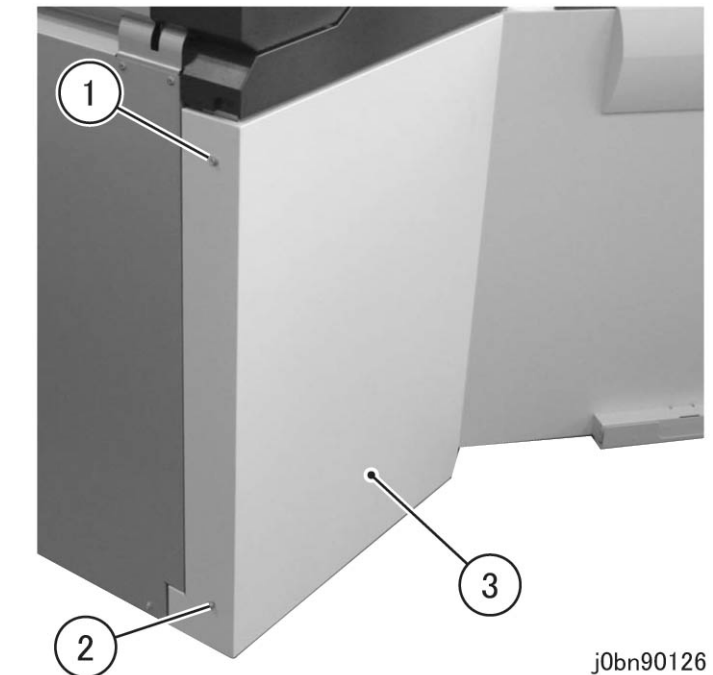


j0bn40927

(Figure 14) j0bn40927

19. [When Installing USB Cable Only] Remove the Left Lower Cover. (Figure 15)

- 1) Remove the screw.
- 2) Remove the screw.
- 3) Remove the Left Lower Cover.



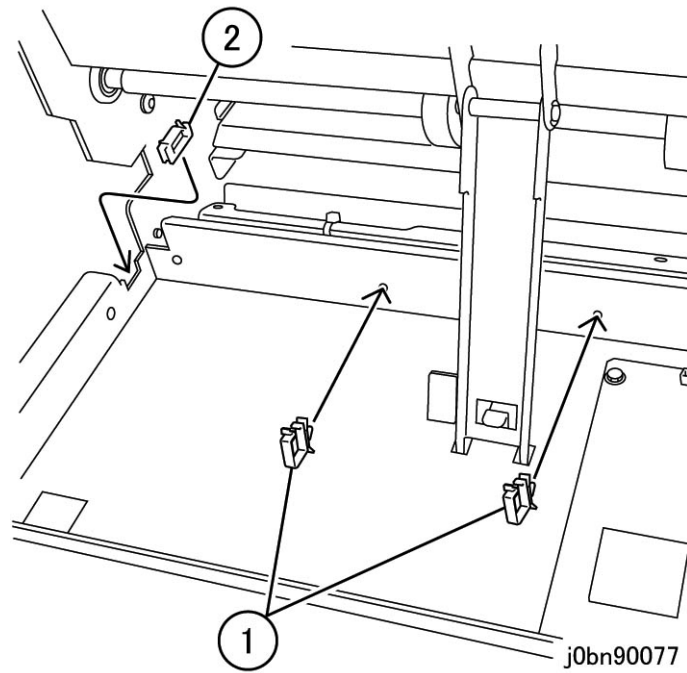
j0bn90126

(Figure 15) j0bn90126

20. [When Installing USB Cable Only] Close the Front Left Door.

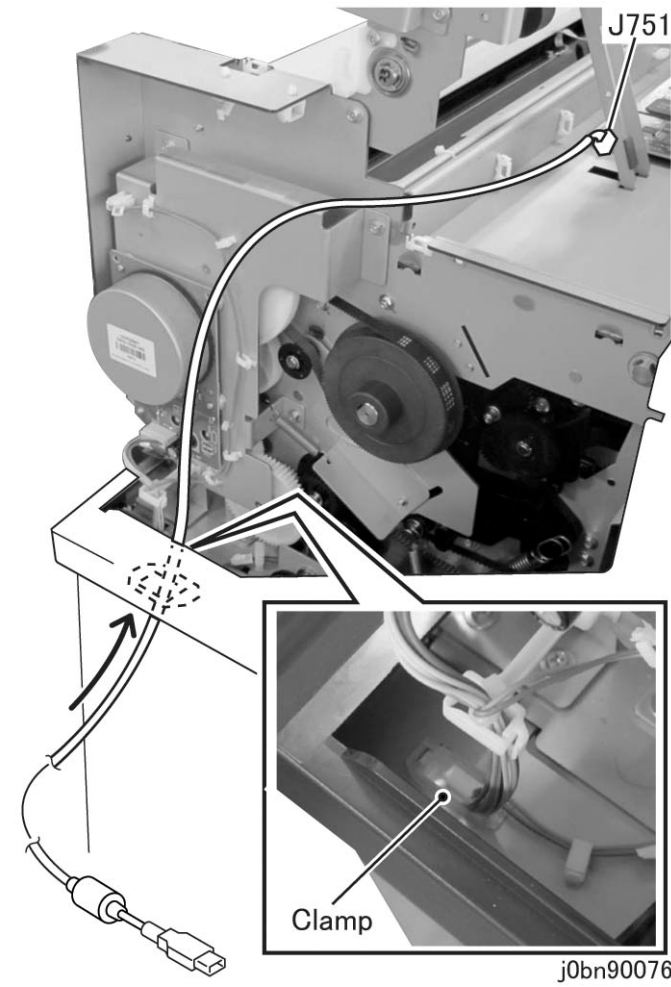
21. **[When Installing USB Cable Only]** Install the clamp (small) (x2) and Square Bush provided in the bundle. (Figure 16)

- 1) Install the clamp (small) (x2) provided in the bundle.
- 2) Install the Square Bush provided in the bundle.



(Figure 16) j0bn90077

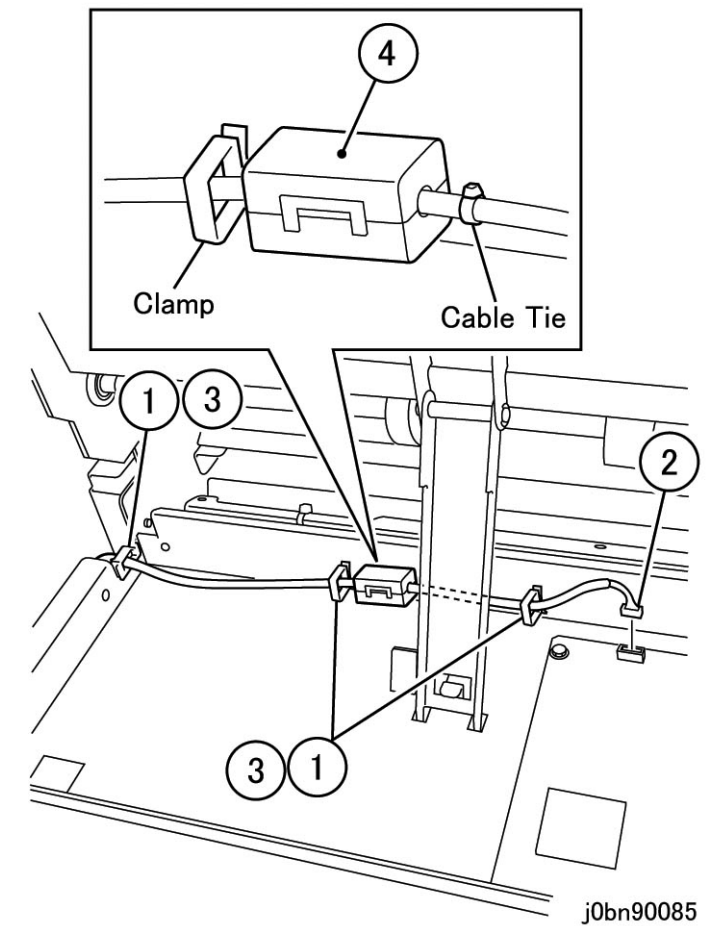
22. **[When Installing USB Cable Only]** Bring up the connector (J751) of the USB Cable provided in the bundle from underneath the clamp to above the Frame. (Figure 17)



(Figure 17) j0bn90076

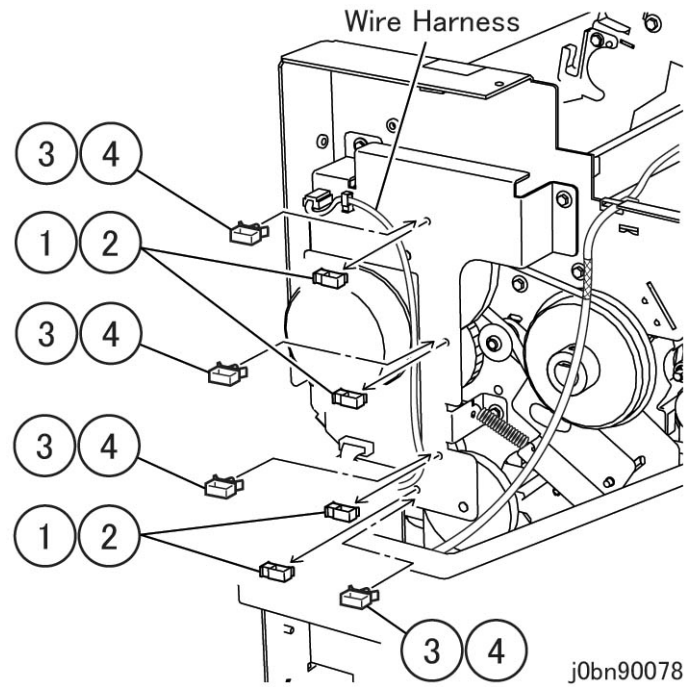
23. **[When Installing USB Cable Only]** Connect the USB Cable to the CSCN PWB and install the Core (small) provided in the bundle. (Figure 18)

- 1) Release the clamp (small) (x2) and the Square Bush.
- 2) Connect the connector (J751) of the USB Cable to the CSCN PWB.
- 3) Secure the USB Cable by using the clamp (small) (x2) and the Square Bush.
- 4) Install the Core (small) between the clamp and the Cable Tie.



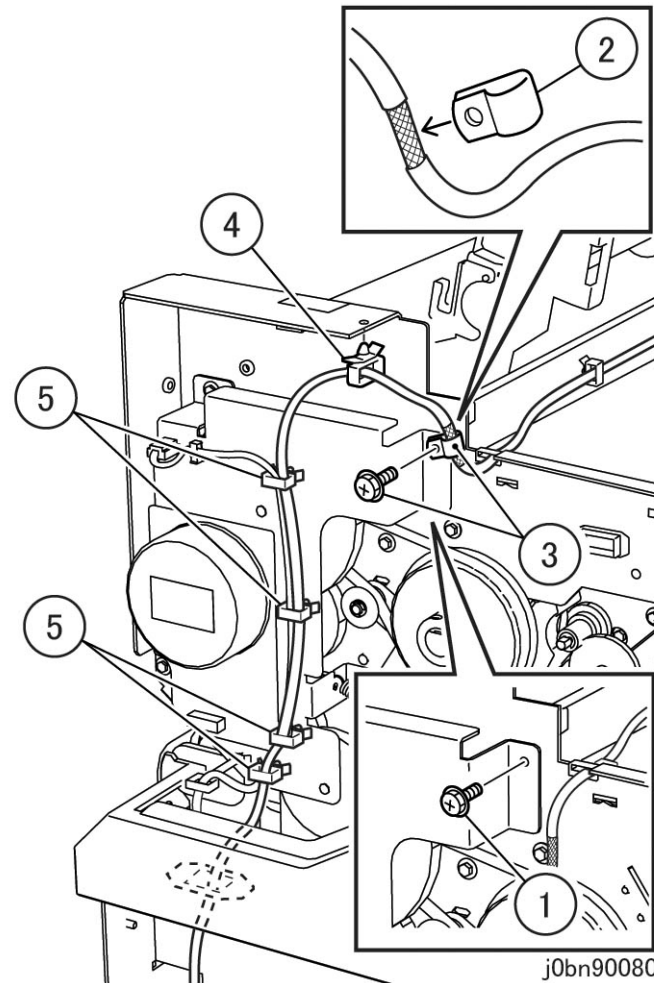
(Figure 18) j0bn90085

24. **[When Installing USB Cable Only]** Remove the clamp (x4) that are installed at the Main Motor and Deve Clutch and install the clamp (small) (x4) provided in the bundle. (Figure 19)
- 1) Release the clamp (x4) and remove the wire harness.
  - 2) Remove the clamp (x4).
- Note** The removed clamp (x4) will not be used.
- 3) Install the clamp (small) (x4) provided in the bundle.
  - 4) Pass the wire harness that was released in Step 1) through the clamp (small) (x4). However, leave the clamp (small) (x4) in released state.



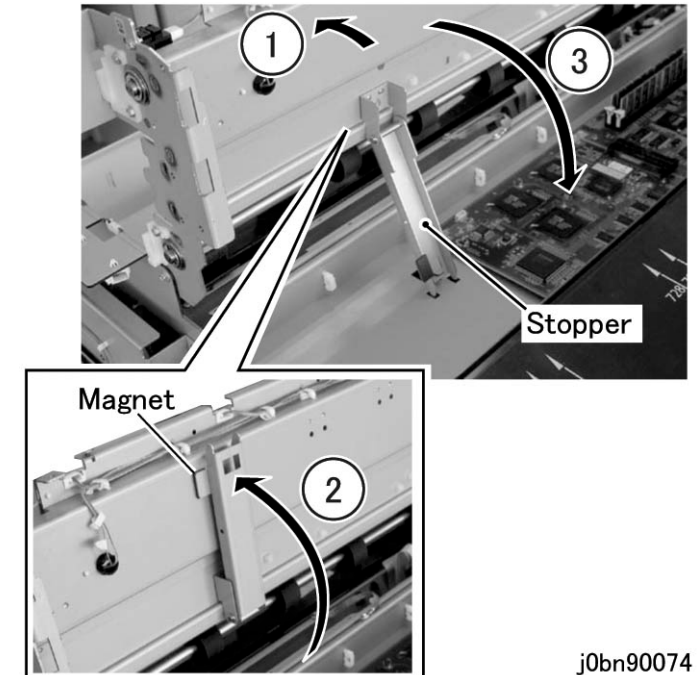
(Figure 19) j0bn90078

25. **[When Installing USB Cable Only]** Secure the USB Cable by using the P-Clamp and the clamp (large) provided in the bundle and the clamp (x4). (Figure 20)
- 1) Remove the screw.
- Note** The removed screw will not be used.
- 2) Install the P-Clamp to the section of the USB Cable where the insulation is cut.
  - 3) Use the screw (M4x8) provided in the bundle to secure the P-Clamp together with the Main Drive Assembly.
  - 4) Attach the clamp (large) provided in the bundle and secure the USB Cable.
  - 5) Secure the USB Cable by using the clamp (x4).



(Figure 20) j0bn90080

26. Close the IIT Frame. (Figure 21)
- 1) Raise the IIT Frame slightly to free the Stopper.
  - 2) Let the Magnet of the Stopper adhere to the IIT Frame.
  - 3) Close the IIT Frame slowly.



(Figure 21) j0bn90074

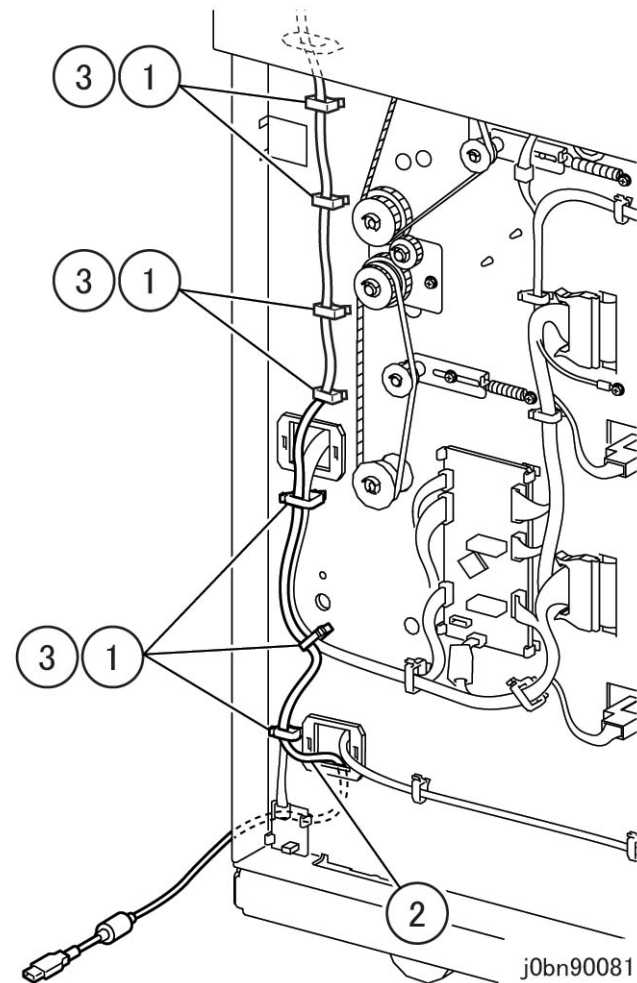


27. Open the Swing Frame.

28. **[When Installing USB Cable Only]** Secure the USB Cable by using the clamp (x7). (Figure 22)

**Note** Check any loose end of USB Cable and fix it by a clamp so that the load does not apply to the USB Cable by opening and closing of the swing frame.

- 1) Release the clamp (x7) at the Frame.
- 2) Insert the USB Cable into the clamps and pass the connector of the USB Cable through the hole at the Frame and pull it out to the Rear of the machine.
- 3) Secure the clamp (x7).

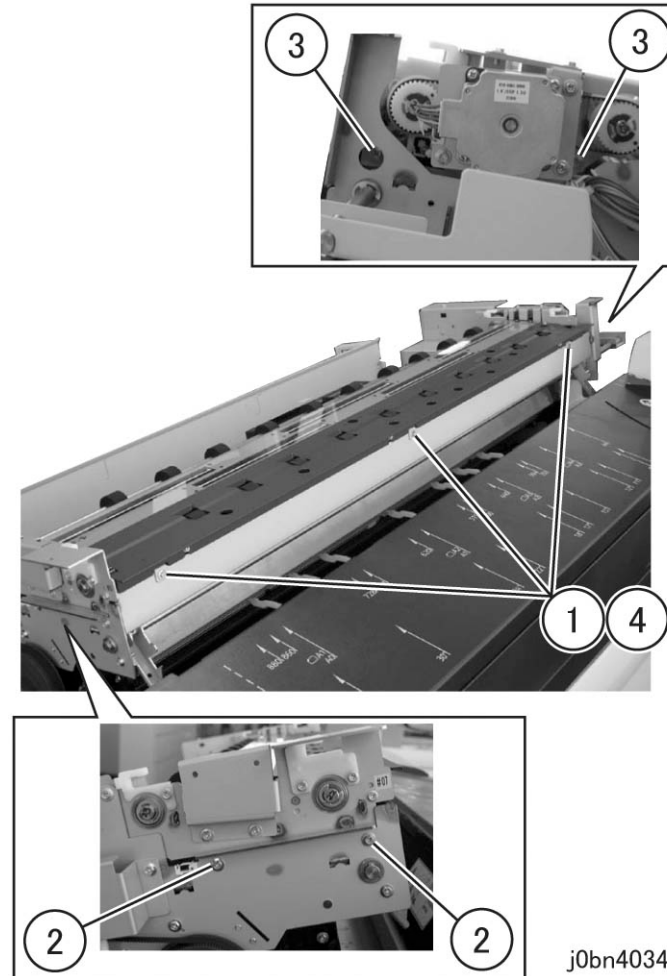


(Figure 22) j0bn90081

29. Install the screw of the IIT Frame. (Figure 23)

**Note** Tighten the screws as follows.

- 1) Loosely affix the screw (x3).
- 2) Tighten the screw (x2).
- 3) Tighten the screw (x2).
- 4) Tighten the screw (x3).

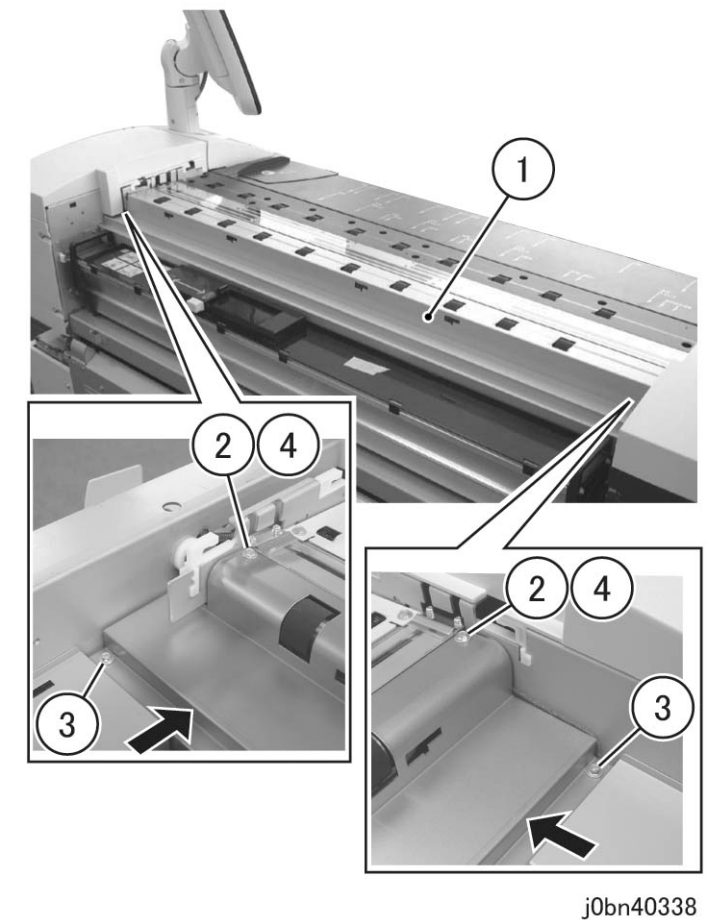


(Figure 23) j0bn40344

30. Close the Swing Frame.

31. Install the Rear Lower Baffle. (Figure 24)

- 1) Install the Rear Lower Baffle.
- 2) Loosely affix the screw (x2).
- 3) Tighten the screw (x2) while pressing the Rear Lower Baffle against the Front side.
- 4) Tighten the screw (x2).

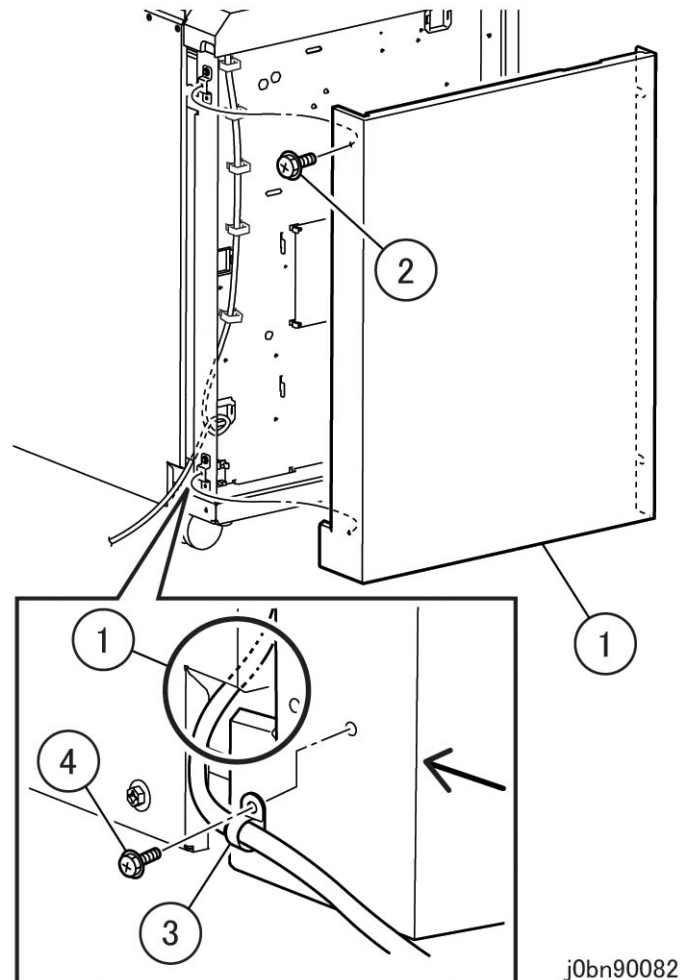


(Figure 24) j0bn40338

32. **[When Installing USB Cable Only]** Open the Front Left Door.
33. **[When Installing USB Cable Only]** Install the Left Lower Cover. (Figure 25)

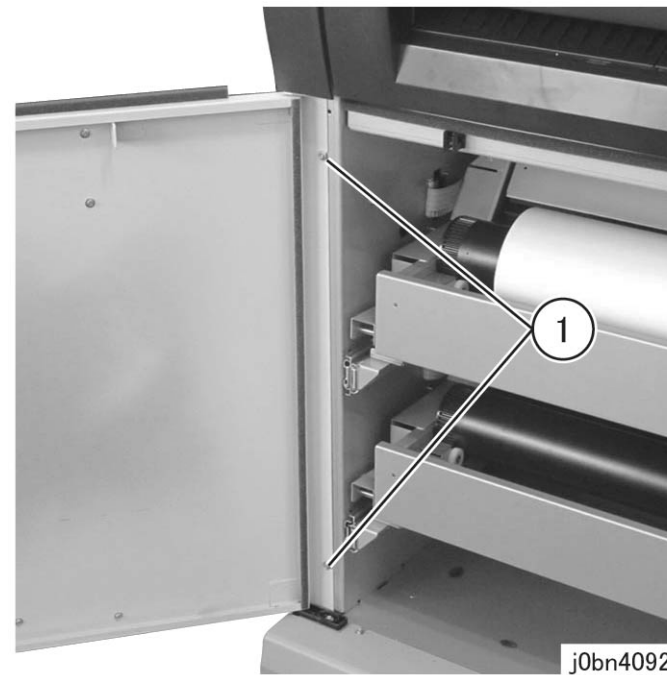
**Note** When installing the Left Lower Cover, take care so as not to pinch the USB Cable.

- 1) Install the Left Lower Cover. At this time, insert the USB Cable between the Left Lower Cover and the Rear Lower Cover.
- 2) Tighten the screw.
- 3) Attach the P-Clamp provided in the bundle to the USB Cable.
- 4) Use the screw (M4x8) provided in the bundle to secure the P-Clamp together with the Left Lower Cover.



(Figure 25) j0bn90082

34. **[When Installing USB Cable Only]** Tighten the screw at the Front of the Left Lower Cover. (Figure 26)
- 1) Tighten the screw (x2).

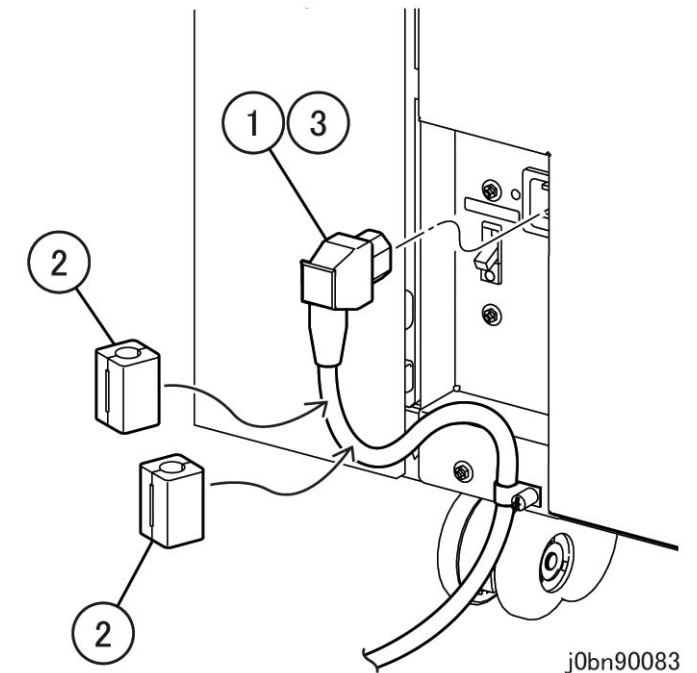


(Figure 26) j0bn40927

35. **[When Installing USB Cable Only]** Close the Front Left Door.
36. Reinstall the Left Swing Cover back to how it was.
37. Reinstall the Right Swing Cover back to how it was.
38. Install the Upper Document Transport.
39. Install the Turn Guide (x2).

40. **[When Installing USB Cable Only]** Attach the Core (large) (x2) provided in the bundle to the Power Cord. (Figure 27)

- 1) Disconnect the Power Cord.
- 2) Attach the Core (large) (x2).
- 3) Connect the Power Cord.



(Figure 27) j0bn90083

41. Check that the Breaker is turned OFF and plug in the power plug to the outlet.
42. Turn ON the Breaker and turn ON the power.
43. Make a copy of the Test Chart (499T 00286) and check that there is no problem.
44. [FX Only] Issue the '150V' MOD Report as the MOD of the WF6705 Main Unit for the installation of Color Board & Page Memory for IIT.

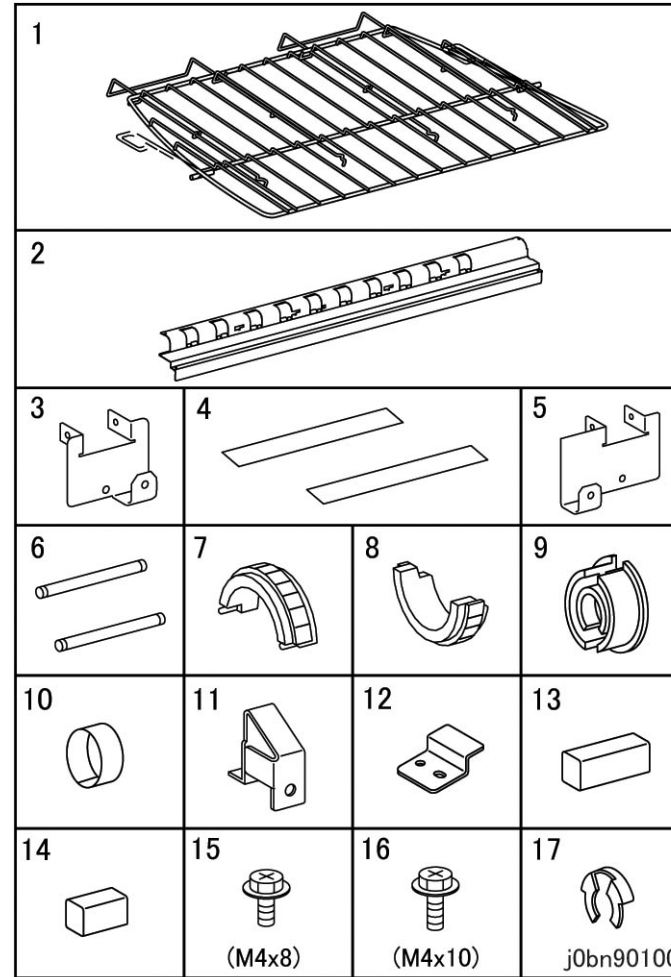
### 8.1.3 Scanner Catch Tray Installation

#### <Check the Bundled Items>

Check the following bundled items. (Figure 1)

#### **Scanner Catch Tray (EB100382)**

1. Document Catch Tray
2. Rear Lower Baffle
3. Left Support Bracket
4. Film
5. Right Support Bracket
6. Shaft x2
7. Paddle 1 x10
8. Paddle 2 x10
9. Collar x10
10. Tape x10
11. Tray Guide
12. Bracket x2
13. Gasket (long)
14. Gasket (short)
15. Screw (M4x8) x2
16. Screw (M4x10) x2
17. KL-Clip x4

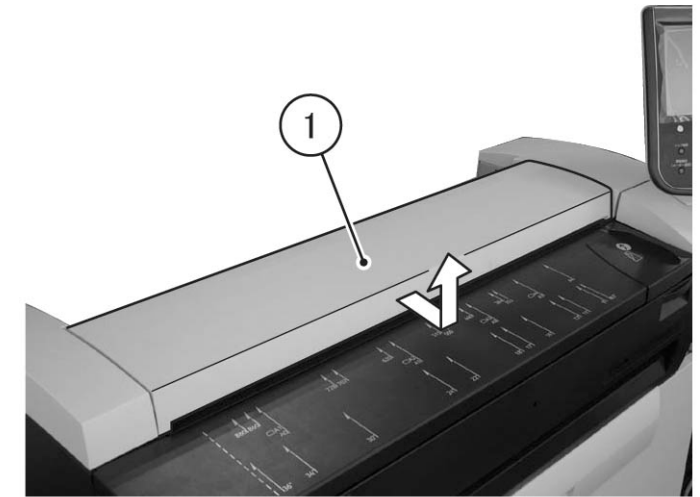


(Figure 1) j0bn90100

#### <Installation Procedure>

**⚠ WARNING**  
Turn OFF the power and the Breaker, and unplug the power plug to prevent electric shock.

1. Remove the Turn Guide (x2).
2. Remove the Upper Document Transport. (Figure 2)
  - 1) Remove the Upper Document Transport in the direction of the arrow.

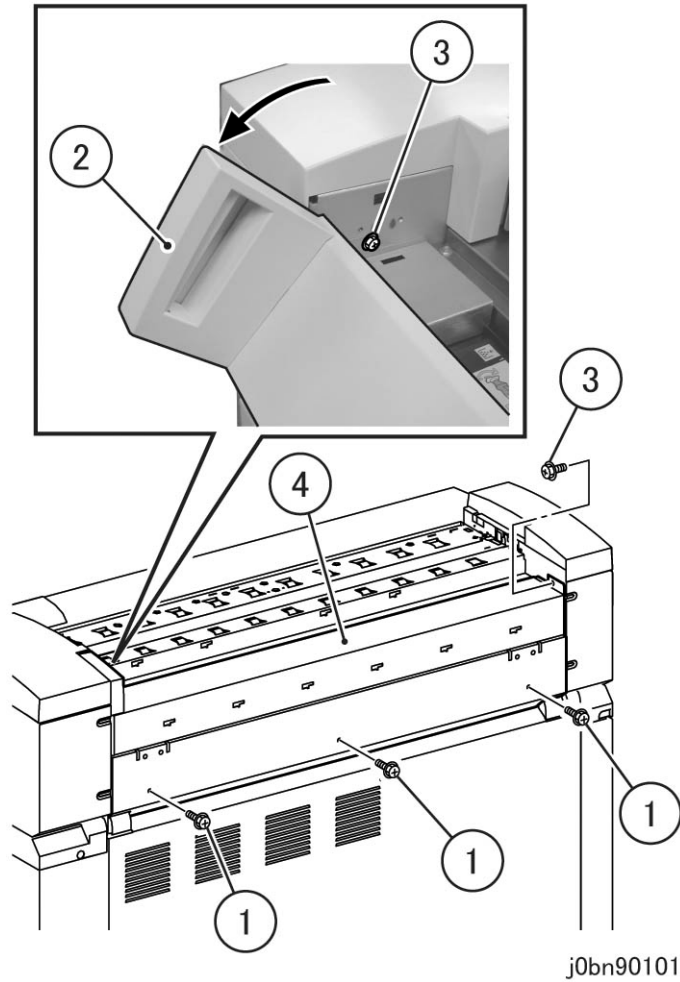


j0bn40407

(Figure 2) j0bn40407

3. Remove the Rear Cover Assembly. (Figure 3)

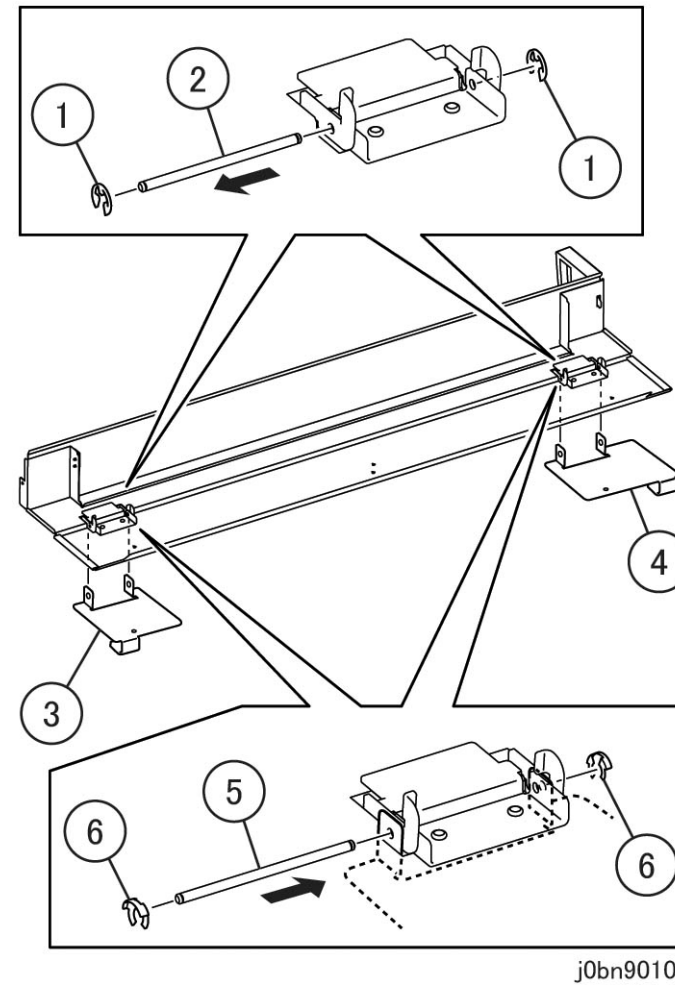
- 1) Remove the screw (x3).
- 2) Open the Rear Top Cover.
- 3) Remove the screw (x2).
- 4) Remove the Rear Cover Assembly.



(Figure 3) j0bn90101

4. Install the Left Bracket / Right Bracket provided in the bundle to the Rear Cover Assembly. (Figure 4)

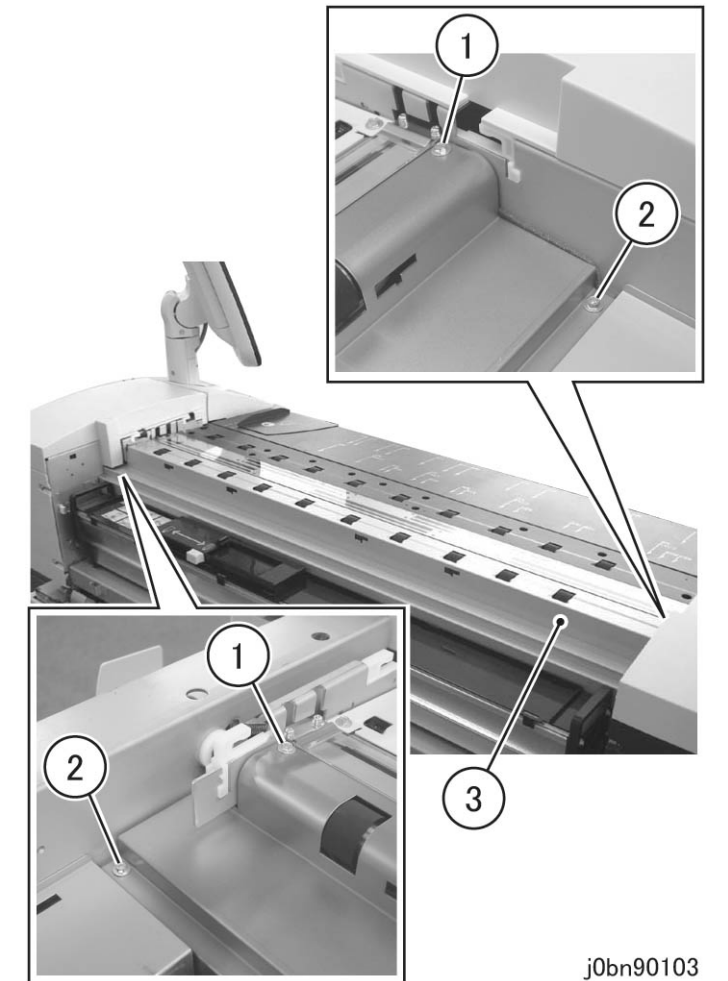
- 1) Remove the E-Clip (x4).
- Note** The removed E-Clip (x4) will not be used.
- 2) Remove the shaft (x2).
- Note** The removed shaft (x2) will not be used.
- 3) Install the Left Support Bracket.
- 4) Install the Right Support Bracket.
- 5) Install the shaft (x2) provided in the bundle.
- 6) Install the KL-Clip (x4) provided in the bundle.



(Figure 4) j0bn90102

5. Remove the Rear Lower Baffle. (Figure 5)

- 1) Remove the screw (x2).
  - 2) Remove the screw (x2).
  - 3) Remove the Rear Lower Baffle.
- Note** The removed Rear Lower Baffle will not be used.

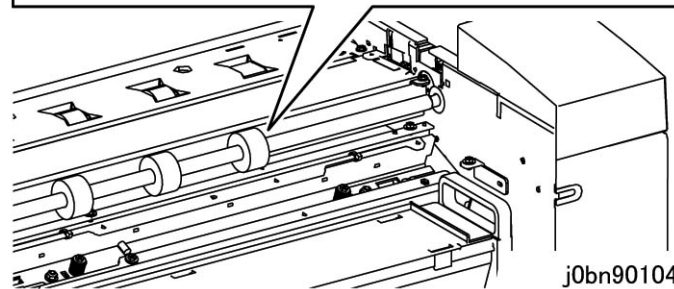
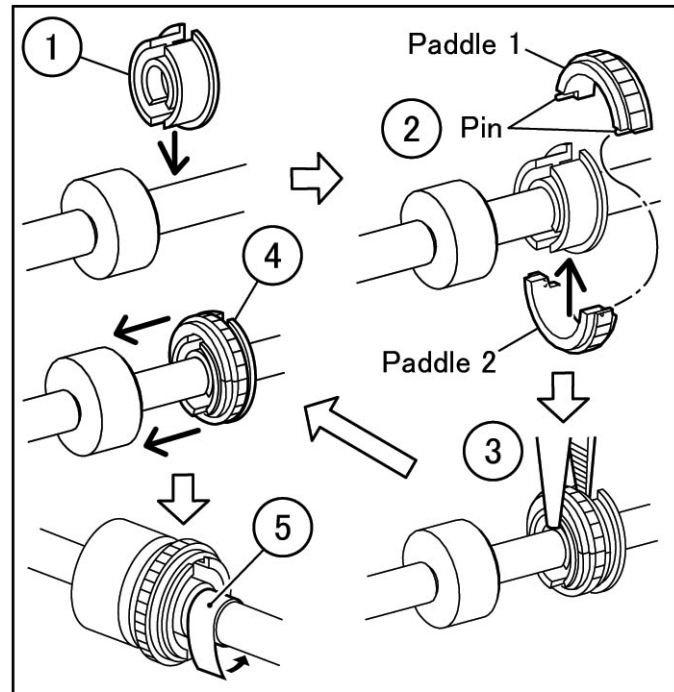


(Figure 5) j0bn90103

6. Install the Collar and the Paddle provided in the bundle to the Document Transport Roll at the Rear. (Figure 6)

**Note** When installing the Collar (x10) and the Paddle 1/2 (x10), install all of them at the Right (when viewed from the Rear) of the Document Transport Roll.

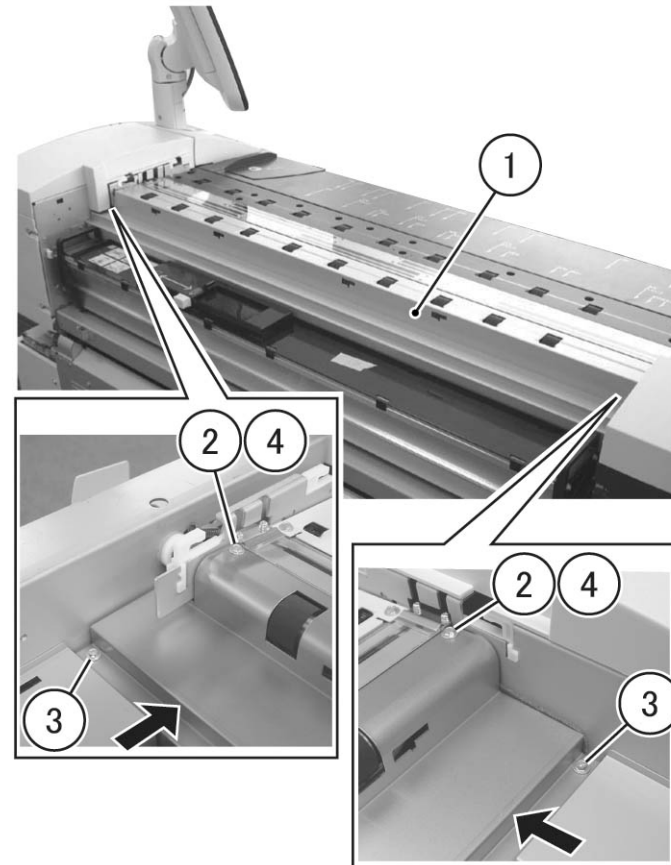
- 1) Insert the end of the collar without spittle into the Document Transport Roll to attach it.
- 2) Insert the pin of Paddle 1 into the hole of Paddle 2.
- 3) Use a Needle-nose Plier to grip the pin of Paddle 1 tightly into Paddle 2.
- 4) Slide Paddle 1 and Paddle 2 to the Document Transport Roll side.
- 5) Paste the tape to the shaft of the Document Transport Roll.



(Figure 6) j0bn90104

7. Install the Rear Lower Baffle provided in the bundle. (Figure 7)

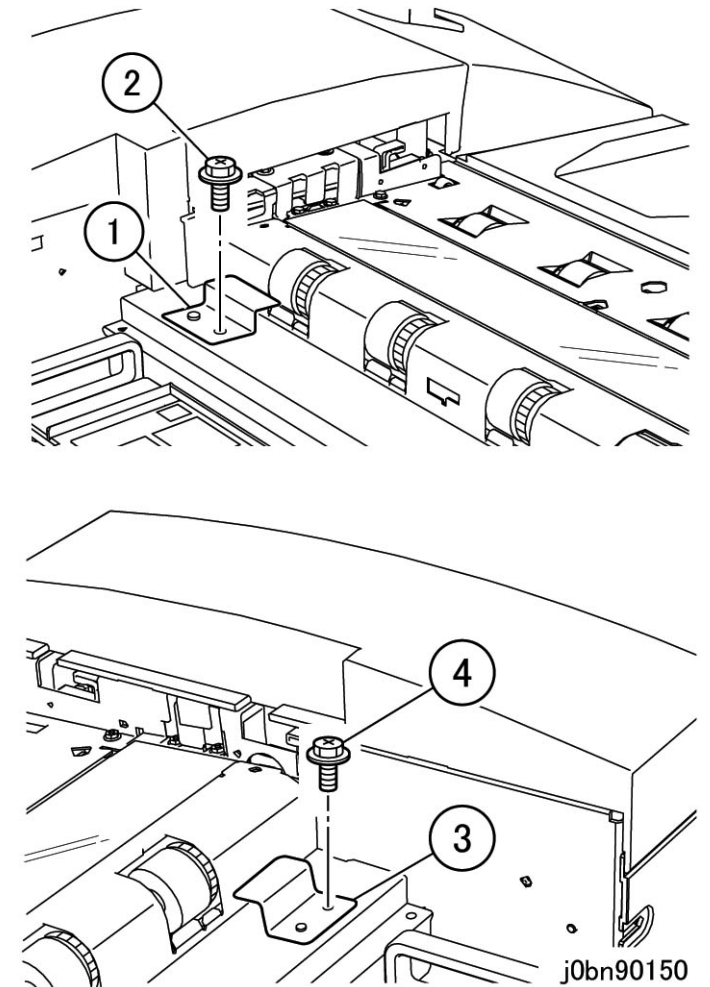
- 1) Install the Rear Lower Baffle.
- 2) Loosely affix the screw (x2).
- 3) Tighten the screw (x2) while pressing the Rear Lower Baffle against the Front side.
- 4) Tighten the screw (x2).



(Figure 7) j0bn40338

8. Install the Bracket provided in the bundle to Rear Lower Baffle. (Figure 8)

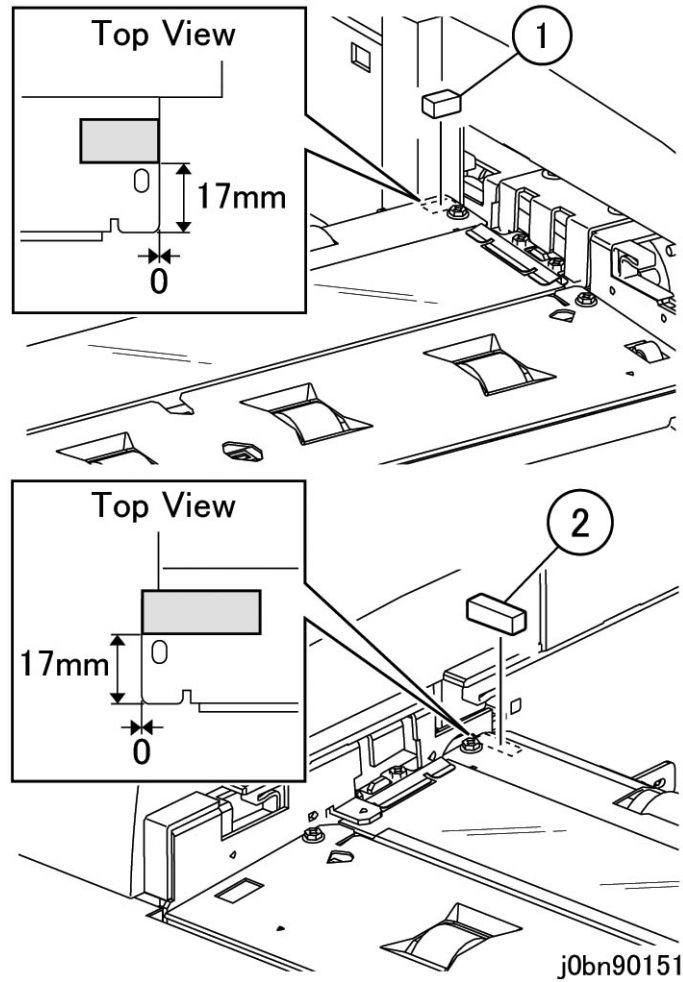
- 1) Install the Bracket.
- 2) Tighten the screw (M4x8) provided in the bundle.
- 3) Install the Bracket.
- 4) Tighten the screw (M4x8) provided in the bundle.



(Figure 8) j0bn90150

9. Paste the Gasket (long) and Gasket (short) provided in the bundle to the positions indicated in the diagram of the Rear Lower Baffle (Figure 9).

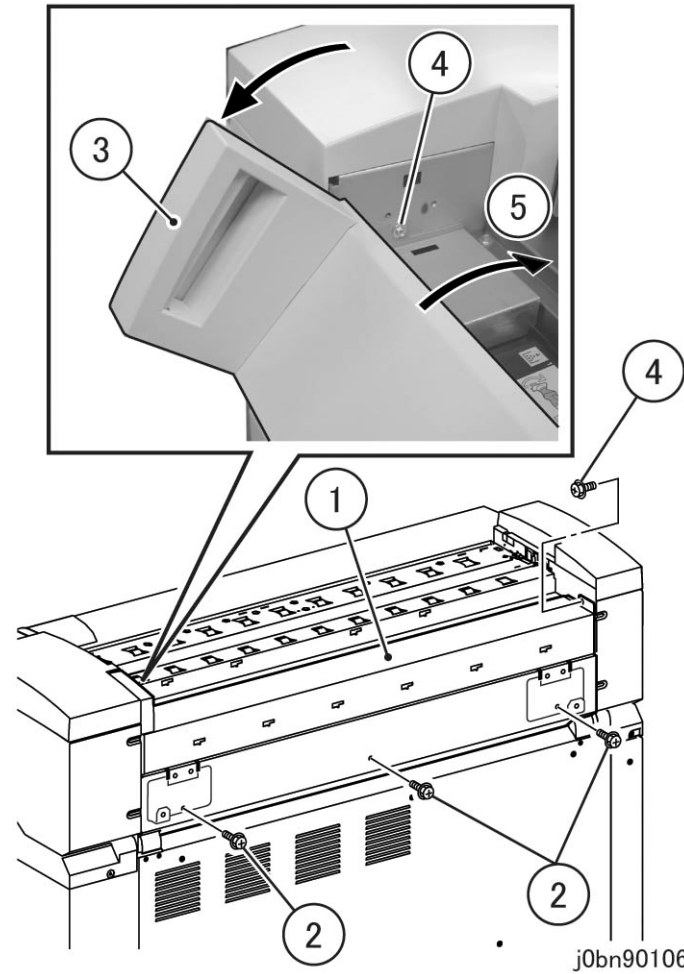
- 1) Paste Gasket (short) to the top right corner of Rear Lower Baffle.
- 2) Paste Gasket (long) to the top left corner of Rear Lower Baffle.



(Figure 9) j0bn90151

10. Install the Rear Cover Assembly. (Figure 10)

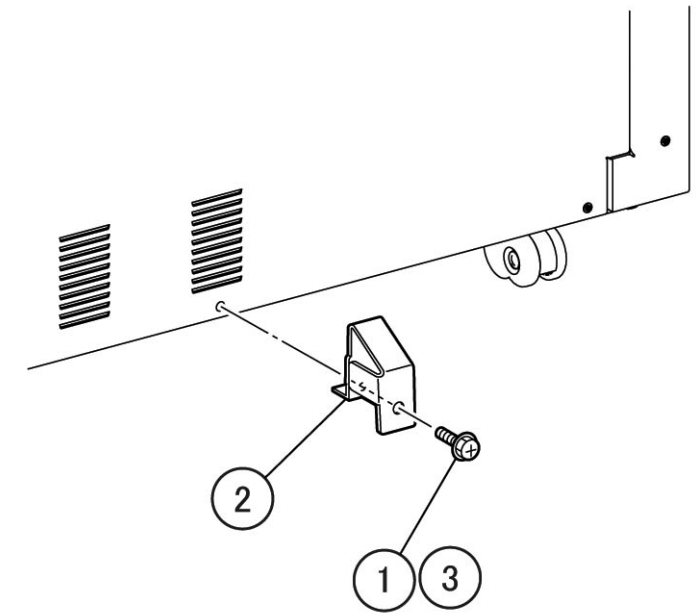
- 1) Install the Rear Cover Assembly.
- 2) Tighten the screw (x3).
- 3) Open the Rear Top Cover.
- 4) Tighten the screw (x2).
- 5) Close the Rear Top Cover.



(Figure 10) j0bn90106

11. Install the Tray Guide provided in the bundle. (Figure 11)

- 1) Remove the screw.
- Note** The removed screw will not be used.
- 2) Install the Tray Guide.
- 3) Tighten the screw provided in the bundle.

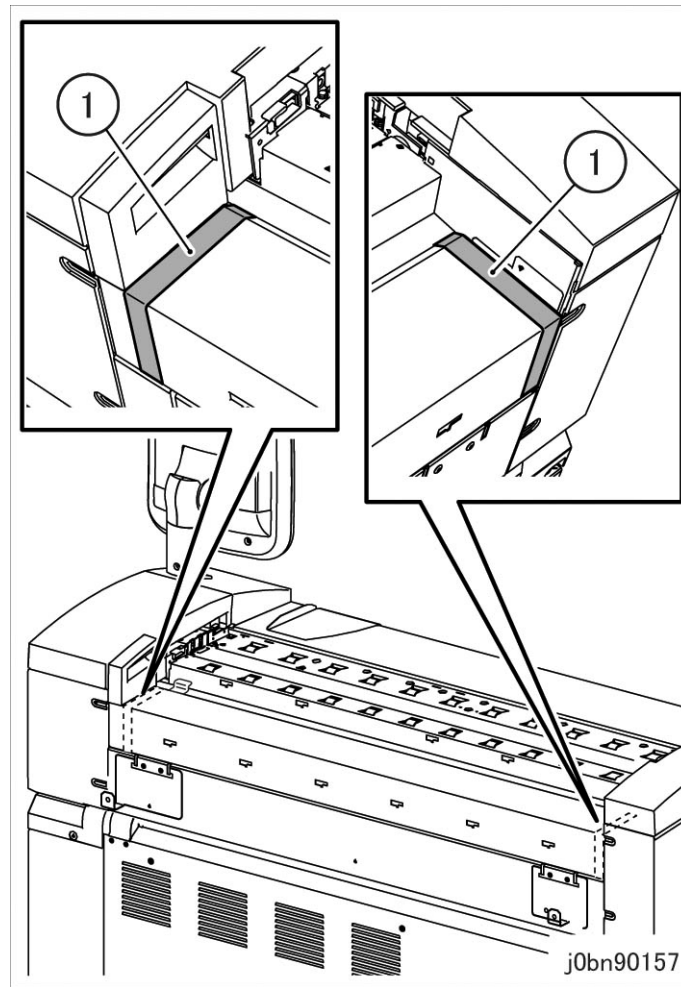


j0bn90111

(Figure 11) j0bn90111

12. Paste the film that is bundled together to align with the edge of the Rear Top Cover (Figure 12).

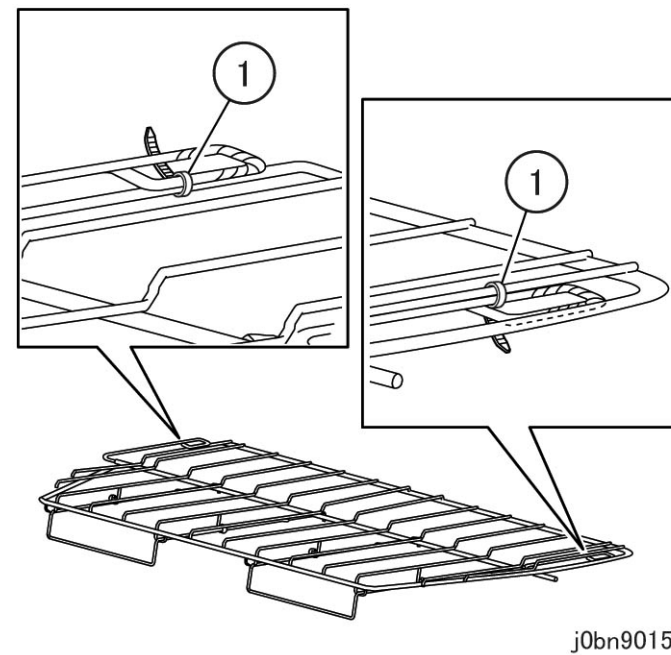
- 1) Paste the film.



(Figure 12) j0bn90157

13. Remove the Cable Tie (x2) from the Arm of the Document Catch Tray provided in the bundle. (Figure 13)

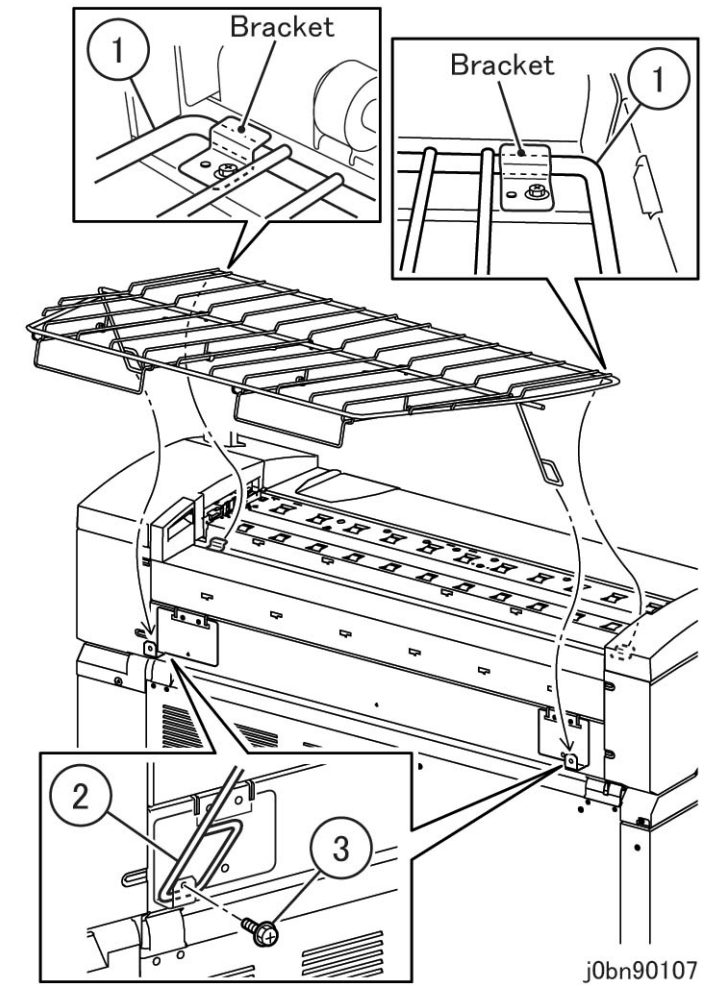
- 1) Remove the Cable Tie (x2).



(Figure 13) j0bn90152

14. Install the Document Catch Tray provided in the bundle. (Figure 14)

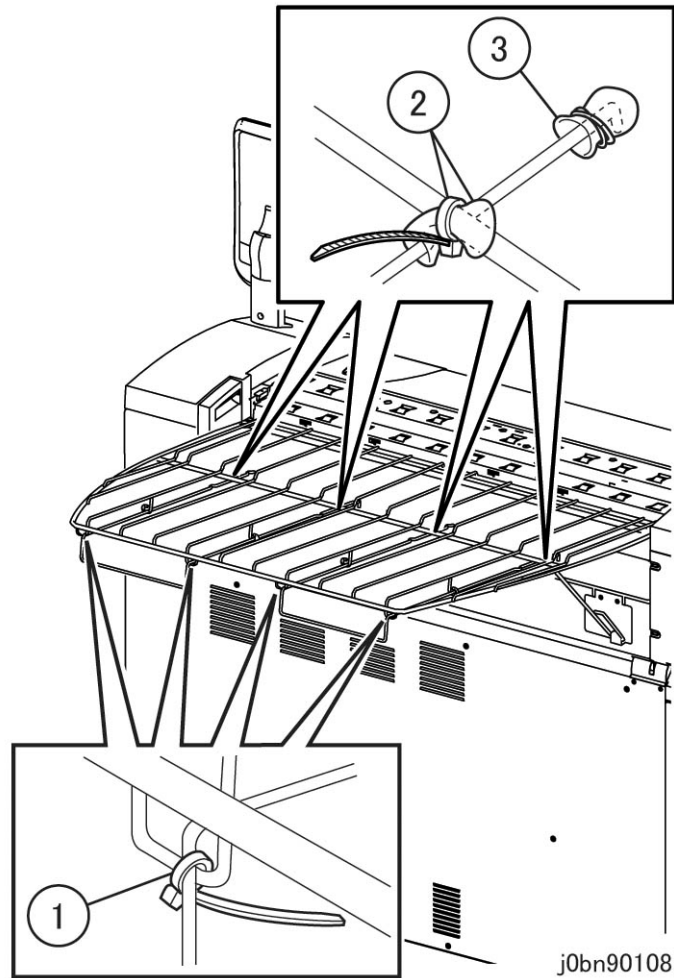
- 1) Attach the Document Catch Tray to the Bracket (x2) of the Rear Lower Baffle.
- 2) Attach the Arm (x2) of the Document Catch Tray to the Left Bracket / Right Bracket.
- 3) Affix the screw (M4x10) (x2) provided in the bundle to the Left Bracket / Right Bracket and tighten them.



(Figure 14) j0bn90107

15. Remove the Cable Tie and the bubble wrap of the Document Catch Tray. (Figure 15)

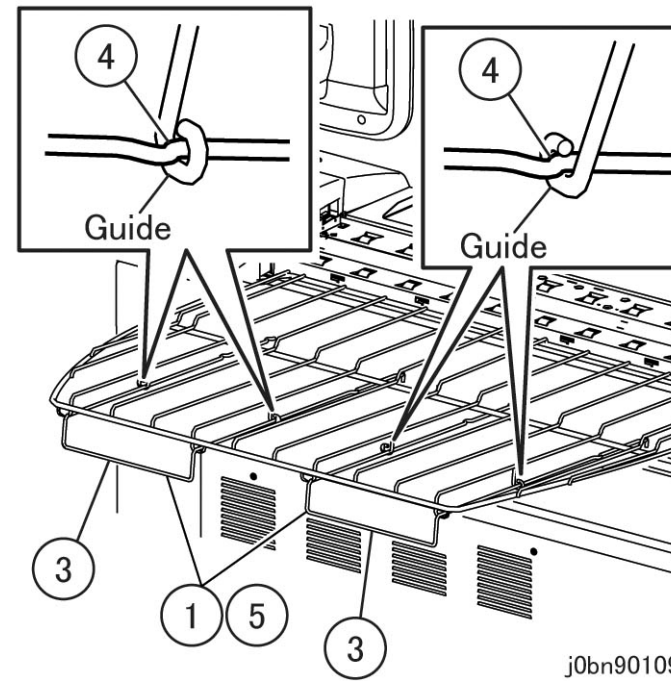
- 1) Remove the Cable Tie (x4).
- 2) Remove the Cable Tie (x4) and remove the bubble wrap (x4).
- 3) Remove the bubble wrap (x4).



(Figure 15) j0bn90108

16. Set the Extension Bar (x2) to the appropriate position. (Figure 16)

- 1) Pull out the Extension Bar.
- 2) Attach the Extension Bar to the Guide (x2).
- 3) Pull out the Extension Bar.
- 4) Attach the Extension Bar to the Guide (x2).
- 5) Push in the Extension Bar (x2).



(Figure 16) j0bn90109

17. Install the Upper Document Transport.



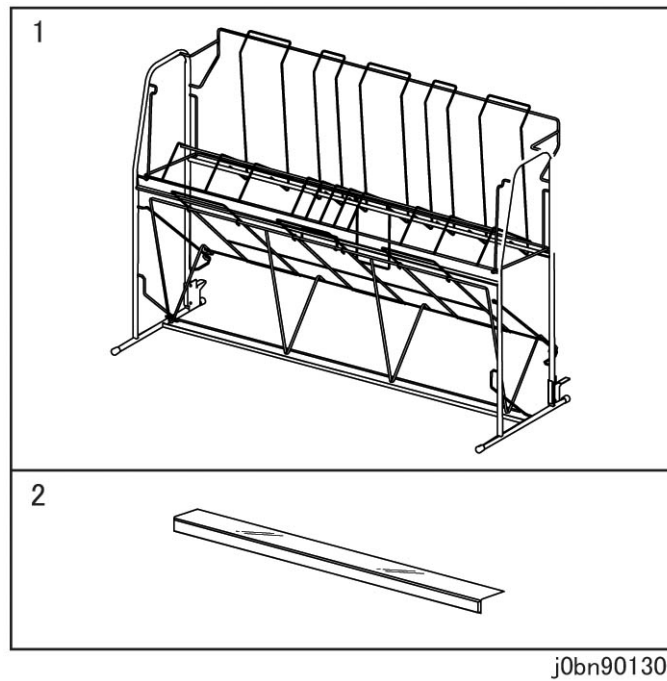
### 8.1.4 Print Catch Tray Installation

#### <Check the Bundled Items>

Check the following bundled items. (Figure 1)

#### **Print Catch Tray (EB100380)**

1. Print Catch Tray
2. Film (this is not used in FX)



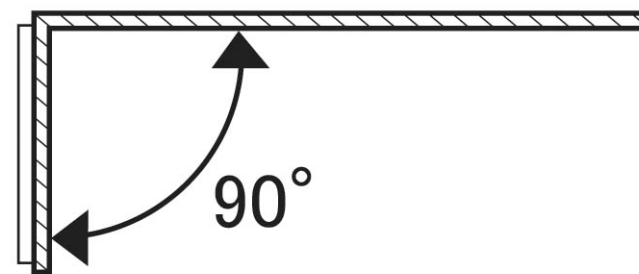
(Figure 1) j0bn90130

#### <Installation Procedure>

**⚠ WARNING**  
Turn OFF the power and the Breaker, and unplug the power plug to prevent electric shock.

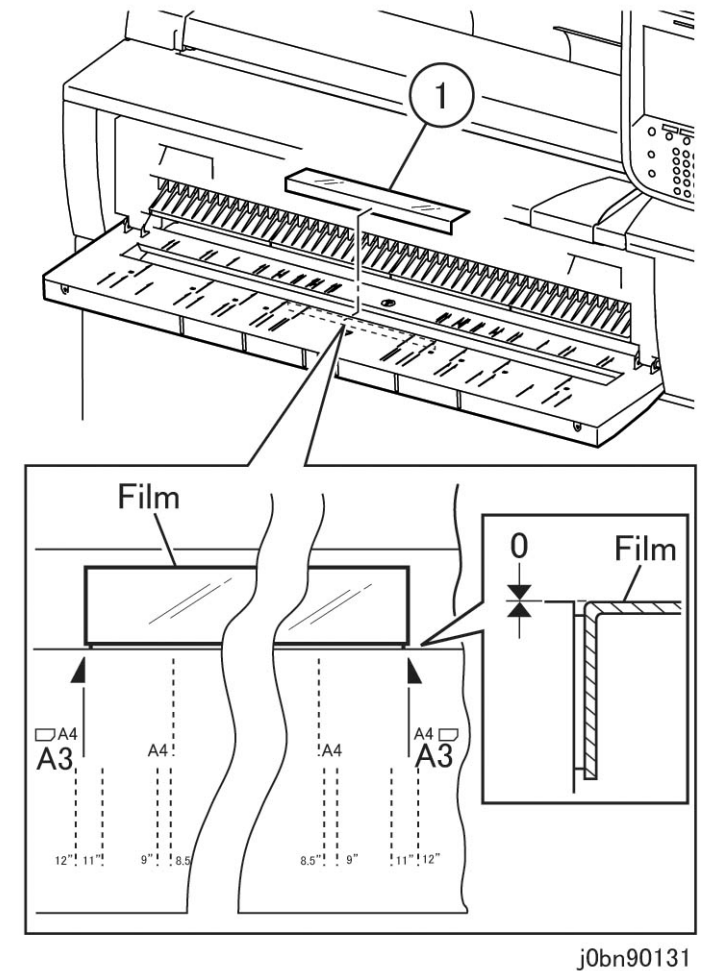
1. Remove the Tray Attachment (x2), Stopper (x2), and Catch Tray (x2) from the machine. (PL9.1)
2. [AP/GCO Only] For the Film provided in the bundle, manually form the fold angle of its contact surface of until it is at 90 degrees. (Figure 2)

**Note** As the Film deforms easily, take care so as not to accidentally fold or bend any of its part other than the contact surface.



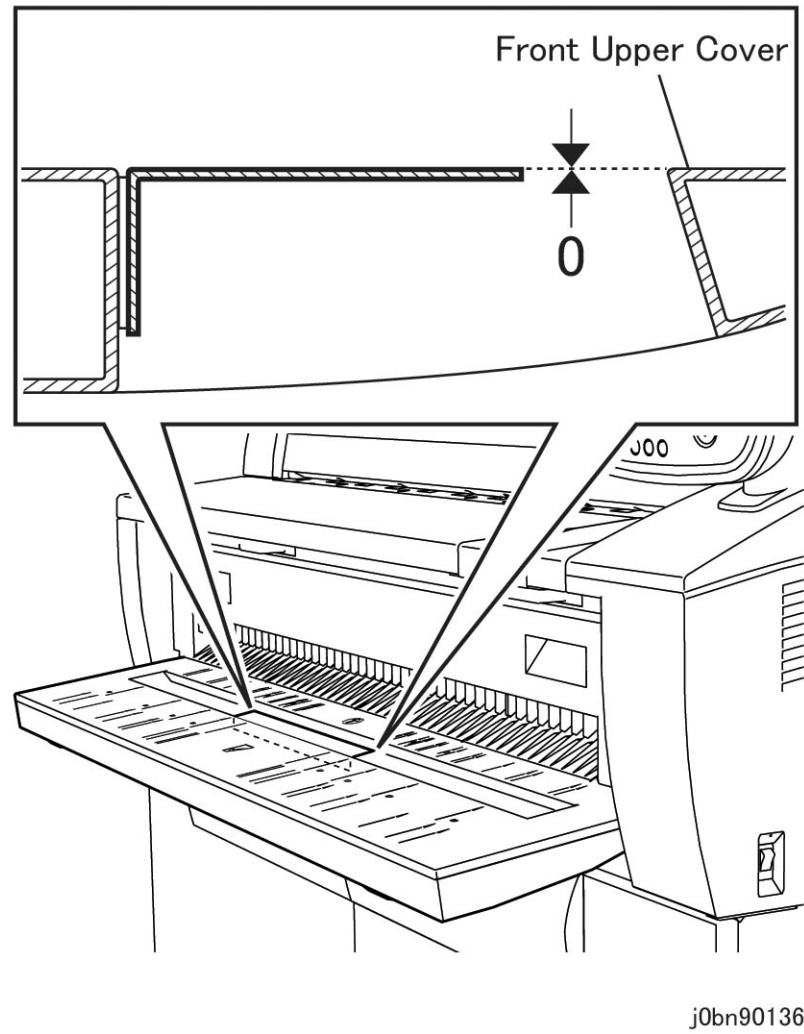
(Figure 2) j0bn90135

3. [AP/GCO Only] Open the Front Upper Cover.
4. [AP/GCO Only] Paste the Film to the Front Upper Cover. (Figure 3)
  - 1) Align both edges of the Film to the 'A3' guide lines of the Front Upper Cover and make sure that there is no level gap between it and the surface of the Front Upper Cover when pasting the Film.



(Figure 3) j0bn90131

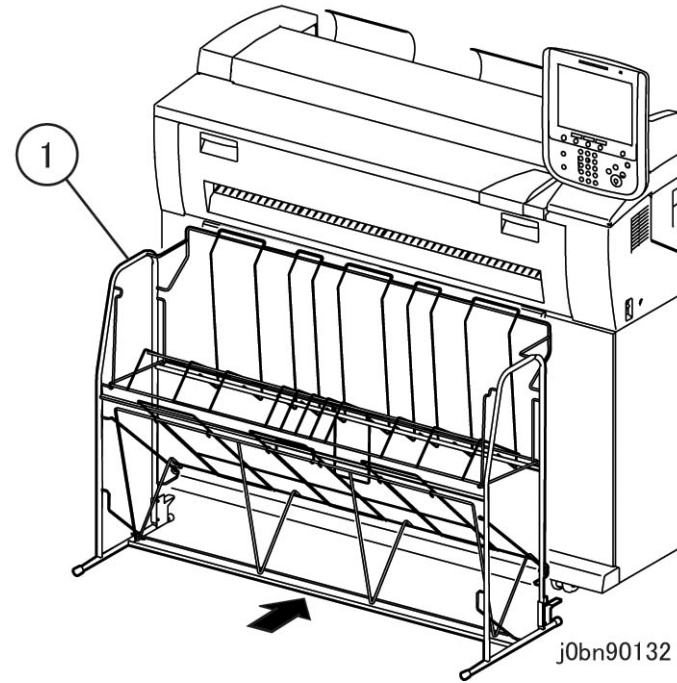
5. [AP/GCO Only] Check that the Lead Edge of the Film is flush with the surface of the Front Upper Cover. If it is not, manually form the Film until its Lead Edge is flush with the surface of the Front Upper Cover. (Figure 4)



(Figure 4) j0bn90136

6. [AP/GCO Only] Close the Front Upper Cover.

7. Remove the protective sheet of the Print Catch Tray.
8. Install the Print Catch Tray. (Figure 5)
  - 1) Install the Print Catch Tray to the Main Unit at the position indicated in the figure.



(Figure 5) j0bn90132

### 8.1.5 Horizontal Conveyance Service Procedure

If the conveyance path is narrow, or the LH side has to be tilted towards the floor when being conveyed, perform the following procedure.

#### Procedure

**Note** Use tape, etc. to secure the screw of each cover to avoid losing them.

1. Remove the Left Upper Cover. (REP9.3.1)
2. Remove the Left Swing Cover. (REP9.3.2)
3. Remove the Front Left Door. (REP9.1.2)
4. Mark the pin and the spacer at the lower part of the Front Left Door and then remove them. (Figure 1)



j0ry60252

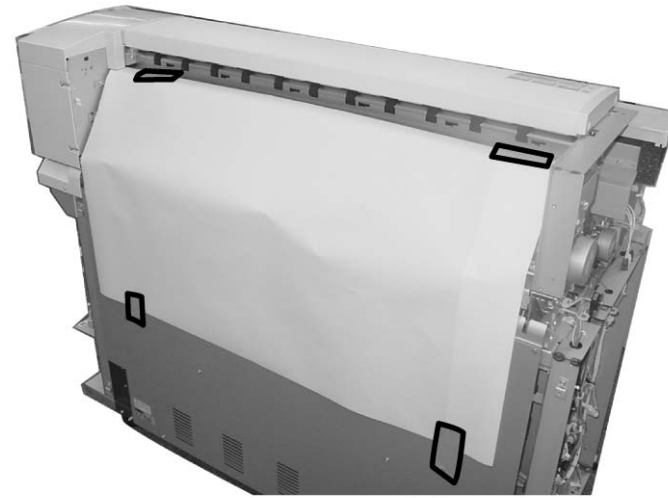
(Figure 1) j0ry60252

5. Remove the Developer Assembly. (REP5.1.1)

**Note** Wrap the Developer Assembly by using paper, etc. to prevent dust, etc. from adhering to the Mag. Roll section.

**Note** Do not remove the Xero Module. (It will lower the Frame strength)

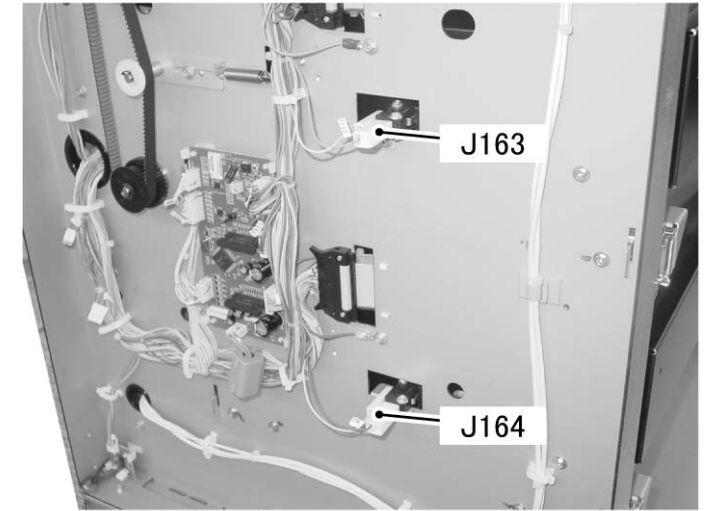
**Note** Cover the Drum with paper, etc. and tape it down to prevent light fatigue. (Figure 2)



j0ry60251

(Figure 2) j0ry60251

6. Disconnect the Drawer Open Switch connector (J163 and J164) of RFC 1 and RFC 2. (Figure 3)

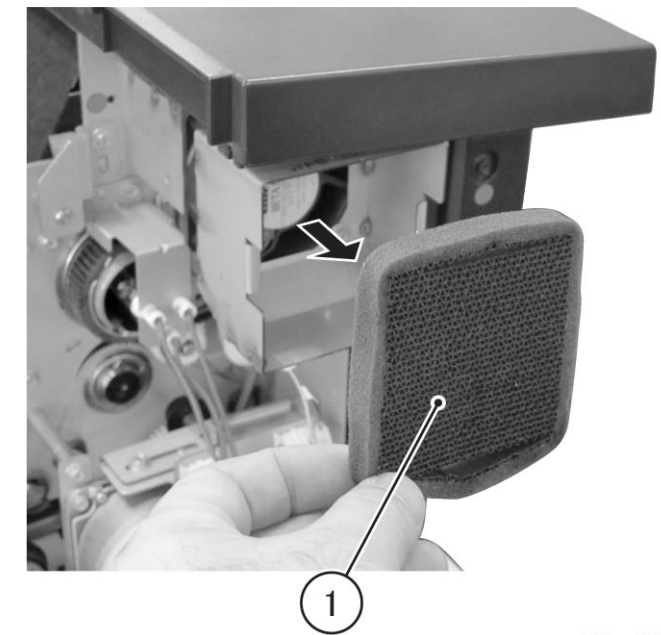


j0ry60253

(Figure 3) j0ry60253

7. Remove the Filter on the left. (Figure 4)

- 1) Remove the Filter.

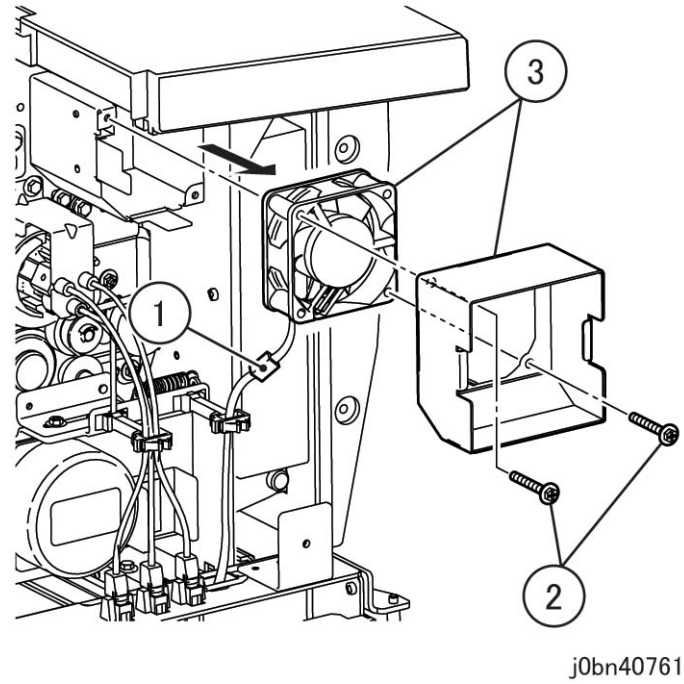


j0bn40760

(Figure 4) j0bn40760

8. Remove the Filter Duct and Left Hand Exhaust Fan on the left. (Figure 5)

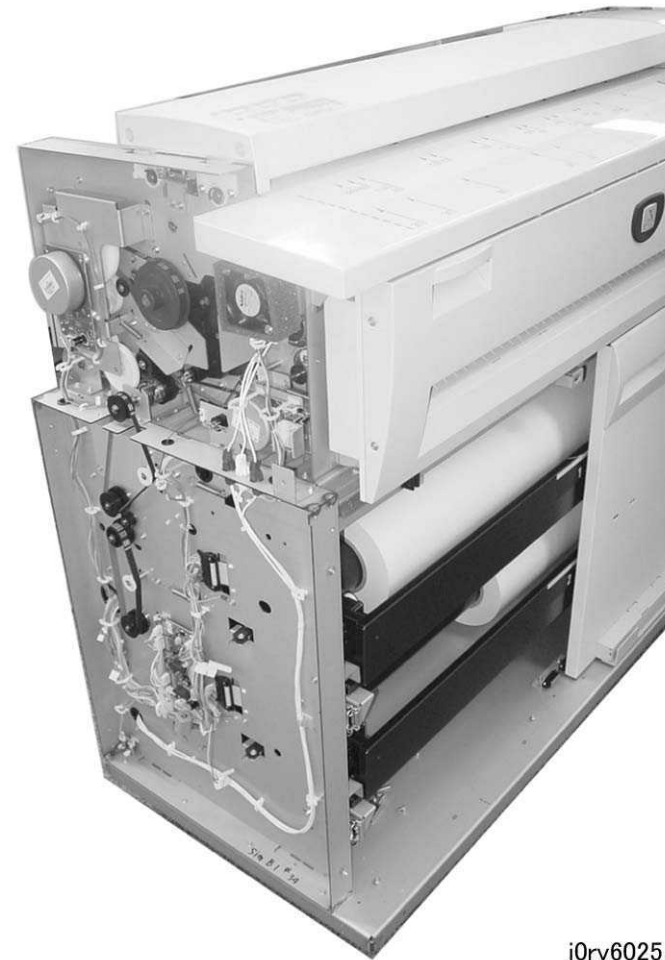
- 1) Disconnect the connector.
- 2) Remove the Screw (2).
- 3) Remove the Filter Duct and Left Hand Exhaust Fan at the same time.



(Figure 5) j0bn40761

9. After completing this procedure, let the moving company take over the rest. (Figure 6)

**Note** Check that there are no protruding parts. (As they could bump against the board)

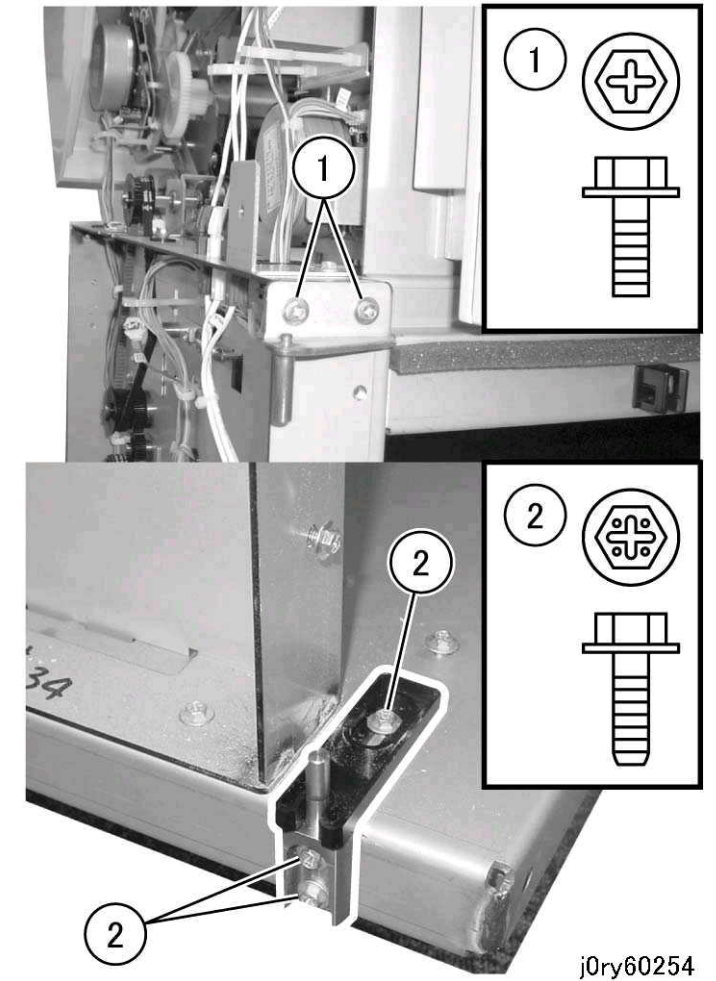


(Figure 6) j0ry60255

10. After the machine had been transported, reinstall the Covers and perform the Main Unit installation procedure.

**Note** Be careful as the screw for the Top and the Bottom of the Front Left Door are different. (Figure 7)

- 1: Top Screw
- 2: Bottom Tapping Screw



(Figure 7) j0ry60254

## 8.2 Cancel Registration

### <Removal Procedure>

1. Turn the power and the Breaker OFF and unplug the power plug.
2. Remove the Roll Paper.
3. Refer to the Service Log to return the options and modifications back to their original states, record the required items, and then keep it in the designated location.
4. Refer to the installation procedure to remove the following parts and collect them in one place.
  - Stopper x2
  - Tray Attachment x2
  - Catch Tray x2
  - Turn Guide x2
  - Power Cord
  - UI Assembly
5. Refer to the installation procedure to secure the Rail of RFC 1 and RFC 2 to the Bracket.
6. Refer to the installation procedure to put the Fusing Assembly into non nipped operation state.
7. Refer to the installation procedure to put the Drum Finger Shaft into retracted state.
8. Refer to the installation procedure to tape up the machine.

Intentionally Blank