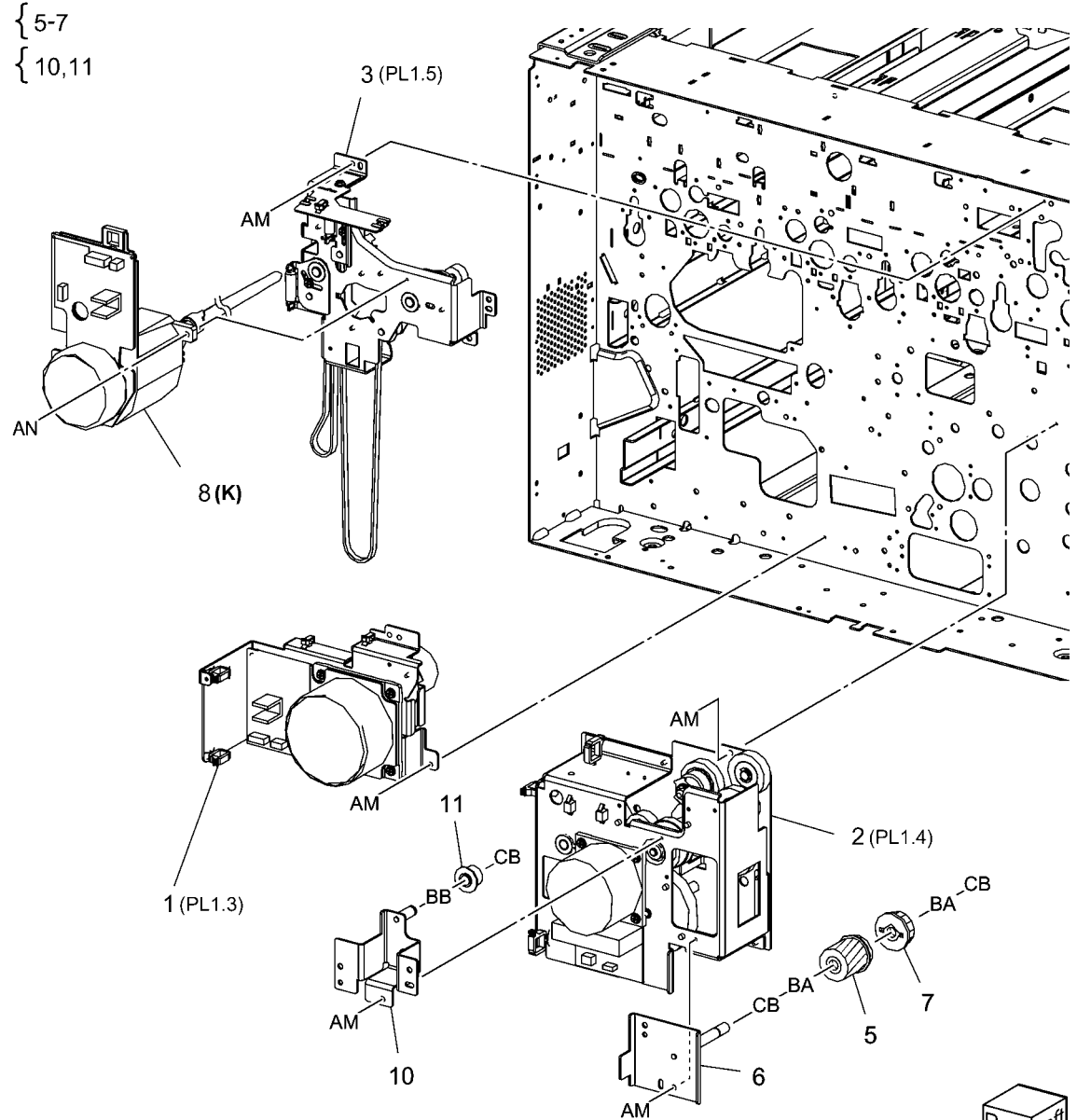


## PL 1.1 Drive Unit (1 of 2)

Item	Part	Description
1	007K87844	Fuser Drive Assembly (REP 10.4)
2	007K89115	Main Drive Assembly (REP 3.3)
3	007K93773	Developer Drive Assembly (K) (REP 9.11)
4	068K24230	Gear Bracket Assembly
5	-	Gear Assembly (28/31T) (P/O PL 1.1 Item 4)
6	-	Gear Bracket (P/O PL 1.1 Item 4)
7	-	Gear Assembly (31/33) (P/O PL 1.1 Item 4)
8	127K39852	Drum Motor Assembly (K) (REP 9.10)
9	-	Tension Bracket Assembly
10	-	Tension Bracket (P/O PL 1.1 Item 9)
11	-	Pulley (P/O PL 1.1 Item 9)

4 { 5-7  
9 { 10,11

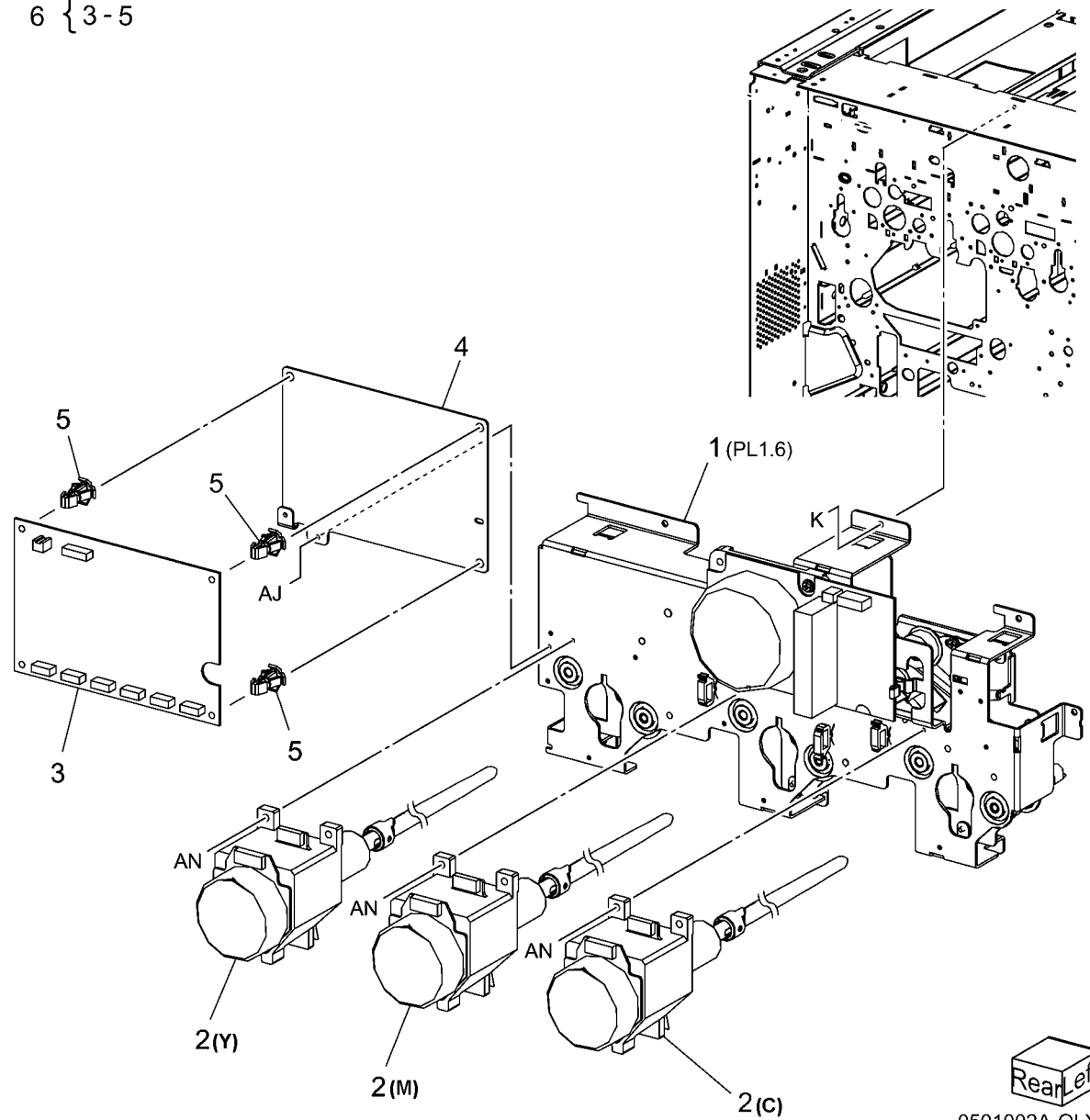


RearLeft  
0501001A-OLY

## PL 1.2 Drive Unit (2 of 2)

Item	Part	Description
1	007K87857	Developer Drive Assembly (Y, M, C) (REP 9.12)
2	127K39864	Drum Motor Assembly (Y, M, C)
3	-	Drum Motor YMC PWB (P/O PL 1.2 Item 6)
4	-	Plate (P/O PL 1.2 Item 6)
5	-	PWB Support (P/O PL 1.2 Item 6)
6	960K01611	Drum Motor YMC PWB Assembly (Y, M, C)

6 { 3-5

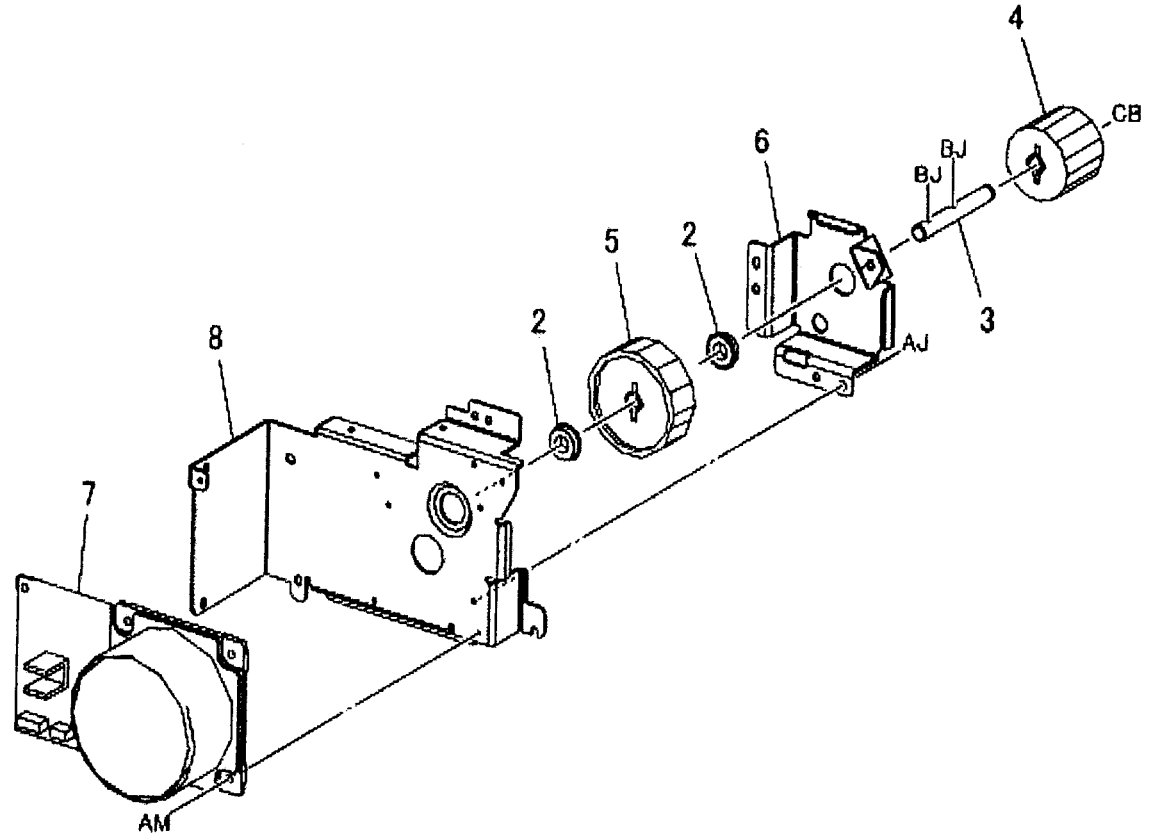


0501002A-OLY

## PL 1.3 Fuser Drive Assembly

Item	Part	Description
1	-	Gear Assembly (P/O PL 1.1 Item 1)
2	413W08350	Bearing
3	-	Shaft (P/O PL 1.3 Item 1)
4	-	Gear (35T) (P/O PL 1.3 Item 1)
5	-	Gear (62T) (P/O PL 1.3 Item 1)
6	-	Bracket (P/O PL 1.3 Item 1)
7	-	Fuser Motor Assembly (P/O PL 1.1 Item 1)
8	-	Bracket (P/O PL 1.1 Item 1)

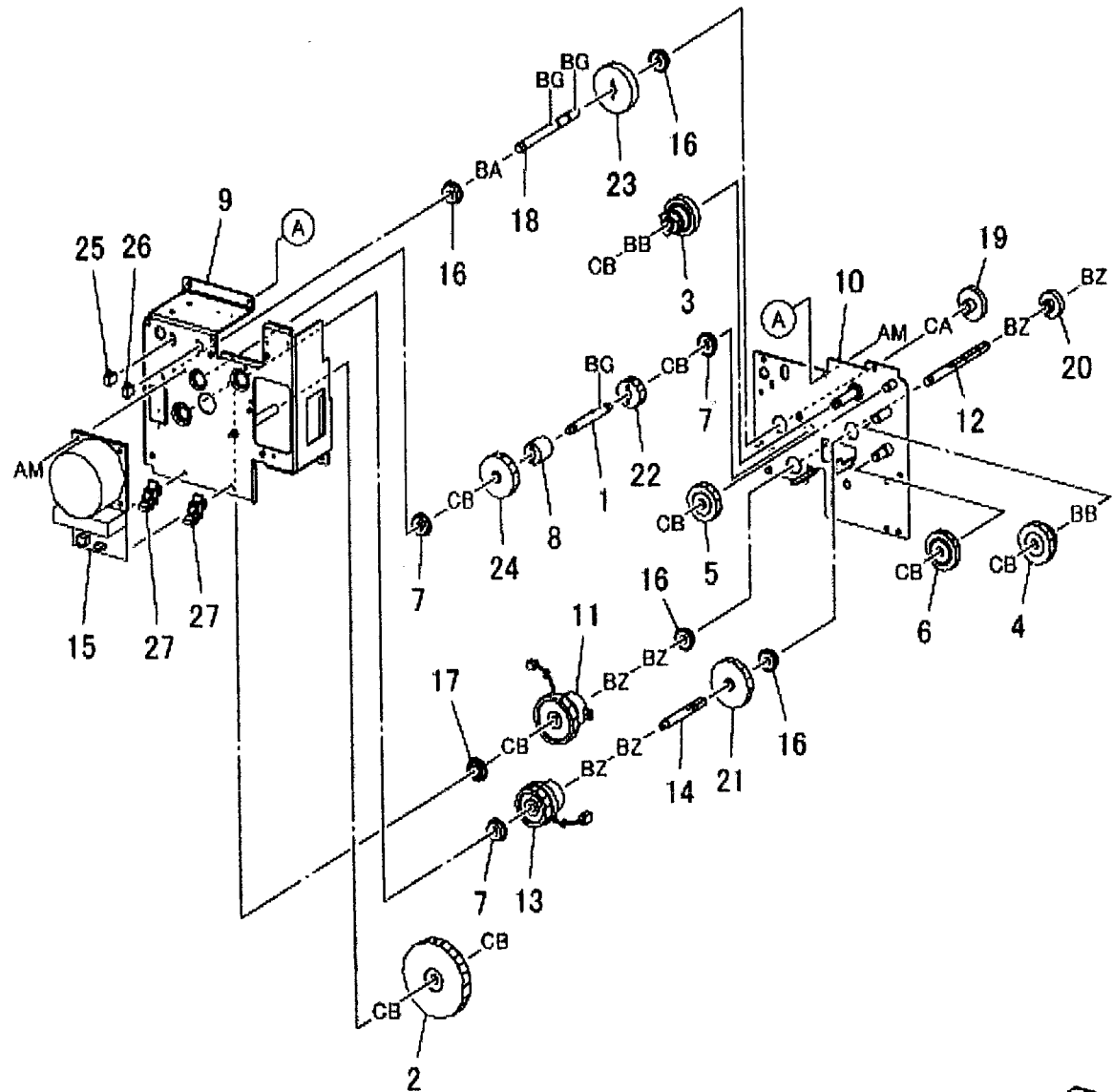
1 {2-6



0501003A-OLY

## PL 1.4 Main Drive Assembly

Item	Part	Description
1	—	Shaft Assembly (P/O PL 1.1 Item 2)
2	—	Gear Assembly (86T) (P/O PL 1.1 Item 2)
3	—	Gear Assembly (21T/42T) (P/O PL 1.1 Item 2)
4	—	Gear Assembly (31T/44T) (P/O PL 1.1 Item 2)
5	—	Gear Assembly (40T) (P/O PL 1.1 Item 2)
6	—	Gear Assembly (42T) (P/O PL 1.1 Item 2)
7	013E87700	Ball Bearing
8	—	Brake Assembly (P/O PL 1.1 Item 2)
9	—	Upper Bracket (P/O PL 1.1 Item 2)
10	—	Lower Bracket (P/O PL 1.1 Item 2)
11	121K33941	2nd BTR Cam Clutch
12	—	Shaft (P/O PL 1.1 Item 2)
13	121K33961	Developer K Drive Clutch Assembly
14	—	Shaft (P/O PL 1.1 Item 2)
15	127K39620	Main Motor Assembly
16	413W08350	Bearing
17	413W77359	Bearing
18	—	Shaft (P/O PL 1.1 Item 2)
19	—	Gear (17T) (P/O PL 1.1 Item 2)
20	—	Gear (18T) (P/O PL 1.1 Item 2)
21	—	Gear (53T) (P/O PL 1.1 Item 2)
22	—	Gear (30T) (P/O PL 1.1 Item 2)
23	—	Gear (53T) (P/O PL 1.1 Item 2)
24	—	Gear (47T) (P/O PL 1.1 Item 2)
25	—	Connector (P/O PL 1.1 Item 2)
26	—	Housing (P/O PL 1.1 Item 2)
27	—	PWB Support (P/O PL 1.1 Item 2)

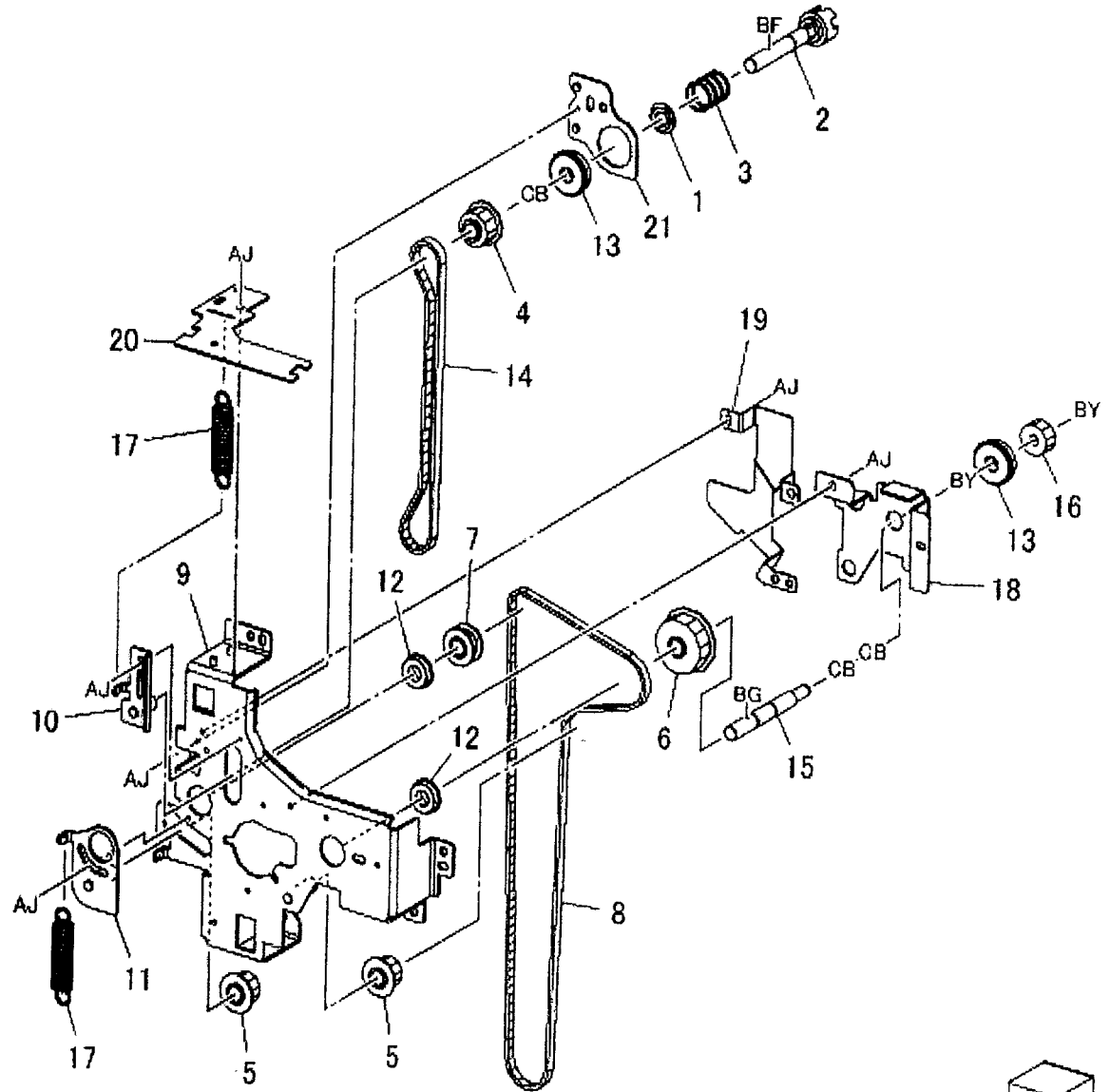


0501004A-OLY



# PL 1.5 Developer Drive Assembly (K)

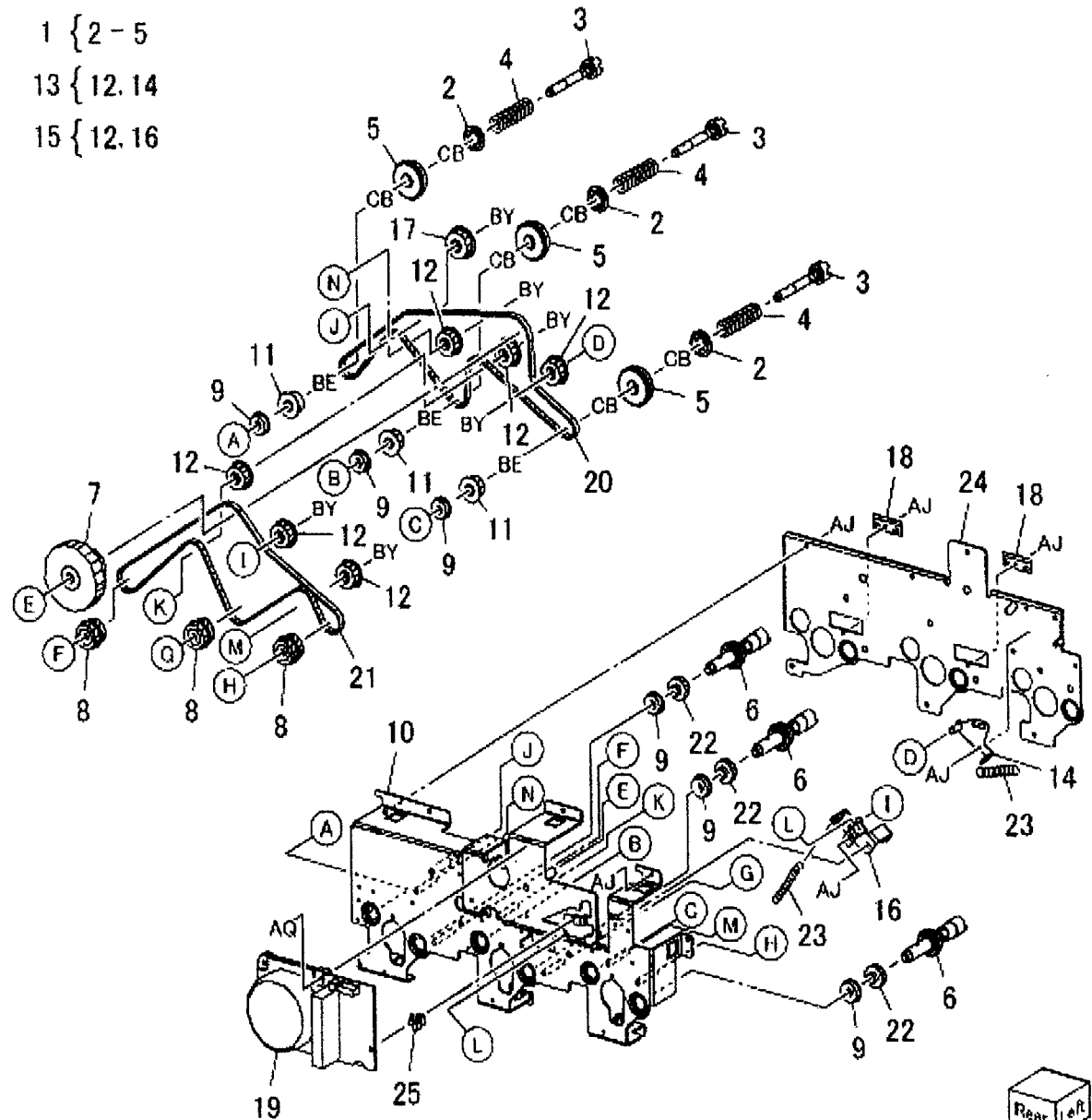
Item	Part	Description
1	005E17830	Retainer
2	-	Shaft Assembly (P/O PL 1.1 Item 3)
3	009E94920	Spring
4	-	Pulley (20T) (P/O PL 1.1 Item 3)
5	-	Idler Pulley (P/O PL 1.1 Item 3)
6	-	Pulley (31T) (P/O PL 1.1 Item 3)
7	-	Pulley Assembly (P/O PL 1.1 Item 3)
8	-	Belt (P/O PL 1.1 Item 3) (REP 9.11)
9	-	Bracket Assembly (P/O PL 1.1 Item 3)
10	-	Tension Bracket (P/O PL 1.1 Item 3)
11	-	Tension Bracket (P/O PL 1.1 Item 3)
12	413W08350	Bearing
13	413W08950	Bearing
14	423W52154	Belt (REP 9.11)
15	-	Shaft (P/O PL 1.1 Item 3)
16	-	Gear (18T) (P/O PL 1.1 Item 3)
17	-	Spring (P/O PL 1.1 Item 3)
18	-	Bracket (P/O PL 1.1 Item 3)
19	-	Bracket (P/O PL 1.1 Item 3)
20	-	Support (P/O PL 1.1 Item 3)
21	-	Bracket (P/O PL 1.1 Item 3)



0501005A-OLY

# PL 1.6 Developer Drive Assembly (Y, M, C)

Item	Part	Description
1	-	Coupling Assembly (P/O PL 1.2 Item 1)
2	-	Retainer (P/O PL 1.6 Item 1)
3	-	Coupling (P/O PL 1.6 Item 1)
4	009E94920	Spring
5	-	Bearing (P/O PL 1.6 Item 1)
6	-	Coupling Assembly (P/O PL 1.2 Item 1)
7	-	Gear Assembly (P/O PL 1.2 Item 1)
8	-	Gear Assembly (P/O PL 1.2 Item 1)
9	-	Ball Bearing (P/O PL 1.2 Item 1)
10	-	Bracket Assembly (P/O PL 1.2 Item 1)
11	-	Pulley (P/O PL 1.2 Item 1)
12	-	Pulley Assembly (P/O PL 1.6 Item 13)
13	-	Tension Pulley Assembly (P/O PL 1.2 Item 1)
14	-	Bracket (P/O PL 1.6 Item 13)
15	-	Tension Pulley Assembly (P/O PL 1.2 Item 1)
16	-	Bracket (P/O PL 1.6 Item 15)
17	-	Pulley (P/O PL 1.2 Item 1)
18	-	Film (P/O PL 1.2 Item 1)
19	127K36831	Developer Motor Assembly (Y, M, C)
20	-	Belt (P/O PL 1.2 Item 1)
21	-	Belt (P/O PL 1.2 Item 1)
22	-	Gear (P/O PL 1.2 Item 1)
23	-	Spring (P/O PL 1.2 Item 1)
24	-	Bracket (P/O PL 1.2 Item 1)
25	-	Clamp (P/O PL 1.2 Item 1)



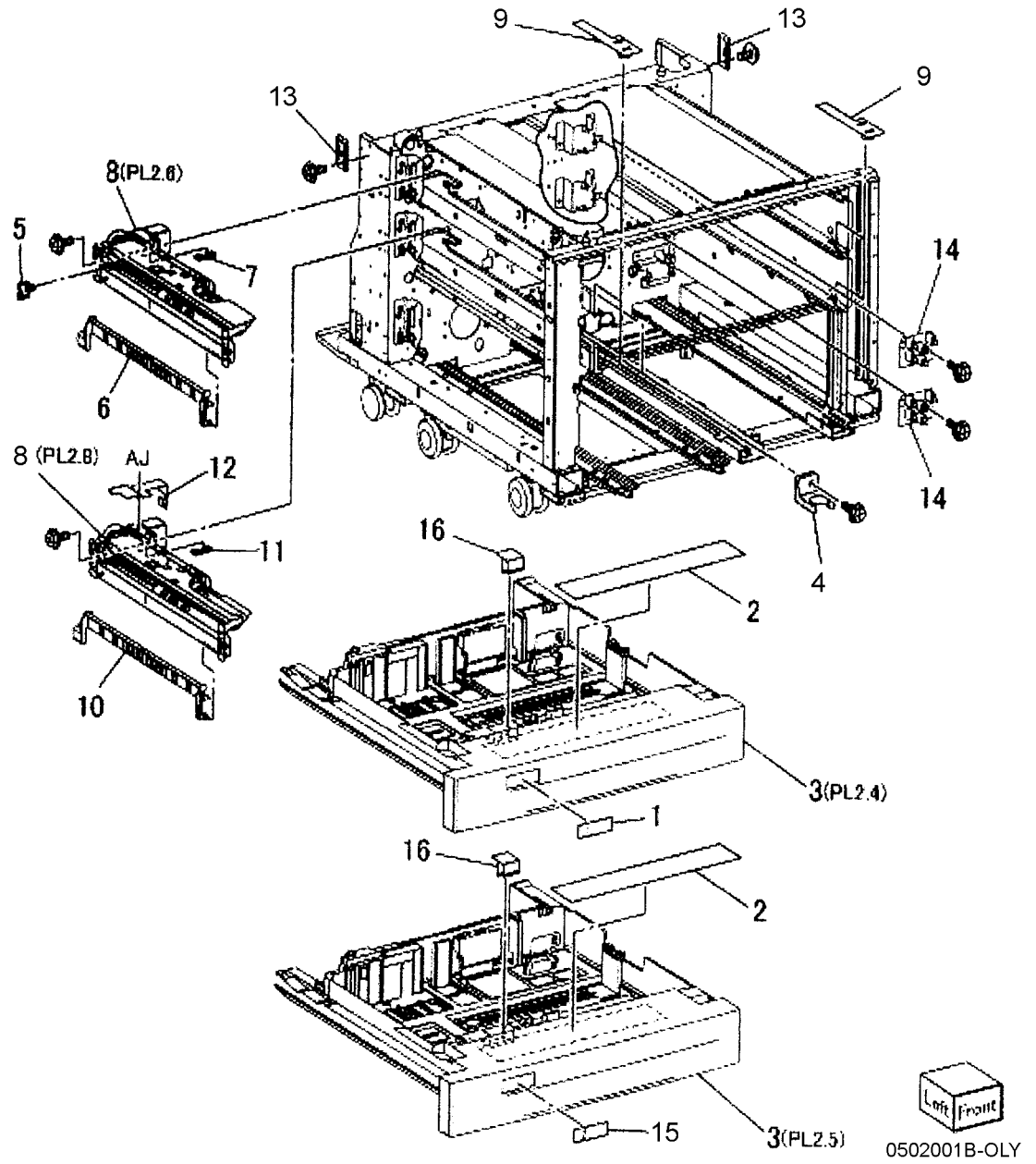
1 { 2 - 5  
 13 { 12, 14  
 15 { 12, 16



0501006A-OLY

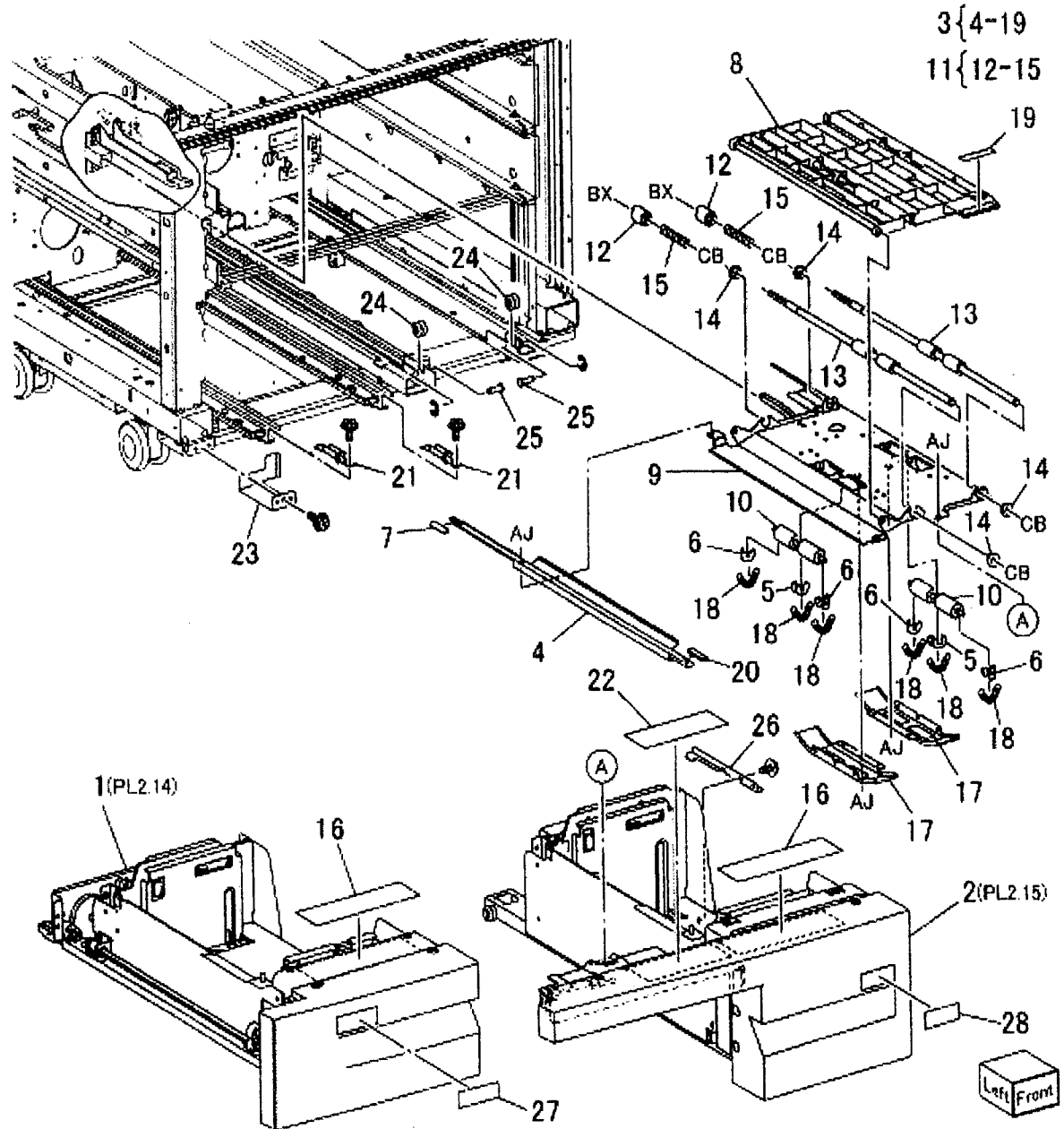
# PL 2.1 Tray 1/2

Item	Part	Description
1	893E16030	Tray Label (1)
2	-	Label (Instruction) (Not Spared)
3	050K60624	Tray 1 Assembly, Tray 2 Assembly
4	-	Stopper (Not Spared)
5	-	Harness Holder (Not Spared)
6	054K27520	Feed Out Chute
7	-	Cover (Not Spared)
8	-	Tray 2 Feed Assembly (Not Spared) (REP 7.19)
-	059K26938	Tray 1 Feed Assembly (REP 7.18)
9	014E51110	Spacer
10	-	Feed Out Chute (Not Spared)
11	-	Cover (Not Spared)
12	-	Rear Cover (Not Spared)
13	-	Plate (Not Spared)
14	110K12100	Tray 1 Paper Size Switch, Tray 2 Paper Size Switch
15	893E16010	Tray Label (2)
16	014E59990	Slide Lock



# PL 2.2 Tray 3/4 (1 of 2)

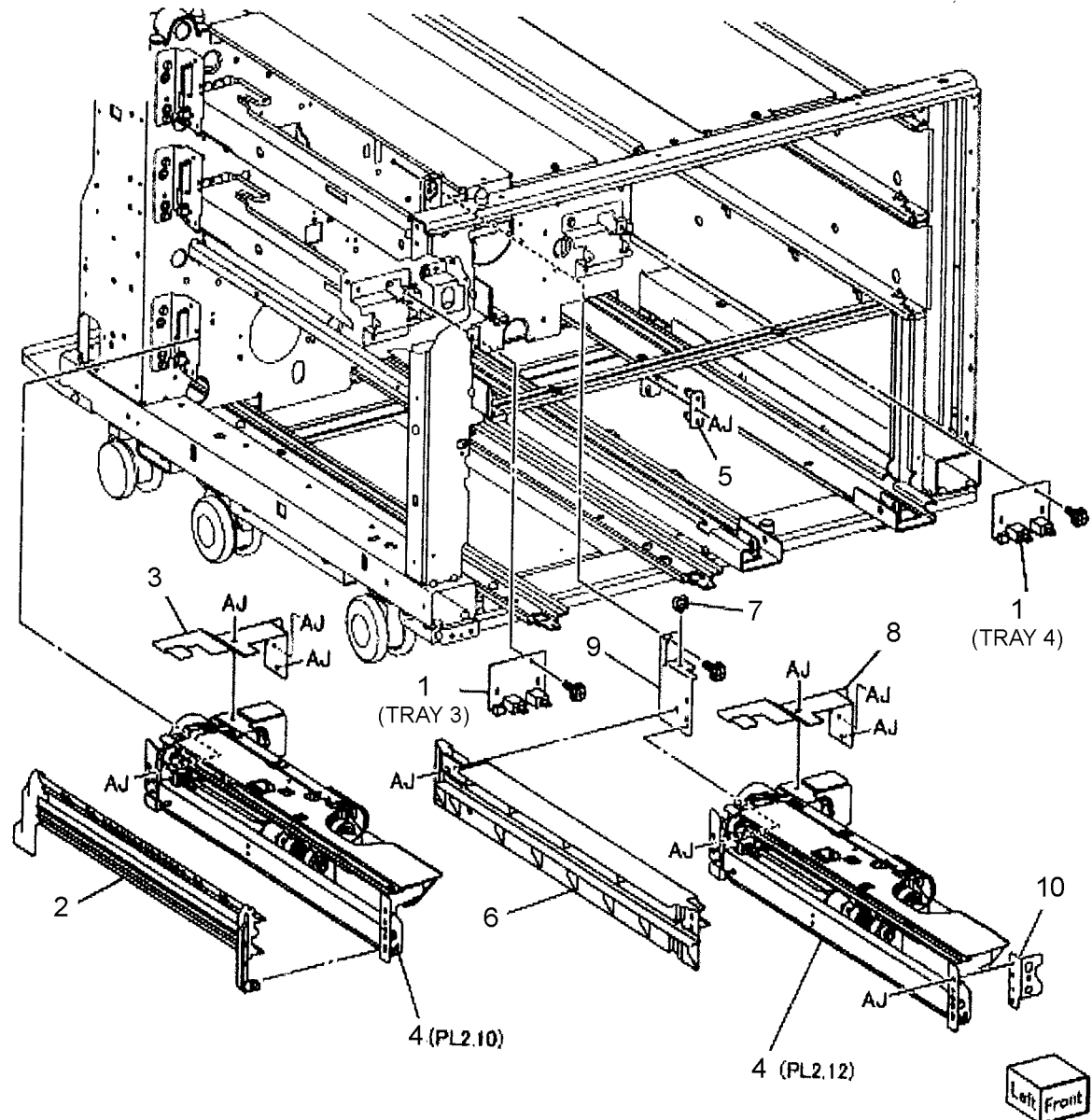
Item	Part	Description
1	050K50436	Tray 3 Assembly (REP 7.20)
2	050K50419	Tray 4 Assembly (REP 7.21)
3	059K24912	Tray 4 Transport Assembly
4	-	Rail (P/O PL 2.2 Item 3)
5	-	Bearing (P/O PL 2.2 Item 3)
6	-	Bearing (P/O PL 2.2 Item 3)
7	-	Spacer (P/O PL 2.2 Item 3)
8	054E22291	Upper Chute
9	-	Lower Chute (P/O PL 2.2 Item 3)
10	059E98860	Pinch Roll
11	059K24920	Transport Roll Assembly
12	-	Joint (P/O PL 2.2 Item 11)
13	-	Takeaway Roll 4/5 (P/O PL 2.2 Item 11)
14	413W77559	Bearing
15	-	Spring (P/O PL 2.2 Item 11)
16	-	Label (Instruction) (P/O PL 2.2 Item 3)
17	-	Pinch Cover (P/O PL 2.2 Item 3)
18	809E39381	Spring
19	-	Label (P/O PL 2.2 Item 3)
20	-	Spacer (Not Spared)
21	-	Roll Assembly (Not Spared)
22	893E03310	Label (Jam Clearance Instruction)
23	-	Bracket (Not Spared)
24	-	Roll (Not Spared)
25	-	Shaft (Not Spared)
26	-	Stopper (Tray 4) (Not Spared)
27	893E41500	Tray Label (3)
28	893E41510	Tray Label (4)



0502002A-OLY

## PL 2.3 Tray 3/4 (2 of 2)

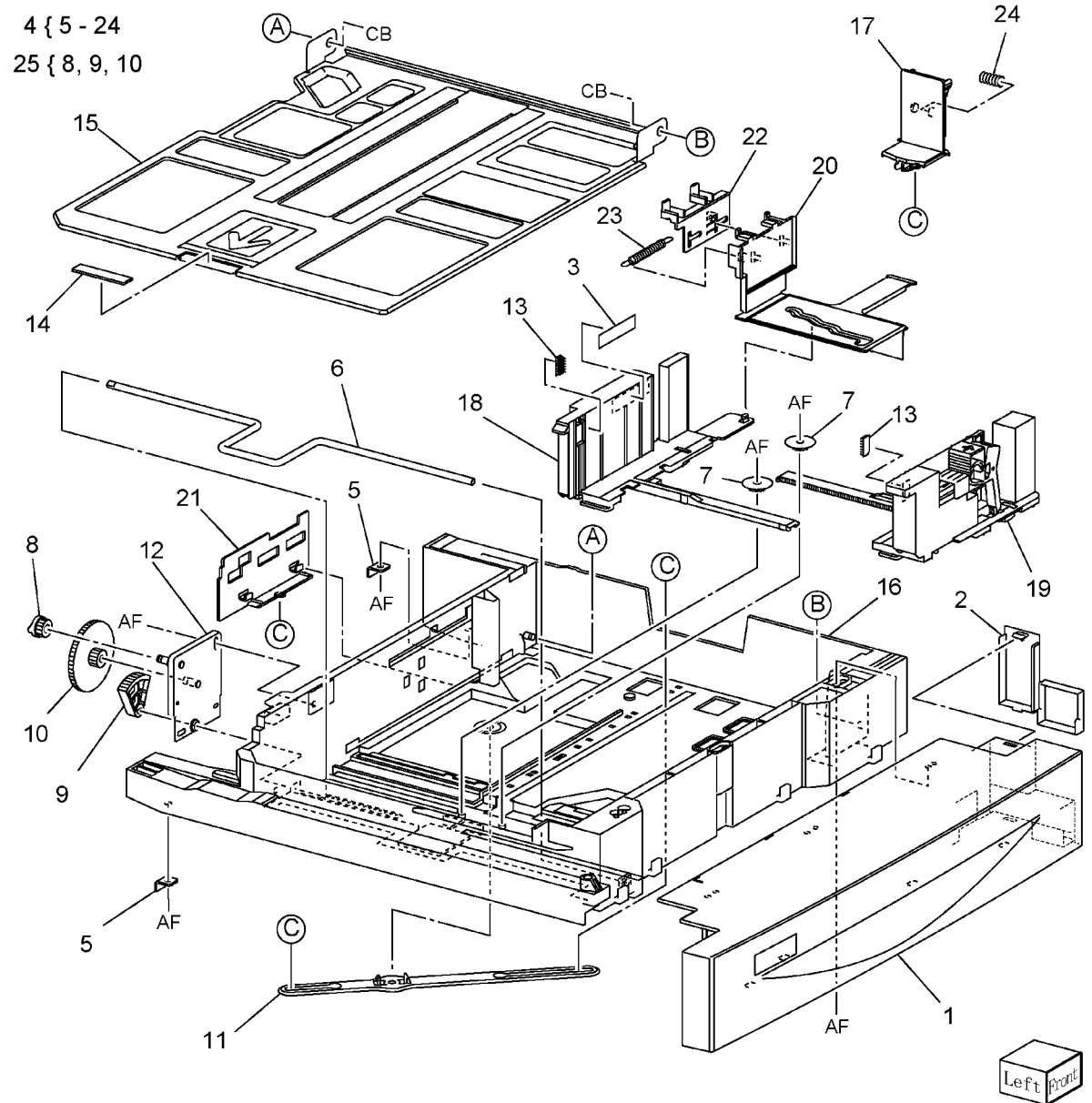
Item	Part	Description
1	110K11820	Tray 3 Paper Size Switch, Tray 4 Paper Size Switch
2	054K30831	Feed Out Chute
3	-	Cover (Not Spared)
4	059K26938	Tray 3 Feed Assembly (REP 7.22), Tray 4 Feed Assembly (REP 7.23)
5	-	Pivot Bracket (Not Spared)
6	-	Lower Chute (Not Spared)
7	-	Saddle (Not Spared)
8	-	Cover (Not Spared)
9	-	Bracket (Not Spared)
10	-	Front Bracket (Not Spared)



0502003B-OLY

# PL 2.4 Tray 1 Assembly

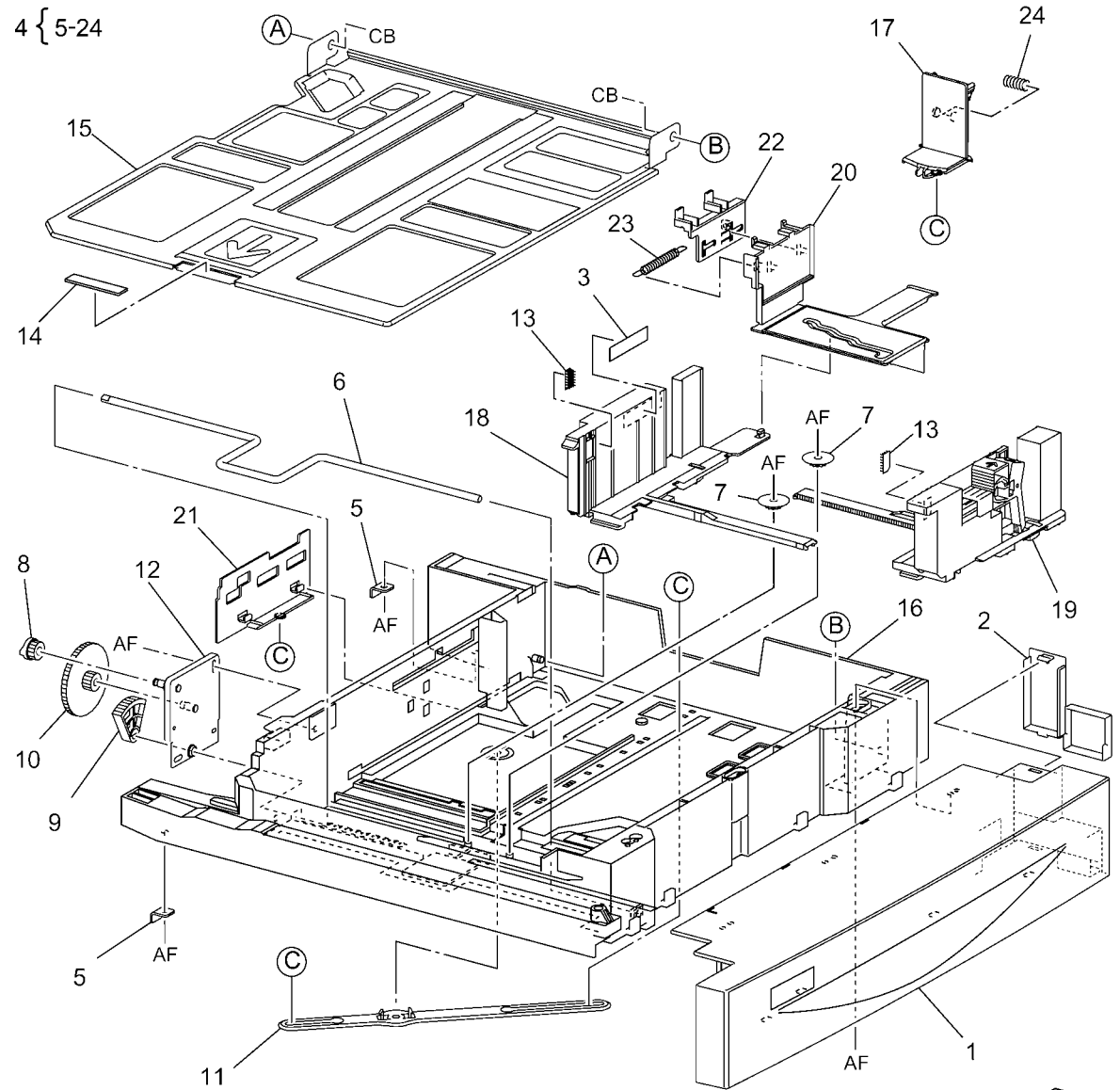
Item	Part	Description
1	-	Tray 1 Cover (Not Spared)
2	-	Cover (Not Spared)
3	893E09490	Label (Max)
4	-	Tray 1 (P/O PL 2.1 Item 3)
5	-	Stopper (P/O PL 2.4 Item 4)
6	-	Lift Shaft (P/O PL 2.4 Item 4)
7	-	Pinion (P/O PL 2.4 Item 4)
8	-	Gear (13T) (P/O PL 2.4 Item 25)
9	-	Gear (60T) (P/O PL 2.4 Item 25)
10	-	Gear (13T/60T) (P/O PL 2.4 Item 25)
11	-	End Guide Link (P/O PL 2.4 Item 4)
12	-	Plate (P/O PL 2.4 Item 4)
13	019E71680	Pad
14	019K09580	Bottom Plate Pad
15	-	Bottom Plate (P/O PL 2.4 Item 4)
16	-	Cassette (P/O PL 2.4 Item 4)
17	038E26533	End Guide
18	038E39090	Rear Guide
19	-	Front Guide (P/O PL 2.4 Item 4)
20	-	Actuator (P/O PL 2.4 Item 4)
21	-	Actuator (P/O PL 2.4 Item 4)
22	-	Actuator (P/O PL 2.4 Item 4)
23	-	Spring (P/O PL 2.4 Item 4)
24	-	Spring (P/O PL 2.4 Item 4)
25	604K20541	Tray Gear Kit



0502004B-OLY

# PL 2.5 Tray 2 Assembly

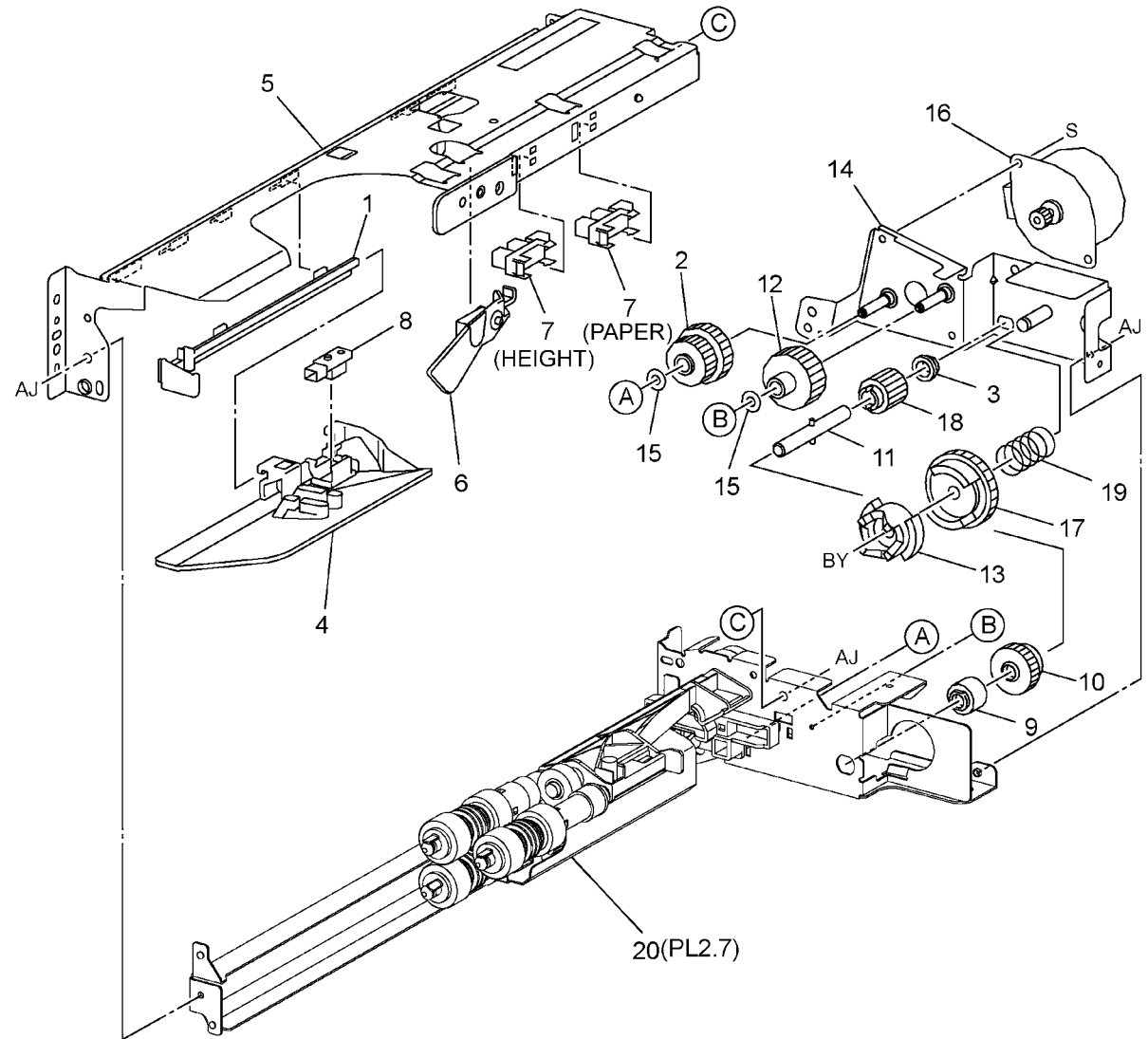
Item	Part	Description
1	-	Tray 2 Cover (Not Spared)
2	-	Cover (Not Spared)
3	893E09490	Label (Max)
4	-	Tray 2 (P/O PL 2.1 Item 3)
5	-	Stopper (P/O PL 2.5 Item 4)
6	-	Lift Shaft (P/O PL 2.5 Item 4)
7	007E78190	Pinion
8	-	Gear (13T) (P/O PL 2.5 Item 10)
9	-	Gear (60T) (P/O PL 2.5 Item 10)
10	604K20541	Gear (13T/60T)
11	-	End Guide Link (P/O PL 2.5 Item 4)
12	-	Plate (P/O PL 2.5 Item 4)
13	019E71680	Pad
14	019K09580	Bottom Plate Pad
15	-	Bottom Plate (P/O PL 2.5 Item 1)
16	-	Cassette (P/O PL 2.5 Item 4)
17	038E26533	End Guide
18	038E39090	Rear Guide
19	-	Front Guide (P/O PL 2.5 Item 4)
20	-	Actuator (P/O PL 2.5 Item 4)
21	-	Actuator (P/O PL 2.5 Item 4)
22	-	Actuator (P/O PL 2.5 Item 4)
23	-	Spring (P/O PL 2.5 Item 4)
24	-	Spring (P/O PL 2.5 Item 4)



0502005A-OLY

## PL 2.6 Tray 1 Feed Assembly (1 of 2)

Item	Part	Description
1	-	Rail (P/O PL 2.1 Item 8)
2	-	Gear (28T/21T) (P/O PL 2.1 Item 8)
3	013E92890	Bearing (6)
4	-	Chute (P/O PL 2.1 Item 8)
5	-	Upper Frame Assembly (P/O PL 2.1 Item 8)
6	120E22481	Actuator
7	930W00113	Tray 1 Stack Height Sensor, Tray 1 Paper Sensor
8	930W00211	Tray 1 Pre Feed Sensor
9	005K83081	One Way Clutch
10	007K85730	One Way Gear
11	-	Shaft Assembly Drive (P/O PL 2.1 Item 8)
12	-	Gear (29T) (P/O PL 2.1 Item 8)
13	-	Spacer (P/O PL 2.1 Item 8)
14	-	Bracket (P/O PL 2.1 Item 8)
15	-	Washer (P/O PL 2.1 Item 8)
16	127K38171	Tray 1 Lift/Feed Motor
17	-	Gear (31T) (P/O PL 2.1 Item 8)
18	-	Gear (13T) (P/O PL 2.1 Item 8)
19	-	Spring (P/O PL 2.1 Item 8)
20	-	Rear Frame Assembly (P/O PL 2.1 Item 8)

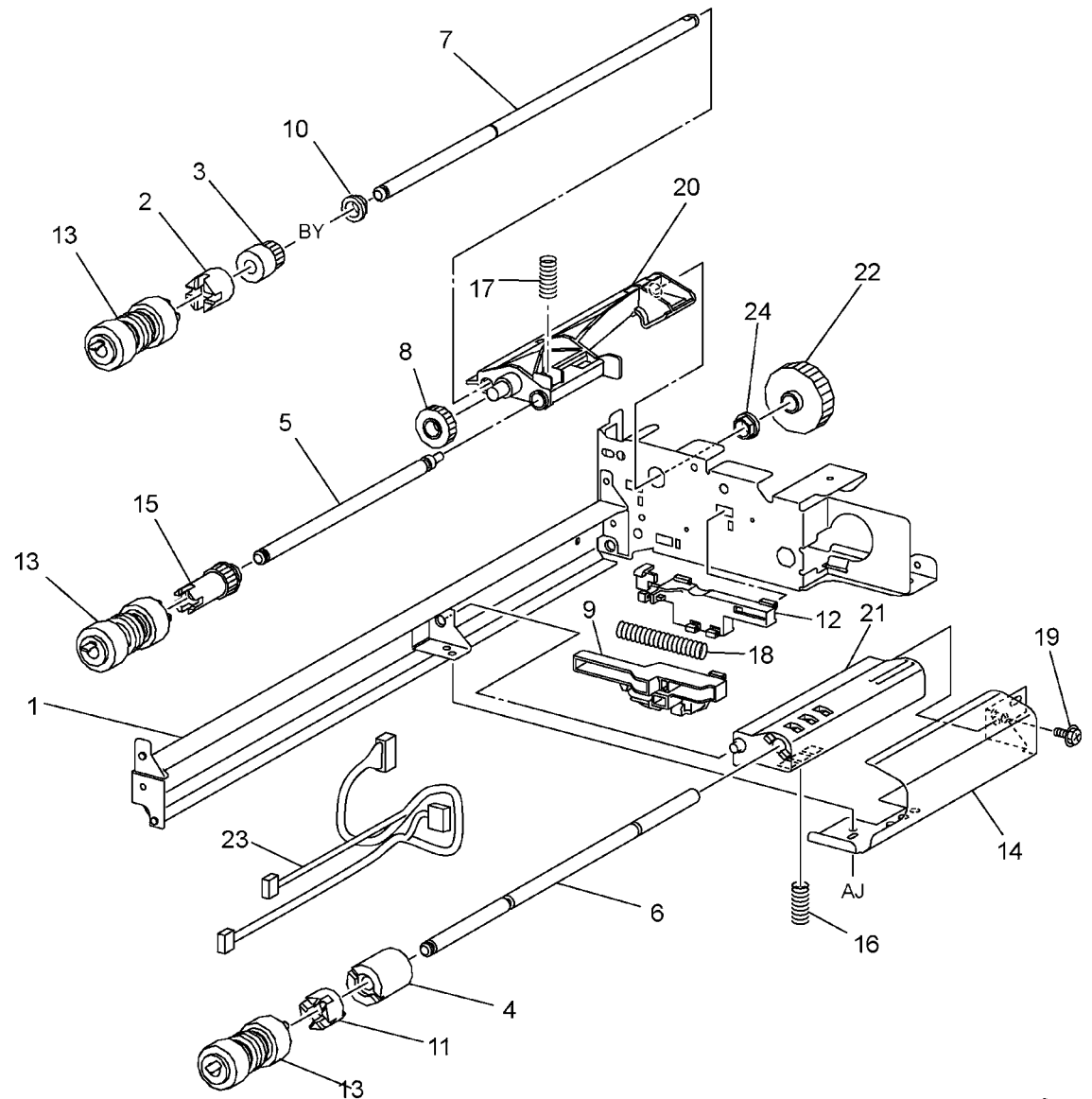


0502006A-OLY



## PL 2.7 Tray 1 Feed Assembly (2 of 2)

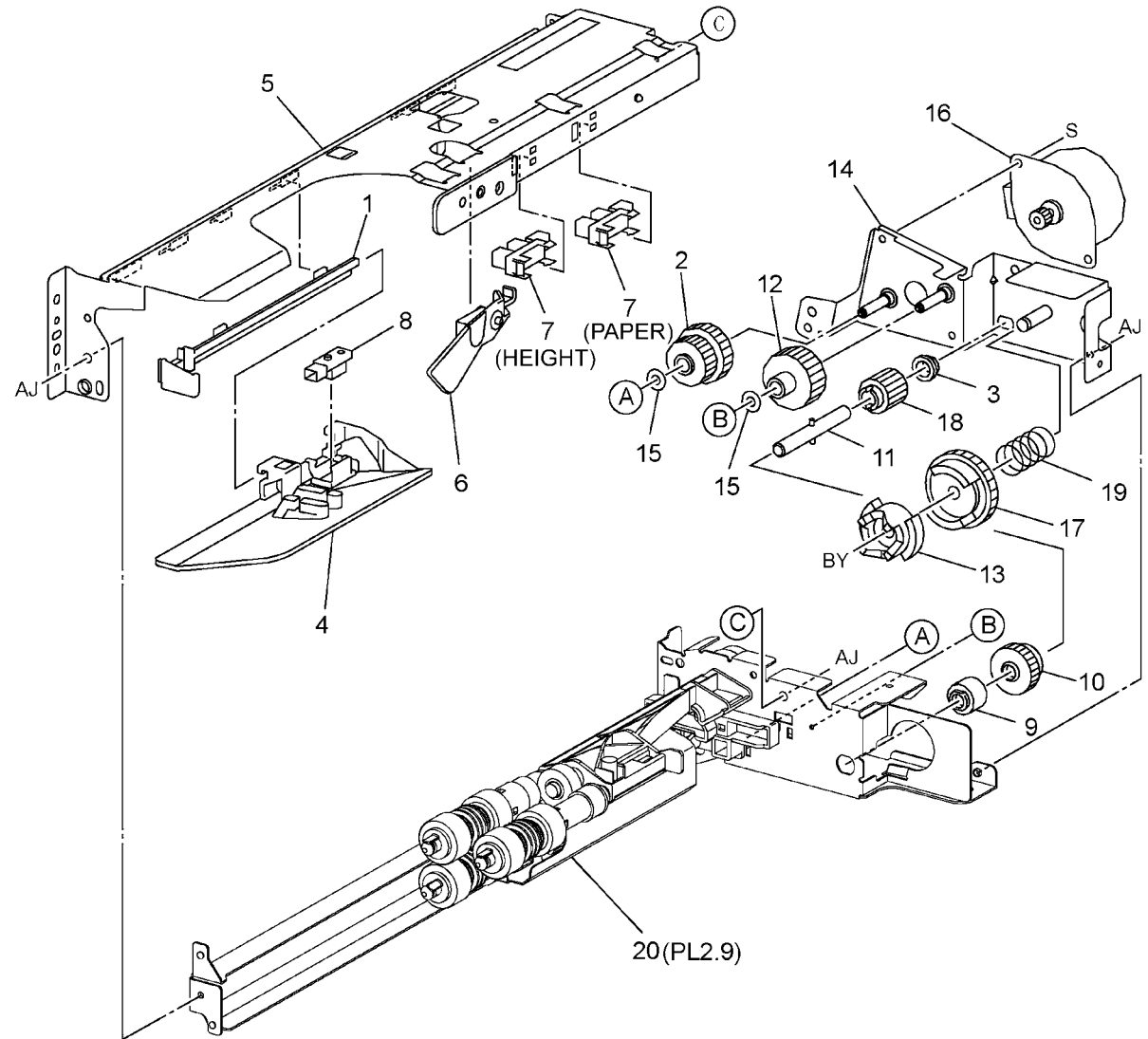
Item	Part	Description
1	-	Rear Frame (P/O PL 2.6 Item 20)
2	005K05890	Oneway Clutch
3	005K06760	Clutch (22T)
4	005K81880	Friction Clutch
5	-	Nudger Shaft (P/O PL 2.6 Item 20)
6	-	Retard Shaft (P/O PL 2.6 Item 20)
7	-	Feed Shaft (P/O PL 2.6 Item 20)
8	007E79380	Gear (33T)
9	-	Lever (P/O PL 2.6 Item 20)
10	013E92890	Bearing (6)
11	-	Spacer (P/O PL 2.6 Item 20)
12	-	Holder (P/O PL 2.6 Item 20)
13	600K78460	Feed/Nudger/Retard Roll Kit (Contains All 3 Rolls) (REP 7.24)
14	-	Feed in Chute (P/O PL 2.6 Item 20)
15	-	Gear (25T) (P/O PL 2.6 Item 20)
16	-	Spring (P/O PL 2.6 Item 20)
17	-	Spring (P/O PL 2.6 Item 20)
18	-	Spring (P/O PL 2.6 Item 20)
19	-	Screw (P/O PL 2.6 Item 20)
20	-	Nudger Support (P/O PL 2.6 Item 20)
21	-	Retard Support (P/O PL 2.6 Item 20)
22	-	Gear (27T) (P/O PL 2.6 Item 20)
23	-	Wire Harness (P/O PL 2.6 Item 20)
24	-	Bearing (P/O PL 2.6 Item 20)



0502007A-OLY

## PL 2.8 Tray 2 Feed Assembly (1 of 2)

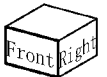
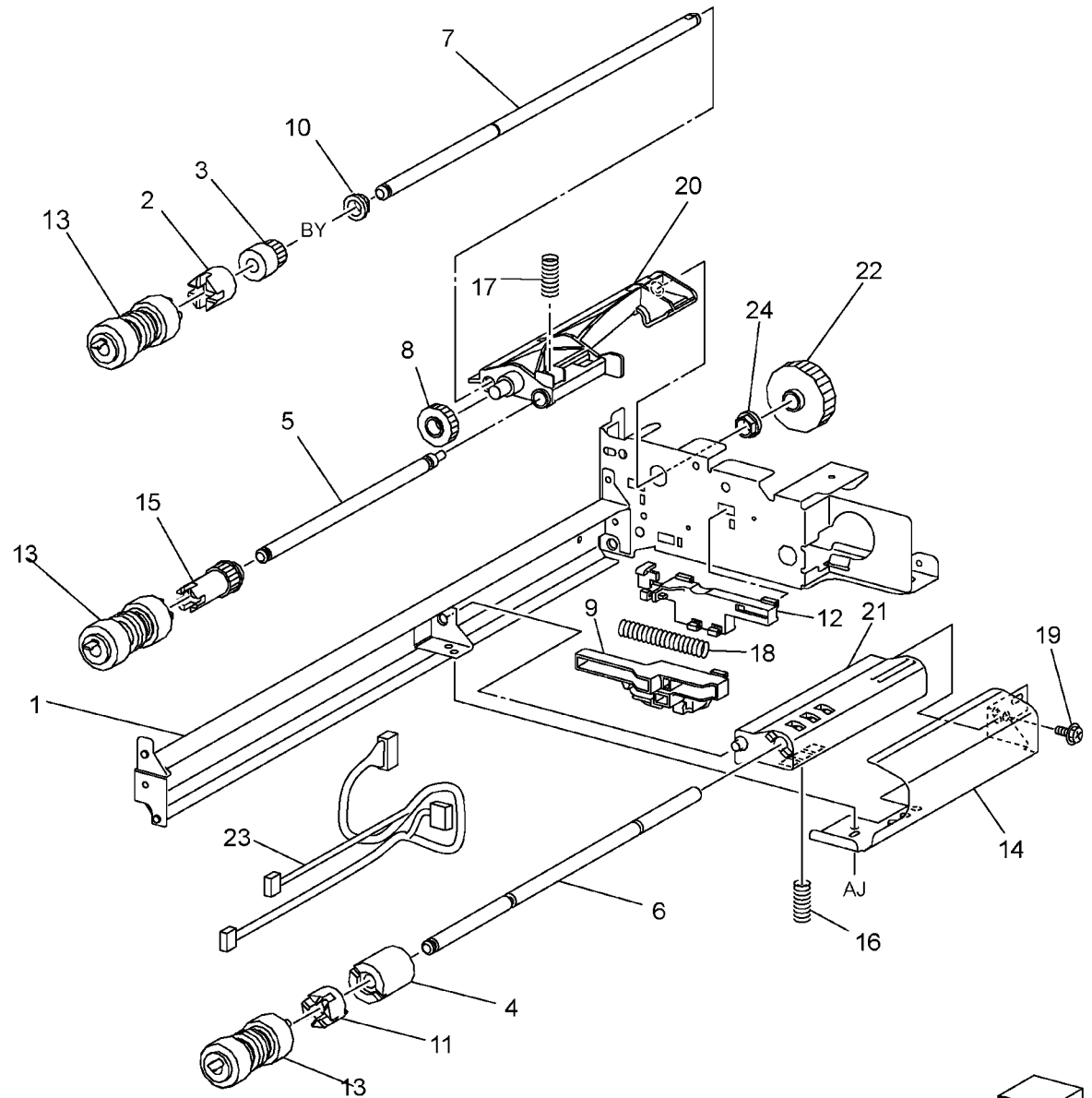
Item	Part	Description
1	-	Rail (P/O PL 2.1 Item 8)
2	-	Gear (28T/21T) (P/O PL 2.1 Item 8)
3	013E92890	Bearing (6)
4	-	Chute (P/O PL 2.1 Item 8)
5	-	Upper Frame Assembly (P/O PL 2.1 Item 8)
6	120E22481	Actuator
7	930W00113	Tray 2 Stack Height Sensor, Tray 2 Paper Sensor
8	930W00211	Tray 2 Pre Feed Sensor
9	005K83081	One Way Clutch Assembly
10	007K85730	One Way Gear Assembly
11	-	Shaft Assembly Drive (P/O PL 2.1 Item 8)
12	-	Gear (29T) (P/O PL 2.1 Item 8)
13	-	Spacer (P/O PL 2.1 Item 8)
14	-	Bracket (P/O PL 2.1 Item 8)
15	-	Washer (P/O PL 2.1 Item 8)
16	127K38171	Tray 2 Lift/Feed Motor
17	-	Gear (31T) (P/O PL 2.1 Item 8)
18	-	Gear (13T) (P/O PL 2.1 Item 8)
19	-	Spring (P/O PL 2.1 Item 8)
20	-	Rear Frame Assembly (P/O PL 2.1 Item 8)



0502008A-OLY

## PL 2.9 Tray 2 Feed Assembly (2 of 2)

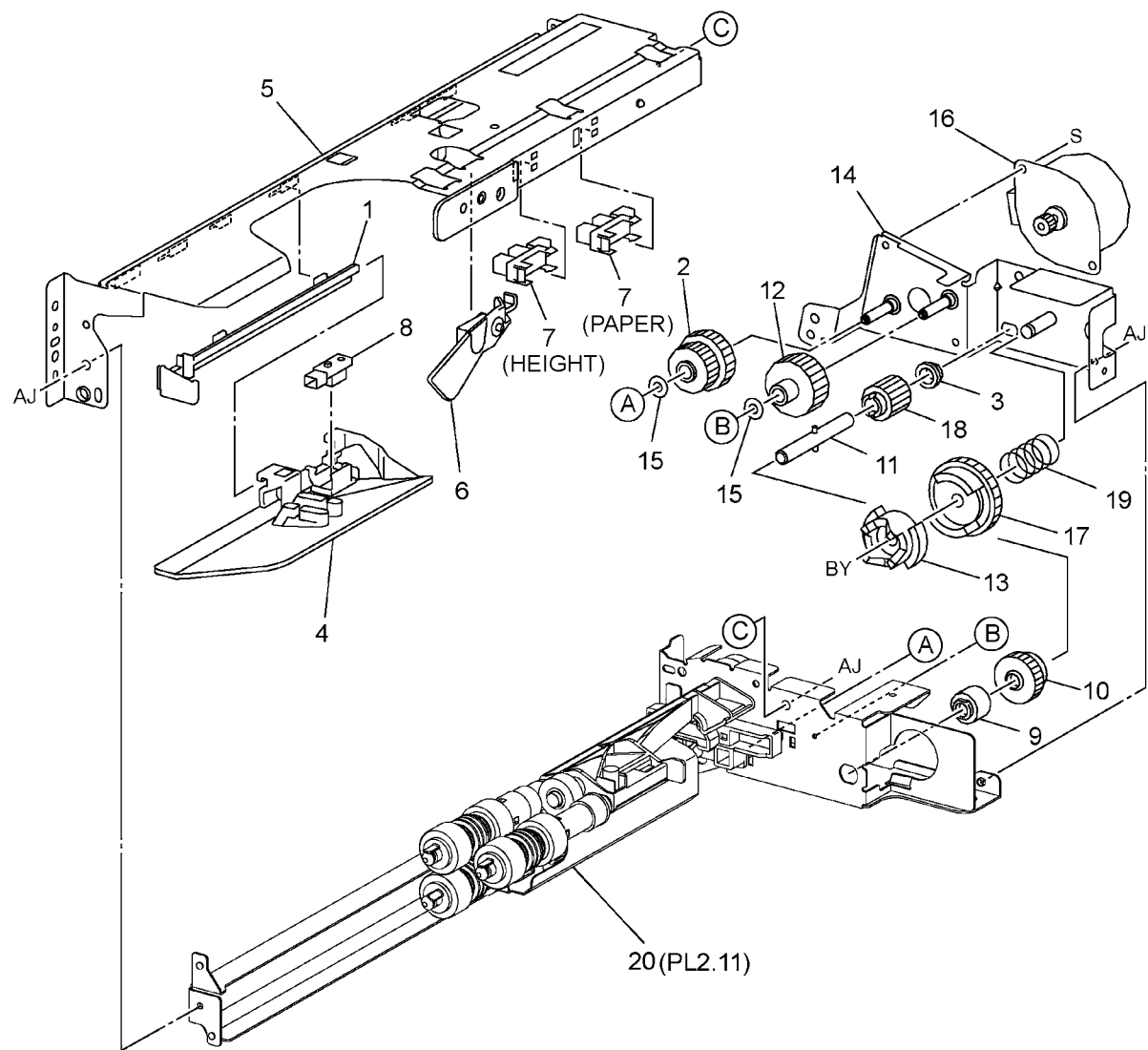
Item	Part	Description
1	-	Rear Frame (P/O PL 2.8 Item 20)
2	005K05890	One Way Clutch
3	005K06760	Clutch (22T)
4	005K81880	Friction Clutch
5	-	Nudger Shaft (P/O PL 2.8 Item 20)
6	-	Retard Shaft (P/O PL 2.8 Item 20)
7	-	Feed Shaft (P/O PL 2.8 Item 20)
8	007E79380	Gear (33T)
9	-	Lever (P/O PL 2.8 Item 20)
10	013E92890	Bearing (6)
11	-	Spacer (P/O PL 2.8 Item 20)
12	-	Holder (P/O PL 2.8 Item 20)
13	600K78460	Feed/Nudger/Retard Roll Kit (Contains All 3 Rolls) (REP 7.24)
14	-	Feed In Chute (P/O PL 2.8 Item 20)
15	-	Gear (25T) (P/O PL 2.8 Item 20)
16	-	Spring (P/O PL 2.8 Item 20)
17	-	Spring (P/O PL 2.8 Item 20)
18	-	Spring (P/O PL 2.8 Item 20)
19	-	Screw (P/O PL 2.8 Item 20)
20	-	Nudger Support (P/O PL 2.8 Item 20)
21	-	Retard Support (P/O PL 2.8 Item 20)
22	-	Gear (27T) (P/O PL 2.8 Item 20)
23	-	Wire Harness (P/O PL 2.8 Item 20)
24	-	Bearing (P/O PL 2.8 Item 20)



0502009B-OLY

## PL 2.10 Tray 3 Feed Assembly (1 of 2)

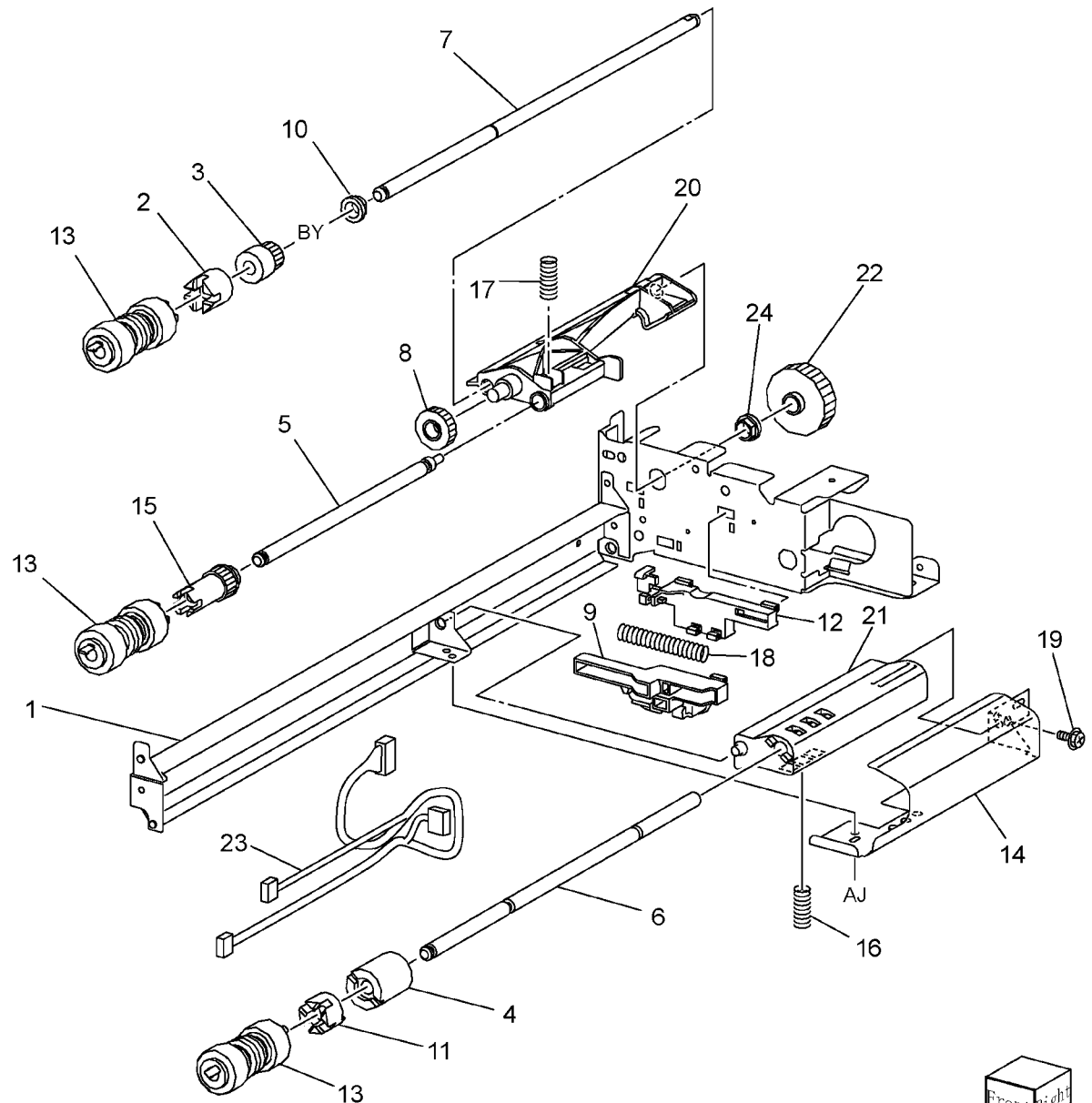
Item	Part	Description
1	-	Rail (P/O PL 2.3 Item 4)
2	-	Gear (28T/21T) (P/O PL 2.3 Item 4)
3	013E92890	Bearing (6)
4	-	Chute (P/O PL 2.3 Item 4)
5	-	Upper Frame Assembly (P/O PL 2.3 Item 4)
6	120E22481	Actuator
7	930W00113	Tray 3 Stack Height Sensor, Tray 3 Paper Sensor
8	930W00211	Tray 3 Pre Feed Sensor
9	005K83081	One Way Clutch Assembly
10	007K85730	One Way Gear Assembly
11	-	Shaft Assembly Drive (P/O PL 2.3 Item 4)
12	-	Gear (29T) (P/O PL 2.3 Item 4)
13	-	Spacer (P/O PL 2.3 Item 4)
14	-	Washer (P/O PL 2.3 Item 4)
15	-	Washer (P/O PL 2.3 Item 4)
16	127K38171	Tray 3 Lift/Feed Motor
17	-	Gear (31T) (P/O PL 2.3 Item 4)
18	-	Gear (13T) (P/O PL 2.3 Item 4)
19	-	Spring (P/O PL 2.3 Item 4)
20	-	Rear Frame Assembly (P/O PL 2.3 Item 4)



0502010A-OLY

## PL 2.11 Tray 3 Feed Assembly (2 of 2)

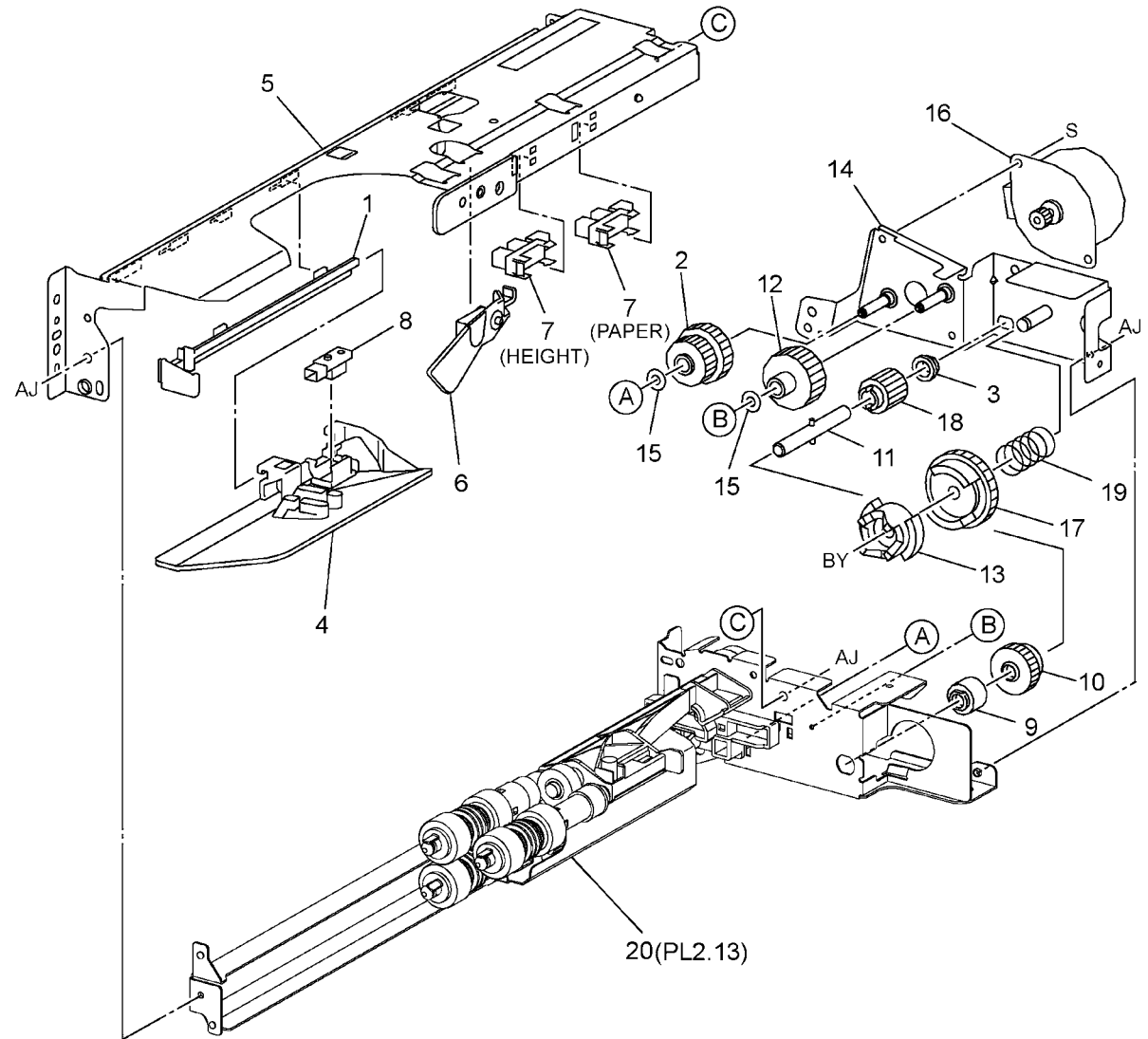
Item	Part	Description
1	-	Rear Frame (P/O PL 2.10 Item 20)
2	005K05890	One Way Clutch
3	005K06760	Clutch (22T)
4	005K81880	Friction Clutch
5	-	Nudger Shaft (P/O PL 2.10 Item 20)
6	-	Retard Shaft (P/O PL 2.10 Item 20)
7	-	Feed Shaft (P/O PL 2.10 Item 20)
8	007E79380	Gear (33T)
9	-	Lever (P/O PL 2.10 Item 20)
10	013E92890	Bearing (6)
11	-	Spacer (P/O PL 2.10 Item 20)
12	-	Holder (P/O PL 2.10 Item 20)
13	600K78460	Feed/Nudger/Retard Roll Kit (REP 7.25)
14	-	Feed In Chute (P/O PL 2.10 Item 20)
15	-	Gear (25T) (P/O PL 2.10 Item 20)
16	-	Spring (P/O PL 2.10 Item 20)
17	-	Spring (P/O PL 2.10 Item 20)
18	-	Spring (P/O PL 2.10 Item 20)
19	-	Screw (P/O PL 2.10 Item 20)
20	-	Nudger Support (P/O PL 2.10 Item 20)
21	-	Retard Support (P/O PL 2.10 Item 20)
22	-	Gear (27T) (P/O PL 2.10 Item 20)
23	-	Wire Harness (P/O PL 2.10 Item 20)
24	-	Bearing (P/O PL 2.10 Item 20)



0502011A-OLY

## PL 2.12 Tray 4 Feed Assembly (1 of 2)

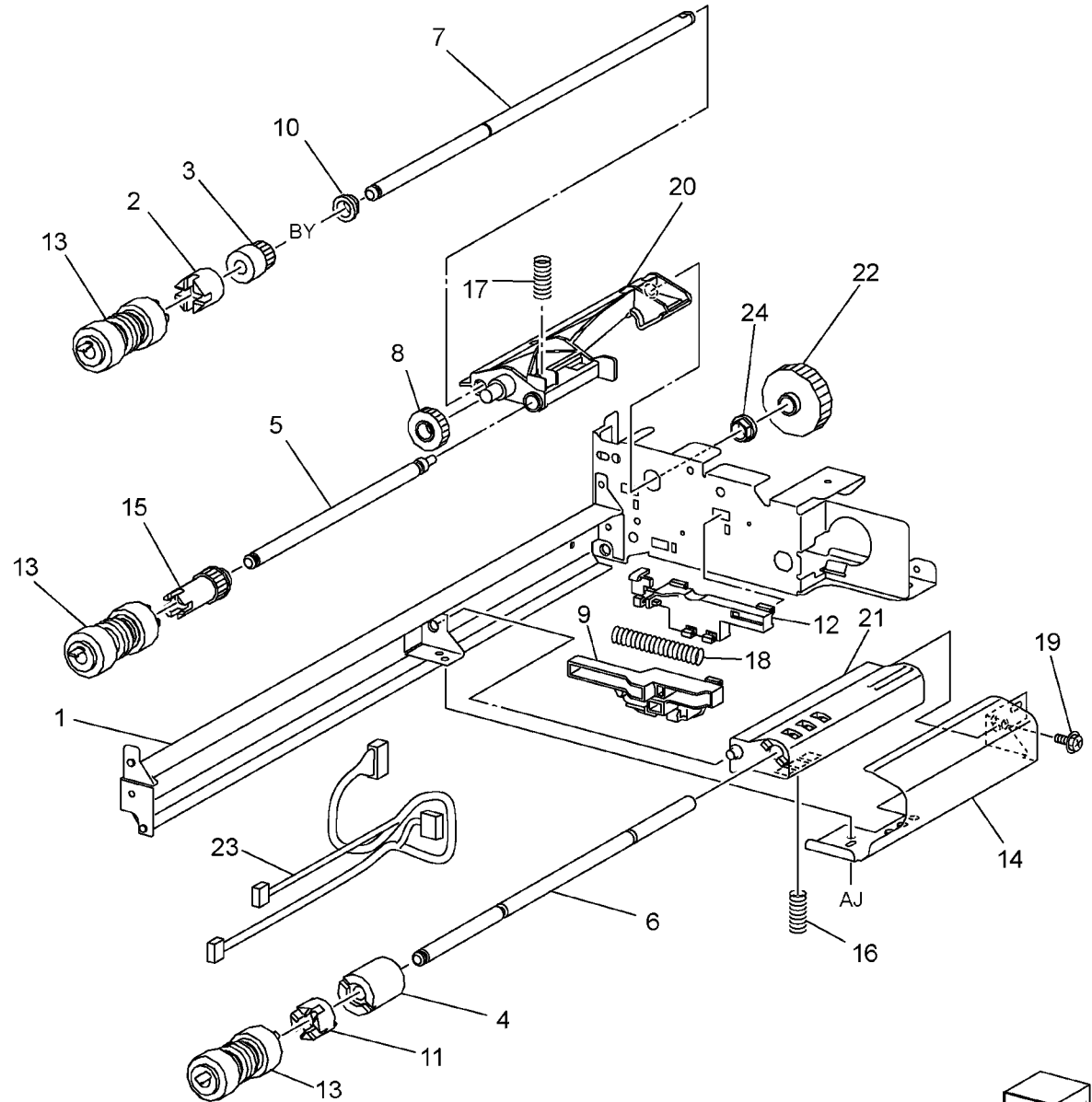
Item	Part	Description
1	-	Rail (P/O PL 2.3 Item 4)
2	-	Gear (28T/21T) (P/O PL 2.3 Item 4)
3	013E92890	Bearing (6)
4	-	Chute (P/O PL 2.3 Item 4)
5	-	Upper Frame Assembly (P/O PL 2.3 Item 4)
6	120E22481	Actuator
7	930W00113	Tray 4 Stack Height Sensor, Tray 4 Paper Sensor
8	007K85730	One Way Gear Assembly
9	930W00211	Tray 4 Pre Feed Sensor
10	005K83081	One Way Clutch Assembly
11	007K85730	One Way Gear Assembly
12	-	Shaft Assembly Drive (P/O PL 2.3 Item 4)
13	-	Gear (29T) (P/O PL 2.3 Item 4)
14	-	Spacer (P/O PL 2.3 Item 4)
15	-	Bracket (P/O PL 2.3 Item 4)
16	-	Washer (P/O PL 2.3 Item 4)
17	127K38171	Tray 4 Lift/Feed Motor
18	-	Gear (31T) (P/O PL 2.3 Item 4)
19	-	Gear (13T) (P/O PL 2.3 Item 4)
20	-	Spring (P/O PL 2.3 Item 4)
20	-	Rear Frame Assembly (P/O PL 2.3 Item 4)



0502012A-OLY

## PL 2.13 Tray 4 Feed Assembly (2 of 2)

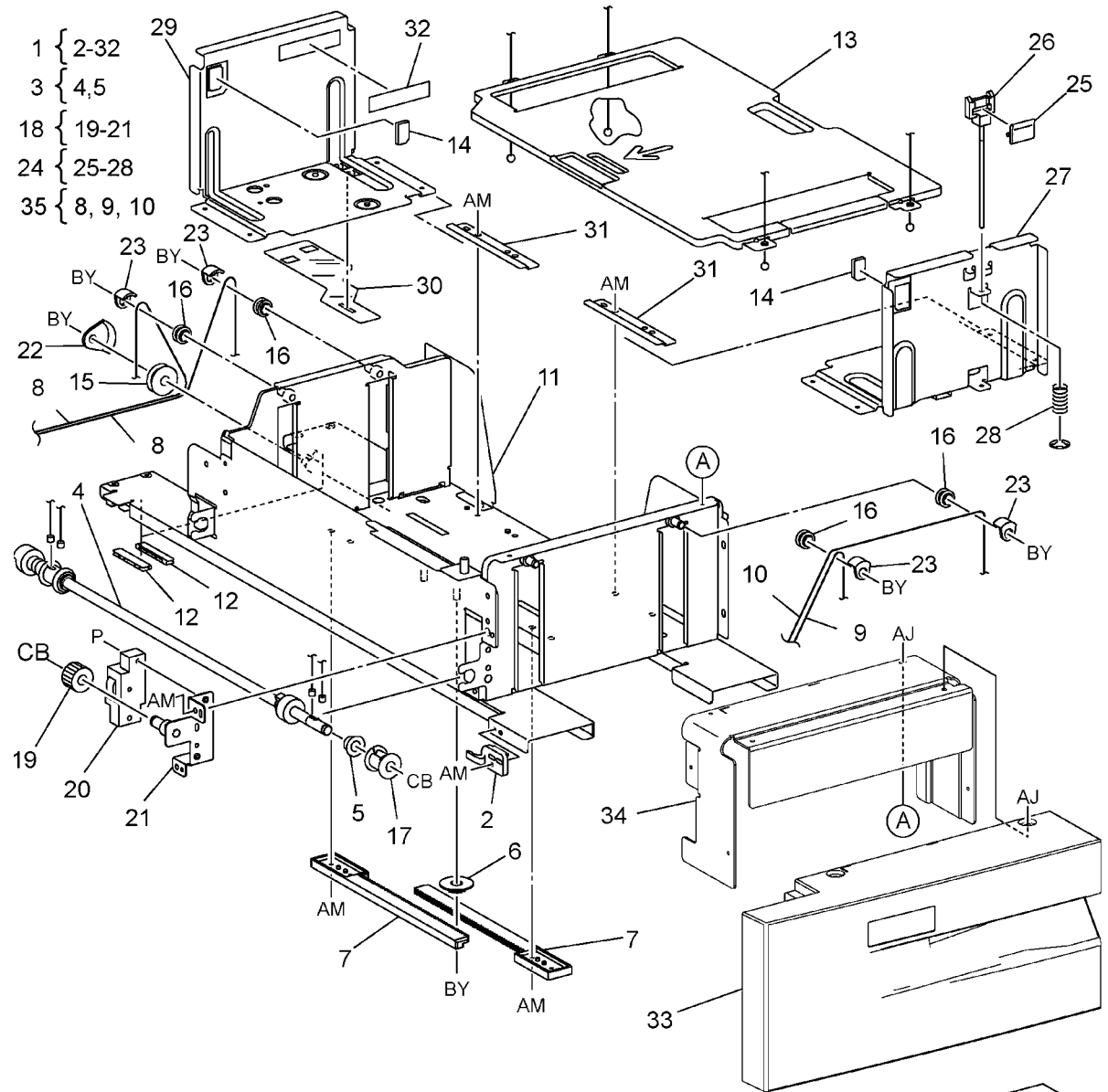
Item	Part	Description
1	-	Rear Frame (P/O PL 2.12 Item 20)
2	005K05890	One Way Clutch
3	005K06760	Clutch (22T)
4	005K81880	Friction Clutch
5	-	Nudger Shaft (P/O PL 2.12 Item 20)
6	-	Retard Shaft (P/O PL 2.12 Item 20)
7	-	Feed Shaft (P/O PL 2.12 Item 20)
8	007E79380	Gear (33T)
9	-	Lever (P/O PL 2.12 Item 20)
10	013E92890	Bearing (6)
11	-	Spacer (P/O PL 2.12 Item 20)
12	-	Holder (P/O PL 2.12 Item 20)
13	600K78460	Feed/Nudger/Retard Roll Kit (Contains All 3 Rolls) (REP 7.26)
14	-	Feed In Chute (P/O PL 2.12 Item 20)
15	-	Gear (25T) (P/O PL 2.12 Item 20)
16	-	Spring (P/O PL 2.12 Item 20)
17	-	Spring (P/O PL 2.12 Item 20)
18	-	Spring (P/O PL 2.12 Item 20)
19	-	Screw (P/O PL 2.12 Item 20)
20	-	Nudger Support (P/O PL 2.12 Item 20)
21	-	Retard Support (P/O PL 2.12 Item 20)
22	-	Gear (27T) (P/O PL 2.12 Item 20)
23	-	Wire Harness (P/O PL 2.12 Item 20)
24	-	Bearing (P/O PL 2.12 Item 20)



0502013A-OLY

## PL 2.14 Tray 3 Assembly

Item	Part	Description
1	-	Tray 3 (P/O PL 2.2 Item 1)
2	003E79750	Stopper
3	006K23661	Lift Shaft Assembly
4	-	Lift Shaft (P/O PL 2.14 Item 3)
5	413W77559	Bearing
6	007E78190	Pinion
7	-	Rack
8	-	Rear Cable (P/O PL 2.14 Item 35) (REP 7.14)
9	-	Front Left Cable (P/O PL 2.14 Item 35)
10	-	Front Right Cable (P/O PL 2.14 Item 35)
11	-	Frame Assembly (P/O PL 2.14 Item 1)
12	-	Spacer (P/O PL 2.14 Item 1)
13	-	Bottom Plate (P/O PL 2.14 Item 1)
14	019E71680	Pad
15	020E36560	Pulley
16	604K20730	TMM Pulley Kit
17	-	Pulley (P/O PL 2.14 Item 1)
18	030K75541	Brake Assembly
19	007E78390	Gear (18T)
20	019K93921	Brake
21	-	Bracket Assembly (P/O PL 2.14 Item 18)
22	032E20890	Wire Guide
23	604K20740	TTM Cable Guide Kit
24	038K87161	Front Guide Assembly
25	-	Knob
26	-	Knob Assembly
27	-	Front Guide (P/O PL 2.14 Item 24)
28	-	Spring (P/O PL 2.14 Item 24)
29	-	Rear Guide Assembly (P/O PL 2.14 Item 1)
30	-	Actuator
31	-	Bracket (P/O PL 2.14 Item 1)
32	893E09490	Label (Max)
33	-	Tray 3 Cover
34	-	Bracket (Not Spared)
35	604K20750	Tray Cable Kit

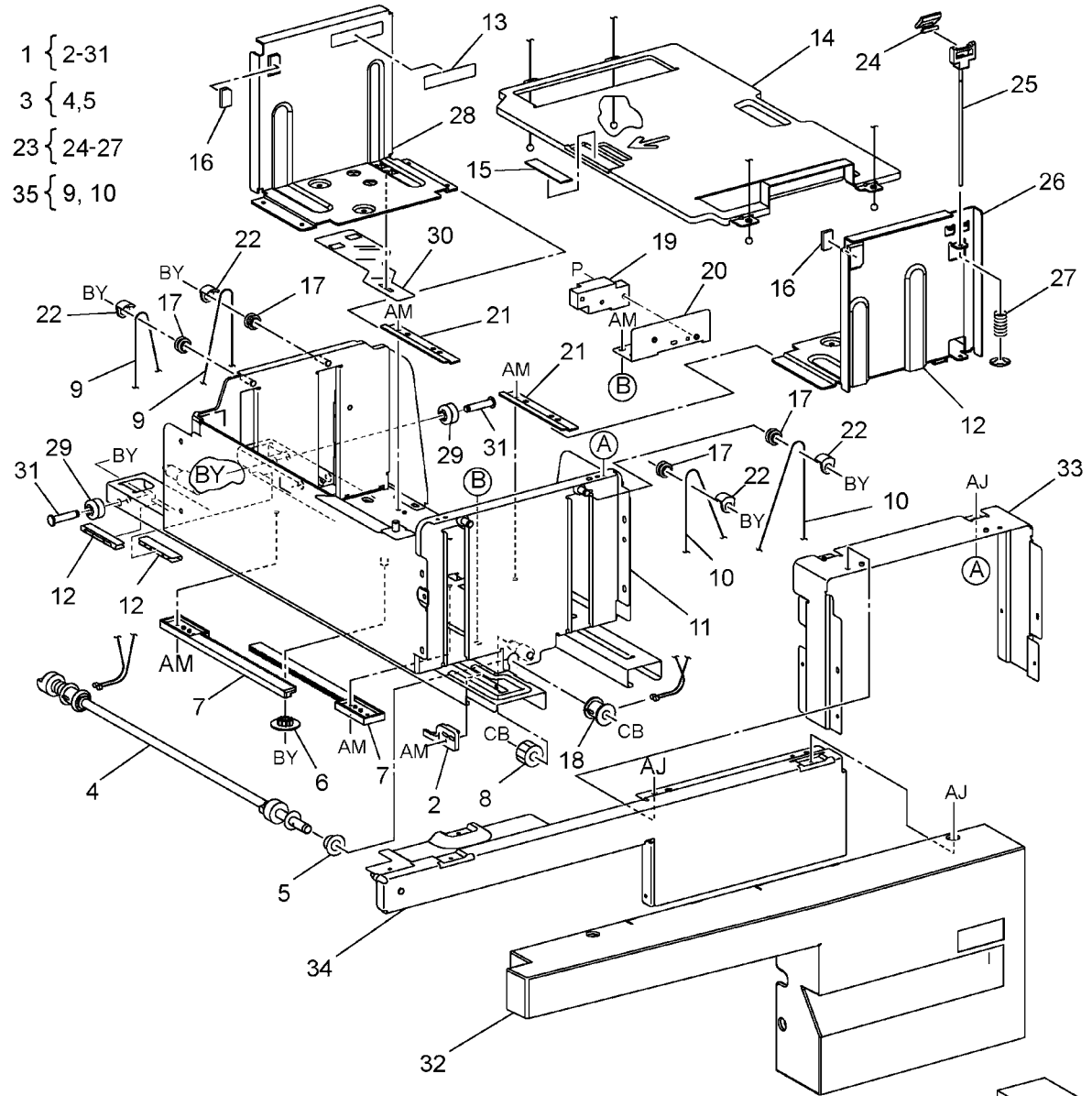


left front  
0502014B-OLY



## PL 2.15 Tray 4 Assembly

Item	Part	Description
1	-	Tray 4 (P/O PL 2.2 Item 2)
2	003E79750	Stopper
3	006K23661	Lift Shaft Assembly
4	-	Lift Shaft (P/O PL 2.15 Item 3)
5	413W77559	Bearing
6	007E78190	Pinion
7	-	Rack (P/O PL 2.15 Item 1)
8	007E78390	Gear (18T)
9	-	Rear Cable (P/O PL 2.15 Item 35) (REP 7.30)
10	-	Front Cable (P/O PL 2.15 Item 35) (REP 7.29)
11	-	Frame Assembly (P/O PL 2.15 Item 1)
12	-	Spacer (P/O PL 2.15 Item 1)
13	893E09490	Label (Max)
14	-	Bottom Plate (P/O PL 2.15 Item 1)
15	019K09580	Bottom Pad
16	019E71680	Pad
17	604K20730	TMM Pulley Kit
18	-	Pulley (P/O PL 2.15 Item 1)
19	019K93921	Brake Assembly
20	-	Bracket (P/O PL 2.15 Item 1)
21	-	Bracket (P/O PL 2.15 Item 1)
22	604K20740	TTM Cable Guide Kit
23	038K87121	Front Guide Assembly
24	-	Knob (P/O PL 2.15 Item 23)
25	-	Knob Assembly (P/O PL 2.15 Item 23)
26	-	Front Guide (P/O PL 2.15 Item 23)
27	-	Spring (P/O PL 2.15 Item 23)
28	-	Rear Guide Assembly (P/O PL 2.15 Item 1)
29	-	Roller
30	-	Actuator (P/O PL 2.15 Item 1)
31	-	Shaft (P/O PL 2.15 Item 1)
32	-	Tray 4 Cover (Not Spared)
33	-	Bracket (Not Spared)
34	-	Frame Assembly (Not Spared)
35	604K20750	Tray Cable Kit

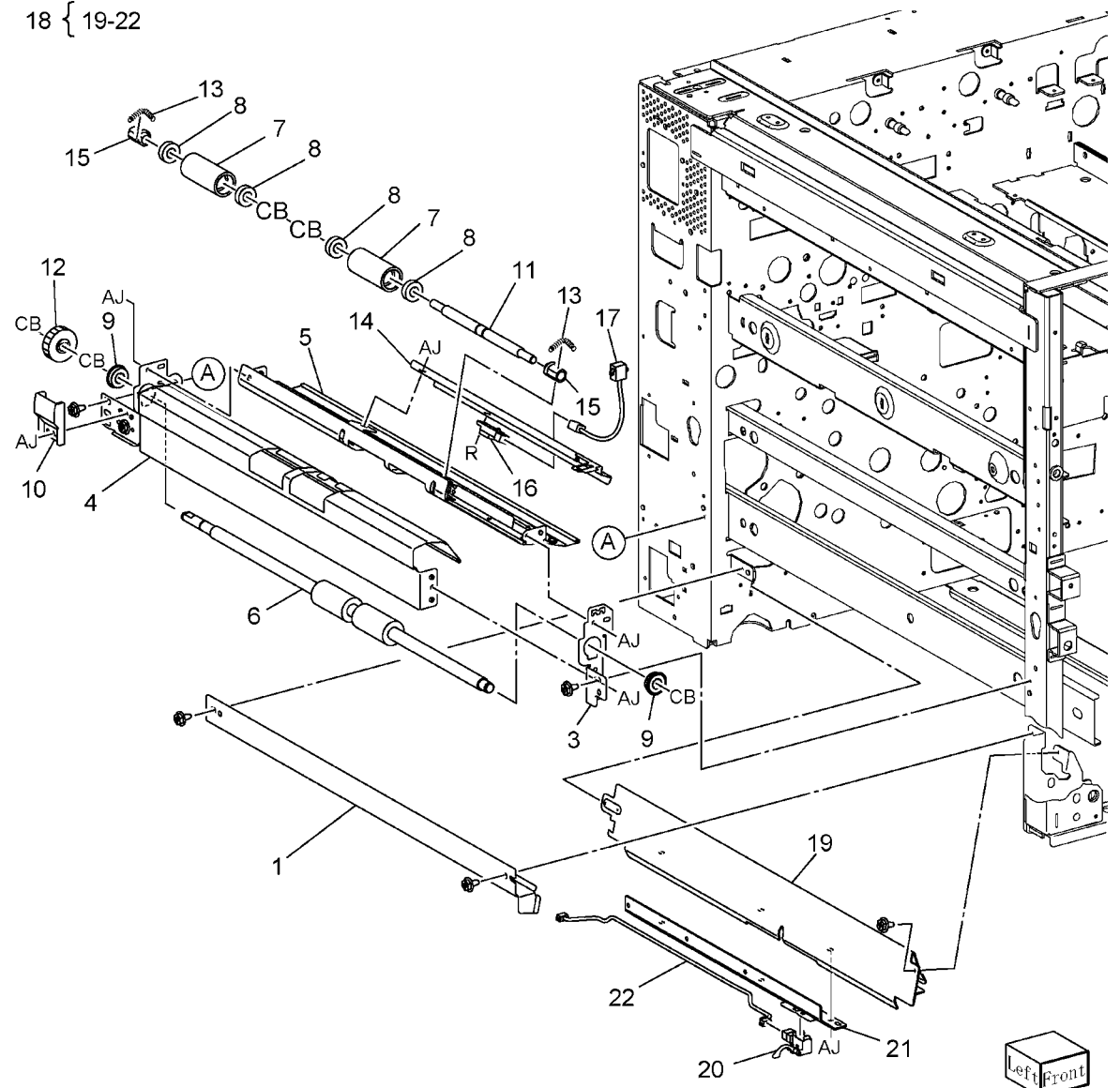


0502015B-OLY

# PL 2.16 Tray 5 / Bypass Chute Assembly

Item	Part	Description
1	-	Chute (Not Spared)
2	054K26316	Chute Assembly
3	-	Frame Assembly (P/O PL 2.16 Item 2)
4	-	Lower chute Assembly (P/O PL 2.16 Item 2)
5	-	Upper Chute (P/O PL 2.16 Item 2)
6	059K26201	Roll Assembly
7	059K37990	Pinch Roll
8	413W08050	Ball Bearing
9	413W08350	Bearing
10	-	Gear Cover (P/O PL 2.16 Item 2)
11	-	Shaft (P/O PL 2.16 Item 2)
12	-	Gear (25T) (P/O PL 2.16 Item 2)
13	809E54941	Spring
14	-	Bracket (P/O PL 2.16 Item 2)
15	-	Support (P/O PL 2.16 Item 2)
16	930W00211	Pre Registration Sensor
17	-	Wire Harness (P/O PL 2.16 Item 2)
18	-	Chute Assembly
19	-	Chute (P/O PL 2.16 Item 18)
20	130K71370	Tray 1 Feed Out Sensor
21	-	Bracket (P/O PL 2.16 Item 18)
22	-	Wire Harness (P/O PL 2.16 Item 18)

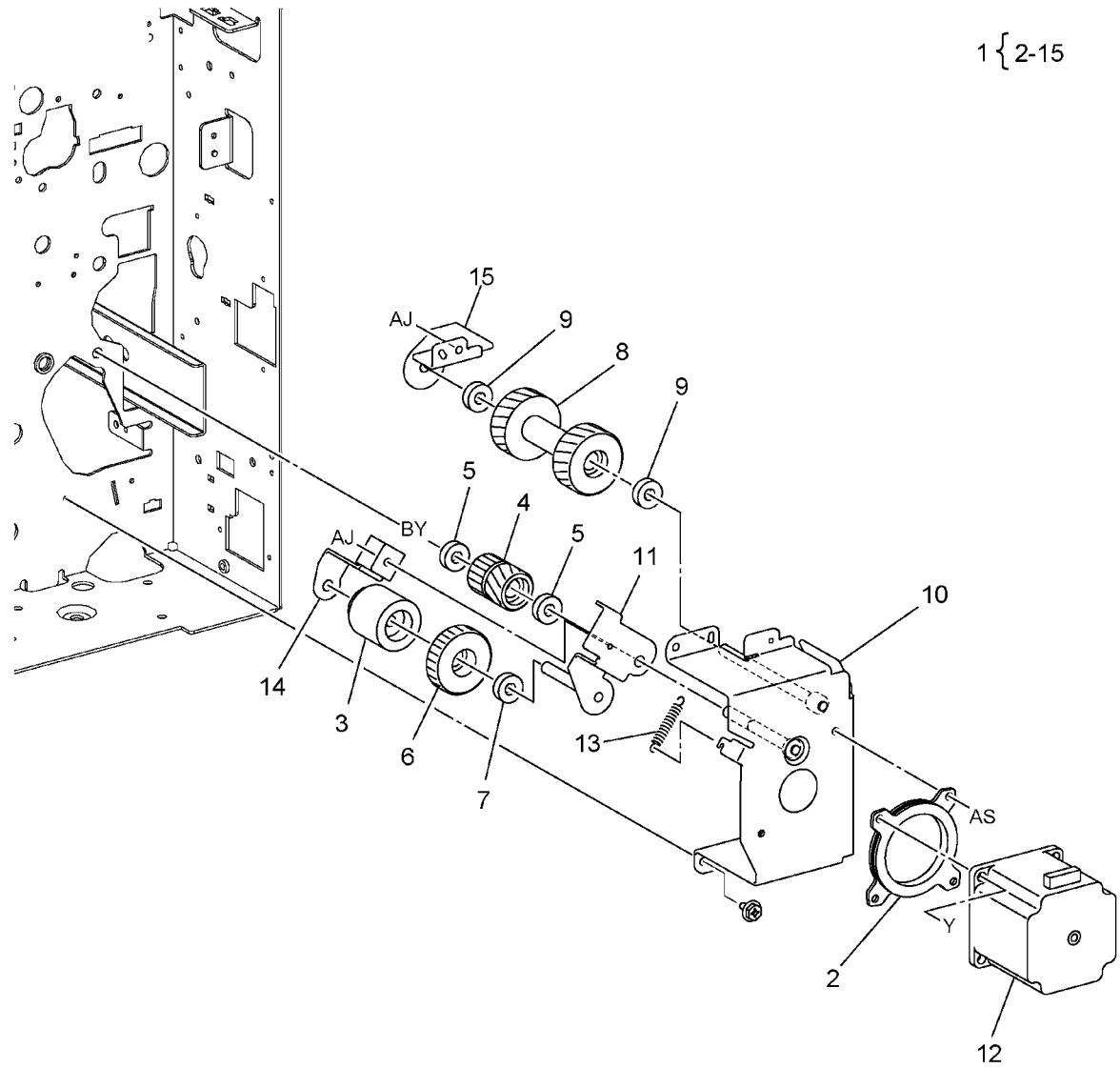
2 { 3-17  
18 { 19-22



Left Front  
0502016A-OLY

# PL 2.17 Pre Registration Motor Assembly

Item	Part	Description
1	015K64793	Pre Registration Motor Assembly
2	-	Damper (P/O PL 2.17 Item 1)
3	-	Collar (P/O PL 2.17 Item 1)
4	-	Gear (20T) (P/O PL 2.17 Item 1)
5	-	Bearing (P/O PL 2.17 Item 1)
6	-	Gear (34T) (P/O PL 2.17 Item 1)
7	-	Bearing (P/O PL 2.17 Item 1)
8	-	Gear (34T) (P/O PL 2.17 Item 1)
9	-	Bearing (P/O PL 2.17 Item 1)
10	-	Bracket Assembly (P/O PL 2.17 Item 1)
11	-	Bracket Assembly (P/O PL 2.17 Item 1)
12	127K39650	Pre Registration Motor
13	-	Spring (P/O PL 2.17 Item 1)
14	-	Bracket (P/O PL 2.17 Item 1)
15	-	Bracket (P/O PL 2.17 Item 1)



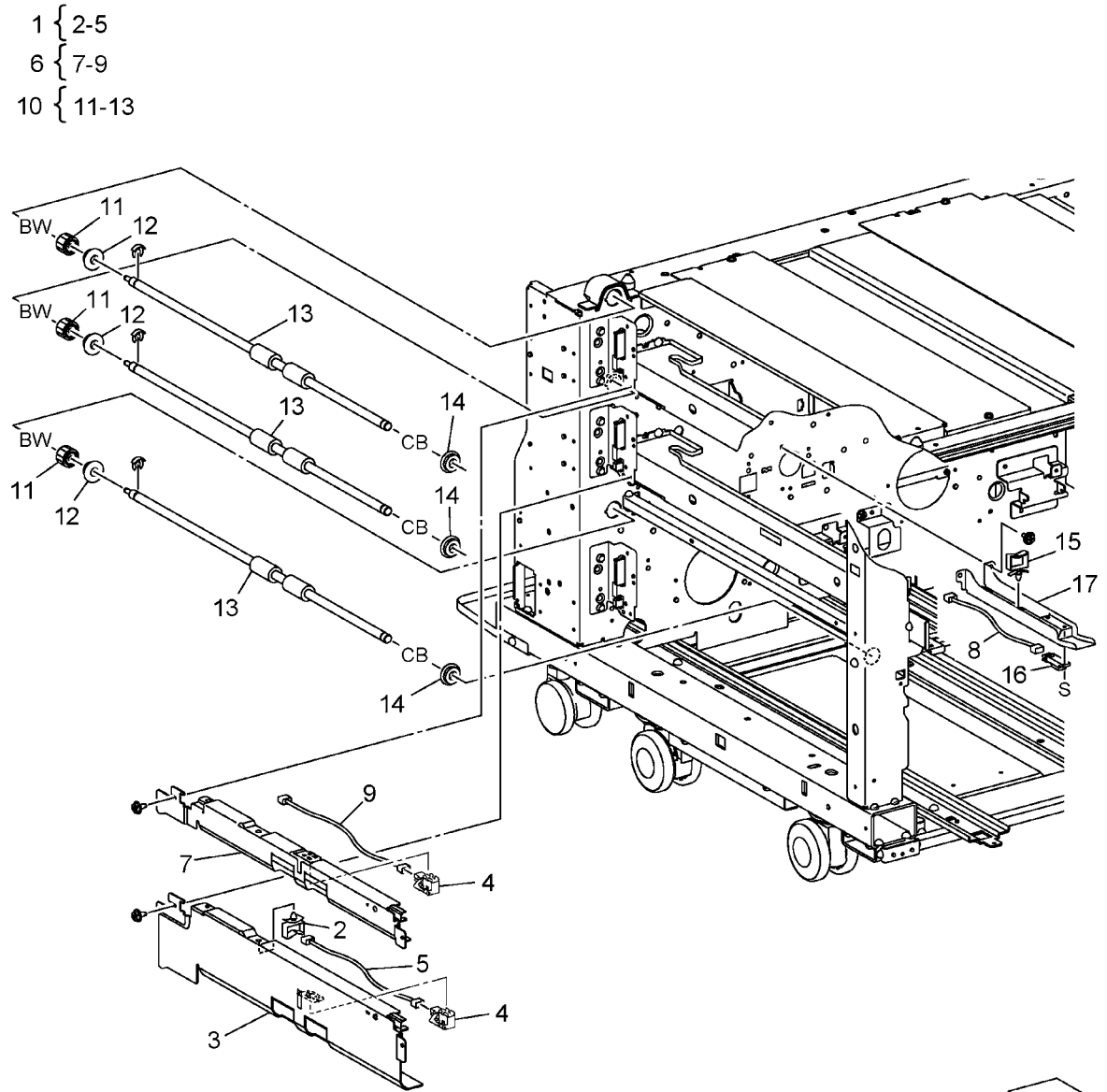
1 { 2-15



0502017A-OLY

## PL 2.18 Takeaway Roll

Item	Part	Description
1	-	Chute Assembly (Not Spared)
2	-	Harness Holder (P/O PL 2.18 Item 1)
3	-	Chute (P/O PL 2.18 Item 1)
4	130K88311	Tray 3 Feed Out Sensor
5	-	Wire Harness (P/O PL 2.18 Item 1)
6	-	Chute Assembly (Not Spared)
7	-	Chute (P/O PL 2.18 Item 6)
8	-	Wire Harness (P/O PL 2.18 Item 6)
9	-	Wire Harness (P/O PL 2.18 Item 6)
10	059K24941	Takeaway Roll Assembly
11	-	Gear (18T) (P/O PL 2.18 Item 10)
12	-	Bearing (P/O PL 2.18 Item 10)
13	-	Takeaway Roll 1/2/3 (P/O PL 2.18 Item 10)
14	-	Bearing (Not Spared)
15	-	Harness Holder (Not Spared)
16	130E84300	Tray 4 Feed Out Sensor
17	-	Bracket (Not Spared)

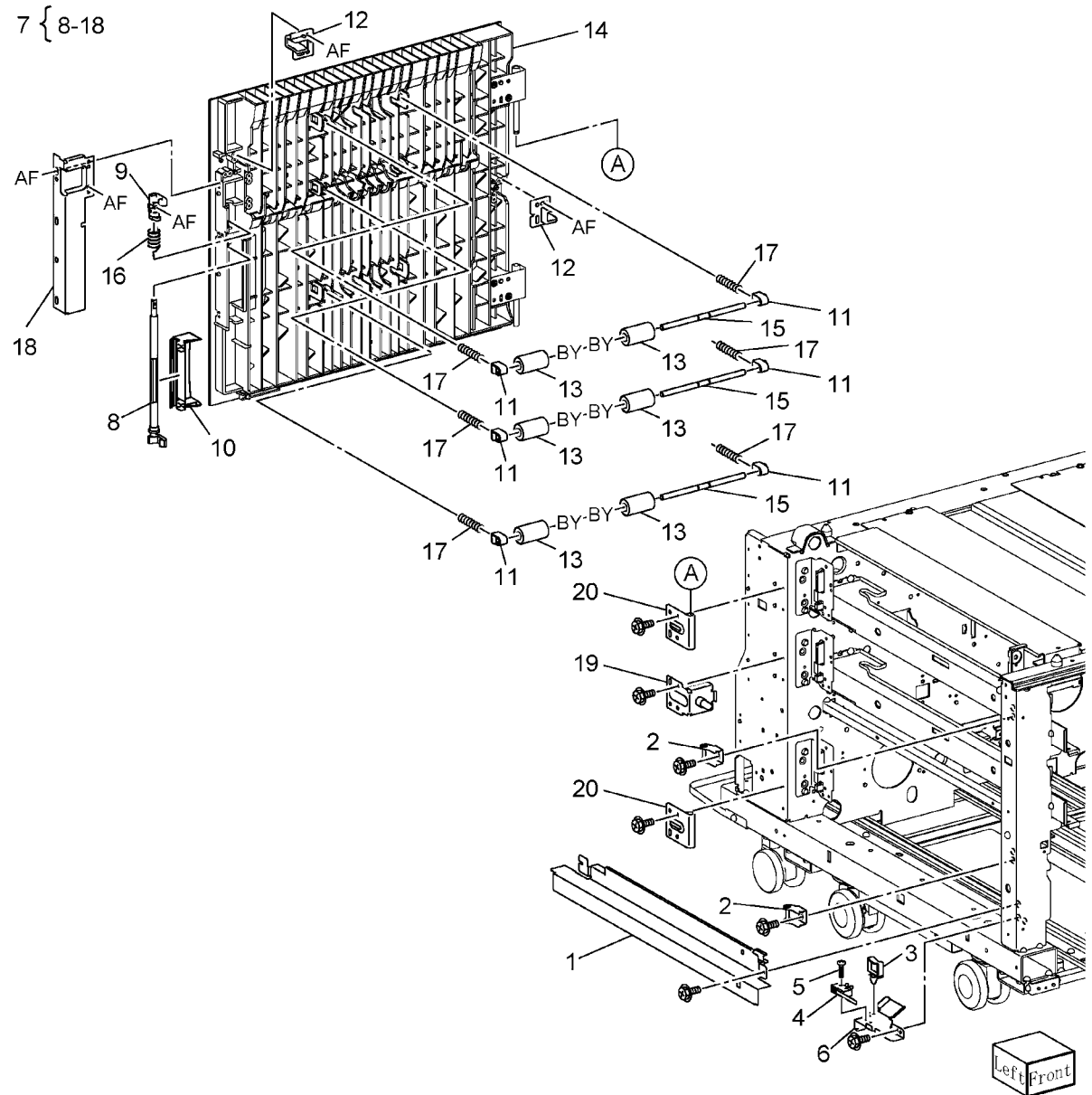


Left Front

0502018A-OLY

## PL 2.19 Left Chute Cover

Item	Part	Description
1	-	Cover Bracket (Not Spared)
2	-	Latch Bracket (Not Spared)
3	-	Harness Holder (Not Spared)
4	110E11420	L/H Cover Interlock Switch
5	-	Screw (Not Spared)
6	-	Bracket (Not Spared)
7	802K47249	Left Chute Cover Assembly
8	-	Latch (P/O PL 2.19 Item 7)
9	-	Hook (P/O PL 2.19 Item 7)
10	-	Handle (P/O PL 2.19 Item 7)
11	013E26100	Bearing
12	-	Guide (P/O PL 2.19 Item 7)
13	059E99240	Pinch Roll
14	-	Left Chute Cover (P/O PL 2.19 Item 7)
15	-	Shaft (P/O PL 2.19 Item 7)
16	-	Spring (P/O PL 2.19 Item 7)
17	809E54780	Spring
18	-	Guide Bracket (P/O PL 2.19 Item 7)
19	-	Bracket (Not Spared)
20	-	Bracket (Not Spared)

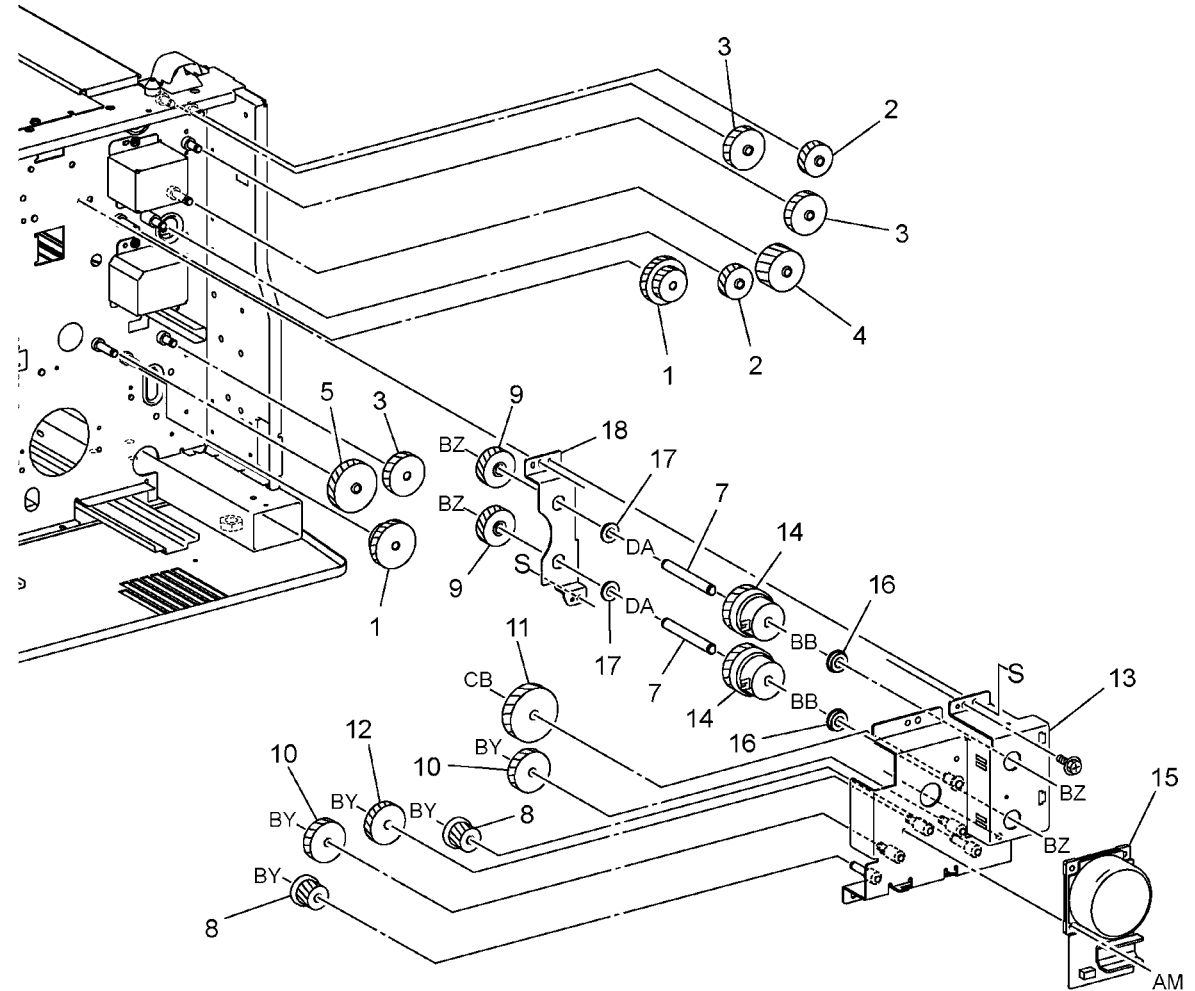


0502019A-OLY

# PL 2.20 T/A Drive

Item	Part	Description
1	-	Gear (36T/25T) (Not Spared)
2	-	Gear (36T) (Not Spared)
3	-	Gear (46T) (Not Spared)
4	-	Gear (46T) (Not Spared)
5	-	Gear (56T) (Not Spared)
6	007K87671	T/A Drive Assembly
7	-	Shaft (P/O PL 2.20 Item 6)
8	-	Gear (26T) (P/O PL 2.20 Item 6)
9	-	Gear (41T) (P/O PL 2.20 Item 6)
10	-	Gear (46T) (P/O PL 2.20 Item 6)
11	-	Gear (54T) (P/O PL 2.20 Item 6)
12	-	Gear (45T) (P/O PL 2.20 Item 6)
13	-	Bracket (P/O PL 2.20 Item 6)
14	121K33710	Take Away Clutch 1 And 2
15	127K39520	T/A Motor (REP 8.4)
16	413W08350	Ball Bearing
17	413W77359	Bearing
18	-	Bracket (P/O PL 2.20 Item 6)

6 { 7-18

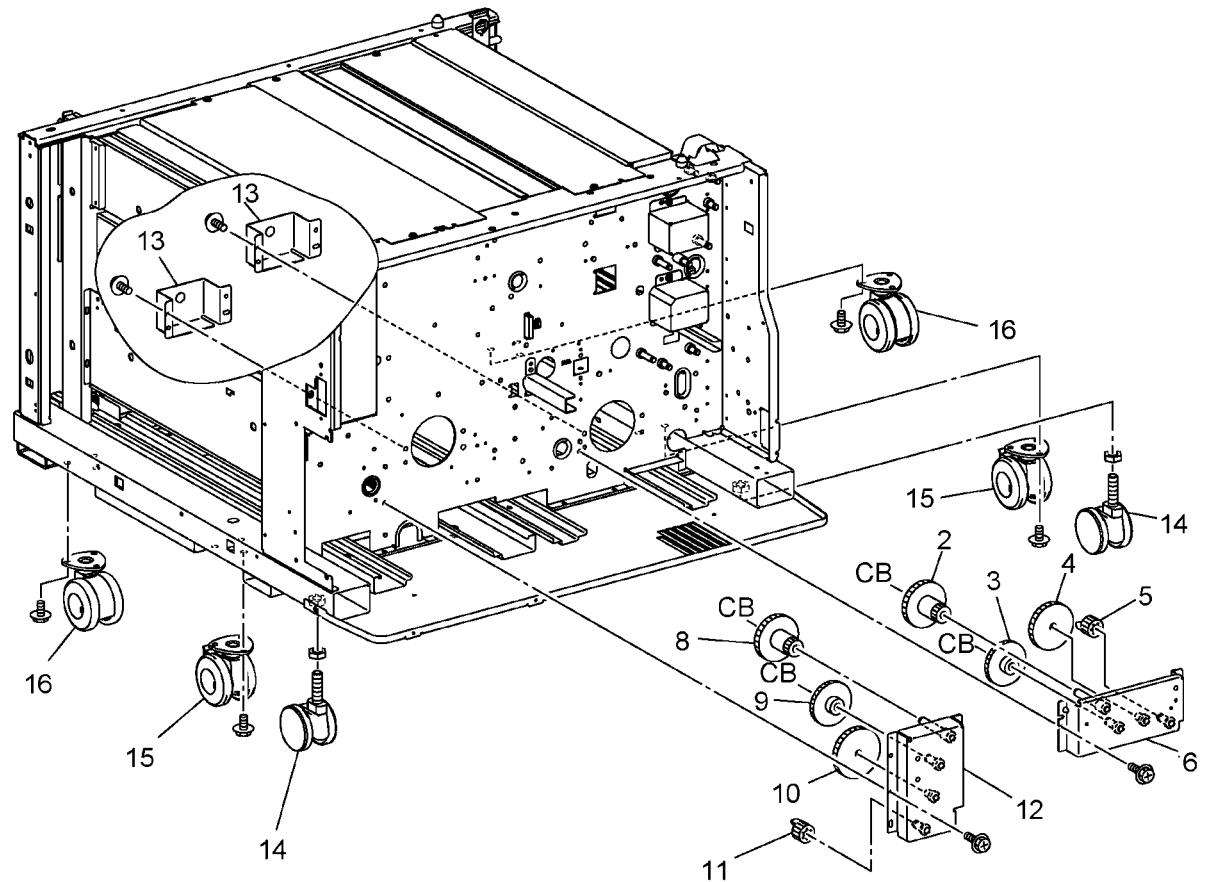


0502020A-OLY

## PL 2.21 Tray 3/4 Gear Assembly

Item	Part	Description
1	030K75452	Tray 3 Gear Assembly
2	-	Gear (17T/50T) (P/O PL 2.21 Item 1)
3	-	Gear (16T/48T) (P/O PL 2.21 Item 1)
4	-	Gear (51T) (P/O PL 2.21 Item 1)
5	-	Gear (18T) (P/O PL 2.21 Item 1)
6	-	Bracket (P/O PL 2.21 Item 1)
7	030K76141	Tray 4 Gear Assembly
8	-	Gear (17T/50T) (P/O PL 2.21 Item 7)
9	-	Gear (16T/48T) (P/O PL 2.21 Item 7)
10	-	Gear (57T) (P/O PL 2.21 Item 7)
11	-	Gear (18T) (P/O PL 2.21 Item 7)
12	-	Bracket (P/O PL 2.21 Item 7)
13	-	Bracket (Not Spared)
14	017E94310	Caster
15	017K93160	Caster
16	017K93170	Caster

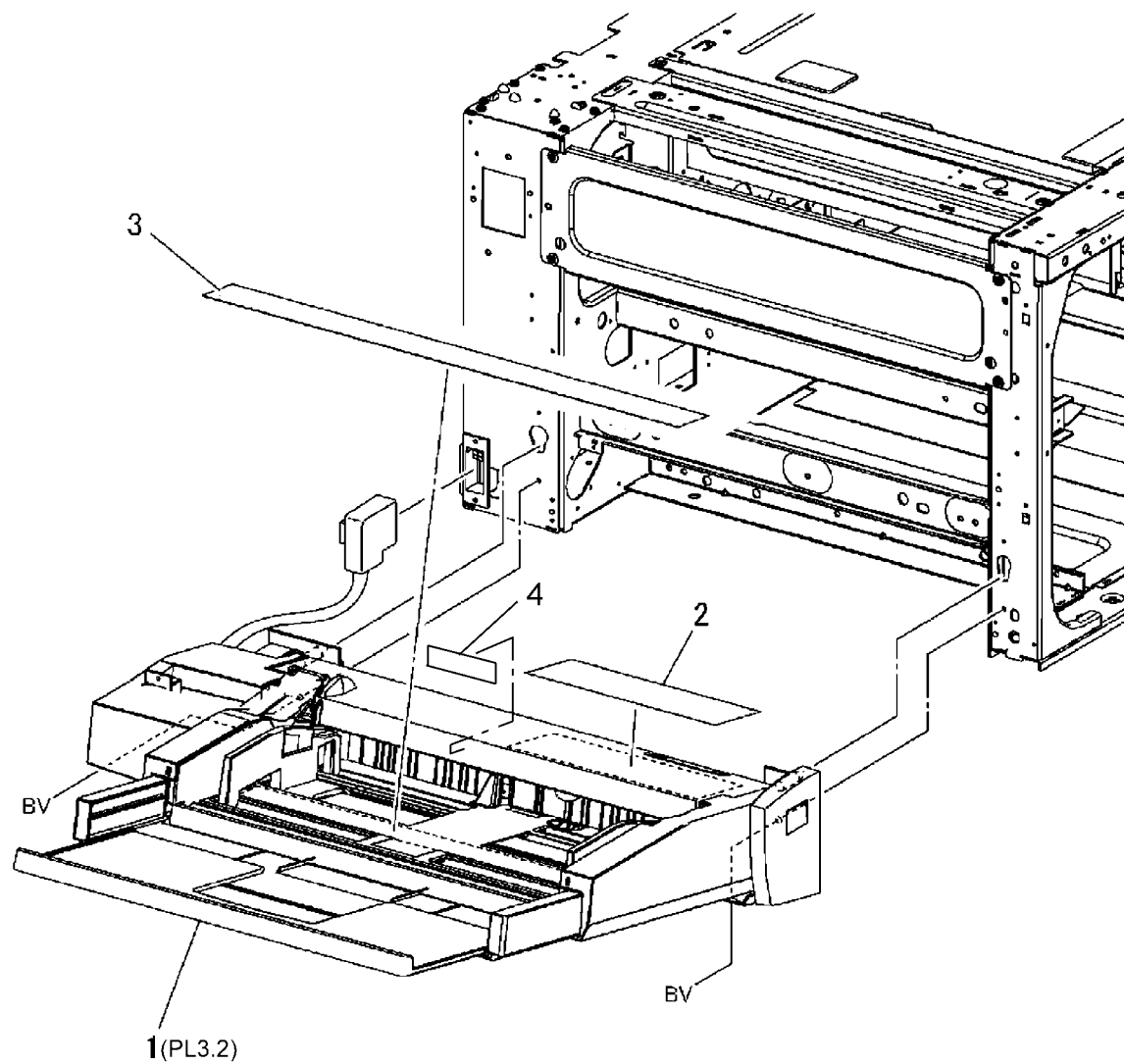
1 { 2-6  
7 { 8-12



0502021A-OLY

## PL 3.1 Tray 5 / Bypass Accessory

Item	Part	Description
1	059K62160	Tray 5 / Bypass (with Cover)
2	893E44110	Label (Instruction)
3	893E44121	Label (Size)
4	—	Label (Caution) (Not Spared)



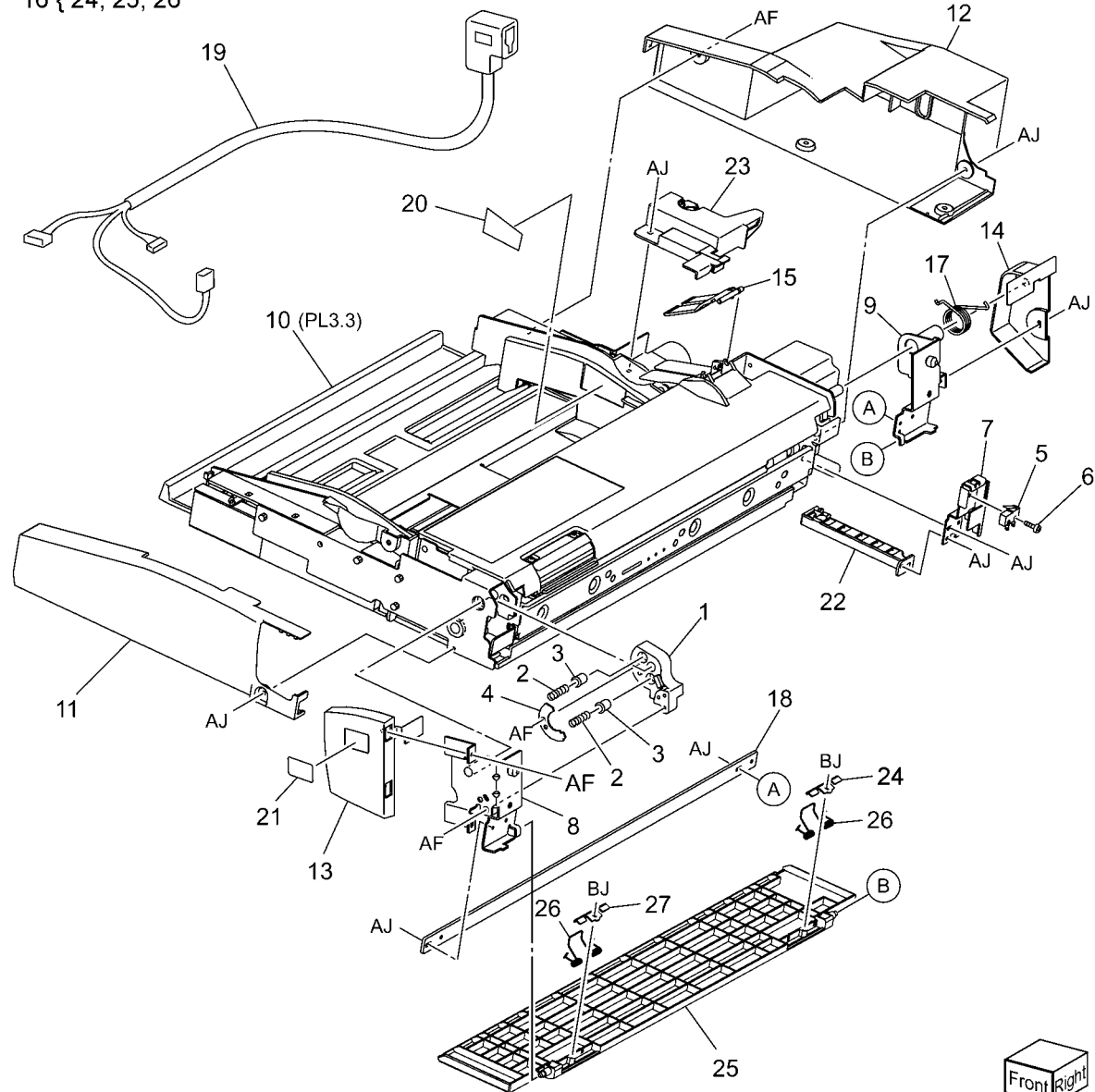
0503001B-OLY



## PL 3.2 Tray 5 / Bypass Cover

Item	Part	Description
1	-	Sector Gear (P/O PL 3.1 Item 1)
2	-	Compression Spring (P/O PL 3.1 Item 1)
3	-	Lock Pin (P/O PL 3.1 Item 1)
4	-	Lock Plate (P/O PL 3.1 Item 1)
5	110E11430	Cover Interlock Switch
6	-	Screw (M2.3x9) (P/O PL 3.1 Item 1)
7	-	Switch Bracket (P/O PL 3.1 Item 1)
8	-	Front Bracket (P/O PL 3.1 Item 1)
9	-	Rear Bracket (P/O PL 3.1 Item 1)
10	-	Tray 5/Bypass (P/O PL 3.1 Item 1)
11	802E55621	Front Cover 1
12	802E55633	Rear Cover 1
13	802E55640	Front Cover 2
14	802E55651	Rear Cover 2
15	802E63061	Upper Cover
16	802K57484	Lower Cover Assembly
17	-	Torsion Spring (P/O PL 3.1 Item 1)
18	-	Lower Plate (P/O PL 3.1 Item 1)
19	962K17863	Wire Harness
20	893E16170	Label (Max)
21	893E15750	Label (Number)
22	-	Harness Guide (P/O PL 3.2 Item 16)
23	-	Harness Cover (P/O PL 3.1 Item 1)
24	-	Bracket (P/O PL 3.2 Item 16)
25	-	Lower Cover (P/O PL 3.2 Item 16)
26	-	Spring (P/O PL 3.2 Item 16)

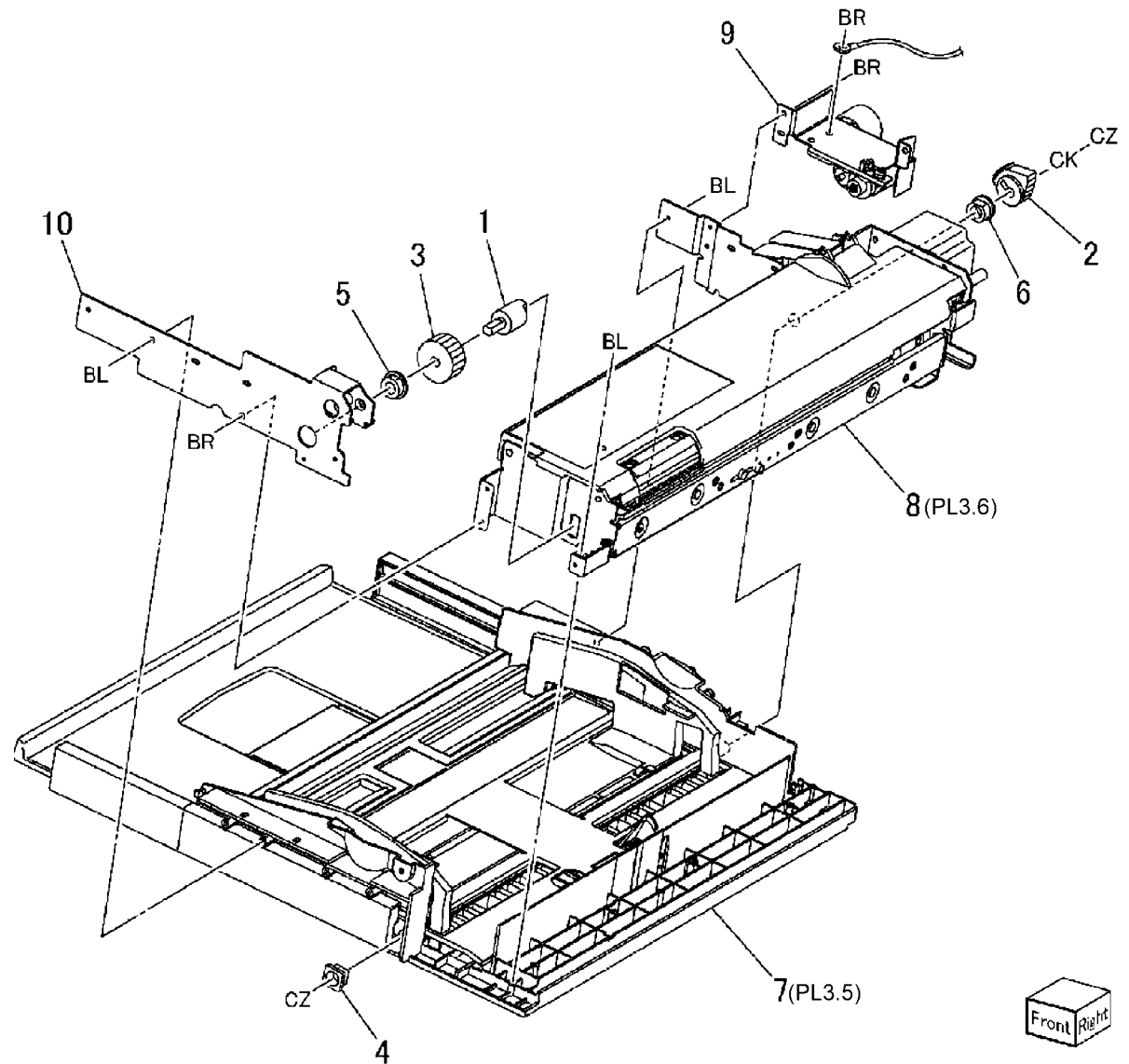
16 { 24, 25, 26



0503002B-OLY

# PL 3.3 Tray 5 / Bypass Component (1 of 2)

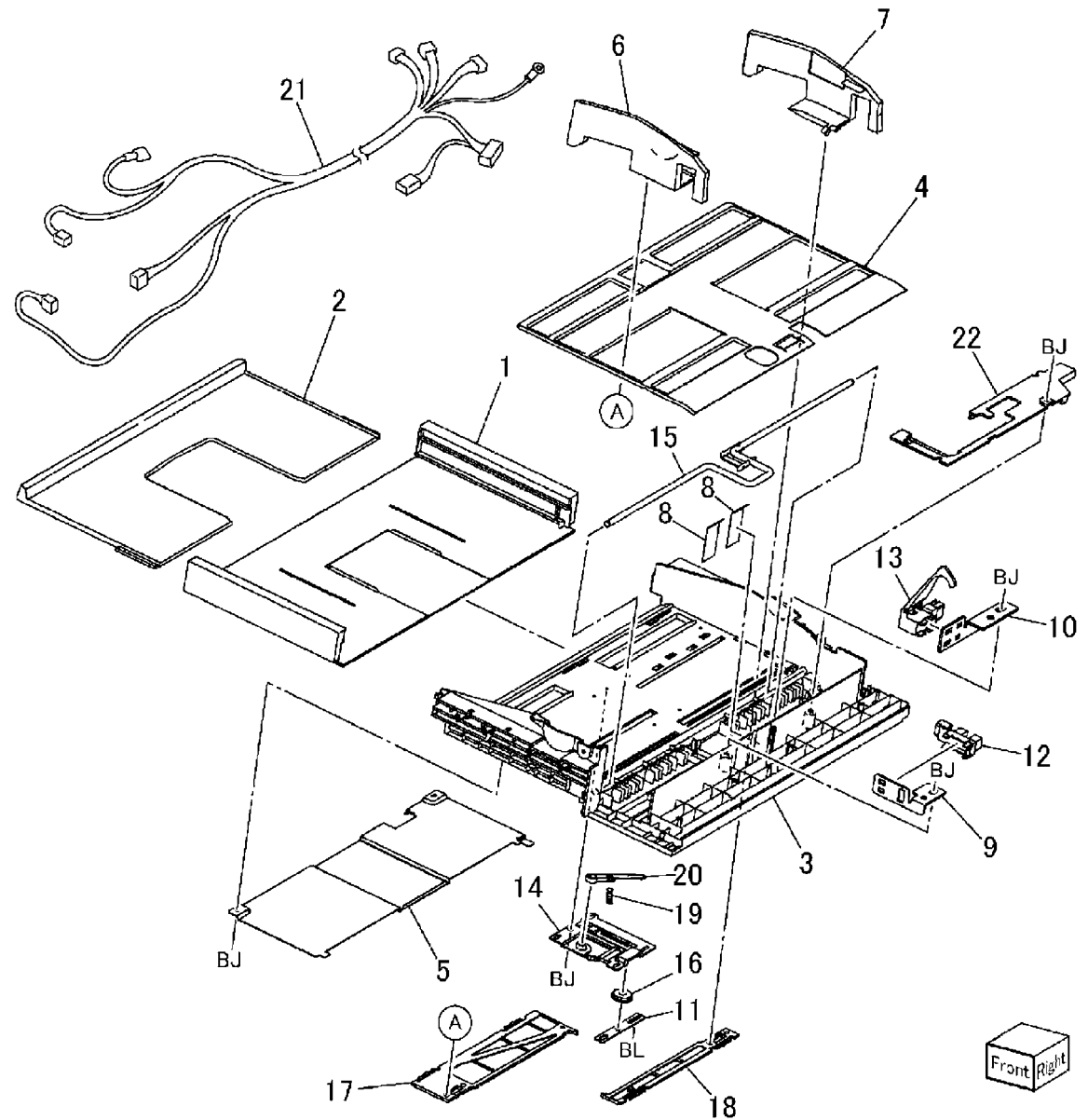
Item	Part	Description
1	-	Damper (P/O PL 3.1 Item 1)
2	007E79331	Sector Gear
3	007E79350	Gear (19T)
4	013E23610	Sleeve Bearing
5	-	Sleeve Bearing (P/O PL 3.1 Item 1)
6	013E92890	Sleeve Bearing
7	-	Tray (P/O PL 3.1 Item 1)
8	-	Feeder (P/O PL 3.1 Item 1) (REP 7.14)
9	801K05036	Lift Up Motor
10	-	Front Frame (Not Spared)



0503003A-OLY

# PL 3.5 Tray 5 / Bypass Tray Component

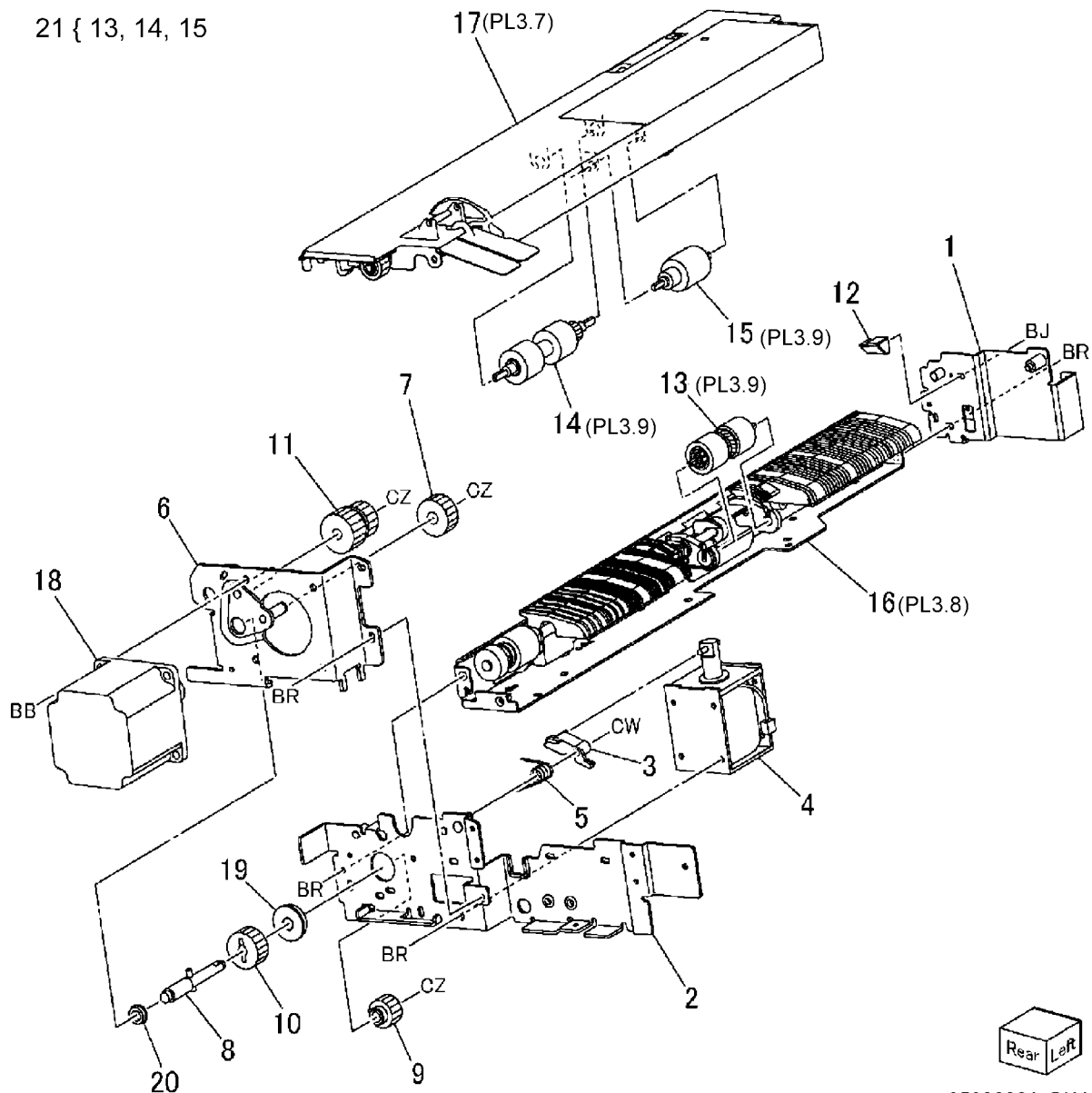
Item	Part	Description
1	-	Lower Tray (P/O PL 3.1 Item 1)
2	-	Extension Tray (P/O PL 3.1 Item 1)
3	-	Tray (P/O PL 3.1 Item 1)
4	-	Bottom Plate (P/O PL 3.1 Item 1)
5	802E55680	Tray Lower Cover
6	038E26770	Front Side Guide
7	038E26780	Rear Side Guide
8	-	Paper Guide (P/O PL 3.1 Item 1)
9	-	Sensor Bracket (P/O PL 3.1 Item 1)
10	-	Sensor Bracket (P/O PL 3.1 Item 1)
11	-	Gear Plate (P/O PL 3.1 Item 1)
12	930W00111	Lift Down Sensor
13	130K64360	Paper Set Sensor
14	130K64432	Size Sensor
15	-	Shaft (P/O PL 3.1 Item 1)
16	007E79700	Pinion Gear
17	-	Front Rack Gear (P/O PL 3.1 Item 1)
18	-	Rear Rack Gear (P/O PL 3.1 Item 1)
19	809E49930	Compression Spring
20	012E11760	Sensor Link
21	-	Tray Wire Harness (P/O PL 3.1 Item 1)
22	-	Harness Cover (P/O PL 3.1 Item 1)



0503005A-OLY

# PL 3.6 Tray 5 / Bypass Feeder Component

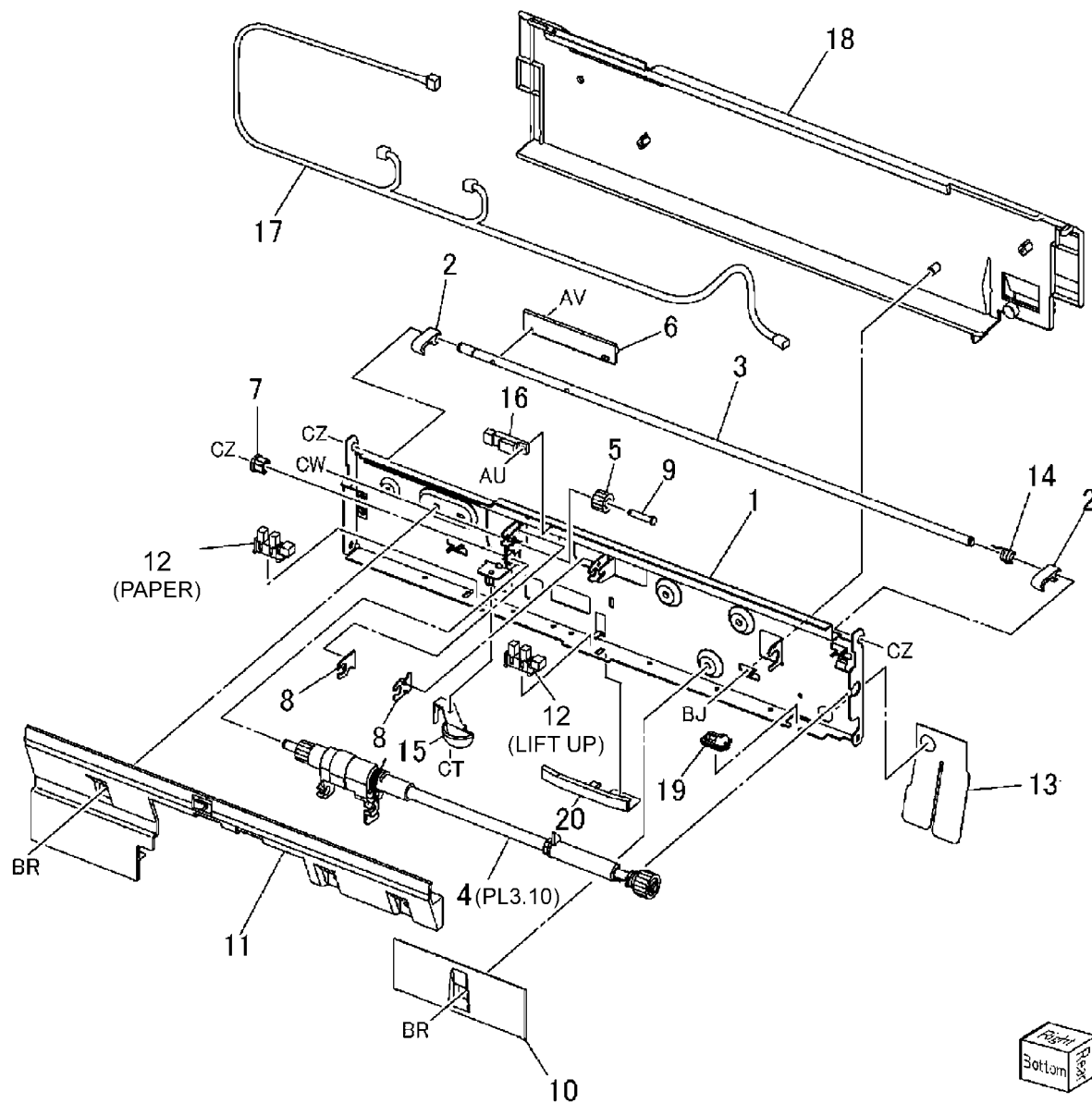
Item	Part	Description
1	-	Feeder Front Frame (P/O PL 3.3 Item 8)
2	-	Feeder Rear Frame (P/O PL 3.3 Item 8)
3	012E11041	Solenoid Link
4	121K31341	Nudger Solenoid
5	-	Torsion Spring (P/O PL 3.3 Item 8)
6	-	Motor Bracket (P/O PL 3.3 Item 8)
7	007E78770	Gear (25T)
8	-	Shaft (P/O PL 3.3 Item 8)
9	007E78760	Gear (19T)
10	007E78780	Gear (25T)
11	007K88730	One Way Clutch Gear (23T/27T)
12	-	Block (P/O PL 3.3 Item 8)
13	059K26591	Retard Roll (REP 7.15)
14	059K26691	Feed Roll (REP 7.15)
15	059K26702	Nudger Roll (REP 7.15)
16	-	Lower Feeder (P/O PL 3.3 Item 6)
17	059K29538	Upper Feeder
18	127K38252	Feed Motor
19	013E25530	Sleeve Bearing
20	413W66250	Ball Bearing
21	604K23660	Retard, Feed, Nudger Roll Kit



0503006A-OLY

# PL 3.7 Tray 5 / Bypass Upper Feeder Component

Item	Part	Description
1	-	Upper Feeder Frame (P/O PL 3.6 Item 17)
2	003E59570	Latch
3	-	Latch Shaft (P/O PL 3.6 Item 17)
4	006K23314	Feed/Nudger Shaft
5	007E78180	Gear (25T)
6	-	Lever (P/O PL 3.6 Item 17)
7	013E25540	Sleeve Bearing
8	-	Spacer (P/O PL 3.6 Item 17)
9	-	Pin (P/O PL 3.6 Item 17)
10	-	Upper Rear Chute (P/O PL 3.6 Item 17)
11	-	Upper Chute (P/O PL 3.6 Item 17)
12	930W00112	Lift Up Sensor, No Paper Sensor
13	-	Solenoid Guide (P/O PL 3.6 Item 17)
14	-	Torsion Spring
15	120E21900	Actuator
16	930W00211	Pre Feed Sensor
17	-	Upper Feeder Wire Harness (P/O PL 3.6 Item 17)
18	-	Upper Feeder Cover (P/O PL 3.6 Item 17)
19	-	Guide (P/O PL 3.6 Item 17)
20	-	Upper Guide (P/O PL 3.6 Item 17)

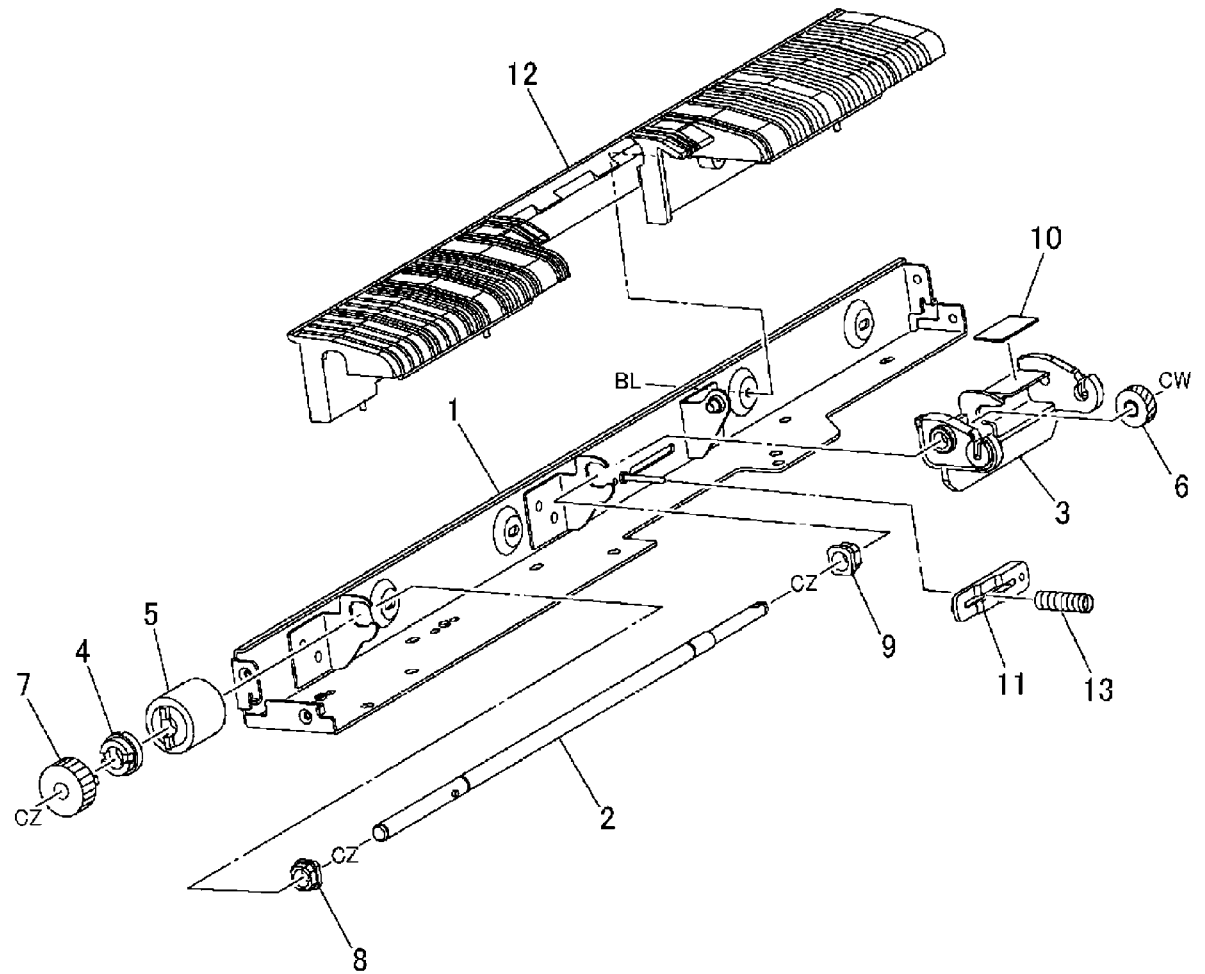


0503007A-OLY

# PL 3.8 Tray 5 / Bypass Lower Feeder Component

14 { 2 - 8

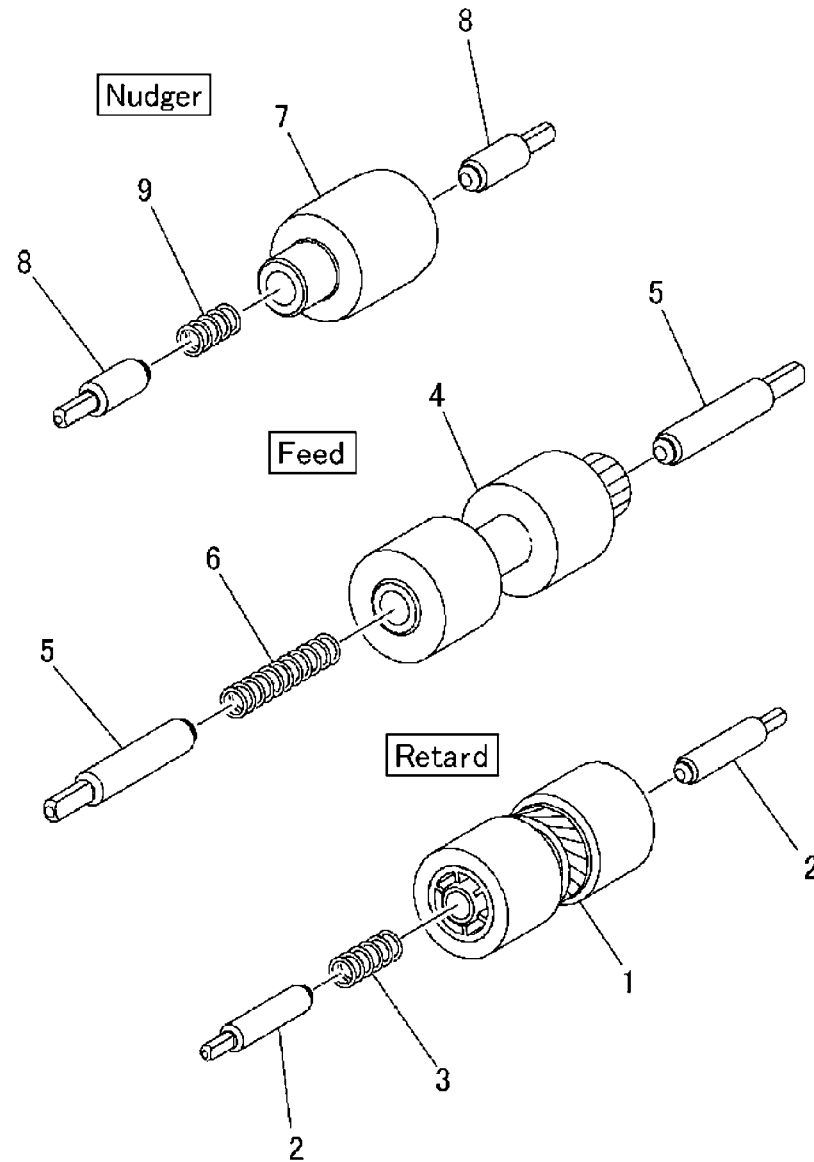
Item	Part	Description
1	-	Lower Feeder Frame (P/O PL 3.3 Item 8)
2	-	Retard Shaft (P/O PL 3.3 Item 8)
3	-	Retard Bracket (P/O PL 3.3 Item 8)
4	-	Collar
5	005K06701	Friction Clutch
6	007E78170	Gear (15T)
7	007E89760	Gear (22T)
8	013E23600	Sleeve Bearing (Length: 5mm)
9	013E23610	Sleeve Bearing (Length: 6.6mm)
10	-	Pad (P/O PL 3.3 Item 8)
11	-	Retard Slide (P/O PL 3.3 Item 8)
12	-	Lower Chute (P/O PL 3.3 Item 8)
13	809E41221	Compression Spring
14	006K23135	Retard Shaft Assembly



0503008A-OL

## PL 3.9 Retard/Feed/Nudger Roll Component

Item	Part	Description
1	–	Retard Roll (P/O PL 3.6 Item 13)
2	–	Pin (P/O PL 3.6 Item 13)
3	–	Compression Spring (P/O PL 3.6 Item 13)
4	–	Feed Roll (P/O PL 3.6 Item 14)
5	–	Pin (P/O PL 3.6 Item 14)
6	–	Compression Spring (P/O PL 3.6 Item 14)
7	–	Nudger Roll (P/O PL 3.6 Item 15)
8	–	Pin (P/O PL 3.6 Item 15)
9	–	Compression Spring (P/O PL 3.6 Item 15)

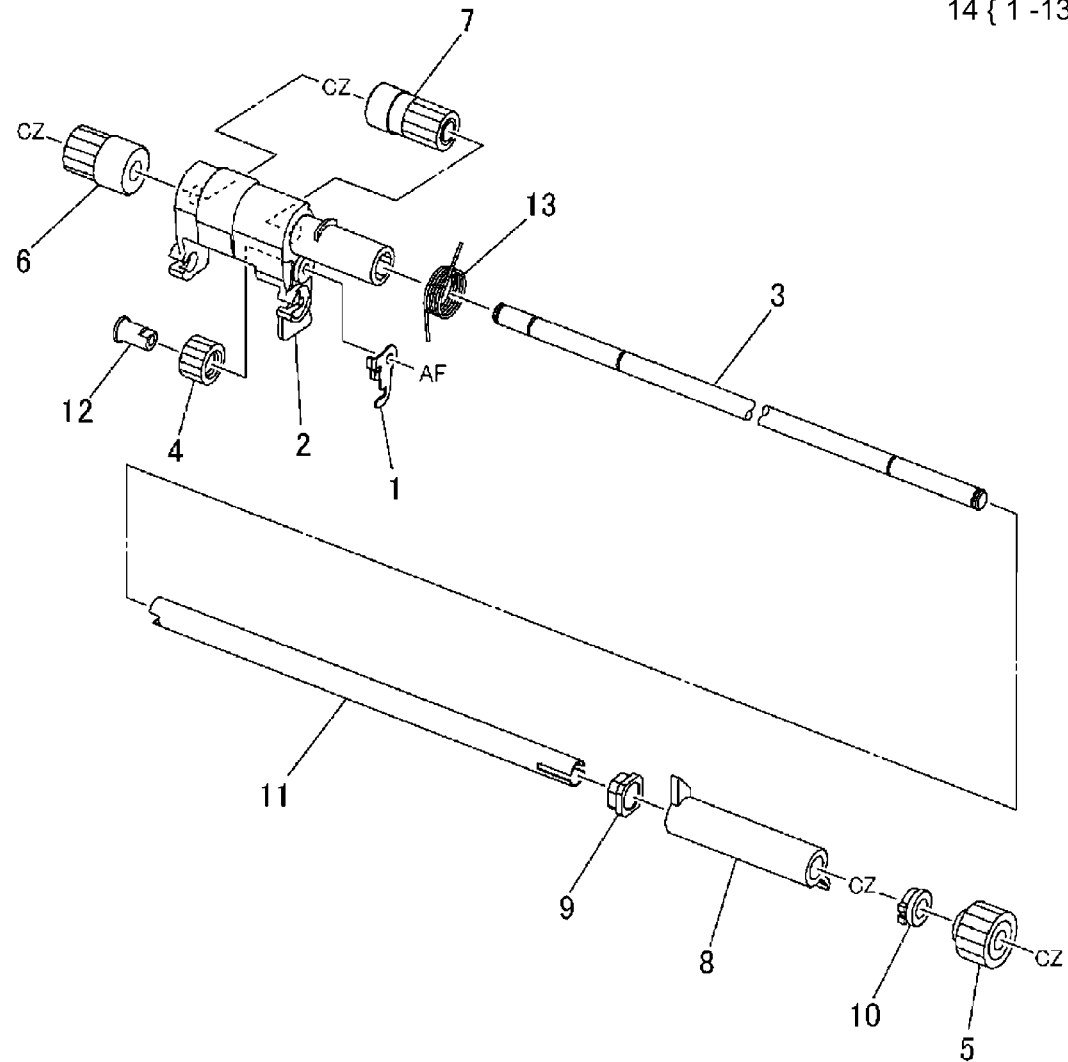


0503009A-OLY

## PL 3.10 Feed/Nudger Shaft Component

Item	Part	Description
1	-	Nudger Support (P/O PL 3.7 Item 4)
2	-	Nudger Bracket (P/O PL 3.7 Item 4) (REP 7.16)
3	-	Shaft (P/O PL 3.7 Item 4)
4	-	Gear (23T) (P/O PL 3.7 Item 4)
5	-	Gear (20T) (P/O PL 3.7 Item 4)
6	-	One Way Clutch Gear (26T) (P/O PL 3.7 Item 4)
7	-	One Way Clutch Gear (22T) (P/O PL 3.7 Item 4)
8	-	Nudger Lever (P/O PL 3.7 Item 4) (REP 7.16)
9	-	Sleeve Bearing (P/O PL 3.7 Item 4)
10	-	Sleeve Bearing (P/O PL 3.7 Item 4)
11	-	Spacer (P/O PL 3.7 Item 4)
12	-	Pin (P/O PL 3.7 Item 4)
13	-	Torsion Spring (P/O PL 3.7 Item 4) (REP 7.16)
14	006K23314	Feed/Nudger Shaft Assembly

14 { 1 -13

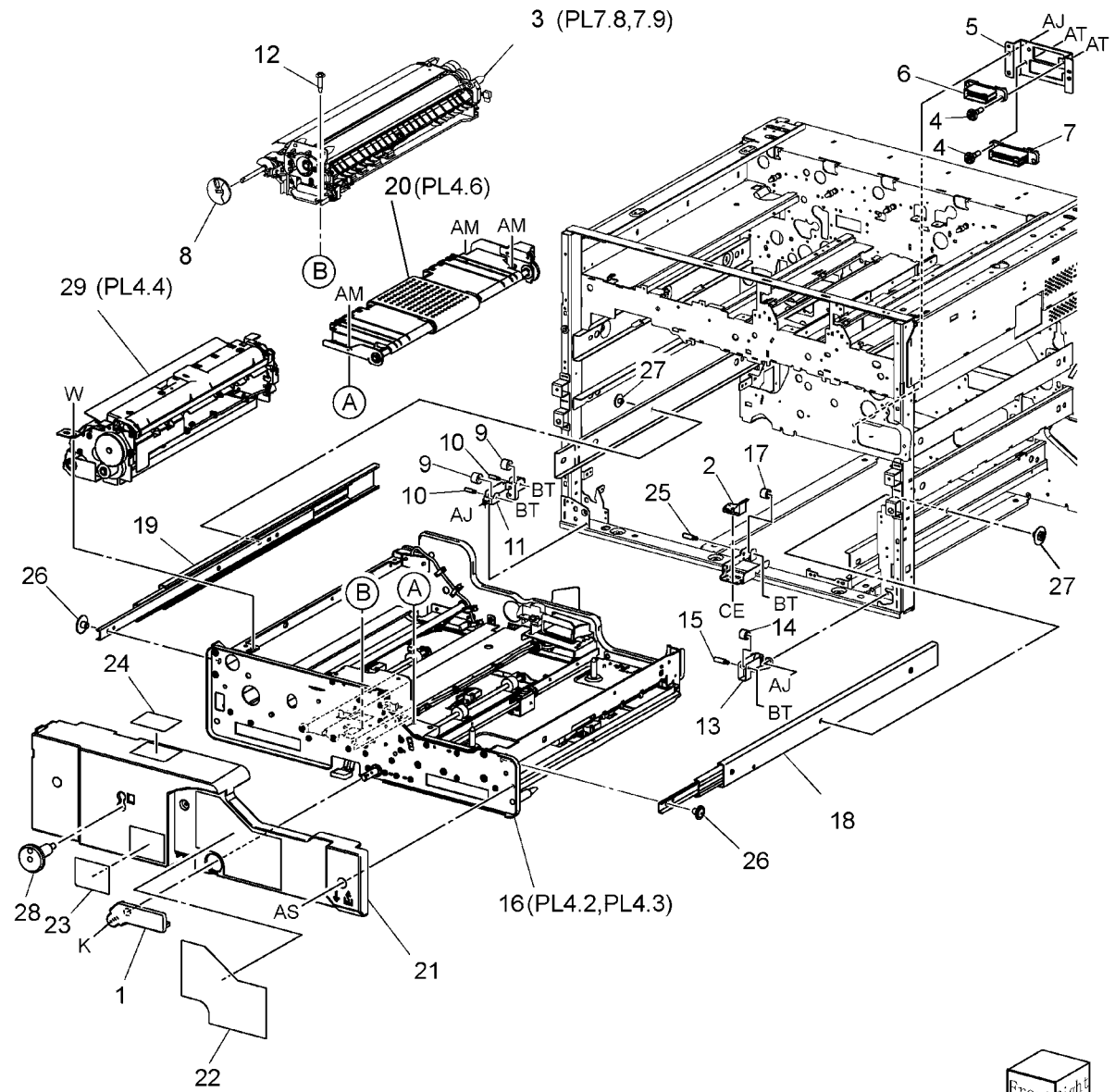


0503010A-OLY



# PL 4.1 Transfer Module Assembly (1 of 2)

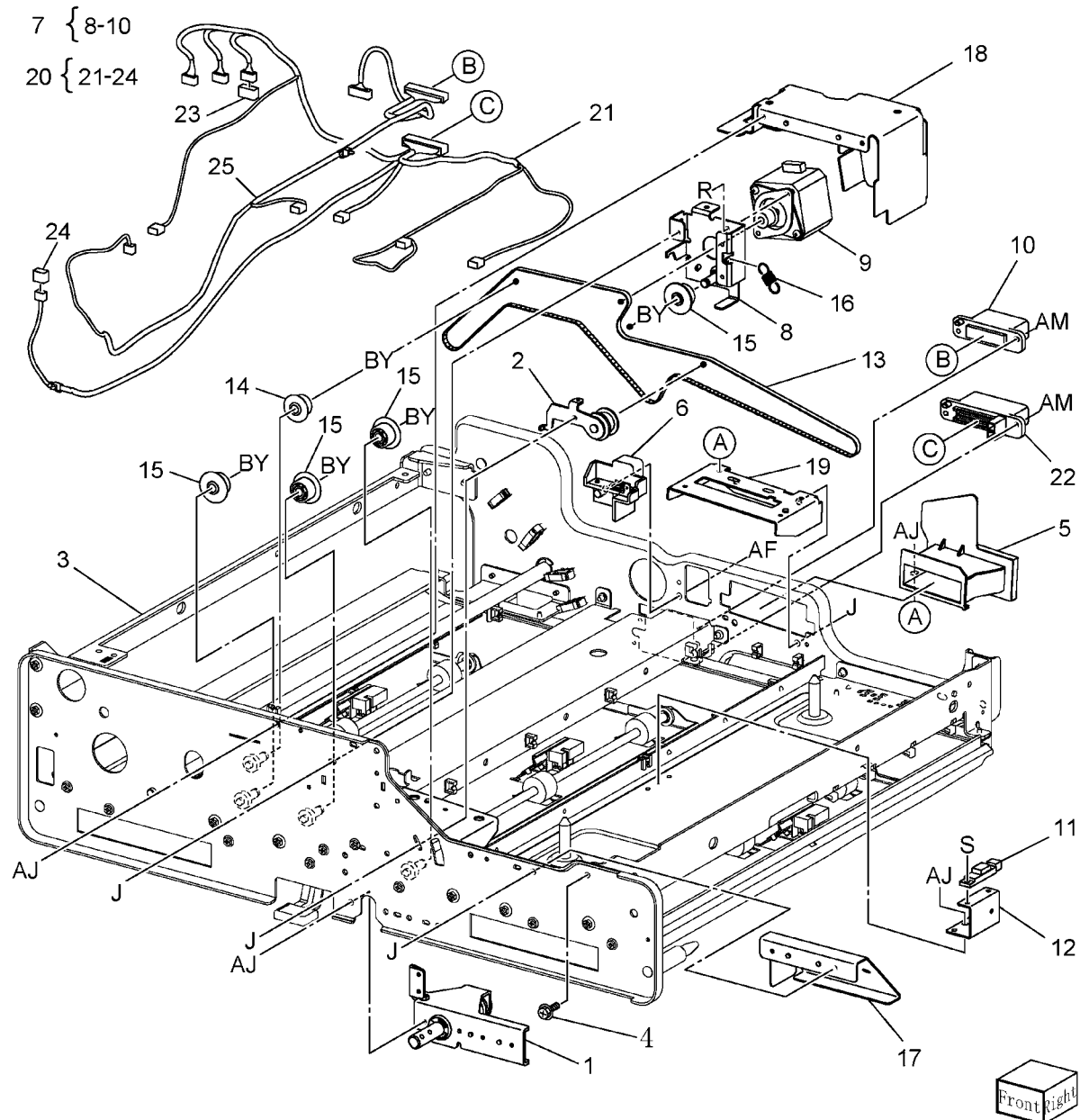
Item	Part	Description
1	003E61301	Knob
2	-	Block (Not Spared)
3	059K45985	2nd BTR Assembly (REP 9.4)
4	-	Shoulder Screw (Not Spared)
5	-	Bracket (Not Spared)
6	913W12117	Connector
7	913W12124	Connector
8	-	Indicator (Not Spared)
9	-	Roller (Not Spared)
10	-	Shaft (Not Spared)
11	-	Bracket (Not Spared)
12	029E35540	Guide Pin
13	-	Bracket (Not Spared)
14	-	Roller (Not Spared)
15	-	Shaft (Not Spared)
16	050K57715	Transfer Module Assembly
17	-	Roller (Not Spared)
18	801K32630	Right Rail
19	801K32640	Left Rail
20	059K33527	Vacuum Transport Assembly (REP 10.2)
21	-	Cover (Not Spared)
22	-	Label (P/O)
23	-	Label (Instruction 2A) (Not Spared)
24	-	Label (Instruction 2B) (Not Spared)
25	-	Shaft (Not Spared)
26	-	Shoulder Screw (Not Spared)
27	-	Screw (Not Spared)
28	-	Indicator Stopper (Not Spared)
29	059K45842	Registration Transport Assembly (REP 8.1)



0504001A-OLY

# PL 4.2 Transfer Module Assembly (2 of 2)

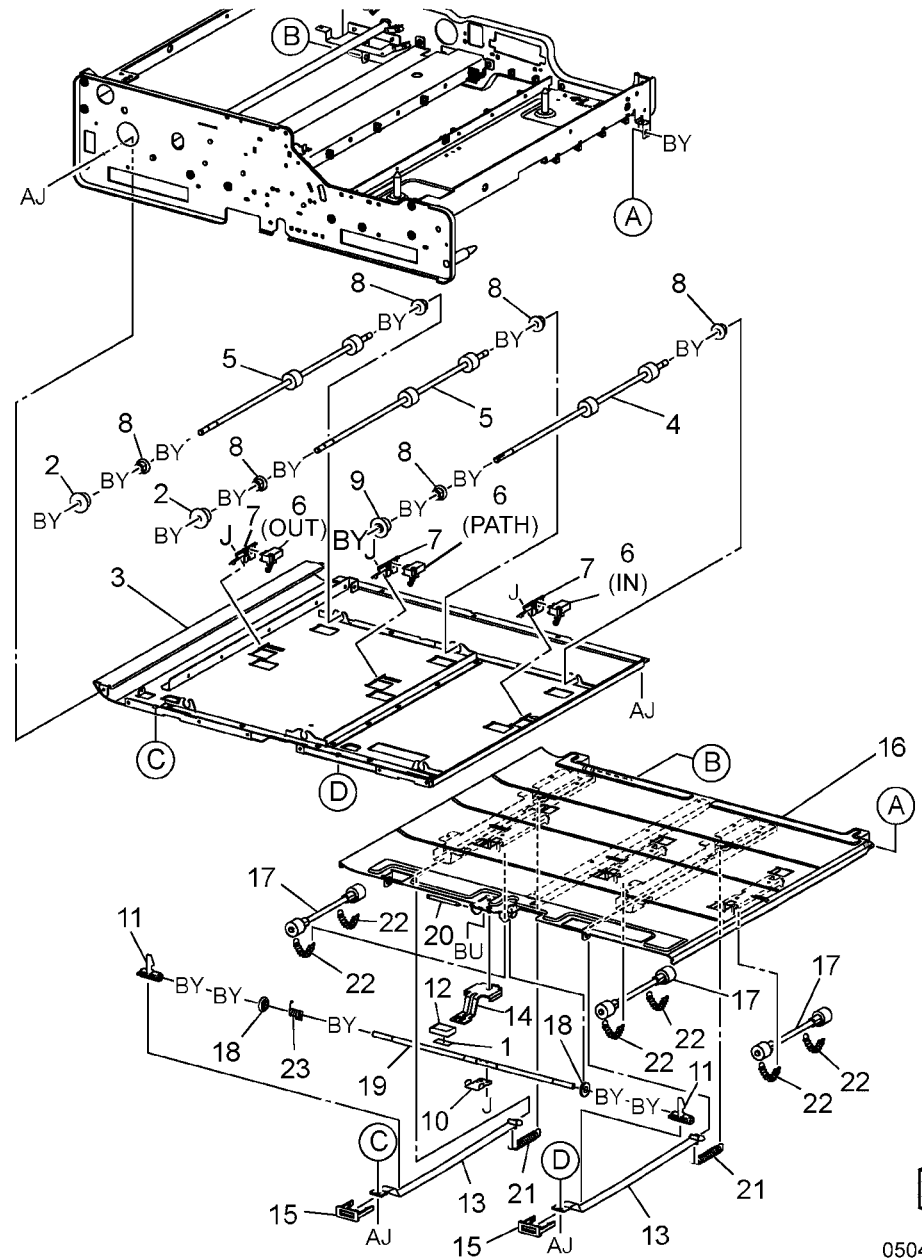
Item	Part	Description
1	003K13455	Drawer Latch
2	-	Tensioner (P/O PL 4.1 Item 16)
3	-	Frame Assembly (P/O PL 4.1 Item 16)
4	-	Screw (P/O PL 4.1 Item 16)
5	-	Duct (P/O PL 4.1 Item 16)
6	-	Connector (P/O PL 4.1 Item 16)
7	127K49690	Dup Motor Assembly (REP 8.2)
8	-	Bracket (P/O PL 4.2 Item 7)
9	-	Dup Motor (P/O PL 4.2 Item 7)
10	913W12113	Connector
11	130K87770	Fuser Entrance Sensor
12	-	Bracket (P/O PL 4.1 Item 16)
13	423W01554	Belt
14	499W14524	Pulley
15	499W17061	Idler Pulley
16	-	Spring (P/O PL 4.1 Item 16)
17	-	Bracket (P/O PL 4.1 Item 16)
18	-	Bracket (P/O PL 4.1 Item 16)
19	-	Bracket (P/O PL 4.1 Item 16)
20	-	Wire Harness Assembly (Not Spared)
21	-	Wire Harness (Not Spared)
22	913W12114	Connector
23	-	Connector (P/O PL 4.2 Item 20)
24	-	Connector (P/O PL 4.2 Item 20)
25	-	Wire Harness Assembly



0504002B-OLY

## PL 4.3 Duplex Transport

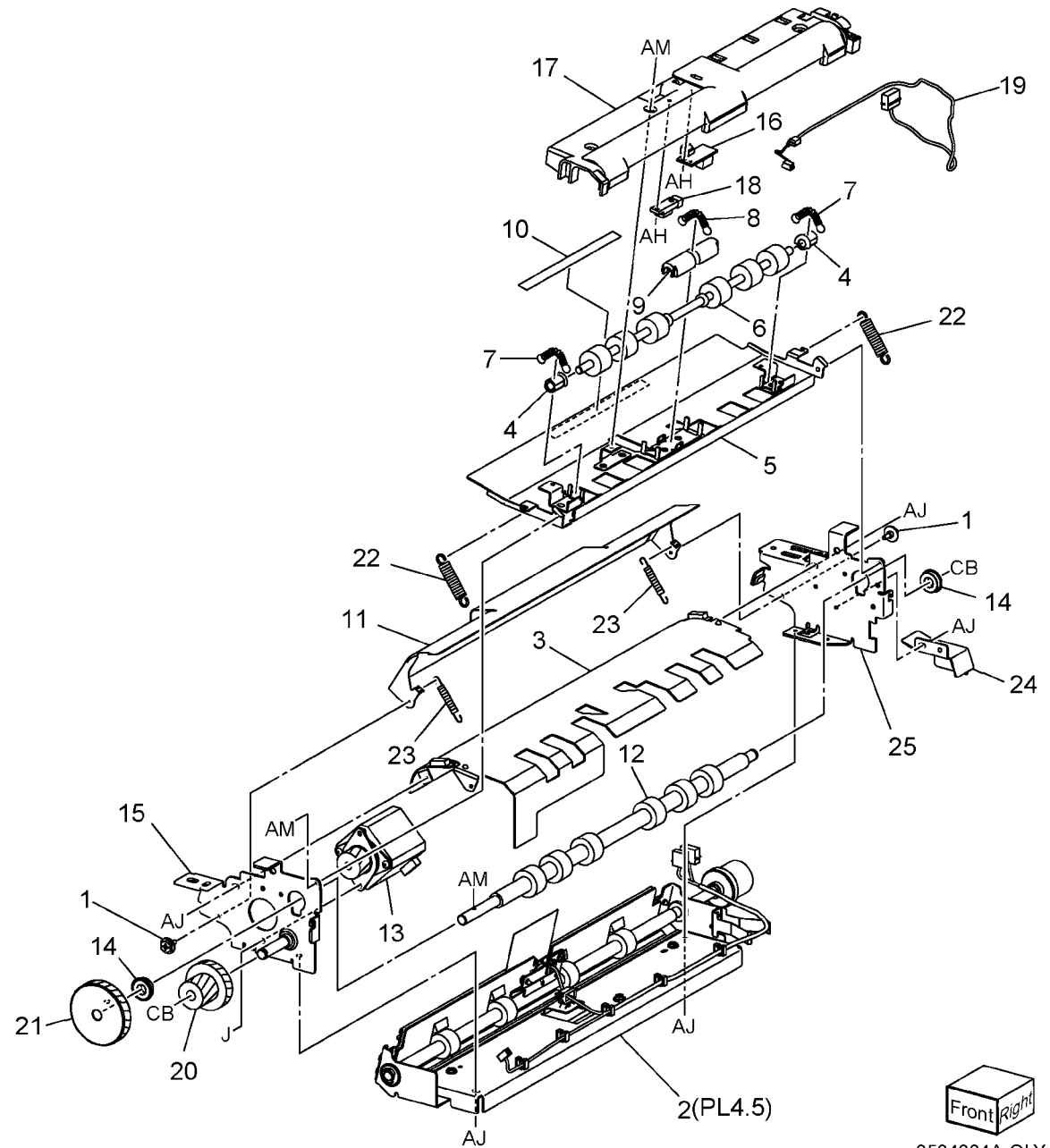
Item	Part	Description
1	-	Label (Not Spared)
2	-	Pulley (Not Spared)
3	-	Dup Upper Chute (P/O PL 4.3 Item 1)
4	059K33503	Dup Roller 2
5	059K33512	Dup Roller 3
6	130K87880	Dup In Sensor, Dup Path Sensor, Dup Out Sensor
7	-	Bracket (Not Spared)
8	-	Bearing (Not Spared)
9	499W14124	Pulley
10	-	Bracket (Not Spared)
11	-	Latch (Not Spared)
12	-	Knob (Not Spared)
13	-	Stopper (Not Spared)
14	-	Lever (Not Spared)
15	-	Tape Guide (Not Spared)
16	-	Lower Duplex Chute (Not Spared)
17	059K33350	Pinch Roll
18	413W75659	Bearing
19	-	Latch Shaft (Not Spared)
20	-	Lever Shaft (Not Spared)
21	-	Spring (Not Spared)
22	809E55080	Spring
23	-	Spring (Not Spared)



0504003B-OLY

# PL 4.4 Registration Transport Assembly

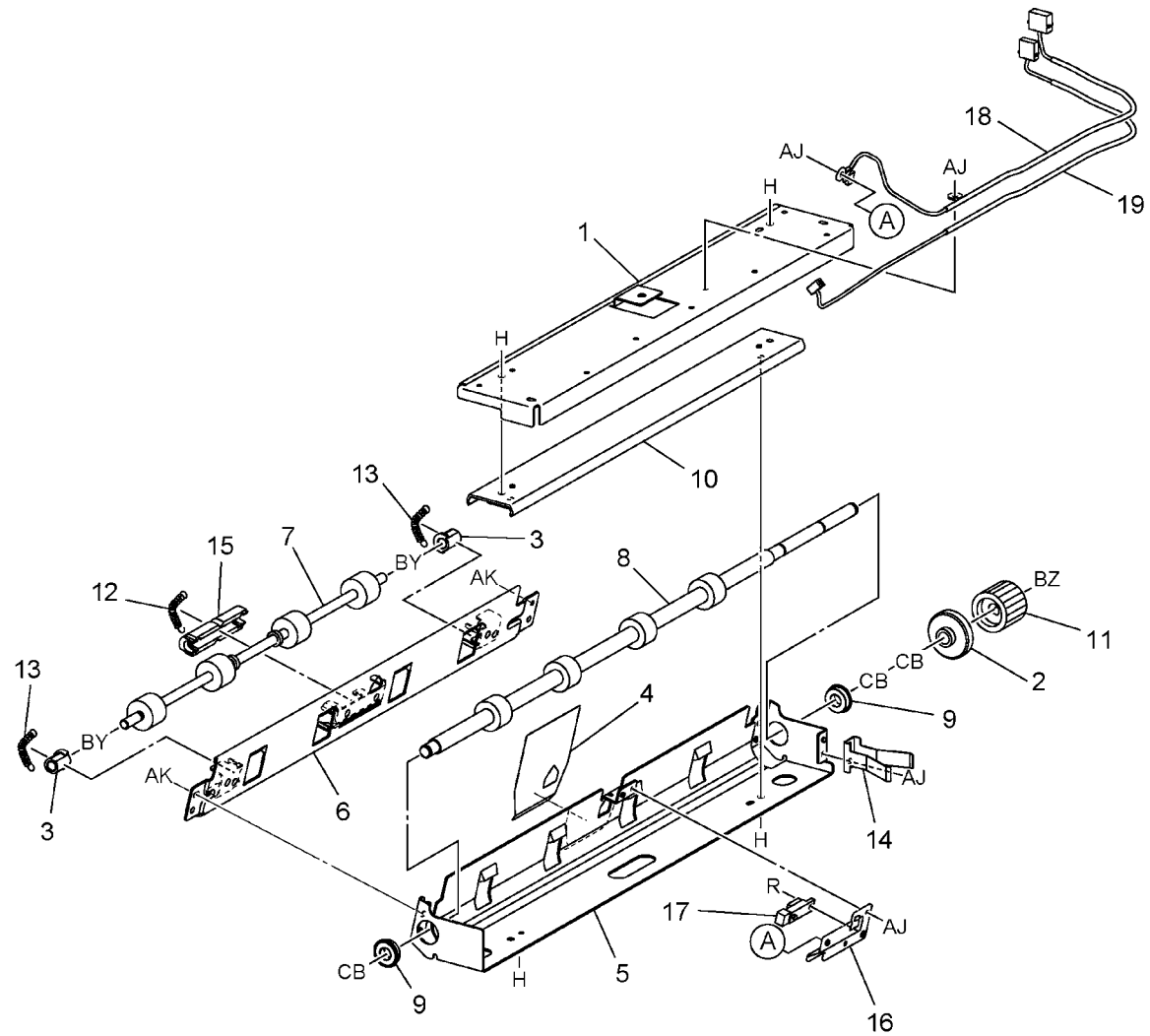
Item	Part	Description
1	-	Screw (P/O PL 4.1 Item 29)
2	-	Pre Registration Slide (P/O PL 4.1 Item 29)
3	-	Lower Chute (P/O PL 4.1 Item 29)
4	013E23631	Bearing
5	-	Roll Assembly (P/O PL 4.1 Item 29)
6	059K26180	Registration Pinch Roll
7	809E09430	Spring
8	809E55300	Spring
9	830E60740	Support
10	-	Label (P/O PL 4.1 Item 29)
11	-	Registration Chute Assembly (P/O PL 4.1 Item 29)
12	059K62290	Registration Roll
13	127K39641	Registration Motor
14	413W08350	Bearing
15	-	Front Frame Assembly (P/O PL 4.1 Item 29)
16	960K16660	Transparency Sensor
17	-	Registration Cover (P/O PL 4.1 Item 29)
18	930W00211	Registration Sensor
19	-	Wire Harness (P/O PL 4.1 Item 29)
20	-	Gear (20T/35T) (P/O PL 4.1 Item 29)
21	-	Gear (47T) (P/O PL 4.1 Item 29)
22	809E41710	Spring
23	809E52460	Spring
24	-	Bracket Assembly (P/O PL 4.1 Item 29)
25	-	Rear Frame Assembly (P/O PL 4.1 Item 29)



0504004A-OLY

# PL 4.5 Pre Registration Slide Assembly

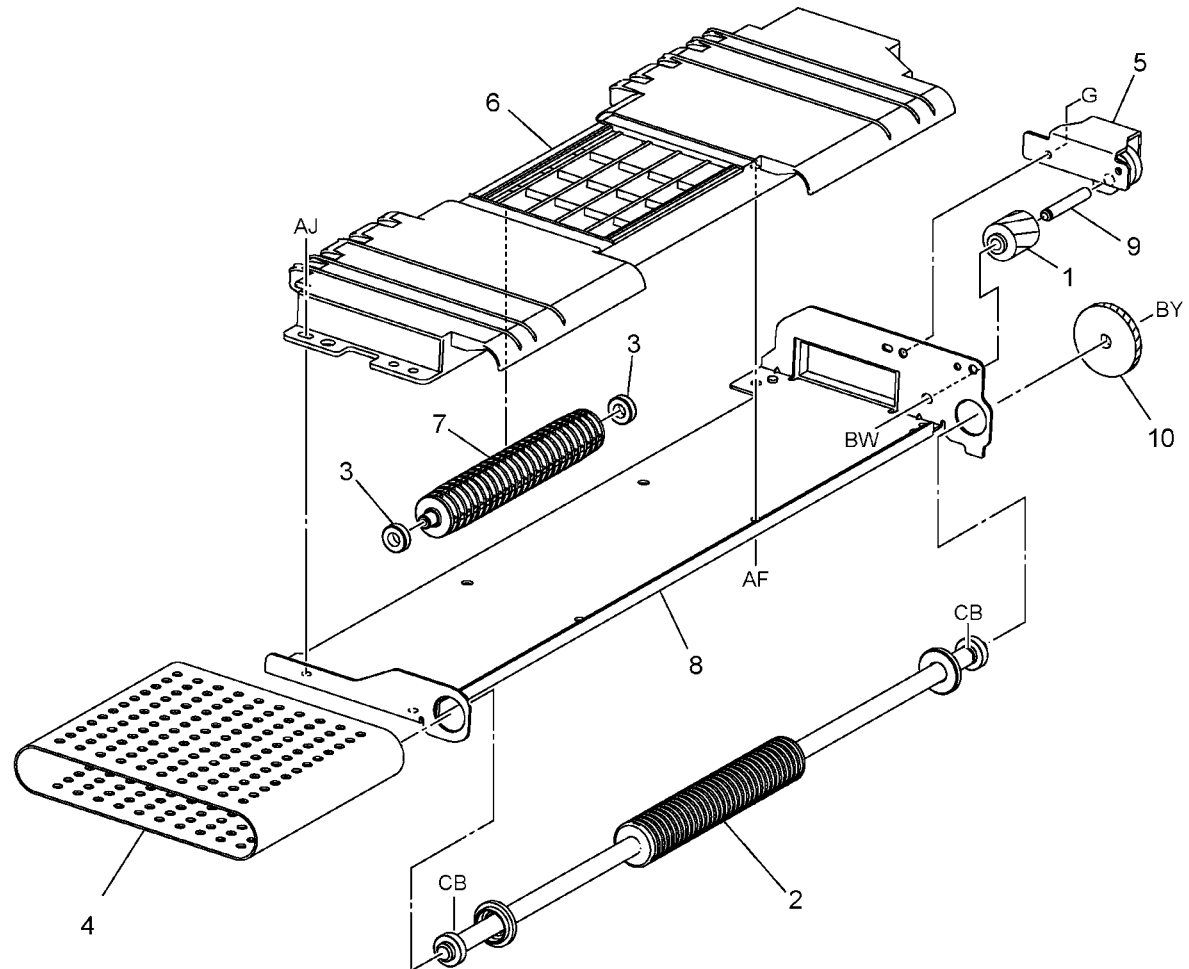
Item	Part	Description
1	-	Inner Frame (P/O PL 4.4 Item 2)
2	-	Collar (P/O PL 4.4 Item 2)
3	013E23631	Bearing
4	-	Paper Guide (P/O PL 4.4 Item 2)
5	-	Pre Registration Lower Chute (P/O PL 4.4 Item 2)
6	-	Chute Assembly (P/O PL 4.4 Item 2)
7	059K26190	Pinch Roll
8	059K33171	Pre Registration Roll
9	413W08350	Bearing
10	-	Rail (P/O PL 4.4 Item 2)
11	-	Gear (25T) (P/O PL 4.4 Item 2)
12	809E54920	Spring
13	809E54930	Spring
14	-	Spring (P/O PL 4.4 Item 2)
15	830E60740	Support
16	-	Bracket (P/O PL 4.4 Item 2)
17	930W00211	Pre Registration Sensor
18	-	Wire Harness (P/O PL 4.4 Item 2)
19	-	Wire Harness (P/O PL 4.4 Item 2)



0504005A-OLY

## PL 4.6 Vacuum Transport Assembly

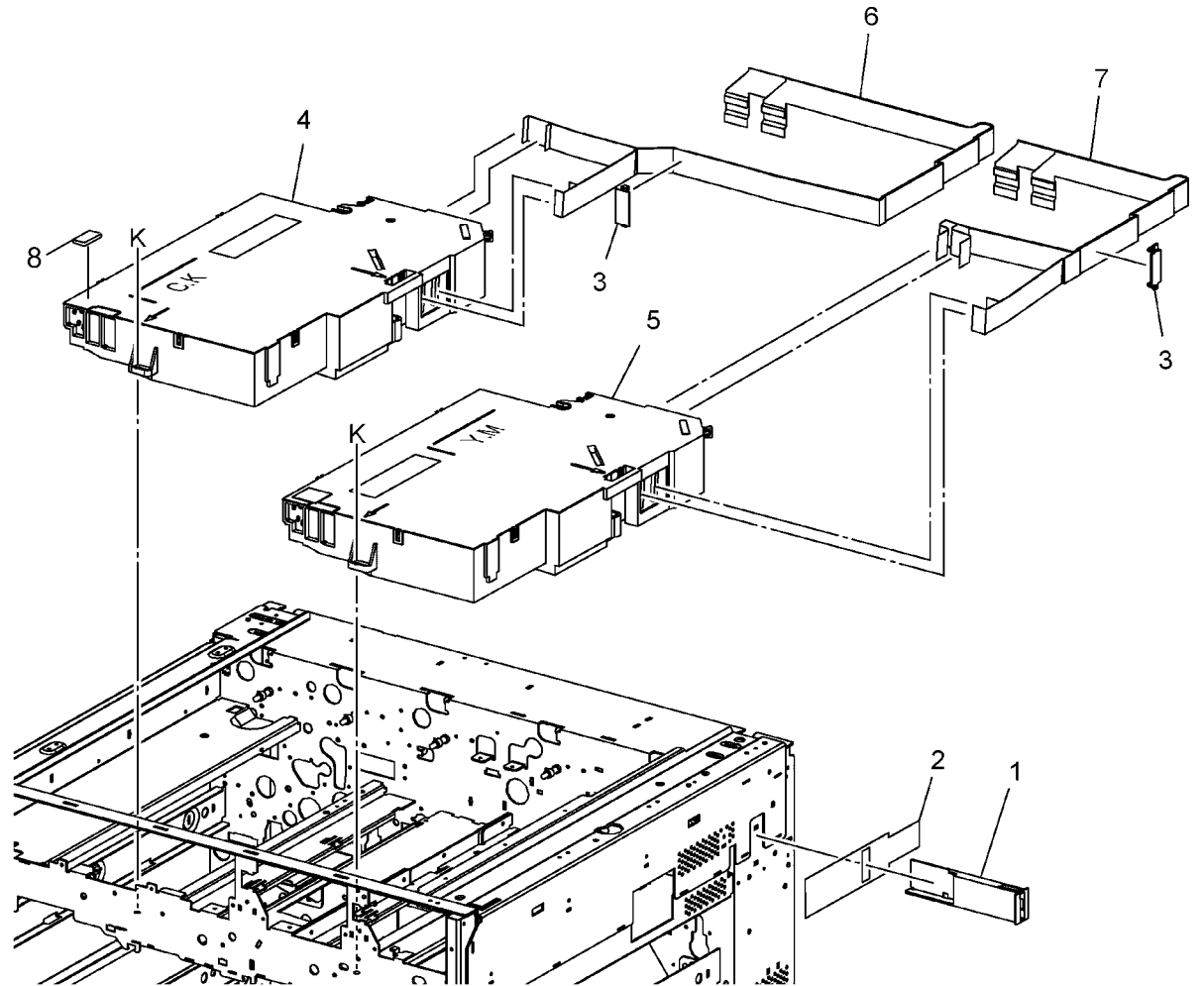
Item	Part	Description
1	—	Gear (15T) (P/O PL 4.1 Item 20)
2	—	Shaft (P/O PL 4.1 Item 20)
3	—	Ball Bearing (P/O PL 4.1 Item 20)
4	023E21401	Transport Belt (REP 10.3)
5	—	Bracket (P/O PL 4.1 Item 20)
6	—	Transport Chute (P/O PL 4.1 Item 20)
7	—	Roller (P/O PL 4.1 Item 20)
8	—	Frame Assembly (P/O PL 4.1 Item 20)
9	—	Shaft (P/O PL 4.1 Item 20)
10	—	Gear (29T) (P/O PL 4.1 Item 20)



0504006A-OLY

# PL 5.1 ROS

Item	Part	Description
1	-	Guide (Not Spared)
2	-	Seal (Not Spared)
3	-	Clamp (Not Spared)
4	062K20980	ROS Assembly (C, K) (REP 6.1)
5	062K17309	ROS Assembly (Y, M) (REP 6.2)
6	962K38420	Flat Cable (C, K)
7	962K38430	Flat Cable (Y, M)
8	035K81990	Top Bow Seal

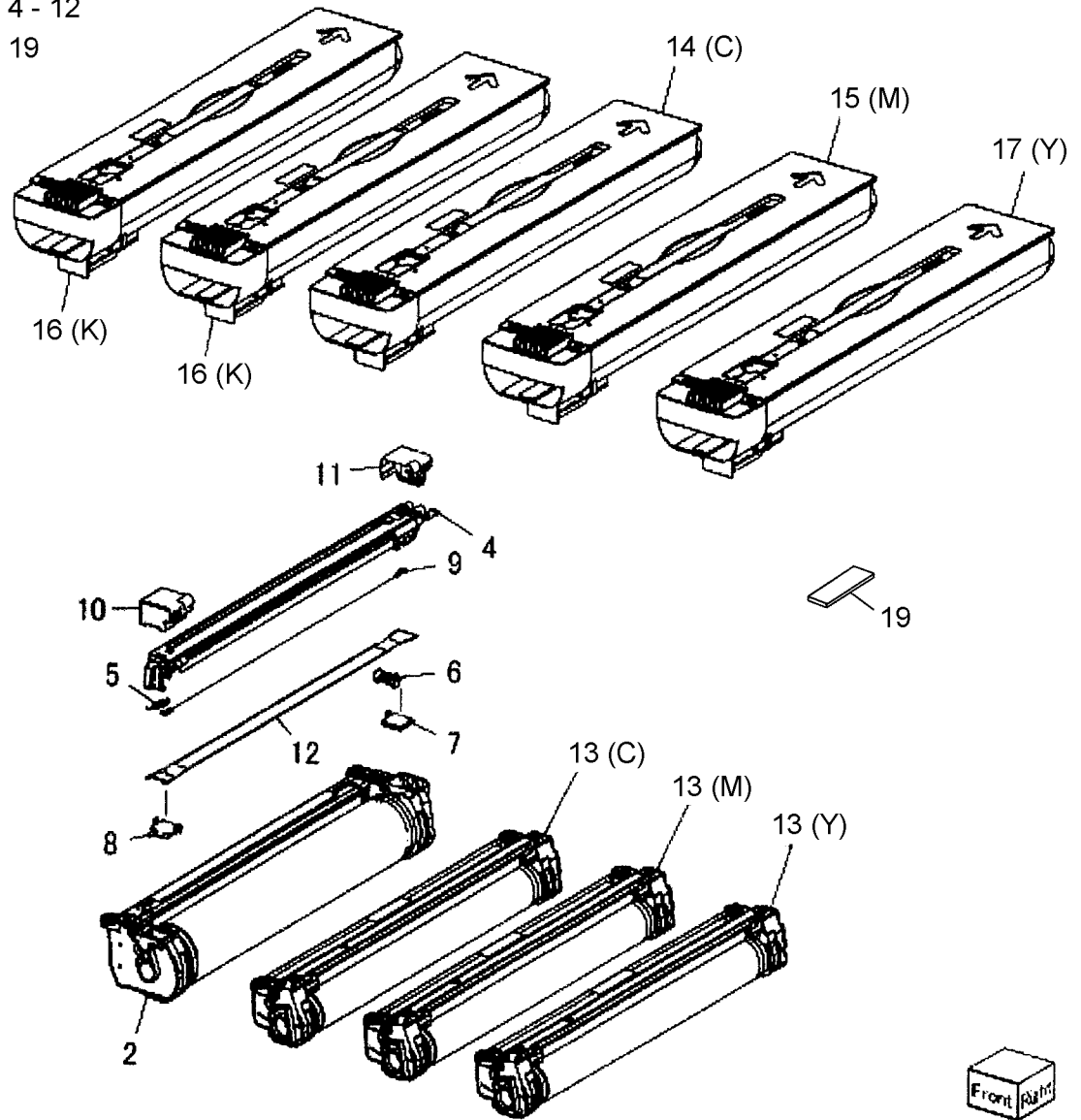


0505001B-OLY

# PL 6.1 Drum/Toner Cartridge

Item	Part	Description
1	013R00602	Drum Cartridge Assembly (K)
2	-	Drum (P/O PL 6.1 Item 1)
3	013R00650	Scorotron Unit Assembly
4	-	Scorotron (P/O PL 6.1 Item 1, 3)
5	009E97011	Spring Wire (REP 9.8)
6	-	Cleaner (P/O PL 6.1 Item 1, 3)
7	-	Rear Shield (P/O PL 6.1 Item 1, 3)
8	-	Front Shield (P/O PL 6.1 Item 1, 3)
9	-	Corotron Wire (P/O PL 6.1 Item 1, 3)
10	-	Front Cover (P/O PL 6.1 Item 1, 3)
11	-	Rear Cover (P/O PL 6.1 Item 1, 3)
12	-	Grid Plate (P/O PL 6.1 Item 1, 3)
13	013R00603	Drum Cartridge (REP 9.8)
14	006R01220	Toner Cartridge (Y)
-	006R01226	Toner Cartridge (C) (XE)
15	006R01221	Toner Cartridge (M)
-	006R01225	Toner Cartridge (M) (XE)
16	006R01223	Toner Cartridge (K) (XE)
17	006R01222	Toner Cartridge (Y)
-	006R01224	Toner Cartridge (Y) (XE)
18	604K43030	CC Shield Ground Kit
19	-	EME Seal (P/O PL 6.1 Item 18)
-	006R01219	Toner Cartridge (K)

1 { 2 - 12  
 3 { 4 - 12  
 18 { 19

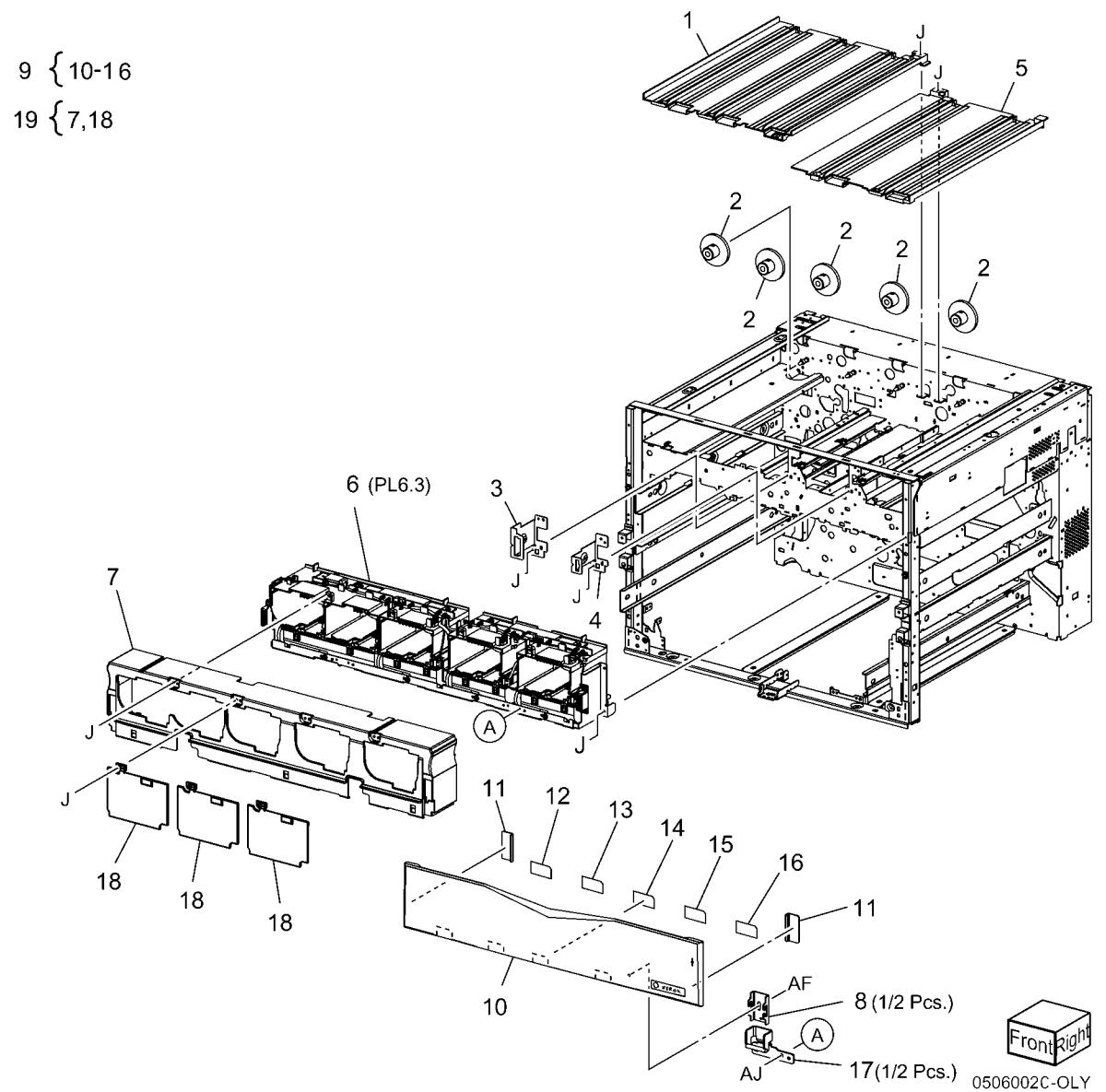


0506001C-OLY



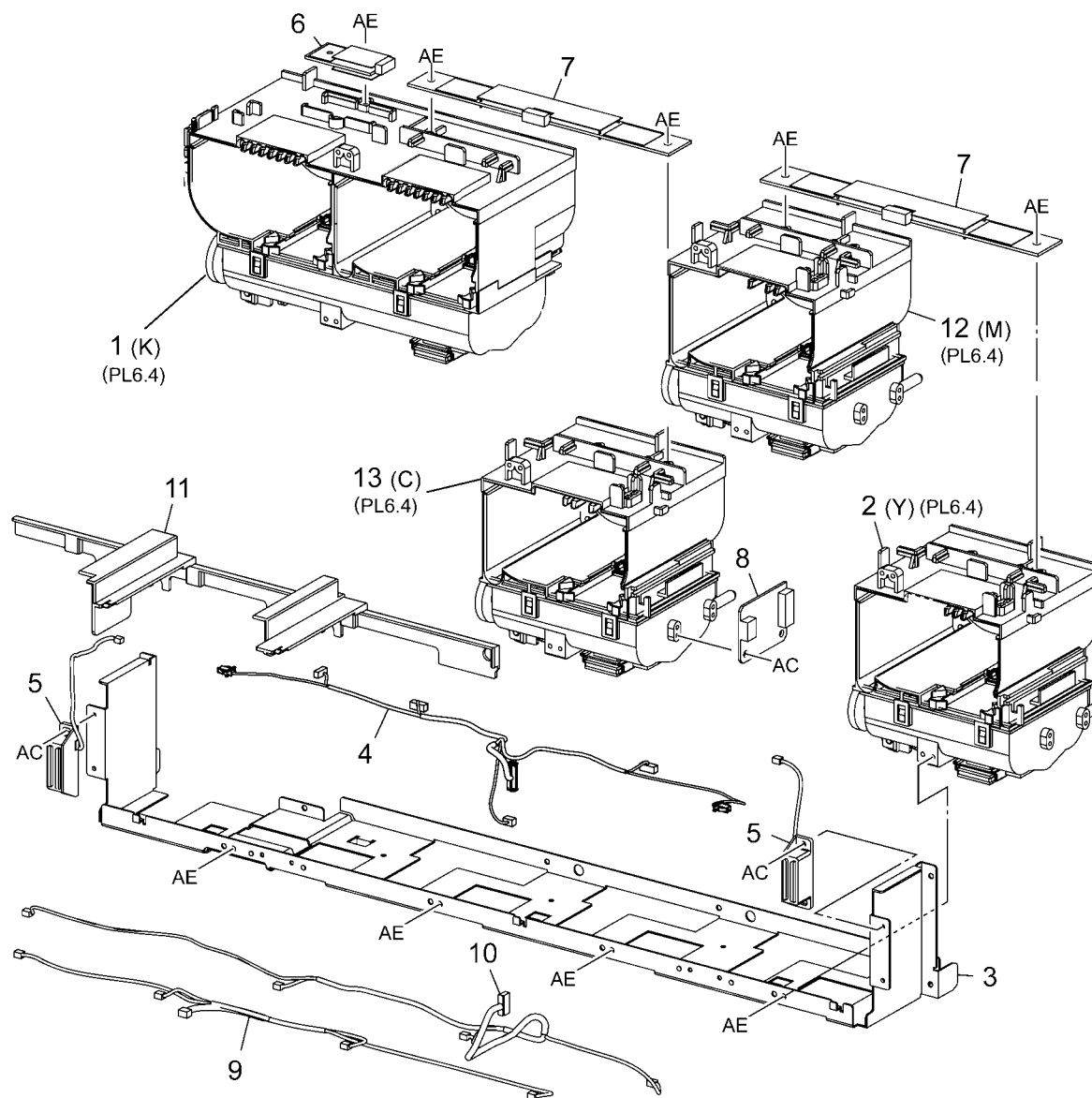
## PL 6.2 Dispense Unit

Item	Part	Description
1	-	Left Plate
2	807E02800	Gear
3	-	Bracket (Not Spared)
4	-	Bracket (Not Spared)
5	-	Right Plate (Not Spared)
6	-	Dispense (Y, M, C, K) (Not Spared) (REP 9.9)
7	-	Inner Cover (P/O PL 6.2 Item 19)
8	-	Hinge (Not Spared)
9	848K35410	Toner Cartridge Cover Assembly
10	-	Toner Cartridge Cover (P/O PL 6.2 Item 9)
11	-	Magnet Plate (P/O PL 6.2 Item 9)
12	-	K1 Label (P/O PL 6.2 Item 9)
13	-	K2 Label (P/O PL 6.2 Item 9)
14	-	Y Label (Not Spared)
15	-	M Label (Not Spared)
16	-	C Label (Not Spared)
17	-	Hinge (Not Spared)
18	-	Plate (P/O PL 6.2 Item 19)
19	-	Inner Cover Assembly (Not Spared)



## PL 6.3 Dispense Assembly (Y, M, C, K)

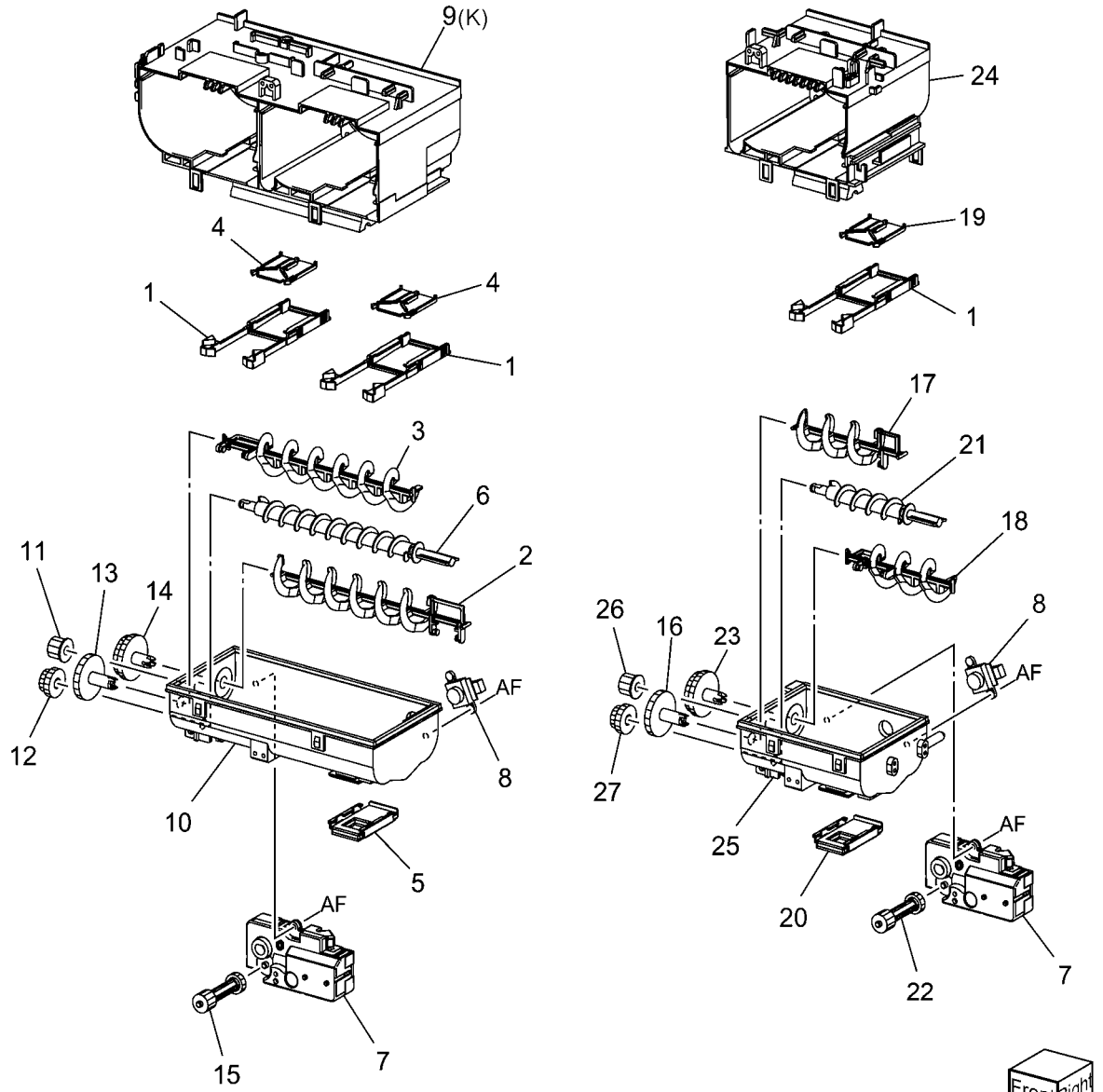
Item	Part	Description
1	094K04546	Dispenser (K) (REP 9.16)
2	094K04557	Dispenser (Y) (REP 9.19)
3	–	Base (Not Spared)
4	–	Wire Harness (Not Spared)
5	110K12080	Dispense Cover Switch 1, 2
6	160K95832	Toner Cartridge CRUM PWB K
7	160K95843	Toner Cartridge CRUM PWB (C, M, Y)
8	960K01281	Low Toner Sensor PWB (REP 9.20)
9	–	Wire Harness (Not Spared)
10	–	Wire Harness (Not Spared)
11	–	Guide (Not Spared)
12	094K04567	Dispenser (M) (REP 9.18)
13	094K04577	Dispenser (C) (REP 9.17)



0506003C-OLY

# PL 6.4 Dispense Assembly

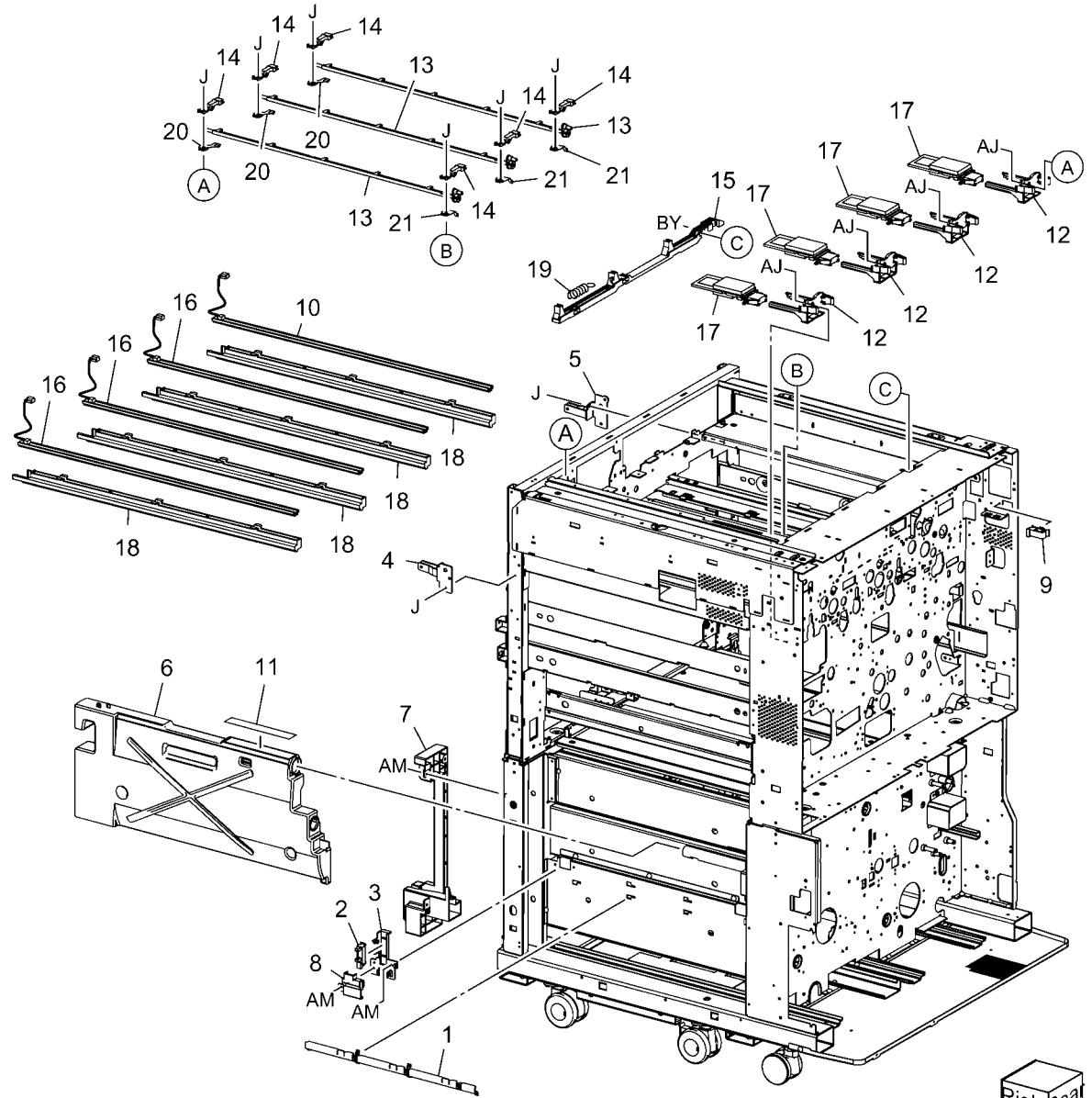
Item	Part	Description
1	-	Stopper (P/O PL 6.3 Item 1, PL 6.3 Item 2, PL 6.3 Item 12, PL 6.3 Item 13)
2	-	K Agitator (P/O PL 6.3 Item 1)
3	-	K Agitator (P/O PL 6.3 Item 1)
4	-	Shutter (P/O PL 6.3 Item 1)
5	-	Shutter (P/O PL 6.3 Item 1)
6	-	K Auger (P/O PL 6.3 Item 1)
7	127K39530	Motor Assembly
8	130E85200	Low Toner Sensor (REP 9.21, REP 9.22, REP 9.23, REP 9.24)
9	-	K Cover (P/O PL 6.3 Item 1)
10	-	Housing (P/O PL 6.3 Item 1)
11	-	Gear (15T) (P/O PL 6.3 Item 1)
12	-	Gear (23T) (P/O PL 6.3 Item 1)
13	-	Gear (35T) (Front) (P/O PL 6.3 Item 1)
14	-	Gear (35T) (Rear) (P/O PL 6.3 Item 1)
15	-	Gear (P/O PL 6.3 Item 1)
16	-	Gear (35T) (Front) (P/O PL 6.3 Item 2, PL 6.3 Item 12, PL 6.3 Item 13)
17	-	Actuator (Y, M, C) (P/O PL 6.3 Item 2, PL 6.3 Item 12, PL 6.3 Item 13)
18	-	Agitator (Y, M, C) (P/O PL 6.3 Item 2, PL 6.3 Item 12, PL 6.3 Item 13)
19	-	Shutter (P/O PL 6.3 Item 2, PL 6.3 Item 12, PL 6.3 Item 13)
20	-	Shutter (P/O PL 6.3 Item 2, PL 6.3 Item 12, PL 6.3 Item 13)
21	-	Auger (Y, M, C) (P/O PL 6.3 Item 2, PL 6.3 Item 12, PL 6.3 Item 13)
22	-	Gear (P/O PL 6.3 Item 2, PL 6.3 Item 12, PL 6.3 Item 13)
23	-	Gear (35T) (Rear) (P/O PL 6.3 Item 2, PL 6.3 Item 12, PL 6.3 Item 13)
24	-	Cover (P/O PL 6.3 Item 2, PL 6.3 Item 12, PL 6.3 Item 13)
25	-	Housing (P/O PL 6.3 Item 2, PL 6.3 Item 12, PL 6.3 Item 13)
26	-	Gear (15T) (P/O PL 6.3 Item 2, PL 6.3 Item 12, PL 6.3 Item 13)
27	-	Gear (23T) (P/O PL 6.3 Item 2, PL 6.3 Item 12, PL 6.3 Item 13)



0506004B-OLY

# PL 6.5 Dispense Unit (1 of 3)

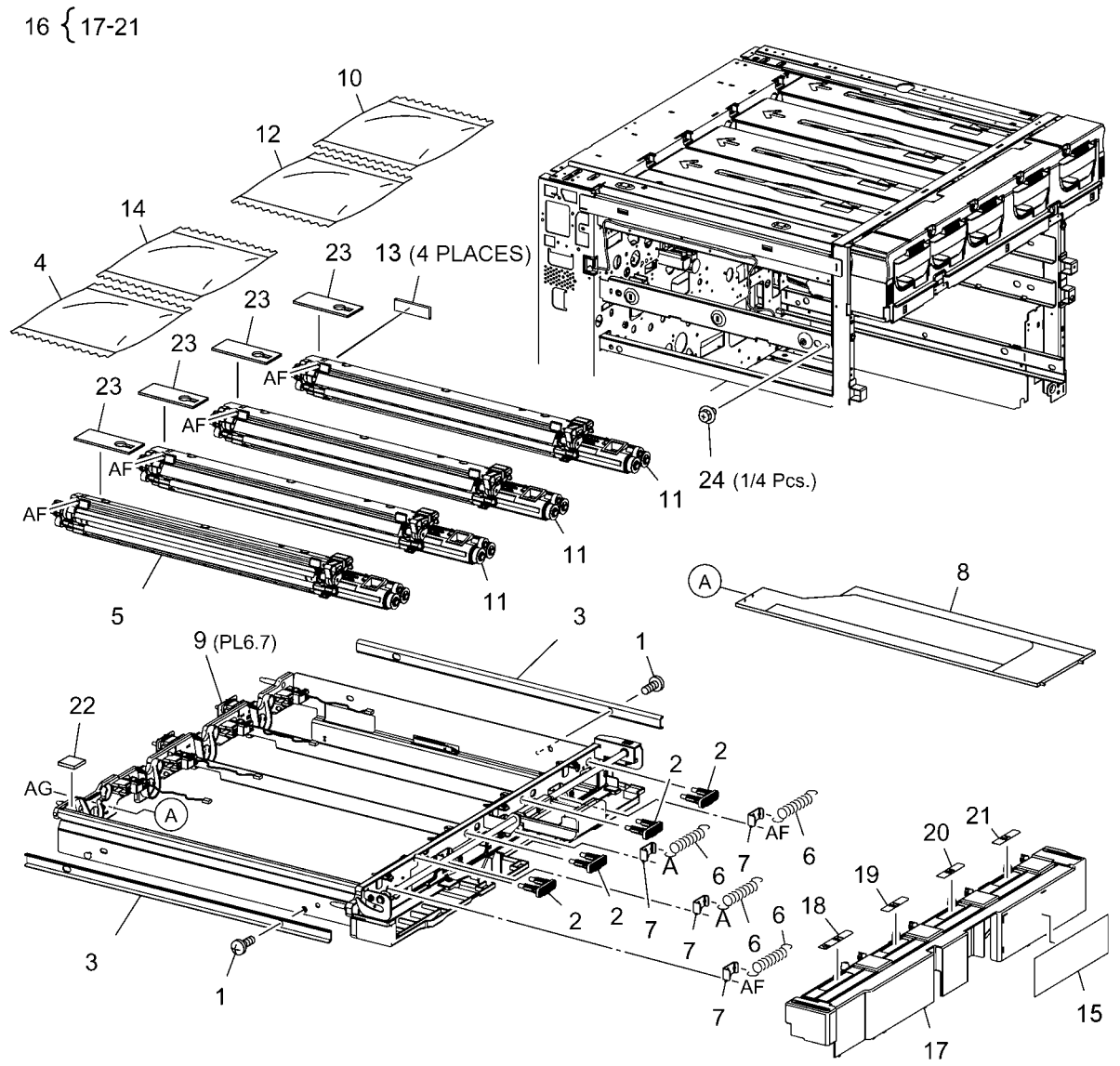
Item	Part	Description
1	-	Harness Guide (Not Spared)
2	130E91010	Waste Bottle Full Sensor
3	-	Bracket (Not Spared)
4	-	Right Bracket (Not Spared)
5	-	Left Bracket (Not Spared)
6	008R12990	Waste Bottle
7	-	Inner Cover (Not Spared)
8	-	Connector Cover (Not Spared)
9	-	Wire (Not Spared)
10	122K93640	Erase Lamp
11	-	Label (Not Spared)
12	-	Cam Holder (Not Spared)
13	008K01881	Cam
14	019E58120	Holder
15	-	Bar (Not Spared)
16	122K93570	Erase Lamp
17	160K95832	Xero CRUM PWB (M, K, C, Y)
18	-	Erase Lamp Rail (Not Spared)
19	-	Spring (Not Spared)
20	-	Ground Clip
21	-	Ground Clip (Not Spared)



0506005B-OLY

# PL 6.6 Dispense Unit (2 of 3)

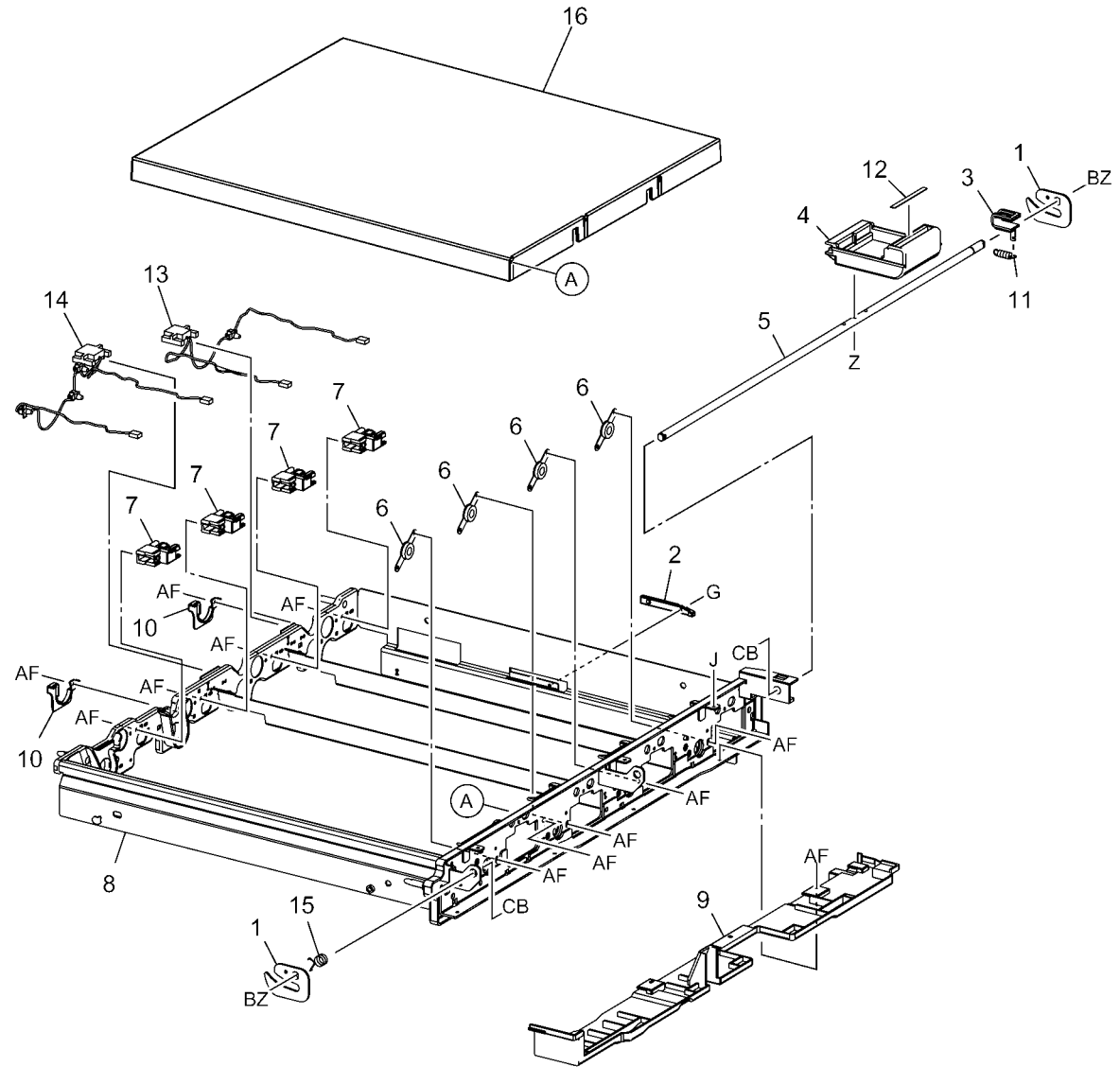
Item	Part	Description
1	-	Screw (Not Spared)
2	068K24113	Bracket
3	801K14311	Rail
4	675K17930	K Developer (REP 9.15)
5	604K24218	K Developer Housing Kit (REP 9.14)
6	-	Spring (Not Spared)
7	-	Tension Plate (Not Spared)
8	-	Duct (Not Spared)
9	-	Xero/Dev Drawer Unit
10	675K18020	Y Developer (REP 9.15)
11	604K24227	Developer Housing Kit (Y, M, C) (REP 9.14)
12	675K17990	M Developer (REP 9.15)
13	130K67340	ATC Sensor Assembly (REP 9.14)
14	675K17960	C Developer (REP 9.15)
15	-	Label (Not Spared) (9.14)
16	802K65485	Inner Cover Assembly
17	-	Inner Cover (P/O PL 6.6 Item 16)
18	-	Label Drum ID R1 (P/O PL 6.6 Item 16)
19	-	Label Drum ID R2 (P/O PL 6.6 Item 16)
20	-	Label Drum ID R3 (P/O PL 6.6 Item 16)
21	-	Label Drum ID R4 (P/O PL 6.6 Item 16)
22	-	Gasket (Not Spared)
23	-	ATC Cover (Not Spared)
24	-	Screw (Not Spared)



0506006A-OLY

## PL 6.7 Dispense Unit (3 of 3)

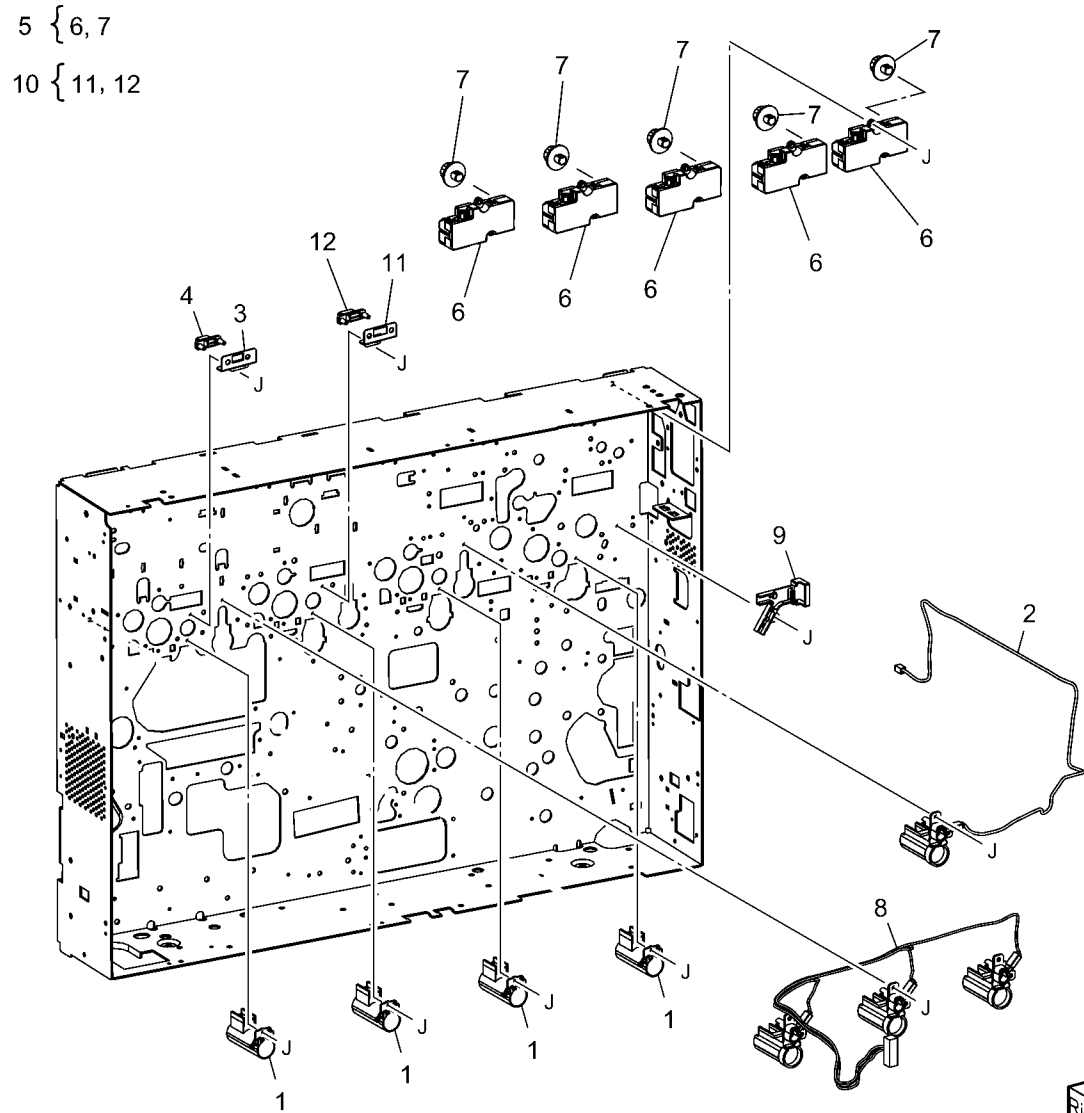
Item	Part	Description
1	-	Cam (Not Spared)
2	-	Plate (P/O PL 6.6 Item 9)
3	-	Stopper
4	003K13893	Handle
5	-	Shaft (P/O PL 6.6 Item 9)
6	-	Bearing (P/O PL 6.6 Item 9)
7	014K82103	Block
8	-	Xerographic Developer Drawer (P/O PL 6.6 Item 9)
9	-	Base Cover (P/O PL 6.6 Item 9)
10	-	Harness Cover (P/O PL 6.6 Item 9)
11	-	Spring (P/O PL 6.6 Item 9)
12	-	Label (P/O PL 6.6 Item 9)
13	962K23382	Wire Harness (Y, M)
14	962K23392	Wire Harness (C, Y)
15	-	Spring (P/O PL 6.6 Item 9)
16	-	Cover (P/O PL 6.6 Item 9)



0506007A-OLY

## PL 6.8 Rear Frame (1 of 2)

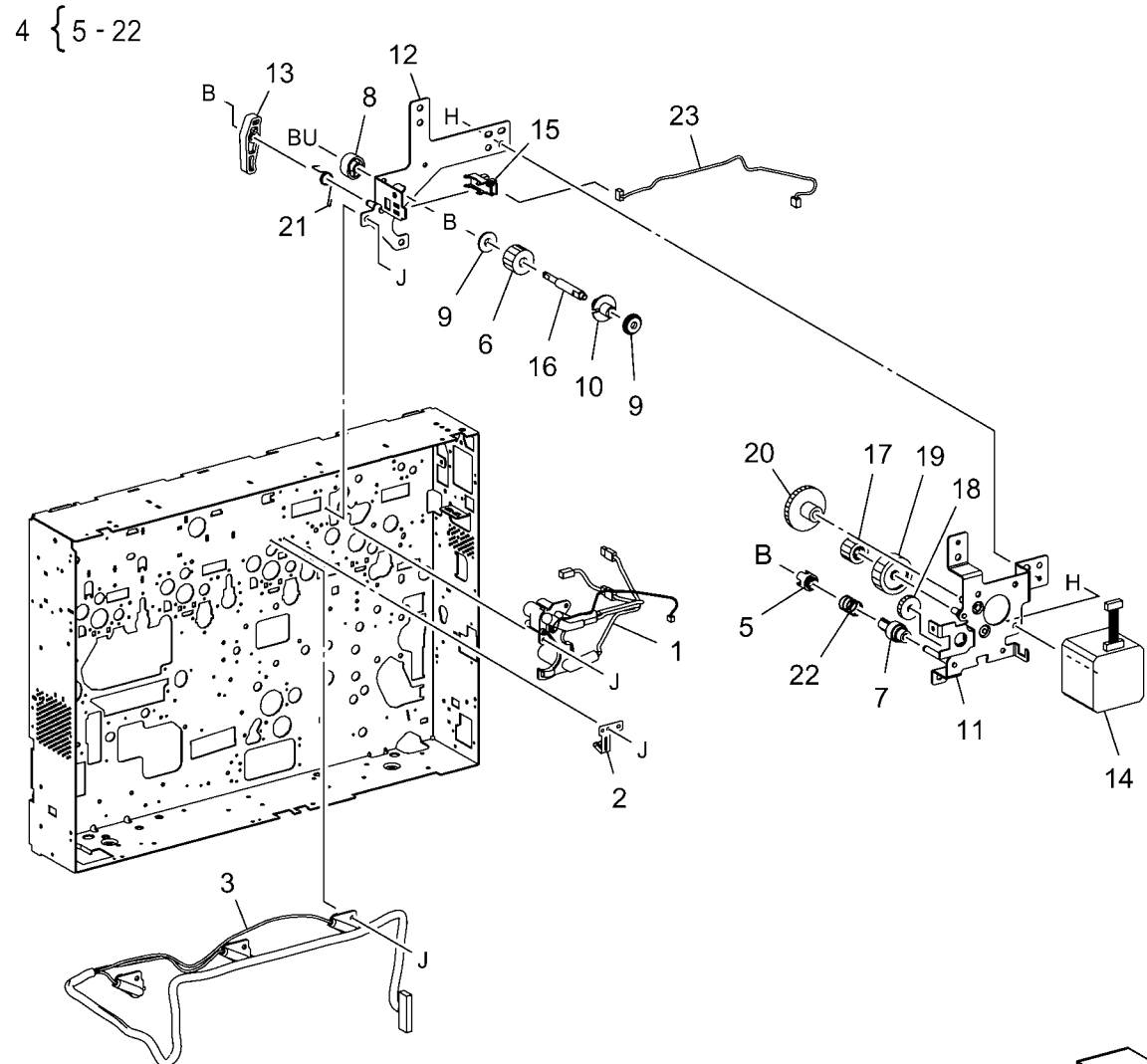
Item	Part	Description
1	030K76360	Support Assembly
2	962K23524	Wire Harness (K)
3	-	Bracket (Not Spared)
4	-	Connector
5	127K39540	Toner Cartridge Motor
6	127K39530	Toner Cartridge Motor Kit (K1, K2)
7	-	Gear (P/O PL 6.8 Item 5)
8	962K23534	Wire Harness (Y, M, C)
9	-	Guide (Not Spared)
10	-	Bracket Assembly (Not Spared)
11	-	Bracket (P/O PL 6.8 Item 10)
12	-	Connector (P/O PL 6.8 Item 10)



0506008A-OLY

## PL 6.9 Rear Frame (2 of 2)

Item	Part	Description
1	114K81991	Connector (K)
2	-	Ground Clip (Not Spared)
3	114K81973	Connector Assembly (BCR)
4	127K39753	Cleaning Motor Assembly (REP 9.25)
5	-	Coupling (P/O PL 6.9 Item 4)
6	-	Gear (34T) (P/O PL 6.9 Item 4)
7	-	Gear (P/O PL 6.9 Item 4)
8	-	Cam (P/O PL 6.9 Item 4)
9	-	Bearing (P/O PL 6.9 Item 4)
10	-	Spacer (P/O PL 6.9 Item 4)
11	-	Bracket (P/O PL 6.9 Item 4)
12	-	Bracket (P/O PL 6.9 Item 4)
13	-	Arm (P/O PL 6.9 Item 4)
14	127K39760	BCR/Scorotron Cleaner Motor
15	-	BCR Cleaner Position Sensor (P/O PL 6.9 Item 4)
16	-	Shaft (P/O PL 6.9 Item 4)
17	-	Gear (29T) (P/O PL 6.9 Item 4)
18	-	Gear (31T) (P/O PL 6.9 Item 4)
19	-	Gear (18T/52T) (P/O PL 6.9 Item 4)
20	-	Gear (20T/61T) (P/O PL 6.9 Item 4)
21	-	Spring (P/O PL 6.9 Item 4)
22	-	Spring (P/O PL 6.9 Item 4)
23	-	Wire Harness (Not Spared)



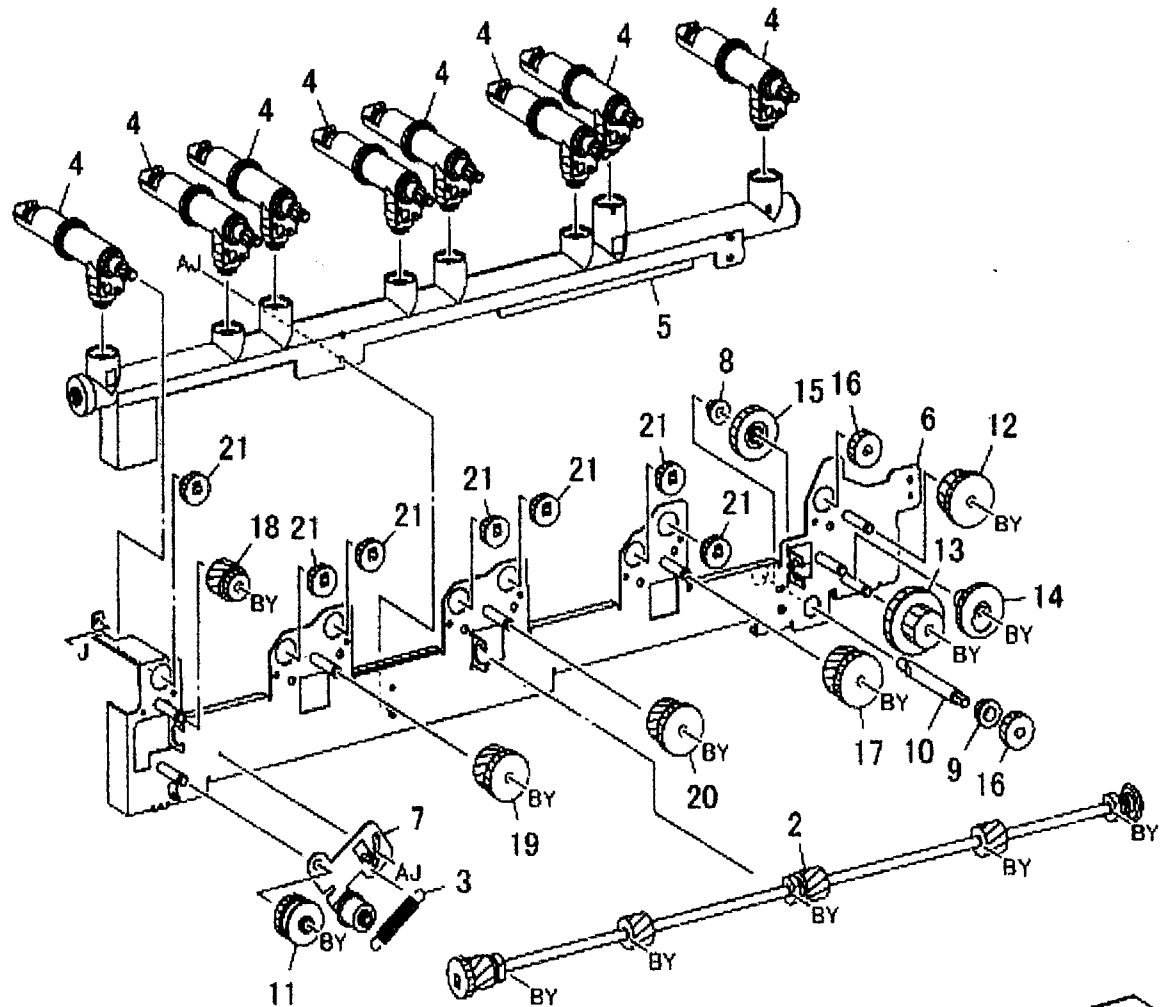
0506009A-OLY



# PL 6.10 Direct Pipe Assembly

Item	Part	Description
1	068K24137	Direct Pipe Assembly
2	-	Direct Shaft (P/O PL 6.10 Item 1)
3	-	Spring (P/O PL 6.10 Item 1)
4	-	Joint (P/O PL 6.10 Item 1)
5	-	Pipe (P/O PL 6.10 Item 1)
6	-	Bracket (P/O PL 6.10 Item 1)
7	-	Bracket (P/O PL 6.10 Item 1)
8	-	Bearing (P/O PL 6.10 Item 1)
9	413W77559	Bearing
10	-	Drive Shaft (P/O PL 6.10 Item 1)
11	-	Gear Pulley (21T/24T) (P/O PL 6.10 Item 1)
12	-	Gear (38T/30T) (P/O PL 6.10 Item 1)
13	-	Gear (45T/25T) (P/O PL 6.10 Item 1)
14	-	Gear (22T/35T) (P/O PL 6.10 Item 1)
15	-	Drive Gear (P/O PL 6.10 Item 1)
16	-	Drive Gear (23T) (P/O PL 6.10 Item 1)
17	-	Gear (K) (P/O PL 6.10 Item 1)
18	-	Gear (Y) (P/O PL 6.10 Item 1)
19	-	Gear (M) (P/O PL 6.10 Item 1)
20	-	Gear (C) (P/O PL 6.10 Item 1)
21	-	Joint Gear (21T) (P/O PL 6.10 Item 1)

1 { 2-21

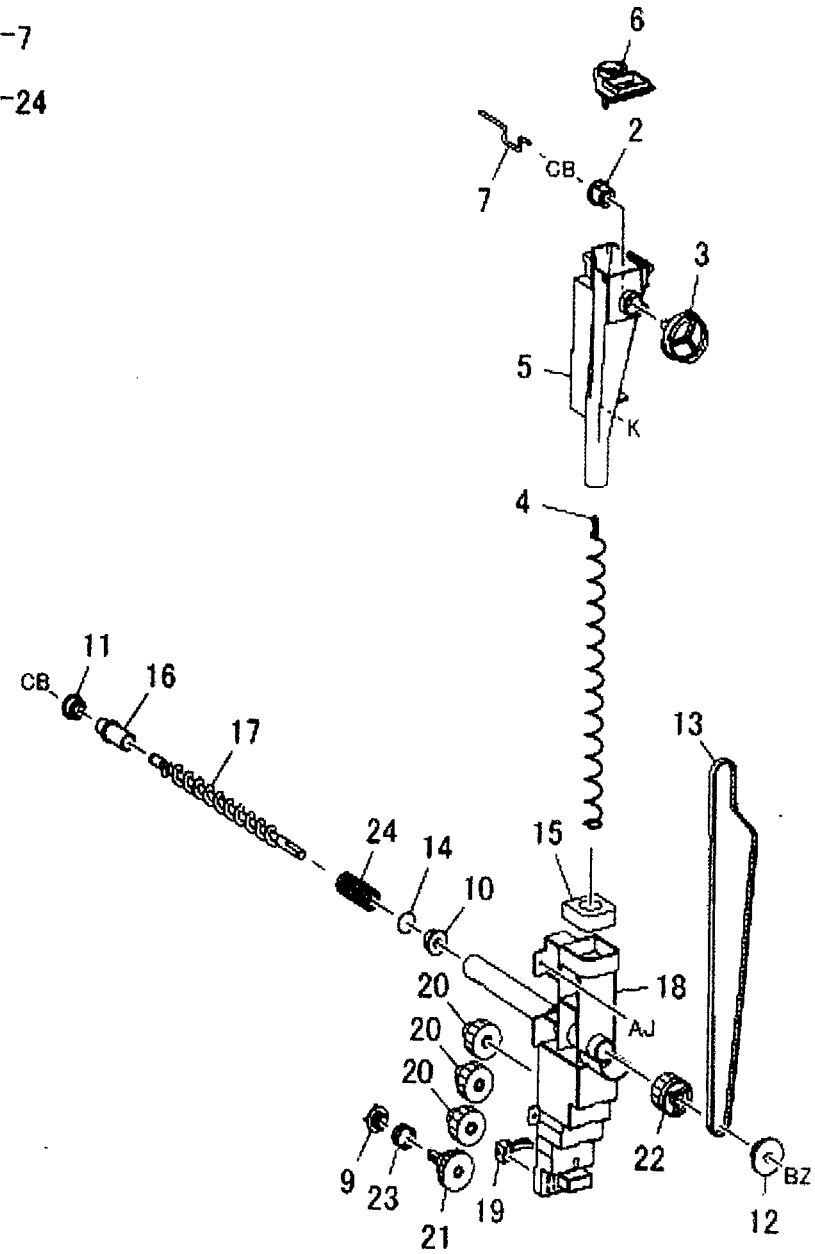


0506010A-OLY

## PL 6.11 Joint/Leveler Box Assembly

Item	Part	Description
1	011K97591	Joint Assembly
2	-	Bearing (P/O PL 6.11 Item 1)
3	-	Pulley (P/O PL 6.11 Item 1)
4	-	Agitator (P/O PL 6.11 Item 1)
5	-	Joint (Down) (P/O PL 6.11 Item 1)
6	-	Joint (UP) (P/O PL 6.11 Item 1)
7	-	Crank Shaft (P/O PL 6.11 Item 1)
8	119K00290	Leveler Box Assembly
9	-	Joint (P/O PL 6.11 Item 8)
10	-	Bearing (P/O PL 6.11 Item 8)
11	-	Bearing (P/O PL 6.11 Item 8)
12	-	Pulley (P/O PL 6.11 Item 8)
13	-	Belt (P/O PL 6.11 Item 8)
14	-	Oil Seal (P/O PL 6.11 Item 8)
15	-	Seal (P/O PL 6.11 Item 8)
16	-	Shutter (P/O PL 6.11 Item 8)
17	-	Auger (P/O PL 6.11 Item 8)
18	-	Leveler Box (P/O PL 6.11 Item 8)
19	130K93230	Waste Bottle Set Sensor
20	-	Gear (18T/37T) (P/O PL 6.11 Item 8)
21	-	Gear (40T) (P/O PL 6.11 Item 8)
22	-	Gear (35T) (P/O PL 6.11 Item 8)
23	-	Spring (P/O PL 6.11 Item 8)
24	-	Spring (P/O PL 6.11 Item 8)

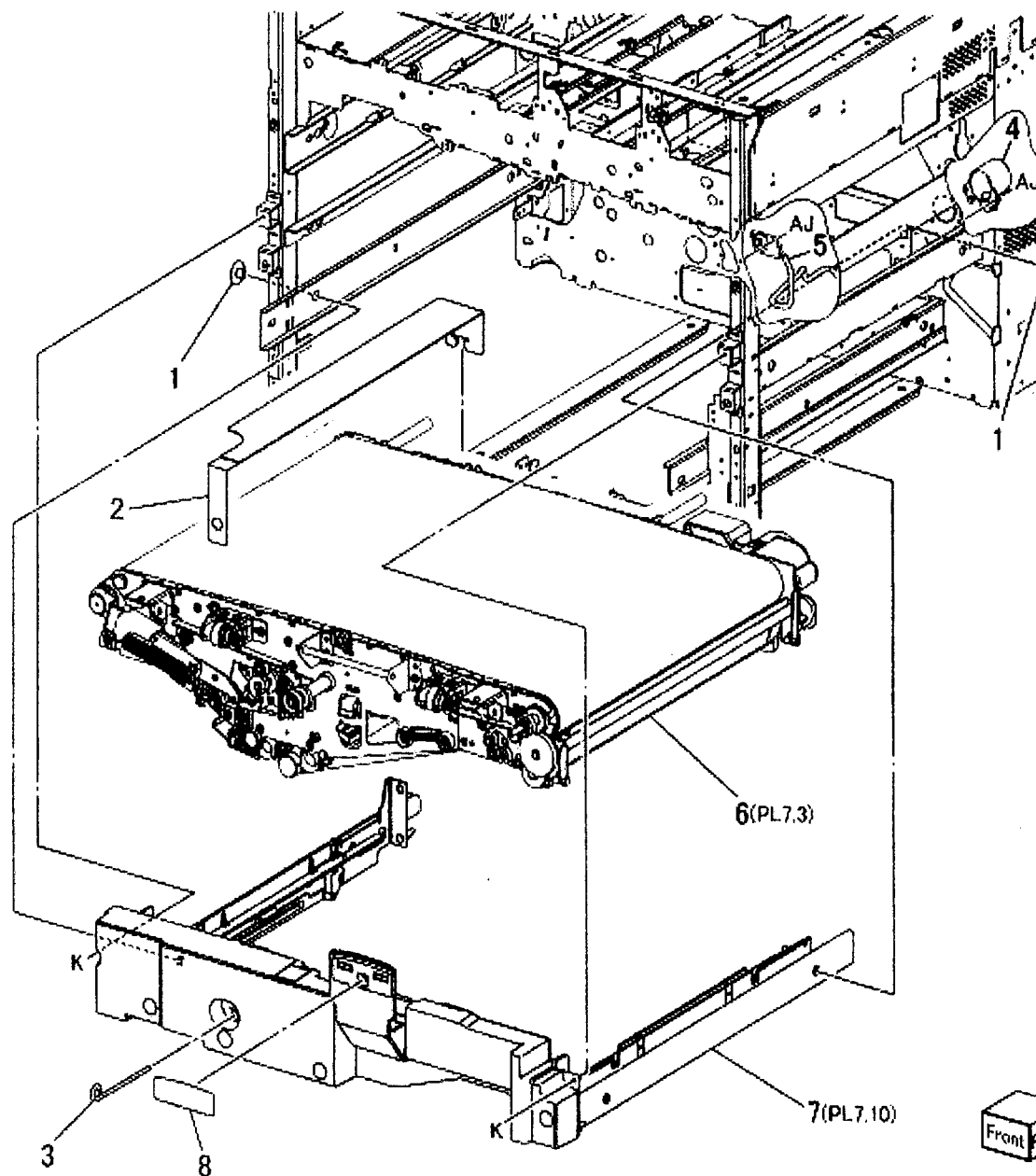
1 { 2-7  
8 { 9-24



0506011A-OLY

## PL 7.1 IBT Unit (1 of 2)

Item	Part	Description
1	—	Screw (Not Spared)
2	—	Cushion (Not Spared)
3	—	Shaft (Not Spared)
4	—	Joint (Not Spared)
5	—	Connector (Not Spared)
6	604K39054	Transfer Belt Unit (REP 9.1)
7	—	IBT Drawer (Not Spared)
8	—	Label (Not Spared)

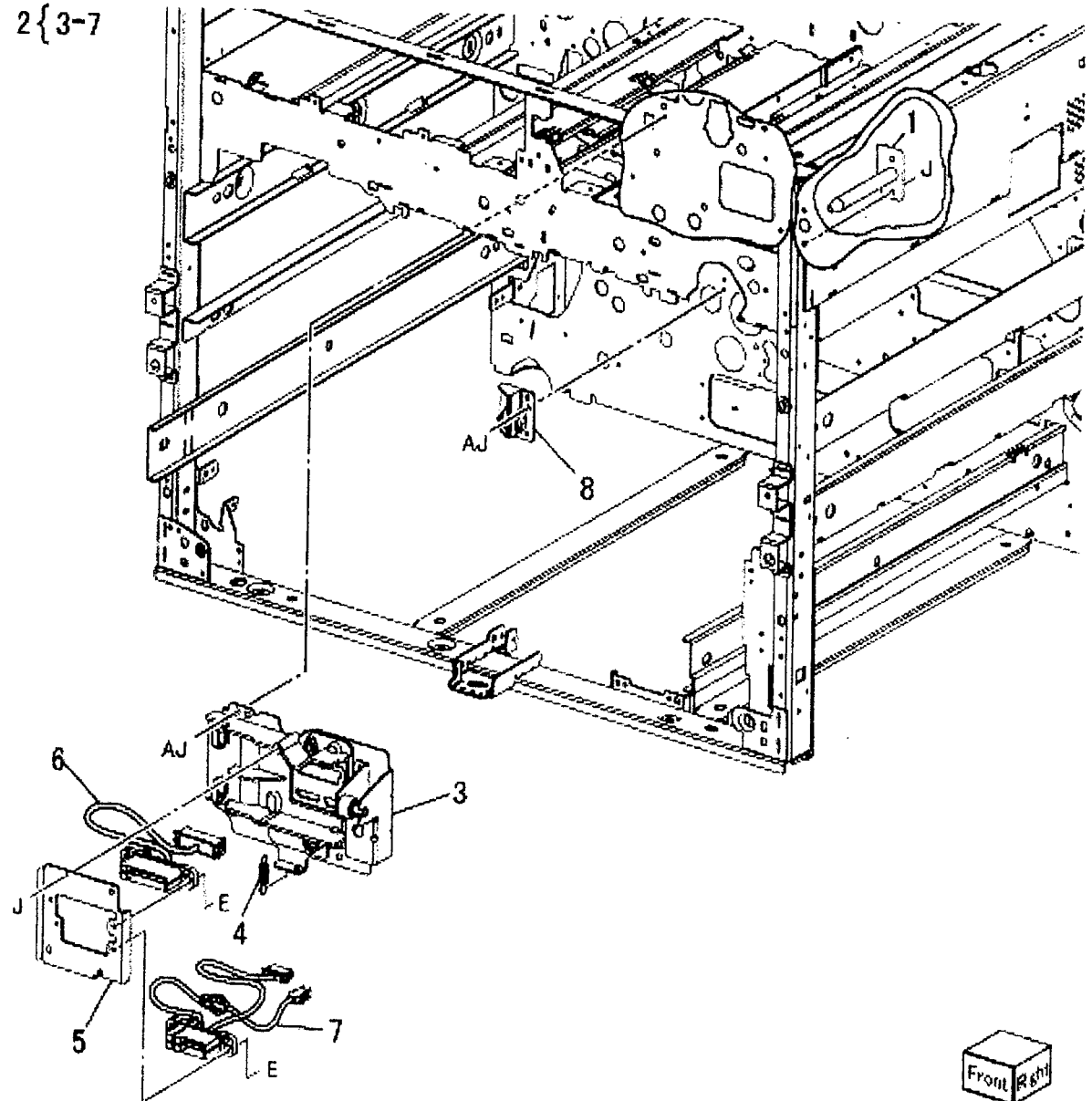


0507001B-OLY

## PL 7.2 IBT Unit (2 of 2)

Item	Part	Description
1	-	Bracket (Not Spared)
2	114K82051	Connector Assembly
3	-	Bracket (P/O PL 7.2 Item 2)
4	-	Spring (P/O PL 7.2 Item 2)
5	-	Bracket (P/O PL 7.2 Item 2)
6	-	Wire Harness (P/O PL 7.2 Item 2)
7	-	Wire Harness (P/O PL 7.2 Item 2)
8	-	Block (Not Spared)

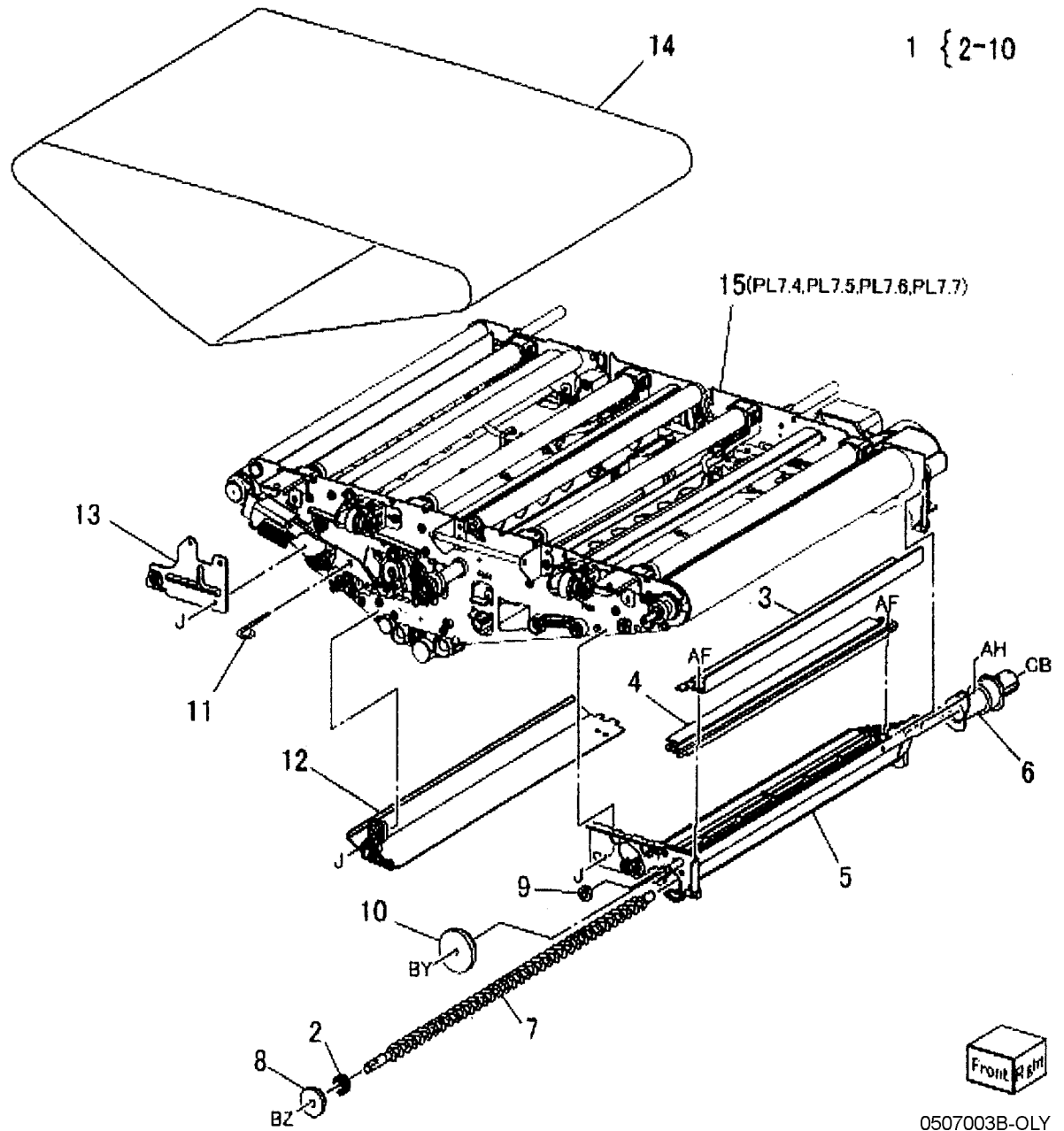
2 { 3-7



0507002A-OLY

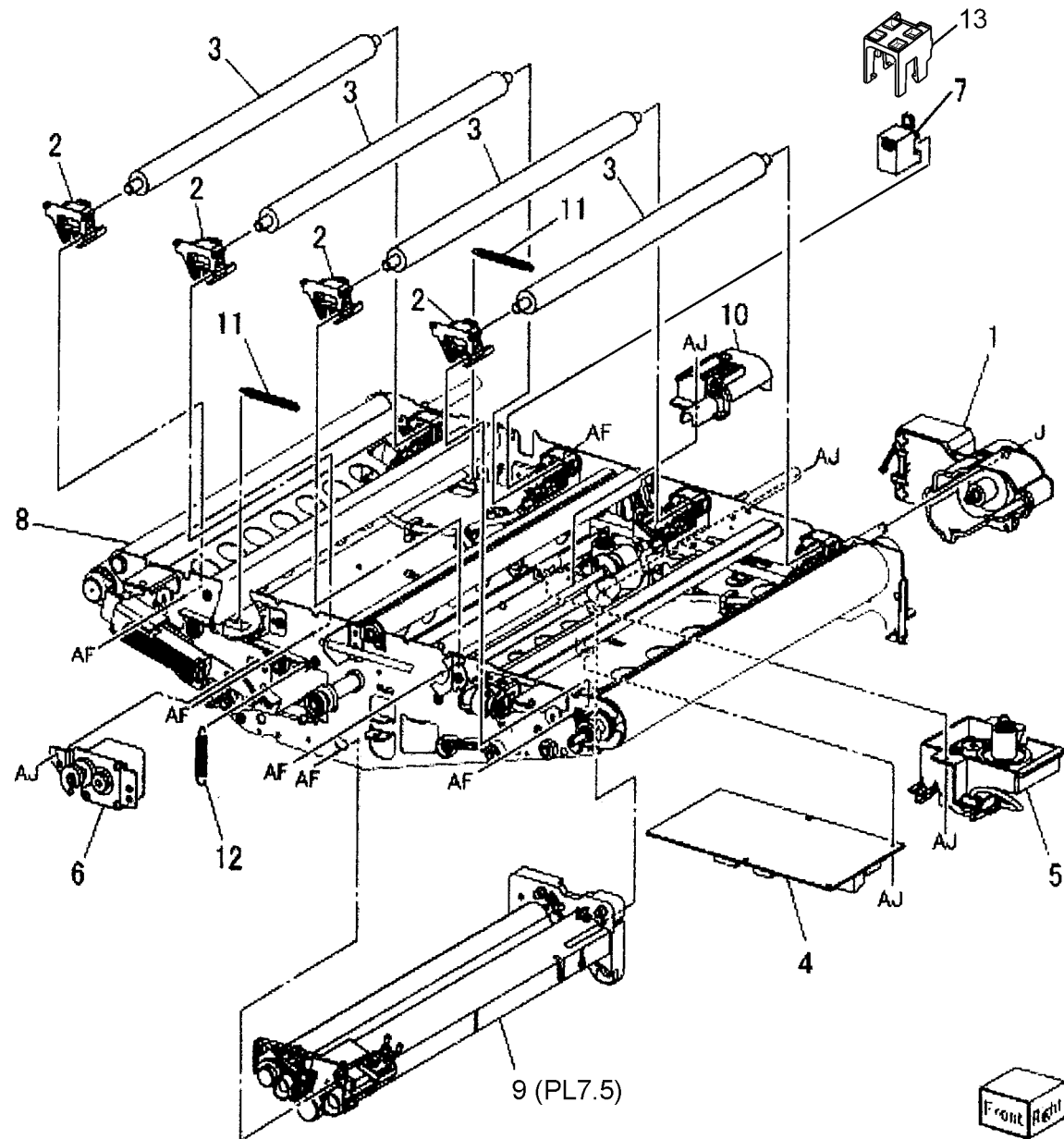
## PL 7.3 Transfer Belt Unit

Item	Part	Description
1	042K92758	IBT Cleaner Assembly (REP 9.2)
2	-	Bearing (P/O PL 7.3 Item 1)
3	-	Plate (P/O PL 7.3 Item 1)
4	033K94681	Blade
5	-	Cleaner Housing (P/O PL 7.3 Item 1)
6	-	Cleaner Cover (P/O PL 7.3 Item 1)
7	-	Auger (P/O PL 7.3 Item 1)
8	-	Auger Gear (P/O PL 7.3 Item 1)
9	-	Gear (P/O PL 7.3 Item 1)
10	-	Gear (P/O PL 7.3 Item 1)
11	-	Pin (P/O PL 7.1 Item 6)
12	-	Inlet (P/O PL 7.1 Item 6)
13	-	Support (P/O PL 7.1 Item 6)
14	675K72180	Transfer Belt (REP 9.3)
15	-	IBT Frame (P/O PL 7.1 Item 6)



## PL 7.4 IBT Frame Assembly (1 of 4)

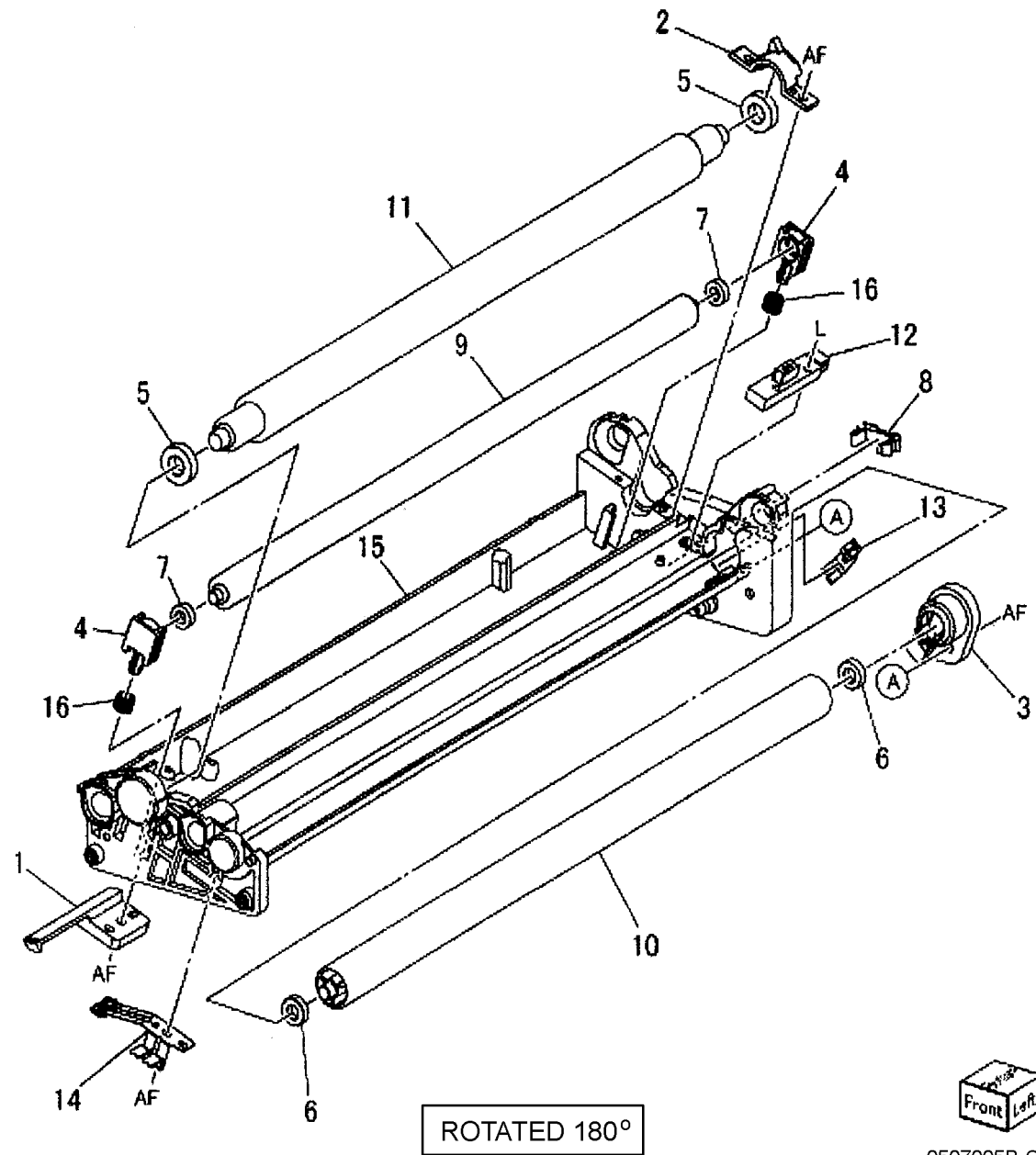
Item	Part	Description
1	007K87835	IBT Drive Assembly
2	019K98883	BTR Holder Assembly
3	059K32492	1ST BTR Roll
4	105E12580	1ST BTR HVPS (REP 9.7)
5	127K39100	1st BTR Retract Motor
6	127K39120	IBT Steering Motor
7	130K60830	Transfer Belt Edge Sensor (ADJ 9.13)
8	-	Frame (P/O PL 7.1 Item 6)
9	-	BTR Housing (P/O PL 7.1 Item 6)
10	-	Contact / Retract Sensor Cover (P/O PL 7.1 Item 6)
11	-	Spring (P/O PL 7.1 Item 6)
12	-	Spring (P/O PL 7.1 Item 6)
13	848E30360	Edge Sensor Cover



0507004C-LEX

## PL 7.5 IBT Frame Assembly (2 of 4)

Item	Part	Description
1	-	Stopper (Front) (P/O PL 7.4 Item 9)
2	-	Stopper (Rear) (P/O PL 7.4 Item 9)
3	-	Collar (P/O PL 7.4 Item 9)
4	-	Collar (P/O PL 7.4 Item 9)
5	-	Ball Bearing (8x16) (P/O PL 7.4 Item 9)
6	-	Sleeve Bearing (P/O PL 7.4 Item 9)
7	-	Ball Bearing (5x10) (P/O PL 7.4 Item 9)
8	-	Clamp (P/O PL 7.4 Item 9)
9	059E99540	Contact Roll
10	059K32510	Idler Roll
11	059K33740	Backup Roll
12	130E84270	Transfer Belt Home Sensor
13	-	Contact (P/O PL 7.4 Item 9)
14	-	Conductor (P/O PL 7.4 Item 9)
15	-	BTR Housing (P/O PL 7.4 Item 9)
16	-	Spring (P/O PL 7.4 Item 9)

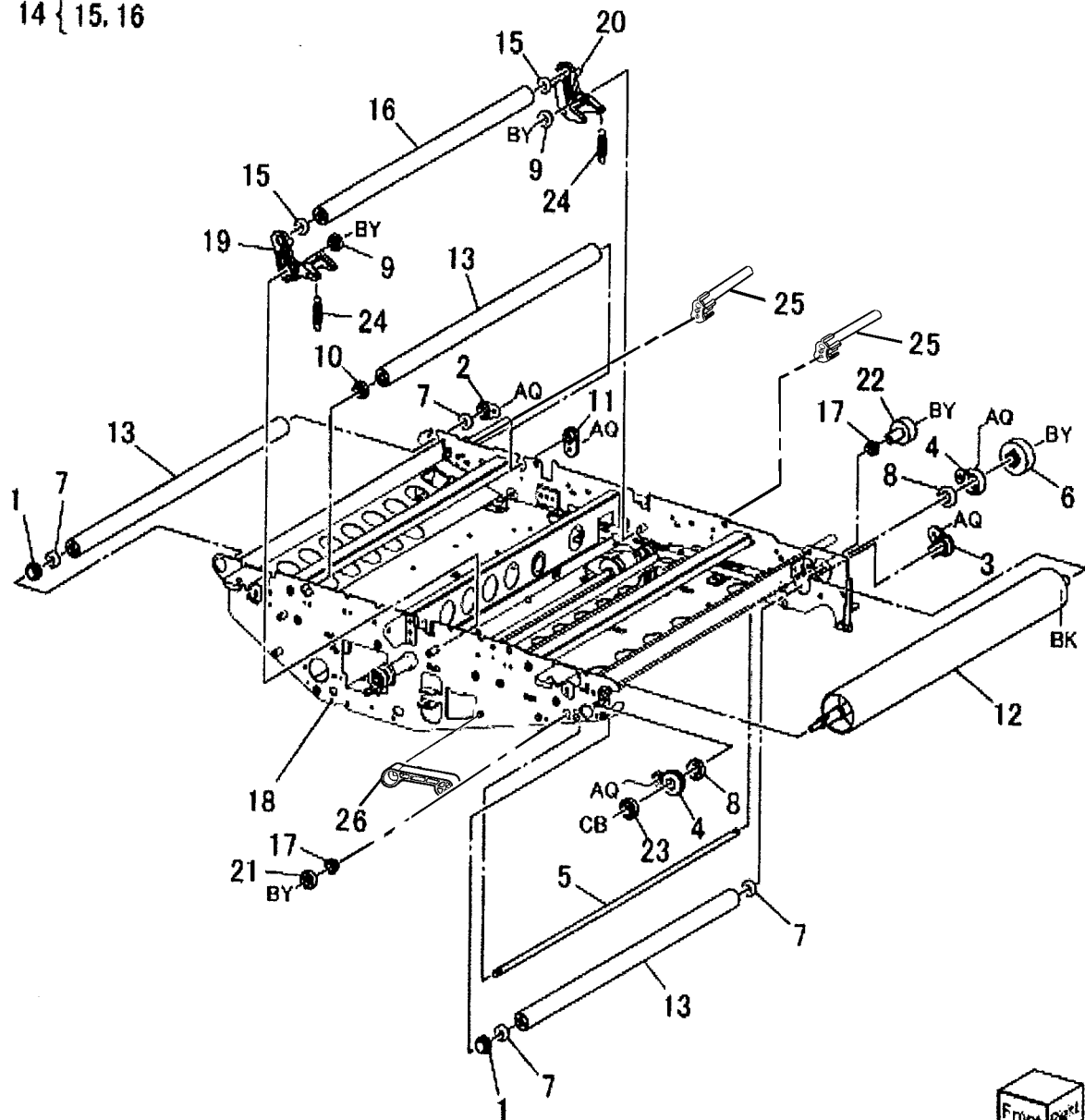


0507005B-OLY

# PL 7.6 IBT Frame Assembly (3 of 4)

Item	Part	Description
1	-	Collar (P/O PL 7.1 Item 6)
2	-	Collar (P/O PL 7.1 Item 6)
3	-	Collar (P/O PL 7.1 Item 6)
4	-	Collar (P/O PL 7.1 Item 6)
5	-	Shaft (P/O PL 7.1 Item 6)
6	-	Drive Gear (P/O PL 7.1 Item 6)
7	-	Ball Bearing (6x12) (P/O PL 7.1 Item 6)
8	-	Ball Bearing (10x19) (P/O PL 7.1 Item 6)
9	-	Bearing (P/O PL 7.1 Item 6)
10	-	Bearing (Front) (P/O PL 7.1 Item 6)
11	-	Bearing (Rear) (P/O PL 7.1 Item 6)
12	059K32500	Drive Roll
13	-	Idler Roll (P/O PL 7.1 Item 6)
14	059K32791	Retract Roll Assembly
15	-	Ball Bearing (6x12) (P/O PL 7.6 Item 14)
16	-	Retract Roll (P/O PL 7.6 Item 14)
17	-	Sleeve Bearing (P/O PL 7.1 Item 6)
18	-	Rear Frame (P/O PL 7.1 Item 6)
19	-	Front Housing (P/O PL 7.1 Item 6)
20	-	Rear Housing (P/O PL 7.1 Item 6)
21	-	Gear (Front) (P/O PL 7.1 Item 6)
22	-	Gear (Rear) (P/O PL 7.1 Item 6)
23	-	Drive Gear (P/O PL 7.1 Item 6)
24	-	Spring (P/O PL 7.1 Item 6)
25	003E60760	IBT Support (Rear)
26	003E60770	IBT Support (Out)

14 { 15, 16

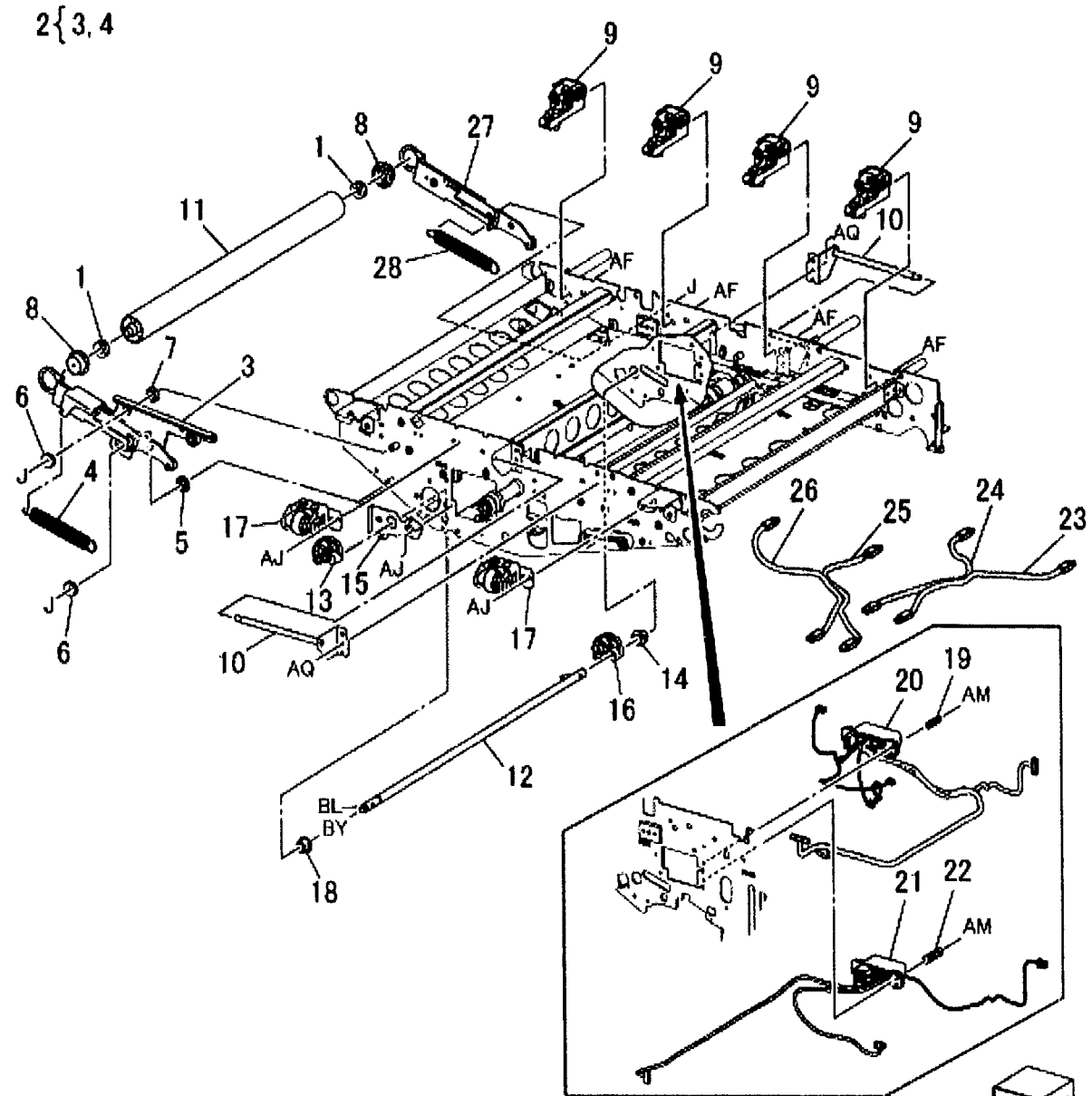


0507006A-OLY



# PL 7.7 IBT Frame Assembly (4 of 4)

Item	Part	Description
1	-	Ball Bearing (8x16) (P/O PL 7.1 Item 6)
2	-	Tension Plate Assembly (P/O PL 7.1 Item 6)
3	-	Tension Plate (P/O PL 7.7 Item 2)
4	-	Tension Spring (P/O PL 7.7 Item 2)
5	-	Bush (Inner)
6	-	Bush (Outer) (P/O PL 7.1 Item 6)
7	-	Bush (Inner) (P/O PL 7.1 Item 6)
8	-	Holder (P/O PL 7.1 Item 6)
9	019K99042	Holder
10	-	Bracket (P/O PL 7.1 Item 6)
11	059K32520	Steering Roll
12	-	Shaft (P/O PL 7.1 Item 6)
13	-	Cam (P/O PL 7.1 Item 6)
14	-	Bearing (P/O PL 7.1 Item 6)
15	-	Cam Plate (P/O PL 7.1 Item 6)
16	-	Tension Cam (P/O PL 7.1 Item 6)
17	-	Slider (P/O PL 7.1 Item 6)
18	-	Bearing (P/O PL 7.1 Item 6)
19	-	Spring (P/O PL 7.1 Item 6)
20	-	Wire Harness (IBT1) (P/O PL 7.1 Item 6)
21	-	Wire Harness (IBT2) (P/O PL 7.1 Item 6)
22	-	Spring (P/O PL 7.1 Item 6)
23	-	Wire Harness (BTR, Y) (P/O PL 7.1 Item 6)
24	-	Wire Harness (BTR, M) (P/O PL 7.1 Item 6)
25	-	Wire Harness (BTR, C) (P/O PL 7.1 Item 6)
26	-	Wire Harness (BTR, K) (P/O PL 7.1 Item 6)
27	-	Tension Plate (P/O PL 7.1 Item 6)
28	-	Tension Spring (P/O PL 7.1 Item 6)

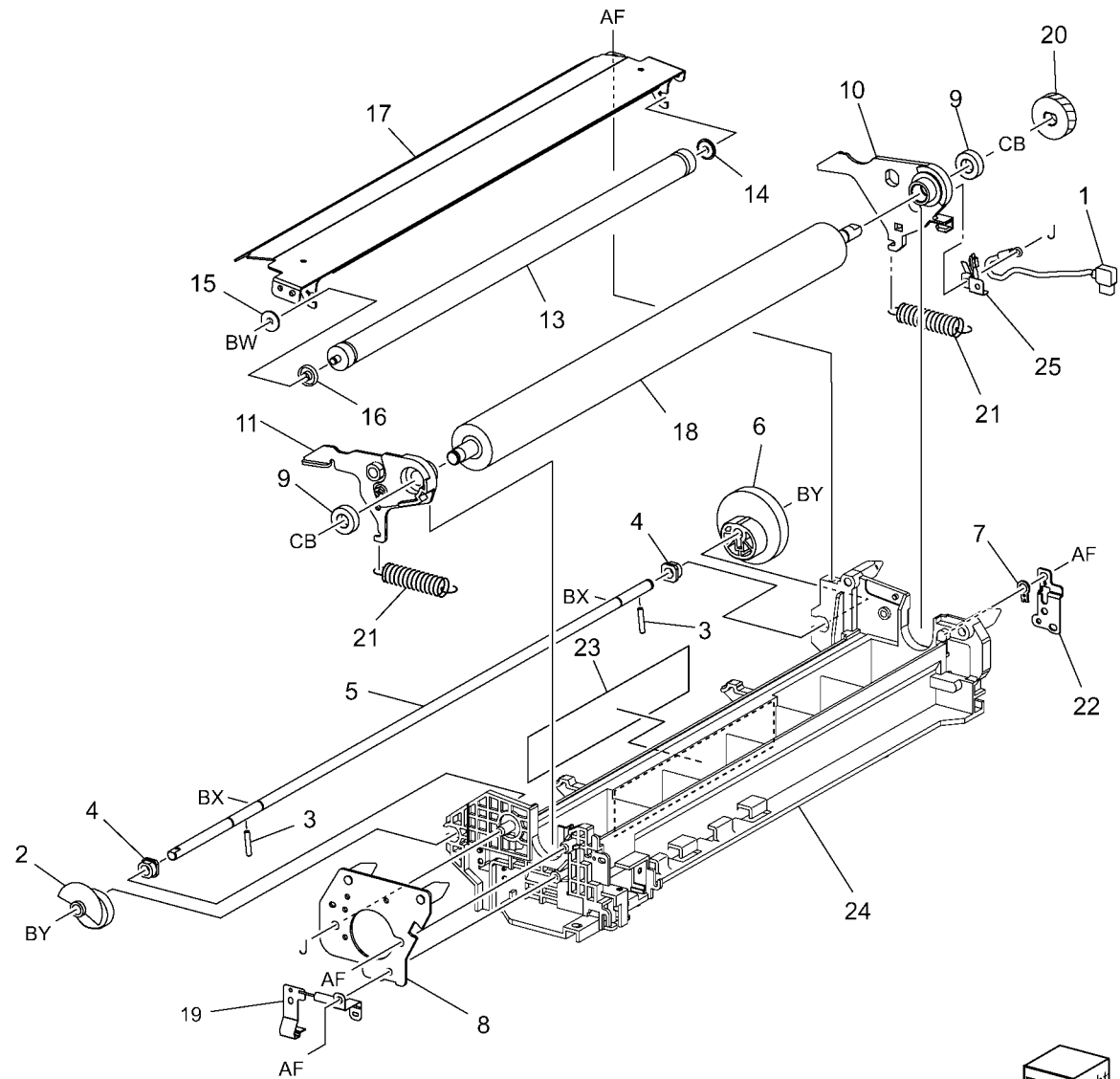


0507007A-OLY

## PL 7.8 2nd BTR Roll Assembly (1 of 2)

Item	Part	Description
1	-	Wire Harness (P/O PL 4.1 Item 3)
2	-	Cam (P/O PL 4.1 Item 3)
3	-	Pin (P/O PL 4.1 Item 3)
4	413W11660	Sleeve Bearing
5	-	Shaft (P/O PL 4.1 Item 3)
6	-	Gear (P/O PL 4.1 Item 3)
7	-	Lever (P/O PL 4.1 Item 3)
8	-	Plate (P/O PL 4.1 Item 3)
9	-	Ball Bearing (8x16) (P/O PL 4.1 Item 3)
10	-	Rear Arm (P/O PL 4.1 Item 3)
11	-	Front Arm (P/O PL 4.1 Item 3)
12	054K26615	Inlet Chute Assembly
13	-	Brush (P/O PL 7.8 Item 12)
14	-	Bearing (P/O PL 7.8 Item 12)
15	-	Bearing (P/O PL 7.8 Item 12)
16	-	Insulator (P/O PL 7.8 Item 12)
17	-	Inlet Chute (P/O PL 7.8 Item 12)
18	059K33430	2nd BTR Roll (REP 9.5)
19	-	Resistor (P/O PL 4.1 Item 3)
20	-	Gear (P/O PL 4.1 Item 3)
21	-	Spring (P/O PL 4.1 Item 3)
22	-	Bracket (P/O PL 4.1 Item 3)
23	-	Warning Label (P/O PL 4.1 Item 3)
24	-	BTR Housing (P/O PL 4.1 Item 3)
25	-	Conductor (P/O PL 4.1 Item 3)

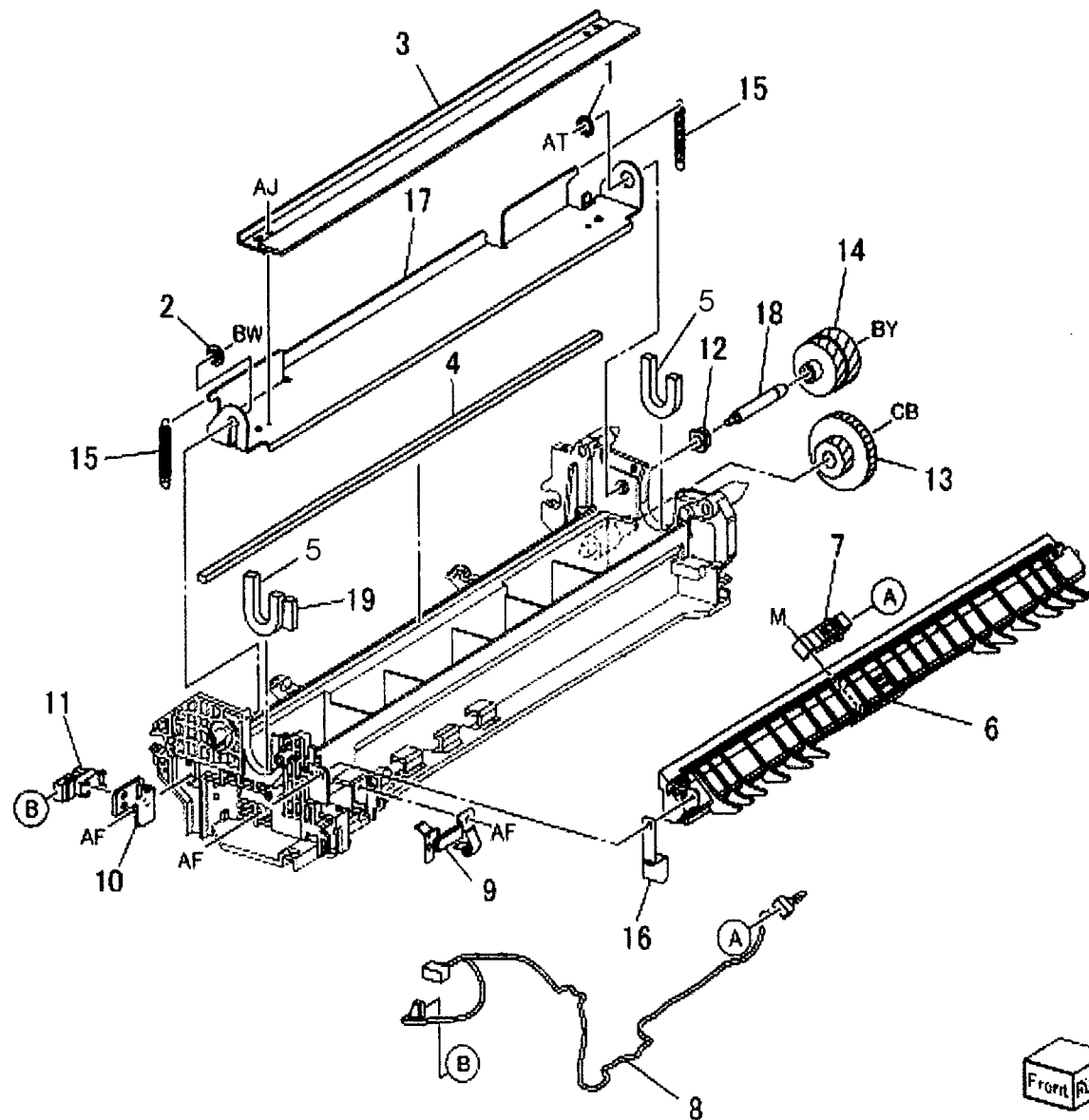
12 { 13 - 17



0507008B-OLY

## PL 7.9 2nd BTR Roll Assembly (2 of 2)

Item	Part	Description
1	-	Bearing (Rear) (P/O PL 4.1 Item 3)
2	-	Bearing (Front) (P/O PL 4.1 Item 3)
3	033K94721	Blade Assembly (REP 9.6)
4	-	Housing Seal (P/O PL 4.1 Item 3)
5	-	Side Housing Seal (P/O PL 4.1 Item 3)
6	-	Exit Chute (P/O PL 7.9 Item 5)
7	-	Post 2nd BTR Sensor (P/O PL 4.1 Item 3)
8	-	Wire Harness (P/O PL 7.9 Item 5)
9	103K81152	Resistor
10	-	2nd BTR Contact Retract Bracket (P/O PL 4.1 Item 3)
11	930W00111	2nd BTR Contact Retract Sensor
12	413W11660	Sleeve Bearing
13	-	Gear (P/O PL 4.1 Item 3)
14	-	Gear (P/O PL 4.1 Item 3)
15	-	Spring (P/O PL 4.1 Item 3)
16	-	Ground Clip (P/O PL 4.1 Item 3)
17	-	Plate (P/O PL 4.1 Item 3)
18	-	Stud (P/O PL 4.1 Item 3)
19	-	Exit Housing Seal (P/O PL 4.1 Item 3)

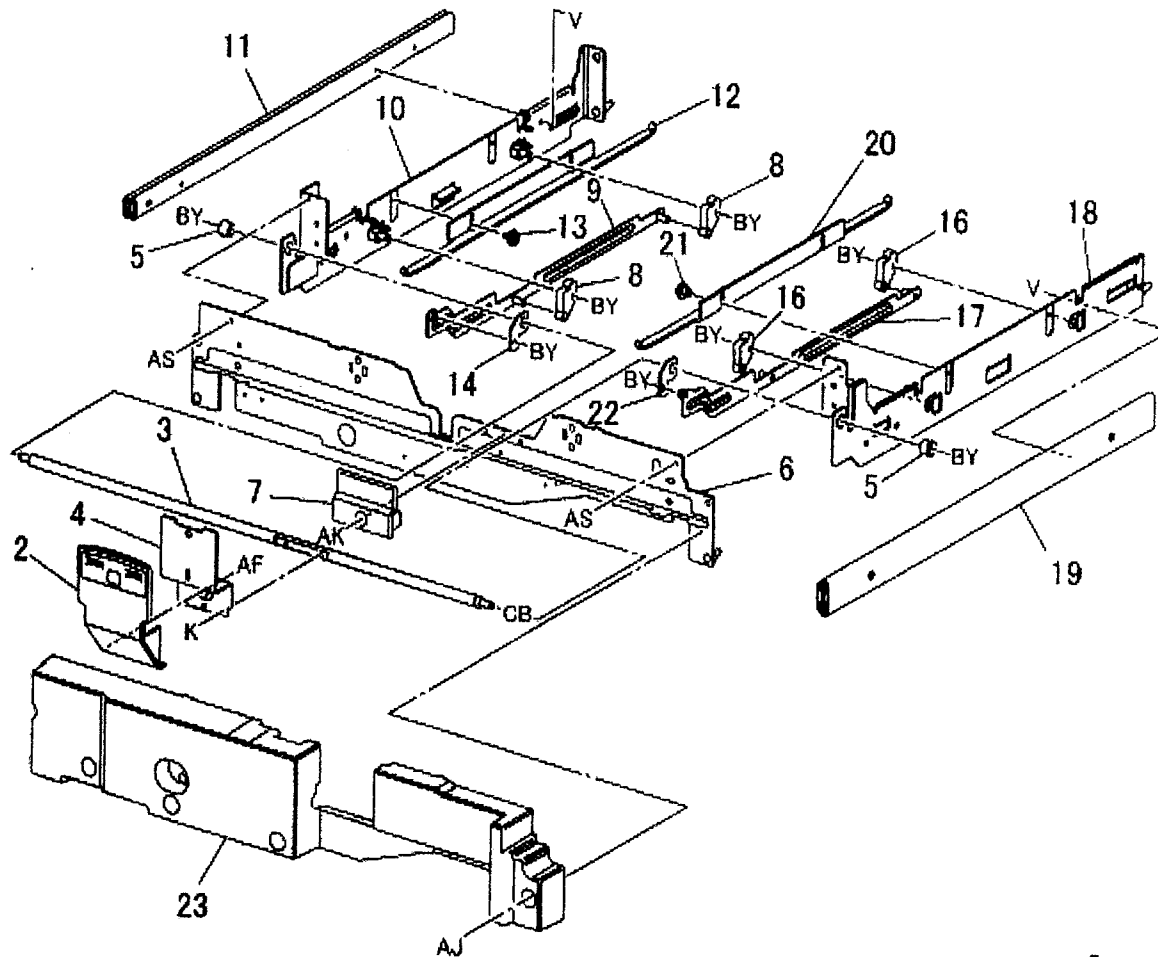


0507009B-OLY

# PL 7.10 IBT Drawer

Item	Part	Description
1	-	Handle Assembly
2	-	Handle (P/O PL 7.10 Item 1)
3	-	Shaft (P/O PL 7.10 Item 1)
4	-	Plate (P/O PL 7.10 Item 1)
5	-	Bearing (Not Spared)
6	-	Front Frame (Not Spared)
7	-	Cover (Not Spared)
8	-	Cam (P/O PL 7.10 Item 24)
9	-	Link (P/O PL 7.10 Item 24)
10	-	Frame (P/O PL 7.10 Item 24)
11	801K14911	Left Rail
12	-	Plate Spring (P/O PL 7.10 Item 24)
13	-	Shoulder Screw (P/O PL 7.10 Item 24)
14	-	Plate (P/O PL 7.10 Item 24)
15	050K50480	Right Rail Assembly
16	-	Cam (P/O PL 7.10 Item 15)
17	-	Link (P/O PL 7.10 Item 15)
18	-	Frame (P/O PL 7.10 Item 15)
19	801K14921	Right Rail
20	-	Plate Spring (P/O PL 7.10 Item 15)
21	-	Shoulder Screw (P/O PL 7.10 Item 15)
22	-	Plate (P/O PL 7.10 Item 15)
23	-	Inner Cover
24	-	Left Rail Assembly

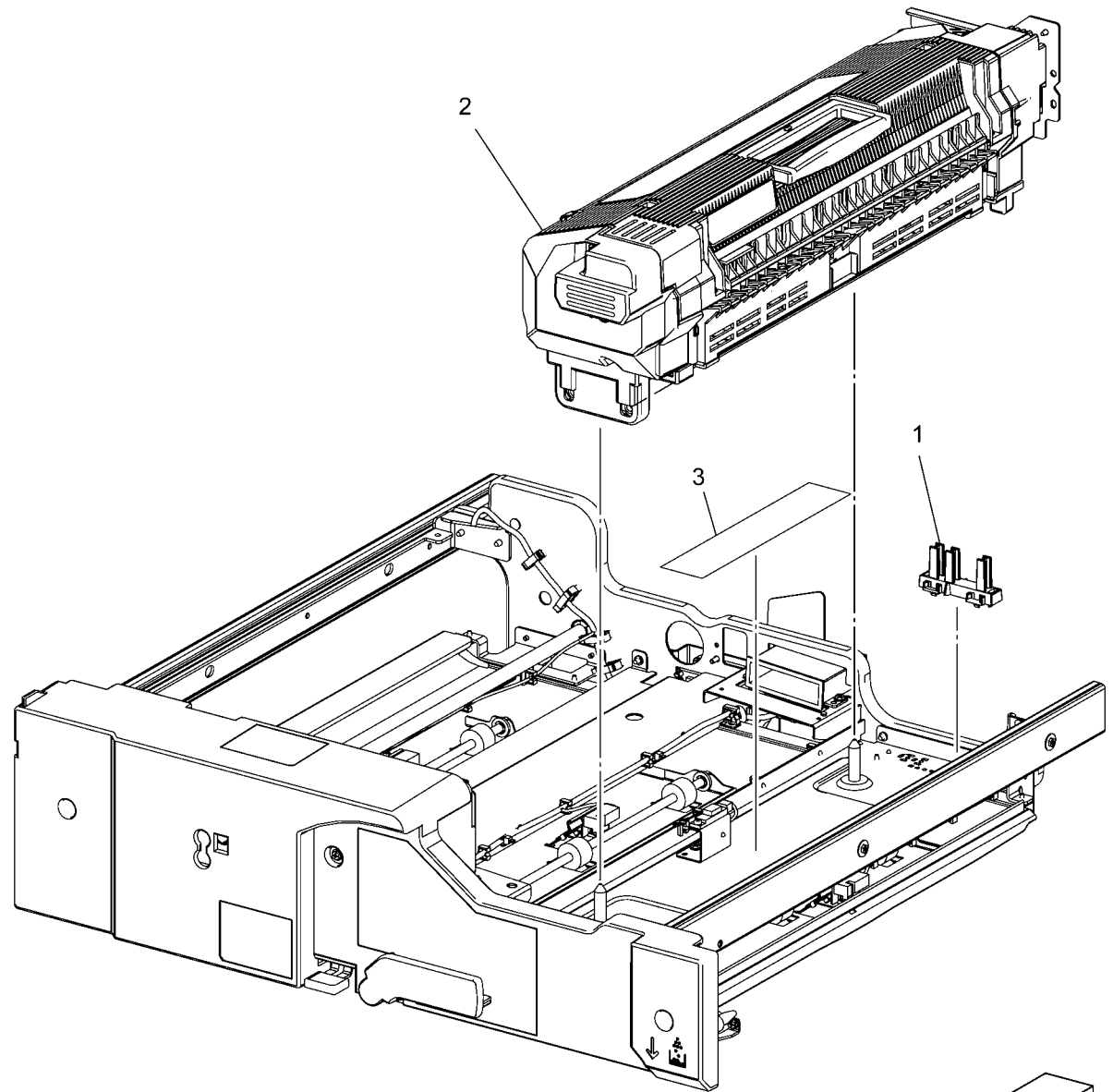
1 { 2 - 4  
 15 { 16 - 22  
 24 { 8 - 14



0507010B-OLY

## PL 8.1 Fuser Unit

Item	Part	Description
1	—	Block (Not Spared)
2	008R12988	Fuser (120V) (REP 10.1)
—	008R12989	Fuser (220V) (REP 10.1)
3	—	Label (Not Spared)

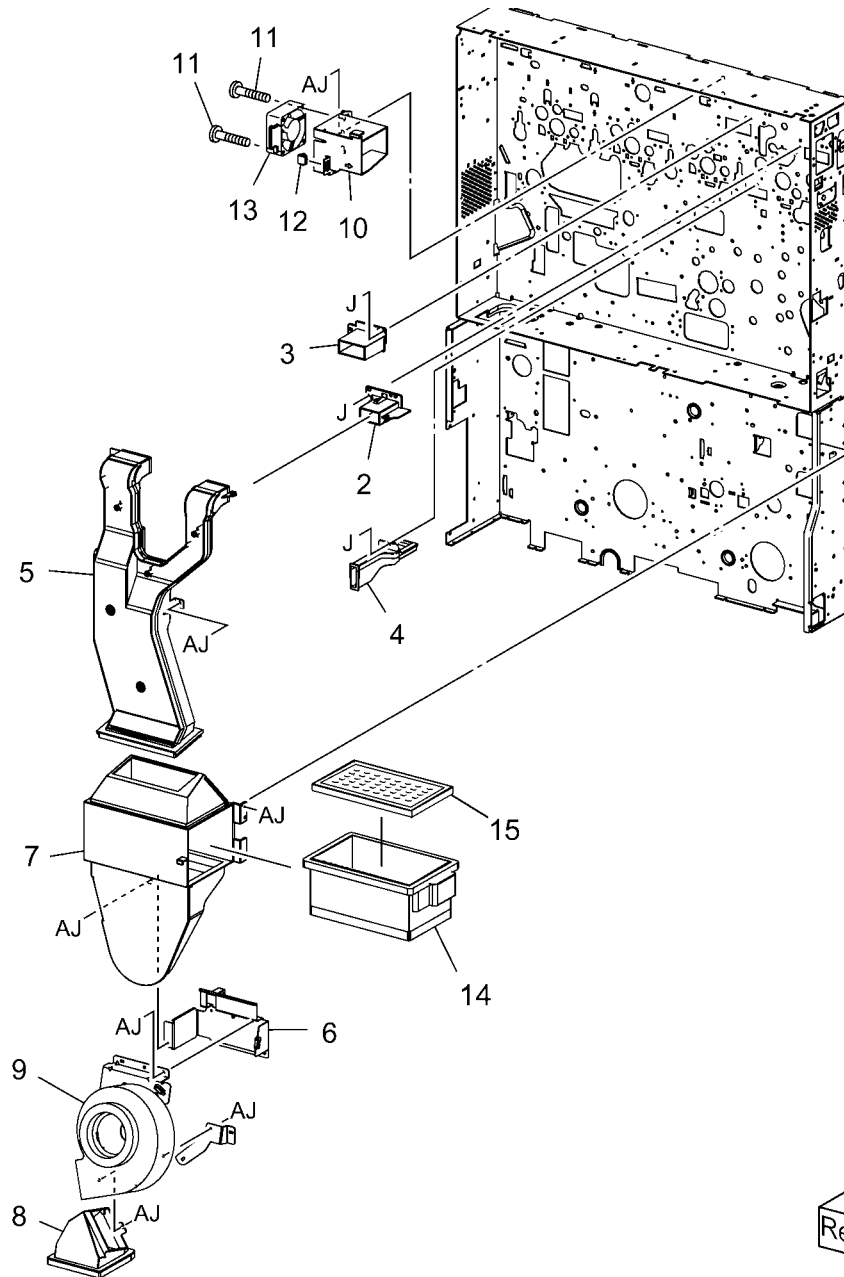


0508001A-OLY

# PL 9.1 Air System (1 of 3)

Item	Part	Description
1	053K91902	Suction/Ozone Filter
2	-	PCC Duct (Not Spared)
3	-	CC Duct (Not Spared)
4	-	Duct (Not Spared)
5	-	Main - K Duct (Not Spared)
6	-	Bracket Assembly (Not Spared)
7	-	Filter Case (Not Spared)
8	-	Blower Duct (P/O PL 9.1 Item 7)
9	127K37892	Blower
10	-	Fan Duct (Not Spared)
11	-	Screw (Not Spared)
12	913W01206	Connector
13	927W00024	Rear Cooling Fan
14	-	Suction/Ozone Filter Case (P/O PL 9.1 Item 1)
15	053K91910	Suction Filter

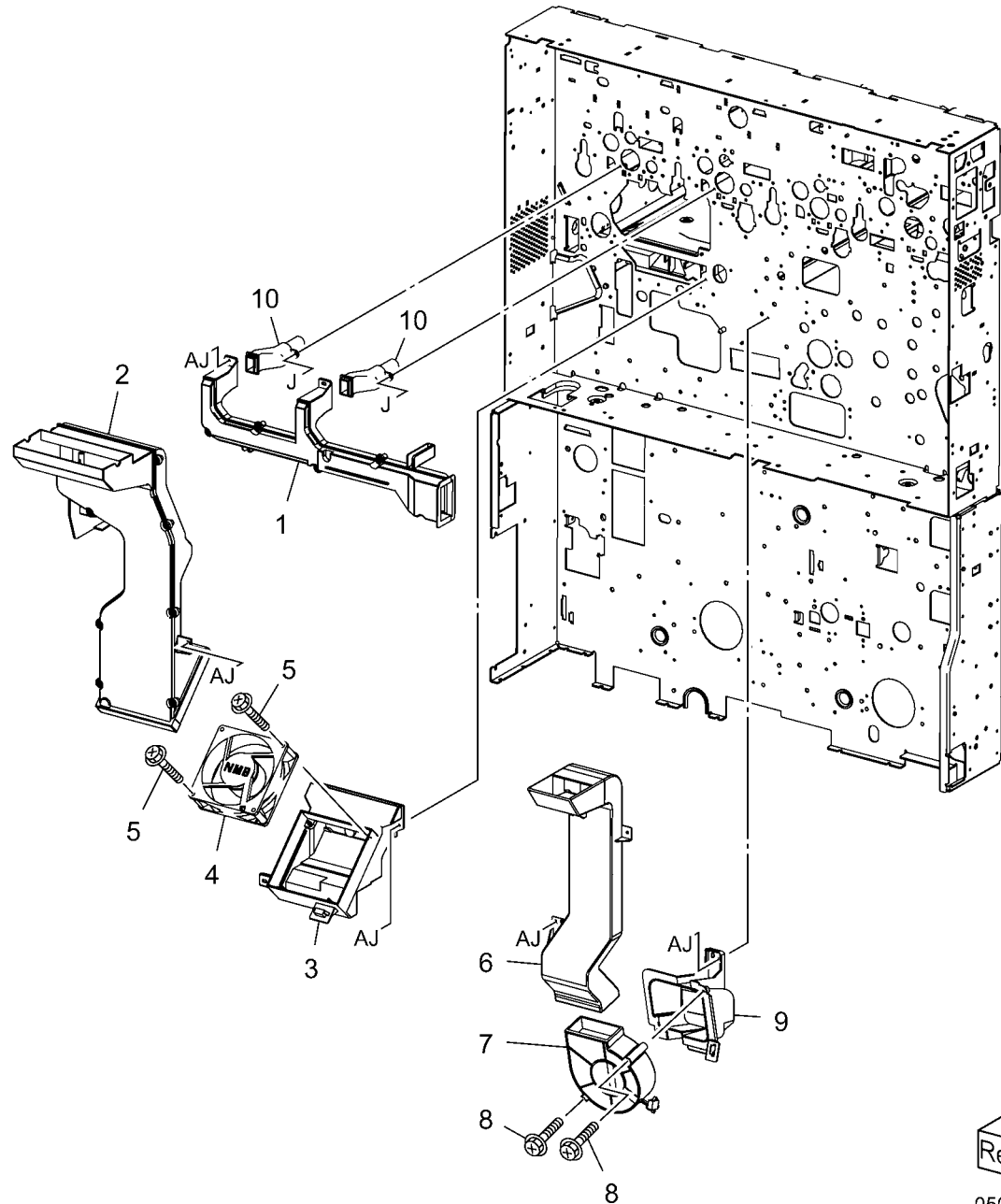
1 { 14, 15



0509001C-OLY

## PL 9.2 Air System (2 of 3)

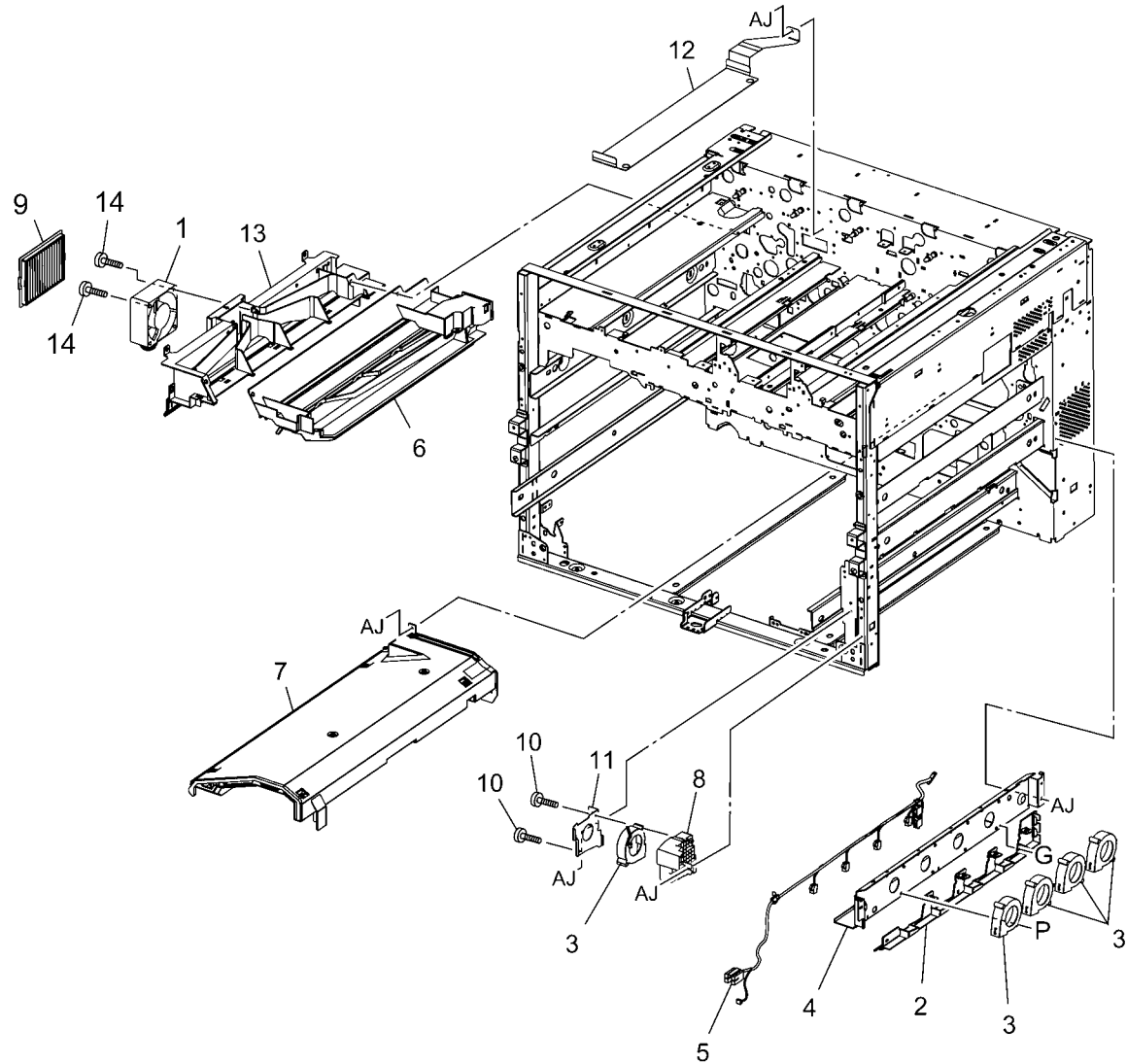
Item	Part	Description
1	-	Y,M Cooling Duct (Not Spared)
2	-	Duct (Not Spared)
3	-	Duct (Not Spared)
4	127K45851	Fuser Exhaust Fan
5	-	Screw (Not Spared)
6	-	Vacuum Transport Duct (Not Spared)
7	127K39571	Vacuum Transport Fan
8	-	Screw (Not Spared)
9	-	Duct (Not Spared)
10	-	Duct (Not Spared)



0509002A-OLY

## PL 9.3 Air System (3 of 3)

Item	Part	Description
1	127K39561	CC Fan
2	-	Duct (P/O PL 9.3 Item 1)
3	127K39581	Exit Roll Fan 1, Exit Roll Fan 2, Exit Roll Fan 3, Front Fan
4	-	Bracket (P/O PL 9.3 Item 1)
5	-	Wire Harness (P/O PL 9.3 Item 1)
6	-	CC Duct (Not Spared)
7	-	Fuser Duct (Not Spared)
8	-	Duct (Not Spared)
9	053K91980	CC Filter
10	-	Screw (Not Spared)
11	-	Bracket (Not Spared)
12	-	CC Seal (Not Spared)
13	-	Duct (Not Spared)
14	-	Screw (Not Spared)

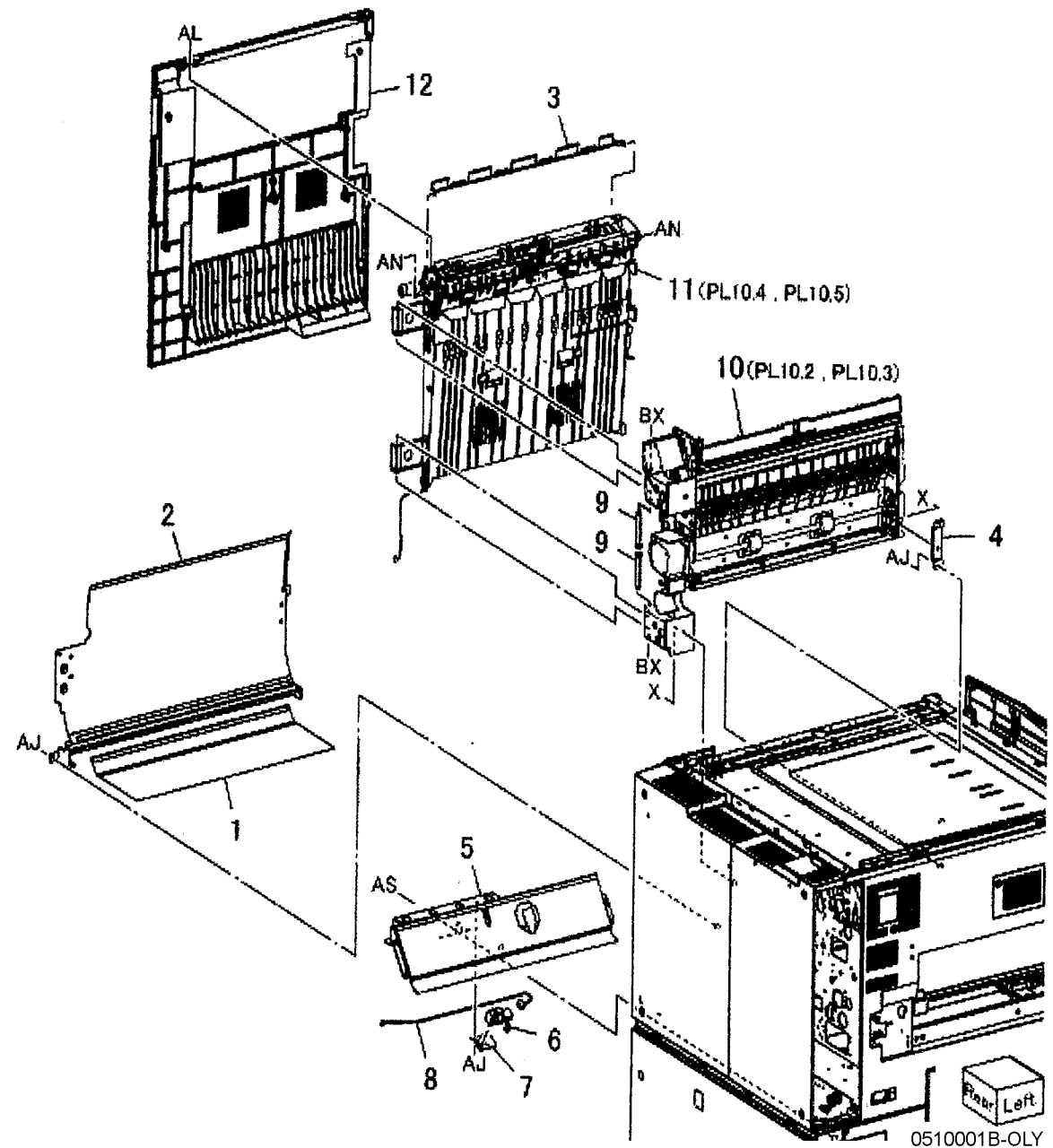


0509003B-OLY



## PL 10.1 Inverter

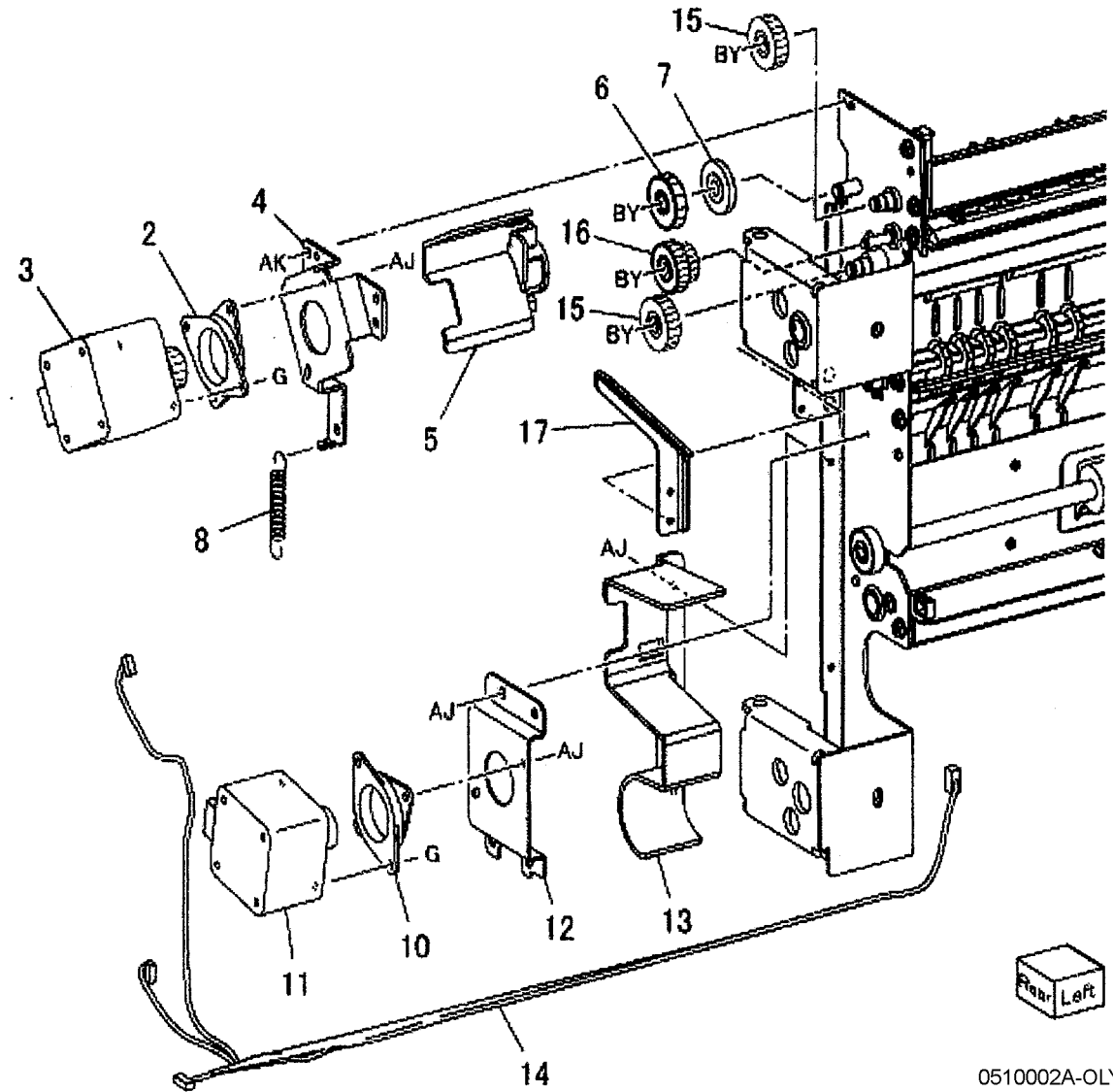
Item	Part	Description
1	038E31521	Bottom Guide
2	-	Inverter 3 Chute (Not Spared)
3	054E26893	OCT Exit Chute
4	-	Bracket (Not Spared)
5	-	Inverter 4 Chute (Not Spared)
6	130K87810	Inverter End Sensor
7	-	Bracket (Not Spared)
8	-	Wire Harness (Not Spared)
9	-	Pin
10	059K46677	Inverter 1 Transport (REP 8.3)
11	059K33289	Invert 2 Transport (REP 8.3)
12	-	Inverter Cover (Not Spared)



# PL 10.2 Inverter 1 Transport (1 of 2)

Item	Part	Description
1	127K48390	Exit Motor Assembly
2	-	Damper (P/O PL 10.2 Item 1)
3	127K39820	Exit Motor
4	-	Bracket (P/O PL 10.2 Item 1)
5	-	Gear Cover (P/O PL 10.1 Item 10)
6	-	Gear (26T) (P/O PL 10.1 Item 10)
7	-	Collar (P/O PL 10.1 Item 10)
8	809E55030	Spring
9	127K39720	Inverter Motor Assembly
10	-	Damper (P/O PL 10.2 Item 9)
11	-	Inverter Motor (P/O PL 10.2 Item 9)
12	-	Bracket (P/O PL 10.2 Item 9)
13	-	Motor Cover (P/O PL 10.1 Item 10)
14	-	Wire Harness (P/O PL 10.1 Item 10)
15	-	Gear Assembly (23T) (P/O PL 10.1 Item 10)
16	-	Gear Assembly (22T/16T) (P/O PL 10.1 Item 10)
17	-	Support Bracket (P/O PL 10.1 Item 10)

1 { 2 - 4  
 9 { 10 - 12

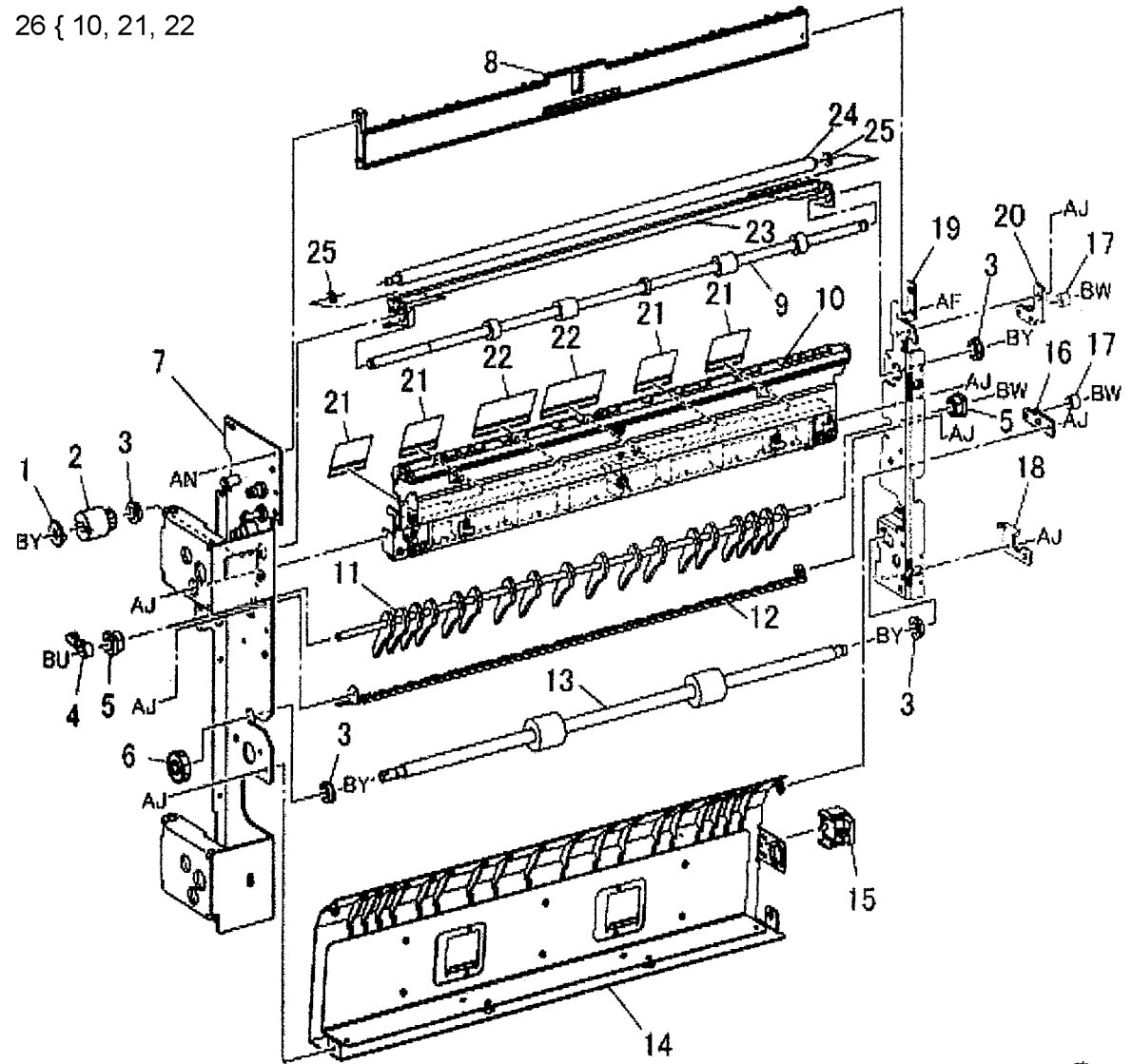


0510002A-OLY

## PL 10.3 Inverter 1 Transport (2 of 2)

Item	Part	Description
1	005K07681	Gear clutch Assembly (14T)
2	-	Gear (P/O PL 10.1 Item 10)
3	013E17670	Bearing
4	-	Gate Link (P/O PL 10.1 Item 10)
5	-	Bearing (P/O PL 10.1 Item 10)
6	-	Gear (17T) (P/O PL 10.1 Item 10)
7	-	Rear Frame (P/O PL 10.1 Item 10)
8	-	Top Chute (P/O PL 10.1 Item 10)
9	059K42373	Inverter Roll
10	-	Upper Chute (P/O PL 10.3 Item 26)
11	-	Gate (P/O PL 10.1 Item 10)
12	-	Middle Chute (P/O PL 10.1 Item 10)
13	059K33310	inverter Duplicator Roll
14	-	Lower Chute (P/O PL 10.1 Item 10)
15	110E93440	R/H Cover Interlock Switch
16	-	Hinge (P/O PL 10.1 Item 10)
17	-	Collar (P/O PL 10.1 Item 10)
18	-	Stopper (P/O PL 10.1 Item 10)
19	-	Front Frame (P/O PL 10.1 Item 10)
20	-	inverter Upper Hinge (P/O PL 10.1 Item 10)
21	-	Decurler Guide 1 (P/O PL 10.3 Item 26)
22	-	Decurler Guide 2 (P/O PL 10.3 Item 26)
23	-	Tie Bracket (P/O PL 10.1 Item 10)
24	-	Pinch Shaft (P/O PL 10.1 Item 10)
25	-	Bearing (P/O PL 10.1 Item 10)
26	-	Upper Chute Assembly (P/O PL 10.1 Item 10)

26 { 10, 21, 22

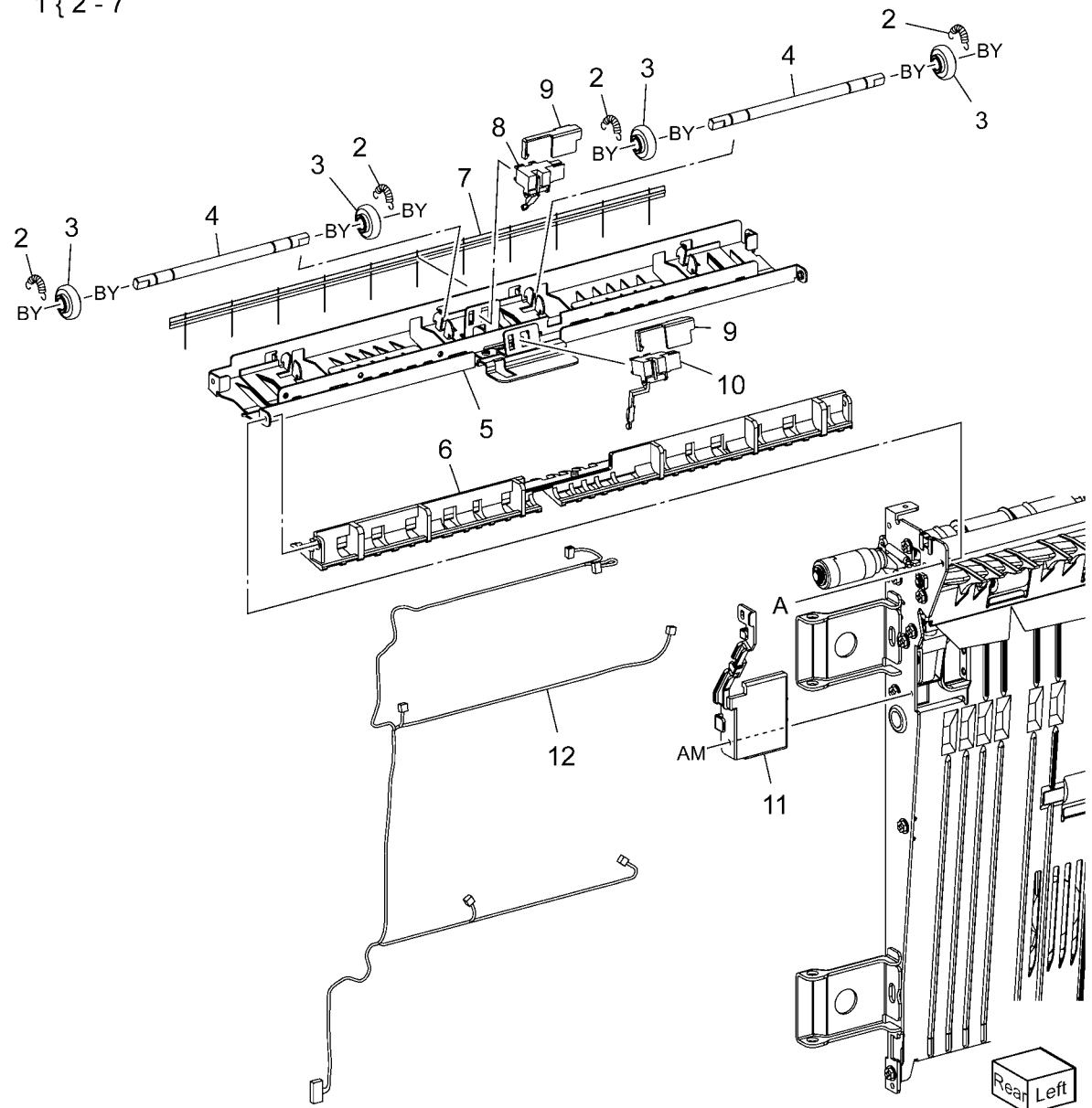


0510003B -OLY

# PL 10.4 Inverter 2 Transport (1 of 2)

Item	Part	Description
1	054K26418	Upper Chute Assembly
2	-	Spring (P/O Item 1)
3	-	Pinch Roll (P/O PL 10.4 Item 1)
4	-	Shaft (P/O PL 10.4 Item 1)
5	-	Chute (P/O PL 10.4 Item 1)
6	-	Upper Chute (P/O PL 10.4 Item 1)
7	-	Eliminator (P/O PL 10.4 Item 1)
8	130K88400	IOT Exit Sensor
9	-	Sensor Cover (P/O PL 10.1 Item 11)
10	130K87711	Invert In Sensor
11	-	Nip Solenoid Cover (P/O PL 10.1 Item 11)
12	-	Wire Harness (P/O PL 10.1 Item 11)

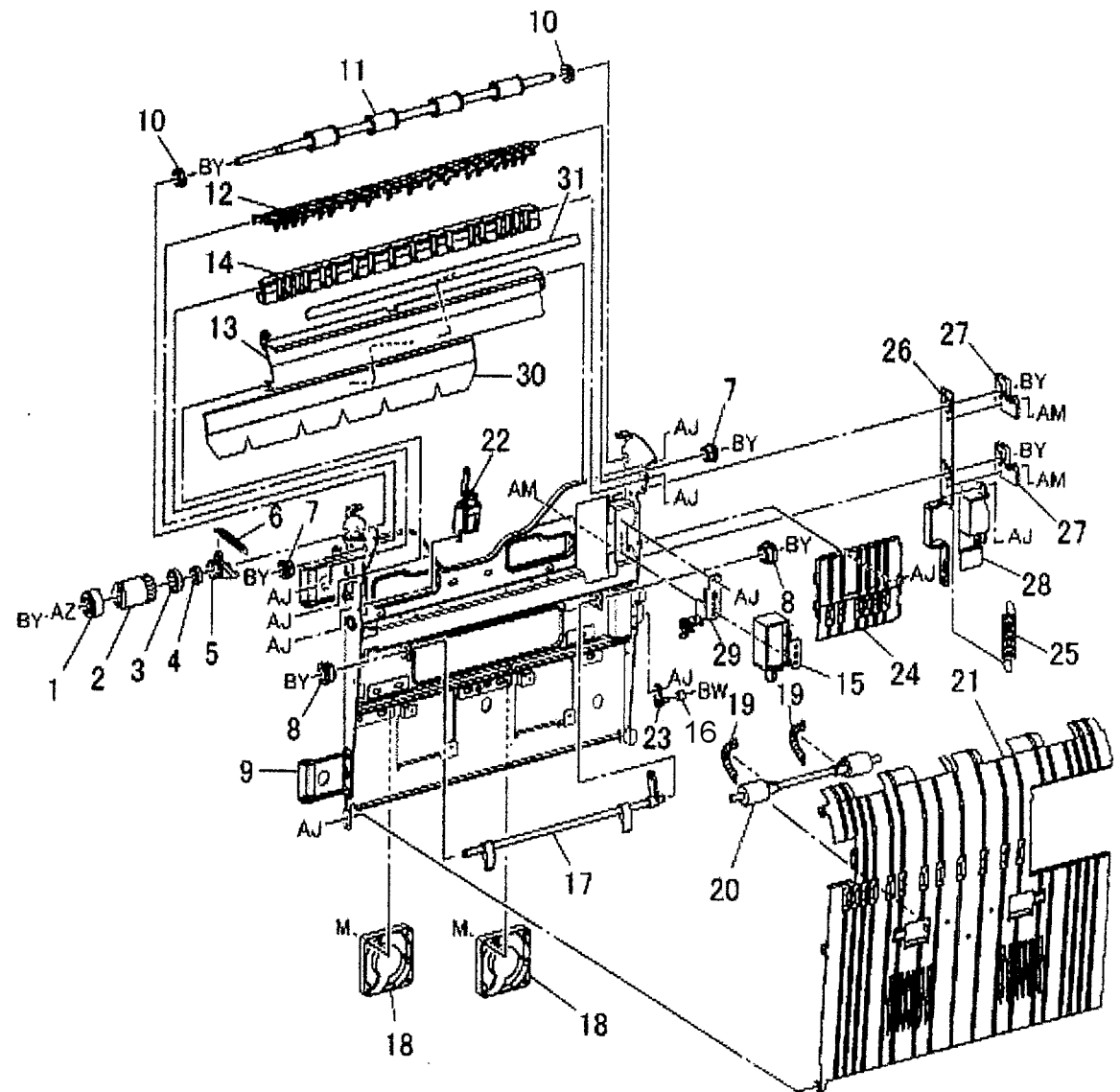
1 { 2 - 7



0510004A-OLY

## PL 10.5 Inverter 2 Transport (2 of 2)

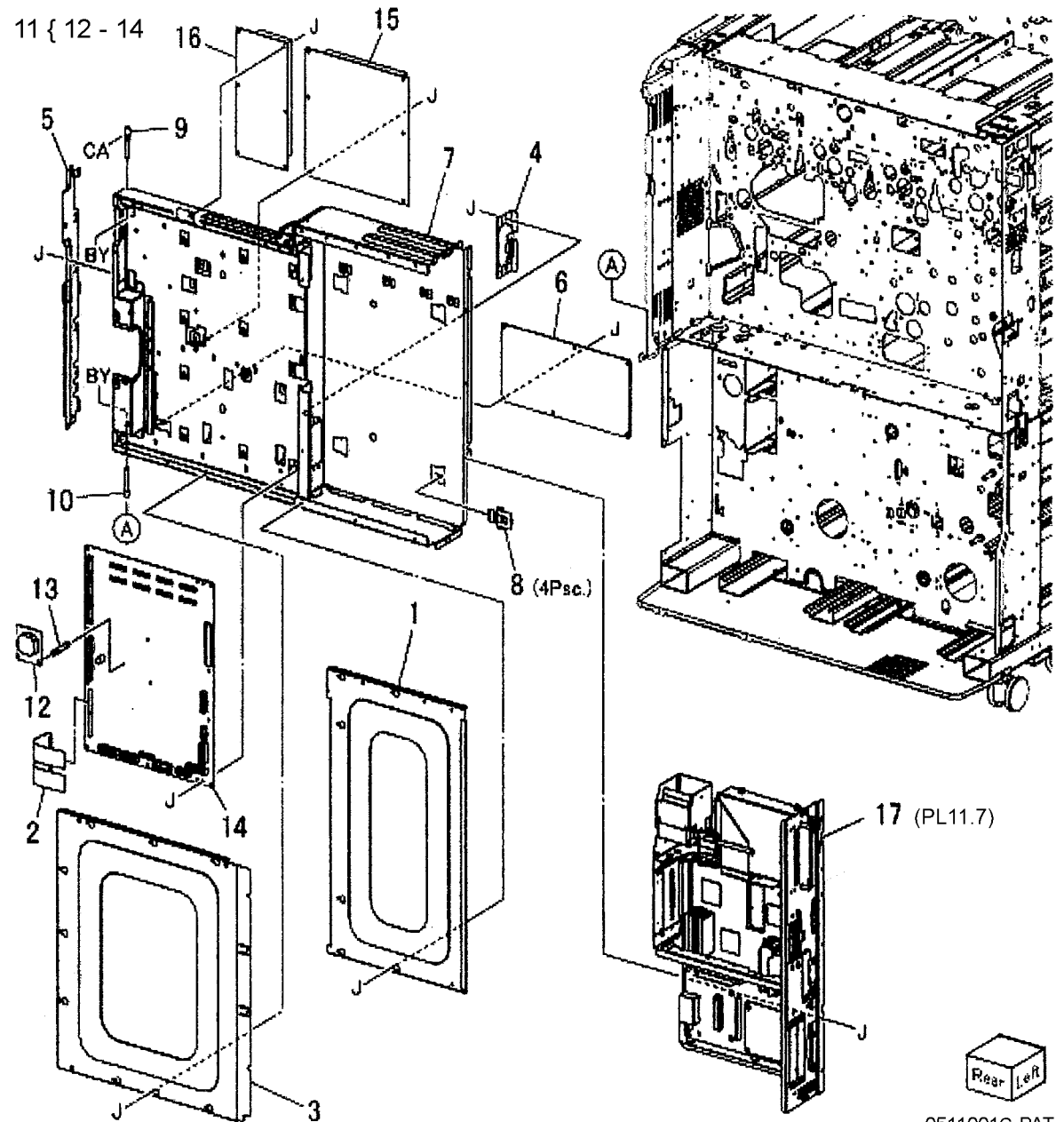
Item	Part	Description
1	005K07230	Exit Clutch
2	005K07081	Gear (18T)
3	005E18890	Collar
4	413W60170	Ball Bearing
5	003E61200	Exit Roll Stopper
6	809E14690	Spring
7	-	Bearing (P/O PL 10.1 Item 11)
8	-	Bearing (P/O PL 10.1 Item 11)
9	-	Inverter 2 Frame (P/O PL 10.1 Item 11)
10	013E17670	Bearing
11	059K33331	Exit Roll
12	050K52540	Exit Gate
13	054K29611	Middle 2 Chute
14	-	Middle Chute (P/O PL 10.1 Item 11)
15	121K33883	Reverse Inverter Solenoid
16	-	Collar
17	-	Link (P/O PL 10.1 Item 11)
18	127K39590	Cooling Fan
19	809E55041	Roll Pinch Spring
20	059K33320	Pinch Roll
21	-	Lower Chute (P/O PL 10.1 Item 11)
22	121K35071	Inverter Gate Solenoid
23	-	Stopper (P/O PL 10.1 Item 11)
24	-	Gate Solenoid Cover (P/O PL 10.1 Item 11)
25	-	Latch Spring (P/O PL 10.1 Item 11)
26	-	Lever Bracket (P/O PL 10.1 Item 11)
27	-	Cover Latch (P/O PL 10.1 Item 11)
28	-	Latch Lever (P/O PL 10.1 Item 11)
29	-	Link Assembly (P/O PL 10.1 Item 11)
30	-	Paper Guide (P/O PL 10.1 Item 11)
31	-	Pad (P/O PL 10.1 Item 11)



0510005A-OLY

# PL 11.1 Electrical (1 of 3)

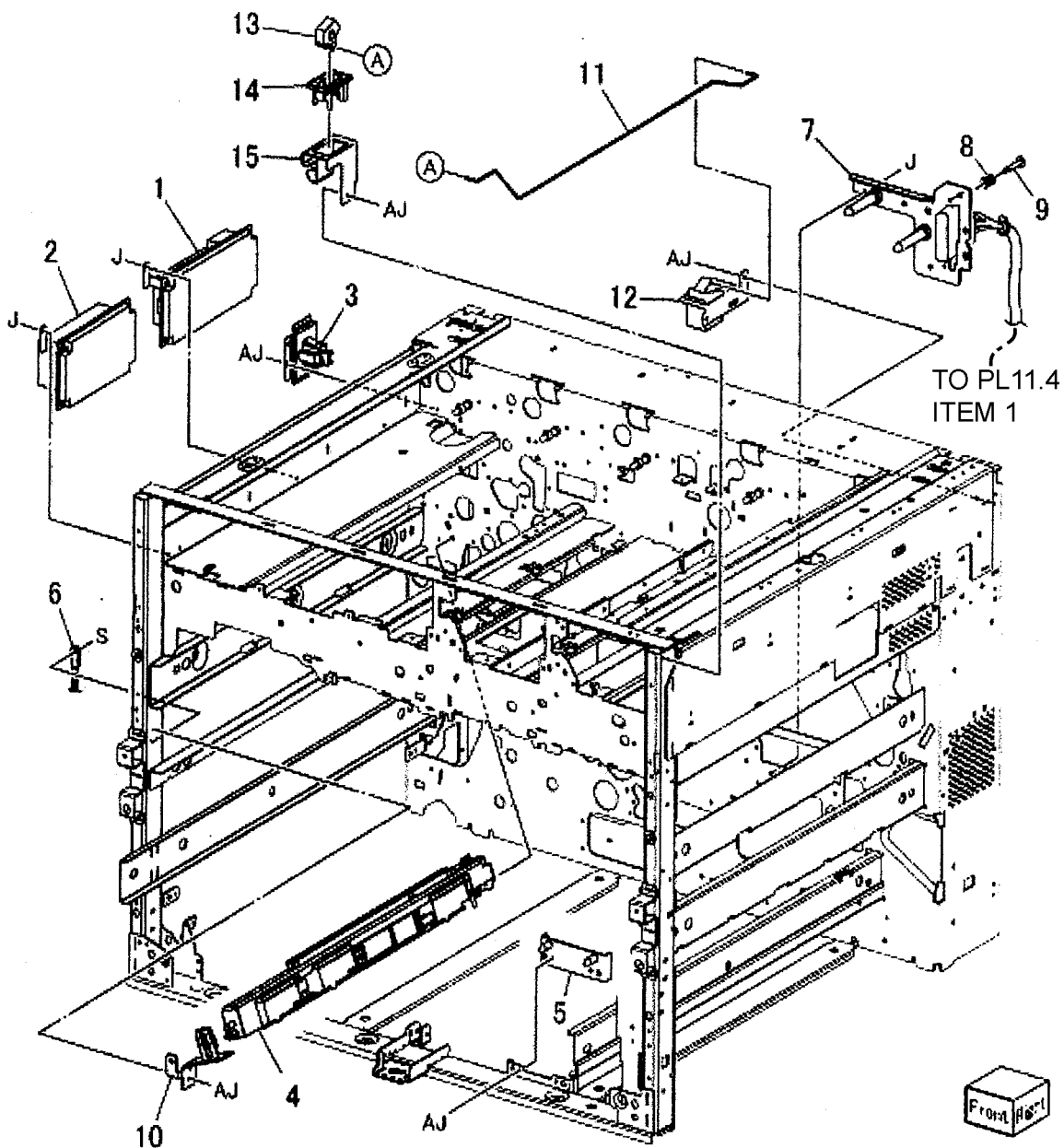
Item	Part	Description
1	-	Control Cover (Not Spared)
2	117E27960	Flat Cable
3	-	MCU Cover (Not Spared)
4	-	Bracket (Not Spared)
5	-	Bracket (Not Spared)
6	960K36301	IOT Driver PWB
7	-	Chassis Assembly (Not Spared) (REP 3.1)
8	-	Plate Spring (Not Spared)
9	-	Pin (Upper) (Not Spared)
10	-	Pin (Lower) (Not Spared)
11	604K44700	MCU IOT Drive Kit (REP 3.7)
12	160K95232	MCU NVM PWB (REP 3.8)
13	-	Spacer (P/O PL 11.1 Item 11)
14	960K36213	MCU PWB (REP 3.7)
15	105K20751	Charge (Y, M, C) HVPS
16	604K29270	Developer Bias (Y, M, C) HVPS
17	-	Control Unit (Not Spared) (REP 3.2)



0511001C-PAT

## PL 11.2 Electrical (2 of 3)

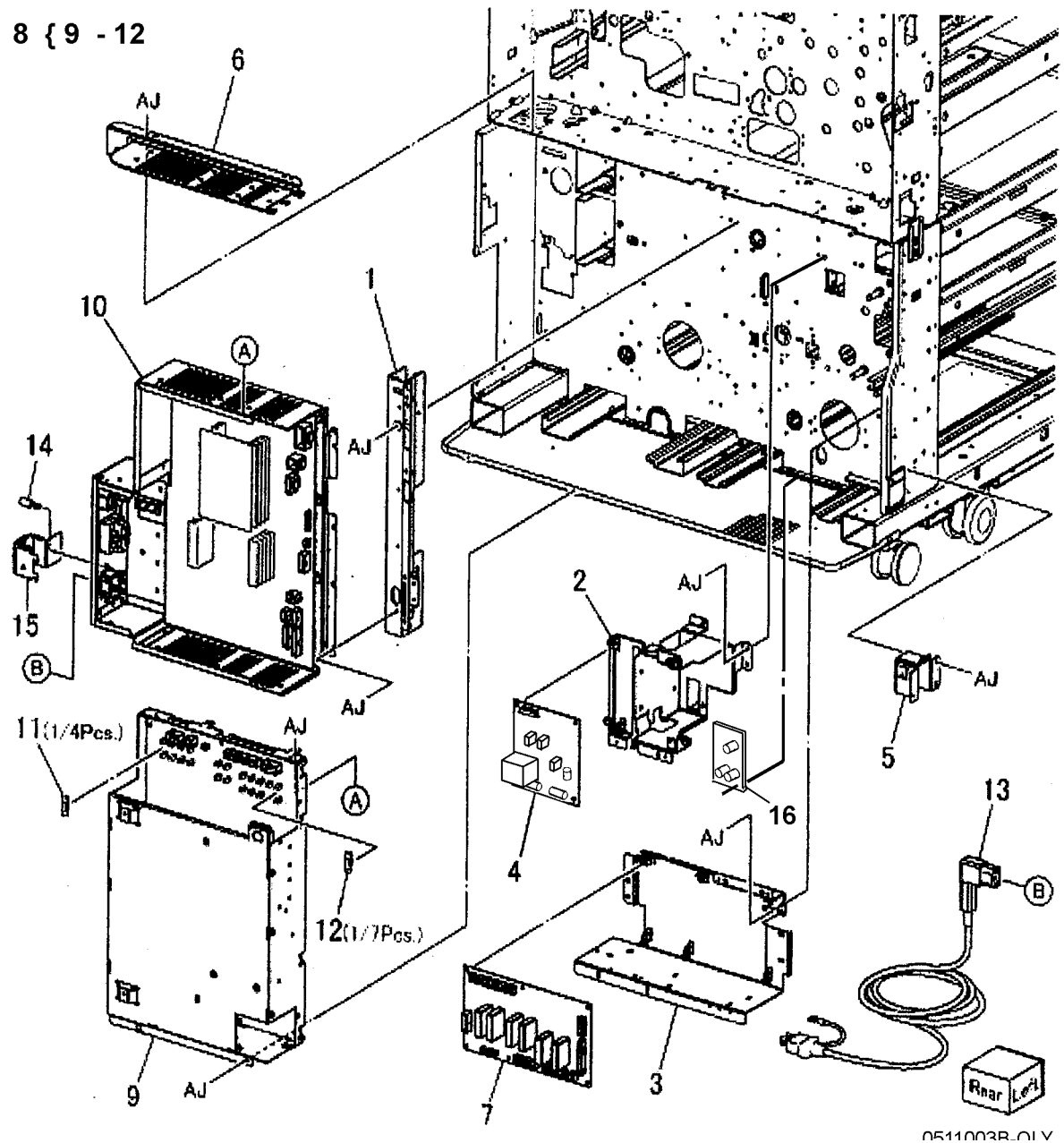
Item	Part	Description
1	105K20971	Charge (K) Preclean HVPS
2	105K20980	Developer Bias (K) HVPS
3	068K23802	Outlet (220V)
4	130K87706	MOB ADC Assembly (REP 9.13)
5	-	Bracket (Not Spared)
6	130K88740	Environment Sensor
7	-	Frame Assembly (Not Spared)
8	809E49990	Spring
9	826E08080	Shoulder Screw
10	-	Plate Assembly (Not Spared)
11	-	Switch Rod (Not Spared)
12	110K12030	Power Switch
13	-	Cam (Not Spared)
14	-	Main Switch Case (Not Spared)
15	-	Switch Bracket (Not Spared)



0511002B-OLY

## PL 11.3 Electrical (3 of 3)

Item	Part	Description
1	-	Bracket Assembly (Not Spared)
2	-	Bracket Assembly (Not Spared)
3	-	Bracket Assembly (Not Spared)
4	105K20741	2nd BTR HVPS
5	-	Bracket (Not Spared)
6	-	Bracket (Not Spared)
7	960K00407	Tray Module PWB (REP 7.32)
8	105K20912	Power Supply (120V) (REP 1.1)
-	105K20932	Power Supply (220V) (REP 1.1)
9	-	Main LVPS (P/O item 8)
10	-	AC Unit G1 (P/O item 8)
11	908W00114	5A Fuse 1/2/3/4 (110V)
-	108E98520	5A Fuse 1/2/3/4 (220V)
12	108E98001	6.3A Fuse 5/6/7/8/9/10/11 (220V)
-	908W00115	6.3A Fuse 5/6/7/8/9/10/11 (110V)
13	117E22350	Power Cord
14	-	Screw (Not Spared)
15	-	Bracket (Not Spared)
16	105K21550	IIT LVPS

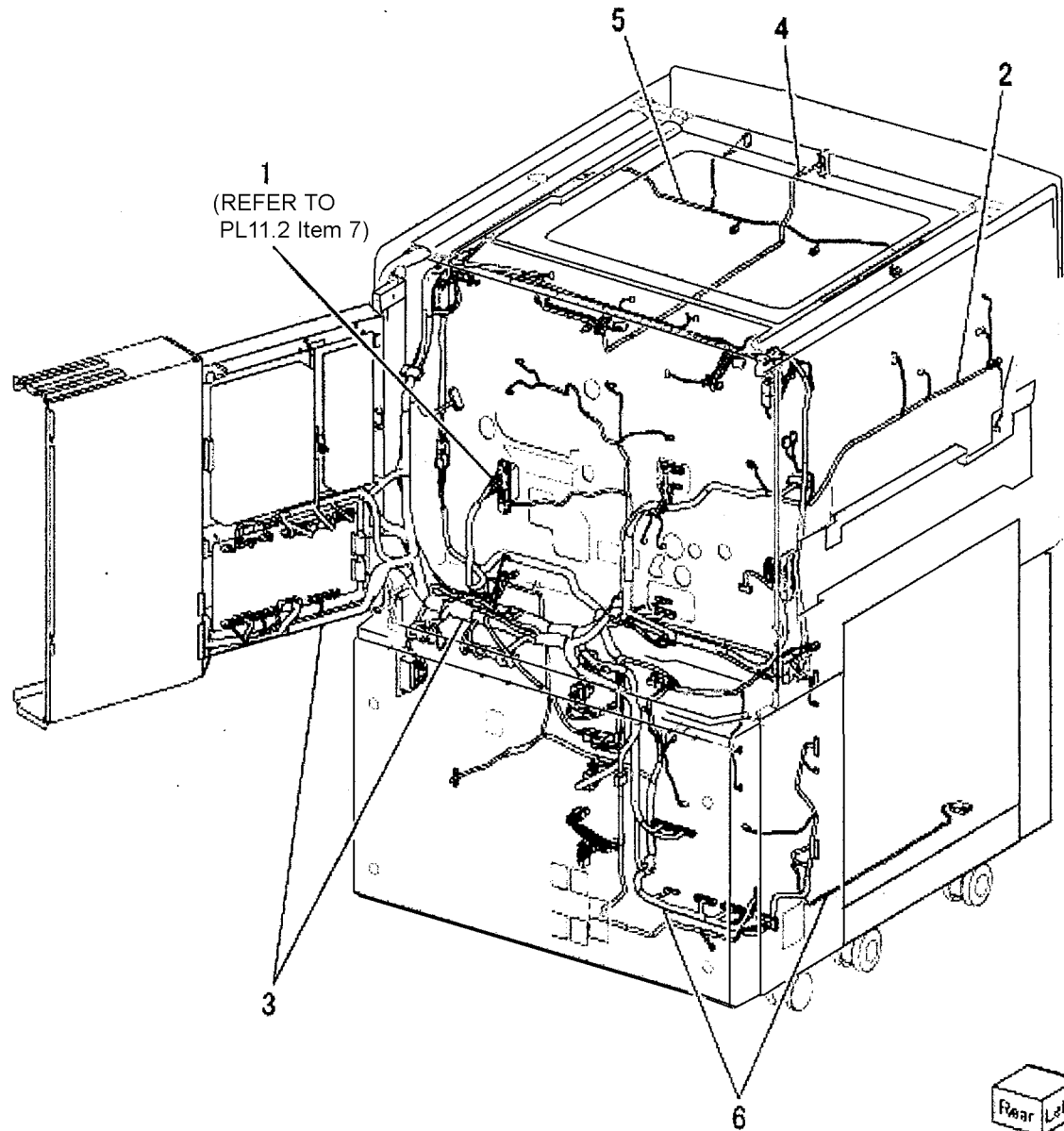


0511003R\_01V



## PL 11.4 Wire Harness

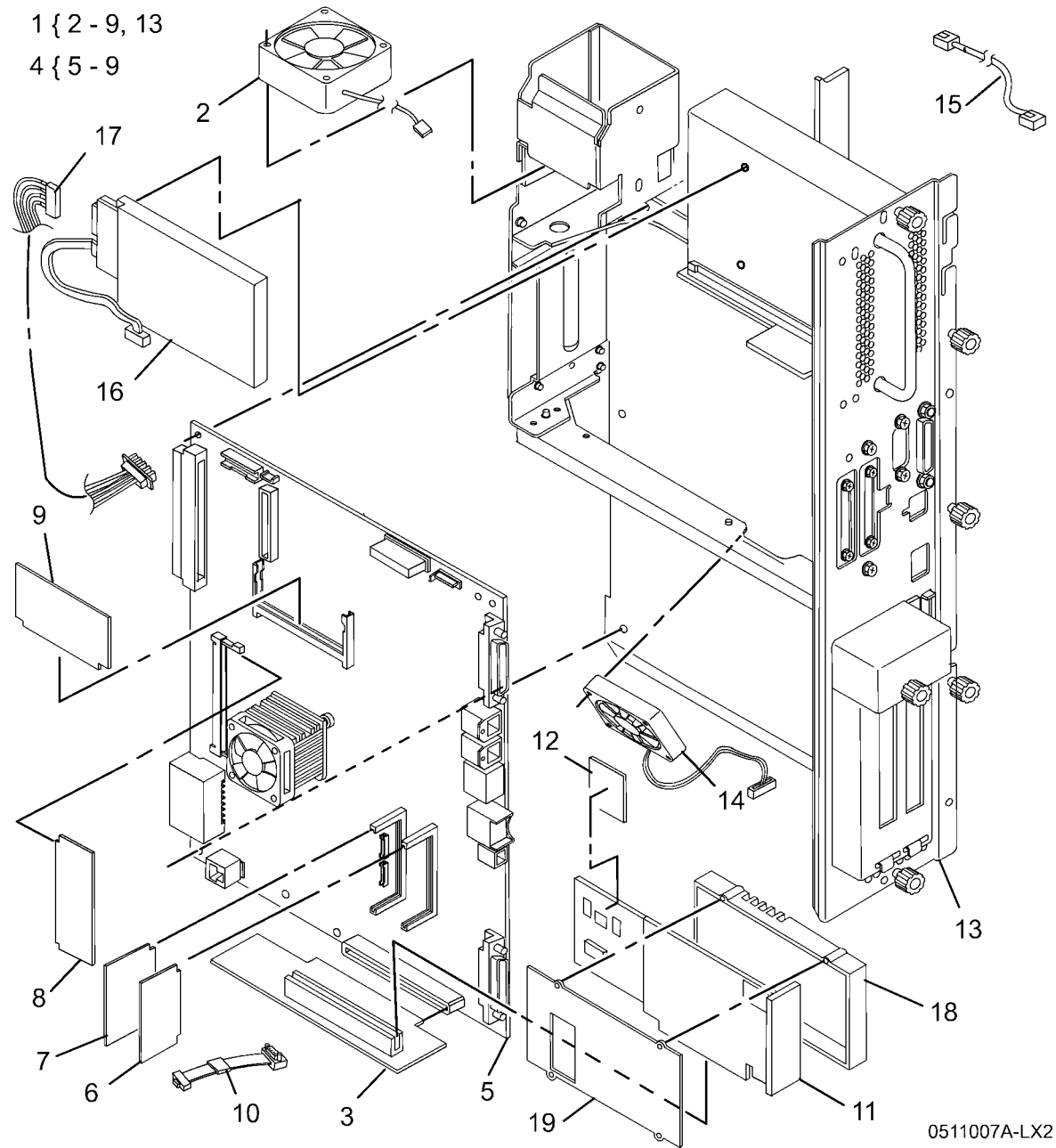
Item	Part	Description
1	-	Fuser AC Wire Harness (Not Spared)
2	-	Wire Harness (Signal) (Not Spared)
3	-	Wire Harness (Power) (Not Spared)
4	-	Wire Harness (Control) (Not Spared)
5	-	Wire Harness (R/H) (Not Spared)
6	-	Tray Module Harness (Not Spared)



0511004B-OLY

## PL 11.7 SBC Module

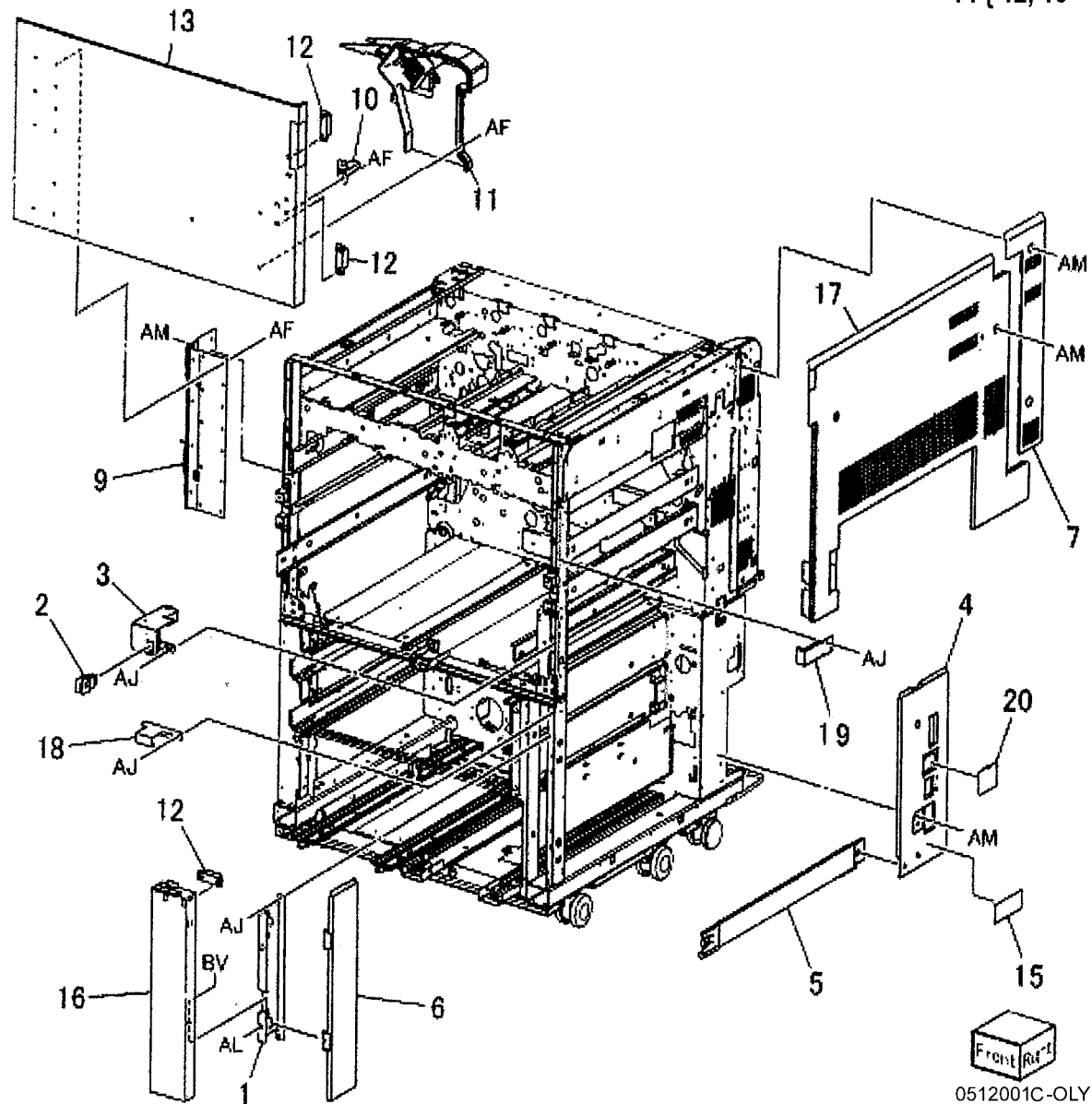
Item	Part	Description
1	-	Control Unit (Not Spared) (REP 3.2)
2	127K38182	Controller Fan Assembly
3	960K42752	Riser PWBA
4	-	Top Level SBC Assembly
5	960K42767	SBC PWB (REP 3.10)
6	960K58090	Flash Memory Module (REP 3.4 )
7	960K58170	NVM Module Assembly (REP 3.6)
8	833W39034	DDR2 System Memory
9	833W39030	DDR EPC Memory (1GB)
10	962K41361	FDI Internal Cable
11	960K52330	FAX PWBA (1 Line)
-	960K52340	FAX PWBA (2 Line)
12	537E67440	Flash Memory (512MB)
13	-	Chassis (P/O PL 11.7 Item 1)
14	127E16820	Fan
15	675K11280	Telephone Line
16	121K50740	System Disk Drive Assembly (80GB) (REP 3.11)
17	962K40460	Harness
18	802E65251	Fax Card Back Cover
19	802E60122	Fax Card Cover



# PL 12.1 Cover (1 of 2)

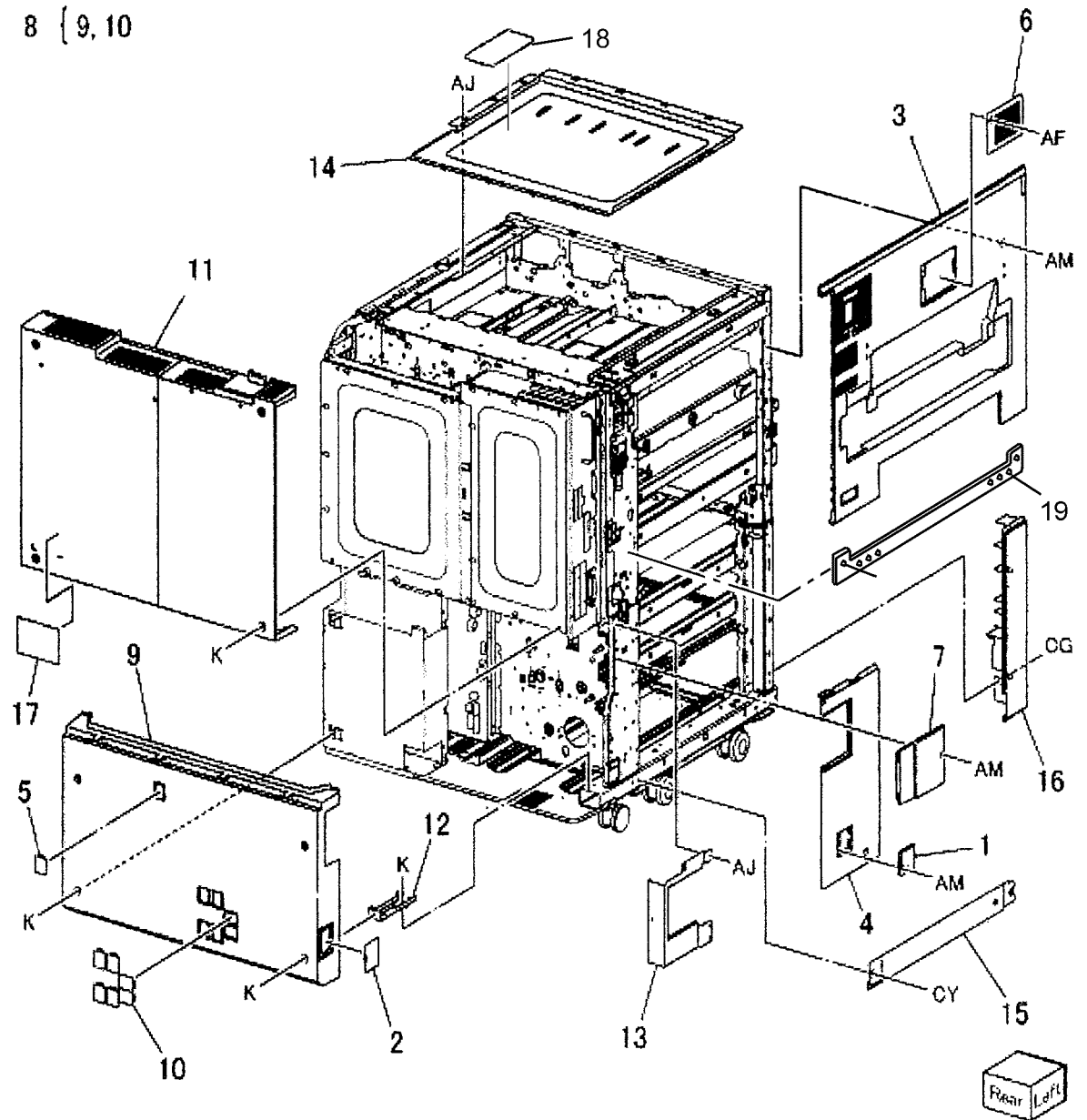
Item	Part	Description
1	-	Hinge (Not Spared)
2	110E11980	Front Cover Interlock Switch
3	-	Bracket (Not Spared)
4	-	Right Rear Lower Cover (Not Spared)
5	-	Right Lower Cover (Not Spared)
6	-	Right Front Lower Cover (Not Spared)
7	-	Right Rear Upper Cover (Not Spared)
8	848K27720	Front Cover Assembly
9	-	Hinge (P/O PL 12.1 Item 8)
10	032E21490	Guide
11	-	Fuser Duct (P/O PL 12.1 Item 8)
12	121E92870	Magnet Catch
13	-	Front Cover (P/O PL 12.1 Item 8)
14	802K65502	Bottle Cover
15	-	Label (Earth) (Not Spared)
16	-	Bottle Cover (P/O PL 12.1 Item 14)
17	-	Right Upper Cover (Not Spared)
18	-	Bracket (Not Spared)
19	-	Bracket (Not Spared)
20	802E63660	Blind Cover

8 { 9 - 13  
14 { 12, 16



## PL 12.2 Cover (2 of 2)

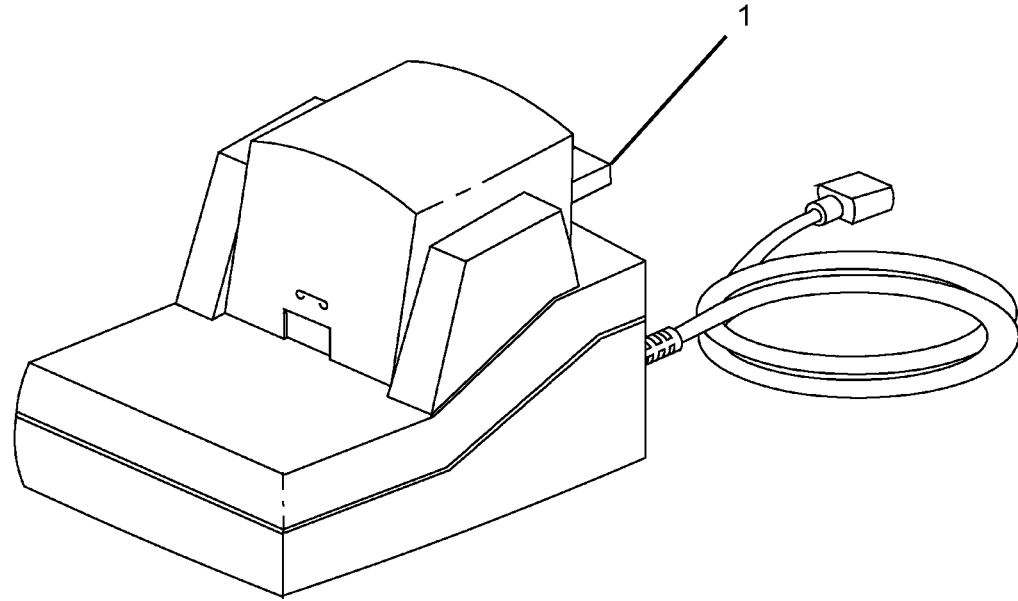
Item	Part	Description
1	-	Cover (Not Spared)
2	802E63660	Blind Cover
3	-	Left Upper Cover (Not Spared)
4	-	Left Rear Lower Cover (Not Spared)
5	-	Cover (Not Spared)
6	-	Filter Cover (Not Spared)
7	802K56961	Filter Cover
8	-	Rear Lower Cover (Not Spared)
9	-	Rear Lower Cover (P/O PL 12.2 Item 8)
10	-	Blind Cover (P/O PL 12.2 Item 8)
11	-	Rear Upper Cover (P/O)
12	-	Bracket (Not Spared)
13	-	Bracket (Not Spared)
14	-	IIT Plate (Not Spared)
15	-	Cover (Not Spared)
16	-	Cover (Not Spared)
17	-	Data Plate (Not Spared)
18	-	Label (CE) (Not Spared)
19	015K73250	Finisher Mounting Plate



0512002B-OLY

## PL 12.4 Convenience Stapler

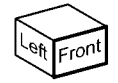
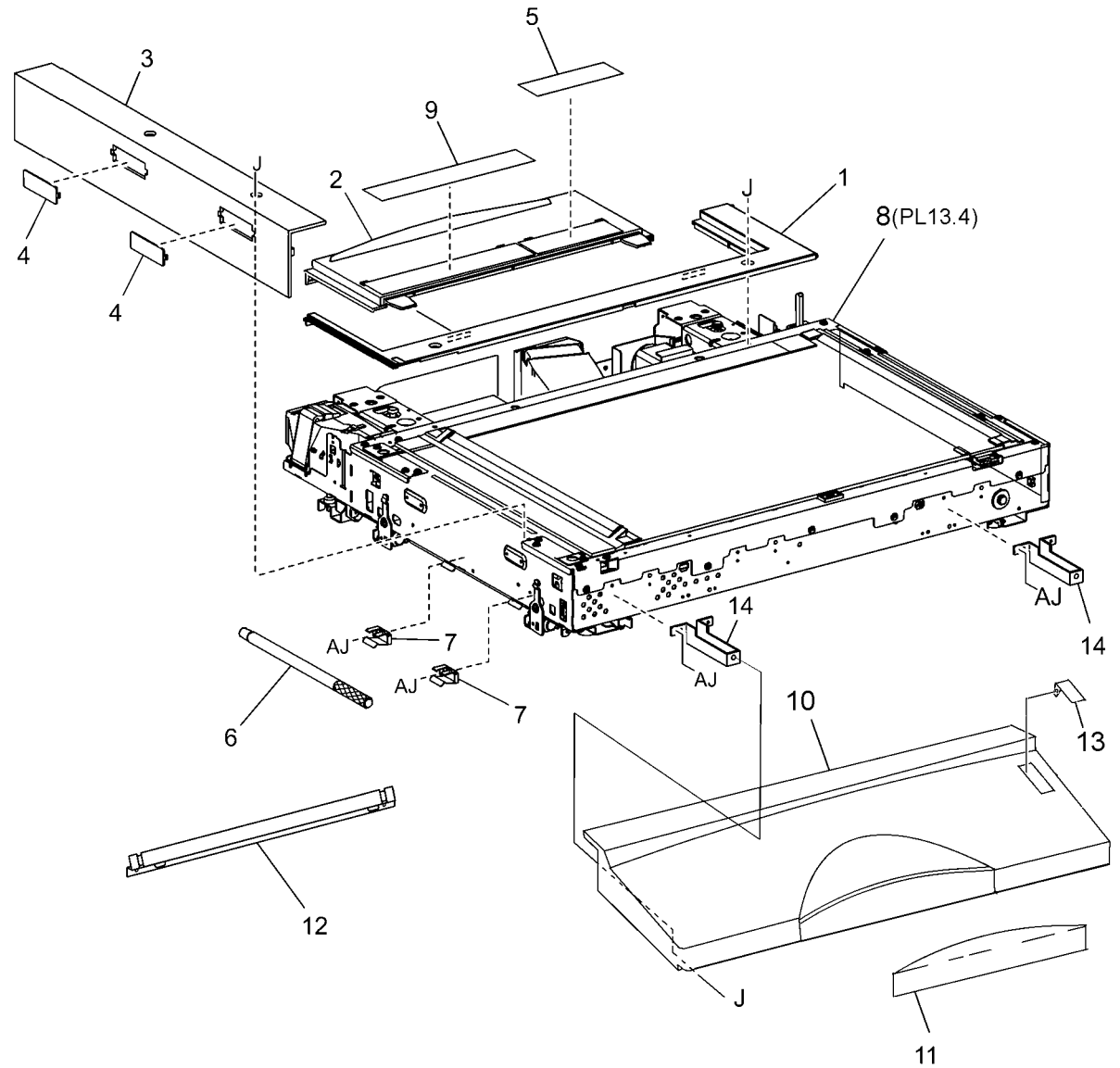
Item	Part	Description
1	604K35700	Convenience Stapler Kit (XE)
-	604K35710	Convenience Stapler Kit



0512003A-OLY

# PL 13.1 IIT Cover - Front/Top

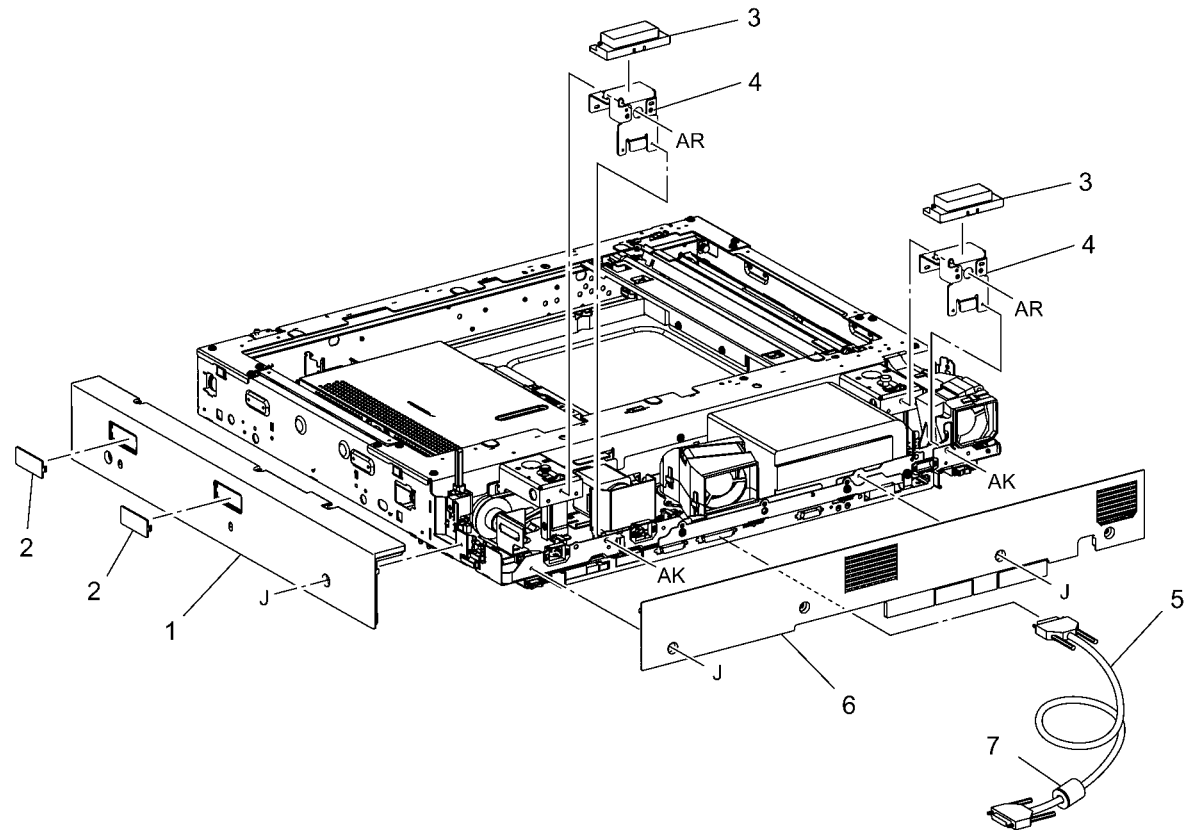
Item	Part	Description
1	-	Top Rear Cover 1 (Not Spared)
2	802E62452	Top Rear Cover 2
3	-	IIT Left Cover (Not Spared)
4	802E63030	Blind Cover
5	-	Sensor Shield (Not Spared)
6	-	Lift Arm (Not Spared)
7	-	Arm Holder (Not Spared)
8	-	IIT Assembly (Not Spared) (REP 5.24)
9	-	Caution Label (Not Spared)
10	-	IIT Front Cover (Not Spared)
11	-	WorkCentre 7755 Label (Not Spared)
-	-	WorkCentre 7765 Label (Not Spared)
-	-	WorkCentre 7775 Label (Not Spared)
12	-	Shading Jig (Not Spared)
13	802E68570	Power Switch Cover
14	849E29921	Bracket



0513001A-OLP

## PL 13.2 IIT Cover - Rear/Right, Power Chassis (DADF-250)

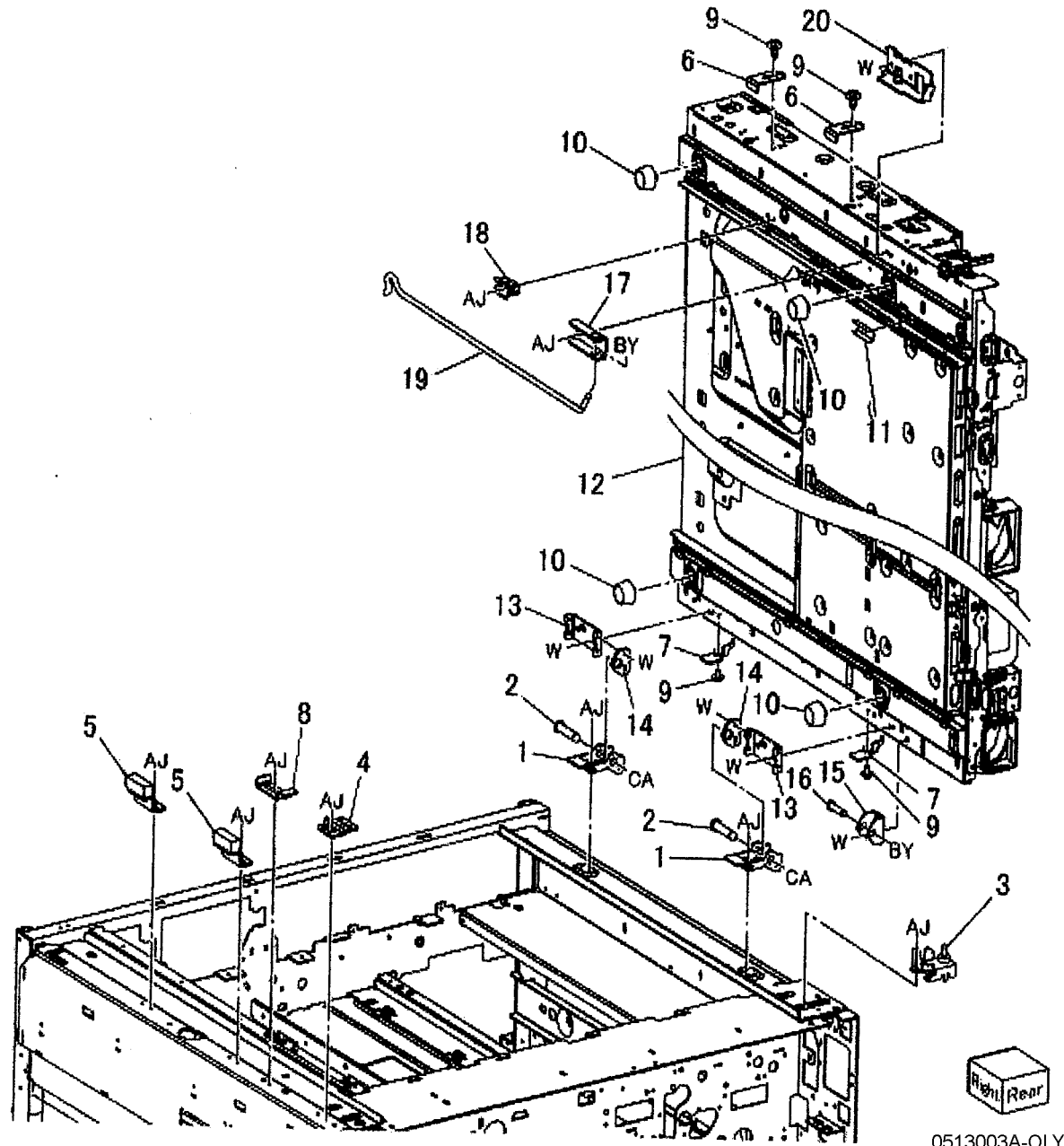
Item	Part	Description
1	802E56502	IIT Right Cover
2	802E63030	Blind Cover
3	802E67240	Blind Cover
4	-	DADF Support Bracket (Not Spared)
5	117E30850	IIT-SBC Cable
6	802E64372	IIT Rear Cover
7	-	Core (Not Spared)



0513002A-OLY

## PL 13.3 IIT Bottom Bracket

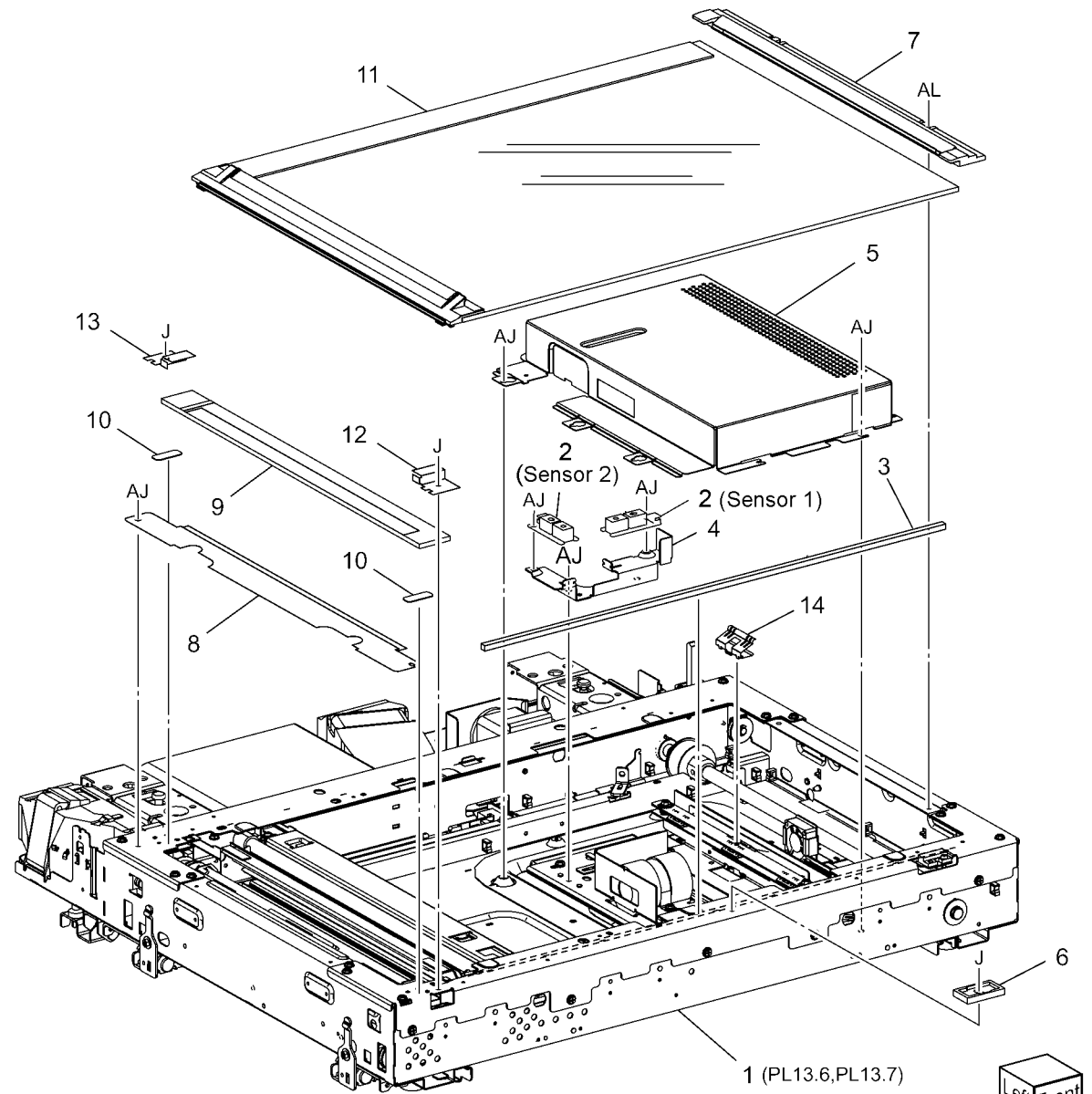
Item	Part	Description
1	-	Pivot Bracket (Not Spared)
2	-	Pivot Stud (Not Spared)
3	-	Left Locator Bracket (Not Spared)
4	-	Right Locator Bracket (Not Spared)
5	-	Foot Bracket (Not Spared)
6	-	Right Stopper (Not Spared)
7	-	Left Stopper (Not Spared)
8	-	Lock Brace Bracket (Not Spared)
9	-	Forming Screw (Not Spared)
10	017E92060	Foot
11	-	Bottom Seal (Not Spared)
12	-	IIT Frame (Not Spared)
13	-	Pivot Bracket (Not Spared)
14	-	Pivot Plate (Not Spared)
15	-	Locate Bracket (Not Spared)
16	-	Locate Stud (Not Spared)
17	-	Brace Bracket (Not Spared)
18	-	Brace Holder (Not Spared)
19	604K33910	Brace Shaft Kit
20	-	Arm Bracket (Not Spared)





# PL 13.4 IIT Component

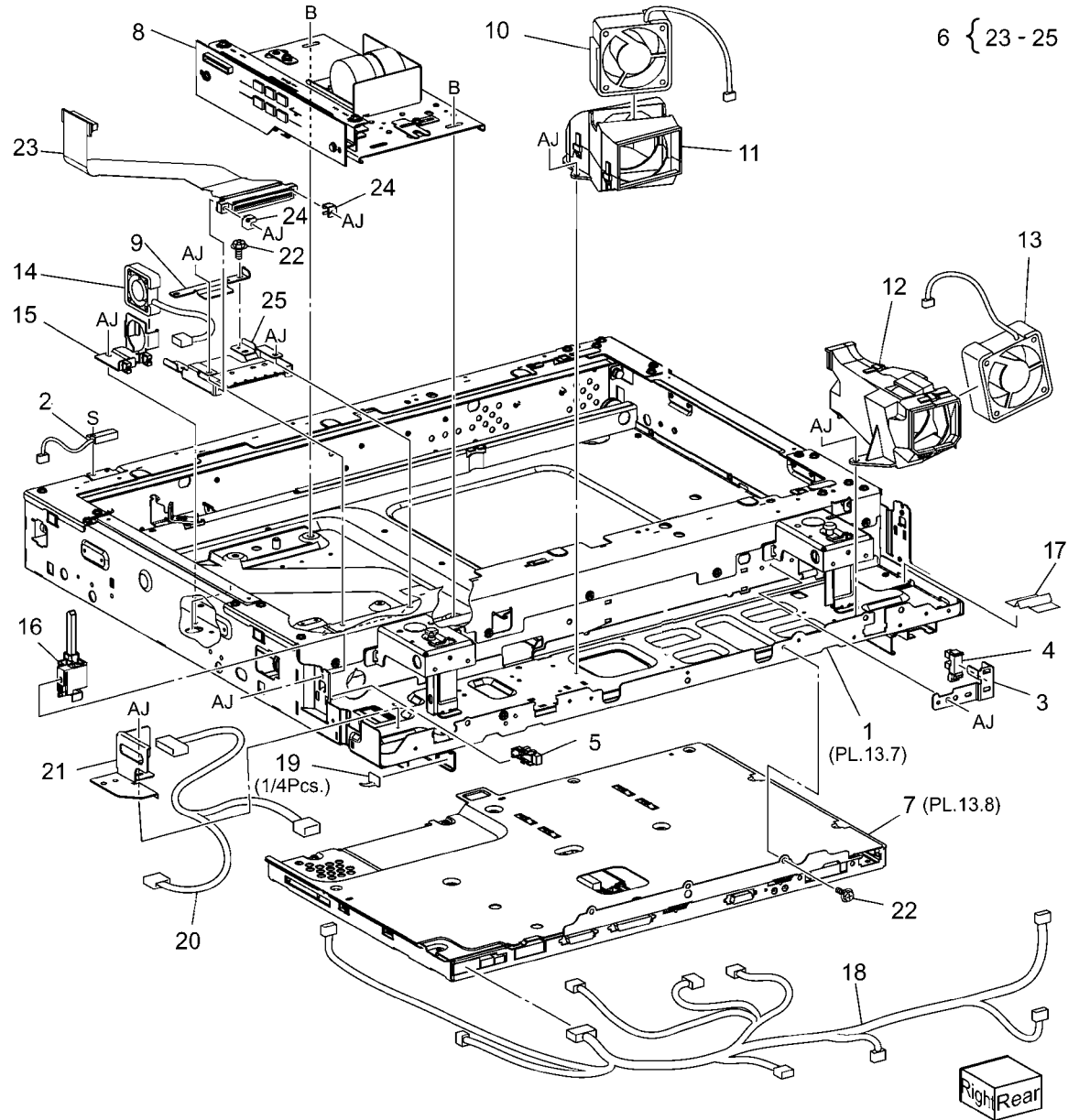
Item	Part	Description
1	-	IIT Housing (Not Spared)
2	130K64150	APS Sensor 1, APS Sensor 2
3	-	Front Seal (Not Spared)
4	-	Sensor Bracket (Not Spared)
5	-	Lens Cover (Not Spared) (REP 5.25)
6	-	Platen Glass Support (Not Spared)
7	815K00480	Right Plate
8	815E05190	CVT Glass Plate
9	090K93270	CVT Platen Glass
10	-	Spacer (Not Spared)
11	090K93220	Platen Glass
12	-	Front Support (Not Spared)
13	-	Rear Support (Not Spared)
14	-	Conductor Plate (Not Spared)



0513004B-OLY

# PL 13.6 IIT Housing - Electrical

Item	Part	Description
1	-	IIT Frame (Not Spared)
2	110K11960	Platen Interlock Switch
3	-	Sensor Bracket (Not Spared)
4	107E08680	IIT Registration Sensor (REP 5.26)
5	130E87280	Platen Angle Sensor (REP 5.27)
6	-	Charge Coupling Device Flex Print Cable (Not Spared) (REP 5.28)
7	-	IIT/IPS Unit (Not Spared) (REP 5.36)
8	604K21505	Lens Assembly (REP 5.29)
9	-	Gasket Bracket (Not Spared)
10	127K38620	IPS Fan (REP 5.30)
11	-	Duct (Not Spared)
12	-	Duct (Not Spared)
13	127K38632	Lamp Fan (REP 5.31)
14	127K38641	Charge Coupling Device Fan (REP 5.32)
15	-	Fan Bracket (Not Spared)
16	120K91990	Actuator
17	-	Seal (Not Spared)
18	962K20213	IIT Wire Harness
19	-	Clamp (Not Spared)
20	-	DC Wire Harness (Not Spared)
21	-	Connection Bracket (Not Spared)
22	-	Screw (Blue) (Not Spared)
23	962K19802	Cable
24	-	Spacer (P/O PL 13.6 Item 6)
25	-	Bracket (P/O PL 13.6 Item 6)



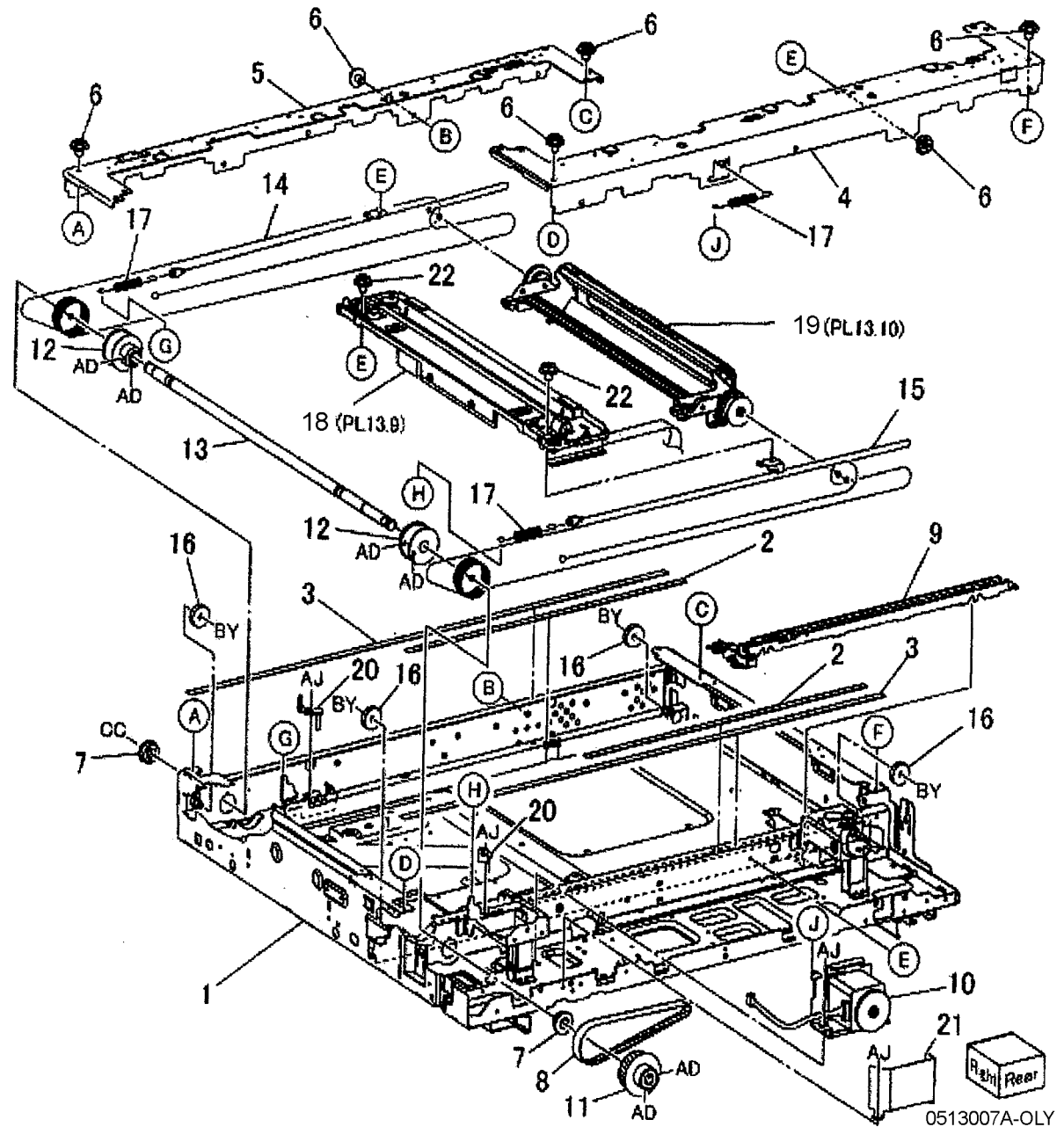
6 { 23 - 25



0513006A-OLY

# PL 13.7 IIT Housing - Carriage

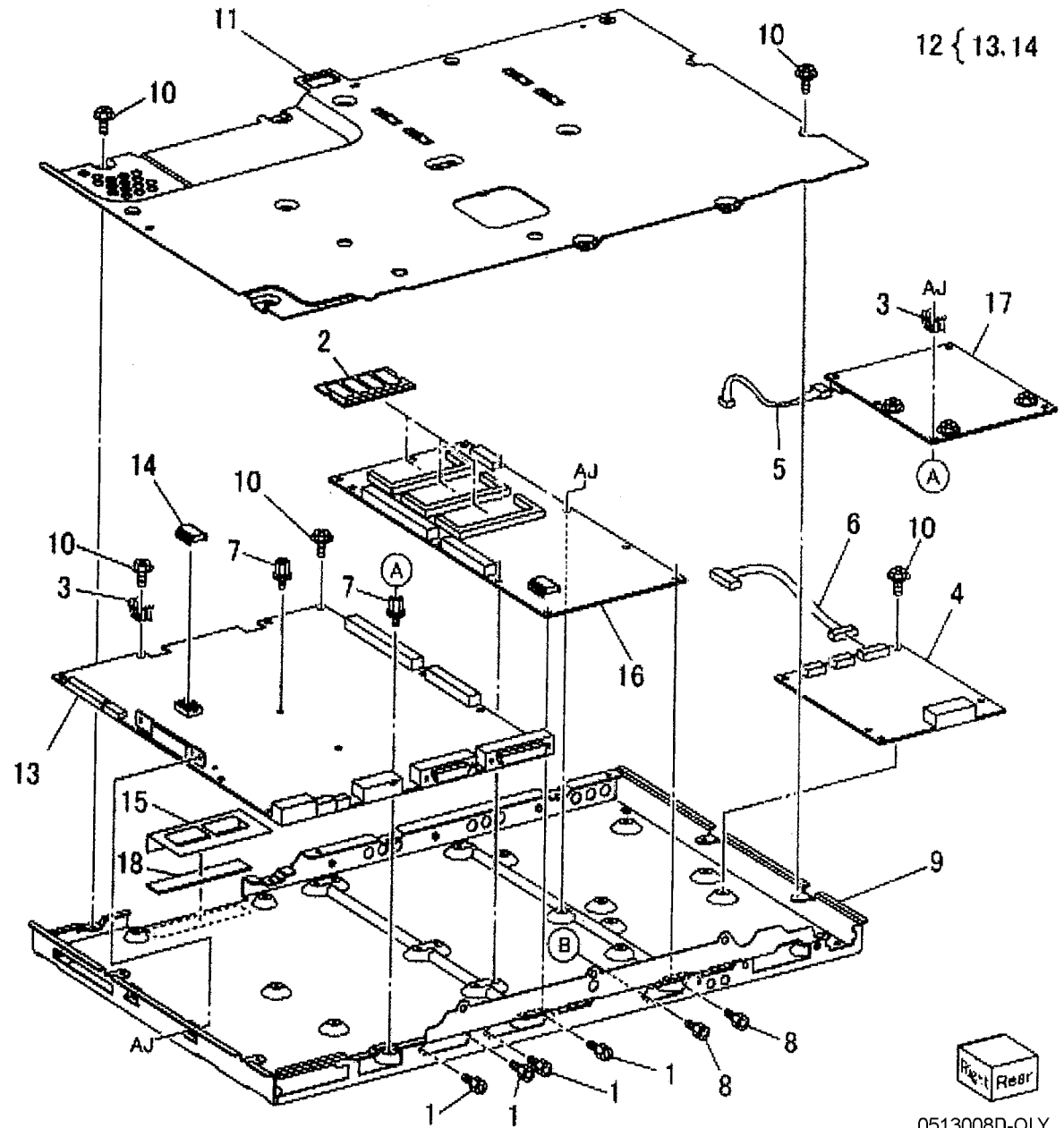
Item	Part	Description
1	-	IIT Frame (Not Spared)
2	-	Tape (Half Rate Carriage) (Not Spared)
3	-	Tape (Full Rate Carriage) (Not Spared)
4	-	Front Top Frame (Not Spared)
5	-	Rear Top Frame (Not Spared)
6	-	Screw (Red) (Not Spared)
7	013E24910	Sleeve Bearing
8	023E26740	Belt
9	-	Harness Guide (Not Spared)
10	127K38491	Carriage Motor (REP 5.33)
11	-	Pulley (Not Spared)
12	020E36980	Capstan Pulley
13	-	Capstan Shaft (Not Spared)
14	012K94480	Front Carriage Cable (Black)
15	012K94490	Rear Carriage Cable (Silver) (REP 5.38)
16	020E21630	Pulley
17	604K20440	Spring Kit
18	041K94525	Full Rate Carriage (REP 5.34)
19	041K94553	Half Rate Carriage (PL13.10)
20	-	Jig (Not Spared)
21	-	Motor Guard (Not Spared)
22	-	Screw (Blue)



0513007A-OLY

# PL 13.8 IIT/IPS Unit

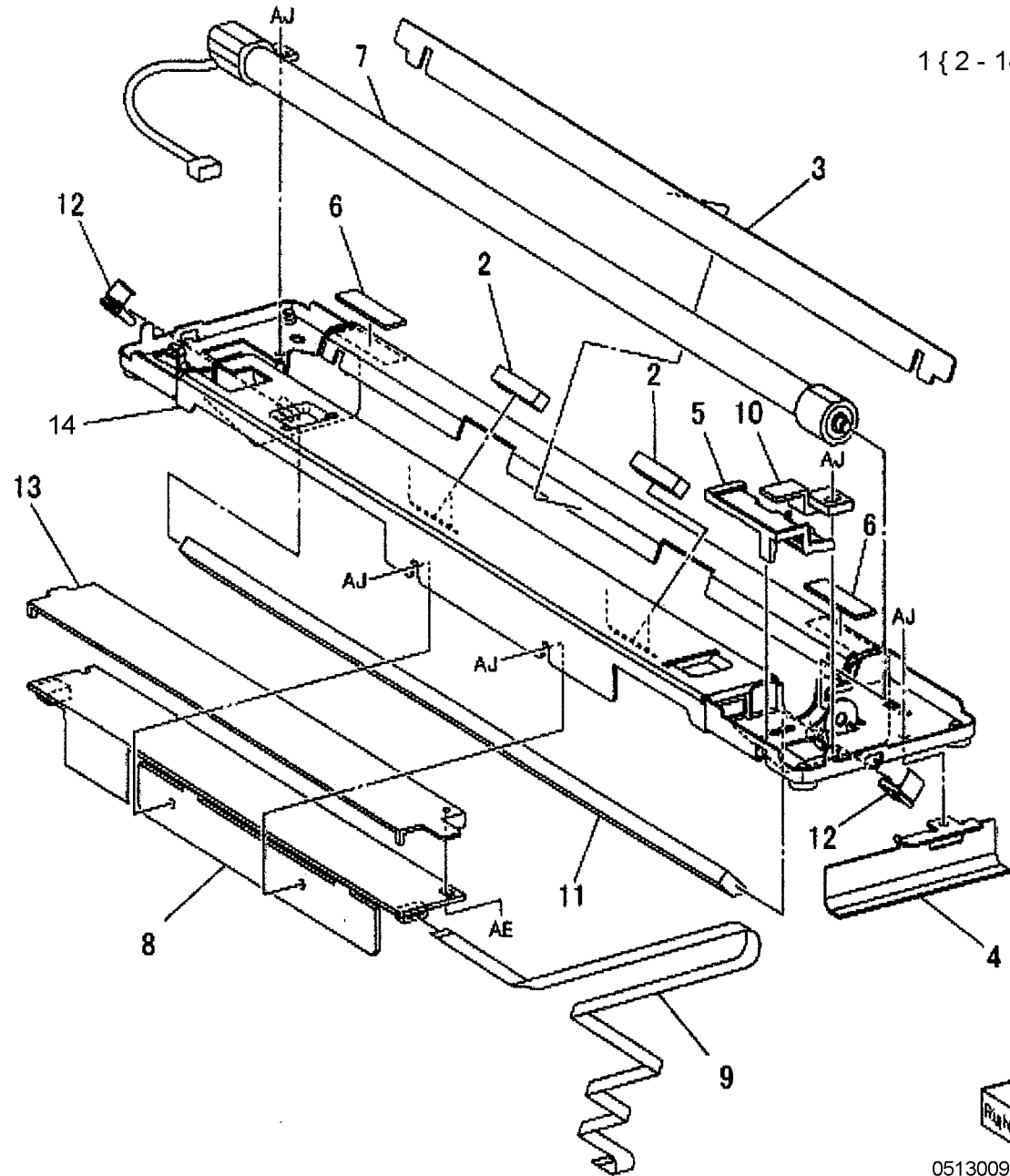
Item	Part	Description
1	-	Screw (Not Spared)
2	133K23611	Memory (128MB)
3	-	Conductor (Not Spared)
4	960K01352	PSDC PWB
5	-	Wire Harness (Not Spared)
6	-	Wire Harness (9 pin) (Not Spared)
7	-	Spacer Screw (Not Spared)
8	-	Screw (Not Spared)
9	-	IIT/IPS Chassis (Not Spared)
10	-	Screw TP (Not Spared)
11	-	IIT/IPS Cover (Not Spared)
12	960K00447	IIT/IPS PWB (REP 5.36)
13	-	IIT/IPS PWB (P/O PL 13.8 Item 12) (REP 5.36)
14	-	EED ROM (P/O PL 13.8 Item 12)
15	-	Seal (Not Spared)
16	960K06842	Extension Memory PWB
17	160K99673	BDEC PWB
18	-	Gasket (Not Spared)



0513008D-OLY

# PL 13.9 Full Rate Carriage Component

Item	Part	Description
1	-	Full Rate Carriage (P/O PL 13.7 Item 18)
2	-	Damper (P/O PL 13.9 Item 1)
3	-	Reflector Plate (P/O PL 13.9 Item 1)
4	-	Actuator Plate (P/O PL 13.9 Item 1)
5	-	Harness Guide (P/O PL 13.9 Item 1)
6	-	Cushion (P/O PL 13.9 Item 1)
7	122E92130	Exposure Lamp (REP 5.37)
8	105E12301	Lamp Ballast PWB (REP 5.38)
9	-	Slide Cord (P/O PL 13.9 Item 1) (REP 5.39)
10	-	Harness Guide (P/O PL 13.9 Item 1)
11	062E10040	No. 1 Mirror
12	809E51350	Clip (Single)
13	-	Insulator (P/O PL 13.9 Item 1)
14	-	Full Rate Carriage Base (P/O PL 13.9 Item 1)



1 { 2 - 14

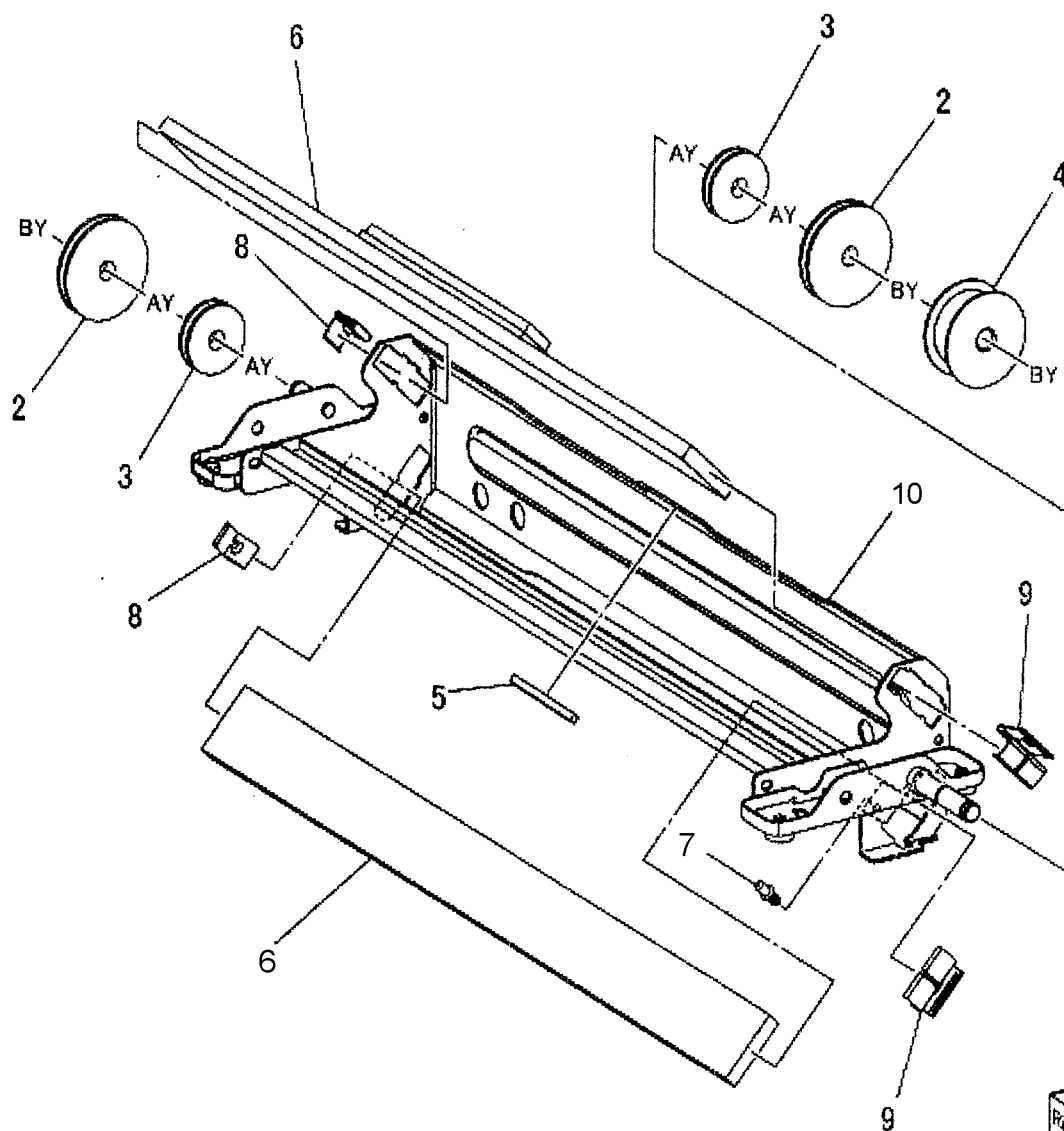


0513009B-OLY

# PL 13.10 Half Rate Carriage Component

Item	Part	Description
1	-	Half Rate Carriage (P/O PL 13.7 Item 19)
2	-	Pulley (P/O PL 13.10 Item 1)
3	-	Pulley (P/O PL 13.10 Item 1)
4	-	Harness Pulley (P/O PL 13.10 Item 1)
5	-	Damper (P/O PL 13.10 Item 1)
6	062K14580	No.2 Mirror
7	-	Adjust Screw (P/O PL 13.10 Item 1)
8	809E51350	Clip (Single)
9	809E51360	Clip (Double)
10	-	Half Rate Carriage (P/O PL 13.10 Item 1)

1 { 2 - 10

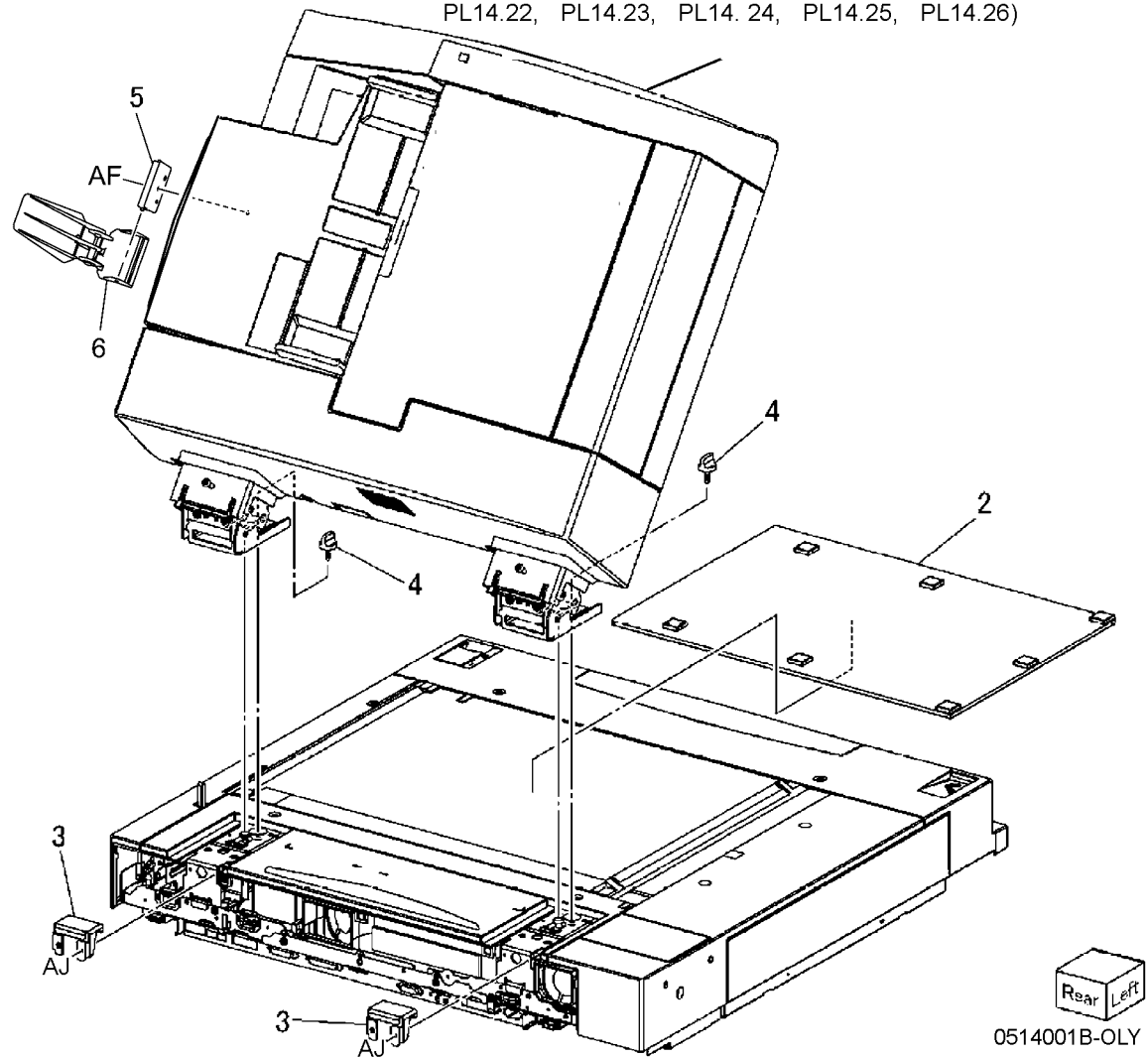


0513010B-OLY

# PL 14.1 DADF

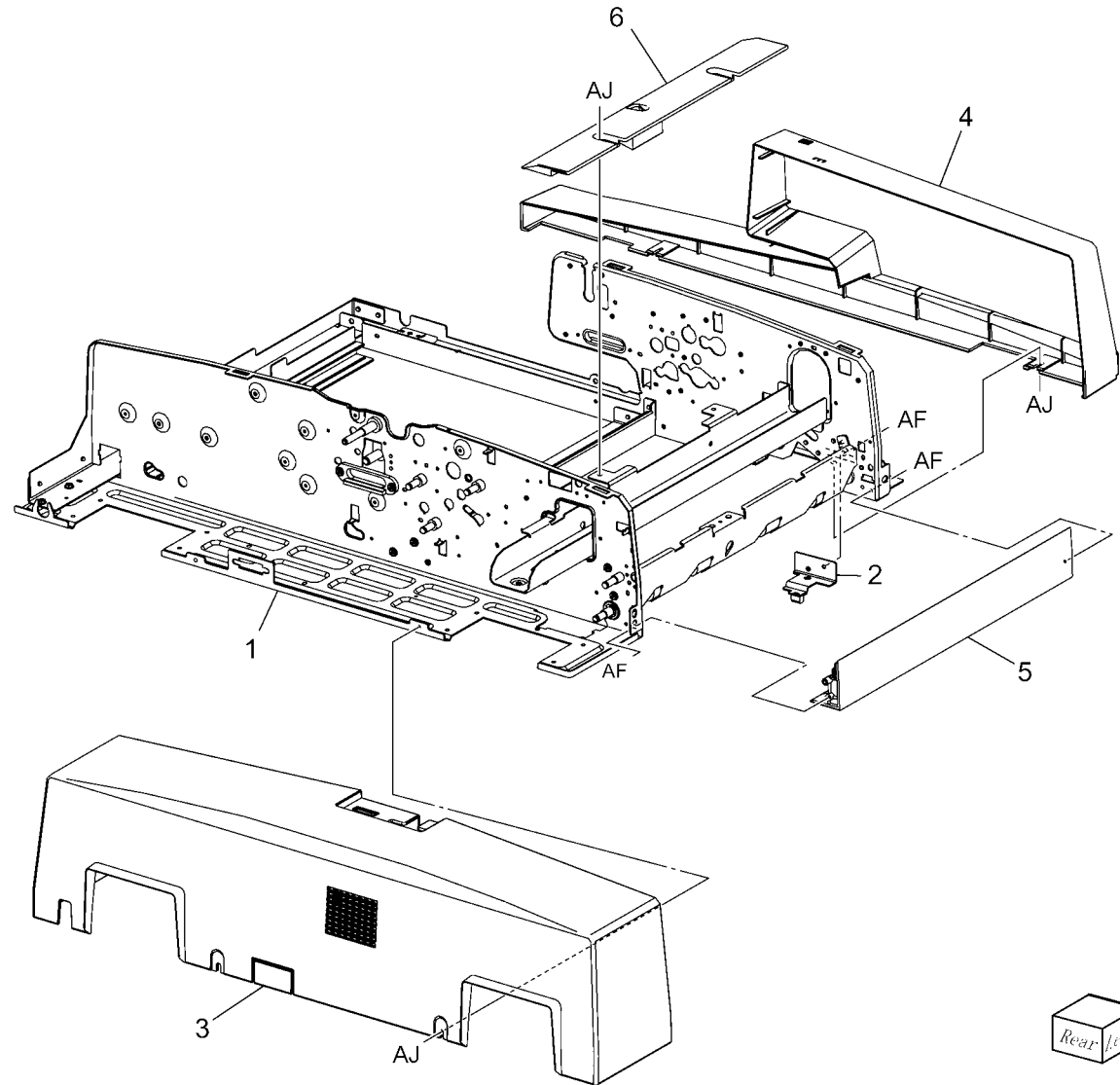
Item	Part	Description
1	059K54067	DADF Assembly (REP 5.1, REP 5.2)
2	004K92582	Platen Cushion
3	-	DADF Support
4	003K91881	Knob Screw
5	003E62120	Hinge
6	003K13752	Paper Stop

1 (PL14.2, PL14.3, PL14.4, PL14.5, PL14.6, PL14.7, PL14.8, PL14.9, PL14.10, PL14.11, PL14.12, PL14.14, PL14.15, PL14.16,, PL14.17, PL14.18, PL14.19, PL14.20, PL14.21 PL14.22, PL14.23, PL14.24, PL14.25, PL14.26)



## PL 14.2 DADF Cover

Item	Part	Description
1	–	Frame (P/O PL 14.1 Item 1)
2	–	Harness Guide (P/O PL 14.1 Item 1)
3	802E56802	DADF Rear Cover (REP 5.3)
4	802E56893	DADF Front Cover (REP 5.3)
5	802E56901	DADF Left Lower Cover (REP 5.3)
6	–	Upper Guide Chute (P/O PL 14.1 Item 1)

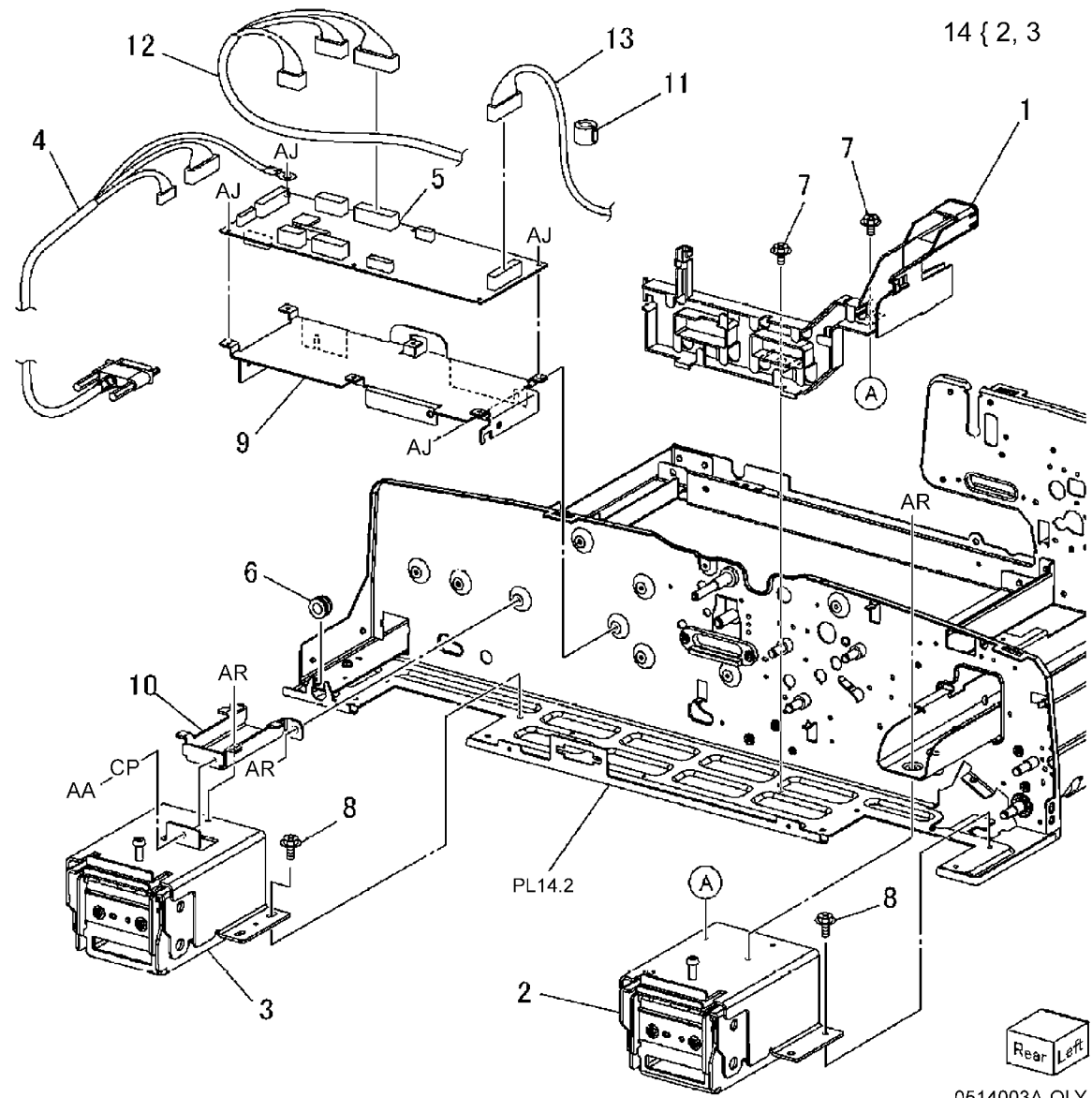


0514002A-OLY



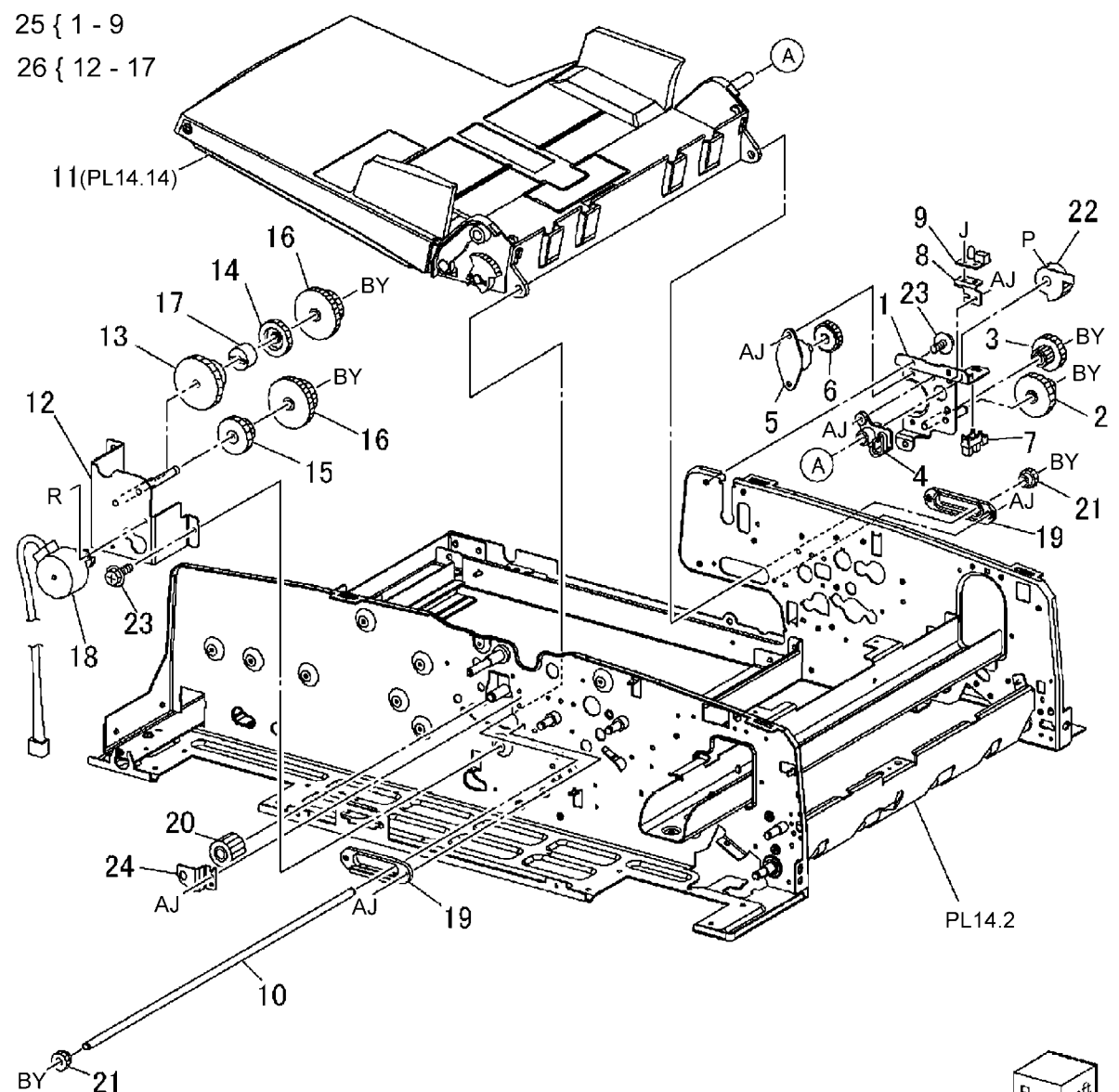
## PL 14.3 DADF PWB, Counter Balance

Item	Part	Description
1	-	Harness Guide (P/O PL 14.1 Item 1)
2	-	Right Counter Balance (P/O PL 14.3 Item 14) (REP 5.5)
3	-	Left Counter Balance (P/O PL 14.3 Item 14) (REP 5.4)
4	117E27450	IIT-DADF Cable
5	960K38720	DADF PWB (REP 5.6)
6	-	Grommet (P/O PL 14.1 Item 1)
7	-	Round Point Screw (M3) (Not Spared)
8	826E09640	Round Point Screw (M4)
9	-	PWB Bracket (P/O PL 14.1 Item 1)
10	-	Bracket (P/O PL 14.1 Item 1)
11	-	Core (P/O PL 14.1 Item 1)
12	-	DADF Front Wire Harness (P/O PL 14.1 Item 1)
13	-	DADF Motor Wire Harness (P/O PL 14.1 Item 1)
14	604K25240	Counter Balance Kit



# PL 14.4 DADF Document Tray, Tray Motor

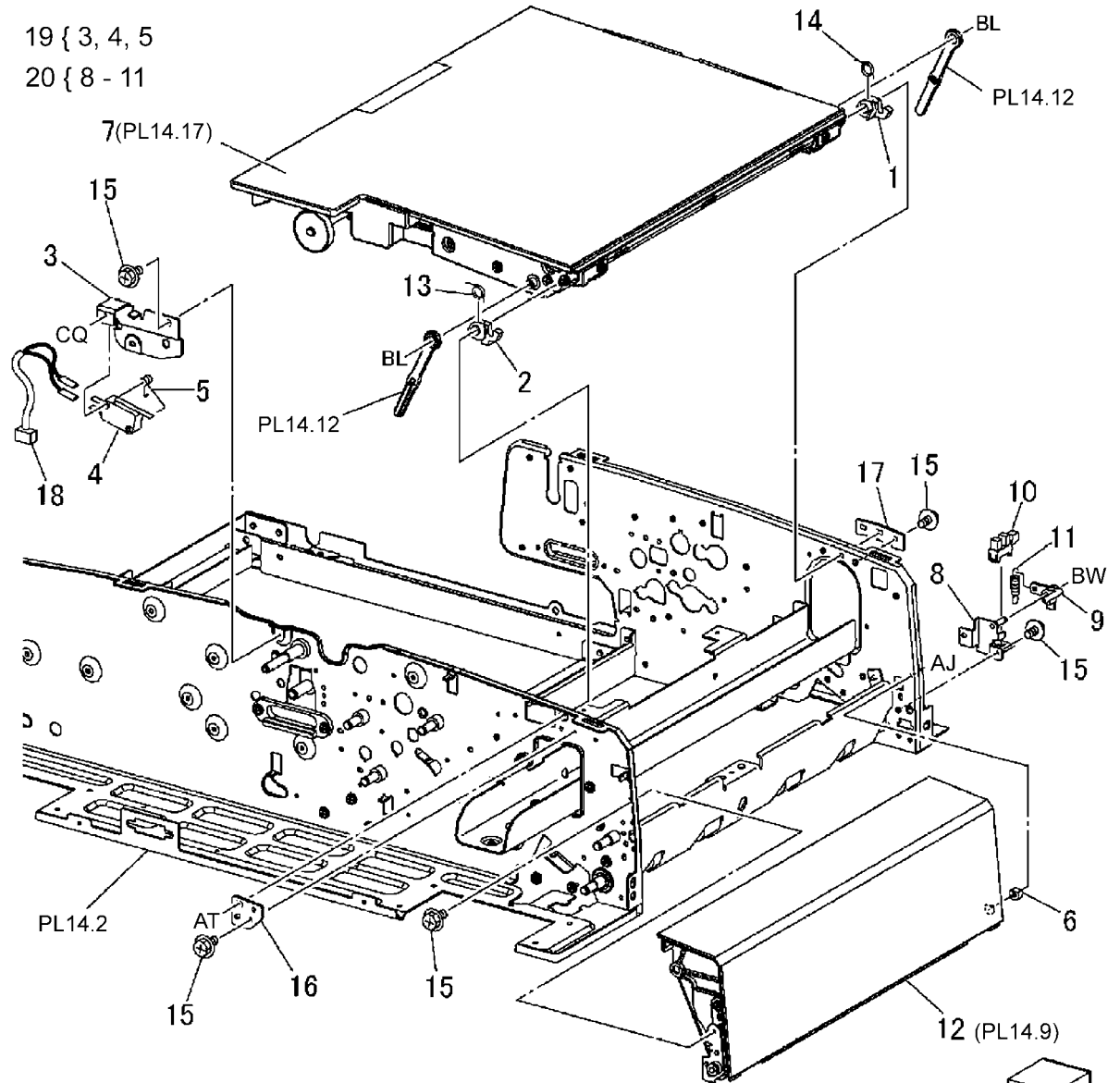
Item	Part	Description
1	-	Bracket (P/O PL 14.4 Item 25)
2	-	Gear (40T/16T) (P/O PL 14.4 Item 25)
3	-	Gear (32T/16T) (P/O PL 14.4 Item 25)
4	-	Hinge (P/O PL 14.4 Item 25)
5	-	Oil Damper (P/O PL 14.4 Item 25)
6	-	One Way Clutch Gear (27T) (P/O PL 14.4 Item 25)
7	130E84280	Tray Interlock Sensor
8	-	LED Bracket (P/O PL 14.4 Item 25)
9	160K97600	Document Set LED
10	-	Pinion Shaft (P/O PL 14.1 Item 1)
11	050K52415	DADF Document Tray
12	-	Bracket (P/O PL 14.4 Item 26)
13	-	Gear (48T) (P/O PL 14.4 Item 26)
14	-	Gear (33T) (P/O PL 14.4 Item 26)
15	-	Gear (33T/18T) (P/O PL 14.4 Item 26)
16	-	Gear (48T/18T) (P/O PL 14.4 Item 26)
17	-	Torque Limiter (P/O PL 14.4 Item 26)
18	127K38402	Tray Motor
19	032E21191	Rack Guide
20	807E00310	Gear (25T)
21	807E00470	Pinion Gear
22	807E00672	Sector Gear
23	-	Round Point Screw (P/O PL 14.1 Item 1)
24	-	Bracket (P/O PL 14.1 Item 1)
25	004K01942	Damper Assembly
26	030K76271	Lift Gear Assembly



0514004A-OLY

# PL 14.5 Feeder Upper Chute, DADF Left Upper Cover

Item	Part	Description
1	003E60310	Left Cover Front Latch
2	003E60321	Left Cover Rear Latch
3	-	Switch Bracket (P/O PL 14.5 Item 19)
4	-	Feeder Cover Interlock Switch (P/O PL 14.5 Item 19)
5	-	Torsion Spring (P/O PL 14.5 Item 19)
6	-	Bushing (P/O PL 14.1 Item 1)
7	054K24446	Feeder Upper Chute
8	-	Bracket (P/O PL 14.5 Item 20)
9	-	Actuator (P/O PL 14.5 Item 20)
10	130E84280	L/H Cover Interlock Sensor
11	-	Tension Spring (P/O PL 14.5 Item 20)
12	802K57194	DADF Left Upper Cover
13	809E51451	Torsion Spring
14	809E51461	Torsion Spring
15	-	Round Point Screw (Not Spared)
16	-	Hinge Bracket (P/O PL 14.1 Item 1)
17	-	Hinge Bracket (P/O PL 14.1 Item 1)
18	-	Wire Harness (P/O PL 14.1 Item 1)
19	003K13291	Feeder Cover Interlock Switch Assembly
20	130K64483	Left Hand Cover Interlock Switch Assembly

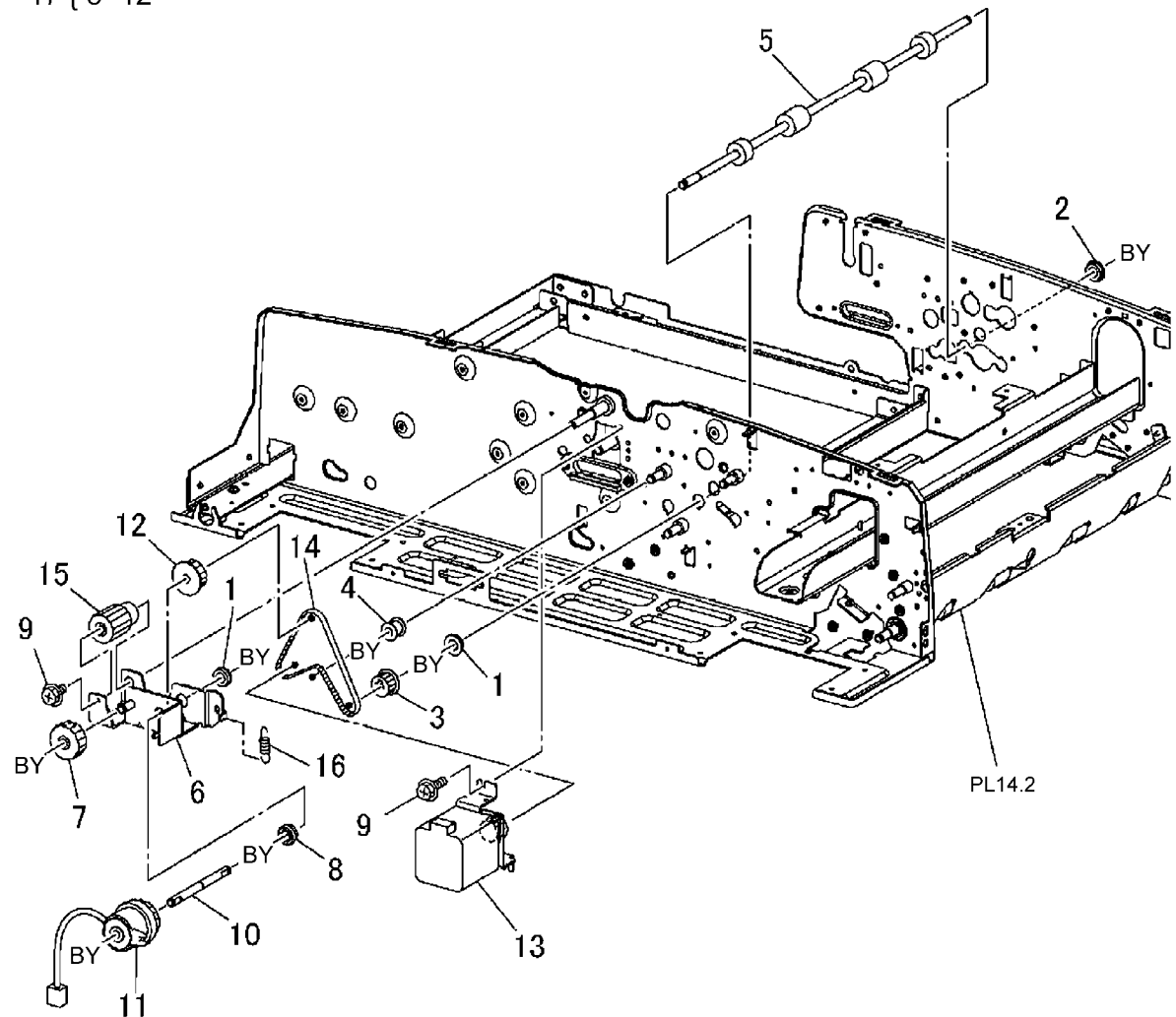


0514005B-OLY

# PL 14.6 Feed Motor, Feed Clutch, Invert Drive Roll

17 { 6 -12

Item	Part	Description
1	013E24840	Ball Bearing
2	013E26250	Sleeve Bearing
3	-	Pulley (P/O PL 14.1 Item 1)
4	-	Pulley (P/O PL 14.1 Item 1)
5	059K29471	Invert Drive Roll (REP 5.7)
6	-	Clutch Bracket (P/O PL 14.6 Item 17)
7	-	Gear (24T) (P/O PL 14.6 Item 17)
8	-	Sleeve Bearing (P/O PL 14.6 Item 17)
9	-	Round Point Screw (P/O PL 14.6 Item 17)
10	-	Clutch Shaft (P/O PL 14.6 Item 17)
11	121K31860	DADF Feed Clutch (REP 5.8)
12	-	Pulley (P/O PL 14.6 Item 17)
13	127K38301	DADF Feed Motor
14	423W32055	Feed Motor Belt (REP 5.9)
15	807E00660	Gear (20T)
16	809E54581	Tension Spring
17	121K31884	DADF Feed Clutch Assembly

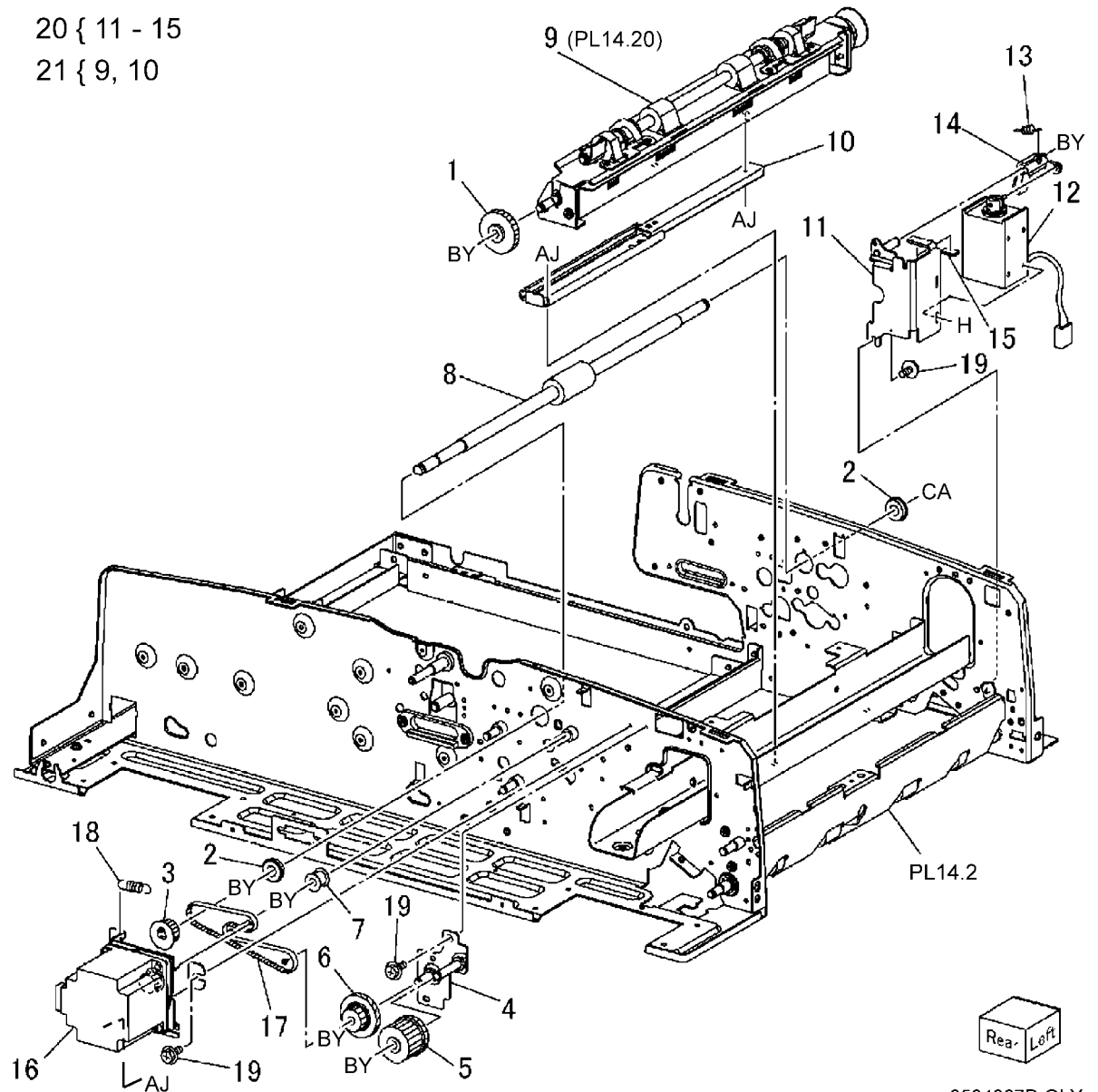


0514006A-OLY

# PL 14.7 Pre Registration Motor, Pre Registration Roll Chute, Take Away Roll, Baffle Solenoid

Item	Part	Description
1	807E10690	One Way Clutch Gear (38T)
2	013E24670	Ball Bearing
3	020E36770	Pulley
4	-	Stud Bracket (P/O PL 14.1 Item 1)
5	-	Gear (33T/ 33T) (P/O PL 14.1 Item 1)
6	-	Gear Pulley
7	-	Pulley (P/O PL 14.1 Item 1)
8	059K31091	Take Away Roll (REP 5.10)
9	059K31113	Pre Registration Roll Chute Assembly
10	001E64764	Rail
11	-	Solenoid Bracket (P/O PL 14.7 Item 20)
12	-	Baffle Solenoid (P/O PL 14.7 Item 20)
13	-	Tension Spring (P/O PL 14.7 Item 20)
14	-	Actuator (P/O PL 14.7 Item 20)
15	-	Damper (P/O PL 14.7 Item 20)
16	127K38321	DADF Pre Registration Motor
17	423W34555	Pre Registration Motor Belt
18	809E50880	Tension Spring
19	-	Round Point Screw (P/O PL 14.1 Item 1)
20	121K31890	Baffle Solenoid Assembly
21	054K24487	Pre Registration Chute Assembly

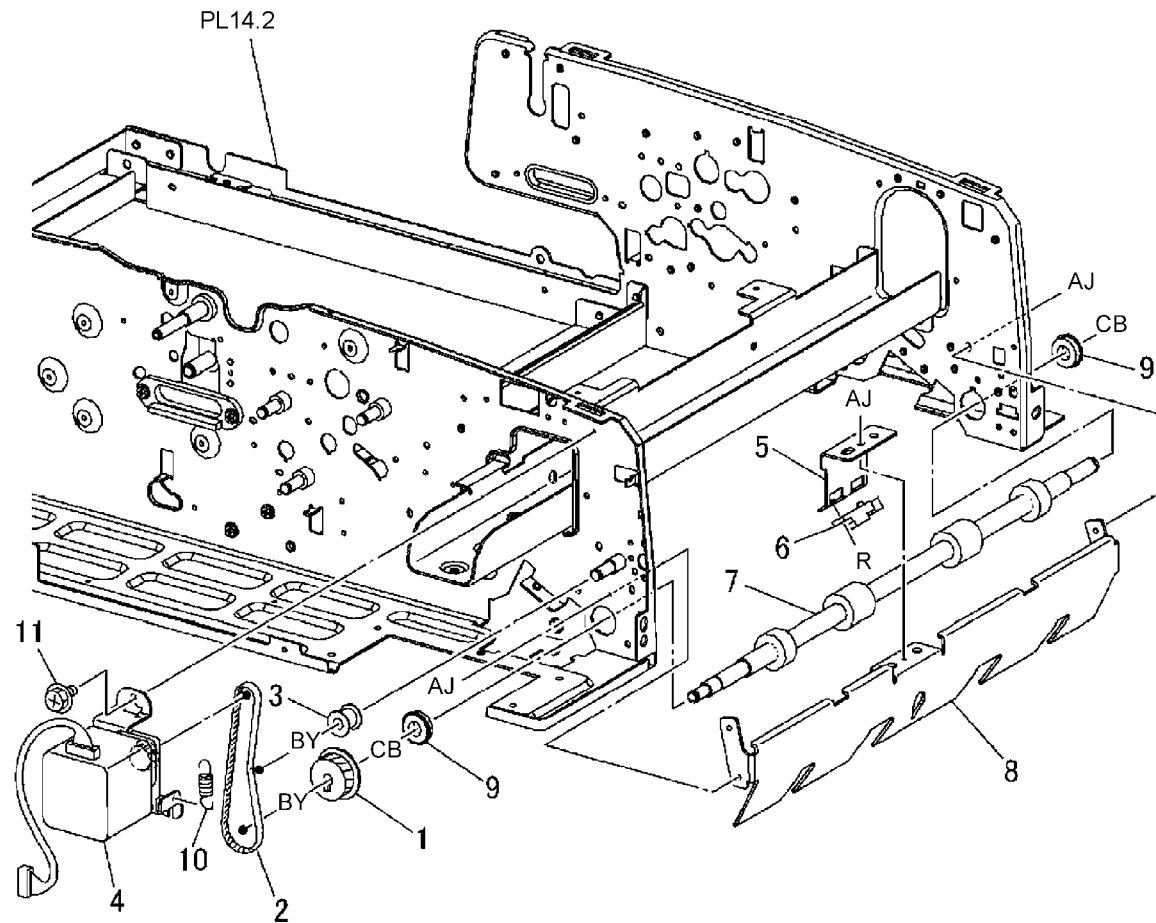
20 { 11 - 15  
21 { 9, 10



0504007B-OLY

## PL 14.8 Registration Motor, Registration Roll

Item	Part	Description
1	020E36781	Pulley
2	023E21300	Registration Motor Belt
3	—	Pulley (P/O PL 14.1 Item 1)
4	127K38341	DADF Registration Motor
5	—	Sensor Bracket (P/O PL 14.1 Item 1)
6	930W00211	Lead Registration Sensor (REP 5.11)
7	059K31082	Registration Roll (REP 5.12)
8	—	Registration In 2 Chute (P/O PL 14.1 Item 1)
9	013E24670	Ball Bearing
10	809E50880	Tension Spring
11	—	Round Point Screw (Not Spared)

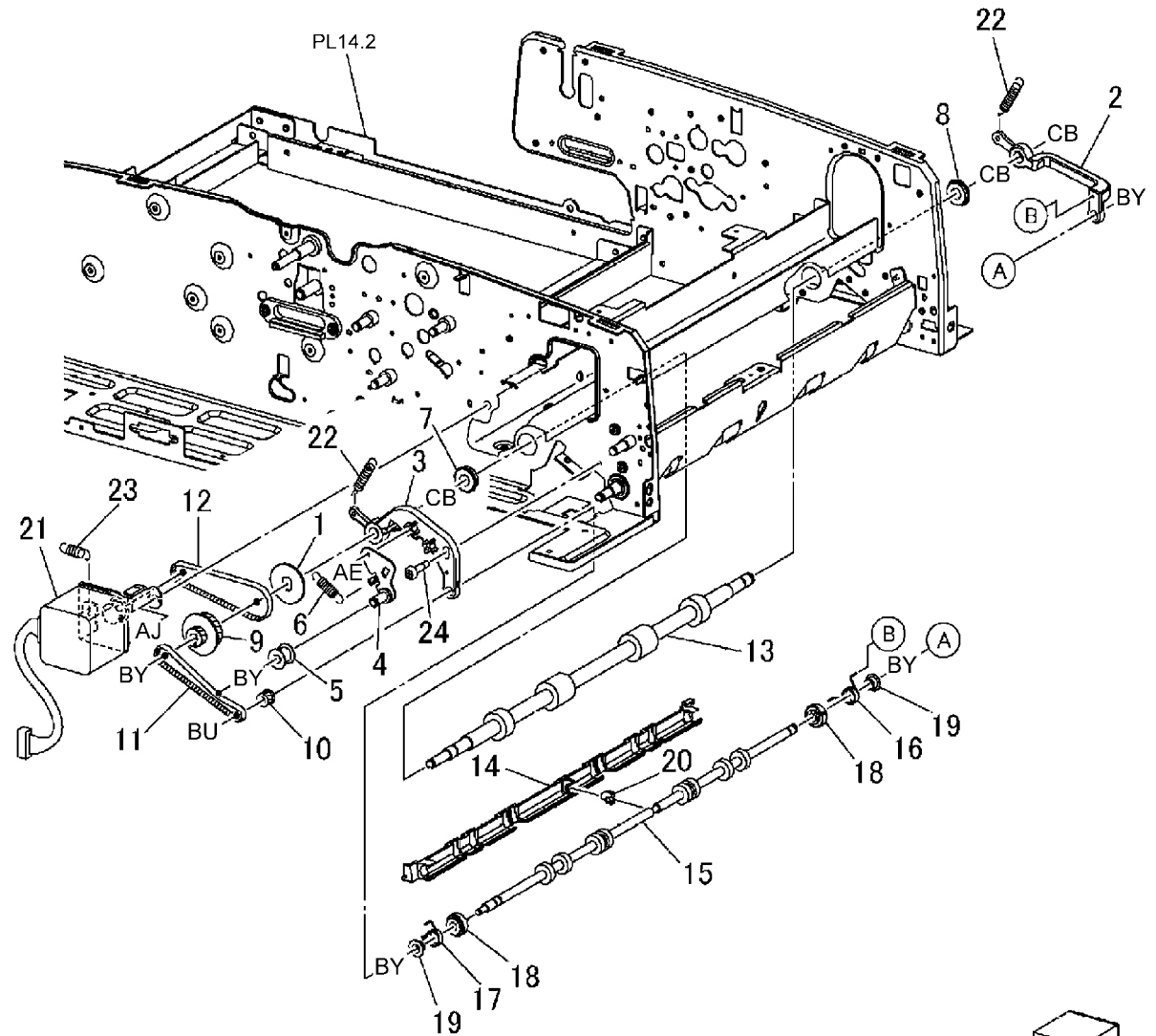


0514008A-OLY

# PL 14.9 Platen Motor, Platen Roll, Out Roll

Item	Part	Description
1	-	Flange (P/O PL 14.9 Item 25)
2	-	Platen Front Link
3	-	Platen Rear Link
4	-	Tension Bracket (P/O PL 14.1 Item 1)
5	-	Pulley (P/O PL 14.9 Item 25)
6	-	Tension Spring (P/O PL 14.9 Item 25)
7	013E24670	Ball Bearing
8	013E25911	Sleeve Bearing
9	-	Pulley (P/O PL 14.9 Item 25)
10	020E36800	Pulley
11	-	Belt (Width:4mm) (P/O PL 14.9 Item 25)
12	-	Platen Motor Belt (Width:6mm) (P/O PL 14.9 Item 25)
13	-	Platen Exit Roll (Not Spared) (REP 5.23)
14	-	Platen Back Plate (P/O PL 14.1 Item 1)
15	-	Platen Roll (P/O PL 14.1 Item 1)
16	-	Torsion Spring (P/O PL 14.1 Item 1)
17	-	Torsion Spring (P/O PL 14.1 Item 1)
18	-	Sleeve Bearing (P/O PL 14.1 Item 1)
19	-	Collar (P/O PL 14.1 Item 1)
20	-	Platen Collar (P/O PL 14.1 Item 1)
21	127K38341	Platen Motor
22	-	Platen Spring (Length 30.8mm) (P/O PL 14.9 Item 25)
23	809E50880	Platen Spring (Length 23mm)
24	-	Shoulder Screw (P/O PL 14.1 Item 1)
25	604K25230	Platen Motor Drive Kit

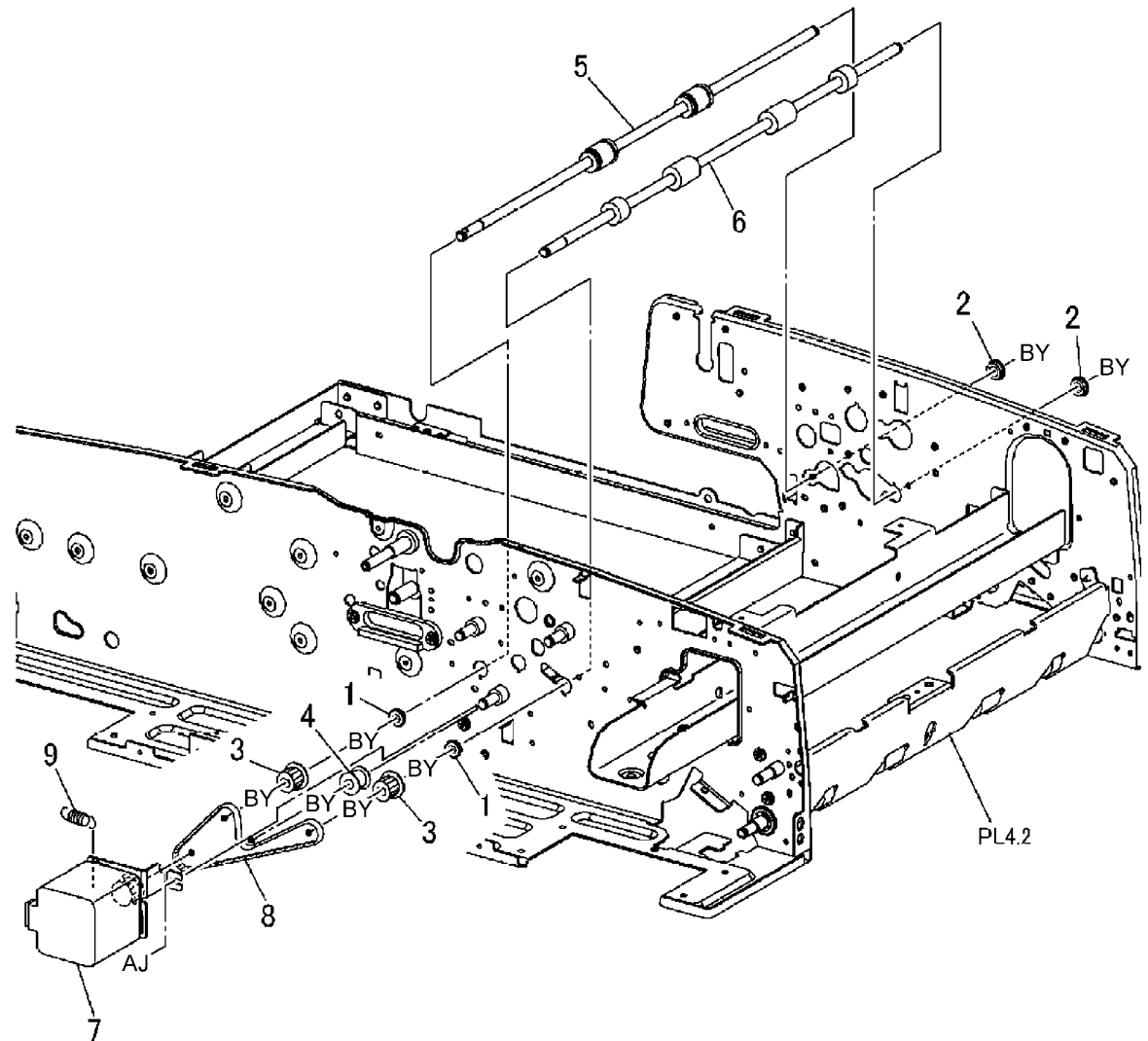
25 { 1, 5, 6, 9, 10, 11, 12, 22



0514009A-OLY

## PL 14.10 Exit Motor, Exit Roll

Item	Part	Description
1	013E24840	Ball Bearing
2	013E26250	Sleeve Bearing
3	020E36810	Pulley
4	-	Pulley (Not Spared)
5	059K27201	Exit Roll 1 (REP 5.13)
6	059K29481	Exit Roll 2 (REP 5.14)
7	127K38301	DADF Exit Motor
8	423W33555	Exit Motor Belt
9	809E50880	Tension Spring

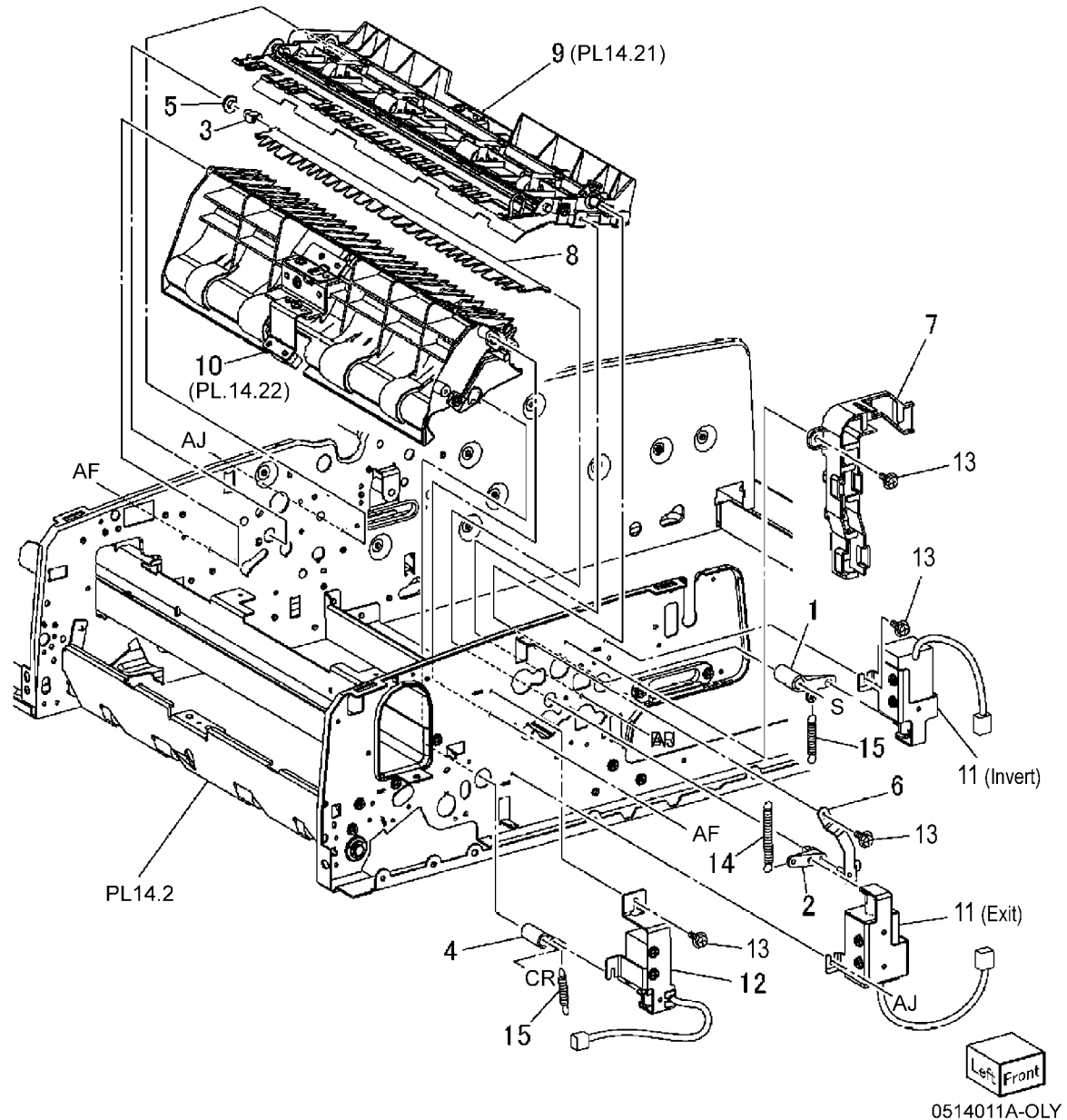


0514010A-OLY



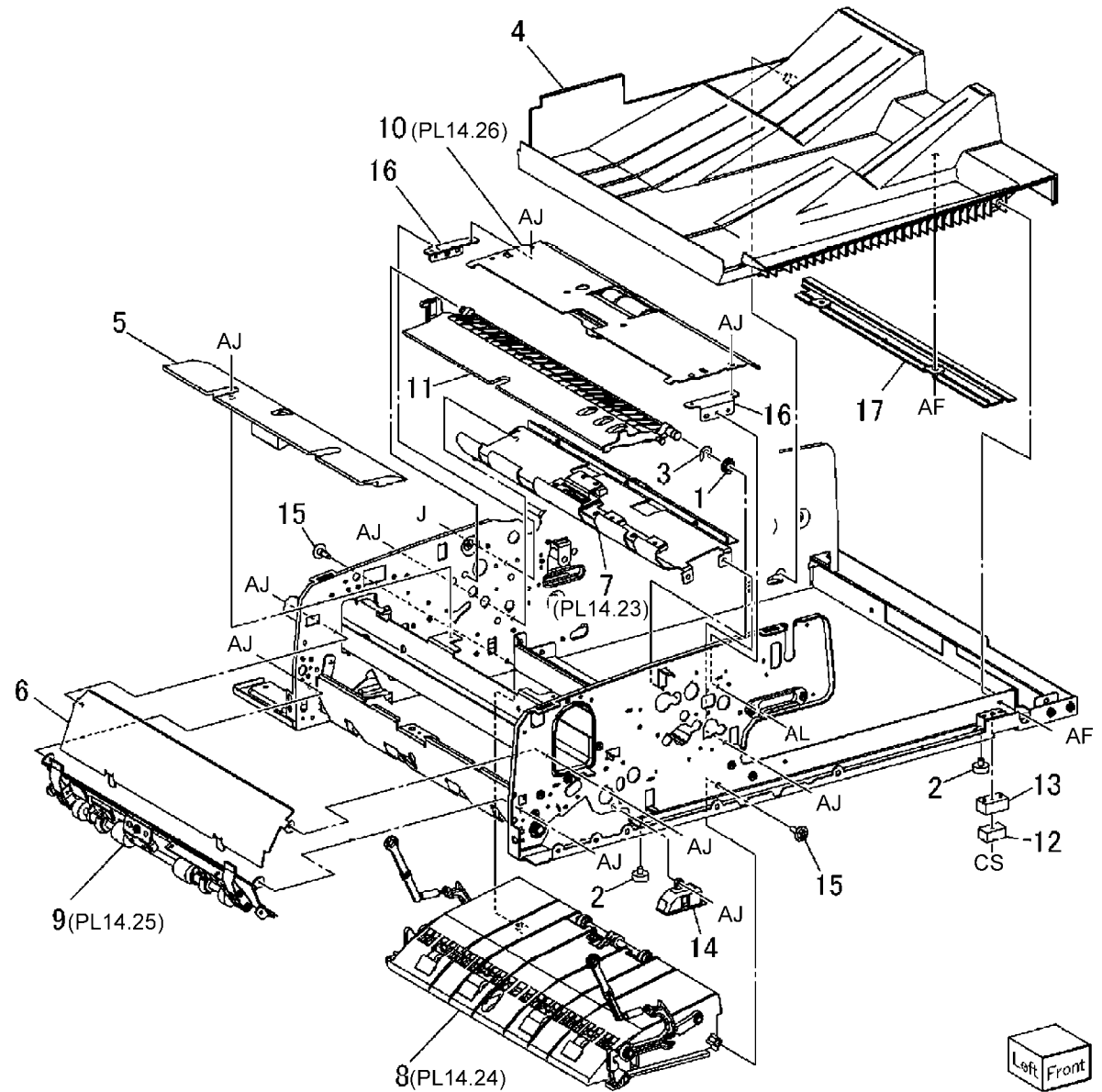
# PL 14.11 Exit Gate Solenoid, Simp/Dup Gate Solenoid, Nip Solenoid, Inverter Exit Chute, Guide Chute

Item	Part	Description
1	012E11270	Link
2	-	Link (Not Spared)
3	-	Gate Rear Link (Not Spared)
4	-	Link (Not Spared)
5	013E24160	Sleeve Bearing
6	-	Gate Link Bracket (P/O PL 14.1 Item 1)
7	-	Harness Guide (P/O PL 14.1 Item 1)
8	050K64730	Inverter Lower Gate
9	054K41700	Inverter Exit Chute
10	054K24232	Guide Chute
11	121K31680	Exit Gate Solenoid, Invert Roll Nip/Release Solenoid
12	121K31700	Simplex / Duplex Gate Solenoid
13	-	Round Point Screw (Not Spared)
14	-	Tension Spring (Length 34.15mm)
15	809E49700	Tension Spring (Length 22.5mm)



# PL 14.12 Exit Upper/Lower Chute, Registration Out Chute, Feeder Lower Chute

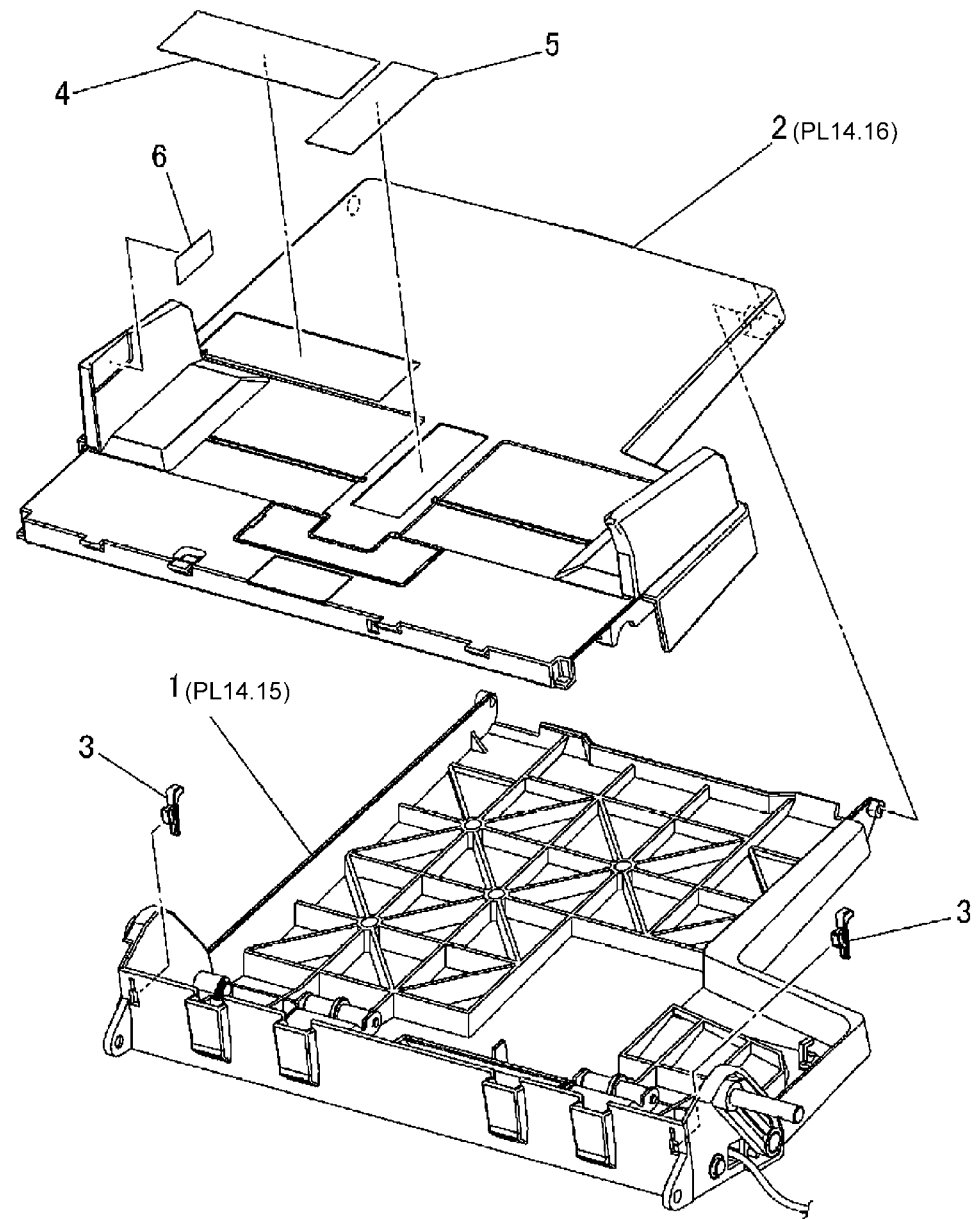
Item	Part	Description
1	013E24172	Sleeve Bearing
2	017E92760	Foot
3	-	C-Clip (Not Spared)
4	050E19953	DADF Exit Tray
5	-	Guide Upper Chute (P/O PL 14.1 Item 1)
6	-	Registration In Chute (P/O PL 14.1 Item 1)
7	054K24195	Exit Upper Chute
8	054K30563	Exit Low Chute
9	054K24463	Registration Out Chute
10	054K24493	Feeder Lower Chute
11	054K26032	Invert Chute
12	121E90620	Interlock Magnet
13	-	Magnet Cover (P/O PL 14.1 Item 1)
14	-	Cover (P/O PL 14.1 Item 1)
15	-	Shoulder Screw
16	-	Bracket (P/O PL 14.1 Item 1)
17	-	Tray Plate (P/O PL 14.1 Item 1)



0514012B-OLY

# PL 14.14 DADF Document Tray Component

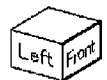
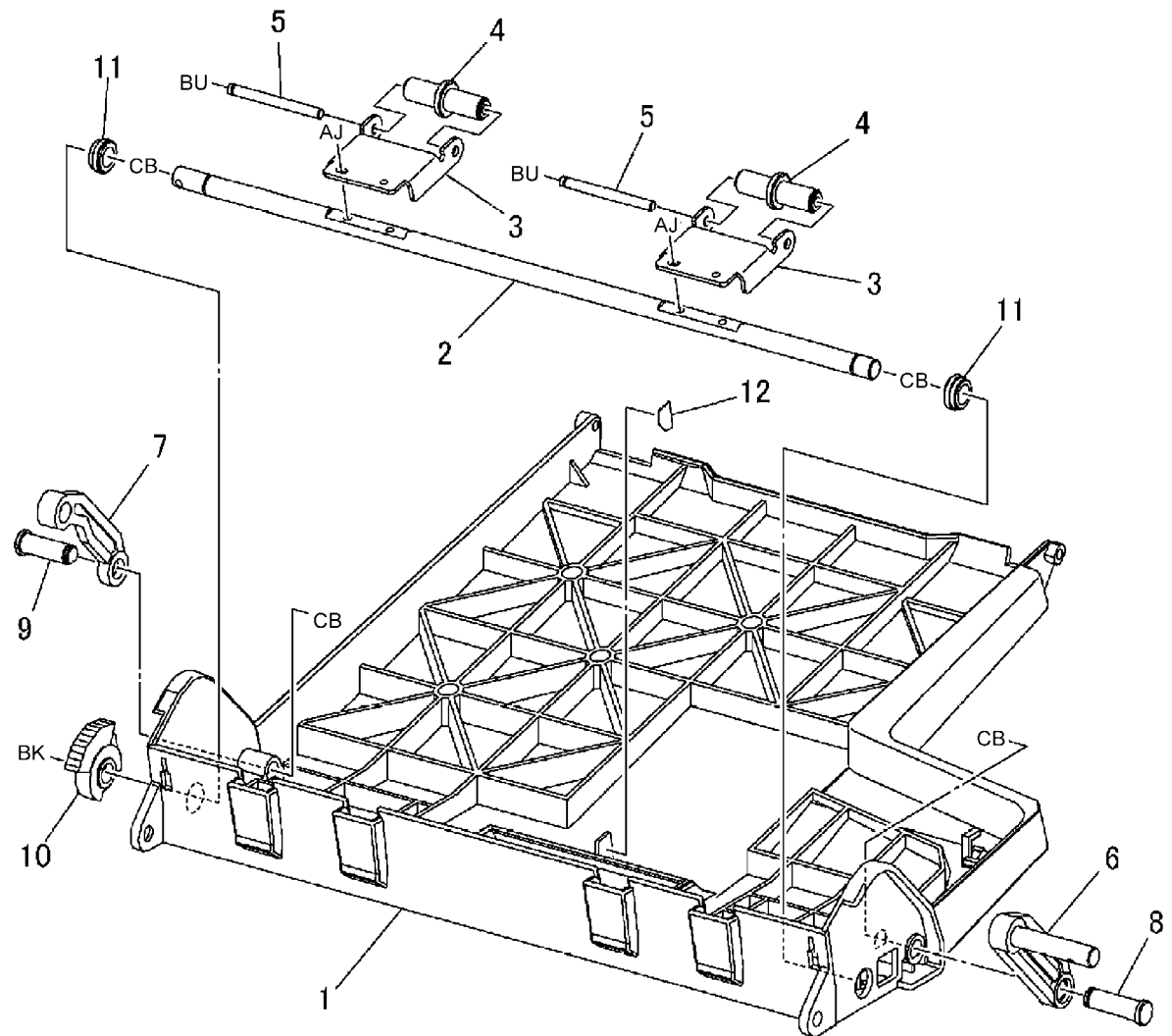
Item	Part	Description
1	-	DADF Document Bottom Tray (P/O PL 14.1 Item 1)
2	-	DADF Document Upper Tray (P/O PL 14.1 Item 1)
3	014E44882	Tray Block
4	893E09601	Label (Size)
5	893E03340	Label (Instruction)
6	893E09660	Label (Max)



0514014A-OLY

# PL 14.15 DADF Document Bottom Tray Component

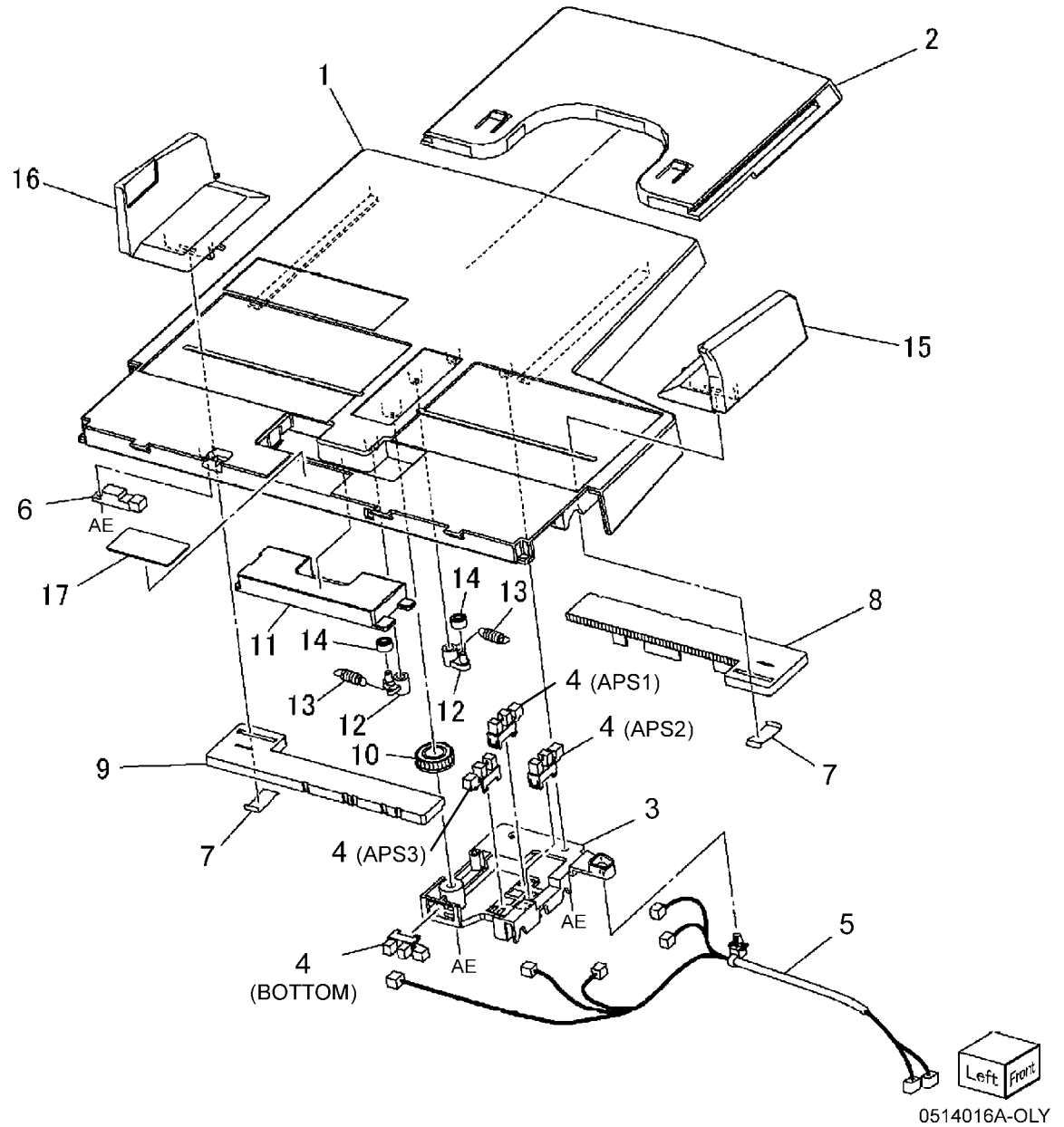
Item	Part	Description
1	-	Bottom Tray (P/O PL 14.4 Item 11)
2	-	Lift Shaft (P/O PL 14.4 Item 11)
3	-	Lift Lever (P/O PL 14.4 Item 11)
4	059E98610	Roll
5	-	Shaft (P/O PL 14.4 Item 11)
6	-	Front Link (P/O PL 14.4 Item 11)
7	-	Rear Link (P/O PL 14.4 Item 11)
8	-	Front Stud (P/O PL 14.4 Item 11)
9	-	Rear Stud (P/O PL 14.4 Item 11)
10	-	Sector Gear (P/O PL 14.4 Item 11)
11	-	Sleeve Bearing (P/O PL 14.4 Item 11)
12	-	Sensor Film (P/O PL 14.4 Item 11)



0514015A-OLY

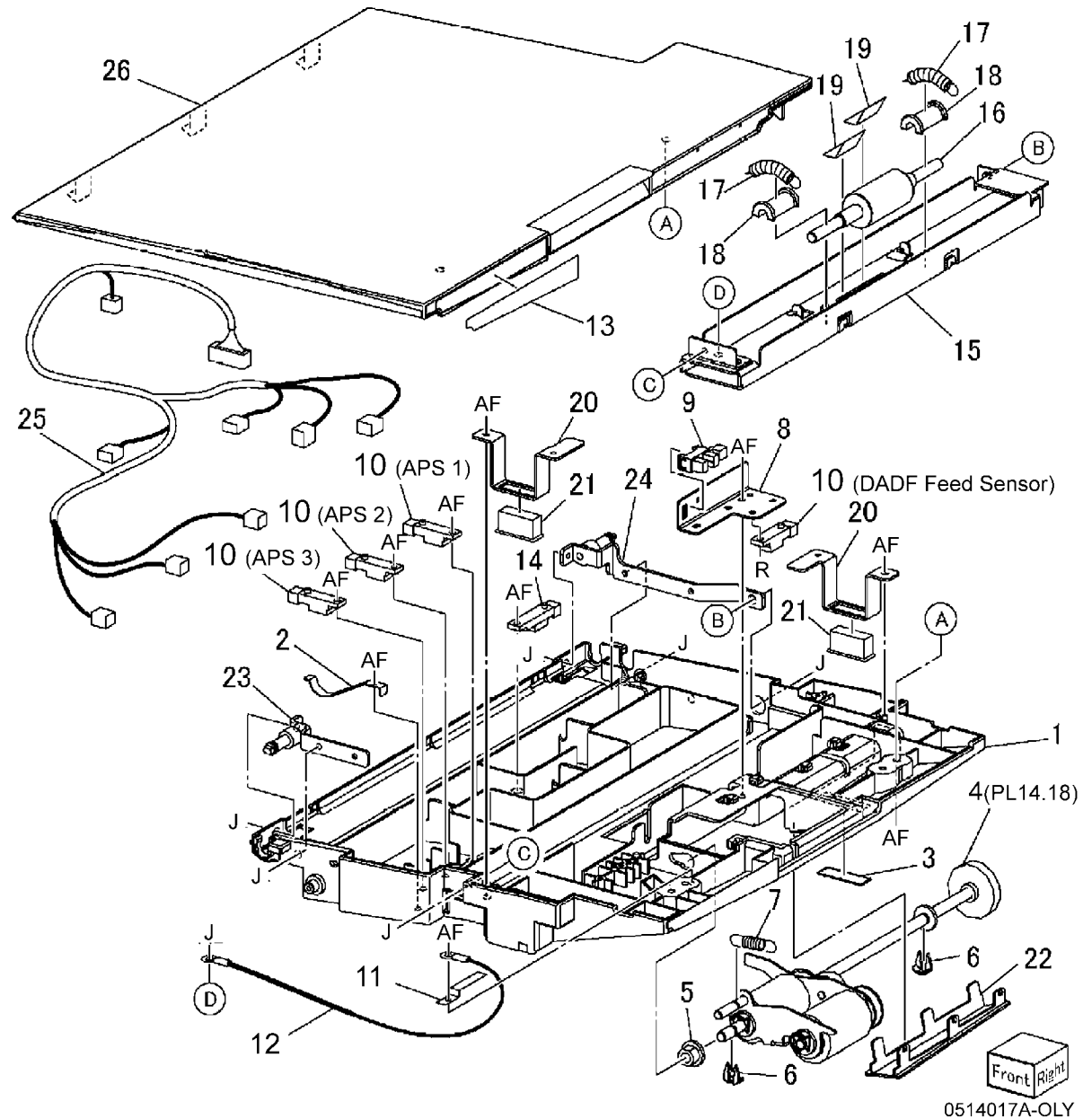
# PL 14.16 DADF Document Upper Tray Component

Item	Part	Description
1	-	Upper Tray (P/O PL 14.4 Item 11)
2	050E20041	Entrance Add Tray
3	-	Sensor Housing (P/O PL 14.4 Item 11)
4	930W00111	Tray APS1, APS2, APS3, Bottom Sensor
5	-	DADF Tray Wire Harness (P/O PL 14.4 Item 11)
6	930W00211	Document Set Sensor
7	-	Rear Gear Spring (P/O PL 14.4 Item 11)
8	-	Front Rack Gear (P/O PL 14.4 Item 11)
9	-	Rear Rack Gear (P/O PL 14.4 Item 11)
10	-	Pinion Gear (P/O PL 14.4 Item 11)
11	-	Window Plate (P/O PL 4.4 Item 11)
12	-	Roll Link (P/O PL 14.4 Item 11)
13	-	Tension Spring (P/O PL 14.4 Item 11)
14	-	Roll (P/O PL 14.4 Item 11)
15	032E21201	Front Side Guide
16	032E21211	Rear Side Guide
17	019K99061	Retard Pad



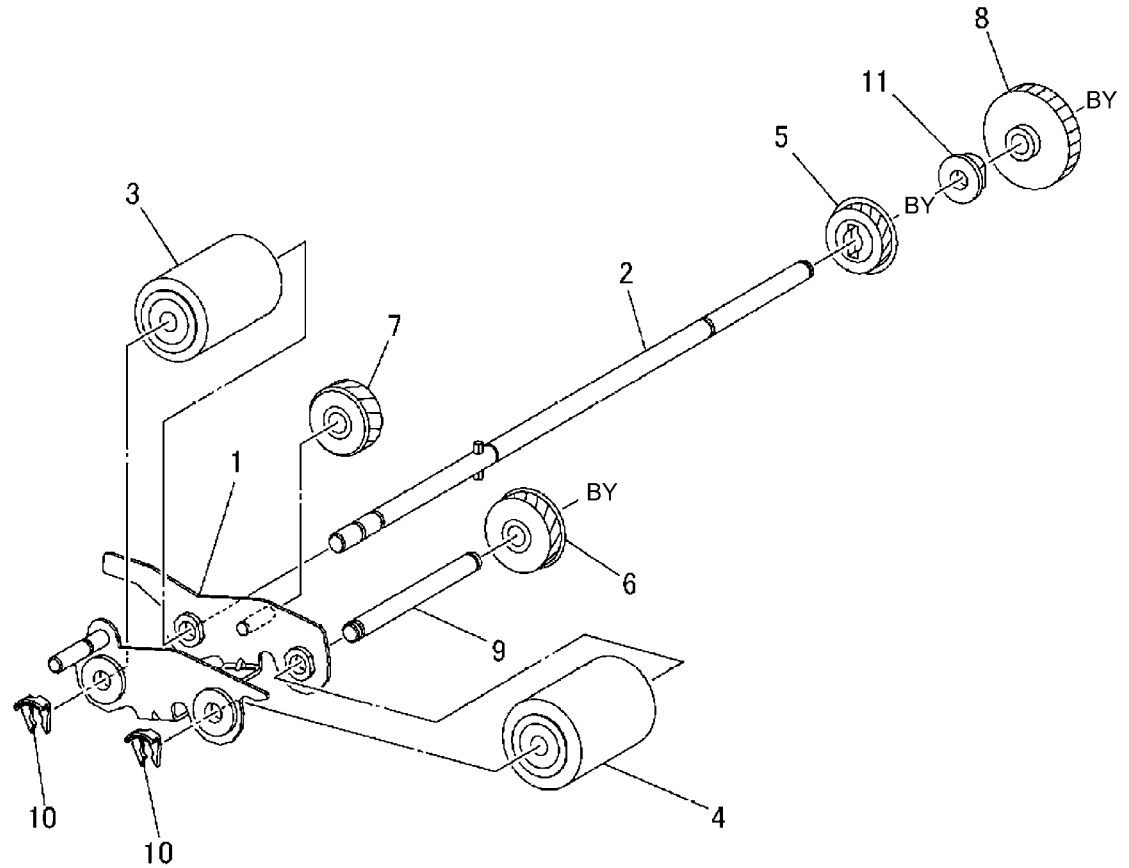
# PL 14.17 Feeder Upper Chute Component

Item	Part	Description
1	-	Feeder Upper Chute
2	809E50920	Plate Spring
3	-	Sensor Shield (P/O PL 14.5 Item 7)
4	802K57201	Feeder/Nudger Roll
5	-	Sleeve Bearing (P/O PL 14.5 Item 7)
6	028E94260	KL-Clip
7	809E50120	Tension Spring
8	-	Sensor Bracket (P/O PL 14.5 Item 7)
9	930W00111	DADF Stack Height Sensor
10	930W00211	DADF Feed Sensor, APS1 Sensor, APS2 Sensor, APS3 Sensor
11	-	Plate Spring (P/O PL 14.5 Item 7)
12	-	Ground Wire (P/O PL 14.5 Item 7)
13	893E09611	Label (Size)
14	130E84300	Pre Registration Sensor
15	-	Pinch Roll Housing (P/O PL 14.5 Item 7)
16	-	Pinch Roll (P/O PL 14.5 Item 7)
17	809E50250	Tension Spring
18	013E24660	Garther Bearing
19	105K21190	Eliminator
20	-	Magnet Bracket (P/O PL 14.5 Item 7)
21	-	Magnet Catch (P/O PL 14.5 Item 7)
22	032E21170	Chute Guide
23	-	Front Hinge (P/O PL 14.5 Item 7)
24	-	Rear Hinge (P/O PL 14.5 Item 7)
25	-	DADF Feeder Wire Harness (P/O PL 14.5 Item 7)
26	802E56931	Feeder Upper Cover



# PL 14.18 Feeder/Nudger Roll Component

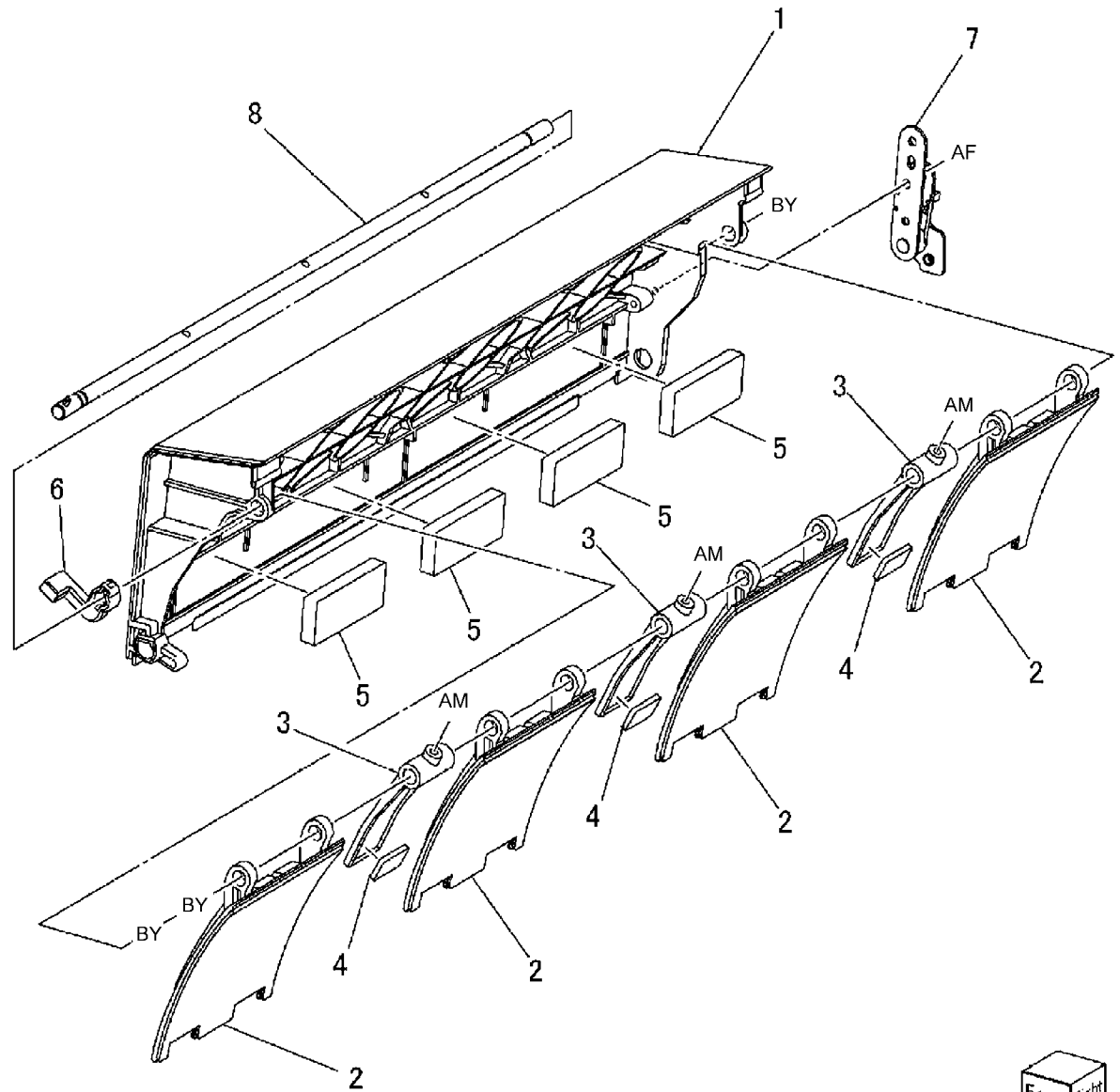
Item	Part	Description
1	—	Nudger Bracket (P/O PL 14.17 Item 4)
2	—	Feed Shaft (P/O PL 14.17 Item 4)
3	059K29520	Feed Roll (REP 5.15)
4	059K29510	Nudger Roll (REP 5.16)
5	—	Gear (38T) (P/O PL 14.17 Item 4)
6	—	Gear (44T) (P/O PL 14.17 Item 4)
7	—	Gear (39T) (P/O PL 14.17 Item 4)
8	—	Gear (29T) (P/O PL 14.17 Item 4)
9	—	Nudger Shaft (P/O PL 14.17 Item 4)
10	028E94260	KL-Clip
11	—	Sleeve Bearing (P/O PL 14.17 Item 4)



0514018A-OLY

# PL 14.19 DADF Left Upper Cover Component

Item	Part	Description
1	-	Left Upper Cover (PL 14.5 Item 12)
2	-	Baffle (PL 14.5 Item 12)
3	-	Baffle Stopper (PL 14.5 Item 12)
4	-	Damper (PL 14.5 Item 12)
5	-	Baffle Cushion (PL 14.5 Item 12)
6	-	Actuator (PL 14.5 Item 12)
7	-	Hinge (PL 14.5 Item 12)
8	-	Baffle Shaft (PL 14.5 Item 12)

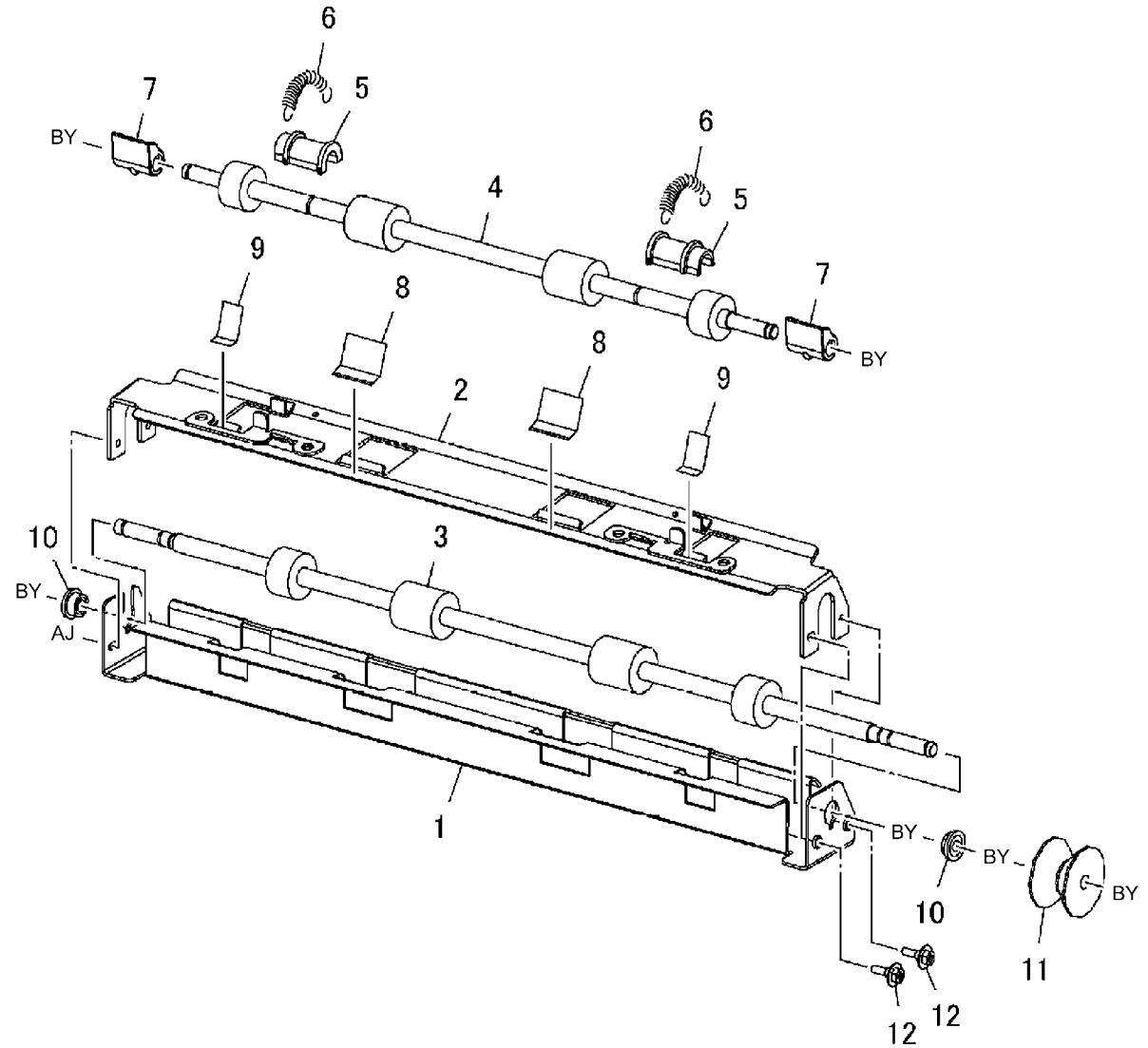


0514019A-OLY



# PL 14.20 Pre Registration Roll Chute Component

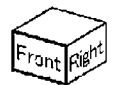
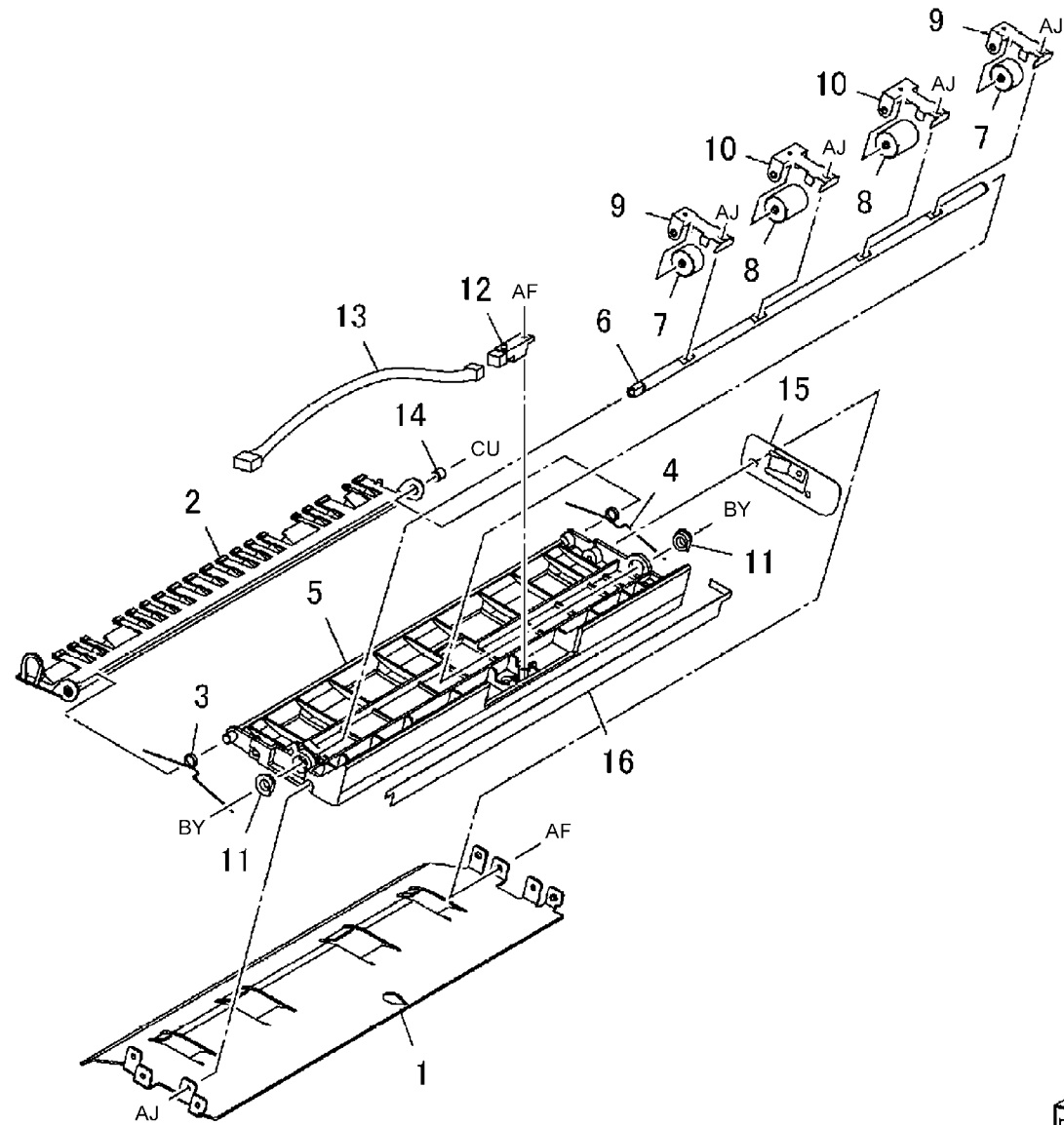
Item	Part	Description
1	-	Pre Registration Lower Chute (PL 14.7 Item 9)
2	-	Pre Registration Upper Chute (PL 14.7 Item 9)
3	-	Pre Registration Roll (PL 14.7 Item 9)
4	-	Pinch Roll (PL 14.7 Item 9)
5	-	Garter Bearing (PL 14.7 Item 9)
6	-	Tension Spring (PL 14.7 Item 9)
7	-	Release Cam (PL 14.7 Item 9)
8	-	Eliminator
9	-	Eliminator (PL 14.7 Item 9)
10	013E24840	Ball Bearing
11	-	Home Pulley (PL 14.7 Item 9)
12	-	Shoulder Screw



0514020A-OLY

# PL 14.21 Inverter Exit Chute Component

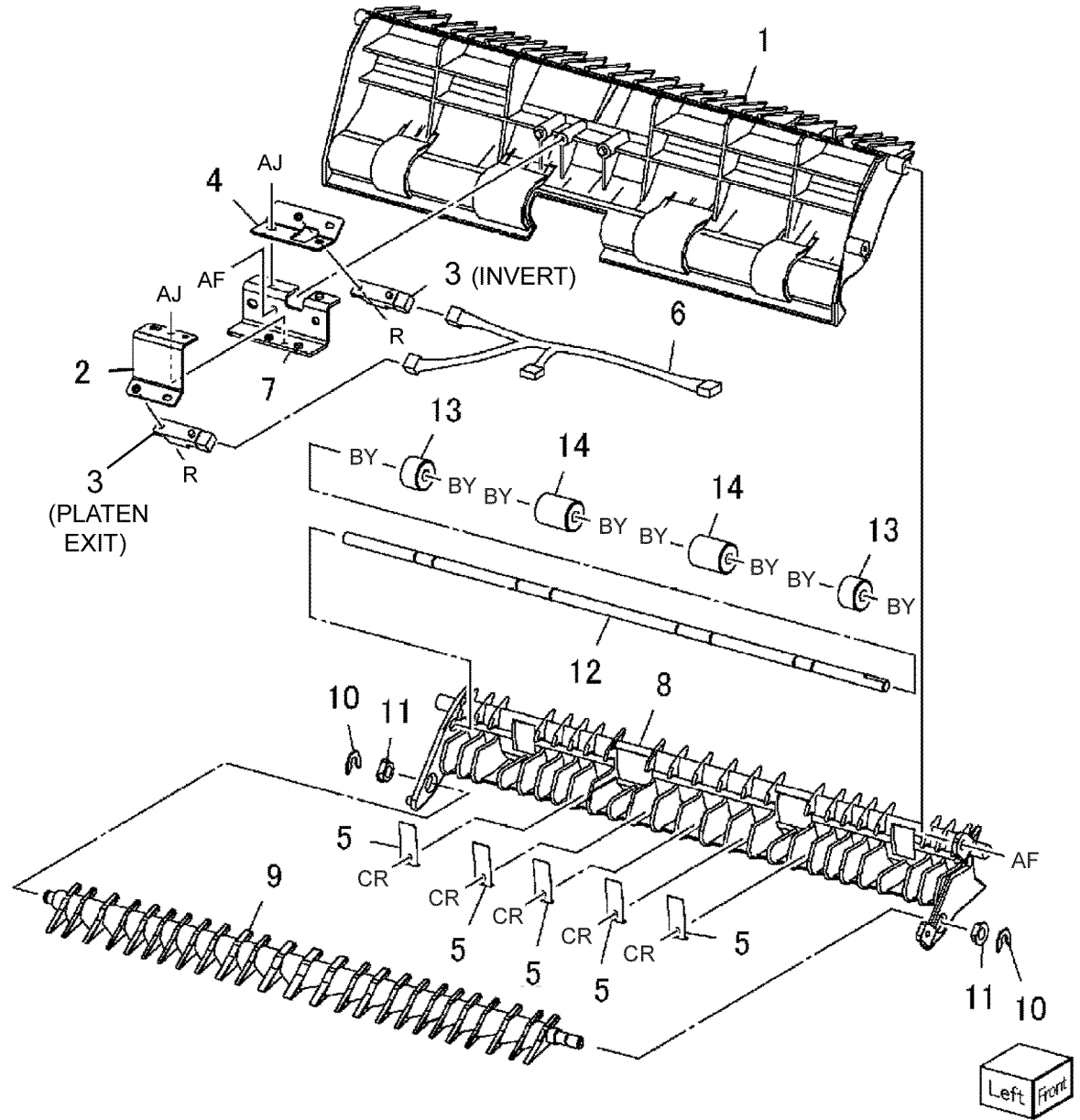
Item	Part	Description
1	-	Inverter Exit Chute (P/O PL 14.11 Item 9)
2	-	Inverter Upper Gate (P/O PL 14.11 Item 9)
3	-	Torsion Spring (P/O PL 14.11 Item 9)
4	-	Torsion Spring (P/O PL 14.11 Item 9)
5	-	Pinch Roll Housing (P/O PL 14.11 Item 9)
6	-	Shaft (P/O PL 14.11 Item 9)
7	-	Pinch Roll (P/O PL 14.11 Item 9)
8	-	Pinch Roll (P/O PL 14.11 Item 9)
9	-	Pinch Spring (P/O PL 14.11 Item 9)
10	-	Pinch Spring (P/O PL 14.11 Item 9)
11	-	Sleeve Bearing (P/O PL 14.11 Item 9)
12	930W00211	Invert Sensor 2
13	-	Sensor Wire Harness (P/O PL 14.11 Item 9)
14	-	Spacer (P/O PL 14.11 Item 9)
15	-	Earth Spring (P/O PL 14.11 Item 9)
16	-	Eliminator (P/O PL 14.11 Item 9)



0514021A-OLY

## PL 14.22 Guide Chute Component

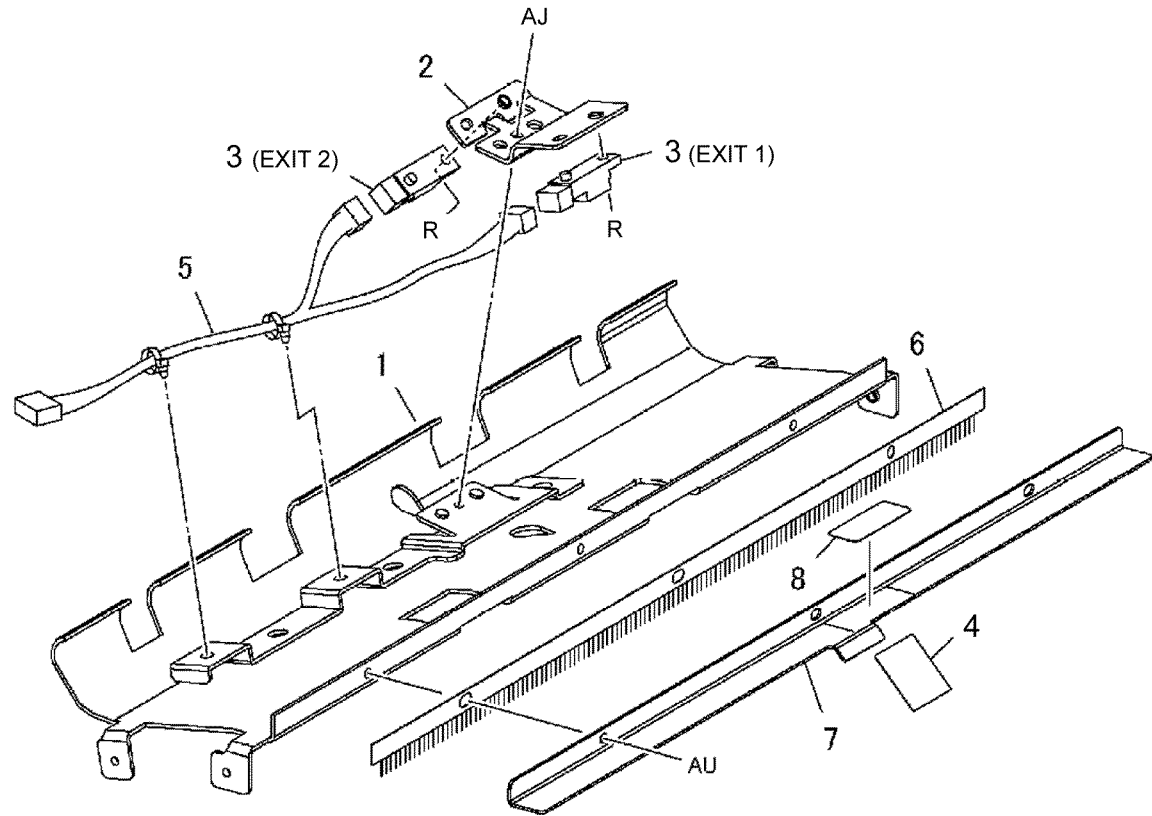
Item	Part	Description
1	-	Guide Chute (P/O PL 14.11 Item 10)
2	-	Sensor Bracket (P/O PL 14.11 Item 10)
3	930W00211	Platen Exit Sensor, Invert Sensor 1
4	-	Sensor Bracket (P/O PL 14.11 Item 10)
5	-	Pinch Spring (P/O PL 14.11 Item 10)
6	-	Sensor Wire Harness (P/O PL 14.11 Item 10)
7	-	Sensor Bracket (P/O PL 14.11 Item 10)
8	-	Gate Housing (P/O PL 14.11 Item 10)
9	-	Simp/Dup Gate (P/O PL 14.11 Item 10)
10	-	C-Clip (P/O PL 14.11 Item 10)
11	-	Sleeve Bearing (P/O PL 14.11 Item 10)
12	-	Shaft (P/O PL 14.11 Item 10)
13	-	Pinch Roll (P/O PL 14.11 Item 10)
14	-	Pinch Roll (P/O PL 14.11 Item 10)



0514022A-OLY

## PL 14.23 Exit Upper Chute Component

Item	Part	Description
1	-	Exit Upper Chute (P/O PL 14.12 Item 7)
2	-	Sensor Bracket (P/O PL 14.12 Item 7)
3	930W00211	DADF Exit Sensor 1 (REP 5.19), Exit Sensor 2 (REP 5.18)
4	-	Guide Film (P/O PL 14.12 Item 7)
5	-	Sensor Wire Harness (P/O PL 14.12 Item 7)
6	105E12240	Static Eliminator
7	-	Guide Bracket (P/O PL 14.12 Item 7)
8	055K31520	Sensor Shield

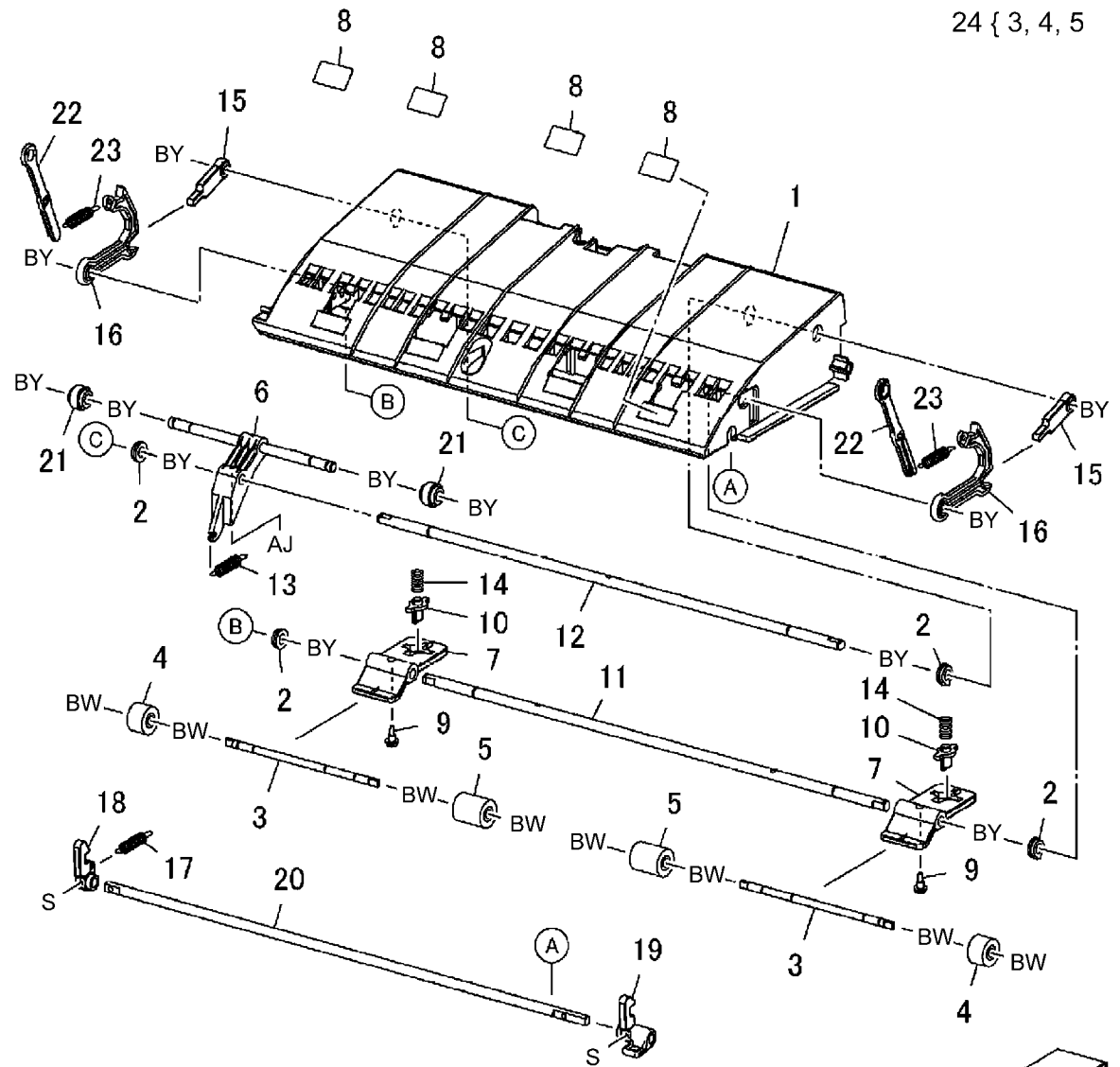


0514023A-OLY

# PL 14.24 Exit Lower Chute Component

24 { 3, 4, 5

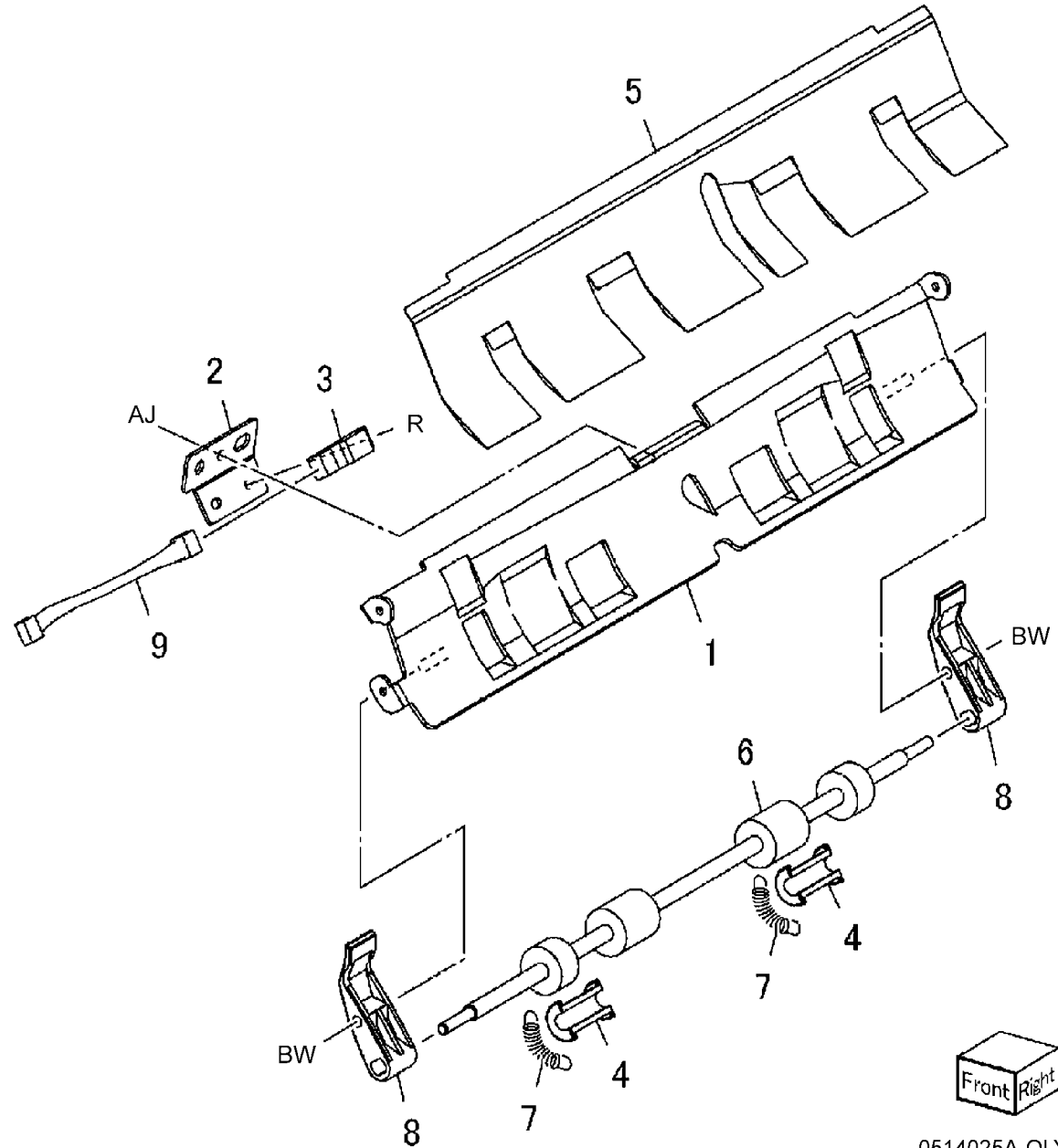
Item	Part	Description
1	-	Exit Lower Chute (P/O PL 14.12 Item 8)
2	-	Sleeve Bearing (P/O PL 14.12 Item 8)
3	-	Pinch Roll Shaft (P/O PL 14.24 Item 24)
4	-	Pinch Roll (P/O PL 14.24 Item 24)
5	-	Pinch Roll (P/O PL 14.24 Item 24)
6	-	Pinch Roll Shaft (P/O PL 14.12 Item 8)
7	-	Pinch Plate (P/O PL 14.12 Item 8)
8	103E29870	Film
9	-	Shoulder Screw (P/O PL 14.12 Item 8)
10	-	Spring Cap (P/O PL 14.12 Item 8)
11	-	Shaft (P/O PL 14.12 Item 8)
12	-	Shaft (P/O PL 14.12 Item 8)
13	-	Tension Spring (P/O PL 14.12 Item 8)
14	-	Compression Spring (P/O PL 14.12 Item 8)
15	-	Link (P/O PL 14.12 Item 8)
16	-	Link (P/O PL 14.12 Item 8)
17	-	Tension Spring (P/O PL 14.12 Item 8)
18	012E11601	Rear Latch
19	012E11590	Front Latch
20	-	Latch Shaft (P/O PL 14.12 Item 8)
21	-	Pinch Roll (P/O PL 14.12 Item 8)
22	-	Link (P/O PL 14.12 Item 8)
23	-	Tension Spring (P/O PL 14.12 Item 8)
24	059K31033	Pinch Roll Assembly



0514024A-OLY

# PL 14.25 Registration Out Chute Component

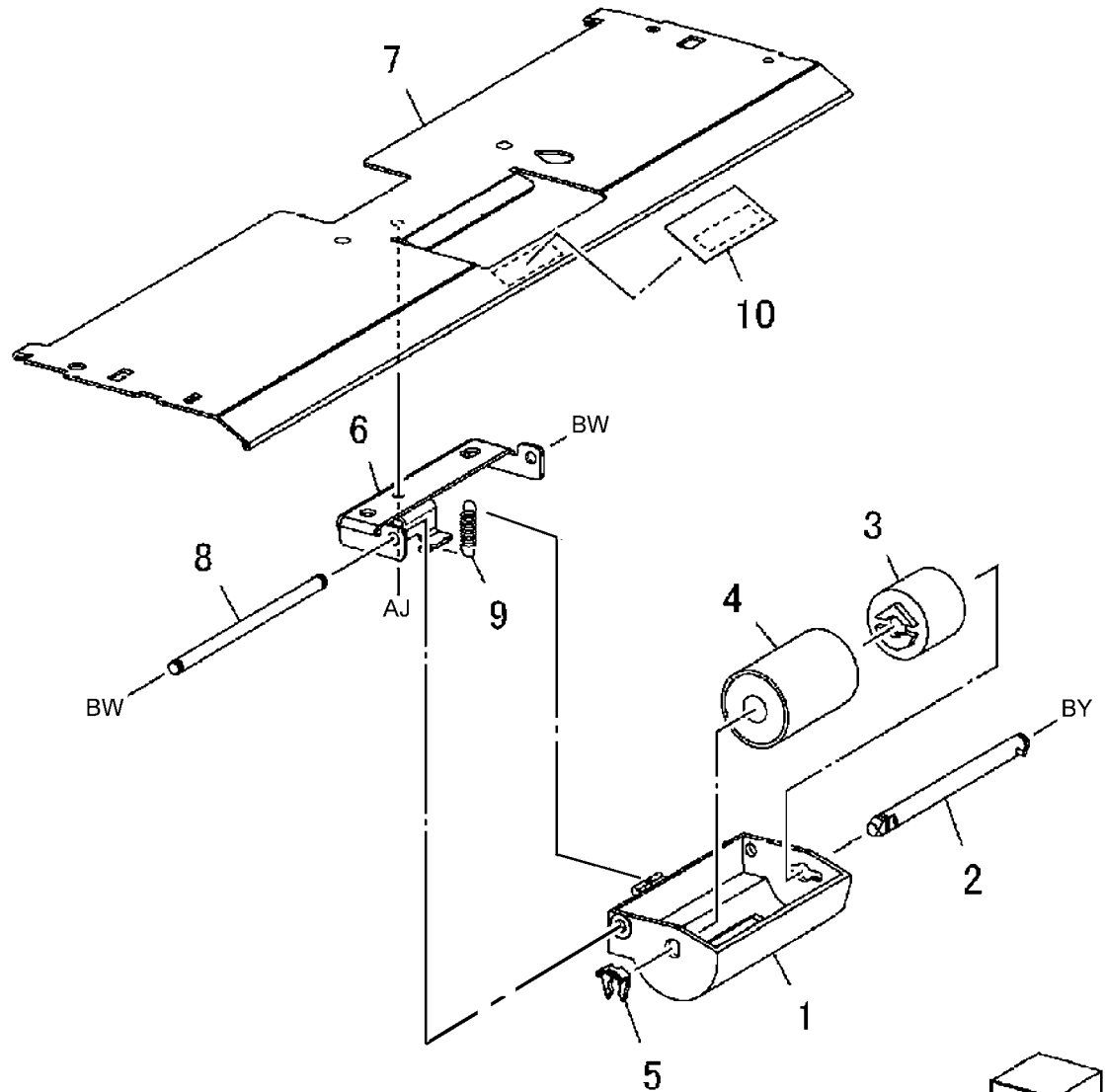
Item	Part	Description
1	-	Registration Out Chute (P/O PL 14.12 Item 9)
2	-	Sensor Bracket (P/O PL 14.12 Item 9)
3	930W00211	DADF Registration Sensor (REP 5.21)
4	013E24660	Garter Bearing
5	-	Film (P/O PL 14.12 Item 9)
6	-	Pinch Roll (P/O PL 14.12 Item 9)
7	809E50270	Tension Spring
8	012E11430	Link
9	-	Sensor Wire Harness (P/O PL 14.12 Item 9)



0514025A-OLY

## PL 14.26 Feeder Lower Chute Component

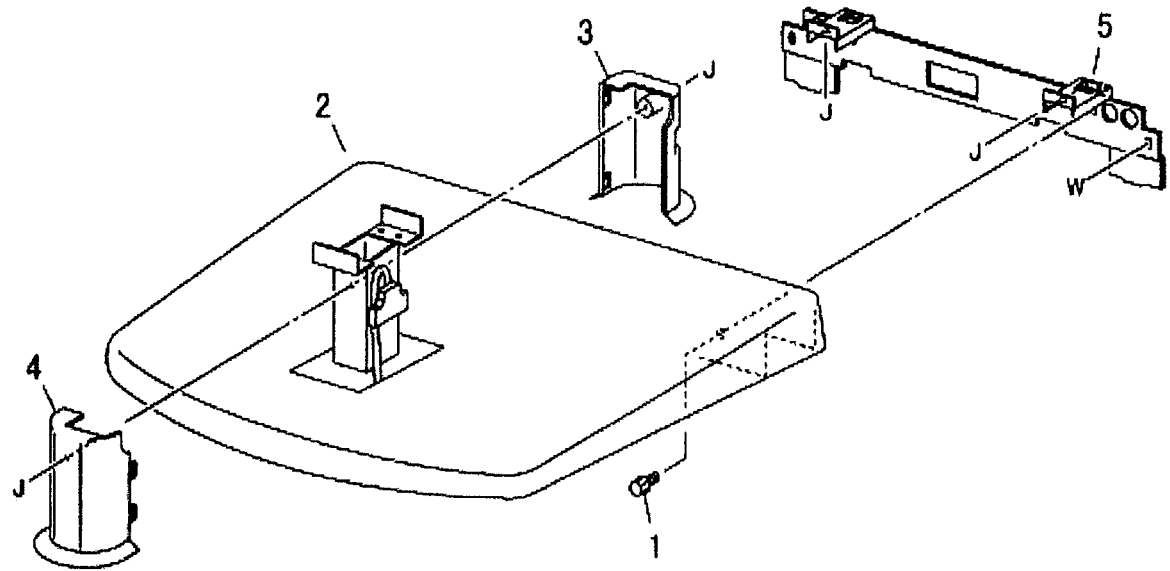
Item	Part	Description
1	-	Retard Roll Housing (P/O PL 14.12 Item 10)
2	-	Retard Roll Shaft (P/O PL 14.12 Item 10)
3	005K06810	Torque Limiter
4	059K30951	Retard Roll (REP 5.22)
5	028E94260	KL-Clip
6	-	Bracket (P/O PL 14.12 Item 10)
7	054K24496	Feeder Lower Chute
8	-	Shaft (P/O PL 14.12 Item 10)
9	-	Tension Spring (P/O PL 14.12 Item 10)
10	-	Film (P/O PL 14.12 Item 10)



0514026A-OL'

## PL 15.1 UI Base

Item	Part	Description
1	003E63230	Screw Thumb
2	-	Tray Assy (Not Spared) (REP 4.1)
3	-	Neck Right Cover (Not Spared)
4	-	Neck Left Cover (Not Spared)
5	-	Bracket (Not Spared)

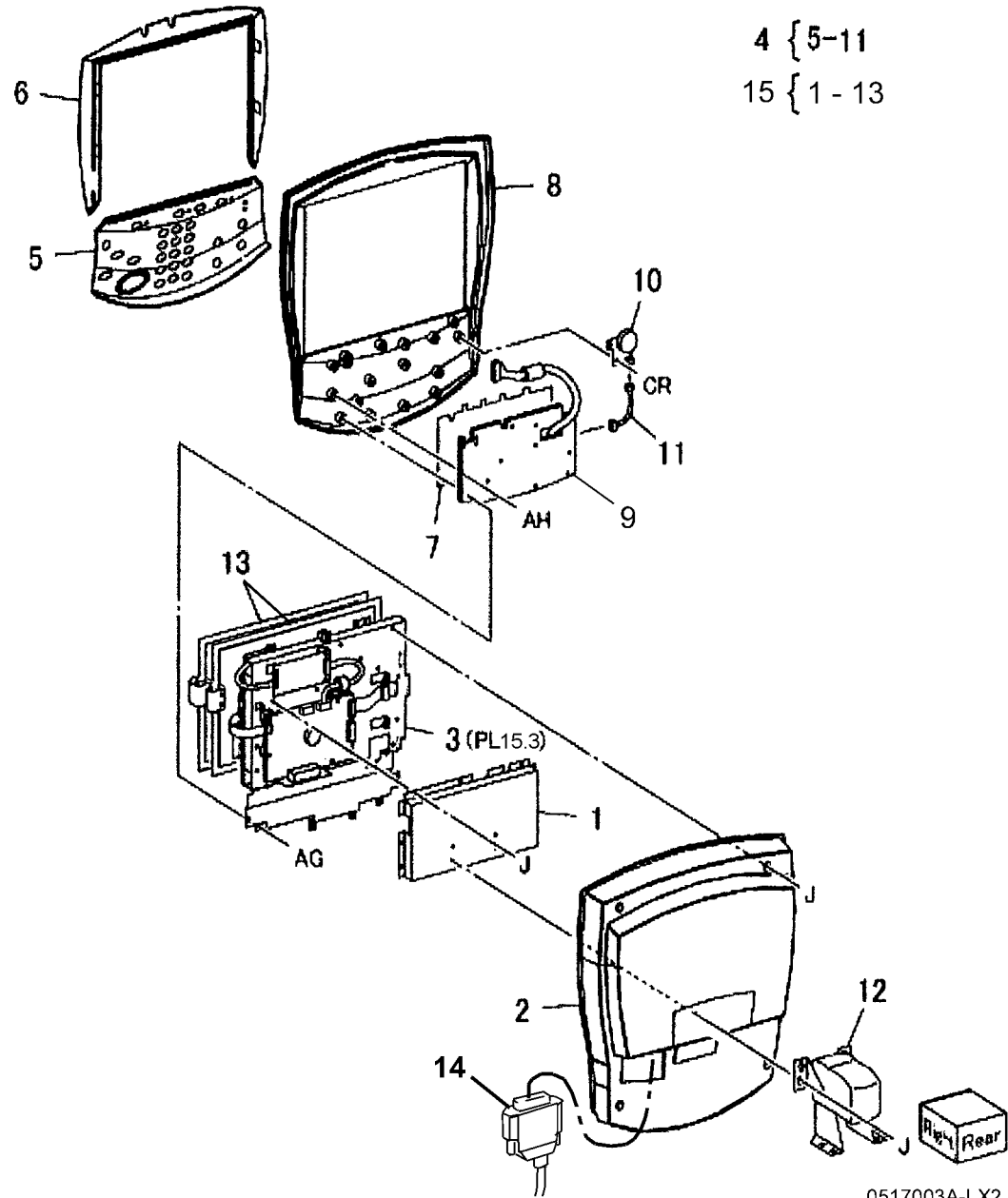


0217002A-OLY



## PL 15.2 Control Panel

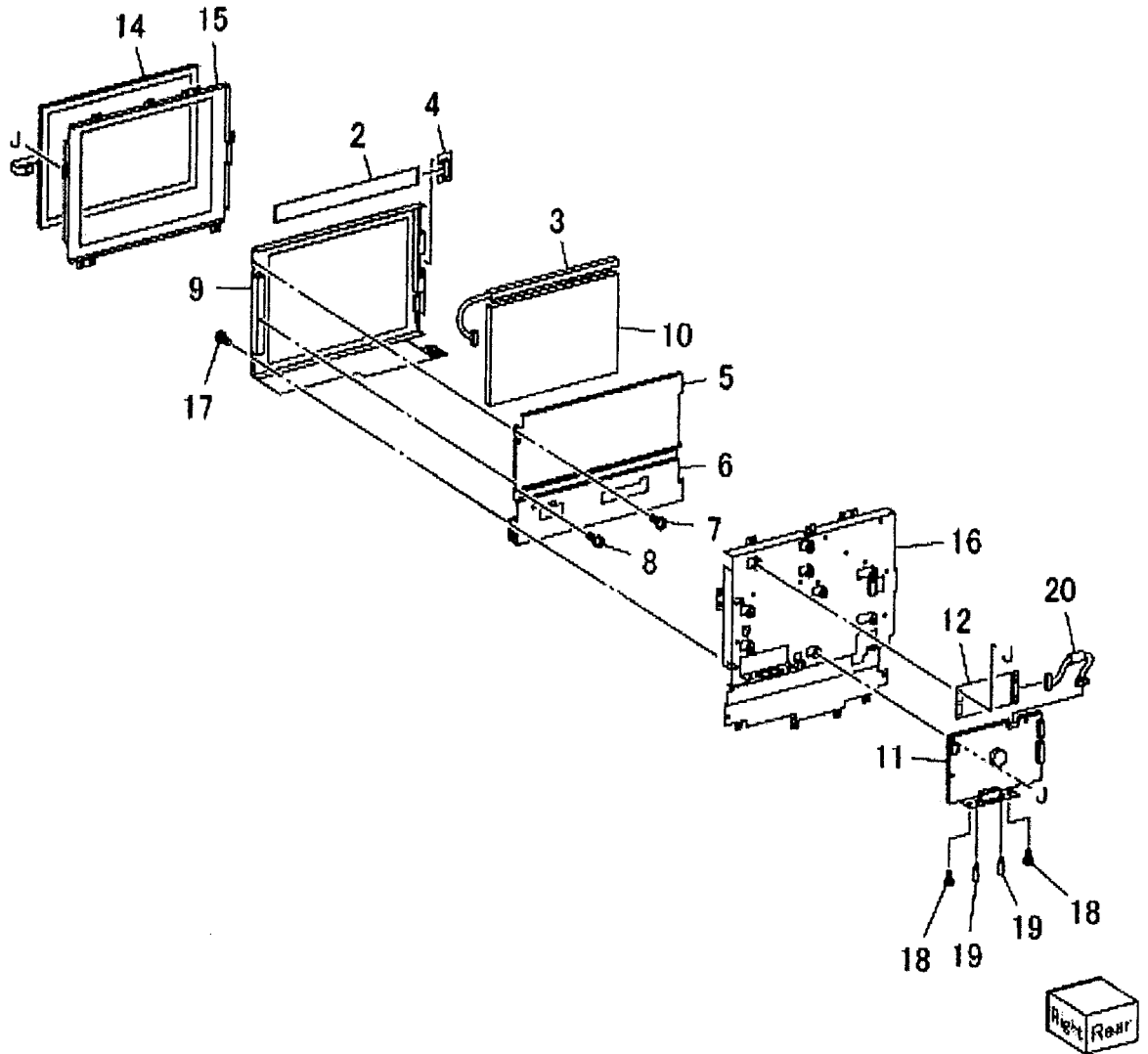
Item	Part	Description
1	-	Cover EME (Not Spared)
2	-	Cover Rear Base (Not Spared)
3	-	LCD Touch Panel Assembly (Not Spared)(PL 15.3)
4	-	Control Panel Assembly (60 Hz) (Not Spared)
-	-	Control Panel Assembly (50 Hz) (Not Spared)
5	-	Overlay Cover (P/O PL 15.2 Item 4)
6	-	Bezel Cover (P/O PL 15.2 Item 4)
7	-	Mylar Sheet (P/O PL 15.2 Item 4)
8	-	Case (P/O PL 15.2 Item 4)
9	-	Switch/Led/ PWB (P/O PL 15.2 Item 4)
10	-	VR PWB (P/O PL 15.2 Item 4)
11	-	VR Cable (P/O PL 15.2 Item 4)
12	802K63681	Tilt Swivel
13	-	ESD Sheet (Not Spared)
14	117K37660	UI/SBC Interface Cable
15	848K34871	UI Console Assembly (60 Hz)
-	848K34882	UI Console Assembly (50 Hz)



# PL 15.3 UI/LCD Touch Panel

Item	Part	Description
1	123K98720	LCD Module Assembly
2	-	Flexible Printer Cable (Not Spared)
3	-	Lamp (P/O PL 15.3 Item 1)
4	-	LCD PWB (P/O PL 15.3 Item 1)
5	-	Cover (P/O PL 15.3 Item 1)
6	-	Cover (P/O PL 15.3 Item 1)
7	-	Screw (P/O PL 15.3 Item 1)
8	-	Tapping Screw (P/O PL 15.3 Item 1)
9	-	LCD Frame (P/O PL 15.3 Item 1)
10	-	LCD (P/O PL 15.3 Item 1)
11	160K97895	UI PWB
12	105E18030	Inverter PWB
13	802K65291	Touch Panel Assembly
14	-	Touch Panel (P/O PL 15.3 Item 13)
15	-	Panel Plate (P/O PL 15.3 Item 13)
16	-	LCD Plate (Not Spared)
17	-	Screw (Not Spared)
18	-	Screw (Not Spared)
19	826E08490	Screw
20	-	Wire Harness (Not Spared)

1 { 2-10  
13 { 14, 15

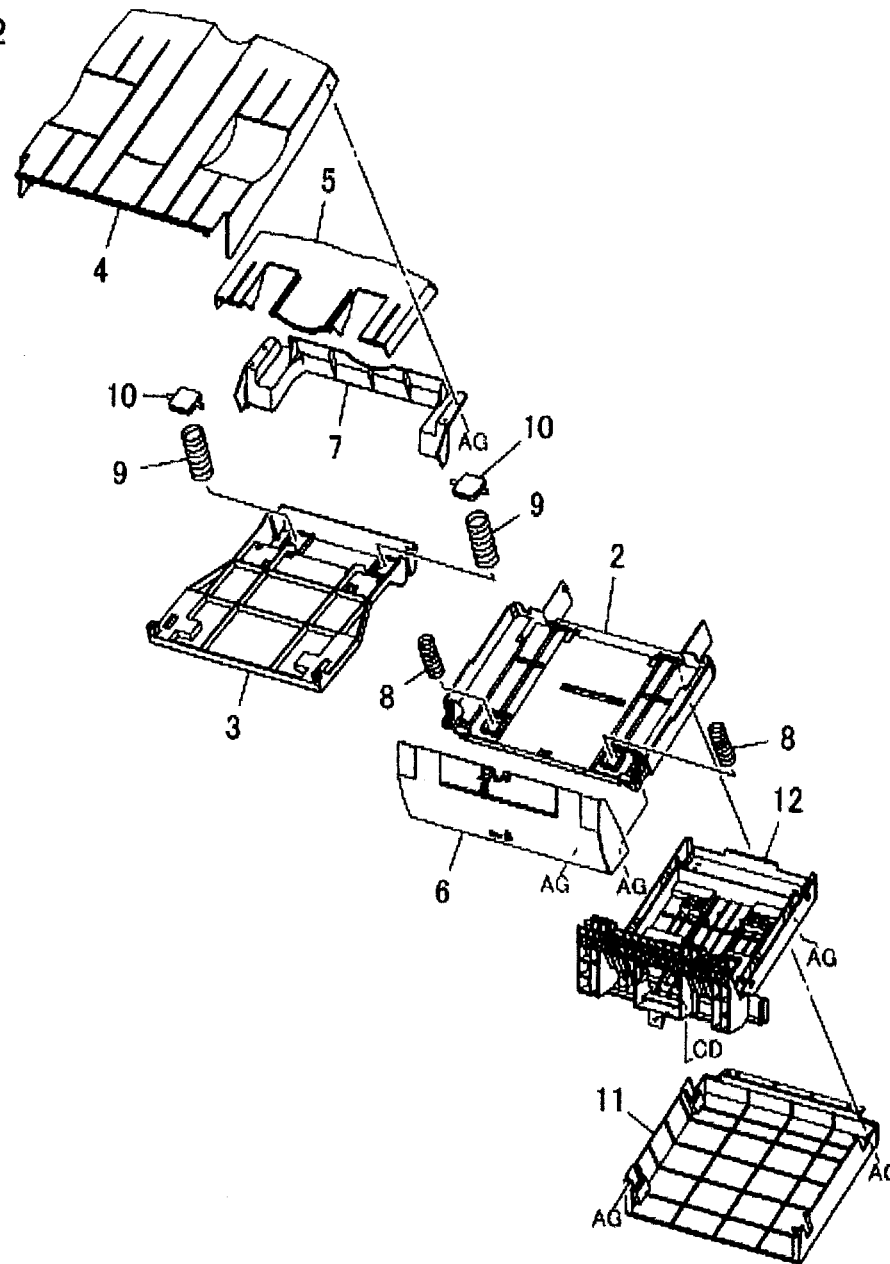


0517004A-LX2

# PL 16.1 SCT

Item	Part	Description
1	050K50991	SCT
2	-	Base Tray (P/O PL 16.1 Item 1)
3	-	Center Tray (P/O PL 16.1 Item 1)
4	-	Catch Tray (P/O PL 16.1 Item 1)
5	-	Extension Tray (P/O PL 16.1 Item 1)
6	-	Wall Tray (P/O PL 16.1 Item 1)
7	-	Catch Tray Cover (P/O PL 16.1 Item 1)
8	-	Spring (P/O PL 16.1 Item 1)
9	-	Spring (P/O PL 16.1 Item 1)
10	-	Plate (P/O PL 16.1 Item 1)
11	-	Bottom Cover (P/O PL 16.1 Item 1)
12	-	Support (P/O PL 16.1 Item 1)

1 {2-12}

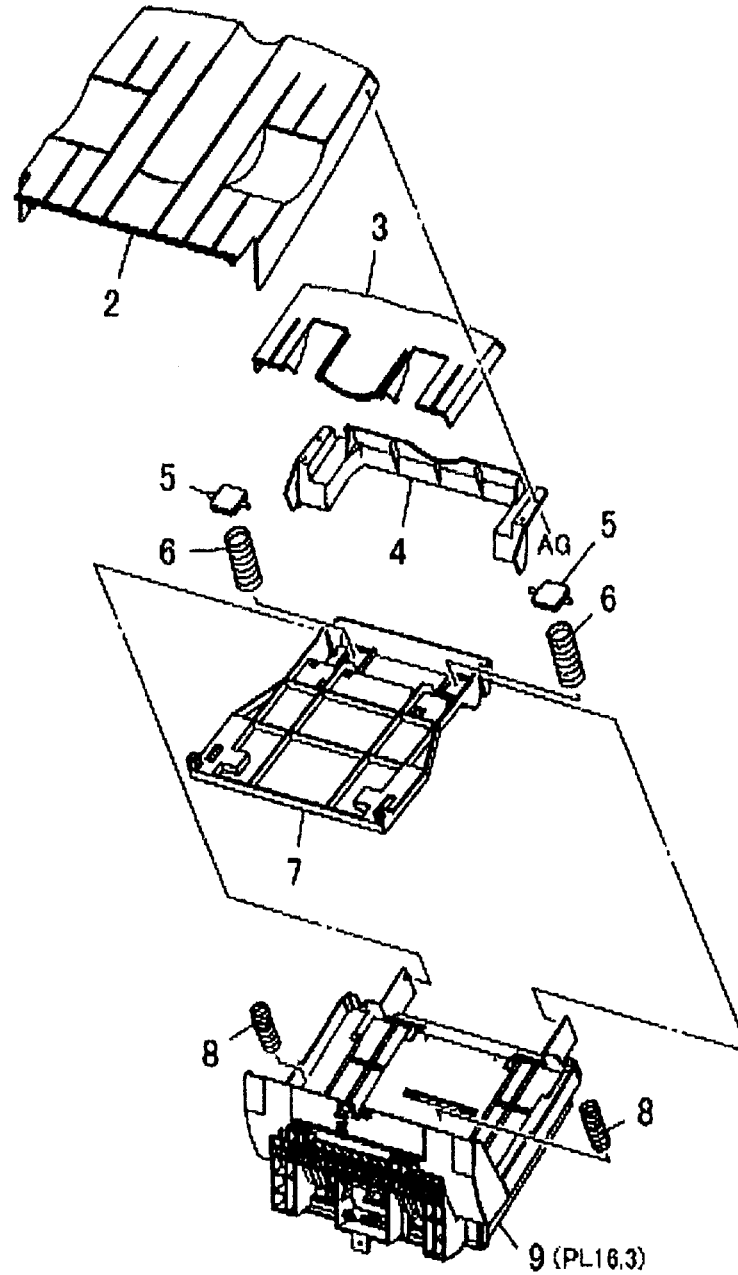


0516001A-OLY

# PL 16.2 OCT (1 of 2)

Item	Part	Description
1	050K50985	OCT
2	-	Catch Tray (P/O PL 16.2 Item 1)
3	-	Extension Tray (P/O PL 16.2 Item 1)
4	-	Catch Tray Cover (P/O PL 16.2 Item 1)
5	-	Plate (P/O PL 16.2 Item 1)
6	-	Spring (P/O PL 16.2 Item 1)
7	-	Center Tray (P/O PL 16.2 Item 1)
8	-	Spring (P/O PL 16.2 Item 1)
9	-	Base Tray Assembly (P/O PL 16.2 Item 1)

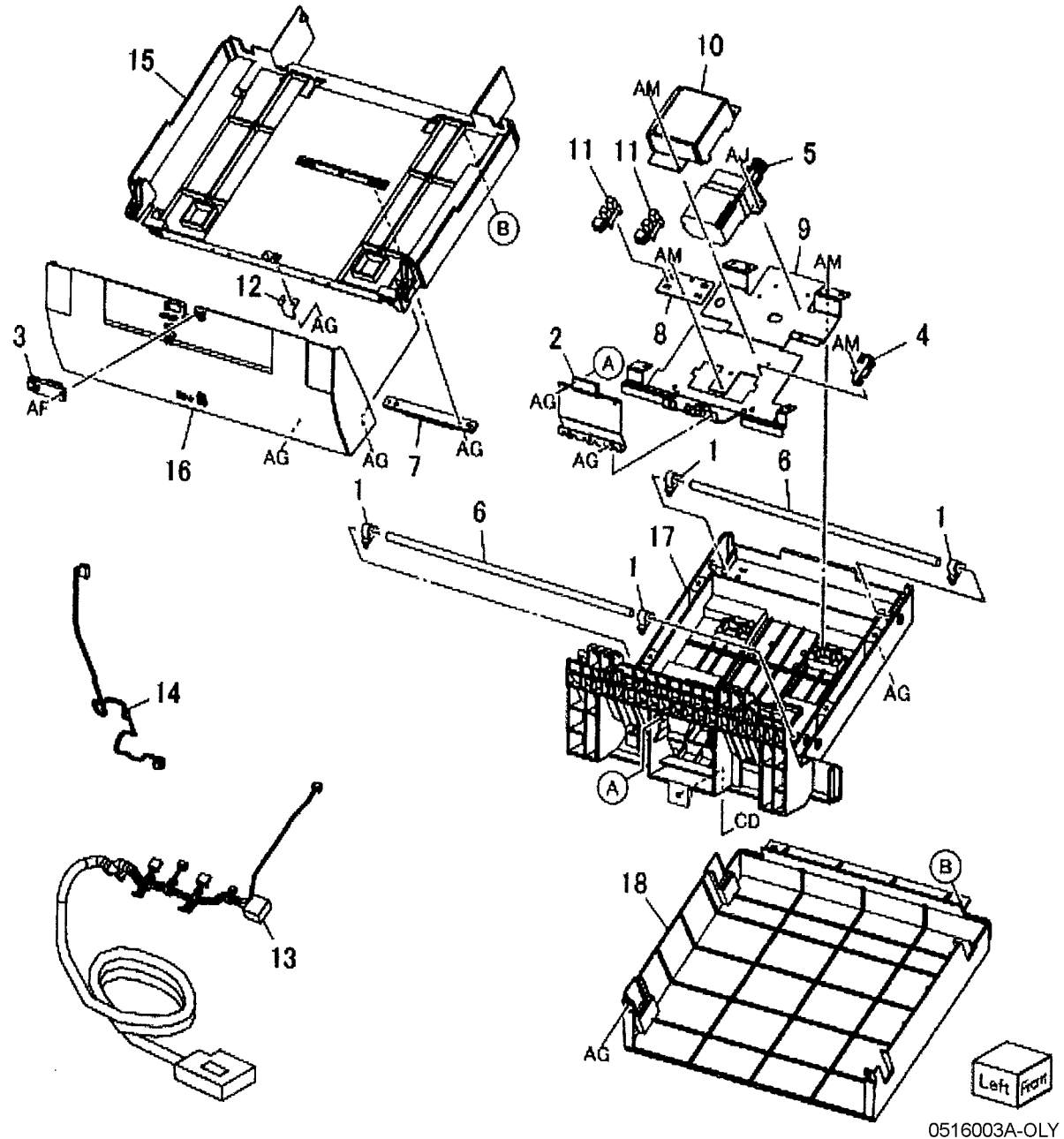
1 { 2 - 9



0516002A-OLY

# PL 16.3 OCT (2 of 2)

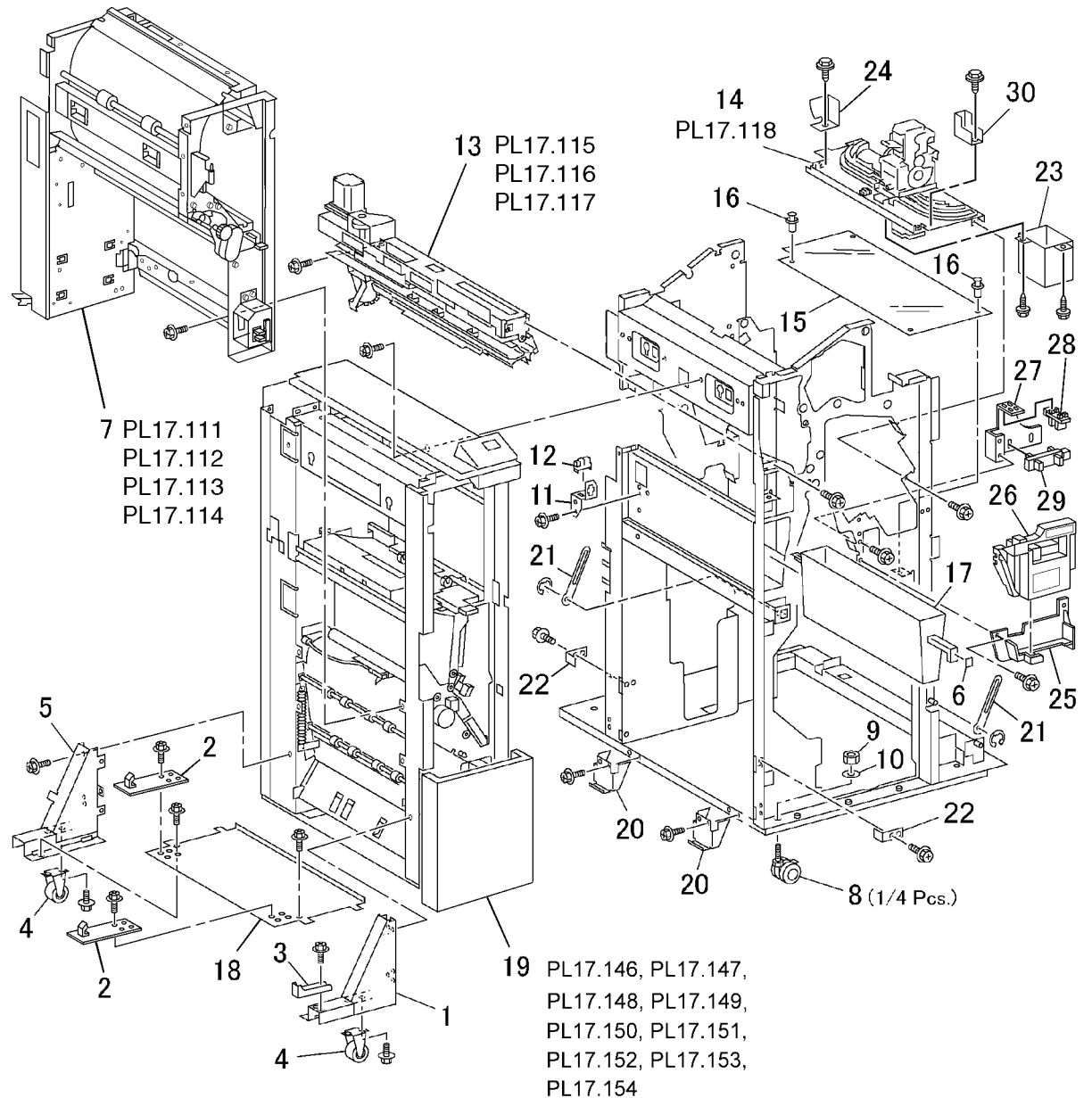
Item	Part	Description
1	-	Bearing (P/O PL 16.2 Item 1)
2	-	Gasket (P/O PL 16.2 Item 1)
3	930W00211	Tray Full Sensor
4	-	Clamp (P/O PL 16.2 Item 1)
5	127K39971	OCT Motor
6	-	Shaft (P/O PL 16.2 Item 1)
7	-	Rack (P/O PL 16.2 Item 1)
8	-	Bracket (P/O PL 16.2 Item 1)
9	-	Plate (P/O PL 16.2 Item 1)
10	-	Motor Cover (P/O PL 16.2 Item 1)
11	930W00111	Front and Rear Position Sensor
12	-	Actuator (P/O PL 16.2 Item 1)
13	-	Wire Harness (Not Spared)
14	-	Wire Harness (Not Spared)
15	-	Base Tray (P/O PL 16.2 Item 1)
16	-	Wall Tray (P/O PL 16.2 Item 1)
17	-	Support (P/O PL 16.2 Item 1)
18	-	Bottom Cover (P/O PL 16.2 Item 1)



0516003A-OLY

# PL 17.101 Finisher Base Component

Item	Part	Description
1	-	Front Foot Bracket (Not Spared)
2	-	EME Plate (Not Spared)
3	-	Hinge (Not Spared)
4	-	Caster
5	-	Rear Foot Bracket (Not Spared)
6	-	Label (R4) (Not Spared)
7	-	I/F Module (Not Spared) (REP 17.1, REP 17.35)
8	017E97570	Caster
9	-	Nut (Not Spared)
10	-	Spring Washer (Not Spared)
11	-	Sensor Bracket (Not Spared)
12	130K70160	Punch Box Set Sensor
13	801K25911	2/3 Hole Punch Unit (XC)
-	801K25921	Punch Unit (2/4 Hole) (XE) (REP 17.3)
14	-	Staple Unit (Not Spared) (REP 17.4)
15	-	Harness Cover (Not Spared)
16	-	Rivet (Not Spared)
17	030K76950	Punch Box
18	-	Bottom Plate (Not Spared)
19	-	Folder (Not Spared) (REP 17.2)
20	849E06640	Lower Bracket
21	-	Stopper (Stacker) (Not Spared)
22	849E06650	Side Bracket
23	848E09050	Motor Cover
24	848E09060	Dust Cover (Rear)
25	849E80060	Guide
26	060K96901	Staple Waste Bin
27	-	Sensor Bracket (Not Spared)
28	-	Staple Waste Bin Set Sensor (REP 17.6)
29	130E92940	Staple Waste Bin Full Sensor (REP 17.6)
30	054K31660	Staple Waste Chute

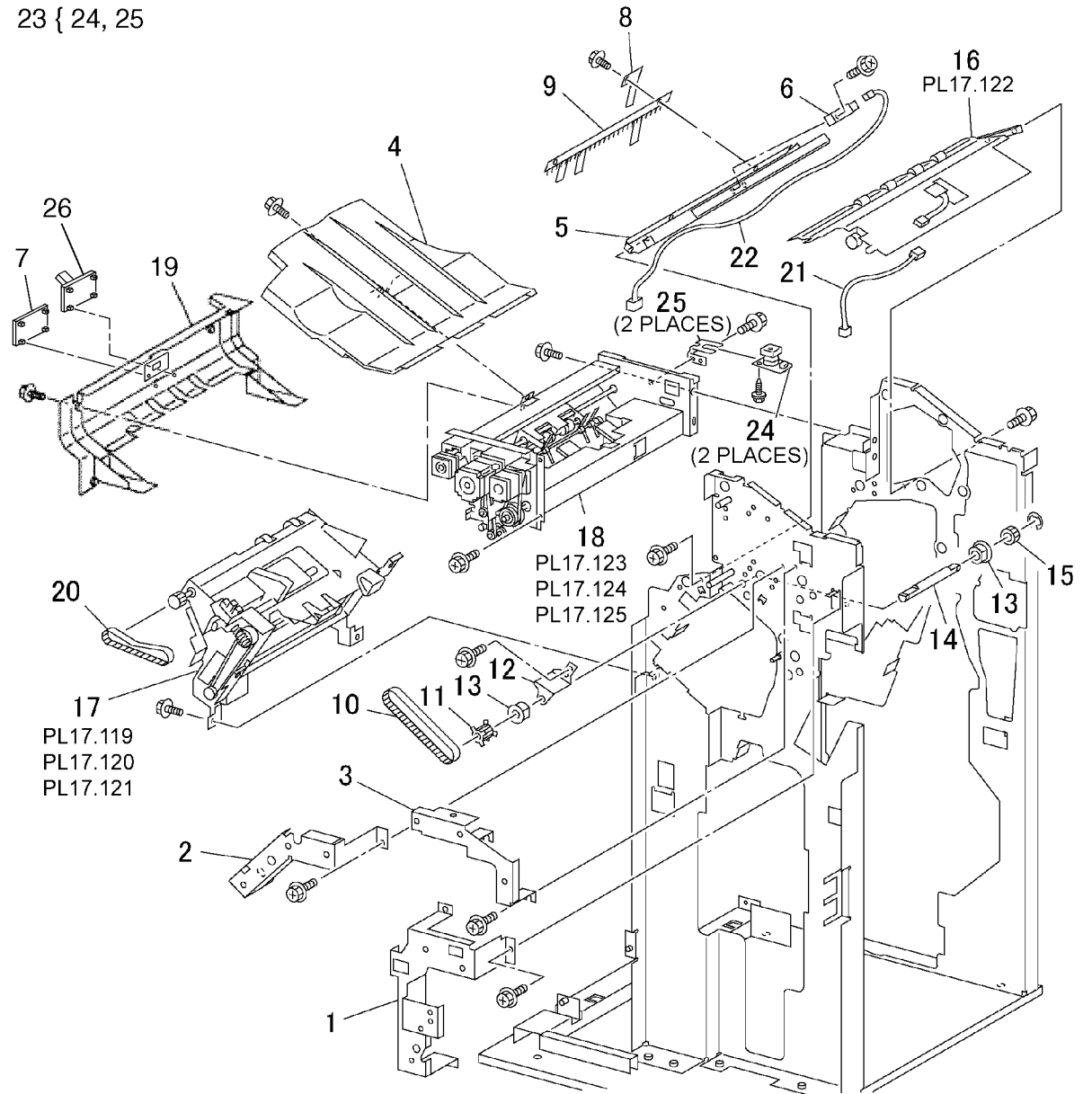


0517101A-FHJ

# PL 17.102 Finisher Base Component-2

Item	Part	Description
1	-	Harness Bracket (Not Spared)
2	-	Harness Bracket (Not Spared)
3	-	Harness Bracket (Not Spared)
4	050K60730	Single Catch Tray
5	-	Upper Exit Chute (Not Spared)
6	130E87370	Compile Exit Sensor
7	-	Stopper (Not Spared)
8	038E33760	Curl Guide
9	105K22210	Eliminator Assembly
10	423W30654	Belt
11	-	Pulley
12	-	Bracket (Not Spared)
13	413W75959	Bearing
14	-	Main Paddle Drive Shaft (Not Spared)
15	007E89910	Gear
16	-	Lower Exit Chute (Not Spared) (REP 17.10)
17	801K25930	Compile Unit (REP 17.8)
18	801K29830	Eject Unit (REP 17.7)
19	-	Eject Cover
20	423W45454	Belt
21	962K58130	Wire Harness
22	962K45850	Wire Harness
23	049K03270	Manual Decurler Switch Assembly
24	110K12371	Manual Decurler Switch
25	-	Switch Bracket (P/O PL 17.102 Item 23)
26	003K15010	Stopper

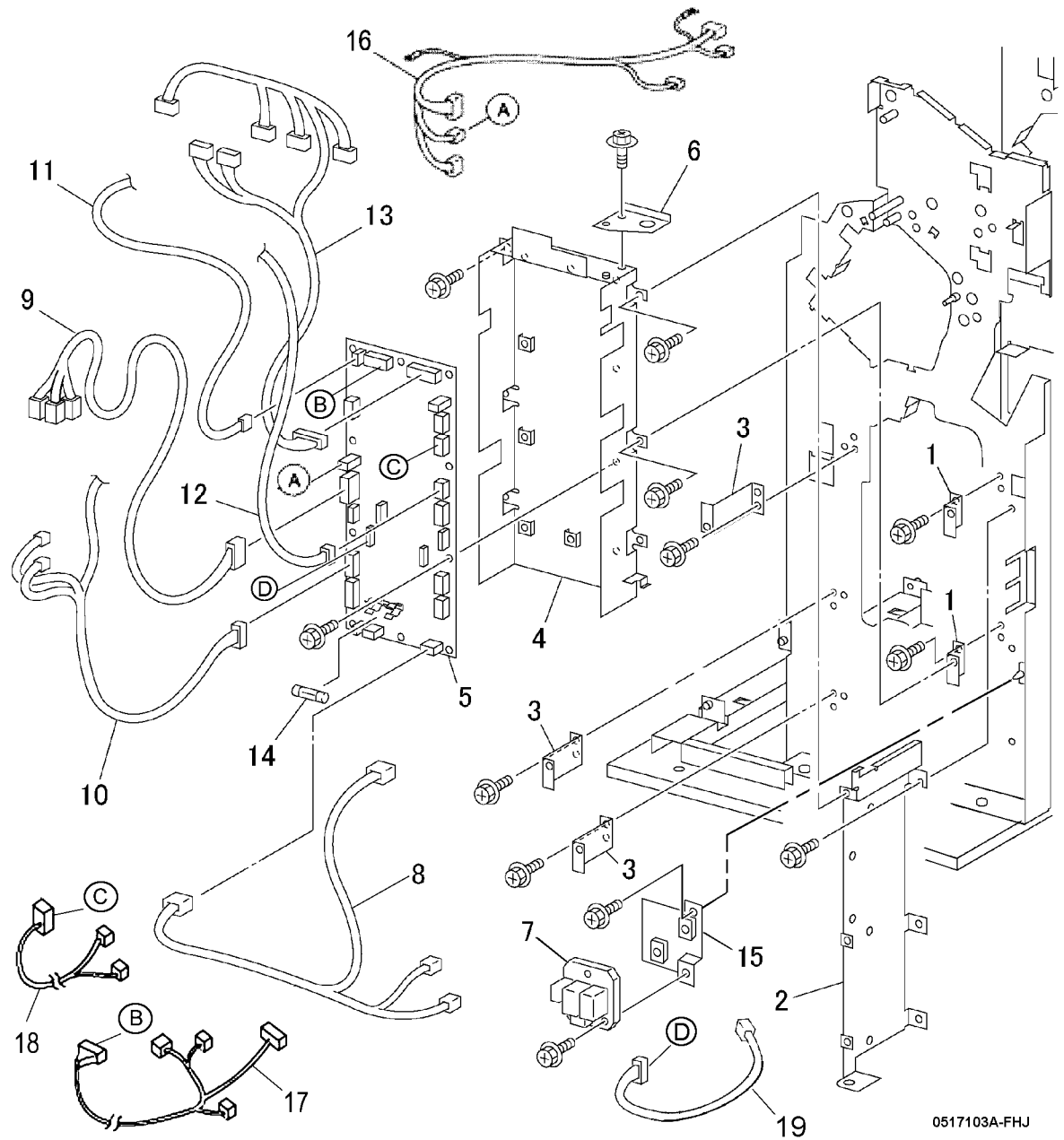
23 { 24, 25



0517102A-FHJ

# PL 17.103 Finisher PWB

Item	Part	Description
1	-	Bracket (Not Spared)
2	-	PWB Box Plate (Not Spared)
3	-	Bracket (Not Spared)
4	-	PWB Box (Not Spared)
5	960K22744	Finisher PWB
6	-	Hinge (Not Spared)
7	160K95471	Relay PWB
8	962K58100	Wire Harness
9	962K57960	Wire Harness
10	962K58120	Wire Harness
11	962K57950	Wire Harness
12	962K57940	Wire Harness
13	962K57970	Wire Harness
14	908W00114	Fuse (5A 125V)
15	-	Relay PWB Bracket (Not Spared)
16	962K64560	Wire Harness (Staple)
17	962K64580	Wire Harness (Punch)
18	962K64550	Wire Harness (Punch: Sensor)
19	962K64570	Wire Harness (Staple Dust Box)



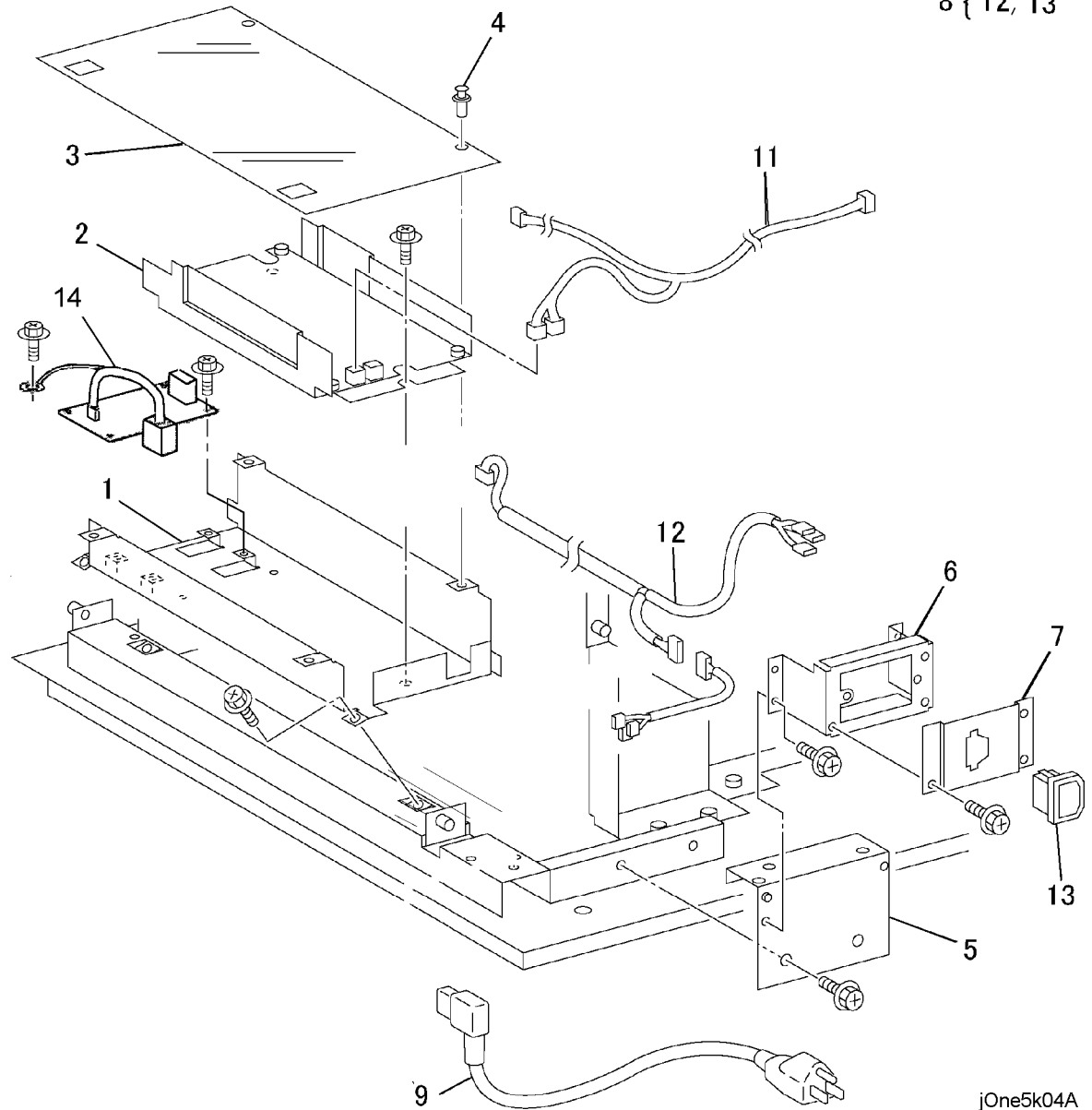
0517103A-FHJ



# PL 17.104 LVPS Inlet, Outlet

Item	Part	Description
1	-	LVPS Box (P/O PL 17.104 Item 10)
2	105K22560	LVPS
3	-	Seal (P/O PL 17.104 Item 10)
4	-	Rivet (P/O PL 17.104 Item 10)
5	-	Inlet Plate (Not Spared)
6	-	Inlet Bracket (Not Spared)
7	-	Inlet Plate (Not Spared)
8	962K35461	Wire Harness (Inlet LVPS)
9	962K35330	Power Cord (120V)
10	015K69310	Finisher LVPS Assembly
11	962K57840	Wire Harness (LVPS-Finisher Main PWB)
12	-	Wire Harness (Not Spared)
13	-	Inlet (P/O PL 17.104 Item 12)
14	960K28720	AC Filter PWB

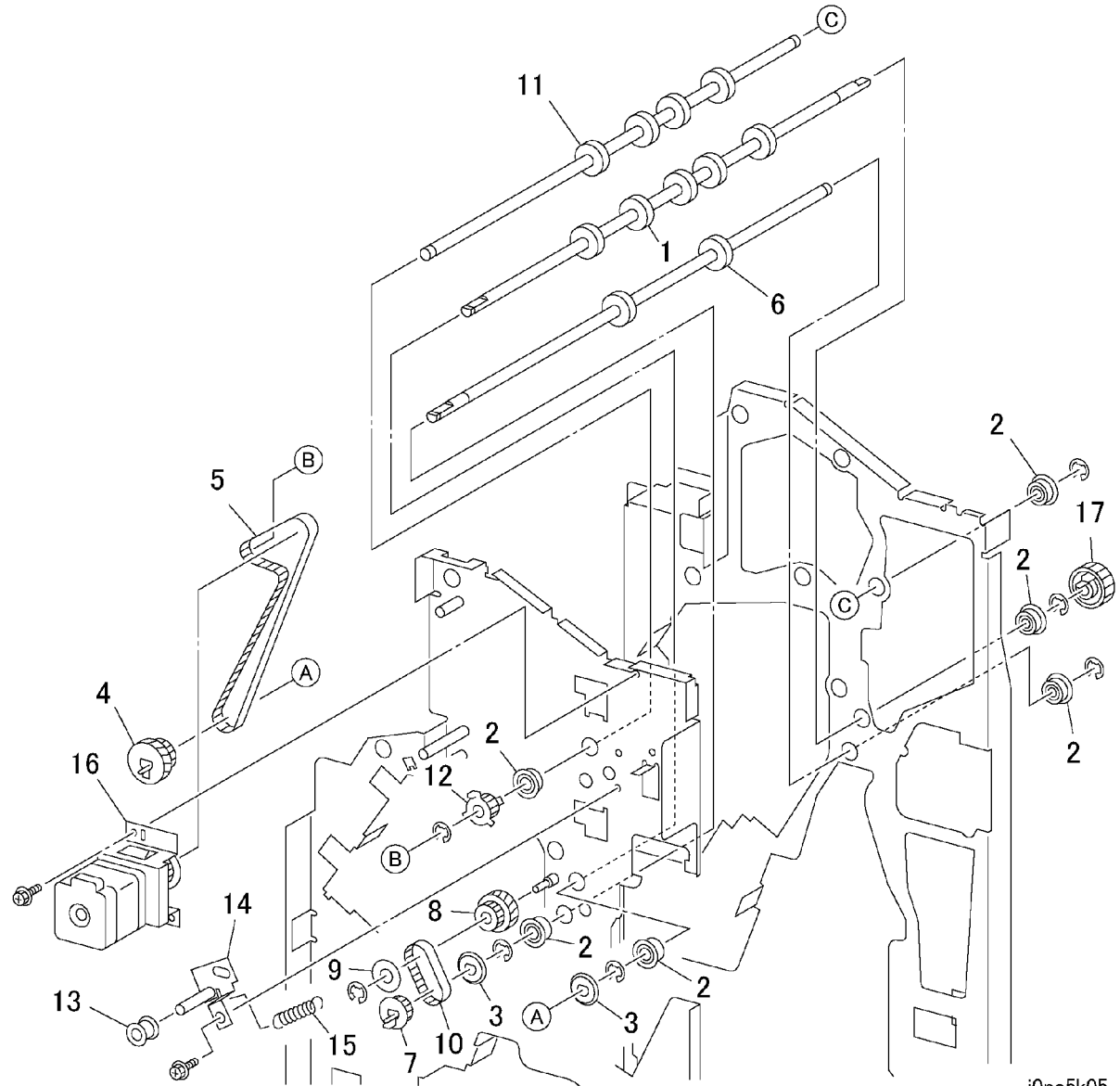
10 { 1-4  
8 { 12, 13



jOne5k04A

# PL 17.105 Finisher Transport Motor, Roll

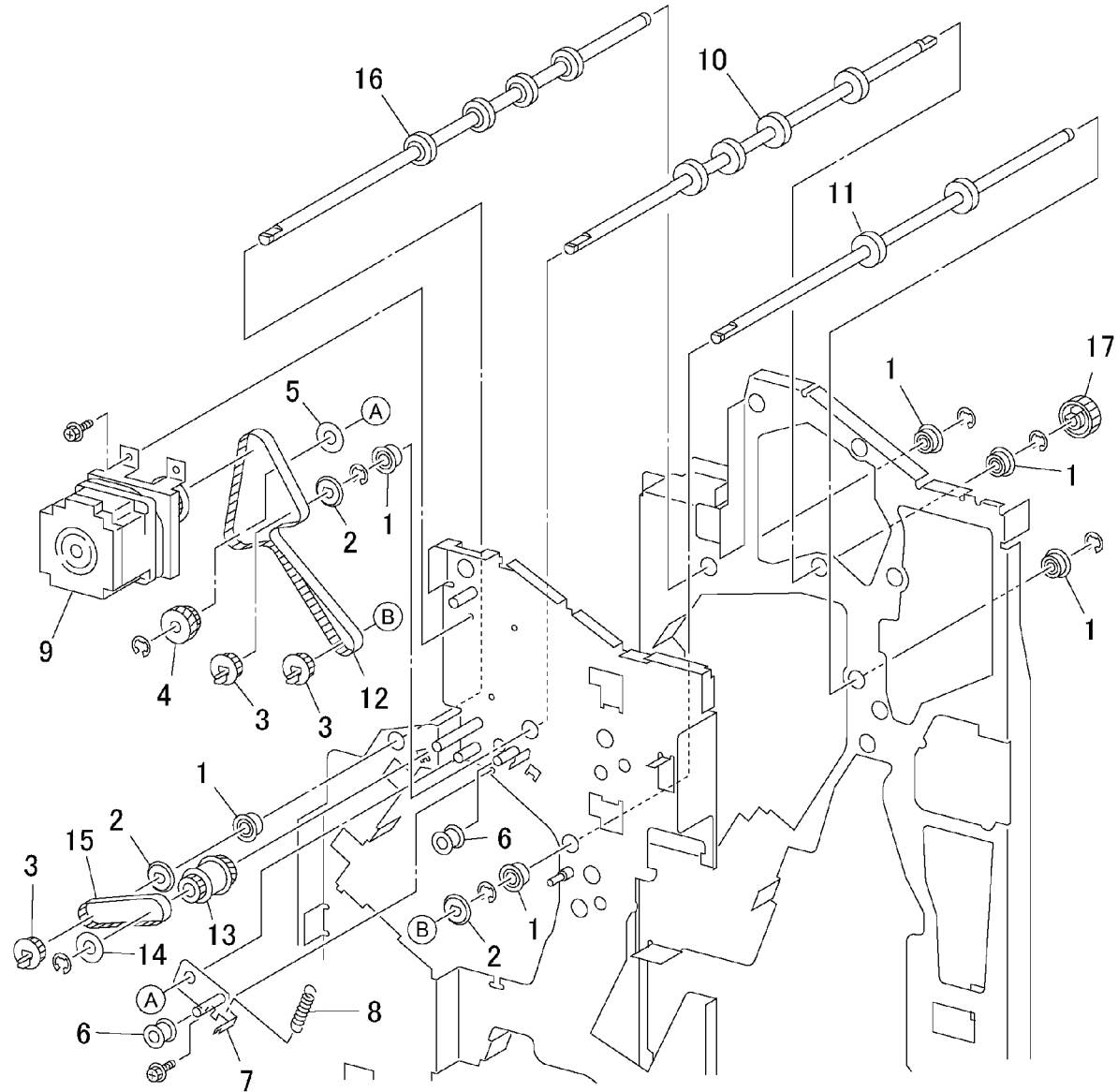
Item	Part	Description
1	022K70681	Pinch Reverse Roll
2	413W08350	Bearing
3	005E17650	Collar
4	007E89770	Gear Pulley
5	423W55354	Belt
6	022K70691	Booklet Roll
7	020E36470	Pulley
8	007E89780	Gear Pulley
9	005E26820	Collar
10	423W44054	Belt
11	022K70700	T/A 1 Roll
12	020K10500	Oneway Pulley
13	020E45160	Pulley
14	-	Tension Bracket (Not Spared)
15	809E41480	Spring
16	015K60241	Finisher Transport Motor
17	003K14030	Knob (3c)



j0ne5k05

# PL 17.106 Compile Exit Motor, Roll

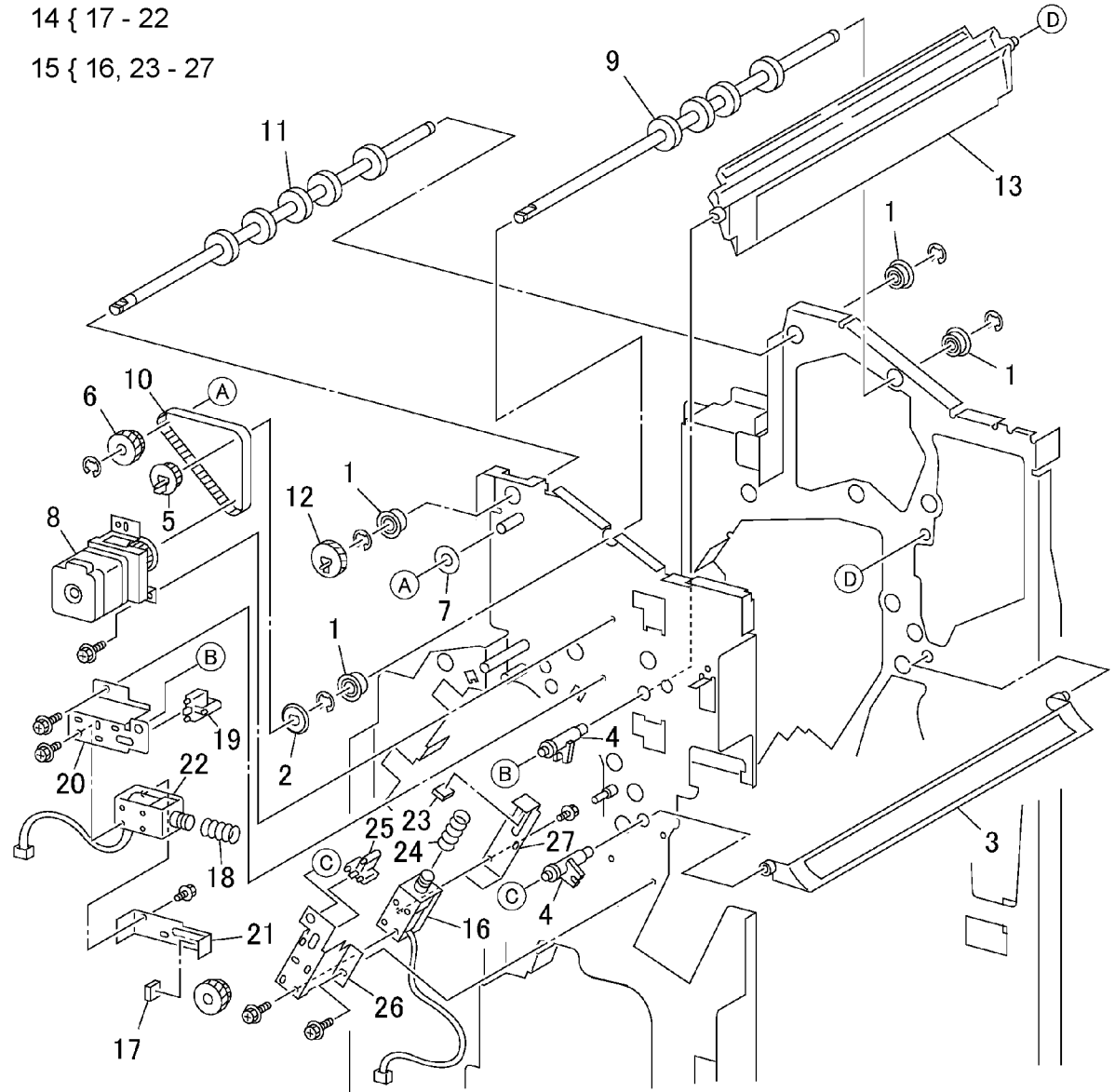
Item	Part	Description
1	413W08350	Bearing
2	005E17650	Collar
3	020E36470	Pulley
4	007E89780	Gear Pulley
5	005E26820	Collar
6	020E45160	Pulley
7	-	Tension Bracket (Not Spared)
8	809E41480	Spring
9	015K60320	Compile Exit Motor
10	022K73311	Buffer Reverse Roll
11	022K70721	Buffer Roll
12	423W56254	Belt (REP 17.14)
13	007E89790	Gear Pulley
14	005E17660	Collar
15	423W46054	Belt
16	022K70731	Compile Exit Roll
17	003K14070	Knob (3f) (REP 17.13)



0517106A-FHJ

# PL 17.107 SCT Exit Motor, Roll, Gate

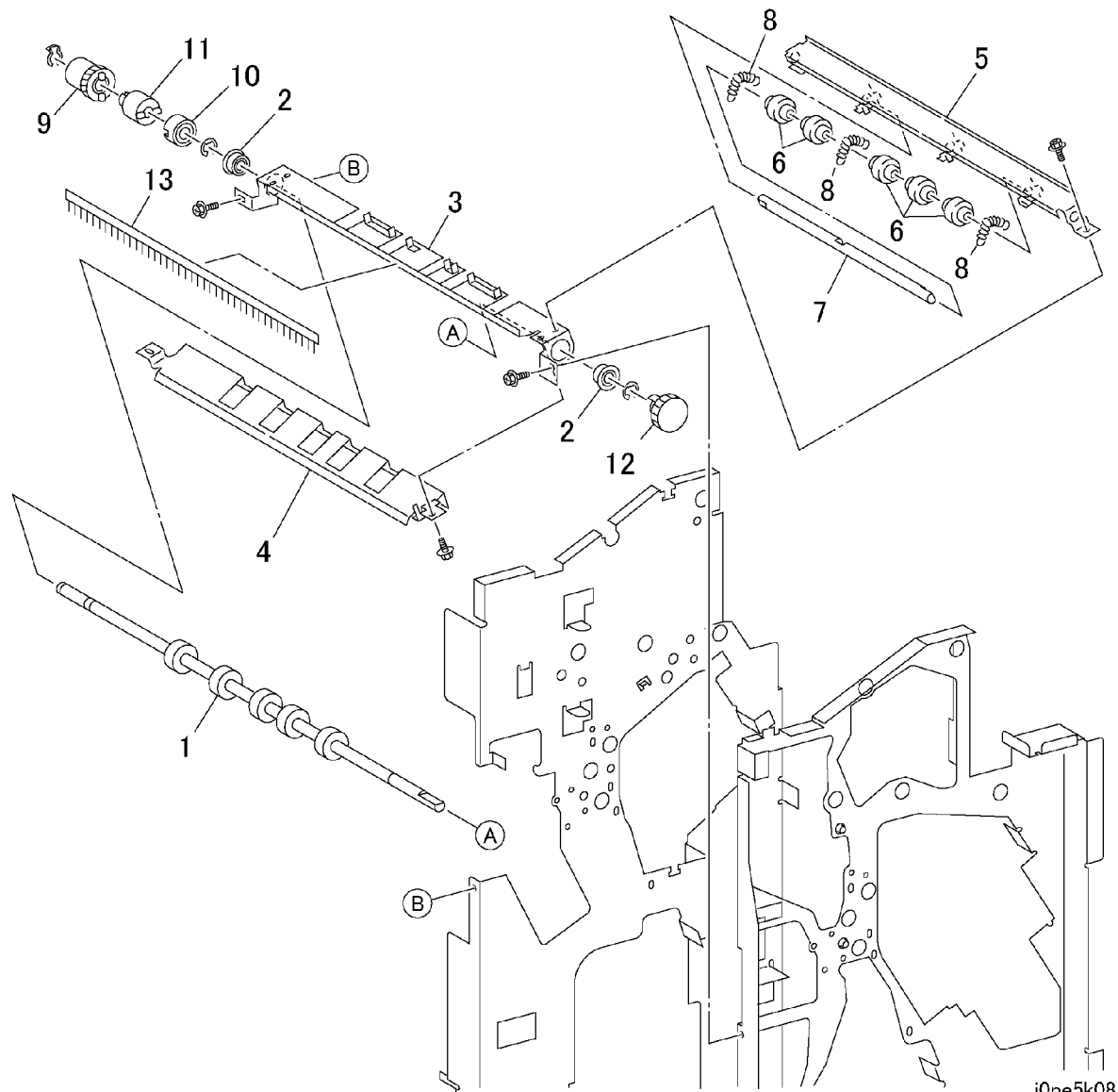
Item	Part	Description
1	413W08350	Bearing
2	005E17650	Collar
3	050E19710	S1 Gate
4	012E11050	Link
5	020E36470	Pulley
6	007E89780	Gear Pulley
7	005E26820	Collar
8	015K60241	SCT Exit Motor
9	022K70741	Transfer Assist 2 Roll
10	423W50354	Belt
11	022K70751	Top Exit Roll
12	007E89800	Gear
13	050K57750	S2 Gate
14	068K53220	Transport Gate Solenoid Assembly (REP 17.15)
15	015K60361	Booklet Gate Solenoid
-	068K53260	Booklet Gate Solenoid
16	-	Solenoid (P/O PL 17.107 Item 15)
17	-	Damper (P/O PL 17.107 Item 14)
18	-	Spring (P/O PL 17.107 Item 14)
19	-	Guide (P/O PL 17.107 Item 14)
20	-	Bracket (P/O PL 17.107 Item 14)
21	-	Stopper (P/O PL 17.107 Item 14)
22	-	Solenoid (P/O PL 17.107 Item 14)
23	-	Damper (P/O PL 17.107 Item 15)
24	-	Spring (P/O PL 17.107 Item 15)
25	-	Guide (P/O PL 17.107 Item 15)
26	-	Bracket (P/O PL 17.107 Item 15)
27	-	Stopper (P/O PL 17.107 Item 15)



j0ne5k07B

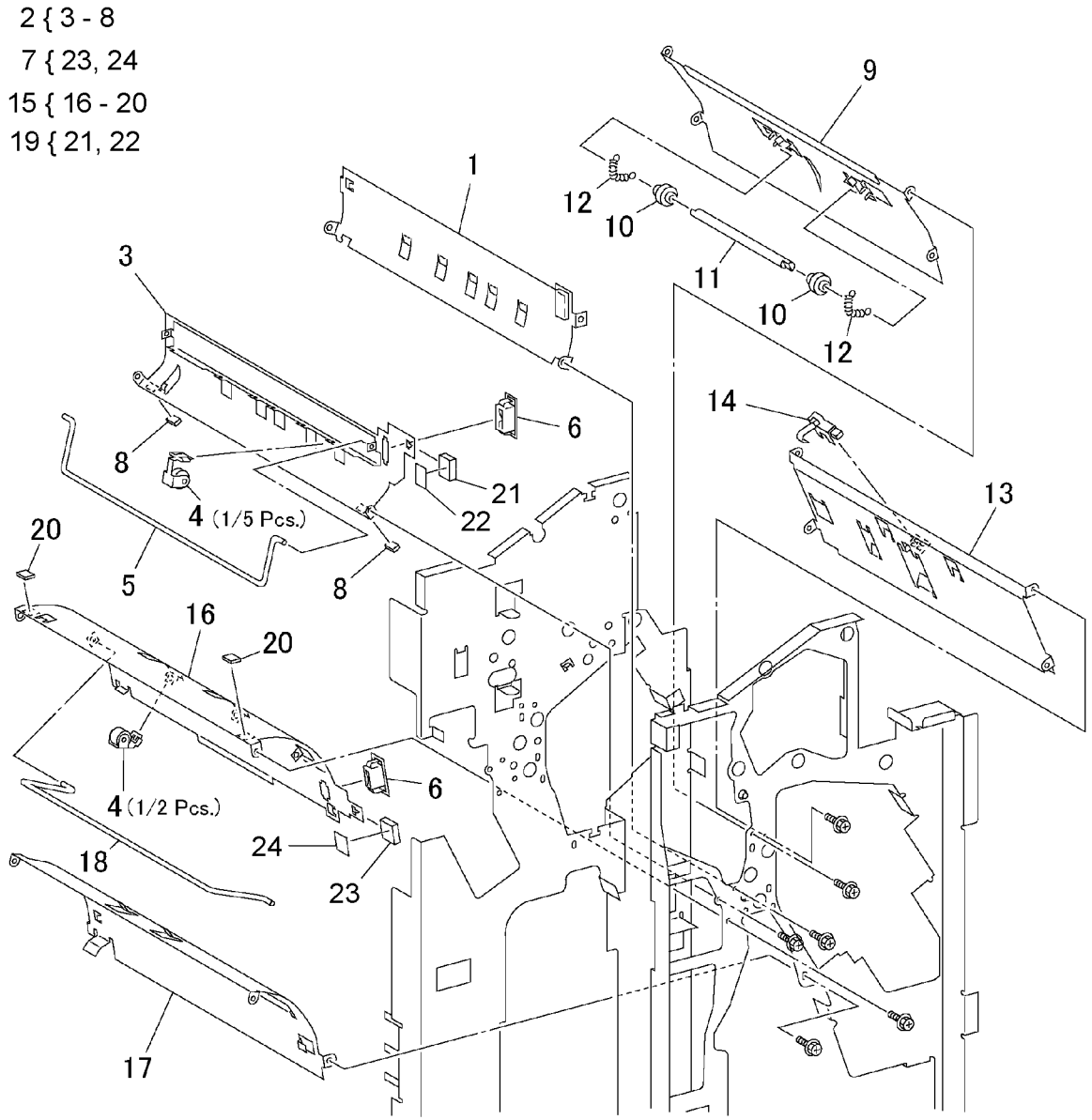
## PL 17.108 Entrance Roll, Chute

Item	Part	Description
1	022K70760	Entrance Roll
2	413W08350	Bearing
3	-	Upper Entrance Chute (Not Spared)
4	-	Lower Entrance Chute (Not Spared)
5	-	Bracket (Not Spared)
6	022E27250	Pinch Roll
-	022K74170	Roller
7	-	Shaft (Not Spared)
8	809E41310	Spring
9	007E89860	Gear
10	005K06710	One Way Clutch
11	005E17540	Clutch
12	003K13980	Knob (3a) (REP 17.13)
13	105E12600	Static Eliminator (Booklet)



# PL 17.109 Booklet Chute

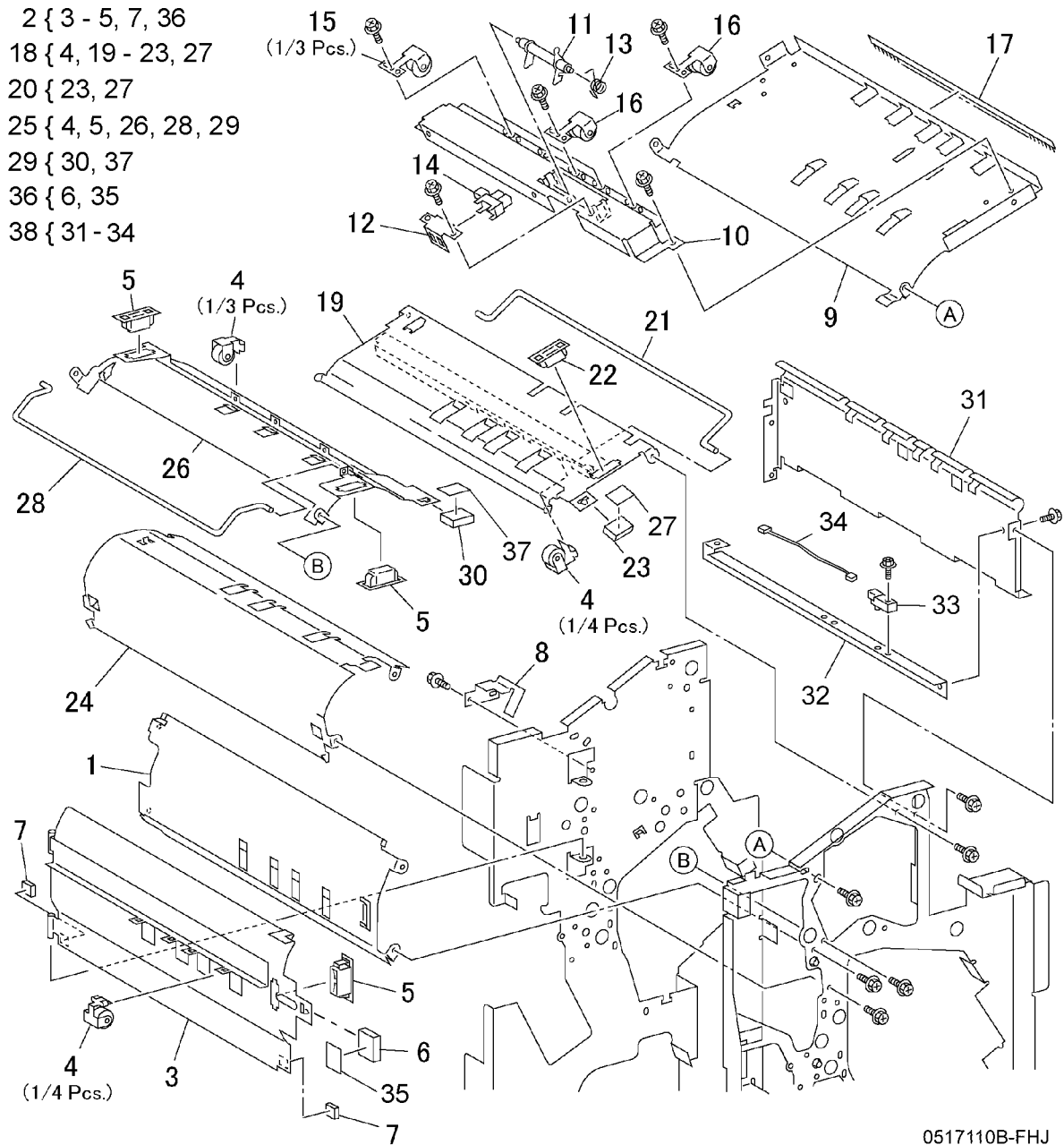
Item	Part	Description
1	-	S1 Chute (Not Spared)
2	054K28500	S1 Baffle Assembly
3	-	S1 Baffle (P/O PL 17.109 Item 2)
4	022K75120	Pinch Roll
5	-	Torsion Spring (P/O PL 17.109 Item 2)
6	-	Magnet Catch (P/O PL 17.109 Item 2)
7	003K14040	Knob Assembly (3b)
8	-	Damper (P/O PL 17.109 Item 2)
9	-	Left Buffer Chute (Not Spared)
10	022E27250	Pinch Roll
11	-	Shaft (Not Spared)
12	809E41300	Spring
13	-	Right Buffer Chute (Not Spared)
14	130K93251	Buffer Path Sensor
15	054K28301	Booklet Baffle Assembly
16	-	Booklet Baffle (P/O PL 17.109 Item 15)
17	-	Booklet Chute (P/O PL 17.109 Item 15)
18	-	Torsion Spring (P/O PL 17.109 Item 15)
19	003K14020	Knob Assembly (3d)
20	-	Damper (P/O PL 17.109 Item 15)
21	-	Knob (P/O PL 17.109 Item 19)
22	-	Label (3d) (P/O PL 17.109 Item 19)
23	003K14080	Knob
24	-	Label (3b) (P/O PL 17.109 Item 7)



j0ne5k09

# PL 17.110 Exit Chute

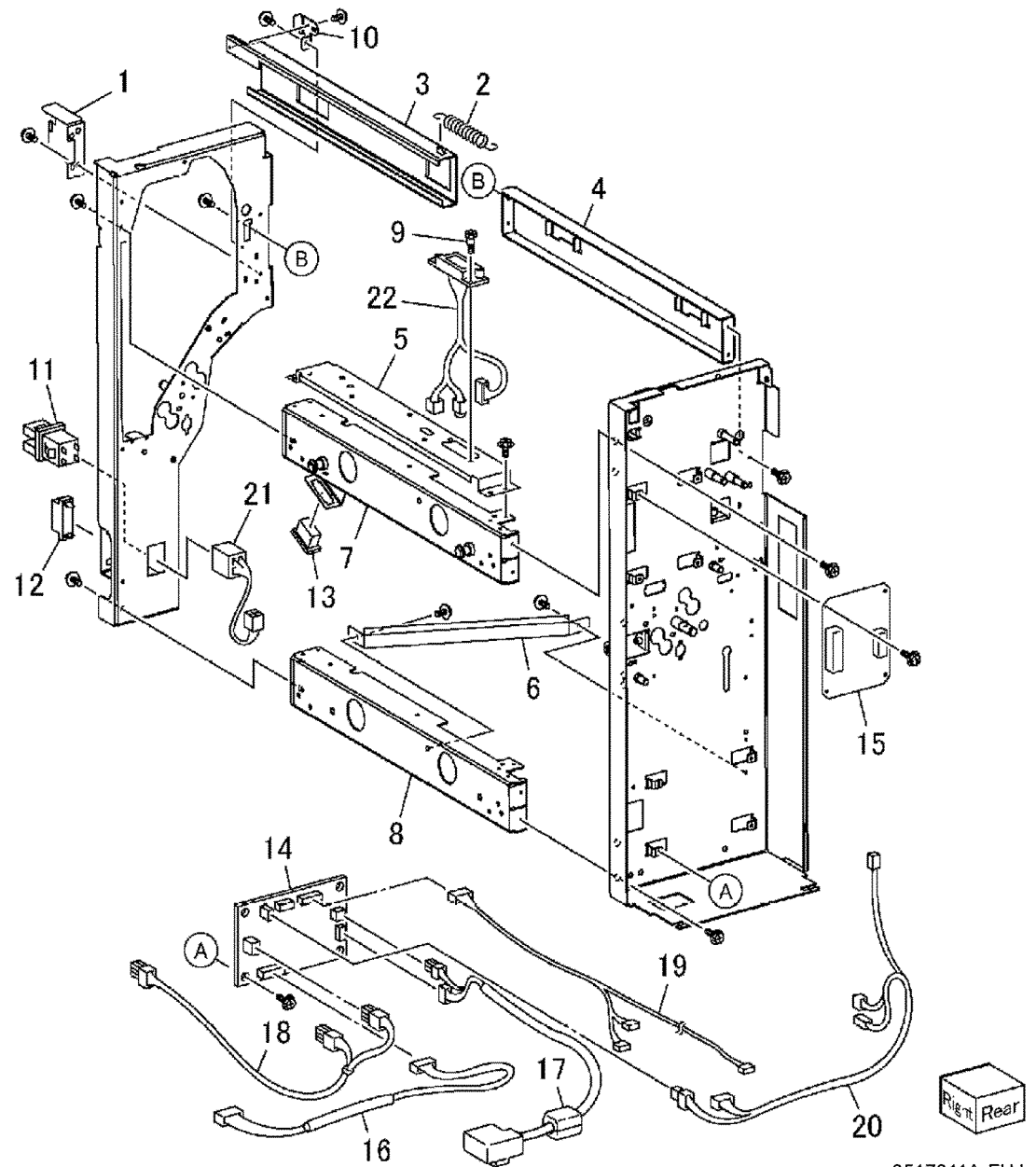
Item	Part	Description
1	-	S2 Chute (Not Spared)
2	054K28510	S2 Baffle Assembly
3	-	S2 Baffle (P/O PL 17.110 Item 2)
4	022K74160	Pinch Roll
5	-	Magnet Catch
6	-	Knob (P/O PL 17.110 Item 36)
7	-	Damper (P/O PL 17.110 Item 2)
8	-	Stopper (Not Spared)
9	-	S3 Chute (Not Spared)
10	-	Bracket (Not Spared)
11	120E29860	Actuator
12	-	Sensor Bracket (Not Spared)
13	809E41920	Spring
14	130K88770	Top Tray Exit Sensor
15	022K74140	Pinch Roll
-	022K66770	Pinch Roll
16	022K74150	Pinch Roll
17	105E09790	Eliminator
18	054K28520	S3 Baffle Assembly
19	-	S3 Baffle (P/O PL 17.110 Item 18)
20	003K14050	Knob Assembly (3e)
21	-	Torsion Spring (P/O PL 17.110 Item 18)
22	121E89580	Magnet Catch
23	-	Knob Assembly (3d) (P/O PL 17.110 Item 18)
24	-	S4 Chute (Not Spared)
25	054K31670	S4 Baffle Assembly
26	-	S4 Baffle (P/O PL 17.110 Item 25)
27	-	Label (3e) (P/O PL 17.110 Item 20)
28	-	Torsion Spring (P/O PL 17.110 Item 25)
29	003K14060	Knob Assembly (3g)
30	-	Knob (P/O PL 17.110 Item 29)
31	-	Plate (P/O PL 17.110 Item 38)
32	-	Sensor Bracket (P/O PL 17.110 Item 38)
33	130E87370	Top Tray Full Sensor
34	-	Sensor Wire Harness (P/O PL 17.110 Item 38)
35	-	Label (3d) (P/O PL 17.110 Item 36)
36	003K14040	Knob Assembly (3d)
37	-	Label (3g) (P/O PL 17.110 Item 29)
38	815K02240	Bank Plate Assembly



0517110B-FHJ

# PL 17.111 I/F Module Component (PWB)

Item	Part	Description
1	-	Hinge (Not Spared)
2	809E61020	Tension Spring
3	-	Docking Plate (Not Spared)
4	-	Tie Plate (Not Spared)
5	-	Interposer Docking Plate (Not Spared)
6	-	Tie Plate (Not Spared)
7	-	Tie Plate (Not Spared)
8	-	Tie Plate (Not Spared)
9	826E02560	Shoulder Screw
10	-	Docking Bracket (Not Spared)
11	110E97990	I/F Module Front Door Switch
12	121E88470	Magnet (35N)
13	-	Magnet (15N)
14	160K95441	I/F PWB
15	160K95461	Interposer PWB
16	-	Finisher Main PWB Wire Harness
17	962K45950	IOT - I/F Wire Harness
18	-	Finisher Main PWB/Folder Wire Harness (Not Spared)
19	-	I/F Sensor Wire Harness (Not Spared)
20	-	I/F Motor Clutch Wire Harness (Not Spared)
21	-	Interlock Switch Wire Harness (Not Spared)
22	-	Drawer Connector Wire Harness (Not Spared)



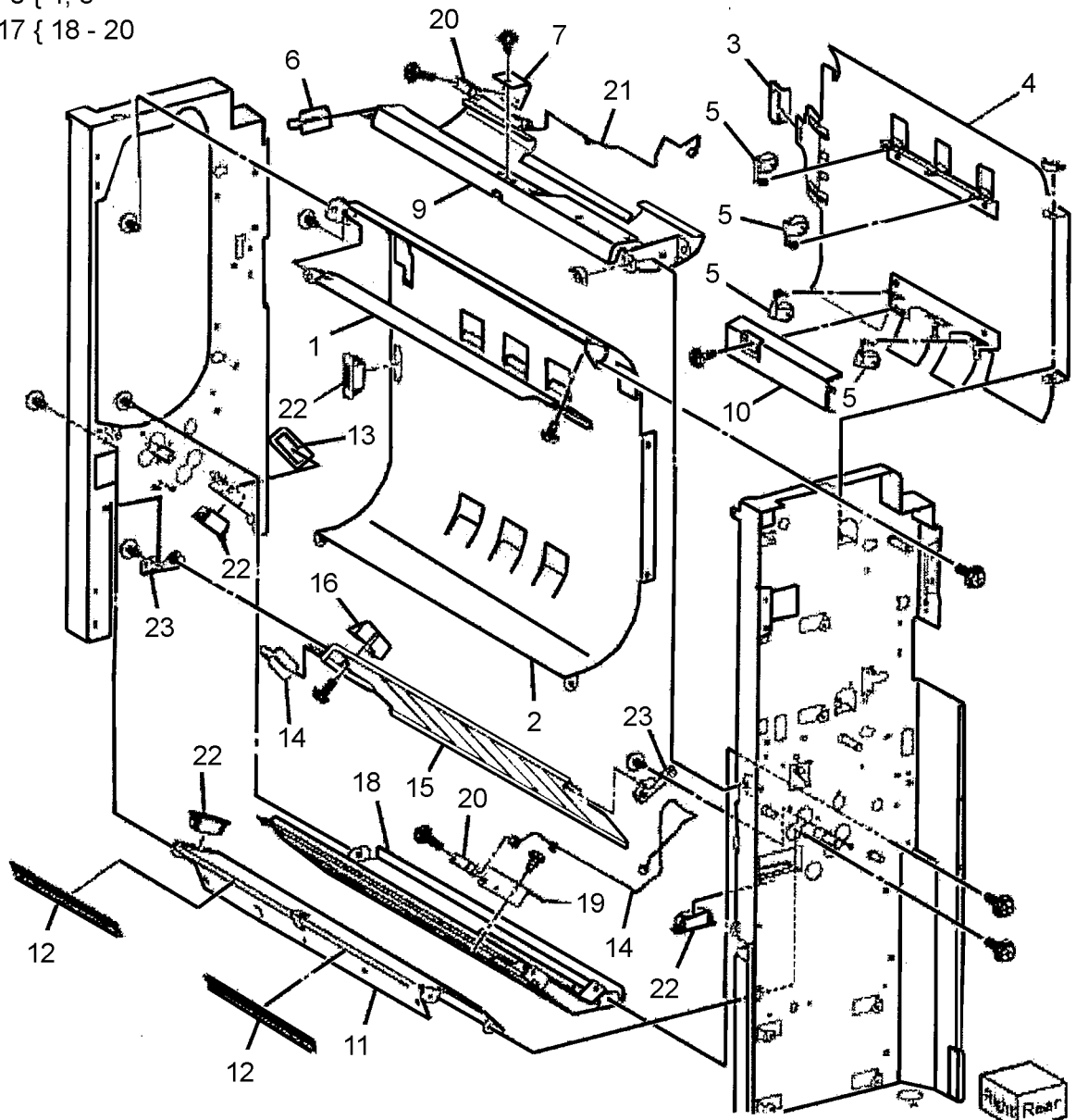
0517011A-FHJ



# PL 17.112 I/F Module Component (Chute)

Item	Part	Description
1	-	Decurler 2 Lower Chute (Not Spared)
2	-	Entrance Upper Chute (Not Spared)
3	-	Handle (1b) (Not Spared)
4	-	Interposer Chute (1b) (P/O PL 17.112 Item 8)
5	-	Pinch Roll (P/O PL 17.112 Item 8)
6	003K15590	Handle (1d)
7	-	Bracket (Not Spared)
8	054K33220	Interposer Chute Assembly
9	-	Exit Chute (Not Spared)
10	848E04680	Pinch Cover
11	054K33191	Exit Lower Chute
12	105E17430	Static Eliminator
13	-	Label (Not Spared)
14	003K15580	Handle
15	054E32580	Entrance Chute
16	-	Bracket (Not Spared)
17	-	Entrance Upper Chute Assembly (Not Spared)
18	-	Entrance Upper Chute (P/O PL 17.112 Item 17)
19	-	Bracket (P/O PL 17.112 Item 17)
20	130E87370	Decurler In Sensor, Decurler Out Sensor
21	-	Wire Harness (Not Spared)
22	-	Magnet
23	-	Pivot Bracket (Not Spared)

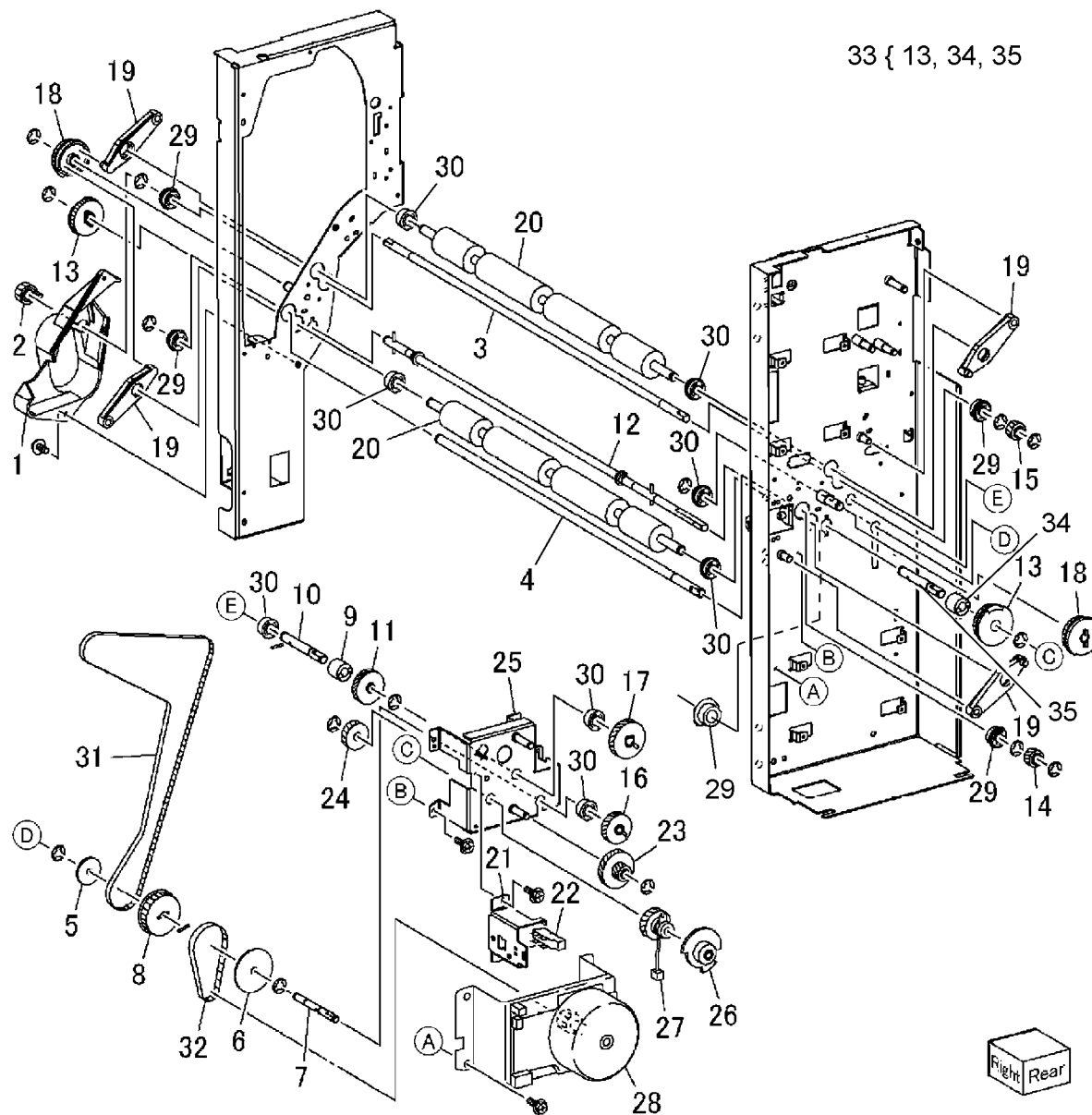
8 { 4, 5  
17 { 18 - 20



0517012B-FHJ

# PL 17.113 I/F Module Component (Decurler)

Item	Part	Description
1	848E04670	I/F Inner Cover
2	003K13990	Knob (1c) (REP 17.13)
3	806E15780	Decurler 1 Shaft
4	806E15790	Decurler 2 Shaft
5	-	Collar (Not Spared)
6	-	Collar (Not Spared)
7	-	Drive Shaft (Not Spared)
8	-	Pulley (20T/40T)
9	-	Clutch
10	-	Shaft (Not Spared)
11	-	Gear (40T)
12	-	Cam Shaft (Not Spared)
13	807E09170	Cam Gear
14	-	Bearing
15	807E09220	Gear (Helix, Right 16T)
16	807E19360	Gear (32T/With Hook)
17	807E09270	Gear (40T/With Hook)
18	008K91680	Cam Gear
19	012E12231	Cam Link
20	020K10971	Sponge Roll (REP 17.16)
21	-	Sensor Bracket (Not Spared)
22	130K88770	Decurler Cam Home Sensor
23	807E18000	Gear (Helical) (24T/80T)
24	807E09260	Gear (33T)
25	-	Gear Bracket (Not Spared)
26	120E26430	Cam Actuator
27	121K41980	Decurler Cam Clutch
28	127K51611	Decurler Transport Motor
29	413W08350	Ball Bearing
30	413W66250	Ball Bearing
31	423W91654	Belt
32	423W51054	Belt
33	006K25790	Gear Assembly
34	-	Clutch (P/O PL 17.113 Item 33)
35	-	Shaft (P/O PL 17.113 Item 33)



33 { 13, 34, 35

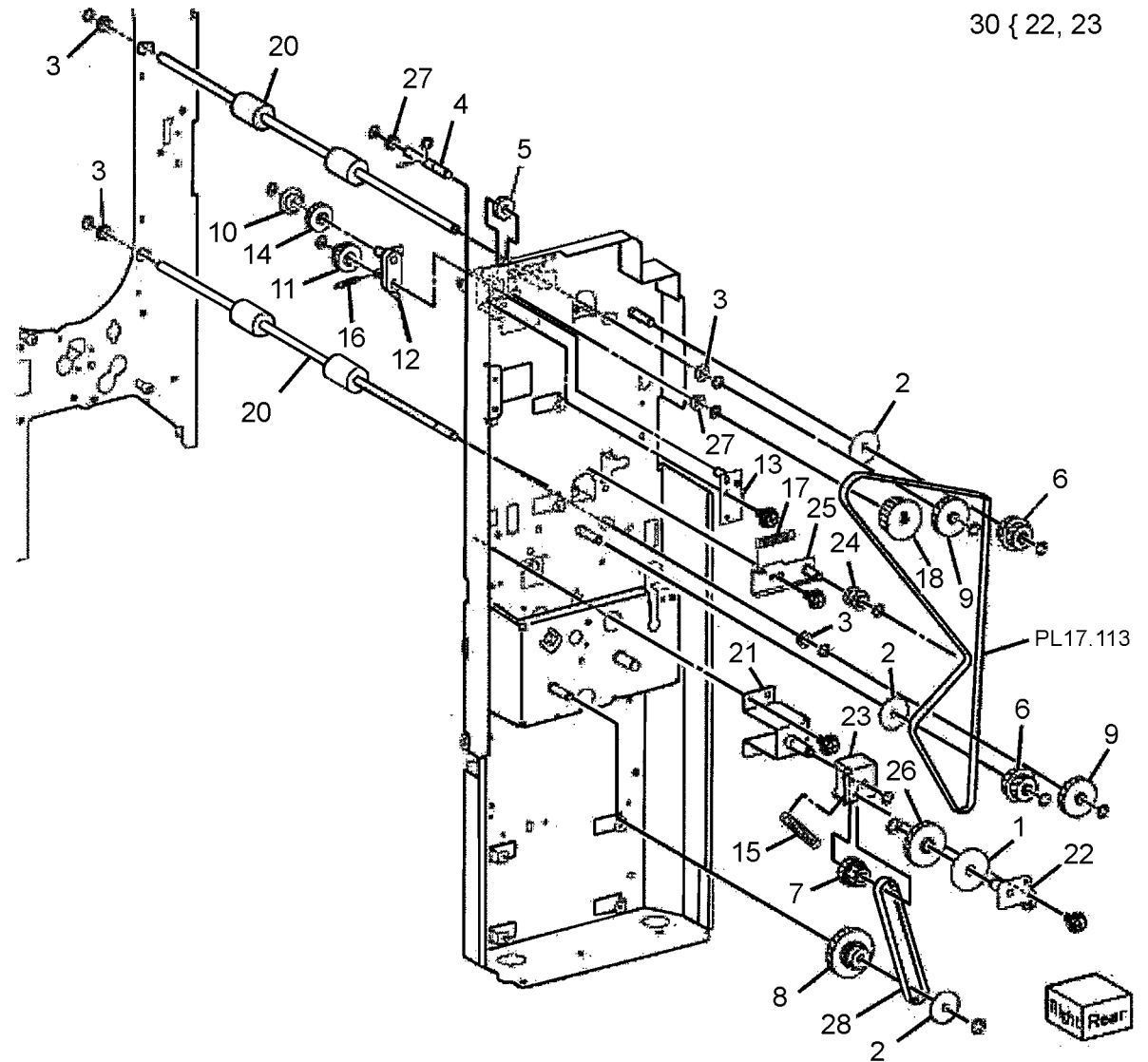


0517013C-FHJ

# PL 17.114 I/F Module Component (Transport)

Item	Part	Description
1	005E17700	Collar
2	005E19640	Collar
3	013E32200	Bearing
4	-	Shaft (P/O PL 17.114 Item 29)
5	-	Gear (18T) (P/O PL 17.114 Item 29)
6	807E09180	Gear Pulley (24T/21T)
7	807E09190	Gear Pulley (16T/Helical)
8	807E09200	Gear Pulley (18T/ 45T)
9	007K89870	One Way Clutch Gear (35T)
10	-	Collar (P/O PL 17.114 Item 19)
11	-	Gear Pulley (23T/ 25T) (P/O PL 17.114 Item 19)
12	-	Link (P/O PL 17.114 Item 19)
13	-	Gear Bracket (P/O PL 17.114 Item 19)
14	-	Gear (24T) (P/O PL 17.114 Item 19)
15	809E41260	Tension Spring (26.9mm)
16	809E41290	Tension Spring (17.8mm)
17	809E73610	Tension Spring (25.1mm)
18	020E44960	Pulley (With Hook)
19	007K89880	Gear Assembly
20	022K74130	Take Away Roll
21	-	Shaft Bracket (Not Spared)
22	-	Swing Plate (P/O PL 17.114 Item 30)
23	-	Swing Bracket (P/O PL 17.114 Item 30)
24	020E45160	Pulley
25	-	Tension Bracket (Not Spared)
26	407W08840	Gear (40T)
27	413W08350	Ball Bearing
-	413W66250	Ball Bearing
28	423W48354	Belt
29	006K25770	Gear Assembly
30	068K51890	Swing Bracket Assembly

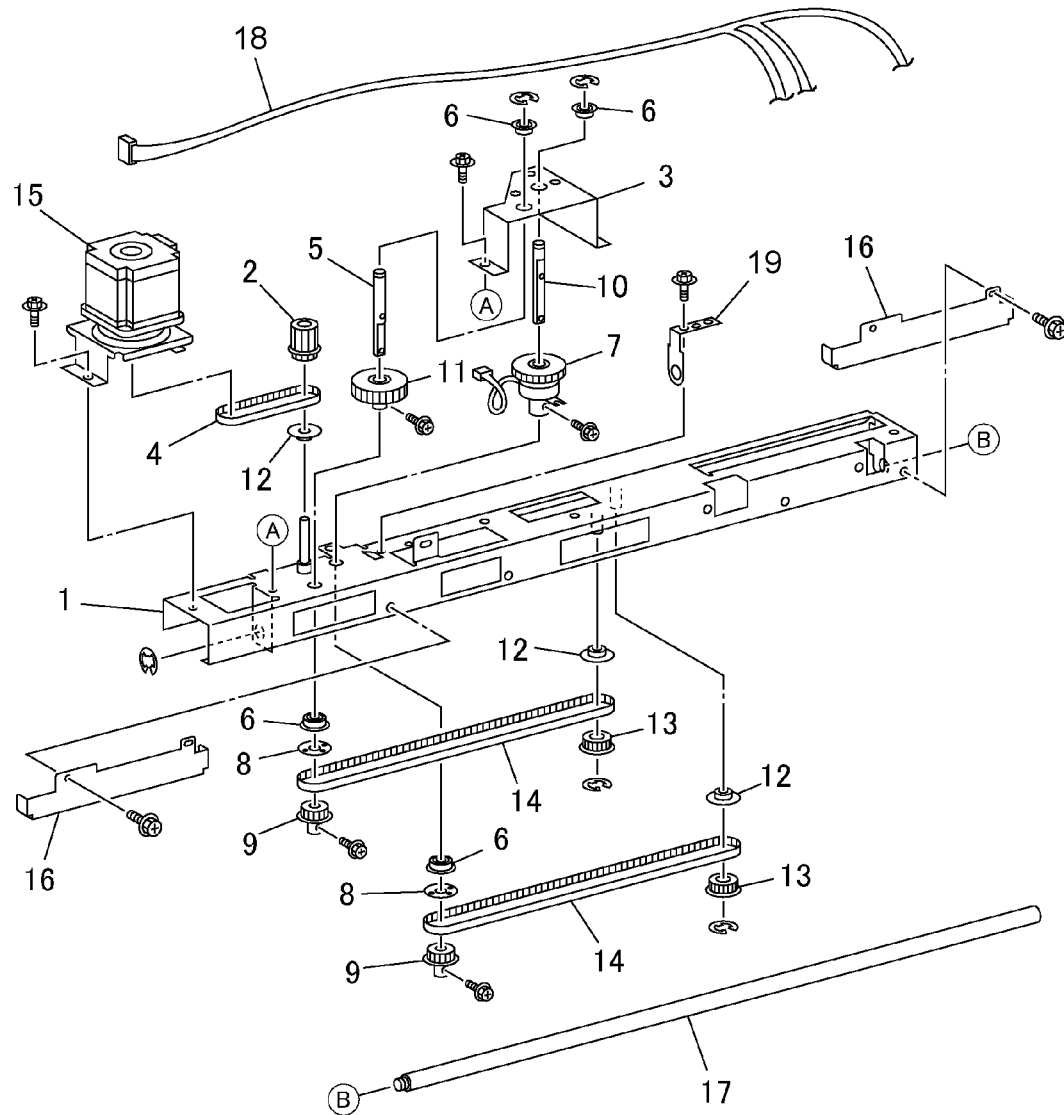
19 { 10 - 14  
29 { 4, 5  
30 { 22, 23



057114B-FHJ

# PL 17.115 Punch Component-1 (Upper)

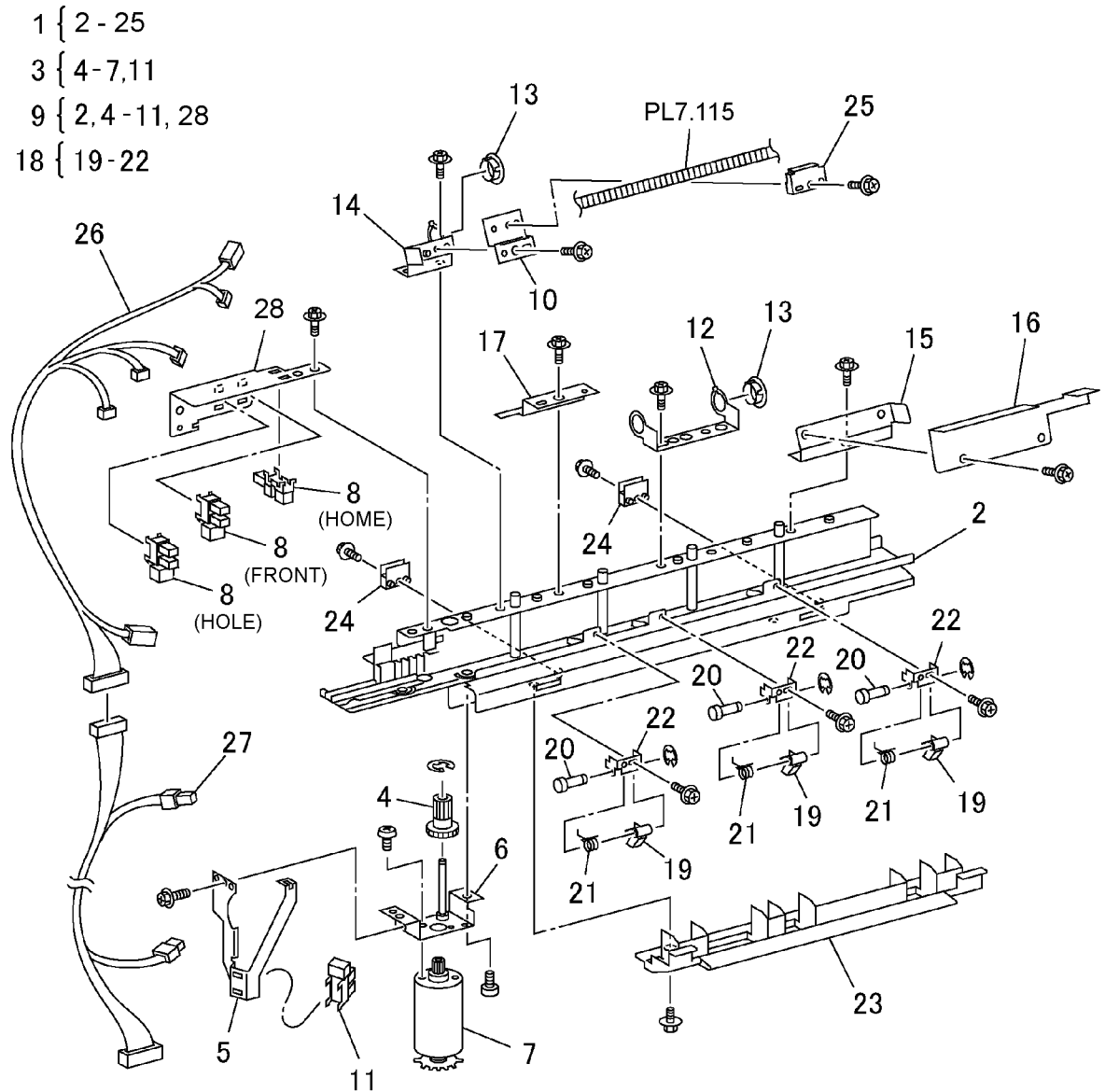
Item	Part	Description
1	-	Frame (Not Spared)
2	-	Gear Pulley (15T/15T)
3	-	Bracket (Not Spared)
4	423W45654	Belt
5	-	Shaft (Not Spared)
6	413W66250	Ball Bearing
7	121K31381	Puncher Move Clutch
8	-	Collar (Not Spared)
9	-	Pulley (Not Spared) (20T)
10	-	Shaft (Not Spared)
11	007E78460	Gear (36T)
12	-	Collar (Not Spared)
13	-	Pulley (Not Spared) (20T)
14	423W58054	Belt
15	015K60261	Puncher Move Motor
16	-	Support (Not Spared)
17	-	Shaft (Not Spared)
18	962K58150	Wire Harness
19	-	Support (Not Spared)



0517115A-FHJ

# PL 17.116 Punch Component-2 (Right)

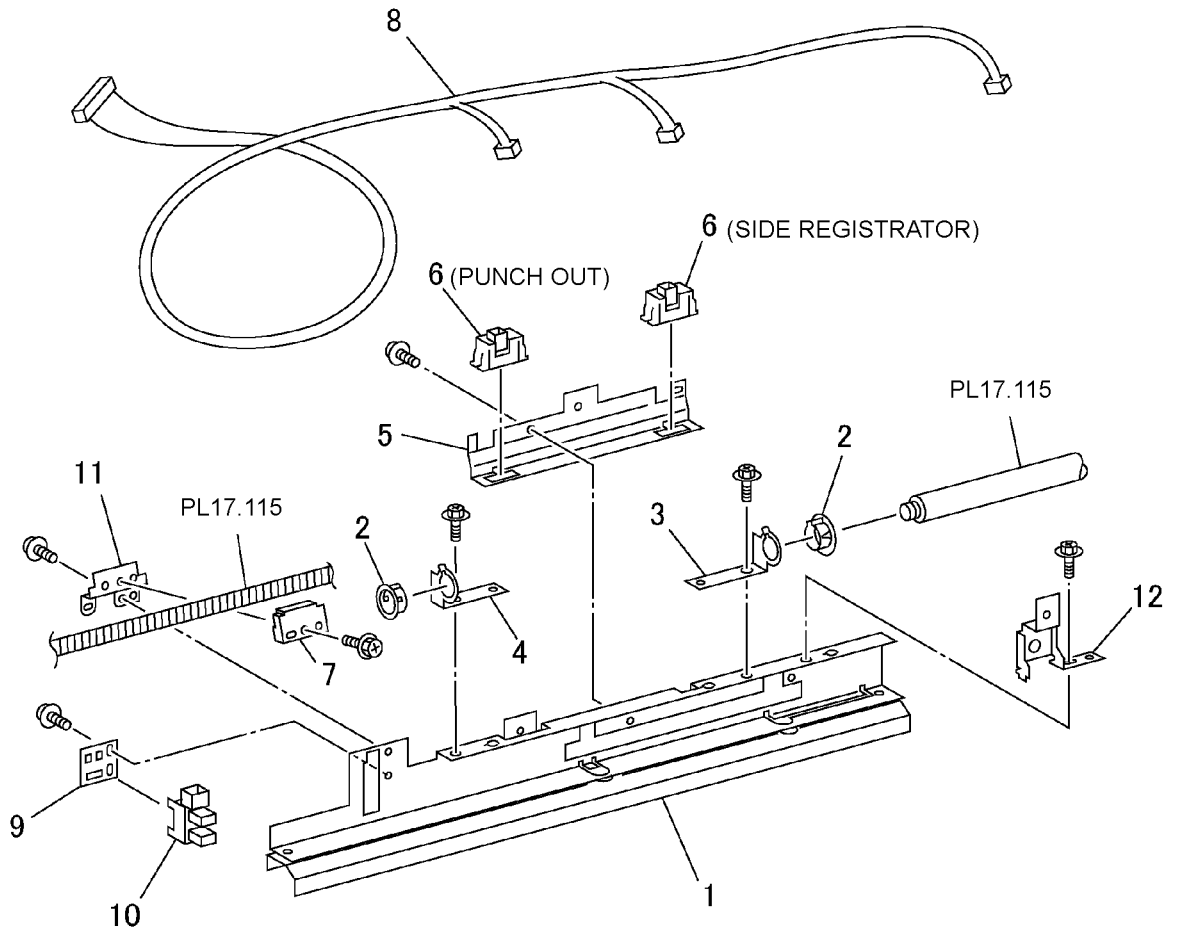
Item	Part	Description
1	030K76641	2/4 Punch Assembly (XE)
2	-	Punch Frame (P/O PL 17.116 Item 9)
3	015K65921	Punch Motor Assembly
4	-	Gear (P/O PL 17.116 Item 3, PL 17.116 Item 9)
5	-	Bracket (P/O PL 17.116 Item 3, PL 17.116 Item 9)
6	-	Bracket (P/O PL 17.116 Item 3, PL 17.116 Item 9)
7	-	Punch Motor (P/O PL 17.116 Item 3, PL 17.116 Item 9)
8	130E87390	Punch Front Sensor, Punch Home Sensor, Punch Hole Select Sensor
9	022K66763	Punch Assembly (2/4 Hole) (XE)
-	022K71533	Punch Assembly (3 Hole)
10	-	Bracket (Not Spared)
11	130E87380	Punch Motor Sensor
12	-	Support (P/O PL 17.101 Item 13)
13	-	Bearing (Not Spared)
14	-	Support (P/O PL 17.101 Item 13)
15	-	Stopper (P/O PL 17.101 Item 13)
16	120E28270	Actuator
17	120E21930	Actuator
18	032K97570	Guide Assembly
19	-	Guide (P/O PL 17.116 Item 18)
20	-	Shaft (P/O PL 17.116 Item 18)
21	-	Spring (P/O PL 17.116 Item 18)
22	-	Bracket (P/O PL 17.116 Item 18)
23	-	Paper Guide (Not Spared)
24	-	Registration Guide (Not Spared)
25	-	Belt Stopper (P/O PL 17.101 Item 13)
26	962K57851	Wire Harness
27	962K18330	Wire Harness
28	-	Bracket (P/O PL 17.116 Item 9)



0517116B-FHJ

## PL 17.117 Punch Component-3 (Left)

Item	Part	Description
1	-	Registration Chute (P/O PL 17.101 Item 13)
2	013E23720	Bearing
3	-	Support (P/O PL 17.101 Item 13)
4	-	Support (P/O PL 17.101 Item 13)
5	-	Bracket (P/O PL 17.101 Item 13)
6	130E89240	Punch Out Sensor, Side Registration Sensor
7	-	Belt Stopper (P/O PL 17.101 Item 13)
8	962K58110	Wire Harness
9	-	Bracket (Not Spared)
10	130K70160	Side Registration Home Sensor
11	-	Bracket (P/O PL 17.101 Item 13)
12	-	Bracket (P/O PL 17.101 Item 13)

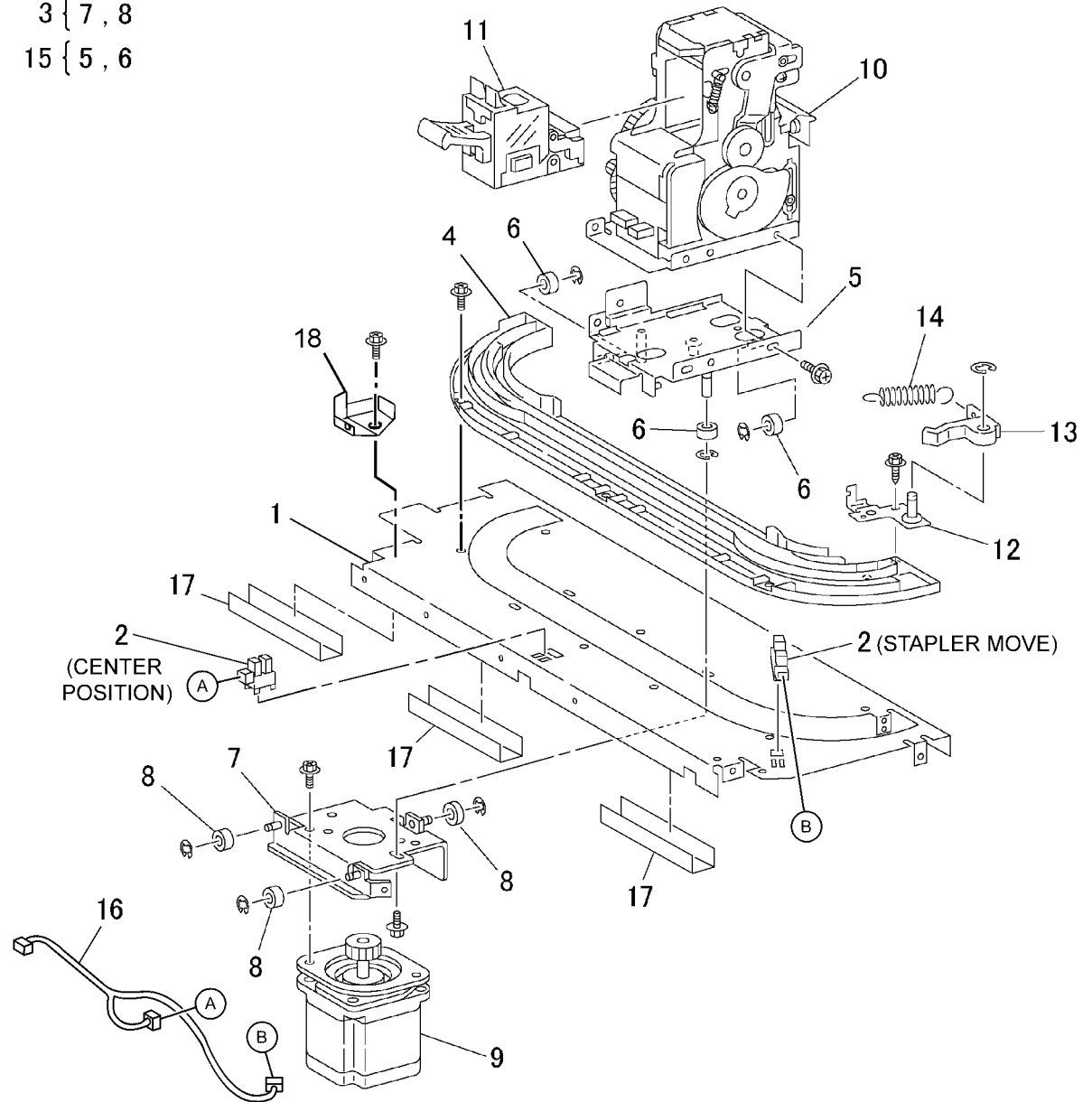


0517117A-FHJ

# PL 17.118 Staple Components (Cut Stapler Unit)

Item	Part	Description
1	-	Base Plate (Not Spared)
2	130K70160	Staple Move Home, Center Position Sensor
3	041K94940	Lower Carriage Assembly
4	801E03340	Rail
5	-	Upper Carriage (P/O PL 17.118 Item 15)
6	-	Roll (P/O PL 17.118 Item 15)
7	-	Lower Carriage (P/O PL 17.118 Item 3)
8	-	Roll (P/O PL 17.118 Item 3)
9	127K50450	Staple Move Motor
10	029K92383	Stapler Head (REP 17.33)
11	050K56620	Stapler Cartridge (100 Sheet / 500 Staples)
12	-	Bracket (Not Spared)
13	003E72800	Stopper
14	809E41940	Spring
15	041K94950	Upper Carriage Assembly
16	962K58140	Sensor Wire Harness
17	802E97980	Harness Cover
18	848E09060	Dust Cover

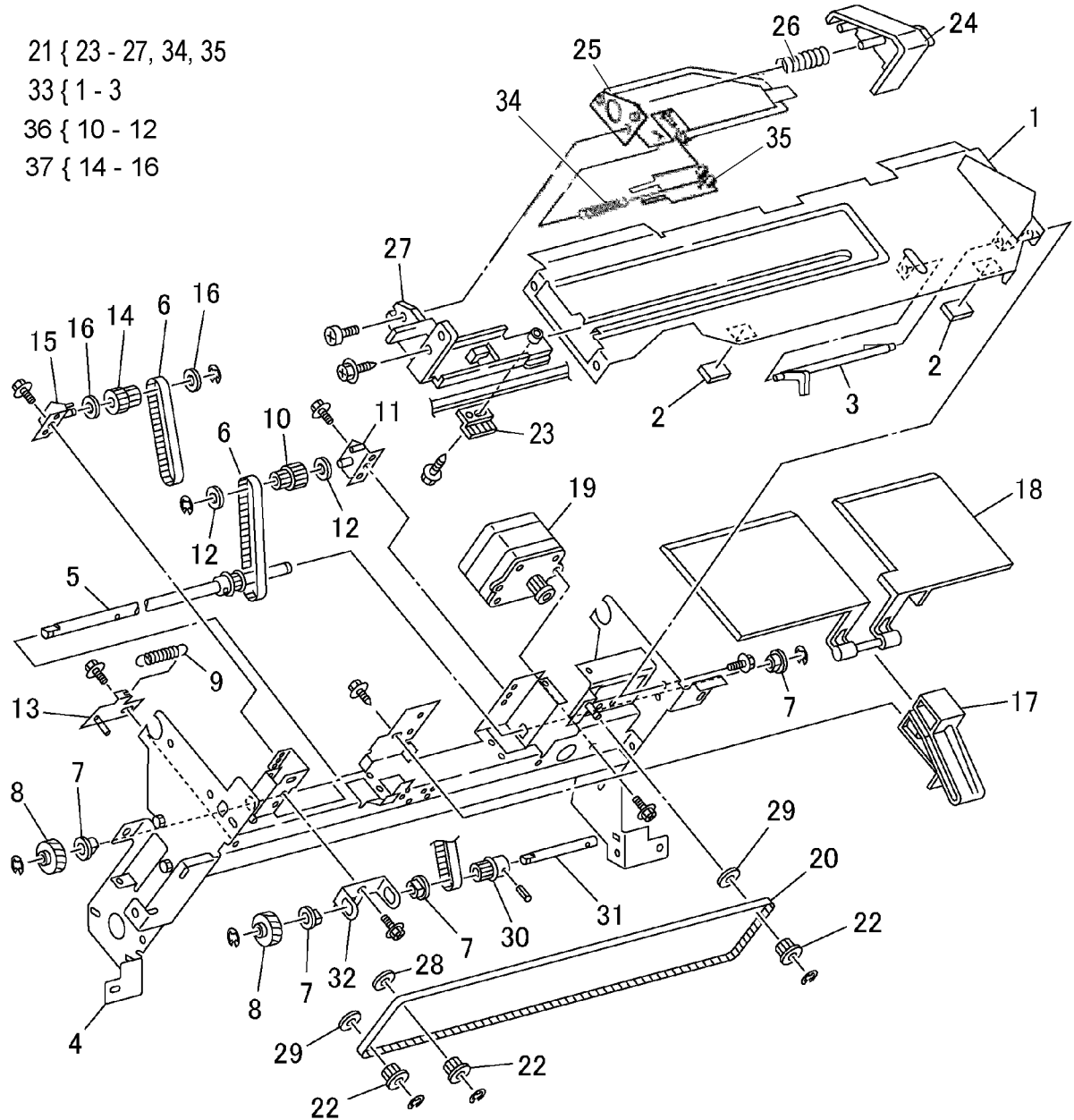
3 { 7, 8  
15 { 5, 6



0517118B-FHJ

# PL 17.119 Compile Component-1 (Tamper)

Item	Part	Description
1	-	Compile Tray (P/O PL 17.119 Item 33)
2	-	Damper (P/O PL 17.119 Item 33)
3	120E21940	Actuator
4	-	Frame (P/O PL 17.102 Item 17)
5	-	Shelf Shaft (P/O PL 17.102 Item 17)
6	423W26454	Belt
7	-	Bearing (P/O PL 17.102 Item 17)
8	407W08518	Gear (18T)
9	009E72520	Spring
10	-	Gear Pulley (P/O PL 17.102 Item 17) (15T/16T)
11	-	Bracket (P/O PL 17.102 Item 17)
12	-	Collar (P/O PL 17.102 Item 17)
13	-	Stud (P/O PL 17.102 Item 17)
14	-	Pulley (P/O PL 17.102 Item 17)
15	-	Collar (P/O PL 17.102 Item 17)
16	-	Collar (P/O PL 17.102 Item 17)
17	032E27310	Shelf Guide
18	050K58231	Shelf Tray
19	127K37530	Tamper Motor
20	423W87554	Belt
21	038K88380	Tamper Guide Assembly
22	020E37200	Pulley (24T)
23	-	Belt Stopper (P/O PL 17.102 Item 17)
24	-	Guide (P/O PL 17.119 Item 21)
25	-	Base (P/O PL 17.119 Item 21)
26	-	Spring (P/O PL 17.119 Item 21)
27	-	Actuator Bracket (P/O PL 17.102 Item 17)
28	-	Collar (P/O PL 17.102 Item 17)
29	-	Collar (P/O PL 17.102 Item 17)
30	-	Pulley (P/O PL 17.102 Item 17)
31	-	Shaft (P/O PL 17.102 Item 17)
32	-	Bracket (P/O PL 17.102 Item 17)
33	050K58202	Compile Tray Assembly
34	-	Tension Spring (P/O item 21)
35	-	Damper (P/O PL 17.119 Item 21)
36	026K81570	Gear Pulley Assembly
37	026K81580	Gear Pulley Assembly

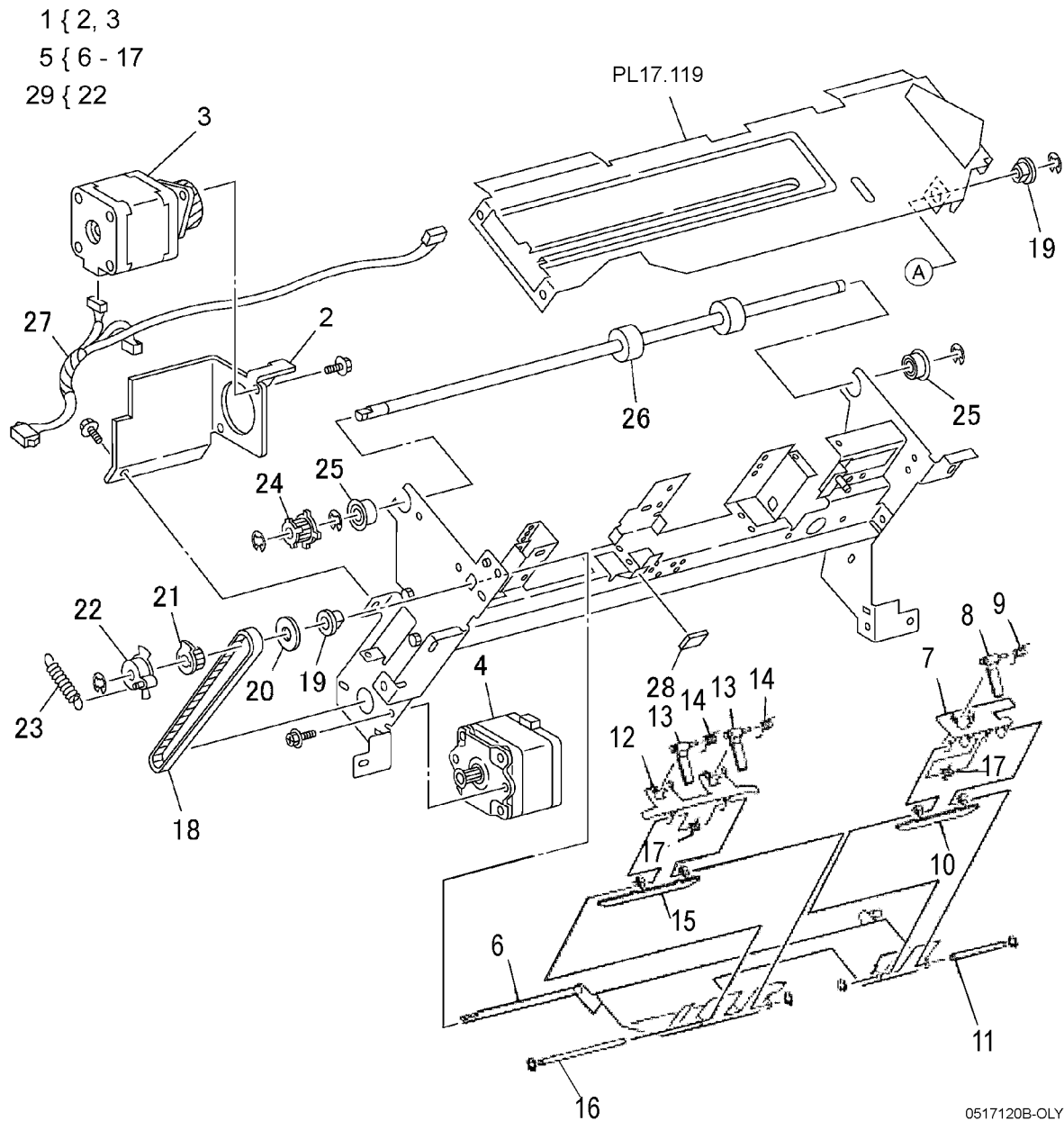


j0ne5k18B



# PL 17.120 Compile Component-2 (End Wall)

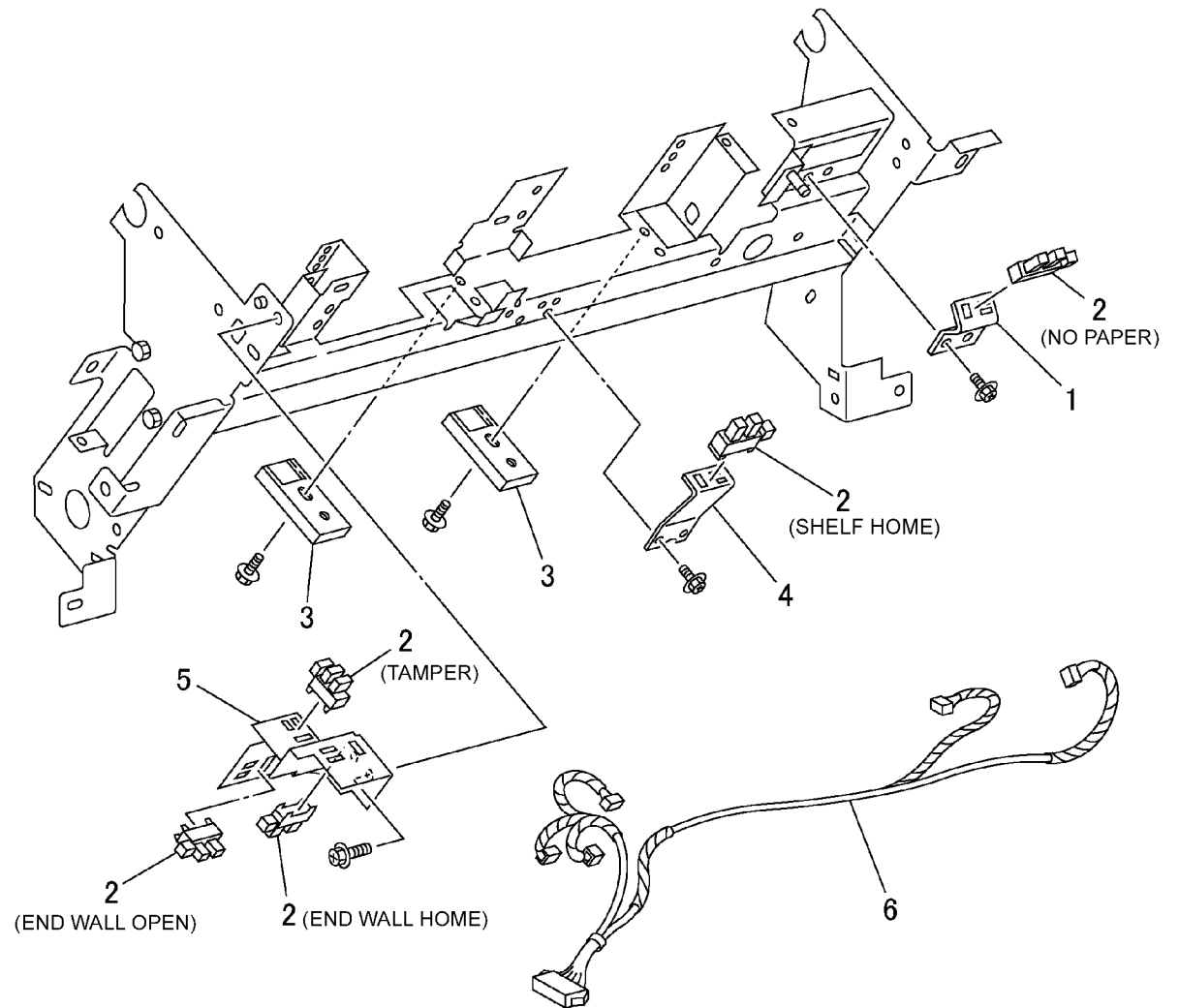
Item	Part	Description
1	068K53250	Shelf Motor Assembly
2	-	Bracket (P/O PL 17.120 Item 1)
3	-	Shelf Motor (P/O PL 17.120 Item 1)
4	127K37520	End Wall Motor
5	038K88392	Curl Guide Assembly
6	-	End Wall Guide (P/O PL 17.120 Item 5)
7	-	Front Finger (P/O PL 17.120 Item 5)
8	-	Front Curl Guide (P/O PL 17.120 Item 5)
9	-	Spring (P/O PL 17.120 Item 5)
10	-	Front Stapler Guide (P/O PL 17.120 Item 5)
11	-	Shaft (P/O PL 17.120 Item 5)
12	-	Rear Finger (P/O PL 17.120 Item 5)
13	-	Rear Curl Guide (P/O PL 17.120 Item 5)
14	-	Spring (P/O PL 17.120 Item 5)
15	-	Rear Stapler Guide (P/O PL 17.120 Item 5)
16	-	Shaft (P/O PL 17.120 Item 5)
17	-	Spring (P/O PL 17.120 Item 5)
18	423W33354	Belt
19	-	Bearing (Not Spared)
20	-	Collar (Not Spared)
21	-	Pulley (Not Spared)
22	801K25930	Actuator
23	809E41340	Spring
24	-	Pulley (Not Spared)
25	-	Bearing (Not Spared)
26	022K70791	Eject Roll
27	962K18350	Wire Harness
-	962K57860	Wire Harness
28	-	Damper (Not Spared)
29	-	Actuator Repair Kit



0517120B-OLY

## PL 17.121 Compile Component-2 (Sensor)

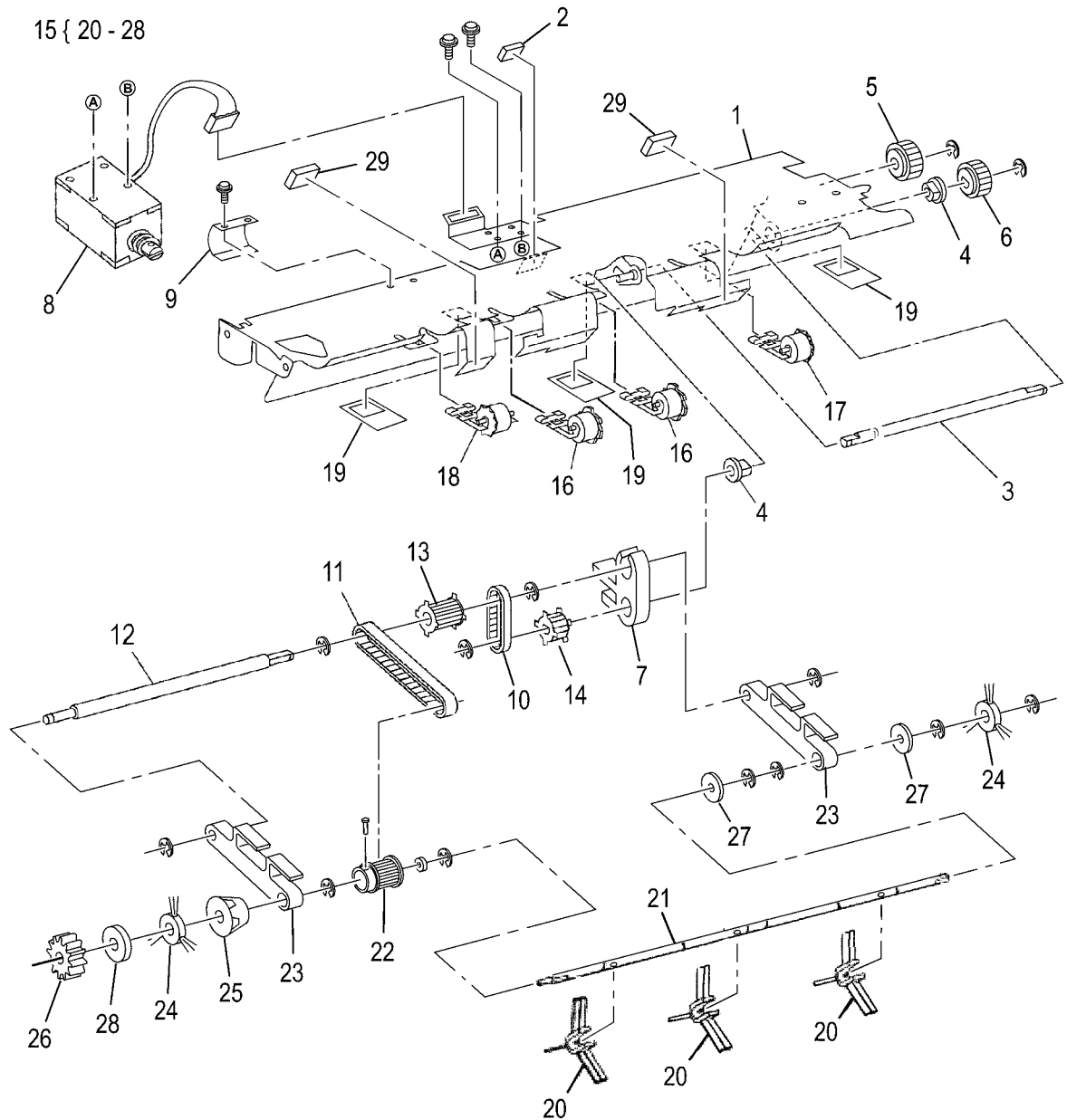
Item	Part	Description
1	-	Bracket (P/O PL 17.102 Item 17)
2	130K70160	Compile Tray No Paper Sensor, Tamper Home, End Wall Home/Open, Shelf Home
3	-	Support (P/O PL 17.102 Item 17)
4	-	Bracket (P/O PL 17.102 Item 17)
5	-	Bracket (P/O PL 17.102 Item 17)
6	-	Wire Harness (Not Spared)



j0ne5k20

# PL 17.122 Lower Exit Chute Components

Item	Part	Description
1	-	Lower Exit Chute (P/O PL 17.102 Item 16)
2	-	Solenoid Damper (Not Spared)
3	-	Shaft (P/O PL 17.102 Item 16)
4	413W75959	Bearing
5	807E14370	Gear
6	807E14380	Gear
7	012E14940	Solenoid Link
8	121K31390	Compile Paddle Up Down Solenoid
-	121K40720	Compile Paddle Up Down Solenoid
9	-	Guide (P/O PL 17.102 Item 16)
10	423W03354	Belt
11	423W07154	Belt
12	-	Shaft (P/O PL 17.102 Item 16)
13	020E44160	Pulley
14	-	Pulley (Not Spared)
15	006K87310	Compile Main Paddle Assembly (REP 17.34)
16	022K74181	Pinch Roll
17	-	Damper (Not Spared)
18	022K74191	Pinch Roll
19	-	Damper (Not Spared)
20	033K94900	Paddle
21	806E17161	Shaft
22	-	Pulley (Not Spared)
23	-	Link (P/O PL 17.122 Item 15)
24	-	Brush Roll (P/O PL 17.122 Item 15)
25	-	Guide (P/O PL 17.122 Item 15)
26	-	Paddle (P/O PL 17.122 Item 15)
27	-	Collar (P/O PL 17.122 Item 15)
28	-	Roll (P/O PL 17.122 Item 15)

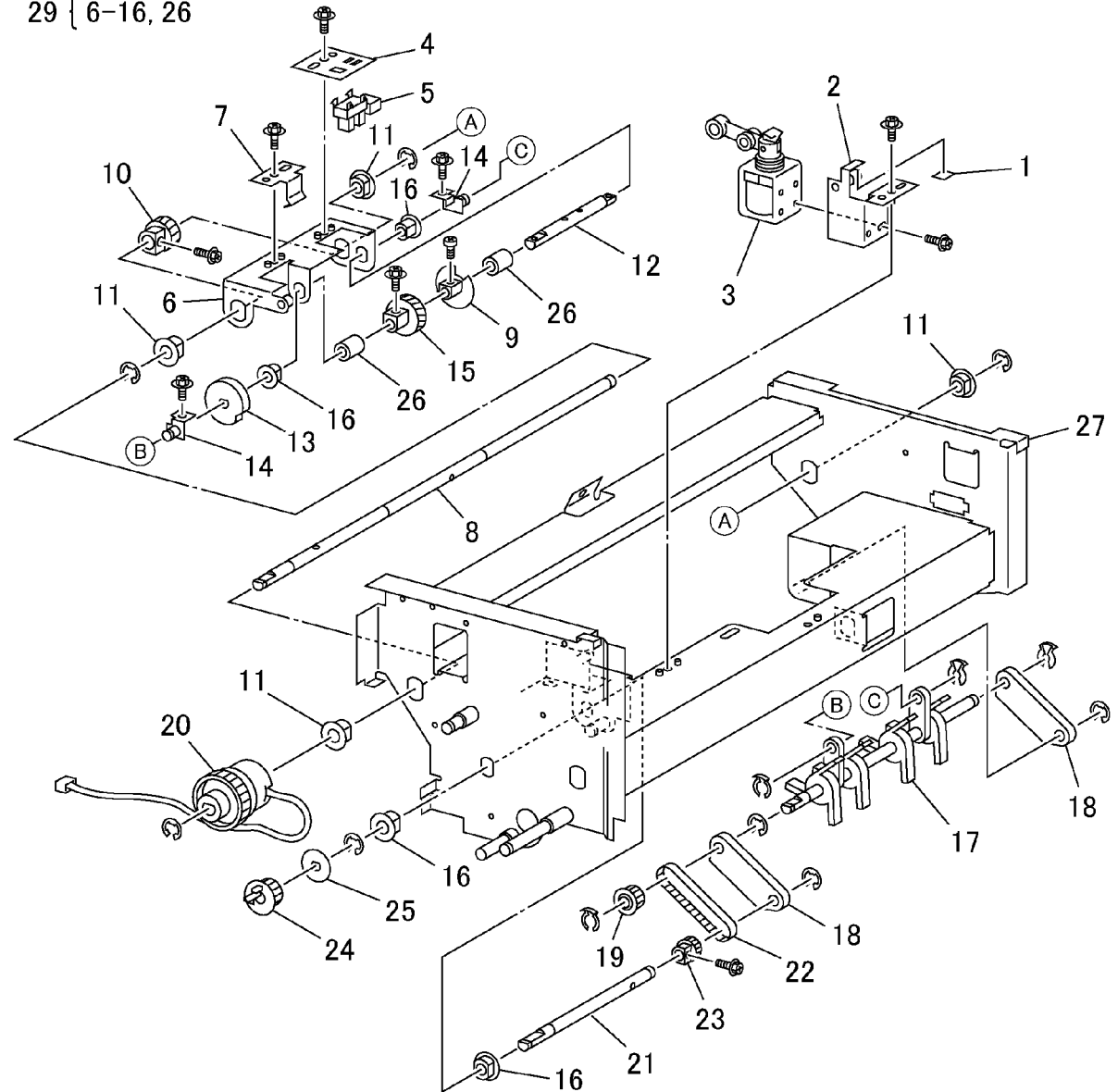


0517122A-FHJ

# PL 17.123 Eject Component-1 (Sub Paddle)

Item	Part	Description
1	-	Damper (P/O PL 17.123 Item 28)
2	-	Bracket (P/O PL 17.123 Item 28)
3	-	Sub Paddle U/D Solenoid (P/O PL 17.123 Item 28)
4	-	Plate (P/O PL 17.102 Item 18)
5	130K88770	Sub Paddle Home Sensor
6	-	Bracket (P/O PL 17.123 Item 29)
7	-	Spring (P/O PL 17.123 Item 29)
8	-	Shaft (P/O PL 17.123 Item 29)
9	-	Actuator (P/O PL 17.123 Item 29)
10	-	Gear (P/O PL 17.123 Item 29) (20T)
11	-	Bearing (P/O PL 17.123 Item 29)
12	-	Shaft (P/O PL 17.123 Item 29)
13	-	Stopper (P/O PL 17.123 Item 29)
14	-	Bracket (P/O PL 17.123 Item 29)
15	-	Gear (P/O PL 17.123 Item 29) (25T)
16	-	Bearing (P/O PL 17.123 Item 29)
17	006K22941	Sub Paddle (REP 17.19)
18	-	Link (P/O PL 17.102 Item 18)
19	020E37150	Pulley (19T)
20	121K40710	Paddle Support Clutch
21	-	Shaft (P/O PL 17.102 Item 18)
22	423W25854	Belt
23	020E37160	Pulley (16T)
24	020E37170	Pulley (22T)
25	-	Collar (P/O PL 17.102 Item 18)
26	-	Spacer (P/O PL 17.123 Item 29)
27	-	Frame (P/O PL 17.102 Item 18)
28	015K60441	Sub Paddle U/D Solenoid Assembly
29	068K53311	Bracket Assembly

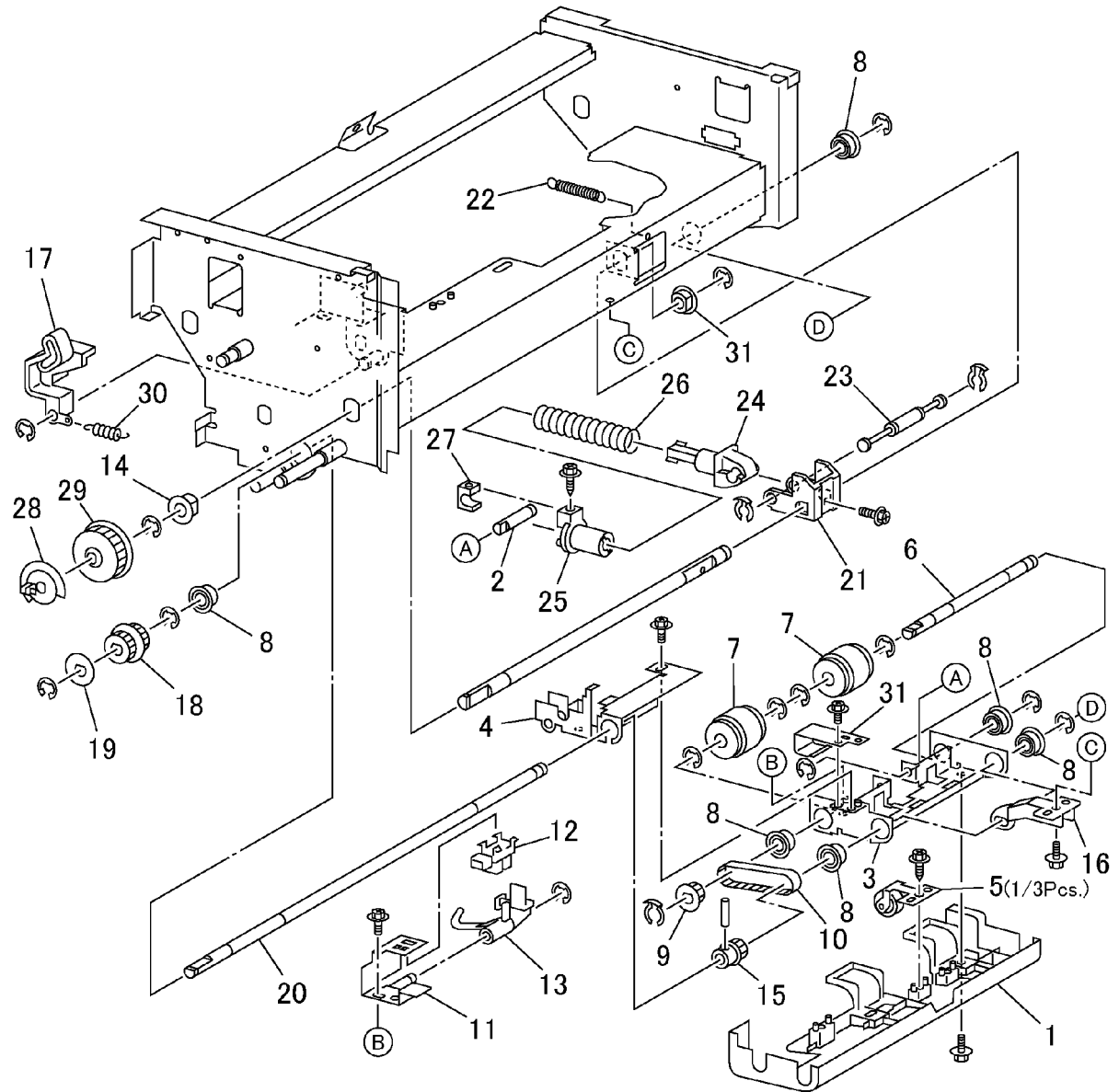
28 { 1-3  
29 { 6-16, 26



j0ne5k22

# PL 17.124 Eject Component-2 (Feed Roll)

Item	Part	Description
1	-	Eject Up Cover (P/O PL 17.102 Item 18)
2	-	Shaft (P/O PL 17.102 Item 18)
3	-	Bracket (P/O PL 17.102 Item 18)
4	-	Bracket (P/O PL 17.102 Item 18)
5	022K66840	Pinch Roll
6	-	Shaft (P/O PL 17.102 Item 18)
7	022K67001	Feed Roll
8	413W08350	Bearing
9	020E37060	Pulley (20T)
10	423W27354	Belt
11	-	Bracket (P/O PL 17.102 Item 18)
12	130K70160	Eject Sensor
13	120E29320	Actuator
14	-	Bearing (P/O PL 17.102 Item 18)
15	020E37050	Pulley (20T)
16	-	Holder (P/O PL 17.102 Item 18)
17	-	Cover Safety (P/O PL 17.102 Item 18)
18	-	Pulley (P/O PL 17.102 Item 18) (18T/15T)
19	020E37110	Collar
20	-	Shaft (P/O PL 17.102 Item 18)
21	-	Link (P/O PL 17.102 Item 18)
22	809E42221	Spring
23	-	Pin (P/O PL 17.102 Item 18)
24	-	Nip Inner (P/O PL 17.102 Item 18)
25	-	Nip Eject (Not Spared)
26	-	Spring (P/O PL 17.102 Item 18)
27	-	Nip Base (P/O PL 17.102 Item 18)
28	120E21970	Actuator
29	020E41551	Pulley (48T)
30	809E41580	Spring
31	-	Bracket (P/O PL 17.102 Item 18)



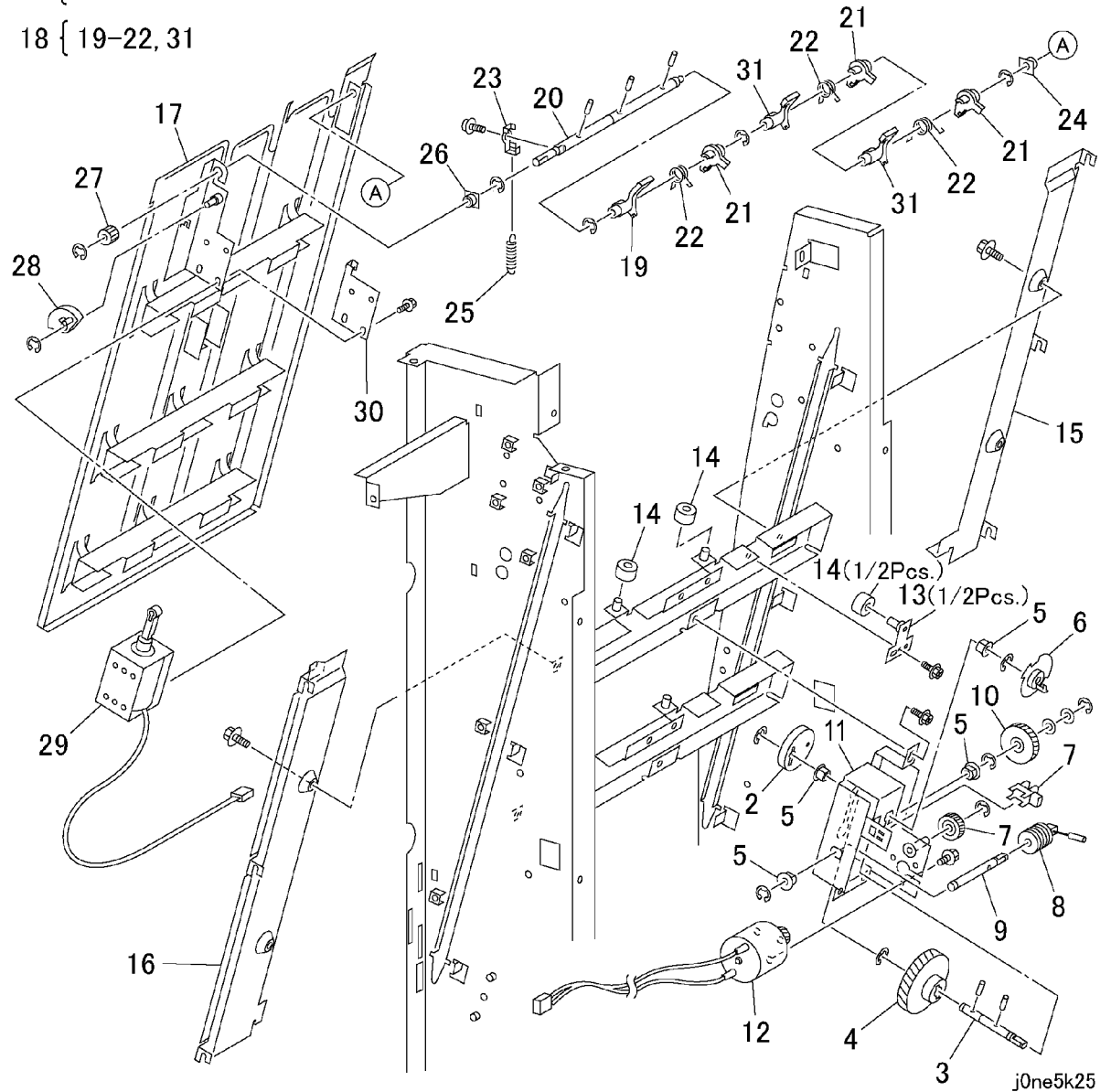
j0ne5k23



# PL 17.126 Stacker Component-1 (Offset)

Item	Part	Description
1	068K53300	Stacker Off Set Motor Assembly
2	-	Cam (P/O PL 17.126 Item 1)
3	-	Shaft (P/O PL 17.126 Item 1)
4	-	Gear (P/O PL 17.126 Item 1) (55T)
5	-	Bearing (P/O PL 17.126 Item 1)
6	120E22090	Actuator
7	130K70160	Stacker Front Position Sensor
8	007E78500	Worm Gear
9	-	Shaft (P/O PL 17.126 Item 1)
10	-	Gear (P/O PL 17.126 Item 1)
11	-	Bracket (P/O PL 17.126 Item 1)
12	-	Stacker Offset Motor (P/O PL 17.126 Item 1)
13	-	Bracket (Not Spared)
14	-	Support Roll (Not Spared)
15	-	Front Plate (Not Spared)
16	-	Rear Plate (Not Spared)
17	-	Paper Guide (Not Spared)
18	006K23021	Set Clamp Assembly
19	-	Holder (P/O PL 17.126 Item 18)
20	-	Shaft (P/O PL 17.126 Item 18)
21	-	Stopper (P/O PL 17.126 Item 18)
22	-	Spring (P/O PL 17.126 Item 18)
23	-	Bracket (Not Spared)
24	-	Bearing
25	809E41960	Spring
26	-	Bearing (Not Spared)
27	007E78470	Gear (14T)
28	007E78480	Cam
29	012K94930	Set Clamp Solenoid (REP 17.21)
30	-	Holder (Not Spared)
31	-	Holder (P/O PL 17.126 Item 18)

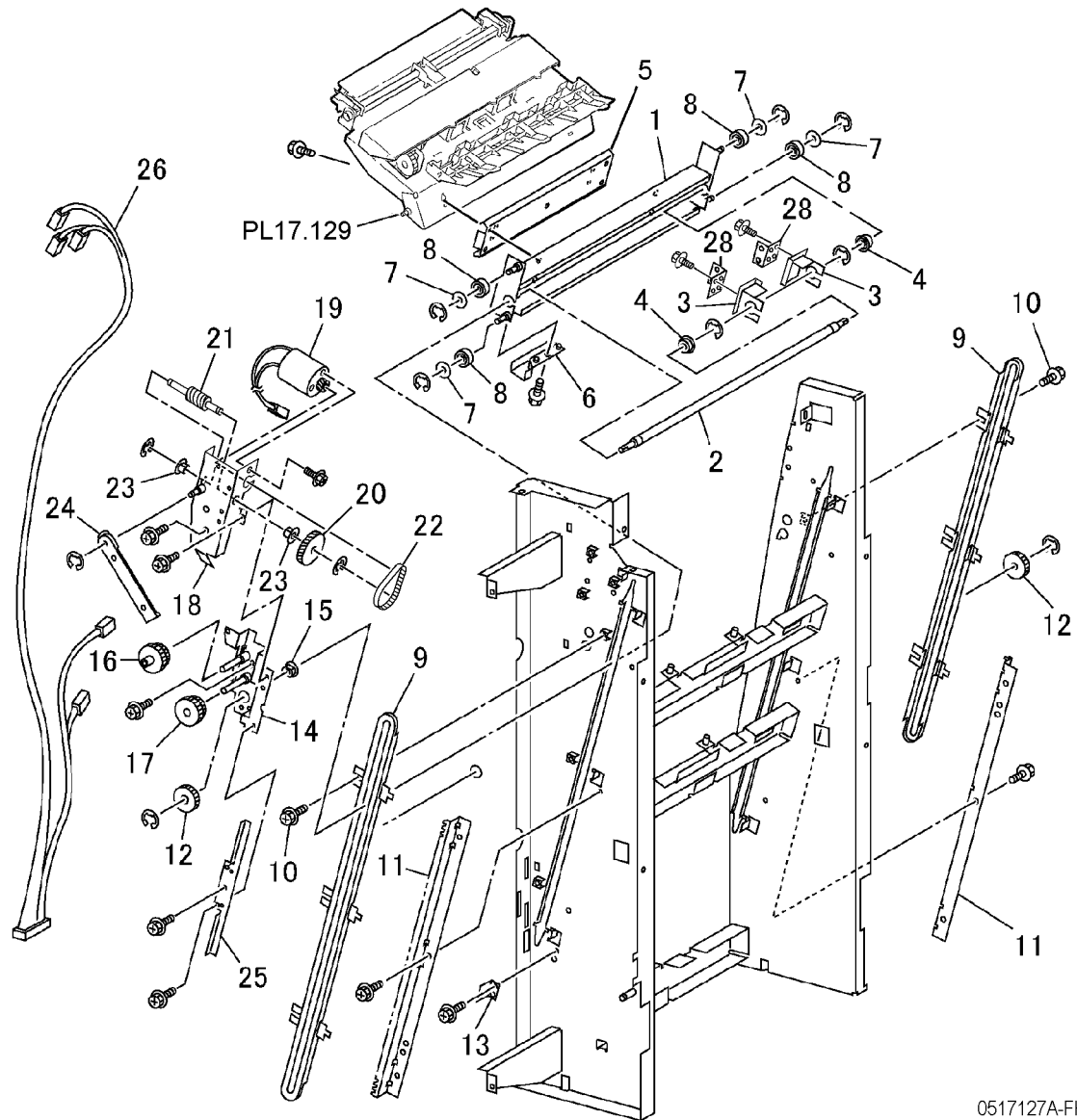
1 { 2-12  
18 { 19-22, 31



# PL 17.127 Stacker Component-2 (Elevator)

27 { 18 - 24

Item	Part	Description
1	-	Plate (Not Spared)
2	-	Shaft (Not Spared)
3	-	Bracket (Not Spared)
4	413W50250	Bearing
5	001E65290	Bracket
6	-	Harness Guide (Not Spared)
7	005E17660	Flange
8	-	Bearing (Not Spared)
9	-	Shaft Guide (Not Spared)
10	-	Screw (Not Spared)
11	807E19340	Rack
12	007E89831	Gear (22T)
13	-	Stopper (Not Spared)
14	068K53350	Bracket
15	413W11860	Bearing
16	807E19280	Gear
17	007E89841	Gear (14T/24T)
18	-	Bracket (Not Spared)
19	127K52080	Elevator Motor
20	020E44181	Gear (57T)
21	007E78500	Worm Gear
22	423W27854	Belt
23	-	Bearing (Not Spared)
24	-	Arm (Not Spared)
25	120E26420	Actuator
26	962K57960	Wire Harness
27	068K53360	Elevator Motor Assembly
28	-	Tray Plate (Not Spared)



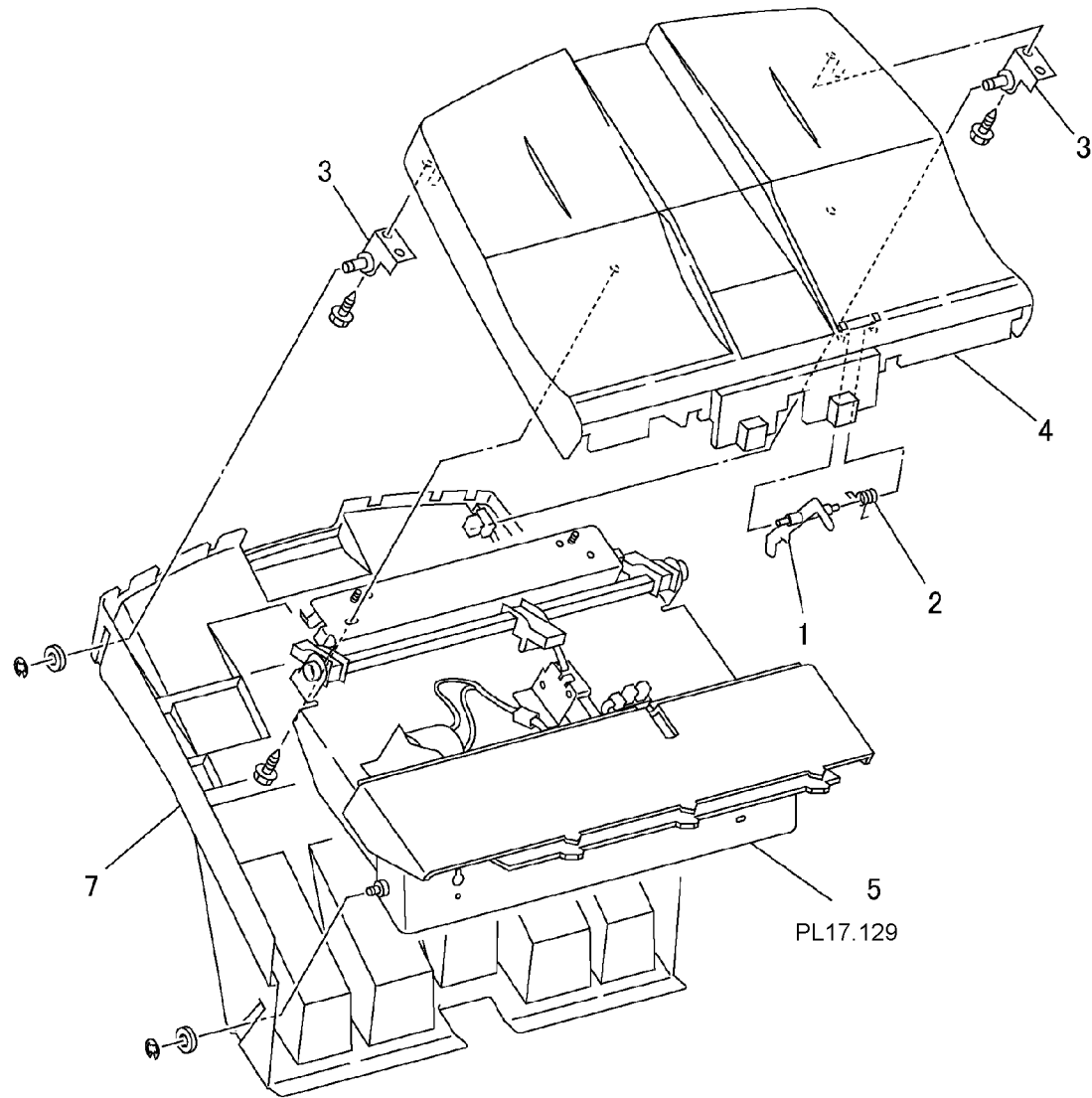
0517127A-FHJ



# PL 17.128 Stacker Component-3 (Tray 1)

Item	Part	Description
1	120E22100	Actuator
2	809E41970	Spring
3	-	Bracket (P/O PL 17.128 Item 6)
4	-	Stacker Tray (P/O PL 17.128 Item 6)
5	-	Flapper Tray (P/O PL 17.128 Item 6)
6	050K58250	Stacker Tray Assembly (REP 17.22)
7	802E54280	Stacker Tray Cover

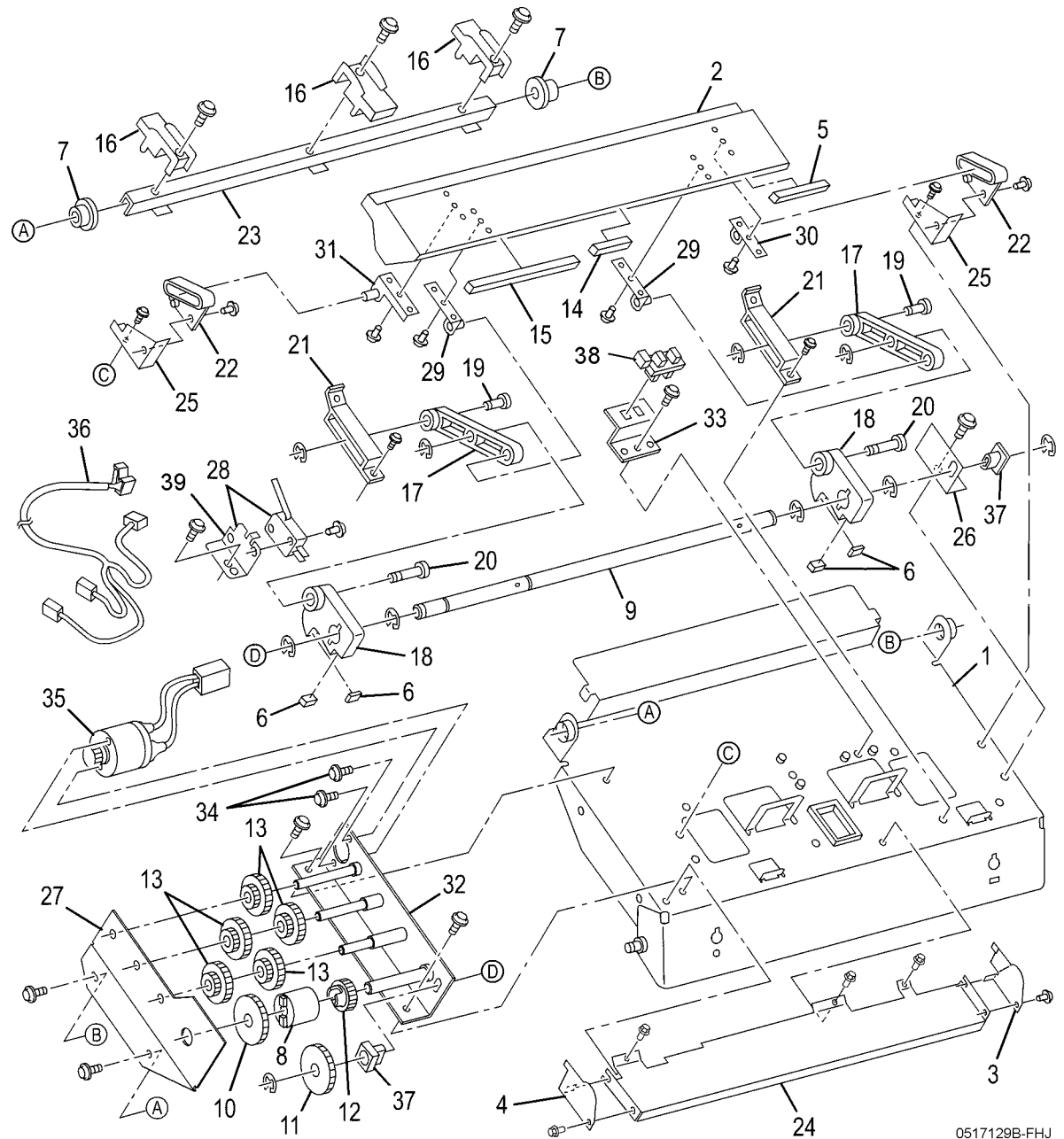
6 { 1-5



0517128A-FHJ

# PL 17.129 Stacker Component-4 (Tray 2)

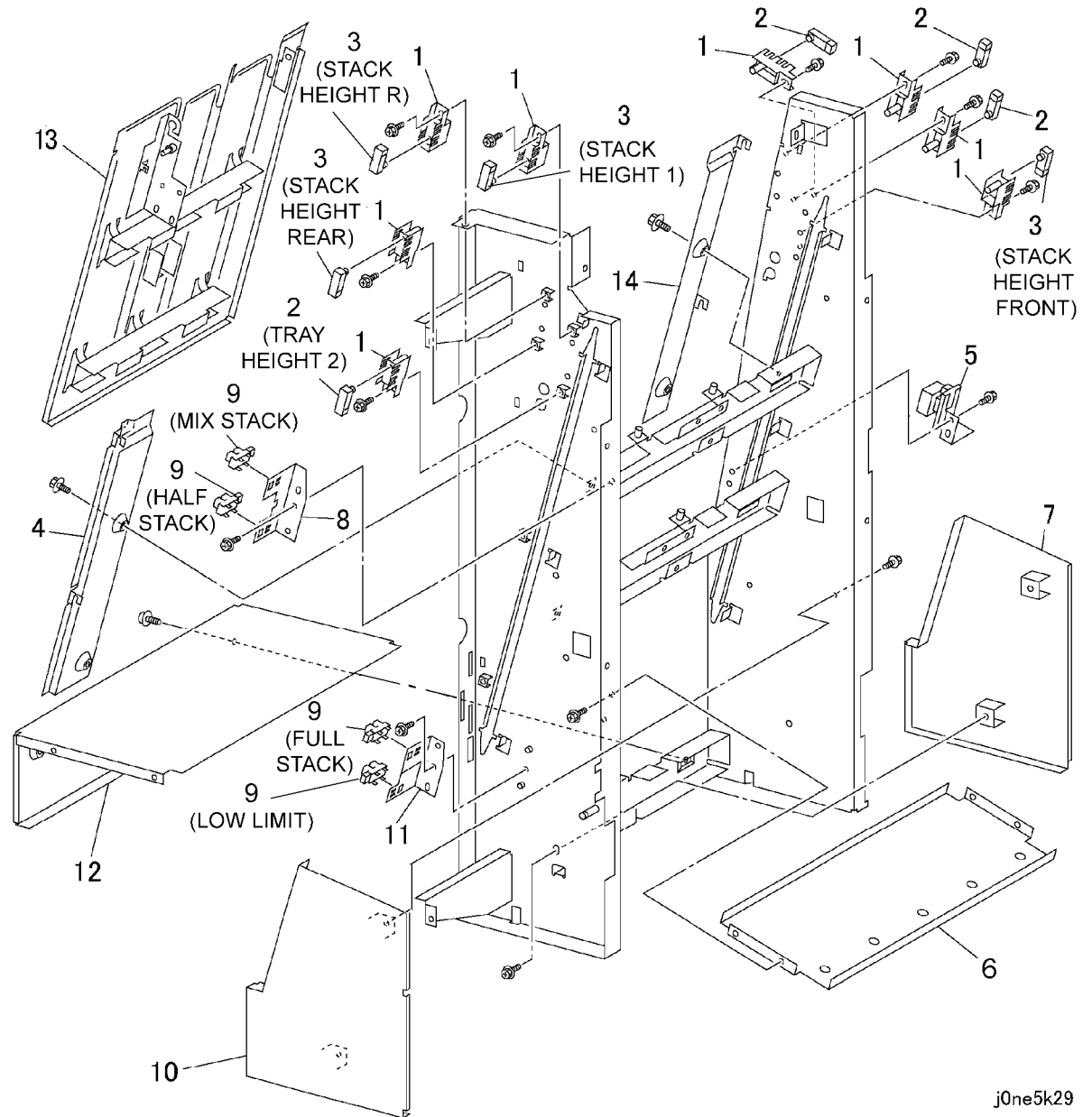
Item	Part	Description
1	-	Base Plate (Not Spared)
2	802E97290	Tray - Flapper
3	802E97280	Cover - Side Front
4	802E97270	Cover - Side Rear
5	055E47900	Cushion (Front)
6	-	Damper (Not Spared)
7	-	Collar (Not Spared)
8	005K08290	Clutch Assembly
9	006K25391	Shaft Assembly-Link
10	807E14360	Gear
11	807E14350	Gear
12	807E14341	Gear
13	807E14250	Gear
14	055E47890	Cushion (Center)
15	055E47880	Cushion (Rear)
16	-	Lever (Not Spared)
17	012E14930	Link
18	-	Bracket (Not Spared)
19	807E01770	Pin
20	-	Pin (Not Spared)
21	038E35710	Guide
22	038E35700	Guide
23	-	Bracket (Not Spared)
24	-	Bracket, Cover Side (Not Spared)
25	-	Bracket Guide (Not Spared)
26	-	Bracket (Not Spared)
27	-	Bracket (Not Spared)
28	-	Stacker Safety Switch (Not Spared)
29	-	Bracket (Not Spared)
30	-	Bracket (Not Spared)
31	-	Bracket (Not Spared)
32	-	Bracket (Not Spared)
33	-	Bracket Sensor (Not Spared)
34	-	Screw (Not Spared)
35	127K52070	Stacker Flap Motor Assembly
36	962K57990	Harness Assembly
37	-	Bearing Sleeve (Not Spared)
38	130K70160	Stacker No Paper Sensor
39	-	Bracket (Not Spared)



0517129B-FHJ

## PL 17.130 Stacker Component-5 (Sensor, Booklet)

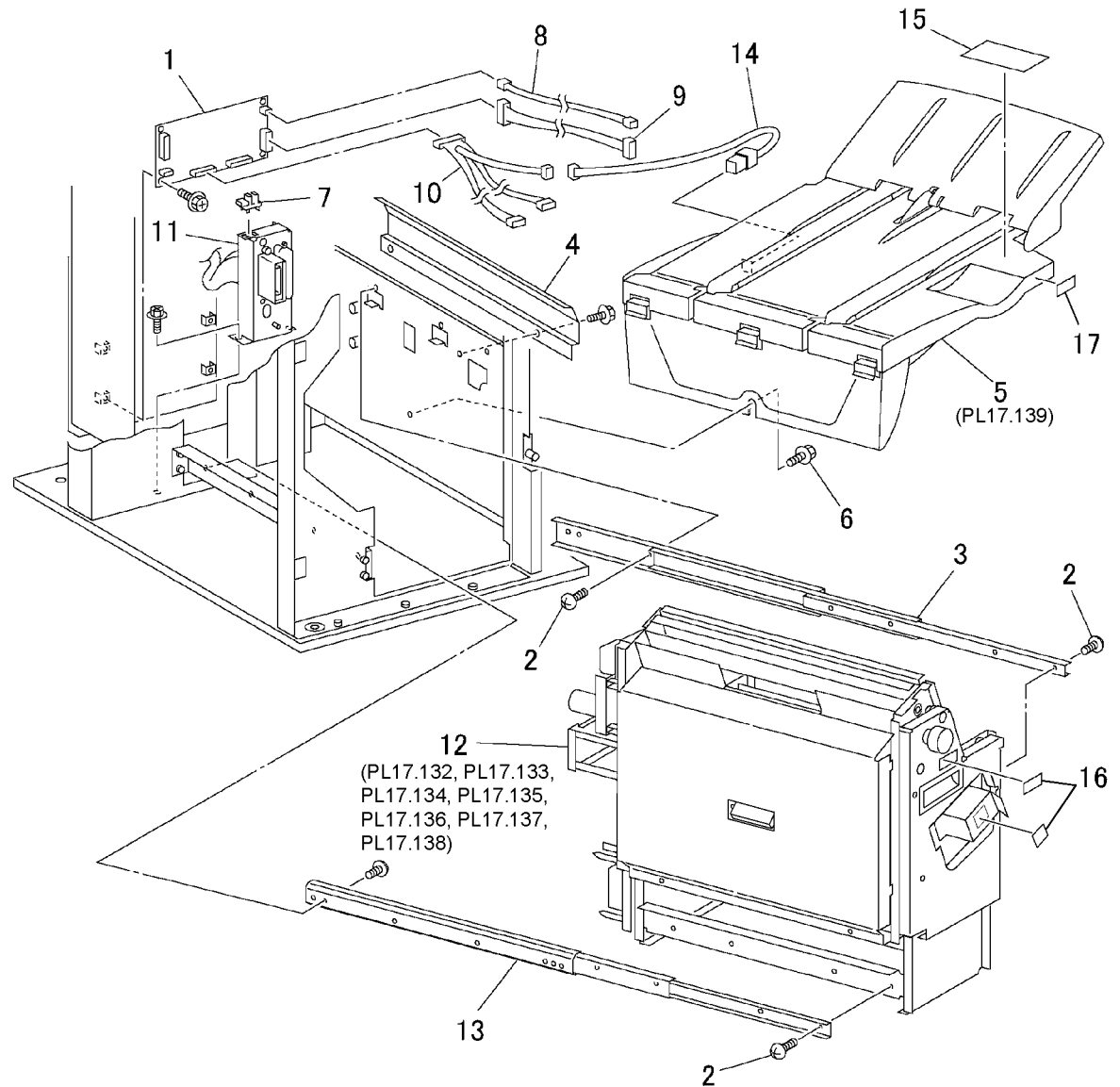
Item	Part	Description
1	848E09040	Sensor Cover
2	-	Stack Height Sensor 1 (F), Stack Height 2 (R), 3 (F), Tray Height Lower (F)
3	130E89230	Stack Height Sensor 2 (F), 3 (R), (R), Tray Height Sensor Lower 1 (R)
4	-	Rear Plate (Booklet Type) (Not Spared)
5	110K12371	Booklet Tray Belt Switch (Booklet Type)
6	802K52963	Upper Cover (Booklet Type)
7	848E09030	Rear Cover (Booklet Type)
8	-	Bracket (Not Spared)
9	130K88770	Mix Stack Sensor, Half Stack, Full Stack, Lower Limit Sensor
10	848E09020	Front Cover (Booklet Type)
11	-	Bracket (Not Spared)
12	-	Bottom Cover (Booklet Type)
13	-	Paper Guide (Booklet Type) (Not Spared)
14	-	Front Plate (Booklet Type) (Not Spared)



j0ne5k29

# PL 17.131 Booklet Accessory

Item	Part	Description
1	160K95426	Booklet PWB
2	-	Screw (Not Spared)
3	801K04510	Right Rail
4	-	Cover (Not Spared)
5	050K49302	Booklet Tray Unit
6	-	Knob Screw (Not Spared)
7	130K88770	Booklet Drawer Set Sensor
8	962K57640	Wire Harness
9	962K57650	Wire Harness
10	962K57660	Wire Harness
11	068K53160	Connector
12	801K24881	Booklet Drawer Unit (REP 17.23)
13	801K04180	Left Rail
14	962K57870	Wire Harness
15	-	Label (Not Spared)
16	893E51370	Label (4)
17	-	Label (Not Spared)

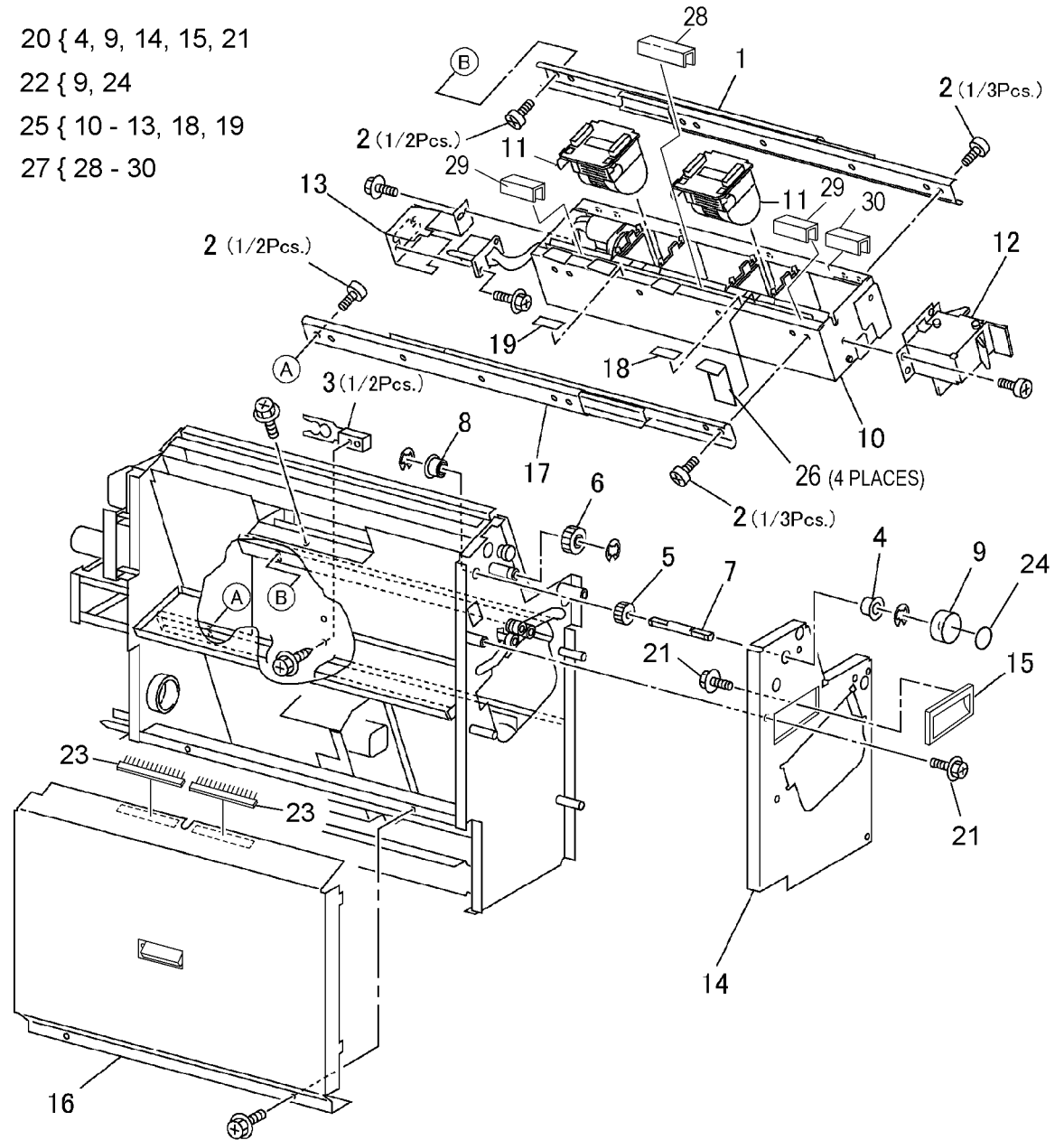


0517131A-FHJ

# PL 17.132 Booklet Component-1 (Stapler)

Item	Part	Description
1	801K18730	Right Rail
2	-	Screw (Not Spared)
3	003E59690	Stopper
4	-	Bearing (Not Spared)
5	499W14432	Gear
6	407W07829	Gear (29T)
7	-	Shaft (Not Spared)
8	-	Ball Bearing (Not Spared)
9	-	Knob (R19)
10	-	Stapler Housing (P/O PL 17.132 Item 25)
11	-	Stapler Cartridge (Not Spared)
12	015K60420	Latch
13	-	Bracket (Not Spared)
14	-	Front Cover (Not Spared)
15	003E75150	Handle
16	-	Left Cover (Not Spared)
17	801K18720	Left Rail
18	893E51380	Label (R2)
19	893E55730	Label (R3)
20	-	Front Cover Assembly (Not Spared)
21	-	Screw (P/O PL 17.132 Item 20)
22	003K15720	Knob Assembly (4a)
23	105E15120	Static Eliminator
24	-	Label (4a) (P/O PL 17.132 Item 22)
25	029K92126	Booklet Stapler Assembly
26	038K88691	Guide Paper Stapler
27	604K18741	Mylar Guide Kit
28	-	Center Guide (P/O PL 17.132 Item 27)
29	-	Paper Guide (Clinch) (P/O PL 17.132 Item 27)
30	-	Paper Guide (Front) (P/O PL 17.132 Item 27)

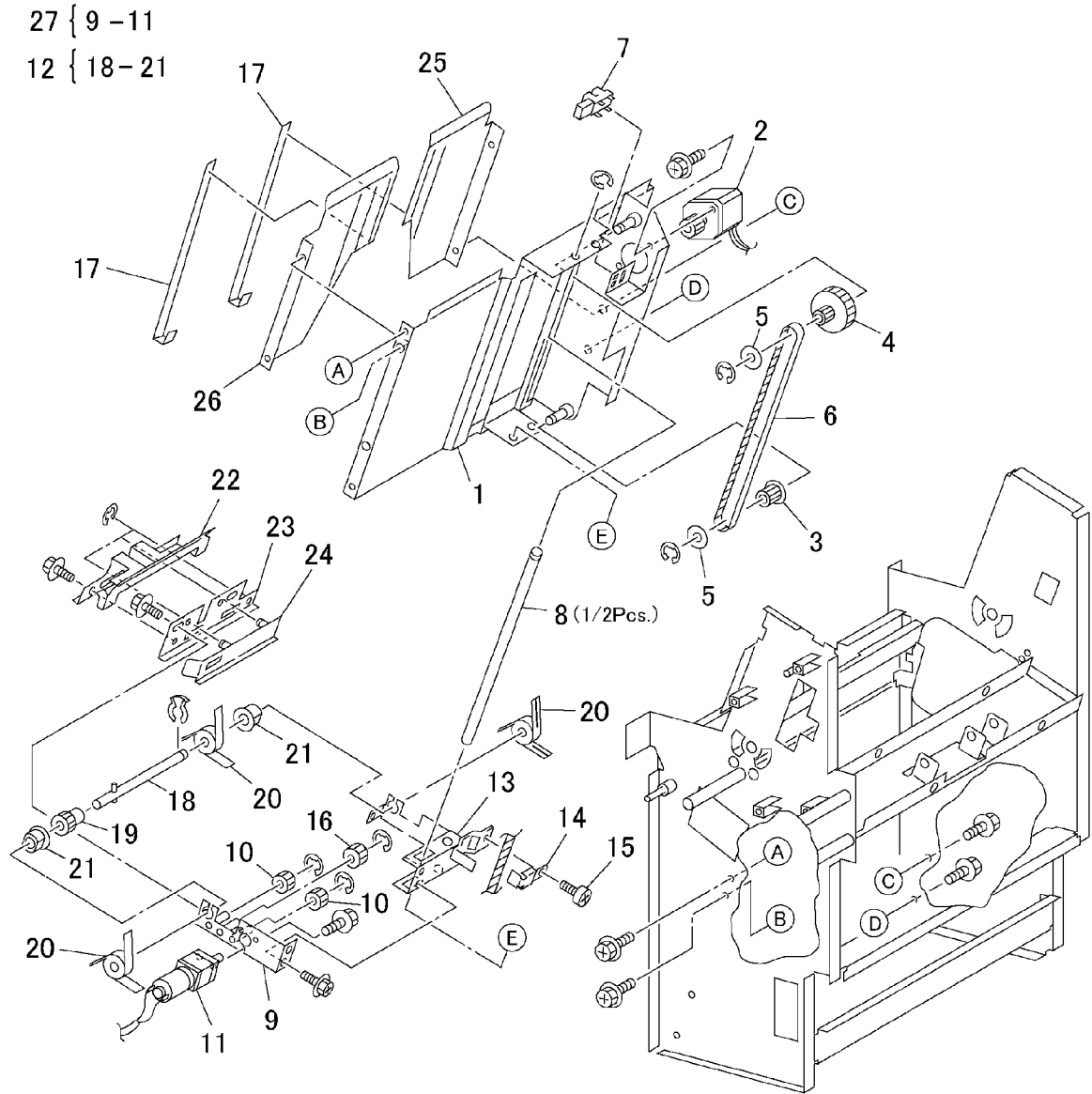
20 { 4, 9, 14, 15, 21  
 22 { 9, 24  
 25 { 10 - 13, 18, 19  
 27 { 28 - 30



0517132A-FHJ

# PL 17.133 Booklet Component-2 (End Guide)

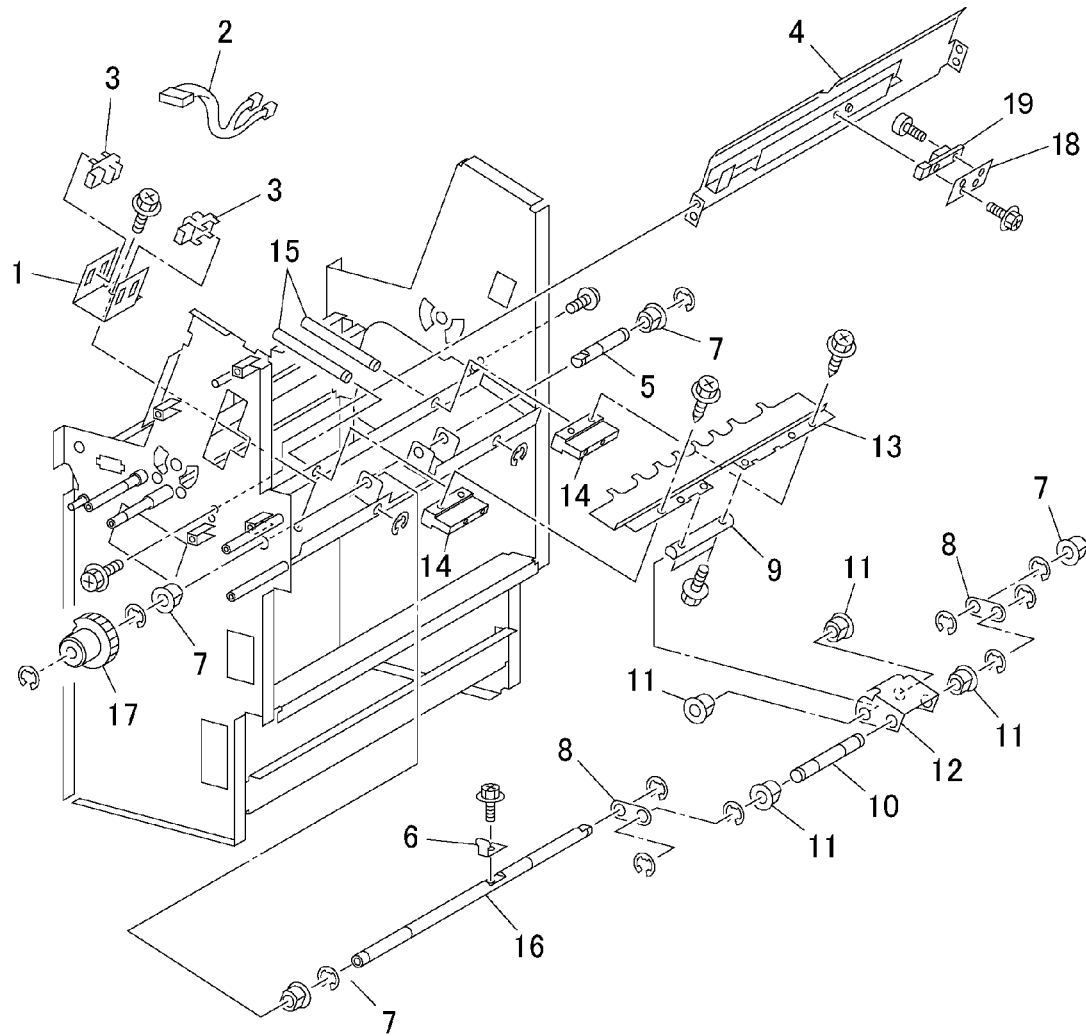
Item	Part	Description
1	-	Compile Chute (Not Spared)
2	127K51990	Booklet End Guide Motor
3	020E37210	Pulley
4	807E02050	Gear Pulley (40T/20T)
5	-	Washer (Not Spared)
6	423W86254	Belt
7	130K70160	Booklet End Guide Home Sensor
8	-	Shaft (Not Spared)
9	-	Bracket (P/O PL 17.133 Item 27)
10	807E19200	Gear
11	-	Booklet Paddle Motor (P/O PL 17.133 Item 27)
12	006K25950	Paddle Shaft Assembly (REP 17.24)
13	-	Bracket (Not Spared)
14	-	Stopper (Not Spared)
15	-	Screw (Not Spared)
16	807E19990	Gear
17	-	Paper Guide (Not Spared)
18	-	Shaft (P/O PL 17.133 Item 12)
19	-	Gear (P/O PL 17.133 Item 12) (14T)
20	033E91550	Paddle
21	-	Bearing (P/O PL 17.133 Item 12)
22	030K76770	End Guide
23	-	Support Bracket (Not Spared)
24	-	Adjust Bracket (Not Spared)
25	054E27011	Chute (Front)
26	054E27021	Chute (Rear)
27	068K53270	Booklet Paddle Motor Assembly



j0ne5k32B

# PL 17.134 Booklet Component-3 (Knife)

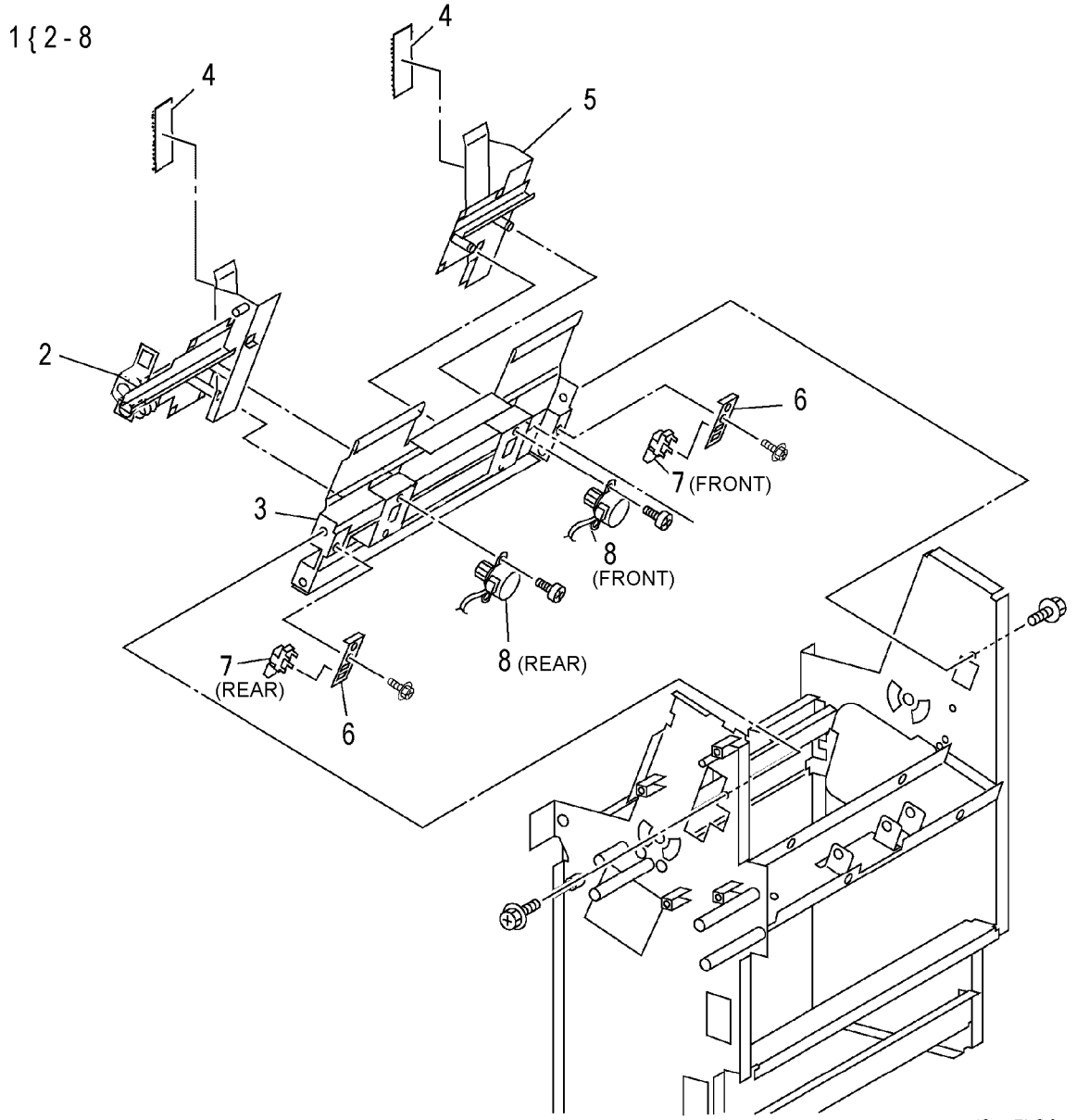
Item	Part	Description
1	-	Bracket (Not Spared)
2	962K57720	Wire Harness
3	130K70160	Knife Home Sensor, Knife Folder Sensor
4	-	Chute (Not Spared)
5	-	Shaft (Not Spared)
6	-	Actuator (Not Spared)
7	-	Bearing (Not Spared)
8	-	Joint (Not Spared)
9	-	Shaft (Not Spared)
10	-	Shaft (Not Spared)
11	-	Bearing (Not Spared)
12	-	Bracket (Not Spared)
13	015K67272	Knife
14	-	Guide (Not Spared)
15	-	Shaft (Not Spared)
16	-	Shaft (Not Spared)
17	807E02061	Gear (42T)
18	-	Bracket (Not Spared)
19	-	Booklet Compile No Paper Sensor (Same As Item 3)



j0ne5k33

# PL 17.135 Booklet Component-4 (Tamper)

Item	Part	Description
1	-	Compiler Plate Assembly
2	038K88410	Rear Tamper Assembly
3	-	Frame (P/O PL 17.135 Item 1)
4	105E15120	Static Eliminator
5	038K88400	Front Tamper Guide
6	-	Bracket (P/O PL 17.135 Item 1)
7	130K70160	Booklet Tamper Home Sensor (Front and Rear)
8	127K48210	Booklet Tamper Motor (Front and Rear)

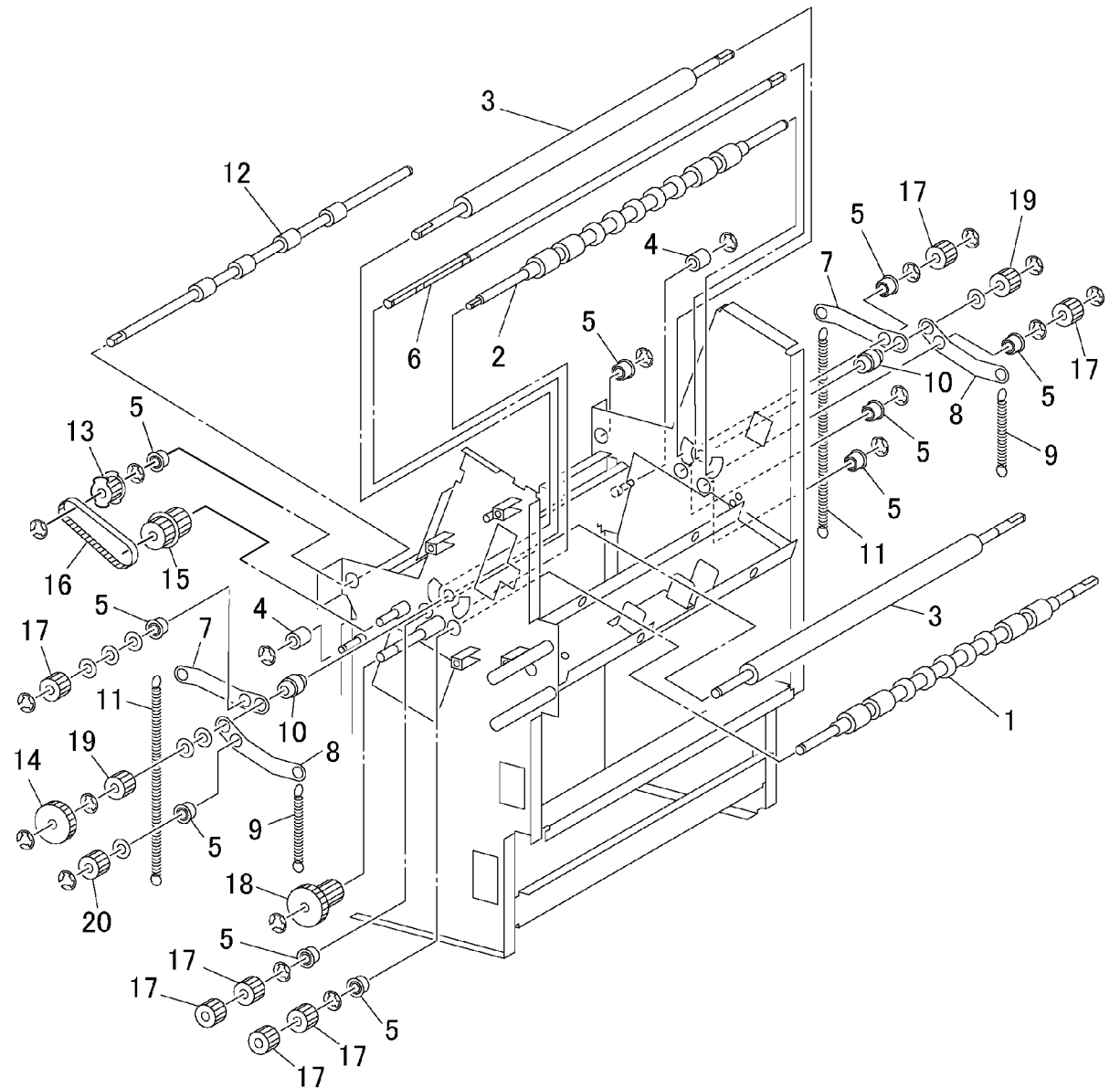


j0ne5k34



# PL 17.136 Booklet Component-5 (Roll)

Item	Part	Description
1	022K71020	Booklet Pre Folding Roll
2	022K71040	Booklet Pre Folding Nip Roll
3	022K66870	Booklet Folding Roll
4	022K66880	Roll
5	-	Ball Bearing (Not Spared)
6	-	Shaft (Not Spared)
7	-	Tension Plate 2 (Not Spared)
8	-	Tension Plate 1 (Not Spared)
9	809E41430	Spring
10	-	Bearing (Not Spared)
11	809E41420	Spring
12	022K70801	Booklet Eject Roll
13	-	Pulley (Not Spared) (16T)
14	007E77770	Gear (38T)
15	807E02040	Gear Pulley (20T/25T)
16	423W46754	Belt
17	007E89980	Gear (16T)
18	007E89990	Gear (38T/18T)
19	007E89970	Gear (18T)
20	407W07516	Gear (16T)

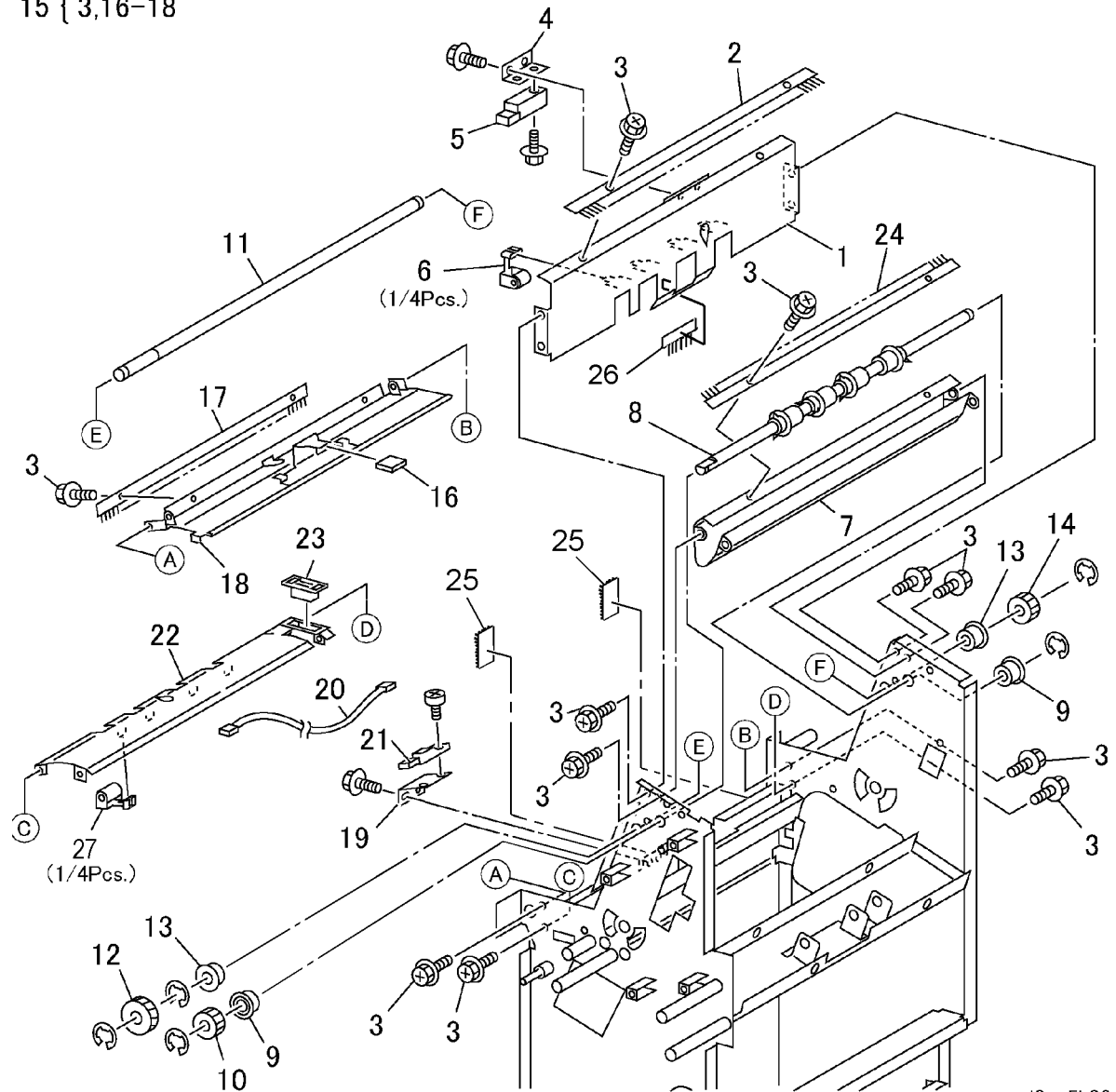


j0ne5k35B

# PL 17.137 Booklet Component-6 (Chute)

Item	Part	Description
1	-	Chute (Not Spared)
2	105E12060	Eliminator
3	-	Screw (P/O PL 17.137 Item 15)
4	-	Bracket (Not Spared)
5	130E87370	Booklet In Sensor
6	022K75120	Pinch Roll
7	-	Chute (Not Spared)
8	022K70812	Booklet In Roll
9	-	Ball Bearing (Not Spared)
10	407W07516	Gear (16T)
11	-	Shaft (Not Spared)
12	020E44980	Gear
13	-	Bearing (Not Spared)
14	-	Gear (Not Spared) (17T)
15	054K28570	Upper Exit Chute Assembly
16	-	Lever (R18) (P/O PL 17.137 Item 15)
17	105E15140	Eliminator
18	-	Upper Exit Chute (P/O PL 17.137 Item 15)
19	-	Bracket (Not Spared)
20	962K57700	Wire Harness
21	130E87410	Booklet Folder Roll Exit Sensor (FX)
22	-	Lower Exit Chute (Not Spared)
23	121E92720	Magnet
24	105E12560	Eliminator
25	105E15130	Static Eliminator
26	105E16310	Static Eliminator
27	059K41200	Pinch Roll

15 { 3,16-18

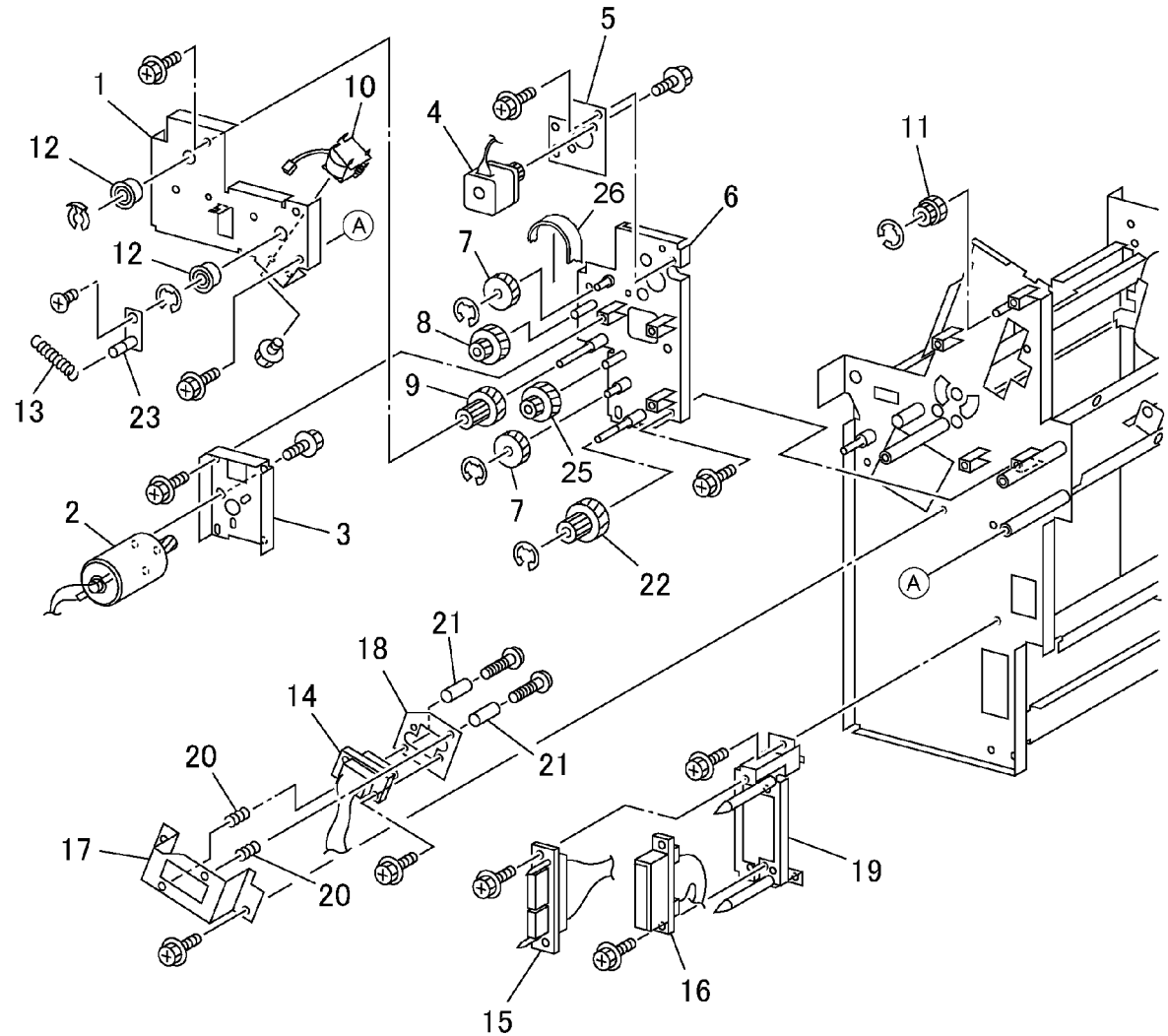


j0ne5k36

# PL 17.138 Booklet Component-7 (Motor)

Item	Part	Description
1	-	Bracket (Not Spared)
2	-	Booklet Fold Motor (P/O PL 17.138 Item 24)
3	-	Bracket (P/O PL 17.138 Item 24)
4	127K51990	Booklet Paper Path Motor
5	-	Bracket (Not Spared)
6	-	Bracket (Not Spared)
7	007E77620	Gear (45T)
8	807E19210	Gear
9	007E77600	Gear (44T/16T)
10	121K40660	Knife Solenoid
11	807E01750	Gear (27T/34T)
12	-	Ball Bearing (Not Spared)
13	809E41620	Spring
14	962K57710	Wire Harness
15	962K57690	Wire Harness
16	962K57680	Wire Harness
17	-	Bracket (Not Spared)
18	-	Bracket (Not Spared)
19	015K67440	Bracket
20	809E41570	Spring
21	-	Spacer (Not Spared)
22	807E02080	Gear (48T/18T)
23	-	Link (Not Spared)
24	068K53290	Booklet Fold Motor Assembly
25	807E20000	Gear (43T/14T)
26	423W47854	Belt

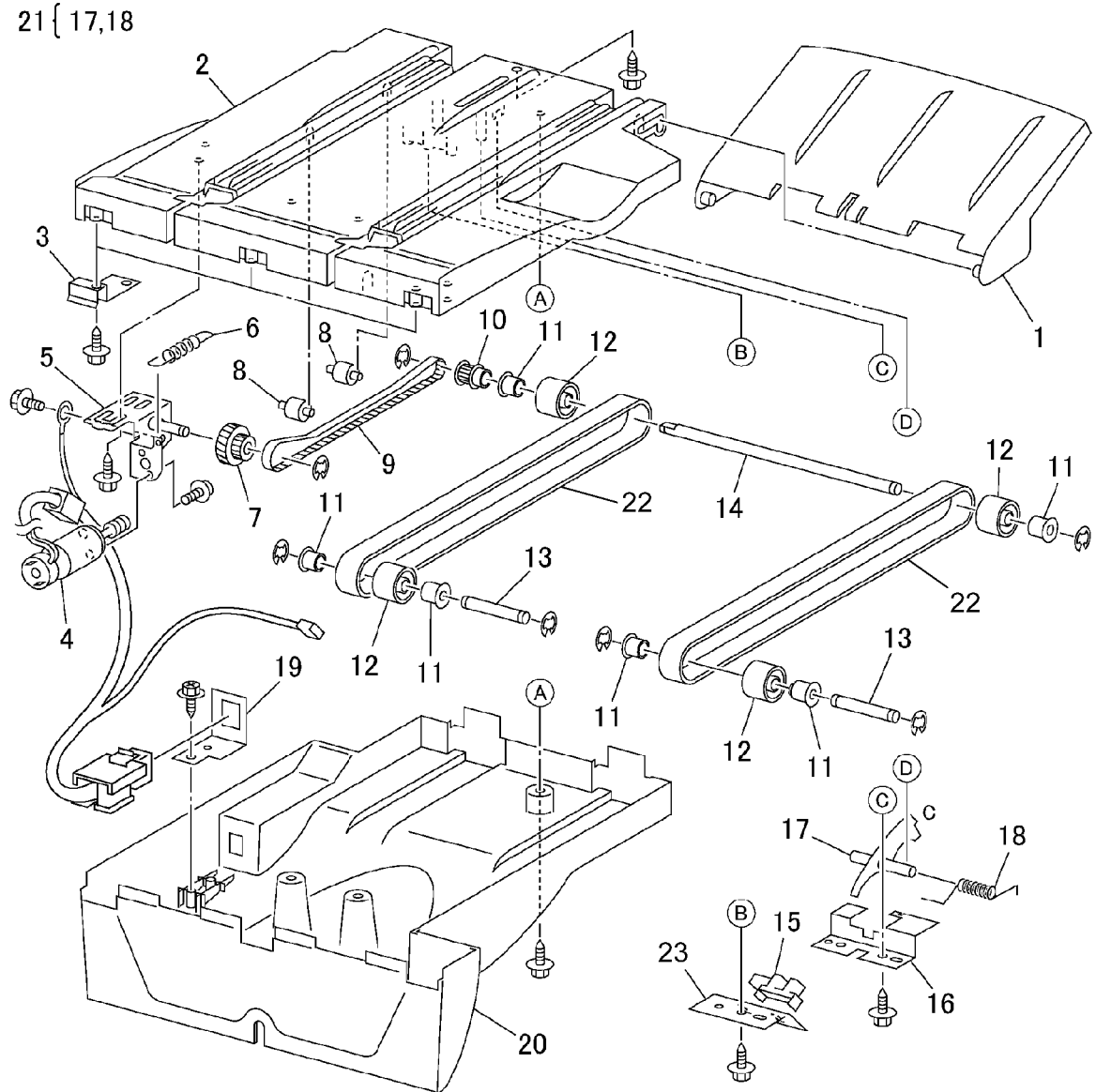
24 { 2,3



jOne5k37B

# PL 17.139 Booklet Tray Component

Item	Part	Description
1	-	Tray (P/O PL 17.131 Item 5)
2	-	Upper Tray (P/O PL 17.131 Item 5)
3	-	Bracket (P/O PL 17.131 Item 5)
4	127K38051	Tray Belt Drive Motor
5	-	Bracket (P/O PL 17.131 Item 5)
6	-	Spring (P/O PL 17.131 Item 5)
7	-	Gear Pulley (P/O PL 17.131 Item 5)
8	-	Roll (P/O PL 17.131 Item 5)
9	-	Belt (P/O PL 17.131 Item 5)
10	-	Pulley (P/O PL 17.131 Item 5)
11	-	Bearing (P/O PL 17.131 Item 5)
12	-	Roll (P/O PL 17.131 Item 5)
13	-	Shaft (P/O PL 17.131 Item 5)
14	-	Shaft (P/O PL 17.131 Item 5)
15	930W00112	Booklet No Paper Sensor
16	-	Bracket (P/O PL 17.131 Item 5)
17	-	Actuator (P/O PL 17.139 Item 21)
18	-	Spring (P/O PL 17.139 Item 21)
19	-	Bracket (P/O PL 17.131 Item 5)
20	-	Lower Tray (P/O PL 17.131 Item 5)
21	604K13841	Actuator Assembly
22	-	Conveyor Belt (Not Spared)
23	-	Bracket (Not Spared)

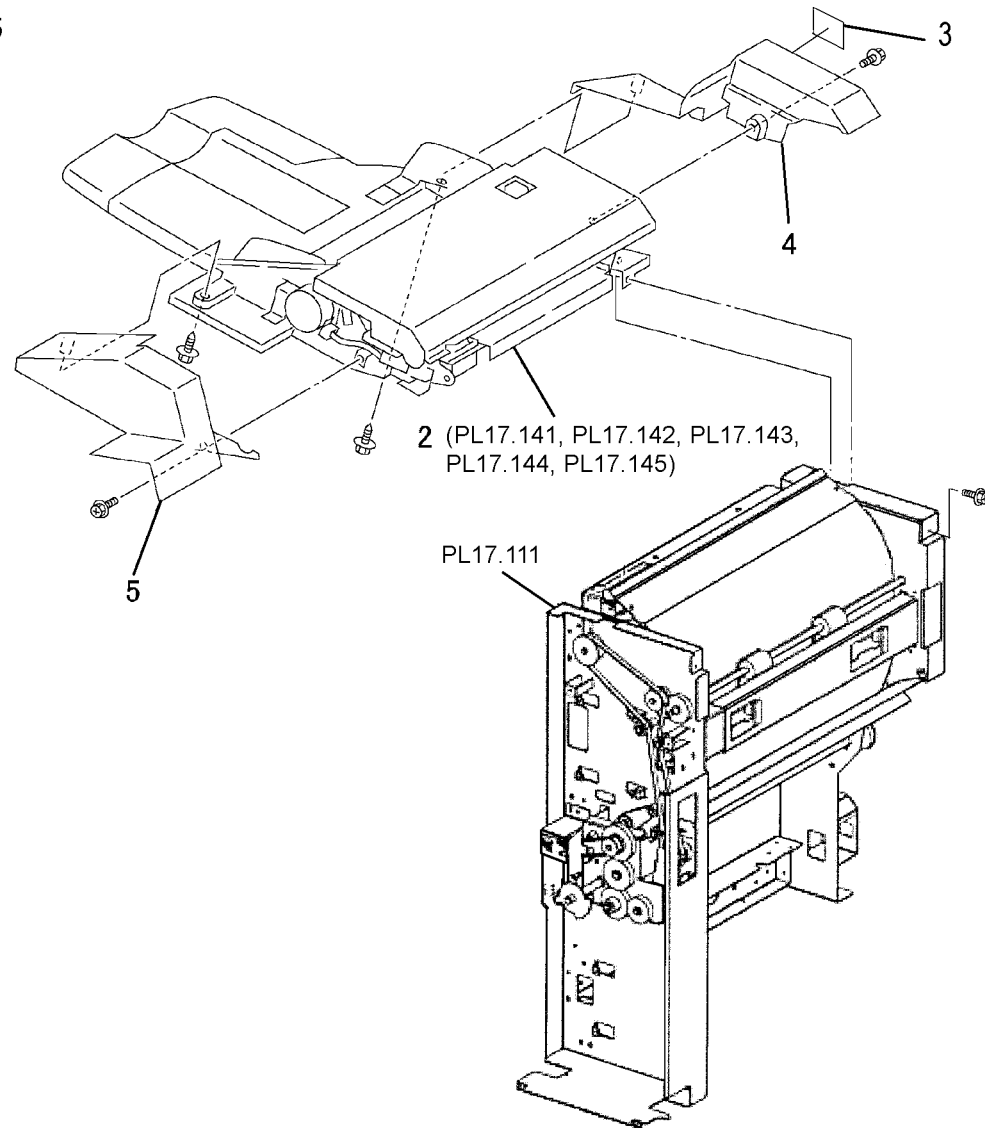


j0ne5k38

# PL 17.140 Interposer Accessory

Item	Part	Description
1	059K41474	Interposer Unit Assembly (REP 17.25)
2	—	Feeder Assembly (Not Spared)
3	893E56720	Label (8)
4	802E54260	Front Cover
5	848E09000	Rear Cover

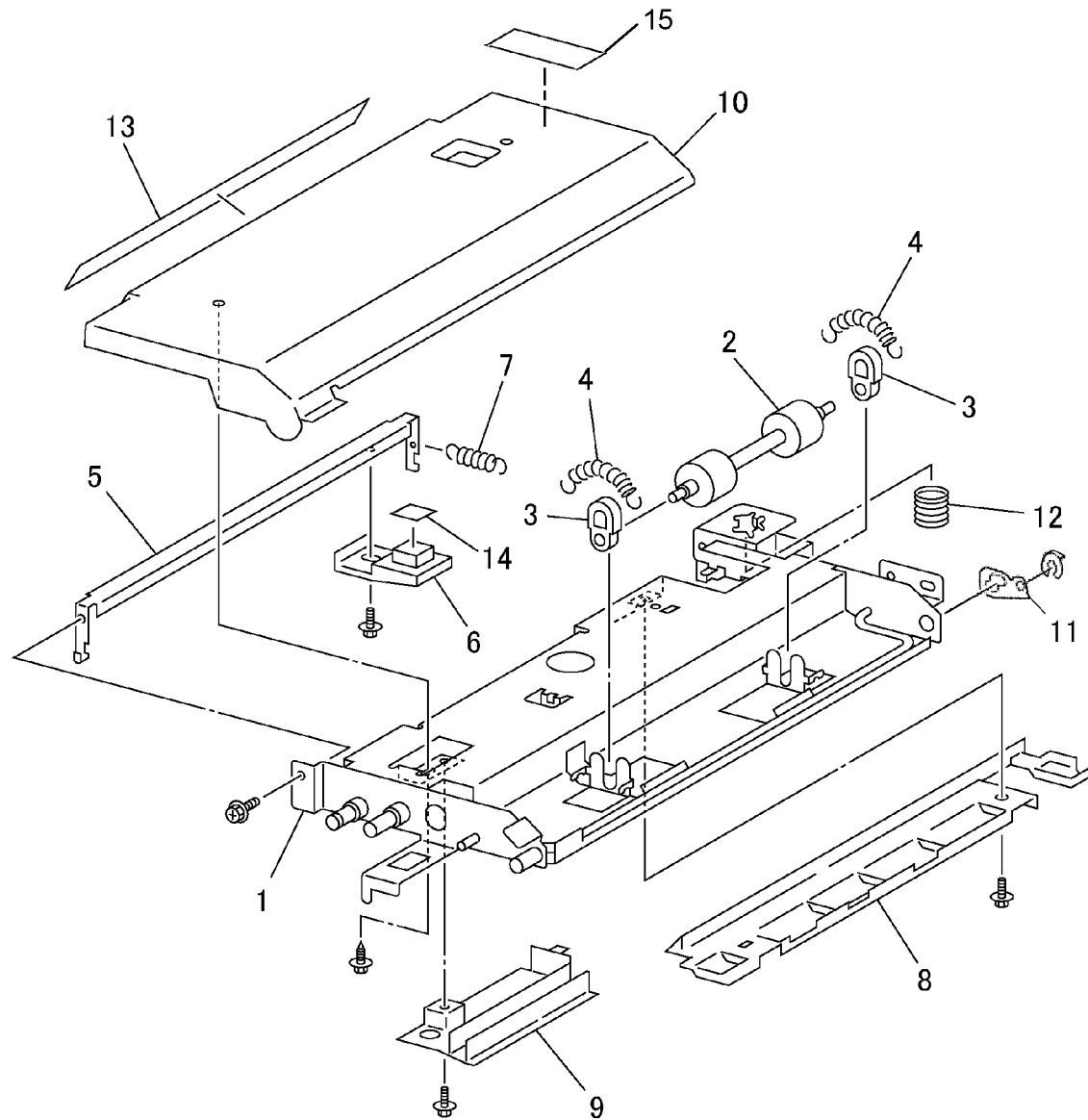
1 { 2-5



0517140B-OLY

# PL 17.141 Feeder Component-1 (Upper)

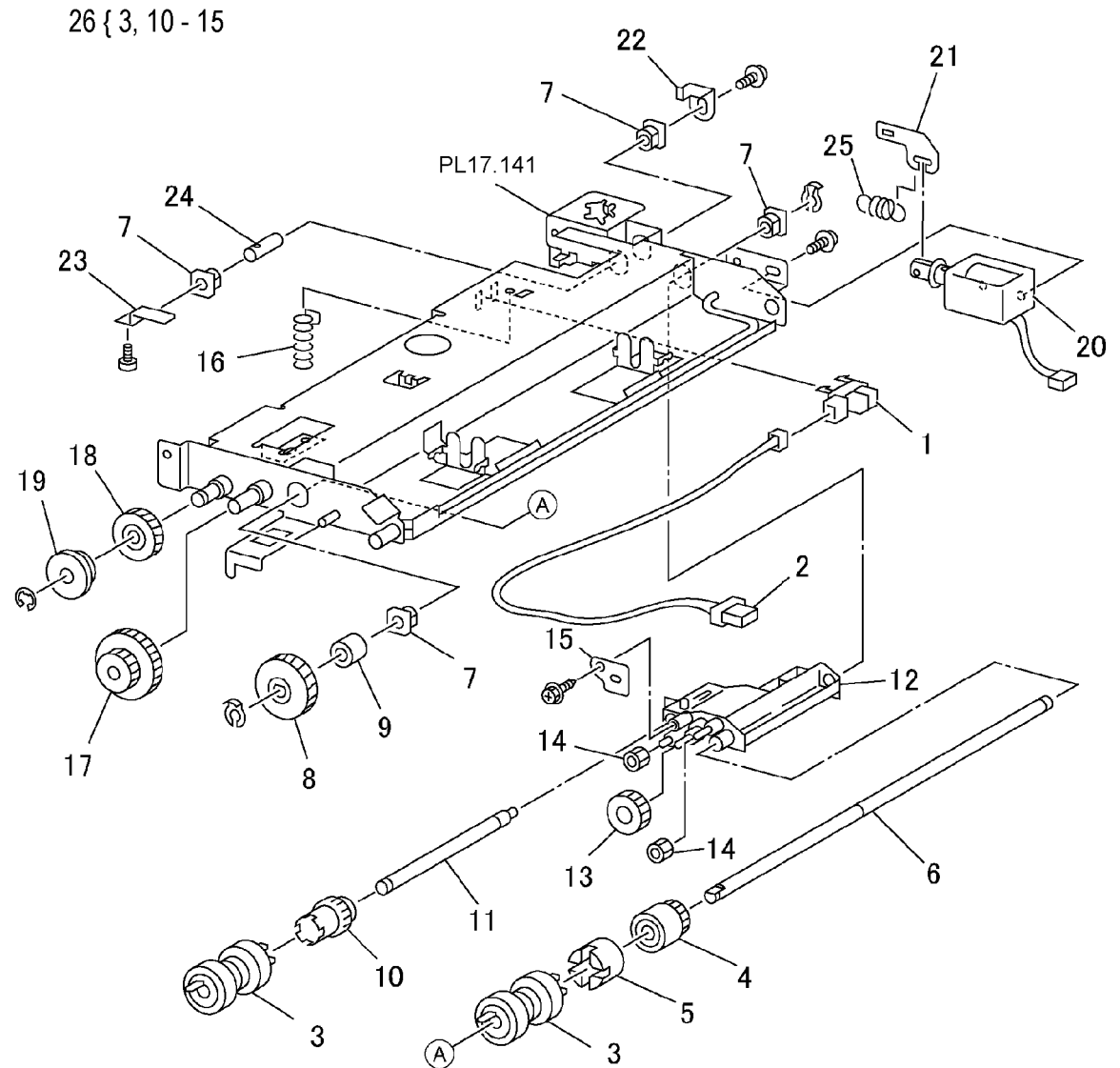
Item	Part	Description
1	-	Frame (Not Spared)
2	022K71211	Pinch Roll
3	013E83380	Bearing
4	809E41400	Spring
5	-	Latch Lever
6	003E59590	Latch Button (Without Label)
7	809E18790	Spring
8	-	Latch Cover (P/O PL 17.140 Item 1)
9	-	Chute (P/O PL 17.140 Item 1)
10	802E61930	Upper Cover (Without Label)
11	003E63250	Stopper
12	809E63660	Spring
13	892E98390	Label (Paper Size)
14	893E56700	Label (1e)
15	893E49750	Label (Paper Set)



j0ne5k41

## PL 17.142 Feeder Component-2 (Feed/Nudger)

Item	Part	Description
1	130K88770	Tray Up Sensor
2	-	Wire Harness (Not Spared)
3	604K12560	Roll Kit
4	007K88130	Gear
5	005K06720	Clutch
6	-	Shaft (P/O PL 17.140 Item 1)
7	-	Bearing (P/O PL 17.140 Item 1)
8	407W08578	Gear (28T)
9	-	Spacer (Not Spared)
10	-	Gear (P/O PL 17.142 Item 26) (25T)
11	-	Shaft (P/O PL 17.142 Item 26)
12	-	Support (P/O PL 17.142 Item 26)
13	-	Gear (P/O PL 17.142 Item 26) (31T)
14	-	Gear (P/O PL 17.142 Item 26) (14T)
15	-	Plate (P/O PL 17.142 Item 26)
16	809E41360	Spring
17	807E02090	Gear (30T/18T)
18	-	Gear (P/O PL 17.140 Item 1) (24T)
19	-	Collar (P/O PL 17.140 Item 1)
20	121K39350	Interposer Nudger Solenoid
21	012E15920	Arm
22	-	Link (P/O PL 17.140 Item 1)
23	-	Stopper (Not Spared)
24	-	Shaft (P/O PL 17.140 Item 1)
25	809E41510	Spring
26	022K67290	Nudger Roll Assembly (REP 17.26)

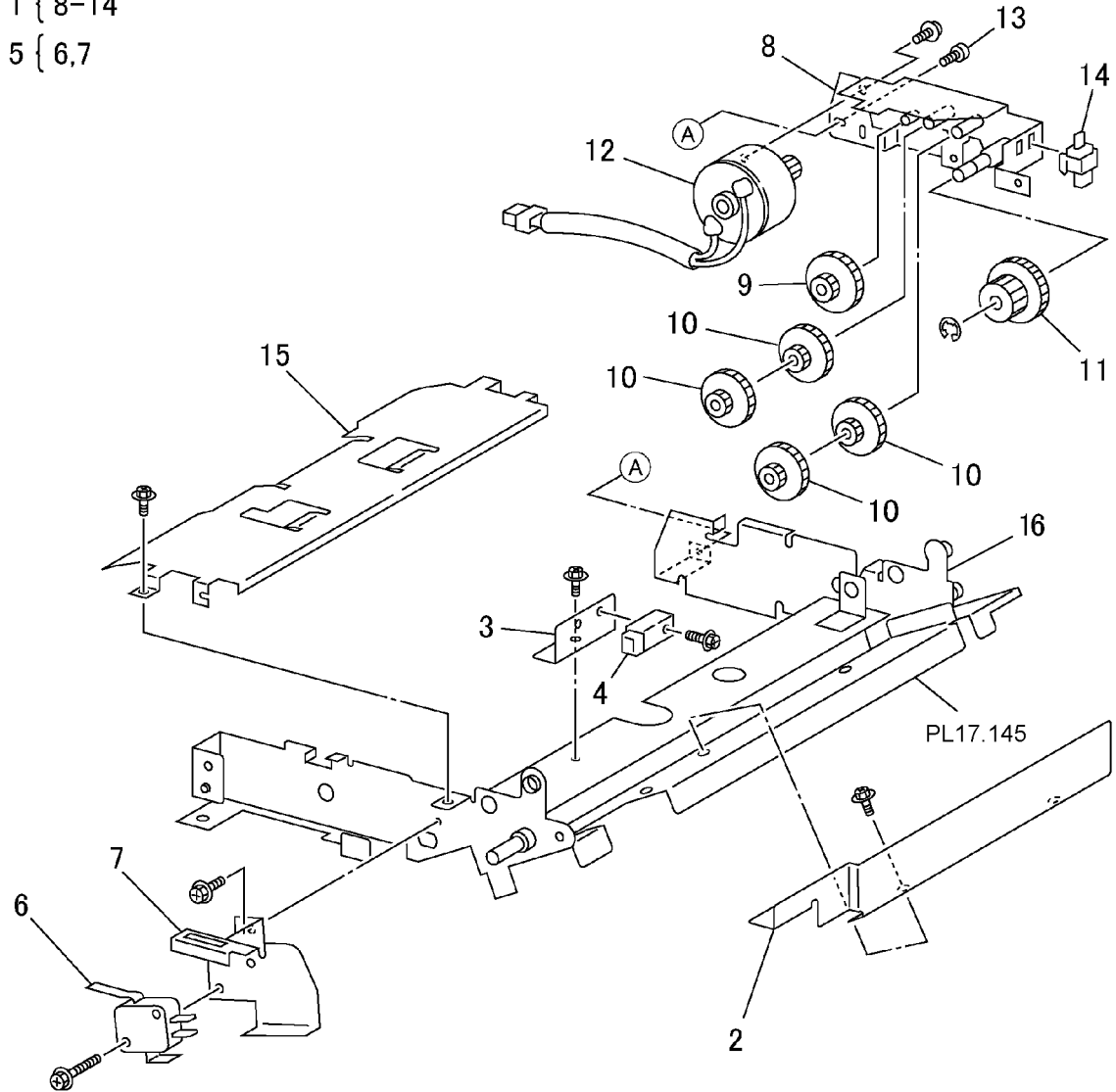


0517142A-FHJ

## PL 17.143 Feeder Component-3 (U/D)

Item	Part	Description
1	068K53240	Interposer Tray U/D Motor Assembly
2	-	Plate (P/O PL 17.140 Item 1)
3	-	Bracket (P/O PL 17.140 Item 1)
4	130E87370	Interposer Feed Out Sensor
5	110K14910	Interposer Top Cover Interlock Switch Assembly
6	110E11590	Interposer Top Cover Interlock Switch
7	-	Bracket (P/O PL 17.143 Item 5)
8	-	Bracket (P/O PL 17.143 Item 1)
9	-	Gear (P/O PL 17.143 Item 1) (52T/11T)
10	-	Gear (P/O PL 17.143 Item 1) (31T/11T)
11	-	Gear (P/O PL 17.143 Item 1) (33T/14T)
12	-	Interposer Tray U/D Motor (P/O PL 17.143 Item 1)
13	-	Screw (P/O PL 17.143 Item 1)
14	110E93440	Interposer Top Cover Switch
15	-	Chute (P/O PL 17.140 Item 1)
16	-	Feeder Frame (P/O PL 17.140 Item 1)

1 { 8-14  
5 { 6,7



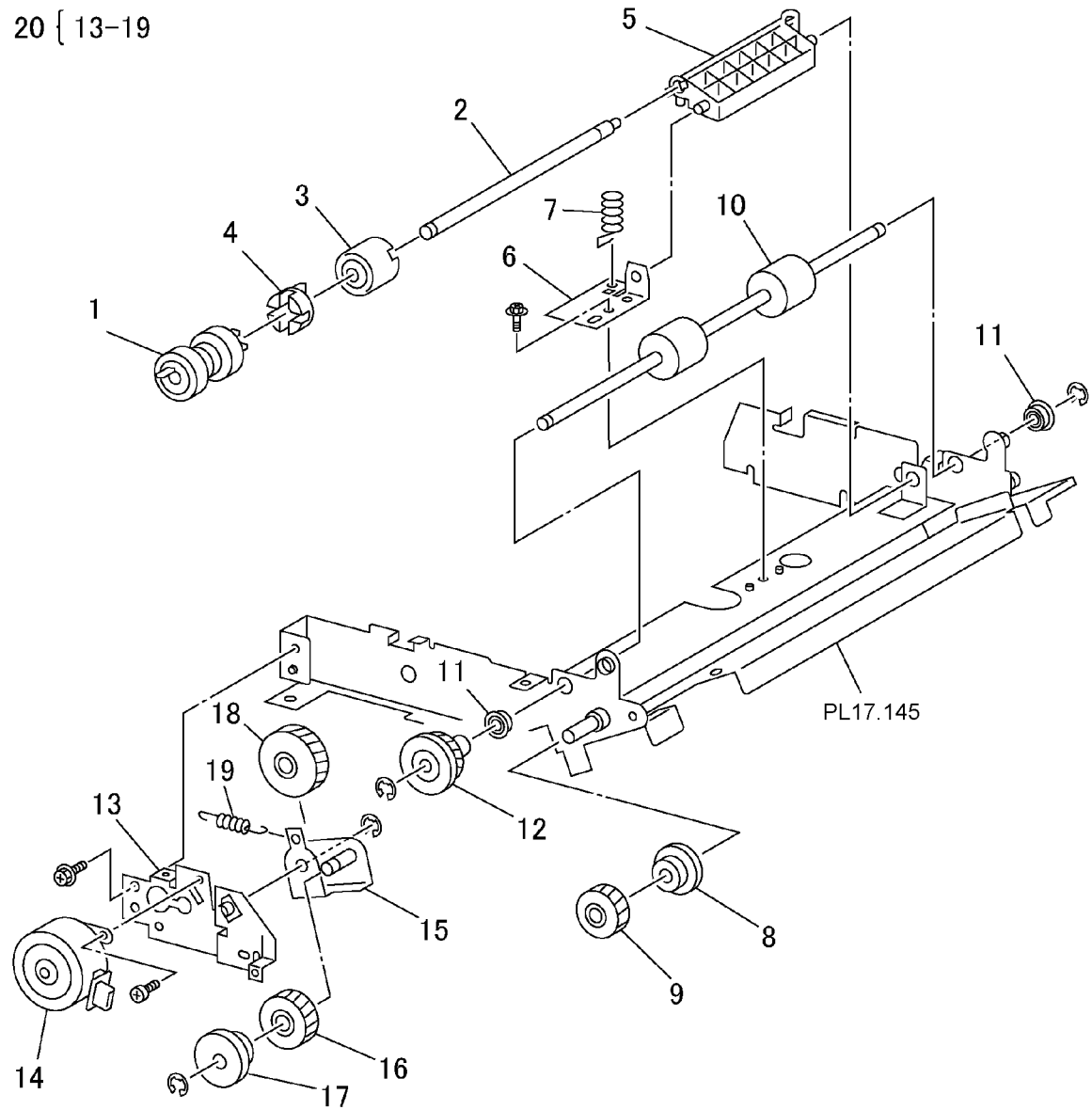
0517143A-FHJ



# PL 17.144 Feeder Component-4 (Feed Motor)

Item	Part	Description
1	604K12560	Roll Kit (REP 17.27)
2	-	Shaft (P/O PL 17.140 Item 1)
3	005K06750	Clutch
4	-	Spacer (P/O PL 17.140 Item 1)
5	-	Support (P/O PL 17.140 Item 1)
6	-	Bracket (P/O PL 17.140 Item 1)
7	809E41500	Spring
8	-	Collar (P/O PL 17.140 Item 1)
9	407W08674	Gear (24T)
10	022K70910	Interposer Exit Roll
11	413W66250	Ball Bearing
12	007K89000	Gear (24T)
13	-	Bracket (P/O PL 17.144 Item 20)
14	-	Interposer Feed Motor (P/O PL 17.144 Item 20)
15	-	Bracket (P/O PL 17.144 Item 20)
16	-	Gear (P/O PL 17.144 Item 20) (24T)
17	-	Collar (P/O PL 17.144 Item 20)
18	-	Gear (P/O PL 17.144 Item 20) (30T)
19	809E41290	Tension Spring
20	068K53230	Interposer Feed Motor Assembly

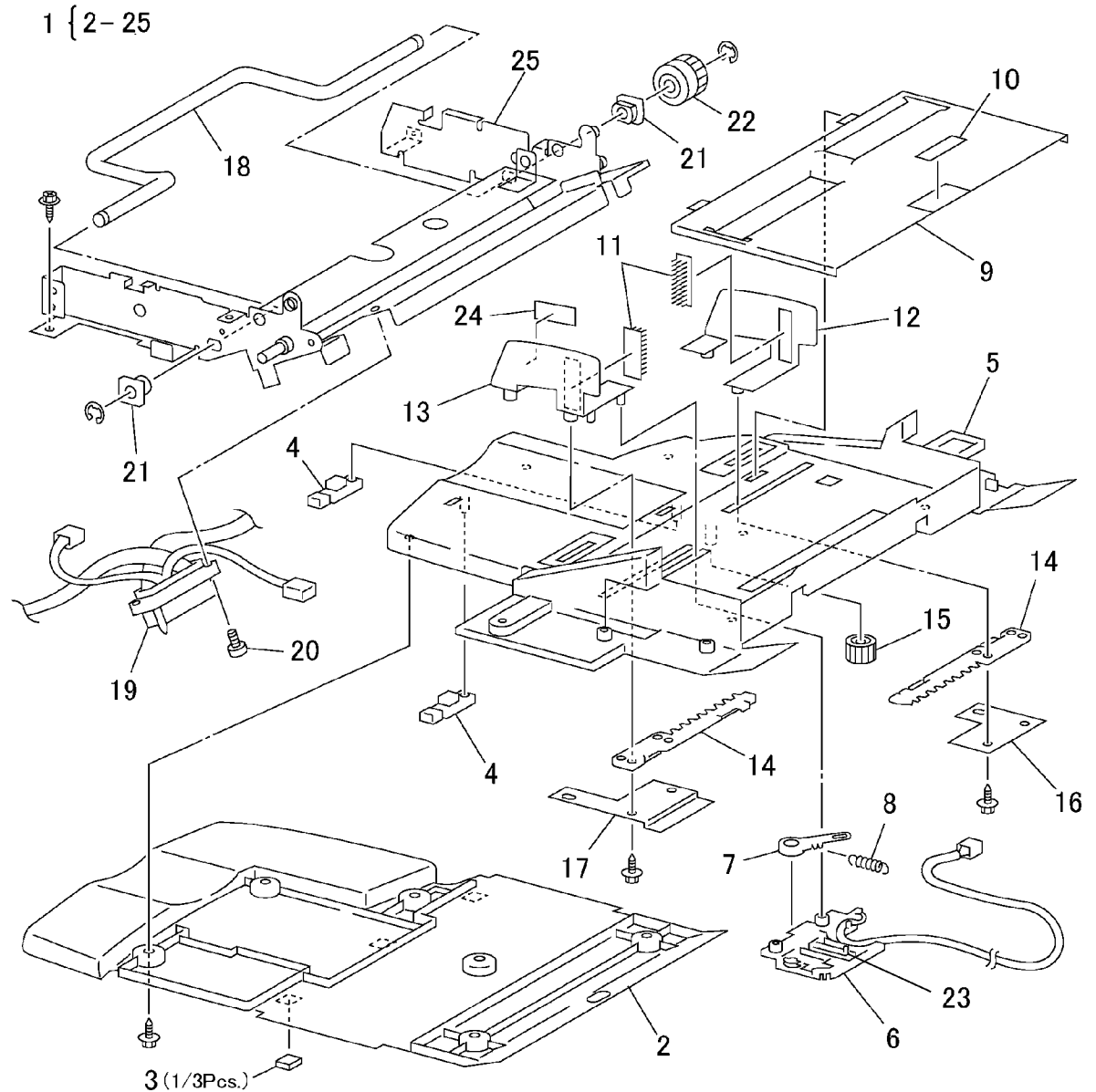
20 { 13-19



0517144A-FHJ

# PL 17.145 Feeder Component-5 (Tray)

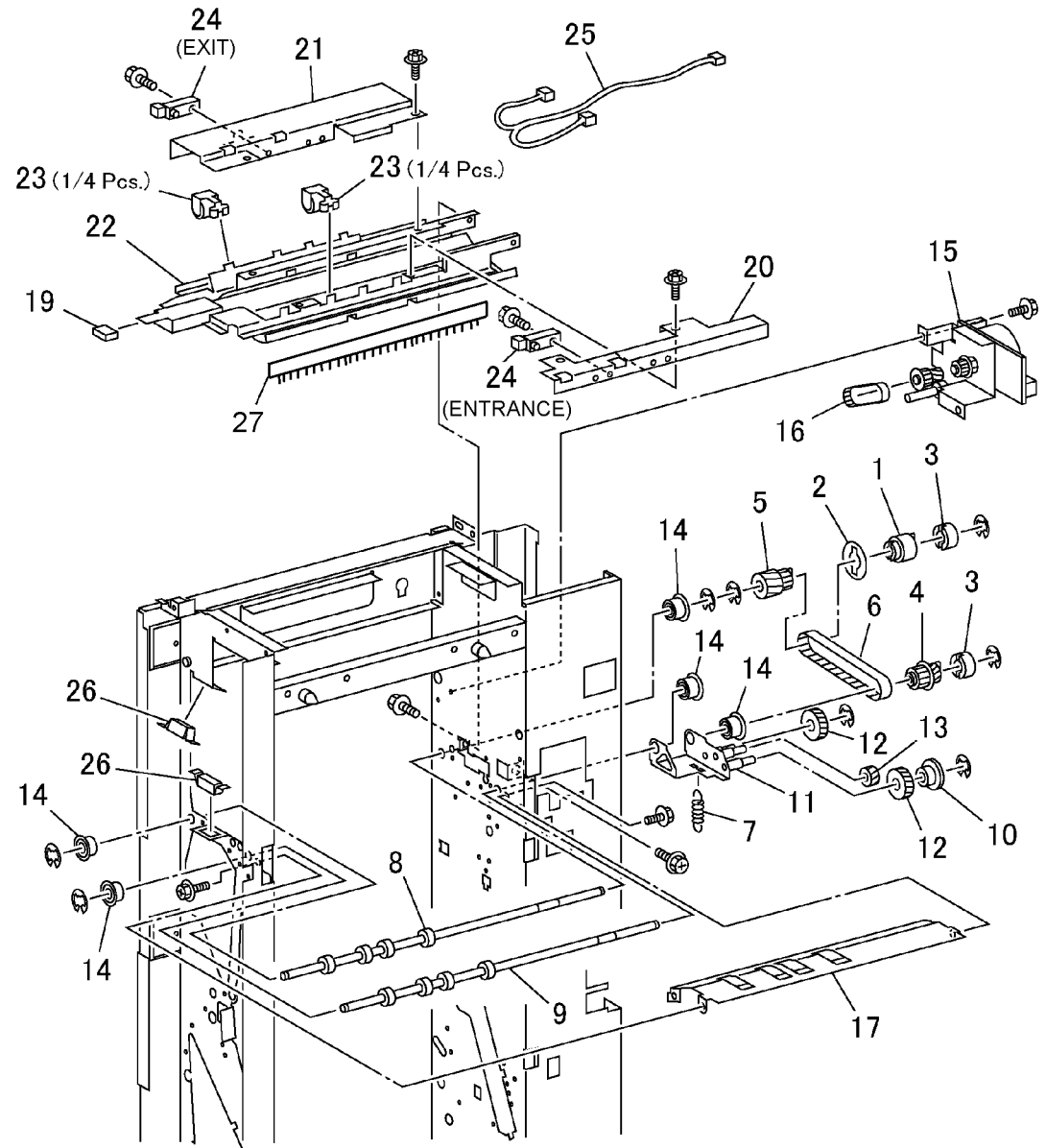
Item	Part	Description
1	050K58240	Tray Assembly
2	-	Interposer Tray 2 (P/O PL 17.145 Item 1)
3	-	Damper (P/O PL 17.145 Item 1)
4	130E87410	Interposer Length Sensor, No Paper Sensor
5	-	Interposer Tray 1 (P/O PL 17.145 Item 1)
6	-	Size Sensor (P/O PL 17.145 Item 1) (ADJ 17.7)
7	012E98170	Link
8	809E60990	Spring
9	-	Bottom Plate (P/O PL 17.145 Item 1)
10	019K93320	Pad
11	019E56240	Pad
12	038E32240	Front Guide
13	038E32250	Rear Guide
14	007E89900	Rack
15	407W07614	Gear (14T)
16	-	Bracket (P/O PL 17.145 Item 1)
17	-	Bracket (P/O PL 17.145 Item 1)
18	-	Lift Shaft (P/O PL 17.145 Item 1)
19	962K57880	Wire Harness
20	-	Screw (P/O PL 17.145 Item 1)
21	-	Bearing (P/O PL 17.145 Item 1)
22	007K88140	Gear (14T)
23	-	Size Sensor Assembly (P/O PL 17.145 Item 1)
24	893E56670	Label (Max)
25	-	Frame (P/O PL 17.145 Item 1)



# PL 17.146 Folder Component-1 (Upper)

Item	Part	Description
1	005E17540	Clutch
2	005E17740	Collar
3	005K06730	One Way Clutch
4	007E89950	Gear (24T/24T)
5	007E89960	Gear (32T/24T)
6	423W50454	Belt
7	809E41470	Spring
8	022K70821	Folder Entrance Roll
9	022K70830	Folder Exit Roll
10	005E17700	Collar
11	-	Bracket (Not Spared)
12	407W08840	Gear (40T)
13	407W08870	Gear (20T)
14	413W88650	Ball Bearing
15	068K53370	Folder Entrance Motor
16	423W45954	Belt
17	-	Exit Chute (Not Spared)
18	054K23431	Top Chute Assembly
19	003K14200	Lever (2a)
20	-	Bracket (P/O PL 17.146 Item 18)
21	-	Bracket (P/O PL 17.146 Item 18)
22	-	Top Chute (P/O PL 17.146 Item 18)
23	022K75120	Pinch Roll
24	130E87370	Folder Entrance Sensor, Folder Exit Sensor
25	962K57890	Wire Harness
26	-	Magnet
27	-	Static Eliminator (Not Spared)

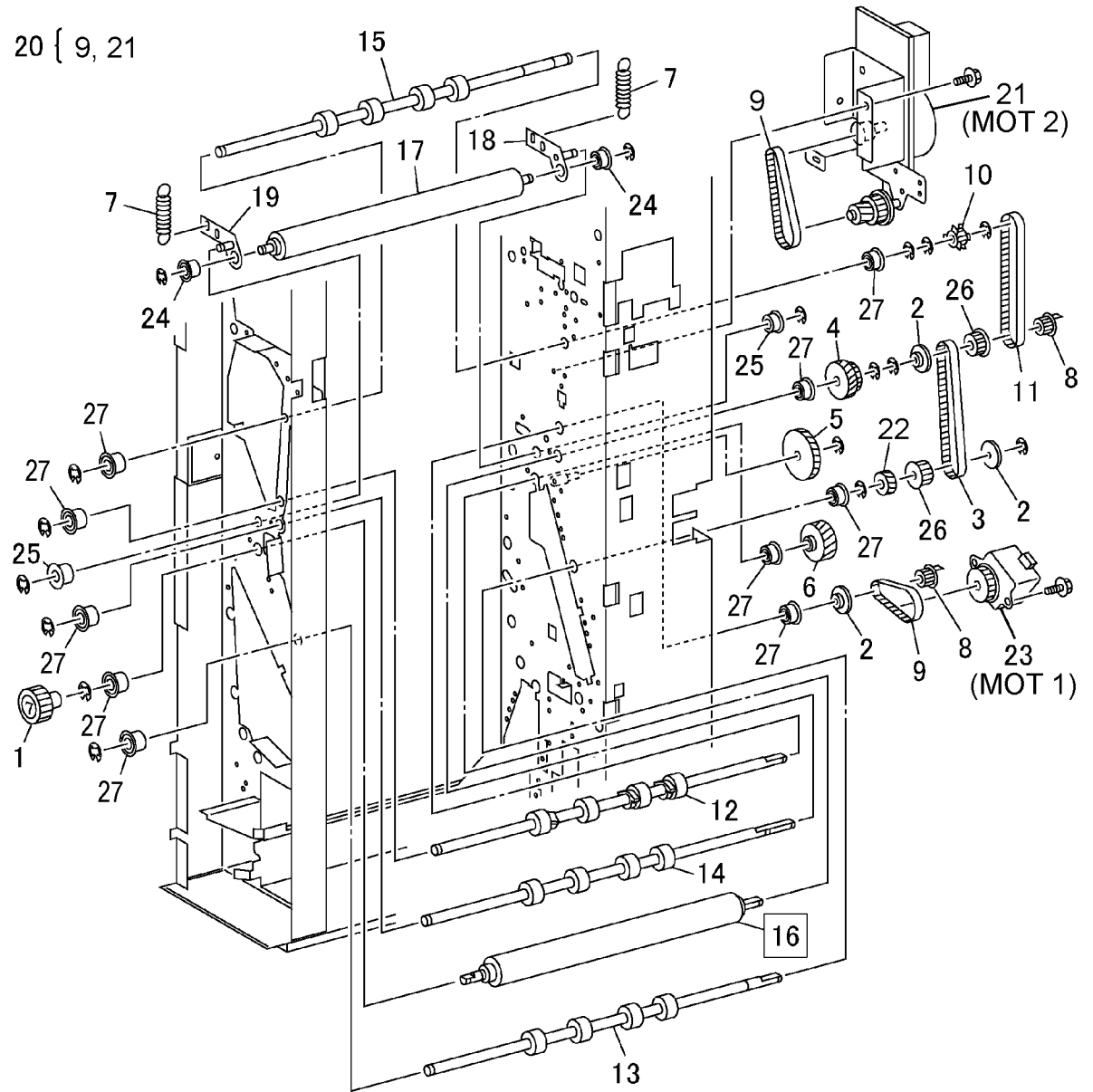
18 { 19-25



0517146A-FHJ

# PL 17.147 Folder Component-2 (Middle-Roll)

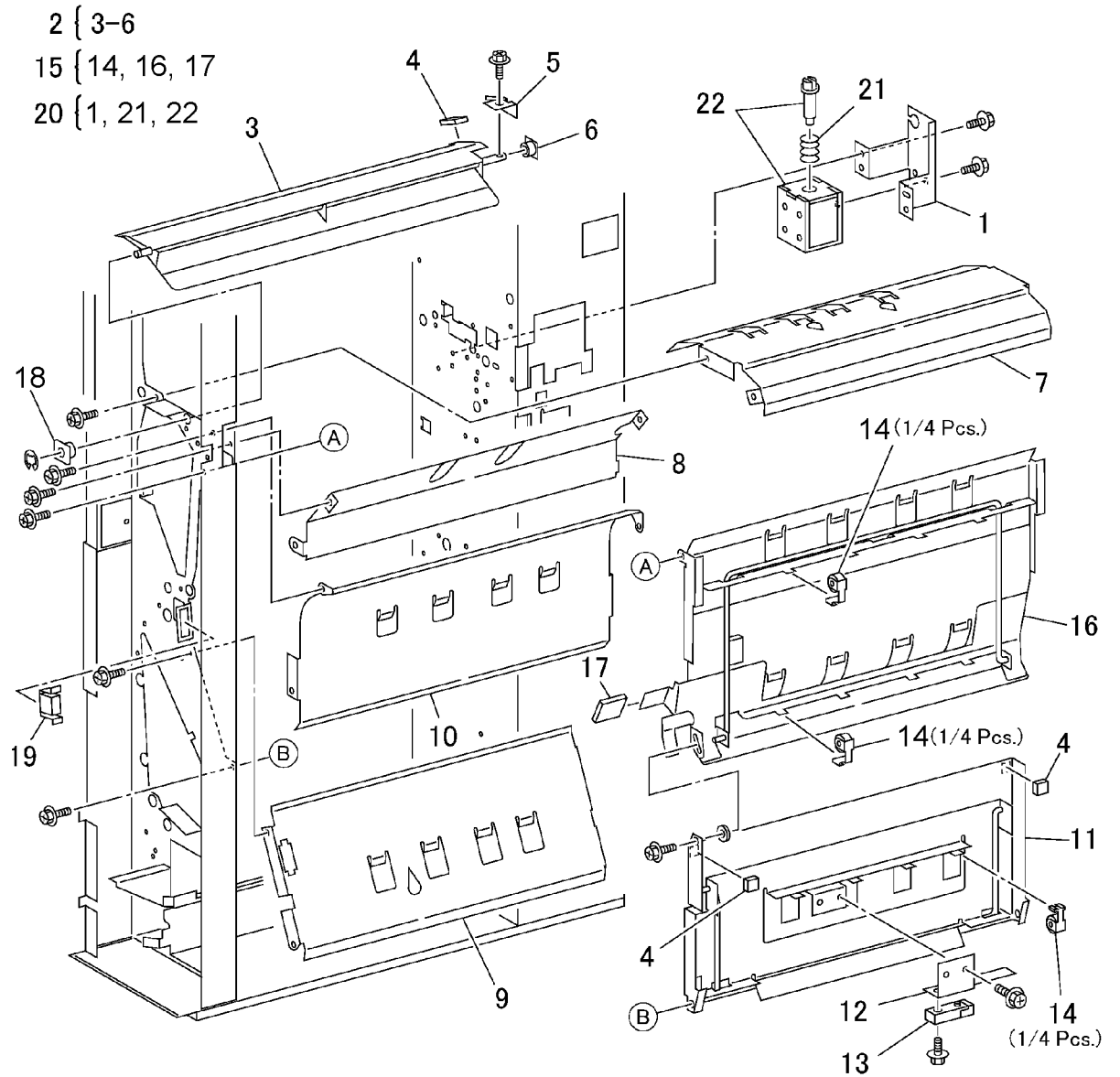
Item	Part	Description
1	003K14100	Knob (2c)
2	005E17720	Collar
3	423W52854	Belt
4	007E89930	Gear (45T/24T)
5	007E89940	Gear (74T)
6	007E77710	Gear (45T)
7	809E41391	Spring
8	020E36470	Pulley
9	423W51354	Belt
10	020K10500	Pulley
11	423W45954	Belt
12	022K70841	Folder Transport Roll 1
13	022K70850	Folder Transport Roll 5
14	022K70860	Folder Transport Roll 6
15	022K70871	Folder Transport Roll 7
16	022K74830	Folder Roll 1 (REP 17.28)
17	022K74840	Nip Roll
18	015K60750	Arm
19	015K60760	Arm
20	068K53340	Folder Drive Motor 2 Assembly
21	-	Folder Drive Motor 2 (MOT 2) (P/O PL 17.147 Item 20)
22	-	Gear
23	127K59120	Folder Drive Motor 1 (MOT 1)
24	413W08650	Ball Bearing
25	-	Bearing (Not Spared)
26	499W14433	Pulley
27	413W88650	Ball Bearing



0517147A-FHJ

# PL 17.148 Folder Component-3 (Middle-Chute 1)

Item	Part	Description
1	-	Bracket (P/O PL 17.148 Item 20)
2	050K58220	Top Gate Assembly
3	-	Top Gate (P/O PL 17.148 Item 2)
4	-	Damper (P/O PL 17.148 Item 2)
5	-	Arm (P/O PL 17.148 Item 2)
6	413W11660	Bearing
7	-	Chute (Not Spared)
8	-	Chute (Not Spared)
9	-	Chute (Not Spared)
10	-	Chute (Not Spared)
11	-	Chute (Not Spared)
12	-	Bracket (Not Spared)
13	130E87370	Folder Path Sensor 4
14	022K75120	Pinch Roll
15	054K28560	Chute Assembly
16	-	Chute (P/O PL 17.148 Item 15)
17	003K14240	Lever (2g)
18	-	Sleeve Bearing (P/O PL 17.101 Item 22)
19	121E92720	Magnet
20	121K31591	Folder Gate Solenoid Assembly
21	-	Spring (P/O PL 17.148 Item 20)
22	-	Folder Gate Solenoid 1 (P/O PL 17.148 Item 20)

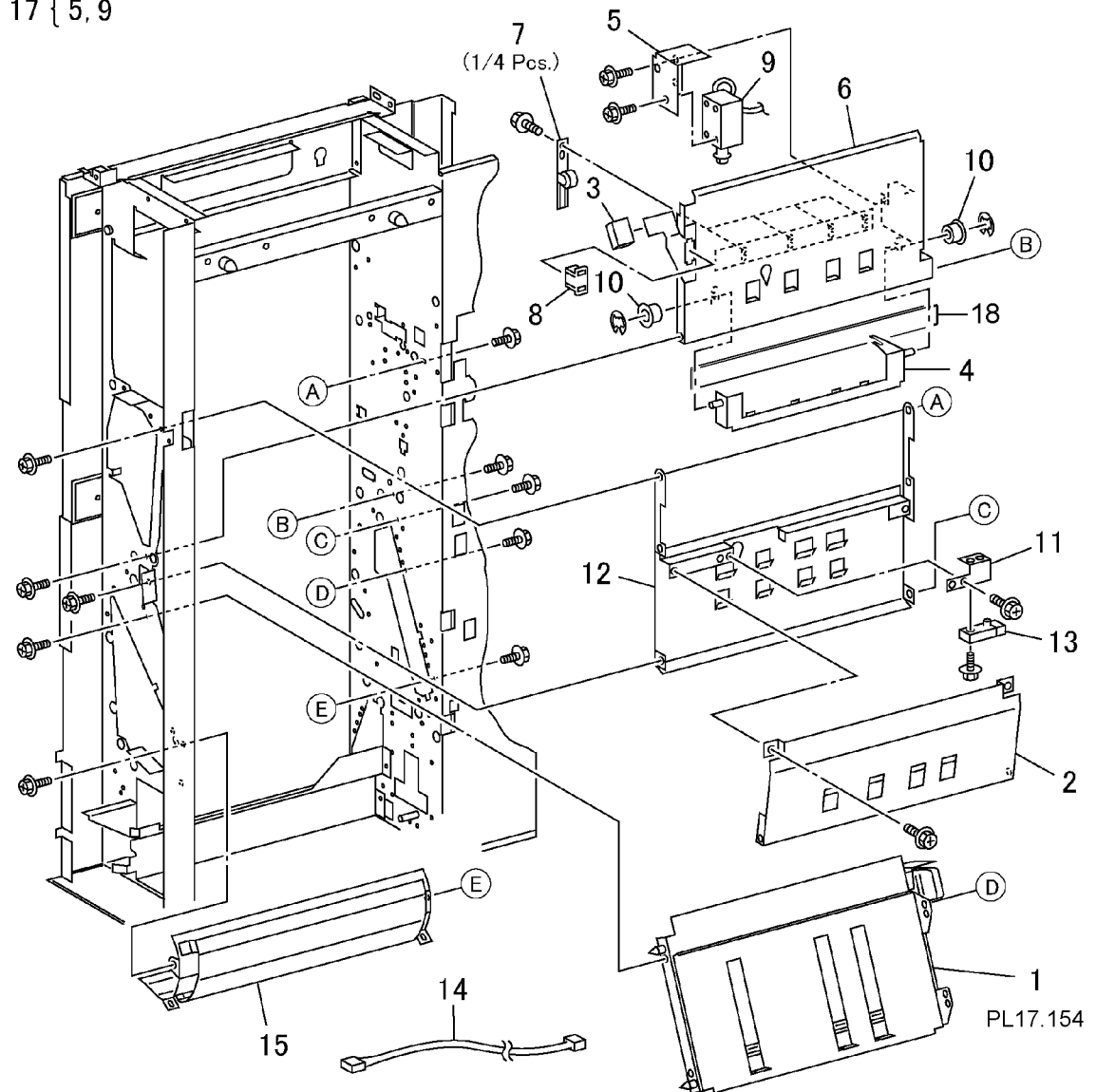


0517148A-FHJ

# PL 17.149 Folder Component-4 (Middle-Chute 2)

Item	Part	Description
1	038K89541	End Guide 1 (REP 17.29)
2	-	Chute (Not Spared)
3	003K14210	Lever (2b)
4	-	Arm (P/O PL 17.149 Item 16)
5	-	Bracket (P/O PL 17.149 Item 5, PL 17.149 Item 17)
6	-	Chute (P/O PL 17.149 Item 16)
7	059K46030	Pinch Roll
8	-	Magnet
9	-	Nip Release Solenoid (P/O PL 17.149 Item 17)
10	413W42659	Bearing
11	-	Bracket (Not Spared)
12	-	Chute (Not Spared)
13	130E87370	Folder Path Sensor 1
14	962K57980	Wire Harness
15	-	Chute (Not Spared)
16	054K31630	Chute Assembly
17	068K53320	Nip Release Solenoid Assembly
18	-	Chute Guide (Not Spared)

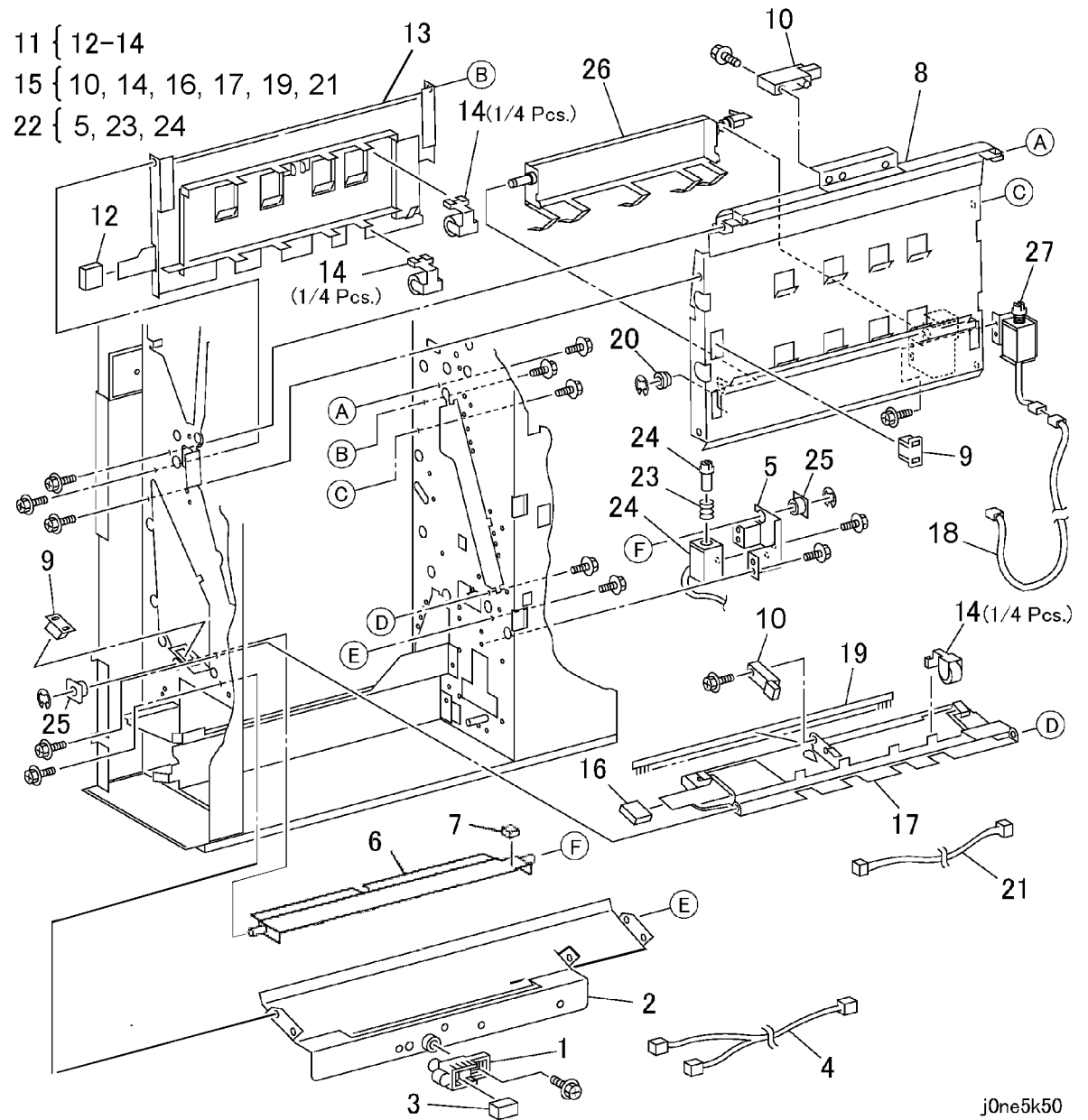
16 { 3-10, 18  
17 { 5, 9



0517149A-FHJ

# PL 17.150 Folder Component-5 (Lower-Chute)

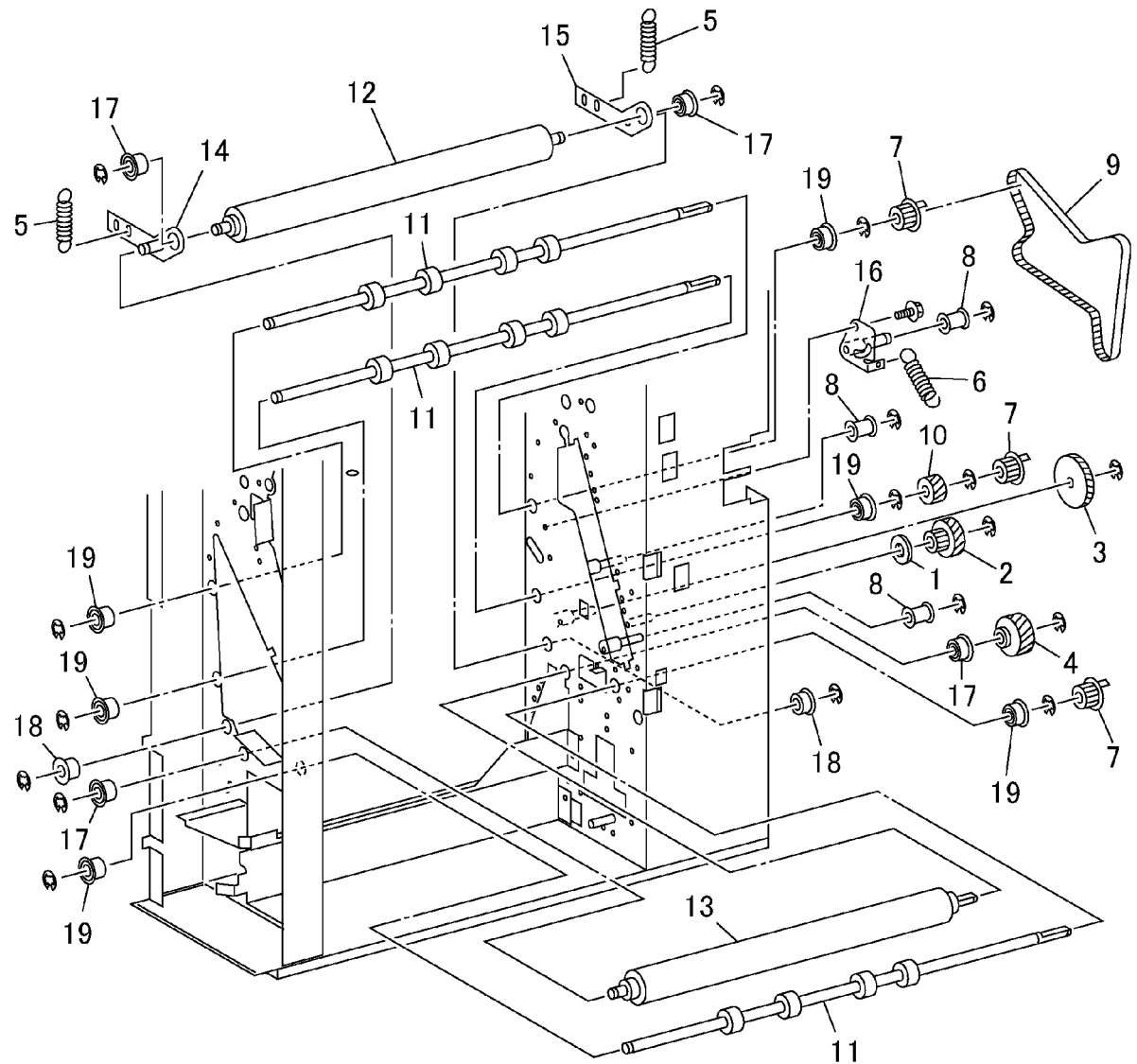
Item	Part	Description
1	-	Holder (Not Spared)
2	-	Chute (Not Spared)
3	130E89230	Envelope Tray Full Sensor
4	962K57911	Wire Harness
5	-	Bracket (P/O PL 17.150 Item 22)
6	050K58212	Lower Gate
7	-	Damper (Not Spared)
8	-	Chute (Not Spared)
9	-	Magnet (Not Spared)
10	130E92990	Folder Path Sensor 2, Folder Path Sensor 3
11	054K28540	Chute Assembly
12	003K14220	Lever (2c)
13	-	Chute (P/O PL 17.150 Item 11)
14	022K75120	Pinch Roll
15	054K33631	Chute Assembly
16	003K14320	Lever (2f)
17	-	Chute (P/O PL 17.150 Item 15)
18	-	Wire Harness (Not Spared)
19	105E12060	Eliminator
20	-	Sleeve Bearing (Not Spared)
21	962K57901	Wire Harness
22	-	Folder Gate Solenoid 2 Assembly (Not Spared)
23	-	Spring (P/O PL 17.150 Item 22)
24	-	Folder Gate Solenoid 2 (P/O PL 17.150 Item 22)
25	-	Bearing
26	019K07382	Finger Assembly
27	068K53330	Folder C Solenoid



jOne5k50

# PL 17.151 Folder Component-6 (Lower-Roll)

Item	Part	Description
1	005E26820	Collar
2	007E89780	Gear Pulley (27T/18T)
3	007E89940	Gear (74T)
4	007E77710	Gear (45T)
5	809E41391	Spring
6	809E41640	Spring
7	020E36470	Pulley
8	020E45160	Pulley
9	423W59754	Belt
10	407W08774	Gear
11	022K70900	Folder Transport Roll
12	022K74840	Nip Roll
13	022K74850	Folding Roll 2 (REP 17.30)
14	015K60750	Arm
15	015K60760	Arm
16	-	Bracket (Not Spared)
17	413W08650	Ball Bearing
18	-	Bearing (Not Spared)
19	413W88650	Ball Bearing

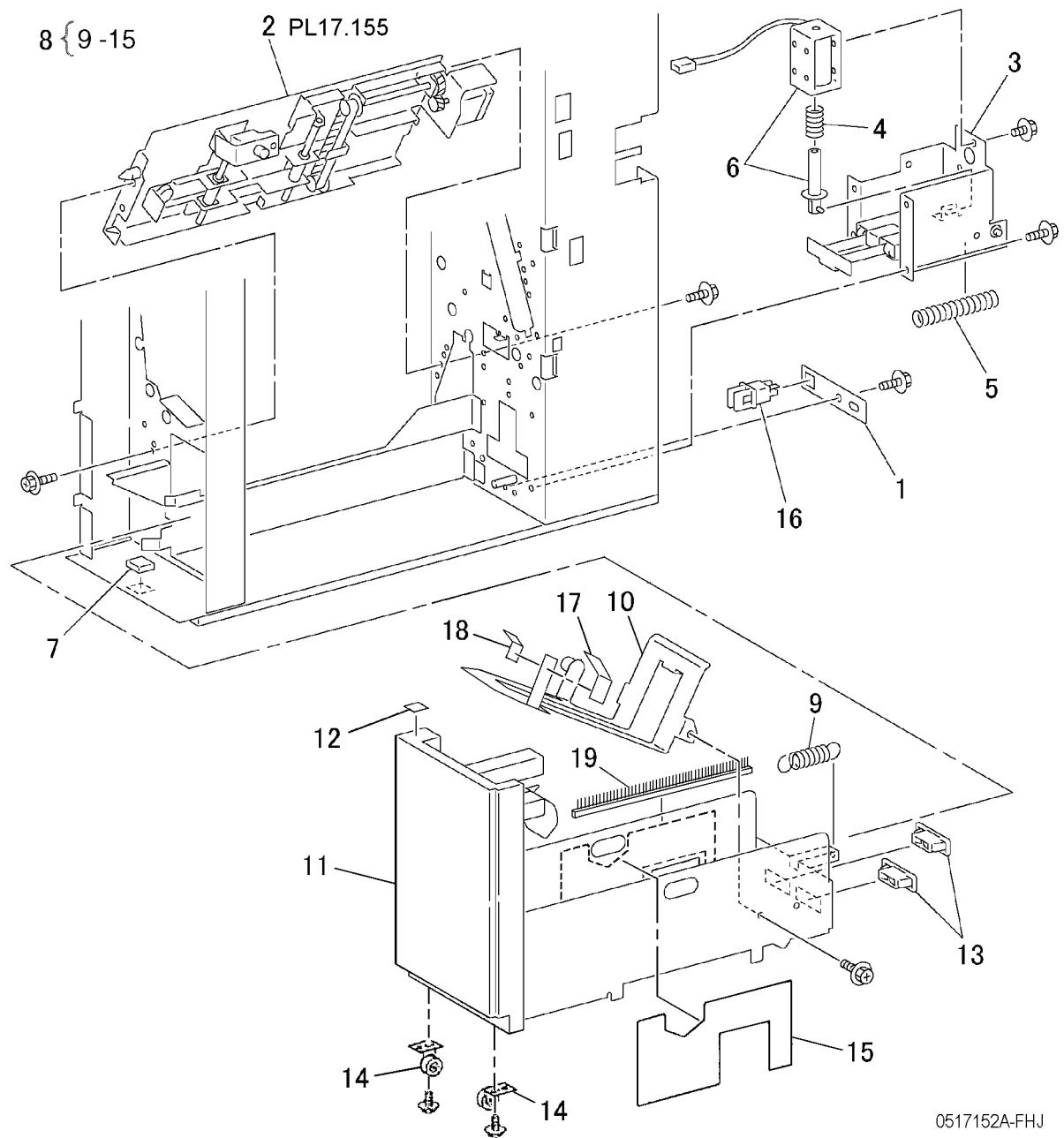


0517151B -FHJ



# PL 17.152 Folder Component-7 (End Guide 2, Tray)

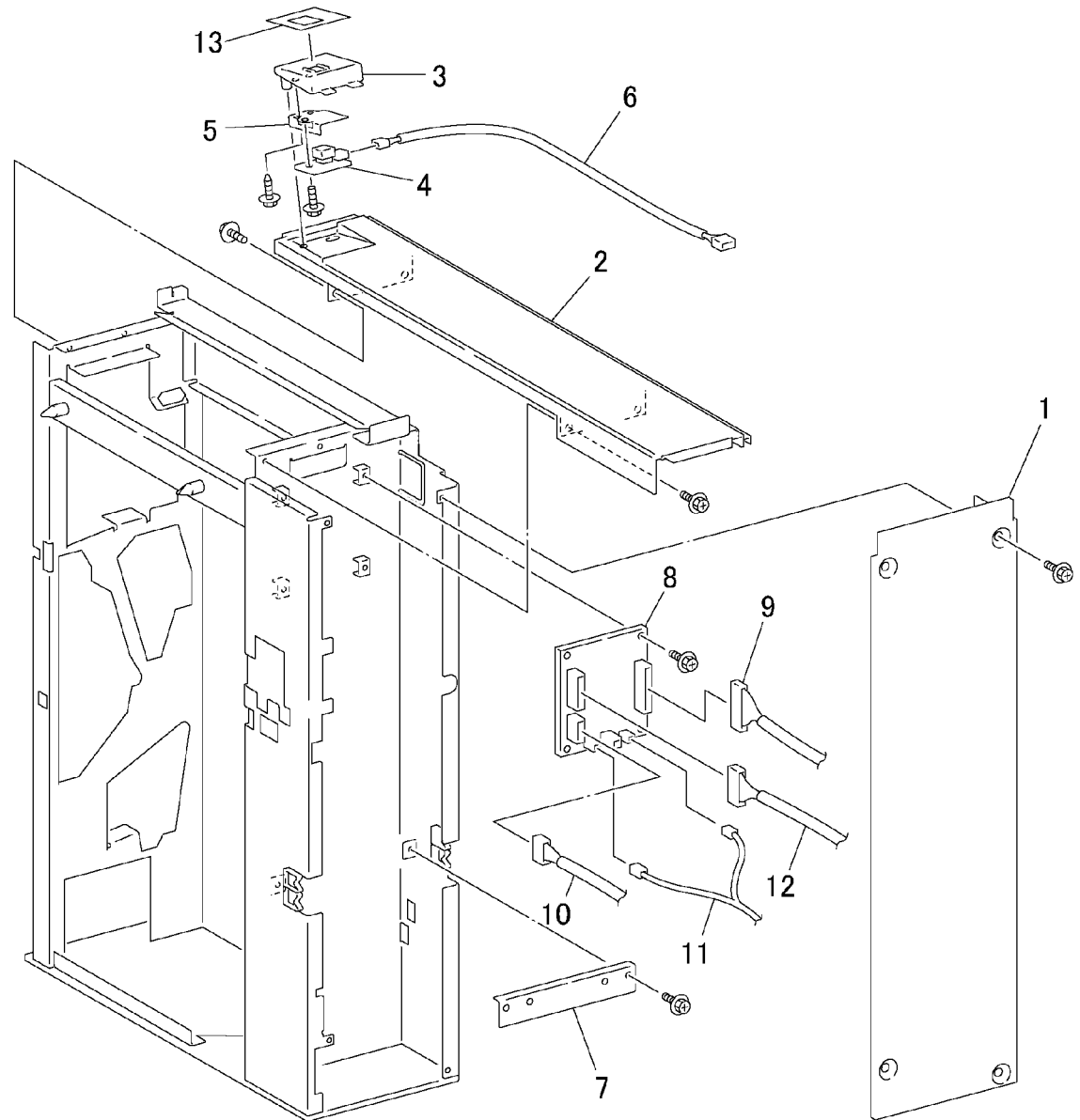
Item	Part	Description
1	809E41490	Plate Spring
2	038K89550	End Guide 2 (REP 17.31)
3	-	Bracket (Not Spared)
4	809E41370	Spring (DC260 Only)
-	809E63750	Spring
5	809E41610	Spring
6	121K31411	Envelope Tray Lock Solenoid
7	-	Pad (Not Spared)
8	050K56684	Tray Assembly
9	809E61000	Spring
10	-	Plate (P/O PL 17.152 Item 8)
11	-	Tray (P/O PL 17.152 Item 8)
12	893E56710	Label (2d)
13	-	Magnet
14	-	Caster Assembly
15	-	Guide (P/O ITEM 8)
16	110E97990	Folder Envelope Tray Switch
17	038K89230	Guide Assembly - Tray 1
18	038K89240	Guide Assembly - Tray 2
19	105E12060	Static Eliminator



0517152A-FHJ

# PL 17.153 Folder Component-8 (PWB, Cover)

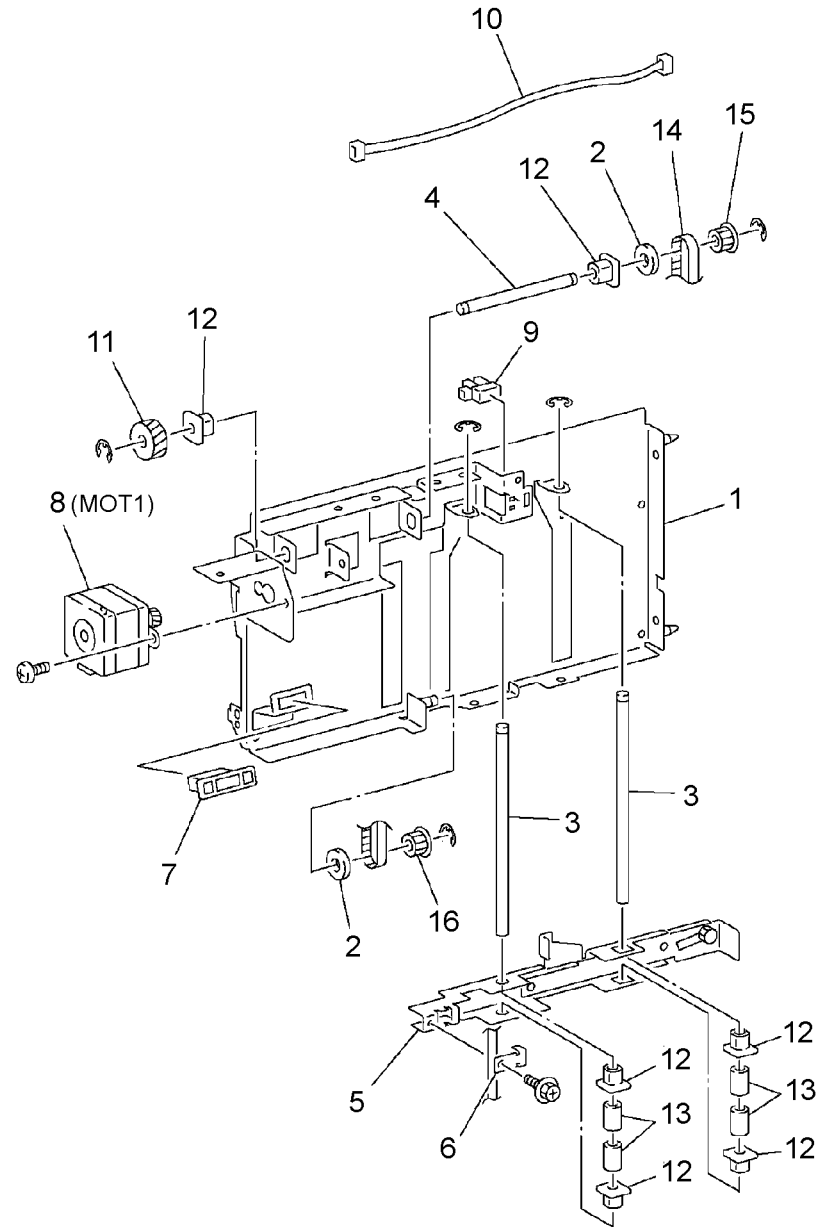
Item	Part	Description
1	802E54310	Rear Cover
2	848E09010	Top Cover
3	802E54440	Switch Cover (Without Label)
4	110K11790	Envelop Tray Open Switch
5	-	Bracket (Not Spared)
6	962K58000	Wire Harness
7	-	Plate (Not Spared)
8	160K95433	Folder PWB
9	-	Wire Harness (Not Spared)
10	-	Wire Harness (Not Spared)
11	-	Wire Harness (Not Spared)
12	962K58050	Wire Harness
13	893E49710	Label



j0ne5k53

# PL 17.154 End Guide 1

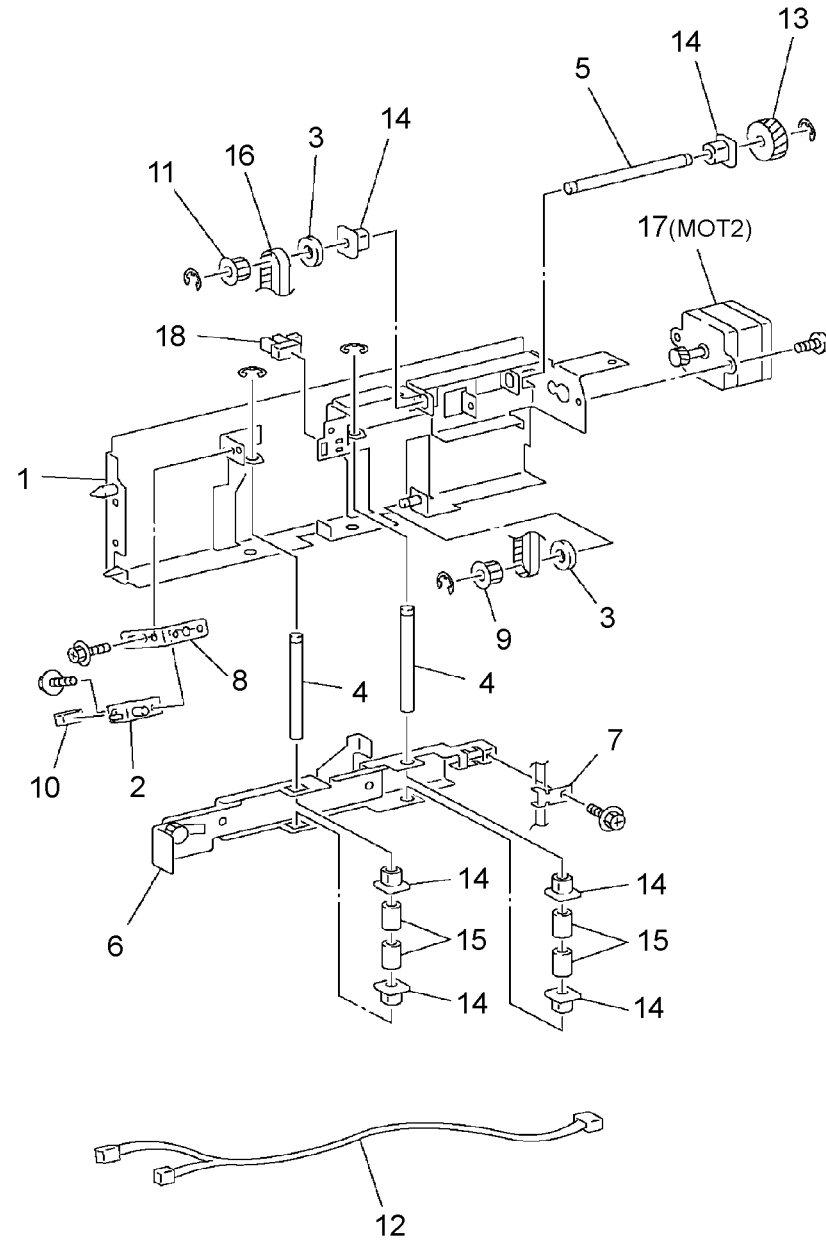
Item	Part	Description
1	-	End Guide 1 Frame (P/O PL 17.149 Item 1)
2	-	Collar (P/O PL 17.149 Item 1)
3	-	Shaft (P/O PL 17.149 Item 1)
4	-	Shaft (P/O PL 17.149 Item 1)
5	-	End Guide 1 Plate (P/O PL 17.149 Item 1)
6	-	Belt Bracket (P/O PL 17.149 Item 1)
7	121E92720	Magnet
8	127K59110	End Guide Motor 1 (MOT 1), End Guide Motor 2 (MOT 2)
9	130K70160	End Guide Home Sensor 1
10	962K57920	Wire Harness
11	-	Gear (P/O PL 17.149 Item 1) (24T)
12	-	Bearing (P/O PL 17.149 Item 1)
13	-	Roll (P/O PL 17.149 Item 1)
14	423W38854	Belt
15	-	Pulley (P/O PL 17.149 Item 1)
16	-	Pulley (P/O PL 17.149 Item 1)



j0ne5k54

## PL 17.155 End Guide 2

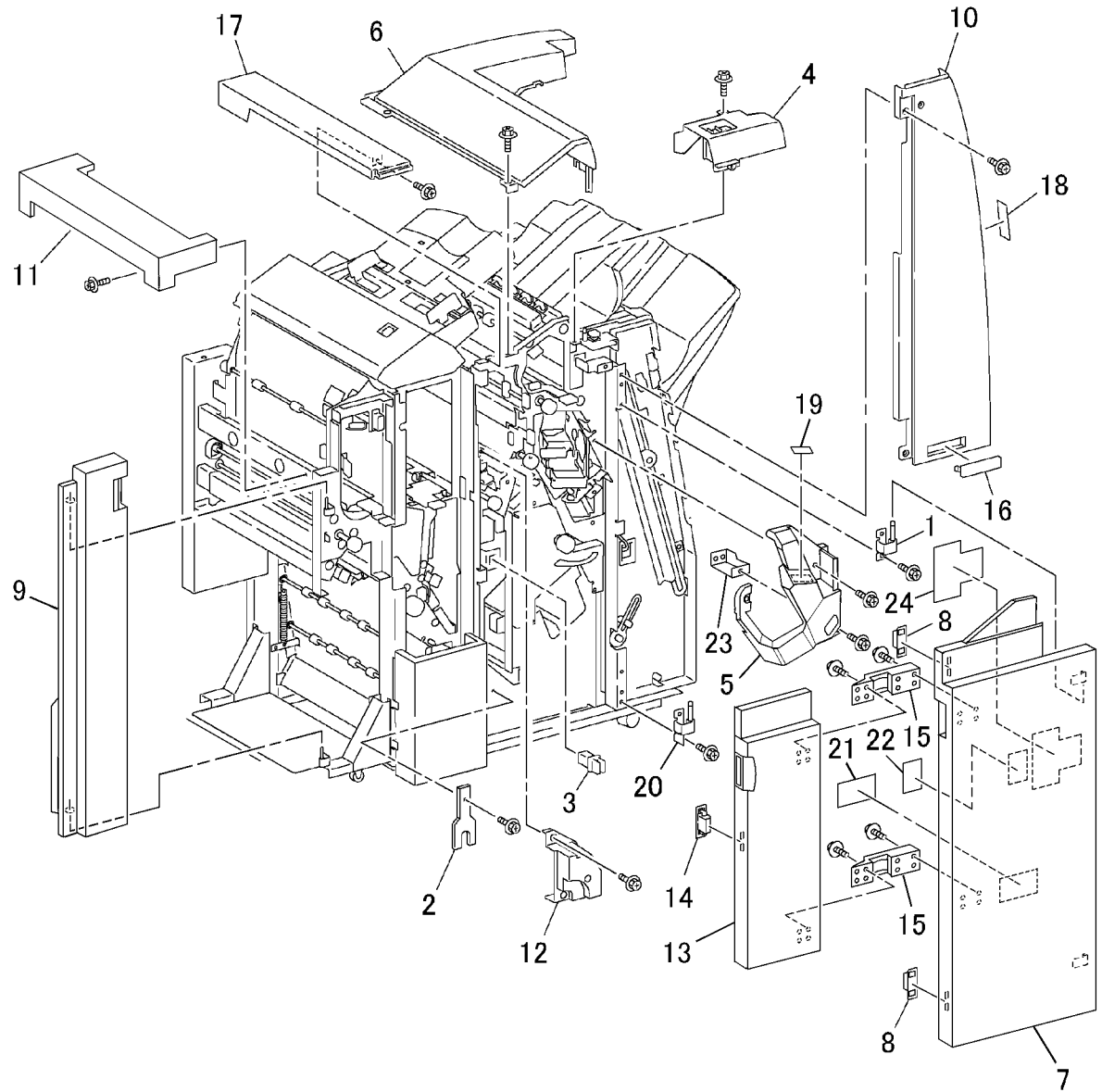
Item	Part	Description
1	-	End Guide 2 Frame (P/O PL 17.152 Item 2)
2	-	Holder (P/O PL 17.152 Item 2)
3	-	Collar (P/O PL 17.152 Item 2)
4	-	Shaft (P/O PL 17.152 Item 2)
5	-	Shaft (P/O PL 17.152 Item 2)
6	-	End Guide 2 (P/O PL 17.152 Item 2)
7	-	Belt Buckle (P/O PL 17.152 Item 2)
8	-	Bracket (P/O PL 17.152 Item 2)
9	-	Pulley (P/O PL 17.152 Item 2)
10	130E89230	Sensor
11	-	Pulley (P/O PL 17.152 Item 2)
12	962K57930	Wire Harness
13	-	Gear (P/O PL 17.152 Item 2)
14	-	Bearing (P/O PL 17.152 Item 2)
15	-	Roll (P/O PL 17.152 Item 2)
16	423W30054	Belt
17	127K59110	End Guide Motor 2
18	130K88780	End Guide Sensor 2



j0ne5k60

# PL 17.156 Cover-1 (Front, Top)

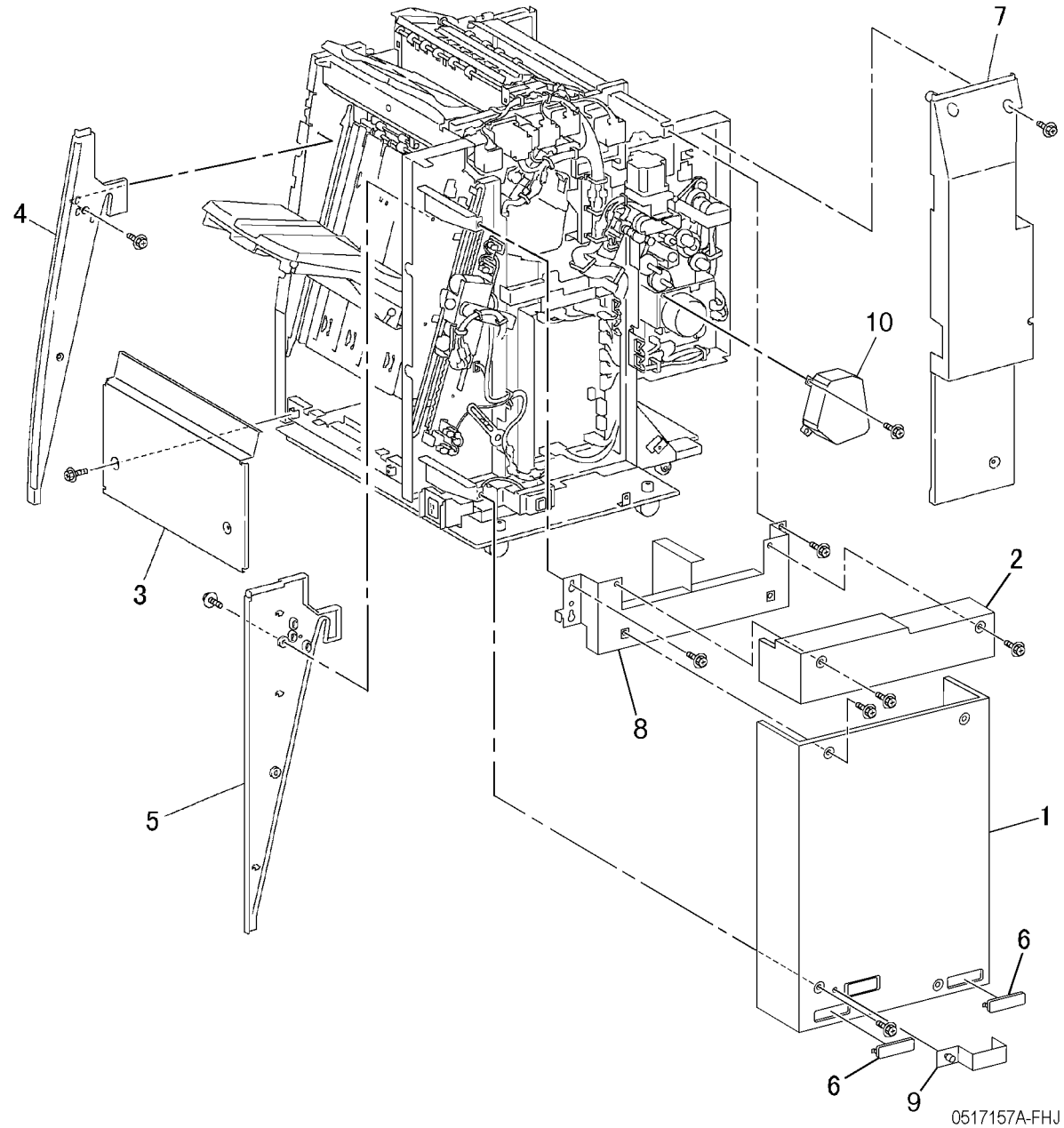
Item	Part	Description
1	-	Hinge (Not Spared)
2	093E92260	Wrench
3	110E97990	Finisher Front Door Switch
4	802E77750	Stacker Front Top Cover
5	802K90830	Staple Inner Cover
6	802K52890	Finisher Top Cover (REP 17.32)
7	802K90841	Finisher Front Door (Base)
8	121E88470	Magnet
9	848K03880	I/F Module Front Door
10	802K52920	Front Cover
11	848E04730	I/F Module Top Cover
12	802K52950	Punch Inner Cover
13	802K74371	Folder Front Cover
14	121E92720	Magnet
15	849E67990	Joint Bracket
16	802E75020	Blind Cover
17	802E77741	Finisher Top Left Cover
18	-	Label
19	-	Label (Not Spared)
20	049K03270	Switch Bracket Assembly
21	893E49690	Label (Booklet)
22	-	Label (Not Spared)
23	-	Bracket (Not Spared)
24	-	Label (Not Spared)



0517156A-FHJ

## PL 17.157 Cover-2 (Rear, Right)

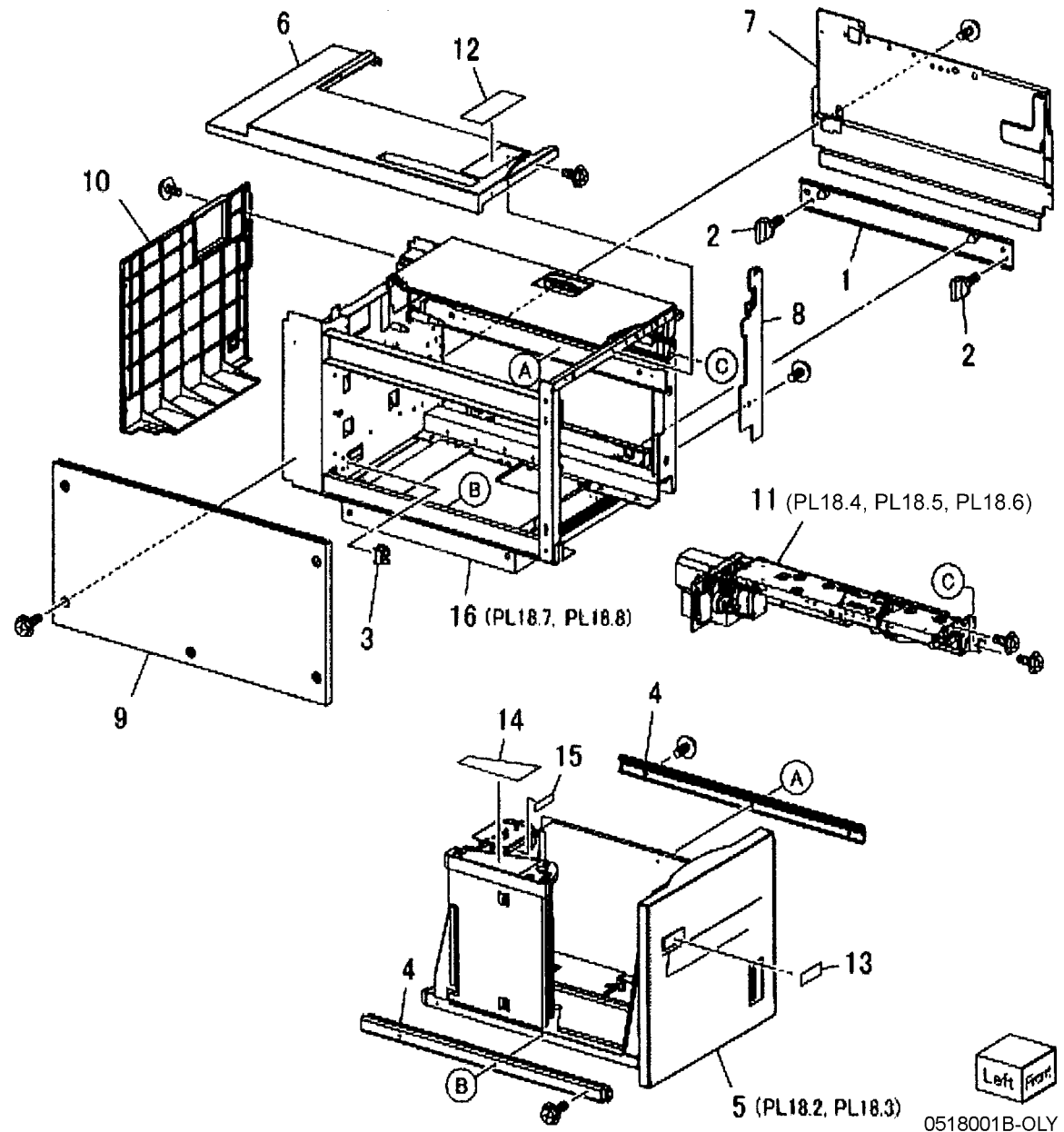
Item	Part	Description
1	848K08812	Finisher Rear Cover
2	802E83110	Stacker Right Lower Cover
3	802E54370	Stacker Inside Front Upper Cover
4	802E54380	Stacker Inside Rear Upper Cover
5	802E54400	Blind Cover
6	802E77760	Rear Cover
7	802K99110	I/F Module Rear Cover
8	—	Cover Bracket (Not Spared)
9	—	Power Cord Connector Bracket (Not Spared)
10	848E09070	Staple Rear Cover



0517157A-FHJ

# PL 18.1 HCF Unit

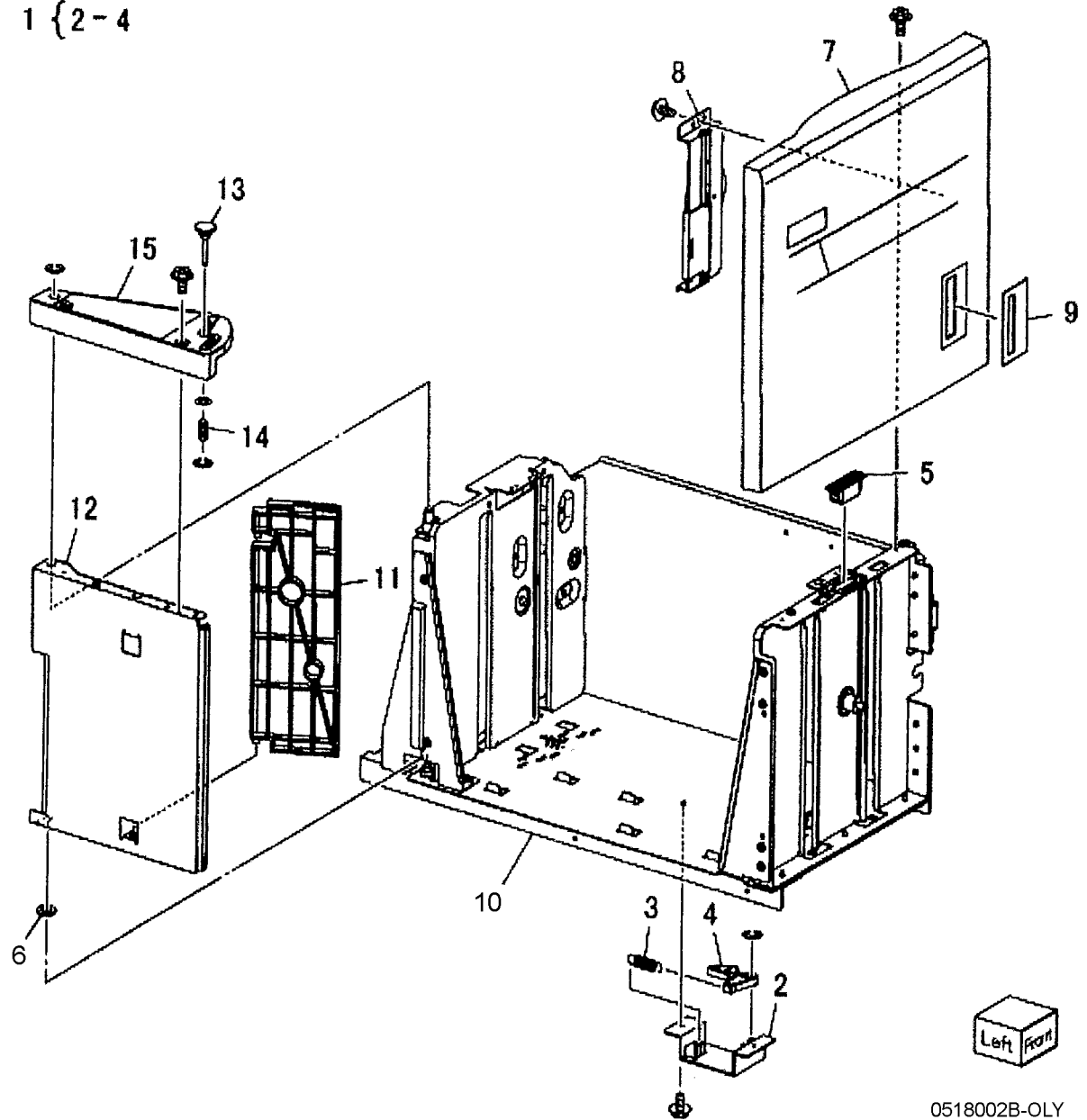
Item	Part	Description
1	-	Joint Plate (Not Spared)
2	003K91881	Knob
3	130K55590	HCF Tray Set Sensor
4	801K15700	Tray Rail
5	050K51973	HCF Tray 6 (REP 7.1)
6	-	Left Top Cover (Not Spared)
7	-	Right Cover (Not Spared)
8	-	Front Right Cover (Not Spared)
9	-	Left Cover (Not Spared)
10	-	Rear Cover (Not Spared)
11	059K53385	HCF Feeder (REP 7.2)
12	-	Label (Top) (Not Spared)
13	893E46190	Label (Tray Number)
14	893E46210	Label (End)
15	893E46200	Label (Size)
16	-	Frame Assembly (Not Spared)



# PL 18.2 HCF Tray 6 (1 of 2)

Item	Part	Description
1	003K13592	Tray Latch Assembly
2	-	Tray Latch (P/O PL 18.2 Item 1)
3	-	Spring (P/O PL 18.2 Item 1)
4	-	Latch Lever (P/O PL 18.2 Item 1)
5	-	Magnet (P/O PL 18.1 Item 5)
6	-	Wave Washer (P/O PL 18.1 Item 5)
7	-	Front Cover (P/O PL 18.1 Item 5)
8	068K25372	Gear Bracket
9	-	Label (Gauge) (P/O PL 18.1 Item 5)
10	-	Frame (P/O PL 18.1 Item 5)
11	-	Plate (P/O PL 18.1 Item 5)
12	-	Bracket (P/O PL 18.1 Item 5)
13	-	Pin (P/O PL 18.1 Item 5)
14	-	Spring (P/O PL 18.1 Item 5)
15	-	Top Plate (P/O PL 18.1 Item 5)

1 { 2-4



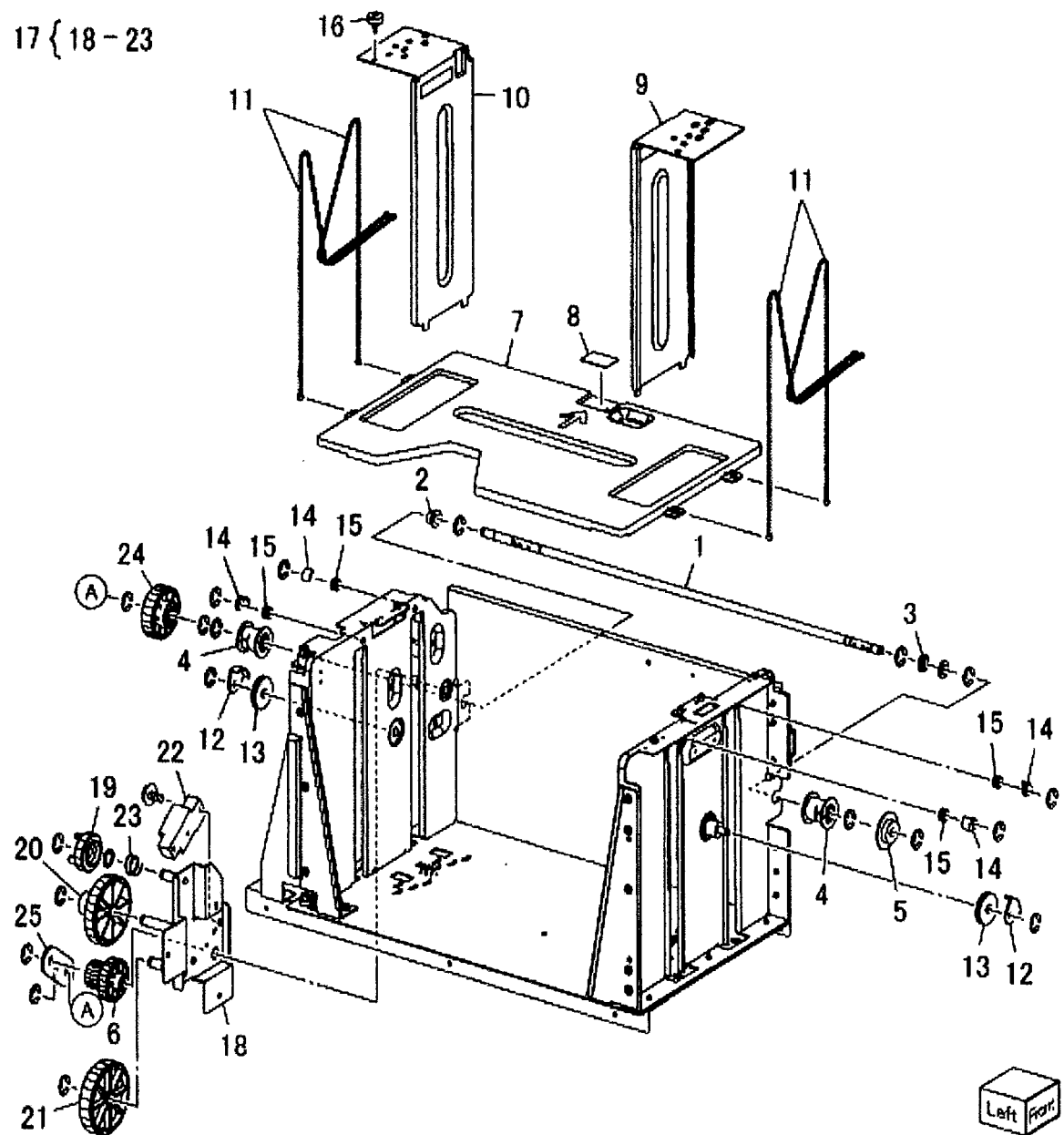
0518002B-OLY



# PL 18.3 HCF Tray 6 (2 of 2)

Item	Part	Description
1	-	Lift Shaft (P/O PL 18.1 Item 5)
2	-	Bearing (P/O PL 18.1 Item 5)
3	-	Bearing (P/O PL 18.1 Item 5)
4	020E37620	Tray Cable Pulley
5	-	Gear (P/O PL 18.1 Item 5)
6	-	Gear (P/O PL 18.1 Item 5)
7	815E09030	Bottom Plate
8	019E58620	Pad
9	-	front Side Guide (P/O PL 18.1 Item 5)
10	-	Rear Side Guide (P/O PL 18.1 Item 5)
11	604K19981	Tray Cable (REP 7.4)
12	032E22410	Wire Guide (L)
13	020E37630	Pulley
14	-	Wire Guide (S) (P/O PL 18.1 Item 5)
15	-	Pulley (P/O PL 18.1 Item 5)
16	826E11701	Screw
17	015K65532	Gear Bracket Assembly
18	-	Gear Bracket (P/O PL 18.3 Item 17)
19	-	Contact Gear (P/O PL 18.3 Item 17)
20	-	Gear (P/O PL 18.3 Item 17)
21	-	Gear (P/O PL 18.3 Item 17)
22	-	Brake (P/O PL 18.3 Item 17)
23	-	Spring (P/O PL 18.3 Item 17)
24	807E04500	Lift Gear
25	-	Plate (P/O PL 18.1 Item 5)

17 { 18 - 23



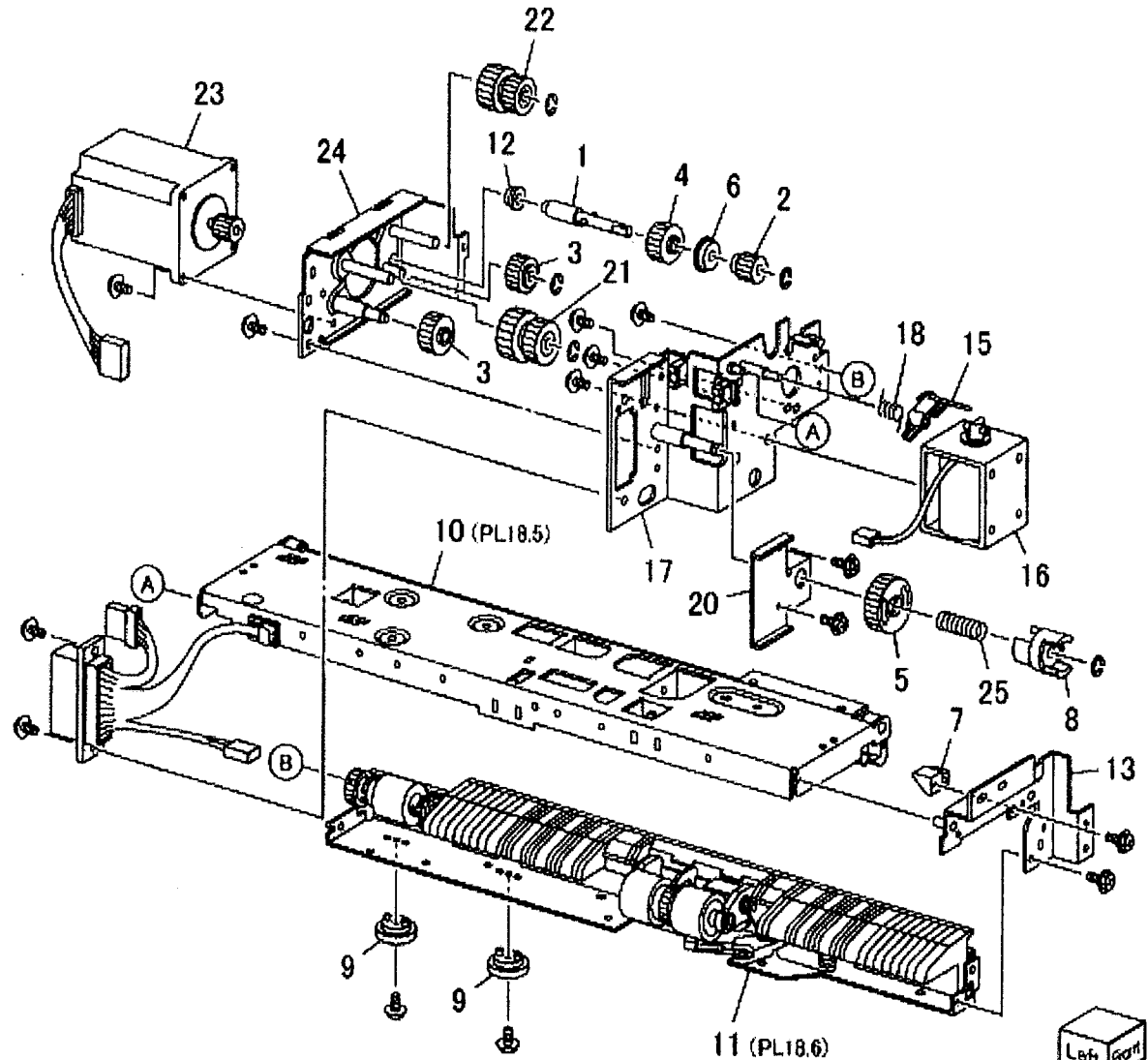
0518003B-OLY

# PL 18.4 HCF Feeder (1 of 3)

Item	Part	Description
1	-	Shaft (P/O PL 18.1 Item 11)
2	007E78760	Gear (19T)
3	007E78770	Gear (25T)
4	007E78780	Gear (25T)
5	007E78790	Gear (40)
6	013E25540	Bearing
7	-	Block (P/O PL 18.1 Item 11)
8	-	Spacer (P/O PL 18.1 Item 11)
9	019E56470	Holder
10	-	Upper Feeder Assembly (P/O PL 18.1 Item 11)
11	-	Lower Feeder Assembly (P/O PL 18.1 Item 11)
12	413W66250	Ball Bearing
13	-	Front Frame (P/O PL 18.1 Item 11)
14	-	Solenoid Assembly (P/O PL 18.1 Item 11)
15	012E11041	Link
16	121K31341	Nudger Solenoid (REP 7.13)
17	-	Rear Frame (P/O PL 18.1 Item 11)
18	-	Spring (P/O PL 18.1 Item 11)
19	-	Lift/Motor Frame (P/O PL 18.1 Item 11)
20	-	Bracket (P/O PL 18.1 Item 11)
21	007K88520	Gear (23T/27T)
22	007K88530	Gear (31T/36T)
23	127K37901	Lift/Feed Motor (REP 7.12)
24	-	Left Plate (P/O PL 18.4 Item 19)
25	-	Spring (Not Spared)

14 { 15 - 18

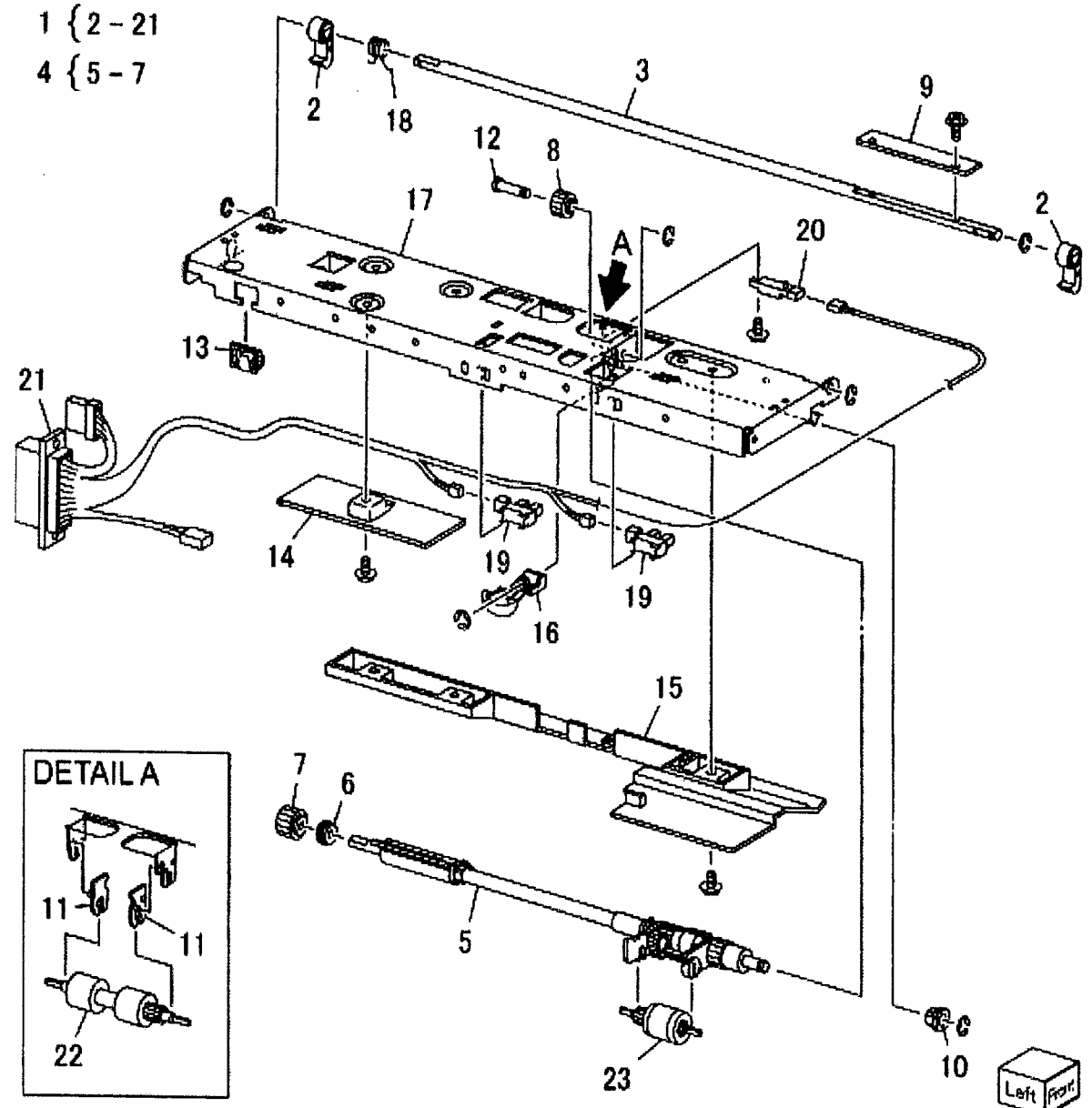
19 { 20 - 24



0518004A-OLY

# PL 18.5 HCF Feeder (2 of 3)

Item	Part	Description
1	-	Upper Feeder Assembly (Not Spared)
2	003E59570	Latch
3	-	Shaft Latch (P/O PL 18.5 Item 1)
4	006K23124	Feed Shaft Assembly
5	-	Feed Shaft (P/O PL 18.5 Item 4) (REP 7.6)
6	413W66250	Ball Bearing
7	-	Gear (20T) (P/O PL 18.5 Item 4)
8	007E78180	Feed Gear (25T)
9	-	Lever (P/O PL 18.5 Item 1)
10	-	Bearing (P/O PL 18.5 Item 1)
11	-	Spacer (P/O PL 18.5 Item 1)
12	-	Pin Drive (P/O PL 18.5 Item 1)
13	-	Guide
14	-	Rear Upper Chute (P/O PL 18.5 Item 1)
15	-	Upper Chute (P/O PL 18.5 Item 1)
16	120E21900	Actuator
17	-	Upper Frame (P/O PL 18.5 Item 1)
18	-	Spring (P/O PL 18.5 Item 1)
19	930W00112	HCF Stack Height Sensor, HCF Paper Sensor
20	930W00211	HCF Pre Feed Sensor
21	-	Wire Harness (P/O PL 18.5 Item 1)
22	059K26691	Feed Roll (REP 7.5)
23	059K26702	Nudger Roll (REP 7.5)

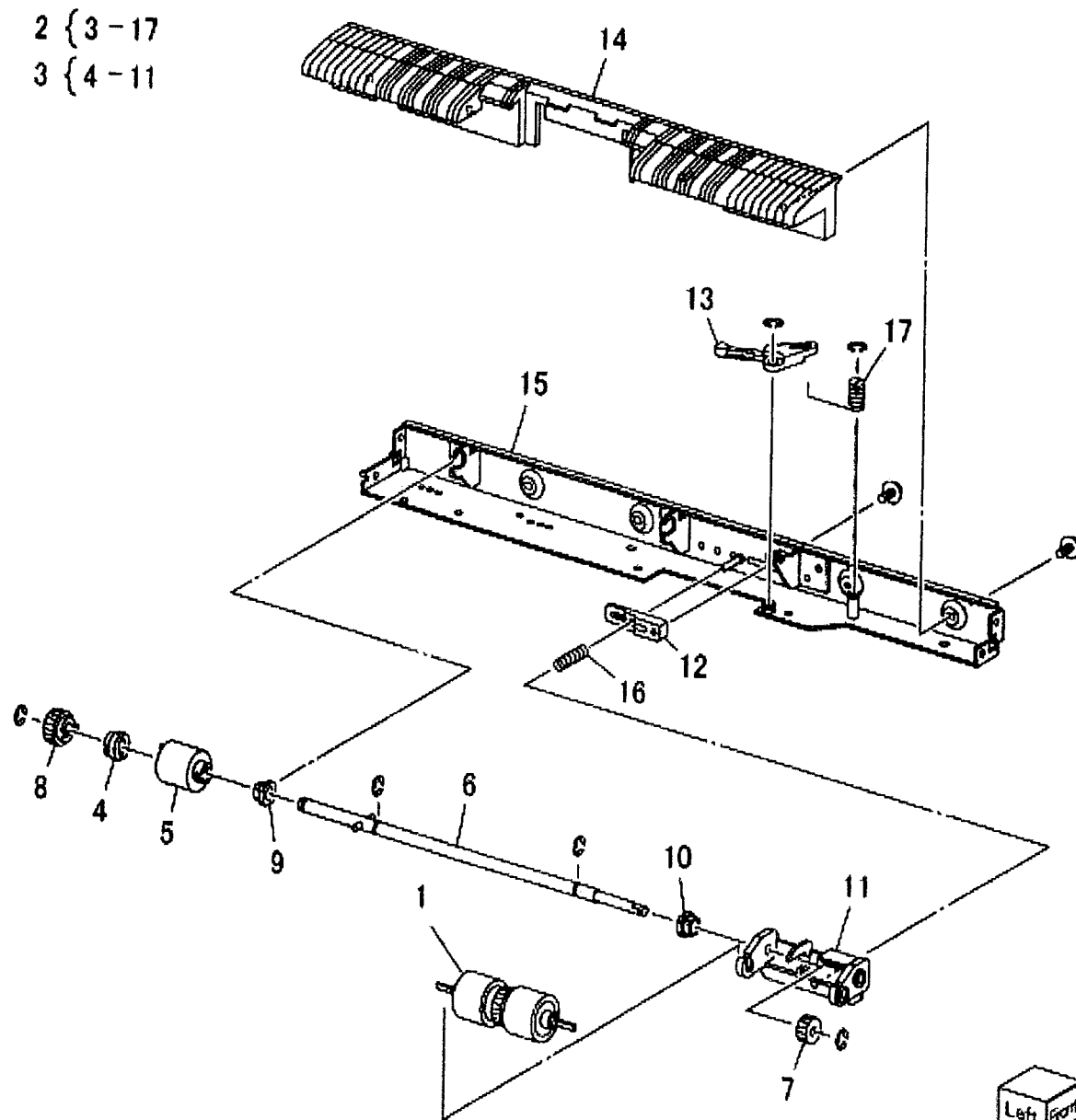


0518005A-OLY

## PL 18.6 HCF Feeder (3 of 3)

Item	Part	Description
1	059K26591	Retard Roll (REP 7.5)
2	-	Lower Feeder Assembly
3	006K23135	Retard Shaft Assembly
4	-	Collar (P/O PL 18.6 Item 3)
5	005K06701	Friction Clutch
6	-	Shaft (P/O PL 18.6 Item 3)
7	007E78170	Gear (15T)
8	007E89760	Gear (22T)
9	013E23600	Bearing
10	013E23610	Bearing
11	-	Retard Bracket (P/O PL 18.6 Item 2)
12	-	Slide (P/O PL 18.6 Item 2)
13	-	Lever (P/O PL 18.6 Item 2)
14	-	Lower Chute (P/O PL 18.6 Item 2)
15	-	Lower Frame (P/O PL 18.6 Item 2)
16	-	Spring (P/O PL 18.6 Item 2)
17	-	Spring (P/O PL 18.6 Item 2) (REP 7.7)

2 { 3 - 17  
3 { 4 - 11

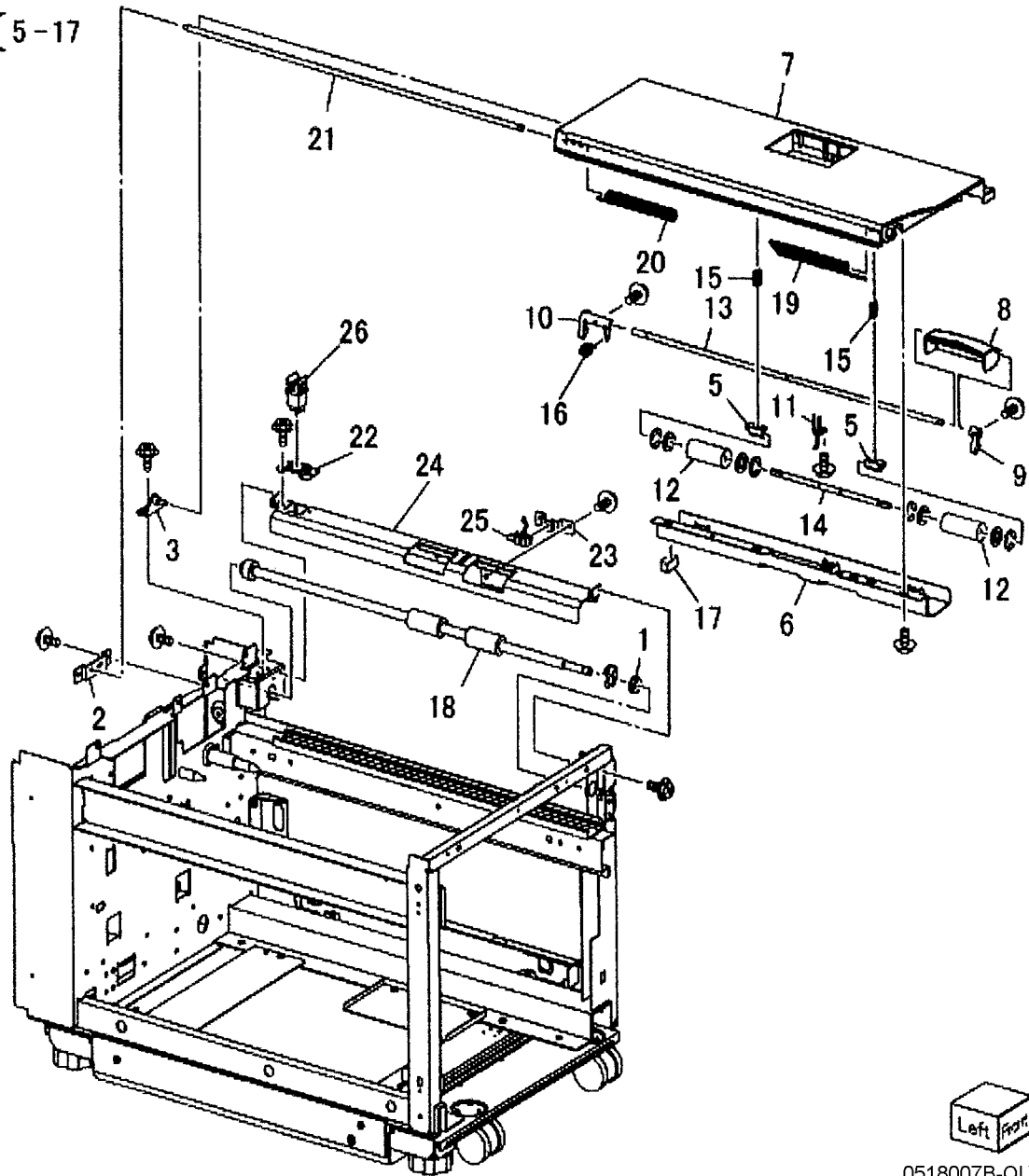


0518006A-OLY

# PL 18.7 HCF Top Cover Unit

Item	Part	Description
1	013E17100	Bearing
2	-	Bracket (Not Spared)
3	-	Pivot Bracket (Not Spared)
4	802K67082	Top Cover Assembly
5	-	Bearing (P/O PL 18.7 Item 4)
6	-	Upper Chute (P/O PL 18.7 Item 4)
7	-	Top Cover (P/O PL 18.7 Item 4)
8	-	Knob
9	-	Latch (P/O PL 18.7 Item 4)
10	-	Latch (P/O PL 18.7 Item 4)
11	-	Spring (P/O PL 18.7 Item 4)
12	059E01430	Pinch Roller
13	-	Shaft (P/O PL 18.7 Item 4)
14	-	Shaft (P/O PL 18.7 Item 4)
15	-	Spring (P/O PL 18.7 Item 4)
16	-	Spring (P/O PL 18.7 Item 4)
17	-	Gasket (P/O PL 18.7 Item 4)
18	059K36260	Takeaway Roll (REP 7.10)
19	-	Spring (Left) (P/O PL 18.1 Item 16)
20	-	Spring (Right) (P/O PL 18.1 Item 16)
21	-	Pivot Shaft (P/O PL 18.1 Item 16)
22	-	Bracket (P/O PL 18.1 Item 16)
23	-	Bracket (P/O PL 18.1 Item 16)
24	-	Lower Chute (P/O PL 18.1 Item 16)
25	130K88150	Takeaway Sensor
26	110E94770	Top Cover Interlock Switch

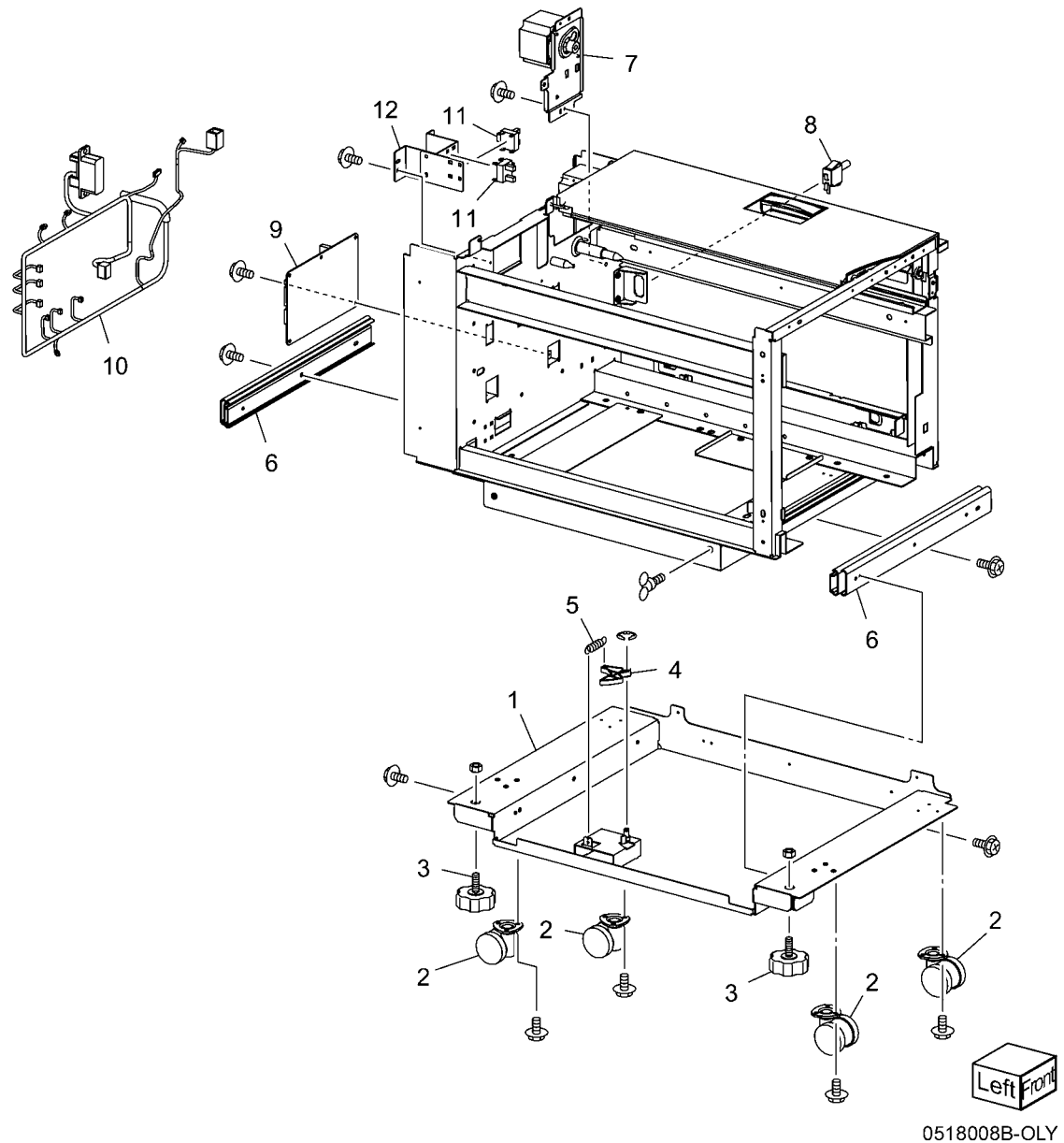
4 { 5-17



0518007B-OLY

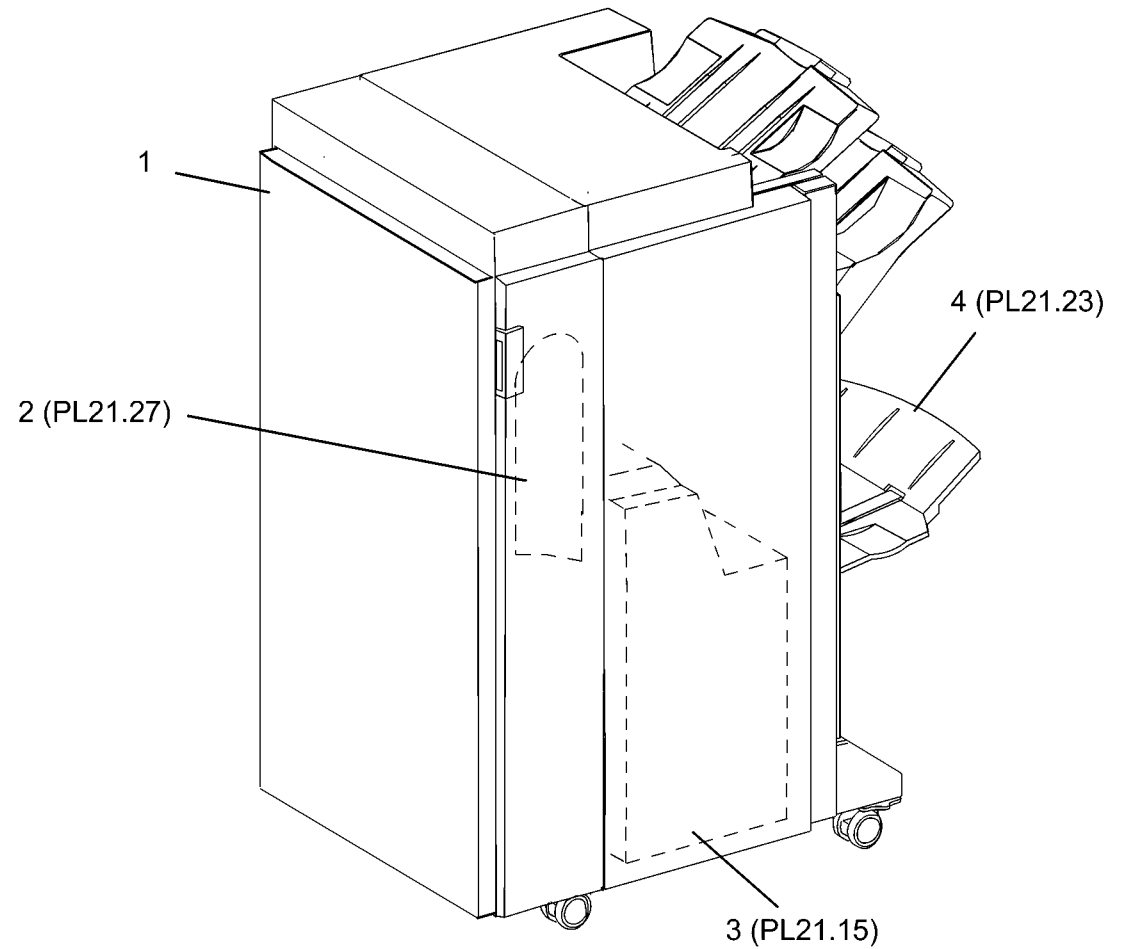
# PL 18.8 HCF Electrical and Rail

Item	Part	Description
1	-	Plate (Not Spared)
2	017E92820	Rack Caster (REP 7.9)
3	-	Foot (Not Spared)
4	-	Latch Lever (Not Spared)
5	-	Spring (Not Spared)
6	801K15690	Rail
7	127K47150	Takeaway Motor
8	110E10380	Docking Interlock Switch
9	960K30591	HCF PWB (REP 7.11)
10	-	Wire Harness (P/O PL 18.1 Item 16)
11	130K55590	HCF Size Sensor R and L
12	-	Bracket (P/O PL 18.1 Item 16)



## PL 21.1 A/P Finisher

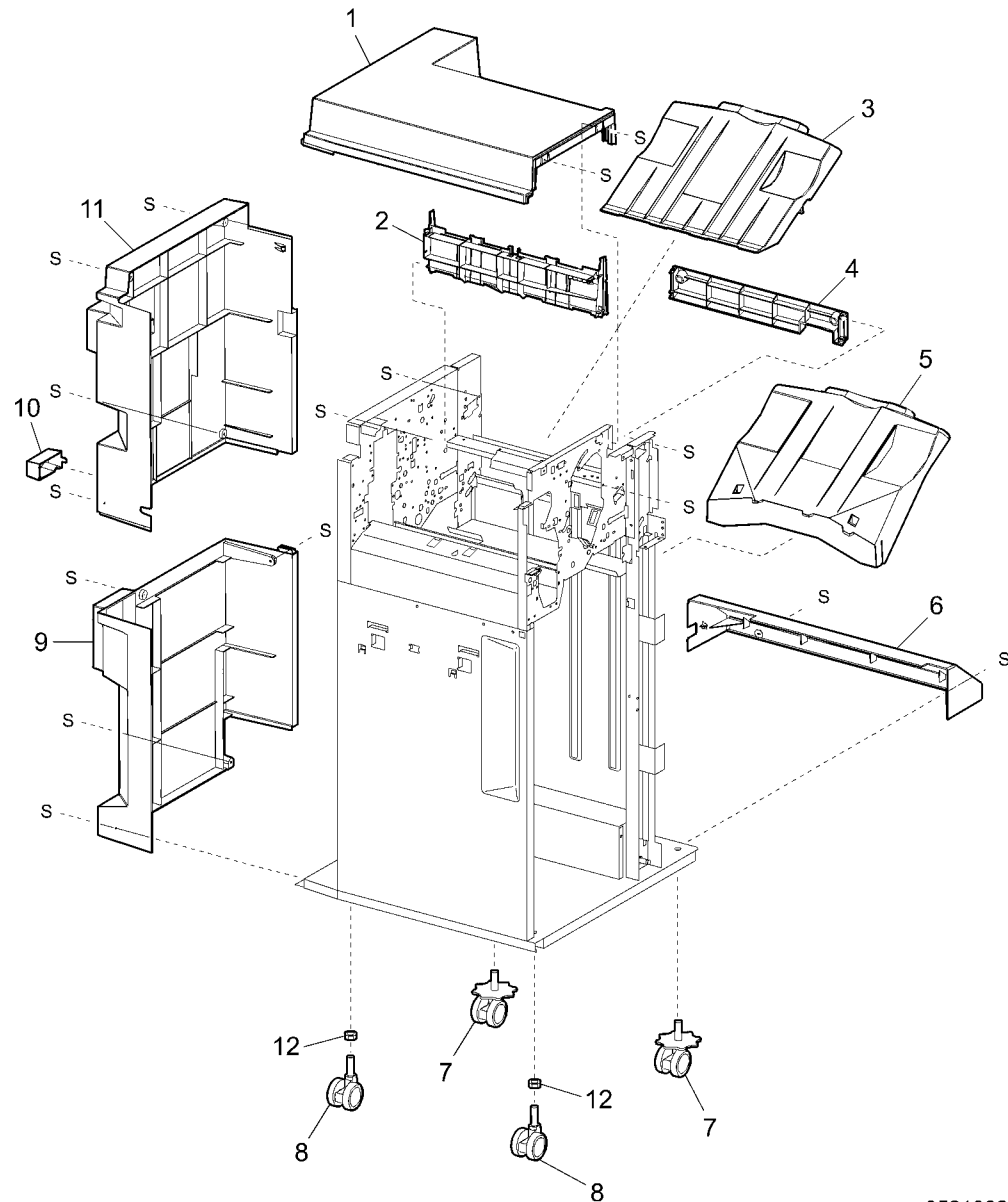
Item	Part	Description
1	-	A/P Finisher (Not Spared) (REP 12.50, ADJ 12.2)
2	-	I/F Module (Not Spared) (REP 12.3)
3	801K20066	Booklet Maker
4	-	Booklet Tray (Not Spared)



0521001A-OL

## PL 21.2 Finisher Cover: 1 of 2

Item	Part	Description
1	–	Top Cover (Not Spared) (REP 12.43)
2	–	Tray Spring Guide (Not Spared) (REP 12.47)
3	050K51270	Top Tray (REP 12.45)
4	–	Eject Cover (Not Spared) (REP 12.46)
5	050K51280	Stacker Tray (REP 12.58)
6	–	Bottom Cover (Not Spared)
7	017E98040	Caster
8	017E97230	Caster
9	–	Rear Lower Cover (Not Spared) (REP 12.42)
10	–	H-Transport Connector Cover (Not Spared)
11	–	Rear Upper Cover (Not Spared) (REP 12.41)
12	–	Nut M12X1.25 (Not Spared)

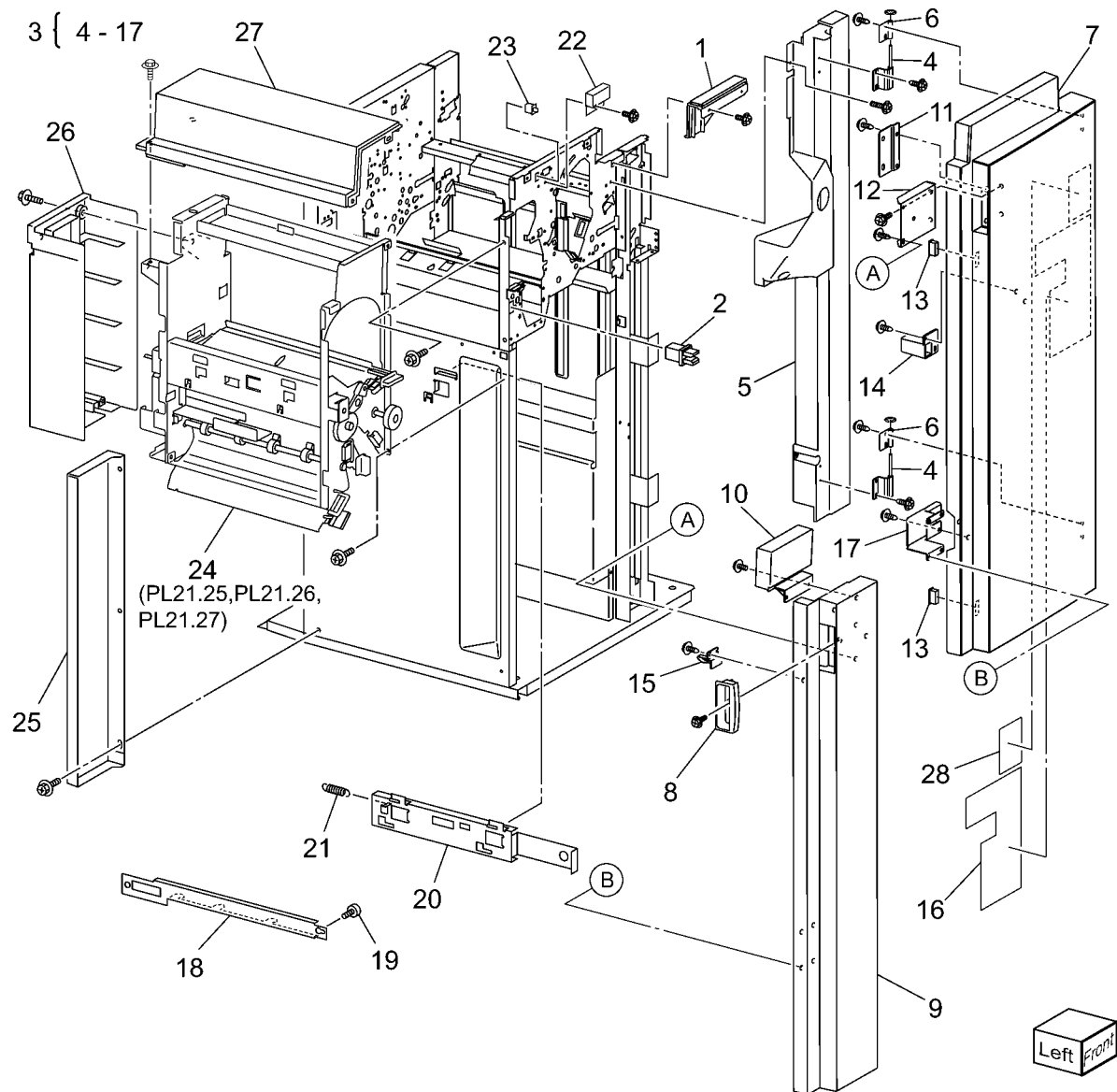


0521002A-OLY



## PL 21.3 Finisher Cover: 2 of 2

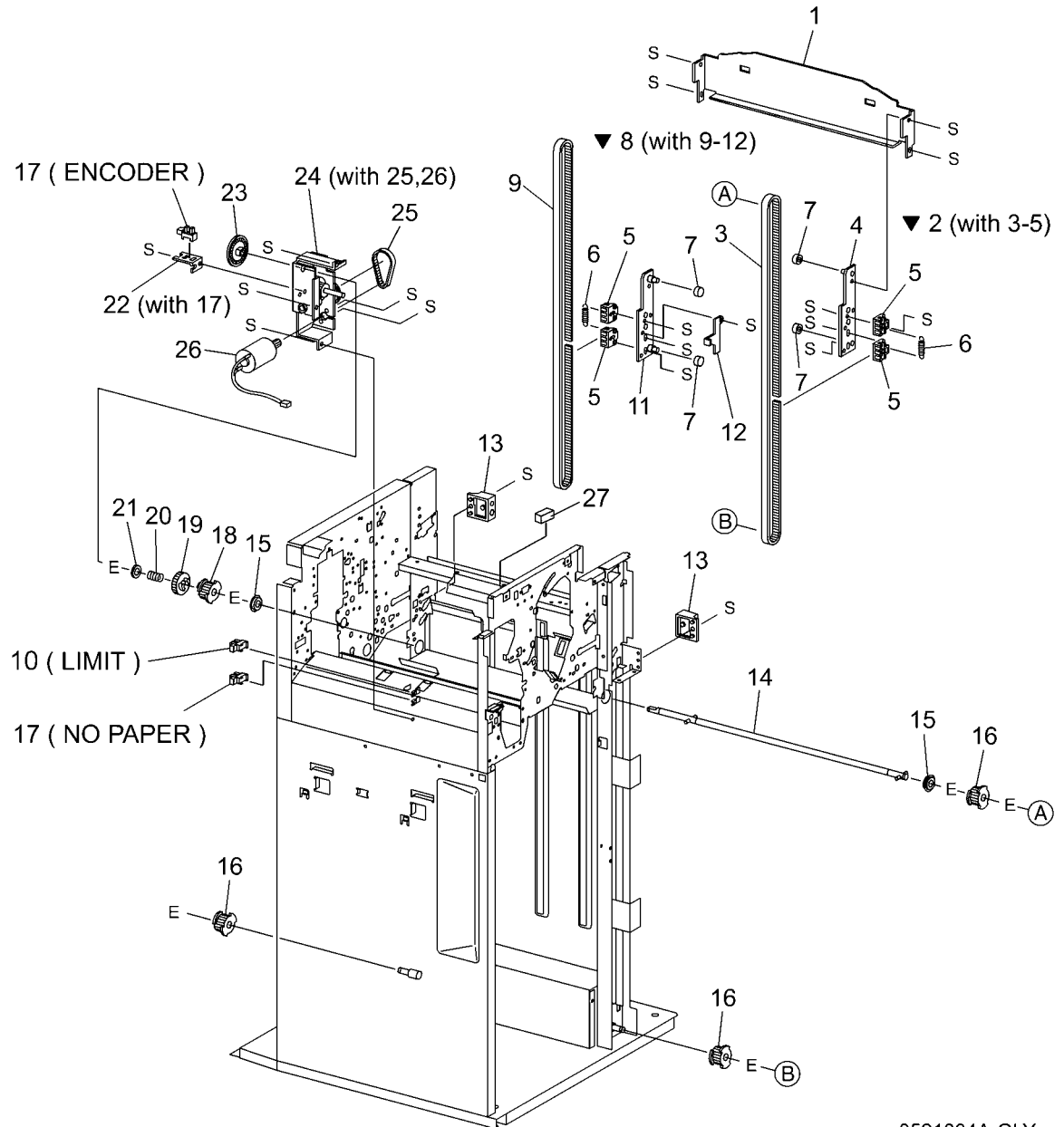
Item	Part	Description
1	-	Front Top Cover (Not Spared) (REP 12.44)
2	110E97990	Front Door Interlock Switch
3	802K75102	Front Door Assembly (REP 12.40)
4	-	Hinge Bracket (P/O PL 21.3 Item 3)
5	-	Inner Cover (P/O PL 21.3 Item 3)
6	-	Bracket (P/O PL 21.3 Item 3)
7	-	Front Door (P/O PL 21.3 Item 3)
8	-	Handle (P/O PL 21.3 Item 3)
9	-	I/F Cover (P/O PL 21.3 Item 3)
10	-	I/F Upper Cover (P/O PL 21.3 Item 3)
11	-	Door Plate (P/O PL 21.3 Item 3)
12	-	Upper Bracket (P/O PL 21.3 Item 3)
13	121E92720	Magnet
14	-	Stopper (P/O PL 21.3 Item 3)
15	-	Latch (P/O PL 21.3 Item 3)
16	-	Support (P/O PL 21.3 Item 3)
17	-	Lower Bracket (P/O PL 21.3 Item 3)
18	015K73210	IOT Docking Plate Assembly
19	-	Screw (Not Spared)
20	-	Docking Plate (Not Spared)
21	-	Spring (Not Spared)
22	-	Cover (Not Spared)
23	-	Download Access Switch (Not Spared)
24	059K41381	I/F Module (REP 12.3)
25	-	Plate (Not Spared)
26	-	I/F Rear Cover (Not Spared) (REP 12.1)
27	802K76730	I/F Top Cover (REP 12.2)
28	-	Label (Instruction) (Not Spared)



0521003A-OLY

# PL 21.4 Finisher Stack

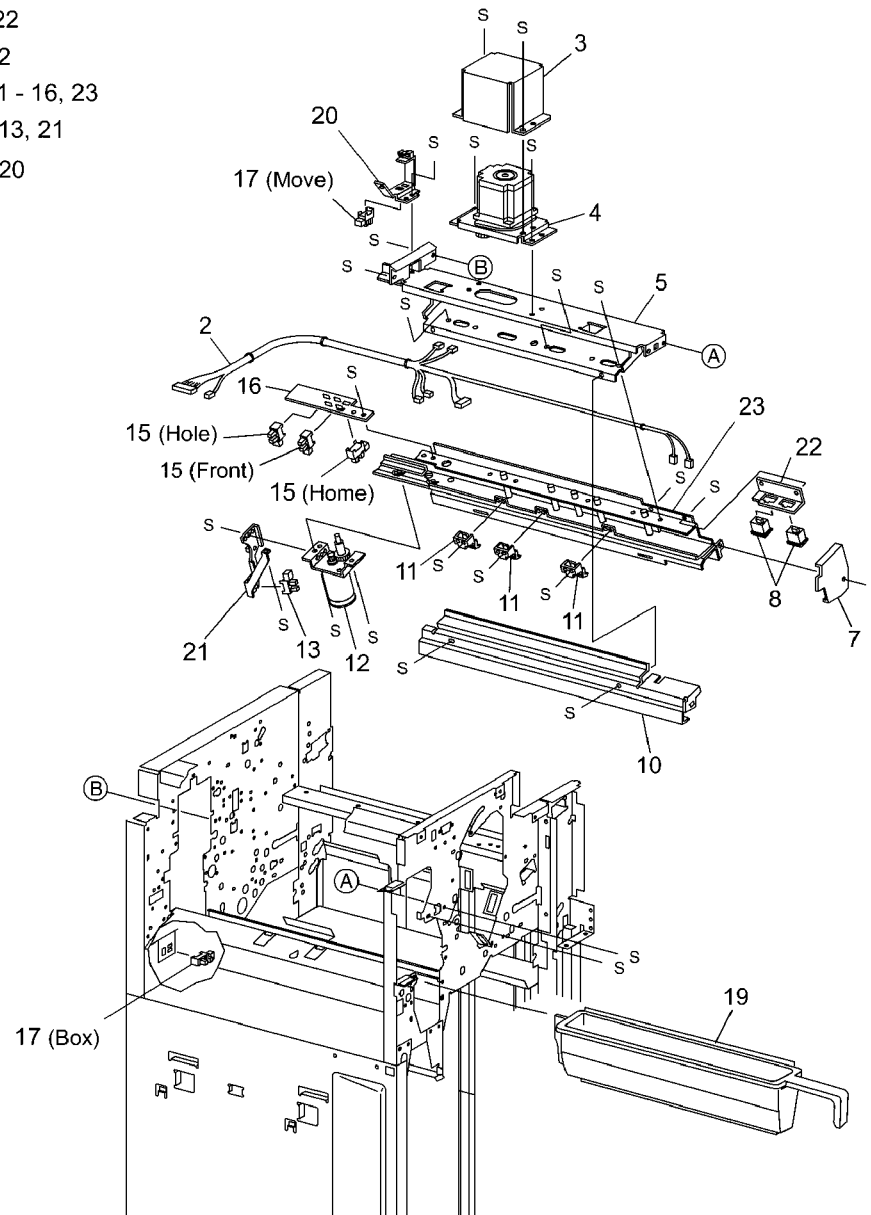
Item	Part	Description
1	-	Stacker Tray Bracket (Not Spared)
2	041K94720	Left Carriage Assembly
3	-	Stacker Drive Belt (P/O PL 21.4 Item 2) (REP 12.60)
4	-	Left Carriage Bracket (P/O PL 21.4 Item 2)
5	019E58660	Belt Clamp
6	809E56850	Spring
7	-	Carriage Bearing
8	041K94730	Right Carriage Assembly
9	023E21520	Stacker Drive Belt (REP 12.60)
10	130E88340	Upper Limit Sensor
11	-	Right Carriage Bracket (P/O PL 21.4 Item 8)
12	-	Stacker Sensor Actuator (P/O PL 21.4 Item 8)
13	802K67140	Stack Height Sensor (Front, Rear)
14	-	Elevator Drive Shaft (Not Spared)
15	413W77559	Bearing
16	020E37720	Pulley (18T)
17	130K88770	Stacker Encoder Sensor, Stacker No Paper Sensor (No Paper), Upper Limit Sensor (Limit)
18	020E37710	Clutch Pulley
19	807E08990	Clutch Gear
20	809E56860	Spring
21	-	Washer (Not Spared)
22	-	Sensor Bracket (Not Spared)
23	146E01770	Stacker Encoder
24	015K65900	Elevator Motor Assembly
25	-	Elevator Motor Drive Belt (P/O PL 21.4 Item 24)
26	-	Elevator Motor (P/O PL 21.4 Item 24)
27	110E11470	Down Load Interlock Switch



0521004A-OLY

## PL 21.5 Finisher Punch

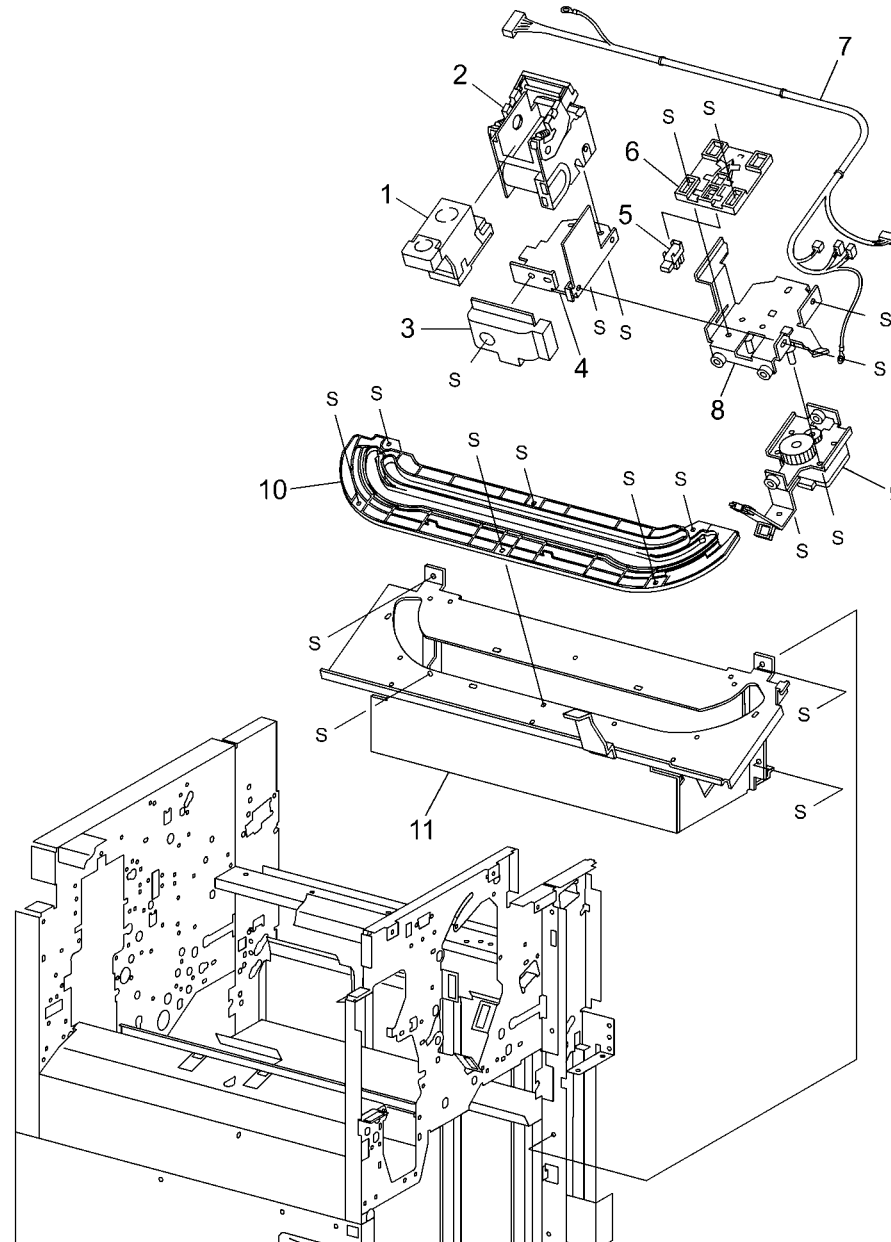
Item	Part	Description	
1	801K15881	3 Hole Punch Assembly (REP 12.52)	1 { 2 - 22 6 { 8, 22
-	801K16771	2/4 Hole Punch Assembly (REP 12.52)	9 { 2, 11 - 16, 23
2	-	Puncher Unit Harness (P/O PL 21.5 Item 9)	14 { 12, 13, 21
3	-	Puncher Motor Cover (P/O PL 21.5 Item 9)	18 { 17, 20
4	015K65880	Puncher Move Motor	
5	-	Frame Assembly Holder (P/O PL 21.5 Item 1)	
6	015K65840	Sensor Registration Bracket Assembly	
7	-	Front Punch Cover (P/O PL 21.5 Item 1)	
8	130E88350	Side Registration Sensor 1 (Reg 1) and 2 (Reg 2)	
9	015K65871	Punch Bracket Assembly	
10	-	Left Punch Cover (P/O PL 21.5 Item 1)	
11	032K97300	Guide Assembly	
12	127K46120	Punch Motor Assembly	
13	130E87390	Punch Motor Sensor	
14	-	Punch Motor Bracket Assembly (P/O PL 21.5 Item 9)	
15	130E87380	Front Punch Sensor (Front), Home Punch Sensor (Home), Hole Select Punch Sensor (Hole)	
16	-	Sensor Bracket (P/O PL 21.5 Item 9)	
17	130K88770	Punch Move Home Sensor, Puncher Box Set Sensor	
18	068K55230	Punch Move Home Sensor Assembly	
19	060E01140	Puncher Waste Bin	
20	-	Punch Move Home Bracket (P/O PL 21.5 Item 18)	
21	-	Punch Motor Bracket (P/O PL 21.5 Item 14)	
22	-	Registration Sensor Bracket (P/O PL 21.5 Item 6)	
23	-	Punch Bracket (P/O PL 21.5 Item 9)	



0521005A-OLY

## PL 21.6 Finisher Stapler

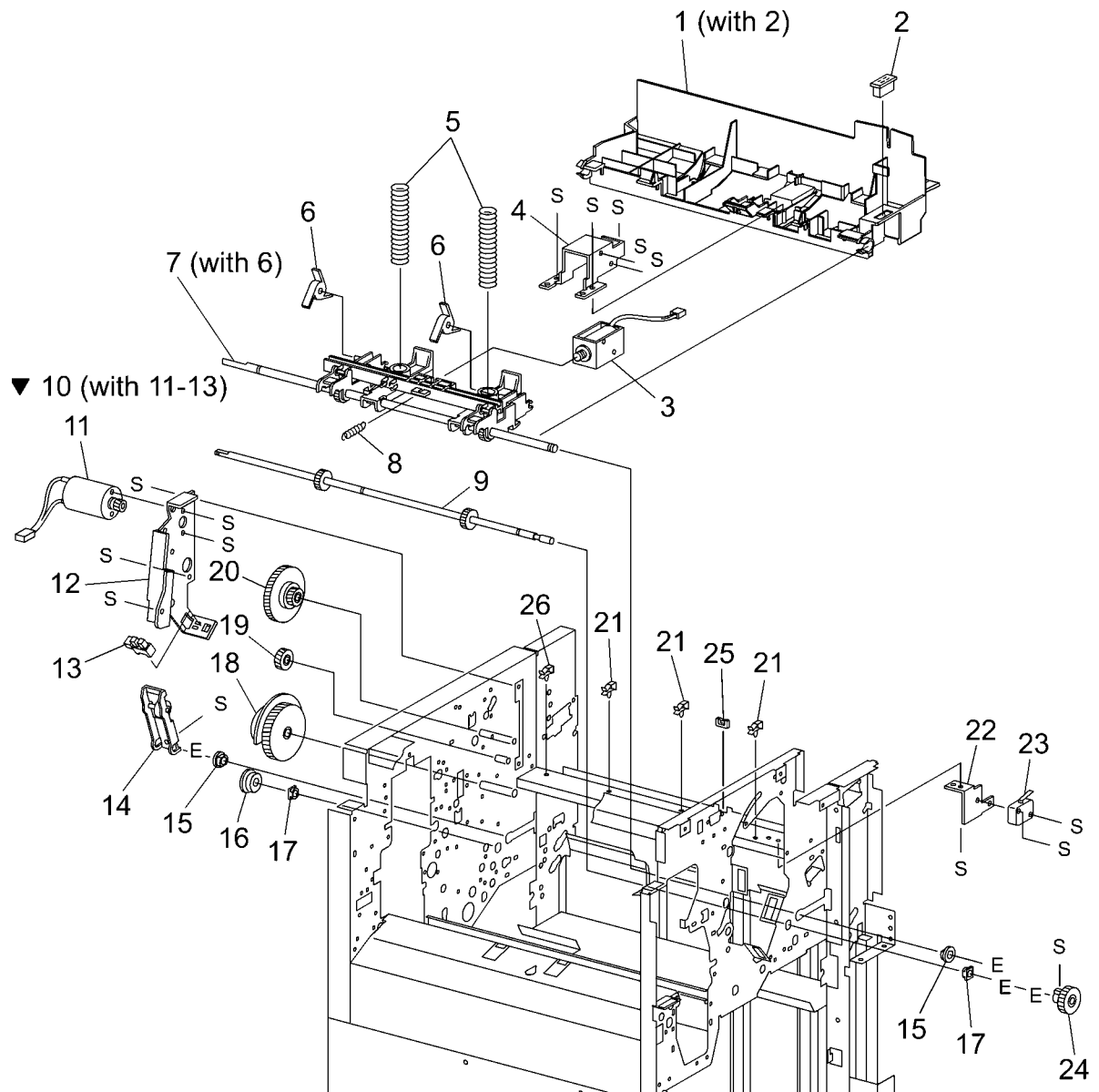
Item	Part	Description
1	050K51250	Staple Cartridge
2	029K92151	Stapler Assembly (REP 12.53)
3	—	Stapler Cover (Not Spared)
4	—	Stapler Holder (Not Spared)
5	130K88770	Stapler Move Position Sensor
6	—	Stapler Harness Guide (Not Spared)
7	—	Staple Harness (Not Spared)
8	—	Upper Stapler Carriage (Not Spared)
9	041K94750	Stapler Move Motor
10	001E66640	Stapler Rail (REP 12.54)
11	—	Stapler Frame (Not Spared)



0521006A-OLY

# PL 21.7 Finisher Eject: 1 of 3

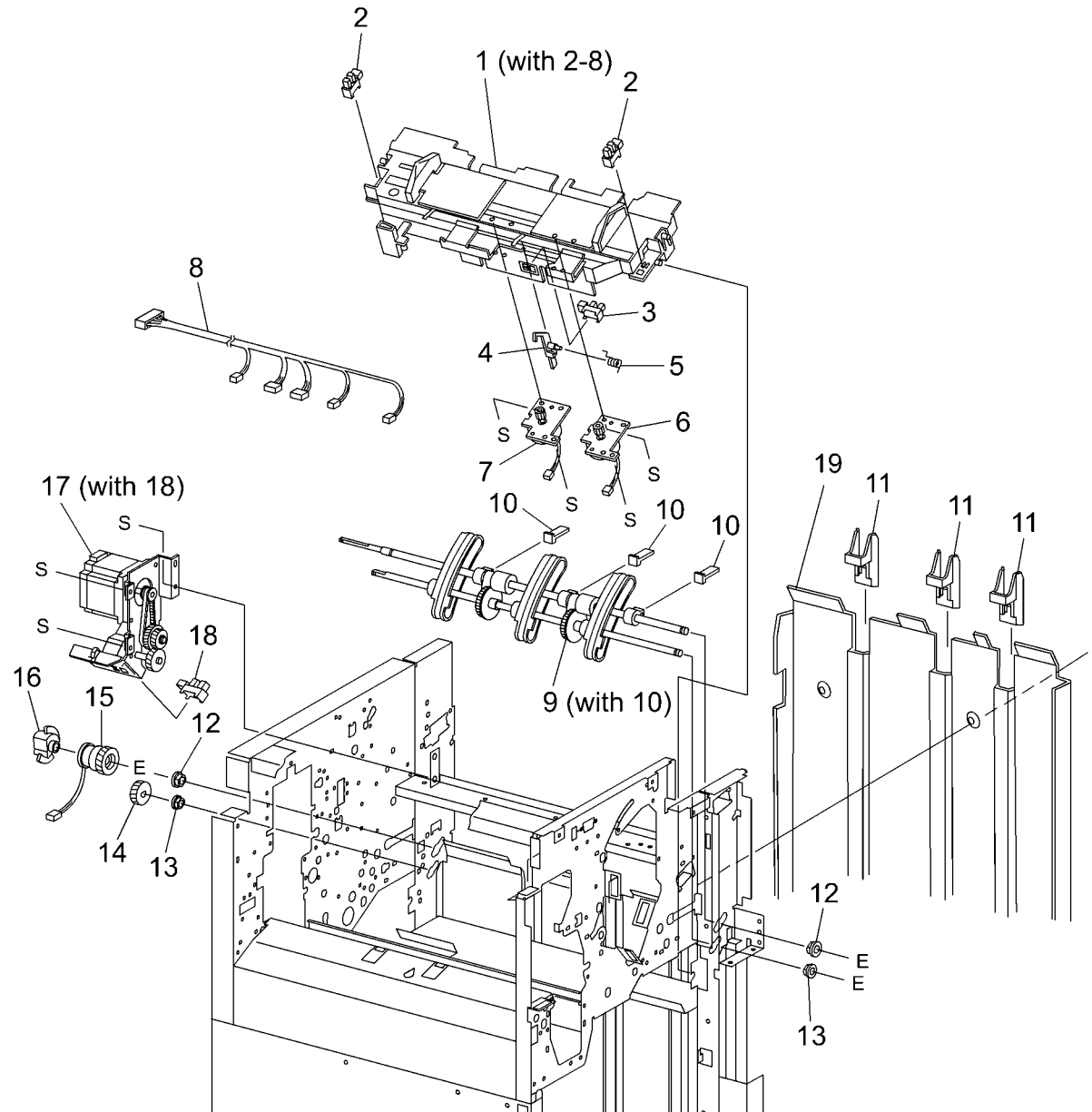
Item	Part	Description
1	054K30672	Eject Chute Assembly (REP 12.67)
2	121E92720	Magnet
3	121K34620	Sub Paddle Solenoid
4	-	Solenoid Bracket (Not Spared)
5	-	Pinch Spring (Not Spared)
6	-	Cyclone Paddle (P/O PL 21.7 Item 7)
7	-	Eject Pinch Shaft Assembly
8	809E56880	Solenoid Spring
9	-	Paddle Shaft
10	015K65860	Eject Clamp Motor Assembly (with 11-13)
11	-	Eject Clamp Motor (P/O PL 21.7 Item 10)
12	-	Eject Clamp Bracket (P/O PL 21.7 Item 10)
13	-	Eject Clamp Home Sensor (Not Spared)
14	011K97710	Eject Cam Follower
15	413W77559	Bushing
16	807E04700	Gear (23T)
17	413W11660	Bushing
18	807E04750	Cam Gear (70T)
19	807E08990	Gear (23T)
20	807E04740	Gear (68T/20T)
21	-	Wire Clip (Not Spared)
22	-	Switch Bracket (Not Spared)
23	110E11590	Eject Cover Switch
24	-	Entrance Knob (Not Spared)
25	-	Wire Clamp (Not Spared)
26	-	Wire Clip (Not Spared)



0521007A-OLY

## PL 21.8 Finisher Eject: 2 of 3

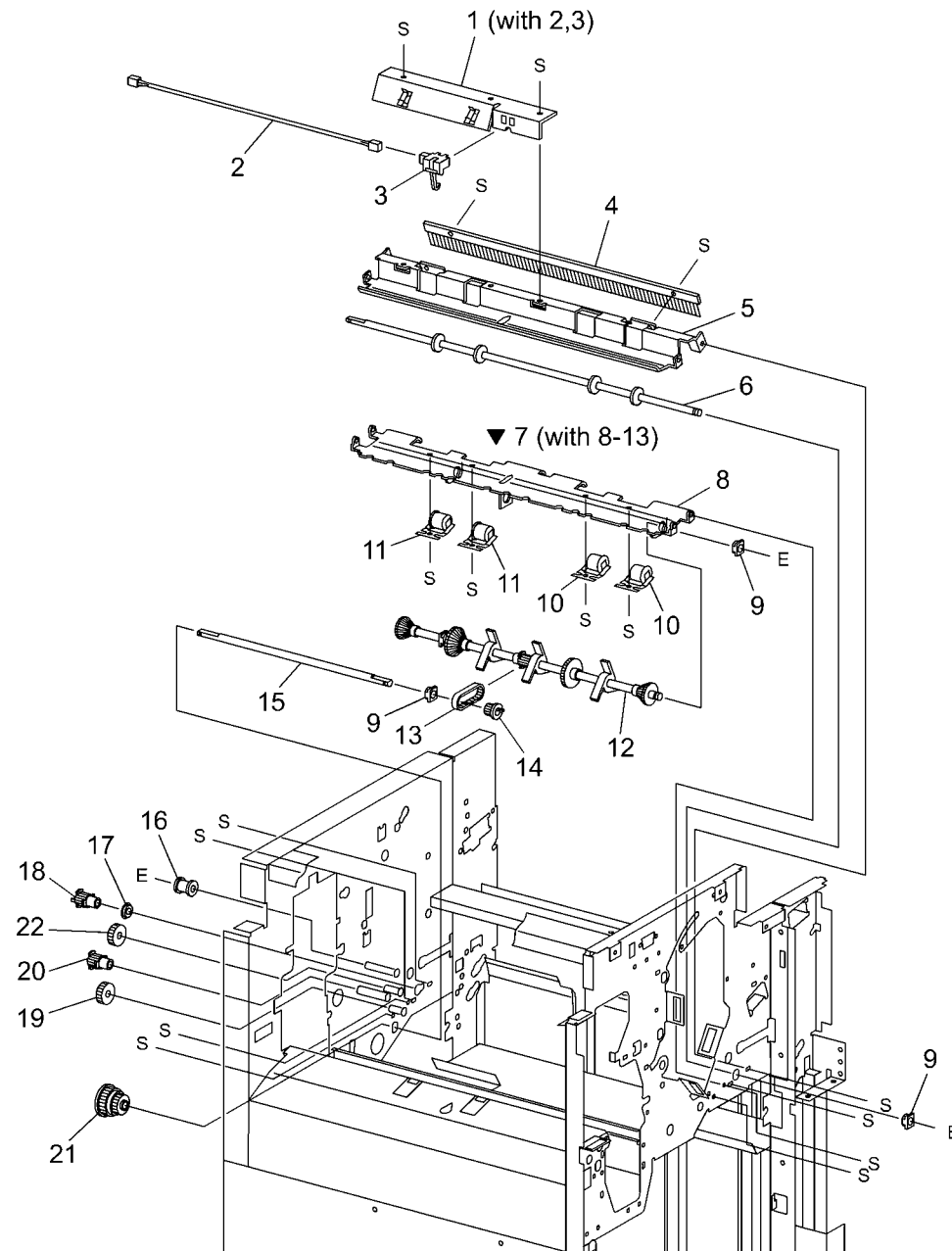
Item	Part	Description
1	–	Compiler Tray Assembly (REP 12.57)
2	130K88770	Tamper Home Sensor (Front, Rear)
3	130K70160	Compiler Tray No Paper Sensor
4	–	Sensor Actuator (P/O PL 21.8 Item 1)
5	–	Torsion Spring (P/O PL 21.8 Item 1)
6	127K40310	Front Tamper Motor
7	127K40270	Rear Tamper Motor
8	962K27671	Compiler Harness
9	–	Eject Roll Shaft Assembly (Not Spared)
10	–	Set Clamp Paddle (P/O PL 21.8 Item 9)
11	–	Paddle Guide (Not Spared)
12	413W77559	Bushing
13	–	Bushing (Not Spared)
14	807E04760	Gear (39T)
15	121K34631	Set Clamp Clutch (34T)
16	120E24310	Set Clamp Actuator
17	015K65850	Eject Motor Assembly
18	130E89780	Set Clamp Home Sensor
19	–	Inner Cover (Not Spared) (REP 12.48)



0521008A-OLY

## PL 21.9 Finisher Eject: 3 of 3

Item	Part	Description
1	–	Sensor Bracket Assembly (Not Spared)
2	–	Compiler Sensor Harness (P/O PL 21.9 Item 1)
3	130K88190	Compiler Exit Sensor
4	105E13100	Static Eliminator
5	–	Upper Exit Chute (Not Spared)
6	–	Lower Exit Roll (Not Spared)
7	054K27150	Lower Exit Roll Chute Assembly
8	–	Lower Exit Roll Chute (P/O PL 21.9 Item 7)
9	–	Bushing (P/O PL 21.9 Item 7)
10	022K67870	Exit Pinch Roller 1
11	022K67880	Exit Pinch Roller 2
12	–	Paddle Shaft (P/O PL 21.9 Item 7) (REP 12.59)
13	423W25554	Synchronous Belt (55T)
14	–	Pulley (17T) (Not Spared)
15	022K67860	Paddle Drive Shaft
16	–	Pulley (Not Spared)
17	413W66250	Bearing
18	020E37690	Pulley (20T)
19	–	Gear (23T) (Not Spared)
20	020E37660	Pulley (20T)
21	020E37670	Pulley (44T/20T)
22	–	Gear (23T) (Not Spared)

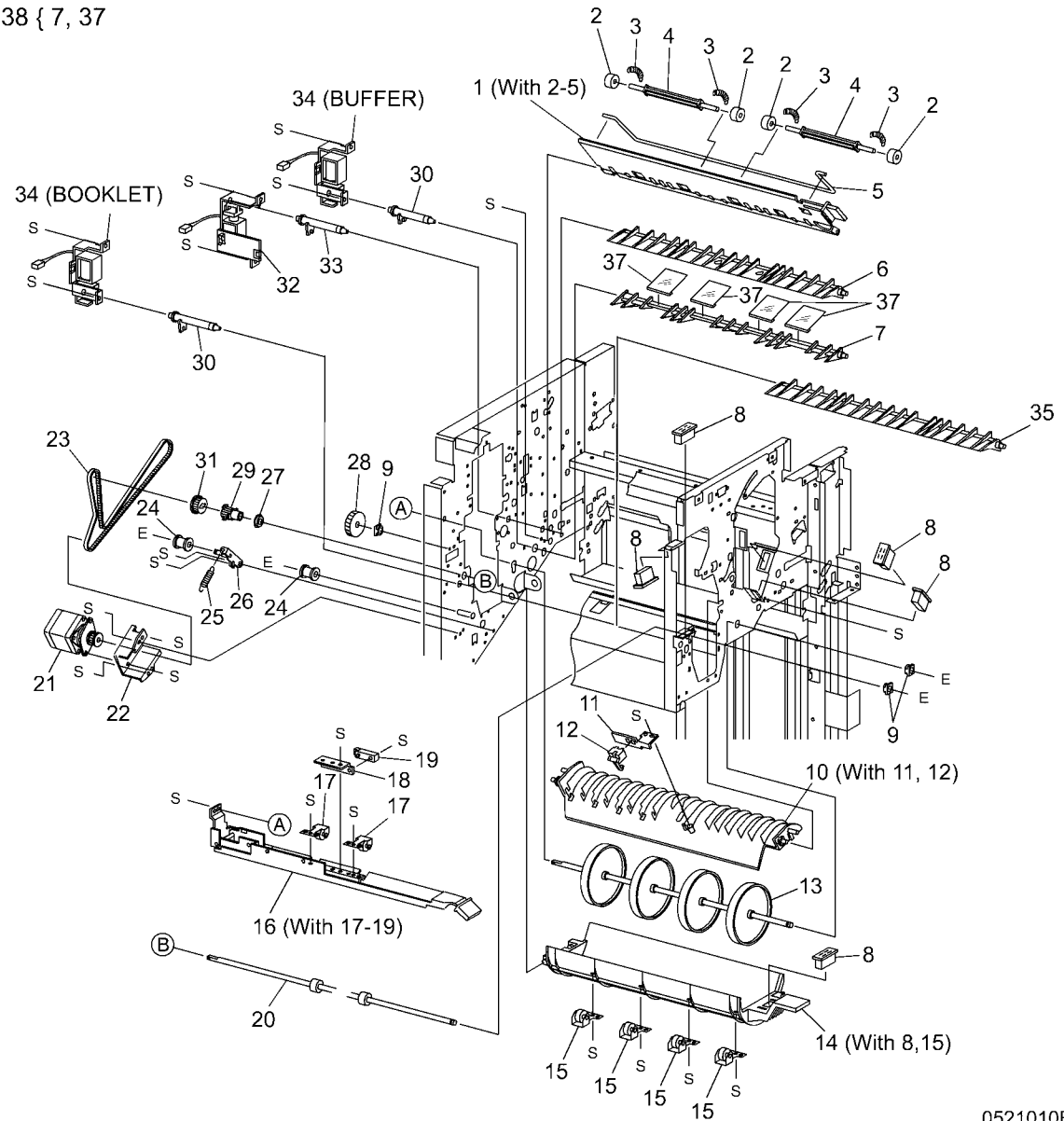


0521009A-OLY

# PL 21.10 Finisher Transport: 1 of 2

Item	Part	Description
1	054K27140	Upper Exit Open Chute Assembly
2	-	Pinch Roller (P/O PL 21.10 Item 1)
3	-	Spring (P/O PL 21.10 Item 1)
4	-	Shaft (P/O PL 21.10 Item 1)
5	-	Torsion Spring (P/O PL 21.10 Item 1)
6	050E89750	Transport Gate
7	050E89760	Buffer Gate
8	121E92720	Magnet
9	413W11660	Bushing
10	-	Top Buffer Chute Assembly (Not Spared)
11	-	Sensor Bracket (P/O PL 21.10 Item 10)
12	130K88190	Buffer Path Sensor (REP 12.67)
13	022K67891	Buffer Roll (REP 12.64)
14	054K27160	Bottom Buffer Chute Assembly (REP 12.65)
15	022K67860	Exit Pinch roller
16	-	Upper Entrance Chute Assembly (Not Spared)
17	022K67850	Entrance Pinch Roller
18	-	Sensor Bracket (P/O PL 21.10 Item 16)
19	130E87370	Transport Entrance Sensor
20	022K71410	Entrance Roll
21	127K40281	Finisher Transport Motor
22	-	Motor Bracket (Not Spared)
23	423W87054	Finisher Transport Motor Belt
24	-	Pulley (Not Spared)
25	-	Tension Spring (Not Spared)
26	-	Tension Bracket (Not Spared)
27	413W66250	Bearing
28	604K36230	Finisher Gear Kit
29	020E37660	Pulley (20T)
30	012E11991	Buffer Link
31	807E04700	Gear (23T)
32	015K65810	Transport Gate Solenoid
33	012E11980	Transport Link
34	015K65821	Buffer Gate Solenoid, Booklet Gate Solenoid
35	050E93830	Booklet Gate
36	-	Knob (Not Spared)
37	-	Exit Chute Guide
38	050K60990	Buffer Gate Assembly

38 { 7, 37

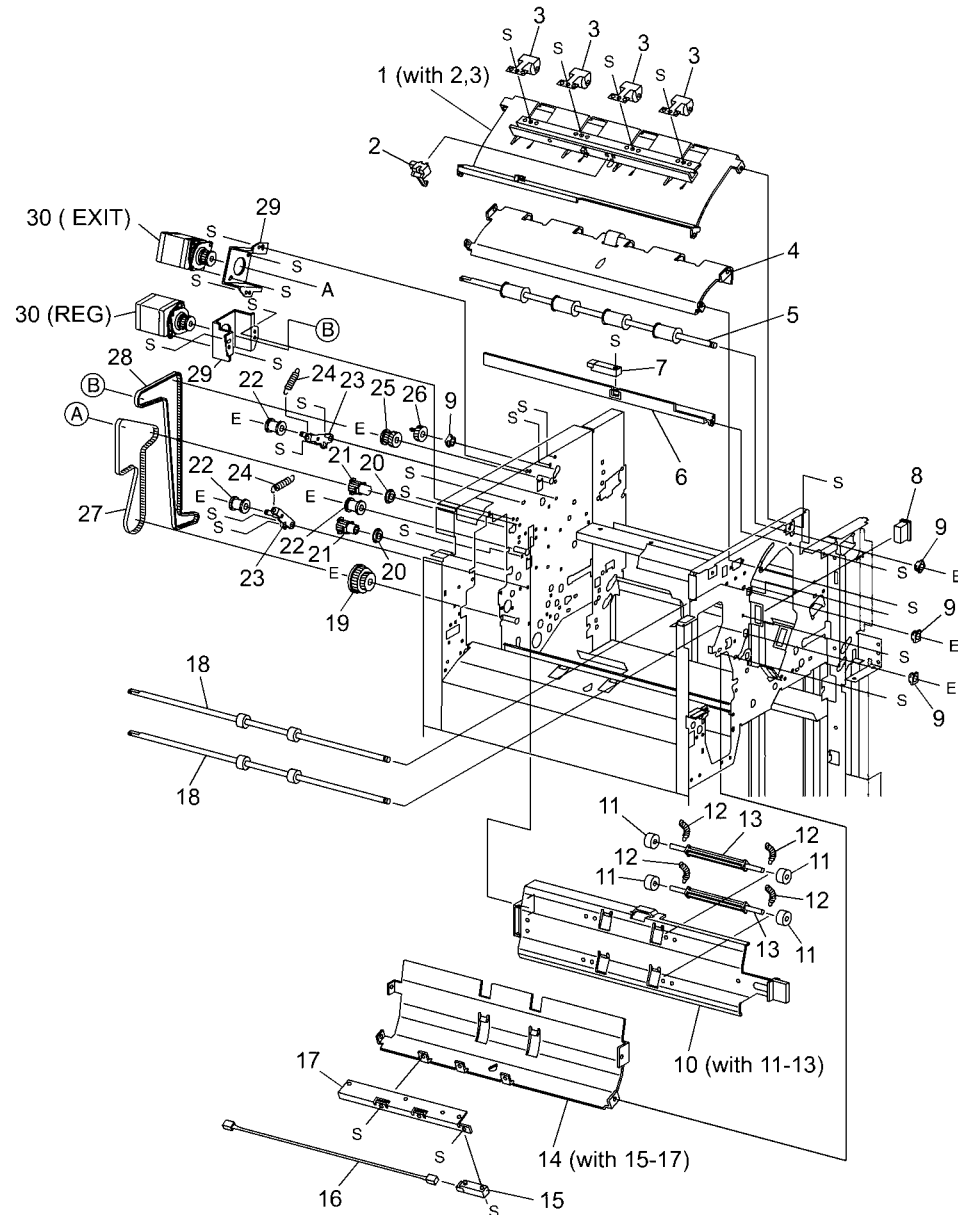


0521010B-OI



# PL 21.11 Finisher Transport: 2 of 2

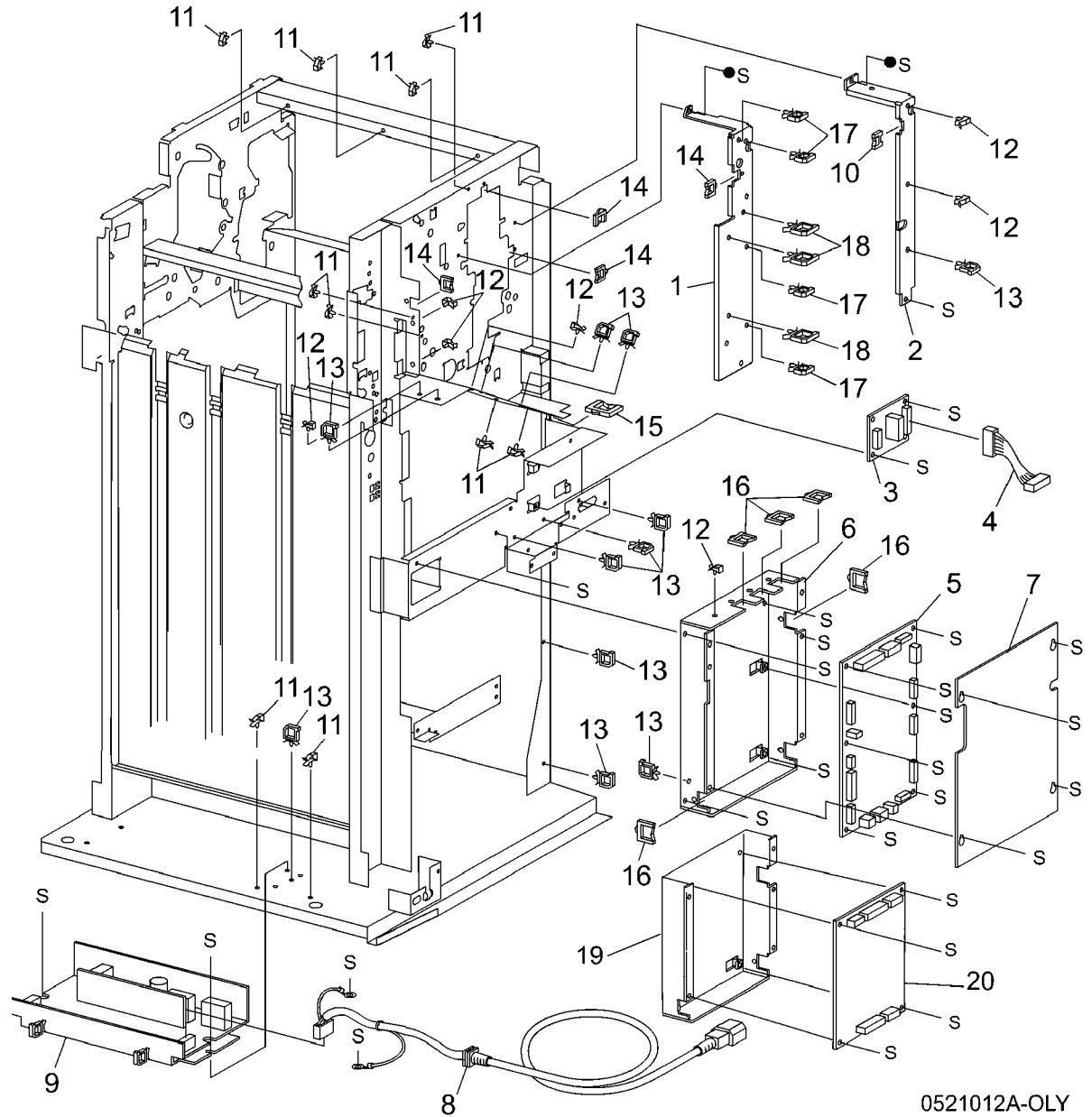
Item	Part	Description
1	-	Top Tray Exit Baffle Assembly (Not Spared)
2	130K88190	Top Tray Exit Sensor
3	022K67860	Exit Pinch Roller
4	-	Top Tray Lower Exit Baffle (Not Spared)
5	022K71501	Exit Drive Shaft
6	-	Sensor Bracket (Not Spared)
7	130E87370	Top Tray Full Sensor (REP 12.63)
8	121E92720	Magnet
9	413W11660	Bushing
10	054K28220	Lower Top Exit Chute Assembly
11	-	Pinch Roller (P/O PL 21.11 Item 10)
12	-	Spring (P/O PL 21.11 Item 10)
13	-	Shaft (P/O PL 21.11 Item 10)
14	-	Upper Top Exit Chute Assembly (Not Spared)
15	130E87410	Gate Sensor (REP 12.62)
16	-	Sensor Harness (P/O PL 21.11 Item 14)
17	-	Sensor Bracket (P/O PL 21.11 Item 14)
18	022K71431	Transport Roll
19	020E37680	Pulley (20T)
20	413W66250	Bearing
21	020E37690	Pulley (20T/20T)
22	-	Pulley (Not Spared)
23	-	Tension Bracket (Not Spared)
24	-	Tension Spring (Not Spared)
25	-	Pulley (53T/23T) (Not Spared)
26	-	Gear (20T) (Not Spared)
27	423W40054	Registration Motor Drive Belt
28	423W86454	Exit Motor Drive Belt
29	-	Motor Bracket (Not Spared)
30	127K40281	Registration Motor (Reg) and Exit Motor (Exit)



0521011A-OLY

# PL 21.12 Finisher Electrical

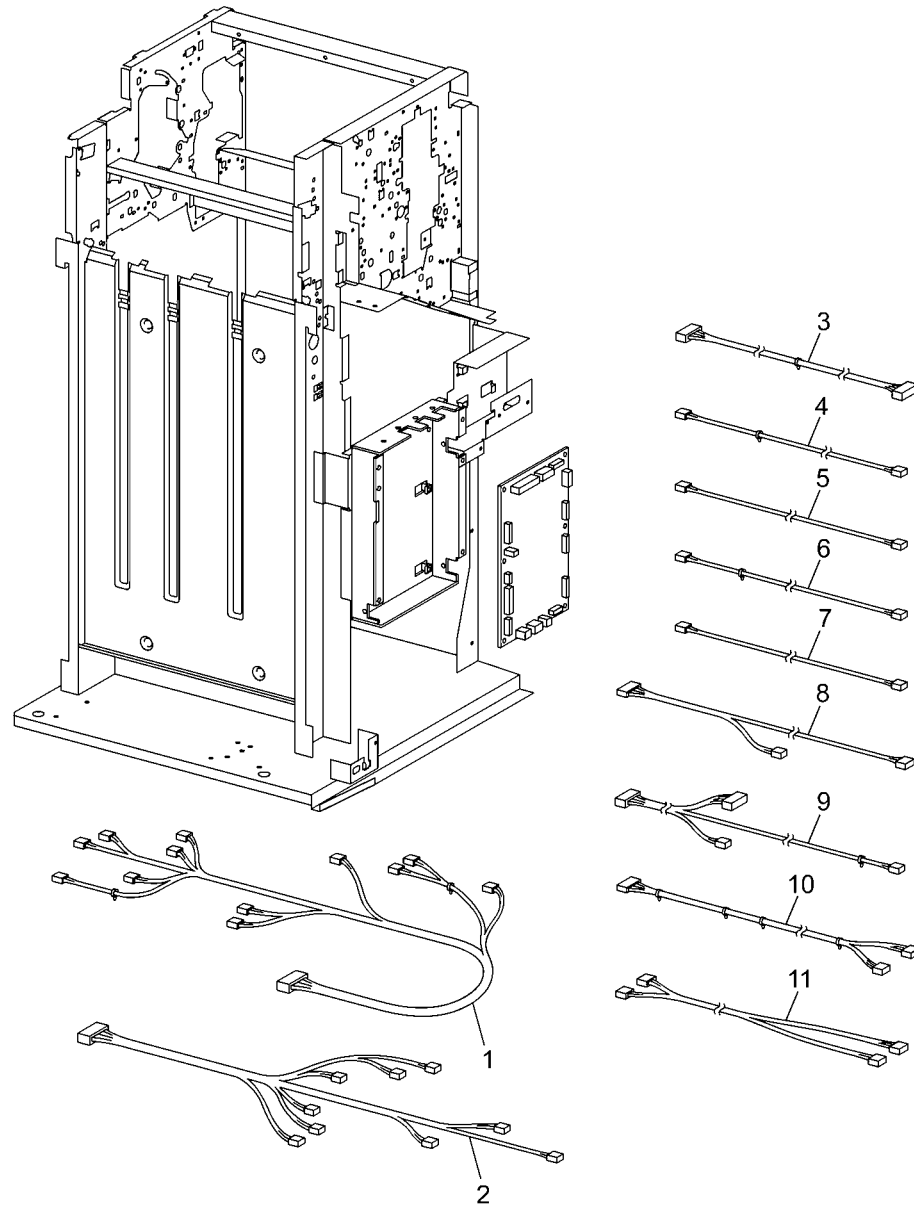
Item	Part	Description
1	-	Left Harness Bracket (Not Spared)
2	-	Right Harness Bracket (Not Spared)
3	960K04681	H-Transport PWB
4	-	Harness (Not Spared)
5	960K07318	Finisher PWB (REP 12.68)
6	-	Finisher PWB Bracket (Not Spared)
7	-	Finisher PWB Cover (Not Spared)
8	962K36610	AC Inlet Harness
9	105K21081	Finisher LVPS
10	-	Wire Clamp (Not Spared)
11	-	Wire Clip (Not Spared)
12	-	Wire Clip (Not Spared)
13	-	Wire Clip (Not Spared)
14	-	Wire Clamp (Not Spared)
15	-	Wire Clamp (Not Spared)
16	-	Wire Clamp (Not Spared)
17	-	Wire Clip (Not Spared)
18	-	Wire Clip (Not Spared)
19	-	Booklet PWB Bracket (Not Spared)
20	960K04672	Booklet PWB



0521012A-OLY

## PL 21.13 Finisher Harness

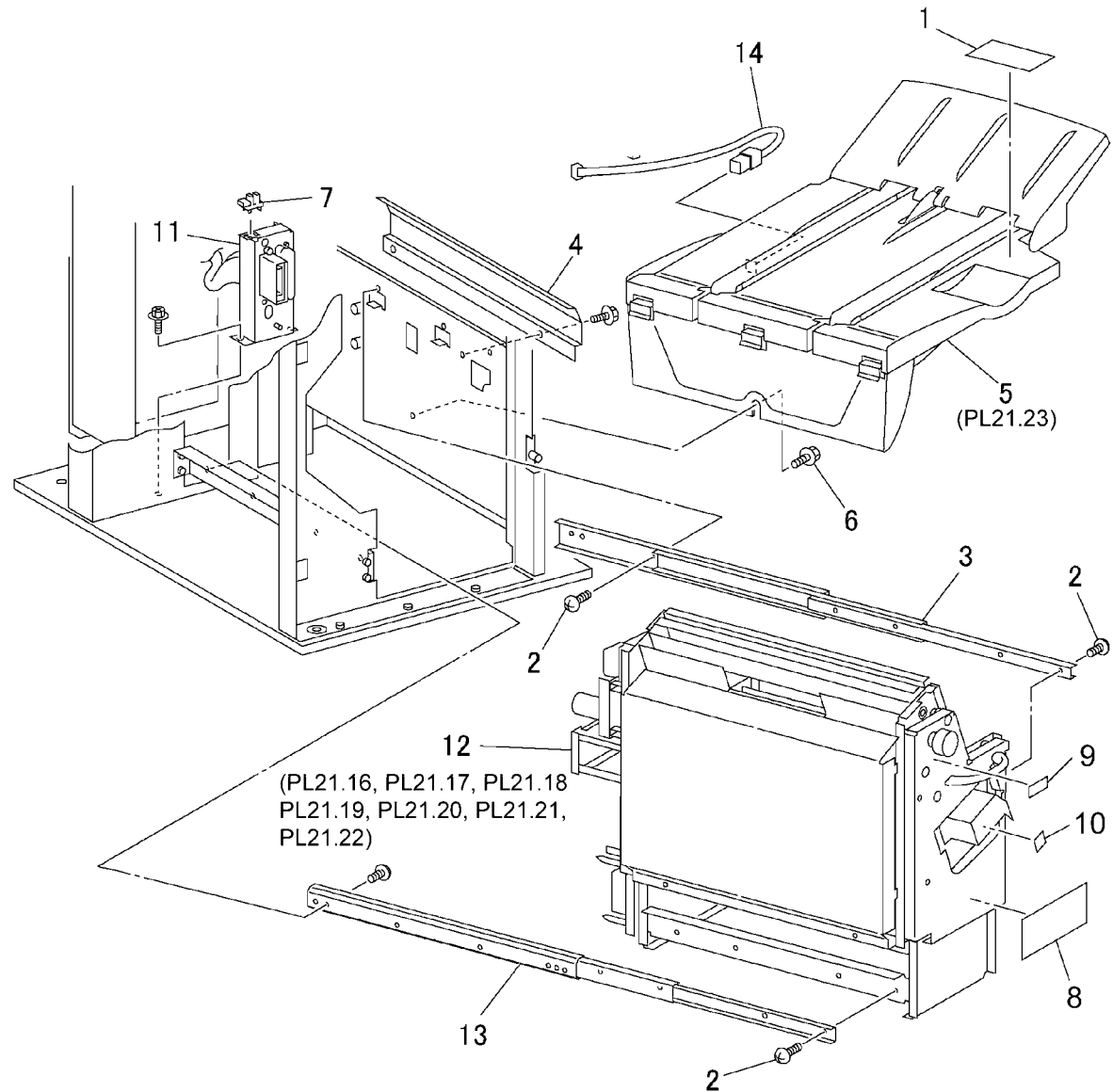
Item	Part	Description
1	-	Main Sensor Harness (Not Spared)
2	-	Main Drive Harness (Not Spared)
3	-	Interface Harness (Not Spared)
4	-	Transport Entrance Sensor Harness (Not Spared)
5	-	Buffer Sensor Harness (Not Spared)
6	-	Top Exit Sensor Harness (Not Spared)
7	-	Top Sensor Harness (Not Spared)
8	-	Punch Drive Harness (Not Spared)
9	-	Punch Sensor Harness (Not Spared)
10	-	LVPS Harness (Not Spared)
11	-	Interlock Harness (Not Spared)



0521013A-OLY

## PL 21.15 Booklet Accessory

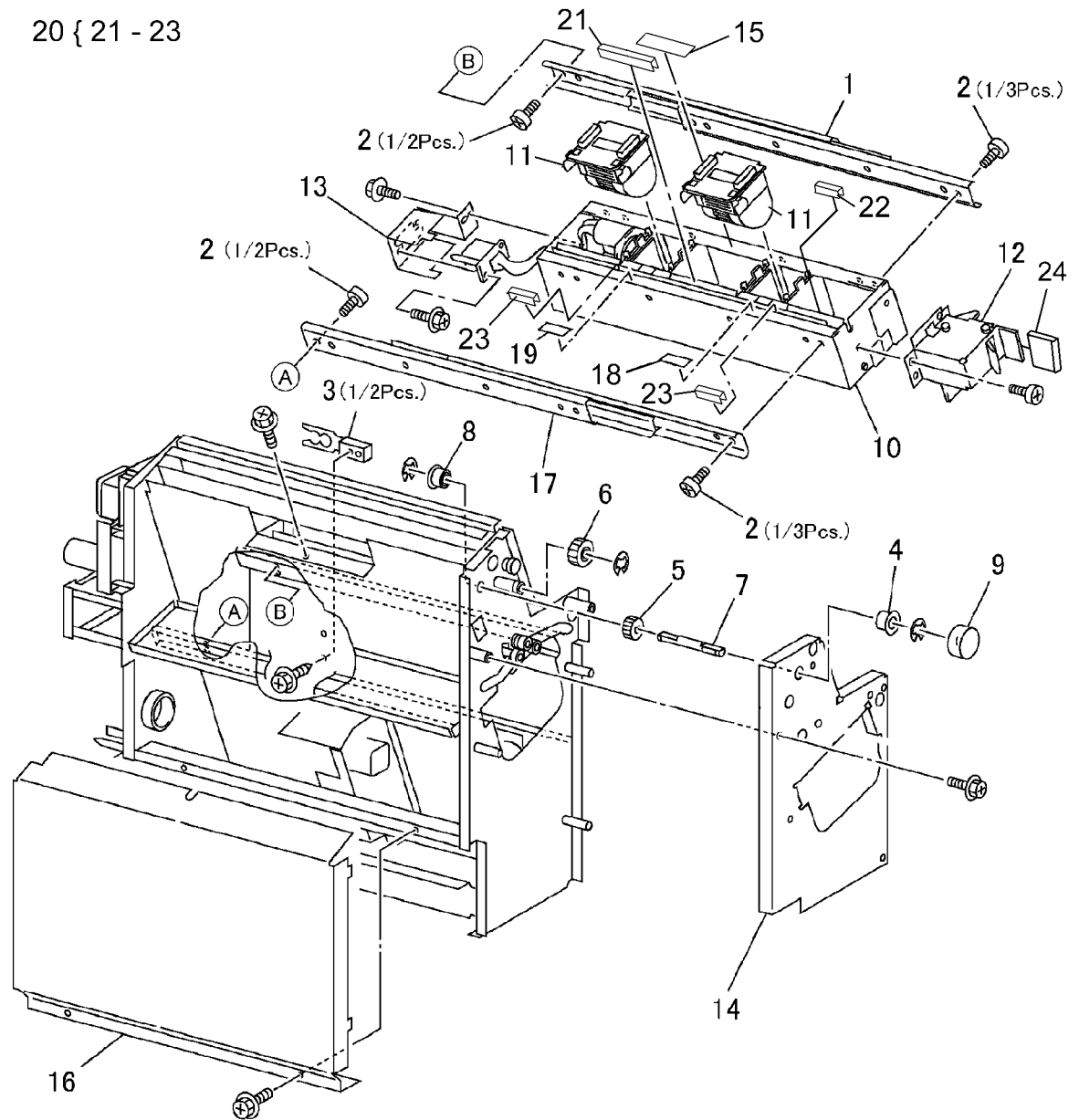
Item	Part	Description
1	–	Label (Not Spared)
2	–	Screw (Not Spared)
3	–	Right Rail (Not Spared)
4	–	Cover (Not Spared)
5	050K49302	Booklet Tray Assembly
6	–	Knob Screw (Not Spared)
7	130E88770	Booklet Drawer Set Sensor
8	–	Label (Not Spared)
9	–	Label (Not Spared)
10	–	Label (Not Spared)
11	015K67242	Connector
12	–	Booklet Drawer Assembly (REP 12.55, ADJ 12.4, ADJ 12.5, ADJ 12.8)
13	801K04180	Left Rail
14	962K29221	Tray Harness



0521015A-OLY

# PL 21.16 Booklet Component - 1

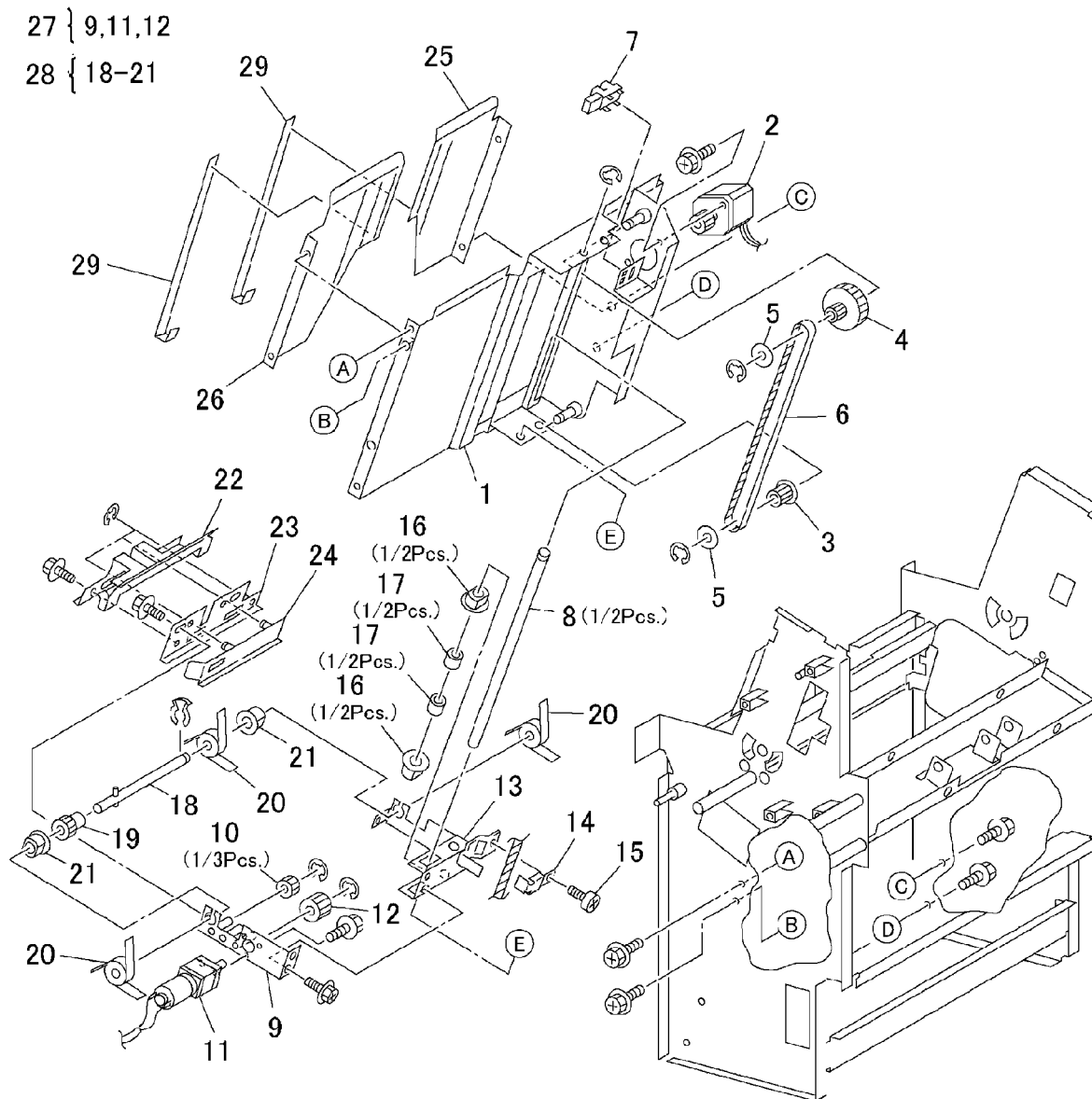
Item	Part	Description
1	801K18730	Right Rail
2	-	Screw (Not Spared)
3	003E59690	Stopper
4	-	Bearing (Not Spared)
5	407W07717	Gear (17T)
6	407W07731	Gear (31T)
7	-	Shaft (Not Spared)
8	-	Ball Bearing (Not Spared)
9	003K13680	Knob
10	029K03716	Stapler (REP 12.56, ADJ 12.6, ADJ 12.7)
11	029K92042	Staple
12	015K67280	Latch
13	-	Bracket (Not Spared)
14	-	Front Cover (Not Spared)
15	-	Label (Not Spared)
16	-	Left Cover (Not Spared)
17	801K04180	Left Rail
18	893E51380	Label
19	893E55730	Label
20	-	Paper Skew Guide Kit (Not Spared)
21	038K88480	Paper Guide (Center)
22	038K88490	Paper Guide (Front)
23	-	Paper Guide (Cinch) (P/O PL 21.16 Item 20)
24	003K13150	Knob Assembly (R18)



0521016B-OLY

# PL 21.17 Booklet Component -2 (End Guide)

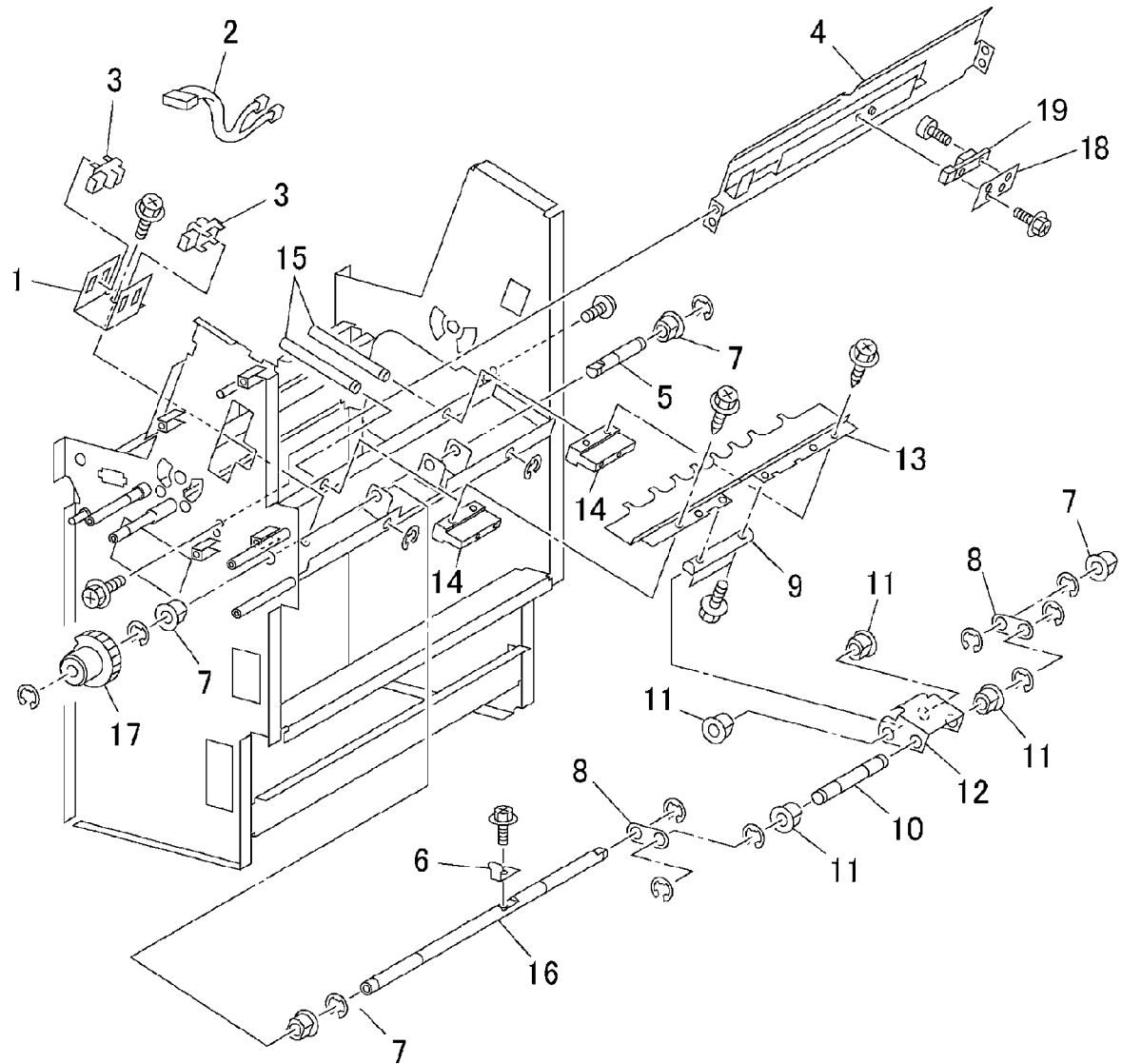
Item	Part	Description
1	-	Compiler Chute (Not Spared)
2	127K46170	Booklet End Guide Motor
3	020E37210	Pulley
4	807E02050	Gear Pulley (40T/20T)
5	-	Washer (Not Spared)
6	423W86254	Belt
7	130K70160	Booklet End Guide Home Sensor
8	-	Shaft (Not Spared)
9	-	Bracket (P/O PL 21.17 Item 27)
10	807E02070	Gear (14T)
11	-	Booklet Paddle Motor (P/O PL 21.17 Item 27)
12	-	Gear (14T) (P/O PL 21.17 Item 27)
13	-	Bracket (Not Spared)
14	-	Stopper (Not Spared)
15	-	Screw (Not Spared)
16	-	Bearing (Not Spared)
17	-	Roll (Not Spared)
18	-	Shaft (P/O PL 21.17 Item 28)
19	-	Gear (14) (P/O PL 21.17 Item 28)
20	-	Paddle (P/O PL 21.17 Item 28)
21	-	Bearing (P/O PL 21.17 Item 28)
22	-	End Guide (Not Spared)
23	-	Support Bracket (Not Spared)
24	-	Adjust Bracket (Not Spared) (ADJ 12.4)
25	-	Chute (Front) (Not Spared)
26	-	Chute (Rear) (Not Spared)
27	015K60410	Booklet Paddle Motor Assembly
28	006K22960	Paddle Shaft Assembly
29	-	Paper Guide (Not Spared)



0521017A-OLY

## PL 21.18 Booklet Component -3

Item	Part	Description
1	-	Bracket (Not Spared)
2	-	Wire Harness (Not Spared)
3	130K70160	Knife Home Sensor, Knife Folder Sensor
4	-	Chute (Not Spared)
5	-	Shaft (Not Spared)
6	-	Actuator (Not Spared)
7	-	Bearing (Not Spared)
8	-	Joint (Not Spared)
9	-	Shaft (Not Spared)
10	-	Shaft (Not Spared)
11	-	Bearing (Not Spared)
12	-	Bracket (Not Spared)
13	015K67270	Knife
14	-	Guide (Not Spared)
15	-	Shaft (Not Spared)
16	-	Shaft (Not Spared)
17	807E02061	Gear (42T)
18	-	Bracket (Not Spared)
19	130E87410	Booklet Compile No Paper Sensor

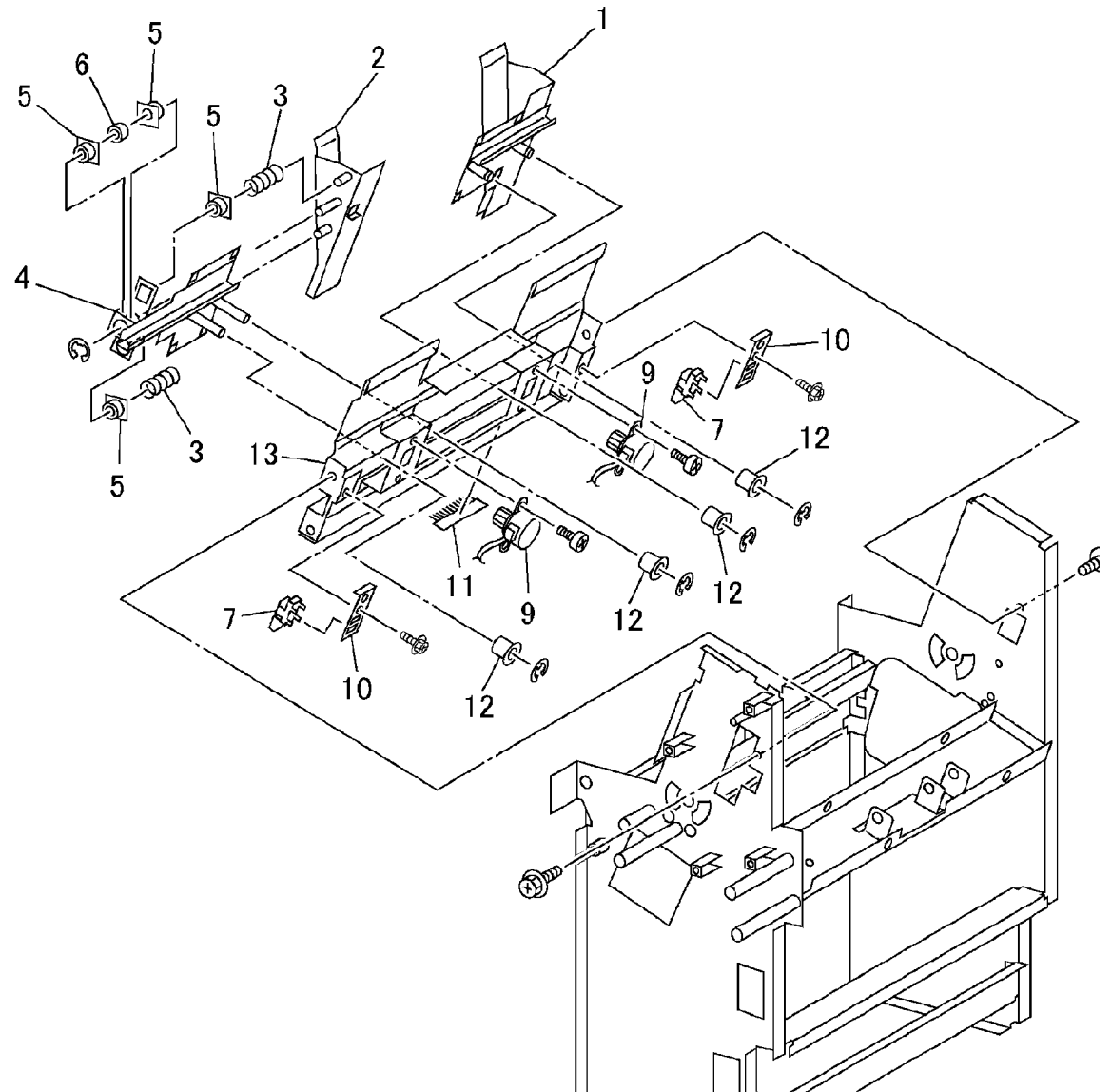


0521018A-OLY

## PL 21.19 Booklet Component -4

Item	Part	Description
1	-	Front Tamper Guide
2	-	Rear Tamper Guide (P/O PL 21.19 Item 8)
3	-	Spring (P/O PL 21.19 Item 8)
4	-	Rack (P/O PL 21.19 Item 8)
5	-	Bearing (P/O PL 21.19 Item 8)
6	-	Roll (P/O PL 21.19 Item 8)
7	130K70160	Booklet Tamper Home Sensor (Front and Rear)
8	038K87371	Rear Tamper Assembly
9	127K48210	Booklet Tamper Motor (Front and Rear)
10	-	Bracket (Not Spared) (Not Spared)
11	105E15120	Static Eliminator
12	013E25490	Roll
13	-	Frame (Not Spared)

8 { 2-6

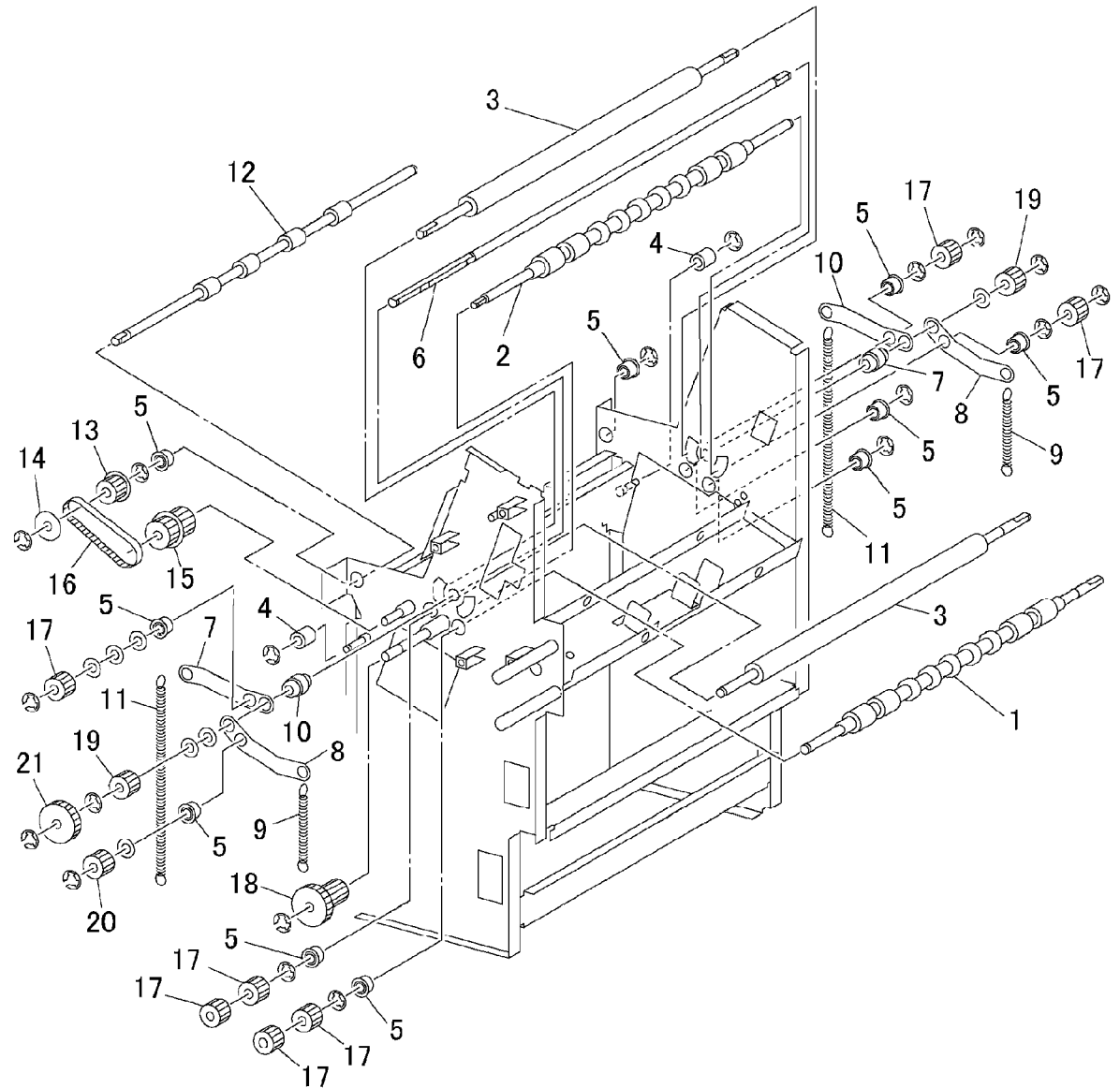


0521019,



# PL 21.20 Booklet Component -5

Item	Part	Description
1	022K71020	Booklet Pre-Folding Roll
2	022K71040	Booklet Pre-Folding Nip Roll
3	022K66870	Booklet Folding Roll
4	022K66880	Booklet Folding Nip Roll
5	-	Ball Bearing (Not Spared)
6	-	Shaft (Not Spared)
7	013E25480	Bearing
8	-	Tension Plate 1 (Not Spared)
9	809E59991	Spring (ADJ 12.7)
10	-	Tension Plate 2 (Not Spared)
11	809E59981	Spring
12	-	Booklet Eject Roll (Not Spared)
13	-	Pulley (16T) (Not Spared)
14	-	Flange (Not Spared)
15	807E02040	Gear Pulley (20T/25T)
16	423W46754	Belt
17	007E89980	Gear (16T)
18	007E89990	Gear (38T/18T)
19	007E89970	Gear (18T)
20	807E09510	Gear (16T)
21	007E77770	Gear (38T)

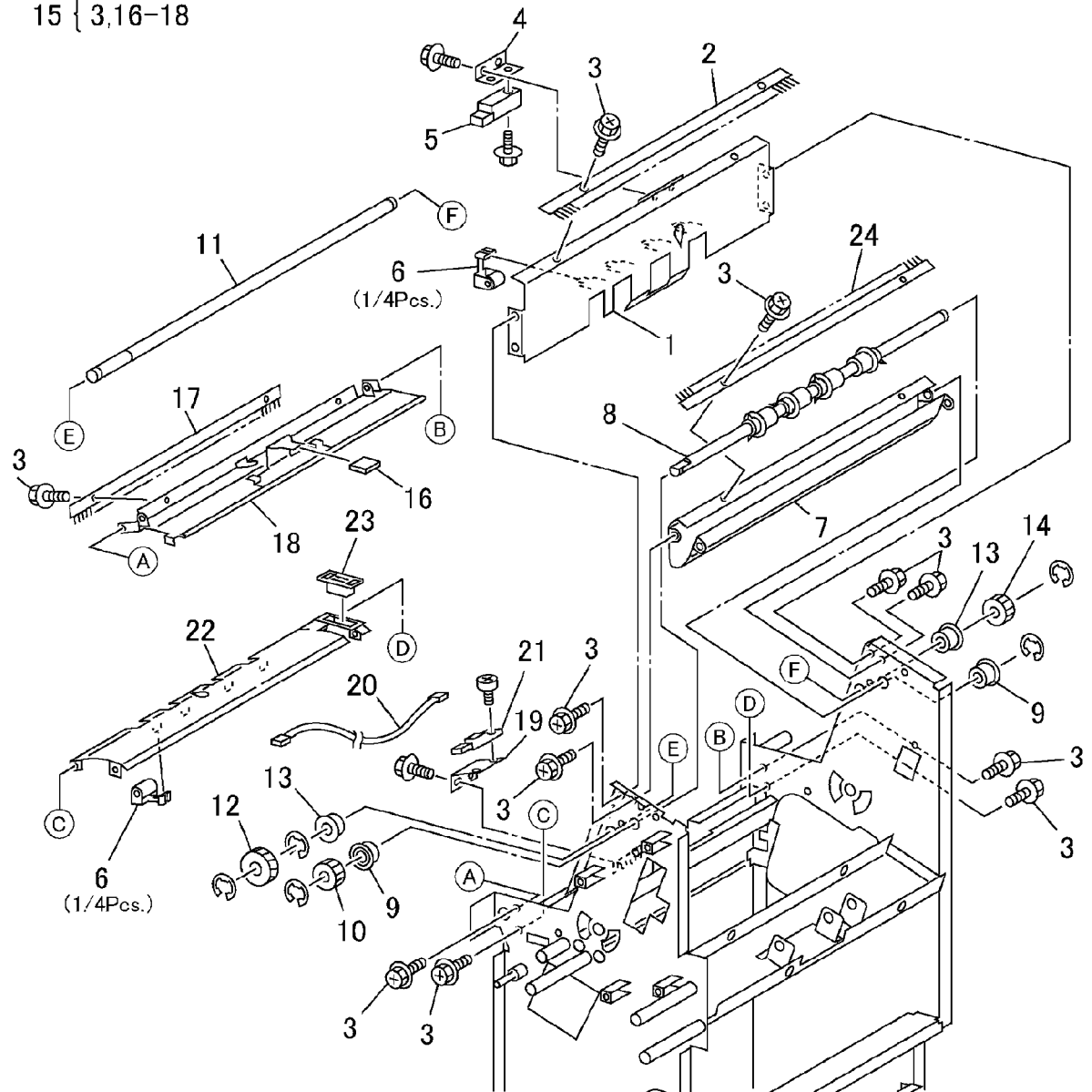


0521020A-OLY

# PL 21.21 Booklet Component -6 (Chute)

15 { 3,16-18

Item	Part	Description
1	-	Chute (Not Spared)
2	105E12060	Static Eliminator
3	-	Screw (P/O PL 21.21 Item 15)
4	-	Bracket (Not Spared)
5	130E87370	Booklet In Sensor
6	022K75120	Pinch Roll
7	-	Chute (Not Spared)
8	022K70812	Booklet In Roll
9	-	Ball Bearing (Not Spared)
10	807E09510	Gear (16T)
11	-	Shaft (Not Spared)
12	807E09500	Gear (27T)
13	-	Bearing (Not Spared)
14	-	Gear (17T) (Not Spared)
15	054K23391	Upper Exit Chute Assembly
16	003K13680	Knob
17	105E12170	Static Eliminator
18	-	Upper Exit Chute (P/O PL 21.21 Item 15)
19	-	Bracket (Not Spared)
20	962K18411	Wire Harness
21	130E87410	Booklet Folder Roll Exit Sensor
22	-	Lower Exit Chute (Not Spared)
23	121E92720	Magnet
24	105E12080	Static Eliminator

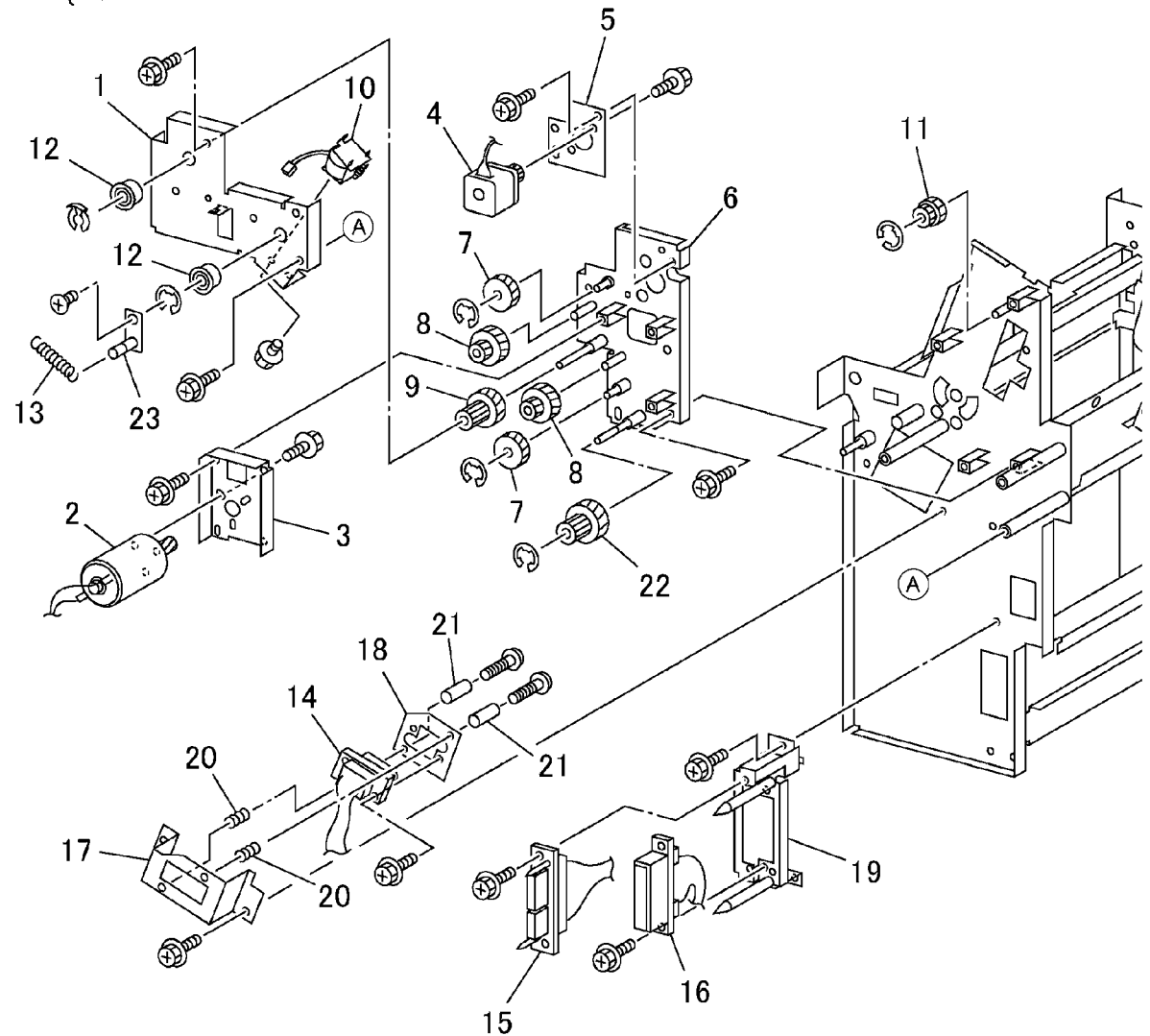


0521021A-OLY

## PL 21.22 Booklet Component -7

Item	Part	Description
1	-	Bracket (Not Spared)
2	-	Booklet Fold Motor (P/O PL 21.22 Item 24)
3	-	Bracket (P/O PL 21.22 Item 24)
4	-	Booklet Paper Path Motor (P/O PL 21.22 Item 25)
5	-	Bracket (P/O PL 21.22 Item 25)
6	-	Bracket (Not Spared)
7	007E77620	Gear (45T)
8	007E77610	Gear (43T/14T)
9	007E77600	Gear (44T/16T)
10	121K31361	Knife Solenoid
11	807E01750	Gear (27T/34T)
12	-	Ball Bearing (Not Spared)
13	809E41620	Spring
14	962K18421	Wire Harness
15	962K18431	Wire Harness
16	962K18441	Wire Harness
17	-	Bracket (Not Spared)
18	-	Bracket (Not Spared)
19	-	Bracket (Not Spared)
20	809E41570	Spring
21	-	Spacer (Not Spared)
22	807E02080	Gear (48T/18T)
23	-	Link (Not Spared)
24	015K69650	Booklet Fold Motor Assembly
25	127K46170	Booklet Paper Path Motor Assembly

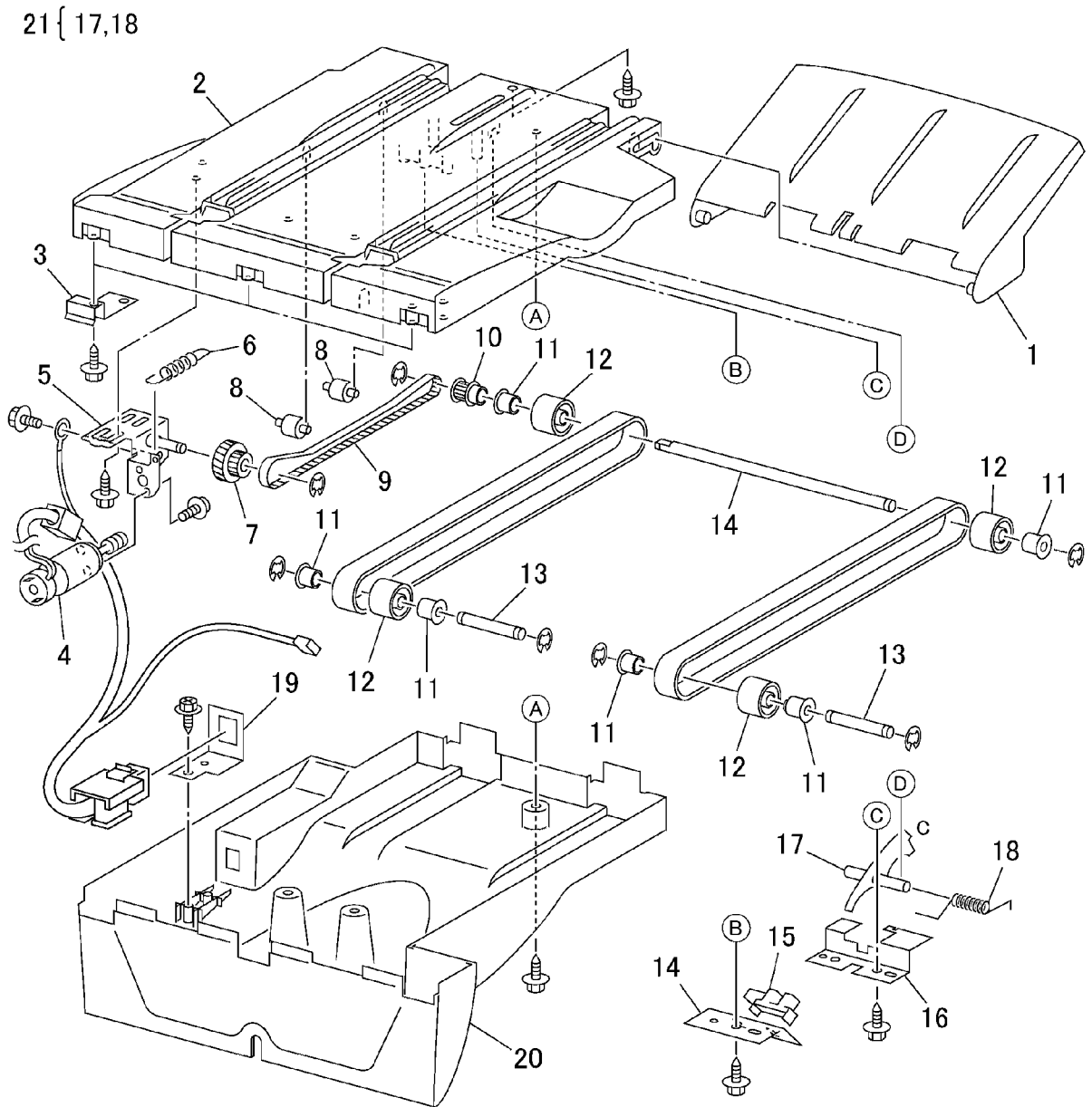
24 { 2,3  
25 { 4,5



0521022A-OLY

# PL 21.23 Booklet Tray Component

Item	Part	Description
1	050E19901	Tray (XE W/Booklet Maker 2/4 Punch)
2	-	Upper Tray (Not Spared)
3	-	Bracket (Not Spared)
4	127K38051	Tray Belt Drive Motor
5	-	Bracket (Not Spared)
6	-	Spring (Not Spared)
7	-	Gear Pulley (Not Spared)
8	-	Roll (Not Spared)
9	-	Belt (Not Spared)
10	-	Pulley (Not Spared)
11	-	Bearing (Not Spared)
12	-	Roll (Not Spared)
13	-	Shaft (Not Spared)
14	-	Shaft (Not Spared)
15	130K64301	Booklet No Paper Sensor
16	-	Bracket (Not Spared)
17	-	Actuator (P/O PL 21.23 Item 21)
18	-	Spring (P/O PL 21.23 Item 21)
19	-	Bracket (Not Spared)
20	-	Lower Tray (Not Spared)
21	604K13841	Actuator Assembly

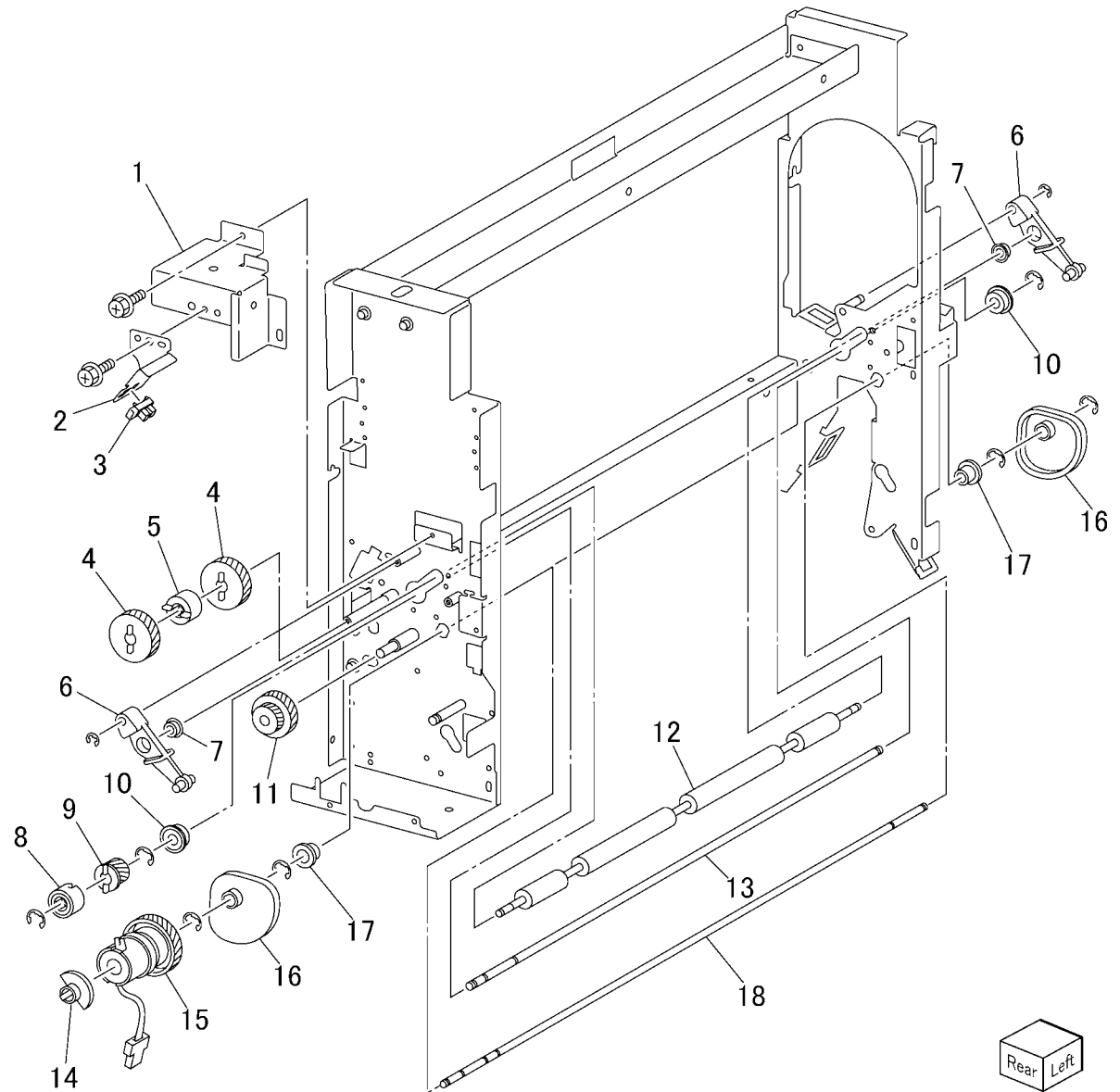


0521023A-OLY



# PL 21.26 I/F Module Component (Decurler)

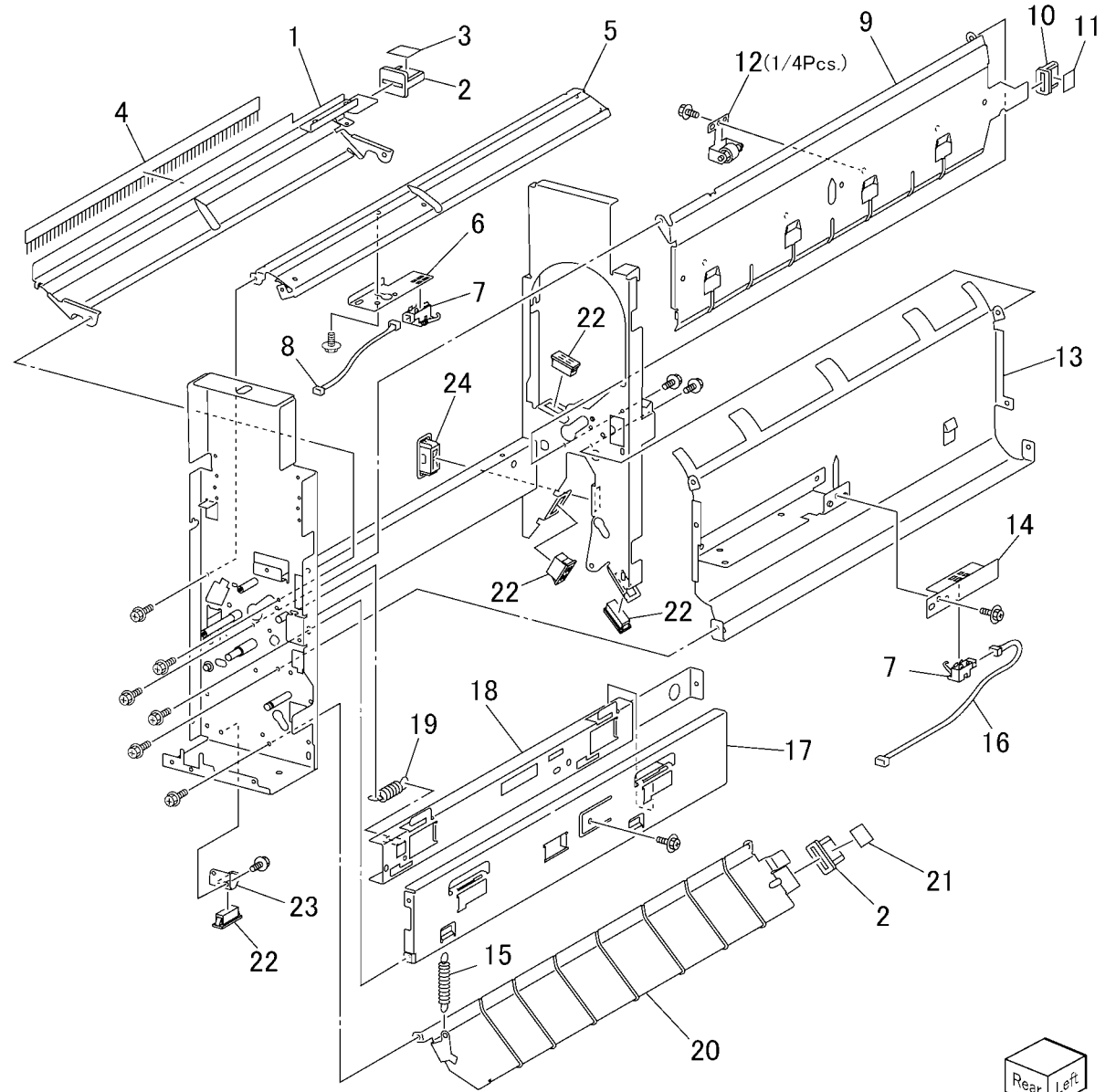
Item	Part	Description
1	-	Bracket (Not Spared)
2	-	Sensor Bracket (Not Spared)
3	130E89780	Decurler Home Sensor
4	-	Gear (34T) (Not Spared)
5	005E19600	Clutch
6	-	Decurler Arm (Not Spared)
7	413W66250	Ball Bearing
8	005K06730	Clutch
9	-	Gear (15T) (Not Spared)
10	-	Ball Bearing (Not Spared)
11	-	Gear (21T/35T) (Not Spared)
12	022K71481	Roll Assembly
13	-	Shaft (Not Spared)
14	-	Actuator (Not Spared)
15	121K41980	Decurler Cam Clutch
16	-	Decurler Cam (Not Spared)
17	413W77559	Bearing
18	-	Cam Shaft (Not Spared)



0521026A-OLY

# PL 21.27 I/F Module Component (Chute)

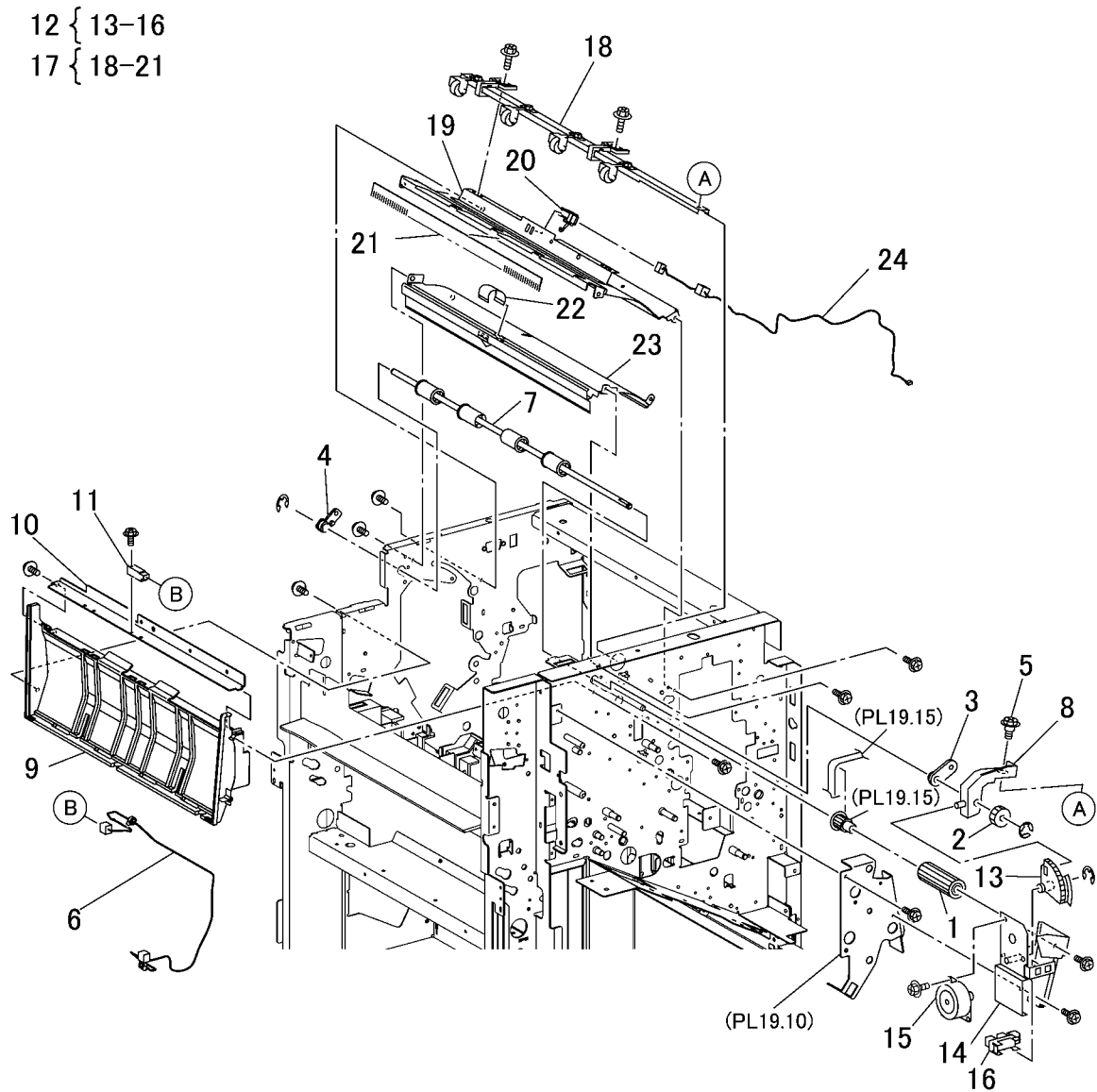
Item	Part	Description
1	054K27140	Exit Upper Chute Assembly
2	-	Knob (Not Spared)
3	-	Label (1d) (Not Spared)
4	105E15180	Eliminator
5	-	Exit Chute Assembly (Not Spared)
6	-	Sensor Bracket (Not Spared)
7	130K88790	Decurler Out Sensor
8	-	Wire Harness (Not Spared)
9	-	Low Chute Assembly (Not Spared)
10	-	Knob (Not Spared)
11	-	Label (1b) (Not Spared)
12	022K67850	Pinch Roll Assembly
13	-	Upper Chute Assembly (Not Spared)
14	-	Sensor Bracket (Not Spared)
15	009E94910	Spring
16	-	Wire Harness (Not Spared)
17	-	Plate (Not Spared)
18	-	Docking Plate (Not Spared)
19	-	Spring (Not Spared)
20	054E31580	Entrance Chute Assembly
21	-	Label (1a) (Not Spared)
22	121E92720	Magnet (25N)
23	-	Magnet Bracket (Not Spared)
24	-	Magnet (40N)



0521027A-OLY

# PL 21.28 Finisher Top Tray (5 Places)

Item	Part	Description
1	-	Gear (16T) (Not Spared)
2	-	Gear (16T) (Not Spared)
3	-	Bearing (Not Spared)
4	-	Bearing (Not Spared)
5	-	Stud Screw (Not Spared)
6	-	Wire Harness (Not Spared)
7	022K71420	Top Tray Exit Roll (REP 7.32)
8	-	Arm (Not Spared)
9	-	Tray Guide (Not Spared)
10	-	Bracket (Not Spared)
11	130E87370	Top Tray Full Sensor
12	030K76880	Top Tray Offset Motor
13	-	Gear (P/O PL 21.28 Item 12)
14	-	Bracket (P/O PL 21.28 Item 12)
15	-	Top Tray Offset Motor (P/O PL 21.28 Item 12)
16	-	Top Tray Offset Sensor
17	054K28190	Upper Chute Assembly
18	-	Slide Rail Assembly (P/O PL 21.28 Item 17)
19	-	Upper Chute (P/O PL 21.28 Item 17)
20	130K88190	Top Tray Exit Sensor
21	105E15180	Eliminator
22	038K88510	Paper Guide
23	-	Lower Chute
24	-	Wire Harness



0521028A-OLY



## Common Hardware

Item	Part	Description	Item	Part	Description
A	112W27677	Screw (M3x6)	BB	252W29450	Nylon Washer (8)
B	102W27678	Countersunk Head Screw (M3x6)	BC	271W10850	Pin (1.6x8)
C	112W27698	Pan Head Screw (M3x6)	BD	271W16050	Dowel Pin (2x10)
D	112W28078	Screw (M3x10: White)	BE	271W21050	Dowel Pin (2.5x10)
E	113W20457	Screw (M3x4)	BF	271W21250	Dowel Pin (2.5x12)
F	112W29498	Sems Screw	BG	271W21650	Dowel Pin (2.5x16)
G	113W20478	Screw (M3x4: White)	BH	271W28050	Dowel Pin (3x10)
H	113W20578	Screw (M3x4:White)	BJ	271W28250	Dowel Pin (3x12)
J	113W20678	Screw (M3x6:White)	BK	271W28650	Dowel Pin (3x16)
K	113W20878	Screw (M3x8:White)	BL	271W28850	Dowel Pin (3x20)
L	113W21078	Screw (M3x10:White)	BM	285W15851	Spring Pin (2x6)
M	113W21278	Screw (M3x12:White)	BN	285W16251	Spring Pin (2x12)
N	113W21478	Screw (M3x14:White)	BP	-	Spring Pin (2.5x14)
P	113W21678	Screw (M3x16:White)	BQ	285W28051	Spring Pin (3x10)
Q	113W22578	Screw (M3x25:White)	BR	351W29250	Retaining Ring (8)
R	113W27588	Pan Head Screw (M3x5:White)	BS	351W52250	Retaining Pin
S	-	Screw (M3x6)	BT	354W15278	E-Clip
T	113W28088	Pan Head Screw (M3x10:White)	BU	354W19278	E-Clip (2.5:White)
U	-	Pan Head Screw (M3x12)	BV	354W21278	E-Clip (3:White)
V	113W35578	Pan Head Screw (M4x5)	BW	354W24278	E-Clip (4:White)
W	-	Pan Head Screw (M4x8)	BX	354W24254	KL-Clip (4)
X	-	Pan Head Screw (M4x8)	BY	-	E-Clip
Y	-	Pan Head Screw (M4x8)	BZ	354W26278	E-Clip (5:White)
Z	-	Pan Head Screw (M3x10)	CA	354W27254	KL-Clip (6)
AA	-	Pan Head Screw (M4x6)	CB	354W27278	E-Clip (6:White)
AB	114W27678	Tapping Screw (3Mx6:White)	CC	-	E-Clip
AC	114W27878	Bind Head Screw (M3x8)	CD	153W36678	Tapping Screw
AD	141W35551	Setscrew (M4x5)	CE	153W15888	Tapping, Screw
AE	153W17688	Tapping Screw (3x6:White)	CF	153W16288	Tapping Screw (M4x12)
AF	153W17888	Tapping Screw (3x8:White)	CG	158W27663	Screw (M3x6)
AG	153W18088	Tapping Screw (3x10:White)	CH	112W27659	Sems Screw (M3x6)
AH	153W27878	Tapping Screw (3x8:White)	CJ	141W27451	Setscrew
AJ	158W27678	Screw (M3x6:White)	CK	285W16051	Spring Pin (2x10)
AK	153W27688	Round Point Screw (M3x6:White)	CL	113W20688	Screw (M5x6)
AL	158W27863	Screw (M3x8)	CM	113W27551	Screw (M3x5)
AM	158W27878	Screw (M3x8:White)	CN	113W16051	Screw (M3x10)
AN	158W28078	Screw (M3x10:White)	CP	220W24378	Flange Nut (4M:White)
AP	-	Screw (M3x12)	CQ	113W28888	Pan Head Screw (M3x20:White)
AQ	-	Screw (M3x16)	CR	153W27678	Tapping Screw (3x6:White)
AR	158W35678	Screw (M4x4:White)	CS	102W28478	Countersunk Head Screw (M3x14)
AS	158W35878	Screw (M4x8:White)	CT	256W21278	Spring Washer (3:White)
AT	220W21278	Flange Nut (M3:White)	CU	153W18288	Tapping Screw (3x12:White)
AU	232W21178	Clinch Nut	CV	113W36878	Screw m4x20:White0
AV	232W24278	Clinch Nut	CW	251W19278	Washer (2.5)
AW	252W24250	Nylon Washer (4)	CX	113W27488	Pan Head Screw (M3x4:White)
AX	252W26450	Nylon Washer	CY	113W20857	Screw (M5x8)
AY	-	Nylon Washer			
AZ	-	Nylon Washer			
BA	-	Nylon Washer			



























