

Overview

Introduction	5-5
Subsystem Information	5-6
Symbology	5-7

Parts Lists

Drives

PL 1.1 Drive Unit (1 of 2).....	5-9
PL 1.2 Drive Unit (2 of 2).....	5-10
PL 1.3 Fuser Drive Assembly.....	5-11
PL 1.4 Main Drive Assembly	5-12
PL 1.5 Developer Drive Assembly (K).....	5-13
PL 1.6 Developer Drive Assembly (Y, M, C).....	5-14

Trays

PL 2.1 Tray 1/2.....	5-15
PL 2.2 Tray 3/4 (1 of 2).....	5-16
PL 2.3 Tray 3/4 (2 of 2).....	5-17
PL 2.4 Tray 1 Assembly.....	5-18
PL 2.5 Tray 2 Assembly.....	5-19
PL 2.6 Tray 1 Feed Assembly (1 of 2).....	5-20
PL 2.7 Tray 1 Feed Assembly (2 of 2).....	5-21
PL 2.8 Tray 2 Feed Assembly (1 of 2).....	5-22
PL 2.9 Tray 2 Feed Assembly (2 of 2).....	5-23
PL 2.10 Tray 3 Feed Assembly (1 of 2).....	5-24
PL 2.11 Tray 3 Feed Assembly (2 of 2).....	5-25
PL 2.12 Tray 4 Feed Assembly (1 of 2).....	5-26
PL 2.13 Tray 4 Feed Assembly (2 of 2).....	5-27
PL 2.14 Tray 3 Assembly.....	5-28
PL 2.15 Tray 4 Assembly.....	5-29
PL 2.16 Tray 5 / Bypass Chute Assembly.....	5-30
PL 2.17 Pre Registration Motor Assembly.....	5-31
PL 2.18 Takeaway Roll.....	5-32
PL 2.19 Left Chute Cover.....	5-33
PL 2.20 T/A Drive.....	5-34
PL 2.21 Tray 3/4 Gear Assembly.....	5-35

Bypass

PL 3.1 Tray 5 / Bypass Accessory.....	5-36
PL 3.2 Tray 5 / Bypass Cover.....	5-37
PL 3.3 Tray 5 / Bypass Component (1 of 2).....	5-38
PL 3.5 Tray 5 / Bypass Tray Component.....	5-39
PL 3.6 Tray 5 / Bypass Feeder Component.....	5-40
PL 3.7 Tray 5 / Bypass Upper Feeder Component.....	5-41
PL 3.8 Tray 5 / Bypass Lower Feeder Component.....	5-42
PL 3.9 Retard/Feed/Nudger Roll Component.....	5-43
PL 3.10 Feed/Nudger Shaft Component.....	5-44

Drawer Unit

PL 4.1 Transfer Module Assembly (1 of 2).....	5-45
PL 4.2 Transfer Module Assembly (2 of 2).....	5-46
PL 4.3 Duplex Transport.....	5-47

PL 4.4 Registration Transport Assembly.....	5-48
PL 4.5 Pre Registration Slide Assembly.....	5-49
PL 4.6 Vacuum Transport Assembly.....	5-50

ROS

PL 5.1 ROS.....	5-51
-----------------	------

Developer

PL 6.1 Drum/Toner Cartridge.....	5-52
PL 6.2 Dispense Unit.....	5-53
PL 6.3 Dispense Assembly (Y, M, C, K).....	5-54
PL 6.4 Dispense Assembly.....	5-55
PL 6.5 Dispense Unit (1 of 3).....	5-56
PL 6.6 Dispense Unit (2 of 3).....	5-57
PL 6.7 Dispense Unit (3 of 3).....	5-58
PL 6.8 Rear Frame (1 of 2).....	5-59
PL 6.9 Rear Frame (2 of 2).....	5-60
PL 6.10 Direct Pipe Assembly.....	5-61
PL 6.11 Joint/Leveler Box Assembly.....	5-62

IBT

PL 7.1 IBT Unit (1 of 2).....	5-63
PL 7.2 IBT Unit (2 of 2).....	5-64
PL 7.3 Transfer Belt Unit.....	5-65
PL 7.4 IBT Frame Assembly (1 of 4).....	5-66
PL 7.5 IBT Frame Assembly (2 of 4).....	5-67
PL 7.6 IBT Frame Assembly (3 of 4).....	5-68
PL 7.7 IBT Frame Assembly (4 of 4).....	5-69
PL 7.8 2nd BTR Roll Assembly (1 of 2).....	5-70
PL 7.9 2nd BTR Roll Assembly (2 of 2).....	5-71
PL 7.10 IBT Drawer.....	5-72

Fuser

PL 8.1 Fuser Unit.....	5-73
------------------------	------

Air System

PL 9.1 Air System (1 of 3).....	5-74
PL 9.2 Air System (2 of 3).....	5-75
PL 9.3 Air System (3 of 3).....	5-76

Inverter

PL 10.1 Inverter.....	5-77
PL 10.2 Inverter 1 Transport (1 of 2).....	5-78
PL 10.3 Inverter 1 Transport (2 of 2).....	5-79
PL 10.4 Inverter 2 Transport (1 of 2).....	5-80
PL 10.5 Inverter 2 Transport (2 of 2).....	5-81

Electrical

PL 11.1 Electrical (1 of 3).....	5-82
PL 11.2 Electrical (2 of 3).....	5-83
PL 11.3 Electrical (3 of 3).....	5-84
PL 11.4 Wire Harness.....	5-85
PL 11.7 Copy Control Module.....	5-86
PL 11.8 Network Controller Assembly.....	5-87

Cover	
PL 12.1 Cover (1 of 2).....	5-88
PL 12.2 Cover (2 of 2).....	5-89
Convenience Stapler	
PL 12.4 Convenience Stapler	5-90
IIT	
PL 13.1 IIT Cover - Front/Top	5-91
PL 13.2 IIT Cover - Rear/Right, Power Chassis (DADF-250)	5-92
PL 13.3 IIT Bottom Bracket	5-93
PL 13.4 IIT Component	5-94
PL 13.6 IIT Housing - Electrical.....	5-95
PL 13.7 IIT Housing - Carriage	5-96
PL 13.8 IIT/IPS Unit	5-97
PL 13.9 Full Rate Carriage Component	5-98
PL 13.10 Half Rate Carriage Component	5-99
DADF	
PL 14.1 DADF	5-100
PL 14.2 DADF Cover	5-101
PL 14.3 DADF PWB, Counter Balance	5-102
PL 14.4 DADF Document Tray, Tray Motor	5-103
PL 14.5 Feeder Upper Chute, DADF Left Upper Cover	5-104
PL 14.6 Feed Motor, Feed Clutch, Invert Drive Roll	5-105
PL 14.7 Pre Registration Motor, Pre Registration Roll Chute, Take Away Roll, Baffle Solenoid	5-106
PL 14.8 Registration Motor, Registration Roll	5-107
PL 14.9 Platen Motor, Platen Roll, Out Roll	5-108
PL 14.10 Exit Motor, Exit Roll	5-109
PL 14.11 Exit Gate Solenoid, Simp/Dup Gate Solenoid, Nip Solenoid, Inverter Exit Chute, Guide Chute.....	5-110
PL 14.12 Exit Upper/Lower Chute, Registration Out Chute, Feeder Lower Chute	5-111
PL 14.14 DADF Document Tray Component	5-112
PL 14.15 DADF Document Bottom Tray Component	5-113
PL 14.16 DADF Document Upper Tray Component	5-114
PL 14.17 Feeder Upper Chute Component	5-115
PL 14.18 Feeder/Nudger Roll Component.....	5-116
PL 14.19 DADF Left Upper Cover Component	5-117
PL 14.20 Pre Registration Roll Chute Component.....	5-118
PL 14.21 Inverter Exit Chute Component	5-119
PL 14.22 Guide Chute Component	5-120
PL 14.23 Exit Upper Chute Component.....	5-121
PL 14.24 Exit Lower Chute Component.....	5-122
PL 14.25 Registration Out Chute Component.....	5-123
PL 14.26 Feeder Lower Chute Component	5-124
UI	
PL 15.1 UI Base	5-125
PL 15.2 Control Panel	5-126
PL 15.3 UI/LCD Touch Panel.....	5-127
SCT/OCT	

PL 16.1 SCT.....	5-128
PL 16.2 OCT (1 of 2).....	5-129
PL 16.3 OCT (2 of 2).....	5-130
LP Finisher	
PL 17.101 Finisher Base Component	5-131
PL 17.102 Finisher Base Component-2	5-132
PL 17.103 Finisher PWB.....	5-133
PL 17.104 LVPS Inlet, Outlet	5-134
PL 17.105 Finisher Transport Motor, Roll	5-135
PL 17.106 Compile Exit Motor, Roll	5-136
PL 17.107 SCT Exit Motor, Roll, Gate.....	5-137
PL 17.108 Entrance Roll, Chute.....	5-138
PL 17.109 Booklet Chute	5-139
PL 17.110 Exit Chute	5-140
PL 17.111 I/F Module Component (PWB).....	5-141
PL 17.112 I/F Module Component (Chute)	5-142
PL 17.113 I/F Module Component (Decurler)	5-143
PL 17.114 I/F Module Component (Transport).....	5-144
PL 17.115 Punch Component-1 (Upper).....	5-145
PL 17.116 Punch Component-2 (Right)	5-146
PL 17.117 Punch Component-3 (Left).....	5-147
PL 17.118 Staple Components (Cut Stapler Unit).....	5-148
PL 17.119 Compile Component-1 (Tamper)	5-149
PL 17.120 Compile Component-2 (End Wall)	5-150
PL 17.121 Compile Component-2 (Sensor).....	5-151
PL 17.122 Lower Exit Chute Components	5-152
PL 17.123 Eject Component-1 (Sub Paddle)	5-153
PL 17.124 Eject Component-2 (Feed Roll)	5-154
PL 17.125 Eject Component-3 (Motor).....	5-155
PL 17.126 Stacker Component-1 (Offset).....	5-156
PL 17.127 Stacker Component-2 (Elevator)	5-157
PL 17.128 Stacker Component-3 (Tray 1)	5-158
PL 17.129 Stacker Component-4 (Tray 2)	5-159
PL 17.130 Stacker Component-5 (Sensor, Booklet)	5-160
PL 17.131 Booklet Accessory	5-161
PL 17.132 Booklet Component-1 (Stapler)	5-162
PL 17.133 Booklet Component-2 (End Guide).....	5-163
PL 17.134 Booklet Component-3 (Knife).....	5-164
PL 17.135 Booklet Component-4 (Tamper)	5-165
PL 17.136 Booklet Component-5 (Roll).....	5-166
PL 17.137 Booklet Component-6 (Chute)	5-167
PL 17.138 Booklet Component-7 (Motor).....	5-168
PL 17.139 Booklet Tray Component	5-169
PL 17.140 Interposer Accessory	5-170
PL 17.141 Feeder Component-1 (Upper).....	5-171
PL 17.142 Feeder Component-2 (Feed/Nudger)	5-172
PL 17.143 Feeder Component-3 (U/D)	5-173
PL 17.144 Feeder Component-4 (Feed Motor).....	5-174
PL 17.145 Feeder Component-5 (Tray)	5-175
PL 17.146 Folder Component-1 (Upper).....	5-176
PL 17.147 Folder Component-2 (Middle-Roll).....	5-177

PL 17.148 Folder Component-3 (Middle-Chute 1).....	5-178
PL 17.149 Folder Component-4 (Middle-Chute 2).....	5-179
PL 17.150 Folder Component-5 (Lower-Chute).....	5-180
PL 17.151 Folder Component-6 (Lower-Roll).....	5-181
PL 17.152 Folder Component-7 (End Guide 2, Tray).....	5-182
PL 17.153 Folder Component-8 (PWB, Cover).....	5-183
PL 17.154 End Guide 1.....	5-184
PL 17.155 End Guide 2.....	5-185
PL 17.156 Cover-1 (Front, Top).....	5-186
PL 17.157 Cover-2 (Rear, Right).....	5-187

HCF

PL 18.1 HCF Unit.....	5-188
PL 18.2 HCF Tray 6 (1 of 2).....	5-189
PL 18.3 HCF Tray 6 (2 of 2).....	5-190
PL 18.4 HCF Feeder (1 of 3).....	5-191
PL 18.5 HCF Feeder (2 of 3).....	5-192
PL 18.6 HCF Feeder (3 of 3).....	5-193
PL 18.7 HCF Top Cover Unit.....	5-194
PL 18.8 HCF Electrical and Rail.....	5-195

A/P Finisher

PL 21.1 A/P Finisher.....	5-196
PL 21.2 Finisher Cover: 1 of 2.....	5-197
PL 21.3 Finisher Cover: 2 of 2.....	5-198
PL 21.4 Finisher Stack.....	5-199
PL 21.5 Finisher Punch.....	5-200
PL 21.6 Finisher Stapler.....	5-201
PL 21.7 Finisher Eject: 1 of 3.....	5-202
PL 21.8 Finisher Eject: 2 of 3.....	5-203
PL 21.9 Finisher Eject: 3 of 3.....	5-204
PL 21.10 Finisher Transport: 1 of 2.....	5-205
PL 21.11 Finisher Transport: 2 of 2.....	5-206
PL 21.12 Finisher Electrical.....	5-207
PL 21.13 Finisher Harness.....	5-208
PL 21.15 Booklet Accessory.....	5-209
PL 21.16 Booklet Component - 1.....	5-210
PL 21.17 Booklet Component -2 (End Guide).....	5-211
PL 21.18 Booklet Component -3.....	5-212
PL 21.19 Booklet Component -4.....	5-213
PL 21.20 Booklet Component -5.....	5-214
PL 21.21 Booklet Component -6 (Chute).....	5-215
PL 21.22 Booklet Component -7.....	5-216
PL 21.23 Booklet Tray Component.....	5-217
PL 21.25 I/F Module Component (Drive).....	5-218
PL 21.26 I/F Module Component (Decurler).....	5-219
PL 21.27 I/F Module Component (Chute).....	5-220
PL 21.28 Finisher Top Tray (5 Places).....	5-221

Common Hardware

Common Hardware.....	5-222
----------------------	-------

www MK-Electronic.de

Introduction

Overview

The Parts List section identifies all part numbers and the corresponding location of all spared subsystem components.

Organization

Parts Lists

Each item number in the part number listing corresponds to an item number in the related illustration. All the parts in a given subsystem of the machine will be located in the same illustration or in a series of associated illustrations.

Electrical Connectors and Fasteners

This section contains the illustrations and descriptions of the plugs, jacks, and fasteners used in the machine. A part number listing of the connectors is included.

Common Hardware

The common hardware is listed in alphabetical order by the letter or letters used to identify each item in the part number listing and in the illustrations. Dimensions are in millimeters unless otherwise identified.

Part Number Index

This index lists all the spared parts in the machine in numerical order. Each number is followed by a reference to the parts list on which the part may be found.

Other Information

Abbreviations

Abbreviations are used in the parts lists and the exploded view illustrations to provide information in a limited amount of space. The following abbreviations are used in this manual:

Table 1

Abbreviation	Meaning
A3	297 x 594 Millimeters
A4	210 x 297 Millimeters
A5	148 x 210 Millimeters
AD	Auto Duplex
AWG	American Wire Gauge
EMI	Electro Magnetic Induction
GB	Giga Byte
KB	Kilo Byte
MB	Mega Byte
MM	Millimeters
MOD	Magneto Optical Drive
NOHAD	Noise Ozone Heat Air Dirt
PL	Parts List
P/O	Part of

Table 1

Abbreviation	Meaning
R/E	Reduction/Enlargement
REF:	Refer to
SCSI	Small Computer Systems Interface
W/	With
W/O	Without

Table 2

Operating Companies	
Abbreviation	Meaning
AO	Americas Operations
NASG - US	North American Solutions Group - US
NASG - Canada	North American Solutions Group - Canada
XE	Xerox Europe

Symbology

Symbology used in the Parts List section is identified in the Symbology section.

Service Procedure Referencing

If a part or assembly has an associated repair or adjustment procedure, the procedure number will be listed at the end of the part description in the parts lists e.g. (REP 5.1, ADJ 5.3)

Subsystem Information

Use of the Term “Assembly”

The term “assembly” will be used for items in the part number listing that include other itemized parts in the part number listing. When the word “assembly” is found in the part number listing, there will be a corresponding item number on the illustrations followed by a bracket and a listing of the contents of the assembly.

Brackets

A bracket is used when an assembly or kit is spared, but is not shown in the illustration. The item number of the assembly or kit precedes the bracket; the item numbers of the piece parts follow the bracket.

Tag

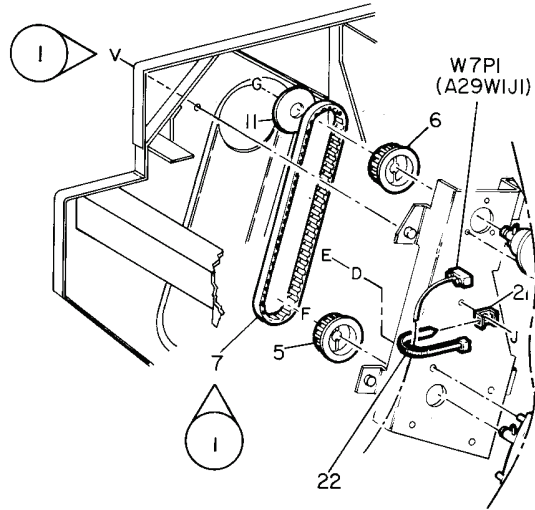
The notation “W/Tag” in the parts description indicates that the part configuration has been updated. Check the change Tag index in the General Information section of the Service Data for the name and purpose of the modification.

In some cases, a part or assembly may be spared in two versions: with the Tag and without the Tag. In those cases, use whichever part is appropriate for the configuration of the machine on which the part is to be installed. If the machine does not have a particular Tag and the only replacement part available is listed as “W/Tag”, install the Tag kit or all of the piece parts. The Change Tag Index tells you which kit or piece parts you need.

Whenever you install a Tag kit or all the piece parts that make up a Tag, mark the appropriate number on the Tag matrix.

Symbology

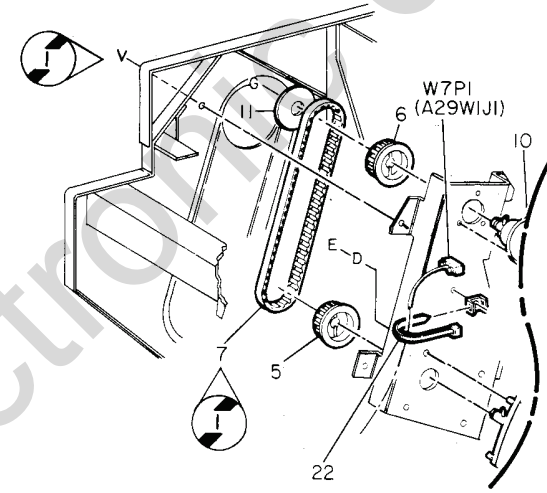
A Tag number within a circle pointing to an item number shows that the part has been changed by the tag number within the circle (Figure 1). Information on the modification is in the Change Tag Index.



0	Z004	A
850	PL	M I

Figure 1 With Tag Symbol

A Tag number within a circle having a shaded bar and pointing to an item number shows that the configuration of the part shown is the configuration before the part was changed by the Tag number within the circle (Figure 2).



0	Z005	A
850	PL	M I

Figure 2 Without Tag Symbol

A tag number within a circle with no apex shows that the entire drawing has been changed by the tag number within the circle (Figure 3). Information on the modification is in the Change Tag Index.

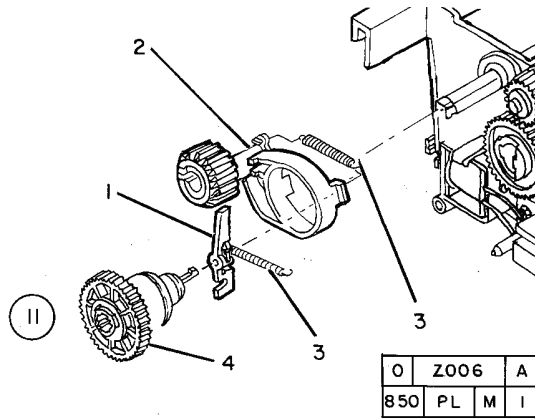


Figure 3 Entire Drawing With Tag Symbol

A tag number within a circle with no apex and having a shaded bar shows that the entire drawing was the configuration before being changed by the tag number within the circle (Figure 4).

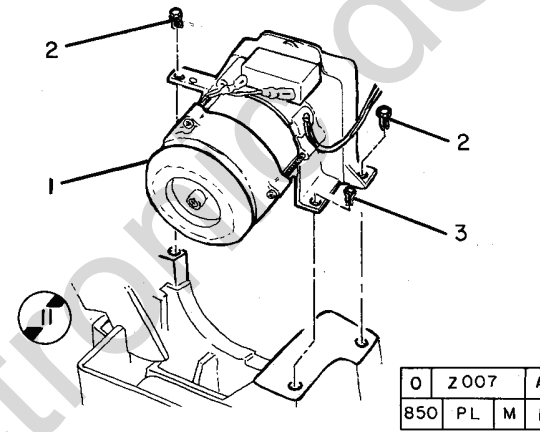
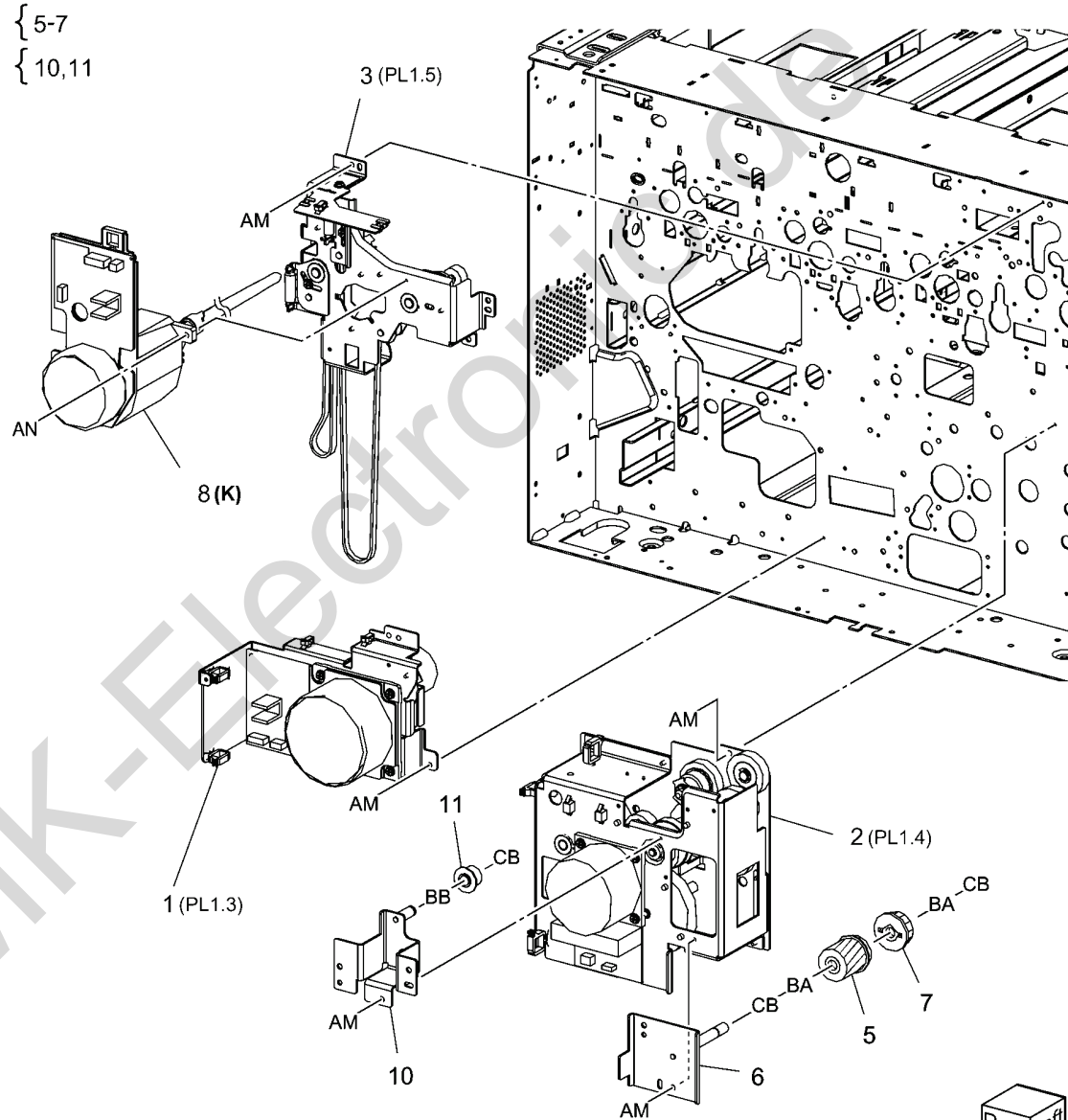


Figure 4 Entire Drawing Without Tag Symbol

PL 1.1 Drive Unit (1 of 2)

Item	Part	Description
1	007K87841	Fuser Drive Assembly (REP 10.4)
2	007K89114	Main Drive Assembly (REP 3.3)
3	007K93773	Developer Drive Assembly (K) (REP 9.11)
4	068K24230	Gear Bracket Assembly
5	-	Gear Assembly (28/31T) (P/O PL 1.1 Item 4)
6	-	Gear Bracket (P/O PL 1.1 Item 4)
7	-	Gear Assembly (31/33) (P/O PL 1.1 Item 4)
8	127K39852	Drum Motor Assembly (K) (REP 9.10)
9	-	Tension Bracket Assembly
10	-	Tension Bracket (P/O PL 1.1 Item 9)
11	-	Pulley (P/O PL 1.1 Item 9)

4 { 5-7
9 { 10,11

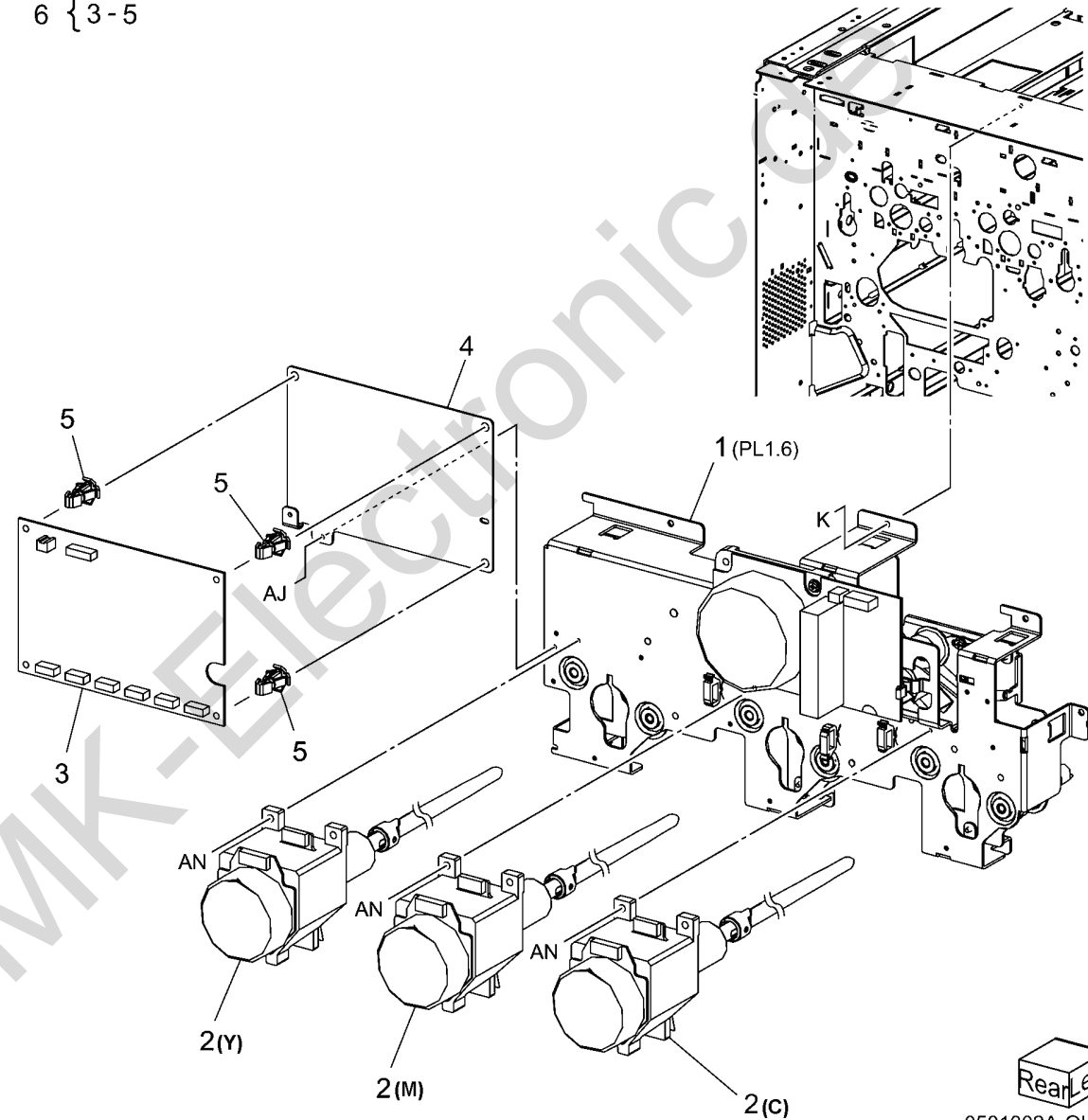


0501001A-OLY

PL 1.2 Drive Unit (2 of 2)

Item	Part	Description
1	007K87856	Developer Drive Assembly (Y, M, C) (REP 9.12)
2	127K39863	Drum Motor Assembly (Y, M, C)
3	-	Drum Motor YMC PWB (P/O PL 1.2 Item 6)
4	-	Plate (P/O PL 1.2 Item 6)
5	-	PWB Support (P/O PL 1.2 Item 6)
6	960K01611	Drum Motor YMC PWB Assembly (Y, M, C)

6 { 3-5

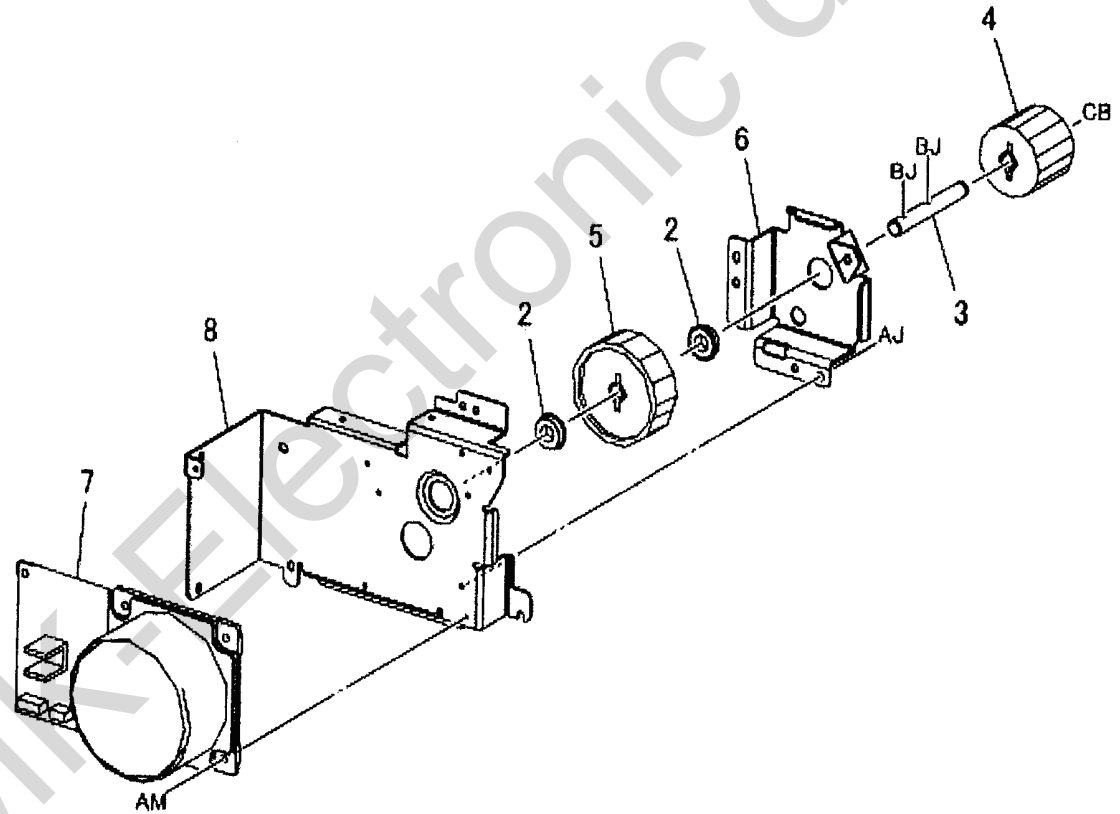


0501002A-OLY

PL 1.3 Fuser Drive Assembly

Item	Part	Description
1	-	Gear Assembly (P/O PL 1.1 Item 1)
2	413W08350	Bearing
3	-	Shaft (P/O PL 1.3 Item 1)
4	-	Gear (35T) (P/O PL 1.3 Item 1)
5	-	Gear (62T) (P/O PL 1.3 Item 1)
6	-	Bracket (P/O PL 1.3 Item 1)
7	-	Fuser Motor Assembly (P/O PL 1.1 Item 1)
8	-	Bracket (P/O PL 1.1 Item 1)

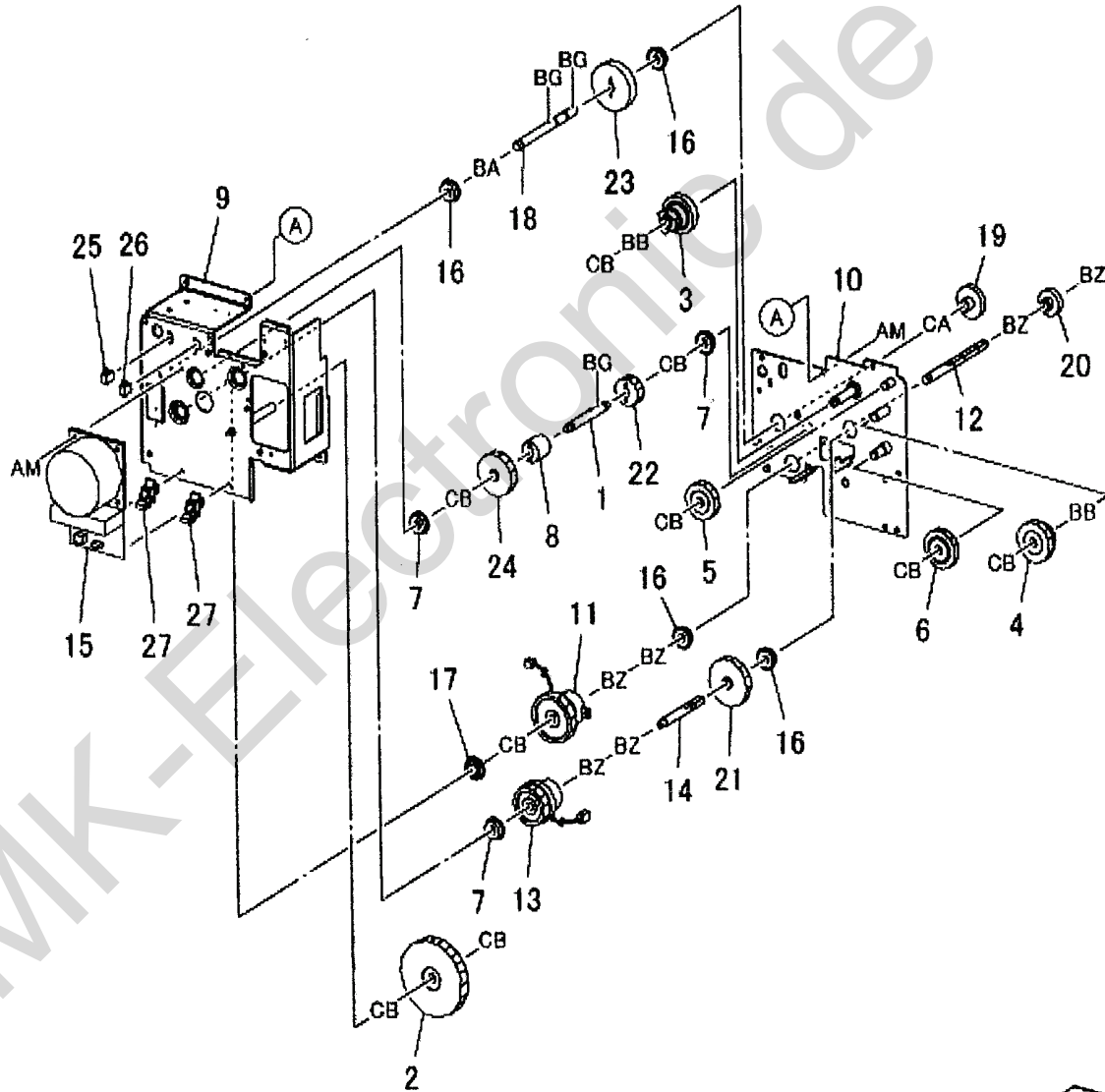
1 {2-6}



0501003A-OLY

PL 1.4 Main Drive Assembly

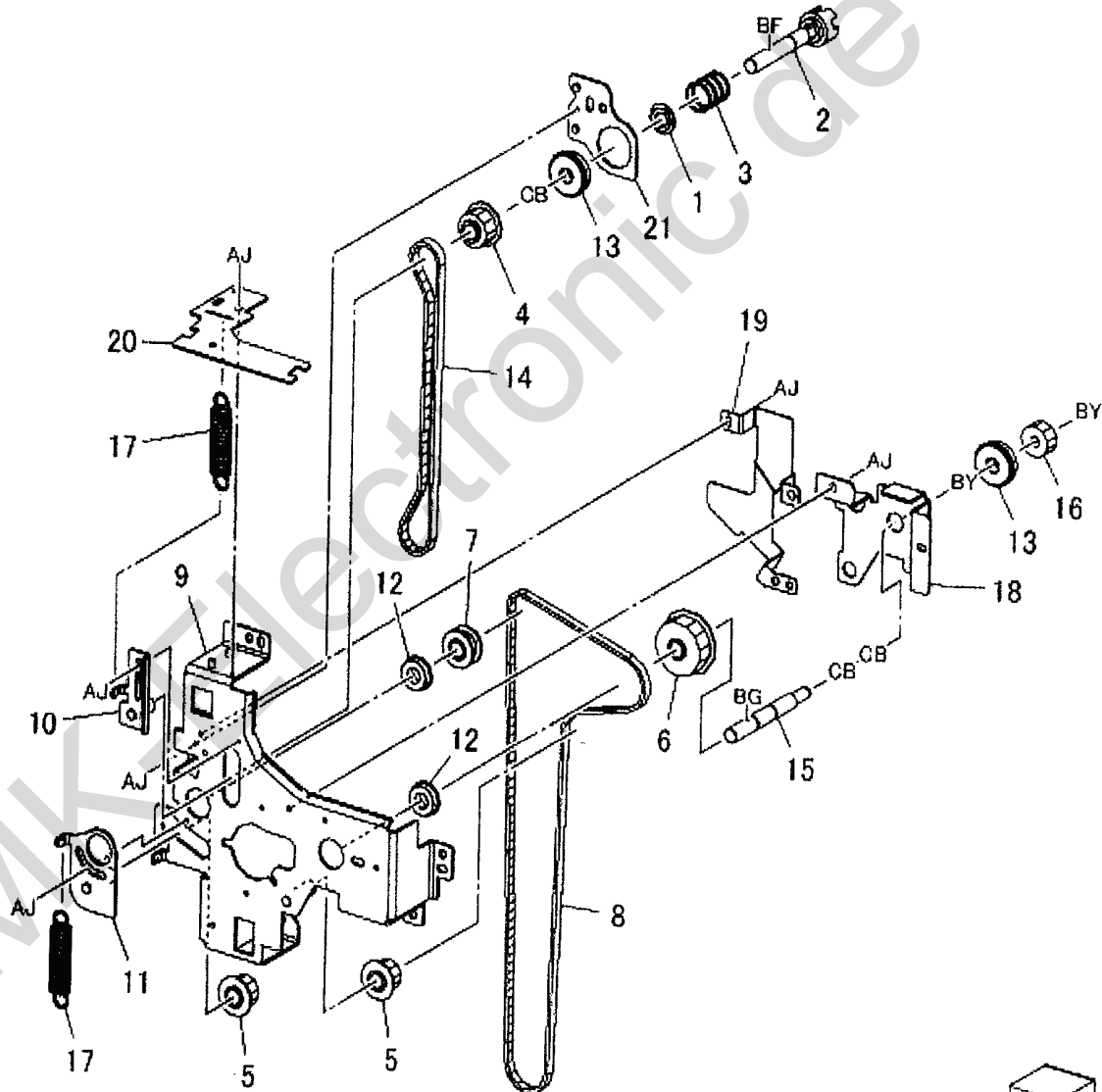
Item	Part	Description
1	-	Shaft Assembly (P/O PL 1.1 Item 2)
2	-	Gear Assembly (86T) (P/O PL 1.1 Item 2)
3	-	Gear Assembly (21T/42T) (P/O PL 1.1 Item 2)
4	-	Gear Assembly (31T/44T) (P/O PL 1.1 Item 2)
5	-	Gear Assembly (40T) (P/O PL 1.1 Item 2)
6	-	Gear Assembly (42T) (P/O PL 1.1 Item 2)
7	013E87700	Ball Bearing
8	-	Brake Assembly (P/O PL 1.1 Item 2)
9	-	Upper Bracket (P/O PL 1.1 Item 2)
10	-	Lower Bracket (P/O PL 1.1 Item 2)
11	121K33940	2nd BTR Cam Clutch
12	-	Shaft (P/O PL 1.1 Item 2)
13	121K33960	Developer K Drive Clutch Assembly
14	-	Shaft (P/O PL 1.1 Item 2)
15	127K39620	Main Motor Assembly
16	413W08350	Bearing
17	413W77359	Bearing
18	-	Shaft (P/O PL 1.1 Item 2)
19	-	Gear (17T) (P/O PL 1.1 Item 2)
20	-	Gear (18T) (P/O PL 1.1 Item 2)
21	-	Gear (53T) (P/O PL 1.1 Item 2)
22	-	Gear (30T) (P/O PL 1.1 Item 2)
23	-	Gear (53T) (P/O PL 1.1 Item 2)
24	-	Gear (47T) (P/O PL 1.1 Item 2)
25	-	Connector (P/O PL 1.1 Item 2)
26	-	Housing (P/O PL 1.1 Item 2)
27	-	PWB Support (P/O PL 1.1 Item 2)



0501004A-OLY

PL 1.5 Developer Drive Assembly (K)

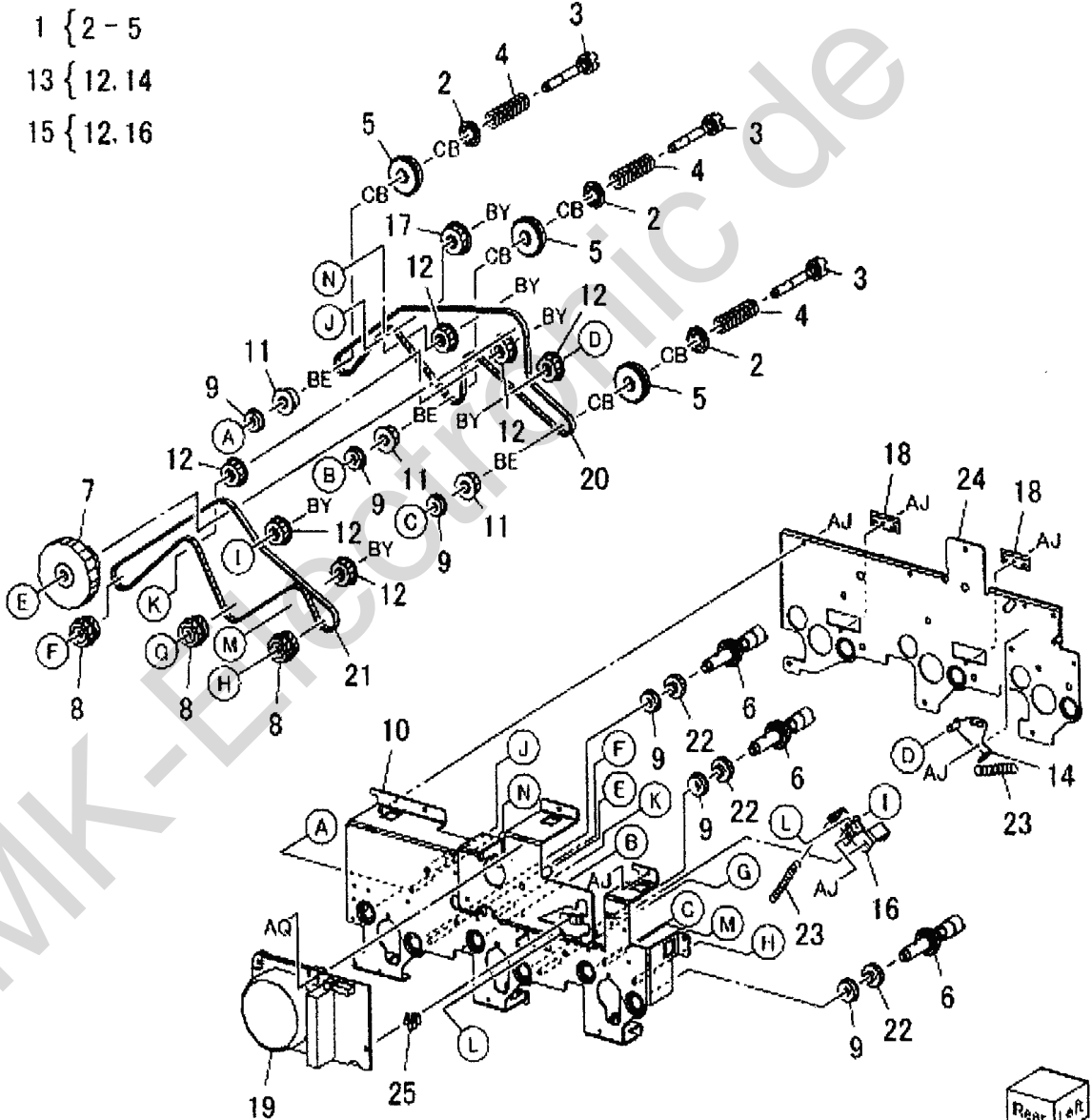
Item	Part	Description
1	005E17830	Retainer
2	-	Shaft Assembly (P/O PL 1.1 Item 3)
3	009E94920	Spring
4	-	Pulley (20T) (P/O PL 1.1 Item 3)
5	-	Idler Pulley (P/O PL 1.1 Item 3)
6	-	Pulley (31T) (P/O PL 1.1 Item 3)
7	-	Pulley Assembly (P/O PL 1.1 Item 3)
8	-	Belt (P/O PL 1.1 Item 3) (REP 9.11)
9	-	Bracket Assembly (P/O PL 1.1 Item 3)
10	-	Tension Bracket (P/O PL 1.1 Item 3)
11	-	Tension Bracket (P/O PL 1.1 Item 3)
12	413W08350	Bearing
13	413W08950	Bearing
14	423W52154	Belt (REP 9.11)
15	-	Shaft (P/O PL 1.1 Item 3)
16	-	Gear (18T) (P/O PL 1.1 Item 3)
17	-	Spring (P/O PL 1.1 Item 3)
18	-	Bracket (P/O PL 1.1 Item 3)
19	-	Bracket (P/O PL 1.1 Item 3)
20	-	Support (P/O PL 1.1 Item 3)
21	-	Bracket (P/O PL 1.1 Item 3)



0501005A-OLY

PL 1.6 Developer Drive Assembly (Y, M, C)

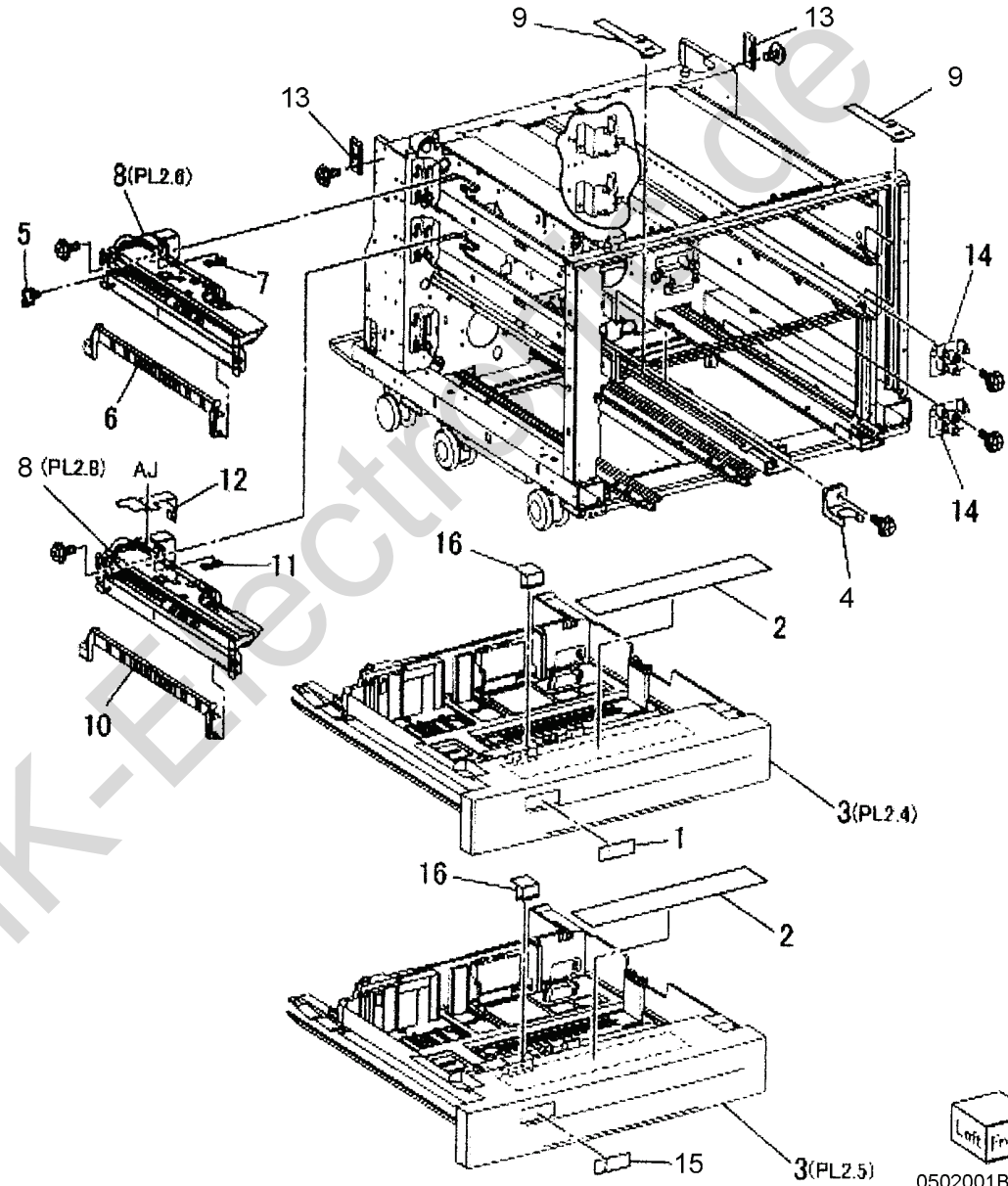
Item	Part	Description
1	-	Coupling Assembly (P/O PL 1.2 Item 1)
2	-	Retainer (P/O PL 1.6 Item 1)
3	-	Coupling (P/O PL 1.6 Item 1)
4	009E94920	Spring
5	-	Bearing (P/O PL 1.6 Item 1)
6	-	Coupling Assembly (P/O PL 1.2 Item 1)
7	-	Gear Assembly (P/O PL 1.2 Item 1)
8	-	Gear Assembly (P/O PL 1.2 Item 1)
9	-	Ball Bearing (P/O PL 1.2 Item 1)
10	-	Bracket Assembly (P/O PL 1.2 Item 1)
11	-	Pulley (P/O PL 1.2 Item 1)
12	-	Pulley Assembly (P/O PL 1.6 Item 13)
13	-	Tension Pulley Assembly (P/O PL 1.2 Item 1)
14	-	Bracket (P/O PL 1.6 Item 13)
15	-	Tension Pulley Assembly (P/O PL 1.2 Item 1)
16	-	Bracket (P/O PL 1.6 Item 15)
17	-	Pulley (P/O PL 1.2 Item 1)
18	-	Film (P/O PL 1.2 Item 1)
19	127K36830	Developer Motor Assembly (Y, M, C)
20	-	Belt (P/O PL 1.2 Item 1)
21	-	Belt (P/O PL 1.2 Item 1)
22	-	Gear (P/O PL 1.2 Item 1)
23	-	Spring (P/O PL 1.2 Item 1)
24	-	Bracket (P/O PL 1.2 Item 1)
25	-	Clamp (P/O PL 1.2 Item 1)



0501006A-OLY

PL 2.1 Tray 1/2

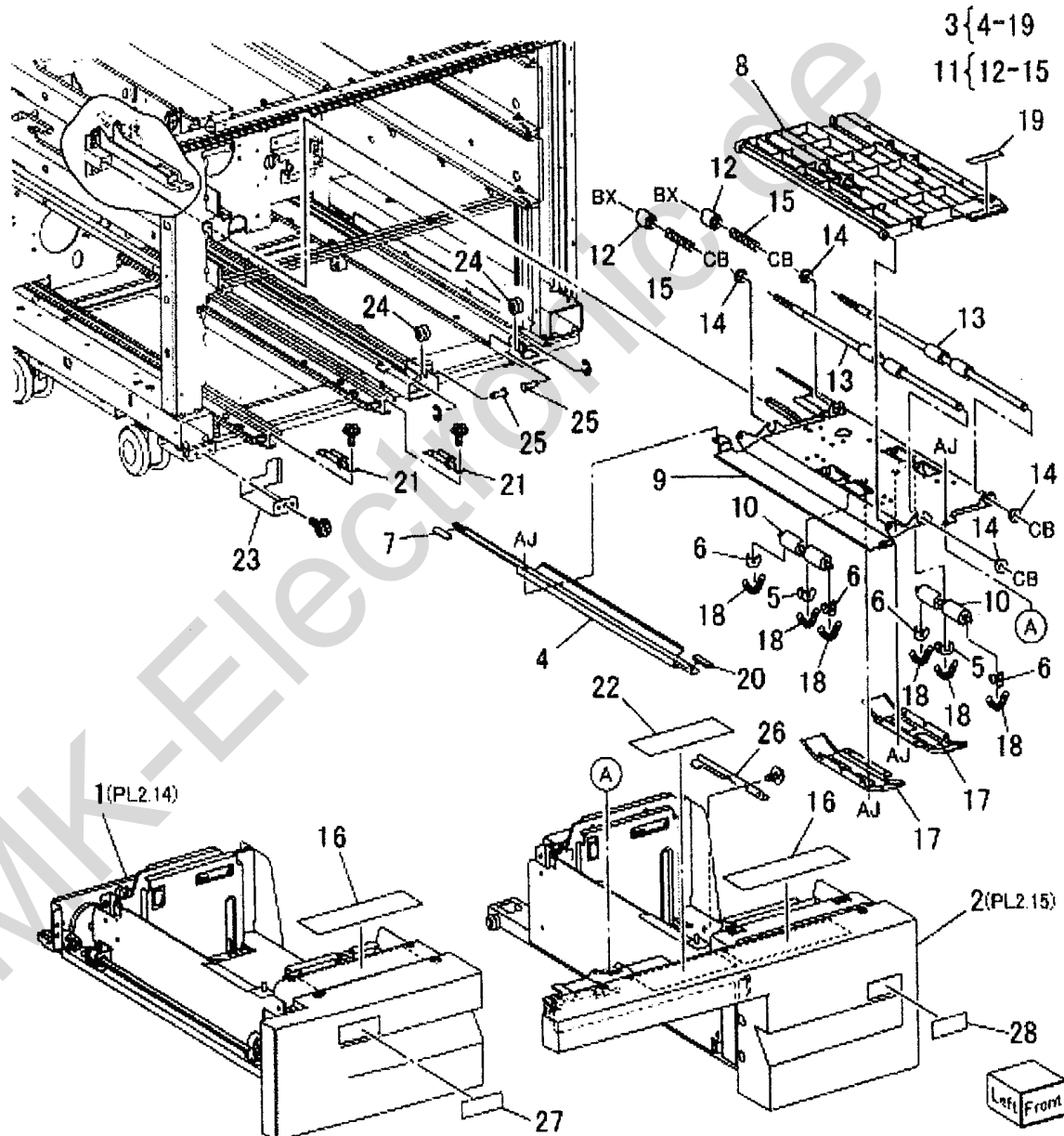
Item	Part	Description
1	893E16030	Tray Label (1)
2	-	Label (Instruction) (Not Spared)
3	050K50407	Tray 1 Assembly, Tray 2 Assembly
4	-	Stopper (Not Spared)
5	-	Harness Holder (Not Spared)
6	054K27520	Feed Out Chute
7	-	Cover (Not Spared)
8	-	Tray 2 Feed Assembly (Not Spared) (REP 7.19)
-	059K26937	Tray 1 Feed Assembly (REP 7.18)
9	014E51110	Spacer
10	-	Feed Out Chute (Not Spared)
11	-	Cover (Not Spared)
12	-	Rear Cover (Not Spared)
13	-	Plate (Not Spared)
14	110K12100	Tray 1 Paper Size Switch, Tray 2 Paper Size Switch
15	893E16010	Tray Label (2)
16	014E45291	Slide Lock



Life Print
0502001B-OLY

PL 2.2 Tray 3/4 (1 of 2)

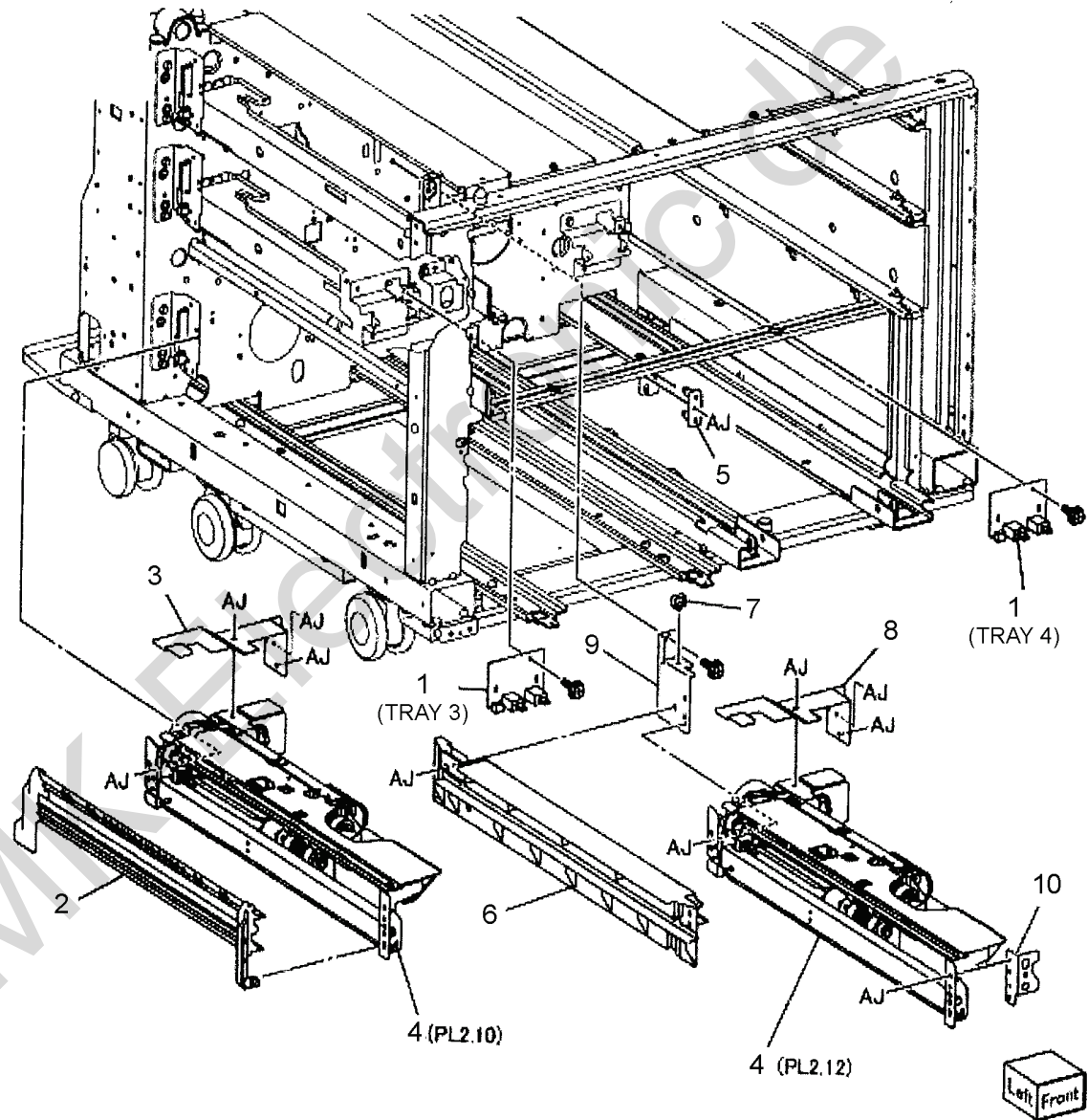
Item	Part	Description
1	050K50433	Tray 3 Assembly (REP 7.20)
2	050K50416	Tray 4 Assembly (REP 7.21)
3	-	Tray 4 Transport Assembly
4	-	Rail (P/O PL 2.2 Item 3)
5	-	Bearing (P/O PL 2.2 Item 3)
6	-	Bearing (P/O PL 2.2 Item 3)
7	-	Spacer (P/O PL 2.2 Item 3)
8	054E22291	Upper Chute
9	-	Lower Chute (P/O PL 2.2 Item 3)
10	059E98860	Pinch Roll
11	059K24920	Transport Roll Assembly
12	-	Joint (P/O PL 2.2 Item 11)
13	-	Takeaway Roll 4/5 (P/O PL 2.2 Item 11)
14	413W77559	Bearing
15	-	Spring (P/O PL 2.2 Item 11)
16	-	Label (Instruction) (P/O PL 2.2 Item 3)
17	-	Pinch Cover (P/O PL 2.2 Item 3)
18	809E39381	Spring
19	-	Label (P/O PL 2.2 Item 3)
20	-	Spacer (Not Spared)
21	-	Roll Assembly (Not Spared)
22	893E03310	Label (Jam Clearance Instruction)
23	-	Bracket (Not Spared)
24	-	Roll (Not Spared)
25	-	Shaft (Not Spared)
26	-	Stopper (Tray 4) (Not Spared)
27	893E41500	Tray Label (3)
28	893E41510	Tray Label (4)



0502002A-OLY

PL 2.3 Tray 3/4 (2 of 2)

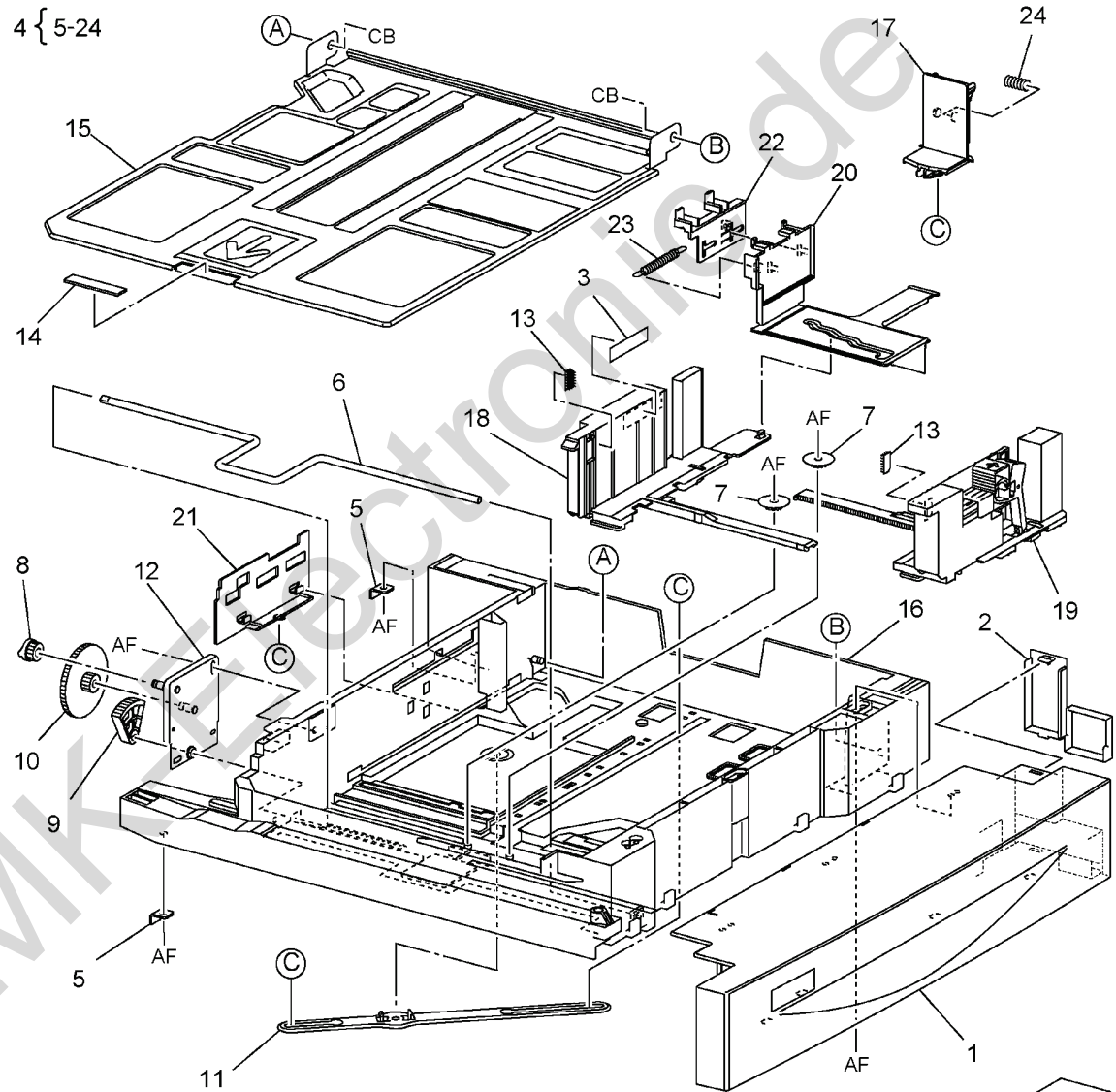
Item	Part	Description
1	110K11820	Tray 3 Paper Size Switch, Tray 4 Paper Size Switch
2	054K30831	Feed Out Chute (P/O PL 2.3 Item 1)
3	—	Cover (Not Spared)
4	059K26938	Tray 3 Feed Assembly (REP 7.22), Tray 4 Feed Assembly (REP 7.23)
5	—	Pivot Bracket (Not Spared)
6	—	Lower Chute (Not Spared)
7	—	Saddle (Not Spared)
8	—	Cover (Not Spared)
9	—	Bracket (Not Spared)
10	—	Front Bracket (Not Spared)



0502003B-OLY

PL 2.4 Tray 1 Assembly

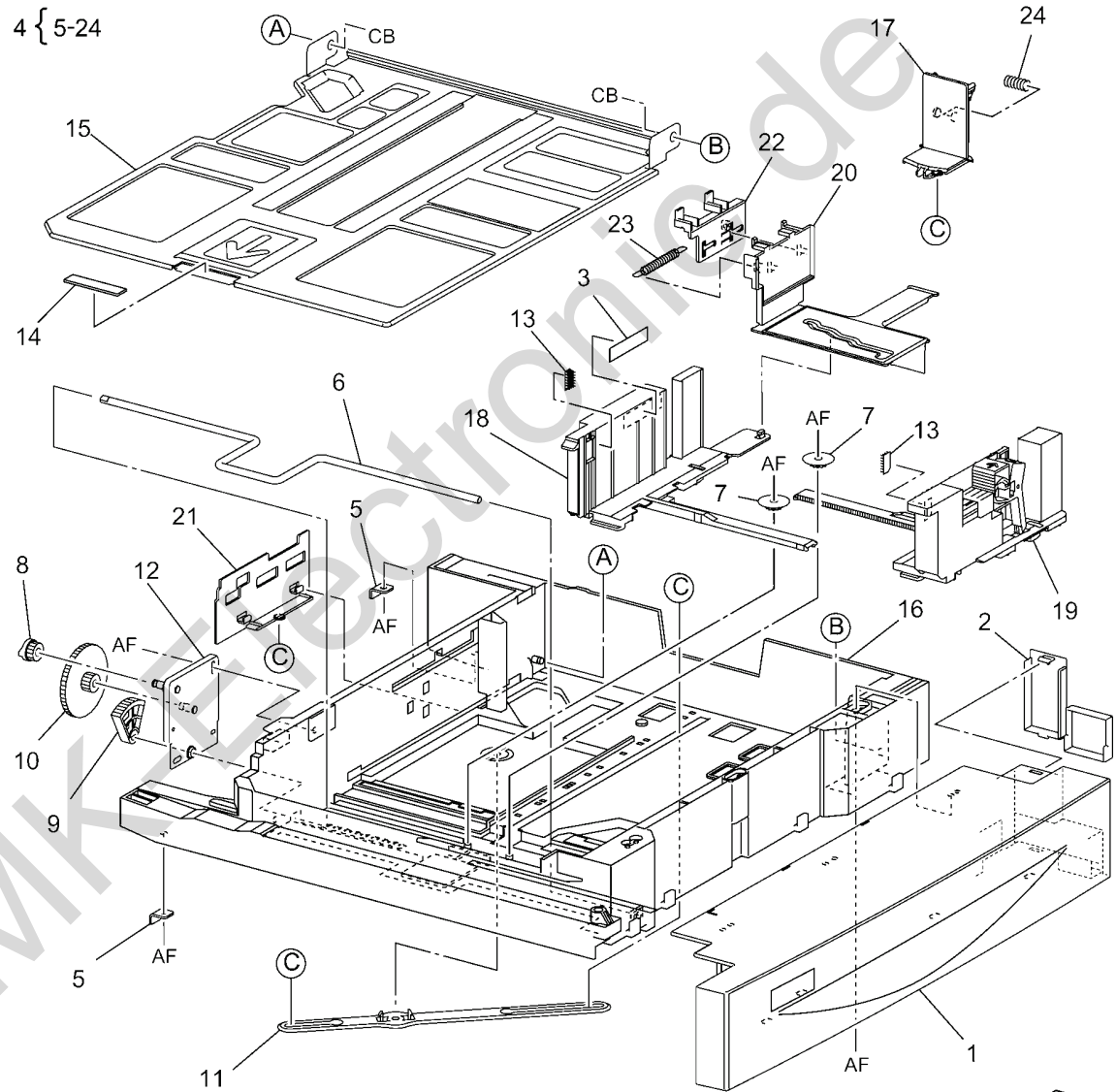
Item	Part	Description
1	-	Tray 1 Cover (Not Spared)
2	-	Cover (Not Spared)
3	893E09490	Label (Max)
4	-	Tray 1 (P/O PL 2.1 Item 3)
5	-	Stopper (P/O PL 2.4 Item 4)
6	-	Lift Shaft (P/O PL 2.4 Item 4)
7	-	Pinion (P/O PL 2.4 Item 4)
8	007E78431	Gear (13T)
9	007E78440	Gear (60T)
10	604K20541	Gear (13T/60T)
11	-	End Guide Link (P/O PL 2.4 Item 4)
12	-	Plate (P/O PL 2.4 Item 4)
13	019E39131	Pad
14	019K94400	Bottom Plate Pad
15	-	Bottom Plate (P/O PL 2.4 Item 4)
16	-	Cassette (P/O PL 2.4 Item 4)
17	038E26533	End Guide
18	038E26550	Rear Guide
19	-	Front Guide (P/O PL 2.4 Item 4)
20	-	Actuator (P/O PL 2.4 Item 4)
21	-	Actuator (P/O PL 2.4 Item 4)
22	-	Actuator (P/O PL 2.4 Item 4)
23	-	Spring (P/O PL 2.4 Item 4)
24	-	Spring (P/O PL 2.4 Item 4)



0502004A-OLY

PL 2.5 Tray 2 Assembly

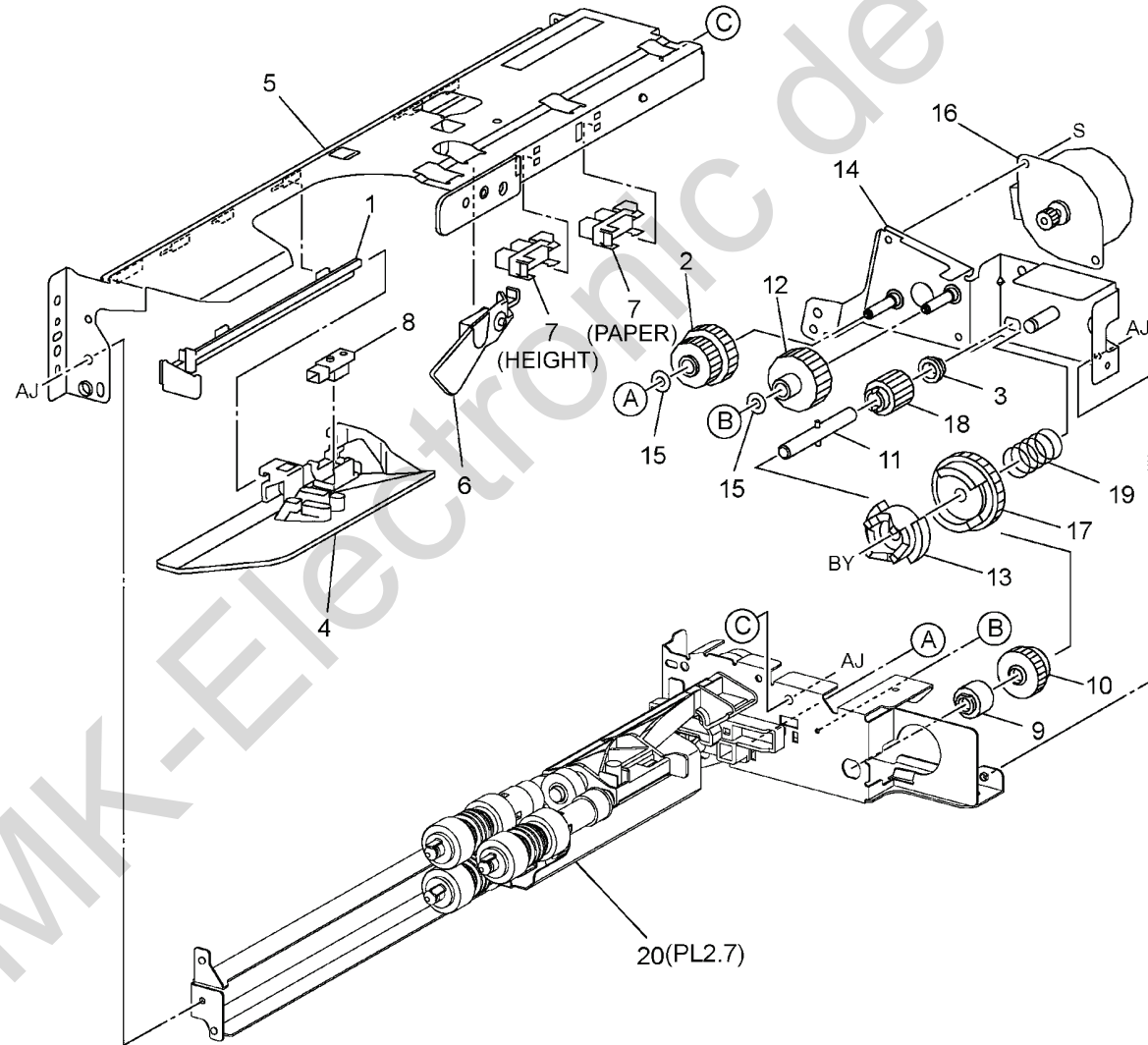
Item	Part	Description
1	-	Tray 2 Cover (Not Spared)
2	-	Cover (Not Spared)
3	893E09490	Label (Max)
4	-	Tray 2 (P/O PL 2.1 Item 3)
5	-	Stopper (P/O PL 2.5 Item 4)
6	-	Lift Shaft (P/O PL 2.5 Item 4)
7	-	Pinion (P/O PL 2.5 Item 4)
8	007E78431	Gear (13T)
9	604K20540	Gear (60T)
10	604K20541	Gear (13T/60T)
11	-	End Guide Link (P/O PL 2.5 Item 4)
12	-	Plate (P/O PL 2.5 Item 4)
13	019E39131	Pad
14	019K94400	Bottom Plate Pad
15	-	Bottom Plate (P/O PL 2.5 Item 1)
16	-	Cassette (P/O PL 2.5 Item 4)
17	038E26533	End Guide
18	038E26550	Rear Guide
19	-	Front Guide (P/O PL 2.5 Item 4)
20	-	Actuator (P/O PL 2.5 Item 4)
21	-	Actuator (P/O PL 2.5 Item 4)
22	-	Actuator (P/O PL 2.5 Item 4)
23	-	Spring (P/O PL 2.5 Item 4)
24	-	Spring (P/O PL 2.5 Item 4)



0502005A-OLY

PL 2.6 Tray 1 Feed Assembly (1 of 2)

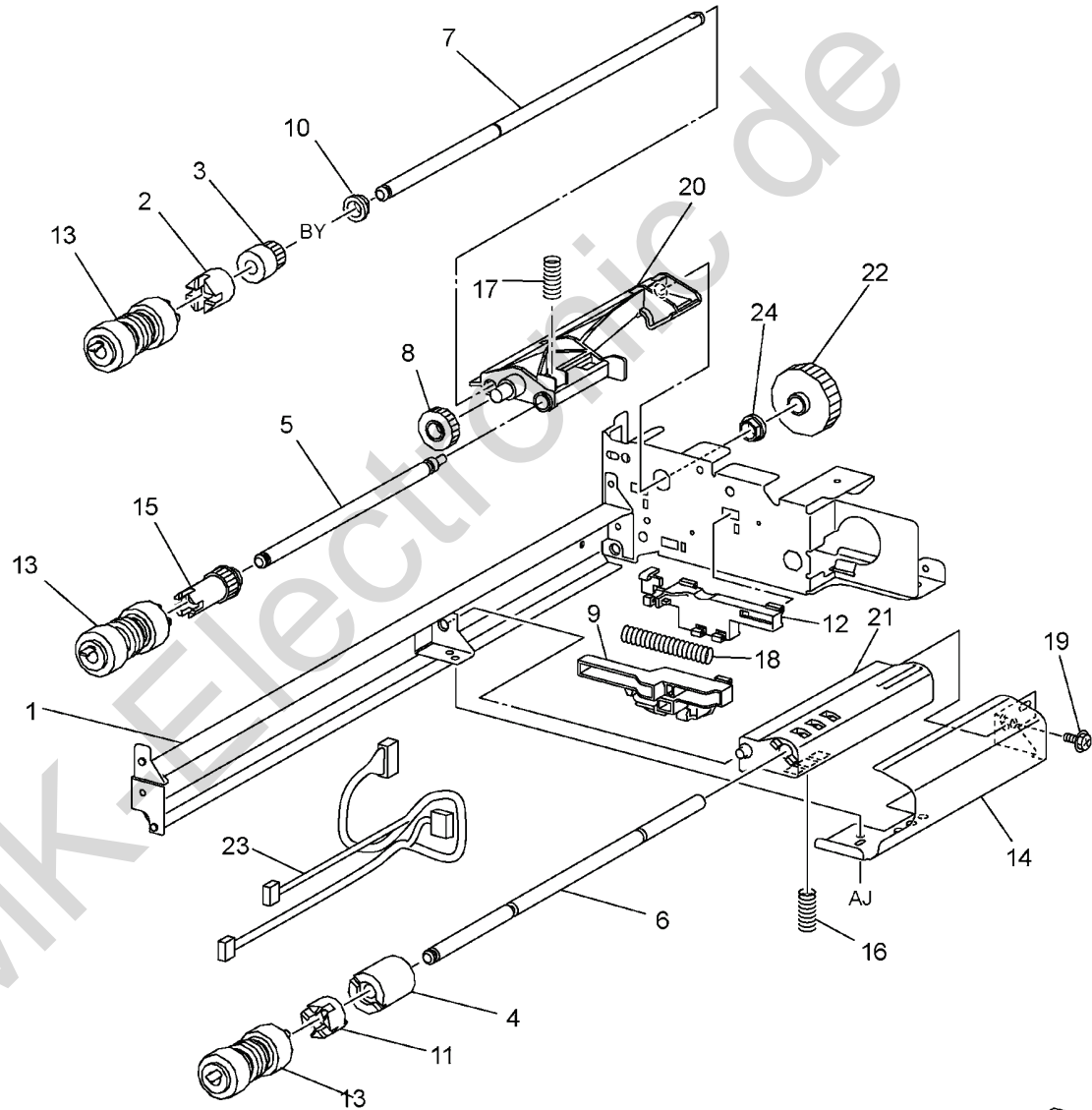
Item	Part	Description
1	-	Rail (P/O PL 2.1 Item 8)
2	-	Gear (28T/21T) (P/O PL 2.1 Item 8)
3	013E92890	Bearing (6)
4	-	Chute (P/O PL 2.1 Item 8)
5	-	Upper Frame Assembly (P/O PL 2.1 Item 8)
6	120E22481	Actuator
7	930W00113	Tray 1 Stack Height Sensor, Tray 1 Paper Sensor
8	930W00211	Tray 1 Pre Feed Sensor
9	005K83081	One Way Clutch
10	007K85730	One Way Gear
11	-	Shaft Assembly Drive (P/O PL 2.1 Item 8)
12	-	Gear (29T) (P/O PL 2.1 Item 8)
13	-	Spacer (P/O PL 2.1 Item 8)
14	-	Bracket (P/O PL 2.1 Item 8)
15	-	Washer (P/O PL 2.1 Item 8)
16	127K38171	Tray 1 Lift/Feed Motor
17	-	Gear (31T) (P/O PL 2.1 Item 8)
18	-	Gear (13T) (P/O PL 2.1 Item 8)
19	-	Spring (P/O PL 2.1 Item 8)
20	-	Rear Frame Assembly (P/O PL 2.1 Item 8)



0502006A-OLY

PL 2.7 Tray 1 Feed Assembly (2 of 2)

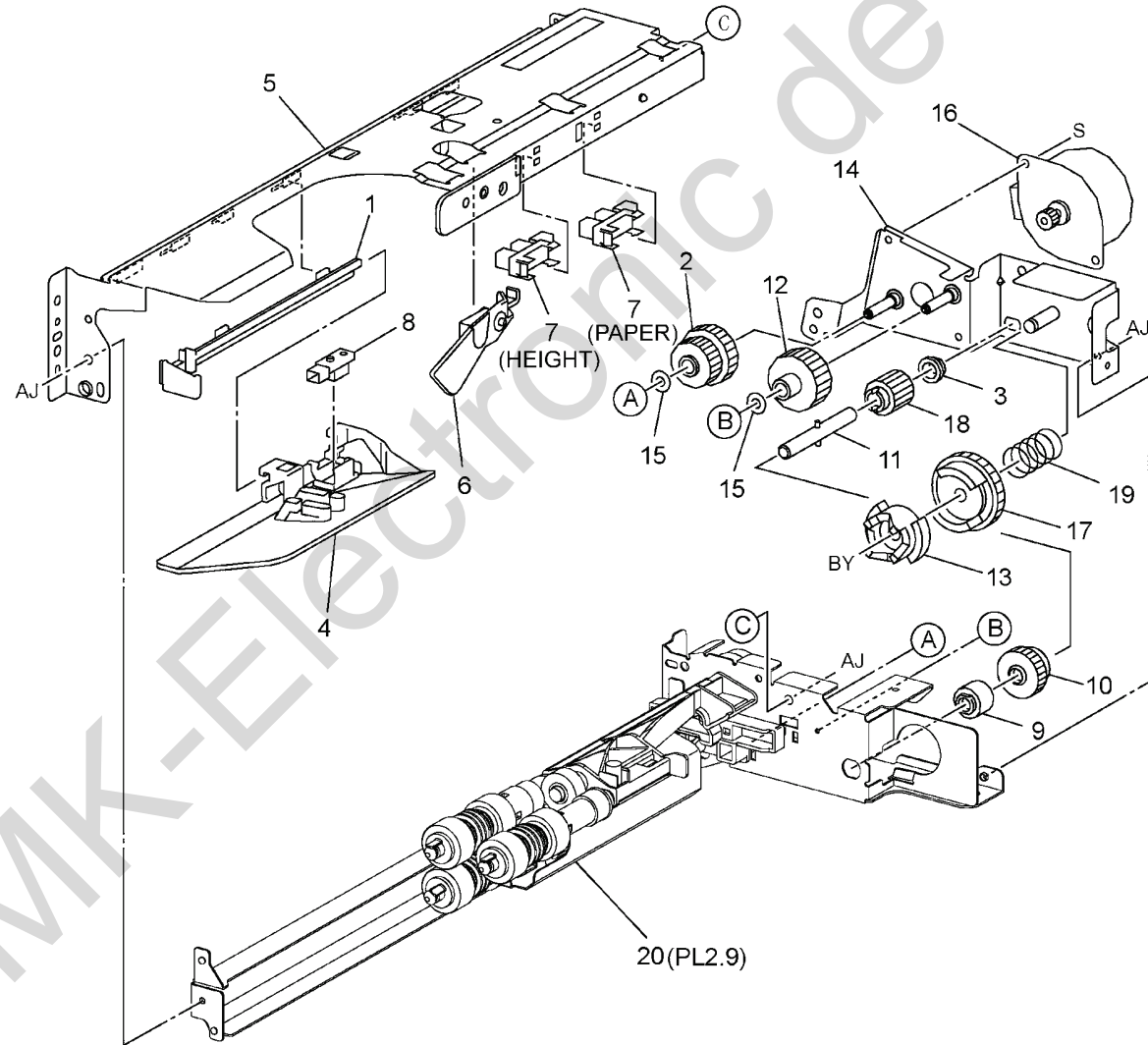
Item	Part	Description
1	-	Rear Frame (P/O PL 2.6 Item 20)
2	005K05890	Oneway Clutch
3	005K06760	Clutch (22T)
4	005K81880	Friction Clutch
5	-	Nudger Shaft (P/O PL 2.6 Item 20)
6	-	Retard Shaft (P/O PL 2.6 Item 20)
7	-	Feed Shaft (P/O PL 2.6 Item 20)
8	007E79380	Gear (33T)
9	-	Lever (P/O PL 2.6 Item 20)
10	013E92890	Bearing (6)
11	-	Spacer (P/O PL 2.6 Item 20)
12	-	Holder (P/O PL 2.6 Item 20)
13	600K78460	Feed/Nudger/Retard Roll Kit (Contains All 3 Rolls) (REP 7.24)
14	-	Feed in Chute (P/O PL 2.6 Item 20)
15	-	Gear (25T) (P/O PL 2.6 Item 20)
16	-	Spring (P/O PL 2.6 Item 20)
17	-	Spring (P/O PL 2.6 Item 20)
18	-	Spring (P/O PL 2.6 Item 20)
19	-	Screw (P/O PL 2.6 Item 20)
20	-	Nudger Support (P/O PL 2.6 Item 20)
21	-	Retard Support (P/O PL 2.6 Item 20)
22	-	Gear (27T) (P/O PL 2.6 Item 20)
23	-	Wire Harness (P/O PL 2.6 Item 20)
24	-	Bearing (P/O PL 2.6 Item 20)



0502007A-OLY

PL 2.8 Tray 2 Feed Assembly (1 of 2)

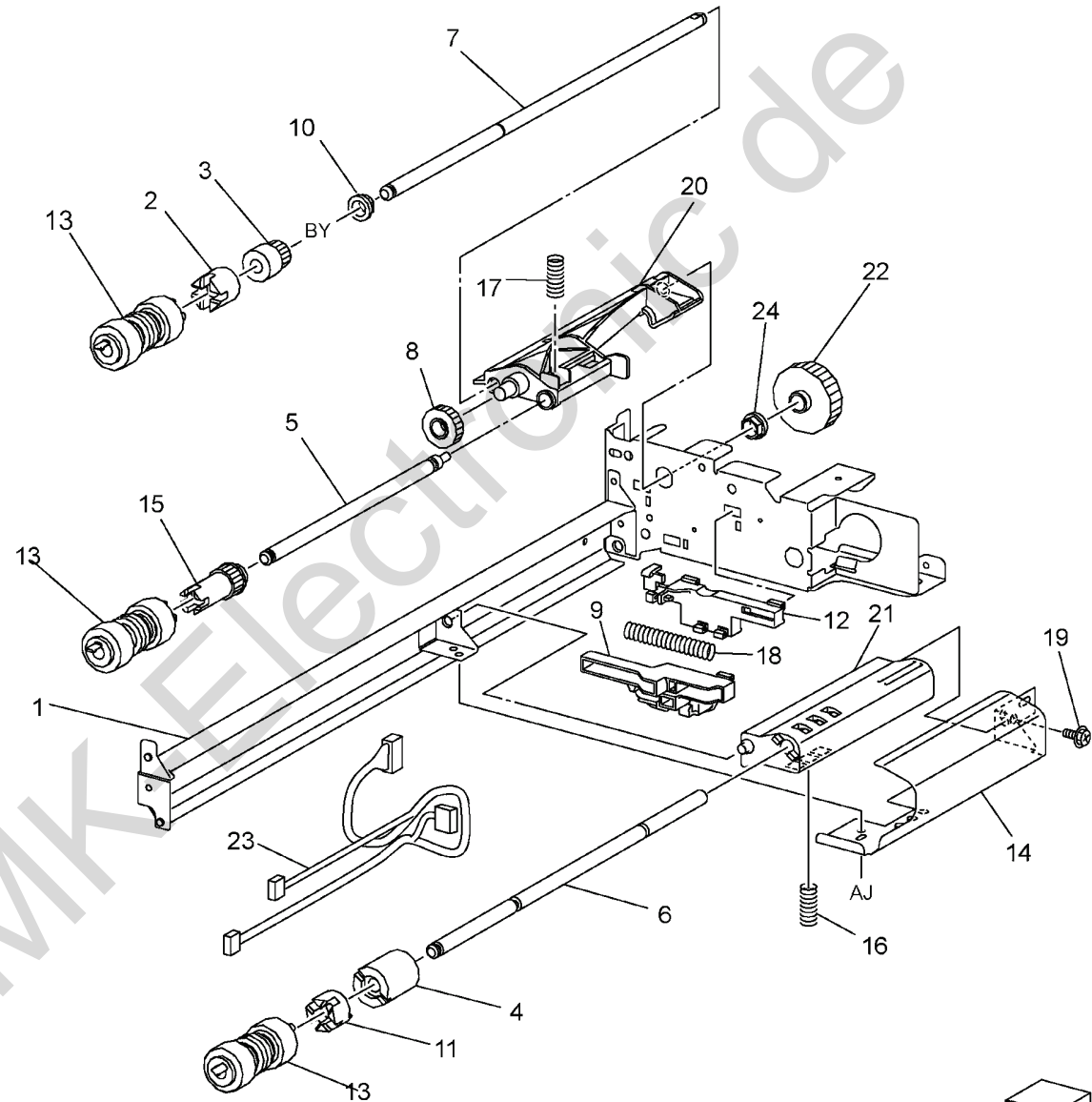
Item	Part	Description
1	-	Rail (P/O PL 2.1 Item 8)
2	-	Gear (28T/21T) (P/O PL 2.1 Item 8)
3	013E92890	Bearing (6)
4	-	Chute (P/O PL 2.1 Item 8)
5	-	Upper Frame Assembly (P/O PL 2.1 Item 8)
6	120E22481	Actuator
7	930W00113	Tray 2 Stack Height Sensor, Tray 2 Paper Sensor
8	930W00211	Tray 2 Pre Feed Sensor
9	005K83081	One Way Clutch Assembly
10	007K85730	One Way Gear Assembly
11	-	Shaft Assembly Drive (P/O PL 2.1 Item 8)
12	-	Gear (29T) (P/O PL 2.1 Item 8)
13	-	Spacer (P/O PL 2.1 Item 8)
14	-	Bracket (P/O PL 2.1 Item 8)
15	-	Washer (P/O PL 2.1 Item 8)
16	127K38171	Tray 2 Lift/Feed Motor
17	-	Gear (31T) (P/O PL 2.1 Item 8)
18	-	Gear (13T) (P/O PL 2.1 Item 8)
19	-	Spring (P/O PL 2.1 Item 8)
20	-	Rear Frame Assembly (P/O PL 2.1 Item 8)



0502008A-OLY

PL 2.9 Tray 2 Feed Assembly (2 of 2)

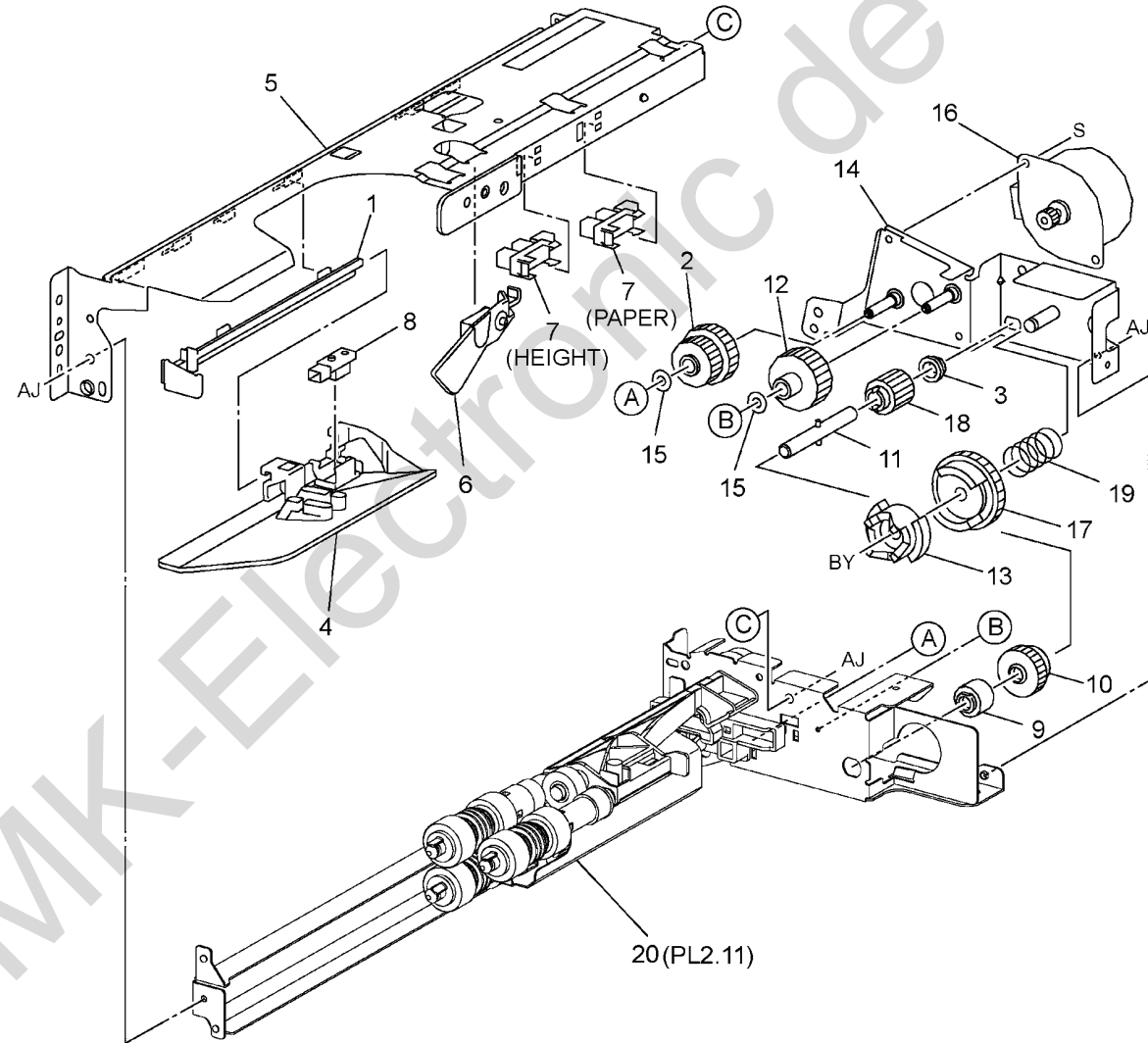
Item	Part	Description
1	-	Rear Frame (P/O PL 2.8 Item 20)
2	005K05890	One Way Clutch
3	005K06760	Clutch (22T)
4	005K81880	Friction Clutch
5	-	Nudger Shaft (P/O PL 2.8 Item 20)
6	-	Retard Shaft (P/O PL 2.8 Item 20)
7	-	Feed Shaft (P/O PL 2.8 Item 20)
8	007E79380	Gear (33T)
9	-	Lever (P/O PL 2.8 Item 20)
10	013E92890	Bearing (6)
11	-	Spacer (P/O PL 2.8 Item 20)
12	-	Holder (P/O PL 2.8 Item 20)
13	600K78460	Feed/Nudger/Retard Roll Kit (Contains All 3 Rolls) (REP 7.24)
14	-	Feed In Chute (P/O PL 2.8 Item 20)
15	-	Gear (25T) (P/O PL 2.8 Item 20)
16	-	Spring (P/O PL 2.8 Item 20)
17	-	Spring (P/O PL 2.8 Item 20)
18	-	Spring (P/O PL 2.8 Item 20)
19	-	Screw (P/O PL 2.8 Item 20)
20	-	Nudger Support (P/O PL 2.8 Item 20)
21	-	Retard Support (P/O PL 2.8 Item 20)
22	-	Gear (27T) (P/O PL 2.8 Item 20)
23	-	Wire Harness (P/O PL 2.8 Item 20)
24	-	Bearing (P/O PL 2.8 Item 20)



0502009B-OLY

PL 2.10 Tray 3 Feed Assembly (1 of 2)

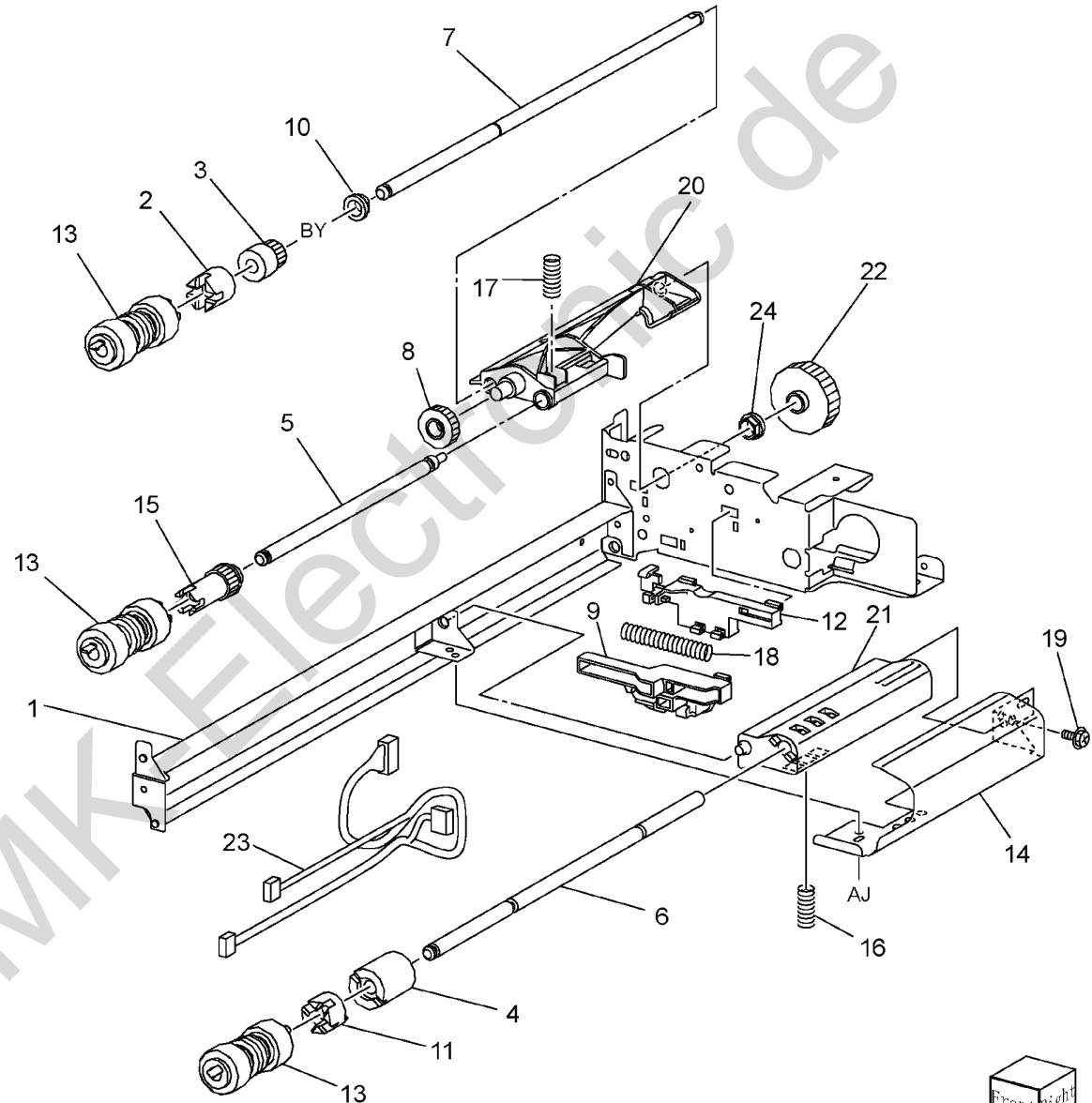
Item	Part	Description
1	-	Rail (P/O PL 2.3 Item 4)
2	-	Gear (28T/21T) (P/O PL 2.3 Item 4)
3	013E92890	Bearing (6)
4	-	Chute (P/O PL 2.3 Item 4)
5	-	Upper Frame Assembly (P/O PL 2.3 Item 4)
6	120E22481	Actuator
7	930W00113	Tray 3 Stack Height Sensor, Tray 3 Paper Sensor
8	930W00211	Tray 3 Pre Feed Sensor
9	005K83081	One Way Clutch Assembly
10	007K85730	One Way Gear Assembly
11	-	Shaft Assembly Drive (P/O PL 2.3 Item 4)
12	-	Gear (29T) (P/O PL 2.3 Item 4)
13	-	Spacer (P/O PL 2.3 Item 4)
14	-	Washer (P/O PL 2.3 Item 4)
15	-	Washer (P/O PL 2.3 Item 4)
16	127K38171	Tray 3 Lift/Feed Motor
17	-	Gear (31T) (P/O PL 2.3 Item 4)
18	-	Gear (13T) (P/O PL 2.3 Item 4)
19	-	Spring (P/O PL 2.3 Item 4)
20	-	Rear Frame Assembly (P/O PL 2.3 Item 4)



0502010A-OLY

PL 2.11 Tray 3 Feed Assembly (2 of 2)

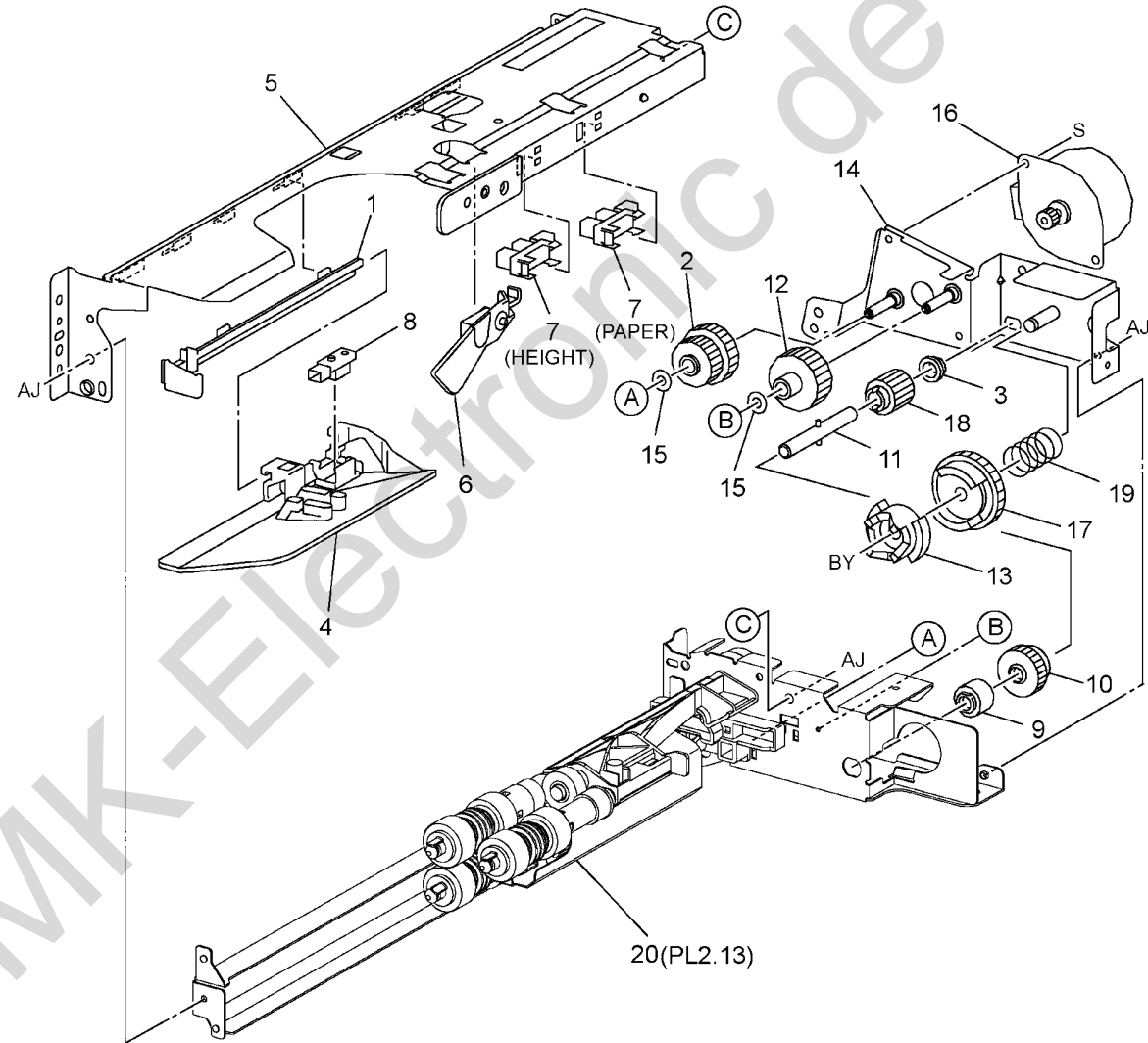
Item	Part	Description
1	-	Rear Frame (P/O PL 2.10 Item 20)
2	005K05890	Oneway Clutch
3	005K06760	Clutch (22T)
4	005K81880	Friction Clutch
5	-	Nudger Shaft (P/O PL 2.10 Item 20)
6	-	Retard Shaft (P/O PL 2.10 Item 20)
7	-	Feed Shaft (P/O PL 2.10 Item 20)
8	007E79380	Gear (33T)
9	-	Lever (P/O PL 2.10 Item 20)
10	013E92890	Bearing (6)
11	-	Spacer (P/O PL 2.10 Item 20)
12	-	Holder (P/O PL 2.10 Item 20)
13	600K78460	Feed/Nudger/Retard Roll Kit (REP 7.25)
14	-	Feed In Chute (P/O PL 2.10 Item 20)
15	-	Gear (25T) (P/O PL 2.10 Item 20)
16	-	Spring (P/O PL 2.10 Item 20)
17	-	Spring (P/O PL 2.10 Item 20)
18	-	Spring (P/O PL 2.10 Item 20)
19	-	Screw (P/O PL 2.10 Item 20)
20	-	Nudger Support (P/O PL 2.10 Item 20)
21	-	Retard Support (P/O PL 2.10 Item 20)
22	-	Gear (27T) (P/O PL 2.10 Item 20)
23	-	Wire Harness (P/O PL 2.10 Item 20)
24	-	Bearing (P/O PL 2.10 Item 20)



0502011A-OLY

PL 2.12 Tray 4 Feed Assembly (1 of 2)

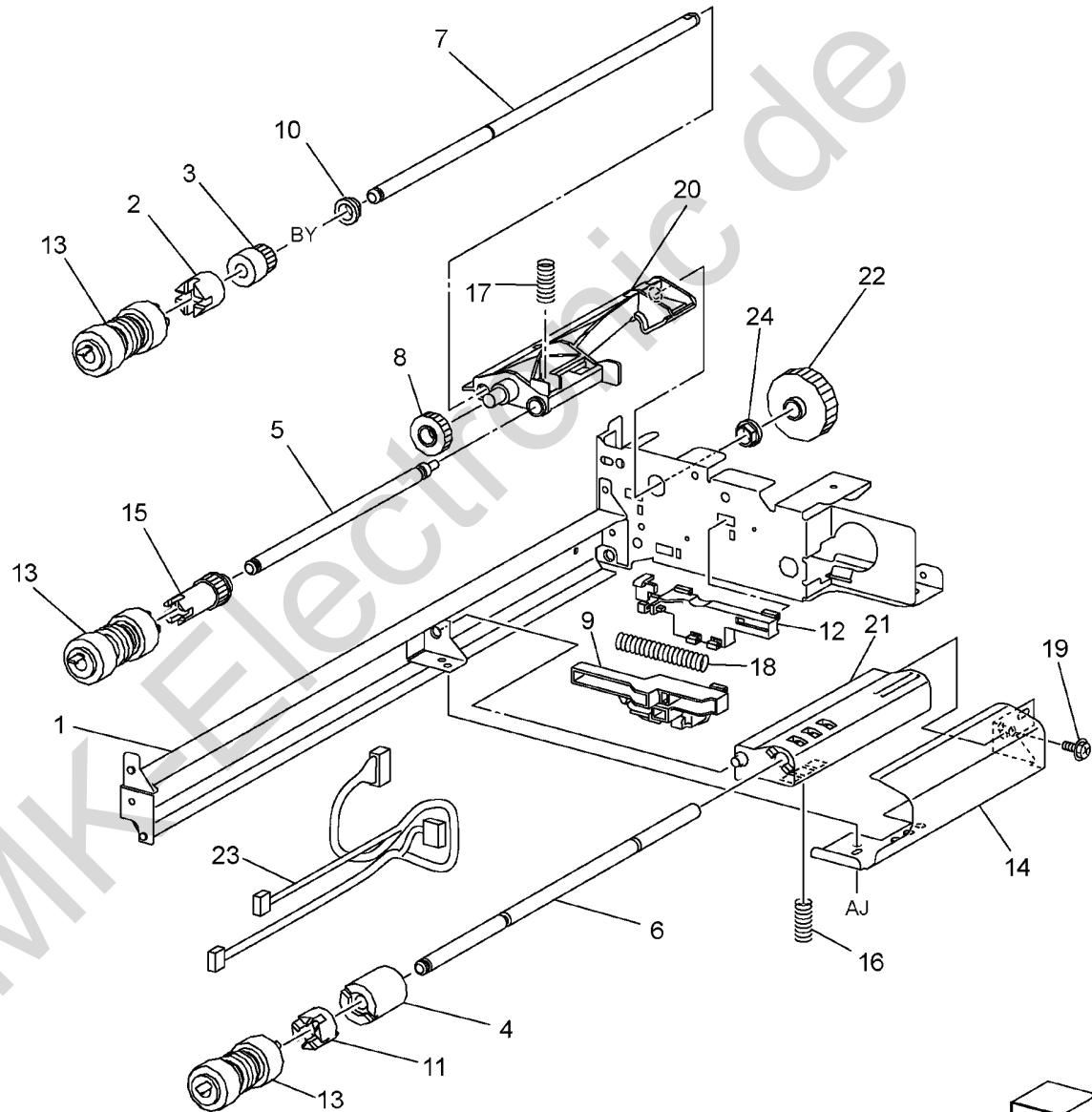
Item	Part	Description
1	-	Rail (P/O PL 2.3 Item 4)
2	-	Gear (28T/21T) (P/O PL 2.3 Item 4)
3	013E92890	Bearing (6)
4	-	Chute (P/O PL 2.3 Item 4)
5	-	Upper Frame Assembly (P/O PL 2.3 Item 4)
6	120E22481	Actuator
7	930W00113	Tray 4 Stack Height Sensor, Tray 4 Paper Sensor
8	930W00211	Tray 4 Pre Feed Sensor
9	005K83081	Oneway Clutch Assembly
10	007K85730	Oneway Gear Assembly
11	-	Shaft Assembly Drive (P/O PL 2.3 Item 4)
12	-	Gear (29T) (P/O PL 2.3 Item 4)
13	-	Spacer (P/O PL 2.3 Item 4)
14	-	Bracket (P/O PL 2.3 Item 4)
15	-	Washer (P/O PL 2.3 Item 4)
16	127K38171	Tray 4 Lift/Feed Motor
17	-	Gear (31T) (P/O PL 2.3 Item 4)
18	-	Gear (13T) (P/O PL 2.3 Item 4)
19	-	Spring (P/O PL 2.3 Item 4)
20	-	Rear Frame Assembly (P/O PL 2.3 Item 4)



0502012A-OLY

PL 2.13 Tray 4 Feed Assembly (2 of 2)

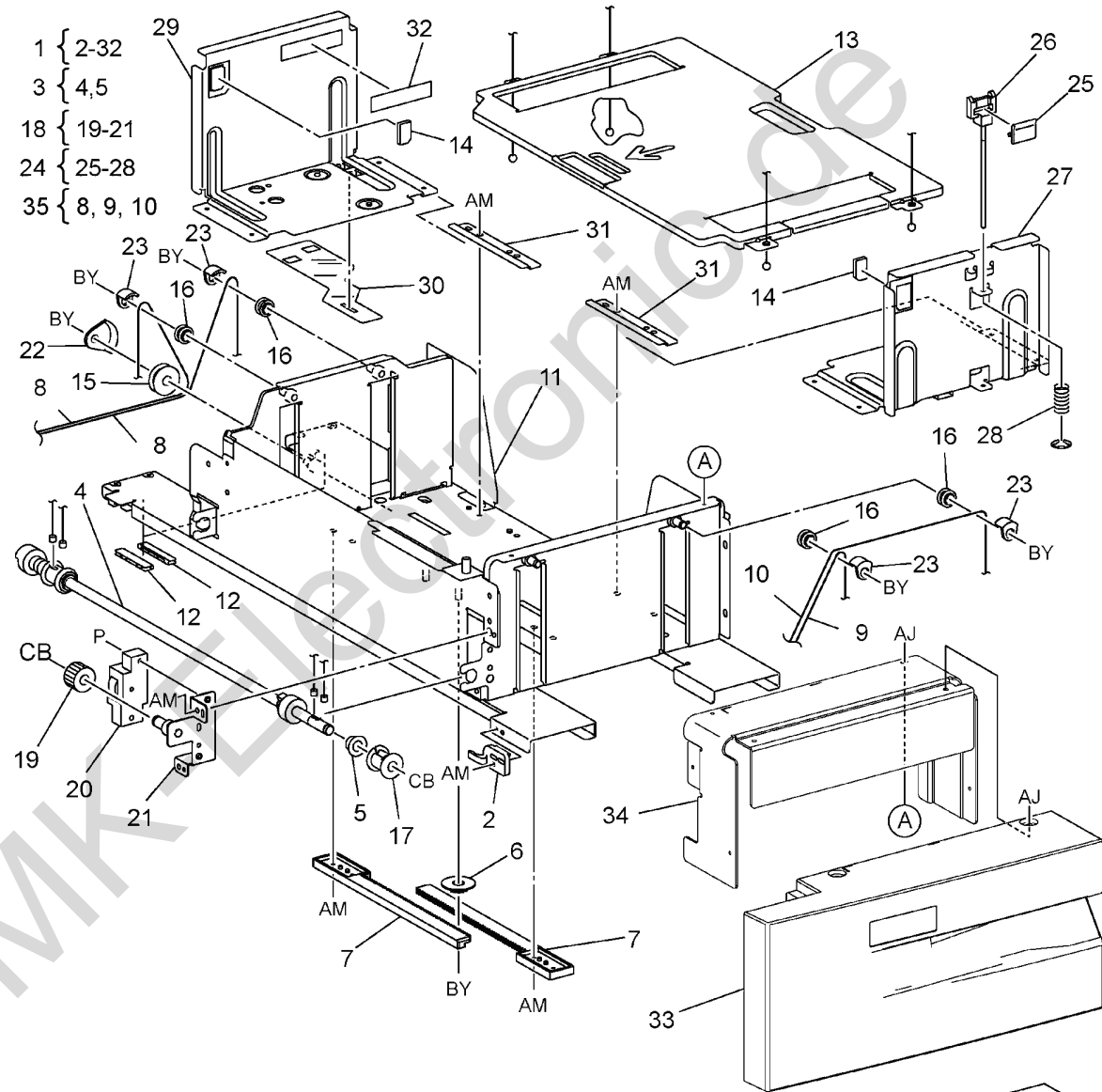
Item	Part	Description
1	-	Rear Frame (P/O PL 2.12 Item 20)
2	005K05890	Oneway Clutch
3	005K06760	Clutch (22T)
4	005K81880	Friction Clutch
5	-	Nudger Shaft (P/O PL 2.12 Item 20)
6	-	Retard Shaft (P/O PL 2.12 Item 20)
7	-	Feed Shaft (P/O PL 2.12 Item 20)
8	007E79380	Gear (33T)
9	-	Lever (P/O PL 2.12 Item 20)
10	013E92890	Bearing (6)
11	-	Spacer (P/O PL 2.12 Item 20)
12	-	Holder (P/O PL 2.12 Item 20)
13	600K78460	Feed/Nudger/Retard Roll Kit (Contains All 3 Rolls) (REP 7.26)
14	-	Feed In Chute (P/O PL 2.12 Item 20)
15	-	Gear (25T) (P/O PL 2.12 Item 20)
16	-	Spring (P/O PL 2.12 Item 20)
17	-	Spring (P/O PL 2.12 Item 20)
18	-	Spring (P/O PL 2.12 Item 20)
19	-	Screw (P/O PL 2.12 Item 20)
20	-	Nudger Support (P/O PL 2.12 Item 20)
21	-	Retard Support (P/O PL 2.12 Item 20)
22	-	Gear (27T) (P/O PL 2.12 Item 20)
23	-	Wire Harness (P/O PL 2.12 Item 20)
24	-	Bearing (P/O PL 2.12 Item 20)



0502013A-OLY

PL 2.14 Tray 3 Assembly

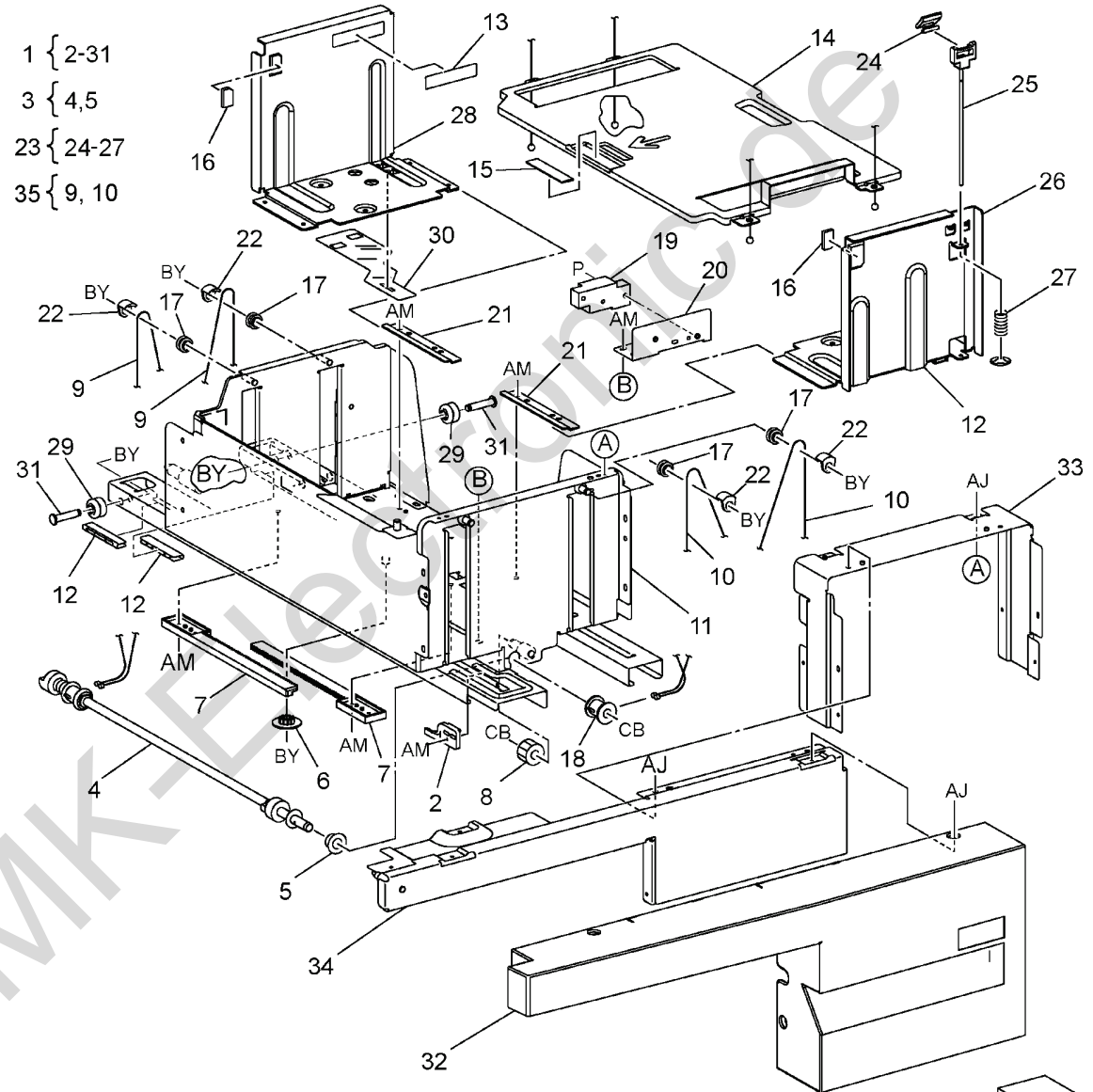
Item	Part	Description
1	-	Tray 3 (P/O PL 2.2 Item 1)
2	003E49861	Stopper
3	006K23661	Lift Shaft Assembly
4	-	Lift Shaft (P/O PL 2.14 Item 3)
5	413W77559	Bearing
6	007E78190	Pinion
7	-	Rack
8	012E11111	Rear Cable (REP 7.14)
9	012E11121	Front Left Cable
10	012E11130	Front Right Cable
11	-	Frame Assembly (P/O PL 2.14 Item 1)
12	-	Spacer (P/O PL 2.14 Item 1)
13	-	Bottom Plate (P/O PL 2.14 Item 1)
14	019E58260	Pad
15	020E36560	Pulley
16	604K20730	TMM Pulley Kit
17	-	Pulley (P/O PL 2.14 Item 1)
18	030K75541	Brake Assembly
19	007E78390	Gear (18T)
20	019K93921	Brake
21	-	Bracket Assembly (P/O PL 2.14 Item 18)
22	032E20890	Wire Guide
23	604K20740	TTM Cable Guide Kit
24	038K87161	Front Guide Assembly
25	-	Knob
26	-	Knob Assembly
27	-	Front Guide (P/O PL 2.14 Item 24)
28	-	Spring (P/O PL 2.14 Item 24)
29	-	Rear Guide Assembly (P/O PL 2.14 Item 1)
30	-	Actuator
31	-	Bracket (P/O PL 2.14 Item 1)
32	893E09490	Label (Max)
33	-	Tray 3 Cover
34	-	Bracket (Not Spared)
35	604K20750	Tray Cable Kit



0502014B-OLY

PL 2.15 Tray 4 Assembly

Item	Part	Description
1	-	Tray 4 (P/O PL 2.2 Item 2)
2	003E49861	Stopper
3	006K23661	Lift Shaft Assembly
4	-	Lift Shaft (P/O PL 2.15 Item 3)
5	413W77559	Bearing
6	007E78190	Pinion
7	-	Rack (P/O PL 2.15 Item 1)
8	007E78390	Gear (18T)
9	-	Rear Cable (P/O PL 2.15 Item 35) (REP 7.30)
10	-	Front Cable (P/O PL 2.15 Item 35) (REP 7.29)
11	-	Frame Assembly (P/O PL 2.15 Item 1)
12	-	Spacer (P/O PL 2.15 Item 1)
13	893E09490	Label (Max)
14	-	Bottom Plate (P/O PL 2.15 Item 1)
15	019K94400	Bottom Pad
16	019E39131	Pad
17	604K20730	TMM Pulley Kit
18	-	Pulley (P/O PL 2.15 Item 1)
19	019K93921	Brake Assembly
20	-	Bracket (P/O PL 2.15 Item 1)
21	-	Bracket (P/O PL 2.15 Item 1)
22	604K20740	TTM Cable Guide Kit
23	038K87121	Front Guide Assembly
24	-	Knob (P/O PL 2.15 Item 23)
25	-	Knob Assembly (P/O PL 2.15 Item 23)
26	-	Front Guide (P/O PL 2.15 Item 23)
27	-	Spring (P/O PL 2.15 Item 23)
28	-	Rear Guide Assembly (P/O PL 2.15 Item 1)
29	-	Roller
30	-	Actuator (P/O PL 2.15 Item 1)
31	-	Shaft (P/O PL 2.15 Item 1)
32	-	Tray 4 Cover (Not Spared)
33	-	Bracket (Not Spared)
34	-	Frame Assembly (Not Spared)
35	604K20750	Tray Cable Kit

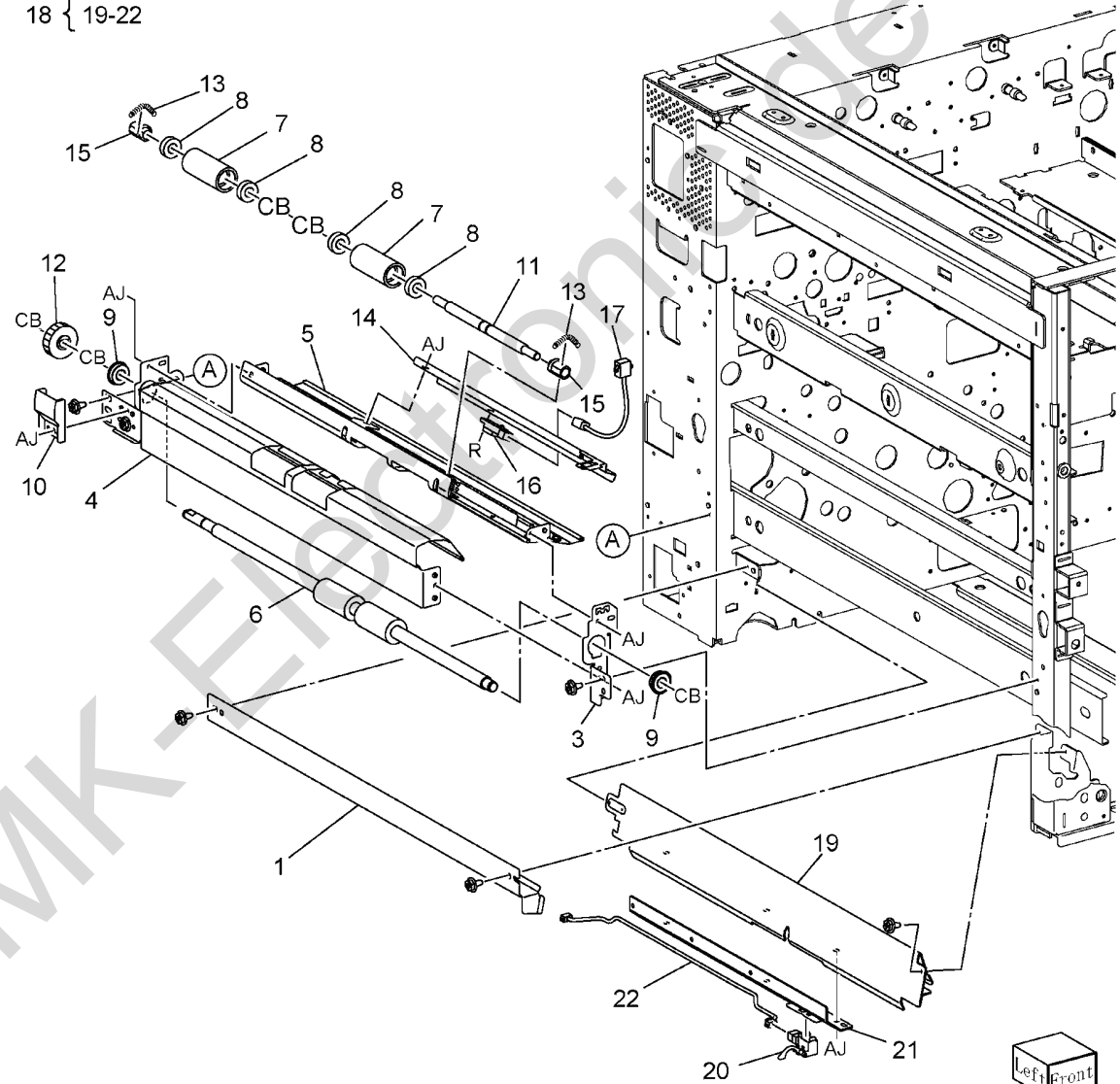


0502015B-OLY

PL 2.16 Tray 5 / Bypass Chute Assembly

Item	Part	Description
1	-	Chute (Not Spared)
2	054K26315	Chute Assembly
3	-	Frame Assembly (P/O PL 2.16 Item 2)
4	-	Lower chute Assembly (P/O PL 2.16 Item 2)
5	-	Upper Chute (P/O PL 2.16 Item 2)
6	059K26200	Roll Assembly
7	059K37990	Pinch Roll
8	413W08050	Ball Bearing
9	413W08350	Bearing
10	-	Gear Cover (P/O PL 2.16 Item 2)
11	-	Shaft (P/O PL 2.16 Item 2)
12	-	Gear (25T) (P/O PL 2.16 Item 2)
13	809E54941	Spring
14	-	Bracket (P/O PL 2.16 Item 2)
15	-	Support (P/O PL 2.16 Item 2)
16	930W00211	Pre Registration Sensor
17	-	Wire Harness (P/O PL 2.16 Item 2)
18	-	Chute Assembly
19	-	Chute (P/O PL 2.16 Item 18)
20	130K71370	Tray 1 Feed Out Sensor
21	-	Bracket (P/O PL 2.16 Item 18)
22	-	Wire Harness (P/O PL 2.16 Item 18)

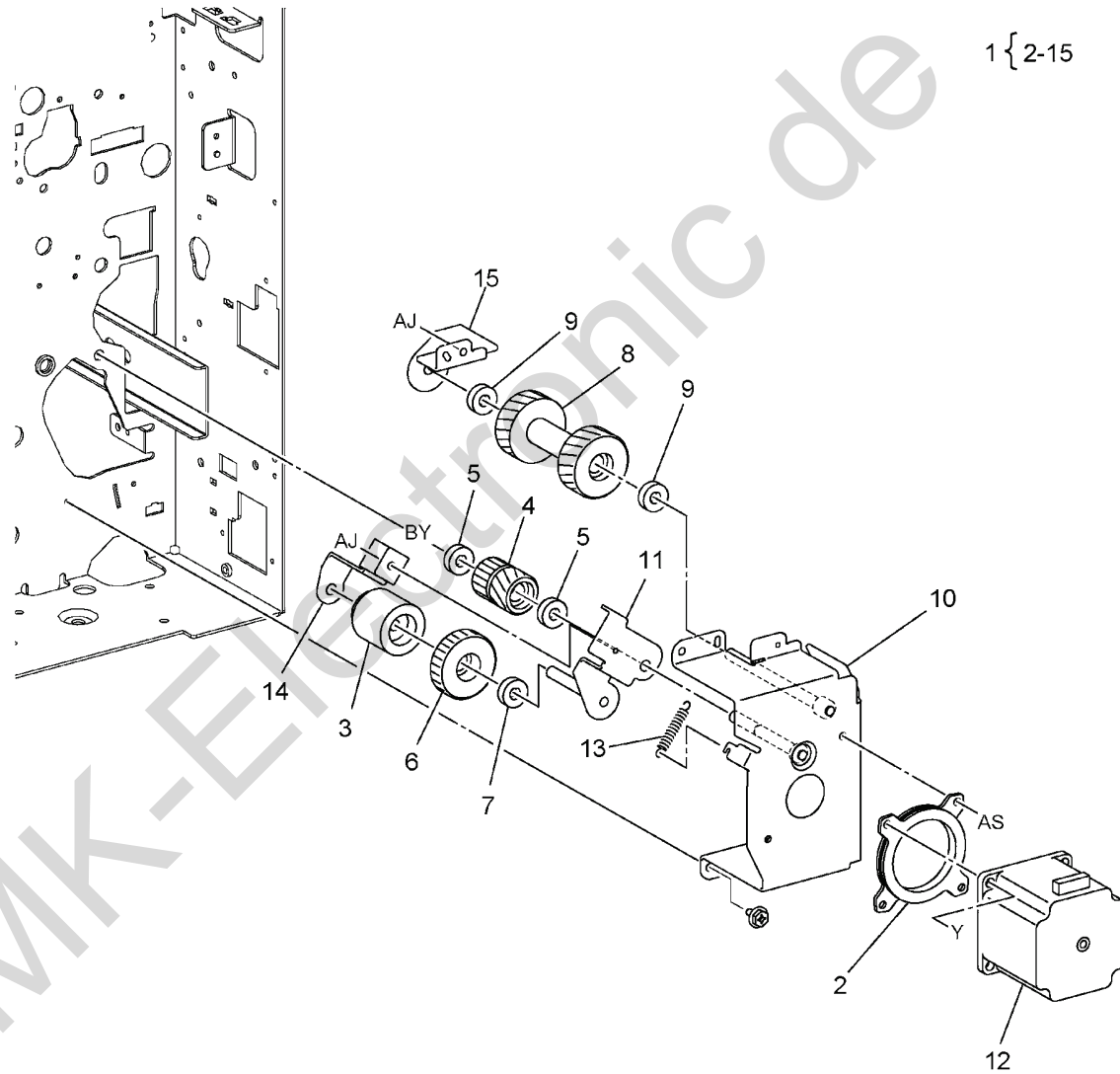
2 { 3-17
18 { 19-22



0502016A-OLY

PL 2.17 Pre Registration Motor Assembly

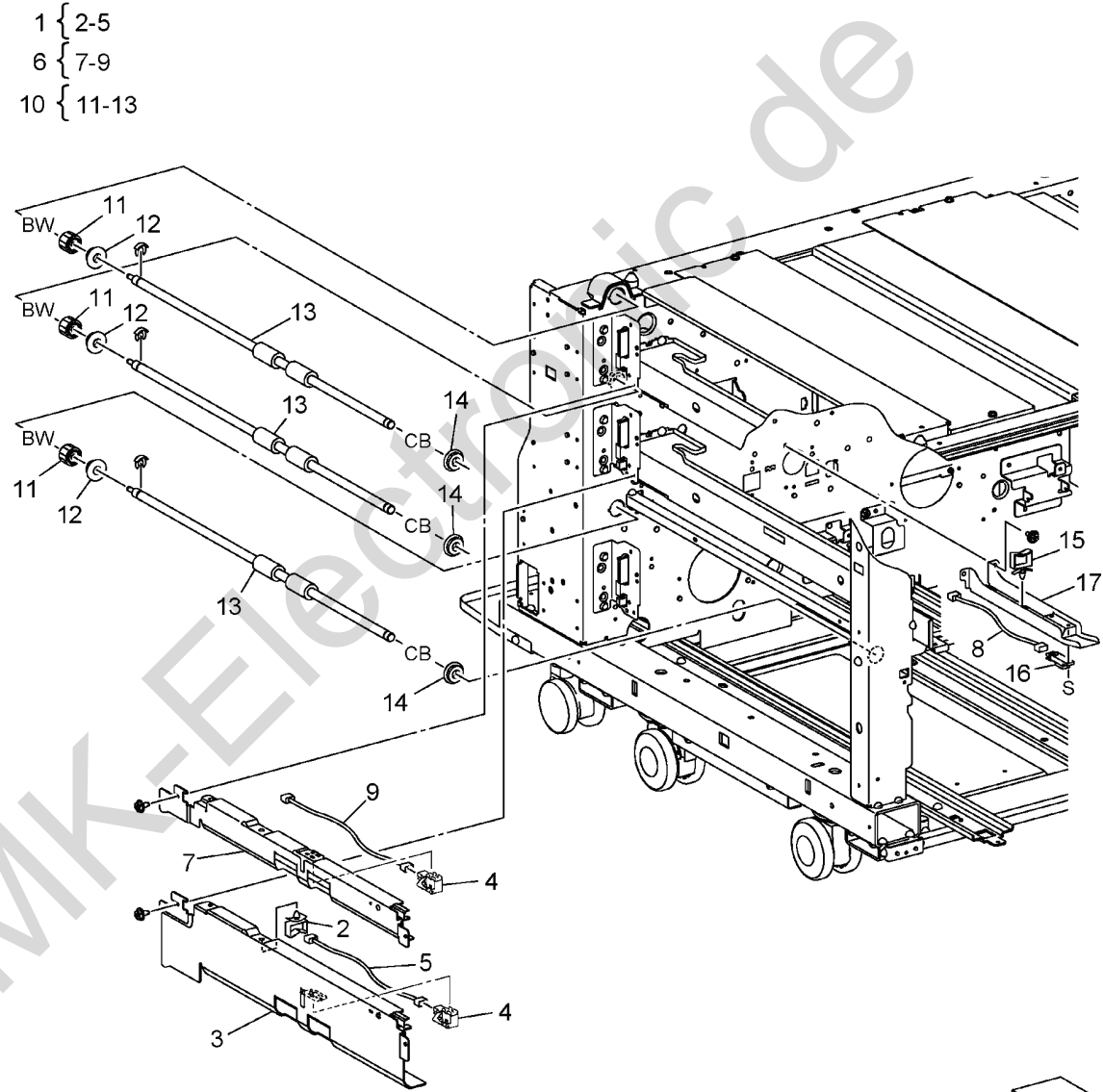
Item	Part	Description
1	015K64792	Pre Registration Motor Assembly
2	-	Damper (P/O PL 2.17 Item 1)
3	-	Collar (P/O PL 2.17 Item 1)
4	-	Gear (20T) (P/O PL 2.17 Item 1)
5	-	Bearing (P/O PL 2.17 Item 1)
6	-	Gear (34T) (P/O PL 2.17 Item 1)
7	-	Bearing (P/O PL 2.17 Item 1)
8	-	Gear (34T) (P/O PL 2.17 Item 1)
9	-	Bearing (P/O PL 2.17 Item 1)
10	-	Bracket Assembly (P/O PL 2.17 Item 1)
11	-	Bracket Assembly (P/O PL 2.17 Item 1)
12	127K39650	Pre Registration Motor
13	-	Spring (P/O PL 2.17 Item 1)
14	-	Bracket (P/O PL 2.17 Item 1)
15	-	Bracket (P/O PL 2.17 Item 1)



0502017A-OLY

PL 2.18 Takeaway Roll

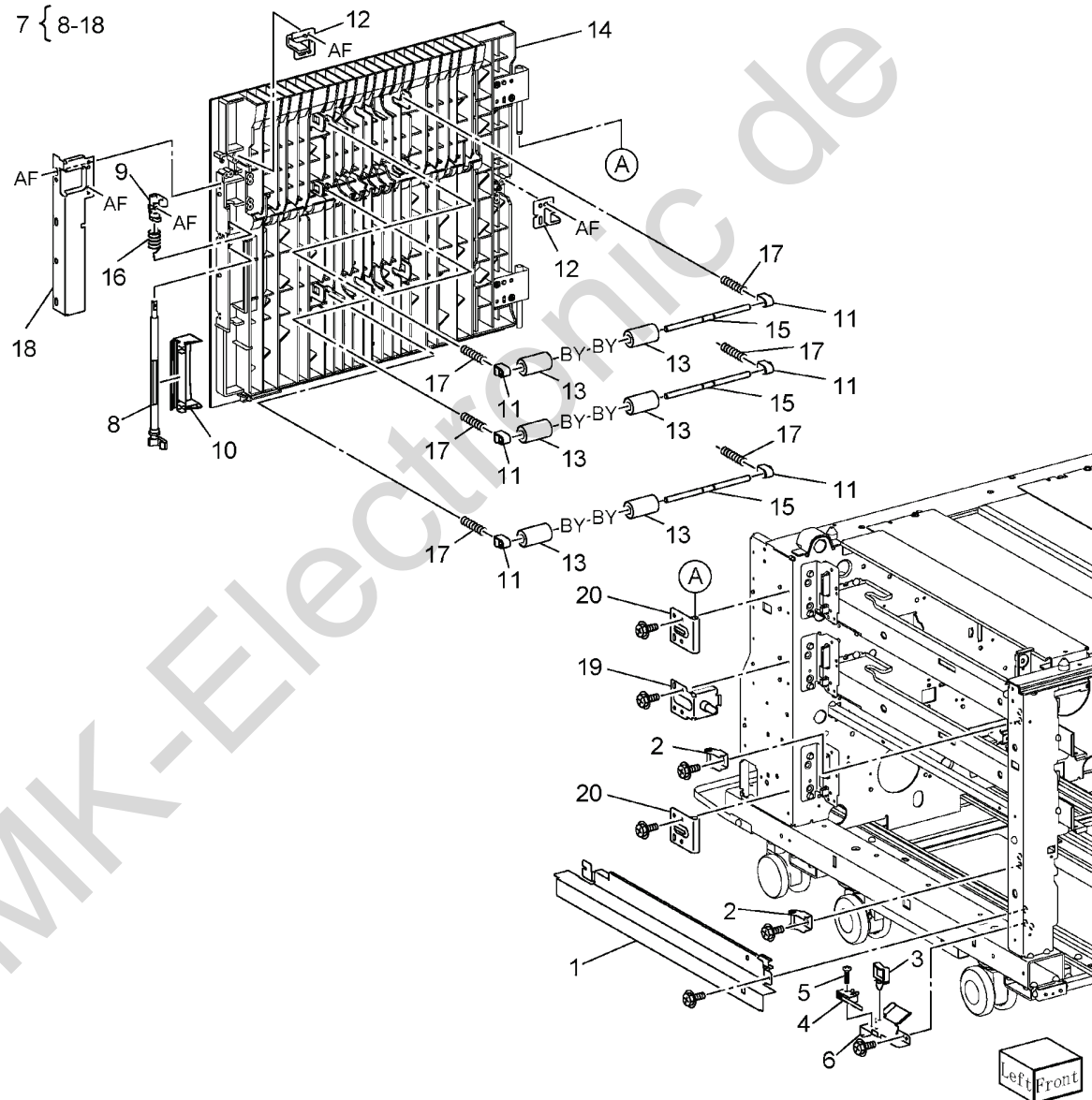
Item	Part	Description
1	-	Chute Assembly (Not Spared)
2	-	Harness Holder (P/O PL 2.18 Item 1)
3	-	Chute (P/O PL 2.18 Item 1)
4	130K88311	Tray 3 Feed Out Sensor
5	-	Wire Harness (P/O PL 2.18 Item 1)
6	-	Chute Assembly (Not Spared)
7	-	Chute (P/O PL 2.18 Item 6)
8	-	Wire Harness (P/O PL 2.18 Item 6)
9	-	Wire Harness (P/O PL 2.18 Item 6)
10	059K24941	Takeaway Roll Assembly
11	-	Gear (18T) (P/O PL 2.18 Item 10)
12	-	Bearing (P/O PL 2.18 Item 10)
13	-	Takeaway Roll 1/2/3 (P/O PL 2.18 Item 10)
14	-	Bearing (Not Spared)
15	-	Harness Holder (Not Spared)
16	130E84300	Tray 4 Feed Out Sensor
17	-	Bracket (Not Spared)



0502018A-OLY

PL 2.19 Left Chute Cover

Item	Part	Description
1	-	Cover Bracket (Not Spared)
2	-	Latch Bracket (Not Spared)
3	-	Harness Holder (Not Spared)
4	110E11420	L/H Cover Interlock Switch
5	-	Screw (Not Spared)
6	-	Bracket (Not Spared)
7	802K47248	Left Chute Cover Assembly
8	-	Latch (P/O PL 2.19 Item 7)
9	-	Hook (P/O PL 2.19 Item 7)
10	-	Handle (P/O PL 2.19 Item 7)
11	013E26100	Bearing
12	-	Guide (P/O PL 2.19 Item 7)
13	059E99240	Pinch Roll
14	-	Left Chute Cover (P/O PL 2.19 Item 7)
15	-	Shaft (P/O PL 2.19 Item 7)
16	-	Spring (P/O PL 2.19 Item 7)
17	809E54780	Spring
18	-	Guide Bracket (P/O PL 2.19 Item 7)
19	-	Bracket (Not Spared)
20	-	Bracket (Not Spared)

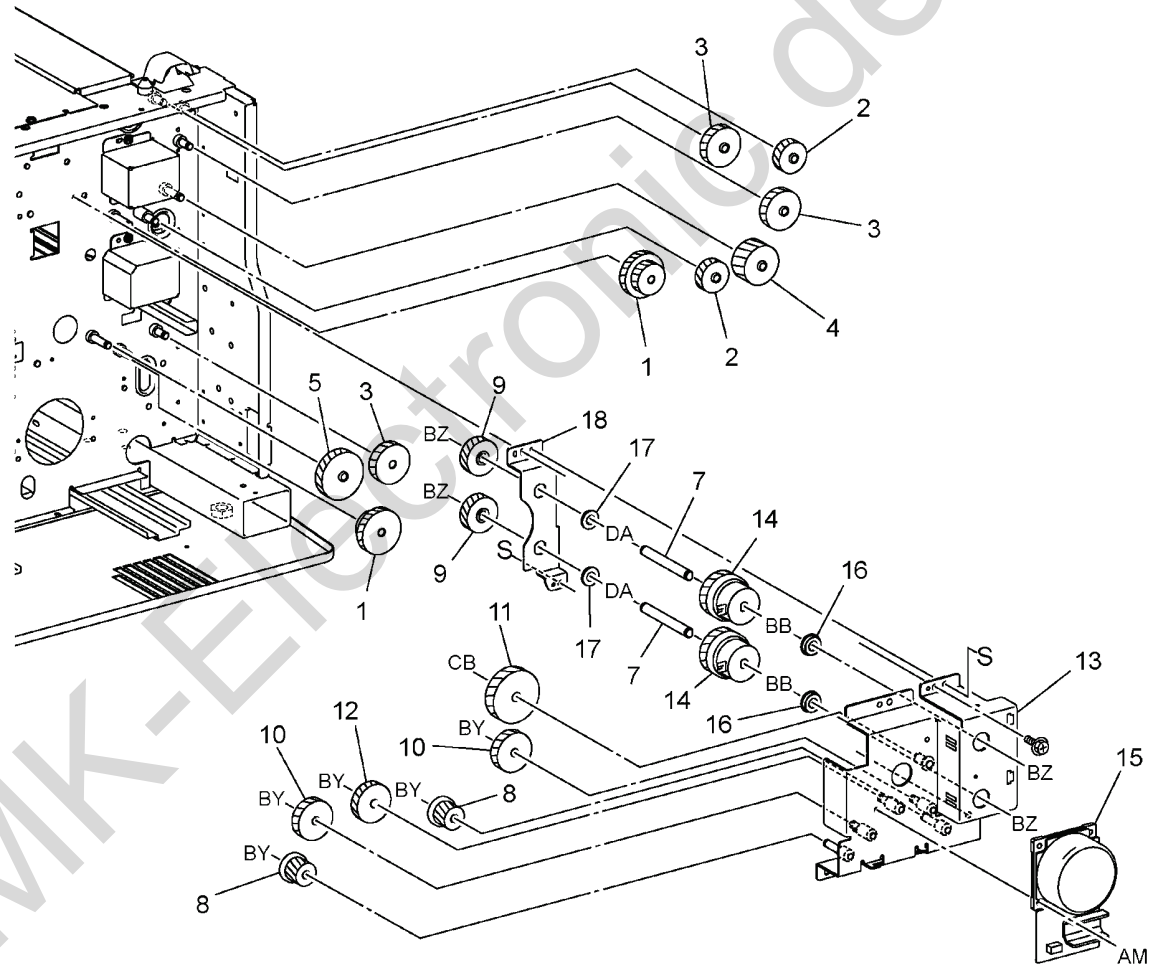


0502019A-OLY

PL 2.20 T/A Drive

Item	Part	Description
1	-	Gear (36T/25T) (Not Spared)
2	-	Gear (36T) (Not Spared)
3	-	Gear (46T) (Not Spared)
4	-	Gear (46T) (Not Spared)
5	-	Gear (56T) (Not Spared)
6	007K87671	T/A Drive Assembly
7	-	Shaft (P/O PL 2.20 Item 6)
8	-	Gear (26T) (P/O PL 2.20 Item 6)
9	-	Gear (41T) (P/O PL 2.20 Item 6)
10	-	Gear (46T) (P/O PL 2.20 Item 6)
11	-	Gear (54T) (P/O PL 2.20 Item 6)
12	-	Gear (45T) (P/O PL 2.20 Item 6)
13	-	Bracket (P/O PL 2.20 Item 6)
14	121K33710	Take Away Clutch 1 And 2
15	127K39520	T/A Motor (REP 8.4)
16	413W08350	Ball Bearing
17	413W77359	Bearing
18	-	Bracket (P/O PL 2.20 Item 6)

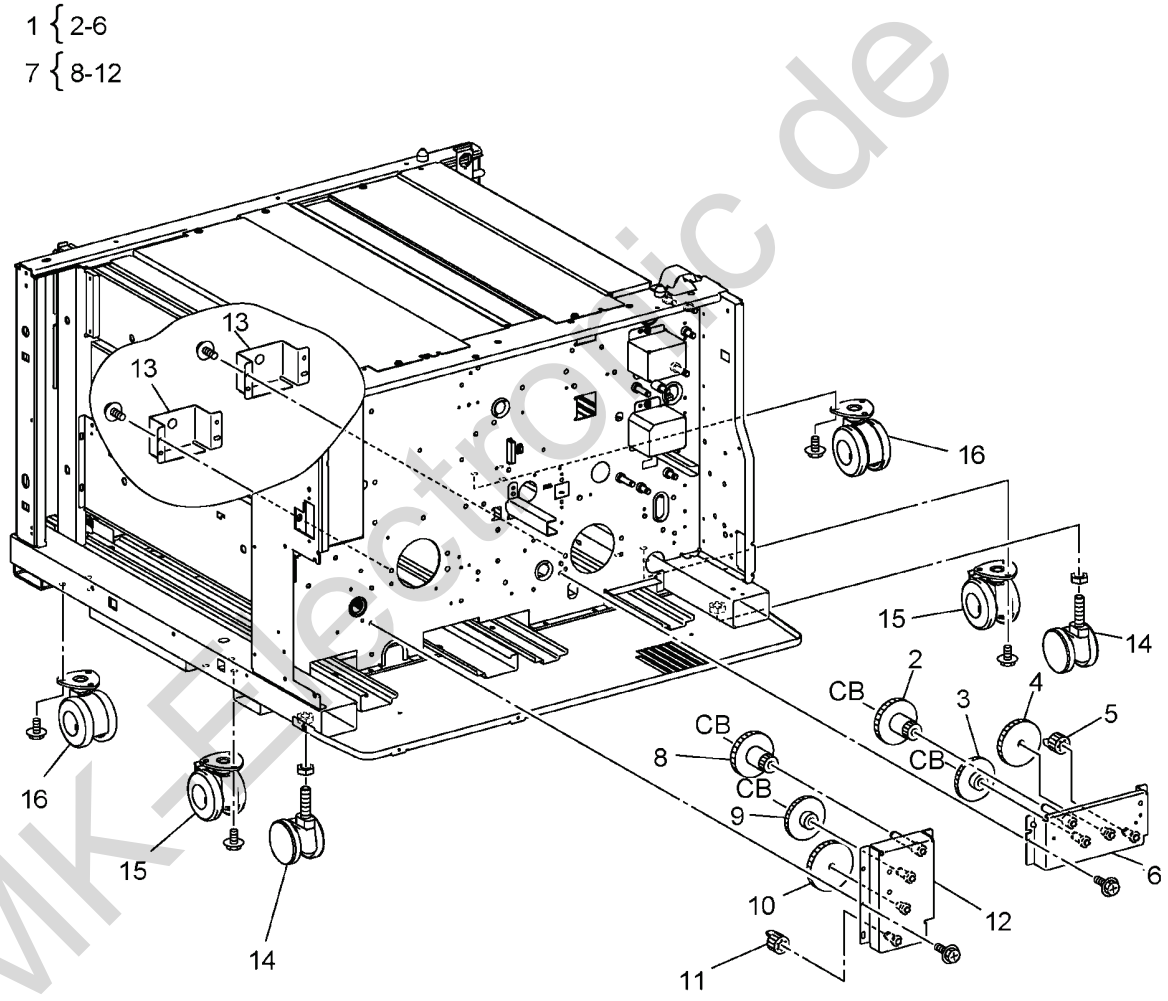
6 { 7-18



0502020A-OLY

PL 2.21 Tray 3/4 Gear Assembly

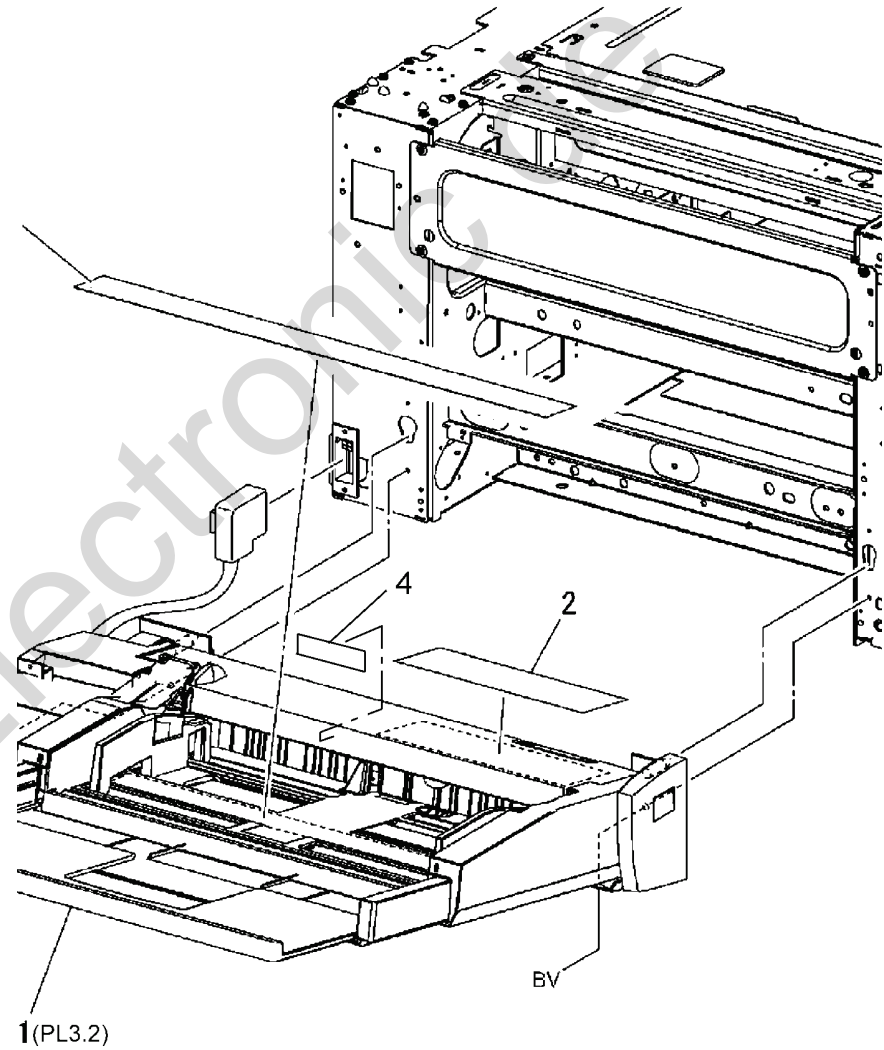
Item	Part	Description
1	030K75452	Tray 3 Gear Assembly
2	-	Gear (17T/50T) (P/O PL 2.21 Item 1)
3	-	Gear (16T/48T) (P/O PL 2.21 Item 1)
4	-	Gear (51T) (P/O PL 2.21 Item 1)
5	-	Gear (18T) (P/O PL 2.21 Item 1)
6	-	Bracket (P/O PL 2.21 Item 1)
7	030K76141	Tray 4 Gear Assembly
8	-	Gear (17T/50T) (P/O PL 2.21 Item 7)
9	-	Gear (16T/48T) (P/O PL 2.21 Item 7)
10	-	Gear (57T) (P/O PL 2.21 Item 7)
11	-	Gear (18T) (P/O PL 2.21 Item 7)
12	-	Bracket (P/O PL 2.21 Item 7)
13	-	Bracket (Not Spared)
14	017E94310	Caster
15	017K93160	Caster
16	017K93170	Caster



0502021A-OLY

PL 3.1 Tray 5 / Bypass Accessory

Item	Part	Description
1	059K42299	Tray 5 / Bypass (with Cover)
2	893E44110	Label (Instruction)
3	893E44121	Label (Size)
4	-	Label (Caution) (Not Spared)

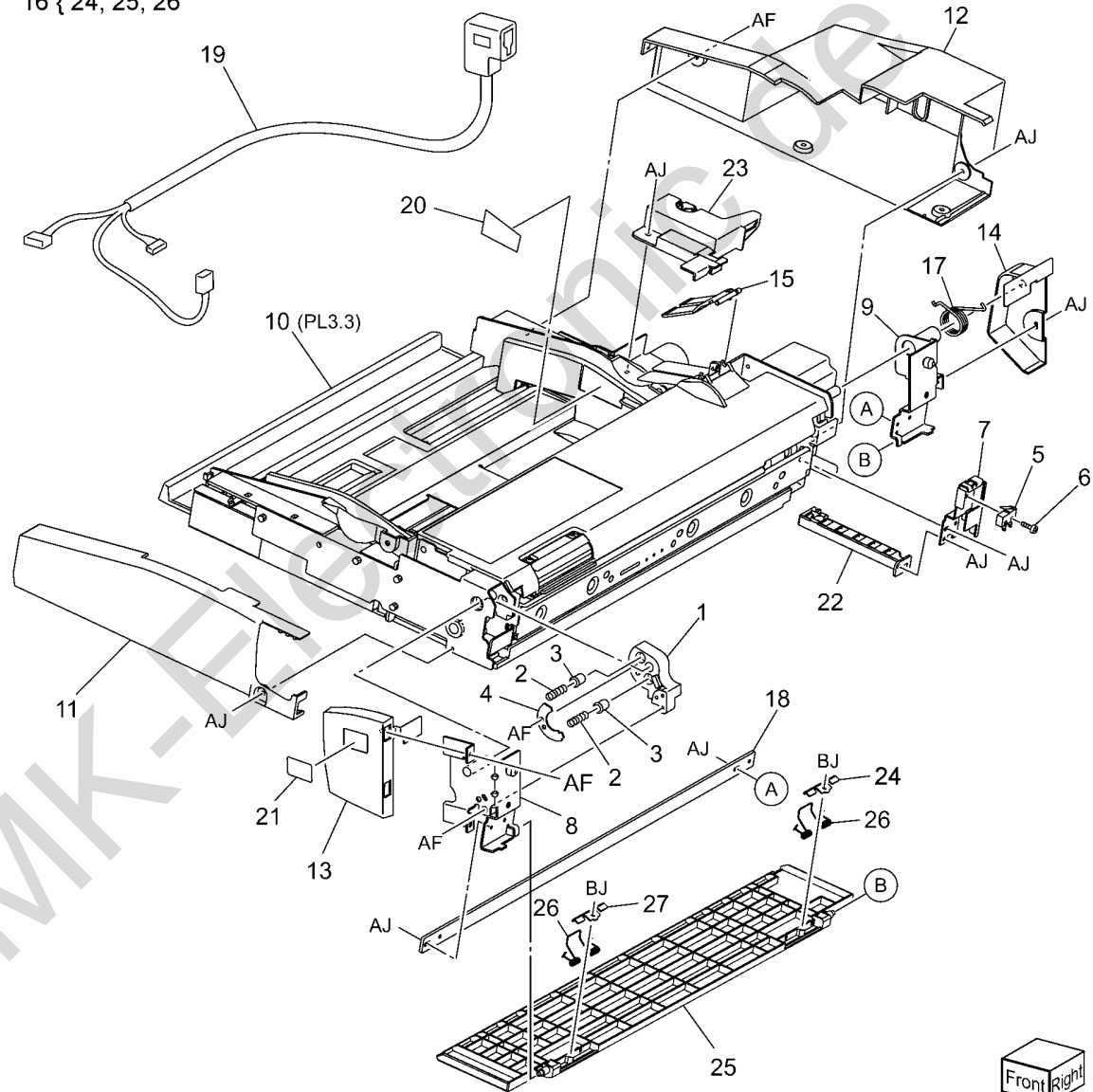


05

PL 3.2 Tray 5 / Bypass Cover

Item	Part	Description
1	-	Sector Gear (P/O PL 3.1 Item 1)
2	-	Compression Spring (P/O PL 3.1 Item 1)
3	-	Lock Pin (P/O PL 3.1 Item 1)
4	-	Lock Plate (P/O PL 3.1 Item 1)
5	110E11430	Cover Interlock Switch
6	-	Screw (M2.3x9) (P/O PL 3.1 Item 1)
7	-	Switch Bracket (P/O PL 3.1 Item 1)
8	-	Front Bracket (P/O PL 3.1 Item 1)
9	-	Rear Bracket (P/O PL 3.1 Item 1)
10	-	Tray 5/Bypass (P/O PL 3.1 Item 1)
11	802E55621	Front Cover 1
12	802E55633	Rear Cover 1
13	802E55640	Front Cover 2
14	802E55651	Rear Cover 2
15	802E63061	Upper Cover
16	802K57484	Lower Cover Assembly
17	-	Torsion Spring (P/O PL 3.1 Item 1)
18	-	Lower Plate (P/O PL 3.1 Item 1)
19	962K17863	Wire Harness
20	893E16170	Label (Max)
21	893E15750	Label (Number)
22	-	Harness Guide (P/O PL 3.2 Item 16)
23	-	Harness Cover (P/O PL 3.1 Item 1)
24	-	Bracket (P/O PL 3.2 Item 16)
25	-	Lower Cover (P/O PL 3.2 Item 16)
26	-	Spring (P/O PL 3.2 Item 16)

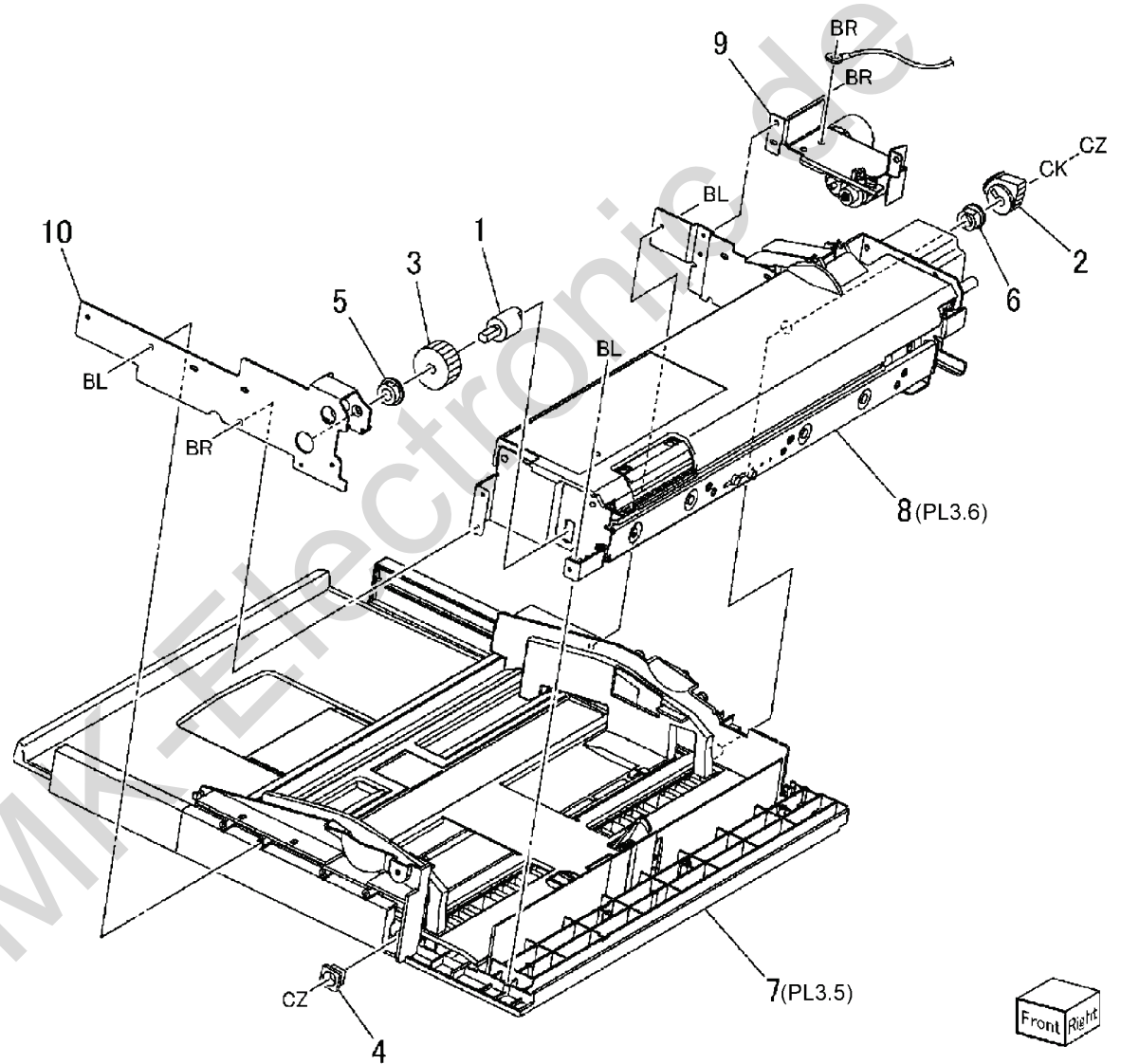
16 { 24, 25, 26



0503002B-OLY

PL 3.3 Tray 5 / Bypass Component (1 of 2)

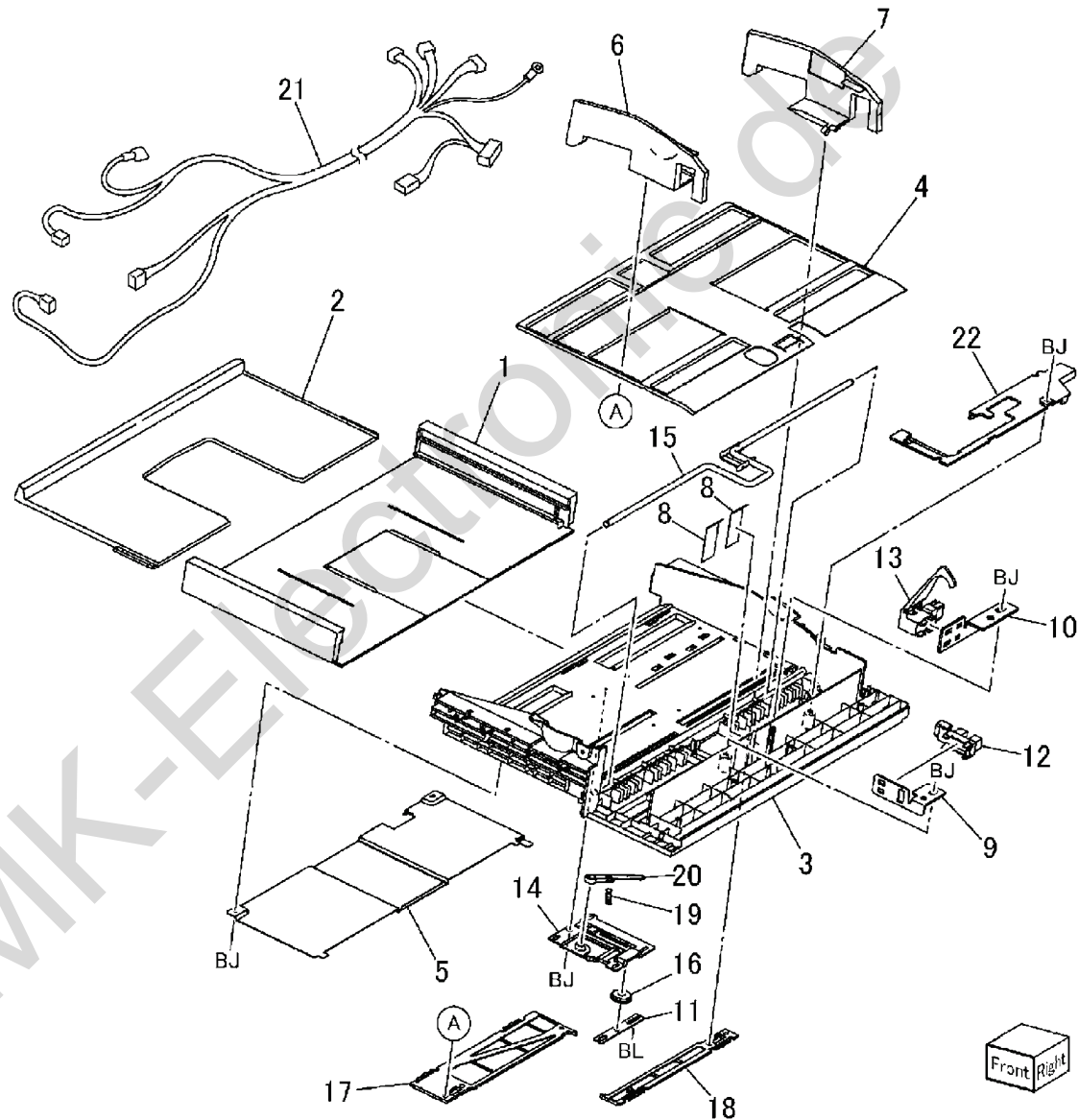
Item	Part	Description
1	-	Damper (P/O PL 3.1 Item 1)
2	007E79331	Sector Gear
3	007E79350	Gear (19T)
4	013E23610	Sleeve Bearing
5	-	Sleeve Bearing (P/O PL 3.1 Item 1)
6	013E92890	Sleeve Bearing
7	-	Tray (P/O PL 3.1 Item 1)
8	-	Feeder (P/O PL 3.1 Item 1) (REP 7.14)
9	801K05035	Lift Up Motor
10	-	Front Frame (Not Spared)



0503003A-OLY

PL 3.5 Tray 5 / Bypass Tray Component

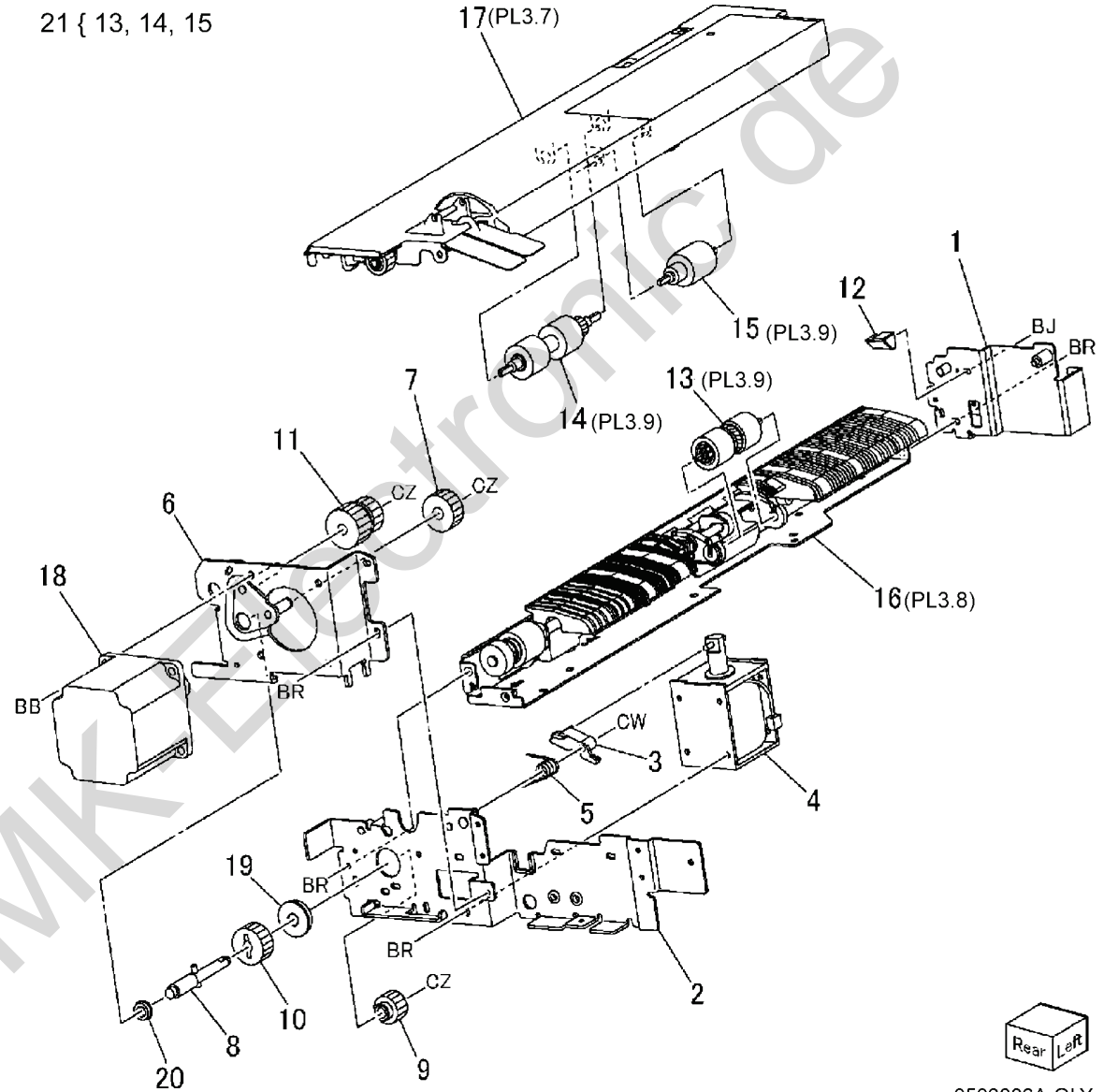
Item	Part	Description
1	-	Lower Tray (P/O PL 3.1 Item 1)
2	-	Extension Tray (P/O PL 3.1 Item 1)
3	-	Tray (P/O PL 3.1 Item 1)
4	-	Bottom Plate (P/O PL 3.1 Item 1)
5	802E55680	Tray Lower Cover
6	038E26770	Front Side Guide
7	038E26780	Rear Side Guide
8	-	Paper Guide (P/O PL 3.1 Item 1)
9	-	Sensor Bracket (P/O PL 3.1 Item 1)
10	-	Sensor Bracket (P/O PL 3.1 Item 1)
11	-	Gear Plate (P/O PL 3.1 Item 1)
12	930W00111	Lift Down Sensor
13	130K64360	Paper Set Sensor
14	130K64432	Size Sensor
15	-	Shaft (P/O PL 3.1 Item 1)
16	007E79700	Pinion Gear
17	-	Front Rack Gear (P/O PL 3.1 Item 1)
18	-	Rear Rack Gear (P/O PL 3.1 Item 1)
19	809E49930	Compression Spring
20	012E11760	Sensor Link
21	-	Tray Wire Harness (P/O PL 3.1 Item 1)
22	-	Harness Cover (P/O PL 3.1 Item 1)



0503005A-OLY

PL 3.6 Tray 5 / Bypass Feeder Component

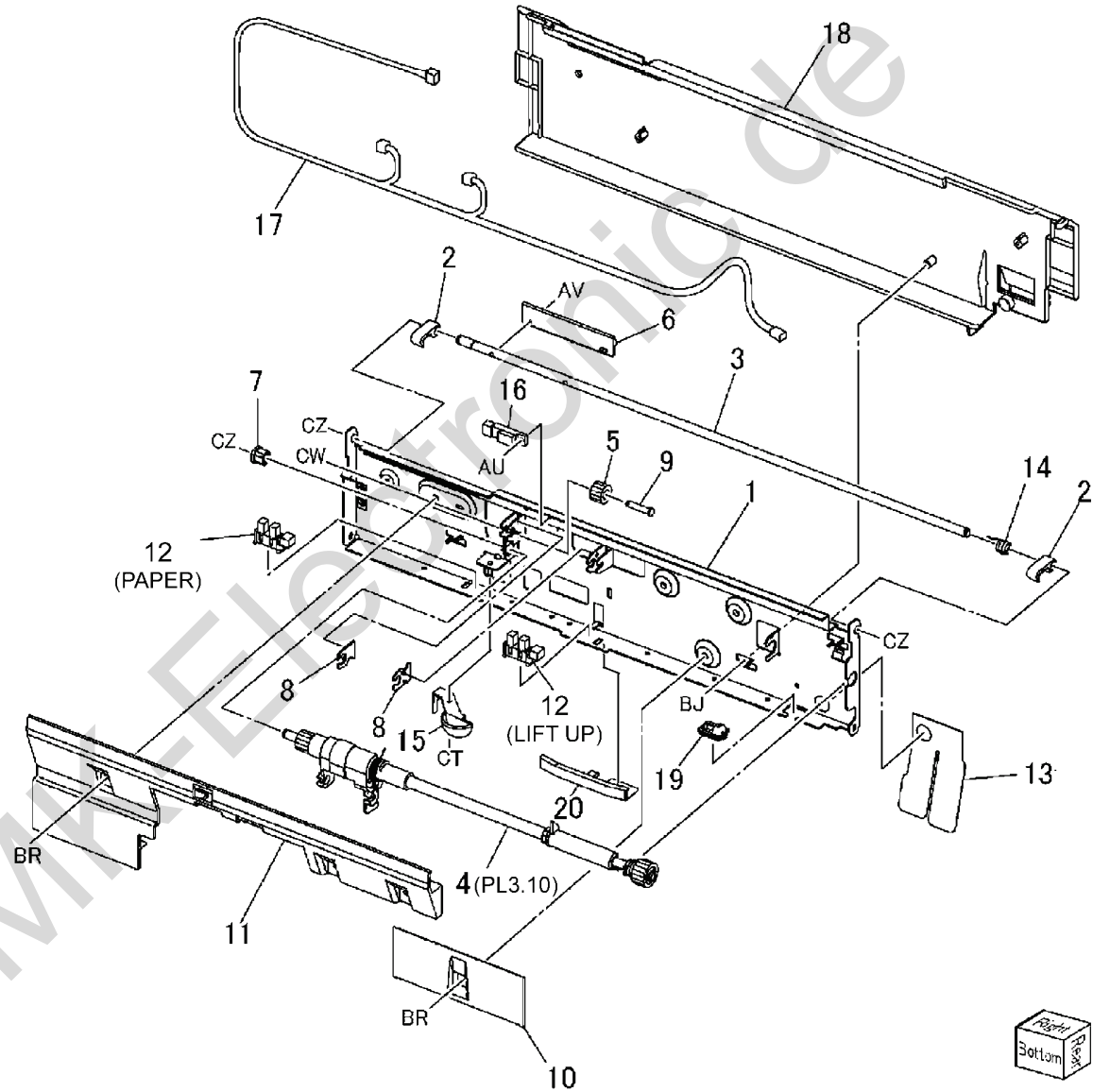
Item	Part	Description
1	-	Feeder Front Frame (P/O PL 3.3 Item 8)
2	-	Feeder Rear Frame (P/O PL 3.3 Item 8)
3	012E11041	Solenoid Link
4	121K31341	Nudger Solenoid
5	-	Torsion Spring (P/O PL 3.3 Item 8)
6	-	Motor Bracket (P/O PL 3.3 Item 8)
7	007E78770	Gear (25T)
8	-	Shaft (P/O PL 3.3 Item 8)
9	007E78760	Gear (19T)
10	007E78780	Gear (25T)
11	007K88730	One Way Clutch Gear (23T/27T)
12	-	Block (P/O PL 3.3 Item 8)
13	059K26591	Retard Roll (REP 7.15)
14	059K26691	Feed Roll (REP 7.15)
15	059K26701	Nudger Roll (REP 7.15)
16	-	Lower Feeder (P/O PL 3.3 Item 6)
17	059K29537	Upper Feeder
18	127K38252	Feed Motor
19	013E25530	Sleeve Bearing
20	413W66250	Ball Bearing
21	604K23660	Retard, Feed, Nudger Roll Kit



0503006A-OLY

PL 3.7 Tray 5 / Bypass Upper Feeder Component

Item	Part	Description
1	-	Upper Feeder Frame (P/O PL 3.6 Item 17)
2	003E59570	Latch
3	-	Latch Shaft (P/O PL 3.6 Item 17)
4	006K23313	Feed/Nudger Shaft
5	007E78180	Gear (25T)
6	-	Lever (P/O PL 3.6 Item 17)
7	013E25540	Sleeve Bearing
8	-	Spacer (P/O PL 3.6 Item 17)
9	-	Pin (P/O PL 3.6 Item 17)
10	-	Upper Rear Chute (P/O PL 3.6 Item 17)
11	-	Upper Chute (P/O PL 3.6 Item 17)
12	930W00112	Lift Up Sensor, No Paper Sensor
13	-	Solenoid Guide (P/O PL 3.6 Item 17)
14	-	Torsion Spring
15	120E21900	Actuator
16	930W00211	Pre Feed Sensor
17	-	Upper Feeder Wire Harness (P/O PL 3.6 Item 17)
18	-	Upper Feeder Cover (P/O PL 3.6 Item 17)
19	-	Guide (P/O PL 3.6 Item 17)
20	-	Upper Guide (P/O PL 3.6 Item 17)

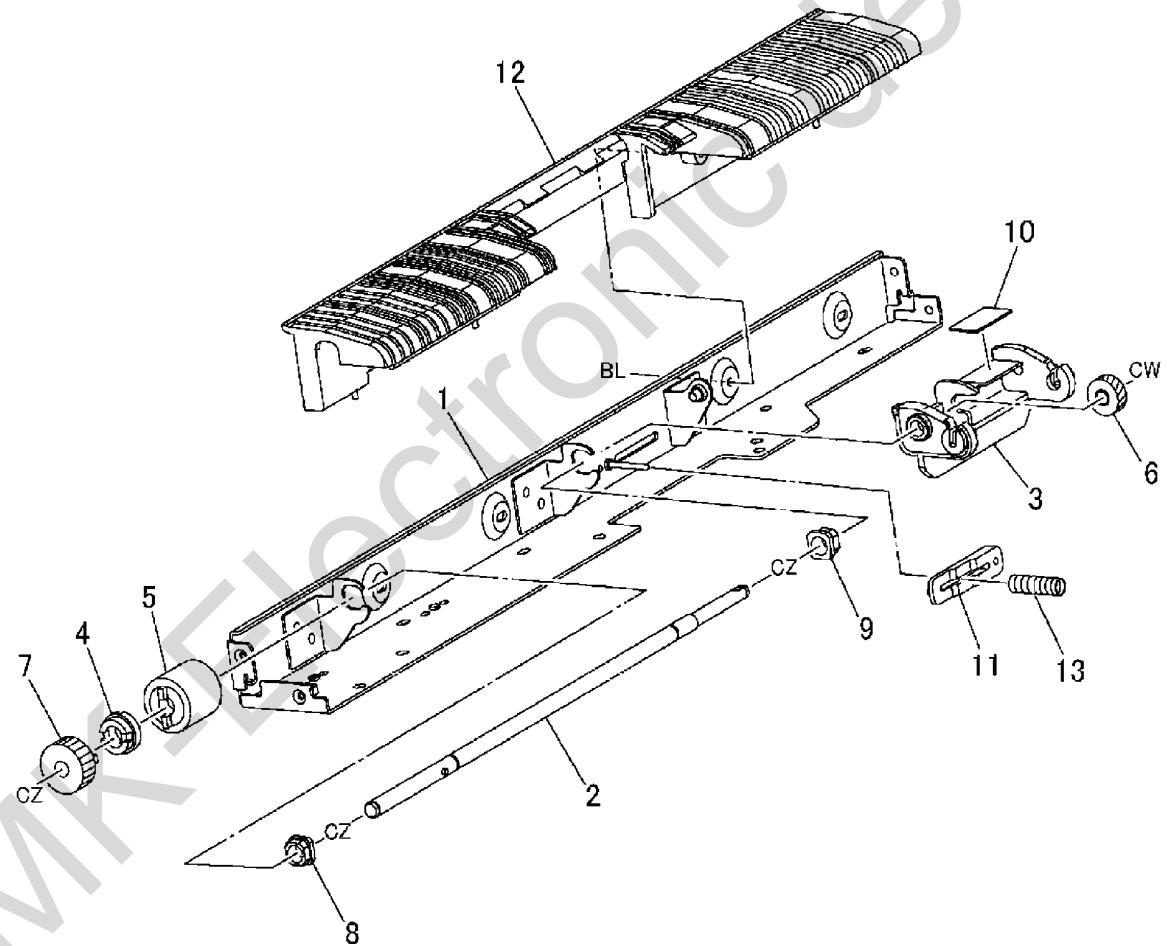


0503007A-OLY

PL 3.8 Tray 5 / Bypass Lower Feeder Component

14 { 2 - 8

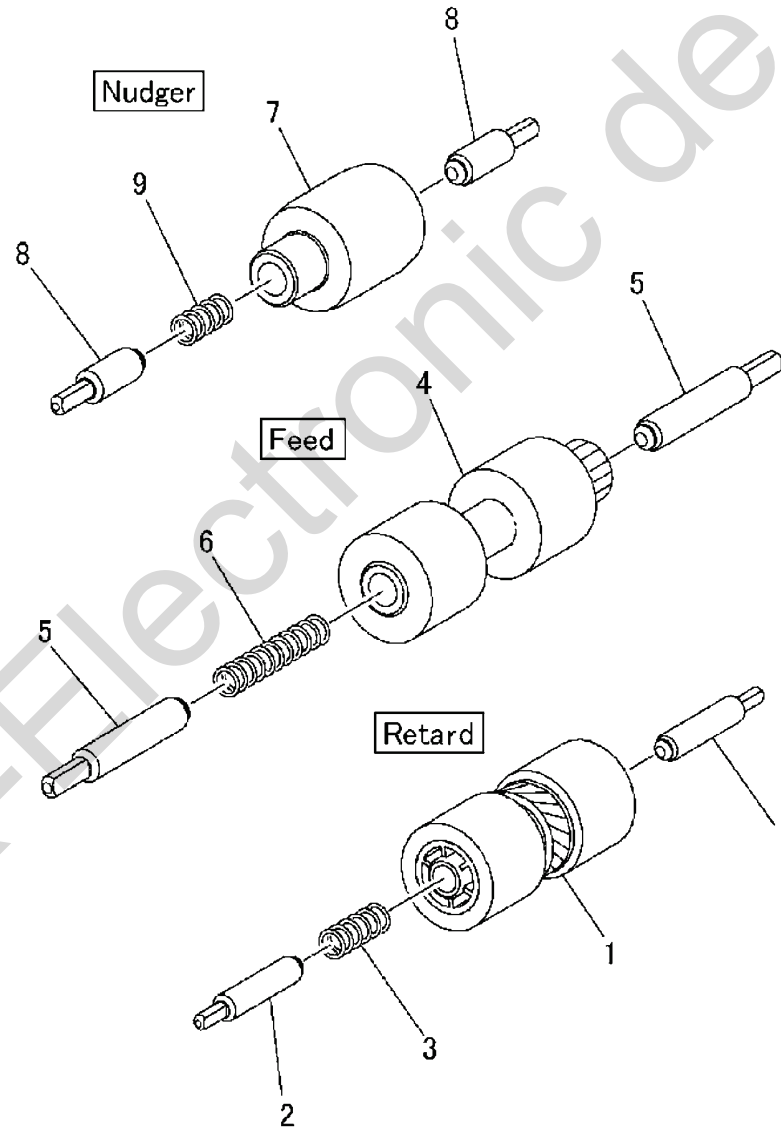
Item	Part	Description
1	-	Lower Feeder Frame (P/O PL 3.3 Item 8)
2	-	Retard Shaft (P/O PL 3.3 Item 8)
3	-	Retard Bracket (P/O PL 3.3 Item 8)
4	-	Collar
5	005K06701	Friction Clutch
6	007E78170	Gear (15T)
7	007E89760	Gear (22T)
8	013E23600	Sleeve Bearing (Length: 5mm)
9	013E23610	Sleeve Bearing (Length: 6.6mm)
10	-	Pad (P/O PL 3.3 Item 8)
11	-	Retard Slide (P/O PL 3.3 Item 8)
12	-	Lower Chute (P/O PL 3.3 Item 8)
13	809E41221	Compression Spring
14	006K23134	Retard Shaft Assembly



0503008A-OL

PL 3.9 Retard/Feed/Nudger Roll Component

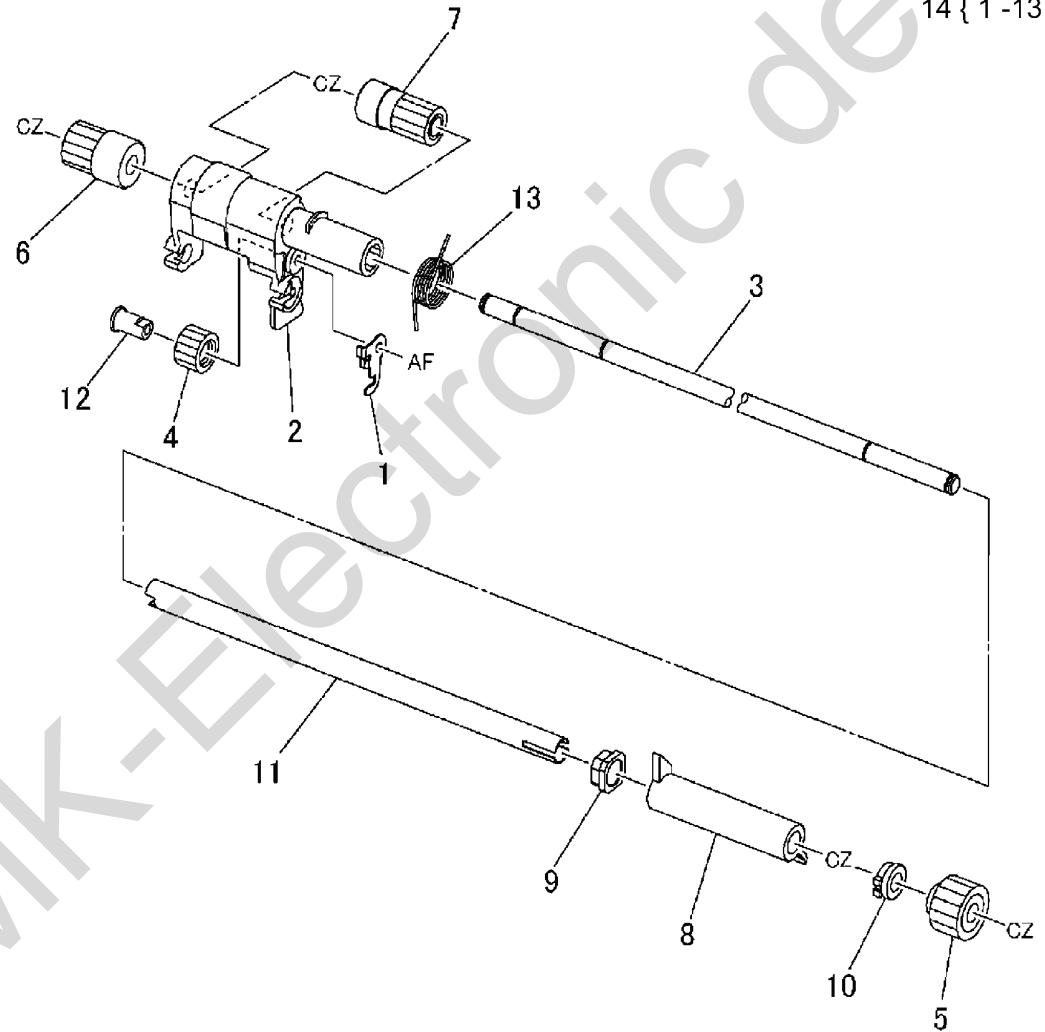
Item	Part	Description
1	-	Retard Roll (P/O PL 3.6 Item 13)
2	-	Pin (P/O PL 3.6 Item 13)
3	-	Compression Spring (P/O PL 3.6 Item 13)
4	-	Feed Roll (P/O PL 3.6 Item 14)
5	-	Pin (P/O PL 3.6 Item 14)
6	-	Compression Spring (P/O PL 3.6 Item 14)
7	-	Nudger Roll (P/O PL 3.6 Item 15)
8	-	Pin (P/O PL 3.6 Item 15)
9	-	Compression Spring (P/O PL 3.6 Item 15)



0503009A-OLY

PL 3.10 Feed/Nudger Shaft Component

Item	Part	Description
1	-	Nudger Support (P/O PL 3.7 Item 4)
2	-	Nudger Bracket (P/O PL 3.7 Item 4) (REP 7.16)
3	-	Shaft (P/O PL 3.7 Item 4)
4	-	Gear (23T) (P/O PL 3.7 Item 4)
5	-	Gear (20T) (P/O PL 3.7 Item 4)
6	-	One Way Clutch Gear (26T) (P/O PL 3.7 Item 4)
7	-	One Way Clutch Gear (22T) (P/O PL 3.7 Item 4)
8	-	Nudger Lever (P/O PL 3.7 Item 4) (REP 7.16)
9	-	Sleeve Bearing (P/O PL 3.7 Item 4)
10	-	Sleeve Bearing (P/O PL 3.7 Item 4)
11	-	Spacer (P/O PL 3.7 Item 4)
12	-	Pin (P/O PL 3.7 Item 4)
13	-	Torsion Spring (P/O PL 3.7 Item 4) (REP 7.16)
14	006K23313	Feed/Nudger Shaft Assembly



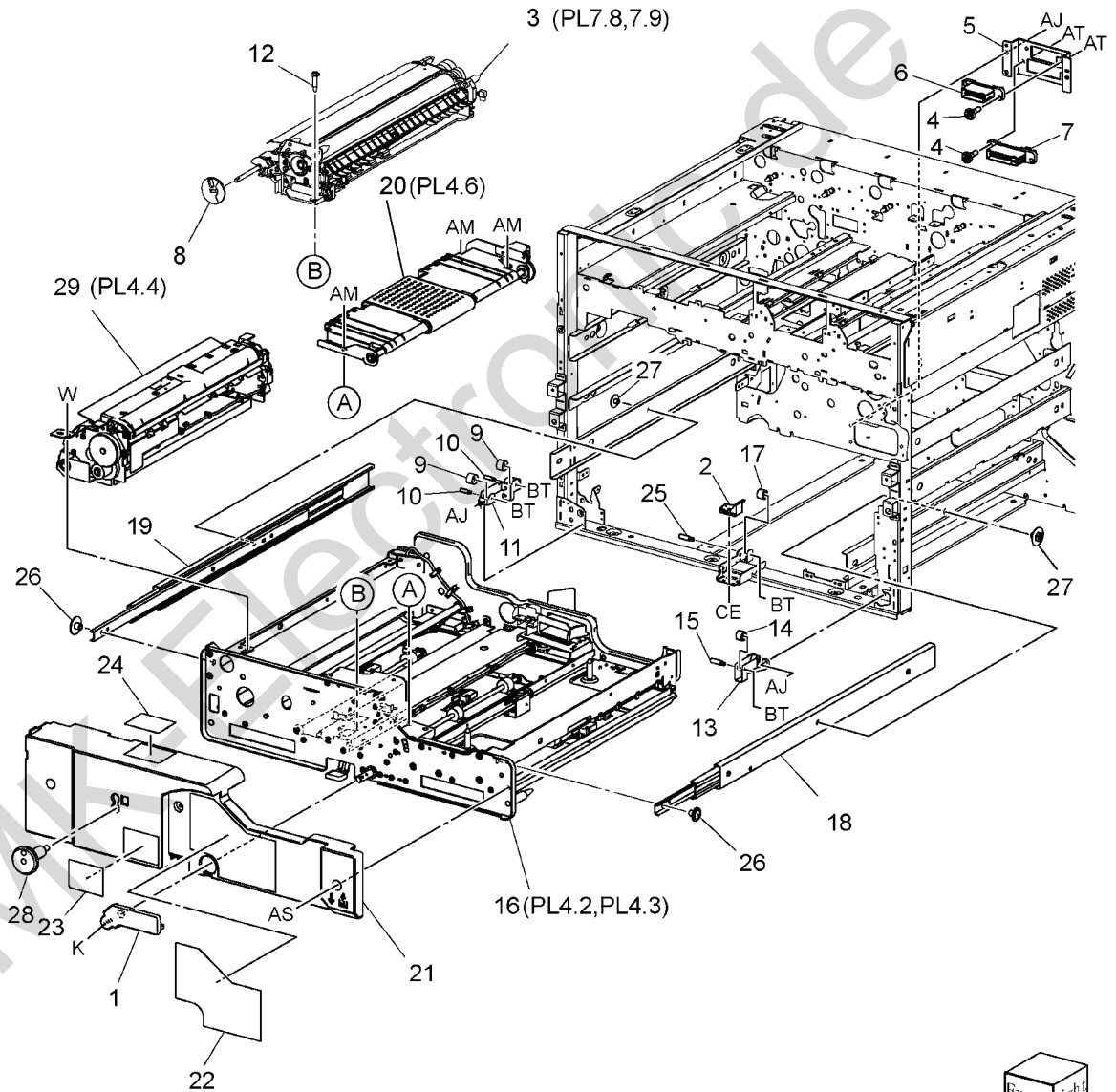
14 { 1 -13



0503010A-OLY

PL 4.1 Transfer Module Assembly (1 of 2)

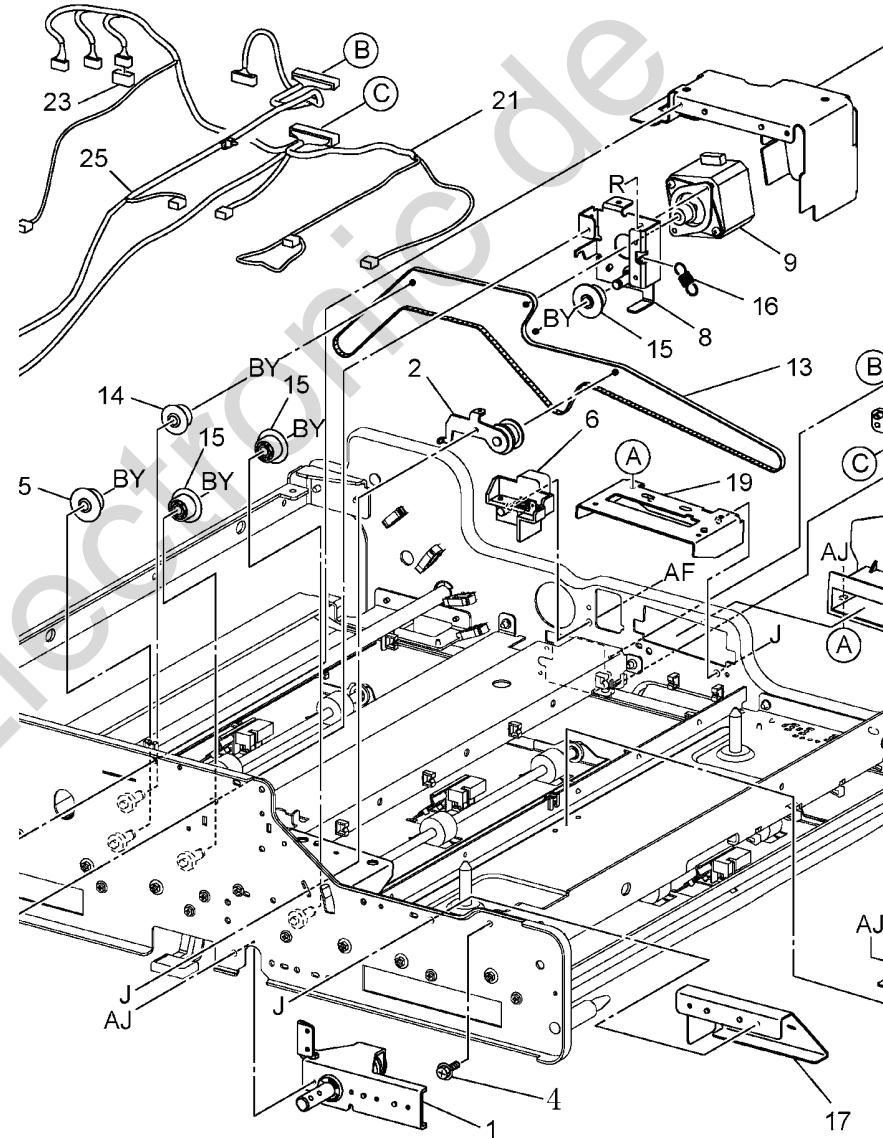
Item	Part	Description
1	003E61300	Knob
2	-	Block (Not Spared)
3	059K45983	2nd BTR Assembly (REP 9.4)
4	-	Shoulder Screw (Not Spared)
5	-	Bracket (Not Spared)
6	913W12117	Connector
7	913W12124	Connector
8	-	Indicator (Not Spared)
9	-	Roller (Not Spared)
10	-	Shaft (Not Spared)
11	-	Bracket (Not Spared)
12	-	Guide Pin (Not Spared)
13	-	Bracket (Not Spared)
14	-	Roller (Not Spared)
15	-	Shaft (Not Spared)
16	-	Transfer Module Assembly (Not Spared)
17	-	Roller (Not Spared)
18	801K14822	Right Rail
19	801K14832	Left Rail
20	059K33525	Vacuum Transport Assembly (REP 10.2)
21	-	Cover (Not Spared)
22	-	Label (P/O)
23	-	Label (Instruction 2A) (Not Spared)
24	-	Label (Instruction 2B) (Not Spared)
25	-	Shaft (Not Spared)
26	-	Shoulder Screw (Not Spared)
27	-	Screw (Not Spared)
28	-	Indicator Stopper (Not Spared)
29	059K45841	Registration Transport Assembly (REP 8.1)



0504001A-OLY

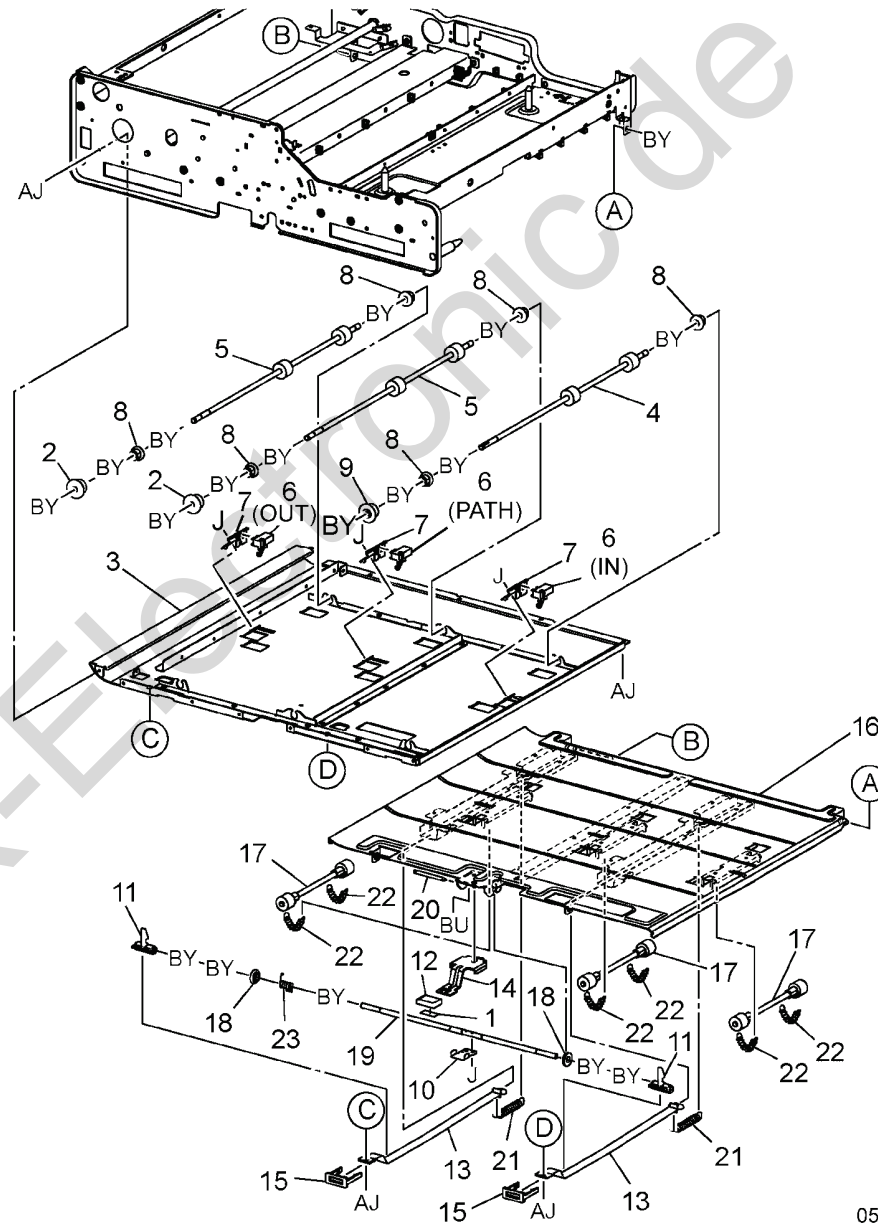
PL 4.2 Transfer Module Assembly (2 of 2)

Item	Part	Description
1	-	Drawer Latch (P/O PL 4.1 Item 16)
2	-	Tensioner (P/O PL 4.1 Item 16)
3	-	Frame Assembly (P/O PL 4.1 Item 16)
4	-	Screw (P/O PL 4.1 Item 16)
5	-	Duct (P/O PL 4.1 Item 16)
6	-	Connector (P/O PL 4.1 Item 16)
7	127K49690	Dup Motor Assembly (REP 8.2)
8	-	Bracket (P/O PL 4.2 Item 7)
9	-	Dup Motor (P/O PL 4.2 Item 7)
10	913W12113	Connector
11	130K87770	Fuser Entrance Sensor
12	-	Bracket (P/O PL 4.1 Item 16)
13	423W01554	Belt
14	499W14524	Pulley
15	499W17061	Idler Pulley
16	-	Spring (P/O PL 4.1 Item 16)
17	-	Bracket (P/O PL 4.1 Item 16)
18	-	Bracket (P/O PL 4.1 Item 16)
19	-	Bracket (P/O PL 4.1 Item 16)
20	-	Wire Harness Assembly (Not Spared)
21	-	Wire Harness (Not Spared)
22	913W12114	Connector
23	-	Connector (P/O PL 4.2 Item 20)
24	-	Connector (P/O PL 4.2 Item 20)
25	-	Wire Harness Assembly



PL 4.3 Duplex Transport

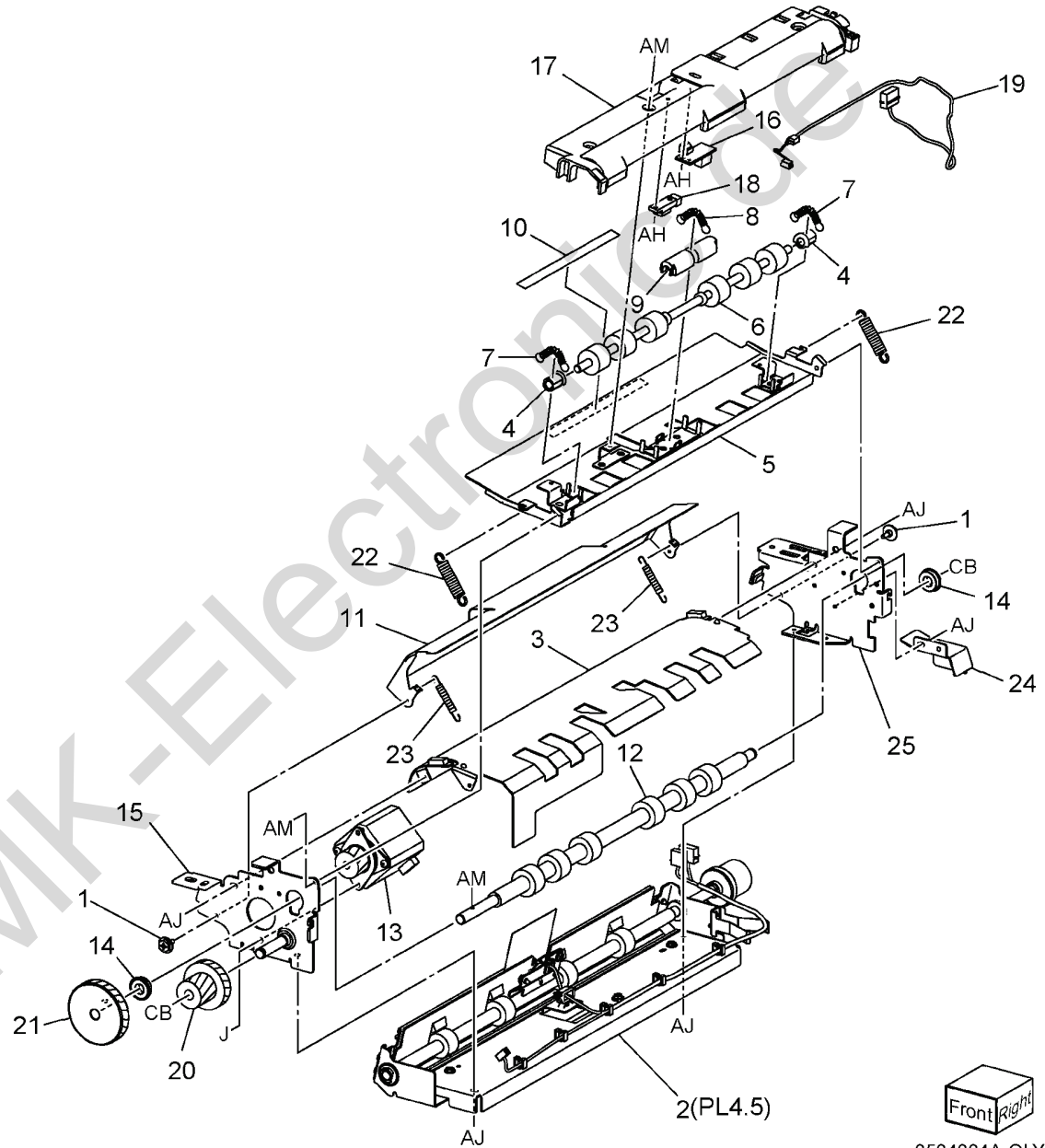
Item	Part	Description
1	-	Label (Not Spared)
2	-	Pulley (Not Spared)
3	-	Dup Upper Chute (P/O PL 4.3 Item 1)
4	059K33501	Dup Roller 2
5	059K33511	Dup Roller 3
6	130K87880	Dup In Sensor, Dup Path Sensor, Dup Out Sensor
7	-	Bracket (Not Spared)
8	-	Bearing (Not Spared)
9	499W14124	Pulley
10	-	Bracket (Not Spared)
11	-	Latch (Not Spared)
12	-	Knob (Not Spared)
13	-	Stopper (Not Spared)
14	-	Lever (Not Spared)
15	-	Tape Guide (Not Spared)
16	-	Lower Duplex Chute (Not Spared)
17	059K33350	Pinch Roll
18	413W75659	Bearing
19	-	Latch Shaft (Not Spared)
20	-	Lever Shaft (Not Spared)
21	-	Spring (Not Spared)
22	809E55080	Spring
23	-	Spring (Not Spared)



0504003B-OLY

PL 4.4 Registration Transport Assembly

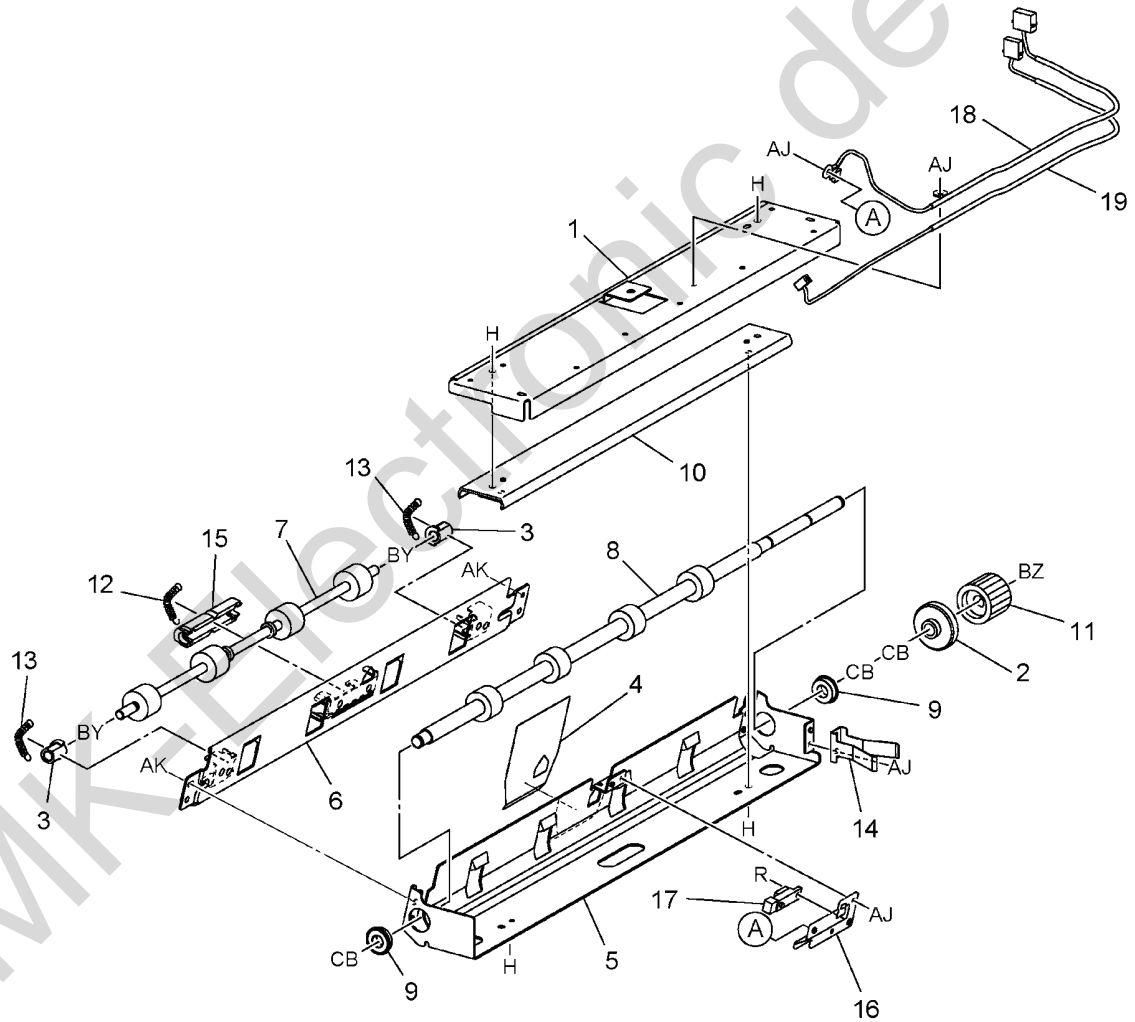
Item	Part	Description
1	-	Screw (P/O PL 4.1 Item 29)
2	-	Pre Registration Slide (P/O PL 4.1 Item 29)
3	-	Lower Chute (P/O PL 4.1 Item 29)
4	013E23631	Bearing
5	-	Roll Assembly (P/O PL 4.1 Item 29)
6	059K26180	Spring
7	809E09430	Spring
8	809E55300	Spring
9	830E60740	Support
10	-	Label (P/O PL 4.1 Item 29)
11	-	Registration Chute Assembly (P/O PL 4.1 Item 29)
12	059K26160	Registration Roll
13	127K39641	Registration Motor
14	413W08350	Bearing
15	-	Front Frame Assembly (P/O PL 4.1 Item 29)
16	960K16660	Transparency Sensor
17	-	Registration Cover (P/O PL 4.1 Item 29)
18	930W00211	Registration Sensor
19	-	Wire Harness (P/O PL 4.1 Item 29)
20	-	Gear (20T/35T) (P/O PL 4.1 Item 29)
21	-	Gear (47T) (P/O PL 4.1 Item 29)
22	809E41710	Spring
23	809E52460	Spring
24	-	Bracket Assembly (P/O PL 4.1 Item 29)
25	-	Rear Frame Assembly (P/O PL 4.1 Item 29)



0504004A-OLY

PL 4.5 Pre Registration Slide Assembly

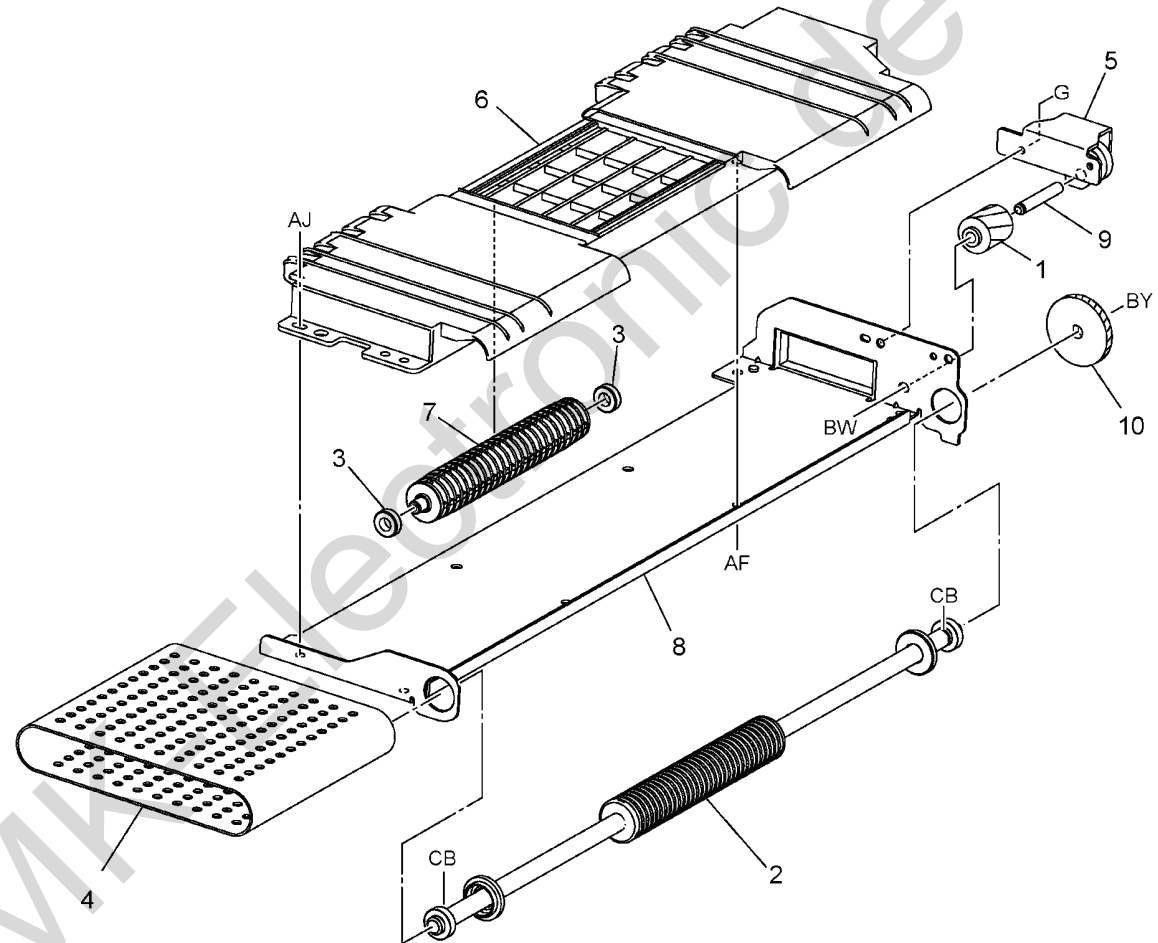
Item	Part	Description
1	-	Inner Frame (P/O PL 4.4 Item 2)
2	-	Collar (P/O PL 4.4 Item 2)
3	013E23631	Bearing
4	-	Paper Guide (P/O PL 4.4 Item 2)
5	-	Pre Registration Lower Chute (P/O PL 4.4 Item 2)
6	-	Chute Assembly (P/O PL 4.4 Item 2)
7	059K26190	Pinch Roll
8	059K33170	Pre Registration Roll
9	413W08350	Bearing
10	-	Rail (P/O PL 4.4 Item 2)
11	-	Gear (25T) (P/O PL 4.4 Item 2)
12	809E54920	Spring
13	809E54930	Spring
14	-	Spring (P/O PL 4.4 Item 2)
15	830E60740	Support
16	-	Bracket (P/O PL 4.4 Item 2)
17	930W00211	Pre Registration Sensor
18	-	Wire Harness (P/O PL 4.4 Item 2)
19	-	Wire Harness (P/O PL 4.4 Item 2)



0504005A-OLY

PL 4.6 Vacuum Transport Assembly

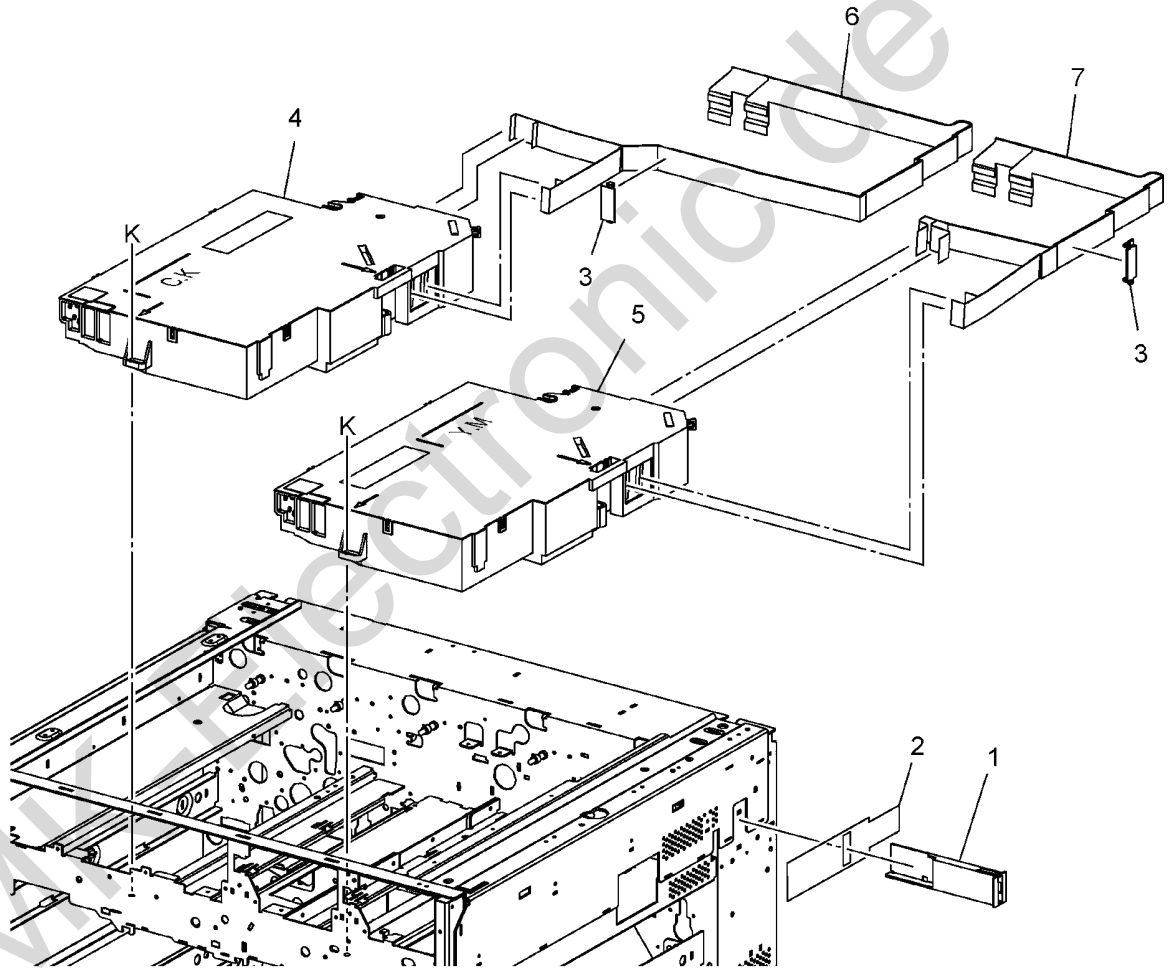
Item	Part	Description
1	–	Gear (15T) (P/O PL 4.1 Item 20)
2	–	Shaft (P/O PL 4.1 Item 20)
3	–	Ball Bearing (P/O PL 4.1 Item 20)
4	023E21400	Transport Belt (REP 10.3)
5	–	Bracket (P/O PL 4.1 Item 20)
6	–	Transport Chute (P/O PL 4.1 Item 20)
7	–	Roller (P/O PL 4.1 Item 20)
8	–	Frame Assembly (P/O PL 4.1 Item 20)
9	–	Shaft (P/O PL 4.1 Item 20)
10	–	Gear (29T) (P/O PL 4.1 Item 20)



0504006A-OLY

PL 5.1 ROS

Item	Part	Description
1	-	Guide (Not Spared)
2	-	Seal (Not Spared)
3	-	Clamp (Not Spared)
4	062K17297	ROS Assembly (C, K) (REP 6.1)
5	062K17306	ROS Assembly (Y, M) (REP 6.2)
6	962K38420	Flat Cable (C, K)
7	962K38430	Flat Cable (Y, M)

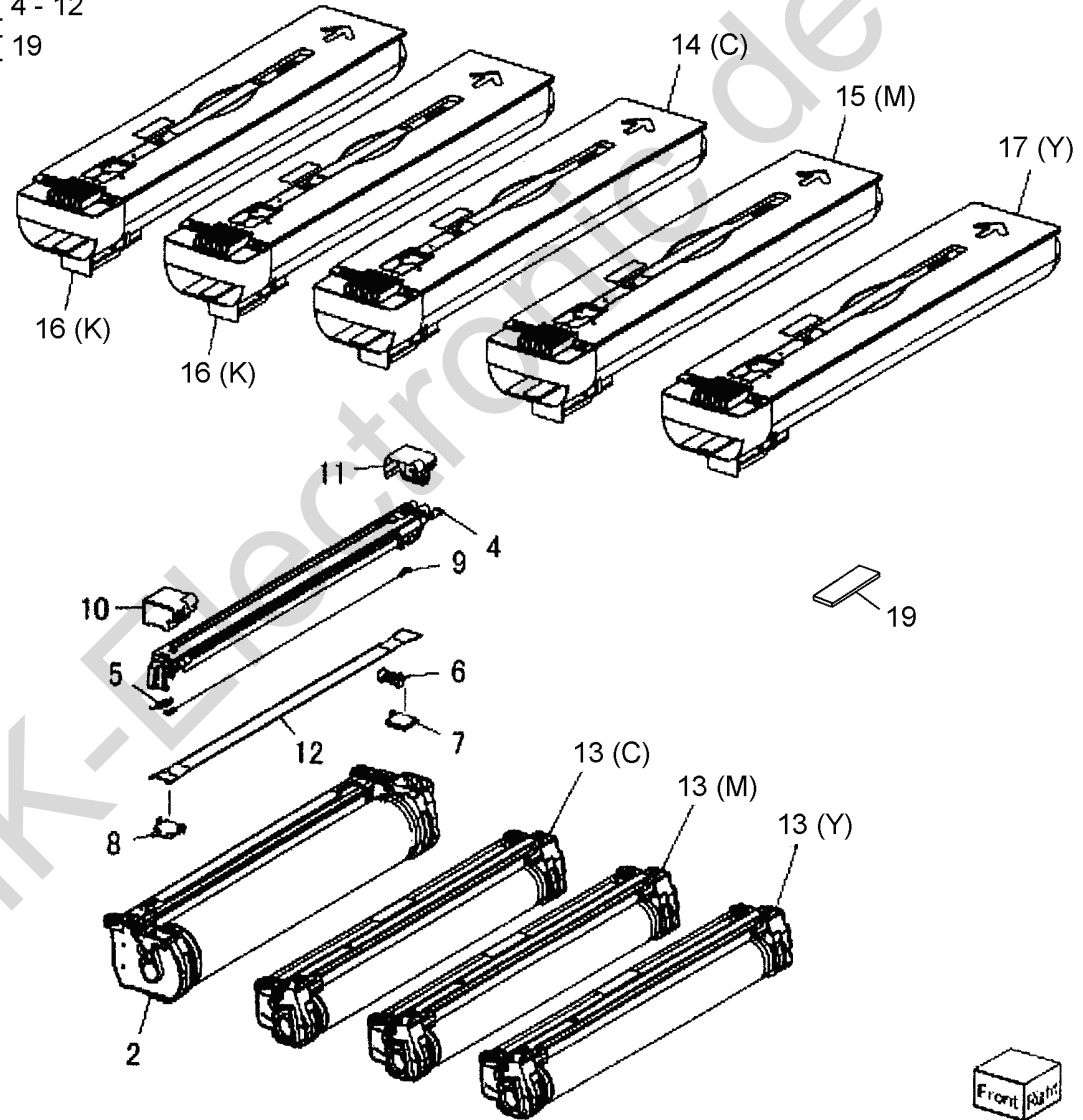


0505001A-OLY

PL 6.1 Drum/Toner Cartridge

Item	Part	Description
1	013R00602	Drum Cartridge Assembly (K)
2	-	Drum (P/O PL 6.1 Item 1)
3	013R00630	Scorotron Unit Assembly
4	-	Scorotron (P/O PL 6.1 Item 1, 3)
5	009E97011	Spring Wire (P/O PL 6.1 Item 1, 3) (REP 9.8)
6	-	Cleaner (P/O PL 6.1 Item 1, 3)
7	-	Rear Shield (P/O PL 6.1 Item 1, 3)
8	-	Front Shield (P/O PL 6.1 Item 1, 3)
9	-	Corotron Wire (P/O PL 6.1 Item 1, 3)
10	-	Front Cover (P/O PL 6.1 Item 1, 3)
11	-	Rear Cover (P/O PL 6.1 Item 1, 3)
12	-	Grid Plate (P/O PL 6.1 Item 1, 3)
13	013R00603	Drum Cartridge (REP 9.8)
14	006R01220	Toner Cartridge (Y)
-	006R01226	Toner Cartridge (C) (XE)
15	006R01221	Toner Cartridge (M)
-	006R01225	Toner Cartridge (M) (XE)
16	006R01223	Toner Cartridge (K) (XE)
-	006R01219	Toner Cartridge (K)
17	006R01224	Toner Cartridge (Y) (XE)
-	006R01222	Toner Cartridge (Y)
18	604K43030	CC Shield Ground Kit
19	-	EME Seal (P/O PL 6.1 Item 18)

1 { 2 - 12
 3 { 4 - 12
 18 { 19

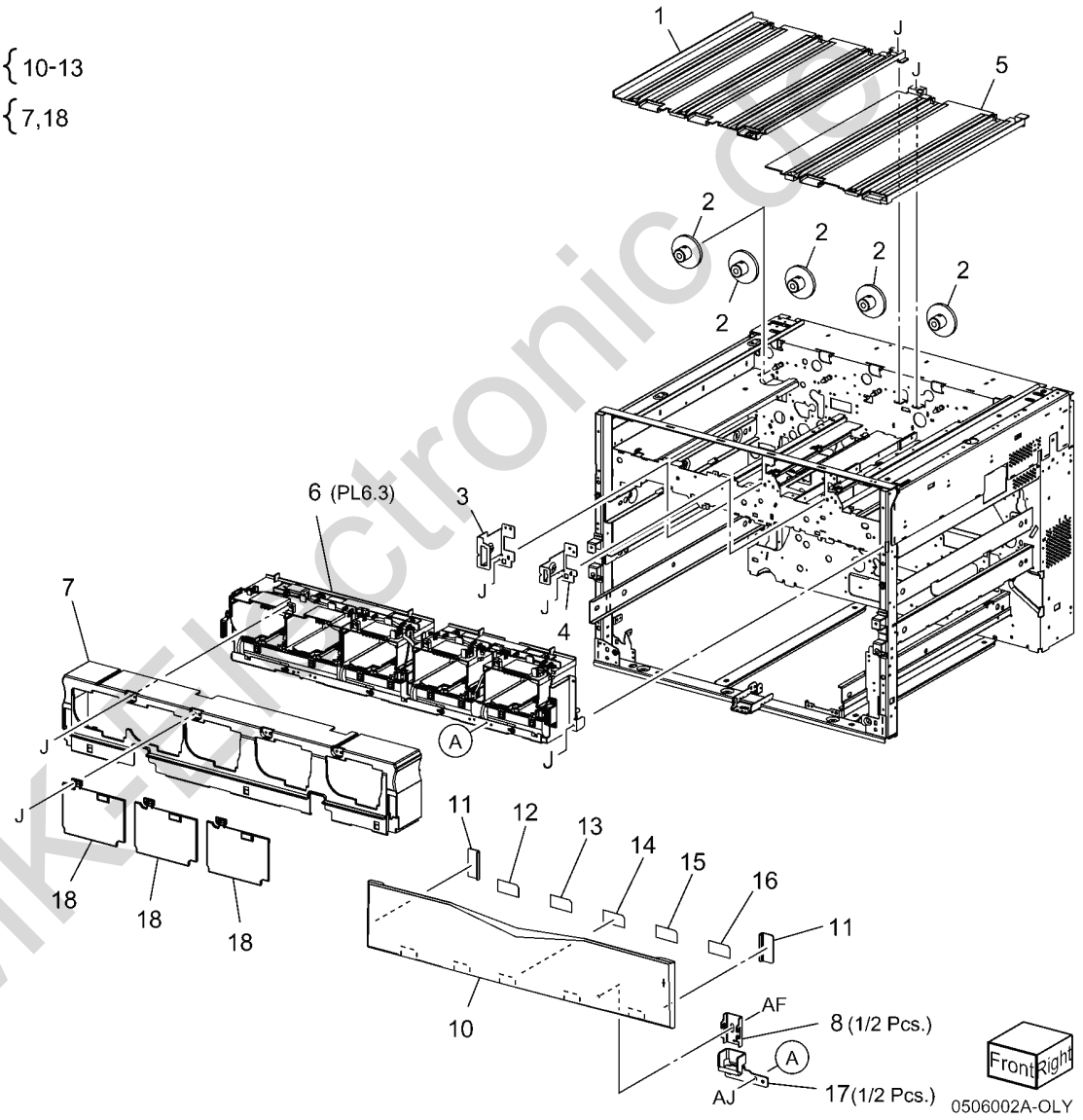


0506001C-OLY

PL 6.2 Dispense Unit

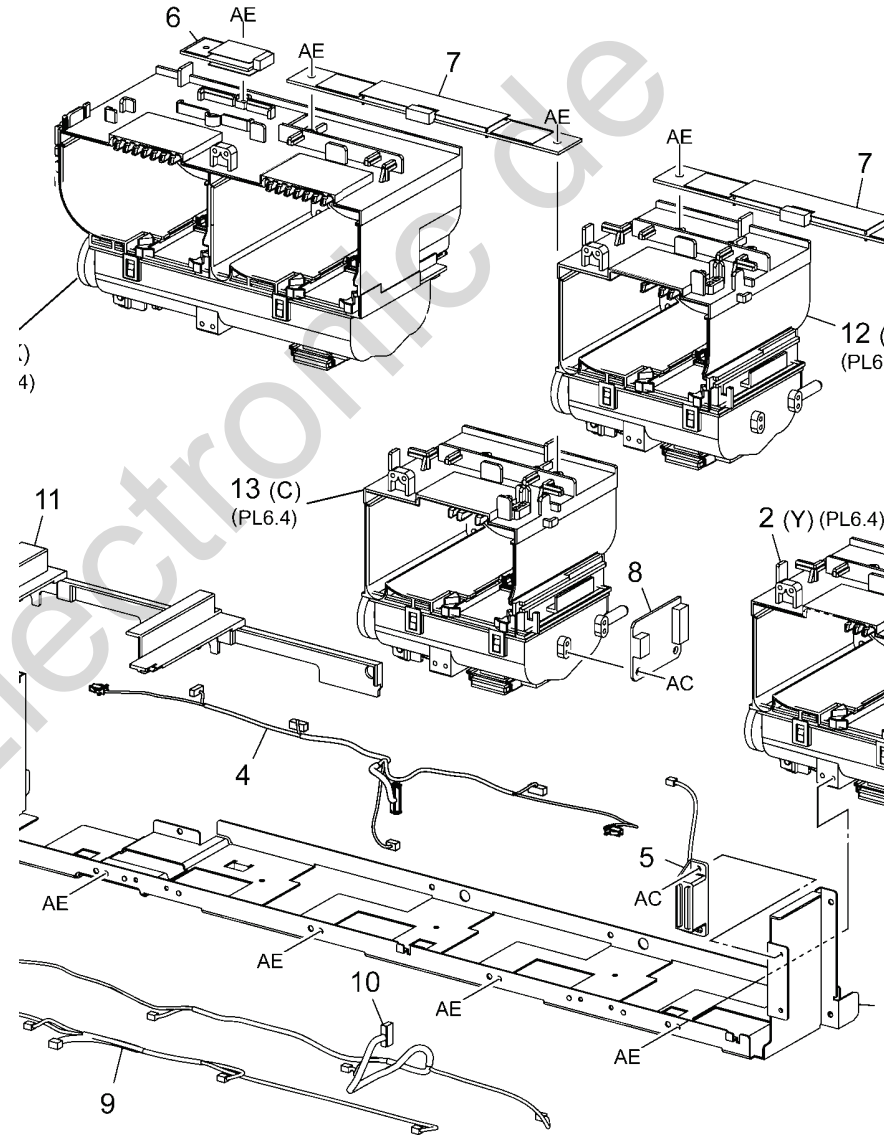
Item	Part	Description
1	-	Left Plate
2	807E02800	Gear
3	-	Bracket (Not Spared)
4	-	Bracket (Not Spared)
5	-	Right Plate (Not Spared)
6	-	Dispense (Y, M, C, K) (Not Spared) (REP 9.9)
7	-	Inner Cover (P/O PL 6.2 Item 19)
8	-	Hinge (Not Spared)
9	802K65464	Toner Cartridge Cover Assembly
10	-	Toner Cartridge Cover (P/O PL 6.2 Item 9)
11	-	Magnet Plate (P/O PL 6.2 Item 9)
12	-	K1 Label (P/O PL 6.2 Item 9)
13	-	K2 Label (P/O PL 6.2 Item 9)
14	-	Y Label (Not Spared)
15	-	M Label (Not Spared)
16	-	C Label (Not Spared)
17	-	Hinge (Not Spared)
18	-	Plate (P/O PL 6.2 Item 19)
19	-	Inner Cover Assembly (Not Spared)

9 { 10-13
19 { 7,18



PL 6.3 Dispense Assembly (Y, M, C, K)

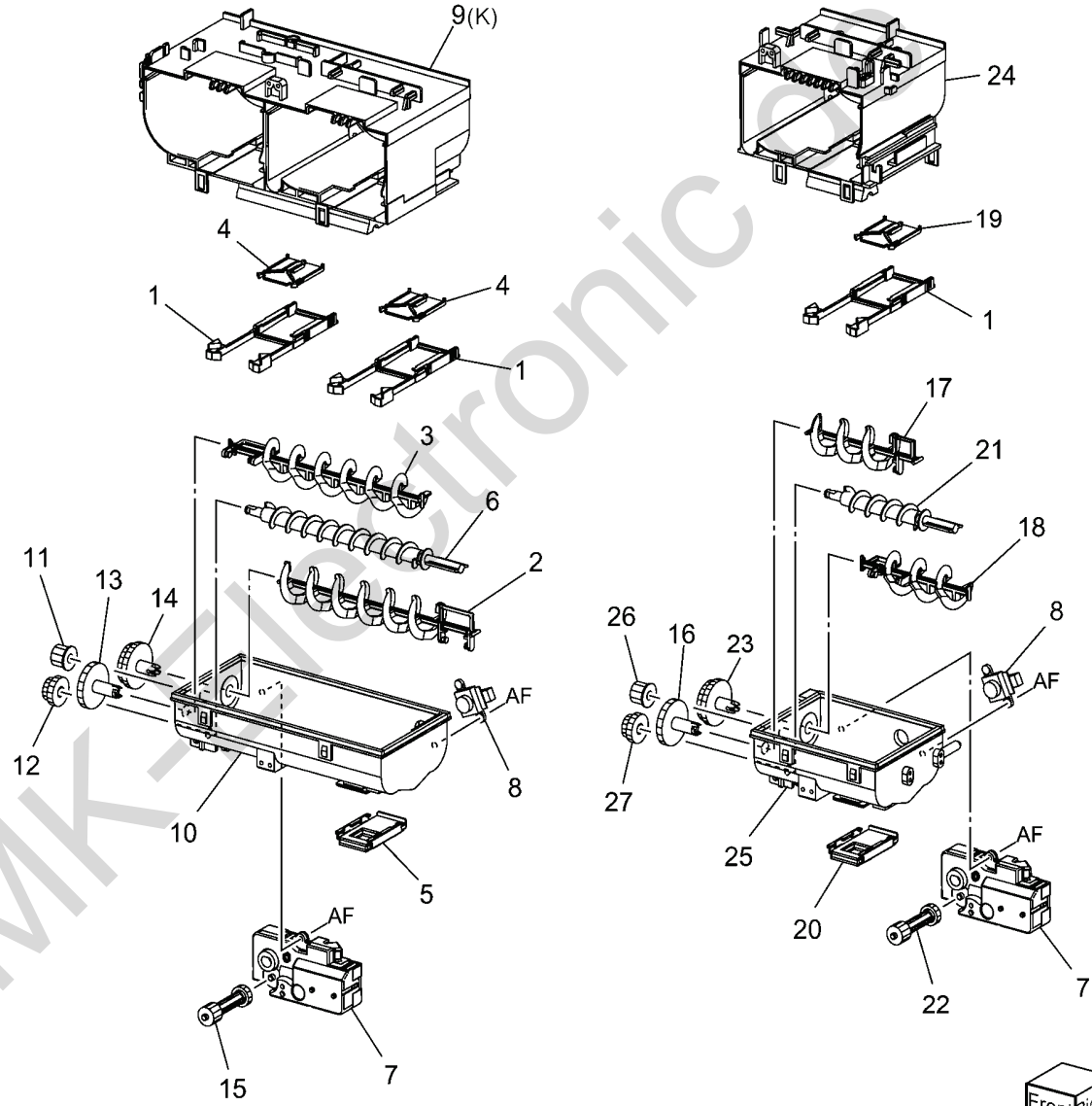
Item	Part	Description
1	094K04546	Dispenser (K) (REP 9.16)
2	094K04556	Dispenser (Y) (REP 9.19)
3	-	Base (Not Spared)
4	-	Wire Harness (Not Spared)
5	110K12080	Dispense Cover Switch 1, 2
6	160K95831	Toner Cartridge CRUM PWB K
7	160K95842	Toner Cartridge CRUM PWB (C, M, Y)
8	960K01281	Low Toner Sensor PWB (REP 9.20)
9	-	Wire Harness (Not Spared)
10	-	Wire Harness (Not Spared)
11	-	Guide (Not Spared)
12	094K04566	Dispenser (M) (REP 9.18)
13	094K04576	Dispenser (C) (REP 9.17)



0:

PL 6.4 Dispense Assembly

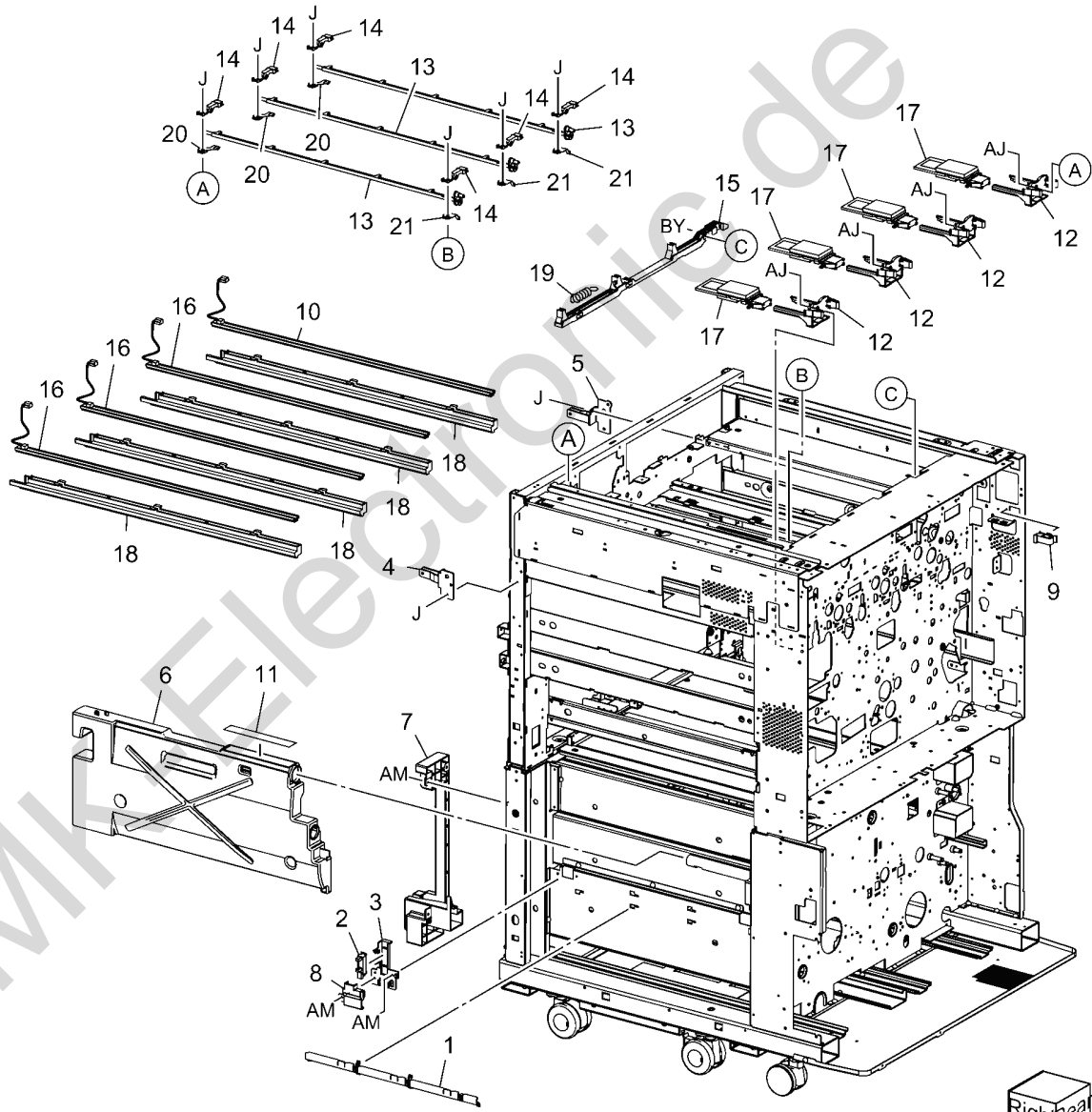
Item	Part	Description
1	-	Stopper (P/O PL 6.4 Item 1, PL 6.4 Item 2, PL 6.4 Item 12, PL 6.4 Item 13)
2	-	K Agitator (P/O PL 6.4 Item 1)
3	-	K Agitator (P/O PL 6.4 Item 1)
4	-	Shutter (P/O PL 6.4 Item 1)
5	-	Shutter (P/O PL 6.4 Item 1)
6	-	K Auger (P/O PL 6.4 Item 1)
7	127K39530	Motor Assembly
8	130E85200	Low Toner Sensor (REP 9.21, REP 9.22, REP 9.23, REP 9.24)
9	-	K Cover (P/O PL 6.4 Item 1)
10	-	Housing (P/O PL 6.4 Item 1)
11	-	Gear (15T) (P/O PL 6.4 Item 1)
12	-	Gear (23T) (P/O PL 6.4 Item 1)
13	-	Gear (35T) (Front) (P/O PL 6.4 Item 1)
14	-	Gear (35T) (Rear) (P/O PL 6.4 Item 1)
15	-	Gear (P/O PL 6.4 Item 1)
16	-	Gear (35T) (Front) (P/O PL 6.4 Item 2, PL 6.4 Item 12, PL 6.4 Item 13)
17	-	Actuator (Y, M, C) (P/O PL 6.4 Item 2, PL 6.4 Item 12, PL 6.4 Item 13)
18	-	Agitator (Y, M, C) (P/O PL 6.4 Item 2, PL 6.4 Item 12, PL 6.4 Item 13)
19	-	Shutter (P/O PL 6.4 Item 2, PL 6.4 Item 12, PL 6.4 Item 13)
20	-	Shutter (P/O PL 6.4 Item 2, PL 6.4 Item 12, PL 6.4 Item 13)
21	-	Auger (Y, M, C) (P/O PL 6.4 Item 2, PL 6.4 Item 12, PL 6.4 Item 13)
22	-	Gear (P/O PL 6.4 Item 2, PL 6.4 Item 12, PL 6.4 Item 13)
23	-	Gear (35T) (Rear) (P/O PL 6.4 Item 2, PL 6.4 Item 12, PL 6.4 Item 13)
24	-	Cover (P/O PL 6.4 Item 2, PL 6.4 Item 12, PL 6.4 Item 13)
25	-	Housing (P/O PL 6.4 Item 2, PL 6.4 Item 12, PL 6.4 Item 13)
26	-	Gear (15T) (P/O PL 6.4 Item 2, PL 6.4 Item 12, PL 6.4 Item 13)
27	-	Gear (23T) (P/O PL 6.4 Item 2, PL 6.4 Item 12, PL 6.4 Item 13)



0506004B-OLY

PL 6.5 Dispense Unit (1 of 3)

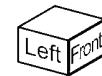
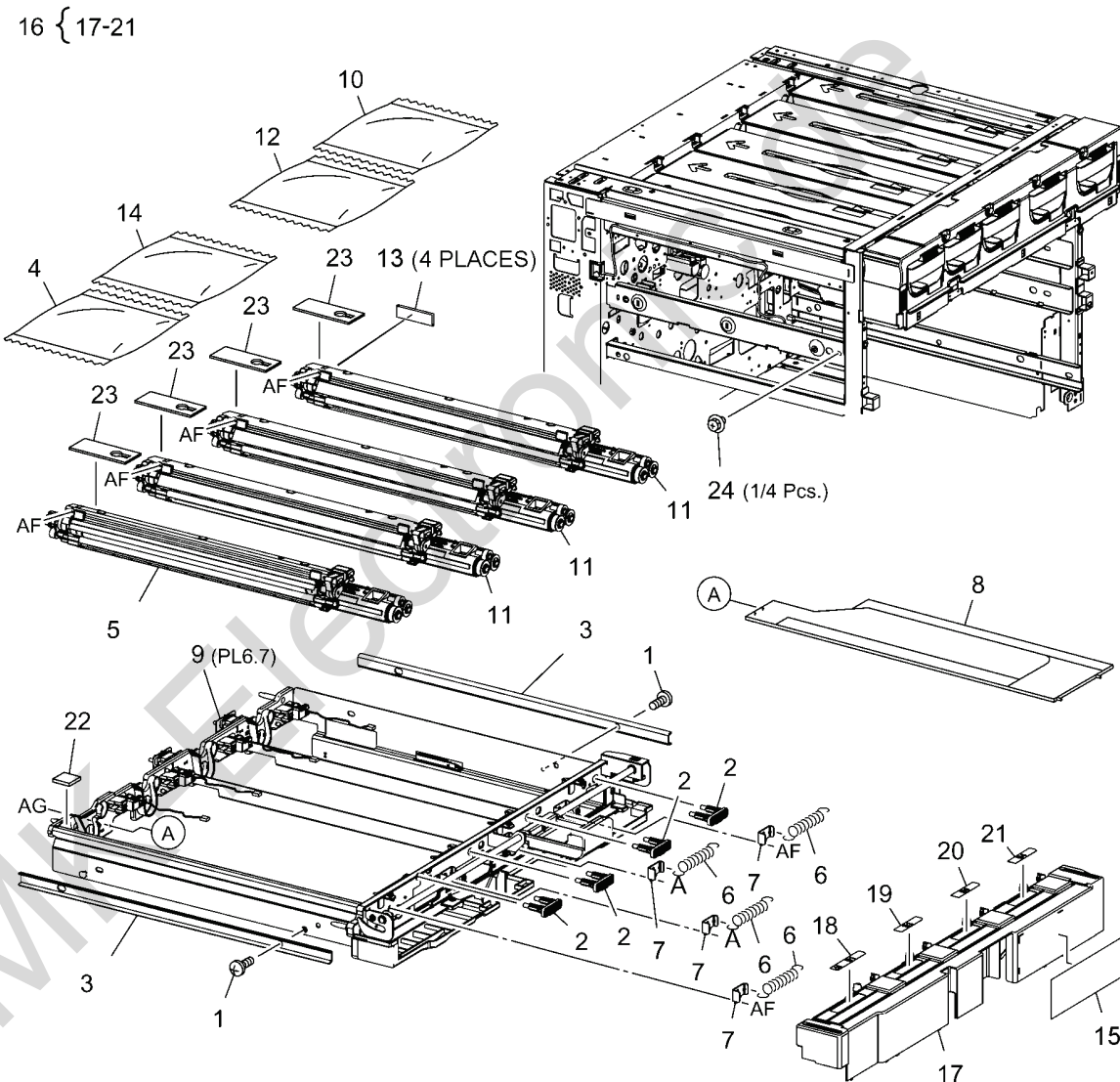
Item	Part	Description
1	-	Harness Guide (Not Spared)
2	130E91010	Waste Bottle Full Sensor
3	-	Bracket (Not Spared)
4	-	Right Bracket (Not Spared)
5	-	Left Bracket (Not Spared)
6	008R12990	Waste Bottle
7	-	Inner Cover (Not Spared)
8	-	Connector Cover (Not Spared)
9	-	Wire (Not Spared)
10	122K93640	Erase Lamp
11	-	Label (Not Spared)
12	-	Cam Holder (Not Spared)
13	008K01881	Cam
14	019E58120	Holder
15	-	Bar (Not Spared)
16	122K93570	Erase Lamp
17	160K95831	Xero CRUM PWB (M, K, C, Y)
18	-	Erase Lamp Rail (Not Spared)
19	-	Spring (Not Spared)
20	-	Ground Clip
21	-	Ground Clip (Not Spared)



0506005B-OLY

PL 6.6 Dispense Unit (2 of 3)

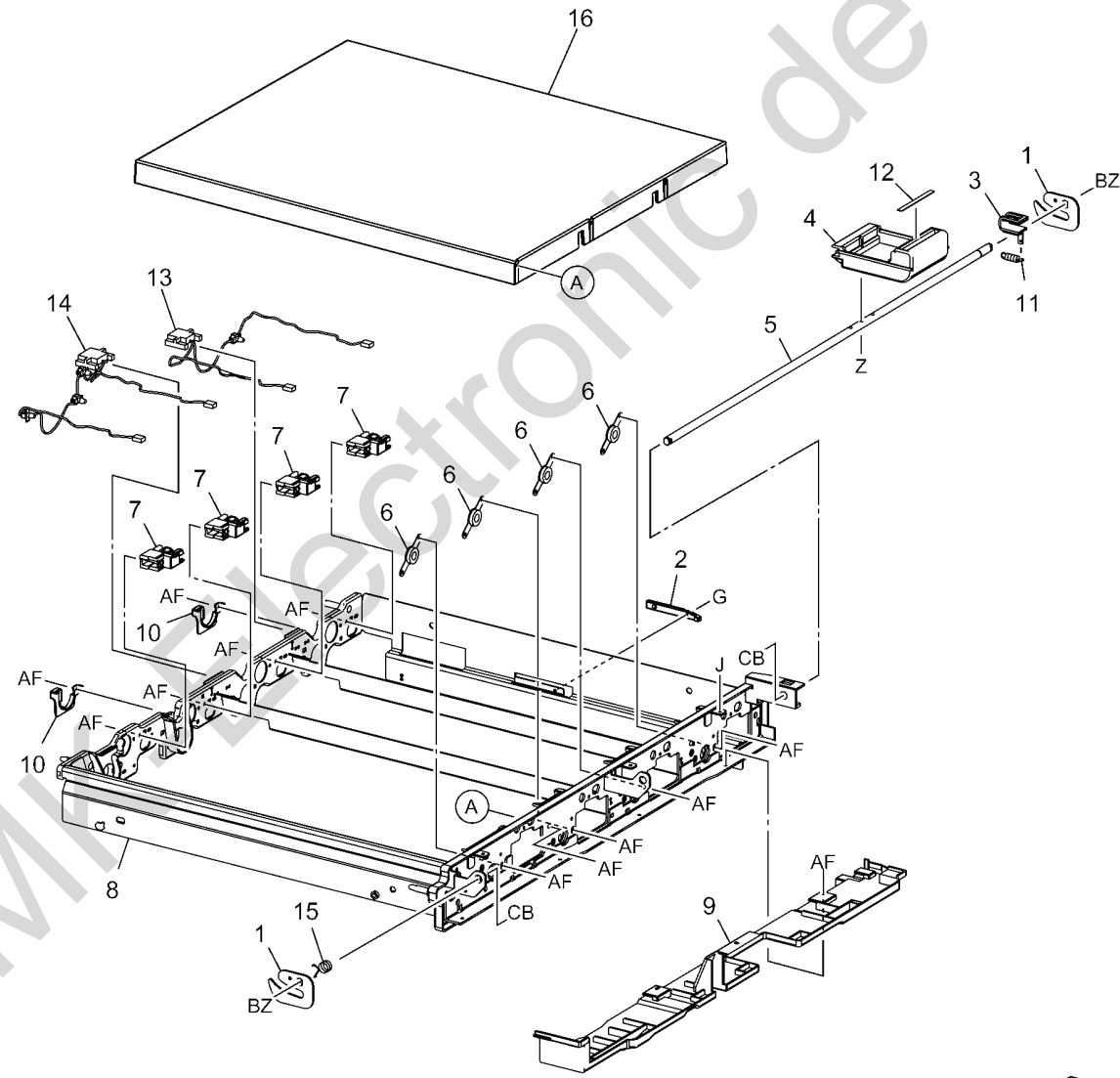
Item	Part	Description
1	-	Screw (Not Spared)
2	068K24113	Bracket
3	801K14311	Rail
4	675K17930	K Developer (REP 9.15)
5	604K24217	K Developer Housing Kit (REP 9.14)
6	-	Spring (Not Spared)
7	-	Tension Plate (Not Spared)
8	-	Duct (Not Spared)
9	-	Xero/Dev Drawer Unit
10	675K18020	Y Developer (REP 9.15)
11	604K24226	Developer Housing Kit (Y, M, C) (REP 9.14)
12	675K17990	M Developer (REP 9.15)
13	130K67340	ATC Sensor Assembly (REP 9.14)
14	675K17960	C Developer (REP 9.15)
15	-	Label (Not Spared) (9.14)
16	802K65485	Inner Cover Assembly
17	-	Inner Cover (P/O PL 6.6 Item 16)
18	-	Label Drum ID R1 (P/O PL 6.6 Item 16)
19	-	Label Drum ID R2 (P/O PL 6.6 Item 16)
20	-	Label Drum ID R3 (P/O PL 6.6 Item 16)
21	-	Label Drum ID R4 (P/O PL 6.6 Item 16)
22	-	Gasket (Not Spared)
23	-	ATC Cover (Not Spared)
24	-	Screw (Not Spared)



0506006A-OLY

PL 6.7 Dispense Unit (3 of 3)

Item	Part	Description
1	-	Cam (Not Spared)
2	-	Plate (P/O PL 6.6 Item 9)
3	-	Stopper
4	003K13893	Handle
5	-	Shaft (P/O PL 6.6 Item 9)
6	-	Bearing (P/O PL 6.6 Item 9)
7	014K82103	Block
8	-	Xerographic Developer Drawer (P/O PL 6.6 Item 9)
9	-	Base Cover (P/O PL 6.6 Item 9)
10	-	Harness Cover (P/O PL 6.6 Item 9)
11	-	Spring (P/O PL 6.6 Item 9)
12	-	Label (P/O PL 6.6 Item 9)
13	962K23382	Wire Harness (Y, M)
14	962K23392	Wire Harness (C, Y)
15	-	Spring (P/O PL 6.6 Item 9)
16	-	Cover (P/O PL 6.6 Item 9)

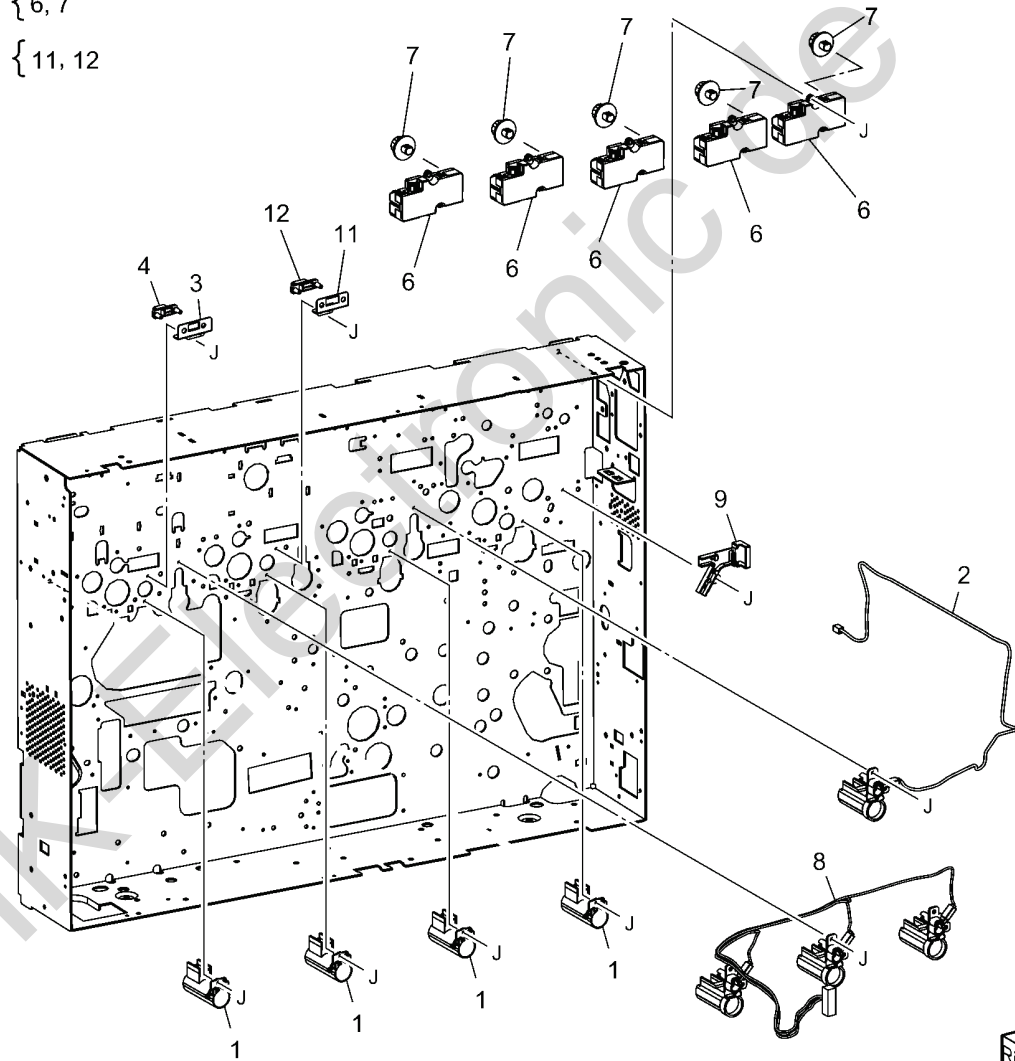


0506007A-OLY

PL 6.8 Rear Frame (1 of 2)

Item	Part	Description
1	030K76360	Support Assembly
2	962K23524	Wire Harness (K)
3	-	Bracket (Not Spared)
4	-	Connector
5	127K39540	Toner Cartridge Motor
6	127K39530	Toner Cartridge Motor Kit (K1, K2)
7	-	Gear (P/O PL 6.8 Item 5)
8	962K23534	Wire Harness (Y, M, C)
9	-	Guide (Not Spared)
10	-	Bracket Assembly (Not Spared)
11	-	Bracket (P/O PL 6.8 Item 10)
12	-	Connector (P/O PL 6.8 Item 10)

5 { 6, 7
10 { 11, 12

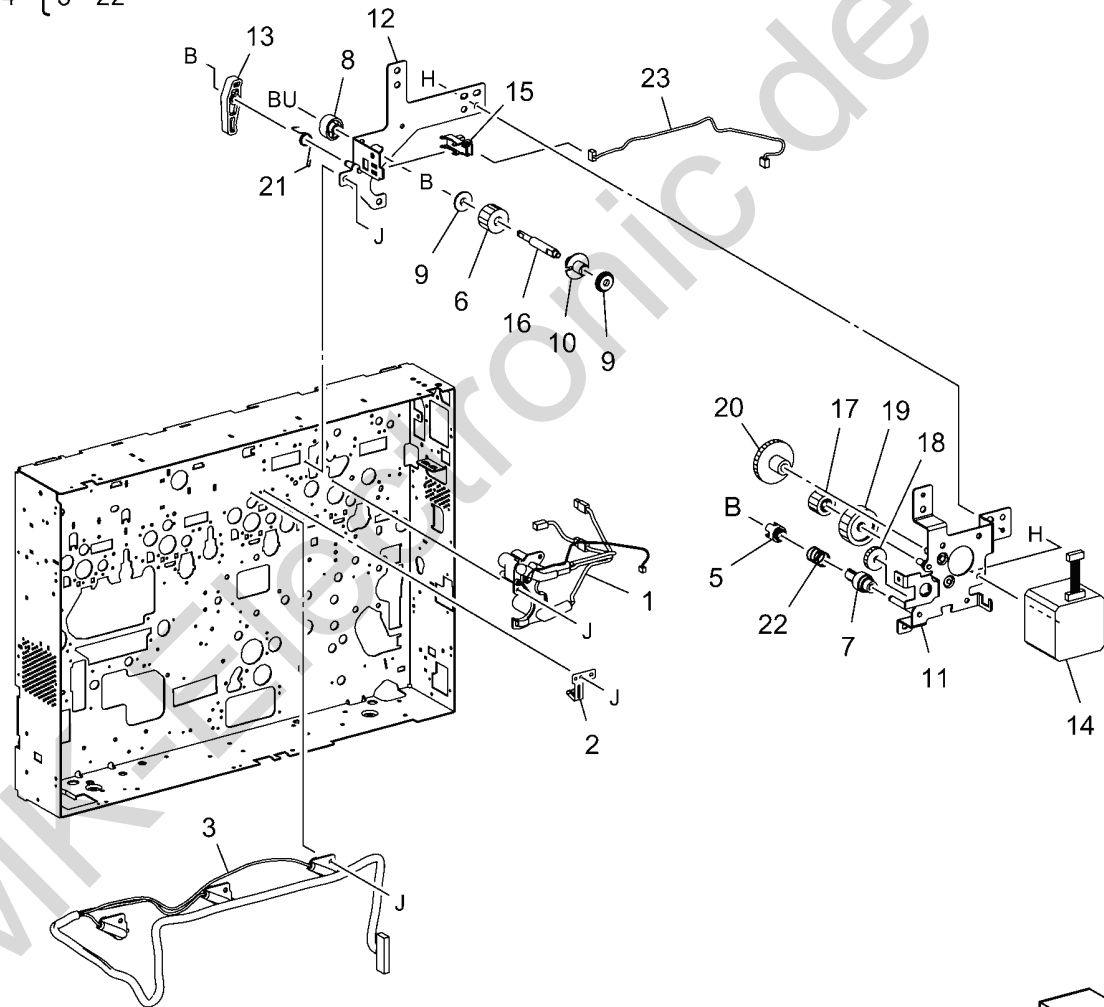


0506008A-OLY

PL 6.9 Rear Frame (2 of 2)

Item	Part	Description
1	-	Connector (K) (Not Spared)
2	-	Ground Clip (Not Spared)
3	114K81973	Connector Assembly (BCR)
4	127K39753	Cleaning Motor Assembly (REP 9.25)
5	-	Coupling (P/O PL 6.9 Item 4)
6	-	Gear (34T) (P/O PL 6.9 Item 4)
7	-	Gear (P/O PL 6.9 Item 4)
8	-	Cam (P/O PL 6.9 Item 4)
9	-	Bearing (P/O PL 6.9 Item 4)
10	-	Spacer (P/O PL 6.9 Item 4)
11	-	Bracket (P/O PL 6.9 Item 4)
12	-	Bracket (P/O PL 6.9 Item 4)
13	-	Arm (P/O PL 6.9 Item 4)
14	127K39760	BCR/Scorotron Cleaner Motor (P/O PL 6.9 Item 4)
15	130E88770	BCR Cleaner Position Sensor (P/O PL 6.9 Item 4)
16	-	Shaft (P/O PL 6.9 Item 4)
17	-	Gear (29T) (P/O PL 6.9 Item 4)
18	-	Gear (31T) (P/O PL 6.9 Item 4)
19	-	Gear (18T/52T) (P/O PL 6.9 Item 4)
20	-	Gear (20T/61T) (P/O PL 6.9 Item 4)
21	-	Spring (P/O PL 6.9 Item 4)
22	-	Spring (P/O PL 6.9 Item 4)
23	-	Wire Harness (Not Spared)

4 { 5 - 22

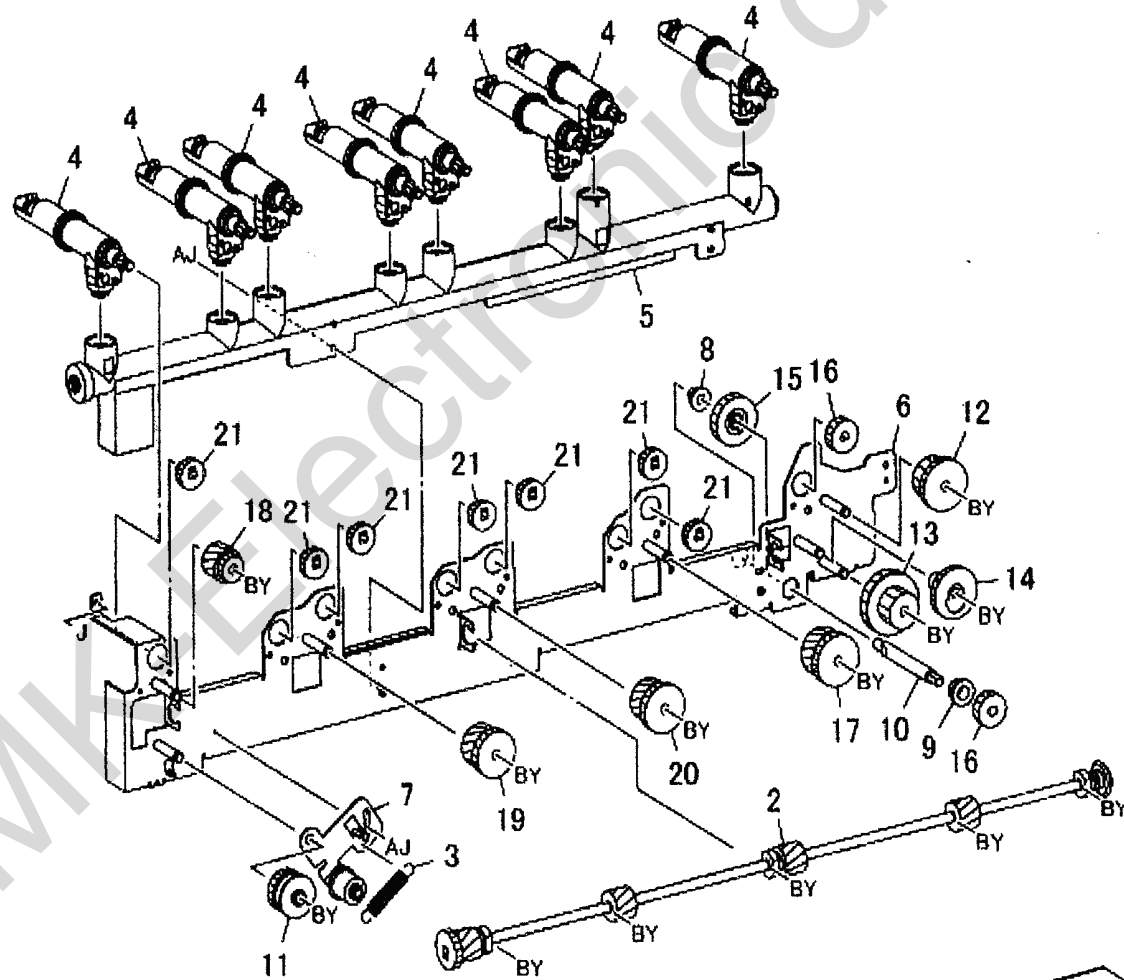


0506009A-OLY

PL 6.10 Direct Pipe Assembly

Item	Part	Description
1	068K24137	Direct Pipe Assembly
2	-	Direct Shaft (P/O PL 6.10 Item 1)
3	-	Spring (P/O PL 6.10 Item 1)
4	-	Joint (P/O PL 6.10 Item 1)
5	-	Pipe (P/O PL 6.10 Item 1)
6	-	Bracket (P/O PL 6.10 Item 1)
7	-	Bracket (P/O PL 6.10 Item 1)
8	-	Bearing (P/O PL 6.10 Item 1)
9	413W77559	Bearing
10	-	Drive Shaft (P/O PL 6.10 Item 1)
11	-	Gear Pulley (21T/24T) (P/O PL 6.10 Item 1)
12	-	Gear (38T/30T) (P/O PL 6.10 Item 1)
13	-	Gear (45T/25T) (P/O PL 6.10 Item 1)
14	-	Gear (22T/35T) (P/O PL 6.10 Item 1)
15	-	Drive Gear (P/O PL 6.10 Item 1)
16	-	Drive Gear (23T) (P/O PL 6.10 Item 1)
17	-	Gear (K) (P/O PL 6.10 Item 1)
18	-	Gear (Y) (P/O PL 6.10 Item 1)
19	-	Gear (M) (P/O PL 6.10 Item 1)
20	-	Gear (C) (P/O PL 6.10 Item 1)
21	-	Joint Gear (21T) (P/O PL 6.10 Item 1)

1 { 2 - 21

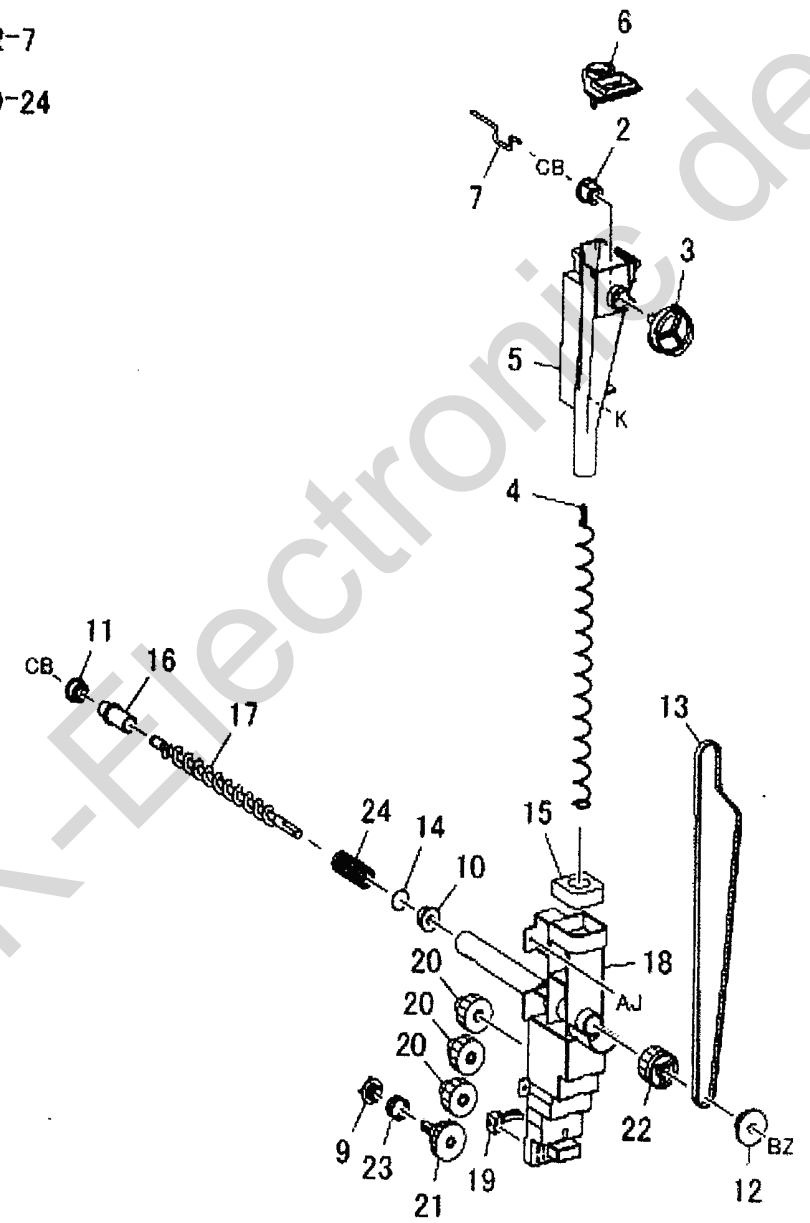


0506010A-OLY

PL 6.11 Joint/Leveler Box Assembly

Item	Part	Description
1	011K97591	Joint Assembly
2	-	Bearing (P/O PL 6.11 Item 1)
3	-	Pulley (P/O PL 6.11 Item 1)
4	-	Agitator (P/O PL 6.11 Item 1)
5	-	Joint (Down) (P/O PL 6.11 Item 1)
6	-	Joint (UP) (P/O PL 6.11 Item 1)
7	-	Crank Shaft (P/O PL 6.11 Item 1)
8	119K00290	Leveler Box Assembly
9	-	Joint (P/O PL 6.11 Item 8)
10	-	Bearing (P/O PL 6.11 Item 8)
11	-	Bearing (P/O PL 6.11 Item 8)
12	-	Pulley (P/O PL 6.11 Item 8)
13	-	Belt (P/O PL 6.11 Item 8)
14	-	Oil Seal (P/O PL 6.11 Item 8)
15	-	Seal (P/O PL 6.11 Item 8)
16	-	Shutter (P/O PL 6.11 Item 8)
17	-	Auger (P/O PL 6.11 Item 8)
18	-	Leveler Box (P/O PL 6.11 Item 8)
19	130K93230	Waste Bottle Set Sensor
20	-	Gear (18T/37T) (P/O PL 6.11 Item 8)
21	-	Gear (40T) (P/O PL 6.11 Item 8)
22	-	Gear (35T) (P/O PL 6.11 Item 8)
23	-	Spring (P/O PL 6.11 Item 8)
24	-	Spring (P/O PL 6.11 Item 8)

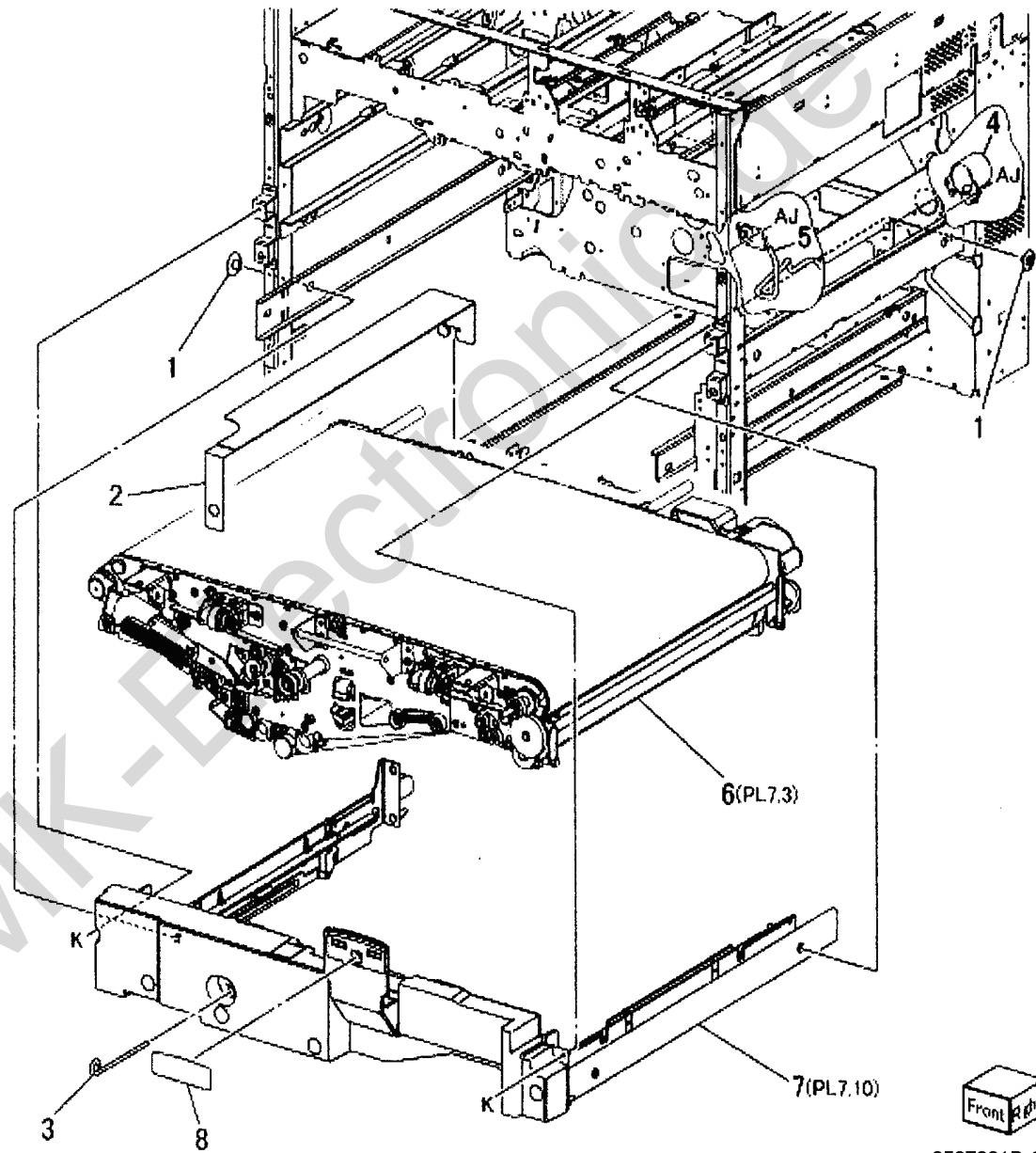
1 {2-7
8 {9-24



0506011A-OLY

PL 7.1 IBT Unit (1 of 2)

Item	Part	Description
1	-	Screw (Not Spared)
2	-	Cushion (Not Spared)
3	-	Shaft (Not Spared)
4	-	Joint (Not Spared)
5	-	Connector (Not Spared)
6	604K39050	Transfer Belt Unit (REP 9.1)
7	-	IBT Drawer (Not Spared)
8	-	Label (Not Spared)

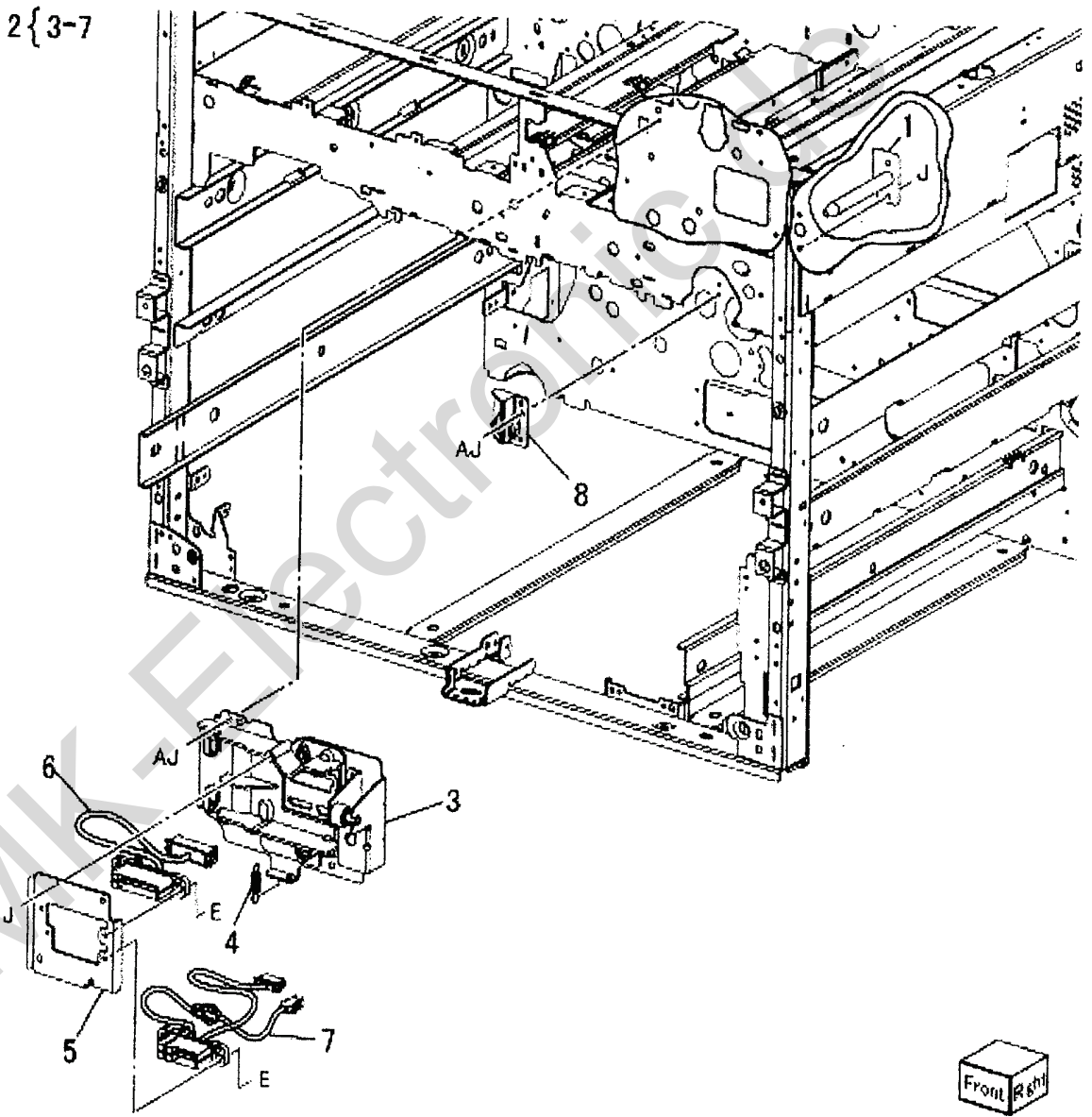


0507001B-OLY

PL 7.2 IBT Unit (2 of 2)

Item	Part	Description
1	-	Bracket (Not Spared)
2	114K82051	Connector Assembly
3	-	Bracket (P/O PL 7.2 Item 2)
4	-	Spring (P/O PL 7.2 Item 2)
5	-	Bracket (P/O PL 7.2 Item 2)
6	-	Wire Harness (P/O PL 7.2 Item 2)
7	-	Wire Harness (P/O PL 7.2 Item 2)
8	-	Block (Not Spared)

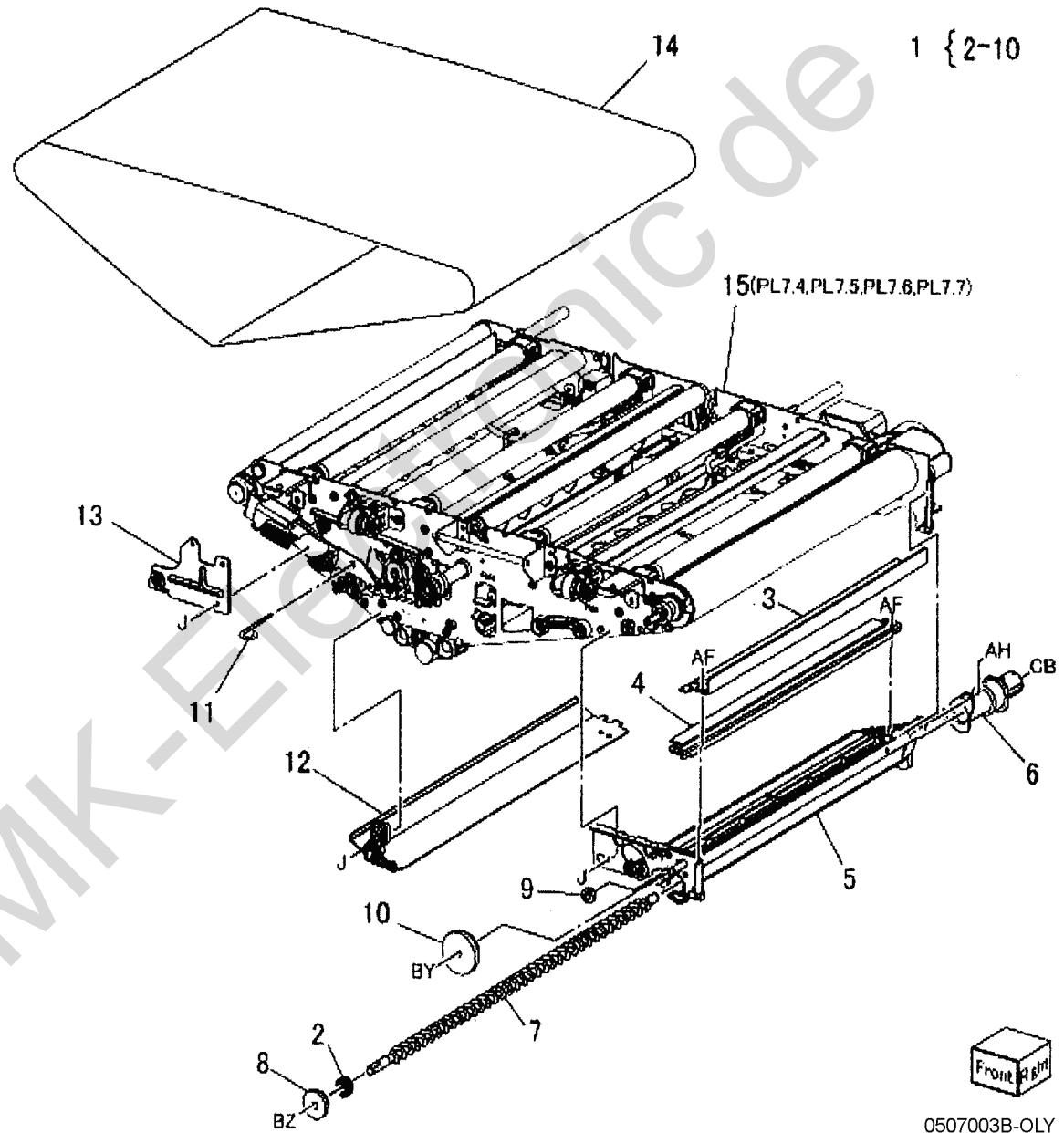
2 { 3-7



0507002A-OLY

PL 7.3 Transfer Belt Unit

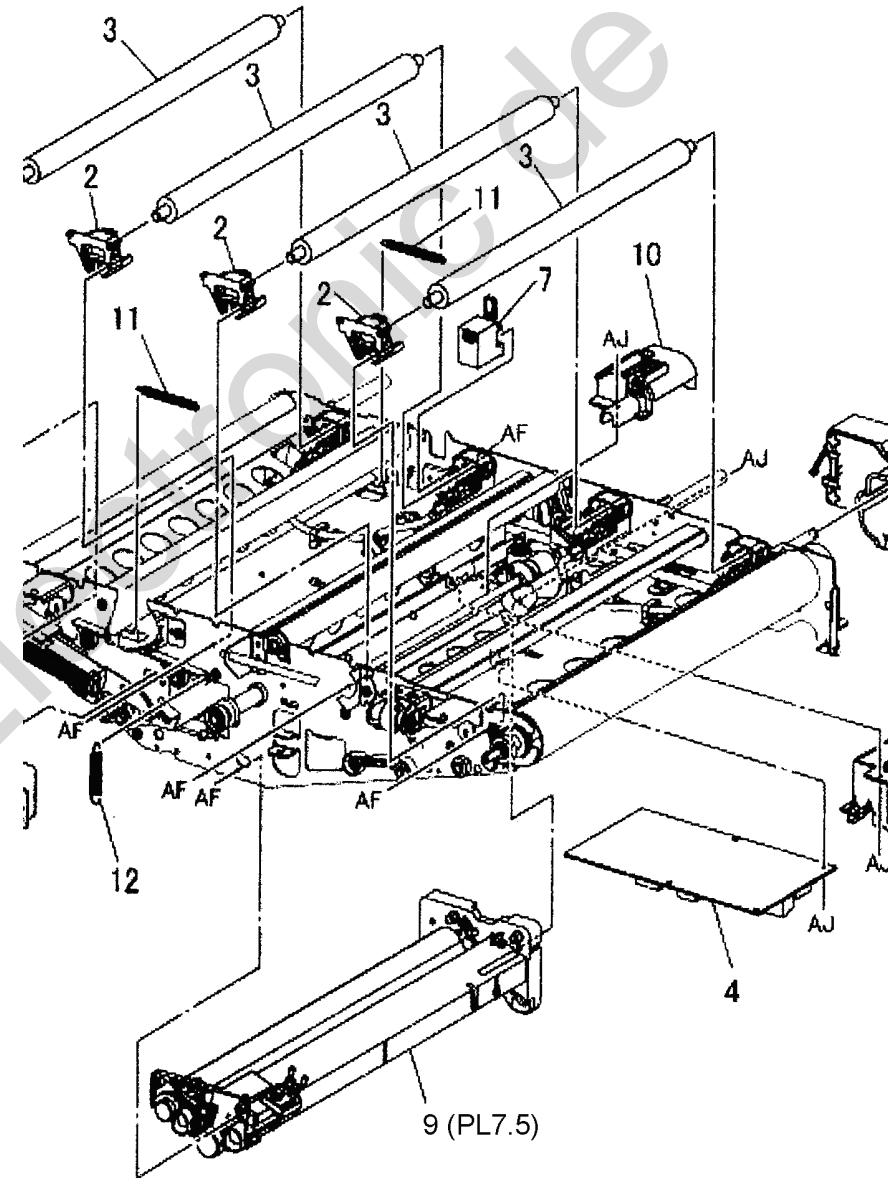
Item	Part	Description
1	042K92754	IBT Cleaner Assembly (REP 9.2)
2	-	Bearing (P/O PL 7.3 Item 1)
3	-	Plate (P/O PL 7.3 Item 1)
4	033K94681	Blade
5	-	Cleaner Housing (P/O PL 7.3 Item 1)
6	-	Cleaner Cover (P/O PL 7.3 Item 1)
7	-	Auger (P/O PL 7.3 Item 1)
8	-	Auger Gear (P/O PL 7.3 Item 1)
9	-	Gear (P/O PL 7.3 Item 1)
10	-	Gear (P/O PL 7.3 Item 1)
11	-	Pin (P/O PL 7.1 Item 6)
12	-	Inlet (P/O PL 7.1 Item 6)
13	-	Support (P/O PL 7.1 Item 6)
14	675K18280	Transfer Belt (REP 9.3)
15	-	IBT Frame (P/O PL 7.1 Item 6)



0507003B-OLY

PL 7.4 IBT Frame Assembly (1 of 4)

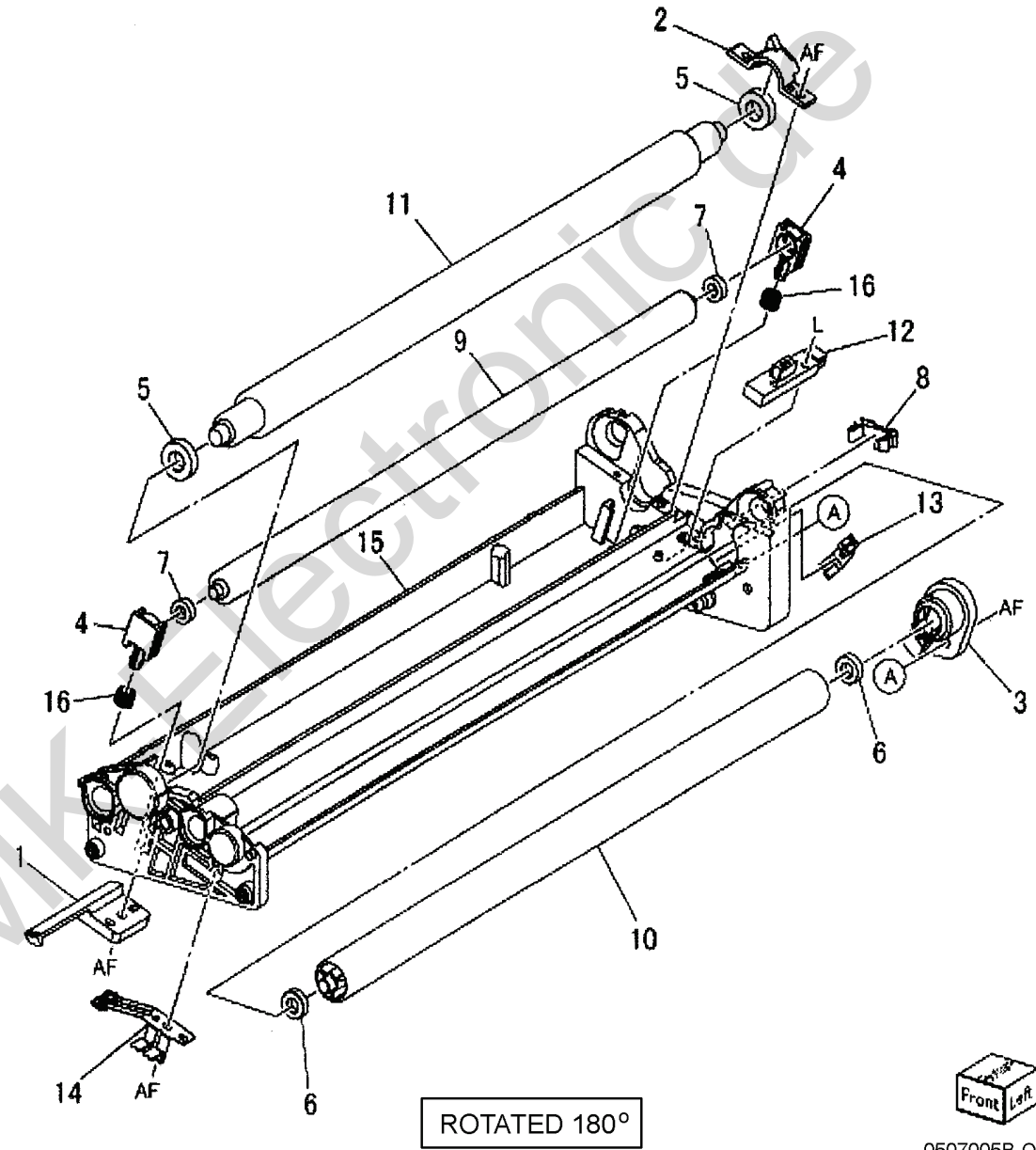
Item	Part	Description
1	007K87835	IBT Drive Assembly
2	019K98883	BTR Holder Assembly
3	059K32492	1ST BTR Roll
4	105E12580	1ST BTR HVPS (REP 9.7)
5	127K39100	1st BTR Retract Motor
6	127K39120	IBT Steering Motor
7	130K60830	Transfer Belt Edge Sensor (ADJ 9.13)
8	-	Frame (P/O PL 7.1 Item 6)
9	-	BTR Housing (P/O PL 7.1 Item 6)
10	-	Contact / Retract Sensor Cover (P/O PL 7.1 Item 6)
11	-	Spring (P/O PL 7.1 Item 6)
12	-	Spring (P/O PL 7.1 Item 6)



C

PL 7.5 IBT Frame Assembly (2 of 4)

Item	Part	Description
1	-	Stopper (Front) (P/O PL 7.4 Item 9)
2	-	Stopper (Rear) (P/O PL 7.4 Item 9)
3	-	Collar (P/O PL 7.4 Item 9)
4	-	Collar (P/O PL 7.4 Item 9)
5	-	Ball Bearing (8x16) (P/O PL 7.4 Item 9)
6	-	Sleeve Bearing (P/O PL 7.4 Item 9)
7	-	Ball Bearing (5x10) (P/O PL 7.4 Item 9)
8	-	Clamp (P/O PL 7.4 Item 9)
9	059E99540	Contact Roll
10	059K32510	Idler Roll
11	059K33740	Backup Roll
12	130E84270	Transfer Belt Home Sensor
13	-	Contact (P/O PL 7.4 Item 9)
14	-	Conductor (P/O PL 7.4 Item 9)
15	-	BTR Housing (P/O PL 7.4 Item 9)
16	-	Spring (P/O PL 7.4 Item 9)

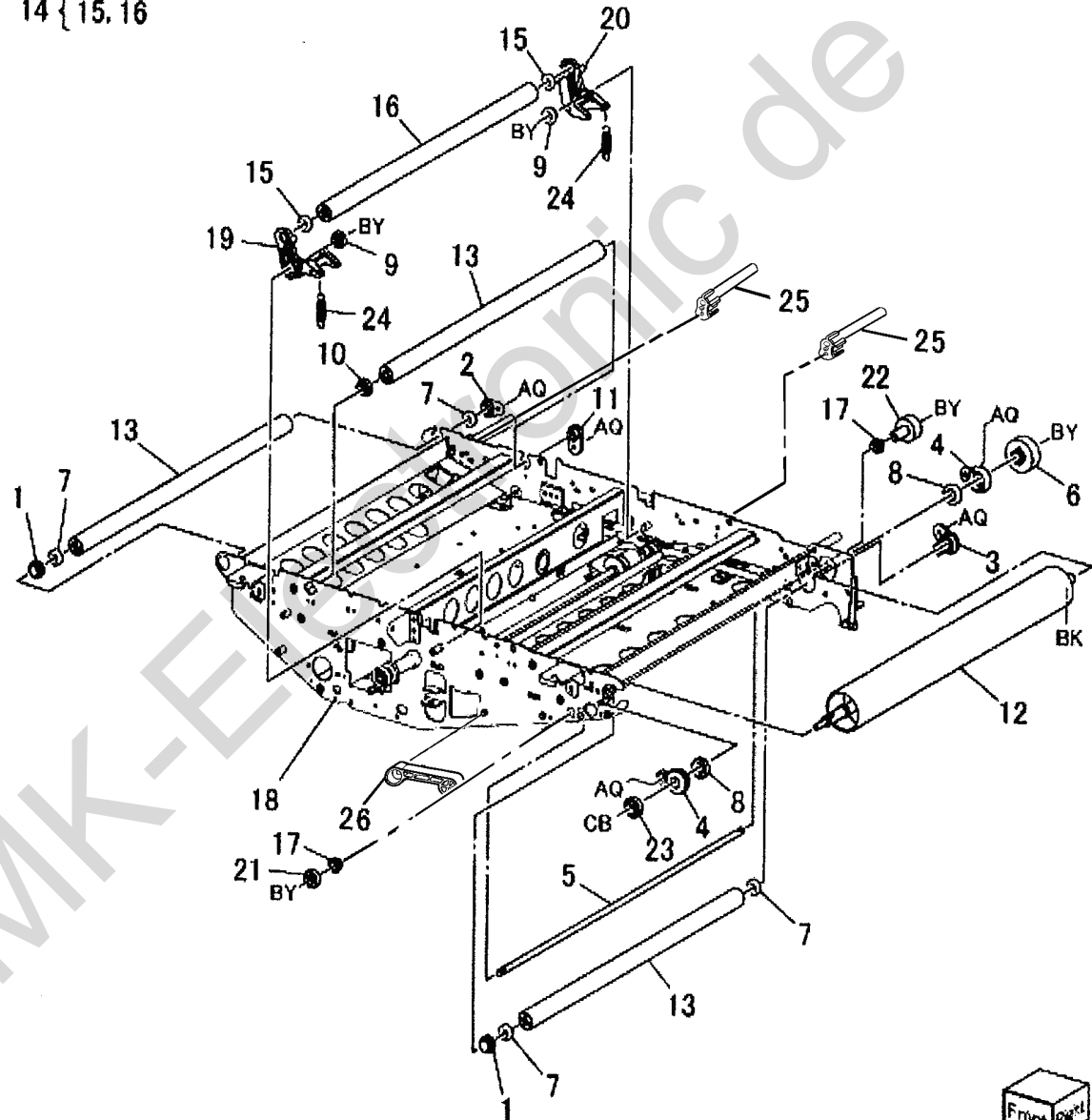


0507005B-OLY

PL 7.6 IBT Frame Assembly (3 of 4)

Item	Part	Description
1	-	Collar (P/O PL 7.1 Item 6)
2	-	Collar (P/O PL 7.1 Item 6)
3	-	Collar (P/O PL 7.1 Item 6)
4	-	Collar (P/O PL 7.1 Item 6)
5	-	Shaft (P/O PL 7.1 Item 6)
6	-	Drive Gear (P/O PL 7.1 Item 6)
7	-	Ball Bearing (6x12) (P/O PL 7.1 Item 6)
8	-	Ball Bearing (10x19) (P/O PL 7.1 Item 6)
9	-	Bearing (P/O PL 7.1 Item 6)
10	-	Bearing (Front) (P/O PL 7.1 Item 6)
11	-	Bearing (Rear) (P/O PL 7.1 Item 6)
12	059K32500	Drive Roll
13	-	Idler Roll (P/O PL 7.1 Item 6)
14	059K32790	Retract Roll Assembly
15	-	Ball Bearing (6x12) (P/O PL 7.6 Item 14)
16	-	Retract Roll (P/O PL 7.6 Item 14)
17	-	Sleeve Bearing (P/O PL 7.1 Item 6)
18	-	Rear Frame (P/O PL 7.1 Item 6)
19	-	Front Housing (P/O PL 7.1 Item 6)
20	-	Rear Housing (P/O PL 7.1 Item 6)
21	-	Gear (Front) (P/O PL 7.1 Item 6)
22	-	Gear (Rear) (P/O PL 7.1 Item 6)
23	-	Drive Gear (P/O PL 7.1 Item 6)
24	-	Spring (P/O PL 7.1 Item 6)
25	003E60760	IBT Support (Rear)
26	003E60770	IBT Support (Out)

14 { 15, 16

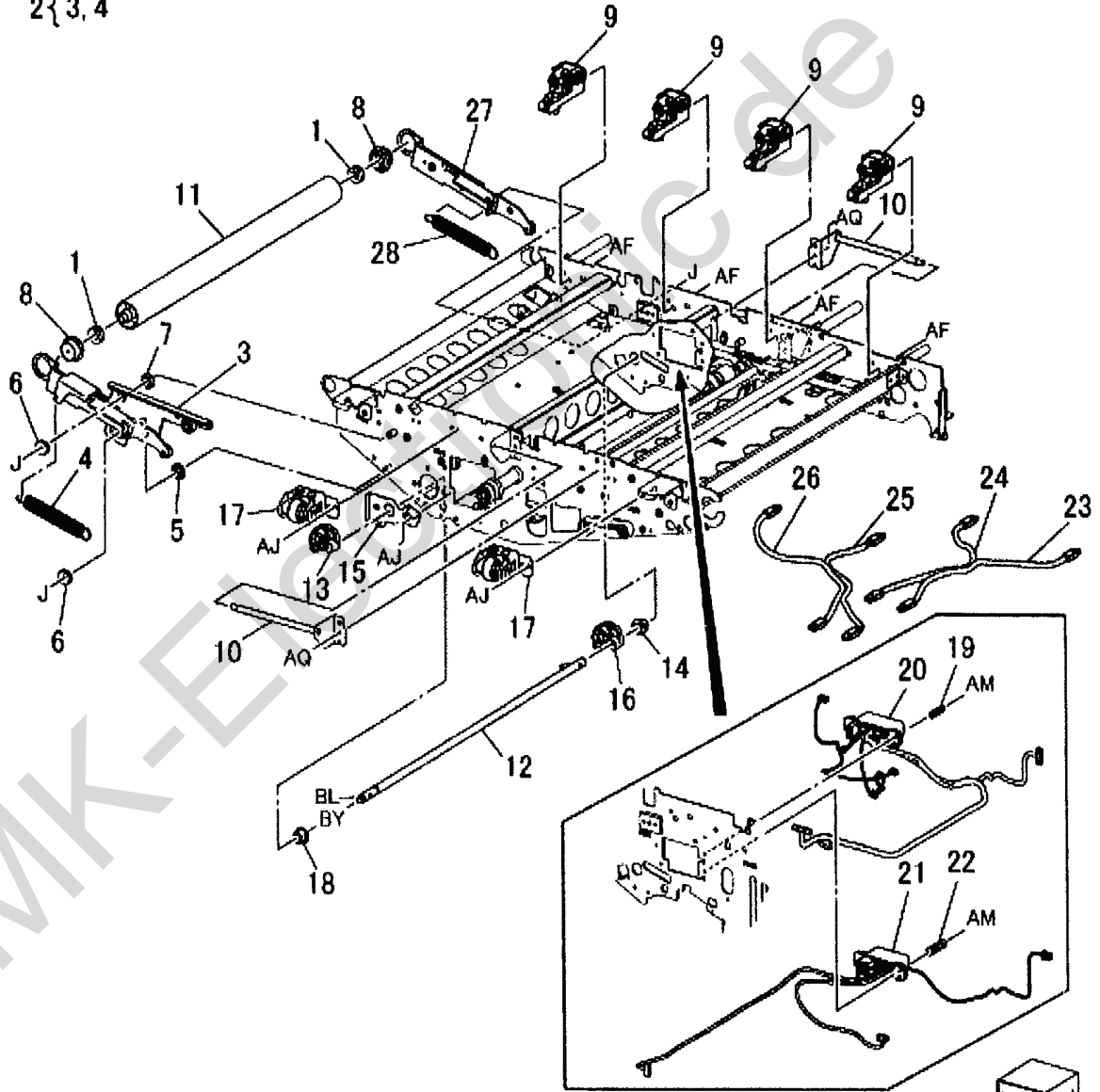


0507006A-OLY

PL 7.7 IBT Frame Assembly (4 of 4)

Item	Part	Description
1	-	Ball Bearing (8x16) (P/O PL 7.1 Item 6)
2	-	Tension Plate Assembly (P/O PL 7.1 Item 6)
3	-	Tension Plate (P/O PL 7.7 Item 2)
4	-	Tension Spring (P/O PL 7.7 Item 2)
5	-	Bush (Inner)
6	-	Bush (Outer) (P/O PL 7.1 Item 6)
7	-	Bush (Inner) (P/O PL 7.1 Item 6)
8	-	Holder (P/O PL 7.1 Item 6)
9	019K99042	Holder
10	-	Bracket (P/O PL 7.1 Item 6)
11	059K32520	Steering Roll
12	-	Shaft (P/O PL 7.1 Item 6)
13	-	Cam (P/O PL 7.1 Item 6)
14	-	Bearing (P/O PL 7.1 Item 6)
15	-	Cam Plate (P/O PL 7.1 Item 6)
16	-	Tension Cam (P/O PL 7.1 Item 6)
17	-	Slider (P/O PL 7.1 Item 6)
18	-	Bearing (P/O PL 7.1 Item 6)
19	-	Spring (P/O PL 7.1 Item 6)
20	-	Wire Harness (IBT1) (P/O PL 7.1 Item 6)
21	-	Wire Harness (IBT2) (P/O PL 7.1 Item 6)
22	-	Spring (P/O PL 7.1 Item 6)
23	-	Wire Harness (BTR, Y) (P/O PL 7.1 Item 6)
24	-	Wire Harness (BTR, M) (P/O PL 7.1 Item 6)
25	-	Wire Harness (BTR, C) (P/O PL 7.1 Item 6)
26	-	Wire Harness (BTR, K) (P/O PL 7.1 Item 6)
27	-	Tension Plate (P/O PL 7.1 Item 6)
28	-	Tension Spring (P/O PL 7.1 Item 6)

2 { 3, 4

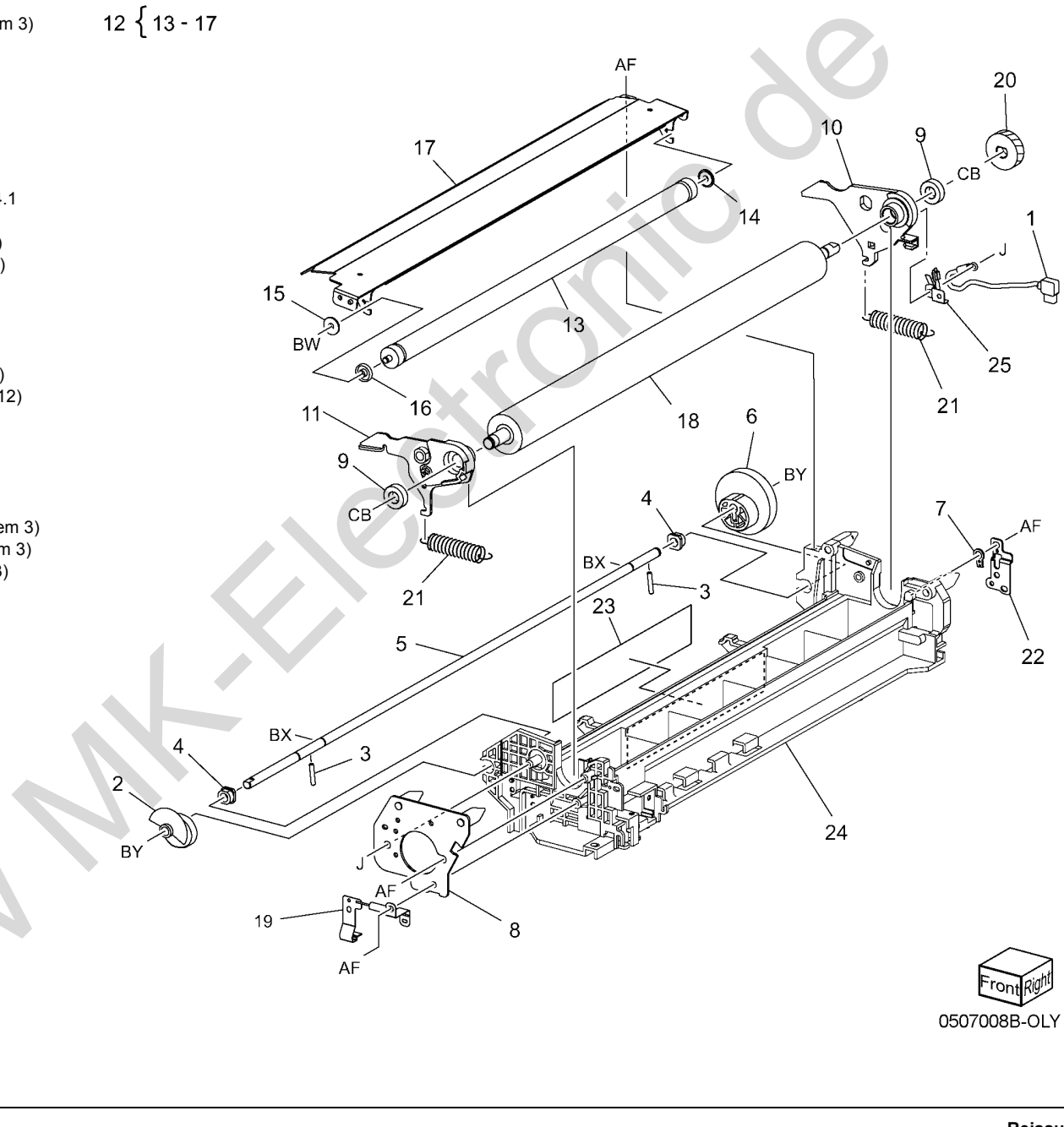


0507007A-OLY

PL 7.8 2nd BTR Roll Assembly (1 of 2)

Item	Part	Description
1	-	Wire Harness (P/O PL 4.1 Item 3)
2	-	Cam (P/O PL 4.1 Item 3)
3	-	Pin (P/O PL 4.1 Item 3)
4	413W11660	Sleeve Bearing
5	-	Shaft (P/O PL 4.1 Item 3)
6	-	Gear (P/O PL 4.1 Item 3)
7	-	Lever (P/O PL 4.1 Item 3)
8	-	Plate (P/O PL 4.1 Item 3)
9	-	Ball Bearing (8x16) (P/O PL 4.1 Item 3)
10	-	Rear Arm (P/O PL 4.1 Item 3)
11	-	Front Arm (P/O PL 4.1 Item 3)
12	054K26615	Inlet Chute Assembly
13	-	Brush (P/O PL 7.8 Item 12)
14	-	Bearing (P/O PL 7.8 Item 12)
15	-	Bearing (P/O PL 7.8 Item 12)
16	-	Insulator (P/O PL 7.8 Item 12)
17	-	Inlet Chute (P/O PL 7.8 Item 12)
18	059K33430	2nd BTR Roll (REP 9.5)
19	-	Resistor (P/O PL 4.1 Item 3)
20	-	Gear (P/O PL 4.1 Item 3)
21	-	Spring (P/O PL 4.1 Item 3)
22	-	Bracket (P/O PL 4.1 Item 3)
23	-	Warning Label (P/O PL 4.1 Item 3)
24	-	BTR Housing (P/O PL 4.1 Item 3)
25	-	Conductor (P/O PL 4.1 Item 3)

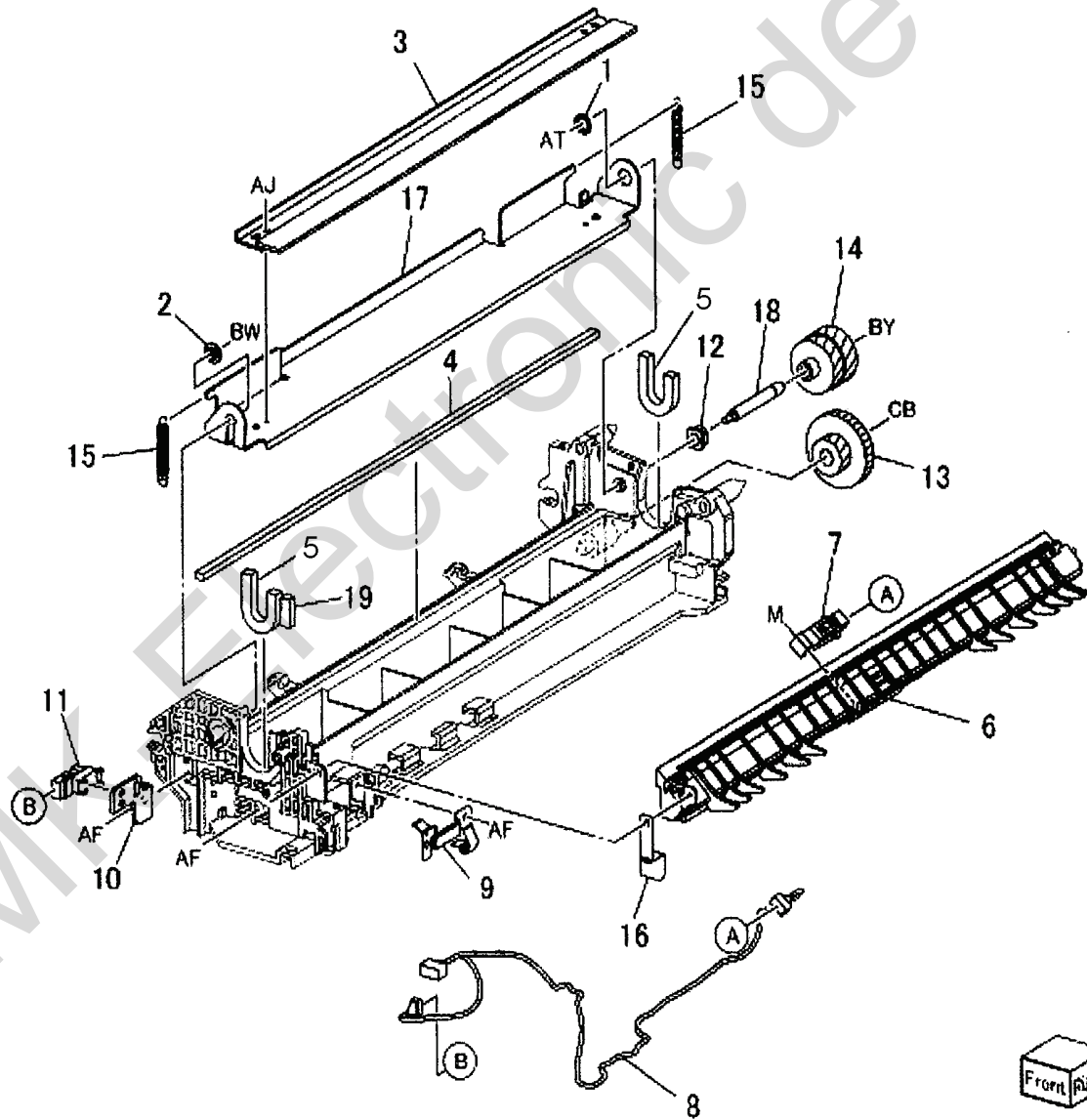
12 { 13 - 17



0507008B-OLY

PL 7.9 2nd BTR Roll Assembly (2 of 2)

Item	Part	Description
1	-	Bearing (Rear) (P/O PL 4.1 Item 3)
2	-	Bearing (Front) (P/O PL 4.1 Item 3)
3	033K94721	Blade Assembly (REP 9.6)
4	-	Housing Seal (P/O PL 4.1 Item 3)
5	-	Side Housing Seal (P/O PL 4.1 Item 3)
6	-	Exit Chute (P/O PL 7.9 Item 5)
7	130E88770	Post 2nd BTR Sensor
8	-	Wire Harness (P/O PL 7.9 Item 5)
9	103K81152	Resistor
10	-	2nd BTR Contact Retract (P/O PL 4.1 Item 3)
11	930W00111	2nd BTR Contact Retract Sensor
12	413W11660	Sleeve Bearing
13	-	Gear (P/O PL 4.1 Item 3)
14	-	Gear (P/O PL 4.1 Item 3)
15	-	Spring (P/O PL 4.1 Item 3)
16	-	Ground Clip (P/O PL 4.1 Item 3)
17	-	Plate (P/O PL 4.1 Item 3)
18	-	Stud (P/O PL 4.1 Item 3)
19	-	Exit Housing Seal (P/O PL 4.1 Item 3)

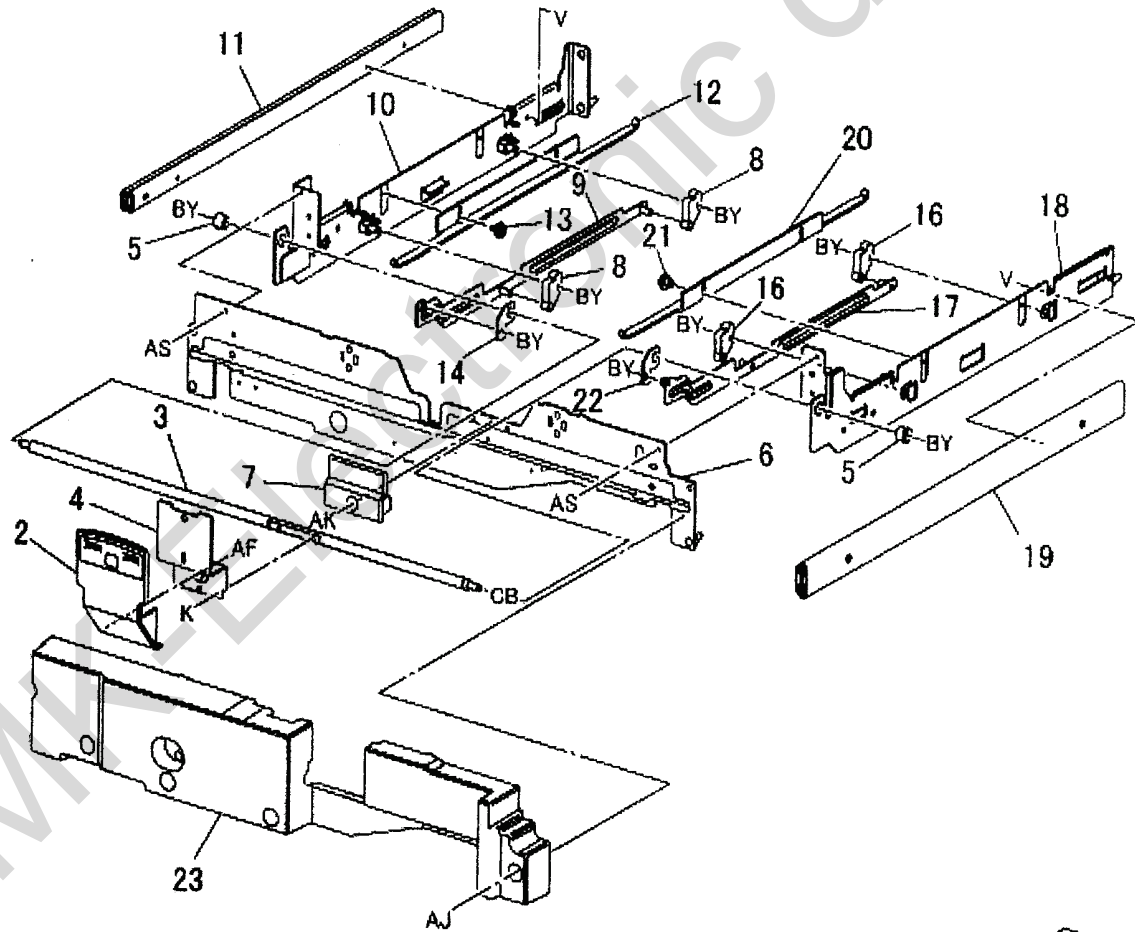


0507009B-OLY

PL 7.10 IBT Drawer

Item	Part	Description
1	-	Handle Assembly
2	-	Handle (P/O PL 7.10 Item 1)
3	-	Shaft (P/O PL 7.10 Item 1)
4	-	Plate (P/O PL 7.10 Item 1)
5	-	Bearing (Not Spared)
6	-	Front Frame (Not Spared)
7	-	Cover (Not Spared)
8	-	Cam (P/O PL 7.10 Item 24)
9	-	Link (P/O PL 7.10 Item 24)
10	-	Frame (P/O PL 7.10 Item 24)
11	801K14911	Left Rail
12	-	Plate Spring (P/O PL 7.10 Item 24)
13	-	Shoulder Screw (P/O PL 7.10 Item 24)
14	-	Plate (P/O PL 7.10 Item 24)
15	050K50480	Right Rail Assembly
16	-	Cam (P/O PL 7.10 Item 15)
17	-	Link (P/O PL 7.10 Item 15)
18	-	Frame (P/O PL 7.10 Item 15)
19	801K14921	Right Rail
20	-	Plate Spring (P/O PL 7.10 Item 15)
21	-	Shoulder Screw (P/O PL 7.10 Item 15)
22	-	Plate (P/O PL 7.10 Item 15)
23	-	Inner Cover
24	-	Left Rail Assembly

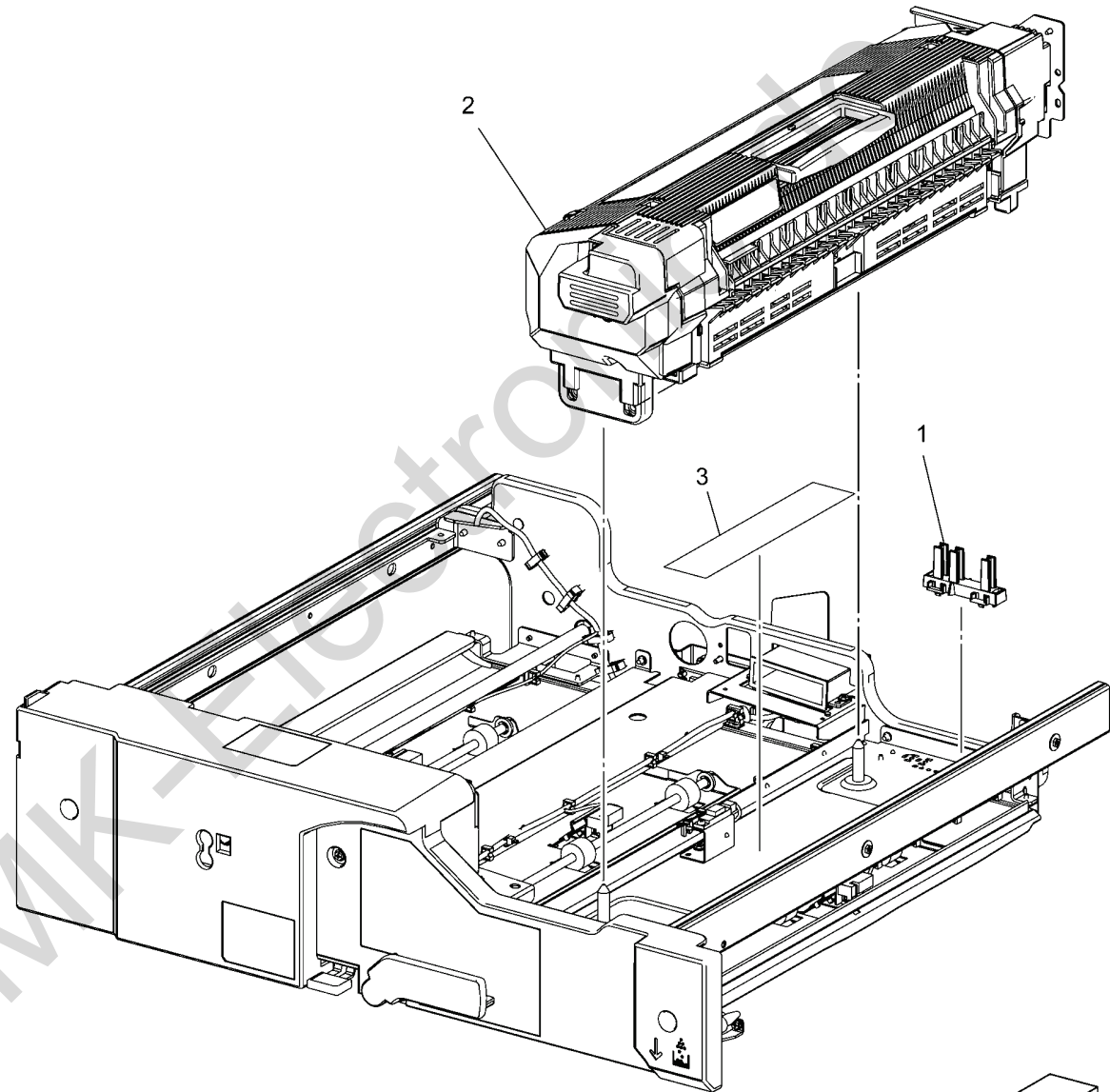
1 { 2 - 4
 15 { 16 - 22
 24 { 8 - 14



0507010B-OLY

PL 8.1 Fuser Unit

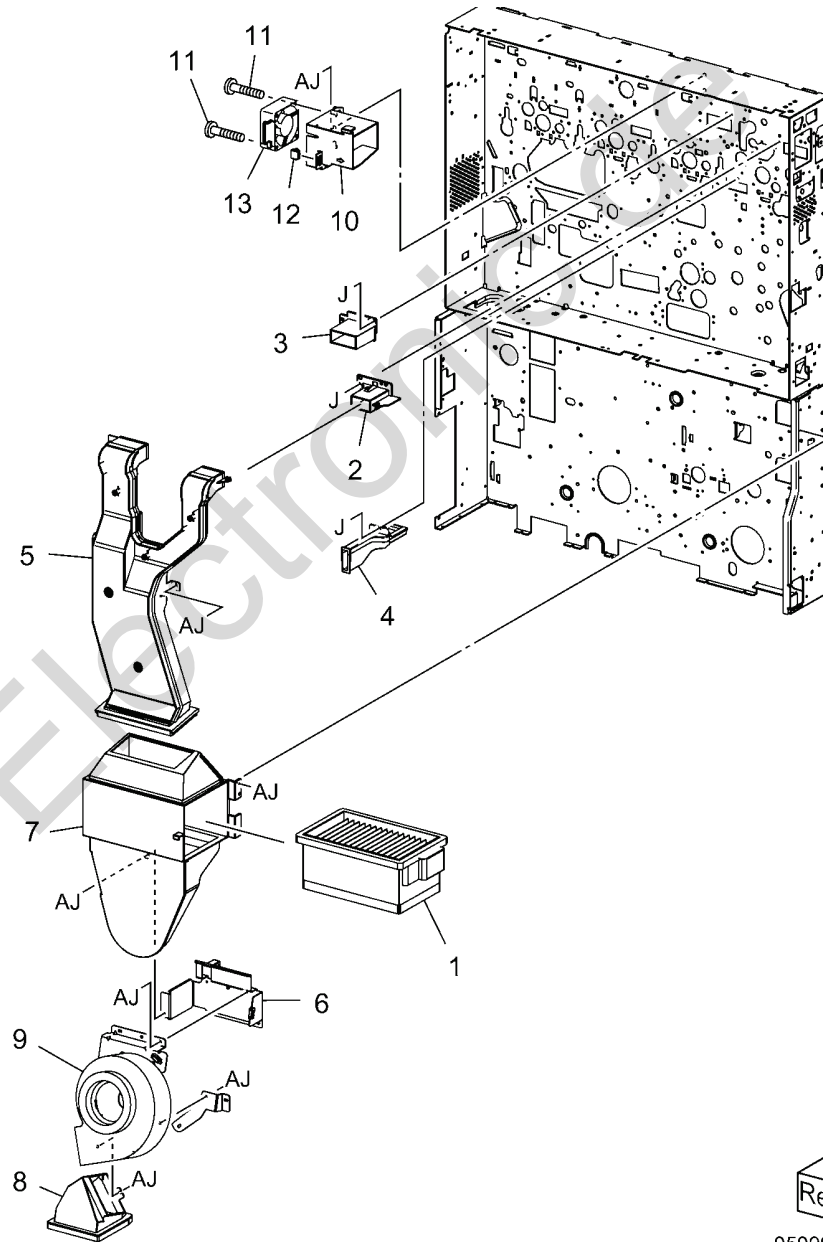
Item	Part	Description
1	-	Block (Not Spared)
2	008R12988	Fuser (120V) (REP 10.1)
-	008R12989	Fuser (220V) (REP 10.1)
3	-	Label (Not Spared)



0508001A-OLY

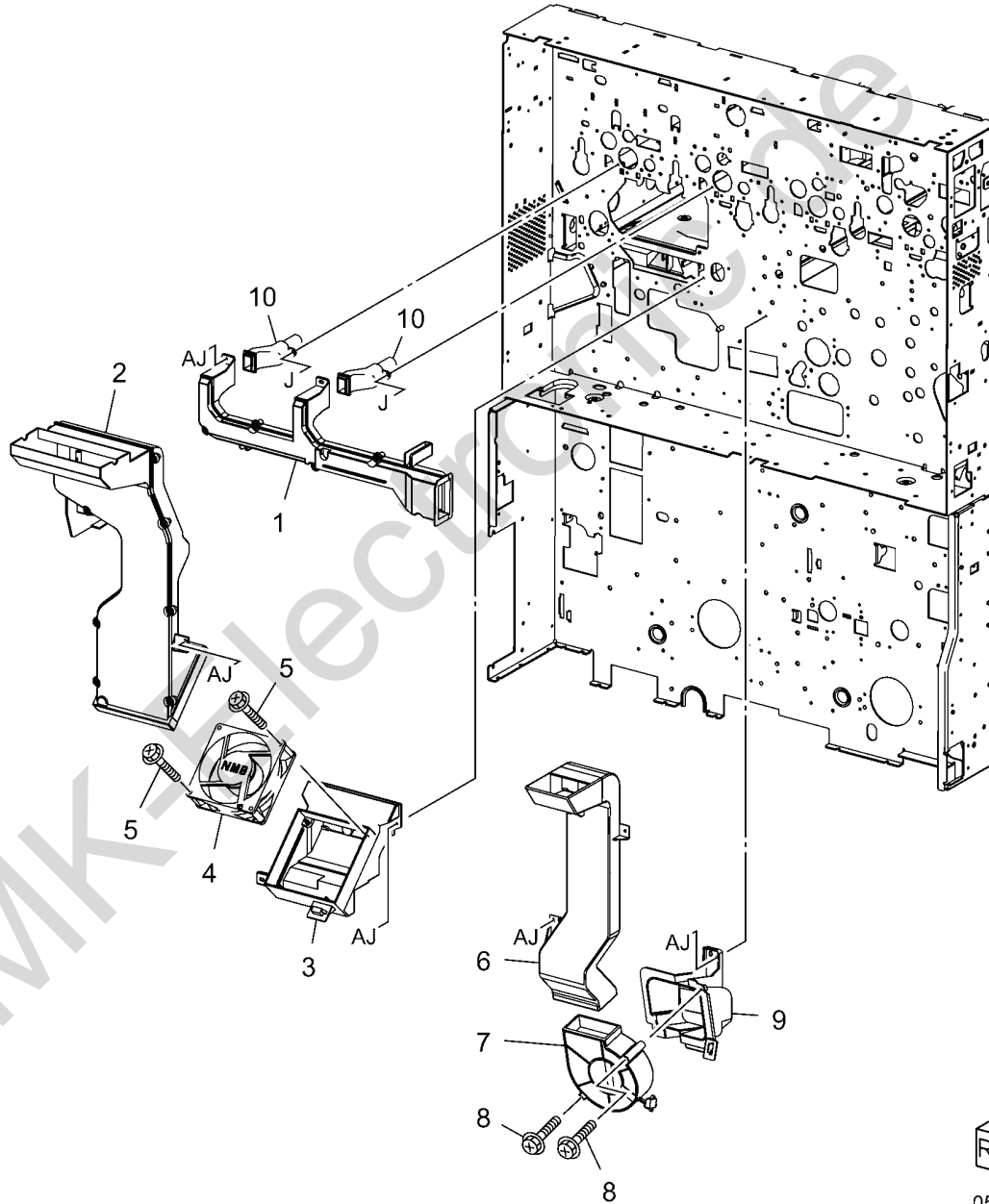
PL 9.1 Air System (1 of 3)

Item	Part	Description
1	053K91940	Suction/Ozone Filter
2	-	PCC Duct (Not Spared)
3	-	CC Duct (Not Spared)
4	-	Duct (Not Spared)
5	-	Main - K Duct (Not Spared)
6	-	Bracket Assembly (Not Spared)
7	-	Filter Case (Not Spared)
8	-	Blower Duct (P/O PL 9.1 Item 7)
9	127K37892	Blower
10	-	Fan Duct (Not Spared)
11	-	Screw (Not Spared)
12	913W01206	Connector
13	927W00024	Rear Cooling Fan



PL 9.2 Air System (2 of 3)

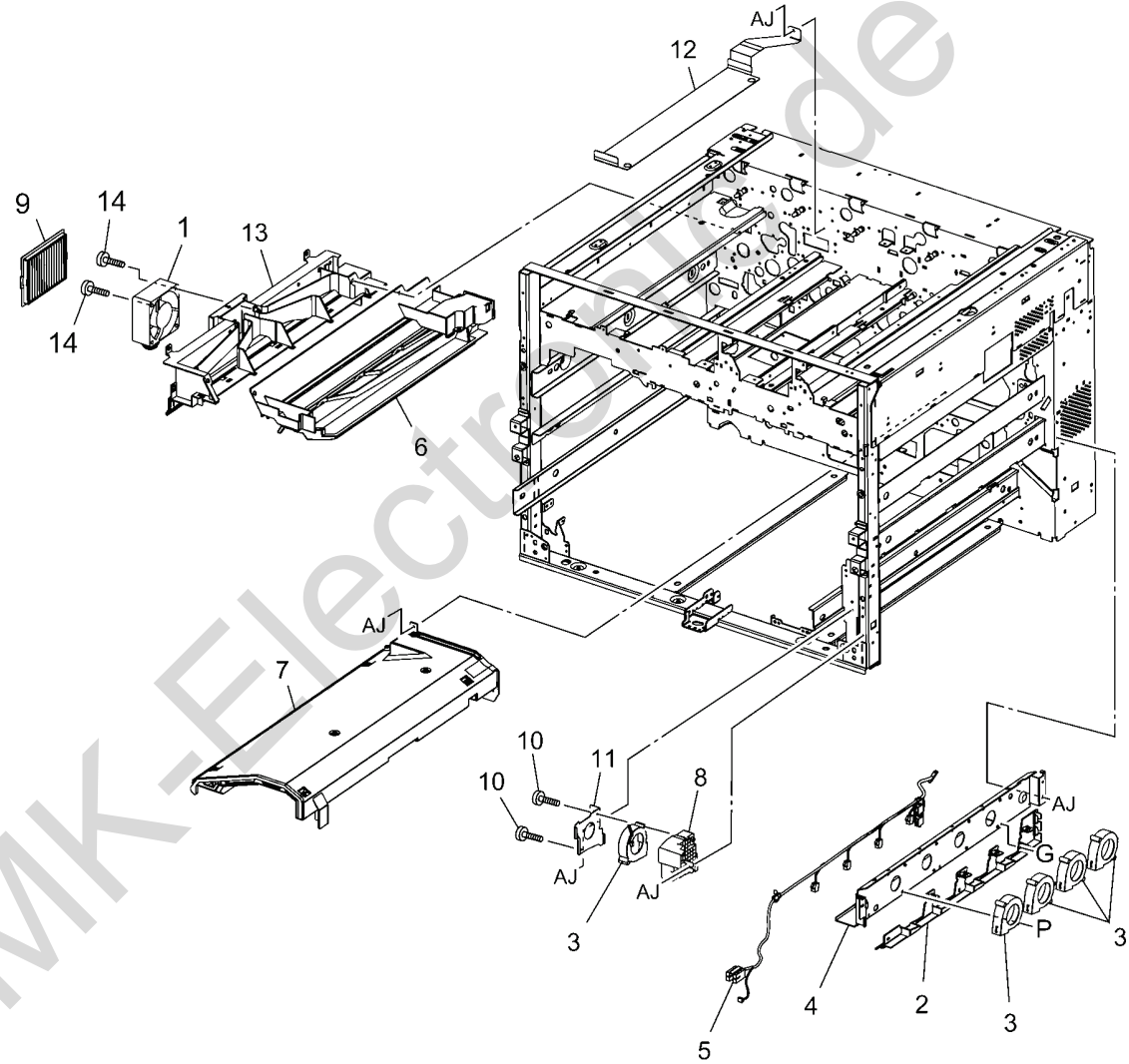
Item	Part	Description
1	-	Y,M Cooling Duct (Not Spared)
2	-	Duct (Not Spared)
3	-	Duct (Not Spared)
4	127K45851	Fuser Exhaust Fan
5	-	Screw (Not Spared)
6	-	Vacuum Transport Duct (Not Spared)
7	127K39571	Vacuum Transport Fan
8	-	Screw (Not Spared)
9	-	Duct (Not Spared)
10	-	Duct (Not Spared)



0509002A-OLY

PL 9.3 Air System (3 of 3)

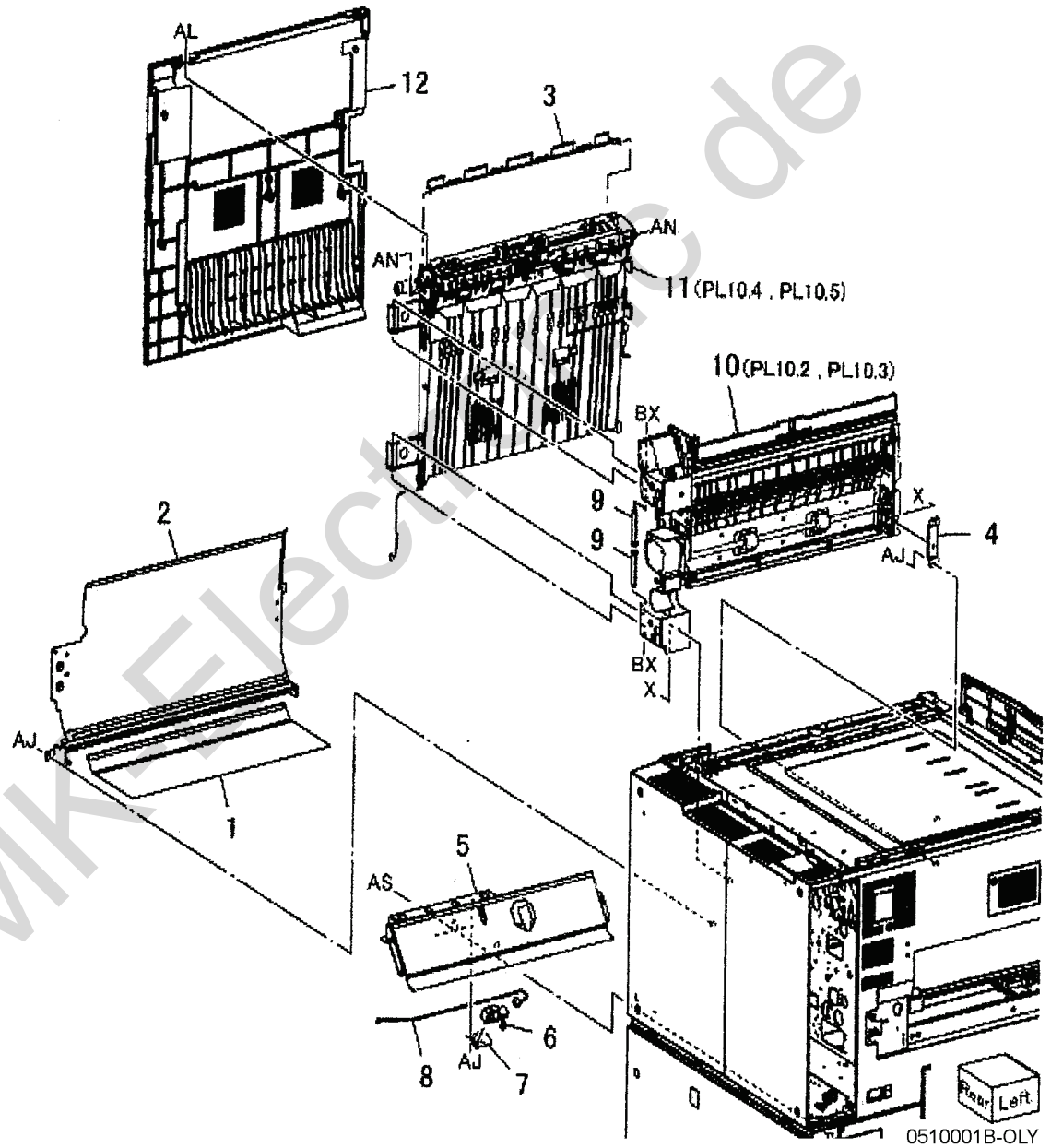
Item	Part	Description
1	127K39561	CC Fan
2	-	Duct (P/O PL 9.3 Item 1)
3	127K39581	Exit Roll Fan 1, Exit Roll Fan 2, Exit Roll Fan 3, Front Fan
4	-	Bracket (P/O PL 9.3 Item 1)
5	-	Wire Harness (P/O PL 9.3 Item 1)
6	-	CC Duct (Not Spared)
7	-	Fuser Duct (Not Spared)
8	-	Duct (Not Spared)
9	053K91980	CC Filter
10	-	Screw (Not Spared)
11	-	Bracket (Not Spared)
12	-	CC Seal (Not Spared)
13	-	Duct (Not Spared)
14	-	Screw (Not Spared)



0509003B-OLY

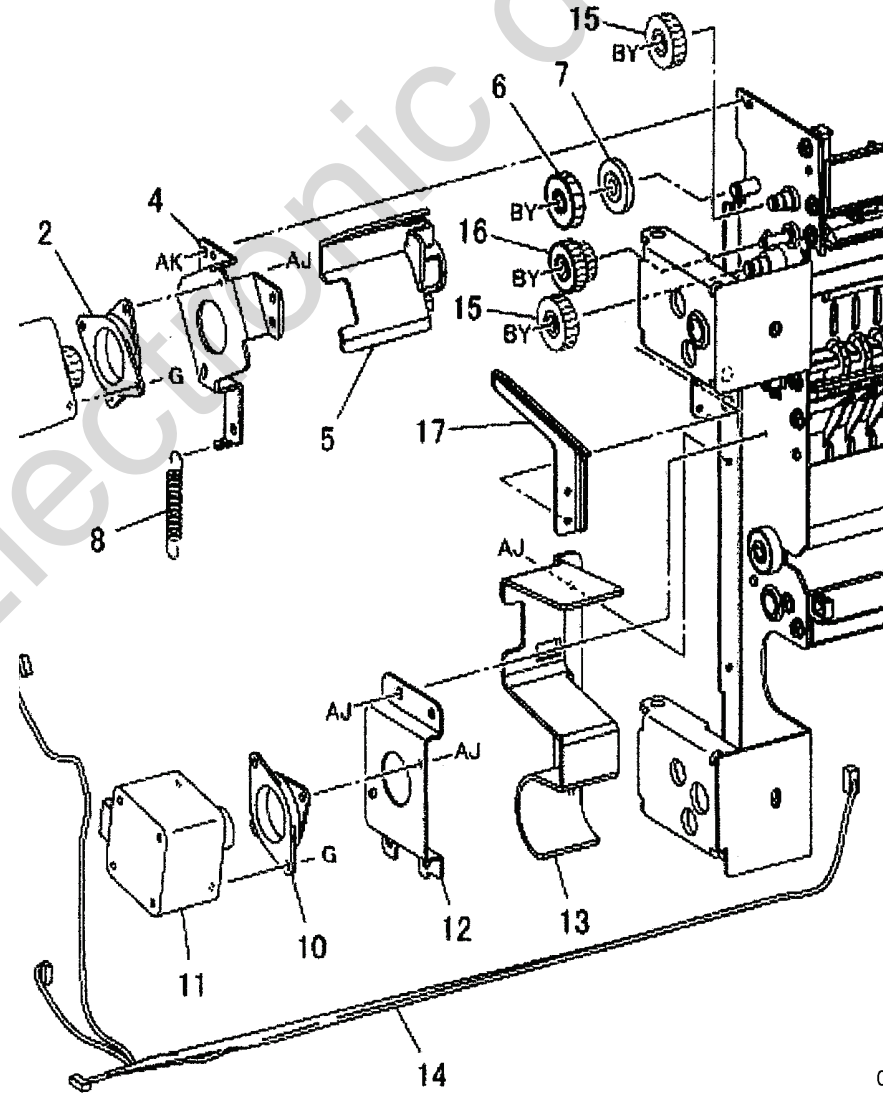
PL 10.1 Inverter

Item	Part	Description
1	038E31521	Bottom Guide
2	-	Inverter 3 Chute (Not Spared)
3	054E26891	OCT Exit Chute
4	-	Bracket (Not Spared)
5	-	Inverter 4 Chute (Not Spared)
6	130K87810	Inverter End Sensor
7	-	Bracket (Not Spared)
8	-	Wire Harness (Not Spared)
9	-	Pin
10	059K45914	Inverter 1 Transport (REP 8.3)
11	059K46414	Invert 2 Transport (REP 8.3)
12	-	Inverter Cover (Not Spared)



PL 10.2 Inverter 1 Transport (1 of 2)

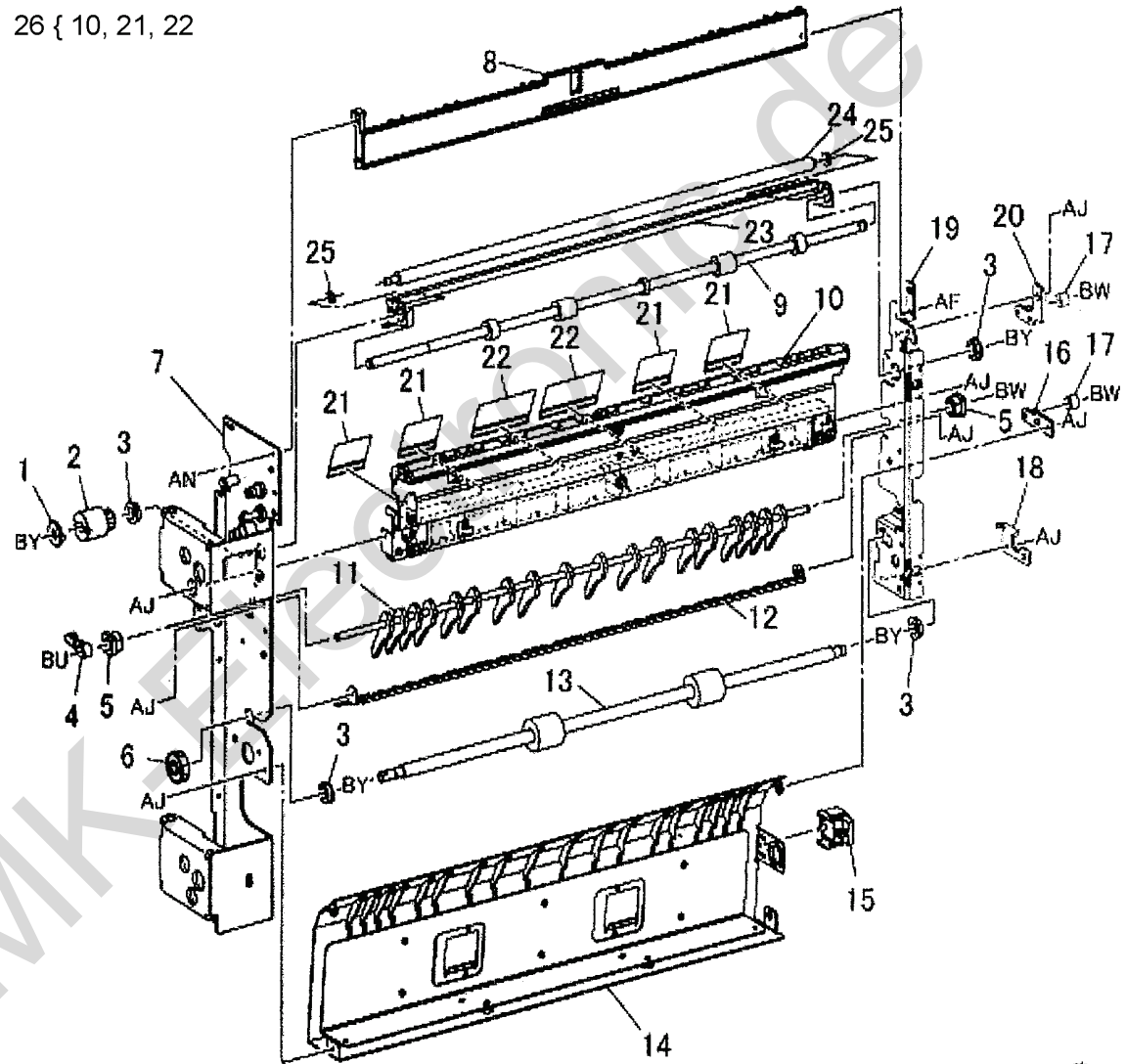
Item	Part	Description
1	127K48390	Exit Motor Assembly
2	-	Damper (P/O PL 10.2 Item 1)
3	127K39820	Exit Motor
4	-	Bracket (P/O PL 10.2 Item 1)
5	-	Gear Cover (P/O PL 10.1 Item 10)
6	-	Gear (26T) (P/O PL 10.1 Item 10)
7	-	Collar (P/O PL 10.1 Item 10)
8	809E55030	Spring
9	127K39720	Inverter Motor Assembly
10	-	Damper (P/O PL 10.2 Item 9)
11	-	Inverter Motor (P/O PL 10.2 Item 9)
12	-	Bracket (P/O PL 10.2 Item 9)
13	-	Motor Cover (P/O PL 10.1 Item 10)
14	-	Wire Harness (P/O PL 10.1 Item 10)
15	-	Gear Assembly (23T) (P/O PL 10.1 Item 10)
16	-	Gear Assembly (22T/16T) (P/O PL 10.1 Item 10)
17	-	Support Bracket (P/O PL 10.1 Item 10)



PL 10.3 Inverter 1 Transport (2 of 2)

Item	Part	Description
1	-	Stopper (P/O PL 10.1 Item 10)
2	005K07681	Gear (14T)
3	013E17670	Bearing
4	-	Gate Link (P/O PL 10.1 Item 10)
5	-	Bearing (P/O PL 10.1 Item 10)
6	-	Gear (17T) (P/O PL 10.1 Item 10)
7	-	Rear Frame (P/O PL 10.1 Item 10)
8	-	Top Chute (P/O PL 10.1 Item 10)
9	059K42373	Inverter Roll
10	-	Upper Chute (P/O PL 10.3 Item 26)
11	-	Gate (P/O PL 10.1 Item 10)
12	-	Middle Chute (P/O PL 10.1 Item 10)
13	059K33310	inverter Duplicator Roll
14	-	Lower Chute (P/O PL 10.1 Item 10)
15	110E93440	R/H Cover Interlock Switch
16	-	Hinge (P/O PL 10.1 Item 10)
17	-	Collar (P/O PL 10.1 Item 10)
18	-	Stopper (P/O PL 10.1 Item 10)
19	-	Front Frame (P/O PL 10.1 Item 10)
20	-	inverter Upper Hinge (P/O PL 10.1 Item 10)
21	-	Decurler Guide 1 (P/O PL 10.3 Item 26)
22	-	Decurler Guide 2 (P/O PL 10.3 Item 26)
23	-	Tie Bracket (P/O PL 10.1 Item 10)
24	-	Pinch Shaft (P/O PL 10.1 Item 10)
25	-	Bearing (P/O PL 10.1 Item 10)
26	-	Upper Chute Assembly (Not Spared)

26 { 10, 21, 22

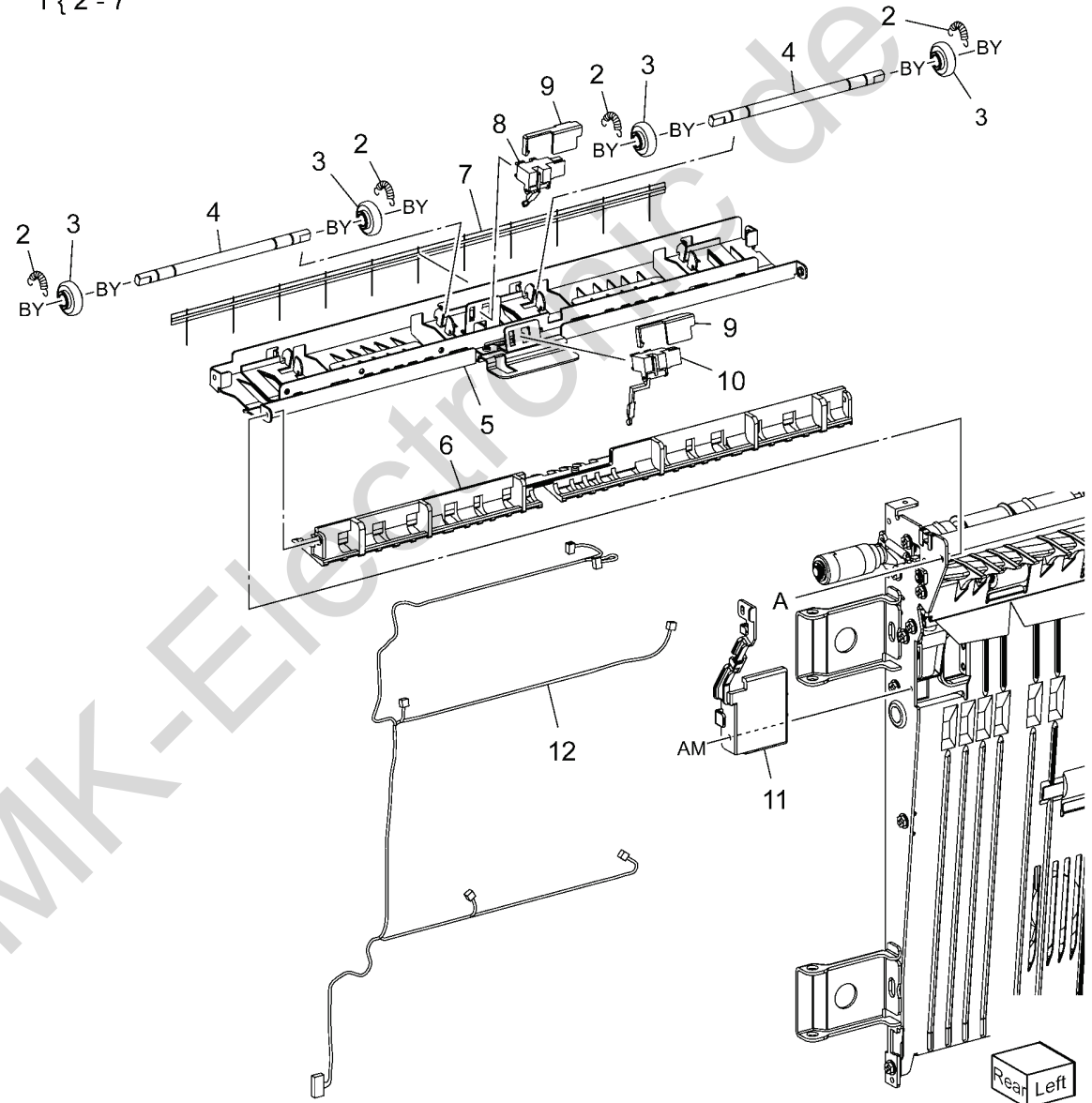


0510003B -OLY

PL 10.4 Inverter 2 Transport (1 of 2)

Item	Part	Description
1	054K26417	Upper Chute Assembly
2	-	Spring (P/O Item 1)
3	-	Pinch Roll (P/O PL 10.4 Item 1)
4	-	Shaft (P/O PL 10.4 Item 1)
5	-	Chute (P/O PL 10.4 Item 1)
6	-	Upper Chute (P/O PL 10.4 Item 1)
7	-	Eliminator (P/O PL 10.4 Item 1)
8	130K88400	IOT Exit Sensor
9	-	Sensor Cover (P/O PL 10.1 Item 11)
10	130K87711	Invert In Sensor
11	-	Nip Solenoid Cover (P/O PL 10.1 Item 11)
12	-	Wire Harness (P/O PL 10.1 Item 11)

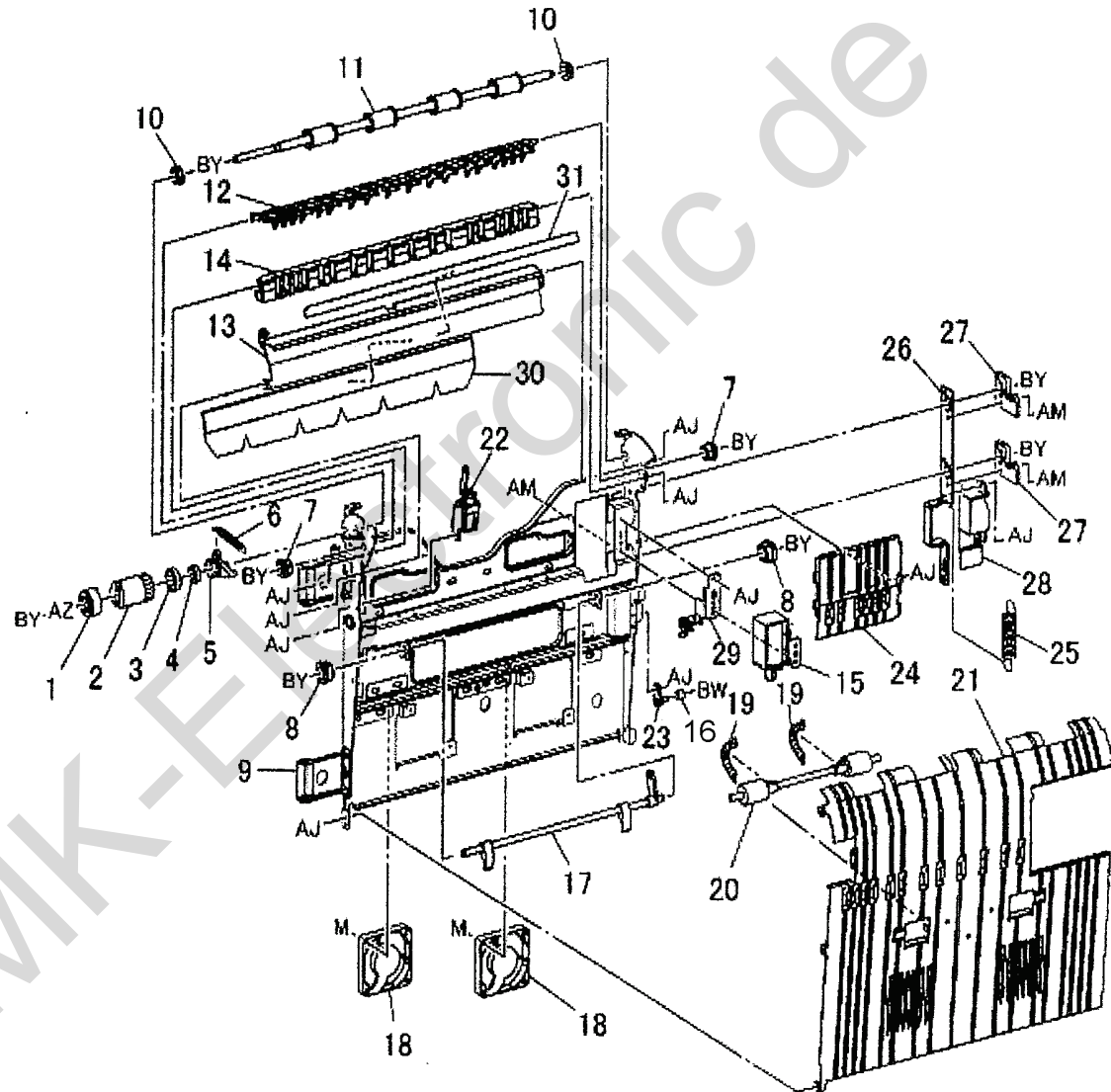
1 { 2 - 7



0510004A-OLY

PL 10.5 Inverter 2 Transport (2 of 2)

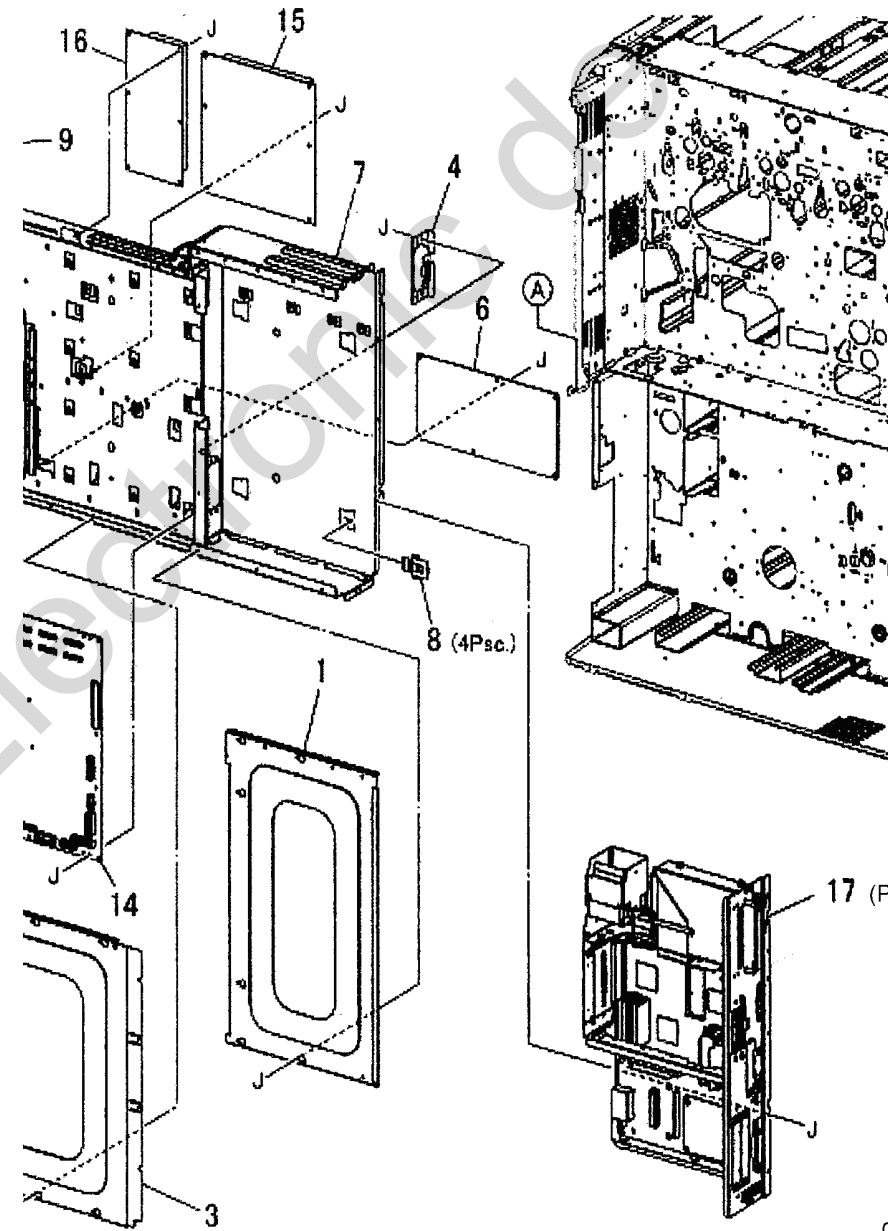
Item	Part	Description
1	005K07230	Exit Clutch
2	005K07081	Gear (18T)
3	005E18890	Collar
4	413W66150	Ball Bearing
5	003E61200	Exit Roll Stopper
6	809E14690	Spring
7	-	Bearing (P/O PL 10.1 Item 11)
8	-	Bearing (P/O PL 10.1 Item 11)
9	-	Inverter 2 Frame (P/O PL 10.1 Item 11)
10	013E17670	Bearing
11	059K33331	Exit Roll
12	050K52540	Exit Gate
13	054K29611	Middle 2 Chute
14	-	Middle Chute (P/O PL 10.1 Item 11)
15	121K33883	Reverse Inverter Solenoid
16	-	Collar
17	-	Link (P/O PL 10.1 Item 11)
18	127K39590	Cooling Fan
19	809E55041	Roll Pinch Spring
20	059K33320	Pinch Roll
21	-	Lower Chute (P/O PL 10.1 Item 11)
22	121K35071	Inverter Gate Solenoid
23	-	Stopper (P/O PL 10.1 Item 11)
24	-	Gate Solenoid Cover (P/O PL 10.1 Item 11)
25	-	Latch Spring (P/O PL 10.1 Item 11)
26	-	Lever Bracket (P/O PL 10.1 Item 11)
27	-	Cover Latch (P/O PL 10.1 Item 11)
28	-	Latch Lever (P/O PL 10.1 Item 11)
29	-	Link Assembly (P/O PL 10.1 Item 11)
30	-	Paper Guide (P/O PL 10.1 Item 11)
31	-	Pad (P/O PL 10.1 Item 11)



0510005A-OLY

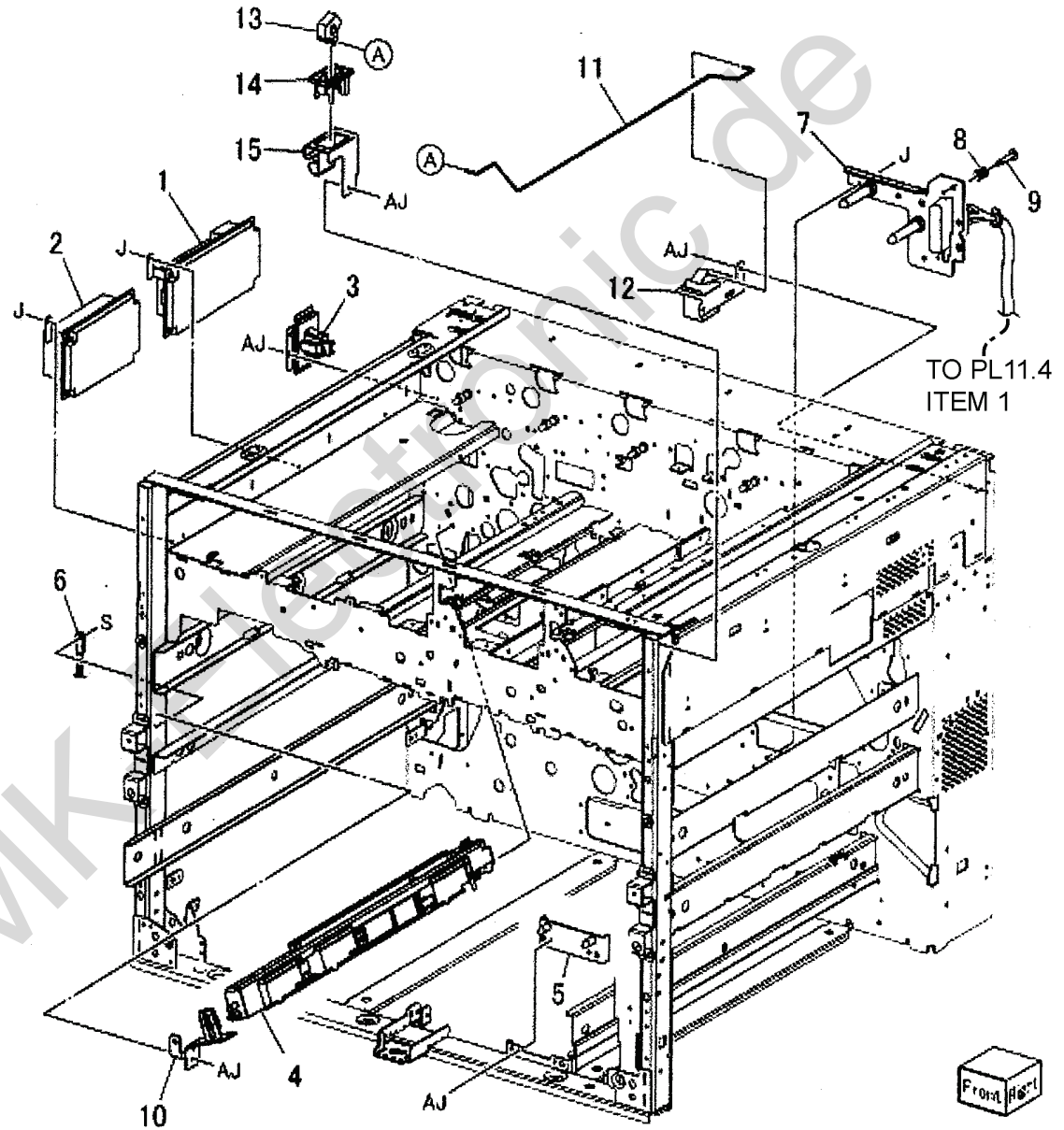
PL 11.1 Electrical (1 of 3)

Item	Part	Description
1	-	Control Cover (Not Spared)
2	117E27960	Flat Cable
3	-	MCU Cover (Not Spared)
4	-	Bracket (Not Spared)
5	-	Bracket (Not Spared)
6	960K36300	IOT Driver PWB
7	-	Chassis Assembly (Not Spared) (REP 3.1)
8	-	Plate Spring (Not Spared)
9	-	Pin (Upper) (Not Spared)
10	-	Pin (Lower) (Not Spared)
11	960K18011	MCU PWB Assembly (REP 3.7)
12	160K95232	MCU NVM PWB (P/O PL 11.1 Item 11) (REP 3.8)
13	-	Spacer (P/O PL 11.1 Item 11)
14	-	MCU PWB (P/O PL 11.1 Item 11)
15	105E17680	Charge (Y, M, C) HVPS
16	604K29270	Developer Bias (Y, M, C) HVPS
17	-	Control Unit (Not Spared) (REP 3.2)



PL 11.2 Electrical (2 of 3)

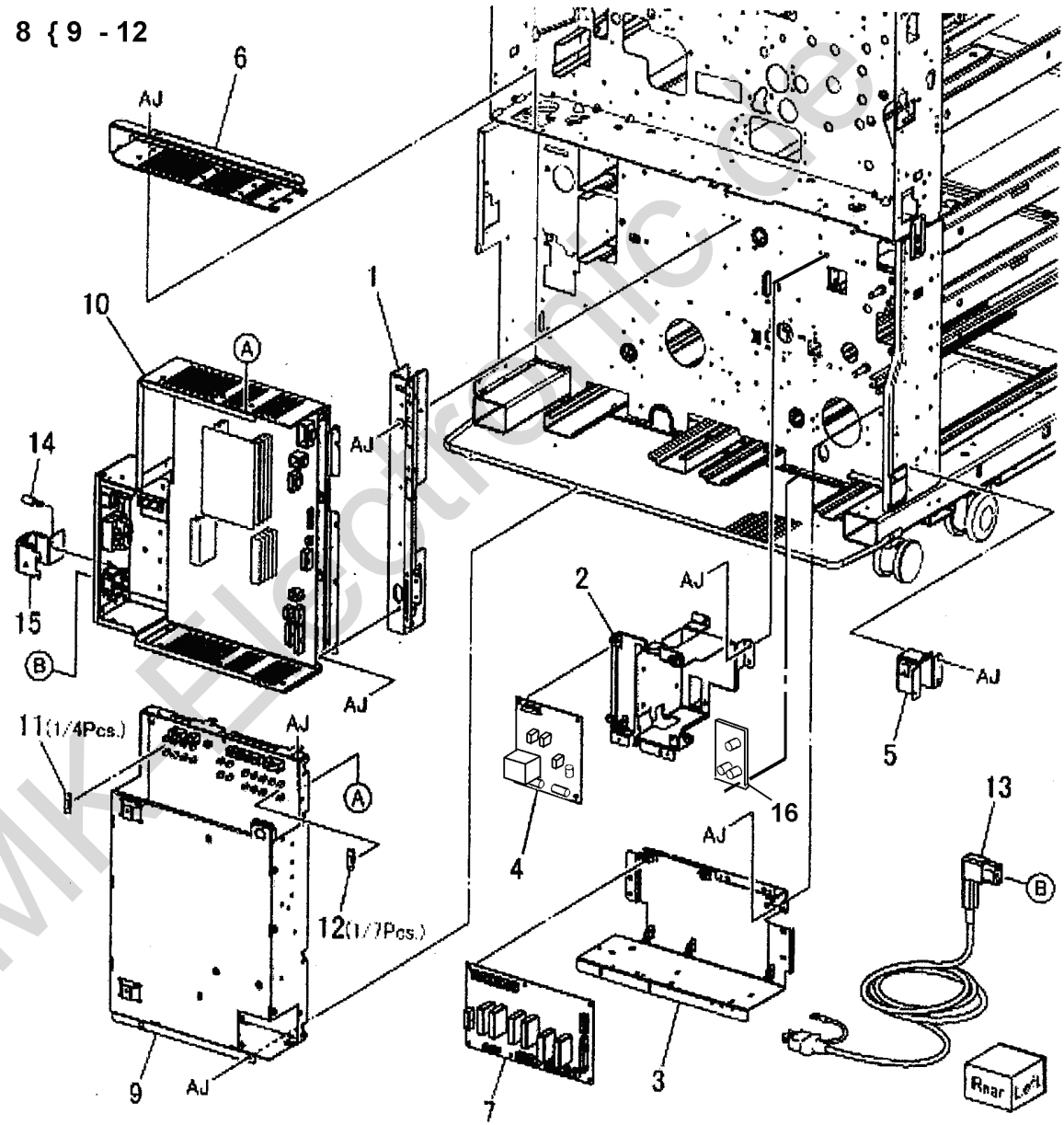
Item	Part	Description
1	105K20971	Charge (K) Preclean HVPS
2	105K20980	Developer Bias (K) HVPS
3	068K23802	Outlet (220V)
4	130K87703	MOB ADC Assembly (REP 9.13)
5	-	Bracket (Not Spared)
6	130K88740	Environment Sensor
7	-	Frame Assembly (Not Spared)
8	809E49990	Spring
9	826E08080	Shoulder Screw
10	-	Plate Assembly (Not Spared)
11	-	Switch Rod (Not Spared)
12	110K12030	Power Switch
13	-	Cam (Not Spared)
14	-	Main Switch Case (Not Spared)
15	-	Switch Bracket (Not Spared)



0511002B-OLY

PL 11.3 Electrical (3 of 3)

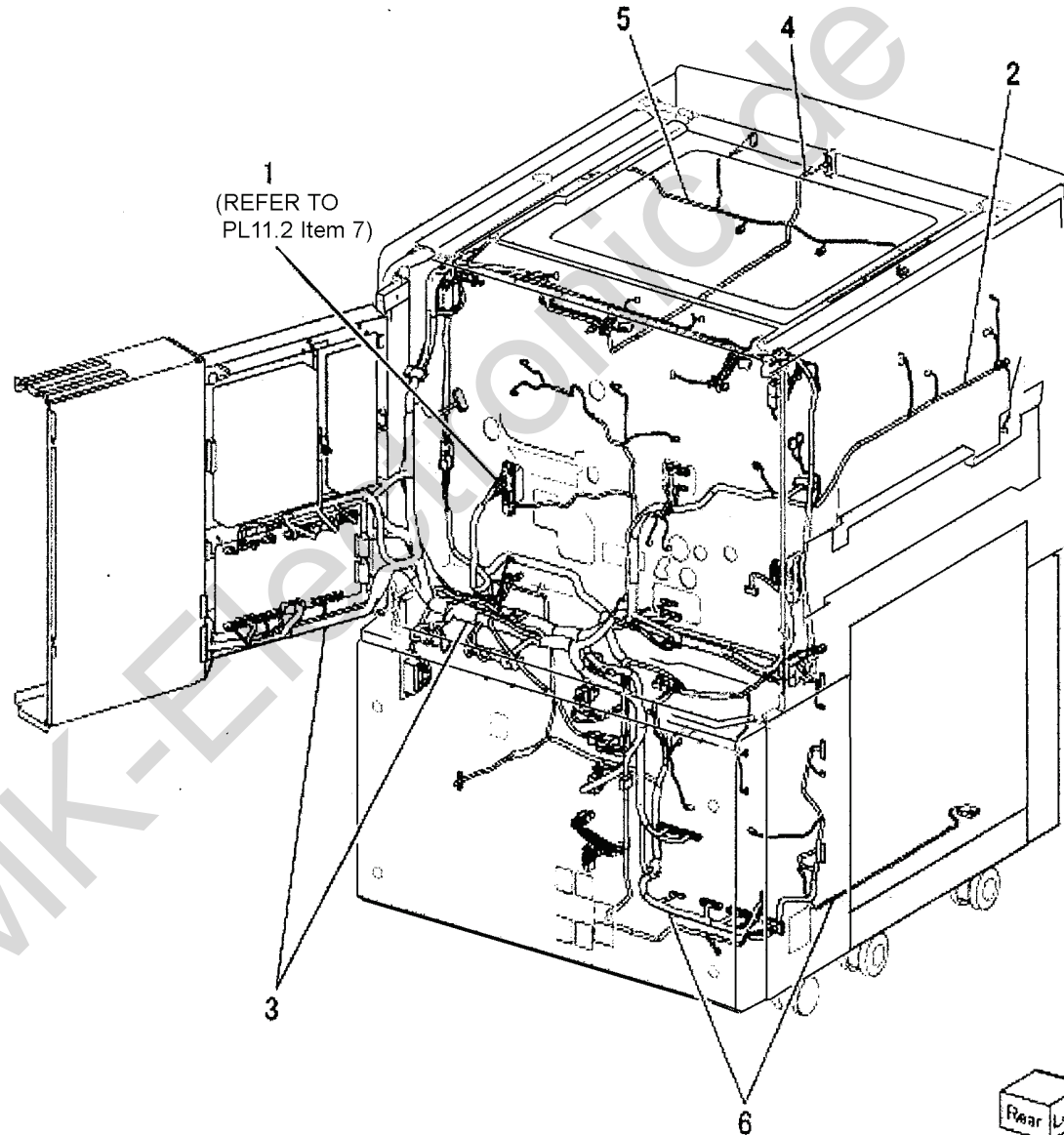
Item	Part	Description
1	-	Bracket Assembly (Not Spared)
2	-	Bracket Assembly (Not Spared)
3	-	Bracket Assembly (Not Spared)
4	105K20741	2nd BTR HVPS
5	-	Bracket (Not Spared)
6	-	Bracket (Not Spared)
7	960K00406	Tray Module PWB (REP 7.32)
8	105K20912	Power Supply (120V) (REP 1.1)
-	105K20932	Power Unit (220V) (REP 1.1)
9	-	Main LVPS (P/O item 8)
10	-	AC Unit G1 (P/O item 8)
11	108E98520	5A Fuse 1/2/3/4 (220V)
-	908W00114	5A Fuse (110V) 1/2/3/4
12	908W00115	6.3A Fuse (110V) 5/6/7/8/9/10/11
-	108E98001	6.3A Fuse (220V) 5/6/7/8/9/10/11
13	117E22350	Power Cord
14	-	Screw (Not Spared)
15	-	Bracket (Not Spared)
16	105K21550	IIT LVPS



0511003B-OLY

PL 11.4 Wire Harness

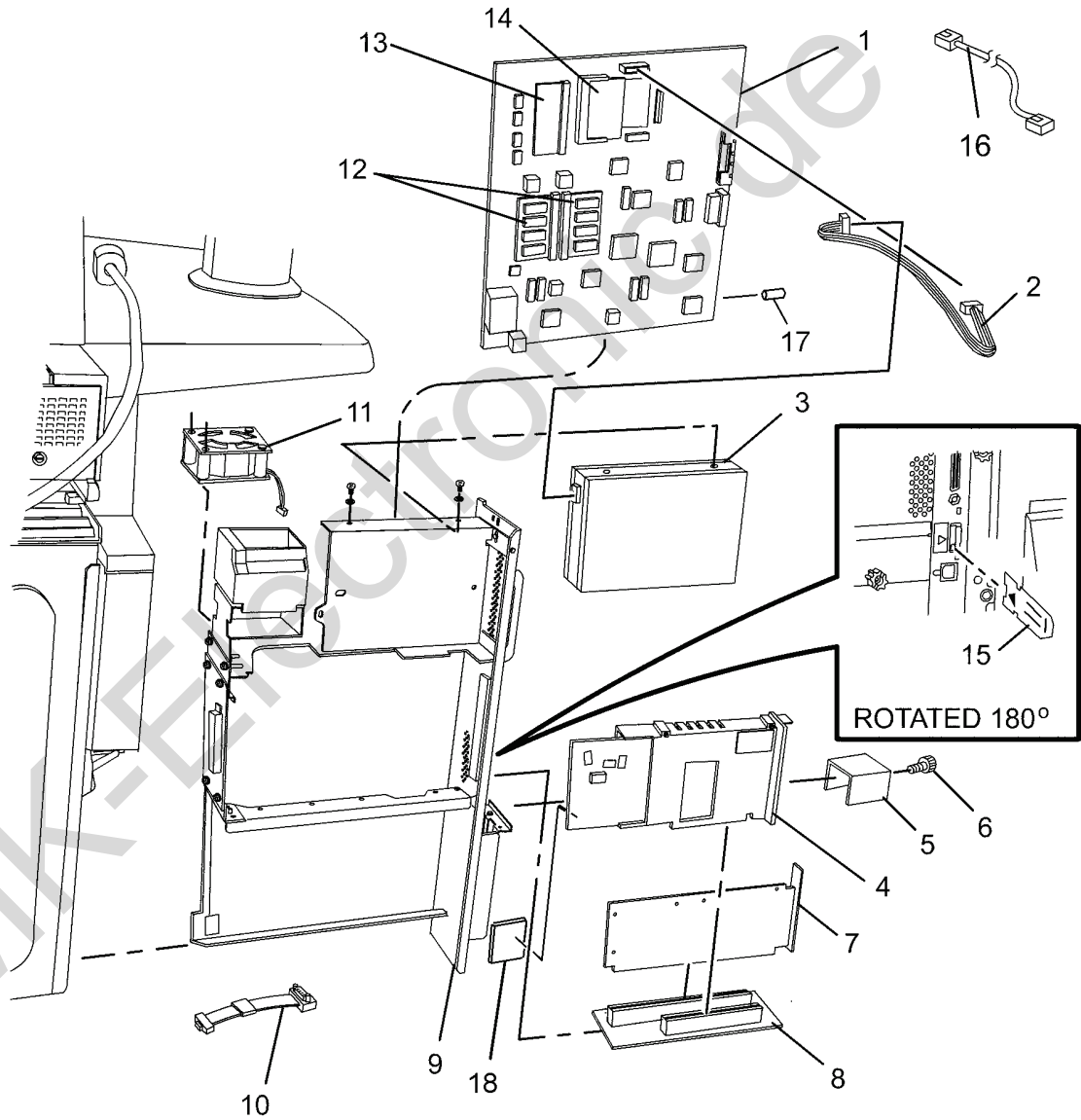
Item	Part	Description
1	-	Fuser AC Wire Harness (Not Spared)
2	-	Wire Harness (Signal) (Not Spared)
3	-	Wire Harness (Power) (Not Spared)
4	-	Wire Harness (Control) (Not Spared)
5	-	Wire Harness (R/H) (Not Spared)
6	-	Tray Module Harness (Not Spared)



0511004B-OLY

PL 11.7 Copy Control Module

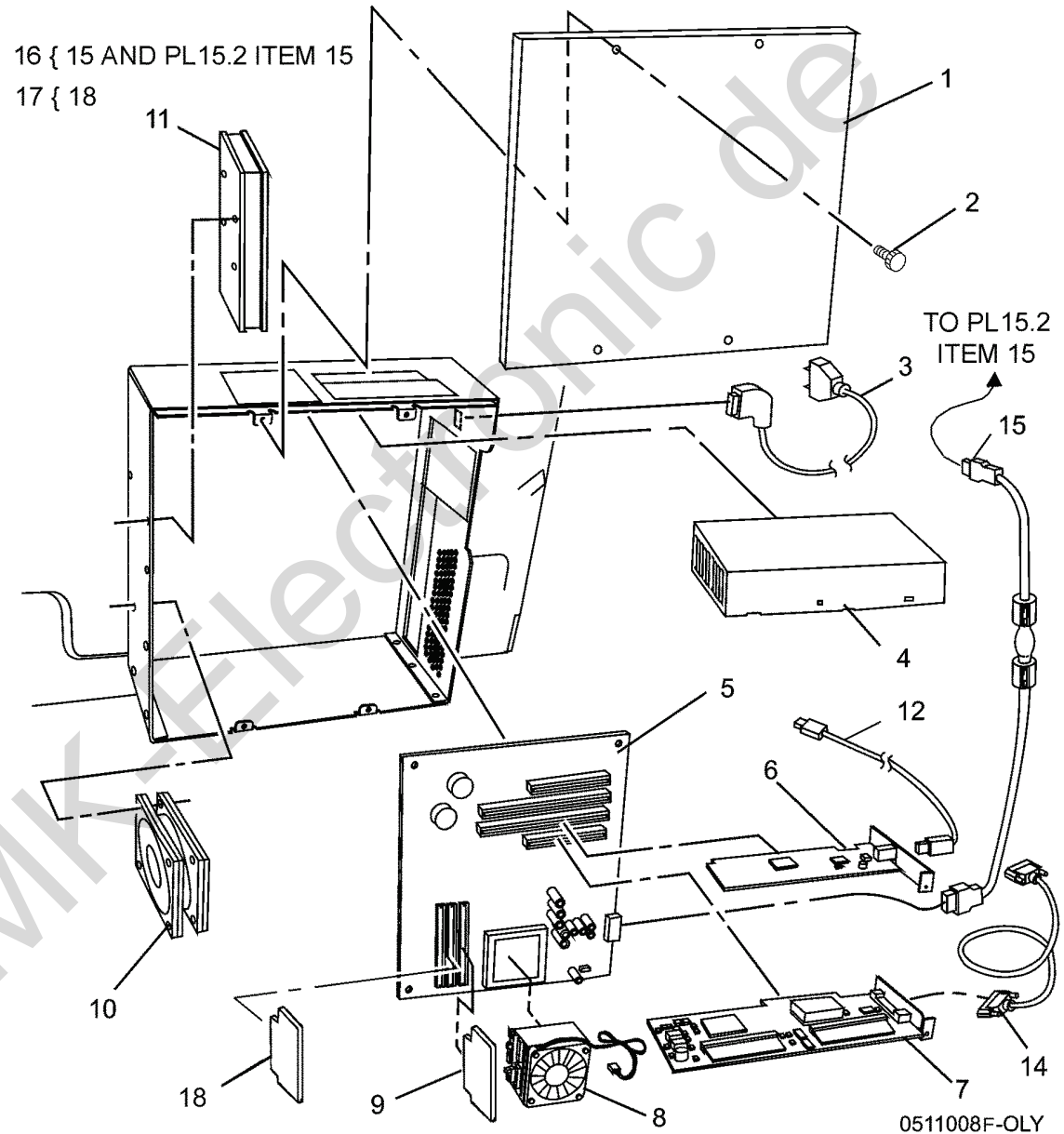
Item	Part	Description
1	960K27591	Copy Control Module (CCM) PWB (REP 3.10)
2	962K40460	Harness
3	121E20600	Image Disk Drive
4	960K40500	One Line Fax PWB
-	960K40510	Two Line Fax Card (REP 3.9)
5	-	Cover (Not Spared)
6	-	Thumb Screw (Not Spared)
7	960K27460	Firewire PWB
8	960K27440	Riser PWB
9	-	Controller Panel (P/O PL 11.1 Item 17)
10	962K41360	FDI Internal Cable
11	127K38182	Controller Fan Assembly
12	833W39024	EPC Memory
13	960K23832	Flash Memory
14	960K27121	NVM PWB (REP 3.6)
15	537E66420	NW Accounting SIM
-	537E66460	Geographic Region SIM
-	537E66470	B SIM Set 50/65
-	537E66450	Overwrite Security SIM
-	537E66430	Internet and Server FAX SIM
-	537E66440	NW Scan and Email SIM
16	117E06260	Telephone Line
17	207E22200	Battery
18	537E66660	Fax Flash Memory
-	537E66810	Fax Flash Memory (64MB)



0511007A-OLY

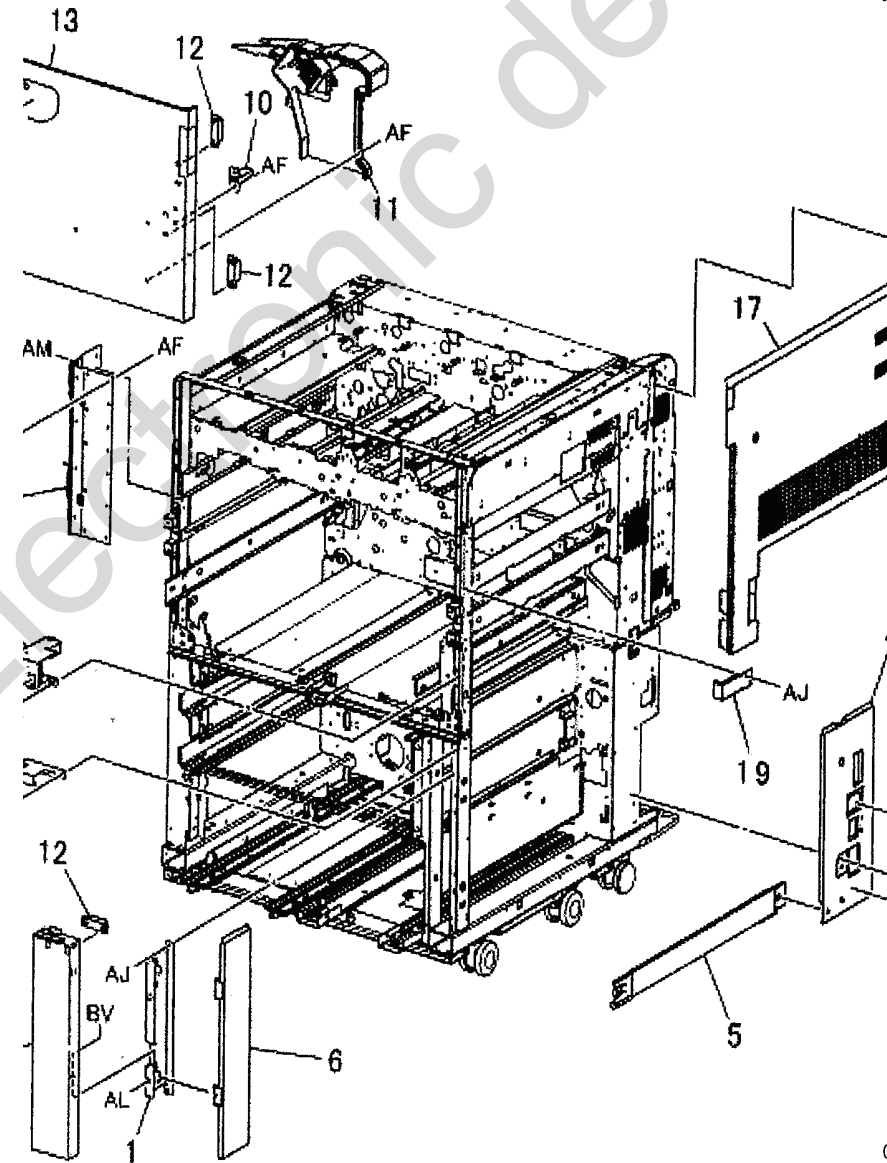
PL 11.8 Network Controller Assembly

Item	Part	Description
1	-	Network Controller Cover (Not Spared)
2	-	Thumb Screw (Not Spared)
3	117E25232	Network Controller Power Cord
4	105K28261	Power Supply (REP 3.15)
5	960K14584	Network Controller PWB (REP 3.14)
6	960K27460	Firewire PWB (REP 3.13)
7	960K25342	S2X PWB (REP 3.12)
8	107E25751	Heatsink/Fan Assembly
9	833W39009	System Memory
10	127K55570	Cooling Fan
11	121K44404	System Disk Drive (REP 3.11)
12	962K41530	Firewire Cable
13	137E24460	AMD Athlon Processor
14	117K46330	S2X Cable
15	962K69800	UI/NC Interface Cable (W/TAG N-001)
16	606K16120	SUI Refresh Upgrade Kit (W/TAG N-001)
17	606K16140	Memory (256MB) (W/TAG N-002)
18	833W39017	256MB DIMM



PL 12.1 Cover (1 of 2)

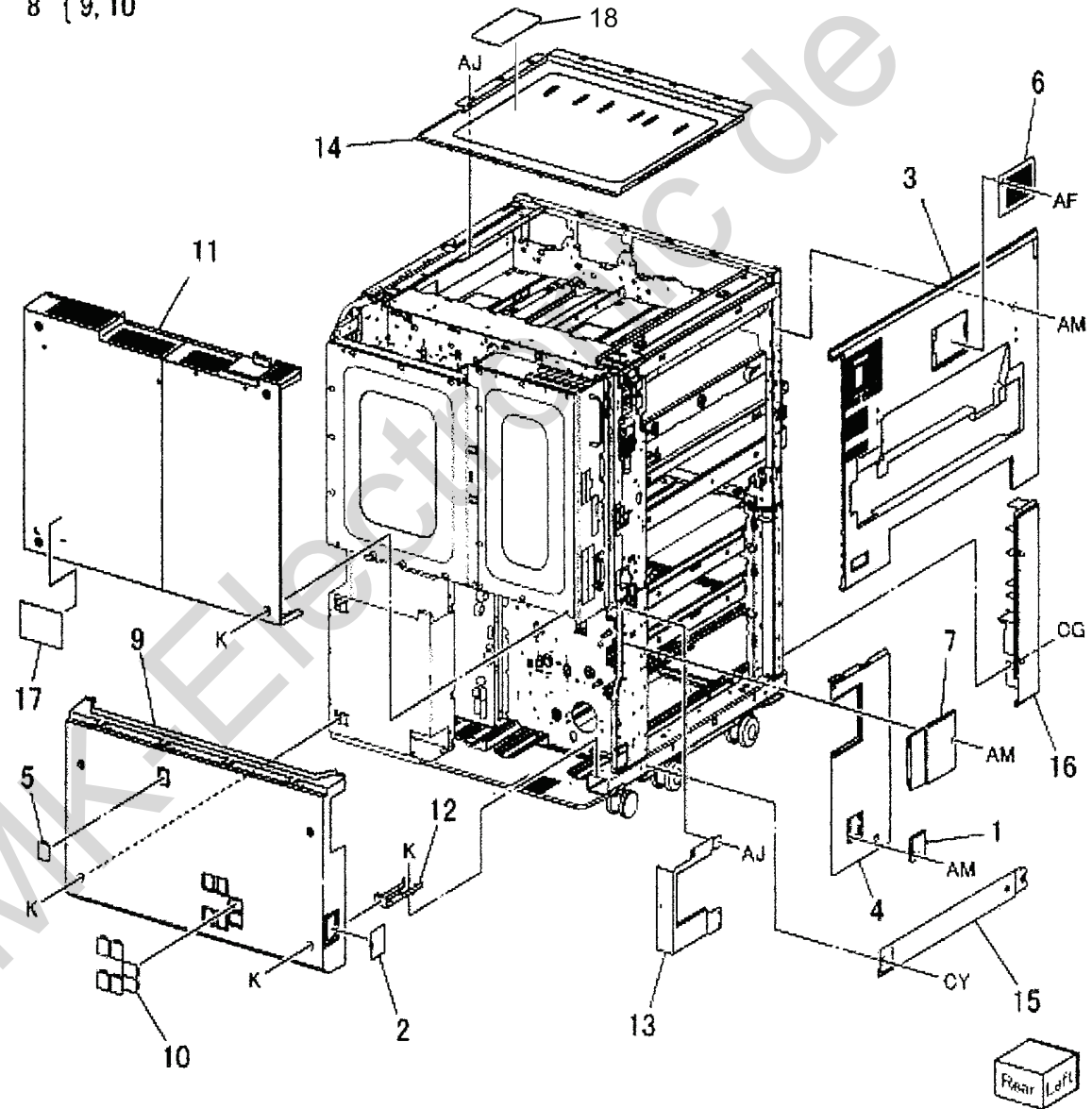
Item	Part	Description
1	-	Hinge (Not Spared)
2	110E11980	Front Cover Interlock Switch
3	-	Bracket (Not Spared)
4	-	Right Rear Lower Cover (Not Spared)
5	-	Right Lower Cover (Not Spared)
6	-	Right Front Lower Cover (Not Spared)
7	-	Right Rear Upper Cover (Not Spared)
8	802K65452	Front Cover Assembly
9	-	Hinge (P/O PL 12.1 Item 8)
10	032E21490	Guide
11	-	Fuser Duct (P/O PL 12.1 Item 8)
12	121E92870	Magnet Catch
13	-	Front Cover (P/O PL 12.1 Item 8)
14	802K65502	Bottle Cover
15	-	Label (Earth) (Not Spared)
16	-	Bottle Cover (P/O PL 12.1 Item 14)
17	-	Right Upper Cover (Not Spared)
18	-	Bracket (Not Spared)
19	-	Bracket (Not Spared)
20	848K06221	Logo Plate
21	802E63660	Blind Cover



PL 12.2 Cover (2 of 2)

Item	Part	Description
1	-	Cover (Not Spared)
2	802E63660	Blind Cover
3	-	Left Upper Cover (Not Spared)
4	-	Left Rear Lower Cover (Not Spared)
5	-	Cover (Not Spared)
6	-	Filter Cover (Not Spared)
7	802K56961	Filter Cover
8	-	Rear Lower Cover (Not Spared)
9	-	Rear Lower Cover (P/O PL 12.2 Item 8)
10	-	Blind Cover (P/O PL 12.2 Item 8)
11	-	Rear Upper Cover (P/O)
12	-	Bracket (Not Spared)
13	-	Bracket (Not Spared)
14	-	IIT Plate (Not Spared)
15	-	Cover (Not Spared)
16	-	Cover (Not Spared)
17	-	Data Plate (Not Spared)
18	-	Label (CE) (Not Spared)

8 { 9, 10

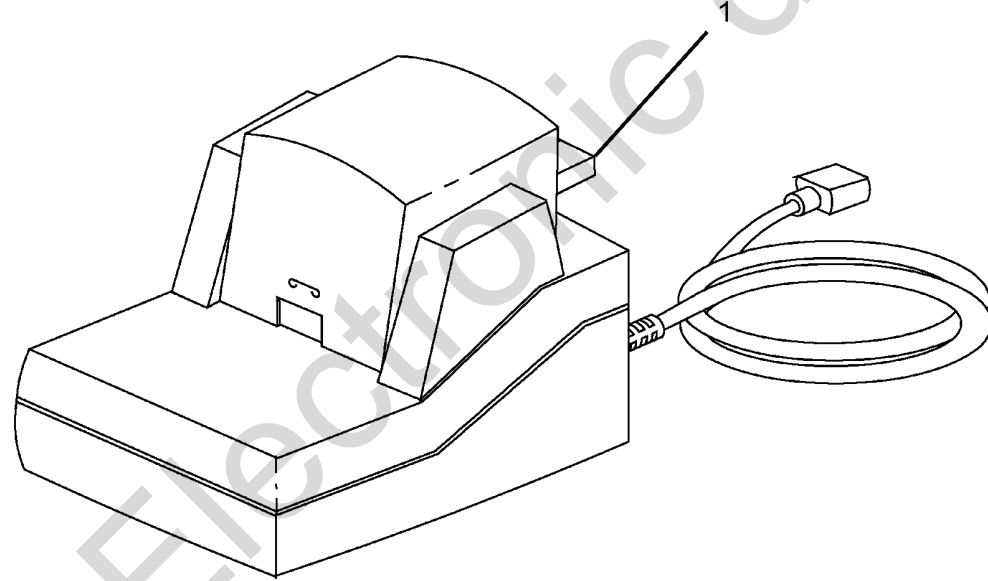


0512002A-OLY

PL 12.4 Convenience Stapler

Item	Part	Description
1	604K35710	Convenience Stapler Kit
-	604K35700	Convenience Stapler Kit (XE)

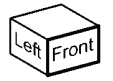
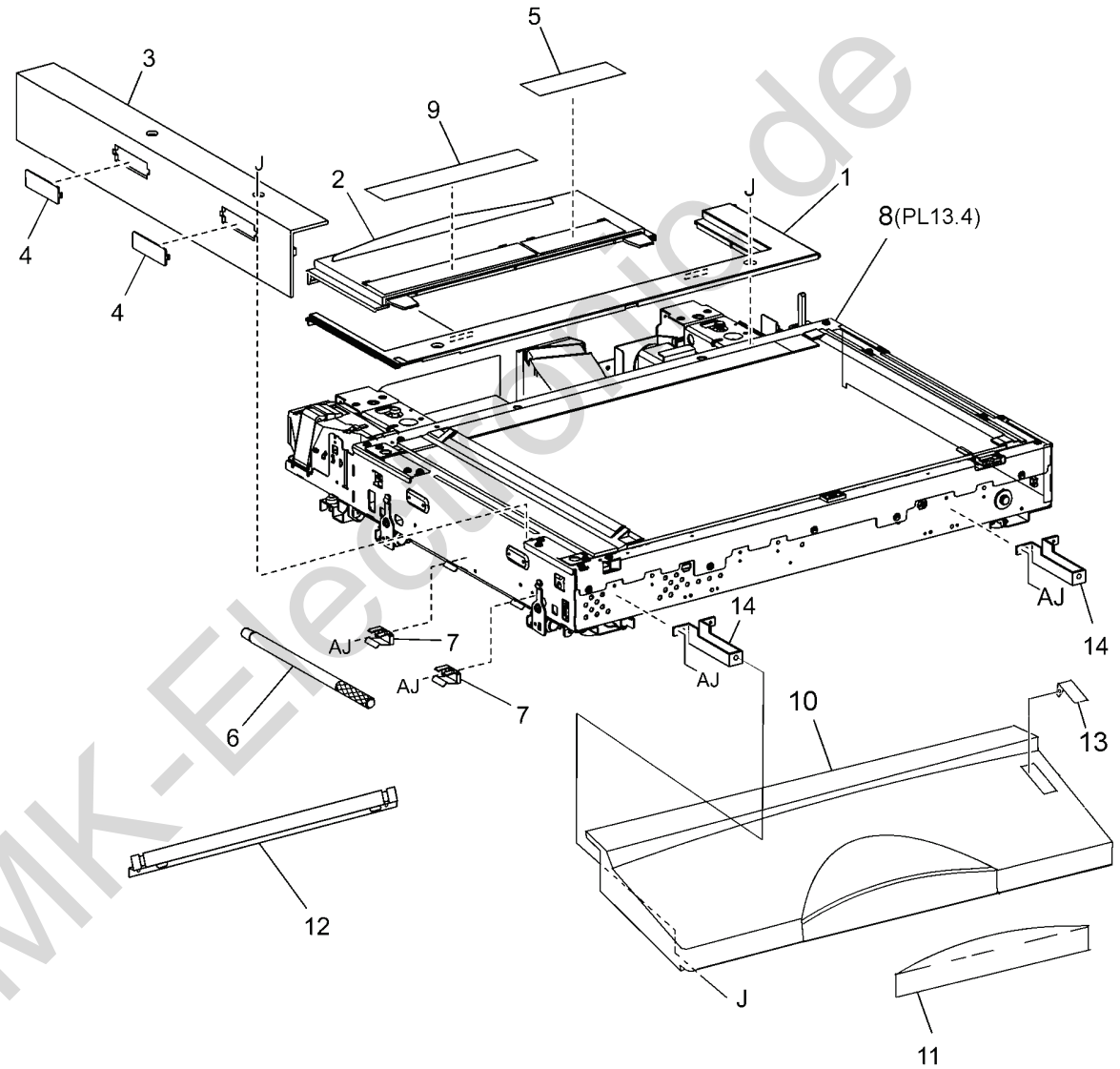
NOTE: Was PL 12.3 last revision, changed after 12/12/06



0512003A-OLY

PL 13.1 IIT Cover - Front/Top

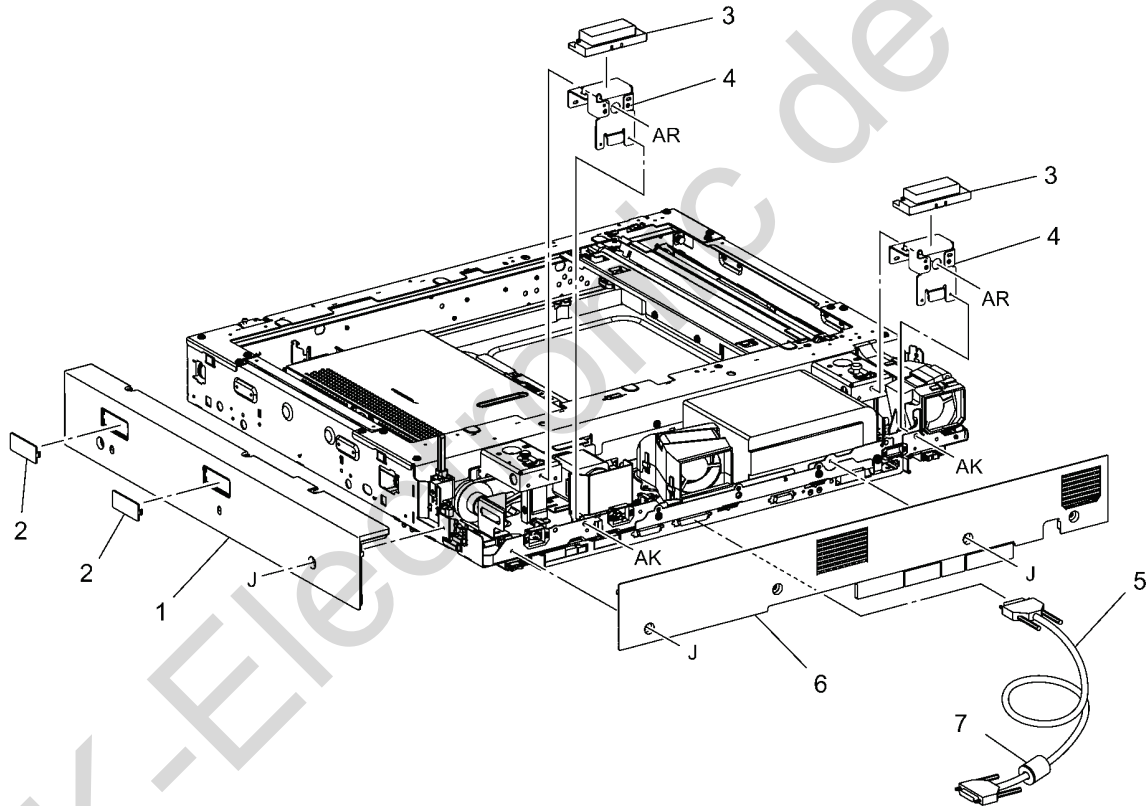
Item	Part	Description
1	-	Top Rear Cover 1 (Not Spared)
2	802E62452	Top Rear Cover 2
3	-	IIT Left Cover (Not Spared)
4	802E63030	Blind Cover
5	-	Sensor Shield (Not Spared)
6	-	Lift Arm (Not Spared)
7	-	Arm Holder (Not Spared)
8	-	IIT Assembly (Not Spared) (REP 5.24)
9	-	Caution Label (Not Spared)
10	-	IIT Front Cover (Not Spared)
11	896E07270	WorkCentre 7655 Label
-	896E16780	WorkCentre 7665 Label
-	896E38470	WorkCenter 7675 Label
12	-	Shading Jig (Not Spared)
13	-	Switch Cover (Not Spared)
14	849E29921	Bracket



0513001A-OLP

PL 13.2 IIT Cover - Rear/Right, Power Chassis (DADF-250)

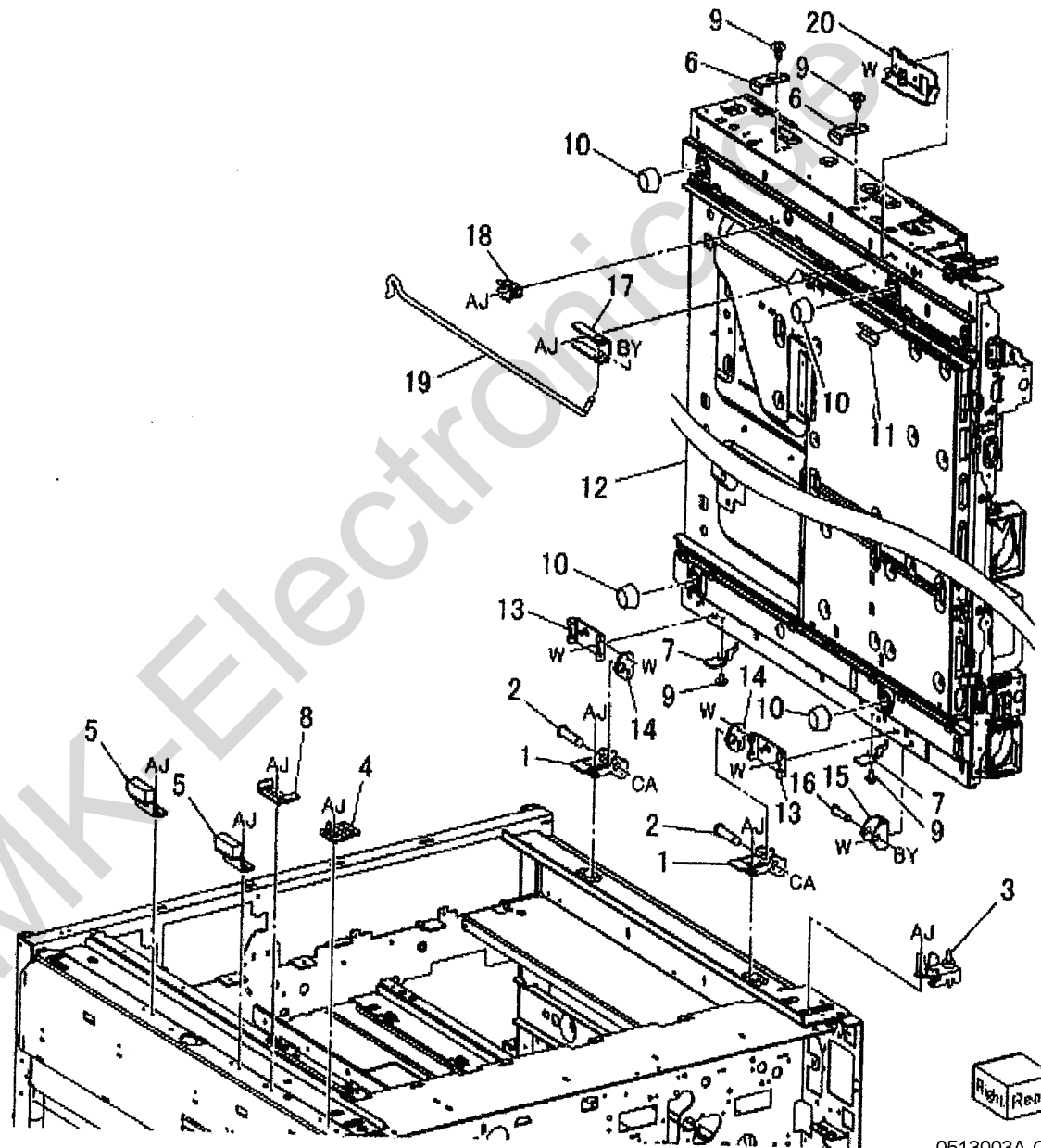
Item	Part	Description
1	802E56502	IIT Right Cover
2	802E63030	Blind Cover
3	802E67240	Blind Cover
4	-	DADF Support Bracket (Not Spared)
5	117E21691	IIT-CCM Cable
6	802E64372	IIT Rear Cover
7	-	Core (Not Spared)



0513002A-OLY

PL 13.3 IIT Bottom Bracket

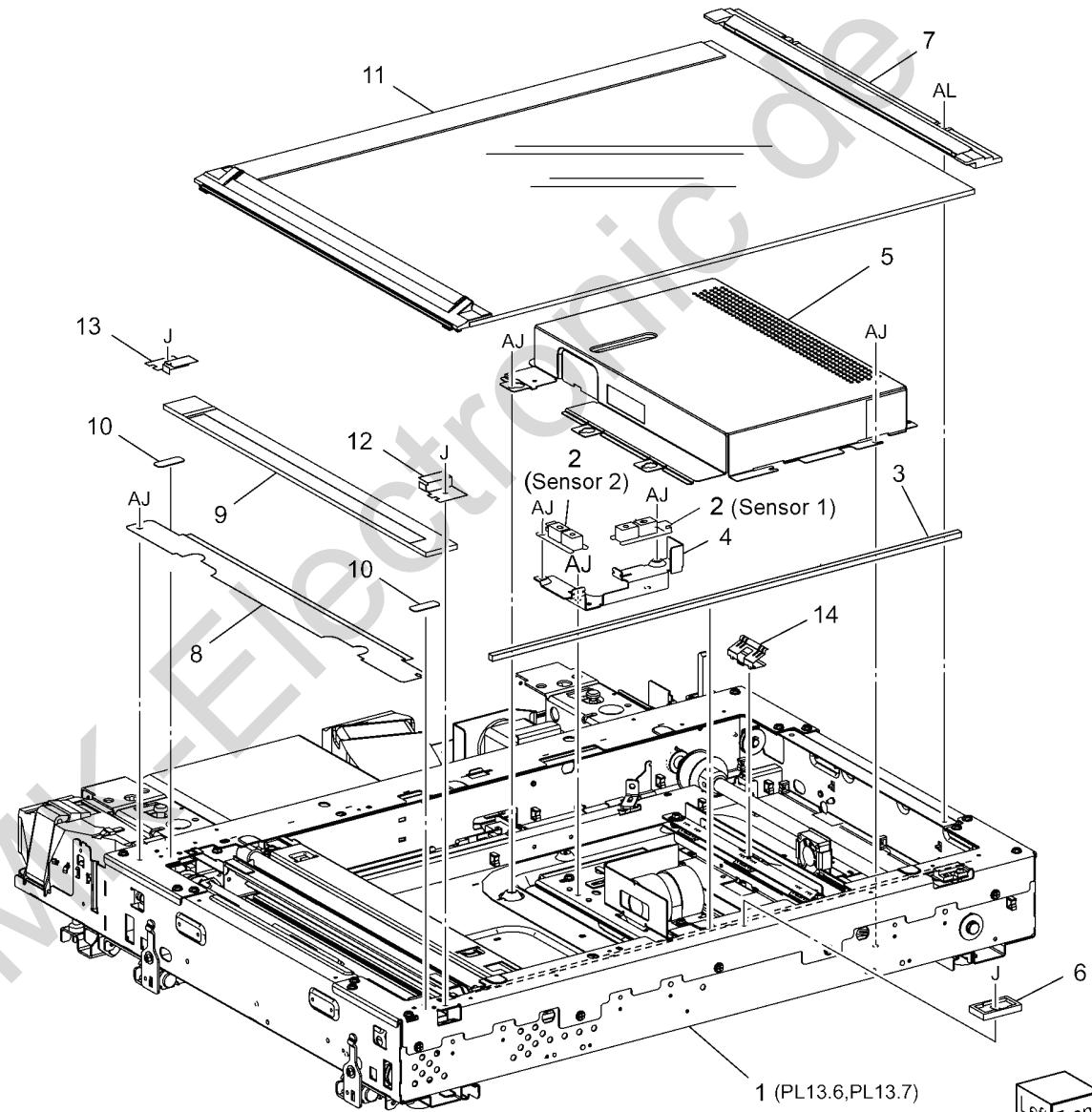
Item	Part	Description
1	-	Pivot Bracket (Not Spared)
2	-	Pivot Stud (Not Spared)
3	-	Left Locator Bracket (Not Spared)
4	-	Right Locator Bracket (Not Spared)
5	-	Foot Bracket (Not Spared)
6	-	Right Stopper (Not Spared)
7	-	Left Stopper (Not Spared)
8	-	Lock Brace Bracket (Not Spared)
9	-	Forming Screw (Not Spared)
10	017E92060	Foot
11	-	Bottom Seal (Not Spared)
12	-	IIT Frame (Not Spared)
13	-	Pivot Bracket (Not Spared)
14	-	Pivot Plate (Not Spared)
15	-	Locate Bracket (Not Spared)
16	-	Locate Stud (Not Spared)
17	-	Brace Bracket (Not Spared)
18	-	Brace Holder (Not Spared)
19	604K33910	Brace Shaft Kit
20	-	Arm Bracket (Not Spared)



0513003A-OLY

PL 13.4 IIT Component

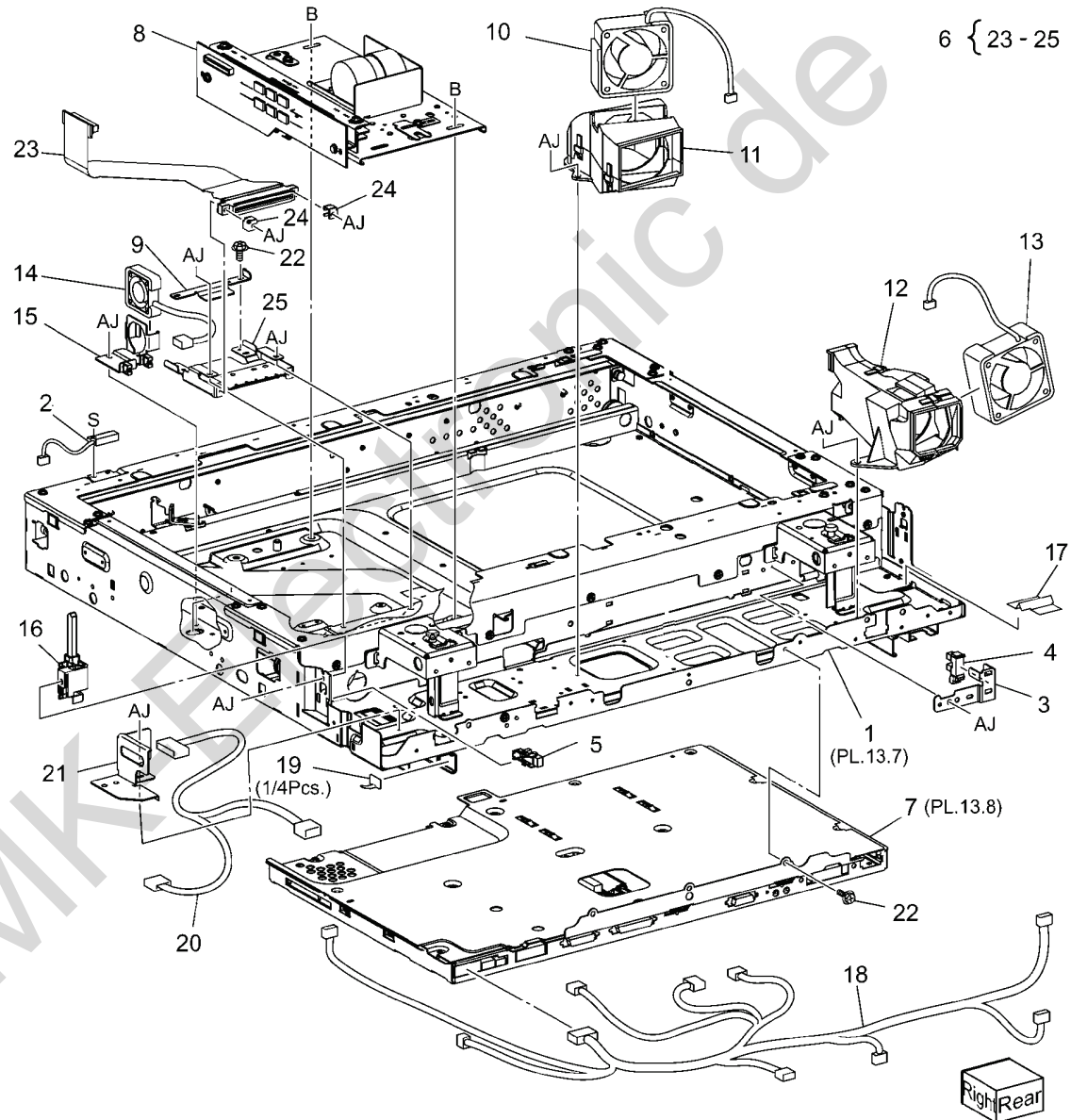
Item	Part	Description
1	-	IIT Housing (Not Spared)
2	130K64150	APS Sensor 1, APS Sensor 2
3	-	Front Seal (Not Spared)
4	-	Sensor Bracket (Not Spared)
5	-	Lens Cover (Not Spared) (REP 5.25)
6	-	Platen Glass Support (Not Spared)
7	815K00480	Right Plate
8	815E05190	CVT Glass Plate
9	090K92983	CVT Platen Glass
10	-	Spacer (Not Spared)
11	090K93002	Platen Glass
12	-	Front Support (Not Spared)
13	-	Rear Support (Not Spared)
14	-	Conductor Plate (Not Spared)



Left Front
0513004B-OLY

PL 13.6 IIT Housing - Electrical

Item	Part	Description
1	-	IIT Frame (Not Spared)
2	110K11960	Platen Interlock Switch
3	-	Sensor Bracket (Not Spared)
4	107E08680	IIT Registration Sensor (REP 5.26)
5	130E87280	Platen Angle Sensor (REP 5.27)
6	-	Charge Coupling Device Flex Print Cable (Not Spared) (REP 5.28)
7	-	IIT/IPS Unit (Not Spared) (REP 5.36)
8	604K21503	Lens Assembly (REP 5.29)
9	-	Gasket Bracket (Not Spared)
10	127K38620	IPS Fan (REP 5.30)
11	-	Duct (Not Spared)
12	-	Duct (Not Spared)
13	127K38632	Lamp Fan (REP 5.31)
14	127K38641	Charge Coupling Device Fan (REP 5.32)
15	-	Fan Bracket (Not Spared)
16	120K91990	Actuator
17	-	Seal (Not Spared)
18	962K20213	IIT Wire Harness
19	-	Clamp (Not Spared)
20	-	DC Wire Harness (Not Spared)
21	-	Connection Bracket (Not Spared)
22	-	Screw (Blue) (Not Spared)
23	962K19802	Cable
24	-	Spacer (P/O PL 13.6 Item 6)
25	-	Bracket (P/O PL 13.6 Item 6)



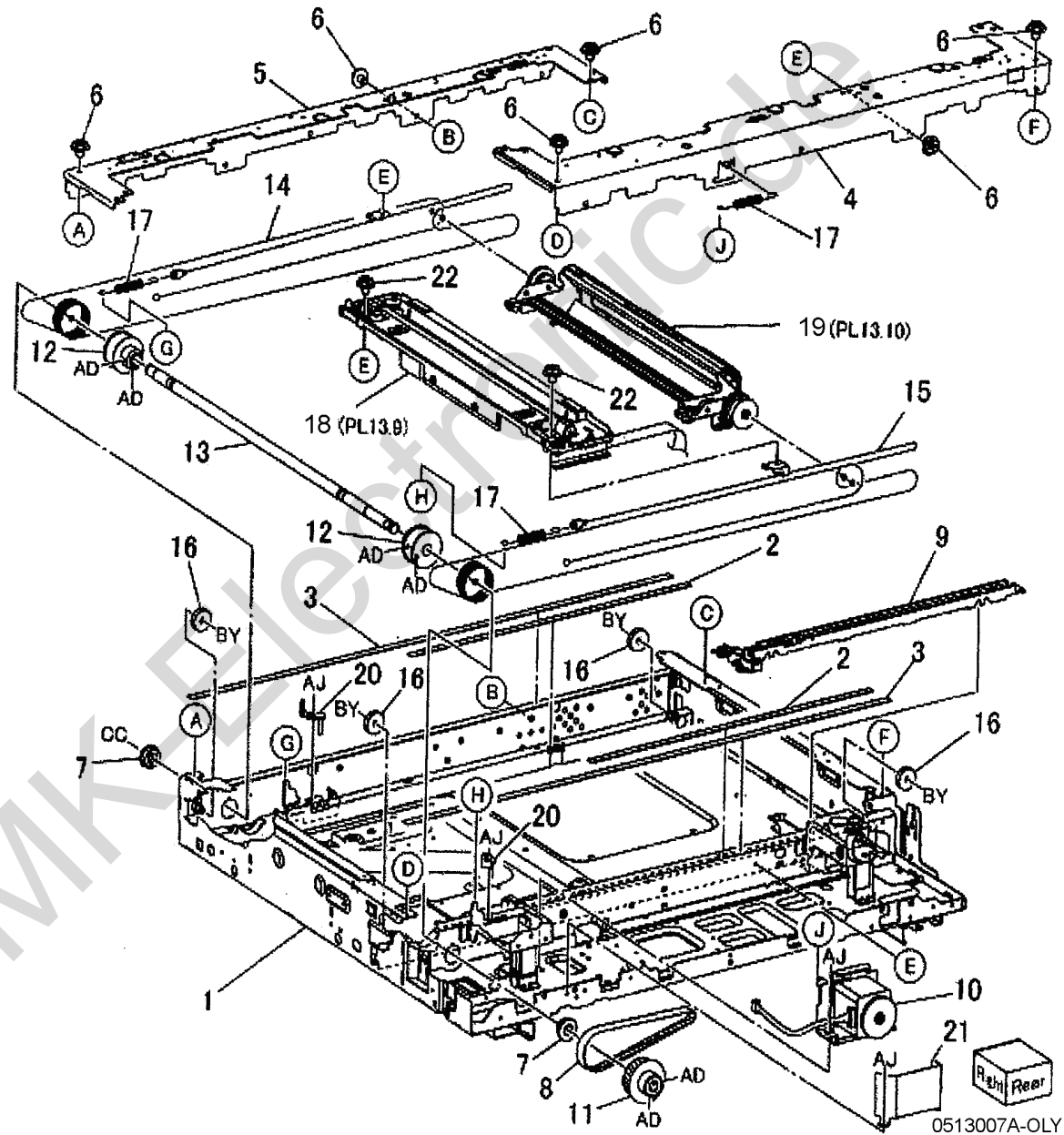
6 { 23 - 25



0513006A-OLY

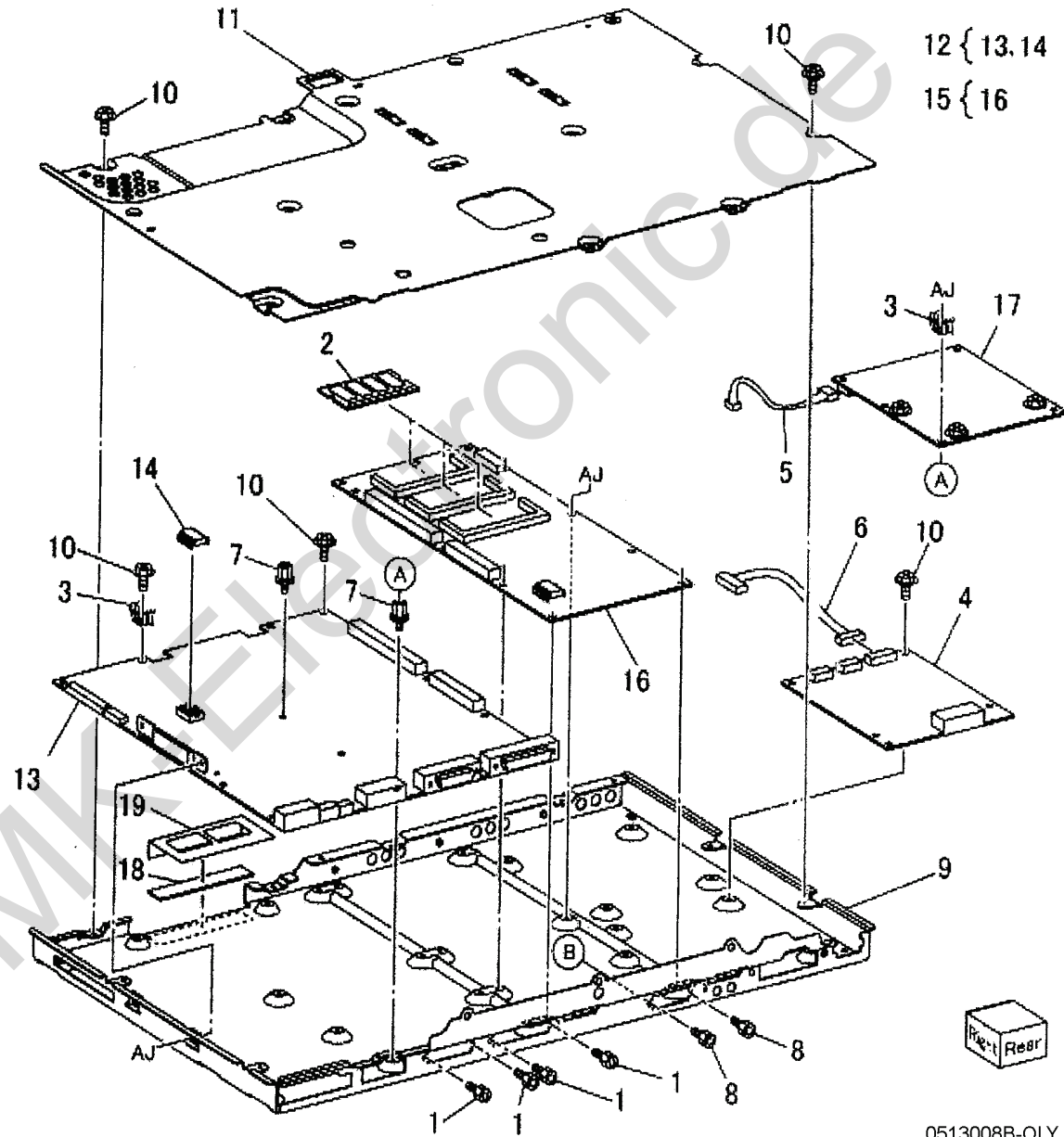
PL 13.7 IIT Housing - Carriage

Item	Part	Description
1	-	IIT Frame (Not Spared)
2	-	Tape (Half Rate Carriage) (Not Spared)
3	-	Tape (Full Rate Carriage) (Not Spared)
4	-	Front Top Frame (Not Spared)
5	-	Rear Top Frame (Not Spared)
6	-	Screw (Red) (Not Spared)
7	013E24910	Sleeve Bearing
8	023E21370	Belt
9	-	Harness Guide (Not Spared)
10	127K38491	Carriage Motor (REP 5.33)
11	-	Pulley (Not Spared)
12	020E36980	Capstan Pulley
13	-	Capstan Shaft (Not Spared)
14	012K94480	Front Carriage Cable (Black)
15	012K94490	Rear Carriage Cable (Silver) (REP 5.38)
16	020E21630	Pulley
17	604K20440	Spring Kit
18	041K94525	Full Rate Carriage (REP 5.34)
19	041K94553	Half Rate Carriage
20	-	Jig (Not Spared)
21	-	Motor Guard (Not Spared)
22	-	Screw (Blue)



PL 13.8 IIT/IPS Unit

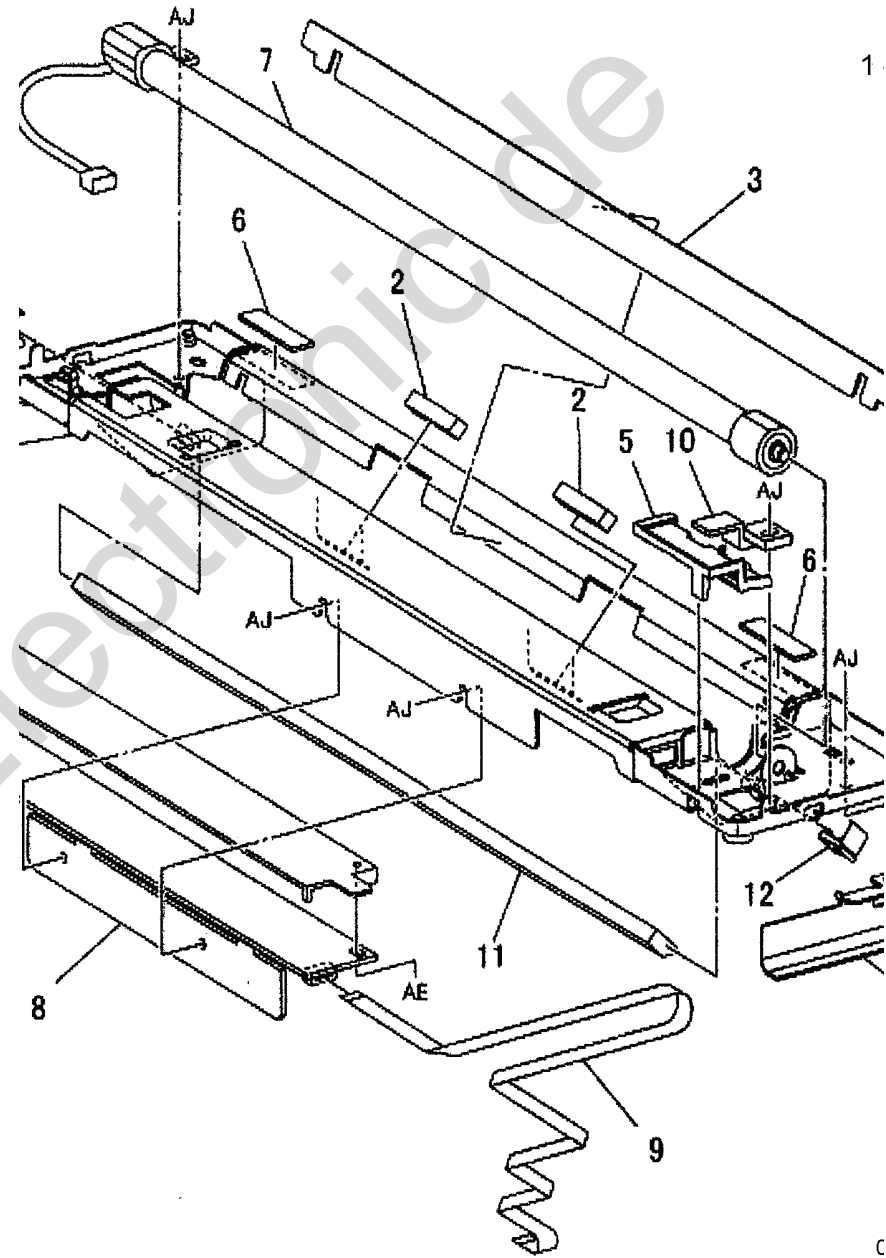
Item	Part	Description
1	826E06490	Screw
2	133K23611	Memory (128MB)
3	-	Conductor (Not Spared)
4	960K01352	PSDC PWB
5	-	Wire Harness (Not Spared)
6	-	Wire Harness (9 pin) (Not Spared)
7	-	Spacer Screw (Not Spared)
8	-	Screw (Not Spared)
9	-	IIT/IPS Chassis (Not Spared)
10	-	Screw TP (Not Spared)
11	-	IIT/IPS Cover (Not Spared)
12	960K00446	IIT/IPS PWB (REP 5.36)
13	960K06842	IIT/IPS PWB (REP 5.36)
14	-	EEP ROM (P/O PL 13.8 Item 12)
15	960K04705	Extension Memory PWB
16	-	Extension Memory PWB (P/O PL 13.8 Item 15)
17	160K99673	BDEC PWB
18	-	Gasket (Not Spared)
19	-	Seal (Not Spared)



0513008B-OLY

PL 13.9 Full Rate Carriage Component

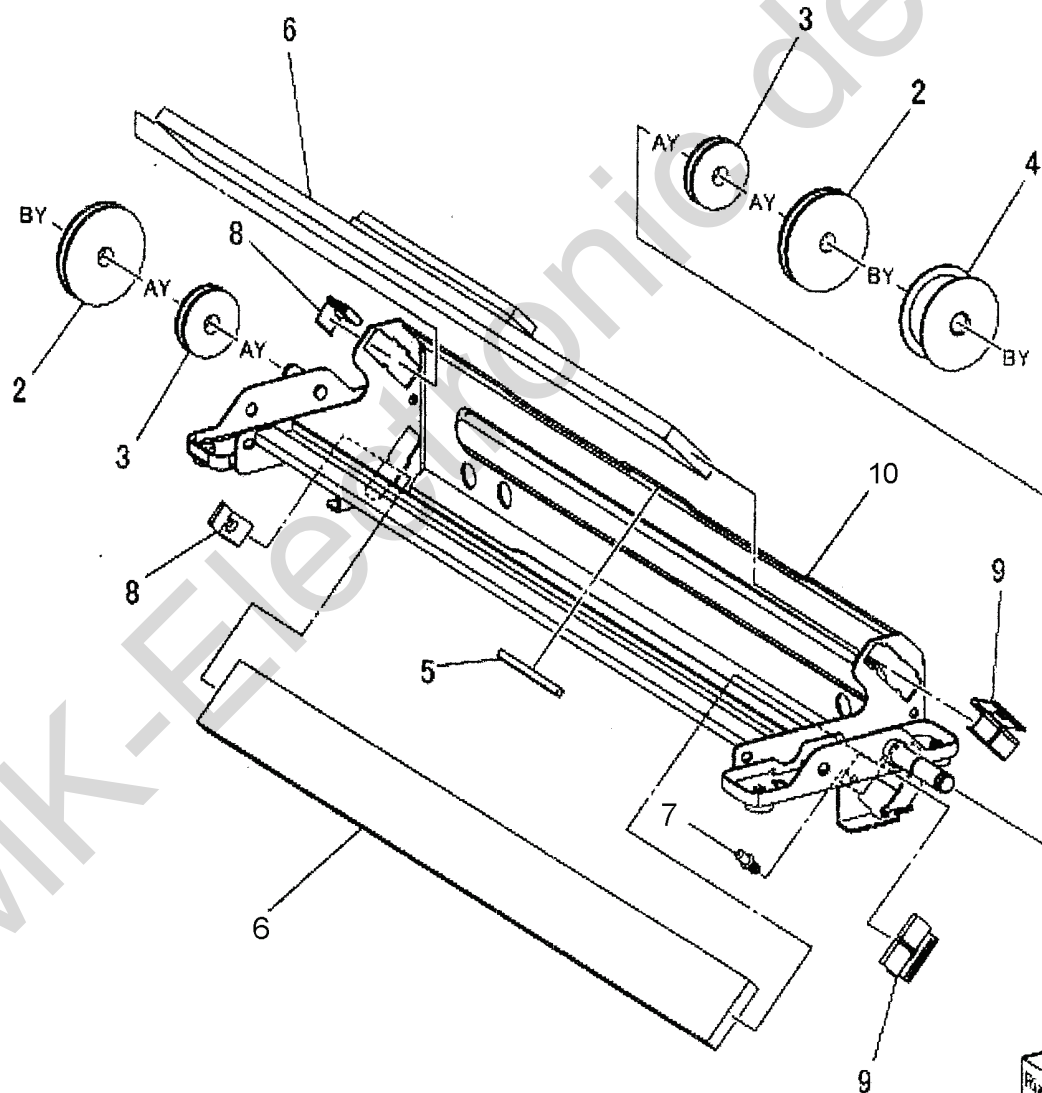
Item	Part	Description
1	-	Full Rate Carriage (P/O PL 13.7 Item 18)
2	-	Damper (P/O PL 13.9 Item 1)
3	-	Reflector Plate (P/O PL 13.9 Item 1)
4	-	Actuator Plate (P/O PL 13.9 Item 1)
5	-	Harness Guide (P/O PL 13.9 Item 1)
6	-	Cushion (P/O PL 13.9 Item 1)
7	122E92130	Exposure Lamp (REP 5.37)
8	105E12301	Lamp Ballast PWB (REP 5.38)
9	-	Slide Cord (P/O PL 13.9 Item 1) (REP 5.39)
10	-	Harness Guide (P/O PL 13.9 Item 1)
11	062E10040	No. 1 Mirror
12	809E51350	Clip (Single)
13	-	Insulator (P/O PL 13.9 Item 1)
14	-	Full Rate Carriage Base (P/O PL 13.9 Item 1)



PL 13.10 Half Rate Carriage Component

Item	Part	Description
1	-	Half Rate Carriage (P/O PL 13.7 Item 19)
2	-	Pulley (P/O PL 13.10 Item 1)
3	-	Pulley (P/O PL 13.10 Item 1)
4	-	Harness Pulley (P/O PL 13.10 Item 1)
5	-	Damper (P/O PL 13.10 Item 1)
6	062K14580	No.2 Mirror
7	-	Adjust Screw (P/O PL 13.10 Item 1)
8	809E51350	Clip (Single)
9	809E51360	Clip (Double)
10	-	Half Rate Carriage (P/O PL 13.10 Item 1)

1 { 2 - 10

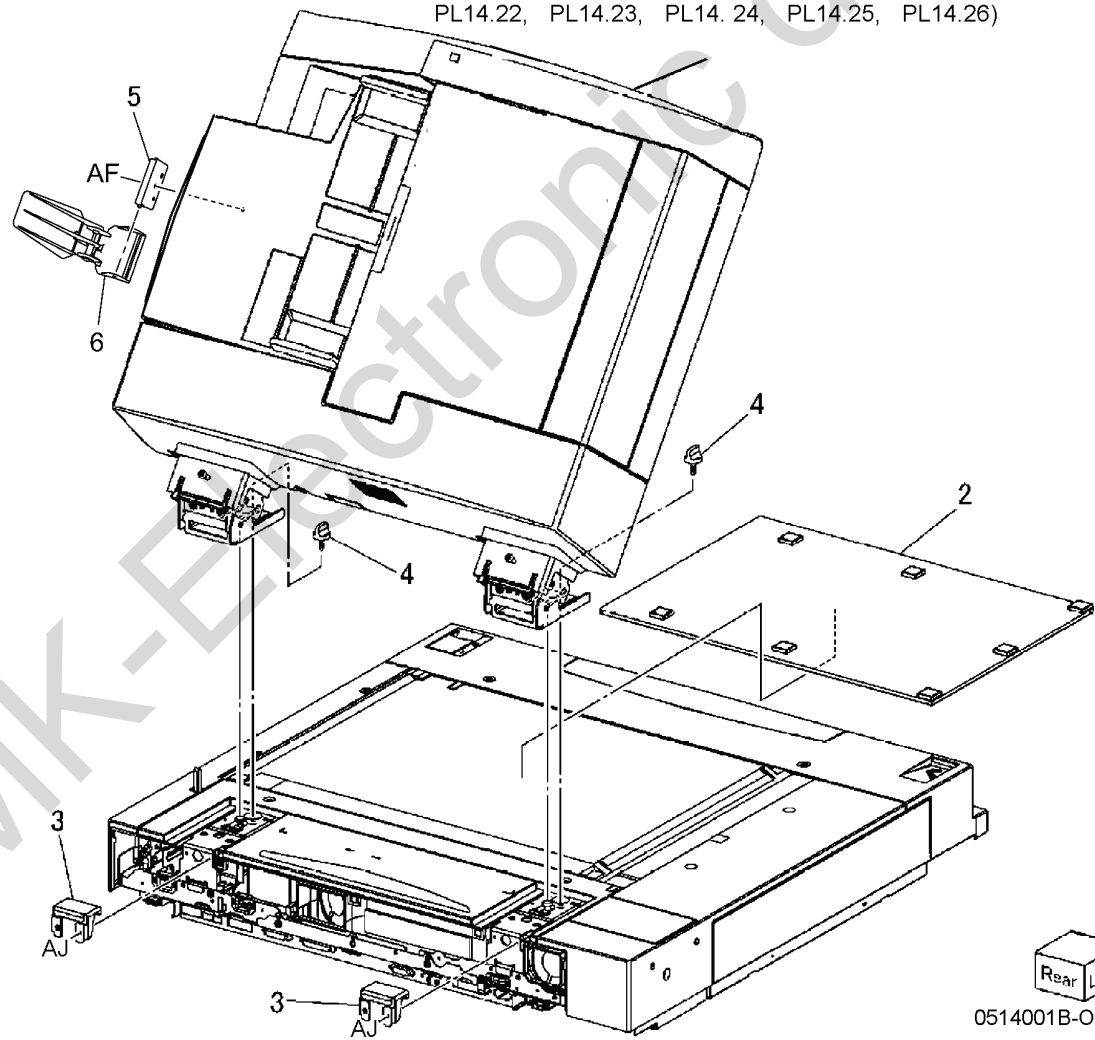


0513010B-OLY

PL 14.1 DADF

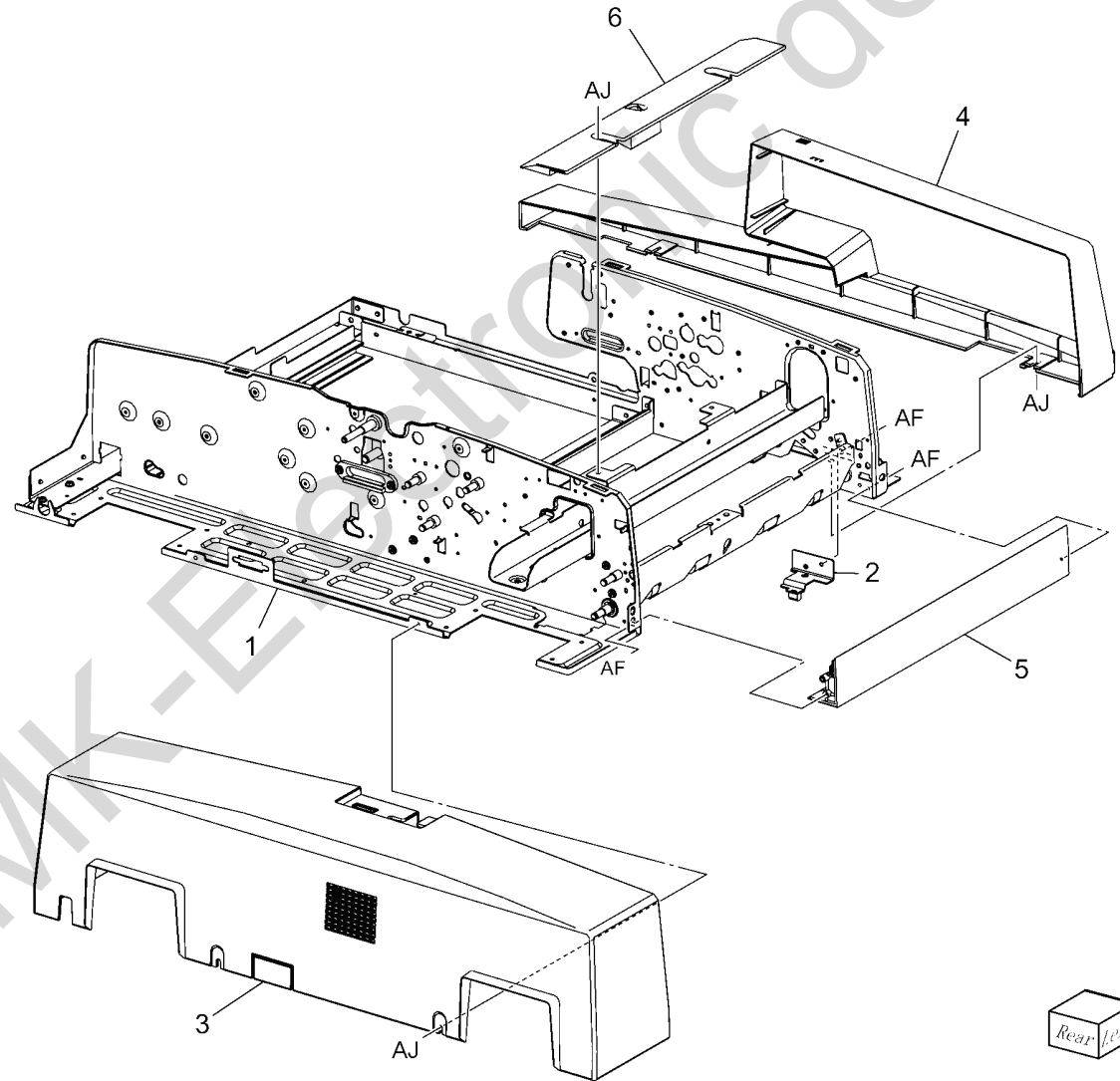
Item	Part	Description
1	059K54060	DADF Assembly (REP 5.1, REP 5.2)
2	004K92582	Platen Cushion
3	-	DADF Support (Not Spared)
4	003K91881	Knob Screw
5	003E62120	Hinge
6	003K13752	Paper Stop

1 (PL14.2, PL14.3, PL14.4, PL14.5, PL14.6, PL14.7, PL14.8, PL14.9, PL14.10, PL14.11, PL14.12, PL14.14, PL14.15, PL14.16., PL14.17, PL14.18, PL14.19, PL14.20, PL14.21 PL14.22, PL14.23, PL14.24, PL14.25, PL14.26)



PL 14.2 DADF Cover

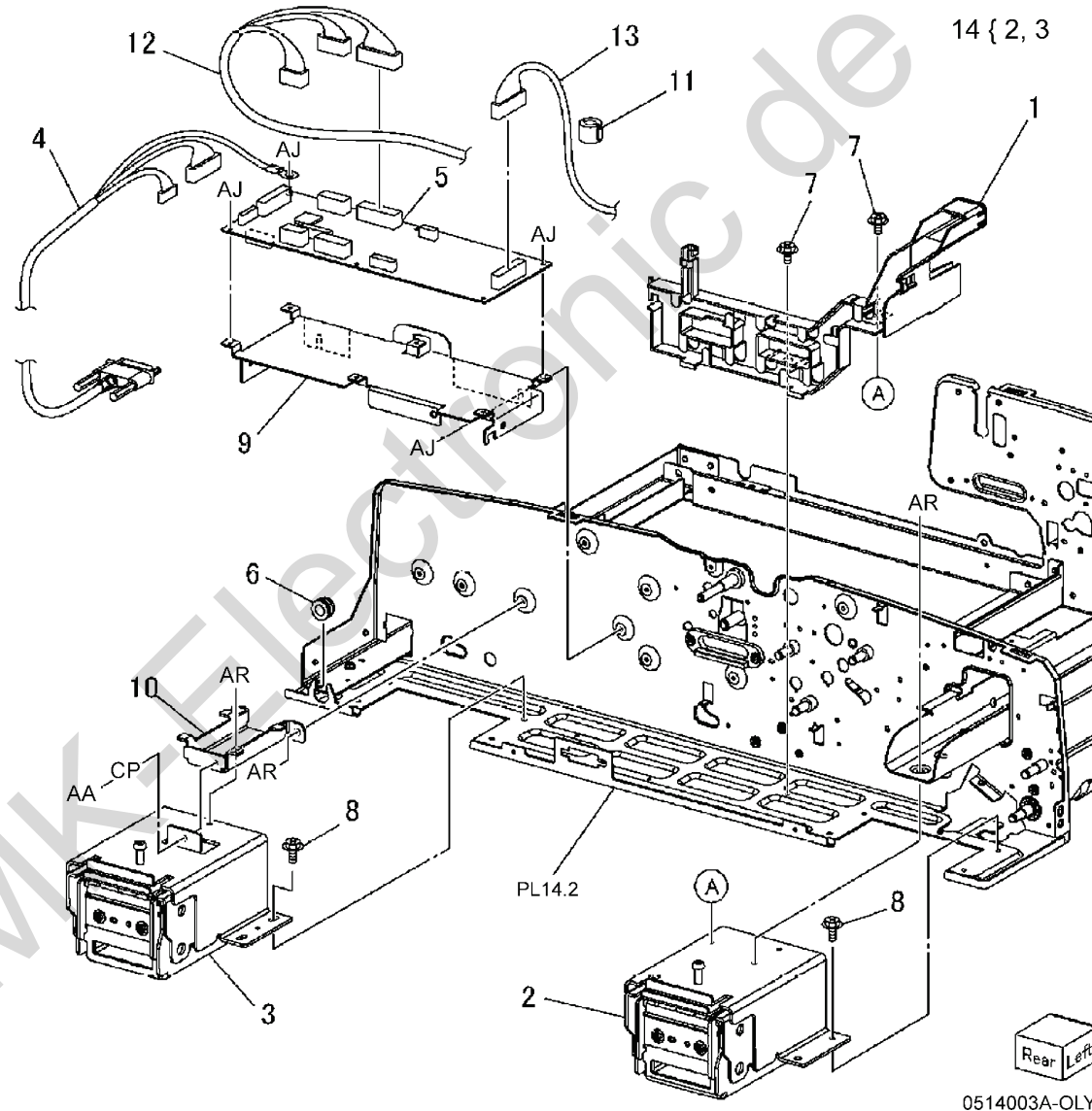
Item	Part	Description
1	-	Frame (P/O PL 14.1 Item 1)
2	-	Harness Guide (P/O PL 14.1 Item 1)
3	802E56801	DADF Rear Cover (REP 5.3)
4	802E56892	DADF Front Cover (REP 5.3)
5	802E56900	DADF Left Lower Cover (REP 5.3)
6	-	Upper Guide Chute (P/O PL 14.1 Item 1)



0514002A-OLY

PL 14.3 DADF PWB, Counter Balance

Item	Part	Description
1	-	Harness Guide (P/O PL 14.1 Item 1)
2	-	Right Counter Balance (P/O PL 14.3 Item 14) (REP 5.5)
3	-	Left Counter Balance (P/O PL 14.3 Item 14) (REP 5.4)
4	117E27450	IIT-DADF Cable
5	160K97359	DADF PWB (REP 5.6)
6	-	Grommet (P/O PL 14.1 Item 1)
7	-	Round Point Screw (M3) (Not Spared)
8	826E09640	Round Point Screw (M4)
9	-	PWB Bracket (P/O PL 14.1 Item 1)
10	-	Bracket (P/O PL 14.1 Item 1)
11	-	Core (P/O PL 14.1 Item 1)
12	-	DADF Front Wire Harness (P/O PL 14.1 Item 1)
13	-	DADF Motor Wire Harness (P/O PL 14.1 Item 1)
14	604K25240	Counter Balance Kit



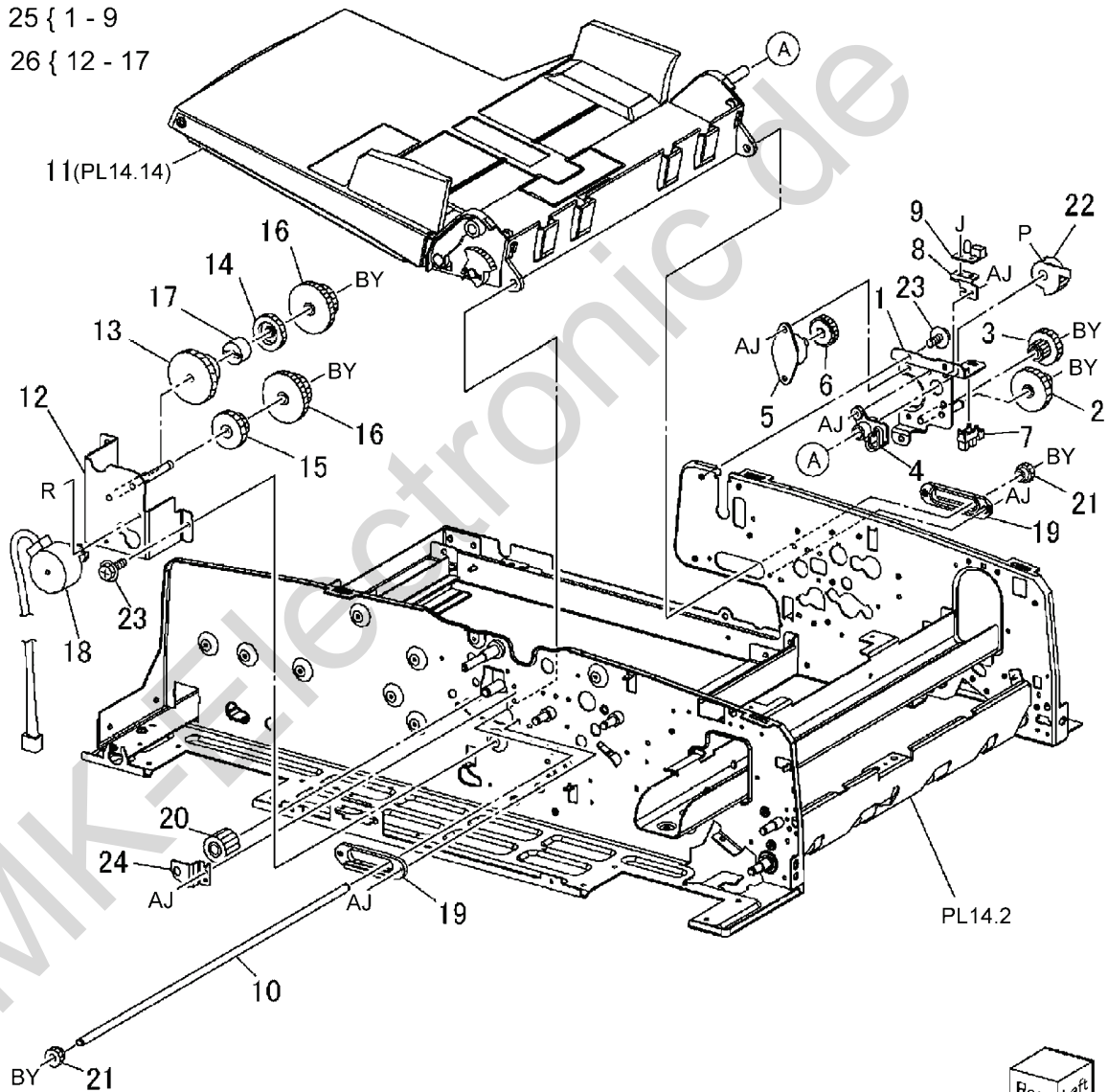
0514003A-OLY

PL 14.4 DADF Document Tray, Tray Motor

Item	Part	Description
1	-	Bracket (P/O PL 14.4 Item 25)
2	-	Gear (40T/16T) (P/O PL 14.4 Item 25)
3	-	Gear (32T/16T) (P/O PL 14.4 Item 25)
4	-	Hinge (P/O PL 14.4 Item 25)
5	-	Oil Damper (P/O PL 14.4 Item 25)
6	-	One Way Clutch Gear (27T) (P/O PL 14.4 Item 25)
7	130E84280	Tray Interlock Sensor
8	-	LED Bracket (P/O PL 14.4 Item 25)
9	160K97600	Document Set LED
10	-	Pinion Shaft (P/O PL 14.1 Item 1)
11	050K52414	DADF Document Tray
12	-	Bracket (P/O PL 14.4 Item 26)
13	-	Gear (48T) (P/O PL 14.4 Item 26)
14	-	Gear (33T) (P/O PL 14.4 Item 26)
15	-	Gear (33T/18T) (P/O PL 14.4 Item 26)
16	-	Gear (48T/18T) (P/O PL 14.4 Item 26)
17	-	Torque Limiter (P/O PL 14.4 Item 26)
18	127K38402	Tray Motor
19	032E21191	Rack Guide
20	807E00310	Gear (25T)
21	807E00470	Pinion Gear
22	807E00672	Sector Gear
23	-	Round Point Screw (P/O PL 14.1 Item 1)
24	-	Bracket (P/O PL 14.1 Item 1)
25	004K01941	Damper Assembly (P/O PL 14.4 Item 25)
26	030K76271	Lift Gear Assembly

25 { 1 - 9

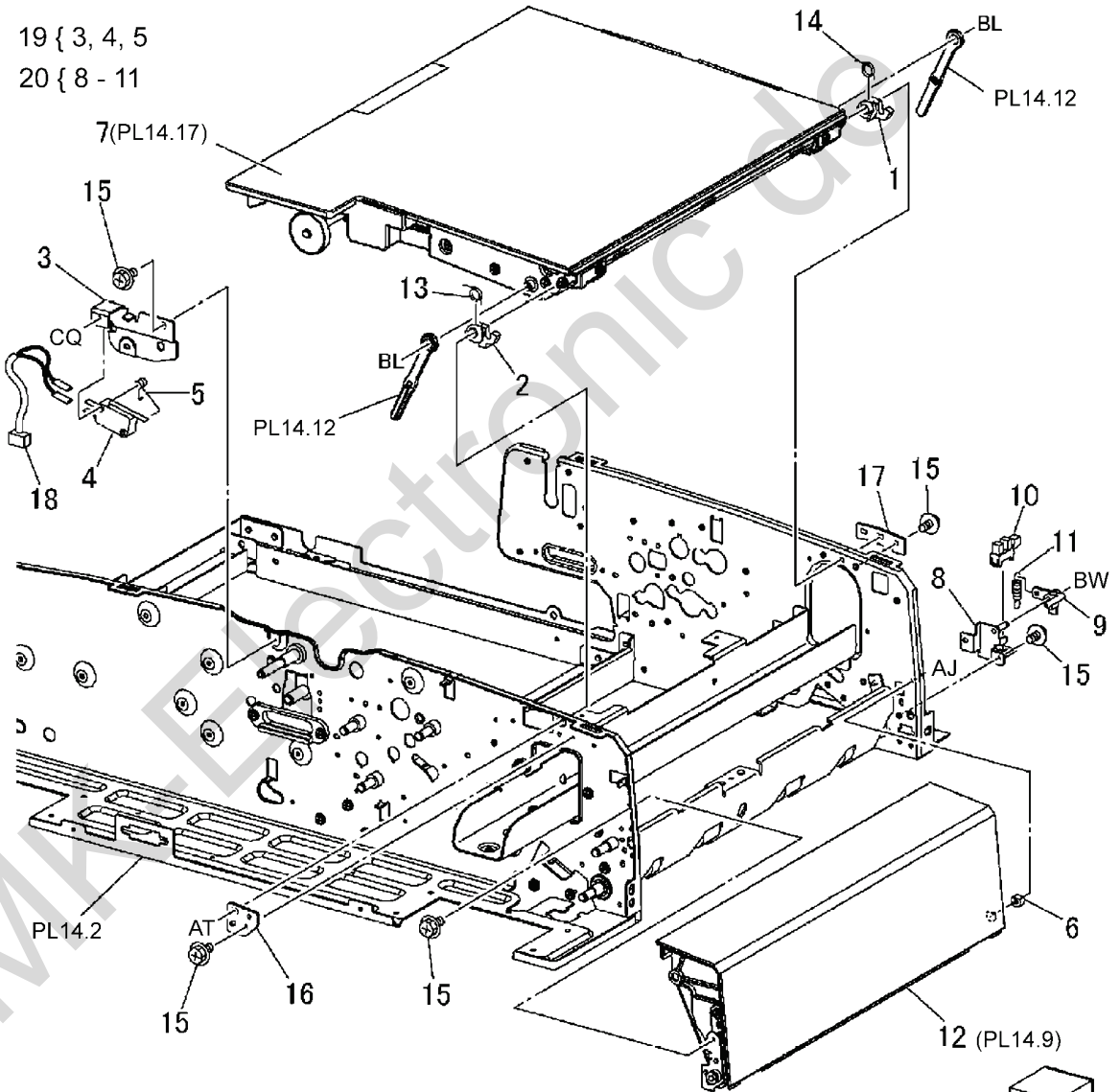
26 { 12 - 17



0514004A-OLY

PL 14.5 Feeder Upper Chute, DADF Left Upper Cover

Item	Part	Description
1	003E60310	Left Cover Front Latch
2	003E60321	Left Cover Rear Latch
3	-	Switch Bracket (P/O PL 14.5 Item 19)
4	-	Feeder Cover Interlock Switch (P/O PL 14.5 Item 19)
5	-	Torsion Spring (P/O PL 14.5 Item 19)
6	-	Bushing (P/O PL 14.1 Item 1)
7	054K24444	Feeder Upper Chute
8	-	Bracket (P/O PL 14.5 Item 20)
9	-	Actuator (P/O PL 14.5 Item 20)
10	130E84280	L/H Cover Interlock Sensor
11	-	Tension Spring (P/O PL 14.5 Item 20)
12	802K57193	DADF Left Upper Cover
13	809E51451	Torsion Spring
14	809E51461	Torsion Spring
15	-	Round Point Screw (Not Spared)
16	-	Hinge Bracket (P/O PL 14.1 Item 1)
17	-	Hinge Bracket (P/O PL 14.1 Item 1)
18	-	Wire Harness (P/O PL 14.1 Item 1)
19	003K13291	Feeder Cover Interlock Switch Assembly
20	130K64482	Left Hand Cover Interlock Switch Assembly

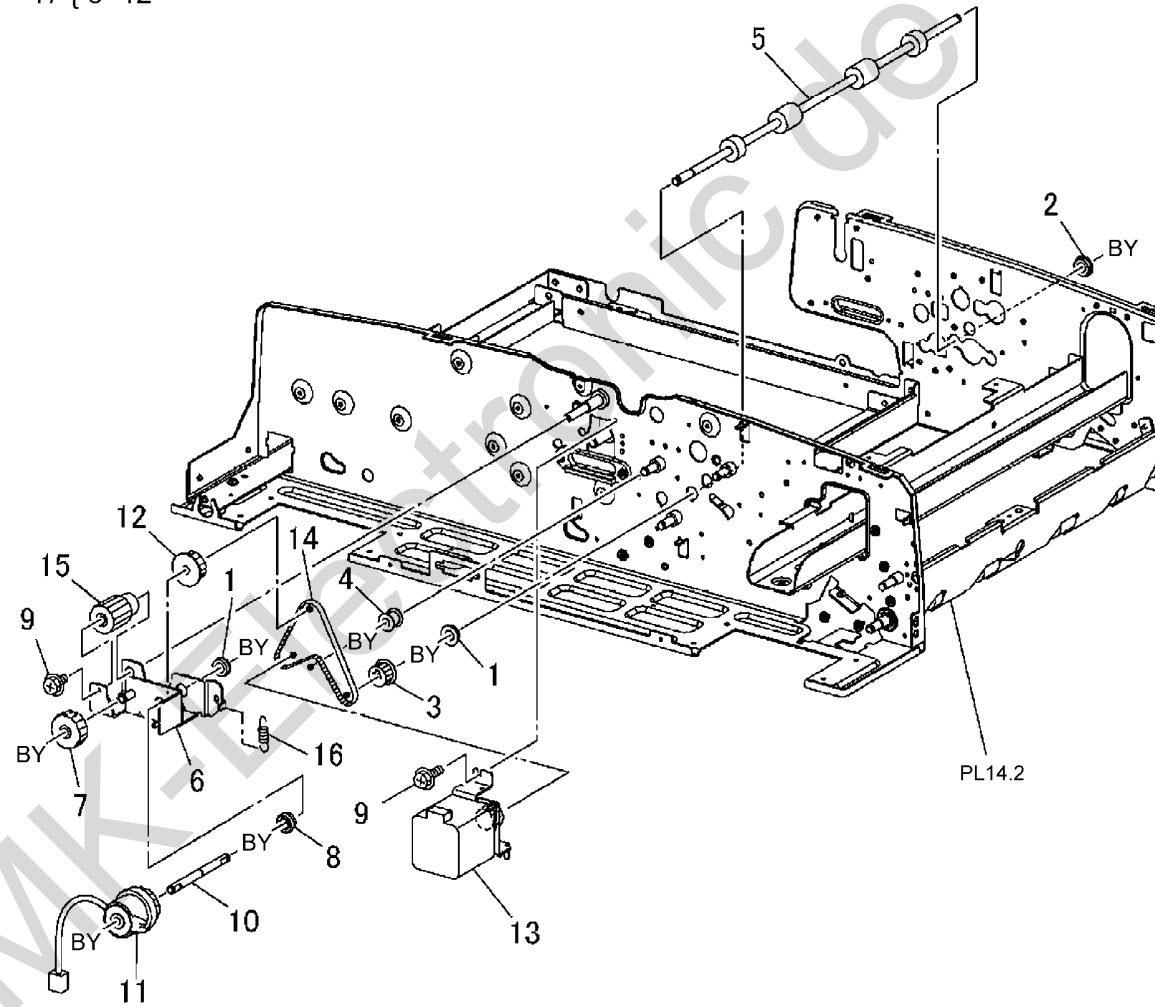


0514005B-OLY

PL 14.6 Feed Motor, Feed Clutch, Invert Drive Roll

17 { 6 -12

Item	Part	Description
1	013E24840	Ball Bearing
2	013E26250	Sleeve Bearing
3	-	Pulley (P/O PL 14.1 Item 1)
4	-	Pulley (P/O PL 14.1 Item 1)
5	059K29471	Invert Drive Roll (REP 5.7)
6	-	Clutch Bracket (P/O PL 14.6 Item 17)
7	-	Gear (24T) (P/O PL 14.6 Item 17)
8	-	Sleeve Bearing (P/O PL 14.6 Item 17)
9	-	Round Point Screw (P/O PL 14.6 Item 17)
10	-	Clutch Shaft (P/O PL 14.6 Item 17)
11	121K31860	DADF Feed Clutch (REP 5.8)
12	-	Pulley (P/O PL 14.6 Item 17)
13	127K38301	DADF Feed Motor
14	423W32055	Feed Motor Belt (REP 5.9)
15	807E00660	Gear (20T)
16	809E54581	Tension Spring
17	121K31884	DADF Feed Clutch Assembly

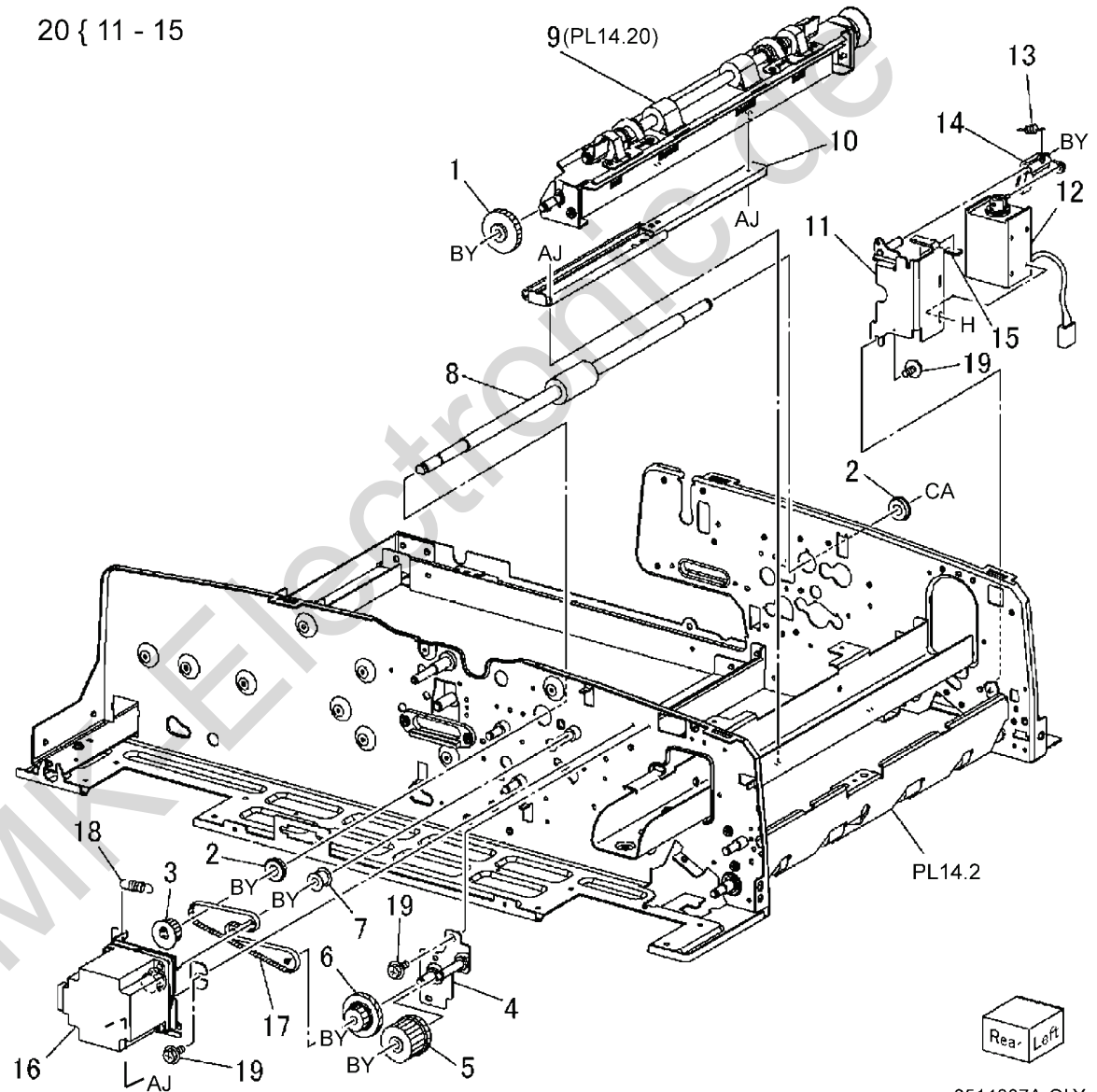


0514006A-OLY

PL 14.7 Pre Registration Motor, Pre Registration Roll Chute, Take Away Roll, Baffle Solenoid

20 { 11 - 15

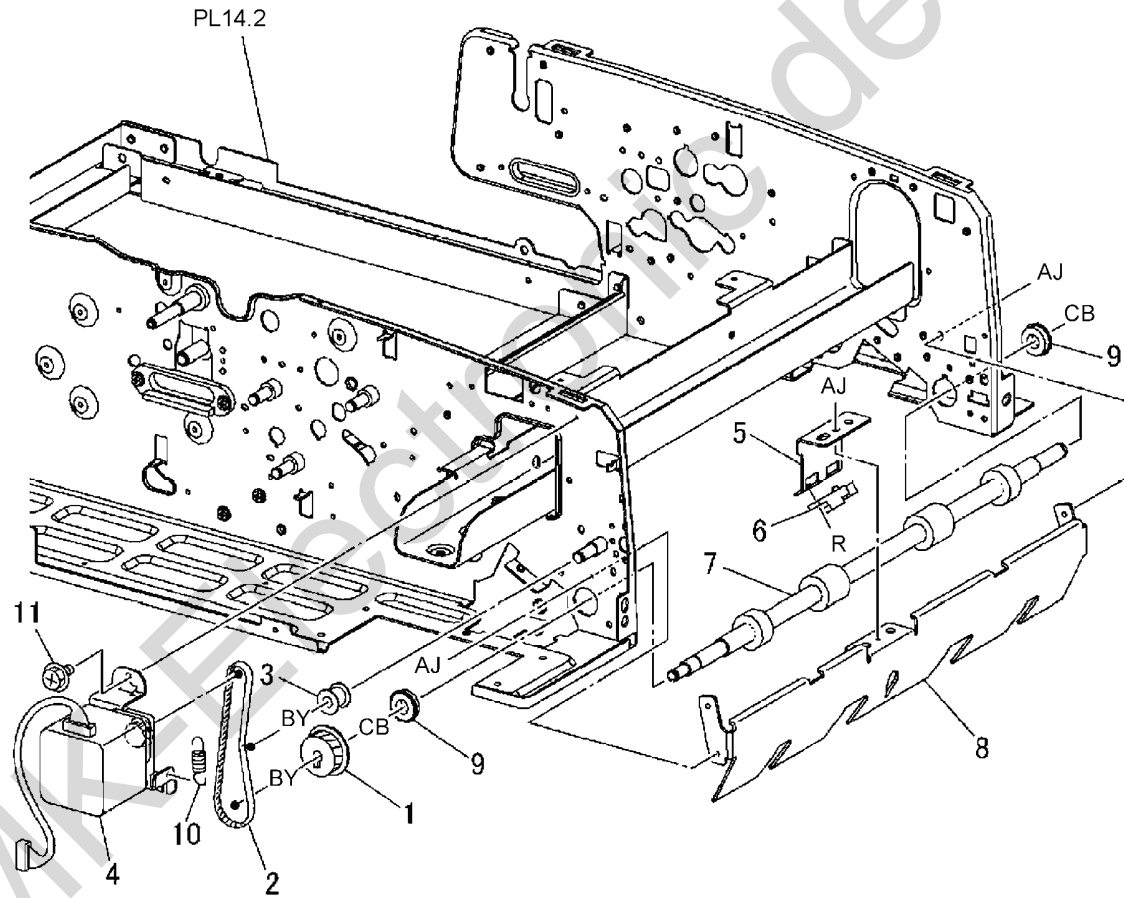
Item	Part	Description
1	807E10690	One Way Clutch Gear (38T)
2	013E24670	Ball Bearing
3	020E36770	Pulley
4	-	Stud Bracket (P/O PL 14.1 Item 1)
5	-	Gear (33T/ 33T) (P/O PL 14.1 Item 1)
6	-	Gear Pulley (P/O PL 14.1 Item 1)
7	-	Pulley (P/O PL 14.1 Item 1)
8	059K31091	Take Away Roll (REP 5.10)
9	059K31111	Pre Registration Roll Chute Assembly
10	001E64764	Rail
11	-	Solenoid Bracket (P/O PL 14.7 Item 20)
12	-	Baffle Solenoid (P/O PL 14.7 Item 20)
13	-	Tension Spring (P/O PL 14.7 Item 20)
14	-	Actuator (P/O PL 14.7 Item 20)
15	-	Damper (P/O PL 14.7 Item 20)
16	127K38321	DADF Pre Registration Motor
17	423W34555	Pre Registration Motor Belt
18	809E50880	Tension Spring
19	-	Round Point Screw (P/O PL 14.1 Item 1)
20	121K31890	Baffle Solenoid Assembly



0514007A-OLY

PL 14.8 Registration Motor, Registration Roll

Item	Part	Description
1	020E36781	Pulley
2	023E21300	Registration Motor Belt
3	-	Pulley (P/O PL 14.1 Item 1)
4	127K38341	DADF Registration Motor
5	-	Sensor Bracket (P/O PL 14.1 Item 1)
6	930W00211	Lead Registration Sensor (REP 5.11)
7	059K31082	Registration Roll (REP 5.12)
8	-	Registration In 2 Chute (P/O PL 14.1 Item 1)
9	013E24670	Ball Bearing
10	809E50880	Tension Spring
11	-	Round Point Screw (Not Spared)

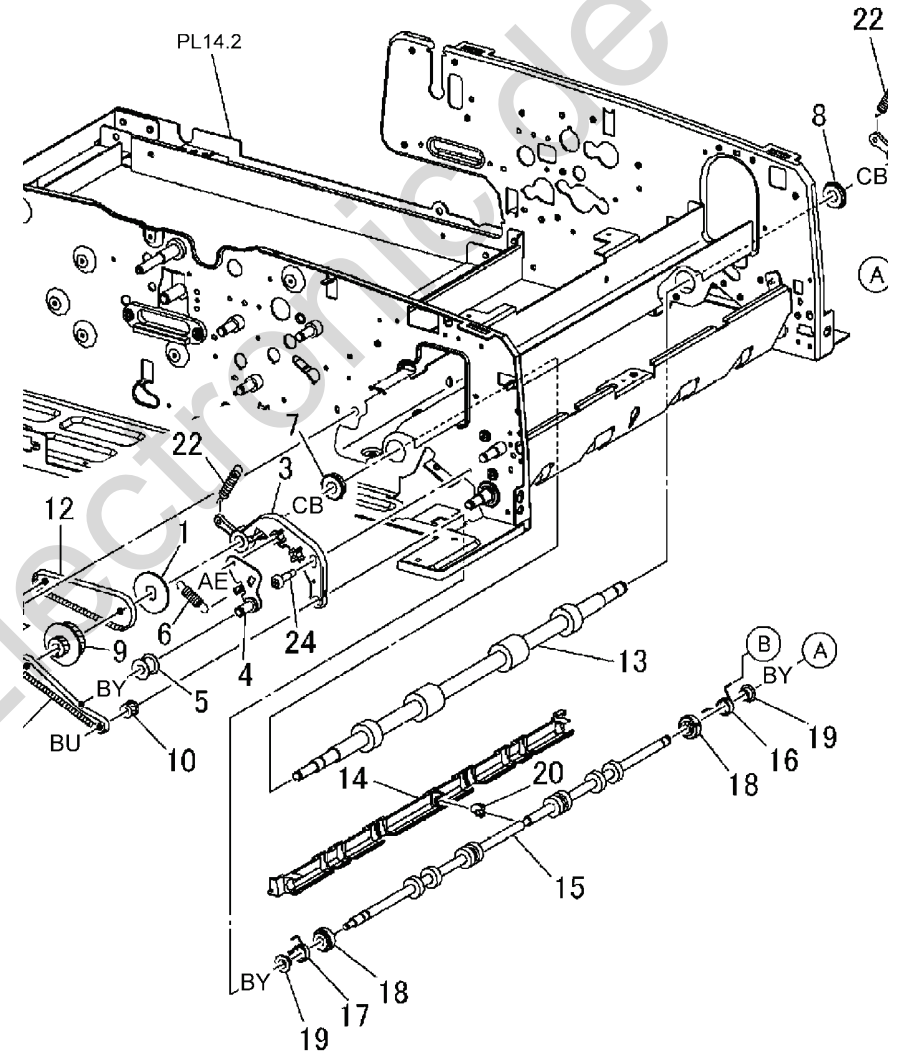


0514008A-OLY

PL 14.9 Platen Motor, Platen Roll, Out Roll

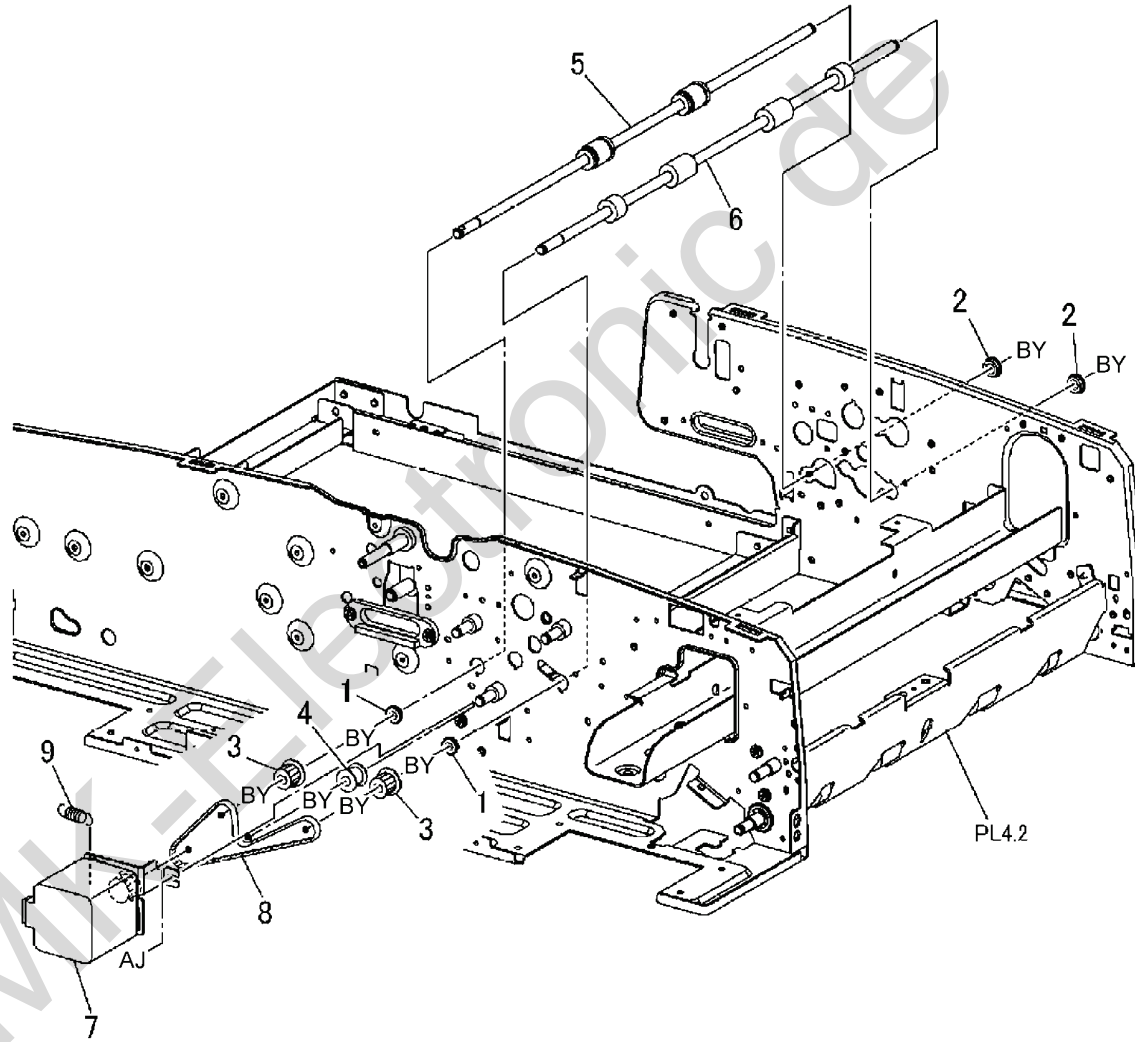
Item	Part	Description
1	-	Flange (P/O PL 14.9 Item 25)
2	-	Platen Front Link (P/O PL 14.1 Item 1)
3	-	Platen Rear Link (P/O PL 14.1 Item 1)
4	-	Tension Bracket (P/O PL 14.1 Item 1)
5	-	Pulley (P/O PL 14.9 Item 25)
6	-	Tension Spring (P/O PL 14.9 Item 25)
7	013E24670	Ball Bearing
8	013E25911	Sleeve Bearing
9	-	Pulley (P/O PL 14.9 Item 25)
10	020E36800	Pulley
11	-	Belt (Width:4mm) (P/O PL 14.9 Item 25)
12	-	Platen Motor Belt (Width:6mm) (P/O PL 14.9 Item 25)
13	-	Platen Exit Roll (P/O PL 14.1 Item 1) (REP 5.23)
14	-	Platen Back Plate (P/O PL 14.1 Item 1)
15	-	Platen Roll (P/O PL 14.1 Item 1)
16	-	Torsion Spring (P/O PL 14.1 Item 1)
17	-	Torsion Spring (P/O PL 14.1 Item 1)
18	-	Sleeve Bearing (P/O PL 14.1 Item 1)
19	-	Collar (P/O PL 14.1 Item 1)
20	-	Platen Collar (P/O PL 14.1 Item 1)
21	127K38341	Platen Motor
22	-	Platen Spring (Length 30.8mm) (P/O PL 14.9 Item 25)
23	809E50880	Platen Spring (Length 23mm)
24	-	Shoulder Screw (P/O PL 14.1 Item 1)
25	604K25230	Platen Motor Drive Kit

8, 9, 10, 11, 12, 22



PL 14.10 Exit Motor, Exit Roll

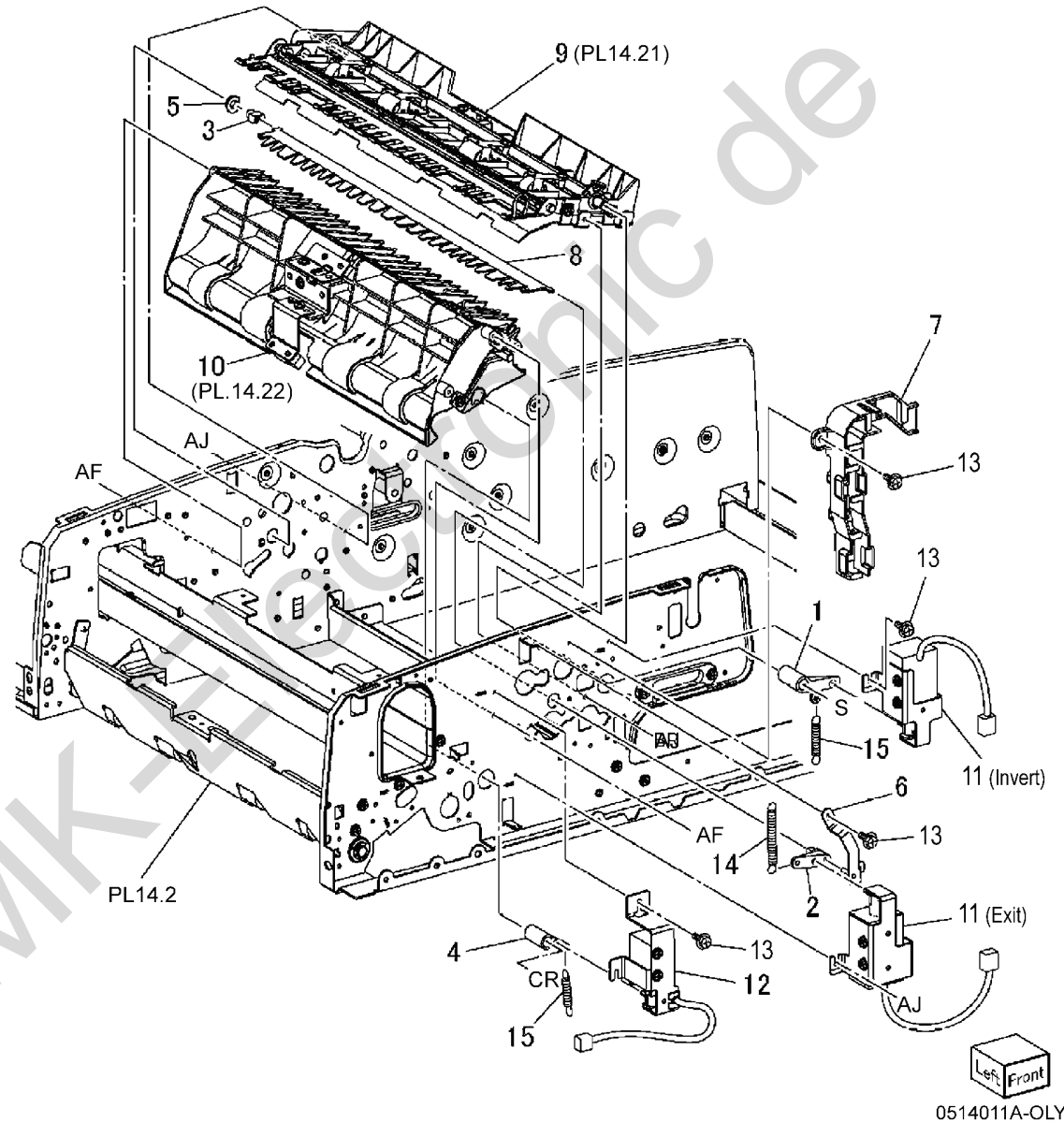
Item	Part	Description
1	013E24840	Ball Bearing
2	013E26250	Sleeve Bearing
3	020E36810	Pulley
4	-	Pulley (Not Spared)
5	059K27201	Exit Roll 1 (REP 5.13)
6	059K29481	Exit Roll 2 (REP 5.14)
7	127K38301	DADF Exit Motor
8	423W33554	Exit Motor Belt
9	809E50880	Tension Spring



0514010A-OLY

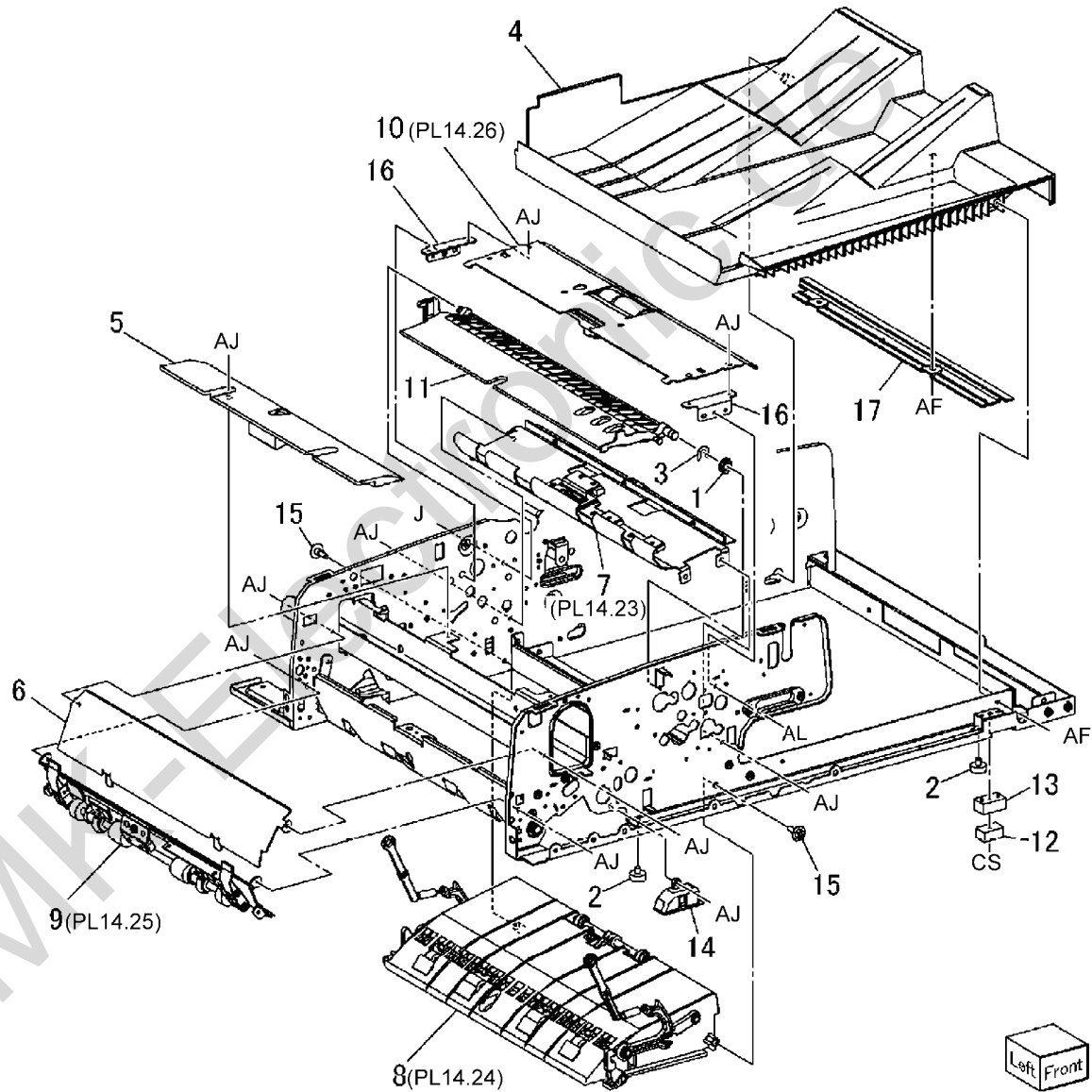
**PL 14.11 Exit Gate Solenoid,
Simp/Dup Gate Solenoid, Nip
Solenoid, Inverter Exit Chute, Guide
Chute**

Item	Part	Description
1	012E11270	Link
2	-	Link (Not Spared)
3	-	Gate Rear Link (Not Spared)
4	-	Link (Not Spared)
5	013E24160	Sleeve Bearing
6	-	Gate Link Bracket (P/O PL 14.1 Item 1)
7	-	Harness Guide (P/O PL 14.1 Item 1)
8	050K49650	Inverter Lower Gate
9	054K24219	Inverter Exit Chute
10	054K24232	Guide Chute
11	121K31680	Exit Gate Solenoid, Invert Roll Nip/Release Solenoid
12	121K31700	Simplex / Duplex Gate Solenoid
13	-	Round Point Screw (Not Spared)
14	-	Tension Spring (Length 34.15mm) (Not Spared)
15	809E49700	Tension Spring (Length 22.5mm)



PL 14.12 Exit Upper/Lower Chute, Registration Out Chute, Feeder Lower Chute

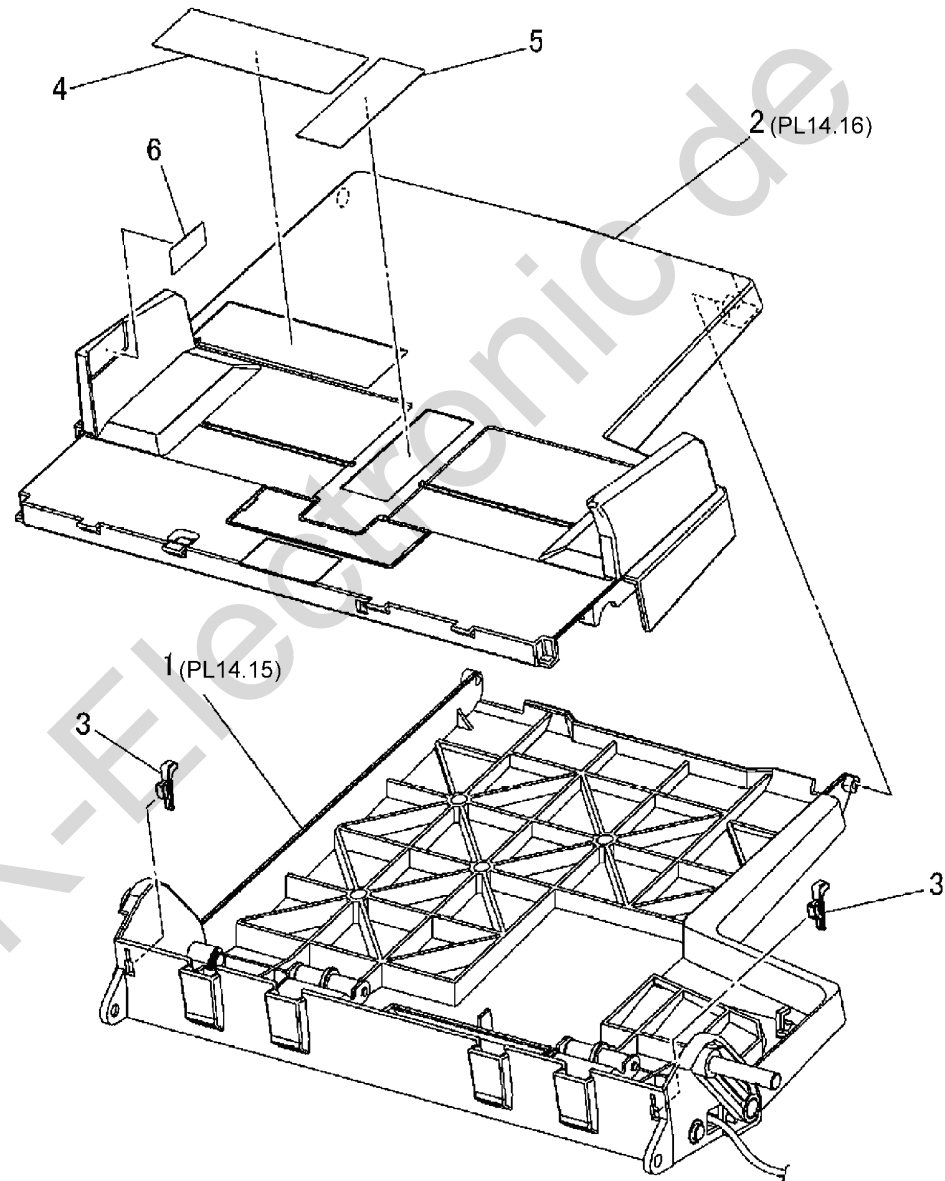
Item	Part	Description
1	013E24172	Sleeve Bearing
2	017E92760	Foot
3	-	C-Clip (Not Spared)
4	050E19952	DADF Exit Tray
5	-	Guide Upper Chute (P/O PL 14.1 Item 1))
6	-	Registration In Chute (P/O PL 14.1 Item 1)
7	054K24195	Exit Upper Chute (P/O PL 14.1 Item 1)
8	054K30561	Exit Low Chute
9	054K24462	Registration Out Chute
10	-	Feeder Lower Chute (Not Spared)
11	054K26032	Invert Chute
12	121E90620	Interlock Magnet (P/O PL 14.1 Item 1)
13	-	Magnet Cover (P/O PL 14.1 Item 1)
14	-	Cover (P/O PL 14.1 Item 1)
15	-	Shoulder Screw (Not Spared)
16	-	Bracket (P/O PL 14.1 Item 1)
17	-	Tray Plate (P/O PL 14.1 Item 1)



0514012B-OLY

PL 14.14 DADF Document Tray Component

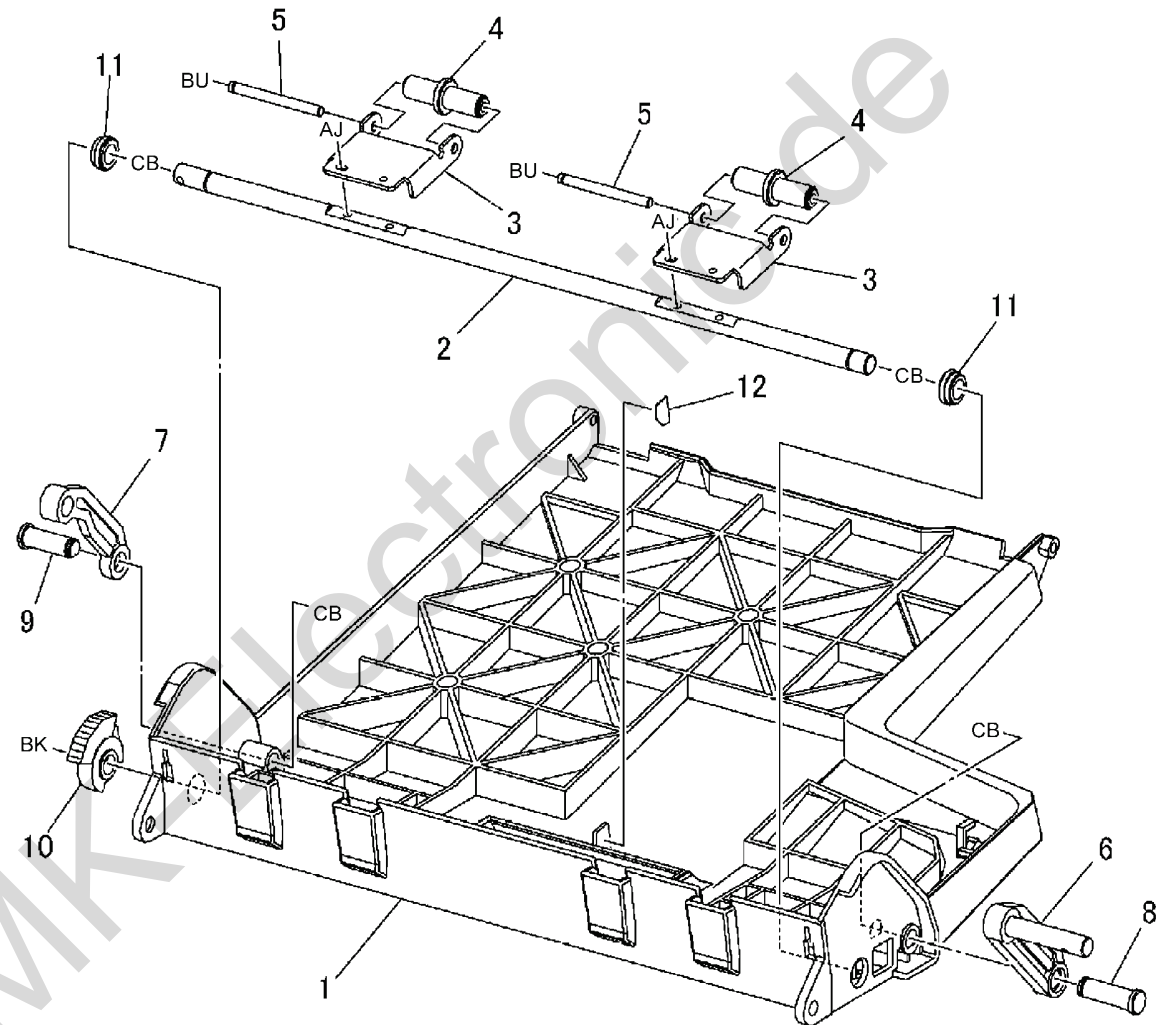
Item	Part	Description
1	-	DADF Document Bottom Tray (P/O PL 14.1 Item 1)
2	-	DADF Document Upper Tray (P/O PL 14.1 Item 1)
3	014E44881	Tray Block
4	893E09601	Label (Size)
5	893E03340	Label (Instruction)
6	893E09660	Label (Max)



0514014A-OLY

PL 14.15 DADF Document Bottom Tray Component

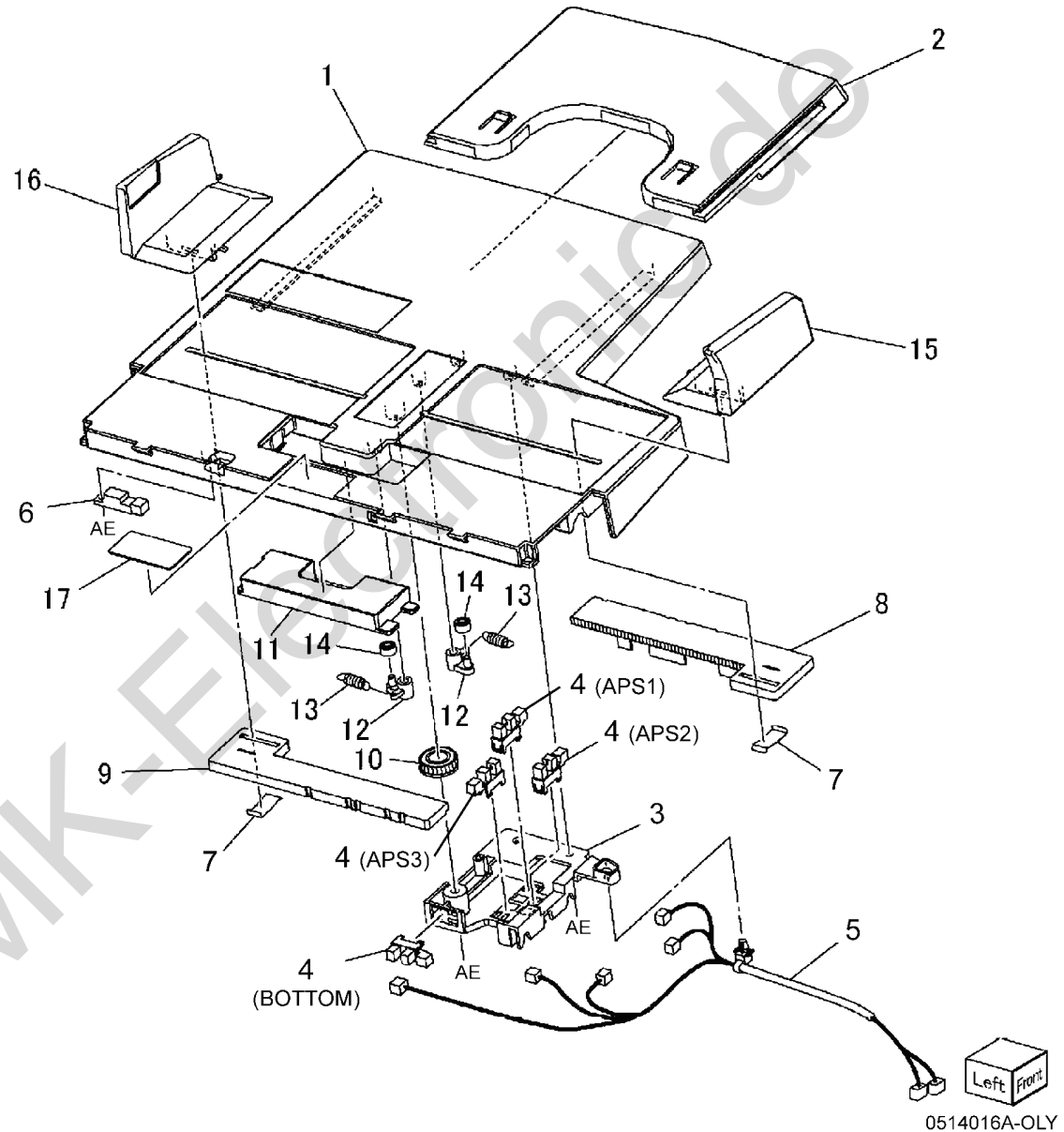
Item	Part	Description
1	-	Bottom Tray (P/O PL 14.4 Item 11)
2	-	Lift Shaft (P/O PL 14.4 Item 11)
3	-	Lift Lever (P/O PL 14.4 Item 11)
4	059E98610	Roll
5	-	Shaft (P/O PL 14.4 Item 11)
6	-	Front Link (P/O PL 14.4 Item 11)
7	-	Rear Link (P/O PL 14.4 Item 11)
8	-	Front Stud (P/O PL 14.4 Item 11)
9	-	Rear Stud (P/O PL 14.4 Item 11)
10	-	Sector Gear (P/O PL 14.4 Item 11)
11	-	Sleeve Bearing (P/O PL 14.4 Item 11)
12	-	Sensor Film (P/O PL 14.4 Item 11)



0514015A-OLY

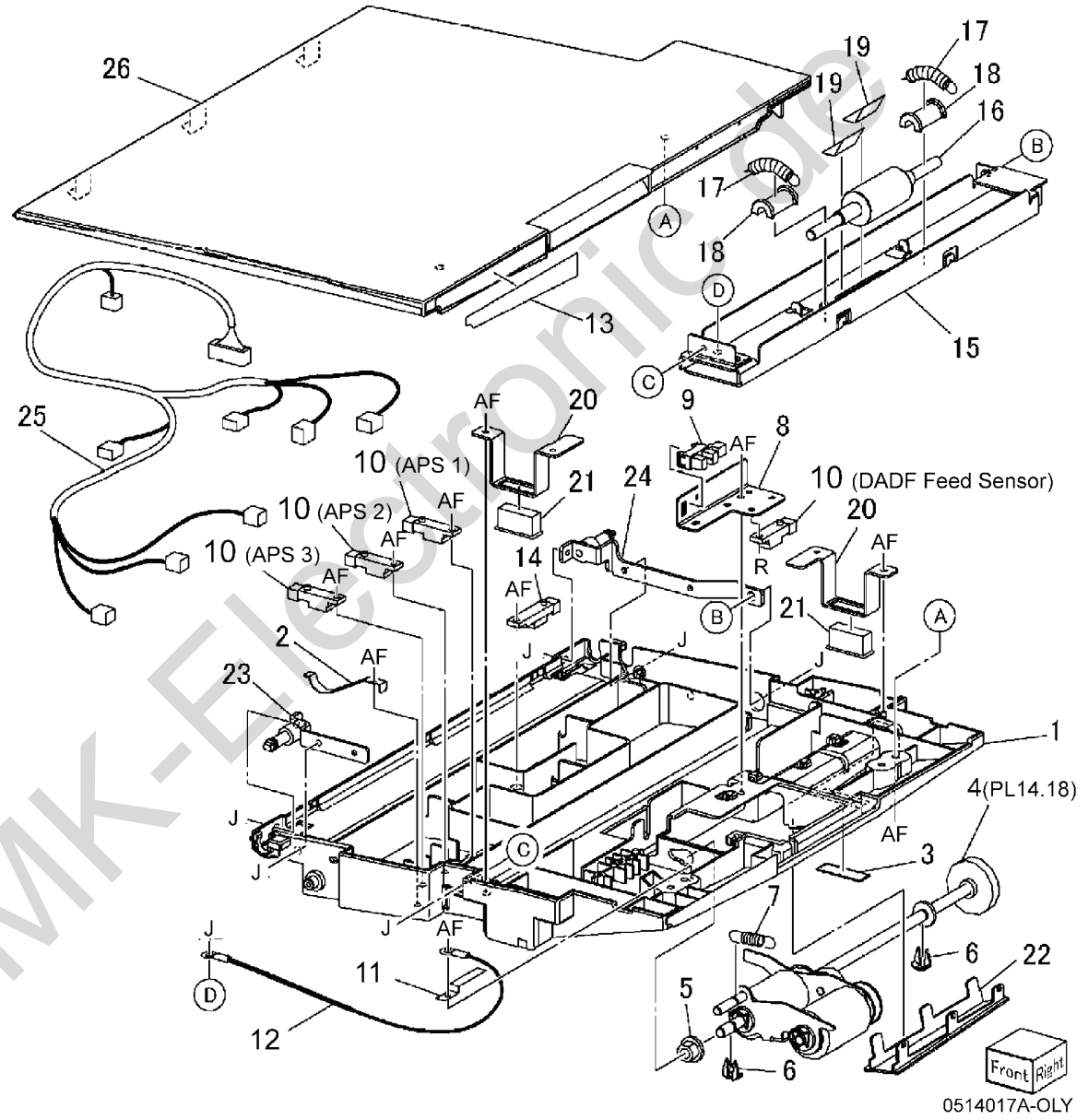
PL 14.16 DADF Document Upper Tray Component

Item	Part	Description
1	-	Upper Tray (P/O PL 4.4 Item 11)
2	050E20041	Entrance Add Tray
3	-	Sensor Housing (P/O PL 4.4 Item 11)
4	930W00111	Tray APS1, APS2, APS3, Bottom Sensor
5	-	DADF Tray Wire Harness (P/O PL 14.4 Item 11)
6	930W00211	Document Set Sensor
7	-	Rear Gear Spring (P/O PL 14.4 Item 11)
8	-	Front Rack Gear (P/O PL 14.4 Item 11)
9	-	Rear Rack Gear (P/O PL 14.4 Item 11)
10	-	Pinion Gear (P/O PL 14.4 Item 11)
11	-	Window Plate (P/O PL 4.4 Item 11)
12	-	Roll Link (P/O PL 14.4 Item 11)
13	-	Tension Spring (P/O PL 14.4 Item 11)
14	-	Roll (P/O PL 14.4 Item 11)
15	032E21200	Front Side Guide
16	032E21210	Rear Side Guide
17	019K99061	Retard Pad



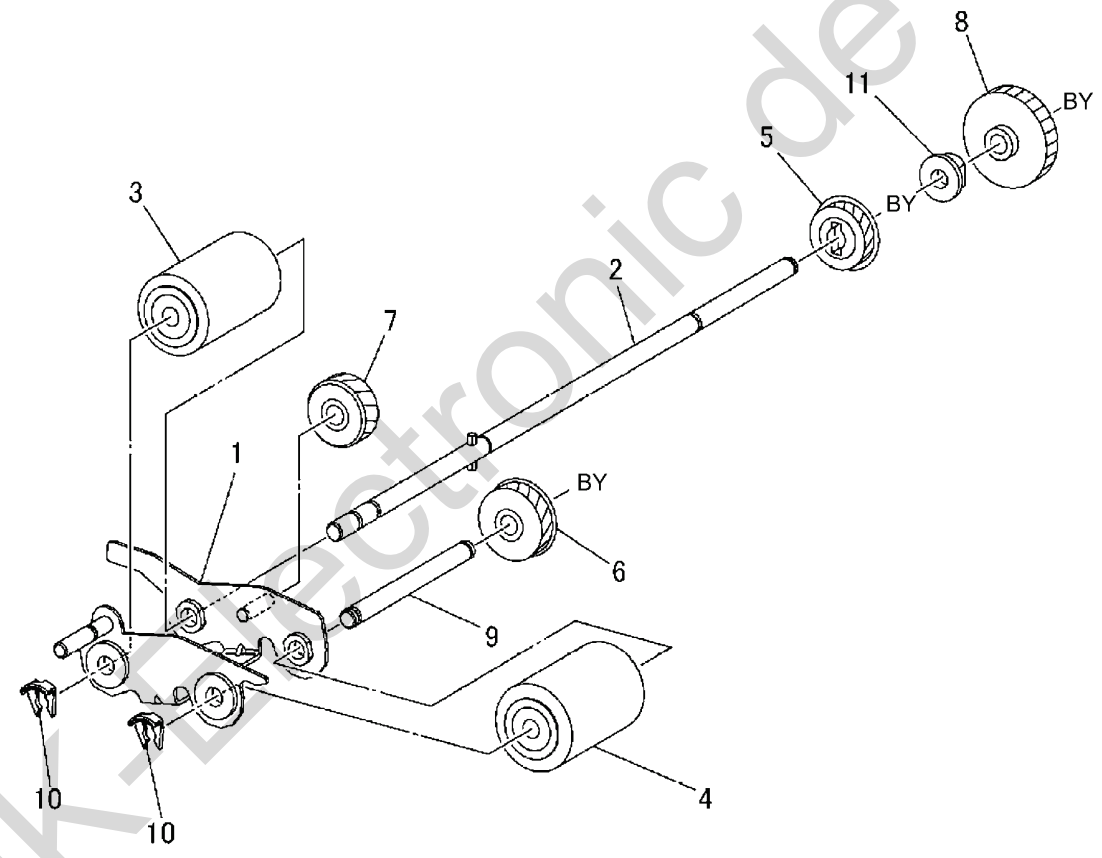
PL 14.17 Feeder Upper Chute Component

Item	Part	Description
1	-	Feeder Upper Chute (Not Spared)
2	809E50920	Plate Spring
3	-	Sensor Shield (P/O PL 14.5 Item 7)
4	802K57201	Feeder/Nudger Roll
5	-	Sleeve Bearing (P/O PL 14.5 Item 7)
6	028E94260	KL-Clip
7	809E50120	Tension Spring
8	-	Sensor Bracket (P/O PL 14.5 Item 7)
9	930W00111	DADF Stack Height Sensor
10	930W00211	DADF Feed Sensor, APS1 Sensor, APS2 Sensor, APS3 Sensor
11	-	Plate Spring (P/O PL 14.5 Item 7)
12	-	Ground Wire (P/O PL 14.5 Item 7)
13	893E09611	Label (Size)
14	130E84300	Pre Registration Sensor
15	-	Pinch Roll Housing (P/O PL 14.5 Item 7)
16	-	Pinch Roll (P/O PL 14.5 Item 7)
17	809E50250	Tension Spring
18	013E24660	Garter Bearing
19	105K21190	Eliminator
20	-	Magnet Bracket (P/O PL 14.5 Item 7)
21	-	Magnet Catch (P/O PL 14.5 Item 7)
22	032E21170	Chute Guide
23	-	Front Hinge (P/O PL 14.5 Item 7)
24	-	Rear Hinge (P/O PL 14.5 Item 7)
25	-	DADF Feeder Wire Harness (P/O PL 14.5 Item 7)
26	802E56930	Feeder Upper Cover



PL 14.18 Feeder/Nudger Roll Component

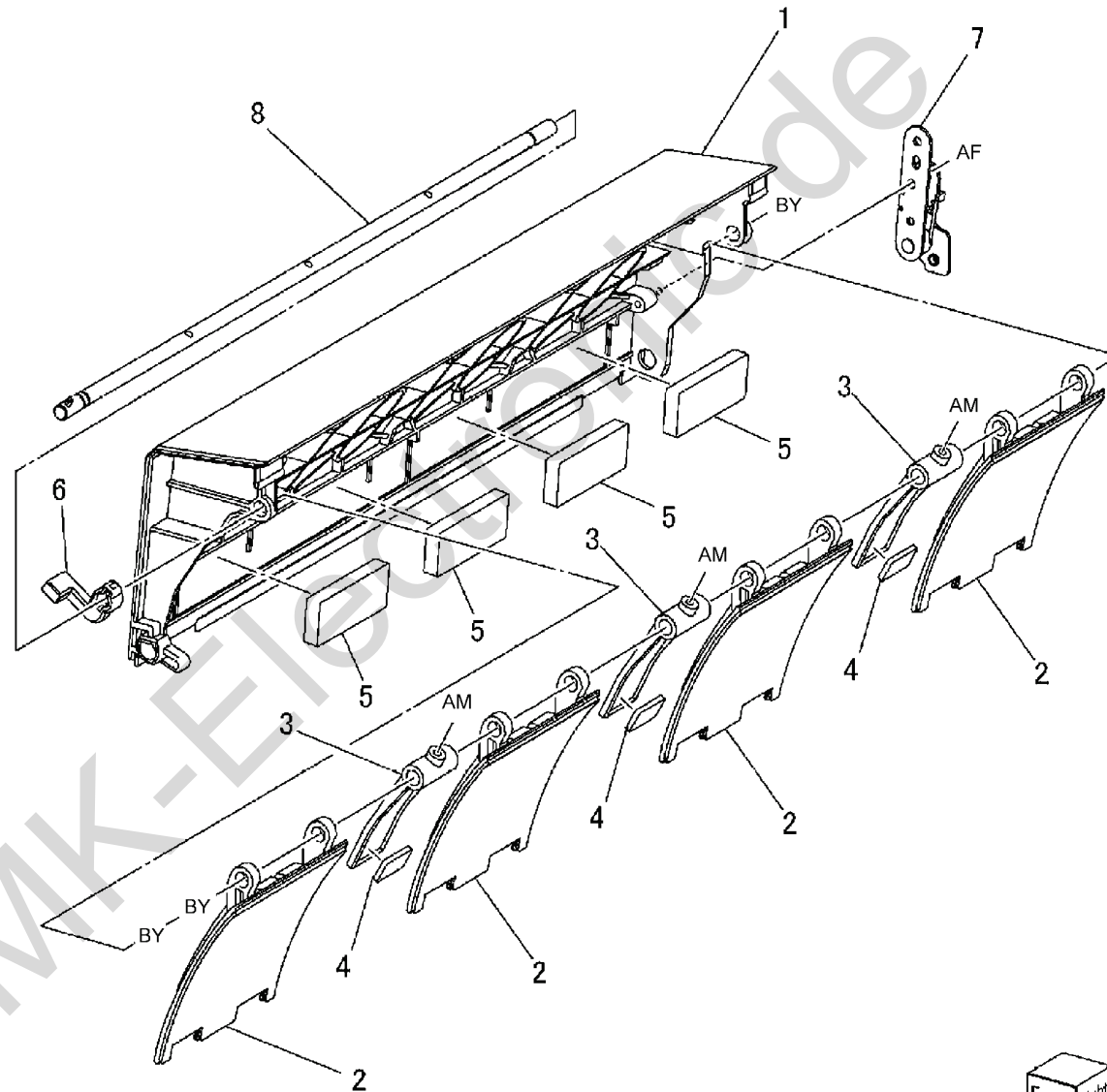
Item	Part	Description
1	-	Nudger Bracket (P/O PL 14.17 Item 4)
2	-	Feed Shaft (P/O PL 14.17 Item 4)
3	059K29520	Feed Roll
4	059K29510	Nudger Roll
5	-	Gear (38T) (P/O PL 14.17 Item 4)
6	-	Gear (44T) (P/O PL 14.17 Item 4)
7	-	Gear (39T) (P/O PL 14.17 Item 4)
8	-	Gear (29T) (P/O PL 14.17 Item 4)
9	-	Nudger Shaft (P/O PL 14.17 Item 4)
10	028E94260	KL-Clip
11	-	Sleeve Bearing (P/O PL 14.17 Item 4)



0514018A-OLY

PL 14.19 DADF Left Upper Cover Component

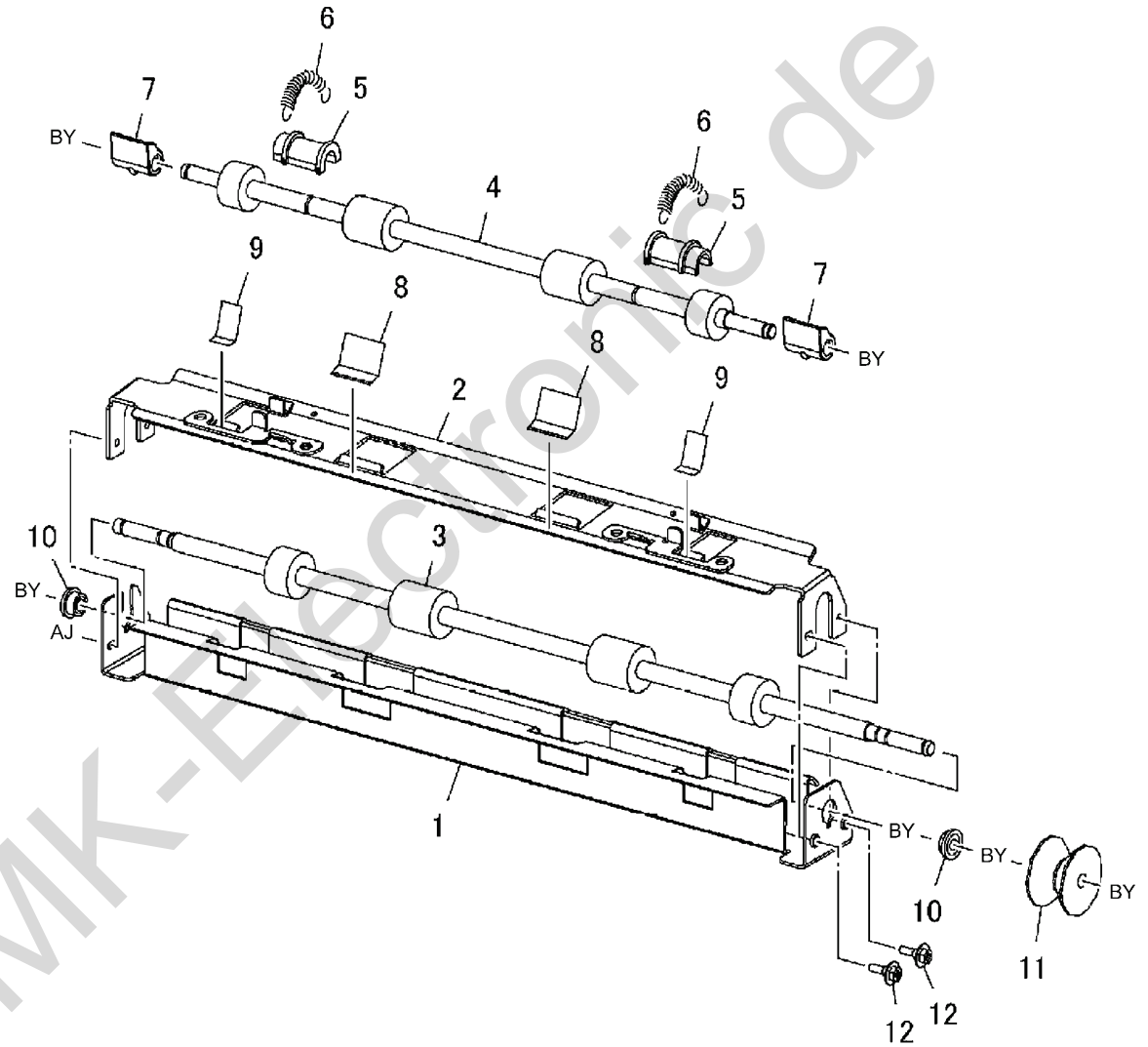
Item	Part	Description
1	-	Left Upper Cover (PL 14.5 Item 12)
2	-	Baffle (PL 14.5 Item 12)
3	-	Baffle Stopper (PL 14.5 Item 12)
4	-	Damper (PL 14.5 Item 12)
5	-	Baffle Cushion (PL 14.5 Item 12)
6	-	Actuator (PL 14.5 Item 12)
7	-	Hinge (PL 14.5 Item 12)
8	-	Baffle Shaft (PL 14.5 Item 12)



0514019A-OLY

PL 14.20 Pre Registration Roll Chute Component

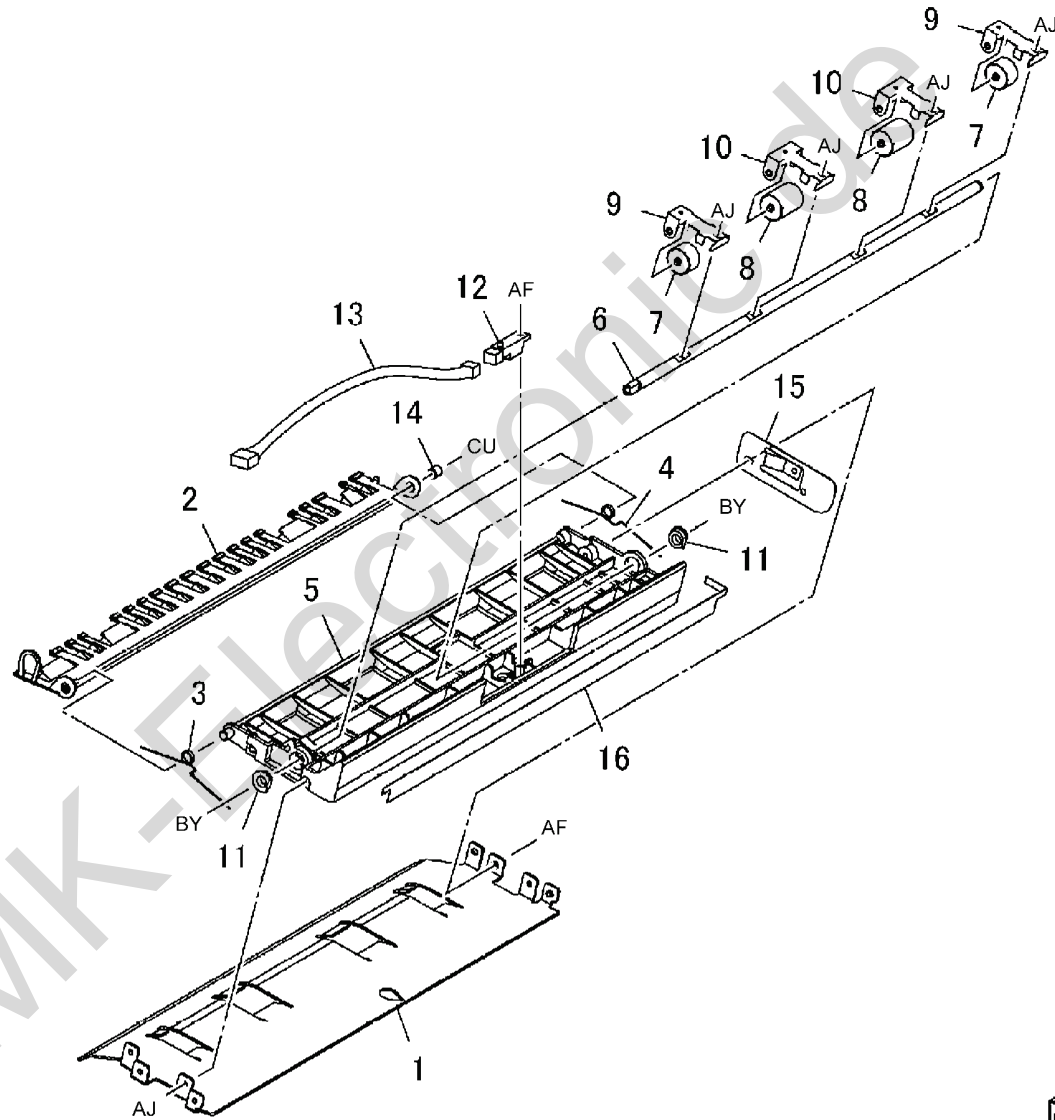
Item	Part	Description
1	-	Pre Registration Lower Chute (PL 14.7 Item 9)
2	-	Pre Registration Upper Chute (PL 14.7 Item 9)
3	-	Pre Registration Roll (PL 14.7 Item 9)
4	-	Pinch Roll (PL 14.7 Item 9)
5	-	Garter Bearing (PL 14.7 Item 9)
6	-	Tension Spring (PL 14.7 Item 9)
7	-	Release Cam (PL 14.7 Item 9)
8	-	Eliminator
9	-	Eliminator (PL 14.7 Item 9)
10	013E24840	Ball Bearing
11	-	Home Pulley (PL 14.7 Item 9)
12	-	Shoulder Screw



0514020A-OLY

PL 14.21 Inverter Exit Chute Component

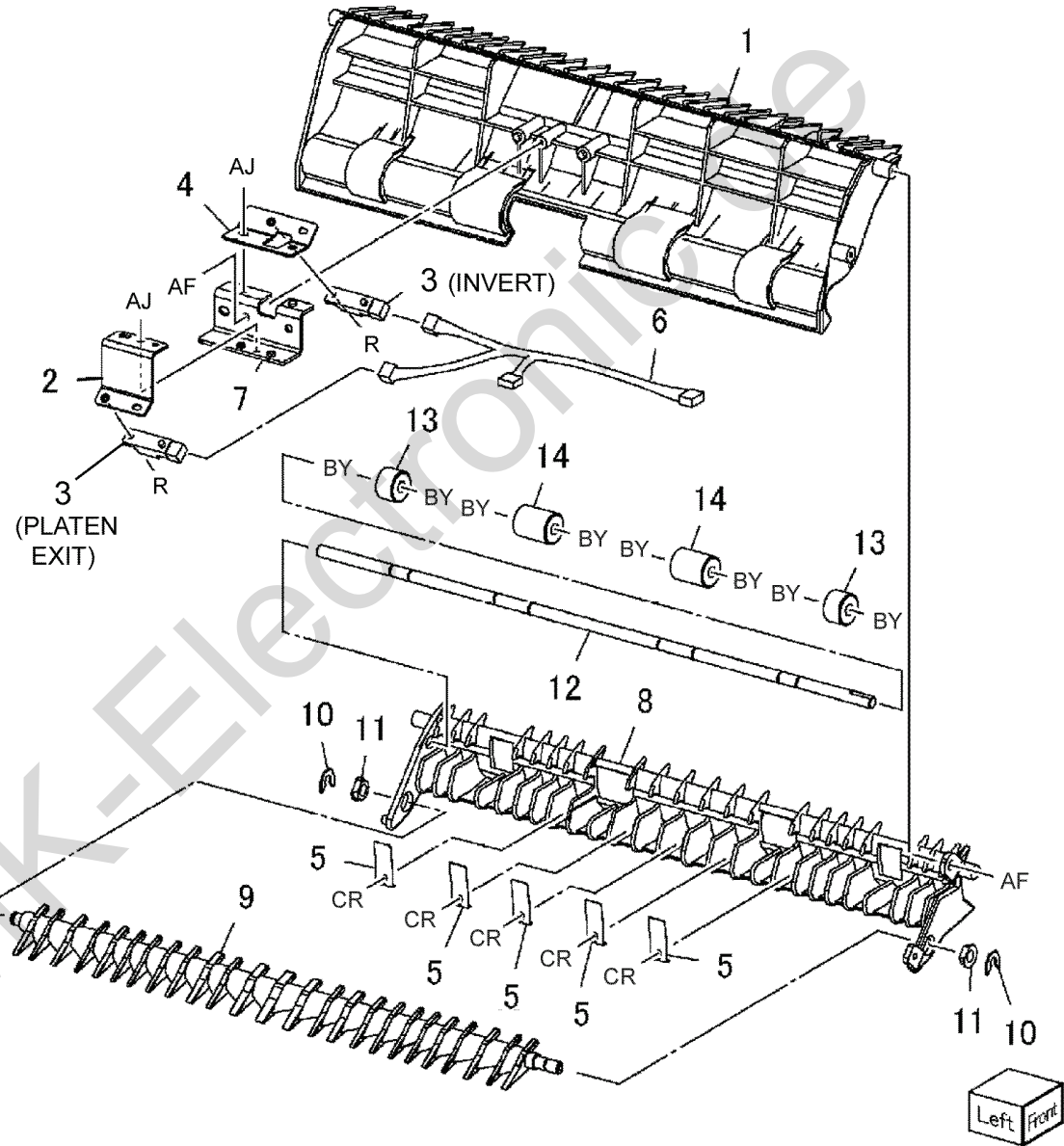
Item	Part	Description
1	-	Inverter Exit Chute (P/O PL 14.11 Item 9)
2	-	Inverter Upper Gate (P/O PL 14.11 Item 9)
3	-	Torsion Spring (P/O PL 14.11 Item 9)
4	-	Torsion Spring (P/O PL 14.11 Item 9)
5	-	Pinch Roll Housing (P/O PL 14.11 Item 9)
6	-	Shaft (P/O PL 14.11 Item 9)
7	-	Pinch Roll (P/O PL 14.11 Item 9)
8	-	Pinch Roll (P/O PL 14.11 Item 9)
9	-	Pinch Spring (P/O PL 14.11 Item 9)
10	-	Pinch Spring (P/O PL 14.11 Item 9)
11	-	Sleeve Bearing (P/O PL 14.11 Item 9)
12	930W00211	Invert Sensor 2
13	-	Sensor Wire Harness (P/O PL 14.11 Item 9)
14	-	Spacer (P/O PL 14.11 Item 9)
15	-	Earth Spring (P/O PL 14.11 Item 9)
16	-	Eliminator (P/O PL 14.11 Item 9)



0514021A-OLY

PL 14.22 Guide Chute Component

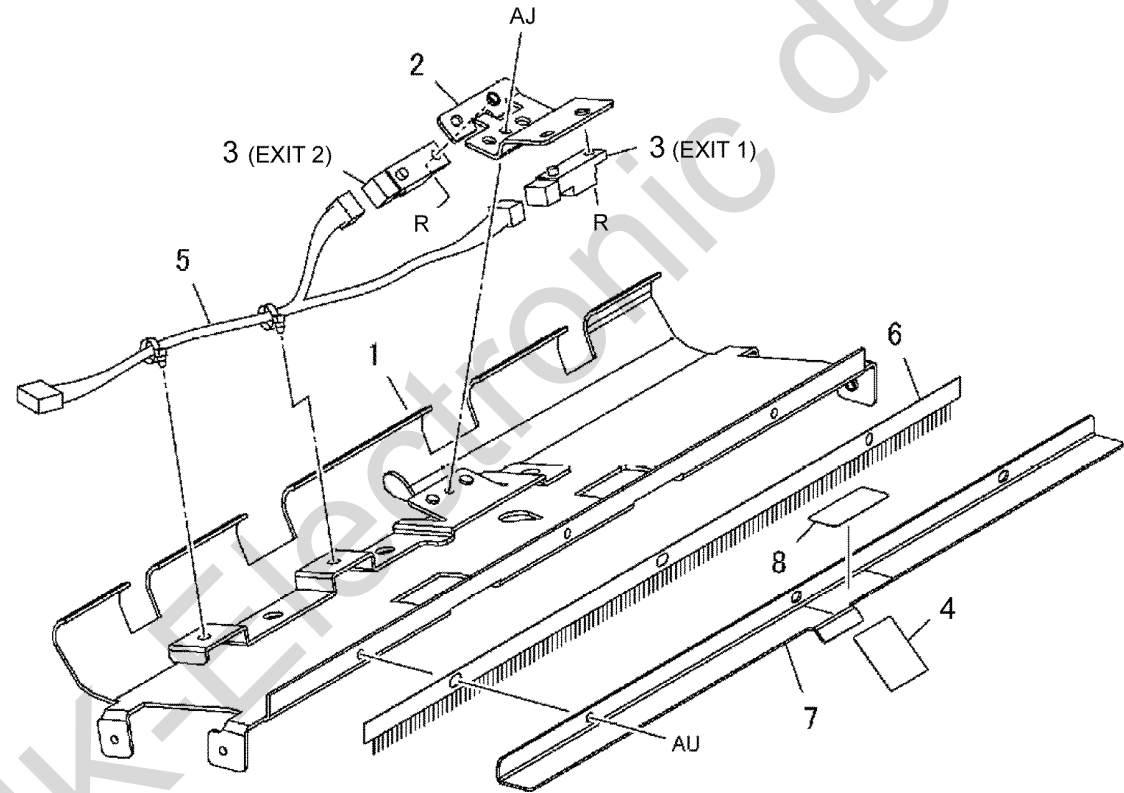
Item	Part	Description
1	-	Guide Chute (P/O PL 14.11 Item 10)
2	-	Sensor Bracket (P/O PL 14.11 Item 10)
3	930W00211	Platen Exit Sensor, Invert Sensor 1
4	-	Sensor Bracket (P/O PL 14.11 Item 10)
5	-	Pinch Spring (P/O PL 14.11 Item 10)
6	-	Sensor Wire Harness (P/O PL 14.11 Item 10)
7	-	Sensor Bracket (P/O PL 14.11 Item 10)
8	-	Gate Housing (P/O PL 14.11 Item 10)
9	-	Simp/Dup Gate (P/O PL 14.11 Item 10)
10	-	C-Clip (P/O PL 14.11 Item 10)
11	-	Sleeve Bearing (P/O PL 14.11 Item 10)
12	-	Shaft (P/O PL 14.11 Item 10)
13	-	Pinch Roll (P/O PL 14.11 Item 10)
14	-	Pinch Roll (P/O PL 14.11 Item 10)



0514022A-OLY

PL 14.23 Exit Upper Chute Component

Item	Part	Description
1	-	Exit Upper Chute (P/O PL 14.12 Item 7)
2	-	Sensor Bracket (P/O PL 14.12 Item 7)
3	930W00211	DADF Exit Sensor1, Exit Sensor 2
4	-	Guide Film (P/O PL 14.12 Item 7)
5	-	Sensor Wire Harness (P/O PL 14.12 Item 7)
6	105E12240	Static Eliminator
7	-	Guide Bracket (P/O PL 14.12 Item 7)
8	055K31520	Sensor Shield

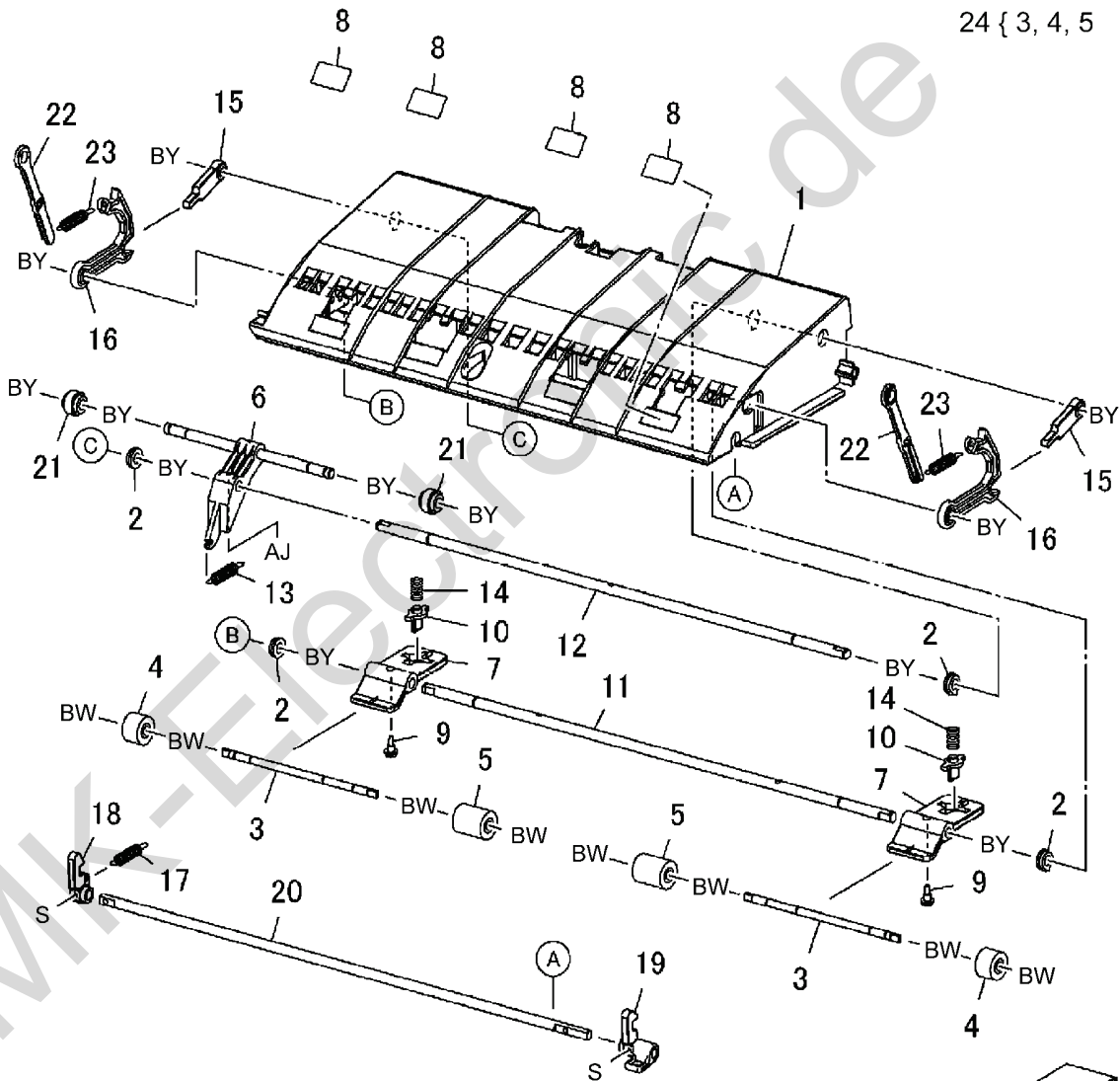


0514023A-OLY

PL 14.24 Exit Lower Chute

Component

Item	Part	Description
1	-	Exit Lower Chute (P/O PL 14.12 Item 8)
2	-	Sleeve Bearing (P/O PL 14.12 Item 8)
3	-	Pinch Roll Shaft (P/O PL 14.24 Item 24)
4	-	Pinch Roll (P/O PL 14.24 Item 24)
5	-	Pinch Roll (P/O PL 14.24 Item 24)
6	-	Pinch Roll Shaft (P/O PL 14.12 Item 8)
7	-	Pinch Plate (P/O PL 14.12 Item 8)
8	103E29870	Film
9	-	Shoulder Screw (P/O PL 14.12 Item 8)
10	-	Spring Cap (P/O PL 14.12 Item 8)
11	-	Shaft (P/O PL 14.12 Item 8)
12	-	Shaft (P/O PL 14.12 Item 8)
13	-	Tension Spring (P/O PL 14.12 Item 8)
14	-	Compression Spring (P/O PL 14.12 Item 8)
15	-	Link (P/O PL 14.12 Item 8)
16	-	Link (P/O PL 14.12 Item 8)
17	-	Tension Spring (P/O PL 14.12 Item 8)
18	012E11601	Rear Latch
19	012E11590	Front Latch
20	-	Latch Shaft (P/O PL 14.12 Item 8)
21	-	Pinch Roll (P/O PL 14.12 Item 8)
22	-	Link (P/O PL 14.12 Item 8)
23	-	Tension Spring (P/O PL 14.12 Item 8)
24	059K31033	Pinch Roll Assembly



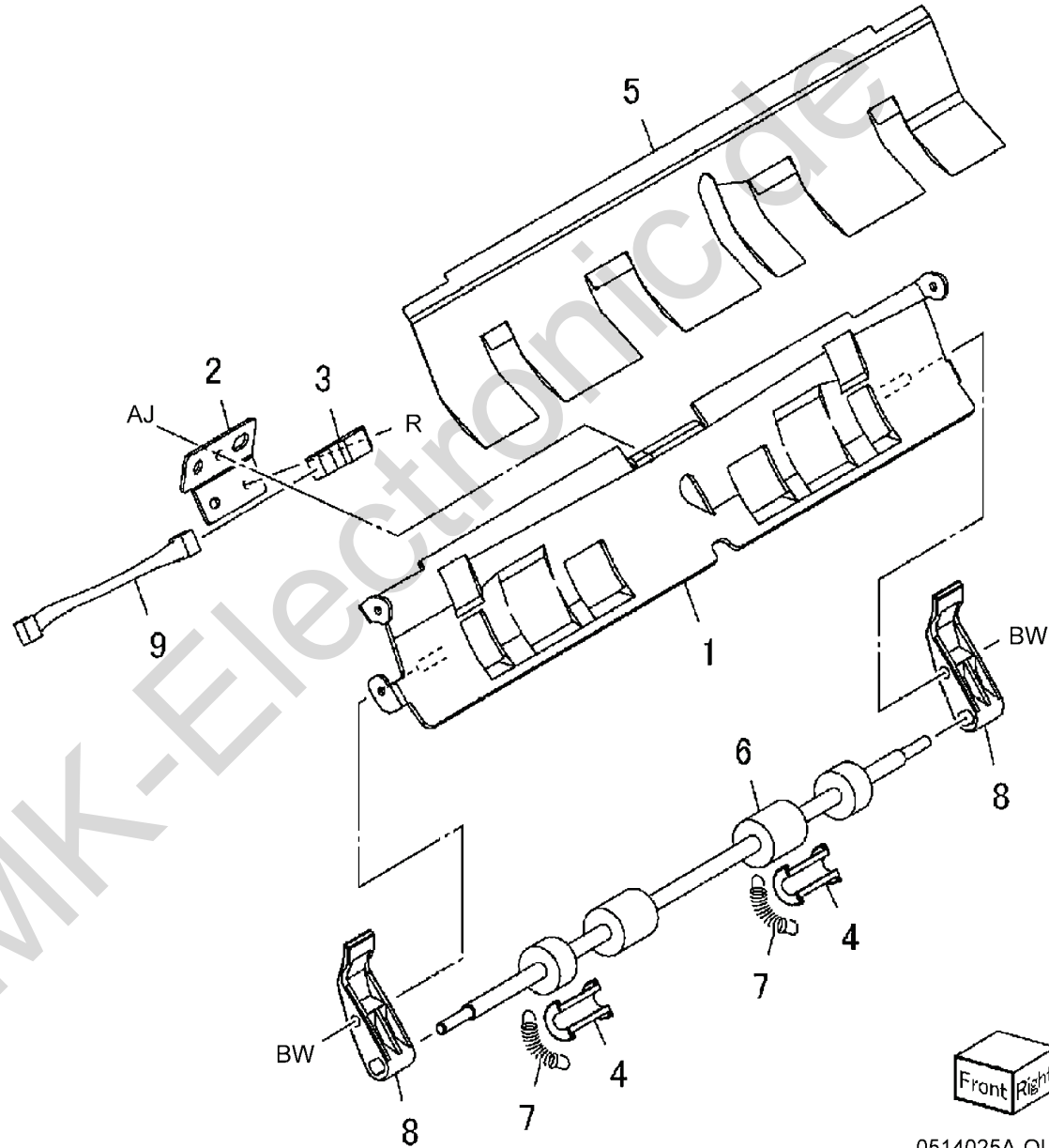
24 { 3, 4, 5



0514024A-OLY

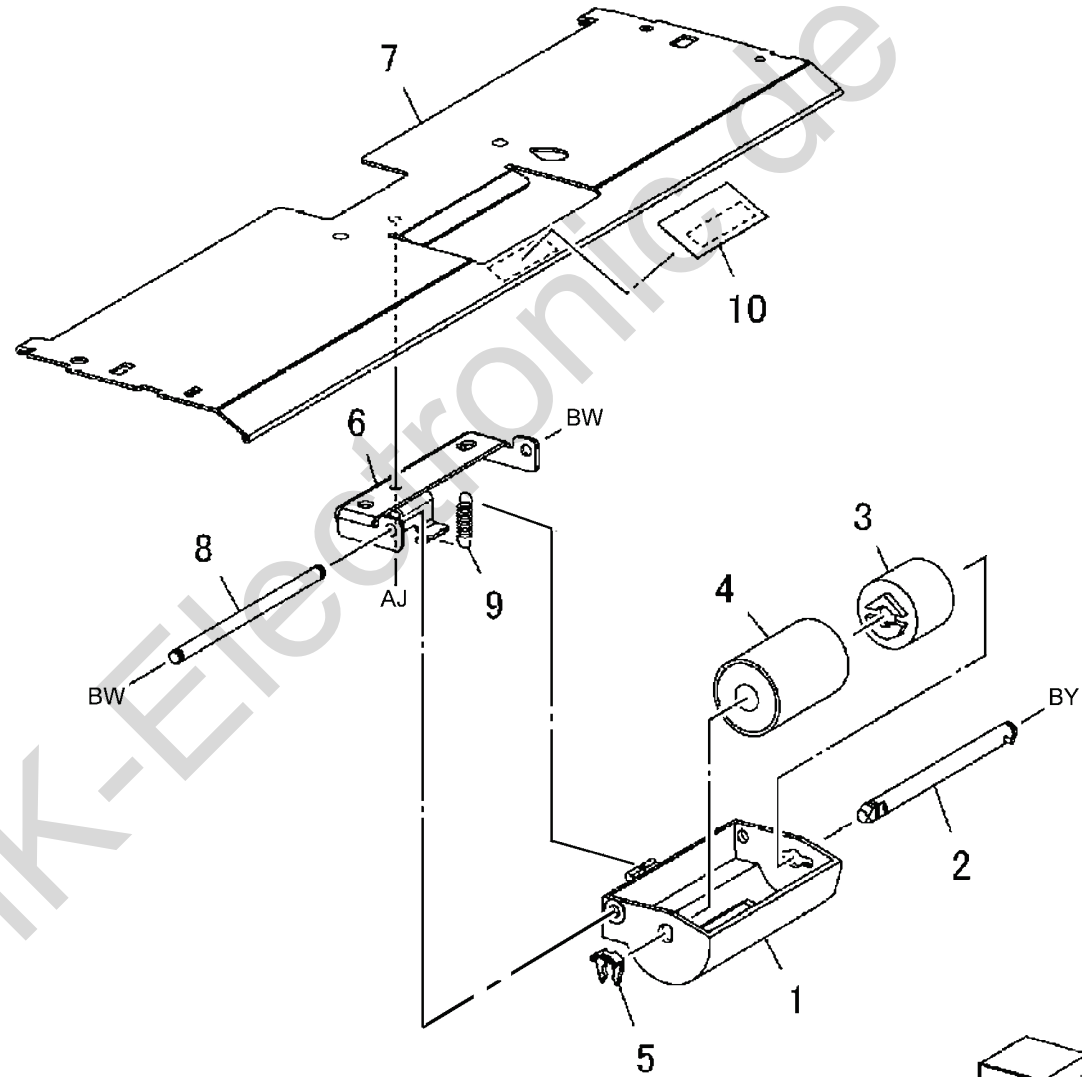
PL 14.25 Registration Out Chute Component

Item	Part	Description
1	-	Registration Out Chute (P/O PL 14.12 Item 9)
2	-	Sensor Bracket (P/O PL 14.12 Item 9)
3	930W00211	DADF Registration Sensor
4	013E24660	Garter Bearing
5	-	Film (P/O PL 14.12 Item 9)
6	-	Pinch Roll (P/O PL 14.12 Item 9)
7	809E50270	Tension Spring
8	012E11430	Link
9	-	Sensor Wire Harness (P/O PL 14.12 Item 9)



PL 14.26 Feeder Lower Chute Component

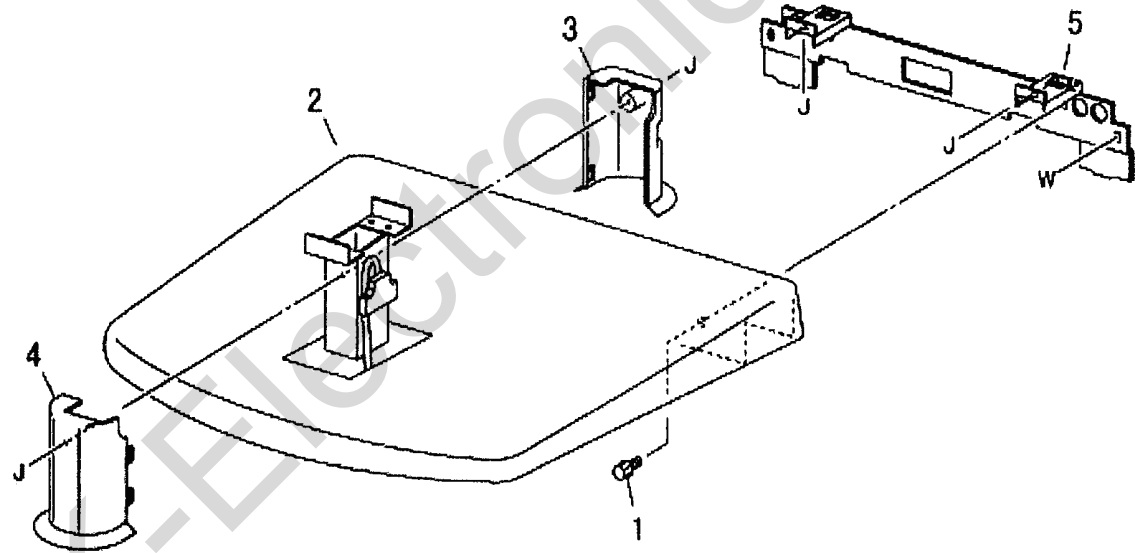
Item	Part	Description
1	-	Retard Roll Housing (P/O PL 14.12 Item 10)
2	-	Retard Roll Shaft (P/O PL 14.12 Item 10)
3	005K06810	Torque Limiter
4	059K30951	Retard Roll
5	028E94260	KL-Clip
6	-	Bracket (P/O PL 14.12 Item 10)
7	054K24495	Feeder Lower Chute
8	-	Shaft (P/O PL 14.12 Item 10)
9	-	Tension Spring (P/O PL 14.12 Item 10)
10	-	Film (P/O PL 14.12 Item 10)



0514026A-OL

PL 15.1 UI Base

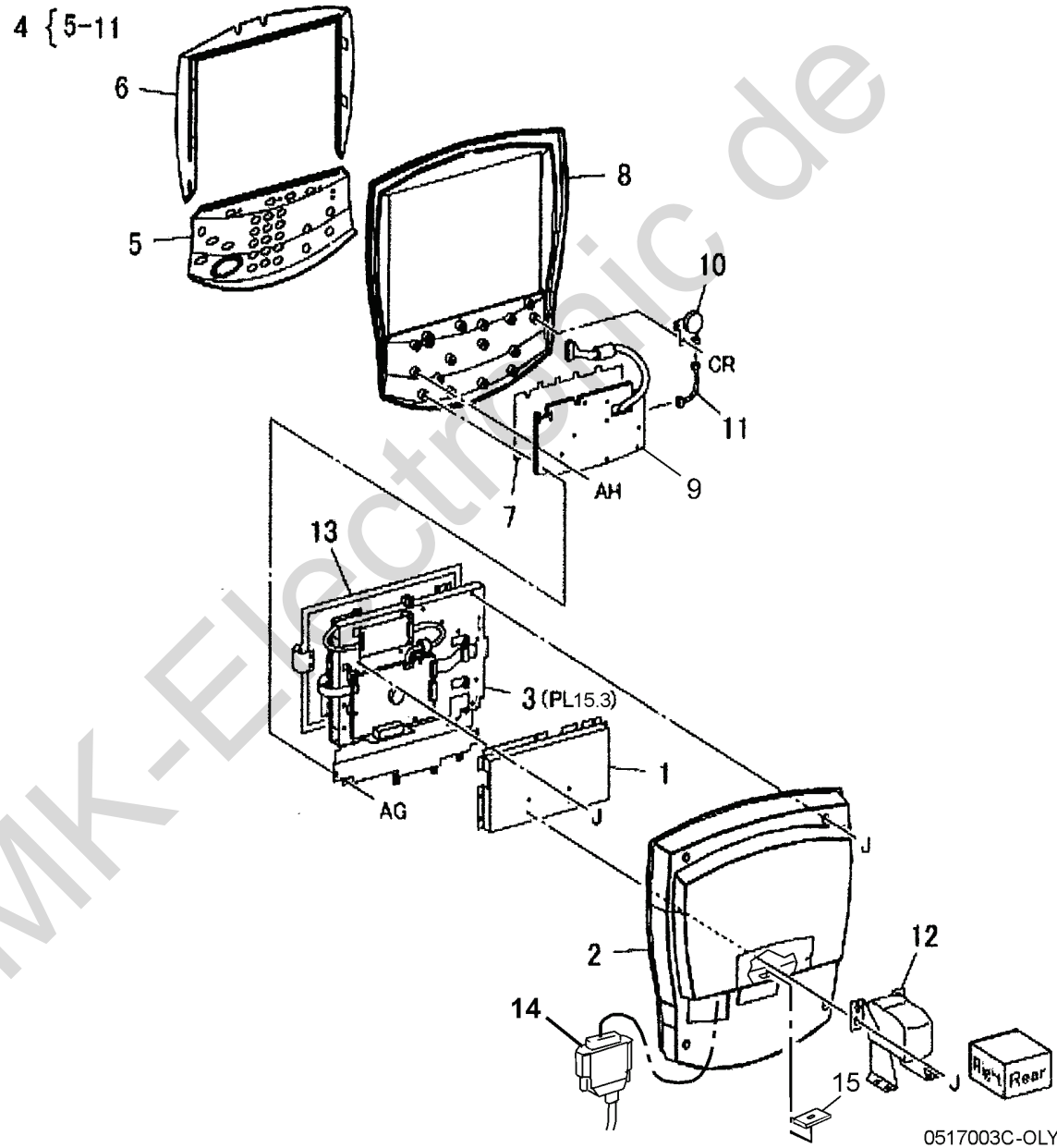
Item	Part	Description
1	003E63230	Screw Thumb
2	-	Tray Assembly (Not Spared) (REP 4.1)
3	-	Neck Right Cover (Not Spared)
4	-	Neck Left Cover (Not Spared)
5	-	Bracket (Not Spared)



0217002A-OLY

PL 15.2 Control Panel

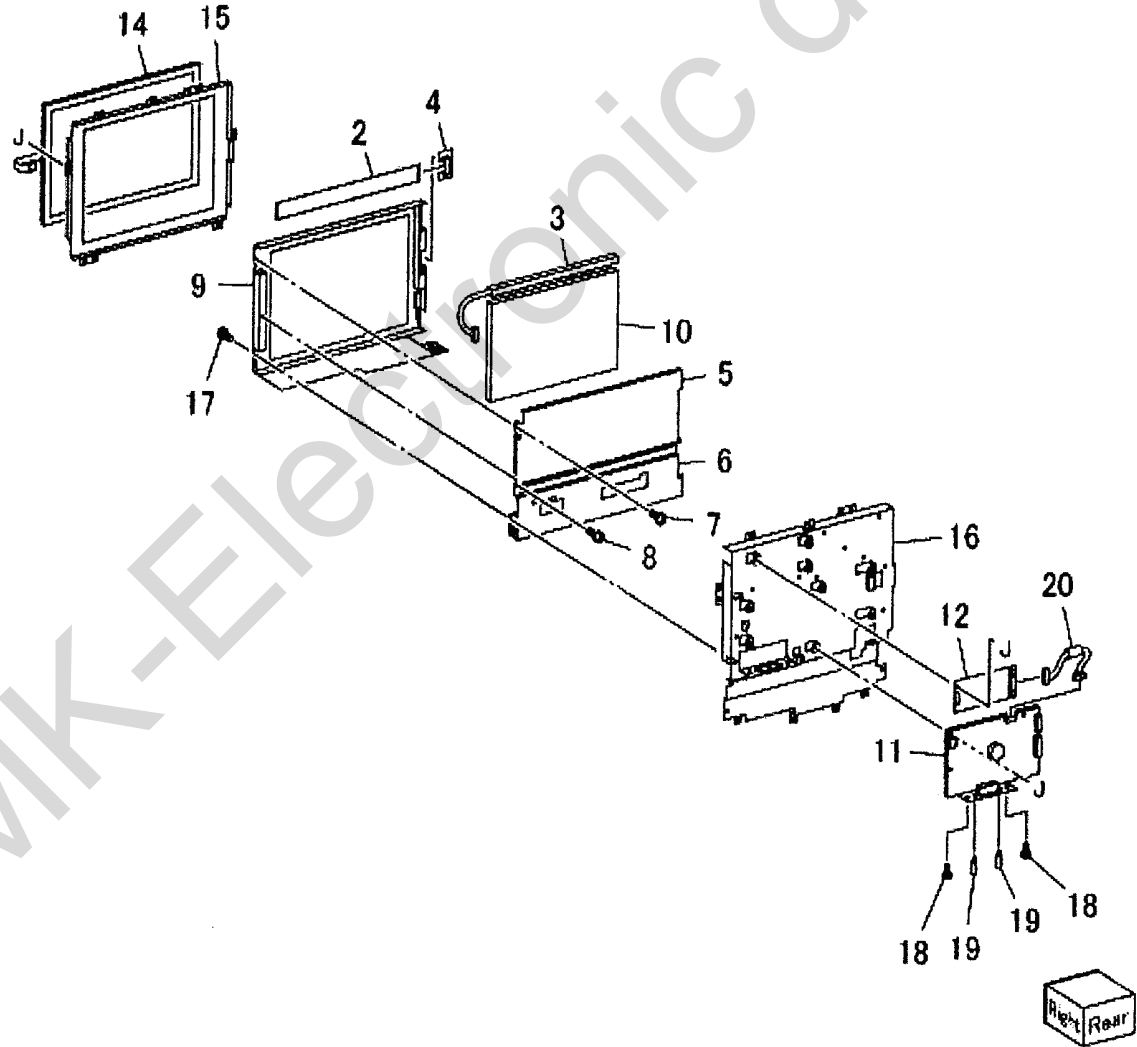
Item	Part	Description
1	-	Cover EME (Not Spared)
2	-	Cover Rear Base (Not Spared)
3	802K74405	LCD Touch Panel Assembly
4	802K71730	Control Panel Assembly (60 Hz)
-	802K74430	Control Panel Assembly (50 Hz)
5	-	Overlay Cover (P/O PL 15.2 Item 4)
6	-	Bezel Cover (P/O PL 15.2 Item 4)
7	-	Mylar Sheet (P/O PL 15.2 Item 4)
8	-	Case (P/O PL 15.2 Item 4)
9	-	Switch/Led/ PWB (P/O PL 15.2 Item 4)
10	-	VR PWB (P/O PL 15.2 Item 4)
11	-	VR Cable (P/O PL 15.2 Item 4)
12	802K63681	Tilt Swivel
13	-	ESD Sheet (Not Spared)
14	117K37660	UI/CCM Interface Cable
15	835E16800	SUI/USB Gasket (P/O PL 11.8 Item 16) (W/TAG N-001)



PL 15.3 UI/LCD Touch Panel

Item	Part	Description
1	123K98050	LCD Module Assembly
2	117E23952	Flexible Printer Cable
3	-	Lamp (P/O PL 15.3 Item 1)
4	-	LCD PWB (P/O PL 15.3 Item 1)
5	-	Cover (P/O PL 15.3 Item 1)
6	-	Cover (P/O PL 15.3 Item 1)
7	-	Screw (P/O PL 15.3 Item 1)
8	-	Tapping Screw (P/O PL 15.3 Item 1)
9	-	LCD Frame (P/O PL 15.3 Item 1)
10	-	LCD (P/O PL 15.3 Item 1)
11	960K41502	SUI PWB (REP 4.2)
12	960K30490	Inverter PWB
13	802K65291	Touch Panel Assembly
14	-	Touch Panel (P/O PL 15.3 Item 13)
15	-	Panel Plate (P/O PL 15.3 Item 13)
16	-	LCD Plate (Not Spared)
17	-	Screw (Not Spared)
18	826E06490	Screw
19	826E08490	Screw
20	-	Wire Harness (Not Spared)

1 { 2-10
 13 { 14,15

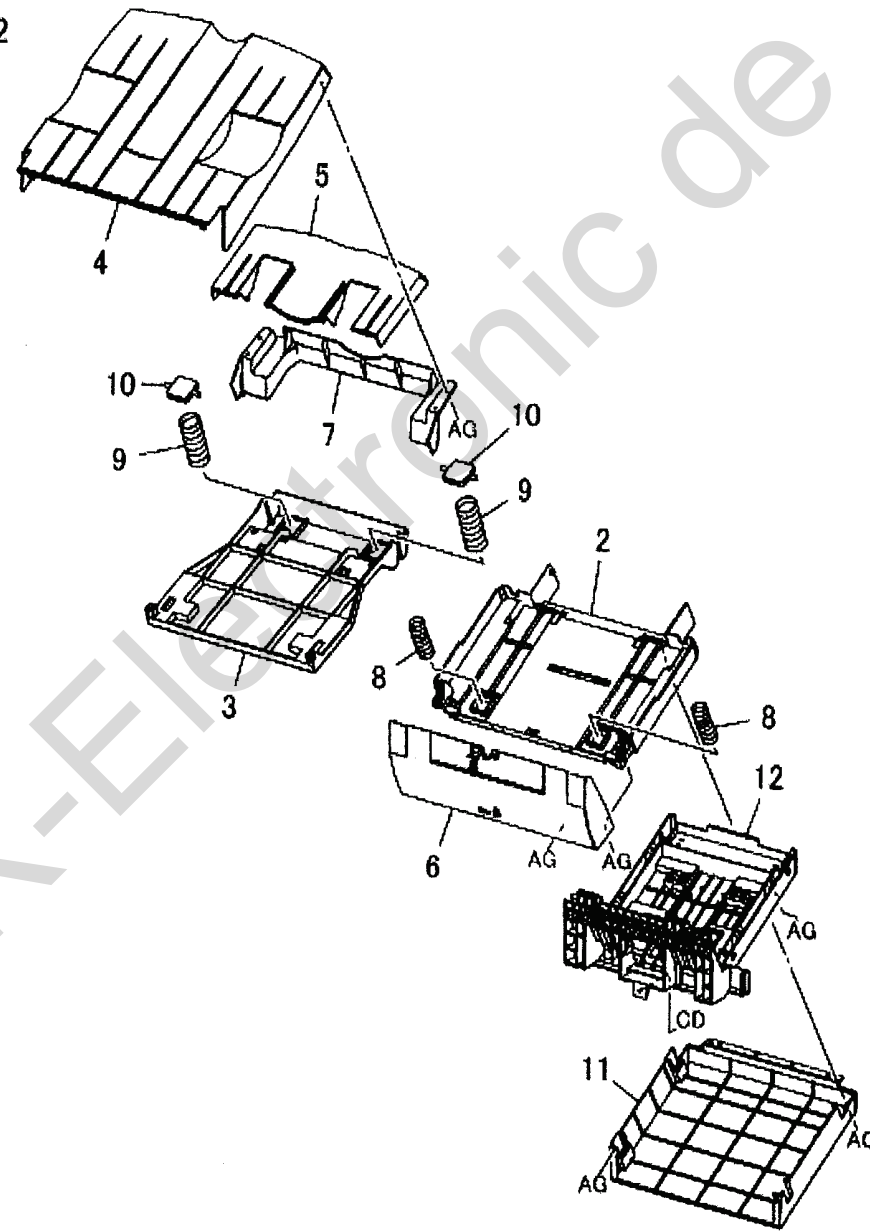


0517004A-OLY

PL 16.1 SCT

Item	Part	Description
1	050K50991	SCT
2	-	Base Tray (P/O PL 16.1 Item 1)
3	-	Center Tray (P/O PL 16.1 Item 1)
4	-	Catch Tray (P/O PL 16.1 Item 1)
5	-	Extension Tray (P/O PL 16.1 Item 1)
6	-	Wall Tray (P/O PL 16.1 Item 1)
7	-	Catch Tray Cover (P/O PL 16.1 Item 1)
8	-	Spring (P/O PL 16.1 Item 1)
9	-	Spring (P/O PL 16.1 Item 1)
10	-	Plate (P/O PL 16.1 Item 1)
11	-	Bottom Cover (P/O PL 16.1 Item 1)
12	-	Support (P/O PL 16.1 Item 1)

1 {2-12}

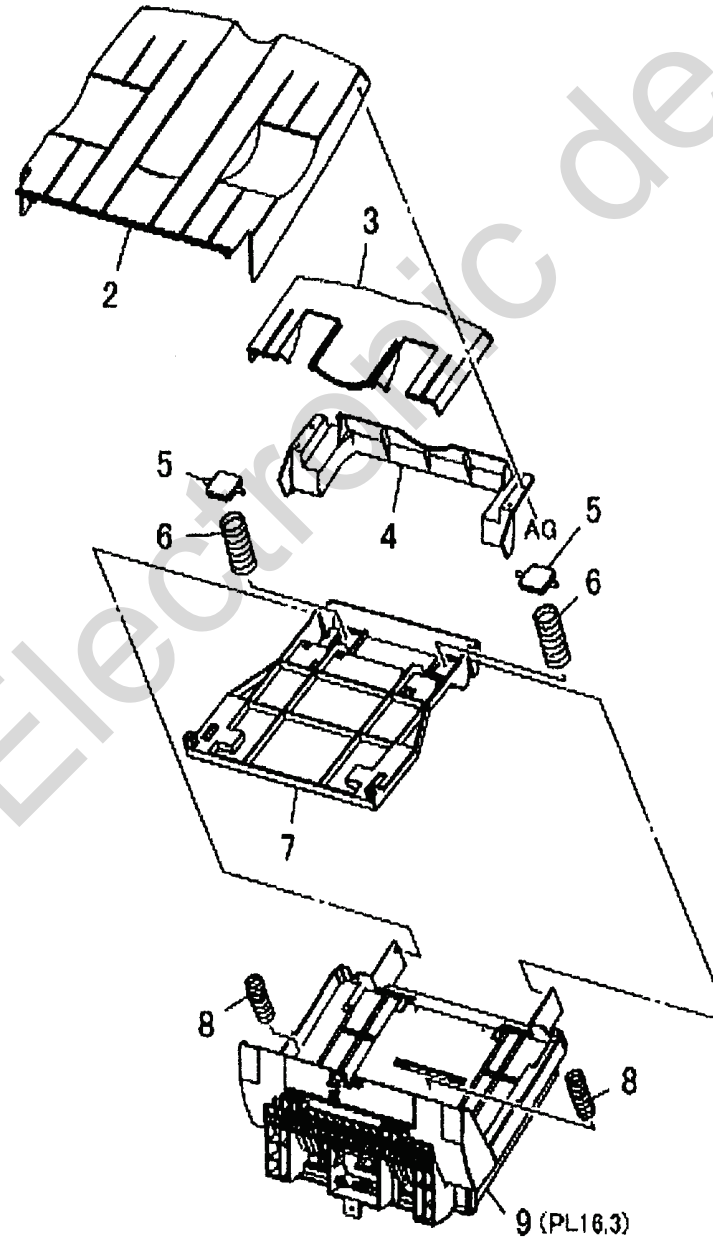


0516001A-OLY

PL 16.2 OCT (1 of 2)

Item	Part	Description
1	050K50985	OCT
2	-	Catch Tray (P/O PL 16.2 Item 1)
3	-	Extension Tray (P/O PL 16.2 Item 1)
4	-	Catch Tray Cover (P/O PL 16.2 Item 1)
5	-	Plate (P/O PL 16.2 Item 1)
6	-	Spring (P/O PL 16.2 Item 1)
7	-	Center Tray (P/O PL 16.2 Item 1)
8	-	Spring (P/O PL 16.2 Item 1)
9	-	Base Tray Assembly (P/O PL 16.2 Item 1)

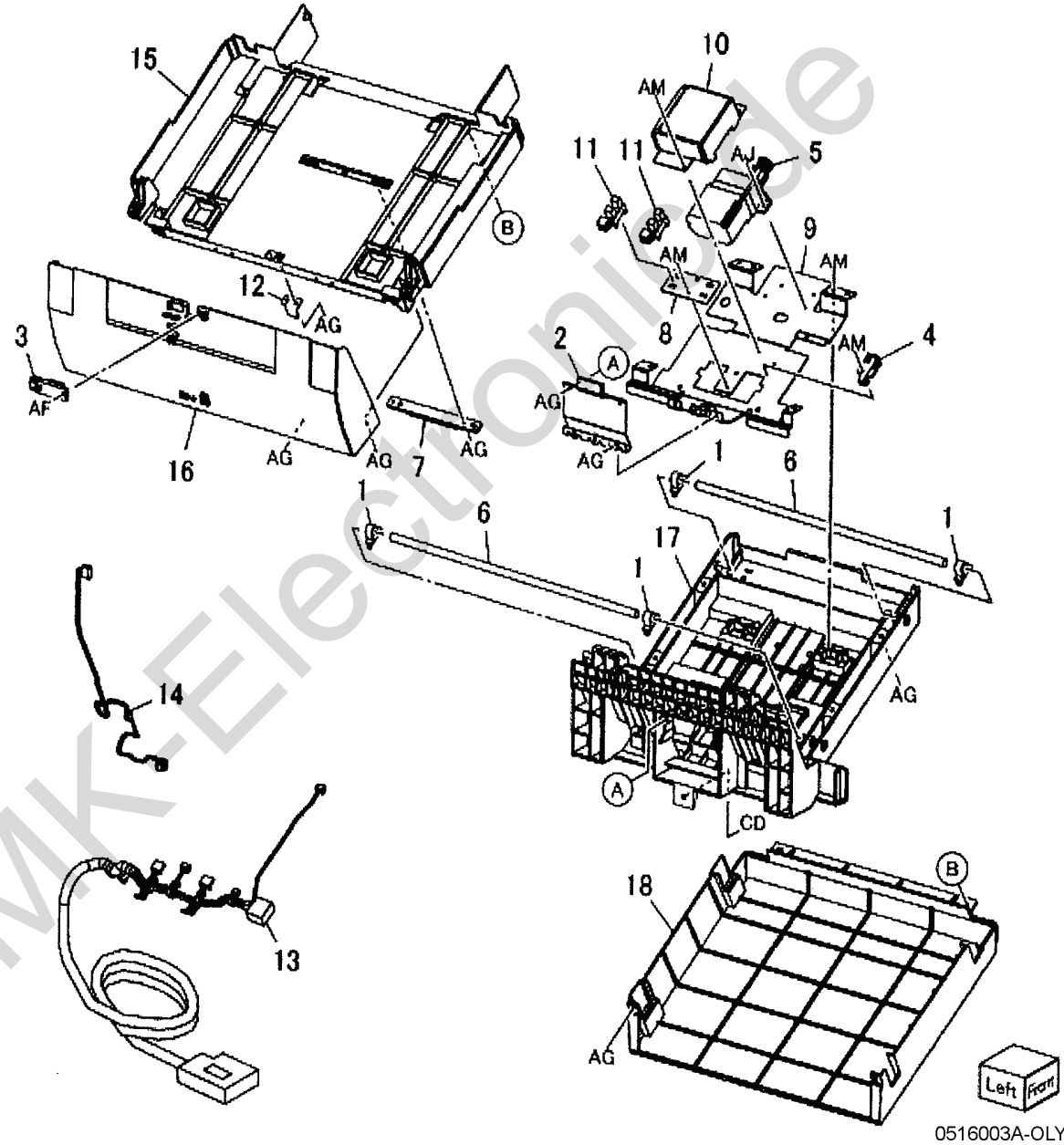
1 { 2 - 9



0516002A-OLY

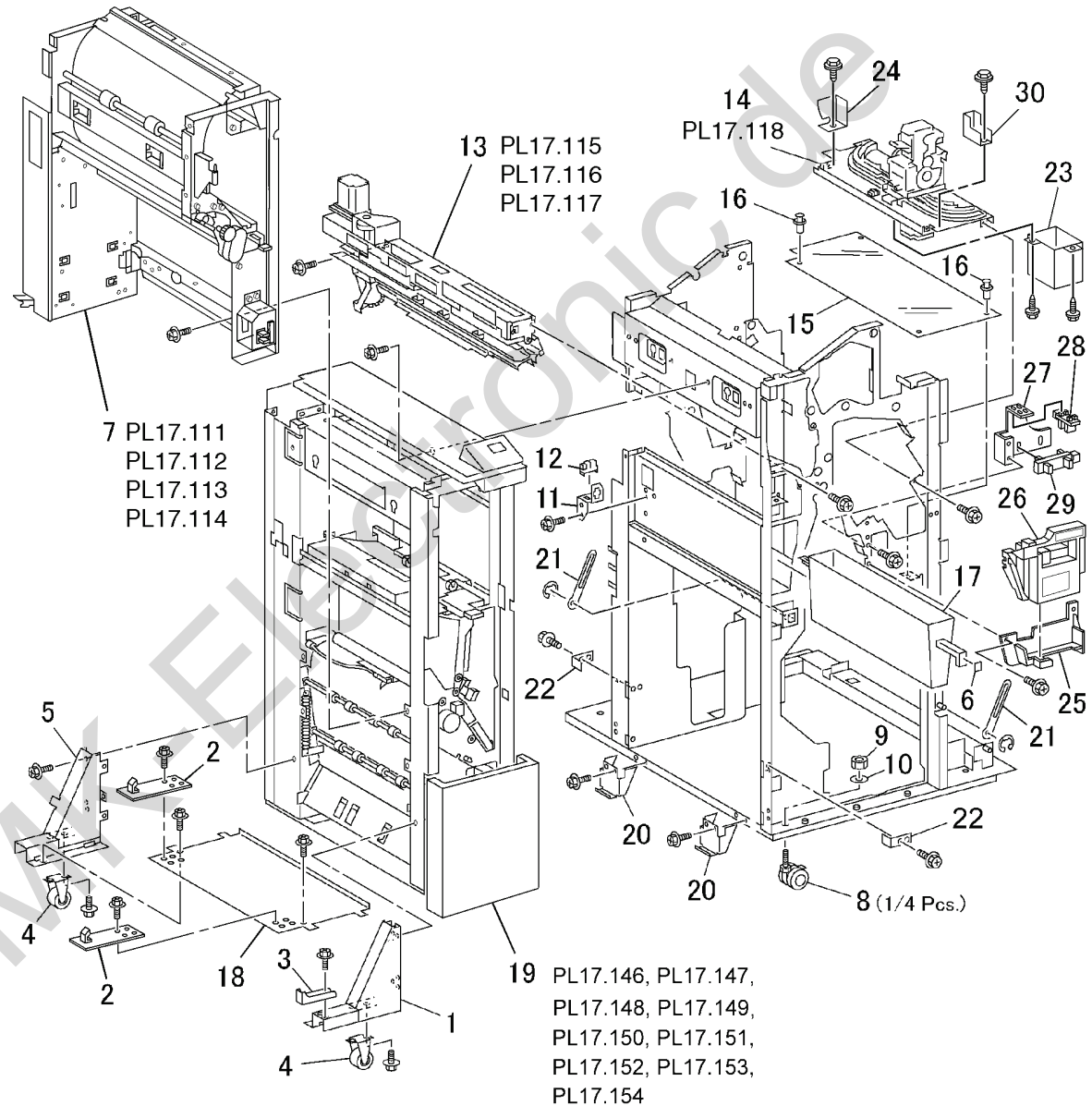
PL 16.3 OCT (2 of 2)

Item	Part	Description
1	-	Bearing (P/O PL 16.2 Item 1)
2	-	Gasket (P/O PL 16.2 Item 1)
3	930W00211	Tray Full Sensor
4	-	Clamp (P/O PL 16.2 Item 1)
5	127K39971	OCT Motor
6	-	Shaft (P/O PL 16.2 Item 1)
7	-	Rack (P/O PL 16.2 Item 1)
8	-	Bracket (P/O PL 16.2 Item 1)
9	-	Plate (P/O PL 16.2 Item 1)
10	-	Motor Cover (P/O PL 16.2 Item 1)
11	930W00111	Rear Position Sensor
12	-	Actuator (P/O PL 16.2 Item 1)
13	-	Wire Harness (Not Spared)
14	-	Wire Harness (Not Spared)
15	-	Base Tray (P/O PL 16.2 Item 1)
16	-	Wall Tray (P/O PL 16.2 Item 1)
17	-	Support (P/O PL 16.2 Item 1)
18	-	Bottom Cover (P/O PL 16.2 Item 1)



PL 17.101 Finisher Base Component

Item	Part	Description
1	-	Front Foot Bracket (Not Spared)
2	-	EME Plate (Not Spared)
3	-	Hinge (Not Spared)
4	-	Caster (Not Spared)
5	-	Rear Foot Bracket (Not Spared)
6	-	Label (R4) (Not Spared)
7	-	I/F Module (Not Spared) (REP 17.1, REP 17.35)
8	017E97570	Caster
9	-	Nut (Not Spared)
10	-	Spring Washer (Not Spared)
11	-	Sensor Bracket (Not Spared)
12	130K88780	Punch Box Set Sensor
13	801K25911	2/3 Hole Punch Unit (XC)
-	801K25921	Punch Unit (2/4 Hole) (XE) (REP 17.3)
14	-	Staple Unit (Not Spared) (REP 17.4)
15	-	Harness Cover (Not Spared)
16	-	Rivet (Not Spared)
17	030K76950	Punch Box
18	-	Bottom Plate (Not Spared)
19	-	Folder (Not Spared) (REP 17.2)
20	849E06640	Lower Bracket
21	-	Stopper (Stacker) (Not Spared)
22	849E06650	Side Bracket
23	848E09050	Motor Cover
24	848E09060	Dust Cover (Rear)
25	849E80060	Guide
26	060K96900	Staple Waste Bin
27	-	Sensor Bracket (Not Spared)
28	-	Staple Waste Bin Set Sensor (REP 17.6)
29	130E92940	Staple Waste Bin Full Sensor (REP 17.6)
30	054K31660	Staple Waste Chute

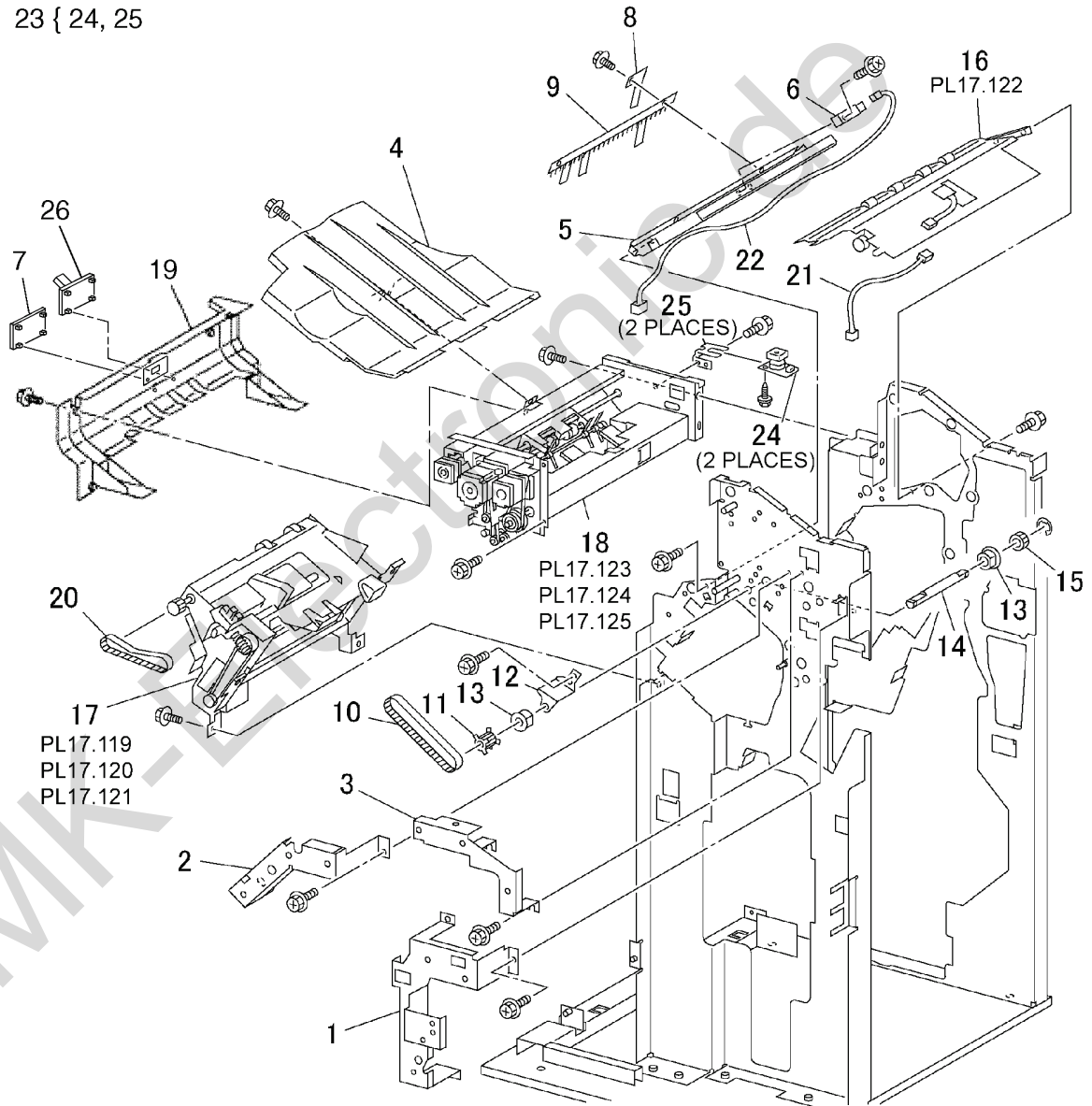


0517101A-FHJ

PL 17.102 Finisher Base Component-2

Item	Part	Description
1	-	Harness Bracket (Not Spared)
2	-	Harness Bracket (Not Spared)
3	-	Harness Bracket (Not Spared)
4	050K60730	Single Catch Tray
5	-	Upper Exit Chute (Not Spared)
6	130E87370	Compile Exit Sensor
7	-	Stopper (Not Spared)
8	038E33760	Curl Guide
9	105K22210	Eliminator Assembly
10	423W30654	Belt
11	-	Pulley (P/O)
12	-	Bracket (Not Spared)
13	413W75959	Bearing
14	-	Main Paddle Drive Shaft (Not Spared)
15	007E89910	Gear
16	-	Lower Exit Chute (Not Spared) (REP 17.10)
17	801K25930	Compile Unit (REP 17.8)
18	801K29830	Eject Unit (REP 17.7)
19	-	Eject Cover (Not Spared)
20	423W45454	Belt
21	962K58130	Wire Harness
22	962K45850	Wire Harness
23	030K76830	Manual Decurler Switch Assembly
24	110K12371	Manual Decurler Switch
25	-	Switch Bracket (P/O PL 17.102 Item 23)
26	003K15010	Stopper

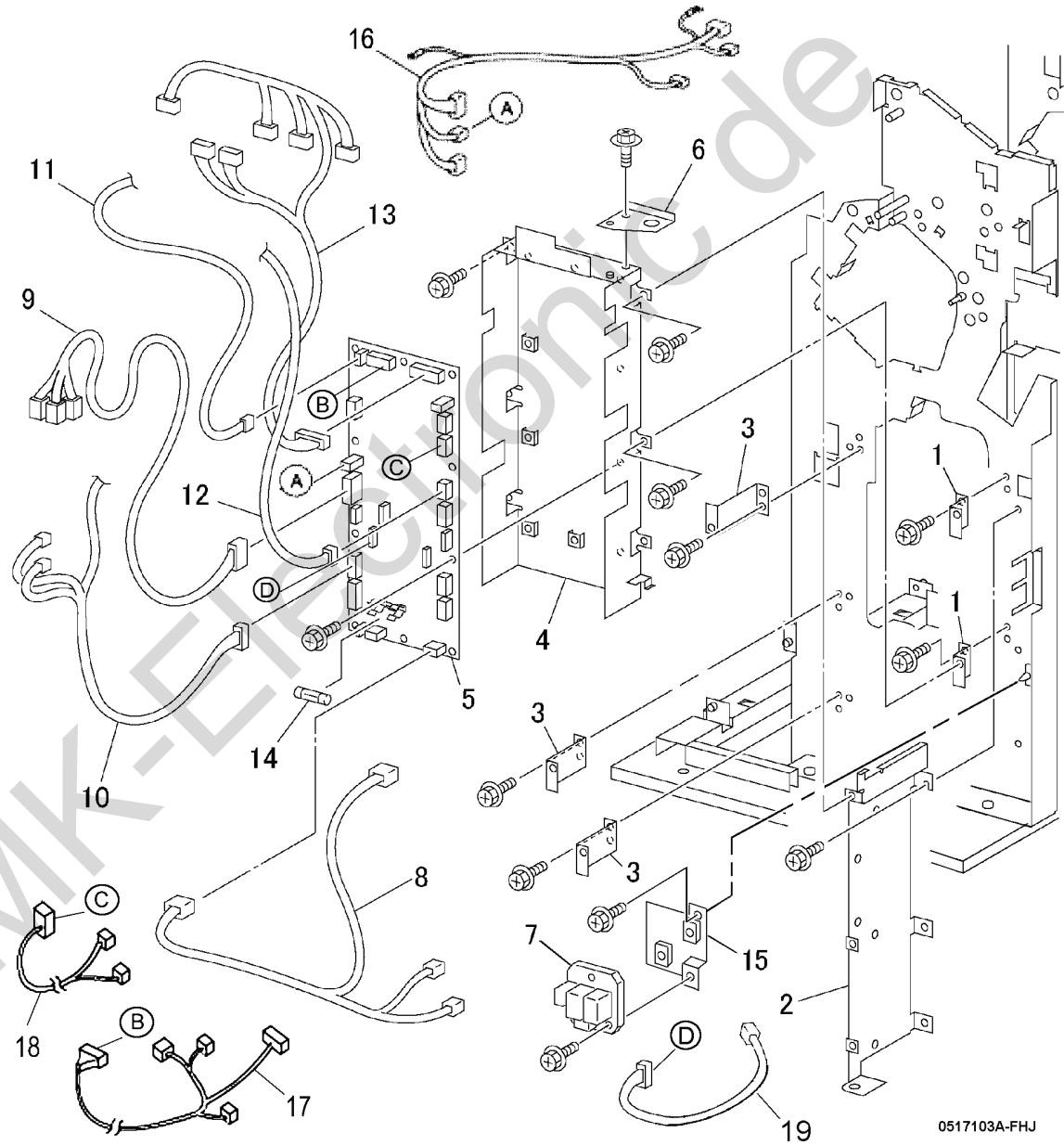
23 { 24, 25



0517102A-FHJ

PL 17.103 Finisher PWB

Item	Part	Description
1	-	Bracket (Not Spared)
2	-	PWB Box Plate (Not Spared)
3	-	Bracket (Not Spared)
4	-	PWB Box (Not Spared)
5	960K22742	Finisher PWB (REP 17.11)
6	-	Hinge (Not Spared)
7	160K95471	Relay PWB
8	962K58100	Wire Harness
9	962K57960	Wire Harness
10	962K58120	Wire Harness
11	962K57950	Wire Harness
12	962K57940	Wire Harness
13	962K57970	Wire Harness
14	908W00114	Fuse (5A 125V)
15	-	Relay PWB Bracket (Not Spared)
16	962K45860	Wire Harness (Staple)
17	962K45940	Wire Harness (Punch)
18	962K22630	Wire Harness (Punch: Sensor)
19	962K45870	Wire Harness (Staple Dust Box)

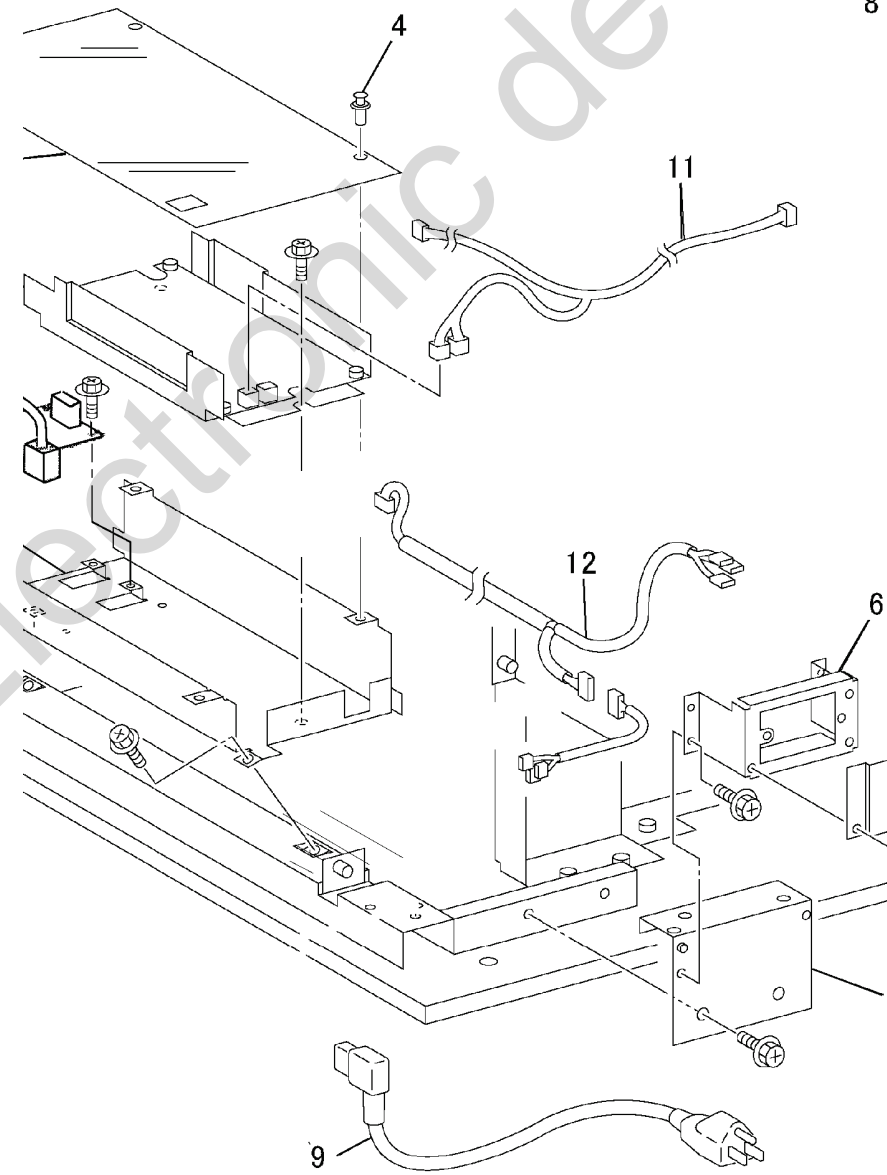


0517103A-FHJ

PL 17.104 LVPS Inlet, Outlet

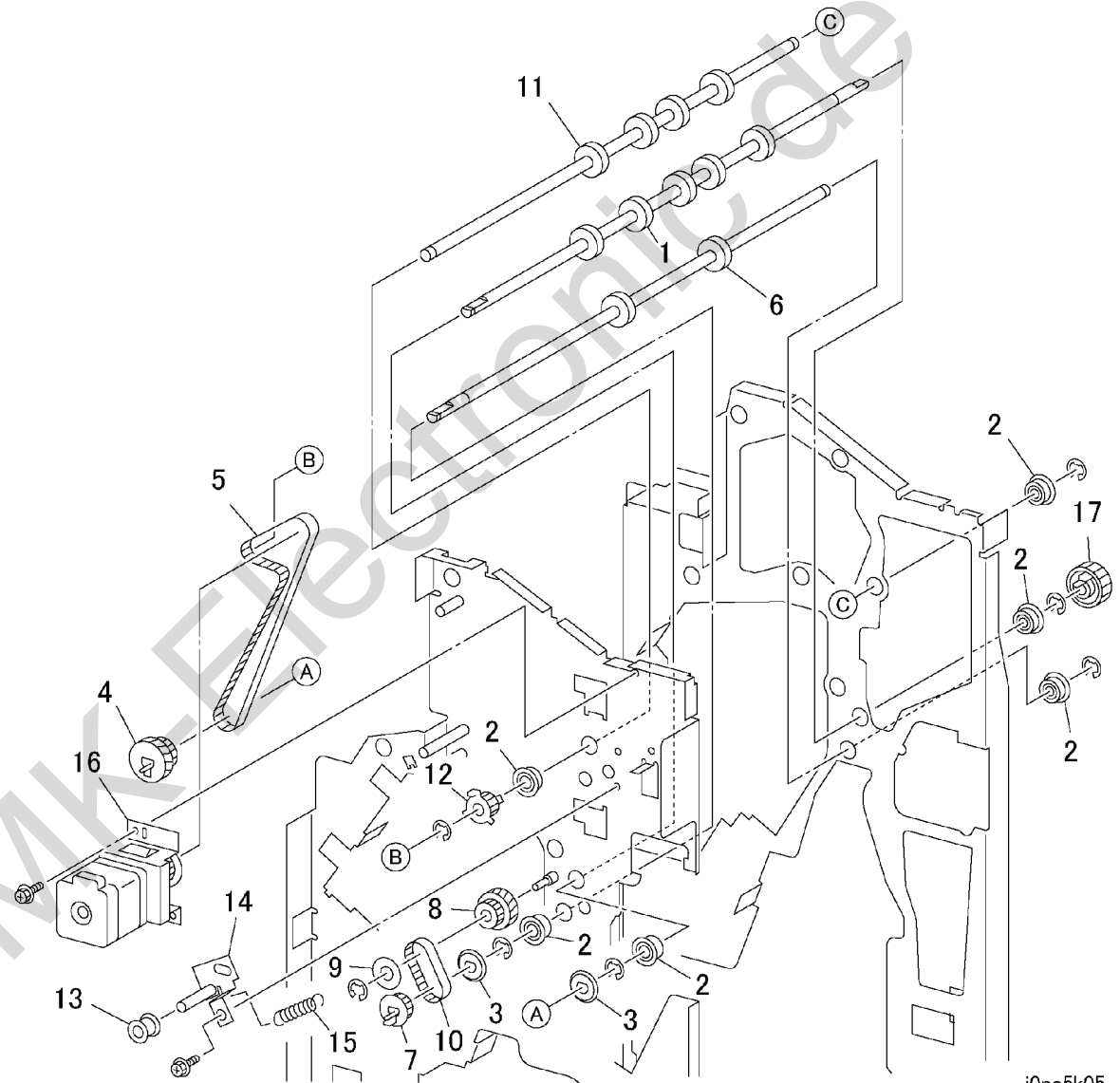
Item	Part	Description
1	-	LVPS Box (P/O PL 17.104 Item 10)
2	105K22560	LVPS
3	-	Seal (P/O PL 17.104 Item 10)
4	-	Rivet (P/O PL 17.104 Item 10)
5	-	Inlet Plate (Not Spared)
6	-	Inlet Bracket (Not Spared)
7	-	Inlet Plate (Not Spared)
8	962K35461	Wire Harness (Inlet LVPS)
9	962K35330	Power Cord (120V)
10	015K69310	Finisher LVPS Assembly
11	962K57840	Wire Harness (LVPS-Finisher Main PWB)
12	-	Wire Harness (Not Spared)
13	-	Inlet (P/O PL 17.104 Item 12)
14	960K28720	AC Filter PWB

10
8



PL 17.105 Finisher Transport Motor, Roll

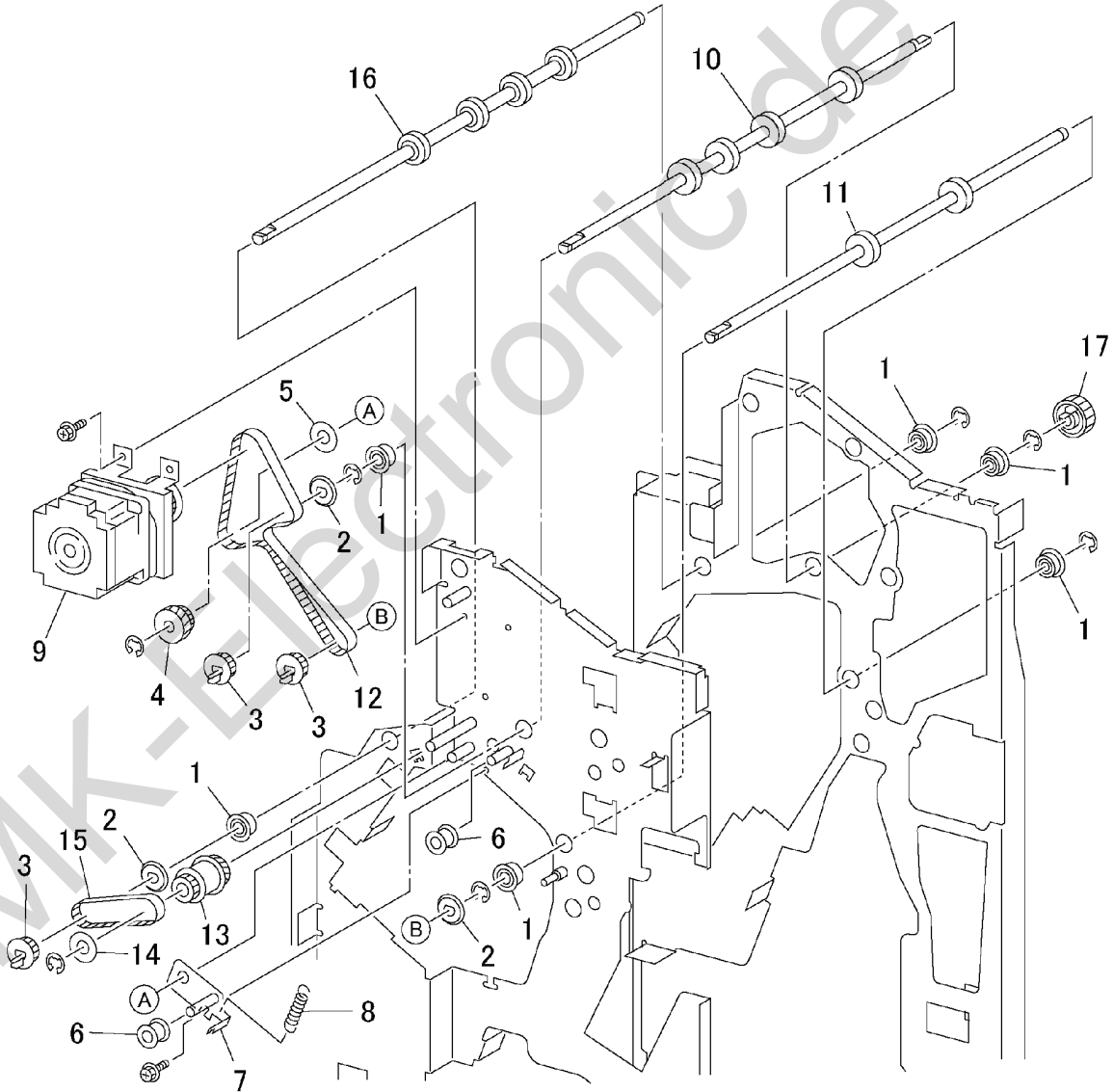
Item	Part	Description
1	022K70680	Pinch Reverse Roll
2	413W08350	Bearing
3	005E17650	Collar
4	007E89770	Gear Pulley
5	423W55354	Belt
6	022K70690	Booklet Roll
7	020E36470	Pulley
8	007E89780	Gear Pulley
9	005E84300	Collar
10	423W44054	Belt (REP 17.12)
11	022K70700	T/A 1 Roll
12	020K10500	Oneway Pulley
13	020E25141	Pulley
14	-	Tension Bracket (Not Spared)
15	809E41480	Spring
16	015K60240	Finisher Transport Motor (REP 17.12)
17	003K14030	Knob (3c)



j0ne5k05

PL 17.106 Compile Exit Motor, Roll

Item	Part	Description
1	413W08350	Bearing
2	005E17650	Collar
3	020E36470	Pulley
4	007E89780	Gear Pulley
5	005E84300	Collar (REP 17.14)
6	020E25141	Pulley
7	-	Tension Bracket (Not Spared)
8	809E41480	Spring
9	015K60320	Compile Exit Motor
10	022K73310	Buffer Reverse Roll
11	022K70720	Buffer Roll
12	423W56254	Belt (REP 17.14)
13	007E89790	Gear Pulley
14	005E17660	Collar
15	423W46054	Belt
16	022K70730	Compile Exit Roll
17	003K14070	Knob (3f) (REP 17.13)



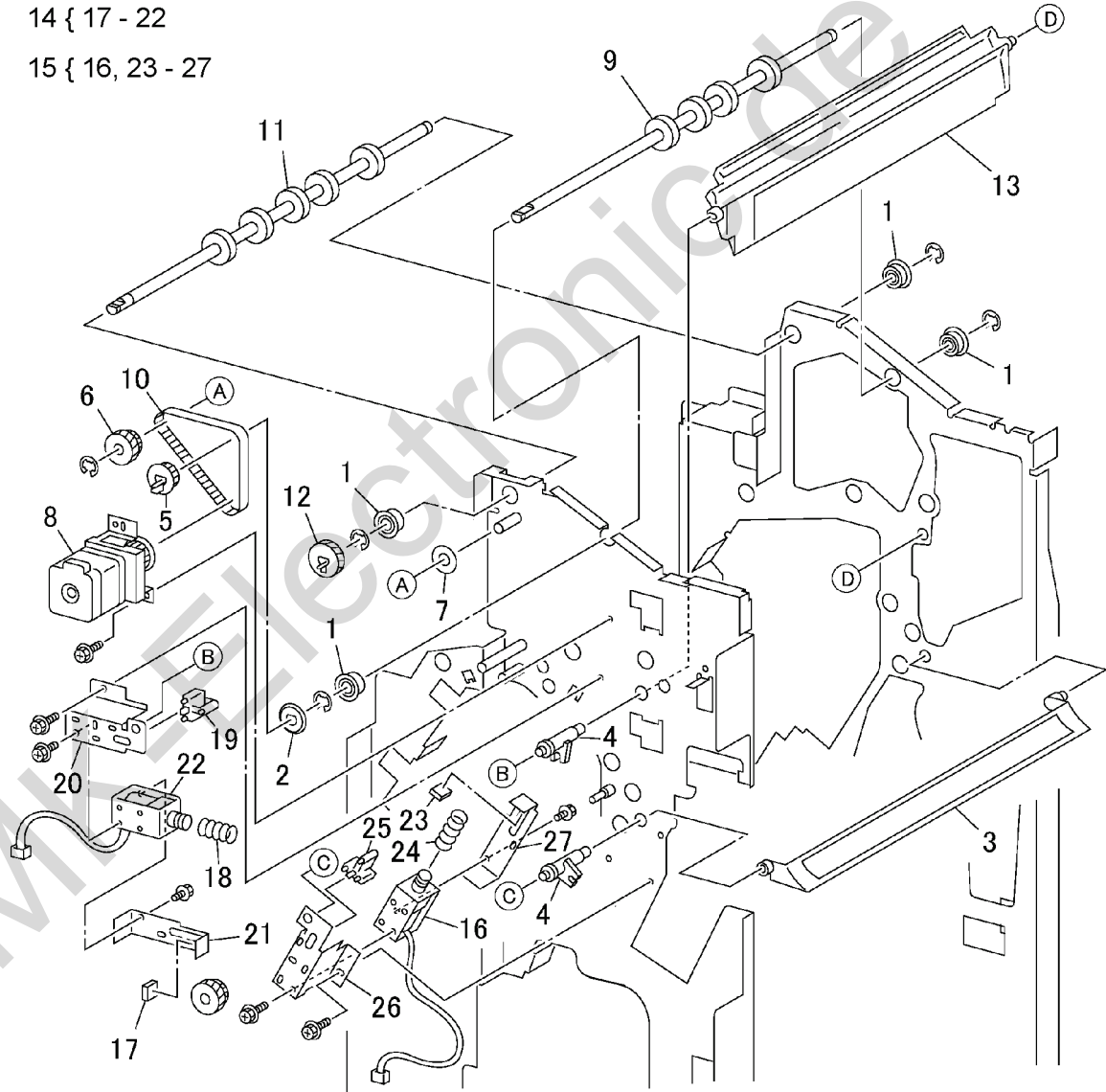
0517106A-FHJ

PL 17.107 SCT Exit Motor, Roll, Gate

Item	Part	Description
1	413W08350	Bearing
2	005E17650	Collar
3	050E19710	S1 Gate
4	012E11050	Link
5	020E36470	Pulley
6	007E89780	Gear Pulley
7	005E84300	Collar
8	015K60240	SCT Exit Motor
9	022K70740	Transfer Assist 2 Roll
10	423W50354	Belt
11	022K70750	Top Exit Roll
12	007E89800	Gear
13	050K57750	S2 Gate
14	068K53220	Transport Gate Solenoid Assembly (REP 17.15)
15	068K53260	Booklet Gate Solenoid
-	015K60360	Booklet Gate Solenoid
16	-	Solenoid (P/O PL 17.107 Item 15)
17	-	Damper (P/O PL 17.107 Item 14)
18	-	Spring (P/O PL 17.107 Item 14)
19	-	Guide (P/O PL 17.107 Item 14)
20	-	Bracket (P/O PL 17.107 Item 14)
21	-	Stopper (P/O PL 17.107 Item 14)
22	-	Solenoid (P/O PL 17.107 Item 14)
23	-	Damper (P/O PL 17.107 Item 15)
24	-	Spring (P/O PL 17.107 Item 15)
25	-	Guide (P/O PL 17.107 Item 15)
26	-	Bracket (P/O PL 17.107 Item 15)
27	-	Stopper (P/O PL 17.107 Item 15)

14 { 17 - 22

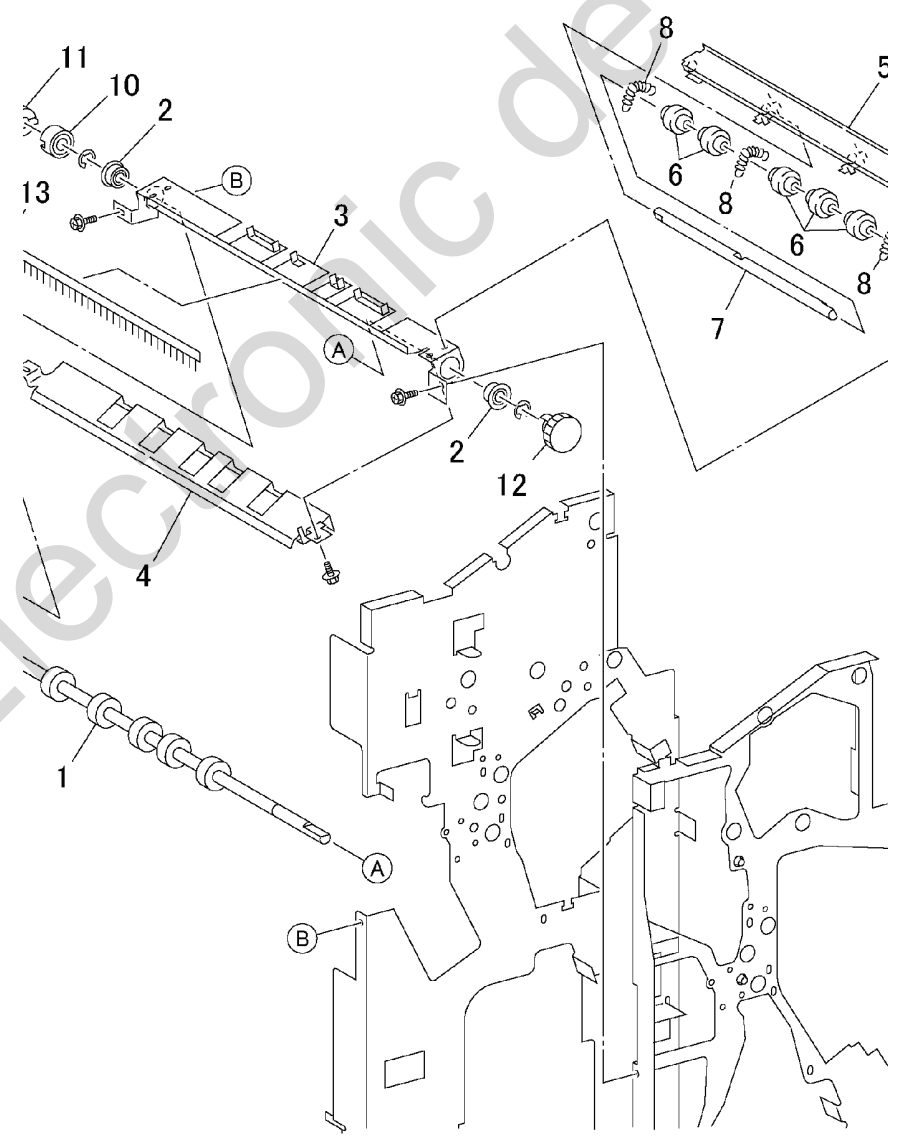
15 { 16, 23 - 27



jOne5k07B

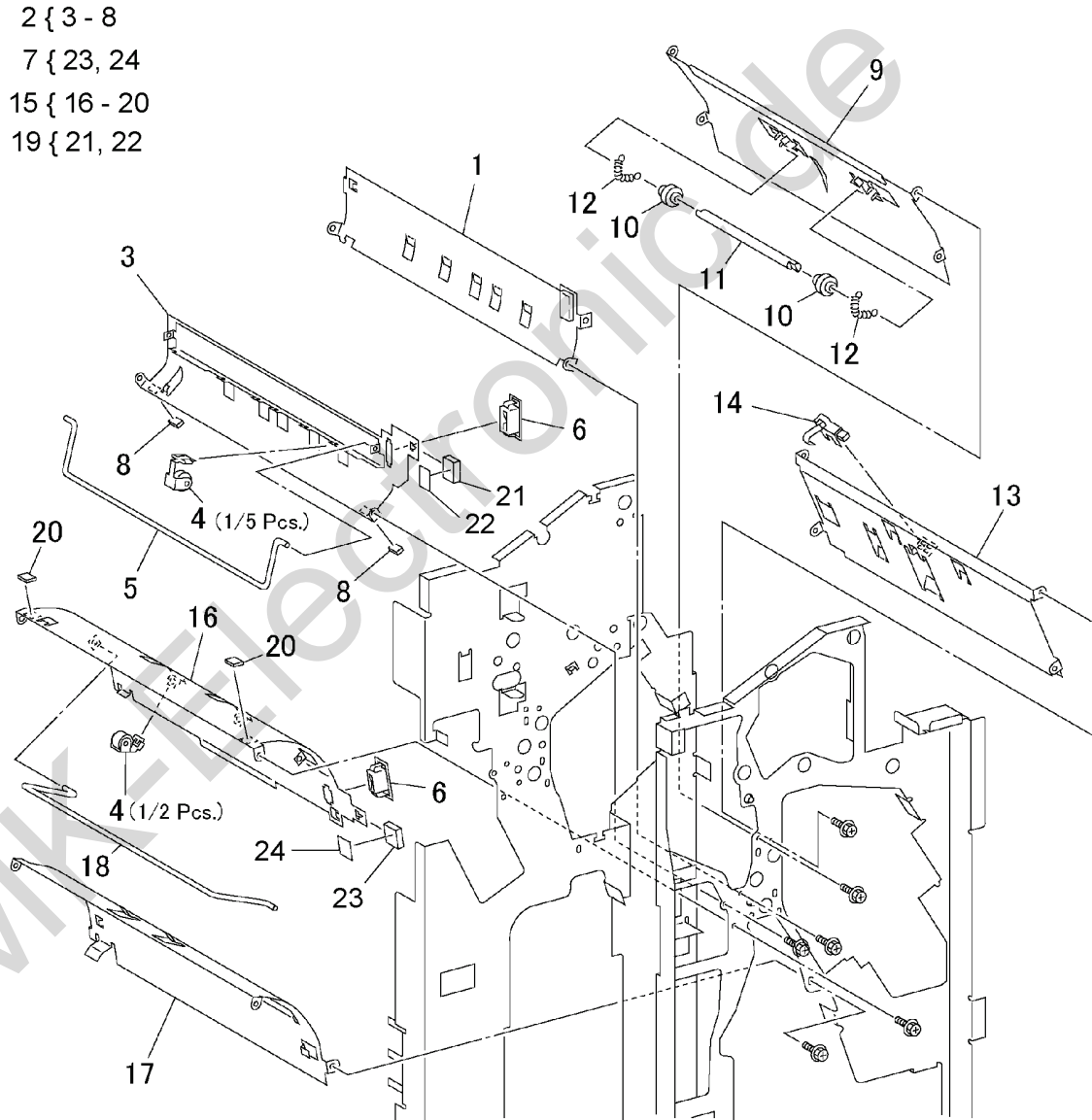
PL 17.108 Entrance Roll, Chute

Item	Part	Description
1	022K70760	Entrance Roll
2	413W08350	Bearing
3	-	Upper Entrance Chute (Not Spared)
4	-	Lower Entrance Chute (Not Spared)
5	-	Bracket (Not Spared)
6	022E27250	Pinch Roll
-	022K74170	Roller
7	-	Shaft (Not Spared)
8	809E41310	Spring
9	007E89860	Gear
10	005K06710	One Way Clutch
11	005E17540	Clutch
12	003K13980	Knob (3a) (REP 17.13)
13	105E12600	Static Eliminator (Booklet)



PL 17.109 Booklet Chute

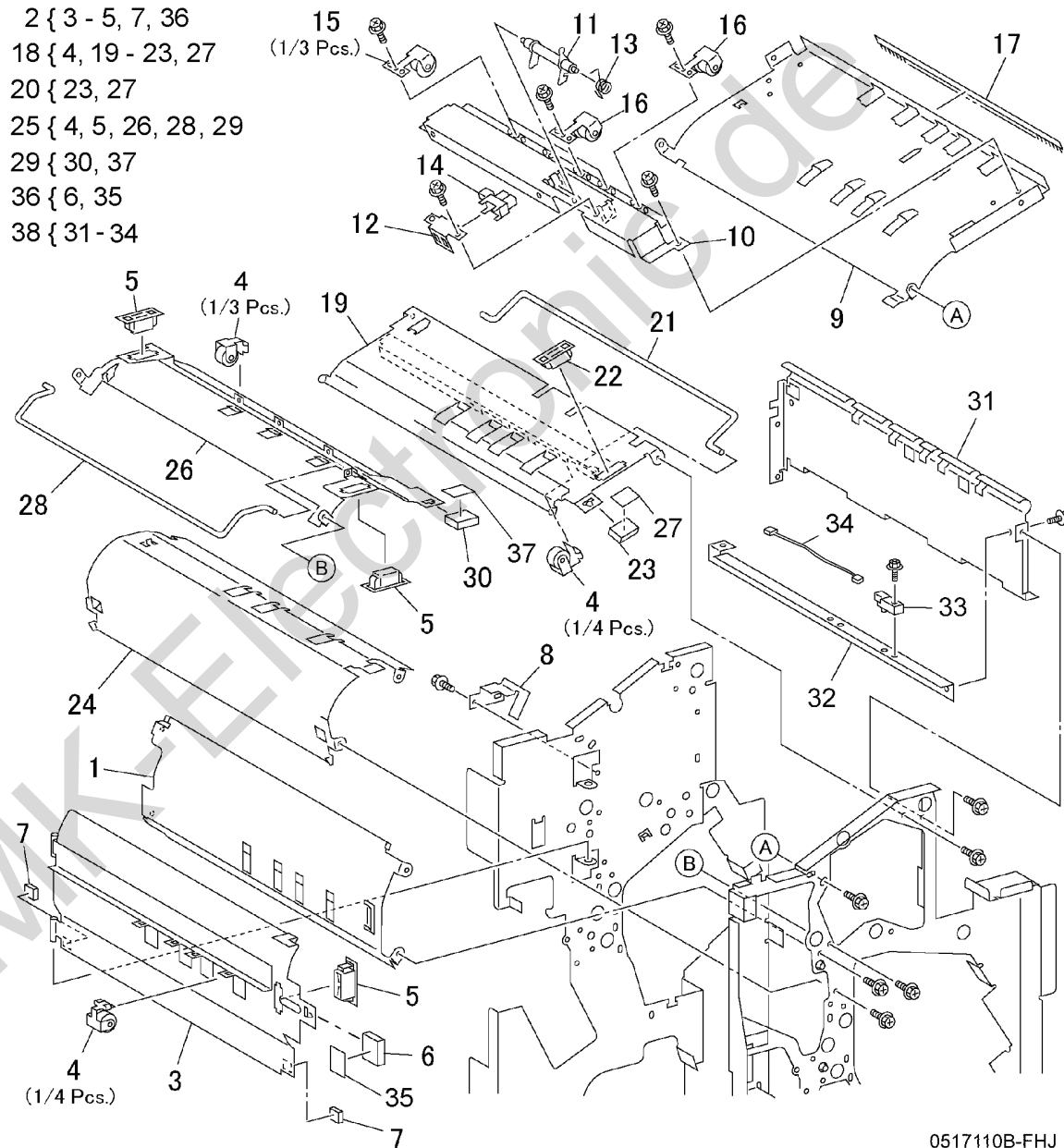
Item	Part	Description	
1	-	S1 Chute (Not Spared)	2 { 3 - 8
2	054K28500	S1 Baffle Assembly	7 { 23, 24
3	-	S1 Baffle (P/O PL 17.109 Item 2)	
4	059K00521	Pinch Roll	15 { 16 - 20
5	-	Torsion Spring (P/O PL 17.109 Item 2)	19 { 21, 22
6	-	Magnet Catch (P/O PL 17.109 Item 2)	
7	003K14040	Knob Assembly (3b)	
8	-	Damper (P/O PL 17.109 Item 2)	
9	-	Left Buffer Chute (Not Spared)	
10	022E27250	Pinch Roll	
11	-	Shaft (Not Spared)	
12	809E41300	Spring	
13	-	Right Buffer Chute (Not Spared)	
14	130K93251	Buffer Path Sensor	
15	054K28300	Booklet Baffle Assembly	
16	-	Booklet Baffle (P/O PL 17.109 Item 15)	
17	-	Booklet Chute (P/O PL 17.109 Item 15)	
18	-	Torsion Spring (P/O PL 17.109 Item 15)	
19	003K14020	Knob Assembly (3d)	
20	-	Damper (P/O PL 17.109 Item 15)	
21	-	Knob (P/O PL 17.109 Item 19)	
22	-	Label (3d) (P/O PL 17.109 Item 19)	
23	003K14080	Knob	
24	-	Label (3b) (P/O PL 17.109 Item 7)	



j0ne5k09

PL 17.110 Exit Chute

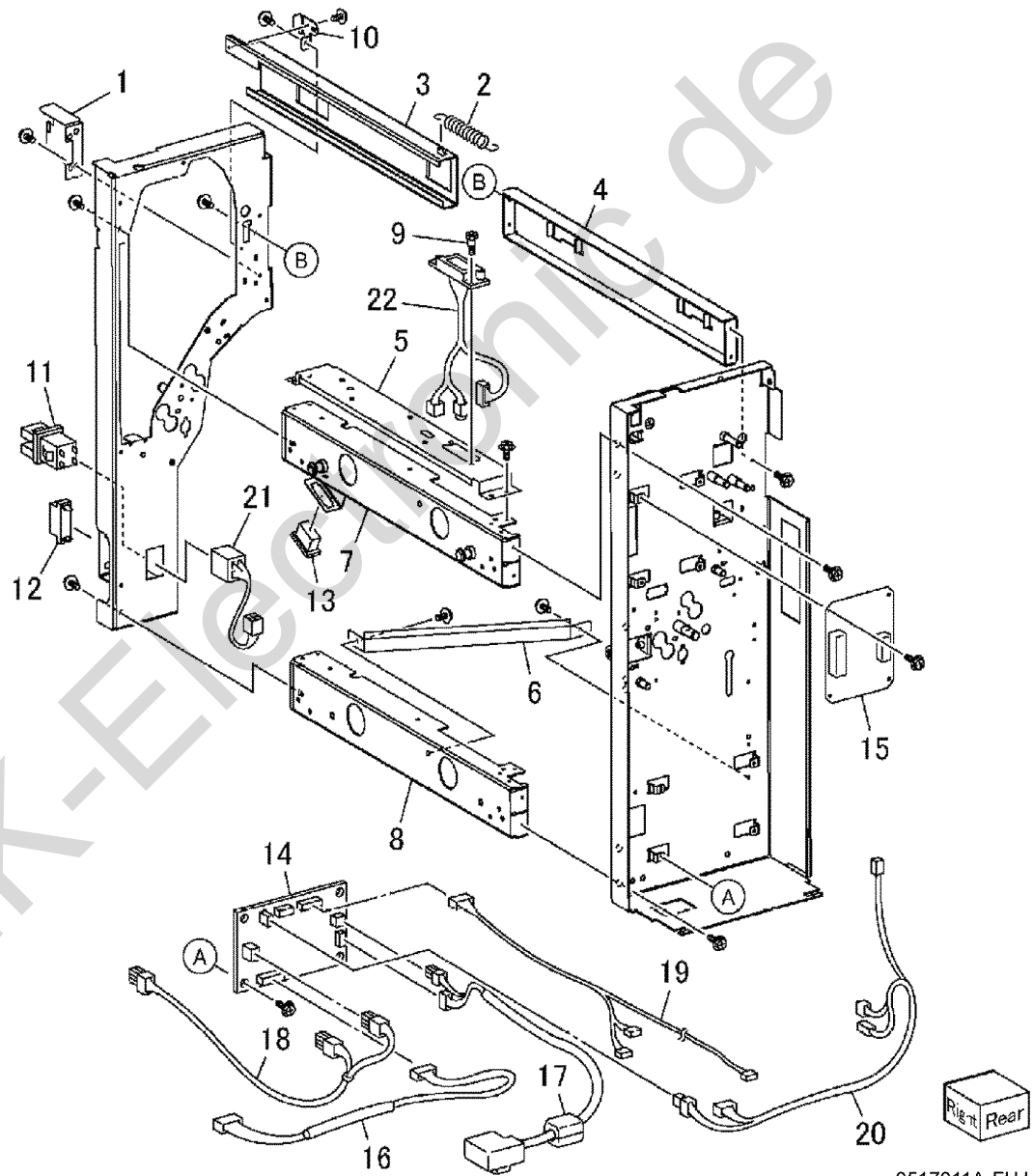
Item	Part	Description
1	-	S2 Chute (Not Spared)
2	054K28510	S2 Baffle Assembly
3	-	S2 Baffle (P/O PL 17.110 Item 2)
4	022K74160	Pinch Roll
5	-	Magnet Catch
6	-	Knob (P/O PL 17.110 Item 36)
7	-	Damper (P/O PL 17.110 Item 2)
8	-	Stopper (Not Spared)
9	-	S3 Chute (Not Spared)
10	-	Bracket (Not Spared)
11	120E29860	Actuator
12	-	Sensor Bracket (Not Spared)
13	809E41920	Spring
14	130K88770	Top Tray Exit Sensor
15	022K74140	Pinch Roll
-	022K66770	Pinch Roll
16	022K74150	Pinch Roll
17	105E09790	Eliminator
18	054K28520	S3 Baffle Assembly
19	-	S3 Baffle (P/O PL 17.110 Item 18)
20	003K14050	Knob Assembly (3e)
21	-	Torsion Spring (P/O PL 17.110 Item 18)
22	121E89580	Magnet Catch
23	-	Knob Assembly (3d) (P/O PL 17.110 Item 18)
24	-	S4 Chute (Not Spared)
25	054K31670	S4 Baffle Assembly
26	-	S4 Baffle (P/O PL 17.110 Item 25)
27	-	Label (3e) (P/O PL 17.110 Item 20)
28	-	Torsion Spring (P/O PL 17.110 Item 25)
29	003K14060	Knob Assembly (3g)
30	-	Knob (P/O PL 17.110 Item 29)
31	-	Plate (P/O PL 17.110 Item 38)
32	-	Sensor Bracket (P/O PL 17.110 Item 38)
33	130E87370	Top Tray Full Sensor
34	-	Sensor Wire Harness (P/O PL 17.110 Item 38)
35	-	Label (3d) (P/O PL 17.110 Item 36)
36	003K14040	Knob Assembly (3d)
37	-	Label (3g) (P/O PL 17.110 Item 29)
38	015K67830	Bank Plate Assembly



0517110B-FHJ

PL 17.111 I/F Module Component (PWB)

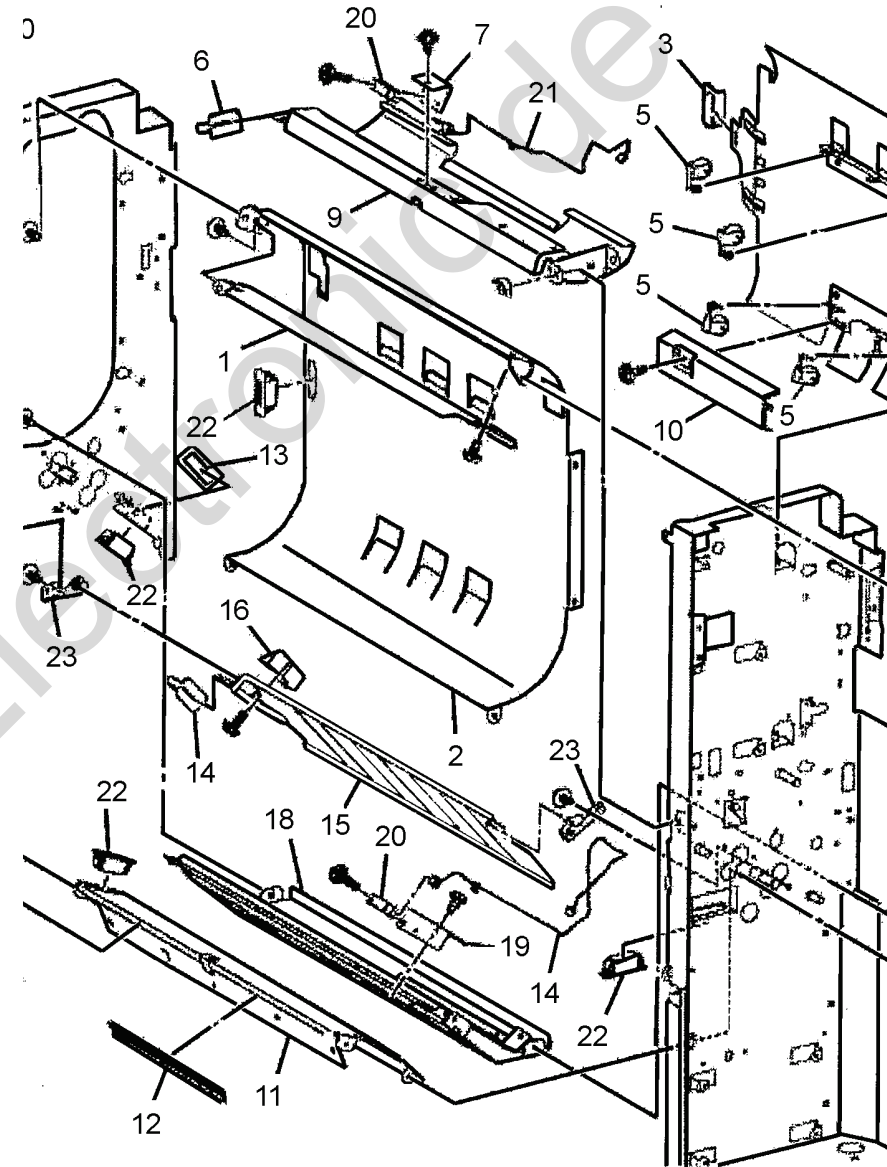
Item	Part	Description
1	-	Hinge (Not Spared)
2	809E61020	Tension Spring
3	-	Docking Plate (Not Spared)
4	-	Tie Plate (Not Spared)
5	-	Interposer Docking Plate (Not Spared)
6	-	Tie Plate (Not Spared)
7	-	Tie Plate (Not Spared)
8	-	Tie Plate (Not Spared)
9	826E02560	Shoulder Screw
10	-	Docking Bracket (Not Spared)
11	110E97990	I/F Module Front Door Switch
12	121E88470	Magnet (35N)
13	-	Magnet (15N)
14	160K95441	I/F PWB
15	160K95461	Interposer PWB
16	-	Finisher Main PWB Wire Harness
17	962K45950	IOT - I/F Wire Harness
18	-	Finisher Main PWB/Folder Wire Harness (Not Spared)
19	-	I/F Sensor Wire Harness (Not Spared)
20	-	I/F Motor Clutch Wire Harness (Not Spared)
21	-	Interlock Switch Wire Harness (Not Spared)
22	-	Drawer Connector Wire Harness (Not Spared)



0517011A-FHJ

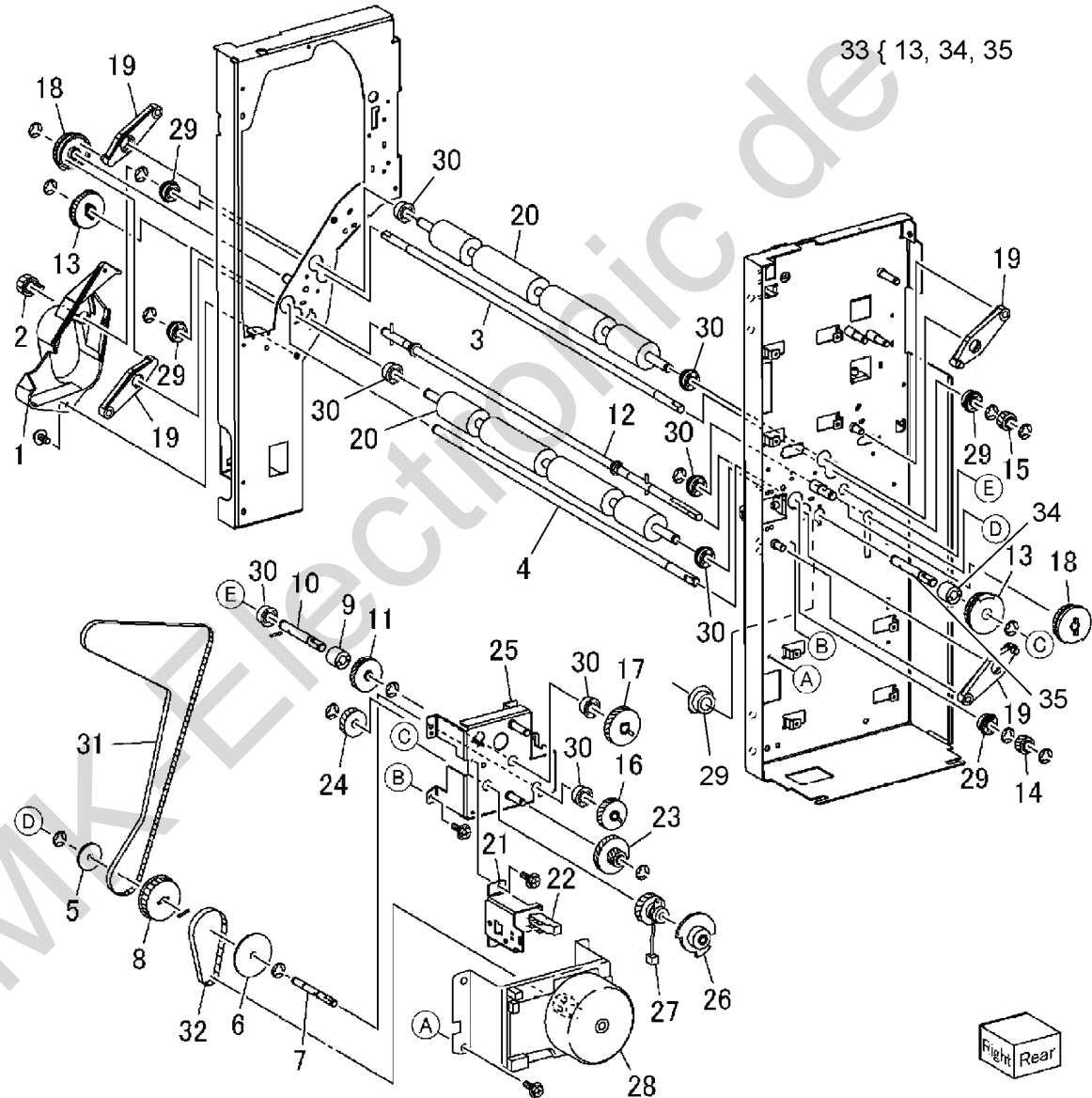
PL 17.112 I/F Module Component (Chute)

Item	Part	Description
1	-	Decurler 2 Lower Chute (Not Spared)
2	-	Entrance Upper Chute (Not Spared)
3	-	Handle (1b) (Not Spared)
4	-	Interposer Chute (1b) (P/O PL 17.112 Item 8)
5	-	Pinch Roll (P/O PL 17.112 Item 8)
6	003K15590	Handle (1d) (Not Spared)
7	-	Bracket (Not Spared)
8	054K33220	Interposer Chute Assembly
9	-	Exit Chute (Not Spared)
10	848E04680	Pinch Cover
11	054K33190	Exit Lower Chute
12	105E17430	Static Eliminator
13	-	Label (Not Spared)
14	003K15580	Handle
15	054E32580	Entrance Chute
16	-	Bracket (Not Spared)
17	-	Entrance Upper Chute Assembly (Not Spared)
18	-	Entrance Upper Chute (P/O PL 17.112 Item 17)
19	-	Bracket (P/O PL 17.112 Item 17)
20	130E87370	Decurler In Sensor, Decurler Out Sensor
21	-	Wire Harness (Not Spared)
22	-	Magnet
23	-	Pivot Bracket (Not Spared)
24	-	Wire Harness (Not Spared)



PL 17.113 I/F Module Component (Decurler)

Item	Part	Description
1	848E04670	I/F Inner Cover
2	003K13990	Knob (1c) (REP 17.13)
3	806E15780	Decurler 1 Shaft
4	806E15790	Decurler 2 Shaft
5	-	Collar (Not Spared)
6	-	Collar (Not Spared)
7	-	Drive Shaft (Not Spared)
8	-	Pulley (20T/40T) (Not Spared)
9	-	Clutch (Not Spared)
10	-	Shaft (Not Spared)
11	-	Gear (40T) (Not Spared)
12	-	Cam Shaft (Not Spared)
13	807E09170	Cam Gear
14	807E09210	Gear (Helix, Left 16T)
15	807E09220	Gear (Helix, Right 16T)
16	807E19360	Gear (32T/With Hook)
17	807E09270	Gear (40T/With Hook)
18	008K91680	Cam Gear
19	012E12230	Cam Link
20	020K10970	Sponge Roll (REP 17.16)
21	-	Sensor Bracket (Not Spared)
22	130K88770	Decurler Cam Home Sensor
23	807E18000	Gear (Helical) (24T/80T)
24	807E09260	Gear (33T)
25	006K25760	Gear Bracket
26	120E26430	Cam Actuator
27	121K24610	Decurler Cam Clutch
28	127K51611	Decurler Transport Motor
29	413W08350	Ball Bearing
30	413W66250	Ball Bearing
31	423W91654	Belt
32	423W51054	Belt
33	006K25790	Gear Assembly
34	-	Clutch (P/O PL 17.113 Item 33)
35	-	Shaft (P/O PL 17.113 Item 33)

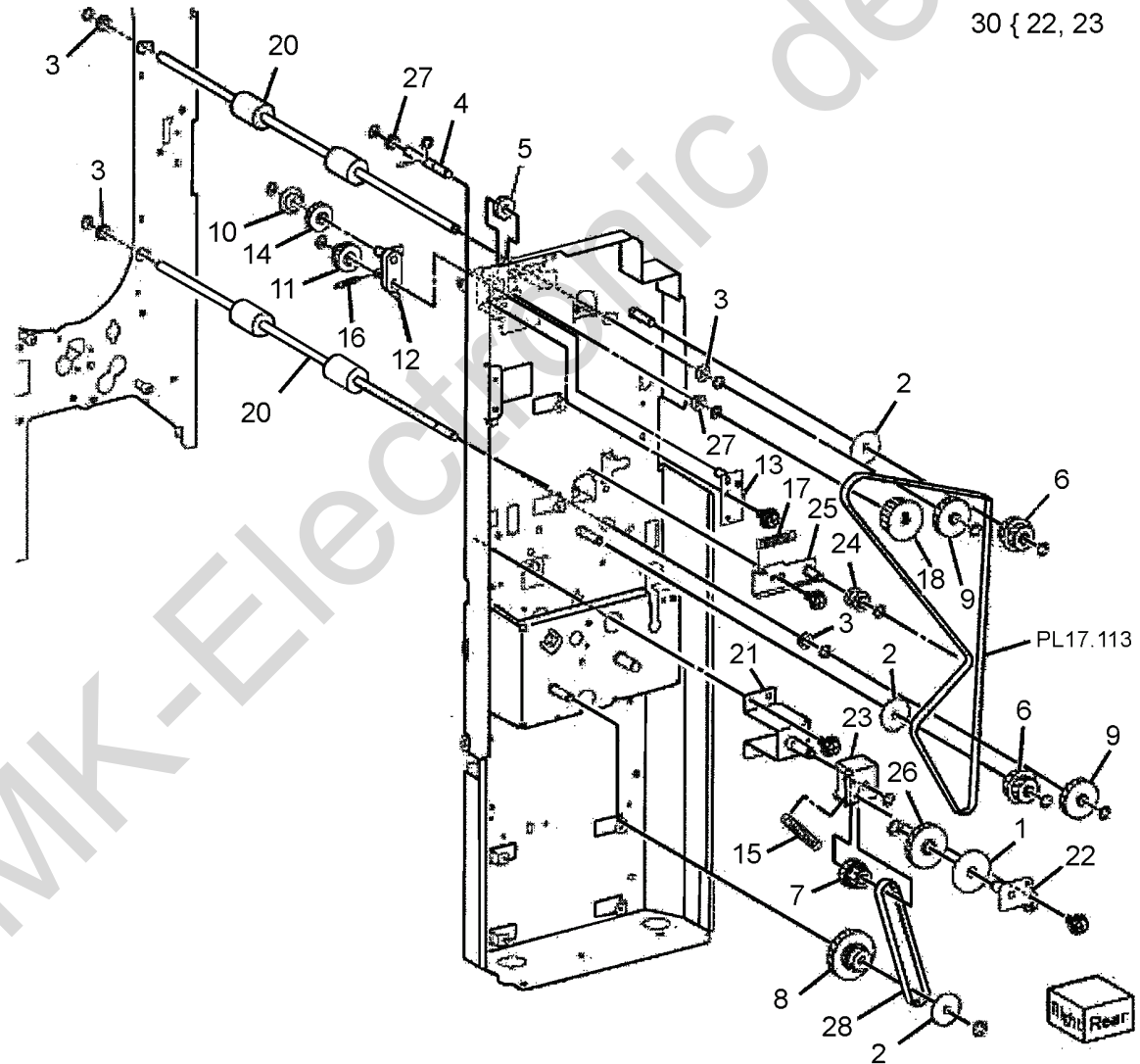


0517013C-FHJ

PL 17.114 I/F Module Component (Transport)

Item	Part	Description
1	005E17700	Collar
2	005E19640	Collar
3	013E32200	Bearing
4	-	Shaft (P/O PL 17.114 Item 29)
5	-	Gear (18T) (P/O PL 17.114 Item 29)
6	807E09180	Gear Pulley (24T/21T)
7	807E09190	Gear Pulley (16T/Helical)
8	807E09200	Gear Pulley (18T/ 45T)
9	007K89870	One Way Clutch Gear (35T)
10	-	Collar (P/O PL 17.114 Item 19)
11	-	Gear Pulley (23T/ 25T) (P/O PL 17.114 Item 19)
12	-	Link (P/O PL 17.114 Item 19)
13	-	Gear Bracket (P/O PL 17.114 Item 19)
14	-	Gear (24T) (P/O PL 17.114 Item 19)
15	809E41260	Tension Spring (26.9mm)
16	809E41290	Tension Spring (17.8mm)
17	809E73610	Tension Spring (25.1mm)
18	020E44960	Pulley (With Hook)
19	007K89880	Gear Assembly
20	022K74130	Take Away Roll
21	-	Shaft Bracket (Not Spared)
22	-	Swing Plate (P/O PL 17.114 Item 30)
23	-	Swing Bracket (P/O PL 17.114 Item 30)
24	020E25141	Pulley
25	-	Tension Bracket (Not Spared)
26	407W08840	Gear (40T)
27	413W08350	Ball Bearing
-	413W66250	Ball Bearing
28	423W48354	Belt
29	006K25770	Gear Assembly
30	068K51890	Swing Bracket Assembly

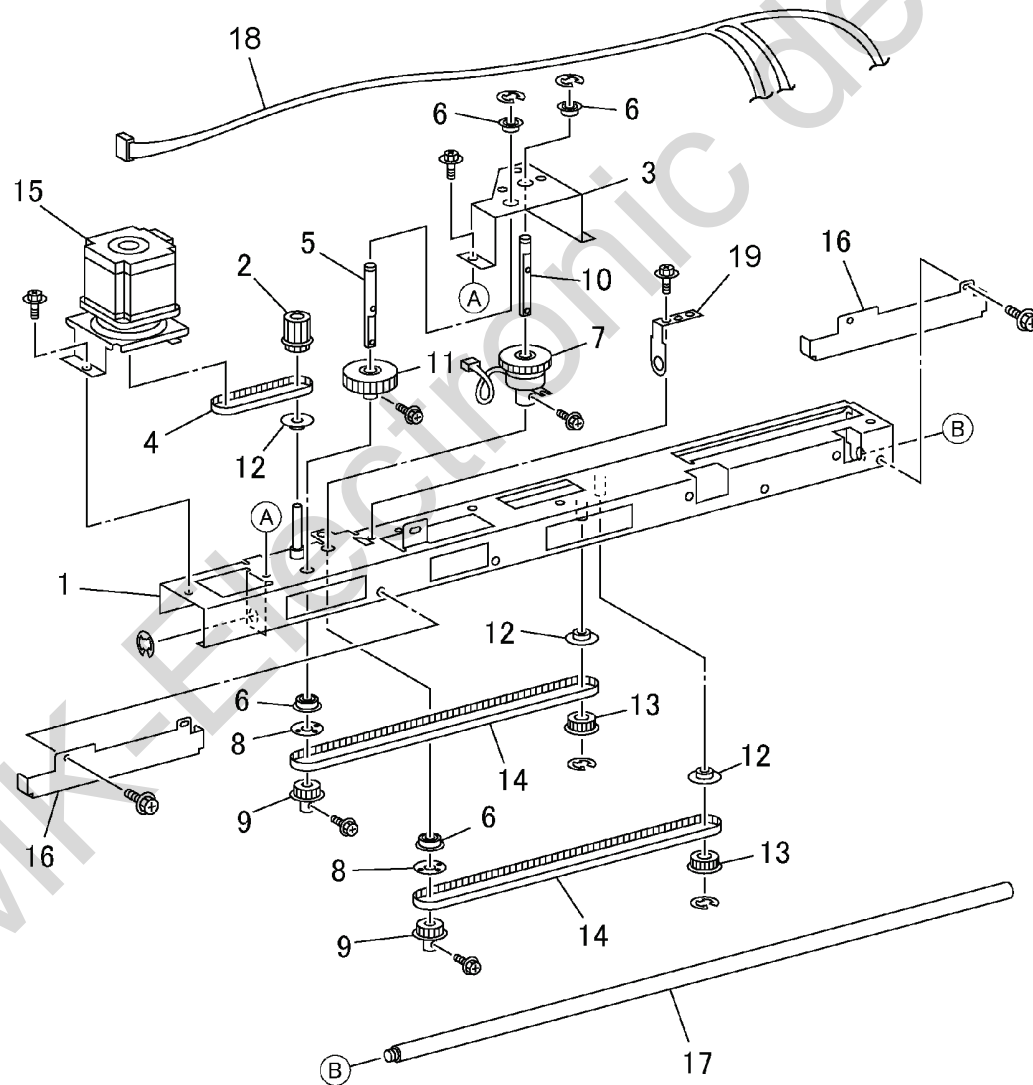
19 { 10 - 14
29 { 4, 5
30 { 22, 23



057114B-FHJ

PL 17.115 Punch Component-1 (Upper)

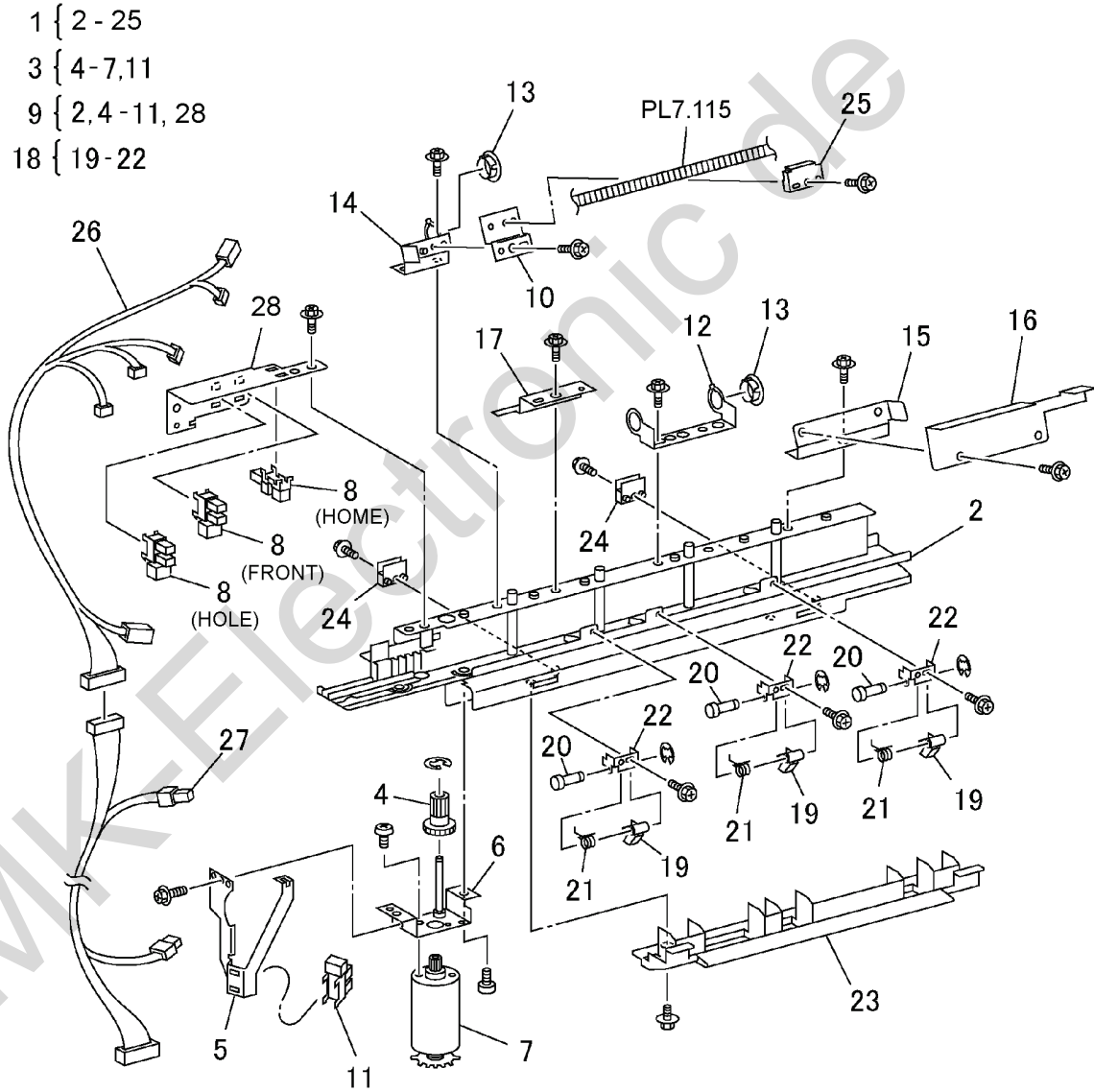
Item	Part	Description
1	-	Frame (Not Spared)
2	-	Gear Pulley (15T/15T)
3	-	Bracket (Not Spared)
4	423W45654	Belt
5	-	Shaft (Not Spared)
6	413W66250	Ball Bearing
7	121K31381	Puncher Move Clutch
8	-	Collar (Not Spared)
9	-	Pulley (Not Spared) (20T)
10	-	Shaft (Not Spared)
11	007E78460	Gear (36T)
12	-	Collar (Not Spared)
13	-	Pulley (Not Spared) (20T)
14	423W58054	Belt
15	015K60261	Puncher Move Motor
16	-	Support (Not Spared)
17	-	Shaft (Not Spared)
18	962K58150	Wire Harness
19	-	Support (Not Spared)



0517115A-FHJ

PL 17.116 Punch Component-2 (Right)

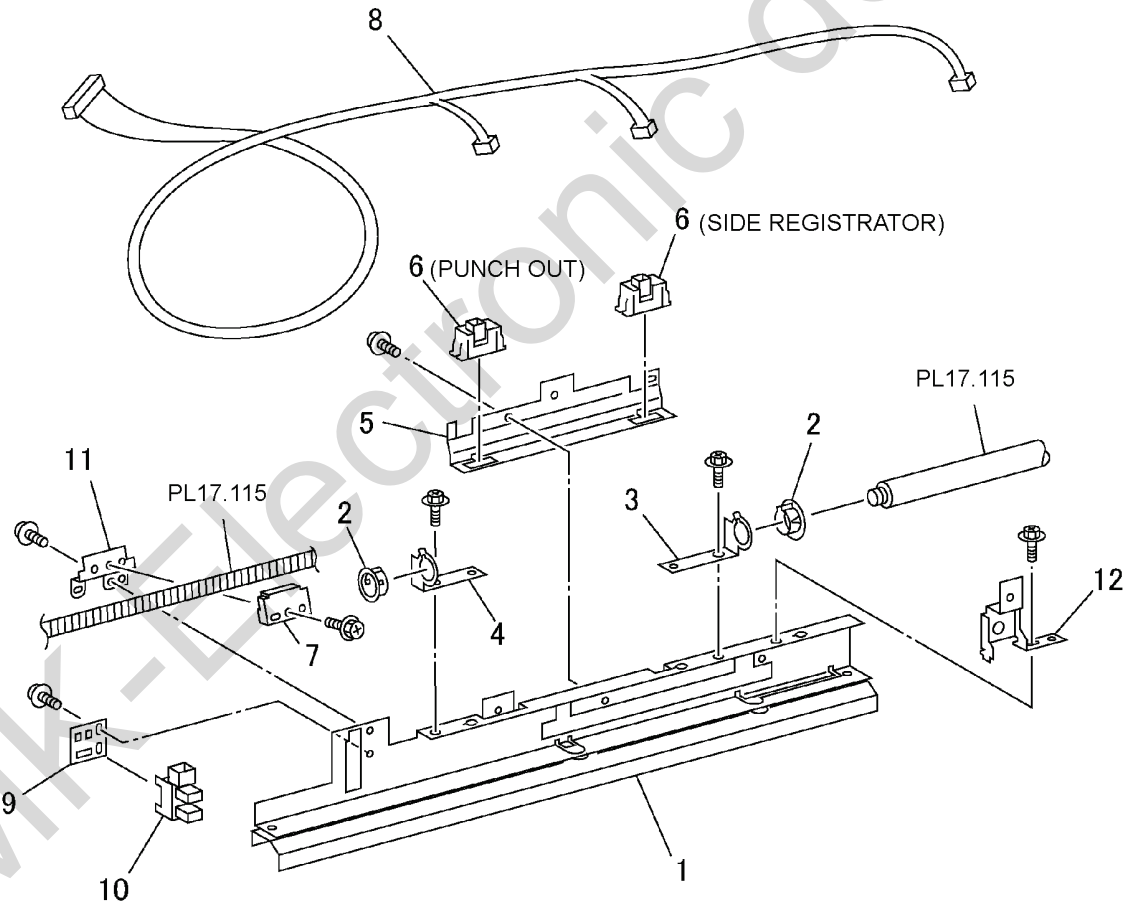
Item	Part	Description
1	030K76641	2/4 Punch Assembly (XE)
2	-	Punch Frame (P/O PL 17.116 Item 9)
3	015K65921	Punch Motor Assembly
4	-	Gear (P/O PL 17.116 Item 3, PL 17.116 Item 9)
5	-	Bracket (P/O PL 17.116 Item 3, PL 17.116 Item 9)
6	-	Bracket (P/O PL 17.116 Item 3, PL 17.116 Item 9)
7	-	Punch Motor (P/O PL 17.116 Item 3, PL 17.116 Item 9)
8	130E87390	Punch Front Sensor, Punch Home Sensor, Punch Hole Select Sensor
9	022K66762	Punch Assembly (2/4 Hole) (XE)
-	022K71532	Punch Assembly (3 Hole)
10	-	Bracket (Not Spared)
11	130E87380	Punch Motor Sensor
12	-	Support (P/O PL 17.101 Item 13)
13	-	Bearing (Not Spared)
14	-	Support (P/O PL 17.101 Item 13)
15	-	Stopper (P/O PL 17.101 Item 13)
16	120E28270	Actuator
17	120E21930	Actuator
18	032K97570	Guide Assembly
19	-	Guide (P/O PL 17.116 Item 18)
20	-	Shaft (P/O PL 17.116 Item 18)
21	-	Spring (P/O PL 17.116 Item 18)
22	-	Bracket (P/O PL 17.116 Item 18)
23	-	Paper Guide (Not Spared)
24	-	Registration Guide (Not Spared)
25	-	Belt Stopper (P/O PL 17.101 Item 13)
26	962K57851	Wire Harness
27	962K18330	Wire Harness
28	-	Bracket (P/O PL 17.116 Item 9)



0517116B-FHJ

PL 17.117 Punch Component-3 (Left)

Item	Part	Description
1	-	Registration Chute (P/O PL 17.101 Item 13)
2	013E23720	Bearing
3	-	Support (P/O PL 17.101 Item 13)
4	-	Support (P/O PL 17.101 Item 13)
5	-	Bracket (P/O PL 17.101 Item 13)
6	130E89240	Punch Out Sensor, Side Registration Sensor
7	-	Belt Stopper (P/O PL 17.101 Item 13)
8	962K58110	Wire Harness
9	-	Bracket (Not Spared)
10	130K88780	Side Registration Home Sensor
11	-	Bracket (P/O PL 17.101 Item 13)
12	-	Bracket (P/O PL 17.101 Item 13)

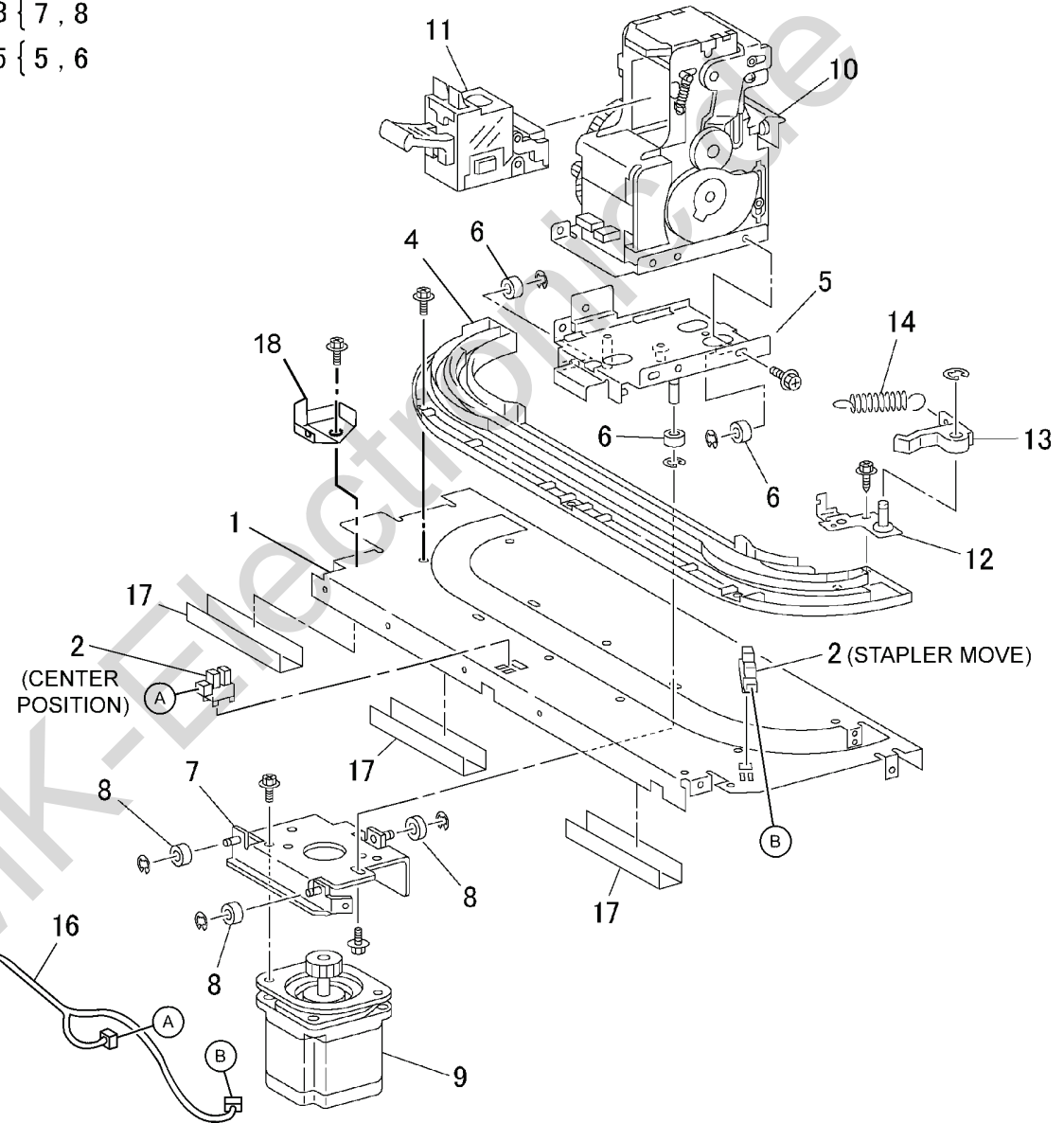


0517117A-FHJ

PL 17.118 Staple Components (Cut Stapler Unit)

Item	Part	Description
1	-	Base Plate (Not Spared)
2	130K88780	Staple Move Home, Center Position Sensor
3	041K94940	Lower Carriage Assembly
4	801E03340	Rail
5	-	Upper Carriage (P/O PL 17.118 Item 15)
6	-	Roll (P/O PL 17.118 Item 15)
7	-	Lower Carriage (P/O PL 17.118 Item 3)
8	-	Roll (P/O PL 17.118 Item 3)
9	127K50450	Staple Move Motor
10	029K92382	Stapler Head (REP 17.33)
11	050K56620	Stapler Cartridge (100/per)
12	-	Bracket (Not Spared)
13	003E72800	Stopper
14	809E41940	Spring
15	041K94950	Upper Carriage Assembly
16	962K58140	Sensor Wire Harness
17	802E97980	Harness Cover
18	848E09060	Dust Cover

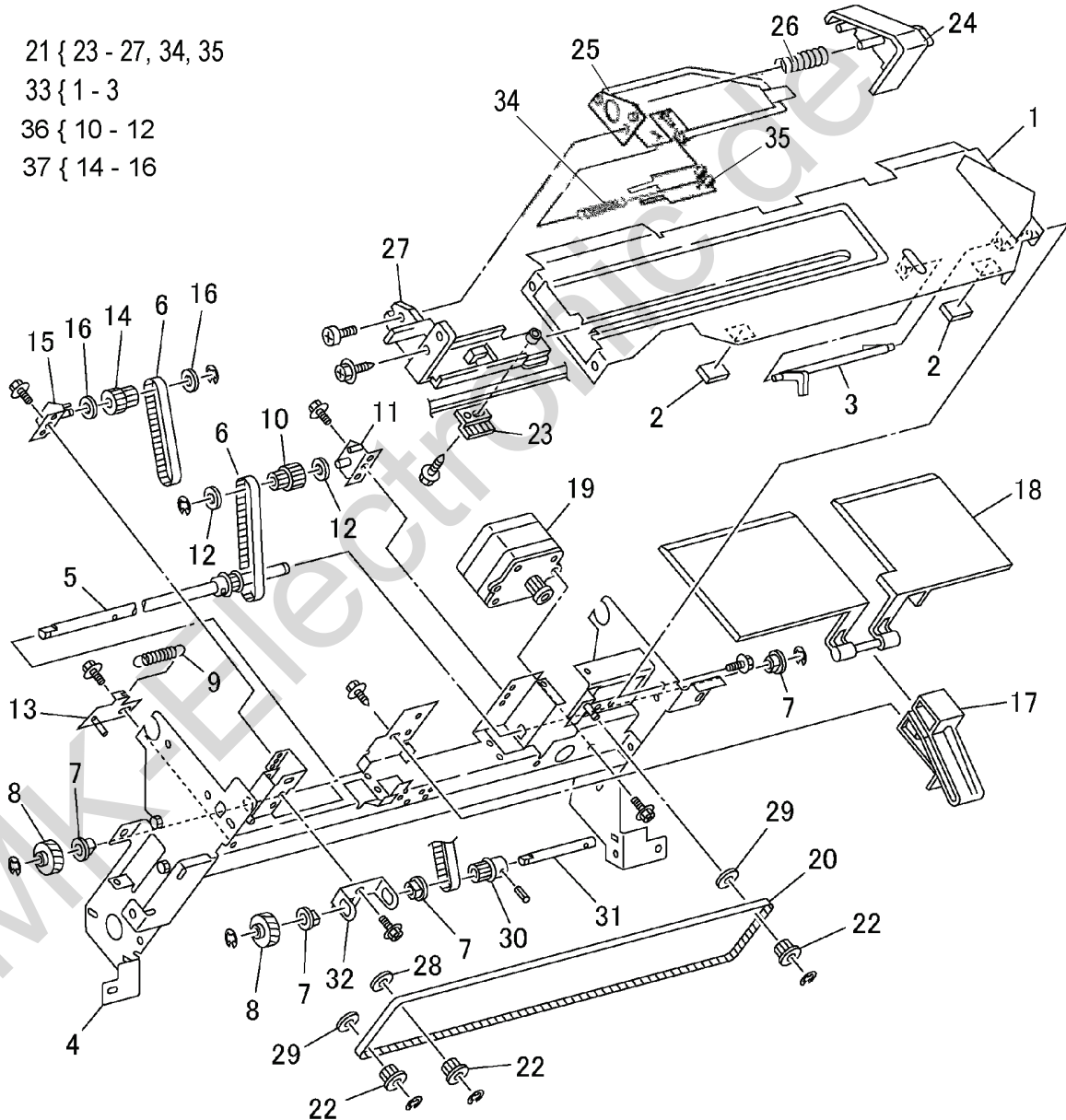
3 { 7, 8
15 { 5, 6



0517118B-FHJ

PL 17.119 Compile Component-1 (Tamper)

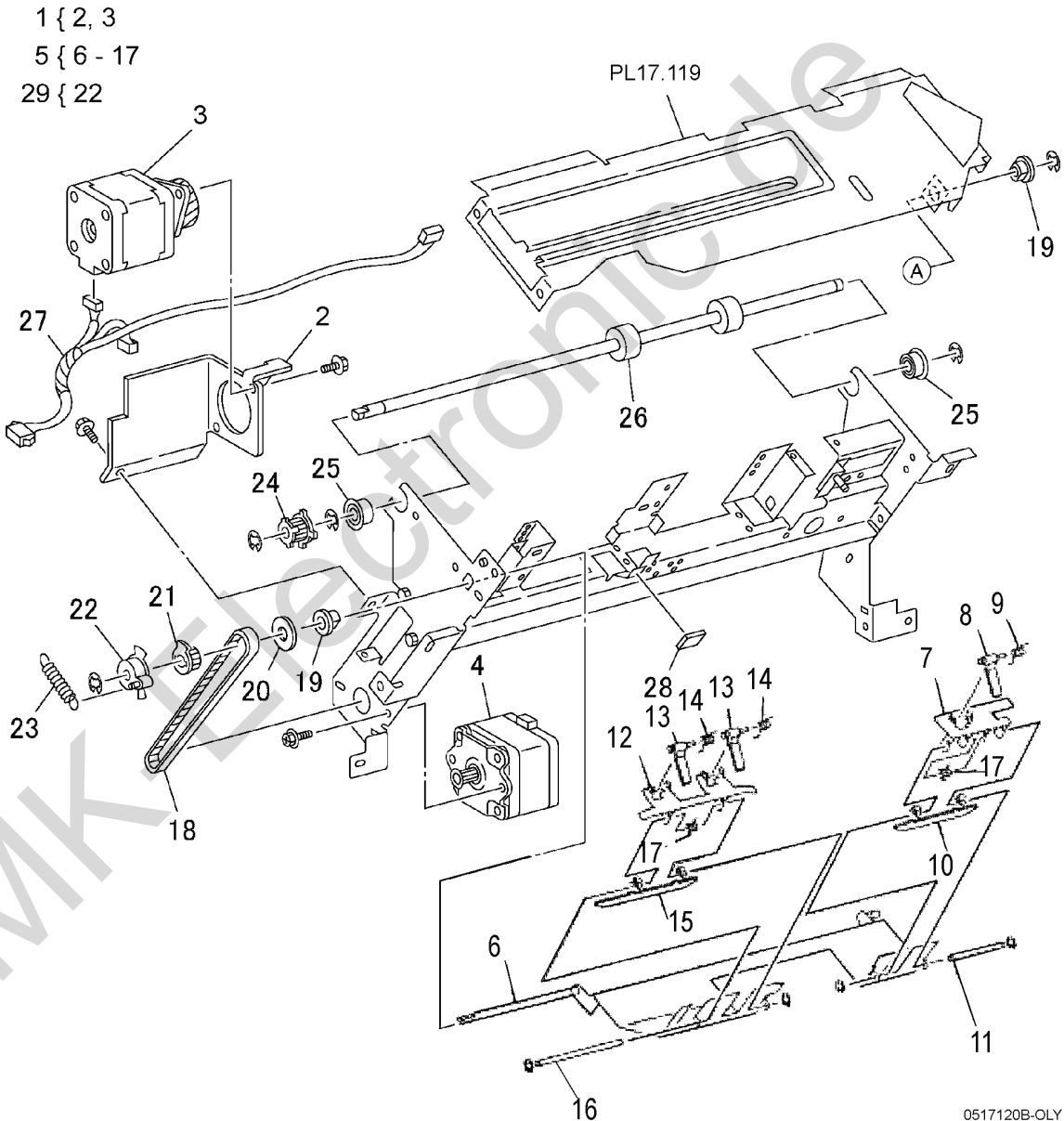
Item	Part	Description
1	-	Compile Tray (P/O PL 17.119 Item 33)
2	-	Damper (P/O PL 17.119 Item 33)
3	120E21940	Actuator
4	-	Frame (P/O PL 17.102 Item 17)
5	-	Shelf Shaft (P/O PL 17.102 Item 17)
6	423W26454	Belt
7	-	Bearing (P/O PL 17.102 Item 17)
8	407W08518	Gear (18T)
9	009E72520	Spring
10	-	Gear Pulley (P/O PL 17.102 Item 17) (15T/16T)
11	-	Bracket (P/O PL 17.102 Item 17)
12	-	Collar (P/O PL 17.102 Item 17)
13	-	Stud (P/O PL 17.102 Item 17)
14	-	Pulley (P/O PL 17.102 Item 17)
15	-	Collar (P/O PL 17.102 Item 17)
16	-	Collar (P/O PL 17.102 Item 17)
17	032E27310	Shelf Guide
18	050K58230	Shelf Tray
19	127K37530	Tamper Motor
20	423W87554	Belt
21	038K88380	Tamper Guide Assembly
22	020E37200	Pulley (24T)
23	-	Belt Stopper (P/O PL 17.102 Item 17)
24	-	Guide (P/O PL 17.119 Item 21)
25	-	Base (P/O PL 17.119 Item 21)
26	-	Spring (P/O PL 17.119 Item 21)
27	-	Actuator Bracket (P/O PL 17.102 Item 17)
28	-	Collar (P/O PL 17.102 Item 17)
29	-	Collar (P/O PL 17.102 Item 17)
30	-	Pulley (P/O PL 17.102 Item 17)
31	-	Shaft (P/O PL 17.102 Item 17)
32	-	Bracket (P/O PL 17.102 Item 17)
33	050K58201	Compile Tray Assembly
34	-	Tension Spring (P/O item 21)
35	-	Damper (P/O PL 17.119 Item 21)
36	026K81570	Gear Pulley Assembly
37	026K81580	Gear Pulley Assembly



j0ne5k18B

PL 17.120 Compile Component-2 (End Wall)

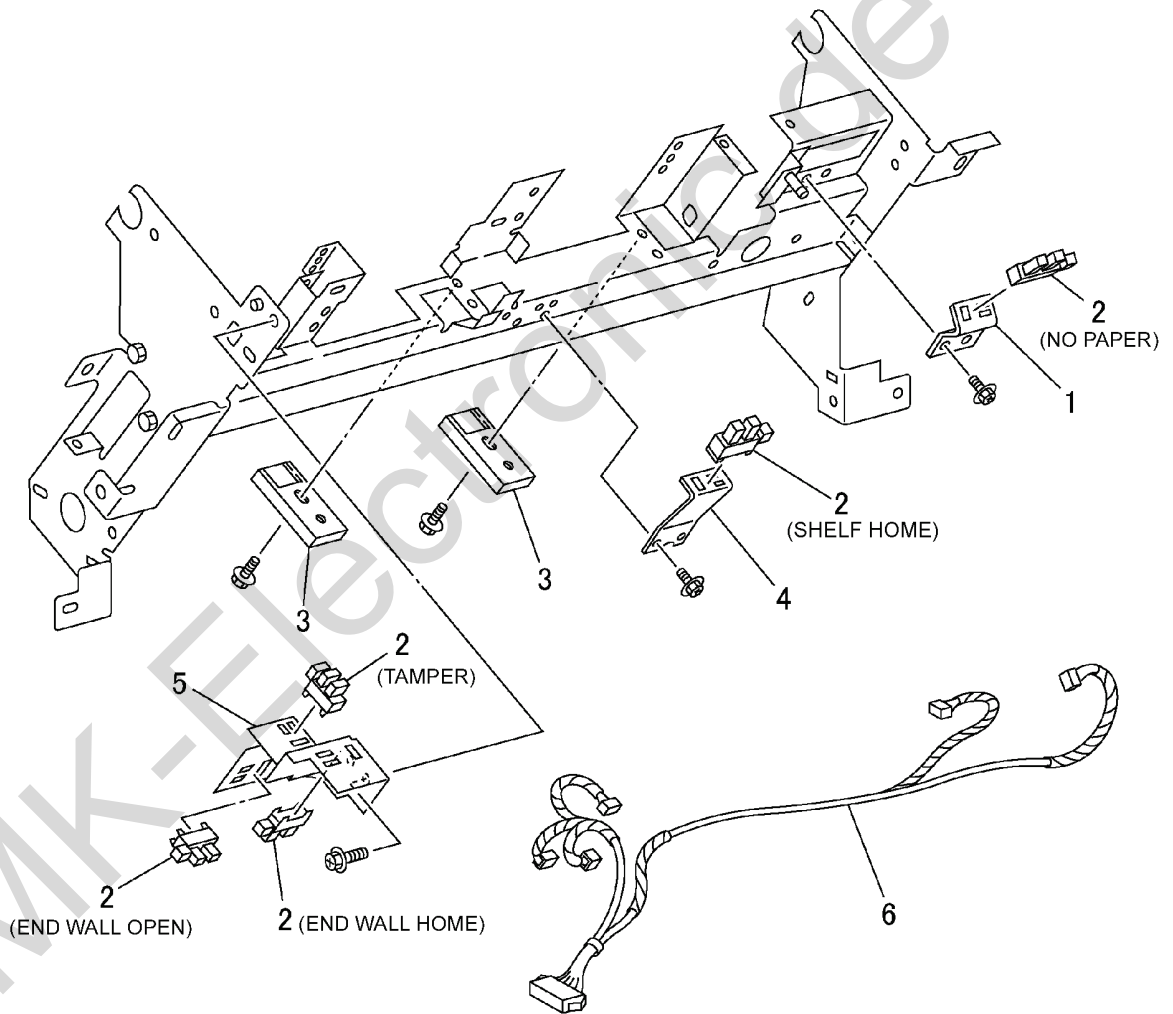
Item	Part	Description
1	068K53250	Shelf Motor Assembly
2	-	Bracket (P/O PL 17.120 Item 1)
3	-	Shelf Motor (P/O PL 17.120 Item 1)
4	127K37520	End Wall Motor
5	038K88391	Curl Guide Assembly
6	-	End Wall Guide (P/O PL 17.120 Item 5)
7	-	Front Finger (P/O PL 17.120 Item 5)
8	-	Front Curl Guide (P/O PL 17.120 Item 5)
9	-	Spring (P/O PL 17.120 Item 5)
10	-	Front Stapler Guide (P/O PL 17.120 Item 5)
11	-	Shaft (P/O PL 17.120 Item 5)
12	-	Rear Finger (P/O PL 17.120 Item 5)
13	-	Rear Curl Guide (P/O PL 17.120 Item 5)
14	-	Spring (P/O PL 17.120 Item 5)
15	-	Rear Stapler Guide (P/O PL 17.120 Item 5)
16	-	Shaft (P/O PL 17.120 Item 5)
17	-	Spring (P/O PL 17.120 Item 5)
18	423W33354	Belt
19	-	Bearing (Not Spared)
20	-	Collar (Not Spared)
21	-	Pulley (Not Spared)
22	801K25930	Actuator
23	809E41340	Spring
24	-	Pulley (Not Spared)
25	-	Bearing (Not Spared)
26	022K70791	Eject Roll
27	962K18350	Wire Harness
-	962K57860	Wire Harness
28	-	Damper (Not Spared)
29	-	Actuator Repair Kit



0517120B-OLY

PL 17.121 Compile Component-2 (Sensor)

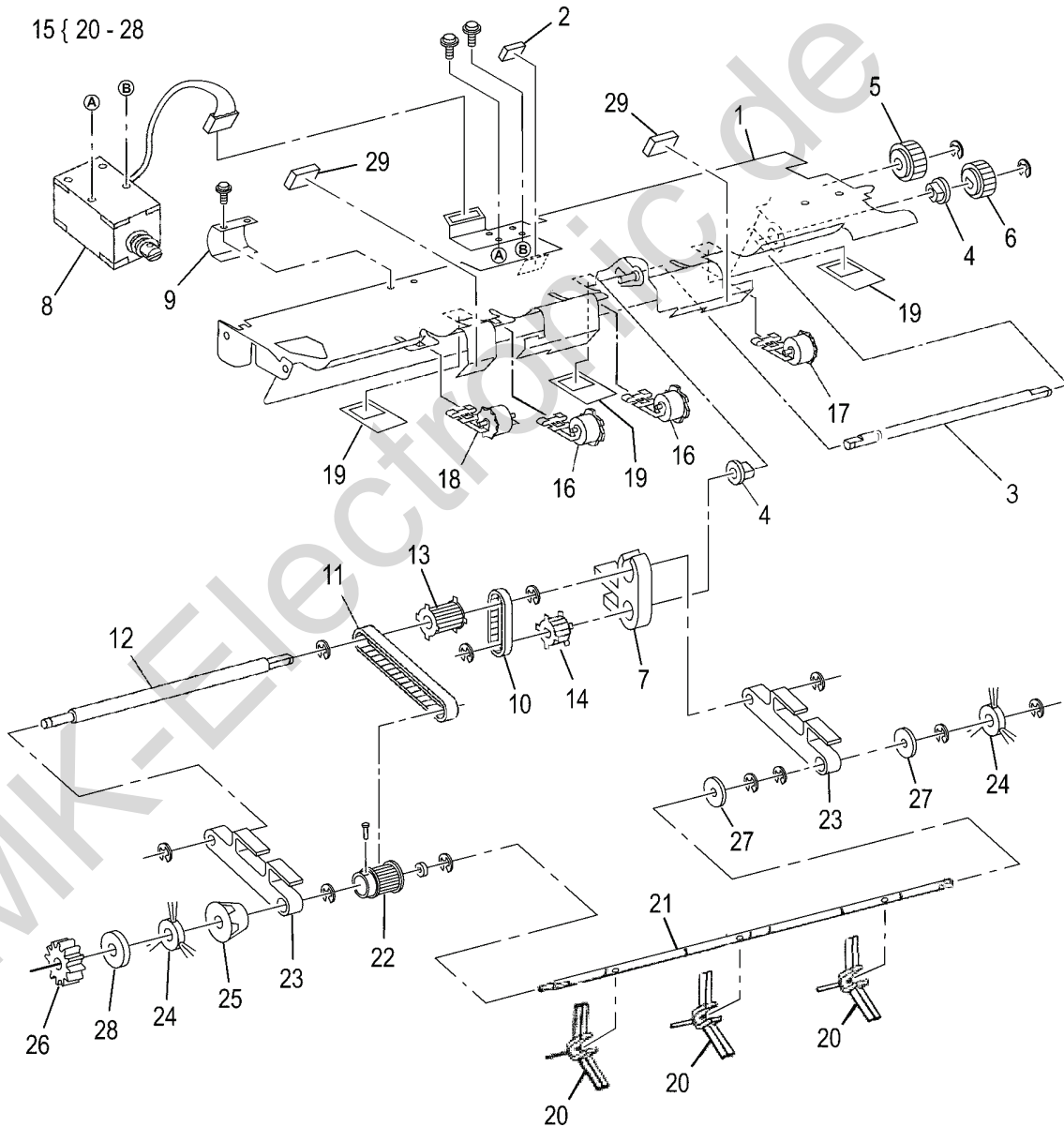
Item	Part	Description
1	-	Bracket (P/O PL 17.102 Item 17)
2	130K88780	Compile Tray No Paper Sensor, Tamper Home, End Wall Home/Open, Shelf Home
3	-	Support (P/O PL 17.102 Item 17)
4	-	Bracket (P/O PL 17.102 Item 17)
5	-	Bracket (P/O PL 17.102 Item 17)
6	-	Wire Harness (Not Spared)



j0ne5k20

PL 17.122 Lower Exit Chute Components

Item	Part	Description
1	-	Lower Exit Chute (P/O PL 17.102 Item 16)
2	-	Solenoid Damper (Not Spared)
3	-	Shaft (P/O PL 17.102 Item 16)
4	413W75959	Bearing
5	807E14370	Gear (P/O PL 17.102 Item 16)
6	807E14380	Gear (P/O PL 17.102 Item 16)
7	012E14940	Solenoid Link (P/O PL 17.102 Item 16)
8	121K31390	Compile Paddle Up Down Solenoid
-	121K40720	Compile Paddle Up Down Solenoid
9	-	Guide (P/O PL 17.102 Item 16)
10	423W03354	Belt
11	423W07154	Belt
12	-	Shaft (P/O PL 17.102 Item 16)
13	020E44160	Pulley (P/O PL 17.102 Item 16)
14	-	Pulley (Not Spared)
15	006K25400	Compile Main Paddle Assembly (REP 17.34)
16	022K74180	Pinch Roll
17	-	Damper (Not Spared)
18	022K74190	Pinch Roll
19	-	Damper (Not Spared)
20	033K94900	Paddle
21	806E17160	Shaft
22	-	Pulley (Not Spared)
23	-	Link (P/O PL 17.122 Item 15)
24	-	Brush Roll (P/O PL 17.122 Item 15)
25	-	Guide (P/O PL 17.122 Item 15)
26	-	Paddle (P/O PL 17.122 Item 15)
27	-	Collar (P/O PL 17.122 Item 15)
28	-	Roll (P/O PL 17.122 Item 15)

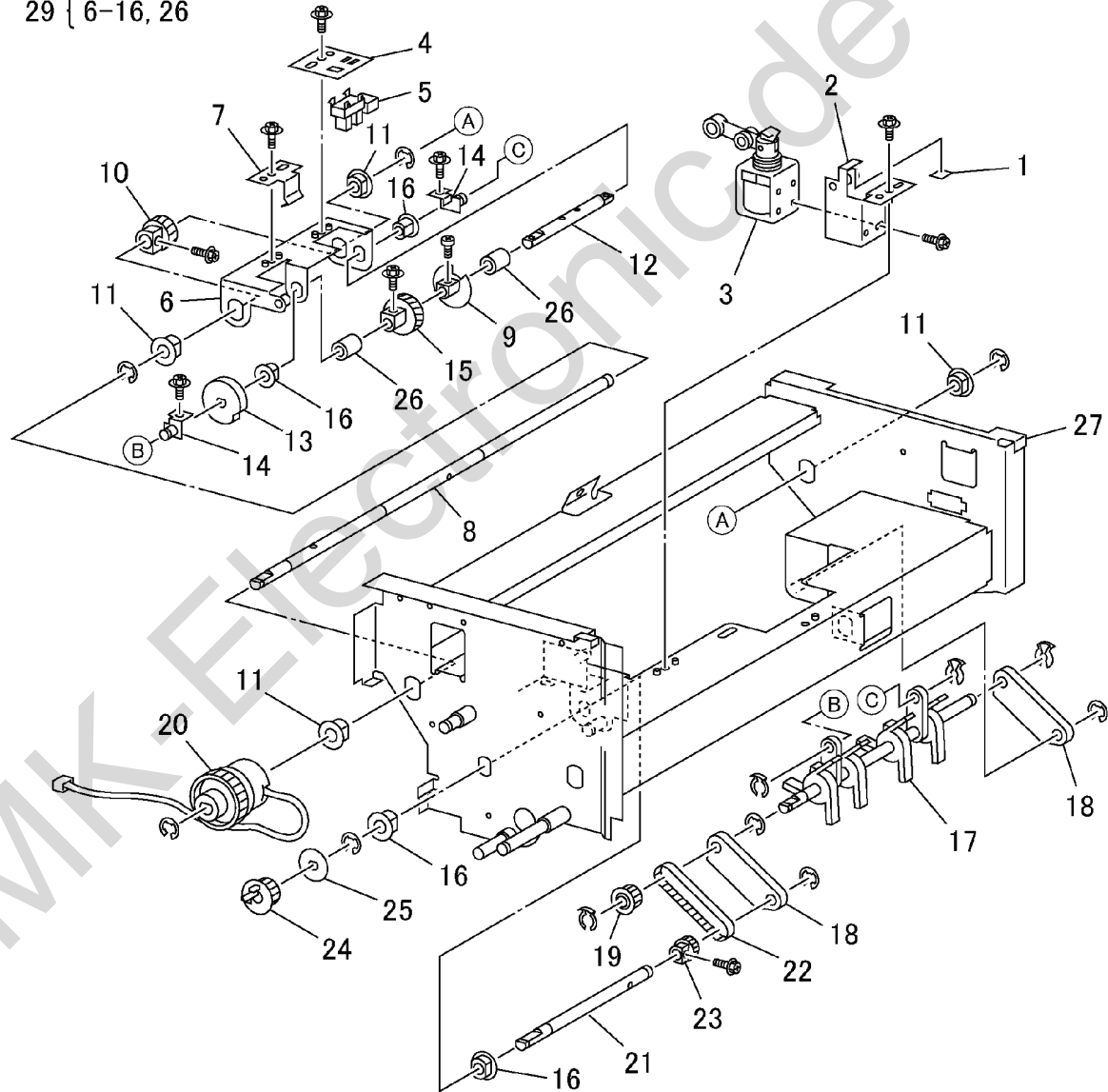


0517122A-FHJ

PL 17.123 Eject Component-1 (Sub Paddle)

Item	Part	Description
1	-	Damper (P/O PL 17.123 Item 28)
2	-	Bracket (P/O PL 17.123 Item 28)
3	-	Sub Paddle U/D Solenoid (P/O PL 17.123 Item 28)
4	-	Plate (P/O PL 17.102 Item 18)
5	130K88770	Sub Paddle Home Sensor
6	-	Bracket (P/O PL 17.123 Item 29)
7	-	Spring (P/O PL 17.123 Item 29)
8	-	Shaft (P/O PL 17.123 Item 29)
9	-	Actuator (P/O PL 17.123 Item 29)
10	-	Gear (P/O PL 17.123 Item 29) (20T)
11	-	Bearing (P/O PL 17.123 Item 29)
12	-	Shaft (P/O PL 17.123 Item 29)
13	-	Stopper (P/O PL 17.123 Item 29)
14	-	Bracket (P/O PL 17.123 Item 29)
15	-	Gear (P/O PL 17.123 Item 29) (25T)
16	-	Bearing (P/O PL 17.123 Item 29)
17	006K22940	Sub Paddle (REP 17.19)
18	-	Link (P/O PL 17.102 Item 18)
19	020E37150	Pulley (19T)
20	121K40710	Paddle Support Clutch
21	-	Shaft (P/O PL 17.102 Item 18)
22	423W25854	Belt
23	020E37160	Pulley (16T)
24	020E37170	Pulley (22T)
25	-	Collar (P/O PL 17.102 Item 18)
26	-	Spacer (P/O PL 17.123 Item 29)
27	-	Frame (P/O PL 17.102 Item 18)
28	015K60441	Sub Paddle U/D Solenoid Assembly
29	068K53311	Bracket Assembly

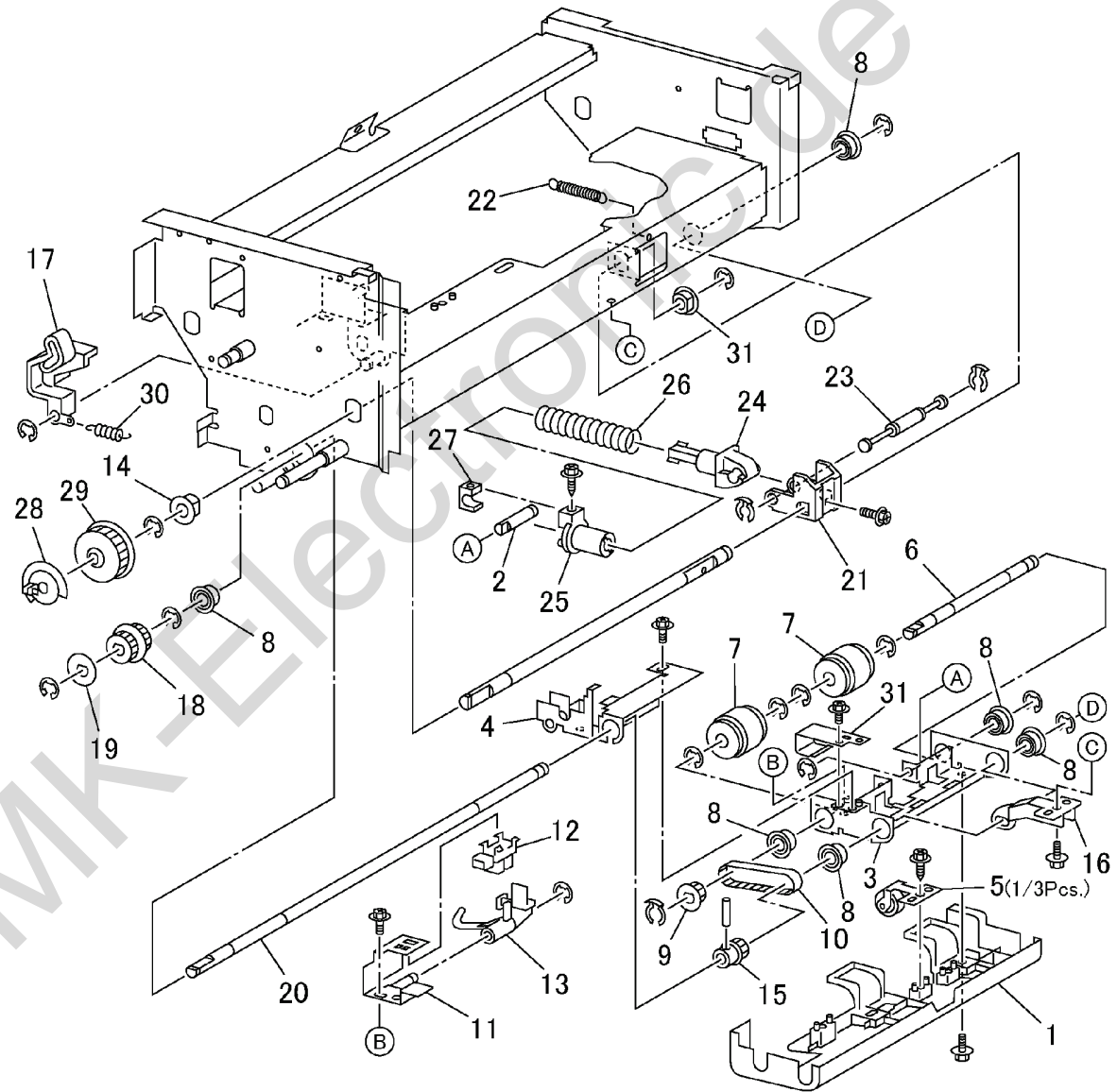
28 { 1-3
29 { 6-16, 26



j0ne5k22

PL 17.124 Eject Component-2 (Feed Roll)

Item	Part	Description
1	-	Eject Up Cover (P/O PL 17.102 Item 18)
2	-	Shaft (P/O PL 17.102 Item 18)
3	-	Bracket (P/O PL 17.102 Item 18)
4	-	Bracket (P/O PL 17.102 Item 18)
5	022K66840	Pinch Roll
6	-	Shaft (P/O PL 17.102 Item 18)
7	022K67001	Feed Roll
8	413W08350	Bearing
9	020E37060	Pulley (20T)
10	423W27354	Belt
11	-	Bracket (P/O PL 17.102 Item 18)
12	130K88780	Eject Sensor
13	120E29320	Actuator
14	-	Bearing (P/O PL 17.102 Item 18)
15	020E37050	Pulley (20T)
16	-	Holder (P/O PL 17.102 Item 18)
17	-	Cover Safety (P/O PL 17.102 Item 18)
18	-	Pulley (P/O PL 17.102 Item 18) (18T/15T)
19	020E37110	Collar
20	-	Shaft (P/O PL 17.102 Item 18)
21	-	Link (P/O PL 17.102 Item 18)
22	809E42221	Spring
23	-	Pin (P/O PL 17.102 Item 18)
24	-	Nip Inner (P/O PL 17.102 Item 18)
25	-	Nip Eject (Not Spared)
26	-	Spring (P/O PL 17.102 Item 18)
27	-	Nip Base (P/O PL 17.102 Item 18)
28	120E21970	Actuator
29	020E41550	Pulley (48T)
30	809E41580	Spring
31	-	Bracket (P/O PL 17.102 Item 18)

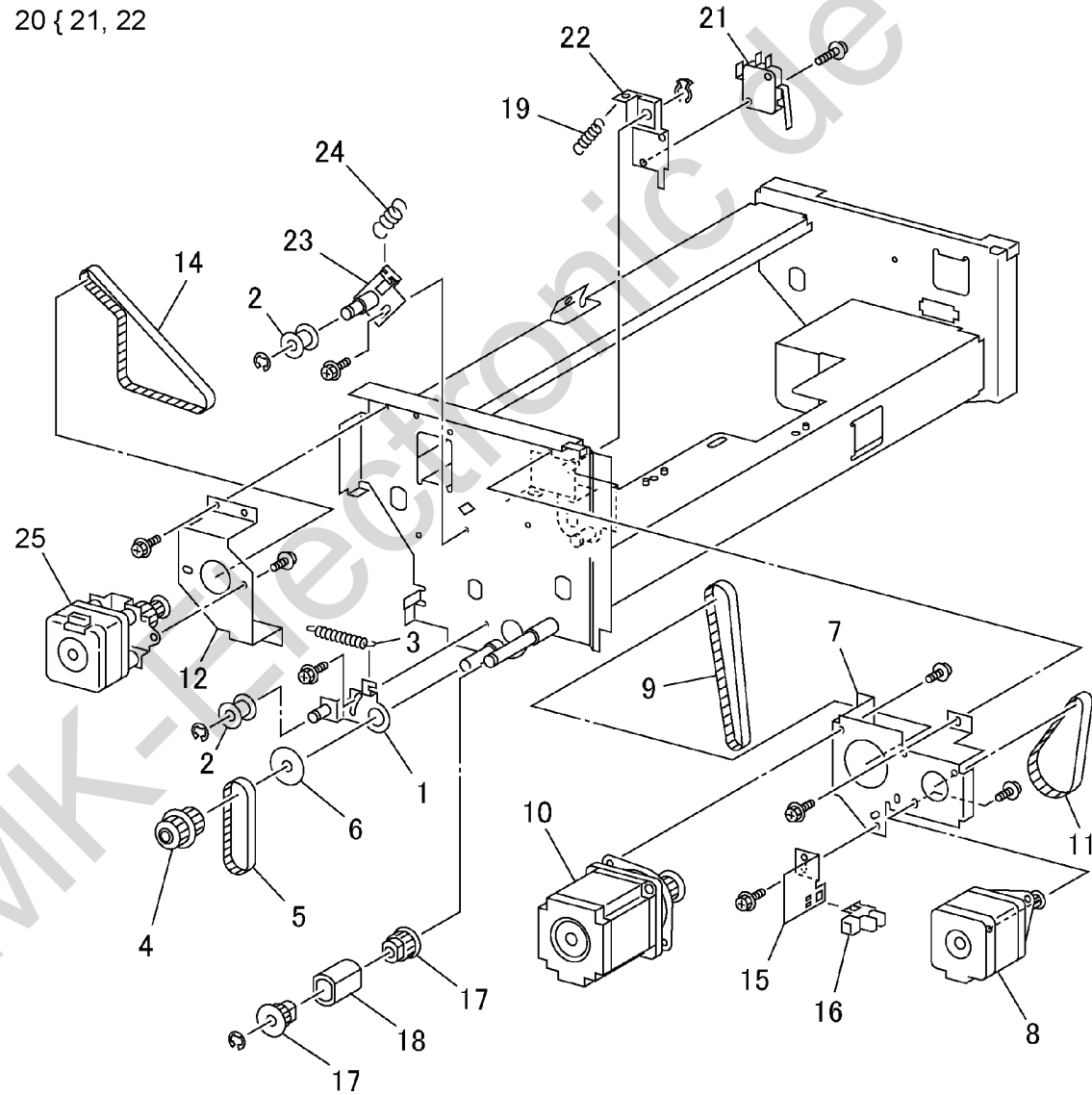


j0ne5k23

PL 17.125 Eject Component-3 (Motor)

Item	Part	Description
1	-	Bracket (P/O PL 17.102 Item 18)
2	-	Pulley (P/O PL 17.102 Item 18)
3	809E41320	Spring
4	807E02120	Gear Pulley (15T/16T)
5	423W45454	Belt
6	-	Collar (P/O PL 17.102 Item 18)
7	-	Bracket (P/O PL 17.102 Item 18)
8	127K45940	Eject Clamp Motor
9	423W46754	Belt
10	127K52060	Eject Motor
11	423W48854	Belt
12	-	Paddle Motor Bracket (P/O PL 17.125 Item 13)
13	015K60431	Paddle Motor Assembly
14	423W36254	Belt
15	-	Bracket (P/O PL 17.102 Item 18)
16	130K88770	Eject Up Sensor
17	020E37180	Pulley (22T)
18	-	Collar (P/O PL 17.102 Item 18)
19	809E41560	Spring
20	015K60370	Eject Safety Switch Assembly
21	-	Eject Safety Switch 1 (P/O PL 17.125 Item 20)
22	-	Bracket (P/O PL 17.125 Item 20)
23	-	Bracket (Not Spared)
24	809E42230	Spring
25	-	Paddle Motor (P/O PL 17.125 Item 13)

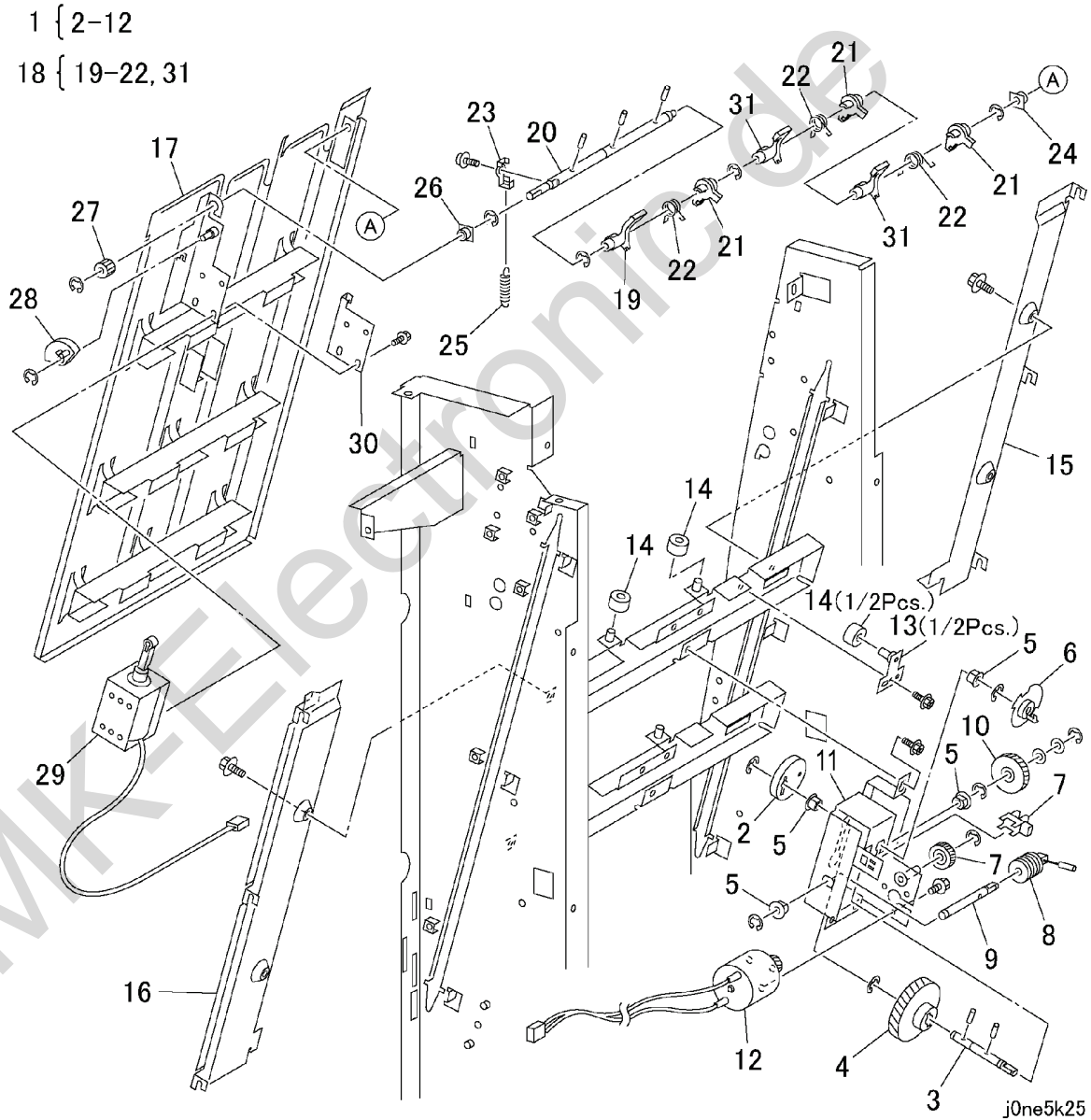
13 { 12, 25
20 { 21, 22



j0ne5k24

PL 17.126 Stacker Component-1 (Offset)

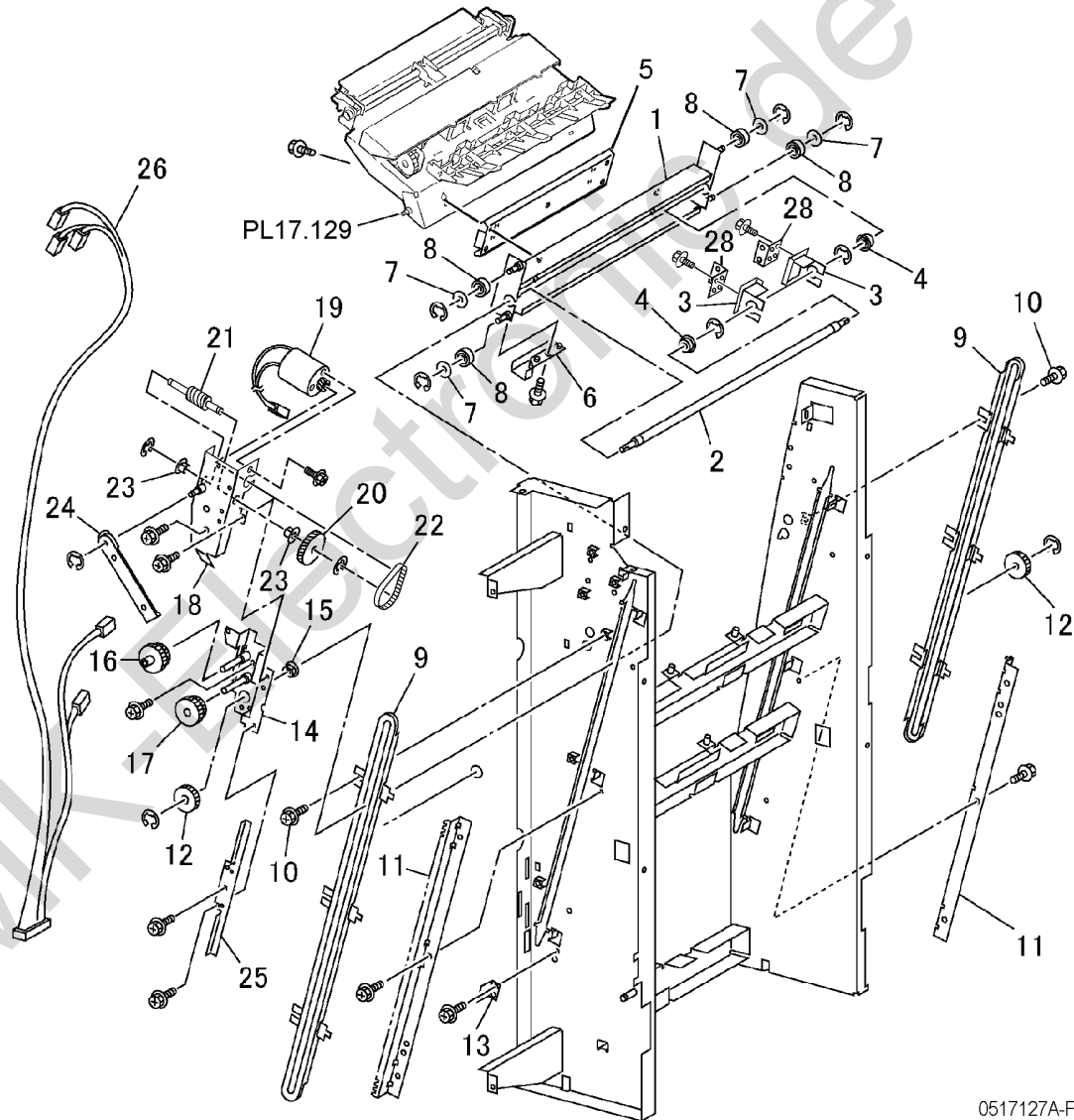
Item	Part	Description
1	068K53300	Stacker Off Set Motor Assembly
2	-	Cam (P/O PL 17.126 Item 1)
3	-	Shaft (P/O PL 17.126 Item 1)
4	-	Gear (P/O PL 17.126 Item 1) (55T)
5	-	Bearing (P/O PL 17.126 Item 1)
6	120E22090	Actuator
7	130K88780	Stacker Front Position Sensor
8	007E78500	Worm Gear
9	-	Shaft (P/O PL 17.126 Item 1)
10	-	Gear (P/O PL 17.126 Item 1)
11	-	Bracket (P/O PL 17.126 Item 1)
12	-	Stacker Offset Motor (P/O PL 17.126 Item 1)
13	-	Bracket (Not Spared)
14	-	Support Roll (Not Spared)
15	-	Front Plate (Not Spared)
16	-	Rear Plate (Not Spared)
17	-	Paper Guide (Not Spared)
18	006K23020	Set Clamp Assembly
19	-	Holder (P/O PL 17.126 Item 18)
20	-	Shaft (P/O PL 17.126 Item 18)
21	-	Stopper (P/O PL 17.126 Item 18)
22	-	Spring (P/O PL 17.126 Item 18)
23	-	Bracket (Not Spared)
24	-	Bearing (Not Spared)
25	809E41960	Spring
26	-	Bearing (Not Spared)
27	007E78470	Gear (14T)
28	007E78480	Cam (REP 17.21)
29	012K94930	Set Clamp Solenoid (REP 17.21)
30	-	Holder (Not Spared)
31	-	Holder (P/O PL 17.126 Item 18)



PL 17.127 Stacker Component-2 (Elevator)

27 { 18 - 24

Item	Part	Description
1	-	Plate (Not Spared)
2	-	Shaft (Not Spared)
3	-	Bracket (Not Spared)
4	413W50250	Bearing
5	001E65290	Bracket
6	-	Harness Guide (Not Spared)
7	005E17660	Flange
8	-	Bearing (Not Spared)
9	-	Shaft Guide (Not Spared)
10	-	Screw (Not Spared)
11	807E19340	Rack
12	007E89830	Gear (22T)
13	-	Stopper (Not Spared)
14	068K53350	Bracket
15	413W11860	Bearing
16	807E19280	Gear
17	007E89840	Gear (14T/24T)
18	-	Bracket (Not Spared)
19	127K52080	Elevator Motor
20	020E44181	Gear (57T)
21	007E78500	Worm Gear
22	423W27854	Belt
23	-	Bearing (Not Spared)
24	-	Arm (Not Spared)
25	120E26420	Actuator
26	962K57960	Wire Harness
27	068K53360	Elevator Motor Assembly
28	-	Tray Plate (Not Spared)

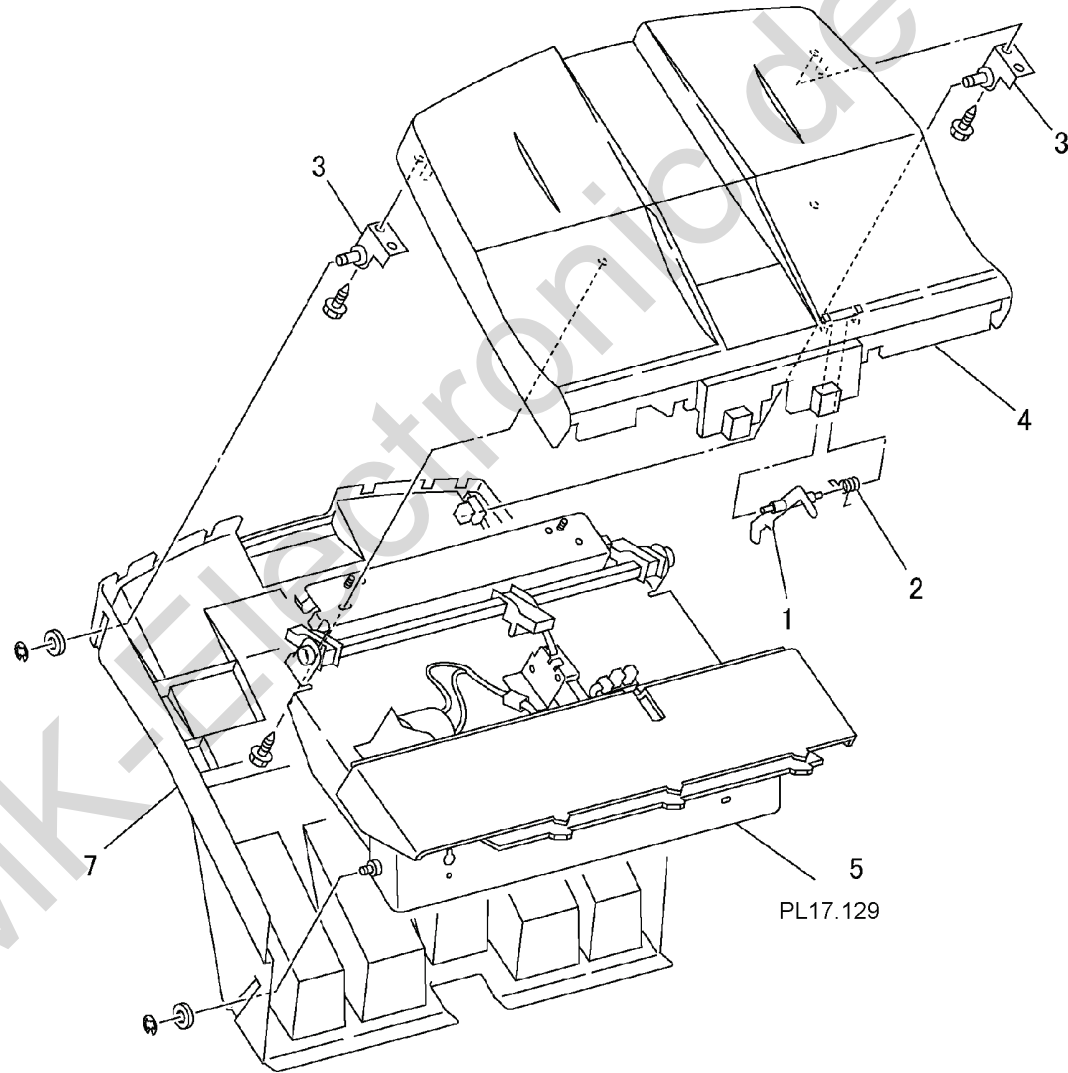


0517127A-FHJ

PL 17.128 Stacker Component-3 (Tray 1)

6 { 1-5

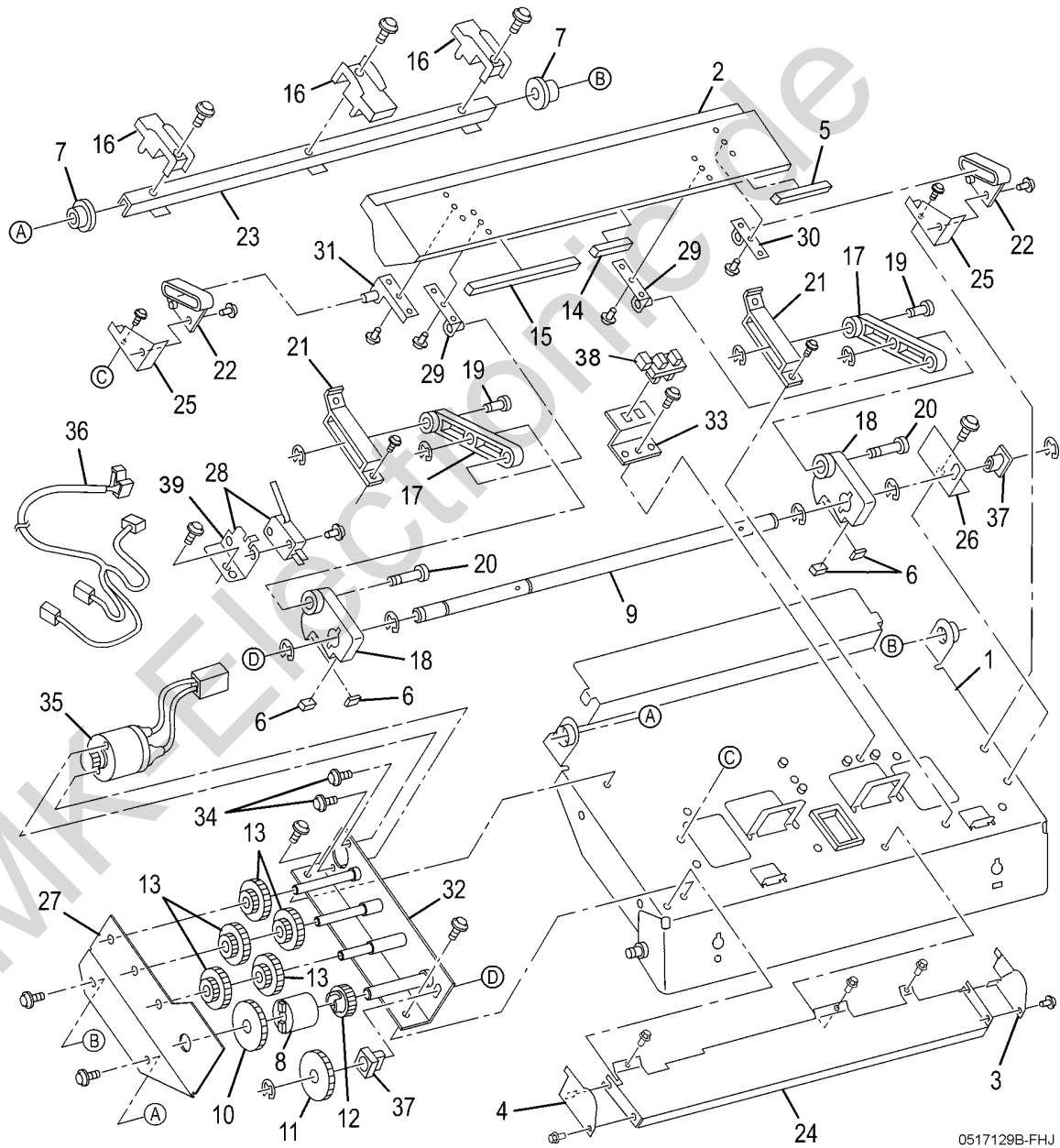
Item	Part	Description
1	120E22100	Actuator
2	809E41970	Spring
3	-	Bracket (P/O PL 17.128 Item 6)
4	-	Stacker Tray (P/O PL 17.128 Item 6)
5	-	Flapper Tray (P/O PL 17.128 Item 6)
6	050K58250	Stacker Tray Assembly (REP 17.22)
7	802E54280	Stacker Tray Cover



0517128A-FHJ

PL 17.129 Stacker Component-4 (Tray 2)

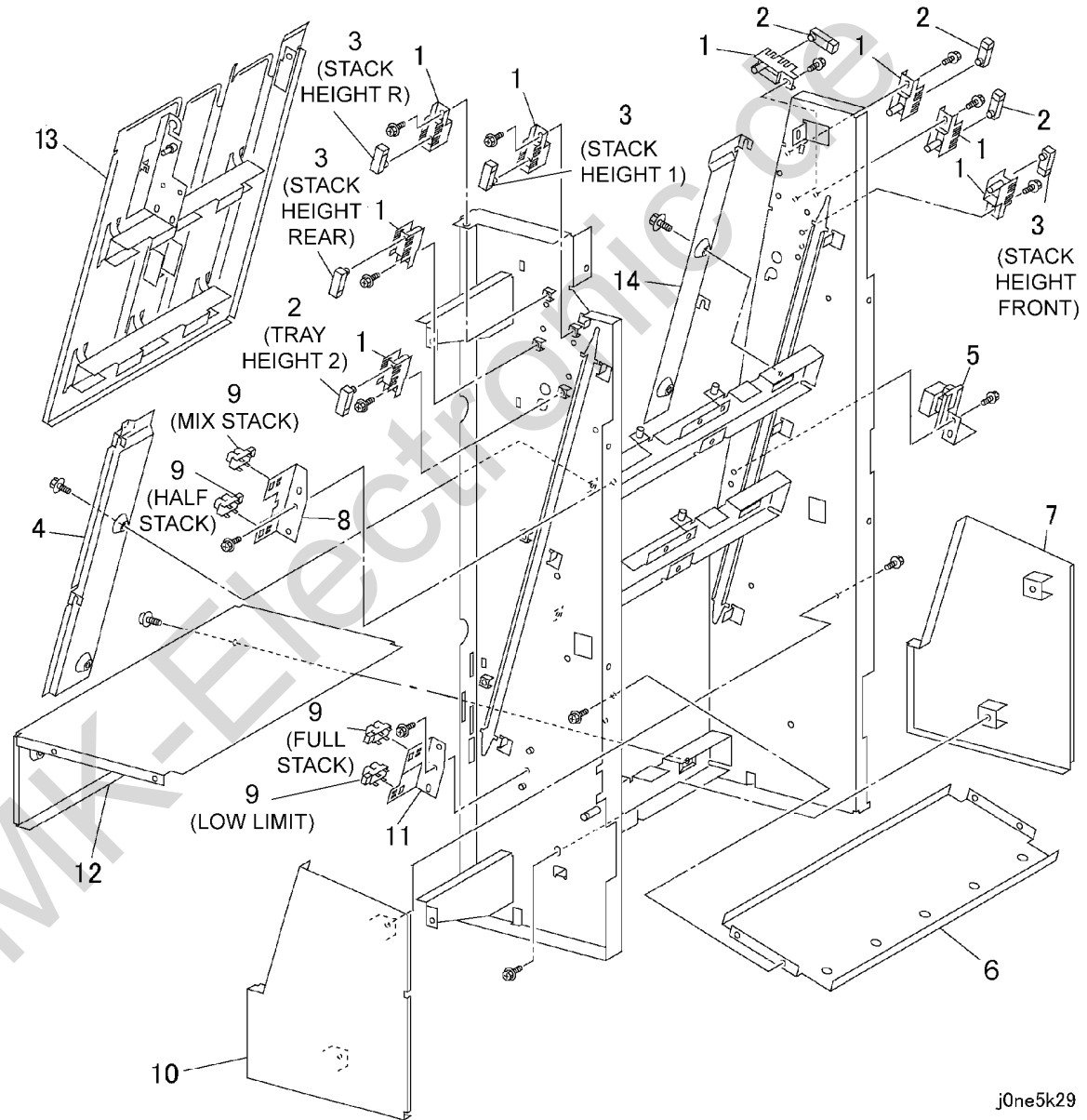
Item	Part	Description
1	-	Base Plate (Not Spared)
2	802E97290	Tray - Flapper
3	802E97280	Cover - Side Front
4	802E97270	Cover - Side Rear
5	055E47900	Cushion (Front)
6	-	Damper (Not Spared)
7	-	Collar (Not Spared)
8	005K08290	Clutch Assembly
9	006K25390	Shaft Assembly-Link
10	807E14360	Gear
11	807E14350	Gear
12	807E14340	Gear
13	807E14250	Gear
14	055E47890	Cushion (Center)
15	055E47880	Cushion (Rear)
16	-	Lever (Not Spared)
17	012E14930	Link
18	-	Bracket (Not Spared)
19	807E01770	Pin
20	-	Pin (Not Spared)
21	038E35710	Guide
22	038E35700	Guide
23	-	Bracket (Not Spared)
24	-	Bracket, Cover Side (Not Spared)
25	-	Bracket Guide (Not Spared)
26	-	Bracket (Not Spared)
27	-	Bracket (Not Spared)
28	-	Bracket, Switch (Not Spared)
29	-	Bracket (Not Spared)
30	-	Bracket (Not Spared)
31	-	Bracket (Not Spared)
32	-	Bracket (Not Spared)
33	-	Bracket Sensor (Not Spared)
34	-	Screw (Not Spared)
35	127K52070	Motor Assembly
36	962K57990	Harness Assembly
37	-	Bearing Sleeve (Not Spared)
38	130K88780	No Paper Sensor
39	-	Bracket (Not Spared)



0517129B-FHJ

PL 17.130 Stacker Component-5 (Sensor, Booklet)

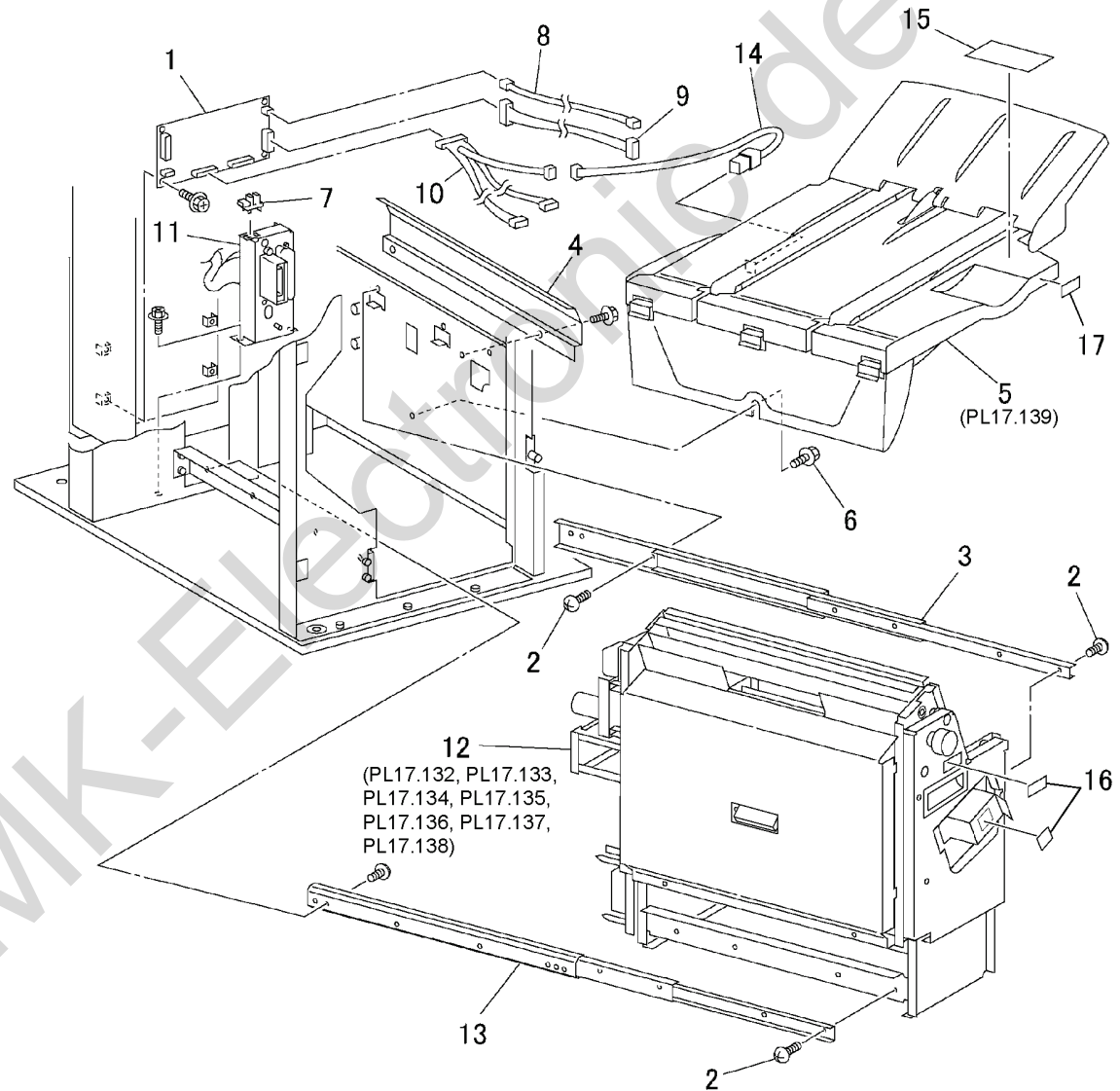
Item	Part	Description
1	848E09040	Sensor Cover
2	-	Stack Height Sensor 1 (F), Stack Height 2 (R), 3 (F), Tray Height Lower Sensor (F)
3	130E89230	Stack Height Sensor 2 (F), 3 (R), 1 (R), Tray Height Sensor Lower (R)
4	-	Rear Plate (Booklet Type) (Not Spared)
5	110K12371	Booklet Tray Belt Switch (Booklet Type)
6	802K52963	Upper Cover (Booklet Type)
7	848E09030	Rear Cover (Booklet Type)
8	-	Bracket (Not Spared)
9	130K88770	Mix Stack Sensor, Half Stack, Full Stack, Lower Limit Sensor
10	848E09020	Front Cover (Booklet Type)
11	-	Bracket (Not Spared)
12	-	Bottom Cover (Booklet Type)
13	-	Paper Guide (Booklet Type) (Not Spared)
14	-	Front Plate (Booklet Type) (Not Spared)



j0ne5k29

PL 17.131 Booklet Accessory

Item	Part	Description
1	160K95424	Booklet PWB
2	-	Screw (Not Spared)
3	801K04510	Right Rail
4	-	Cover (Not Spared)
5	050K49302	Booklet Tray Unit
6	-	Knob Screw (Not Spared)
7	130K88770	Booklet Drawer Set Sensor
8	962K57640	Wire Harness
9	962K57650	Wire Harness
10	962K57660	Wire Harness
11	068K53160	Connector
12	801K24880	Booklet Drawer Unit (REP 17.23)
13	801K04180	Left Rail
14	962K57870	Wire Harness
15	-	Label (Not Spared)
16	893E51370	Label (4)
17	-	Label (Not Spared)

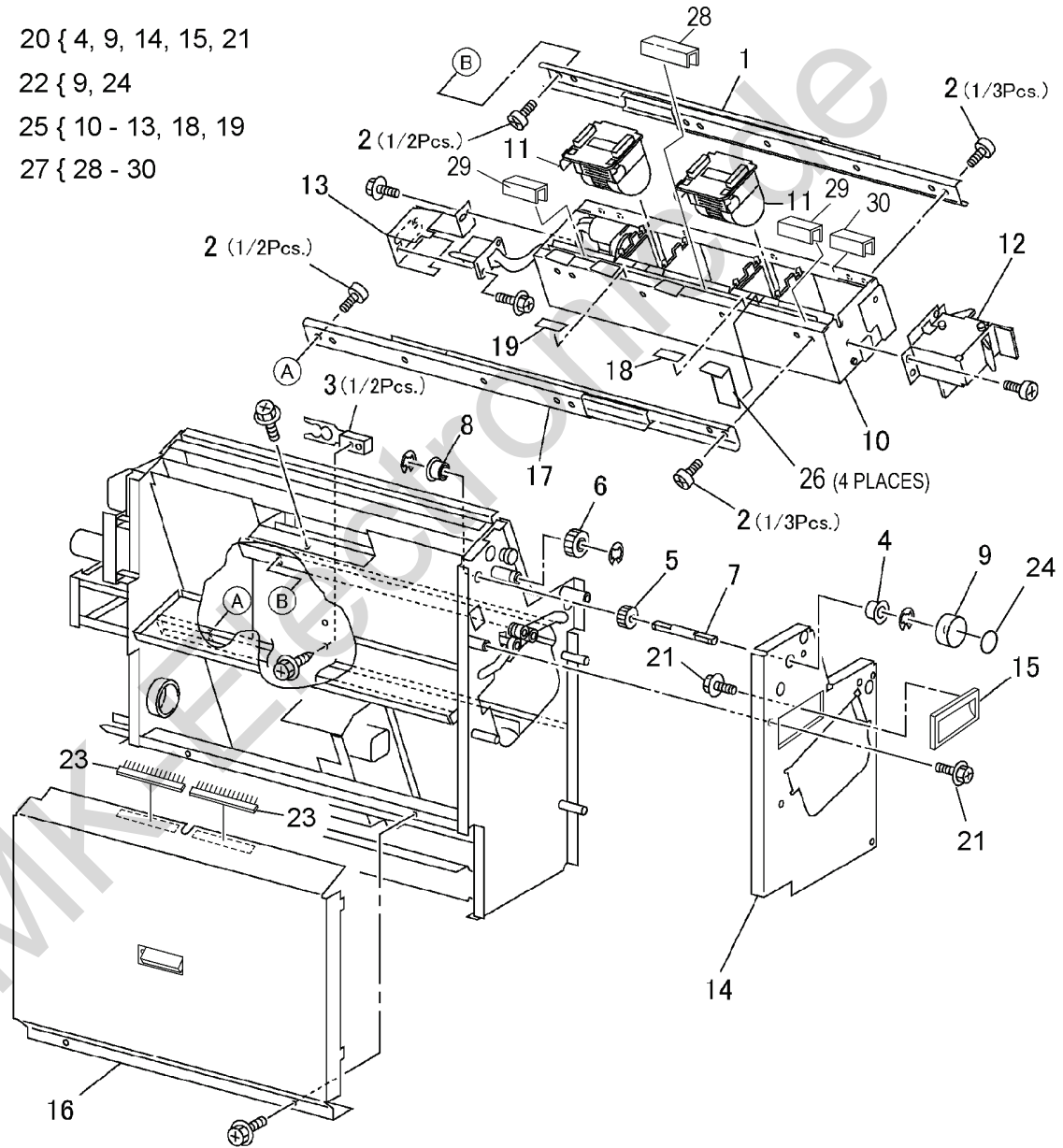


0517131A-FHJ

PL 17.132 Booklet Component-1 (Stapler)

Item	Part	Description
1	801K18730	Right Rail
2	-	Screw (Not Spared)
3	003E59690	Stopper
4	-	Bearing (Not Spared)
5	499W14432	Gear
6	407W07829	Gear (29T)
7	-	Shaft (Not Spared)
8	-	Ball Bearing (Not Spared)
9	-	Knob (R19)
10	-	Stapler Housing (P/O PL 17.132 Item 25)
11	-	Stapler Cartridge (Not Spared)
12	015K60420	Latch
13	-	Bracket (Not Spared)
14	-	Front Cover (Not Spared)
15	003E75150	Handle
16	-	Left Cover (Not Spared)
17	801K18720	Left Rail
18	893E51380	Label (R2)
19	893E55730	Label (R3)
20	-	Front Cover Assembly (Not Spared)
21	-	Screw (P/O PL 17.132 Item 20)
22	003K15720	Knob Assembly (4a)
23	105E15120	Static Eliminator
24	-	Label (4a) (P/O PL 17.132 Item 22)
25	029K92123	Booklet Stapler Assembly
26	038K88691	Guide Paper Stapler
27	604K18741	Mylar Guide Kit
28	-	Center Guide (P/O PL 17.132 Item 27)
29	-	Paper Guide (Clinch) (P/O PL 17.132 Item 27)
30	-	Paper Guide (Front) (P/O PL 17.132 Item 27)

- 20 { 4, 9, 14, 15, 21
- 22 { 9, 24
- 25 { 10 - 13, 18, 19
- 27 { 28 - 30

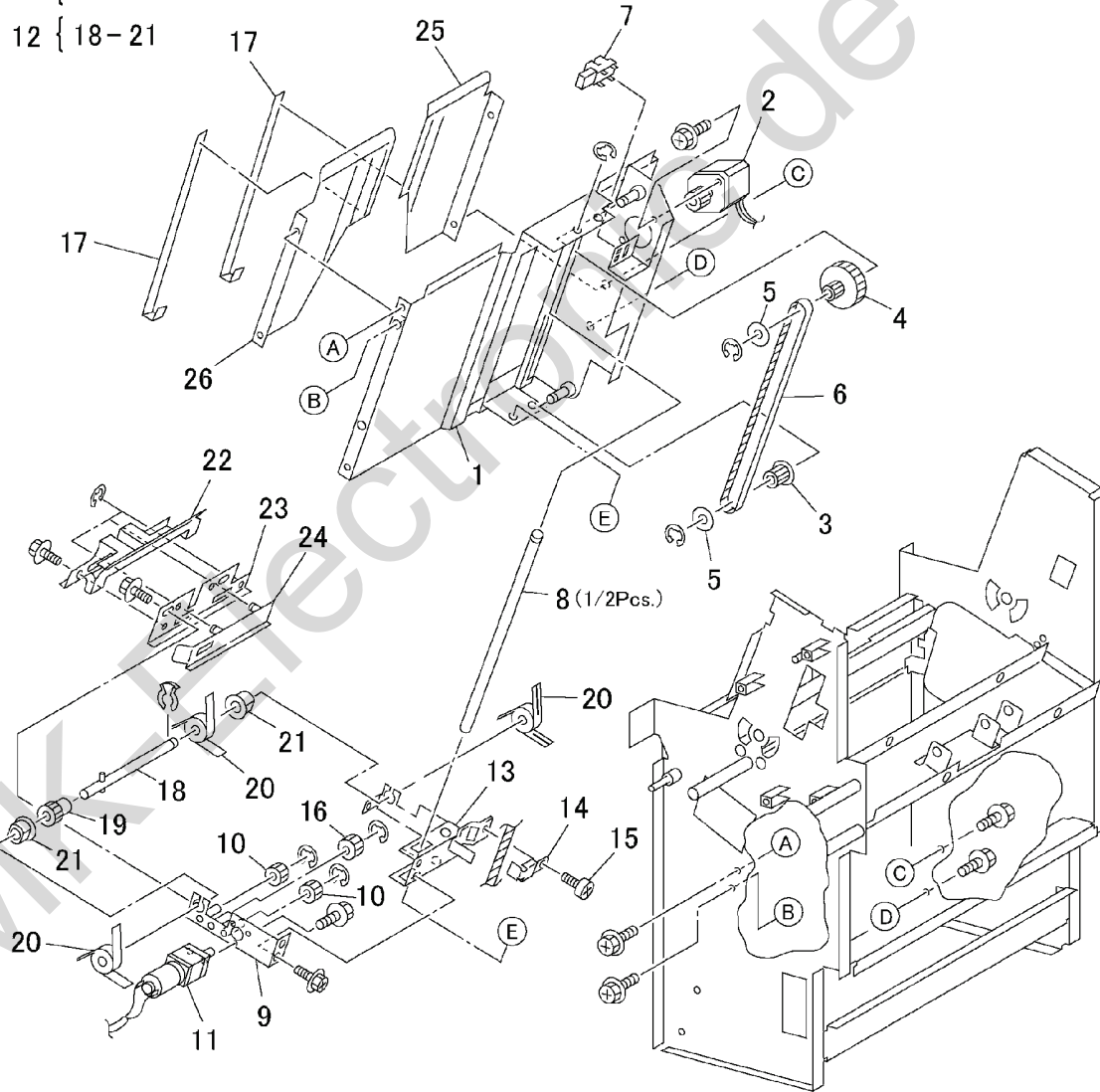


0517132A-FHJ

PL 17.133 Booklet Component-2 (End Guide)

Item	Part	Description
1	-	Compile Chute (Not Spared)
2	127K51990	Booklet End Guide Motor
3	020E37210	Pulley
4	807E02050	Gear Pulley (40T/20T)
5	-	Washer (Not Spared)
6	423W86254	Belt
7	130K88780	Booklet End Guide Home Sensor
8	-	Shaft (Not Spared)
9	-	Bracket (P/O PL 17.133 Item 27)
10	807E19200	Gear
11	-	Booklet Paddle Motor (P/O PL 17.133 Item 27)
12	006K25950	Paddle Shaft Assembly (REP 17.24)
13	-	Bracket (Not Spared)
14	-	Stopper (Not Spared)
15	-	Screw (Not Spared)
16	807E19990	Gear
17	-	Paper Guide (Not Spared)
18	-	Shaft (P/O PL 17.133 Item 12)
19	-	Gear (P/O PL 17.133 Item 12) (14T)
20	033E91550	Paddle
21	-	Bearing (P/O PL 17.133 Item 12)
22	030K76770	End Guide
23	-	Support Bracket (Not Spared)
24	-	Adjust Bracket (Not Spared)
25	054E27010	Chute (Front)
26	054E27020	Chute (Rear)
27	068K53270	Booklet Paddle Motor Assembly

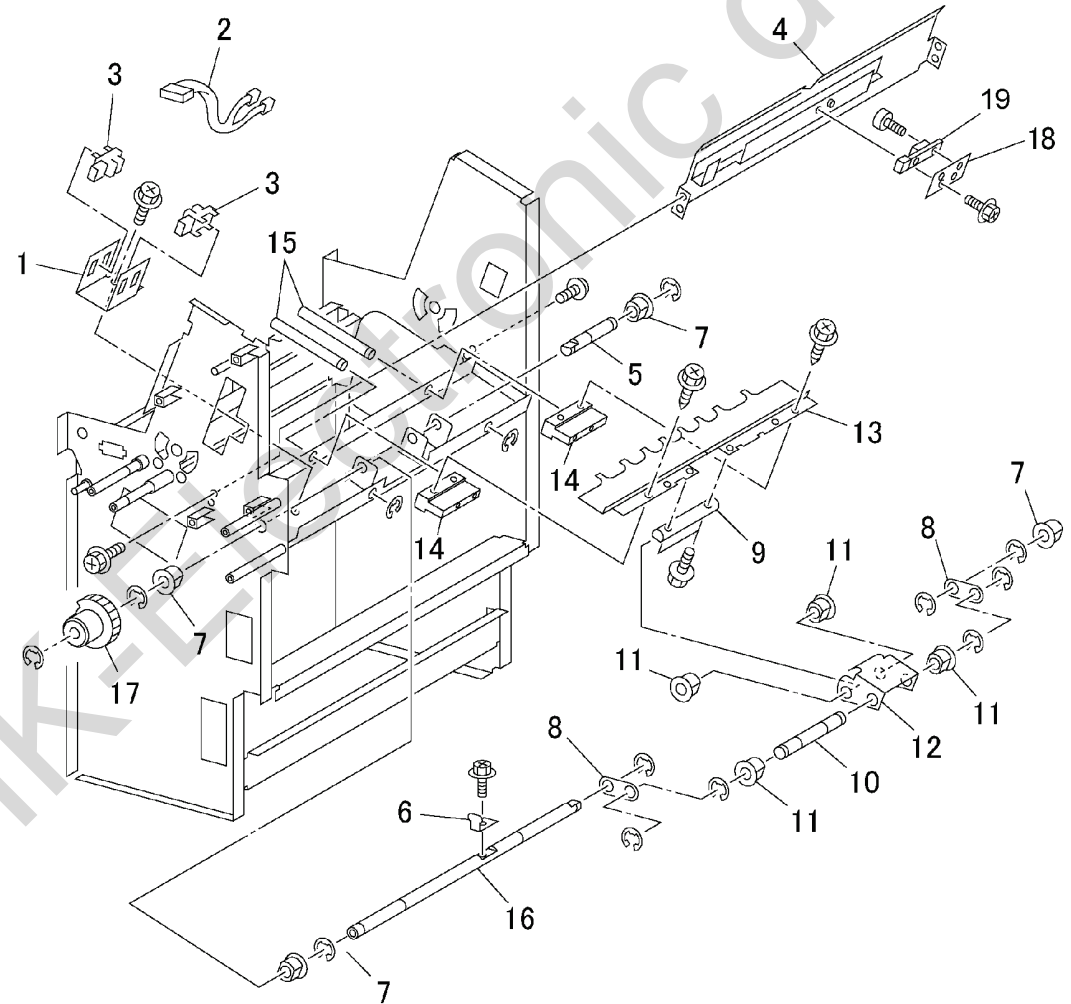
27 { 9 - 11
12 { 18 - 21



j0ne5k32B

PL 17.134 Booklet Component-3 (Knife)

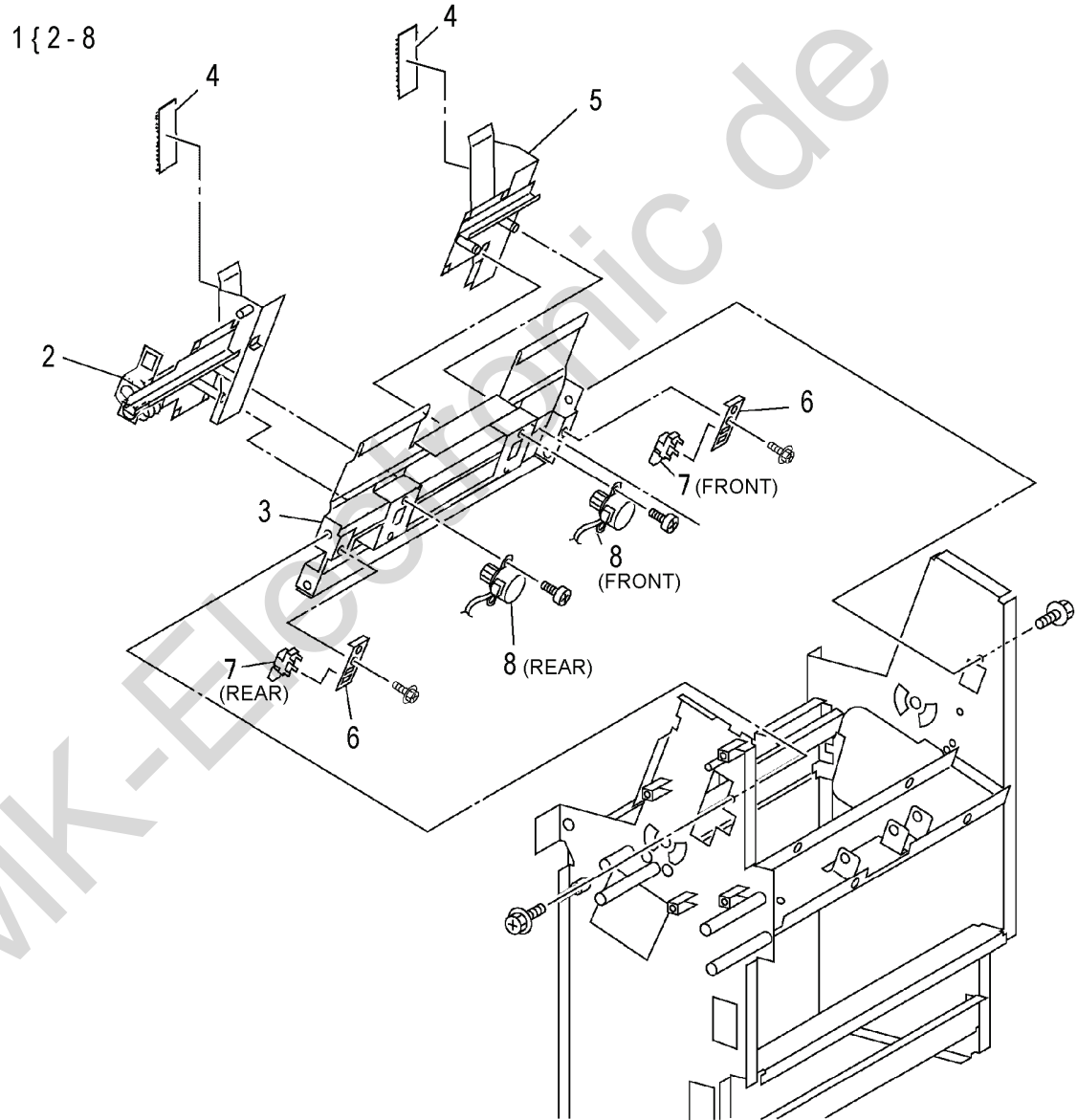
Item	Part	Description
1	-	Bracket (Not Spared)
2	962K57720	Wire Harness
3	130K88780	Knife Home Sensor, Knife Folder Sensor
4	-	Chute (Not Spared)
5	-	Shaft (Not Spared)
6	-	Actuator (Not Spared)
7	-	Bearing (Not Spared)
8	-	Joint (Not Spared)
9	-	Shaft (Not Spared)
10	-	Shaft (Not Spared)
11	-	Bearing (Not Spared)
12	-	Bracket (Not Spared)
13	015K67272	Knife
14	-	Guide (Not Spared)
15	-	Shaft (Not Spared)
16	-	Shaft (Not Spared)
17	807E02060	Gear (42T)
18	-	Bracket (Not Spared)
19	-	Booklet Compile No Paper Sensor (Same As Item 3)



j0ne5k33

PL 17.135 Booklet Component-4 (Tamper)

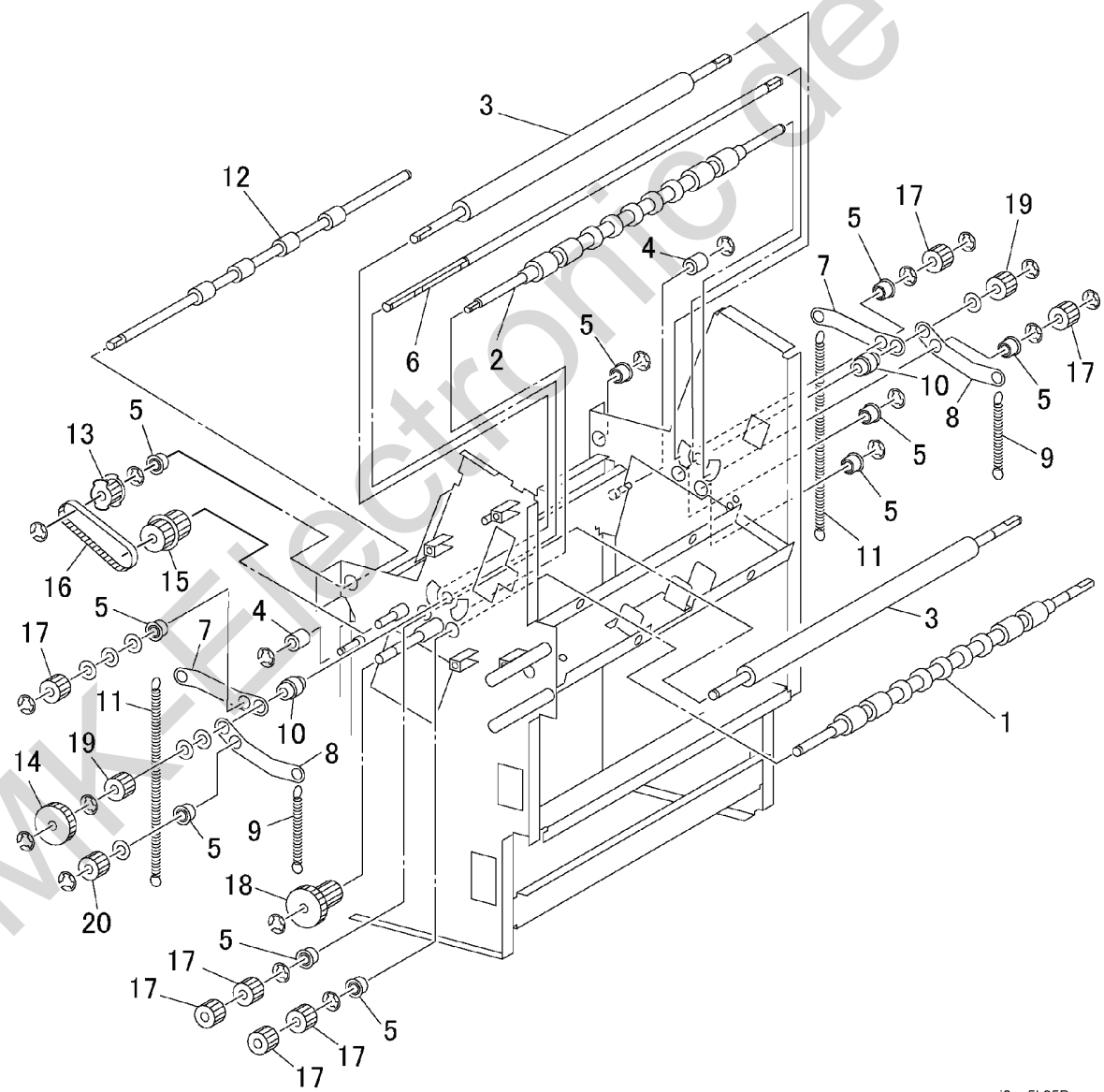
Item	Part	Description
1	-	Compiler Plate Assembly (Not Spared)
2	038K88410	Rear Tamper Assembly
3	-	Frame (P/O PL 17.135 Item 1)
4	105E15120	Static Eliminator
5	038K88400	Front Tamper Guide
6	-	Bracket (P/O PL 17.135 Item 1)
7	130K88780	Booklet Tamper Home Sensor (Front and Rear)
8	127K48210	Booklet Tamper Motor (Front and Rear)



j0ne5k34

PL 17.136 Booklet Component-5 (Roll)

Item	Part	Description
1	022K71020	Booklet Pre Folding Roll
2	022K71040	Booklet Pre Folding Nip Roll
3	022K66870	Booklet Folding Roll
4	022K66880	Roll
5	-	Ball Bearing (Not Spared)
6	-	Shaft (Not Spared)
7	-	Tension Plate 2 (Not Spared)
8	-	Tension Plate 1 (Not Spared)
9	809E41430	Spring
10	-	Bearing
11	809E41420	Spring
12	022K70800	Booklet Eject Roll
13	-	Pulley (Not Spared) (16T)
14	007E77770	Gear (38T)
15	807E02040	Gear Pulley (20T/25T)
16	423W46754	Belt
17	007E89980	Gear (16T)
18	007E89990	Gear (38T/18T)
19	007E89970	Gear (18T)
20	407W07516	Gear (16T)

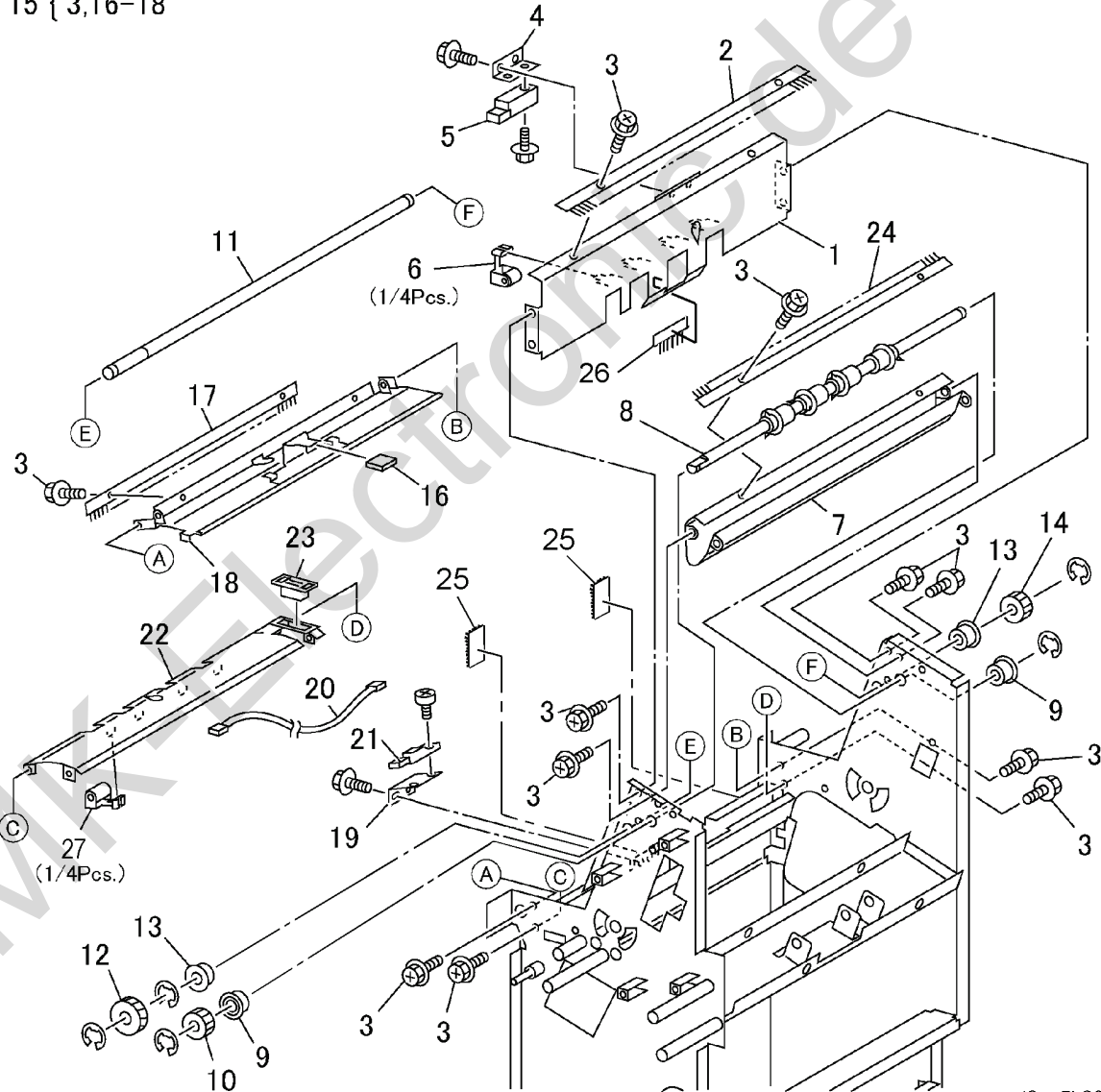


j0ne5k35B

PL 17.137 Booklet Componet-6 (Chute)

Item	Part	Description
1	-	Chute (Not Spared)
2	105E13750	Eliminator
3	-	Screw (P/O PL 17.137 Item 15)
4	-	Bracket (Not Spared)
5	130E87370	Booklet In Sensor
6	059K00521	Pinch Roll
7	-	Chute (Not Spared)
8	022K70810	Booklet In Roll
9	-	Ball Bearing (Not Spared)
10	407W07516	Gear (16T)
11	-	Shaft (Not Spared)
12	020E44980	Gear
13	-	Bearing (Not Spared)
14	-	17 Tooth Gear
15	054K28570	Upper Exit Chute Assembly
16	-	Lever (R18) (P/O PL 17.137 Item 15)
17	105E15140	Eliminator
18	-	Upper Exit Chute (P/O PL 17.137 Item 15)
19	-	Bracket (Not Spared)
20	962K57700	Wire Harness
21	130E87410	Booklet Folder Roll Exit Sensor (FX)
22	-	Lower Exit Chute (Not Spared)
23	121E92720	Magnet
24	105E12560	Eliminator
25	105E15130	Static Eliminator
26	105E16310	Static Eliminator
27	059K41200	Pinch Roll

15 { 3,16-18

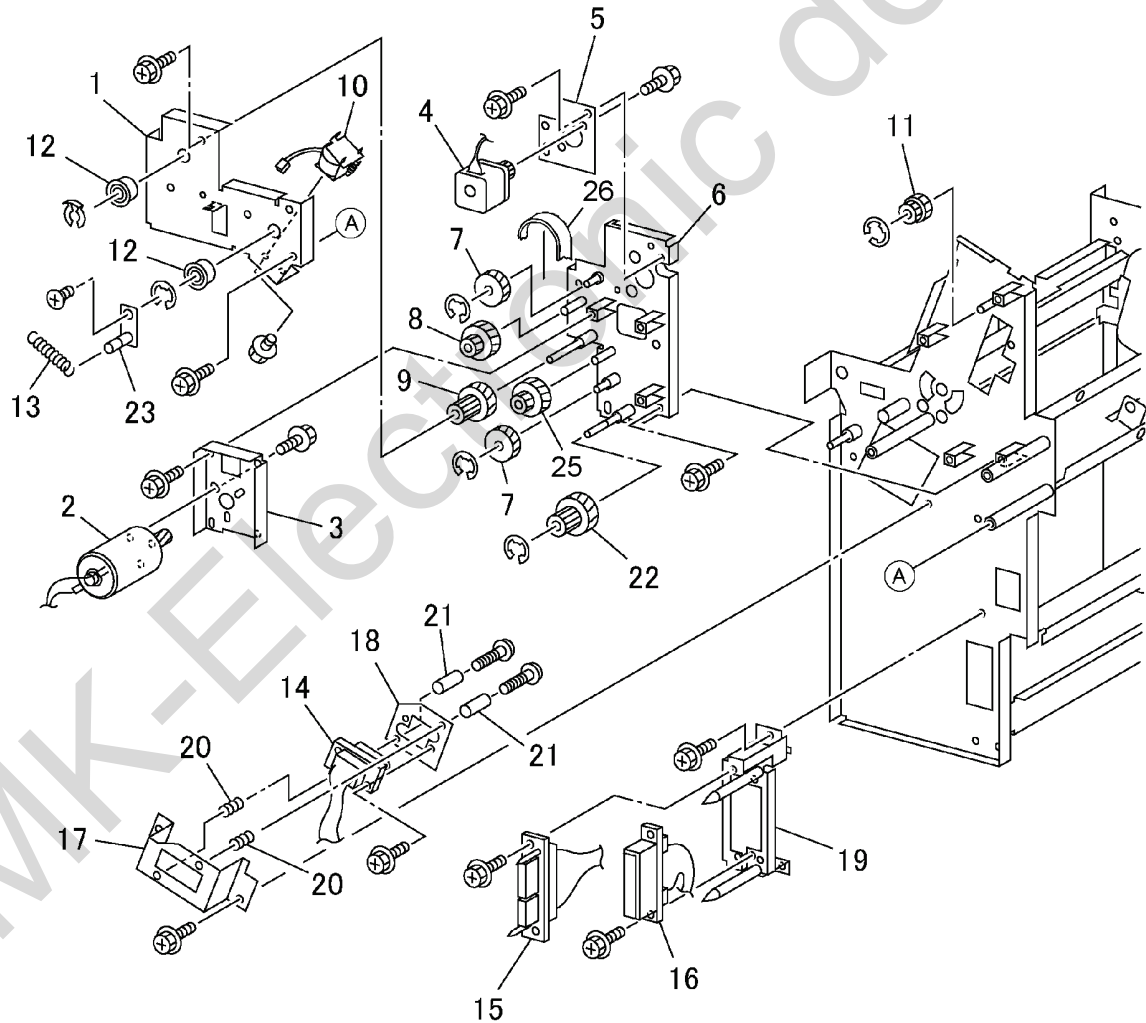


j0ne5k36

PL 17.138 Booklet Component-7 (Motor)

Item	Part	Description
1	-	Bracket (Not Spared)
2	-	Booklet Fold Motor (P/O PL 17.138 Item 24)
3	-	Bracket (P/O PL 17.138 Item 24)
4	127K51990	Booklet Paper Path Motor
5	-	Bracket (Not Spared)
6	-	Bracket (Not Spared)
7	007E77620	Gear (45T)
8	807E19210	Gear
9	007E77600	Gear (44T/16T)
10	121K40660	Knife Solenoid
11	807E01750	Gear (27T/34T)
12	-	Ball Bearing (Not Spared)
13	809E41620	Spring
14	962K57710	Wire Harness
15	962K57690	Wire Harness
16	962K57680	Wire Harness
17	-	Bracket (Not Spared)
18	-	Bracket (Not Spared)
19	015K67440	Bracket
20	809E41570	Spring
21	-	Spacer (Not Spared)
22	807E02080	Gear (48T/18T)
23	-	Link (Not Spared)
24	068K53290	Booklet Fold Motor Assembly
25	807E20000	Gear (43T/14T)
26	423W47854	Belt

24 { 2,3

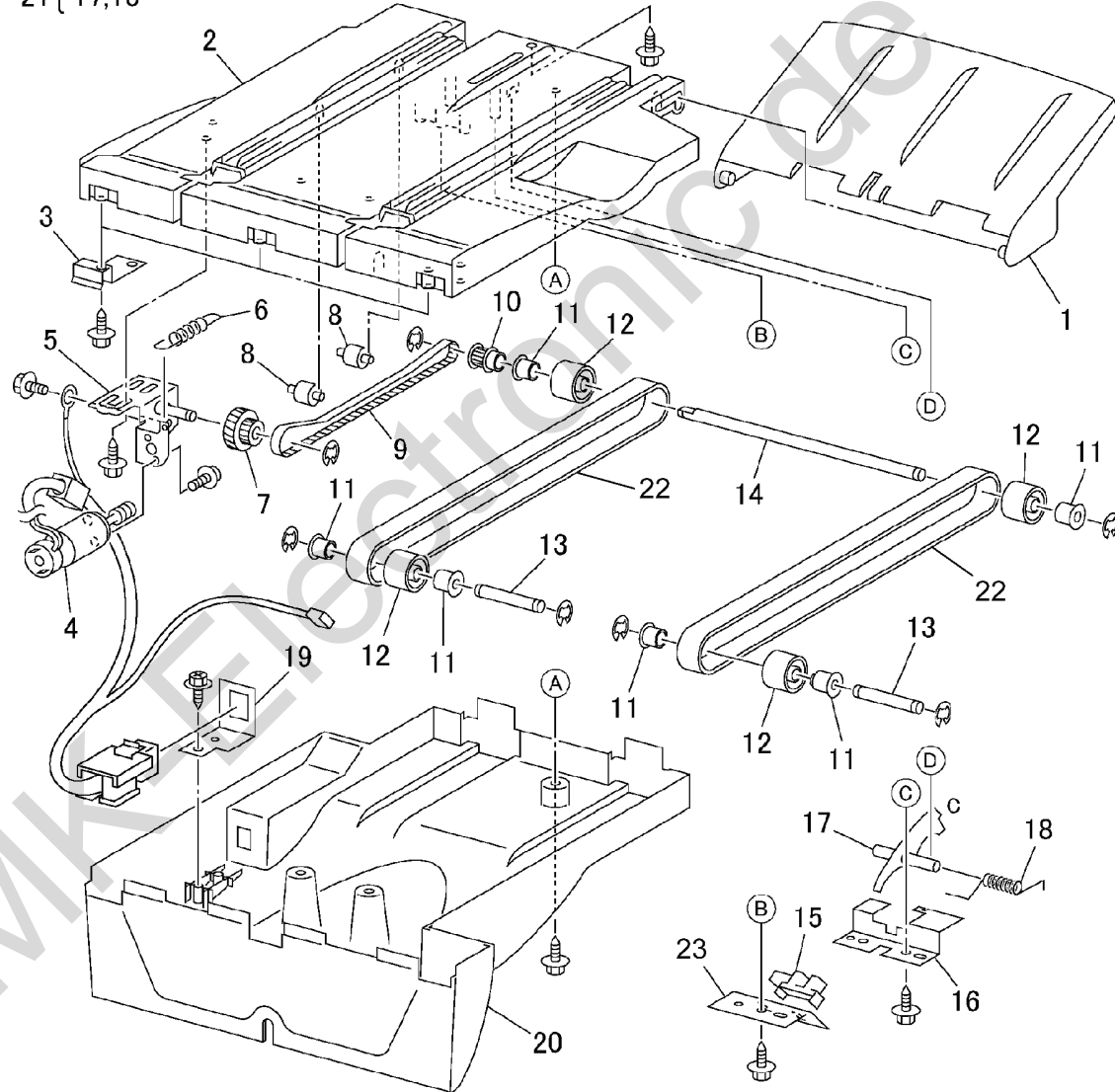


j0ne5k37B

PL 17.139 Booklet Tray Component

Item	Part	Description
1	-	Tray (P/O PL 17.131 Item 5)
2	-	Upper Tray (P/O PL 17.131 Item 5)
3	-	Bracket (P/O PL 17.131 Item 5)
4	127K38051	Tray Belt Drive Motor
5	-	Bracket (P/O PL 17.131 Item 5)
6	-	Spring (P/O PL 17.131 Item 5)
7	-	Gear Pulley (P/O PL 17.131 Item 5)
8	-	Roll (P/O PL 17.131 Item 5)
9	-	Belt (P/O PL 17.131 Item 5)
10	-	Pulley (P/O PL 17.131 Item 5)
11	-	Bearing (P/O PL 17.131 Item 5)
12	-	Roll (P/O PL 17.131 Item 5)
13	-	Shaft (P/O PL 17.131 Item 5)
14	-	Shaft (P/O PL 17.131 Item 5)
15	130K64301	Booklet No Paper Sensor
16	-	Bracket (P/O PL 17.131 Item 5)
17	-	Actuator (P/O PL 17.139 Item 21)
18	-	Spring (P/O PL 17.139 Item 21)
19	-	Bracket (P/O PL 17.131 Item 5)
20	-	Lower Tray (P/O PL 17.131 Item 5)
21	604K13841	Actuator Assembly
22	-	Conveyor Belt (Not Spared)
23	-	Bracket (Not Spared)

21 { 17,18

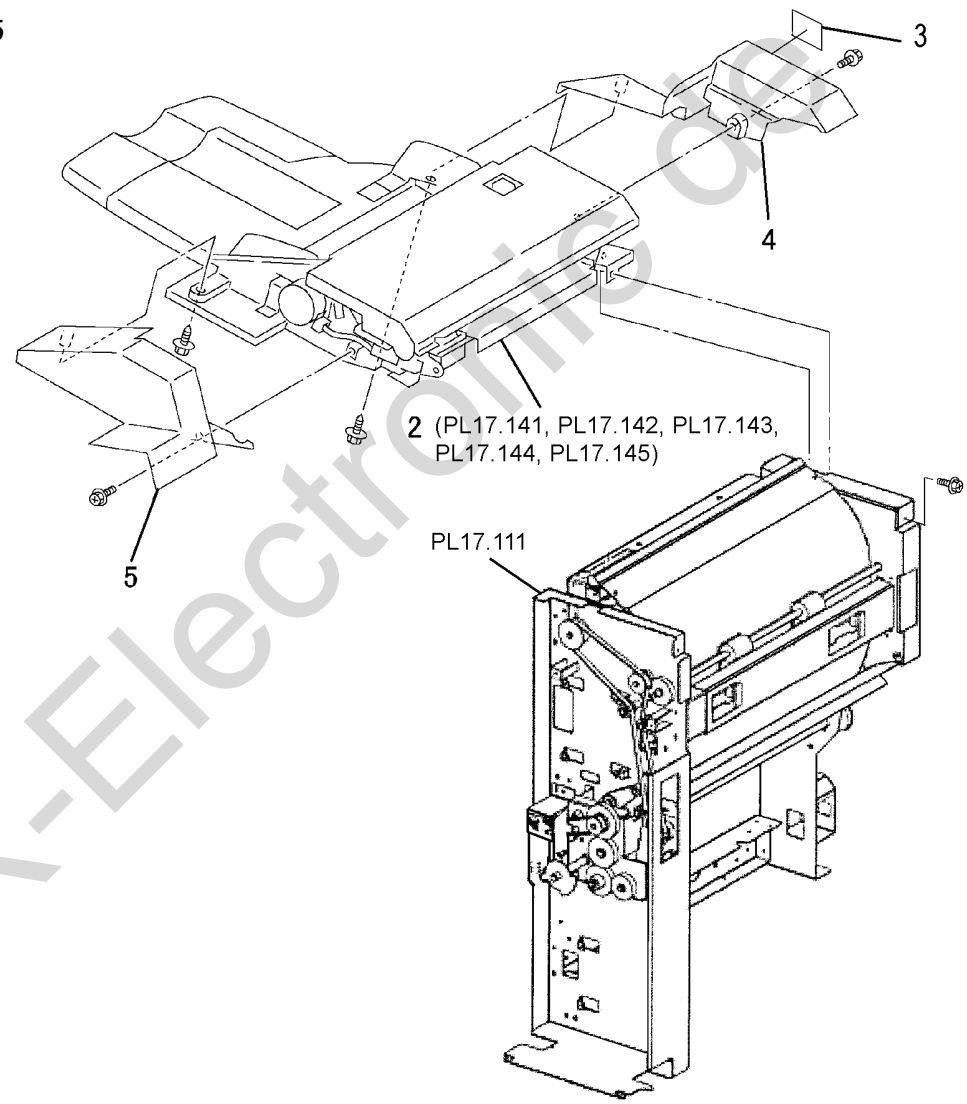


j0ne5k38

PL 17.140 Interposer Accessory

Item	Part	Description
1	059K41472	Interposer Unit Assembly (REP 17.25)
2	-	Feeder Assembly (Not Spared)
3	893E56720	Label (8)
4	802E54260	Front Cover
5	848E09000	Rear Cover

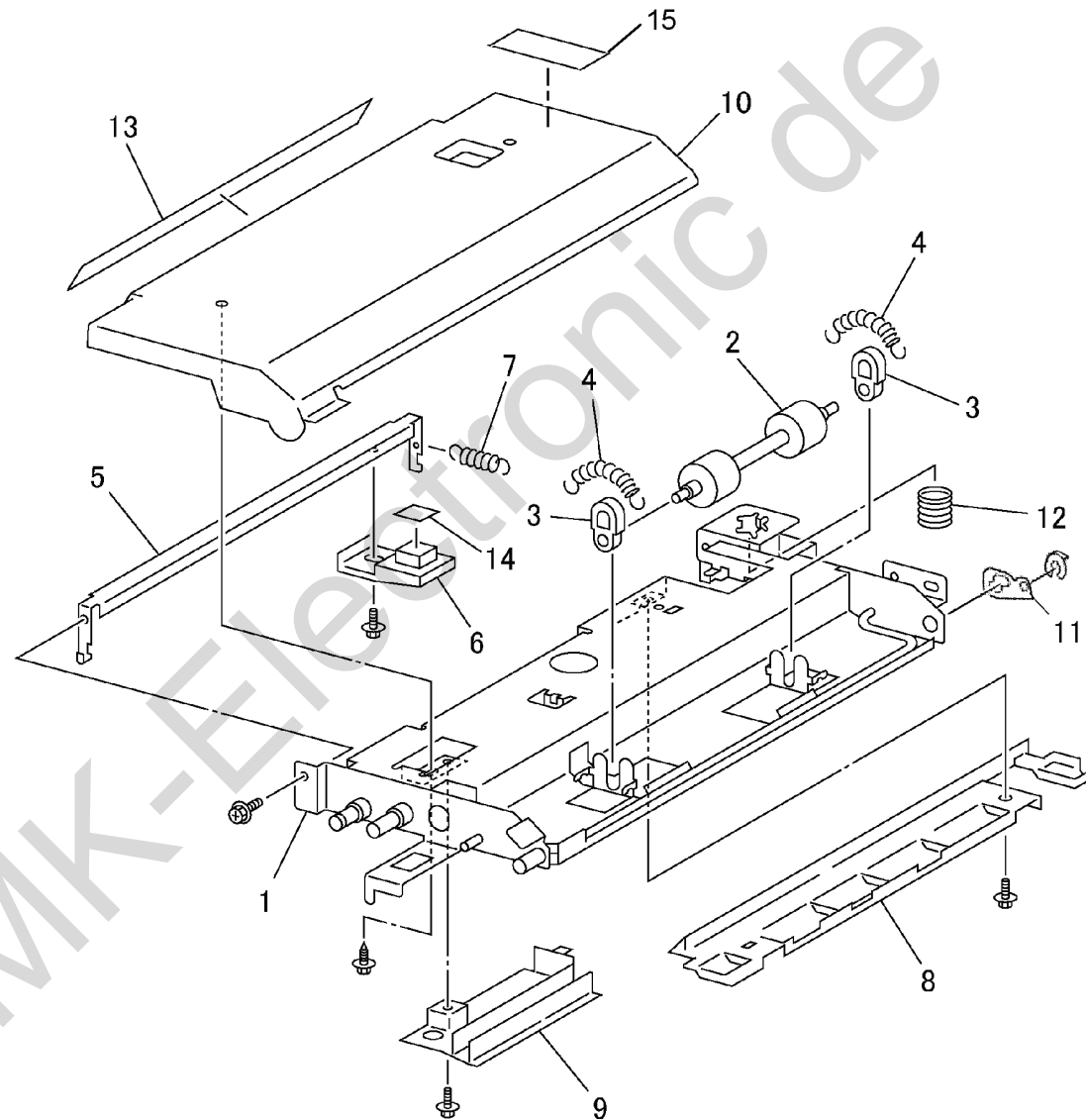
1 { 2-5



0517140B-OLY

PL 17.141 Feeder Component-1 (Upper)

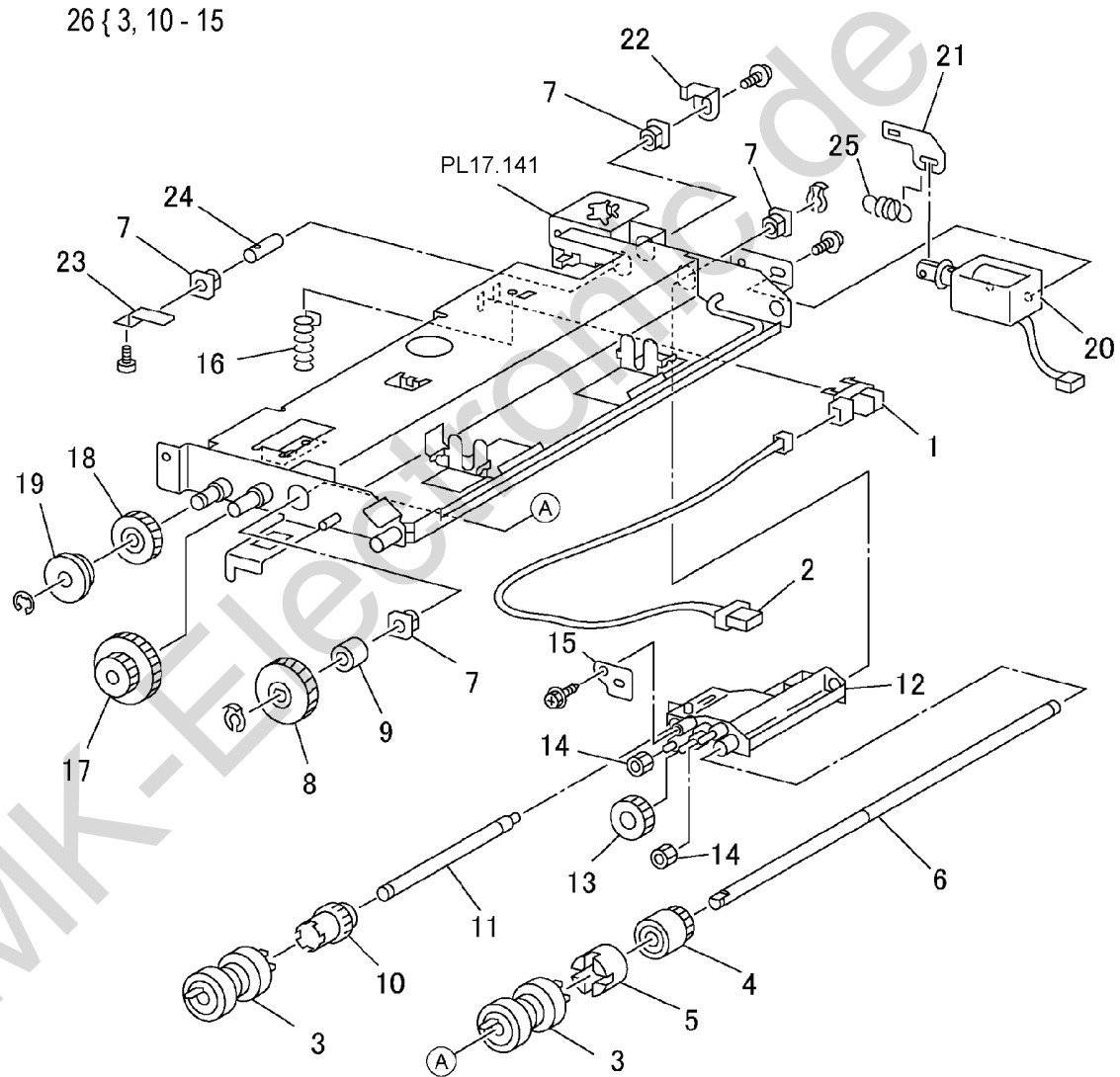
Item	Part	Description
1	-	Frame (Not Spared)
2	022K71210	Pinch Roll
3	013E83380	Bearing
4	809E41400	Spring
5	-	Latch Lever (Not Spared)
6	003E59590	Latch Button (Without Label)
7	809E18790	Spring
8	-	Latch Cover (P/O PL 17.140 Item 1)
9	-	Chute (P/O PL 17.140 Item 1)
10	802E61930	Upper Cover (Without Label)
11	003E63250	Stopper
12	809E63660	Spring
13	892E98390	Label (Paper Size)
14	893E56700	Label (1e)
15	893E49750	Label (Paper Set)



j0ne5k41

PL 17.142 Feeder Component-2 (Feed/Nudger)

Item	Part	Description
1	130K88770	Tray Up Sensor
2	-	Wire Harness (Not Spared)
3	604K12560	Roll Kit
4	007K88130	Gear
5	005K06720	Clutch
6	-	Shaft (P/O PL 17.140 Item 1)
7	-	Bearing (P/O PL 17.140 Item 1)
8	407W08578	Gear (28T)
9	-	Spacer (Not Spared)
10	-	Gear (P/O PL 17.142 Item 26) (25T)
11	-	Shaft (P/O PL 17.142 Item 26)
12	-	Support (P/O PL 17.142 Item 26)
13	-	Gear (P/O PL 17.142 Item 26) (31T)
14	-	Gear (P/O PL 17.142 Item 26) (14T)
15	-	Plate (P/O PL 17.142 Item 26)
16	809E41360	Spring
17	807E02090	Gear (30T/18T)
18	-	Gear (P/O PL 17.140 Item 1) (24T)
19	-	Collar (P/O PL 17.140 Item 1)
20	121K39350	Interposer Nudger Solenoid
21	012E15920	Arm
22	-	Link (P/O PL 17.140 Item 1)
23	-	Stopper (Not Spared)
24	-	Shaft (P/O PL 17.140 Item 1)
25	809E41510	Spring
26	022K67290	Nudger Roll Assembly (REP 17.26)



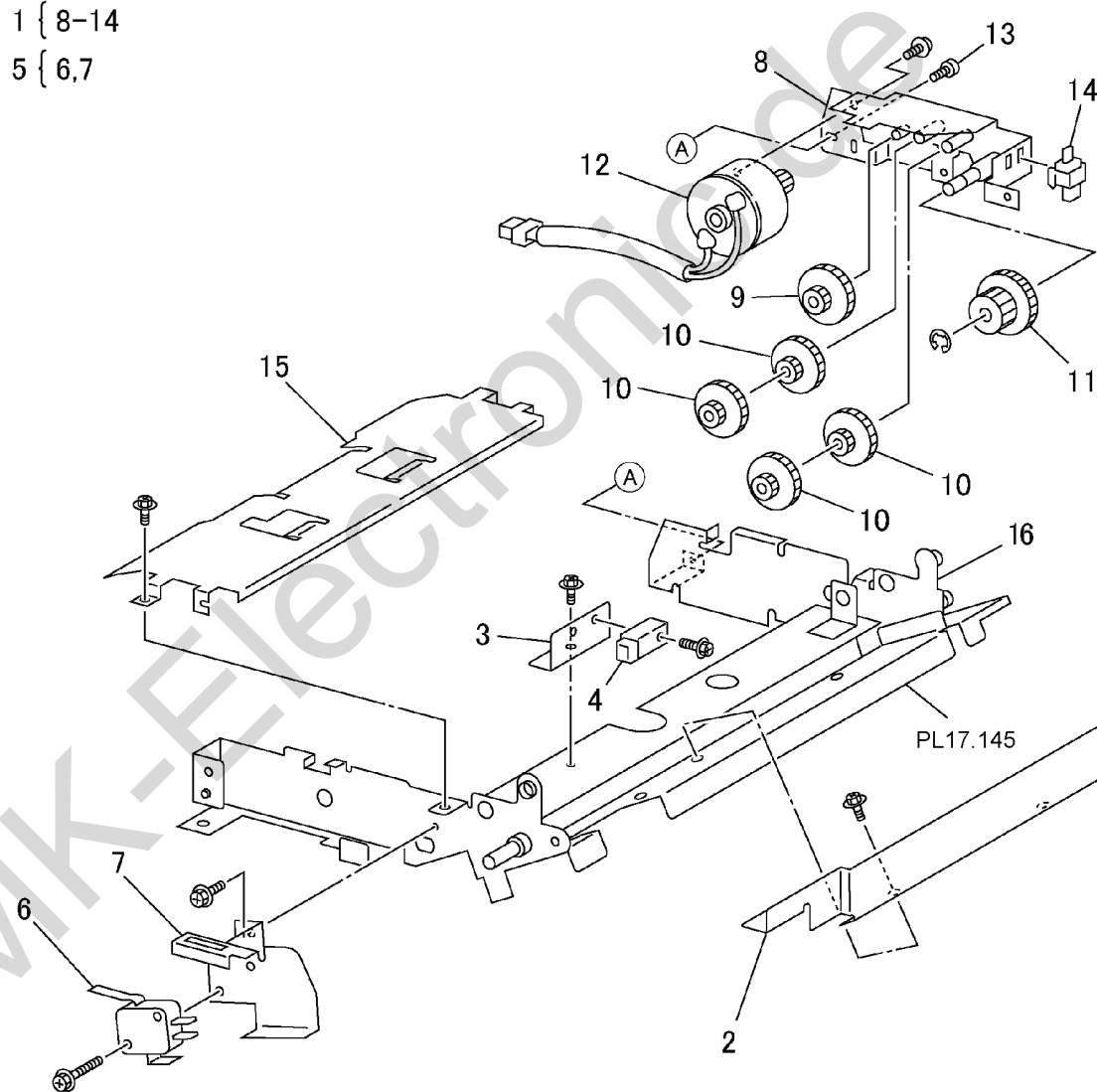
0517142A-FHJ

PL 17.143 Feeder Component-3 (U/D)

Item	Part	Description
1	068K53240	Interposer Tray U/D Motor Assembly
2	-	Plate (P/O PL 17.140 Item 1)
3	-	Bracket (P/O PL 17.140 Item 1)
4	130E87370	Interposer Feed Out Sensor
5	110K14910	Interposer Top Cover Interlock Switch Assembly
6	110E11590	Interposer Top Cover Interlock Switch
7	-	Bracket (P/O PL 17.143 Item 5)
8	-	Bracket (P/O PL 17.143 Item 1)
9	-	Gear (P/O PL 17.143 Item 1) (52T/11T)
10	-	Gear (P/O PL 17.143 Item 1) (31T/11T)
11	-	Gear (P/O PL 17.143 Item 1) (33T/14T)
12	-	Interposer Tray U/D Motor (P/O PL 17.143 Item 1)
13	-	Screw (P/O PL 17.143 Item 1)
14	110E93440	Interposer Top Cover Switch
15	-	Chute (P/O PL 17.140 Item 1)
16	-	Feeder Frame (P/O PL 17.140 Item 1)

1 { 8-14

5 { 6,7

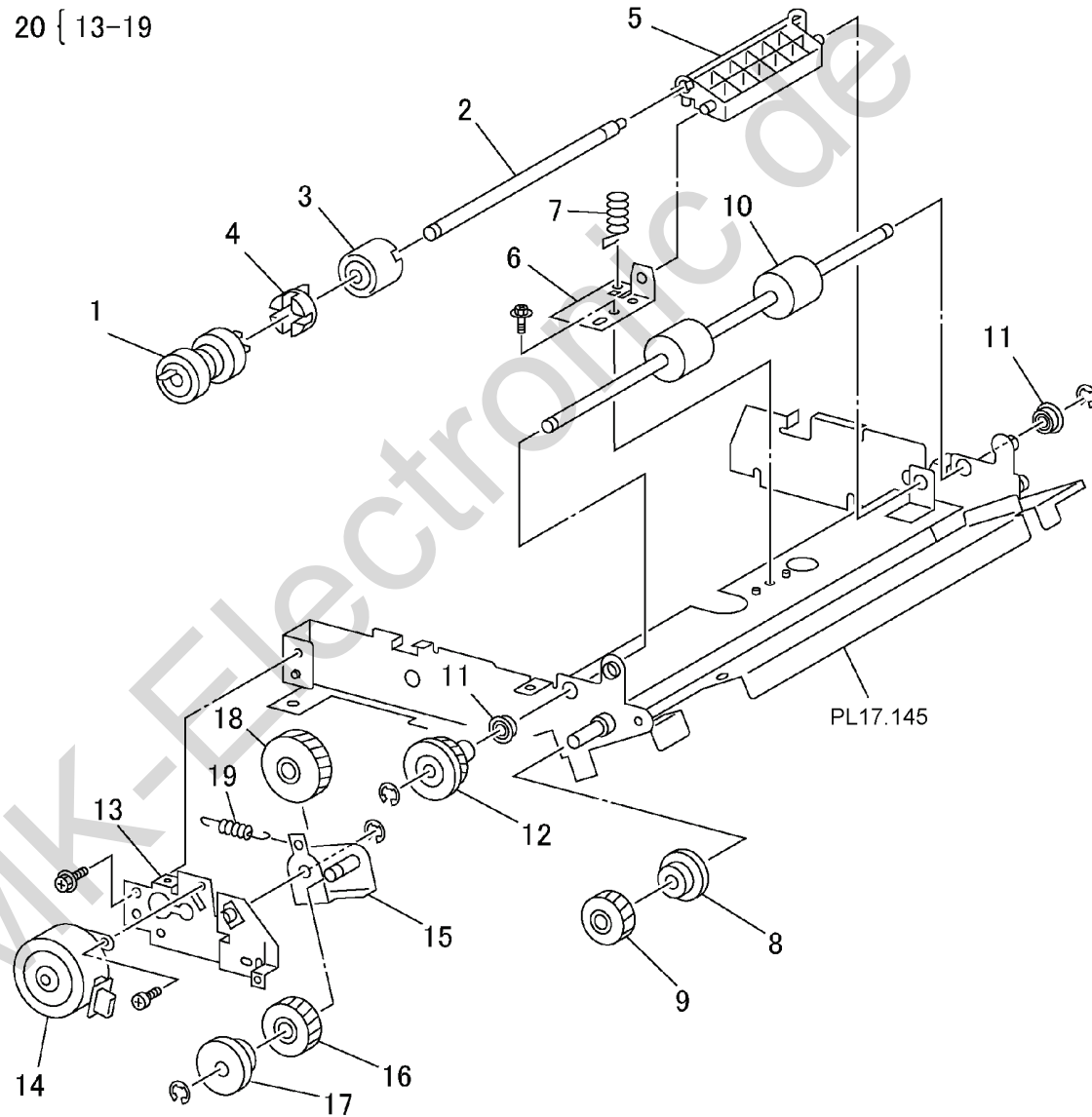


0517143A-FHJ

PL 17.144 Feeder Component-4 (Feed Motor)

Item	Part	Description
1	604K12560	Roll Kit (REP 17.27)
2	-	Shaft (P/O PL 17.140 Item 1)
3	005K06750	Clutch
4	-	Spacer (P/O PL 17.140 Item 1)
5	-	Support (P/O PL 17.140 Item 1)
6	-	Bracket (P/O PL 17.140 Item 1)
7	809E41500	Spring
8	-	Collar (P/O PL 17.140 Item 1)
9	407W08674	Gear (24T)
10	022K70910	Interposer Exit Roll
11	413W66250	Ball Bearing
12	007K89000	Gear (24T)
13	-	Bracket (P/O PL 17.144 Item 20)
14	-	Interposer Feed Motor (P/O PL 17.144 Item 20)
15	-	Bracket (P/O PL 17.144 Item 20)
16	-	Gear (P/O PL 17.144 Item 20) (24T)
17	-	Collar (P/O PL 17.144 Item 20)
18	-	Gear (P/O PL 17.144 Item 20) (30T)
19	809E41290	Tension Spring
20	068K53230	Interposer Feed Motor Assembly

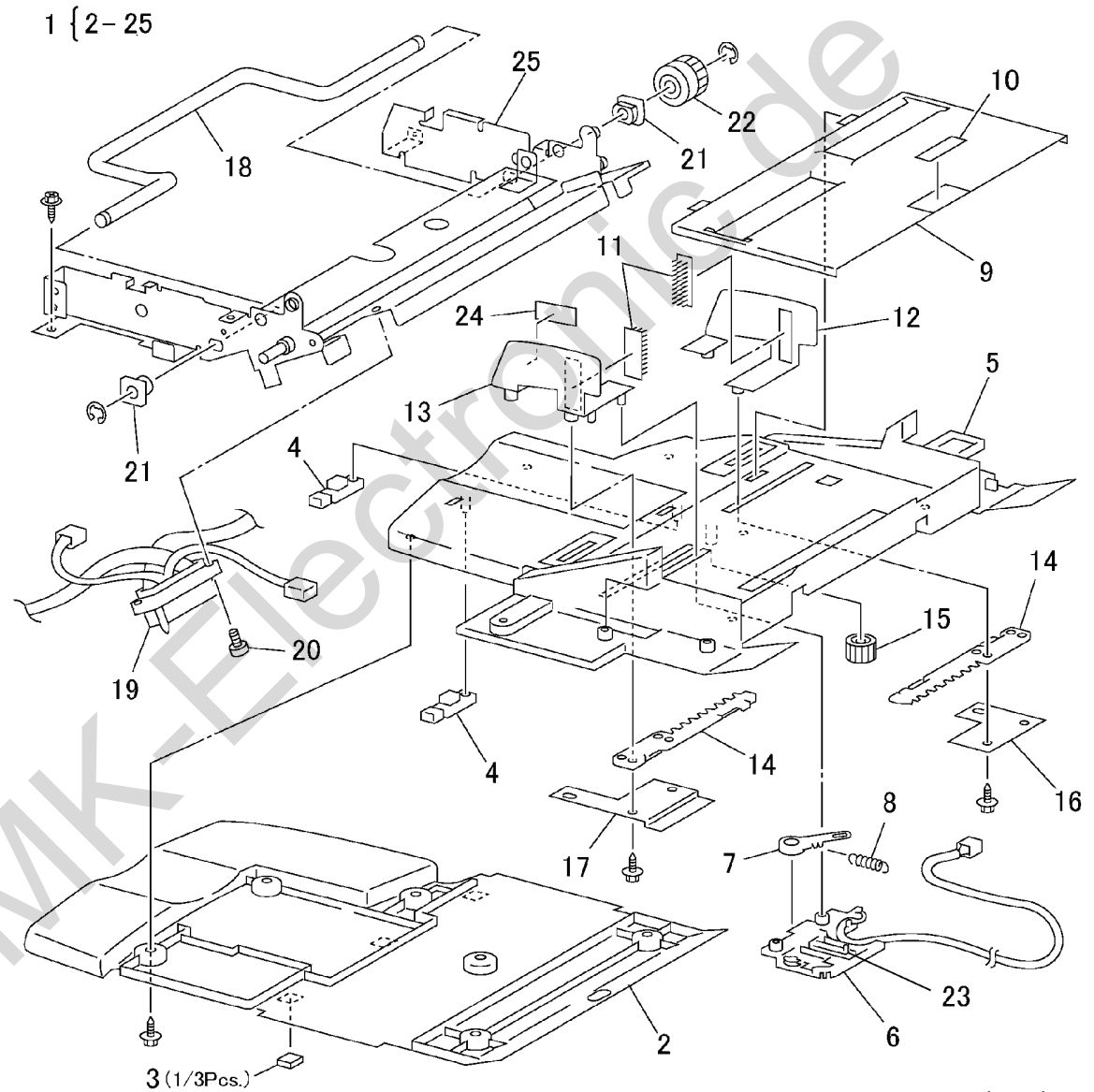
20 { 13-19



0517144A-FHJ

PL 17.145 Feeder Component-5 (Tray)

Item	Part	Description
1	050K58240	Tray Assembly
2	-	Interposer Tray 2 (P/O PL 17.145 Item 1)
3	-	Damper (P/O PL 17.145 Item 1)
4	130E87410	Interposer Length Sensor, No Paper Sensor
5	-	Interposer Tray 1 (P/O PL 17.145 Item 1)
6	-	Size Sensor (Not Spared)
7	012E98170	Link
8	809E60990	Spring
9	-	Bottom Plate (Not Spared)
10	019K93320	Pad
11	019E56240	Pad
12	038E32240	Front Guide
13	038E32250	Rear Guide
14	007E89900	Rack
15	407W07614	Gear (14T)
16	-	Bracket (P/O PL 17.145 Item 1)
17	-	Bracket (P/O PL 17.145 Item 1)
18	-	Lift Shaft (P/O PL 17.145 Item 1)
19	962K57880	Wire Harness
20	-	Screw (P/O PL 17.145 Item 1)
21	-	Bearing (P/O PL 17.145 Item 1)
22	007K88140	Gear (14T)
23	-	Size Sensor Assembly (Not Spared)
24	893E56670	Label (Max)
25	-	Frame (P/O PL 17.145 Item 1)

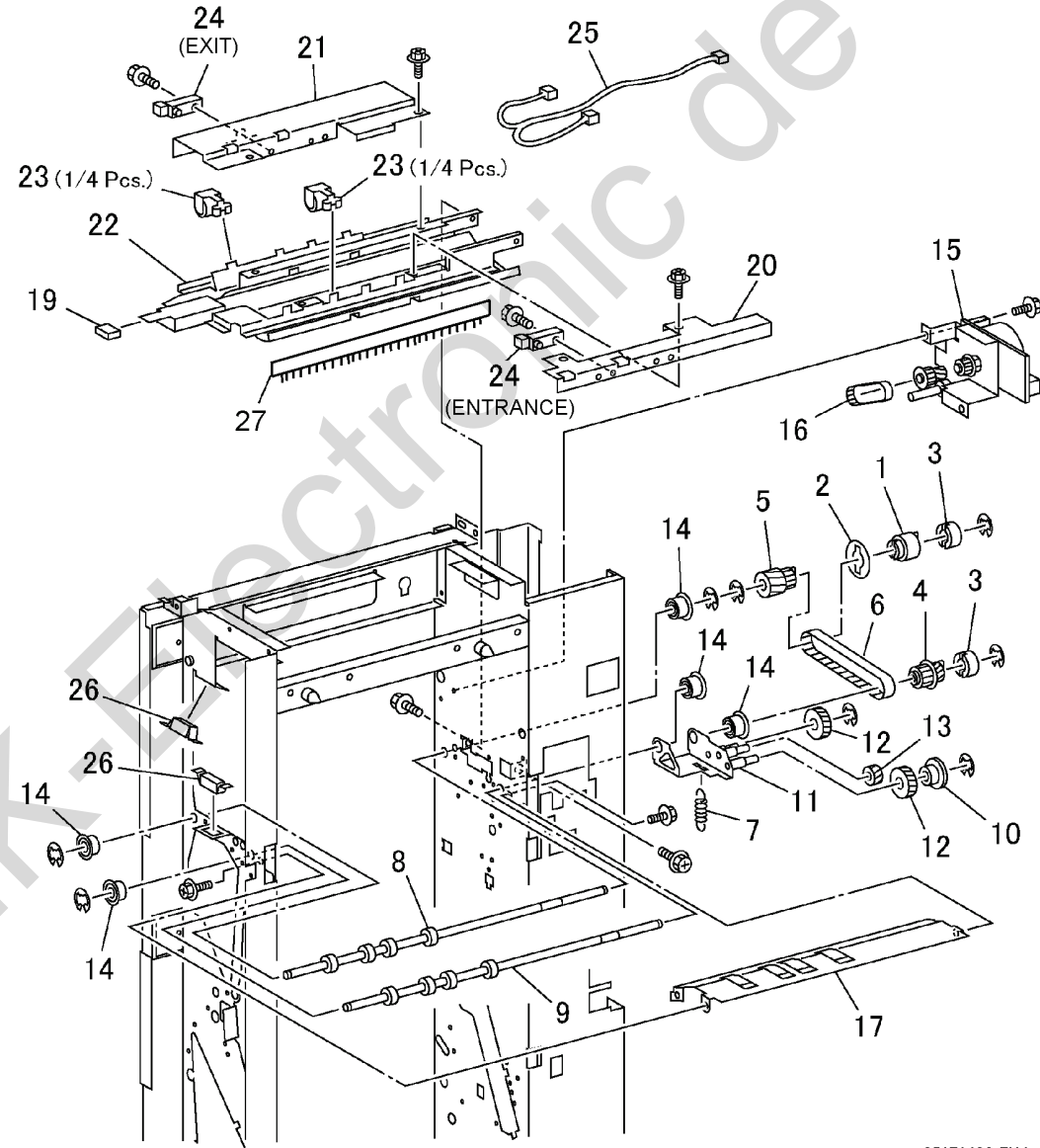


j0ne5k45

PL 17.146 Folder Component-1 (Upper)

18 { 19- 25

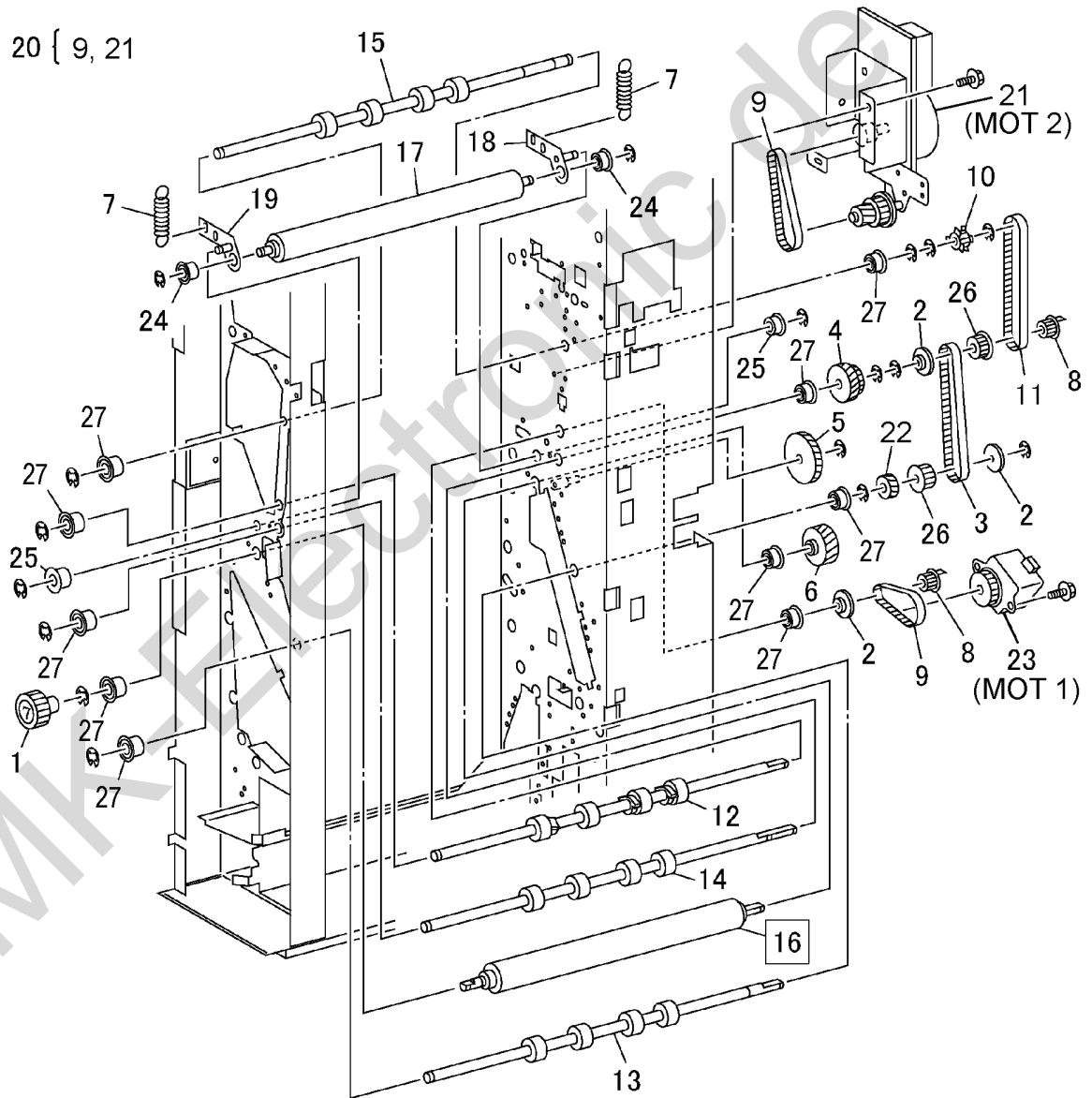
Item	Part	Description
1	005E17540	Clutch
2	005E17740	Collar
3	005K06730	One Way Clutch
4	007E89950	Gear (24T/24T)
5	007E89960	Gear (32T/24T)
6	423W50454	Belt
7	809E41470	Spring
8	022K70821	Folder Entrance Roll
9	022K70830	Folder Exit Roll
10	005E17700	Collar
11	-	Bracket (P/O PL 17.101 Item 22)
12	407W08840	Gear (40T)
13	407W08870	Gear (20T)
14	413W88650	Ball Bearing
15	068K53370	Folder Entrance Motor
16	423W45954	Belt
17	-	Exit Chute (P/O PL 17.101 Item 22)
18	054K23431	Top Chute Assembly
19	003K14200	Lever (2a)
20	-	Bracket (P/O PL 17.146 Item 18)
21	-	Bracket (P/O PL 17.146 Item 18)
22	-	Top Chute (P/O PL 17.146 Item 18)
23	059K00521	Pinch Roll
24	130E87370	Folder Entrance Sensor, Folder Exit Sensor
25	962K57890	Wire Harness
26	-	Magnet (Not Spared)
27	-	Static Eliminator (Not Spared)



0517146A-FHJ

PL 17.147 Folder Component-2 (Middle-Roll)

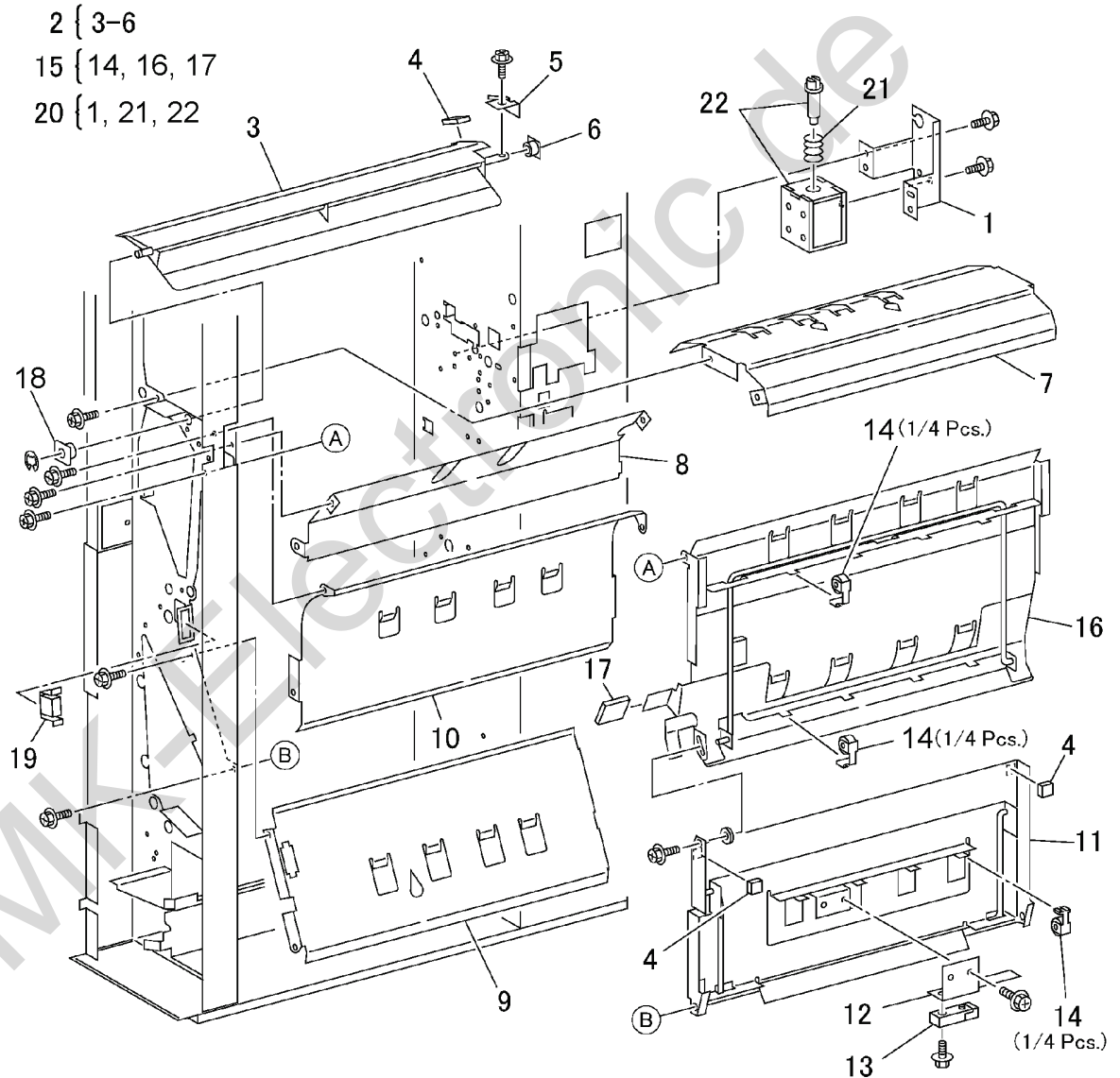
Item	Part	Description
1	003K14100	Knob (2c)
2	005E17720	Collar
3	423W52854	Belt
4	007E89930	Gear (45T/24T)
5	007E89940	Gear (74T)
6	007E77710	Gear (45T)
7	809E41391	Spring
8	020E36470	Pulley
9	423W51354	Belt
10	020K10500	Pulley
11	423W45954	Belt
12	022K70841	Folder Transport Roll 1
13	022K70850	Folder Transport Roll 5
14	022K70860	Folder Transport Roll 6
15	022K70871	Folder Transport Roll 7
16	022K74830	Folder Roll 1 (REP 17.28)
17	022K74840	Nip Roll
18	015K60750	Arm
19	015K60760	Arm
20	068K53340	Folder Drive Motor 2 Assembly
21	-	Folder Drive Motor 2 (MOT 2) (P/O PL 17.147 Item 20)
22	-	Gear (Not Spared)
23	127K37580	Folder Drive Motor 1 (MOT 1)
24	413W08650	Ball Bearing
25	-	Bearing (Not Spared)
26	499W14433	Pulley
27	413W88650	Ball Bearing



0517147A-FHJ

PL 17.148 Folder Component-3 (Middle-Chute 1)

Item	Part	Description
1	-	Bracket (P/O PL 17.148 Item 20)
2	050K58220	Top Gate Assembly
3	-	Top Gate (P/O PL 17.148 Item 2)
4	-	Damper (P/O PL 17.148 Item 2)
5	-	Arm (P/O PL 17.148 Item 2)
6	413W11660	Bearing
7	-	Chute (P/O PL 17.101 Item 22)
8	-	Chute (P/O PL 17.101 Item 22)
9	-	Chute (P/O PL 17.101 Item 22)
10	-	Chute (P/O PL 17.101 Item 22)
11	-	Chute (P/O PL 17.101 Item 22)
12	-	Bracket (P/O PL 17.101 Item 22)
13	130E87370	Folder Path Sensor 4
14	059K00521	Pinch Roll
15	054K28560	Chute Assembly
16	-	Chute (P/O PL 17.148 Item 15)
17	003K14240	Lever (2g)
18	-	Sleeve Bearing (P/O PL 17.101 Item 22)
19	121E92720	Magnet
20	121K31591	Folder Gate Solenoid Assembly
21	-	Spring (P/O PL 17.148 Item 20)
22	-	Folder Gate Solenoid 1 (P/O PL 17.148 Item 20)

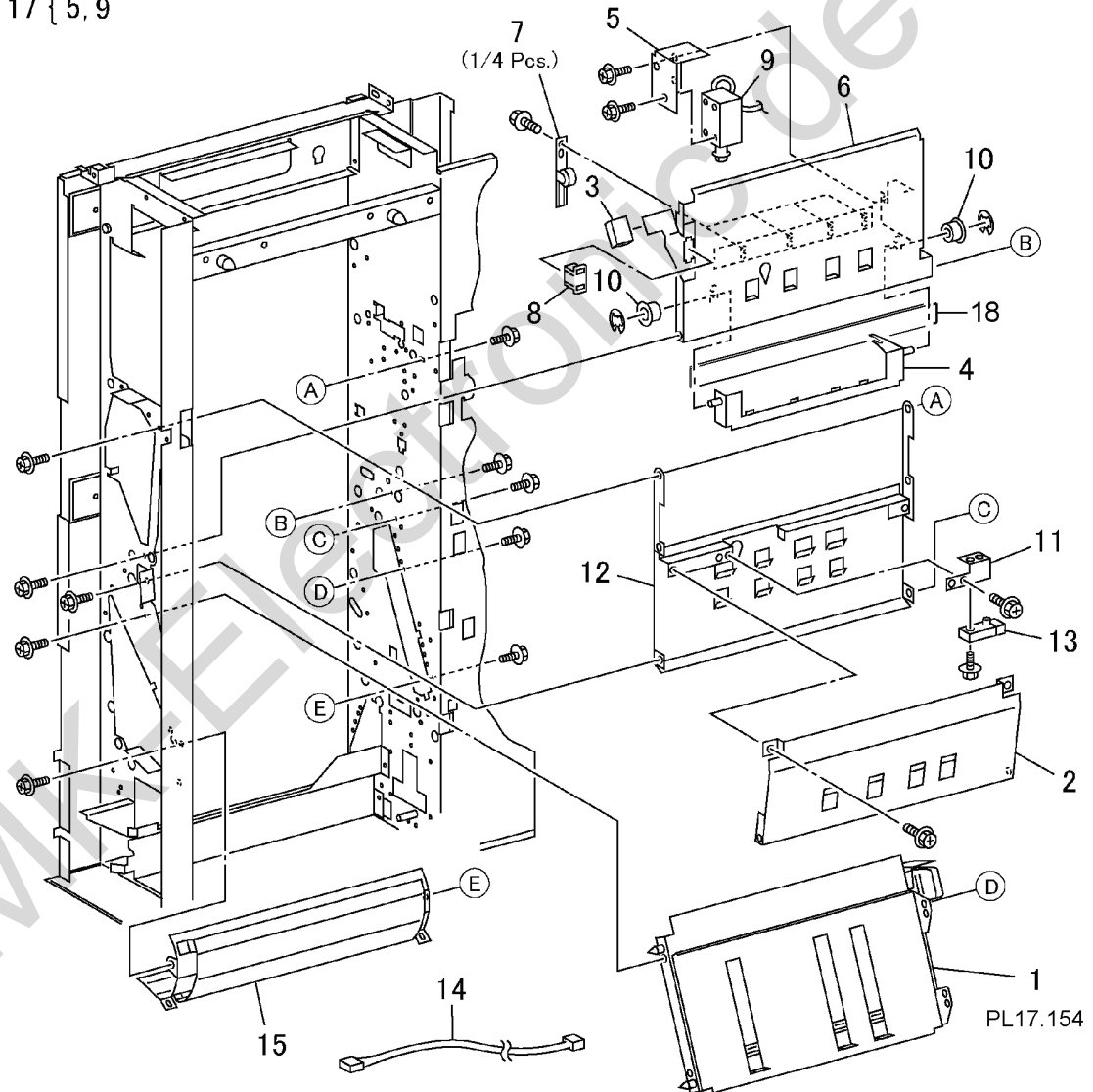


0517148A-FHJ

PL 17.149 Folder Component-4 (Middle-Chute 2)

Item	Part	Description
1	038K89541	End Guide 1 (REP 17.29)
2	-	Chute (Not Spared)
3	003K14210	Lever (2b)
4	-	Arm (P/O PL 17.149 Item 16)
5	-	Bracket (P/O PL 17.149 Item 5, PL 17.149 Item 17)
6	-	Chute (P/O PL 17.149 Item 16)
7	059K46030	Pinch Roll
8	-	Magnet (P/O PL 17.149 Item 17)
9	-	Nip Release Solenoid (P/O PL 17.149 Item 17)
10	413W42659	Bearing
11	-	Bracket (Not Spared)
12	-	Chute (Not Spared)
13	130E87370	Folder Path Sensor 1
14	962K57980	Wire Harness
15	-	Chute (Not Spared)
16	054K33620	Chute Assembly
17	068K53320	Nip Release Solenoid Assembly
18	-	Chute Guide (Not Spared)

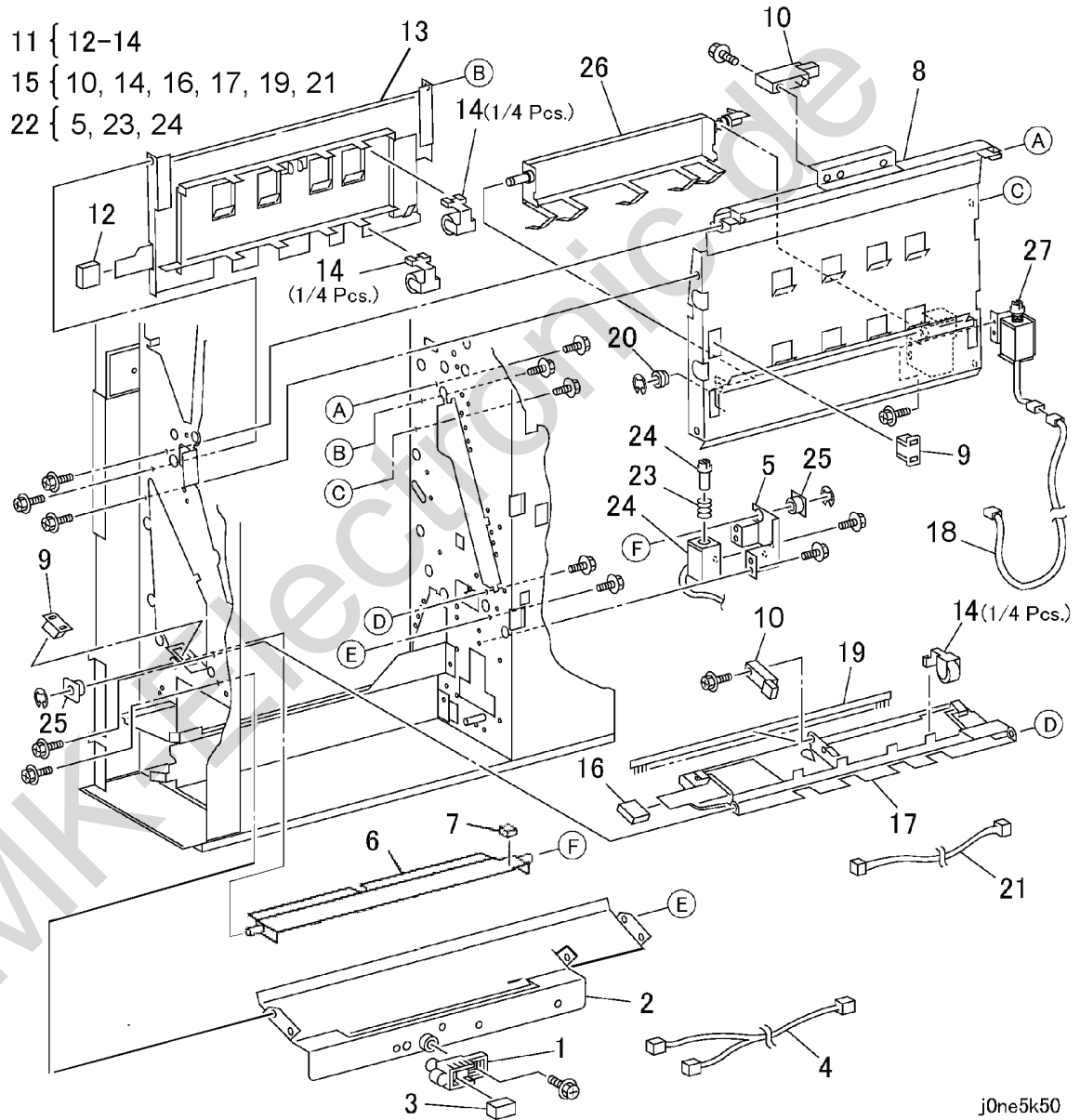
16 { 3-10, 18
17 { 5, 9



0517149A-FHJ

PL 17.150 Folder Component-5 (Lower-Chute)

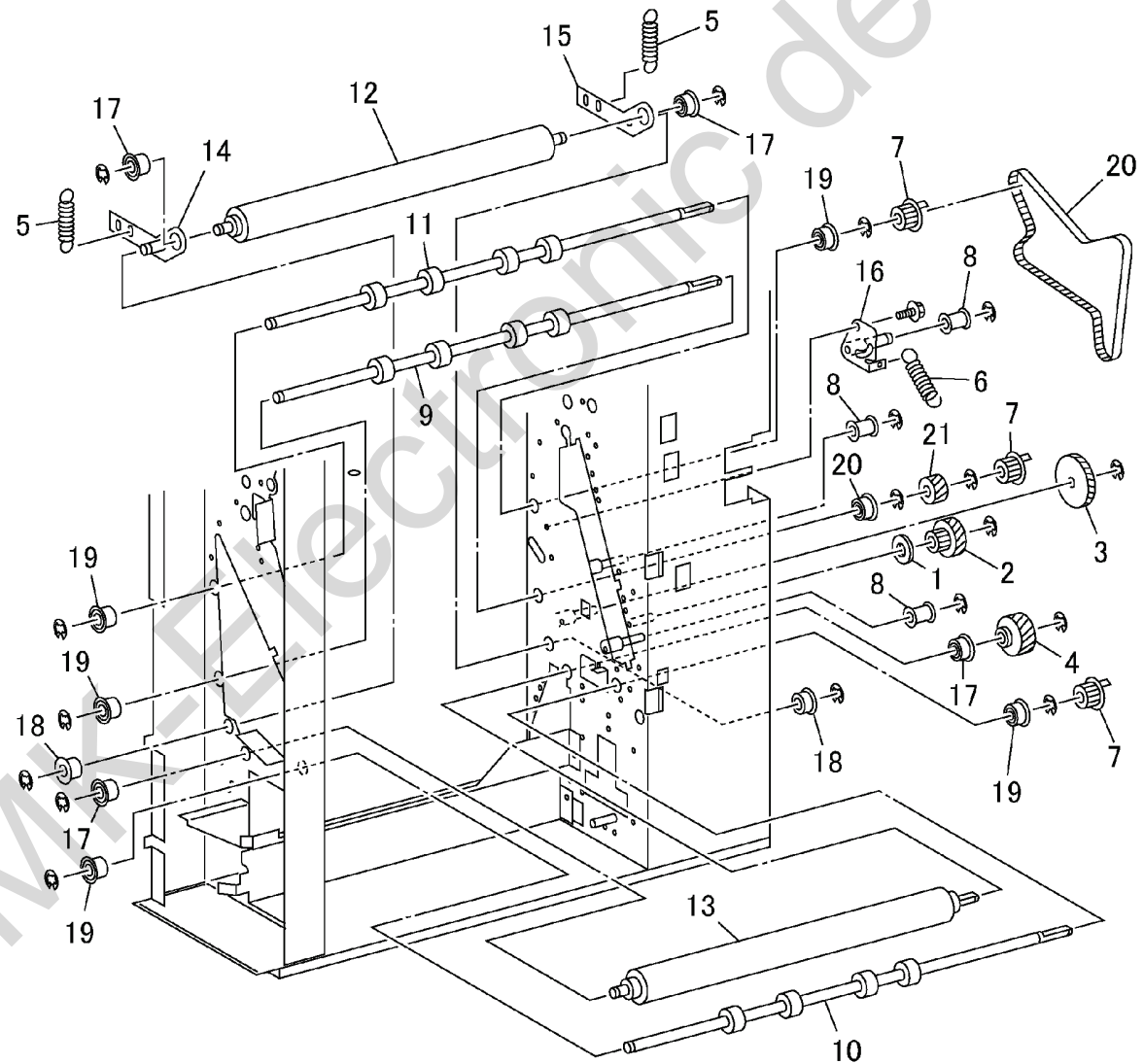
Item	Part	Description
1	-	Holder (Not Spared)
2	-	Chute (P/O PL 17.101 Item 22)
3	-	Envelop Tray Full Sensor (P/O PL 17.101 Item 22)
4	962K57911	Wire Harness
5	-	Bracket (P/O PL 17.150 Item 22)
6	050K58211	Lower Gate
7	-	Damper (P/O PL 17.101 Item 22)
8	-	Chute (P/O PL 17.101 Item 22)
9	-	Magnet (P/O PL 17.101 Item 22)
10	130E92990	Folder Path Sensor 2, Folder Path Sensor 3
11	054K28540	Chute Assembly
12	003K14220	Lever (2c)
13	-	Chute (P/O PL 17.150 Item 11)
14	059K00521	Pinch Roll
15	054K33631	Chute Assembly
16	003K14320	Lever (2f)
17	-	Chute (P/O PL 17.150 Item 15)
18	-	Wire Harness (P/O PL 17.101 Item 22)
19	105E12060	Eliminator
20	-	Sleeve Bearing (P/O PL 17.101 Item 22)
21	962K57901	Wire Harness
22	-	Folder Gate Solenoid 2 Assembly (P/O PL 17.101 Item 22)
23	-	Spring (P/O PL 17.150 Item 22)
24	-	Folder Gate Solenoid 2 (P/O PL 17.150 Item 22)
25	413W11660	Bearing
26	019K07382	Finger Assembly
27	068K53330	Folder C Solenoid



j0ne5k50

PL 17.151 Folder Component-6 (Lower-Roll)

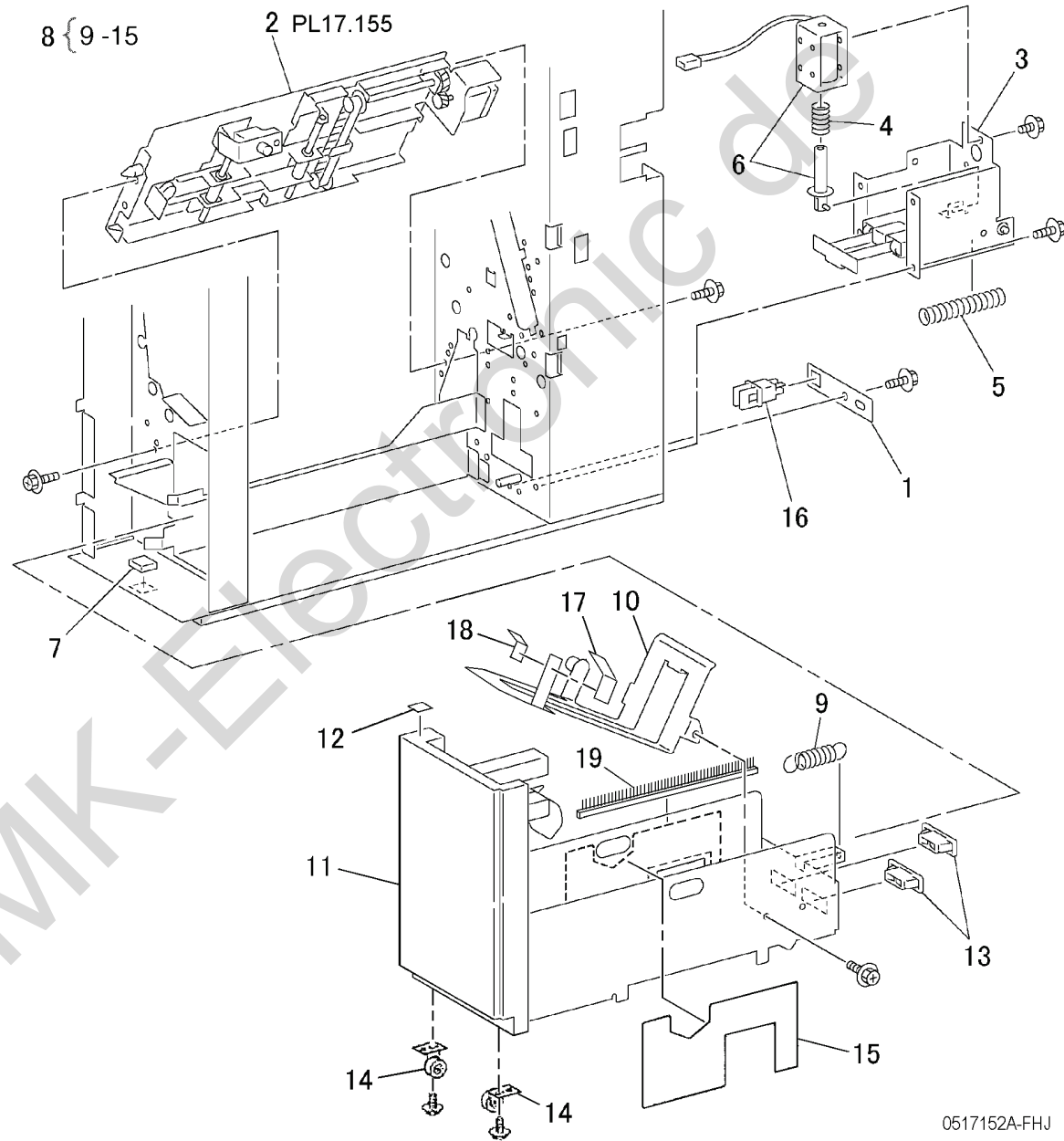
Item	Part	Description
1	005E84300	Collar
2	007E89780	Gear Pulley (27T/18T)
3	007E89940	Gear (74T)
4	007E77710	Gear (45T)
5	809E41391	Spring
6	809E41640	Spring
7	020E36470	Pulley
8	020E25141	Pulley
9	022K70881	Folder Transport Roll 3
10	022K70891	Folder Transport Roll 4
11	022K70900	Folder Transport Roll 2
12	022K74840	Nip Roll
13	022K74850	Folder Roll 2 (REP 17.30)
14	015K60750	Arm
15	015K60760	Arm
16	-	Bracket (Not Spared)
17	413W08650	Ball Bearing
18	-	Bearing (Not Spared)
19	413W88650	Ball Bearing
20	423W59754	Belt
21	407W08774	Gear



0517151A-FHJ

PL 17.152 Folder Component-7 (End Guide 2, Tray)

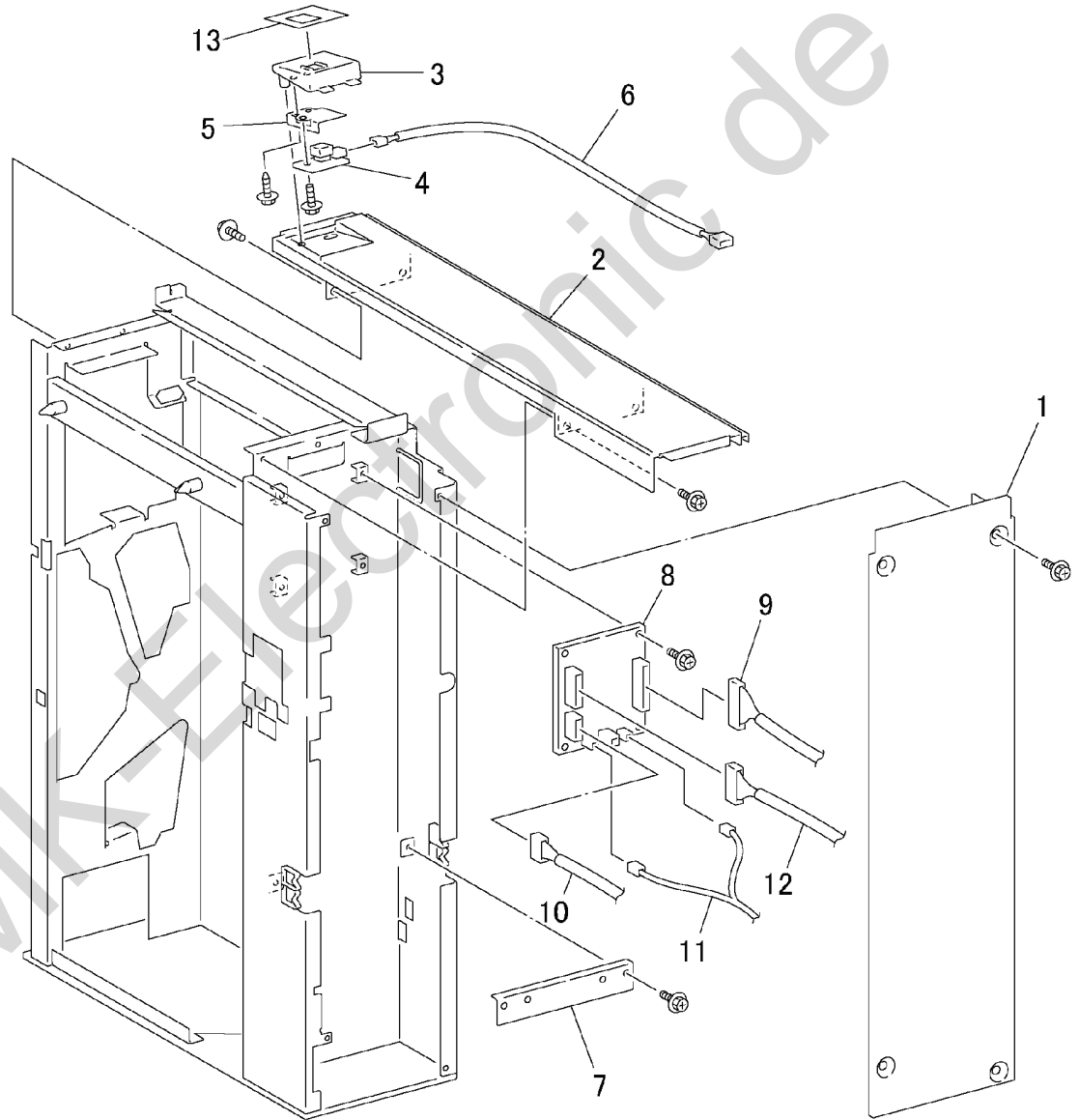
Item	Part	Description
1	809E41490	Plate Spring
2	038K89550	End Guide 2 (REP 17.31)
3	-	Bracket (Not Spared)
4	809E63750	Spring
5	809E41610	Spring
6	121K31411	Envelope Tray Lock Solenoid
7	-	Pad (Not Spared)
8	050K56681	Tray Assembly
9	809E61000	Spring
10	-	Plate (P/O PL 17.152 Item 8)
11	-	Tray (P/O PL 17.152 Item 8)
12	893E56710	Label (2d)
13	-	Magnet (P/O PL 17.152 Item 8)
14	-	Caster Assembly
15	-	Guide (P/O PL 17.152 Item 8)
16	110E97990	Folder Envelope Tray Switch
17	038K89230	Guide Assembly - Tray 1
18	038K89240	Guide Assembly - Tray 2
19	105E12060	Static Eliminator



0517152A-FHJ

PL 17.153 Folder Component-8 (PWB, Cover)

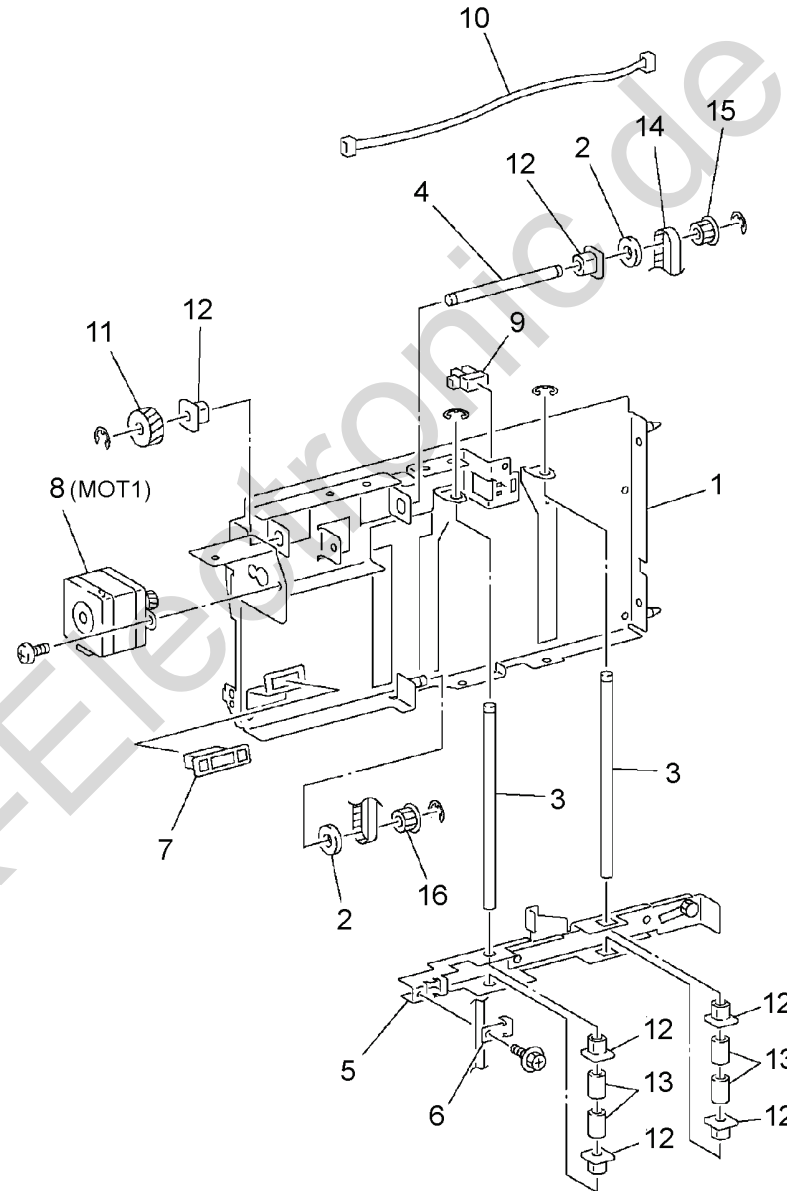
Item	Part	Description
1	802E54310	Rear Cover
2	848E09010	Top Cover
3	802E54440	Switch Cover (Without Label)
4	110K11790	Envelop Tray Open Switch
5	-	Bracket (P/O PL 17.101 Item 22)
6	962K58000	Wire Harness
7	-	Plate (P/O PL 17.101 Item 22)
8	160K95432	Folder PWB
9	-	Wire Harness (P/O PL 17.101 Item 22)
10	-	Wire Harness (P/O PL 17.101 Item 22)
11	-	Wire Harness (P/O PL 17.101 Item 22)
12	962K58050	Wire Harness
13	893E49710	Label



j0ne5k53

PL 17.154 End Guide 1

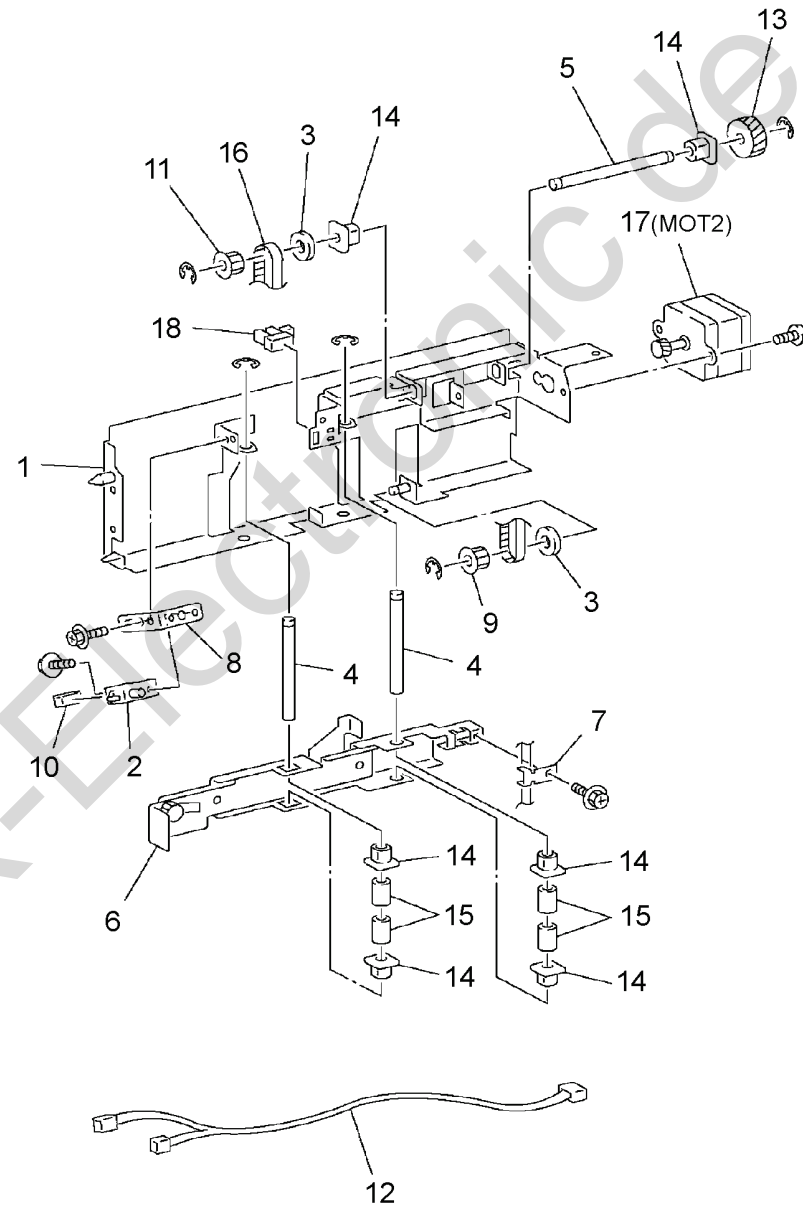
Item	Part	Description
1	-	End Guide 1 Frame (P/O PL 17.149 Item 1)
2	-	Collar (P/O PL 17.149 Item 1)
3	-	Shaft (P/O PL 17.149 Item 1)
4	-	Shaft (P/O PL 17.149 Item 1)
5	-	End Guide 1 Plate (P/O PL 17.149 Item 1)
6	-	Belt Bracket (P/O PL 17.149 Item 1)
7	121E92720	Magnet
8	127K37571	End Guide Motor 1 (MOT 1), End Guide Motor 2 (MOT 2)
9	130K88780	End Guide Home Sensor 1
10	962K57920	Wire Harness
11	-	Gear (P/O PL 17.149 Item 1) (24T)
12	-	Bearing (P/O PL 17.149 Item 1)
13	-	Roll (P/O PL 17.149 Item 1)
14	423W38854	Belt
15	-	Pulley (P/O PL 17.149 Item 1)
16	-	Pulley (P/O PL 17.149 Item 1)



j0ne5k54

PL 17.155 End Guide 2

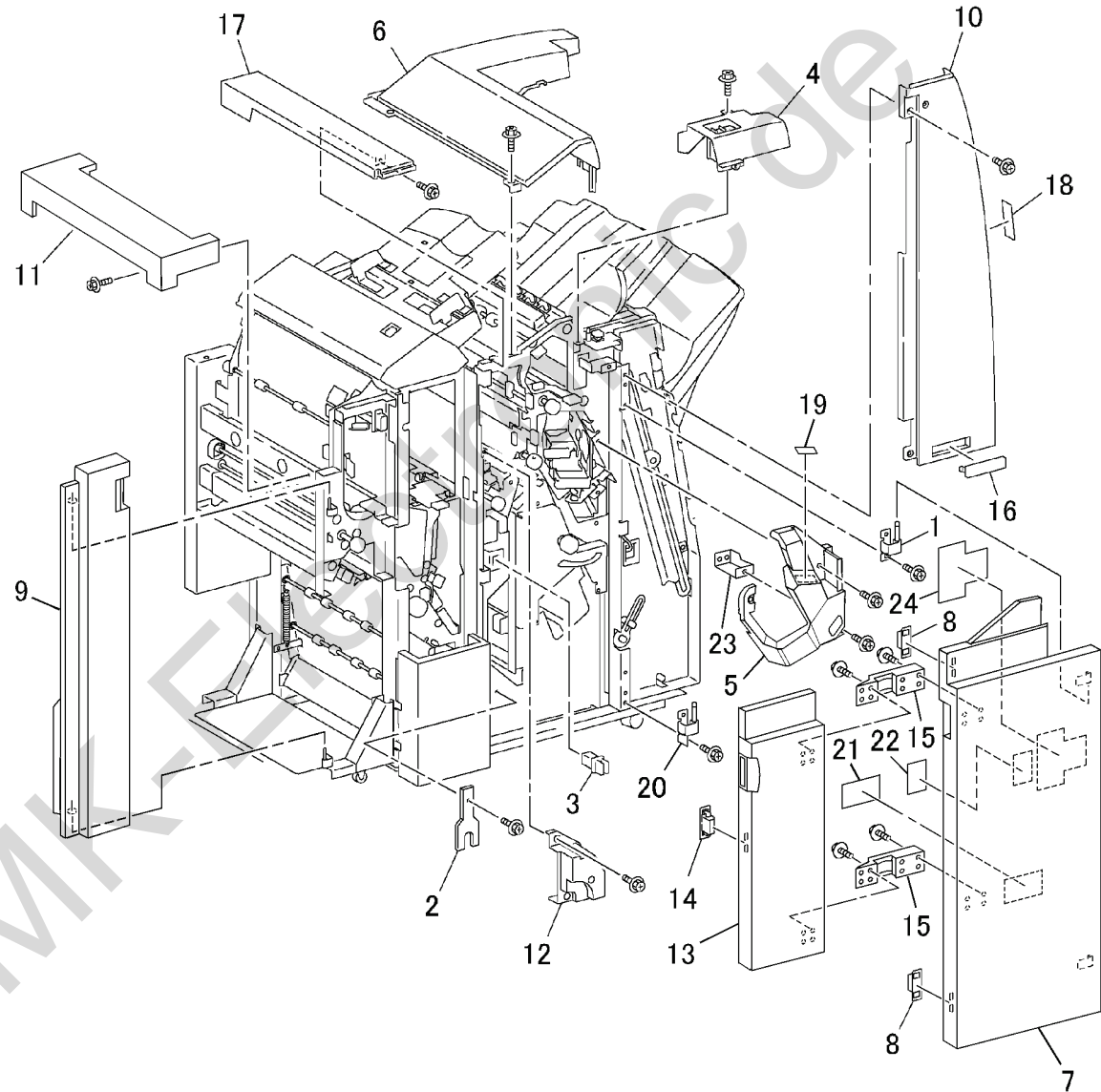
Item	Part	Description
1	-	End Guide 2 Frame (P/O PL 17.152 Item 2)
2	-	Holder (P/O PL 17.152 Item 2)
3	-	Collar (P/O PL 17.152 Item 2)
4	-	Shaft (P/O PL 17.152 Item 2)
5	-	Shaft (P/O PL 17.152 Item 2)
6	-	End Guide 2 (P/O PL 17.152 Item 2)
7	-	Belt Buckle (P/O PL 17.152 Item 2)
8	-	Bracket (P/O PL 17.152 Item 2)
9	-	Pulley (P/O PL 17.152 Item 2)
10	130E89230	Pulley
11	-	Pulley (P/O PL 17.152 Item 2)
12	962K57930	Wire Harness
13	-	Gear (P/O PL 17.152 Item 2)
14	-	Bearing (P/O PL 17.152 Item 2)
15	-	Roll (P/O PL 17.152 Item 2)
16	423W30054	Belt
17	127K37571	End Guide Motor 2
18	130K88780	End Guide Sensor 2



j0ne5k60

PL 17.156 Cover-1 (Front, Top)

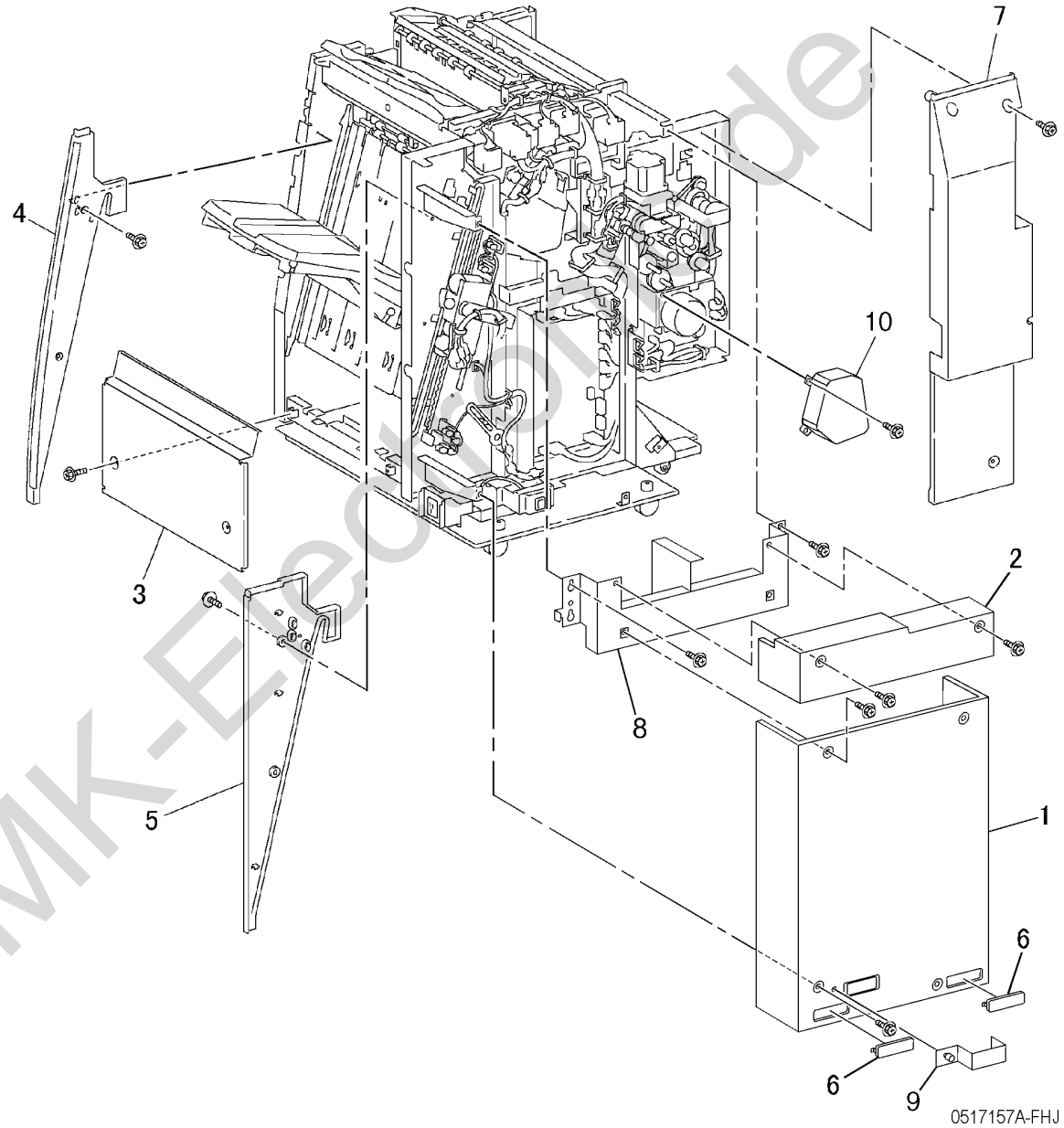
Item	Part	Description
1	-	Hinge (Not Spared)
2	093E03270	Wrench
3	110E97990	Finisher Front Door Switch
4	802E77750	Stacker Front Top Cover
5	802K90830	Staple Inner Cover
6	802K52890	Finisher Top Cover (REP 17.32)
7	802K90840	Finisher Front Door (Base)
8	121E88470	Magnet
9	848K03880	I/F Module Front Door
10	802K52920	Front Cover
11	848E04730	I/F Module Top Cover
12	802K52950	Punch Inner Cover
13	802K74371	Folder Front Cover
14	121E92720	Magnet
15	849E67990	Joint Bracket
16	802E75020	Blind Cover
17	802E77740	Finisher Top Left Cover
18	-	Label (Not Spared)
19	-	Label (Not Spared)
20	030K76830	Switch Bracket Assembly
21	893E49690	Label (Booklet)
22	-	Label (Not Spared)
23	-	Bracket (Not Spared)
24	-	Label (Not Spared)



0517156A-FHJ

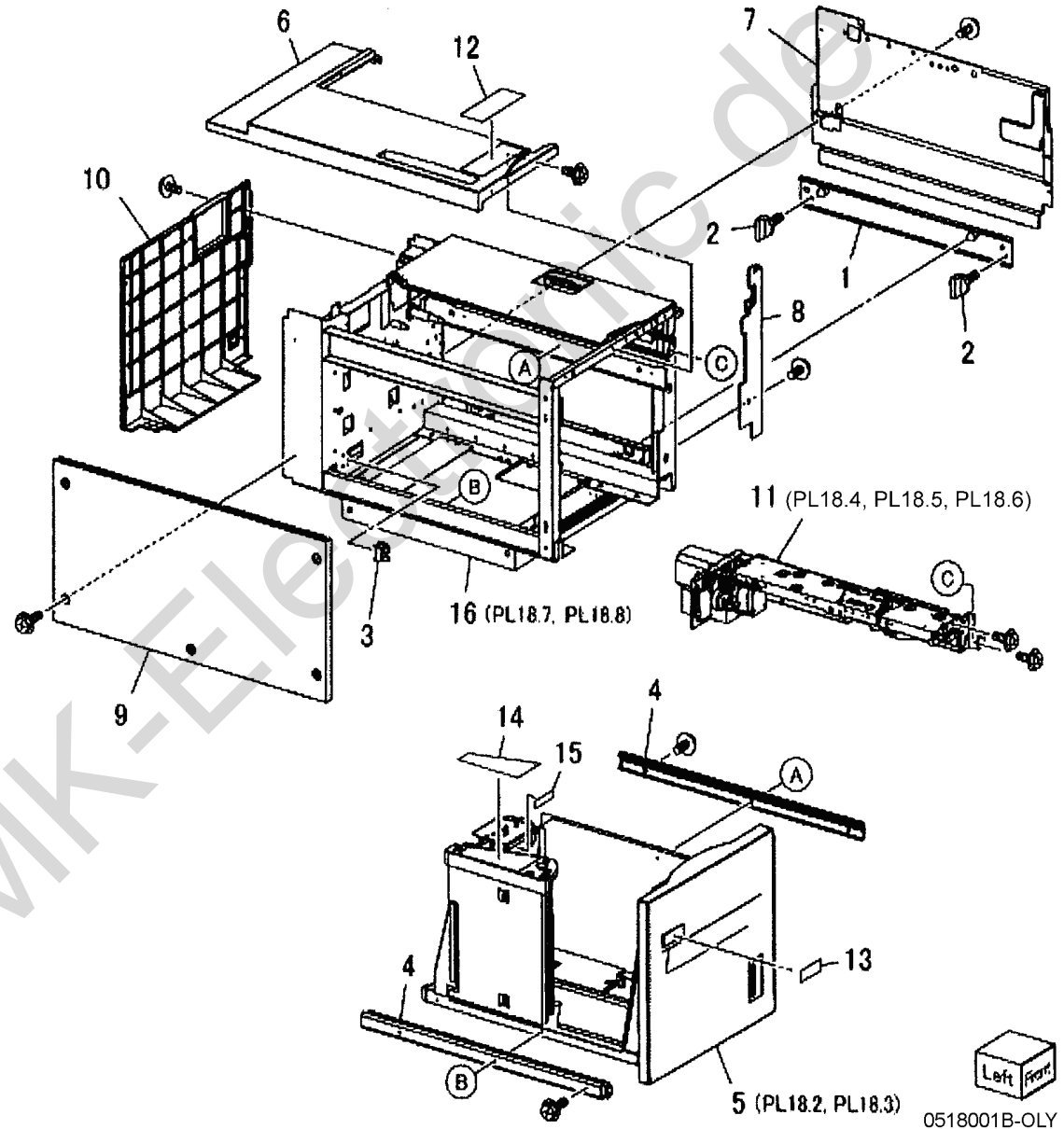
PL 17.157 Cover-2 (Rear, Right)

Item	Part	Description
1	848K08810	Finisher Rear Cover
2	802E83110	Stacker Right Lower Cover
3	802E54370	Stacker Inside Front Upper Cover
4	802E54380	Stacker Inside Rear Upper Cover
5	802E54400	Blind Cover
6	802E77760	Rear Cover
7	802K99110	I/F Module Rear Cover
8	-	Cover Bracket (Not Spared)
9	-	Power Cord Connector Bracket (Not Spared)
10	848E09070	Staple Rear Cover



PL 18.1 HCF Unit

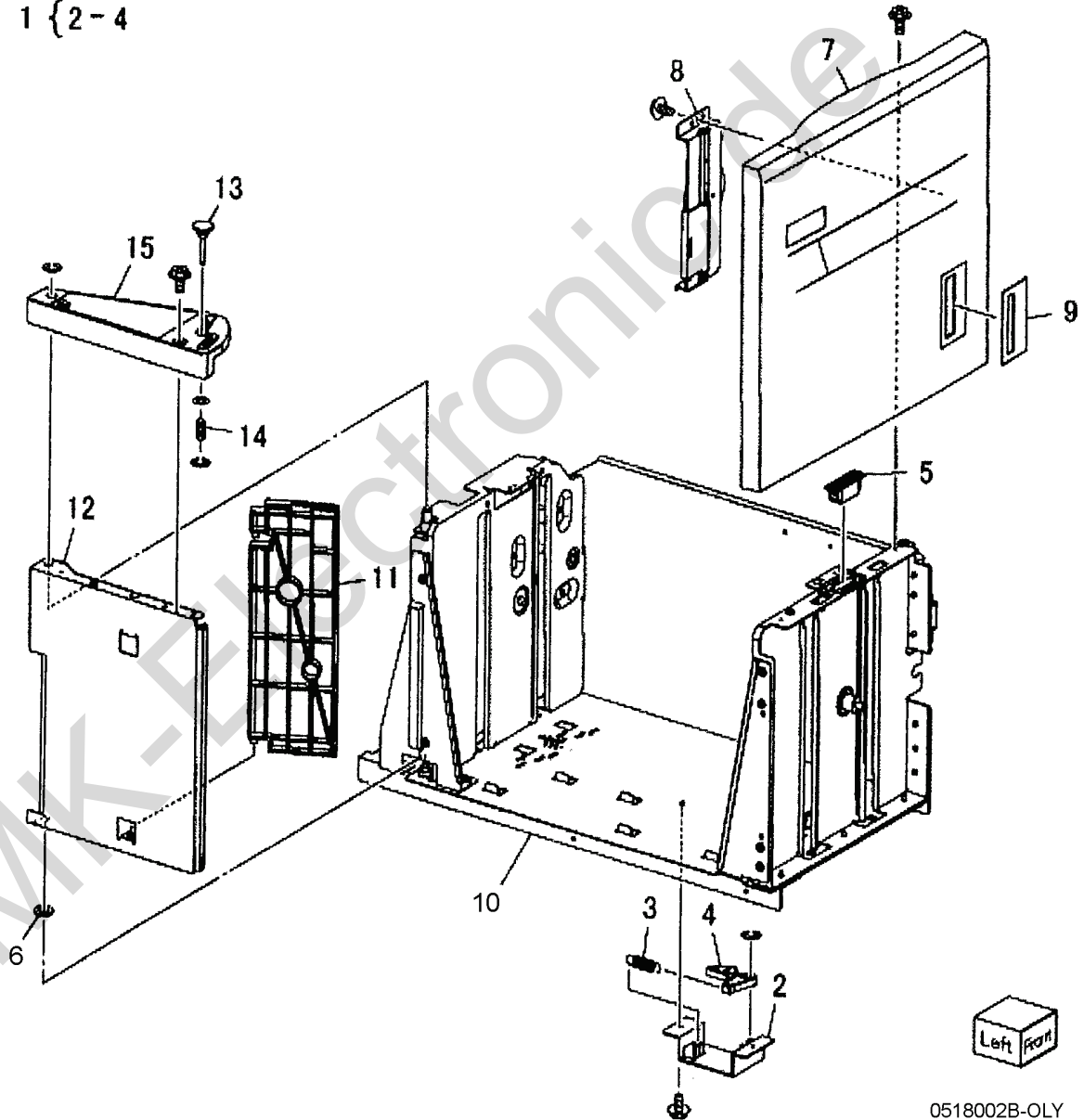
Item	Part	Description
1	-	Joint Plate (Not Spared)
2	003K91881	Knob
3	130K55590	HCF Tray Set Sensor
4	801K15700	Tray Rail
5	050K51972	HCF Tray 6 (REP 7.1)
6	-	Left Top Cover (Not Spared)
7	-	Right Cover (Not Spared)
8	-	Front Right Cover (Not Spared)
9	-	Left Cover (Not Spared)
10	-	Rear Cover (Not Spared)
11	059K53384	HCF Feeder (REP 7.2)
12	-	Label (Top) (Not Spared)
13	893E46190	Label (Tray Number)
14	893E46210	Label (End)
15	893E46200	Label (Size)
16	-	Frame Assembly (Not Spared)



PL 18.2 HCF Tray 6 (1 of 2)

Item	Part	Description
1	003K13591	Tray Latch Assembly
2	-	Tray Latch (P/O PL 18.2 Item 1)
3	-	Spring (P/O PL 18.2 Item 1)
4	-	Latch Lever (P/O PL 18.2 Item 1)
5	-	Magnet (P/O PL 18.1 Item 5)
6	-	Wave Washer (P/O PL 18.1 Item 5)
7	-	Front Cover (P/O PL 18.1 Item 5)
8	068K25371	Gear Bracket
9	-	Label (Gauge) (P/O PL 18.1 Item 5)
10	-	Frame (P/O PL 18.1 Item 5)
11	-	Plate (P/O PL 18.1 Item 5)
12	-	Bracket (P/O PL 18.1 Item 5)
13	-	Pin (P/O PL 18.1 Item 5)
14	-	Spring (P/O PL 18.1 Item 5)
15	-	Top Plate (P/O PL 18.1 Item 5)

1 { 2-4

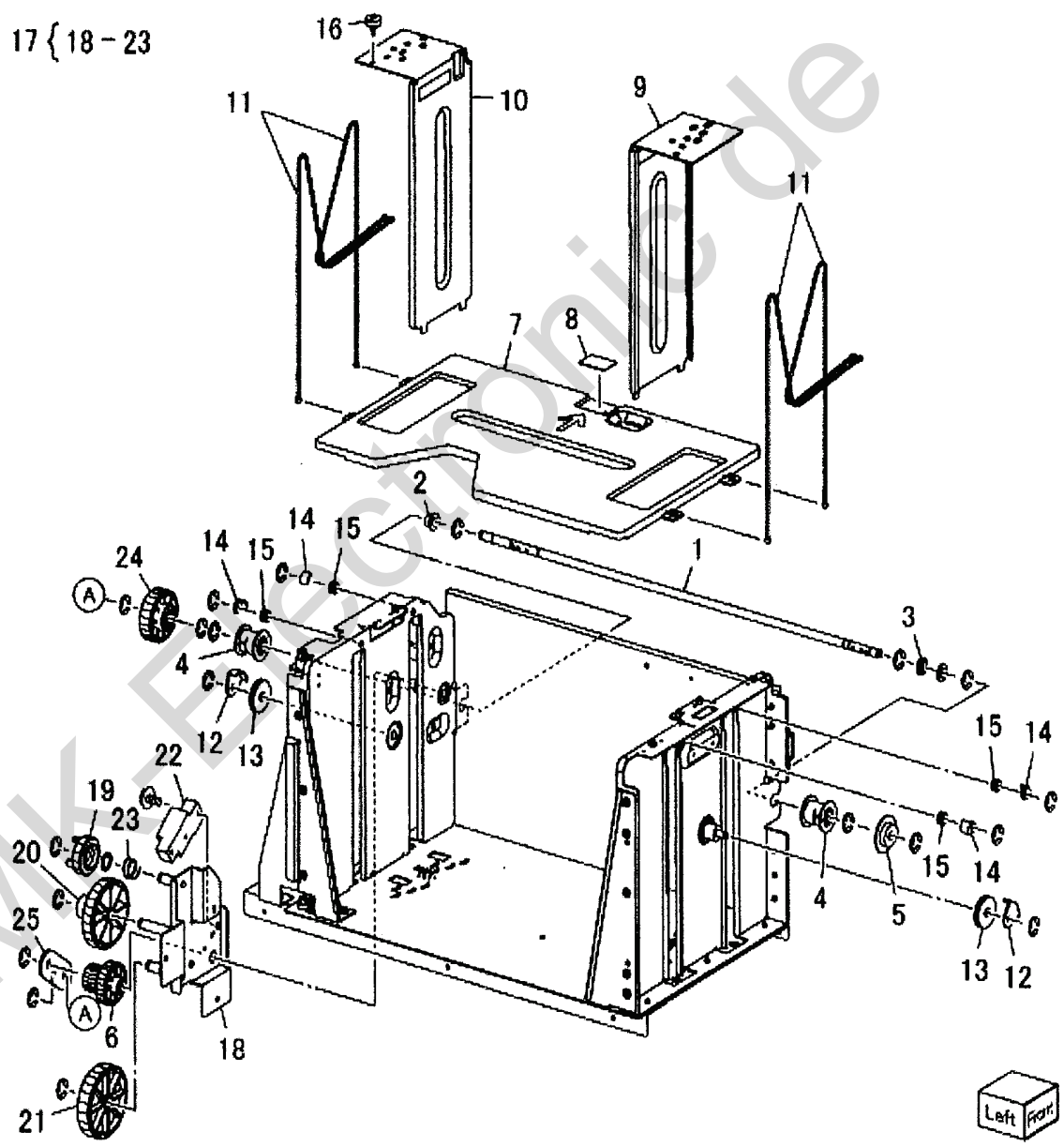


0518002B-OLY

PL 18.3 HCF Tray 6 (2 of 2)

Item	Part	Description
1	-	Lift Shaft (P/O PL 18.1 Item 5)
2	-	Bearing (P/O PL 18.1 Item 5)
3	-	Bearing (P/O PL 18.1 Item 5)
4	020E37620	Tray Cable Pulley
5	-	Gear (P/O PL 18.1 Item 5)
6	-	Gear (P/O PL 18.1 Item 5)
7	815E09030	Bottom Plate
8	019E58620	Pad
9	-	front Side Guide (P/O PL 18.1 Item 5)
10	-	Rear Side Guide (P/O PL 18.1 Item 5)
11	604K19981	Tray Cable (REP 7.4)
12	032E22410	Wire Guide (L)
13	020E37630	Pulley
14	-	Wire Guide (S) (P/O PL 18.1 Item 5)
15	-	Pulley (P/O PL 18.1 Item 5)
16	826E11700	Screw
17	015K65531	Gear Bracket Assembly
18	-	Gear Bracket (P/O PL 18.3 Item 17)
19	-	Contact Gear (P/O PL 18.3 Item 17)
20	-	Gear (P/O PL 18.3 Item 17)
21	-	Gear (P/O PL 18.3 Item 17)
22	-	Brake (P/O PL 18.3 Item 17)
23	-	Spring (P/O PL 18.3 Item 17)
24	807E04500	Lift Gear
25	-	Plate (P/O PL 18.1 Item 5)

17 { 18 - 23



Left Front

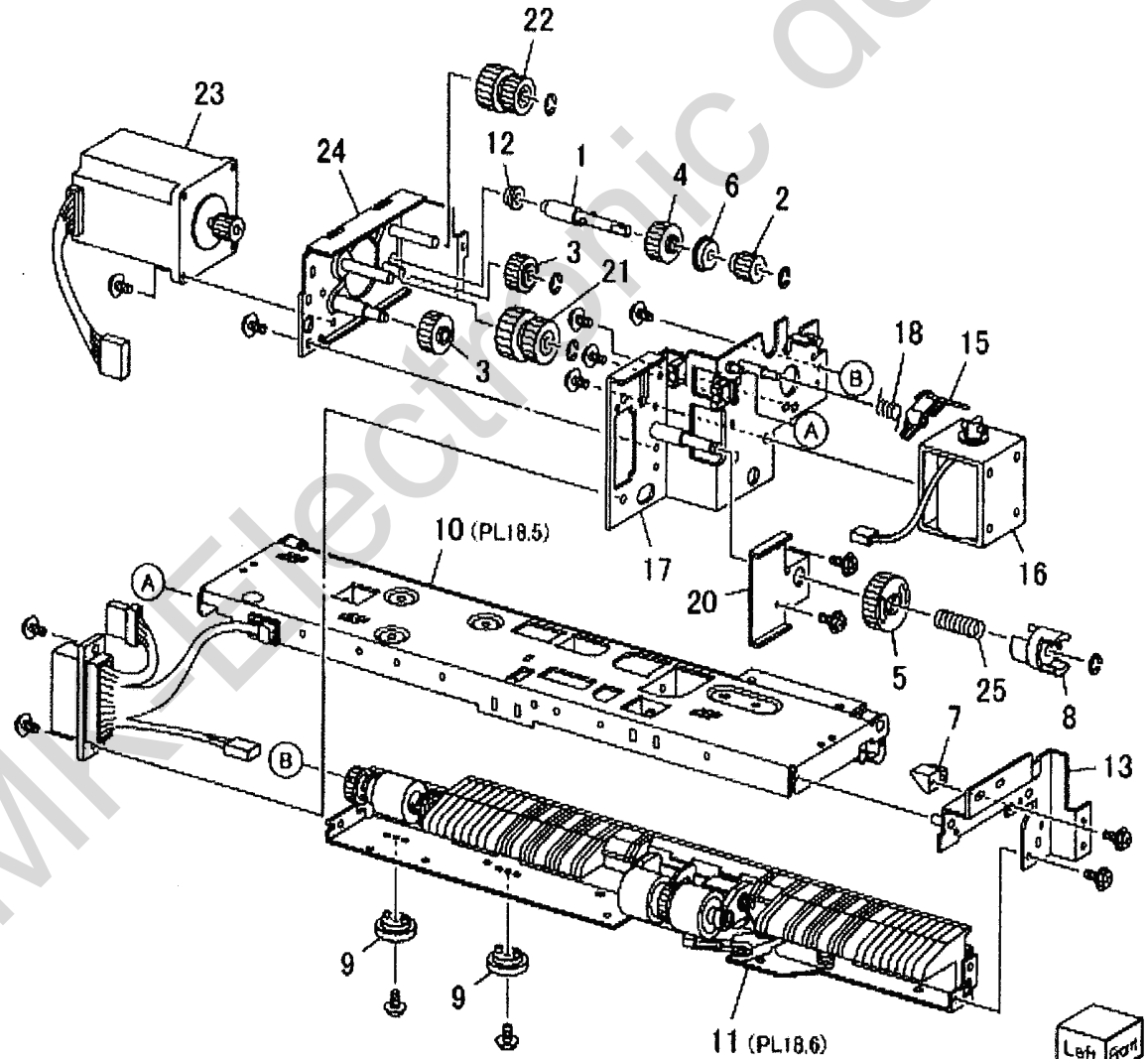
0518003B-OLY

PL 18.4 HCF Feeder (1 of 3)

Item	Part	Description
1	-	Shaft (P/O PL 18.1 Item 11)
2	007E78760	Gear (19T)
3	007E78770	Gear (25T)
4	007E78780	Gear (25T)
5	007E78790	Gear (40)
6	013E25540	Bearing
7	-	Block (P/O PL 18.1 Item 11)
8	-	Spacer (P/O PL 18.1 Item 11)
9	019E56470	Holder
10	-	Upper Feeder Assembly (P/O PL 18.1 Item 11)
11	-	Lower Feeder Assembly (P/O PL 18.1 Item 11)
12	413W66250	Ball Bearing
13	-	Front Frame (P/O PL 18.1 Item 11)
14	-	Spring (P/O PL 18.1 Item 11)
15	012E11041	Link
16	121K31341	Nudger Solenoid (REP 7.13)
17	-	Rear Frame (P/O PL 18.1 Item 11)
18	-	Spring (P/O PL 18.1 Item 11)
19	-	Lift/Motor Frame (P/O PL 18.1 Item 11)
20	-	Bracket (P/O PL 18.1 Item 11)
21	007K88520	Gear (23T/27T)
22	007K88530	Gear (31T/36T)
23	127K37901	Lift/Feed Motor (REP 7.12)
24	-	Left Plate (P/O PL 18.4 Item 19)
25	-	Spring (Not Spared)

14 { 15 - 18

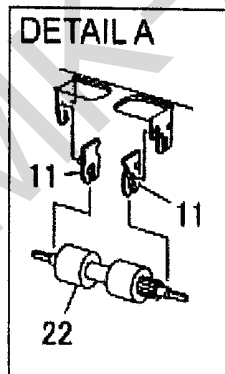
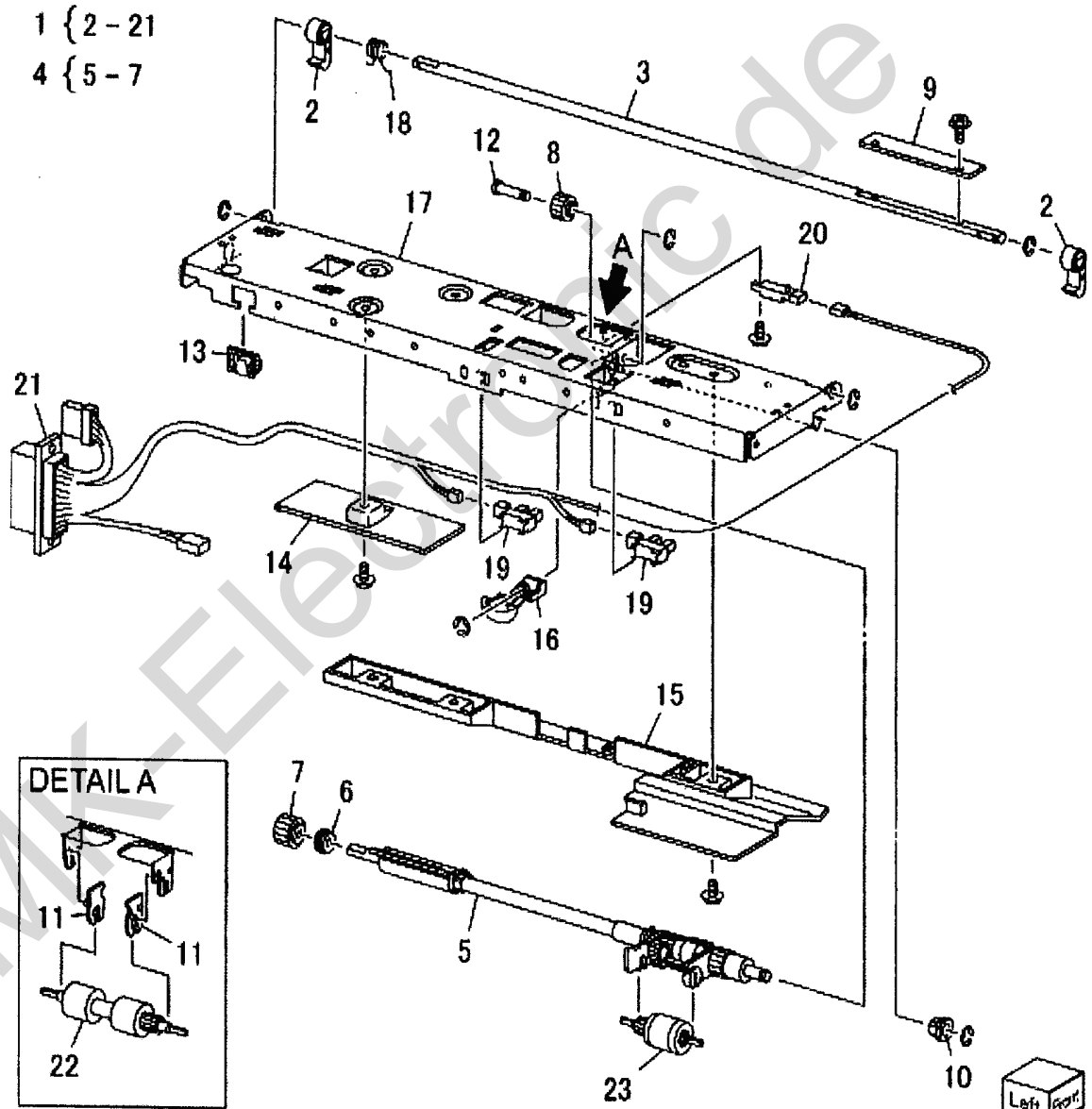
19 { 20 - 24



0518004A-OLY

PL 18.5 HCF Feeder (2 of 3)

Item	Part	Description
1	-	Upper Feeder Assembly (Not Spared)
2	003E59570	Latch
3	-	Shaft Latch (P/O PL 18.5 Item 1)
4	006K23123	Feed Shaft Assembly
5	-	Feed Shaft (P/O PL 18.5 Item 4) (REP 7.6)
6	413W66250	Ball Bearing
7	-	Gear (20T) (P/O PL 18.5 Item 4)
8	007E78180	Feed Gear (25T)
9	-	Lever (P/O PL 18.5 Item 1)
10	-	Bearing (P/O PL 18.5 Item 1)
11	-	Spacer (P/O PL 18.5 Item 1)
12	-	Pin Drive (P/O PL 18.5 Item 1)
13	-	Guide
14	-	Rear Upper Chute (P/O PL 18.5 Item 1)
15	-	Upper Chute (P/O PL 18.5 Item 1)
16	120E21900	Actuator
17	-	Upper Frame (P/O PL 18.5 Item 1)
18	-	Spring (P/O PL 18.5 Item 1)
19	930W00112	HCF Stack Height Sensor, HCF Paper Sensor
20	930W00211	HCF Pre Feed Sensor
21	-	Wire Harness (P/O PL 18.5 Item 1)
22	059K26691	Feed Roll (REP 7.5)
23	059K26701	Nudger Roll (REP 7.5)

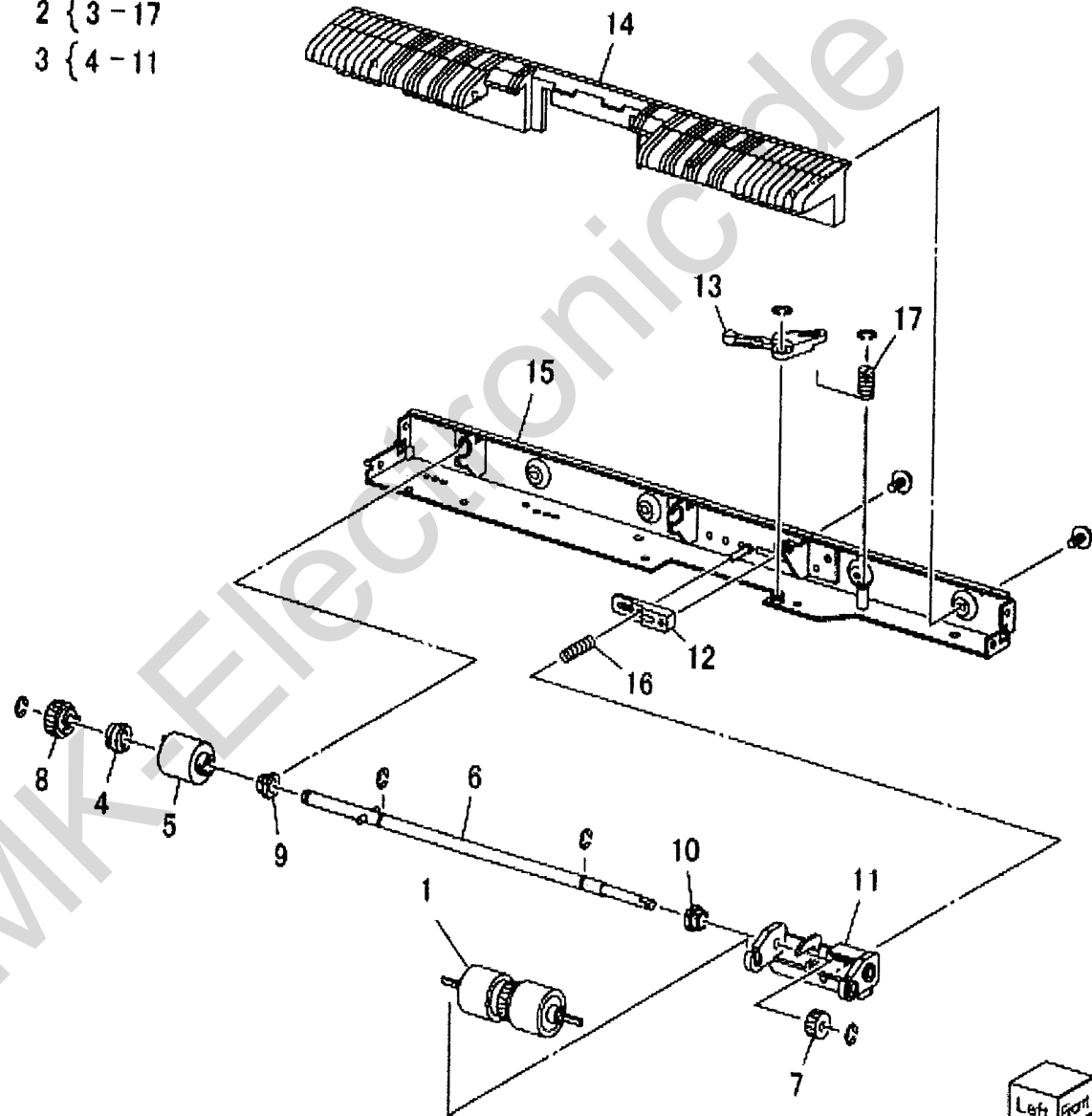


0518005A-OLY

PL 18.6 HCF Feeder (3 of 3)

Item	Part	Description
1	059K26591	Retard Roll (REP 7.5)
2	-	Lower Feeder Assembly
3	006K23134	Retard Shaft Assembly
4	-	Collar (P/O PL 18.6 Item 3)
5	005K06700	Friction Clutch
6	-	Shaft (P/O PL 18.6 Item 3)
7	007E78170	Gear (15T)
8	007E89760	Gear (22T)
9	013E23600	Bearing
10	013E23610	Bearing
11	-	Retard Bracket (P/O PL 18.6 Item 2)
12	-	Slide (P/O PL 18.6 Item 2)
13	-	Lever (P/O PL 18.6 Item 2)
14	-	Lower Chute (P/O PL 18.6 Item 2)
15	-	Lower Frame (P/O PL 18.6 Item 2)
16	-	Spring (P/O PL 18.6 Item 2)
17	-	Spring (P/O PL 18.6 Item 2) (REP 7.7)

2 { 3 - 17
3 { 4 - 11

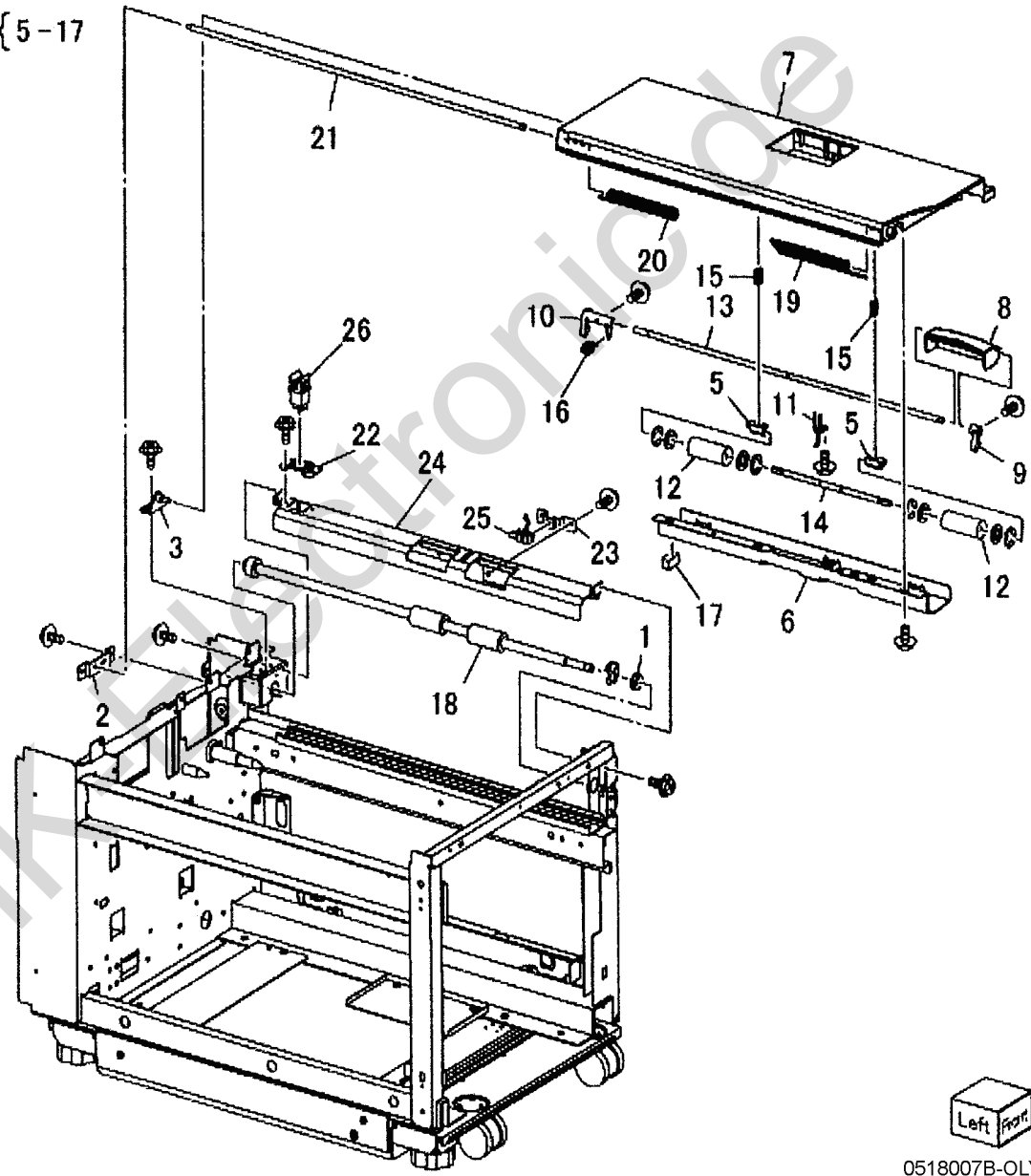


0518006A-OLY

PL 18.7 HCF Top Cover Unit

Item	Part	Description
1	013E17100	Bearing
2	-	Bracket (Not Spared)
3	-	Pivot Bracket (Not Spared)
4	802K67081	Top Cover Assembly
5	-	Bearing (P/O PL 18.7 Item 4)
6	-	Upper Chute (P/O PL 18.7 Item 4)
7	-	Top Cover (P/O PL 18.7 Item 4)
8	-	Knob
9	-	Latch (P/O PL 18.7 Item 4)
10	-	Latch (P/O PL 18.7 Item 4)
11	-	Spring (P/O PL 18.7 Item 4)
12	059E01430	Pinch Roller
13	-	Shaft (P/O PL 18.7 Item 4)
14	-	Shaft (P/O PL 18.7 Item 4)
15	-	Spring (P/O PL 18.7 Item 4)
16	-	Spring (P/O PL 18.7 Item 4)
17	-	Gasket (P/O PL 18.7 Item 4)
18	059K36260	Takeaway Roll (REP 7.10)
19	-	Spring (Left) (P/O PL 18.1 Item 16)
20	-	Spring (Right) (P/O PL 18.1 Item 16)
21	-	Pivot Shaft (P/O PL 18.1 Item 16)
22	-	Bracket (P/O PL 18.1 Item 16)
23	-	Bracket (P/O PL 18.1 Item 16)
24	-	Lower Chute (P/O PL 18.1 Item 16)
25	130K88150	Takeaway Sensor
26	110E94770	Top Cover Interlock Switch

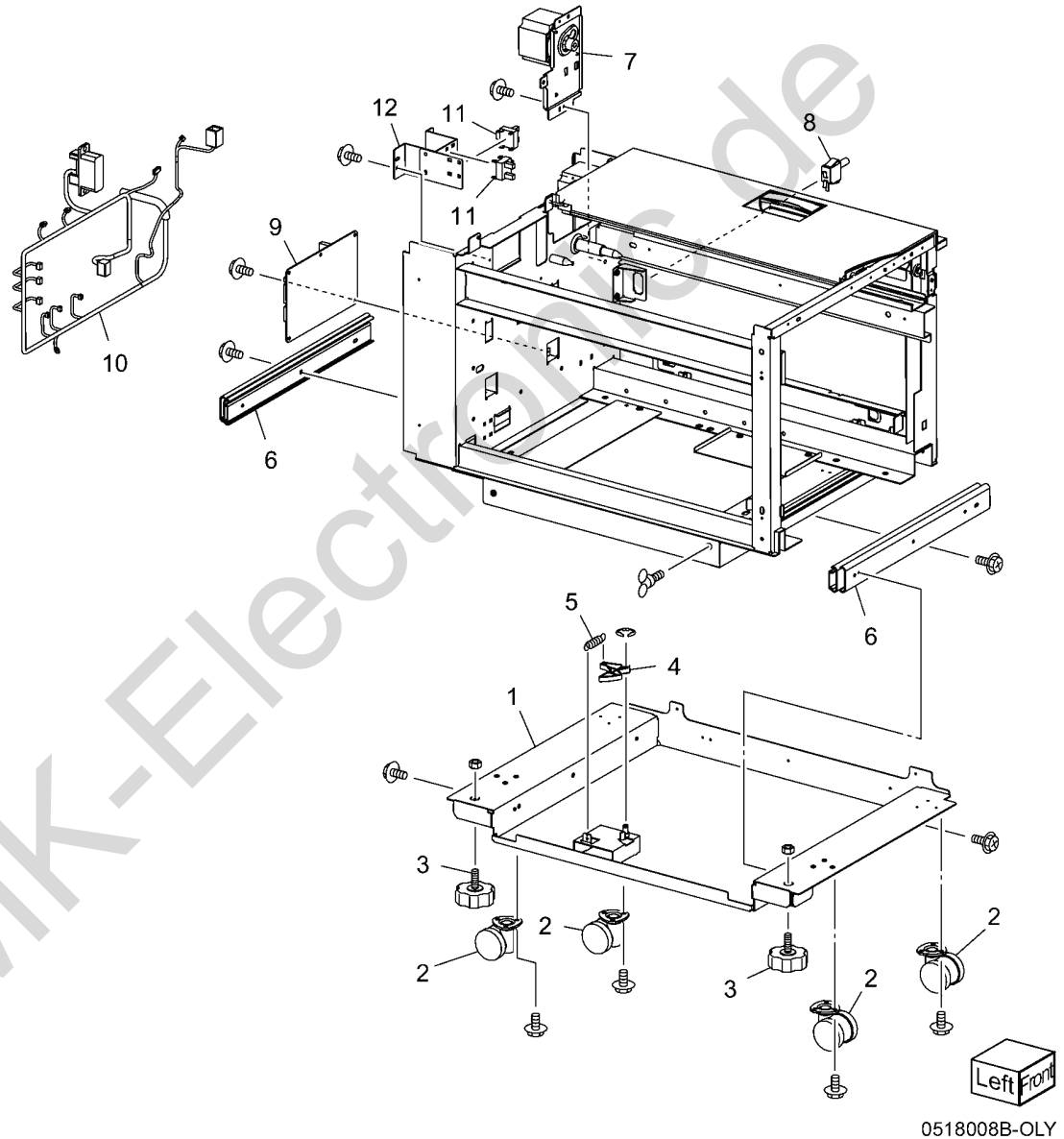
4 { 5-17



0518007B-OLY

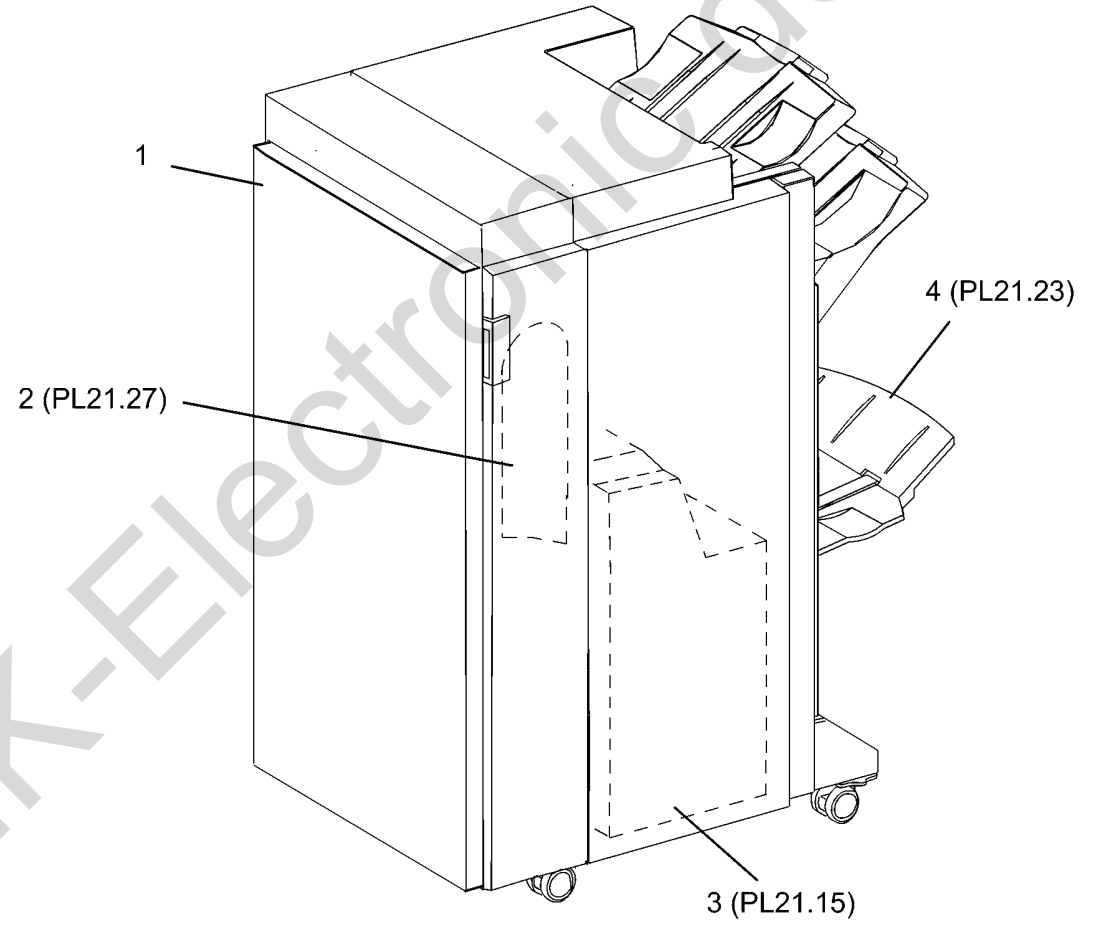
PL 18.8 HCF Electrical and Rail

Item	Part	Description
1	-	Plate (Not Spared)
2	017E92820	Rack Caster (REP 7.9)
3	-	Foot (Not Spared)
4	-	Latch Lever (Not Spared)
5	-	Spring (Not Spared)
6	801K15690	Rail
7	127K47150	Takeaway Motor
8	110E10380	Docking Interlock Switch
9	960K30591	HCF PWB (REP 7.11)
10	-	Wire Harness (P/O PL 18.1 Item 16)
11	130K55590	HCF Size Sensor R and L
12	-	Bracket (P/O PL 18.1 Item 16)



PL 21.1 A/P Finisher

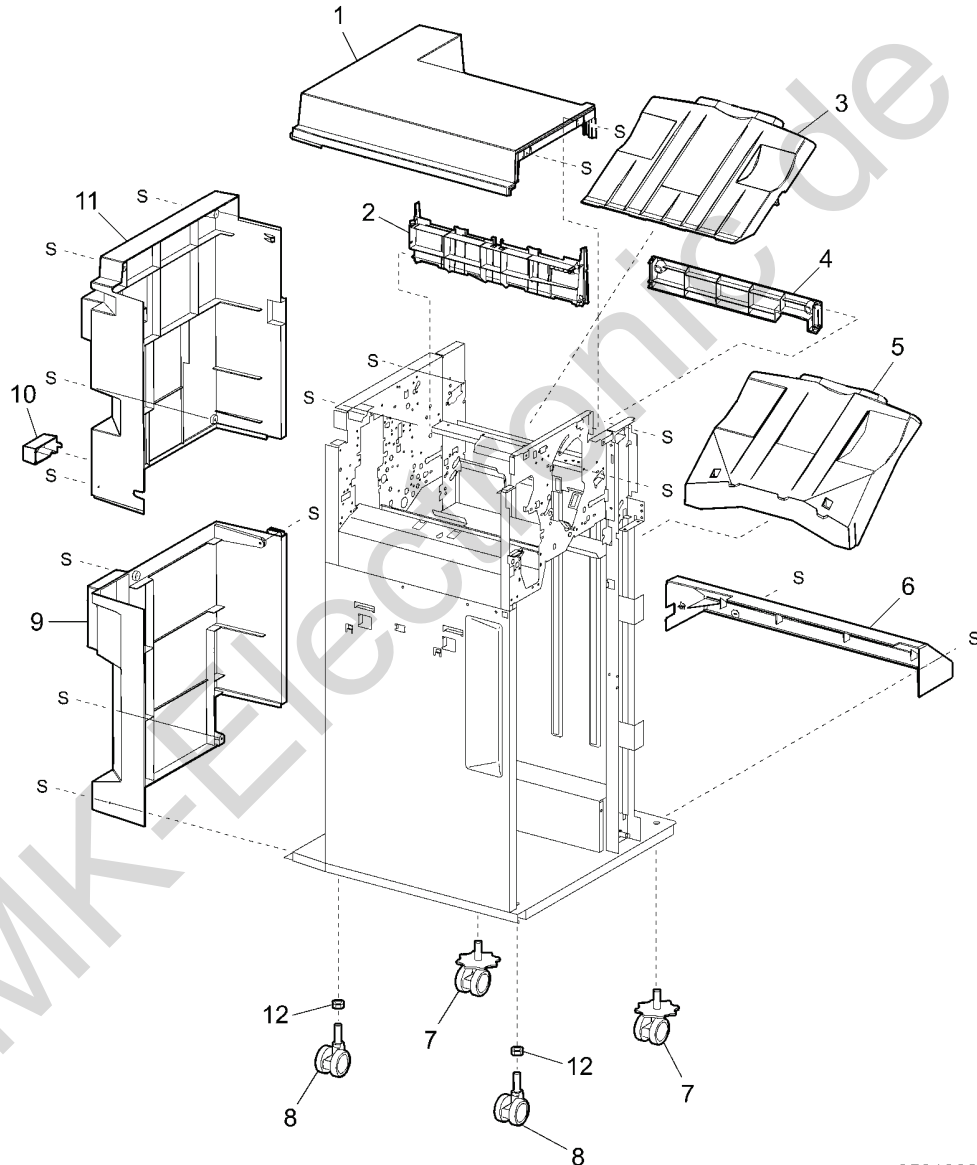
Item	Part	Description
1	-	A/P Finisher (Not Spared) (REP 12.50, ADJ 12.2)
2	-	I/F Module (Not Spared) (REP 12.3)
3	-	Booklet Maker (Not Spared)
4	-	Booklet Tray (Not Spared)



0521001A-OL

PL 21.2 Finisher Cover: 1 of 2

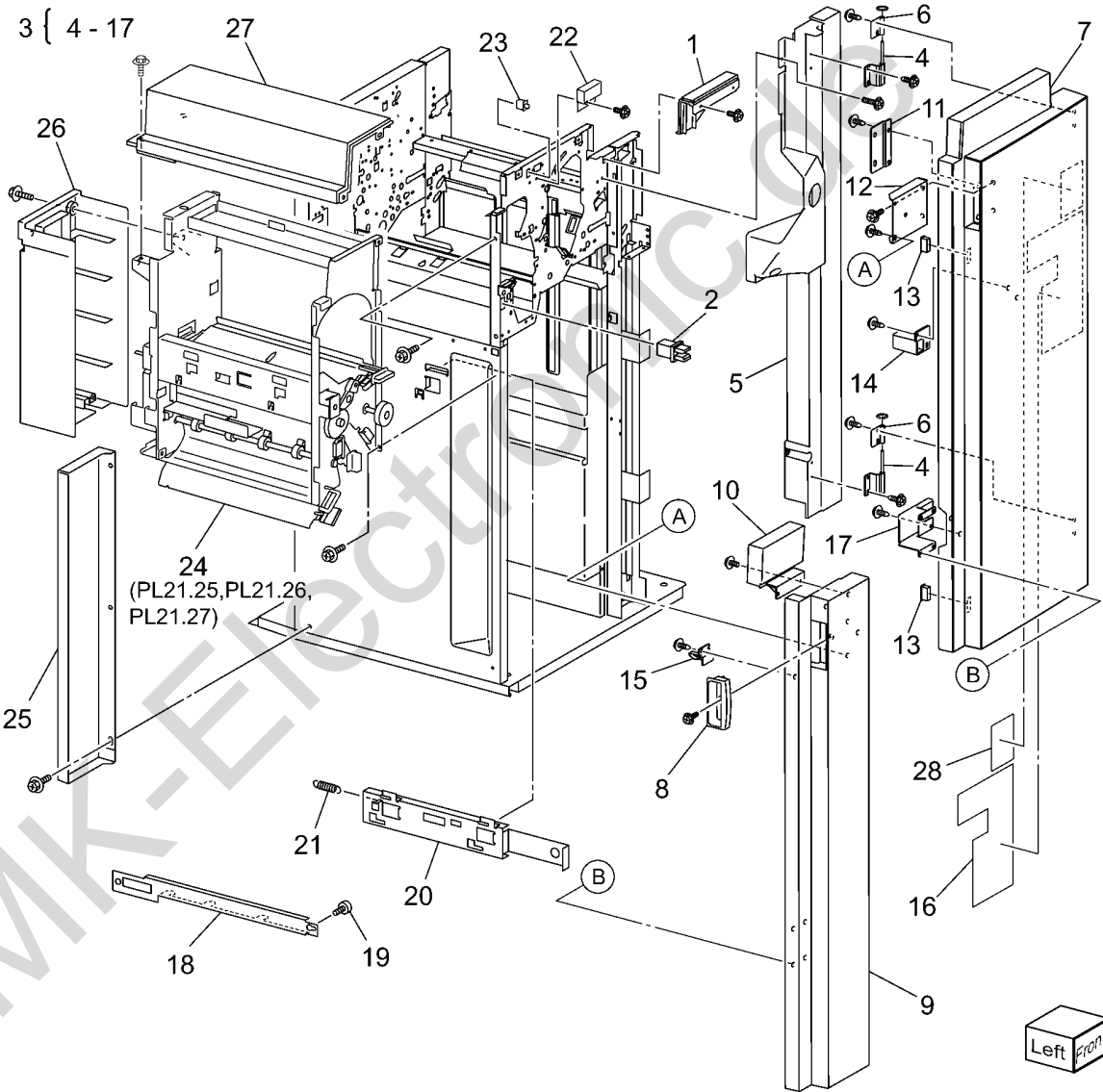
Item	Part	Description
1	-	Top Cover (Not Spared) (REP 12.43)
2	-	Tray Spring Guide (Not Spared) (REP 12.47)
3	050K51270	Top Tray (Not Spared) (REP 12.45)
4	-	Eject Cover (Not Spared) (REP 12.46)
5	050K51280	Stacker Tray (Not Spared) (REP 12.58)
6	-	Bottom Cover (Not Spared)
7	017E98040	Caster
8	017E97230	Caster
9	-	Rear Lower Cover (Not Spared) (REP 12.42)
10	-	H-Transport Connector Cover (Not Spared)
11	-	Rear Upper Cover (Not Spared) (REP 12.41)
12	-	Nut M12X1.25 (Not Spared)



0521002A-OLY

PL 21.3 Finisher Cover: 2 of 2

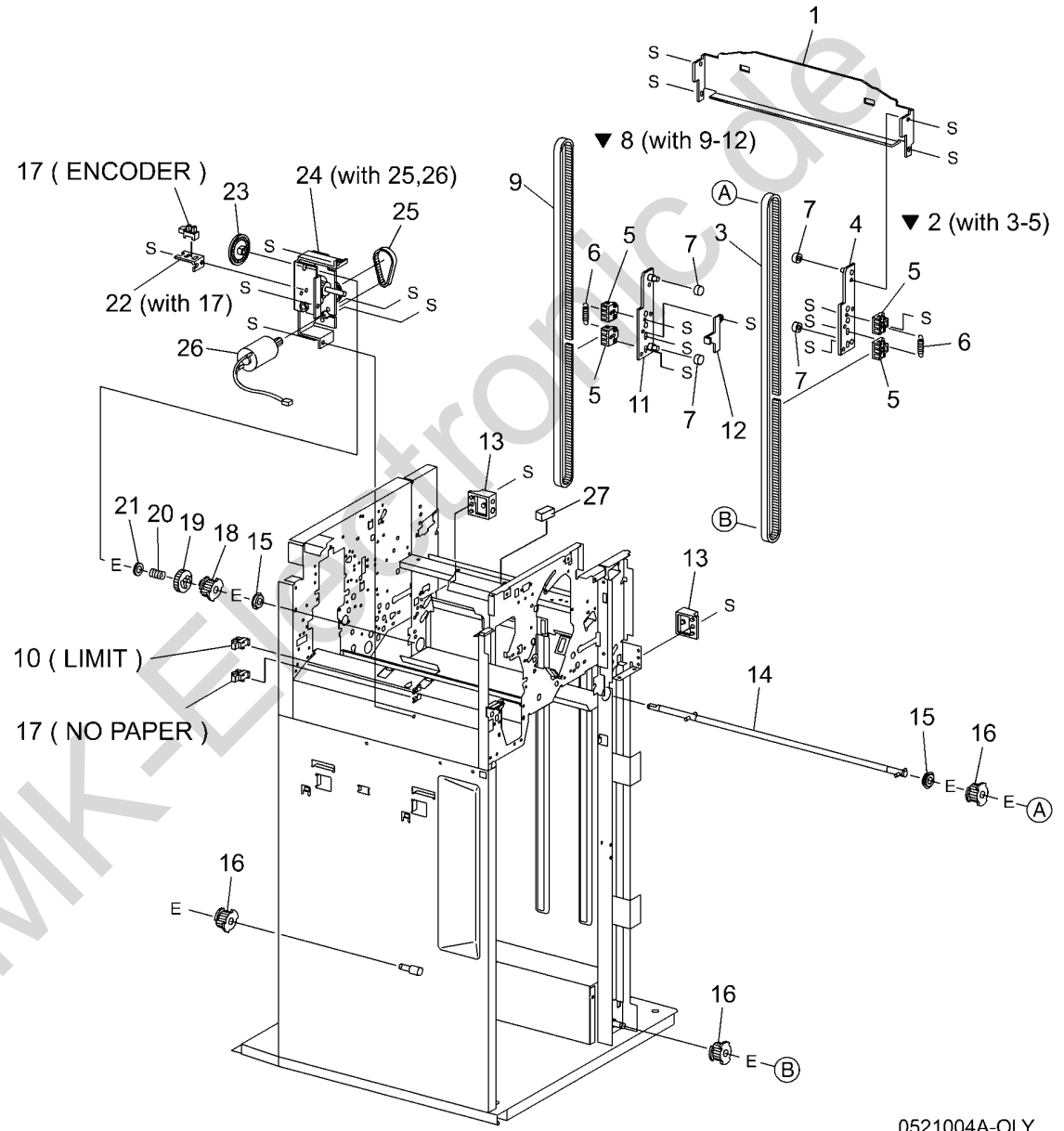
Item	Part	Description
1	-	Front Top Cover (Not Spared) (REP 12.44)
2	110E97990	Front Door Interlock Switch
3	802K75102	Front Door Assembly (REP 12.40)
4	-	Hinge Bracket (P/O PL 21.3 Item 3)
5	-	Inner Cover (P/O PL 21.3 Item 3)
6	-	Bracket (P/O PL 21.3 Item 3)
7	-	Front Door (P/O PL 21.3 Item 3)
8	-	Handle (P/O PL 21.3 Item 3)
9	-	I/F Cover (P/O PL 21.3 Item 3)
10	-	I/F Upper Cover (P/O PL 21.3 Item 3)
11	-	Door Plate (P/O PL 21.3 Item 3)
12	-	Upper Bracket (P/O PL 21.3 Item 3)
13	121E92890	Magnet (P/O PL 21.3 Item 3)
14	-	Stopper (P/O PL 21.3 Item 3)
15	-	Latch (P/O PL 21.3 Item 3)
16	-	Support (P/O PL 21.3 Item 3)
17	-	Lower Bracket (P/O PL 21.3 Item 3)
18	015K73210	IOT Docking Plate Assembly
19	-	Screw (Not Spared)
20	-	Docking Plate (Not Spared)
21	-	Spring (Not Spared)
22	-	Cover (Not Spared)
23	-	Download Access Switch (Not Spared)
24	059K41381	I/F Module (REP 12.3)
25	-	Plate (Not Spared)
26	-	I/F Rear Cover (Not Spared) (REP 12.1)
27	-	I/F Top Cover (Not Spared) (REP 12.2)
28	-	Label (Instruction) (Not Spared)



0521003A-OLY

PL 21.4 Finisher Stack

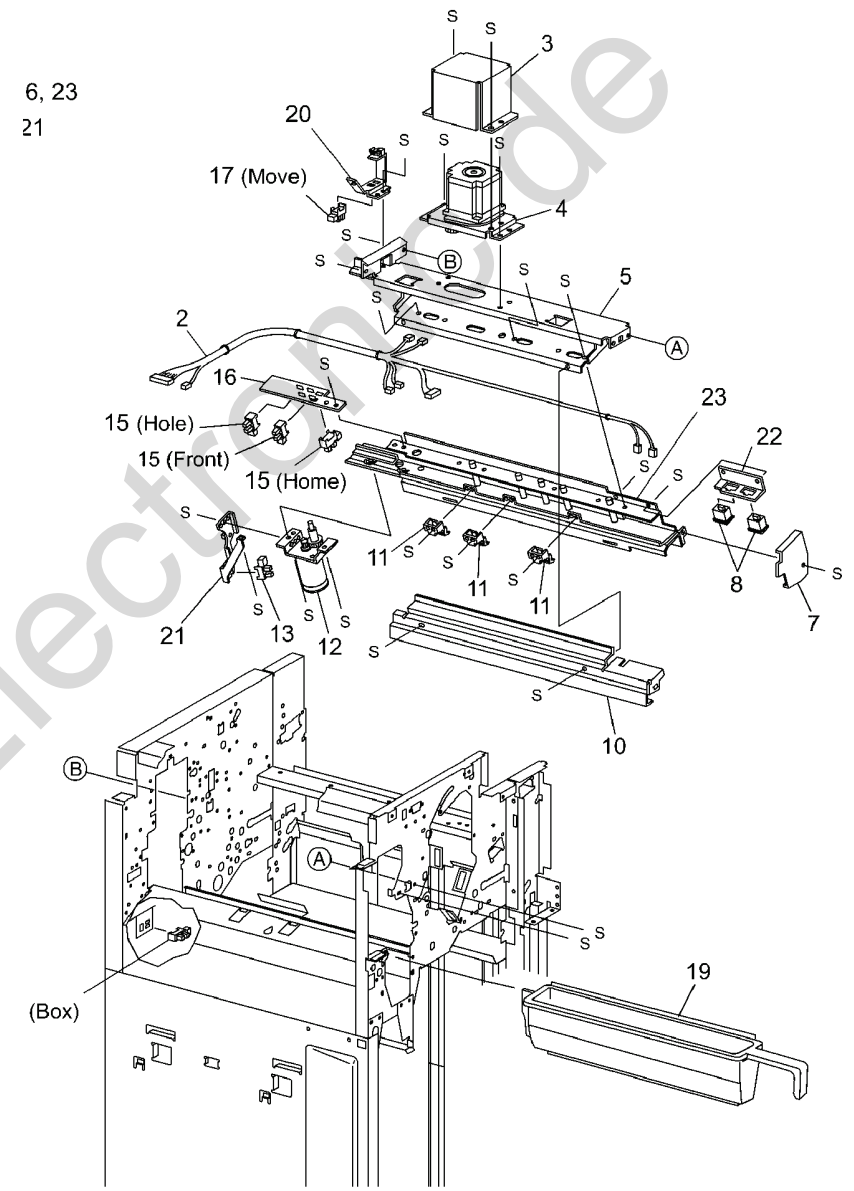
Item	Part	Description
1	-	Stacker Tray Bracket (Not Spared)
2	041K94720	Left Carriage Assembly
3	-	Stacker Drive Belt (P/O PL 21.4 Item 2) (REP 12.60)
4	-	Left Carriage Bracket (P/O PL 21.4 Item 2)
5	019E58660	Belt Clamp (P/O PL 21.4 Item 8)
6	809E56850	Spring
7	-	Carriage Bearing
8	041K94730	Right Carriage Assembly
9	023E21520	Stacker Drive Belt (P/O PL 21.4 Item 8) (REP 12.60)
10	130E88340	Upper Limit Sensor
11	-	Right Carriage Bracket (P/O PL 21.4 Item 8)
12	-	Stacker Sensor Actuator (P/O PL 21.4 Item 8)
13	802K67140	Stack Height Sensor (Front, Rear)
14	-	Elevator Drive Shaft (Not Spared)
15	413W77559	Bearing
16	020E37720	Pulley (18T)
17	130K88770	Stacker Encoder Sensor, Stacker No Paper Sensor (No Paper), Upper Limit Sensor (Limit)
18	020E37710	Clutch Pulley
19	807E08990	Clutch Gear
20	809E56860	Spring
21	-	Washer (Not Spared)
22	-	Sensor Bracket (Not Spared)
23	146E01770	Stacker Encoder
24	015K65900	Elevator Motor Assembly
25	-	Elevator Motor Drive Belt (P/O PL 21.4 Item 24)
26	-	Elevator Motor (P/O PL 21.4 Item 24)
27	110E11990	Down Load Interlock Switch



0521004A-OLY

PL 21.5 Finisher Punch

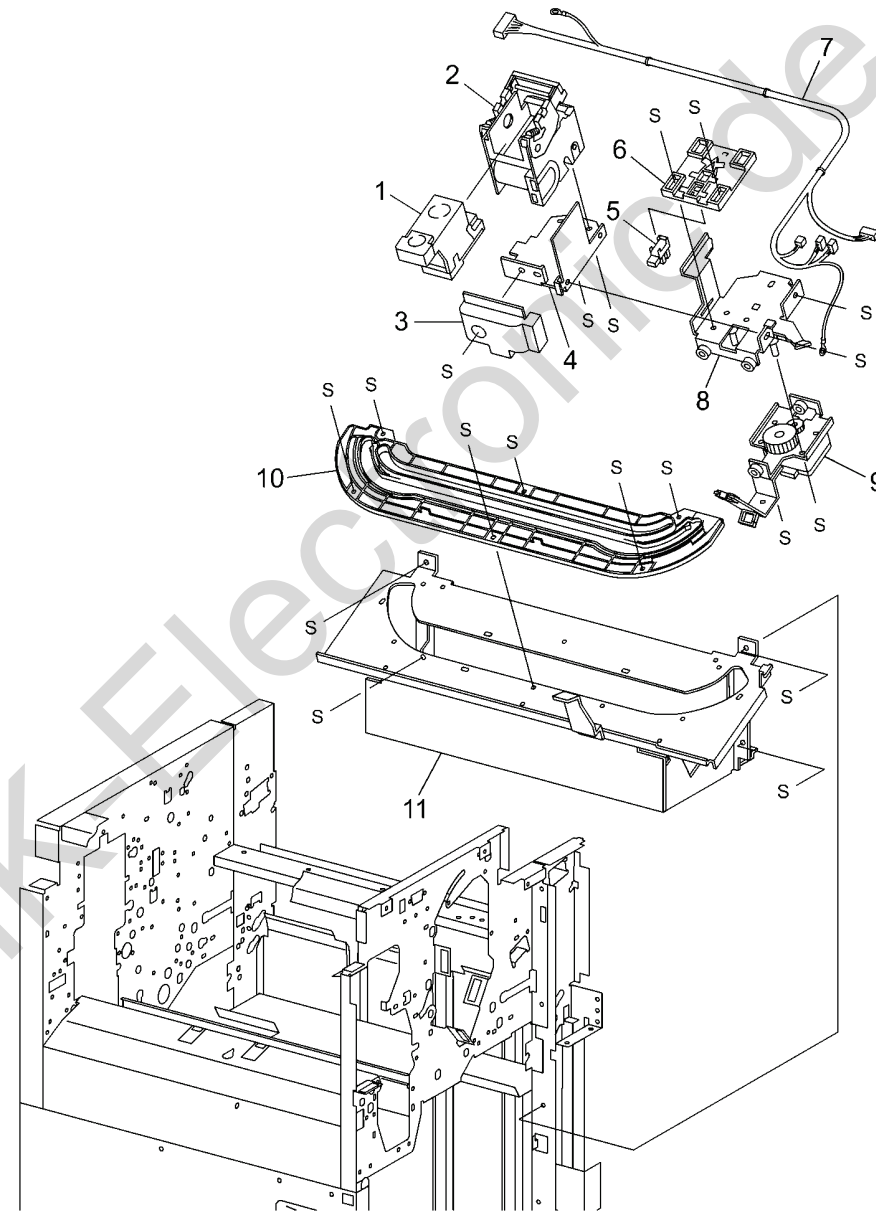
Item	Part	Description
1	801K15881	Puncher Frame Assembly (XE) (REP 12.52)
-	801K16771	Puncher Frame Assembly (XC) (REP 12.52)
2	-	Puncher Unit Harness (P/O PL 21.5 Item 9)
3	-	Puncher Motor Cover (P/O PL 21.5 Item 9)
4	015K65880	Puncher Move Motor
5	-	Frame Assembly Holder (P/O PL 21.5 Item 1)
6	015K65840	Sensor Registration Bracket Assembly
7	-	Front Punch Cover (P/O PL 21.5 Item 1)
8	130E88350	Side Registration Sensor 1 (Reg 1) and 2 (Reg 2) (P/O PL 21.5 Item 6)
9	015K65871	Punch Bracket Assembly
10	-	Left Punch Cover (P/O PL 21.5 Item 1)
11	-	Guide Assembly (P/O PL 21.5 Item 9)
12	127K46120	Punch Motor Assembly (P/O PL 21.5 Item 9)
13	130E85800	Punch Motor Sensor (P/O PL 21.5 Item 14)
14	-	Punch Motor Bracket Assembly (P/O PL 21.5 Item 9)
15	130E85790	Front Punch Sensor (Front), Home Punch Sensor (Home), Hole Select Punch Sensor (Hole) (P/O PL 21.5 Item 9)
16	-	Sensor Bracket (P/O PL 21.5 Item 9)
17	130K88770	Punch Move Home Sensor, Puncher Box Set Sensor (P/O PL 21.5 Item 18)
18	015K65830	Punch Move Home Sensor Assembly
19	060E01140	Puncher Waste Bin
20	-	Punch Move Home Bracket (P/O PL 21.5 Item 18)
21	-	Punch Motor Bracket (P/O PL 21.5 Item 14)
22	-	Registration Sensor Bracket (P/O PL 21.5 Item 6)
23	-	Punch Bracket (P/O PL 21.5 Item 9)



0

PL 21.6 Finisher Stapler

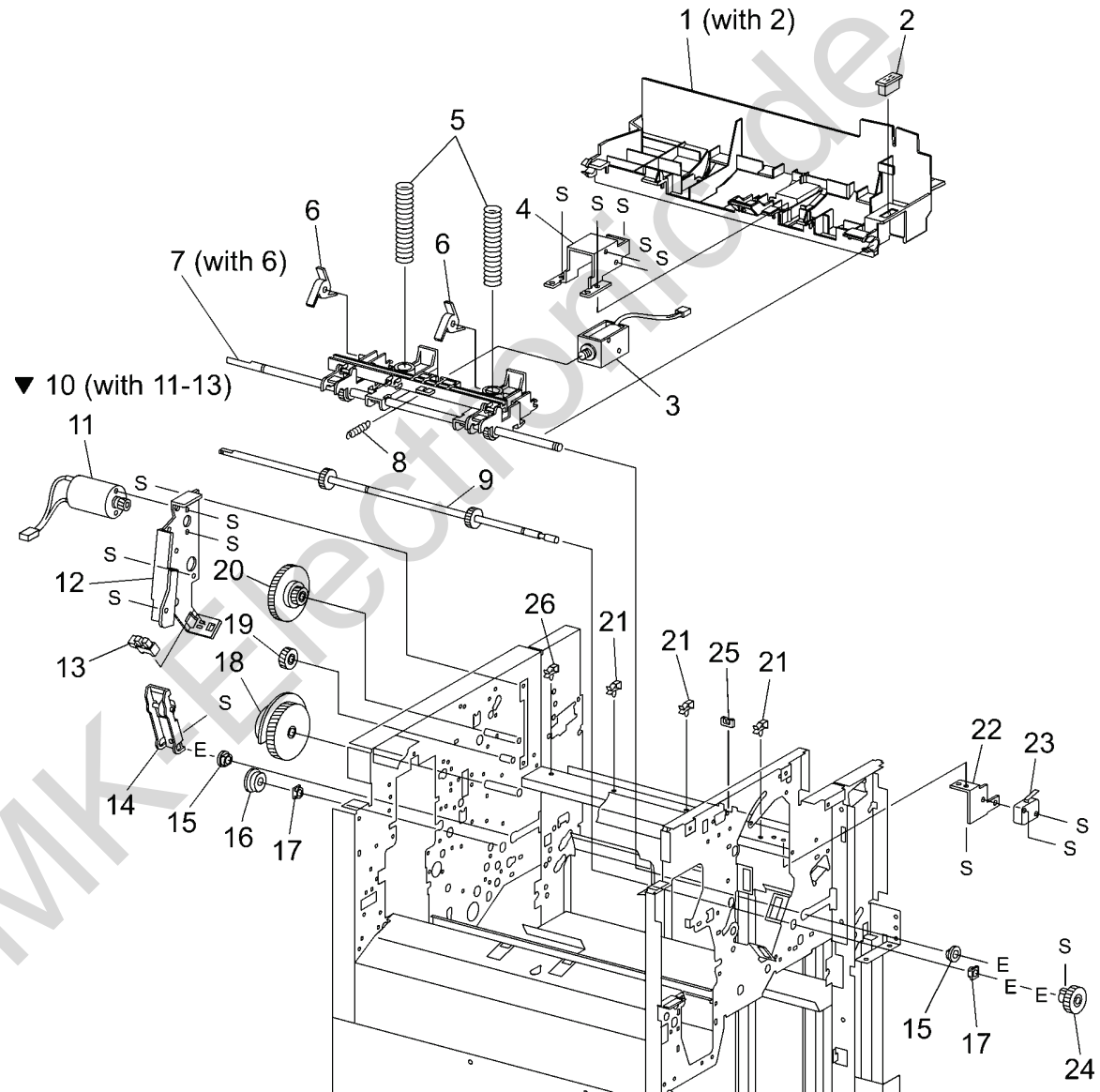
Item	Part	Description
1	–	Staple Cartridge (Not Spared)
2	029K92151	Stapler Assembly (REP 12.53)
3	–	Stapler Cover (Not Spared)
4	–	Stapler Holder (Not Spared)
5	130K88770	Stapler Move Position Sensor
6	–	Stapler Harness Guide (Not Spared)
7	–	Staple Harness (Not Spared)
8	–	Upper Stapler Carriage (Not Spared)
9	041K94750	Stapler Move Motor
10	001E66640	Stapler Rail (REP 12.54)
11	–	Stapler Frame (Not Spared)



0521006A-OLY

PL 21.7 Finisher Eject: 1 of 3

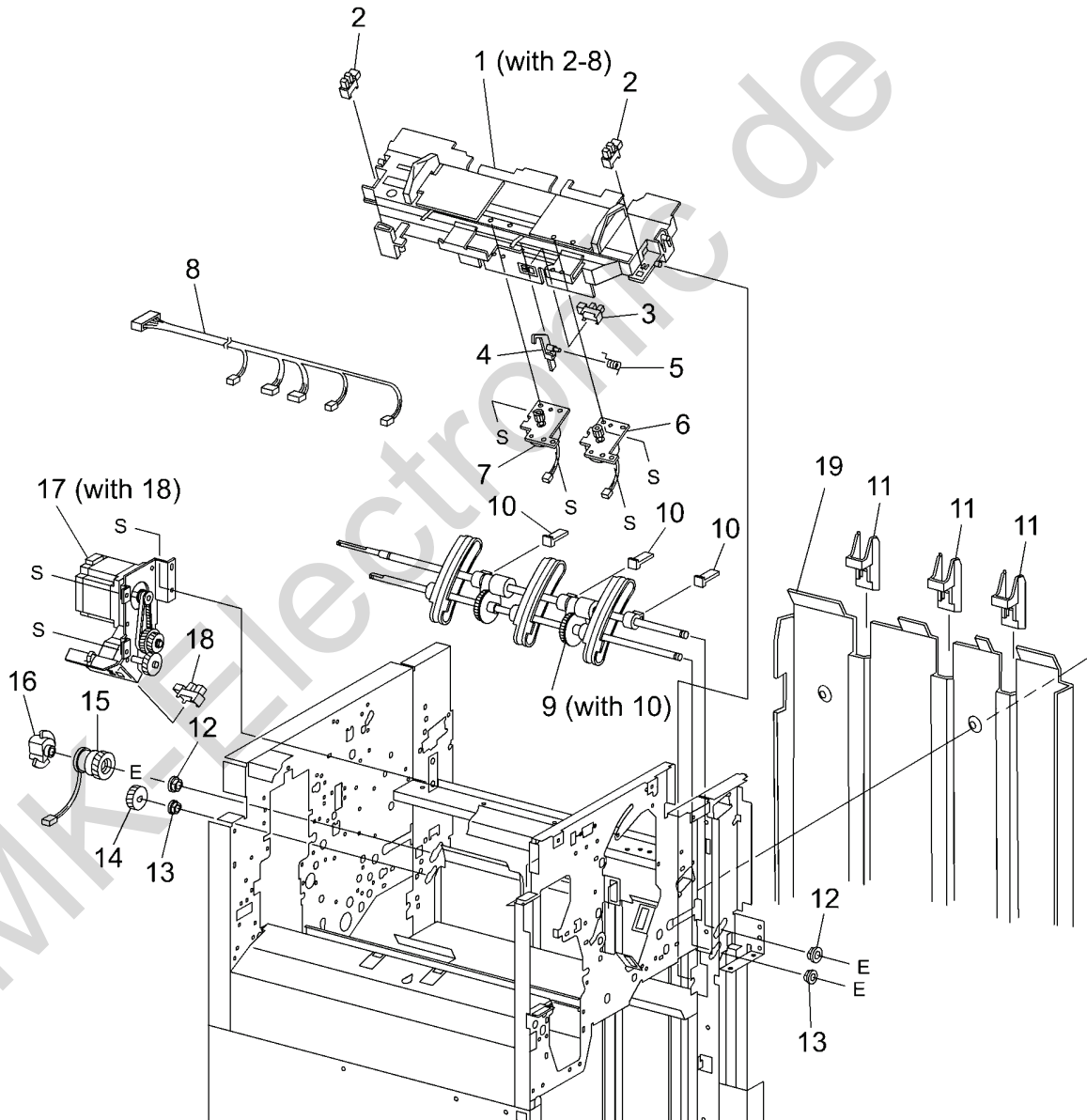
Item	Part	Description
1	054K30671	Eject Chute Assembly (REP 12.67)
2	121E92890	Magnet (Not Spared)
3	121K34620	Sub Paddle Solenoid
4	-	Solenoid Bracket (Not Spared)
5	-	Pinch Spring (Not Spared)
6	-	Cyclone Paddle (P/O PL 21.7 Item 7)
7	-	Eject Pinch Shaft Assembly
8	809E56880	Solenoid Spring
9	-	Paddle Shaft
10	015K65860	Eject Clamp Motor Assembly (with 11-13)
11	-	Eject Clamp Motor (P/O PL 21.7 Item 10)
12	-	Eject Clamp Bracket (P/O PL 21.7 Item 10)
13	130E88782	Eject Clamp Home Sensor
14	011K97710	Eject Cam Follower
15	413W77559	Bushing
16	807E04700	Gear (23T)
17	413W11660	Bushing
18	807E04750	Cam Gear (70T)
19	807E08990	Gear (23T)
20	807E04740	Gear (68T/20T)
21	-	Wire Clip (Not Spared)
22	-	Switch Bracket (Not Spared)
23	110E11590	Eject Cover Switch
24	-	Entrance Knob (Not Spared)
25	-	Wire Clamp (Not Spared)
26	-	Wire Clip (Not Spared)



0521007A-OLY

PL 21.8 Finisher Eject: 2 of 3

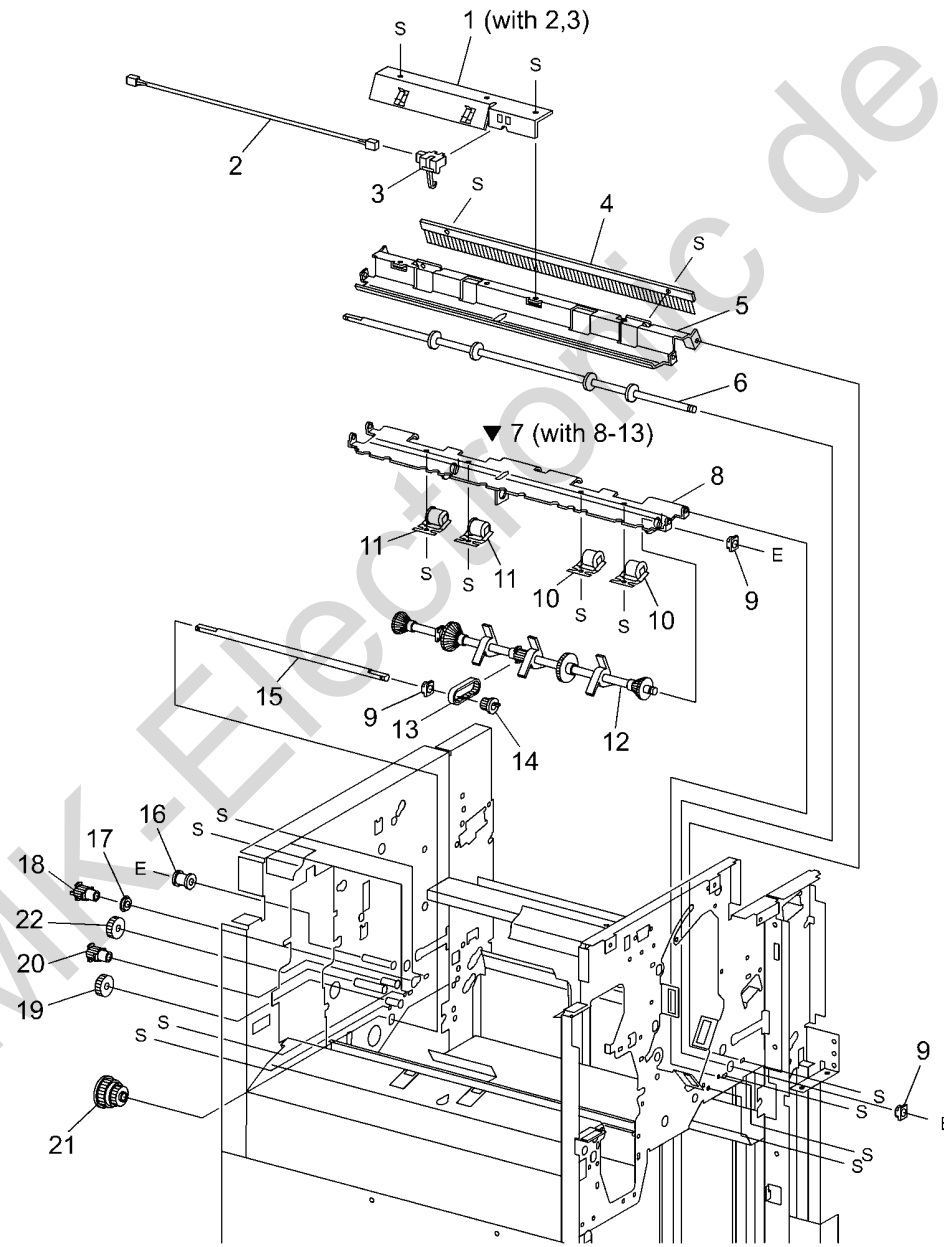
Item	Part	Description
1	–	Compiler Tray Assembly (REP 12.57)
2	130K88770	Tamper Home Sensor (Front, Rear) (P/O PL 21.8 Item 1)
3	130K88780	Compiler Tray No Paper Sensor (P/O PL 21.8 Item 1)
4	–	Sensor Actuator (P/O PL 21.8 Item 1)
5	–	Torsion Spring (P/O PL 21.8 Item 1)
6	127K40310	Front Tamper Motor (P/O PL 21.8 Item 1)
7	127K40270	Rear Tamper Motor (P/O PL 21.8 Item 1)
8	962K27671	Compiler Harness (P/O PL 21.8 Item 1)
9	–	Eject Roll Shaft Assembly (Not Spared)
10	–	Set Clamp Paddle (P/O PL 21.8 Item 9)
11	–	Paddle Guide (Not Spared)
12	413W77559	Bushing (Not Spared)
13	–	Bushing (Not Spared)
14	807E04760	Gear (39T)
15	121K34630	Set Clamp Clutch (34T)
16	120E24310	Set Clamp Actuator
17	015K65850	Eject Motor Assembly
18	130E88782	Set Clamp Home Sensor (P/O PL 21.8 Item 17)
19	–	Inner Cover (Not Spared) (REP 12.48)



0521008A-OLY

PL 21.9 Finisher Eject: 3 of 3

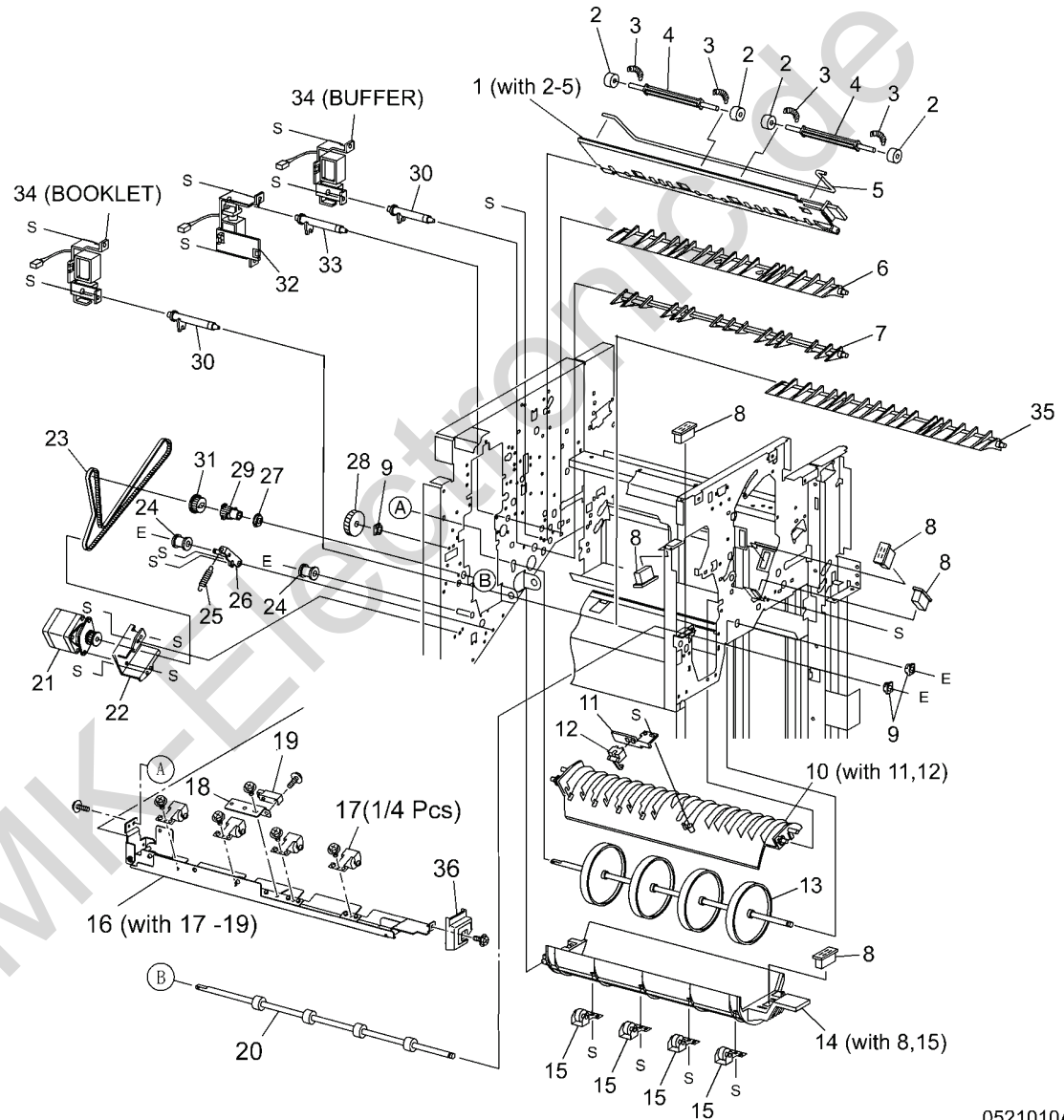
Item	Part	Description
1	-	Sensor Bracket Assembly (Not Spared)
2	-	Compiler Sensor Harness (P/O PL 21.9 Item 1)
3	130K88190	Compiler Exit Sensor (P/O PL 21.9 Item 1)
4	105E13100	Static Eliminator
5	-	Upper Exit Chute (Not Spared)
6	-	Lower Exit Roll (Not Spared)
7	054K27150	Lower Exit Roll Chute Assembly
8	-	Lower Exit Roll Chute (P/O PL 21.9 Item 7)
9	-	Bushing (P/O PL 21.9 Item 7)
10	022K67870	Exit Pinch Roller 1 (P/O PL 21.9 Item 7)
11	022K67880	Exit Pinch Roller 2 (P/O PL 21.9 Item 7)
12	-	Paddle Shaft (P/O PL 21.9 Item 7) (REP 12.59)
13	423W25554	Synchronous Belt (55T) (P/O PL 21.9 Item 7)
14	-	Pulley (17T) (Not Spared)
15	022K67860	Paddle Drive Shaft (Not Spared)
16	-	Pulley (Not Spared)
17	413W66250	Bearing (Not Spared)
18	020E37690	Pulley (20T)
19	-	Gear (23T) (Not Spared)
20	020E37660	Pulley (20T)
21	020E37670	Pulley (44T/20T)
22	-	Gear (23T) (Not Spared)



0521009A-OLY

PL 21.10 Finisher Transport: 1 of 2

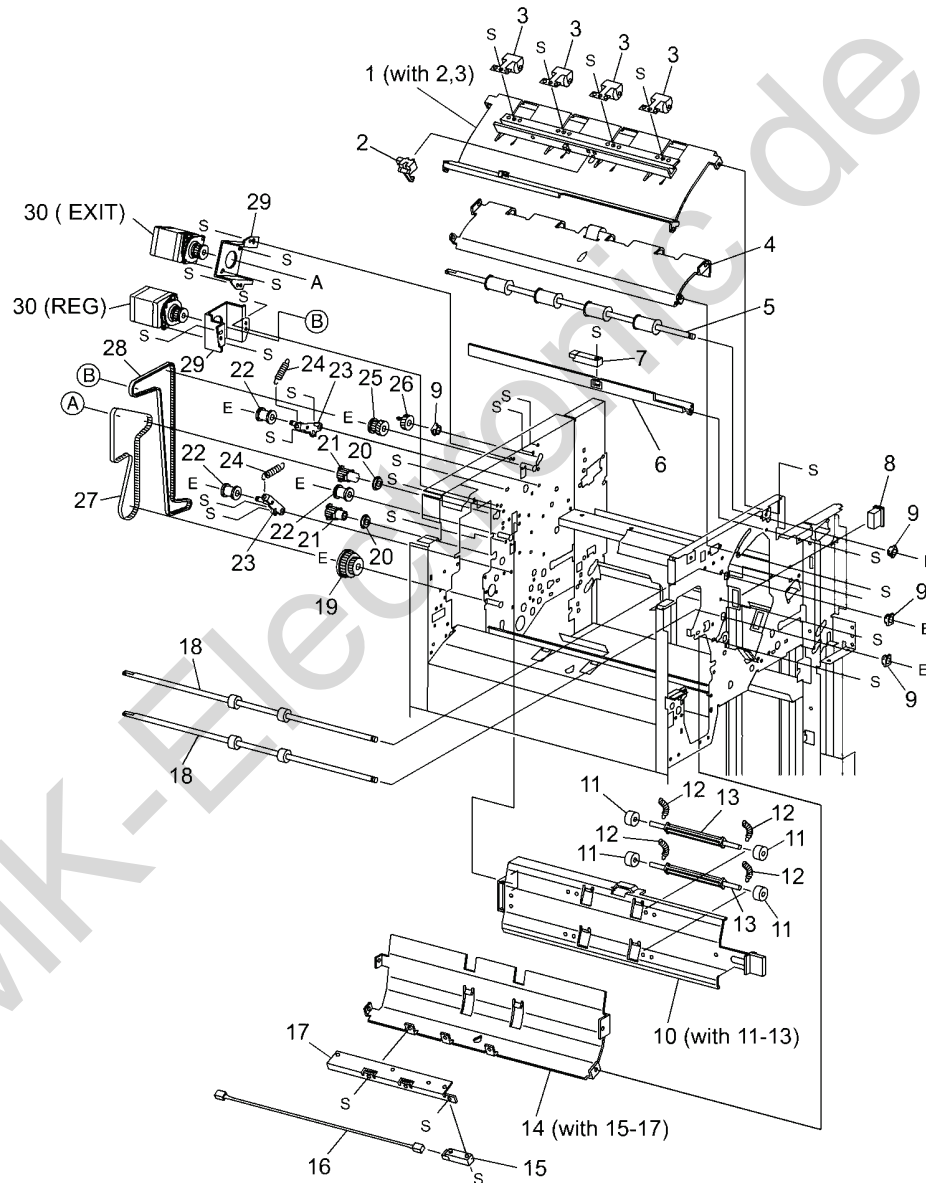
Item	Part	Description
1	-	Upper Exit Open Chute Assembly (Not Spared)
2	-	Pinch Roller (P/O PL 21.10 Item 1)
3	005E19650	Spring
4	-	Shaft (P/O PL 21.10 Item 1)
5	-	Torsion Spring (P/O PL 21.10 Item 1)
6	-	Transport Gate (Not Spared)
7	-	Buffer Gate (Not Spared)
8	121E92890	Magnet (P/O PL 21.10 Item 14)
9	413W11660	Bushing
10	-	Top Buffer Chute Assembly (Not Spared)
11	-	Sensor Bracket (P/O PL 21.10 Item 10)
12	130K88190	Buffer Path Sensor (P/O PL 21.10 Item 10) (REP 12.67)
13	022K67890	Buffer Roll (REP 12.64)
14	054K27160	Bottom Buffer Chute Assembly (REP 12.65)
15	022K67860	Exit Pinch roller (P/O PL 21.10 Item 14)
16	-	Upper Entrance Chute Assembly (Not Spared)
17	022K67850	Entrance Pinch Roller (P/O PL 21.10 Item 16)
18	-	Sensor Bracket (P/O PL 21.10 Item 16)
19	130E87370	Transport Entrance Sensor (P/O PL 21.10 Item 16)
20	022K71410	Entrance Roll
21	127K40281	Finisher Transport Motor
22	-	Motor Bracket (Not Spared)
23	423W87054	Finisher Transport Motor Belt
24	-	Pulley (Not Spared)
25	-	Tension Spring (Not Spared)
26	-	Tension Bracket (Not Spared)
27	413W66250	Bearing
28	604K36230	Finisher Gear Kit
29	020E37660	Pulley (20T)
30	012E11991	Buffer Link
31	807E04700	Gear (23T)
32	015K65810	Transport Gate Solenoid
33	012E11980	Transport Link
34	015K65821	Buffer Gate Solenoid, Booklet Gate Solenoid
35	-	Booklet Gate (Not Spared)
36	-	Knob (Not Spared)



0521010A-OLY

PL 21.11 Finisher Transport: 2 of 2

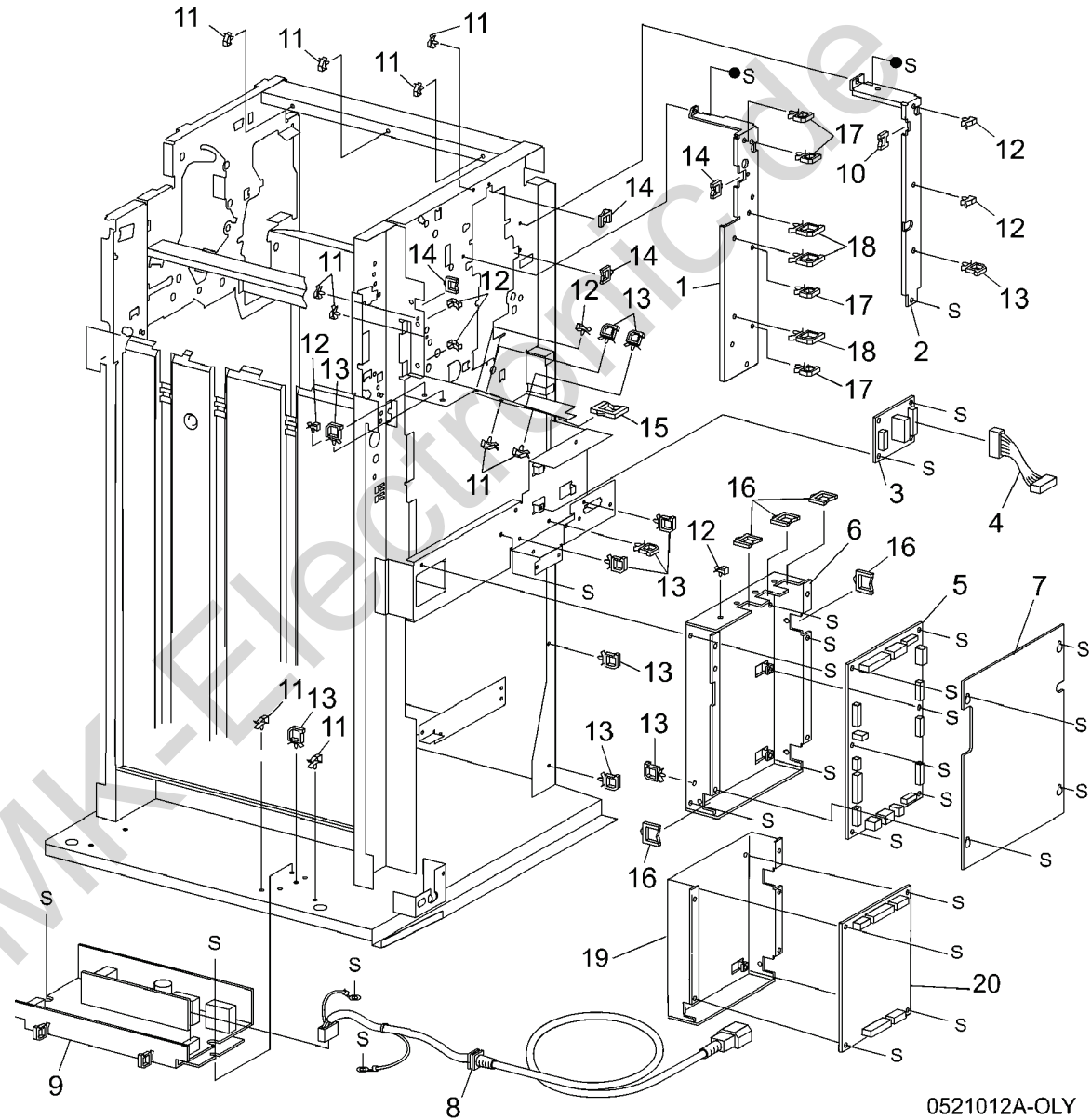
Item	Part	Description
1	-	Top Tray Exit Baffle Assembly (Not Spared)
2	130K88190	Top Tray Exit Sensor
3	022K67860	Exit Pinch Roller
4	-	Top Tray Lower Exit Baffle (Not Spared)
5	022K71500	Exit Drive Shaft
6	-	Sensor Bracket (Not Spared)
7	130E87370	Top Tray Full Sensor (REP 12.63)
8	121E92890	Magnet
9	413W11660	Bushing
10	054K28220	Lower Top Exit Chute Assembly
11	-	Pinch Roller (P/O PL 21.11 Item 30)
12	005E19650	Spring
13	-	Shaft (P/O PL 21.11 Item 10)
14	-	Upper Top Exit Chute Assembly (Not Spared)
15	130E87410	Gate Sensor (REP 12.62)
16	-	Sensor Harness (P/O PL 21.11 Item 14)
17	-	Sensor Bracket (P/O PL 21.11 Item 14)
18	022K71430	Transport Roll
19	020E37680	Pulley (20T)
20	413W66250	Bearing
21	020E37690	Pulley (20T/20T)
22	-	Pulley (Not Spared)
23	-	Tension Bracket (Not Spared)
24	-	Tension Spring (Not Spared)
25	-	Pulley (53T/23T) (Not Spared)
26	-	Gear (20T) (Not Spared)
27	423W40054	Registration Motor Drive Belt
28	423W86454	Exit Motor Drive Belt
29	-	Motor Bracket (Not Spared)
30	127K40281	Registration Motor (Reg) and Exit Motor (Exit)



0521011A-OLY

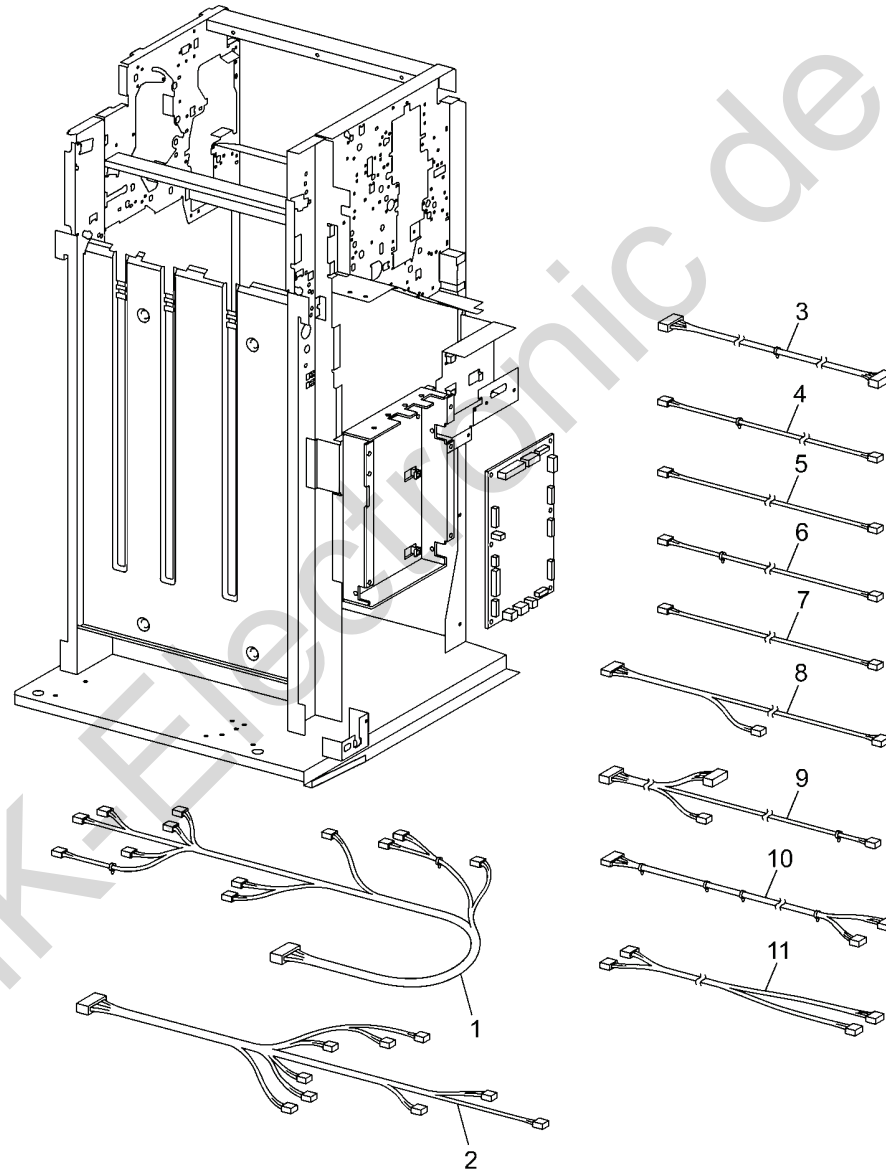
PL 21.12 Finisher Electrical

Item	Part	Description
1	-	Left Harness Bracket (Not Spared)
2	-	Right Harness Bracket (Not Spared)
3	960K07590	H-Transport PWB
4	-	Harness (Not Spared)
5	960K07316	Finisher PWB (REP 12.68)
6	-	Finisher PWB Bracket (Not Spared)
7	-	Finisher PWB Cover (Not Spared)
8	962K36610	AC Inlet Harness
9	105K21081	Finisher LVPS
10	-	Wire Clamp (Not Spared)
11	-	Wire Clip (Not Spared)
12	-	Wire Clip (Not Spared)
13	-	Wire Clip (Not Spared)
14	-	Wire Clamp (Not Spared)
15	-	Wire Clamp (Not Spared)
16	-	Wire Clamp (Not Spared)
17	-	Wire Clip (Not Spared)
18	-	Wire Clip (Not Spared)
19	-	Booklet PWB Bracket (Not Spared)
20	960K04672	Booklet PWB



PL 21.13 Finisher Harness

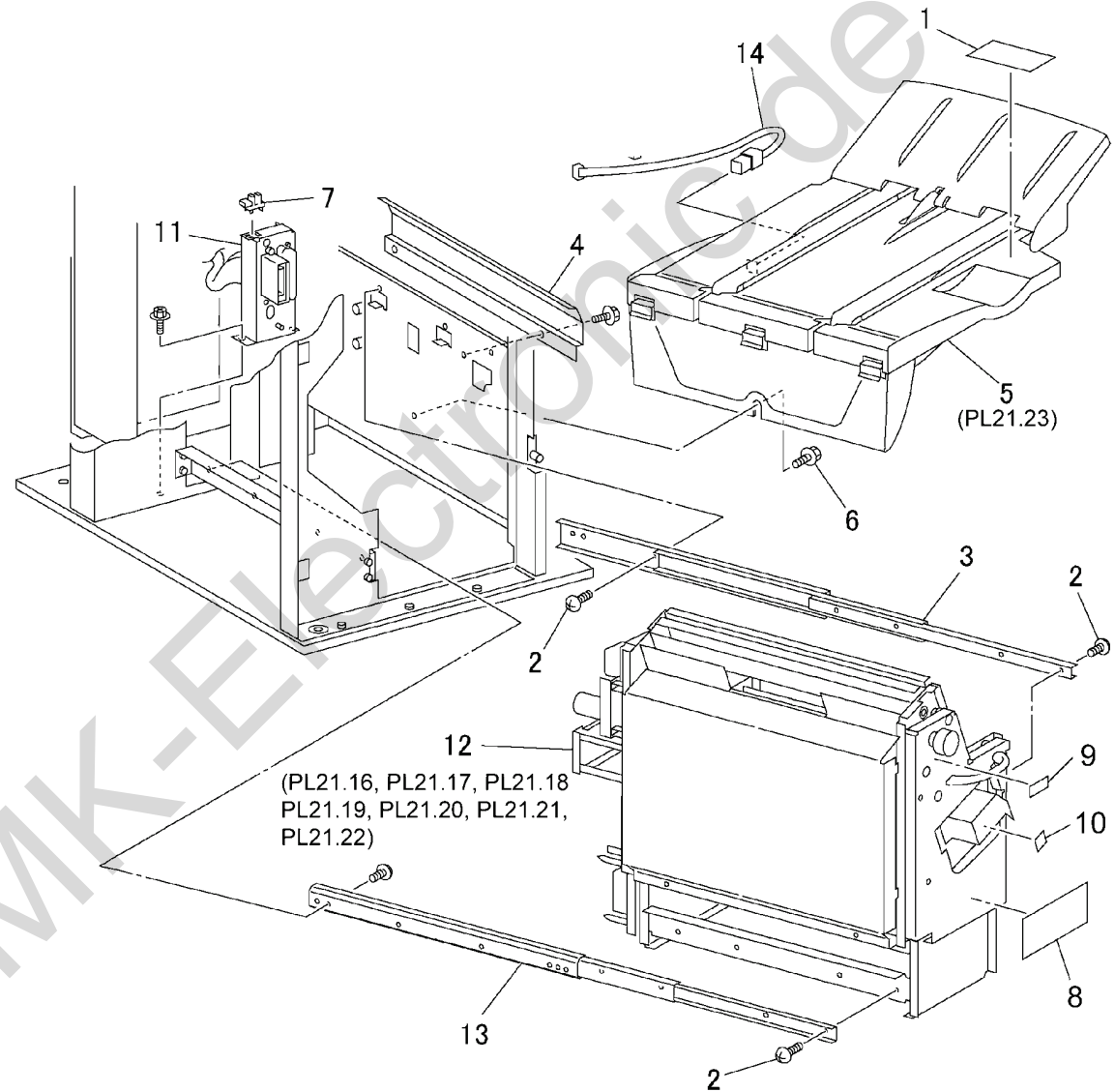
Item	Part	Description
1	-	Main Sensor Harness (Not Spared)
2	-	Main Drive Harness (Not Spared)
3	-	Interface Harness (Not Spared)
4	-	Transport Entrance Sensor Harness (Not Spared)
5	-	Buffer Sensor Harness (Not Spared)
6	-	Top Exit Sensor Harness (Not Spared)
7	-	Top Sensor Harness (Not Spared)
8	-	Punch Drive Harness (Not Spared)
9	-	Punch Sensor Harness (Not Spared)
10	-	LVPS Harness (Not Spared)
11	-	Interlock Harness (Not Spared)



0521013A-OLY

PL 21.15 Booklet Accessory

Item	Part	Description
1	-	Label (Not Spared)
2	-	Screw (Not Spared)
3	-	Right Rail (Not Spared)
4	-	Cover (Not Spared)
5	050K49302	Booklet Tray Assembly
6	-	Knob Screw (Not Spared)
7	130E88770	Booklet Drawer Set Sensor
8	-	Label (Not Spared)
9	-	Label (Not Spared)
10	-	Label (Not Spared)
11	015K67242	Connector
12	801K16554	Booklet Drawer Assembly (REP 12.55, ADJ 12.4, ADJ 12.5, ADJ 12.8, ADJ 12.9)
13	-	Left Rail (Not Spared)
14	962K29221	Tray Harness

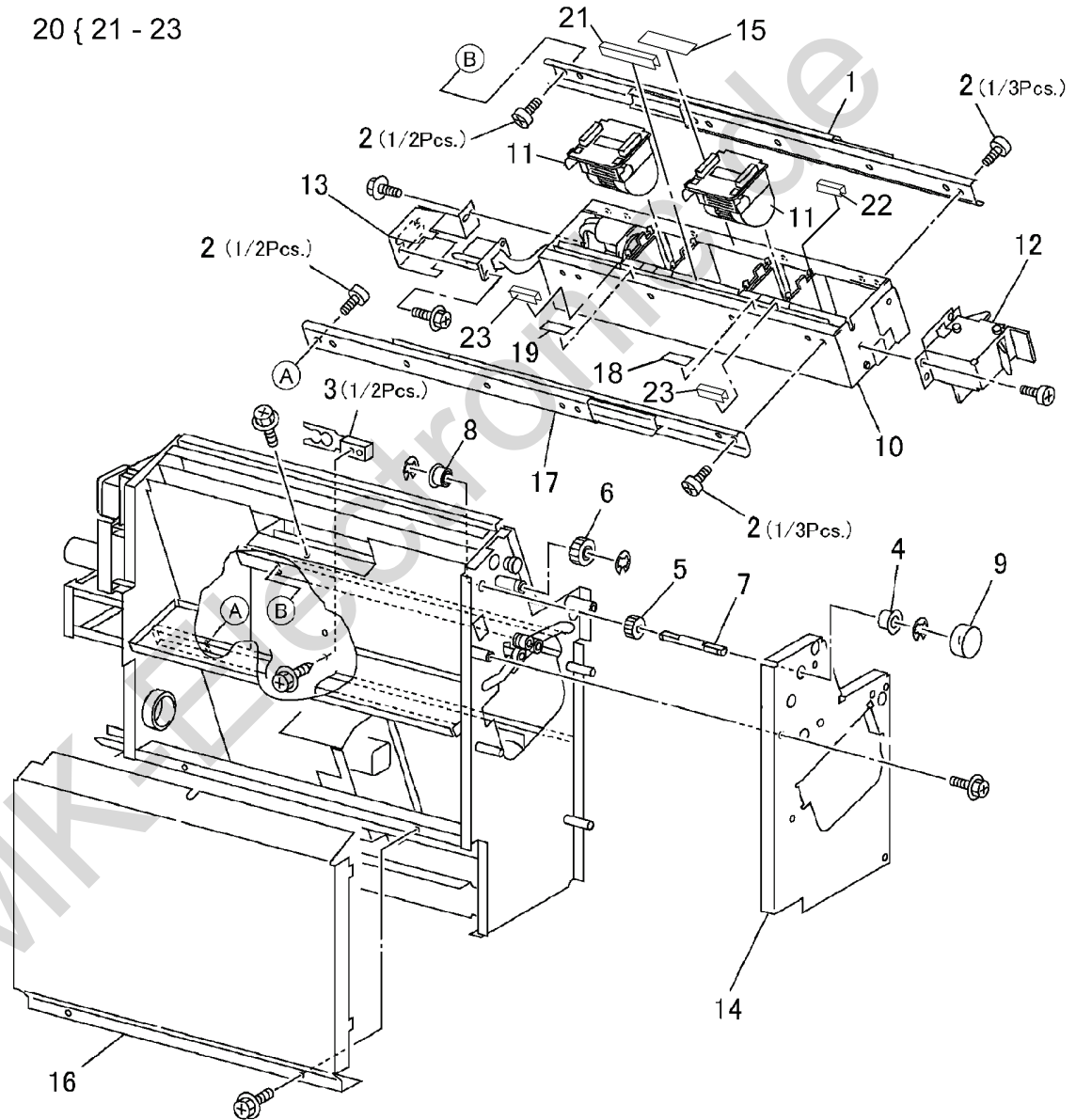


0521015A-OLY

PL 21.16 Booklet Component - 1

Item	Part	Description
1	801K18730	Right Rail
2	-	Screw (Not Spared)
3	003E59690	Stopper
4	-	Bearing (Not Spared)
5	407W07717	Gear (17T)
6	407W07731	Gear (31T)
7	-	Shaft (Not Spared)
8	-	Ball Bearing (Not Spared)
9	003K13680	Knob
10	029K03714	Stapler (REP 12.56, ADJ 12.6, ADJ 12.7, ADJ 12.10)
11	029K92041	Staple
12	015K67280	Latch
13	-	Bracket (Not Spared)
14	-	Front Cover (Not Spared)
15	-	Label (Not Spared)
16	-	Left Cover (Not Spared)
17	801K16581	Left Rail
18	893E51380	Label
19	893E55730	Label
20	-	Paper Skew Guide Kit (Not Spared)
21	038K88480	Paper Guide (Center)
22	038K88490	Paper Guide (Front)
23	-	Paper Guide (Clinch) (P/O PL 21.16 Item 20)

20 { 21 - 23

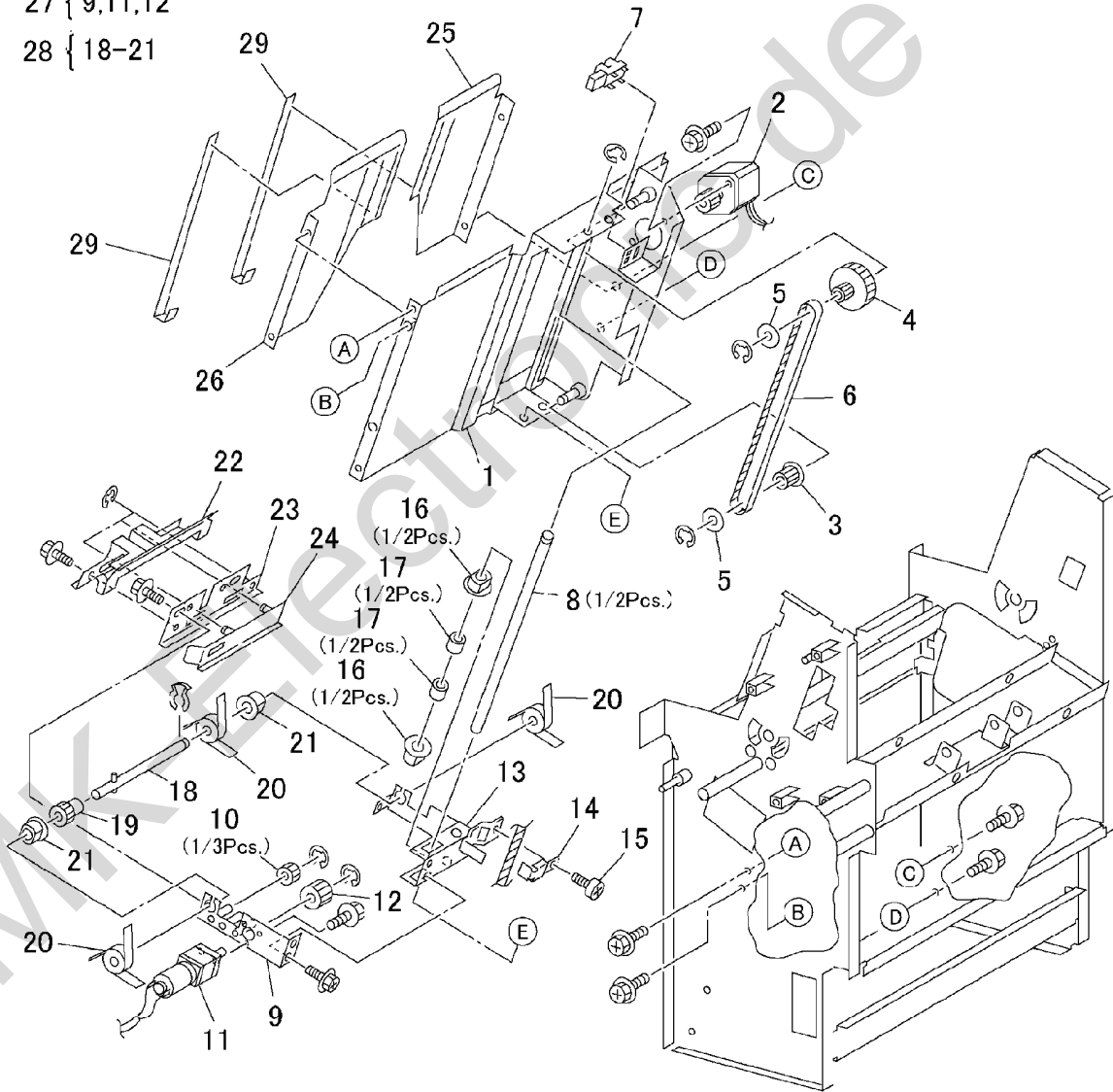


0521016A-OLY

PL 21.17 Booklet Component -2 (End Guide)

Item	Part	Description
1	-	Compiler Chute (Not Spared)
2	127K46170	Booklet End Guide Motor
3	020E37210	Pulley
4	807E02050	Gear Pulley (40T/20T)
5	-	Washer (Not Spared)
6	423W86254	Belt
7	130E82540	Booklet End Guide Home Sensor
8	-	Shaft (Not Spared)
9	-	Bracket (P/O PL 21.17 Item 27)
10	807E02070	Gear (14T)
11	-	Booklet Paddle Motor (P/O PL 21.17 Item 27)
12	-	Gear (14T) (P/O PL 21.17 Item 27)
13	-	Bracket (Not Spared)
14	-	Stopper (Not Spared)
15	-	Screw (Not Spared)
16	-	Bearing (Not Spared)
17	-	Roll (Not Spared)
18	-	Shaft (P/O PL 21.17 Item 28)
19	-	Gear (14) (P/O PL 21.17 Item 28)
20	-	Paddle (P/O PL 21.17 Item 28)
21	-	Bearing (P/O PL 21.17 Item 28)
22	-	End Guide (Not Spared)
23	-	Support Bracket (Not Spared)
24	-	Adjust Bracket (Not Spared) (ADJ 12.4)
25	-	Chute (Front) (Not Spared)
26	-	Chute (Rear) (Not Spared)
27	015K60410	Booklet Paddle Motor Assembly
28	006K22960	Paddle Shaft Assembly
29	-	Paper Guide (Not Spared)

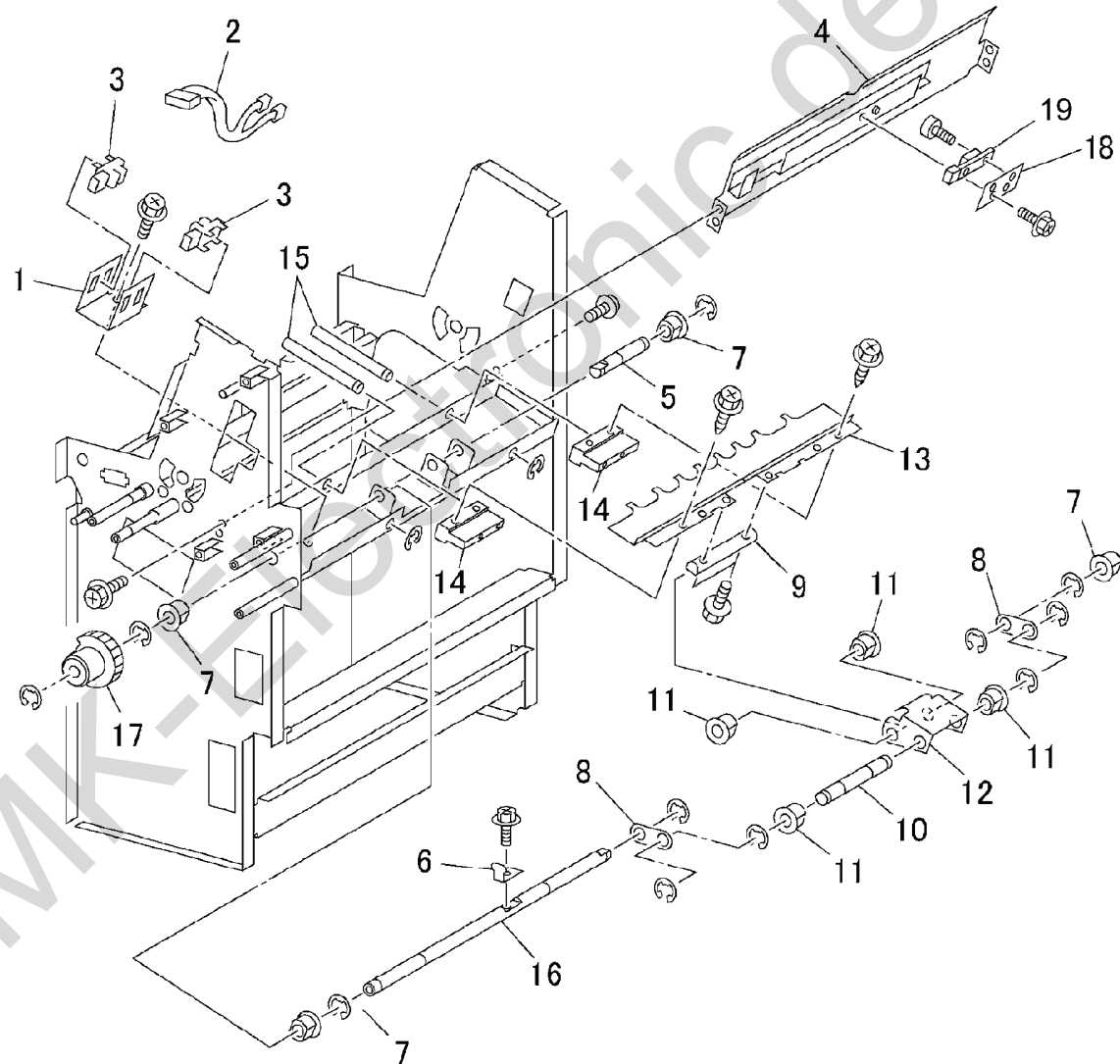
27 { 9,11,12
28 { 18-21



0521017A-OLY

PL 21.18 Booklet Component -3

Item	Part	Description
1	-	Bracket (Not Spared)
2	-	Wire Harness (Not Spared)
3	130K88780	Knife Home Sensor, Knife Folder Sensor
4	-	Chute (Not Spared)
5	-	Shaft (Not Spared)
6	-	Actuator (Not Spared)
7	-	Bearing (Not Spared)
8	-	Joint (Not Spared)
9	-	Shaft (Not Spared)
10	-	Shaft (Not Spared)
11	-	Bearing (Not Spared)
12	-	Bracket (Not Spared)
13	015K67270	Knife
14	-	Guide (Not Spared)
15	-	Shaft (Not Spared)
16	-	Shaft (Not Spared)
17	807E02060	Gear (42T)
18	-	Bracket (Not Spared)
19	130E87410	Booklet Compile No Paper Sensor

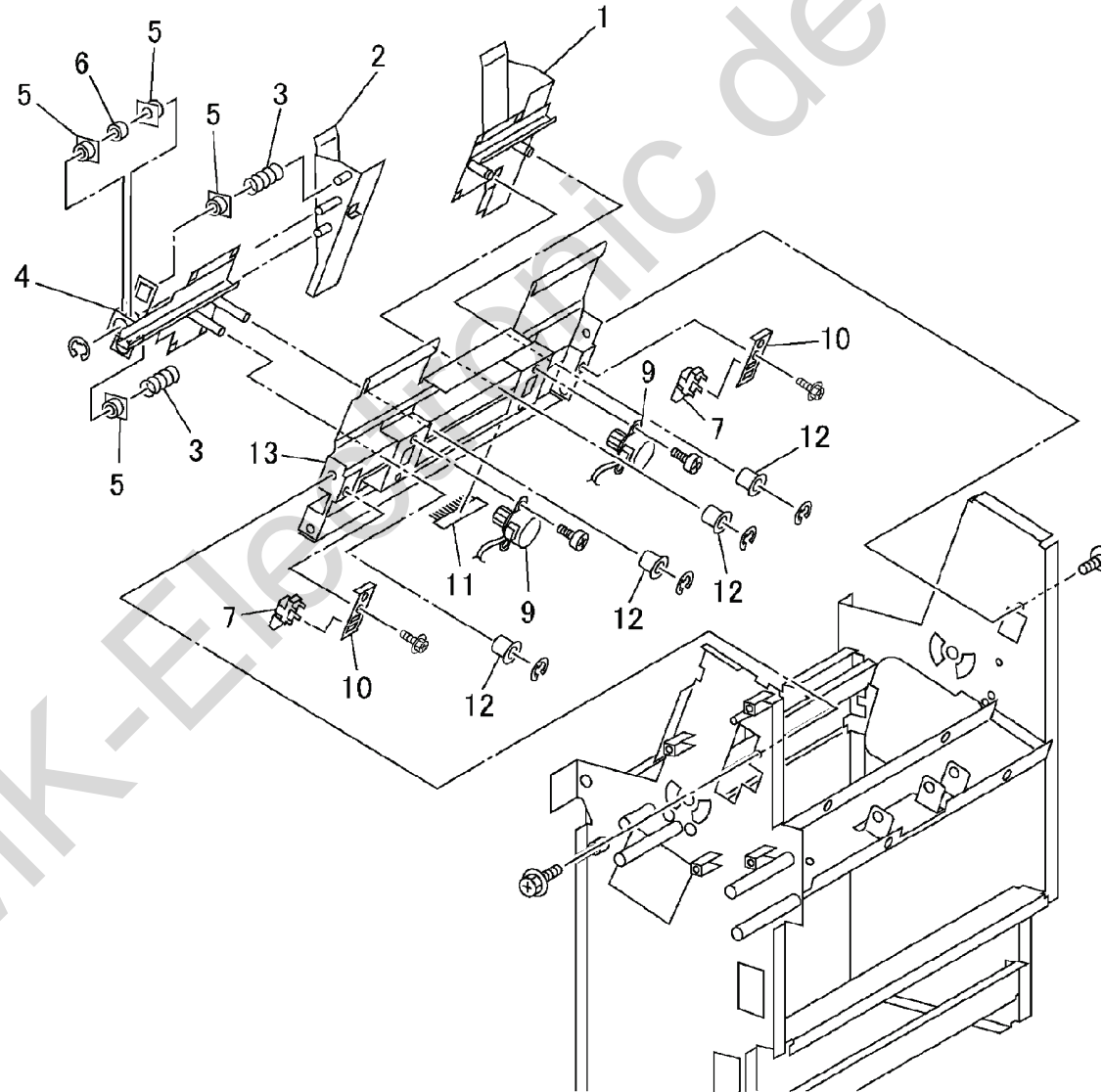


0521018A-OLY

PL 21.19 Booklet Component -4

Item	Part	Description
1	-	Front Tamper Guide
2	-	Rear Tamper Guide (P/O PL 21.19 Item 8)
3	-	Spring (P/O PL 21.19 Item 8)
4	-	Rack (P/O PL 21.19 Item 8)
5	-	Bearing (P/O PL 21.19 Item 8)
6	-	Roll (P/O PL 21.19 Item 8)
7	130E82540	Booklet Tamper Home Sensor (Front and Rear)
8	038K87371	Rear Tamper Assembly
9	127K48210	Booklet Tamper Motor (Front and Rear)
10	-	Bracket (Not Spared) (Not Spared)
11	105E15120	Static Eliminator
12	013E25490	Roll
13	-	Frame (Not Spared)

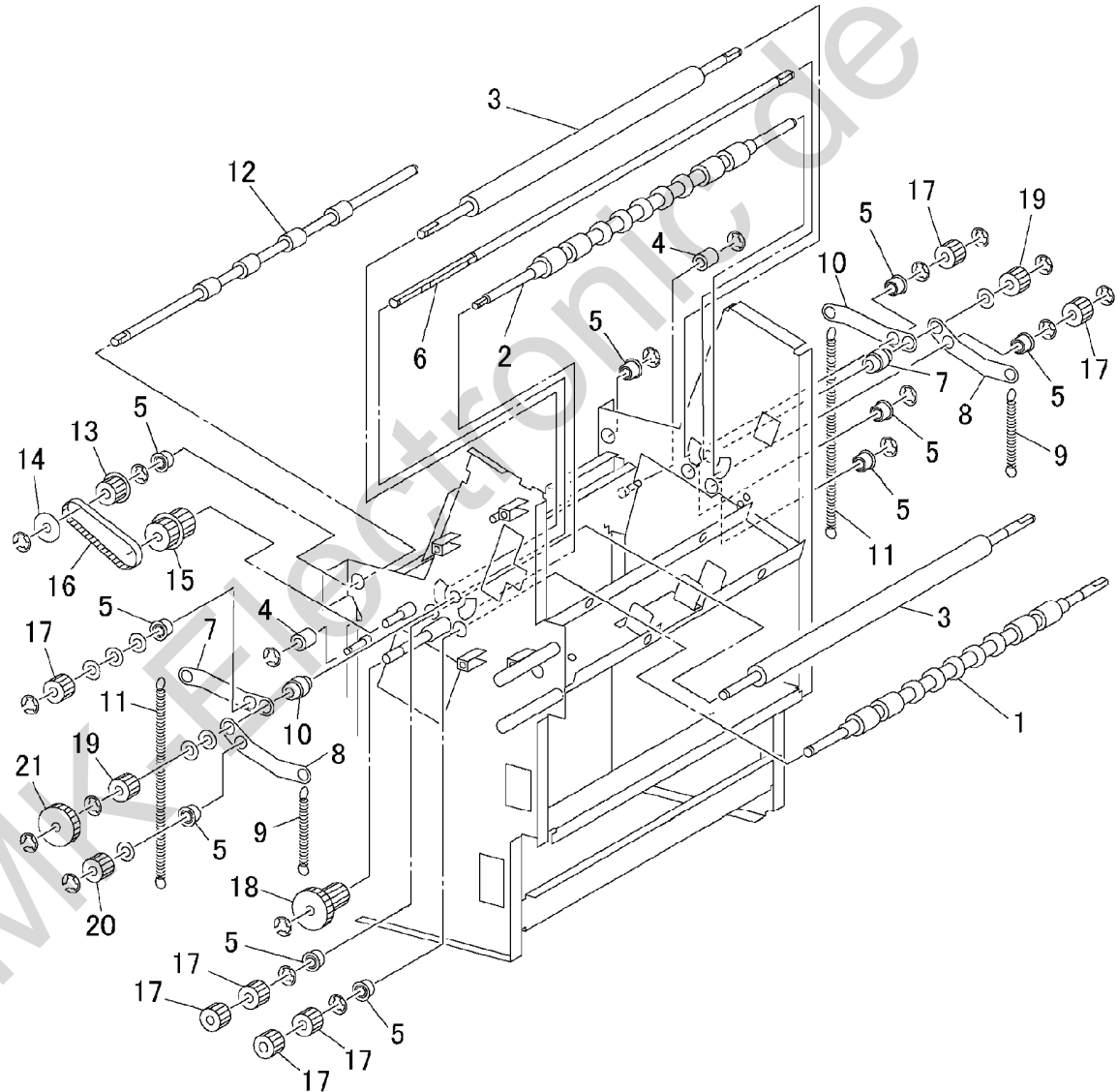
8 { 2-6



0521019/

PL 21.20 Booklet Component -5

Item	Part	Description
1	022K71020	Booklet Pre-Folding Roll
2	022K71040	Booklet Pre-Folding Nip Roll
3	022K66870	Booklet Folding Roll
4	022K66880	Booklet Folding Nip Roll
5	-	Ball Bearing (Not Spared)
6	-	Shaft (Not Spared)
7	013E25480	Bearing
8	-	Tension Plate 1 (Not Spared)
9	809E59991	Spring (ADJ 12.7)
10	-	Tension Plate 2 (Not Spared)
11	809E59981	Spring
12	-	Booklet Eject Roll (Not Spared)
13	-	Pulley (16T) (Not Spared)
14	-	Flange (Not Spared)
15	807E02040	Gear Pulley (20T/25T)
16	423W46754	Belt
17	007E89980	Gear (16T)
18	007E89990	Gear (38T/18T)
19	007E89970	Gear (18T)
20	807E09510	Gear (16T)
21	007E77770	Gear (38T)

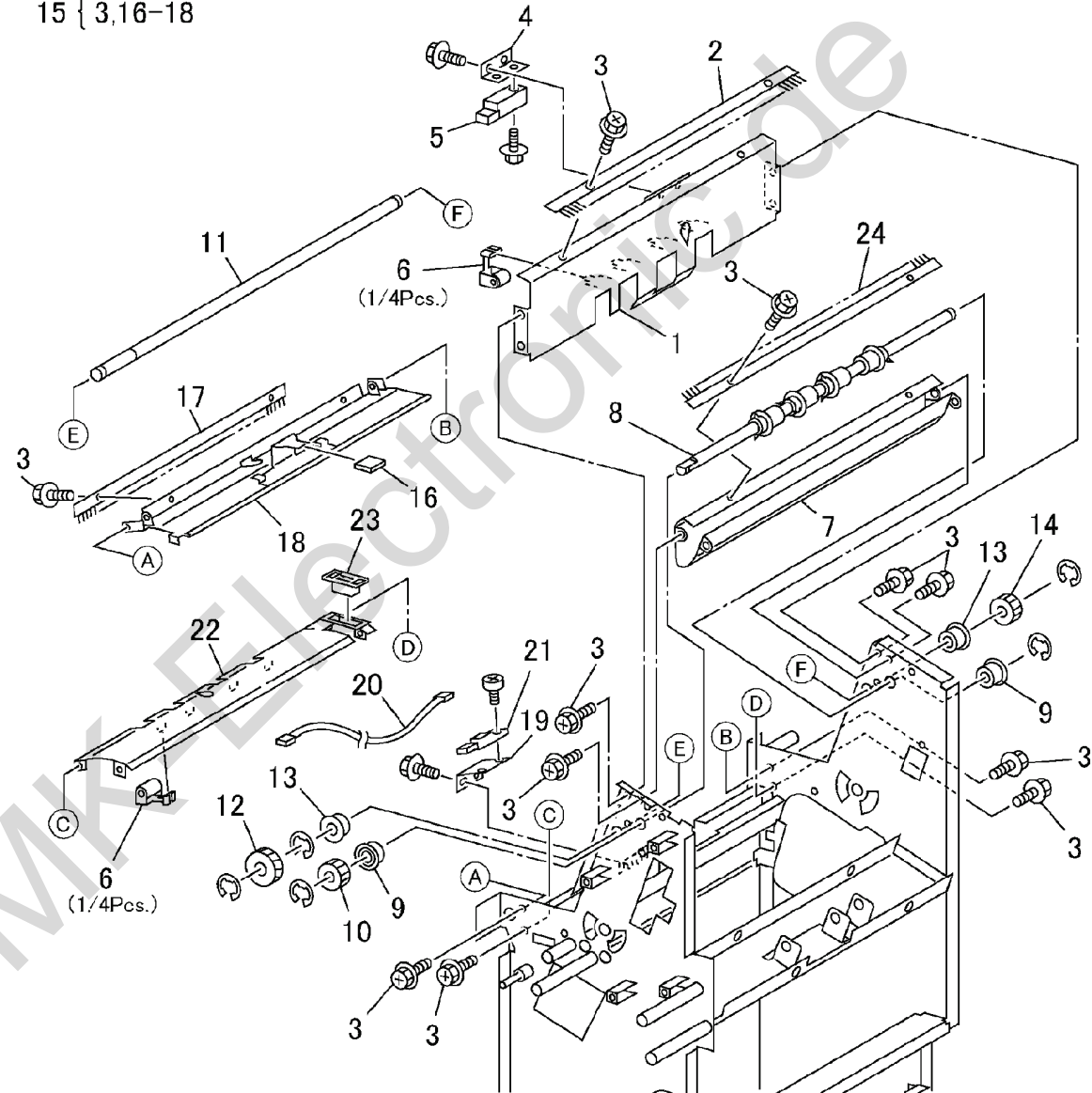


0521020A-OLY

PL 21.21 Booklet Component -6 (Chute)

15 { 3,16-18

Item	Part	Description
1	-	Chute (Not Spared)
2	105E12060	Static Eliminator
3	-	Screw (P/O PL 21.21 Item 15)
4	-	Bracket (Not Spared)
5	130E87370	Booklet In Sensor
6	059K00521	Pinch Roll
7	-	Chute (Not Spared)
8	022K70810	Booklet In Roll
9	-	Ball Bearing (Not Spared)
10	807E09510	Gear (16T)
11	-	Shaft (Not Spared)
12	807E09500	Gear (27T)
13	-	Bearing (Not Spared)
14	-	Gear (17T) (Not Spared)
15	054K23391	Upper Exit Chute Assembly
16	003K13150	Knob
17	105E12170	Static Eliminator
18	-	Upper Exit Chute (P/O PL 21.21 Item 15)
19	-	Bracket (Not Spared)
20	962K18411	Wire Harness
21	130E87410	Booklet Folder Roll Exit Sensor
22	-	Lower Exit Chute (Not Spared)
23	121E89590	Magnet
24	105E12080	Static Eliminator



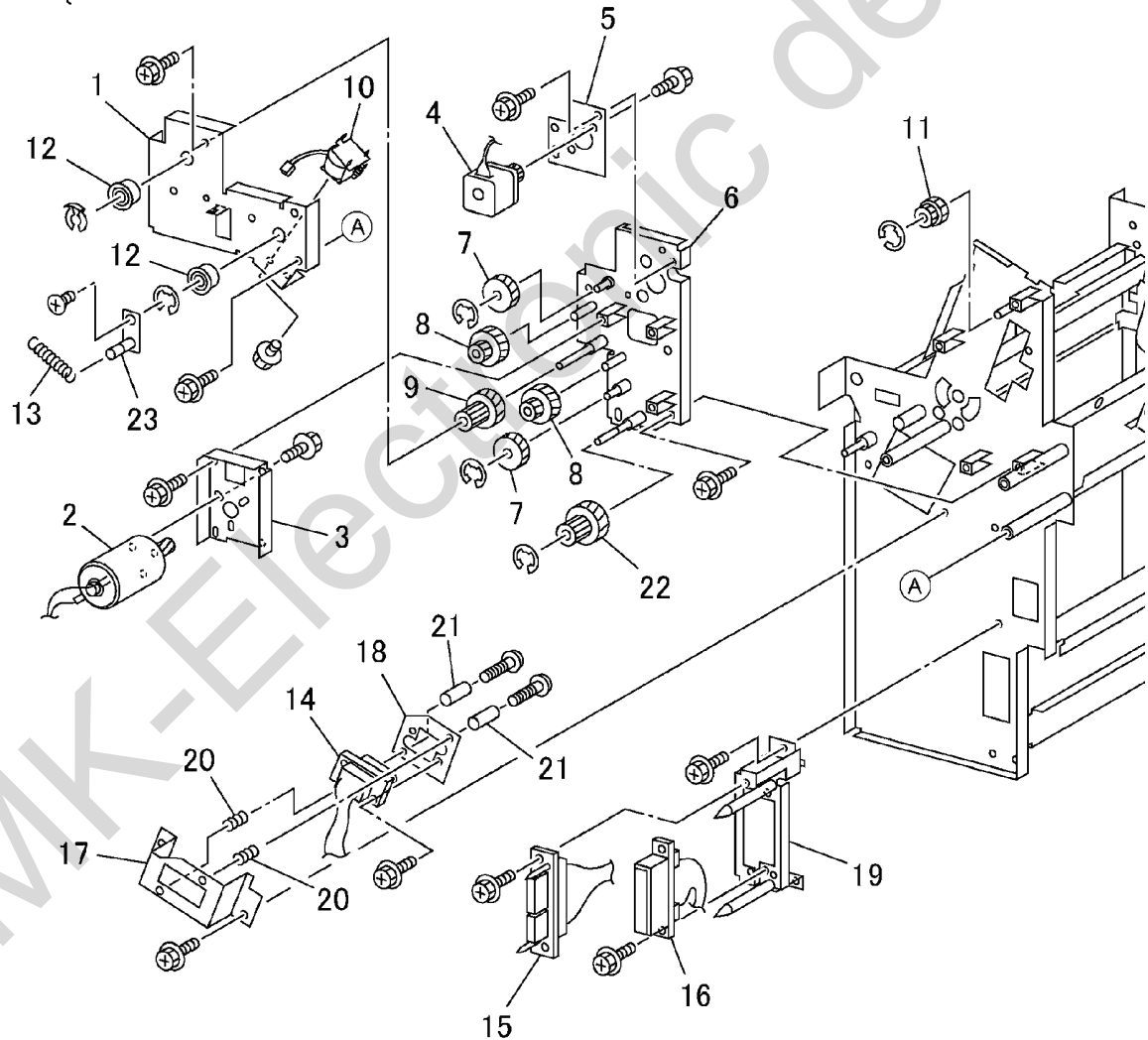
0521021A-OLY

PL 21.22 Booklet Component -7

Item	Part	Description
1	-	Bracket (Not Spared)
2	-	Booklet Fold Motor (P/O PL 21.22 Item 24)
3	-	Bracket (P/O PL 21.22 Item 24)
4	-	Booklet Paper Path Motor (P/O PL 21.22 Item 25)
5	-	Bracket (P/O PL 21.22 Item 25)
6	-	Bracket (Not Spared)
7	007E77620	Gear (45T)
8	007E77610	Gear (43T/14T)
9	007E77600	Gear (44T/16T)
10	121K31361	Knife Solenoid
11	807E01750	Gear (27T/34T)
12	-	Ball Bearing (Not Spared)
13	809E41620	Spring
14	962K18421	Wire Harness
15	962K18431	Wire Harness
16	962K18441	Wire Harness
17	-	Bracket (Not Spared)
18	-	Bracket (Not Spared)
19	-	Bracket (Not Spared)
20	809E41570	Spring
21	-	Spacer (Not Spared)
22	807E02080	Gear (48T/18T)
23	-	Link (Not Spared)
24	015K69650	Booklet Fold Motor Assembly
25	127K46170	Booklet Paper Path Motor Assembly

24 { 2,3

25 { 4,5

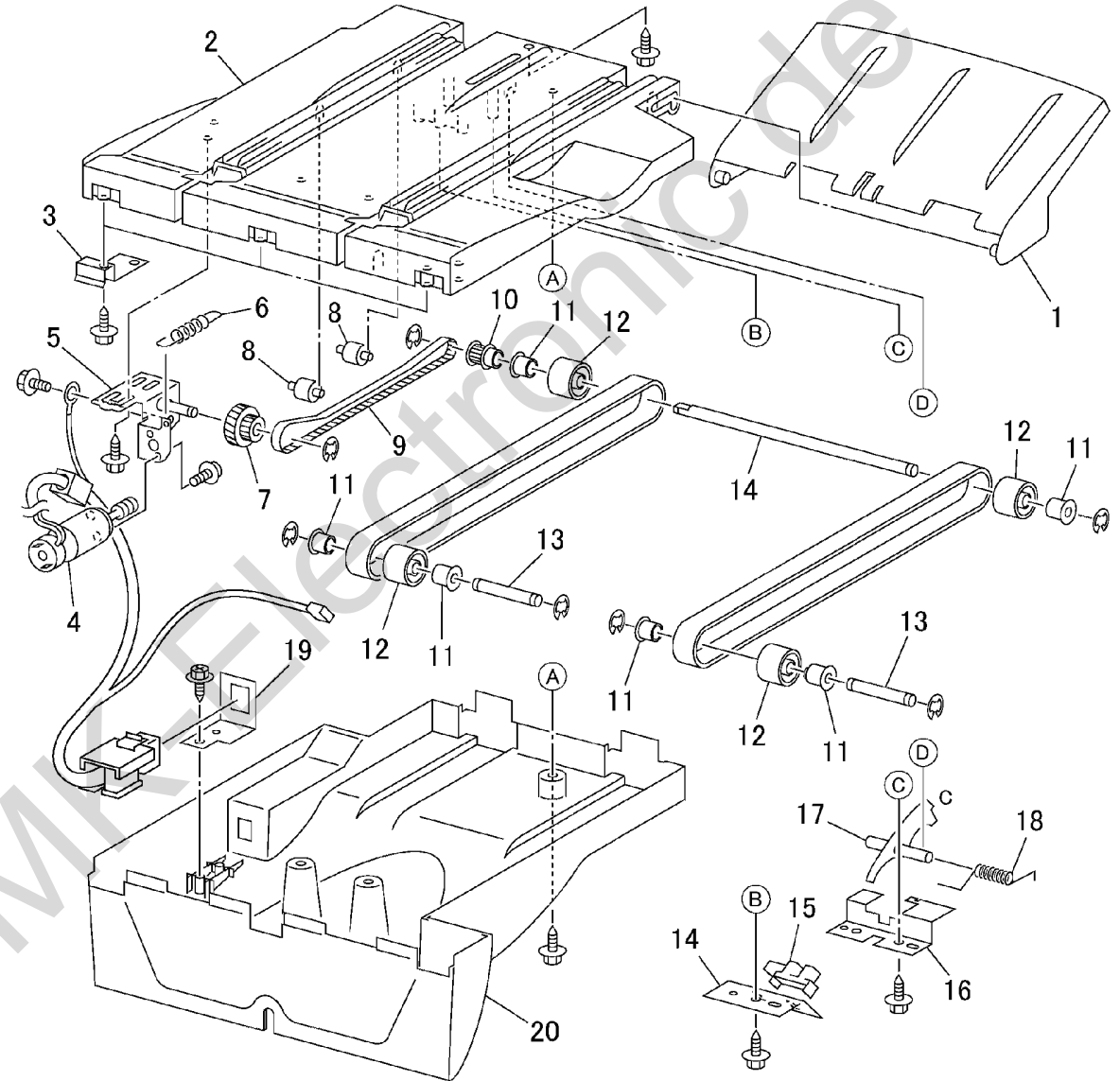


0521022A-OLY

PL 21.23 Booklet Tray Component

Item	Part	Description
1	050E19901	Tray (XE W/Booklet Maker 2/4 Punch)
2	-	Upper Tray (Not Spared)
3	-	Bracket (Not Spared)
4	127K38051	Tray Belt Drive Motor
5	-	Bracket (Not Spared)
6	-	Spring (Not Spared)
7	-	Gear Pulley (Not Spared)
8	-	Roll (Not Spared)
9	-	Belt (Not Spared)
10	-	Pulley (Not Spared)
11	-	Bearing (Not Spared)
12	-	Roll (Not Spared)
13	-	Shaft (Not Spared)
14	-	Shaft (Not Spared)
15	130K64300	Booklet No Paper Sensor (XC W/Bookmaker 2/3 Punch)
-	130K64301	Booklet No Paper Sensor (XE W/Bookmaker 2/4 Punch)
16	-	Bracket (Not Spared)
17	-	Actuator (P/O PL 21.23 Item 21)
18	-	Spring (P/O PL 21.23 Item 21)
19	-	Bracket (Not Spared)
20	-	Lower Tray (Not Spared)
21	604K13841	Actuator Assembly

21 { 17,18

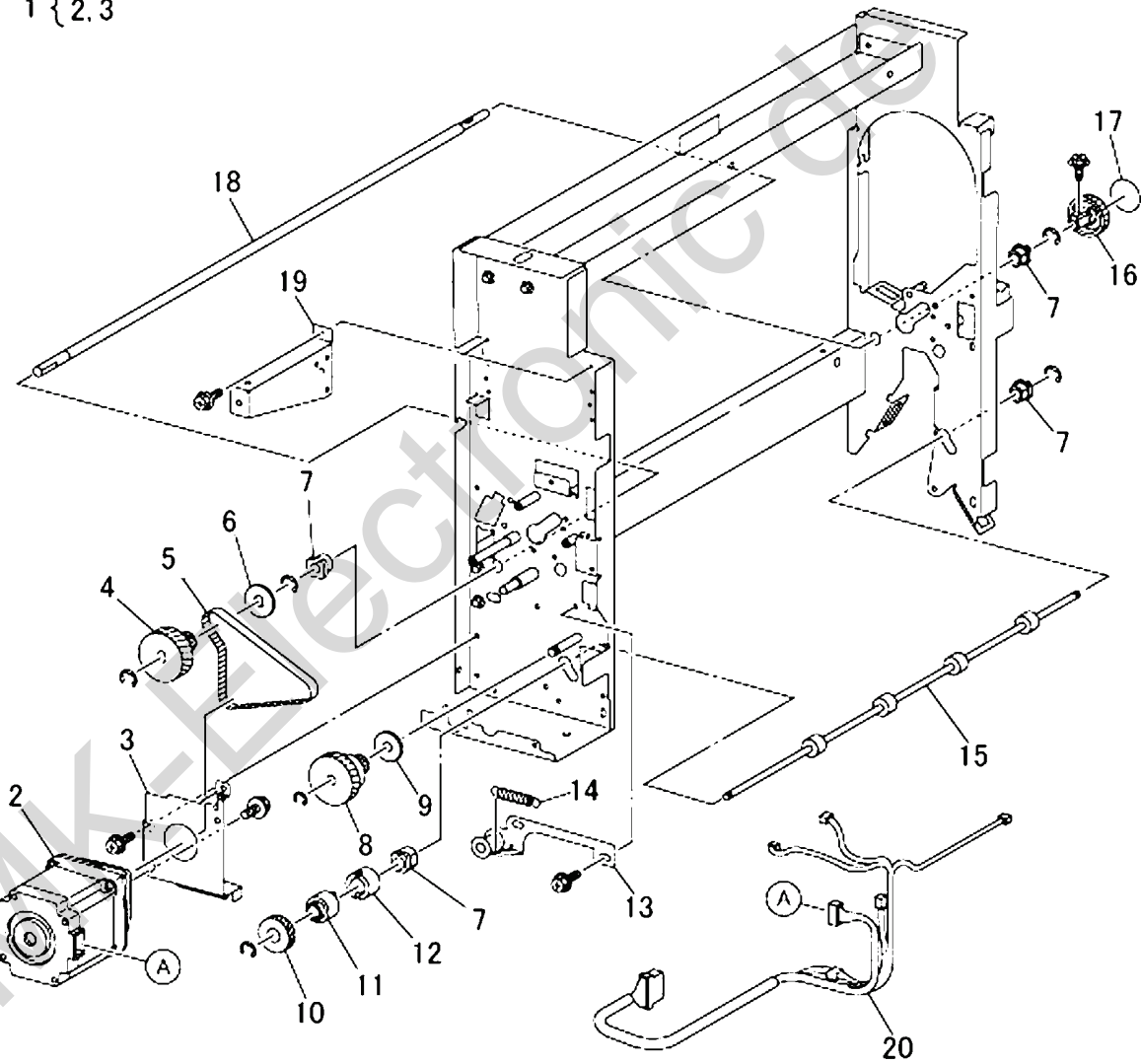


0521023A-OLY

PL 21.25 I/F Module Component (Drive)

Item	Part	Description
1	030K76921	Decurler Transport Motor Assembly
2	-	Decurler Transport Motor (P/O PL 21.25 Item 1)
3	-	Motor Bracket (P/O PL 21.25 Item 1)
4	-	Gear (34T/20T) (Not Spared)
5	423W31854	Decurler Transport Motor Belt
6	-	Collar (Not Spared)
7	-	Bearing (Not Spared)
8	-	Gear (34T/25T) (Not Spared)
9	-	Collar (Not Spared)
10	-	Gear (24T) (Not Spared)
11	005E19610	Clutch
12	005K06730	Clutch
13	-	Tension Bracket (Not Spared)
14	-	Tension Spring (Not Spared)
15	022K71490	Roll Assembly
16	003K13600	Knob
17	-	Label (1c) (Not Spared)
18	-	Shaft (Not Spared)
19	-	Cover Bracket (Not Spared)
20	-	Wire Harness (Not Spared)

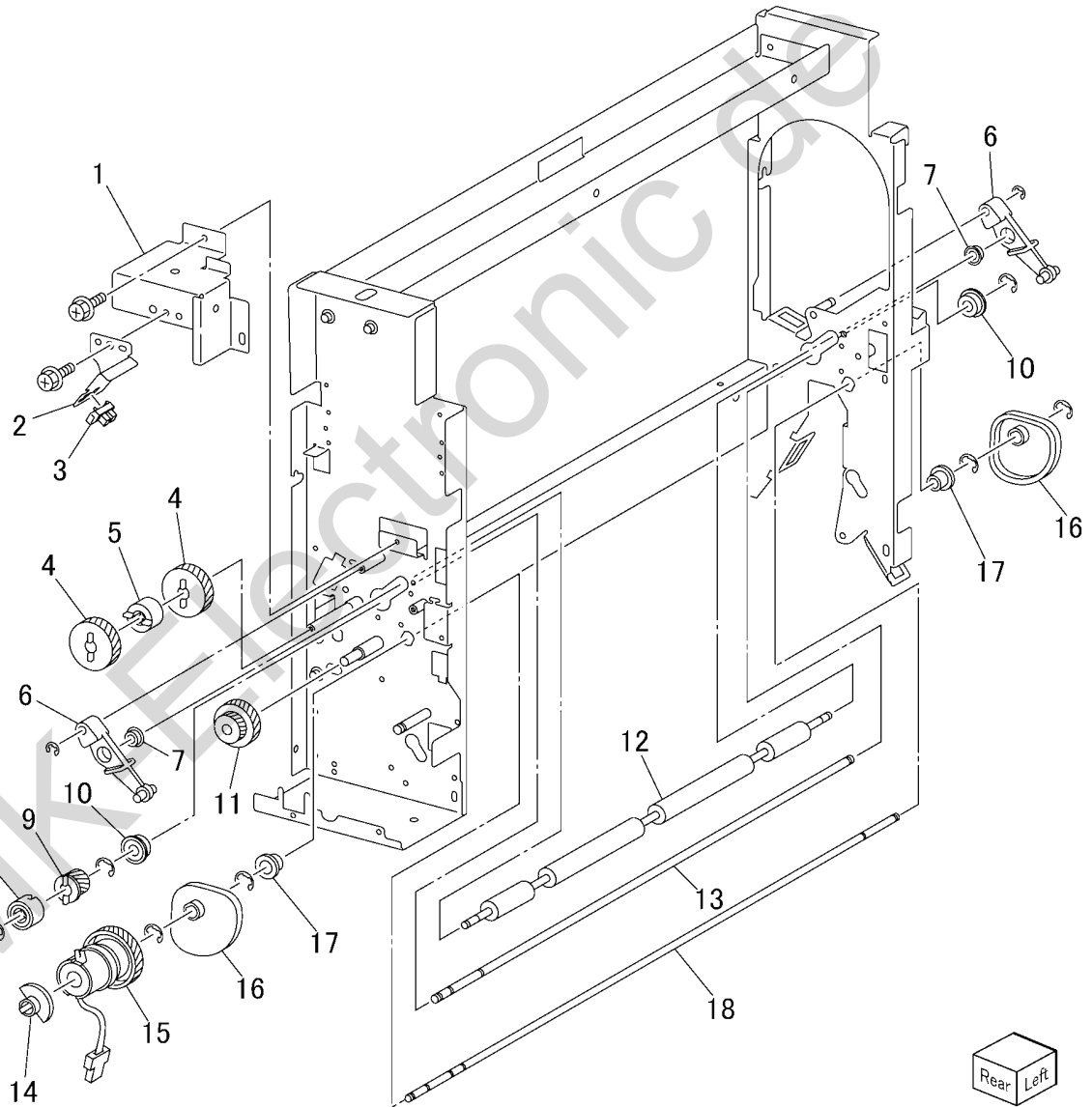
1 { 2.3



0521025A-OLY

PL 21.26 I/F Module Component (Decurler)

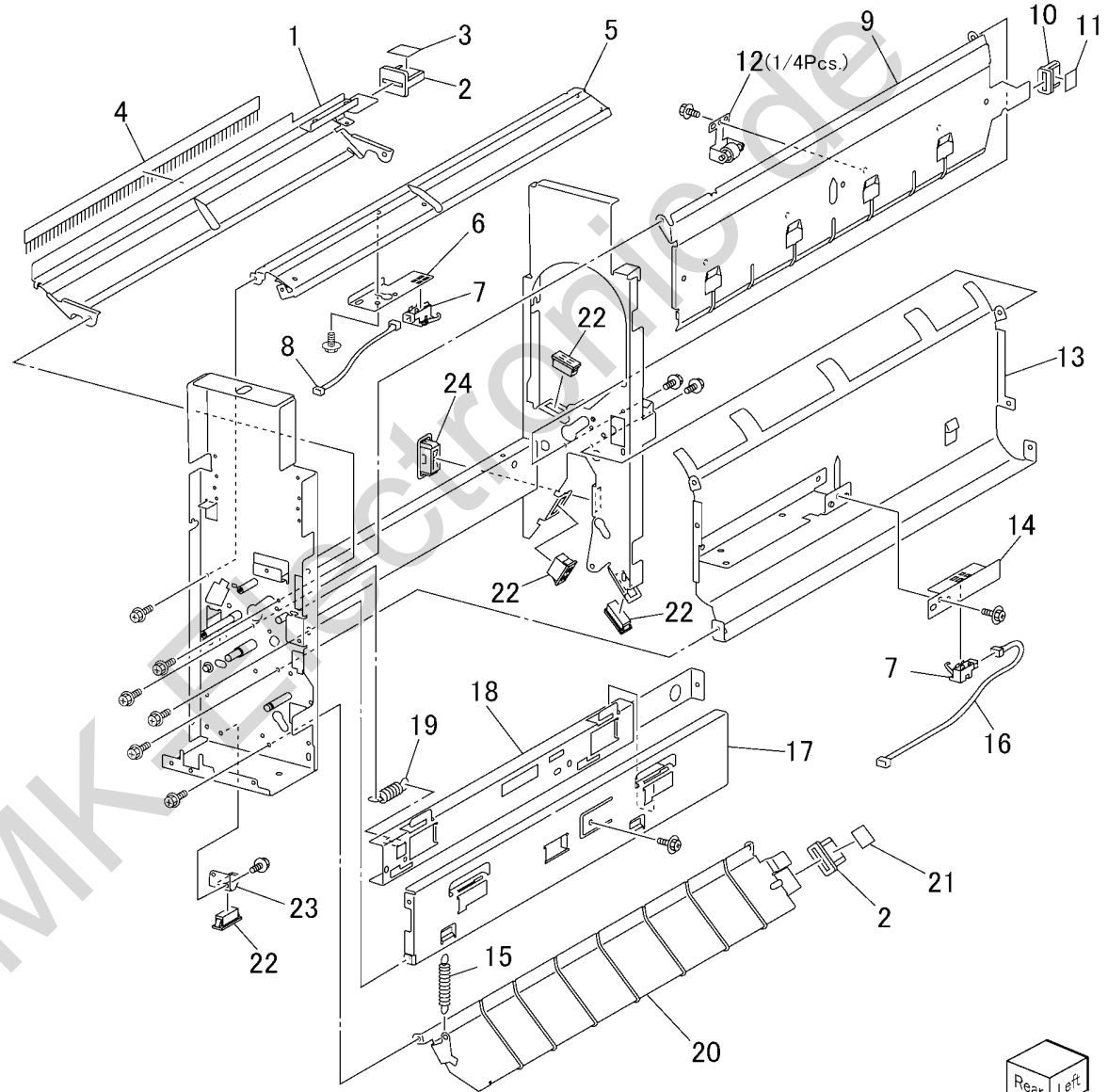
Item	Part	Description
1	-	Bracket (Not Spared)
2	-	Sensor Bracket (Not Spared)
3	130E89780	Decurler Home Sensor
4	-	Gear (34T) (Not Spared)
5	005E19600	Clutch
6	-	Decurler Arm (Not Spared)
7	413W66250	Ball Bearing
8	005K06730	Clutch
9	-	Gear (15T) (Not Spared)
10	-	Ball Bearing (Not Spared)
11	-	Gear (21T/35T) (Not Spared)
12	022K71480	Roll Assembly
13	-	Shaft (Not Spared)
14	-	Actuator (Not Spared)
15	121K24610	Decurler Cam Clutch
16	-	Decurler Cam (Not Spared)
17	413W77559	Bearing
18	-	Cam Shaft (Not Spared)



0521026A-OLY

PL 21.27 I/F Module Component (Chute)

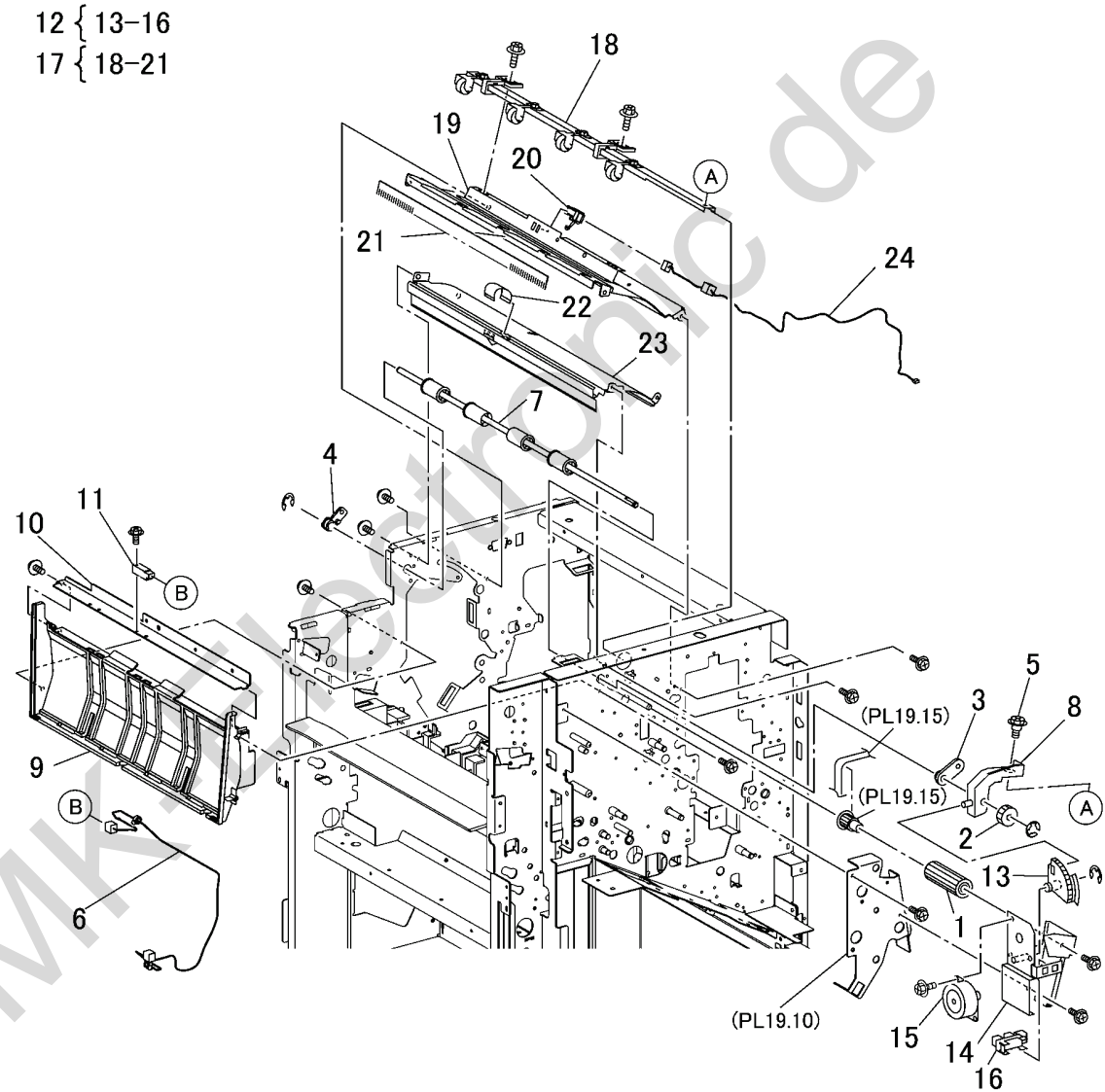
Item	Part	Description
1	054K27140	Exit Upper Chute Assembly
2	-	Knob (Not Spared)
3	-	Label (1d) (Not Spared)
4	-	Eliminator (Not Spared)
5	-	Exit Chute Assembly (Not Spared)
6	-	Sensor Bracket (Not Spared)
7	130K88790	Decurler Out Sensor
8	-	Wire Harness (Not Spared)
9	-	Low Chute Assembly (Not Spared)
10	-	Knob (Not Spared)
11	-	Label (1b) (Not Spared)
12	022K67850	Pinch Roll Assembly
13	-	Upper Chute Assembly (Not Spared)
14	-	Sensor Bracket (Not Spared)
15	009E94910	Spring
16	-	Wire Harness (Not Spared)
17	-	Plate (Not Spared)
18	-	Docking Plate (Not Spared)
19	-	Spring (Not Spared)
20	054E31580	Entrance Chute Assembly
21	-	Label (1a) (Not Spared)
22	121E92890	Magnet (25N)
23	-	Magnet Bracket (Not Spared)
24	-	Magnet (40N)



0521027A-OLY

PL 21.28 Finisher Top Tray (5 Places)

Item	Part	Description
1	-	Gear (16T) (Not Spared)
2	-	Gear (16T) (Not Spared)
3	-	Bearing (Not Spared)
4	-	Bearing (Not Spared)
5	-	Stud Screw (Not Spared)
6	-	Wire Harness (Not Spared)
7	022K71420	Top Tray Exit Roll (REP 7.32)
8	-	Arm (Not Spared)
9	-	Tray Guide (Not Spared)
10	-	Bracket (Not Spared)
11	130E87370	Top Tray Full Sensor
12	030K76880	Top Tray Offset Motor
13	-	Gear (P/O PL 21.28 Item 12)
14	-	Bracket (P/O PL 21.28 Item 12)
15	-	Top Tray Offset Motor (P/O PL 21.28 Item 12)
16	130E88782	Top Tray Offset Sensor
17	054K28190	Upper Chute Assembly
18	-	Slide Rail Assembly (P/O PL 21.28 Item 17)
19	-	Upper Chute (P/O PL 21.28 Item 17)
20	130K88190	Top Tray Exit Sensor
21	105E15180	Eliminator
22	038K88510	Paper Guide
23	-	Lower Chute
24	-	Wire Harness



0521028A-OLY

Common Hardware

Item	Part	Description
A	112W27677	Screw (M3x6)
B	102W27678	Countersunk Hex Screw (M3x6)
C	112W27698	Pan Head Screw (M3x6)
D	112W28078	Screw (M3x10: White)
E	113W20457	Screw (M3x4)
F	112W29498	Sems Screw
G	113W20478	Screw (M3x4: White)
H	113W20578	Screw (M3x4:White)
J	113W20678	Screw (M3x6:White)
K	113W20878	Screw (M3x8:White)
L	113W21078	Screw (M3x10:White)
M	113W21278	Screw (M3x12:White)
N	113W21478	Screw (M3x14:White)
P	113W21678	Screw (M3x16:White)
Q	113W22578	Screw (M3x25:White)
R	113W27588	Pan Head Screw (M3x5:White)
S	-	Screw (M3x6)
T	113W28088	Pan Head Screw (M3x10:White)
U	-	Pan Head Screw (M3x12)
V	113W35578	Pan Head Screw (M4x5)
W	-	Pan Head Screw (M4x8)
X	-	Pan Head Screw (M4x8)
Y	-	Pan Head Screw (M4x8)
Z	-	Pan Head Screw (M3x10)
AA	-	Pan Head Screw (M4x6)
AB	114W27678	Tapping Screw (3Mx6:White)
AC	114W27878	Bind Head Screw (M3x8)
AD	141W35551	Set screw (M4x5)
AE	153W17688	Tapping Screw (3x6:White)
AF	153W17888	Tapping Screw (3x8:White)
AG	153W18088	Tapping Screw (3x10:White)
AH	153W27878	Tapping Screw (3x8:White)
AJ	158W27678	Screw (M3x6:White)
AK	153W27688	Round Point Screw (M3x6:White)
AL	158W27863	Screw (M3x8)
AM	158W27878	Screw (M3x8:White)
AN	158W28078	Screw (M3x10:White)
AP	-	Screw (M3x12)
AQ	-	Screw (M3x16)
AR	158W35678	Screw (M4x4:White)
AS	158W35878	Screw (M4x8:White)
AT	220W21278	Flange Nut (M3:White)
AU	232W21178	Clinch Nut
AV	232W24278	Clinch Nut
AW	252W24250	Nylon Washer (4)
AX	252W26450	Nylon Washer
AY	-	Nylon Washer
AZ	-	Nylon Washer
BA	-	Nylon Washer
BB	252W29450	Nylon Washer (8)
BC	271W10850	Pin (1.6x8)
BD	271W16050	Dowel Pin (2x10)
BE	271W21050	Dowel Pin (2.5x10)
BF	271W21250	Dowel Pin (2.5x12)
BG	271W21650	Dowel Pin (2.5x16)
BH	271W28050	Dowel Pin (3x10)
BJ	271W28250	Dowel Pin (3x12)
BK	271W28650	Dowel Pin (3x16)
BL	271W28850	Dowel Pin (3x20)
BM	285W15851	Spring Pin (2x6)
BN	285W16251	Spring Pin (2x12)
BP	-	Spring Pin (2.5x14)
BQ	285W28051	Spring Pin (3x10)
BR	351W29250	Retaining Ring (8)
BS	351W52250	Retaining Pin
BT	354W15278	E-Clip
BU	354W19278	E-Clip (2.5:White)
BV	354W21278	E-Clip (3:White)
BW	354W24278	E-Clip (4:White)
BX	354W24254	KL-Clip (4)
BY	-	E-Clip
BZ	354W26278	E-Clip (5:White)
CA	354W27254	KL-Clip (6)
CB	354W27278	E-Clip (6:White)
CC	-	E-Clip
CD	153W36678	Tapping Screw
CE	153W15888	Tapping, Screw
CF	153W16288	Tapping Screw (M4x12)
CG	158W27663	Screw (M3x6)
CH	112W27659	Sems Screw (M3x6)
CJ	141W27451	Set screw
CK	285W16051	Spring Pin (2x10)
CL	113W20688	Screw (M5x6)
CM	113W27551	Screw (M3x5)
CN	113W16051	Screw (M3x10)
CP	220W24378	Flange Nut (4M:White)
CQ	113W28888	Pan Head Screw (M3x20:White)
CR	153W27678	Tapping Screw (3x6:White)
CS	102W28478	Countersunk Head Screw (M3x14)
CT	256W21278	Spring Washer (3:White)
CU	153W18288	Tapping Screw (3x12:White)
CV	113W36878	Screw m4x20:White0
CW	251W19278	Washer (2.5)
CX	113W27488	Pan Head Screw (M3x4:White)
CY	113W20857	Screw (M5x8)

www MK-Electronic.de

www MK-Electronic.de

www MK-Electronic.de

www MK-Electronic.de

www MK-Electronic.de

www MK-Electronic.de

www MK-Electronic.de

www MK-Electronic.de

www MK-Electronic.de

www MK-Electronic.de

www MK-Electronic.de

www MK-Electronic.de