

5 Parts List

Overview

Introduction 5-3
 Subsystem Information 5-4
 Symbology 5-5

Parts Lists

1. IIT/CP

PL 1.1 IIT Covers 5-7
 PL 1.2 CCD Lens Assembly/Platen Glass 5-8
 PL 1.3 Full/Half Rate Carriage 5-9
 PL 1.4 Full Rate Carriage 5-10
 PL 1.5 CCD Lens Base Plate 5-11
 PL 1.6 Motor/Transport PWB 5-12
 PL 1.7 Control Panel 5-13

2. ROS

PL 2.1 ROS Assembly 5-14

3. Drives

PL 3.1 Drives (1 of 4) 5-15
 PL 3.2 Drives (2 of 4) 5-16
 PL 3.3 Drives (3 of 4) 5-17
 PL 3.4 Drives (4 of 4) 5-18

4. Ducts

PL 4.1 Rear Duct Assemblies 5-19

5. Development

PL 5.1 Dispenser Base 5-20
 PL 5.2 Dispenser Assembly (K) 5-21
 PL 5.3 Dispenser Assembly (Y) 5-22
 PL 5.4 Dispenser Assembly (M) 5-23
 PL 5.5 Dispenser Assembly (C) 5-24

6. Transfer

PL 6.1 Transfer Assembly (1 of 4) 5-25
 PL 6.2 Transfer Assembly (2 of 4) 5-26
 PL 6.3 Transfer Assembly (3 of 4) 5-27
 PL 6.4 Transfer Assembly (4 of 4) 5-28

7. Fuser

PL 7.1 Fuser Assembly 5-29

8. Development

PL 8.1 Development Base 5-30
 PL 8.2 Guide Assembly 5-31
 PL 8.3 2nd Frame Assembly 5-32

9. Paper Transport

PL 9.1 Tray 1/2 (1 of 2) 5-33
 PL 9.2 Tray 1/2 (2 of 2) 5-34
 PL 9.3 Paper Transport 5-35
 PL 9.4 Paper Feeder (1 of 3) 5-36
 PL 9.5 Paper Feeder (2 of 3) 5-37
 PL 9.6 Paper Feeder (3 of 3) 5-38

10. TTM

PL 10.1 Tray Module (2T) 5-39
 PL 10.2 Tray 3/4 5-40
 PL 10.3 Feeder/Roller 5-41
 PL 10.4 Tray 3/4 Feeder Assembly (1 of 3) 5-42
 PL 10.5 Tray 3/4 Feeder Assembly (2 of 3) 5-43
 PL 10.6 Tray 3/4 Feeder Assembly (3 of 3) 5-44
 PL 10.7 Electrical 5-45
 PL 10.8 Covers 5-46
 PL 10.9 Left Hand Cover 5-47

13. MSI

PL 13.1 MSI Feeder Assembly 5-48
 PL 13.2 Lower Frame Assembly 5-49
 PL 13.3 Lower Tray Assembly 5-50

14. Left Hand Cover

PL 14.1 Left Hand Assembly (1 of 4) 5-51
 PL 14.2 Left Hand Assembly (2 of 4) 5-52
 PL 14.3 Left Hand Assembly (3 of 4) 5-53
 PL 14.4 Left Hand Assembly (4 of 4) 5-54
 PL 14.5 Duplex Assembly 5-55

15. Registration Transport

PL 15.1 Registration Transport Assembly 5-56
 PL 15.2 Registration Transport Assembly 5-57
 PL 15.3 Take Away Chute 5-58
 PL 15.4 Lower Cover Assembly 5-59

17. Exit

PL 17.1 Exit 1/OCT, Exit 2 5-60
 PL 17.2 Exit 1/OCT 5-61
 PL 17.3 Exit 2 (1 of 2) 5-62
 PL 17.4 Exit 2 (2 of 2) 5-63

18. Electrical

PL 18.1 PWB's 5-64
 PL 18.2 Switches 5-65
 PL 18.3 Harnesses 5-66
 PL 18.4 AC Chassis Assembly 5-67
 PL 18.5 Fax Assembly 5-68

19. IOT Covers	
PL 19.1 Front Cover	5-69
PL 19.2 Top, Left Covers	5-70
PL 19.3 Right, Rear Covers	5-71
22. Integrated Office Finisher	
PL 22.1 Finisher Assembly (Part 1 of 2) (Integrated Office Finisher).....	5-72
PL 22.2 Finisher Assembly (Part 2 of 2) (Integrated Office Finisher).....	5-73
PL 22.3 Stacker Base Assembly (Part 1 of 5) (Integrated Office Finisher)	5-74
PL 22.4 Stacker Base Assembly (Part 2 of 5) (Integrated Office Finisher)	5-75
PL 22.5 Stacker Base Assembly (Part 3 of 5) (Integrated Office Finisher).....	5-76
PL 22.6 Stacker Base Assembly (Part 4 of 5) (Integrated Office Finisher)	5-77
PL 22.7 Stacker Base Assembly (Part 5 of 5) (Integrated Office Finisher)	5-78
PL 22.8 Stacker Tray Assembly (Integrated Office Finisher)	5-79
PL 22.9 Compile Assembly (Part 1 of 2) (Integrated Office Finisher)	5-80
PL 22.10 Compile Assembly (Part 2 of 2) (Integrated Office Finisher)	5-81
23. Office Finisher LX	
PL 23.1 H-Transport Assembly (1 of 5) (Office Finisher LX).....	5-82
PL 23.2 H - Transport Assembly (2 of 5) (Office Finisher LX).....	5-83
PL 23.3 H - Transport Assembly (3 of 5) (Office Finisher LX).....	5-84
PL 23.4 H - Transport Assembly (4 of 5) (Office Finisher LX).....	5-85
PL 23.5 H - Transport Assembly (5 of 5) (Office Finisher LX).....	5-86
PL 23.6 Finisher Covers (Office Finisher LX).....	5-87
PL 23.7 Finisher Stacker (Office Finisher LX).....	5-88
PL 23.8 Finisher Stapler (Office Finisher LX).....	5-89
PL 23.9 Finisher Eject (1 of 5) (Office Finisher LX).....	5-90
PL 23.10 Finisher Eject (2 of 5) (Office Finisher LX).....	5-91
PL 23.11 Finisher Eject (3 of 5) (Office Finisher LX).....	5-92
PL 23.12 Finisher Eject (4 of 5) (Office Finisher LX).....	5-93
PL 23.13 Finisher Eject (5 of 5) (Office Finisher LX).....	5-94
PL 23.14 Finisher Exit/Folder Assembly (Office Finisher LX)	5-95
PL 23.15 Folder Assembly (Office Finisher LX)	5-96
PL 23.16 Finisher Electrical (Office Finisher LX)	5-97
PL 23.17 Booklet Cover (Office Finisher LX)	5-98
PL 23.18 Booklet Stapler Assembly (Office Finisher LX)	5-99
PL 23.19 Booklet Front Stapler Assembly (Office Finisher LX)	5-100
PL 23.20 Booklet Rear Stapler Assembly (Office Finisher LX)	5-101
PL 23.21 Booklet Electrical (Office Finisher LX)	5-102
35. ESS	
PL 35.1 ESS (1 of 3)	5-103
PL 35.2 ESS (2 of 3)	5-104
PL 35.3 ESS (3 of 3)	5-105
51. DADF	
PL 51.1 DADF Accessory	5-106
PL 51.2 Covers, PWB	5-107
PL 51.3 Base Frame	5-108
PL 51.4 Document Tray	5-109
PL 51.5 DADF Drives (1 of 2)	5-110
PL 51.6 DADF Drives (2 of 2)	5-111
PL 51.7 Front Belt	5-112

PL 51.8 Registration, Retard, Invert, Output Chutes.....	5-113
PL 51.9 Roll, Sensor Bracket	5-114
PL 51.10 Document Tray	5-115
PL 51.11 Top Cover	5-116
PL 51.12 Upper Feeder.....	5-117
PL 51.13 Registration Chute	5-118
PL 51.14 Retard Chute.....	5-119
PL 51.15 Invert Chute	5-120
PL 51.16 Output Chute.....	5-121
PL 51.17 Sensor Bracket	5-122

Common Hardware

Common Hardware	5-123
Part Number Index	5-137

Introduction

Overview

The Parts List section identifies all part numbers and the corresponding location of all spared subsystem components.

Organization

Parts Lists

Each item number in the part number listing corresponds to an item number in the related illustration. All the parts in a given subsystem of the machine will be located in the same illustration or in a series of associated illustrations.

Electrical Connectors and Fasteners

This section contains the illustrations and descriptions of the plugs, jacks, and fasteners used in the machine. A part number listing of the connectors is included.

Common Hardware

The common hardware is listed in alphabetical order by the letter or letters used to identify each item in the part number listing and in the illustrations. Dimensions are in millimeters unless otherwise identified.

Part Number Index

This index lists all the spared parts in the machine in numerical order. Each number is followed by a reference to the parts list on which the part may be found.

Other Information

Abbreviations

Abbreviations are used in the parts lists and the exploded view illustrations to provide information in a limited amount of space. The following abbreviations are used in this manual:

Table 1 Abbreviations

Abbreviation	Meaning
A3	297 x 594 Millimeters
A4	210 x 297 Millimeters
A5	148 x 210 Millimeters
AD	Auto Duplex
AWG	American Wire Gauge
EMI	Electro Magnetic Induction
GB	Giga Byte
KB	Kilo Byte
MB	Mega Byte
MM	Millimeters
MOD	Magneto Optical Drive
NOHAD	Noise Ozone Heat Air Dirt
PL	Parts List
P/O	Part of

Table 1 Abbreviations

Abbreviation	Meaning
R/E	Reduction/Enlargement
REF:	Refer to
SCSI	Small Computer Systems Interface
W/	With
W/O	Without

Table 2 OPCOs

Operating Companies	
Abbreviation	Meaning
AO	Americas Operations
NASG - US	North American Solutions Group - US
NASG - Canada	North American Solutions Group - Canada
XE	Xerox Europe

Symbology

Symbology used in the Parts List section is identified in the Symbology section.

Service Procedure Referencing

If a part or assembly has an associated repair or adjustment procedure, the procedure number will be listed at the end of the part description in the parts lists e.g. (REP 5.1, ADJ 5.3)

Subsystem Information

Use of the Term “Assembly”

The term “assembly” will be used for items in the part number listing that include other itemized parts in the part number listing. When the word “assembly” is found in the part number listing, there will be a corresponding item number on the illustrations followed by a bracket and a listing of the contents of the assembly.

Brackets

A bracket is used when an assembly or kit is spared, but is not shown in the illustration. The item number of the assembly or kit precedes the bracket; the item numbers of the piece parts follow the bracket.

Tag

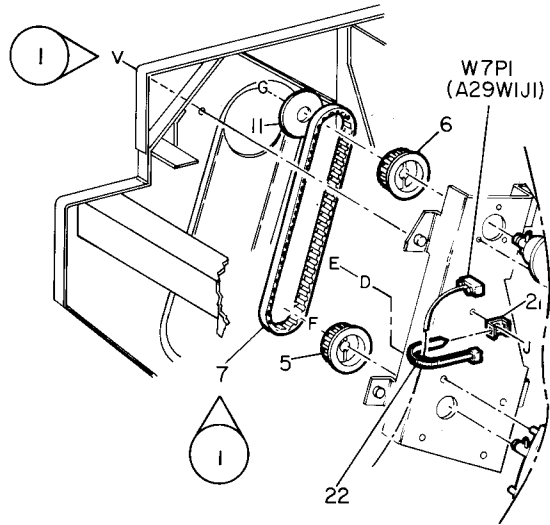
The notation “W/Tag” in the parts description indicates that the part configuration has been updated. Check the change Tag index in the General Information section of the Service Data for the name and purpose of the modification.

In some cases, a part or assembly may be spared in two versions: with the Tag and without the Tag. In those cases, use whichever part is appropriate for the configuration of the machine on which the part is to be installed. If the machine does not have a particular Tag and the only replacement part available is listed as “W/Tag”, install the Tag kit or all of the piece parts. The Change Tag Index tells you which kit or piece parts you need.

Whenever you install a Tag kit or all the piece parts that make up a Tag, mark the appropriate number on the Tag matrix.

Symbology

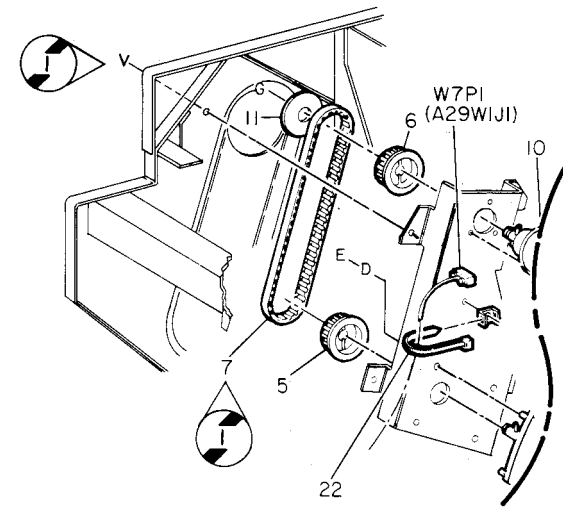
A Tag number within a circle pointing to an item number shows that the part has been changed by the tag number within the circle (Figure 1). Information on the modification is in the Change Tag Index.



O	Z004	A
850	PL	M I

Figure 1 With Tag Symbol

A Tag number within a circle having a shaded bar and pointing to an item number shows that the configuration of the part shown is the configuration before the part was changed by the Tag number within the circle (Figure 2).



O	Z005	A
850	PL	M I

Figure 2 Without Tag Symbol

A tag number within a circle with no apex shows that the entire drawing has been changed by the tag number within the circle (Figure 3). Information on the modification is in the Change Tag Index.

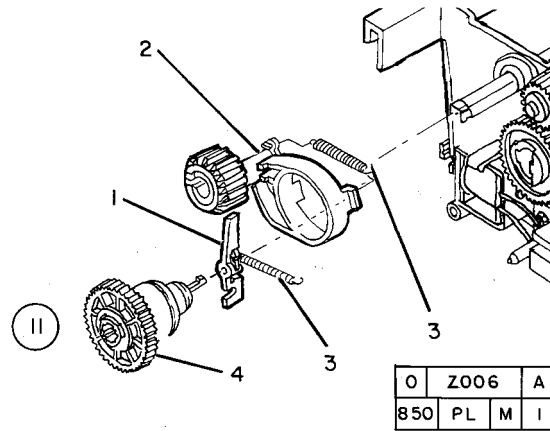


Figure 3 Entire Drawing With Tag Symbol

A tag number within a circle with no apex and having a shaded bar shows that the entire drawing was the configuration before being changed by the tag number within the circle (Figure 4).

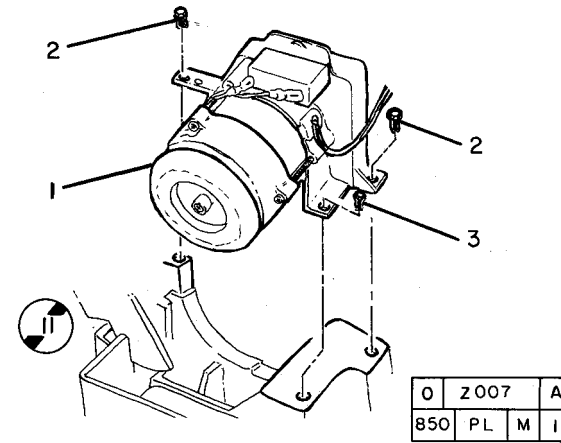
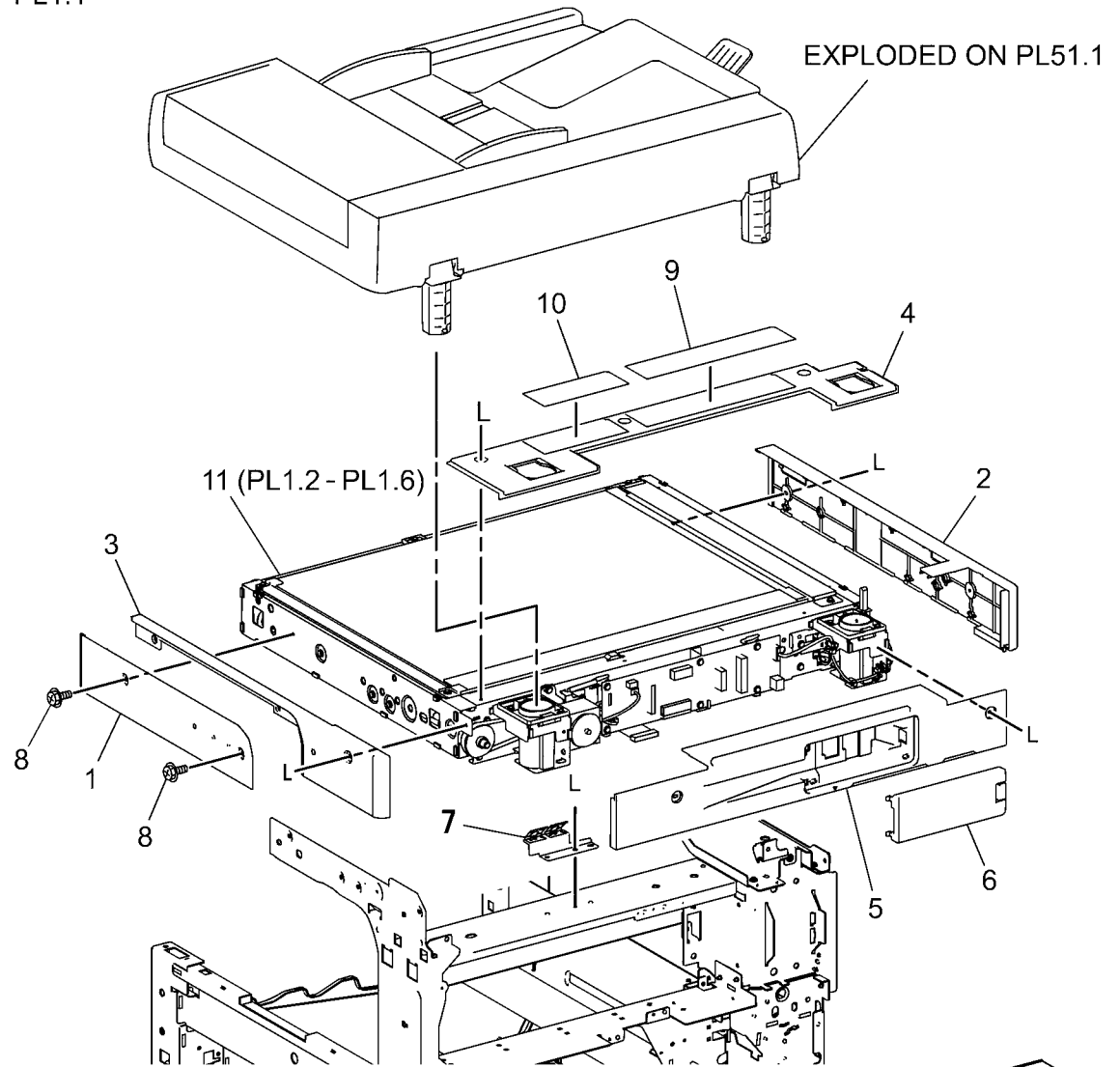


Figure 4 Entire Drawing Without Tag Symbol

PL 1.1 IIT Covers

PL1.1

Item	Part	Description
1	–	Right Outer Cover
2	–	Left Cover
3	–	Right Cover
4	–	Top Cover
5	–	Rear Cover
6	848E49150	DADF Connector Cover
7	–	Transport Bracket Assembly
8	–	Screw
9	–	Caution Label
10	–	Label
11	062K21133	IIT Assembly

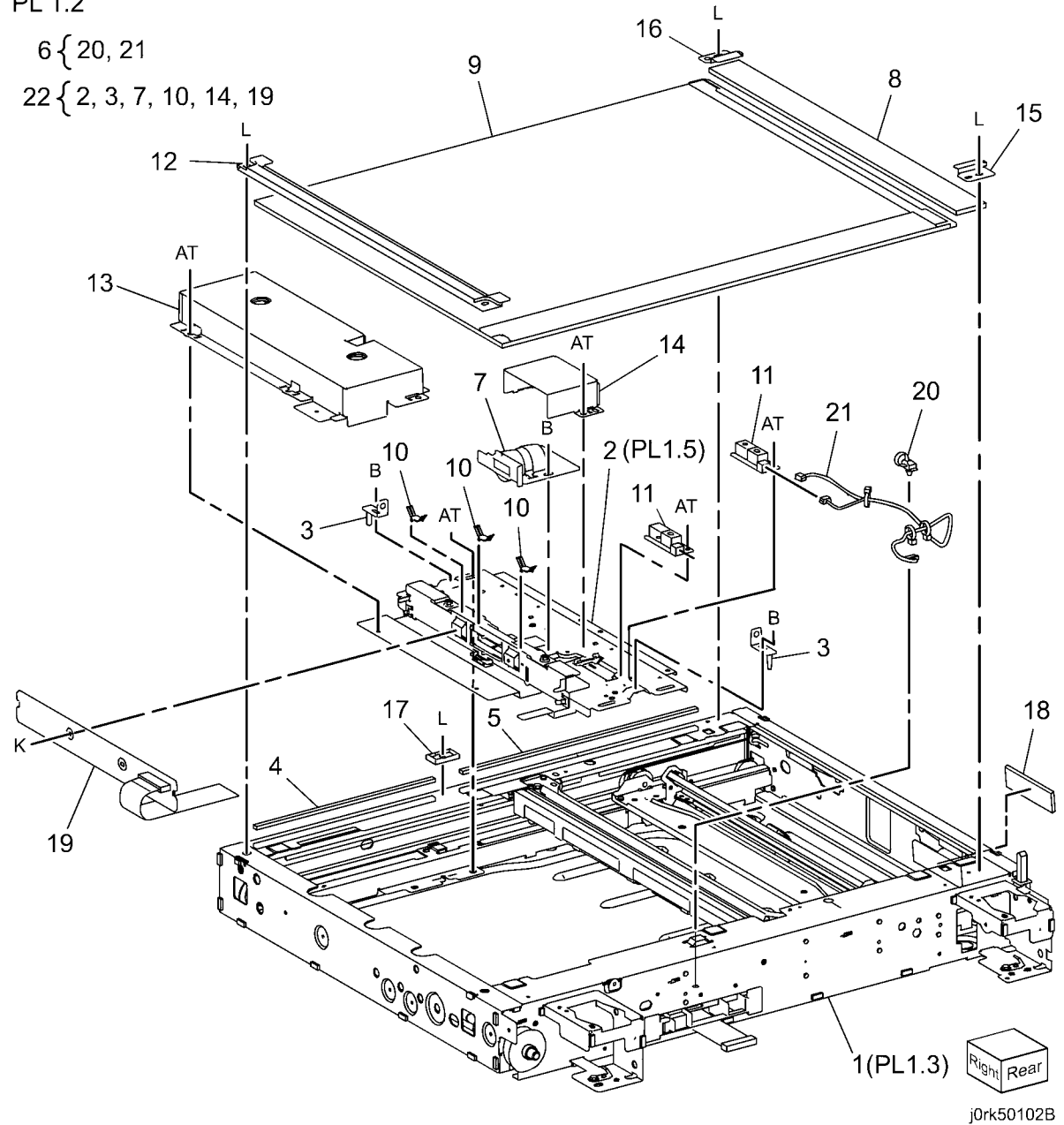


j0rk50101A

PL 1.2 CCD Lens Assembly/Platen Glass

Item	Part	Description
1	-	IIT Assembly
2	-	CCD Lens Base Plate Assembly (P/O PL 1.2 Item 22)
3	-	Pin Assembly (P/O PL 1.2 Item 22)
4	-	Right Seal
5	-	Left Seal
6	-	Wire Harness Assembly (REP 6.7)
7	-	CCD Lens Assembly (REP 6.4)
8	090K93320	CVT Platen Glass (REP 6.3)
9	090K93330	Platen Glass (REP 6.3)
10	-	Conductor (P/O PL 1.2 Item 22)
11	130K64150	APS Sensor
12	815E58941	Right Plate
13	-	Lens Cover Assembly
14	-	Lens Bracket (P/O PL 1.2 Item 22)
15	849E15760	Rear Glass Support
16	849E22651	Front Glass Support
17	849E17910	Glass Support
18	-	Data Plate
19	-	PWB Assembly (P/O PL 1.2 Item 22)
20	-	Cable Band (P/O PL 1.2 Item 6)
21	-	Wire Harness Assembly (P/O PL 1.2 Item 6)
22	604K57500	Lens/CCD Kit (REP 6.4)

PL 1.2

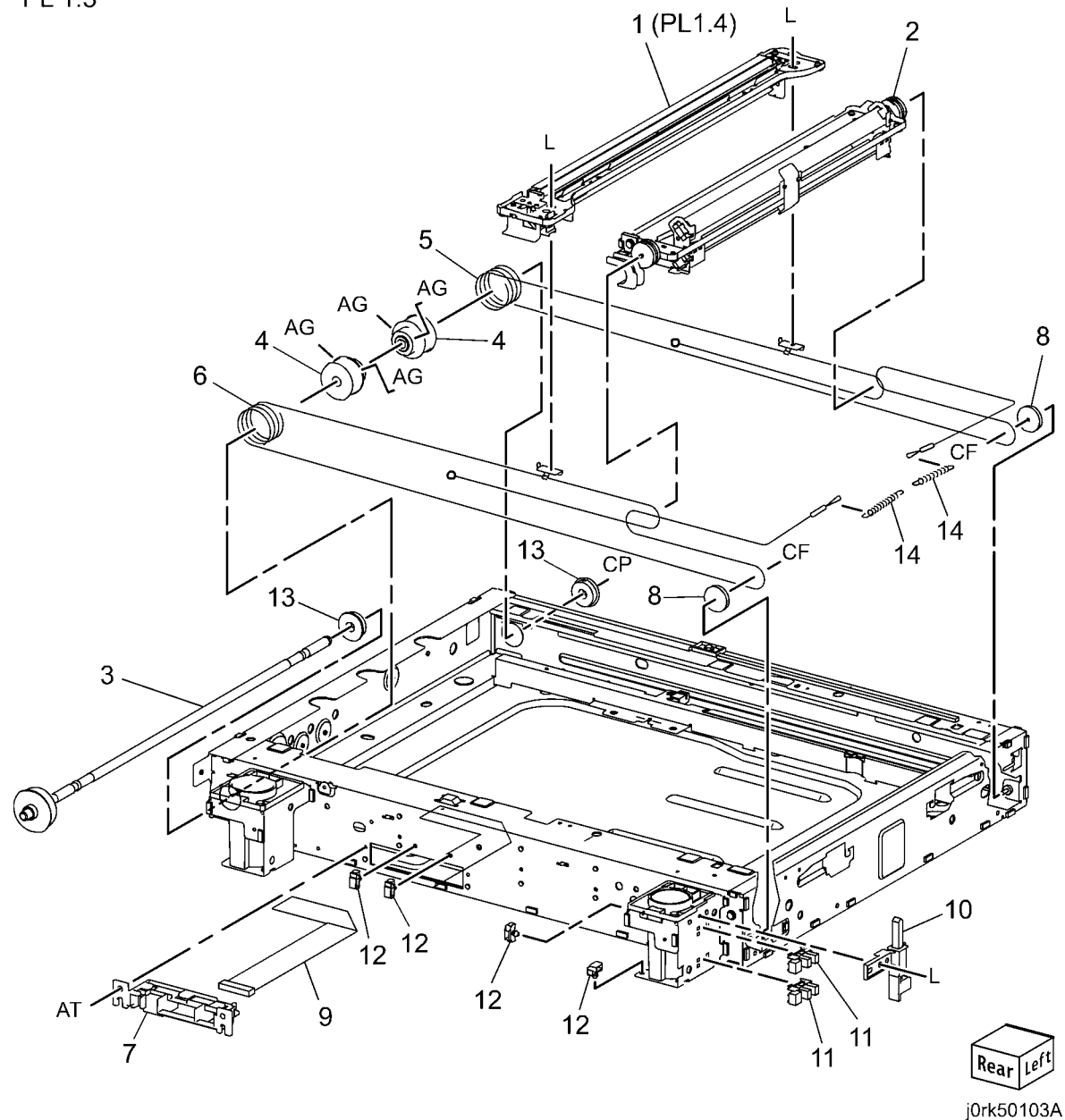


j0rk50102B

PL 1.3 Full/Half Rate Carriage

Item	Part	Description
1	041K96191	Full Rate Carriage Assembly (ADJ 6.2)
2	041K96222	Half Rate Carriage Assembly (ADJ 6.2)
3	006K88780	Capstan Shaft
4	020E47040	Capstan Pulley
5	012K96780	Front Carriage Cable (REP 6.5)
6	012K96790	Rear Carriage Cable (REP 6.5)
7	-	Cord Holder (P/O PL 1.1 Item 11)
8	020E37030	Pulley
9	117E31780	Cable
10	120K92581	Actuator Assembly
11	930W00123	Platen Sensor, Angle Sensor
12	920W01235	Clamp
13	013E23640	Bearing
14	809E91540	Spring

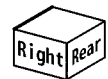
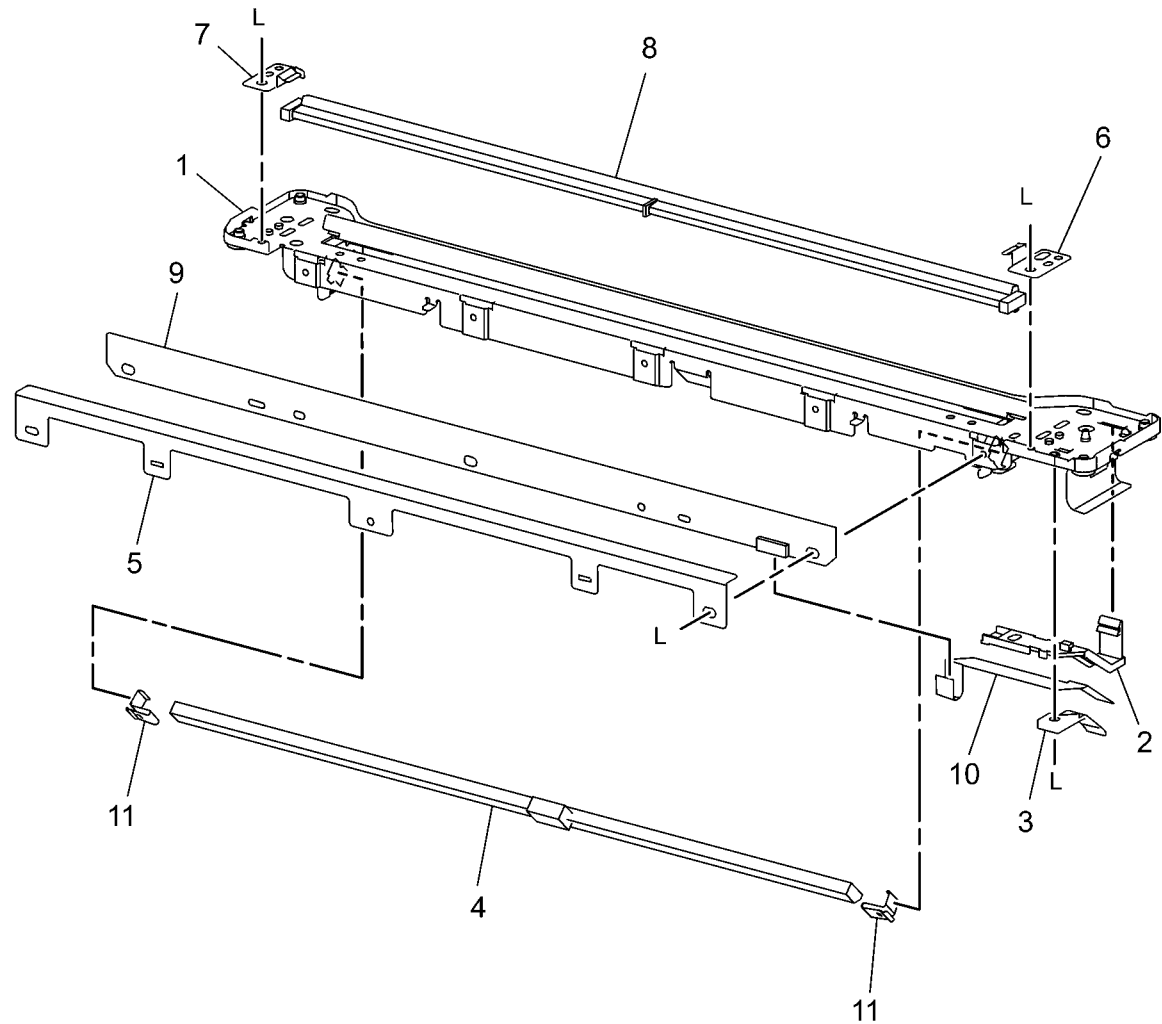
PL 1.3



PL 1.4 Full Rate Carriage

Item	Part	Description
1	-	Full Rate Carriage (P/O PL 1.3 Item 1)
2	-	Harness Guide (P/O PL 1.3 Item 1)
3	-	Slide Harness Guide (P/O PL 1.3 Item 1)
4	-	No 1 Mirror (P/O PL 1.3 Item 1)
5	-	LED Bracket (P/O PL 1.3 Item 1)
6	-	Guide Spring (P/O PL 1.3 Item 1)
7	-	Guide Spring (P/O PL 1.3 Item 1)
8	-	Light Guide (P/O PL 1.3 Item 1) (REP 6.8)
9	960K51290	LED Lamp PWB (REP 6.6)
10	-	Slide Cord (P/O PL 1.3 Item 1)
11	-	Clip (P/O PL 1.3 Item 1)

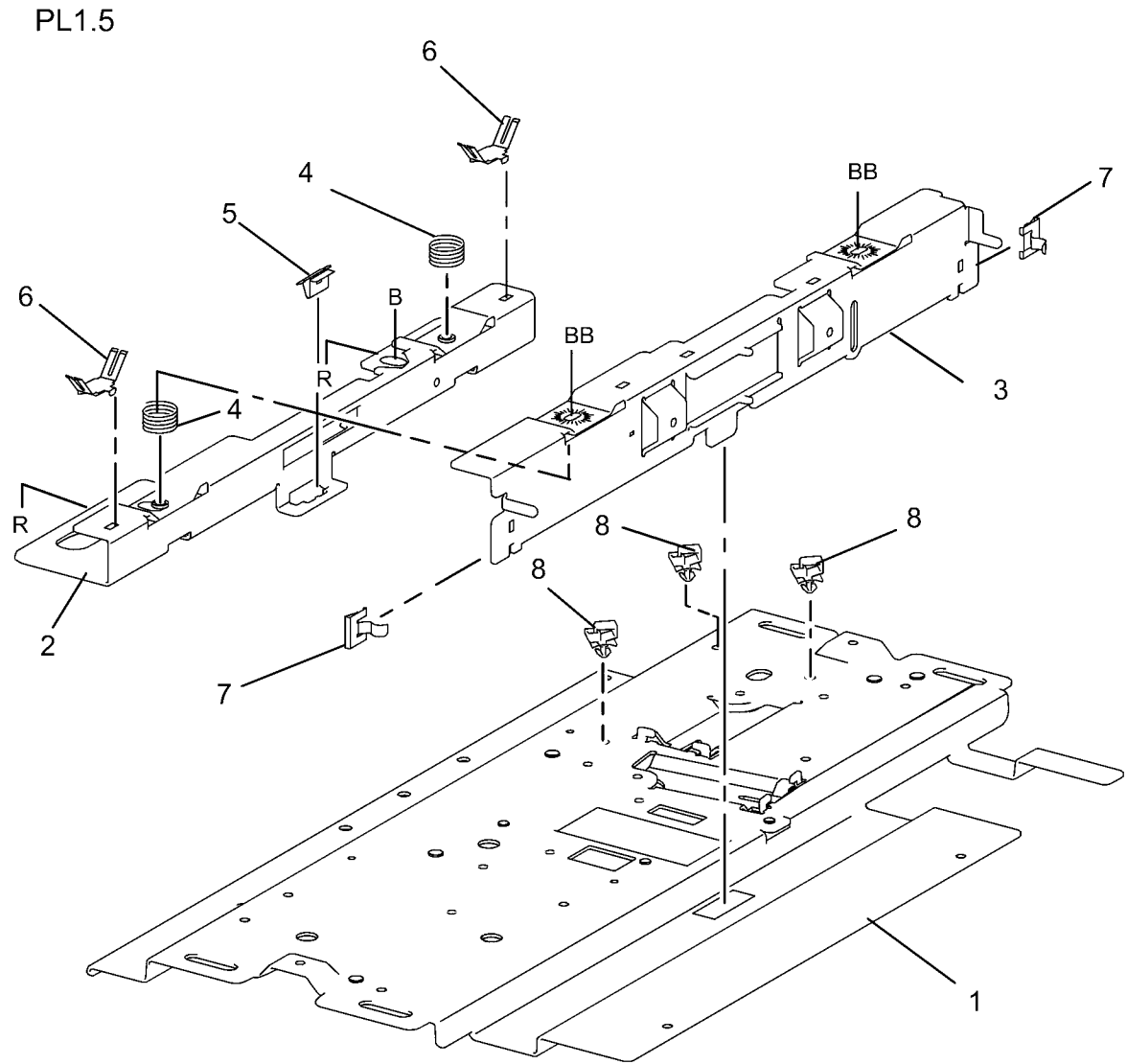
PL 1.4



j0rk50104A

PL 1.5 CCD Lens Base Plate

Item	Part	Description
1	-	Base Plate (P/O PL 1.2 Item 22)
2	-	Stage Plate (P/O PL 1.2 Item 22)
3	-	CCD Plate (P/O PL 1.2 Item 22)
4	-	Spring (P/O PL 1.2 Item 22)
5	-	Spring (P/O PL 1.2 Item 22)
6	-	Conductor (P/O PL 1.2 Item 22)
7	-	PWB Conductor (P/O PL 1.2 Item 22)
8	920W01235	Clamp



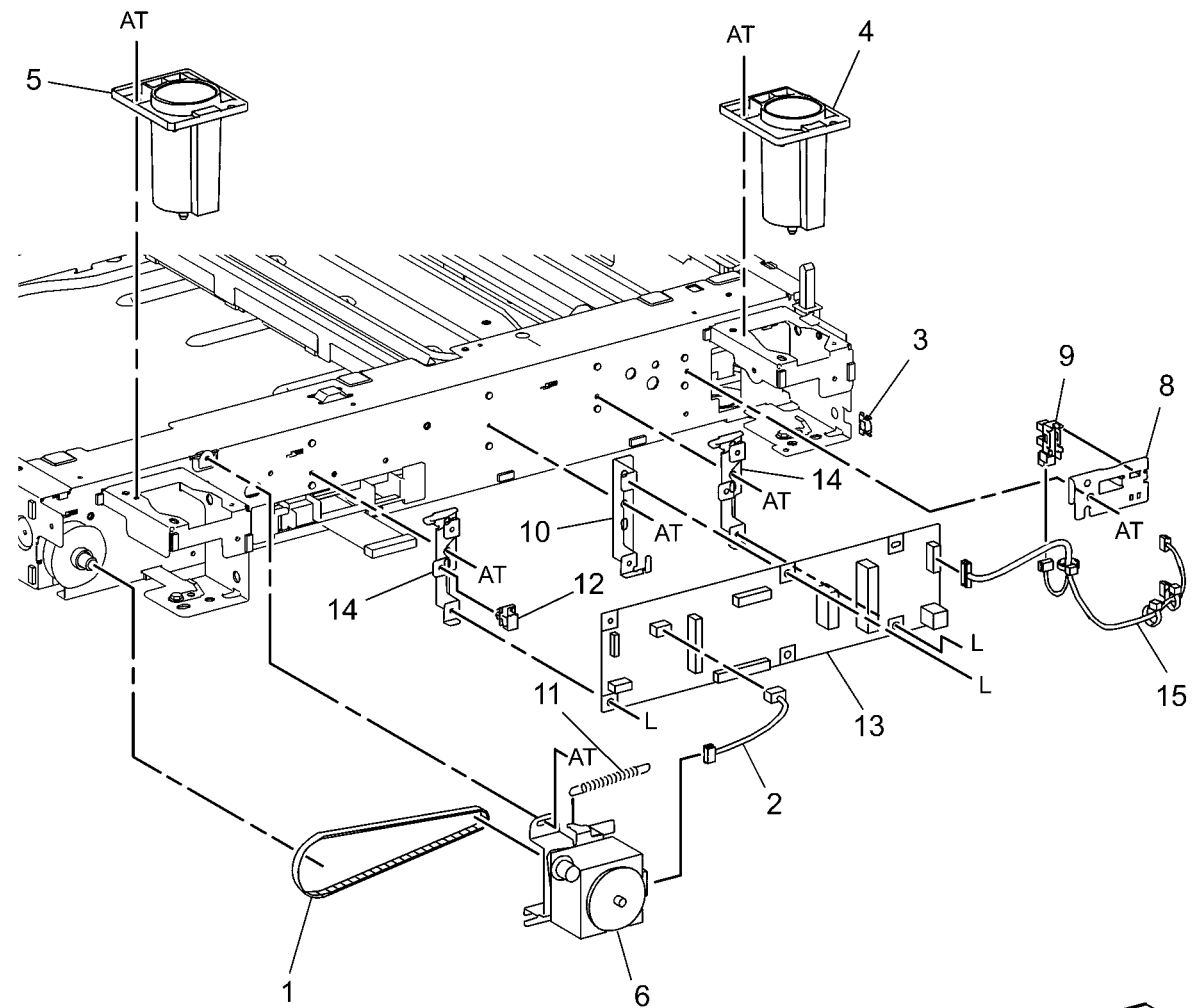
j0rk50105A

PL 1.6 Motor/Transport PWB

Item	Part	Description
1	023E27590	Belt
2	962K83770	Motor Wire Harness
3	120E18070	Clamp
4	868E47600	Hinge Support
5	868E47610	Hinge Support
6	127K61330	Carriage Motor (REP 6.9)
7	130K76820	IIT Registration Sensor Assembly
8	-	Sensor Bracket (P/O PL 1.6 Item 7)
9	-	IIT Registration Sensor
10	-	Bracket (Not Spared)
11	809E92410	Spring
12	920W01235	Clamp
13	960K49300	IIT PWB (REP 6.10)
14	-	Bracket (Not Spared)
15	962K83750	Sensor Wire Harness

PL1.6

7 { 8, 9



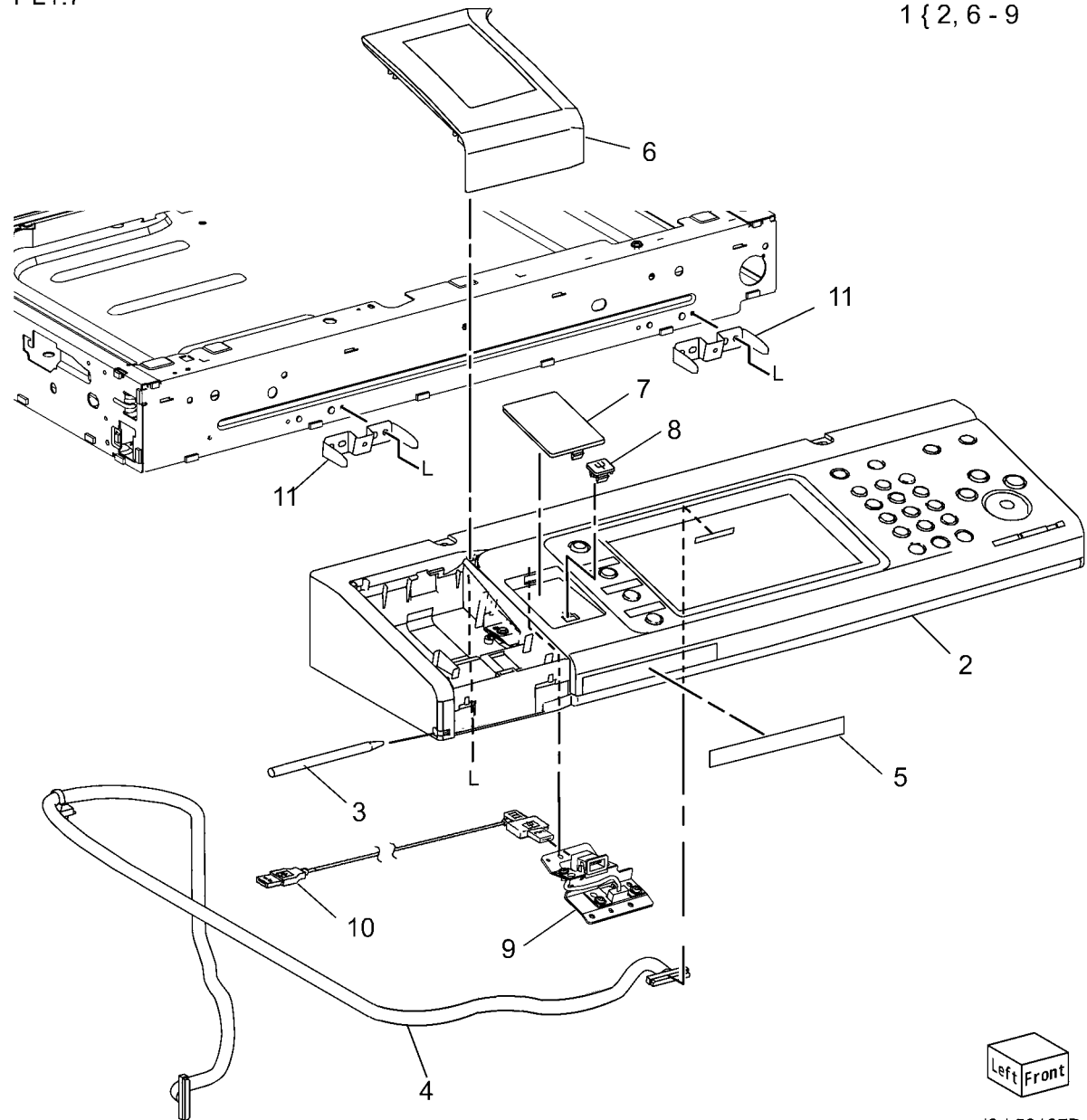
j0rk50106A

PL 1.7 Control Panel

Item	Part	Description
1	848K42160	Control Panel Assembly (XC) (REP 6.11)
-	848K42170	Control Panel Assembly (XE)
2	-	Control Panel (P/O PL 1.7 Item 1)
3	071E01190	Stylus
4	-	UI Cable (Not Spared)
5	-	Name Label (Not Spared)
6	-	Clip Cover (Not Spared)
7	-	USB Cover (P/O PL 1.7 Item 1)
8	-	USB Cap Cover (P/O PL 1.7 Item 1)
9	049K03760	USB Bracket Assembly
10	962K84900	UI USB Cable
11	868E43540	Bracket

PL1.7

1 { 2, 6 - 9

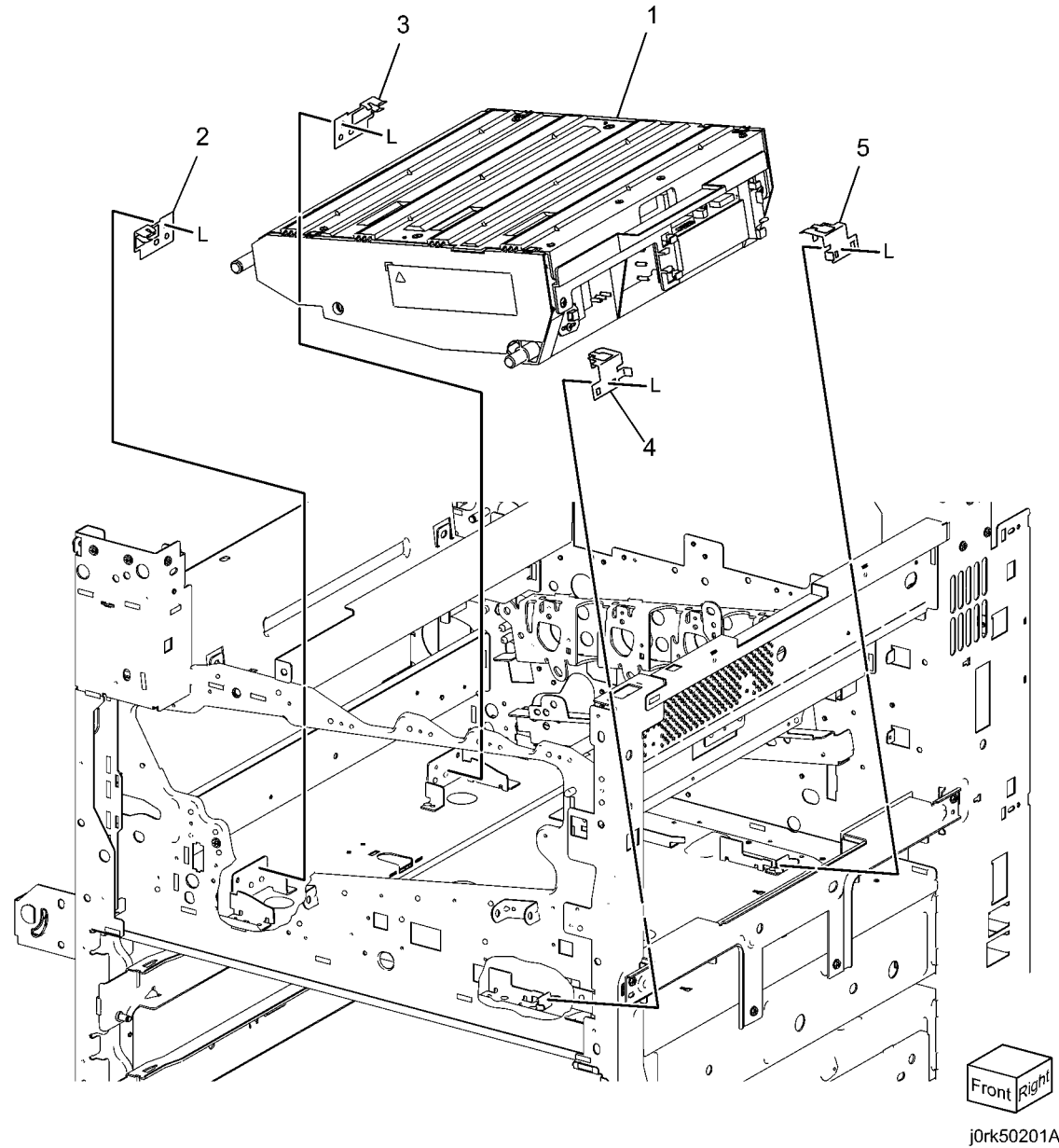


j0rk50107B

PL 2.1 ROS Assembly

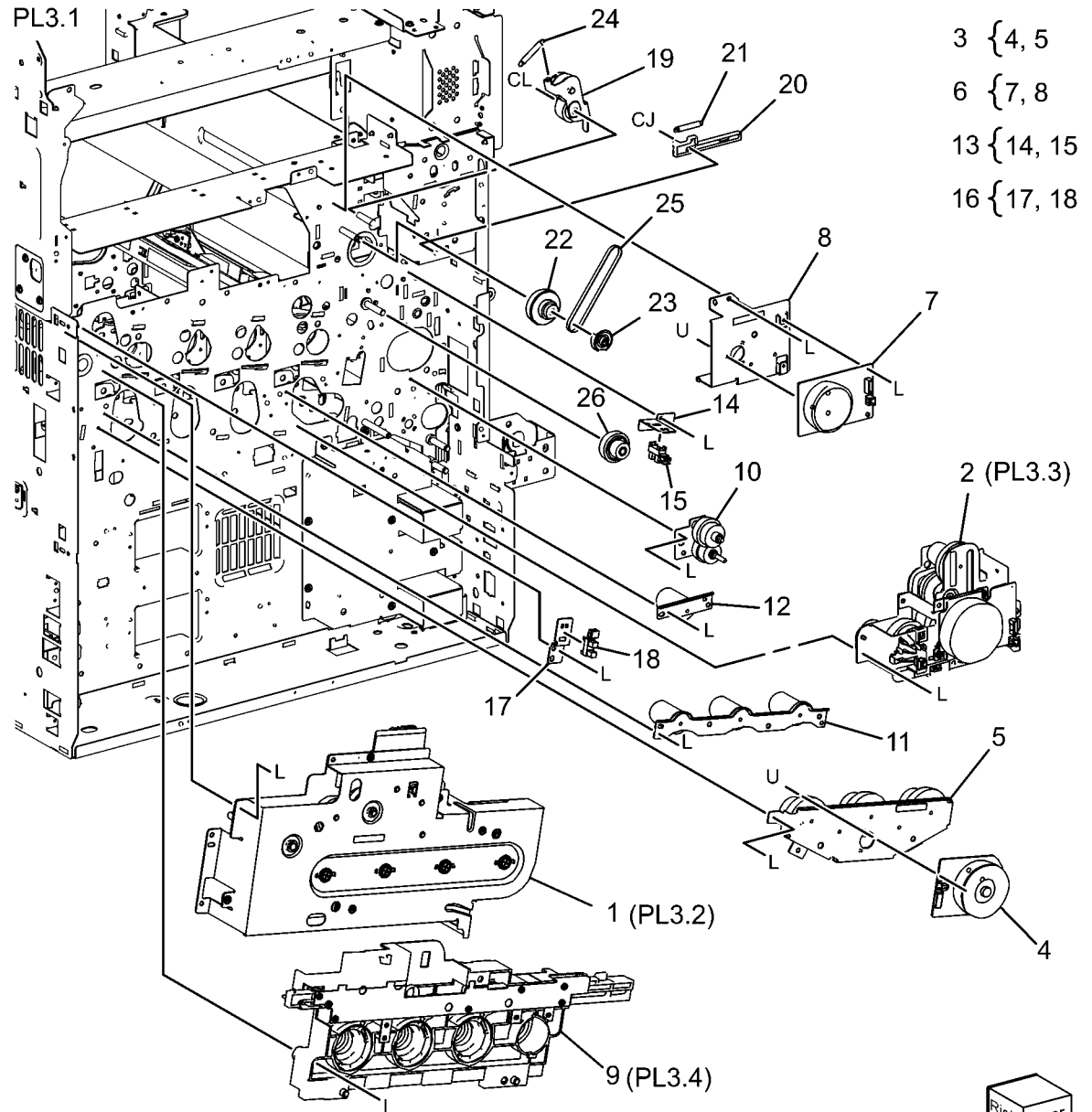
Item	Part	Description
1	604K58853	ROS Kit (REP 6.2, ADJ 9.9)
2	—	Left Front Bracket (Not Spared)
3	—	Left Rear Bracket (Not Spared)
4	—	Right Front Bracket (Not Spared)
5	—	Right Rear Bracket (Not Spared)

PL2.1



PL 3.1 Drives (1 of 4)

Item	Part	Description
1	007K16700	Drive Assembly Drum / IBT (REP 4.1, REP 4.6)
2	007K16690	Main Drive Assembly (REP 4.2)
3	007K16710	Developer Drive Assembly (REP 4.5)
4	-	Developer Motor Assembly (P/O PL 3.1 Item 3)
5	-	Developer Bracket Assembly (P/O PL 3.1 Item 3)
6	007K16720	Fuser Drive Assembly (REP 4.4)
7	-	Fuser Motor Assembly (P/O PL 3.1 Item 6)
8	-	Fuser Bracket Assembly (P/O PL 3.1 Item 6)
9	032K06530	Guide Assembly Link (REP 4.3)
10	007K16950	Duplex Gear Assembly
11	007K16980	Gear Assembly (Y, M, C)
12	007K16970	Gear Assembly (K)
13	130K76630	Sensor Assembly Drum (K)
14	-	Sensor Bracket (P/O PL 3.1 Item 13)
15	930W00123	K Drum Sensor
16	130K76670	FC Drum Sensor Assembly
17	-	Sensor Bracket (P/O PL 3.1 Item 16)
18	-	Photo Sensor (P/O PL 3.1 Item 16)
19	068K69560	Fuser Bracket Assembly
20	012E17730	Fuser Link
21	809E74950	Link Spring
22	807E31330	Helical Gear
23	005E30390	Fuser Flange
24	809E74960	Fuser Spring
25	423W10254	Synchronous Belt
26	807E31000	Rack Gear

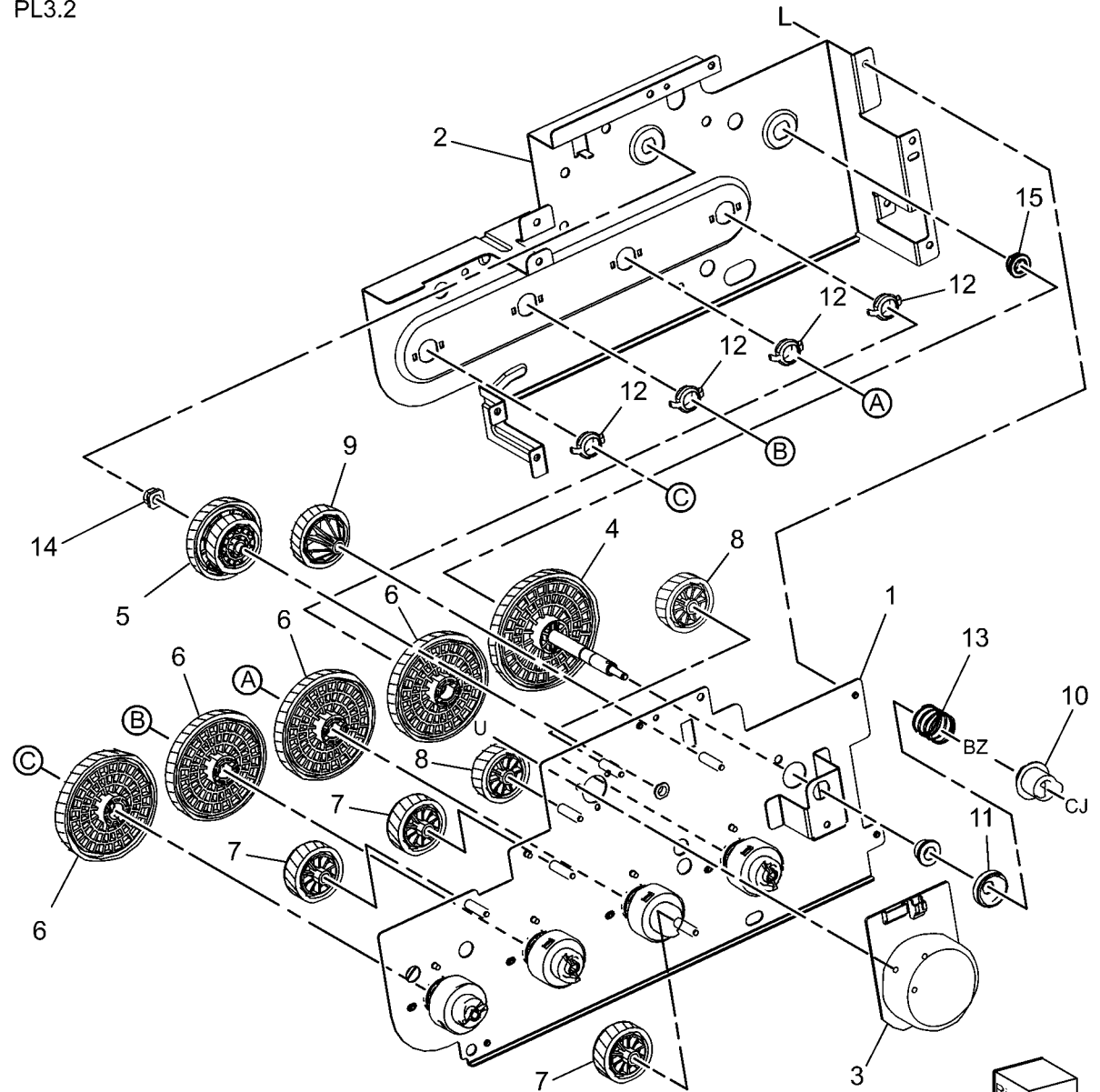


j0rk50301A

PL 3.2 Drives (2 of 4)

Item	Part	Description
1	-	Lower Drum Bracket Assembly (P/O PL 3.1 Item 1)
2	-	Upper Drum Bracket (P/O PL 3.1 Item 1)
3	127K61160	Drum Motor Assembly
4	-	IBT Shaft Assembly (P/O PL 3.1 Item 1)
5	-	IBT Gear Assembly (82T/71T) (P/O PL 3.1 Item 1) (REP 3.2)
6	-	Helical Gear (143T) (P/O PL 3.1 Item 1)
7	-	Helical Gear (72T) (P/O PL 3.1 Item 1)
8	-	Helical Gear (72T) (P/O PL 3.1 Item 1)
9	-	Helical Gear (P/O PL 3.1 Item 1)
10	-	Coupling (P/O PL 3.1 Item 1)
11	-	Retainer (P/O PL 3.1 Item 1)
12	-	Bearing (P/O PL 3.1 Item 1)
13	-	Compression Spring (P/O PL 3.1 Item 1)
14	-	Sleeve Bearing (P/O PL 3.1 Item 1)
15	-	Bearing (P/O PL 3.1 Item 1)

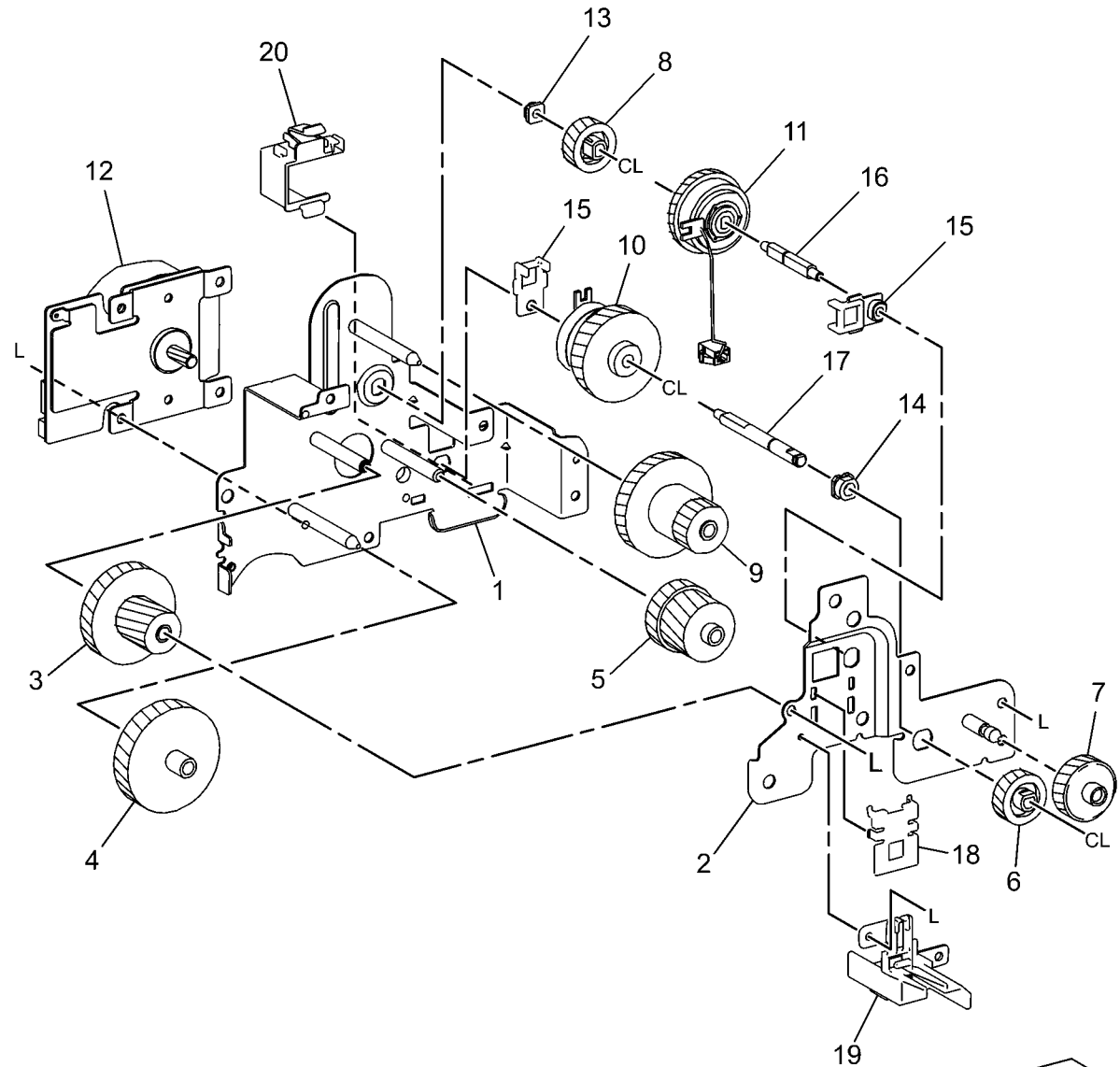
PL3.2



PL 3.3 Drives (3 of 4)

Item	Part	Description
1	-	Main Bracket Assembly (P/O PL 3.1 Item 3)
2	-	Main Bracket Assembly (P/O PL 3.1 Item 3)
3	-	Helical Gear (66T/21T) (P/O PL 3.1 Item 3)
4	-	Helical Gear (54T) (P/O PL 3.1 Item 3)
5	-	Helical Gear (45T/30T) (P/O PL 3.1 Item 3)
6	-	Helical Gear (24T) (P/O PL 3.1 Item 3)
7	-	Helical Gear (29T) (P/O PL 3.1 Item 3)
8	-	Helical Gear (24T) (P/O PL 3.1 Item 3)
9	-	Helical Gear (51T/25T) (P/O PL 3.1 Item 3)
10	121K46371	Developer Clutch Assembly
11	121K46380	Clutch Assembly Drum
12	127K61140	Main Motor Assembly
13	-	Bearing (P/O PL 3.1 Item 3)
14	413W14660	Bearing
15	-	Bearing (P/O PL 3.1 Item 3)
16	-	Drum Shaft (P/O PL 3.1 Item 3)
17	-	Developer Shaft (P/O PL 3.1 Item 3)
18	-	Harness Guard (P/O PL 3.1 Item 3)
19	-	Harness Guard (P/O PL 3.1 Item 3)
20	-	Harness Guard (P/O PL 3.1 Item 3)

PL.3.3



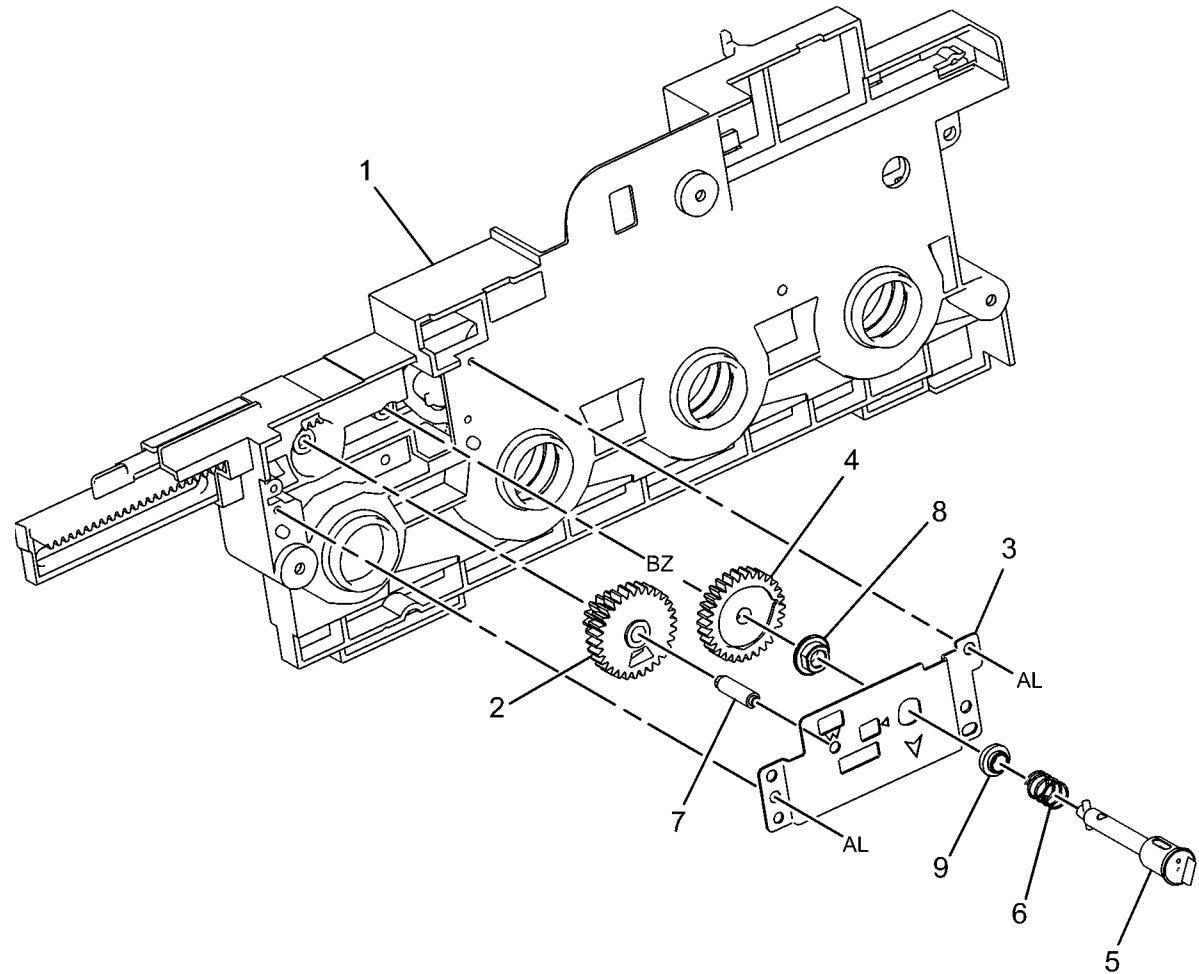
Left Front

j0rk50303A

PL 3.4 Drives (4 of 4)

Item	Part	Description
1	—	Guide Assembly (P/O PL 3.1 Item 9)
2	—	Spur Gear (P/O PL 3.1 Item 9)
3	—	Link Bracket (P/O PL 3.1 Item 9)
4	—	Spur Gear (P/O PL 3.1 Item 9)
5	005K10110	Link Coupling Assembly
6	—	Spring (P/O PL 3.1 Item 9)
7	—	Stud (P/O PL 3.1 Item 9)
8	—	Bearing (P/O PL 3.1 Item 9)
9	—	Retainer (P/O PL 3.1 Item 9)

PL3.4



j0rk50304A

PL 4.1 Rear Duct Assemblies

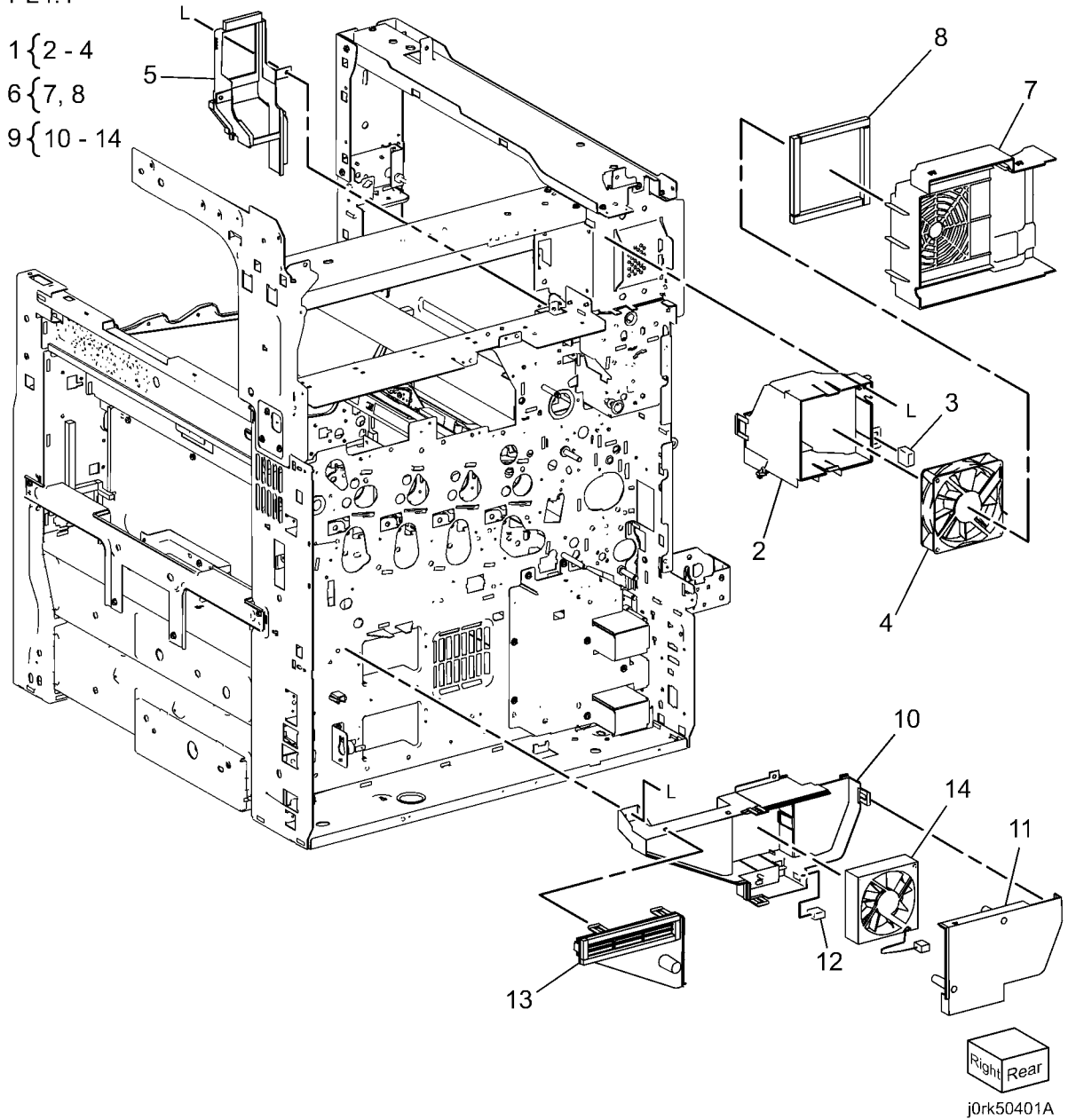
Item	Part	Description
1	054K41870	Fuser Duct Assembly
2	-	Fuser Duct (P/O PL 4.1 Item 1)
3	-	Ct Series Amp Connector (P/O PL 4.1 Item 1)
4	-	Fuser Exhaust Fan Assembly (P/O PL 4.1 Item 1)
5	054K41910	Fuser Duct Assembly
6	054K41880	Filter Duct Assembly Filter
7	-	Filter Duct (P/O PL 4.1 Item 6)
8	-	Duct Filter Seal (P/O PL 4.1 Item 6)
9	054K41890	Lv Rear Duct Assembly
10	-	Lv Rear Duct (P/O PL 4.1 Item 9)
11	-	Lv Rear Duct Cover (P/O PL 4.1 Item 9)
12	-	Ct Series Amp Connector (P/O PL 4.1 Item 9)
13	-	Lv Rear Duct Assembly (P/O PL 4.1 Item 9)
14	127K61770	Rear Fan Assembly

PL4.1

1 { 2 - 4

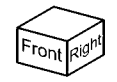
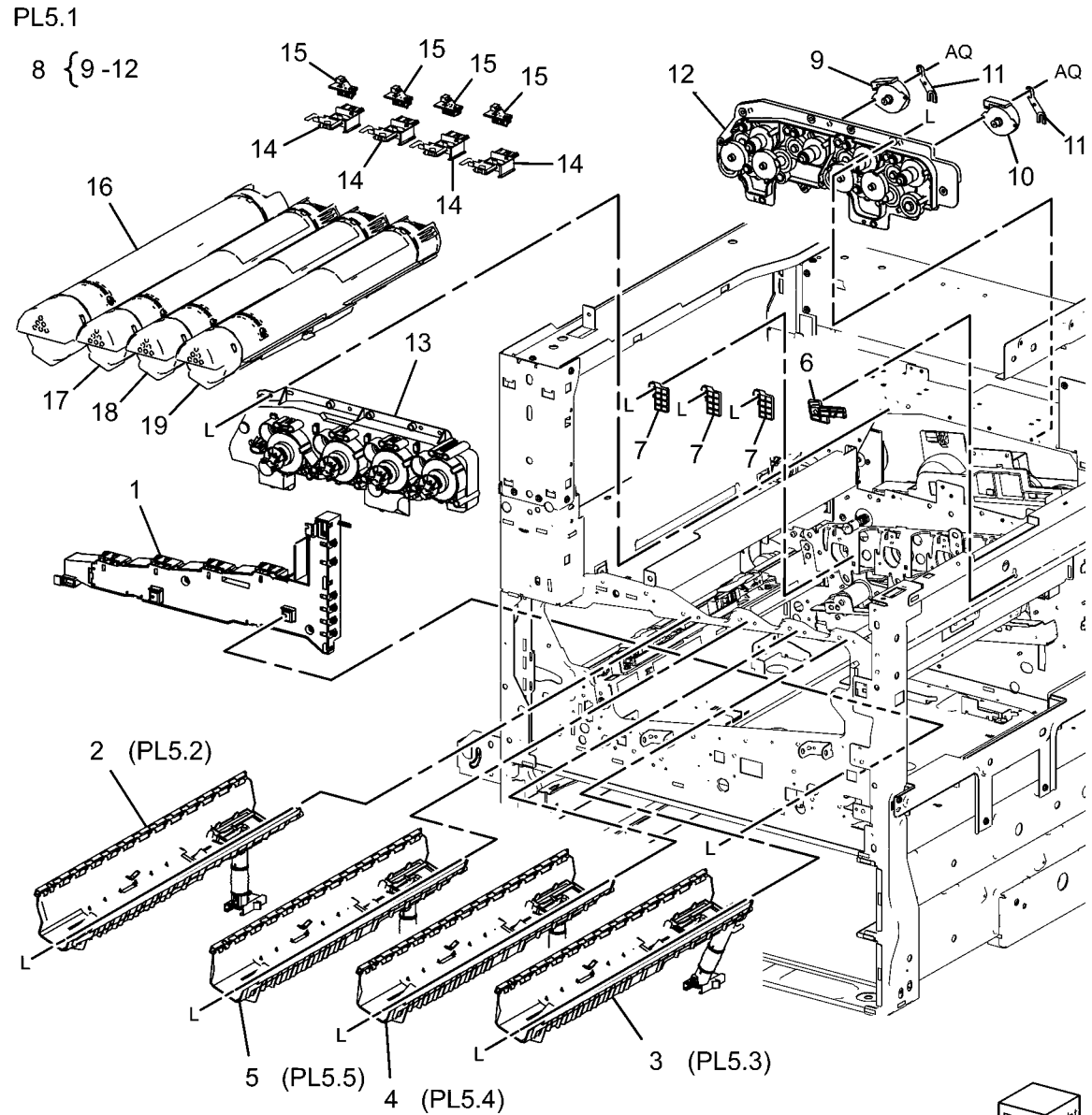
6 { 7, 8

9 { 10 - 14



PL 5.1 Dispenser Base

Item	Part	Description
1	848K38300	High Voltage Housing Assembly
2	094K92684	Dispenser Assembly (K) (REP 9.2)
3	094K92694	Dispenser Assembly (Y) (REP 9.2)
4	094K92704	Dispenser Assembly (M) (REP 9.2)
5	094K92714	Dispenser Assembly (C) (REP 9.2)
6	803E06450	Stopper Dispenser
7	803E05630	Stopper Dispenser
8	127K61210	Dispenser Motor Assembly (REP 9.1)
9	-	Motor Assembly (K, C) (P/O PL 5.1 Item 8)
10	127K61220	Motor Assembly (Y, M)
11	-	Earth Plate (P/O PL 5.1 Item 8)
12	-	Dispenser Frame Assembly (P/O PL 5.1 Item 8)
13	848K38670	Dispenser Cover Assembly (REP 9.3)
14	019E77481	CRUM Holder
15	113K83390	CRUM Coupler
16	006R01453	Toner Cartridge (K) (Metered - WW)
-	006R01461	Toner Cartridge (K) (Sold - DMO)
-	006R01457	Toner Cartridge (K) (Sold - NA/ESG)
17	006R01456	Toner Cartridge (C) (Metered - WW)
-	006R01464	Toner Cartridge (C) (Sold - DMO)
-	006R01460	Toner Cartridge (C) (Sold - NA/ESG)
18	006R01455	Toner Cartridge (M) (Metered - WW)
-	006R01459	Toner Cartridge (M) (Sold - NA/ESG)
-	006R01463	Toner Cartridge (M) (Sold - DMO)
19	006R01454	Toner Cartridge (Y) (Metered - WW)
-	006R01458	Toner Cartridge (Y) (Sold - NA/ESG)
-	006R01462	Toner Cartridge (Y) (Sold - DMO)



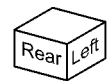
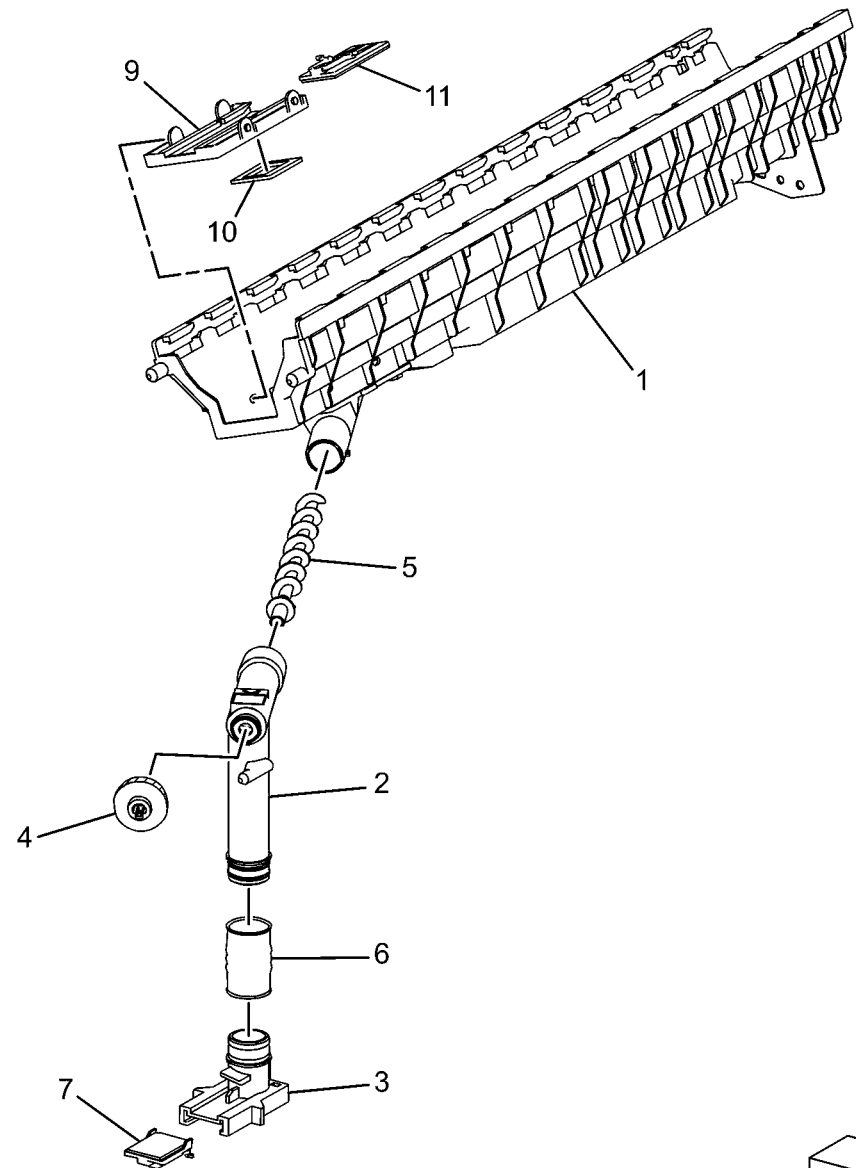
j0rk50501A

PL 5.2 Dispenser Assembly (K)

Item	Part	Description
1	—	Holder Assembly (K) (P/O PL 5.1 Item 2)
2	—	Pipe Dispenser (P/O PL 5.1 Item 2)
3	011E24121	Joint Dispenser
4	807E31211	Gear Dispenser
5	—	Auger Dispenser (P/O PL 5.1 Item 2)
6	—	Tube Dispenser (P/O PL 5.1 Item 2)
7	055K38270	Shutter Assembly Joint
8	—	Shutter Guide Assembly (P/O PL 5.1 Item 2)
9	—	Guide Shutter (P/O PL 5.2 Item 8)
10	—	Seal Guide (P/O PL 5.2 Item 8)
11	055K38260	Shutter Assembly Dispenser

PL5.2

8 { 9, 10



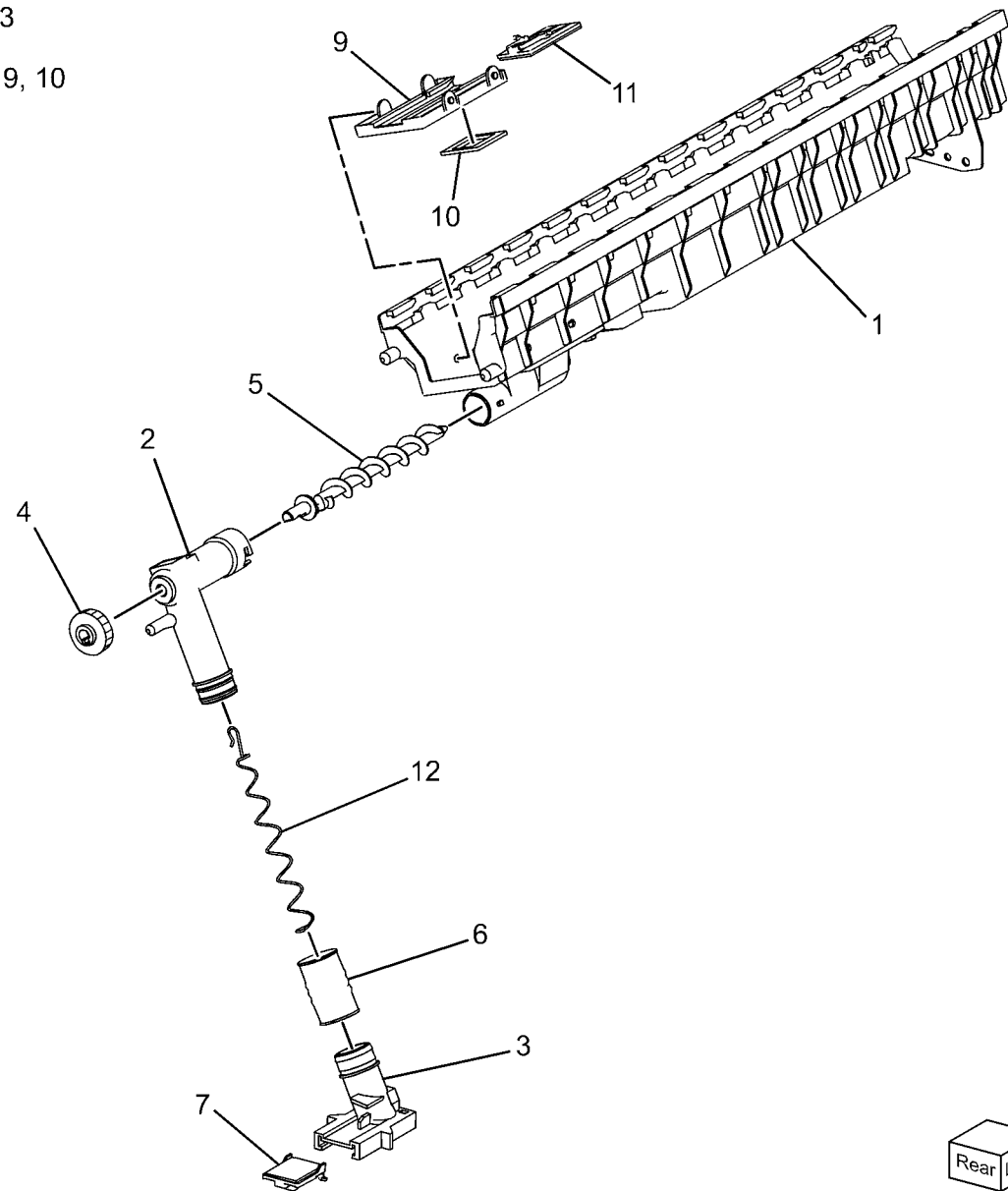
j0rk50502A

PL 5.3 Dispenser Assembly (Y)

Item	Part	Description
1	—	Holder Assembly (Y) (P/O PL 5.1 Item 3)
2	—	Pipe Dispenser (P/O PL 5.1 Item 3)
3	011E24132	Joint Dispenser
4	807E31460	Gear Dispenser
—	807E31450	Gear Dispenser
5	—	Auger Dispenser (P/O PL 5.1 Item 3)
6	—	Tube Dispenser (P/O PL 5.1 Item 3)
7	055K38270	Shutter Assembly Joint
8	—	Shutter Guide Assembly (P/O PL 5.1 Item 3)
9	—	Guide Shutter (P/O PL 5.3 Item 8)
10	—	Seal Guide (P/O PL 5.3 Item 8)
11	055K38260	Shutter Assembly Dispenser
12	—	Spring Break (P/O PL 5.1 Item 3)

PL5.3

8 { 9, 10



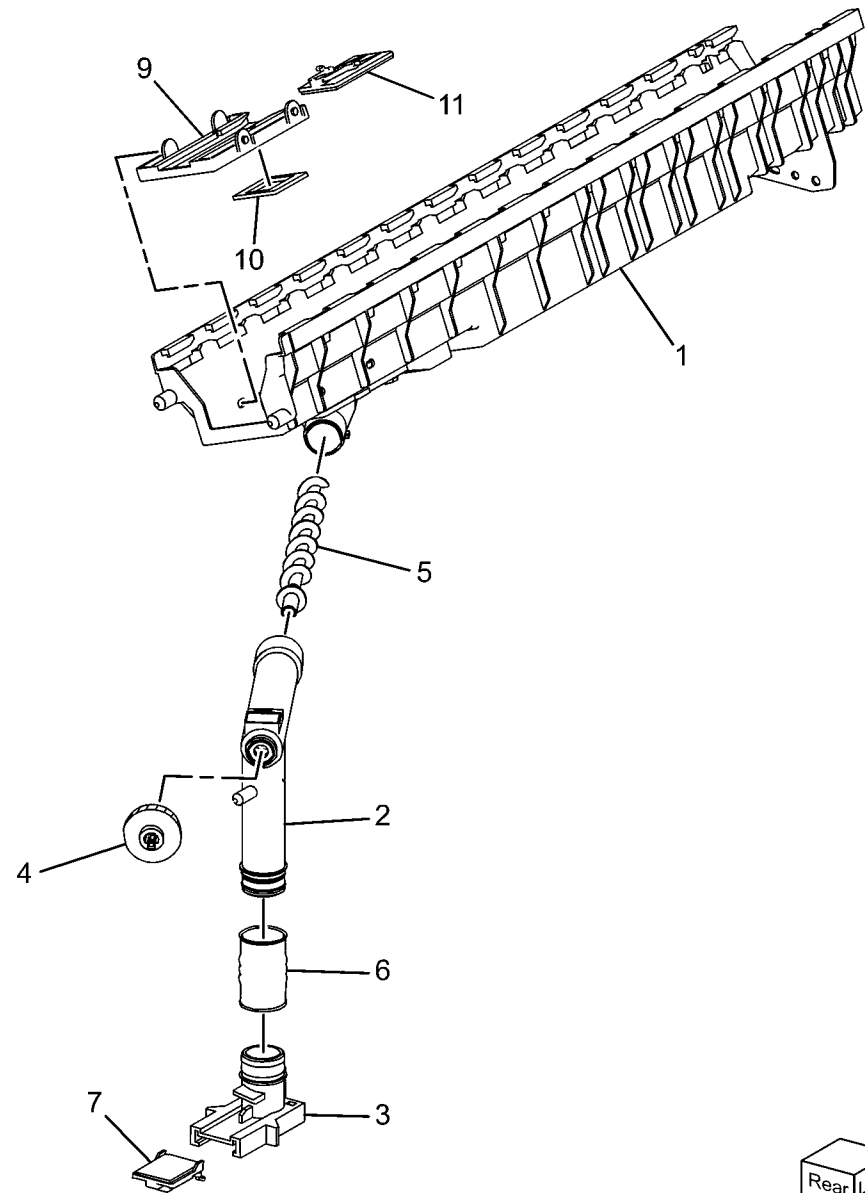
j0rk50503A

PL 5.4 Dispenser Assembly (M)

Item	Part	Description
1	—	Holder Assembly (M) (P/O PL 5.1 Item 4)
2	—	Pipe Dispenser (P/O PL 5.1 Item 4)
3	011E24121	Joint Dispenser
4	807E31470	Gear Dispenser (Not Spared)
5	—	Auger Dispenser (P/O PL 5.1 Item 4)
6	—	Tube Dispenser (P/O PL 5.1 Item 4)
7	055K38270	Shutter Assembly Joint (Not Spared)
8	—	Shutter Guide Assembly (P/O PL 5.1 Item 4)
9	—	Guide Shutter (P/O PL 5.4 Item 8)
10	—	Seal Guide (P/O PL 5.4 Item 8)
11	055K38260	Shutter Assembly Dispenser (Not Spared)

PL5.4

8 { 9, 10



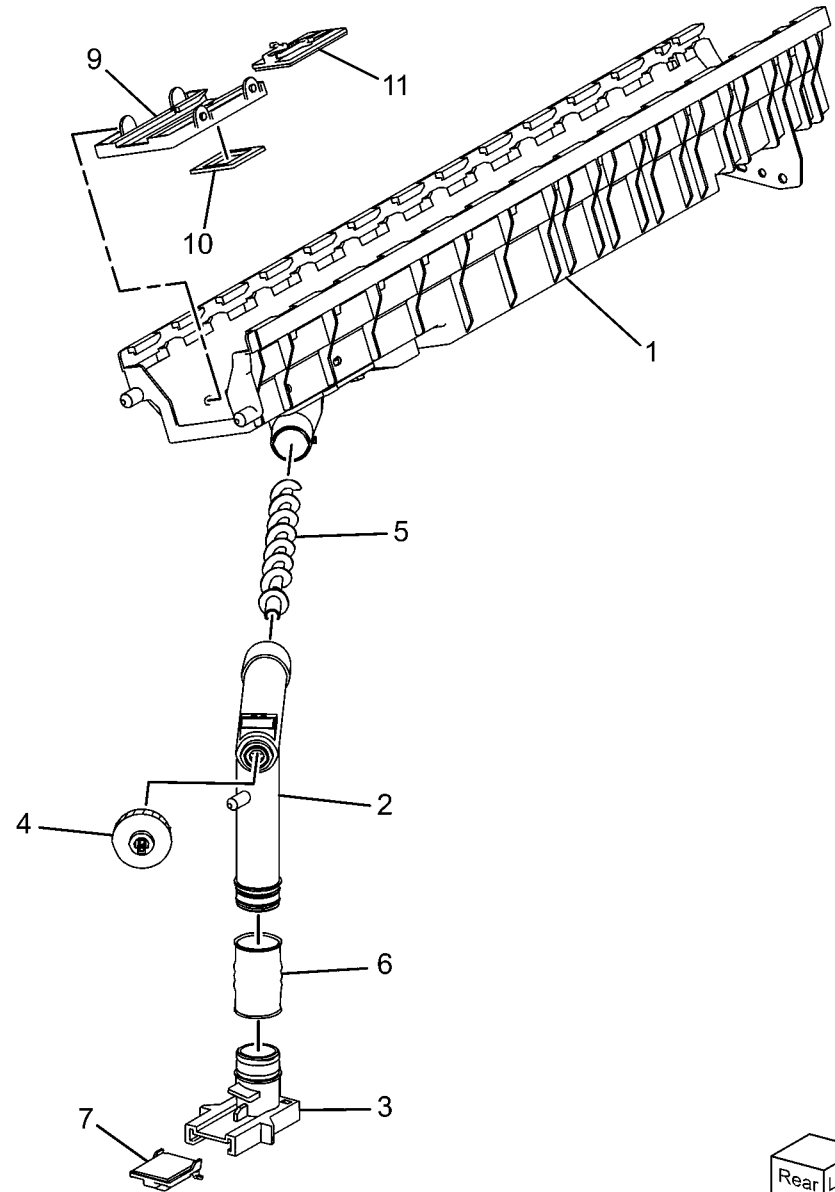
j0rk50504A

PL 5.5 Dispenser Assembly (C)

Item	Part	Description
1	—	Holder Assembly (C) (P/O PL 5.1 Item 5)
2	—	Pipe Dispenser (P/O PL 5.1 Item 5)
3	011E24121	Joint Dispenser
4	807E31480	Gear Dispenser
5	—	Auger Dispenser (P/O PL 5.1 Item 5)
6	—	Tube Dispenser (P/O PL 5.1 Item 5)
7	055K38270	Shutter Assembly Joint
8	—	Shutter Guide Assembly (P/O PL 5.1 Item 5)
9	—	Guide Shutter (P/O PL 5.5 Item 8)
10	—	Seal Guide (P/O PL 5.5 Item 8)
11	055K38260	Shutter Assembly Dispenser (Not Spared)

PL5.5

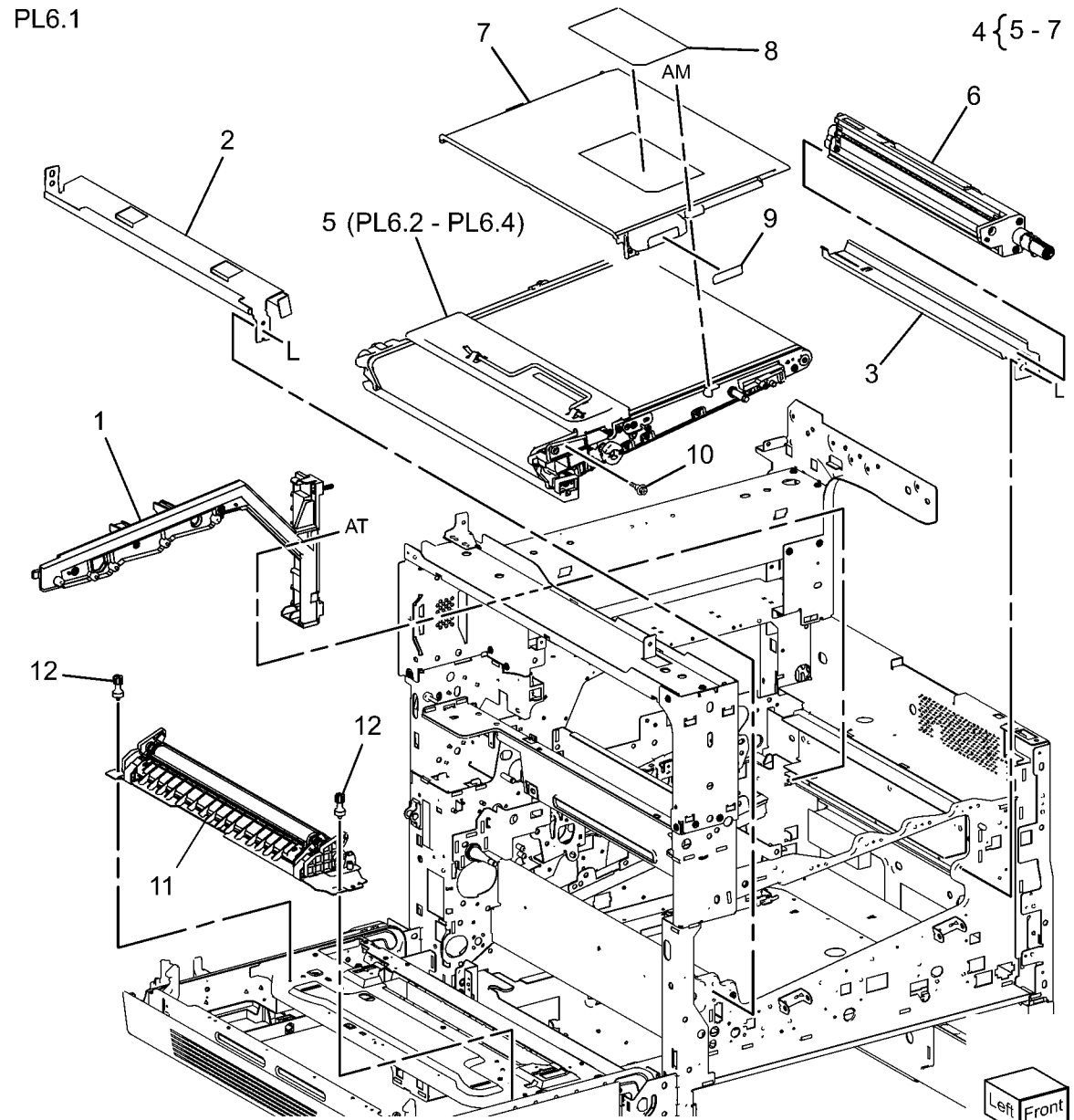
8 {9,10}



j0rk50505A

PL 6.1 Transfer Assembly (1 of 4)

Item	Part	Description
1	848K35350	Conductor Housing Assembly
2	-	IBT Guide (Not Spared)
3	032E35790	Cleaner Guide (ADJ 9.9)
4	001R00610	IBT Assembly (ADJ 9.9)
5	-	Transfer Belt Assembly (P/O PL 6.1 Item 4) (REP 9.4, ADJ 9.9)
6	042K93990	Transfer Belt Cleaner Assembly (REP 9.5)
7	-	Handle (P/O PL 6.1 Item 4)
8	-	Label
9	-	Label
10	-	Screw Shoulder
11	008R13086	2nd BTR Assembly (REP 9.6, ADJ 9.9)
12	-	Screw (Not Spared)



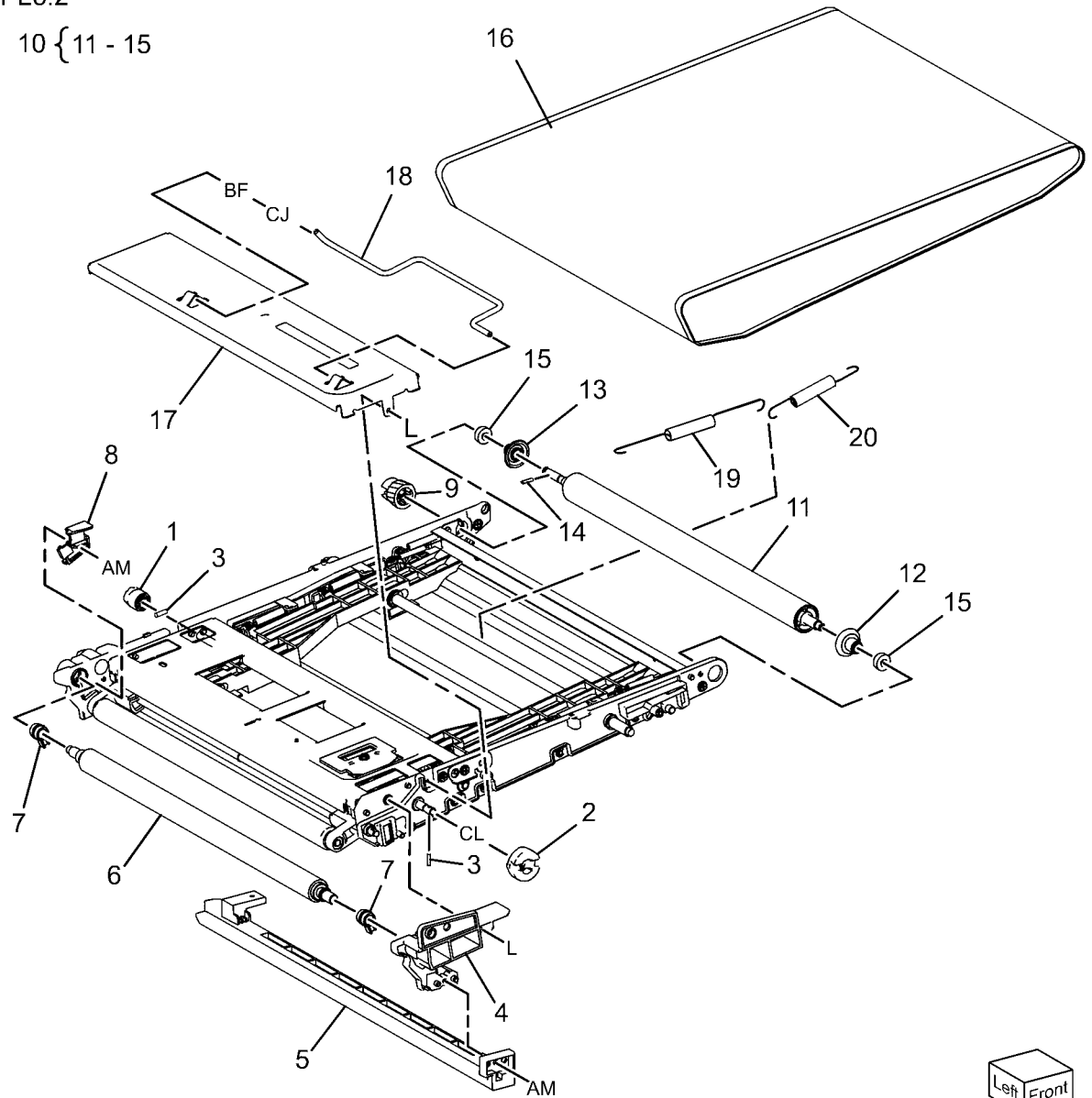
j0rk50601A

PL 6.2 Transfer Assembly (2 of 4)

Item	Part	Description
1	005E29820	Coupling Switch
2	005E30030	Handle Coupling
3	029E45280	Pin (ACO)
4	-	BUR Frame (P/O PL 6.1 Item 4)
5	032E34760	Guide
6	059K66132	BUR Back Roll Assembly
7	013E36480	BUR Bearing
8	848E47100	Conductor Cover
9	807E30880	Coupling Gear
10	059K66110	Drive Roll Assembly
11	-	Drive Roll (P/O PL 6.2 Item 10)
12	-	Belt Guide (P/O PL 6.2 Item 10)
13	-	Belt Guide (P/O PL 6.2 Item 10)
14	-	Pin (P/O PL 6.2 Item 10)
15	-	Ball Bearing (P/O PL 6.2 Item 10)
16	064K93510	Transfer Belt Assembly (REP 9.7)
17	-	Handle Plate (P/O PL 6.1 Item 4)
18	-	Handle (P/O PL 6.1 Item 4)
19	809E90540	Spring
20	809E90550	Ground Spring

PL6.2

10 { 11 - 15

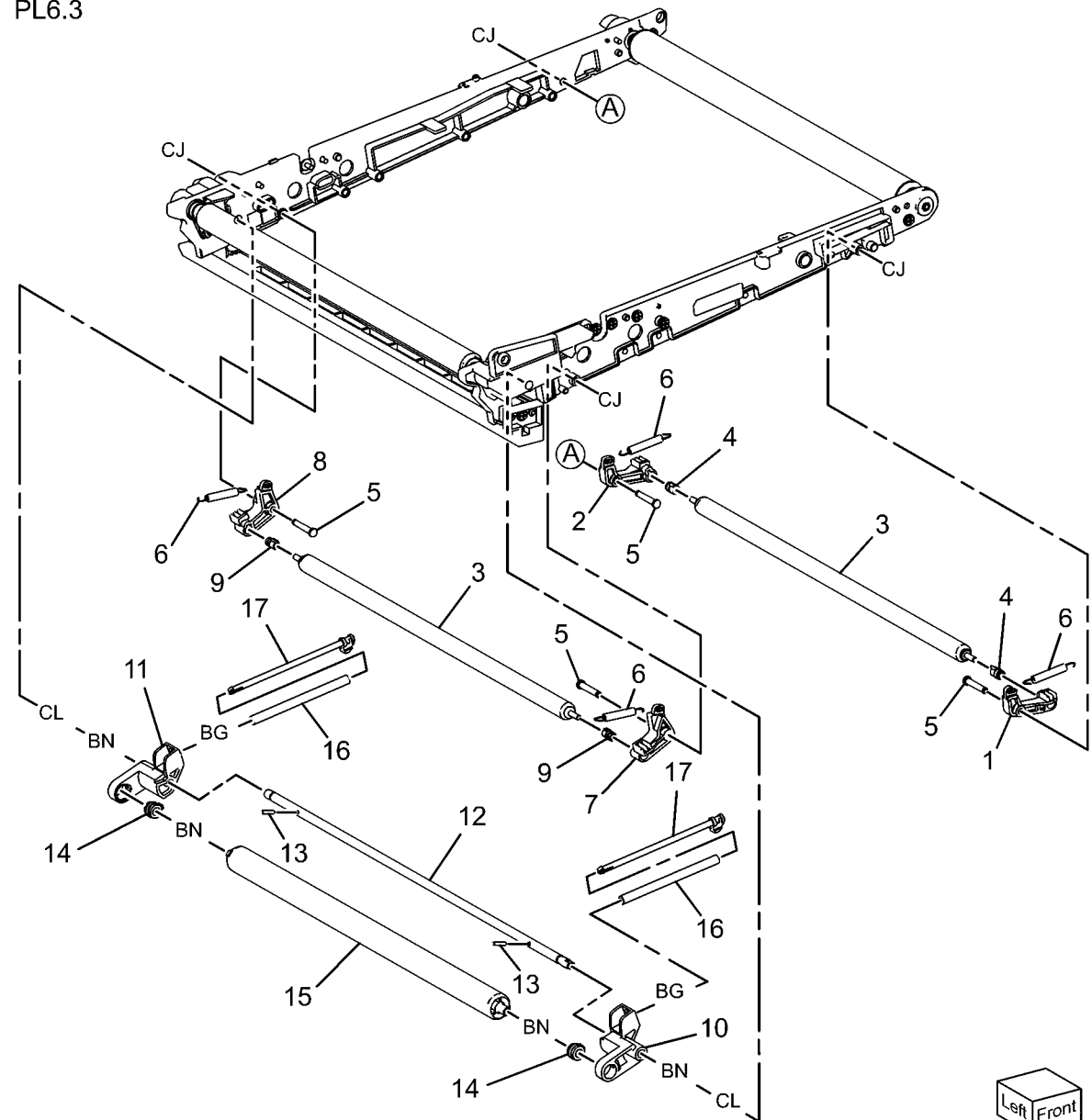


j0rk50602B

PL 6.3 Transfer Assembly (3 of 4)

Item	Part	Description
1	-	Link (P/O PL 6.1 Item 4)
2	-	Link (P/O PL 6.1 Item 4)
3	-	Idle Roll (P/O PL 6.1 Item 4)
4	-	Bearing (P/O PL 6.1 Item 4)
5	-	1st BTR Pin (P/O PL 6.1 Item 4)
6	-	Spring (P/O PL 6.1 Item 4)
7	-	Sensor Link (P/O PL 6.1 Item 4)
8	-	Sensor Link (P/O PL 6.1 Item 4)
9	-	Sensor Conductor (P/O PL 6.1 Item 4)
10	-	Tension Arm (P/O PL 6.1 Item 4)
11	-	Tension Arm (P/O PL 6.1 Item 4)
12	-	Arm Shaft (P/O PL 6.1 Item 4)
13	029E45280	Pin
14	-	Tension Bearing (P/O PL 6.1 Item 4)
15	-	Tension Roll Assembly (P/O PL 6.1 Item 4)
16	-	Tension Spring (P/O PL 6.1 Item 4)
17	-	Tension Shaft (P/O PL 6.1 Item 4)

PL6.3

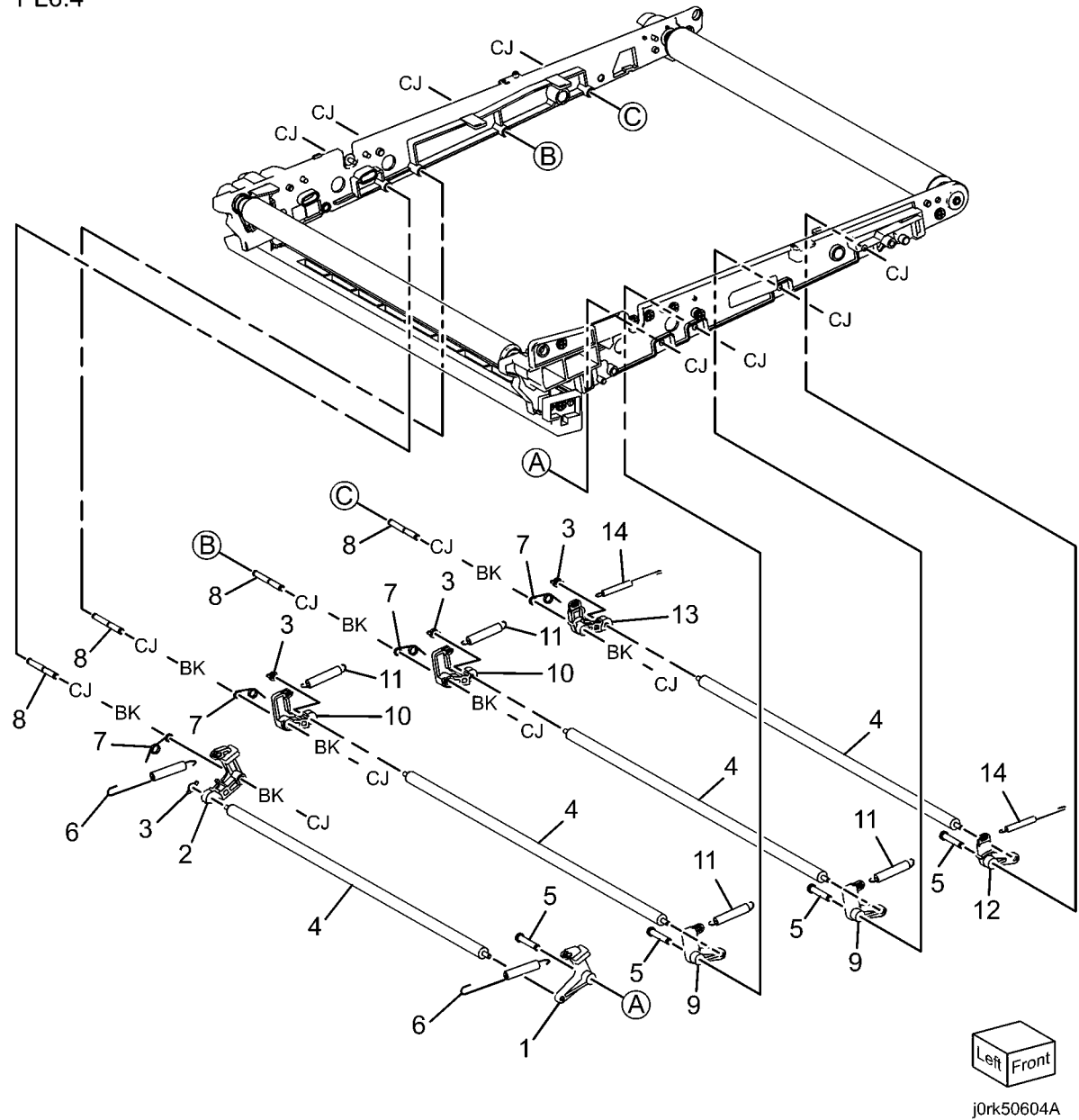


j0rk50603A

PL 6.4 Transfer Assembly (4 of 4)

Item	Part	Description
1	-	1st BTR Link (P/O PL 6.1 Item 4)
2	-	1st BTR Link (P/O PL 6.1 Item 4)
3	-	1st BTR Conductor (P/O PL 6.1 Item 4)
4	-	1st BTR (P/O PL 6.1 Item 4)
5	-	1st BTR Pin (P/O PL 6.1 Item 4)
6	-	1st BTR Spring (P/O PL 6.1 Item 4)
7	-	Arm Conductor (P/O PL 6.1 Item 4)
8	-	1st BTR Shaft (P/O PL 6.1 Item 4)
9	-	1st BTR Link (P/O PL 6.1 Item 4)
10	-	1st BTR Link (P/O PL 6.1 Item 4)
11	-	1st BTR Spring (P/O PL 6.1 Item 4)
12	-	1st BTR Link (P/O PL 6.1 Item 4)
13	-	1st BTR Link (P/O PL 6.1 Item 4)
14	-	1st BTR Spring (P/O PL 6.1 Item 4)

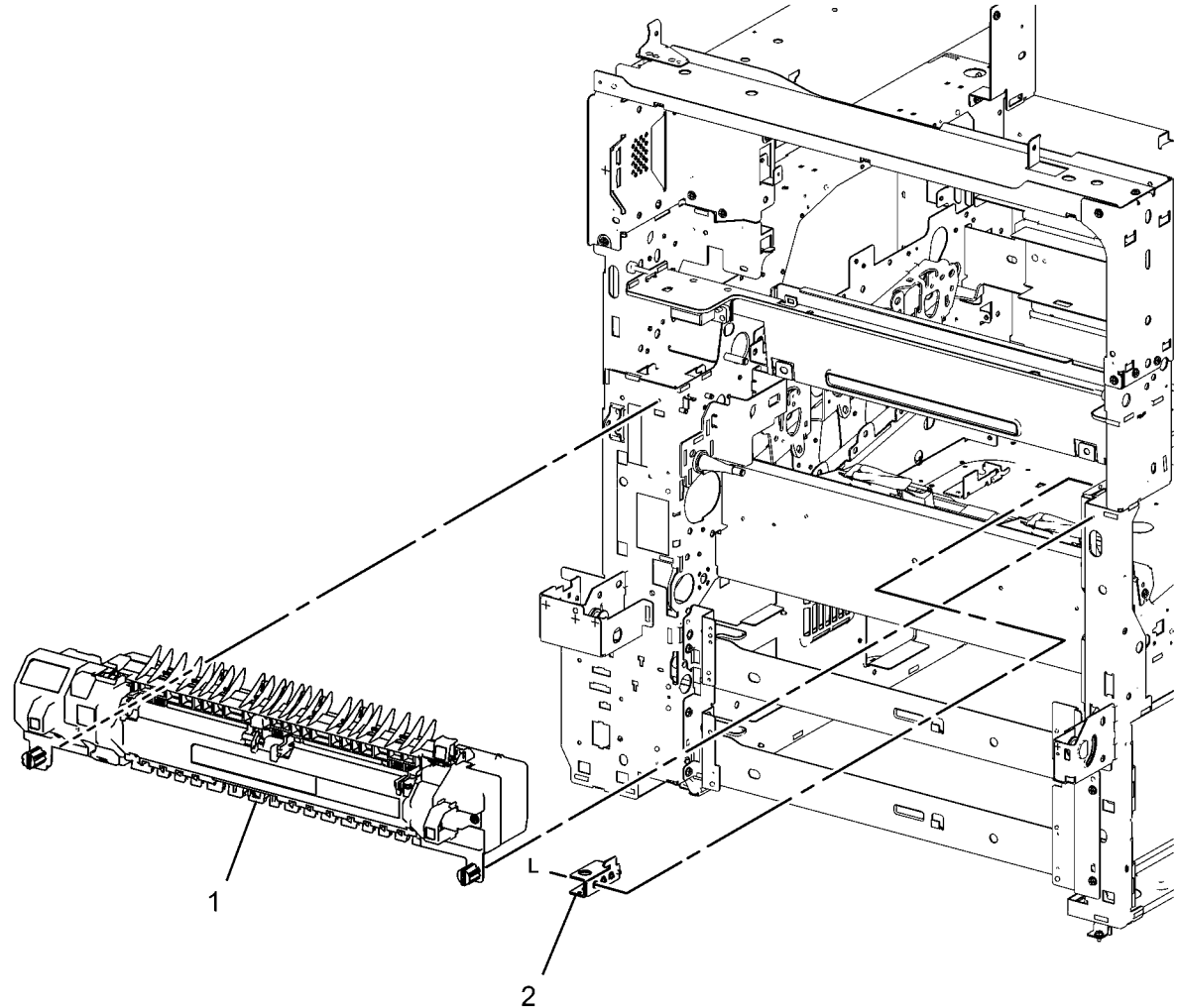
PL6.4



PL 7.1 Fuser Assembly

Item	Part	Description
1	008R13087	Fuser Assembly (110V) (REP 10.1)
—	008R13088	Fuser Assembly (220V)
2	815K04810	Fuser Plate

PL7.1

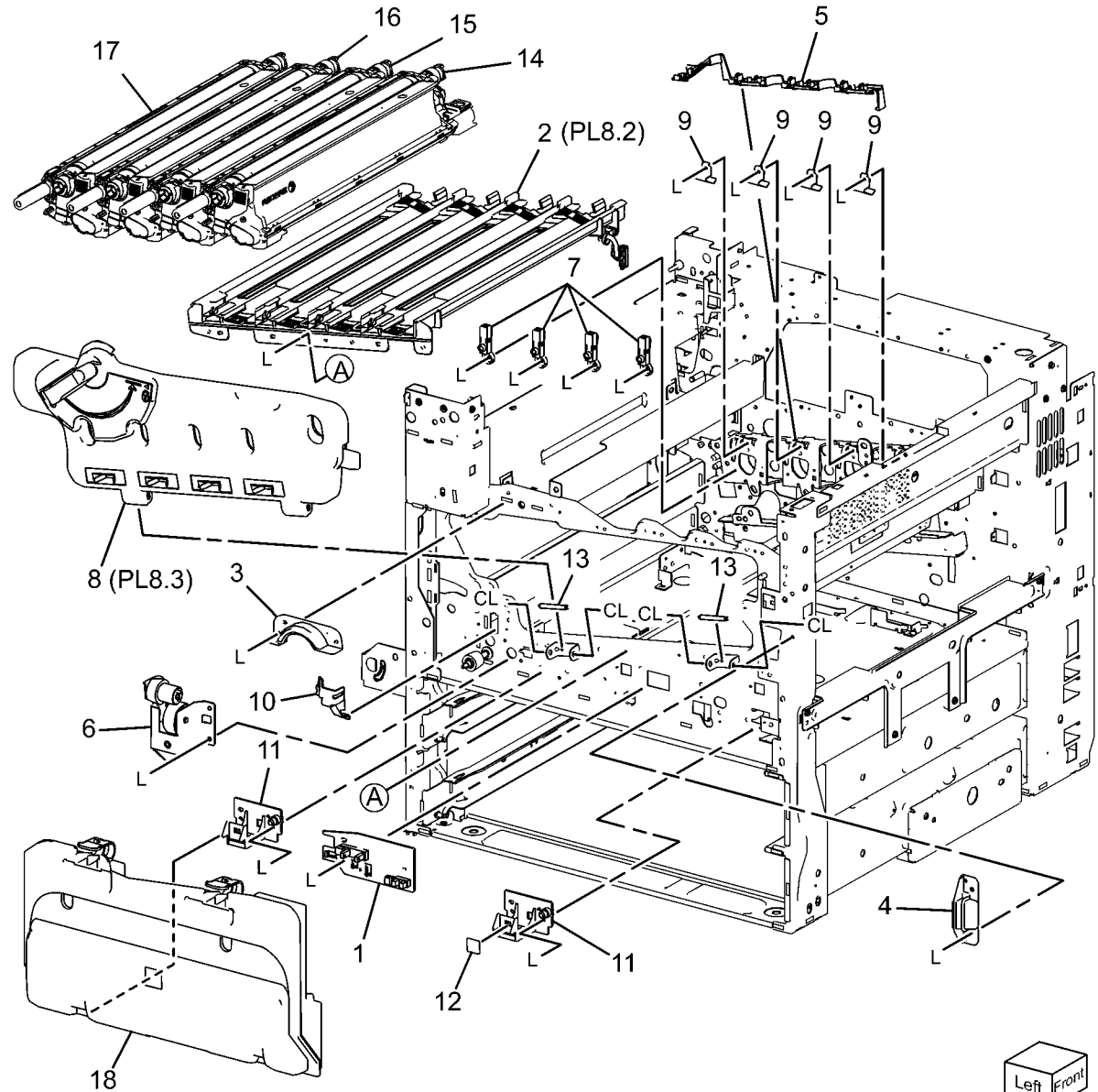


j0rk50701A

PL 8.1 Development Base

Item	Part	Description
1	019K11150	Sensor Holder Sensor Assembly
2	032K07110	CRU Guide Assembly
3	032E35701	Guide
4	032E35710	Guide
5	032E35720	Harness Guide
6	604K58390	Transmit Bracket Assembly
7	122K94410	Erase Lamp Assembly (Y, M, C, K) (REP 9.11)
8	801K42720	2nd Frame Assembly
9	809E91420	Plate Spring
10	-	Cover (Not Spared)
11	868E49610	Bottle Support
12	-	Label (Not Spared)
13	806E32270	Pivot Shaft
14	013R00658	Drum Cartridge (Y) (REP 9.8)
15	013R00659	Drum Cartridge (M) (REP 9.8)
16	013R00660	Drum Cartridge (C) (REP 9.8)
17	013R00657	Drum Cartridge (K) (REP 9.8)
18	008R13089	Waste Toner Bottle Assembly

PL8.1



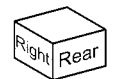
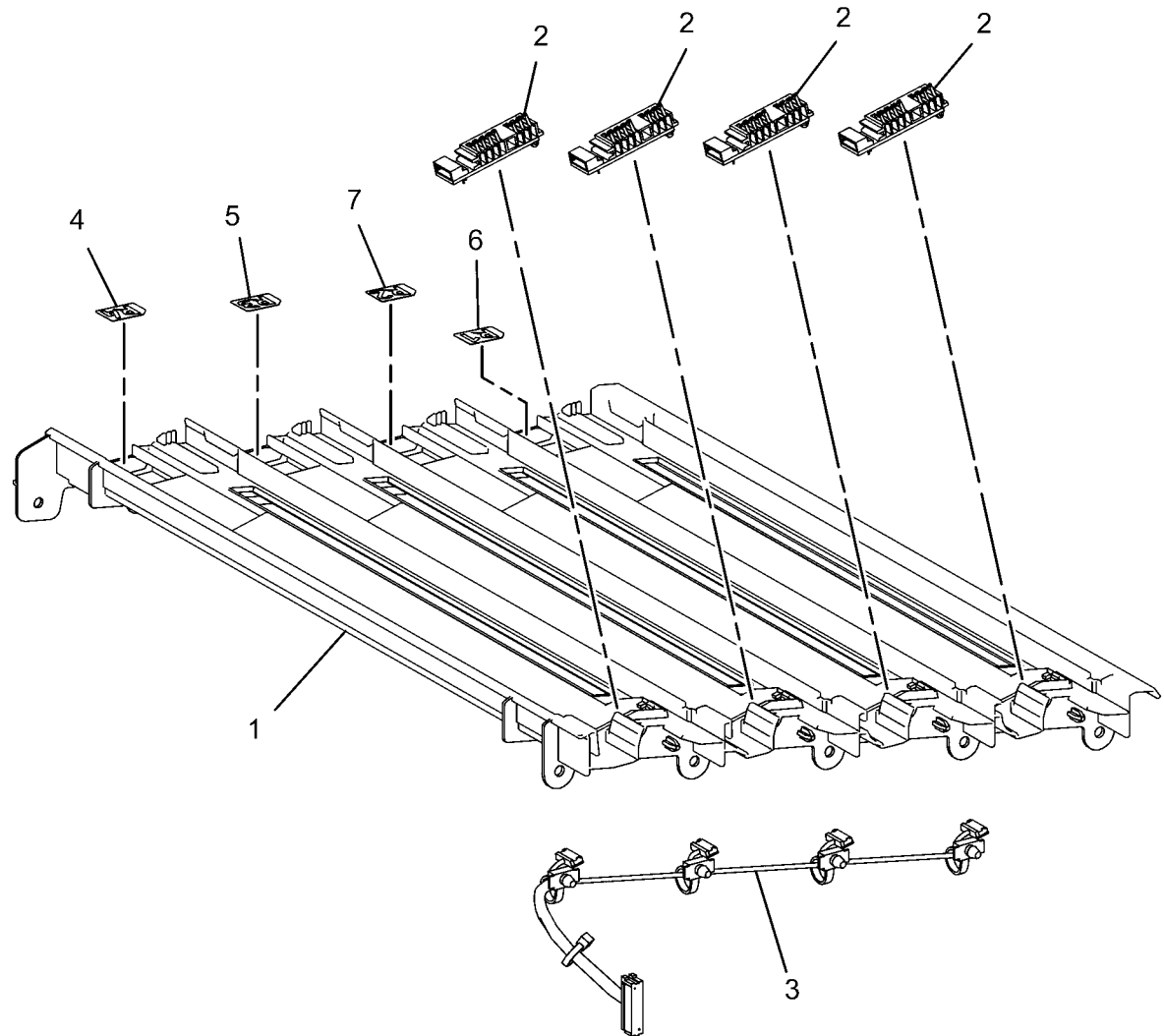
j0rk50801A

PL 8.2 Guide Assembly

Item	Part	Description
1	–	CRU Guide (P/O PL 8.1 Item 2)
2	116K91011	CRUM Reader (ADJ 9.9)
3	962K59160	Xero Harness Assembly
4	–	CRU Label (P/O PL 8.2 Item 8)
5	–	CRU Label (P/O PL 8.2 Item 8)
6	–	CRU Label (P/O PL 8.2 Item 8)
7	–	CRU Label (P/O PL 8.2 Item 8)
8	604K58420	CRU Label Kit

PL8.2

8 { 4 - 7

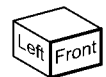
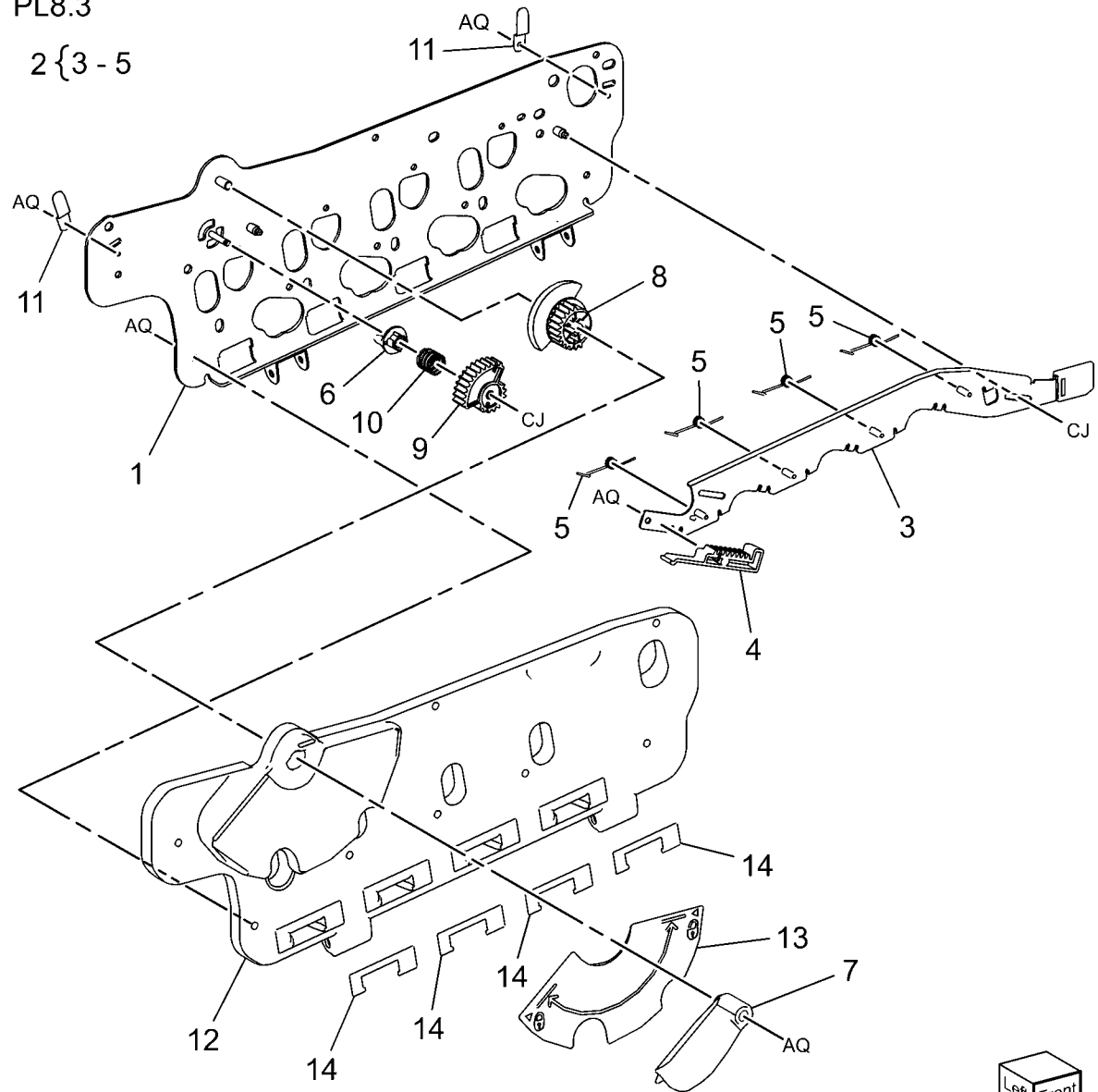


j0rk50802A

PL 8.3 2nd Frame Assembly

Item	Part	Description
1	–	Front Frame Assembly (Not Spared)
2	012K96770	Link Assembly
3	–	Plate Assembly (P/O PL 8.3 Item 2)
4	–	Rack Gear (P/O PL 8.3 Item 2)
5	–	Spring (P/O PL 8.1 Item 8)
6	–	IBT Coupling (P/O PL 8.1 Item 8)
7	803E06291	Lock Handle
8	807E32041	Lock Gear
9	807E32051	Coupling Gear
10	–	Coupling Spring (P/O PL 8.1 Item 8)
11	–	Plate Spring (P/O PL 8.1 Item 8)
12	–	Frame Cover (P/O PL 8.1 Item 8)
13	–	Lock Label (P/O PL 8.1 Item 8)
14	–	Label Cleaner (P/O PL 8.1 Item 8)

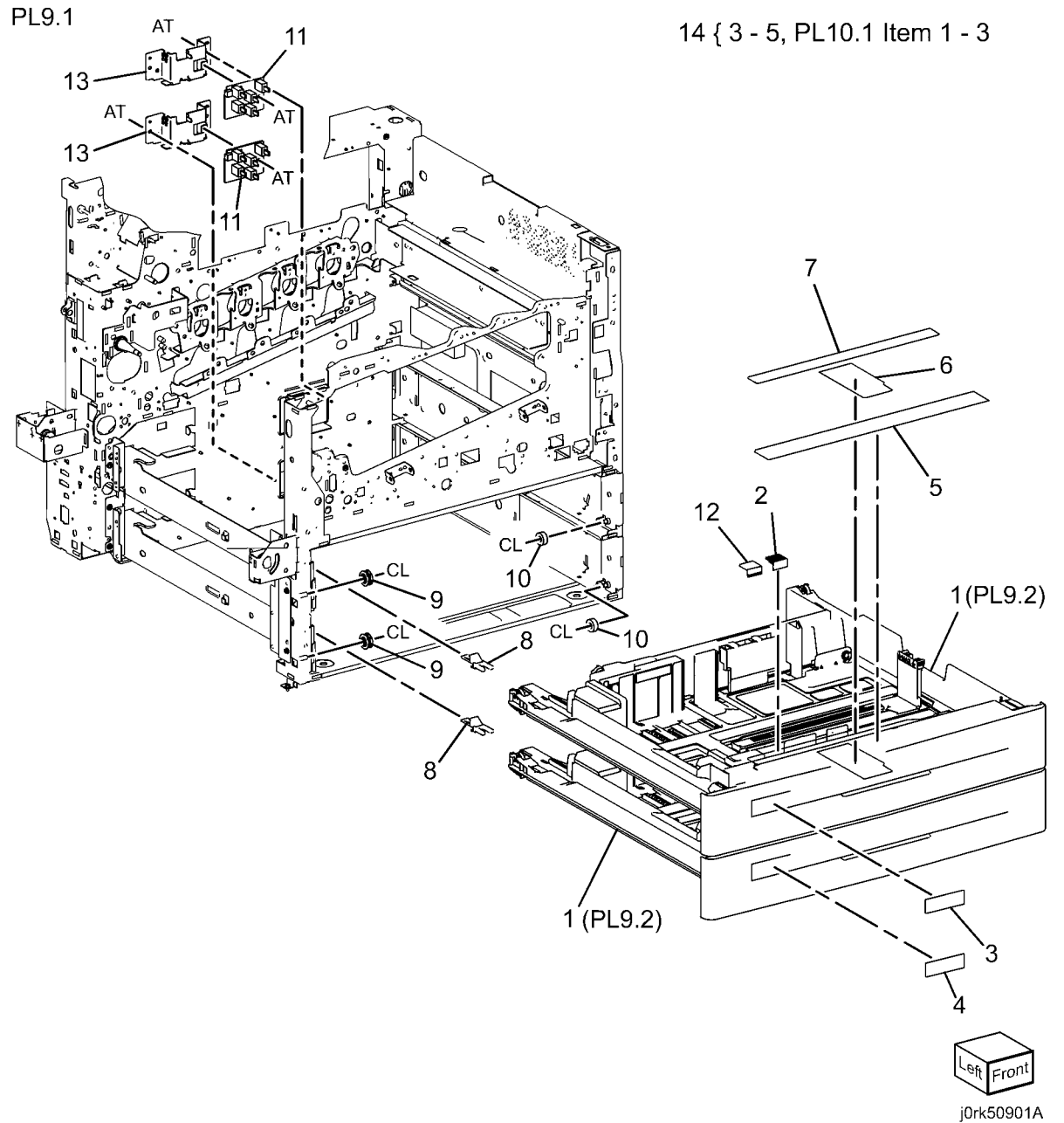
PL8.3



j0rk50803A

PL 9.1 Tray 1/2 (1 of 2)

Item	Part	Description
1	050K65074	Tray 1/2 Assembly
2	014E45291	Slide Lock Block
3	-	Tray 1 Label (P/O PL 9.1 Item 14)
4	-	Tray 2 Label (P/O PL 9.1 Item 14)
5	-	Instruction Label (P/O PL 9.1 Item 14)
6	-	Side Size Label (Not Spared)
7	-	End Size Label (Not Spared)
8	003E76461	Front Stopper
9	059E03500	Front Left Roller
10	059E03510	Front Right Roller
11	110K11680	Paper Size Switch Assembly
12	014E59990	Slide Lock Block
13	-	Switch Bracket (Not Spared)
14	604K58450	Tray Label Kit

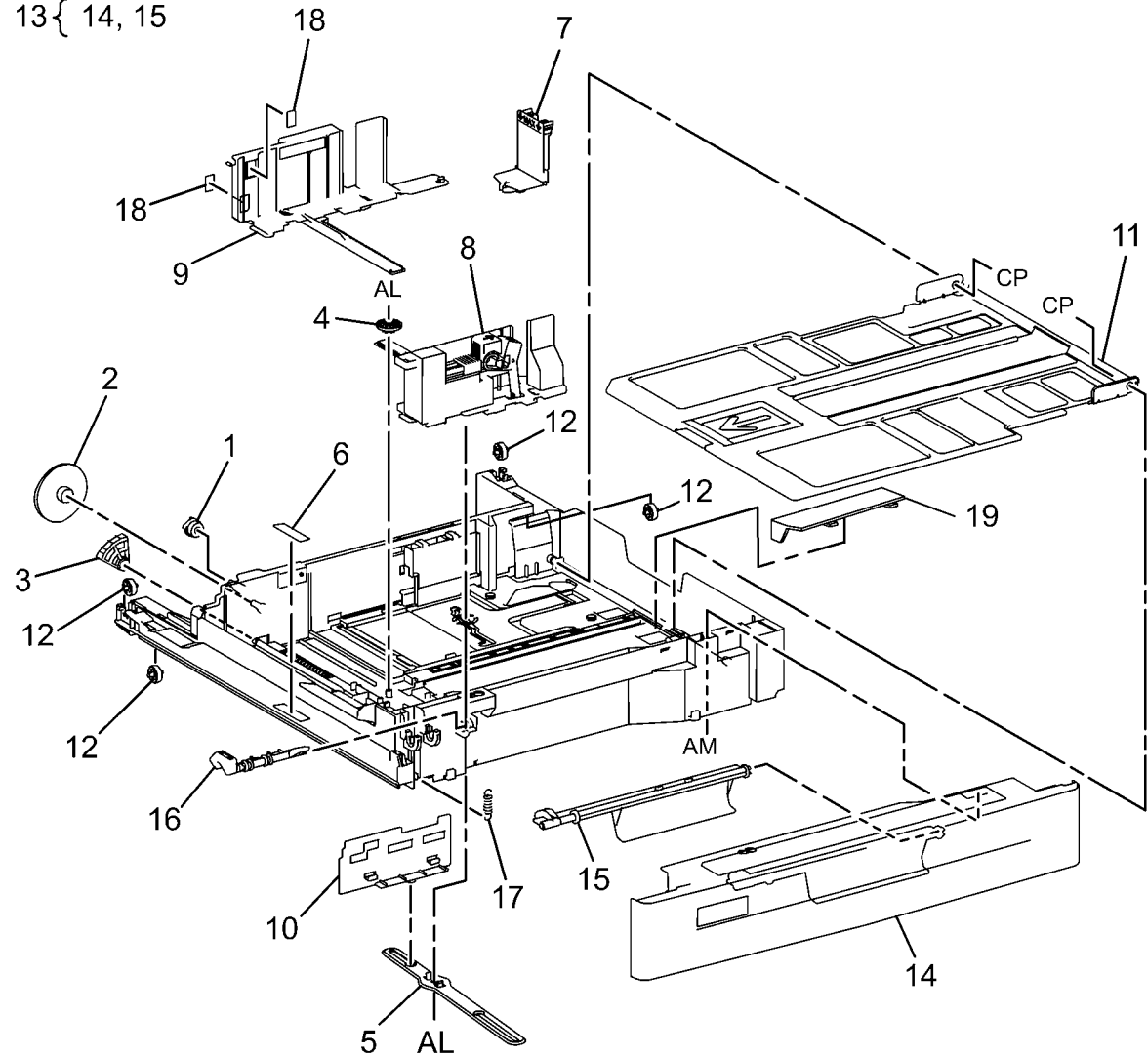


PL 9.2 Tray 1/2 (2 of 2)

Item	Part	Description
1	-	Gear (13T) (P/O PL 9.1 Item 1)
2	007E78450	Gear (13/60T)
3	007E78441	Gear (60T)
4	807E13521	Pinion
5	012E11090	End Guide Link
6	019K09580	Bottom Pad Assembly
7	038E26533	End Guide
8	038K89450	Front Side Guide Assembly
9	038E39090	Rear Guide
10	-	End Guide Actuator (P/O PL 9.1 Item 1)
11	-	Bottom Plate (P/O PL 9.1 Item 1)
12	059E03521	Rear Roller
13	-	Front Cover Assembly (P/O PL 9.1 Item 1)
14	-	Front Trim Cover (P/O PL 9.2 Item 13)
15	-	Tray Lever (P/O PL 9.2 Item 13)
16	003E75440	Latch
17	809E75730	Latch Spring
18	019E71680	Pad
19	848E21140	Storage Cover

PL9.2

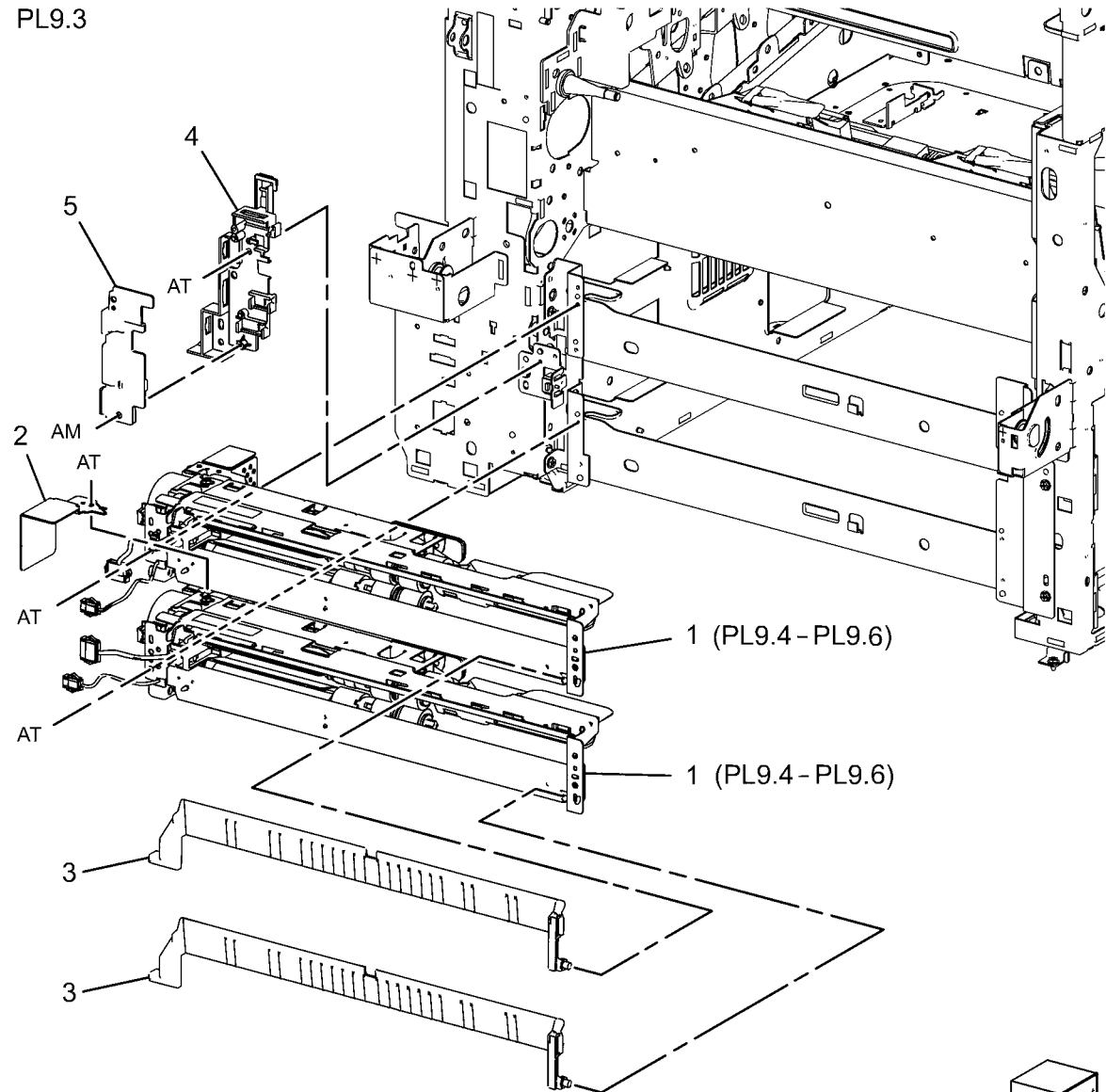
13 { 14, 15



j0rk50902A

PL 9.3 Paper Transport

Item	Part	Description
1	059K66640	Feeder 1/2 Assembly (REP 7.1, REP 7.2)
2	—	Feeder Bracket (Not Spared)
3	054E33802	Feed Out Chute
4	—	Feeder Harness Holder (Not Spared)
5	—	Harness Cover (Not Spared)

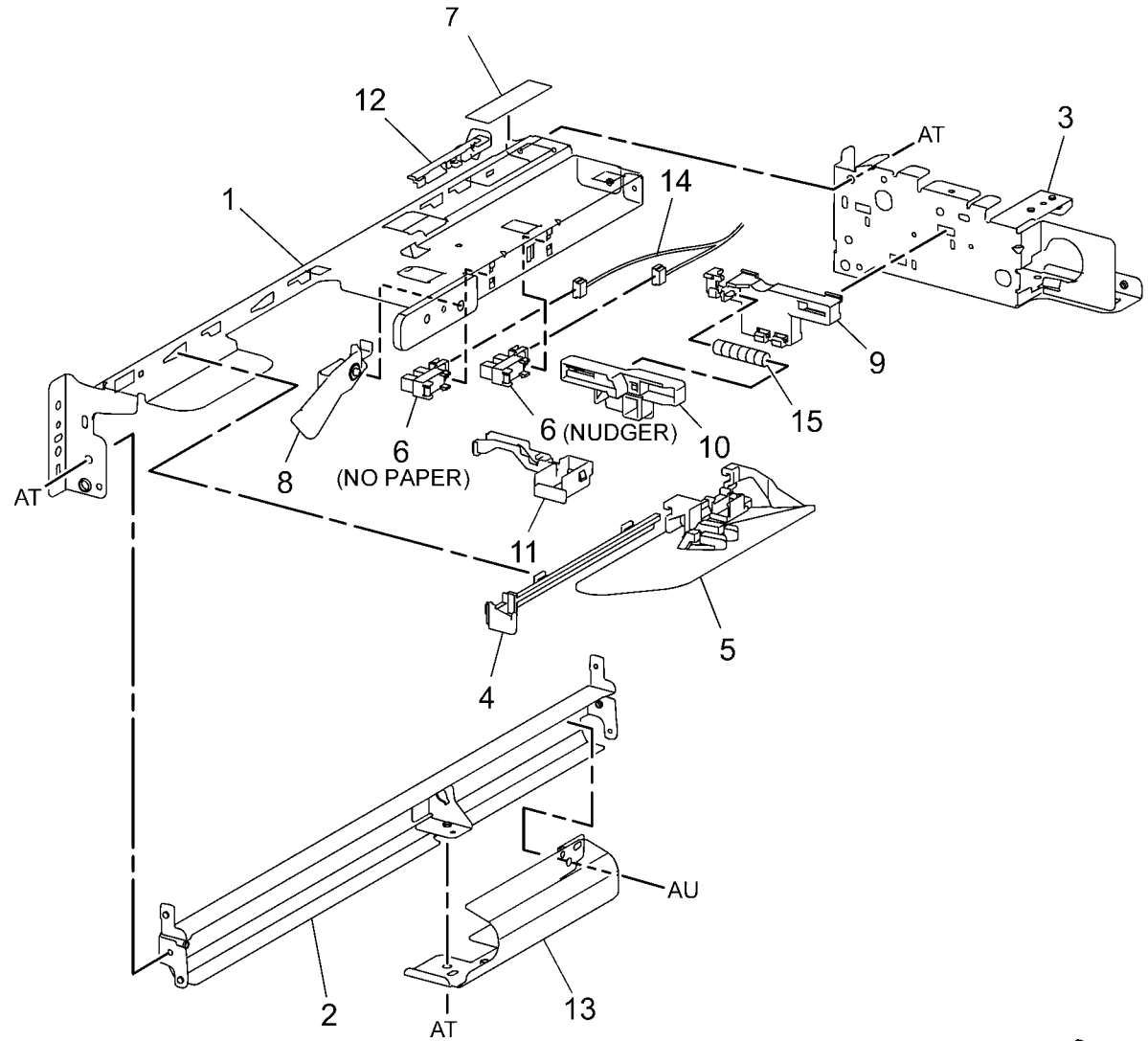


i0rk50903A

PL 9.4 Paper Feeder (1 of 3)

Item	Part	Description
1	–	Upper Frame Assembly (P/O PL 9.3 Item 1)
2	–	Lower Frame Assembly (P/O PL 9.3 Item 1)
3	–	Rear Frame (P/O PL 9.3 Item 1)
4	–	Rail (P/O PL 9.3 Item 1)
5	–	Chute (P/O PL 9.3 Item 1)
6	930W00113	No Paper Sensor, Nudger Level Sensor
7	–	Traceability Label (P/O PL 9.3 Item 1)
8	120E22481	Actuator
9	–	Holder (P/O PL 9.3 Item 1)
10	–	Lever (P/O PL 9.3 Item 1)
11	–	Upper Harness Holder (P/O PL 9.3 Item 1)
12	–	Rear Harness Holder (P/O PL 9.3 Item 1)
13	–	Feed In Chute (P/O PL 9.3 Item 1)
14	–	Sensor Harness Assembly (P/O PL 9.3 Item 1)
15	–	Spring (P/O PL 9.3 Item 1)

PL9.4



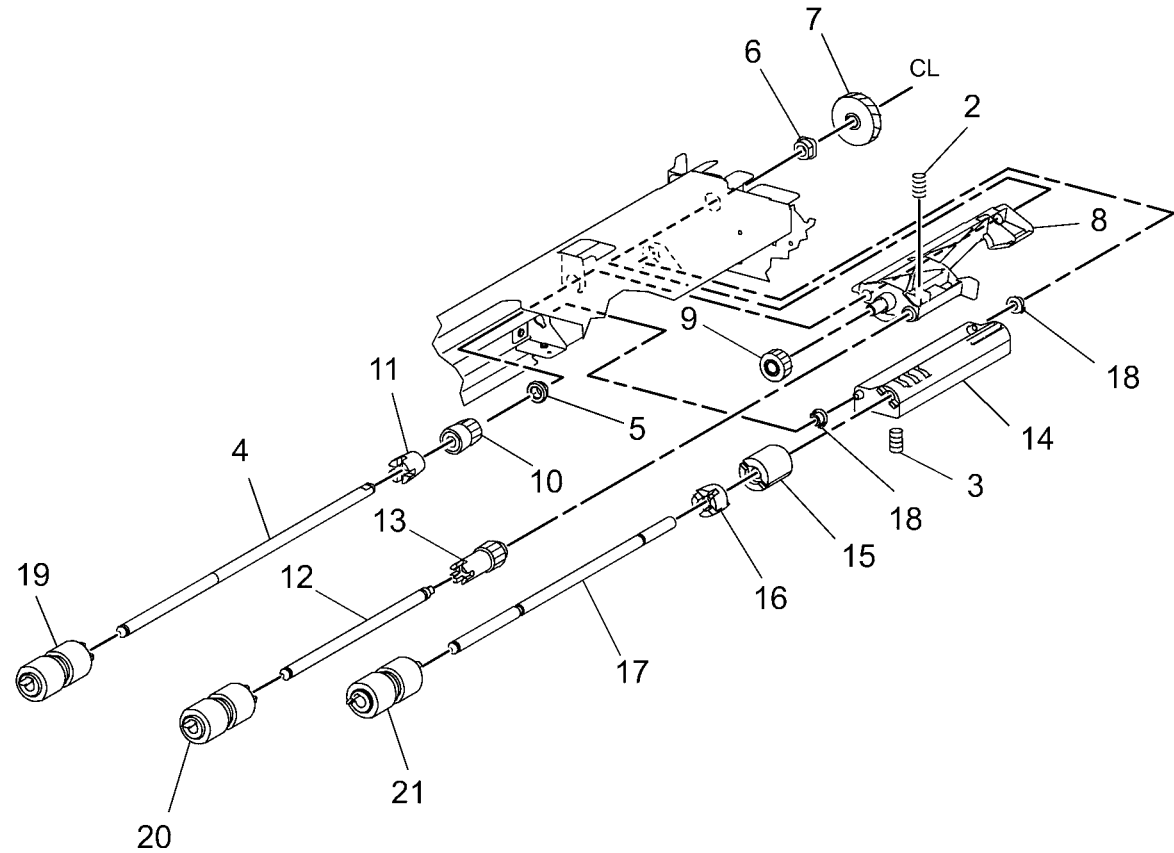
j0rk50904A

PL 9.5 Paper Feeder (2 of 3)

Item	Part	Description
1	604K56080	Tray 1/2 Feed Roll Kit (REP 7.3, REP 7.4)
2	-	Nudger Compression Spring (P/O PL 9.3 Item 1)
3	-	Retard Spring (P/O PL 9.3 Item 1)
4	-	Feed Shaft (P/O PL 9.3 Item 1)
5	-	Bearing (P/O PL 9.3 Item 1)
6	-	Sleeve Bearing (P/O PL 9.3 Item 1)
7	-	Gear (30T) (P/O PL 9.3 Item 1)
8	-	Support (P/O PL 9.3 Item 1)
9	807E20330	Gear (29T)
10	005K08680	Clutch Assembly (25T)
-	005K08820	Clutch Assembly (25T)
11	005K05890	One-way Clutch Assembly
12	-	Nudger Shaft (P/O PL 9.3 Item 1)
13	-	Gear (25T) (P/O PL 9.3 Item 1)
14	-	Retard Support (P/O PL 9.3 Item 1)
15	005K09290	Friction Clutch Assembly
16	014E45030	Spacer
17	-	Retard Shaft (P/O PL 9.3 Item 1)
18	-	Retard Bearing (P/O PL 9.3 Item 1)
19	-	Feed Roll (P/O PL 9.5 Item 1)
20	-	Nudger Roll (P/O PL 9.5 Item 1)
21	-	Retard Roll (P/O PL 9.5 Item 1)

PL9.5

1 { 19 - 21

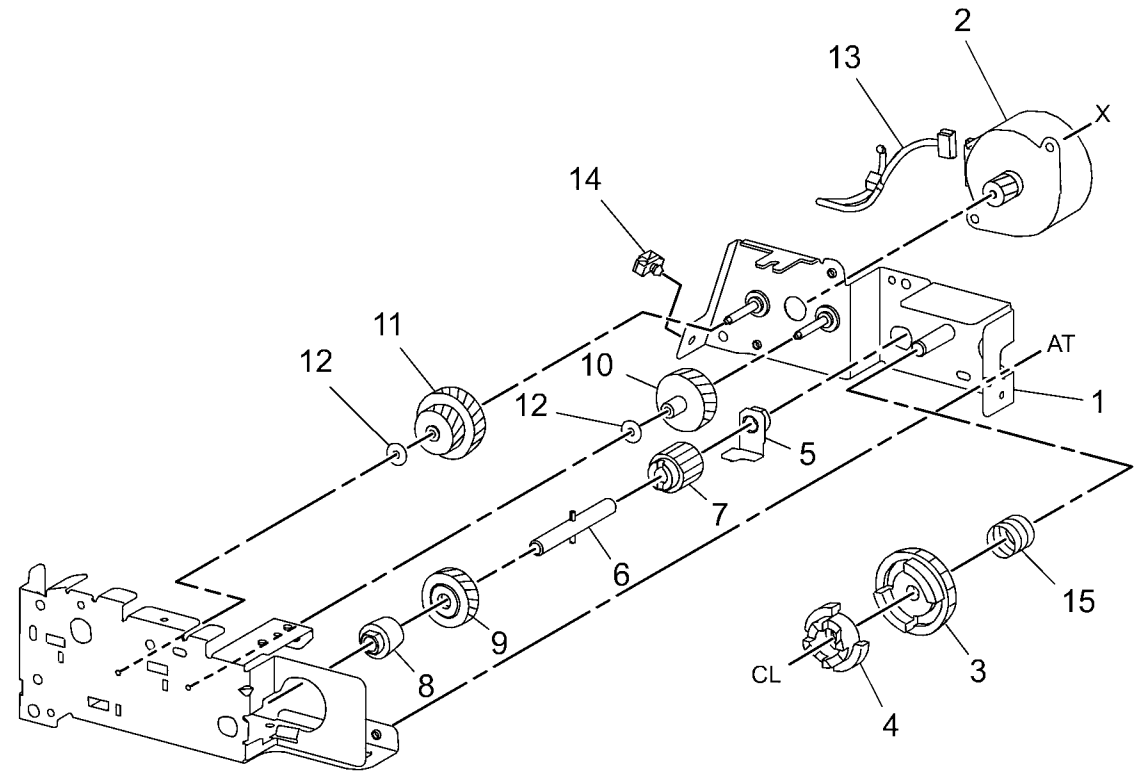


j0rk50905A

PL 9.6 Paper Feeder (3 of 3)

Item	Part	Description
1	–	Drive Bracket Assembly (P/O PL 9.3 Item 1)
2	127K52790	Feed/Lift Motor Assembly
3	–	Gear (31T) (P/O PL 9.3 Item 1)
4	–	Spacer (P/O PL 9.3 Item 1)
5	–	Bearing Shaft (P/O PL 9.3 Item 1)
6	–	Drive Shaft Assembly (P/O PL 9.3 Item 1)
7	–	Gear (13T) (P/O PL 9.3 Item 1)
8	005K83081	One Way Clutch
9	007K97870	One Way Gear
10	–	Helical Gear (25T) (P/O PL 9.3 Item 1)
11	–	Helical Gear (29/19T) (P/O PL 9.3 Item 1)
12	–	Washer (P/O PL 9.3 Item 1)
13	–	Wire Harness Assembly (P/O PL 9.3 Item 1)
14	–	Harness Clamp (P/O PL 9.3 Item 1)
15	–	Spring (P/O PL 9.3 Item 1)

PL9.6

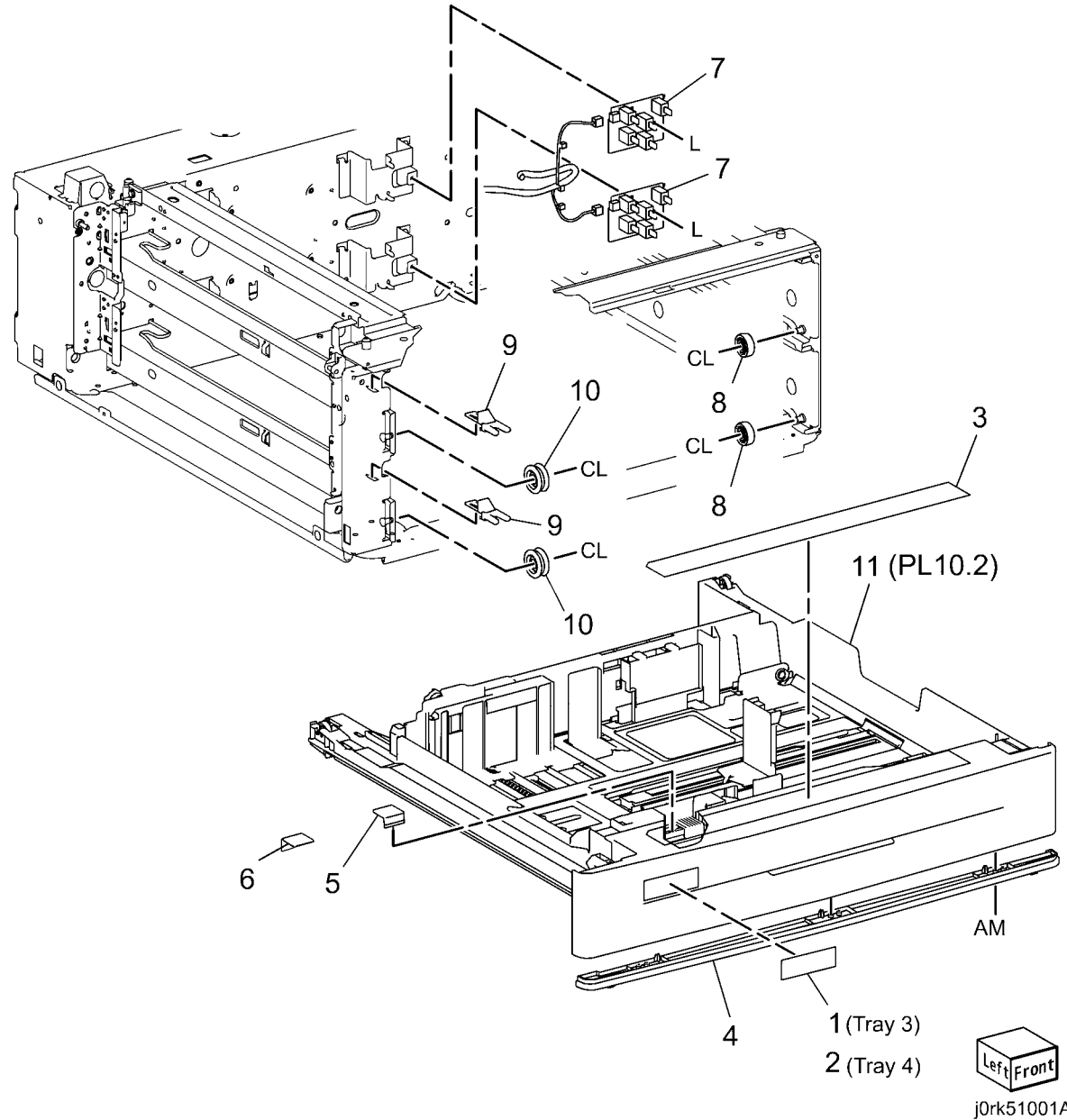


j0rk50906A

PL 10.1 Tray Module (2T)

Item	Part	Description
1	–	Tray 3 Label (P/O PL 9.1 Item 14)
2	–	Tray 4 Label (P/O PL 9.1 Item 14)
3	–	Instruction Label (P/O PL 9.1 Item 14)
4	848E50050	Lower Tray Cover (Tray 4 Only)
5	014E59990	Slide Lock Block
6	014E45291	Slide Lock Block
7	110K11680	Paper Size Switch Sensor
8	059E03510	Front Right Roll
9	003E75431	Stopper
10	059E03500	Front Left Roll
11	–	Tray (P/O PL 9.1 Item 1)

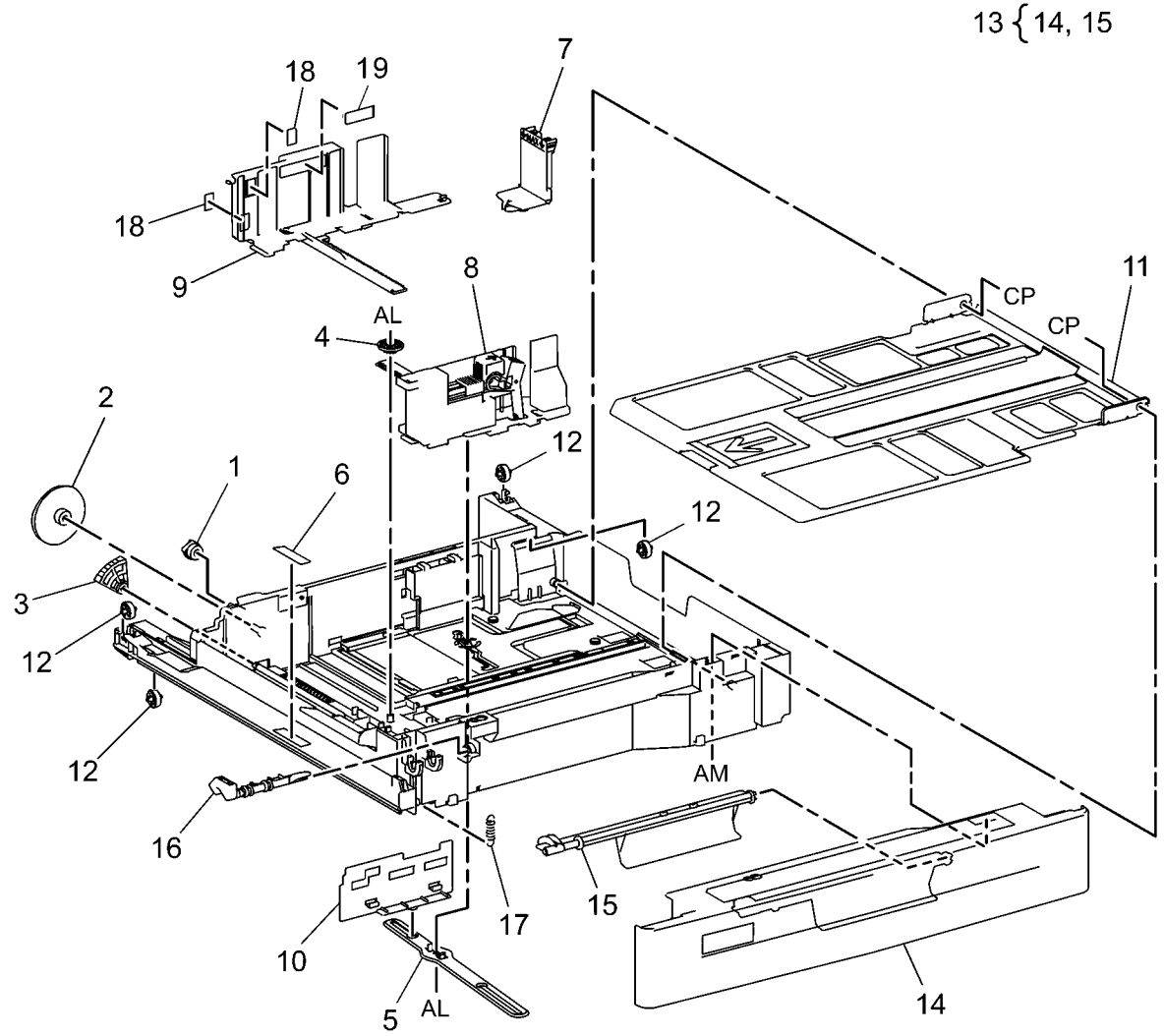
PL10.1



PL 10.2 Tray 3/4

Item	Part	Description
1	-	Gear (13T) (P/O PL 10.1 Item 6)
2	007E78450	Gear (13T/60T)
3	007E78441	Gear (60T)
4	807E13520	Pinion
5	012E11090	Link
6	019K09580	Pad
7	038E26533	End Guide
8	038K89450	Guide Assembly
9	038E39100	Guide
10	-	End Actuator
11	-	Bottom Plate (P/O PL 10.1 Item 6)
12	059E03521	Roll
13	848K40411	Front Cover Assembly
14	-	Front Cover (P/O PL 10.2 Item 13)
15	-	Lever (P/O PL 10.2 Item 13)
16	003E75440	Latch
17	809E75730	Latch Spring
18	019E71680	Pad
19	-	Max Label (Not Spared)

PL10.2



j0rk51002A

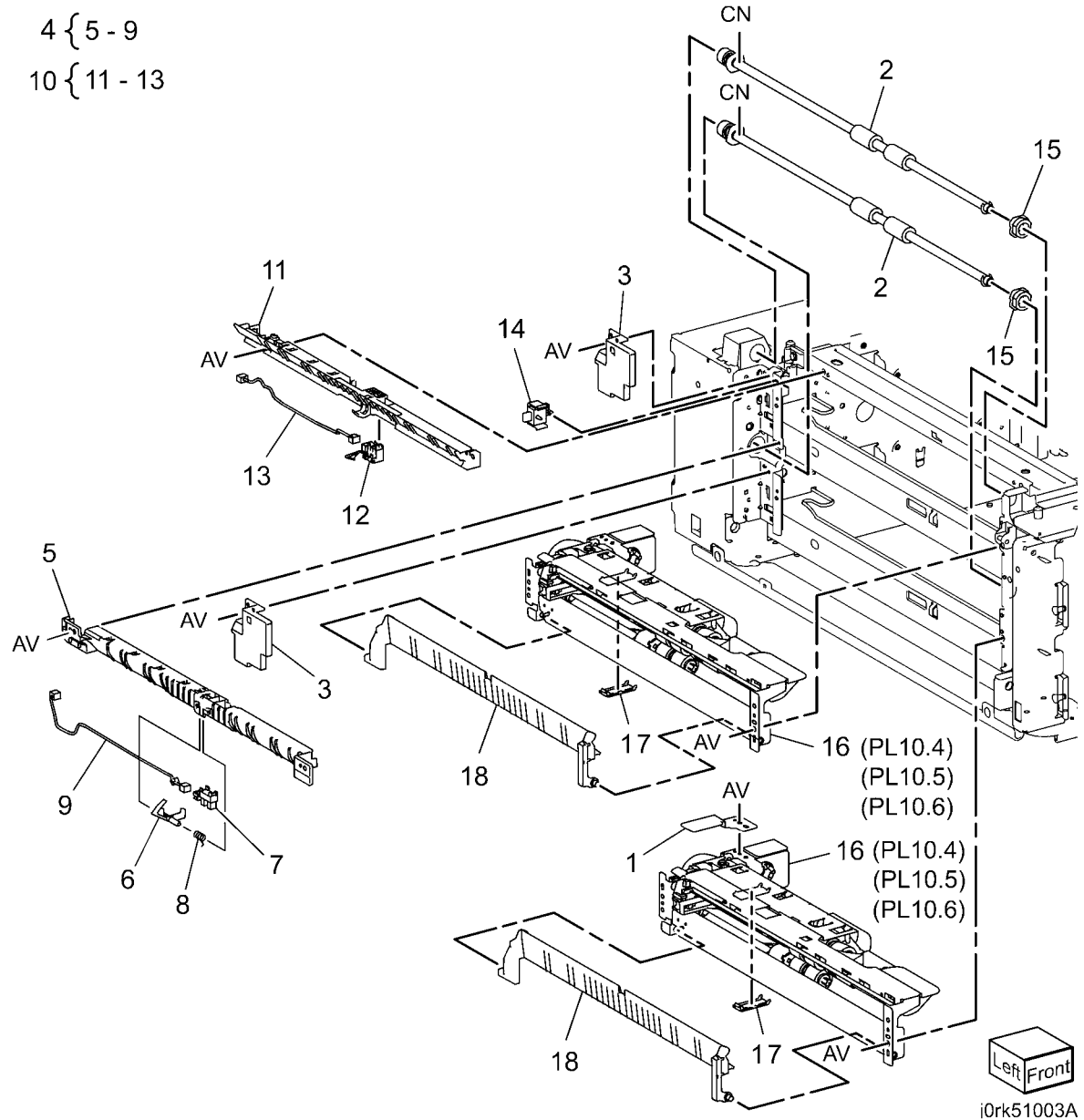
PL 10.3 Feeder/Roller

Item	Part	Description
1	-	Feeder Cover (Not Spared)
2	059K26251	Take Away Roll 3/4
3	-	Cover (Not Spared)
4	054K42090	Chute Assembly
5	-	Chute (P/O PL 10.3 Item 4)
6	-	Actuator (P/O PL 10.3 Item 4)
7	930W00111	Tray 4 Out Sensor
8	-	Spring (P/O PL 10.3 Item 4)
9	-	Wire Harness (P/O PL 10.3 Item 4)
10	054K42080	Chute Assembly
11	-	Chute (P/O PL 10.3 Item 10)
12	-	Tray 3 Out Sensor (P/O PL 10.3 Item 10)
13	-	Wire Harness (P/O PL 10.3 Item 10)
14	110E12220	Left Hand Tray Module Cover Switch
15	413W14860	Bearing
16	059K66640	Tray 3/4 Feeder Assembly (REP 7.5, REP 7.6)
17	-	Sensor Cover (Not Spared)
18	054E33802	Feed Out Chute

PL10.3

4 { 5 - 9

10 { 11 - 13



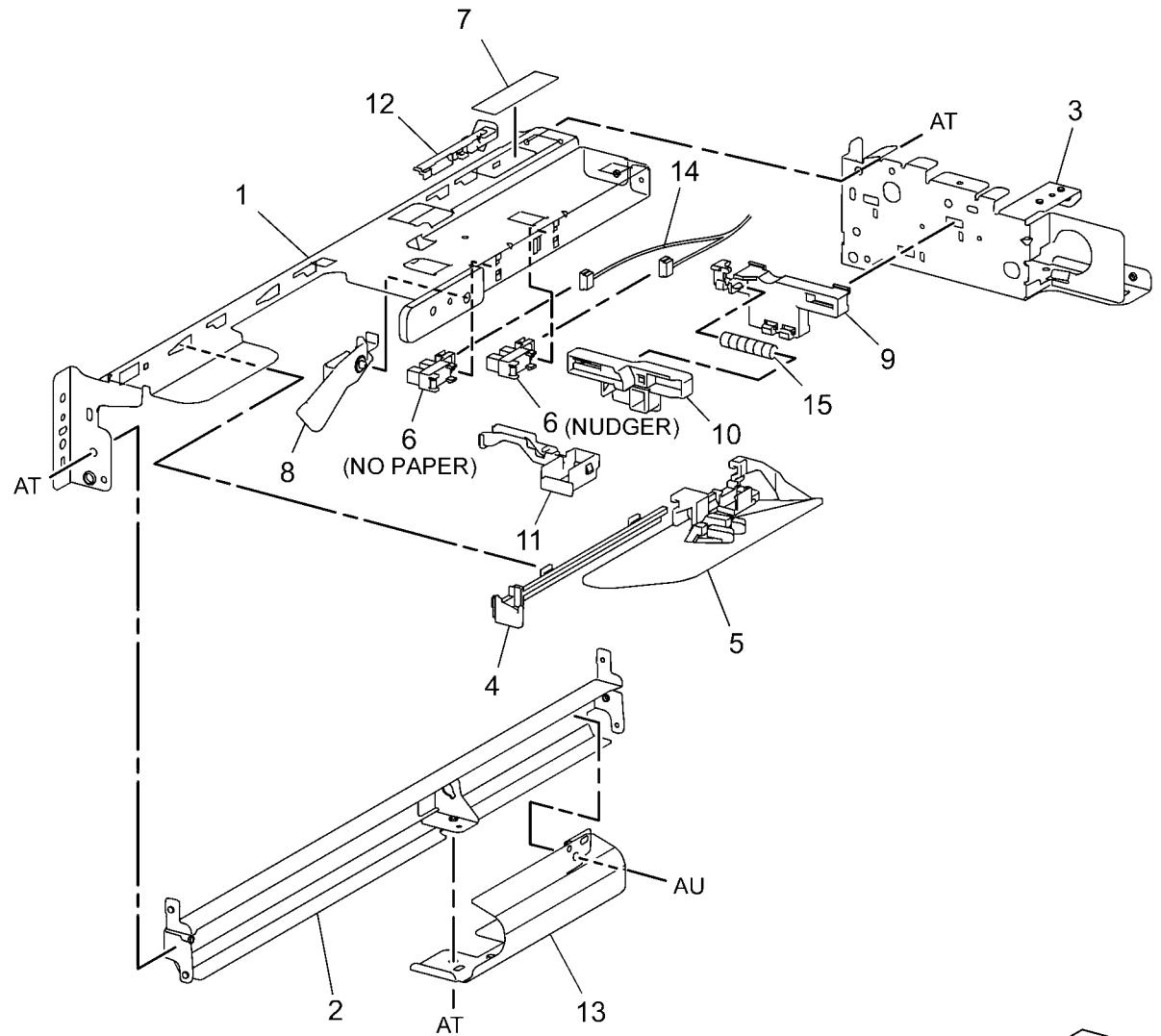
Left Front

i0rk51003A

PL 10.4 Tray 3/4 Feeder Assembly (1 of 3)

PL10.4

Item	Part	Description
1	-	Frame (P/O PL 10.3 Item 16)
2	-	Frame (P/O PL 10.3 Item 16)
3	-	Frame (P/O PL 10.3 Item 16)
4	-	Rail (P/O PL 10.3 Item 16)
5	-	Chute (P/O PL 10.3 Item 16)
6	930W00123	Nudger Level Sensor, No Paper Sensor
7	-	Label (Not Spared)
8	120E22481	Actuator
9	-	Holder (P/O PL 10.3 Item 16)
10	-	Level (P/O PL 10.3 Item 16)
11	-	Upper Harness Holder (P/O PL 10.3 Item 16)
12	-	Rear Harness Holder (P/O PL 10.3 Item 16)
13	-	Feed In Chute (P/O PL 10.3 Item 16)
14	-	Sensor Harness Assembly (P/O PL 10.3 Item 16)
15	-	Spring (P/O PL 10.3 Item 16)



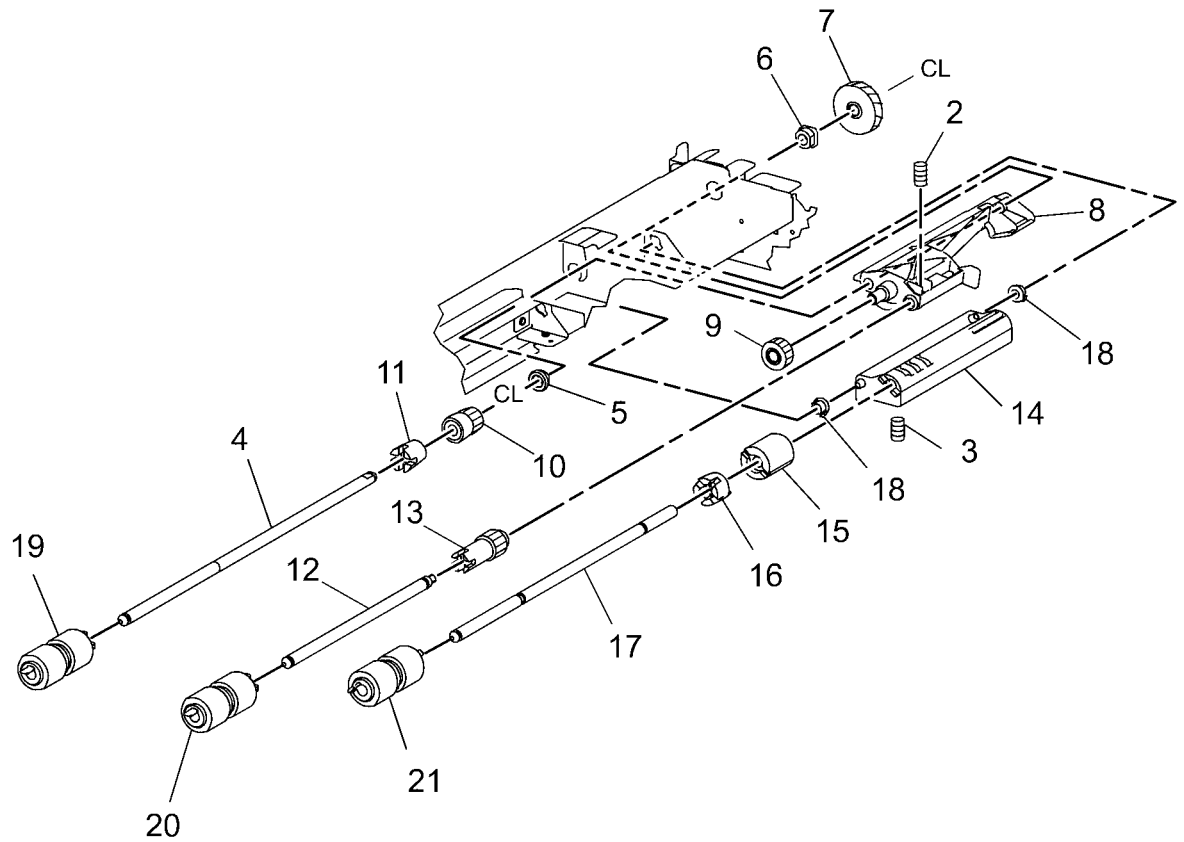
j0rk51004A

PL 10.5 Tray 3/4 Feeder Assembly (2 of 3)

Item	Part	Description
1	604K56080	Feed Roll, Nudger Roll, Retard Roll (REP 7.7, REP 7.8)
2	-	Nudger Spring (P/O PL 10.3 Item 16)
3	-	Retard Spring (P/O PL 10.3 Item 16)
4	-	Feed Shaft (P/O PL 10.3 Item 16)
5	-	Bearing (P/O PL 10.3 Item 16)
6	-	Bearing Sleeve (P/O PL 10.3 Item 16)
7	-	Gear (30T) (P/O PL 10.3 Item 16)
8	-	Support (P/O PL 10.3 Item 16)
9	807E20330	Gear (29T)
10	005K08680	Clutch Assembly (25T)
-	005K08820	Clutch Assembly (25T)
11	005K05890	One Way Clutch
12	-	Nudger Shaft (P/O PL 10.3 Item 16)
13	-	Gear (25T) (P/O PL 10.3 Item 16)
14	-	Support (P/O PL 10.3 Item 16)
15	005K09290	Friction Clutch
16	014E45030	Spacer
17	-	Retard Shaft (P/O PL 10.3 Item 16)
18	-	Retard Bearing (P/O PL 10.3 Item 16)
19	-	Feed Roll (P/O PL 10.5 Item 1)
20	-	Nudger Roll (P/O PL 10.5 Item 1)
21	-	Retard Roll (P/O PL 10.5 Item 1)

PL10.5

1 { 19 - 21

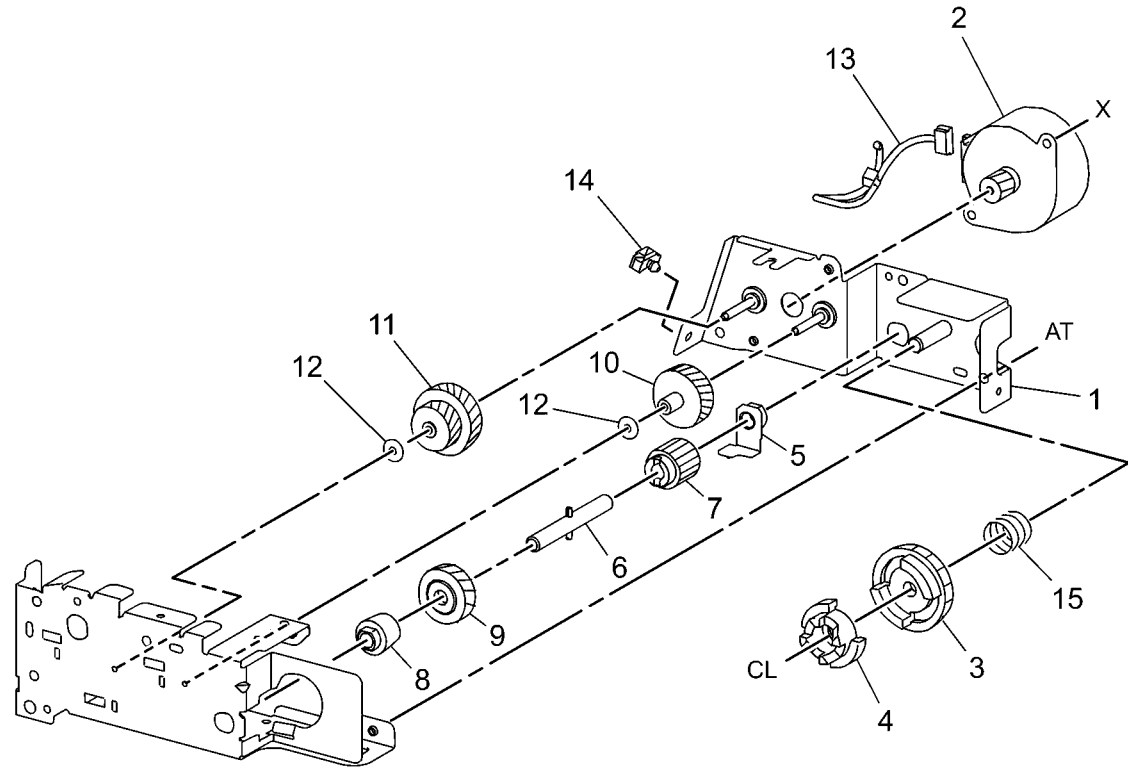


j0rk51005A

PL 10.6 Tray 3/4 Feeder Assembly (3 of 3)

PL10.6

Item	Part	Description
1	-	Bracket (P/O PL 10.3 Item 16)
2	127K52790	Feed/Lift Up Motor
3	-	Gear (31T) (P/O PL 10.3 Item 16)
4	-	Spacer (P/O PL 10.3 Item 16)
5	-	Bearing (P/O PL 10.3 Item 16)
6	-	Drive Shaft (P/O PL 10.3 Item 16)
7	-	Gear (13T) (P/O PL 10.3 Item 16)
8	005K83081	One Way Clutch
9	007K97870	One Way Gear
10	-	Gear (25T) (P/O PL 10.3 Item 16)
11	-	Gear (29T/19T) (P/O PL 10.3 Item 16)
12	-	Washer (P/O PL 10.3 Item 16)
13	-	Wire Harness (P/O PL 10.3 Item 16)
14	-	Clamp (P/O PL 10.3 Item 16)
15	-	Spring (P/O PL 10.3 Item 16)



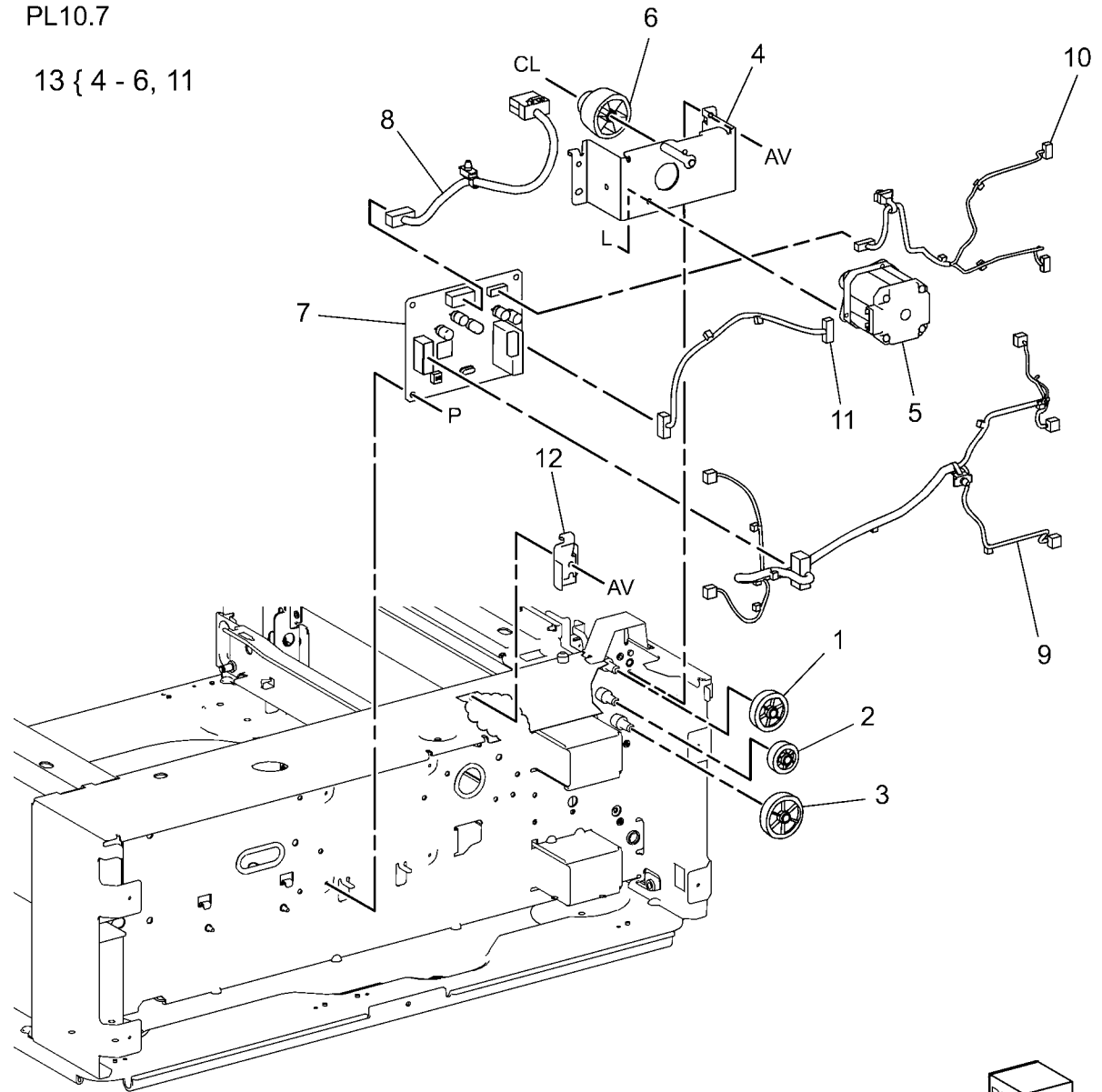
j0rk51006A

PL 10.7 Electrical

Item	Part	Description
1	807E20700	Gear (34T)
2	807E20710	Gear (26T)
3	807E20720	Gear (39T)
4	-	Take Away Motor Bracket (P/O PL 10.7 Item 13)
5	-	Take Away Motor (P/O PL 10.7 Item 13)
6	-	Gear (P/O PL 10.7 Item 13)
7	960K49612	Tray Module PWB
8	962K83330	I/F Harness Assembly
9	-	Sensor Harness Assembly (Not Spared)
10	-	Feed/Lift Up Motor Harness Assembly (Not Spared)
11	-	Take Away Motor Harness Assembly (P/O PL 10.7 Item 13)
12	-	Docking Bracket (Not Spared)
13	604K58360	Take Away Motor Kit

PL10.7

13 { 4 - 6, 11

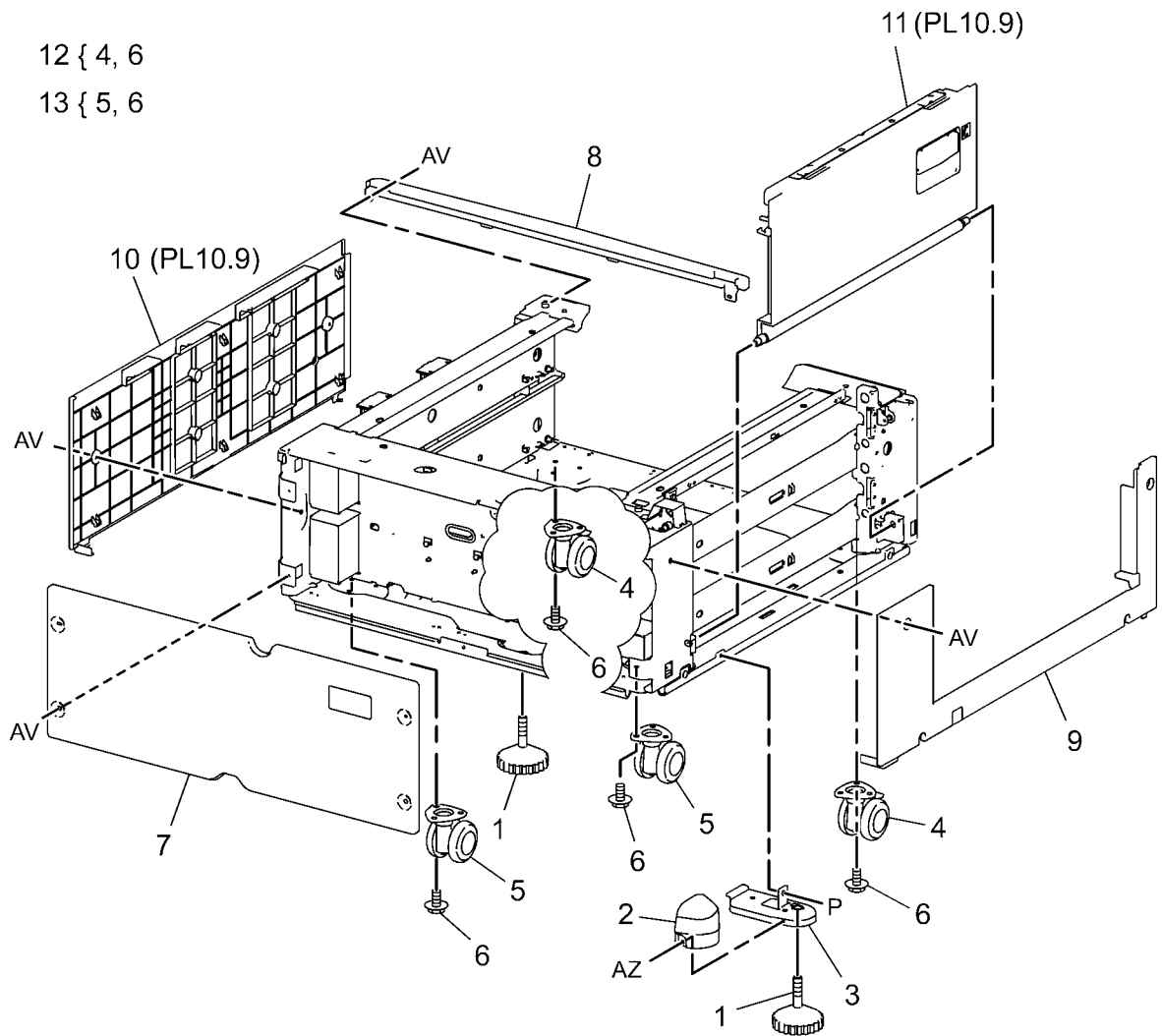


j0rk51007A

PL 10.8 Covers

Item	Part	Description
1	017K94910	Adjuster Foot Assembly
2	848E52692	Side Foot Cover
3	868E51270	Side Foot Bracket
4	-	Swivel Caster Assembly (P/O PL 10.8 Item 12)
5	-	Caster Assembly (P/O PL 10.8 Item 13)
6	-	Screw (P/O PL 10.8 Item 12, PL 10.8 Item 13)
7	-	Right Cover (Not Spared)
8	-	Top Cover (Not Spared)
9	-	Left Cover (Not Spared)
10	-	Right Cover (Not Spared)
11	848K37442	Left Hand Cover Assembly
12	604K58370	Swivel Caster Kit
13	604K58460	Caster Kit

PL10.8

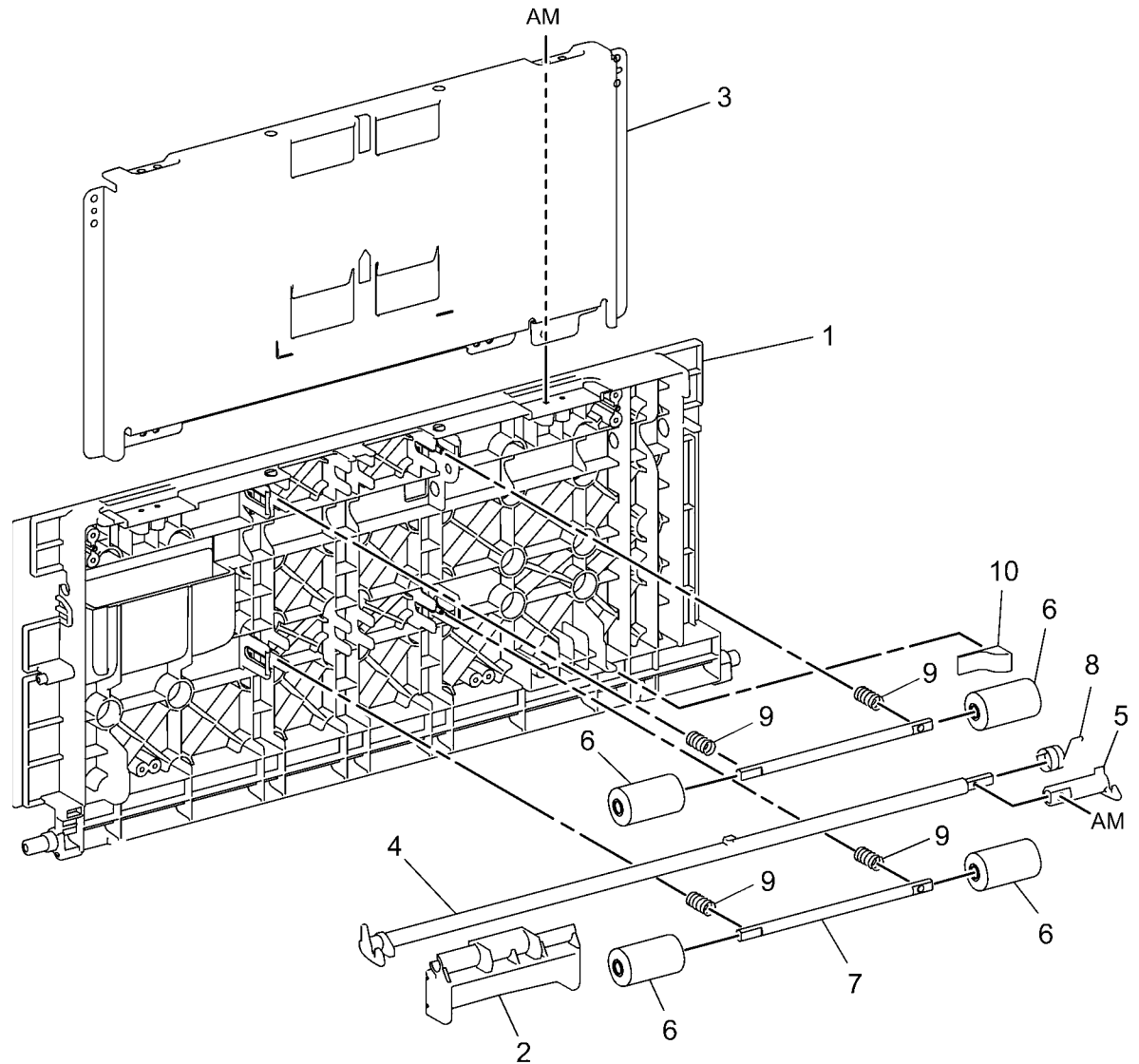


j0rk51008A

PL 10.9 Left Hand Cover

Item	Part	Description
1	—	Left Hand Cover (P/O PL 10.8 Item 11)
2	—	Handle (P/O PL 10.8 Item 11)
3	—	Chute (P/O PL 10.8 Item 11)
4	—	Latch (P/O PL 10.8 Item 11)
5	—	Hook (P/O PL 10.8 Item 11)
6	—	Pinch Roll (P/O PL 10.8 Item 11)
7	—	Pinch Shaft (P/O PL 10.8 Item 11)
8	—	Spring (P/O PL 10.8 Item 11)
9	—	Pinch Spring (P/O PL 10.8 Item 11)
10	—	Gasket (P/O PL 10.8 Item 11)

PL10.9



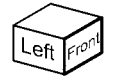
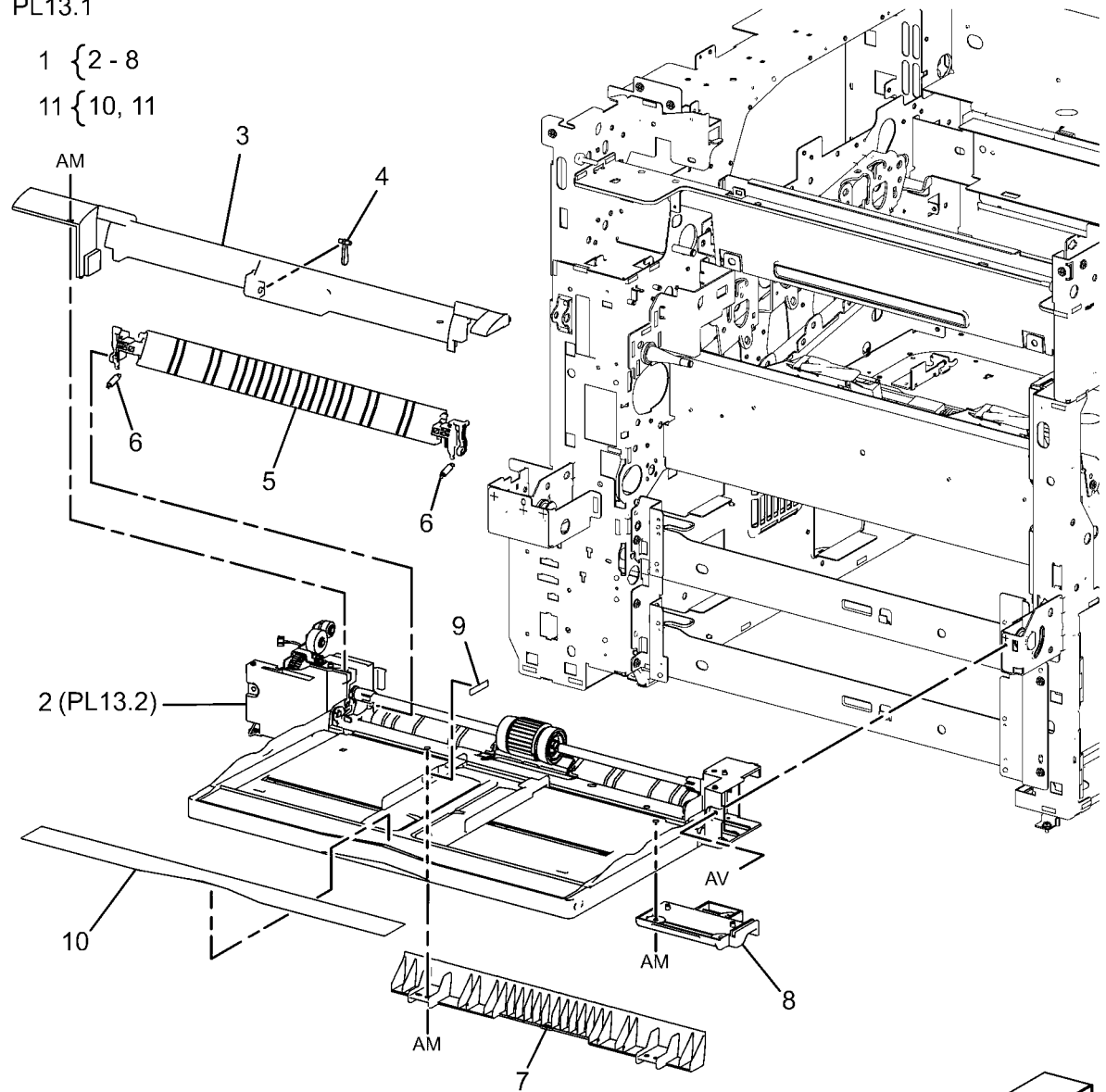
j0rk51009A

PL 13.1 MSI Feeder Assembly

Item	Part	Description
1	059K66800	MSI Feeder Assembly (REP 7.9)
2	-	Frame Assembly Lower (P/O PL 13.1 Item 1)
3	801E13601	Upper MSI Frame
4	120E32540	Actuator
5	054E42991	MSI Chute
6	-	Spring (P/O PL 13.1 Item 1)
7	054E42470	Low Chute
8	-	Front MSI Handle (P/O PL 13.1 Item 1)
9	-	Max Label (P/O PL 13.1 Item 11)
10	-	Instruction Label (P/O PL 13.1 Item 11)
11	604K58400	Label Kit

PL13.1

- 1 { 2 - 8
- 11 { 10, 11

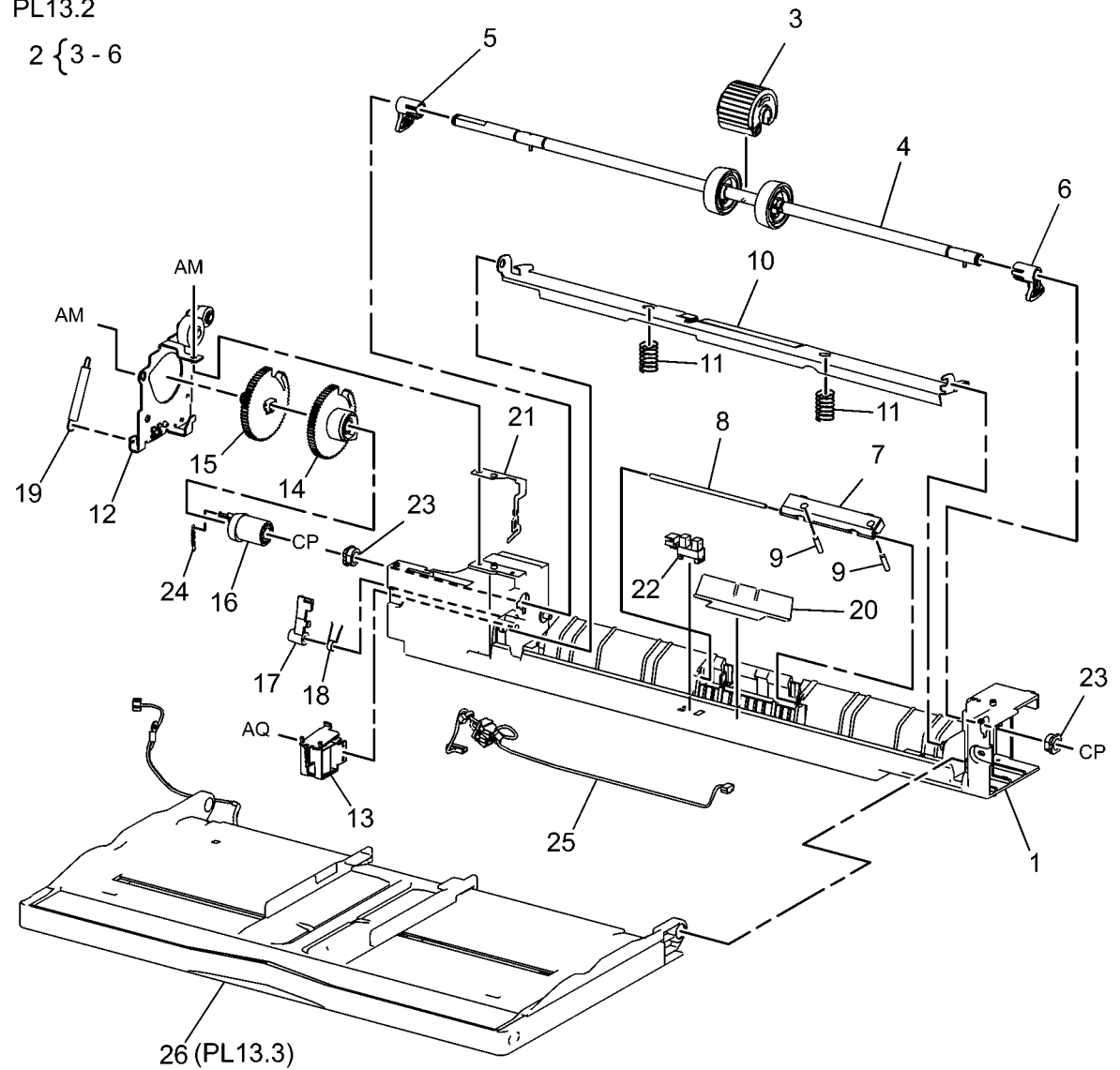


j0rk51301

PL 13.2 Lower Frame Assembly

Item	Part	Description
1	–	Lower MSI Frame (P/O PL 13.1 Item 1)
2	059K66550	Feed Roll Assembly (REP 7.10)
3	059K66541	Feed Roller (REP 7.10)
4	–	Feed Shaft Assembly (P/O PL 13.2 Item 2)
5	–	Lift Up Right Cam (P/O PL 13.1 Item 1)
6	–	Lift Up Front Cam (P/O PL 13.1 Item 1)
7	019K09420	MSI Retard Pad Assembly
8	–	Retard Shaft (P/O PL 13.1 Item 2)
9	–	Pad Spring (P/O PL 13.2 Item 1)
10	815K04480	Bottom Plate Assembly
11	–	Spring (P/O PL 13.1 Item 1)
12	068K69450	Drive Bracket Assembly
13	121E92780	Feed Solenoid
14	807E31891	Cam Gear
15	807E31850	Pick Up Gear
16	803E06351	Lever Stopper
17	011E24261	Drive Lever
18	–	Lever Gear Spring (P/O PL 13.1 Item 1)
19	–	MSI Spring (P/O PL 13.1 Item 1)
20	–	MSI Paper Guide (P/O PL 13.1 Item 1)
21	–	Earth Plate (P/O PL 13.1 Item 1)
22	930W00123	Photo Sensor
23	413W14860	Plastic Bearing Sleeve
24	–	Cam Gear Spring (P/O PL 13.1 Item 1)
25	–	MSI Harness Assembly (P/O PL 13.1 Item 1)
26	050K65080	MSI Tray Assembly

PL13.2
2 { 3 - 6



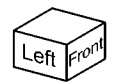
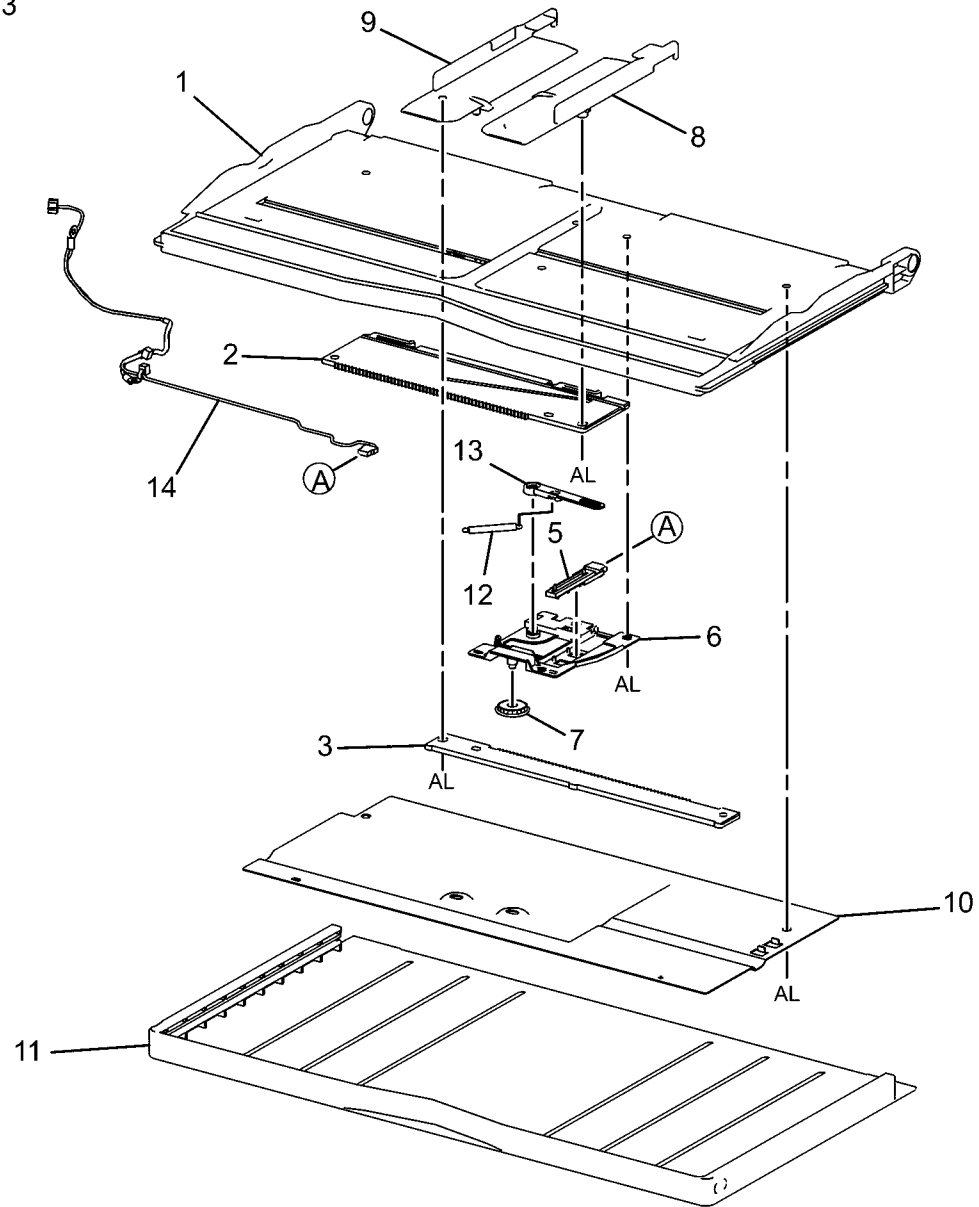
j0rk51302A

PL 13.3 Lower Tray Assembly

Item	Part	Description
1	-	MSI Tray (P/O PL 13.2 Item 26)
2	-	Front Rack (P/O PL 13.2 Item 26)
3	-	Rear Rack (P/O PL 13.2 Item 26)
4	130K70660	MSI Paper Size Sensor (REP 7.11)
5	-	Size Sensor (P/O PL 13.3 Item 4)
6	-	Sensor Support (P/O PL 13.3 Item 4)
7	007E79700	Gear Pinion
8	032E34790	Side Front Guide (Not Spared)
9	032E34810	Rear Guide
10	-	Tray Cover (P/O PL 13.2 Item 26)
11	-	Extension Tray (P/O PL 13.2 Item 26)
12	809E49930	Sensor Spring
13	012E11760	Sensor Link
14	-	MSI Size Harness Assembly (P/O PL 13.2 Item 26)

PL13.3

4 { 5, 6

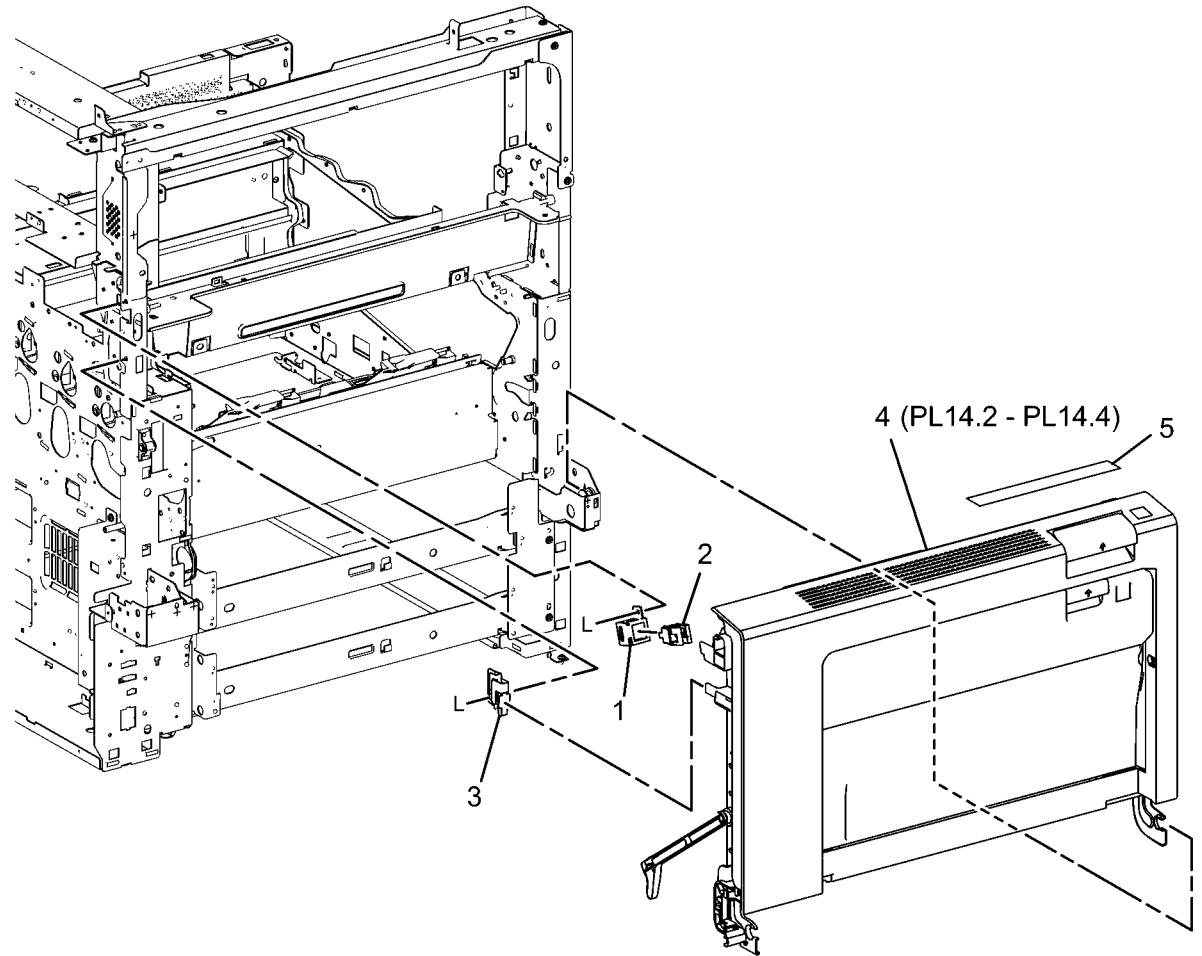


j0rk51303A

PL 14.1 Left Hand Assembly (1 of 4)

Item	Part	Description
1	849E95140	Interlock Switch Bracket
2	110E94770	Switch
3	110K16230	Interlock Switch Assembly
4	848K41413	Left Hand Cover Assembly (REP 14.1)
5	896E89601	Label

PL14.1

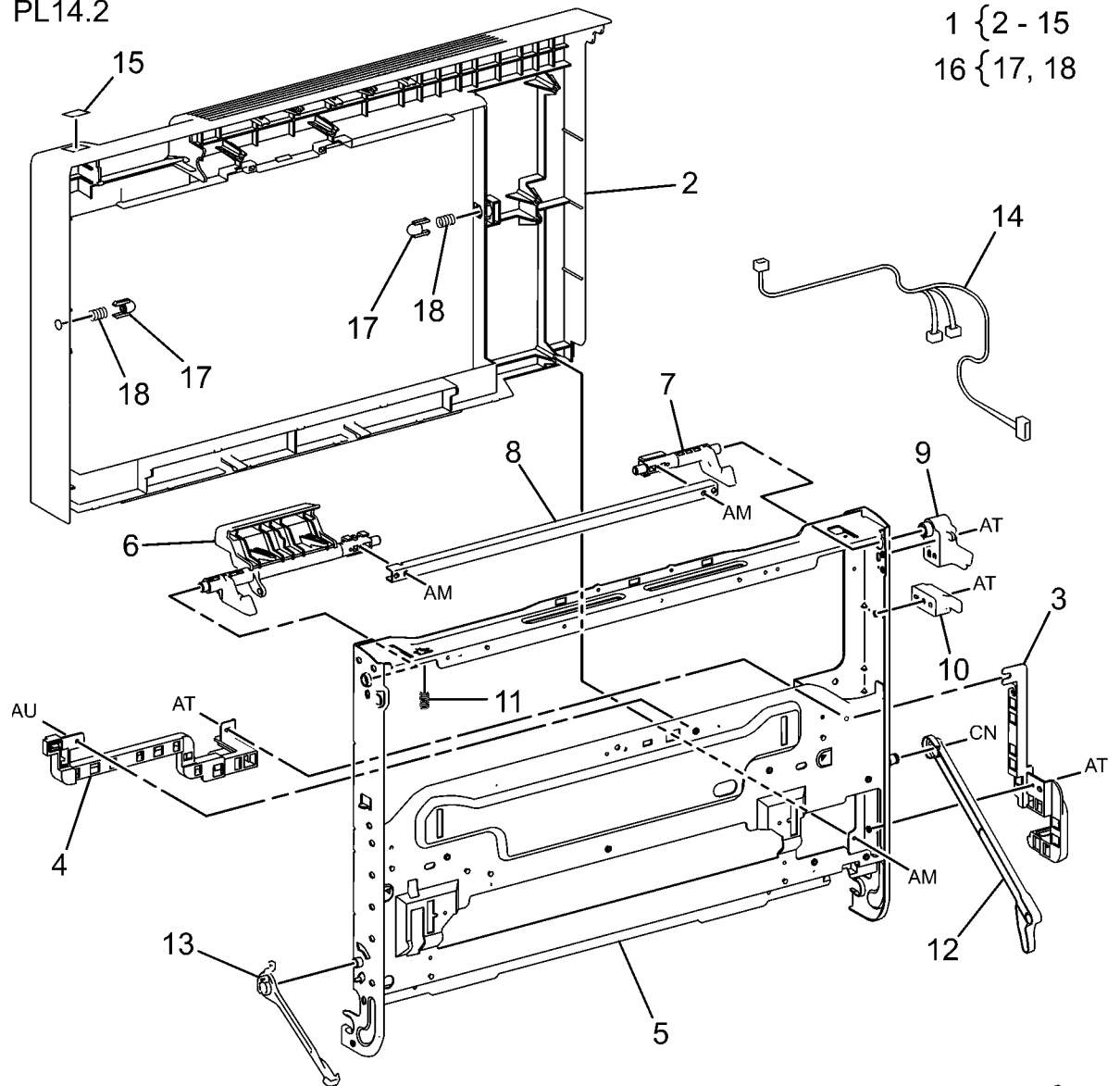


j0rk51401A

PL 14.2 Left Hand Assembly (2 of 4)

Item	Part	Description
1	-	Left Frame Assembly (Not Spared)
2	848E49370	Left Cover
3	-	Inside Harness Guide (Not Spared)
4	-	Outside Harness Guide (Not Spared)
5	-	Left Frame Assembly (Not Spared)
6	011E24160	Front Lever Latch
7	011E24180	Rear Lever Latch
8	-	Latch Plate (Not Spared)
9	120E32500	Left Actuator
10	120E32490	Actuator
11	809E75180	Spring
12	849E95630	Left Rear Support
13	868E48840	Left Front Support
14	962K83891	Left Harness Assembly
15	-	Door Label (Not Spared)
16	-	Left Frame Assembly (Not Spared)
17	803E06340	Tray Lock
18	809E91630	Lock Spring

PL14.2

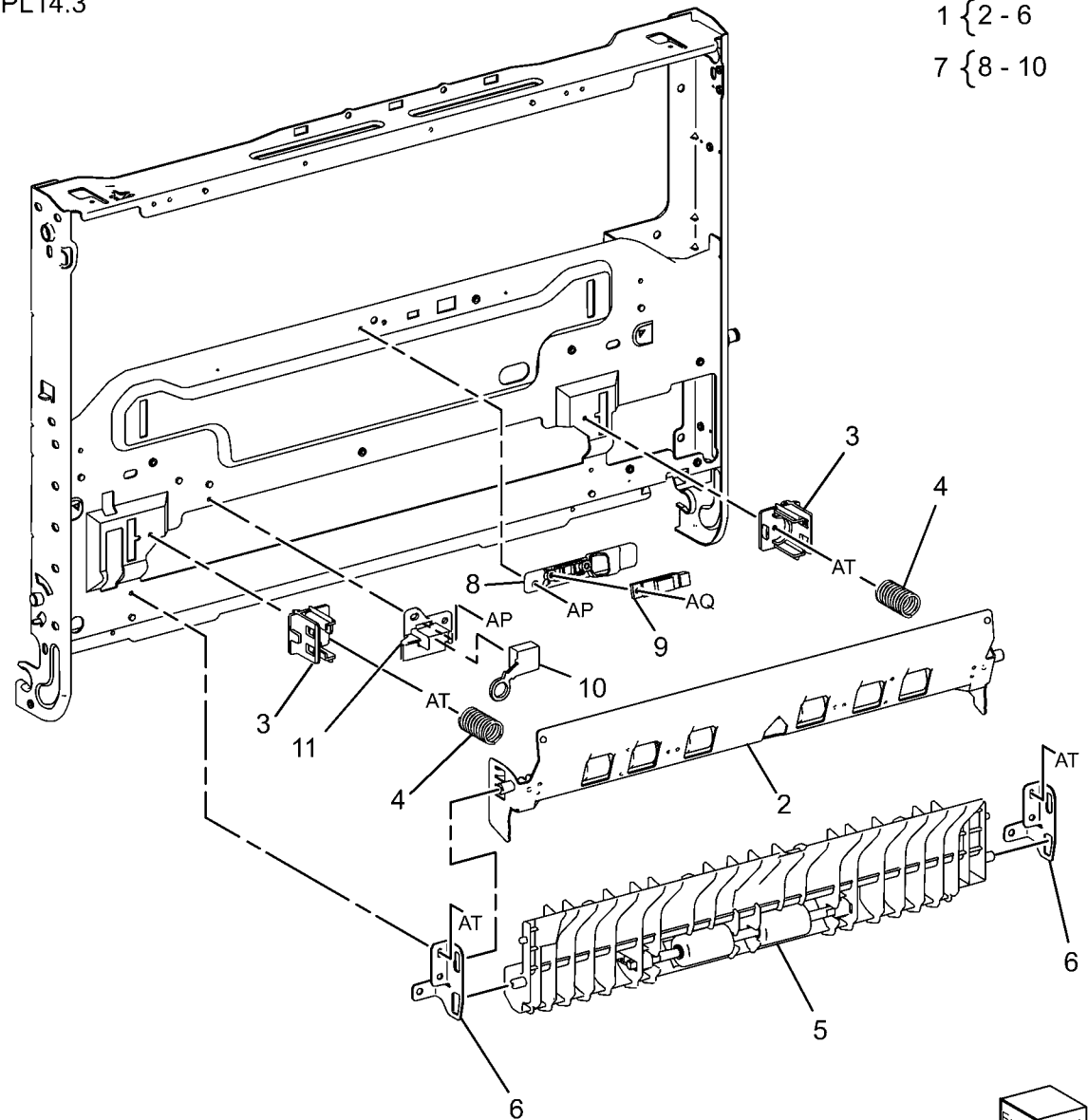


j0rk51402A

PL 14.3 Left Hand Assembly (3 of 4)

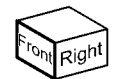
Item	Part	Description
1	-	Left Frame Assembly (Not Spared)
2	054K42320	Pinch Chute Assembly
3	-	Pinch Chute Support (Not Spared)
4	-	Compression Spring (Not Spared)
5	054K42300	Take Away Pinch Chute Assembly
6	-	Take Away Pinch Chute Bracket (Not Spared)
7	-	Left Frame Assembly (Not Spared)
8	019E77250	Sensor Holder
9	-	Reference Sensor Assembly (Not Spared)
10	130E14270	Exit Connector
11	848E47150	Conductor Housing

PL14.3



1 { 2 - 6

7 { 8 - 10

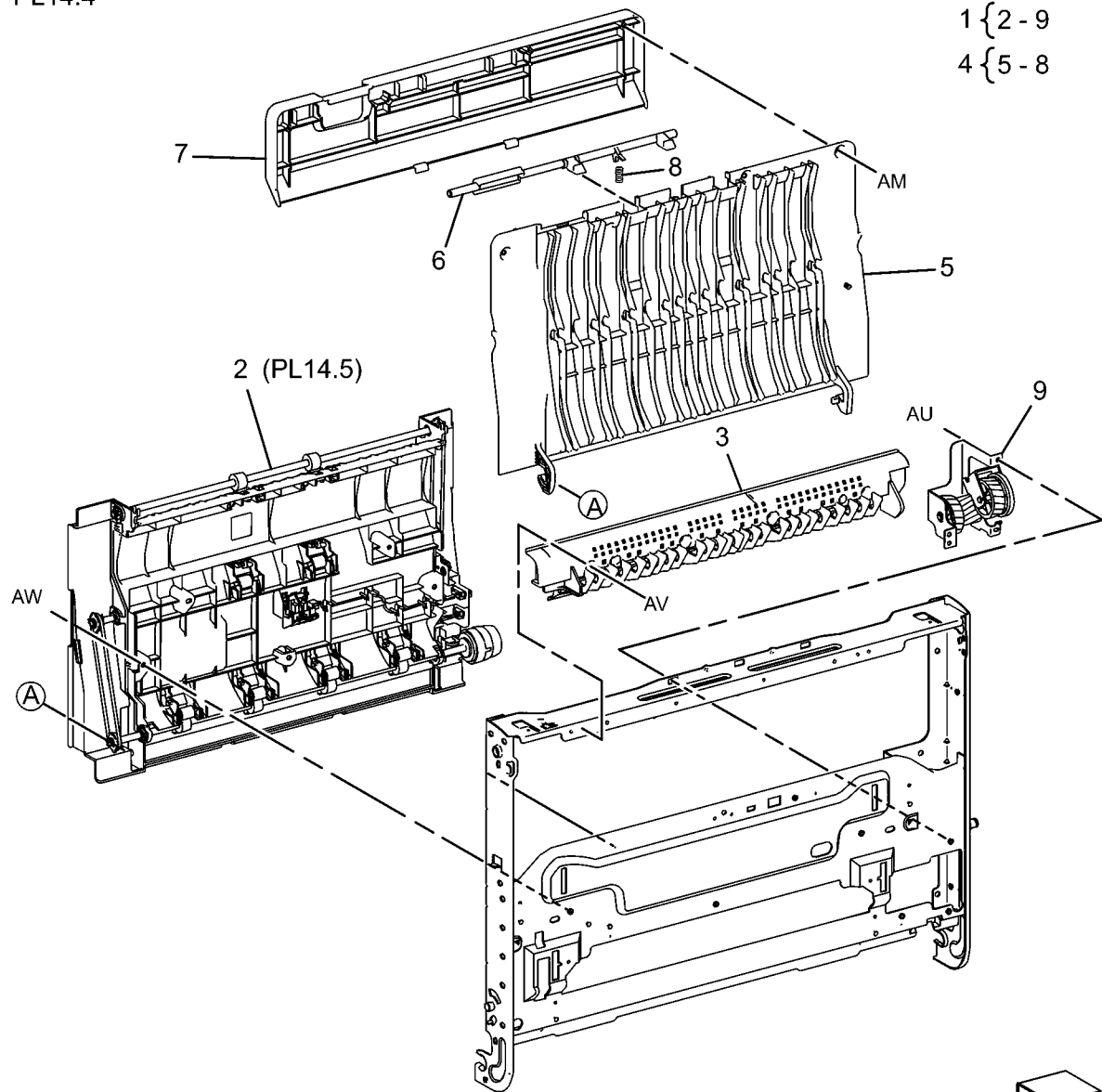


j0rk51403A

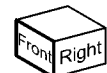
PL 14.4 Left Hand Assembly (4 of 4)

Item	Part	Description
1	-	Left Frame Assembly (Not Spared)
2	059K67003	Duplex Transport Assembly (REP 14.2)
3	054E34164	Left Cover Chute
4	848K38910	Duplex Cover Assembly
5	848E49380	Duplex Cover
6	011E24190	Duplex Lever
7	848E49390	Lever Cover
8	-	Spring (P/O PL 14.4 Item 4)
9	049K03370	Duplex Bracket Assembly

PL14.4



1 { 2 - 9
4 { 5 - 8



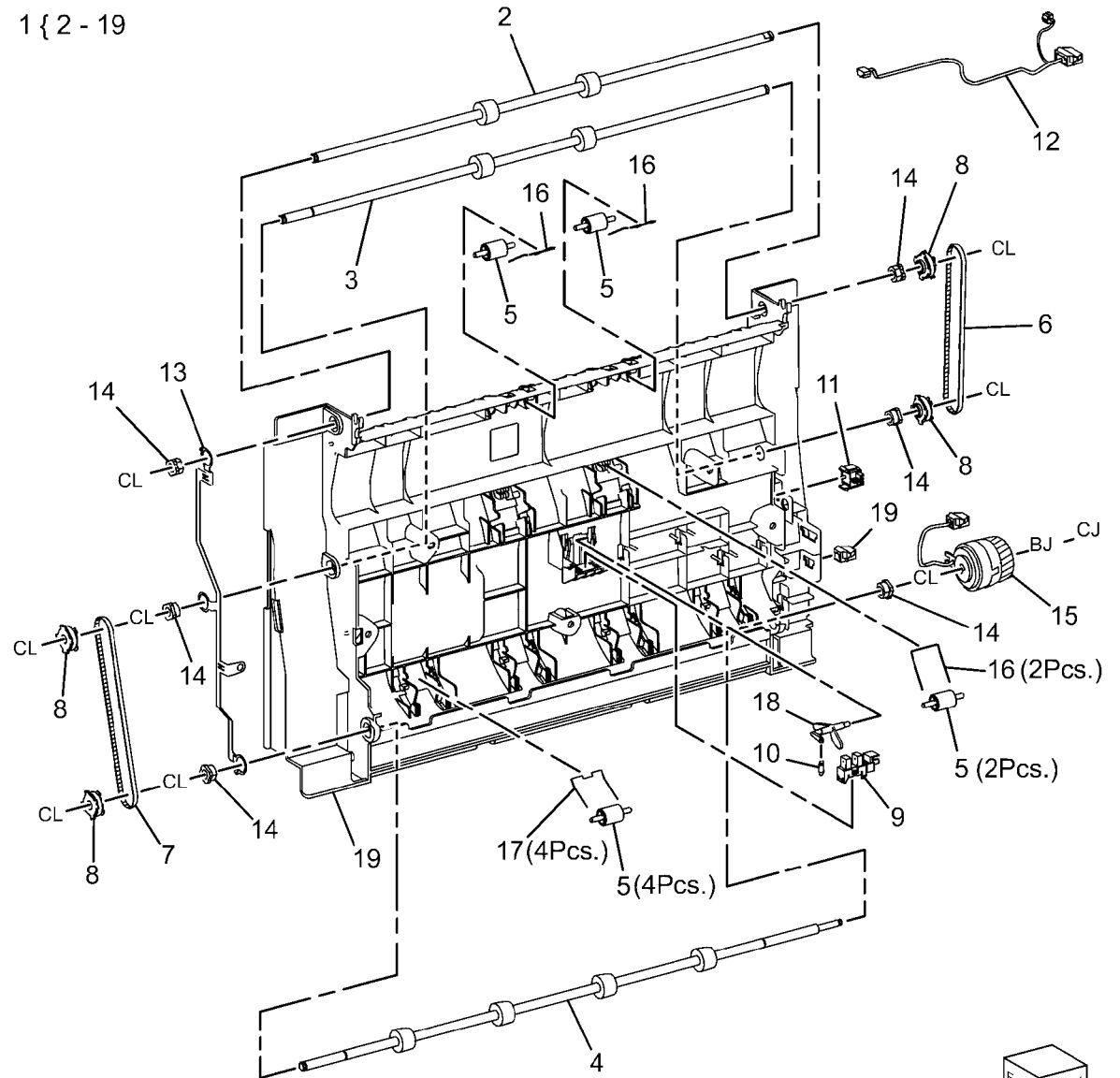
j0rk51404A

PL 14.5 Duplex Assembly

Item	Part	Description
1	059K67003	Duplex Transport Assembly
2	-	Duplex Roll 1 Assembly (P/O PL 14.5 Item 1)
3	059K66400	Duplex 2 Roller Assembly
4	059K66410	Duplex Roll 3 Assembly
5	-	Duplex Pinch Roll Assembly (P/O PL 14.5 Item 1)
6	023E27550	Duplex Belt 1
7	023E27560	Duplex Belt 2
8	-	Pulley (P/O PL 14.5 Item 1)
9	930W00113	Duplex Wait Sensor
10	-	Actuator Spring (P/O PL 14.5 Item 1)
11	-	Bearing Sleeve (P/O PL 14.5 Item 1)
12	962K83900	Harness Assembly
13	130E14620	Connector
14	413W14660	Bearing Sleeve
15	121K46400	Duplex Clutch Assembly
16	-	Pinch Spring (P/O PL 14.5 Item 1)
17	809E89870	Pinch Spring
18	-	Actuator (P/O PL 14.5 Item 1)
19	-	Frame (P/O PL 14.5 Item 1)

PL14.5

1 { 2 - 19

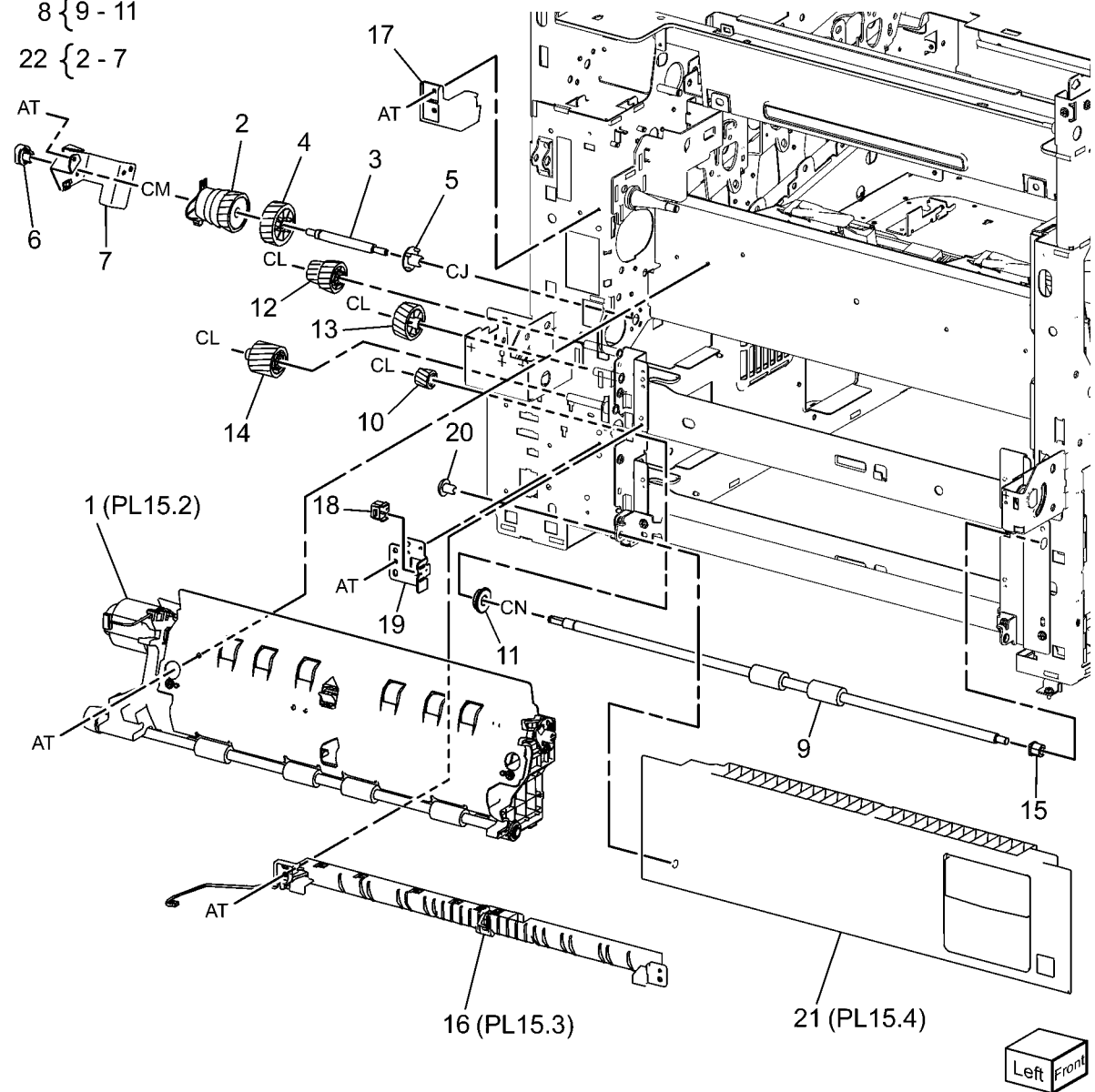


j0rk51405B

PL 15.1 Registration Transport Assembly

Item	Part	Description
1	059K66930	Registration Transport Assembly (REP 8.1)
2	121K41242	Take Away Drive Clutch Assembly
3	806E32200	Take Away Shaft
4	-	Gear (40T) (Not Spared)
5	013E33420	Bearing
6	013E33460	Take Away Bearing
7	-	Take Away Bracket (Not Spared)
8	059K66560	High Take Away Roll Assembly
9	-	Roller Assembly (P/O PL 15.1 Item 8)
10	-	Gear (16T) (P/O PL 15.1 Item 8)
11	-	Rear Bearing (P/O PL 15.1 Item 8)
12	807E31620	Gear (29/20T)
13	807E31630	Gear (33T)
14	807E31640	Gear (29T)
15	-	Plastic Bearing Sleeve (Not Spared)
16	054K42330	Fold Out Chute Assembly
17	-	Registration Cover Connector (Not Spared)
18	110E11580	Idler Switch
19	-	Idler Bracket (Not Spared)
20	-	Rivet (Not Spared)
21	848K38900	Left Low Cover Assembly
22	-	Registration Idler Gear Assembly (Not Spared) (REP 8.2)

PL15.1
 8 { 9 - 11
 22 { 2 - 7



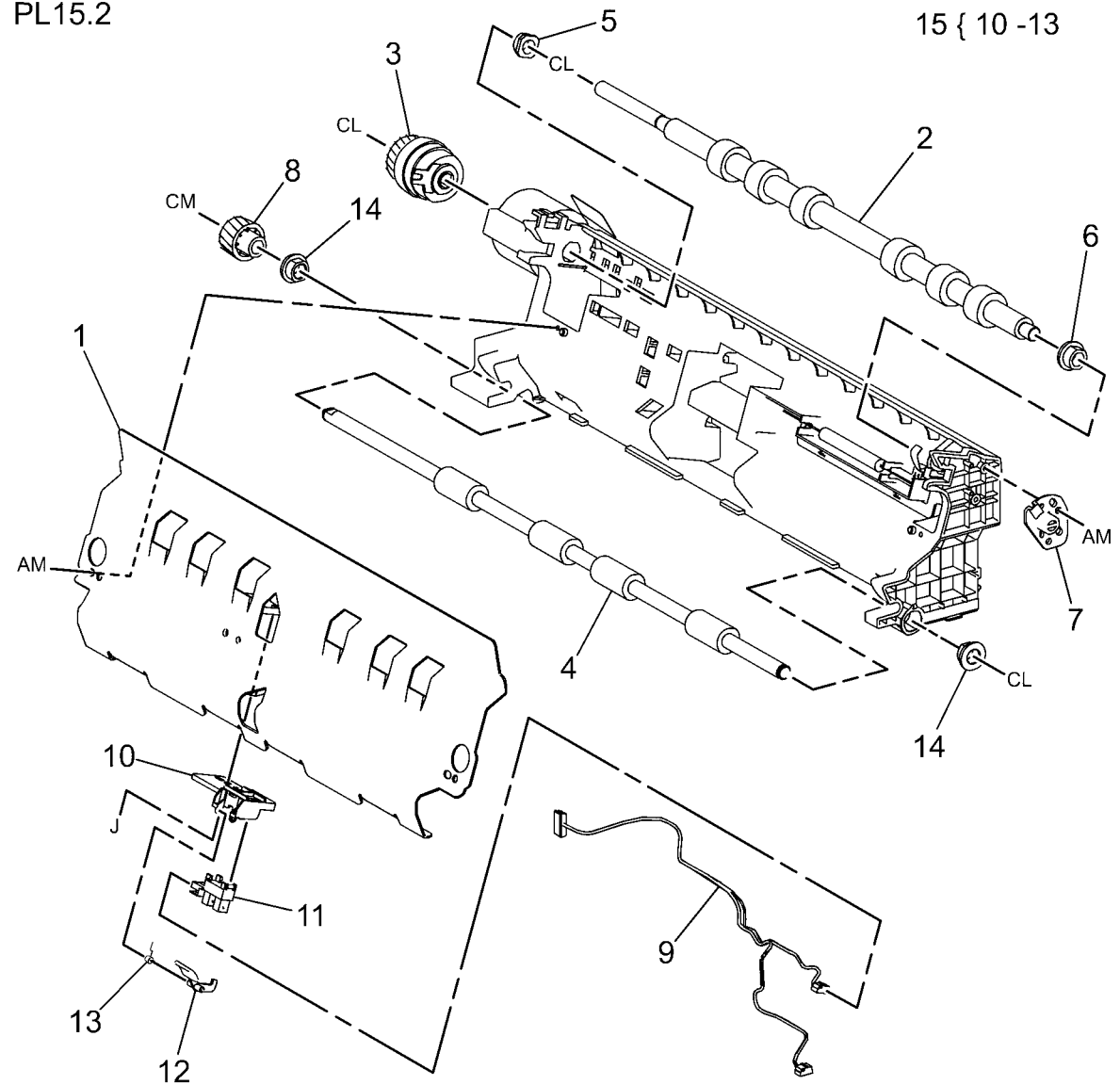
Left Front

j0rk51501A

PL 15.2 Registration Transport Assembly

Item	Part	Description
1	-	Inlet Chute Assembly (P/O PL 15.1 Item 1)
2	059K66420	Registration Roller Assembly
3	121K41201	Registration Clutch Assembly
4	059K66430	Take Away Roller Assembly
5	413W11860	Sleeve Bearing
6	413W77559	Bearing
7	-	Adjust Skew Block (P/O PL 15.1 Item 1)
8	807E31610	Gear (23T)
9	-	Registration Harness Assembly (P/O PL 15.1 Item 1)
10	-	Amp Connector Bracket (P/O PL 15.2 Item 15)
11	-	Registration Sensor (P/O PL 15.2 Item 15)
12	-	Actuator (P/O PL 15.2 Item 15)
13	-	Torsion Spring (P/O PL 15.2 Item 15)
14	013E36260	Bearing
15	130K76880	Registration Sensor Assembly

PL15.2

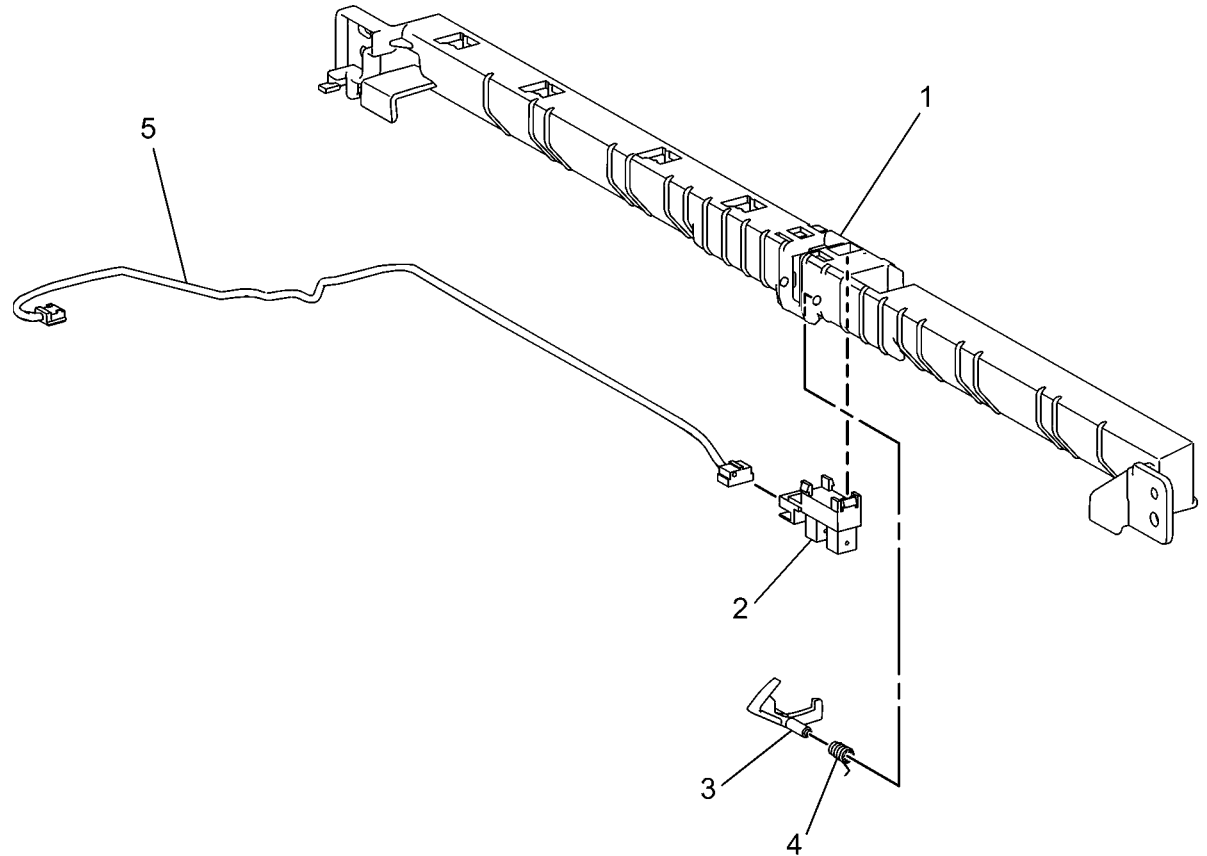


j0rk51502A

PL 15.3 Take Away Chute

Item	Part	Description
1	-	Take Away Chute (P/O PL 15.1 Item 16)
2	930W00121	Feed Out Sensor
3	-	Sensor Actuator (P/O PL 15.1 Item 16)
4	-	Spring (P/O PL 15.1 Item 16)
5	-	Feed Out Sensor Harness Assembly (P/O PL 15.1 Item 16)

PL15.3

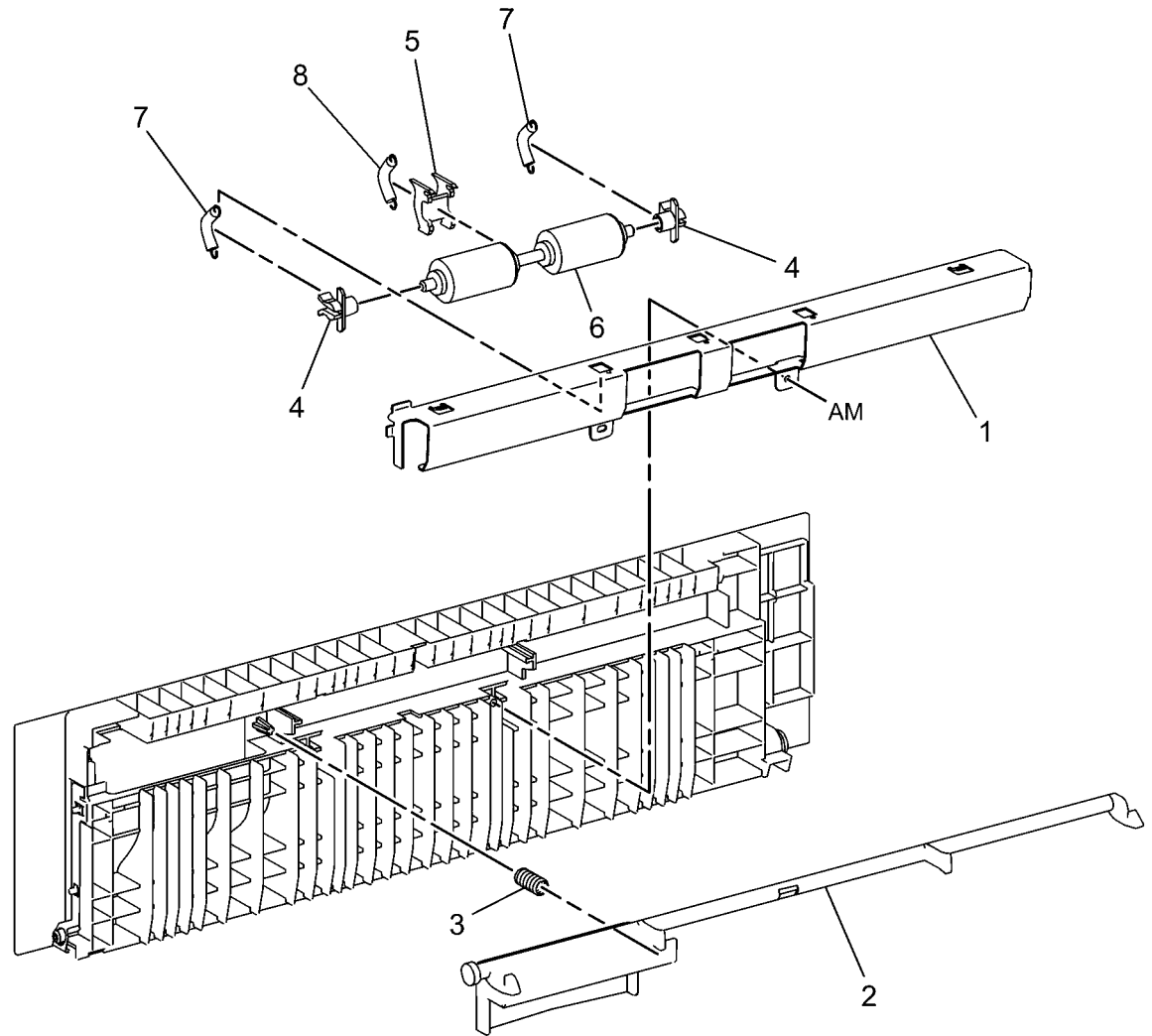


j0rk51503A

PL 15.4 Lower Cover Assembly

Item	Part	Description
1	–	Left Low Bracket (P/O PL 15.1 Item 21)
2	–	Left Low Handle (P/O PL 15.1 Item 21)
3	–	Compression Spring (P/O PL 15.1 Item 21)
4	–	Out Bearing (P/O PL 15.1 Item 21)
5	–	In Bearing (P/O PL 15.1 Item 21)
6	–	Pinch Roller (P/O PL 15.1 Item 21)
7	–	Left Low Spring (P/O PL 15.1 Item 21)
8	–	Spring (P/O PL 15.1 Item 21)

PL15.4

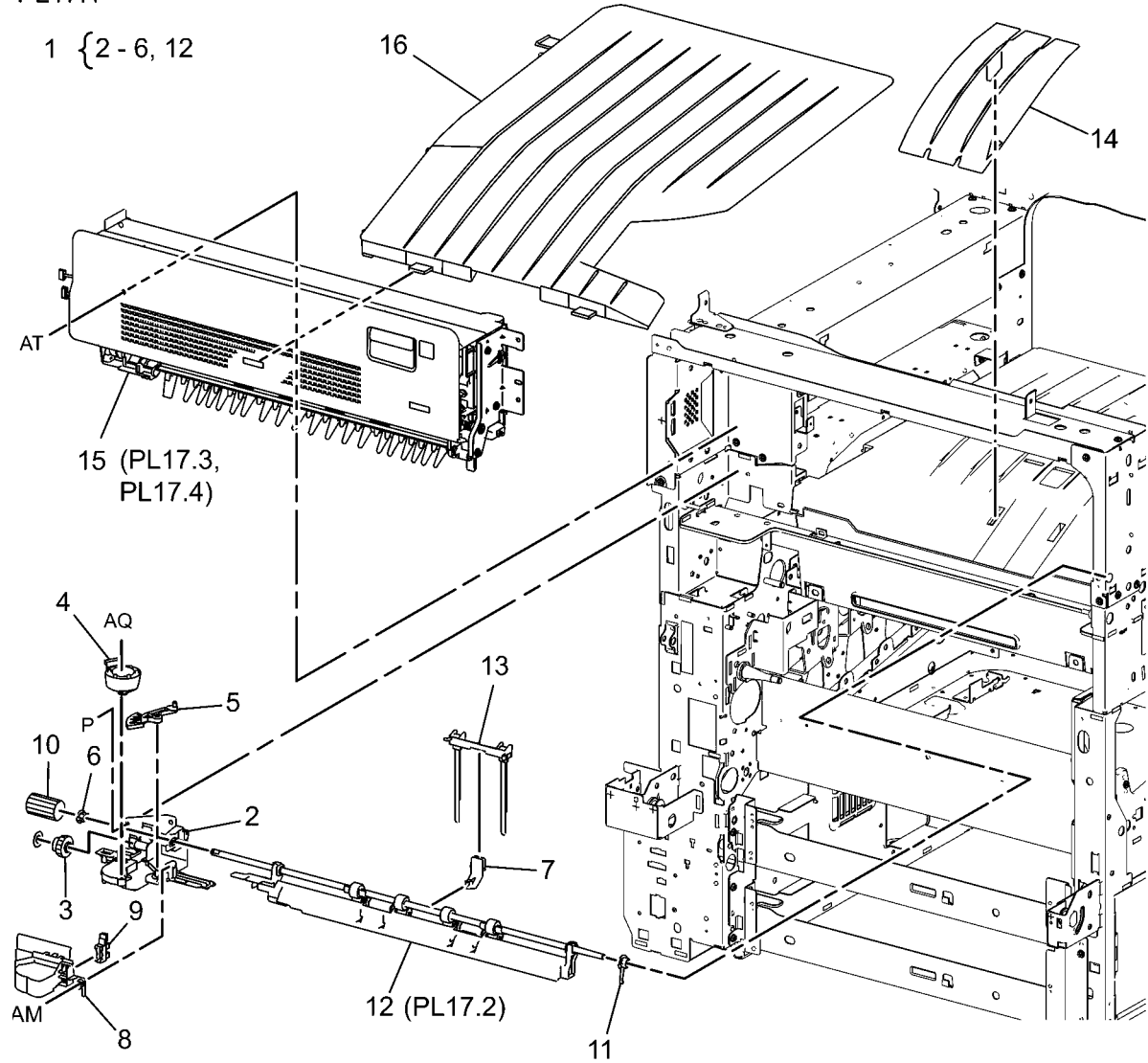


j0rk51504A

PL 17.1 Exit 1/OCT, Exit 2

Item	Part	Description
1	801K25651	Exit 1 Base Assembly (REP 11.1)
2	-	Exit Base (P/O PL 17.1 Item 1)
3	-	Exit Gear (P/O PL 17.1 Item 1)
4	-	OCT Motor Assembly (P/O PL 17.1 Item 1)
5	-	Offset Gear (P/O PL 17.1 Item 1)
6	-	Bearing (P/O PL 17.1 Item 1)
7	055E58430	Center Exit Guard
8	848K14620	Motor Cover Assembly
9	930W00113	Exit 1 OCT, Home Position Sensor
10	807E20620	Gear (19T)
11	013E33410	Bearing
12	054K42140	Chute Assembly
13	036K91890	Weight Assembly
14	050E25690	Small Top Tray
15	059K66960	Exit 2 Transport Assembly (REP 11.2)
16	050E25661	Exit 2 Tray

PL17.1

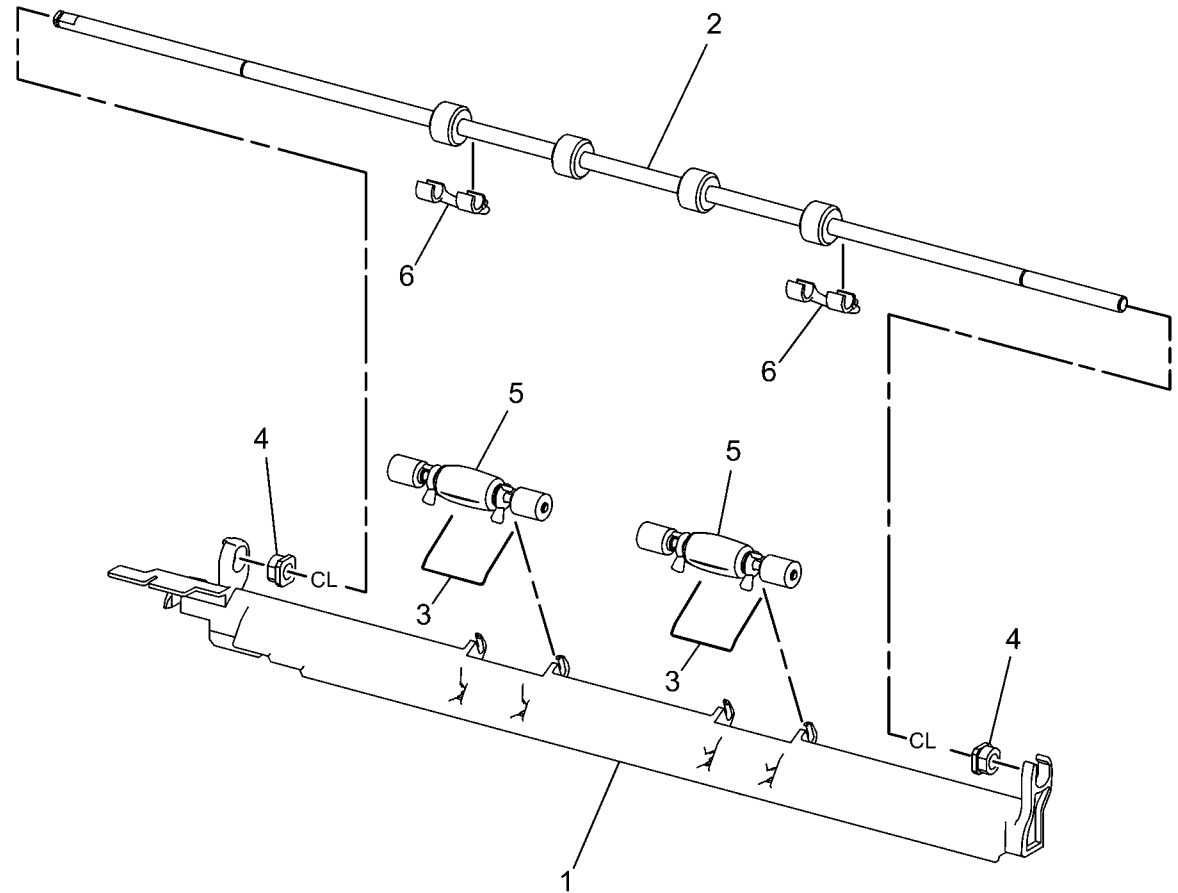


iOrk51701A

PL 17.2 Exit 1/OCT

Item	Part	Description
1	-	OCT Chute (P/O PL 17.1 Item 12)
2	-	OCT 1 Roller Assembly (P/O PL 17.1 Item 12)
3	-	Pinch Spring (P/O PL 17.1 Item 12)
4	-	Sleeve Bearing (P/O PL 17.1 Item 12)
5	059K65780	Pinch Roll Assembly
6	055E57521	Exit Guide

PL17.2

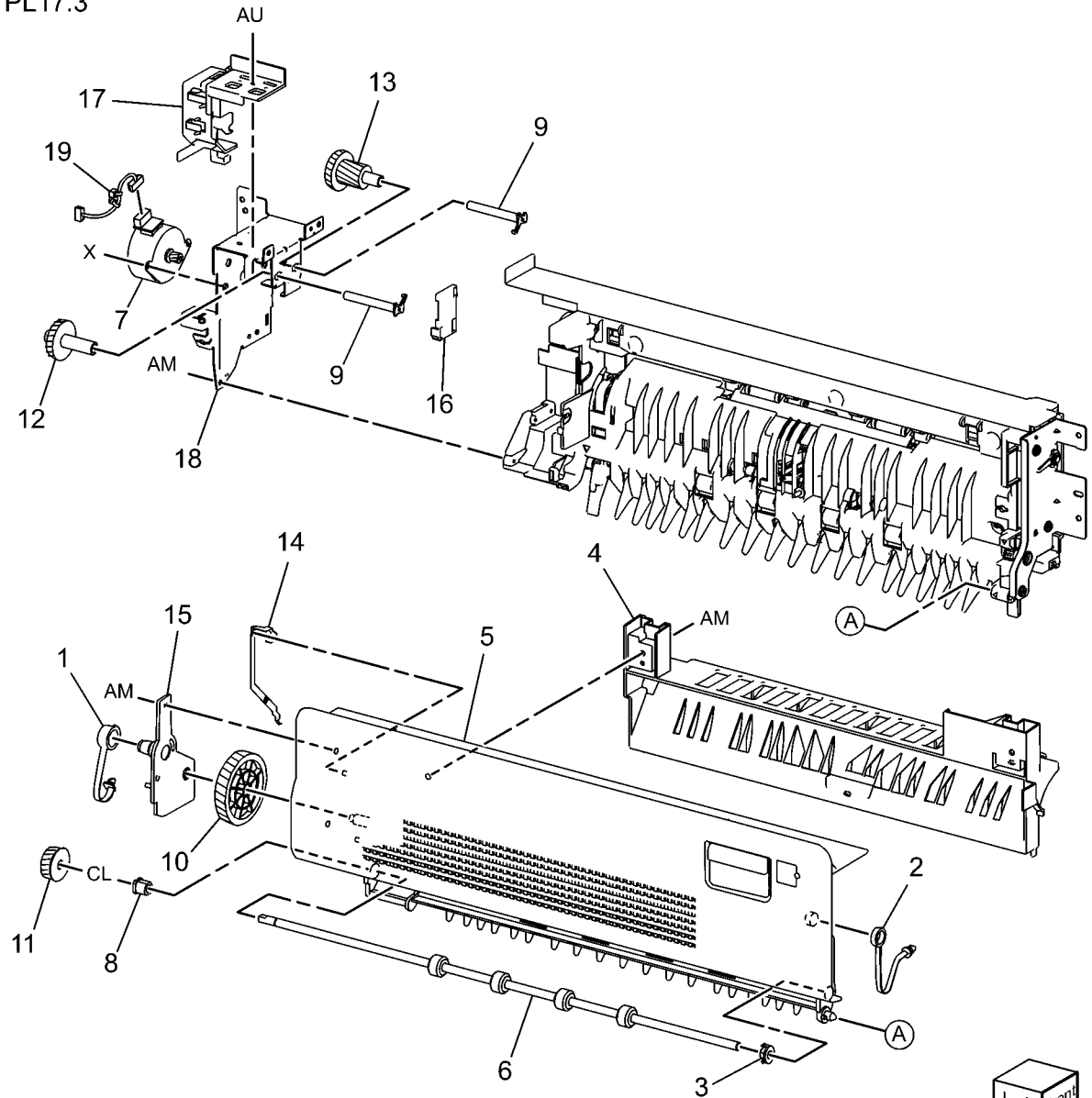


j0rk51702A

PL 17.3 Exit 2 (1 of 2)

Item	Part	Description
1	003E75360	Exit 2 Stopper
2	003E76760	Exit 2 Front Stopper
3	-	Bearing (P/O PL 17.1 Item 15)
4	-	Exit 2 Chute (P/O PL 17.1 Item 15)
5	-	Left Hand High Chute (P/O PL 17.1 Item 15)
6	059K53741	Inverter Roller Assembly
7	127K61091	Exit 2 Motor Assembly
8	-	Bearing (P/O PL 17.1 Item 15)
9	-	Gear Shaft (P/O PL 17.1 Item 15)
10	-	Helical Gear (52T) (P/O PL 17.1 Item 15)
11	-	Inverter Helical Gear (22T) (P/O PL 17.1 Item 15)
12	-	Helical Gear (28T) (P/O PL 17.1 Item 15)
13	-	Helical Gear (16/53T) (P/O PL 17.1 Item 15)
14	-	Earth Plate (P/O PL 17.1 Item 15)
15	-	Gear Cover (P/O PL 17.1 Item 15)
16	-	Shaft Cover (P/O PL 17.1 Item 15)
17	-	Rear Cover (P/O PL 17.1 Item 15)
18	-	Rear Bracket (P/O PL 17.1 Item 15)
19	-	Exit Motor Harness Assembly (P/O PL 17.1 Item 15)

PL17.3



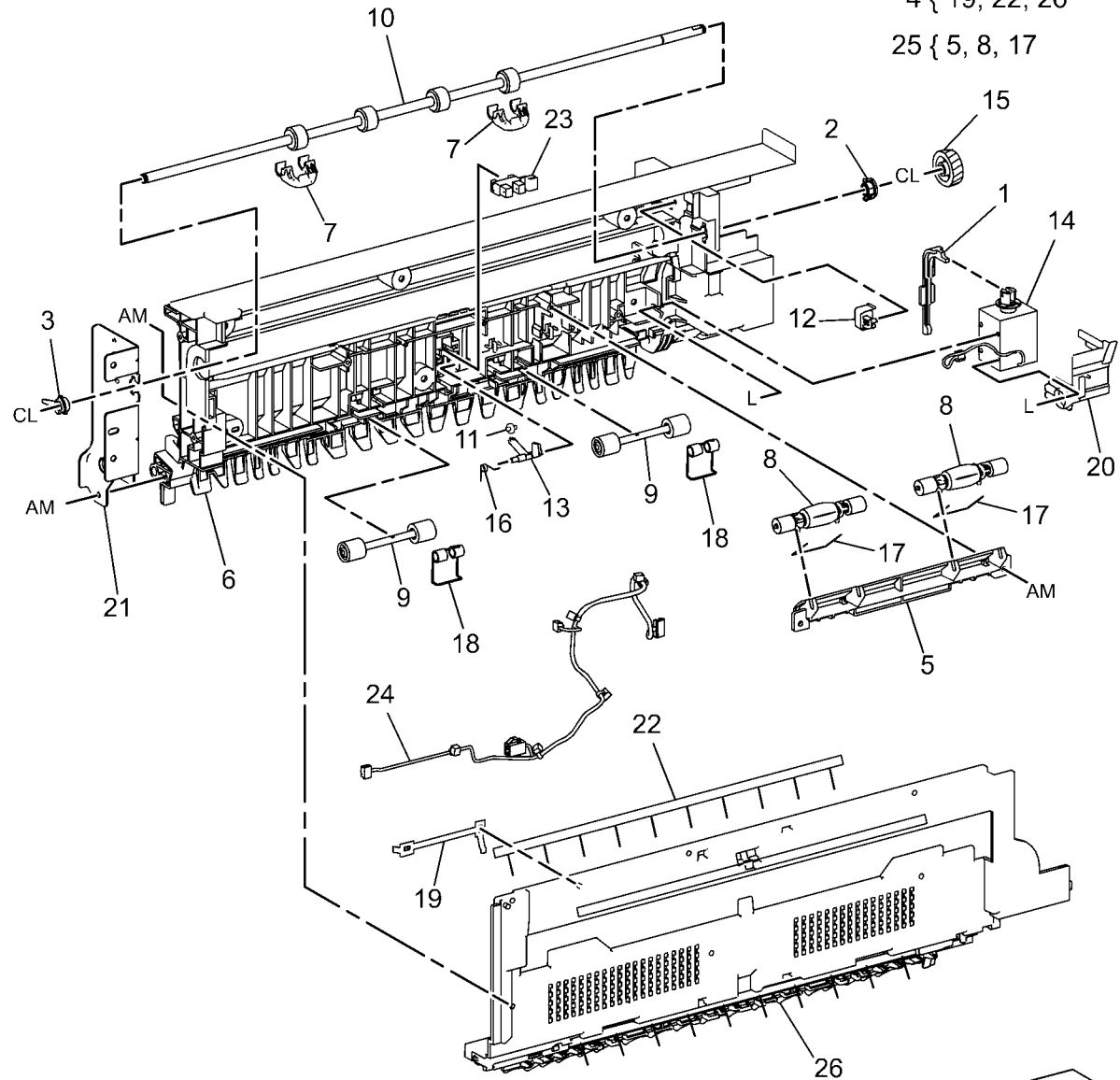
Left Front

j0rk51703A

PL 17.4 Exit 2 (2 of 2)

Item	Part	Description
1	012E16000	Exit Gate Link
2	-	Bearing (P/O PL 17.1 Item 15)
3	-	Bearing (P/O PL 17.1 Item 15)
4	038K20230	Exit 2 Guide Assembly
5	-	Exit Chute (P/O PL 17.1 Item 15)
6	-	Lower Chute (P/O PL 17.1 Item 15)
7	055E57522	Exit Guard
8	059K65780	Exit 1 Pinch Roll Assembly
9	-	Inverter Pinch Roll (P/O PL 17.1 Item 15)
10	059K66230	Exit 2 Roller Assembly
11	059E98780	Actuator Roller
12	110E11580	In Line Switch
13	120E29430	Exit Actuator
14	121K37100	Solenoid Assembly
15	807E31000	Helical Gear (22T)
16	809E37332	Actuator Spring
17	-	Exit Pinch Spring (P/O PL 17.1 Item 15)
18	809E75460	Inverter Pinch Spring
19	-	Exit 2 Earth Plate (P/O PL 17.4 Item 4)
20	-	Inverter Solenoid Cover (P/O PL 17.1 Item 15)
21	-	Front Bracket (P/O PL 17.1 Item 15)
22	-	Static Eliminator (P/O PL 17.4 Item 4)
23	930W00113	Exit 2 Sensor
24	962K83850	Exit 2 Harness Assembly
25	059K67970	Pinch Roll Assembly
26	-	Exit 2 Gate (P/O PL 17.4 Item 4)

PL17.4



4 { 19, 22, 26
25 { 5, 8, 17

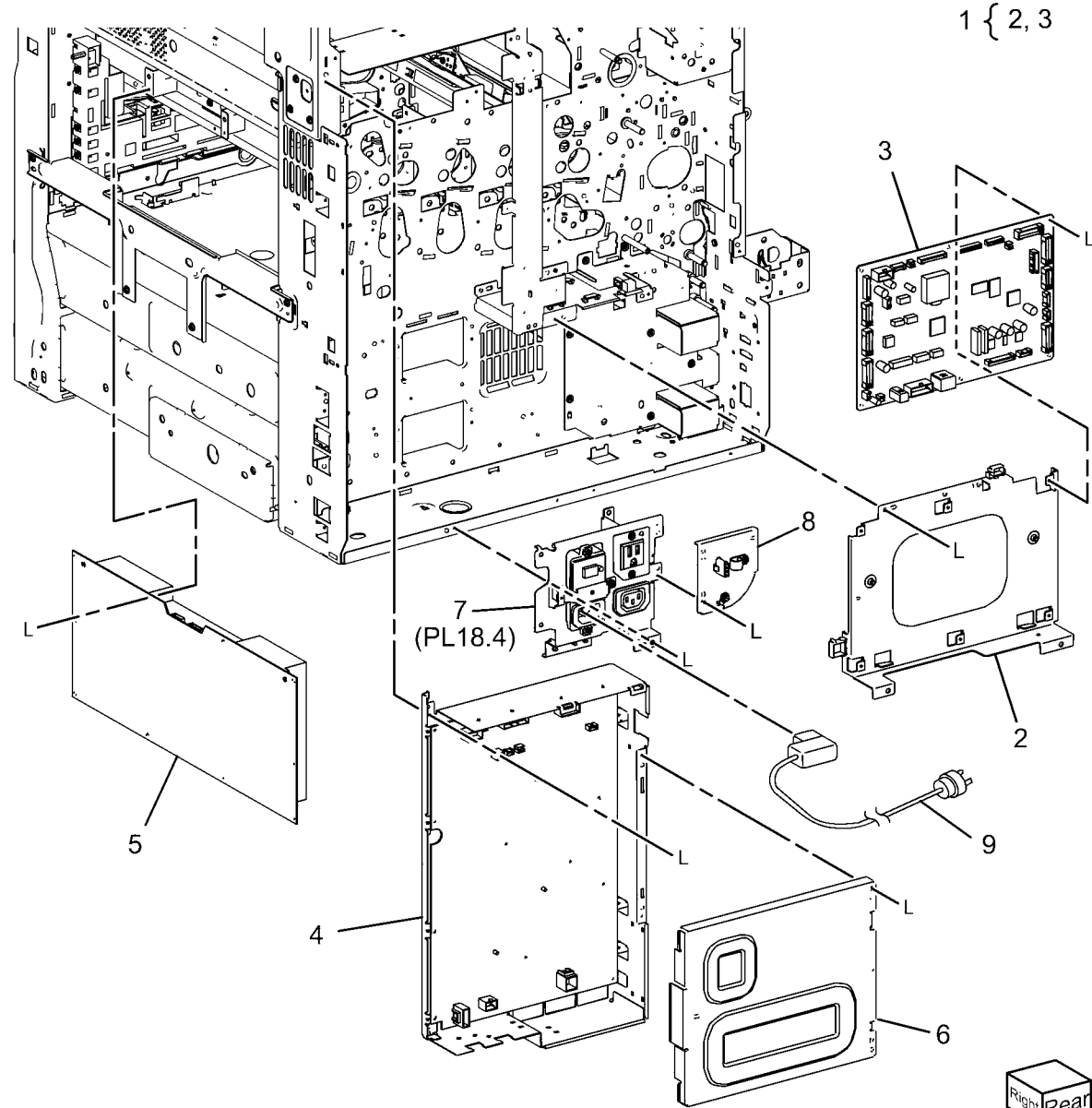


iOrk51704A

PL 18.1 PWB's

Item	Part	Description
1	101K59190	MCU PWB Assembly (REP 3.4)
2	-	Bracket (P/O PL 18.1 Item 1)
3	-	PWB Board (P/O PL 18.1 Item 1)
4	105K24000	Main LVPS PWB (REP 1.1)
5	105E19413	HVPS (REP 1.2)
6	-	Plate Cover
7	101K61110	AC Chassis
8	-	AC Chassis Cover (Not Spared)
9	152S04600	Power Cord (110V)
-	675K41280	Power Cord (220V)

PL18.1



1 { 2, 3



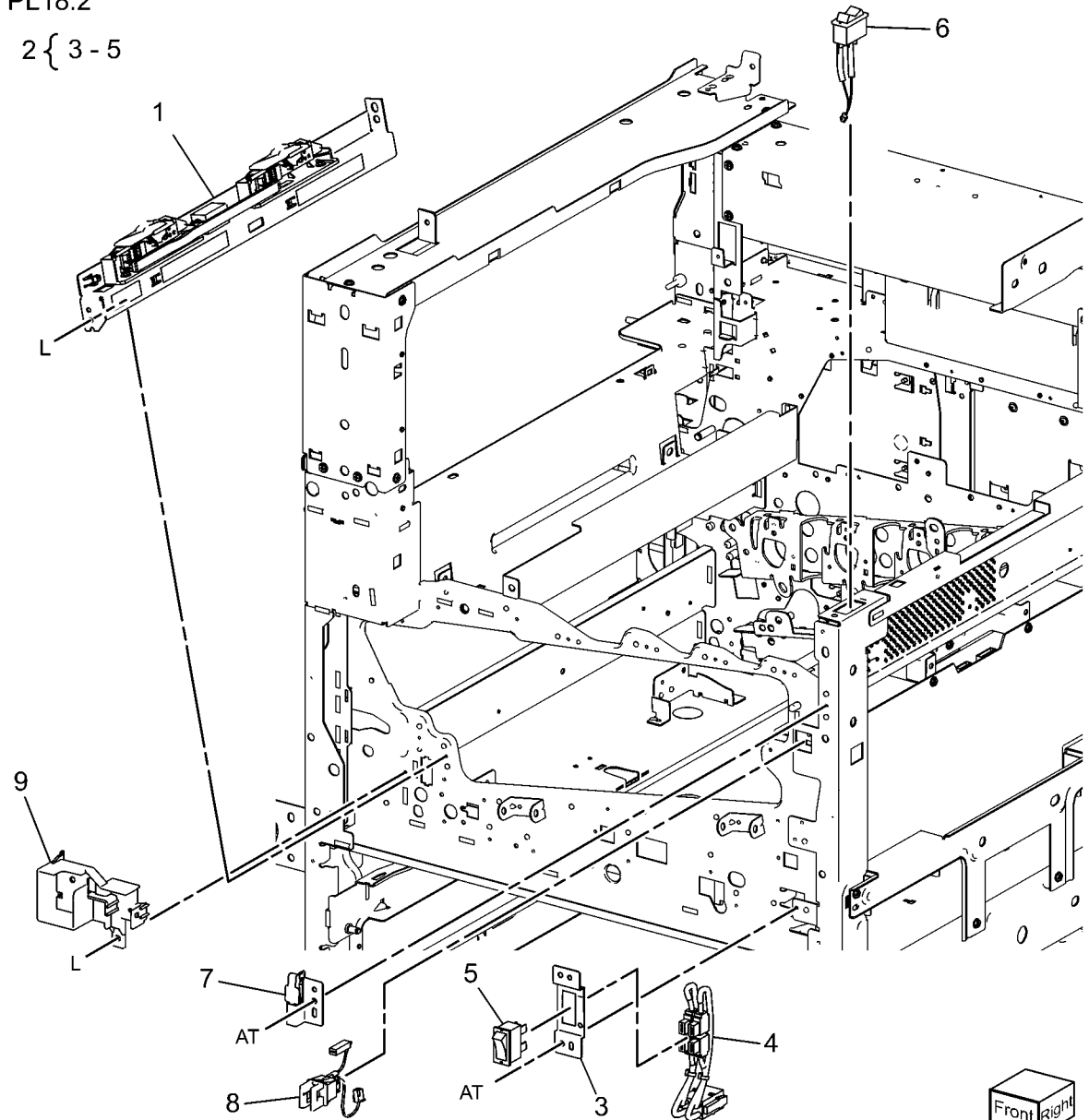
j0rk51801A

PL 18.2 Switches

Item	Part	Description
1	130K76360	ADC/MOB Assembly (REP 9.10)
2	110K16180	Main Power Switch Assembly
3	—	Switch Bracket (P/O PL 18.2 Item 2)
4	—	Power Switch Harness (P/O PL 18.2 Item 2)
5	—	Power Switch (P/O PL 18.2 Item 2)
6	110K16061	Power Switch
7	110K16190	Front Interlock Switch Assembly
8	110K16200	Interlock Switch
9	032K06650	ADC Harness Guide

PL18.2

2 { 3 - 5

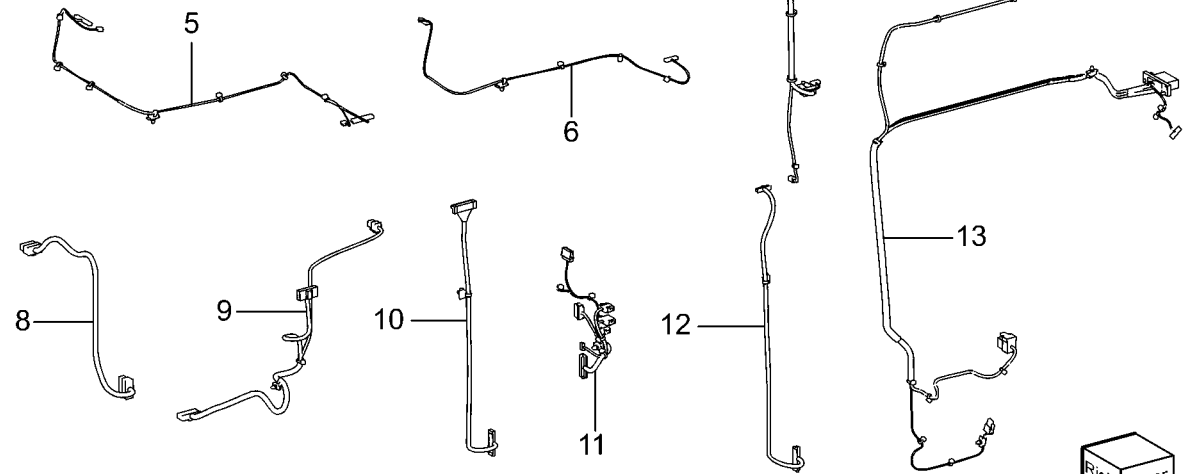
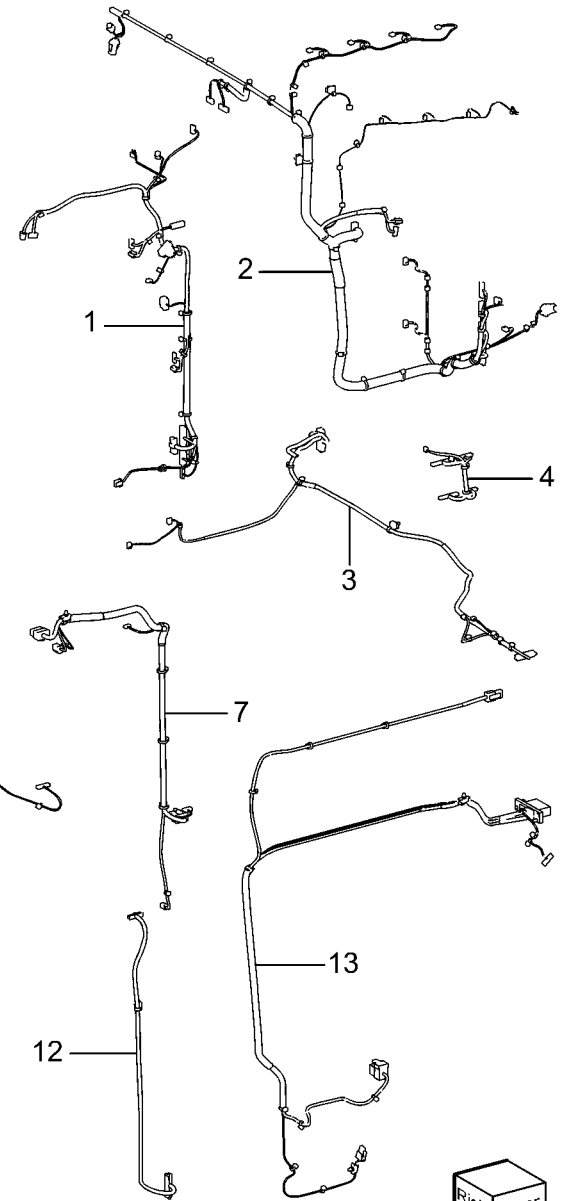
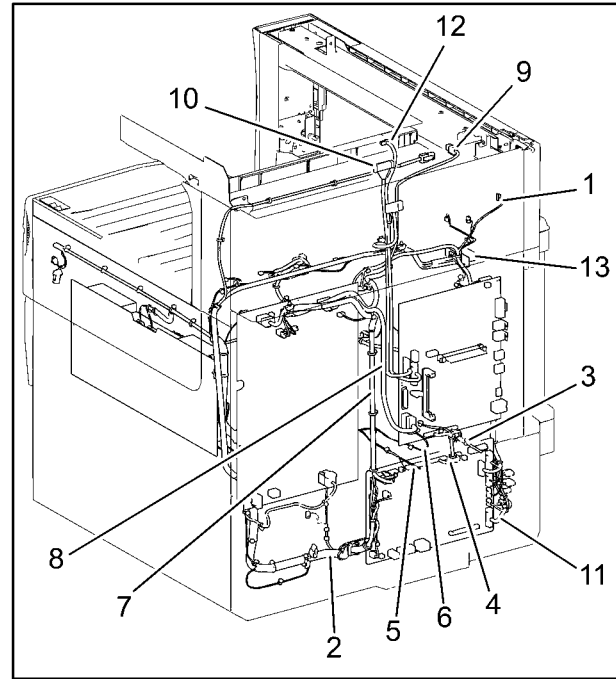


j0rk51802A

PL 18.3 Harnesses

Item	Part	Description
1	962K71602	Left Hand Main Harness
2	962K71613	Right Hand Harness
3	962K71620	Front Harness
4	962K81991	CM Harness
5	962K71590	MR Harness
6	962K71580	CR Harness
7	962K71630	Lower MCU Harness
8	962K71960	Lower Contact Harness
9	962K71970	Top Level Harness
10	962K81980	IIT Harness
11	962K82030	In Feed Harness
12	117K39122	IIT Control Harness
13	962K84483	AC Fuser Harness

PL18.3

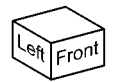
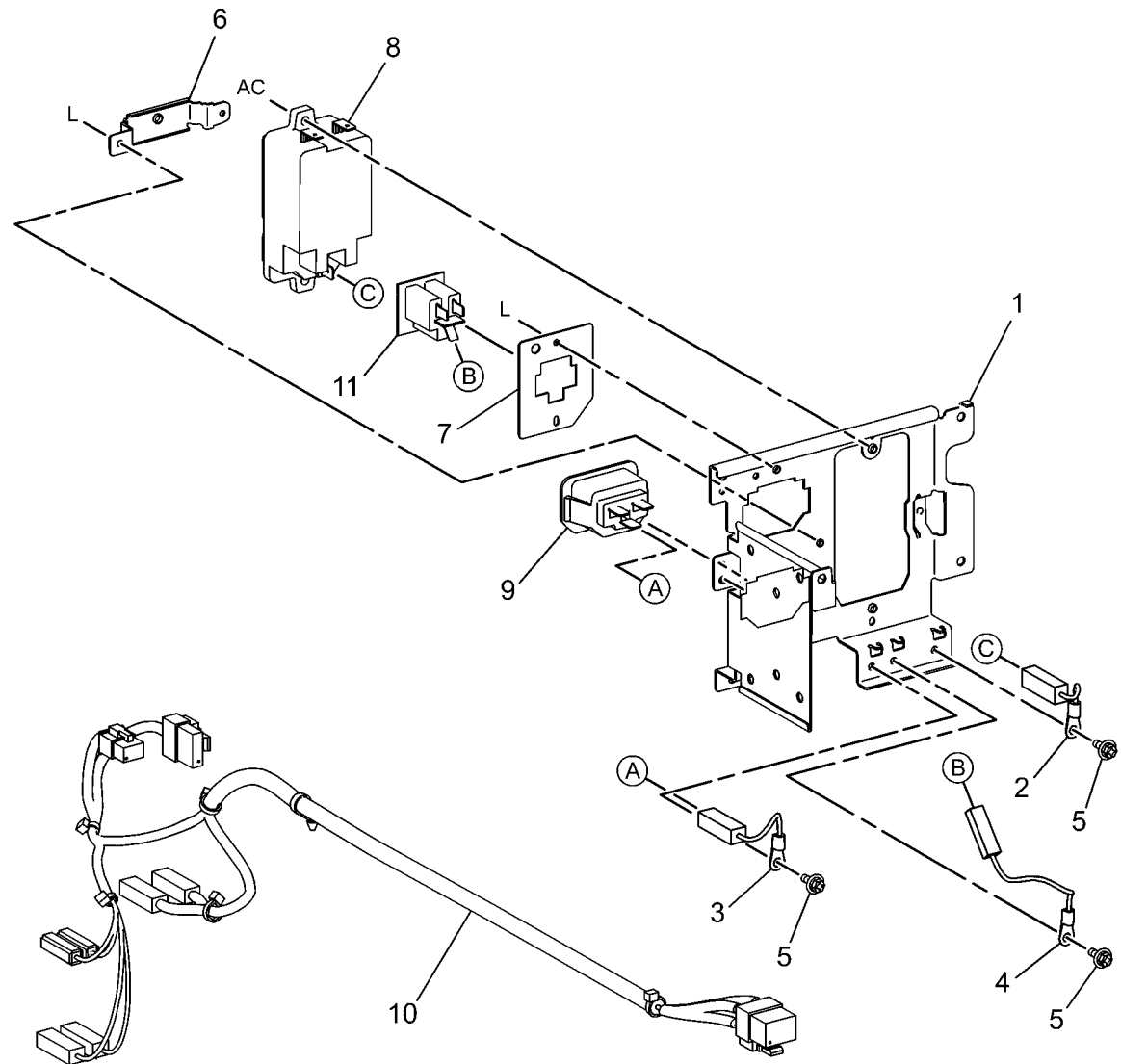


j0rk51803A

PL 18.4 AC Chassis Assembly

Item	Part	Description
1	-	Chassis (P/O PL 18.1 Item 7)
2	-	Wire Assembly (P/O PL 18.1 Item 7)
3	-	Wire Assembly (P/O PL 18.1 Item 7)
4	-	Wire Assembly (P/O PL 18.1 Item 7)
5	-	Screw
6	-	GFI Connector Bracket (P/O PL 18.1 Item 7)
7	-	Bracket (P/O PL 18.1 Item 7)
8	-	Inlet GFI Breaker (P/O PL 18.1 Item 7)
9	-	Outlet Connector (P/O PL 18.1 Item 7)
10	-	AC Power Harness Assembly (Not Spared)
11	-	Outlet (FX) (Not Spared)

PL18.4



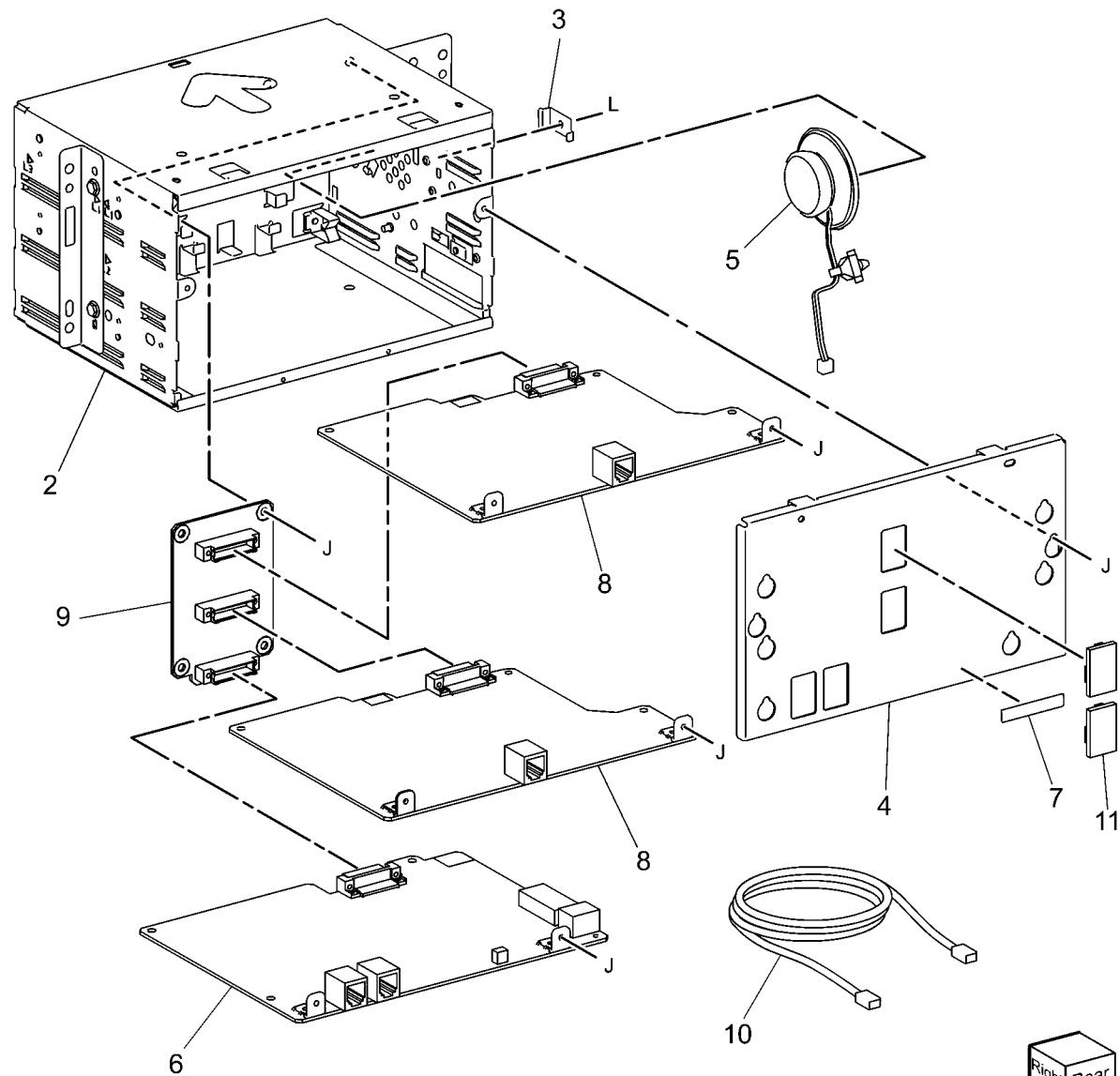
j0rk51804A

PL 18.5 Fax Assembly

Item	Part	Description
1	-	Fax Box Assembly
2	-	Fax Box (P/O PL 18.5 Item 1)
3	-	Bracket (P/O PL 18.5 Item 1)
4	-	Cover (P/O PL 18.5 Item 1)
5	130K73070	Speaker
6	960K44866	Fax PWB (XC) (XE)
-	960K44936	Fax PWB (Argentine)
7	-	Label (P/O PL 18.5 Item 1)
8	960K44875	G3 PWB (XC)
-	960K44895	G3 PWB (XE)
9	960K39720	Riser PWB
10	117K39110	USB Cable
11	-	Cover (Not Spared)

PL 18.5

1 { 2-7



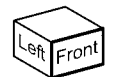
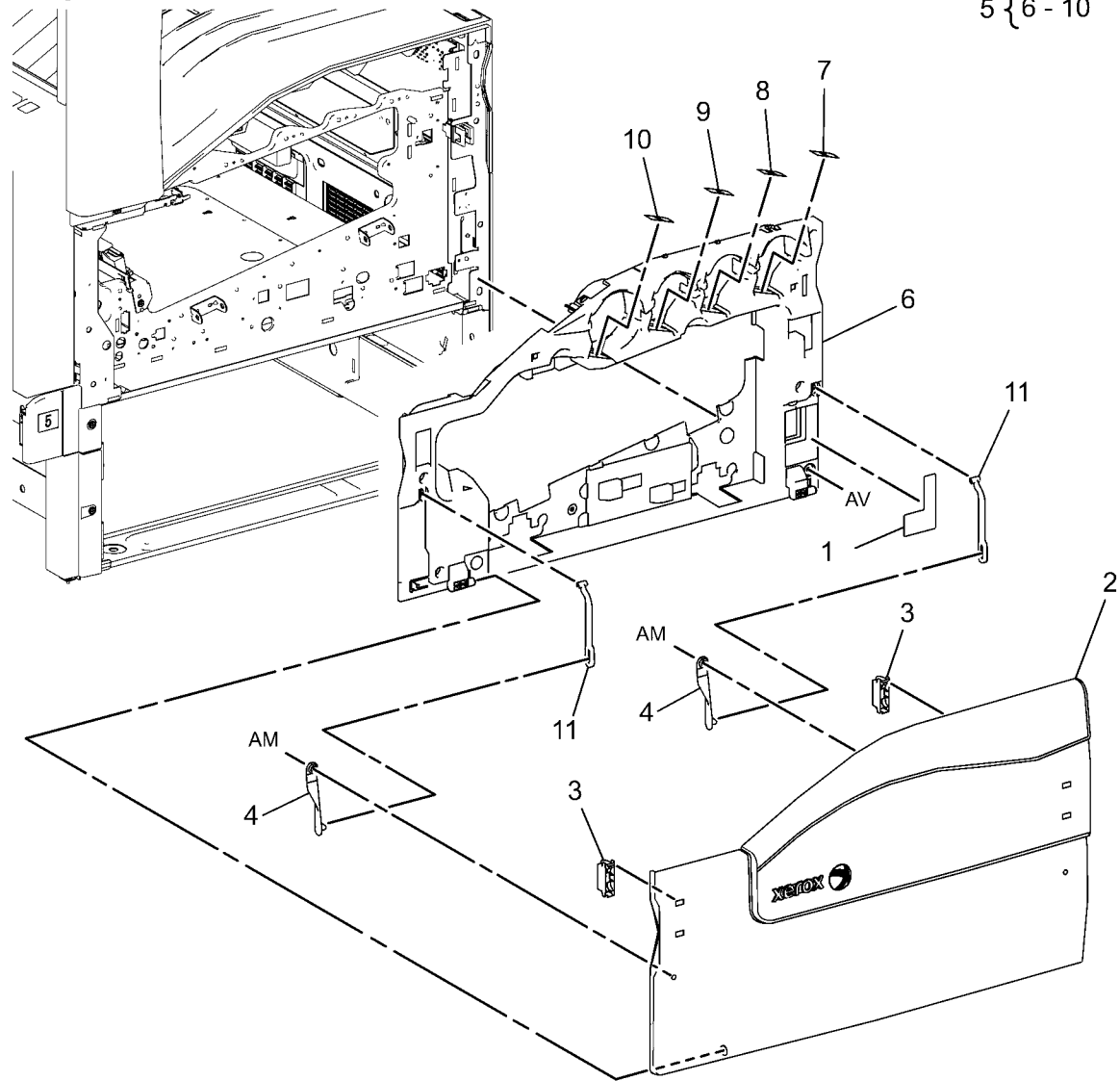
j0rk51805A

PL 19.1 Front Cover

Item	Part	Description
1	-	Switch Label (Not Spared)
2	848K45090	Front Cover
3	121E21331	Catch Magnet
4	848E14030	Outer Strap
5	848K36380	Inner Cover Assembly
6	-	Inner Cover (P/O PL 19.1 Item 5)
7	-	Toner Label (Y) (P/O PL 19.1 Item 5)
8	-	Toner Label (M) (P/O PL 19.1 Item 5)
9	-	Toner Label (C) (P/O PL 19.1 Item 5)
10	-	Toner Label (K) (P/O PL 19.1 Item 5)
11	848E14020	Inner Strap

PL19.1

5 { 6 - 10

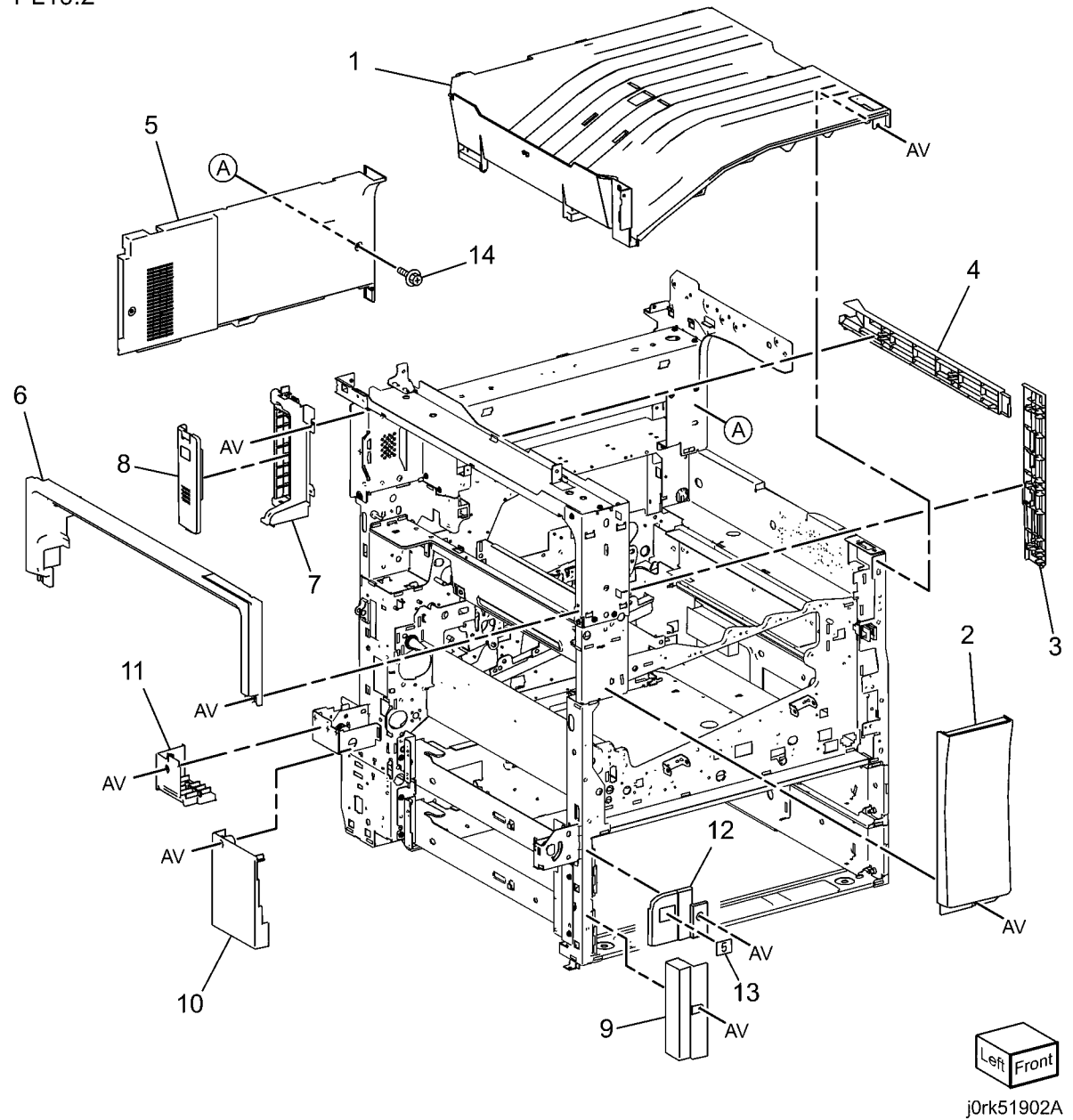


j0rk51901A

PL 19.2 Top, Left Covers

Item	Part	Description
1	848K38411	Top Cover Assembly (REP 14.3)
2	848E48260	Upper Front Cover
3	-	Internal Upright Cover (Not Spared)
4	-	Internal Cover (Not Spared)
5	-	Internal Back Cover (Not Spared)
6	-	Left Hand Top Cover (Not Spared)
7	-	Upper Left Hand Cover (Not Spared)
8	-	Left Hand Filter Cover (Not Spared)
9	-	Left Hand Lower Cover (Not Spared)
10	-	Left Hand Lower Cover (Not Spared)
11	-	Left Hand Handle Cover (Not Spared)
12	-	MSI Cover (Not Spared)
13	-	Number Label (Not Spared)
14	-	Screw (Not Spared)

PL19.2

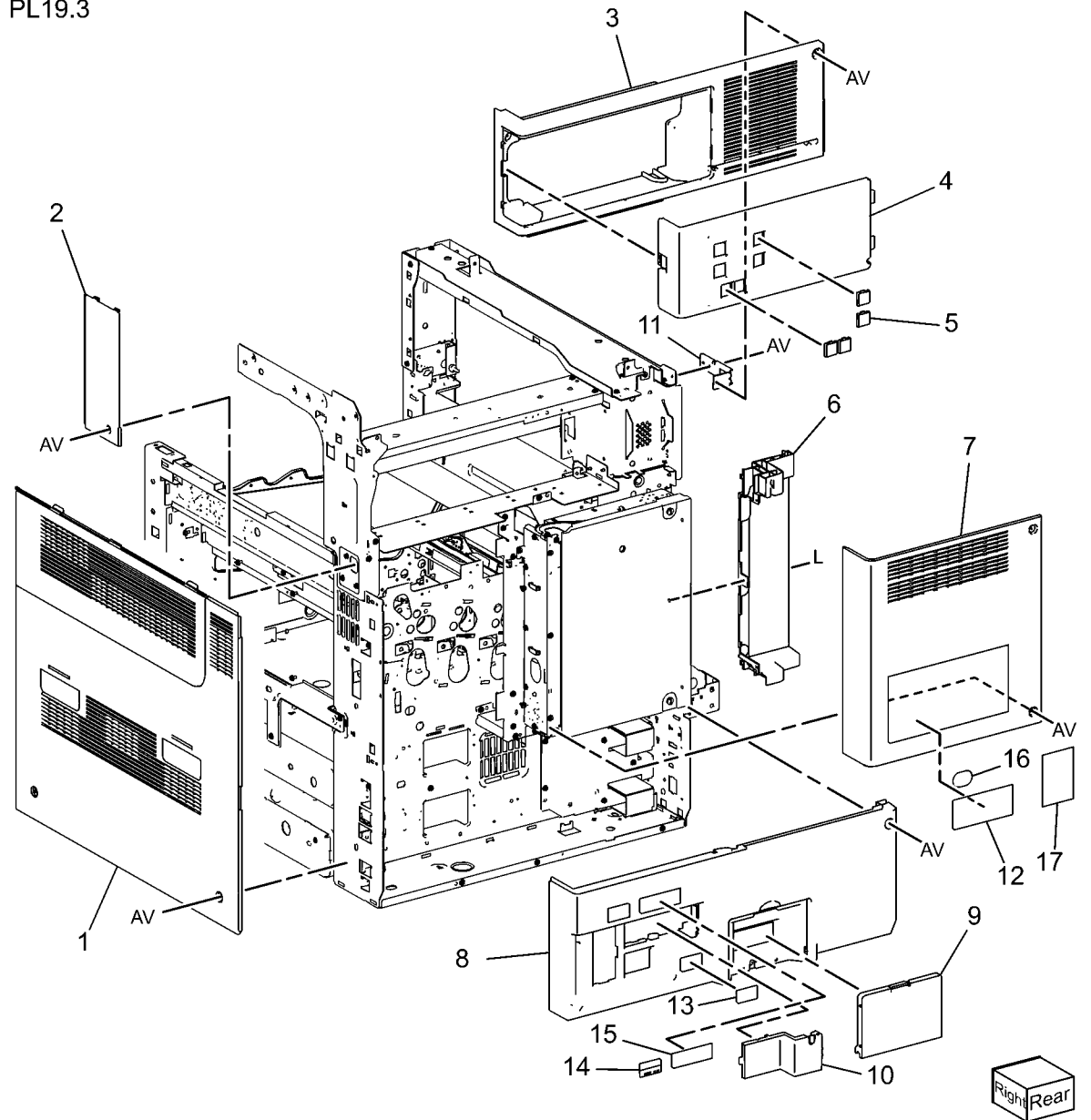


Left Front
j0rk51902A

PL 19.3 Right, Rear Covers

Item	Part	Description
1	848K38420	Right Hand Cover Assembly
2	—	Right Small Cover (Not Spared)
3	848E48392	Upper Rear Cover (Not Spared)
4	848E48400	Fax Cover
5	—	Blind Fax Cover (Not Spared)
6	—	ESS Rear Cover (Not Spared)
7	848E48430	Rear Cover
8	—	Lower Rear Cover (Not Spared) (REP 14.4)
9	—	MCU Spec Cover (Not Spared)
10	—	EPSV Cover (Not Spared)
11	—	Rear Cover Bracket (Not Spared)
12	—	Data Plate (Not Spared)
13	—	Outlet Label (Not Spared)
14	—	GFI Label (Not Spared)
15	—	Earth Label (Not Spared)
16	—	Label (Not Spared)
17	—	Label (Not Spared)

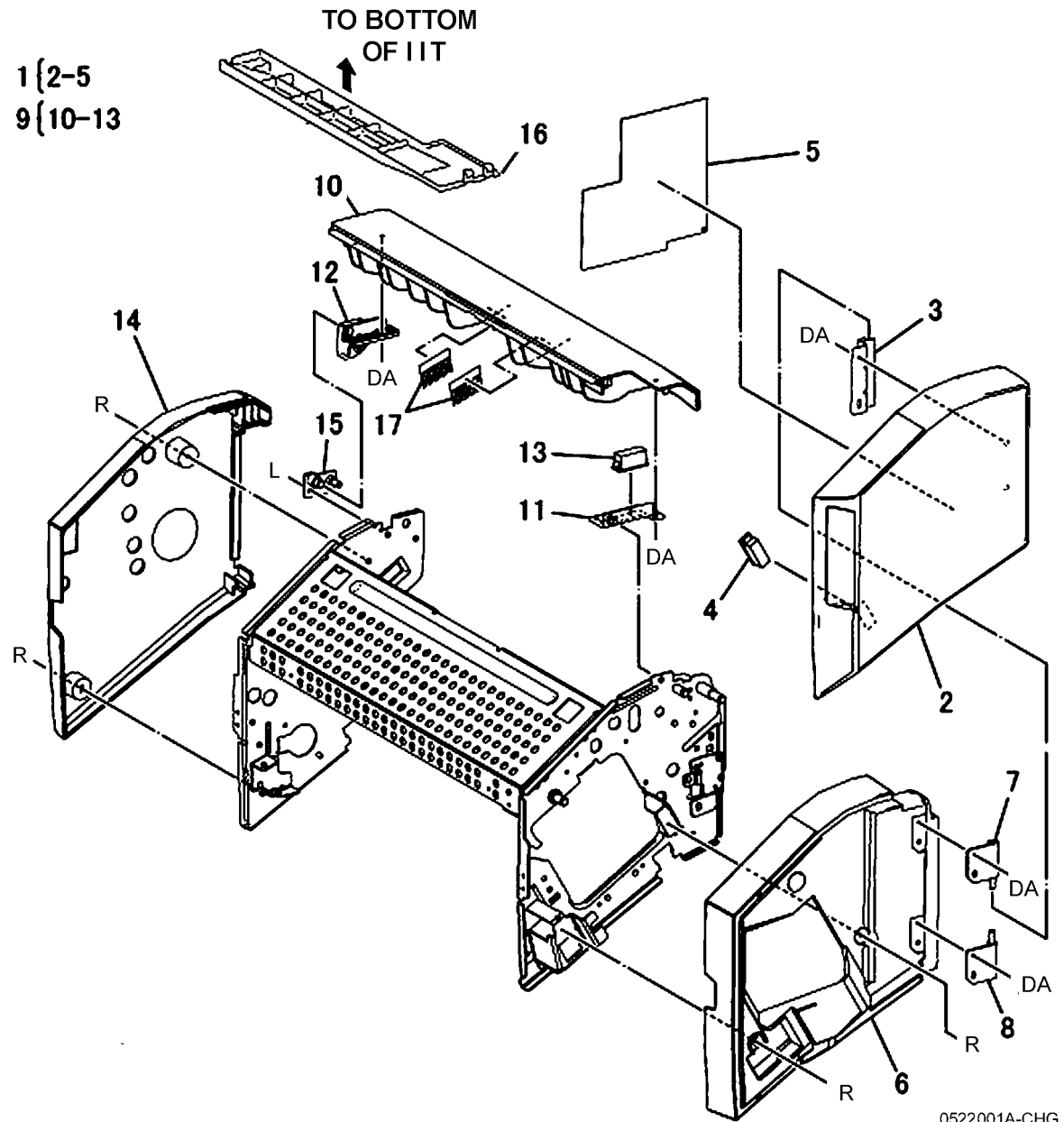
PL19.3



j0rk51903A

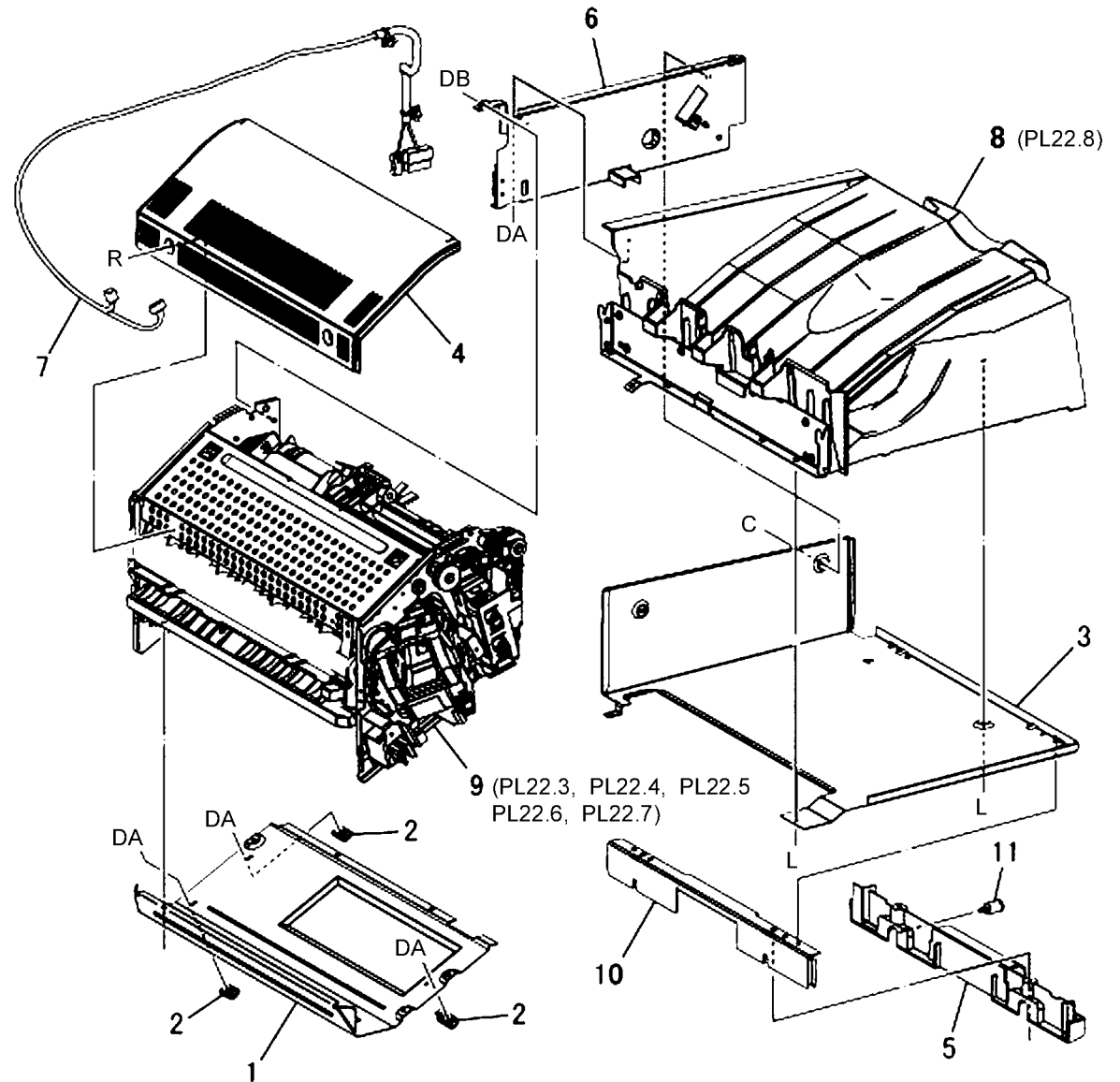
PL 22.1 Finisher Assembly (Part 1 of 2) (Integrated Office Finisher)

Item	Part	Description
1	848K36702	Front Cover Assembly
2	-	Front Cover (P/O PL 22.1 Item 1)
3	-	Bracket (P/O PL 22.1 Item 1)
4	-	Magnet (P/O PL 22.1 Item 1)
5	-	Label (P/O PL 22.1 Item 1)
6	848E50760	Front Inner Cover (Not Spared)
7	068K29871	Hinge
8	068K29880	Hinge
9	848K38631	Top Cover Assembly
10	-	Top Cover (P/O PL 22.1 Item 9)
11	-	Bracket (P/O PL 22.1 Item 9)
12	-	Stopper (P/O PL 22.1 Item 9)
13	-	Magnet (P/O PL 22.1 Item 9)
14	848E50790	Rear Cover
15	-	Hinge (Not Spared)
16	815E60280	IIT Cover
17	042E92330	Static Eliminator



PL 22.2 Finisher Assembly (Part 2 of 2) (Integrated Office Finisher)

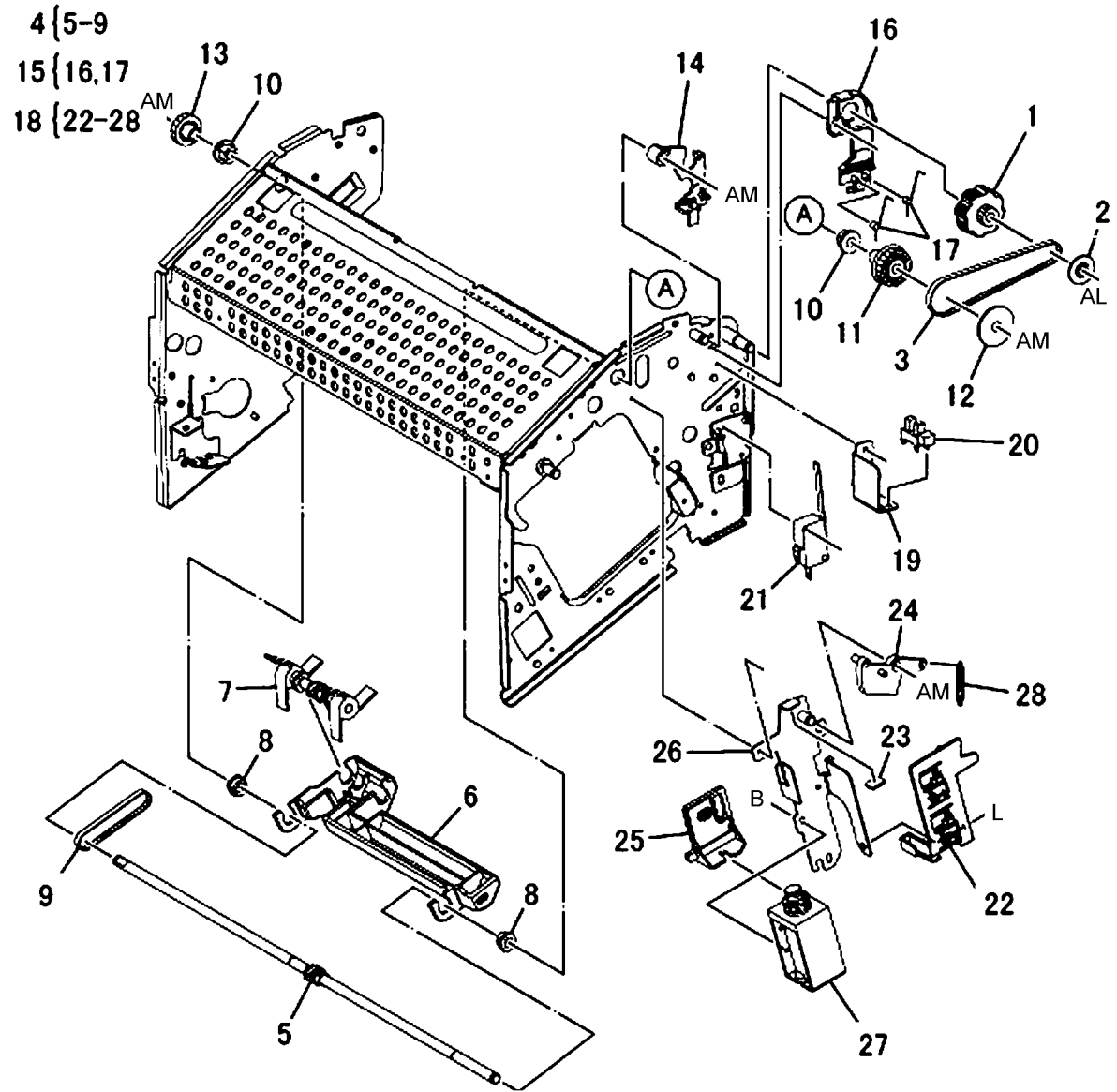
Item	Part	Description
1	–	Bottom Cover (Not Spared)
2	–	Spacer (Not Spared)
3	–	Tray Cover (Not Spared)
4	848E50770	Left Cover
5	068K69530	Tray Support
6	–	Rear Bracket (Not Spared)
7	962K42291	Wire Harness
8	050K64830	Stacker Tray Assembly (REP 12.16)
9	–	Stacker Base Assembly (Not Spared)
10	–	Extended Tray Assembly
11	826E24180	Screw



0522002A-CHG

PL 22.3 Stacker Base Assembly (Part 1 of 5) (Integrated Office Finisher)

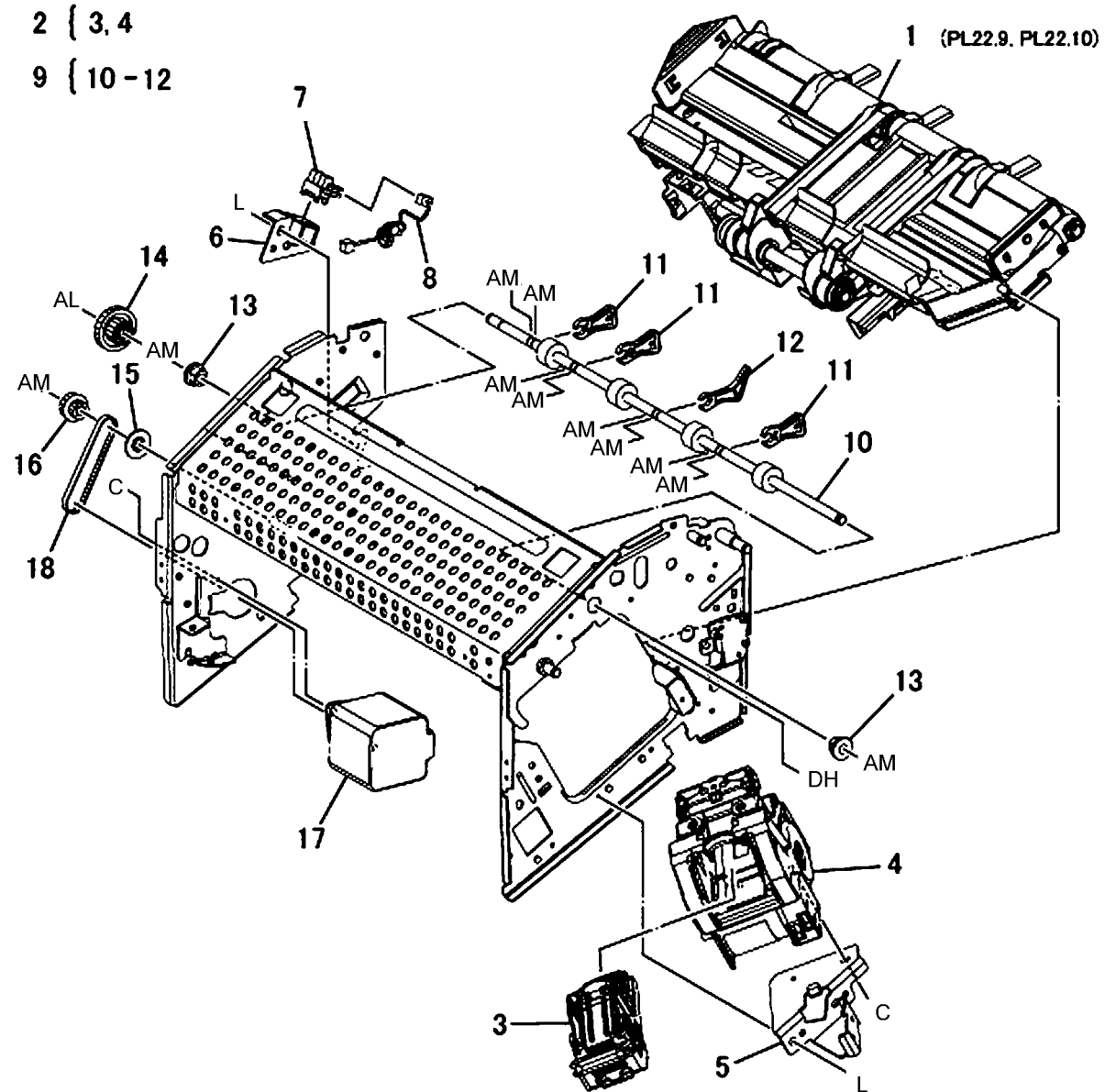
Item	Part	Description
1	003E65500	Knob
2	005E89470	Collar
3	423W10454	Paddle Belt (REP 12.2)
4	012K96370	Link Shaft Assembly
5	-	Link Shaft (P/O PL 22.3 Item 4)
6	012E16150	Support
7	-	Sub Paddle Shaft Assembly (P/O PL 22.3 Item 4)
8	-	Bearing (P/O PL 22.3 Item 4)
9	423W06054	Paddle Belt (REP 12.2)
10	413W75959	Bearing
11	020K13900	Pulley
12	005E89490	Collar
13	807E13260	Gear (21T)
14	120E27240	Actuator
15	802K85560	Knob Cover Assembly
16	-	Knob Cover (P/O PL 22.3 Item 15)
17	-	Spring (P/O PL 22.3 Item 15)
18	012K94990	Sub Paddle Solenoid Assembly
19	-	Bracket (Not Spared)
20	130K70160	Finisher Top Cover Interlock Sensor
21	110K12980	Finisher Top Cover Interlock (+24V)
22	-	Support (P/O PL 22.3 Item 18)
23	-	Cushion (P/O PL 22.3 Item 18)
24	-	Link (P/O PL 22.3 Item 18)
25	-	Arm (P/O PL 22.3 Item 18)
26	-	Bracket (P/O PL 22.3 Item 18)
27	121K34620	Sub Paddle Solenoid (REP 12.3)
28	-	Spring (P/O PL 22.3 Item 18)



0522003A-CHG

PL 22.4 Stacker Base Assembly (Part 2 of 5) (Integrated Office Finisher)

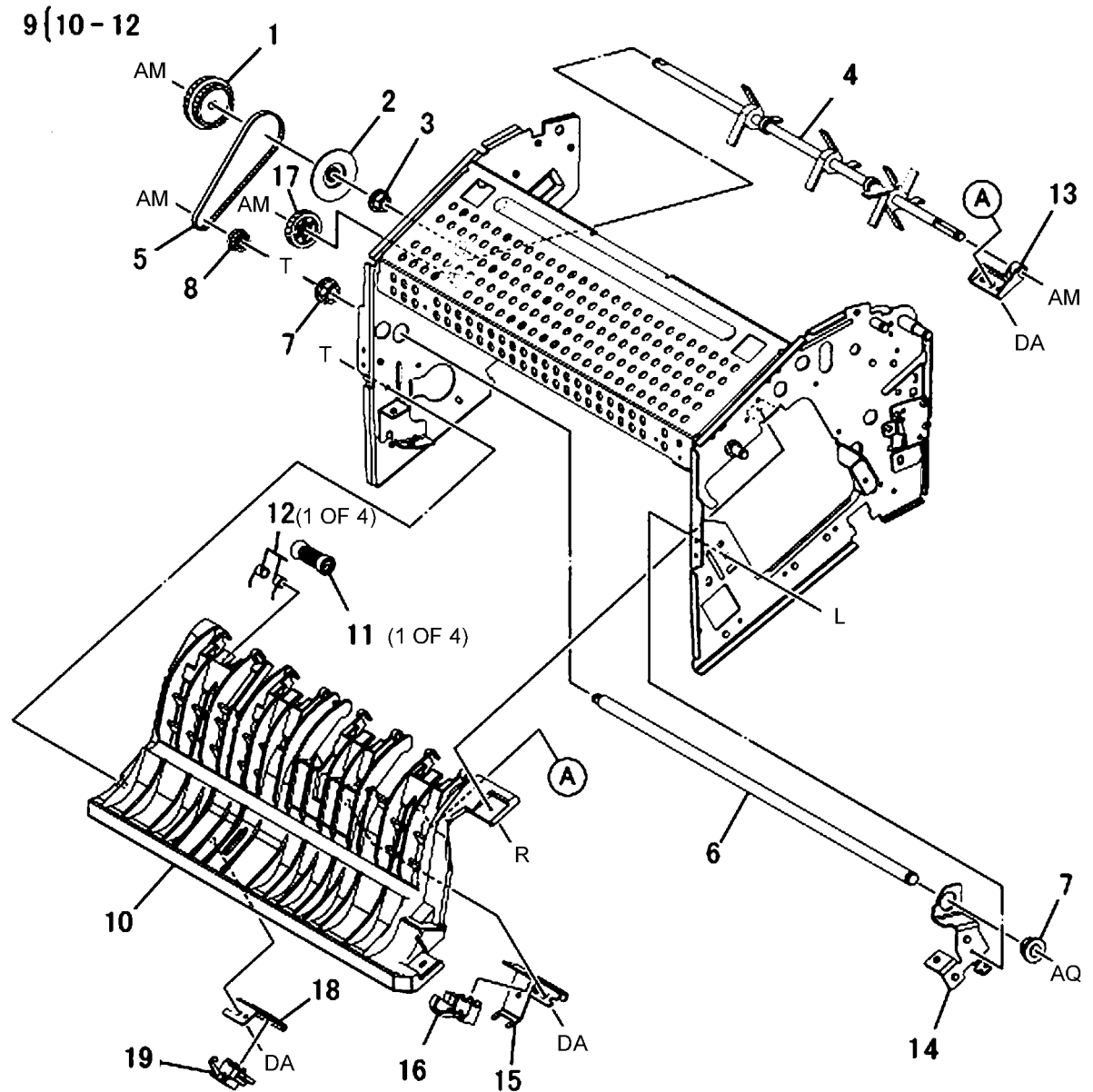
Item	Part	Description
1	050K65200	Compile Assembly (REP 12.20)
2	029K92350	Staple Assembly (REP 12.5)
3	-	Cartridge (P/O PL 22.4 Item 2)
4	-	Stapler (P/O PL 22.4 Item 2)
5	-	Bracket (Not Spared)
6	-	Support (Not Spared)
7	930W00111	Set Clamp Home Sensor (REP 12.6)
8	962K44980	Wire Harness
9	022K72790	Exit Roll Assembly (REP 12.7)
10	-	Exit Roll (P/O PL 22.4 Item 9)
11	004E15340	Damper
12	004E15330	Center Damper
13	-	Bearing (Not Spared)
14	007K94220	One Way Gear
15	005E89470	Collar
16	807E13230	Gear Pulley (16T/18T)
17	127K49800	Finisher Transport Motor
18	423W06954	Belt



j0fa52204-CHG

PL 22.5 Stacker Base Assembly (Part 3 of 5) (Integrated Office Finisher)

Item	Part	Description
1	807E13250	Gear Pulley (37T/45T)
2	005E89480	Collar
3	413W75959	Bearing
4	006K25001	Main Paddle Shaft Assembly (REP 12.11)
5	423W09854	Belt
6	-	Shaft (Not Spared)
7	413W77559	Bearing
8	020E43500	Pulley (19T)
9	054K30361	Lower Chute Assembly (REP 12.12)
10	-	Lower Chute (P/O PL 22.5 Item 9)
11	022K73190	Pinch Roll (REP 12.8)
12	809E65931	Spring
13	-	Support (Not Spared)
14	-	Bracket (Not Spared)
15	-	Bracket (Not Spared)
16	130K93251	Compile Exit Sensor (REP 12.10)
17	807E13240	Gear (27T)
18	-	Bracket (Not Spared)
19	130K88190	Finisher Entrance Sensor (REP 12.9)

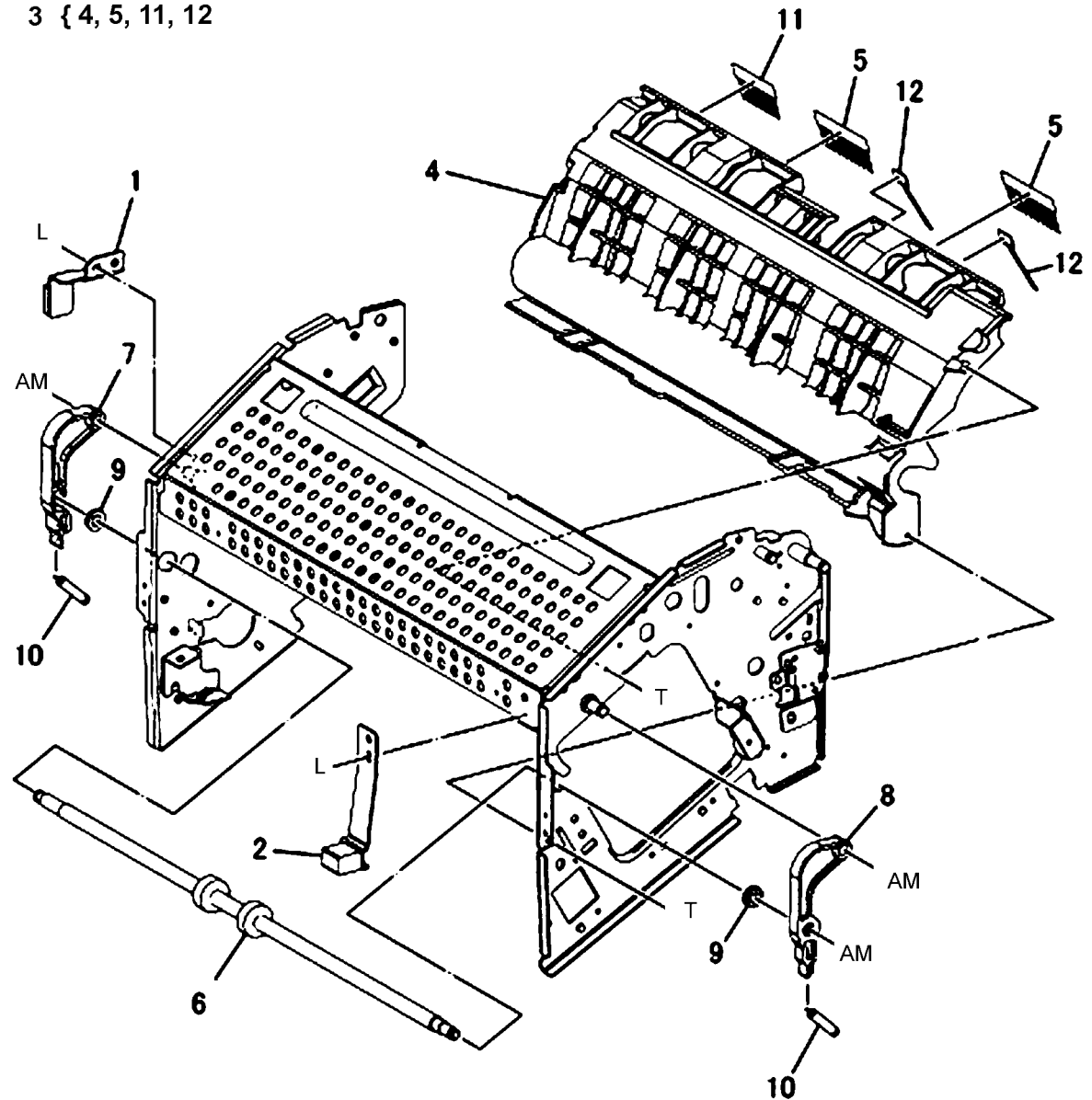


0522005A-CHG

PL 22.6 Stacker Base Assembly (Part 4 of 5) (Integrated Office Finisher)

Item	Part	Description
1	068K29931	Bracket
2	068K29941	Bracket
3	054K42690	Upper Chute Assembly (REP 12.14)
4	-	Upper Chute (P/O PL 22.6 Item 3)
5	042E92241	Eliminator
6	022K72782	Entrance Roll Assembly (REP 12.13)
7	031E97041	Rear Arm
8	031E97020	Front Arm
9	413W66250	Ball Bearing
10	-	Spring (Not Spared)
11	042E92330	Eliminator
12	-	Guide Paper (P/O PL 22.6 Item 3)

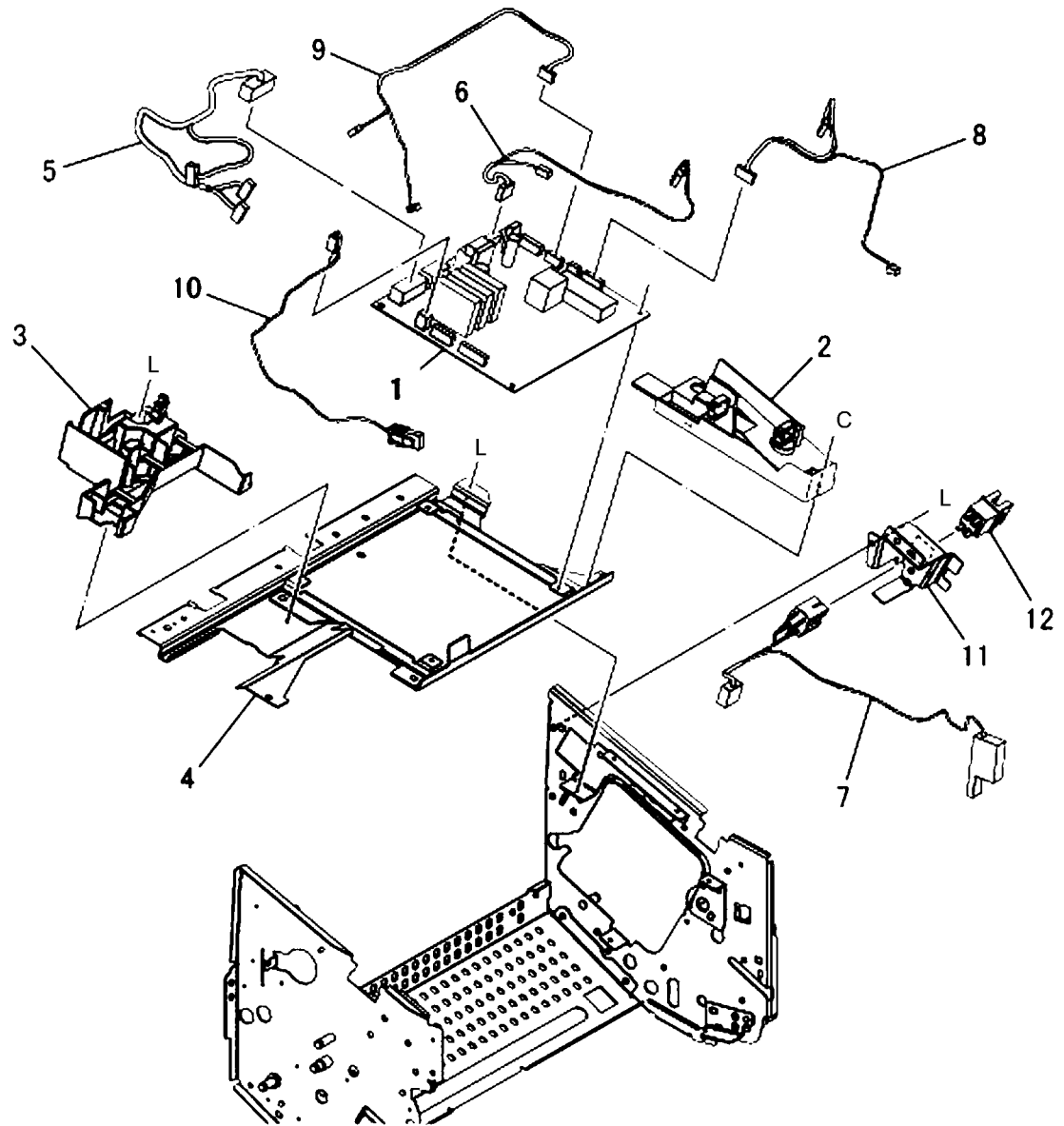
3 { 4, 5, 11, 12



0522006A-CHG

PL 22.7 Stacker Base Assembly (Part 5 of 5) (Integrated Office Finisher)

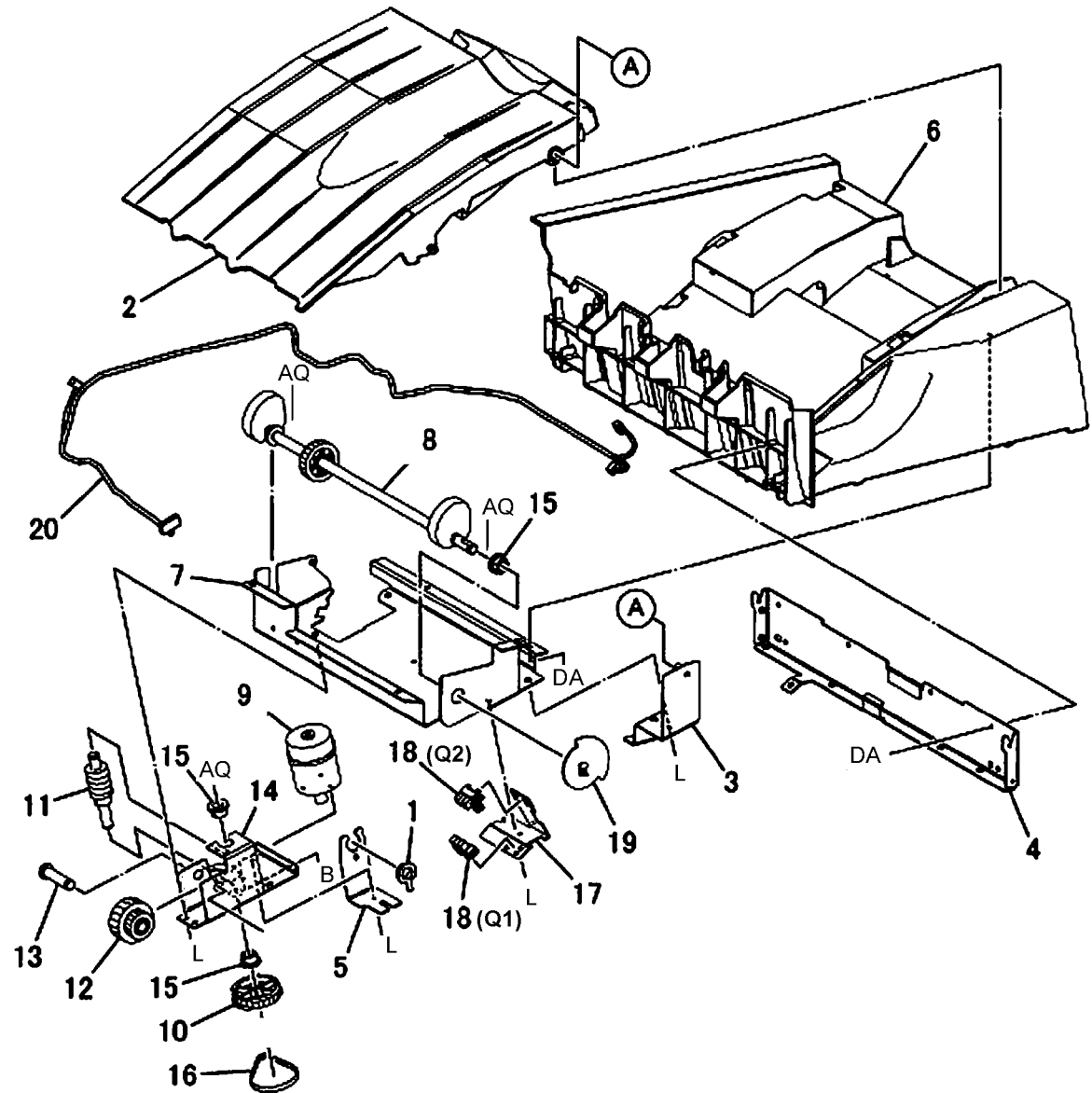
Item	Part	Description
1	960K50453	Finisher PWB (REP 12.15)
2	055K30850	Connector Bracket
3	—	Harness Guide (Not Spared)
4	—	PWB Bracket (Not Spared)
5	—	Wire Harness (Drive) (Not Spared)
6	—	Wire Harness (Stapler) (Not Spared)
7	—	Wire Harness (Interlock) (Not Spared)
8	—	Wire Harness (Front Sensor) (Not Spared)
9	—	Wire Harness (Compile) (Not Spared)
10	—	Wire Harness (Stacker) (Not Spared)
11	—	Bracket (Not Spared)
12	110E97990	Finisher Front Interlock Switch



0522007A-CHG

PL 22.8 Stacker Tray Assembly (Integrated Office Finisher)

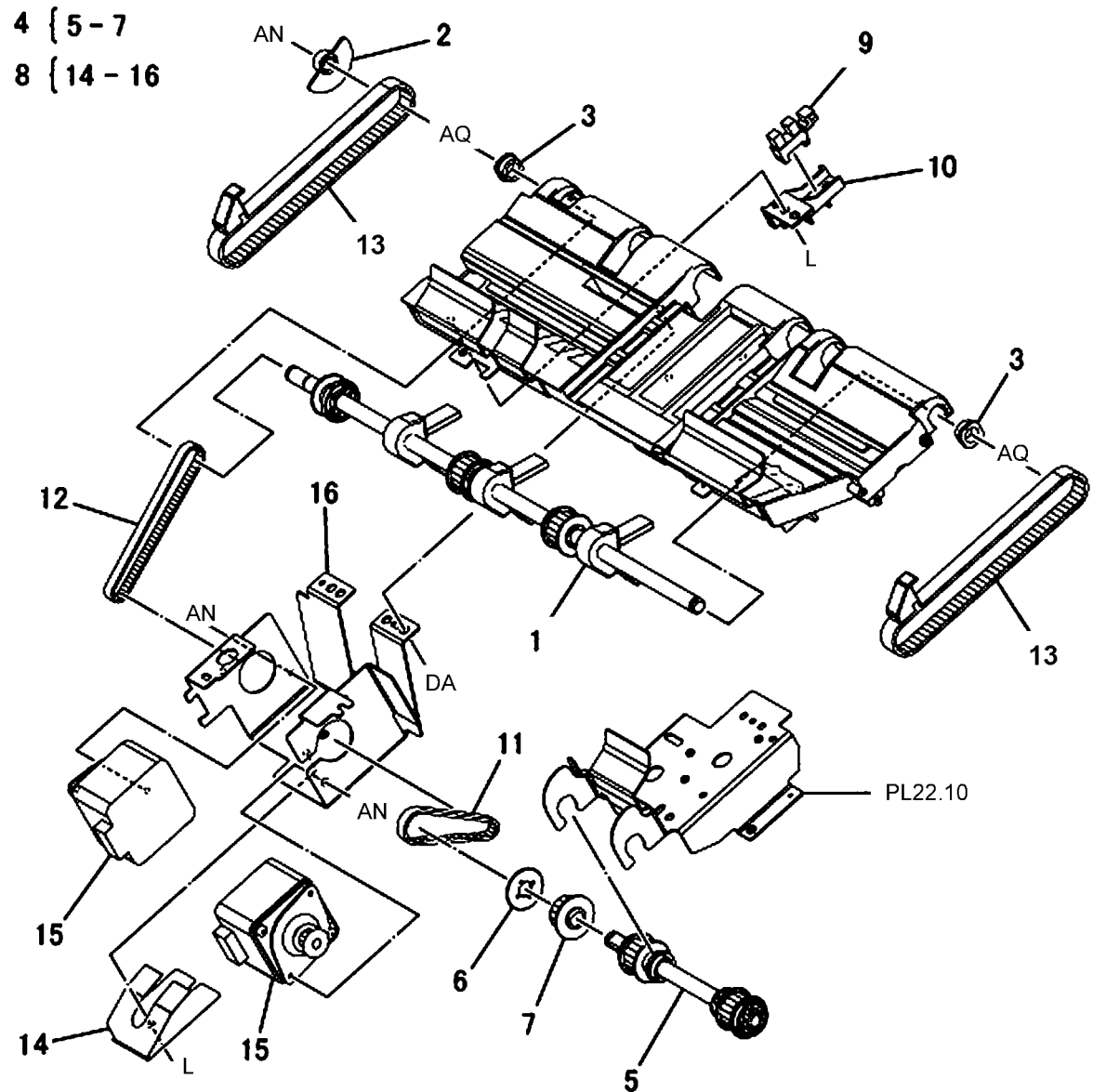
Item	Part	Description
1	-	Bearing (Not Spared)
2	050E25890	Top Tray (REP 12.16)
3	-	Bracket (Not Spared)
4	-	Plate (Not Spared)
5	-	Bracket (Not Spared)
6	-	Base Tray (Not Spared)
7	-	Base Bracket (Not Spared)
8	006K25032	Stacker Shaft Assembly (REP 12.17)
9	127K49420	Stacker Motor (REP 12.18)
10	-	Pulley (60T) (Not Spared)
11	-	Worm Gear (Not Spared)
12	-	Gear (16T/32T) (Not Spared)
13	-	Stud (Not Spared)
14	-	Bracket (Not Spared)
15	-	Bearing (Not Spared)
16	423W07354	Belt
17	-	Bracket (Not Spared)
18	930W00111	Stacker Sensor 1 (Q1), Sensor 2 (Q2) (REP 12.19)
19	-	Actuator (Not Spared)
20	-	Wire Harness (Not Spared)



0522008A-CHG

PL 22.9 Compile Assembly (Part 1 of 2) (Integrated Office Finisher)

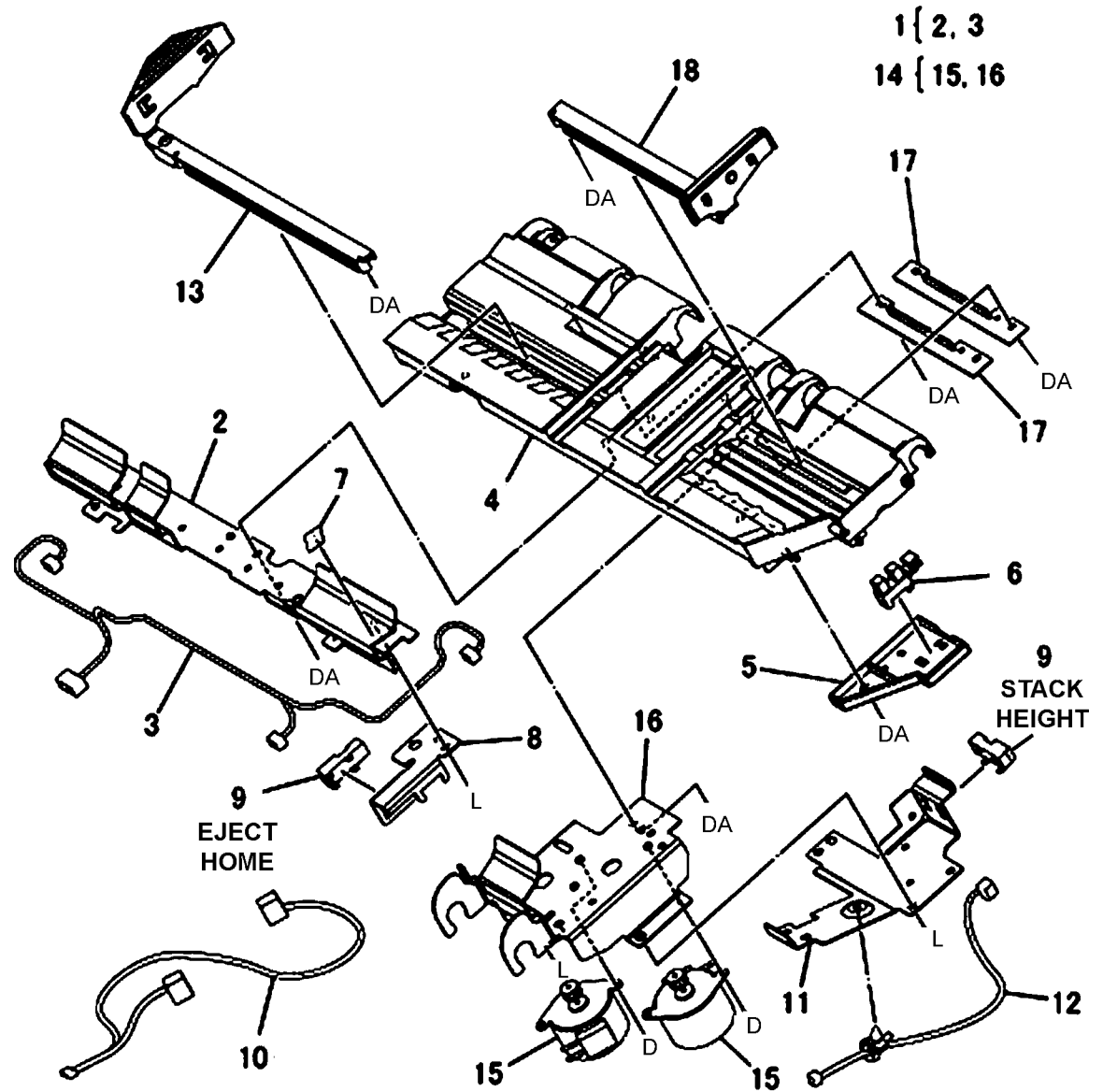
Item	Part	Description
1	006K25011	Set Clamp Shaft (REP 12.21)
2	120E27220	Actuator
3	413W11860	Bearing
4	006K25020	Eject Shaft Assembly (REP 12.25)
5	-	Eject Shaft (P/O PL 22.9 Item 4)
6	-	Spacer (P/O PL 22.9 Item 4)
7	-	Pulley (P/O PL 22.9 Item 4)
8	068K29830	Eject/Set Clamp Motor Assembly (REP 12.23)
9	930W00111	Rear Tamper Home Sensor (REP 12.24)
10	-	Support (Not Spared)
11	423W26754	Belt
12	423W29454	Belt
13	023K91530	Eject Belt (REP 12.22)
14	-	Spring (P/O PL 22.9 Item 8)
15	-	Eject Motor, Set Clamp Motor (P/O PL 22.9 Item 8)
16	-	Bracket (P/O PL 22.9 Item 8)



0522009A-CHG

PL 22.10 Compile Assembly (Part 2 of 2) (Integrated Office Finisher)

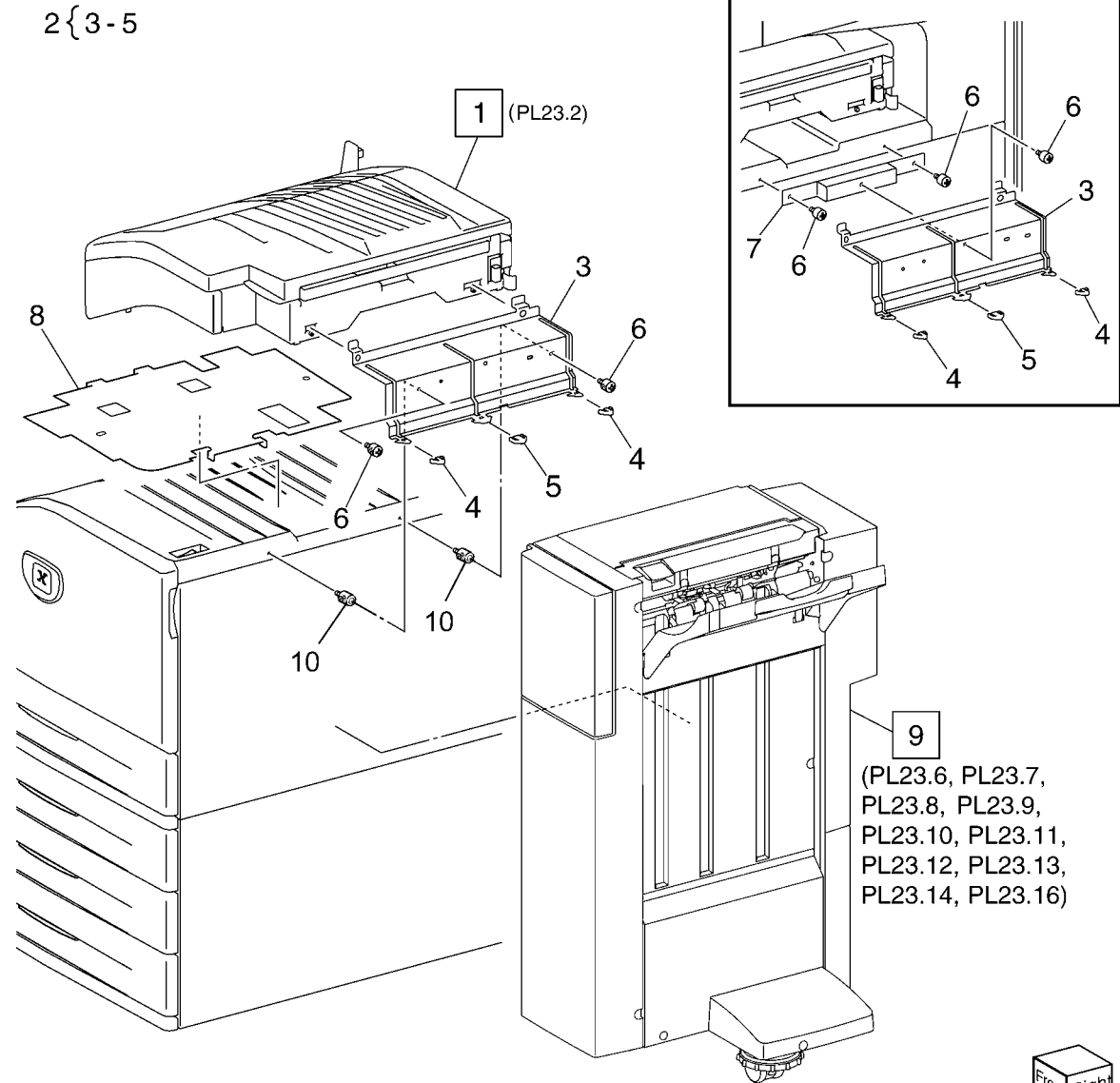
Item	Part	Description
1	068K30510	Bracket Assembly
2	-	Bracket (P/O PL 22.10 Item 1)
3	-	Wire Harness (P/O PL 22.10 Item 1)
4	050E25900	Compile Tray
5	-	Support (Not Spared)
6	930W00111	Front Tamper Home Sensor (REP 12.27)
7	038E34860	Paper Guide
8	-	Bracket (Not Spared)
9	930W00212	Eject Clamp Home Sensor, Stack Height Sensor (REP 12.28, REP 12.29)
10	962K42270	Wire Harness
11	-	Bracket (Not Spared)
12	-	Wire Harness (Not Spared)
13	038K88990	Tamper Guide, Rear
14	068K30740	Front/Rear Tamper Motor Assembly (REP 12.26)
15	-	Front/Rear Tamper Motor (P/O PL 22.10 Item 14)
16	-	Bracket (P/O PL 22.10 Item 14)
17	001E70981	Rail
18	038K89260	Tamper Guide, Front



0522010A-CHG

PL 23.1 H-Transport Assembly (1 of 5) (Office Finisher LX)

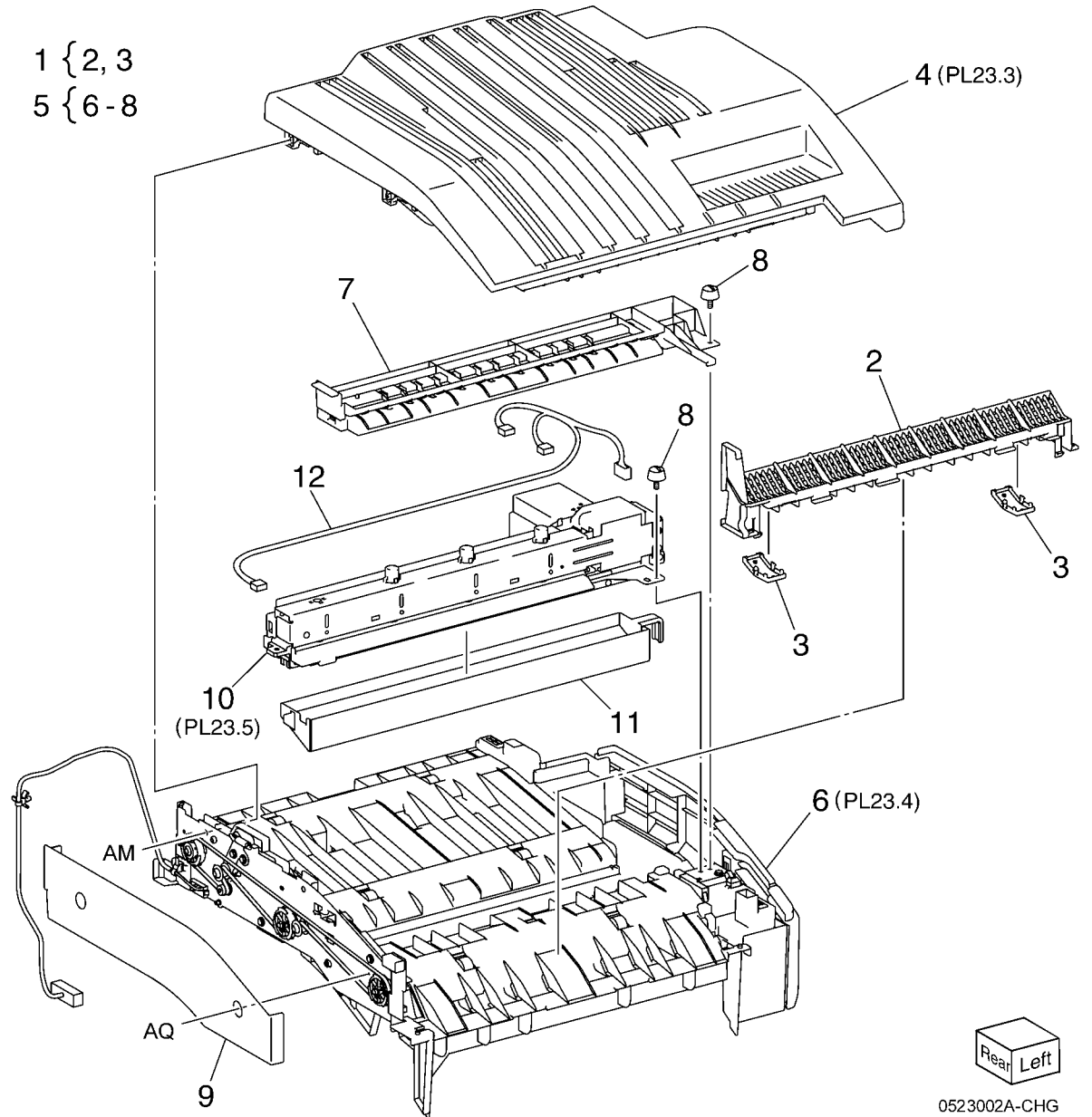
Item	Part	Description
1	059K65560	H-Transport Assembly (REP 13.1)
2	068K59494	Docking Plate Assembly
3	—	Docking Plate (P/O PL 23.1 Item 2)
4	—	Side Guide (P/O PL 23.1 Item 2)
5	—	Center Guide (P/O PL 23.1 Item 2)
6	826E07210	Thumb Screw
7	868E51550	Docking Bracket
8	815E46360	Finisher Plate
9	—	Finisher LX Assembly (Not Spared) (REP 13.5)
10	014E63901	HTU Spacer



j0fb52301

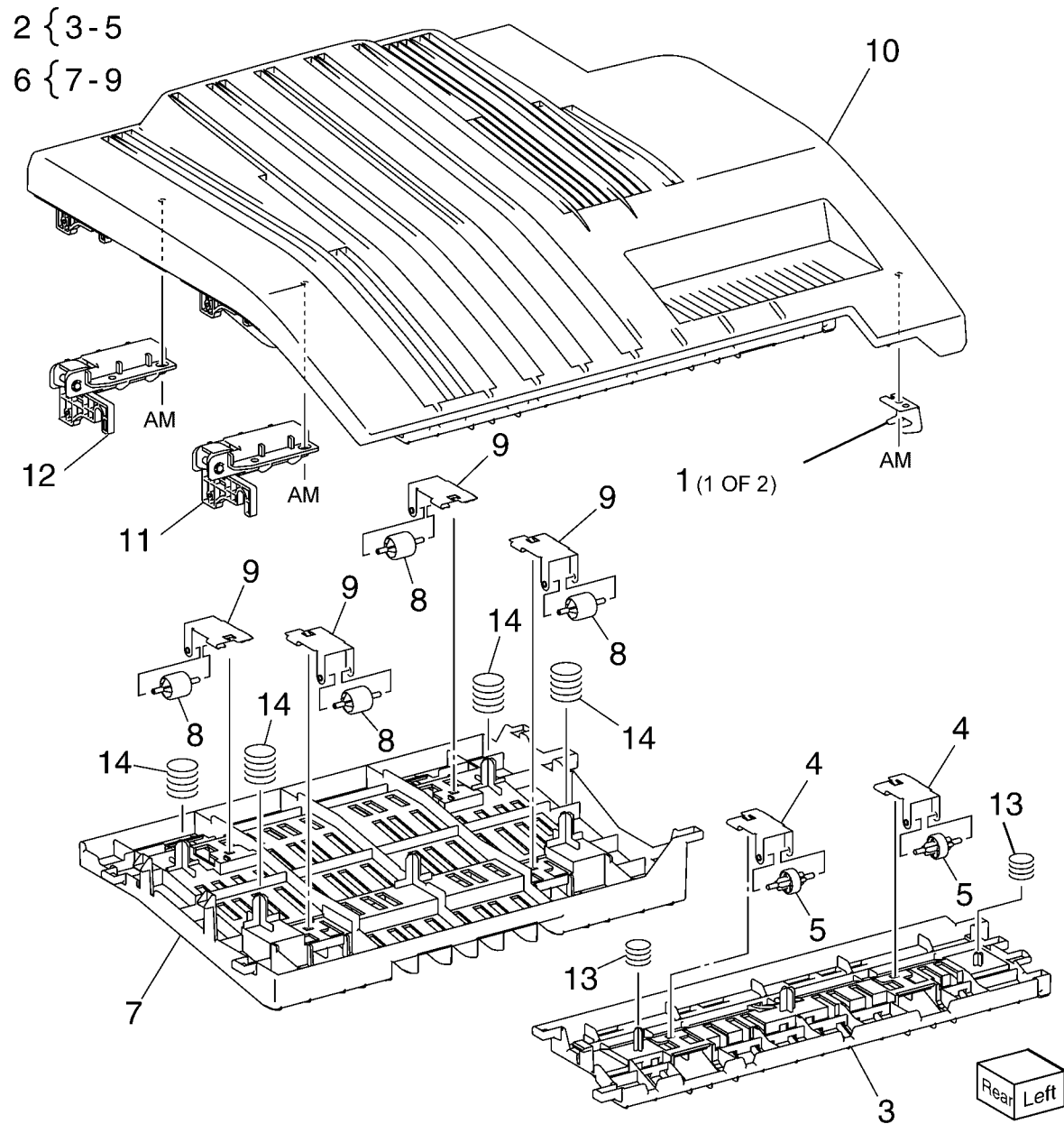
PL 23.2 H - Transport Assembly (2 of 5) (Office Finisher LX)

Item	Part	Description
1	848K34180	Left Cover Assembly
2	-	Left Cover (P/O PL 23.2 Item 1)
3	-	Paper Guide (P/O PL 23.2 Item 1)
4	848K34170	Top Cover Assembly
5	-	Lower Chute Assembly (P/O PL 23.1 Item 1)
6	-	Lower Chute Assembly (P/O PL 23.2 Item 5)
7	054K35264	Chute Assembly
8	026K81200	Thumb Screw
9	848E15160	Rear Cover
10	180K00391	Punch Assembly (2/3 Hole) (REP 13.2, ADJ 12.1)
-	180K00401	Punch Assembly (2/4 Hole) (REP 13.2, ADJ 12.1)
11	695K19402	Punch Box
12	-	Wire Harness (Not Spared)



PL 23.3 H - Transport Assembly (3 of 5) (Office Finisher LX)

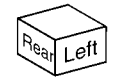
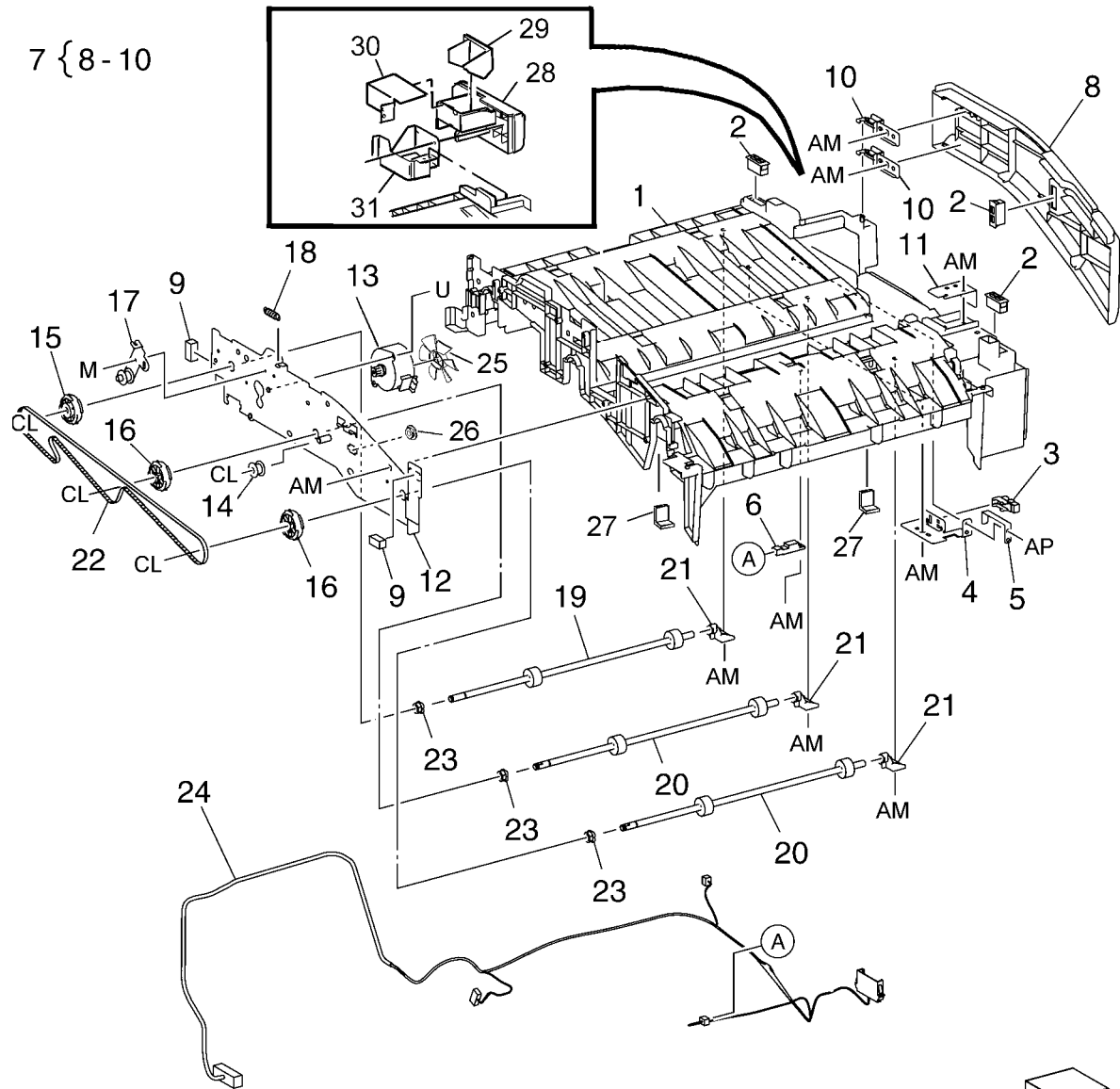
Item	Part	Description
1	-	Bracket (P/O PL 23.2 Item 4)
2	054K35237	Left Chute Assembly
3	-	Left Chute (P/O PL 23.3 Item 2)
4	-	Pinch Spring (P/O PL 23.3 Item 2)
5	-	Pinch Roller (P/O PL 23.3 Item 2)
6	054K35244	Right Chute Assembly
7	-	Right Chute (P/O PL 23.3 Item 6)
8	022E27660	Pinch Roller
9	809E76211	Pinch Spring
10	848E43661	Top Cover
11	003K15983	H - Transport Counter Balance (Left)
12	-	H - Transport Counter Balance (Right) (P/O PL 23.2 Item 4)
13	809E76240	Spring
14	809E78940	Spring



0523003A-CHG

PL 23.4 H - Transport Assembly (4 of 5) (Office Finisher LX)

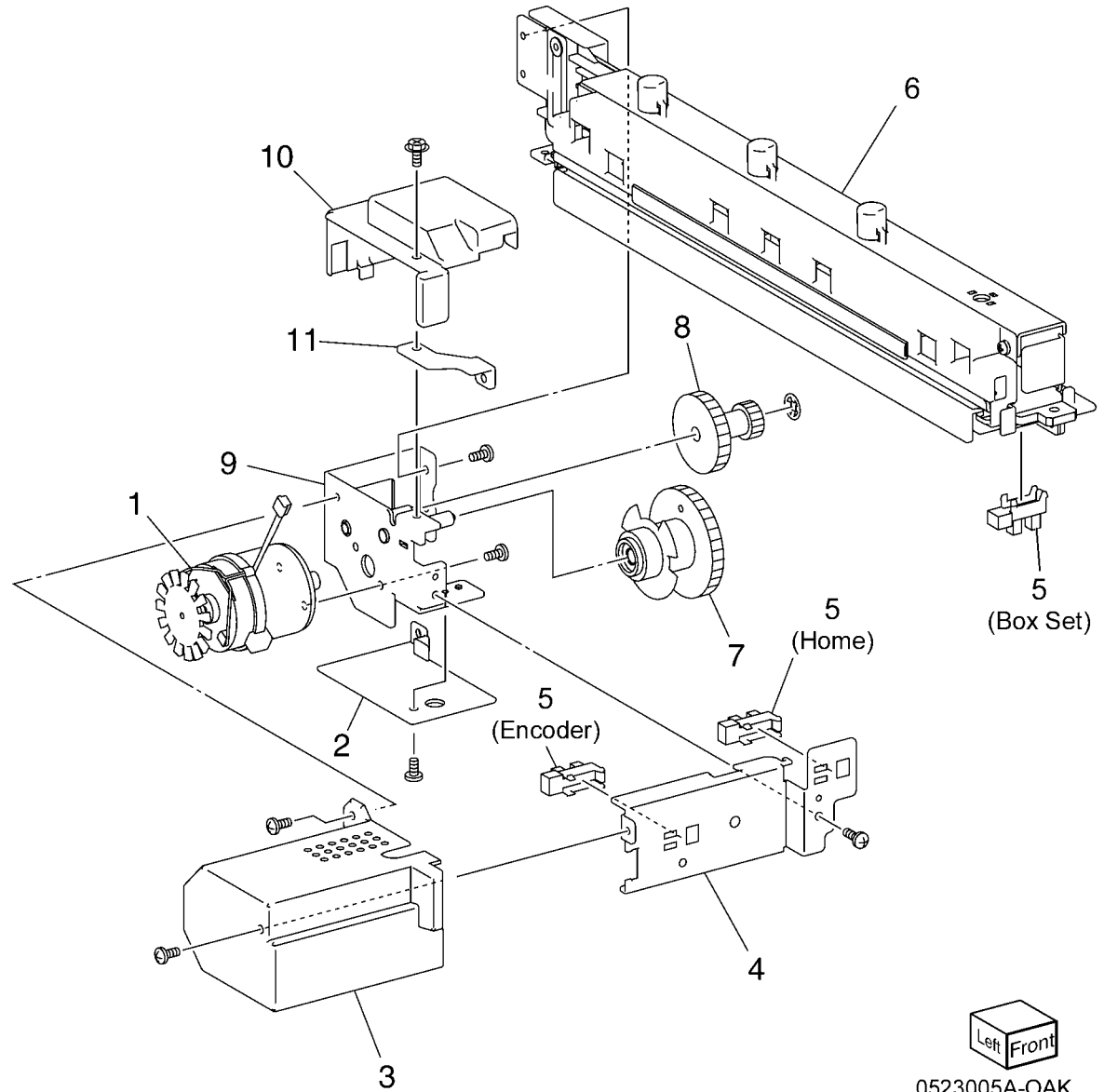
Item	Part	Description
1	-	Lower Chute (P/O PL 23.2 Item 6)
2	-	Magnet (P/O PL 23.1 Item 1)
3	130E81600	H - Transport Open Sensor
4	-	Sensor Bracket (P/O PL 23.1 Item 1)
5	809E81720	Actuator
6	930W00211	H - Transport Entrance Sensor
7	848K34192	H - Transport Front Cover Assembly
8	848E43641	H - Transport Front Punch Cover
9	921W41142	Gasket
10	-	Hinge (P/O PL 23.4 Item 7)
11	-	Bracket (P/O PL 23.2 Item 6)
12	-	Rear Frame Assembly (P/O PL 23.2 Item 6)
13	-	H - Transport Motor (P/O PL 23.1 Item 1) (REP 13.4)
14	020E45330	Tension Pulley
15	020K15720	Pulley (43T)
16	020E45210	Pulley (43T)
17	-	Tension Bracket (P/O PL 23.2 Item 6)
18	809E78950	Spring Tension
19	059K54480	Drive Roll
20	059K55070	Drive Roll
21	013E33140	Bearing
22	423W01154	H - Transport Belt (REP 13.4)
23	413W14660	Sleeve Bearing
24	962K60422	Wire Harness
25	127E85570	Fan Blade
26	016E97311	Pinch Bushing
27	004E18112	Pinch Cushion
28	848E43630	Front Cover
29	848E43651	Switch Cover
30	-	Cover (Not Spared)
31	-	Bracket (Not Spared)



0523004A-CHG

PL 23.5 H - Transport Assembly (5 of 5) (Office Finisher LX)

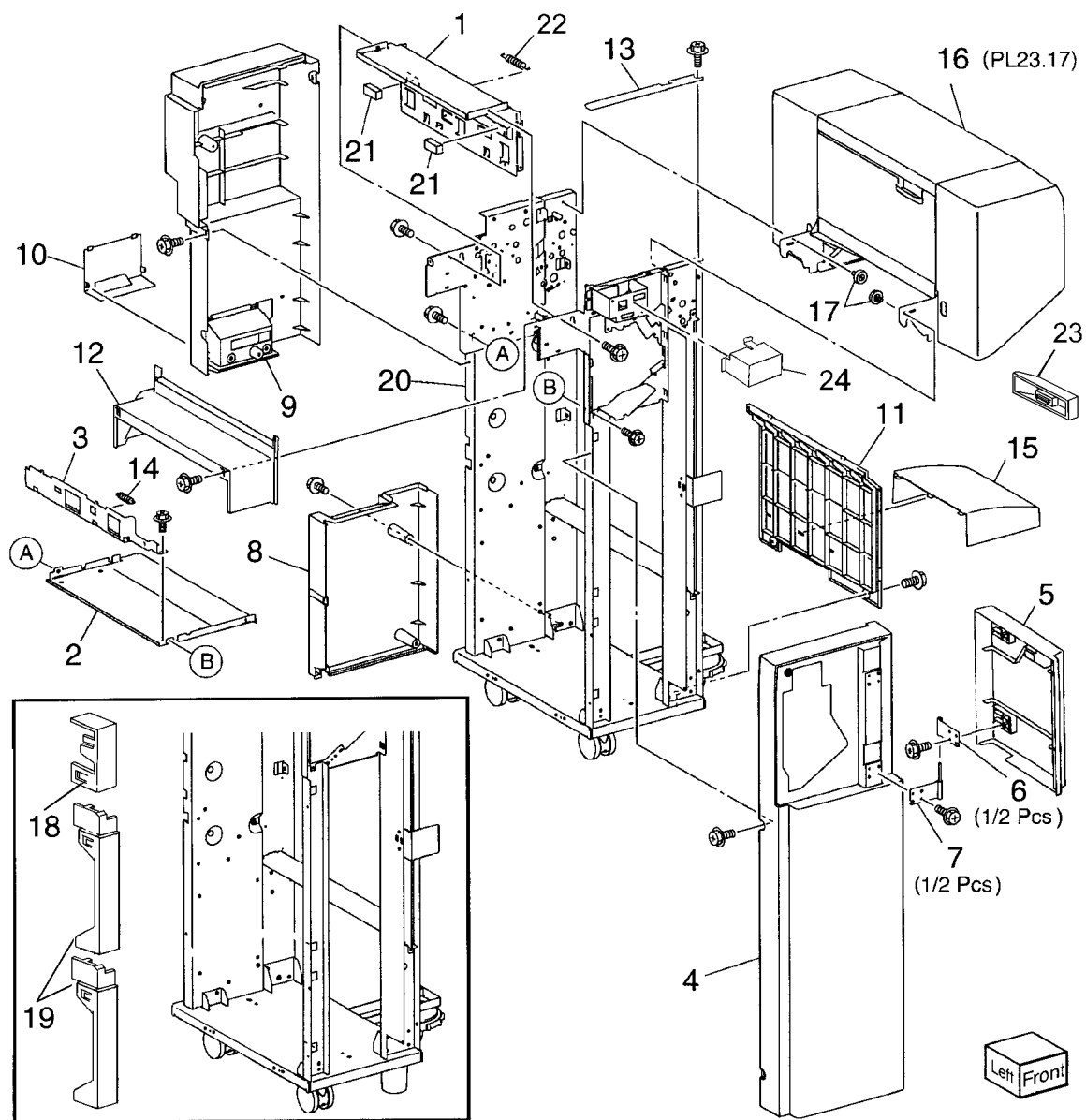
Item	Part	Description
1	-	Punch Motor (P/O PL 23.2 Item 10)
2	-	Punch Lower Cover (P/O PL 23.2 Item 10)
3	-	Punch Motor Cover (P/O PL 23.2 Item 10)
4	-	Sensor Bracket (P/O PL 23.2 Item 10)
5	-	Punch Encoder Sensor, Punch Home Sensor, Punch Box Set Sensor (P/O PL 23.2 Item 10)
6	-	Punch Frame Assembly (P/O PL 23.2 Item 10)
7	-	Encoder/Gear Assembly (P/O PL 23.2 Item 10)
8	-	Gear (P/O PL 23.2 Item 10)
9	-	Motor Bracket (P/O PL 23.2 Item 10)
10	-	Punch Top Cover (P/O PL 23.2 Item 10)
11	-	Bracket (P/O PL 23.2 Item 10)



0523005A-OAK

PL 23.6 Finisher Covers (Office Finisher LX)

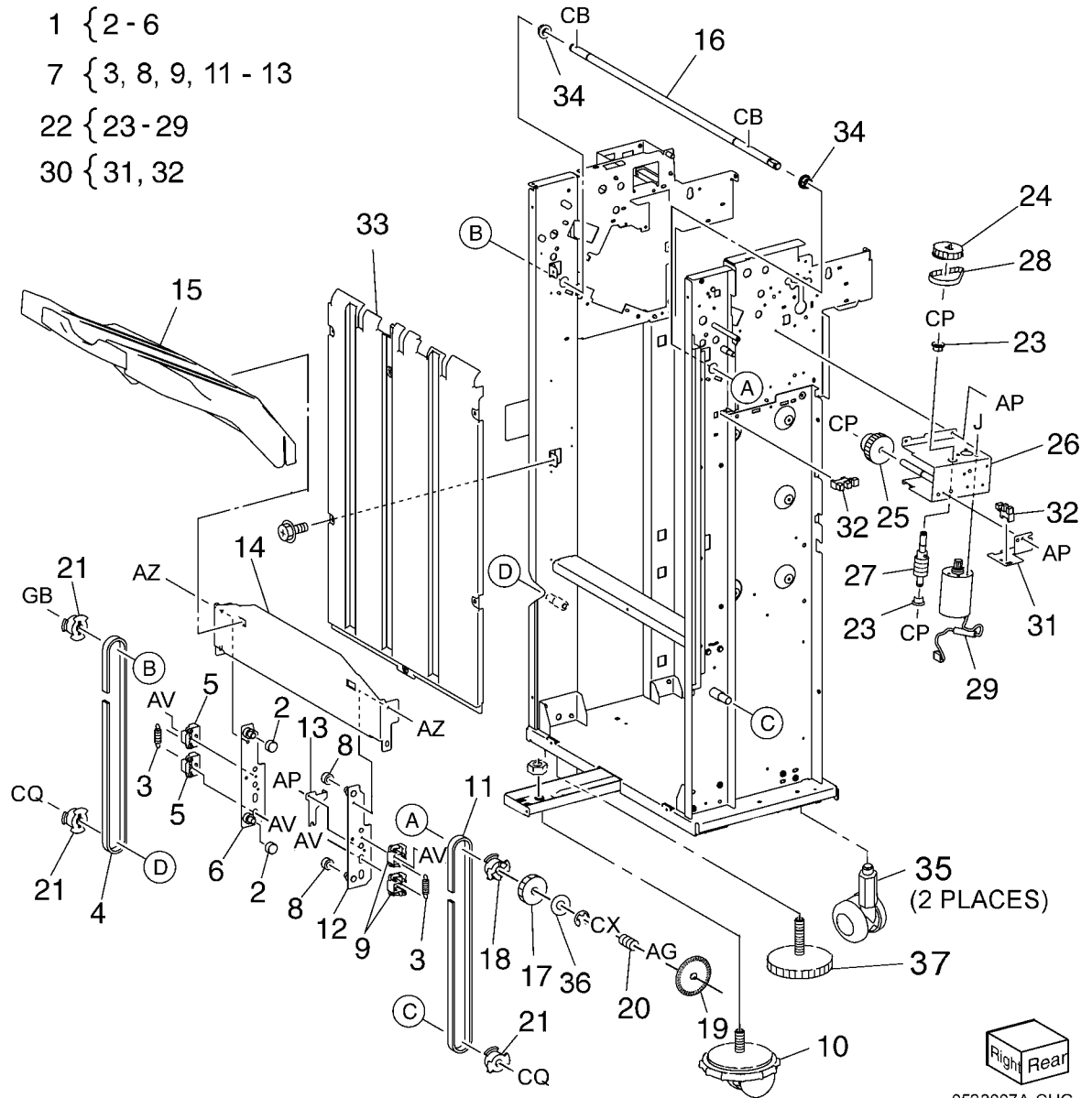
Item	Part	Description
1	-	Plate (Not Spared)
2	-	Lower Plate (Not Spared)
3	868E51550	Docking Lever
4	848E15190	Front Cover (REP 13.6)
5	-	Front Door (Not Spared)
6	-	Bracket (Not Spared)
7	-	Hinge (Not Spared)
8	848E15210	Rear Lower Cover (REP 13.8)
9	848E15221	Rear Upper Cover (REP 13.7)
10	848E15232	Connector Cover
11	848E15240	Stacker Lower Cover (REP 13.11)
12	848E48790	LH Cover
13	-	Cover (Not Spared)
14	-	Spring (Not Spared)
15	848E22450	Foot Cover (REP 13.10)
16	801K30700	Booklet Assembly (REP 13.31)
17	826E09910	Thumb Screw
18	848E51340	Upper Adjust Cover
19	848E51350	Lower Adjust Cover (2)
20	-	Base Frame Assembly (Not Spared)
21	921W41162	Gasket
22	809E81510	Extension Spring
23	038K19151	Paper Guide
24	848E28420	Connector Cover



0523006C-OAK

PL 23.7 Finisher Stacker (Office Finisher LX)

Item	Part	Description
1	041K95980	Front Carriage Assembly (FX) (REP 13.29)
2	-	Bearing (P/O PL 23.7 Item 1)
3	809E56850	Spring
4	-	Front Stacker Belt (P/O PL 23.7 Item 1)
5	-	Clamp (P/O PL 23.7 Item 1)
6	-	Front Carriage Assembly (P/O PL 23.7 Item 1)
7	041K95990	Rear Carriage Assembly (REP 13.29)
8	-	Bearing (P/O PL 23.7 Item 7)
9	-	Clamp (P/O PL 23.7 Item 7)
10	017K94890	Knob Caster Assembly
11	-	Rear Stacker Belt (P/O PL 23.7 Item 7)
12	-	Rear Carriage (P/O PL 23.7 Item 7)
13	-	Actuator (P/O PL 23.7 Item 7)
14	-	Carriage Tray (Not Spared)
15	050K61105	Stacker Tray (REP 13.20)
16	-	Shaft (Not Spared)
17	807E08990	Gear
18	020E37710	Pulley
19	146E90650	Encoder
20	809E56860	Spring
21	020E37720	Pulley (18T)
22	068K58303	Stacker Elevator Motor Assembly (ACO) (REP 13.19)
23	-	Bearing (P/O PL 23.7 Item 22)
24	020E44181	Pulley (60T)
25	-	Gear (15T/37T) (P/O PL 23.7 Item 22)
26	-	Motor Bracket (P/O PL 23.7 Item 22)
27	-	Worm Shaft (P/O PL 23.7 Item 22)
28	423W27654	Belt
29	-	Stacker Elevator Motor (P/O PL 23.7 Item 22)
30	-	Stacker Encoder Sensor Assembly (Not Spared)
31	-	Bracket (P/O PL 23.7 Item 30)
32	930W00111	Stacker Encoder Sensor, Stacker No Paper Sensor
33	-	Stacker Upper Cover (REP 13.12)
34	413W79359	Bearing
35	017K94880	Caster Assembly
36	251W31178	Washer
37	017K94900	Adjustable Foot Assembly

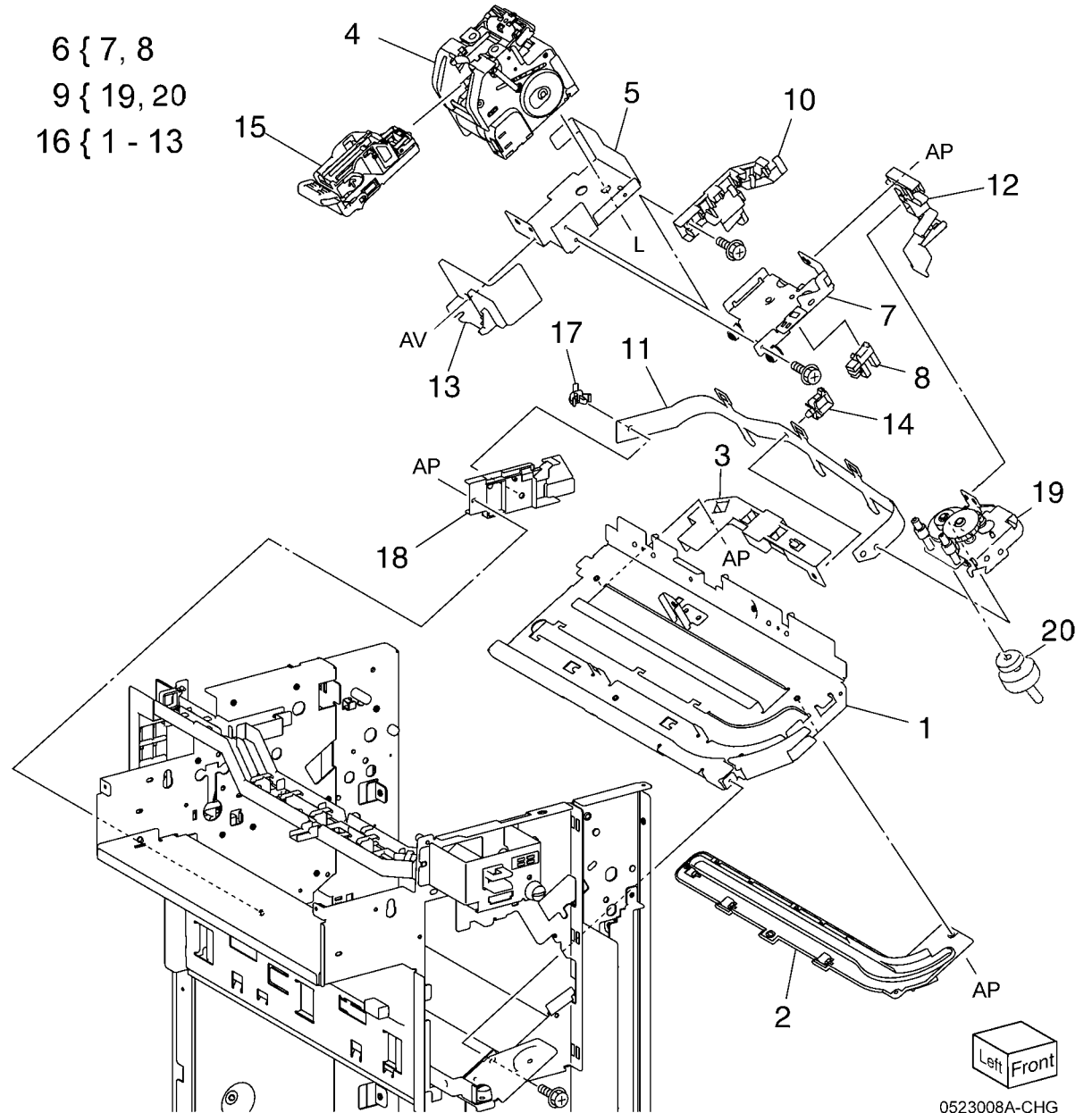


Right Rear
0523007A-CHG

PL 23.8 Finisher Stapler (Office Finisher LX)

Item	Part	Description
1	-	Base Frame (P/O PL 23.8 Item 16)
2	-	Rail (P/O PL 23.8 Item 16)
3	-	Harness Guide
4	029K92350	Stapler Assembly (REP 13.16)
5	-	Holder (Not Spared)
6	-	Stapler Move Position Sensor Assembly (Not Spared)
7	-	Bracket (P/O PL 23.8 Item 6)
8	130E94940	Stapler Move Position Sensor
9	-	Stapler Move Motor Assembly (Not Spared)
10	-	Harness Guide (P/O PL 23.8 Item 16)
11	-	Harness Support Guide (P/O PL 23.8 Item 16)
12	-	Harness Guide (P/O PL 23.8 Item 16)
13	-	Stapler Cover (Not Spared)
14	-	Clamp (Not Spared)
15	-	Stapler Cartridge (Not Spared)
16	-	Stapler Unit (Not Spared)
17	-	Cable Band (Not Spared)
18	-	Harness Guide (Not Spared)
19	-	Stapler Motor Assembly (P/O PL 23.8 Item 9) (REP 13.15)
20	127K57622	Motor Assembly

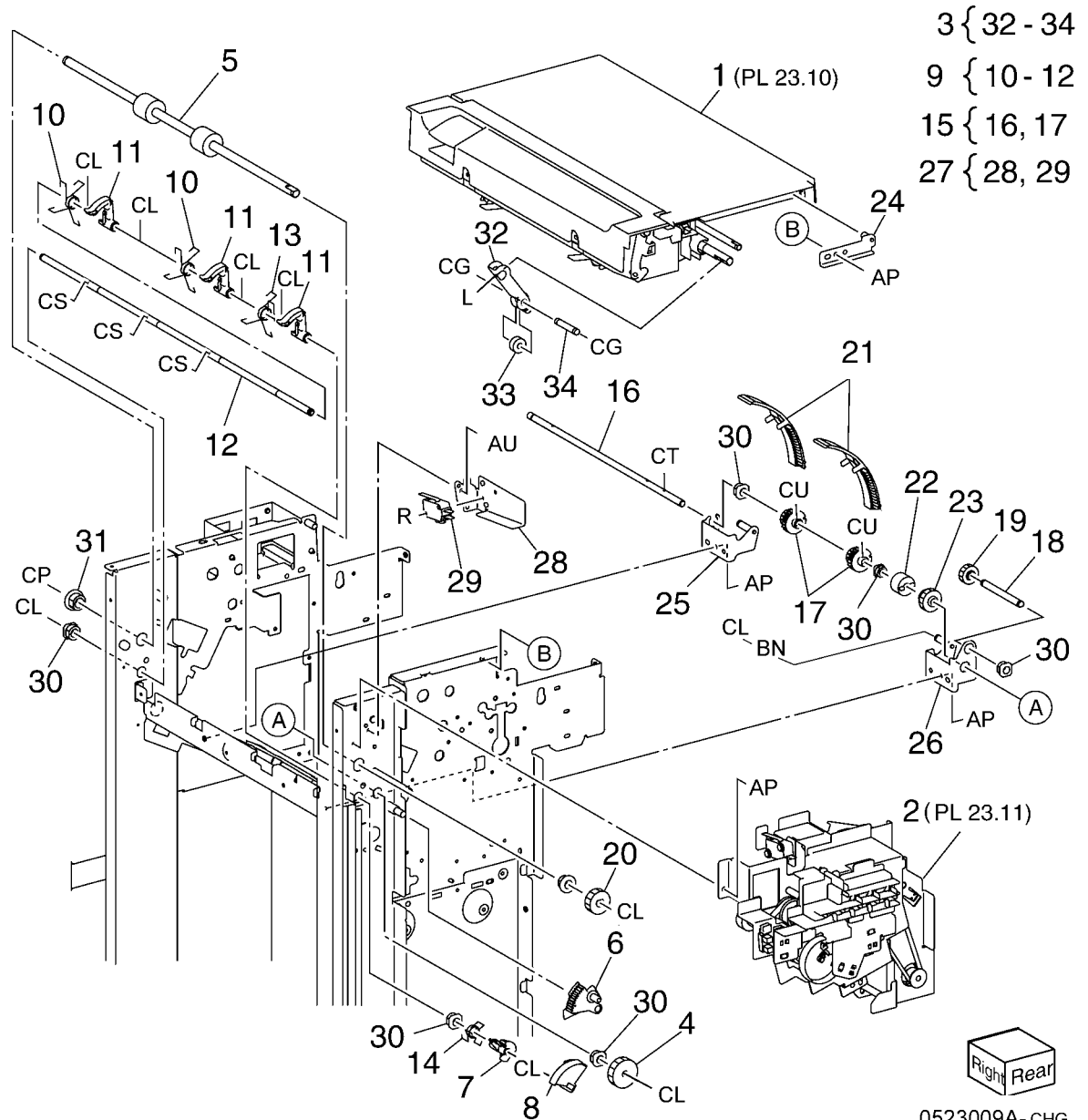
6 { 7, 8
 9 { 19, 20
 16 { 1 - 13



0523008A-CHG

PL 23.9 Finisher Eject (1 of 5) (Office Finisher LX)

Item	Part	Description
1	-	Eject Cover Assembly (PL 23.10)
2	-	Eject Assembly (PL 23.11)
3	031K93790	Clamp Arm Assembly
4	807E21370	Gear (25T)
5	059K55111	Eject Roller
6	807E21380	Gear (72T)
7	807E21391	Gear (18T)
8	120E29771	Actuator
9	006K86731	Set Clamp Shaft Assembly
10	-	Spring (P/O PL 23.9 Item 9)
11	019K09391	Set Clamp Holder
12	-	Shaft (Not Spared)
13	809E79060	Spring
14	809E79080	Spring
15	006K86741	Guide Paper Shaft Assembly
16	-	Guide Paper Shaft (P/O PL 23.9 Item 15)
17	-	Gear (20T) (P/O PL 23.9 Item 15)
18	-	Shaft (Not Spared)
19	807E21420	Gear (19T)
20	807E21400	Gear (31T)
21	038E36490	Guide Paper (Left/Right)
22	005E25820	Clutch
23	807E21970	Gear (23T)
24	-	Stopper (Not Spared)
25	-	Bracket (Front) (Not Spared)
26	-	Bracket (Rear) (Not Spared)
27	-	Option Switch Assembly (Not Spared)
28	-	Bracket (Not Spared)
29	-	Option Switch (Not Spared)
30	413W77559	Sleeve Bearing
31	-	Bearing (Not Spared)
32	-	Clamp Arm (P/O PL 23.9 Item 3)
33	-	Roll (Not Spared)
34	-	Shaft (P/O PL 23.9 Item 3)

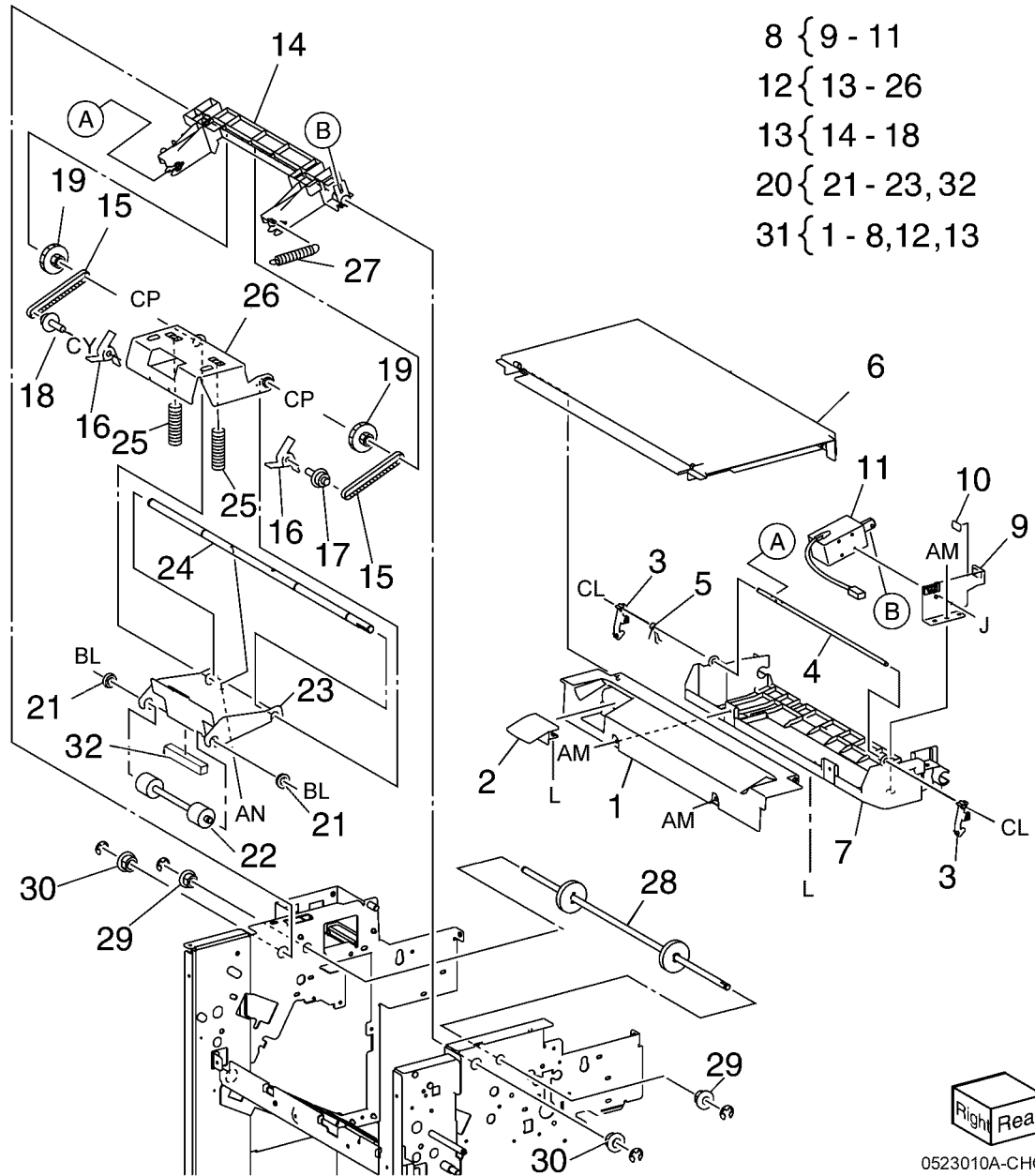


3 { 32 - 34
 9 { 10 - 12
 15 { 16, 17
 27 { 28, 29

0523009A-CHG

PL 23.10 Finisher Eject (2 of 5) (Office Finisher LX)

Item	Part	Description
1	848E15291	Top Right Hand Cover
2	011E20781	Top Cover Lever
3	003E76111	Top Cover Latch
4	-	Shaft (Not Spared)
5	809E79031	Spring
6	848E15301	Eject Cover (REP 13.9)
7	054K35301	Eject Chute
8	121K41632	Sub Paddle Solenoid Assembly (REP 13.14)
9	-	Bracket (P/O PL 23.10 Item 8)
10	-	Damper (P/O PL 23.10 Item 8)
11	-	Sub Paddle Solenoid (P/O PL 23.10 Item 8)
12	-	Eject Roller Assembly (Not Spared)
13	031K93770	Paddle Arm Assembly
14	-	Sub Paddle Arm (Not Spared)
15	423W08655	Belt
16	-	Sub Paddle (P/O PL 23.10 Item 13)
17	-	Pulley (P/O PL 23.10 Item 13)
18	-	Pulley (P/O PL 23.10 Item 13)
19	-	Gear/Pulley (31T/20T) (Not Spared)
20	-	Eject Pinch Roller Assembly (Not Spared)
21	-	Bearing (P/O PL 23.10 Item 20)
22	059K55102	Eject Pinch Roller
23	-	Bracket (P/O PL 23.10 Item 20)
24	-	Shaft (P/O PL 23.10 Item 12)
25	-	Spring (Not Spared)
26	-	Bracket (P/O PL 23.10 Item 12)
27	809E79050	Spring
28	006K86690	Eject Drive Shaft
29	-	Bearing (Not Spared)
30	-	Bearing (Not Spared)
31	-	Eject Chute Assembly (Not Spared)
32	-	Eject Eliminator (P/O PL 23.10 Item 20)



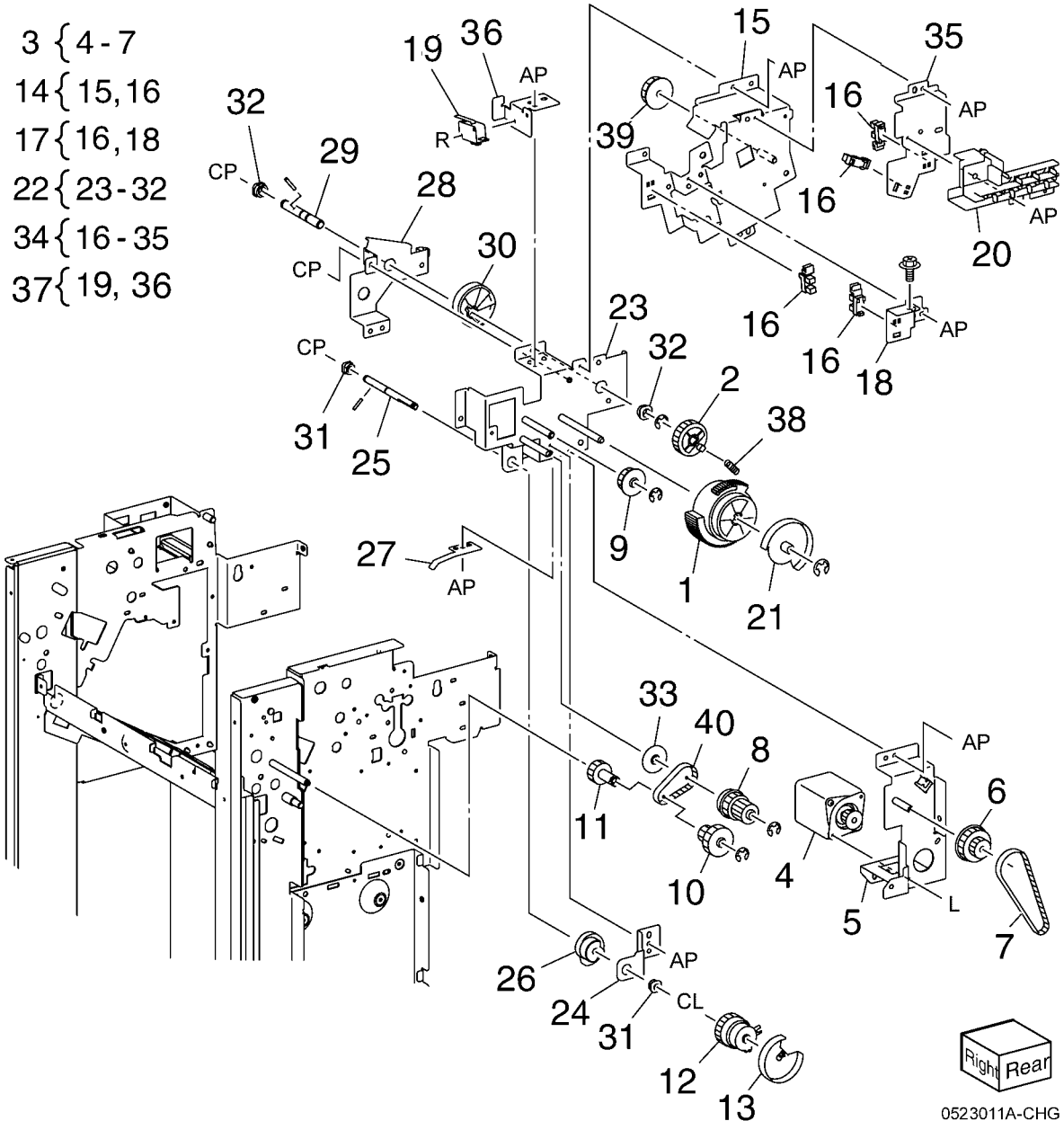
- 8 { 9 - 11
- 12 { 13 - 26
- 13 { 14 - 18
- 20 { 21 - 23, 32
- 31 { 1 - 8, 12, 13



0523010A-CHG

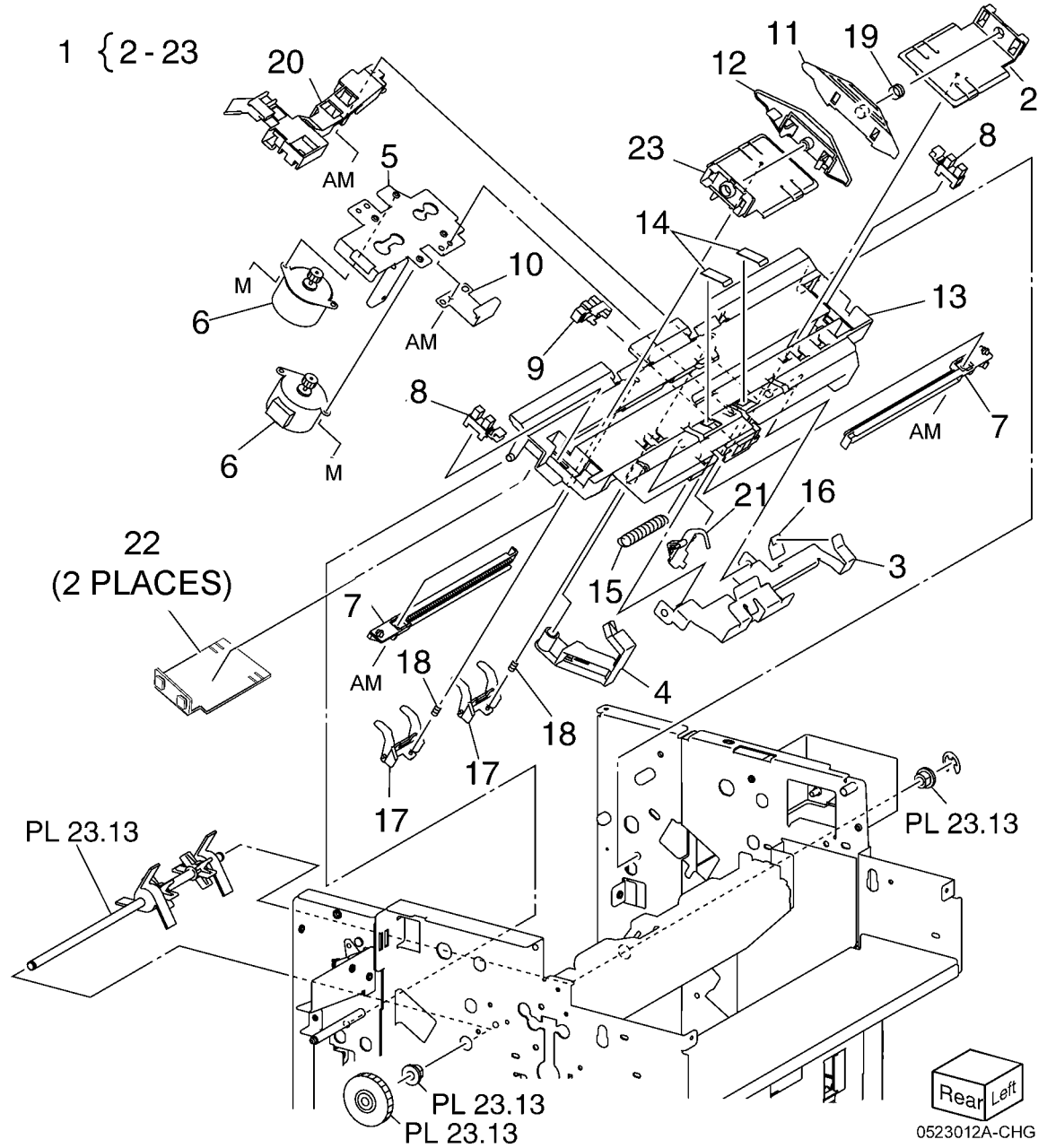
PL 23.11 Finisher Eject (3 of 5) (Office Finisher LX)

Item	Part	Description
1	807E20931	Gear (82T/77T/51T)
2	807E20940	Gear (38T)
3	-	Eject Motor Assembly (Not Spared) (REP 13.22)
4	127K53140	Eject Motor (REP 13.25)
5	-	Bracket (P/O PL 23.11 Item 3)
6	807E22030	Gear/Pulley (20T/49T)
7	423W31054	Belt
8	807E21330	Gear (28T/22T/38T)
9	807E21340	Gear (25T)
10	807E21350	Gear/Pulley (32T/25T)
11	807E21360	Gear (23T)
12	121K34631	Set Clamp Clutch (34T)
13	120E29591	Set Clamp Cam Actuator
14	130K72170	Stacker Height Sensor 1 Assembly
15	-	Bracket (P/O PL 23.11 Item 14)
16	930W00111	Stacker Height Sensor 1, Stacker Height Sensor 2, Eject Clamp Home Sensor, Set Clamp Home Sensor (REP 13.13)
17	130K72180	Stacker Height Sensor 2 Assembly
18	-	Bracket (P/O PL 23.11 Item 17)
19	-	Eject Cover Switch (P/O PL 23.11 Item 37)
20	-	Harness Guide (Not Spared)
21	120E29850	Gear Select Actuator
22	-	Eject Drive Bracket Assembly (Not Spared)
23	-	Bracket (P/O PL 23.11 Item 22)
24	-	Bracket (P/O PL 23.11 Item 22)
25	-	Shaft (P/O PL 23.11 Item 22)
26	008E96770	Clamp Set Cam
27	809E79070	Spring
28	-	Bracket (P/O PL 23.11 Item 22)
29	-	Shaft (P/O PL 23.11 Item 22)
30	008E96691	Eject Clamp Cam
31	413W11660	Sleeve Bearing
32	-	Sleeve Bearing (P/O PL 23.11 Item 22)
33	005E25810	Drive Eject Flange
34	130K72190	Eject Clamp Home Sensor Assembly
35	-	Bracket (P/O PL 23.11 Item 34)
36	-	Bracket (P/O PL 23.11 Item 37)
37	-	Eject Cover Switch Assembly (Not Spared)
38	809E79820	Spring
39	807E22040	Gear (30T)
40	423W25954	Belt



PL 23.12 Finisher Eject (4 of 5) (Office Finisher LX)

Item	Part	Description
1	050K61091	Compiler Tray Assembly (REP 13.17)
2	038E36462	Tamper Guide, Rear
3	-	Compiler Center Paper Guide (P/O PL 23.12 Item 1)
4	-	Compiler Rear Paper Guide (P/O PL 23.12 Item 1)
5	-	Bracket (P/O PL 23.12 Item 1)
6	127K58040	Tamper Motor (REP 13.26)
7	-	Rack (Front) (P/O PL 23.12 Item 1)
8	930W00111	Front Tamper Home Sensor, Rear Tamper Home Sensor (REP 13.27)
9	130E81600	Compiler Tray No Paper Sensor (REP 13.28)
10	-	Spring (P/O PL 23.12 Item 1)
11	-	Tamper Front Guide (P/O PL 23.12 Item 1)
12	-	Tamper Rear Guide (P/O PL 23.12 Item 1)
13	-	Compiler Tray (P/O PL 23.12 Item 1)
14	-	Paper Paddle Guide (P/O PL 23.12 Item 1)
15	809E79000	Spring
16	-	Paper End Guide (P/O PL 23.12 Item 1)
17	-	Paper Tray Guide (P/O PL 23.12 Item 1)
18	-	Spring (P/O PL 23.12 Item 1)
19	-	Spring (P/O PL 23.12 Item 1)
20	-	Harness Guide (P/O PL 23.12 Item 1)
21	120E29760	Actuator
22	801E04903	Tamper Base
23	038E36452	Tamper Guide, Front

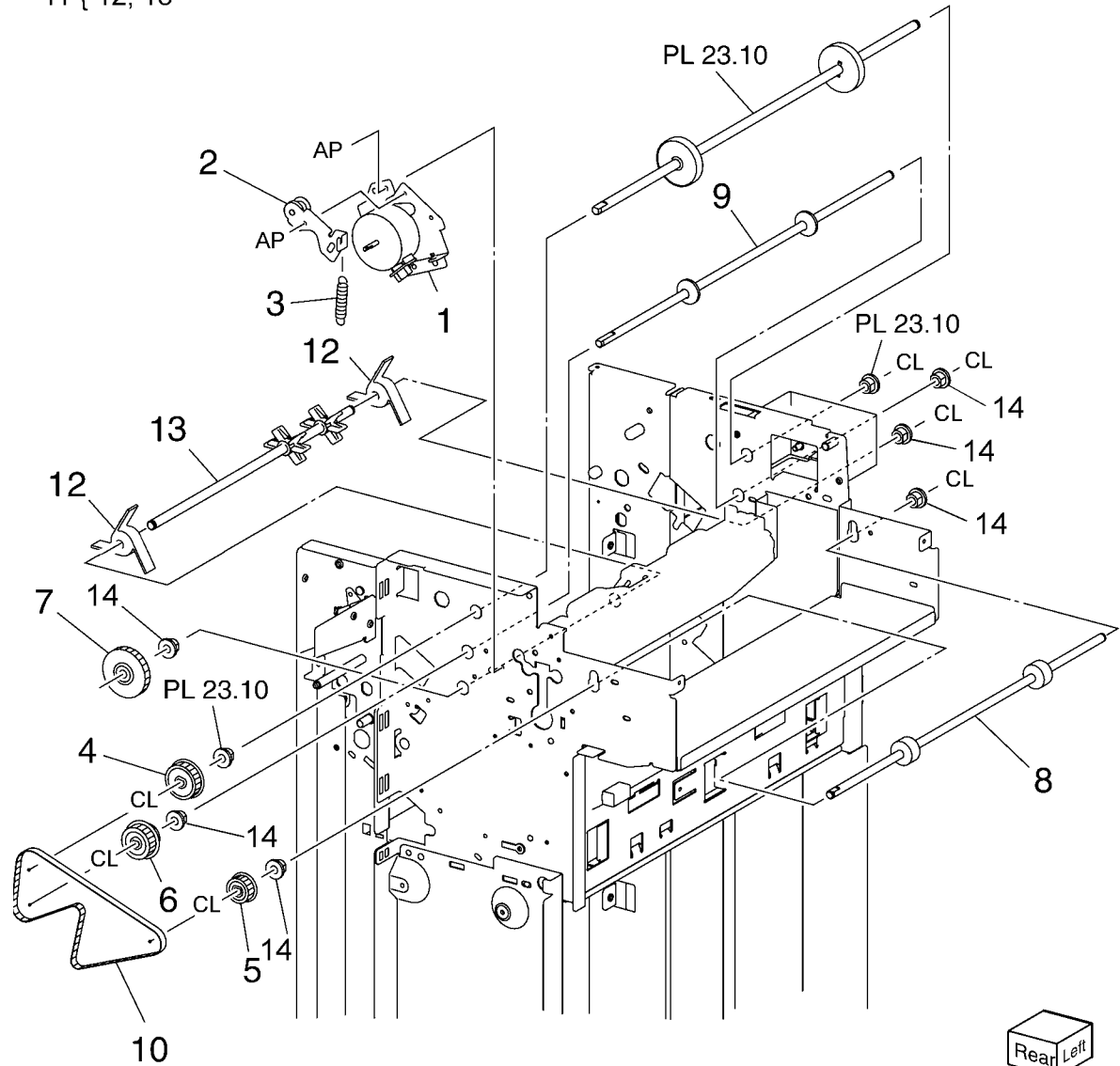


0523012A-CHG
Rear Left

PL 23.13 Finisher Eject (5 of 5) (Office Finisher LX)

Item	Part	Description
1	068K58822	Transport Motor
2	068K58832	Tension Roller Assembly
3	809E78980	Spring
4	020E45340	Pulley (30T)
5	020E45570	Pulley (41T)
6	-	Gear/Pulley (27T/30T)
7	007K98300	Gear
8	059K55080	Entrance Roller
9	059K55090	Exit Roller
10	423W18754	Eject Belt (REP 13.21)
11	006K86813	Paddle Shaft Assembly
12	033E92850	Cyclone Paddle
13	-	Paddle Shaft (P/O PL 23.13 Item 11)
14	413W75959	Bearing

11 { 12, 13

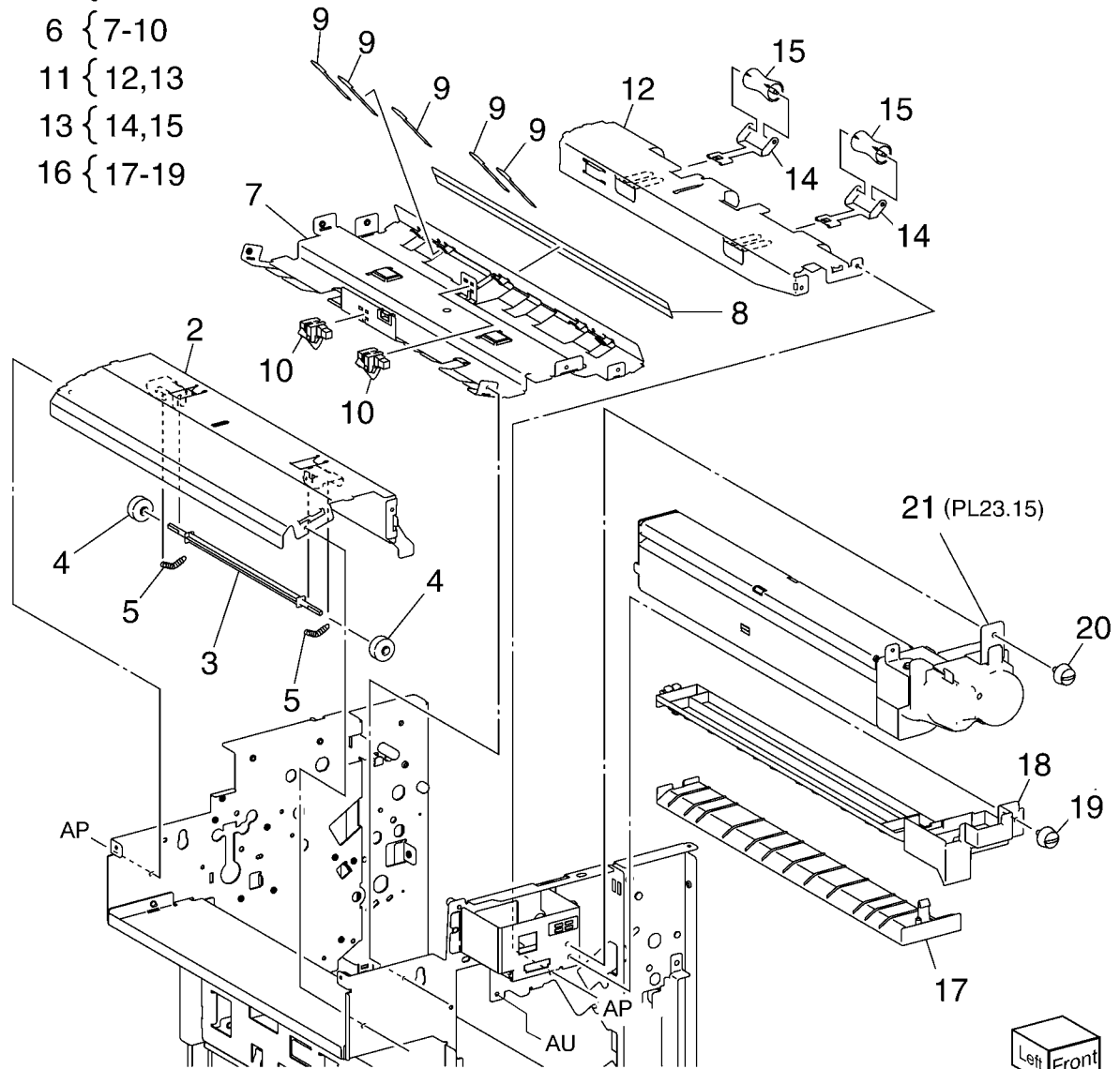


Rear Left
j0fb52313B-CHG

PL 23.14 Finisher Exit/Folder Assembly (Office Finisher LX)

Item	Part	Description
1	-	Lower Chute Assembly (Not Spared)
2	-	Lower Chute (P/O PL 23.14 Item 1)
3	806E22120	Shaft
4	059E03710	Pinch Roll
5	809E78960	Spring
6	054K35540	Exit Upper Chute Assembly
7	-	Exit Upper Chute (P/O PL 23.14 Item 6)
8	105E18000	Static Eliminator
9	038E36420	Paper Guide
10	130K88311	Compiler Exit Sensor, Finisher Entrance Sensor
11	054K35558	Exit Lower Chute Assembly
12	-	Exit Lower Chute (P/O PL 23.14 Item 11)
13	059K56321	Pinch Roll Assembly
14	-	Spring (P/O PL 23.14 Item 13)
15	-	Pinch Roll (P/O PL 23.14 Item 13)
16	-	Chute Assembly (Not Spared)
17	-	Lower Chute (P/O PL 23.14 Item 16)
18	-	Upper Chute (P/O PL 23.14 Item 16)
19	026K81200	Thumb Screw
20	-	Chute Assembly (Not Spared)
21	695K18691	Crease Assembly (Option) (REP 13.18, ADJ 12.2)

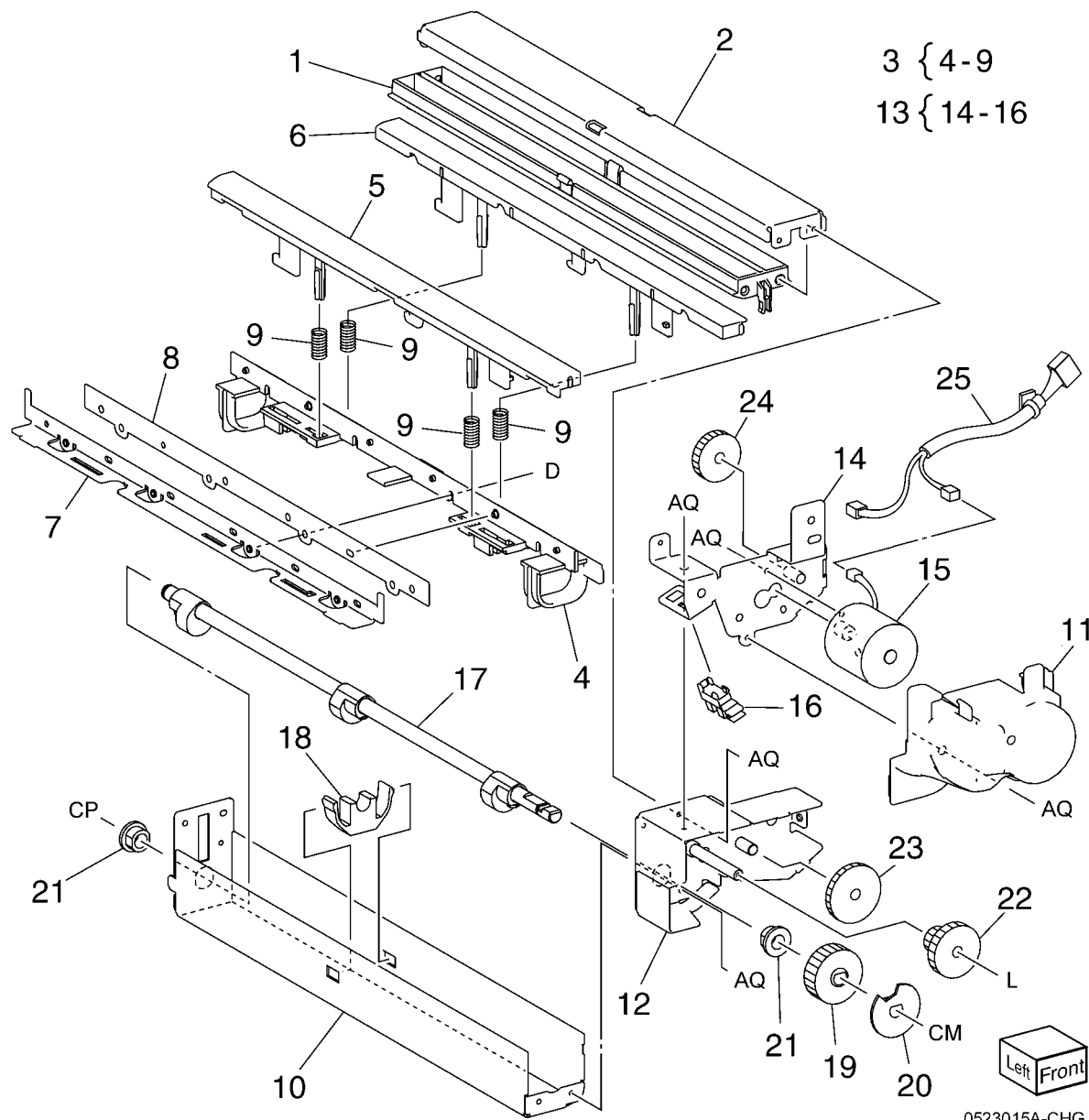
- 1 { 2-5
- 6 { 7-10
- 11 { 12,13
- 13 { 14,15
- 16 { 17-19



Left Front
j0fb52314B

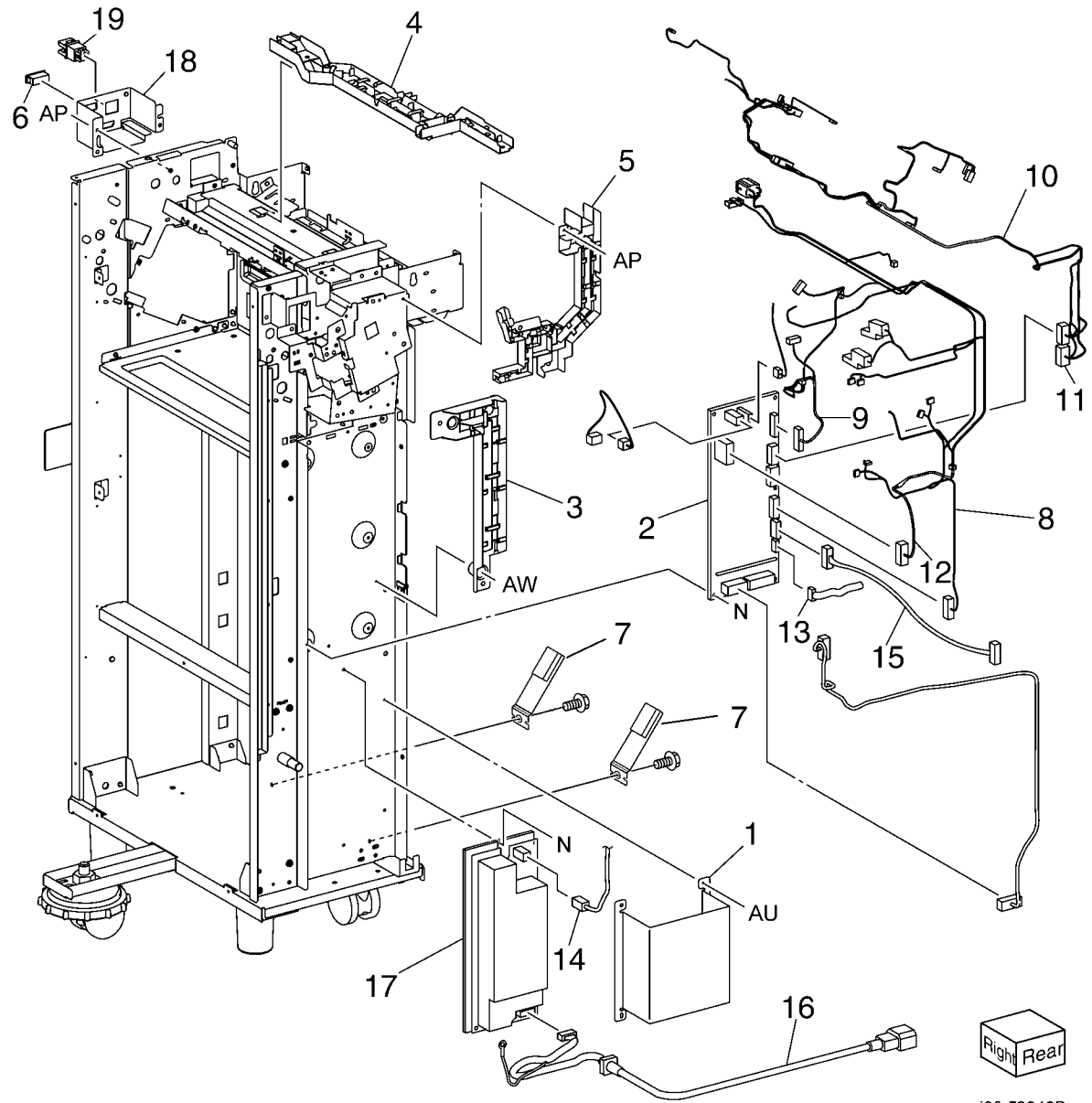
PL 23.15 Folder Assembly (Office Finisher LX)

Item	Part	Description
1	-	Upper Chute (P/O PL 23.14 Item 21)
2	-	Upper Plate (P/O PL 23.14 Item 21)
3	-	Knife Assembly (P/O PL 23.14 Item 21)
4	-	Blade Holder (P/O PL 23.15 Item 3)
5	-	Lower Holder 1 (P/O PL 23.15 Item 3)
6	-	Lower Holder 2 (P/O PL 23.15 Item 3)
7	-	Bracket (P/O PL 23.15 Item 3)
8	-	Blade (P/O PL 23.15 Item 3)
9	-	Spring (P/O PL 23.14 Item 2)
10	-	Frame (P/O PL 23.14 Item 21)
11	-	Front Cover (P/O PL 23.14 Item 21)
12	-	Bracket (P/O PL 23.14 Item 21)
13	-	Folder Knife Motor Assembly (P/O PL 23.14 Item 21)
14	-	Motor Bracket (P/O PL 23.15 Item 13)
15	-	Folder Knife Motor (P/O PL 23.15 Item 13)
16	-	Folder Home Sensor (P/O PL 23.15 Item 13)
17	-	Cam Shaft Assembly (P/O PL 23.14 Item 21)
18	-	Guide (P/O PL 23.14 Item 21)
19	-	Gear (28T/8T) (P/O PL 23.14 Item 21)
20	-	Encoder (P/O PL 23.14 Item 21)
21	-	Bearing (P/O PL 23.14 Item 21)
22	-	Gear (12T/27T) (P/O PL 23.14 Item 21)
23	-	Gear (12T/30T) (P/O PL 23.14 Item 21)
24	-	Gear (12T/51T) (P/O PL 23.14 Item 21)
25	-	Wire Harness (P/O PL 23.14 Item 21)



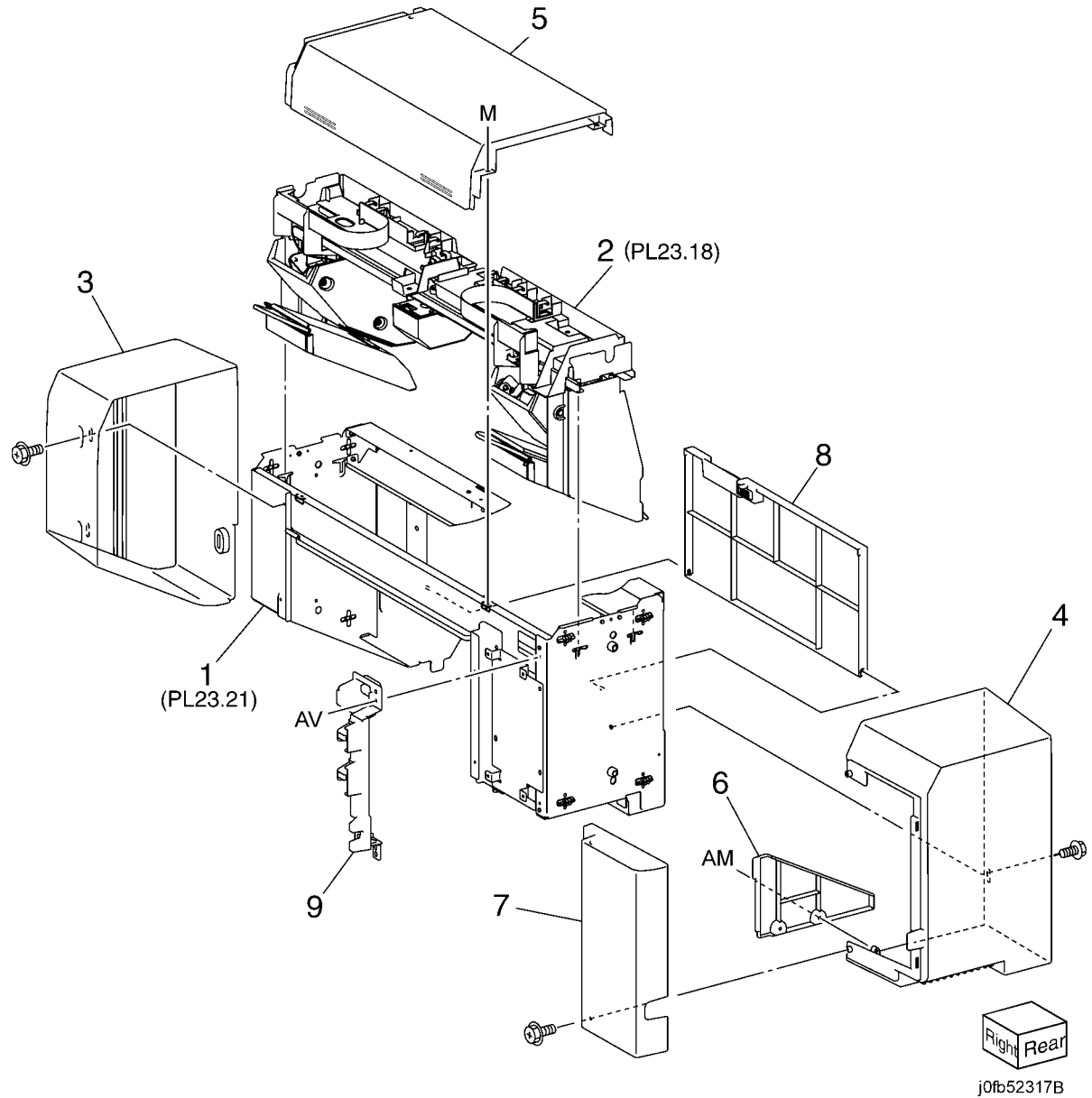
PL 23.16 Finisher Electrical (Office Finisher LX)

Item	Part	Description
1	-	LVPS Cover (Not Spared)
2	960K51442	Finisher PWB (REP 13.23)
3	-	Harness Guide (Not Spared)
4	-	Harness Guide (Not Spared)
5	-	Harness Guide (Not Spared)
6	-	Magnet (Not Spared)
7	815K04920	Gasket Plate Assembly
8	-	Wire Harness (Not Spared)
9	-	Wire Harness (Not Spared)
10	-	Wire Harness (Not Spared)
11	-	Wire Harness (Not Spared)
12	-	Wire Harness (Not Spared)
13	962K60480	Wire Harness
14	-	Wire Harness (Not Spared)
15	-	Wire Harness (Not Spared)
16	962K74540	Power Cable
17	105E17550	Finisher LVPS (REP 13.24)
18	-	Bracket (Not Spared)
19	110E97990	Finisher Front Door Interlock Switch



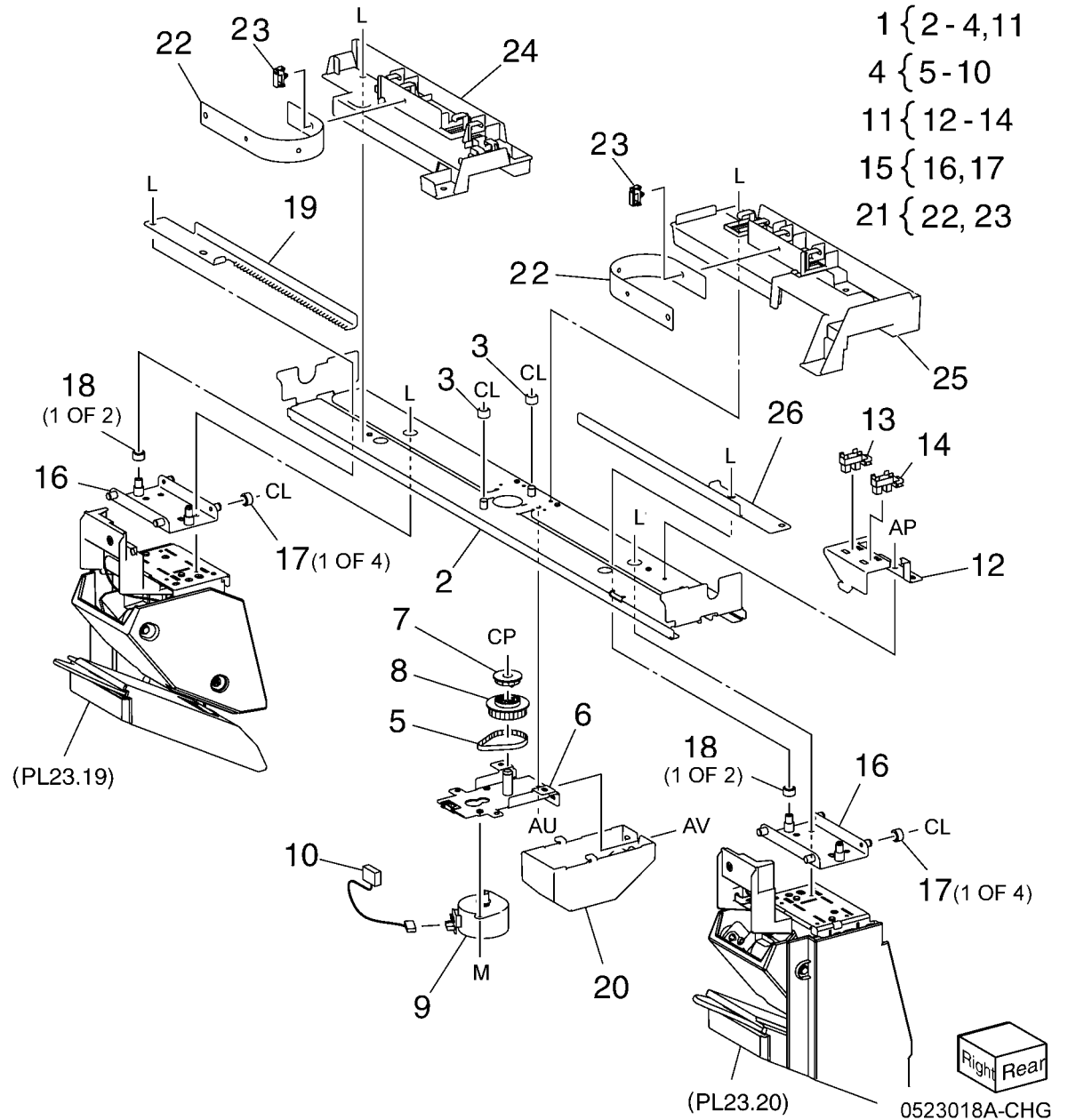
PL 23.17 Booklet Cover (Office Finisher LX)

Item	Part	Description
1	-	Frame Assembly (REF: PL 23.21)
2	-	Booklet Stapler Assembly (ADJ 12.2)
3	848E15333	Rear Cover (REP 13.33)
4	-	Front Cover (Not Spared) (REP 13.32)
5	-	Top Cover (Not Spared) (REP 13.34)
6	848E15350	Side Cover
7	848E15361	PWB Cover (REP 13.35)
8	-	Left Cover (Not Spared) (REP 13.36)
9	-	Harness Guide (Not Spared)



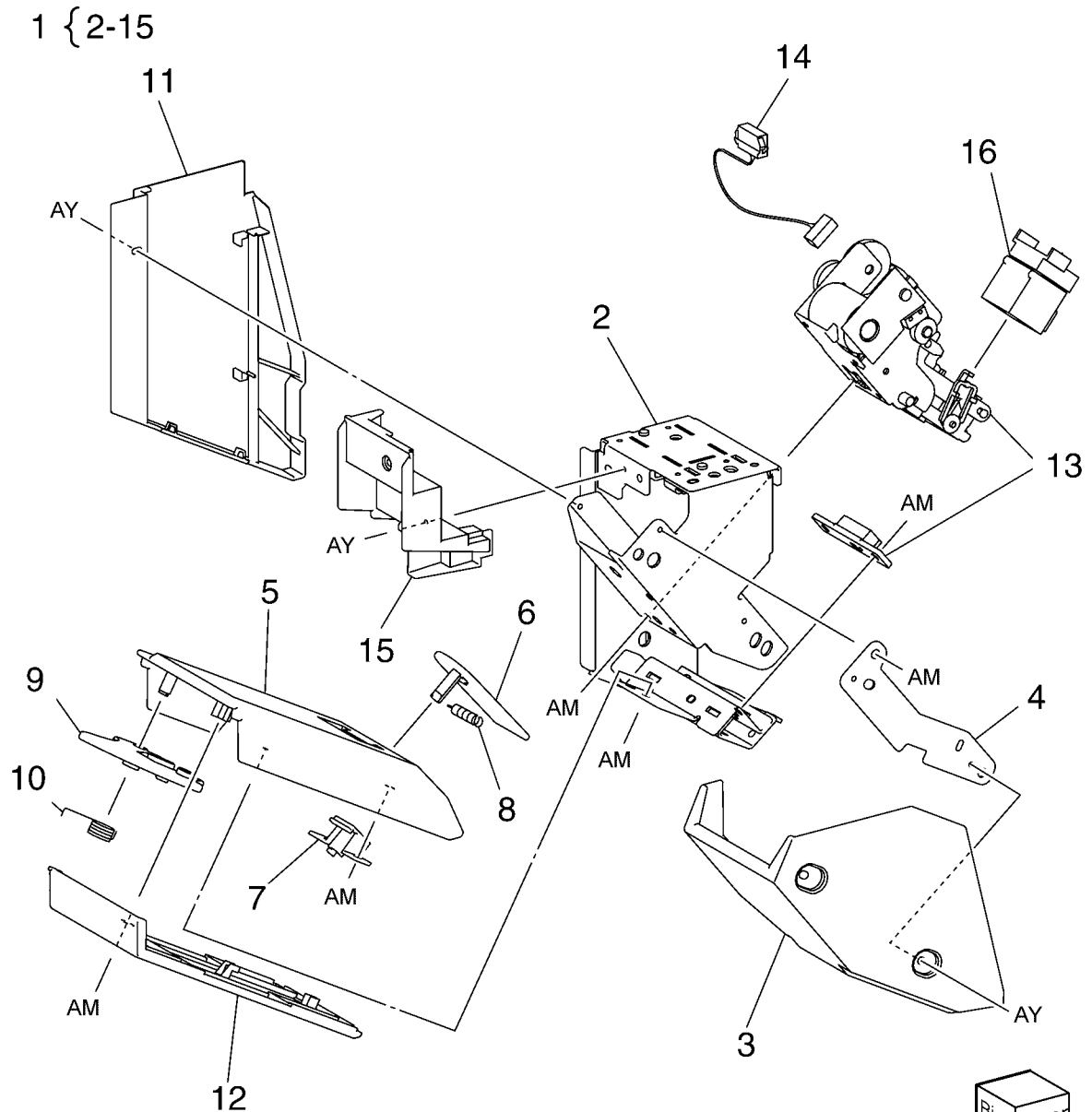
PL 23.18 Booklet Stapler Assembly (Office Finisher LX)

Item	Part	Description
1	-	Front Carriage Rail (Not Spared)
2	-	Frame (P/O PL 23.18 Item 1)
3	-	Core (P/O PL 23.18 Item 1)
4	127K57050	Booklet Stapler Move Motor Assembly (REP 13.38, ADJ 12.2)
5	-	Belt (P/O PL 23.18 Item 4)
6	-	Bracket (P/O PL 23.18 Item 4)
7	-	Gear (12T) (P/O PL 23.18 Item 4)
8	-	Pulley (50T) (P/O PL 23.18 Item 4)
9	127K57622	Booklet Stapler Move Motor
10	-	Wire Harness (P/O PL 23.18 Item 4)
11	-	Sensor Bracket Assembly (P/O PL 23.18 Item 1)
12	-	Sensor Bracket (P/O PL 23.18 Item 11)
13	930W00111	Booklet Stapler Move Home Sensor, Booklet Stapler Move Position Sensor
14	-	Rear Rack Gear (Not Spared)
15	-	Carriage Assembly (Not Spared)
16	-	Carriage (P/O PL 23.18 Item 15)
17	-	Core (P/O PL 23.18 Item 15)
18	-	Core (Not Spared)
19	-	Front Rack Gear (Not Spared)
20	848E15400	Motor Cover
21	032K05222	Harness Guide Assembly
22	-	Harness Strap (P/O PL 23.18 Item 21)
23	920W01210	Locking Clamp
24	-	Harness Guide (Front) (Not Spared)
25	-	Harness Guide (Rear) (Not Spared)
26	-	Rear Rack Guide (Not Spared)



PL 23.19 Booklet Front Stapler Assembly (Office Finisher LX)

Item	Part	Description
1	029K92490	Booklet Front Stapler Assembly
2	-	Bracket (P/O PL 23.19 Item 1)
3	-	Rear Cover (P/O PL 23.19 Item 1)
4	-	Bracket (P/O PL 23.19 Item 1)
5	054K35272	Chute
6	-	Sub Chute (P/O PL 23.19 Item 1)
7	-	Support (P/O PL 23.19 Item 1)
8	-	Spring (P/O PL 23.19 Item 1)
9	-	Exit Sub Chute (P/O PL 23.19 Item 1)
10	-	Spring (P/O PL 23.19 Item 1)
11	-	Front Cover (P/O PL 23.19 Item 1)
12	848E15421	Lower Cover
13	-	Booklet Stapler Assembly (P/O PL 23.19 Item 1) (REP 13.37, ADJ 12.2)
14	-	Wire Harness (P/O PL 23.19 Item 1)
15	-	Guide (P/O PL 23.19 Item 1)
16	-	Booklet Staple Cassette Assembly (Not Spared)

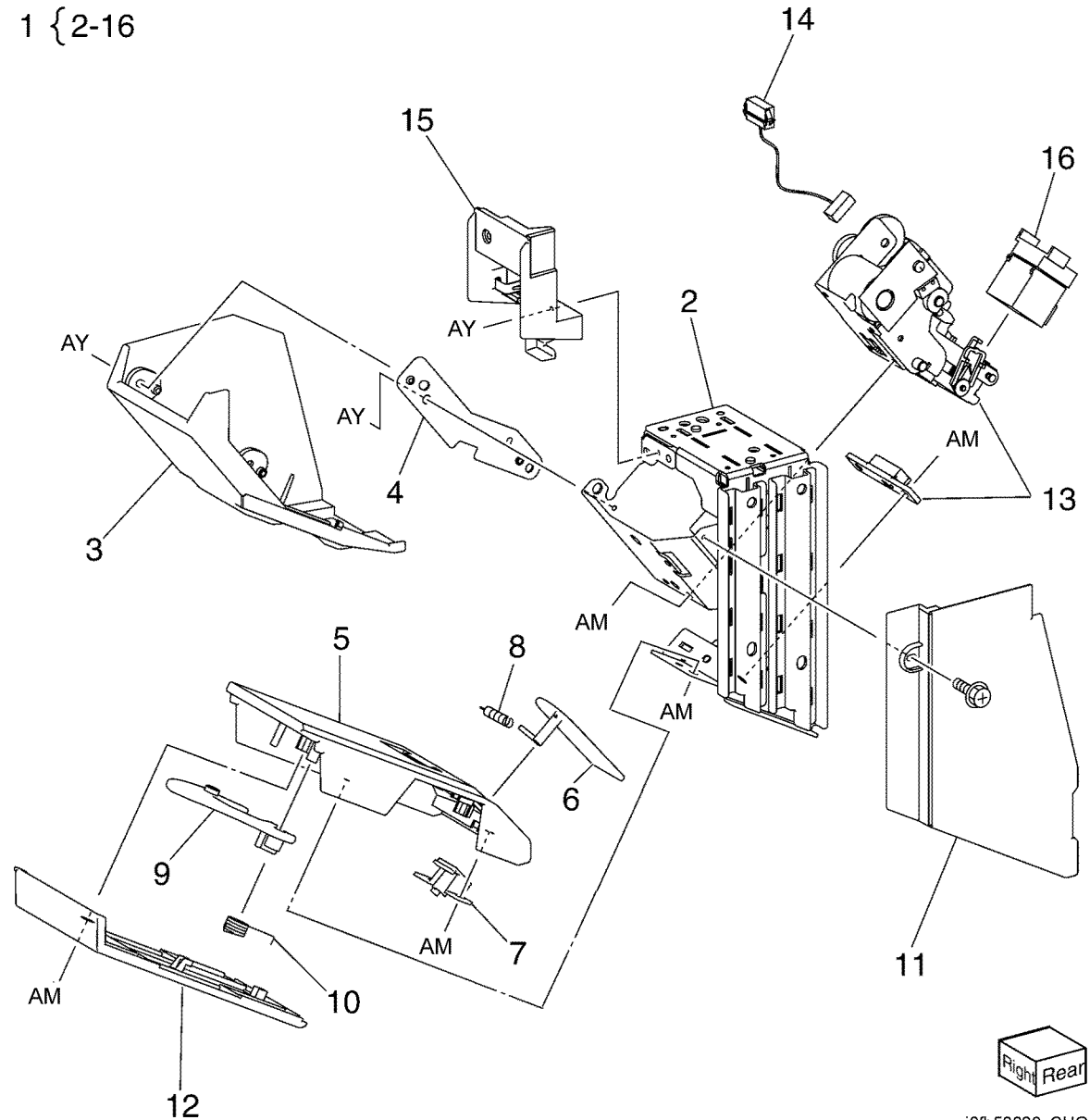


Right Rear
j0fb52319C-CHG

PL 23.20 Booklet Rear Stapler Assembly (Office Finisher LX)

Item	Part	Description
1	029K92500	Booklet Rear Stapler Assembly
2	-	Bracket (P/O PL 23.20 Item 1)
3	-	Rear Cover (P/O PL 23.20 Item 1)
4	-	Bracket (P/O PL 23.20 Item 1)
5	054K35282	Chute
6	-	Sub Chute (P/O PL 23.20 Item 1)
7	-	Support (P/O PL 23.20 Item 1)
8	-	Spring (P/O PL 23.20 Item 1)
9	-	Sub Chute (P/O PL 23.20 Item 1)
10	-	Spring (P/O PL 23.20 Item 1)
11	-	Front Cover (P/O PL 23.20 Item 1)
12	848E15421	Lower Cover
13	-	Booklet Stapler Assembly (P/O PL 23.20 Item 1) (REP 13.37, ADJ 12.2)
14	-	Wire Harness (P/O PL 23.20 Item 1)
15	-	Guide (P/O PL 23.20 Item 1)
16	-	Booklet Staple Cassette Assembly (P/O PL 23.20 Item 1)

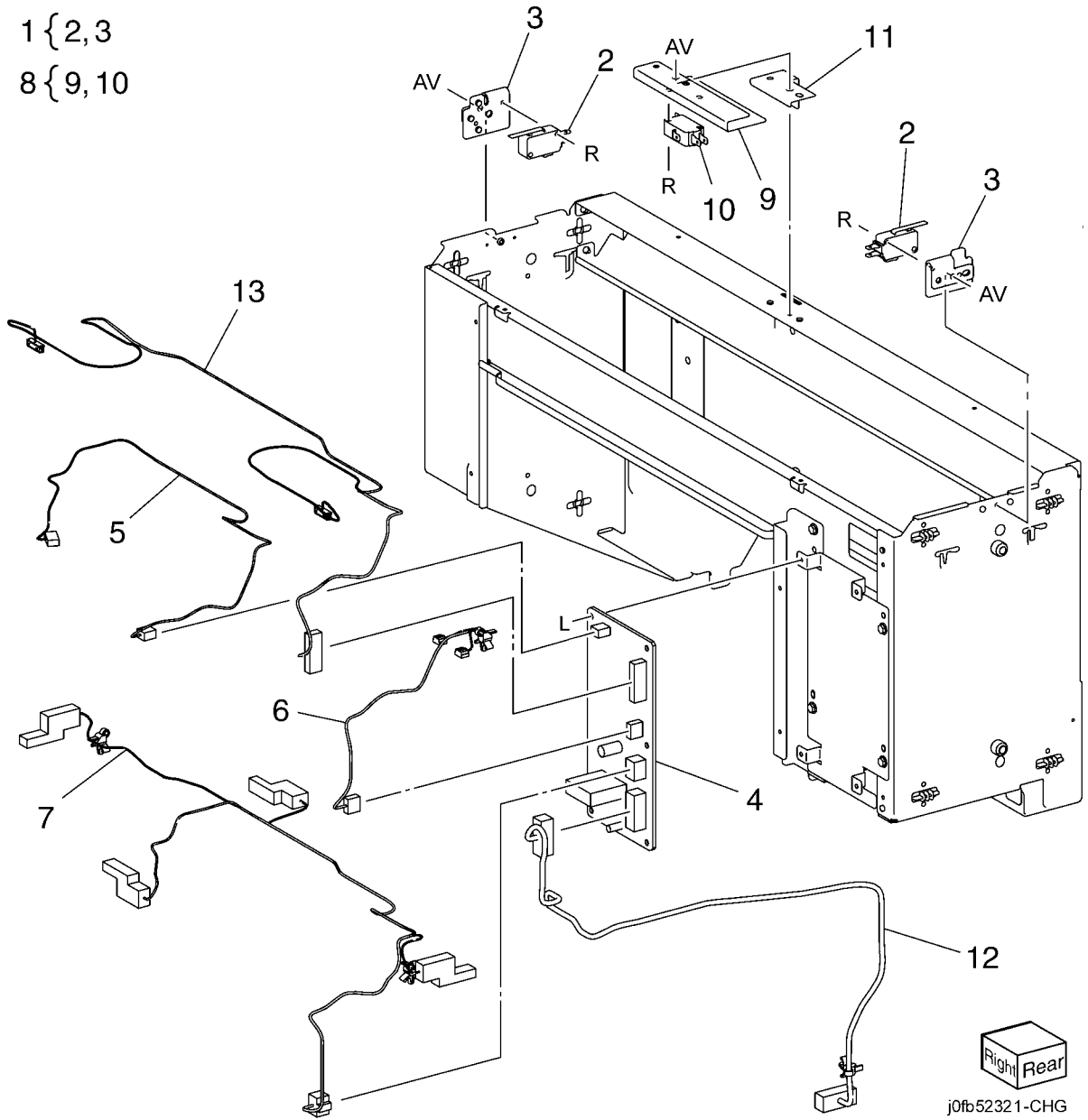
1 {2-16



Right Rear
j0fb53320-CHG

PL 23.21 Booklet Electrical (Office Finisher LX)

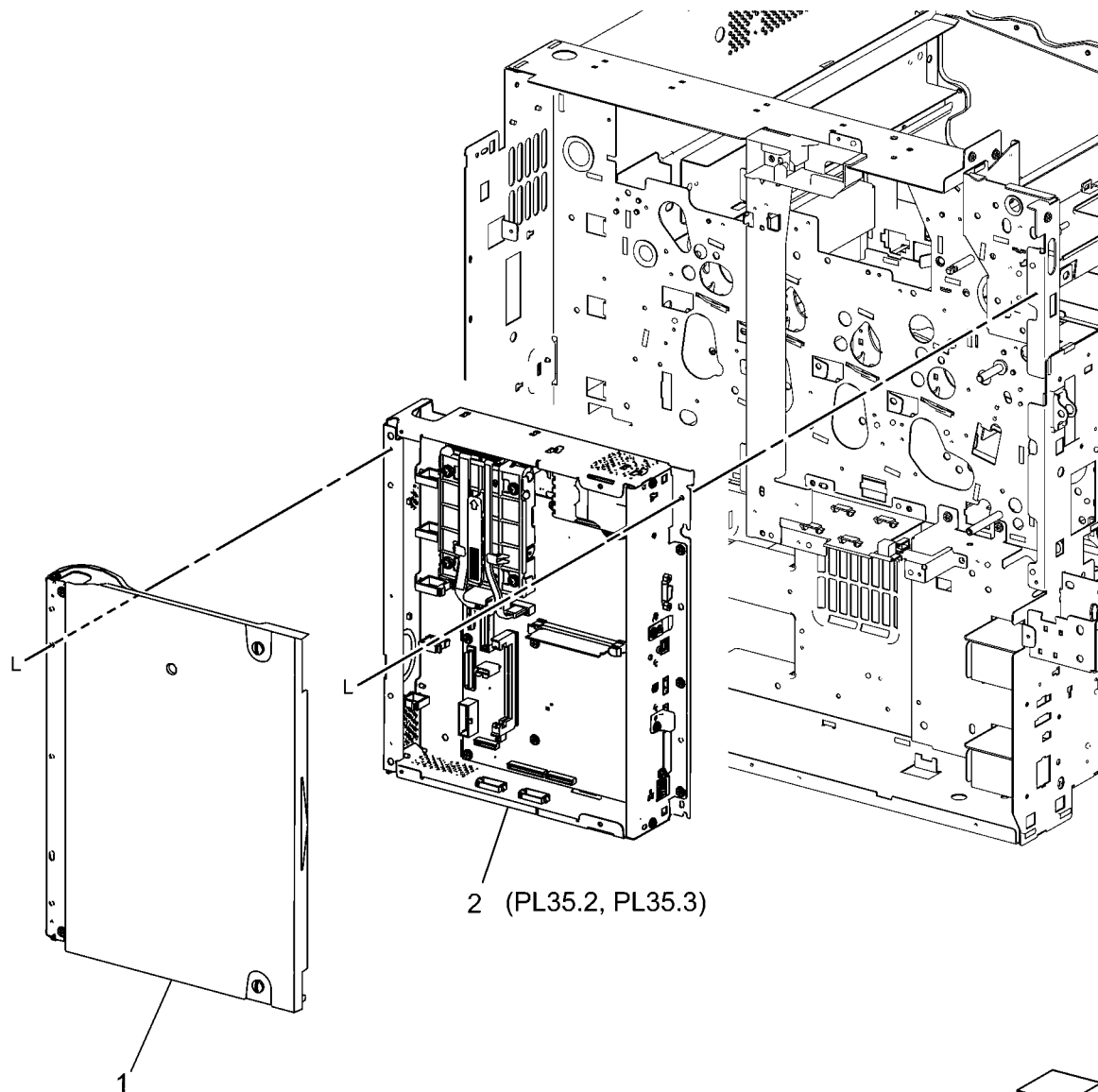
Item	Part	Description
1	068K58350	Booklet Stapler Safety Switch Assembly
2	110E12970	Booklet Stapler Safety Switch
3	-	Bracket (P/O PL 23.21 Item 1)
4	960K32543	Booklet PWB (REP 13.30)
5	-	Wire Harness (Not Spared)
6	-	Wire Harness (Not Spared)
7	-	Wire Harness (Not Spared)
8	-	Booklet Stapler Cover Switch Assembly (Not Spared)
9	-	Bracket (P/O PL 23.21 Item 8)
10	-	Booklet Stapler Cover Switch (P/O PL 23.21 Item 8)
11	-	Plate (Not Spared)
12	962K60531	Wire Harness
13	962K60540	Wire Harness



PL 35.1 ESS (1 of 3)

Item	Part	Description
1	-	ESS Cover (Not Spared)
2	-	ESS Hard Drive Chassis Assembly (Not Spared) (REP 3.1)

PL35.1

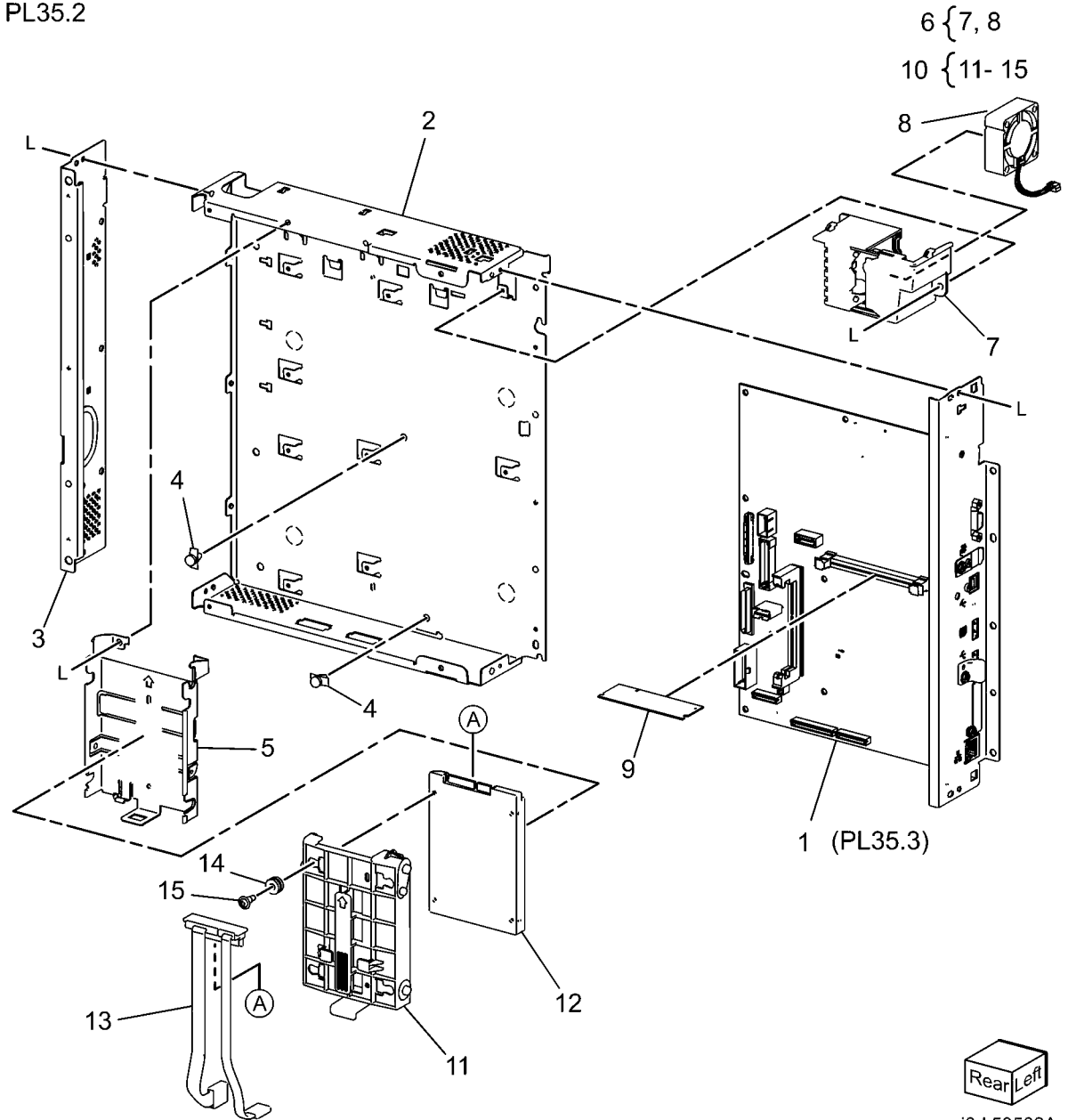


j0rk53501A

PL 35.2 ESS (2 of 3)

Item	Part	Description
1	604K58590	ESS Assembly (REP 3.1, REP 3.3)
2	-	ESS Housing (Not Spared)
3	-	ESS Plate (Not Spared)
4	-	PWB Support (Not Spared)
5	-	HDD Bracket (Not Spared)
6	054K42530	ESS Fan Duct Assembly
7	-	Fan Duct (P/O PL 35.2 Item 6)
8	-	Fan Assembly (P/O PL 35.2 Item 6)
9	133K26450	DIMM (2GB)
10	101K61210	Classic Hard Drive Assembly (REP 3.2)
11	-	Hard Drive Chassis (P/O PL 35.2 Item 10)
12	-	2.5 Inch SATA Hard Drive (P/O PL 35.2 Item 10)
13	-	Harness Assembly (P/O PL 35.2 Item 10)
14	-	Bumper (P/O PL 35.2 Item 10)
15	-	Frage Screw (P/O PL 35.2 Item 10)

PL35.2



6 { 7, 8
10 { 11- 15

1 (PL35.3)



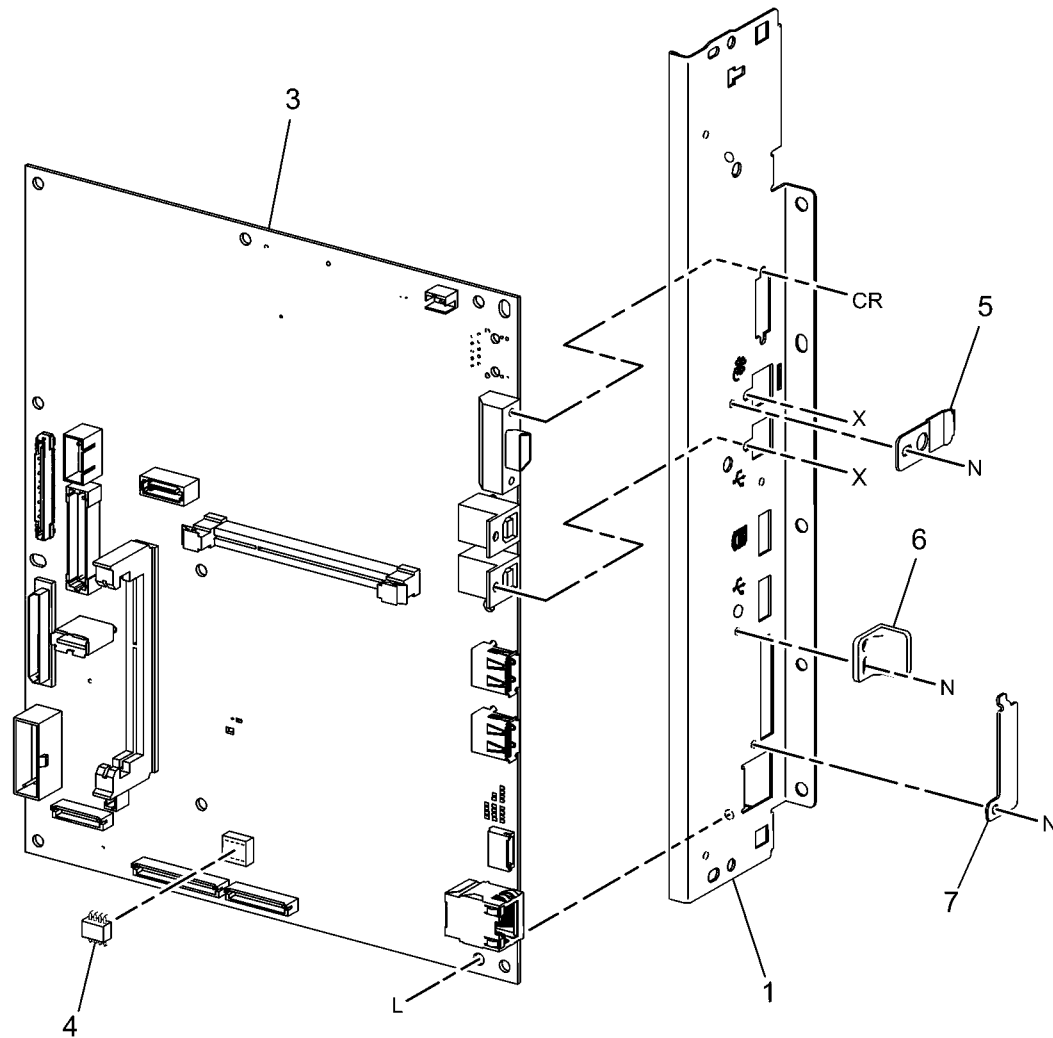
j0rk53502A

PL 35.3 ESS (3 of 3)

Item	Part	Description
1	-	ESS Plate (P/O PL 35.2 Item 1)
2	-	PWB Assembly (P/O PL 35.2 Item 1)
3	-	ESS PWB (P/O PL 35.3 Item 2)
4	-	EEPROM (P/O PL 35.3 Item 2)
5	-	USB Panel (P/O PL 35.2 Item 1)
6	-	Cable Guard (P/O PL 35.2 Item 1)
7	-	Plate (P/O PL 35.2 Item 1)

PL35.3

2 { 3, 4

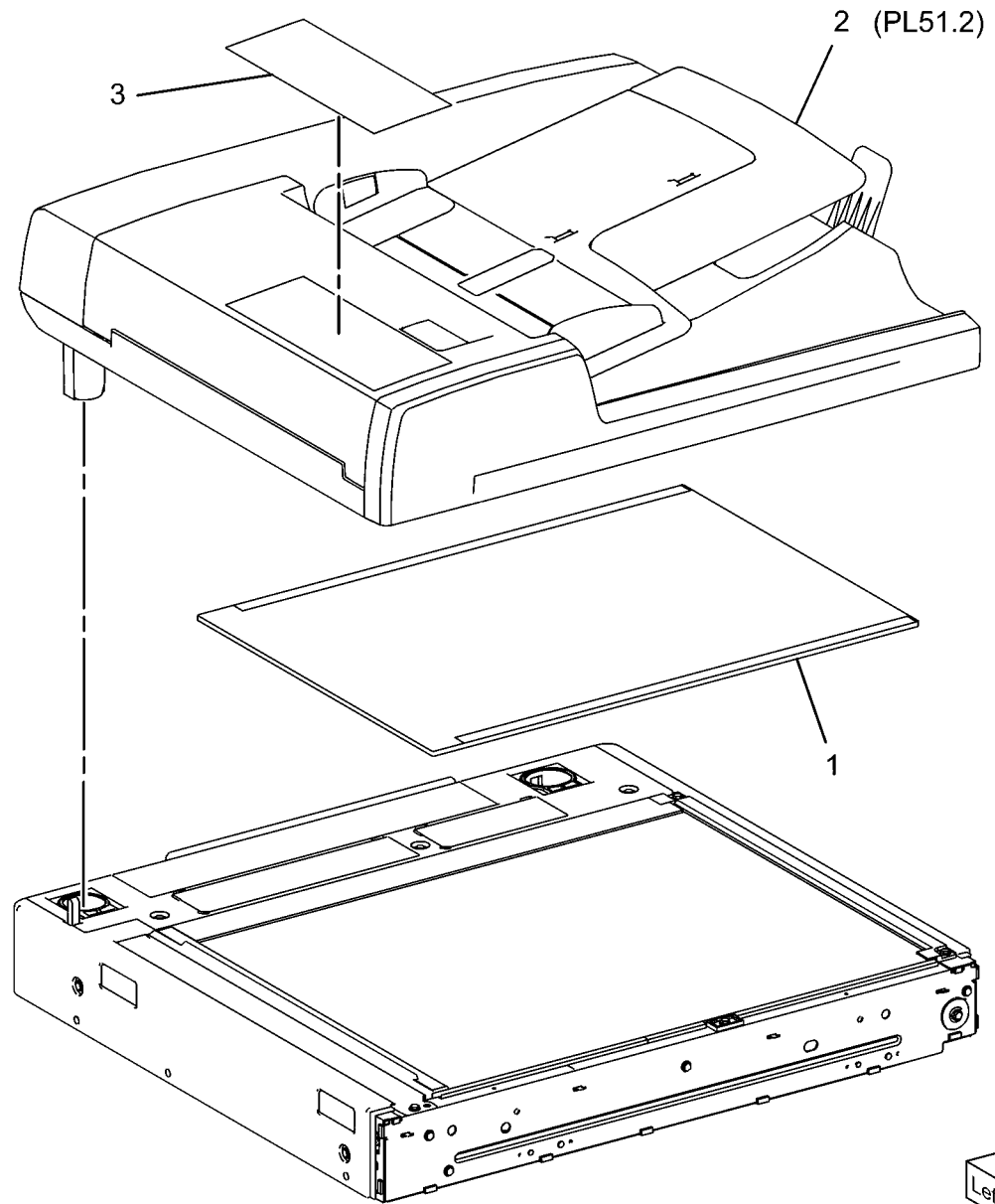


j0rk53503A

PL 51.1 DADF Accessory

Item	Part	Description
1	004K02962	DADF Platen Cushion (REP 5.2)
2	059K66476	DADF Assembly (REP 5.1)
3	-	Label

PL51.1

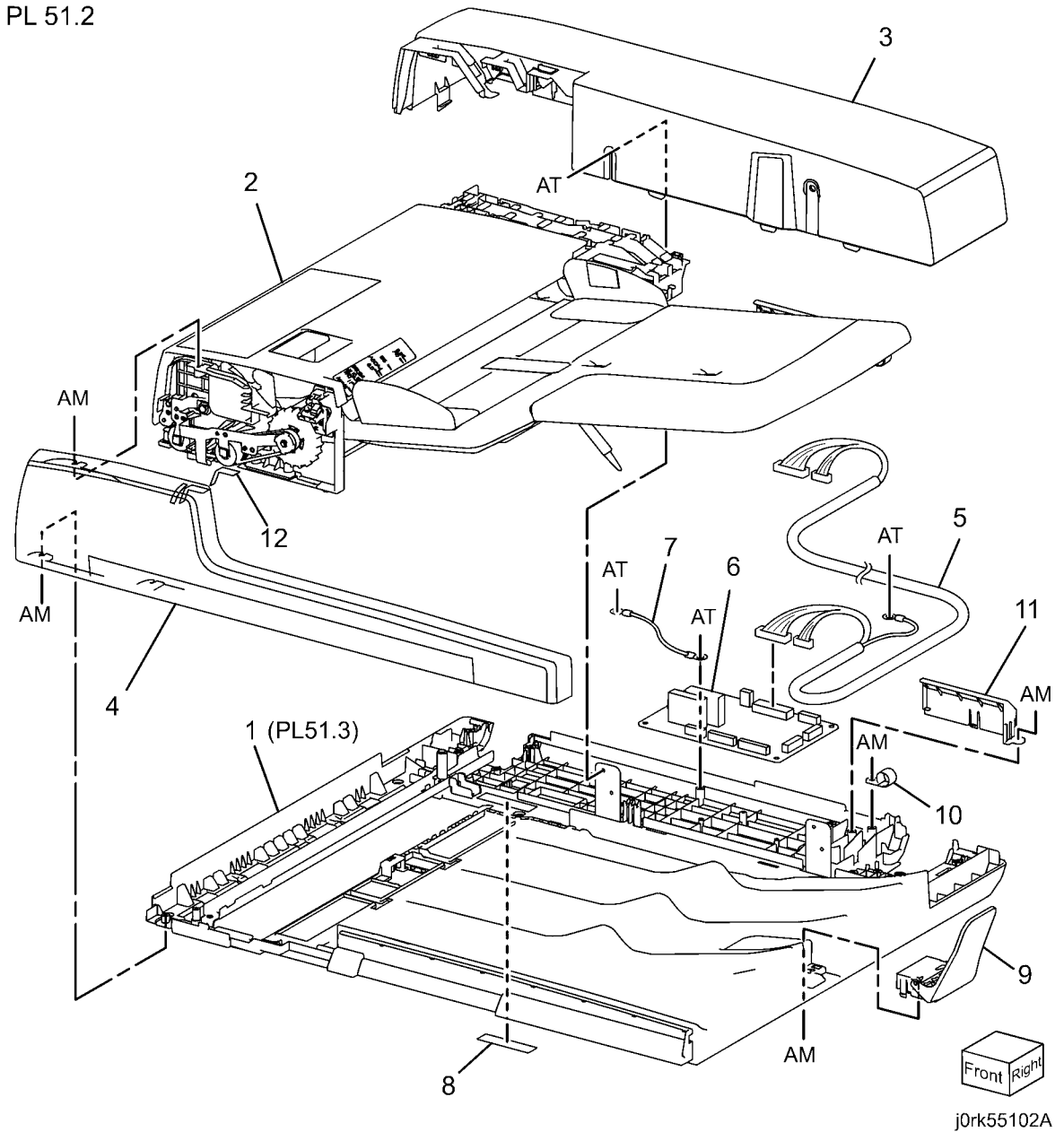


j0rk55101A

PL 51.2 Covers, PWB

Item	Part	Description
1	-	Base Frame (P/O PL 51.1 Item 2)
2	-	Feeder Assembly (P/O PL 51.1 Item 2) (REP 5.5)
3	-	Rear Cover (P/O PL 51.1 Item 2) (REP 5.4)
4	-	Front Cover (P/O PL 51.1 Item 2) (REP 5.3)
5	962K71100	Transport Harness
6	960K47303	DADF PWB (REP 5.6)
7	-	Wire Harness (P/O PL 51.1 Item 2)
8	-	Data Plate (P/O PL 51.1 Item 2)
9	003K87990	Stopper
10	-	P Clamp (P/O PL 51.1 Item 2)
11	-	Bracket (P/O PL 51.1 Item 2)
12	-	Knob Label (Not Spared)

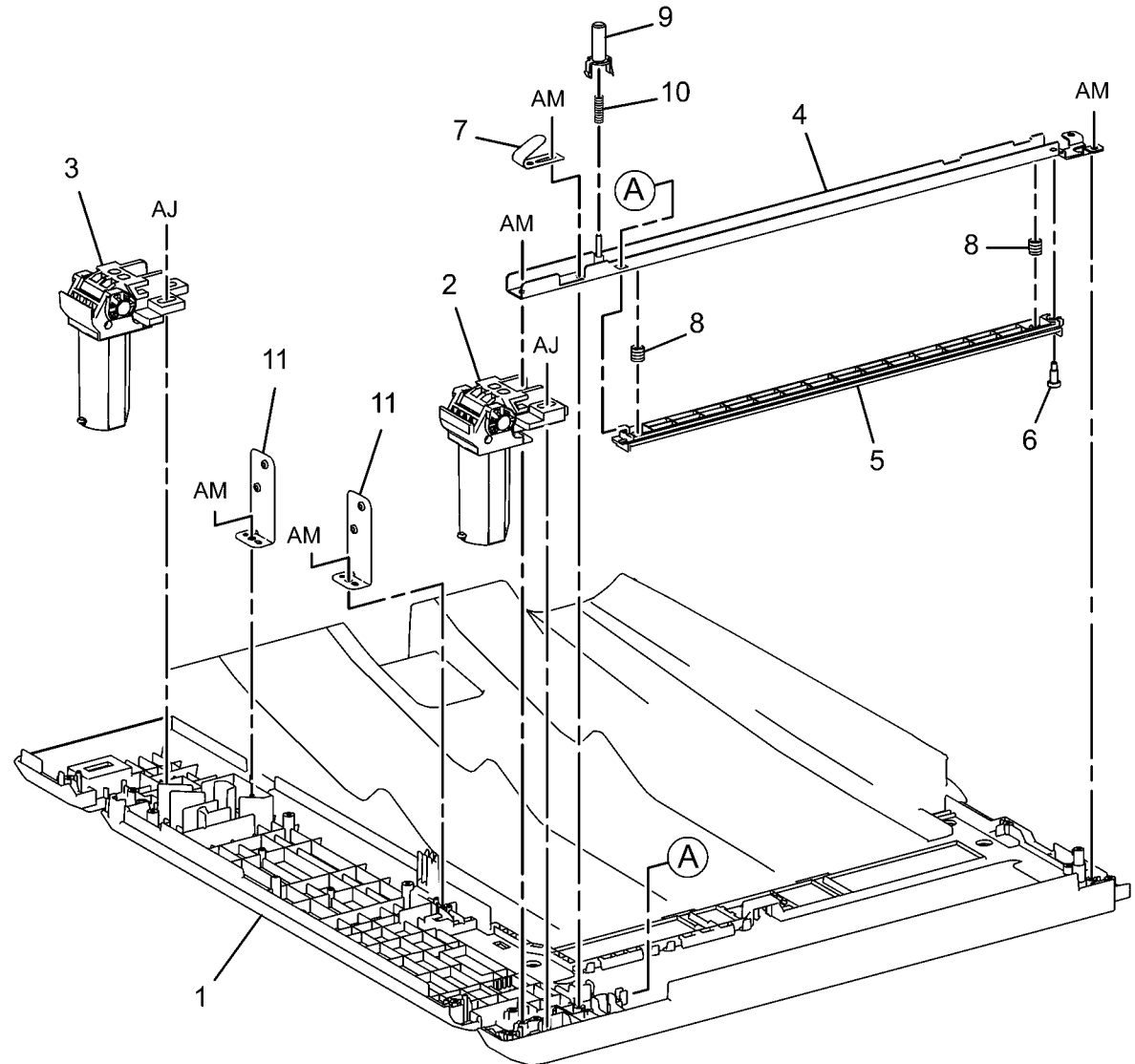
PL 51.2



PL 51.3 Base Frame

Item	Part	Description
1	-	Frame (P/O PL 51.1 Item 2)
2	036K91873	Left Counter Balance (REP 5.7)
3	036K91921	Right Counter Balance (REP 5.8)
4	-	Tie Plate (P/O PL 51.1 Item 2)
5	054K41230	CVT Chute
6	826E45980	Stud Screw
7	-	Ground Plate (P/O PL 51.1 Item 2)
8	809E86290	CVT Spring
9	019E73462	Floating Holder
10	809E89310	Floating Spring
11	-	Bracket (P/O PL 51.1 Item 2)

PL51.3

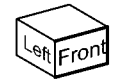
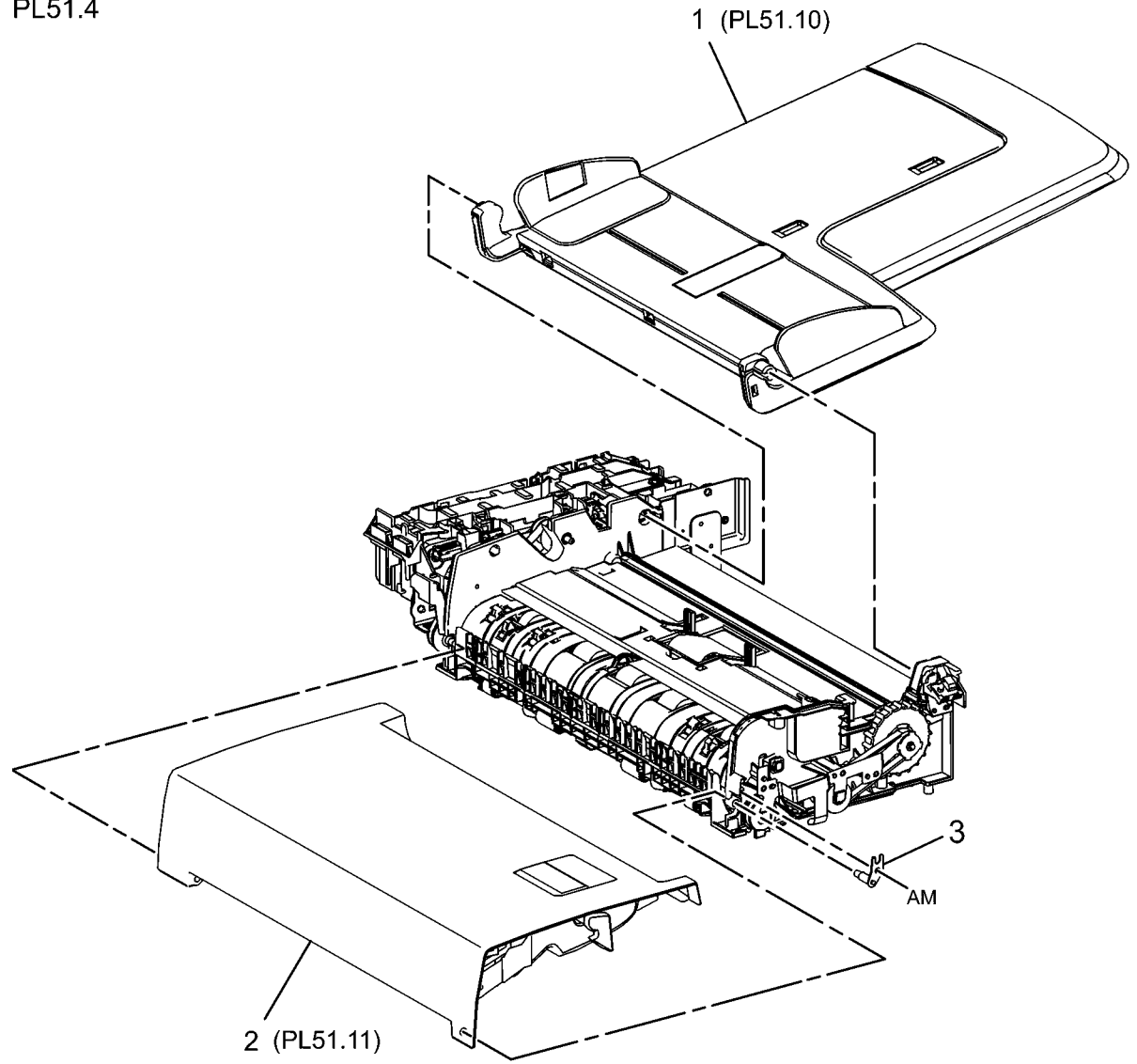


jOrk55103A

PL 51.4 Document Tray

Item	Part	Description
1	050K64251	Document Tray Assembly (REP 5.9)
2	059K65062	Top Cover (REP 5.10)
3	-	Stud Bracket (P/O PL 51.1 Item 2)

PL51.4



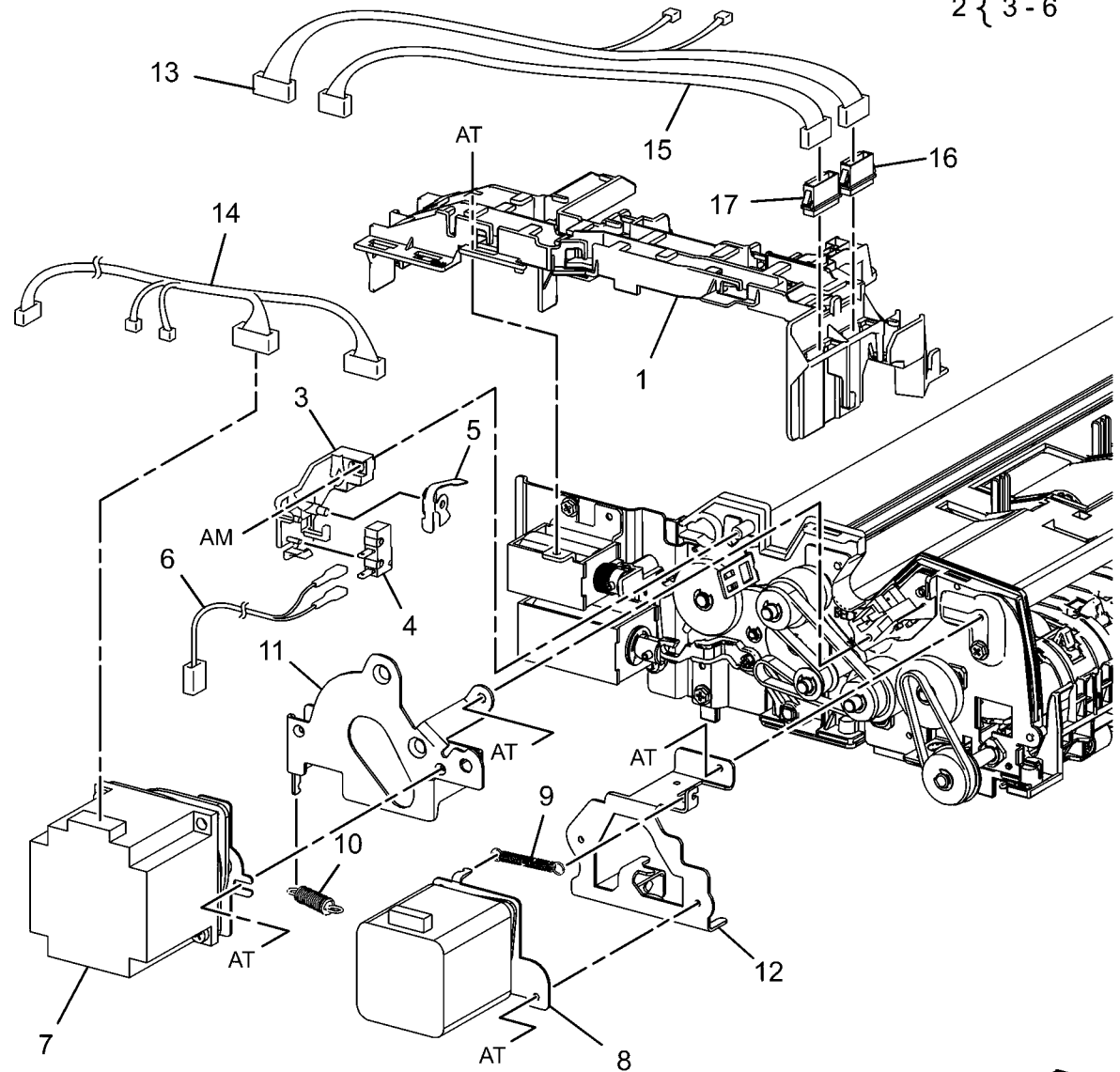
j0rk55104A

PL 51.5 DADF Drives (1 of 2)

Item	Part	Description
1	032E32642	Harness Guide (REP 5.11)
2	110K15933	Interlock Switch and Harness Assembly
3	-	Bracket (P/O PL 51.5 Item 2)
4	-	Interlock Switch (P/O PL 51.5 Item 2)
5	-	Spring (P/O PL 51.5 Item 2)
6	-	Switch Wire Harness (P/O PL 51.5 Item 2)
7	127K62910	Feed Motor (REP 5.13)
8	127K62890	Registration Motor (REP 5.12)
9	809E50763	Spring
10	809E91390	Spring
11	-	Bracket (P/O PL 51.1 Item 2)
12	-	Bracket (P/O PL 51.1 Item 2)
13	-	Feeder Wire Harness (P/O PL 51.1 Item 2)
14	-	Motor Wire Harness (P/O PL 51.1 Item 2)
15	-	APS Wire Harness
16	-	Connector (Not Spared)
17	-	Connector (Not Spared)

PL51.5

2 { 3 - 6



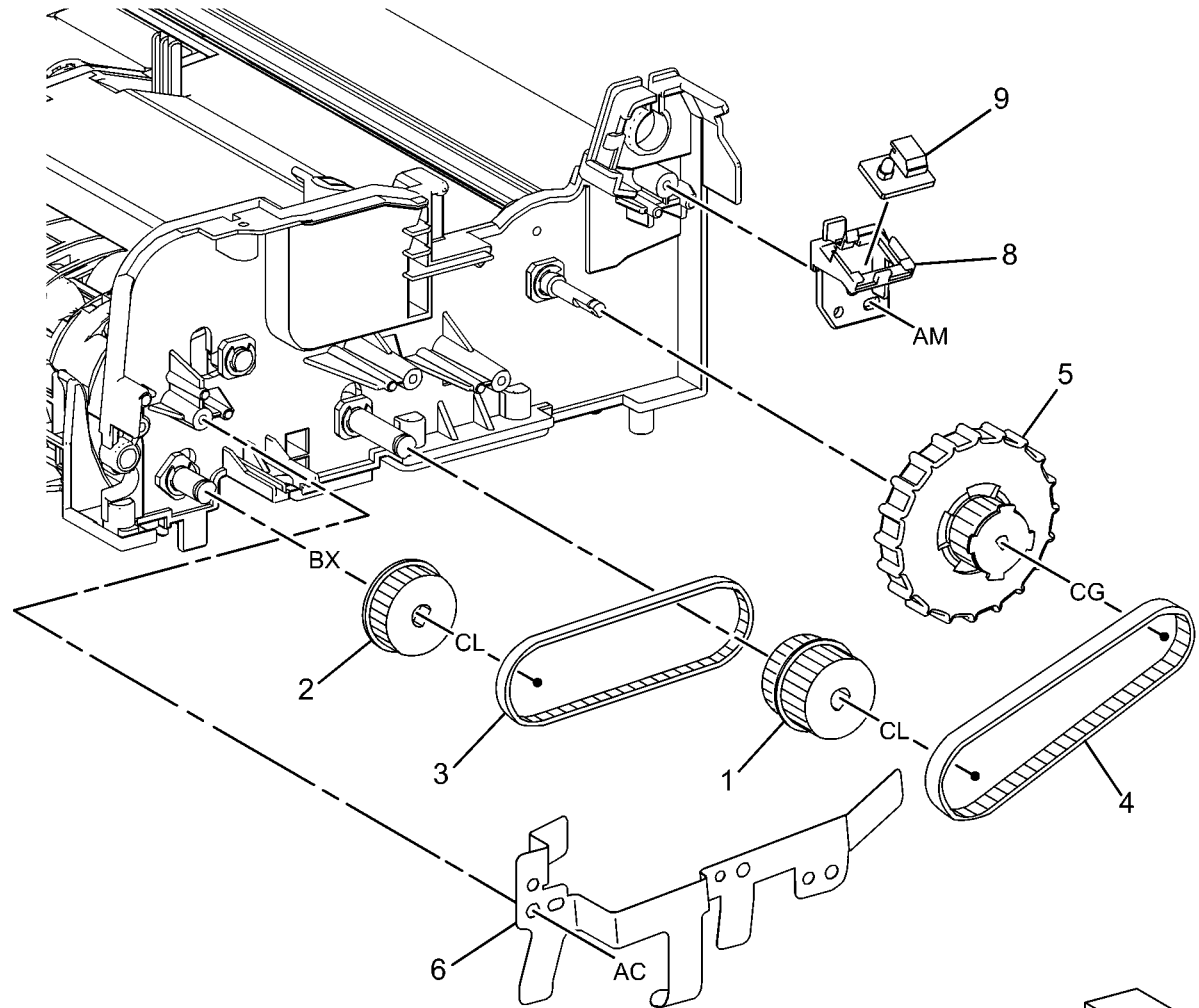
j0rk55105A

PL 51.7 Front Belt

PL51.7

7 { 8, 9

Item	Part	Description
1	020E46540	Out Roll Pulley
2	020E46551	Registration Roll Pulley
3	423W08855	Belt
4	-	Belt (Not Spared)
5	803E02200	Knob Handle
6	-	Ground Plate (Not Spared)
7	960K48840	Document LED Set
8	-	LED Bracket (P/O PL 51.7 Item 7)
9	-	Document LED (P/O PL 51.7 Item 7)

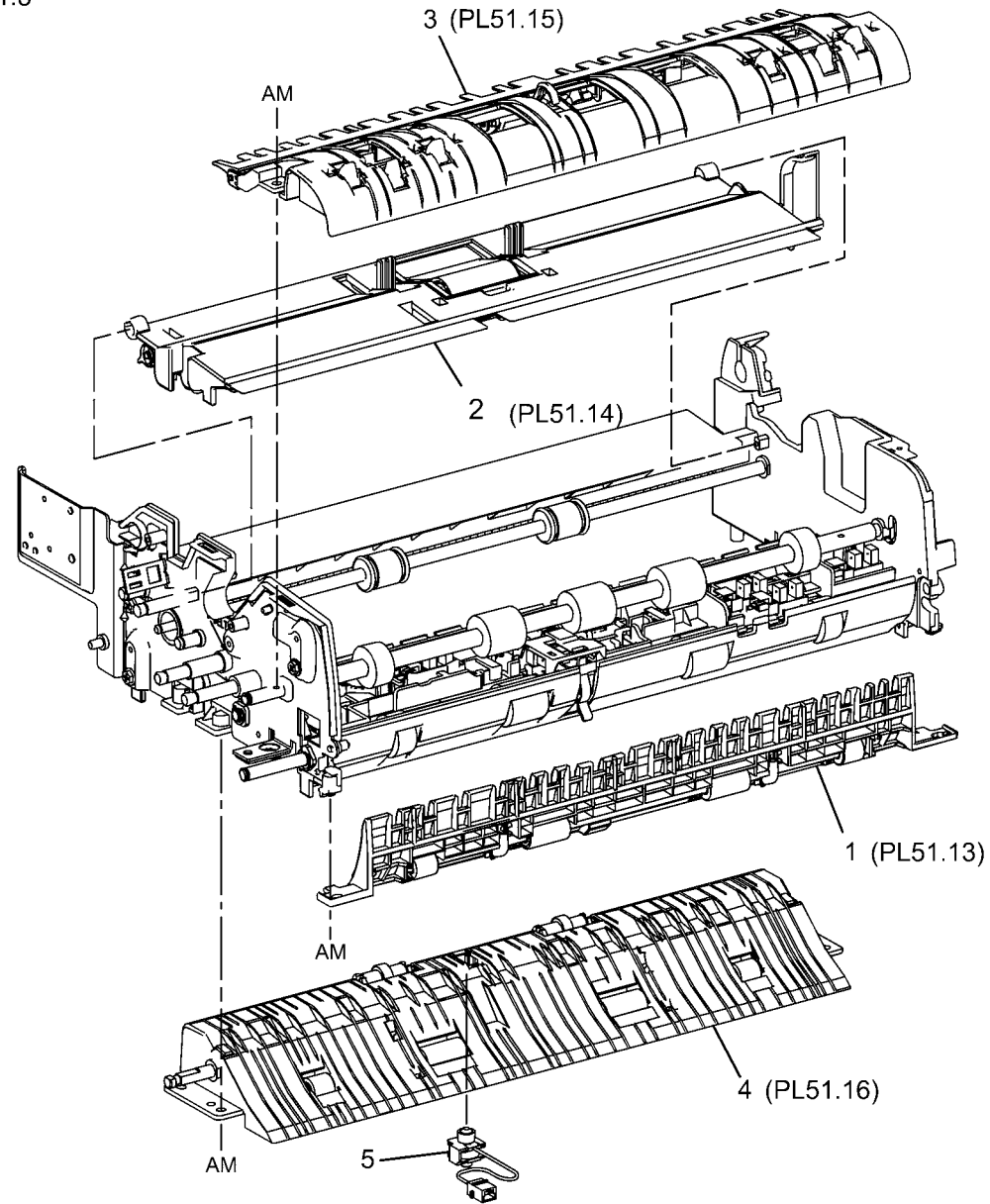


j0rk55107A

PL 51.8 Registration, Retard, Invert, Output Chutes

PL51.8

Item	Part	Description
1	054K39700	Registration Chute (REP 5.14)
2	054K44170	Retard Chute (REP 5.15)
3	054K41043	Invert Chute (REP 5.15)
4	054K41050	Output Chute
5	—	Stamp Solenoid (Not Spared)

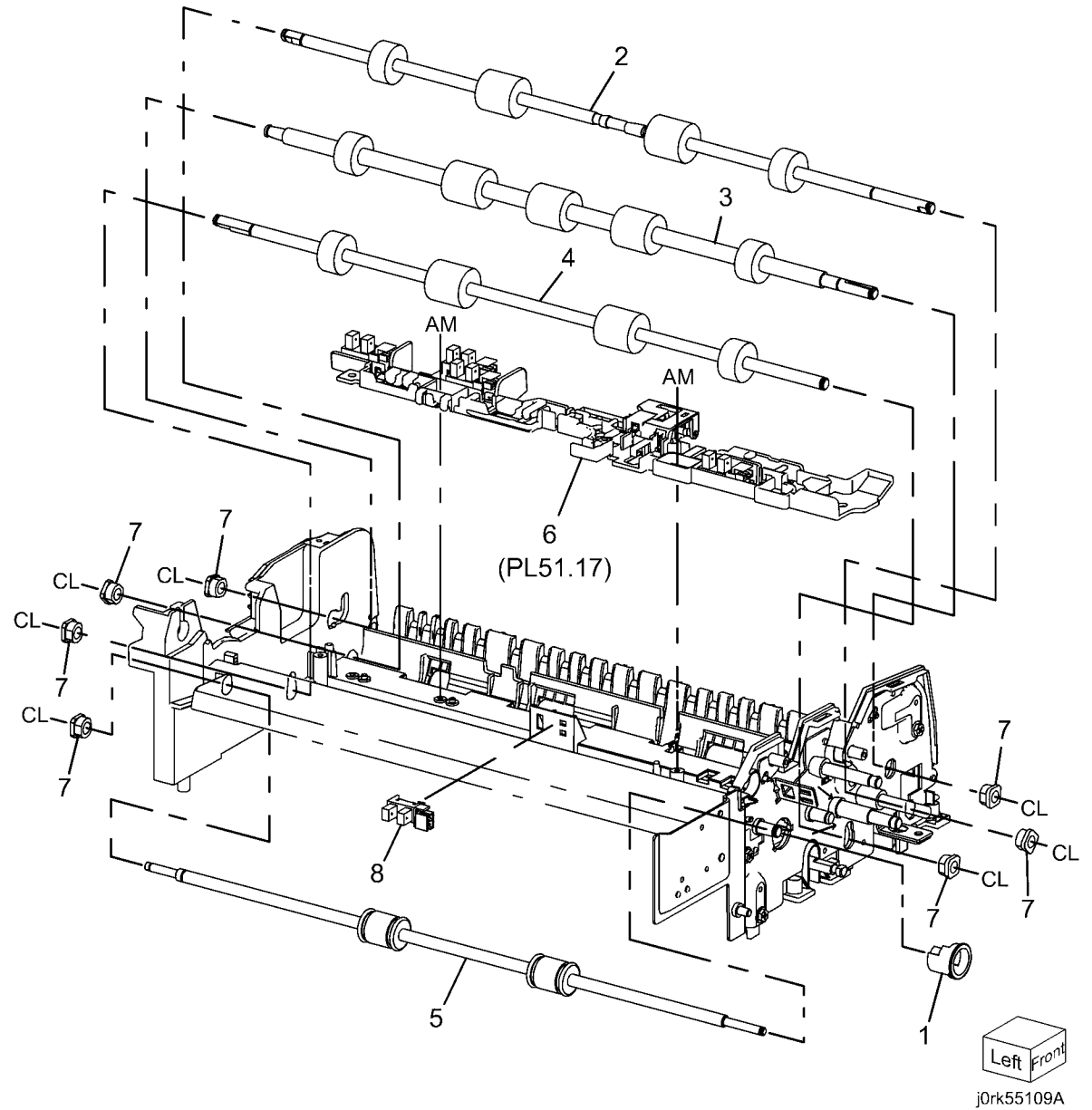


j0rk55108A

PL 51.9 Roll, Sensor Bracket

Item	Part	Description
1	-	Bearing (Not Spared)
2	059K65081	Registration Roll
3	-	Take Away Roll (Not Spared) (REP 5.16)
4	-	Output Roll (Not Spared)
5	-	Exit Roll (Not Spared)
6	068K69460	Sensor Bracket Assembly (REP 5.17)
7	-	Bearing (Not Spared)
8	930W00121	Invert Sensor

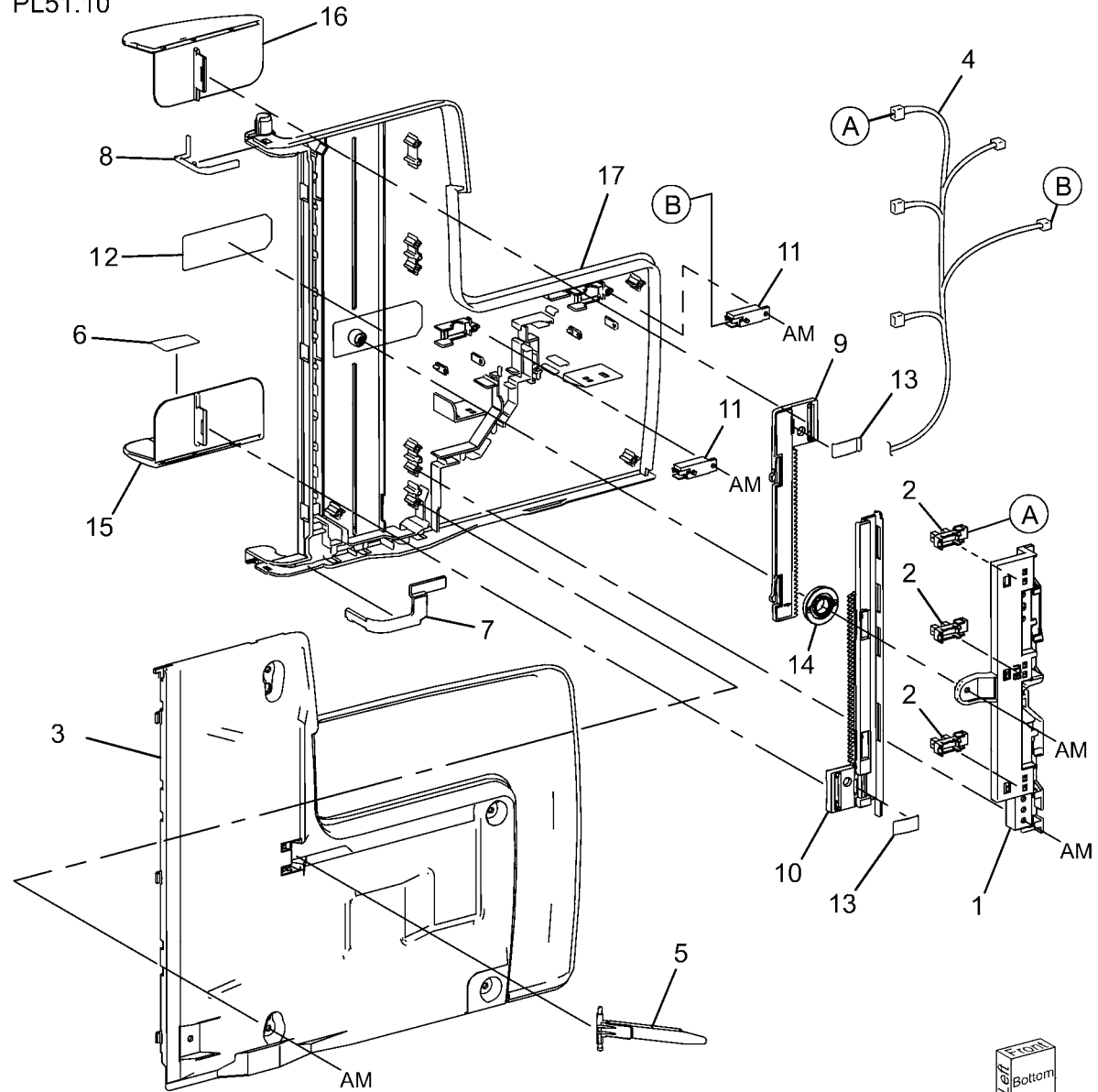
PL51.9



PL 51.10 Document Tray

Item	Part	Description
1	-	Sensor Bracket (P/O PL 51.4 Item 1)
2	930W00121	Tray Guide Set Sensor 1, Sensor 2, Sensor 3
3	-	Tray Cover (P/O PL 15.4 Item 1)
4	-	Tray Wire Harness (P/O PL 51.4 Item 1)
5	032K05861	Guide
6	-	Max Label (Not Spared)
7	-	Harness Cover (P/O PL 51.4 Item 1)
8	-	Harness Cover (P/O PL 51.4 Item 1)
9	-	Front Gear Rack (P/O PL 51.4 Item 1)
10	-	Rear Gear Rack (P/O PL 51.4 Item 1)
11	930W00241	Size Sensor 1, Size Sensor 2
12	-	Instruction Label (Not Spared)
13	-	Rack Spring (P/O PL 51.4 Item 1)
14	-	Pinion Gear (P/O PL 51.4 Item 1)
15	-	Side Guide (P/O PL 51.4 Item 1)
16	-	Side Guide (P/O PL 51.4 Item 1)
17	-	Upper Tray (P/O PL 15.4 Item 1)

PL51.10

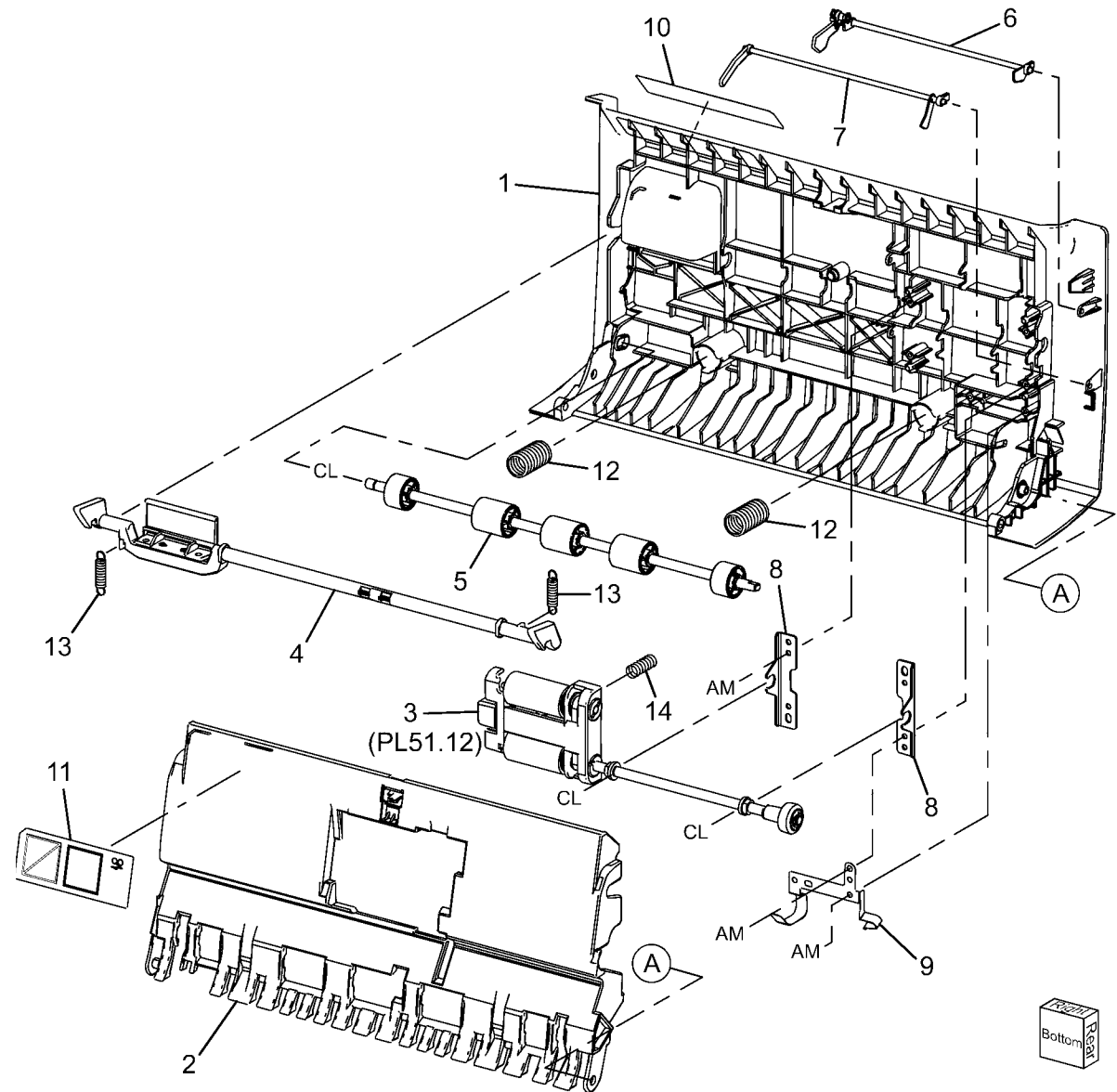


jOrk55110A

PL 51.11 Top Cover

Item	Part	Description
1	-	Top Cover (P/O PL 51.4 Item 2)
2	-	Upper Feed Chute (P/O PL 51.4 Item 2)
3	059K65070	Upper Feeder (REP 5.5)
4	011K03520	Lever Latch
5	059K61230	Take Awat Pinch Roll
6	120K92500	Document Set Actuator
7	120E32200	Feed Out Actuator
8	-	Bracket (P/O PL 51.4 Item 2)
9	-	Ground Plate (P/O PL 51.4 Item 2)
10	897E24010	Size Label
11	897E24000	Jam Label
12	-	Spring (Not Spared)
13	-	Spring (Not Spared)
14	-	Spring (Not Spared)

PL51.11



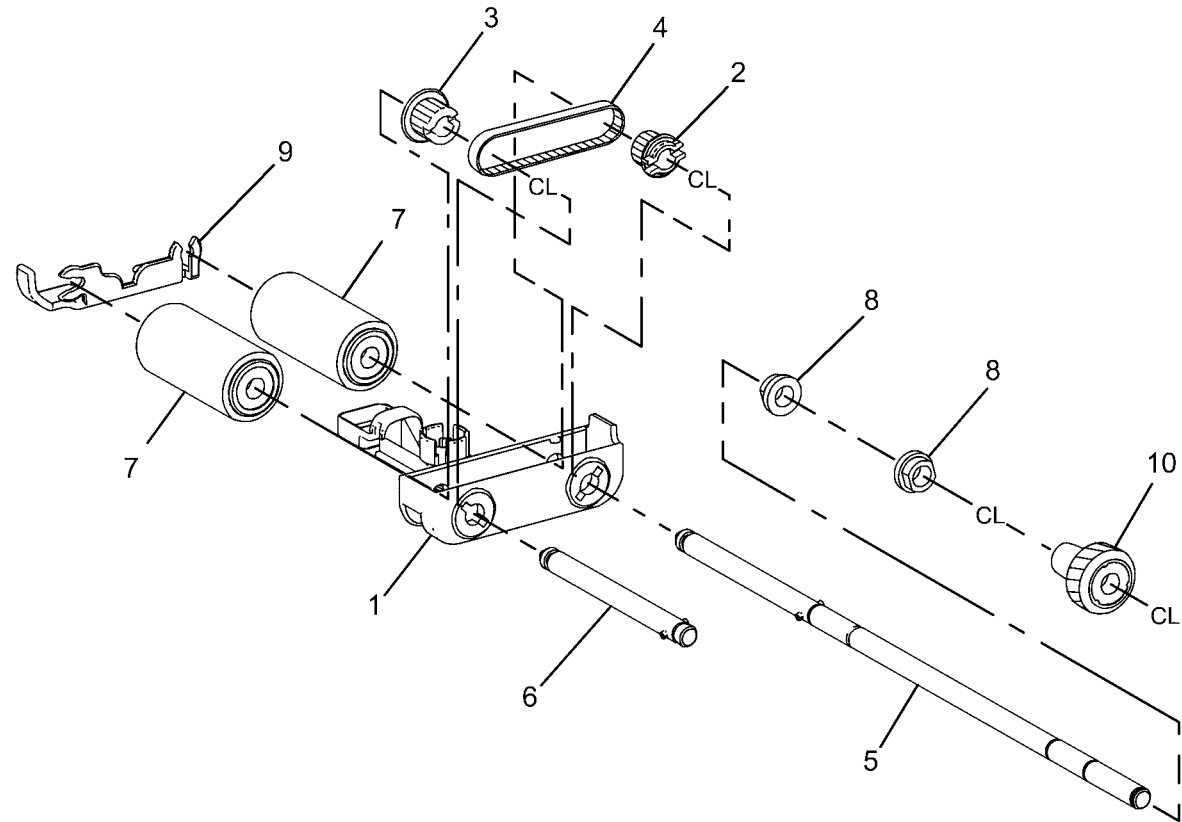
j0rk55111A

PL 51.12 Upper Feeder

Item	Part	Description
1	–	Housing (P/O PL 51.11 Item 3)
2	–	Feeder Pulley (P/O PL 51.12 Item 3)
3	–	Nudger Pulley (P/O PL 51.11 Item 3)
4	–	Belt (P/O PL 51.11 Item 3)
5	–	Feed Shaft (P/O PL 51.11 Item 3)
6	–	Nudger Shaft (P/O PL 51.11 Item 3)
7	–	Feed Roll, Nudger Roll (P/O PL 51.12 Item 11) (REP 5.18)
8	–	Bearing (P/O PL 51.11 Item 3)
9	–	Housing (P/O PL 51.12 Item 11)
10	–	Gear (P/O PL 51.11 Item 3)
11	604K58410	DADF Feed Roll Kit

PL51.12

11 { 7, 9, PL51.14 Items 5, 10

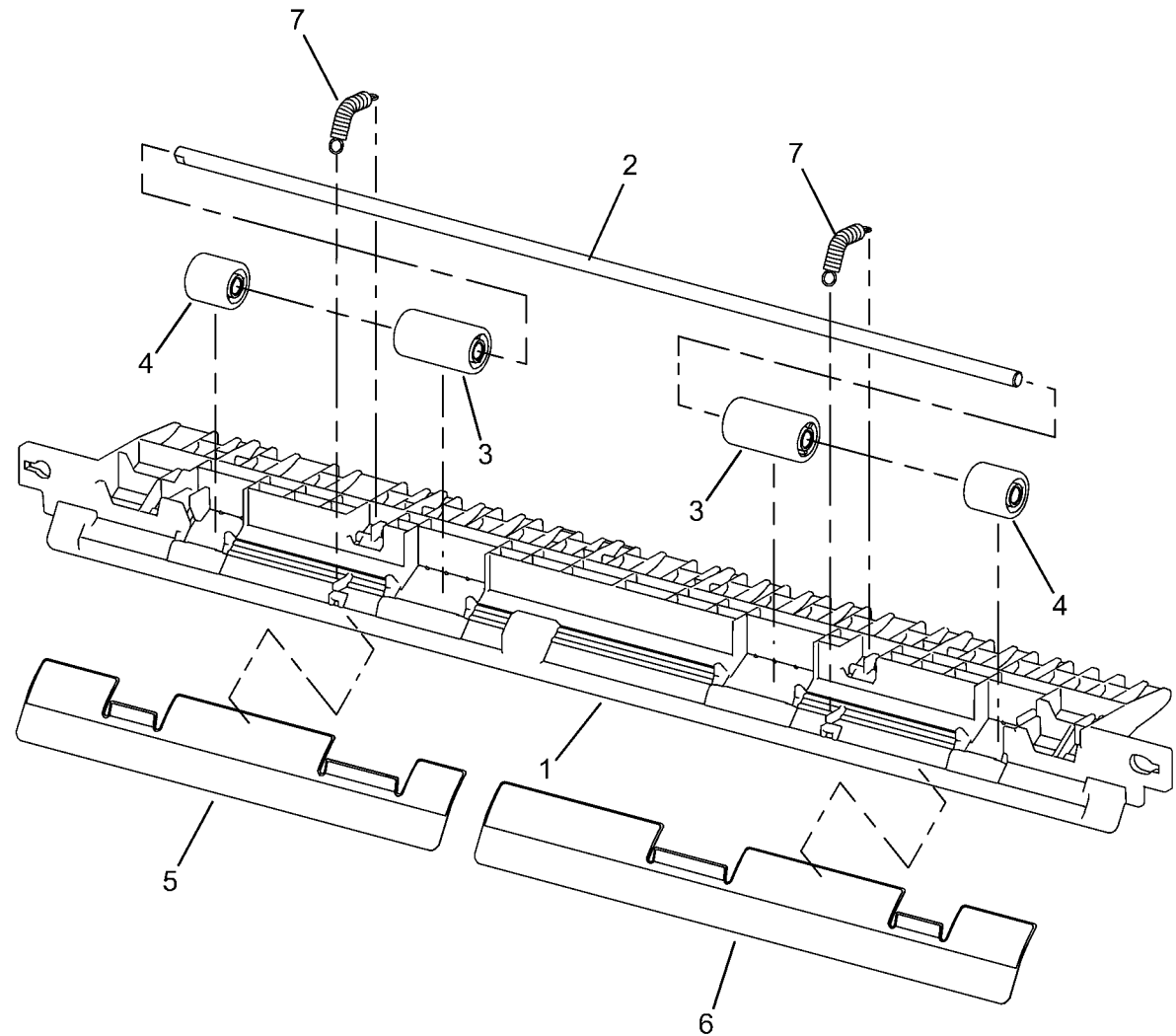


Right Rear
j0rk55112A

PL 51.13 Registration Chute

Item	Part	Description
1	-	Registration Chute (P/O PL 51.8 Item 1)
2	-	Pinch Shaft (P/O PL 51.8 Item 1)
3	-	Registration Wide Pinch Roll (P/O PL 51.8 Item 1)
4	-	Registration Short Pinch Roll (P/O PL 51.8 Item 1)
5	-	Seal (P/O PL 51.8 Item 1)
6	-	Seal (P/O PL 51.8 Item 1)
7	-	Spring (P/O PL 51.8 Item 1)

PL51.13

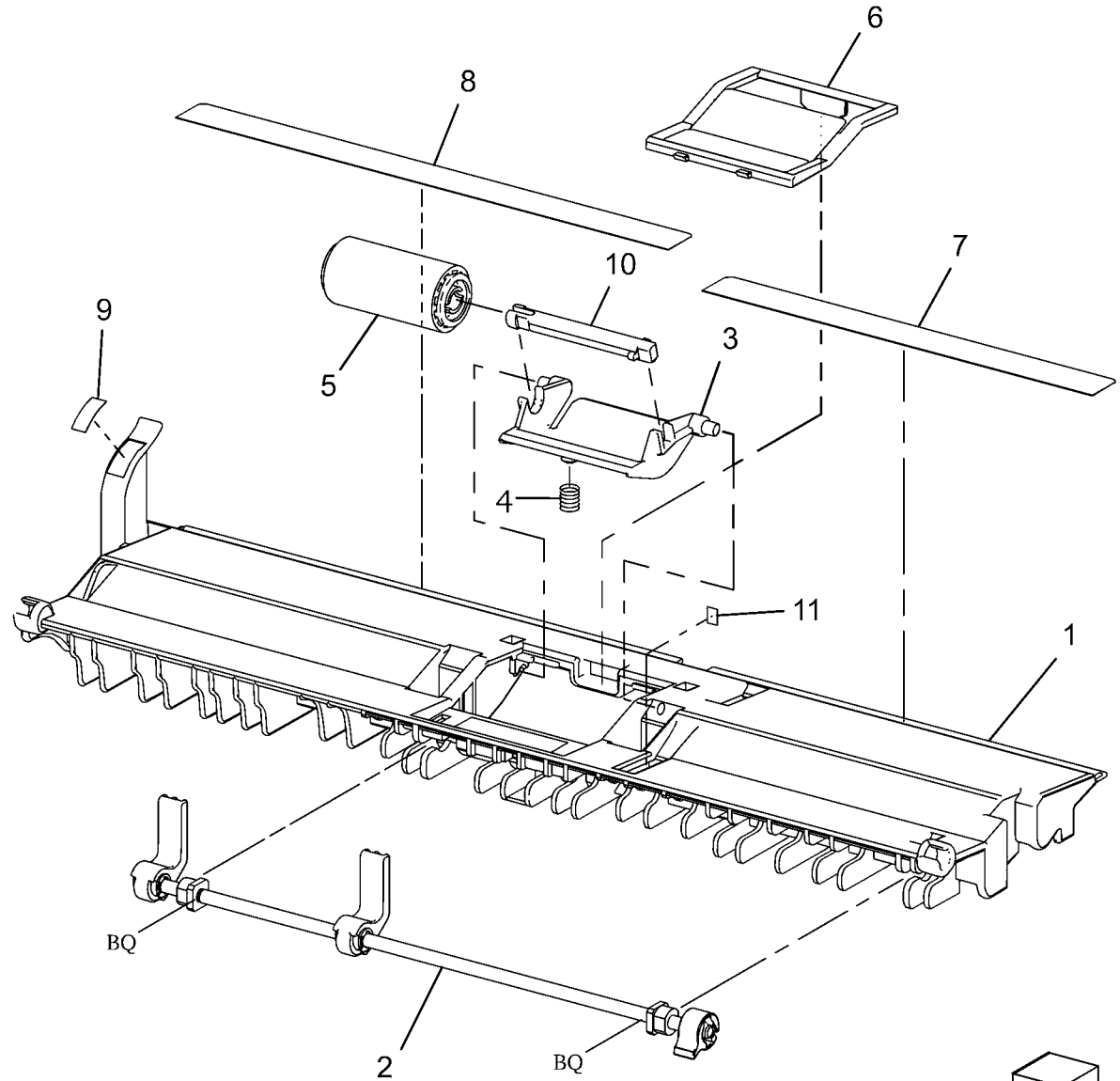


j0rk55113A

PL 51.14 Retard Chute

Item	Part	Description
1	-	Chute (P/O PL 51.8 Item 2)
2	-	Set Gate (P/O PL 51.8 Item 2)
3	-	Housing (P/O PL 51.8 Item 2)
4	-	Spring (P/O PL 51.8 Item 2)
5	059K61280	Retard Roll (REP 5.19)
6	848K43600	Retard Roll Cover (P/O PL 51.12 Item 11)
7	-	Seal (P/O PL 51.8 Item 2)
8	-	Seal (P/O PL 51.8 Item 2)
9	-	Label (P/O PL 51.8 Item 2)
10	-	Shaft (P/O PL 51.12 Item 11)
11	-	Pad (P/O PL 51.8 Item 2)

PL51.14

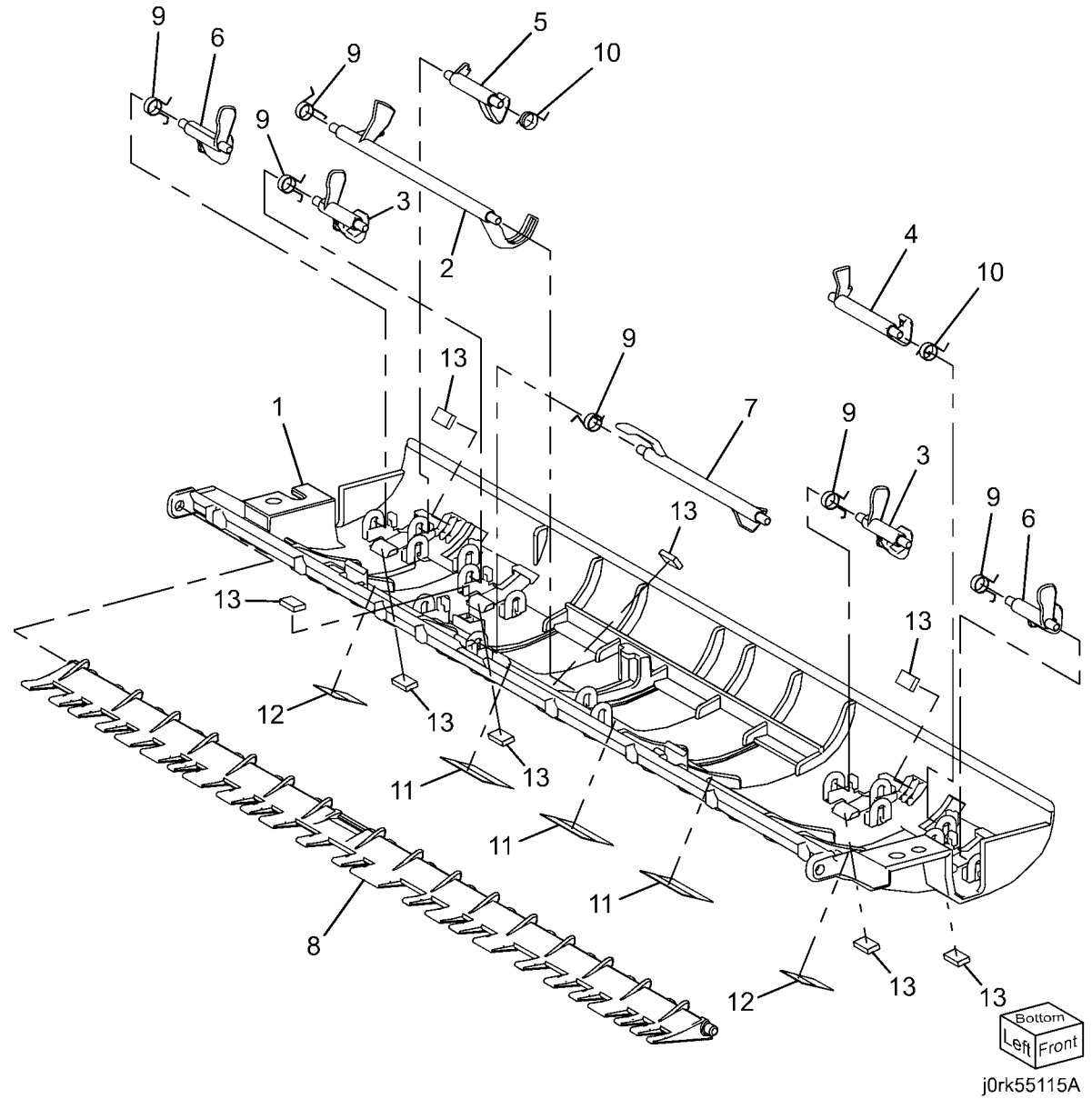


Rightrear
j0rk55114A

PL 51.15 Invert Chute

Item	Part	Description
1	-	Invert Chute (P/O PL 51.8 Item 3)
2	-	Pre Registration Actuator (P/O PL 51.8 Item 3)
3	-	Actuator (Aps 1) (P/O PL 51.8 Item 3)
4	-	Actuator (Aps 2) (P/O PL 51.8 Item 3)
5	-	Actuator (Aps 2) (P/O PL 51.8 Item 3)
6	-	Actuator (Aps 3) (P/O PL 51.8 Item 3)
7	-	Invert Actuator (P/O PL 51.8 Item 3)
8	-	Invert Gate (P/O PL 51.8 Item 3)
9	-	Spring (P/O PL 51.8 Item 3)
10	-	Spring (P/O PL 51.8 Item 3)
11	-	Seal (P/O PL 51.8 Item 3)
12	-	Seal (P/O PL 51.8 Item 3)
13	-	Pad (P/O PL 51.8 Item 3)

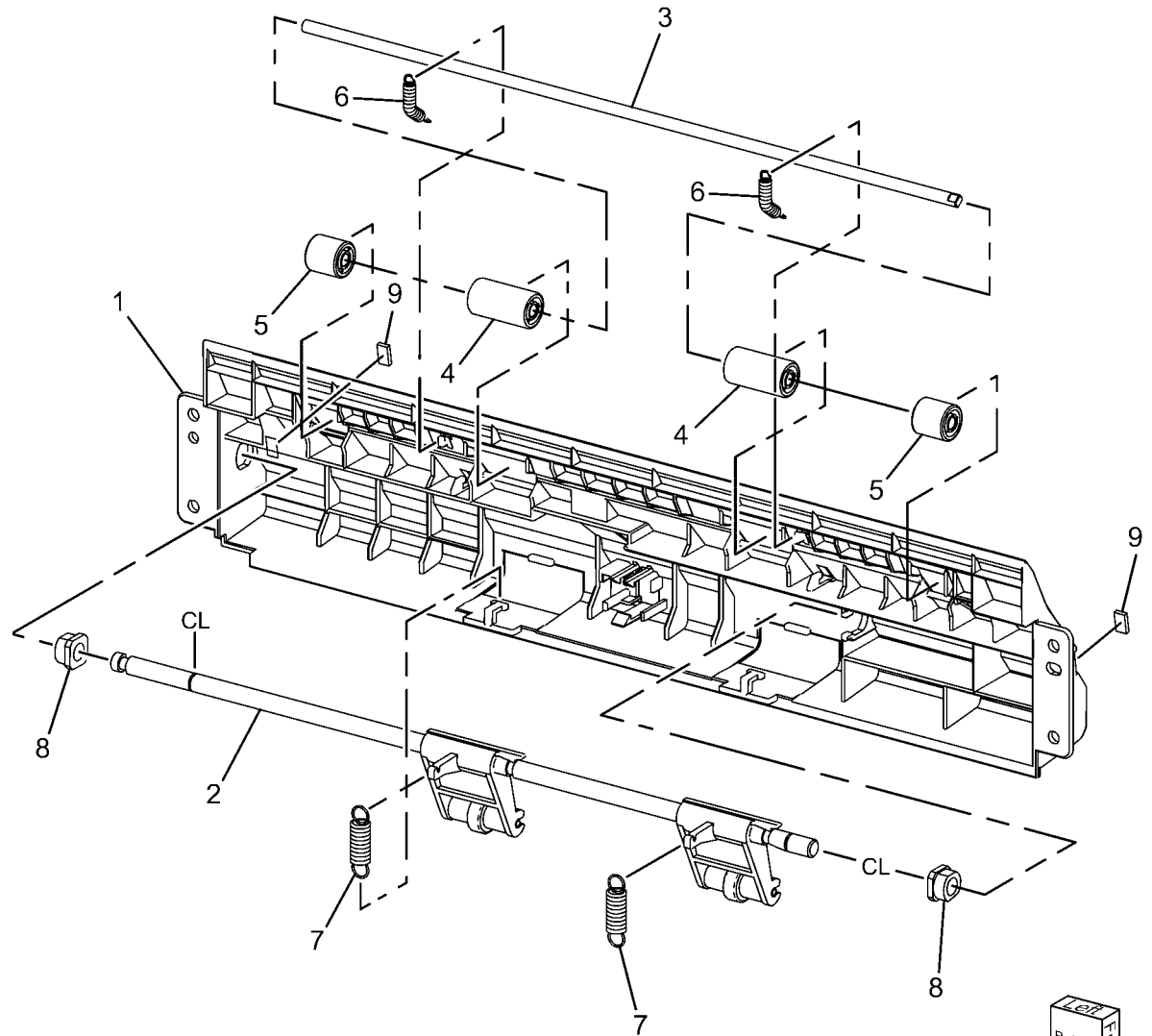
PL 51.15



PL 51.16 Output Chute

Item	Part	Description
1	-	Chute (P/O PL 51.8 Item 4)
2	-	Exit Pinch Roll (P/O PL 51.8 Item 4)
3	-	Pinch Shaft (P/O PL 51.8 Item 4)
4	-	Wide Registration Pinch Roll (P/O PL 51.8 Item 4)
5	-	Short Registration Pinch Roll (P/O PL 51.8 Item 4)
6	-	Spring (P/O PL 51.8 Item 4)
7	-	Spring (P/O PL 51.8 Item 4)
8	-	Bearing (P/O PL 51.8 Item 4)
9	-	Pad (P/O PL 51.8 Item 4)

PL51.16

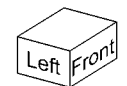
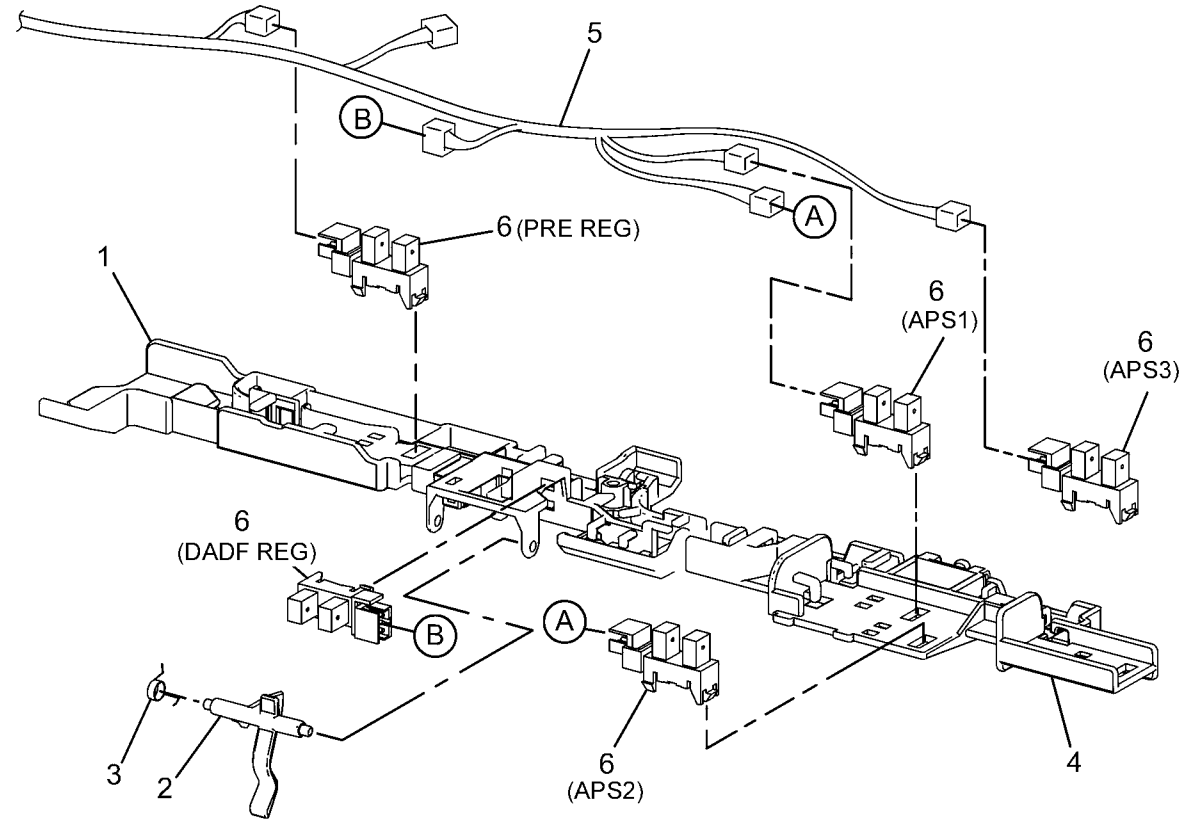


j0rk55116A

PL 51.17 Sensor Bracket

Item	Part	Description
1	-	Sensor Housing (P/O PL 51.4 Item 1)
2	120E31741	Registration Actuator
3	-	Spring (P/O PL 51.4 Item 1)
4	-	Sensor Guide (P/O PL 51.4 Item 1)
5	-	Wire Harness (Not Spared)
6	930W00121	APS Sensor 1, APS Sensor 2, APS Sensor 3, Registration Sensor, Pre Registration Sensor

PL51.17



j0rk55117B

Common Hardware

Item	Part	Description	Item	Part	Description
A	112W27659	Sems Screw (M3x6)	BC	251W19278	Washer (2.5) (10.5)
B	112W27677	Sems Screw (M3x6)	BD	251W21178	Washer (3) (10.5)
C	112W27678	Sems Screw (M3x6)	BE	251W21278	Washer (3) (10.5)
D	112W27898	Screw (M3x8)	BF	251W24178	Washer (4) (10.8)
E	112W28098	Sems Screw (M3x10)	BG	251W24278	Washer (4) (10.8)
F	113W15588	Pan Head Screw (M2x5)	BH	251W26278	Washer (5)
G	113W16051	Screw (M2x10)	BJ	252W24250	Nylon Washer (4) (10.25)
H	113W16088	Screw (M2x10)	BK	252W24350	Nylon Washer (4)
J	113W20478	Tapping Screw (M3x4)	BL	252W26450	Nylon Washer (5)
K	113W20677	Screw (M3x6)	BM	252W27350	Nylon Washer (6) (10.5)
L	113W20678	Screw (M3x6)	BN	252W27450	Nylon Washer (6) (11)
M	113W20688	Pan Head Screw (M2.5x6)	BP	252W29350	Nylon Washer (8) (10.5)
N	113W20698	Round Screw (M3x6)	BQ	252W29450	Nylon Washer (8) (11)
P	113W20878	Screw (M3x8)	BR	252W31250	Nylon Washer (10) (10.25)
Q	113W21078	Screw (M3x10)	BS	252W31350	Nylon Washer (10) (10.5)
R	113W21278	Screw (M3x12)	BT	256W15278	Spring Washer (2) (10.5)
S	113W21478	Screw	BU	271W10850	Dowel Pin (1.6x8)
T	113W21778	Screw (M3x18)	BV	271W16050	Dowel Pin (2x10)
U	113W27488	Pan Head Screw (M3x4)	BW	271W16250	Dowel Pin (2x12)
V	113W27551	Screw (M3x5)	BX	271W21050	Dowel Pin (3x10)
W	113W27588	Pan Head Screw (M3x5)	BY	271W21450	Dowel Pin (2.5x14)
X	113W27688	Pan Head Screw (M3x6)	BZ	271W28250	Dowel Pin (3x12)
Y	113W27888	Pan Head Screw (M3x8)	CA	271W28450	Dowel Pin (3x14)
Z	113W35678	Screw (M4x6)	CB	271W28650	Dowel Pin (3x16)
AA	113W35878	Screw (M4x8)	CC	271W36650	Dowel Pin (4x16)
AB	113W35888	Pan Head Screw (M4x8)	CD	351W29250	C-Clip (8)
AC	113W36078	Screw (M4x10)	CE	354W13278	E-Clip (1.5)
AD	114W27678	Bind Head Screw (M3x6)	CF	354W15278	E-Ring (2)
AE	114W27878	Bind Head Screw (M3x8)	CG	354W19278	E-Ring (2.5)
AF	141W27451	Set Screw (M3x4)	CH	354W21254	Ring KL (4)
AG	141W35651	Set Screw (M4x6)	CJ	354W21278	E-Ring (3)
AJ	153W16088	Tapping Screw (M4x8)	CK	354W24254	KL Ring (6)
AK	153W16288	Tapping Screw (M4x12)	CL	354W24278	E-Clip (4)
AL	153W17688	Tapping Screw (M3x6)	CM	354W26278	E-Clip (5)
AM	153W17888	Tapping Screw (M3x8)	CN	354W27254	KL-Clip (8)
AN	153W18088	Tapping Screw (M3x10)	CP	354W27278	E-Ring (6)
AP	153W27678	Screw (M6x6)	CQ	354W29278	E-Ring (8)
AQ	153W27878	Tapping Screw (M3x8)	CR	237W00178	Nut Screw
AR	153W28078	Tapping Screw (M3x10)	CS	285W16051	Dowel Pin (2x10)
AS	158W27663	Screw (M3x6)	CT	285W15851	Pin Spring (2x8)
AT	158W27678	Screw	CU	285W16251	Pin Spring (2x12)
AU	158W27688	Round Screw (M3x7)	CV	113W35578	Tapping Screw (M4x5)
AV	158W27878	Screw (M3x8)	CW	113W27651	Screw (M3x6)
AW	158W27888	Round Screw (M3x9)	CX	251W31178	Washer Plate (10)
AX	158W28078	Screw (M3x10)	CY	354W31278	E-Clip (10)
AY	158W28278	Screw (M3x8)	CZ	112W27851	Screw (M3x8)
AZ	158W35878	Tapping Screw (M4x8)	DA	113W15488	Screw (M2x4)
BA	180W16878	Wing Screw	DB	113W20857	Screw (M3x8)
BB	220W21278	Flange Nut (3)			

