

5 Parts Lists

PL 1 - Standby Power

| | |
|---|-----|
| PL 1.10 Power and Control Assembly..... | 5-3 |
| PL 1.12 Interlock Switches..... | 5-4 |
| PL 1.15 Main Power Cables..... | 5-5 |

PL 2 - User Interface

| | |
|------------------------------|-----|
| PL 2.10 User Interface | 5-6 |
|------------------------------|-----|

PL 3 - Machine Run Control

| | |
|---|-----|
| PL 3.22 Single Board Controller PWB Module..... | 5-7 |
|---|-----|

PL 5 - SPDH

| | |
|--|------|
| PL 5.10 SPDH (Complete), Covers, SPDH PWB..... | 5-8 |
| PL 5.17 SPDH Transport Assembly..... | 5-9 |
| PL 5.18 SPDH Drive Assembly..... | 5-10 |
| PL 5.19 SPDH Read Assembly..... | 5-11 |
| PL 5.20 SPDH Top Cover Assembly..... | 5-12 |
| PL 5.25 SPDH Separation Assembly..... | 5-13 |
| PL 5.30 Input Tray Assembly..... | 5-14 |

PL 10 - Copy Transportation and Fusing

| | |
|---|------|
| PL 10.8 Fuser Module..... | 5-15 |
| PL 10.10 Inverter Assembly (1 of 4)..... | 5-16 |
| PL 10.11 Inverter Assembly (Centre Output Tray) (2 of 4)..... | 5-17 |
| PL 10.12 Inverter Assembly (Horizontal Transport) (3 of 4)..... | 5-18 |
| PL 10.13 Inverter Assembly (4 of 4)..... | 5-19 |
| PL 10.14 Exit Drive Assembly..... | 5-20 |
| PL 10.15 Horizontal Transport Assembly (1 of 2)..... | 5-21 |
| PL 10.16 Horizontal Transport Assembly (2 of 2)..... | 5-22 |

PL 12 - 2K LCSS

| | |
|---|------|
| PL 12.10 2K LCSS Covers..... | 5-23 |
| PL 12.15 2K LCSS Docking Latch..... | 5-24 |
| PL 12.20 2K LCSS Hole Punch Unit..... | 5-25 |
| PL 12.25 2K LCSS Paddle Shaft Assembly..... | 5-26 |
| PL 12.30 2K LCSS Bin 1 Control Components (1 of 2)..... | 5-27 |
| PL 12.35 2K LCSS Bin 1 Control Components (2 of 2)..... | 5-28 |
| PL 12.40 2K LCSS Paper Entry Transport..... | 5-29 |
| PL 12.45 2K LCSS Tamper Assembly..... | 5-30 |
| PL 12.50 2K LCSS Ejector Assembly..... | 5-31 |
| PL 12.55 2K LCSS Staple Head Unit/Traverse Assembly..... | 5-32 |
| PL 12.60 2K LCSS Bin 0 Entry..... | 5-33 |
| PL 12.65 2K LCSS Bin 1 Entry..... | 5-34 |
| PL 12.70 2K LCSS Entry Guide Cover/Jam Clearance Guide..... | 5-35 |
| PL 12.75 2K LCSS Electrical..... | 5-36 |

PL 12 - LVF Booklet Maker

| | |
|-------------------------------------|------|
| PL 12.320 LVF BM - Covers..... | 5-37 |
| PL 12.325 LVF BM Docking Latch..... | 5-38 |

| | |
|--|------|
| PL 12.330 LVF BM Hole Punch Unit..... | 5-39 |
| PL 12.335 LVF BM Paddle Shaft Assembly..... | 5-40 |
| PL 12.340 LVF BM Bin 1 Control Components (1 of 2)..... | 5-41 |
| PL 12.345 LVF BM Bin 1 Control Components (2 of 2)..... | 5-42 |
| PL 12.350 LVF BM Paper Entry Transport..... | 5-43 |
| PL 12.355 LVF BM Tamper Assembly..... | 5-44 |
| PL 12.360 LVF BM Ejector Assembly..... | 5-45 |
| PL 12.365 LVF BM Staple Head Unit/Traverse Assembly..... | 5-46 |
| PL 12.370 LVF BM Bin 0 Entry..... | 5-47 |
| PL 12.375 LVF BM Bin 1 Entry..... | 5-48 |
| PL 12.380 LVF BM Booklet Tamper Assembly..... | 5-49 |
| PL 12.385 LVF BM Compiler Entrance Guides..... | 5-50 |
| PL 12.390 LVF BM Compiler Guide Assembly..... | 5-51 |
| PL 12.395 LVF BM Booklet Stapler Assembly..... | 5-52 |
| PL 12.400 LVF BM Back Stop Assembly..... | 5-53 |
| PL 12.405 LVF BM Crease Blade Assembly..... | 5-54 |
| PL 12.410 LVF BM Crease Roll Assembly (1 of 3)..... | 5-55 |
| PL 12.415 LVF BM Crease Roll Assembly (2 of 3)..... | 5-56 |
| PL 12.420 LVF BM Crease Roll Assembly (3 of 3)..... | 5-57 |
| PL 12.425 LVF BM Electrical..... | 5-58 |

PL 17 - Secure Access

| | |
|---------------------------------------|------|
| PL 17.00 Secure Access Additions..... | 5-59 |
|---------------------------------------|------|

PL 20 - Fax

| | |
|--------------------------|------|
| PL 20.05 Fax Module..... | 5-60 |
|--------------------------|------|

PL 25 - Accessories

| | |
|-----------------------------------|------|
| PL 25.10 Convenience Stapler..... | 5-61 |
|-----------------------------------|------|

PL 26 - Consumables and Tools

| | |
|--|------|
| PL 26.10 Consumables and Tools (1 of 2)..... | 5-62 |
| PL 26.11 Consumables and Tools (2 of 2)..... | 5-63 |

PL 28 - Covers

| | |
|-----------------------------------|------|
| PL 28.10 Main Covers..... | 5-64 |
| PL 28.11 Front Door Assembly..... | 5-65 |
| PL 28.15 Covers..... | 5-66 |

PL 31 - Maintenance/Installation/Removal Kits

| | |
|--|------|
| PL 31.11 Maintenance/Installation/Removal Kits (1 of 3)..... | 5-67 |
| PL 31.12 Maintenance/Installation/Removal Kits (2 of 3)..... | 5-68 |
| PL 31.14 Maintenance/Installation/Removal Kits (3 of 3)..... | 5-69 |
| PL 31.35 Line 1 Fax Kits..... | 5-70 |
| PL 31.40 Line 2 Fax Kits..... | 5-71 |

PL 40 - Main Drive Assembly

| | |
|---------------------------------|------|
| PL 40.15 Main Drive Module..... | 5-72 |
|---------------------------------|------|

PL 60 - Imaging

| | |
|---|------|
| PL 60.15 Scanner Module, CVT/Document Glass | 5-73 |
| PL 60.20 Scanner Electrical Components | 5-74 |
| PL 60.25 Scan Carriage Assembly | 5-75 |
| PL 60.30 Side 2 Scan Assembly | 5-76 |
| PL 60.35 LED Print Head Module | 5-77 |

PL 70 - Paper Supply

| | |
|--|------|
| PL 70.10 Tray 1 and 2 Assembly | 5-78 |
| PL 70.18 Tray 3 Assembly | 5-79 |
| PL 70.19 Tray 4 Assembly | 5-80 |
| PL 70.21 Elevator Motor and Control PWB..... | 5-81 |
| PL 70.26 Tray 3 and 4 Assembly Covers..... | 5-82 |
| PL 70.35 Bypass Tray Assembly | 5-83 |

PL 80 - Paper Transport

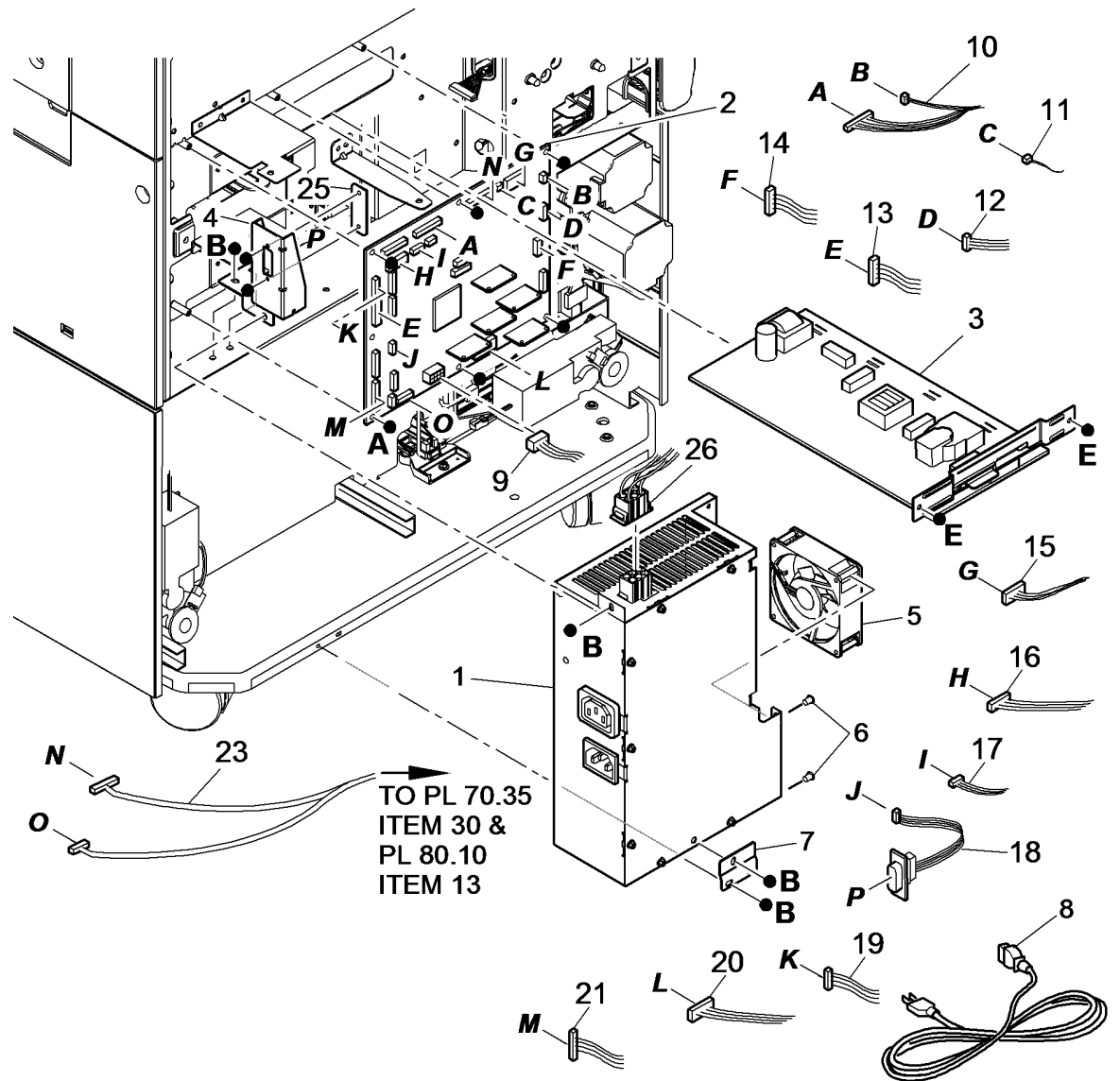
| | |
|---|------|
| PL 80.10 Left Door Assembly (1 of 2) | 5-84 |
| PL 80.11 Left Door Assembly (2 of 2) | 5-85 |
| PL 80.15 Registration Transfer Assembly..... | 5-86 |
| PL 80.17 Registration Transport | 5-87 |
| PL 80.22 Duplex Transport Assembly..... | 5-88 |
| PL 80.25 Tray 1 and 2 Paper Feed Assembly (1 of 2)..... | 5-89 |
| PL 80.26 Tray 1 and 2 Paper Feed Assembly (2 of 2)..... | 5-90 |
| PL 80.32 Tray 3 Paper Feed Assembly | 5-91 |
| PL 80.33 Tray 4 Paper Feed Assembly | 5-92 |
| PL 80.36 Tray 4 Transport Assembly..... | 5-93 |

PL 90 - Xerographics

| | |
|---|------|
| PL 90.10 High Voltage Power Distribution Assembly | 5-94 |
| PL 90.15 Print Cartridge Cooling | 5-95 |
| PL 90.17 Toner/Print Cartridges | 5-96 |
| Common Hardware | 5-97 |

PL 1.10 Power and Control Assembly

| Item | Part | Description |
|------|-----------|---|
| 1 | 105K37664 | LVPS module (REP 1.1) |
| 2 | 960K85568 | IOT PWB (REP 3.1) |
| 3 | 105K37653 | HVPS (REP 1.10) |
| 4 | - | Top securing bracket (Not Spared) |
| 5 | - | LVPS cooling fan (P/O PL 1.10 Item 1) |
| 6 | - | Plastic rivet (P/O PL 1.10 Item 1) |
| 7 | - | Securing plate (P/O PL 1.10 Item 1) |
| 8 | - | Main power cord (REF: PL 1.15 Item 1) |
| 9 | - | IOT PWB to LVPS module harness (Not Spared) |
| 10 | - | IOT PWB to HVPS harness (Not Spared) |
| 11 | - | IOT PWB to Toner cartridge motor harness (Not Spared) |
| 12 | - | IOT PWB to Horizontal transport / offset motor harness (Not Spared) |
| 13 | - | IOT PWB to tray 1 & 2 feed assembly harness (Not Spared) |
| 14 | - | IOT PWB to TAR/bypass tray motor harness (Not Spared) |
| 15 | - | IOT PWB to Reg motor harness (Not Spared) |
| 16 | - | IOT PWB to fuser power harness (Not Spared) |
| 17 | - | IOT PWB to Print cartridge harness (Not Spared) |
| 18 | - | IOT PWB to Finisher comms connector harness (Finisher only) (Not Spared) (See NOTE 1) |
| 19 | - | IOT PWB to Horizontal transport harness (Not Spared) |
| 20 | - | IOT PWB to Tray 4 PWB harness (Not Spared) |
| 21 | - | IOT PWB to HCF sensor harness (Not Spared) |
| 22 | - | Not used |
| 23 | - | IOT PWB to Left door harness (Not Spared) |
| 24 | - | Not used |
| 25 | - | Blanking plate (Not Spared) (See NOTE 2) |
| 26 | - | LVPS to Fuser module AC power harness (Not Spared) |

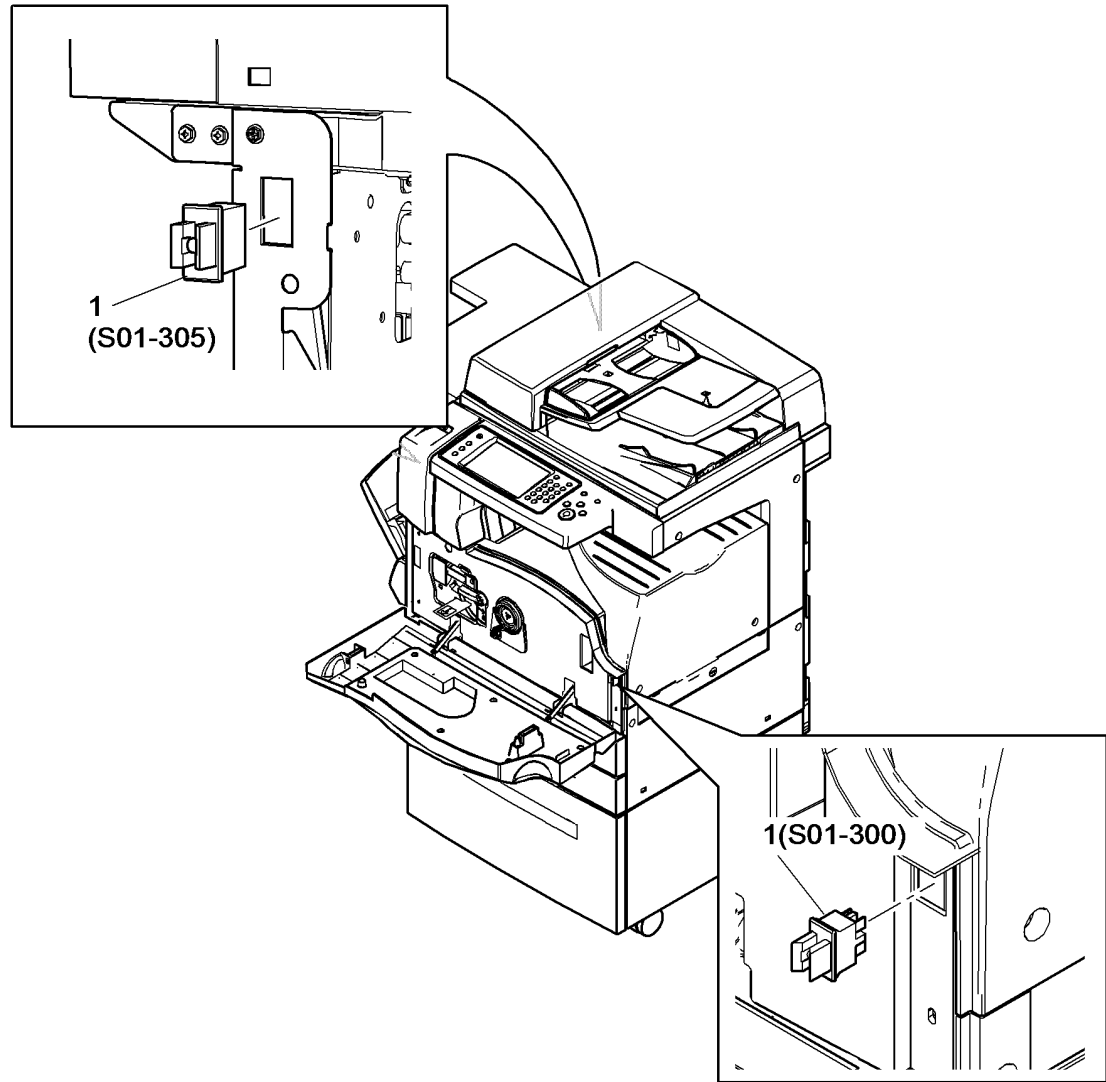


NOTE: 1. Only used when a Finisher is installed.

NOTE: 2. Only used when a Centre tray is installed.

PL 1.12 Interlock Switches

| Item | Part | Description |
|------|-----------|---|
| 1 | 110E21780 | Front door interlock switch (S01-300) (REP 1.8)/ Left door interlock switch (S01-305) (REP 1.9) |



W-8-0014-A

PL 1.15 Main Power Cables

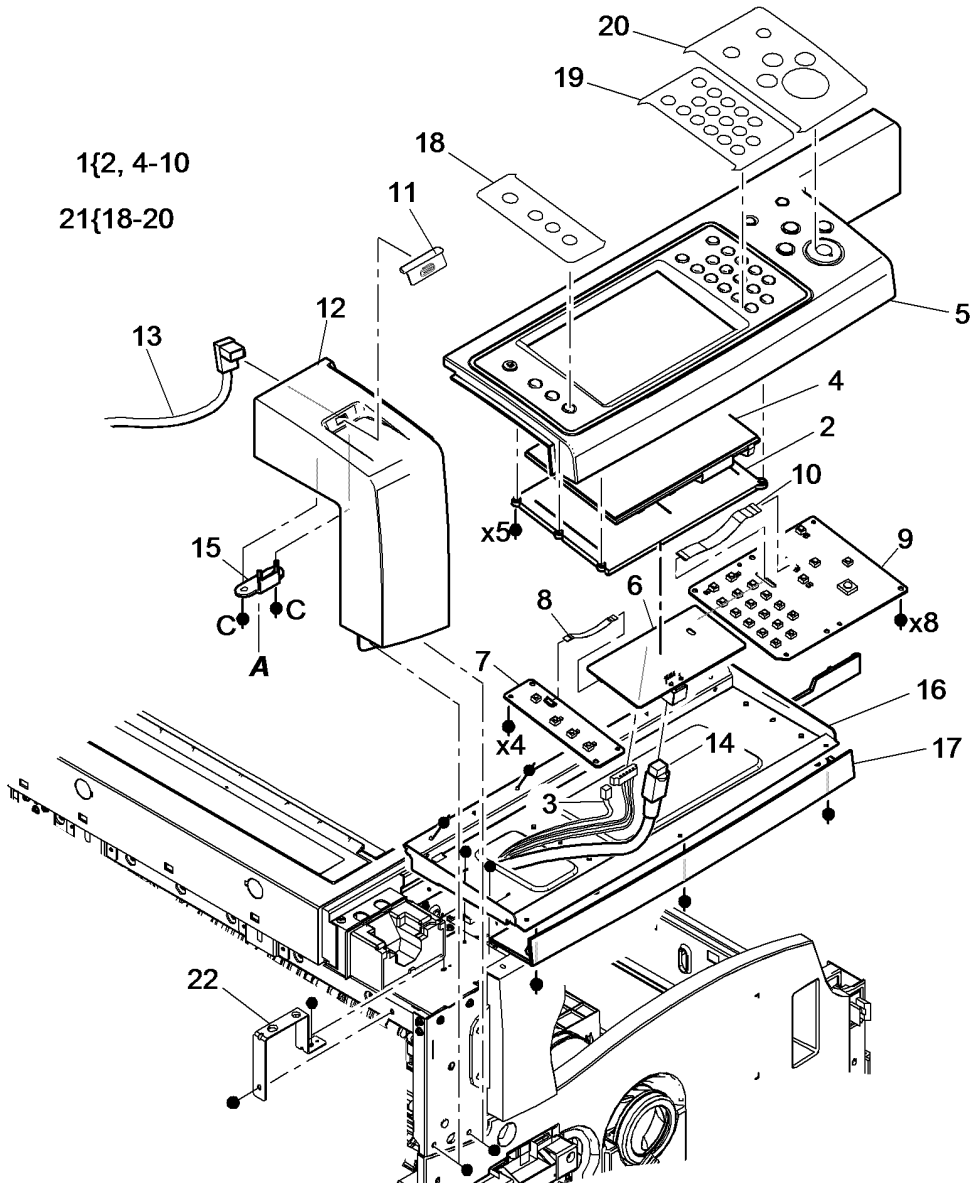
| Item | Part | Description |
|------|-----------|--|
| 1 | – | Main power cord (see below for variants) |
| – | 152S06414 | United Kingdom (45-55 ppm) |
| – | – | USSG/XCL (P/O PL 31.14 Item 9) |
| – | 152S06413 | XE |
| – | 152S06415 | Denmark (45-55 ppm) |
| – | – | South Africa (Not Spared) |
| – | 152S06416 | Switzerland (45-55 ppm) |
| – | 152S06402 | Argentina (45-55 ppm) |

**NO EXPLODED
VIEW PROVIDED**

W-8-0002-A

PL 2.10 User Interface

| Item | Part | Description |
|------|-----------|--|
| 1 | - | UI assembly (Not Spared) (USSG/XCL) (REP 2.1) |
| - | - | UI assembly (Not Spared) (XE) (REP 2.1) |
| 2 | - | UI screen clamp (P/O PL 2.10 Item 1) |
| 3 | - | SBC PWB to UI Control PWB power/comms harness (Not Spared) |
| 4 | 123K08651 | UI touch screen (REP 2.2) |
| 5 | - | UI housing (P/O PL 2.10 Item 1) |
| 6 | 960K79681 | UI Control PWB (REP 2.3) |
| 7 | 960K72651 | UI Status PWB |
| 8 | 952K26981 | Control to status PWB ribbon cable |
| 9 | 960K79690 | UI Keyboard PWB |
| 10 | 952K26990 | Control to keyboard PWB ribbon cable |
| 11 | - | USB socket cover (Not Spared) |
| 12 | - | Left frame cover (REF: PL 28.10 Item 6) |
| 13 | - | SBC PWB to UI USB port harness (Not Spared) |
| 14 | - | SBC PWB to UI Control PWB data cable (Not Spared) |
| 15 | - | Clamp (Not Spared) |
| 16 | - | UI support (Not Spared) |
| 17 | - | Lower cover (Not Spared) |
| 18 | - | Left overlay label (P/O PL 2.10 Item 21) |
| 19 | - | Middle overlay label (P/O PL 2.10 Item 21) |
| 20 | - | Right overlay label (P/O PL 2.10 Item 21) |
| 21 | - | Overlay label kit (REF: PL 31.12 Item 7) |
| 22 | - | Left frame cover support (Not Spared) |

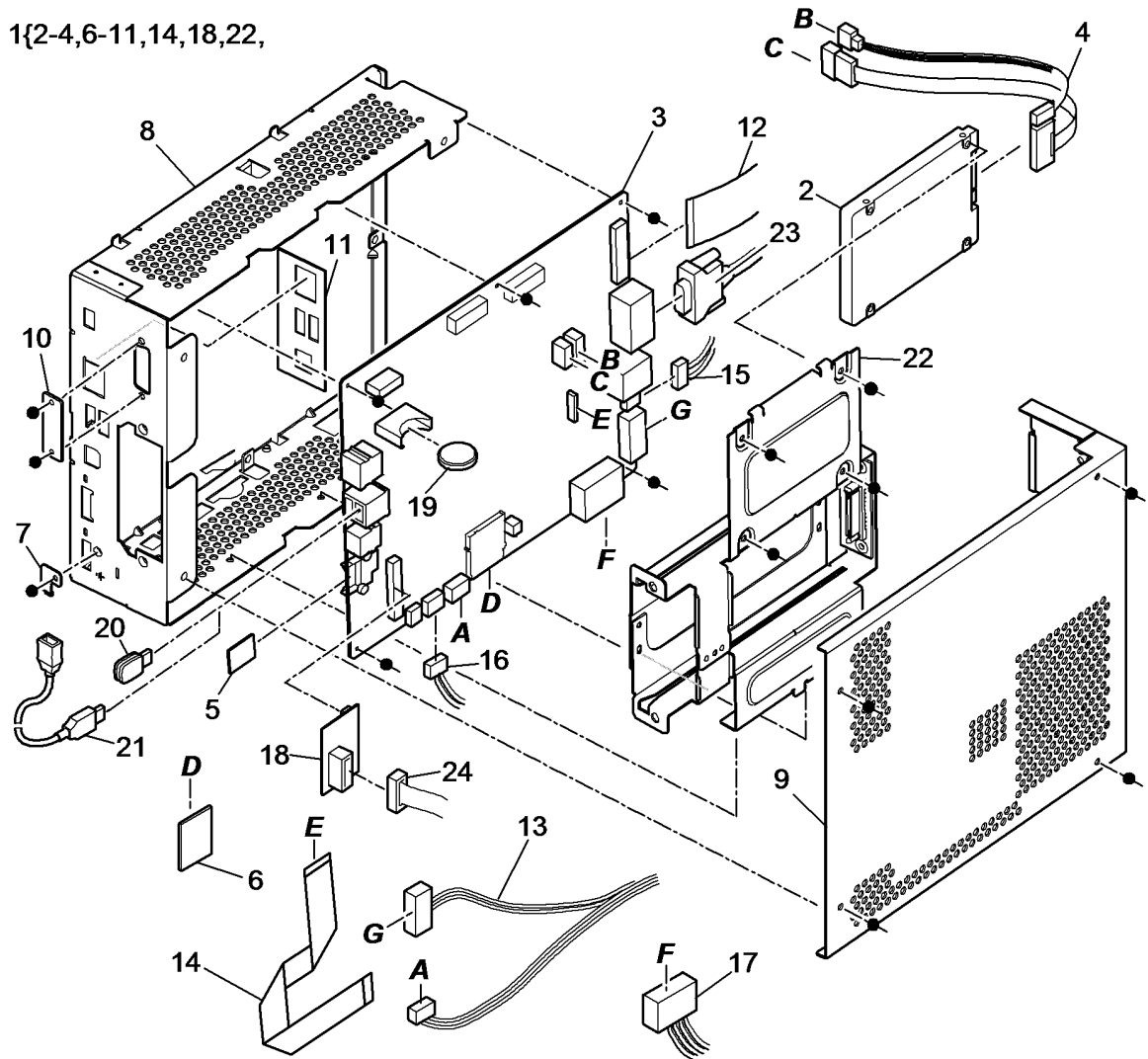


W-8-0003-A

PL 3.22 Single Board Controller PWB Module

| Item | Part | Description |
|------|-----------|--|
| 1 | — | Single board controller module (Not Spared) (REP 3.6) |
| 2 | 121E28130 | Hard disk drive (250Gb) (See NOTE 2) (REP 3.2) |
| 3 | 960K85504 | SBC PWB (REP 3.3) |
| 4 | — | HDD cable (Not Spared) |
| 5 | — | SIM card (P/O PL 31.14 Item 2) |
| 6 | 237E27475 | SD card (See NOTE 2) (REP 3.4) |
| 7 | — | Service connector cover (P/O PL 3.22 Item 1) |
| 8 | — | SBC cage (P/O PL 3.22 Item 1) |
| 9 | — | SBC cover (P/O PL 3.22 Item 1) |
| 10 | — | Foreign interface device blanking plate (P/O PL 3.22 Item 1) |
| 11 | — | Gasket (P/O PL 3.22 Item 1) |
| 12 | — | LED print head module to SBC PWB ribbon cable (P/O PL 60.35 Item 1) |
| 13 | — | SBC PWB to Scanner PWB power/comms harness (REF: PL 60.20 Item 5) |
| 14 | — | SBC PWB to Fax connector PWB ribbon cable (Not Spared) |
| 15 | — | SBC PWB to UI control PWB power/comms harness (Not Spared) |
| 16 | — | SBC PWB to IOT PWB harness (Not Spared) |
| 17 | — | SBC PWB to LVPS harness (Not Spared) |
| 18 | 960K27451 | Foreign device interface PWB (See NOTE 1) (REP 3.5) |
| 19 | 105K37230 | Battery |
| 20 | — | Wireless network adapter (P/O PL 31.12 Item 10) |
| 21 | — | Extension cable (P/O PL 31.12 Item 10) |
| 22 | — | Fax module support (P/O PL 3.22 Item 1) |
| 23 | — | SBC PWB to Scanner PWB data cable (REF: PL 60.20 Item 22) |
| 24 | — | Foreign device interface ribbon cable (P/O PL 31.12 Item 11) (REP 3.5) |

1{2-4,6-11,14,18,22,



W-8-0006-A

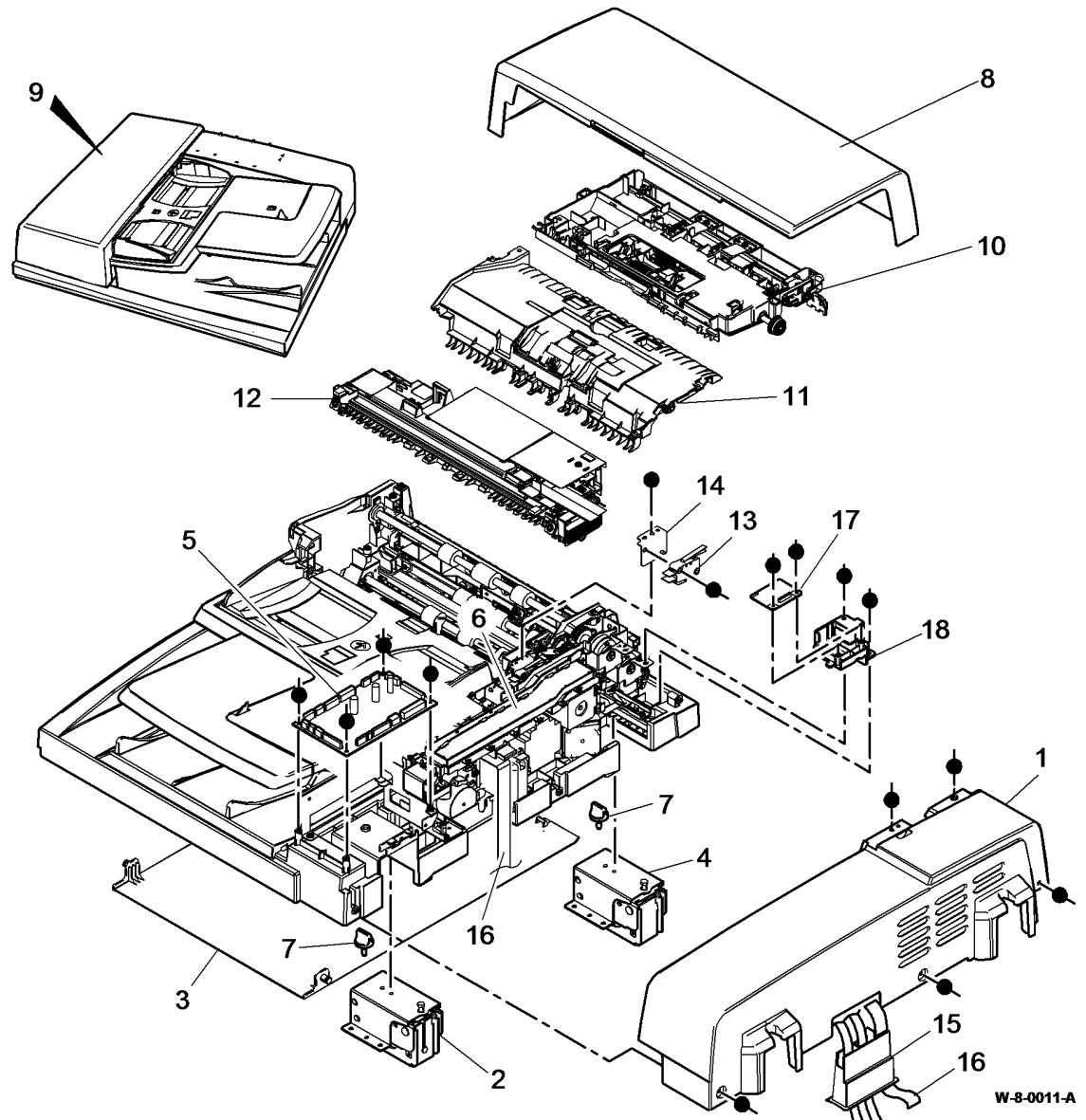
NOTE: 1. Also supplied as part of PL 31.12 Item 11.

NOTE: 2. Refer to GP 41.

PL 5.10 SPDH (Complete), Covers, SPDH PWB

| Item | Part | Description |
|------|-----------|---|
| 1 | 848K83770 | Rear cover |
| 2 | - | Right counterbalance (Not Spared) (ADJ 5.2, ADJ 5.3) |
| 3 | 090K02600 | Document pad (REP 5.23) |
| 4 | - | Left counterbalance (Not Spared) (ADJ 5.2, ADJ 5.3) |
| 5 | 960K72570 | SPDH PWB |
| 6 | 117E43830 | Side 2 scan assembly power ribbon cable (REP 5.22) |
| 7 | 826E66710 | Thumbscrew |
| 8 | - | Top cover (REF: PL 5.20) |
| 9 | 084K42693 | SPDH (complete) (REF: PL 5.19) |
| 10 | - | Feed assembly (REF: PL 5.20) (ADJ 5.3) |
| 11 | - | Separation assembly (REF: PL 5.25) |
| 12 | - | Side 2 scan assembly (REF: PL 60.30) |
| 13 | 110E21490 | Top cover interlock switch (S05- 305) |
| 14 | - | Mounting bracket (P/O PL 5.10 Item 13) |
| 15 | - | Harness guide (REF: PL 60.15) |
| 16 | 117E43800 | Side 2 scan assembly data ribbon cable (REP 5.22) |
| 17 | 960K79450 | Side 2 LED drive PWB |
| 18 | - | Side 2 LED drive PWB support (P/ O PL 5.10 Item 9) |

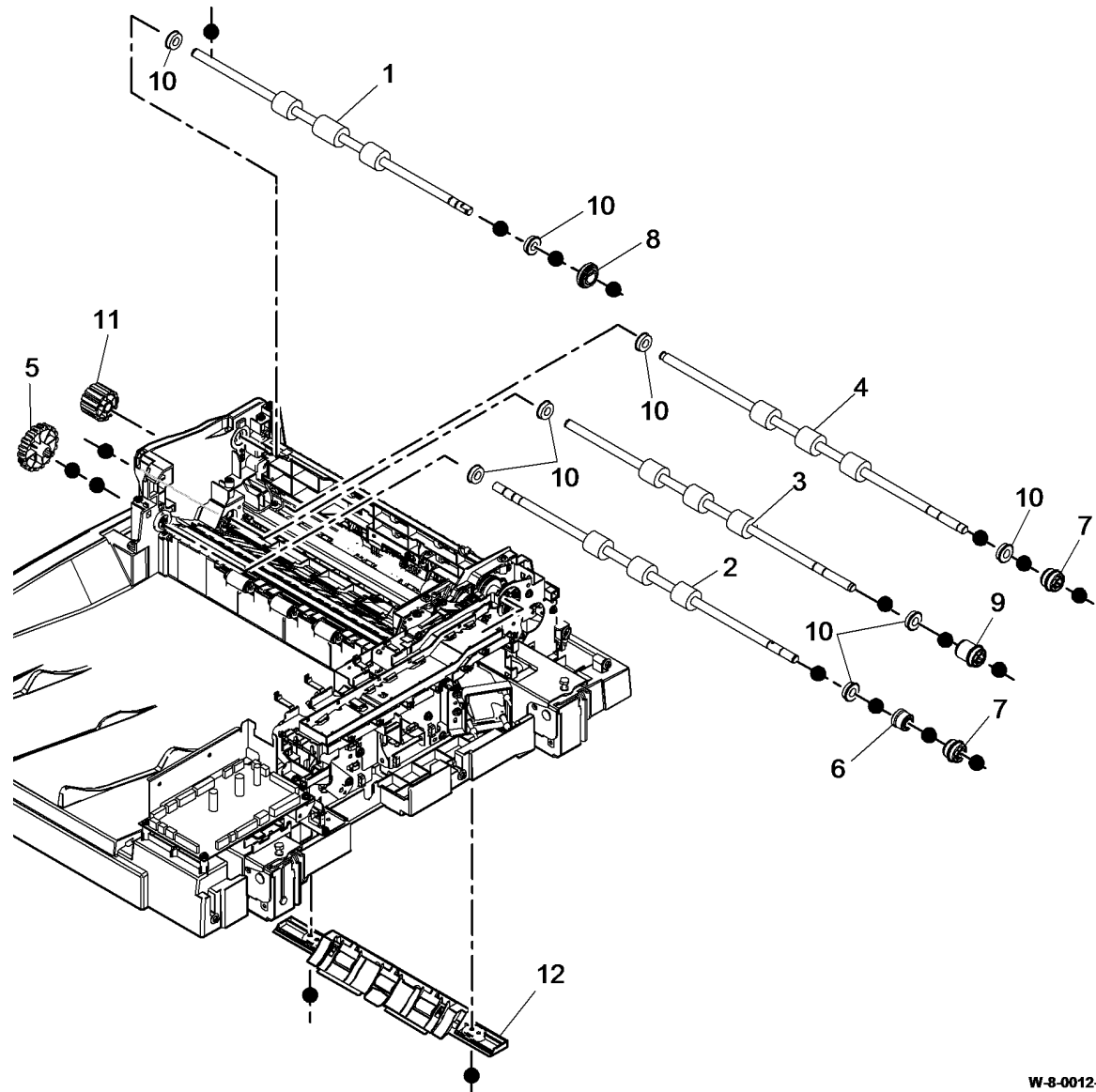
NOTE: To clean the SPDH, refer to ADJ 5.4.



W-8-0011-A

PL 5.17 SPDH Transport Assembly

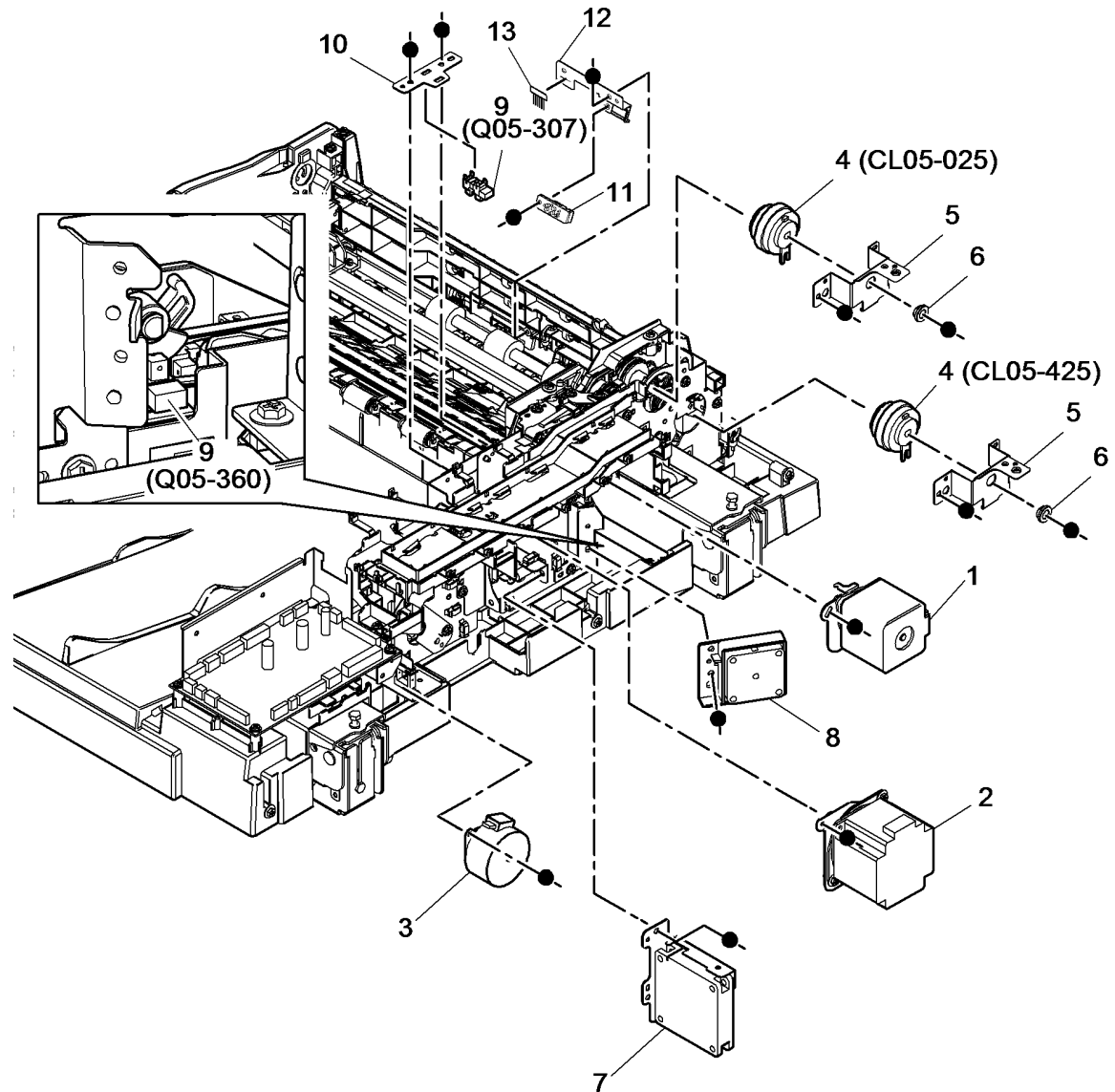
| Item | Part | Description |
|------|-----------|---|
| 1 | 059K84040 | Takeaway roll assembly (REP 5.5) |
| 2 | 059K84070 | Exit roll assembly (REP 5.7) |
| 3 | 059K84050 | Mid scan roll assembly (REP 5.18) |
| 4 | 059K84060 | Pre scan roll assembly (REP 5.17) |
| 5 | – | Exit jam clearance knob (P/O PL 5.19 Item 24) (REP 5.7) |
| 6 | – | Idler gear (P/O PL 5.19 Item 24) |
| 7 | – | Drive gear (P/O PL 5.19 Item 24) |
| 8 | – | Gear (P/O PL 5.19 Item 24) |
| 9 | – | Pre scan pulley (P/O PL 5.19 Item 24) |
| 10 | – | Bearing (P/O PL 5.19 Item 24) |
| 11 | – | Pre scan jam clearance knob (P/O PL 5.19 Item 24) |
| 12 | 059K84880 | Lower pre scan roll assembly (REP 5.6) |



W-8-0012-A

PL 5.18 SPDH Drive Assembly

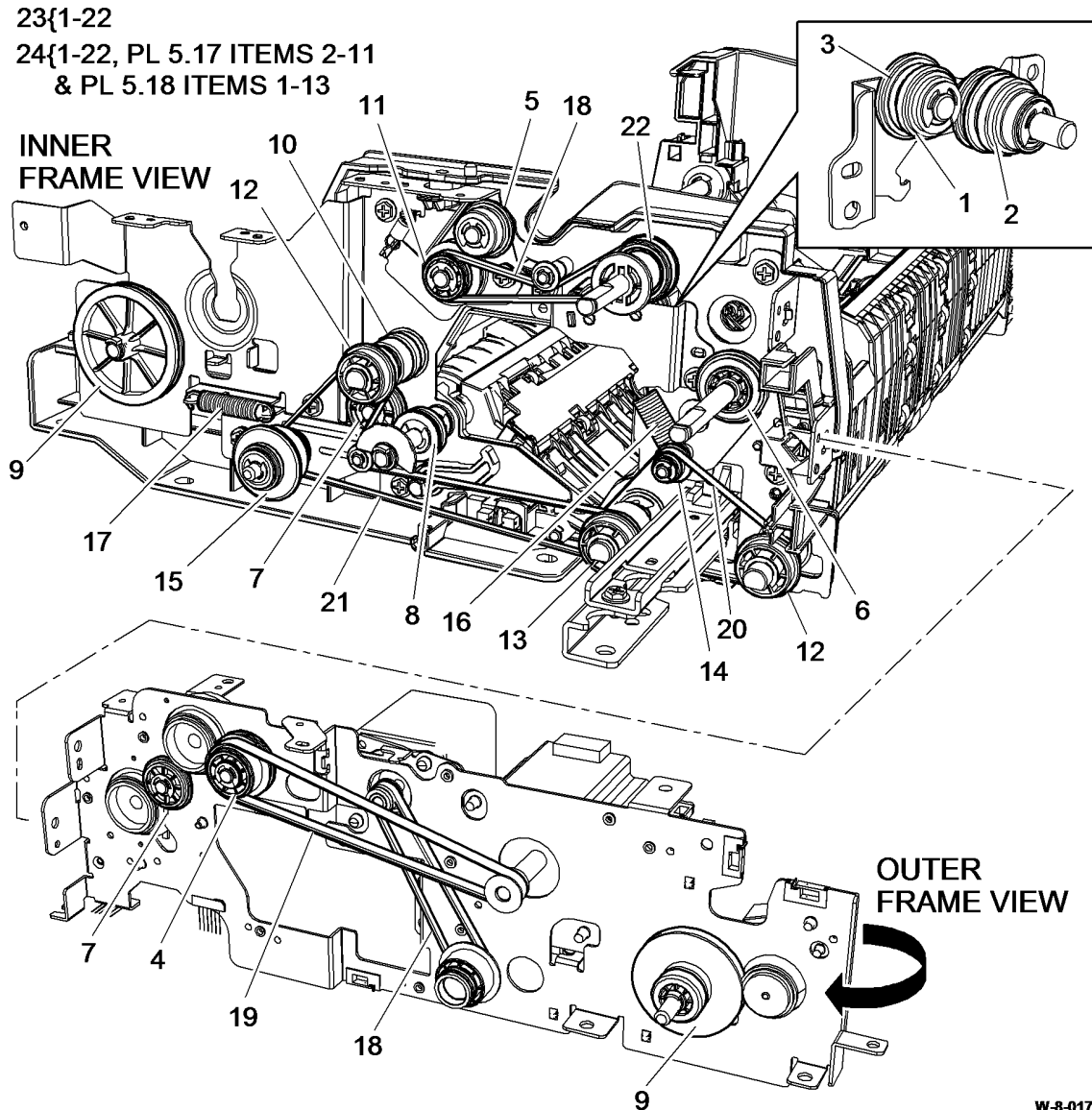
| Item | Part | Description |
|------|-----------|--|
| 1 | 127K69270 | Read motor (MOT05-030) (REP 5.13) |
| 2 | 127K69260 | Feed motor (MOT05-020) (REP 5.12) |
| 3 | 127K69250 | Tray elevator motor (MOT05-390) (REP 5.24) |
| 4 | 005E35810 | Feed clutch (CL05-025)(REP 5.14)/ Takeaway clutch (CL05-425)(REP 5.15) |
| 5 | - | Bracket (Not Spared) |
| 6 | - | Bearing (Not Spared) |
| 7 | 127E17510 | Motor cooling fan (MOT05-380) (REP 5.20) |
| 8 | 127E17520 | LED cooling fan (MOT05-370) (REP 5.21) |
| 9 | 130E19040 | Lift home position sensor (Q05-307)(REP 5.4)/Calibration home position sensor (Q05-360) (REP 5.11) |
| 10 | - | Sensor bracket (Not Spared) |
| 11 | 130E19060 | Reg sensor (Q05-340) (REP 5.10) |
| 12 | - | Mounting bracket (Not Spared) |
| 13 | - | Static eliminator (Not Spared) |



W-8-0151-A

PL 5.19 SPDH Read Assembly

| Item | Part | Description |
|------|-----------|--|
| 1 | - | Retard roll intermediate drive gear (P/O PL 5.19 Item 23) |
| 2 | - | Retard roll driven gear (P/O PL 5.19 Item 23) |
| 3 | - | Retard roll drive gear (P/O PL 5.19 Item 23) |
| 4 | - | Feed clutch drive gear/pulley (P/O PL 5.19 Item 23) |
| 5 | - | Feed assembly drive idler gear (P/O PL 5.19 Item 23) |
| 6 | - | Takeaway roll drive gear (P/O PL 5.19 Item 23) |
| 7 | - | Calibration shutter idler gear/TAR clutch drive gear (P/O PL 5.19 Item 23) |
| 8 | - | Calibration shutter driven gear (P/O PL 5.19 Item 23) |
| 9 | - | Tray elevator reduction gear (P/O PL 5.19 Item 23) |
| 10 | - | Calibration shutter drive gear (P/O PL 5.19 Item 23) |
| 11 | - | Feed assembly drive gear /pulley (P/O PL 5.19 Item 23) |
| 12 | - | Exit roll /pre-scan roll drive pulley (P/O PL 5.19 Item 23) |
| 13 | - | Mid scan roll drive pulley (P/O PL 5.19 Item 23) |
| 14 | - | Pre scan belt idler pulley (P/O PL 5.19 Item 23) |
| 15 | - | Read motor intermediate pulley (P/O PL 5.19 Item 23) |
| 16 | - | Read motor belt tension spring (P/O PL 5.19 Item 23) |
| 17 | - | Mid scan drive belt tension spring (P/O PL 5.19 Item 23) |
| 18 | - | Read motor belt / feed assembly drive belt (P/O PL 5.19 Item 23) |
| 19 | - | Feed motor belt (P/O PL 5.19 Item 23) (REP 5.12) |
| 20 | - | Pre-scan roll drive belt (P/O PL 5.19 Item 23) |
| 21 | - | Mid scan drive belt (P/O PL 5.19 Item 23) |
| 22 | - | Retard/ feed drive gear/pulley (P/O PL 5.19 Item 23) |
| 23 | 007K20560 | SPDH drive kit (REP 5.25, ADJ 5.1) |
| 24 | 059K84860 | Read assembly (REP 5.23) |

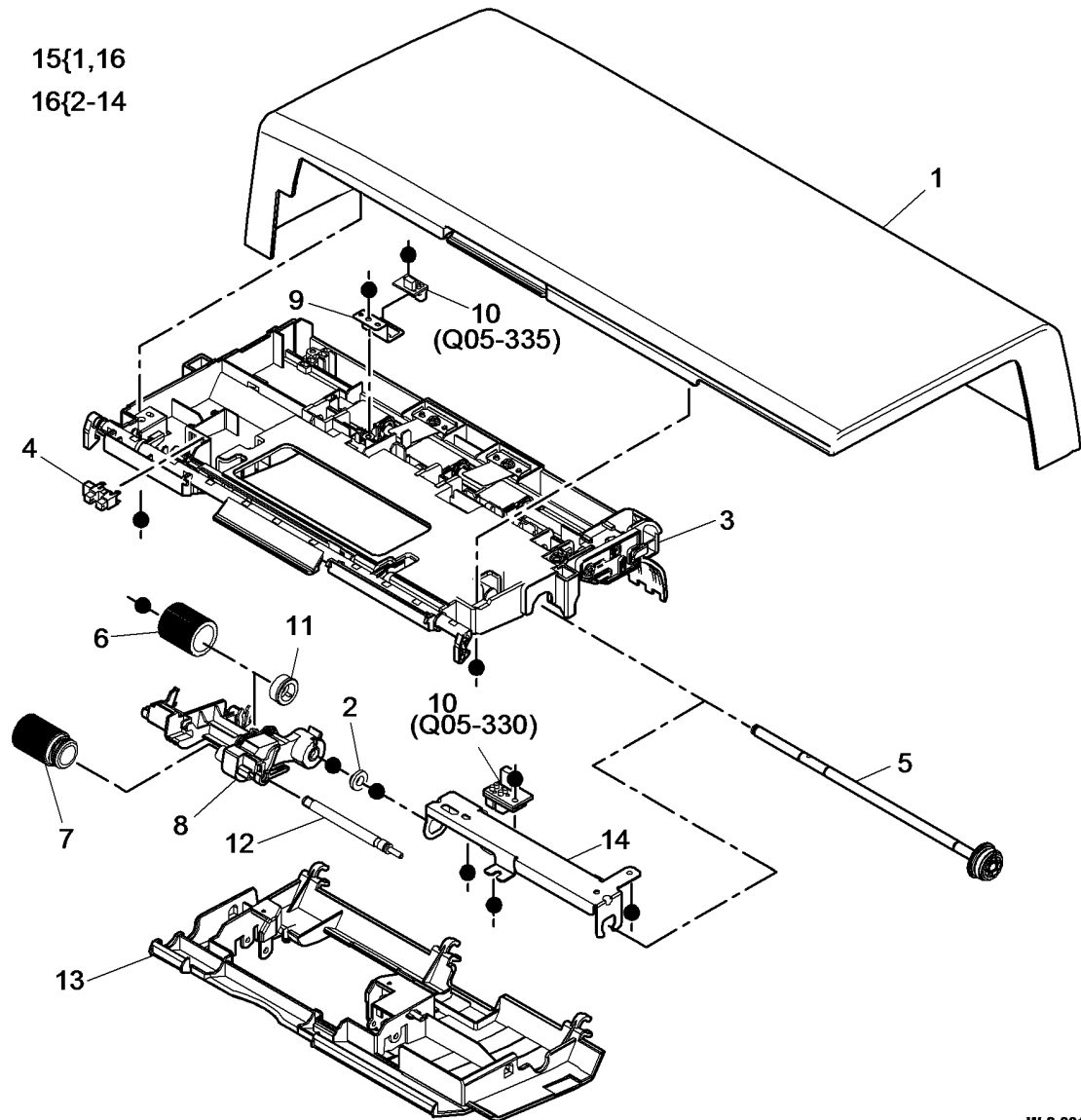


PL 5.20 SPDH Top Cover Assembly

| Item | Part | Description |
|------|-----------|--|
| 1 | - | Top cover (P/O PL 5.20 Item 15) (REP 5.1) |
| 2 | - | Bushing (P/O PL 5.20 Item 15) |
| 3 | - | Feed assembly frame (P/O PL 5.20 Item 15) (REP 5.2) |
| 4 | 130E19040 | Stack height sensor (Q05-310) (REP 5.8) |
| 5 | - | Shaft (P/O PL 5.20 Item 15) |
| 6 | - | Feed roll (P/O PL 31.11 Item 7) (See NOTE 2) (REP 5.2) |
| 7 | - | Nudger roll (P/O PL 31.11 Item 7) (See NOTE 2) (REP 5.2) |
| 8 | - | Roll housing (P/O PL 5.20 Item 15) |
| 9 | - | TAR sensor bracket (P/O PL 5.20 Item 15) (REP 5.8) |
| 10 | 130E19090 | Feed sensor (Q05-330)/ Takeaway sensor(Q05-335) (REP 5.8) |
| 11 | - | Spacer (P/O PL 5.20 Item 15) |
| 12 | - | Shaft (P/O PL 5.20 Item 15) |
| 13 | - | Lower cover (P/O PL 5.20 Item 15) |
| 14 | - | Mounting bracket (P/O PL 5.20 Item 15) |
| 15 | 059K84850 | Top cover assembly (REP 5.1) |
| 16 | - | Feed assembly (P/O PL 5.20 Item 15) (REP 5.2) |

NOTE: 1. For the top cover interlock switch, refer to PL 5.10 Item 13..

NOTE: 2. HFSI. To reset the HFSI count, refer to dC135.

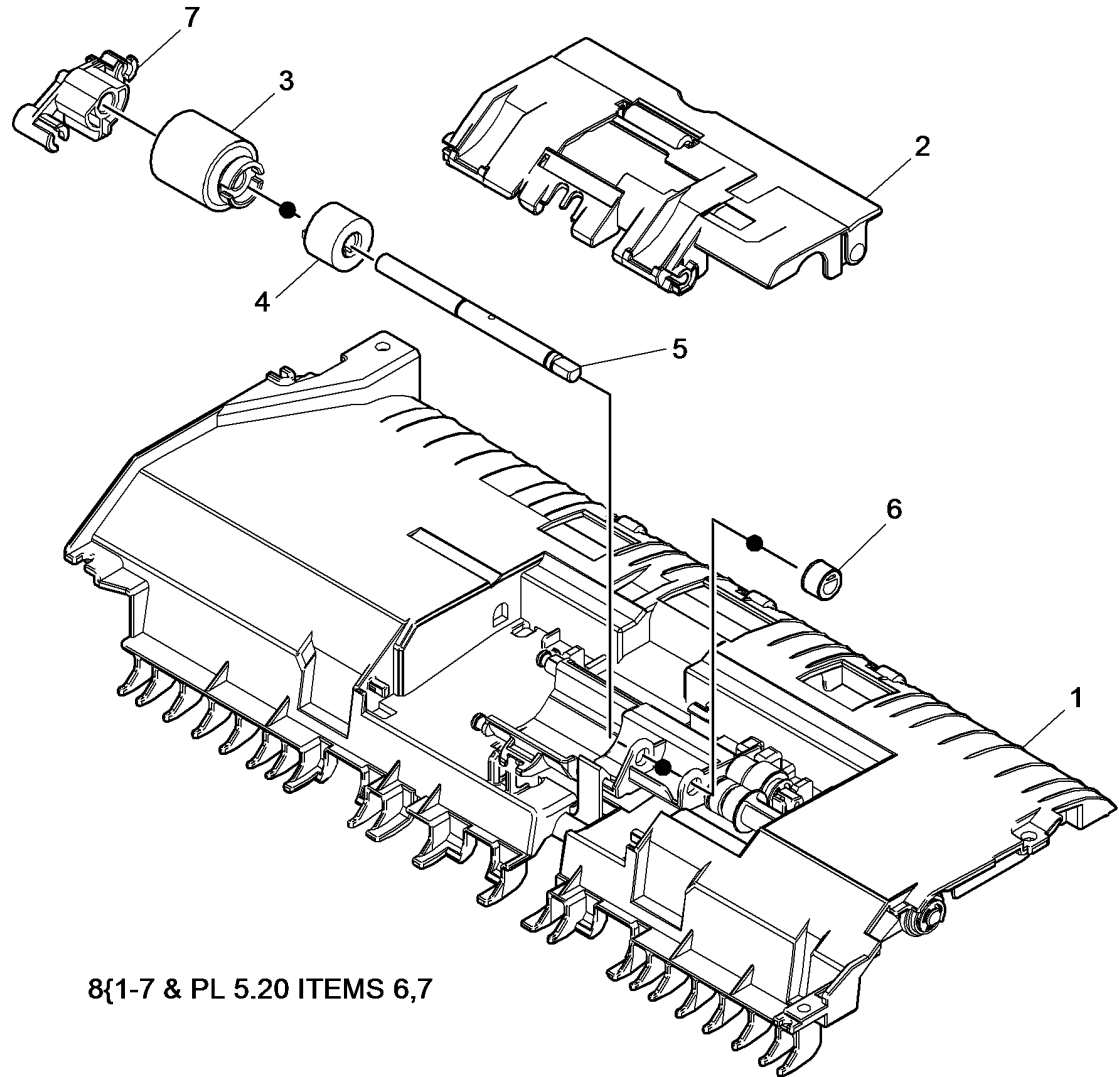


W-8-0013-A

PL 5.25 SPDH Separation Assembly

| Item | Part | Description |
|------|-----------|--|
| 1 | - | Separation frame (P/O PL 5.25 Item 8) |
| 2 | - | Retard roll cover (P/O PL 5.25 Item 8) |
| 3 | - | Retard roll (P/O PL 31.11 Item 7) (See NOTE) (REP 5.3) |
| 4 | - | Coupling (P/O PL 5.25 Item 8) |
| 5 | - | Shaft (P/O PL 5.25 Item 8) |
| 6 | - | Cap (P/O PL 5.25 Item 8) |
| 7 | - | Retard roll retainer (P/O PL 5.25 Item 8) (REP 5.3) |
| 8 | 014K11320 | Separation assembly (REP 5.3) |

NOTE: HFSI. To reset the HFSI count, refer to dC135.

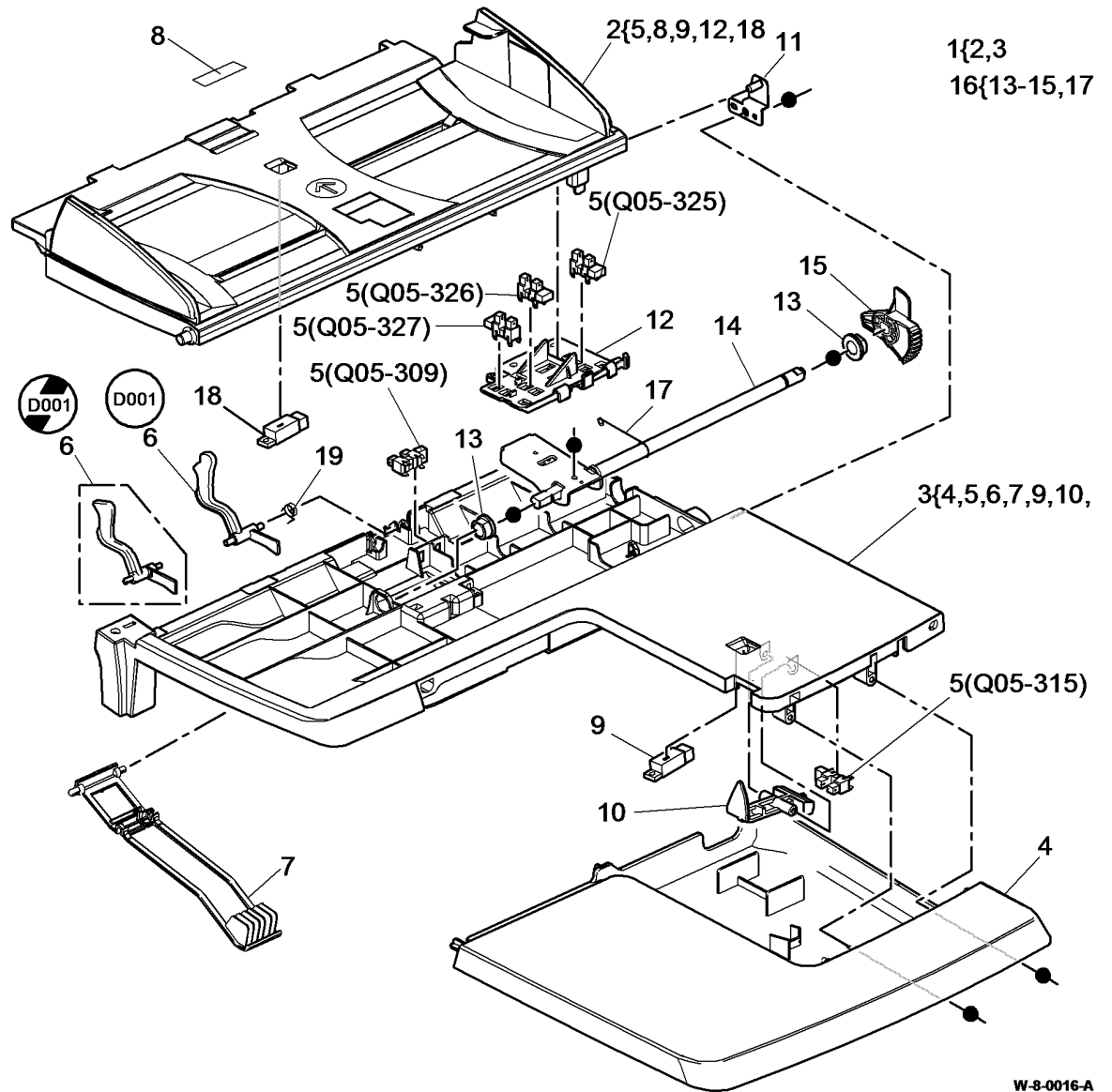


8{1-7 & PL 5.20 ITEMS 6,7

W-8-0150-A

PL 5.30 Input Tray Assembly

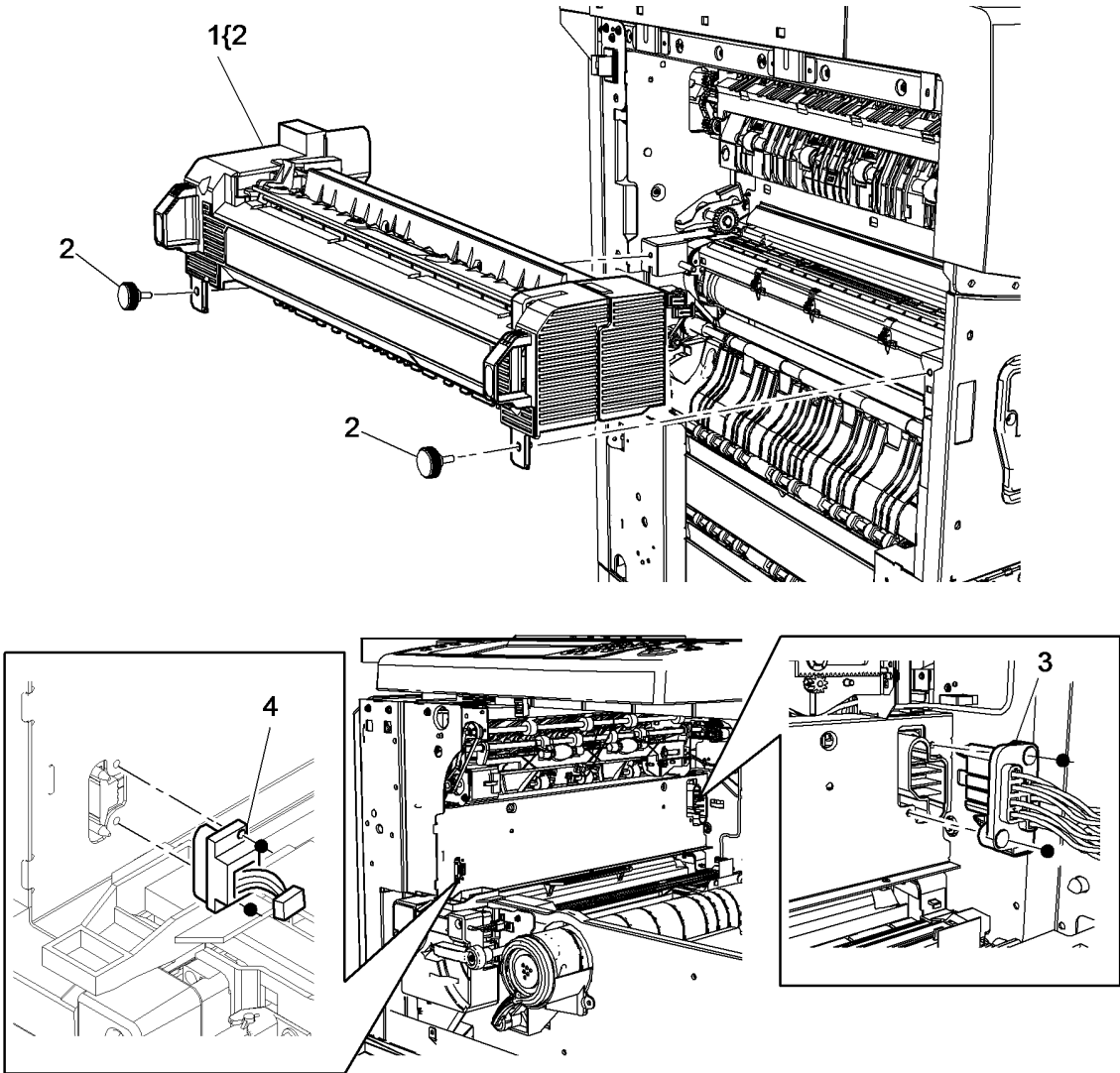
| Item | Part | Description |
|------|-----------|--|
| 1 | - | Input tray assembly (complete) (REP 5.4) |
| 2 | 050K74650 | Tray upper assembly (REP 5.4) |
| 3 | 607K03220 | Tray lower assembly (REP 5.4) |
| 4 | - | Tray lower cover (P/O PL 5.30 Item 3) |
| 5 | 130E19040 | Length sensor 1 (Q05-315)(REP 5.9)/Doc present sensor (Q05-309)(REP 5.16)/Width sensor 1 (Q05-325)(REP 5.16)/Width sensor 2(Q05-326)(REP 5.16)/Width sensor 3(Q05-327)(REP 5.16) |
| 6 | - | Doc present sensor actuator (P/O PL 31.14 Item 10) (W/TAG D-001) (REP 5.16) |
| - | - | Doc present sensor actuator (P/O PL 5.30 Item 3) (W/O TAG D-001) |
| 7 | - | Restack arm (P/O PL 5.30 Item 1) |
| 8 | 059K84030 | Retard pad |
| 9 | 130E19080 | Length sensor 2 (Q05-320) (REP 5.9) |
| 10 | - | Length sensor 1 actuator (P/O PL 5.30 Item 3) |
| 11 | - | Tray upper hinge (Not Spared) (REP 5.4) |
| 12 | - | Sensor mounting plate (P/O PL 5.30 Item 2) |
| 13 | - | Bearing (P/O PL 5.30 Item 16) |
| 14 | - | Shaft assembly (P/O PL 5.30 Item 16) (REP 5.4) |
| 15 | - | Cam (P/O PL 5.30 Item 16) |
| 16 | - | Lift shaft assembly (P/O PL 5.30 Item 3) |
| 17 | - | Ground spring (P/O PL 5.30 Item 16) |
| 18 | 130E19330 | Last sheet out sensor (Q05-308) (REP 5.16) |
| 19 | - | Actuator spring (P/O PL 31.14 Item 10) |



W-8-0016-A

PL 10.8 Fuser Module

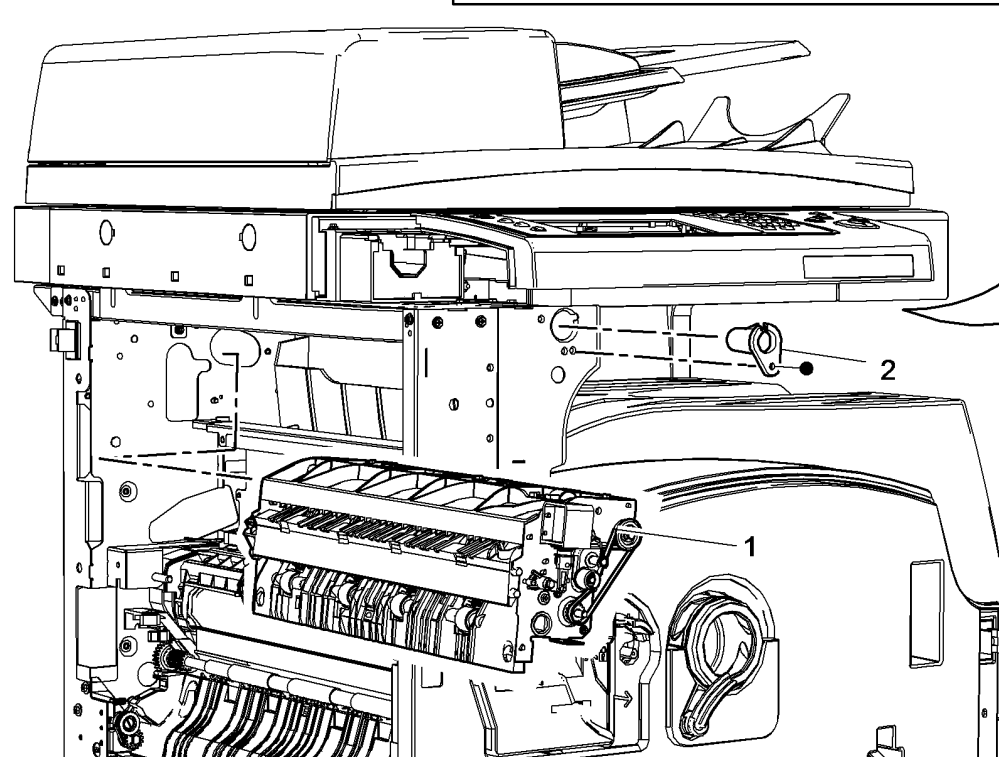
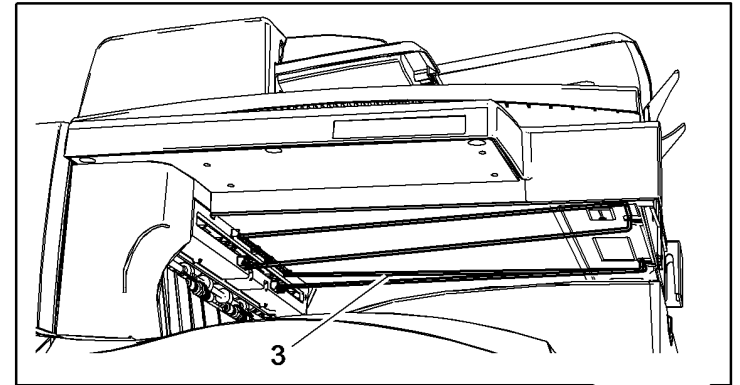
| Item | Part | Description |
|------|-----------|---------------------------------|
| 1 | 109R00848 | Fuser module (50Hz) |
| - | 109R00847 | Fuser module (60Hz) |
| 2 | - | Thumbscrew (P/O PL 10.8 Item 1) |
| 3 | - | Fuser connector (Not Spared) |
| 4 | - | Fuser CRUM (Not Spared) |



W-8-0008-A

PL 10.10 Inverter Assembly (1 of 4)

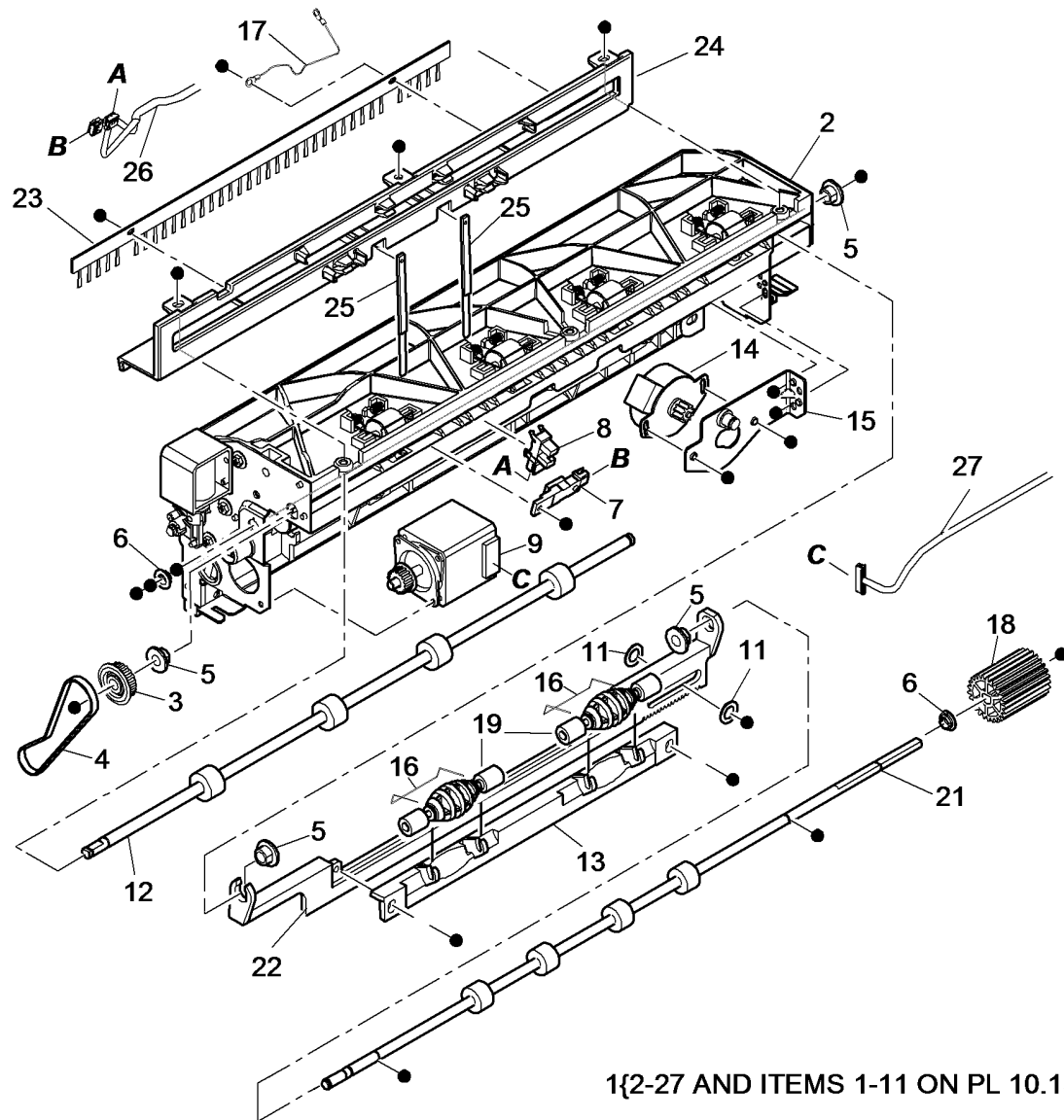
| Item | Part | Description |
|------|------|---|
| 1 | - | Inverter assembly (Centre output tray) (REF: PL 10.11, PL 10.13) (REP 10.1) |
| - | - | Inverter assembly (Horizontal transport) (REF: PL 10.12, PL 10.13) (REP 10.1) |
| 2 | - | Inverter locator (Not Spared) (REP 10.1) |
| 3 | - | Diverter output guide (Centre output tray) (Not Spared) |



W-8-0048-A

PL 10.11 Inverter Assembly (Centre Output Tray) (2 of 4)

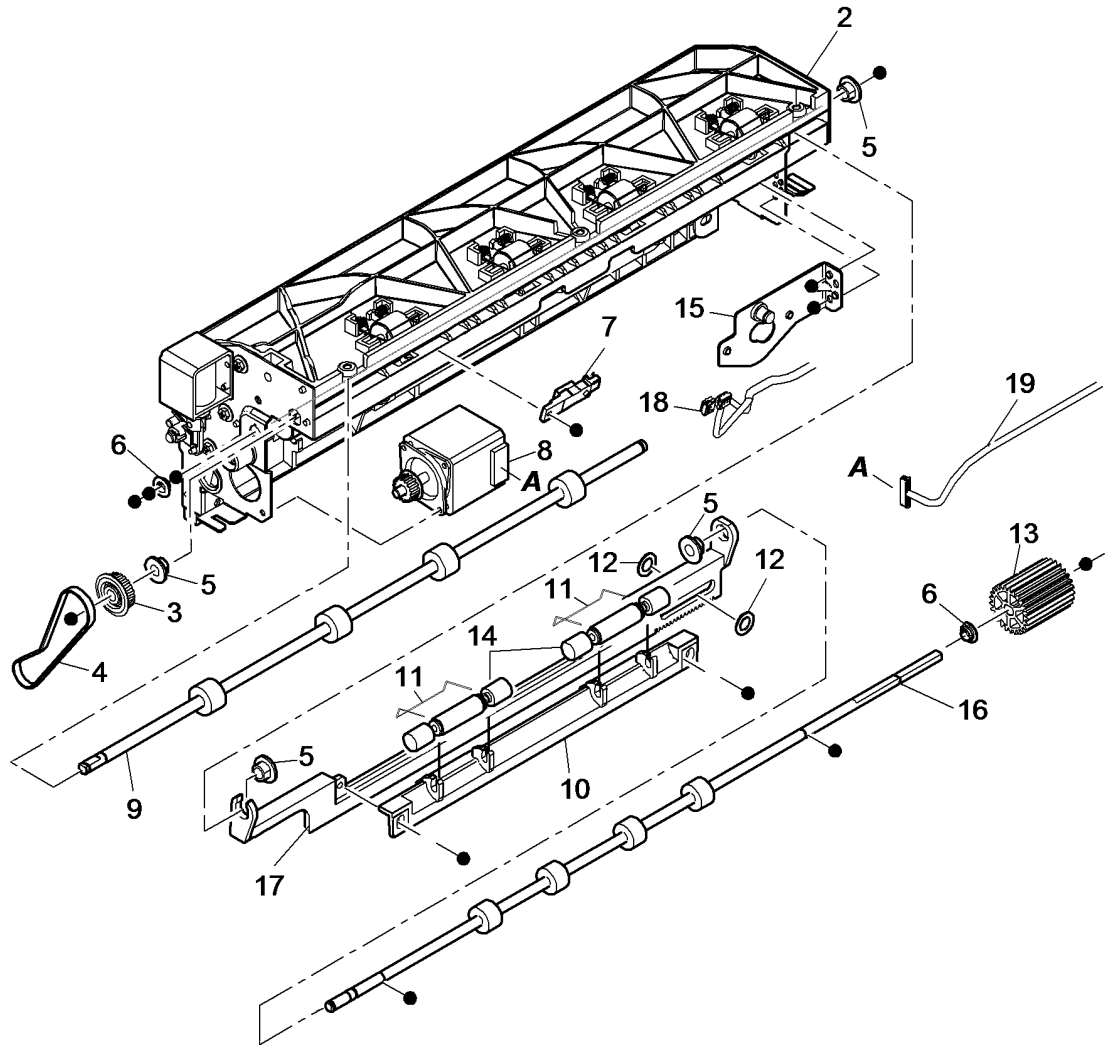
| Item | Part | Description |
|------|-----------|---|
| 1 | 112K01218 | Inverter assembly (REP 10.1) |
| 2 | - | Exit guide housing (P/O PL 10.11 Item 1) |
| 3 | - | Pulley (21T) (P/O PL 10.11 Item 1) |
| 4 | - | Drive belt (P/O PL 10.11 Item 1) |
| 5 | - | Bearing (P/O PL 10.11 Item 1) (REP 10.5) |
| 6 | - | Shaft bearing (P/O PL 10.11 Item 1) (REP 10.5) |
| 7 | - | Post fuser sensor (Q10-120) (P/O PL 10.11 Item 1) |
| 8 | - | Offset sensor (Q10-300) (P/O PL 10.11 Item 1) |
| 9 | - | Inverter motor (MOT10-030) (P/O PL 10.11 Item 1) (REP 10.3) |
| 10 | - | Not used |
| 11 | - | Locking washer (P/O PL 10.11 Item 1) |
| 12 | - | Drive roll (P/O PL 10.11 Item 1) |
| 13 | - | Corrugator roll support (P/O PL 10.11 Item 1) |
| 14 | - | Offset motor (MOT10-500) (P/O PL 10.11 Item 1) (REP 10.4) |
| 15 | - | Offset motor bracket (P/O PL 10.11 Item 1) |
| 16 | - | Nip spring (P/O PL 10.11 Item 1) |
| 17 | - | Ground wire (P/O PL 10.11 Item 1) |
| 18 | - | Exit drive gear (P/O PL 10.11 Item 1) (REP 10.5) |
| 19 | - | Corrugator roll (P/O PL 10.11 Item 1) (REP 10.5) |
| 20 | - | Not used |
| 21 | - | Exit roll (P/O PL 10.11 Item 1) (REP 10.5) |
| 22 | - | Shuttle (P/O PL 10.11 Item 1) (REP 10.5) |
| 23 | - | Static eliminator (P/O PL 10.11 Item 1) |
| 24 | - | Inverter cover (P/O PL 10.11 Item 1) |
| 25 | - | Bail arm assembly (P/O PL 10.11 Item 1) |
| 26 | - | Sensor harness (Not spared) |
| 27 | - | Inverter motor harness (Not Spared) |



W-8-0055-A

PL 10.12 Inverter Assembly (Horizontal Transport) (3 of 4)

| Item | Part | Description |
|------|-----------|---|
| 1 | 112K01229 | Inverter assembly (REP 10.1) |
| 2 | - | Exit guide housing (P/O PL 10.12 Item 1) |
| 3 | - | Pulley (21T) (P/O PL 10.12 Item 1) |
| 4 | - | Drive belt (P/O PL 10.12 Item 1) |
| 5 | - | Bearing (P/O PL 10.12 Item 1) (REP 10.5) |
| 6 | - | Shaft bearing (P/O PL 10.12 Item 1) (REP 10.5) |
| 7 | - | Post fuser sensor (Q10-120) (P/O PL 10.12 Item 1) |
| 8 | - | Inverter motor (MOT10-030) (P/O PL 10.12 Item 1) (REP 10.3) |
| 9 | - | Drive roll (P/O PL 10.12 Item 1) |
| 10 | - | Nip roll support (P/O PL 10.12 Item 1) (See NOTE) |
| 11 | - | Nip spring (P/O PL 10.12 Item 1) (See NOTE) |
| 12 | - | Locking washer (P/O PL 10.12 Item 1) |
| 13 | - | Exit drive gear (P/O PL 10.12 Item 1) (REP 10.5) |
| 14 | - | Nip roll (P/O PL 10.12 Item 1) (See NOTE) (REP 10.5) |
| 15 | - | Motor bracket (P/O PL 10.12 Item 1) |
| 16 | - | Exit roll (P/O PL 10.12 Item 1) (REP 10.5) |
| 17 | - | Shuttle (P/O PL 10.12 Item 1) (REP 10.5) |
| 18 | - | Inverter sensor harness (Not Spared) |
| 19 | - | Inverter motor harness (Not Spared) |

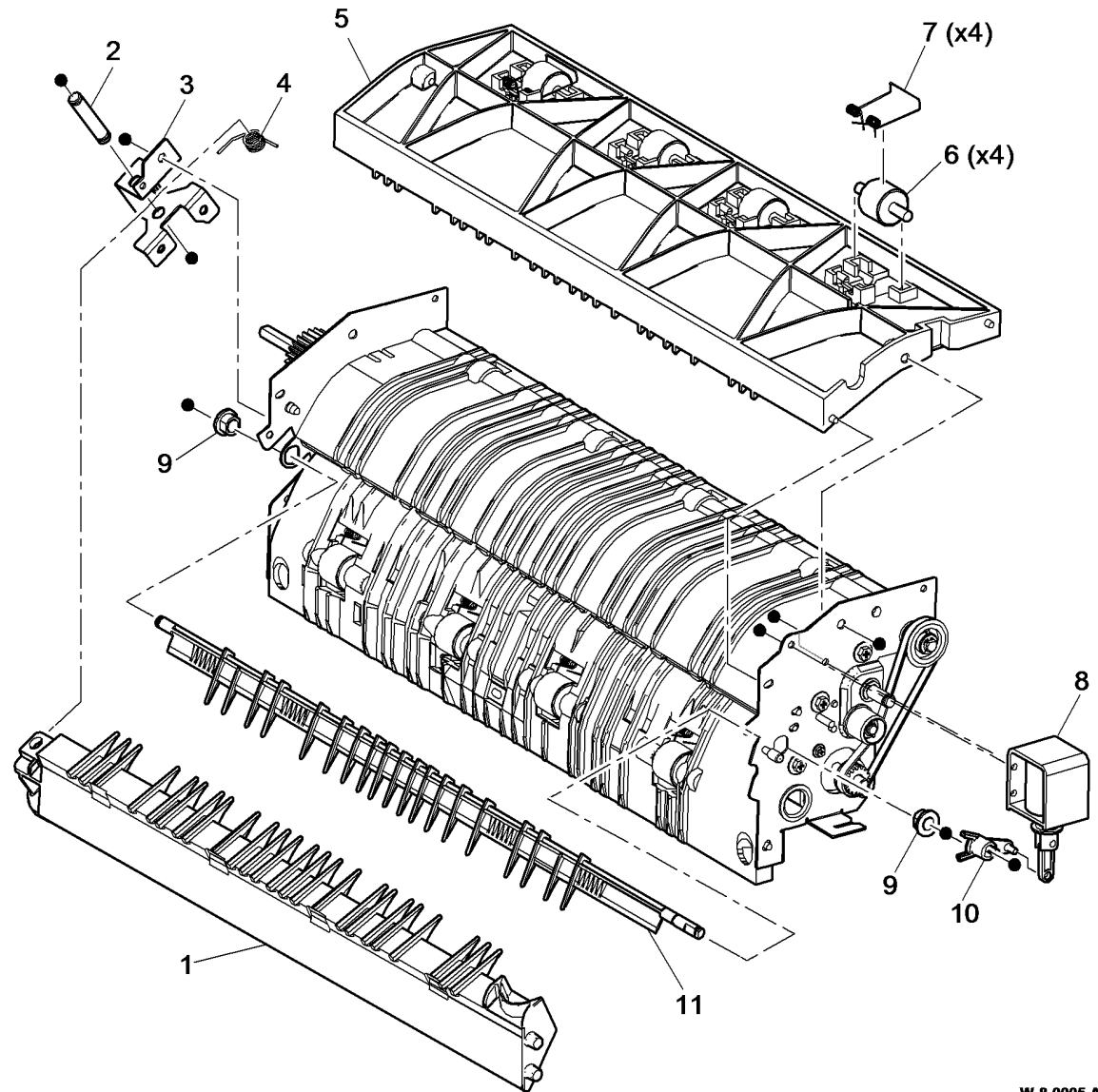


1{2-19 AND ITEMS 1-11 ON PL 10.13

W-8-0046-A

PL 10.13 Inverter Assembly (4 of 4)

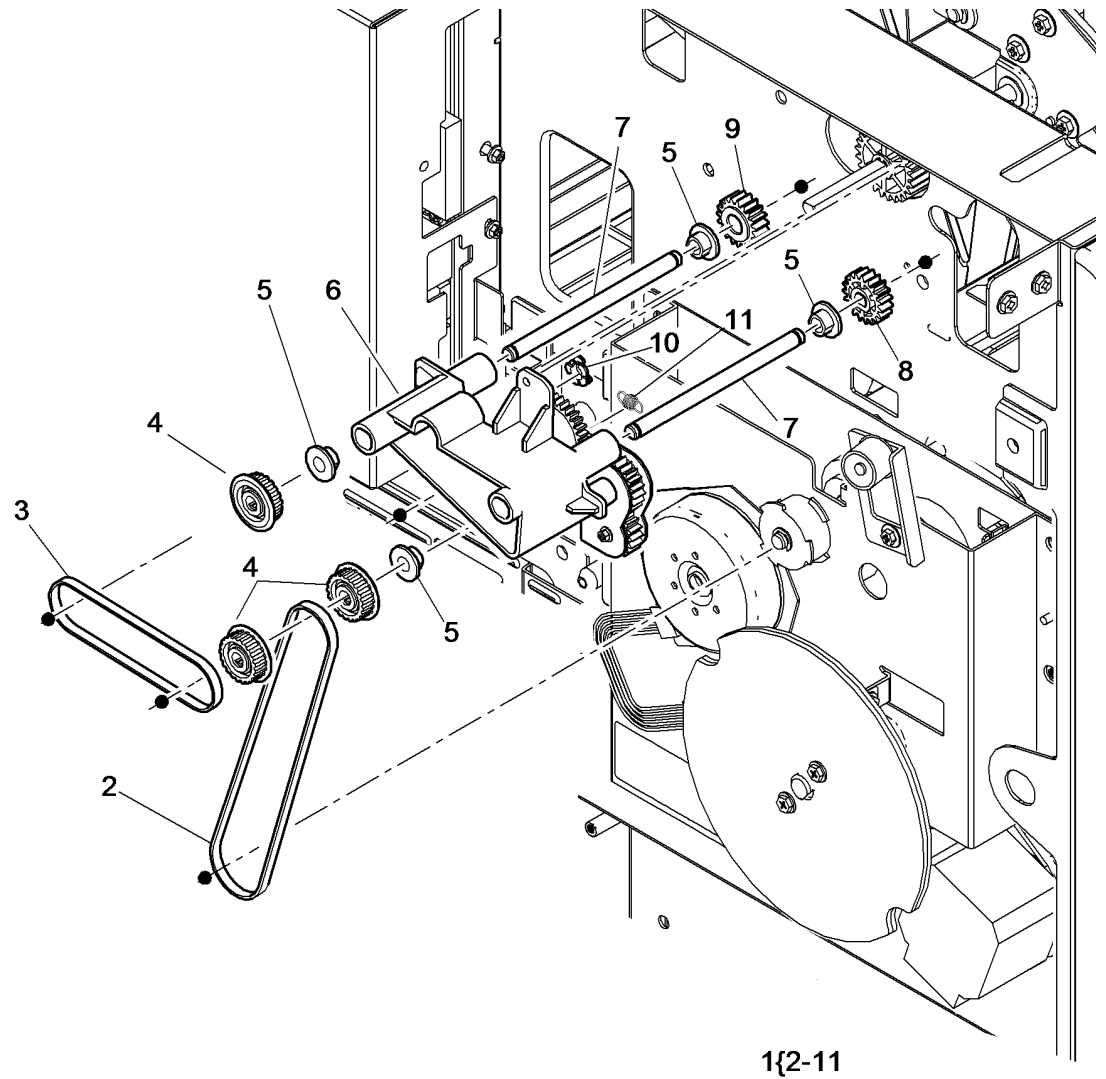
| Item | Part | Description |
|------|------|---|
| 1 | - | Jam clearance paper guide (P/O PL 10.11 Item 1, PL 10.12 Item 1) |
| 2 | - | Hinge pin (P/O PL 10.11 Item 1, PL 10.12 Item 1) |
| 3 | - | Hinge pin bracket (P/O PL 10.11 Item 1, PL 10.12 Item 1) |
| 4 | - | Spring (P/O PL 10.11 Item 1, PL 10.12 Item 1) |
| 5 | - | Upper exit guide (P/O PL 10.11 Item 1, PL 10.12 Item 1) |
| 6 | - | Idle roll (P/O PL 10.11 Item 1, PL 10.12 Item 1) |
| 7 | - | Spring (P/O PL 10.11 Item 1, PL 10.12 Item 1) |
| 8 | - | Inverter gate solenoid (SOL10-045) (P/O PL 10.11 Item 1, PL 10.12 Item 1) |
| 9 | - | Bearing (P/O PL 10.11 Item 1, PL 10.12 Item 1) (REP 10.5) |
| 10 | - | Pivot arm (P/O PL 10.11 Item 1, PL 10.12 Item 1) |
| 11 | - | Inverter gate (P/O PL 10.11 Item 1, PL 10.12 Item 1) |



W-8-0005-A

PL 10.14 Exit Drive Assembly

| Item | Part | Description |
|------|-----------|--|
| 1 | 007K20735 | Exit drive assembly (REP 10.2, ADJ 40.1) |
| 2 | - | Exit drive belt (P/O PL 10.14 Item 1) |
| 3 | - | Belt (P/O PL 10.14 Item 1) |
| 4 | - | Pulley (P/O PL 10.14 Item 1) |
| 5 | - | Bearing (P/O PL 10.14 Item 1) |
| 6 | - | Exit drive housing (P/O PL 10.14 Item 1) |
| 7 | - | Drive shaft (P/O PL 10.14 Item 1) |
| 8 | - | Drive gear (P/O PL 10.14 Item 1) |
| 9 | - | Clutch gear (P/O PL 10.14 Item 1) |
| 10 | - | Offset bearing (P/O PL 10.14 Item 1) |
| 11 | - | Spring (P/O PL 10.14 Item 1) |

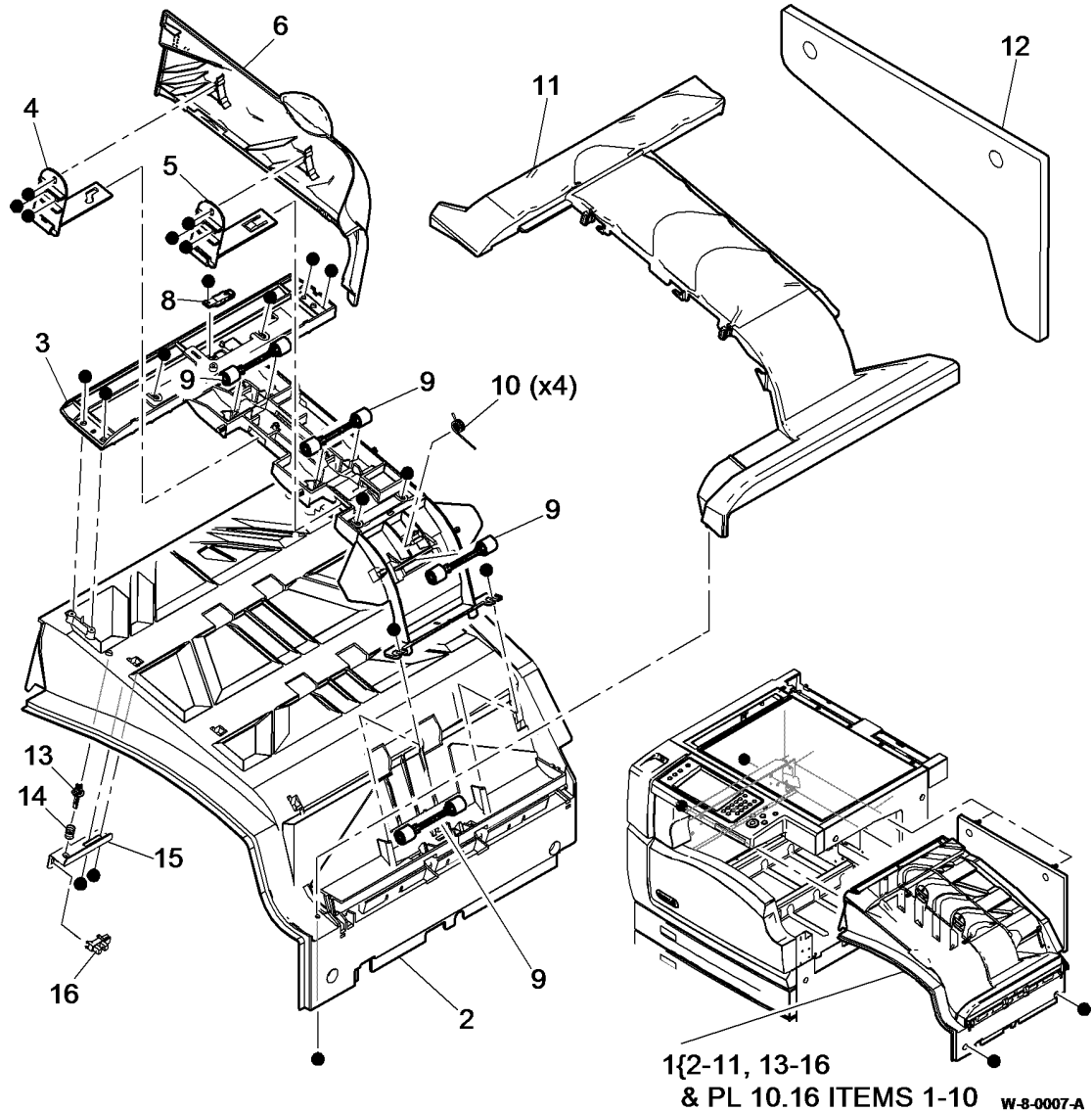


W-8-0004-A

PL 10.15 Horizontal Transport Assembly (1 of 2)

| Item | Part | Description |
|------|-----------|---|
| 1 | 859K03115 | Horizontal transport assembly (See NOTE) (REP 10.6) |
| 2 | - | Lower transport assembly (P/O PL 10.15 Item 1) |
| 3 | - | Baffle assembly (P/O PL 10.15 Item 1) |
| 4 | - | Left hinge (P/O PL 10.15 Item 1) |
| 5 | - | Right hinge (P/O PL 10.15 Item 1) |
| 6 | - | Jam clearance cover (P/O PL 10.15 Item 1) |
| 7 | - | Not used |
| 8 | - | Horizontal transport entry sensor (Q10-041) (P/O PL 10.15 Item 1) |
| 9 | - | Idler roll (P/O PL 10.15 Item 1) |
| 10 | - | Spring (P/O PL 10.15 Item 1) |
| 11 | - | Top cover (P/O PL 10.15 Item 1) |
| 12 | - | Backplate (P/O PL 31.14 Item 5) (REP 28.1) |
| 13 | - | Interlock actuator (P/O PL 10.15 Item 1) |
| 14 | - | Actuator spring (P/O PL 10.15 Item 1) |
| 15 | - | Sensor bracket (P/O PL 10.15 Item 1) |
| 16 | 130E18220 | Horizontal transport interlock sensor (Q10-042) |

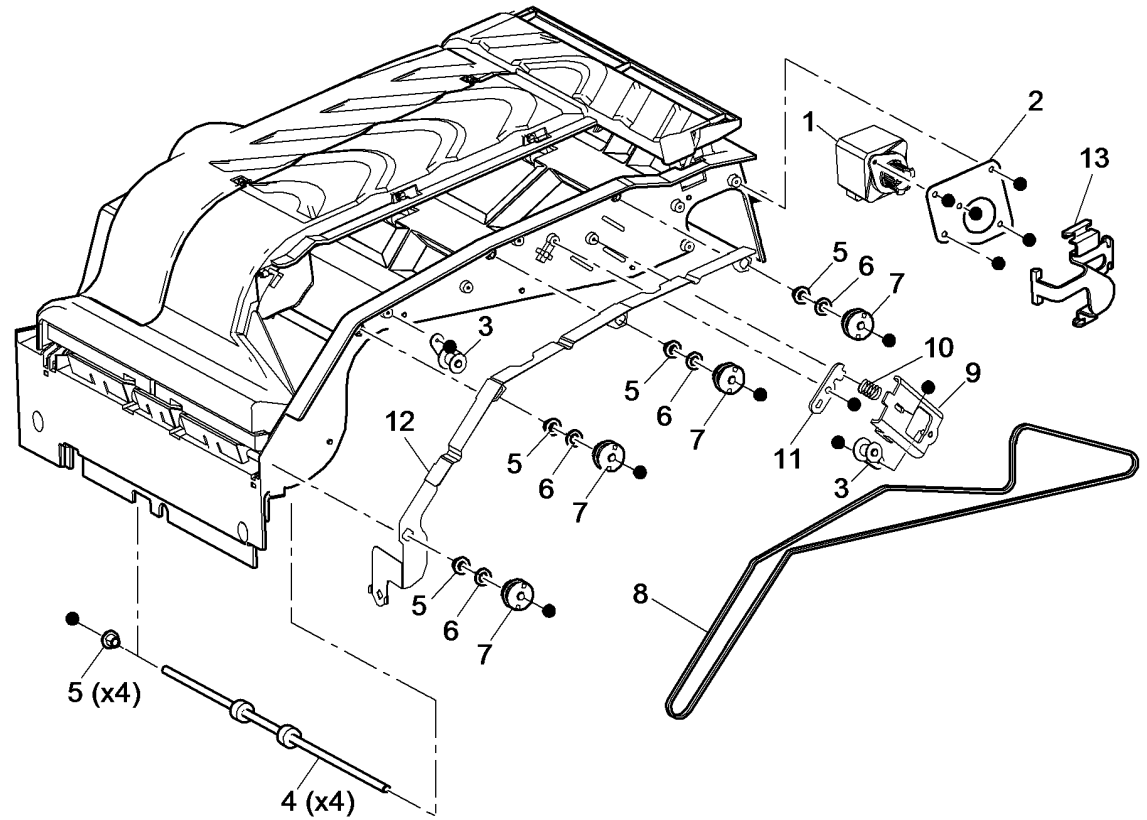
NOTE: Also supplied as part of PL 31.14 Item 5.



1{2-11, 13-16
& PL 10.16 ITEMS 1-10 W-8-0007-A

PL 10.16 Horizontal Transport Assembly (2 of 2)

| Item | Part | Description |
|------|-----------|---|
| 1 | 927K01100 | Horizontal transport motor (MOT10-040) (REP 10.7) |
| 2 | – | Motor support bracket (P/O PL 10.15 Item 1) |
| 3 | – | Idler (P/O PL 10.15 Item 1) |
| 4 | – | Horizontal transport roll (P/O PL 10.15 Item 1) |
| 5 | – | Bearing (P/O PL 10.15 Item 1) |
| 6 | – | Washer (P/O PL 10.15 Item 1) |
| 7 | – | Pulley (P/O PL 10.15 Item 1) |
| 8 | – | Horizontal transport drive belt (P/O PL 10.15 Item 1) |
| 9 | – | Belt tensioner bracket (P/O PL 10.15 Item 1) |
| 10 | – | Tension spring (P/O PL 10.15 Item 1) |
| 11 | – | Spring anchor (P/O PL 10.15 Item 1) |
| 12 | – | Ground strip (P/O PL 10.15 Item 1) |
| 13 | – | Pulley cover (P/O PL 10.15 Item 1) (REP 10.7) |

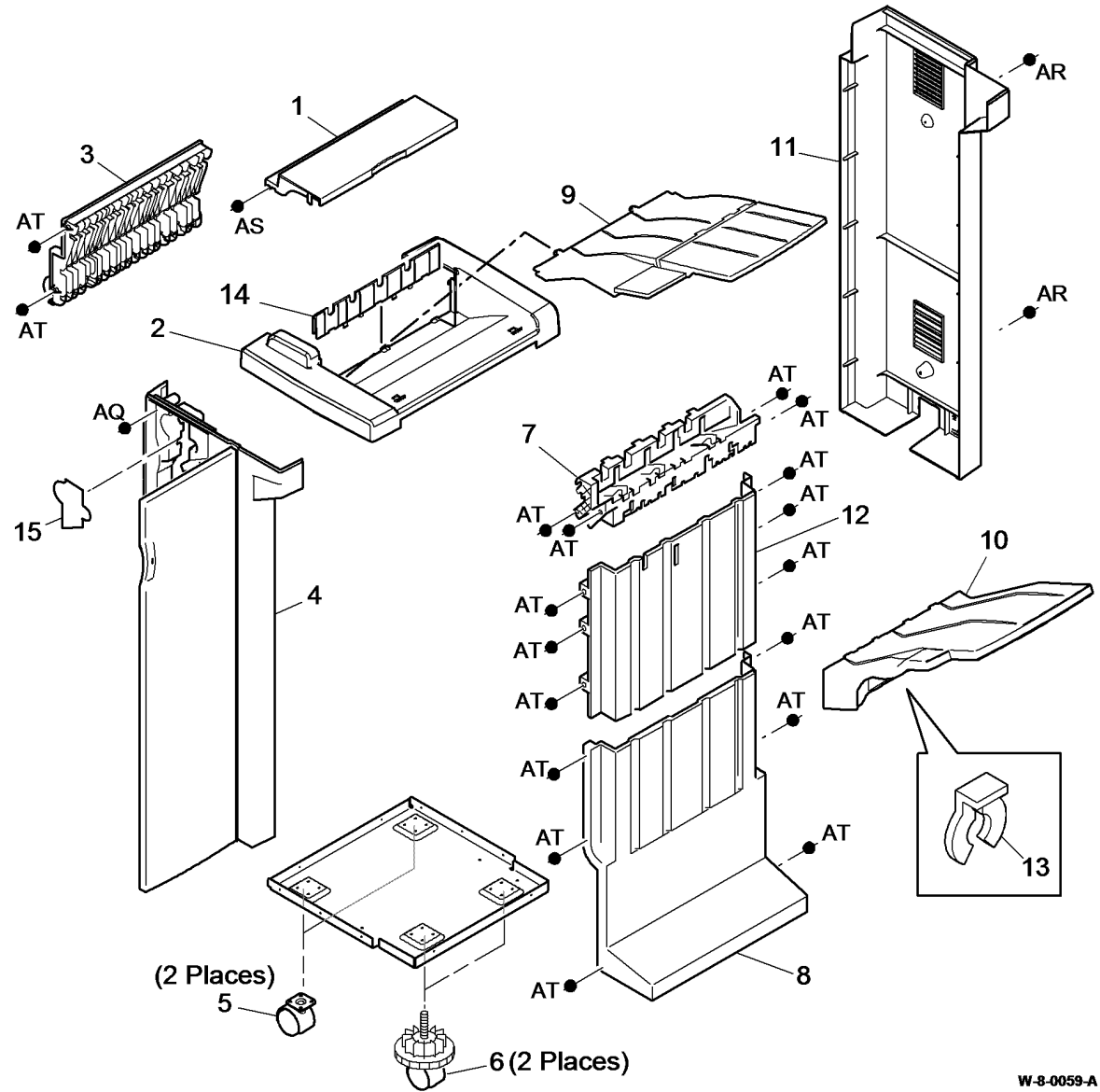


W-8-0045-B

PL 12.10 2K LCSS Covers

| Item | Part | Description |
|------|-----------|--|
| 1 | – | Exit cover (Not Spared) |
| 2 | 848E97181 | Top cover (REP 12.1-110) |
| 3 | 848K31330 | Entry guide cover (REP 12.15-110) |
| 4 | 848K98090 | Front door cover assembly (REP 12.1-110) |
| 5 | 017K03750 | Fixed caster |
| 6 | 017K04520 | Adjustable caster |
| 7 | – | Output cover (Not Spared) |
| 8 | 802K48320 | Lower right cover |
| 9 | 050K75970 | Bin 0 |
| 10 | 050K75960 | Bin 1 (ADJ 12.1-110) |
| 11 | 848K95900 | Rear cover (REP 12.1-110) |
| 12 | – | Upper right cover (Not Spared) |
| 13 | 019K13380 | Bin 1 alignment clip |
| 14 | – | Top centre cover (Not Spared) |
| 15 | – | Hole punch assembly cover (Not Spared) |

NOTE: Refer to ADJ 12.2-110 to align the LCSS to the machine.

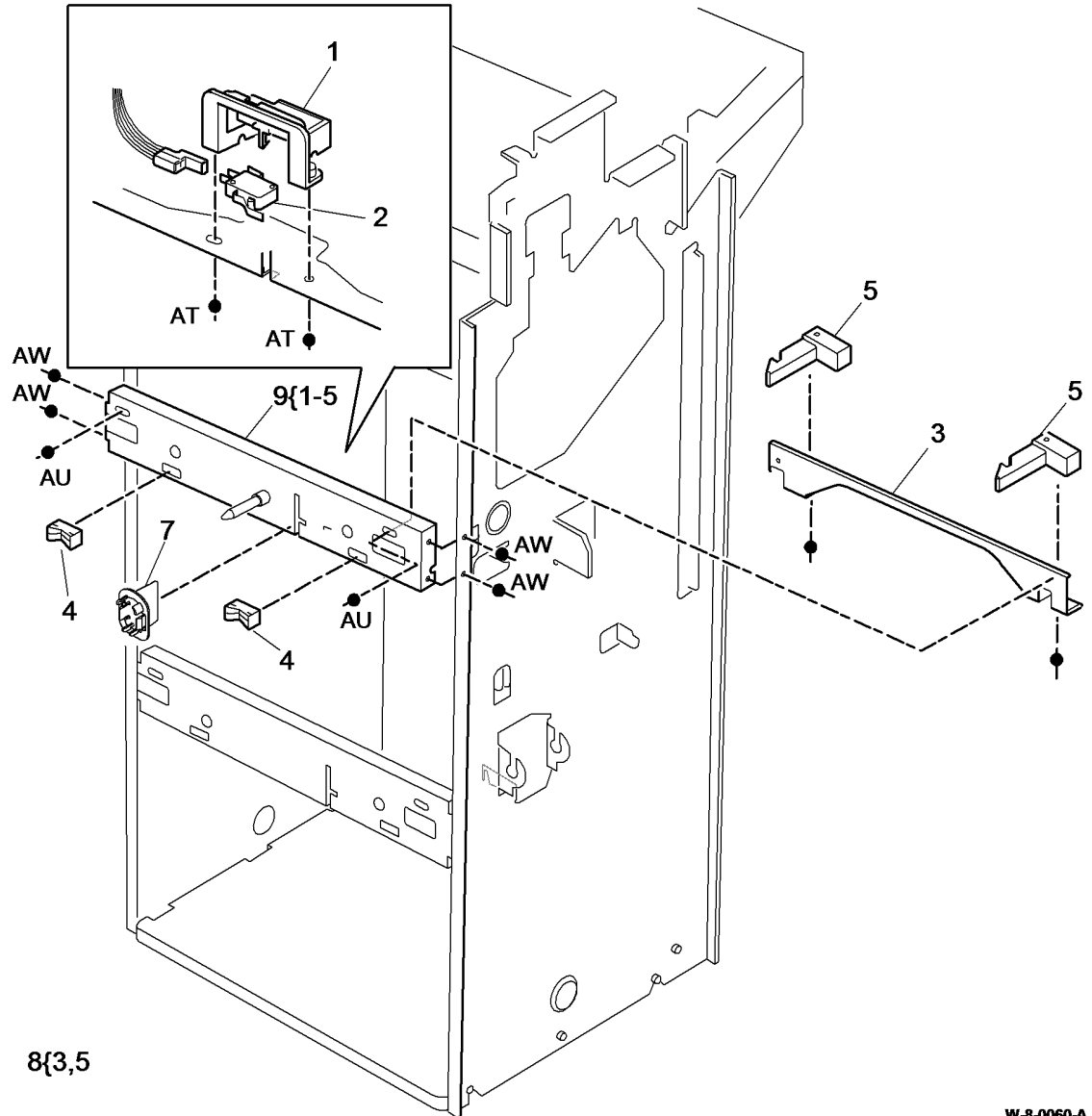


W-8-0059-A

PL 12.15 2K LCSS Docking Latch

| Item | Part | Description |
|------|-----------|---|
| 1 | - | Sensor cover (P/O PL 12.15 Item 9) |
| 2 | 110K13980 | Docking interlock switch (S12-177) (See NOTE) |
| 3 | - | Link bracket assembly (P/O PL 12.15 Item 8) |
| 4 | - | Stopper (P/O PL 12.15 Item 9) |
| 5 | - | Docking latch (P/O PL 12.15 Item 8) |
| 6 | - | Not used |
| 7 | 120K03450 | Docking actuator (See NOTE) |
| 8 | 003K20930 | Docking latch assembly (See NOTE) (REP 12.16-110) |
| 9 | 003K20940 | Mounting stay assembly |

NOTE: Also comes as part of mounting stay assembly PL 12.15 Item 9.

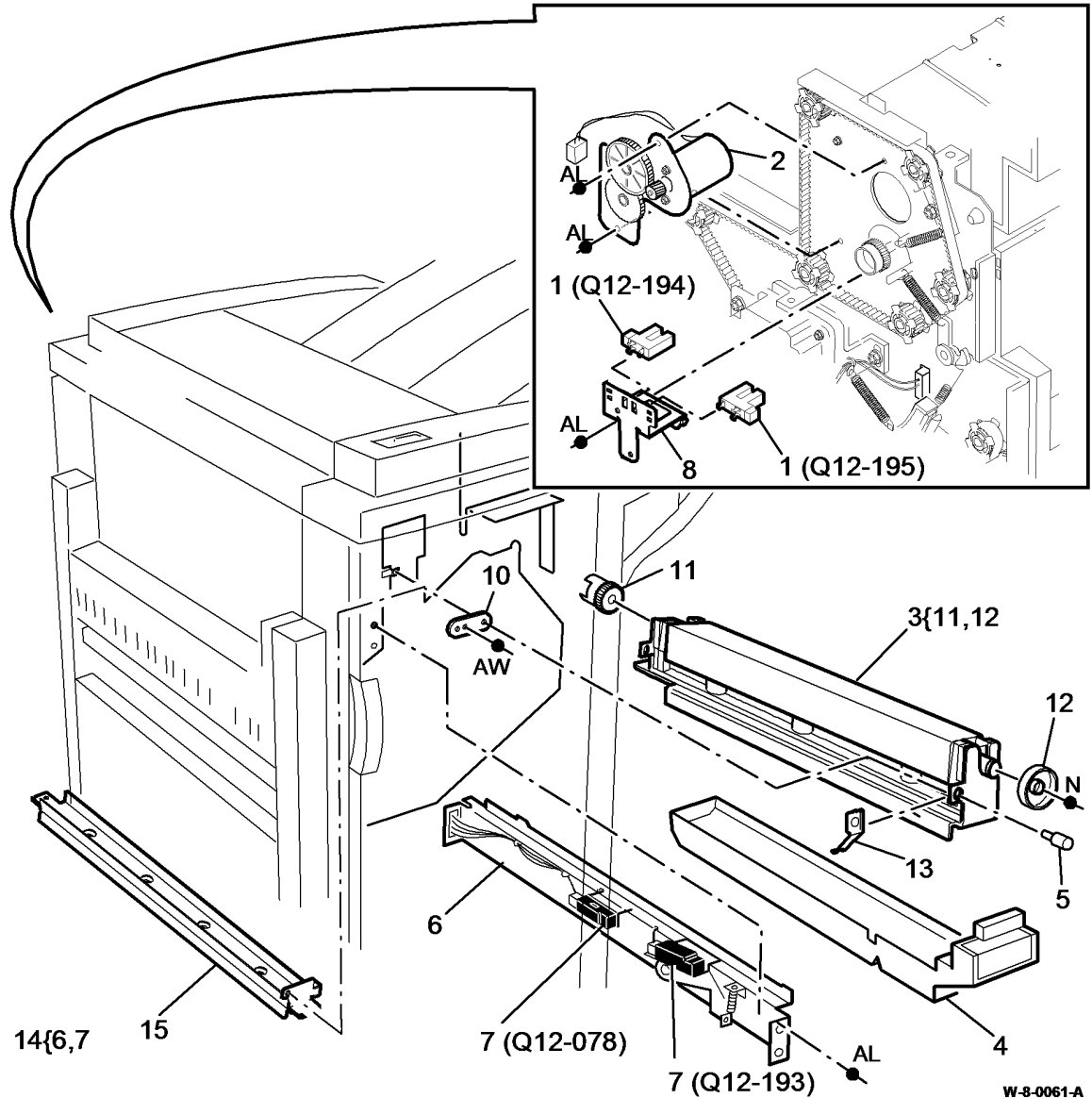


W-8-0060-A

PL 12.20 2K LCSS Hole Punch Unit

| Item | Part | Description |
|------|-----------|---|
| 1 | 130E10360 | Punch head home sensor (Q12-194), Punch head present sensor (Q12-195) (REP 12.7-110) |
| 2 | 127K55900 | Punch head motor assembly (MOT12-244) (REP 12.7-110) |
| 3 | - | Hole punch unit (see below for variants) (See NOTE) (REP 12.7-110, ADJ 12.3-110) |
| - | 180K01330 | 2 Hole (XE) |
| - | - | 4 Hole (Sweden) (P/O PL 31.11 Item 2) |
| - | - | 4 Hole (XE) (P/O PL 31.11 Item 2) |
| - | 180K01500 | 3 Hole |
| 4 | 093E03930 | Chad bin |
| 5 | - | Thumbscrew (Not Spared) |
| 6 | - | Bracket (P/O PL 12.20 Item 14) |
| 7 | 130E10380 | Punch sensor 1 (Q12-078), Chad bin level sensor (Q12-193) (P/O PL 12.20 Item 14) (REP 12.7-110) |
| 8 | - | Sensor bracket (Not Spared) |
| 9 | - | Not used |
| 10 | - | Bracket (Not Spared) |
| 11 | - | Punch drive gear (P/O PL 12.20 Item 3) |
| 12 | - | Punch cam (P/O PL 12.20 Item 3) |
| 13 | - | Punch spacer (Not Spared) |
| 14 | - | Punch sensor assembly (Not Spared) |
| 15 | 014K10610 | Hole punch guide assembly |

NOTE: Refer to PL 31.11 Item 2 for other LCSS hole punch kits.

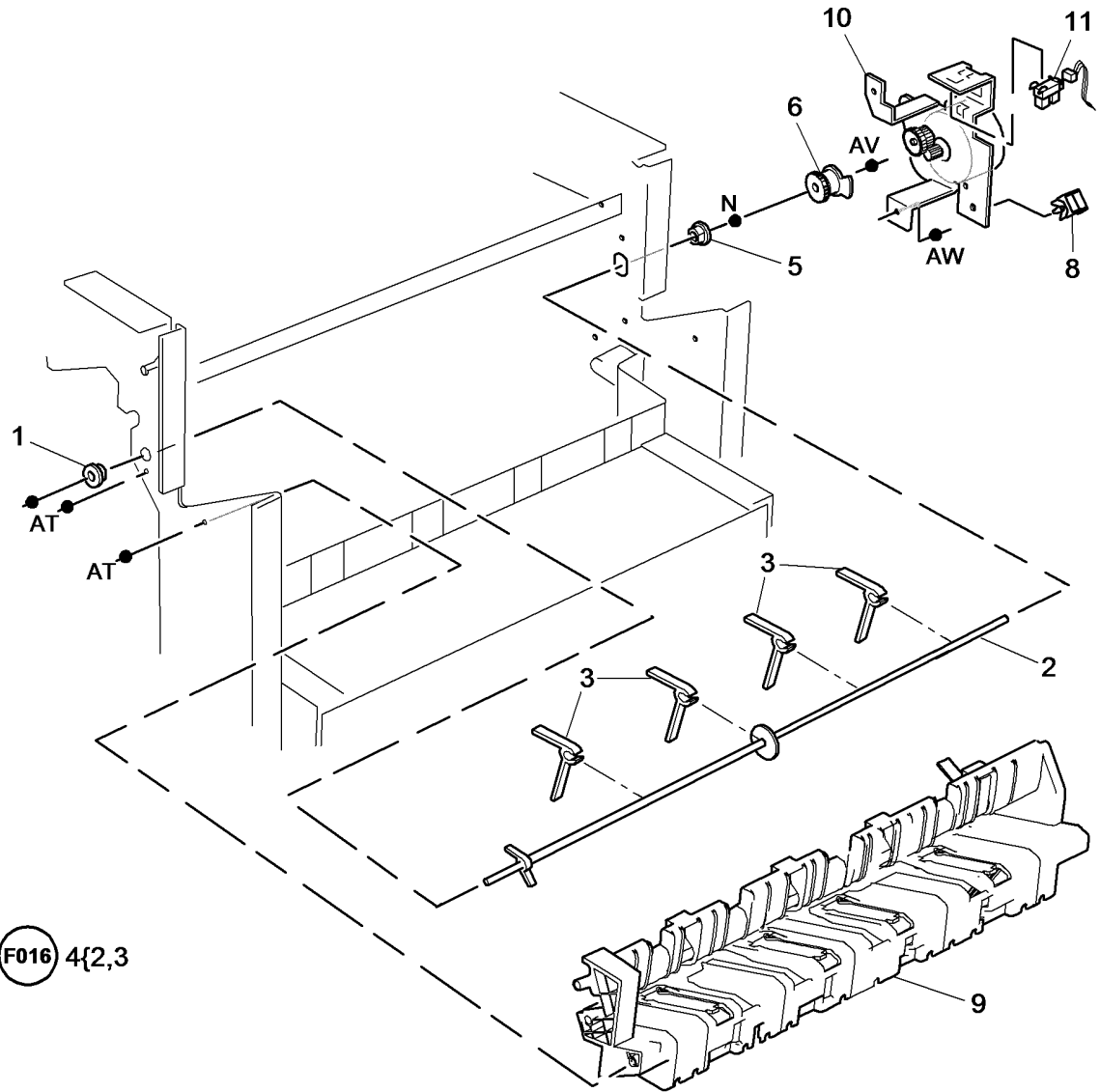


W-8-0061-A

PL 12.25 2K LCSS Paddle Shaft Assembly

| Item | Part | Description |
|------|-----------|--|
| 1 | - | Bush (Not Spared) |
| 2 | - | Shaft (P/O PL 12.25 Item 4) |
| 3 | - | Paddle (P/O PL 12.25 Item 4) (NOTE) (REP 12.18-110) |
| 4 | - | Paddle shaft assembly (REF: PL 31.12 Item 2) (W/TAG F-016) (REP 12.12-110) |
| 5 | 013E25790 | Nylon bearing |
| 6 | - | Gear and flag assembly (Not Spared) |
| 7 | - | Not used |
| 8 | - | Cable clamp (Not Spared) |
| 9 | - | Output cover (Not Spared) |
| 10 | 127K62580 | Paddle roll motor assembly (MOT12-238) (REP 12.12-110) |
| 11 | 130E10360 | Paddle roll home sensor (Q12-186) |

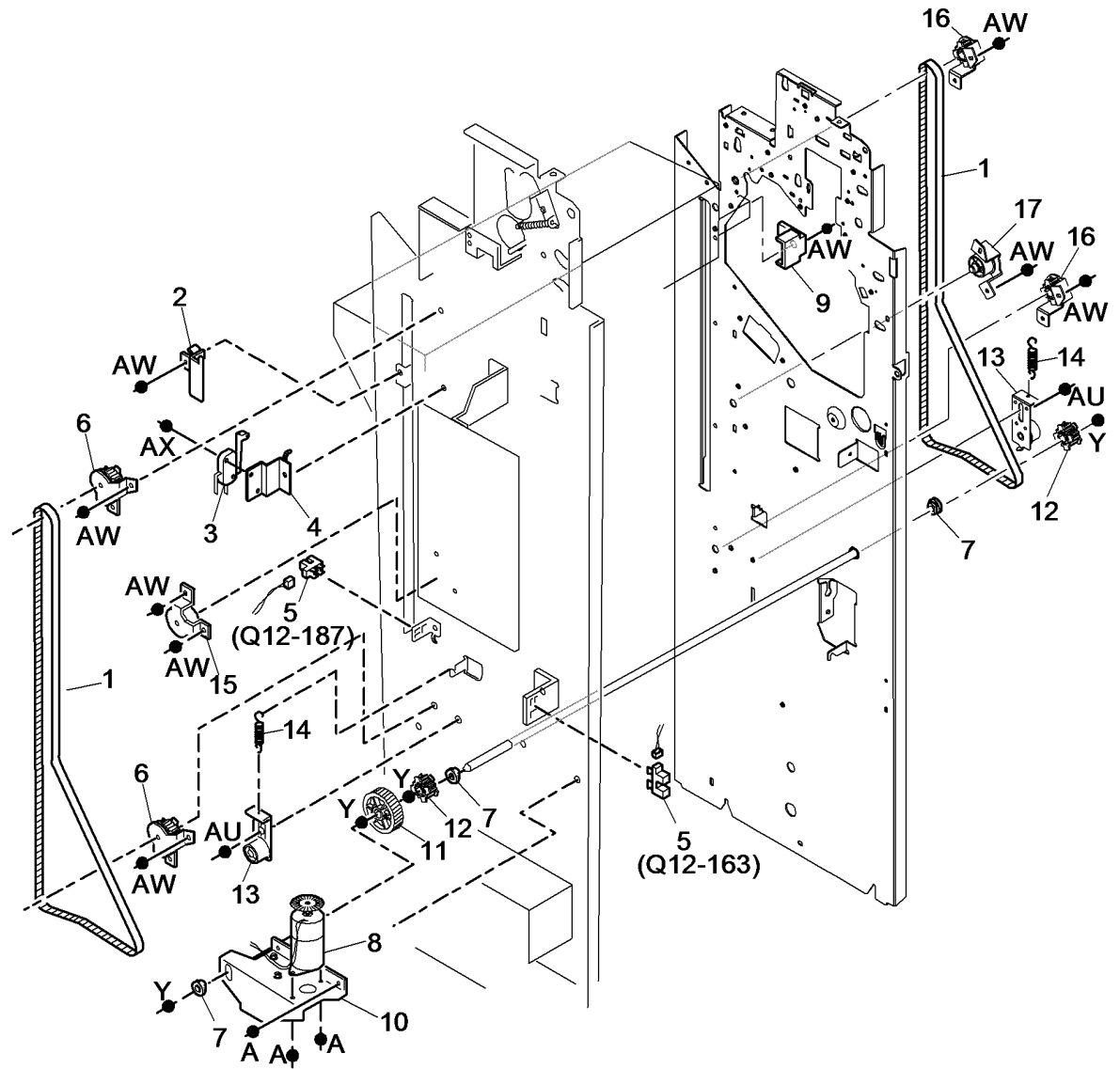
NOTE: Paddles are also supplied (4 off) as a kit PL 31.12 Item 5.



W-8-0062-A

PL 12.30 2K LCSS Bin 1 Control Components (1 of 2)

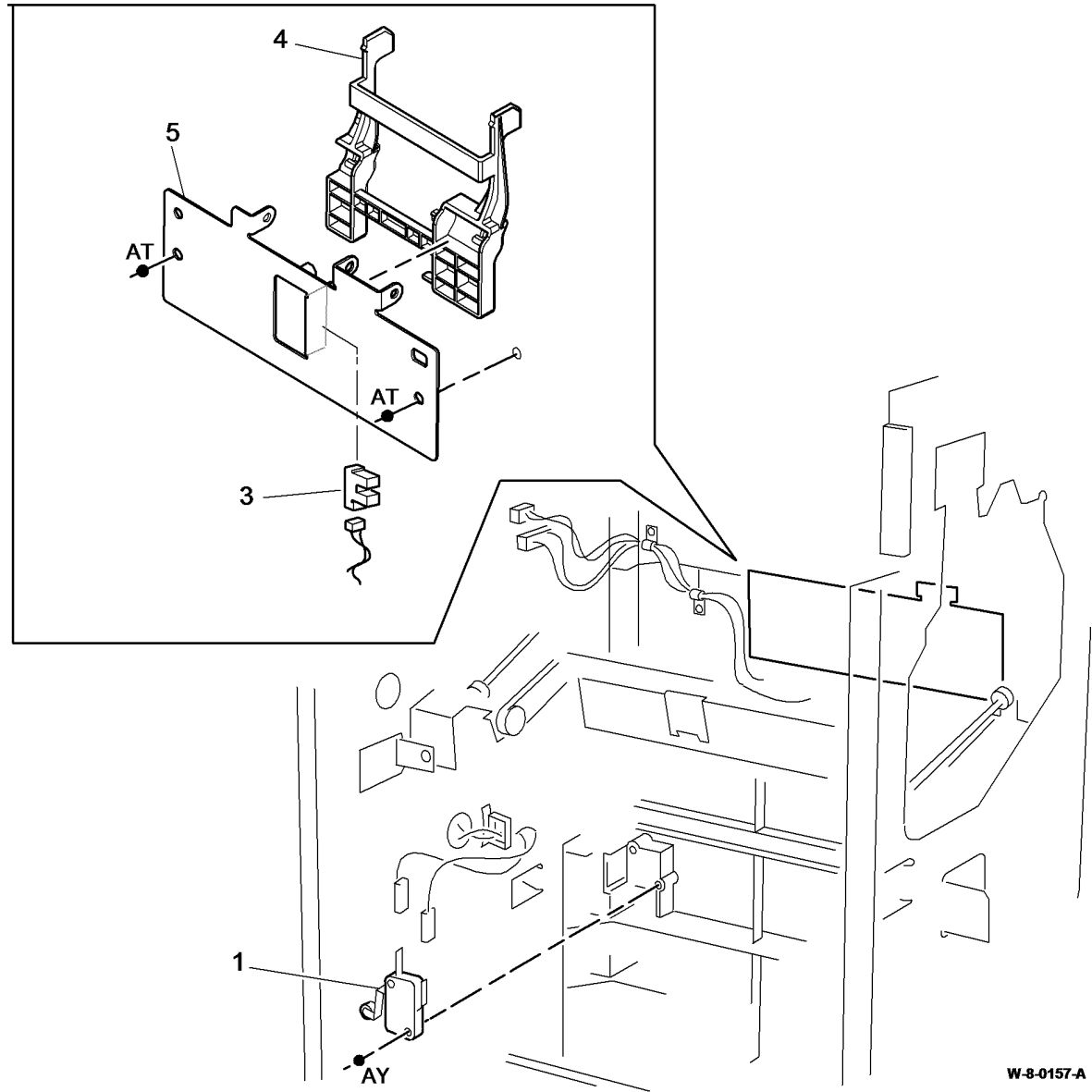
| Item | Part | Description |
|------|-----------|--|
| 1 | 023E24320 | Bin 1 drive belt (REP 12.5-110) |
| 2 | - | Rear belt clamp (Not Spared) (ADJ 12.1-110) |
| 3 | 110E20180 | Bin 1 upper limit switch (S12-190) |
| 4 | - | Sensor bracket (Not Spared) |
| 5 | 130E10360 | Bin 1 90% full sensor (Q12-187)/ Bin 1 motor encoder sensor (Q12-163) |
| 6 | - | Rear pulley (Not Spared) (ADJ 40.1) |
| 7 | 013E37470 | Bearing |
| 8 | 127K55891 | Bin 1 elevator motor (MOT12-241) |
| 9 | - | Front belt clamp (Not Spared) (ADJ 12.1-110) |
| 10 | - | Motor bracket (Not Spared) |
| 11 | - | Drive gear (Not Spared) |
| 12 | - | Drive pulley assembly (Not Spared) |
| 13 | - | Belt tensioner (Not Spared) (ADJ 40.1) |
| 14 | - | Spring (Not Spared) |
| 15 | - | Rear idler (Not Spared) (ADJ 40.1) |
| 16 | - | Front pulley (Not Spared) (ADJ 40.1) |
| 17 | - | Front idler (Not Spared) (ADJ 40.1) |



W-8-0156-A

PL 12.35 2K LCSS Bin 1 Control Components (2 of 2)

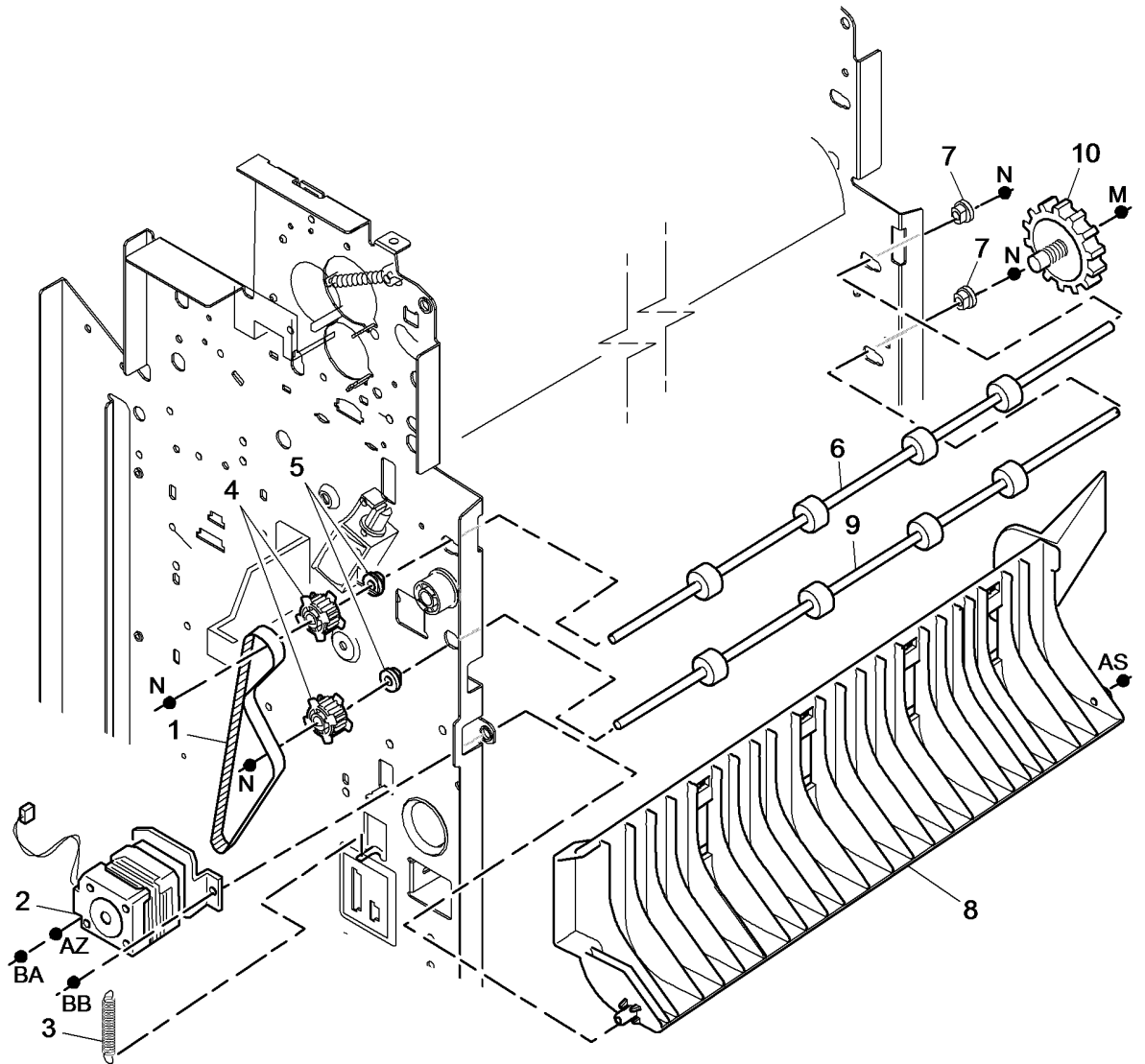
| Item | Part | Description |
|------|-----------|---|
| 1 | 110K13990 | Bin 1 lower limit switch (S12-191) |
| 2 | - | Not used |
| 3 | 130E10360 | Bin 1 upper level sensor (Q12-188) (REP 12.11-110) |
| 4 | - | Actuator (Not Spared) |
| 5 | - | Sensor support assembly (Not Spared) |



W-8-0157-A

PL 12.40 2K LCSS Paper Entry Transport

| Item | Part | Description |
|------|-----------|---|
| 1 | 023E24340 | Input drive belt (REP 12.2-110) |
| 2 | 127K55860 | Transport motor 1 (MOT12-223) (REP 12.2-110, ADJ 12.4-110) |
| 3 | - | Spring (Not Spared) |
| 4 | - | Pulley (Not Spared) |
| 5 | 013E37460 | Dry bearing |
| 6 | - | Feed roll shaft (short) (Not Spared) |
| 7 | 013E37470 | Bearing |
| 8 | - | Jam clearance guide assembly (REF: PL 12.70 Item 1) |
| 9 | - | Feed roll shaft (long) (Not Spared) |
| 10 | 006K32780 | Thumb wheel |

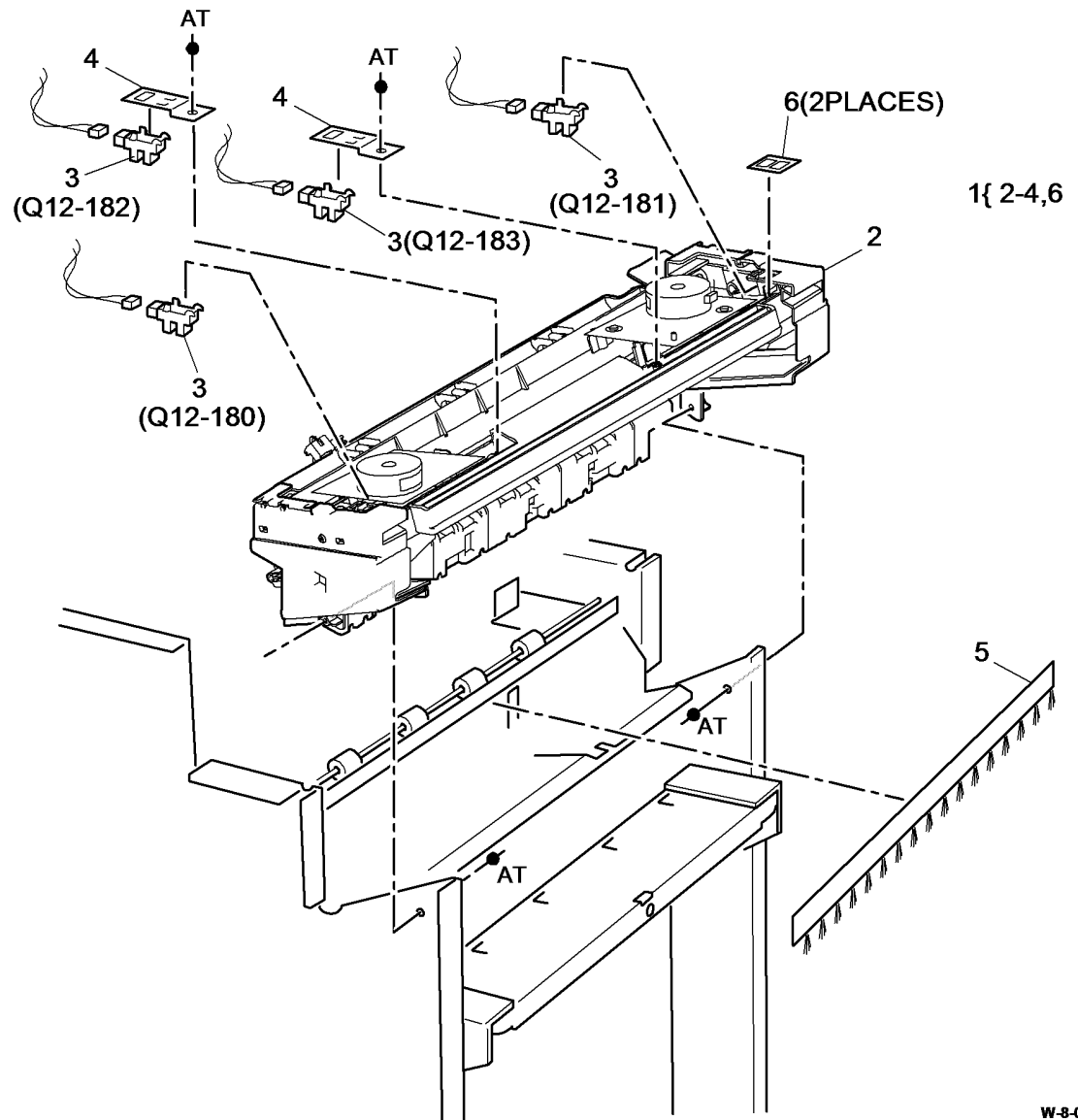


W-8-0065-A

PL 12.45 2K LCSS Tamper Assembly

| Item | Part | Description |
|------|-----------|---|
| 1 | 049K12121 | Tamper assembly (REP 12.6-110) |
| 2 | - | Tamper unit (P/O PL 12.45 Item 1) |
| 3 | 130E10360 | Front tamper home sensor (Q12-180), Front tamper away sensor (Q12-182), Rear tamper home sensor (Q12-181), Rear tamper away sensor (Q12-183) (See NOTE) |
| 4 | - | Sensor bracket (P/O PL 12.45 Item 1) |
| 5 | - | Static eliminator (stacker) (REF: PL 12.65 Item 7) |
| 6 | - | Sensor retainer (P/O PL 12.45 Item 1) |

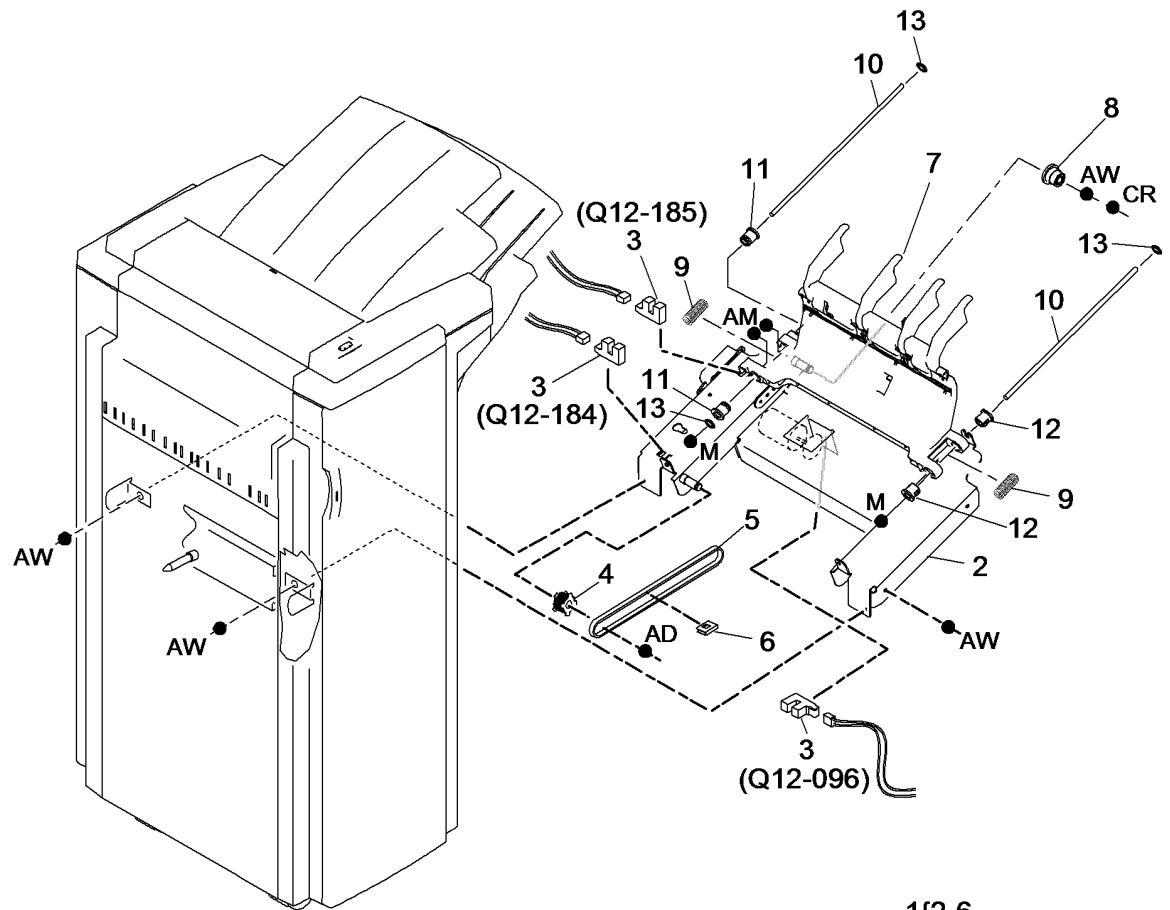
NOTE: The front tamper home sensor (Q12-180) and rear tamper home sensor (Q12-181) are bonded onto the tamper unit and are not replaceable. Failure of either of these sensors will require the replacement of the tamper assembly.



W-8-0066-A

PL 12.50 2K LCSS Ejector Assembly

| Item | Part | Description |
|------|-----------|--|
| 1 | 054K43582 | Ejector assembly (REP 12.10-110) |
| 2 | - | Ejector base (P/O PL 12.50 Item 1) |
| 3 | 130E10360 | Ejector home sensor (Q12-184), Ejector out sensor (Q12-185), Ejector motor encoder sensor (Q12-096) (REP 12.10-110) |
| 4 | - | Pulley (P/O PL 12.50 Item 1) |
| 5 | - | Ejector belt (Not Spared) (REP 12.17-110) |
| 6 | - | Clip (P/O PL 12.50 Item 1) |
| 7 | - | Support finger set (Qty. 4) (Not Spared) |
| 8 | 020K21490 | Pulley/drive gear |
| 9 | - | Spring (P/O PL 12.50 Item 1) |
| 10 | - | Shaft (P/O PL 12.50 Item 1) |
| 11 | - | Slide ejector bearing (P/O PL 12.50 Item 14) |
| 12 | - | Wide slide ejector bearing (P/O PL 12.50 Item 14) |
| 13 | - | Cushion washer (P/O PL 12.50 Item 14) |
| 14 | - | LCSS bearing assembly kit (Not Spared) |



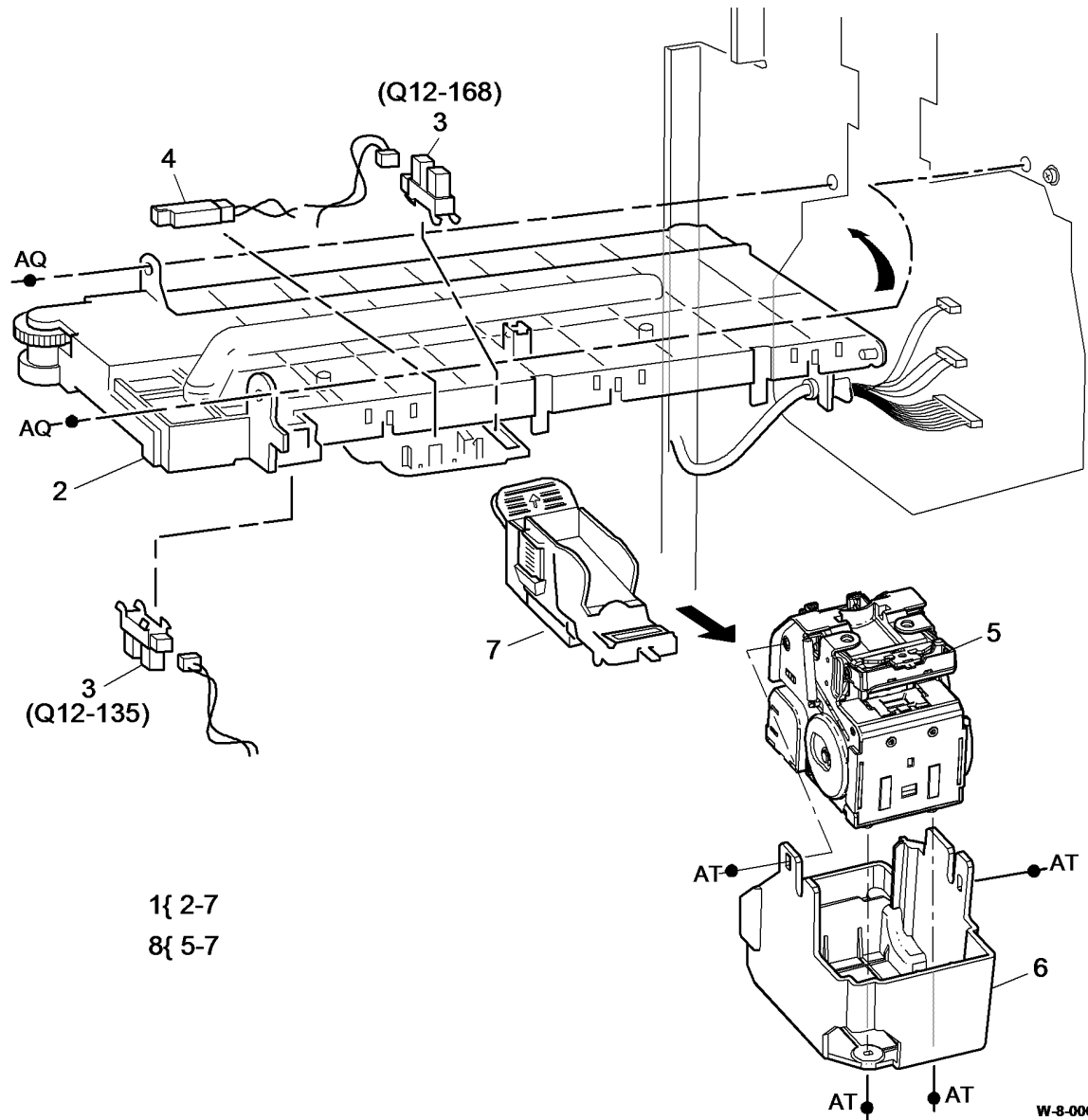
1{2-6
14{11-13

W-8-0067-A

PL 12.55 2K LCSS Staple Head Unit/ Traverse Assembly

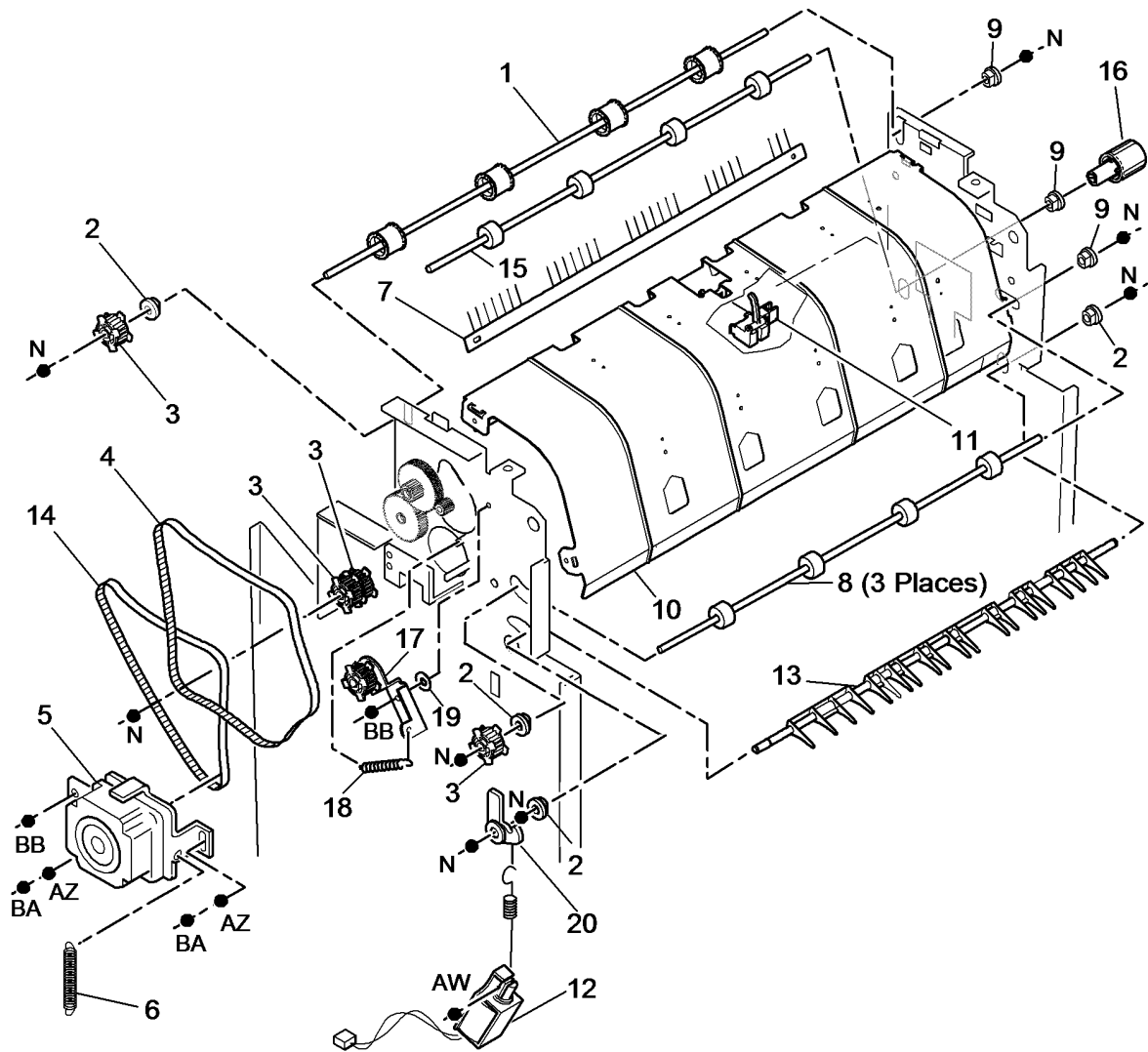
| Item | Part | Description |
|------|-----------|--|
| 1 | 014K11541 | Stapler traverse assembly (REP 12.8-110) |
| 2 | - | Head traverse unit (P/O PL 12.55 Item 1) |
| 3 | 130E10360 | Staple home sensor (Q12-135), Stapler index sensor (Q12-168) |
| 4 | 130E10380 | SH1 Paper sensor (Q12-196) |
| 5 | 029K04690 | Staple head unit (REP 12.9-110) |
| 6 | - | Stapler cover (P/O PL 12.55 Item 1) |
| 7 | - | Staple cartridge (REF: PL 26.10 Item 11) (NOTE) |
| 8 | - | Staple head assembly (P/O PL 12.55 Item 1) |

NOTE: To replace staples only, order PL 26.11 Item 4.



PL 12.60 2K LCSS Bin 0 Entry

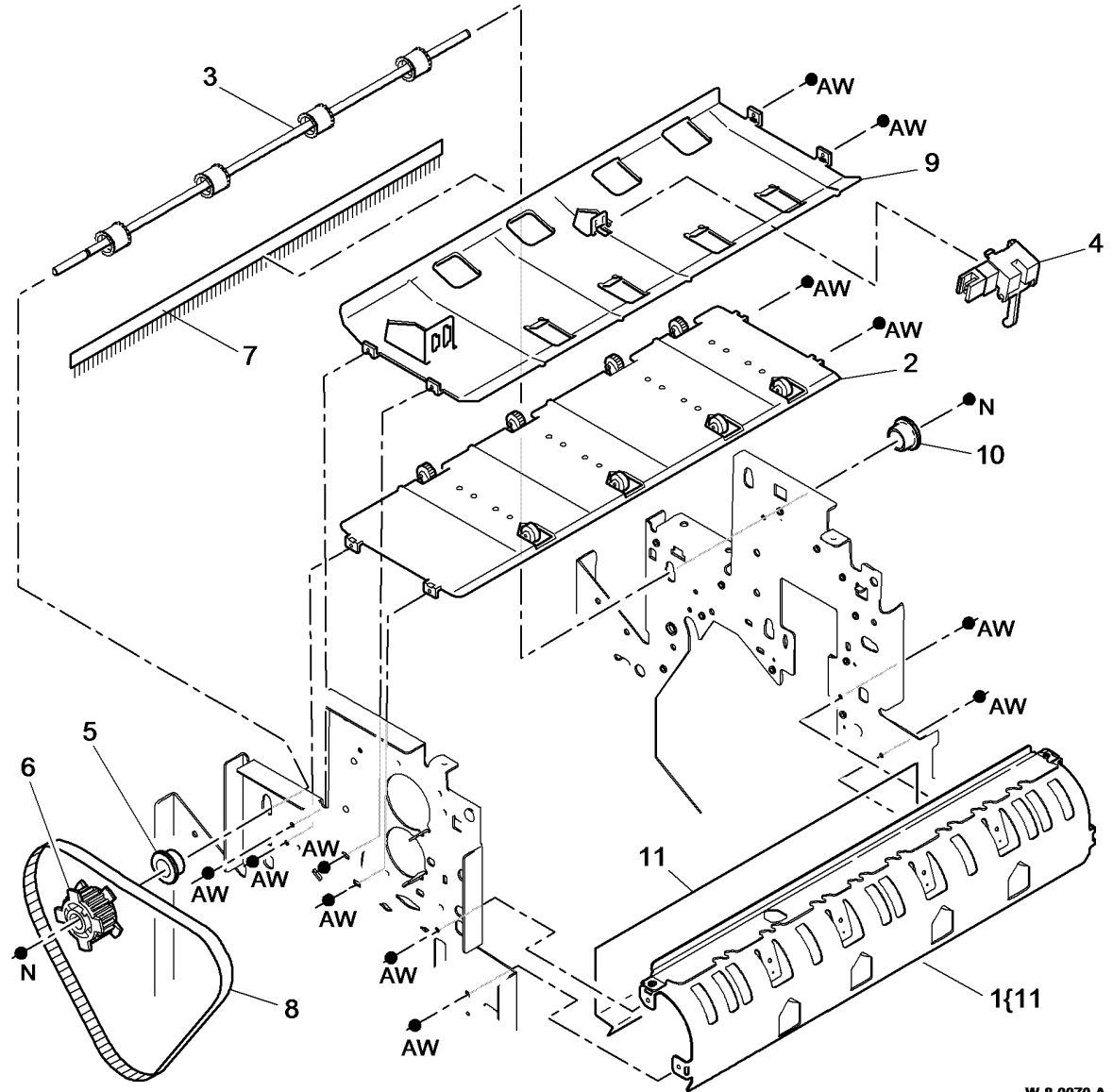
| Item | Part | Description |
|------|-----------|--|
| 1 | 006K32810 | Top tray exit shaft |
| 2 | 013E25790 | Nylon bearing |
| 3 | - | Pulley (Not Spared) |
| 4 | 023E24330 | Intermediate paper drive belt (REP 12.3-110) |
| 5 | 127K55870 | Transport motor 2 (MOT12-224) (REP 12.4-110, ADJ 12.4-110) |
| 6 | - | Spring (Not Spared) |
| 7 | 115E13440 | Static eliminator |
| 8 | - | Feed roll shaft (short) (Not Spared) |
| 9 | 013E37460 | Bearing |
| 10 | - | Paper guide (Not Spared) (REP 12.20-110) |
| 11 | 130E11440 | Top tray exit sensor (Q12-107) (REP 12.20-110) |
| 12 | 121K45010 | Exit diverter solenoid (SOL12-225) |
| 13 | - | Exit diverter gate (P/O PL 31.12 Item 14) |
| 14 | 023E24340 | Paper output drive belt (REP 12.4-110) |
| 15 | 006K32840 | Drive shaft assembly |
| 16 | 006K33960 | Jam clearance knob |
| 17 | - | Belt tensioner (Not Spared) |
| 18 | - | Spring (Not Spared) |
| 19 | - | Washer (Not Spared) |
| 20 | - | Actuator (Not Spared) |



W-8-0069-A

PL 12.65 2K LCSS Bin 1 Entry

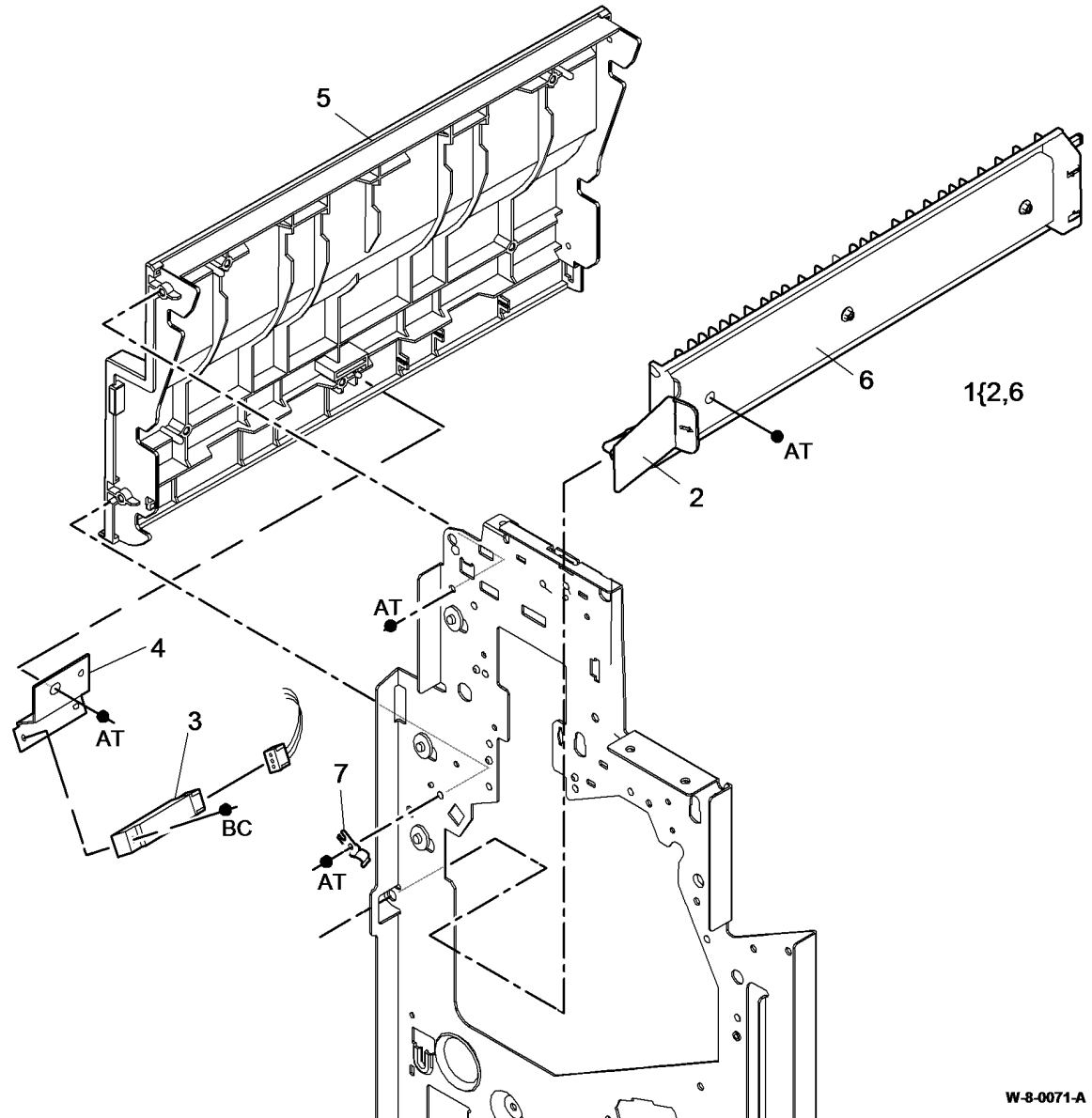
| Item | Part | Description |
|------|-----------|--|
| 1 | - | Left paper guide (Not Spared) |
| 2 | - | Lower right paper guide (REP 12.19-110) |
| 3 | 006K32790 | Ejector drive shaft (REP 12.19-110) |
| 4 | 130E11440 | Compiler exit sensor (Q12-106) |
| 5 | 013E25790 | Nylon bearing |
| 6 | - | Pulley (Not Spared) |
| 7 | 115E11810 | Static eliminator (stacker) |
| 8 | - | Paper output drive belt (REF: PL 12.60 Item 14) |
| 9 | - | Upper right paper guide (Not Spared) (REP 12.19-110) |
| 10 | 013E37460 | Bearing |
| 11 | - | Mylar safety cover (P/O PL 12.65 Item 1) |



W-8-0070-A

PL 12.70 2K LCSS Entry Guide Cover/ Jam Clearance Guide

| Item | Part | Description |
|------|-----------|--|
| 1 | 032K09671 | Jam clearance guide assembly |
| 2 | - | Jam clearance handle (P/O PL 12.70 Item 1) |
| 3 | 130E10380 | Entry sensor (Q12-077) |
| 4 | - | Sensor bracket (Not Spared) |
| 5 | - | Entry guide cover (REF: PL 12.10 Item 3) (REP 12.15-110) |
| 6 | - | Jam clearance guide (P/O PL 12.70 Item 1) |
| 7 | 809E78390 | Latch |



W-8-0071-A

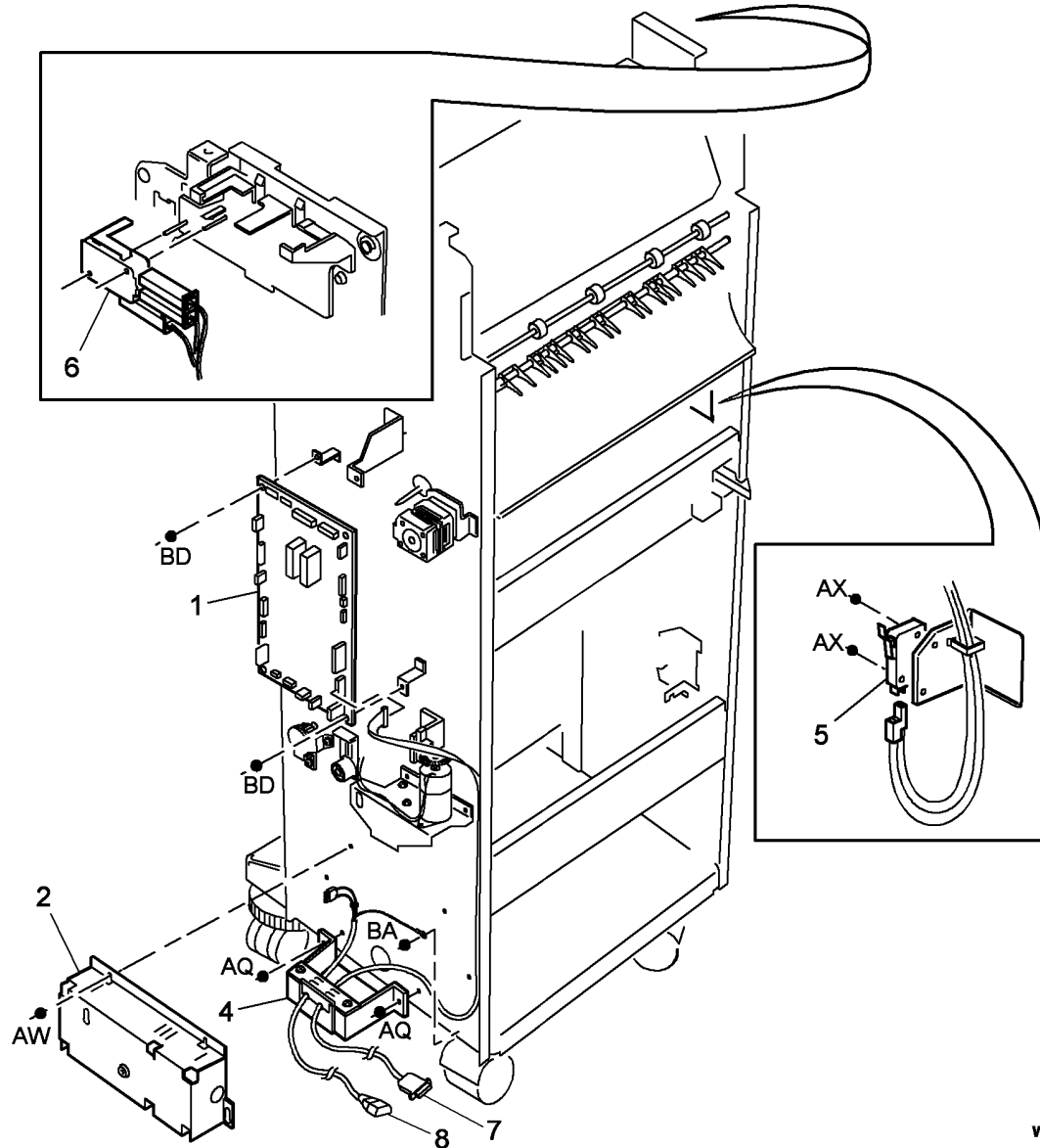
PL 12.75 2K LCSS Electrical

| Item | Part | Description |
|------|-----------|---|
| 1 | 960K88040 | LCSS PWB (CAUTION) (REP 12.14-110) |
| 2 | 105K35842 | Power supply module |
| 3 | – | Not used |
| 4 | 962K56952 | Cord bracket assembly |
| 5 | 110K13980 | Front door interlock switch (S12-303) |
| 6 | 110K13970 | Top cover interlock switch (S12-197) |
| 7 | – | LCSS communications harness (P/O PL 12.75 Item 4) |
| 8 | – | LCSS power cord (P/O PL 12.75 Item 4) |



CAUTION

Do not install a new LCSS PWB until the cause of the damage to the old LCSS PWB has been determined. Go to the 312G-110 LCSS PWB Damage RAP.

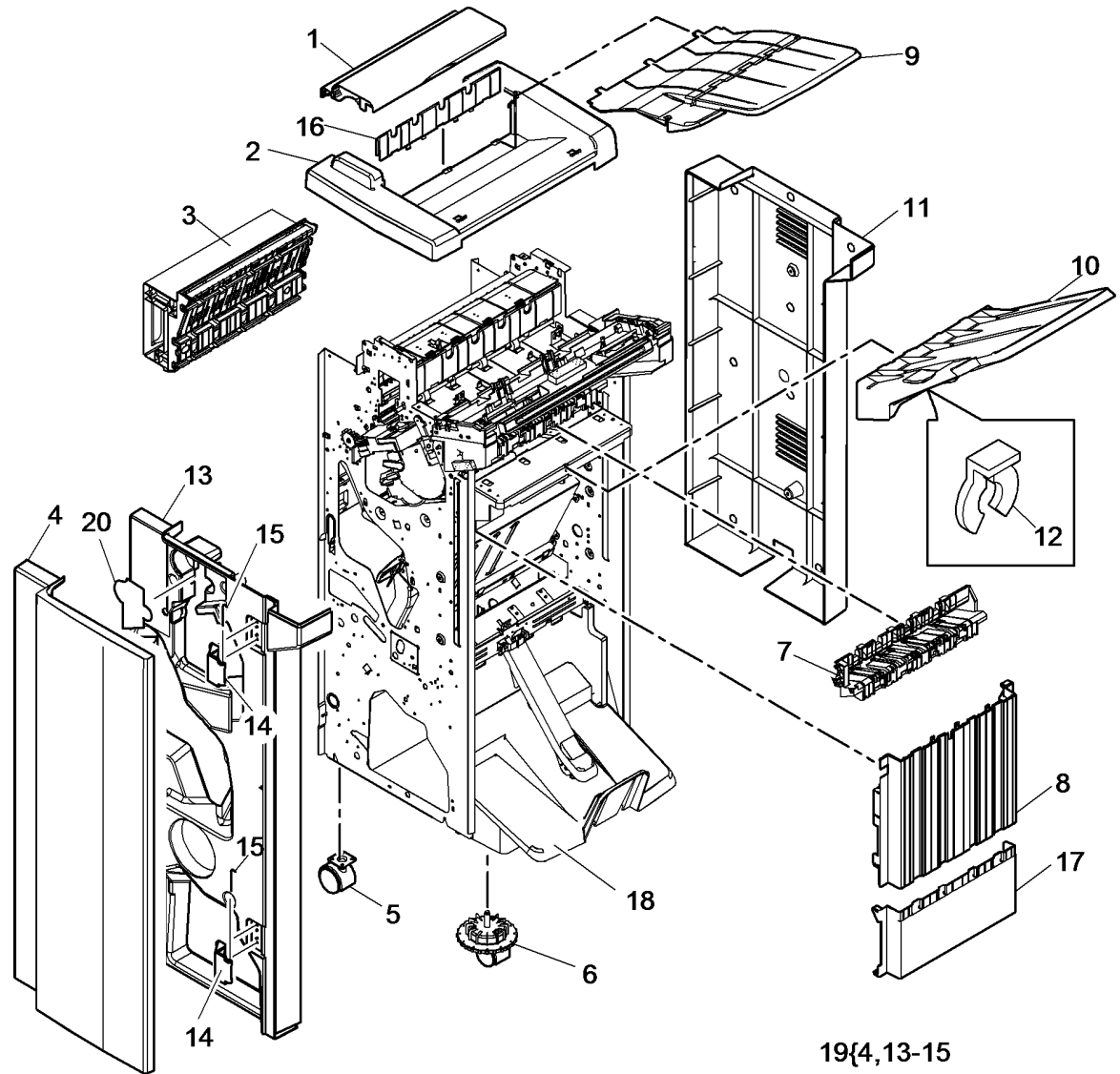


W-8-0072-A

PL 12.320 LVF BM - Covers

| Item | Part | Description |
|------|-----------|---|
| 1 | – | Exit cover (Not Spared) |
| 2 | 848E97181 | Top cover (REP 12.1-150) |
| 3 | – | Entry guide cover assembly (Not Spared) (REP 12.15-150) |
| 4 | – | Front door (P/O PL 12.320 Item 19) (REP 12.1-150) |
| 5 | 017K03750 | Fixed castor |
| 6 | 017K04520 | Adjustable castor |
| 7 | – | Output cover (Not Spared) |
| 8 | – | Right cover (Not Spared) |
| 9 | 050K75970 | Bin 0 |
| 10 | 050K75960 | Bin 1 (ADJ 12.1-150) |
| 11 | 848K98040 | Rear cover (REP 12.1-150) |
| 12 | 019K13380 | Bin 1 alignment clip |
| 13 | – | Front cover assembly (P/O PL 12.320 Item 19) |
| 14 | – | Hinge (P/O PL 12.320 Item 19) |
| 15 | – | Hinge pin (P/O PL 12.320 Item 19) |
| 16 | – | Top centre cover (Not Spared) |
| 17 | – | Lower right cover (REP 12.45-150) |
| 18 | – | Bin 2 (Not Spared) |
| 19 | – | Front door cover assembly (Not Spared) (REP 12.1-150) |
| 20 | – | Hole punch assembly cover (Not Spared) |

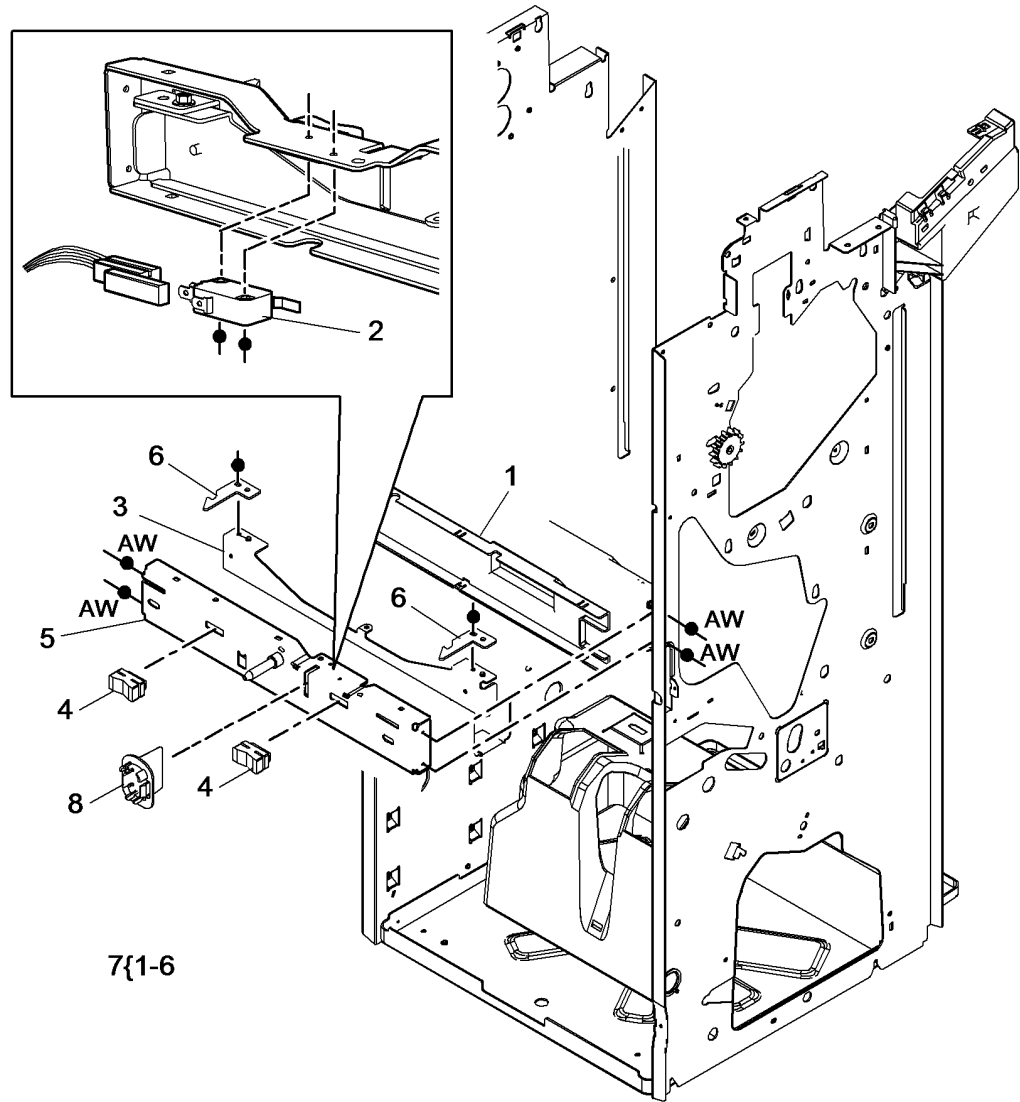
NOTE: Refer to ADJ 12.2-150 to align the LVF BM to the machine.



W-8-0146-A

PL 12.325 LVF BM Docking Latch

| Item | Part | Description |
|------|-----------|--|
| 1 | - | Docking latch cover (Not Spared) |
| 2 | 110K13980 | Docking interlock switch (S12-177) |
| 3 | - | Link bracket assembly (P/O PL 12.325 Item 7) |
| 4 | - | Stopper (P/O PL 12.325 Item 7) |
| 5 | - | Docking latch (P/O PL 12.325 Item 7) |
| 6 | - | Latch hook (P/O PL 12.325 Item 7) |
| 7 | 017K04761 | Docking latch assembly (REP 12.16-150) |
| 8 | 120K03450 | Docking actuator |

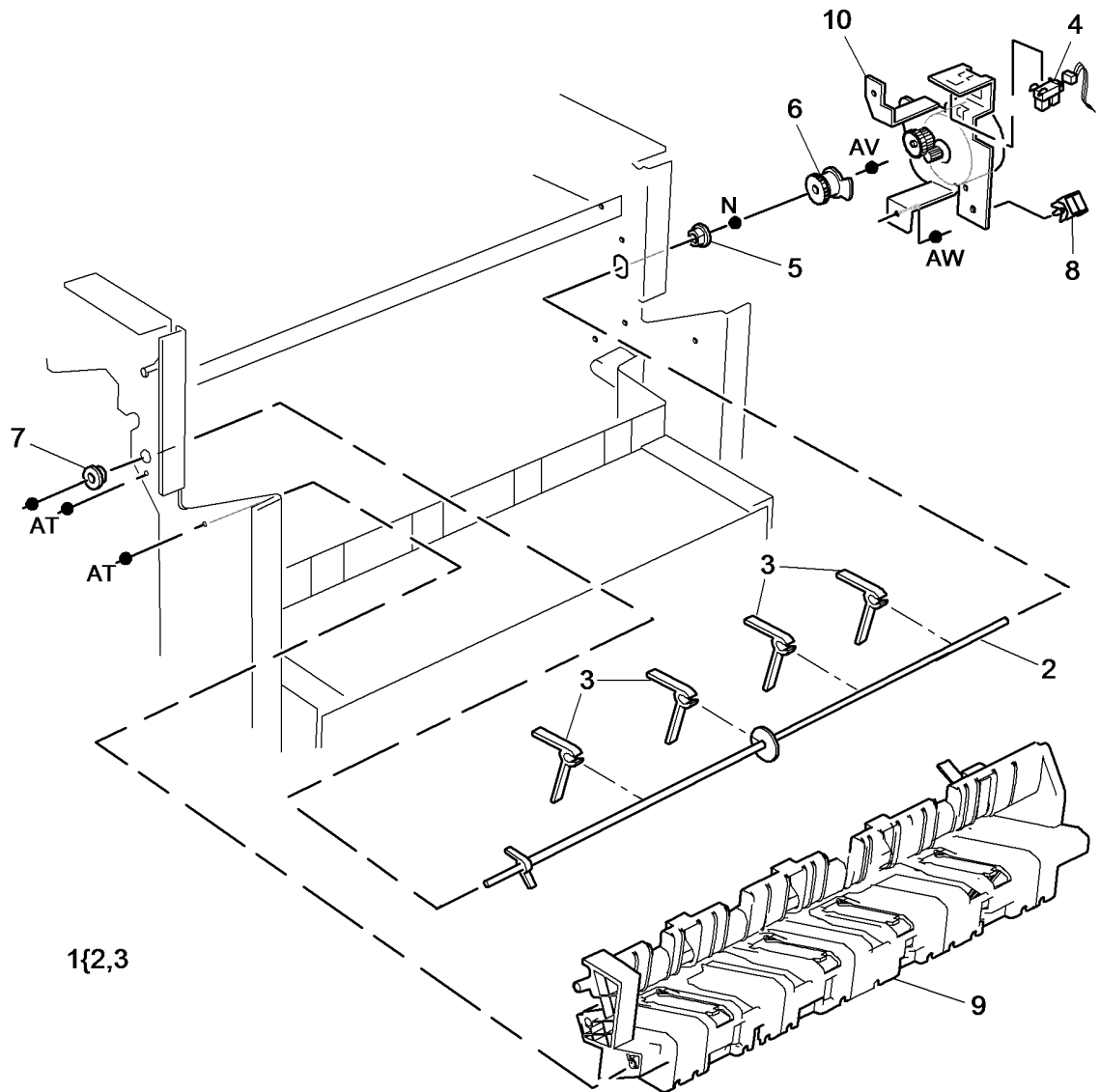


W-8-0147-A

PL 12.335 LVF BM Paddle Shaft Assembly

| Item | Part | Description |
|------|-----------|--|
| 1 | - | Paddle shaft assembly (REF: PL 31.12 Item 2) (REP 12.12-150) |
| 2 | - | Shaft (P/O PL 12.335 Item 1) |
| 3 | - | Paddle (P/O PL 12.335 Item 1) (NOTE) |
| 4 | 130E10360 | Paddle roll home sensor (Q12-186) |
| 5 | 013E25790 | Nylon bearing |
| 6 | - | Gear and flag assembly (Not Spared) |
| 7 | - | Bushing (Not Spared) |
| 8 | - | Cable clamp (Not Spared) |
| 9 | - | Output cover (REF: PL 12.320 Item 7) |
| 10 | 127K62580 | Paddle roll motor assembly (MOT12-238) (REP 12.12-150) |

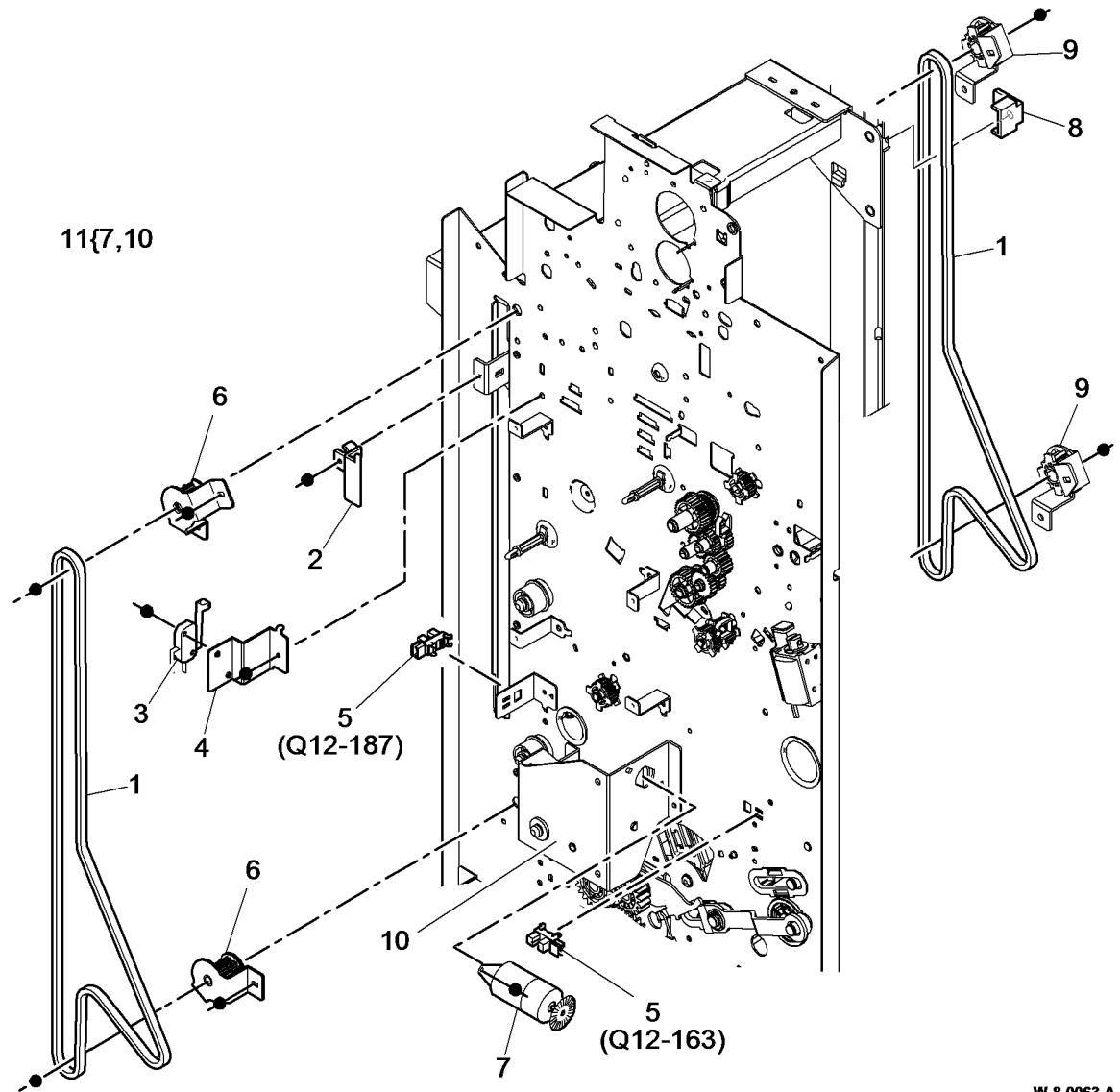
NOTE: Paddles are also supplied (4 off) as a kit PL 31.12 Item 5.



W-8-0155-A

PL 12.340 LVF BM Bin 1 Control Components (1 of 2)

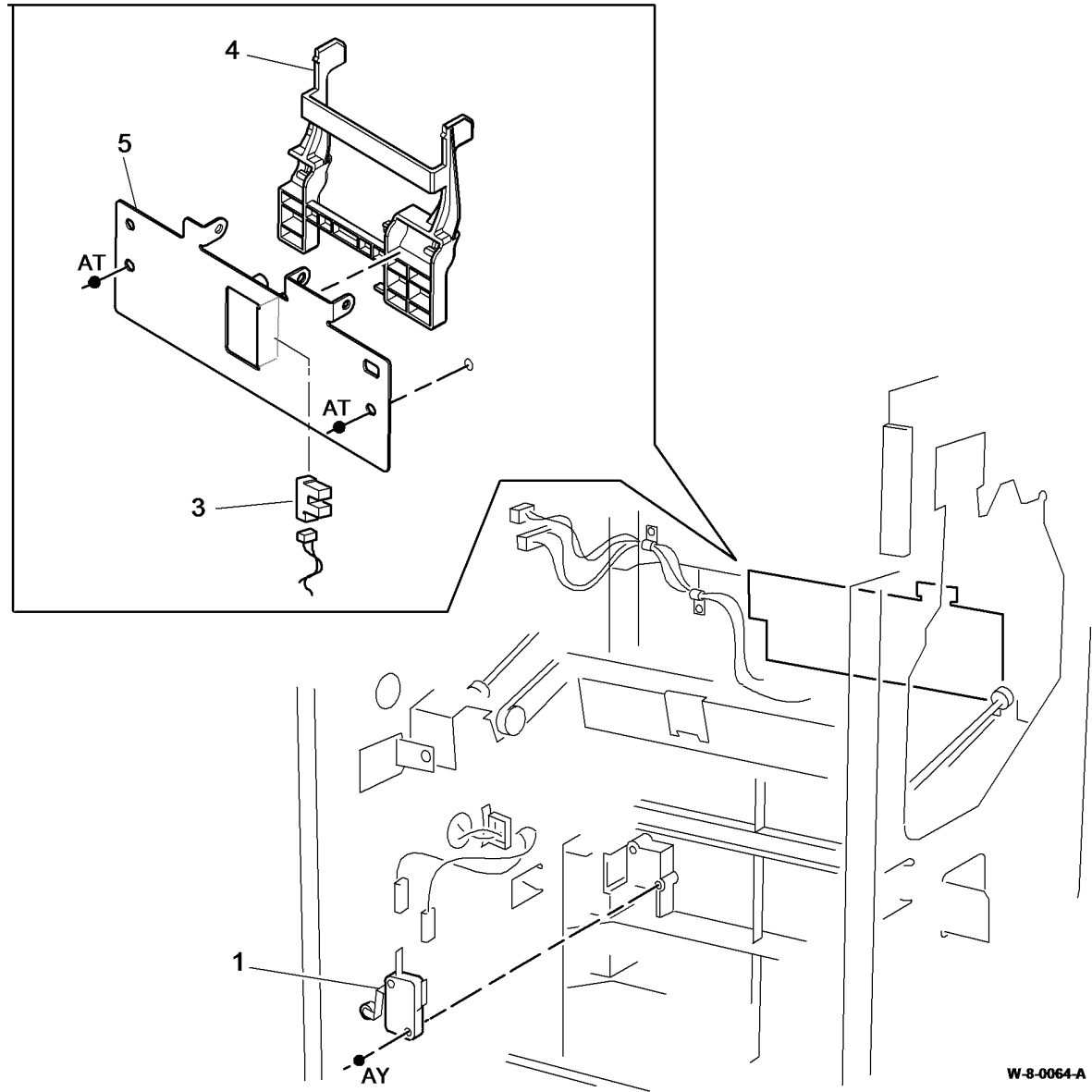
| Item | Part | Description |
|------|-----------|--|
| 1 | 023E24320 | Bin 1 drive belt (REP 12.5-150) |
| 2 | - | Rear belt clamp (Not Spared) (ADJ 12.1-150) |
| 3 | 110E20180 | Bin 1 upper limit switch (S12-190) |
| 4 | - | Sensor bracket (Not Spared) |
| 5 | 130E10360 | Bin 1 90% full sensor (Q12-187)/ Bin 1 motor encoder sensor (Q12-163) |
| 6 | - | Rear pulley (Not Spared) (ADJ 40.1) |
| 7 | 127K55891 | Bin 1 elevator motor (MOT12-241) |
| 8 | - | Front belt clamp (Not Spared) (ADJ 12.1-150) |
| 9 | - | Front pulley (Not Spared) (ADJ 40.1) |
| 10 | - | Stacker tray drive assembly (P/O PL 12.340 Item 11) |
| 11 | 007K20531 | Stacker tray drive and motor assembly (REP 12.5-150) |



W-8-0063-A

PL 12.345 LVF BM Bin 1 Control Components (2 of 2)

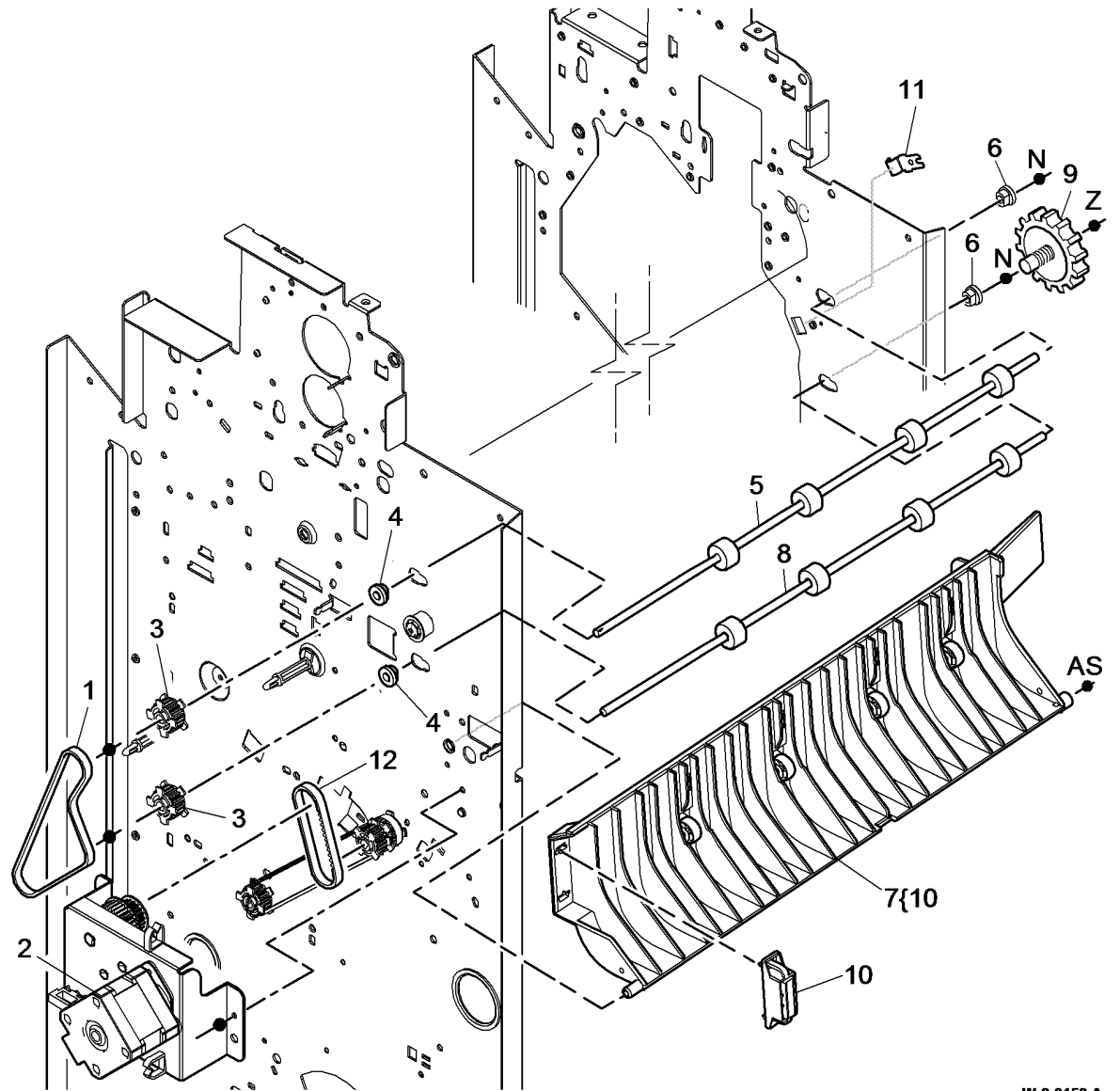
| Item | Part | Description |
|------|-----------|---|
| 1 | 110K13990 | Bin 1 lower limit switch (S12-191) (REP 12.45-150) |
| 2 | - | Not used |
| 3 | 130E10360 | Bin 1 upper level sensor (Q12-188) (REP 12.11-150) |
| 4 | - | Actuator (Not Spared) |
| 5 | - | Sensor support assembly (Not Spared) |



W-8-0064-A

PL 12.350 LVF BM Paper Entry Transport

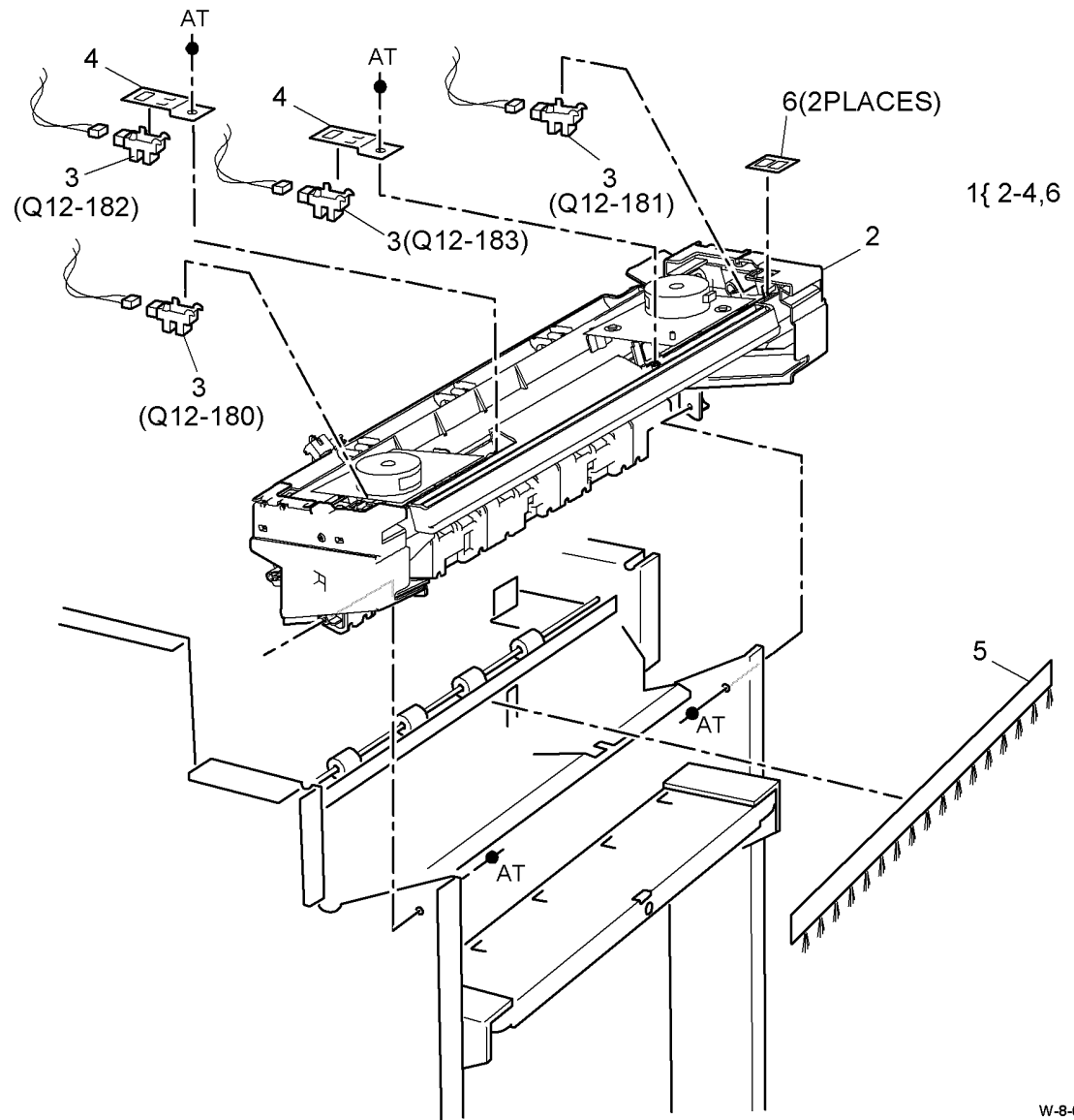
| Item | Part | Description |
|------|-----------|--|
| 1 | 023E24340 | Input drive belt (REP 12.2-150) |
| 2 | - | Transport motor 1 and gearbox assembly (MOT12-223) (Not Spared) (REP 12.2-150) |
| 3 | - | Pulley (Not Spared) |
| 4 | 013E25790 | Nylon bearing |
| 5 | - | Upper feed roll assembly (Not Spared) |
| 6 | 013E37460 | Bearing |
| 7 | - | Paper entry guide assembly (Not Spared) |
| 8 | - | Lower feed roll assembly (Not Spared) |
| 9 | 006K32780 | Thumb wheel |
| 10 | - | Magnet (P/O PL 12.350 Item 7) |
| 11 | - | Latch (Not Spared) |
| 12 | - | Compiler entrance drive belt 1 (Not Spared) (REP 12.34-150) |



W-8-0158-A

PL 12.355 LVF BM Tamper Assembly

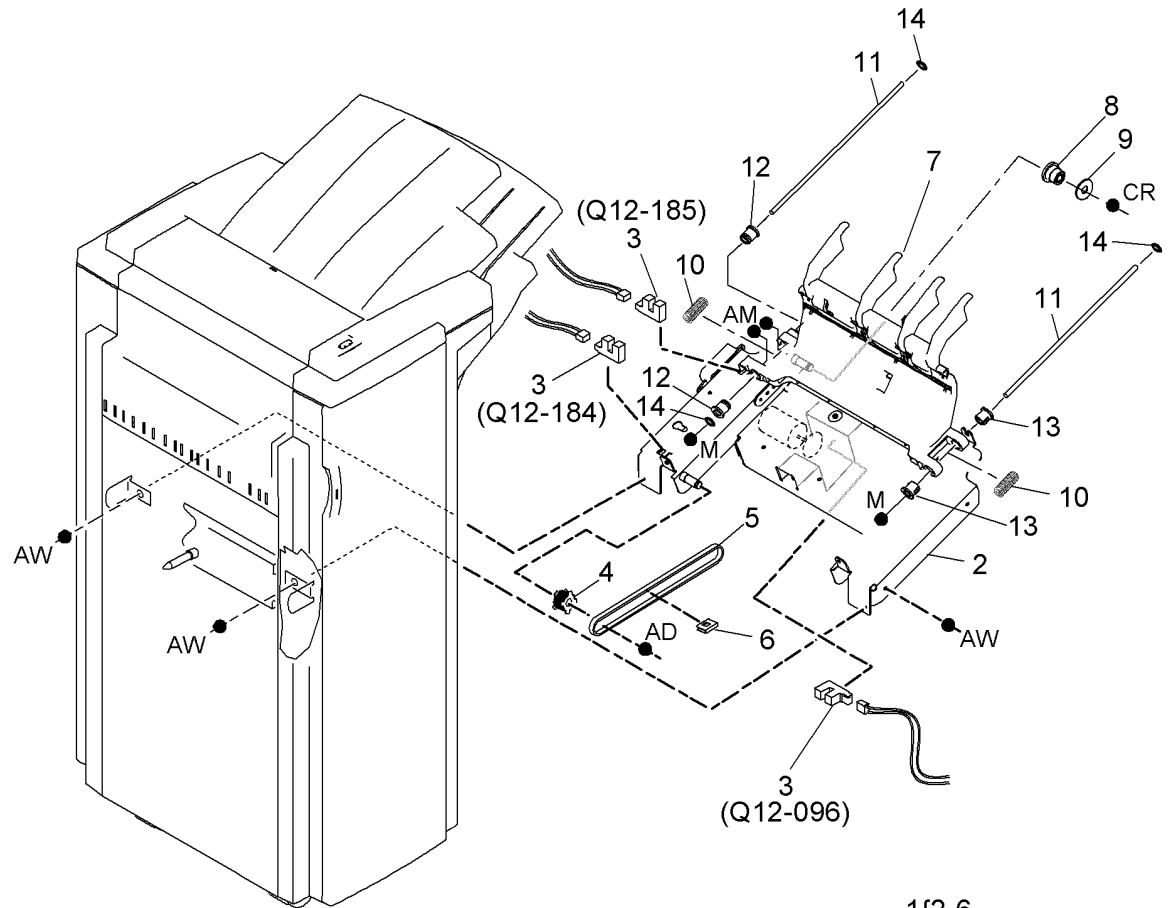
| Item | Part | Description |
|------|-----------|---|
| 1 | 049K12121 | Tamper assembly (REP 12.6-150) |
| 2 | - | Tamper unit (P/O PL 12.355 Item 1) |
| 3 | 130E10360 | Front tamper home sensor (Q12-180), Front tamper away sensor (Q12-182), Rear tamper home sensor (Q12-181), Rear tamper away sensor (Q12-183) (REP 12.6-150) |
| 4 | - | Sensor bracket (P/O PL 12.355 Item 1) |
| 5 | - | Static eliminator (stacker) |
| 6 | - | Sensor retainer (Not Spared) |



W-8-0159-A

PL 12.360 LVF BM Ejector Assembly

| Item | Part | Description |
|------|-----------|--|
| 1 | 054K54272 | Ejector assembly (REP 12.10-150) |
| 2 | - | Ejector base (P/O PL 12.360 Item 1) |
| 3 | 130E10360 | Ejector home sensor (Q12-184), Ejector out sensor (Q12-185), Ejector motor encoder sensor(Q12-096) (REP 12.10-150) |
| 4 | - | Pulley (P/O PL 12.360 Item 1) |
| 5 | - | Ejector belt (P/O PL 12.360 Item 1) (REP 12.17-150) |
| 6 | - | Clip (P/O PL 12.360 Item 1) |
| 7 | - | Support finger (Not Spared) (REP 12.10-150) |
| 8 | 020K21490 | Pulley drive gear |
| 9 | - | Washer (Not Spared) |
| 10 | - | Spring (P/O PL 12.360 Item 1) |
| 11 | - | Shaft (P/O PL 12.360 Item 1) |
| 12 | - | Slide ejector bearing (P/O PL 12.360 Item 15) |
| 13 | - | Wide slide ejector bearing (P/O PL 12.360 Item 15) |
| 14 | - | Cushion washer (P/O PL 12.360 Item 15) |
| 15 | - | Bearing assembly kit (Not Spared) |



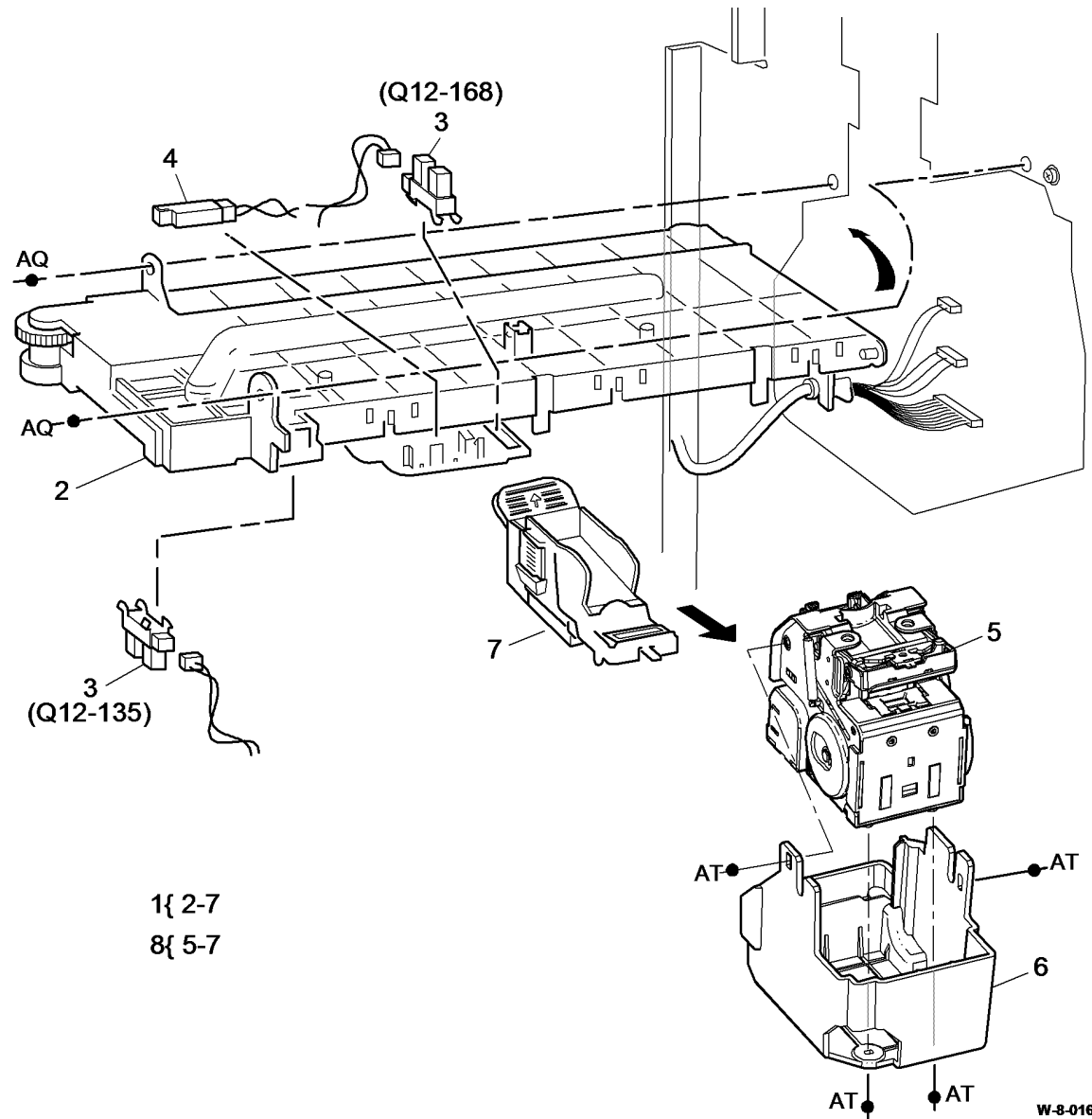
1{2-6
15{12-14

W-8-0160-A

PL 12.365 LVF BM Staple Head Unit/ Traverse Assembly

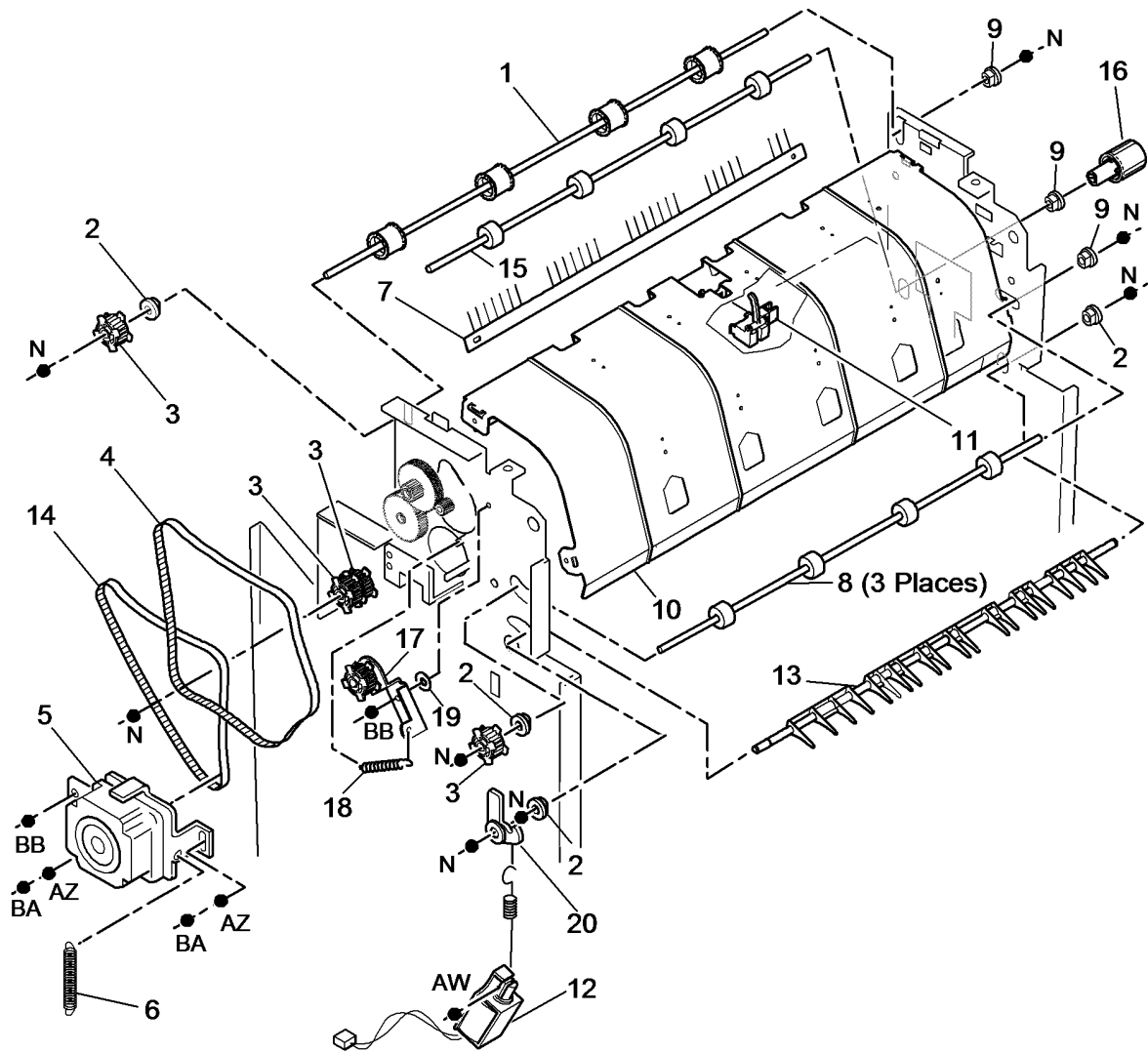
| Item | Part | Description |
|------|-----------|---|
| 1 | 014K11541 | Stapler traverse assembly (REP 12.8-150) |
| 2 | - | Head traverse unit (P/O PL 12.365 Item 1) |
| 3 | 130E10360 | Staple home sensor (Q12-135), Stapler index sensor (Q12-168) (REP 12.8-150) |
| 4 | 130E10380 | SH1 Paper sensor (Q12-196) (REP 12.8-150) |
| 5 | 029K04690 | Staple head unit (REP 12.9-150) |
| 6 | - | Stapler cover (P/O PL 12.365 Item 1) |
| 7 | - | Staple cartridge (REF: PL 26.10 Item 11) (NOTE) |
| 8 | - | Staple head assembly (P/O PL 12.365 Item 1) |

NOTE: To replace staples only, order PL 26.11 Item 4.



PL 12.370 LVF BM Bin 0 Entry

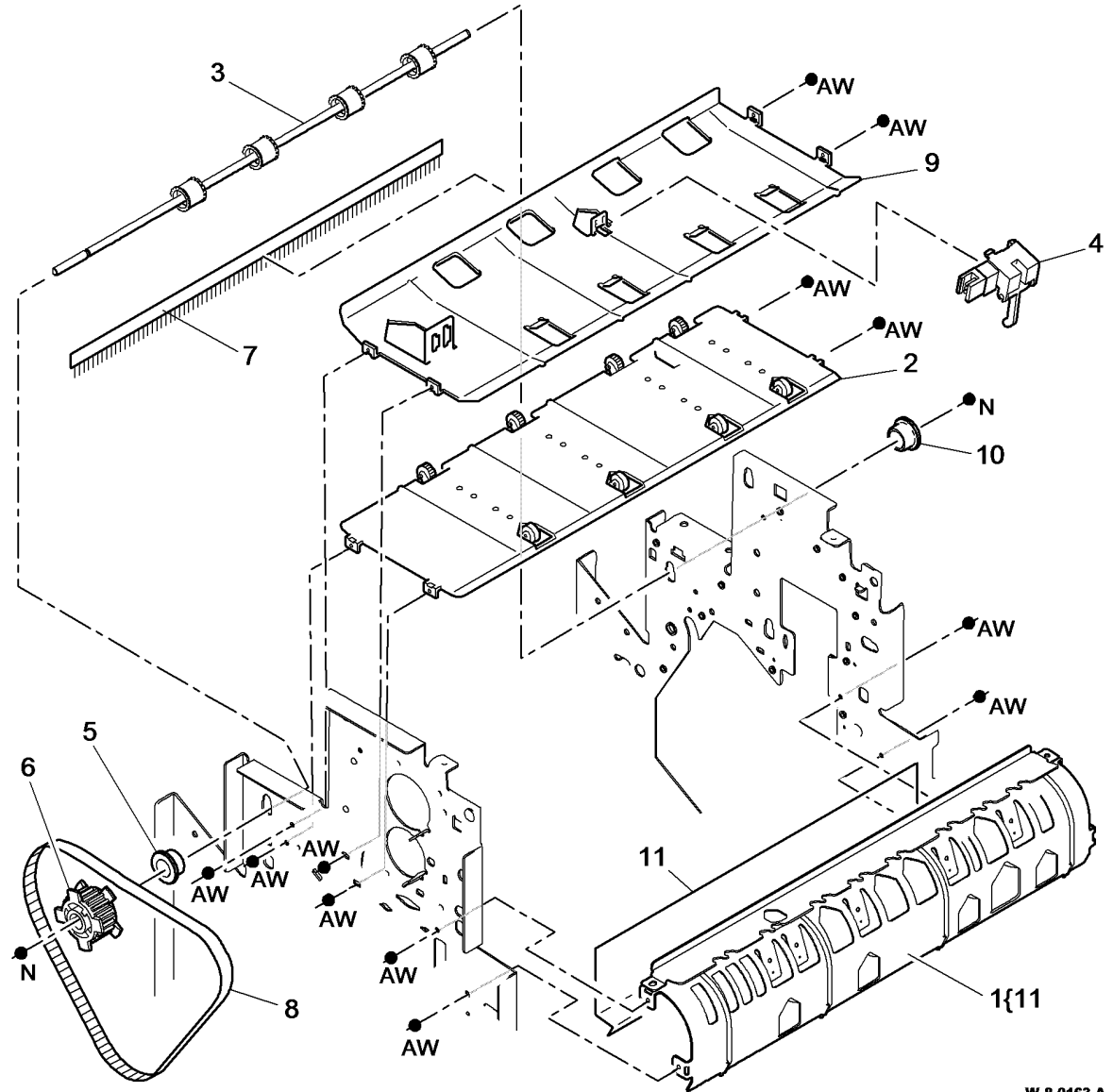
| Item | Part | Description |
|------|-----------|--|
| 1 | 006K32810 | Top tray exit shaft |
| 2 | 013E25790 | Nylon bearing |
| 3 | - | Pulley (Not Spared) |
| 4 | 023E24330 | Intermediate paper drive belt (REP 12.3-150) |
| 5 | 127K55870 | Transport motor 2 (MOT12-224) (REP 12.4-150, ADJ 12.4-150) |
| 6 | - | Spring (Not Spared) |
| 7 | 115E13440 | Static eliminator |
| 8 | - | Feed roll shaft (short) (Not Spared) |
| 9 | 013E37460 | Bearing |
| 10 | - | Paper guide (Not Spared) (REP 12.46-150) |
| 11 | 130E11440 | Top tray exit sensor (Q12-107) (REP 12.46-150) |
| 12 | 121K45010 | Exit diverter solenoid (SOL12-225) |
| 13 | - | Exit diverter gate (Not Spared) |
| 14 | 023E24340 | Paper output drive belt (REP 12.4-150) |
| 15 | 006K32840 | Drive shaft assembly (REP 12.47-150) |
| 16 | 006K33960 | Jam clearance knob (REP 12.47-150) |
| 17 | - | Belt tensioner (Not Spared) (ADJ 40.1) |
| 18 | - | Spring (Not Spared) |
| 19 | - | Washer (Not Spared) |
| 20 | - | Actuator (Not Spared) |



W-8-0162-A

PL 12.375 LVF BM Bin 1 Entry

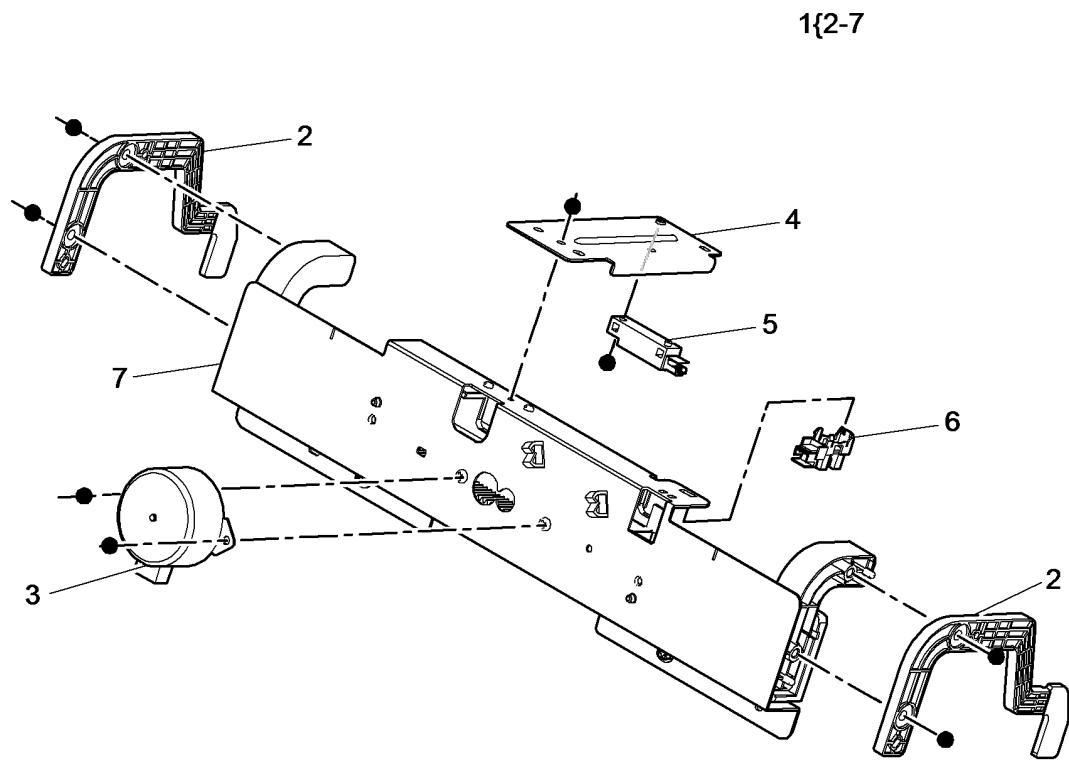
| Item | Part | Description |
|------|-----------|--|
| 1 | - | Left paper guide (Not Spared) |
| 2 | - | Lower right paper guide (REP 12.47-150) |
| 3 | 006K32790 | Ejector drive shaft (REP 12.47-150) |
| 4 | 130E11440 | Compiler exit sensor (Q12-106) |
| 5 | 013E25790 | Nylon bearing |
| 6 | - | Pulley (Not Spared) |
| 7 | 115E11810 | Static eliminator (stacker) |
| 8 | - | Paper output drive belt (REF: PL 12.370 Item 14) |
| 9 | - | Upper right paper guide (Not Spared) (REP 12.47-150) |
| 10 | 013E37460 | Bearing |
| 11 | - | Mylar safety cover (P/O PL 12.375 Item 1) |



W-8-0163-A

PL 12.380 LVF BM Booklet Tamper Assembly

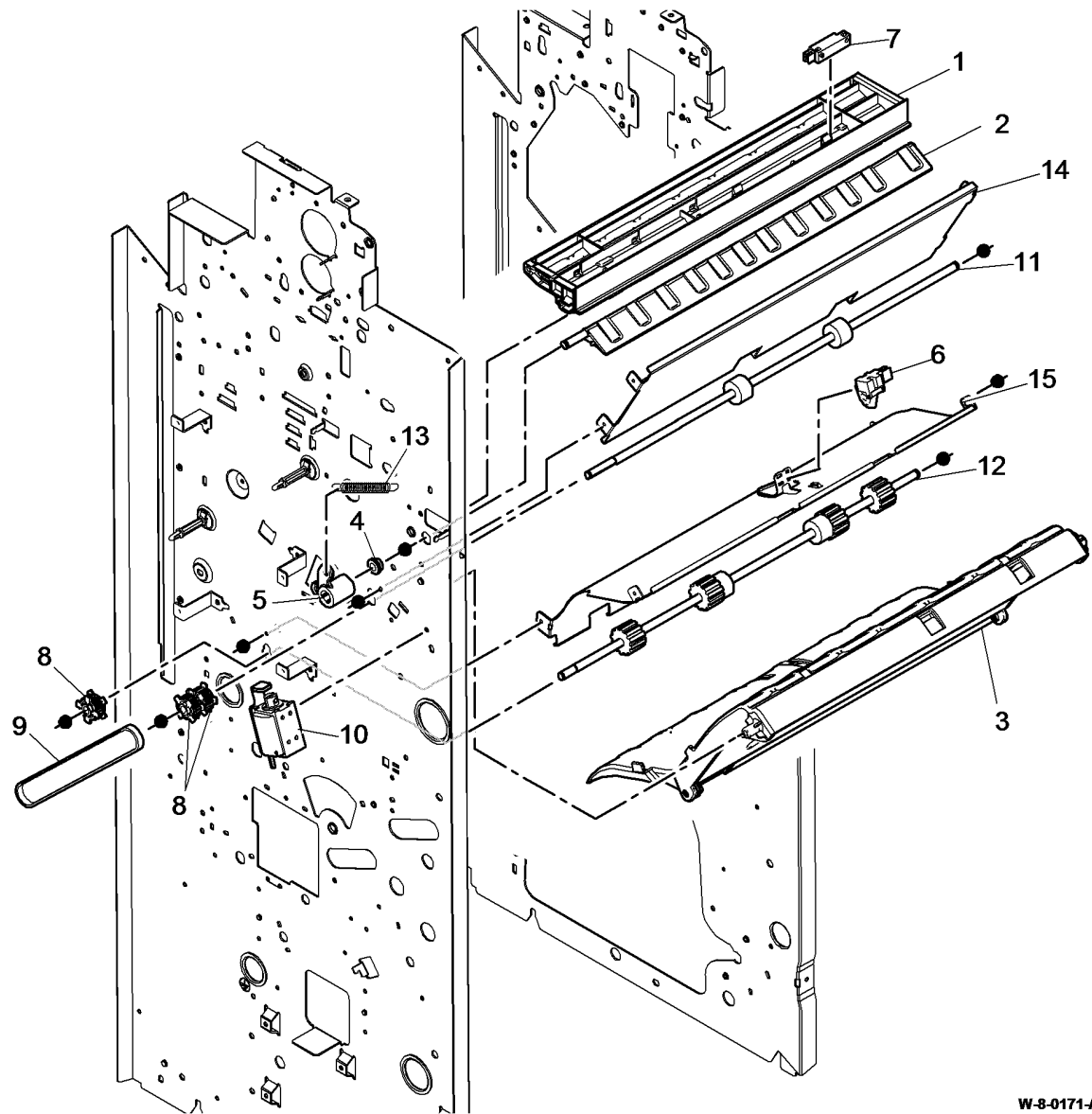
| Item | Part | Description |
|------|-----------|---|
| 1 | 090K02590 | Booklet tamper assembly (REP 12.38-150) |
| 2 | 031E16740 | Booklet tamper arm (REP 12.42-150) |
| 3 | 127E17690 | BM Booklet tamper 1 motor (MOT12-256) (REP 12.41-150) |
| 4 | - | Sensor bracket (P/O PL 12.380 Item 1) |
| 5 | 130E10380 | BM paper present sensor (Q12-170) (REP 12.43-150) |
| 6 | 130E10360 | BM tamper 1 home sensor (Q12-205) (REP 12.40-150) |
| 7 | - | Booklet tamper frame (P/O PL 12.380 Item 1) |



W-8-0172-A

PL 12.385 LVF BM Compiler Entrance Guides

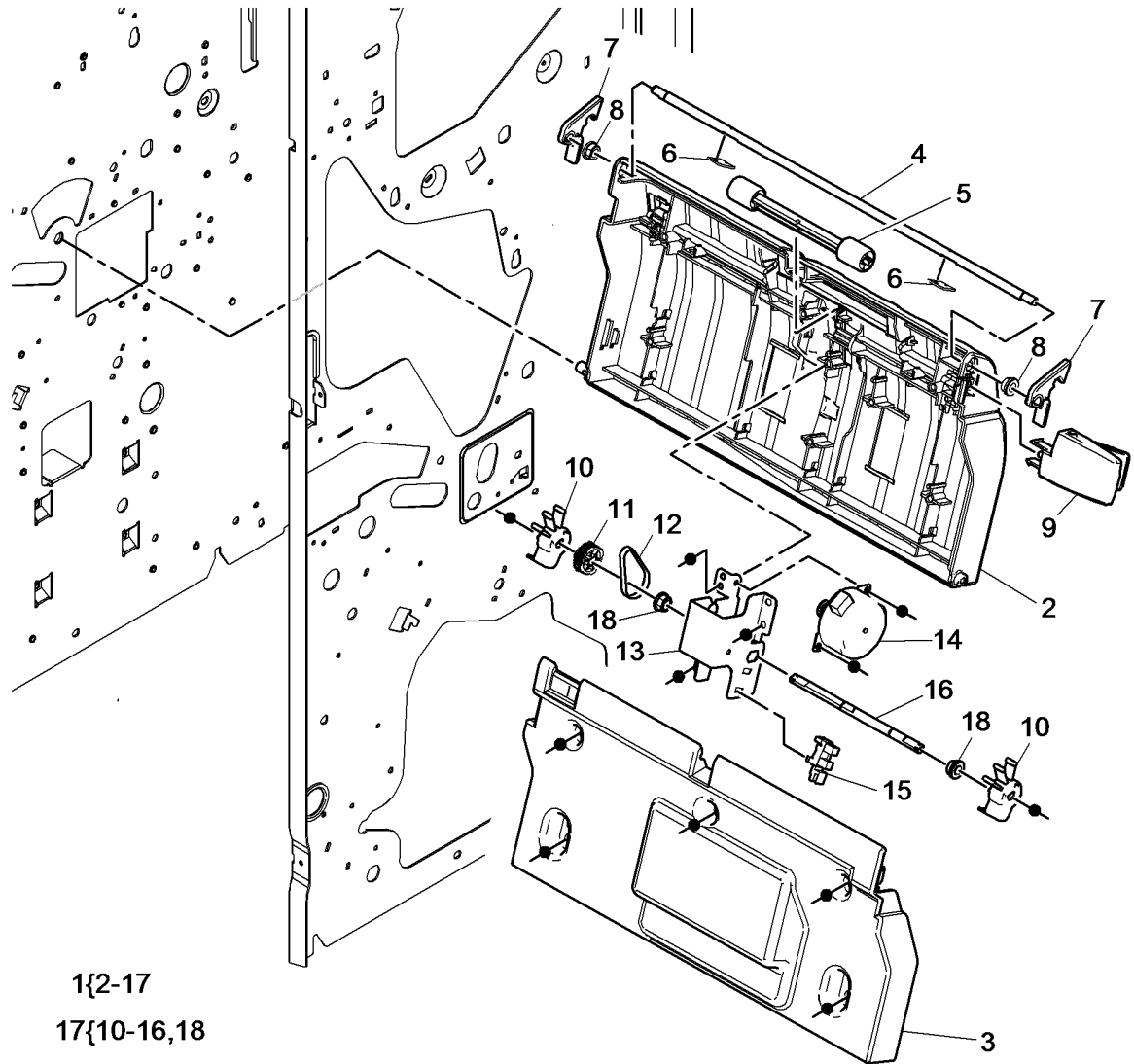
| Item | Part | Description |
|------|-----------|---|
| 1 | – | Upper entrance guide (Not Spared) (REP 12.31-150) |
| 2 | 050E29410 | Booklet diverter gate (REP 12.33-150) |
| 3 | 032K10350 | BM entrance guide assembly (REP 12.32-150) |
| 4 | – | Bush (Not Spared) |
| 5 | – | Lever (Not Spared) |
| 6 | 130E10360 | BM Entry sensor (Q12-089) (REP 12.32-150) |
| 7 | 130E10380 | Entry sensor (Q12-077) (REP 12.31-150) |
| 8 | – | Pulley (Not Spared) |
| 9 | – | Compiler entrance drive belt 2 (Not Spared) (REP 12.34-150) |
| 10 | 121K45010 | Booklet diverter gate solenoid (SOL12-258) |
| 11 | 059K84790 | 1st feed roll assembly (REP 12.34-150) |
| 12 | 059K84800 | 2nd feed roll assembly (REP 12.35-150) |
| 13 | – | Spring (Not Spared) |
| 14 | – | Upper guide (Not Spared) |
| 15 | – | Lower guide (Not Spared) (REP 12.32-150) |



W-8-0171-A

PL 12.390 LVF BM Compiler Guide Assembly

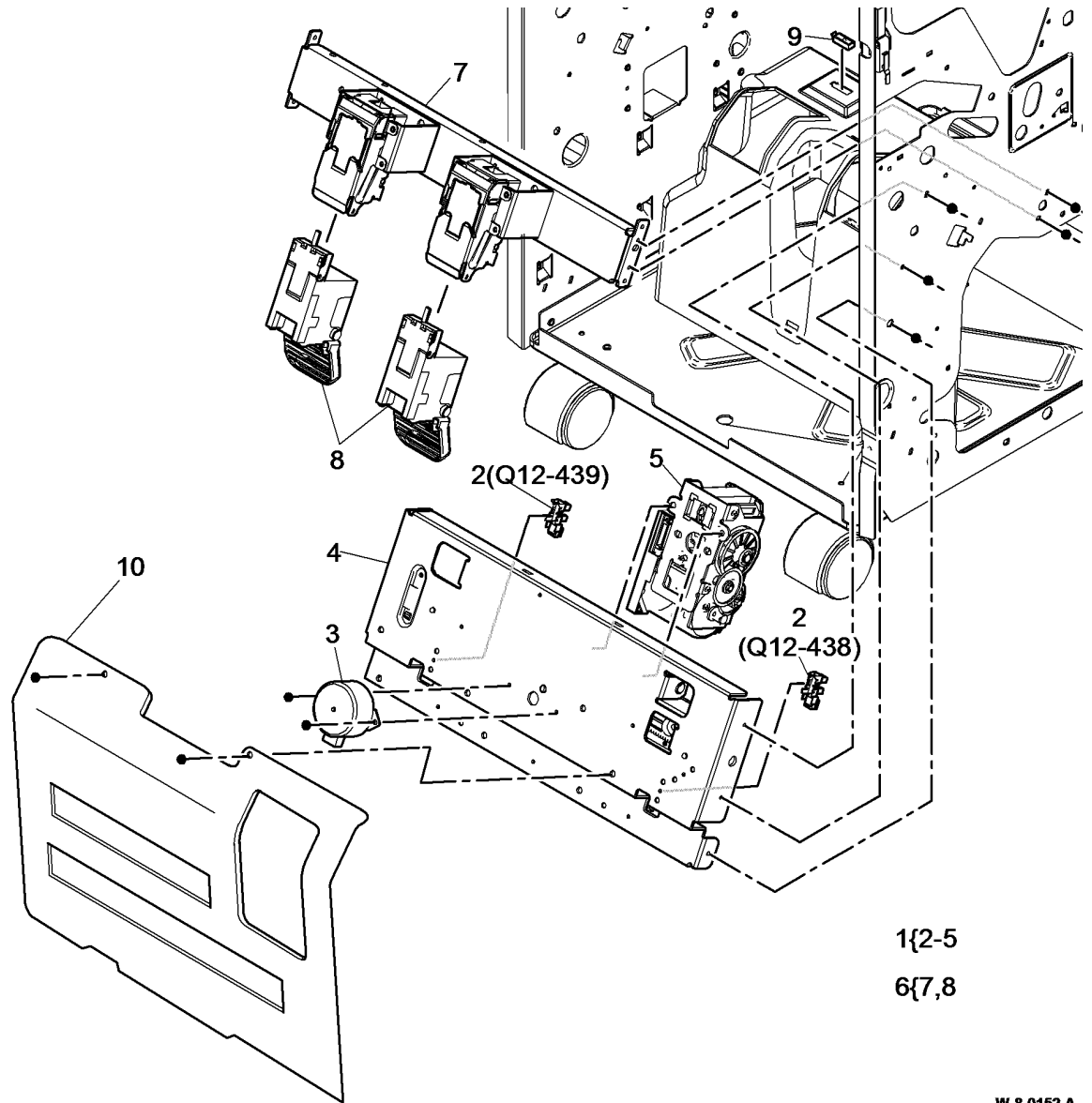
| Item | Part | Description |
|------|-----------|---|
| 1 | - | BM compiler guide assembly (Not Spared) (REP 12.30-150) |
| 2 | - | Base (P/O PL 12.390 Item 1) |
| 3 | - | Cover (P/O PL 12.390 Item 1) |
| 4 | - | Shaft (P/O PL 12.390 Item 1) |
| 5 | - | Idler roll assembly (P/O PL 12.390 Item 1) |
| 6 | - | Static eliminator (P/O PL 12.390 Item 1) |
| 7 | - | Latch (P/O PL 12.390 Item 1) |
| 8 | - | Bearing (P/O PL 12.390 Item 1) |
| 9 | - | Handle (P/O PL 12.390 Item 1) |
| 10 | 033K05270 | BM compiler flapper (REP 12.30-150) |
| 11 | - | Pulley (P/O PL 12.390 Item 1) |
| 12 | - | Belt (P/O PL 12.390 Item 1) |
| 13 | - | Bracket (P/O PL 12.390 Item 1) |
| 14 | - | BM Flapper motor (MOT12-271) (P/O PL 12.390 Item 1) |
| 15 | 130E10360 | BM Flapper home sensor (Q12-207) |
| 16 | - | Drive shaft (P/O PL 12.390 Item 1) |
| 17 | 055K44530 | BM Flapper motor assembly (REP 12.30-150) |
| 18 | - | Bearing (P/O PL 12.390 Item 17) |



W-8-0173-A

PL 12.395 LVF BM Booklet Stapler Assembly

| Item | Part | Description |
|------|-----------|--|
| 1 | 029K04811 | BM stapler assembly (REP 12.38-150) |
| 2 | 130E10360 | Staple unit home sensor (Q12-438)/ Staple unit away sensor (Q12-439) (REP 12.48-150) |
| 3 | 127E17680 | BM staple unit move motor (MOT12-435) |
| 4 | - | BM stapler frame (P/O PL 12.395 Item 1) |
| 5 | 077E00080 | BM staple head assembly (REP 12.48-150) |
| 6 | 029K04800 | BM staple cartridge assembly (REP 12.37-150) |
| 7 | - | Bracket (P/O PL 12.395 Item 6) |
| 8 | - | Staple cartridge (REF: PL 26.11 Item 2) |
| 9 | 107E35740 | Staple cartridge LED (REP 12.39- 150) |
| 10 | 822E18810 | LVF BM Back stop cover (REP 12.1-150) |

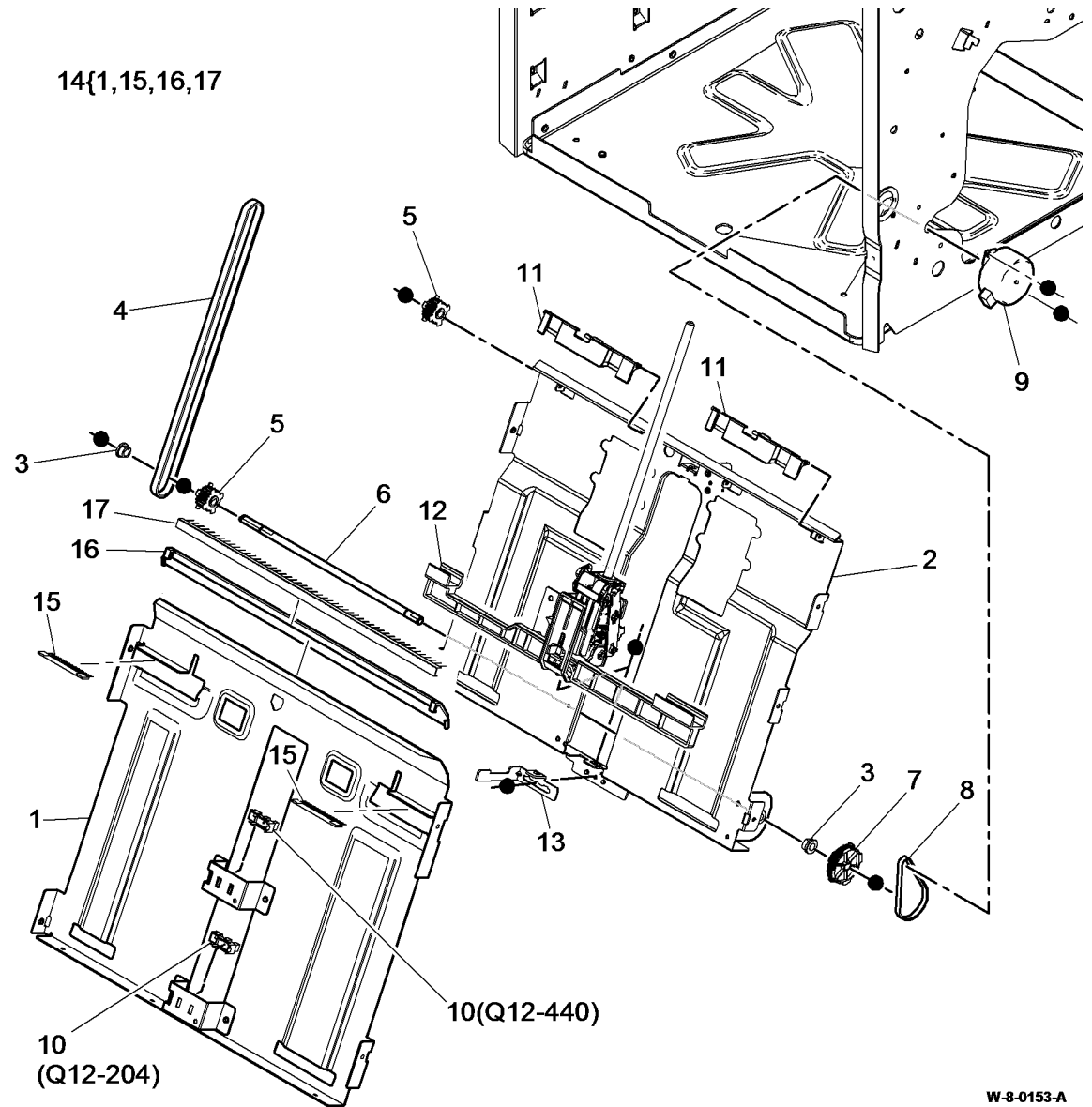


1{2-5
6{7,8

W-8-0152-A

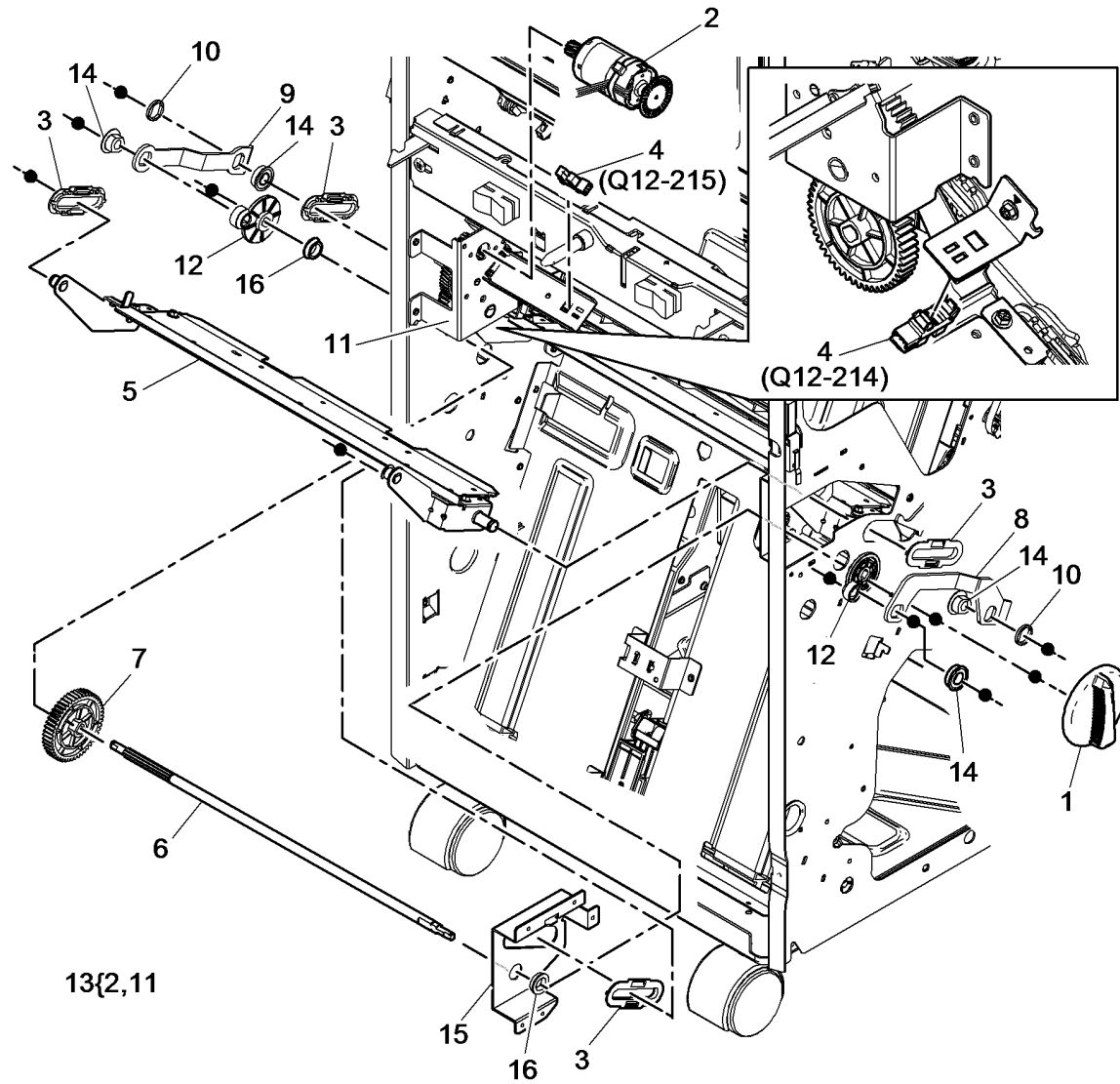
PL 12.400 LVF BM Back Stop Assembly

| Item | Part | Description |
|------|-----------|--|
| 1 | - | Left guide (P/O PL 12.400 Item 14) (REP 12.19-150) |
| 2 | - | Right guide (Not Spared) (REP 12.19-150) |
| 3 | 016E21260 | Bearing |
| 4 | - | Belt (Not Spared) |
| 5 | - | Pulley (Not Spared) |
| 6 | - | Shaft (Not Spared) |
| 7 | - | Drive pulley (Not Spared) |
| 8 | - | Drive Belt (Not Spared) |
| 9 | 127K74620 | BM Back stop motor (MOT12-255) (REP 12.18-150) |
| 10 | 130E10360 | BM guide home sensor (Q12-204)/ BM back stop mid home sensor(Q12-440) (REP 12.20-150) |
| 11 | - | Stapler stop guide (Not Spared) |
| 12 | 674K08890 | Back stop assembly (REP 12.19-150) |
| 13 | - | Bracket (Not Spared) |
| 14 | - | Back stop left guide assembly (P/O PL 12.400 Item 12) |
| 15 | - | Static eliminator (P/O PL 12.400 Item 14) |
| 16 | - | Sub plate (P/O PL 12.400 Item 14) |
| 17 | - | Static eliminator (P/O PL 12.400 Item 14) |



PL 12.405 LVF BM Crease Blade Assembly

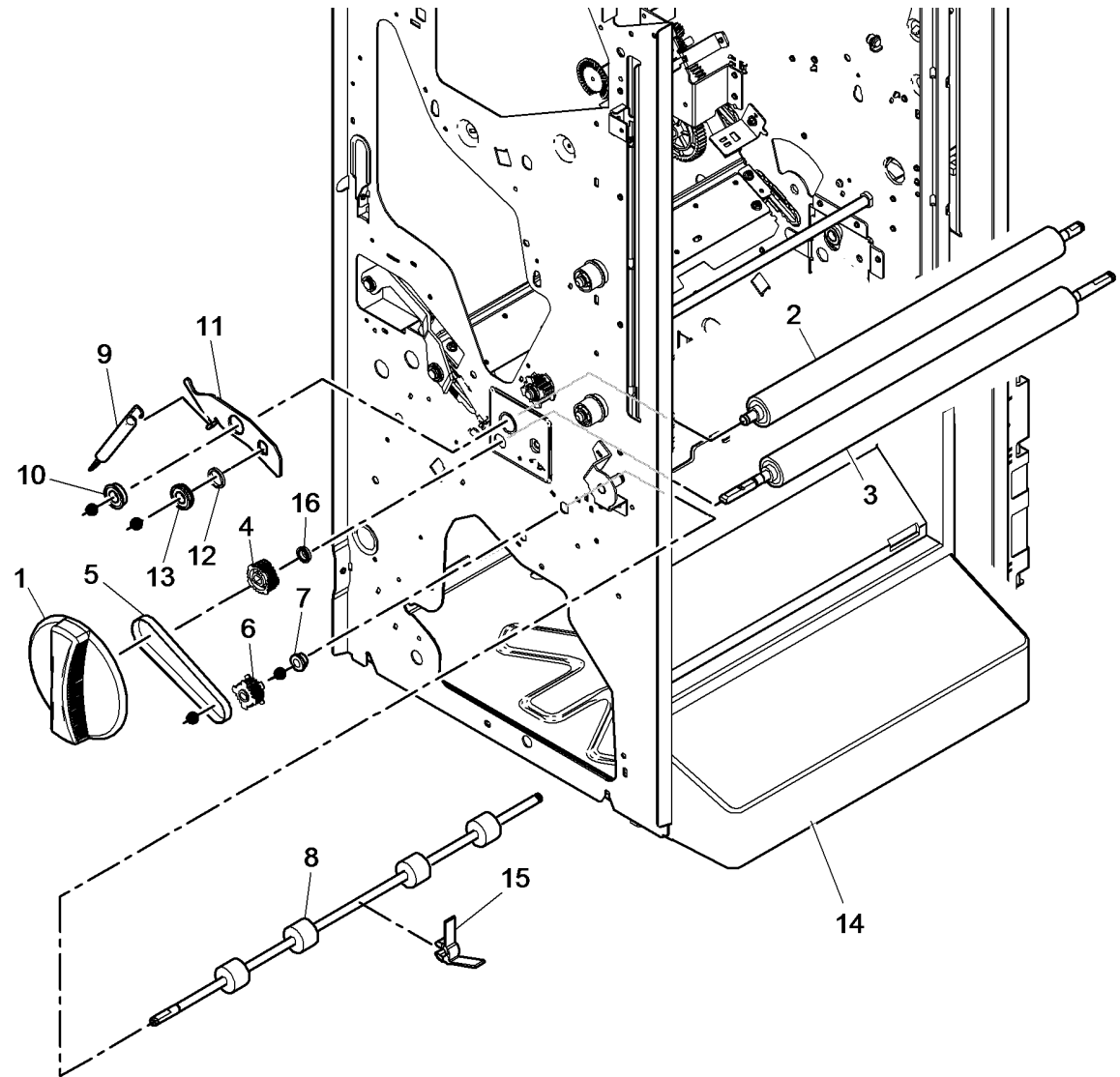
| Item | Part | Description |
|------|-----------|--|
| 1 | 803E20900 | Crease blade handle (REP 12.23-150) |
| 2 | 127E17650 | BM Crease blade motor (MOT12-252) (REP 12.21-150) |
| 3 | 011E30810 | Crease blade guide (REP 12.22-150) |
| 4 | 130E10360 | BM Crease blade home sensor (Q12-214)/BM Crease blade motor encoder sensor (Q12-215) (REP 12.21-150) |
| 5 | 037K01490 | Crease blade assembly (REP 12.22-150) |
| 6 | - | Crease blade shaft (Not Spared) |
| 7 | 807E46760 | Crease blade drive gear (REP 12.23-150) |
| 8 | - | Front blade arm (Not Spared) |
| 9 | - | Rear blade arm (Not Spared) |
| 10 | - | Spacer (Not Spared) |
| 11 | - | Crease blade gearbox assembly (P/O PL 12.405 Item 13) (REP 12.21-150) |
| 12 | 008E08860 | Blade crank (REP 12.23-150) |
| 13 | 007K20511 | Crease blade motor assembly (REP 12.21-150) |
| 14 | - | Crease blade bearing (Not Spared) (REP 12.23-150) |
| 15 | - | Bracket (Not Spared) |
| 16 | 013E43930 | Crease blade shaft bearing |



W-8-0167-A

PL 12.410 LVF BM Crease Roll Assembly (1 of 3)

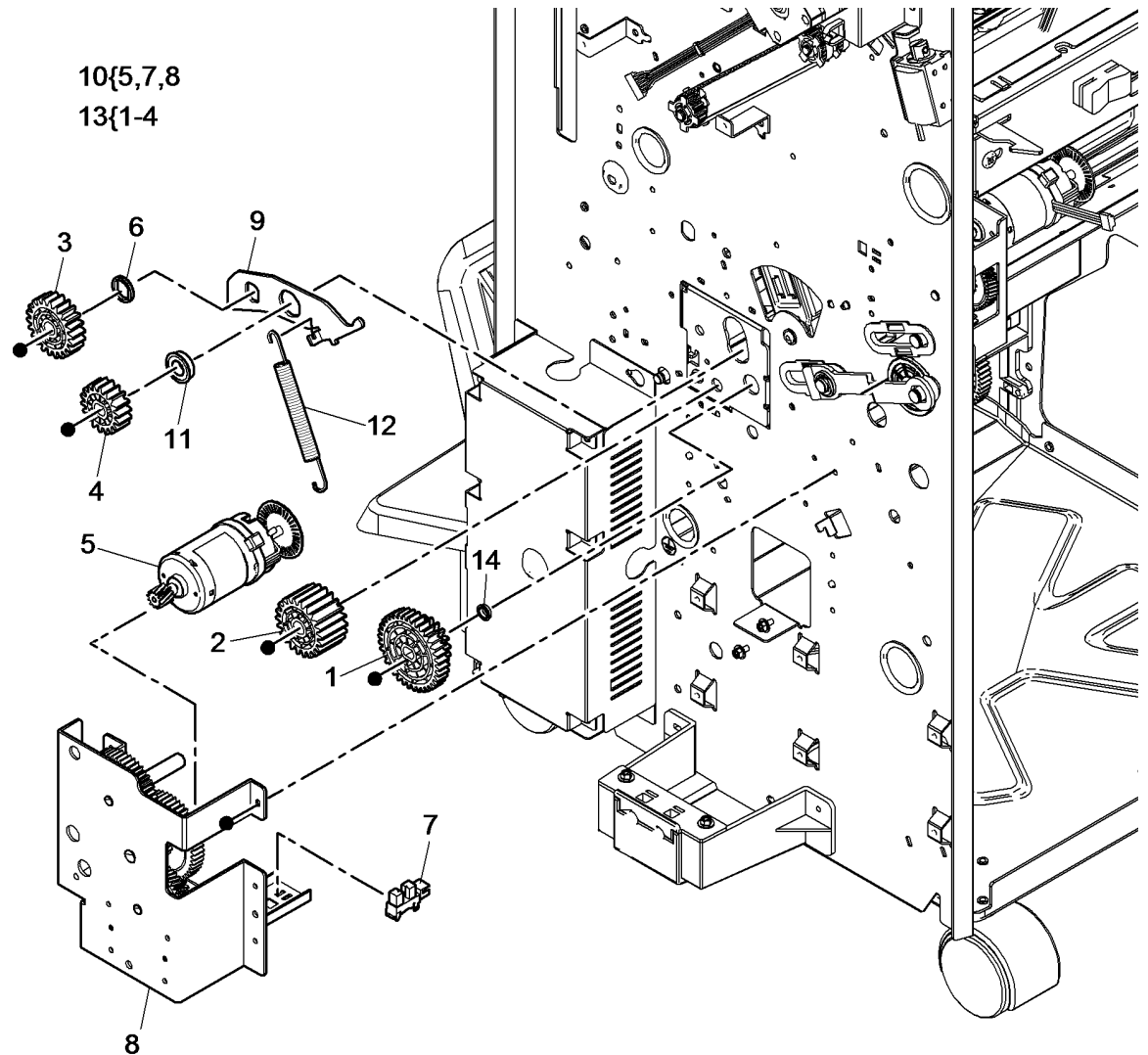
| Item | Part | Description |
|------|-----------|---|
| 1 | 803E20910 | Crease roll handle (REP 12.24-150) |
| 2 | 059E11860 | Upper crease roll (REP 12.24-150) |
| 3 | 059E11870 | Lower crease roll (REP 12.24-150) |
| 4 | 020E55510 | Crease roll handle pulley (REP 12.24-150) |
| 5 | 023E32470 | Exit roll belt (REP 12.27-150) |
| 6 | 020E55520 | Exit roll pulley (REP 12.27-150) |
| 7 | 016E21260 | Bush (REP 12.27-150) |
| 8 | 059K84780 | BM exit roll assembly (REP 12.27-150) |
| 9 | 899E07760 | Crease roll spring (x2) (REP 12.24-150) |
| 10 | 013E43940 | Crease roll bearing (REP 12.24-150) |
| 11 | 031E16710 | Front crease roll lever (REP 12.24-150) |
| 12 | - | Spacer (Not Spared) |
| 13 | - | Bearing (Not Spared) |
| 14 | - | Bin 2 support (Not Spared) (REP 12.44-150) |
| 15 | - | Exit roll paddle (Not Spared) (REP 12.27-150) |
| 16 | 013E43930 | Lower crease roll bearing |



W-8-0168-A

PL 12.415 LVF BM Crease Roll Assembly (2 of 3)

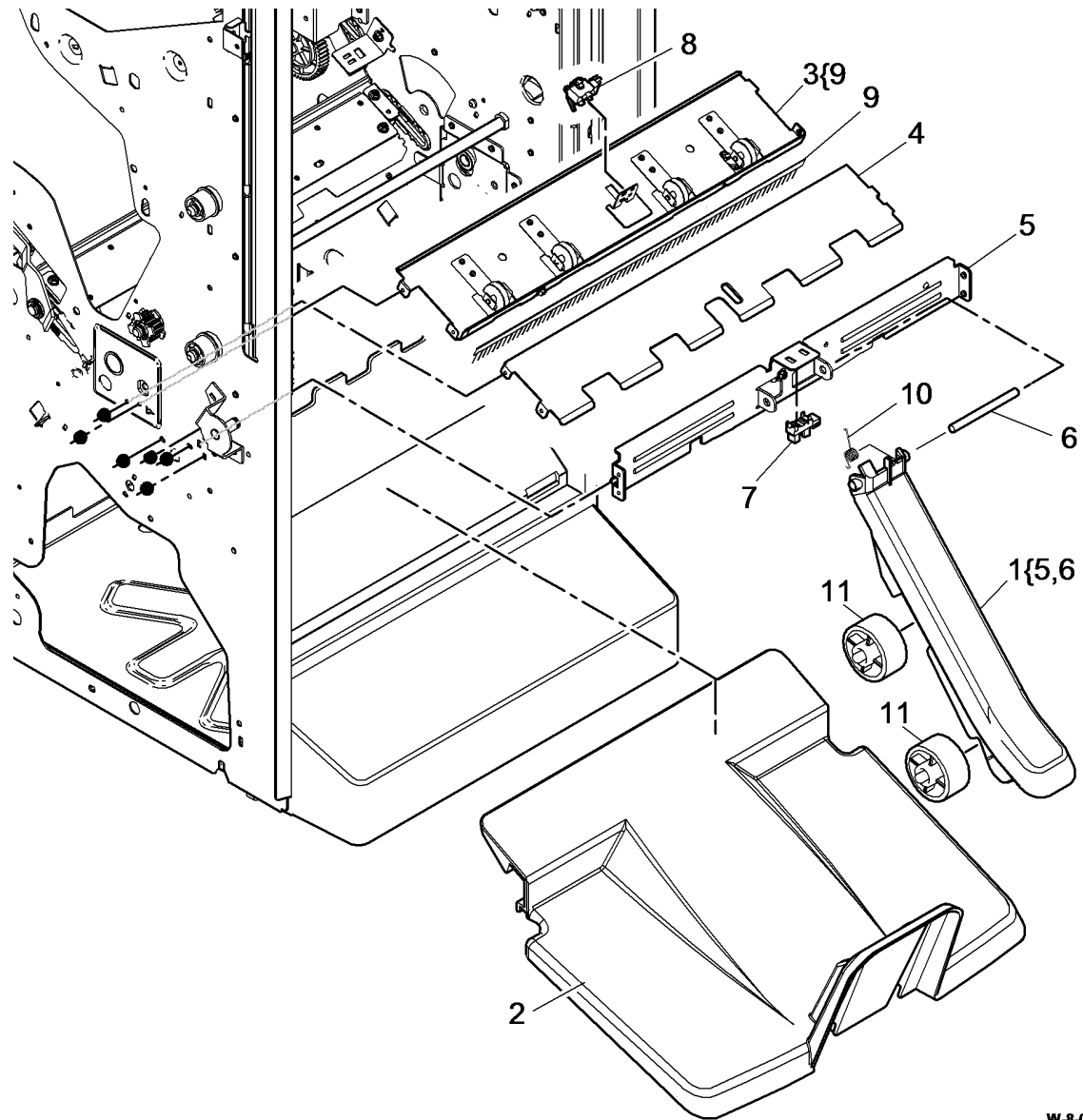
| Item | Part | Description |
|------|-----------|--|
| 1 | - | Crease roll gear 1 (P/O PL 12.415 Item 13) (REP 12.26-150) |
| 2 | - | Crease roll gear 2 (P/O PL 12.415 Item 13) (REP 12.26-150) |
| 3 | - | Crease roll gear 3 (P/O PL 12.415 Item 13) (REP 12.26-150) |
| 4 | - | Crease roll gear 4 (P/O PL 12.415 Item 13) (REP 12.26-150) |
| 5 | - | BM Crease roll motor (MOT12-253) (P/O PL 12.415 Item 10) (REP 12.25-150) |
| 6 | - | Spacer (Not Spared) |
| 7 | 130E10360 | BM crease roll motor encoder sensor (Q12-216) (REP 12.25-150) |
| 8 | - | Crease roll gearbox assembly (P/O PL 12.415 Item 10) |
| 9 | 031E16720 | Rear crease roll lever (REP 12.24-150) |
| 10 | 007K20520 | Crease roll motor and gearbox assembly (REP 12.25-150) |
| 11 | 013E43940 | Crease roll bearing (REP 12.24-150) |
| 12 | 899E07760 | Crease roll spring (x2) (REP 12.24-150) |
| 13 | 807E46770 | Crease roll gear kit (REP 12.26-150) |
| 14 | 013E43930 | Lower crease roll bearing |



W-8-0169-A

PL 12.420 LVF BM Crease Roll Assembly (3 of 3)

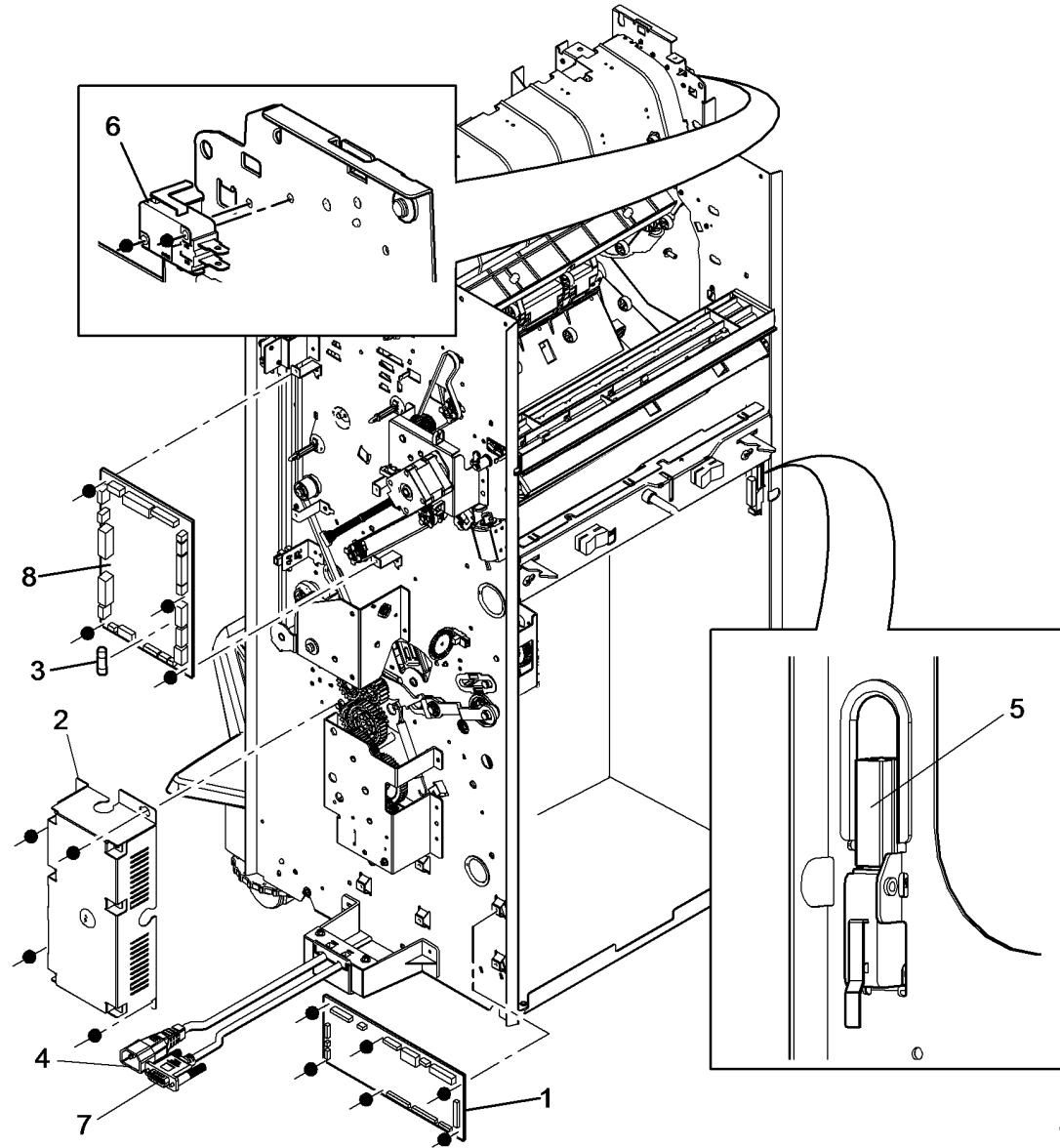
| Item | Part | Description |
|------|-----------|---|
| 1 | 031K09230 | Bail arm assembly (REP 12.29-150) |
| 2 | 050E29400 | Bin 2 |
| 3 | 032K10330 | Exit upper guide assembly (REP 12.28-150) |
| 4 | - | Exit lower guide (Not Spared) |
| 5 | - | Bail arm support bracket (P/O PL 12.420 Item 1) |
| 6 | - | Bail arm pin (P/O PL 12.420 Item 1) |
| 7 | 130E10360 | Bin 2 90% full sensor (Q12-206) (REP 12.29-150) |
| 8 | 868E93710 | BM exit sensor (Q12-213) (REP 12.28-150) |
| 9 | - | Static eliminator (P/O PL 12.420 Item 3) |
| 10 | 899E07770 | Bail arm spring (REP 12.29-150) |
| 11 | 059E11880 | Bail arm roller (x2) (REP 12.29-150) |



W-8-0170-A

PL 12.425 LVF BM Electrical

| Item | Part | Description |
|------|-----------|---------------------------------------|
| 1 | 960K83180 | LVF BM PWB (REP 12.36-150) |
| 2 | 105E24900 | Power supply module |
| 3 | – | Fuse (Not Spared) |
| 4 | – | Power cable (Not Spared) |
| 5 | 110K13980 | Front door interlock switch (S12-303) |
| 6 | 110K13970 | Top cover interlock switch (S12-197) |
| 7 | – | Communications cable (Not Spared) |
| 8 | 960K83170 | LVF PWB (REP 12.14-150) |



W-8-0149-A

PL 17.00 Secure Access Additions

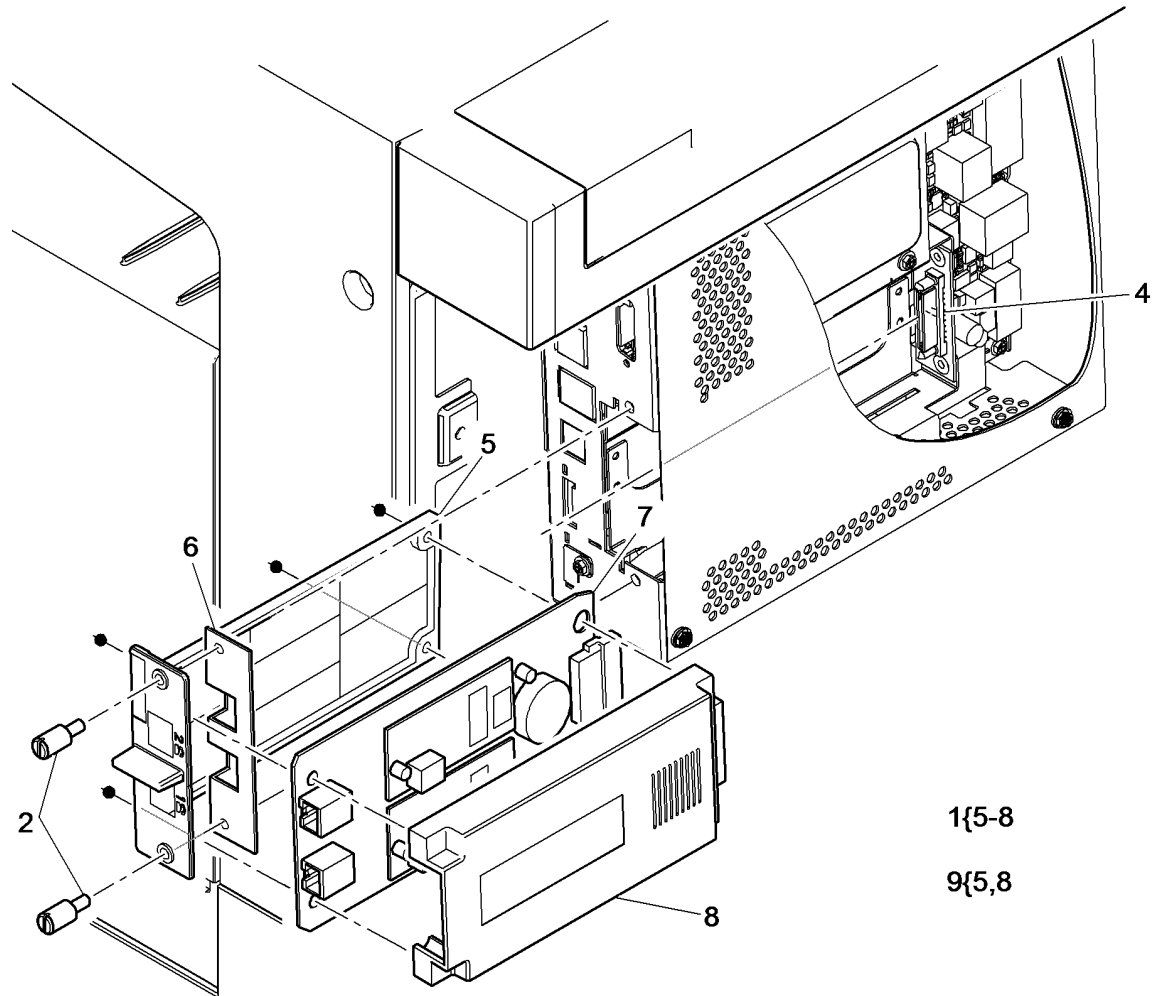
| Item | Part | Description |
|------|------|--|
| 1 | – | Secure access controller (Not Spared) |
| 2 | – | Xerox secure access power supply (Not Spared) |
| 3 | – | Xerox secure access card reader (HID) (Not Spared) |
| 4 | – | Xerox secure access card reader (MAGSTRIPE) (Not Spared) |
| 5 | – | Xerox secure access card reader (MIFARE) (Not Spared) |
| 6 | – | Xerox secure access card reader (LEGIC) (Not Spared) |
| 7 | – | Xerox secure access power cord (NA) (Not Spared) |
| 8 | – | Xerox secure access power cord (EU) (Not Spared) |
| 9 | – | Xerox secure access power cord (UK) (Not Spared) |

**NO EXPLODED
VIEW PROVIDED**

W-8-0118-A

PL 20.05 Fax Module

| Item | Part | Description |
|------|-----------|--|
| 1 | - | Fax module |
| - | - | 1 line (P/O PL 31.35 Item 1) |
| - | - | 2 line (P/O PL 31.40 Item 1) |
| 2 | - | Thumbscrew (Not Spared) |
| 3 | - | Telephone cable - see variants below (not shown on illustration) |
| - | - | USSG/XCL |
| - | - | United Kingdom |
| - | - | Germany |
| - | - | Italy |
| - | - | Netherlands |
| - | - | Belgium |
| - | - | Switzerland |
| - | - | Denmark |
| - | - | Austria |
| - | - | Sweden |
| - | - | France |
| - | - | Norway |
| - | - | Portugal/Spain |
| - | - | Finland |
| 4 | 960K73340 | Fax connector PWB |
| 5 | - | Front cover (P/O PL 20.05 Item 9) (REP 20.1) |
| 6 | - | Ground plate (P/O PL 20.05 Item 1) |
| 7 | 960K65960 | Fax PWB (1 line) (REP 20.1) |
| - | 960K65970 | Fax PWB (2 line) (REP 20.1) |
| 8 | - | Rear cover (P/O PL 20.05 Item 9) (REP 20.1) |
| 9 | 848E74310 | Covers assembly |



1{5-8

9{5,8

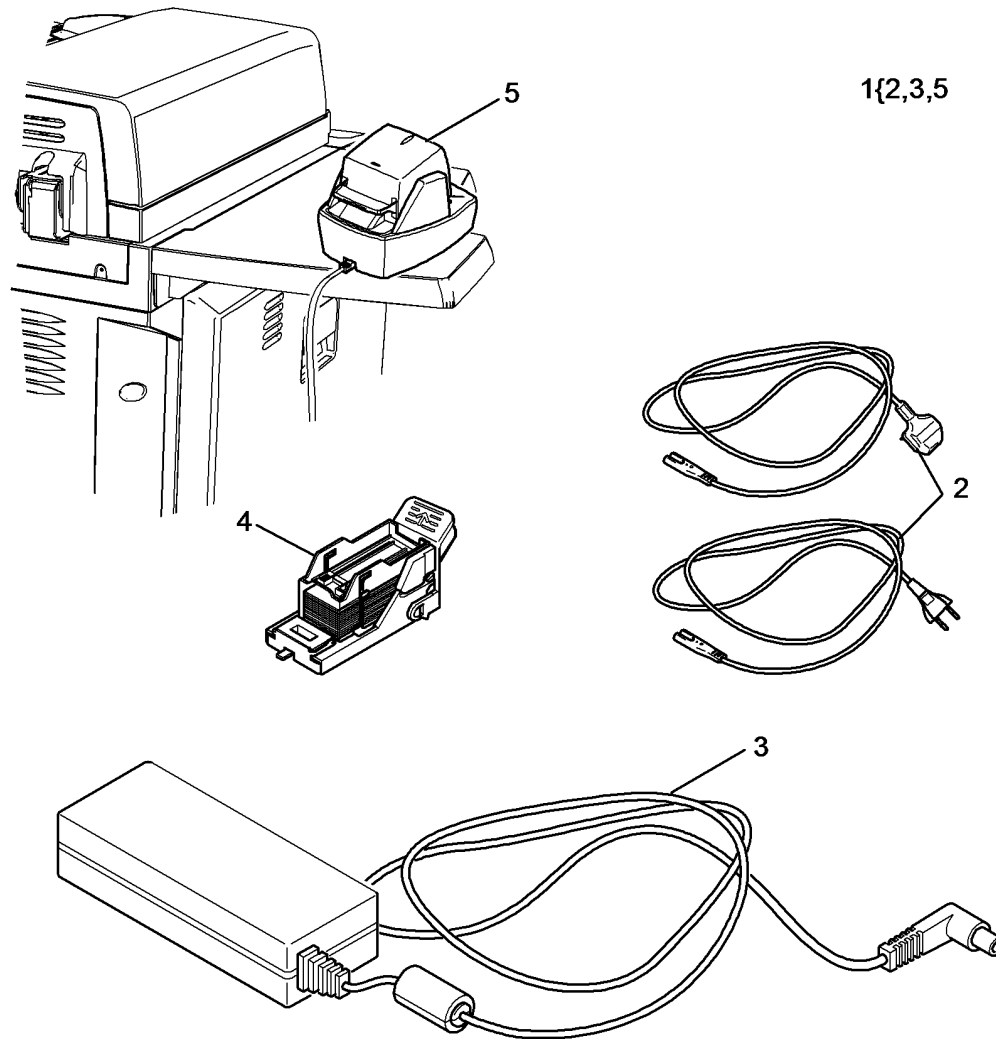
W-8-0119-A

PL 25.10 Convenience Stapler

| Item | Part | Description |
|------|------|---|
| 1 | - | Convenience stapler kit (REF: PL 31.11 Item 5) (NOTE) |
| 2 | - | Power cord (P/O PL 25.10 Item 1) |
| 3 | - | PSU (P/O PL 25.10 Item 1) |
| 4 | - | Staple cartridge (REF: PL 26.10 Item 11) (NOTE 2) |
| 5 | - | Convenience stapler (P/O PL 25.10 Item 1) (XE) |
| - | - | Convenience stapler (USSG/XCL) (P/O PL 25.10 Item 1) |

NOTE: 1. The convenience stapler has no serviceable parts.

NOTE: 2. To replace staples only, order PL 26.11 Item 4.



W-8-0120-A

PL 26.10 Consumables and Tools (1 of 2)

| Item | Part | Description |
|------|-----------|---|
| 1 | 043P00065 | Abrasive cloth |
| 2 | 043P00048 | Formula A cleaning fluid (WARNING) |
| 3 | 600T02133 | Line test tool |
| 4 | 043P00045 | Film remover (WARNING) |
| 5 | 600T02231 | USB Cable |
| 6 | 600T02252 | Ethernet crossover cable |
| 7 | 600T02261 | Finisher bypass connector |
| 8 | 043E00550 | Plastislip grease |
| 9 | 043P00081 | Lens and mirrors cleaner |
| 10 | 099P03037 | Disposable gloves (general protection) (Qty. 100) (WARNING) |
| 11 | 008R12964 | Staple cartridge (1 cartridge x 5000 staples) |
| 12 | 070P00072 | Molykote silicone dry lubricant |
| 13 | 035E56460 | Wiper |
| 14 | 082E02000 | Test pattern (A3/11x17) |
| 15 | 082E02010 | Test pattern (A4) |
| 16 | 082E02020 | Test pattern (8.5x11) |
| 17 | 082E08230 | Test pattern (solid area density scale) |
| 18 | 082P00448 | Test pattern (visual scale) |
| 19 | 008R90275 | Antistatic fluid |
| 20 | 070P00043 | Molub grease 777 |
| 21 | 146E02700 | USB Reader (HITAG) |
| 22 | 008R90176 | Cleaning fluid (WARNING) |
| 23 | 070E00460 | Moovit oil |
| 24 | 600T02332 | Data cable |



WARNING

Wear protective gloves, PL 26.10 Item 10 and eye protection when using solvents and cleaning agents.

NO EXPLODED VIEW PROVIDED

W-8-0121-A

PL 26.11 Consumables and Tools (2 of 2)

| Item | Part | Description |
|------|-----------|--|
| 1 | 600T91940 | Air duster |
| 2 | – | Staple cartridge (LVF BM) |
| – | 029K04820 | 1 cartridge (2000 staples) |
| – | 108R01158 | 4 cartridges (4 x 2000 staples) |
| 3 | 006R01604 | Toner cartridge (x2) pack (Metered) |
| – | 006R01605 | Toner cartridge (x2) (XE) SOLD |
| – | 006R01606 | Toner cartridge (x2) DMO SOLD |
| 4 | 008R12941 | Staple cartridge refill (staples only - 3 x 5000) |
| 5 | – | Handset tool (Not Spared) |
| 6 | 600T02458 | Left door damper spring tools |

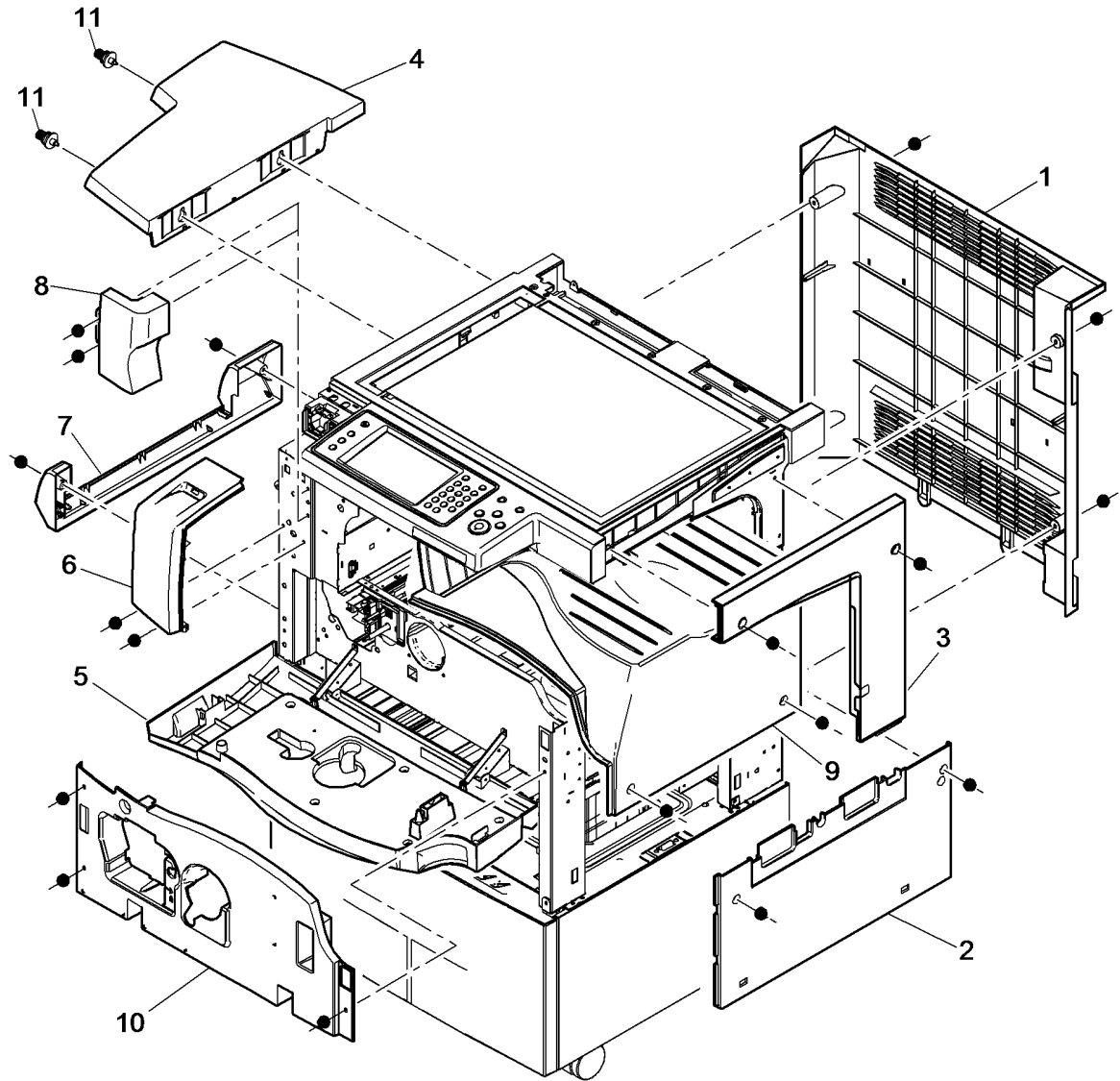
**NO EXPLODED
VIEW PROVIDED**

W-8-0122-A

PL 28.10 Main Covers

| Item | Part | Description |
|------|-----------|--|
| 1 | - | Rear cover (Not Spared) (REP 28.2) |
| 2 | - | Right cover (Not Spared) |
| 3 | - | Upper right cover (Not Spared) (REP 28.1) |
| 4 | 497K13840 | Work shelf |
| 5 | - | Front door assembly (REF: PL 28.11) |
| 6 | - | Left frame cover (Not Spared) (REP 28.1) |
| 7 | - | Bypass tray feedhead cover (P/O PL 70.35 Item 1) |
| 8 | - | Centre exit cover (Not Spared) (REP 28.1) |
| 9 | - | Centre output tray (Not Spared) (REP 28.1) |
| 10 | - | Inner front cover (Not Spared) |
| 11 | - | Thumbscrew (P/O PL 28.10 Item 4) |

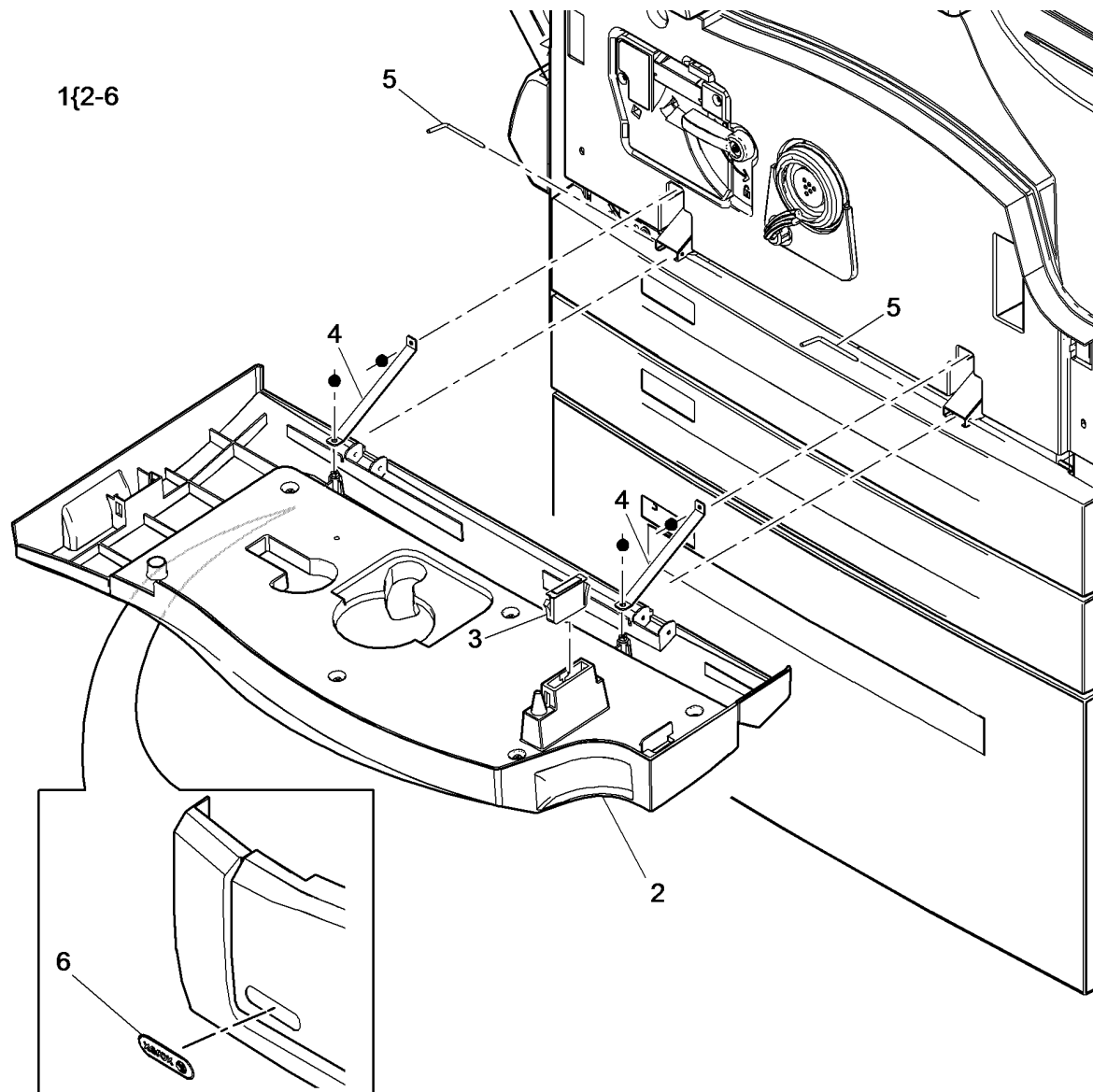
NOTE: Do not order 497/8K parts. 497/8K parts are customer install kits and are shown for reference only.



W-8-0031-A

PL 28.11 Front Door Assembly

| Item | Part | Description |
|------|------|--|
| 1 | - | Front door assembly (Not Spared) |
| 2 | - | Front cover assembly (P/O PL 28.11 Item 1) |
| 3 | - | Magnet (P/O PL 28.11 Item 1) |
| 4 | - | Front door strap (P/O PL 28.11 Item 1) |
| 5 | - | Door hinge pin (P/O PL 28.11 Item 1) |
| 6 | - | Logo badge (P/O PL 28.11 Item 1) |



PL 28.15 Covers

| Item | Part | Description |
|------|------|---|
| 1 | – | SPDH covers (REF: PL 5.10) |
| 2 | – | Tray 3 and 4 assembly covers (REF: PL 70.26) |
| 3 | – | Main covers (REF: PL 28.10) |
| 4 | – | 2K LCSS covers (REF: PL 12.10) |
| 5 | – | Scanner covers (REF: PL 60.15) |
| 6 | – | LVF BM covers (REF: PL 12.320) |

**NO EXPLODED
VIEW PROVIDED**

W-8-0123-A

PL 31.11 Maintenance/Installation/ Removal Kits (1 of 3)

| Item | Part | Description |
|------|-----------|---|
| 1 | – | Fax adapter kit (see below for variants) (Not Spared) |
| – | – | UK, Ireland, Spain, Portugal, Greece |
| – | – | France, Netherlands, Belgium |
| – | – | Germany, Austria, Italy, Switzerland |
| – | – | Sweden, Norway, Finland, Denmark |
| 2 | – | Hole punch kit (see below for variants) |
| – | 498K14050 | 2 hole punch kit (XE) |
| – | 498K14080 | 2 hole punch kit (legal) (XE) |
| – | 498K14070 | 4 hole punch kit |
| – | 498K14090 | 4 hole punch kit (Sweden) |
| – | 497K14960 | 3 hole punch kit |
| 3 | – | Bin 1 tray kit (improved stacking) (Not Spared) |
| 4 | 497K13850 | Paper tray security kit |
| 5 | 498K08260 | Convenience stapler kit (XE) |
| – | 498K08250 | Convenience stapler kit (USSG/XCL) |
| 6 | 007K20550 | Scanner drive kit |
| 7 | – | SPDH feed roll kit (Not Spared) |
| 8 | 604K83690 | HCF transport roll kit |

NOTE: Do not order 497/8K parts. 497/8K parts are customer install kits and are shown for reference only.

**NO EXPLODED
VIEW PROVIDED**

W-8-0124-A

PL 31.12 Maintenance/Installation/ Removal Kits (2 of 3)

| Item | Part | Description |
|------|-----------|--|
| 1 | – | BM back stop repair kit (Not Spared) |
| 2 | 604K73060 | Paddle shaft assembly |
| 3 | 607K03210 | SPDH last sheet out sensor filter kit (W/TAG D-002) |
| 4 | – | 2K LCSS front door cover assembly kit |
| 5 | 604K73050 | Paddle spares kit |
| 6 | 607K04330 | Feed head assembly spares kit (W/TAG 003 & TAG 004) |
| 7 | 650K34150 | Overlay label kit (French/Canadian) |
| – | 650K34310 | Overlay label kit (USSG/XCL) |
| – | 650K34300 | Overlay label kit (XE) |
| 8 | 604K96681 | Tray 4 transport shaft kit |
| 9 | 497K14681 | Envelope tray kit |
| 10 | 497K11500 | Wireless network adapter kit |
| 11 | 497K14650 | Foreign device interface kit |
| 12 | – | Hole punch field repair kit (Not Spared) (W/TAG F-006) |
| 13 | 498K17546 | CAC enablement kit |
| 14 | – | LCSS diverter gate assembly spares kit |
| 15 | 604K83641 | Feed/Nudger/Retard roll spares kit |
| 16 | 604K84020 | Stack height sensor and shim kit |

NOTE: 1. Do not order 497/8K parts. 497/8K parts are customer install kits and are shown for reference only.

**NO EXPLODED
VIEW PROVIDED**

W-8-0126-A

PL 31.14 Maintenance/Installation/ Removal Kits (3 of 3)

| Item | Part | Description |
|------|-----------|---|
| 1 | – | Initialisation kits (see below for variants) |
| – | – | 45 ppm (Page pack enabled) (XE) (Not Spared) |
| – | – | 55ppm (Page pack enabled)(DMO) (Not Spared) |
| – | – | 45 ppm (Speed only SIM) (XE) (Not Spared) |
| – | – | 55 ppm (Speed only SIM)(XE) (Not Spared) |
| – | – | 45 ppm (Speed only SIM) (USSG/XCL) (Not Spared) |
| – | – | 55 ppm (Speed only SIM) (USSG/XCL) (Not Spared) |
| 2 | – | SIM kit (see below for variants) |
| – | 604K96570 | 45 ppm (Page pack enabled) (XE) |
| – | 604K96580 | 55 ppm (Page pack enabled) (XE) |
| 3 | – | Not used |
| 4 | 604K84190 | FAR HCF bowl curl kit |
| 5 | 497K13821 | Horizontal transport kit |
| 6 | – | Tray 3 front cover kit (Not Spared) |
| 7 | 600T02458 | Left door damper spring tool kit (See NOTE 2) |
| 8 | – | Tray 4 front cover kit (Not Spared) |
| 9 | 497K11350 | Power cord kit (USSG/XCL) |
| 10 | 607K03160 | Doc present sensor actuator kit (W/TAG D-001) |

NOTE: 1.Do not order 497/8K parts. 497/8K parts are customer install kits and are shown for reference only.

NOTE: 2.Refer to GP 37 for correct use of these tools when removing left door assembly.

**NO EXPLODED
VIEW PROVIDED**

W-8-0128-A

PL 31.35 Line 1 Fax Kits

| Item | Part | Description |
|------|-----------|---|
| 1 | – | Line 1 Fax kits (see below for variants) (See NOTE) |
| – | 497K06250 | XE and South Africa |
| – | 497K06230 | USSG/XCL |
| – | 497K06060 | United Kingdom, Spain, Greece, Ireland, Portugal |
| – | 497K06090 | Austria, Germany, Switzerland, Italy |
| – | 497K11280 | Brazilian |
| – | 497K06070 | Netherlands, Belgium, France |
| – | 497K06080 | Sweden, Norway, Finland, Denmark |

NOTE: Do not order 497/8K parts. 497/8K parts are customer install kits and are shown for reference only

**NO EXPLODED
VIEW PROVIDED**

W-8-0133-A

PL 31.40 Line 2 Fax Kits

| Item | Part | Description |
|------|-----------|---|
| 1 | - | Line 2 Fax kits (see below for variants) (See NOTE) |
| - | 497K06260 | XE and South Africa |
| - | 497K06240 | USSG/XCL |
| - | 497K06100 | United Kingdom, Spain, Greece, Ireland, Portugal |
| - | 497K06130 | Austria, Germany, Switzerland, Italy |
| - | 497K11290 | Brazilian |
| - | 497K06110 | Netherlands, Belgium, France |
| - | 497K06120 | Sweden, Norway, Finland, Denmark |

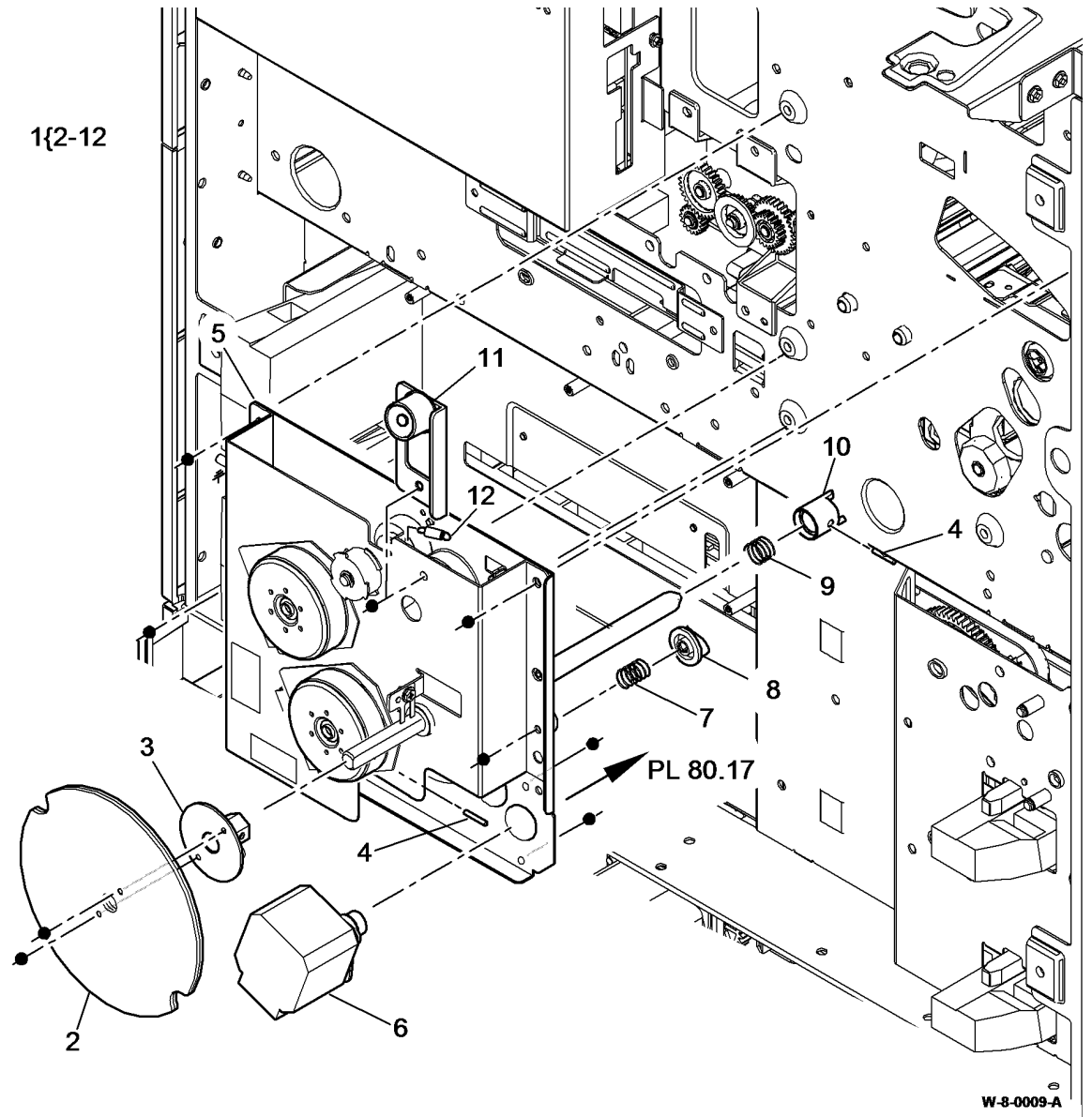
NOTE: Do not order 497/8K parts. 497/8K parts are customer install kits and are shown for reference only

**NO EXPLODED
VIEW PROVIDED**

W-8-0134-A

PL 40.15 Main Drive Module

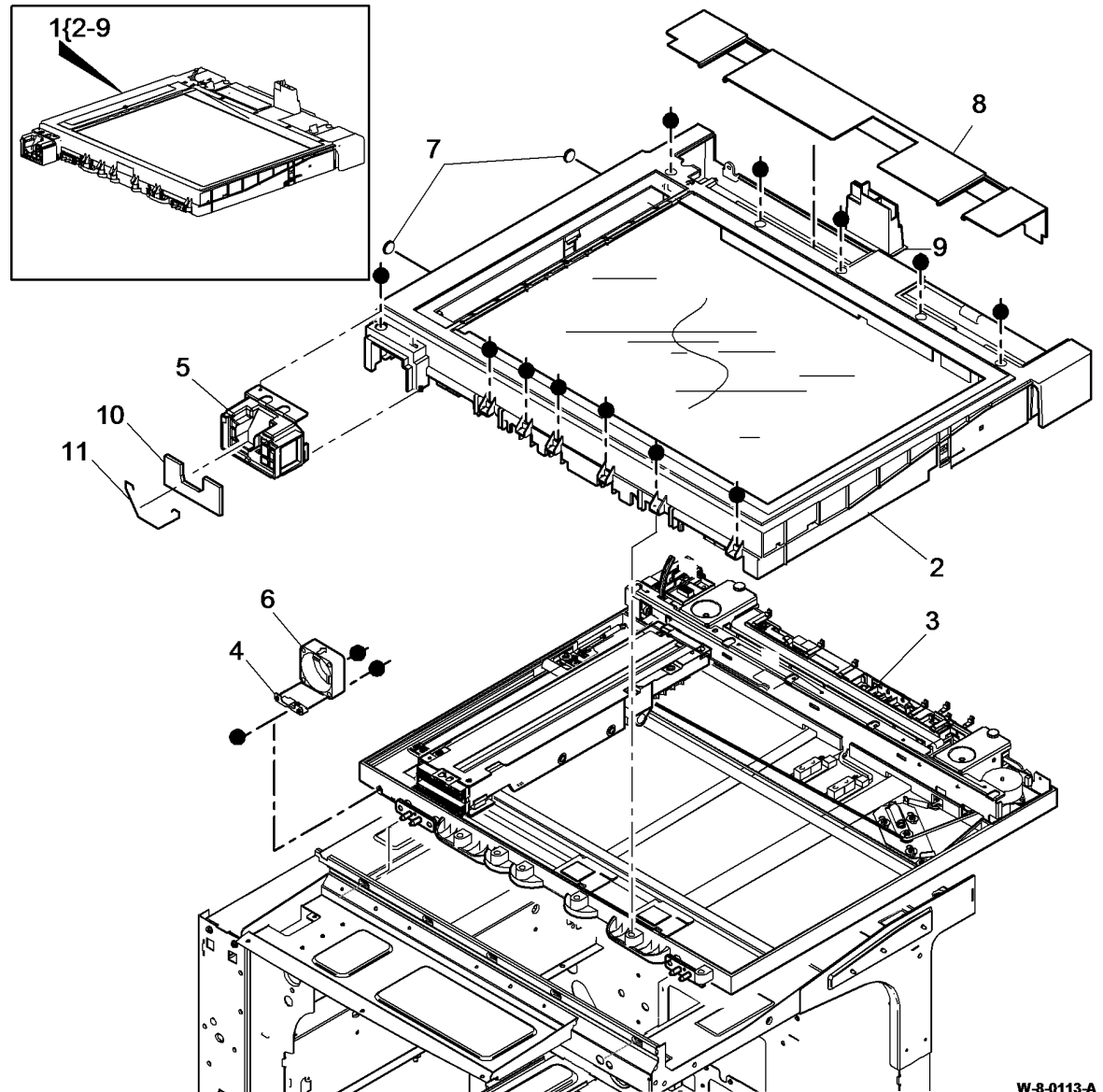
| Item | Part | Description |
|------|-----------|--|
| 1 | 007K20787 | Main drive module (REP 40.1, ADJ 40.1) |
| 2 | - | Flywheel (P/O PL 40.15 Item 1) |
| 3 | - | Flywheel clamp (P/O PL 40.15 Item 1) |
| 4 | - | Dowel pin (P/O PL 40.15 Item 1) |
| 5 | - | Main drive unit (P/O PL 40.15 Item 1) |
| 6 | 127E17792 | Registration motor (REP 40.2) |
| 7 | - | Spring (P/O PL 40.15 Item 1) |
| 8 | - | Developer dog gear (P/O PL 40.15 Item 1) |
| 9 | - | Spring (P/O PL 40.15 Item 1) |
| 10 | - | Photoreceptor dog gear (P/O PL 40.15 Item 1) |
| 11 | - | Tensioner (P/O PL 40.15 Item 1) |
| 12 | - | Tension spring (P/O PL 40.15 Item 1) |



PL 60.15 Scanner Module, CVT/ Document Glass

| Item | Part | Description |
|------|-----------|---|
| 1 | 062K28621 | Scanner module (REP 60.2) |
| 2 | - | Top cover assembly (P/O PL 60.15 Item 1) (REP 60.3) |
| 3 | - | Base (P/O PL 60.15 Item 1) |
| 4 | - | Fan bracket (Not Spared) (REP 60.14) |
| 5 | - | Fan filter cover (P/O PL 60.15 Item 1) |
| 6 | 127K69240 | Cooling fan (MOT62-029) (REP 60.14) |
| 7 | - | Top cover plug (P/O PL 60.15 Item 1) |
| 8 | 848K83750 | Rear cover (REP 60.1) |
| 9 | - | SPDH harness guide (P/O PL 60.15 Item 1) (REP 5.19) |
| 10 | - | Fan filter (Not Spared) |
| 11 | - | Wire retainer (Not Spared) |

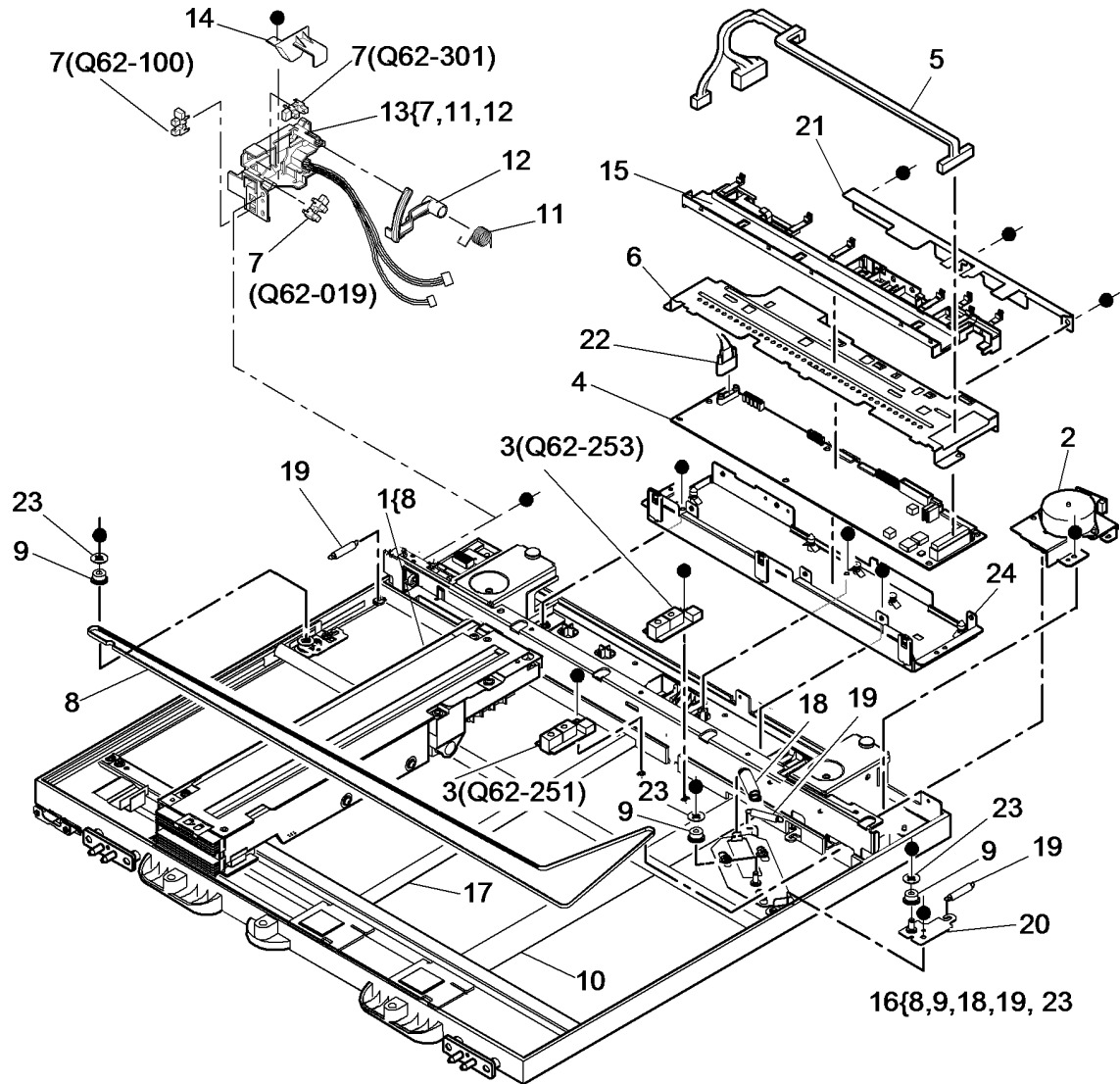
NOTE: Refer to ADJ 60.1 for the scanner cleaning procedure.



W-8-0113-A

PL 60.20 Scanner Electrical Components

| Item | Part | Description |
|------|-----------|---|
| 1 | - | Scan carriage assembly (REF: PL 60.25 Item 1) (REP 60.5) |
| 2 | 127K69280 | Scan carriage motor assembly (MOT62-031) (REP 60.10) |
| 3 | 130E19050 | Document size sensor 1 (Q62-251), Document size sensor 2 (Q62-253) (REP 60.13) |
| 4 | 960K85690 | Scanner PWB (REP 60.4) |
| 5 | - | SBC PWB/Scanner PWB comms/power harness (Not Spared) |
| 6 | - | Scanner PWB cover (Not Spared) (REP 60.4) |
| 7 | 130E19040 | Carriage home sensor (Q62-100)/DH angle sensor(Q62-301)(REP 60.9)/DH platen down sensor (Q62-019) |
| 8 | - | Scan carriage drive belt (P/O PL 60.20 Item 16) (REP 60.11) |
| 9 | - | Scan carriage idler pulley (P/O PL 60.20 Item 16) (REP 60.12) |
| 10 | 117E43811 | Scan carriage power ribbon cable (REP 60.7) |
| 11 | - | Actuator spring (P/O PL 60.20 Item 13) |
| 12 | - | SPDH angle sensor actuator (P/O PL 60.20 Item 13) (REP 60.9) |
| 13 | 120K03740 | Actuator support (REP 60.9) |
| 14 | - | Cable shield (Not Spared) (REP 60.9) |
| 15 | - | Harness guide (Not Spared) (REP 60.4) |
| 16 | - | Scanner drive kit (REF: PL 31.11 Item 6) |
| 17 | 117E43821 | Scan carriage data ribbon cable (REP 60.8) |
| 18 | - | Tension spring (P/O PL 60.20 Item 16) |
| 19 | - | Ground spring (P/O PL 60.20 Item 16) |
| 20 | - | Mounting plate (Not Spared) |
| 21 | - | Faraday shield (Not Spared) (REP 60.1) |
| 22 | - | SBC PWB/Scanner PWB data cable (Not Spared) |
| 23 | - | Pulley flange (P/O PL 60.20 Item 16) |
| 24 | - | Scanner PWB support (Not Spared) |



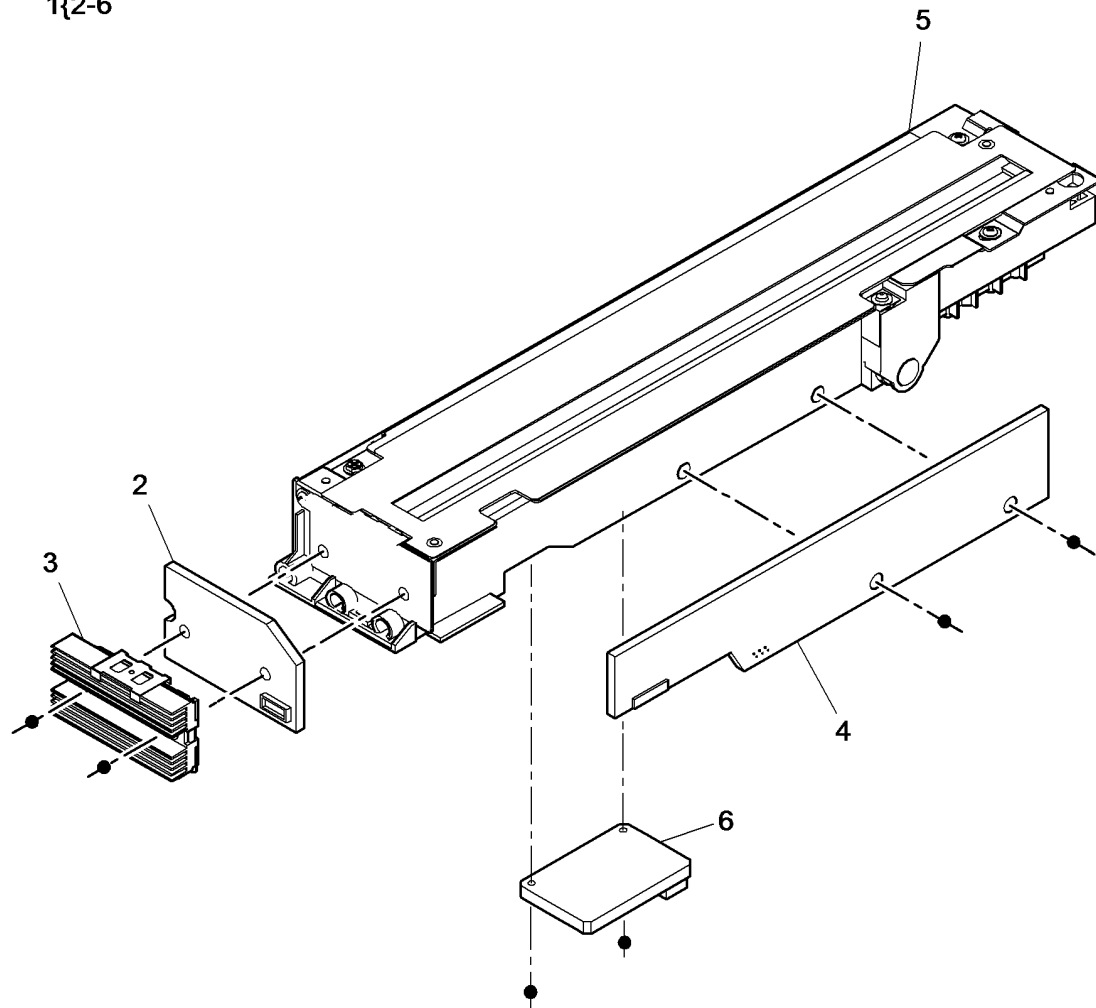
W-8-0114-A

NOTE: Refer to ADJ 60.1 for the scanner cleaning procedure.

PL 60.25 Scan Carriage Assembly

| Item | Part | Description |
|------|-----------|---|
| 1 | 041K06840 | Scan carriage assembly (REP 60.5) |
| 2 | - | Scanner LED lamp PWB (P/O PL 60.25 Item 1) |
| 3 | - | LED lamp assembly (P/O PL 60.25 Item 1) |
| 4 | - | Scanner CCD PWB (P/O PL 60.25 Item 1) |
| 5 | - | Scan carriage unit (P/O PL 60.25 Item 1) |
| 6 | - | Scanner LED drive PWB (P/O PL 60.25 Item 1) |

1{2-6

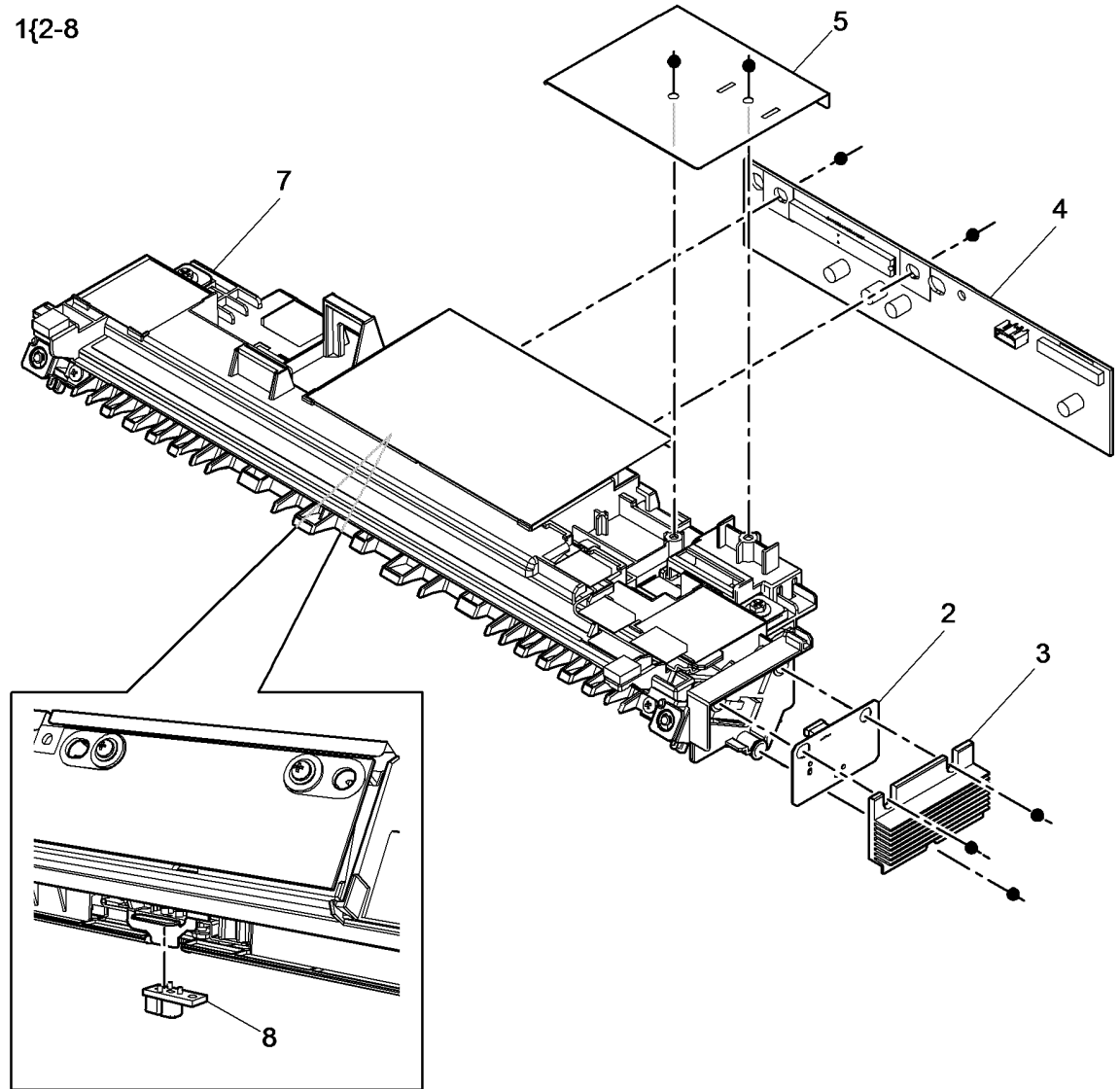


W-8-0165-A

PL 60.30 Side 2 Scan Assembly

| Item | Part | Description |
|------|-----------|--|
| 1 | 041K06850 | Side 2 scan assembly (REP 60.6) |
| 2 | - | Side 2 LED lamp PWB (P/O PL 60.30 Item 1) |
| 3 | - | Side 2 LED lamp assembly (P/O PL 60.30 Item 1) |
| 4 | - | Side 2 CCD PWB (P/O PL 60.30 Item 1) |
| 5 | - | Harness cover (P/O PL 60.30 Item 1) |
| 6 | - | Not used |
| 7 | - | Scan carriage unit (P/O PL 60.30 Item 1) |
| 8 | 130E19060 | Side 2 reg sensor (Q05-343) |

NOTE: Refer to ADJ 60.2 for the side 2 scan assembly cleaning procedure.

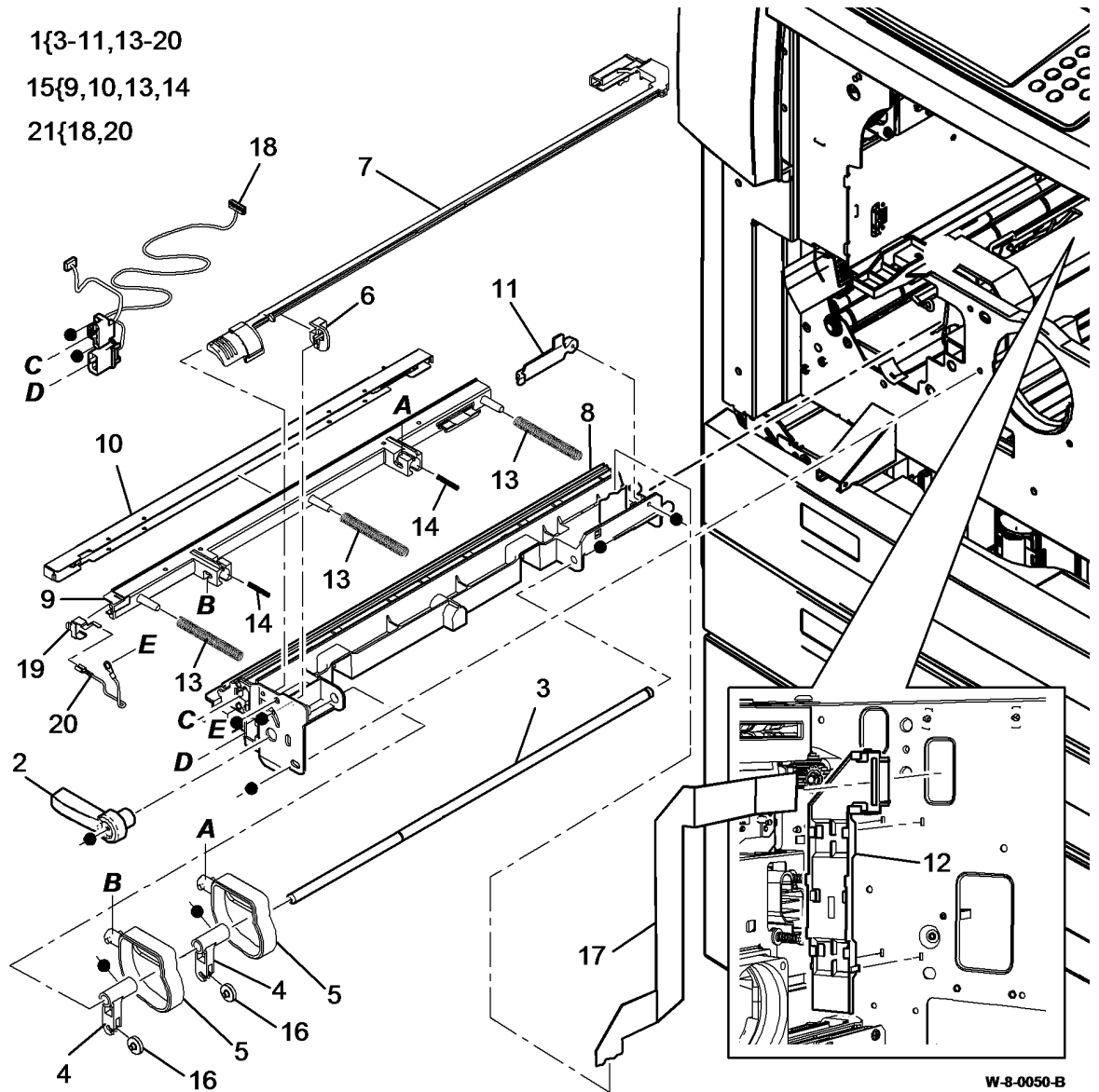


W-8-0166-A

PL 60.35 LED Print Head Module

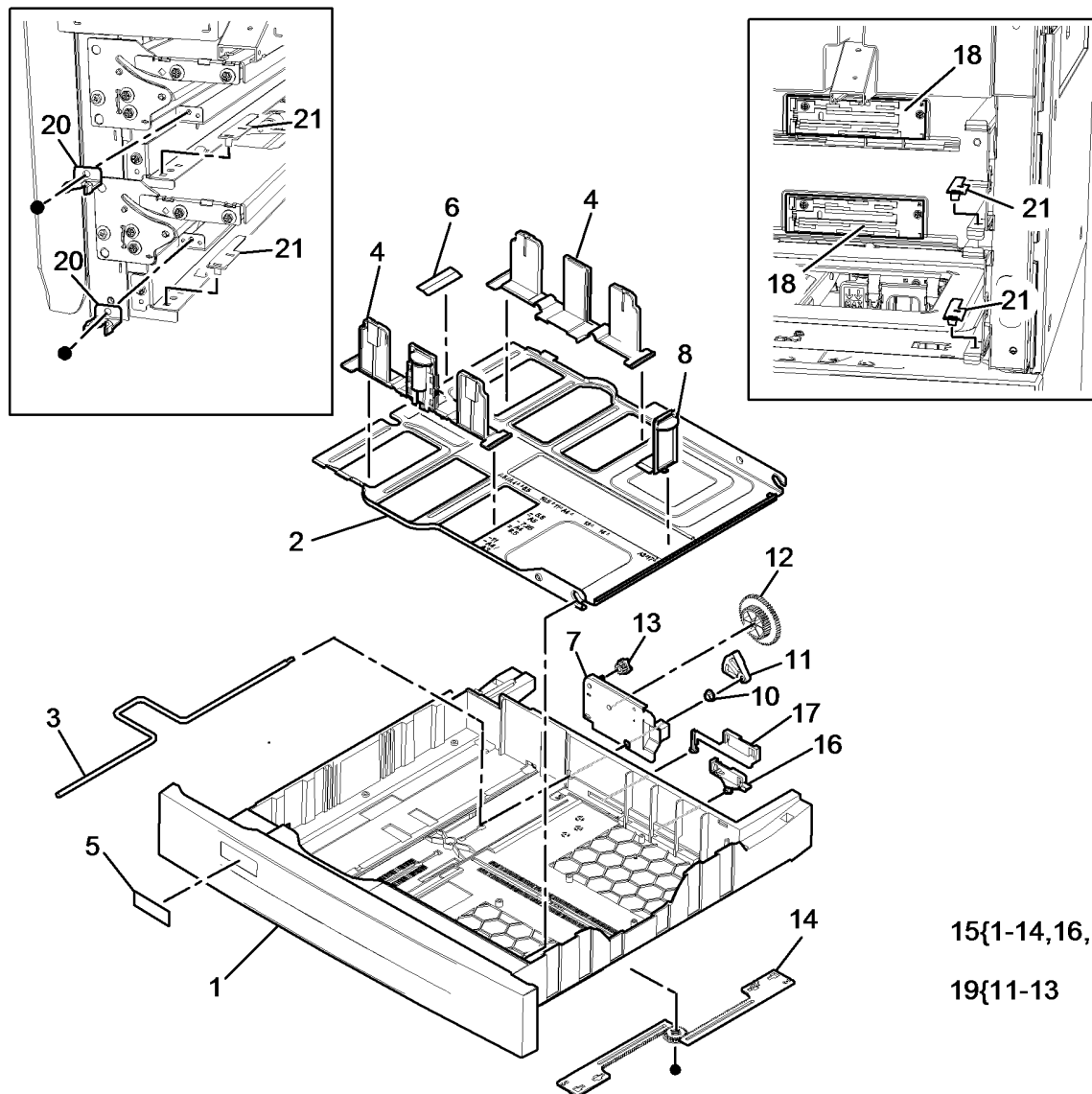
| Item | Part | Description |
|------|-----------|---|
| 1 | 008K02577 | LED print head module (REP 60.15) |
| 2 | - | Latch (Not Spared) |
| 3 | - | Cam shaft (P/O PL 60.35 Item 1) |
| 4 | - | Cam (P/O PL 60.35 Item 1) |
| 5 | - | Cam cover (P/O PL 60.35 Item 1) |
| 6 | - | Locking bracket (P/O PL 60.35 Item 1) |
| 7 | - | LED print head cleaner (P/O PL 60.35 Item 1) |
| 8 | - | Housing (P/O PL 60.35 Item 1) |
| 9 | - | LED carrier (P/O PL 60.35 Item 1) |
| 10 | - | LED print head (P/O PL 60.35 Item 1) |
| 11 | - | Cable clamp (P/O PL 60.35 Item 1) |
| 12 | - | Ribbon cable support (Not Spared) |
| 13 | - | LED spring (P/O PL 60.35 Item 1) |
| 14 | - | Cam spring (P/O PL 60.35 Item 1) |
| 15 | - | LED print head assembly (P/O PL 60.35 Item 1) (REP 60.15) |
| 16 | - | Cam roller (P/O PL 60.35 Item 1) |
| 17 | - | LED print head module to SBC PWB ribbon cable (P/O PL 60.35 Item 1) |
| 18 | - | CRUM connectors assembly (P/O PL 60.35 Item 21) (REP 60.15) |
| 19 | - | Retaining clip (P/O PL 60.35 Item 1) |
| 20 | - | Grounding cable (P/O PL 60.35 Item 21) |
| 21 | 952K37725 | LED print head harness set |

NOTE: Refer to ADJ 60.4 for cleaning the LED print head.



PL 70.10 Tray 1 and 2 Assembly

| Item | Part | Description |
|------|-----------|--|
| 1 | - | Tray housing (P/O PL 70.10 Item 15) |
| 2 | - | Lift plate (P/O PL 70.10 Item 15) |
| 3 | - | Lift arm (P/O PL 70.10 Item 15) |
| 4 | - | Paper width guide (P/O PL 70.10 Item 15) (REP 70.3) |
| 5 | - | Label (P/O PL 70.10 Item 15) |
| 6 | - | Pad (P/O PL 70.10 Item 15) |
| 7 | - | Retaining plate (P/O PL 70.10 Item 15) (REP 70.12) |
| 8 | - | Paper length guide (P/O PL 70.10 Item 15) (REP 70.3) |
| 9 | - | Not used |
| 10 | - | Bearing (P/O PL 70.10 Item 15) (REP 70.12) |
| 11 | - | Quadrant gear (60T) (P/O PL 70.10 Item 19) (REP 70.12) |
| 12 | - | Gear (60T) (P/O PL 70.10 Item 19) (REP 70.12) |
| 13 | - | Gear (13T) (P/O PL 70.10 Item 19) (REP 70.12) |
| 14 | - | Rack assembly (P/O PL 70.10 Item 15) |
| 15 | 050K77215 | Tray assembly (REP 70.1, ADJ 40.1) |
| 16 | - | Length sensor bracket assembly (P/O PL 70.10 Item 15) |
| 17 | - | Width sensor bracket assembly (P/O PL 70.10 Item 15) |
| 18 | 960K79745 | Paper size sensing PWB (REP 70.4) |
| 19 | - | Lift gear kit (Not Spared) |
| 20 | 819E15872 | Tray clip |
| 21 | 819E20350 | Slide pad |



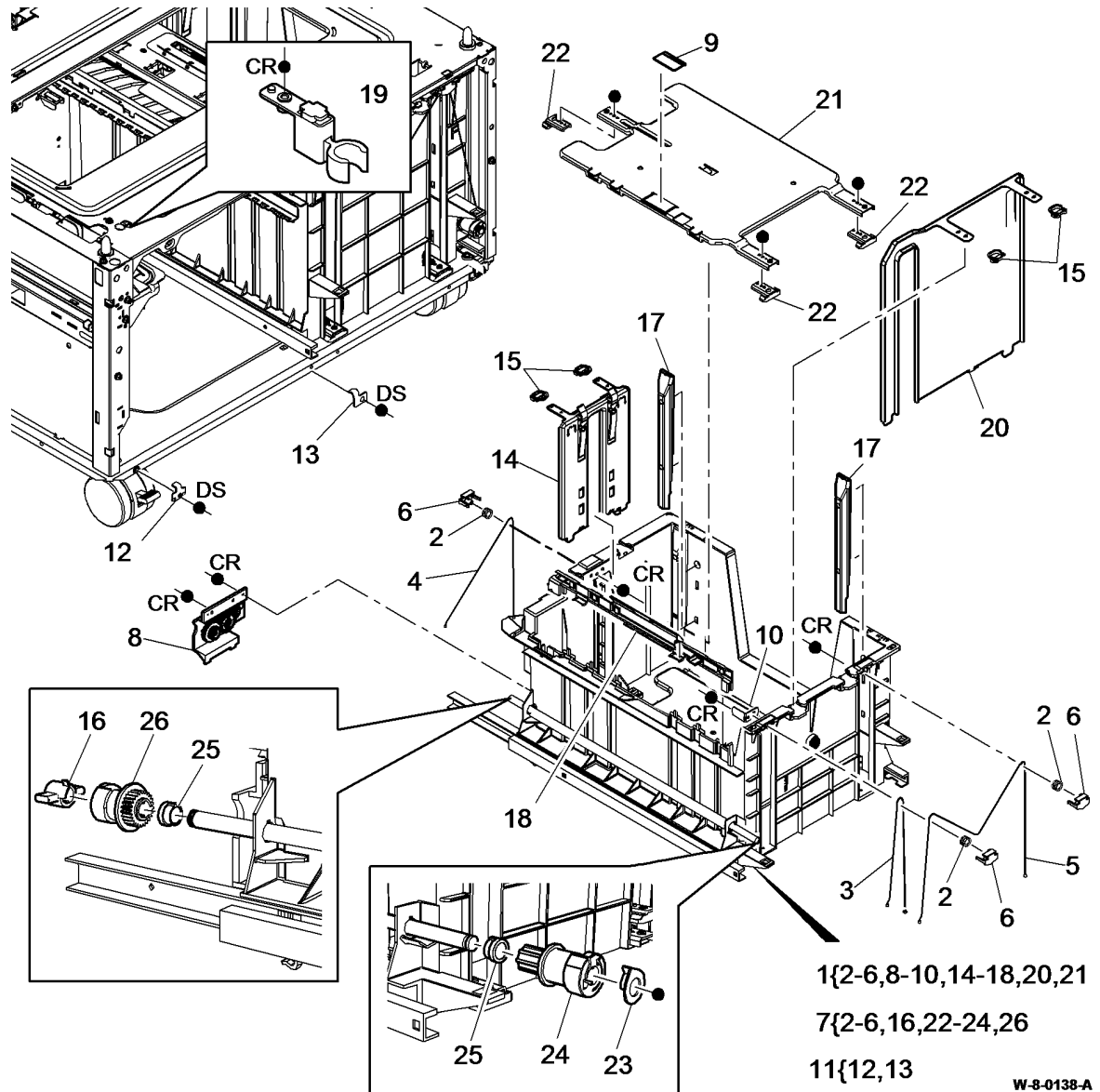
15{1-14,16,17

19{11-13

W-8-0019-A

PL 70.18 Tray 3 Assembly

| Item | Part | Description |
|------|-----------|--|
| 1 | - | Tray 3 assembly (Not Spared) (REP 70.5) |
| 2 | - | Tray hoist pulley (P/O PL 70.18 Item 7) |
| 3 | - | Front short elevator cable (P/O PL 70.18 Item 7) |
| 4 | - | Rear elevator cable (P/O PL 70.18 Item 7) |
| 5 | - | Front long elevator cable (P/O PL 70.18 Item 7) |
| 6 | - | Pulley carrier (P/O PL 70.18 Item 7) |
| 7 | 604K84091 | Tray 3 elevator cable kit (REP 70.8) |
| 8 | 004K07860 | Tray 3 elevate damper assembly (REP 70.11) |
| 9 | - | Retard pad (Not Spared) |
| 10 | - | Tray 3 skew bracket (P/O PL 31.14 Item 4) |
| 11 | 604K83671 | Tray 3 and 4 clamp kit |
| 12 | - | Side clamp (2 off) (P/O PL 70.18 Item 11) |
| 13 | - | Centre clamp (P/O PL 70.18 Item 11) |
| 14 | - | Rear paper guide (P/O PL 70.18 Item 1) (ADJ 70.1) |
| 15 | 019E74532 | Retaining clips |
| 16 | - | Elevator drives gear coupling (P/O PL 70.18 Item 7) |
| 17 | - | Tray 3 paper guide (P/O PL 70.18 Item 1) |
| 18 | 815E92301 | Separation strip |
| 19 | - | Front clip (Not Spared) |
| 20 | - | Front paper guide (P/O PL 70.18 Item 1) (ADJ 70.1) |
| 21 | - | Lift plate (P/O PL 70.18 Item 1) |
| 22 | - | Guide plate (P/O PL 70.18 Item 7) |
| 23 | - | Spacer (P/O PL 70.18 Item 7) |
| 24 | - | Elevator pulley (P/O PL 70.18 Item 7) |
| 25 | - | Bearing (P/O PL 70.18 Item 1) |
| 26 | - | Elevator gear (P/O PL 70.18 Item 7) |

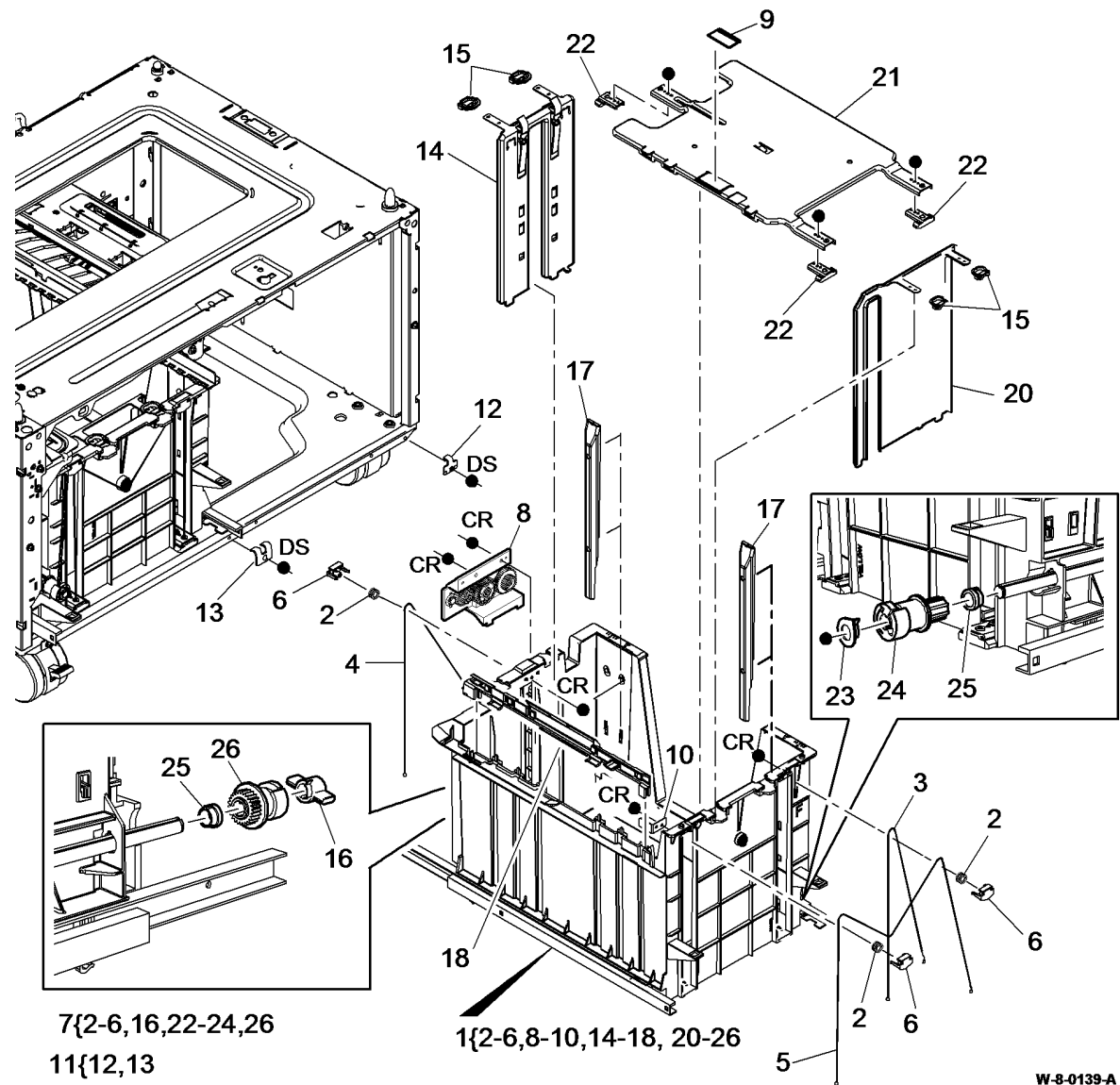


1{2-6,8-10,14-18,20,21}
 7{2-6,16,22-24,26}
 11{12,13}

W-8-0138-A

PL 70.19 Tray 4 Assembly

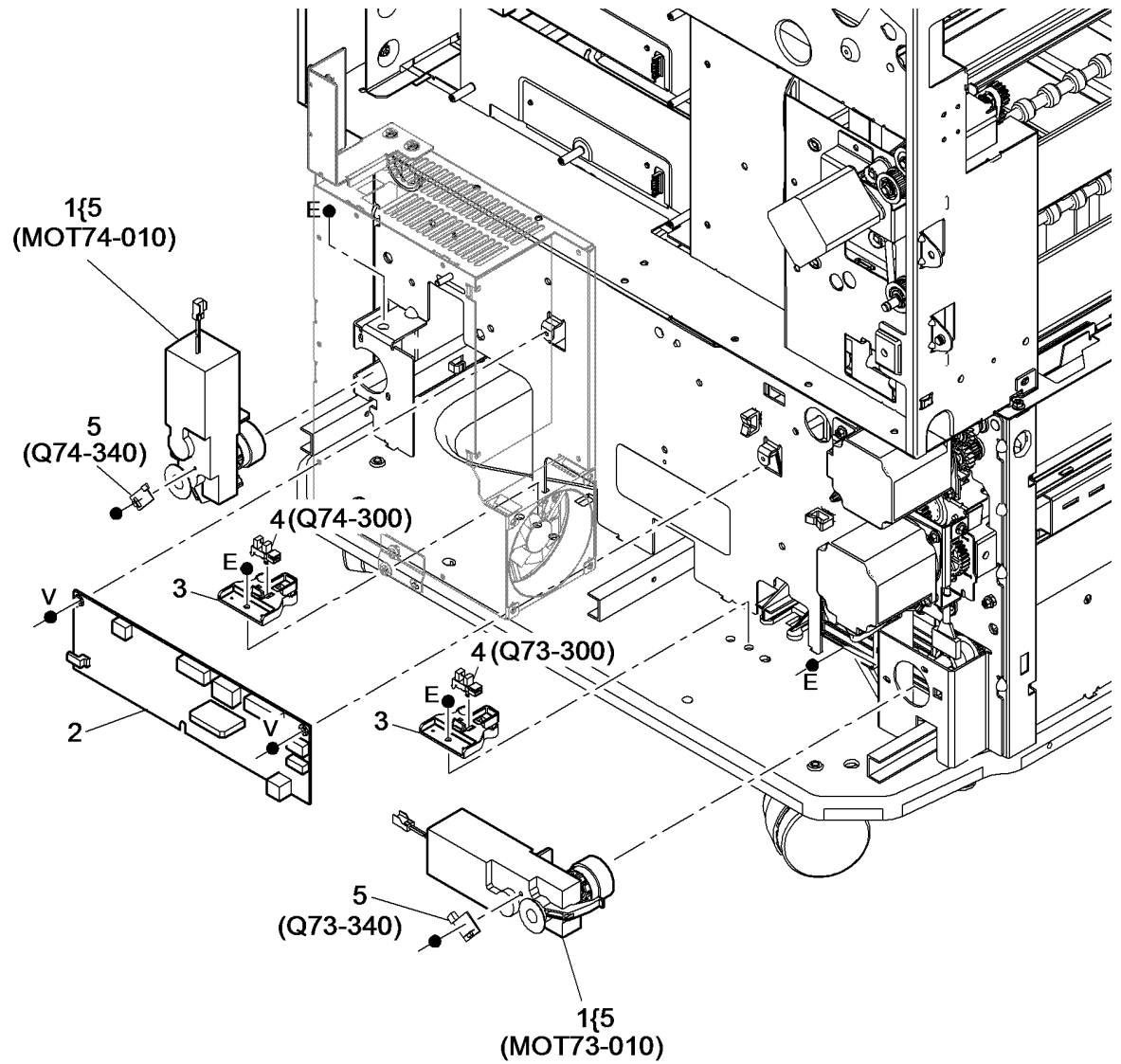
| Item | Part | Description |
|------|-----------|--|
| 1 | - | Tray 4 assembly (Not Spared) (REP 70.14) |
| 2 | - | Tray hoist pulley (P/O PL 70.19 Item 7) |
| 3 | - | Front short elevator cable (P/O PL 70.19 Item 7) |
| 4 | - | Rear elevator cable (P/O PL 70.19 Item 7) |
| 5 | - | Front long elevator cable (P/O PL 70.19 Item 7) |
| 6 | - | Pulley carrier (P/O PL 70.19 Item 7) |
| 7 | 604K84081 | Tray 4 elevator cable kit (REP 70.8) |
| 8 | 004K07870 | Tray 4 elevate damper assembly (REP 70.11) |
| 9 | - | Retard pad (Not Spared) |
| 10 | - | Tray 4 skew bracket (P/O PL 31.14 Item 4) |
| 11 | 604K83671 | Tray 3 and 4 clamp kit |
| 12 | - | Side clamp (2 off) (P/O PL 70.19 Item 11) |
| 13 | - | Centre clamp (P/O PL 70.19 Item 11) |
| 14 | - | Rear paper guide (P/O PL 70.19 Item 1) (ADJ 70.1) |
| 15 | 019E74532 | Retaining clips |
| 16 | - | Elevator drives gear coupling (P/O PL 70.19 Item 7) |
| 17 | - | Tray 4 paper guide (P/O PL 70.19 Item 1) |
| 18 | 815E92301 | Separation strip |
| 19 | - | Not used |
| 20 | - | Front paper guide (P/O PL 70.19 Item 1) (ADJ 70.1) |
| 21 | - | Lift plate (P/O PL 70.19 Item 1) |
| 22 | - | Guide plate (P/O PL 70.19 Item 7) |
| 23 | - | Spacer (P/O PL 70.19 Item 7) |
| 24 | - | Elevator pulley (P/O PL 70.19 Item 7) |
| 25 | - | Bearing (Not Spared) |
| 26 | - | Elevator gear (P/O PL 70.19 Item 7) |



W-8-0139-A

PL 70.21 Elevator Motor and Control PWB

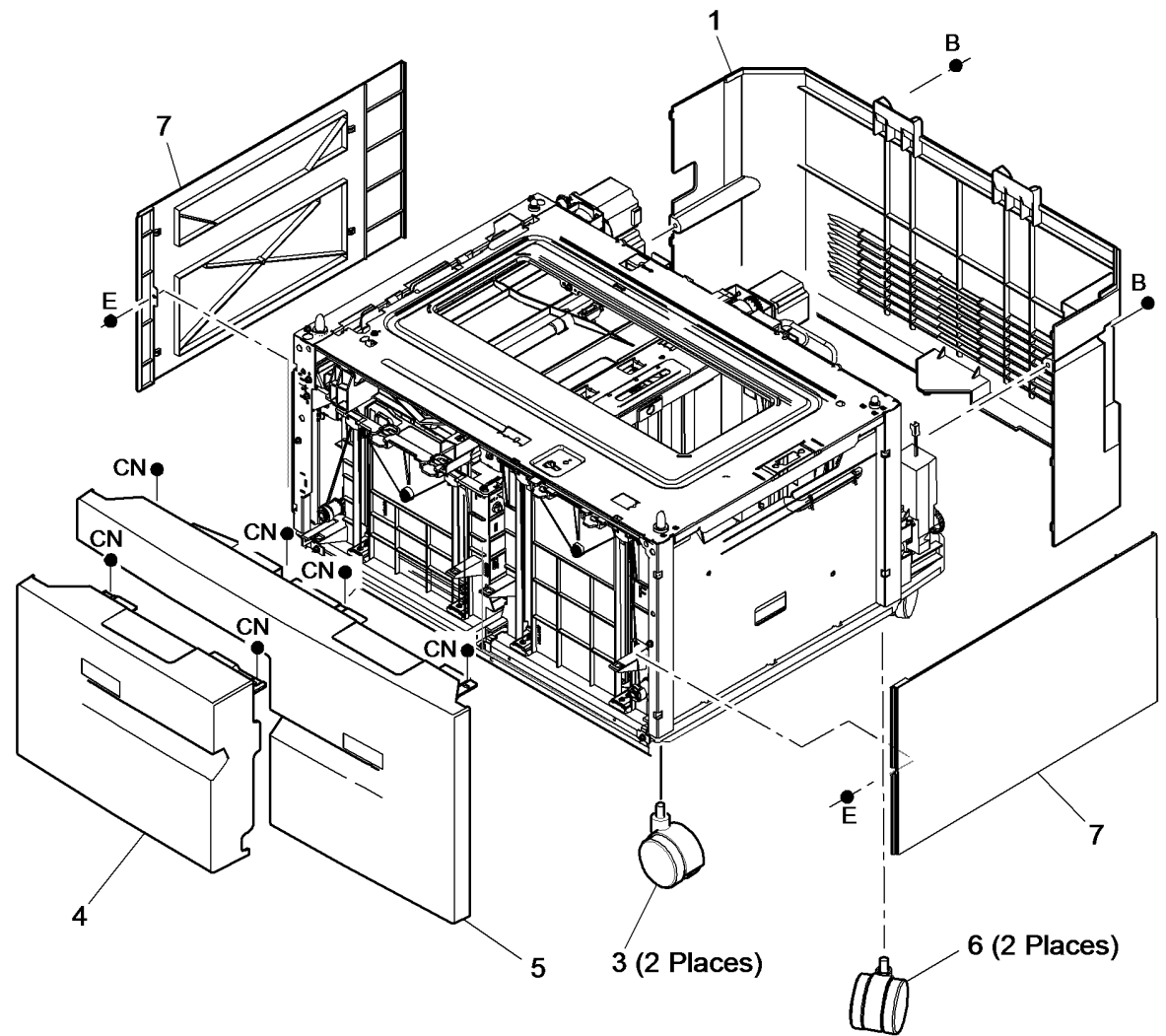
| Item | Part | Description |
|------|-----------|--|
| 1 | 127K78350 | Tray 3 elevator motor (MOT73-010) (REP 70.6)/ Tray 4 elevator motor (MOT74-010)(REP 70.15) |
| 2 | 960K80832 | Tray 4 control PWB (REP 70.13) |
| 3 | 819E21570 | Sensor holder |
| 4 | 130E18220 | Tray 3 home sensor (Q73-300)/ Tray 4 home sensor (Q74-300) (REP 70.10) |
| 5 | - | Tray 3 level encoder sensor (Q73-340)/ Tray 4 level encoder sensor (Q74-340) (P/O PL 70.21 Item 1) |



W-8-0140-A

PL 70.26 Tray 3 and 4 Assembly Covers

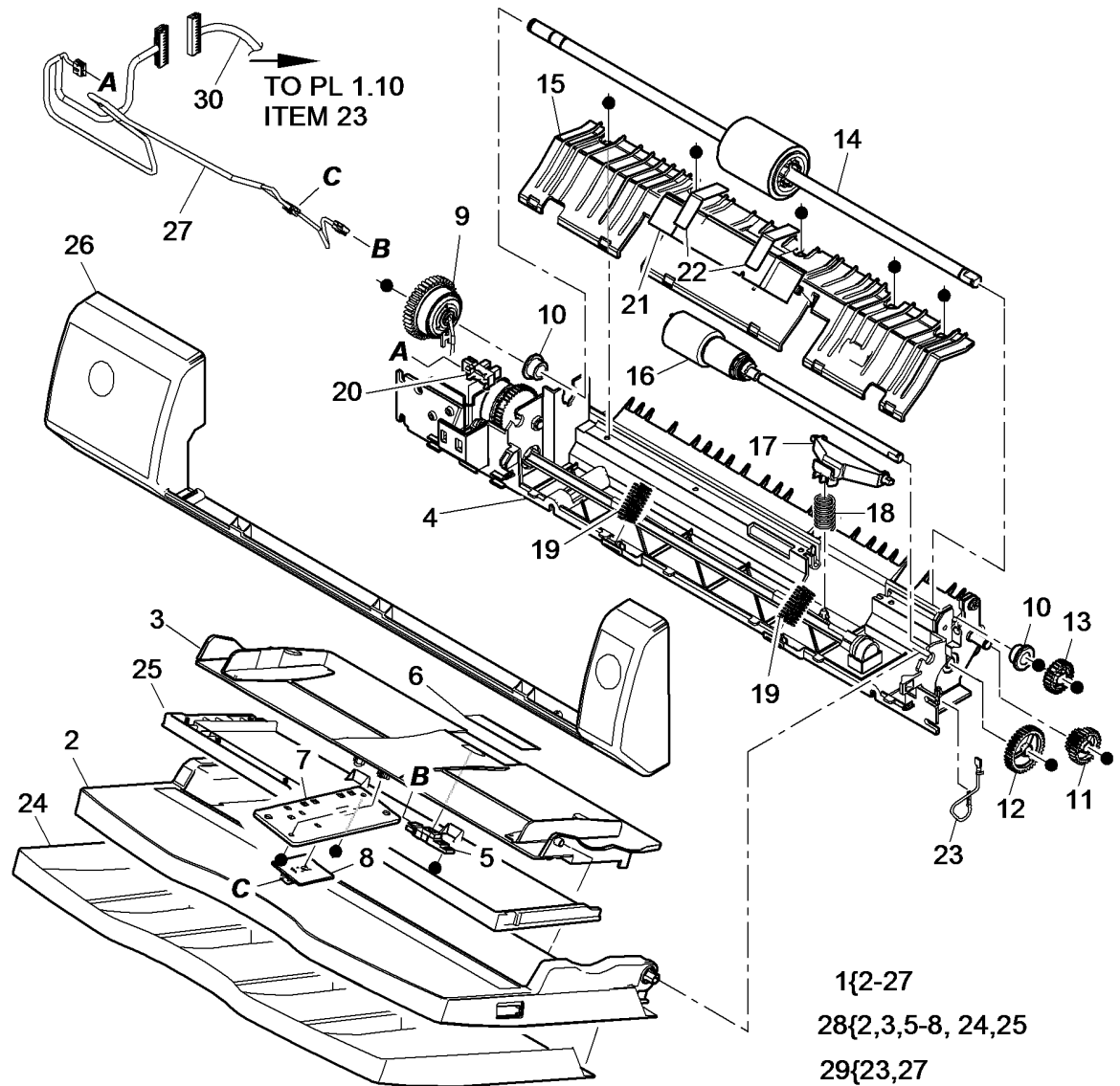
| Item | Part | Description |
|------|-----------|--|
| 1 | - | Lower rear cover (Not Spared) |
| 2 | - | Not used |
| 3 | 059K77240 | Castor (locking) |
| 4 | - | Tray 3 front cover (P/O PL 31.14 Item 6) (REP 70.5) |
| 5 | - | Tray 4 front cover (P/O PL 31.14 Item 8) (REP 70.14) |
| 6 | - | Castor (Not Spared) |
| 7 | - | Lower left/right cover (Not Spared) |



W-8-0144-A

PL 70.35 Bypass Tray Assembly

| Item | Part | Description |
|------|-----------|--|
| 1 | 050K77402 | Bypass tray assembly (REP 70.2) |
| 2 | - | Upper tray assembly (P/O PL 70.35 Item 28) |
| 3 | - | Paper tray guide assembly (P/O PL 70.35 Item 28) |
| 4 | - | Feeder frame (P/O PL 70.35 Item 1) |
| 5 | - | Bypass tray empty sensor (Q75-320) (P/O PL 70.35 Item 28) |
| 6 | 019K20200 | Retard pad (See NOTE) |
| 7 | - | Bracket (P/O PL 70.35 Item 28) |
| 8 | - | Bypass tray width sensor (Q75-601) (P/O PL 70.35 Item 28) (REP 70.7) |
| 9 | 007K20755 | Bypass tray clutch (REP 80.15) |
| 10 | - | Bearing (P/O PL 70.35 Item 1) |
| 11 | - | Idler gear (P/O PL 70.35 Item 1) |
| 12 | - | Retard shaft gear (P/O PL 70.35 Item 1) |
| 13 | - | Feed shaft gear (P/O PL 70.35 Item 1) |
| 14 | 006K34443 | Feed roll assembly (See NOTE) (REP 80.15) |
| 15 | - | Baffle (P/O PL 70.35 Item 1) |
| 16 | 006K34432 | Retard roll assembly (See NOTE) (REP 80.16) |
| 17 | - | Retainer (P/O PL 70.35 Item 1) |
| 18 | - | Nip spring (P/O PL 70.35 Item 1) |
| 19 | - | Elevator tray spring (P/O PL 70.35 Item 1) |
| 20 | 130E18220 | Bypass tray elevate sensor (Q75-040) |
| 21 | - | Paper guide (P/O PL 70.35 Item 1) |
| 22 | - | Mylar (P/O PL 70.35 Item 1) |
| 23 | - | Grounding cable (P/O PL 70.35 Item 29) |
| 24 | - | Lower tray (P/O PL 70.35 Item 28) |
| 25 | - | Sensor cover (P/O PL 70.35 Item 28) |
| 26 | - | Bypass tray feedhead cover (P/O PL 70.35 Item 1) |
| 27 | - | Bypass tray harness (P/O PL 70.35 Item 29) (REP 70.18) |
| 28 | 050K77186 | Bypass elevate tray assembly |
| 29 | 952K37733 | Bypass tray harness set |
| 30 | - | IOT PWB to Bypass tray intermediate harness (Not Spared) |

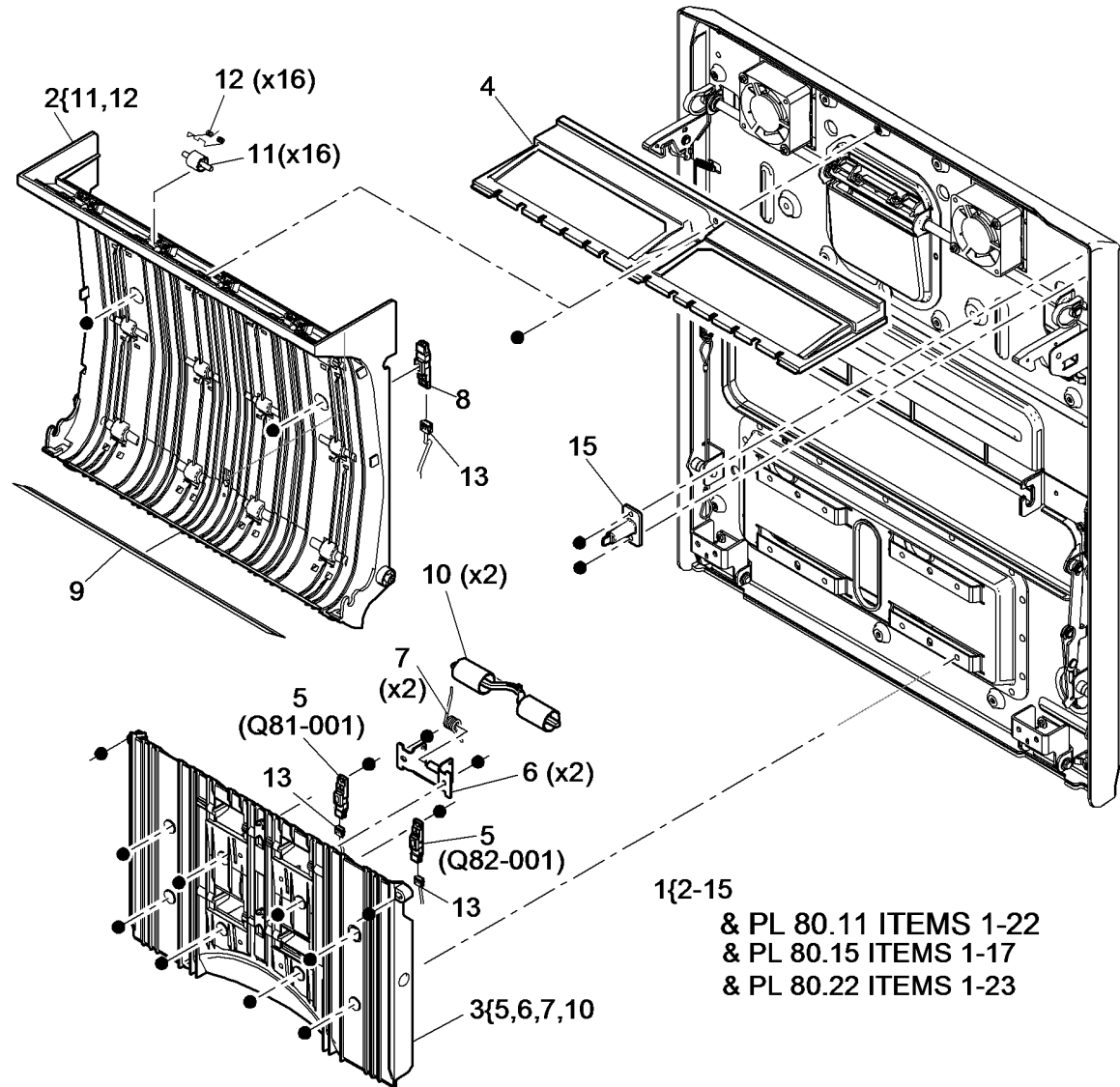


W-8-0034-B

NOTE: HFSI. To reset the HFSI count, refer to dC135.

PL 80.10 Left Door Assembly (1 of 2)

| Item | Part | Description |
|------|-----------|---|
| 1 | 948K10173 | Left door assembly (REP 80.7) |
| 2 | 038K24003 | Duplex outer guide assembly (REP 80.9) |
| 3 | 038K24012 | Lower left door paper guide (REP 80.2) |
| 4 | - | Left door fan cover (P/O PL 80.10 Item 1) |
| 5 | - | Tray 1 TAR sensor (Q81-001)/ Tray 2 TAR sensor (Q82-001) (P/O PL 80.10 Item 3) (REP 80.2) |
| 6 | - | Bracket (P/O PL 80.10 Item 3) |
| 7 | - | Tension spring (P/O PL 80.10 Item 3) |
| 8 | - | Duplex sensor (Q83-160) (P/O PL 80.10 Item 2) (REP 80.9) |
| 9 | - | Mylar (P/O PL 80.10 Item 2) |
| 10 | - | Nip roll assembly (P/O PL 80.10 Item 3) |
| 11 | - | Duplex roll idler (P/O PL 80.10 Item 2) |
| 12 | - | Idler spring (P/O PL 80.10 Item 2) |
| 13 | - | Left door sensor and fan harness (P/O PL 80.10 Item 1) |
| 14 | - | Not used |
| 15 | - | Left door interlock actuator (P/O PL 80.10 Item 1) |

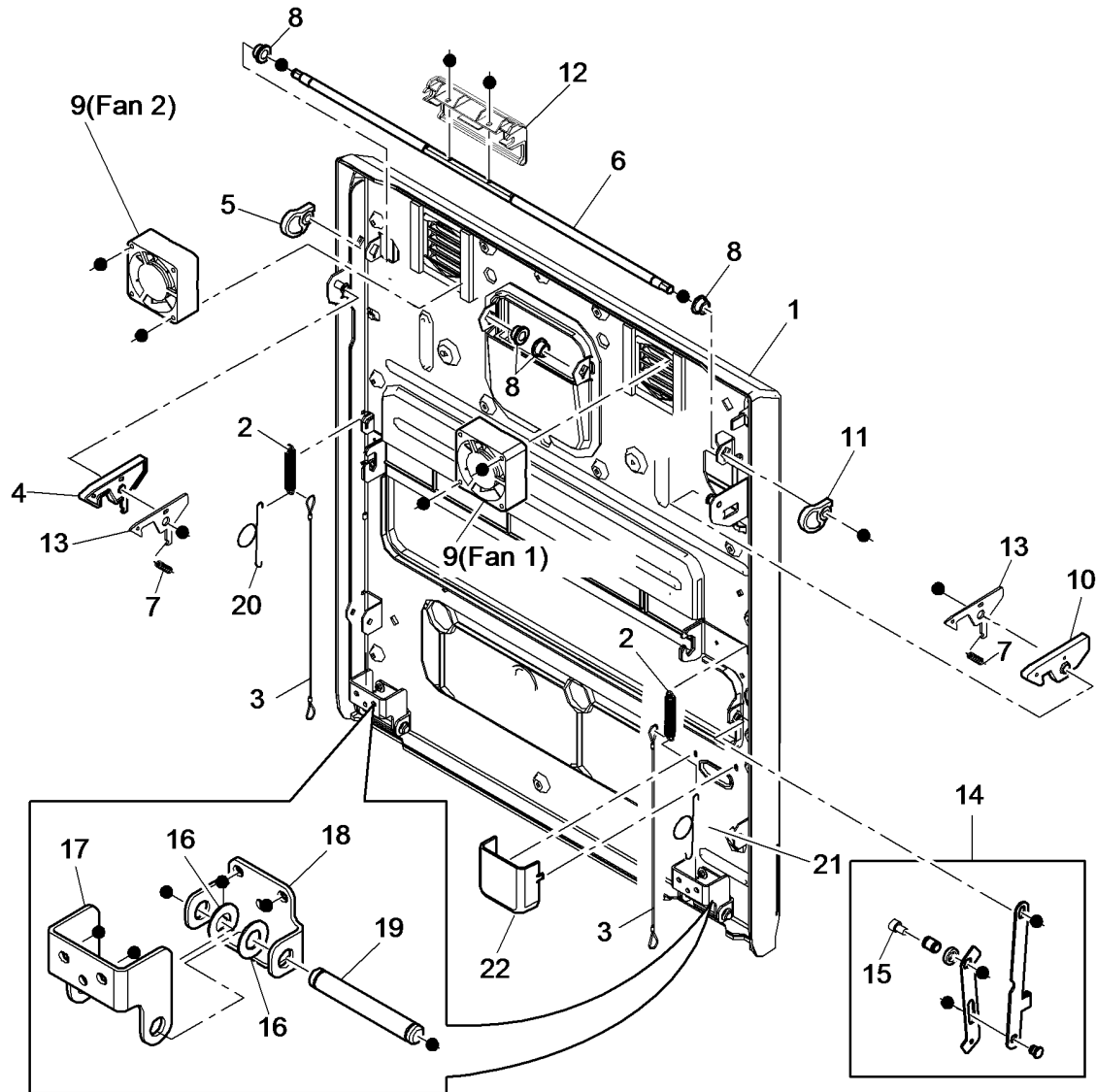


1{2-15
& PL 80.11 ITEMS 1-22
& PL 80.15 ITEMS 1-17
& PL 80.22 ITEMS 1-23

W-8-0176-A

PL 80.11 Left Door Assembly (2 of 2)

| Item | Part | Description |
|------|------|--|
| 1 | - | Left door frame and cover assembly (P/O PL 80.10 Item 1) (REP 80.13) |
| 2 | - | Damper spring (P/O PL 80.10 Item 1) |
| 3 | - | Damper cable (P/O PL 80.10 Item 1) |
| 4 | - | Front latch (P/O PL 80.10 Item 1) (REP 80.11) |
| 5 | - | Front latch cam (P/O PL 80.10 Item 1) |
| 6 | - | Latch handle shaft (P/O PL 80.10 Item 1) |
| 7 | - | Latch spring (P/O PL 80.10 Item 1) (REP 80.11) |
| 8 | - | Bearing (P/O PL 80.10 Item 1) |
| 9 | - | Left door fan 1 / Left door fan 2 (MOT80-015) (P/O PL 80.10 Item 1) |
| 10 | - | Rear latch (P/O PL 80.10 Item 1) (REP 80.11) |
| 11 | - | Rear latch cam (P/O PL 80.10 Item 1) |
| 12 | - | Latch handle (P/O PL 80.10 Item 1) |
| 13 | - | Door latch plate (P/O PL 80.10 Item 1) (REP 80.11) |
| 14 | - | Door link assembly (P/O PL 80.10 Item 1) |
| 15 | - | Door link locking screw (P/O PL 80.10 Item 1) |
| 16 | - | Plastic washer (P/O PL 80.10 Item 1) |
| 17 | - | Hinge support bracket (P/O PL 80.10 Item 1) |
| 18 | - | Hinge bracket (P/O PL 80.10 Item 1) |
| 19 | - | Hinge pin (P/O PL 80.10 Item 1) |
| 20 | - | Front damper spring tensioner tool (P/O PL 26.11 Item 6) (See NOTE) |
| 21 | - | Rear damper spring tensioner tool (P/O PL 26.11 Item 6) (See NOTE) |
| 22 | - | Connector cover (P/O PL 80.10 Item 1) |

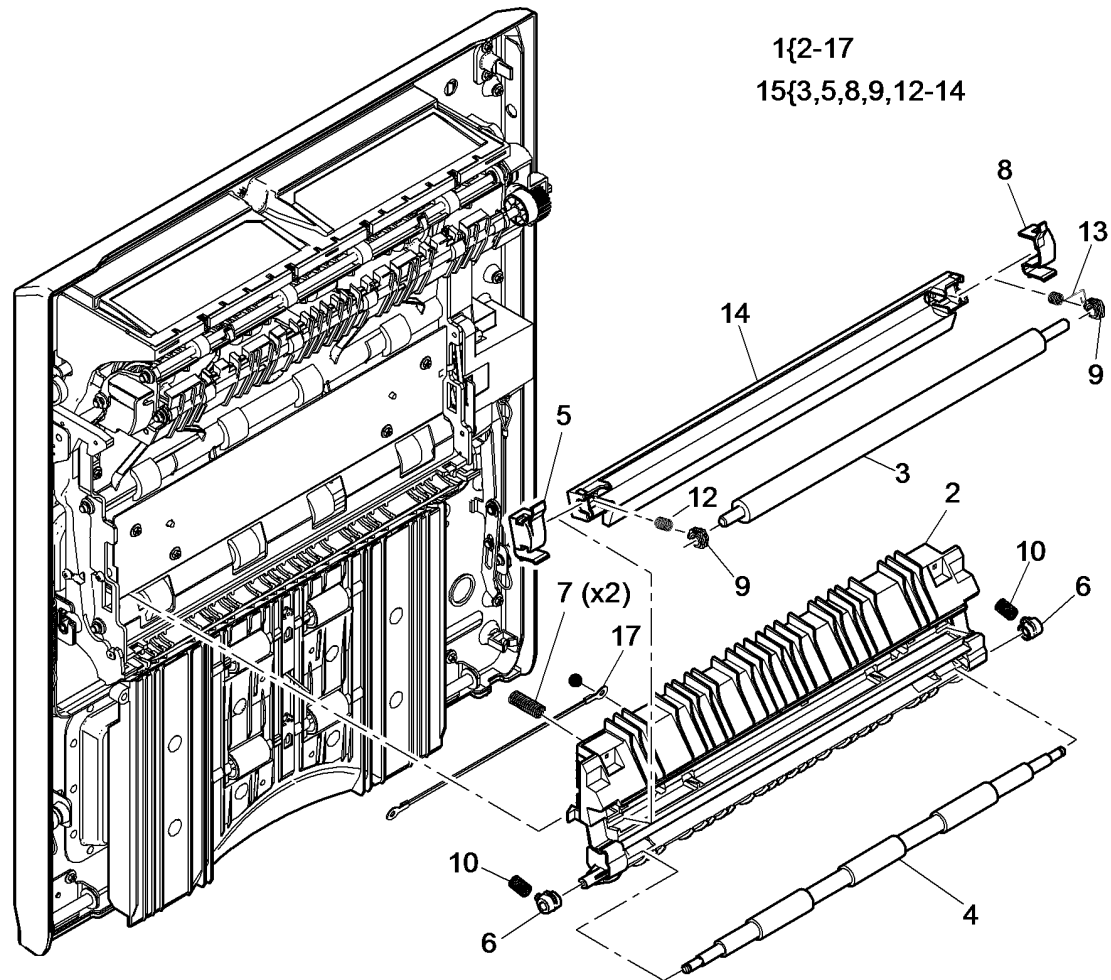


W-8-0024-A

NOTE: Refer to GP 37 for correct use of these tools when removing left door assembly.

PL 80.15 Registration Transfer Assembly

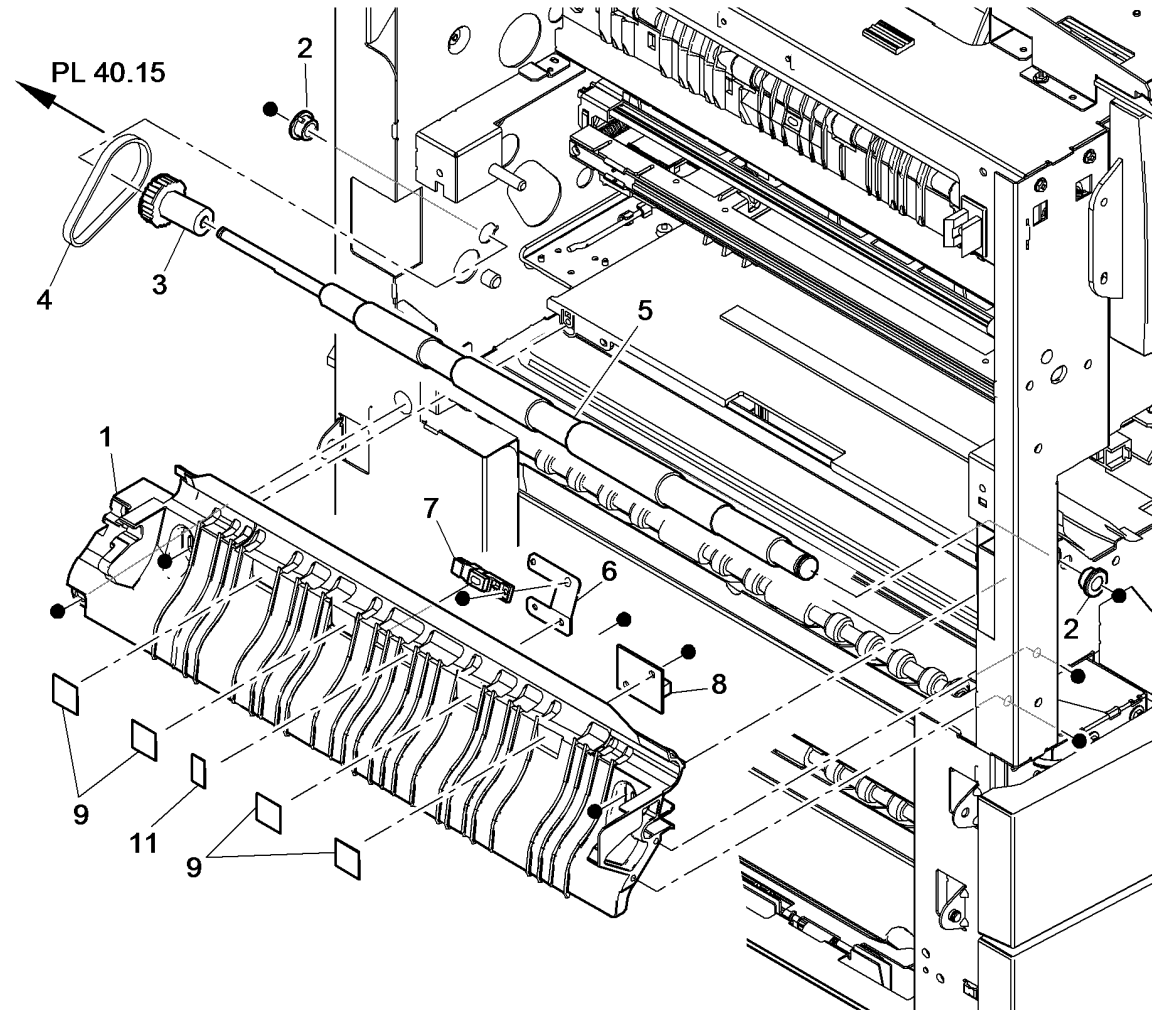
| Item | Part | Description |
|------|-----------|--|
| 1 | 038K24353 | Registration transfer assembly (REP 80.3) |
| 2 | - | Registration transfer housing (P/O PL 80.15 Item 1) |
| 3 | - | Bias transfer roll (P/O PL 80.15 Item 15) |
| 4 | - | Registration nip roll (P/O PL 80.15 Item 1) (REP 80.3) |
| 5 | - | Front retaining clip (P/O PL 80.15 Item 15) |
| 6 | - | Registration nip roll bearing (P/O PL 80.15 Item 1) |
| 7 | - | Spring (P/O PL 80.15 Item 1) |
| 8 | - | Rear retaining clamp (P/O PL 80.15 Item 15) |
| 9 | - | Bias transfer roll bearing (P/O PL 80.15 Item 15) |
| 10 | - | Support spring (P/O PL 80.15 Item 1) |
| 11 | - | Not used |
| 12 | - | Front housing spring (P/O PL 80.15 Item 15) |
| 13 | - | Rear housing spring (P/O PL 80.15 Item 15) |
| 14 | - | Bias transfer roll housing (P/O PL 80.15 Item 15) |
| 15 | 008R13178 | Bias transfer roll housing assembly |
| 16 | - | Not used |
| 17 | - | Ground strap (P/O PL 80.15 Item 1) |



W-8-0033-A

PL 80.17 Registration Transport

| Item | Part | Description |
|------|-----------|--|
| 1 | - | Registration transport housing (P/O PL 80.17 Item 10) (REP 80.4) |
| 2 | - | Bearing (Not Spared) |
| 3 | - | Registration drive pulley (Not Spared) (ADJ 40.1) |
| 4 | - | Registration roll drive belt (Not Spared) |
| 5 | 806E53400 | Registration roll (REP 80.4) |
| 6 | - | Registration sensor bracket (P/O PL 80.17 Item 10) |
| 7 | - | Registration sensor (Q82-150) (P/O PL 80.17 Item 10) (REP 80.4) |
| 8 | - | Environmental sensors PWB (P/O PL 80.17 Item 10) (REP 90.4) |
| 9 | - | Mylar (P/O PL 80.17 Item 10) |
| 10 | 859K05393 | Registration transport assembly (REP 80.4) |
| 11 | - | Mylar (P/O PL 80.17 Item 10) |

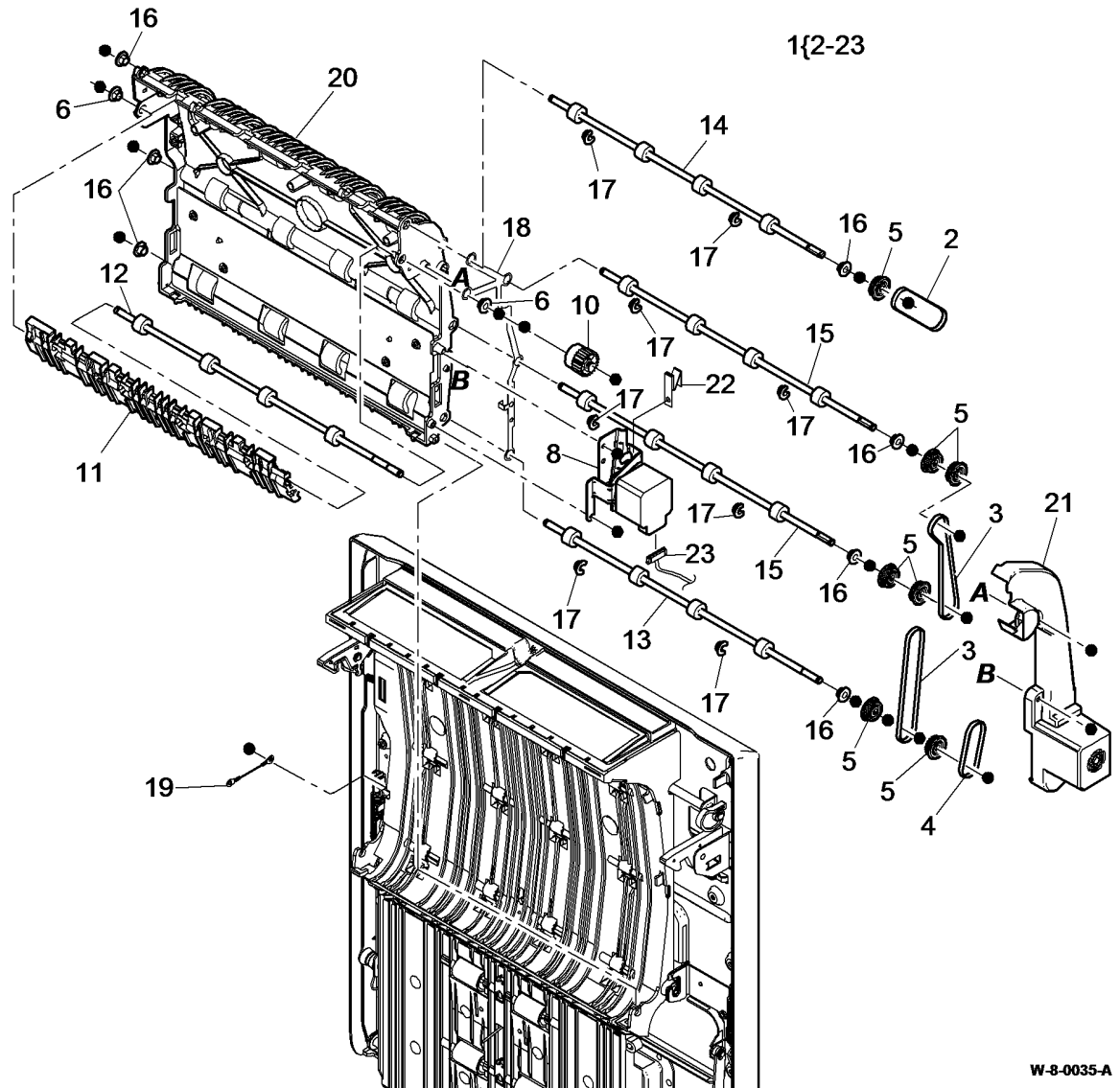


10{1, 6-9,11

W-8-0175-A

PL 80.22 Duplex Transport Assembly

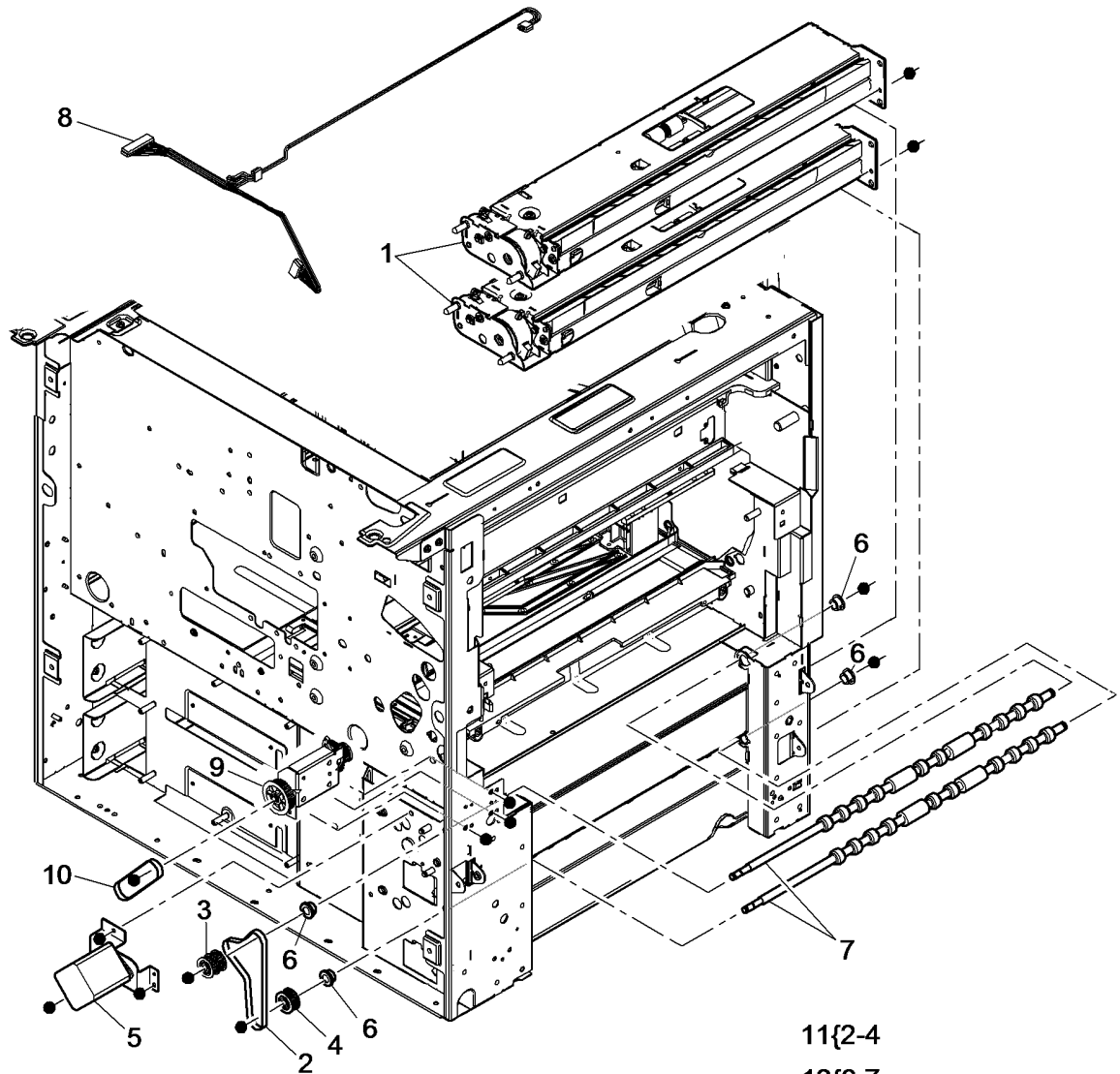
| Item | Part | Description |
|------|-----------|---|
| 1 | 948K07765 | Duplex transport assembly (REP 80.5) |
| 2 | - | Drive belt (65T) (P/O PL 80.22 Item 1) |
| 3 | - | Drive belt (89T) (P/O PL 80.22 Item 1) |
| 4 | - | Drive belt (40T) (P/O PL 80.22 Item 1) |
| 5 | - | Pulley (21T) (P/O PL 80.22 Item 1) |
| 6 | - | Post fuser roll bearing (P/O PL 80.22 Item 1) |
| 7 | - | Not used |
| 8 | 927K01230 | Duplex motor assembly (REP 80.12) |
| 9 | - | Not used |
| 10 | - | Gear (P/O PL 80.22 Item 1) |
| 11 | - | Post fuser guide (P/O PL 80.22 Item 1) |
| 12 | - | Post fuser roll (P/O PL 80.22 Item 1) |
| 13 | - | Lower duplex roll (P/O PL 80.22 Item 1) |
| 14 | - | Upper duplex roll (P/O PL 80.22 Item 1) |
| 15 | - | Mid duplex roll (P/O PL 80.22 Item 1) |
| 16 | - | Bearing (P/O PL 80.22 Item 1) |
| 17 | - | Half bearing (P/O PL 80.22 Item 1) |
| 18 | - | Ground strip (P/O PL 80.22 Item 1) |
| 19 | - | Limiter (P/O PL 80.22 Item 1) |
| 20 | - | Inner duplex door (P/O PL 80.22 Item 1) |
| 21 | - | Duplex drives cover (P/O PL 80.10 Item 1) |
| 22 | - | Ground contact strip (P/O PL 80.22 Item 1) |
| 23 | - | Duplex motor harness (Not Spared) |



W-8-0035-A

PL 80.25 Tray 1 and 2 Paper Feed Assembly (1 of 2)

| Item | Part | Description |
|------|-----------|---|
| 1 | - | Tray 1 or 2 paper feed assembly (REF: PL 80.26 Item 1) |
| 2 | - | Transport roll drive belt (P/O PL 80.25 Item 11) (REP 80.8) |
| 3 | 020K21561 | Drive pulley (REP 80.10) |
| 4 | - | Pulley (P/O PL 80.25 Item 11) (REP 80.10) |
| 5 | 007K21820 | TAR/Bypass tray motor (MOT80-006) (REP 80.8) |
| 6 | - | Transport roll bearing (P/O PL 80.25 Item 12) (REP 80.10) |
| 7 | 807E54880 | Transport roll (REP 80.10) |
| 8 | - | Power harness (Not Spared) |
| 9 | 007K20748 | Bypass tray drive assembly (REP 80.4) |
| 10 | - | Bypass tray drive belt (Not Spared) (REP 80.6) |
| 11 | - | Transport drive belt kit (Not Spared) |
| 12 | - | Transport roll assembly (Not Spared) |



11{2-4

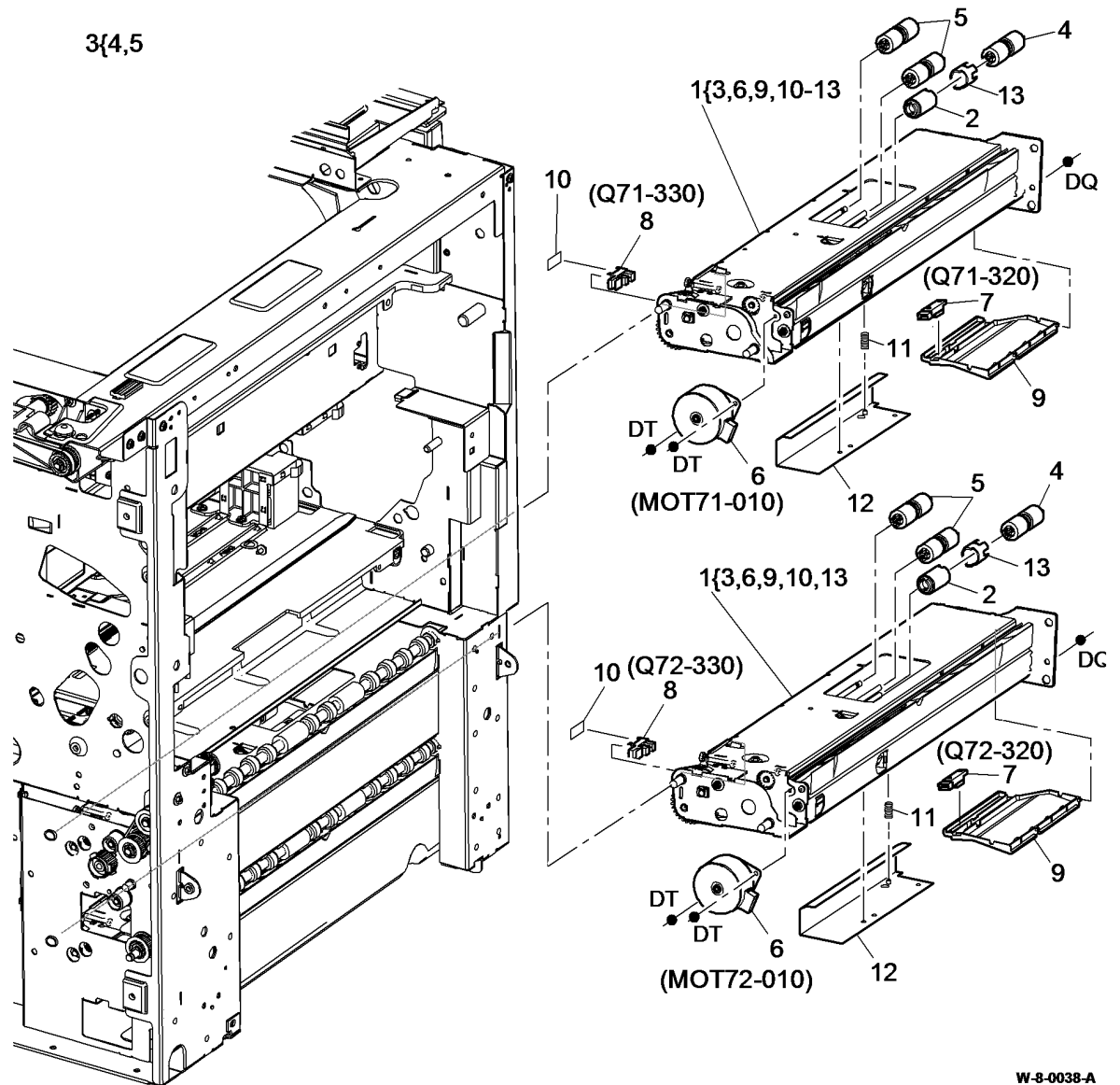
12{6,7

W-8-0037-A

PL 80.26 Tray 1 and 2 Paper Feed Assembly (2 of 2)

| Item | Part | Description |
|------|-----------|---|
| 1 | 859K04212 | Tray 1 or Tray 2 paper feed assembly (REP 80.1, ADJ 40.1) |
| 2 | 005K12242 | Friction clutch (REP 80.19) |
| 3 | 059K69800 | Roll assembly (3 rolls) (See NOTE) (REP 80.18) |
| 4 | - | Retard roll (P/O PL 80.26 Item 3) |
| 5 | - | Feed/Nudger roll assembly (P/O PL 80.26 Item 3) |
| 6 | 127K61850 | Tray 1 elevate/feed motor (MOT71-010)/Tray 2 elevate/feed motor (MOT72-010) |
| 7 | 130E12770 | Tray 1 empty sensor (Q71-320)/Tray 2 empty sensor (Q72-320) |
| 8 | 130E19350 | Tray 1 stack height sensor (Q71-330)/Tray 2 stack height sensor (Q72-330) |
| 9 | - | Guide (P/O PL 80.26 Item 1) |
| 10 | 014E67650 | Shim |
| 11 | 809E84180 | Retard roll gate spring |
| 12 | - | Retard roll gate (P/O PL 80.26 Item 1) |
| 13 | - | Clutch coupling (P/O PL 80.26 Item 1) (REP 80.19) |

NOTE: HFSI. To reset the HFSI count, refer to dC135.

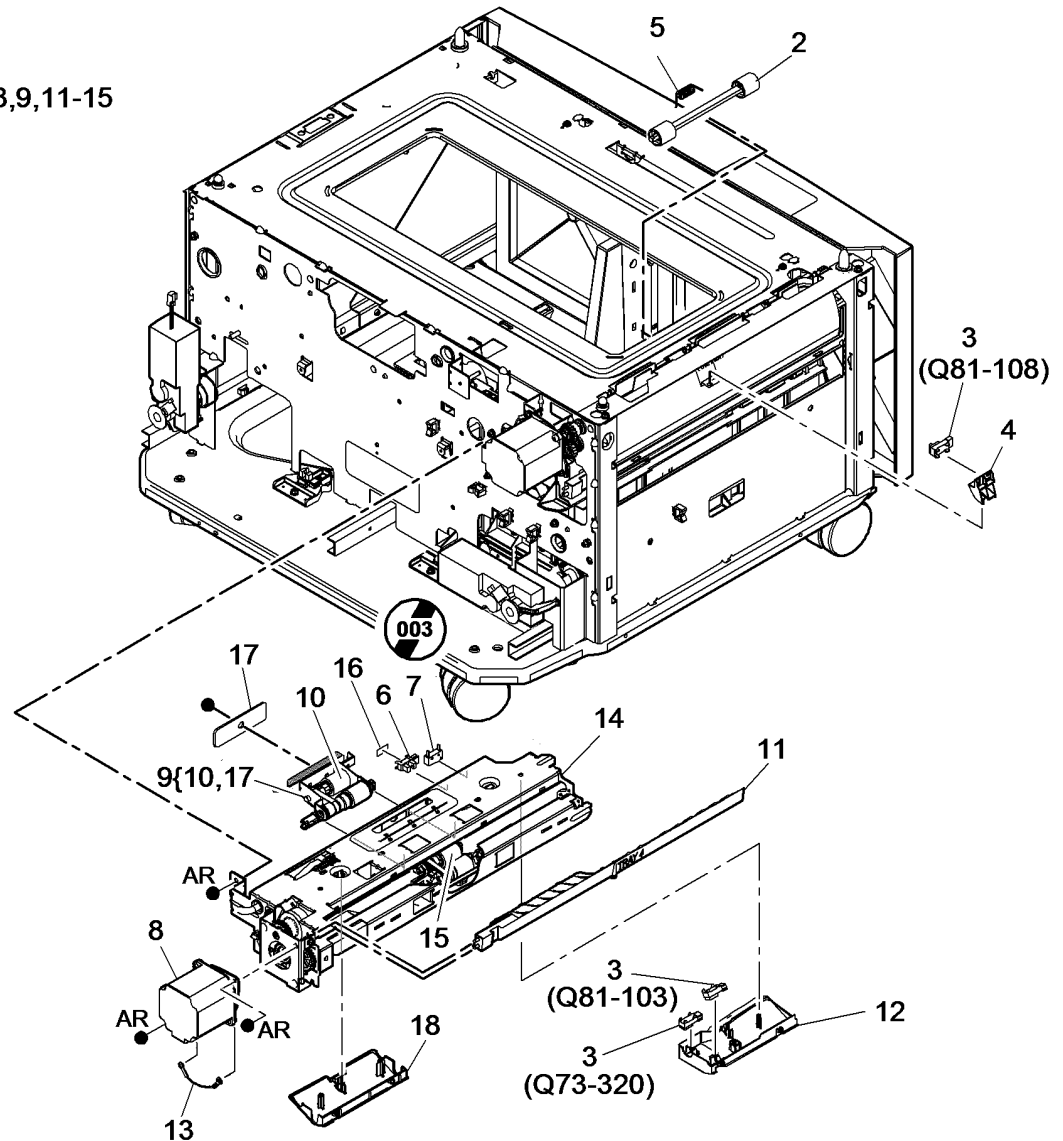


W-8-0038-A

PL 80.32 Tray 3 Paper Feed Assembly

| Item | Part | Description |
|------|-----------|--|
| 1 | - | Tray 3 paper feed assembly (P/O PL 31.12 Item 6) (REP 80.20) |
| 2 | 859K04280 | Idler roll assembly (metal shaft) (REP 80.27) |
| - | - | Idler roll assembly (plastic shaft) (Not Spared) |
| 3 | 130E11610 | Tray 3 empty sensor (Q73-320)(REP 70.16) / Tray 3 feed sensor (Q81-103) (REP 80.30)/ HCF exit sensor (Q81-108) |
| 4 | - | HCF exit sensor bracket (Not Spared) |
| 5 | - | Spring (Not Spared) |
| 6 | - | Tray 3 stack height sensor (Q73-330) (P/O PL 31.12 Item 16) (REP 70.9) |
| 7 | 110E21540 | Tray 3 over elevate switch (W/O TAG 003) |
| 8 | - | Tray 3 feed motor (MOT81-030) (P/O PL 80.32 Item 1) |
| 9 | - | Feed roll assembly (P/O PL 31.12 Item 15) (See NOTE) (REP 80.17) |
| 10 | - | Nudger roll (P/O PL 80.32 Item 9) (REP 80.17, ADJ 80.1) |
| 11 | - | Tray 3 paper guide (P/O PL 80.32 Item 1) (REP 80.28) |
| 12 | - | Sensor mounting (P/O PL 80.32 Item 1) |
| 13 | - | Ground cable (P/O PL 80.32 Item 1) |
| 14 | - | Feed frame assembly (P/O PL 80.32 Item 1) |
| 15 | - | Retard roll (P/O PL 31.12 Item 15) (See NOTE) (REP 80.17, ADJ 80.3) |
| 16 | - | Shim (P/O PL 31.12 Item 16) |
| 17 | - | Nudger roll weight (P/O PL 80.32 Item 9) (ADJ 80.1) |
| 18 | - | Gull wing cover (P/O PL 31.14 Item 4) |

1 { 8,9,11-15

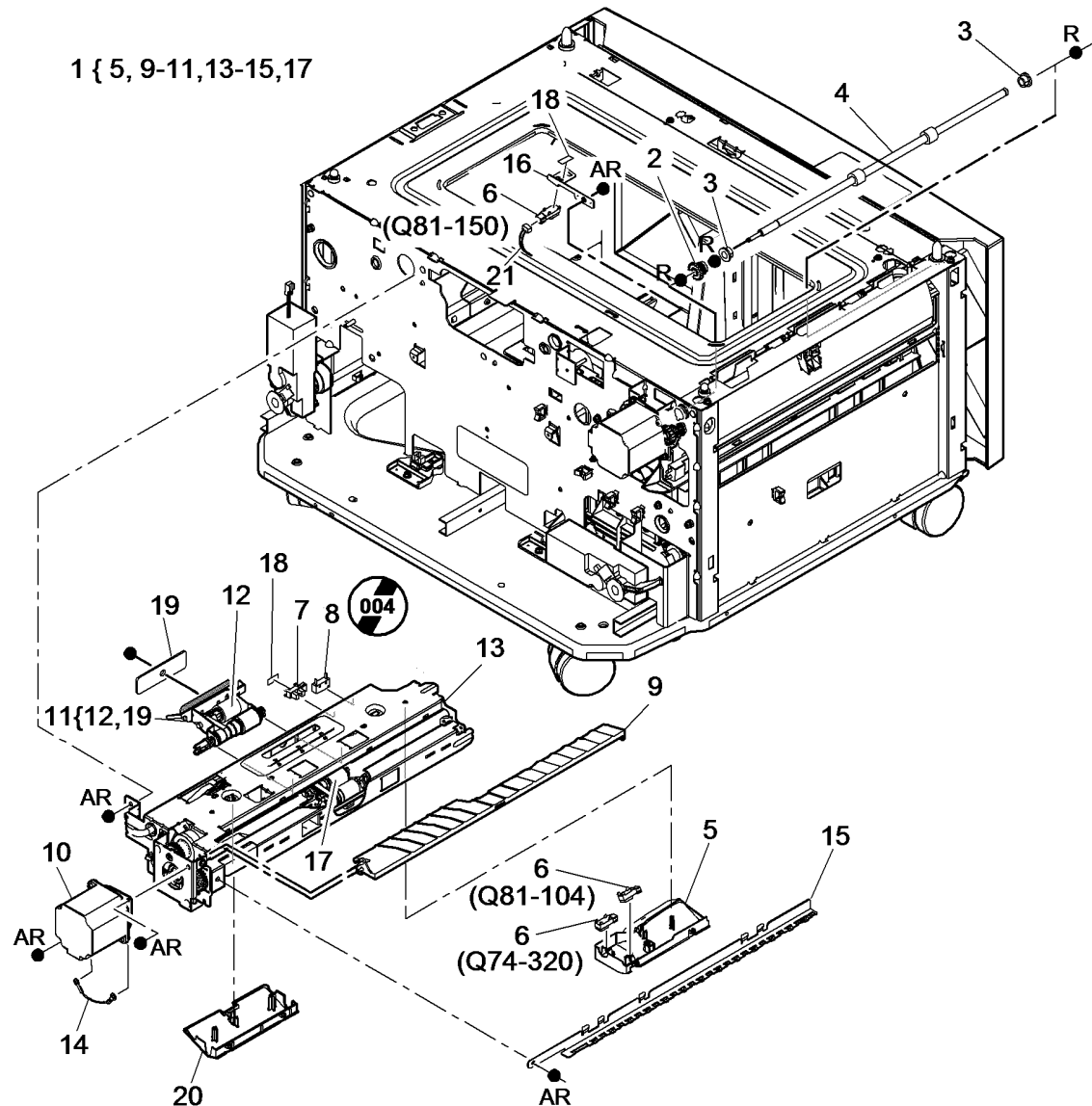


NOTE: HFSI. To reset the HFSI count, refer to dC135.

W-8-0142-B

PL 80.33 Tray 4 Paper Feed Assembly

| Item | Part | Description |
|------|-----------|--|
| 1 | - | Tray 4 paper feed assembly (P/O PL 31.12 Item 6) (REP 80.21) |
| 2 | 007K20321 | Gear (See NOTE 2) (REP 80.27) |
| 3 | - | Bearing (P/O PL 31.11 Item 8) |
| 4 | - | HCF transport roll (P/O PL 31.11 Item 8) (REP 80.27) |
| 5 | - | Sensor mounting (P/O PL 80.33 Item 1) |
| 6 | 130E11610 | Tray 4 empty sensor (Q74-320)(REP 70.17)/Tray 4 feed sensor (Q81-104)(REP 80.14)/Tray 4 exit sensor (Q81-150)(REP 80.25) |
| 7 | - | Tray 4 stack height sensor (Q74-330) (P/O PL 31.12 Item 16) (REP 70.9) |
| 8 | 110E21540 | Tray 4 over elevate switch (W/ OTAG 004) |
| 9 | - | Tray 4 paper guide (P/O PL 80.33 Item 1) (REP 80.29) |
| 10 | - | Tray 4 feed motor (MOT81-040) (P/O PL 80.33 Item 1) |
| 11 | - | Feed roll assembly (P/O PL 31.12 Item 15) (See NOTE 1) (REP 80.17) |
| 12 | - | Nudger roll (P/O PL 80.33 Item 11) (REP 80.17, ADJ 80.1) |
| 13 | - | Feed frame assembly (P/O PL 80.33 Item 1) |
| 14 | - | Ground cable (P/O PL 80.33 Item 1) |
| 15 | - | Support bracket (P/O PL 80.33 Item 1) |
| 16 | - | Tray 4 exit sensor bracket (P/O PL 31.14 Item 3) (REP 80.25) |
| 17 | - | Retard roll (P/O PL 31.12 Item 15) (See NOTE 1) (REP 80.17, ADJ 80.3) |
| 18 | - | Shim (P/O PL 31.12 Item 16) |
| 19 | - | Nudger roll weight (P/O PL 80.33 Item 11) (ADJ 80.1) |
| 20 | - | Gull wing cover (P/O PL 31.14 Item 4) |
| 21 | - | Tray 4 exit sensor harness (P/O PL 31.14 Item 3) |



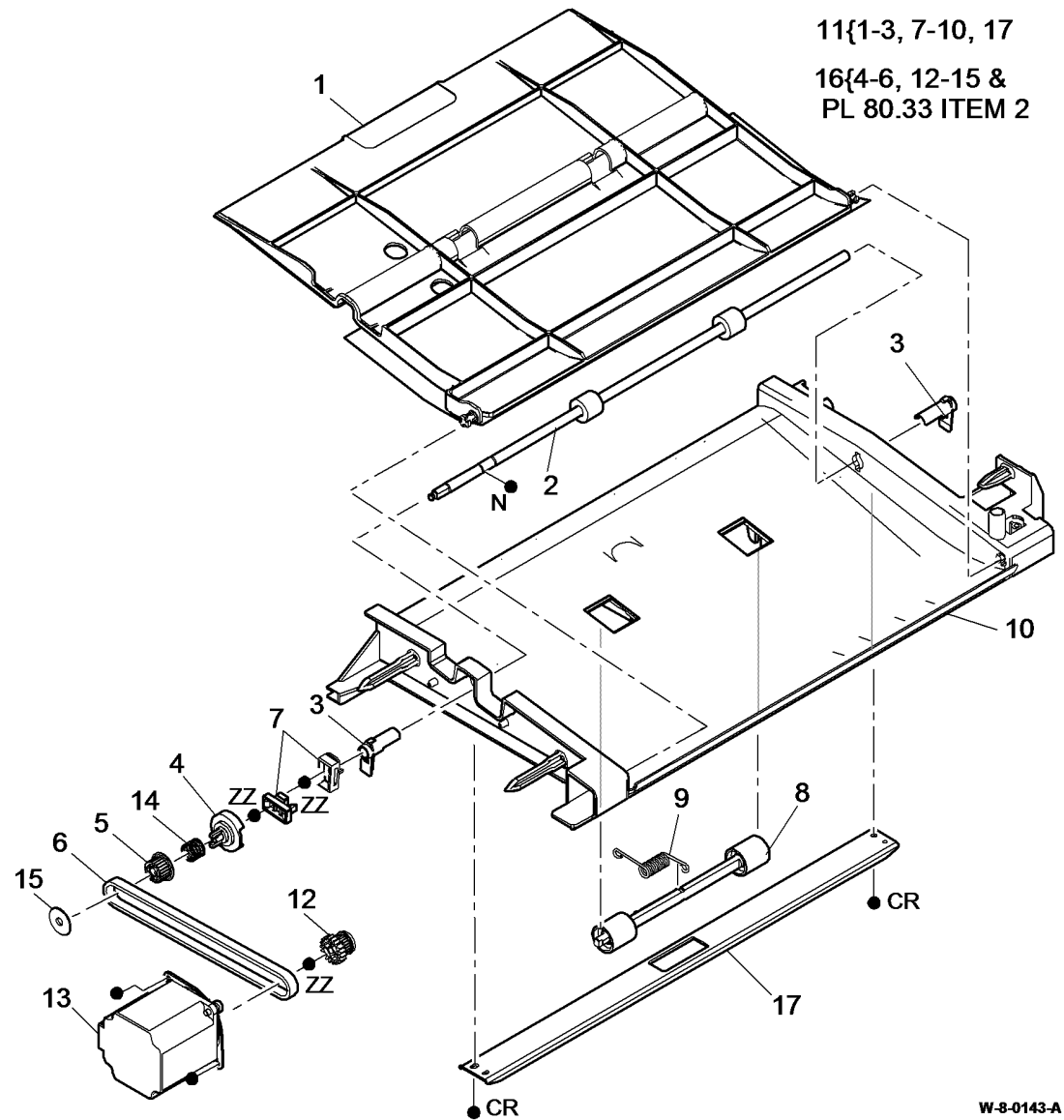
W-8-0141-B

NOTE: 1. HFSI. To reset the HFSI count, refer to dC135.

NOTE: 2. Also part of the Transport motor and drives kit, PL 80.36 Item 16.

PL 80.36 Tray 4 Transport Assembly

| Item | Part | Description |
|------|-----------|--|
| 1 | - | Jam clearance door (P/O PL 80.36 Item 11) |
| 2 | - | Takeaway roll assembly (P/O PL 31.12 Item 8) (REP 80.26) |
| 3 | - | Takeaway roll bearing (P/O PL 31.12 Item 8) (REP 80.26) |
| 4 | - | Clutch drive (P/O PL 80.36 Item 16) (REP 80.31) |
| 5 | - | Pulley (P/O PL 80.36 Item 16) (REP 80.31) |
| 6 | - | Drive belt (P/O PL 80.36 Item 16) (REP 80.31) |
| 7 | - | Drive coupling (P/O PL 31.12 Item 8) |
| 8 | 859K04280 | Idler roll assembly (metal shaft) (REP 80.26) |
| - | - | Idler roll assembly (plastic shaft) (Not Spared) (REP 80.26) |
| 9 | - | Spring (P/O PL 80.36 Item 11) |
| 10 | - | Base (P/O PL 80.36 Item 11) |
| 11 | 038K24380 | Tray 4 transport assembly (REP 80.24) |
| 12 | - | Transport gear pulley (P/O PL 80.36 Item 16) (REP 80.23) |
| 13 | - | HCF transport motor (MOT81-045) (P/O PL 80.36 Item 16) (REP 80.22) |
| 14 | - | Spring (P/O PL 80.36 Item 16) (REP 80.31) |
| 15 | - | Pulley flange (P/O PL 80.36 Item 16) (REP 80.31) |
| 16 | 604K97740 | Transport motor and drives kit |
| 17 | - | Tray 4 transport brace (P/O PL 80.36 Item 11) |

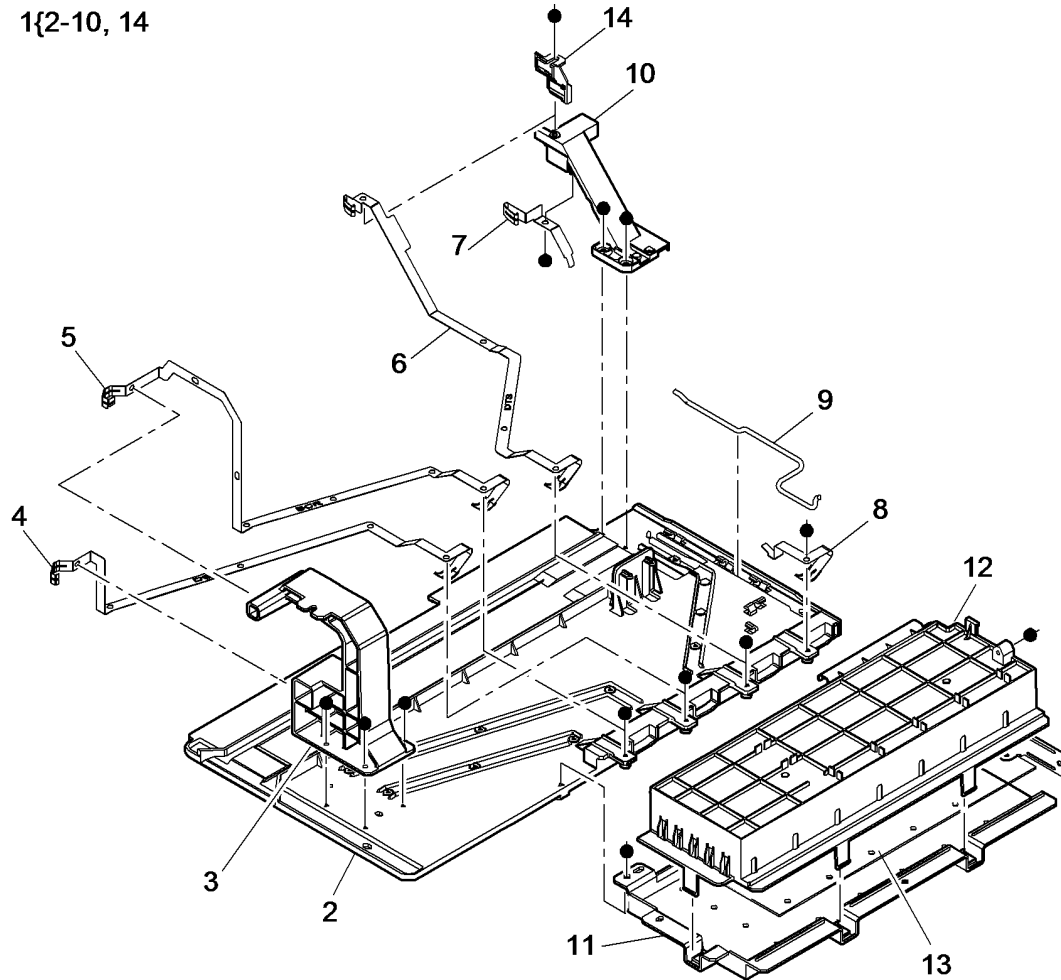


W-8-0143-A

PL 90.10 High Voltage Power Distribution Assembly

| Item | Part | Description |
|------|-----------|---|
| 1 | 859K01026 | HVPS tray assembly (REP 90.3) |
| 2 | - | Tray (P/O PL 90.10 Item 1) |
| 3 | - | Front track support (P/O PL 90.10 Item 1) |
| 4 | - | Track (DEV) (P/O PL 90.10 Item 1) |
| 5 | - | Track (BCR) (P/O PL 90.10 Item 1) |
| 6 | - | Track (DTS) (P/O PL 90.10 Item 1) |
| 7 | - | Track (BTR 1) (P/O PL 90.10 Item 1) |
| 8 | - | Track (BTR 2) (P/O PL 90.10 Item 1) |
| 9 | - | Track cable (P/O PL 90.10 Item 1) |
| 10 | - | Rear track support (P/O PL 90.10 Item 1) |
| 11 | - | HVPS bottom cover (Not Spared) |
| 12 | - | HVPS top cover (Not Spared) |
| 13 | - | HVPS (REF: PL 1.10 Item 3) |
| 14 | - | Track cover (P/O PL 90.10 Item 1) |

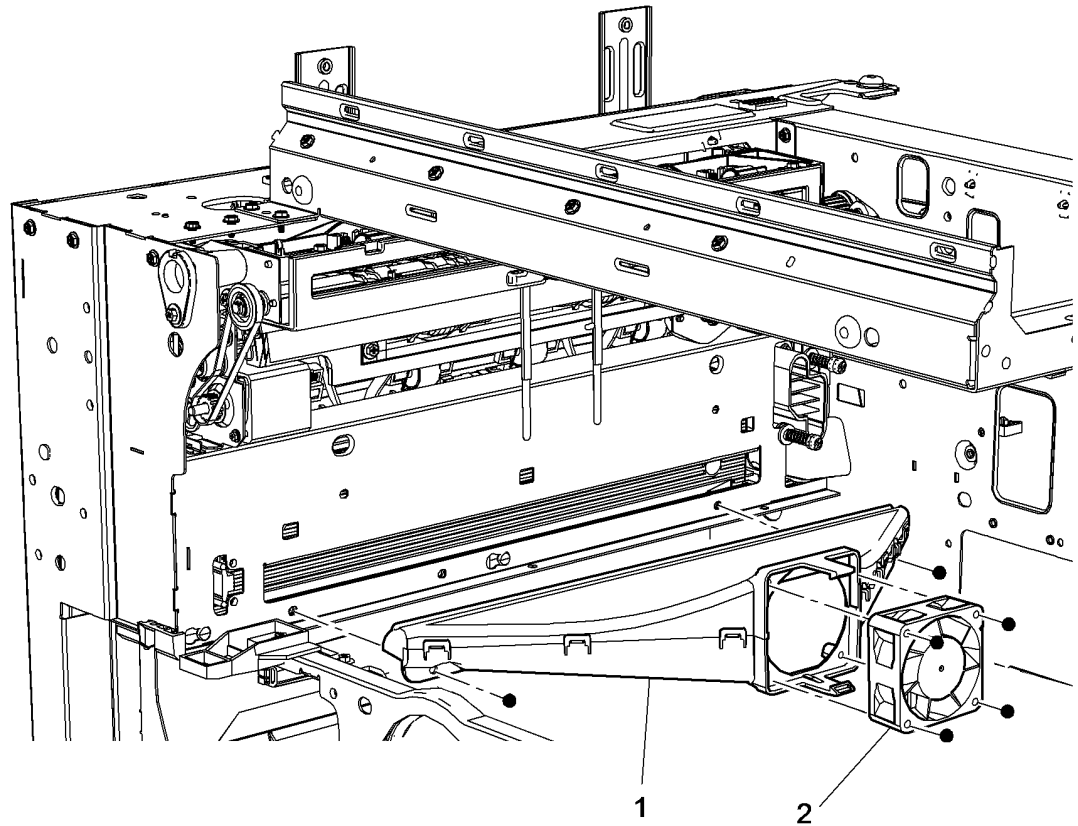
1{2-10, 14



W-8-0036-A

PL 90.15 Print Cartridge Cooling

| Item | Part | Description |
|------|------|---------------------------------------|
| 1 | - | Print cartridge fan duct (Not Spared) |
| 2 | - | Print cartridge fan (Not Spared) |

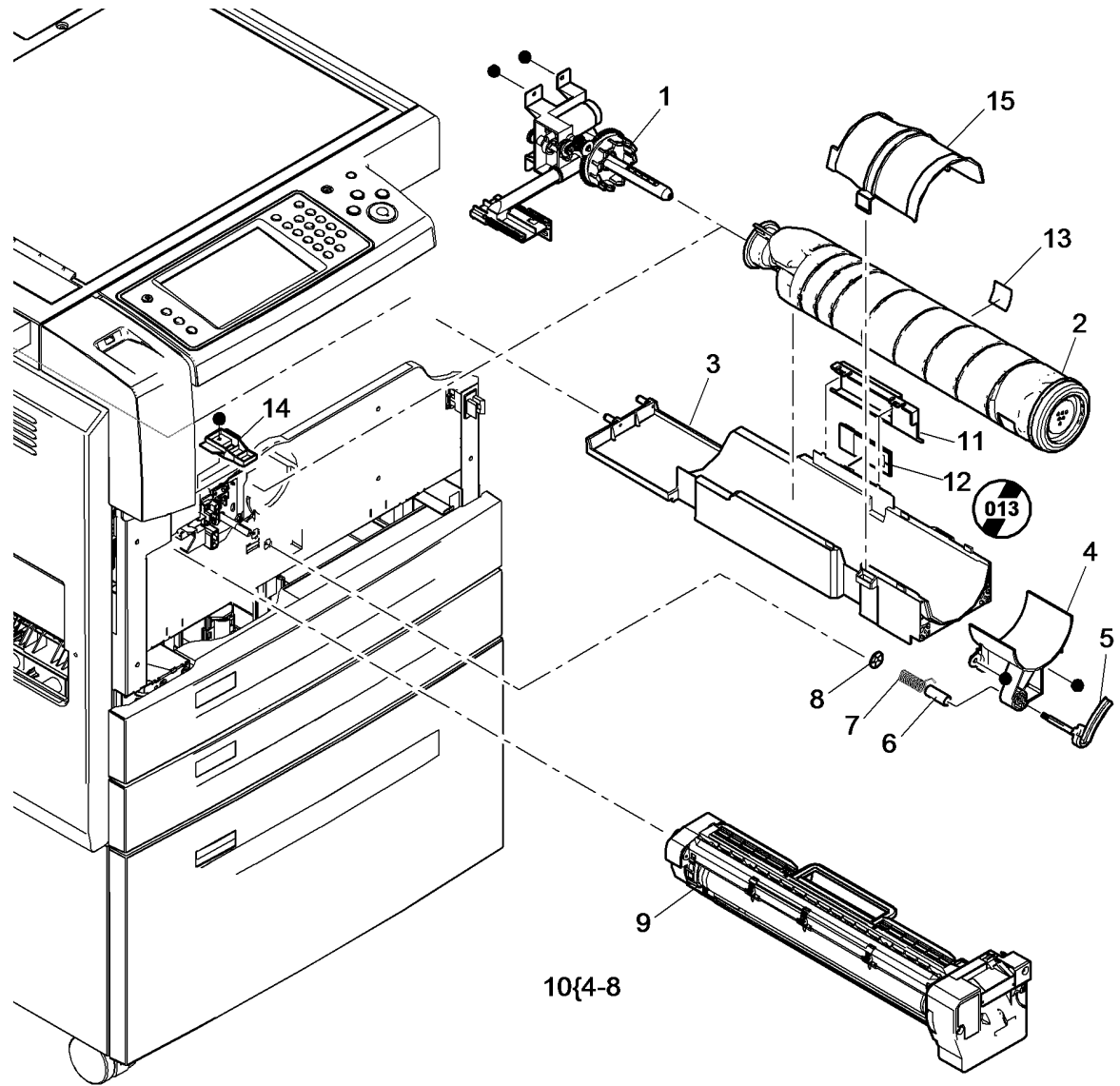


W-8-0017-A

PL 90.17 Toner/Print Cartridges

| Item | Part | Description |
|------|-----------|---|
| 1 | 094K05505 | Toner dispense module (REP 90.1) |
| 2 | - | Toner cartridge (REF: PL 26.11 Item 3) |
| 3 | - | Toner cartridge housing (Not Spared) |
| 4 | - | Latch housing (P/O PL 90.17 Item 10) |
| 5 | - | Toner dispense latch (P/O PL 90.17 Item 10) |
| 6 | - | Sleeve (P/O PL 90.17 Item 10) |
| 7 | - | Spring (P/O PL 90.17 Item 10) |
| 8 | - | Push on fastener (P/O PL 90.17 Item 10) |
| 9 | 013R00669 | Print cartridge |
| 10 | 848K94673 | Latch housing assembly (REP 90.2) |
| 11 | - | Cover (Not Spared) |
| 12 | 960K25380 | Toner cartridge PWB (W/O TAG 013) |
| 13 | - | Toner cartridge CRUM (Not Spared) |
| 14 | 869E05954 | Latch bracket |
| 15 | - | Toner cartridge guide (Not Spared) |

NOTE: Refer to ADJ 90.1 for xerographics cleaning.



W-8-0047-B

Common Hardware

| Item | Part | Description |
|------|------|--|
| A | – | Screw M3x6 Taptite (Zinc finish) |
| B | – | Screw M4x8 Taptite |
| C | – | Screw M4x12 Self Tapping |
| D | – | Screw M3.9.5 Taptite |
| E | – | Screw M3x8 Taptite |
| F | – | Screw M3x7.5 Taptite |
| G | – | Screw M4x12 Self Tapping |
| H | – | Screw M3x4.5 Machine |
| I | – | Screw M4x16 Self Tapping |
| J | – | Screw M3x14 Self Tapping (Countersunk) |
| K | – | Screw M3x16 Self Tapping |
| L | – | Screw M4x10 Self Tapping |
| M | – | E-Clip M4 |
| N | – | E-Clip M5 |
| O | – | Screw M4x12 Self Tapping |
| P | – | Screw M4x12 Taptite |
| Q | – | Screw M4x11 Self Tapping |
| R | – | KL Clip M6 |
| S | – | Screw M4x30 Taptite |
| T | – | Screw M3x10 Self Tapping |
| U | – | Screw M3x10 Taptite |
| V | – | Screw M3x6 Taptite |
| W | – | Screw M3x16 Self Tapping |
| X | – | Screw M3x6 Self Tapping |
| Y | – | E-Clip M8 |
| Z | – | E-Clip M4 |
| AA | – | E-Clip M7 |
| AB | – | Screw M3x25 Self Tapping |
| AC | – | Screw M3x4 Taptite |
| AD | – | E-Clip M6 |
| AE | – | Washer M8 |
| AF | – | Spring Washer M6 |
| AG | – | Screw M3.5x10 Self Tapping |
| AH | – | Circlip M5 |
| AI | – | Circlip M8 |
| AJ | – | Star Washer M4 |
| AK | – | Screw M4x9.5 Machine |
| AL | – | Screw M5x18 Self Tapping |
| AM | – | Star Washer M3.5 |
| AN | – | Screw M3.5x5.5 Machine |
| AO | – | Screw M3.5x6 Machine |
| AP | – | Screw M5x11 Taptite |
| AQ | – | Screw M3x8 Taptite |
| AR | – | Screw M4x8 Machine |
| AS | – | Screw M4x10 Self Tapping |
| AT | – | Screw M4x10 Self Tapping |
| AU | – | Screw M3x5 Machine |
| AV | – | E-Clip M3.5 |
| AW | – | Screw M3x5.5 Taptite |
| AX | – | Screw M3x14 Machine |
| AY | – | Screw M3x18 Self Tapping |
| AZ | – | Washer M4 |
| BA | – | Screw M4x16 Machine |
| BB | – | Screw M4x5 Machine |
| BC | – | Screw M3x10 Machine |
| BD | – | Screw M3x6 Machine |
| BE | – | Screw M4x7.5 Machine |
| BF | – | Screw M3x5.5 Machine |
| BG | – | Washer M3 |
| BH | – | Spring Washer M3 |
| BI | – | Screw M3x6 Machine |
| BJ | – | Screw M3x22 Self Tapping |
| BK | – | Retaining Ring (Skiffy) M7 |
| BL | – | Circlip M10 |
| BM | – | Screw M3x8 Machine |
| BN | – | Screw M4x8 Self Tapping |
| BO | – | Screw M3x6 Taptite |
| BP | – | Screw M3x4 Machine (Countersunk) |
| BQ | – | Screw M3x16 Machine |
| BR | – | Screw M3x9.5 Self Tapping |
| BT | – | Screw M4x8 Self Tapping |
| BU | – | Screw M3x5.5 Self Tapping |
| BV | – | Screw M4x7 Taptite |
| BW | – | Screw M3x6 Self Tapping |
| BX | – | Screw M3x8 Self Tapping |
| BY | – | Screw M4x8 Self Tapping |
| BZ | – | Screw M4x16 Taptite |
| CA | – | Screw M3x8 Self Tapping |
| CB | – | Screw M4x10 Self Tapping |
| CC | – | Screw M4x8 Self Tapping |
| CD | – | Screw M3x10 Self Tapping |
| CE | – | Screw M3x12 Self Tapping |
| CF | – | Screw M4x5 Taptite |
| CG | – | Circlip M6 |
| CH | – | Screw M3x10 Machine |
| CI | – | Screw M4x5 Machine |
| CJ | – | Screw M3x11 Self Tapping |
| CK | – | E-clip M2.5 |
| CL | – | Washer M5 |
| CM | – | Screw M4x9 Self Tapping |
| CN | – | Screw M3x14 Self Tapping |
| CO | – | Screw M3x8 Self Tapping |
| CP | – | Screw M4x15 Taptite |
| CQ | – | Spring Washer M8 |
| CR | – | Screw M3x8 Self Tapping |
| CS | – | Screw M4x8 Machine |
| CT | – | Screw M3x5.5 Machine |
| CU | – | Screw M3x9 Self Tapping |
| CV | – | Nut M3 |
| CW | – | Nut M3 |
| CX | – | Screw M4x6 Machine |

| | | |
|----|---|---|
| CY | - | Screw M4x11.5 Taptite |
| CZ | - | Screw M3x7.5 Taptite |
| DA | - | Screw M4x7 Self Tapping |
| DB | - | Screw M3x6 Self Tapping |
| DC | - | Screw M3x12 Self Tapping |
| DD | - | Screw M5x12 Self Tapping |
| DE | - | Circlip M7 |
| DF | - | Screw M3x6 Machine |
| DG | - | Screw M3x7.5 Self Tapping |
| DH | - | Screw M4x7 Self Tapping |
| DI | - | Screw M4x34 Self Tapping |
| DJ | - | Screw M4x16 Self Tapping |
| DK | - | Screw M4x7 Self Tapping |
| DL | - | Screw M4x6 Taptite |
| DM | - | M3 Star Washer |
| DN | - | Screw M4x6 Machine |
| DO | - | Screw M3x6 Self Tapping |
| DP | - | M3 Nut (Washer Head) |
| DQ | - | Screw M4x11 Machine |
| DR | - | Washer M8 (Nylatron) |
| DS | - | Screw M3 x 8 |
| DT | - | Screw M3x17 Taptite |
| DU | - | Screw M2.5x8 Taptite |
| DV | - | Screw M3.5x10 Torx |
| DW | - | Screw M3.5x10 Taptite |
| EA | - | Screw M4x6 Machine |
| EB | - | Screw M4x10 Machine |
| EC | - | Screw M4x8 Machine |
| EF | - | Screw M5x6 machine |
| EH | - | Pivot pin M4X10 Hex Head |
| EI | - | Nylon bearing |
| EJ | - | 6mm x 10mm x 13mm bush (bronze) |
| ET | - | M4 x 5.5 Screw/Machine/Pozi/Wash Hd Brass |
| EU | - | M3x16 Screw/Machine/Pozi/Pan Hd |
| EV | - | KL Clip M4 |
| EW | - | Screw M4 x 25 Self Tapping |
| EX | - | KL Clip M7 |
| ZZ | - | E-clip M3 |