

5 Parts Lists

PL 1 - Standby Power

PL 1.10 Power and Control Assembly.....	5-3
PL 1.15 Main Power Cables.....	5-4

PL 2 - User Interface

PL 2.10 User Interface	5-5
------------------------------	-----

PL 3 - Machine Run Control

PL 3.22 Single Board Controller PWB Module.....	5-6
---	-----

PL 5 - SPDH

PL 5.10 SPDH (Complete), Covers, SPDH PWB.....	5-7
PL 5.17 SPDH Transport Assembly	5-8
PL 5.18 SPDH Drive Assembly	5-9
PL 5.19 SPDH Read Assembly.....	5-10
PL 5.20 SPDH Top Cover Assembly.....	5-11
PL 5.25 SPDH Separation Assembly.....	5-12
PL 5.30 Input Tray Assembly	5-13

PL 10 - Copy Transportation and Fusing

PL 10.8 Fuser Module (45-55 ppm)	5-14
PL 10.10 Fuser Module (65-90 ppm)	5-15
PL 10.11 Inverter Decurler Assembly (1 of 4)	5-16
PL 10.12 Inverter Decurler Assembly (2 of 4)	5-17
PL 10.13 Inverter Decurler Assembly (3 of 4)	5-18
PL 10.14 Inverter Decurler Assembly (4 of 4)	5-19
PL 10.15 Inverter Drive Gears and Jam Clearance Knobs	5-20
PL 10.25 Short Paper Path Assembly.....	5-21

PL 11 - 2K LCSS

PL 11.2 2K LCSS Covers.....	5-22
PL 11.4 2K LCSS Docking Latch	5-23
PL 11.6 2K LCSS Hole Punch Unit	5-24
PL 11.8 2K LCSS Paddle Wheel/Safety Gate.....	5-25
PL 11.10 2K LCSS Bin 1 Control Components (1 of 2).....	5-26
PL 11.12 2K LCSS Bin 1 Control Components (2 of 2).....	5-27
PL 11.14 2K LCSS Paper Entry Transport.....	5-28
PL 11.16 2K LCSS Tamper Assembly	5-29
PL 11.18 2K LCSS Ejector Assembly	5-30
PL 11.20 2K LCSS Staple Head Unit/Traverse Assembly	5-31
PL 11.22 2K LCSS Bin 0 Entry.....	5-32
PL 11.23 2K LCSS Bin 1 Entry.....	5-33
PL 11.24 2K LCSS Entry Guide Cover/Jam Clearance Guide.....	5-34
PL 11.26 2K LCSS Electrical.....	5-35

PL 11 - LVF Bookletmaker

PL 11.50 LVF BM - Covers	5-36
PL 11.52 LVF BM Docking Latch	5-37
PL 11.54 LVF BM Hole Punch Unit	5-38

PL 11.56 LVF BM Paddle Shaft Assembly.....	5-39
PL 11.58 LVF BM Bin 1 Control Components (1 of 2)	5-40
PL 11.60 LVF BM Bin 1 Control Components (2 of 2)	5-41
PL 11.62 LVF BM Paper Entry Transport.....	5-42
PL 11.64 LVF BM Tamper Assembly	5-43
PL 11.66 LVF BM Ejector Assembly	5-44
PL 11.68 LVF BM Staple Head Unit/Traverse Assembly	5-45
PL 11.70 LVF BM Bin 0 Entry	5-46
PL 11.72 LVF BM Bin 1 Entry	5-47
PL 11.74 LVF BM Booklet Tamper Assembly	5-48
PL 11.75 LVF BM Compiler Entrance Guides.....	5-49
PL 11.76 LVF BM Compiler Guide Assembly	5-50
PL 11.78 LVF BM Booklet Stapler Assembly	5-51
PL 11.80 LVF BM Back Stop Assembly	5-52
PL 11.82 LVF BM Crease Blade Assembly.....	5-53
PL 11.84 LVF BM Crease Roll Assembly (1 of 3)	5-54
PL 11.86 LVF BM Crease Roll Assembly (2 of 3)	5-55
PL 11.88 LVF BM Crease Roll Assembly (3 of 3)	5-56
PL 11.90 LVF BM Electrical	5-57

PL 11 - 1K LCSS

PL 11.100 1K LCSS Covers.....	5-58
PL 11.102 1K LCSS Docking Latch	5-59
PL 11.104 1K LCSS Paddle Wheel/Safety Gate.....	5-60
PL 11.106 1K LCSS Bin 1 Control Components.....	5-61
PL 11.110 1K LCSS Paper Entry Transport.....	5-62
PL 11.112 1K LCSS Tamper Assembly	5-63
PL 11.114 1K LCSS Ejector Assembly	5-64
PL 11.116 1K LCSS Staple Head Assembly	5-65
PL 11.118 1K LCSS Bin 0 Entry.....	5-66
PL 11.120 1K LCSS Bin 1 Entry.....	5-67
PL 11.122 1K LCSS Entry Guide Cover/Jam Clearance Guide.....	5-68
PL 11.124 1K LCSS Electrical.....	5-69

PL 11 - HVF

PL 11.130 HVF Covers and Docking	5-70
PL 11.135 HVF Stacker.....	5-71
PL 11.140 HVF Ejector, Pressing and Support (1 of 2).....	5-72
PL 11.145 HVF Ejector, Pressing and Support (2 of 2).....	5-73
PL 11.150 HVF Main Drives.....	5-74
PL 11.153 HVF Feed Assembly and Punch (1 of 3)	5-75
PL 11.155 HVF Feed Assembly and Punch (2 of 3)	5-76
PL 11.156 HVF Feed Assembly and Punch (3 of 3)	5-77
PL 11.157 HVF Power and Control	5-78

PL 11 - HVF Bookletmaker

PL 11.160 HVF BM Module (Complete).....	5-79
PL 11.161 HVF BM Entry and Front Cover	5-80

PL 11.162 HVF BM Tamper Assembly	5-81
PL 11.163 HVF BM Back Stop Motor.....	5-82
PL 11.164 HVF BM Back Stop Assembly	5-83
PL 11.165 HVF BM Crease Blade Motor	5-84
PL 11.166 HVF BM Crease Rolls Motor and PWB	5-85
PL 11.167 HVF BM Crease Rolls and Support Leg	5-86
PL 11.168 HVF BM Stapler Assemblies	5-87
PL 11.169 HVF BM Bin 2	5-88
PL 11 - Inserter	
PL 11.175 Inserter Covers	5-89
PL 11.177 Inserter Main Drives (1 of 3)	5-90
PL 11.179 Inserter Main Drives (2 of 3)	5-91
PL 11.181 Inserter Main Drives (3 of 3)	5-92
PL 11 - Tri-Folder	
PL 11.190 Tri-Folder Covers.....	5-93
PL 11.193 Tri-Folder Drives module	5-94
PL 11.195 Tri-Folder Top Door Cover Assembly	5-95
PL 11.197 Tri-Folder Main Drives Assembly.....	5-96
PL 12 - OCT	
PL 12.10 OCT	5-97
PL 17 - Secure Access	
PL 17.00 Secure Access Additions	5-98
PL 20 - Fax	
PL 20.05 Fax Module	5-99
PL 25- Accessories	
PL 25.10 Convenience Stapler	5-100
PL 26 - Consumables and Tools	
PL 26.10 Consumables and Tools (1 of 2).....	5-101
PL 26.11 Consumables and Tools (2 of 2).....	5-102
PL 28 - Covers	
PL 28.10 Main Covers.....	5-103
PL 28.11 Front Door Assembly (65-90 ppm)	5-104
PL 28.15 Covers	5-105
PL 31 - Maintenance/Installation/Removal Kits	
PL 31.11 Maintenance/Installation/Removal Kits (1 of 4)	5-106
PL 31.12 Maintenance/Installation/Removal Kits (2 of 4)	5-107
PL 31.13 Maintenance/Installation/Removal Kits (3 of 4)	5-108
PL 31.14 Maintenance/Installation/Removal Kits (4 of 4)	5-109
PL 31.35 Line 1 Fax Kits	5-110
PL 31.40 Line 2 Fax Kits	5-111
PL 40 - Main Drive Assembly	
PL 40.10 Main Drive Module (65-90 ppm) (1 of 2).....	5-112
PL 40.12 Main Drive Module (65-90 ppm) (2 of 2).....	5-113
PL 40.15 Main Drive Module (45-55 ppm) (1 of 2).....	5-114
PL 40.17 Main Drive Module (45-55 ppm) (2 of 2).....	5-115

PL 60 - Imaging

PL 60.10 ROS	5-116
PL 60.15 Scanner Module, CVT/Document Glass.....	5-117
PL 60.20 Scanner Electrical Components	5-118
PL 60.25 Scan Carriage Assembly	5-119
PL 60.30 Side 2 Scan Assembly.....	5-120

PL 70 - Paper Supply

PL 70.10 Tray 1 and 2 Assembly	5-121
PL 70.18 Tray 3 and 4 Assembly (1 of 2).....	5-122
PL 70.19 Tray 3 and 4 Assembly (2 of 2).....	5-123
PL 70.21 Elevator Motor and Control PWB.....	5-124
PL 70.26 Tray 3 and 4 Assembly Covers.....	5-125
PL 70.30 Bypass Tray and Left Door Assembly	5-126
PL 70.40 Stand Assembly	5-127
PL 70.60 Tray 6 Covers	5-128
PL 70.62 Tray 6 Base	5-129
PL 70.64 Tray 6 Guides	5-130
PL 70.68 Tray 6 Lift assembly (1 of 2)	5-131
PL 70.70 Tray 6 Lift assembly (2 of 2)	5-132

PL 80 - Paper Transport

PL 80.15 Registration Transport (45-55 ppm).....	5-133
PL 80.17 Registration Transport (65-90 ppm).....	5-134
PL 80.20 Duplex Transport (65-90 ppm).....	5-135
PL 80.22 Duplex Transport (45-55 ppm).....	5-136
PL 80.25 Tray 1 and 2 Paper Feed Assembly (1 of 2).....	5-137
PL 80.26 Tray 1 and 2 Paper Feed Assembly (2 of 2).....	5-138
PL 80.32 Tray 3 Paper Feed Assembly	5-139
PL 80.33 Tray 4 Paper Feed Assembly	5-140
PL 80.36 Tray 3 Transport Assembly.....	5-141
PL 80.40 Tray 6 Feed Assembly (1 of 3)	5-142
PL 80.45 Tray 6 Feed Assembly (2 of 3)	5-143
PL 80.47 Tray 6 Feed Assembly (3 of 3)	5-144

PL 90 - Xerographics

PL 90.10 Waste Toner Bottle Assembly	5-145
PL 90.15 Developer Assembly (65-90 ppm)	5-146
PL 90.17 Developer Assembly (45-55 ppm)	5-147
PL 90.20 Xerographic Module and Short Paper Path Assembly	5-148
PL 90.25 Ozone Fan and Photoreceptor Fan	5-149
Common Hardware	5-150

PL 1.15 Main Power Cables

Item	Part	Description
1	–	Main power cord (see below for variants)
–	152S06400	USSG/XCL (45-55 ppm)
–	152S06401	USSG/XCL (65-90 ppm)
–	152S06410	XE (45-55 ppm)
–	152S06413	XE (Alternate) (45-55 ppm)
–	152S06406	XE (65-90 ppm)
–	152S06414	United Kingdom (45-55ppm)
–	152S06407	United Kingdom (65-90 ppm)
–	152S06415	Denmark (45-55 ppm)
–	152S06404	Denmark (65-90 ppm)
–	152S06420	Switzerland (65-90 ppm)
–	152S06402	Argentina (45-55 ppm)
–	152S06403	Argentina (65-90 ppm)
–	152S06405	South Africa (65-90 ppm)
2	–	20A power cord (NOTE)

NOTE: This power cord can also be ordered as part of PL 31.12 Item 17

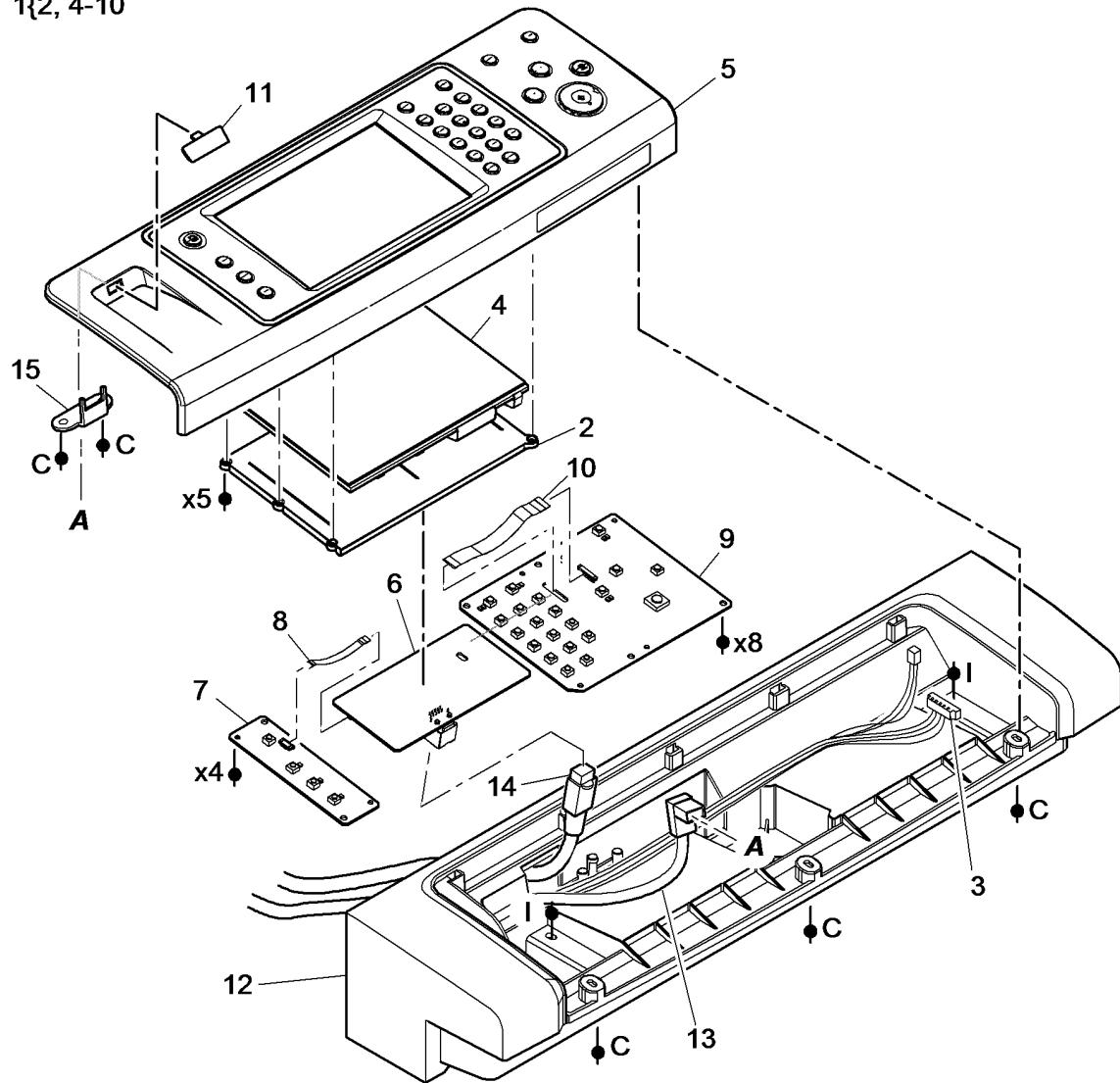
**NO EXPLODED
VIEW PROVIDED**

V-8-0002-A

PL 2.10 User Interface

Item	Part	Description
1	-	User interface assembly (Not Spared) (USSG/XCL) (45-55 ppm)
-	-	User interface assembly (Not Spared) (65-90 ppm) (REP 2.1)
2	848E91201	UI screen clamp
3	-	UI Harness (REF: PL 3.22 Item 24)
4	123K08651	UI touch screen (REP 2.2)
5	848K72132	User interface housing (USSG/XCL)
-	848K72122	User interface housing (XE)
6	960K72631	UI Control PWB (REP 2.3)
7	960K72651	UI Status PWB
8	952K26981	Control to status PWB ribbon cable
9	960K72641	UI Keyboard PWB
10	952K26990	Control to keyboard PWB ribbon cable
11	848E91160	USB socket cover
12	848E85090	UI Surround (45-55 ppm)
-	848E85100	UI Surround (65-90 ppm)
13	-	SBC PWB/ UI USB port harness (REF: PL 3.22 Item 22)
14	-	SBC PWB/ UI Control PWB harness (REF: PL 3.22 Item 23)
15	-	Clamp (Not Spared)

1{2, 4-10

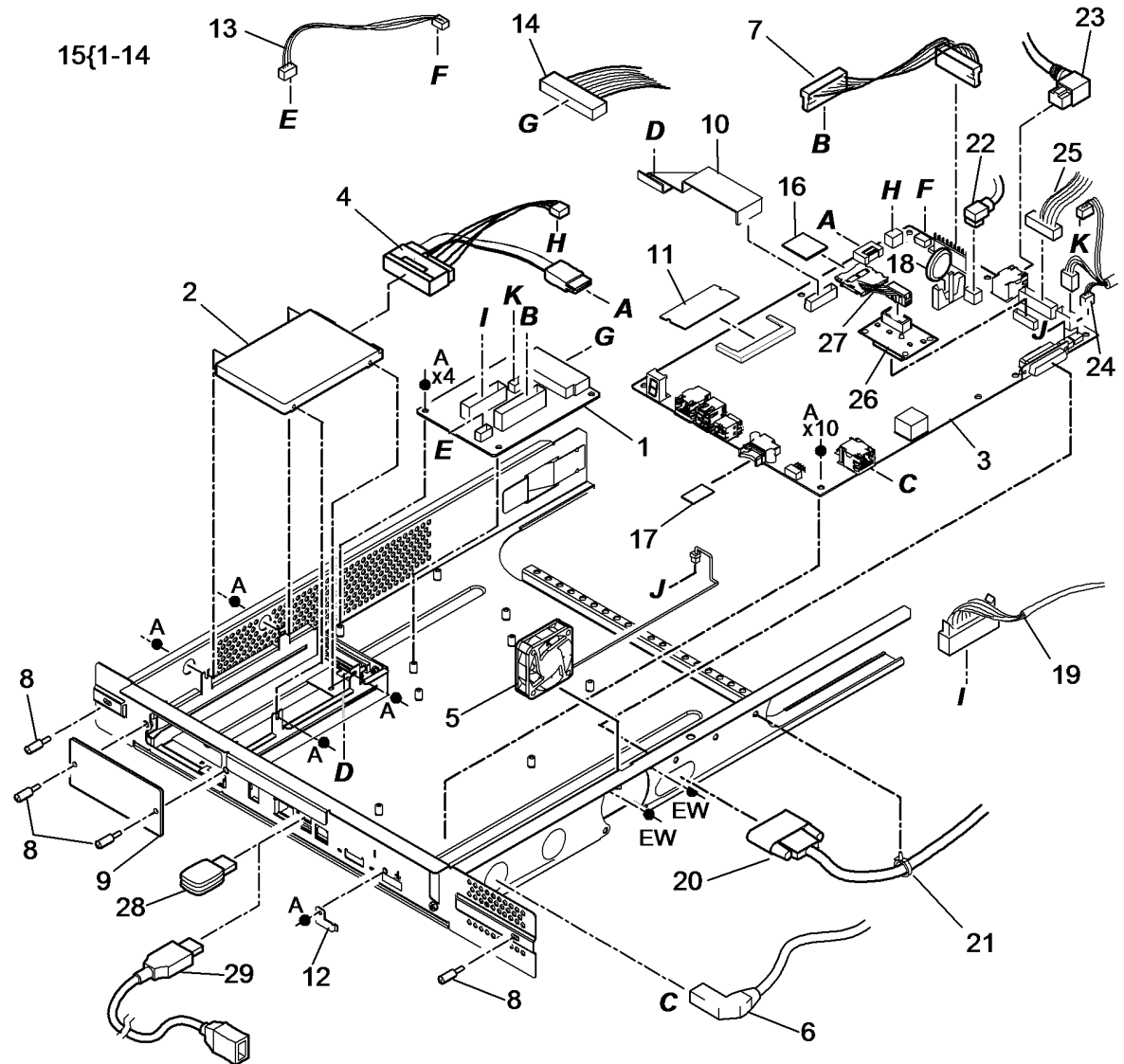


V-8-0003-A

PL 3.22 Single Board Controller PWB Module

Item	Part	Description
1	960K73320	Power distribution PWB
2	121E27710	Hard disk drive (SATA) (REP 3.2)
3	960K73334	SBC PWB (REP 3.3)
4	952K27600	HDD cable
5	127K56210	Cooling fan assembly
6	-	ROS data cable (Not Spared)
7	952K26710	SBC PWB power harness
8	-	Thumb screw (Not Spared)
9	-	Blanking plate (Not Spared)
10	952K27590	Fax communication ribbon cable
11	960K79560	Memory module
12	-	Service connector cover (Not Spared)
13	952K27570	SBC/PDB harness
14	952K27580	LVPS/PDB PWB harness
15	-	SBC PWB module (Not Spared)
16	237E26840	SD card (REP 3.4)
17	-	SIM card (P/O PL 31.14 Item 1) (NOTE)
18	105K37480	Battery
19	-	SBC PWB/Scanner PWB comms/ power harness (Not Spared)
20	-	SBC PWB/ Scanner PWB data cable (Not Spared)
21	-	Cable tie (Not Spared)
22	952K27620	SBC PWB/ UI USB port harness
23	-	SBC PWB/ UI Control PWB harness (Not Spared)
24	952K27610	UI harness
25	-	SBC PWB /IOT PWB harness (Not Spared)
26	960K27451	Foreign interface device PWB
27	962K82620	Foreign interface device harness
28	-	Wireless network adapter (P/O PL 31.13 Item 1)
29	-	Extension cable (P/O PL 31.13 Item 1)

NOTE: To obtain a SIM card, PL 3.22 Item 17 it will be necessary to order the relevant initialisation kit PL 31.14 Item 1.

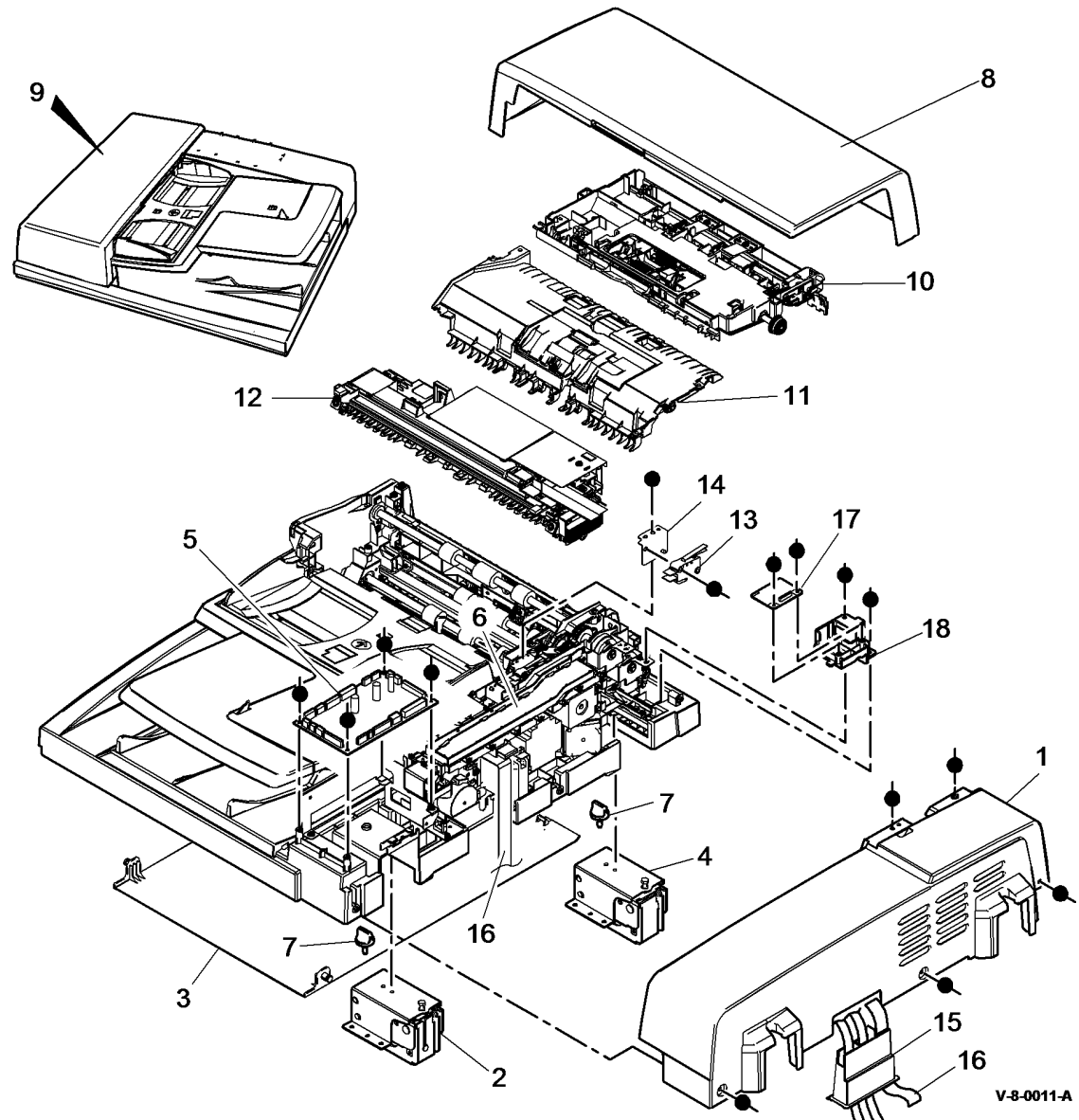


V-8-0006-A

PL 5.10 SPDH (Complete), Covers, SPDH PWB

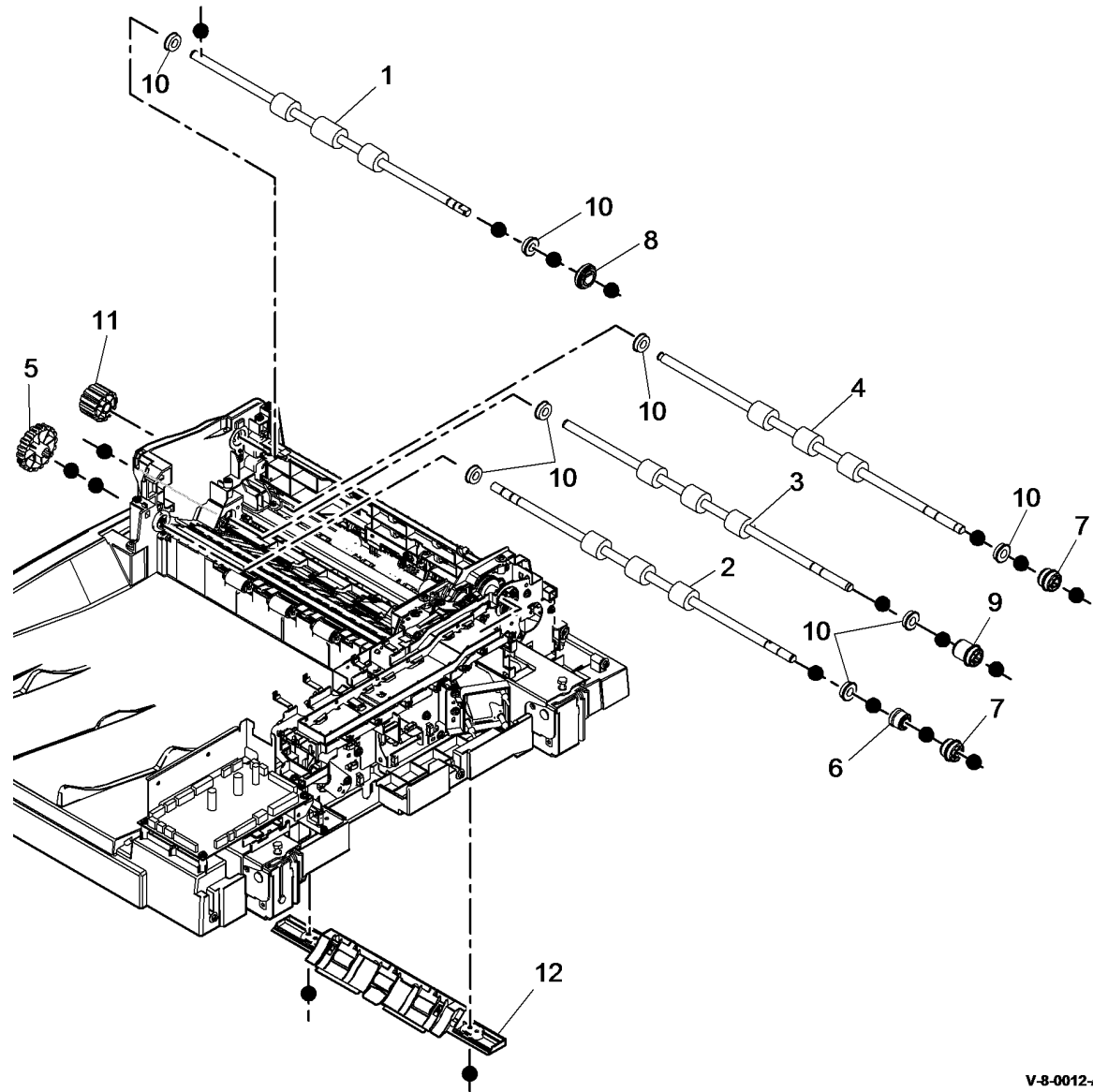
Item	Part	Description
1	848K83770	Rear cover
2	-	Right counterbalance (Not Spared)
3	090K02600	Document pad (REP 5.23)
4	-	Left counterbalance (Not Spared)
5	960K72570	SPDH PWB
6	117E43830	Side 2 scan assembly power ribbon cable (REP 5.22)
7	826E66710	Thumbscrew
8	-	Top cover (REF: PL 5.20)
9	084K42690	SPDH (complete) (REP 5.19)
10	-	Feed assembly (REF: PL 5.20)
11	-	Seperation assembly (REF: PL 5.25)
12	-	Side 2 scan assembly (REF: PL 60.30)
13	110E21490	Top cover interlock switch (S05-305)
14	-	Mounting bracket (P/O PL 5.10 Item 13)
15	-	Harness guide (REF: PL 60.15)
16	117E43800	Side 2 scan assembly data ribbon cable (REP 5.22)
17	960K79450	Side 2 LED drive PWB
18	-	Side 2 LED drive PWB support (P/O PL 5.10 Item 9)

NOTE: To clean the SPDH, refer to ADJ 5.4.



PL 5.17 SPDH Transport Assembly

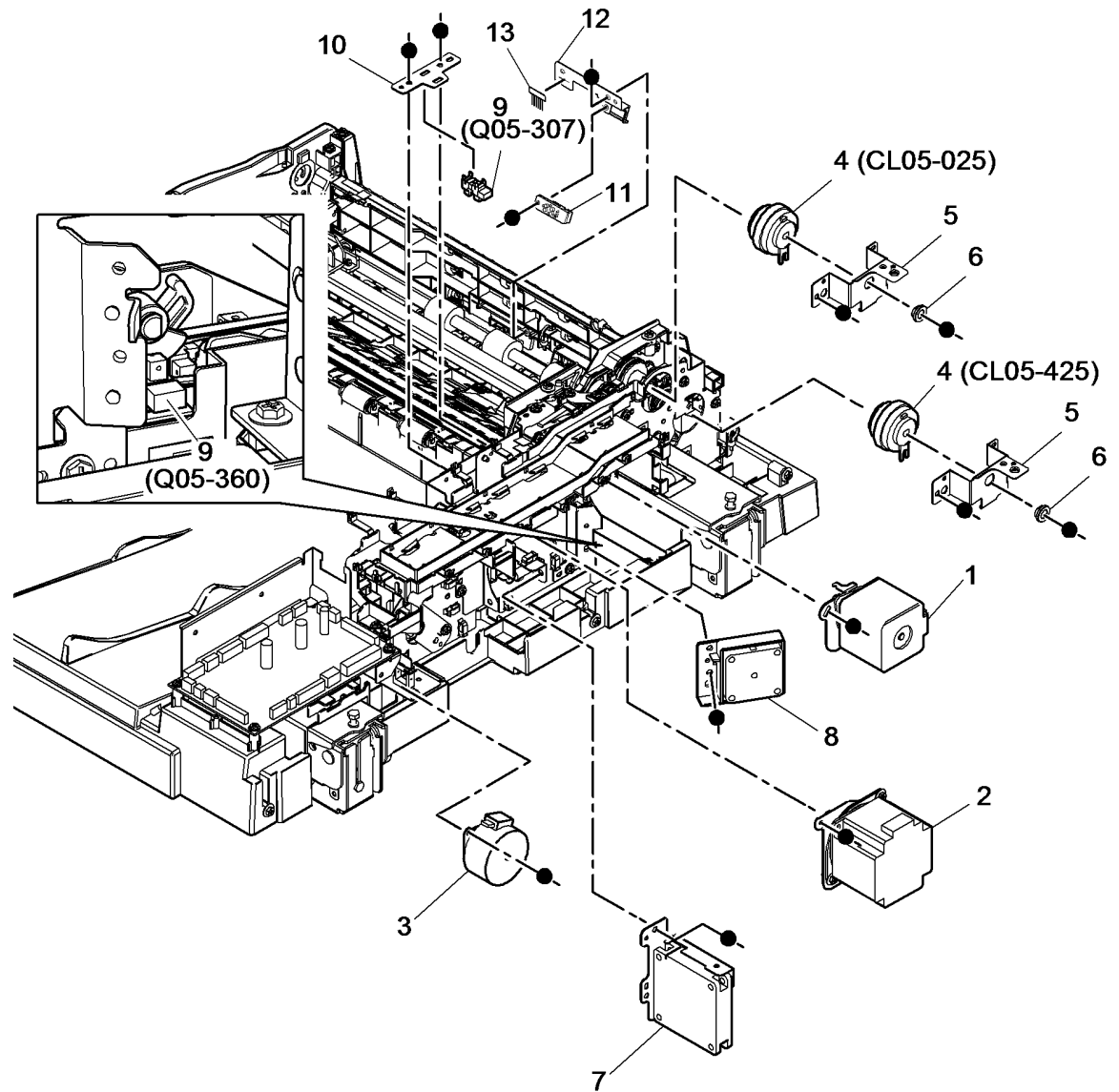
Item	Part	Description
1	059K84040	Takeaway roll assembly (REP 5.5)
2	059K84070	Exit roll assembly (REP 5.7)
3	059K84050	Mid scan roll assembly (REP 5.18)
4	059K84060	Pre scan roll assembly (REP 5.17)
5	-	Exit jam clearance knob (P/O PL 5.19 Item 24) (REP 5.7)
6	-	Idler gear (P/O PL 5.19 Item 24)
7	-	Drive gear (P/O PL 5.19 Item 24)
8	-	Gear (P/O PL 5.19 Item 24)
9	-	Pre scan pulley (P/O PL 5.19 Item 24)
10	-	Bearing (P/O PL 5.19 Item 24)
11	-	Pre scan jam clearance knob (P/O PL 5.19 Item 24)
12	059K84880	Lower pre scan roller assembly (REP 5.6)



V-8-0012-A

PL 5.18 SPDH Drive Assembly

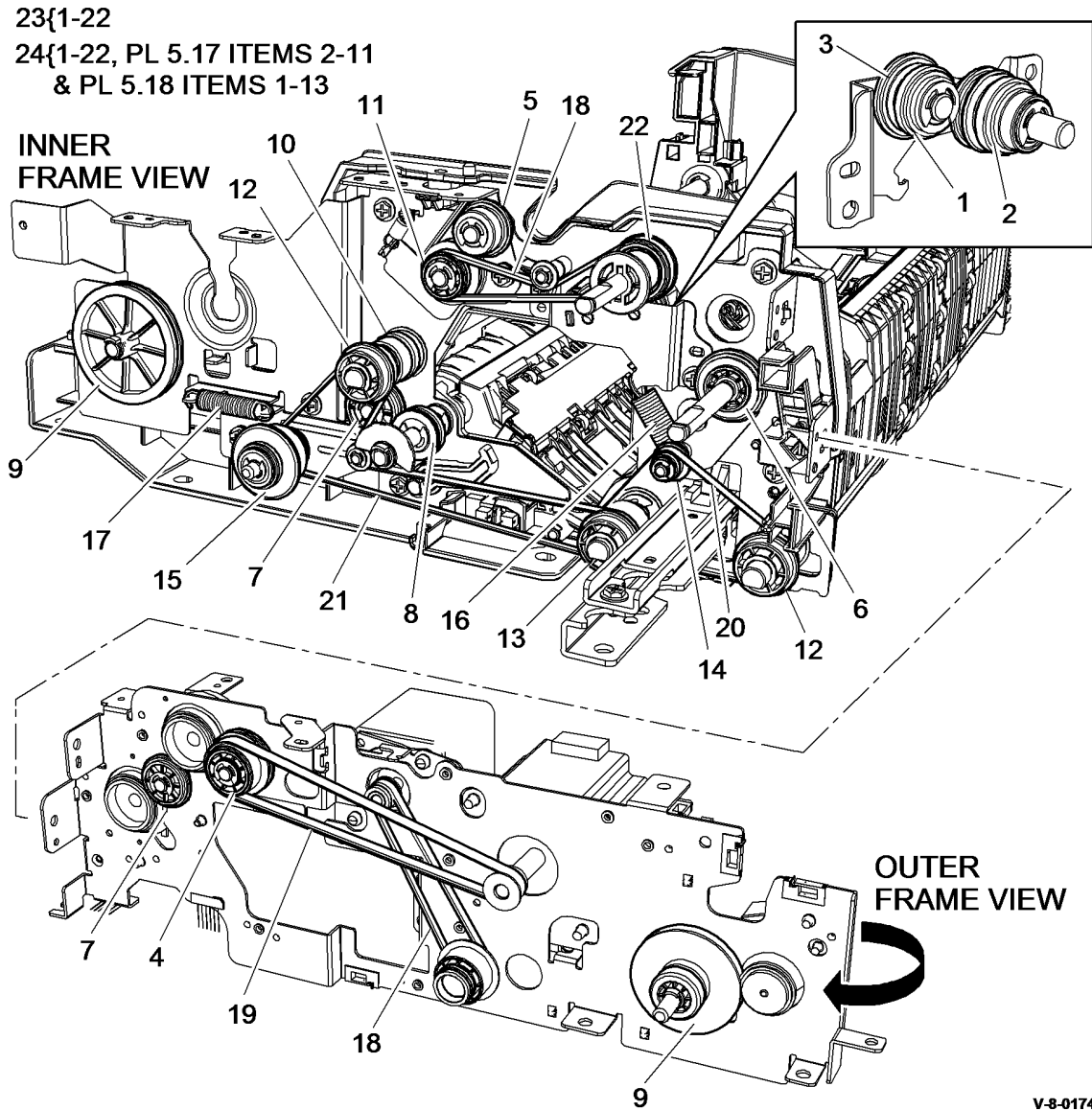
Item	Part	Description
1	127K69270	Read motor (MOT05-030) (REP 5.13)
2	127K69260	Feed motor (MOT05-020) (REP 5.12)
3	127K69250	Tray elevator motor (MOT05-390) (REP 5.24)
4	005E35810	Feed clutch (CL05-025)(REP 5.14)/ Takeaway clutch (CL05-425)(REP 5.15)
5	-	Bracket (Not Spared)
6	-	Bearing (Not Spared)
7	127E17510	Motor cooling fan (REP 5.20)
8	127E17520	LED cooling fan (REP 5.21)
9	130E19040	Lift home position sensor (Q05-307)/ Calibration home position sensor (Q05-360) (REP 5.11)
10	-	Sensor bracket (Not Spared)
11	130E19060	Reg sensor (Q05-340) (REP 5.10)
12	-	Mounting bracket (Not Spared)
13	-	Static eliminator (Not Spared)



V-8-0151-A

PL 5.19 SPDH Read Assembly

Item	Part	Description
1	-	Retard roll intermediate drive gear (P/O PL 5.19 Item 23)
2	-	Retard roll driven gear (P/O PL 5.19 Item 23)
3	-	Retard roll drive gear (P/O PL 5.19 Item 23)
4	-	Feed clutch drive gear/pulley (P/O PL 5.19 Item 23)
5	-	Feed assembly drive idler gear (P/O PL 5.19 Item 23)
6	-	Takeaway roll drive gear (P/O PL 5.19 Item 23)
7	-	Calibration shutter idler gear/TAR clutch drive gear (P/O PL 5.19 Item 23)
8	-	Calibration shutter driven gear (P/O PL 5.19 Item 23)
9	-	Tray elevator reduction gear (P/O PL 5.19 Item 23)
10	-	Calibration shutter drive gear (P/O PL 5.19 Item 23)
11	-	Feed assembly drive gear /pulley (P/O PL 5.19 Item 23)
12	-	Exit roll /pre-scan roll drive pulley (P/O PL 5.19 Item 23)
13	-	Mid scan roll drive pulley (P/O PL 5.19 Item 23)
14	-	Pre scan belt idler pulley (P/O PL 5.19 Item 23)
15	-	Read motor intermediate pulley (P/O PL 5.19 Item 23)
16	-	Read motor belt tension spring (P/O PL 5.19 Item 23)
17	-	Mid scan drive belt tension spring (P/O PL 5.19 Item 23)
18	-	Read motor belt / feed assembly drive belt (P/O PL 5.19 Item 23)
19	-	Feed motor belt (P/O PL 5.19 Item 23)
20	-	Pre-scan roll drive belt (P/O PL 5.19 Item 23)
21	-	Mid scan drive belt (P/O PL 5.19 Item 23)
22	-	Retard/ feed drive gear/pulley (P/O PL 5.19 Item 23)
23	007K20560	SPDH drive kit (REP 5.25)
24	059K84860	Read assembly (REP 5.25, REP 5.7, REP 5.17, REP 5.18)



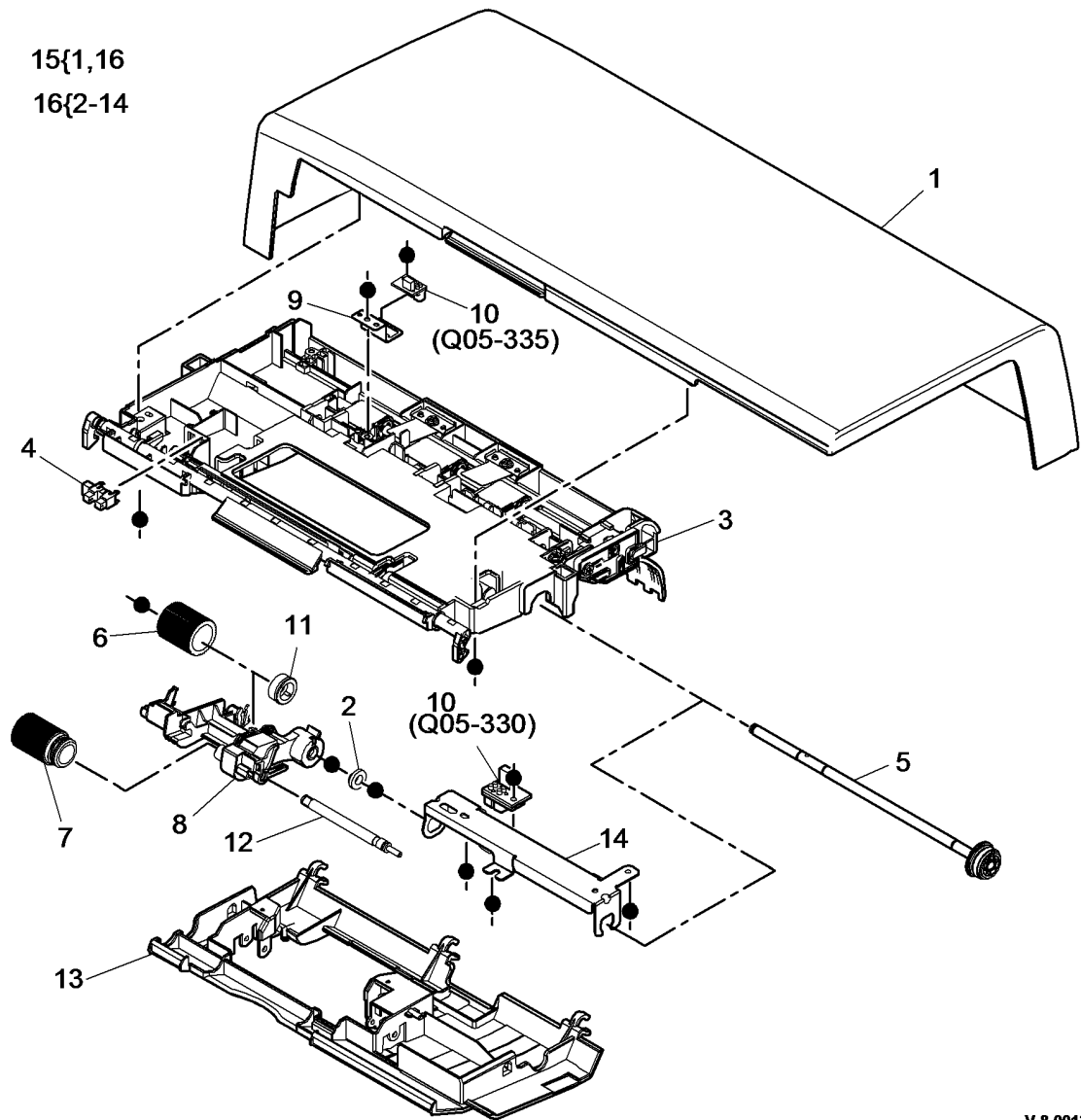
PL 5.20 SPDH Top Cover Assembly

Item	Part	Description
1	–	Top cover (P/O PL 5.20 Item 15) (REP 5.1)
2	–	Bushing (P/O PL 5.20 Item 16)
3	–	Feed assembly frame (P/O PL 5.20 Item 16) (REP 5.2)
4	130E19040	Stack height sensor (Q05-310) (REP 5.8)
5	–	Shaft (P/O PL 5.20 Item 16)
6	–	Feed roll (P/O PL 31.11 Item 16) (See NOTE 2, NOTE 3) (REP 5.2)
7	–	Nudger roll (P/O PL 31.11 Item 16) (See NOTE 2, NOTE 3) (REP 5.2)
8	–	Roll housing (P/O PL 5.20 Item 16)
9	–	TAR sensor bracket (P/O PL 5.20 Item 16) (REP 5.8)
10	130E19090	Feed sensor (Q05-330)/ Takeaway sensor(Q05-335) (REP 5.8)
11	–	Spacer (P/O PL 5.20 Item 16)
12	–	Shaft (P/O PL 5.20 Item 16)
13	–	Lower cover (P/O PL 5.20 Item 16)
14	–	Mounting bracket (P/O PL 5.20 Item 16)
15	059K84850	Top cover assembly (REP 5.1)
16	–	Feed assembly (P/O PL 5.20 Item 15)

NOTE: 1. For the top cover interlock switch, refer to PL 5.10 Item 13.

NOTE: 2. HFSI. To reset the HFSI count, refer to dC135.

NOTE: 3. Also supplied with PL 5.25 Item 3.

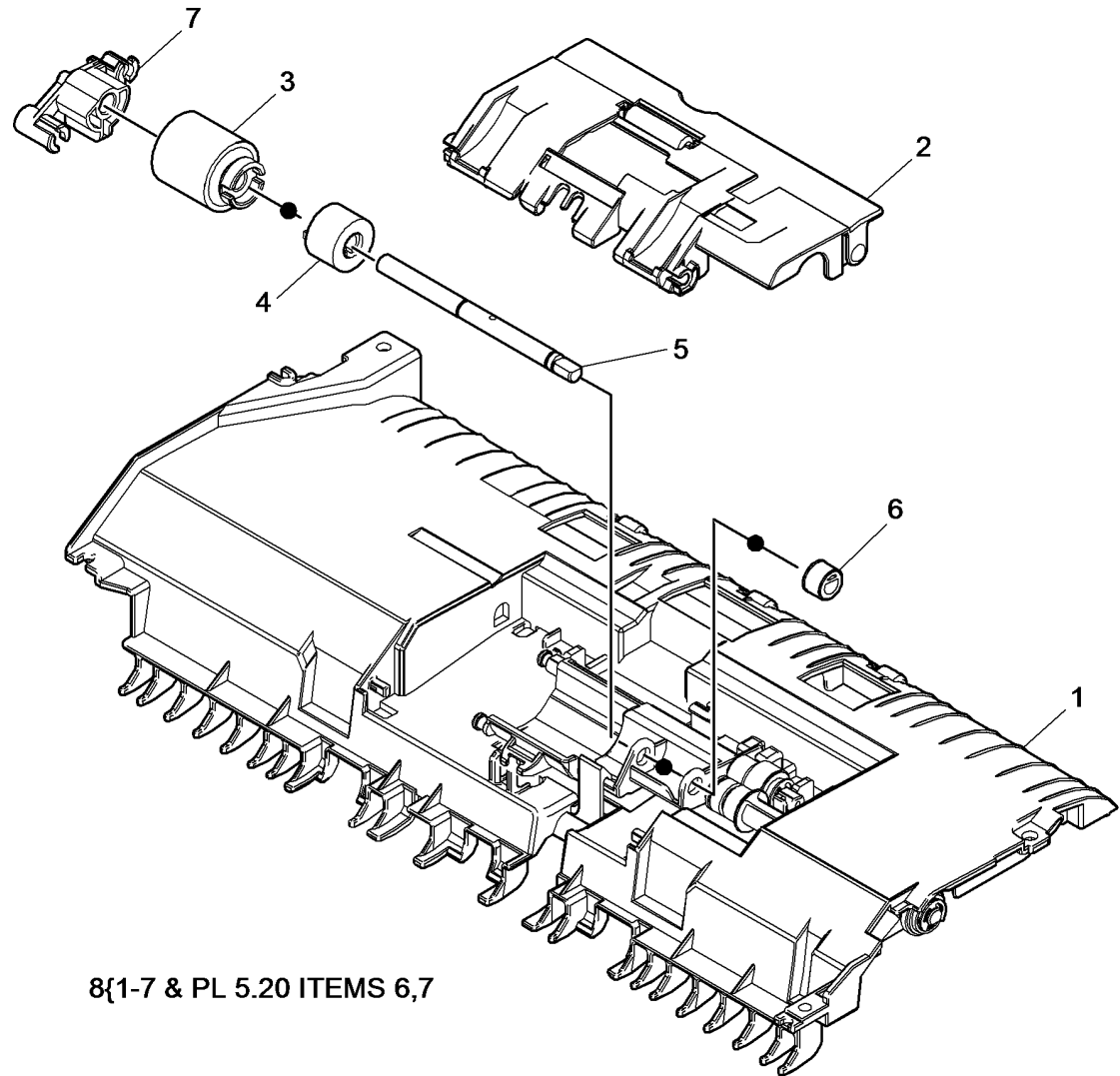


V-8-0013-A

PL 5.25 SPDH Separation Assembly

Item	Part	Description
1	-	Separation frame (P/O PL 5.25 Item 8)
2	-	Retard roll cover (P/O PL 5.25 Item 8)
3	-	Retard roll (P/O PL 31.11 Item 16) (See NOTE) (REP 5.3)
4	-	Coupling (P/O PL 5.25 Item 8)
5	-	Shaft (P/O PL 5.25 Item 8)
6	-	Cap (P/O PL 5.25 Item 8)
7	-	Retard roll retainer (P/O PL 5.25 Item 8) (REP 5.3)
8	014K11320	Separation assembly (REP 5.3)

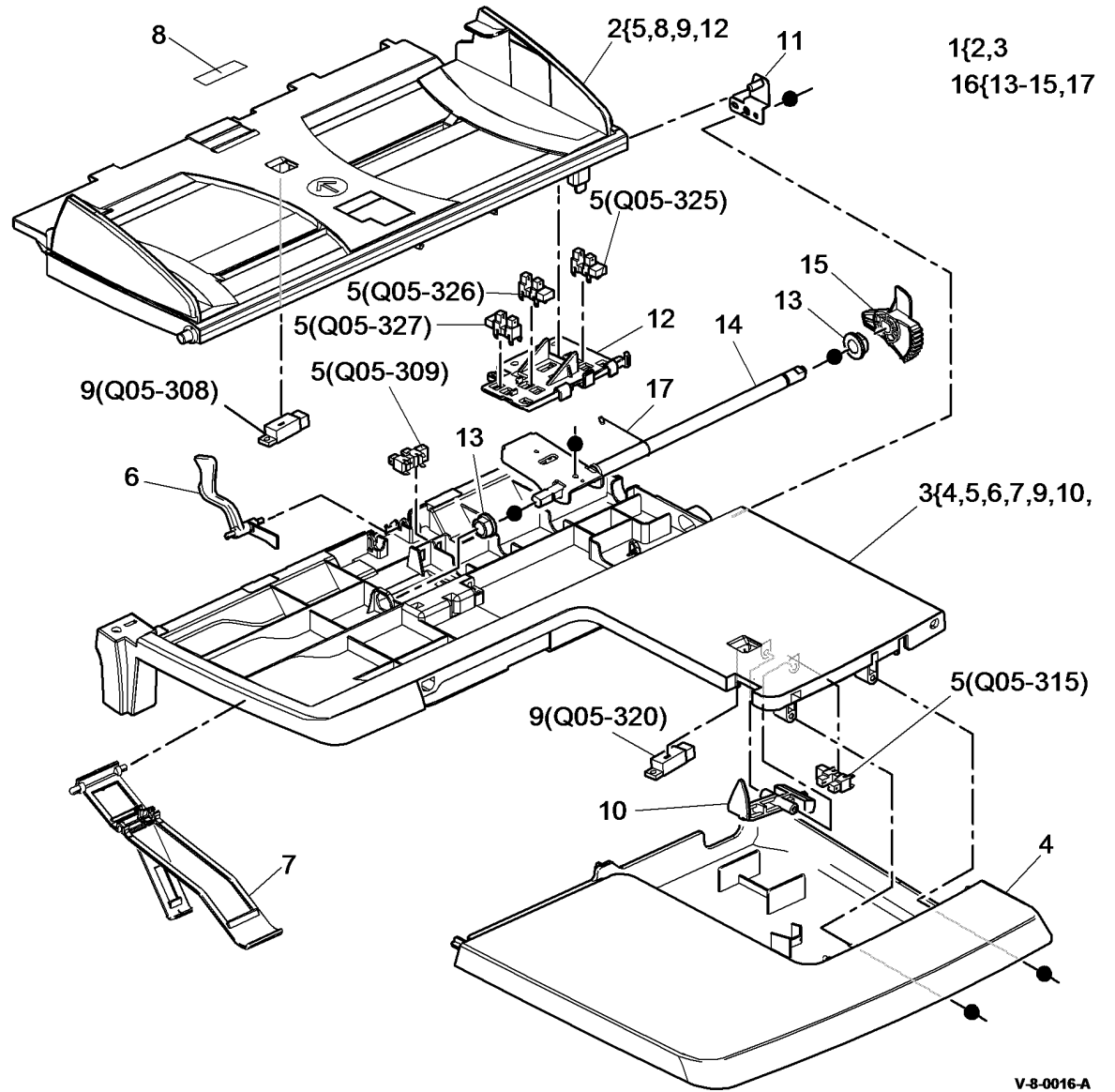
NOTE: HFSI. To reset the HFSI count, refer to dC135.



V-8-0150-A

PL 5.30 Input Tray Assembly

Item	Part	Description
1	-	Input tray assembly (complete) (REP 5.4)
2	050K74650	Tray upper assembly (REP 5.4)
3	050K74660	Tray lower assembly (REP 5.4)
4	-	Tray lower cover (P/O PL 5.30 Item 3)
5	130E19040	Length sensor 1 (Q05-315)(REP 5.9)/Doc present sensor (Q05-309)(REP 5.16)/Width sensor 1 (Q05-325)(REP 5.16)/Width sensor 2 (Q05-326)(REP 5.16)/Width sensor 3 (Q05-327)(REP 5.16)
6	-	Doc present sensor actuator (P/O PL 5.30 Item 3)
7	-	Restack arm (P/O PL 5.30 Item 1)
8	059K84030	Retard pad
9	130E19080	Length sensor 2 (Q05-320)(REP 5.9)/Last sheet out sensor (Q05-308)(REP 5.16)
10	-	Length sensor 1 actuator (P/O item 3)
11	-	Tray upper hinge (Not Spared) (REP 5.4)
12	-	Sensor mounting plate (P/O PL 5.30 Item 2)
13	-	Bearing (P/O PL 5.30 Item 16)
14	-	Shaft assembly (P/O PL 5.30 Item 16) (REP 5.4)
15	-	Cam (P/O PL 5.30 Item 16)
16	-	Lift shaft assembly (P/O PL 5.30 Item 3)
17	-	Ground spring (P/O PL 5.30 Item 16)

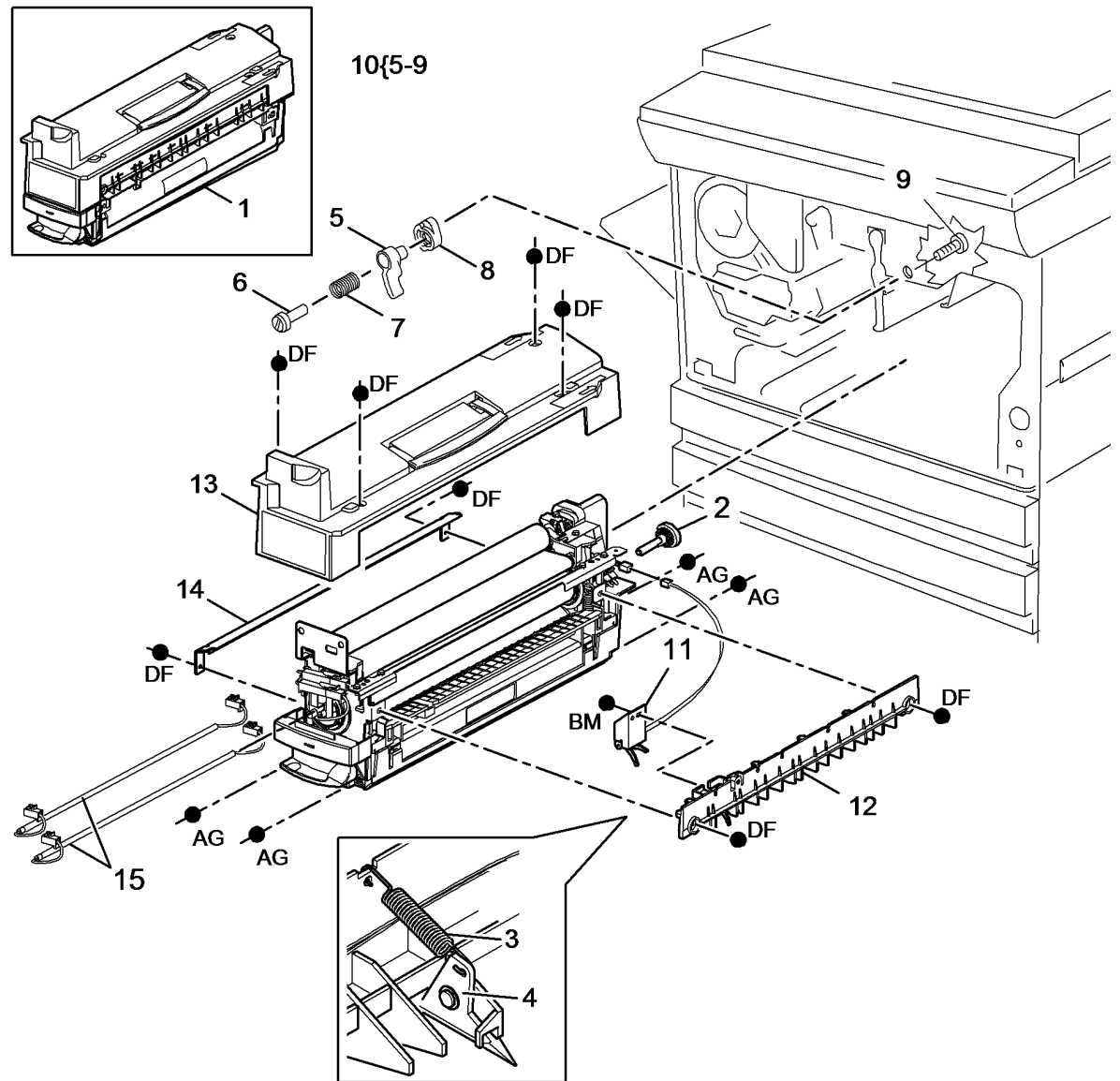


PL 10.8 Fuser Module (45-55 ppm)

Item	Part	Description
1	109R00751	Fuser module (XE) (NOTE 1)
-	109R00752	Fuser module (USSG/XCL) (NOTE 1)
2	-	Web drive dog (Not Spared)
3	-	Spring (P/O PL 10.8 Item 1)
4	-	Fuser stripper finger kit (REF: PL 31.13 Item 19)
5	-	Fuser latch (P/O PL 10.8 Item 10) (REP 10.10)
6	-	Fuser latch pin (P/O PL 10.8 Item 10)
7	-	Spring (P/O PL 10.8 Item 10)
8	-	Latch stop (P/O PL 10.8 Item 10)
9	-	Screw (P/O PL 10.10 Item 10)
10	-	Fuser latch pin kit (REF: PL 31.13 Item 2) (REP 10.10)
11	110E20190	Fuser exit switch (S10-100) (REP 10.16)
12	-	Fuser upper exit guide (P/O PL 10.8 Item 1)
13	-	Fuser top cover (P/O PL 10.8 Item 1)
14	-	Lower input guide (Not Spared)
15	-	Lamp (P/O PL 10.8 Item 1)

NOTE: 1. An ozone filter, PL 90.25 Item 3, is supplied with the fuser module.

NOTE: 2. For the fuser web motor, fuser connector assembly and fuser CRUM connector, refer to PL 40.15.

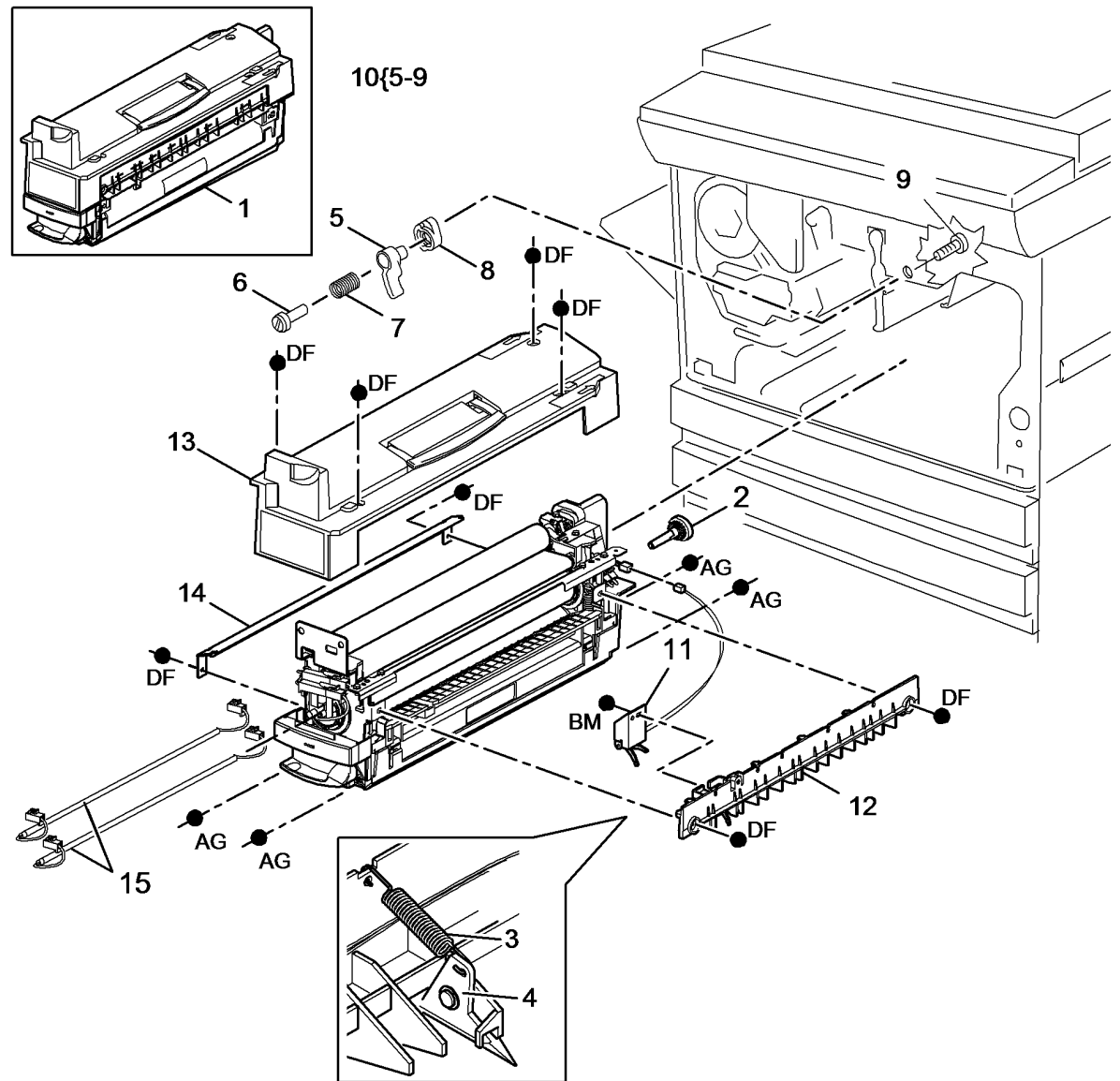


PL 10.10 Fuser Module (65-90 ppm)

Item	Part	Description
1	109R00772	Fuser module (XE) (NOTE 1)
-	109R00773	Fuser module (USSG/XCL) (NOTE 1)
2	-	Web drive dog (Not Spared)
3	-	Spring (P/O PL 10.10 Item 1)
4	-	Fuser stripper finger kit (REF: PL 31.13 Item 19)
5	-	Fuser latch (P/O PL 10.10 Item 10) (REP 10.10)
6	-	Fuser latch pin (P/O PL 10.10 Item 10)
7	-	Spring (P/O PL 10.10 Item 10)
8	-	Latch stop (P/O PL 10.10 Item 3)
9	-	Screw (P/O PL 10.10 Item 10)
10	-	Fuser latch pin kit (REF: PL 31.13 Item 2) (REP 10.10)
11	110K20910	Fuser exit switch (S10-100) (REP 10.16)
12	-	Fuser upper exit guide (P/O PL 10.10 Item 1)
13	-	Fuser top cover (P/O PL 10.10 Item 1)
14	-	Lower input guide (Not Spared)
15	-	Lamp (P/O PL 10.10 Item 1)

NOTE: 1. An ozone filter, PL 90.25 Item 3 is supplied with the fuser module.

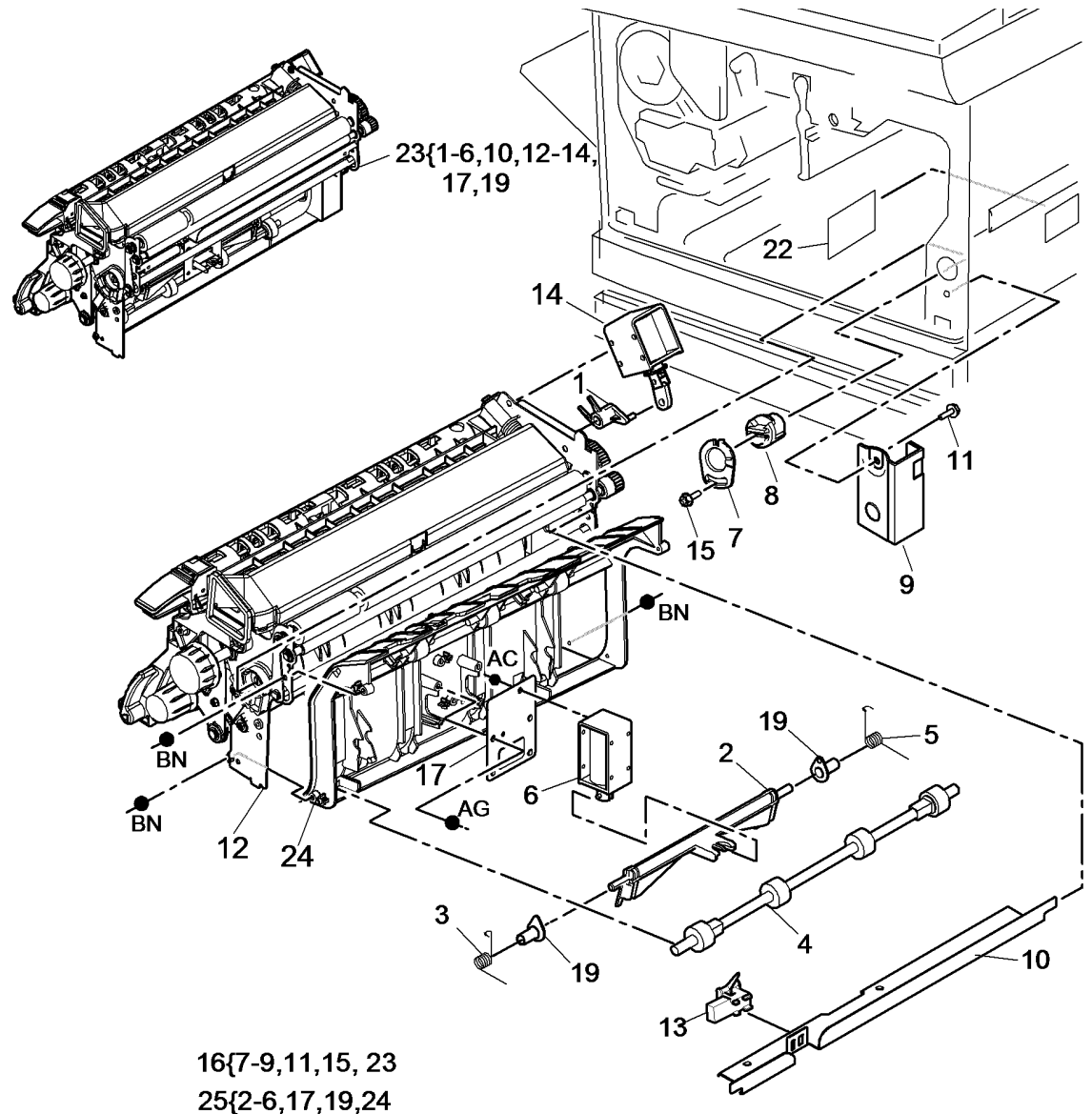
NOTE: 2. For the fuser web motor, fuser connector assembly and fuser CRUM connector, refer to PL 40.10.



V-8-0051-A

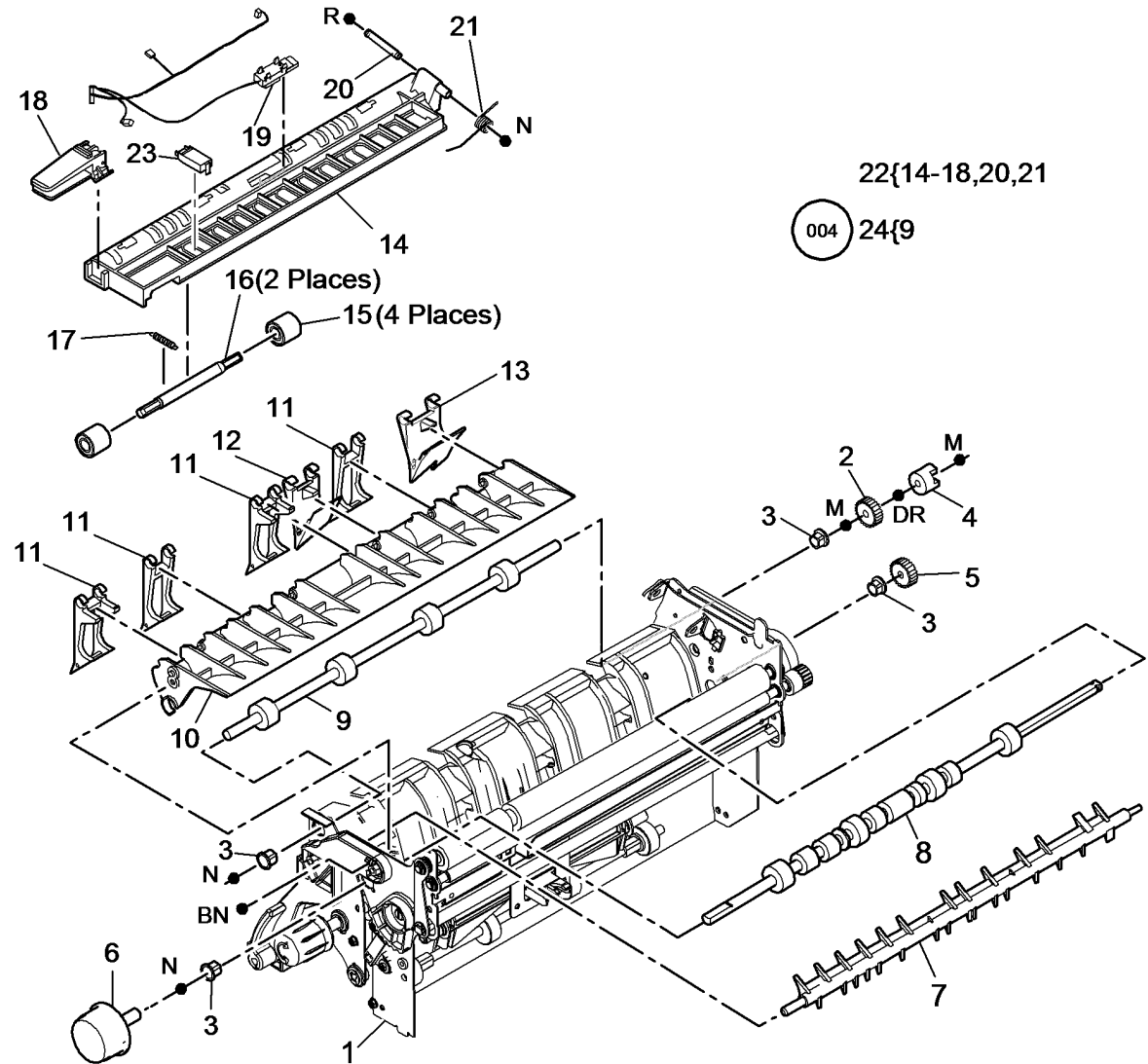
PL 10.11 Inverter Decurler Assembly (1 of 4)

Item	Part	Description
1	011E25300	Link arm
2	-	Shaft actuator (P/O PL 10.11 Item 25) (REP 10.9)
3	-	LH Spring (P/O PL 10.11 Item 25)
4	006K30320	Nip split shaft assembly (REP 10.8)
5	-	RH Spring (P/O PL 10.11 Item 25)
6	121K44380	Inverter nip solenoid (SOL10-050) (REP 10.5)
7	-	Retaining ring (P/O PL 10.11 Item 16)
8	-	Adjuster (P/O PL 10.11 Item 16)
9	-	Support bracket (P/O PL 10.11 Item 16)
10	-	IOT exit sensor mounting bracket (P/O PL 10.11 Item 23)
11	-	Screw (M4x8) (P/O PL 10.11 Item 16)
12	-	Inverter output assembly (P/O PL 10.11 Item 23)
13	130E12080	IOT Exit sensor (Q10-120) (REP 10.17)
14	121K44390	Inverter path solenoid (SOL10-045) (REP 10.4)
15	-	Shoulder screw (M4x12) (P/O PL 10.11 Item 16)
16	-	Inverter decurler kit (REF: PL 31.13 Item 3)
17	-	Inverter nip solenoid bracket (P/O PL 10.11 Item 25)
18	-	Not used
19	-	Bearing (P/O PL 10.11 Item 25)
20	-	Not used
21	-	Not used
22	960K41881	Inverter motor driver PWB (45-55ppm)
-	960K32891	Inverter motor driver PWB (65-90 ppm)
23	-	Inverter decurler assembly (45-55 ppm) (REP 10.2)
-	-	Inverter decurler assembly (65-90 ppm) (REP 10.2)
24	-	Output guide (P/O PL 10.11 Item 25)
25	-	Output guide assembly (Not Spared)



PL 10.12 Inverter Decurler Assembly (2 of 4)

Item	Part	Description
1	-	Inverter output assembly (P/O PL 10.11 Item 23)
2	-	Post fuser gear (20T) (REF: PL 10.15 Item 7)
3	013E36980	Bearing
4	-	Dog drive assembly (REF: PL 10.15 Item 6) (REP 10.12)
5	-	Idler gear (20T) (REF: PL 10.15 Item 4)
6	-	Tri-roll knob (REF: PL 10.15 Item 12)
7	-	Inverter gate (Not Spared) (REP 10.11)
8	-	Tri-roll shaft (Not Spared) (REP 10.12)
9	006K29971	Post fuser exit roller (W/O TAG 004) (REP 10.12)
-	-	Post fuser exit roller (P/O PL 10.12 Item 24) (W/TAG 004)
10	-	Tri-roll guide (P/O PL 10.11 Item 23) (REP 10.12)
11	-	Front gravity finger (P/O PL 10.11 Item 23)
12	-	Gravity gate finger (P/O PL 10.11 Item 23)
13	-	Rear gravity gate finger (P/O PL 10.11 Item 23) (REP 10.12)
14	-	Upper baffle (P/O PL 10.12 Item 22)
15	-	Idler roll (P/O PL 10.12 Item 22)
16	-	Idler roll shaft (P/O PL 10.12 Item 22)
17	-	Spring (P/O PL 10.12 Item 22)
18	-	Post fuser jam clearance latch (REF: PL 10.15 Item 11)
19	-	Inverter sensor (Q10-105) (P/O item 22) (65-90 ppm) (NOTE) (REP 10.20)
20	-	Hinge pin (P/O PL 10.12 Item 22)
21	-	Torsion spring (P/O PL 10.12 Item 22)
22	038K17843	Upper baffle assembly (45-55 ppm) (REP 10.7)
-	038K23890	Upper baffle assembly (65-90 ppm)
23	123E02481	Upper LED (REP 10.18)
24	-	Inverter transparency feed kit (REF: PL 31.12 Item 2) (W/TAG 004)

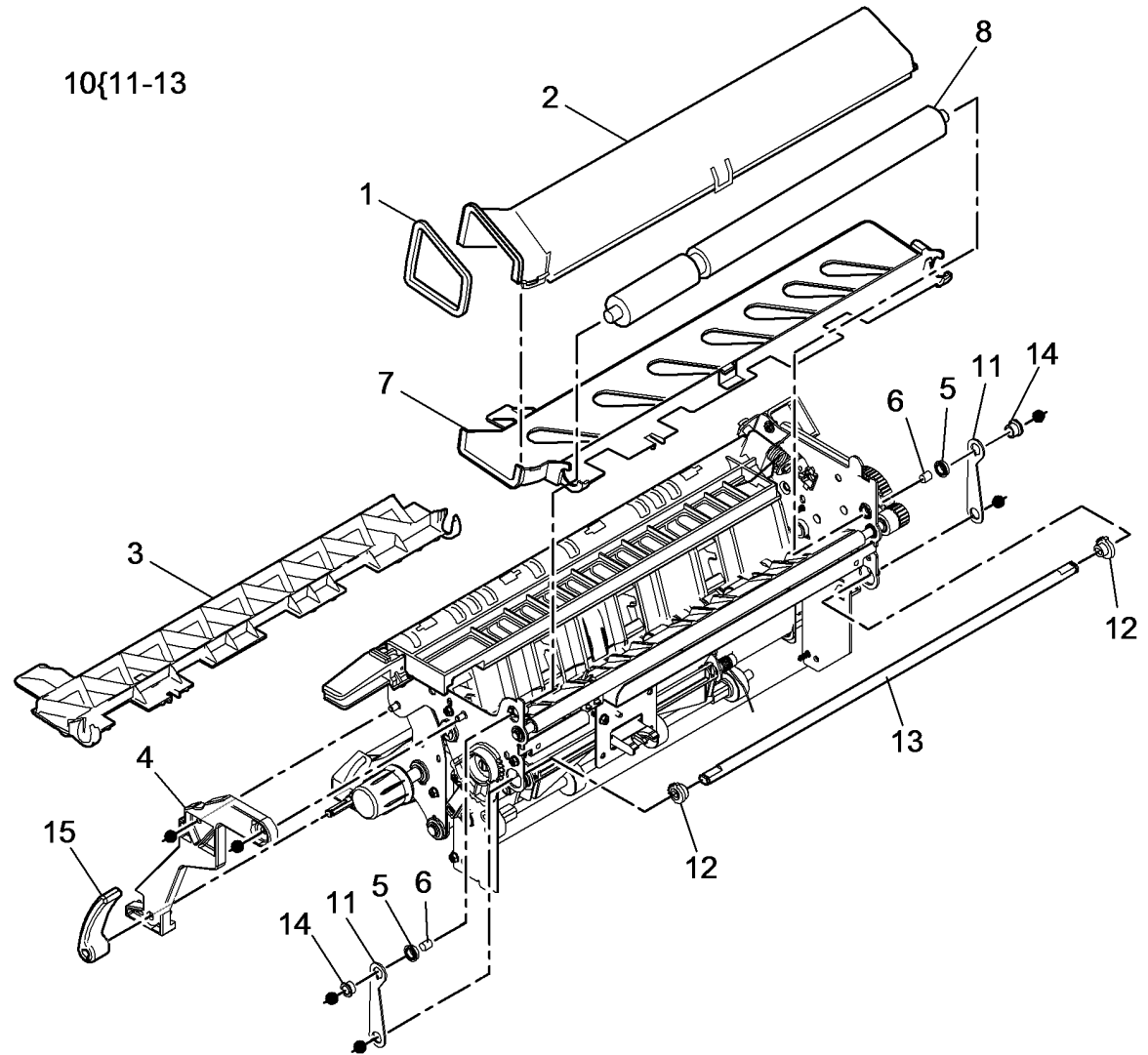


V-8-0053-A

NOTE: The 45-55 ppm machines do not have the inverter sensor.

PL 10.13 Inverter Decurler Assembly (3 of 4)

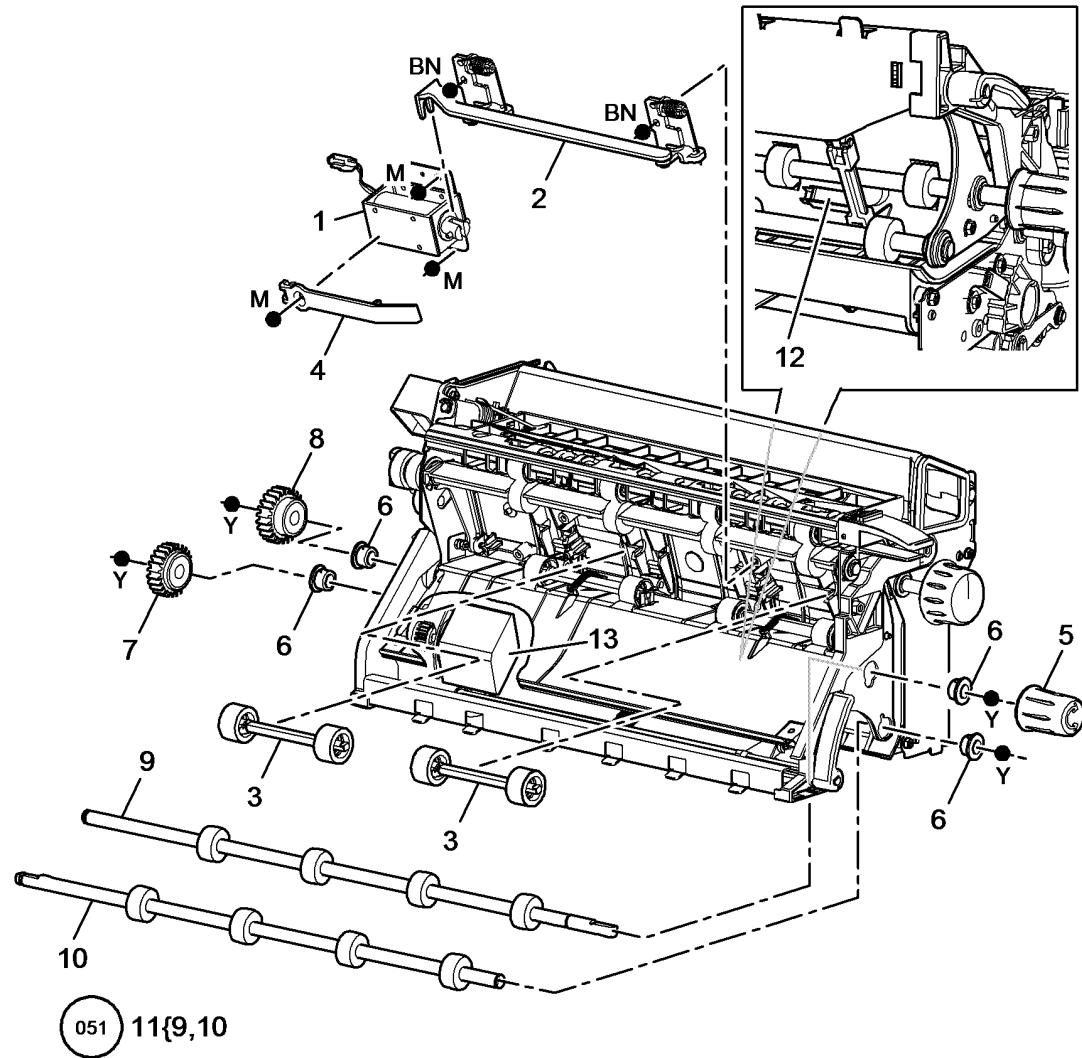
Item	Part	Description
1	-	Inverter assembly duct seal (P/O PL 10.11 Item 23)
2	-	Inverter assembly duct (P/O PL 10.11 Item 23) (65-90 ppm)
3	-	Baffle guide (P/O PL 10.11 Item 23) (45-55 ppm)
4	-	Inverter bracket (Not Spared)
5	013E36980	Bearing
6	-	Spacer (Not Spared)
7	-	Baffle guide (65-90 ppm) (P/O PL 10.11 Item 23)
8	-	Decurler roll (P/O PL 31.13 Item 5)
9	-	Not used (REP 10.14)
10	-	Camshaft assembly (Not Spared) (REP 10.6)
11	-	Link arm (P/O PL 10.13 Item 10)
12	-	Toothed cam (P/O PL 10.13 Item 10)
13	-	Camshaft (P/O PL 10.13 Item 10)
14	-	Link arm bush (Not Spared)
15	-	Handle (Not Spared)



V-8-0054-A

PL 10.14 Inverter Decurler Assembly (4 of 4)

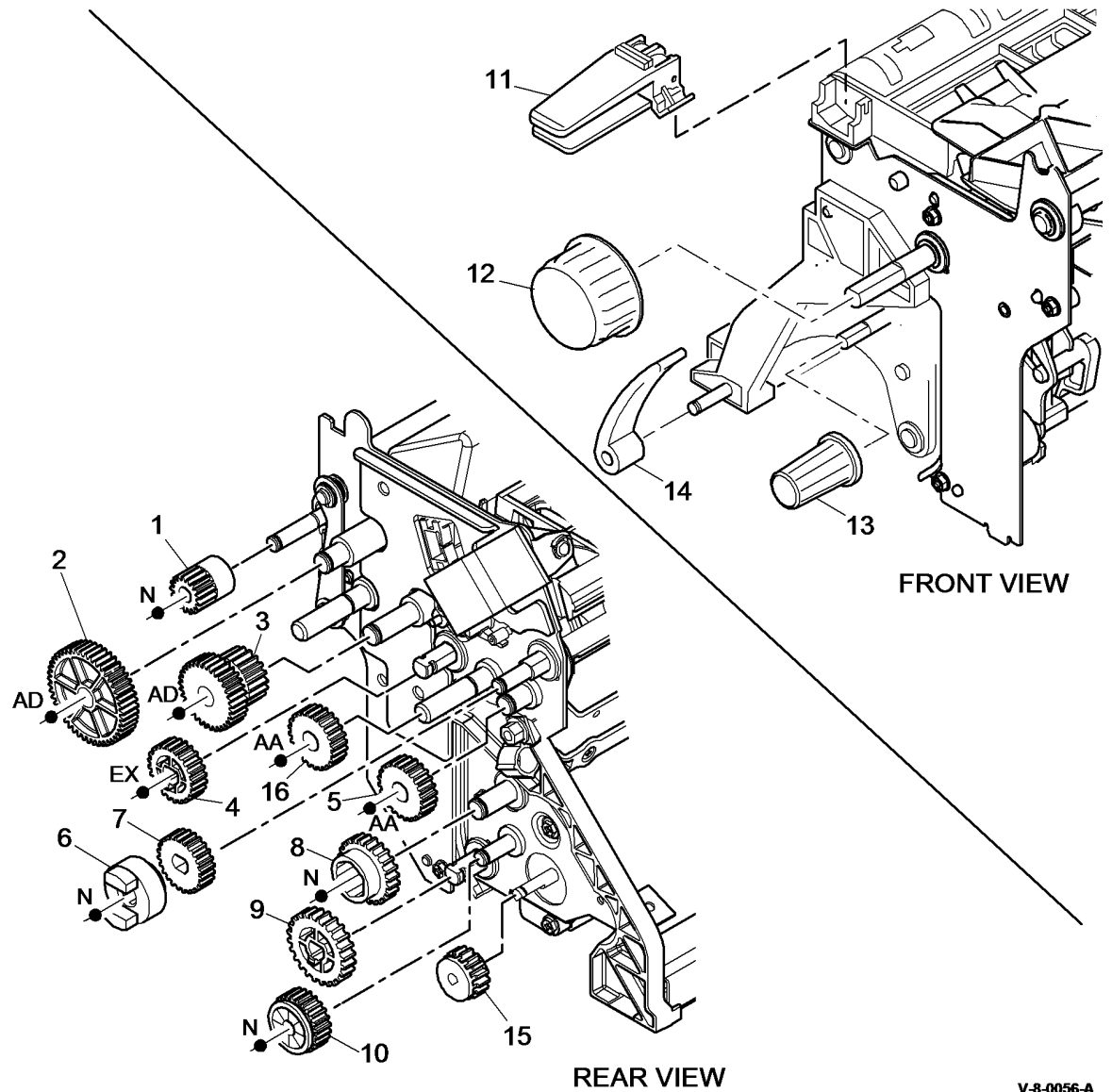
Item	Part	Description
1	121K44380	Tri-roll nip split solenoid (SOL10-055) (65-90 ppm) (REP 10.19)
2	-	Actuator assembly (Not Spared)
3	-	Nip roller (Not Spared)
4	-	Solenoid ramp (Not Spared)
5	-	Jam clearance knob (2b) (REF: PL 10.15 Item 13)
6	-	Bearing (Not Spared)
7	-	Gear (24T) (REF: PL 10.15 Item 9)
8	-	Gear assembly (REF: PL 10.15 Item 8)
9	-	Upper inverter drive shaft (P/O PL 10.14 Item 11)
10	-	Lower inverter drive shaft (P/O PL 10.14 Item 11)
11	-	Drive roll repair kit (REF: PL 31.13 Item 9) (W/TAG 051)
12	123E02481	Lower LED (REP 10.18)
13	127K53210	Inverter motor (MOT10-030) (45-55 ppm) (REP 10.3)
-	127K53540	Inverter motor (MOT10-030) (65-90 ppm) (REP 10.3)



V-8-0055-A

PL 10.15 Inverter Drive Gears and Jam Clearance Knobs

Item	Part	Description
1	-	Exit gear (17T) (Not Spared)
2	807E15800	Idler gear (47T)
3	-	Idler gear (33/19T) (Not Spared)
4	807E15790	Idler gear (20T)
5	807E15780	Idler gear (19T)
6	007K19670	Dog drive assembly
7	807E15770	Post fuser gear (20T)
8	807E15820	Gear assembly (24T)
9	807E15850	Gear (24T)
10	807E15840	Gear (21T)
11	003K20990	Post fuser jam clearance latch
12	003E77261	Tri-roll knob
13	003E77271	Jam clearance knob (2b)
14	003E77251	Latch cam handle
15	-	Inverter motor gear (45-55 ppm) (P/ O PL 10.14 Item 13)
-	-	Inverter motor gear (65-90 ppm) (P/ O PL 10.14 Item 13)
16	-	Idler (21T) (Not Spared)

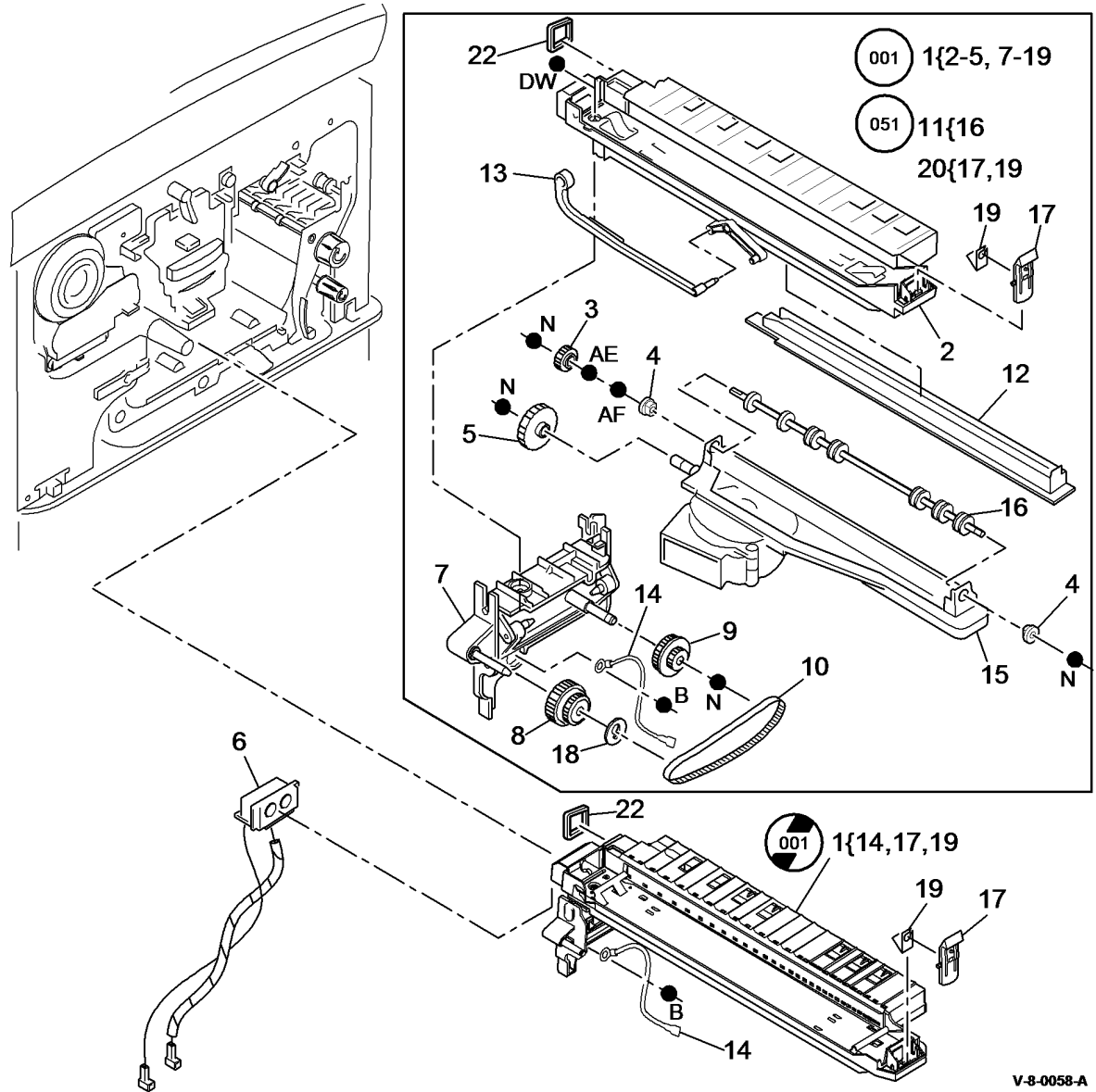


V-8-0056-A

PL 10.25 Short Paper Path Assembly

Item	Part	Description
1	-	Short paper path assembly (P/O PL 31.11 Item 9) (W/O TAG 001) (REP 10.1)
-	-	Short paper path assembly (P/O PL 31.11 Item 9) (W/TAG 001) (REP 10.1)
2	-	Corotron carrier (P/O PL 10.25 Item 1)
3	-	Gear (P/O PL 10.25 Item 1) (16T)
4	-	Bearing (P/O PL 10.25 Item 1)
5	-	Gear (P/O PL 10.25 Item 1) (32T)
6	-	Transfer/Detack harness (REF: PL 90.20 Item 9)
7	-	Intermediate drive assembly (P/O PL 10.25 Item 1)
8	807E15940	Gear/Pulley (28T/25G)
9	-	Gear/Pulley (P/O PL 10.25 Item 1) (16T/30G)
10	-	Intermediate drive belt (P/O PL 10.25 Item 1) (REP 10.15)
11	-	Drive roll repair kit (REF: PL 31.13 Item 9) (W/TAG 051)
12	-	Ozone duct (P/O PL 10.25 Item 1)
13	-	Push rod (P/O PL 10.25 Item 1)
14	-	Ground harness (P/O PL 10.25 Item 1)
15	-	Base (P/O PL 10.25 Item 1)
16	-	Roll assembly (P/O PL 10.25 Item 11)
17	-	Corotron carrier latch (P/O PL 10.25 Item 20)
18	028E16630	Snap on washer (M6)
19	-	Spring clip (P/O PL 10.25 Item 20)
20	-	4B latch kit (P/O PL 31.12 Item 7)
21	-	Not used
22	-	Carrier seal (P/O PL 31.11 Item 6)

NOTE: For the registration and halo bias contact, refer to PL 80.15 Item 23.

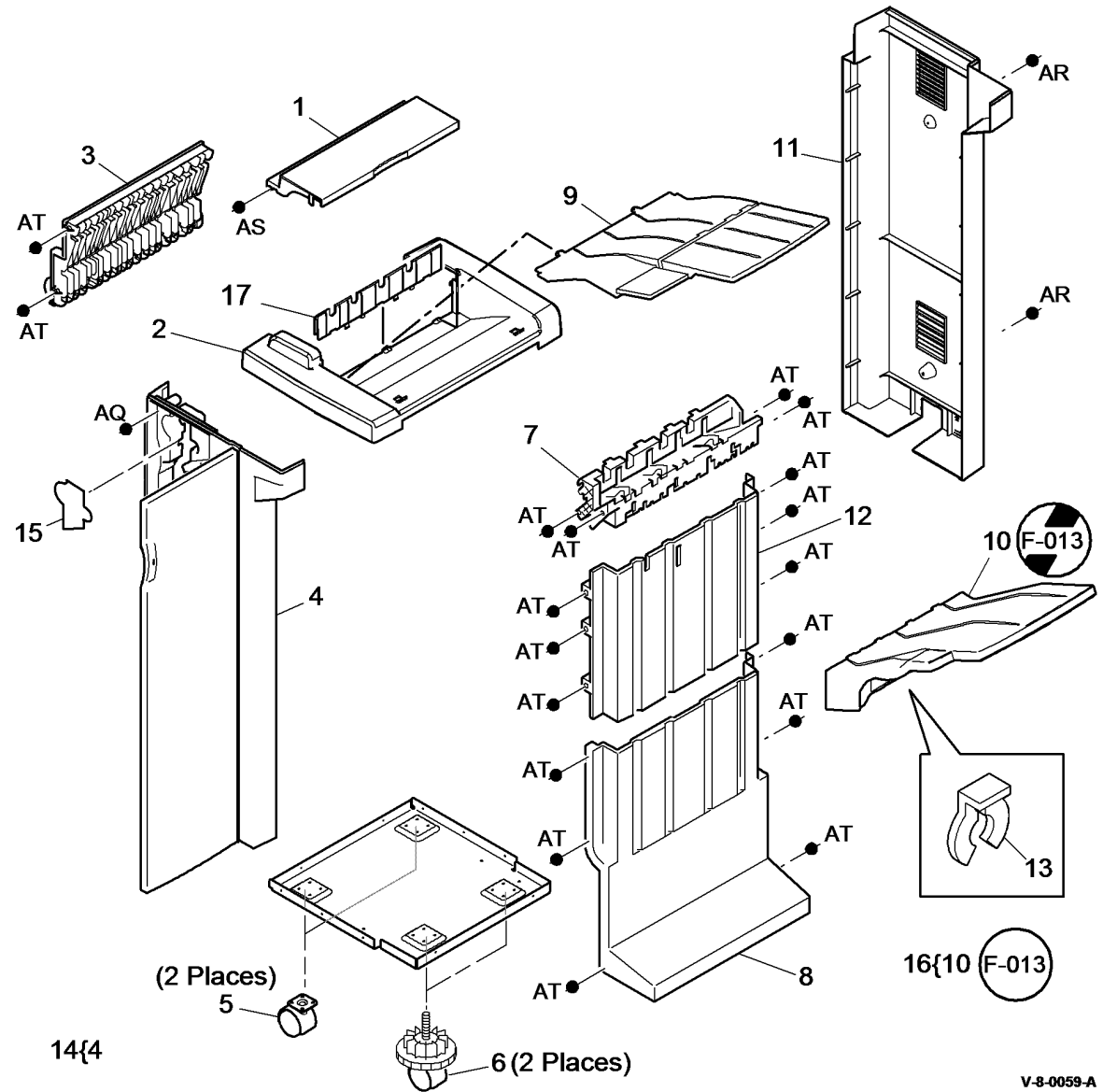


V-8-0058-A

PL 11.2 2K LCSS Covers

Item	Part	Description
1	802K48330	Exit cover
2	848K06190	Top cover (REP 11.1-110)
3	-	Entry guide cover (REF: PL 11.24 Item 5) (REP 11.15-110)
4	-	Front door cover assembly (P/O PL 11.2 Item 14) (REP 11.1-110)
5	017K03750	Fixed castor
6	017K04520	Adjustable castor
7	-	Output cover (Not Spared)
8	802K48320	Lower right cover
9	050K67380	Bin 0
10	050K68490	Bin 1 (W/O TAG F-013) (ADJ 11.1-110)
11	848K06180	Rear cover assembly (REP 11.1-110)
12	-	Upper right cover (Not Spared)
13	019K13380	Bin 1 alignment clip
14	-	2K LCSS front door cover assembly kit (REF: PL 31.12 Item 10)
15	-	Hole punch assembly cover (Not Spared)
16	-	Bin 1 tray kit (improved stacking) (REF: PL 31.11 Item 18) (W/TAG F-013)
17	-	Top edge cover (P/O PL 11.2 Item 2)

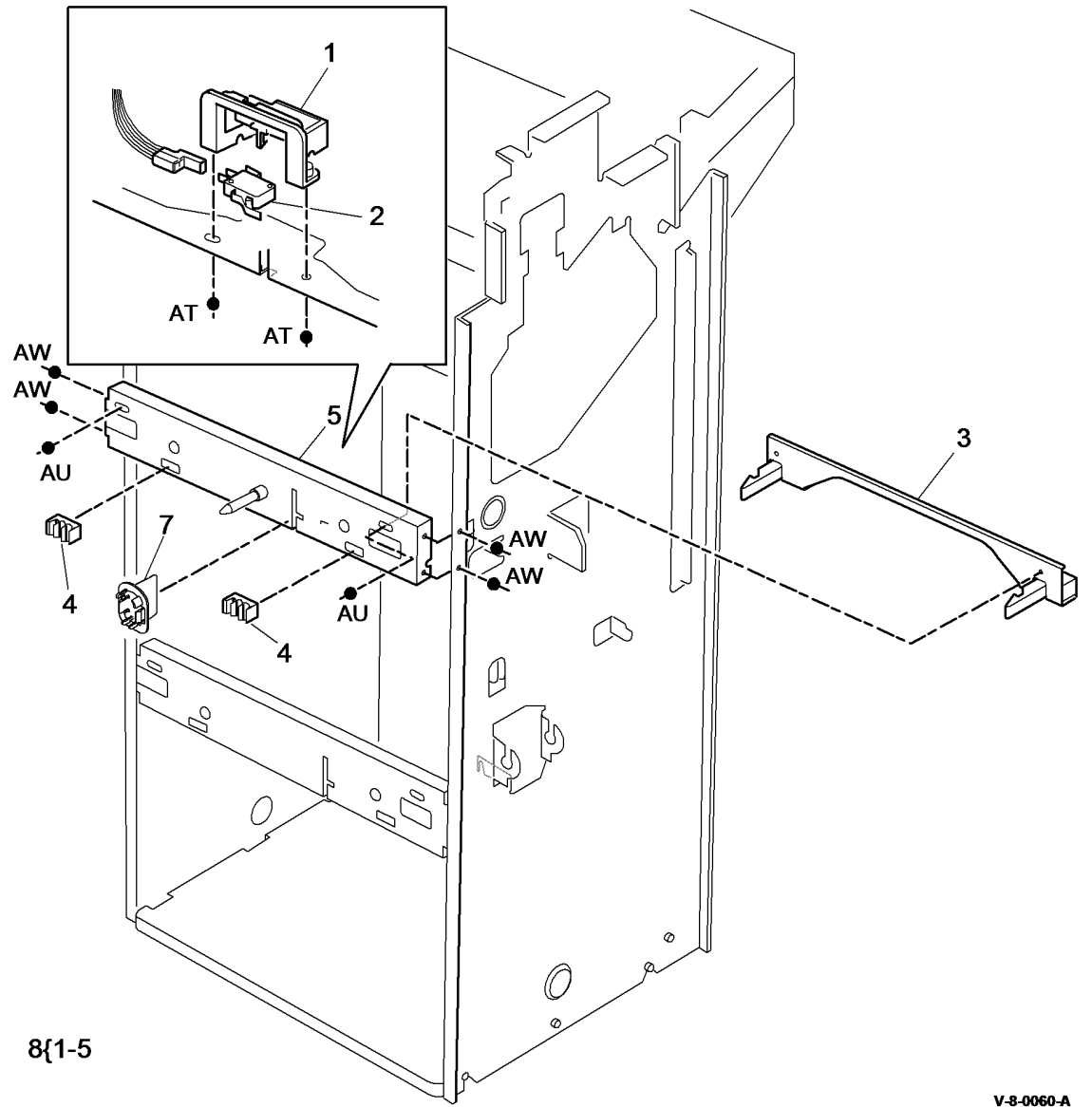
NOTE: Refer to ADJ 11.2-110 to align the 2K LCSS to the machine.



V-8-0059-A

PL 11.4 2K LCSS Docking Latch

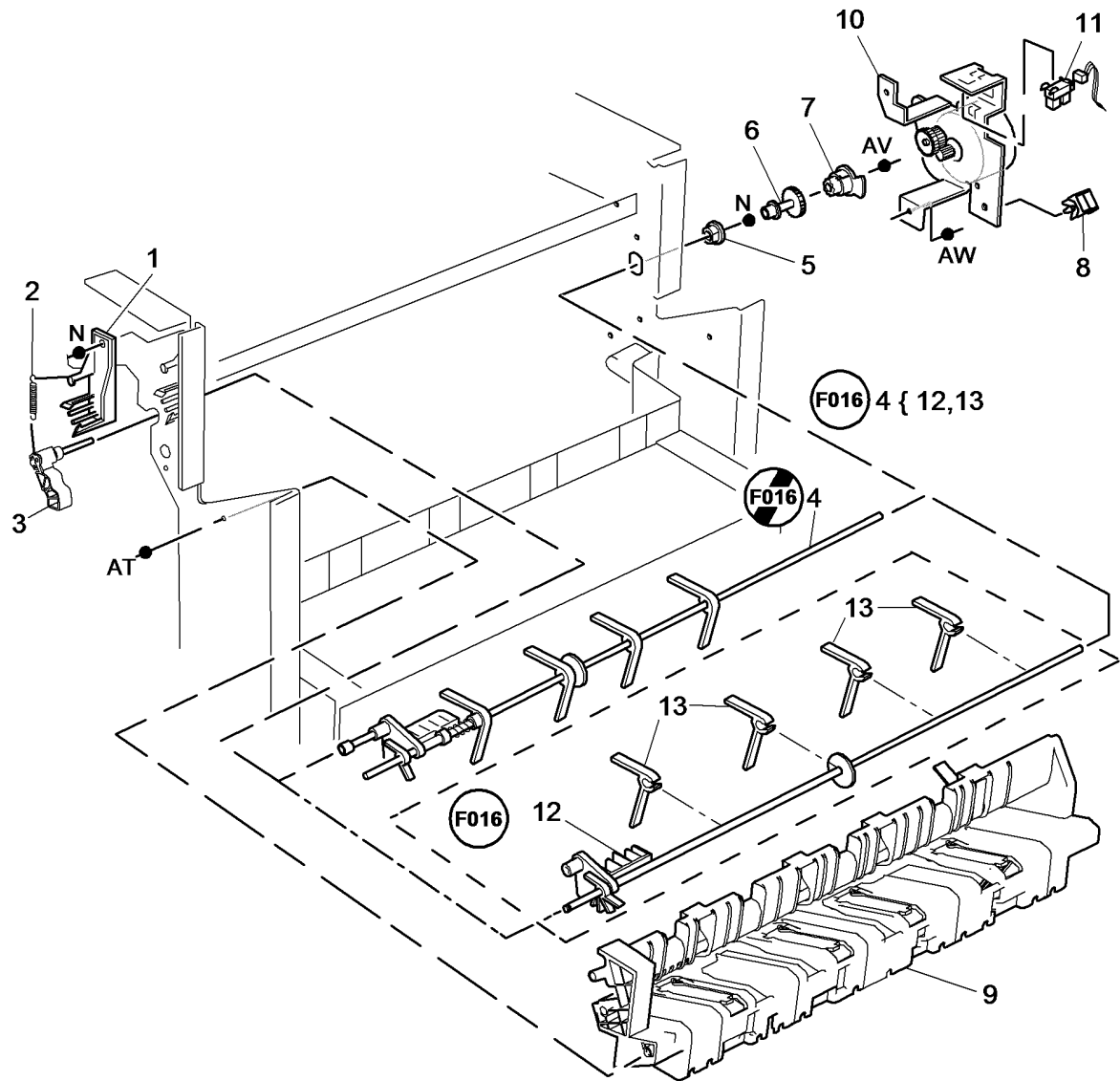
Item	Part	Description
1	-	Sensor cover (Not Spared)
2	110K13980	Docking interlock switch (S11-300)
3	003K20401	Link bracket assembly
4	-	Stopper (Not Spared)
5	-	Docking latch (P/O PL 11.4 Item 8)
6	-	Not used
7	120K02590	Docking actuator
8	003K20410	Docking latch assembly (REP 11.16-110)



PL 11.8 2K LCSS Paddle Wheel/Safety Gate

Item	Part	Description
1	-	Spring bracket (Not Spared)
2	-	Spring (Not Spared)
3	-	Switch actuator (Not Spared)
4	-	Paddle wheel shaft assembly (Not spared) (W/O TAG F-016) (REP 11.12-110)
-	-	Paddle wheel shaft assembly (P/O PL 31.12 Item 6) (W/TAG F-016)
5	013E25790	Bearing
6	-	Gear (Not Spared)
7	-	Flag (Not Spared)
8	-	Cable clamp (Not Spared)
9	-	Output cover (REF: PL 11.2 Item 7)
10	127K55881	Paddle motor assembly (MOT11-024)
11	130E10360	Paddle roll home sensor (Q11-326)
12	-	Shaft (P/O PL 11.8 Item 4) (W/TAG F-016)
13	-	Paddle (P/O PL 11.8 Item 4) (NOTE) (W/TAG F-016)

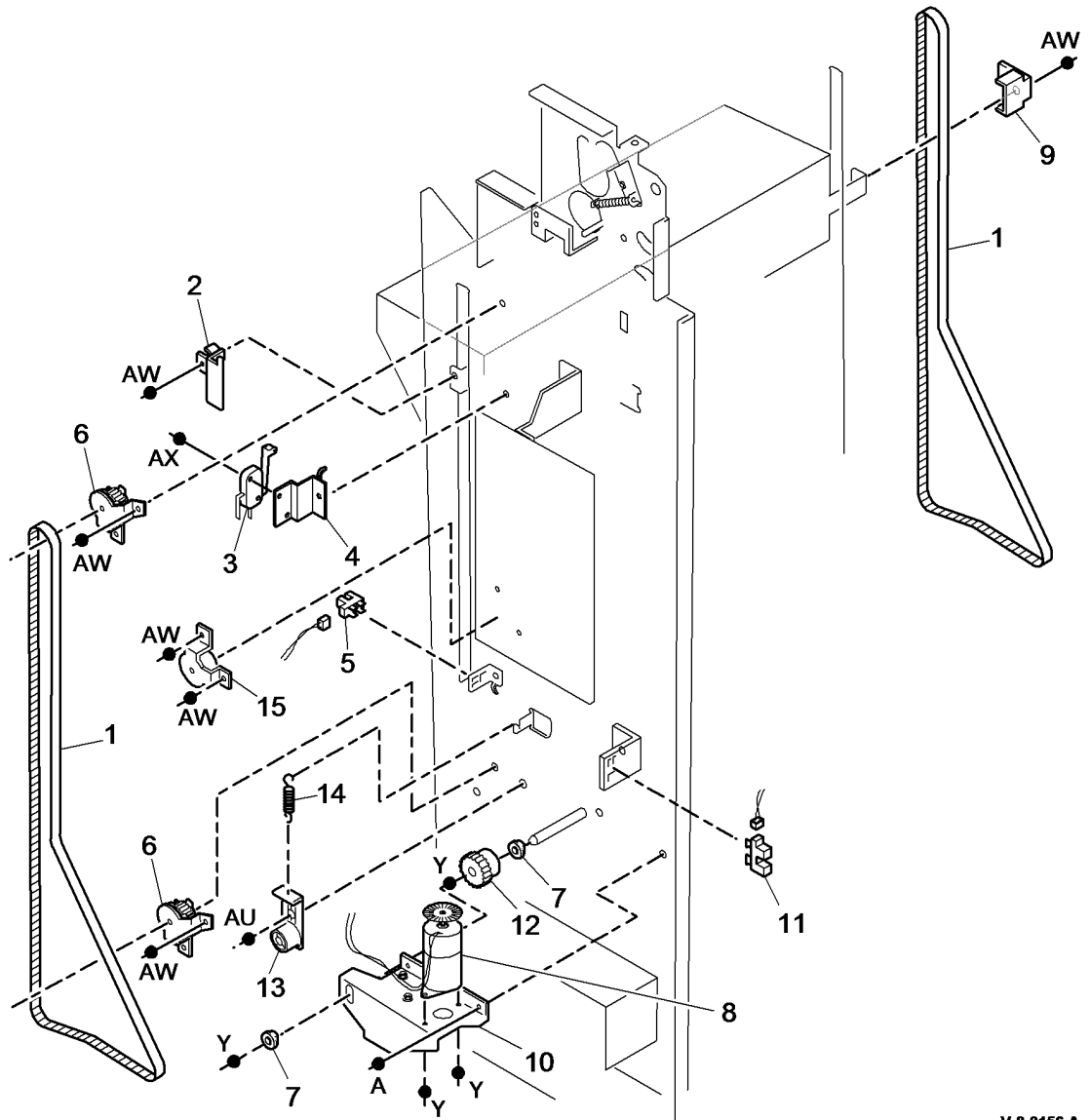
NOTE: Paddles are also supplied (4 off) as a kit PL 31.12 Item 11.



V-8-0062-A

PL 11.10 2K LCSS Bin 1 Control Components (1 of 2)

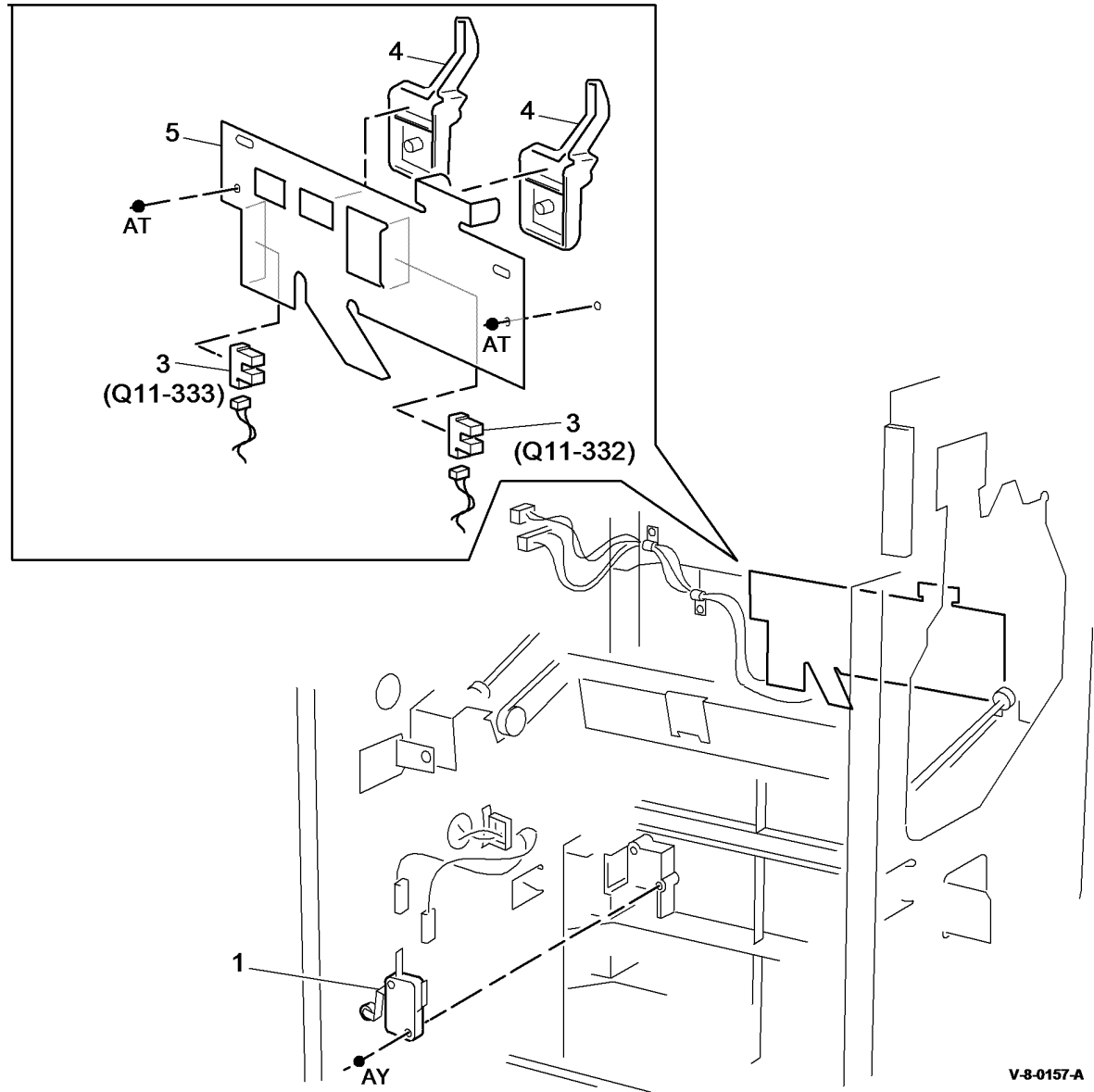
Item	Part	Description
1	023E24320	Bin 1 drive belt (REP 11.5-110)
2	-	Rear belt clamp (Not Spared) (ADJ 11.1-110)
3	110E20180	Bin 1 upper limit switch (S11-334)
-	110K13990	Bin 1 upper limit switch (alternate) (S11-334)
4	-	Sensor bracket (Not Spared)
5	130E10360	Bin 1 90% full sensor (Q11-331)
6	-	Pulley (Not Spared)
7	013E25810	Bearing
8	127K55890	Bin 1 elevator motor (MOT11-030)
9	-	Front belt clamp (Not Spared) (ADJ 11.1-110)
10	-	Motor bracket (Not Spared)
11	130E12330	Motor encoder sensor (Q11-336)
12	-	Pulley assembly (Not Spared)
13	-	Belt tensioner (Not Spared)
14	-	Spring (Not Spared)
15	-	Idler (Not Spared)



V-8-0156-A

PL 11.12 2K LCSS Bin 1 Control Components (2 of 2)

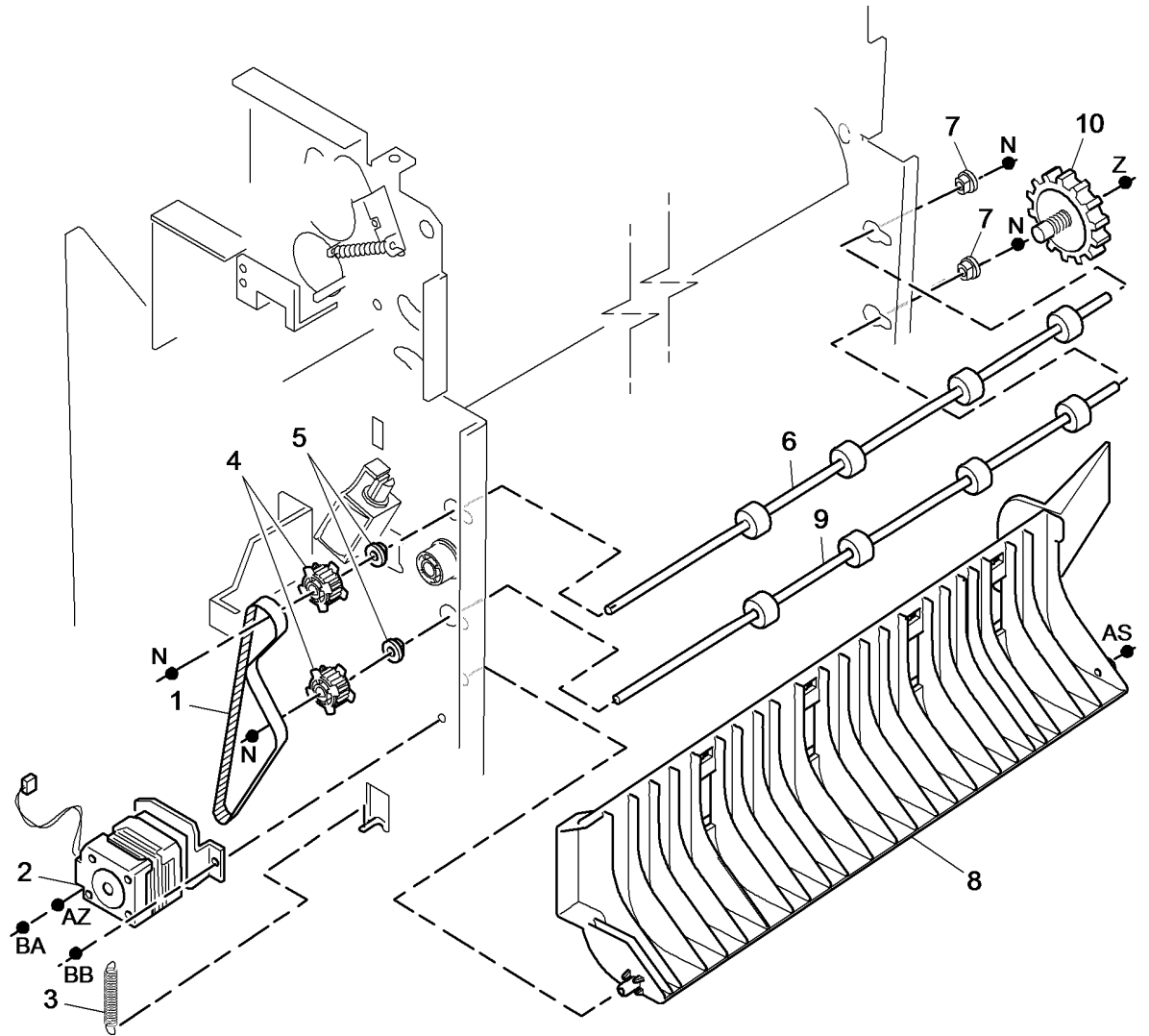
Item	Part	Description
1	110K13990	Bin 1 lower limit switch (S11-335)
2	-	Not used
3	130E10360	Bin 1 Upper level sensor (Q11-332), Bin 1 Lower level sensor (Q11-333) (REP 11.11-110)
4	-	Actuator (Not Spared)
5	-	Sensor support assembly (Not Spared)



V-8-0157-A

PL 11.14 2K LCSS Paper Entry Transport

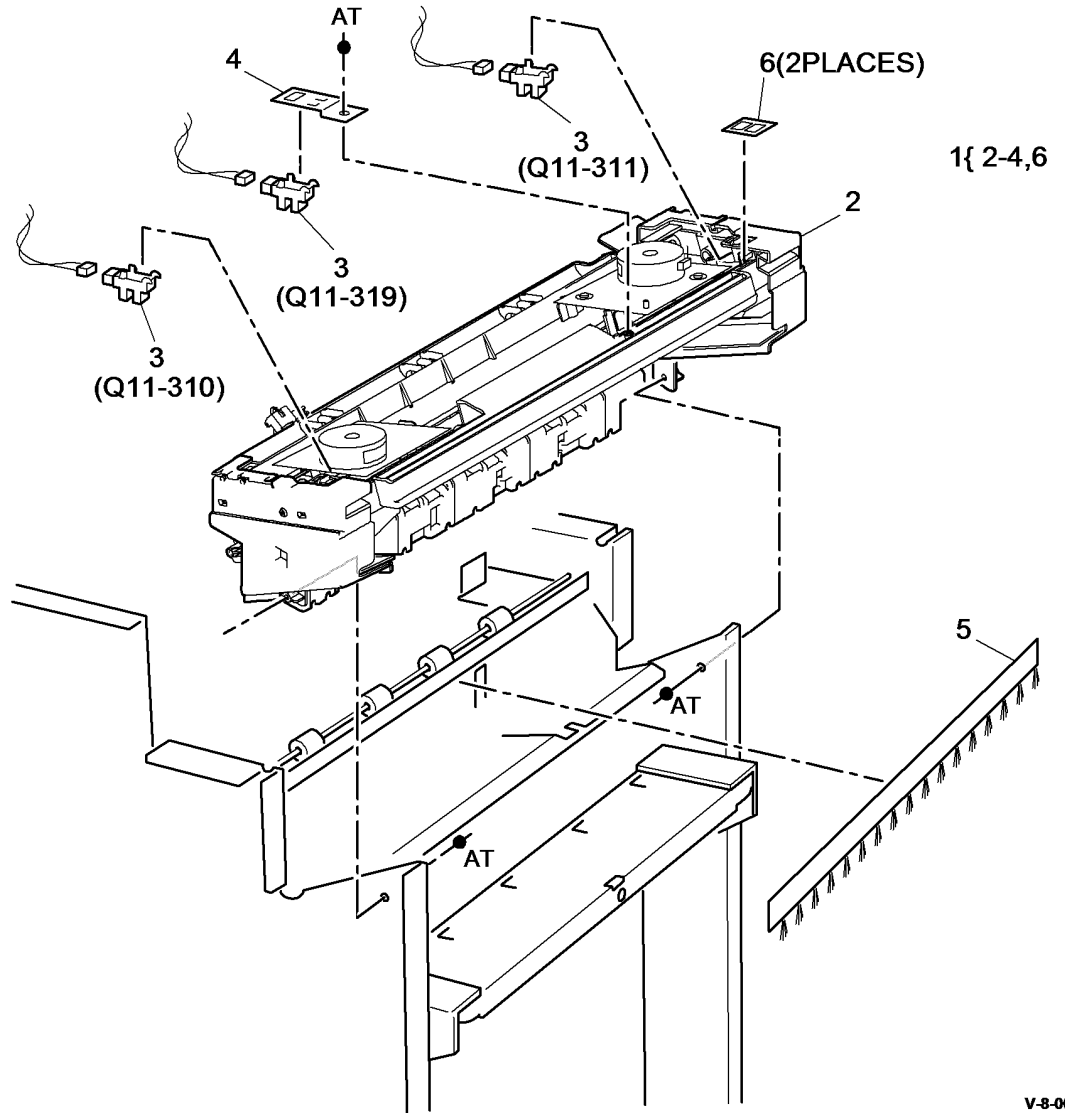
Item	Part	Description
1	023E24340	Input drive belt (REP 11.2-110)
2	127K55860	Transport motor 1 (MOT11-000) (REP 11.2-110)
3	-	Spring (Not Spared)
4	-	Pulley (Not Spared)
5	013E25790	Nylon bearing
6	006K27980	Feed roll shaft (short)
7	013E25800	Bearing
8	-	Paper entry guide assembly (REF: PL 11.24 Item 1)
9	006K31670	Feed roll shaft (long)
10	-	Thumb wheel (Not Spared)



V-8-0065-A

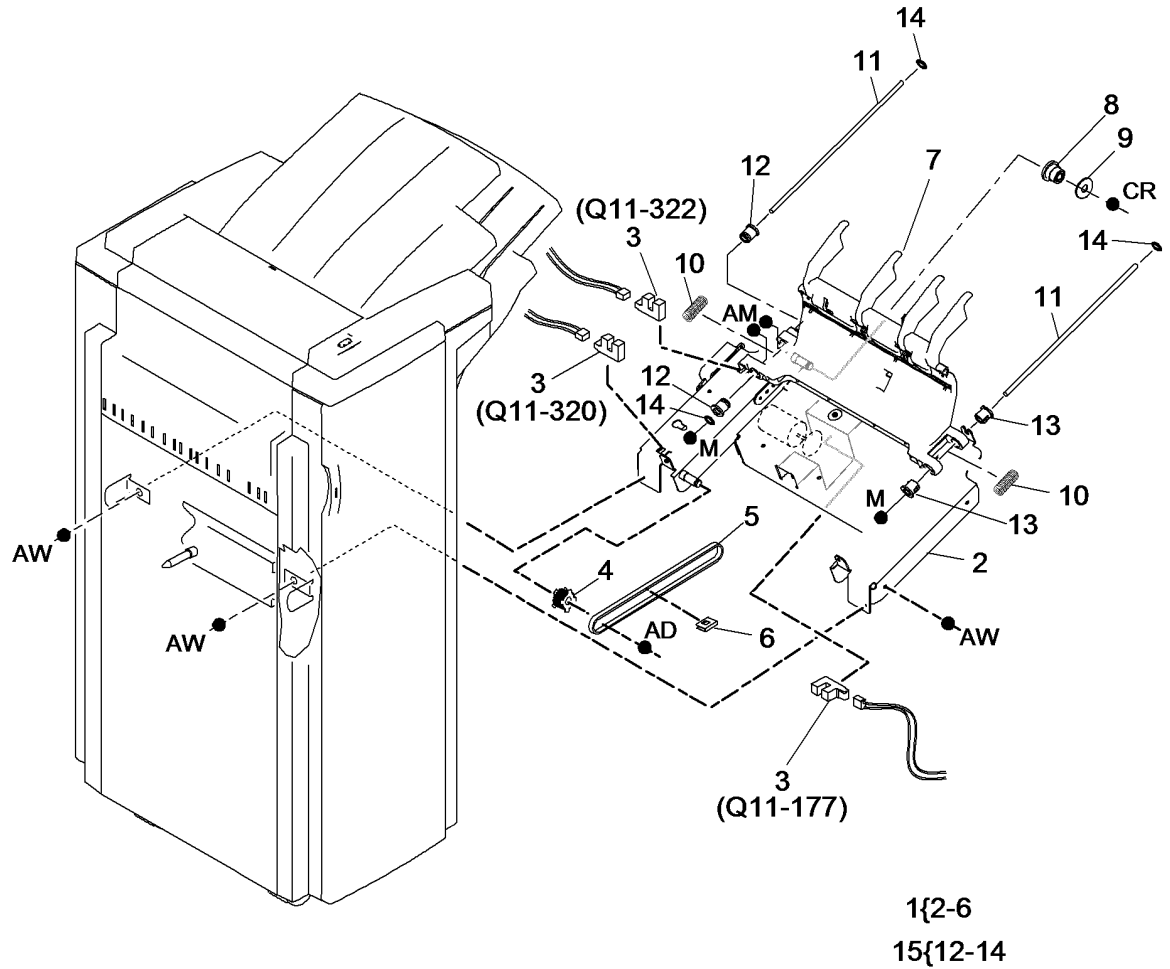
PL 11.16 2K LCSS Tamper Assembly

Item	Part	Description
1	068K54280	Tamper assembly (REP 11.6-110)
2	-	Tamper unit (P/O PL 11.16 Item 1)
3	130E10360	Front tamper home sensor (Q11-310), Rear tamper home sensor (Q11-311), Rear tamper away sensor (Q11-319)
4	-	Sensor bracket (P/O PL 11.16 Item 1)
5	-	Static eliminator (stacker) (REF: PL 11.23 Item 7)
6	-	Sensor retainer (P/O PL 11.16 Item 1)



PL 11.18 2K LCSS Ejector Assembly

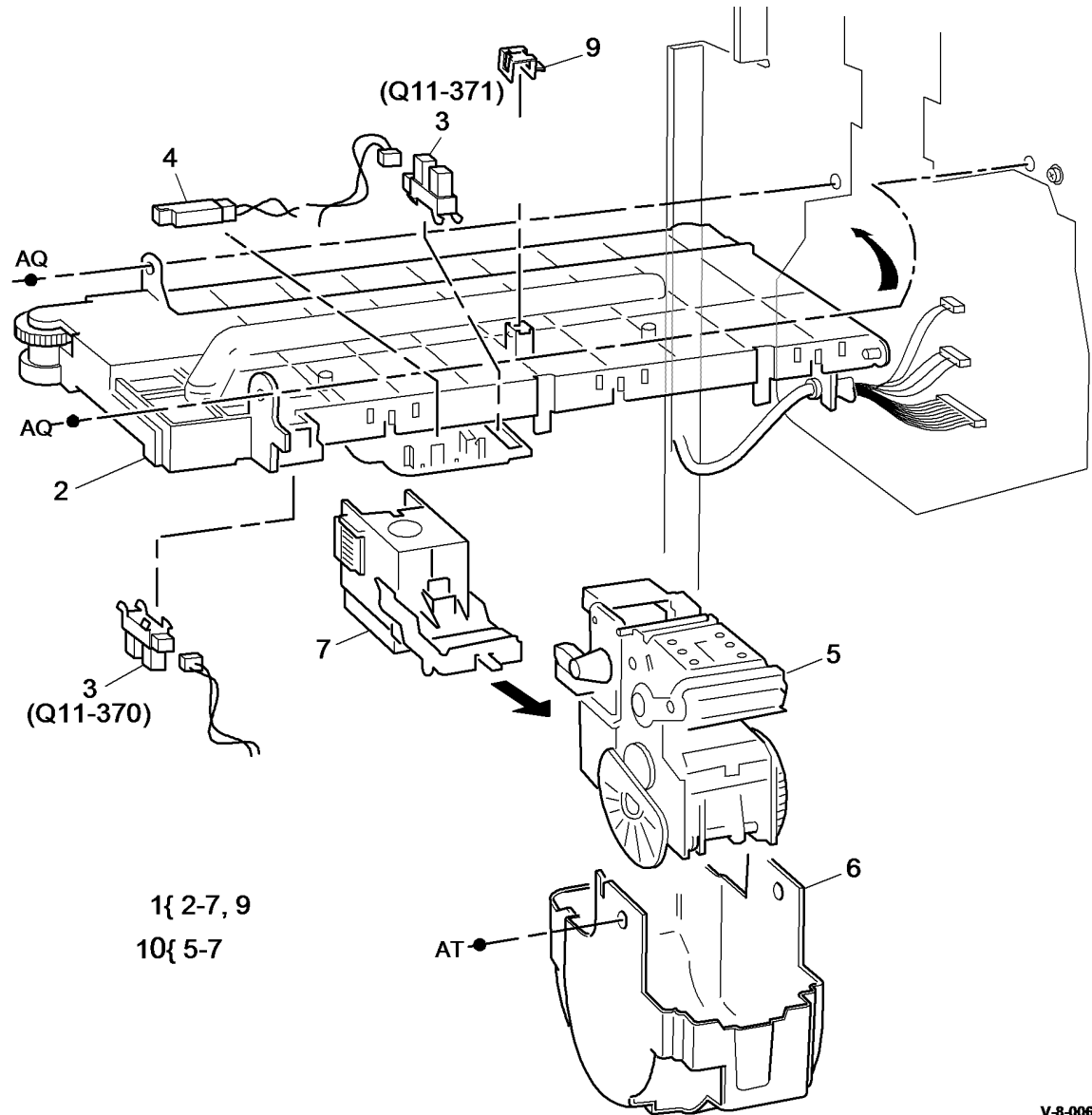
Item	Part	Description
1	054K43580	Ejector assembly (REP 11.10-110)
2	-	Ejector base (P/O PL 11.18 Item 1)
3	130E10360	Ejector home sensor (Q11-320), Ejector out sensor (Q11-322), Ejector motor encoder sensor(Q11-177) (REP 11.10-110)
4	-	Pulley (Not Spared)
5	023E24330	Ejector belt (REP 11.17-110)
6	-	Clip (P/O PL 11.18 Item 1)
7	019K13390	Support finger set (Qty. 4)
8	020K21490	Pulley drive gear
9	-	Washer (Not Spared)
10	-	Spring (P/O PL 11.18 Item 1)
11	-	Shaft (P/O PL 11.18 Item 1)
12	-	Slide ejector bearing (P/O PL 11.18 Item 15)
13	-	Wide slide ejector bearing (P/O PL 11.18 Item 15)
14	-	Cushion washer (P/O PL 11.18 Item 15)
15	604K67690	LCSS bearing assembly kit



V-8-0067-A

PL 11.20 2K LCSS Staple Head Unit/ Traverse Assembly

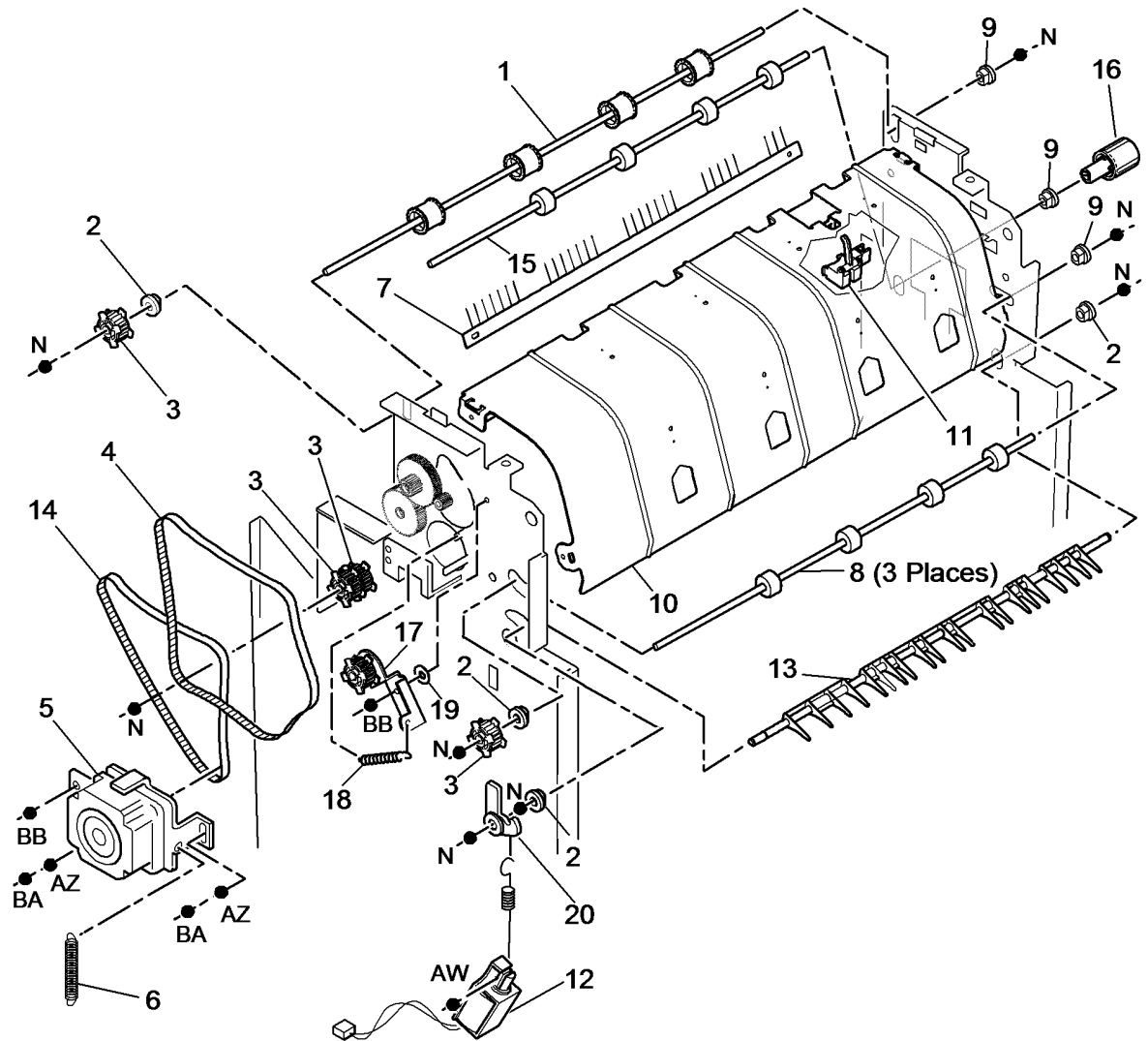
Item	Part	Description
1	-	Stapler traverse assembly kit (REF: PL 31.12 Item 9) (REP 11.8-110)
2	-	Head traverse unit (P/O PL 11.20 Item 1)
3	130E10360	SU1 Home sensor (Q11-370), SU1 Front index sensor (Q11-371)
4	130E10380	SH1 Paper sensor (Q11-361)
5	029K04520	Staple head unit (REP 11.9-110)
6	-	Stapler cover (P/O PL 11.20 Item 1)
7	-	Staple cartridge (REF: PL 26.10 Item 11)
8	-	Not used
9	-	Sensor cover (P/O PL 11.20 Item 1)
10	-	Staple head assembly (P/O PL 11.20 Item 1)



V-8-0068-A

PL 11.22 2K LCSS Bin 0 Entry

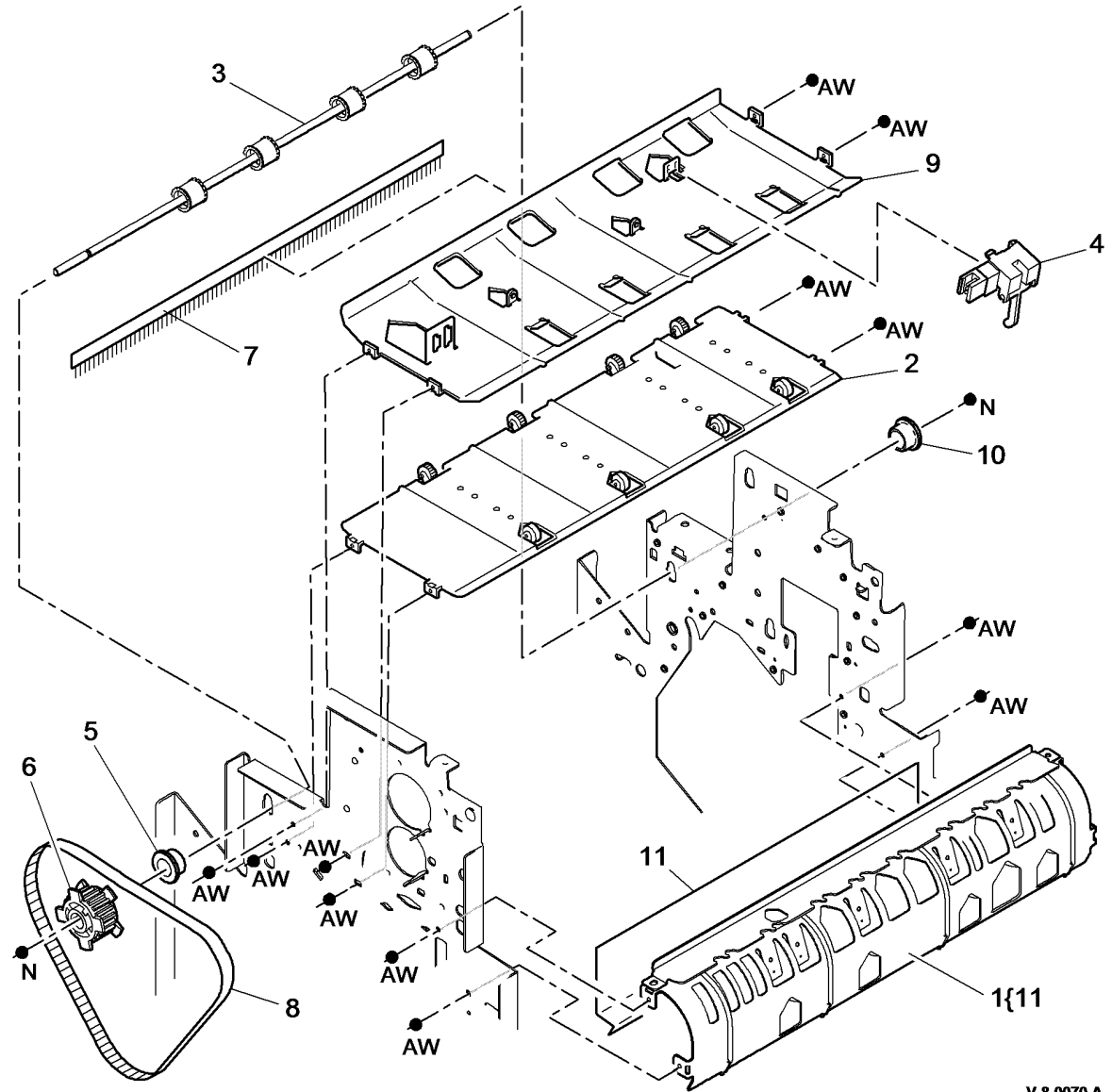
Item	Part	Description
1	006K27960	Ejector drive shaft
2	013E25790	Nylon bearing
3	-	Pulley (Not Spared)
4	023E24330	Intermediate paper drive belt (REP 11.3-110)
5	127K55870	Transport motor 2 (MOT11-001) (REP 11.4-110)
6	-	Spring (Not Spared)
7	115E12830	Static eliminator
8	006K27980	Feed roll shaft (short)
9	013E25800	Bearing
10	032K04580	Paper guide
11	130E11440	Top exit sensor (Q11-130)
12	121K45010	Diverter solenoid (SOL11-002)
13	-	Shaft diverter assembly (P/O PL 31.13 Item 6) (W/TAG F-017)
14	023E24340	Paper output drive belt (REP 11.4-110)
15	006K27970	Drive shaft assembly
16	003K17531	Jam clearance knob
17	-	Belt tensioner (Not Spared)
18	-	Spring (Not Spared)
19	-	Washer (Not Spared)
20	-	Actuator (Not Spared)



V-8-0069-A

PL 11.23 2K LCSS Bin 1 Entry

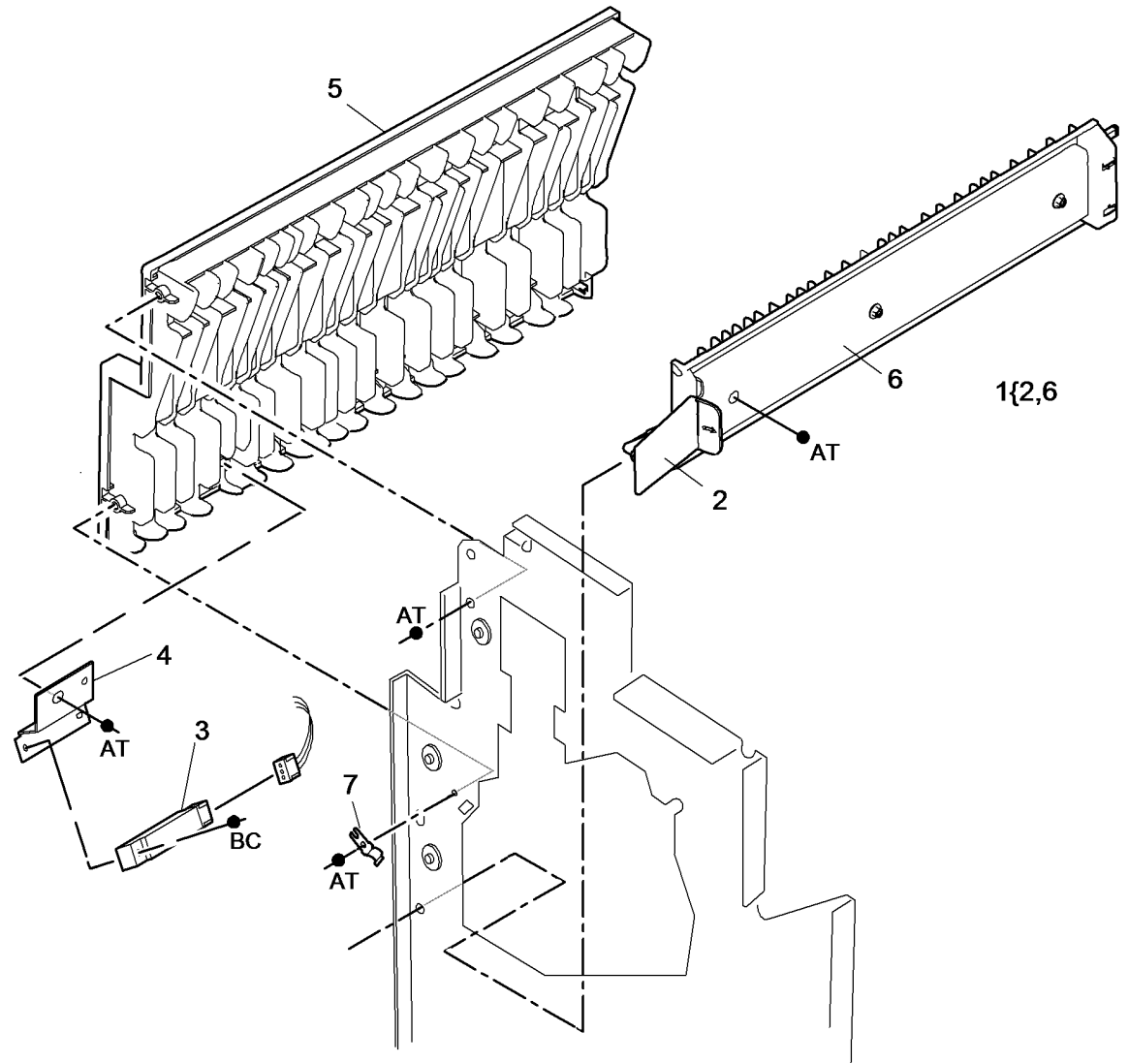
Item	Part	Description
1	032K04610	Left paper guide
2	032K04590	Lower right paper guide
3	-	Ejector drive shaft (REF: PL 11.22 Item 1)
4	130E11440	2nd to top exit sensor (Q11-140)
5	013E25790	Nylon bearing
6	-	Pulley (Not Spared)
7	115E11810	Static eliminator (stacker)
8	-	Paper output drive belt (REF: PL 11.22 Item 14)
9	-	Upper right paper guide (Not Spared)
10	013E25800	Bearing
11	-	Mylar safety cover (P/O PL 11.23 Item 1)



V-8-0070-A

PL 11.24 2K LCSS Entry Guide Cover/ Jam Clearance Guide

Item	Part	Description
1	032K04600	Paper entry guide assembly
2	-	Jam clearance handle (P/O PL 11.24 Item 1)
3	130E10380	Entry sensor (Q11-100)
4	-	Sensor bracket (Not Spared)
5	848K06160	Entry guide cover (REP 11.15-110)
6	-	Jam clearance guide (P/O PL 11.24 Item 1)
7	809E78390	Latch



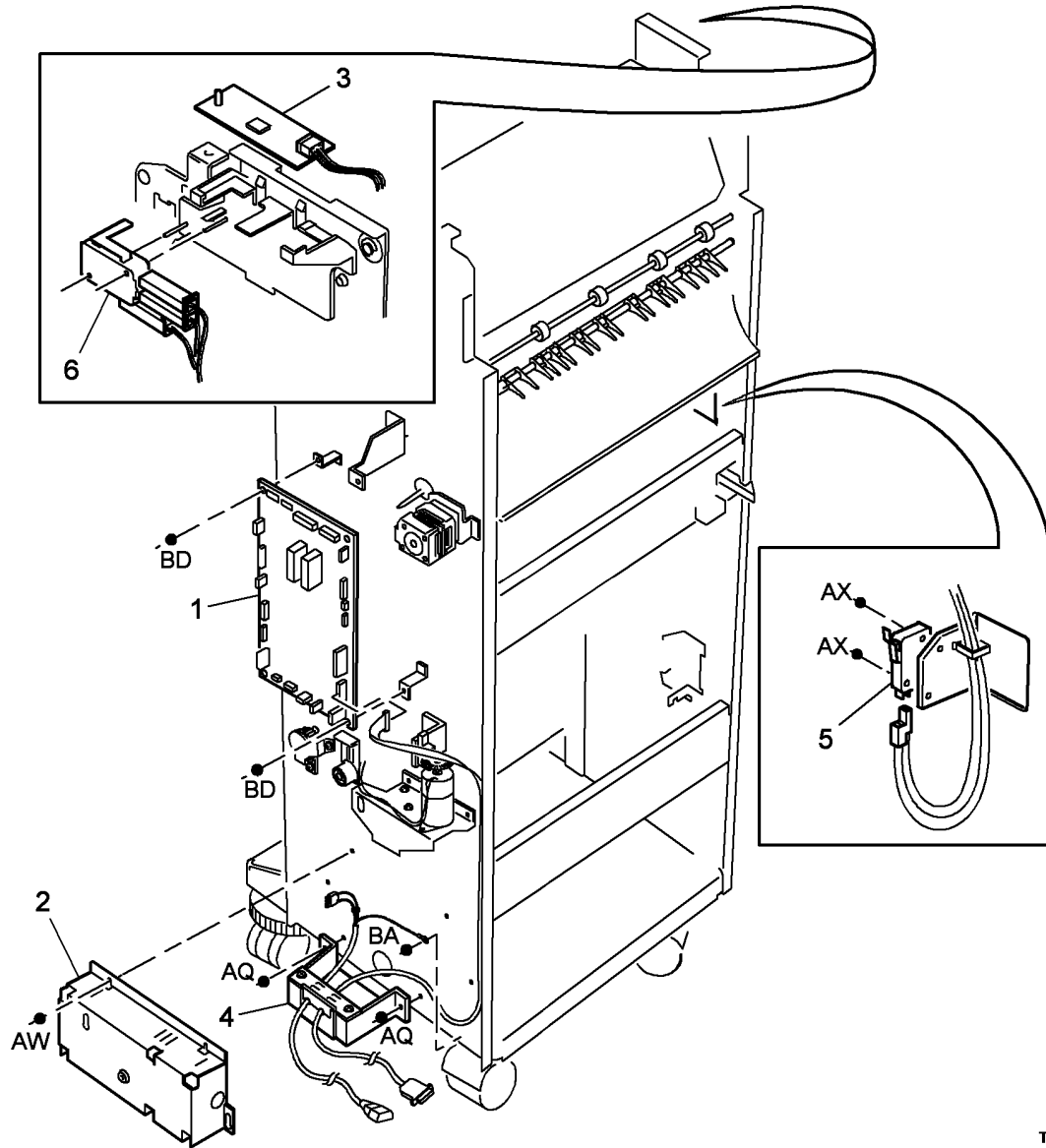
V-8-0071-A

PL 11.26 2K LCSS Electrical

Item	Part	Description
1	960K34502	2K LCSS PWB (CAUTION) (REP 11.14-110)
2	105K35842	Power supply module
3	960K34490	Pause to unload PWB
4	962K56951	Cord bracket assembly
5	110K13980	Front door interlock switch (S11-303)
6	110K13970	Top cover interlock switch (S11-302)

CAUTION

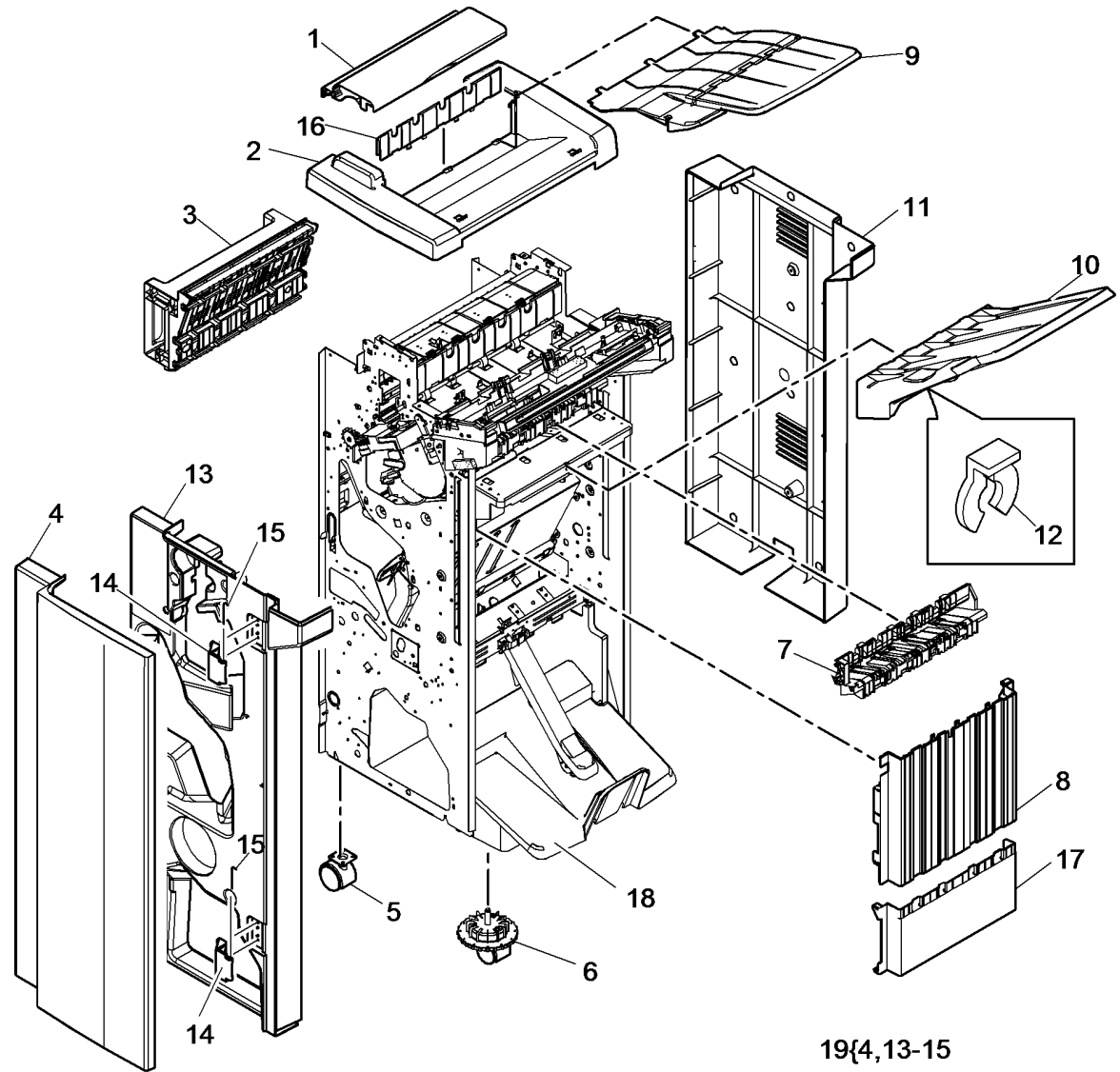
Do not install a new 2K LCSS PWB until the cause of the damage to the old 2K LCSS PWB has been determined. Go to the 311G-110 2K LCSS PWB Damage RAP.



T-8-0072-A

PL 11.50 LVF BM - Covers

Item	Part	Description
1	038E47460	Exit cover
2	848E97180	Top cover (REP 11.1-150)
3	848K83720	Entry guide cover assembly (REP 11.15-150)
4	-	Front door (P/O PL 11.50 Item 19) (REP 11.1-150)
5	017K03750	Fixed castor
6	017K04520	Adjustable castor
7	-	Output cover (Not Spared)
8	-	Right cover (Not Spared)
9	050K75970	Bin 0
10	050K75960	Bin 1
11	848K98040	Rear cover assembly
12	019K13380	Bin 1 alignment clip
13	-	Front cover assembly (P/O PL 11.50 Item 19)
14	-	Hinge (P/O PL 11.50 Item 19)
15	-	Hinge pin (P/O PL 11.50 Item 19)
16	848E97190	Top edge cover
17	-	Lower right cover (REP 11.45-150)
18	-	Bin 2 (Not Spared)
19	848K98070	Front door cover assembly (REP 11.1-150)

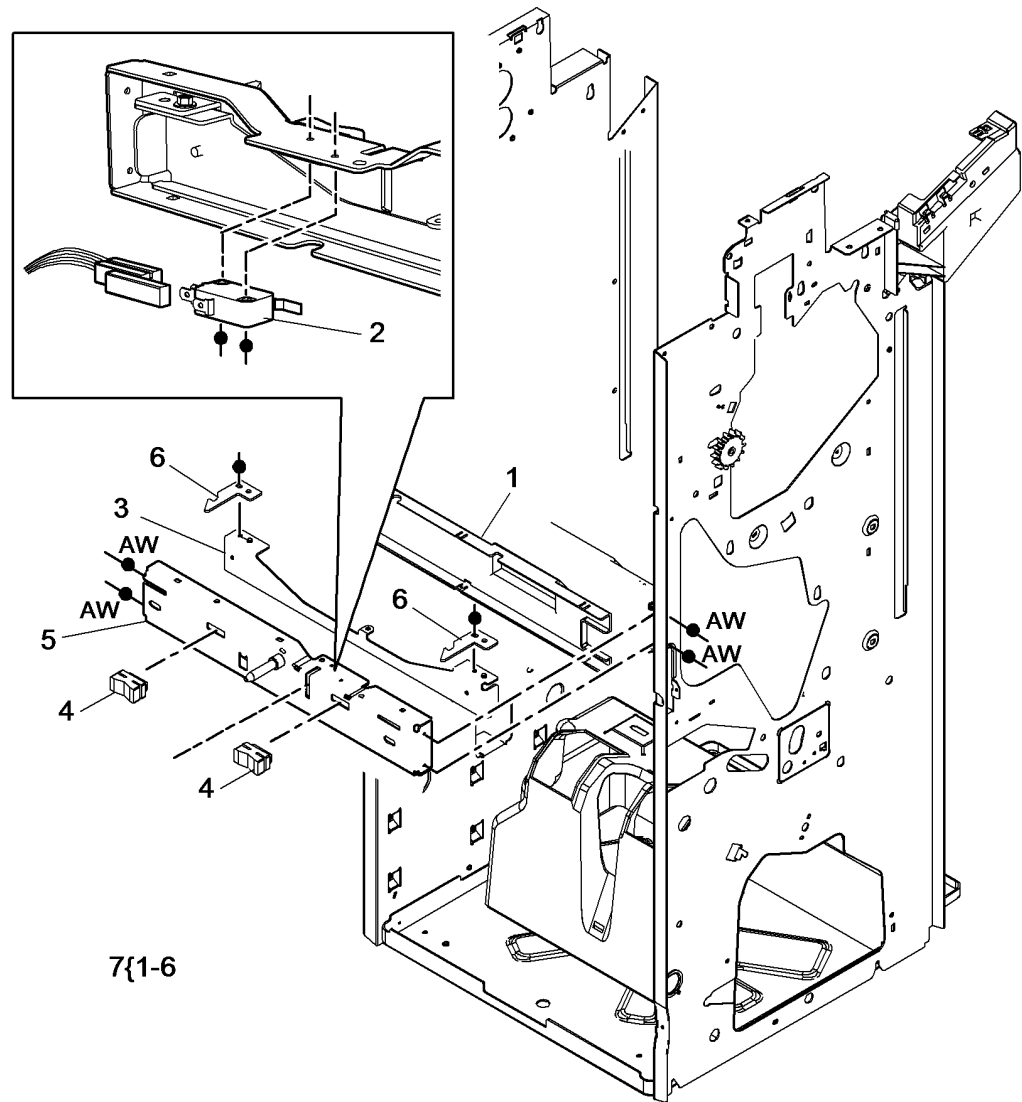


19{4,13-15

V-8-0146-A

PL 11.52 LVF BM Docking Latch

Item	Part	Description
1	–	Docking latch cover (Not Spared)
2	110K13980	Docking interlock switch (S11-300)
3	003K20401	Link bracket assembly
4	–	Stopper (P/O PL 11.52 Item 7)
5	–	Docking latch (P/O PL 11.52 Item 7)
6	–	Latch hook (P/O PL 11.52 Item 7)
7	003K20410	Docking latch assembly (REP 11.16-150)

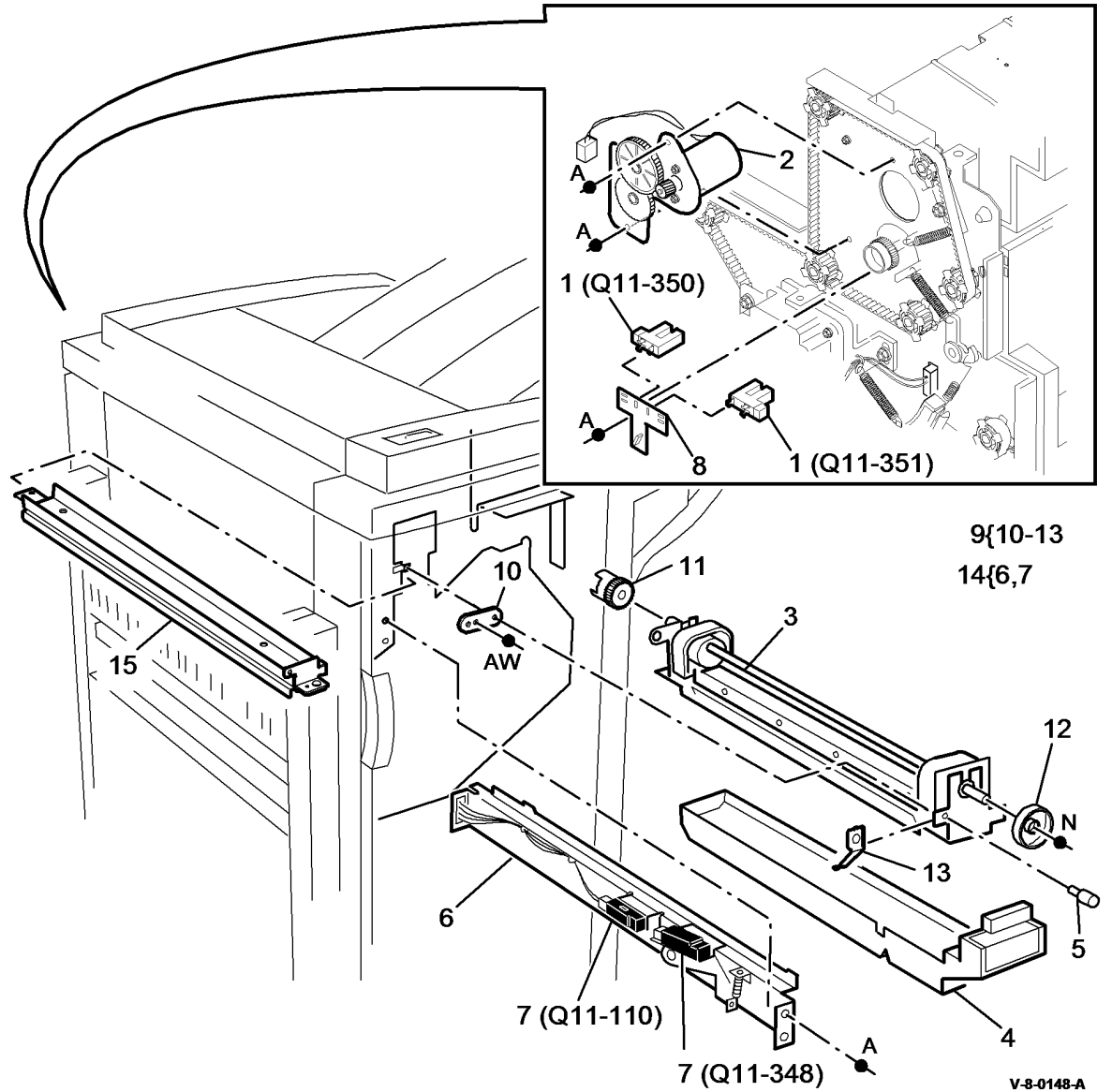


7{1-6

V-8-0147-A

PL 11.54 LVF BM Hole Punch Unit

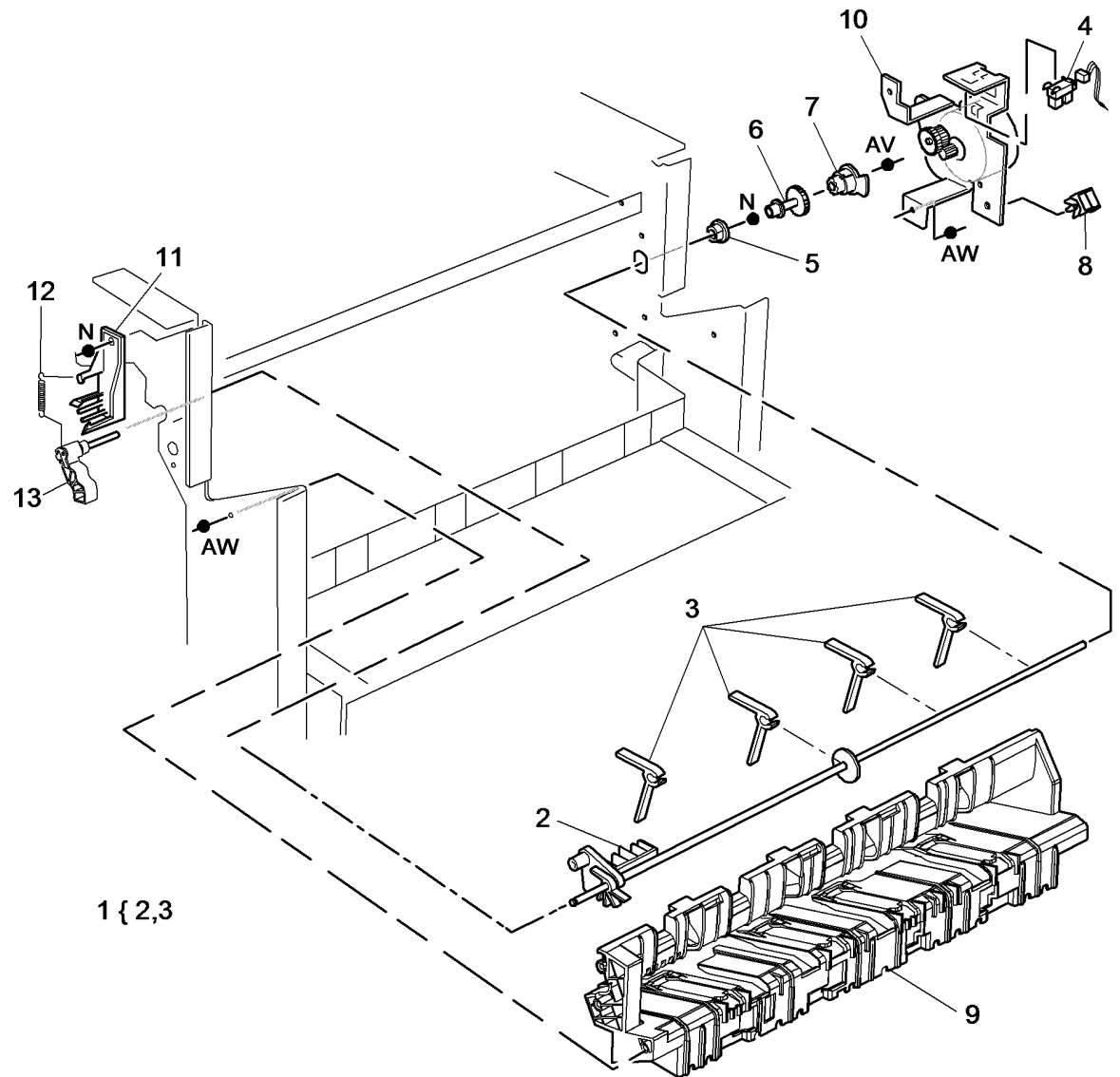
Item	Part	Description
1	130E10360	Punch head home sensor (Q11-350), Punch head present sensor (Q11-351) (REP 11.7-150)
2	127K55900	Hole punch motor assembly (MOT11-042) (REP 11.7-150)
3	-	Hole punch unit (see below for variants) (REP 11.7-110, ADJ 11.3-110)
-	-	2 Hole (XE)
-	-	2 Hole legal
-	180K00200	3 Hole (USSG/XCL)
-	-	4 Hole (Sweden)
-	-	4 Hole (XE)
4	093E03820	Chad bin
5	-	Thumb screw (Not Spared)
6	-	Bracket (P/O PL 11.54 Item 14)
7	130E10380	Punch sensor (Q11-110), Chad bin level sensor (Q11-348) (REP 11.7-150)
8	-	Sensor bracket (Not Spared)
9	-	LCSS hole punch repair kit (REF: PL 31.13 Item 10) (ADJ 11.3-110)
10	-	Bracket (P/O PL 11.6 Item 9)
11	-	Punch drive gear (P/O PL 11.54 Item 9) (W/TAG F-006)
12	-	Punch cam (P/O PL 11.54 Item 3) (W/O TAG F-014)
13	-	Punch spacer (P/O PL 11.54 Item 9) (W/TAG F-006)
14	-	Punch sensor assembly (Not Spared) (W/O TAG F-008)
15	014K10610	Hole punch blanking assembly



PL 11.56 LVF BM Paddle Shaft Assembly

Item	Part	Description
1	-	Paddle shaft assembly (REF: PL 31.12 Item 6) (REP 11.12-150)
2	-	Shaft (P/O PL 11.56 Item 1)
3	-	Paddle (P/O PL 11.56 Item 1) (NOTE)
4	130E10360	Paddle roll home sensor (Q11-326)
5	013E25790	Bearing
6	-	Gear (Not Spared)
7	-	Flag (Not Spared)
8	-	Cable clamp (Not Spared)
9	-	Output cover (REF: PL 11.50 Item 7)
10	127K55881	Paddle motor assembly (MOT11-024) (REP 11.12-150)
11	-	Spring bracket (Not Spared)
12	-	Spring (Not Spared)
13	-	Switch actuator (Not Spared)

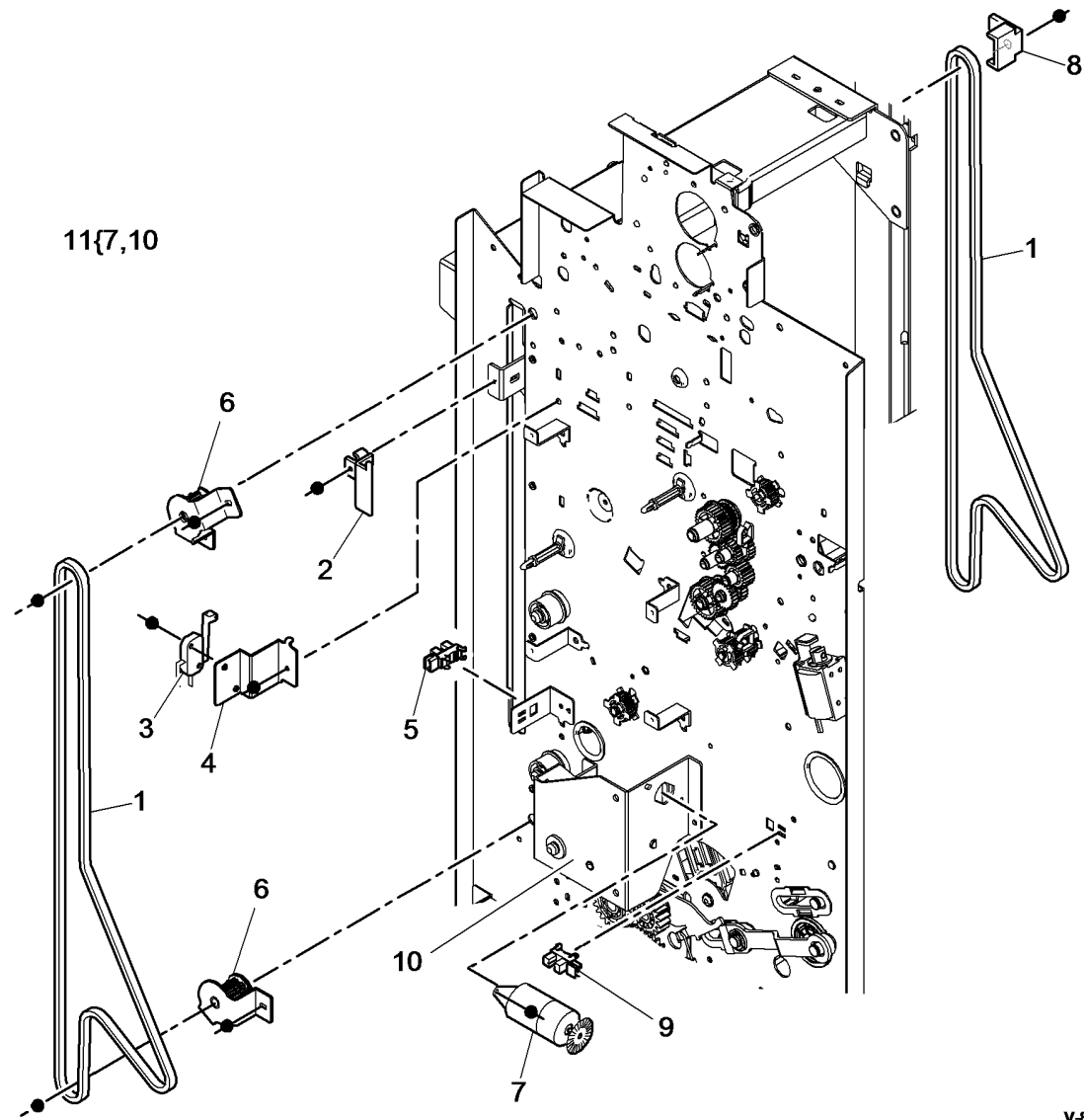
NOTE: Paddles are also supplied (4 off) as a kit PL 31.12 Item 11.



V-8-0155-A

PL 11.58 LVF BM Bin 1 Control Components (1 of 2)

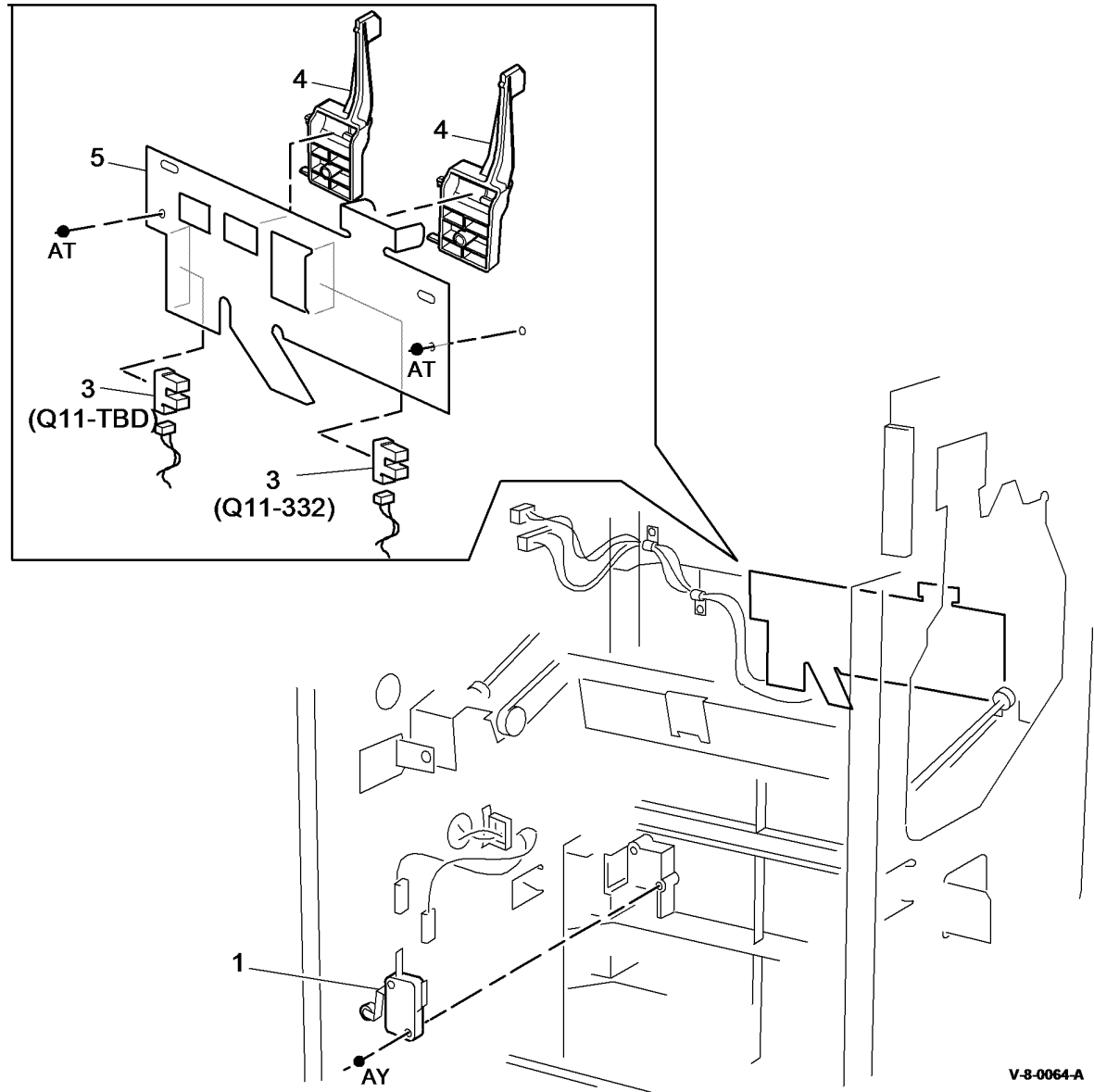
Item	Part	Description
1	023E24320	Bin 1 drive belt (REP 11.5-150)
2	-	Rear belt clamp (Not Spared) (ADJ 11.1-110)
3	110E20180	Bin 1 upper limit switch (S11-334)
4	-	Sensor bracket (Not Spared)
5	130E10360	Bin 1 90% full sensor (Q11-331)
6	-	Pulley (Not Spared)
7	127K55890	Bin 1 elevator motor (MOT11-030)
8	-	Front belt clamp (Not Spared) (ADJ 11.1-110)
9	130E12330	Bin 1 motor encoder sensor (Q11-336)
10	-	Stacker tray drive assembly (Not Spared)
11	007K20530	Stacker tray drive and motor assembly (REP 11.5-150)



V-8-0063-A

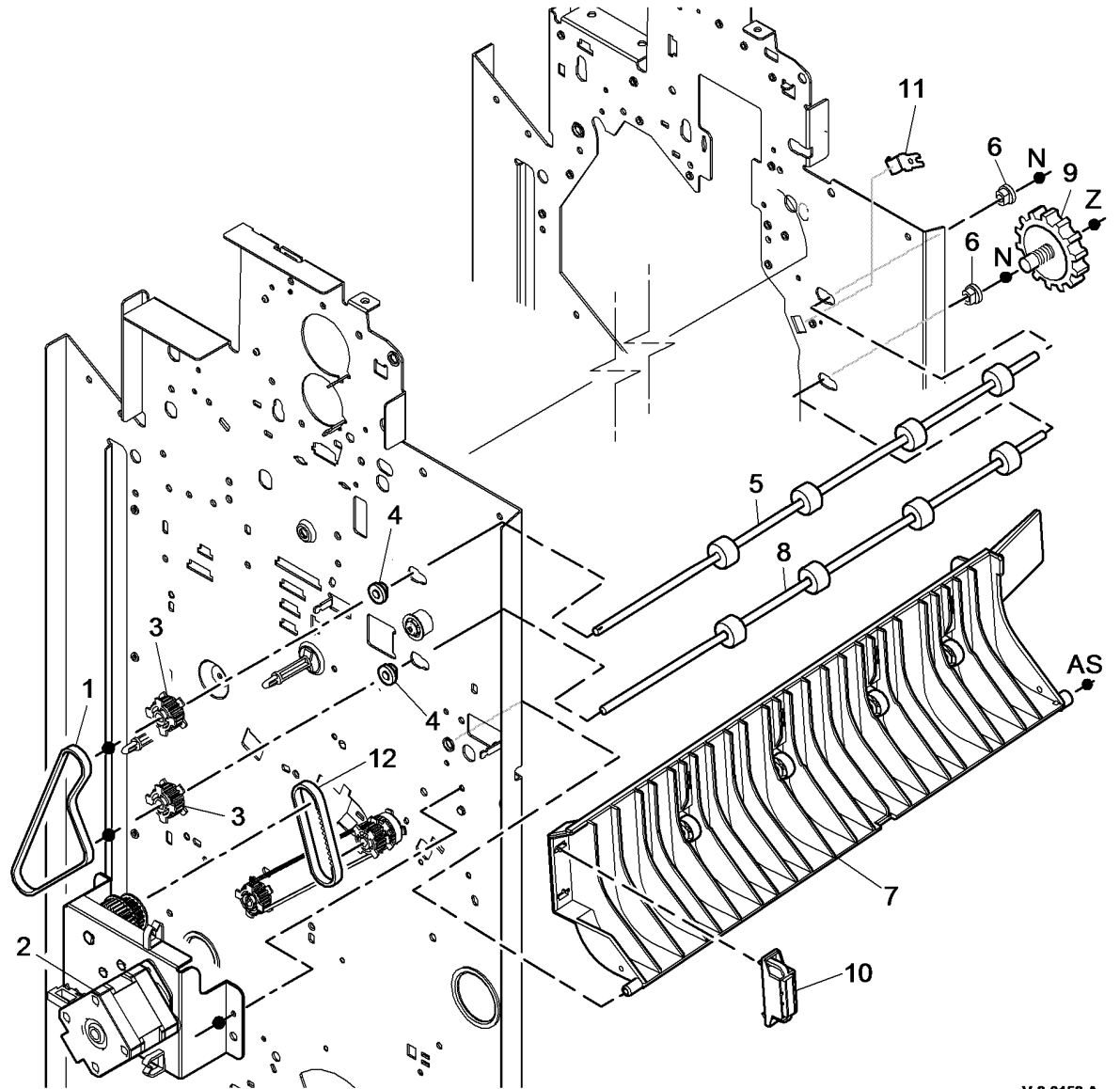
PL 11.60 LVF BM Bin 1 Control Components (2 of 2)

Item	Part	Description
1	110K13990	Bin 1 lower limit switch (S11-335) (REP 11.45-150)
2	-	Not used
3	130E10360	Bin 1 Upper level sensor (Q11-332), Bin 1 Lower level sensor (Q11-333) (REP 11.11-150)
4	-	Actuator (Not Spared)
5	-	Sensor support assembly (Not Spared)



PL 11.62 LVF BM Paper Entry Transport

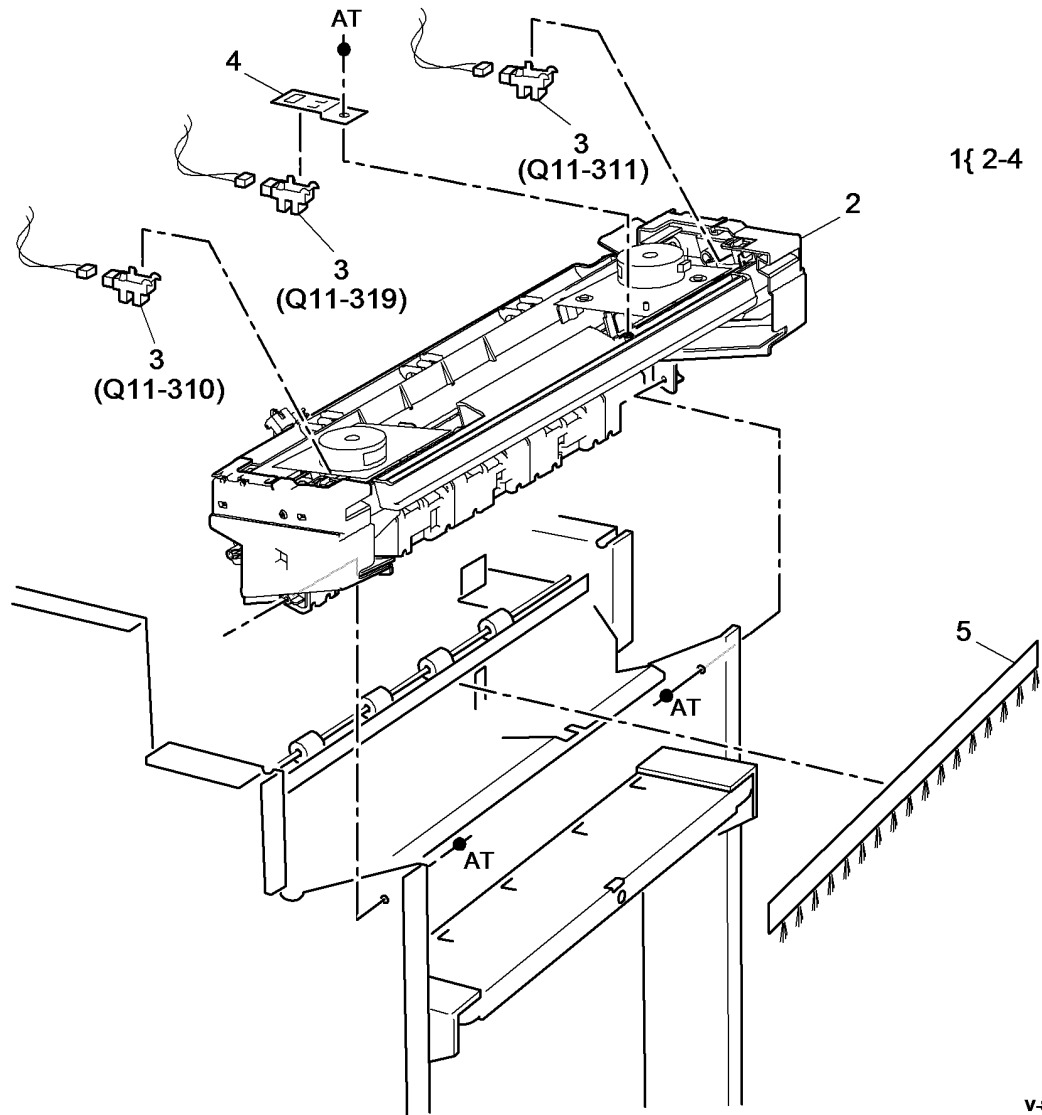
Item	Part	Description
1	023E24340	Input drive belt (REP 11.2-150)
2	127K74630	Transport motor 1 and gearbox assembly (MOT11-000) (REP 11.2-150)
3	-	Pulley (Not Spared)
4	013E25790	Nylon bearing
5	006K27980	Upper feed roll assembly
6	013E25800	Bearing
7	-	Paper entry guide assembly
8	006K31670	Lower feed roll assembly
9	-	Thumb wheel (Not Spared)
10	-	Magnet (P/O PL 11.62 Item 7)
11	-	Latch (Not Spared)
12	-	Compiler entrance drive belt 1 (REP 11.2-150)



V-8-0158-A

PL 11.64 LVF BM Tamper Assembly

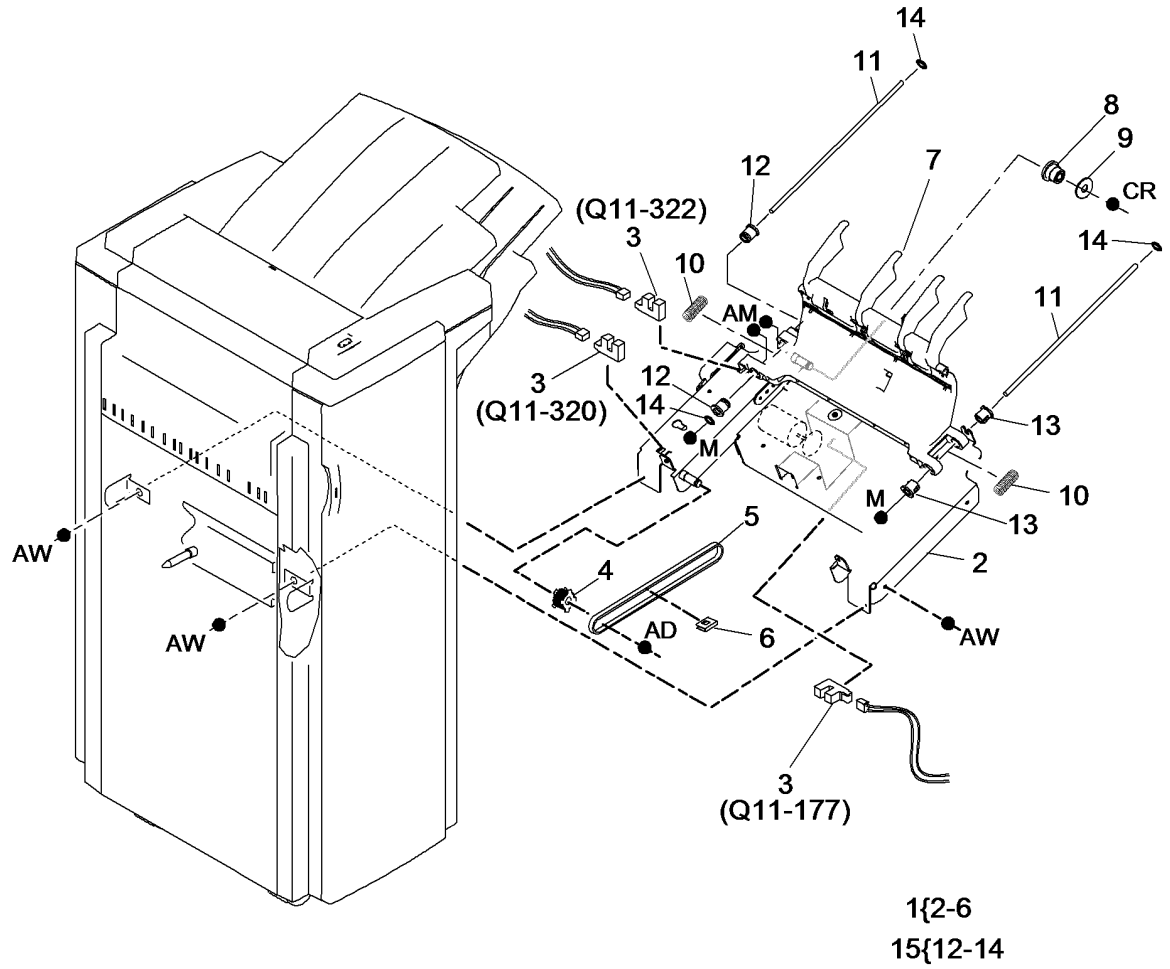
Item	Part	Description
1	068K54280	Tamper assembly (REP 11.6-150)
2	-	Tamper unit (P/O PL 11.64 Item 1)
3	130E10360	Front tamper home sensor (Q11-310), Rear tamper home sensor (Q11-311), Rear tamper away sensor (Q11-319) (REP 11.6-150)
4	-	Sensor bracket (P/O PL 11.64 Item 1)
5	-	Static eliminator (stacker) (REF: PL 11.72 Item 7)



V-8-0159-A

PL 11.66 LVF BM Ejector Assembly

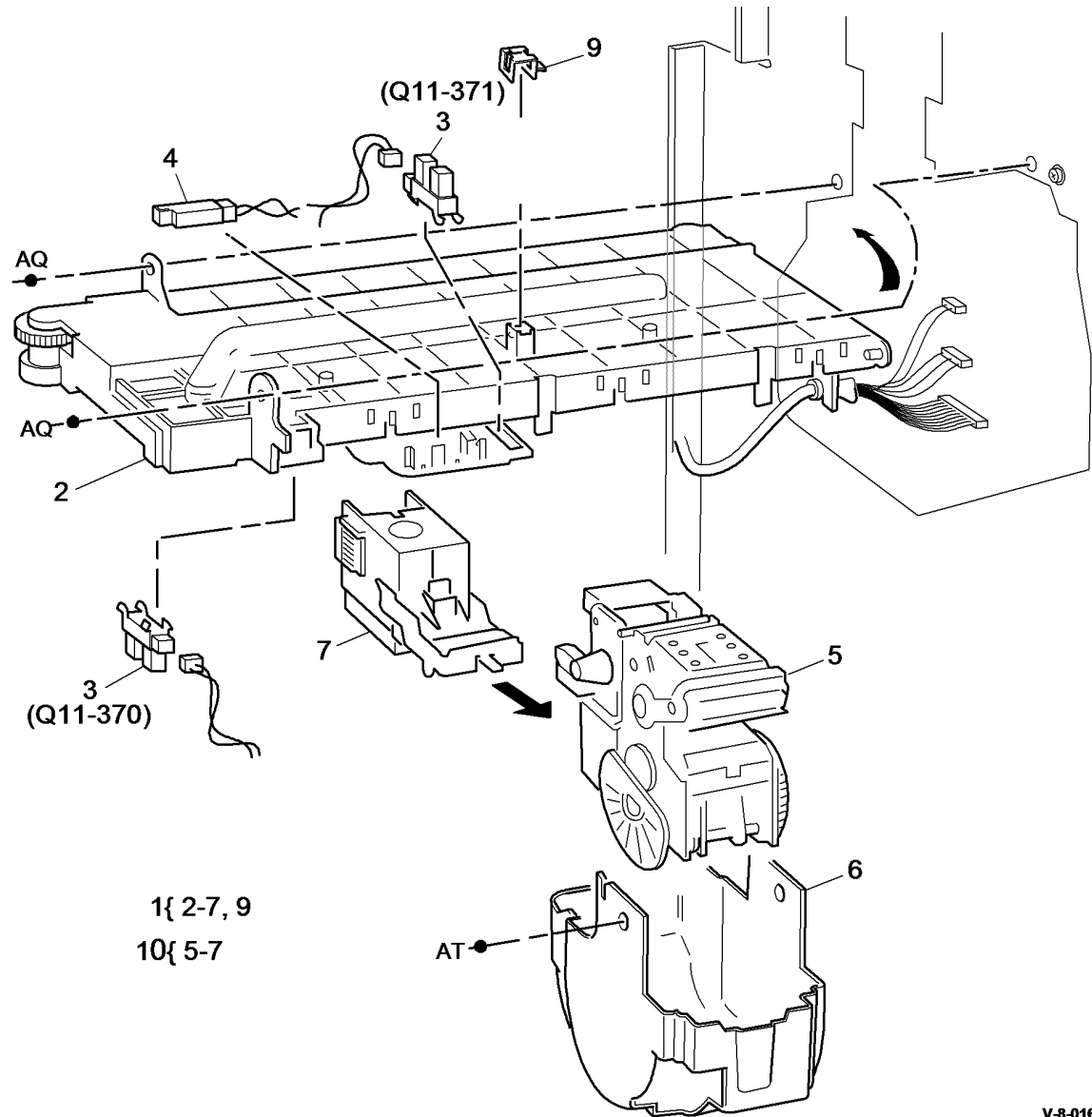
Item	Part	Description
1	054K54270	Ejector assembly (REP 11.10-150)
2	-	Ejector base (P/O PL 11.66 Item 1)
3	130E10360	Ejector home sensor (Q11-320), Ejector out sensor (Q11-322), Ejector motor encoder sensor(Q11-177) (REP 11.10-150)
4	-	Pulley (Not Spared)
5	-	Ejector belt (REP 11.17-150)
6	-	Clip (P/O PL 11.66 Item 1)
7	019K13390	Support finger (REP 11.10-150)
8	020K21490	Pulley drive gear
9	-	Washer (Not Spared)
10	-	Spring (P/O PL 11.66 Item 1)
11	-	Shaft (P/O PL 11.66 Item 1)
12	-	Slide ejector bearing (P/O PL 11.66 Item 15)
13	-	Wide slide ejector bearing (P/O PL 11.66 Item 15)
14	-	Cushion washer (P/O PL 11.66 Item 15)
15	604K67690	Bearing assembly kit



V-8-0160-A

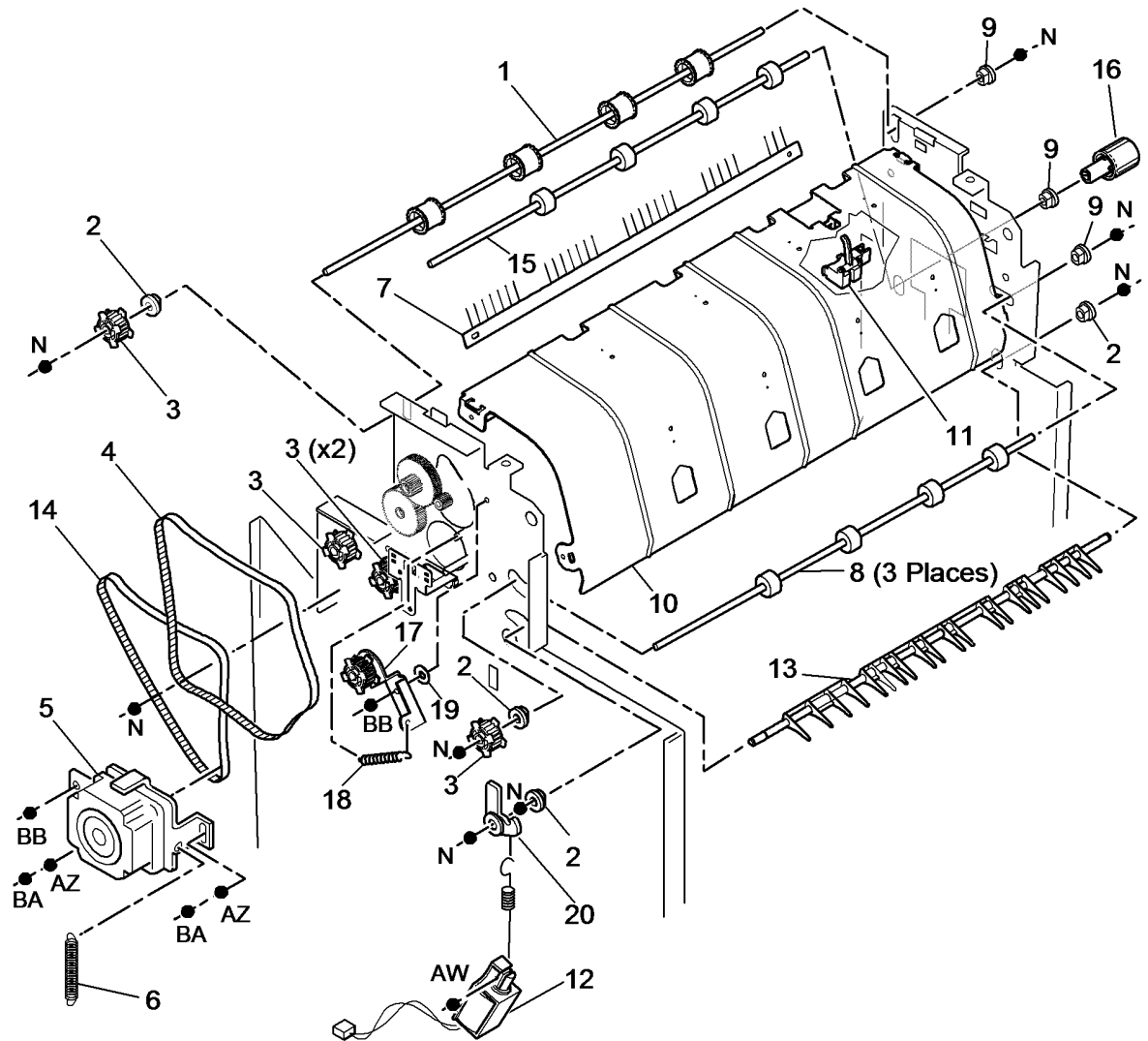
PL 11.68 LVF BM Staple Head Unit/ Traverse Assembly

Item	Part	Description
1	-	Stapler traverse assembly kit (REF: PL 31.12 Item 9) (REP 11.8-150)
2	-	Head traverse unit (P/O PL 11.68 Item 1)
3	130E10360	SU1 Home sensor (Q11-370), SU1 Front index sensor (Q11-371) (REP 11.8-150)
4	130E10380	SH1 Paper sensor (Q11-361) (REP 11.8-150)
5	029K04520	Staple head unit (REP 11.9-150)
6	-	Stapler cover (P/O PL 11.68 Item 1)
7	-	Staple cartridge (REF: PL 26.10 Item 11)
8	-	Not used
9	-	Sensor cover (P/O PL 11.68 Item 1)
10	-	Staple head assembly (P/O PL 11.68 Item 1)



PL 11.70 LVF BM Bin 0 Entry

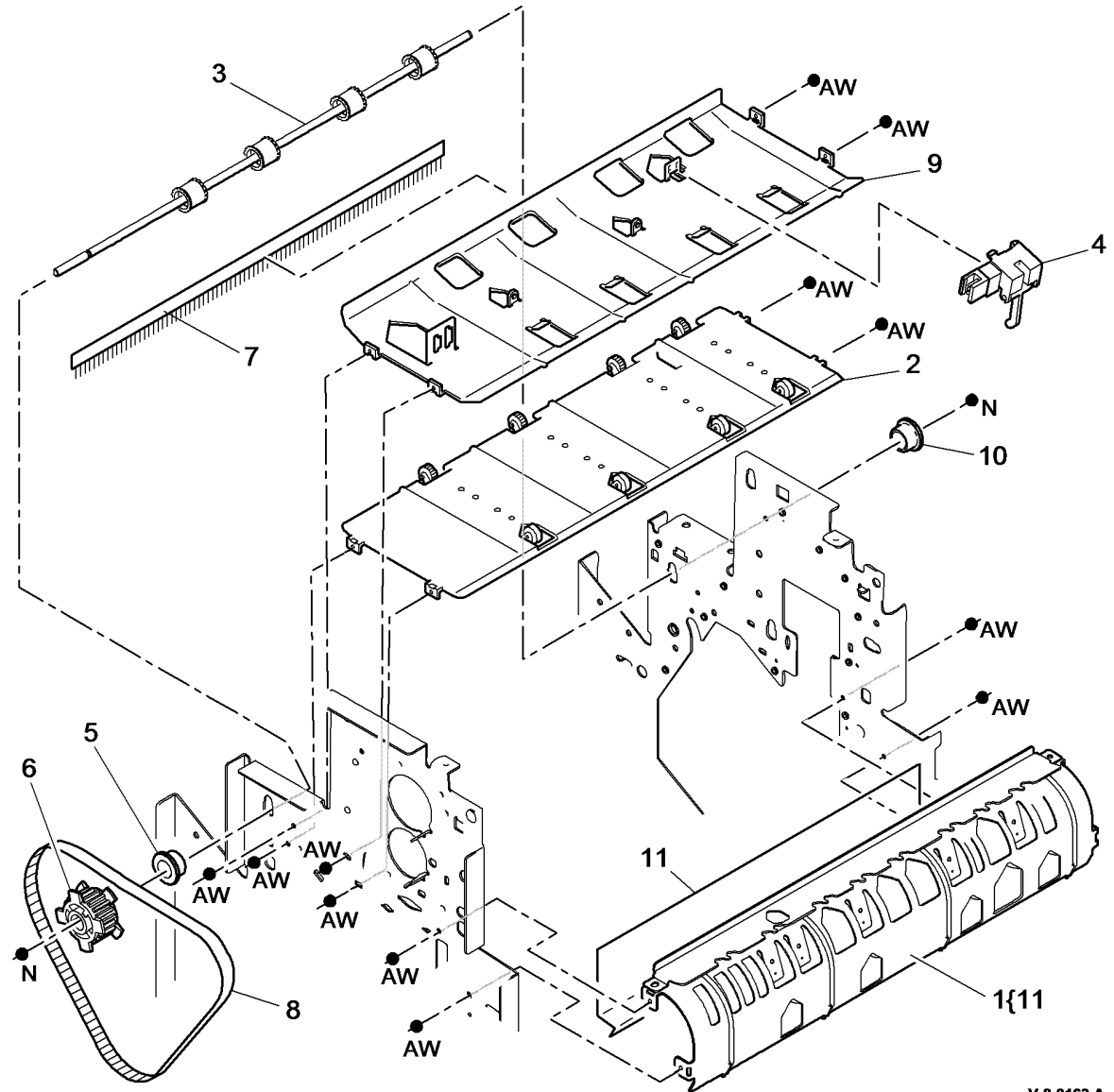
Item	Part	Description
1	006K27960	Ejector drive shaft
2	013E25790	Nylon bearing
3	-	Pulley (Not Spared)
4	023E24330	Intermediate paper drive belt (REP 11.3-150)
5	127K55870	Transport motor 2 (MOT11-001) (REP 11.4-150)
6	-	Spring (Not Spared)
7	115E12830	Static eliminator
8	006K27980	Feed roll shaft (short)
9	013E25800	Bearing
10	032K04580	Paper guide (REP 11.46-150)
11	130E11440	Top exit sensor (Q11-130) (REP 11.46-150)
12	121K45010	Bin 0/Bin 1 diverter solenoid (SOL11-002)
13	-	Bin 0/Bin 1 diverter assembly (P/O PL 31.13 Item 6)
14	023E24340	Paper output drive belt (REP 11.4-150)
15	006K27970	Drive shaft assembly
16	003K17531	Jam clearance knob
17	-	Belt tensioner (Not Spared)
18	-	Spring (Not Spared)
19	-	Washer (Not Spared)
20	-	Actuator (Not Spared)



V-8-0162-A

PL 11.72 LVF BM Bin 1 Entry

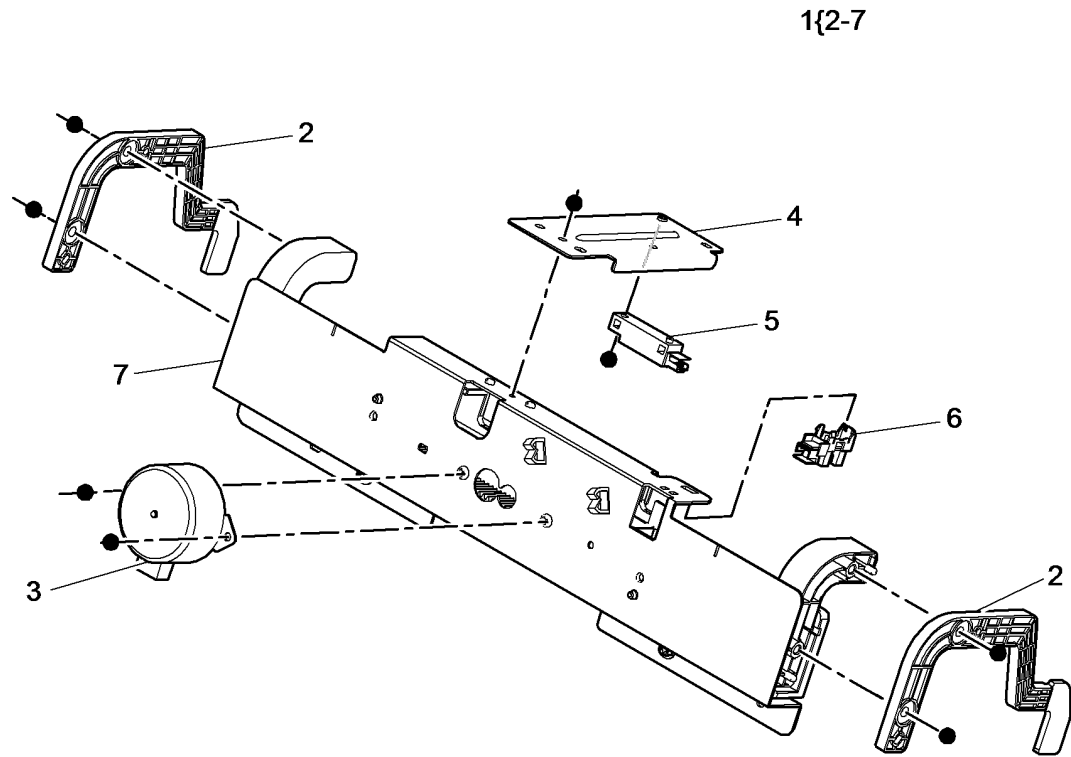
Item	Part	Description
1	032K04610	Left paper guide
2	032K04590	Lower right paper guide (REP 11.47-150)
3	-	Ejector drive shaft (REF: PL 11.22 Item 1)
4	130E11440	2nd to top exit sensor (Q11-140)
5	013E25790	Nylon bearing
6	-	Pulley (Not Spared)
7	115E11810	Static eliminator (stacker)
8	-	Paper output drive belt (REF: PL 11.22 Item 14)
9	-	Upper right paper guide (Not Spared)
10	013E25800	Bearing
11	-	Mylar safety cover (P/O PL 11.72 Item 1)



V-8-0163-A

PL 11.74 LVF BM Booklet Tamper Assembly

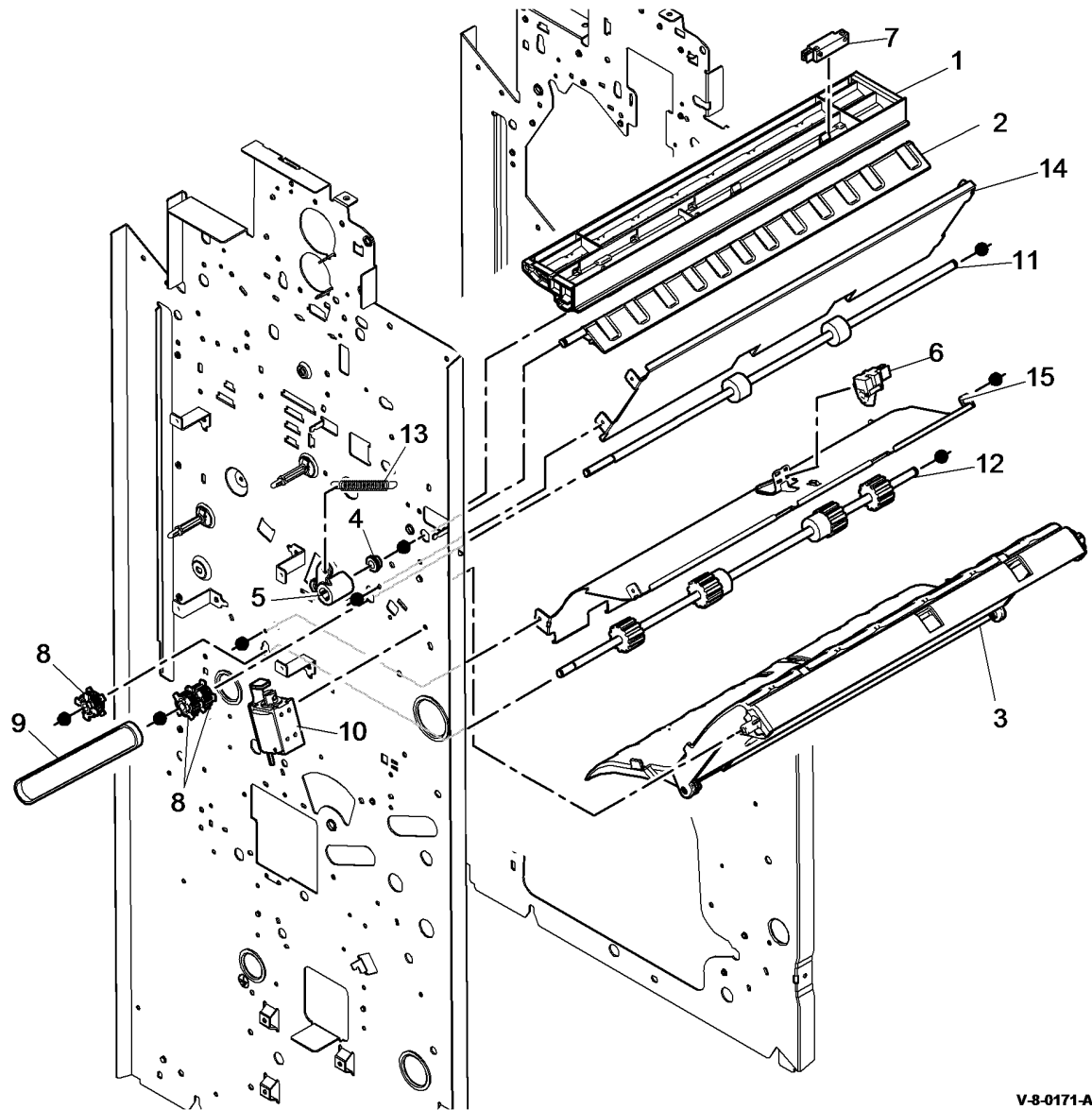
Item	Part	Description
1	090K02590	Booklet tamper assembly (REP 11.38-150)
2	031E16740	Booklet tamper arm (REP 11.42-150)
3	127E17690	Booklet tamper motor (MOT11-066) (REP 11.41-150)
4	–	Sensor bracket (P/O item 1)
5	130E10380	Booklet staple paper detect sensor (Q11-444) (REP 11.43-150)
6	130E10360	Booklet tamper home sensor (Q11-384) (REP 11.40-150)
7	–	Booklet tamper frame (P/O item 1)



V-8-0172-A

PL 11.75 LVF BM Compiler Entrance Guides

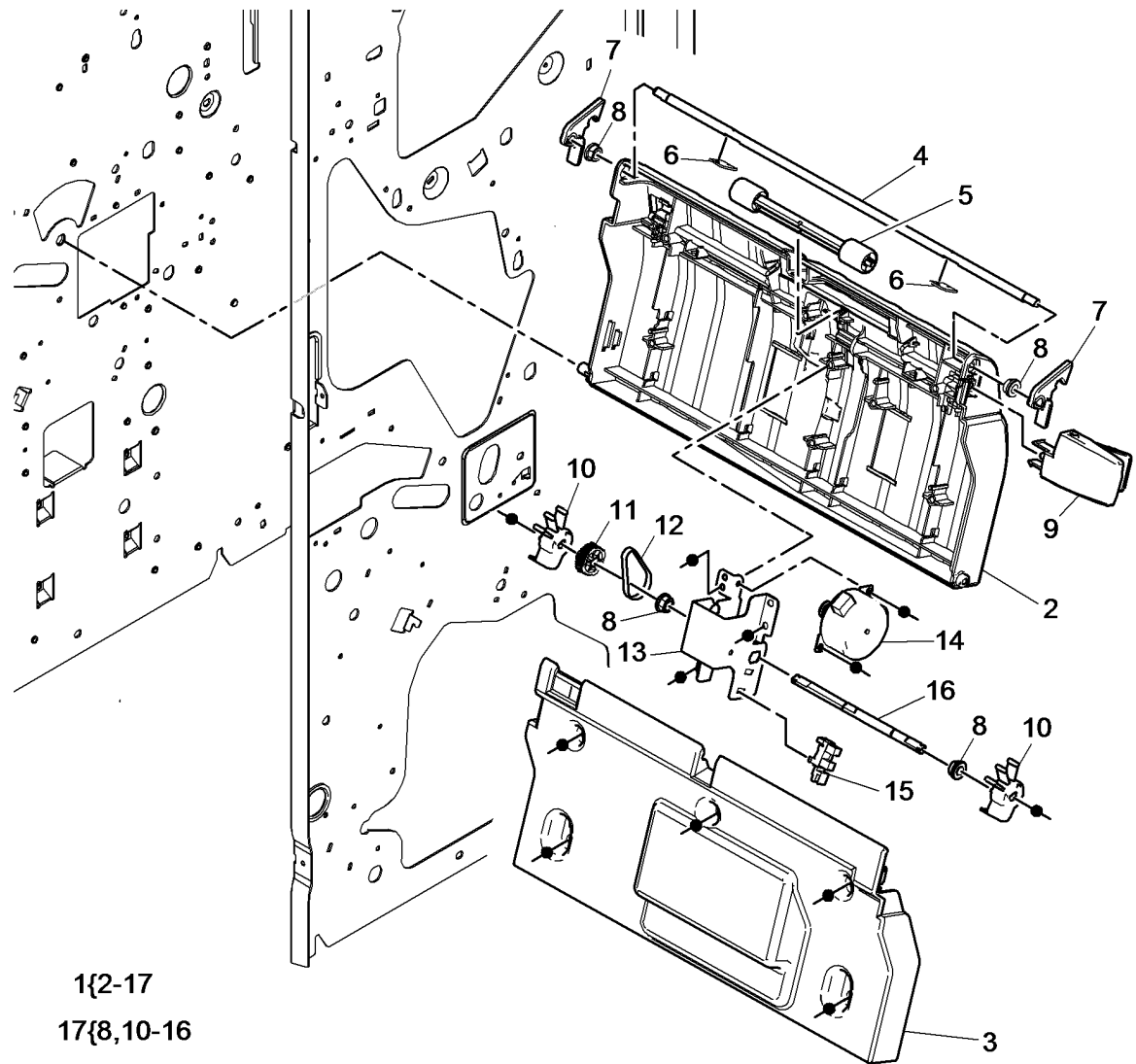
Item	Part	Description
1	-	BM upper entrance guide (REP 11.31-150)
2	050E29410	Booklet diverter gate (REP 11.33-150)
3	032K10350	BM entrance guide assembly (REP 11.32-150)
4	-	Bush (Not Spared)
5	-	Lever (Not Spared)
6	130E10360	BM Entry sensor (Q11-160) (REP 11.32-150)
7	130E10380	Finisher entry sensor (Q11-100) (REP 11.31-150)
8	-	Pulley (Not Spared)
9	-	Compiler entrance drive belt 2 (REP 11.34-150)
10	121K45010	Booklet diverter gate solenoid (SOL11-074)
11	059K84790	1st feed roll assembly (REP 11.34-150)
12	059K84800	2nd feed roll assembly (REP 11.35-150)
13	-	Spring (Not Spared)
14	-	Upper guide (Not Spared)
15	-	Lower guide (Not Spared) (REP 11.32-150)



V-8-0171-A

PL 11.76 LVF BM Compiler Guide Assembly

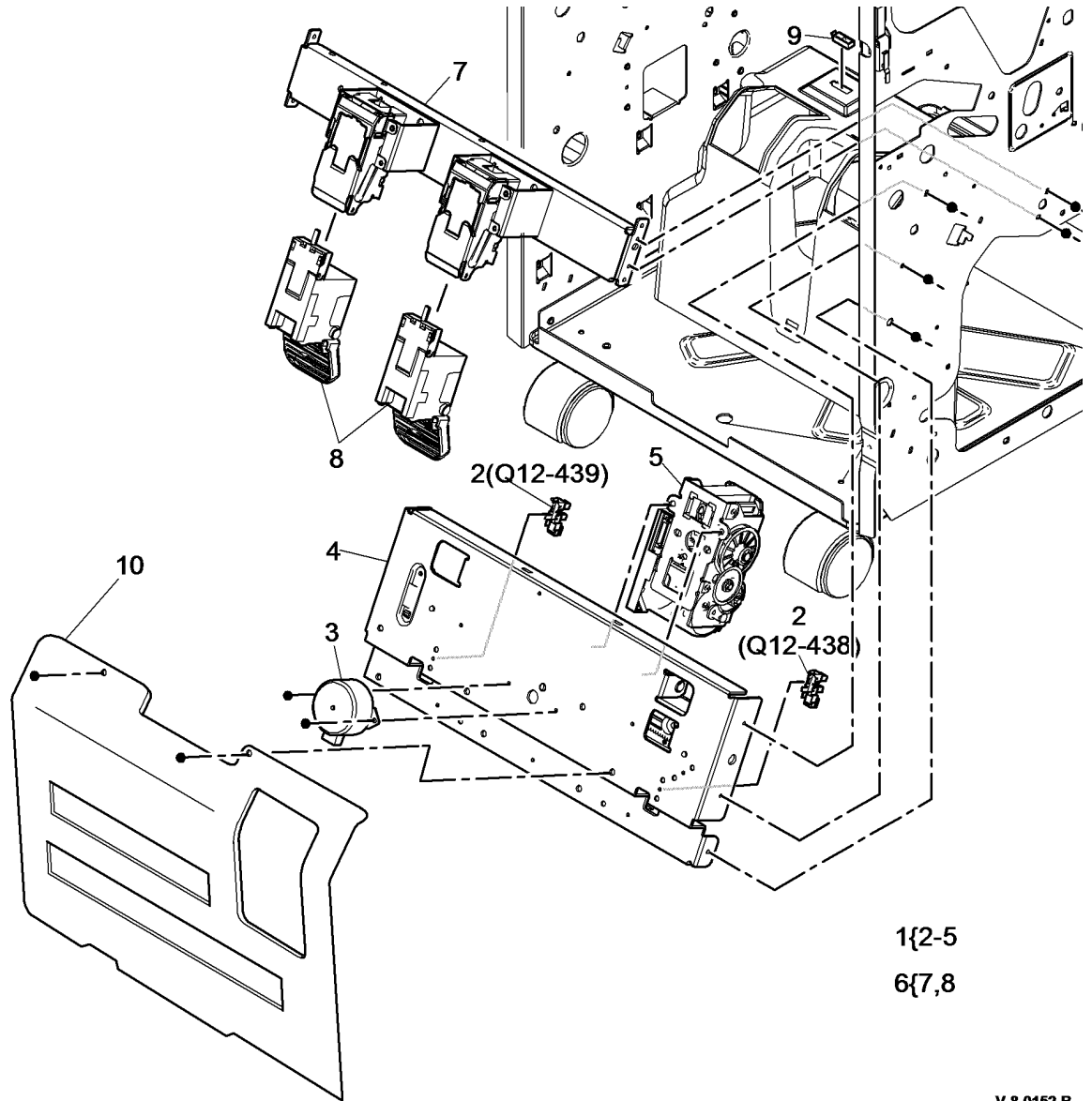
Item	Part	Description
1	055K44540	BM compiler guide assembly (REP 11.30-150)
2	-	Base (P/O PL 11.76 Item 1)
3	-	Cover (P/O PL 11.76 Item 1)
4	-	Shaft (P/O PL 11.76 Item 1)
5	-	Idler roll assembly (P/O PL 11.76 Item 1)
6	-	Static eliminator (P/O PL 11.76 Item 1)
7	-	Latch (P/O PL 11.76 Item 1)
8	-	Bearing (P/O PL 11.76 Item 1)
9	-	Handle (P/O PL 11.76 Item 1)
10	033K05270	BM compiler flapper (REP 11.30-150)
11	-	Pulley (P/O PL 11.76 Item 1)
12	-	Belt (P/O PL 11.76 Item 1)
13	-	Bracket (P/O PL 11.76 Item 1)
14	-	BM Flapper motor (MOT11-390) (P/O PL 11.76 Item 1)
15	130E10360	BM Flapper home sensor (Q11-391)
16	-	Drive shaft (P/O PL 11.76 Item 1)
17	055K44530	BM Flapper motor assembly (REP 11.30-150)



V-8-0173-A

PL 11.78 LVF BM Booklet Stapler Assembly

Item	Part	Description
1	029K04810	BM stapler assembly (REP 11.38-150)
2	130E10360	Staple unit home sensor (Q11-438)/ Staple unit away sensor (Q11-439)(REP 11.48-150)
3	127E17680	BM staple unit move motor (MOT11-435)
4	-	BM stapler frame (P/O PL 11.78 Item 1)
5	077E00080	BM staple head assembly (REP 11.48-150)
6	029K04800	BM staple cartridge assembly (REP 11.37-150)
7	-	Bracket (P/O PL 11.78 Item 6)
8	029K04820	BM staple cartridge
9	107E35740	Staple cartridge LED (REP 11.39-150)
10	822E18810	LVF BM Back stop cover

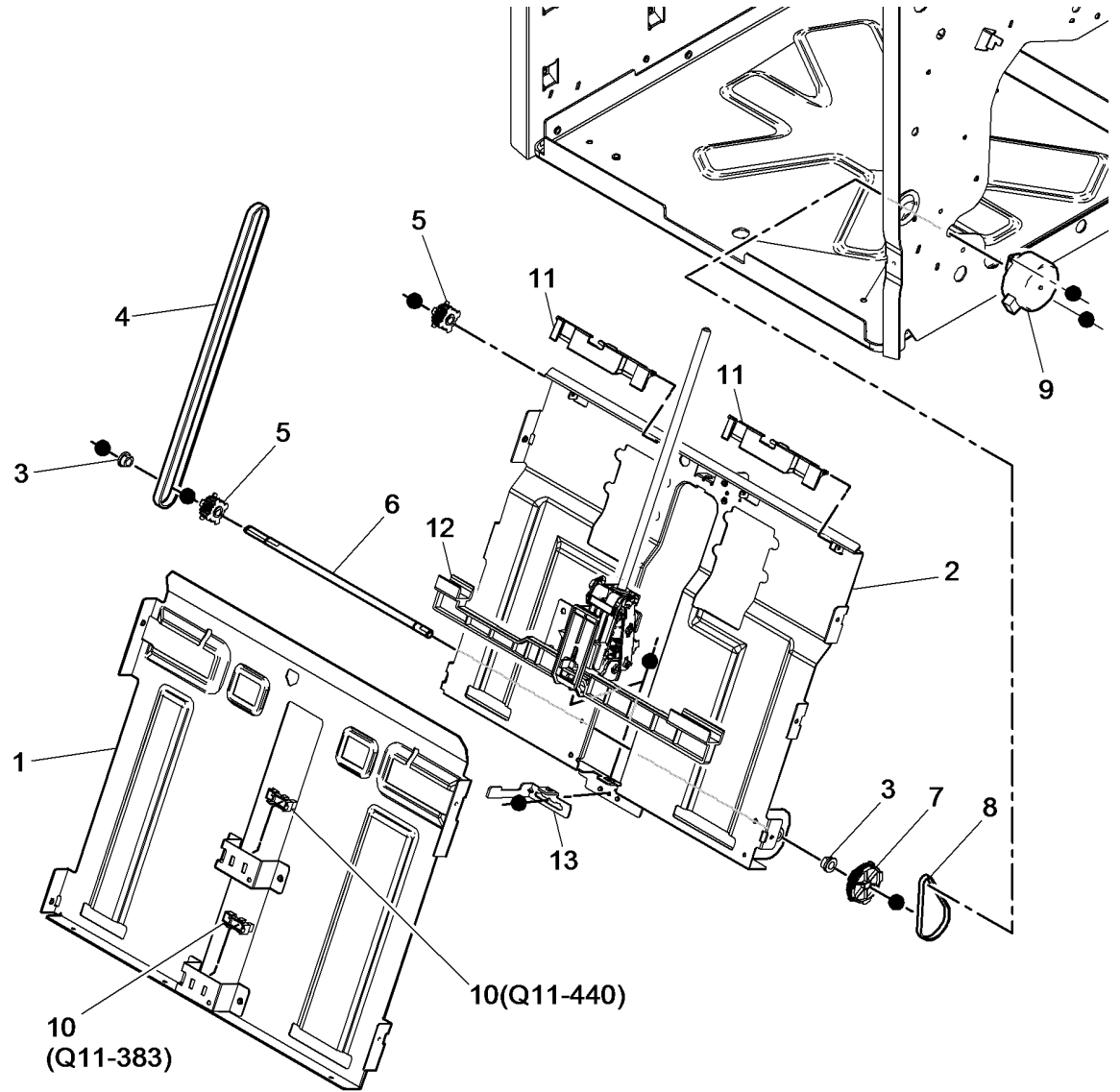


1{2-5
6{7,8}

V-8-0152-B

PL 11.80 LVF BM Back Stop Assembly

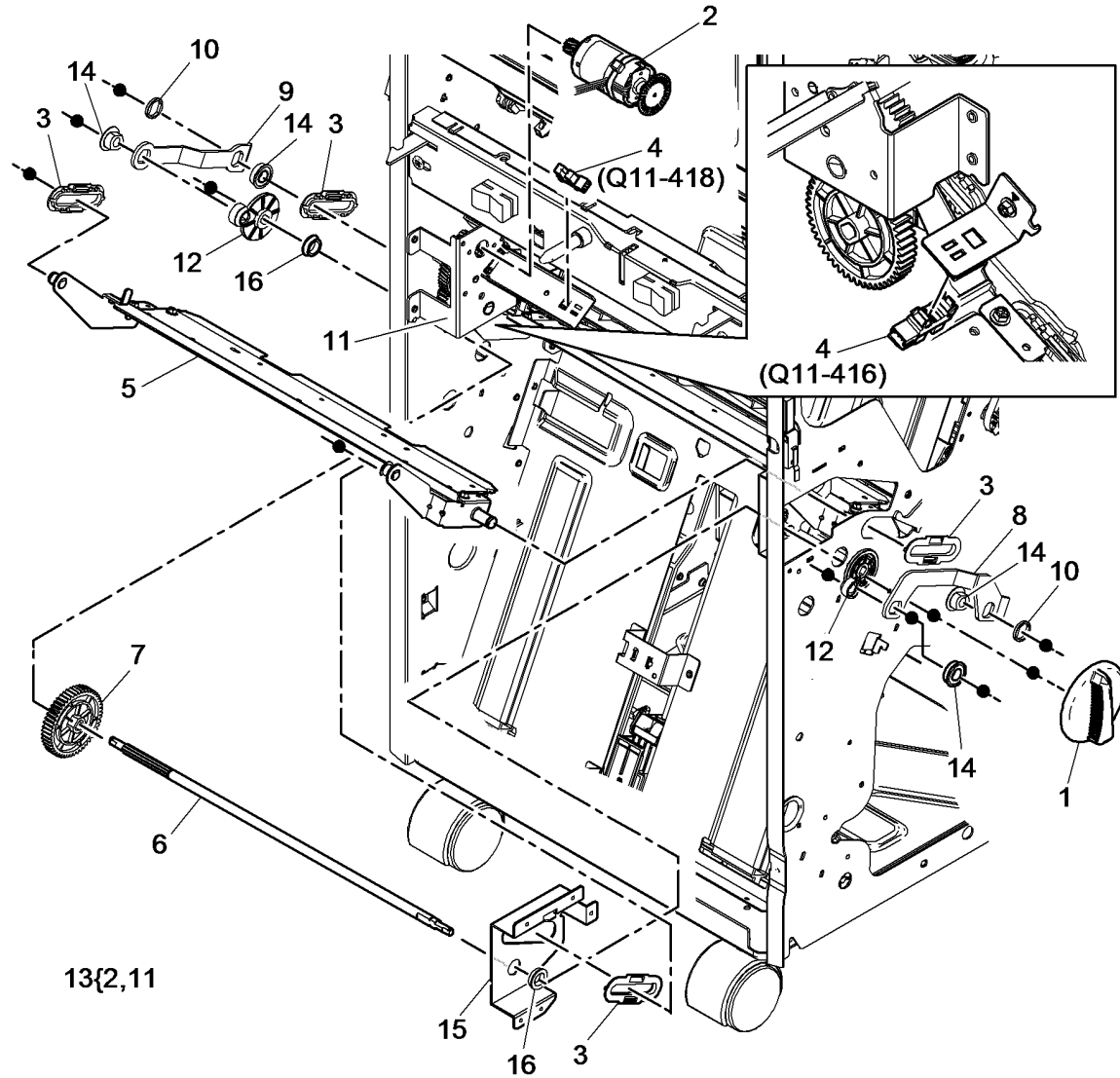
Item	Part	Description
1	-	Left guide (REP 11.19-150)
2	-	Right guide (REP 11.19-150)
3	-	Bearing (Not Spared)
4	-	Belt (Not Spared)
5	-	Pulley (Not Spared)
6	-	Shaft (Not Spared)
7	-	Drive pulley (Not Spared)
8	-	Drive Belt (Not Spared)
9	127K74620	Back stop motor (MOT11-065) (REP 11.18-150)
10	130E10360	BM guide home sensor (Q11-383)/ BM end-stop mid home sensor(Q11-440)(REP 11.20-150)
11	-	Stapler stop guide (Not Spared)
12	674K08890	Back stop assembly (REP 11.19- 150)
13	-	Bracket (Not Spared)



V-8-0153-A

PL 11.82 LVF BM Crease Blade Assembly

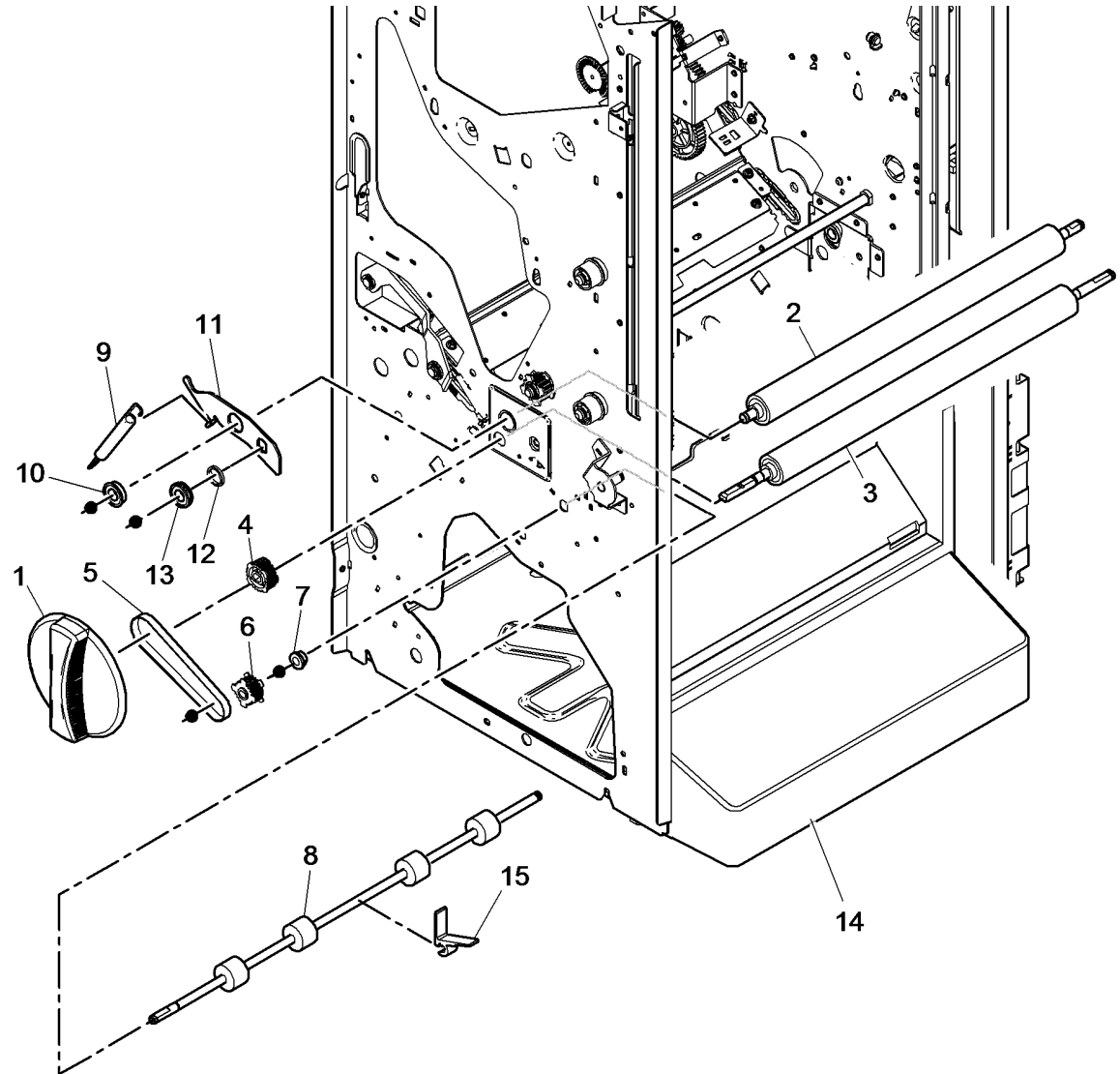
Item	Part	Description
1	803E20900	Crease blade handle (REP 11.23-150)
2	127E17650	Crease blade motor (MOT11-061) (REP 11.21-150)
3	011E30810	Crease blade guide (REP 11.22-150)
4	130E10360	Crease blade home sensor (Q11-416)/Crease blade motor encoder sensor (Q11-418)(REP 11.21-150)
5	037K01490	Crease blade assembly (REP 11.22-150)
6	-	Crease blade shaft (Not Spared)
7	807E46760	Crease blade drive gear (REP 11.23-150)
8	-	Front blade arm (Not Spared)
9	-	Rear blade arm (Not Spared)
10	-	Spacer (Not Spared)
11	-	Crease blade gearbox assembly (REP 11.21-150)
12	008E08860	Blade crank (REP 11.23-150)
13	007K20510	Crease blade motor assembly (REP 11.21-150)
14	016E21260	Crease blade bearing (REP 11.23-150)
15	-	Bracket (Not Spared)
16	013E43930	Crease blade shaft bearing



V-8-0167-A

PL 11.84 LVF BM Crease Roll Assembly (1 of 3)

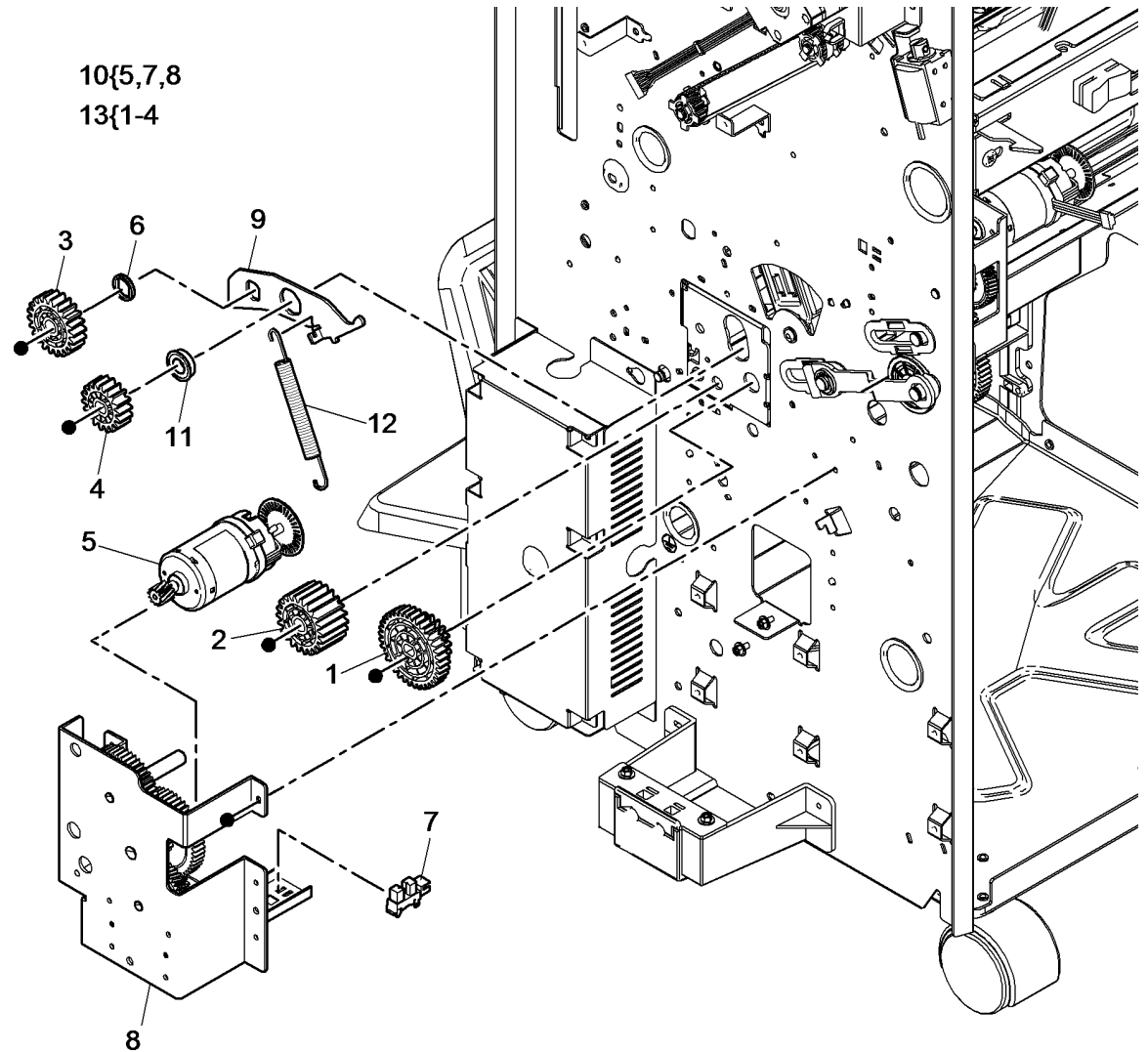
Item	Part	Description
1	803E20910	Crease roll handle (REP 11.24-150)
2	059E11860	Upper crease roll (REP 11.24-150)
3	059E11870	Lower crease roll (REP 11.24-150)
4	020E55510	Crease roll handle pulley (REP 11.24-150)
5	023E32470	Exit roll belt (REP 11.27-150)
6	020E55520	Exit roll pulley (REP 11.27-150)
7	016E21260	Bush (REP 11.27-150)
8	059K84780	BM exit roll assembly (REP 11.27-150)
9	899E07760	Crease roll spring (x2) (REP 11.24-150)
10	013E43940	Crease roll bearing (REP 11.24-150)
11	031E16710	Front crease roll lever (REP 11.24-150)
12	-	Spacer (Not Spared)
13	-	Bearing (Not Spared)
14	-	Bin 2 support (Not Spared) (REP 11.44-150)
15	-	Exit roll paddle (Not Spared) (REP 11.27-150)



V-8-0168-A

PL 11.86 LVF BM Crease Roll Assembly (2 of 3)

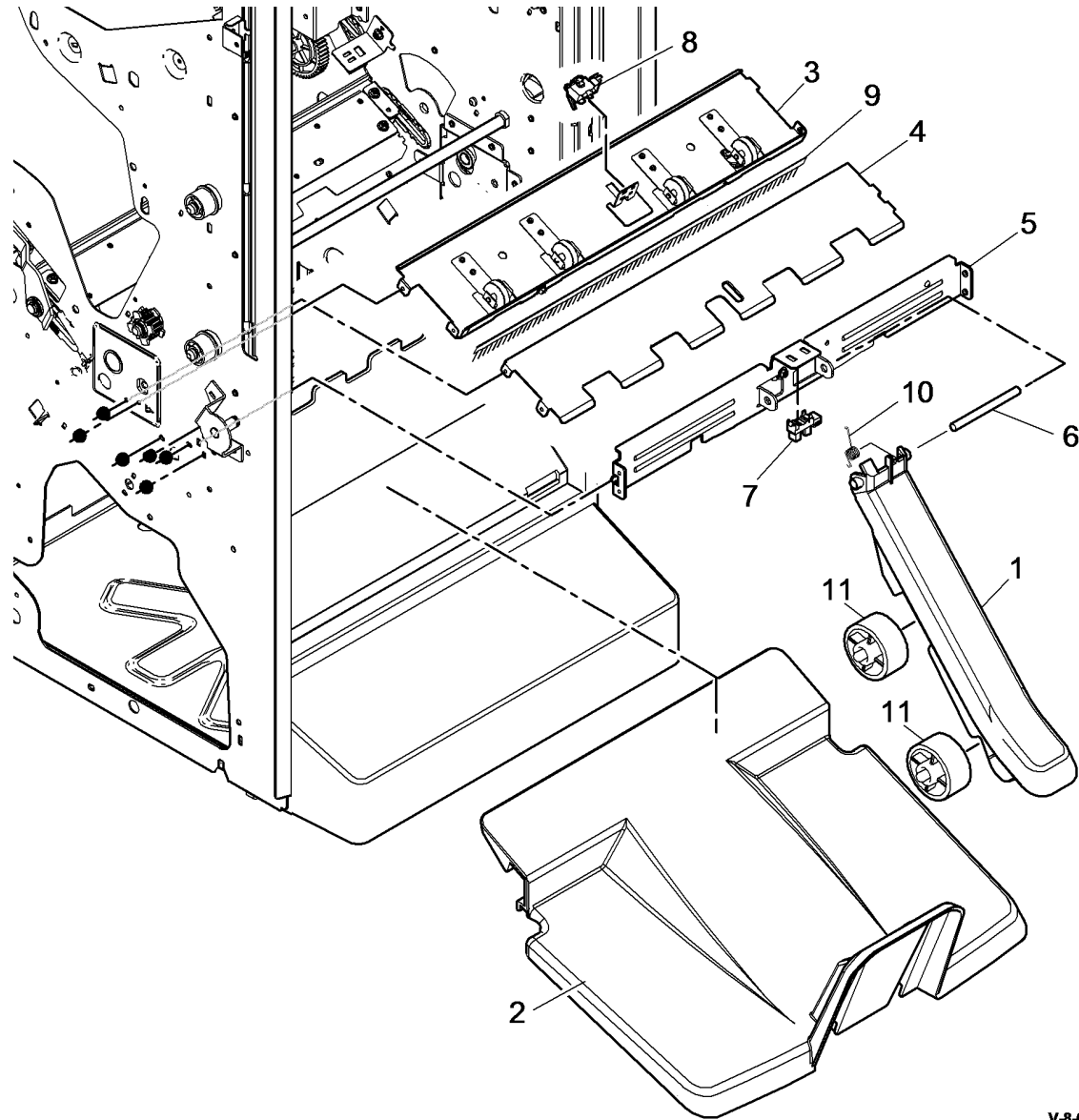
Item	Part	Description
1	-	Crease roll gear 1 (P/O item 13) (REP 11.26-150)
2	-	Crease roll gear 2 (P/O item 13) (REP 11.26-150)
3	-	Crease roll gear 3 (P/O item 13) (REP 11.26-150)
4	-	Crease roll gear 4 (P/O item 13) (REP 11.26-150)
5	127E17660	Crease roll motor (MOT11-062) (REP 11.25-150)
6	-	Spacer
7	130E10360	Crease roll motor encoder sensor (Q11-419) (REP 11.25-150)
8	-	Crease roll gearbox assembly (P/O item 10)
9	031E16720	Rear crease roll lever (REP 11.24- 150)
10	007K20520	Crease roll motor and gearbox assembly (REP 11.25-150)
11	-	Crease roll bearing
12	899E07760	Crease roll spring (x2) (REP 11.24- 150)
13	807E46770	Crease roll gear kit (REP 11.26- 150)



V-8-0169-A

PL 11.88 LVF BM Crease Roll Assembly (3 of 3)

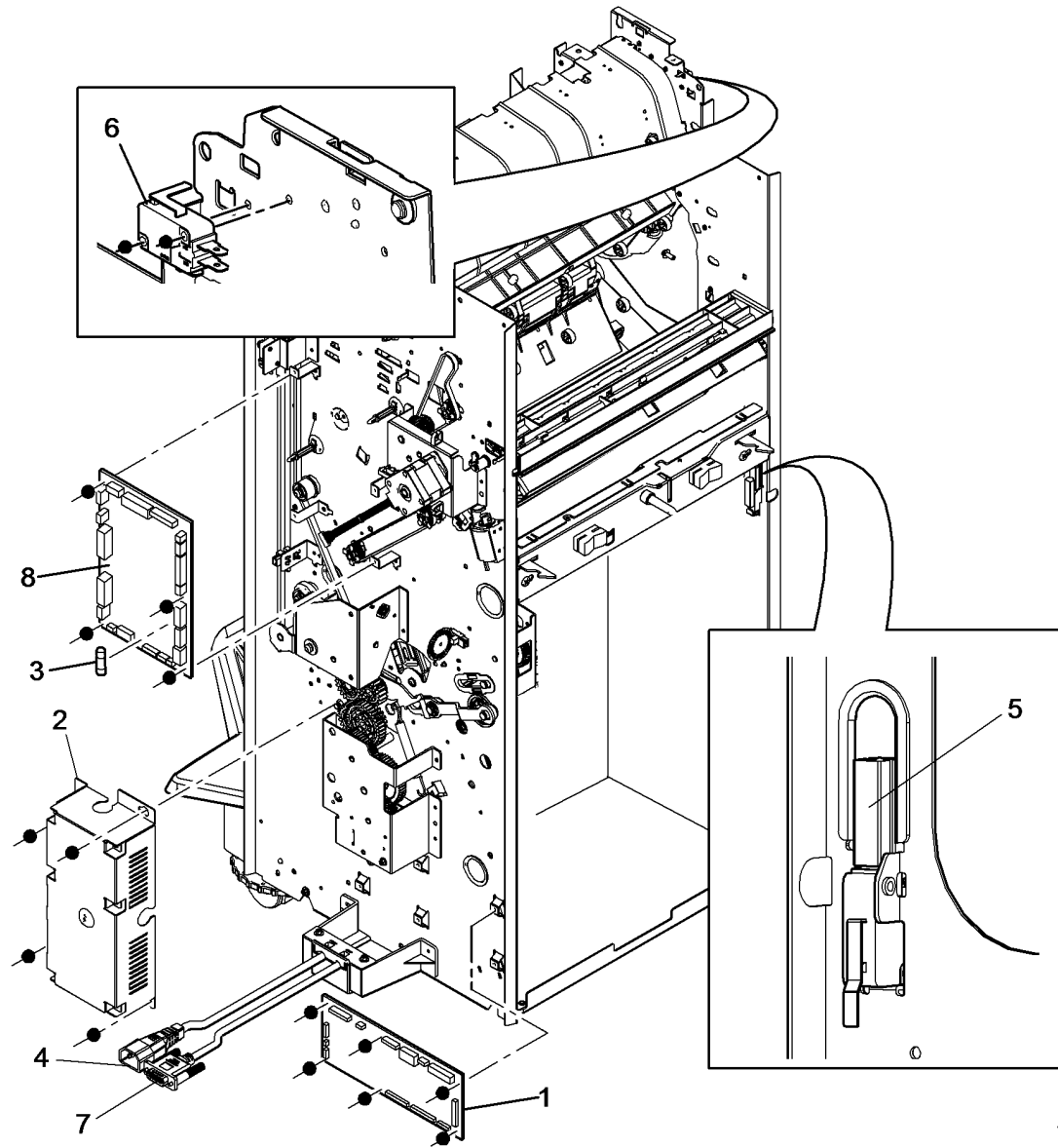
Item	Part	Description
1	031K09230	Bail arm assembly (REP 11.29-150)
2	050E29400	Bin 2
3	032K10330	Exit upper guide assembly (REP 11.28-150)
4	-	Exit lower guide (Not Spared)
5	-	Bail arm support bracket (P/O PL 11.88 Item 1)
6	-	Bail arm pin (P/O PL 11.88 Item 1)
7	130E10360	Bin 2 90% full sensor (Q11-389) (REP 11.29-150)
8	868E93710	BM exit sensor (Q11-409) (REP 11.28-150)
9	-	Static eliminator (P/O PL 11.88 Item 3)
10	899E07770	Bail arm spring (REP 11.29-150)
11	059E11880	Bail arm roller (x2) (REP 11.29-150)



V-8-0170-A

PL 11.90 LVF BM Electrical

Item	Part	Description
1	960K73660	LVF BM PWB (REP 11.36-150)
2	105E24900	Power supply module
3	–	Fuse (Not Spared)
4	–	Power cable (Not Spared)
5	110K13980	Front door interlock switch (S11-303)
6	110K13970	Top cover interlock switch (S11-302)
7	–	Communications cable (Not Spared)
8	960K73670	LVF PWB (REP 11.14-150)

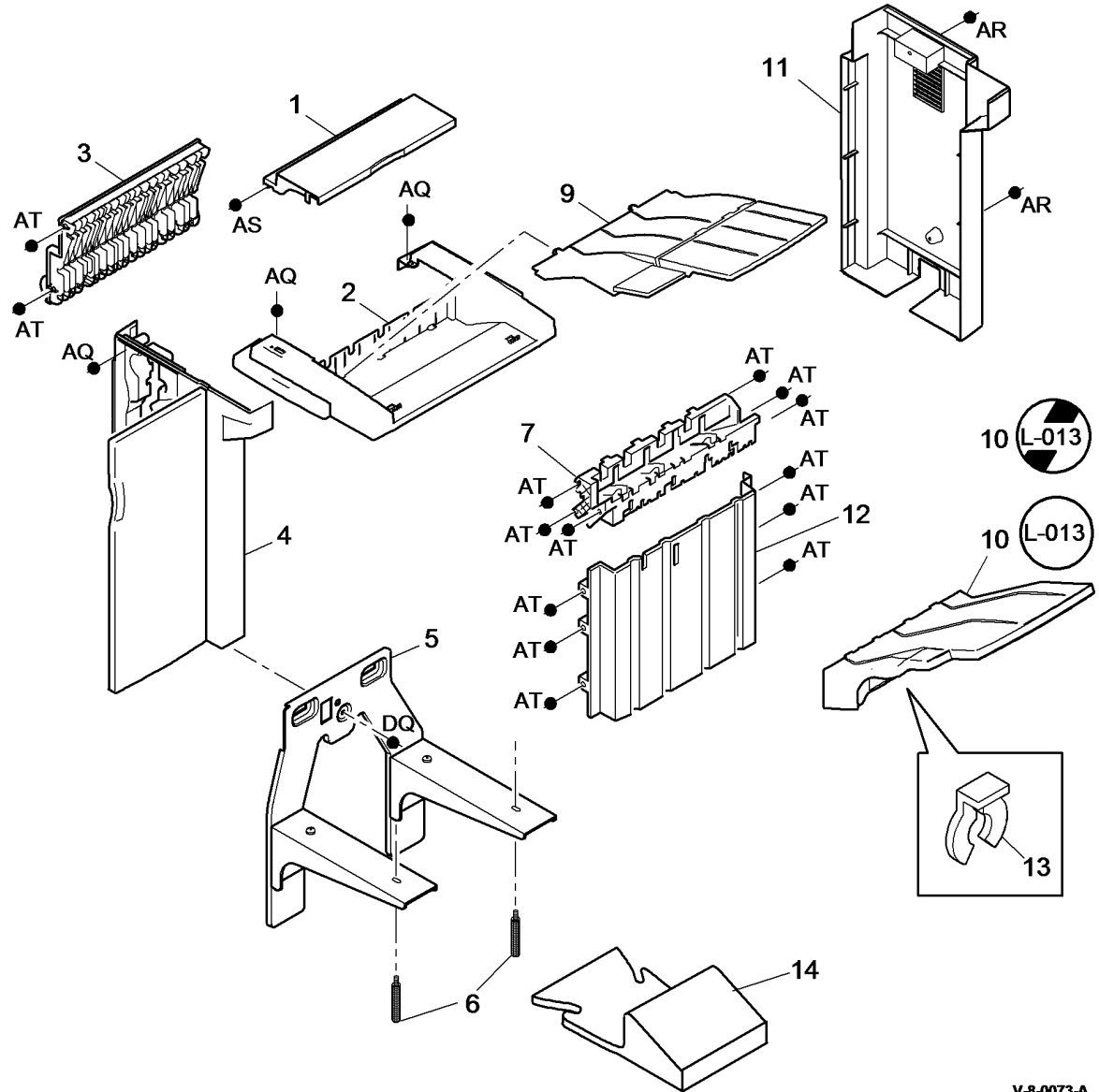


V-8-0149-A

PL 11.100 1K LCSS Covers

Item	Part	Description
1	802K48330	Exit cover
2	848K06150	Top cover (REP 11.1-120)
3	-	Entry guide cover (REF: PL 11.122 Item 5)
4	848K06130	Front door cover assembly (REP 11.1-120)
5	-	1K LCSS mounting bracket repair kit
6	-	Thumbscrew (Not Spared)
7	-	Output cover (Not Spared)
8	-	Not used
9	050K67380	Bin 0
10	050K68490	Bin 1 (W/O TAG L-013) (ADJ 11.1-120)
-	-	Bin 1 tray kit (improved stacking) (REF: PL 31.11 Item 18) (W/TAG L-013)
11	848K06140	Rear cover (REP 11.1-120)
12	-	Right cover (Not Spared)
13	019K13380	Bin 1 alignment clip
14	017E11260	Stability foot (REP 11.3-120)

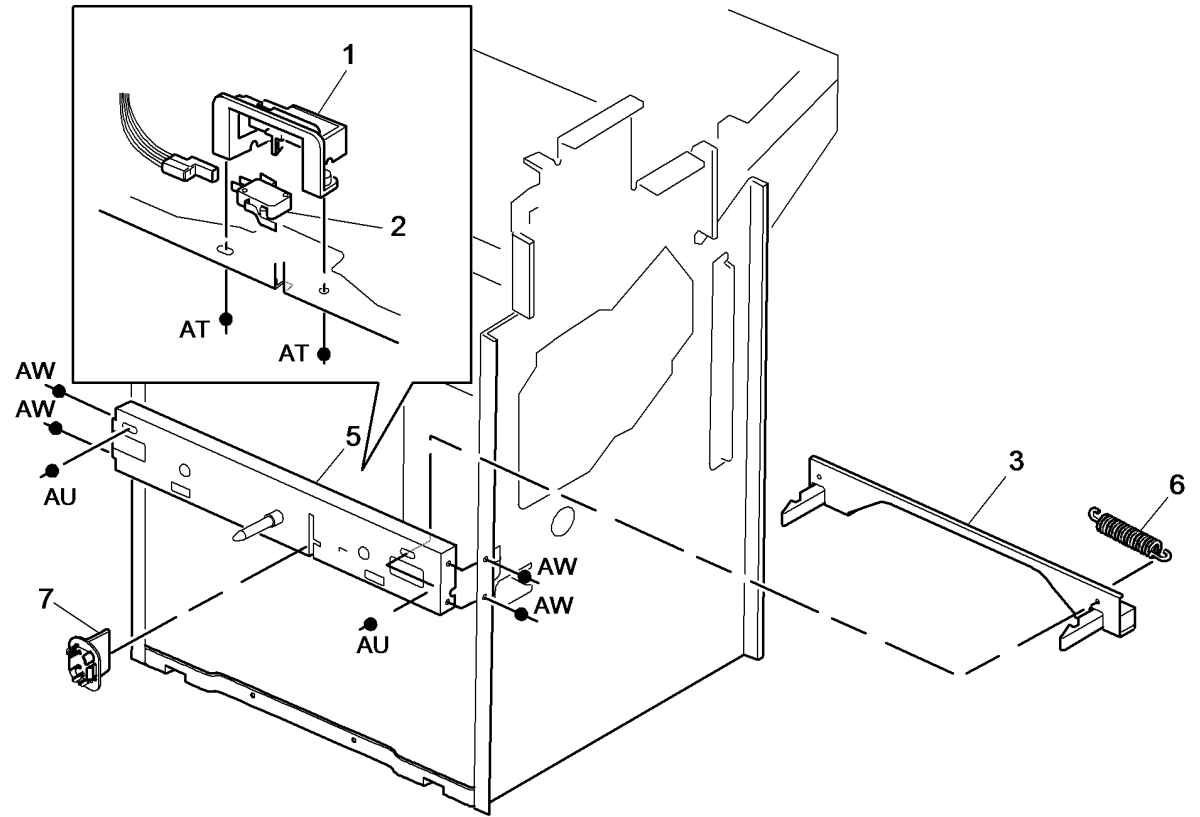
NOTE: W/TAG L-013 improves stacking on machines running large stacks of 8.5" x 11" or A4 LEF.



V-8-0073-A

PL 11.102 1K LCSS Docking Latch

Item	Part	Description
1	–	Sensor cover (P/O PL 11.102 Item 8)
2	110K13980	Docking interlock switch (S11-300) (REP 11.14-120)
3	003K20401	Link bracket assembly (REP 11.14-120)
4	–	Not used
5	–	Docking latch (P/O PL 11.102 Item 8) (REP 11.14-120)
6	–	Spring (P/O PL 11.102 Item 8)
7	120K02590	Docking actuator
8	003K20391	Docking latch assembly (REP 11.14-120)



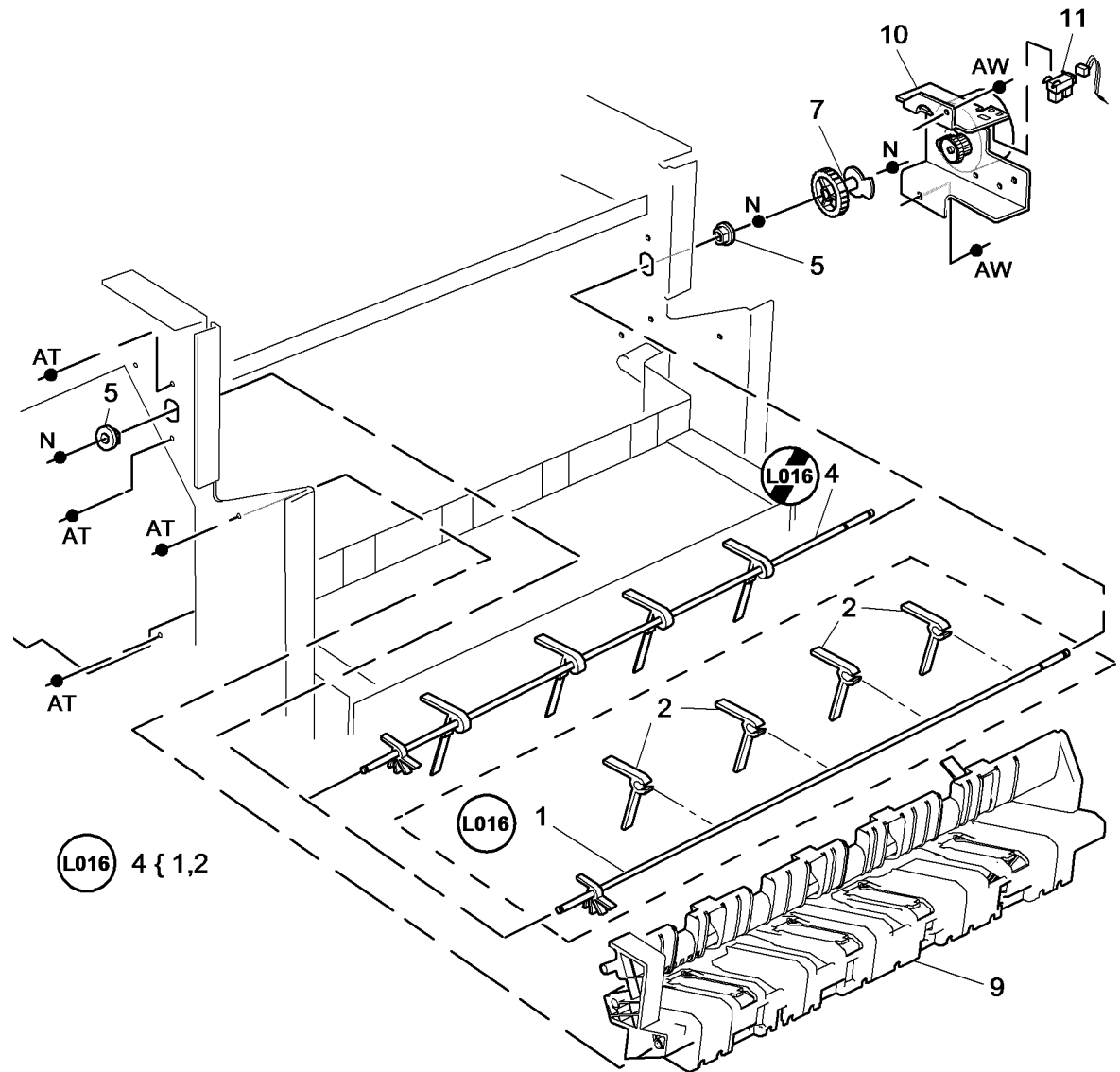
8{1-6

V-8-0074-A

PL 11.104 1K LCSS Paddle Wheel/ Safety Gate

Item	Part	Description
1	-	Shaft (P/O PL 11.104 Item 4) (W/ TAG L-016)
2	-	Paddle wheel (P/O PL 31.12 Item 11) (NOTE) (W/TAG L-016)
3	-	Not used
4	-	Paddle wheel shaft assembly (Not spared) (W/O TAG L-016) (REP 11.10-120)
-	-	Paddle wheel shaft assembly (Not Spared) (W/TAG L-016)
5	013E25790	Bearing
6	-	Not used
7	-	Flag/Gear (Not Spared)
8	-	Not used
9	-	Output cover (REF: PL 11.100 Item 7)
10	127K55840	Paddle motor assembly (MOT11- 024)
11	130E12330	Paddle roll home sensor (Q11-326)

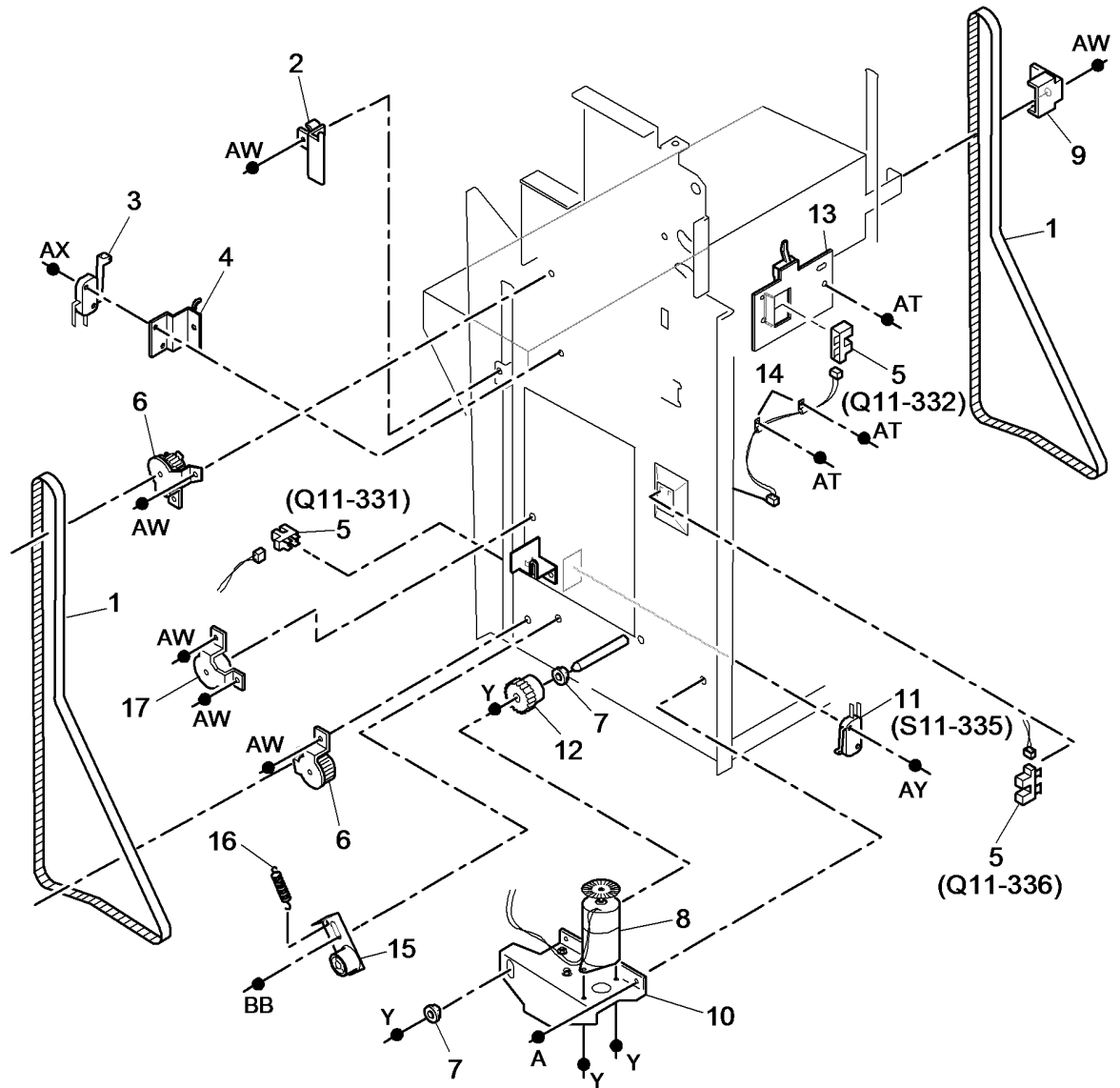
NOTE: Paddles are also supplied (4 off) as a kit PL 31.12 Item 11.



V-8-0075-A

PL 11.106 1K LCSS Bin 1 Control Components

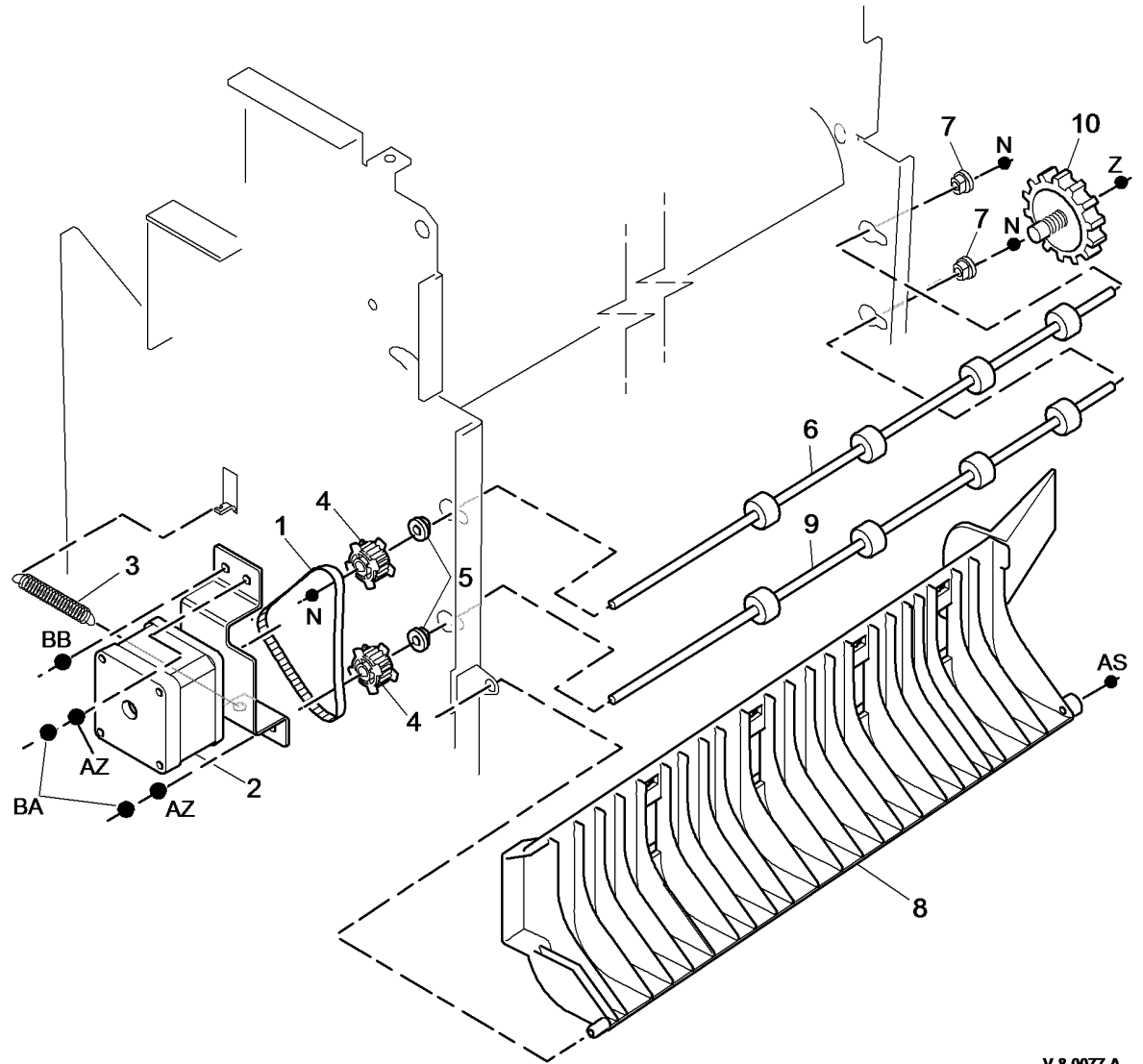
Item	Part	Description
1	023E30710	Bin 1 drive belt (REP 11.5-120)
2	-	Rear belt clamp (Not Spared) (ADJ 11.1-120)
3	110E20180	Bin 1 upper limit switch (S11-334)
4	-	Sensor bracket (Not Spared)
5	130E12330	Bin 1 90% full sensor (Q11-331), Bin 1 upper level sensor (Q11-332) (REP 11.9-120), Motor encoder sensor (Q11-336)
6	-	Pulley (Not Spared)
7	013E25810	Bearing
8	127K55890	Bin 1 elevator motor (MOT11-030)
9	-	Front belt clamp (Not Spared) (ADJ 11.1-120)
10	-	Motor bracket (Not Spared)
11	110K13990	Bin 1 lower limit switch (S11-335)
12	-	Pulley assembly (Not Spared)
13	-	Sensor support (Not Spared)
14	-	P-clamp (Not Spared)
15	-	Belt tensioner (Not Spared)
16	-	Spring (Not Spared)
17	-	Idler (Not Spared)



V-8-0076-A

PL 11.110 1K LCSS Paper Entry Transport

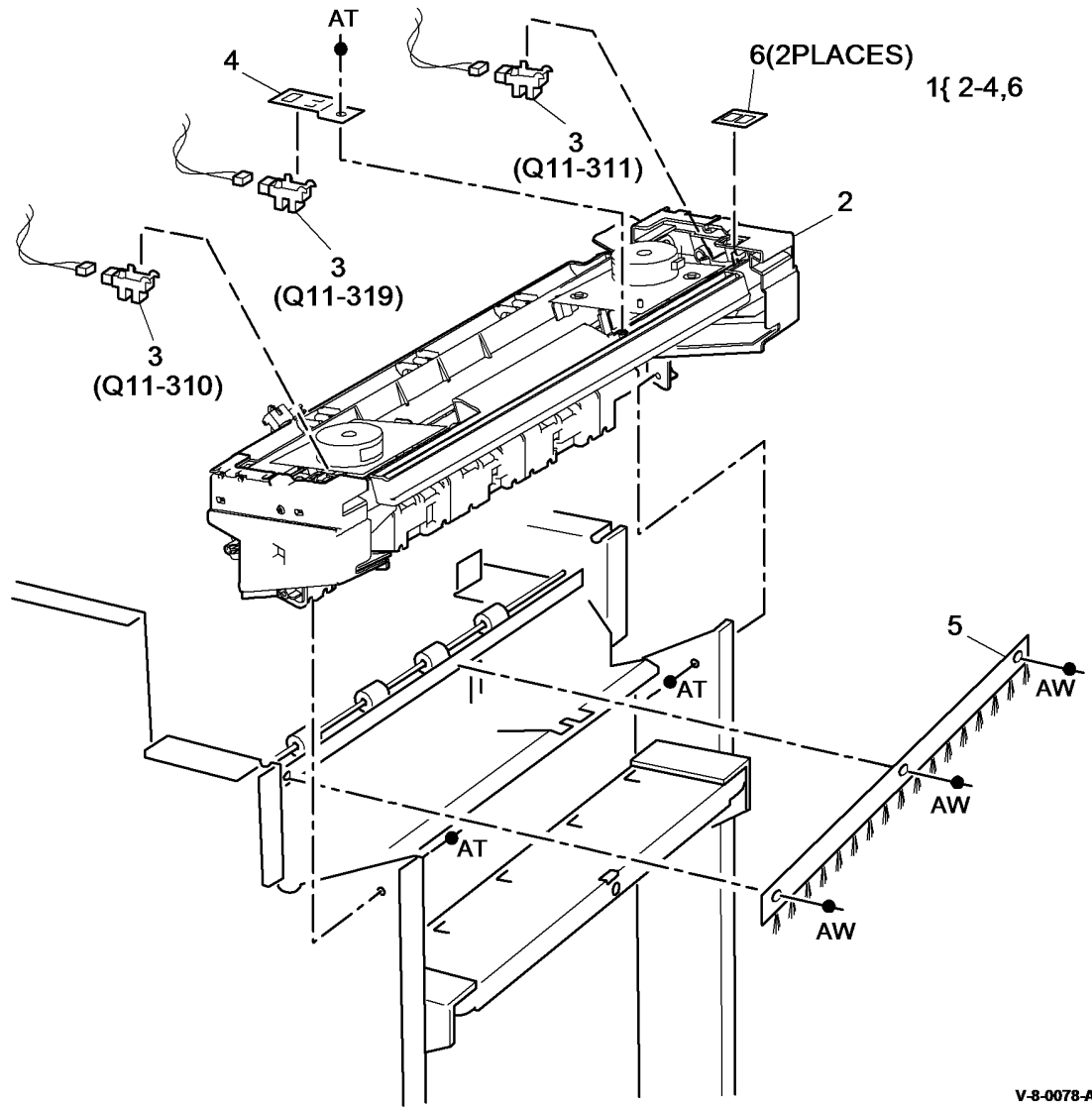
Item	Part	Description
1	023E30690	Input drive belt (REP 11.2-120)
2	127K55820	Transport motor 1 (MOT11-000) (REP 11.2-120)
3	-	Spring (Not Spared)
4	-	Pulley (Not Spared)
5	013E25790	Nylon bearing
6	006K27980	Feed roll shaft (short)
7	013E25800	Bearing
8	-	Paper entry guide assembly (REF: PL 11.122 Item 1)
9	006K31670	Feed roll shaft (long)
10	-	Thumb wheel (Not Spared)



V-8-0077-A

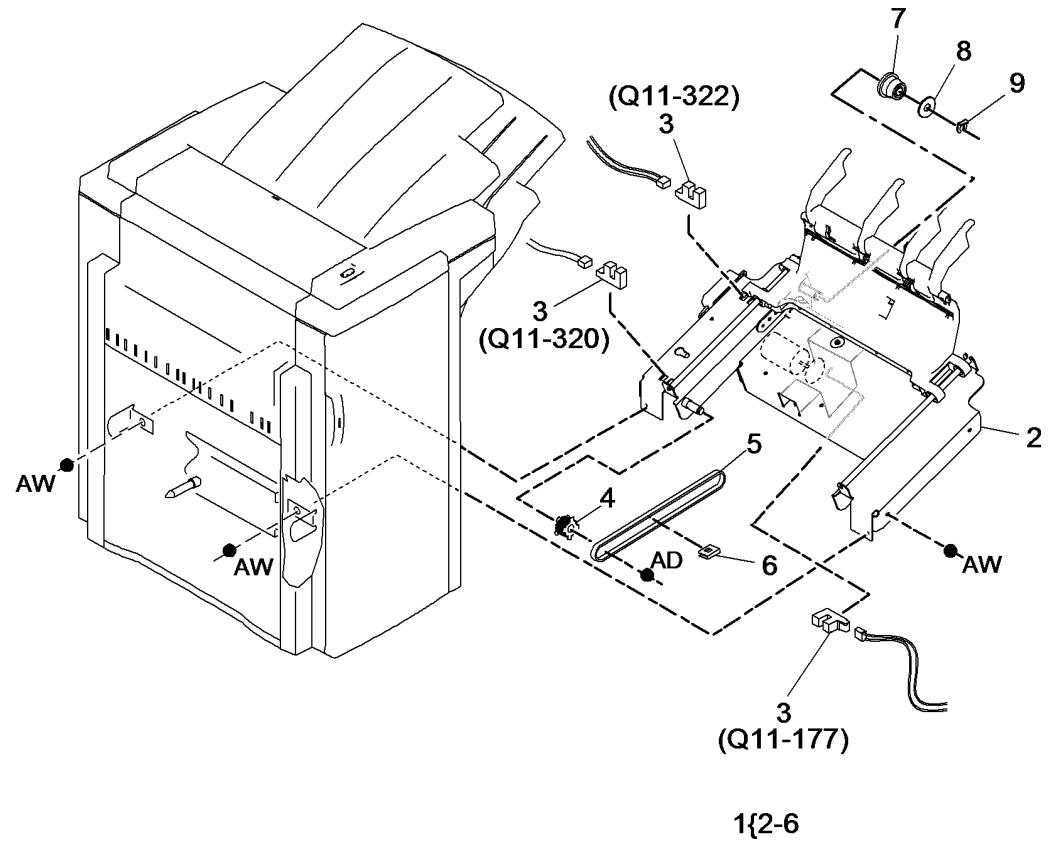
PL 11.112 1K LCSS Tamper Assembly

Item	Part	Description
1	068K54270	Tamper assembly (REP 11.6-120)
2	-	Tamper unit (P/O PL 11.112 Item 1)
3	130E12330	Front tamper home sensor (Q11-310), Rear tamper home sensor (Q11-311), Rear tamper away sensor (Q11-319)
4	-	Sensor bracket (P/O PL 11.112 Item 1)
5	-	Static eliminator (stacker) (REF: PL 11.120 Item 7)
6	-	Sensor retainer (P/O PL 11.112 Item 1)



PL 11.114 1K LCSS Ejector Assembly

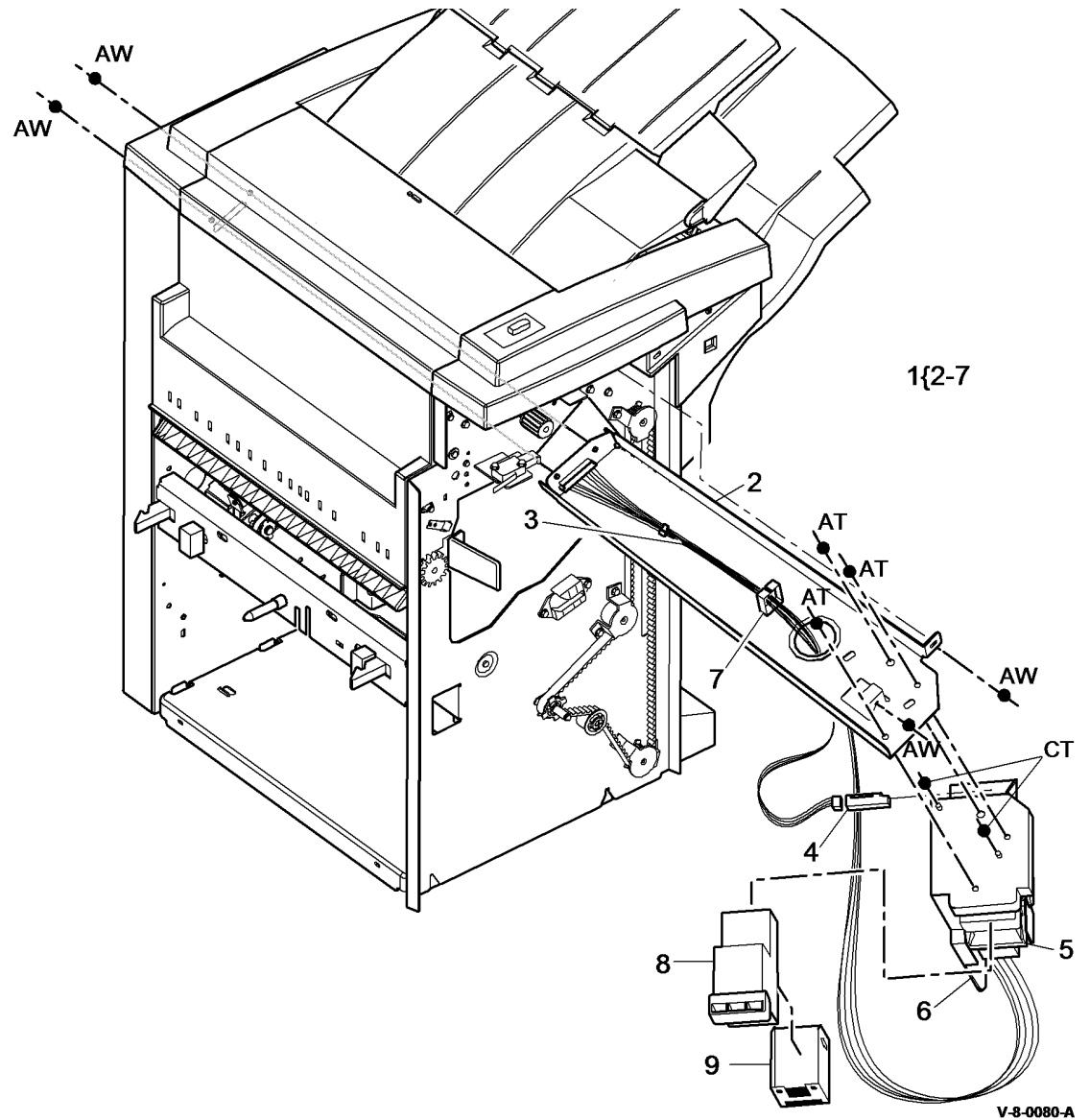
Item	Part	Description
1	054K37920	Ejector assembly (REP 11.8-120)
2	-	Ejector base (P/O PL 11.114 Item 1)
3	130E12330	Ejector home sensor (Q11-320), Ejector out sensor (Q11-322), Ejector motor encoder sensor(Q11-177) (REP 11.8-120)
4	-	Pulley (Not Spared)
5	023E24330	Ejector belt (REP 11.15-120)
6	-	Clip (P/O PL 11.114 Item 1)
7	020K21490	Pulley drive gear
8	-	Washer (Not Spared)
9	-	KL-Clip (Not Spared)



V-8-0079-A

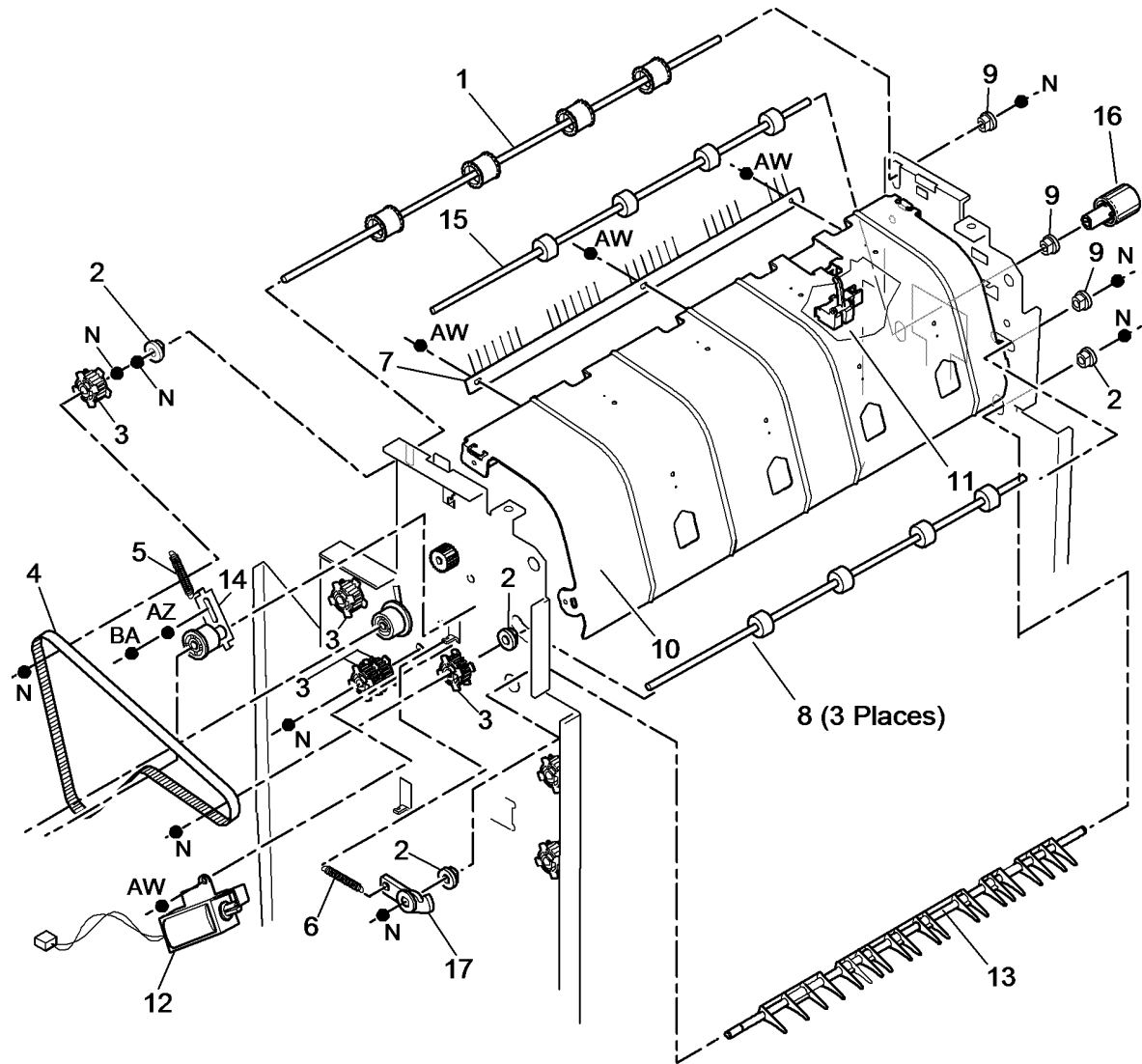
PL 11.116 1K LCSS Staple Head Assembly

Item	Part	Description
1	014K10100	Stapler assembly (REP 11.7-120)
2	-	Mounting bracket (P/O PL 11.116 Item 1)
3	-	Stapler harness (P/O PL 11.116 Item 1)
4	130E10380	SH1 Paper sensor (Q11-361) (REP 11.7-120)
5	-	Staple head unit (P/O PL 11.116 Item 1)
6	-	Stapler cover (P/O PL 11.116 Item 1)
7	-	Cable clamp (P/O PL 11.116 Item 1)
8	108R00682	Staple cartridge
9	108R00535	Staple refills



PL 11.118 1K LCSS Bin 0 Entry

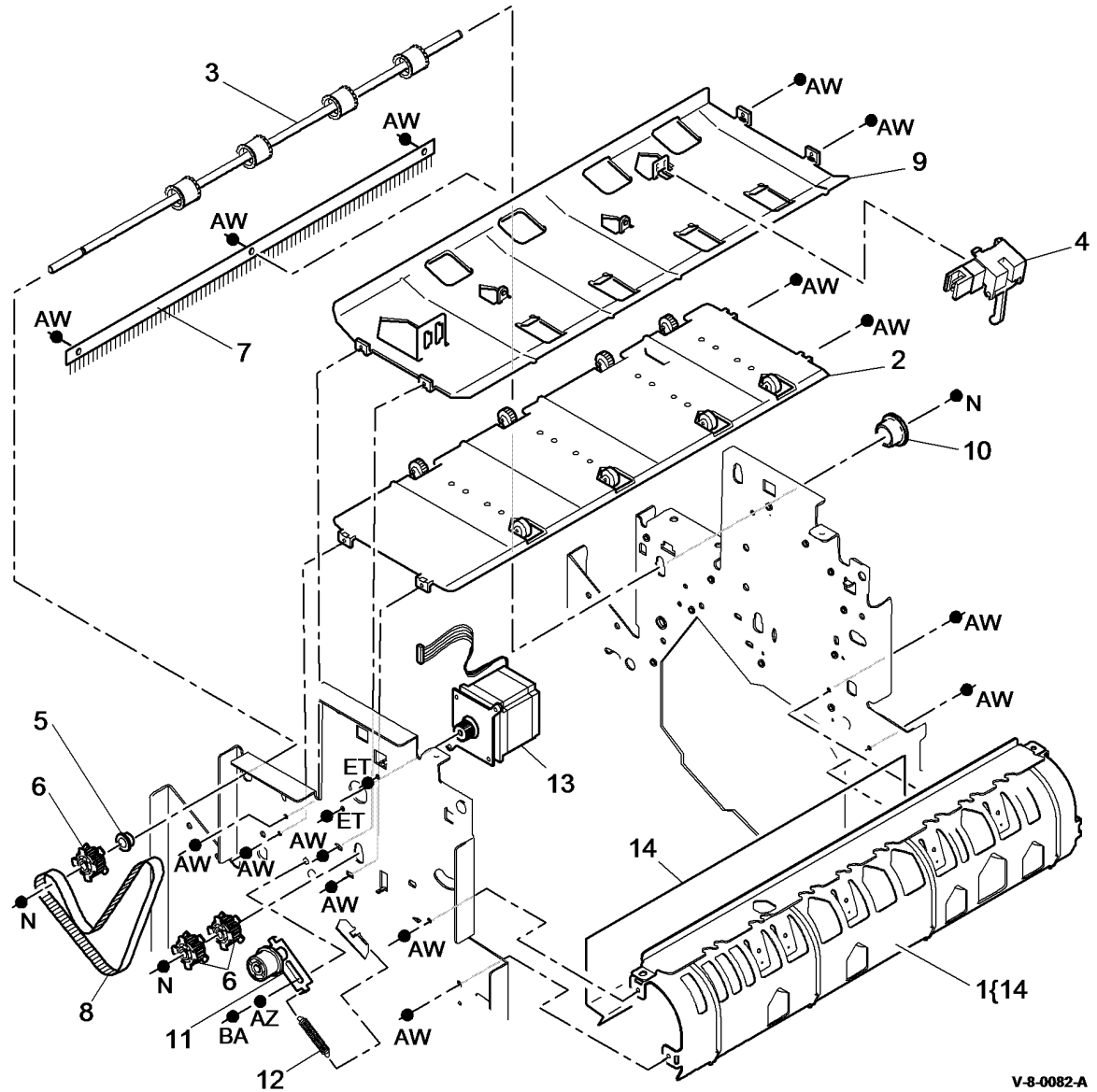
Item	Part	Description
1	006K27960	Ejector drive shaft
2	013E25790	Nylon bearing
3	-	Pulley (Not Spared)
4	023E30700	Intermediate paper drive belt
5	-	Spring (Not Spared)
6	-	Spring (Not Spared)
7	115E12830	Static eliminator
8	006K27980	Feed roll shaft (short)
9	013E25800	Bearing
10	032K04550	Paper guide
11	130E11440	Top exit sensor (Q11-130)
12	121K45290	Diverter solenoid (SOL11-002)
13	-	Shaft diverter assembly (P/O PL 31.13 Item 6) (W/TAG L-003)
14	-	Belt tensioner (Not Spared)
15	006K27970	Drive shaft assembly
16	003K17531	Jam clearance knob
17	-	Actuator (Not Spared)



V-8-0081-A

PL 11.120 1K LCSS Bin 1 Entry

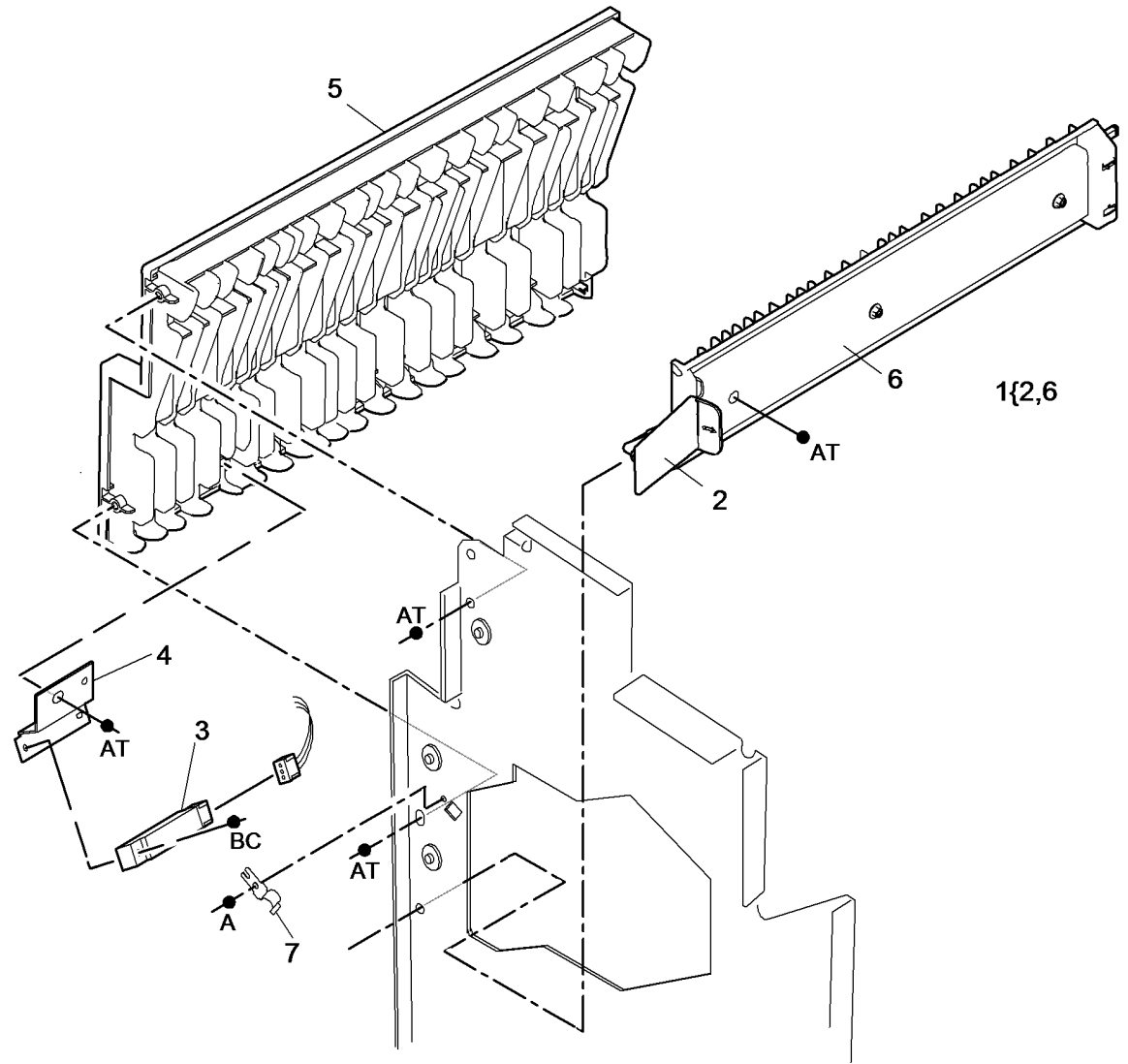
Item	Part	Description
1	032K04570	Left paper guide
2	032K04560	Lower right paper guide
3	-	Ejector drive shaft (REF: PL 11.118 Item 1)
4	130E11440	2nd to top exit sensor (Q11-140)
5	013E25790	Nylon bearing
6	-	Pulley (Not Spared)
7	115E11810	Static eliminator (stacker)
8	023E24340	Paper output drive belt (REP 11.4-120)
9	-	Upper right paper guide (Not Spared)
10	013E25800	Bearing
11	-	Belt tensioner (Not Spared)
12	-	Spring (Not Spared)
13	127K55830	Transport motor 2 (MOT 11-001) (REP 11.4-120)
14	-	Mylar safety cover (P/O PL 11.120 Item 1)



V-8-0082-A

PL 11.122 1K LCSS Entry Guide Cover/Jam Clearance Guide

Item	Part	Description
1	032K04600	Paper entry guide assembly
2	-	Jam clearance handle (P/O PL 11.122 Item 1)
3	130E10380	Entry sensor (Q11-100)
4	-	Sensor bracket (Not Spared)
5	848K06160	Entry guide cover (REP 11.13-120)
6	-	Jam clearance guide (P/O PL 11.122 Item 1)
7	809E78390	Latch



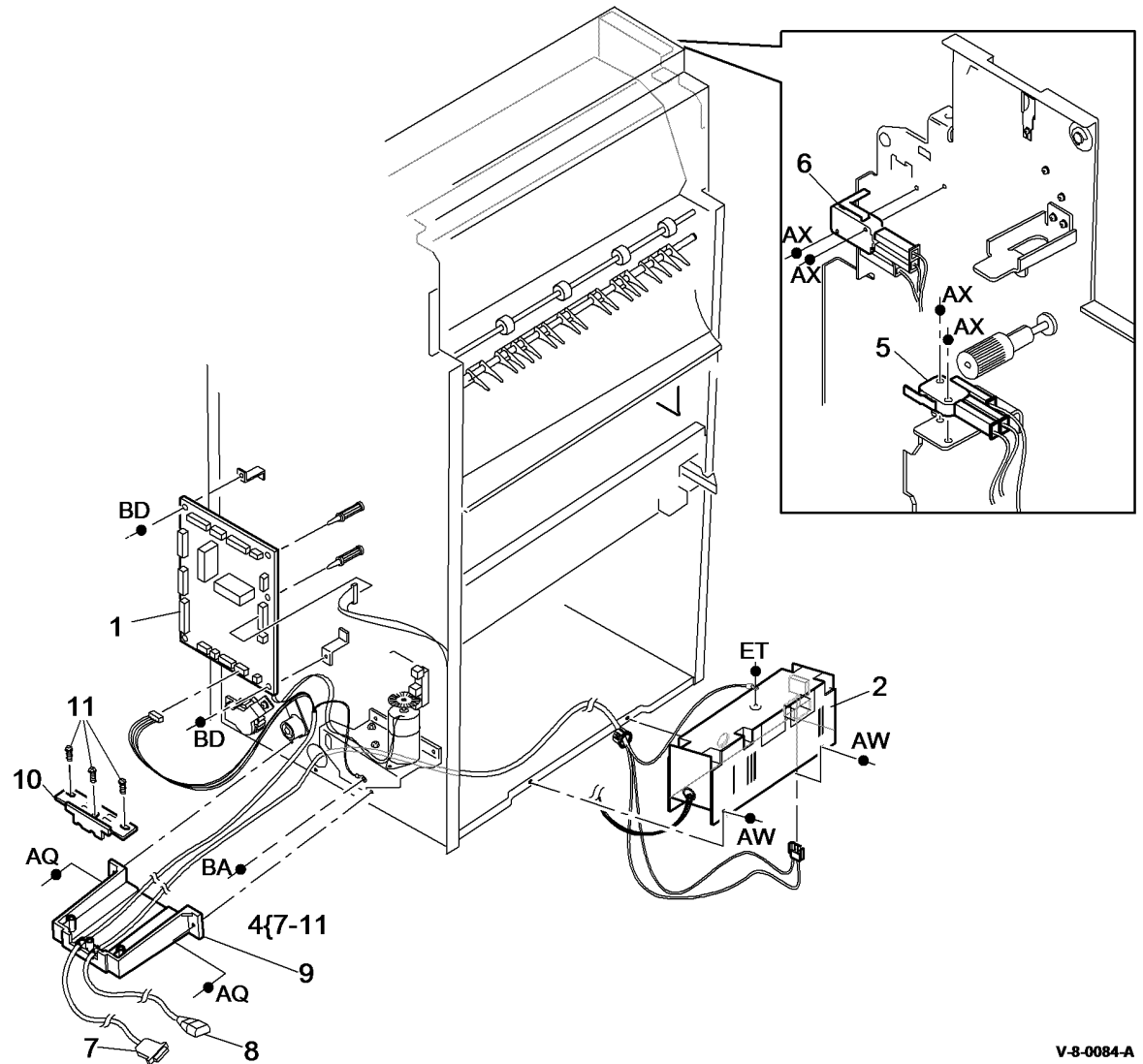
V-8-0083-A

PL 11.124 1K LCSS Electrical

Item	Part	Description
1	960K21261	1K LCSS PWB (CAUTION) (W/ TAG L-001) (REP 11.12-120)
2	105K28272	Power supply module
3	–	Not used
4	962K56941	Cord bracket assembly
5	110K13980	Front door interlock switch (S11-303)
6	110K13970	Top cover interlock switch (S11-302)
7	–	1K LCSS communication harness (P/O PL 11.124 Item 4)
8	–	Power cord (P/O PL 11.124 Item 4)
9	–	Lower bracket (P/O PL 11.124 Item 4)
10	–	Upper bracket (P/O PL 11.124 Item 4)
11	–	Screw (P/O PL 11.124 Item 4)

CAUTION

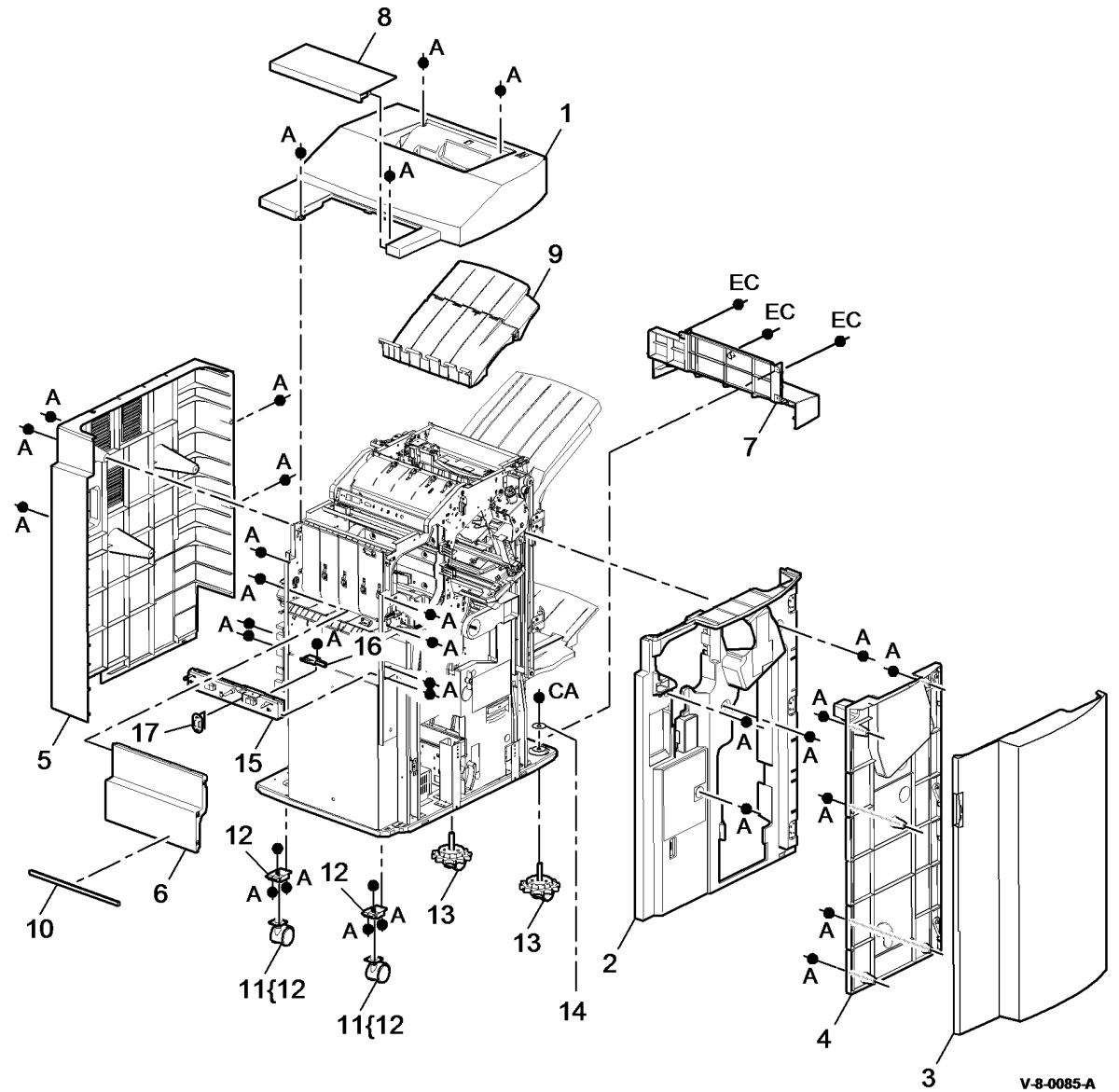
Do not install a new 1K LCSS PWB until the cause of the damage to the old LCSS PWB has been determined. Go to the 311G-120 LCSS PWB Damage RAP.



V-8-0084-A

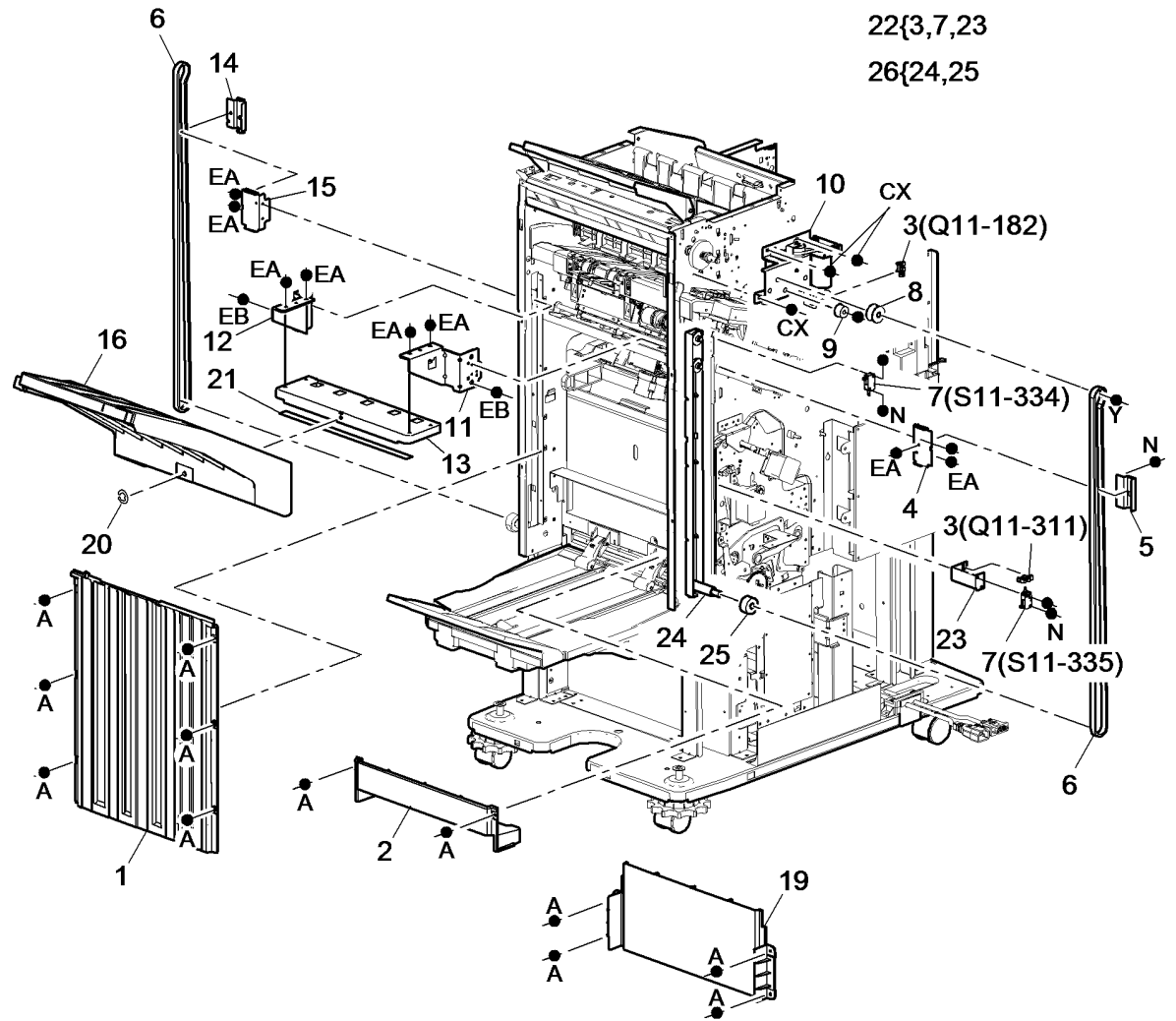
PL 11.130 HVF Covers and Docking

Item	Part	Description
1	848K12490	Top cover (REP 11.1-171)
2	848K12501	Foot cover (REP 11.1-171)
3	848E17790	Front door (REP 11.1-171)
4	848K12510	Door support (REP 11.1-171)
5	848K12520	Rear cover (REP 11.1-171)
6	848K12530	Vent cover (REP 11.1-171)
7	848E17800	Foot cover (REP 11.1-171)
8	848E17810	Inserter removable cover (REP 11.1-171)
9	848K12540	Top tray (REP 11.3-171)
10	-	Seal (Not Spared)
11	017K04830	Fixed castor assembly (REP 11.96-171)
12	-	Fixed castor bracket (P/O PL 11.130 Item 11)
13	017K04630	Adjustable castor (REP 11.96-171)
14	-	Adjustable castor washer (P/O PL 11.130 Item 13)
15	017K04640	Mounting bracket assembly
16	110K20900	Docking interlock switch (S11-300)
17	120K02590	Docking actuator



PL 11.135 HVF Stacker

Item	Part	Description
1	848E17820	Upper right side cover (REP 11.5-171)
2	848E17840	Lower right side cover
3	130E12830	Bin 1 90% full sensor (Q11-311)/ Stacker unit encoder sensor (Q11-182)
4	-	Rear main belt clamp (1 of 2) (Not Spared)
5	-	Rear main belt clamp (2 of 2) (Not Spared)
6	023E31220	Bin 1 main drive belt (REP 11.38-171)
7	110K20890	Bin 1 upper limit switch (REP 11.75-171) (S11-334)/Bin 1 lower limit switch (REP 11.75-171) (S11-335)
8	-	Main belt pulley (Not Spared)
9	-	Main belt tensioner (Not Spared)
10	127K56591	Bin 1 elevator motor assembly (REP 11.12-171)
11	-	Bin 1 rear lift bar bracket (Not Spared)
12	-	Bin 1 front lift bar bracket (Not Spared)
13	-	Bin 1 lift bar (Not Spared)
14	-	Front main belt clamp (2 of 2) (Not Spared)
15	-	Front main belt clamp (1 of 2) (Not Spared)
16	050E23670	Bin 1 (REP 11.4-171)
17	-	Not used
18	-	Not used
19	848E17830	Middle right side cover
20	019K13380	Bin 1 retaining clip (REP 11.4-171)
21	-	Bin 1 lift bar brace (Not Spared)
22	110K20880	Stacker full sensor and lower limit switch assembly (REP 11.75-171)
23	-	Sensor/switch bracket (Not Spared)
24	-	Stacker tray guide (P/O PL 11.135 Item 26)
25	-	Stacker tray guide pulley (P/O PL 11.135 Item 26)
26	110K21060	Stacker tray guide assembly

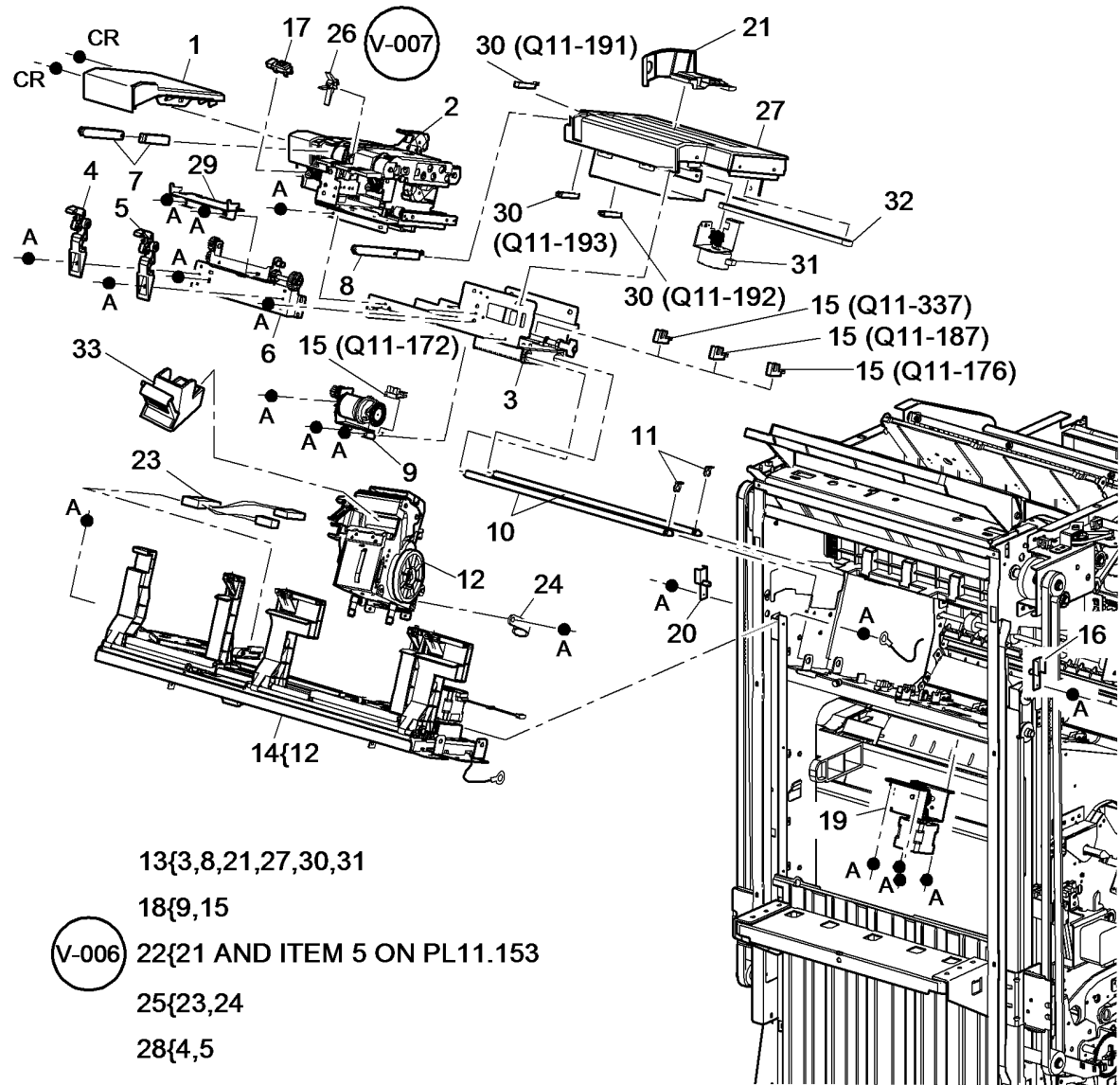


22{3,7,23
26{24,25

V-8-0086-A

PL 11.140 HVF Ejector, Pressing and Support (1 of 2)

Item	Part	Description
1	-	Ejector front cover (Not Spared)
2	059K59493	Ejector assembly (REP 11.6-171)
3	-	Offset module (Not Spared) (REP 11.9-171)
4	-	Front pressing plate finger (P/O PL 11.140 Item 28) (REP 11.7-171)
5	-	Rear pressing plate finger (P/O PL 11.140 Item 28) (REP 11.7-171)
6	049K23160	Pressing plate bracket
7	003K20652	Front support finger (REP 11.8-171)
8	003K20662	Rear support finger (P/O PL 11.140 Item 13) (REP 11.8-171)
9	-	Support finger motor assembly (P/O PL 11.140 Item 18)
10	-	Offset rod (Not Spared)
11	019K13380	Offset rod KL clip
12	-	Stapler module (P/O PL 11.140 Item 14) (REP 11.2-171)
13	032K09651	Rear tamper assembly (REP 11.15-171)
14	029K04631	Staple assembly (REP 11.2-171)
15	130E12830	Pressing and support encoder sensor (Q11-172), Bin 1 offset sensor (Q11-337), Offset index sensor (Q11-187), Offset away sensor (Q11-176)
16	130K75470	Bin 1 upper level sensor (receiver) (Q11-332) (REP 11.76-171)
17	130K75900	Bin 1 rear wall sensor (Q11-196)
18	127K56550	Motor encoder assembly
19	127K56580	Bin 1 offset motor (MOT11-034) (REP 11.9-171)
20	130K75480	Bin 1 upper level sensor (transmitter) (Q11-332) (REP 11.76-171)
21	032E35301	Rear tamper arm (W/O TAG V-006)
-	-	Rear tamper arm (reinforced) (P/O PL 11.140 Item 13) (W/TAG V-006)
22	032E35311	Tamper arm set (W/TAG V-006)
23	-	Stapler harness (P/O PL 11.140 Item 25)
24	-	P-clip (P/O PL 11.140 Item 25)
25	962K82410	Stapler harness and p-clip assembly
26	033K04850	Ejector paddle assembly (W/TAG V-007) (REP 11.100-171)
27	-	Rear tamper (P/O PL 11.140 Item 13)
28	003K21100	Pressing plate kit
29	-	Ejector assembly safety cover (P/O PL 31.11 Item 15)
30	-	Support finger home sensor (Q11-192), Support finger init sensor (Q11-191), Support finger out sensor (Q11-193) (P/O PL 11.140 Item 13)
31	-	Rear tamper motor (MOT11-004) (P/O PL 11.140 Item 13)
32	-	Rear tamper drive belt (P/O PL 11.140 Item 13)
33	-	Staple cartridge (REF: PL 26.10 Item 22)



13{3,8,21,27,30,31}

18{9,15}

22{21 AND ITEM 5 ON PL11.153}

25{23,24}

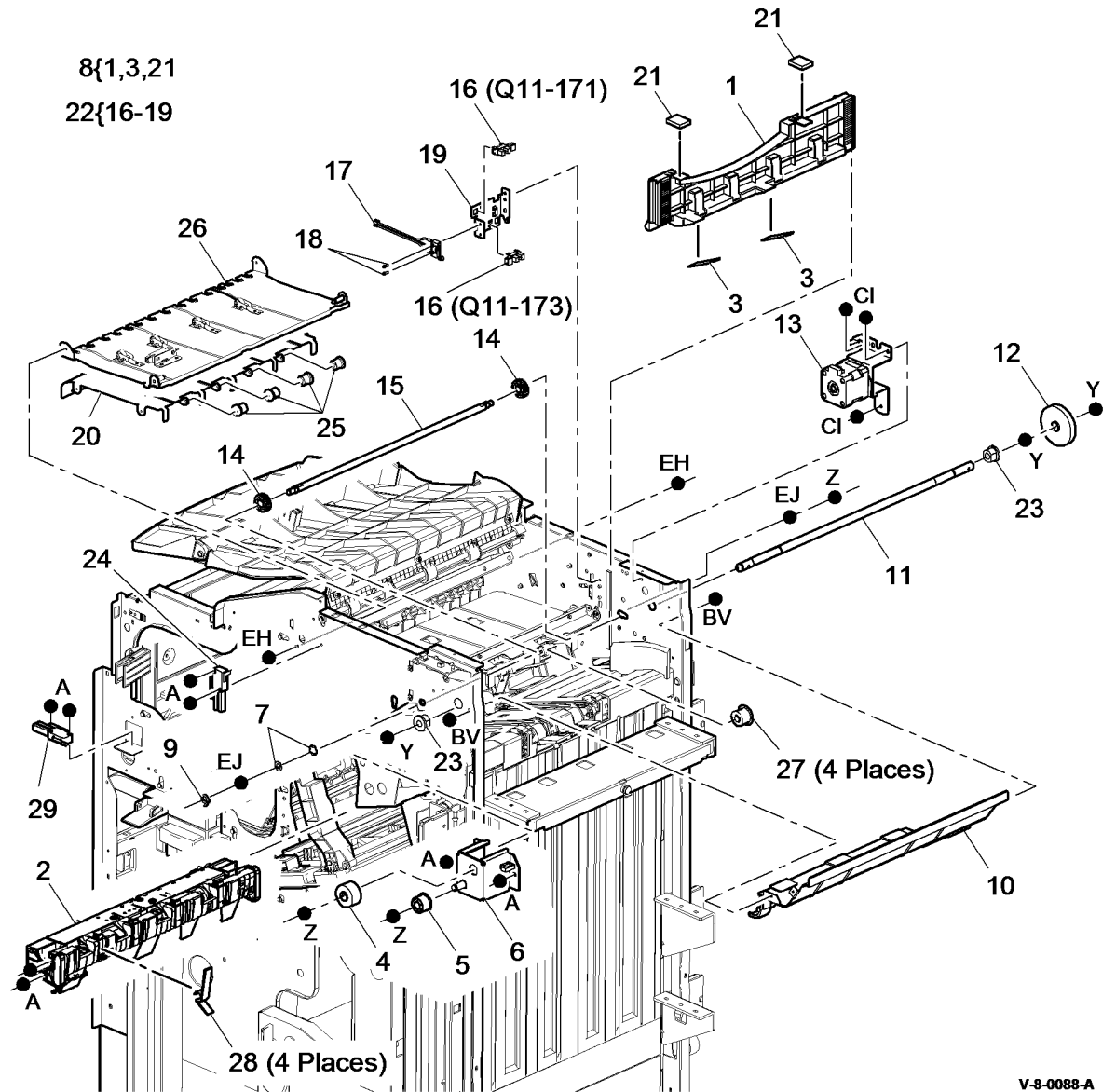
28{4,5}

V-006

V-8-0087-A

PL 11.145 HVF Ejector, Pressing and Support (2 of 2)

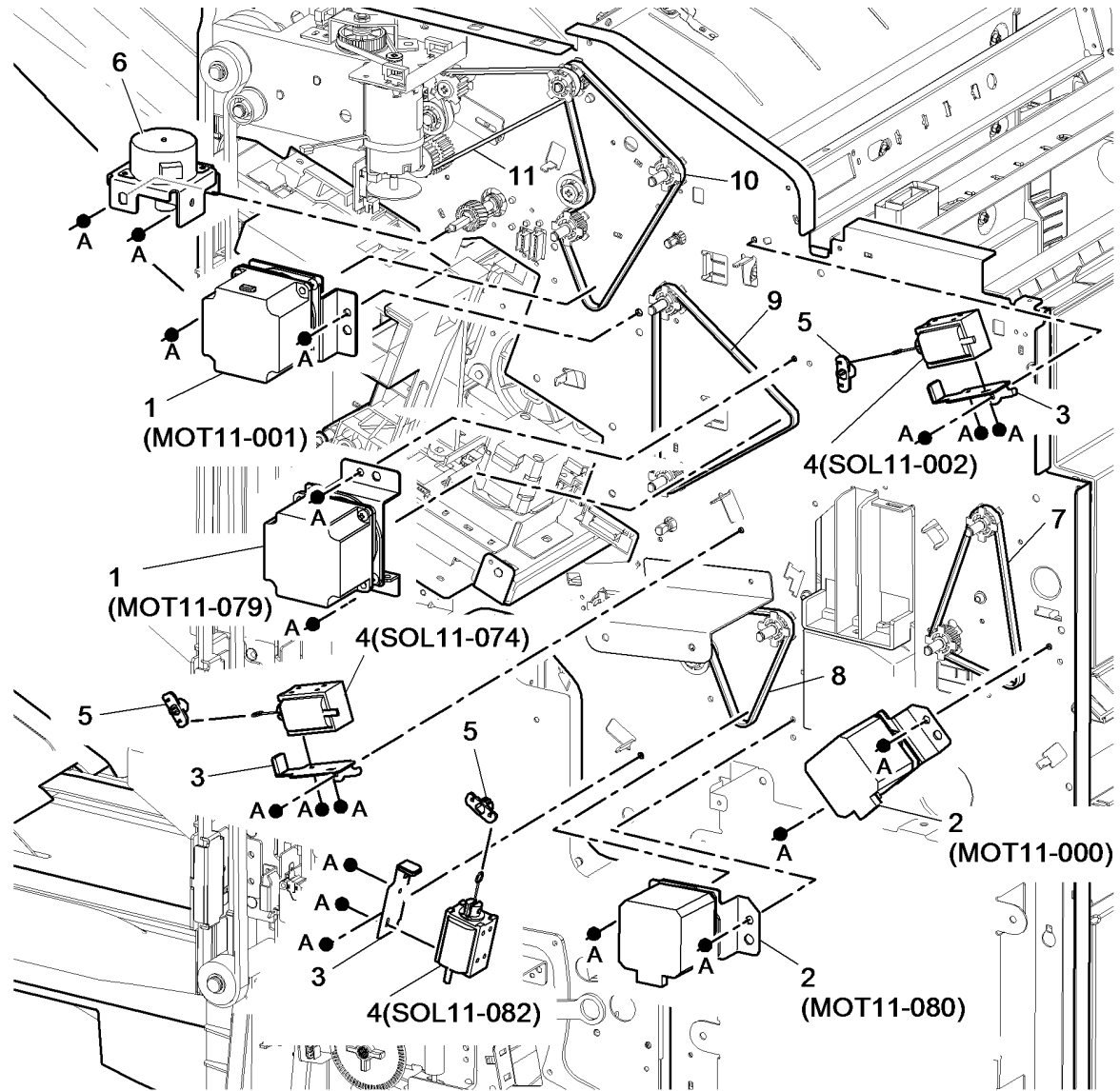
Item	Part	Description
1	-	Paper pusher (P/O PL 11.145 Item 8)
2	033K04412	Paddle module assembly (REP 11.49-171)
3	-	Pusher mylar (P/O PL 11.145 Item 8)
4	-	Timing belt pulley (Not Spared)
5	-	Timing belt tensioner (Not Spared)
6	-	Front stacker pulley bracket (Not Spared)
7	-	Thrust washer (Not Spared)
8	050K67801	Paper pusher assembly (REP 11.53-171)
9	-	Pinion gear E-clip (Not Spared)
10	-	Compile exit upper guide (Not Spared)
11	-	Stacker main drive gear shaft (Not Spared)
12	-	Stacker main drive gear (Not Spared)
13	674K03550	Paper pusher motor assembly (MOT11-083) (REP 11.51-171)
14	-	Pinion gear (Not Spared)
15	-	Pinion gear shaft (Not Spared)
16	130E12830	Paper pusher upper sensor (Q11-171)/Paper pusher lower sensor (Q11-173) (REP 11.54-171)
17	-	Stapler gate safety switch (S11-365) (P/O PL 11.145 Item 22)
18	-	Sensor screw (P/O PL 11.145 Item 22)
19	-	Sensor assembly bracket (P/O PL 11.145 Item 22)
20	-	Lower exit guide (Not Spared)
21	-	Pusher dampers (P/O PL 11.145 Item 8)
22	674K03541	Sensor assembly (REP 11.54-171)
23	013E37150	Stacker shaft bearing (plastic) (REP 11.37-171)
24	110K20900	Top cover interlock switch (S11-302)
25	-	Exit idler roll (x4)
26	-	Top jam clearance guide assembly (Not Spared) (REP 11.14-171)
27	006K33400	Stacker idler roll (REP 11.10-171)
28	033K04581	Paddle wheel (NOTE) (REP 11.101-171)
29	110K13980	Front door interlock switch (S11-303)



NOTE: HFSI. To reset the HFSI count, refer to dC135.

PL 11.150 HVF Main Drives

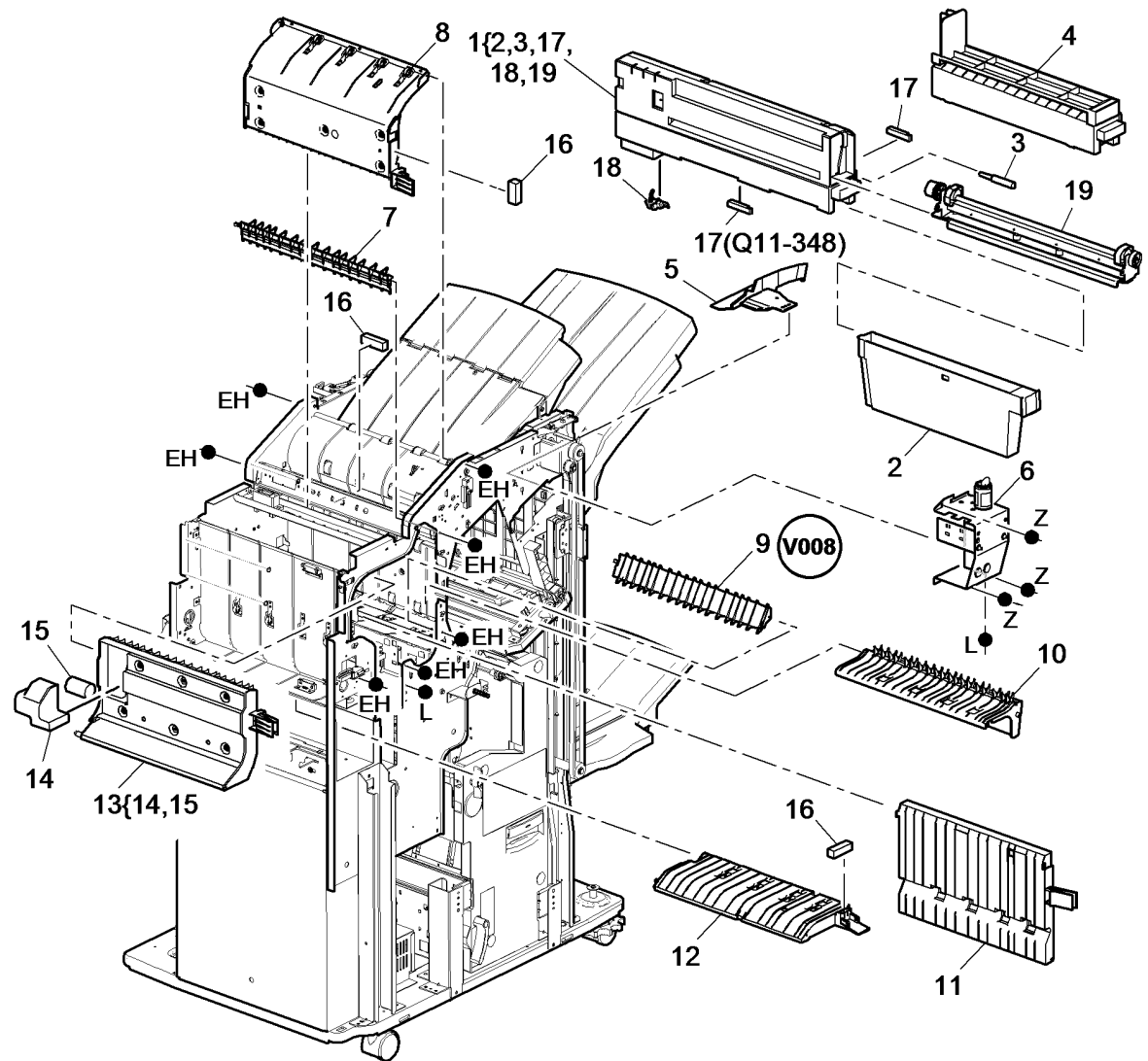
Item	Part	Description
1	127K56570	Buffer feed motor (MOT11-079) (REP 11.65-171)/Transport motor 2 (MOT11-001) (REP 11.66-171)
2	127K56560	Transport motor 1 (MOT11-000) (REP 11.63-171)/Bypass feed motor (MOT11-080) (REP 11.64-171)
3	-	Solenoid bracket (P/O PL 11.150 Item 4)
4	121K45290	BM diverter solenoid (SOL11-074) (ADJ 11.14-171)/Exit diverter solenoid (SOL11-002)/Buffer clamp solenoid (SOL11-082)
5	-	Solenoid connector (Not Spared)
6	127K56610	Paddle unit motor assembly (MOT11-027) (REP 11.48-171)
7	-	Transport motor 1 belt (Not Spared)
8	-	Bypass feed motor belt (Not Spared)
9	-	Buffer feed motor belt (Not Spared)
10	-	Exit feed motor 2 belt (A) (Not Spared)
11	-	Exit feed motor 2 belt (B) (Not Spared)



V-8-0089-A

PL 11.153 HVF Feed Assembly and Punch (1 of 3)

Item	Part	Description
1	604K54740	HVF 2 hole punch assembly (XE)
-	-	HVF 3 hole punch assembly (USSG/XCL)
2	604K83750	HVF chad bin
3	-	Hole punch thumb screw (P/O PL 11.153 Item 1)
4	059K59551	Hole punch blanking assembly
5	868E05770	Front tamper arm (W/O TAG V-006)
-	-	Front tamper arm (reinforced) (P/O PL 11.140 Item 22) (W/TAG V-006)
6	127K56600	Front tamper motor assembly (MOT11-003) (REP 11.11-171)
7	038E40870	Diverter exit gate (REP 11.35-171)
8	059K59560	Upper exit guide (5c)
9	-	BM diverter gate (P/O PL 31.13 Item 13) (W/TAG V-008) (REP 11.39-171)
10	059K59531	Buffer pocket jam clearance guide (REP 11.33-171)
11	059K59540	Insertor jam clearance guide assembly (8a) (REP 11.34-171)
12	059K59521	Input jam clearance guide (5a) (REP 11.32-171)
13	059K59510	Buffer guide assembly (5b) (REP 11.31-171)
14	-	Nip split motor cover (P/O PL 11.153 Item 13)
15	-	Nip split motor (MOT11-081) (P/O PL 11.153 Item 13)
16	121K45300	Magnet
17	130E12810	Chad bin level sensor (Q11-348)/ Paper edge sensor (NOTE)
18	130E12840	Chad bin present sensor (Q11-112)
19	-	Hole punch unit (see below for variants)
-	180K00190	2 Hole (XE)
-	-	2 Hole legal (P/O PL 31.11 Item 2)
-	180K00200	3 Hole (USSG/XCL)
-	-	4 Hole (P/O PL 31.11 Item 2) (XE)
-	-	4 Hole (Sweden) (P/O PL 31.11 Item 2)

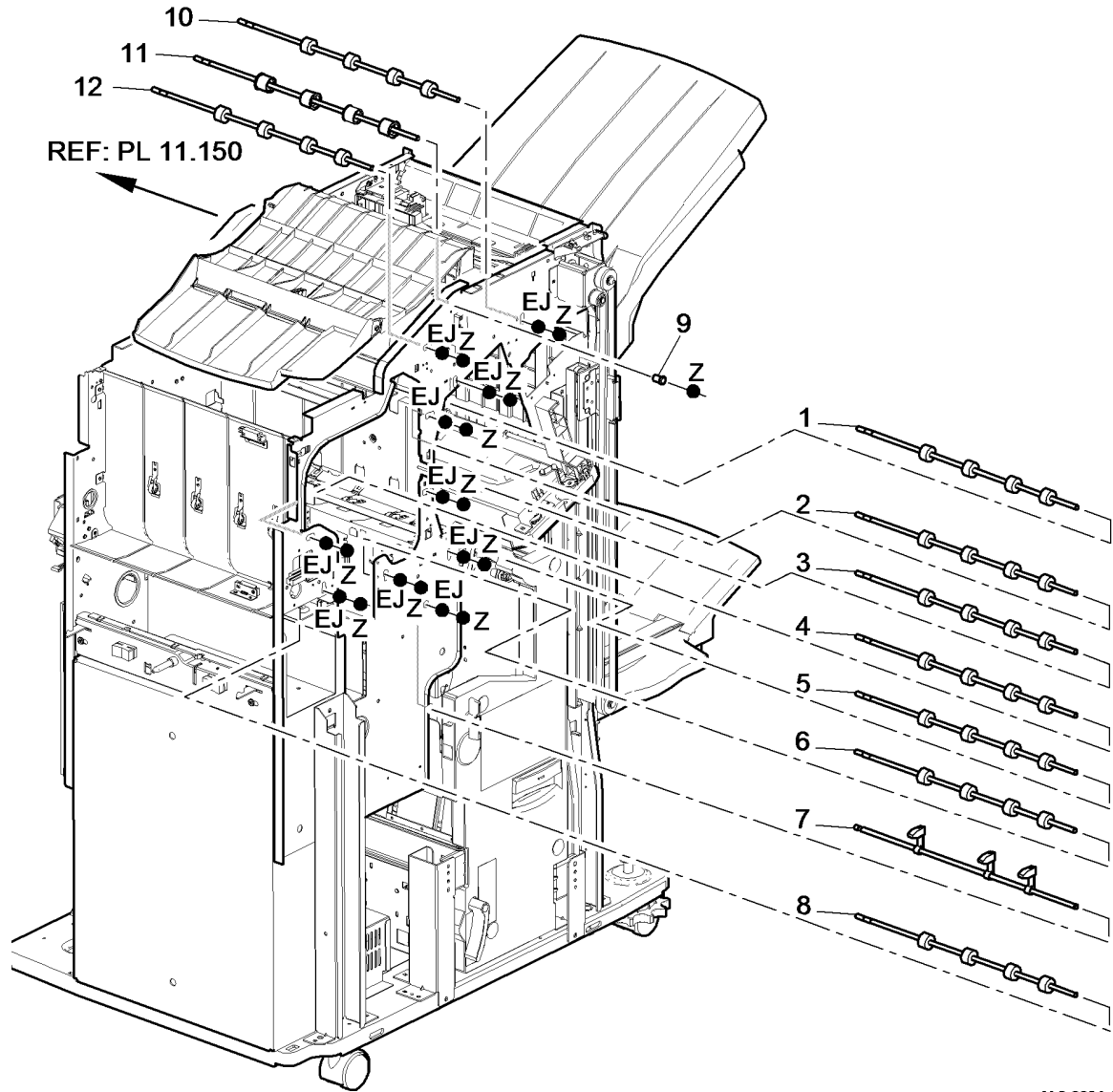


NOTE: There is no component control code for the paper edge sensor

V-8-0090-A

PL 11.155 HVF Feed Assembly and Punch (2 of 3)

Item	Part	Description
1	006K32700	Stacker exit feed roll (REP 11.46-171)
2	-	Buffer upper roll (REF: PL 11.155 Item 1) (REP 11.45-171)
3	-	Buffer lower roll (REF: PL 11.155 Item 1) (REP 11.44-171)
4	-	Inserter guide roll (REF: PL 11.155 Item 1) (REP 11.41-171)
5	-	Booklet entrance roll (REF: PL 11.155 Item 1) (REP 11.43-171)
6	-	Buffer pocket roll (REF: PL 11.155 Item 1) (REP 11.42-171)
7	019K13660	Buffer clamp
8	-	Input roll (REF: PL 11.155 Item 1) (REP 11.40-171)
9	-	Bearing (Not Spared)
10	006K32690	Stacker exit roll
11	-	Top exit roll (Not Spared)
12	-	Top exit feed roll (REF: PL 11.155 Item 1) (REP 11.47-171)

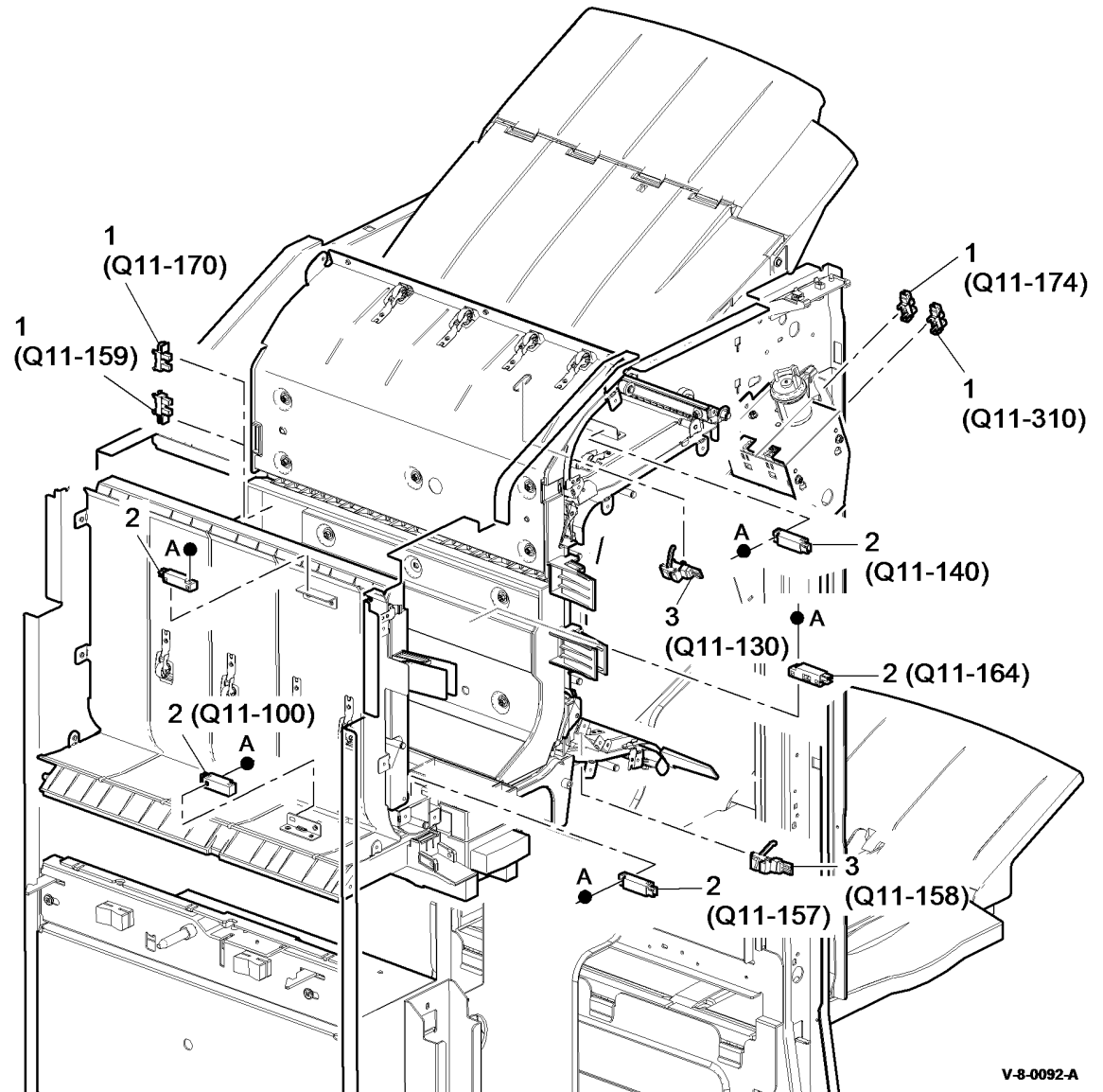


V-8-0091-A

PL 11.156 HVF Feed Assembly and Punch (3 of 3)

Item	Part	Description
1	130E12830	Front tamper home sensor (Q11-310)/Front tamper tray away sensor (Q11-174)/Nip split sensor (Q11-170)/Nip home sensor (Q11-159)
2	130E12810	Entry sensor (Q11-100)/2nd to top exit sensor (Q11-140)/Buffer position sensor (Q11-157)/Buffer path sensor (Q11-164)/Inserter sensor (NOTE)
3	130E12840	Top exit sensor (Q11-130)/Booklet exit sensor (Q11-158)

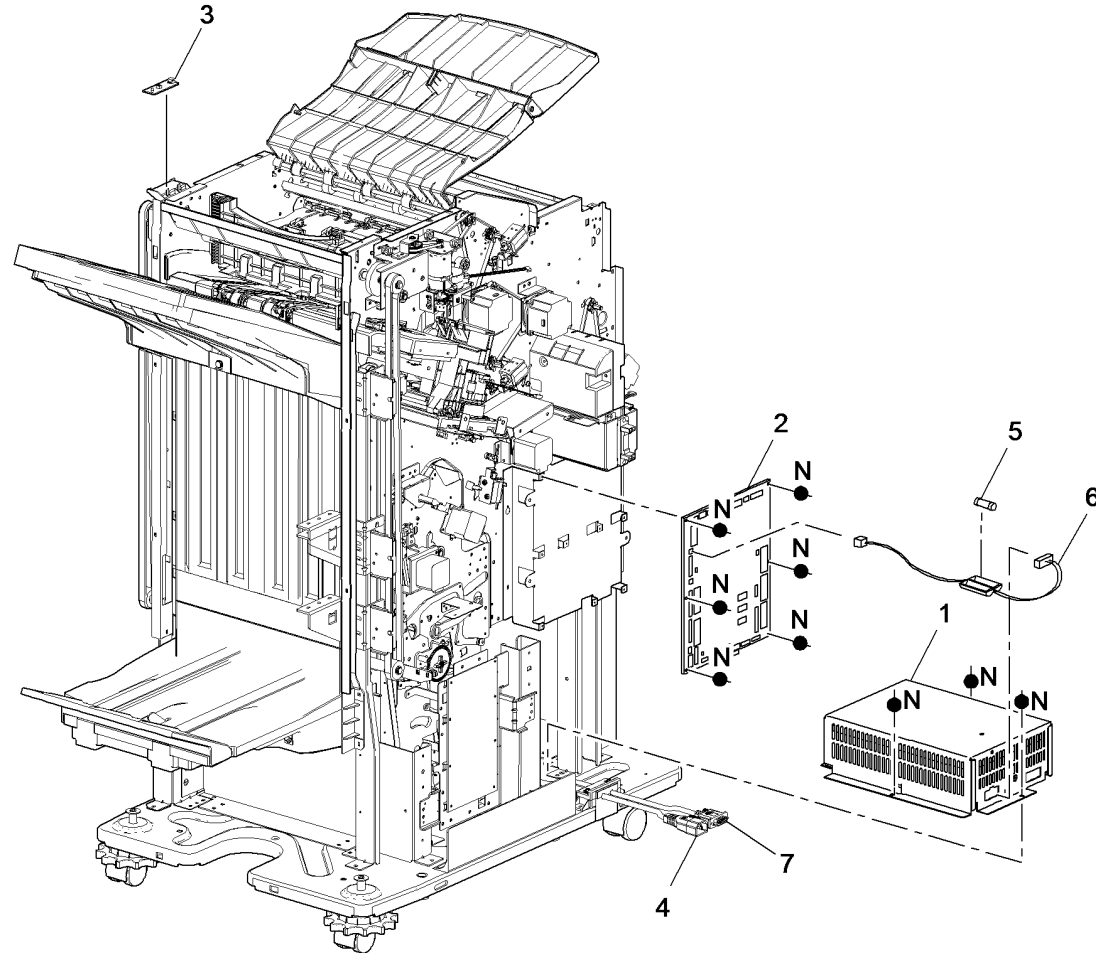
NOTE: There is no component code number for the Inserter sensor



V-8-0092-A

PL 11.157 HVF Power and Control

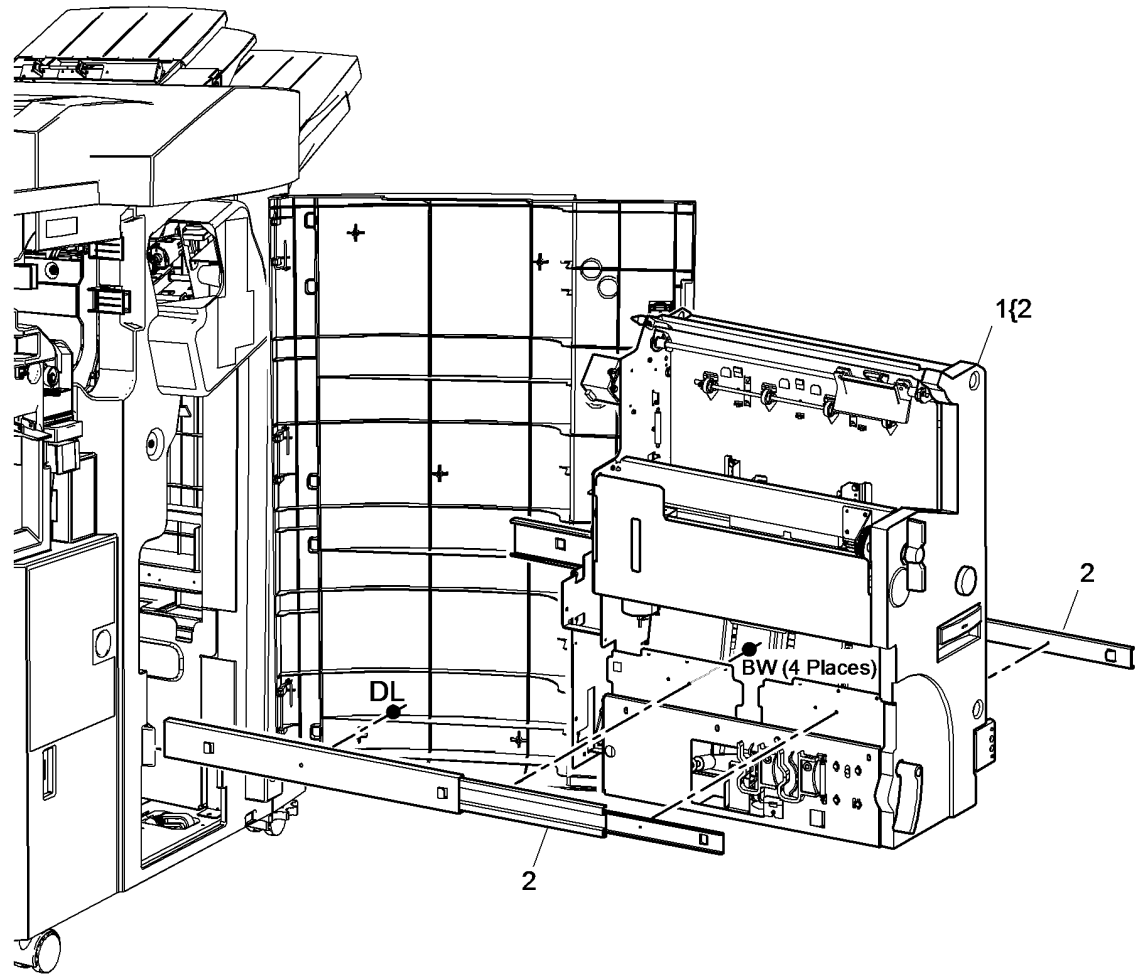
Item	Part	Description
1	105K30211	HVF power supply unit (REP 11.55-171)
2	960K41771	HVF control PWB (REP 11.57-171)
3	960K41780	Pause to unload PWB (REP 11.97-171)
4	105K36840	Power cord
5	—	Inline fuse (10A slo-blow) (Not Spared)
6	—	Harness (Not Spared)
7	952K00410	Power communications cable



V-8-0093-A

PL 11.160 HVF BM Module (Complete)

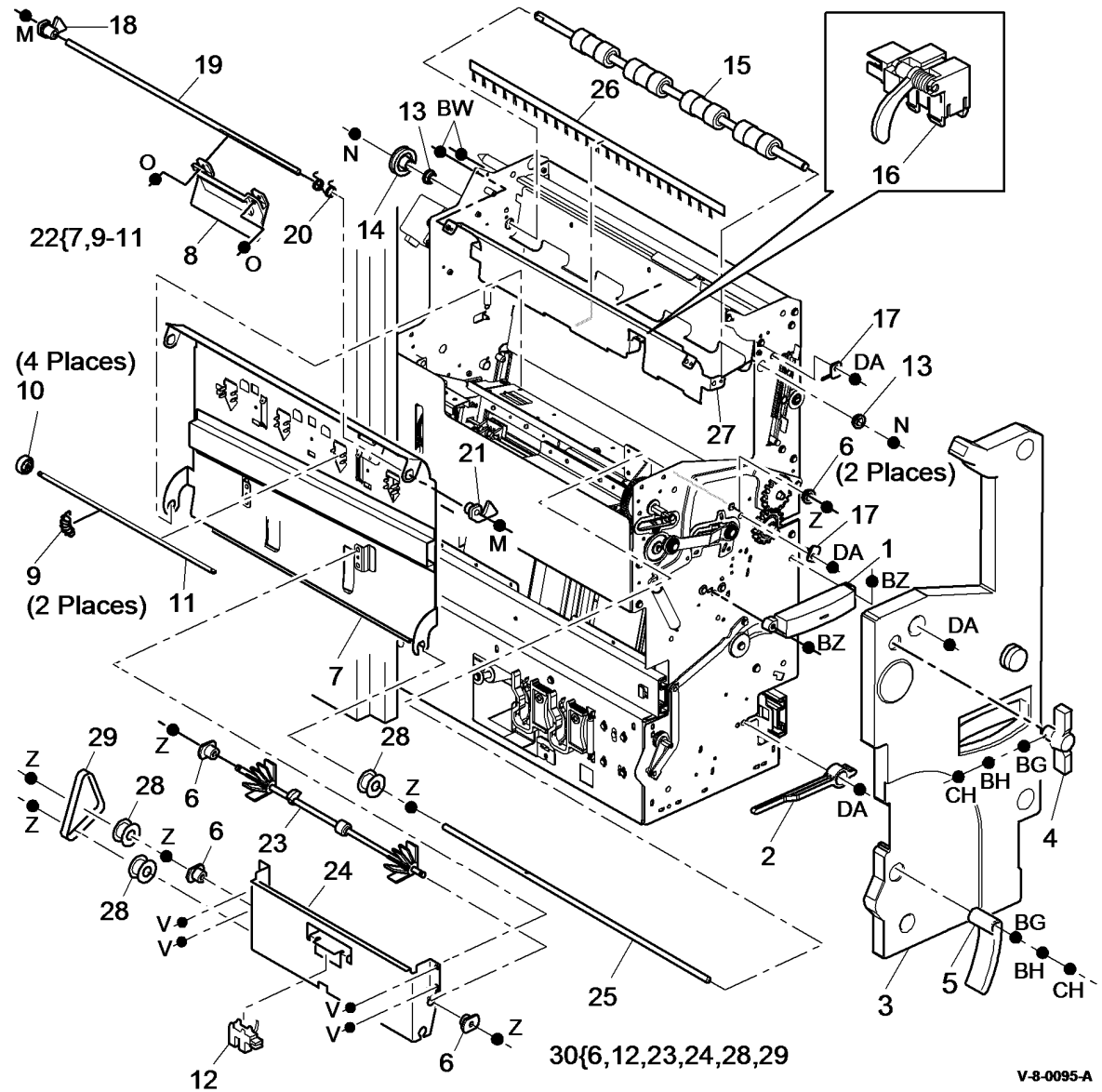
Item	Part	Description
1	801K27251	BM Module (REP 11.61-171)
2	010K04360	Slide assembly (REP 11.62-171)



V-8-0094-A

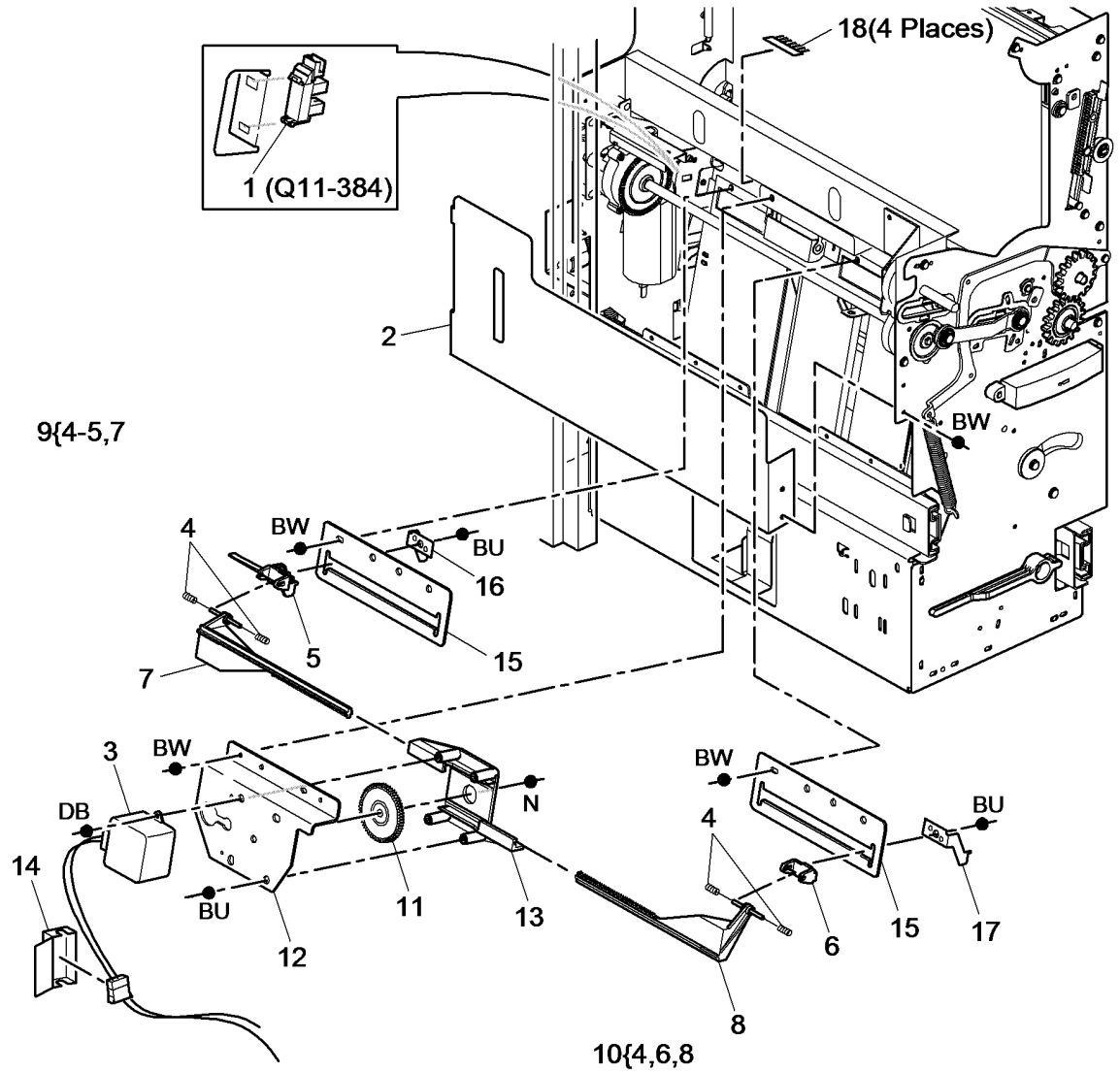
PL 11.161 HVF BM Entry and Front Cover

Item	Part	Description
1	003E69092	Drawer handle
2	809E46511	Crease roll leaf spring
3	802E66650	BM Front cover
4	003E69022	Crease blade knob (6d)
5	003E66010	Crease roll handle (6c)
6	013E12610	Nylon bearing
7	-	Paper guide (P/O PL 11.161 Item 22) (REP 11.60-171)
8	-	Jam clearance handle (Not Spared) (REP 11.60-171)
9	-	Nip spring (Not Spared) (REP 11.60-171)
10	022E30620	Nip roll (REP 11.60-171)
11	-	Nip shaft (P/O PL 11.161 Item 22) (REP 11.60-171)
12	130K74072	Flapper home sensor (Q11-391) (REP 11.16-171)
13	-	Bearing (Not Spared)
14	020E39990	BM Entry roll pulley (REP 11.22-171)
15	006K28660	BM Entry roll (REP 11.22-171)
16	130K74110	BM Entry sensor (Q11-160) (REP 11.23-171)
17	125E00430	Static eliminator
18	-	Rear latch (Not Spared)
19	-	Shaft (Not Spared)
20	809E46411	Latch spring
21	-	Front latch (Not Spared)
22	-	Entrance baffle assembly (Not Spared) (REP 11.60-171)
23	-	BM Flapper (P/O PL 11.161 Item 30) (REP 11.16-171)
24	-	BM flapper bracket (P/O PL 11.161 Item 30)
25	-	BM Compiler shaft (Not Spared)
26	125K03831	Static eliminator
27	-	Top baffle (Not Spared)
28	-	Pulley (Not Spared)
29	-	BM flapper drive belt (Not Spared)
30	-	BM Flapper assembly (Not Spared)



PL 11.162 HVF BM Tamper Assembly

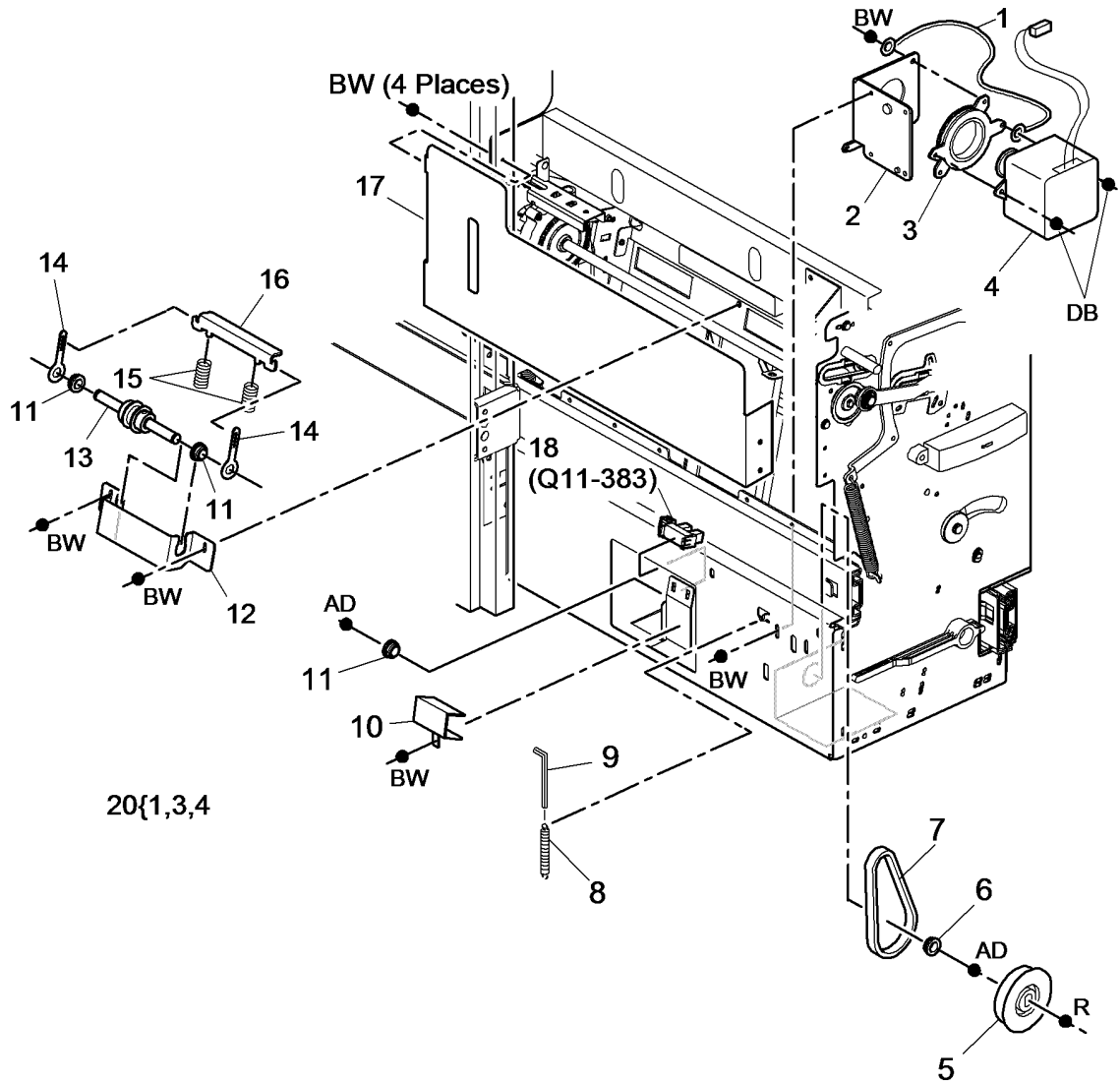
Item	Part	Description
1	107E22600	BM Tamper 1 home sensor (Q11-384)
2	-	LH Frame plate (Not Spared)
3	127K47660	BM Tamper 1 motor (MOT 11-066) (REP 11.30-171)
4	-	BM Tamper spring (P/O PL 11.162 Item 10)
5	-	BM Rear tamper arm (P/O PL 11.162 Item 9) (REP 11.30-171)
6	-	BM Front tamper arm (P/O PL 11.162 Item 10) (REP 11.30-171)
7	-	BM Rear tamper rack (P/O PL 11.162 Item 9) (REP 11.30-171)
8	-	BM Front tamper rack (P/O PL 11.162 Item 10) (REP 11.30-171)
9	007K13190	BM Rear tamper assembly (REP 11.30-171)
10	007K13180	BM Front tamper assembly (REP 11.30-171)
11	807E15450	BM Tamper gear (REP 11.30-171)
12	-	BM Tamper bracket (Not Spared) (REP 11.30-171)
13	-	BM Tamper rack guide (Not Spared) (REP 11.30-171)
14	802E59410	BM Connector cover
15	-	BM Tamper guide plate (Not Spared) (REP 11.30-171)
16	-	BM Rear tamper finger (Not Spared) (REP 11.30-171)
17	-	BM Front tamper finger (Not Spared) (REP 11.30-171)
18	125K03593	BM Static eliminator



V-8-0096-A

PL 11.163 HVF BM Back Stop Motor

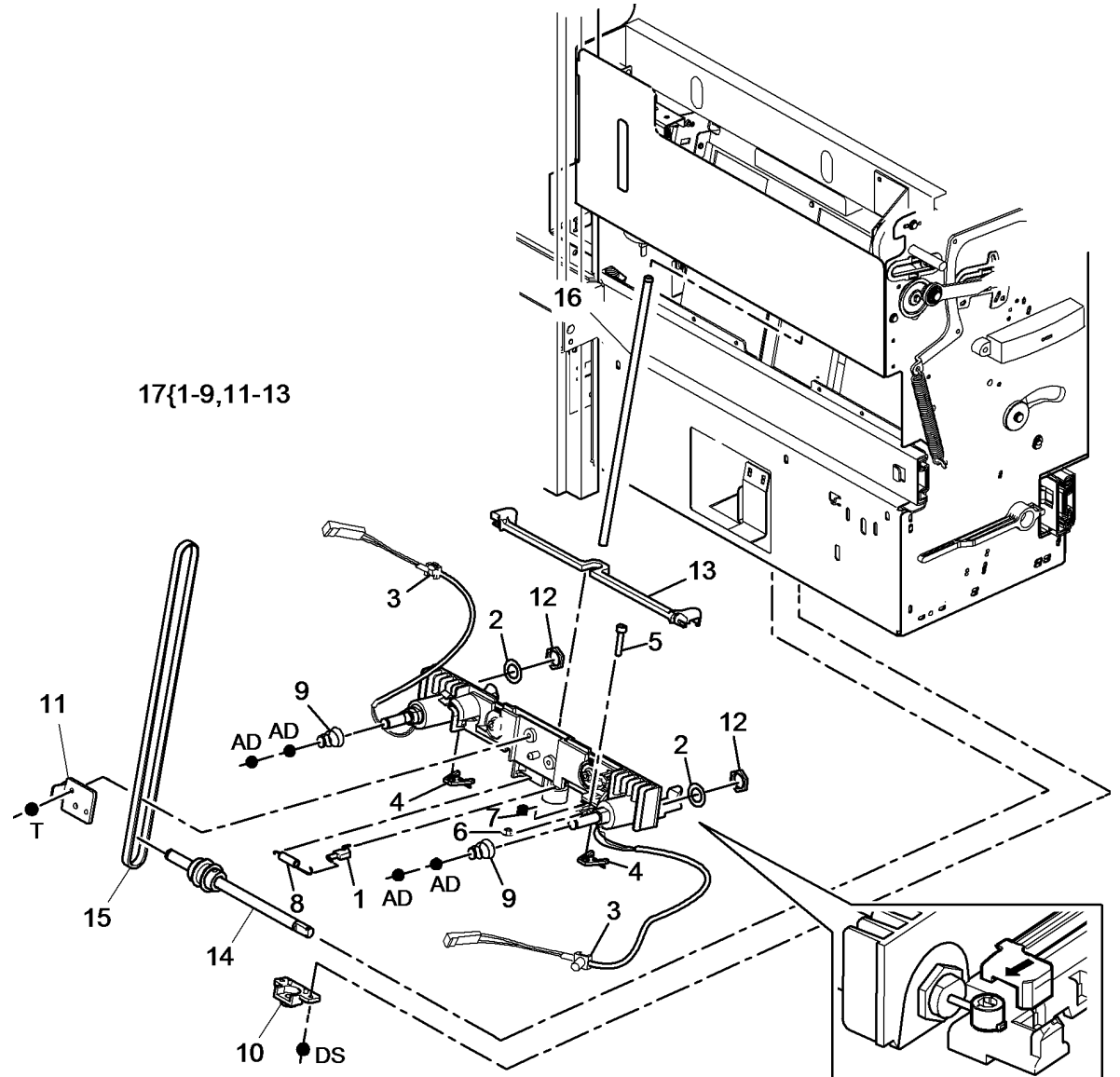
Item	Part	Description
1	-	Ground wire (P/O PL 11.163 Item 20)
2	-	Motor bracket (Not Spared)
3	-	Motor damper (P/O PL 11.163 Item 20) (REP 11.20-171)
4	-	BM back stop motor (MOT11-065) (P/O PL 11.163 Item 20) (REP 11.20-171)
5	-	Pulley (Not Spared)
6	-	BM back stop bearing (Not Spared) (REP 11.26-171)
7	023E23300	BM back stop drive belt (REP 11.20-171)
8	809E78370	BM back stop tensioner spring (REP 11.20-171)
9	-	Allen key (3mm) (Not Spared)
10	802E59180	Sensor cover
11	-	BM back stop bearing (Not Spared) (REP 11.26-171)
12	-	BM back stop idler bracket (Not Spared) (REP 11.26-171)
13	-	BM back stop idler shaft (Not Spared)
14	-	BM back stop tensioner link (Not Spared)
15	809E25100	BM back stop link spring (REP 11.26-171)
16	012E20870	BM back stop link (REP 11.26-171)
17	-	LH frame plate (Not Spared)
18	107E22600	BM guide home sensor (Q11-383)
19	-	Not used
20	127K54710	BM back stop motor assembly (REP 11.20-171)



V-8-0097-A

PL 11.164 HVF BM Back Stop Assembly

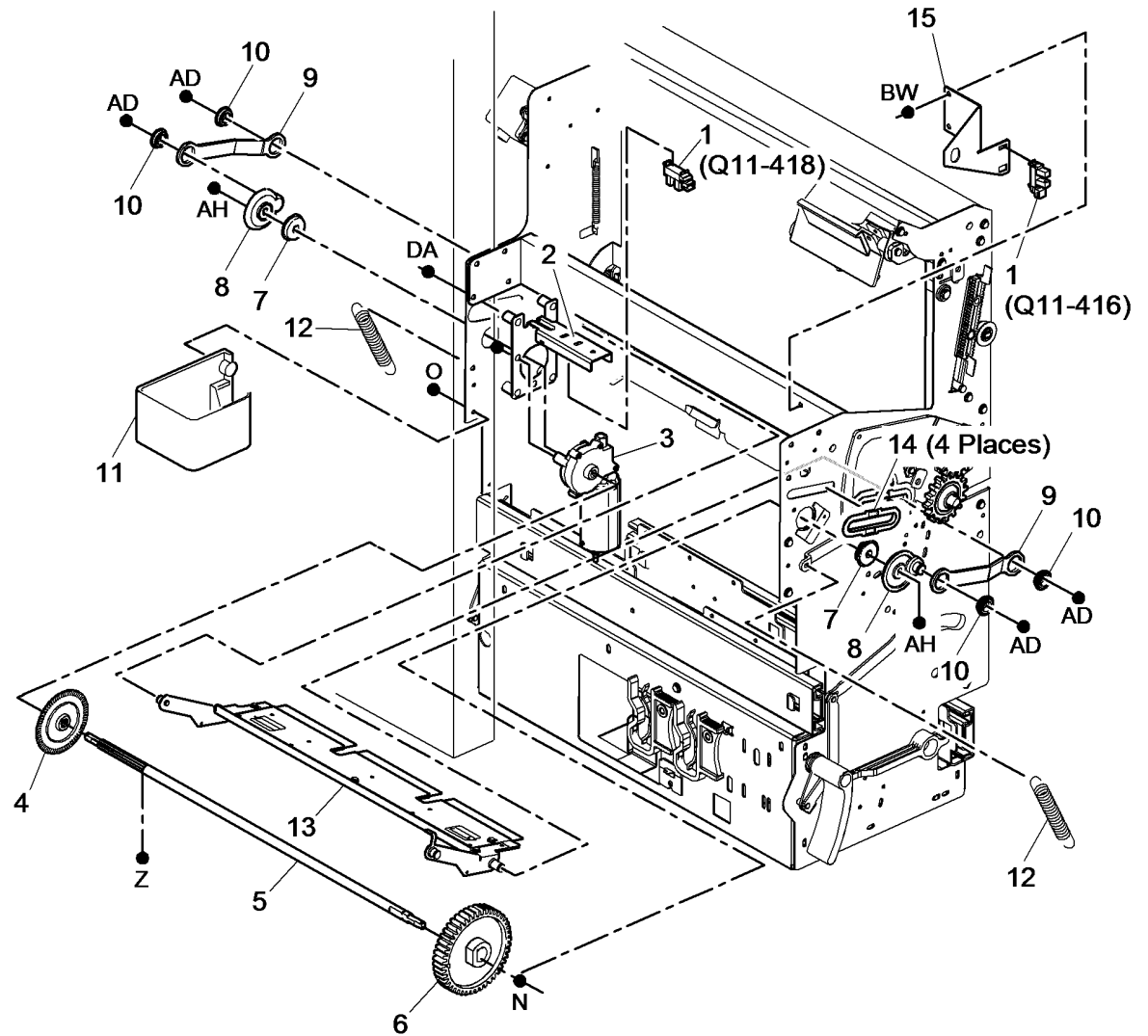
Item	Part	Description
1	019E74451	Anti-play shoe
2	-	BM back stop lock washer (P/O PL 11.164 Item 17)
3	-	Cable fastener (P/O PL 11.164 Item 17)
4	031E11300	Anti-rattle arm
5	-	Screw (P/O PL 11.164 Item 17)
6	-	Flanged hex nut (P/O PL 11.164 Item 17)
7	-	Back stop adjust spring (P/O PL 11.164 Item 17)
8	809E71970	Anti-play spring
9	-	Solenoid spring (P/O PL 11.164 Item 17)
10	-	Shaft support (Not Spared)
11	-	Belt clamp (P/O PL 11.164 Item 17)
12	-	BM back stop solenoid nut (P/O PL 11.164 Item 17)
13	-	Pivoting clamp (P/O PL 11.164 Item 17)
14	006K30790	BM back stop drive shaft (REP 11.26-171)
15	023E23140	BM back stop belt (REP 11.26-171)
16	-	BM back stop shaft (Not Spared)
17	019K13550	BM back stop assembly (P/O PL 31.12 Item 4) (REP 11.21-171)



V-8-0098-A

PL 11.165 HVF BM Crease Blade Motor

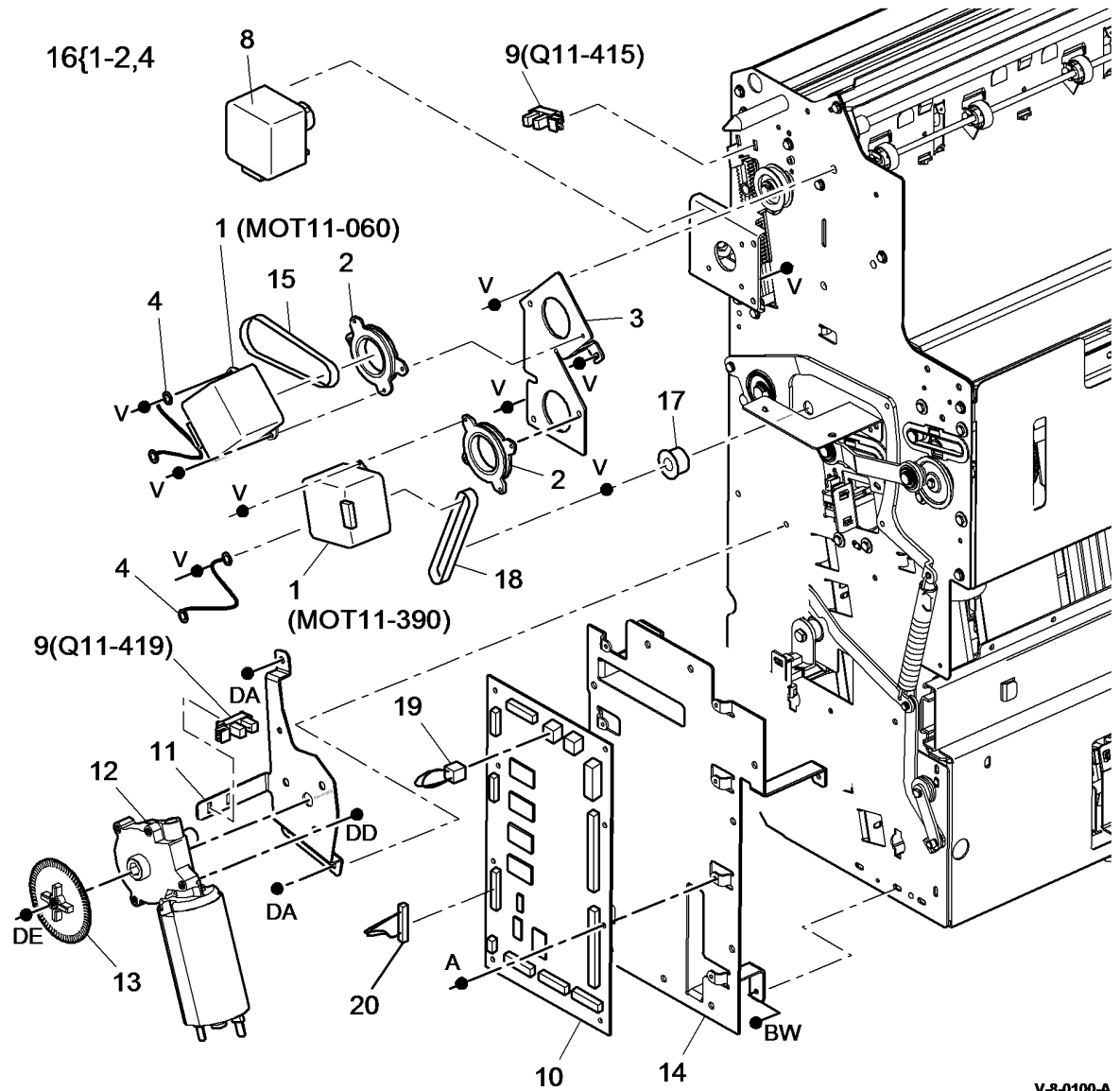
Item	Part	Description
1	107E22600	BM Crease blade motor encoder sensor (Q11-418), BM Crease blade home sensor (Q11-416) (Not Spared) (REP 11.18-171)
2	-	Motor bracket (P/O PL 11.165 Item 3)
3	127K54690	BM Crease blade motor assembly (MOT11-061) (REP 11.18-171)
4	014E47460	Motor encoder (REP 11.18-171)
5	-	Drive shaft (Not Spared)
6	007E69830	Drive gear
7	413W30654	Bearing (REP 11.18-171)
8	008E08220	Crank (REP 11.18-171)
9	012E20860	Connecting rod (REP 11.36-171)
10	-	Bearing (Not Spared)
11	802E59171	Motor cover
12	809E42861	Crease nip spring (REP 11.58-171)
13	815K11660	Crease blade assembly (REP 11.36-171)
14	032E19330	Crease blade support guide (REP 11.36-171)
15	-	Crease blade home sensor bracket (Not Spared)



V-8-0099-A

PL 11.166 HVF BM Crease Rolls Motor and PWB

Item	Part	Description
1	127K43751	BM Compiler motor (MOT11-060)/ BM flapper motor (MOT11-390) (REP 11.25-171)
2	-	Damper bracket (P/O PL 11.166 Item 16) (REP 11.25-171)
3	-	Motor bracket (Not Spared)
4	-	Ground wire (P/O PL 11.166 Item 16)
5	-	Not used
6	-	Not used
7	-	Not used
8	127K53620	Crease roll gate motor (MOT11- 401) (REP 11.24-171)
9	107E22600	BM Crease roll gate home sensor (Q11-415), BM Crease roll motor encoder sensor (Q11-419)
10	960K42390	BM PWB (REP 11.17-171)
11	-	Motor bracket (P/O PL 11.166 Item 12)
12	127K54680	BM crease roll motor assembly (MOT11-062) (REP 11.19-171)
13	014E47460	BM Crease roll motor encoder Support bracket (Not Spared)
14	023E25430	Belt
16	127K55520	BM Compiler motor assembly (REP 11.25-171)
17	-	BM flapper motor pulley (Not Spared)
18	-	BM flapper motor drive belt (Not Spared)
19	-	Tri-folder interlock cheat (Not Spared)
20	-	Tri-folder logic cheat (Not Spared)

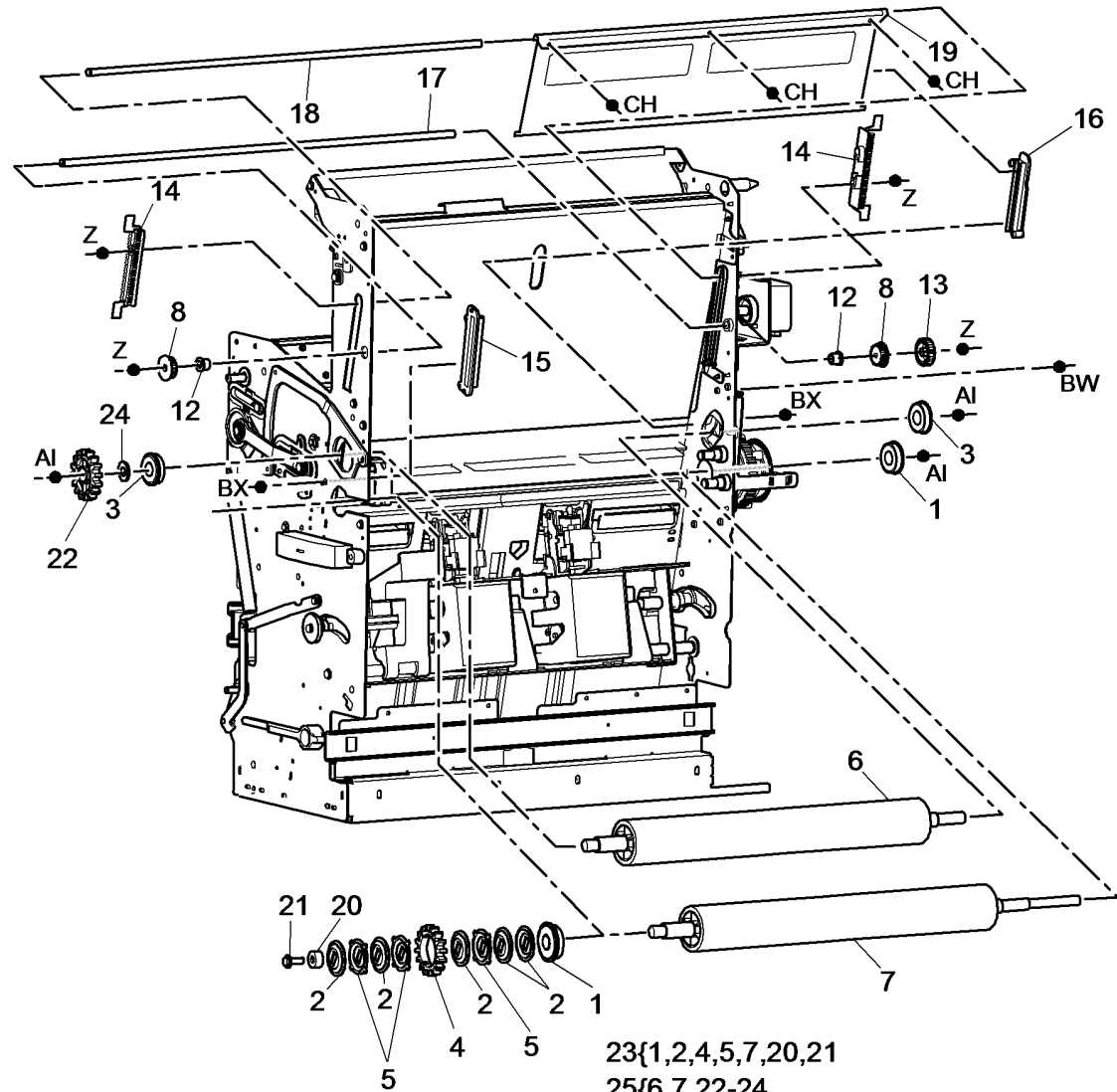


V-8-0100-A

PL 11.167 HVF BM Crease Rolls and Support Leg

Item	Part	Description
1	-	Lower crease roll bearing (P/O PL 11.167 Item 23)
2	-	Shaft keyed clutch plate (P/O PL 11.167 Item 23)
3	413W31054	Crease roll bearing (REP 11.52-171)
4	-	Lower crease roll gear (P/O PL 11.167 Item 23)
5	-	Gear keyed clutch plate (P/O PL 11.167 Item 23) (REP 11.52-171)
6	006K29391	Upper crease roll (REP 11.52-171)
7	-	Lower crease roll (P/O PL 11.167 Item 25) (REP 11.52-171)
8	007E69081	Crease roll gate rack gear (REP 11.59-171)
9	-	Not used
10	-	Not used
11	-	Not used
12	-	Bearing (Not Spared)
13	007E69070	Crease roll gate rack drive gear (REP 11.59-171)
14	007E68951	Crease roll gate rack (REP 11.59-171)
15	020E38701	Crease roll gate front guide (REP 11.59-171)
16	020E38081	Crease roll gate rear guide (REP 11.59-171)
17	-	Crease roll drive shaft (Not Spared)
18	-	Crease roll gate shaft (Not Spared)
19	050E23160	Crease roll gate (REP 11.59-171)
20	-	Retainer (P/O PL 11.167 Item 23)
21	-	Screw (P/O PL 11.167 Item 23)
22	807E06040	Upper crease roll gear
23	-	Lower crease roll and clutch assembly (Not Spared)
24	-	Wavy washer (P/O PL 11.167 Item 25)
25	-	Crease roll repair kit (NOTE)

NOTE: Part number not available at time of publication.

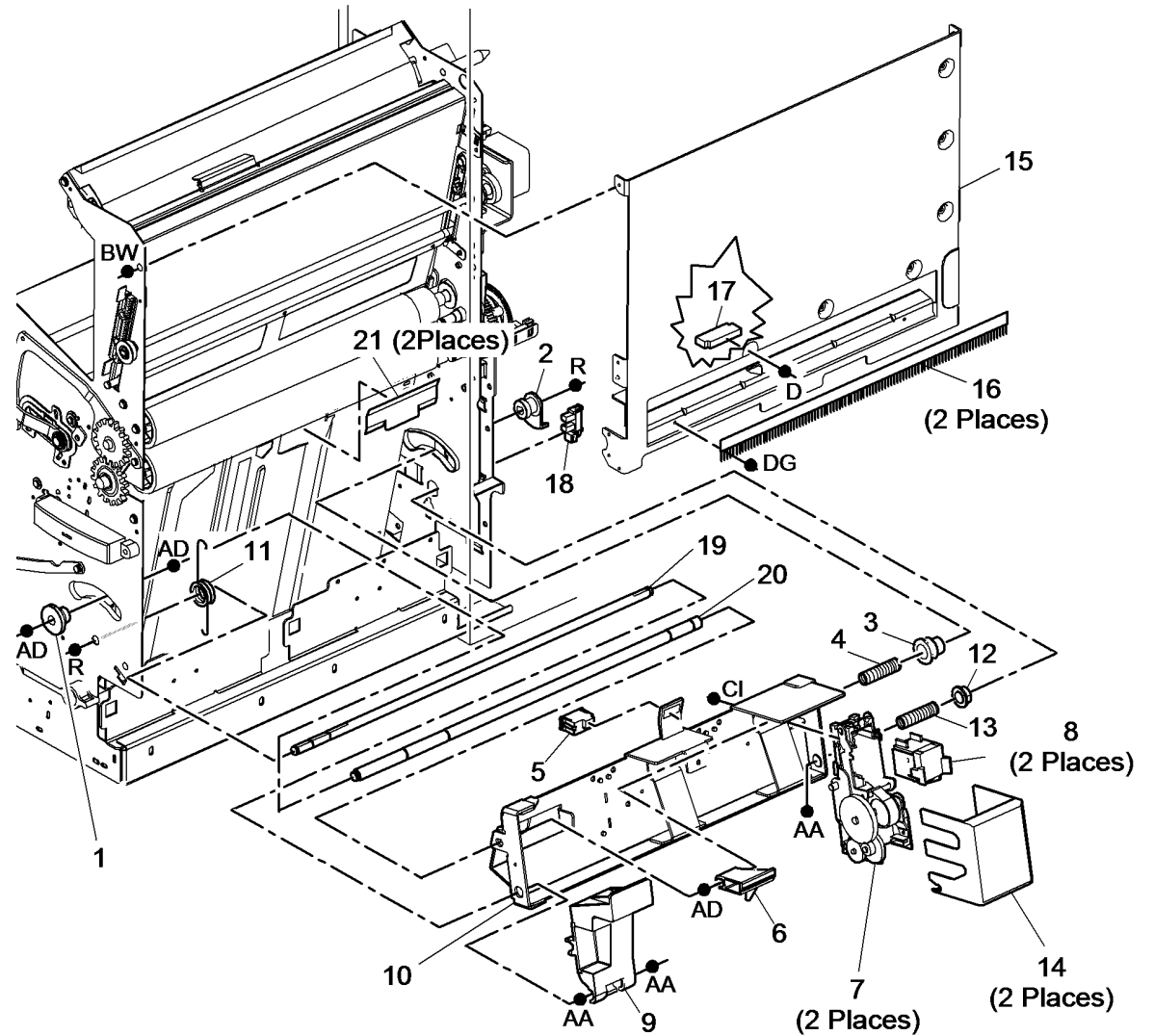


23{1,2,4,5,7,20,21
25{6,7,22-24
AND ITEM 3 ON PL 11.161

V-8-0101-A

PL 11.168 HVF BM Stapler Assemblies

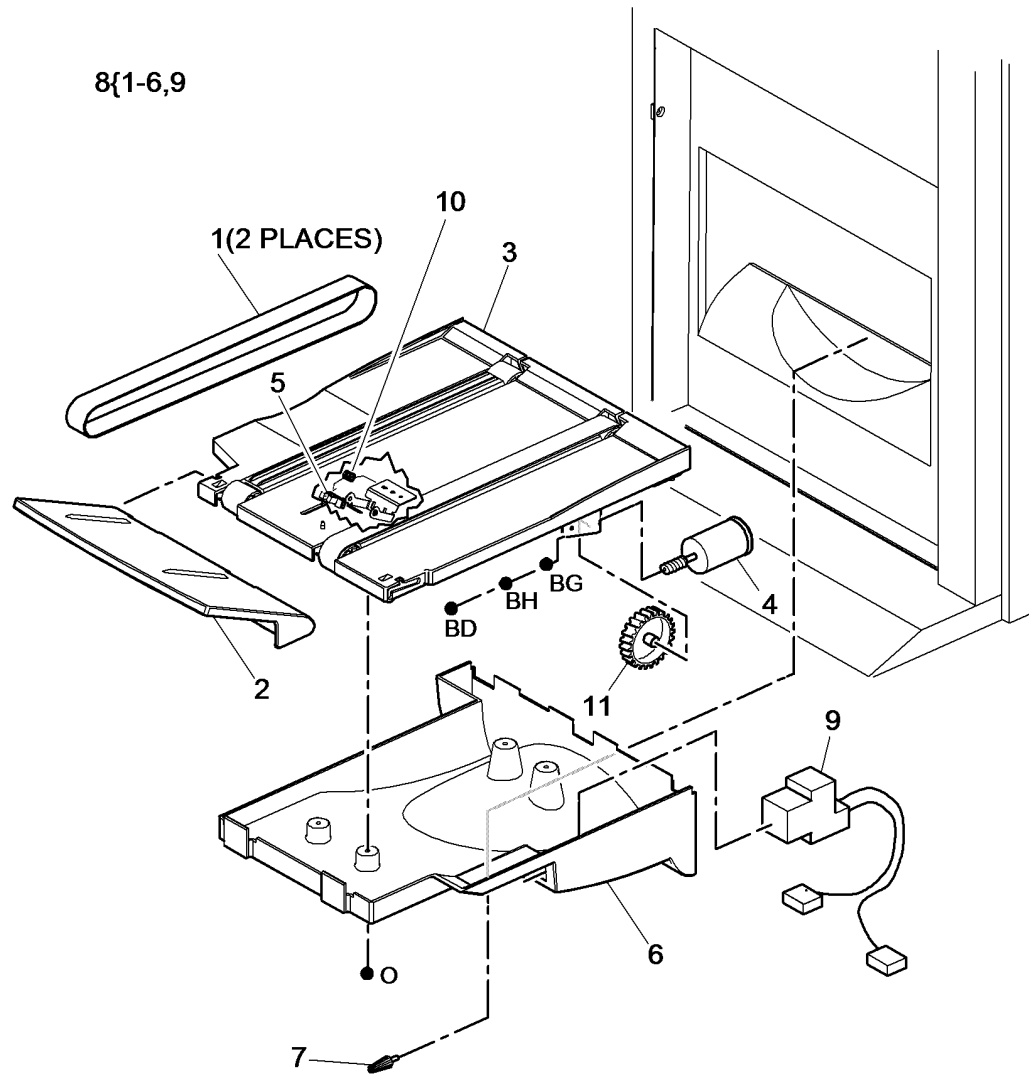
Item	Part	Description
1	020E38513	Front follower
2	016E17732	Actuator
3	-	Rear follower (Not Spared)
4	809E44010	Spring
5	130K74090	BM paper present sensor (Q11-190)
6	008E06850	Latch slide
7	029K03232	BM Staple head assembly (REP 11.27-171, ADJ 40.1)
8	050K21270	Staple cartridge
9	-	Staple bracket handle (Not Spared) (REP 11.28-171)
10	-	Stapler bracket assembly (Not Spared) (REP 11.28-171)
11	809E48830	Torsion spring (REP 11.28-171)
12	-	Bearing (Not Spared) (REP 11.28-171)
13	-	Spring (Not Spared) (REP 11.28-171)
14	802E42770	Staple head cover
15	-	BM Right cover (Not Spared) (REP 11.56-171)
16	125E02750	Static eliminator
17	130E11640	BM exit sensor (Q11-409) (REP 11.50-171)
18	107E22600	BM Stapler head carrier closed sensor (Q11-421) (REP 11.28-171)
19	-	Lower shaft (Not Spared) (REP 11.28-171)
20	-	Upper shaft (Not Spared) (REP 11.28-171)
21	055E51870	Mylar guide



V-8-0102-A

PL 11.169 HVF BM Bin 2

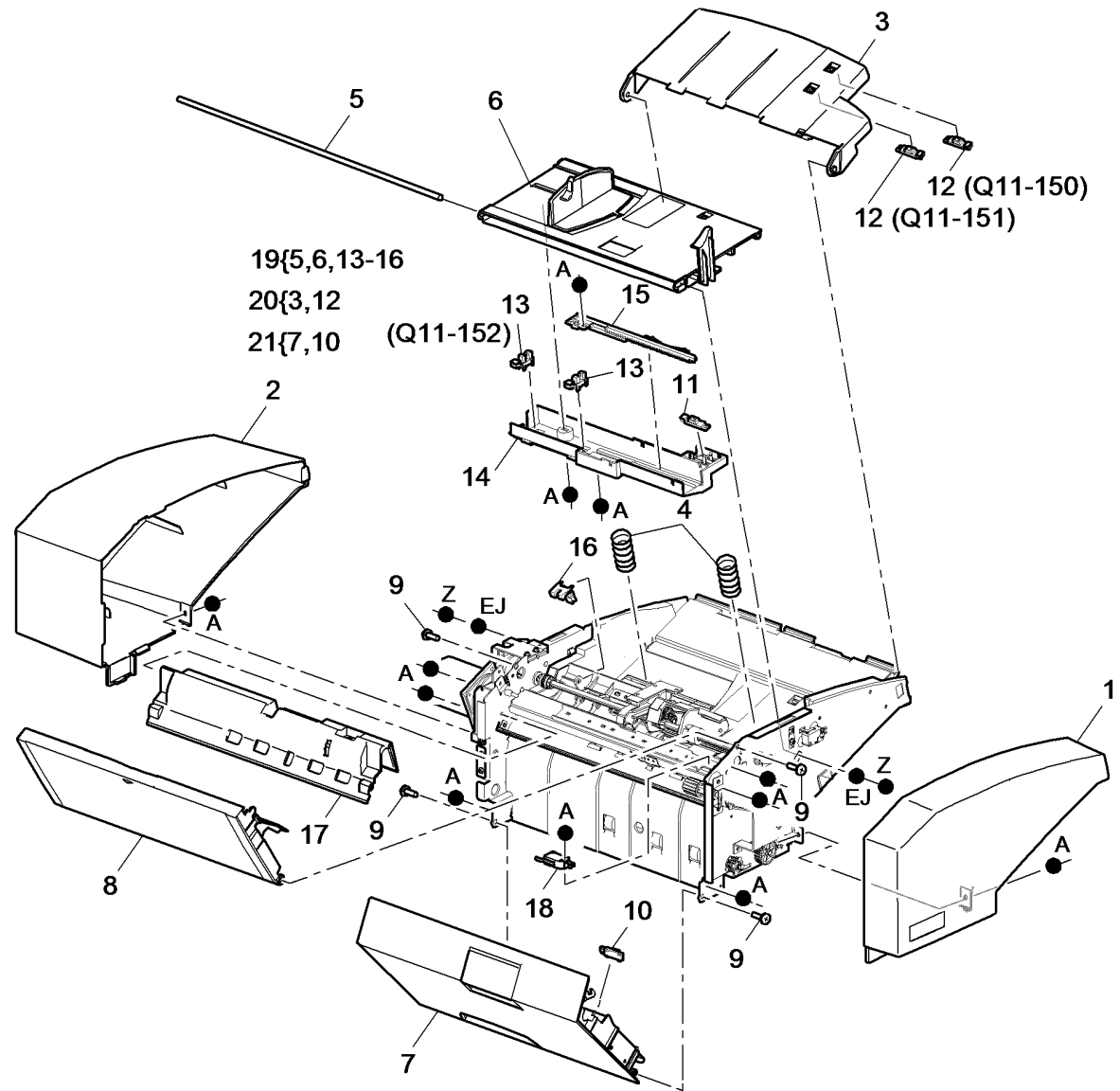
Item	Part	Description
1	023E18612	Conveyor belt (REP 11.29-171)
2	050E21971	HVF BM Bin 2 extension
3	-	HVF BM Bin 2 upper cover (P/O PL 11.169 Item 8)
4	127K53630	BM Conveyor belt drive motor (MOT11-402)
5	019E61171	HVF BM Bin 2 90% full sensor (Q11-389)
6	-	HVF BM Bin 2 lower cover (P/O PL 11.169 Item 8)
7	-	Thumbscrew (Not Spared)
8	-	HVF BM Bin 2 assembly (Not Spared)
9	-	HVF BM Bin 2 connector (Not Spared)
10	809E47341	HVF Bin 2 actuator spring
11	007E69000	Gear (50T)/pulley (24T)



V-8-0103-A

PL 11.175 Inserter Covers

Item	Part	Description
1	-	Front cover (Not Spared) (REP 11.83-171)
2	-	Rear cover (Not Spared) (REP 11.83-171)
3	-	Sensor tray (P/O PL 11.175 Item 20) (REP 11.89-171)
4	-	Bottom tray spring (Not Spared)
5	-	Bottom tray shaft (P/O PL 11.175 Item 19)
6	-	Bottom tray (P/O PL 11.175 Item 19) (REP 11.90-171)
7	-	Top left door (P/O PL 11.175 Item 21) (REP 11.92-171)
8	-	Top cover door (P/O PL 11.179 Item 20)
9	-	Pivot pin (Not Spared)
10	-	Acceleration sensor (P/O PL 11.175 Item 21) (REP 11.92-171)
11	-	Unit empty sensor (Q11-153) (Not Spared) (REP 11.90-171)
12	-	Sheet size detector 1 (Q11-150)/ Sheet size detector 2 (Q11-151) (P/O PL 11.175 Item 20) (REP 11.89-171)
13	-	Inserter paper width sensor 1 (Q11-152) (P/O PL 11.175 Item 19) (REP 11.90-171)
-	-	Inserter paper width sensor 2 (P/O PL 11.175 Item 19) (NOTE) (REP 11.90-171)
14	-	Bottom tray bracket (P/O PL 11.175 Item 19)
15	-	Bottom tray rack (P/O PL 11.175 Item 19)
16	-	Bottom plate sensor (Q11-156) (P/O PL 11.175 Item 19) (REP 11.94-171)
17	-	Top cover (Not Spared)
18	-	Left door interlock switch (S11-431) (Not Spared) (REP 11.88-171)
19	050K68100	Bottom tray assembly (REP 11.90-171, REP 11.95-171)
20	848K19170	Sensor tray assembly (REP 11.89-171)
21	848K19180	Top left door assembly (REP 11.92-171)

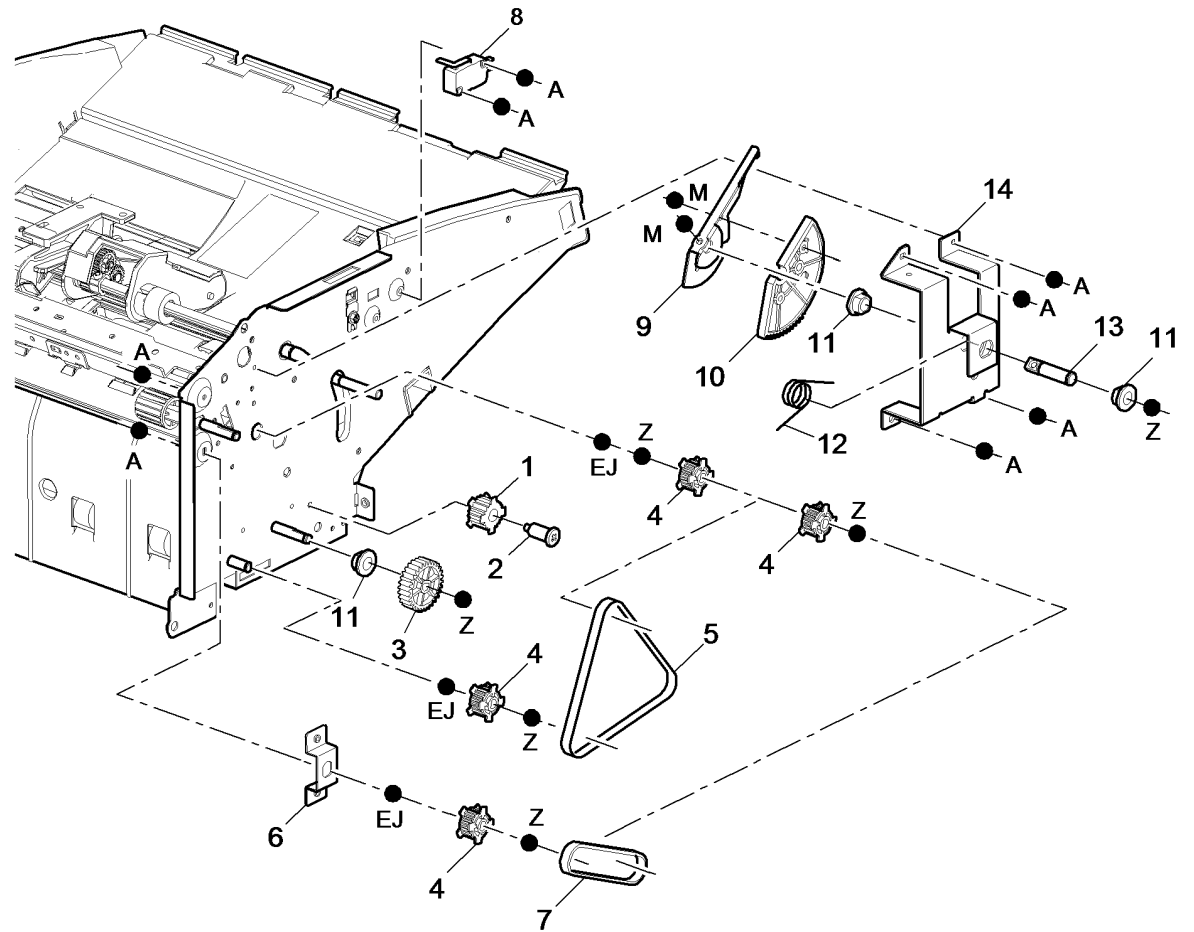


V-8-0104-A

NOTE: Inserter paper width sensor 2 has no component control code.

PL 11.177 Inserter Main Drives (1 of 3)

Item	Part	Description
1	-	Idler (Not Spared)
2	-	Idler pin (Not Spared)
3	-	Gear (Not Spared)
4	-	Pulley (Not Spared)
5	-	Belt (Not Spared)
6	-	Bracket (Not Spared)
7	-	Jam drive belt (Not Spared)
8	-	Top cover interlock switch (S11-306) (Not Spared) (REP 11.87-171)
9	-	Loading lever (Not Spared)
10	-	Loading gear (Not Spared)
11	-	Bearing (Not Spared)
12	-	Torsion spring (Not Spared)
13	-	Loading shaft (Not Spared)
14	-	Front loading bracket (Not Spared)

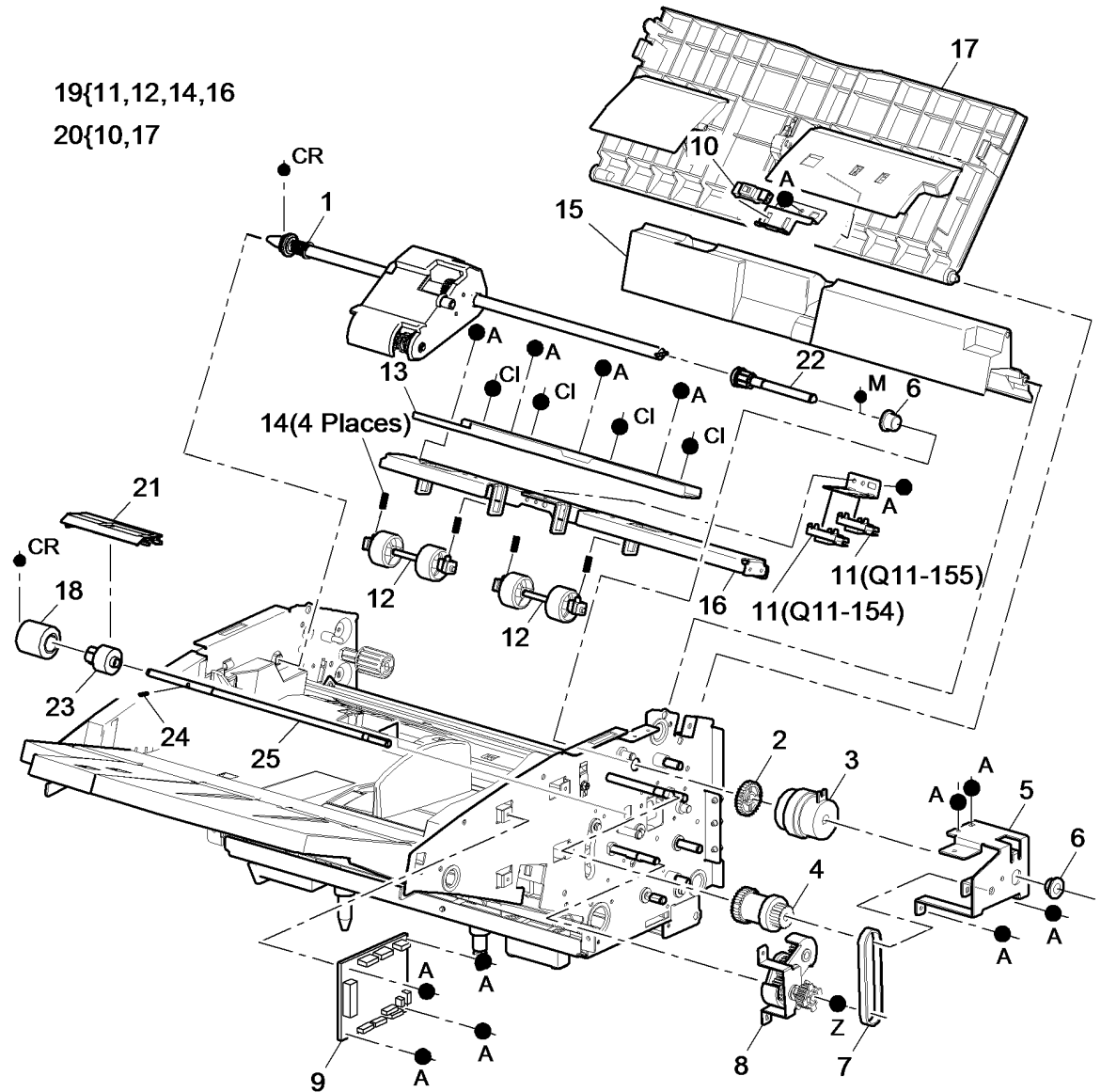


V-8-0105-A

PL 11.179 Inserter Main Drives (2 of 3)

Item	Part	Description
1	050K68080	Pickup assembly (See NOTE) (REP 11.95-171)
2	-	Pickup gear (Not Spared)
3	005K12890	Inserter clutch (CL11-077) (REP 11.86-171)
4	-	Reverse roller drive idler (Not Spared)
5	-	Pickup assembly bracket (Not Spared)
6	-	Bearing (Not Spared)
7	-	Reverse roller drive belt (Not Spared)
8	-	Reverse roller drive (Not Spared)
9	960K46170	Inserter PWB (REP 11.85-171)
10	-	IDG pickup sensor (P/O PL 11.179 Item 20) (REP 11.91-171)
11	-	TE sensor (Q11-155) (REP 11.93- 171)/LE sensor (Q11-154) (REP 11.93-171) (P/O PL 11.179 Item 19)
12	-	Idle roller assembly (P/O PL 11.179 Item 19) (REP 11.98-171)
13	-	Idler roller bracket (Not Spared)
14	-	Idler roller spring (P/O PL 11.179 Item 19)
15	-	Top inside cover (Not Spared)
16	-	Idler roller cover (P/O PL 11.179 Item 19)
17	-	Top cover door (P/O PL 11.179 Item 20) (REP 11.91-171)
18	050K68090	Reverse feed roller (REP 11.95- 171)
19	006K32470	Idler roller assembly (REP 11.98- 171)
20	848K19160	Top cover door assembly (REP 11.91-171)
21	848K37330	Retard cover
22	-	Drive coupling (Not Spared)
23	-	Reverse feed roll core (Not Spared)
24	-	Pin (Not Spared)
25	-	Shaft (Not Spared)

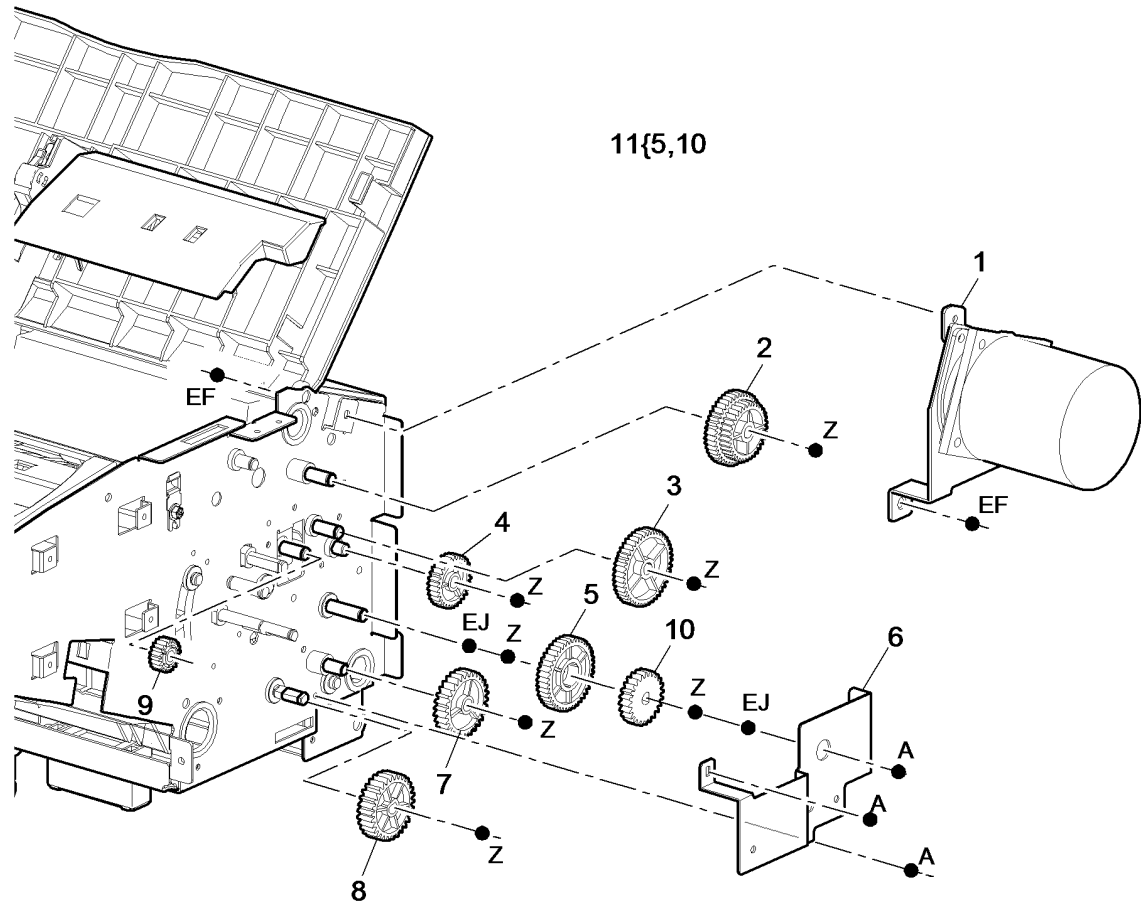
NOTE: HFSI. To reset the HFSI count, refer to dC135.



V-8-0106-A

PL 11.181 Inserter Main Drives (3 of 3)

Item	Part	Description
1	127K61990	Inserter motor (MOT11-078) (REP 11.84-171)
2	–	Idler (Not Spared)
3	–	Driver gear (Not Spared)
4	–	Idler (Not Spared)
5	–	Tray down gear (Not Spared)
6	–	Gear cover bracket (Not Spared)
7	–	Idler (Not Spared)
8	–	Bottom shaft drive (Not Spared)
9	–	Feed roller drive gear (Not Spared)
10	–	Tray down clutch (Not Spared)
11	–	Tray down clutch assembly (Not Spared)

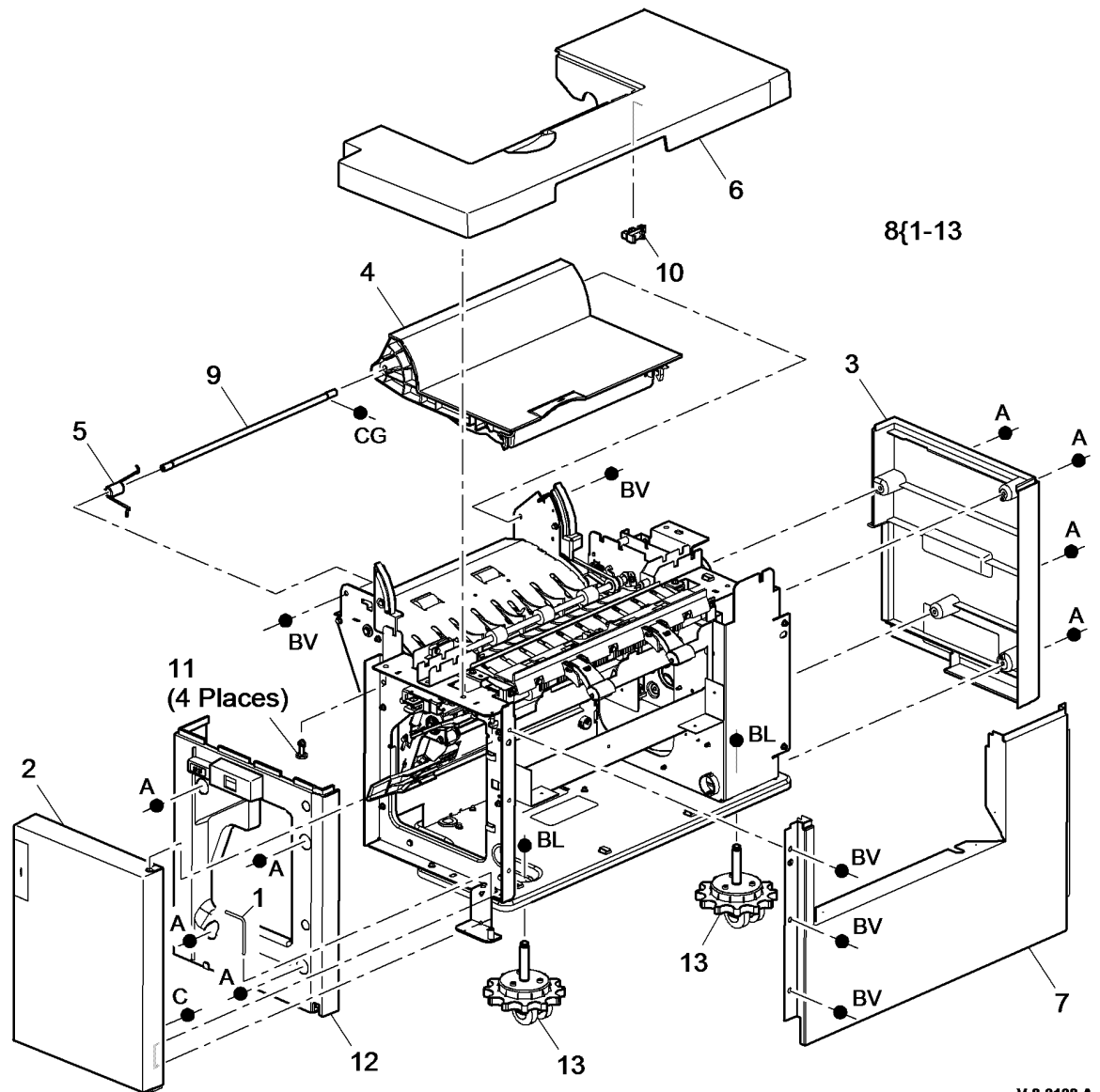


V-8-0107-A

PL 11.190 Tri-Folder Covers

Item	Part	Description
1	-	Door pin (Not Spared)
2	802K94010	Front door (REP 11.67-171)
3	848K11740	Rear cover (REP 11.67-171)
4	-	Top cover door assembly (REF: PL 11.195 Item 10) (REP 11.73-171)
5	-	Top cover door assembly spring (P/O PL 11.190 Item 8)
6	802E93931	Top cover (REP 11.67-171)
7	848E17430	Right side cover (REP 11.67-171)
8	-	Tri-Folder (complete) (Not Spared)
9	-	Top cover door assembly shaft (P/O PL 11.190 Item 8)
10	107E26490	Top cover interlock sensor (Q11-394) (REP 11.77-171)
11	-	Top cover locking stud (Not Spared)
12	802E99581	Front cover
13	017K04190	Castor

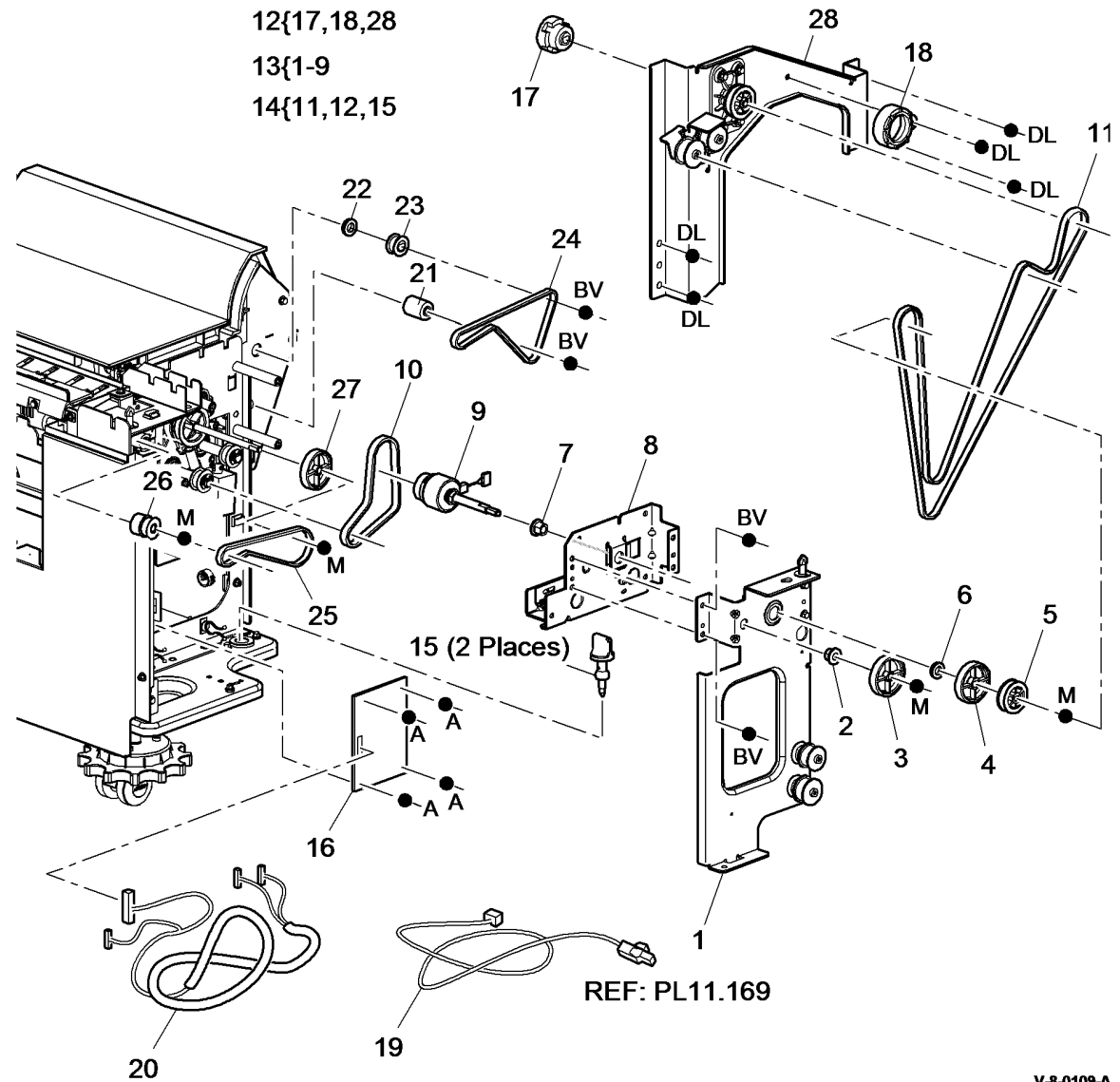
NOTE: For detail of bin 2, refer to PL 11.169.



V-8-0108-A

PL 11.193 Tri-Folder Drives module

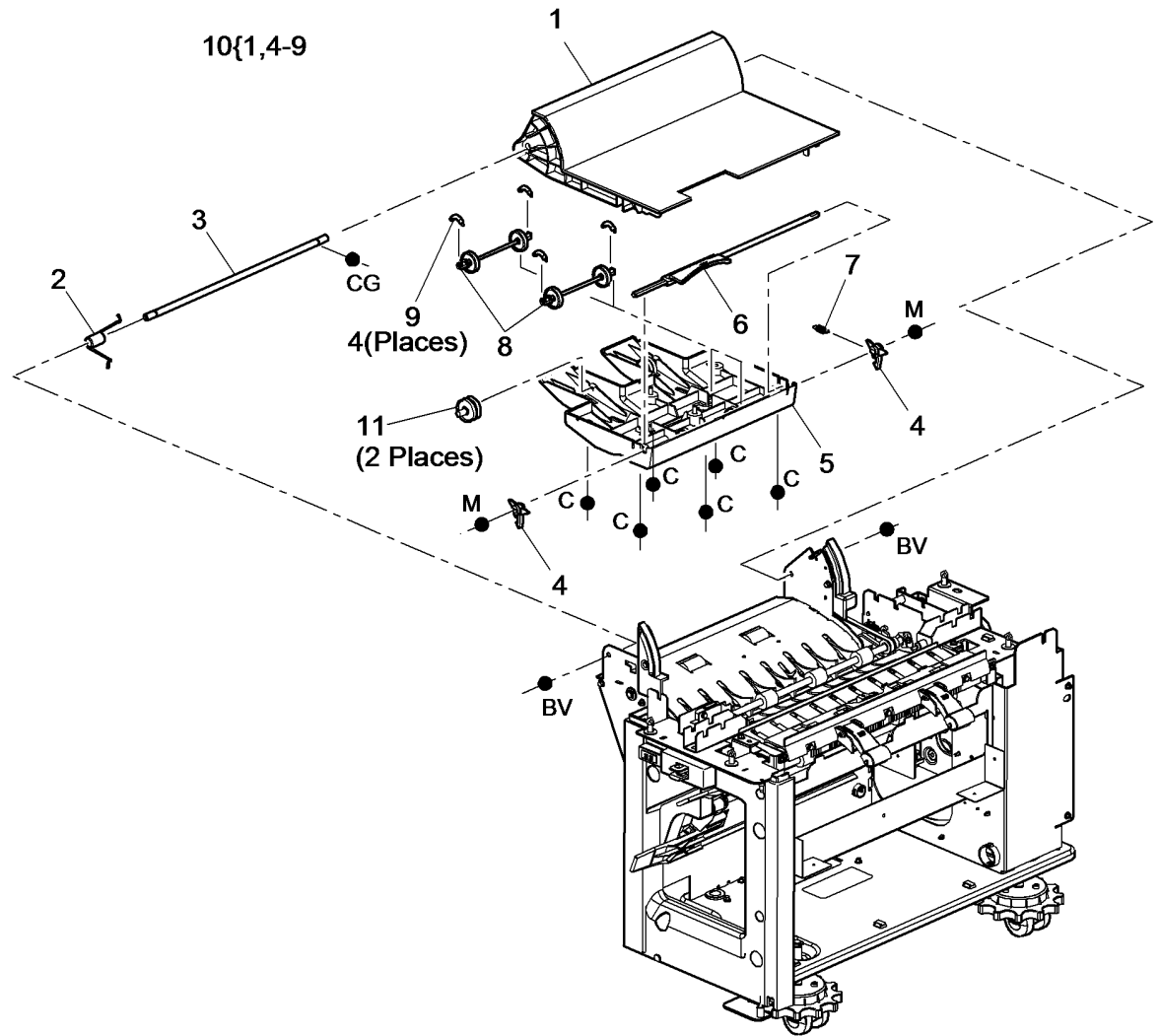
Item	Part	Description
1	-	Drive coupling assembly bracket (P/O PL 11.193 Item 13)
2	-	Bearing (P/O PL 11.193 Item 13)
3	-	Feed/exit roll drive gear (40T) (P/O PL 11.193 Item 13)
4	-	Gear (40T) (Black) (P/O PL 11.193 Item 13)
5	-	Driven pulley (P/O PL 11.193 Item 13)
6	-	Bearing (P/O PL 11.193 Item 13)
7	-	Bearing (P/O PL 11.193 Item 13)
8	-	Idler assembly bracket (P/O PL 11.193 Item 13)
9	-	Drive clutch (CL11-087) (P/O PL 11.193 Item 13)
10	023E23290	Crease roll belt
11	023E30780	Coupler drive belt
12	007K14460	Drive assembly (REP 11.68-171)
13	005K12690	Drive coupling assembly (REP 11.69-171)
14	675K53640	Tri-Folder install kit (REP 11.68-171)
15	-	Thumb screw (P/O PL 11.193 Item 14)
16	960K24000	Tri-folder control PWB (REP 11.80-171)
17	-	Drive coupler (P/O PL 11.193 Item 12)
18	-	Align gauge coupler (P/O PL 11.193 Item 12)
19	962K49592	Bin 2 tray harness (REP 11.81-171)
20	962K49571	Tri-folder harness (REP 11.81-171)
21	-	Drive belt tensioner pulley (Not Spared)
22	-	Feed roller bearing (Not Spared)
23	-	Feed roll pulley (Not Spared) (REP 11.70-171)
24	-	Feed roll belt (Not Spared) (REP 11.70-171)
25	023E23370	Feed roll drive belt (REP 11.68-171)
26	020E39921	Pulley gear 19T/20T BM (REP 11.68-171)
27	020E39930	Pulley gear 38T (REP 11.68-171)
28	-	Drive assembly bracket (P/O PL 11.193 Item 12)



V-8-0109-A

PL 11.195 Tri-Folder Top Door Cover Assembly

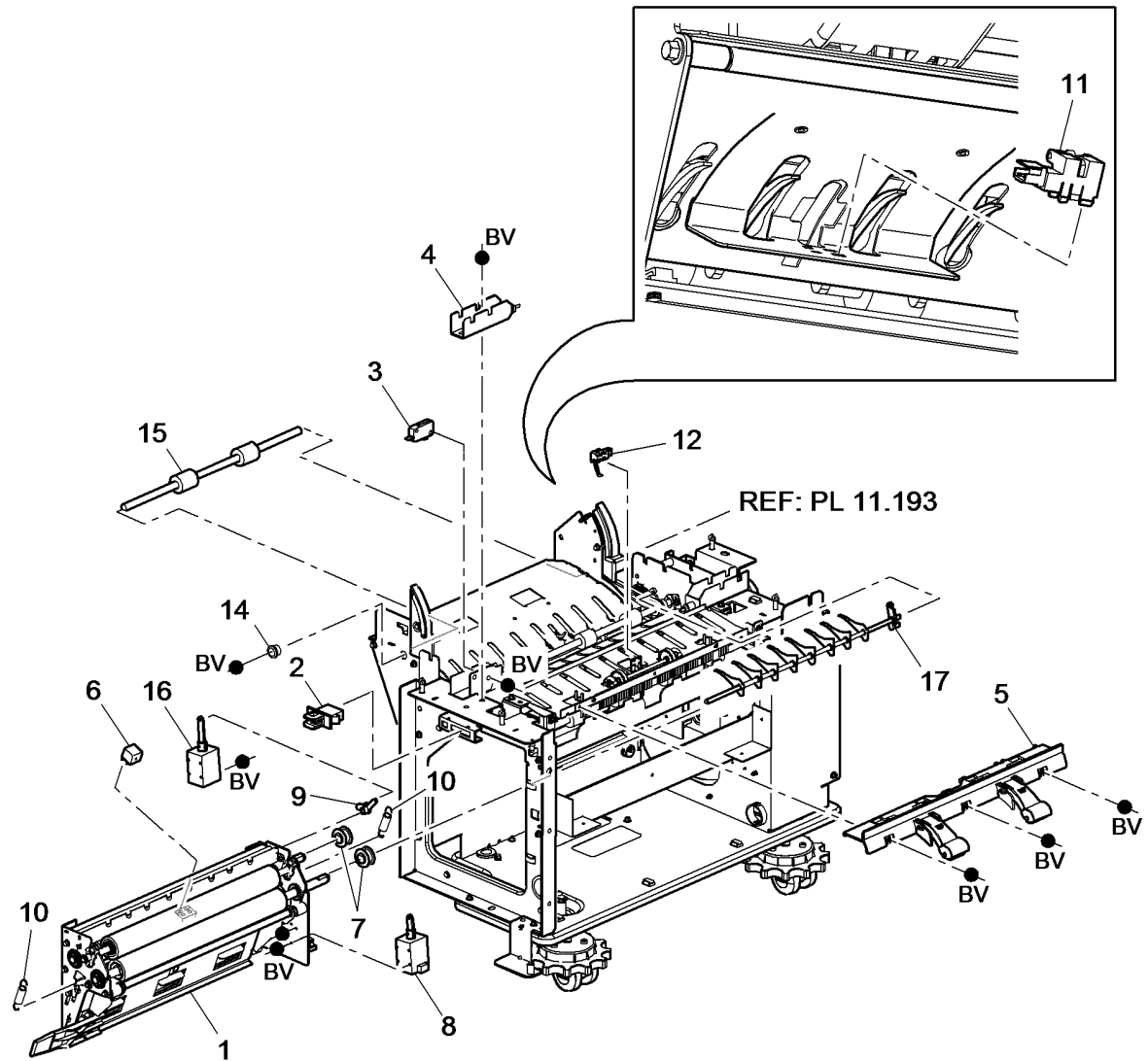
Item	Part	Description
1	-	Top access cover (P/O PL 11.195 Item 10)
2	-	Top cover door assembly spring (Not Spared)
3	-	Top cover door assembly shaft (Not Spared)
4	-	Latch hook (P/O PL 11.195 Item 10)
5	-	Top door cover assembly base (P/O PL 11.195 Item 10)
6	-	Latch handle (P/O PL 11.195 Item 10)
7	-	Latch spring (P/O PL 11.195 Item 10)
8	059K58690	Idler assembly (REP 11.73-171)
9	-	Idler spring (P/O PL 11.195 Item 10)
10	848K11680	Top cover door assembly (REP 11.73-171)
11	-	Idler assembly (Not Spared)



V-8-0110-A

PL 11.197 Tri-Folder Main Drives Assembly

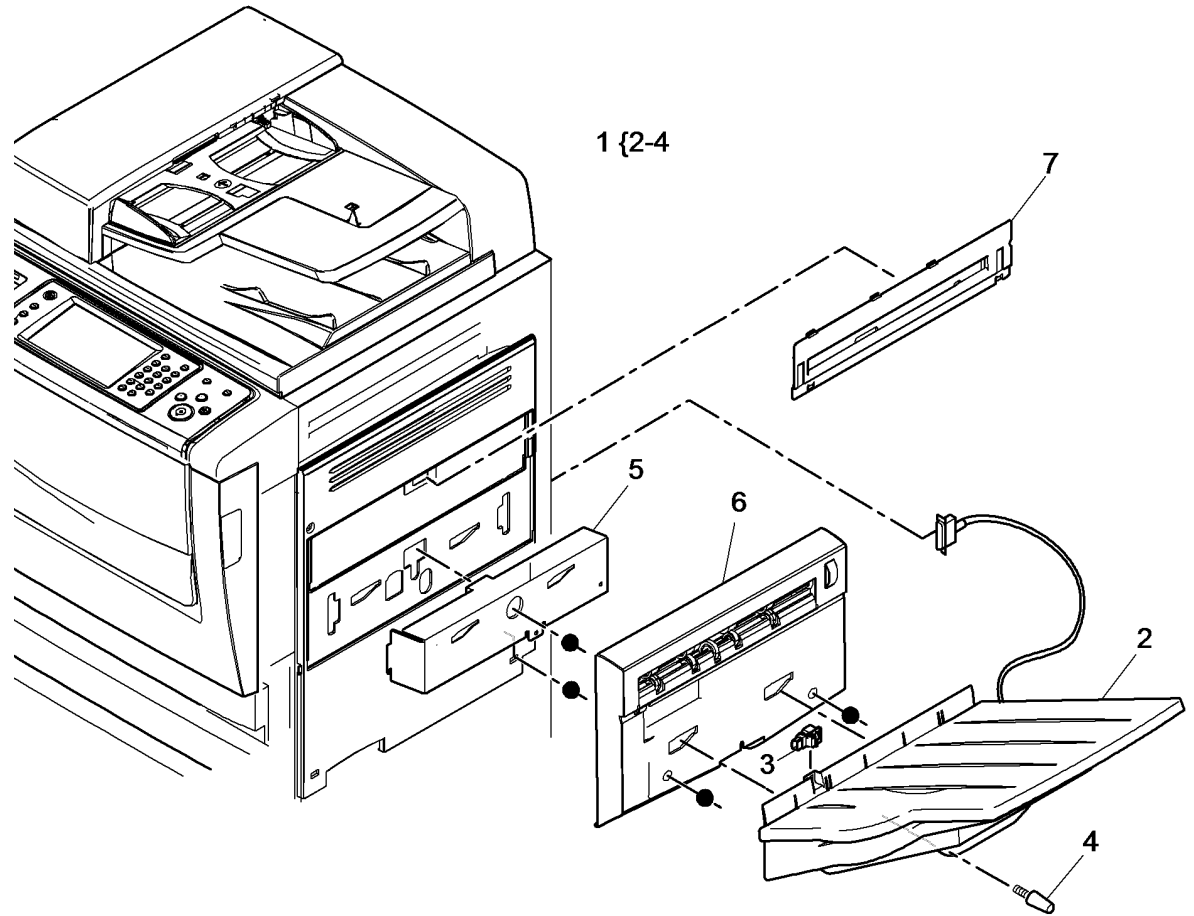
Item	Part	Description
1	-	Roller assembly (Not Spared) (REP 11.74-171)
2	110E19840	Front door interlock switch (S11-393) (REP 11.77-171)
3	110E19831	Top cover interlock switch (REP 11.77-171)
4	-	Top access cover docking catch (Not Spared)
5	-	Pressing and stacking assembly (Not Spared)
6	130E11861	Assist gate sensor (Q11-184) (REP 11.78-171)
7	020E38480	Crease roll pulley (REP 11.74-171)
8	121K44660	Assist gate solenoid (SOL11-086) (REP 11.71-171)
9	011E13832	Centerfold entry gate lever (REP 11.74-171)
10	809E44040	Crease roll spring (REP 11.72-171)
11	130K74920	Entry sensor (Q11-183) (REP 11.78-171)
12	130K74051	Exit sensor (Q11-185) (REP 11.79-171)
13	-	Not used
14	-	Feed roller bearing (Not Spared)
15	-	Feed roller (Not Spared) (REP 11.70-171)
16	121K44650	Diverter solenoid (SOL11-085) (REP 11.74-171)
17	050E23180	Diverter gate



V-8-0111-A

PL 12.10 OCT

Item	Part	Description
1	-	OCT (complete) (P/O PL 31.12 Item 20)
2	-	Tray (P/O PL 12.10 Item 1)
3	130E81311	OCT level sensor (Q12-304)
4	-	Thumbscrew (P/O PL 12.10 Item 1)
5	-	Mounting bracket (P/O PL 31.12 Item 20)
6	-	OCT transport assembly (P/O PL 31.12 Item 20) (REP 12.1)
7	-	Right cover infill panel (Not Spared)



V-8-0112-A

PL 17.00 Secure Access Additions

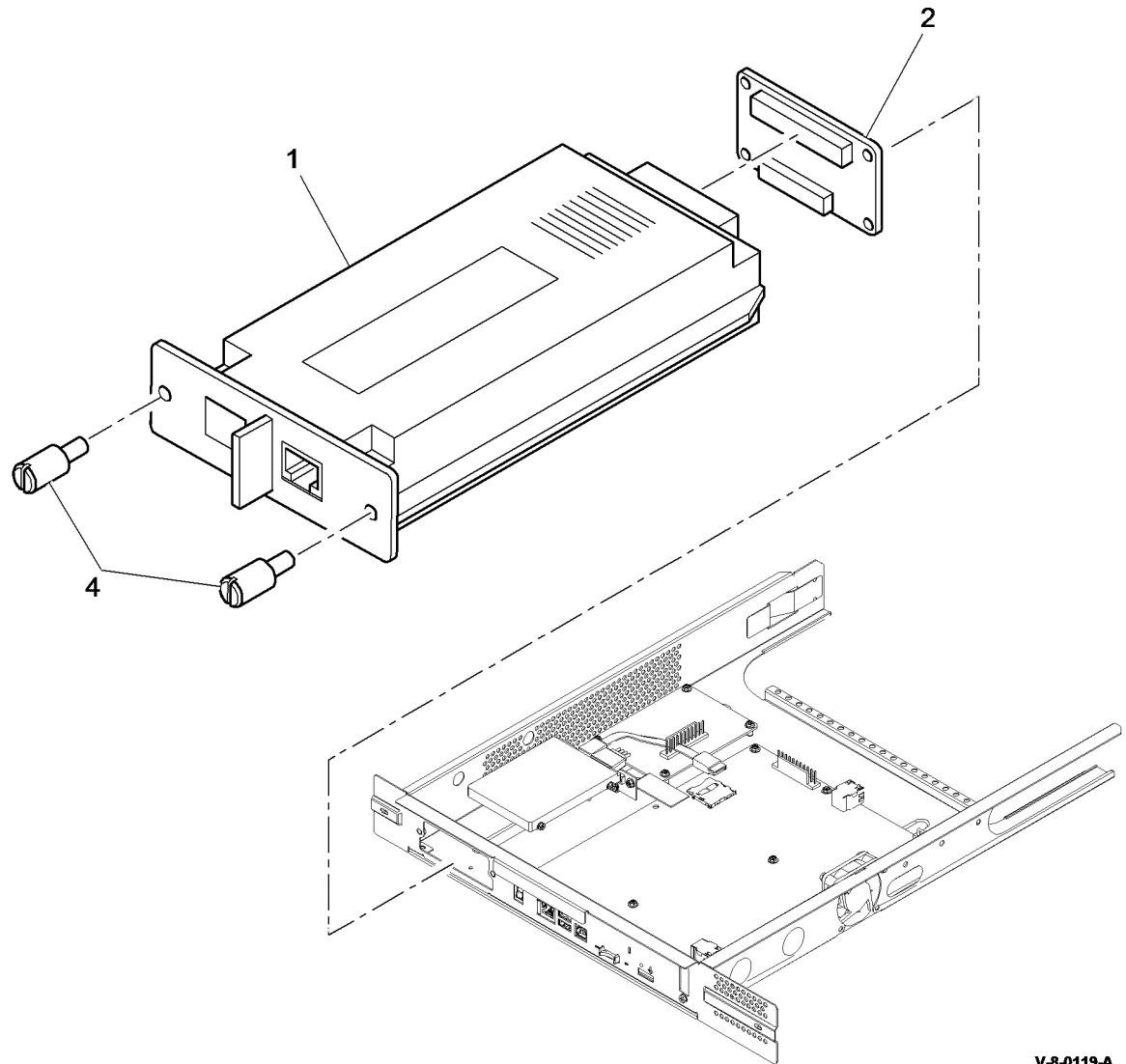
Item	Part	Description
1	101E28760	Secure access controller
2	105E24030	Xerox secure access power supply
3	–	Xerox secure access card reader (HID)
4	–	Xerox secure access card reader (MAGSTRIPE)
5	–	Xerox secure access card reader (MIFARE)
6	–	Xerox secure access card reader (LEGIC)
7	–	Xerox secure access power cord (NA)
8	–	Xerox secure access power cord (EU)
9	–	Xerox secure access power cord (UK)

**NO EXPLODED
VIEW PROVIDED**

V-8-0118-A

PL 20.05 Fax Module

Item	Part	Description
1	—	Fax module
—	—	1 line (P/O PL 31.35 Item 1)
—	—	2 line (P/O PL 31.40 Item 1)
2	960K73340	Fax connector PWB
3	—	Telephone cable (not shown on illustration)
—	—	USSG/XCL
—	—	United Kingdom
—	—	Germany
—	—	Italy
—	—	Netherlands
—	—	Belgium
—	—	Switzerland
—	—	Denmark
—	—	Austria
—	—	Sweden
—	—	France
—	—	Norway
—	—	Portugal/Spain
—	—	Finland
4	—	Thumbscrew (Not Spared)

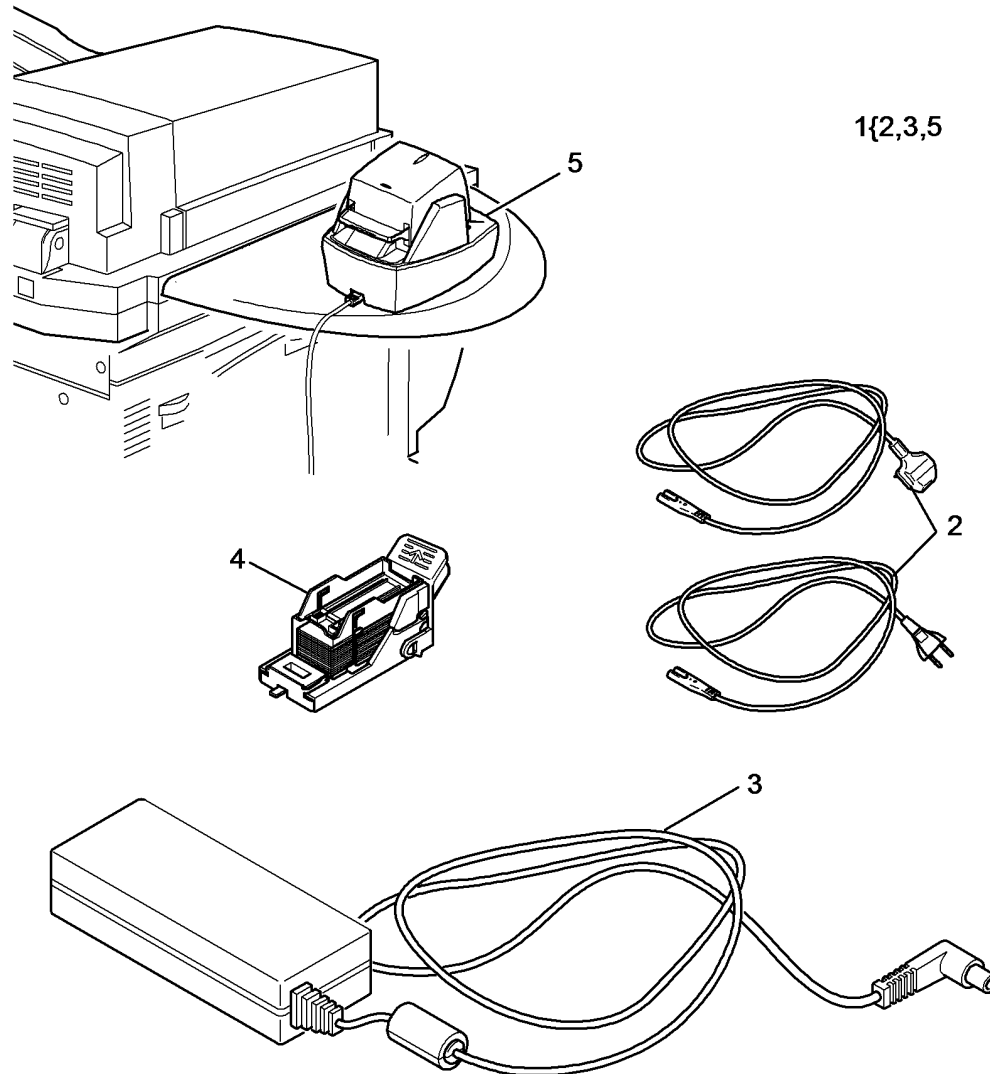


V-8-0119-A

PL 25.10 Convenience Stapler

Item	Part	Description
1	-	Convenience stapler kit (REF: PL 31.11 Item 5) (NOTE)
2	-	Power cord (P/O PL 25.10 Item 1)
3	-	PSU (P/O PL 25.10 Item 1)
4	008R12964	Staple cartridge (1 cartridge 5000 staples)
-	008R12941	Staple cartridge refill (3 cartridges, 3 x 5000 staples)
5	-	Convenience stapler (P/O PL 25.10 Item 1) (XE)
-	-	Convenience stapler (USSG/XCL) (P/O PL 25.10 Item 1)

NOTE: The convenience stapler has no serviceable parts.



V-8-0120-A

PL 26.10 Consumables and Tools (1 of 2)

Item	Part	Description
1	–	9 Way gender changer/Null modem adapter (Not Spared)
2	043P00048	Formula A cleaning fluid (WARNING)
3	600T02133	Line test tool
4	043P00045	Film remover (WARNING)
5	600T02231	USB Cable
6	600T02252	Ethernet crossover cable
7	600T02261	Finisher bypass connector
8	043E00550	Plastislip grease
9	043P00081	Lens and mirrors cleaner
10	099P03037	Disposable gloves (general protection) (Qty. 100) (WARNING)
11	108R00493	Staple cartridge (3 x 5000) (2K LCSS/LVF BM)
12	600T02058	Serial cable
13	035E56460	Wiper
14	082E02000	Test pattern (A3/11x17)
15	082E02010	Test pattern (A4)
16	082E02020	Test pattern (8.5x11)
17	082E08230	Test pattern (solid area density scale)
18	082P00448	Test pattern (visual scale)
19	008R90275	Antistatic fluid
20	070P00043	Molub grease 777
21	146E02700	USB Reader (HITAG)
22	008R12912	Staple cartridge (HVF) (1 x 5000)
23	600T91952	Mag seal repair tool
24	600T02332	Data cable
25	108R00682	1K LCSS staple cartridge

WARNING

*Wear protective gloves, **PL 26.10 Item 10** when using solvents and cleaning agents.*

**NO EXPLODED
VIEW PROVIDED**

V-8-0121-A

PL 26.11 Consumables and Tools (2 of 2)

Item	Part	Description
1	008R12964	Convenience stapler cartridge (1 cartridge 5000 staples)
2	108R01158	Staple cartridge (LVF BM) (4 x 2000)
3	006R01551	Toner cartridge (2) pack (45-55 ppm)
-	006R01552	Toner cartridge (2) pack (65-90 ppm)
4	008R12941	Convenience stapler cartridge refill (staples only - 3 x 5000 staples)
5	600T01937	Handset tool
6	008R12897	Staple cartridge (HVF BM) (8 x 2000)
7	600T02329	PFP stack height sensor & retard shield setting tool (W/TAG P-050, TAG P-051)
8	600T02331	LVPS test box

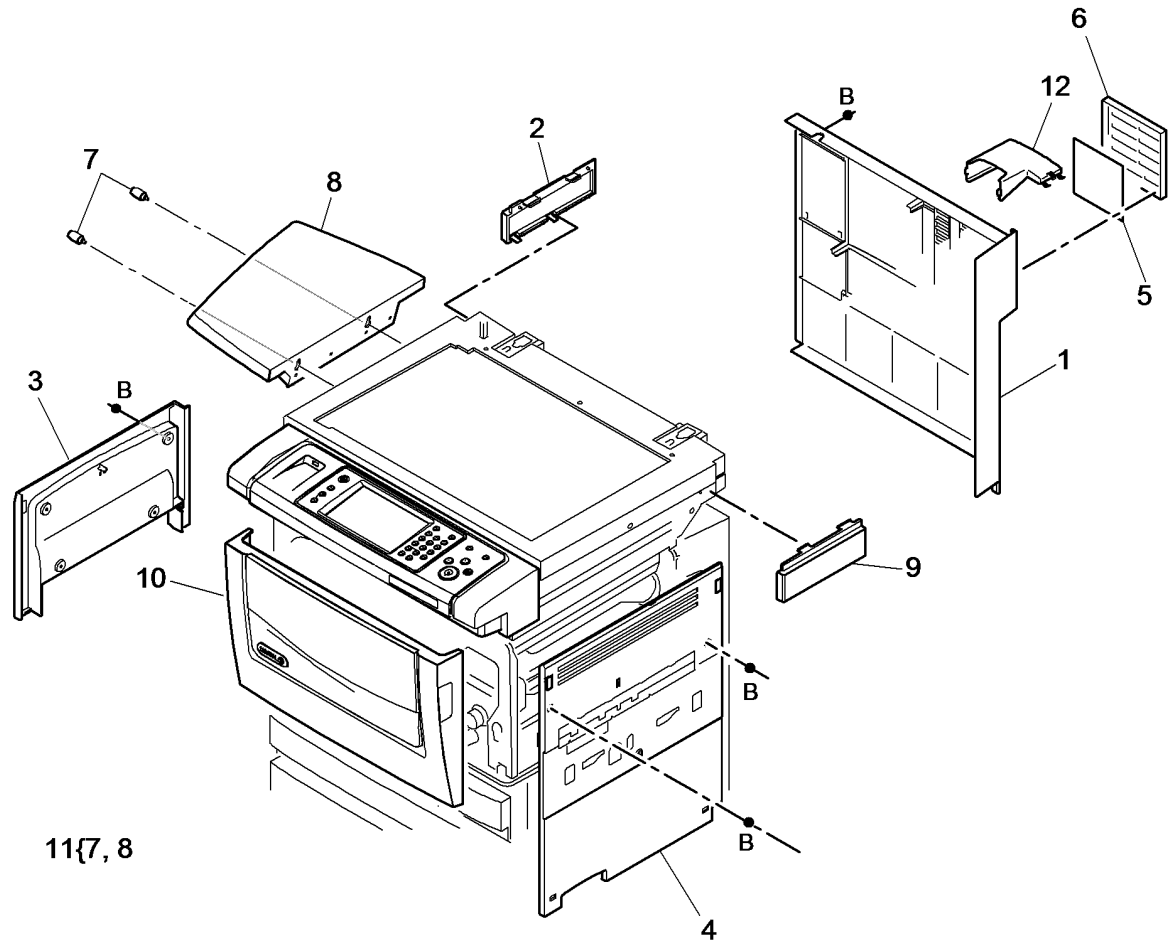
**NO EXPLODED
VIEW PROVIDED**

V-8-0122-A

PL 28.10 Main Covers

Item	Part	Description
1	802E93221	Rear cover
2	848E91101	Rear left infill panel
3	848E97020	Left cover
4	-	Right cover (NOTE)
5	-	Ozone filter (Not Spared)
6	-	Ozone filter cover (Not Spared)
7	-	Thumbscrew (P/O PL 28.10 Item 11)
8	-	Work shelf (P/O PL 28.10 Item 11)
9	848E91081	Rear right infill panel
10	848K61023	Front door assembly (45-55 ppm)
-	-	Front door assembly (REF: PL 28.11 Item 10) (65-90 ppm)
11	-	Work shelf assembly kit (REF: PL 31.12 Item 14)
12	014E67571	Stand off cable holder

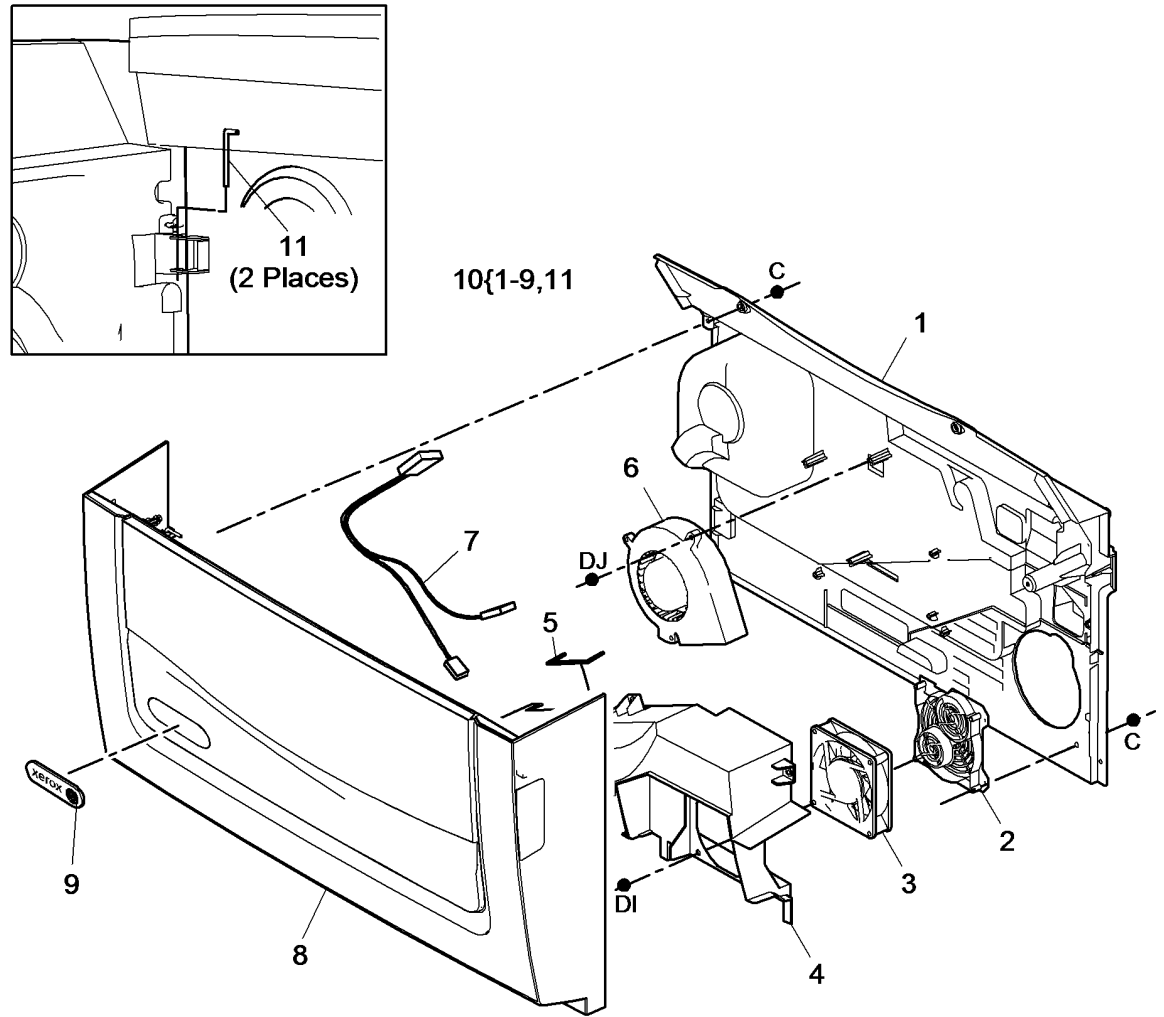
NOTE: Part number not available at time of publication.



V-8-0031-A

PL 28.11 Front Door Assembly (65-90 ppm)

Item	Part	Description
1	-	Internal cover (P/O PL 28.11 Item 10)
2	-	Grill (P/O PL 28.11 Item 10)
3	-	Paper path cooling fan 1 (P/O PL 28.11 Item 10)
4	-	Cooling duct (P/O PL 28.11 Item 10)
5	-	Foam seal (P/O PL 28.11 Item 10)
6	-	Paper path cooling fan 2 (P/O PL 28.11 Item 10)
7	-	Harness (P/O PL 28.11 Item 10)
8	-	Front door (P/O PL 28.11 Item 10)
9	-	Logo badge (P/O PL 28.11 Item 10)
10	848K61041	Front door assembly
11	029E50160	Door hinge pin



V-8-0032-A

PL 28.15 Covers

Item	Part	Description
1	–	SPDH covers (REF: PL 5.10)
2	–	Tray 3 and 4 assembly covers (REF: PL 70.26)
3	–	Main covers (REF: PL 28.10)
4	–	2K LCSS covers (REF: PL 11.2)
5	–	1K LCSS covers (REF: PL 11.100)
6	–	Stand covers (REF: PL 70.40)
7	–	Scanner covers (REF: PL 60.15)
8	–	HVF covers (REF: PL 11.130)
9	–	Tray 6 covers (REF: PL 70.60)
10	–	Inserter covers (REF: PL 11.175)
11	–	Tri-folder covers (REF: PL 11.190)
12	–	LVF BM covers (REF: PL 11.50)

**NO EXPLODED
VIEW PROVIDED**

V-8-0123-A

PL 31.11 Maintenance/Installation/ Removal Kits (1 of 4)

Item	Part	Description
1	–	Fax adapter kit (see below for variants)
–	604K67590	UK, Ireland, Spain, Portugal, Greece
–	604K67600	France, Netherlands, Belgium
–	604K67610	Germany, Austria, Italy, Switzerland
–	604K67620	Sweden, Norway, Finland, Denmark
2	–	Hole punch kit (see below for variants)
–	498K10260	2 hole punch kit (XE)
–	498K12090	2 hole punch kit (legal) (XE)
–	498K11400	2 hole punch kit (HVF) (XE)
–	498K11411	3 hole punch kit (HVF) (XE)
–	498K10270	3 hole punch kit (USSG/XCL)
–	498K10280	4 hole punch kit (USSG/XCL)
–	498K17940	4 hole punch kit (HVF) (Sweden)
–	498K17900	4 hole punch kit (HVF) (XE)
–	498K10310	4 hole punch kit (Sweden)
3	498K12130	Tray 6 paper feed kit (A3 SEF option)
4	498K12140	Tray 6 paper feed kit (A4 SEF option)
5	498K08260	Convenience stapler kit (XE)
–	498K08250	Convenience stapler kit (USSG/XCL)
6	604K67700	Seal replacement kit
7	498K16091	Xerox copier assistant (XE)
–	–	Xerox copier assistant (USSG/XCL) (Not Spared)
8	604K84840	Tray 6 shaft and roll assembly kit
9	604K73040	Short paper path kit (W/TAG 001)
–	604K73360	Short paper path kit (W/O TAG 001)
10	498K07210	Paper tray security kit
11	049K00280	Tray 6 install kit
12	604K34980	ROS spares kit (45-55 ppm)
–	604K34950	ROS spares kit (65-90 ppm)
13	130K75140	LCSS stapler edge registration sensor kit
14	007K20550	Scanner drive kit
15	604K73230	HVF ejector assembly safety cover kit
16	059K85120	SPDH feed roll kit
17	604K48700	Paper tray lip kit
18	604K48150	Bin 1 tray kit (improved stacking)

**NO EXPLODED
VIEW PROVIDED**

V-8-0124-A

NOTE: Do not order 497/8K parts. 497/8K parts are customer install kits and are shown for reference only.

PL 31.12 Maintenance/Installation/ Removal Kits (2 of 4)

Item	Part	Description
1	604K84550	Toner dispense module kit (45-55 ppm)
–	604K84560	Toner dispense module kit (65-90 ppm)
2	604K54010	Inverter transparency feed kit (45-55 ppm) (W/TAG 004)
3	604K24570	Trickle outlet shutter kit
4	604K42020	BM back stop repair kit
5	604K24650	Auger damper kit
6	604K73070	Paddle wheel shaft assembly (W/TAG F-016)
7	604K41110	4B latch kit
8	604K41120	Developer latch pin kit
9	604K41341	Stapler traverse assembly kit
10	604K41411	2K LCSS front door cover assembly kit
11	604K73050	LCSS paddle spares kit (W/TAG F-016)
12	604K83711	Feedhead assembly spares kit
13	604K67240	Registration clutch kit
14	497K11490	Work shelf assembly kit
15	604K42090	2K LCSS front door spares kit
16	604K83680	Tray 3 transport shaft kit
17	498K19200	20 amp adapter kit
18	604K55050	Paper feed module frame repair kit
19	604K83690	Exit shaft kit
20	497K09960	OCT accessory kit

NOTE: Do not order 497/8K parts. 497/8K parts are customer install kits and are shown for reference only.

**NO EXPLODED
VIEW PROVIDED**

V-8-0126-A

PL 31.13 Maintenance/Installation/ Removal Kits (3 of 4)

Item	Part	Description
1	–	Wireless network adapter kit (NOTE 2)
2	604K35371	Fuser latch pin kit
3	604K84510	Inverter decurler kit (45-55 ppm)
–	604K84520	Inverter decurler kit (65-90 ppm)
4	498K17550	Foreign device interface kit
5	604K55120	Decurler soft roll repair kit (REP 10.14)
6	604K83560	Shaft diverter assembly spares kit
7	604K55500	Skew bypass tray spares kit (x2 spring)
8	604K16890	Out of toner sensor kit
9	604K55570	Drive roll repair kit
10	604K53830	Hole punch field repair kit (W/TAG F-014)
11	498K17546	CAC enablement kit (USSG/XCL)
12	604K24930	Developer/Drives interface kit (REF: PL 90.15 Item 23)
13	604K73370	BM Diverter kit
14	604K83641	Feed/Nudger/Retard roll spares kit
15	604K55100	HCF Heater kit
16	604K53940	XRU skids kit
17	604K84020	Stack height sensor and shim kit
18	604K54760	Envelope tray feeding kit
19	604K48340	Fuser stripper finger kit

NOTE: 1. Do not order 497/8K parts. 497/8K parts are customer install kits and are shown for reference only.

NOTE: 2. Part number not available at time of publication.

**NO EXPLODED
VIEW PROVIDED**

V-8-0127-A

PL 31.14 Maintenance/Installation/ Removal Kits (4 of 4)

Item	Part	Description
1	–	Initialisation kits (see below for variants) (NOTE)
–	097S04422	45 ppm (DMO)
–	097S04423	55 ppm (DMO)
–	097S04424	65 ppm (DMO)
–	097S04425	75 ppm (DMO)
–	097S04426	90 ppm (DMO)
–	097S04429	45 ppm (XE)
–	097S04430	55 ppm (XE)
–	097S04431	65 ppm (XE)
–	097S04432	75 ppm (XE)
–	097S04433	90 ppm (XE)
–	097S04475	45 ppm (USSG/XCL)
–	097S04476	55 ppm (USSG/XCL)
–	097S04477	65 ppm (USSG/XCL)
–	097S04478	75 ppm (USSG/XCL)
–	097S04479	90 ppm (USSG/XCL)

NOTE: 097S parts are customer install kits and are shown for reference only.

**NO EXPLODED
VIEW PROVIDED**

V-8-0128-A

PL 31.35 Line 1 Fax Kits

Item	Part	Description
1	–	Line 1 Fax kits (see below for variants) (NOTE)
–	–	XE
–	–	USSG/XCL
–	–	United Kingdom, Spain, Greece, Ireland, Portugal
–	–	Austria, Germany, Switzerland, Italy
–	–	South Africa
–	–	Netherlands, Belgium, France
–	–	Sweden, Norway, Finland, Denmark

NOTE: Part numbers not available at time of publication.

**NO EXPLODED
VIEW PROVIDED**

V-8-0133-A

PL 31.40 Line 2 Fax Kits

Item	Part	Description
1	–	Line 2 Fax kits (see below for variants) (NOTE)
–	–	XE
–	–	USSG/XCL
–	–	United Kingdom, Spain, Greece, Ireland, Portugal
–	–	Austria, Germany, Switzerland, Italy
–	–	South Africa (Not Spared)
–	–	Netherlands, Belgium, France
–	–	Sweden, Norway, Finland, Denmark

NOTE: Part numbers not available at time of publication.

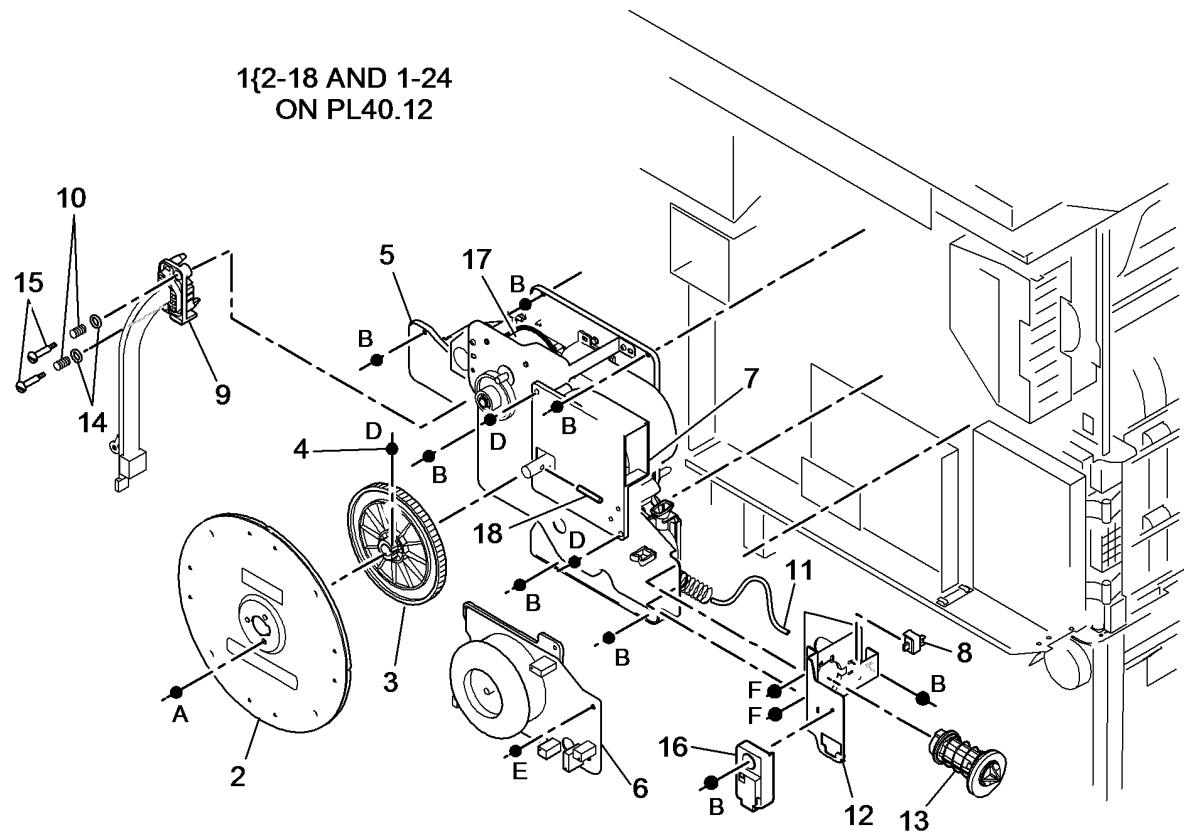
**NO EXPLODED
VIEW PROVIDED**

V-8-0134-A

PL 40.10 Main Drive Module (65-90 ppm) (1 of 2)

Item	Part	Description
1	007K14322	Main drive module (REP 40.5)
2	-	Flywheel (P/O PL 40.10 Item 1)
3	807E09920	Photoreceptor drive gear (REP 40.4)
4	-	Dowel pin (P/O PL 40.10 Item 1)
5	-	Main drive (P/O PL 40.10 Item 1)
6	-	Main drive motor and PWB assembly (MOT42-010) (Not Spared) (NOTE) (REP 40.6)
7	-	Ozone fan (MOT42-030) (REF: PL 90.25 Item 1)
8	130E10530	Waste toner door switch (S93-380)
9	114E18630	Fuser connector assembly
10	-	Spring (P/O PL 40.10 Item 1)
11	-	Auger damper kit (REF: PL 31.12 Item 5) (REP 90.10)
12	-	Mounting bracket (P/O PL 40.10 Item 1)
13	055K36090	Shutter assembly (REP 90.10)
14	-	Washer (P/O PL 40.10 Item 1)
15	-	Screw (P/O PL 40.10 Item 1)
16	-	Waste toner full sensor (Q93-350) (REF: PL 90.10 Item 2)
17	-	Photoreceptor drive motor (MOT91-010) (P/O PL 40.10 Item 1)
18	-	Dowel pin (P/O PL 40.10 Item 1)

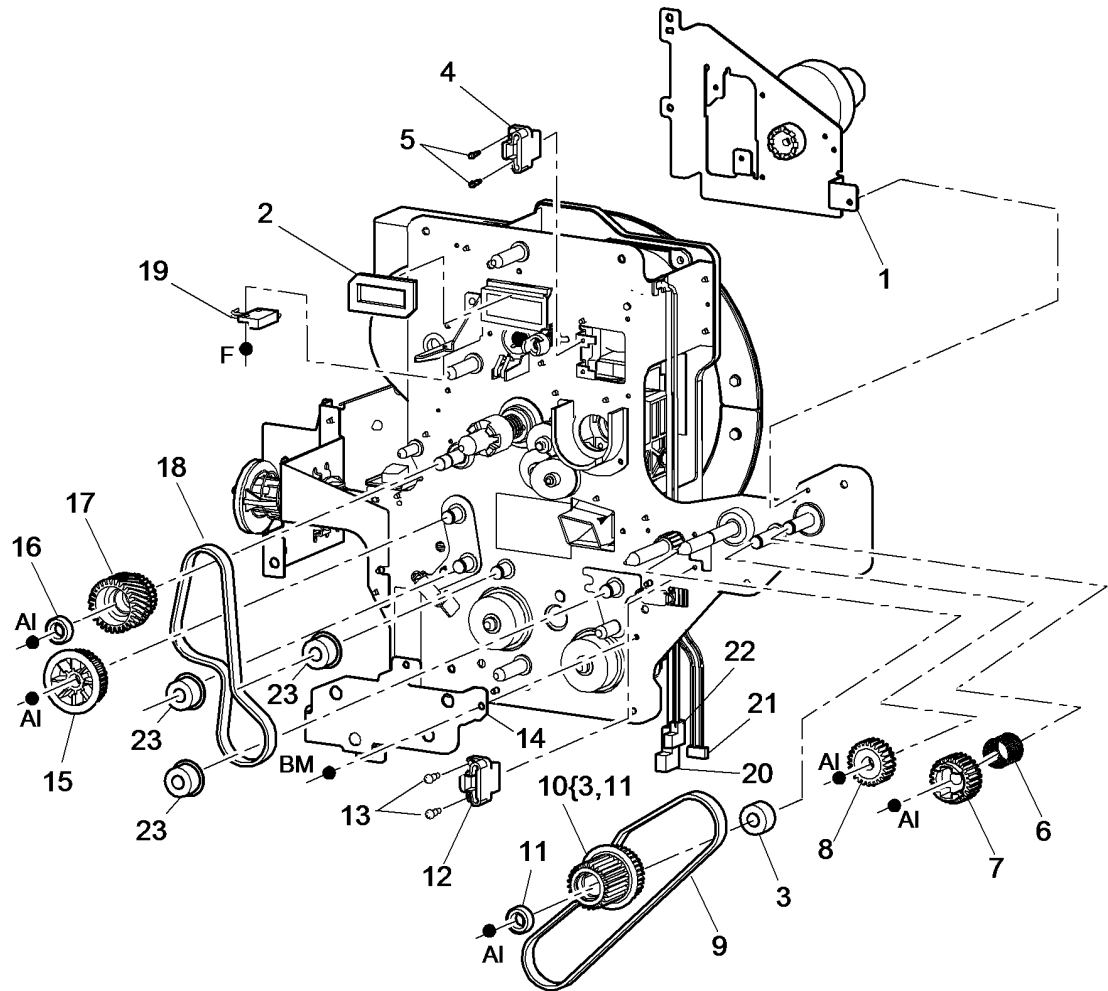
NOTE: The main drive motor is an integral part of the main drive PWB.



V-8-0007-A

PL 40.12 Main Drive Module (65-90 ppm) (2 of 2)

Item	Part	Description
1	127K55430	Fuser web motor assembly (MOT10-010) (REP 10.13)
2	-	Ozone seal (P/O PL 31.11 Item 6)
3	-	Bearing (P/O PL 40.12 Item 10)
4	-	Xerographic CRUM connector (P/O PL 40.10 Item 1)
5	-	Xerographic CRUM connector screw (P/O PL 40.10 Item 1)
6	-	Spring (P/O PL 40.10 Item 1)
7	807E09930	Output paper path drive gear (REP 40.7)
8	807E09940	Intermediate drive gear (REP 40.7)
9	023E25040	Main drive belt 2 (REP 40.7)
10	807E06462	Fuser drive gear/pulley assembly (REP 40.7)
11	-	Bearing (P/O PL 40.12 Item 10)
12	114E18810	Fuser CRUM connector
13	-	Screw (P/O PL 40.10 Item 1)
14	-	Support plate (P/O PL 40.10 Item 1)
15	807E05670	Registration transport drive pulley (REP 40.7)
16	-	Bearing (P/O PL 40.12 Item 17)
17	-	Developer drive gear/pulley assembly (P/O PL 90.15 Item 23) (REP 40.7)
18	023E25050	Main drive belt 1 (REP 40.7)
19	-	Scorotron cleaner home sensor (Q91-070) (P/O PL 40.10 Item 1)
20	-	Charge scorotron harness (P/O PL 40.10 Item 1)
21	-	Charge scorotron grid harness (P/O PL 40.10 Item 1)
22	-	Auto cleaner harness (P/O PL 40.10 Item 1)
23	-	Idler (P/O PL 40.10 Item 1)

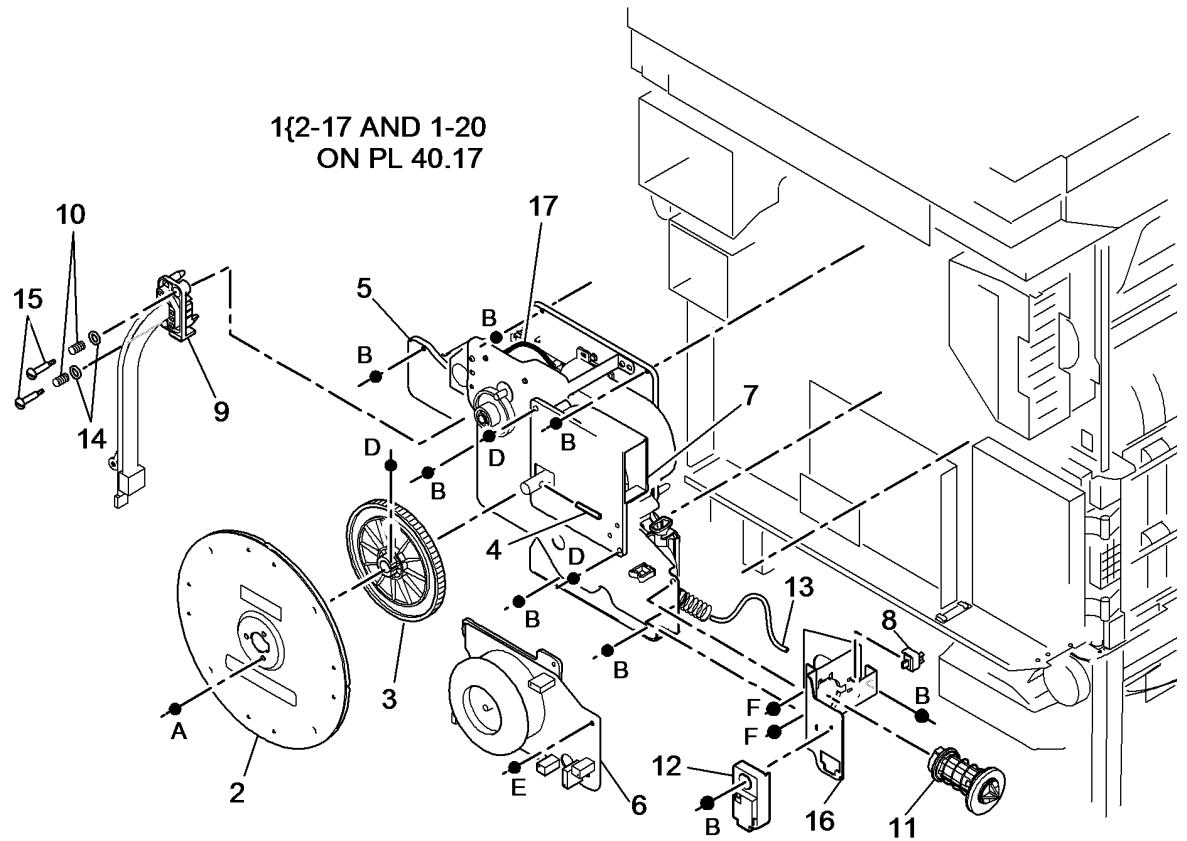


V-8-0008-A

PL 40.15 Main Drive Module (45-55 ppm) (1 of 2)

Item	Part	Description
1	007K14334	Main drive module (REP 40.1)
2	-	Flywheel (P/O PL 40.15 Item 1)
3	807E06600	Photoreceptor drive gear (REP 40.4)
4	-	Dowel pin (P/O PL 40.15 Item 1)
5	-	Main drive (P/O PL 40.15 Item 1)
6	127K55420	Main drive motor and PWB assembly (MOT42-010) (NOTE) (REP 40.2)
7	-	Ozone fan (MOT42-030) (REF: PL 90.25 Item 1)
8	130E10530	Waste toner door switch (S93-380)
9	114E18630	Fuser connector assembly
10	-	Spring (P/O PL 40.15 Item 1)
11	055K36090	Shutter assembly (REP 90.10)
12	-	Waste toner full sensor (Q93-350) (P/O PL 90.10 Item 2)
13	-	Auger damper kit (REF: PL 31.12 Item 5) (REP 90.10)
14	-	Washer (P/O PL 40.15 Item 1)
15	-	Screw (P/O PL 40.15 Item 1)
16	-	Mounting bracket (P/O PL 40.15 Item 1)
17	-	Photoreceptor drive motor (MOT91-010) (P/O PL 40.15 Item 1)

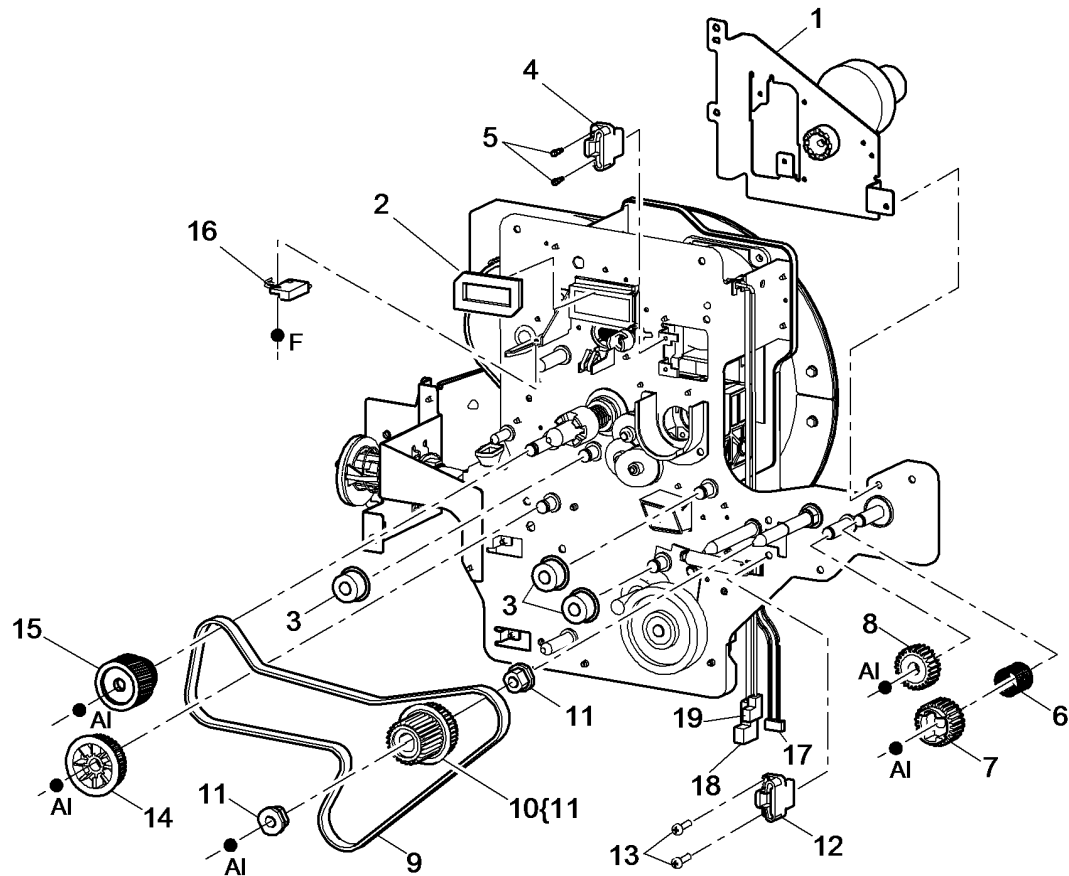
NOTE: The main drive motor is an integral part of the main drive PWB.



V-8-0003-A

PL 40.17 Main Drive Module (45-55 ppm) (2 of 2)

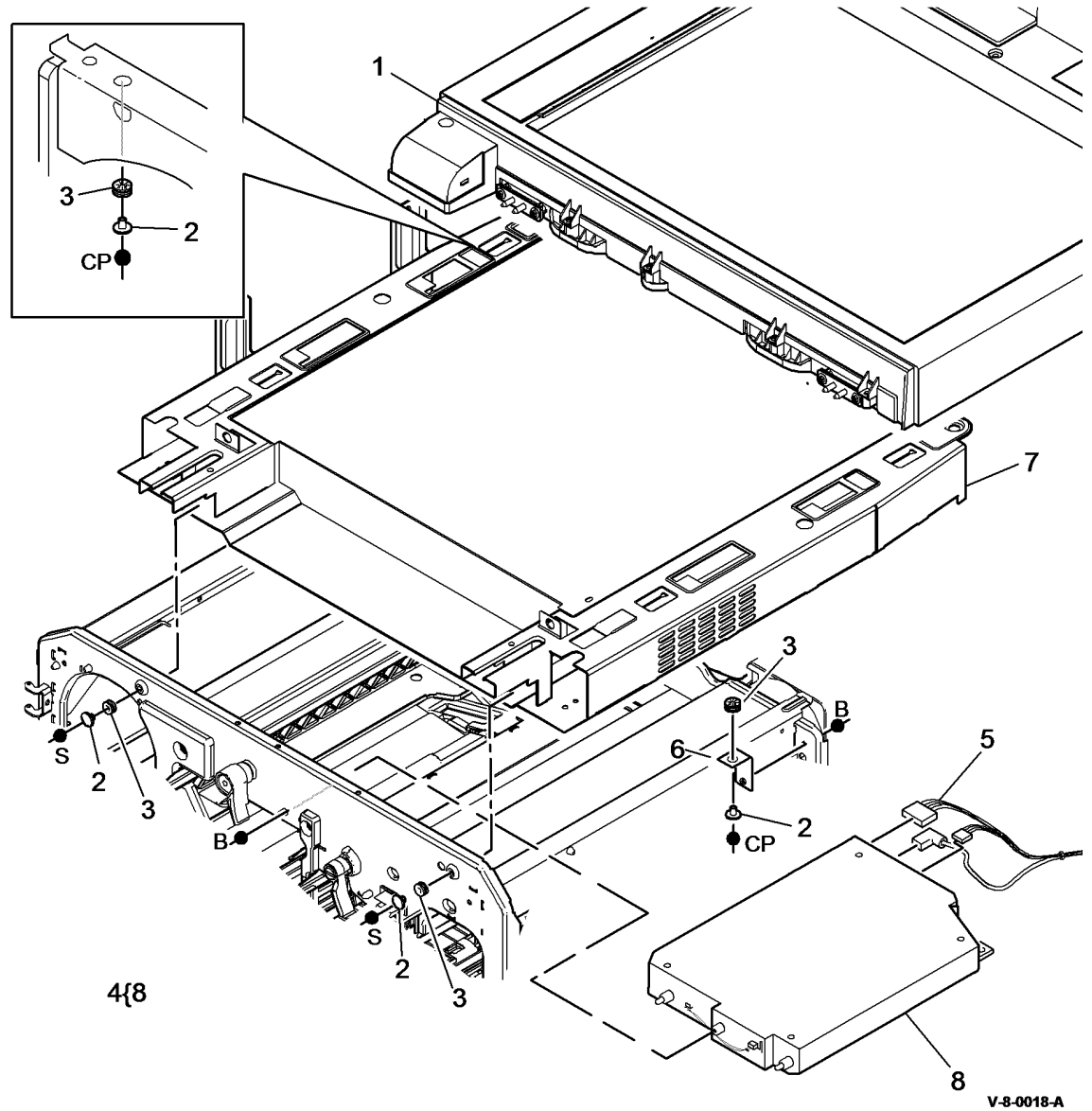
Item	Part	Description
1	127K55430	Fuser web motor assembly (MOT10-010) (REP 10.13)
2	–	Ozone seal (P/O PL 31.11 Item 6)
3	–	Idler (P/O PL 40.15 Item 1)
4	–	Xerographic CRUM connector (P/O PL 40.15 Item 1)
5	–	Xerographic CRUM connector screw (P/O PL 40.15 Item 1)
6	–	Spring (P/O PL 40.15 Item 1)
7	807E09930	Output paper path drive gear (REP 40.3)
8	807E09940	Intermediate drive gear (REP 40.3)
9	023E30740	Main drive belt (REP 40.3)
10	007K13202	Fuser drive gear (REP 40.3)
11	–	Bearing (P/O PL 40.17 Item 10)
12	114E18810	Fuser CRUM connector
13	–	Screw (P/O PL 40.15 Item 1)
14	807E05670	Registration transport drive pulley (REP 40.3)
15	807E05700	Developer drive gear (REP 40.3)
16	–	Scorotron cleaner home sensor (Q91-070) (P/O PL 40.15 Item 1)
17	–	Auto cleaner harness (P/O PL 40.15 Item 1)
18	–	Charge scorotron harness (P/O PL 40.15 Item 1)
19	–	Charge scorotron grid harness (P/O PL 40.15 Item 1)



V-8-0010-A

PL 60.10 ROS

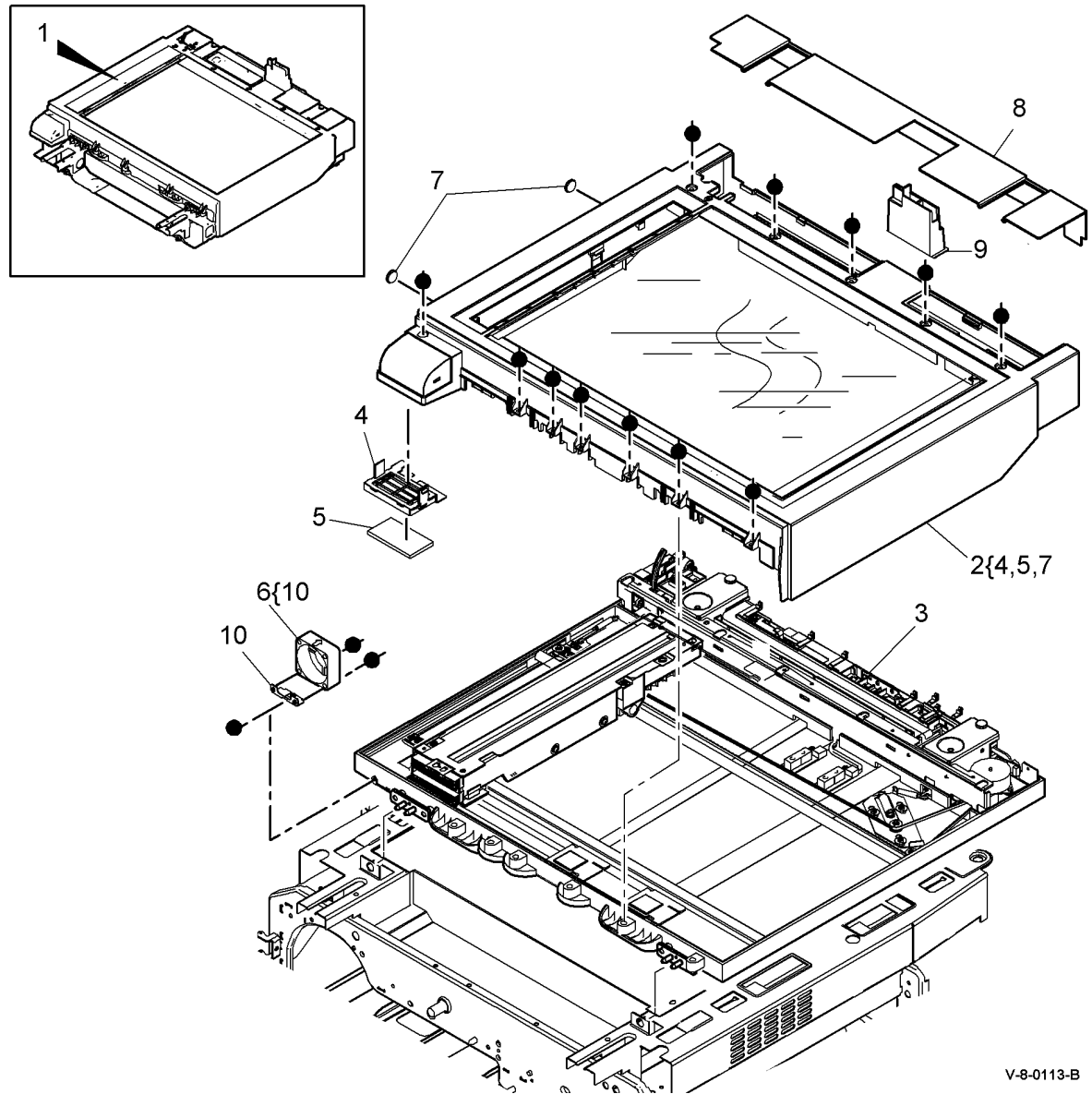
Item	Part	Description
1	-	Scanner module (REF: PL 60.15 Item 1)
2	-	Spacer (Not Spared)
3	-	Grommet (Not Spared)
4	-	ROS spares kit (REF: PL 31.11 Item 12) (45-55 ppm)
-	-	ROS spares kit (REF: PL 31.11 Item 12) (65-90 ppm)
5	-	ROS Power distribution/ Communication harness (Not Spared) (45-55 ppm)
-	-	ROS Power distribution/ communication harness (Not Spared) (65-90 ppm)
6	-	Scanner frame securing bracket (Not Spared)
7	-	Scanner module mounting frame (Not Spared) (REP 60.16)
8	-	ROS (P/O PL 60.10 Item 4) (REP 60.15)



PL 60.15 Scanner Module, CVT/ Document Glass

Item	Part	Description
1	062K28530	Scanner module (REP 60.2)
2	848K83740	Top cover assembly (REP 60.3)
3	–	Base (P/O PL 60.15 Item 1)
4	019E89100	Fan filter housing (REP 60.14)
5	053E08560	Fan filter (REP 60.14)
6	127K69240	Cooling fan (MOT62-029) (REP 60.14)
7	–	Top cover plug (P/O PL 60.15 Item 1)
8	848K83750	Rear cover (REP 60.1)
9	–	SPDH harness guide (P/O PL 60.15 Item 1) (REP 5.19)
10	–	Fan bracket (P/O PL 60.15 Item 6)

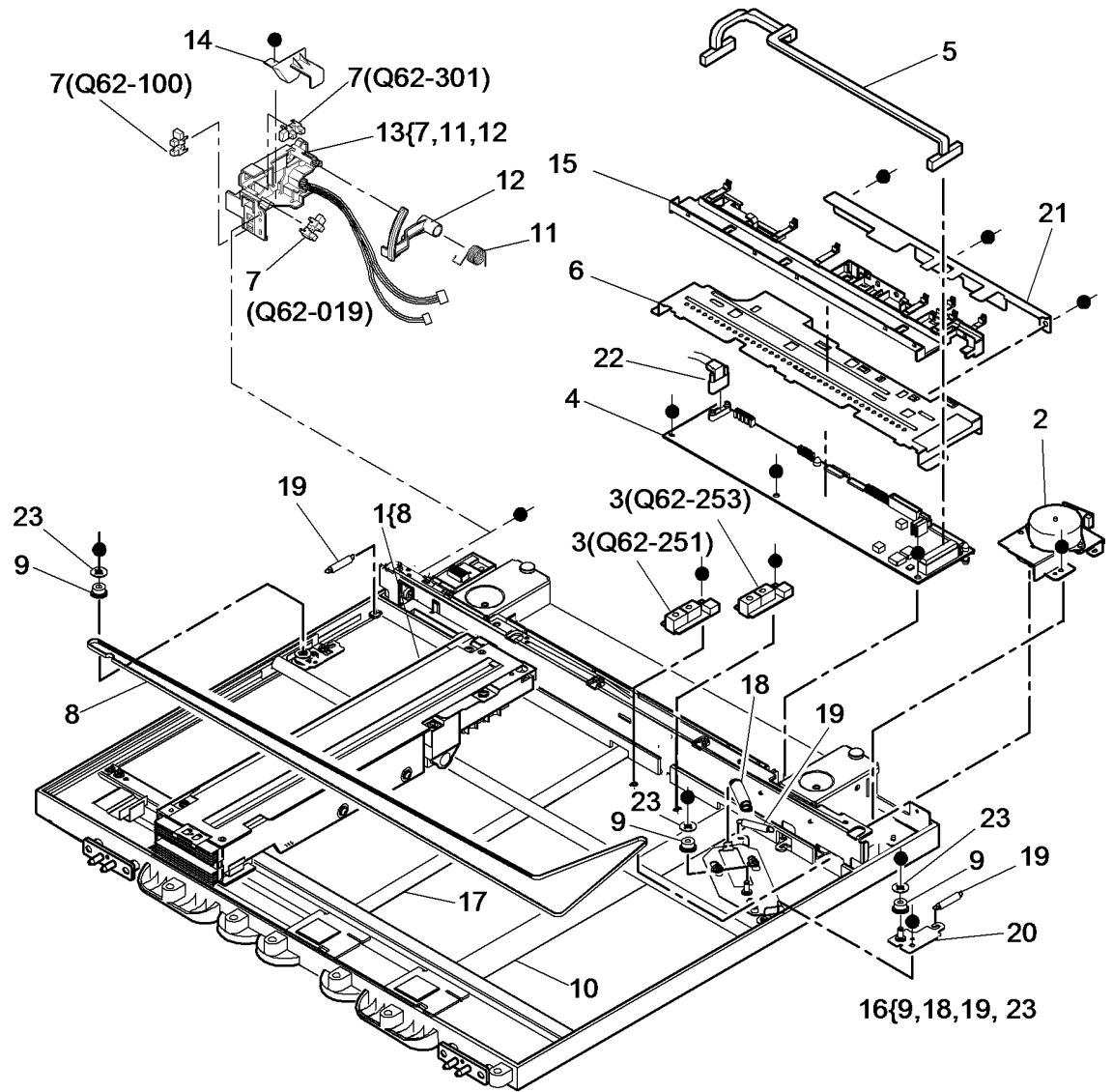
NOTE: Refer to ADJ 60.3 for the optics cleaning procedure.



V-8-0113-B

PL 60.20 Scanner Electrical Components

Item	Part	Description
1	-	Scan carriage assembly (REF: PL 60.25 Item 1) (REP 60.5)
2	127K69280	Scan carriage motor assembly (MOT62-031) (REP 60.10)
3	130E19050	Document size sensor 1 (Q62-251), Document size sensor 2 (Q62-253) (REP 60.13)
4	960K72461	Scanner PWB (REP 60.4)
5	-	SBC PWB/Scanner PWB comms/power harness (REF: PL 3.22 Item 19) (REP 60.4)
6	-	Scanner PWB cover (Not Spared) (REP 60.4)
7	130E19040	Carriage home sensor (Q62-100)/SPDH angle sensor(Q62-301)(REP 60.9)/SPDH platen down sensor (Q62-019)
8	-	Scan carriage drive belt (P/O PL 60.20 Item 1) (REP 60.11)
9	-	Scan carriage idler pulley (P/O PL 60.20 Item 16) (REP 60.12)
10	117E43810	Scan carriage power ribbon cable (REP 60.7)
11	-	Actuator spring (P/O PL 60.20 Item 13)
12	-	SPDH angle sensor actuator (P/O PL 60.20 Item 13) (REP 60.9)
13	120K03740	Actuator support (REP 60.9)
14	-	Cable shield (Not Spared) (REP 60.9)
15	-	Harness guide (Not Spared) (REP 60.4)
16	-	Scanner drive kit (REF: PL 31.11 Item 14)
17	117E43820	Scan carriage data ribbon cable (REP 60.8)
18	-	Tension spring (P/O PL 60.20 Item 16)
19	-	Ground spring (P/O PL 60.20 Item 16)
20	-	Mounting plate (Not Spared)
21	-	Faraday shield (Not Spared) (REP 60.1)
22	-	SBC PWB/Scanner PWB data cable (REF: PL 3.22 Item 20)
23	-	Pulley flange (P/O PL 60.20 Item 16)



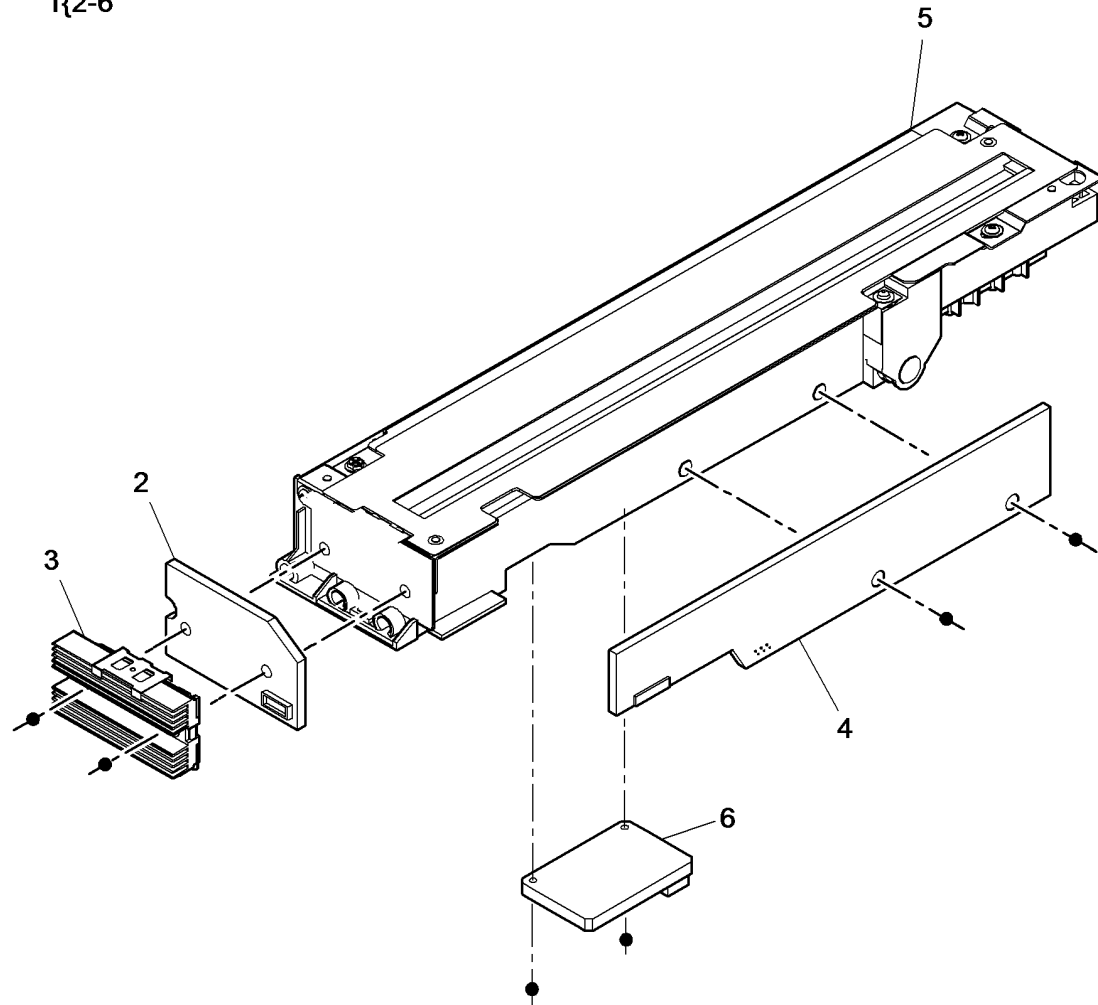
V-8-0114-B

NOTE: Refer to ADJ 60.3 for the optics cleaning procedure.

PL 60.25 Scan Carriage Assembly

Item	Part	Description
1	041K06840	Scan carriage assembly (REP 60.5)
2	-	Scanner LED lamp PWB (P/O PL 60.25 Item 1)
3	-	LED lamp assembly (P/O PL 60.25 Item 1)
4	-	Scanner CCD PWB (P/O PL 60.25 Item 1)
5	-	Scan carriage unit (P/O PL 60.25 Item 1)
6	-	Scanner LED drive PWB (P/O PL 60.25 Item 1)

1{2-6

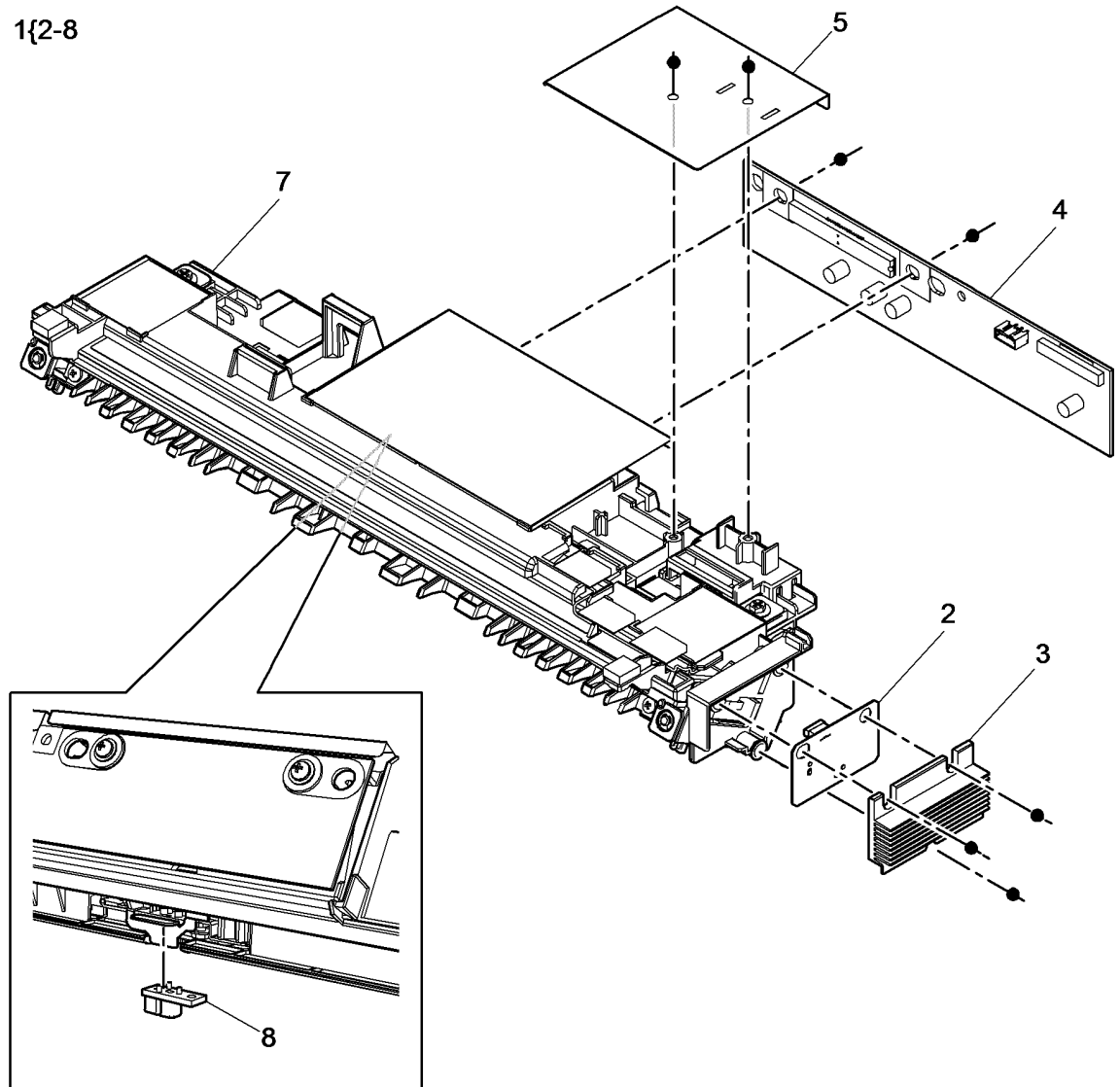


V-8-0165-A

PL 60.30 Side 2 Scan Assembly

Item	Part	Description
1	041K06850	Side 2 scan assembly (REP 60.6, ADJ 60.4)
2	-	Side 2 LED lamp PWB (P/O PL 60.30 Item 1)
3	-	Side 2 LED lamp assembly (P/O PL 60.30 Item 1)
4	-	Side 2 CCD PWB (P/O PL 60.30 Item 1)
5	-	Side 2 LED drive PWB cover (P/O PL 60.30 Item 1)
6	-	Not used
7	-	Scan carriage unit (P/O PL 60.30 Item 1)
8	130E19060	Side 2 reg sensor (Q05-343)

1{2-8



V-8-0166-A

PL 70.10 Tray 1 and 2 Assembly

Item	Part	Description
1	-	Tray housing (P/O PL 70.10 Item 26, PL 70.10 Item 27)
2	960K42122	Tray 1 and 2 control PWB
3	809E84170	Leaf Spring (REP 70.4)
4	059K59261	Paper guide latch assembly (REP 70.3)
5	-	Label tray 1 (P/O PL 70.10 Item 26)
6	-	Label tray 2 (P/O PL 70.10 Item 27)
7	059K59230	Cam assembly (REP 70.4)
8	-	Tray home cam (P/O PL 70.10 Item 7)
9	-	Paper size cam (P/O PL 70.10 Item 7)
10	-	Retaining plate (Not Spared)
11	-	Not used
12	-	MAX Fill label (P/O PL 70.10 Item 4)
13	-	Tray 1 and 2 paper lift plate (P/O PL 70.10 Item 26, PL 70.10 Item 27)
14	059K59270	Paper stop assembly
15	059K59221	Lift gear kit (REP 70.12)
16	-	IOT-PFM Harness (Not Spared) (REP 70.13)
17	025E07320	Paper tray 1 & 2 lift arm
18	-	Bearing (P/O PL 70.10 Item 26, PL 70.10 Item 27)
19	-	Quadrant gear (60T) (P/O PL 70.10 Item 15)
20	-	Gear (13T) (P/O PL 70.10 Item 15)
21	-	Not used
22	-	Lift arm pin (P/O PL 70.10 Item 15)
23	-	Paper tray lip (P/O PL 70.10 Item 24)
24	-	Paper tray lip kit (REF: PL 31.11 Item 17) (W/TAG 002)
25	-	Gear (60T) (P/O PL 70.10 Item 15)
26	050K68570	Tray 1 assembly (See NOTE) (REP 70.1)
27	050K68580	Tray 2 assembly (See NOTE) (REP 70.1)
28	-	Lift arm bracket (P/O PL 70.10 Item 26, PL 70.10 Item 27)

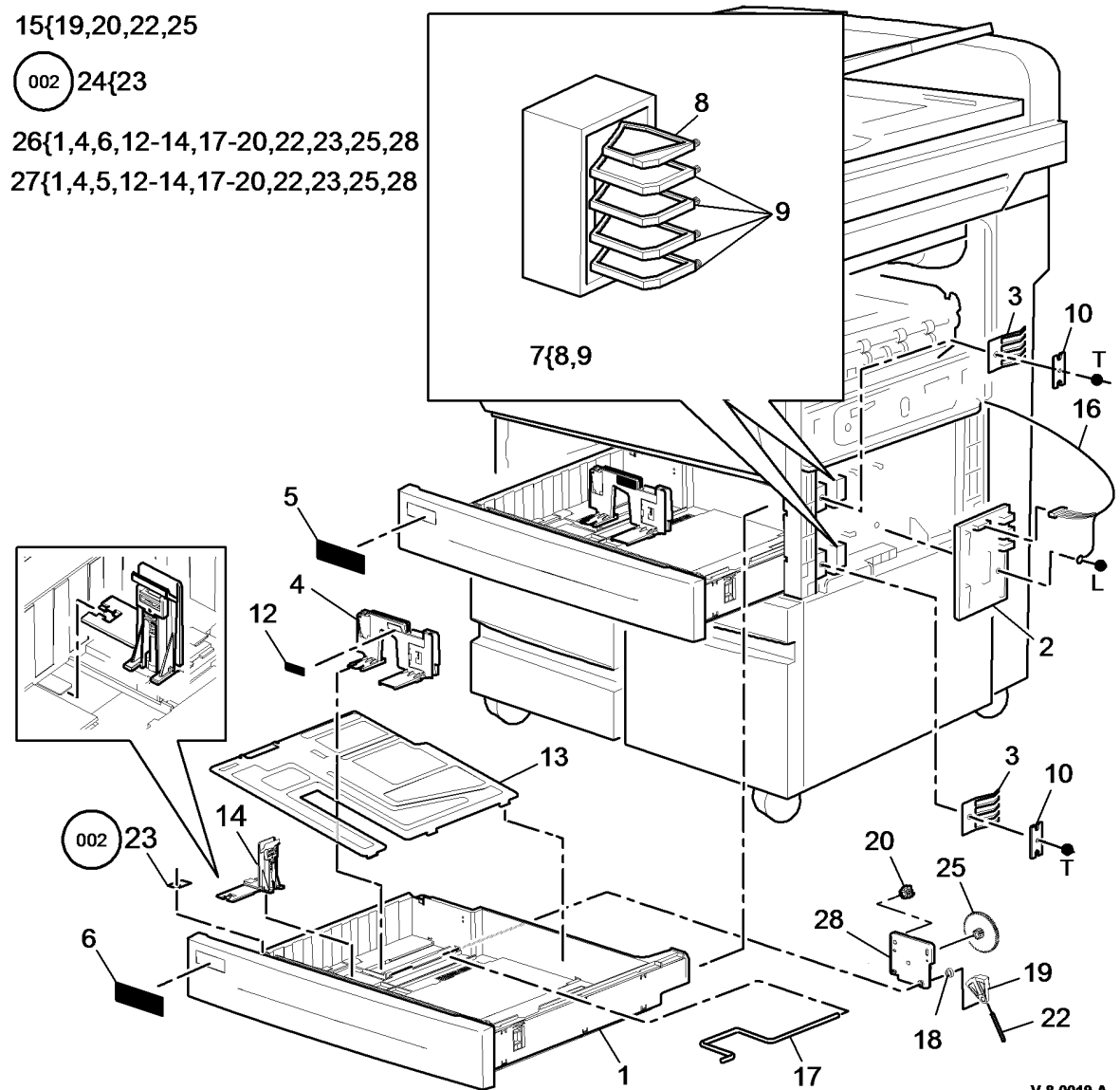
NOTE: For the envelope tray feeding kit, refer to PL 31.13 Item 18.

15{19,20,22,25

002 24{23

26{1,4,6,12-14,17-20,22,23,25,28

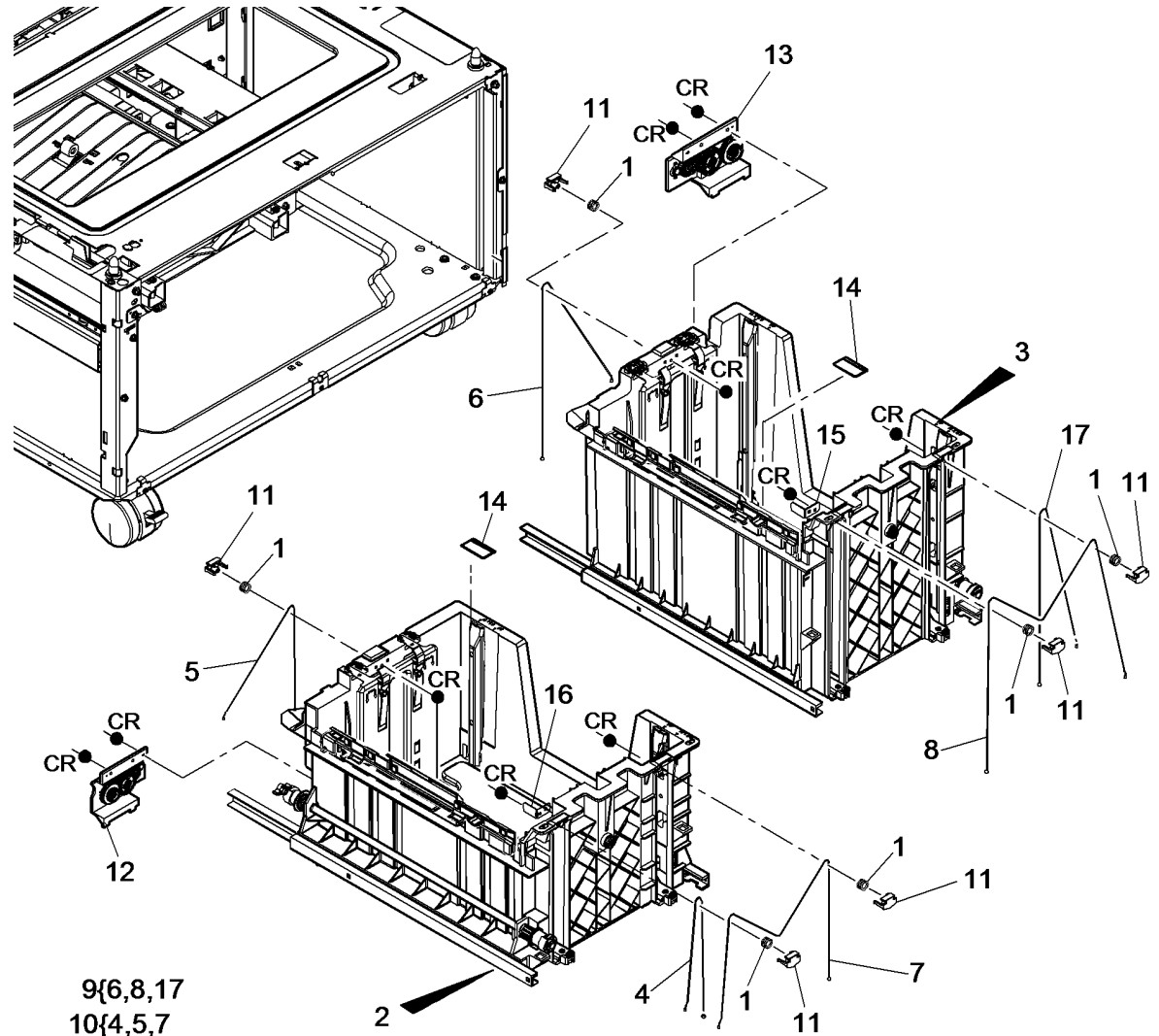
27{1,4,5,12-14,17-20,22,23,25,28



V-8-0019-A

PL 70.18 Tray 3 and 4 Assembly (1 of 2)

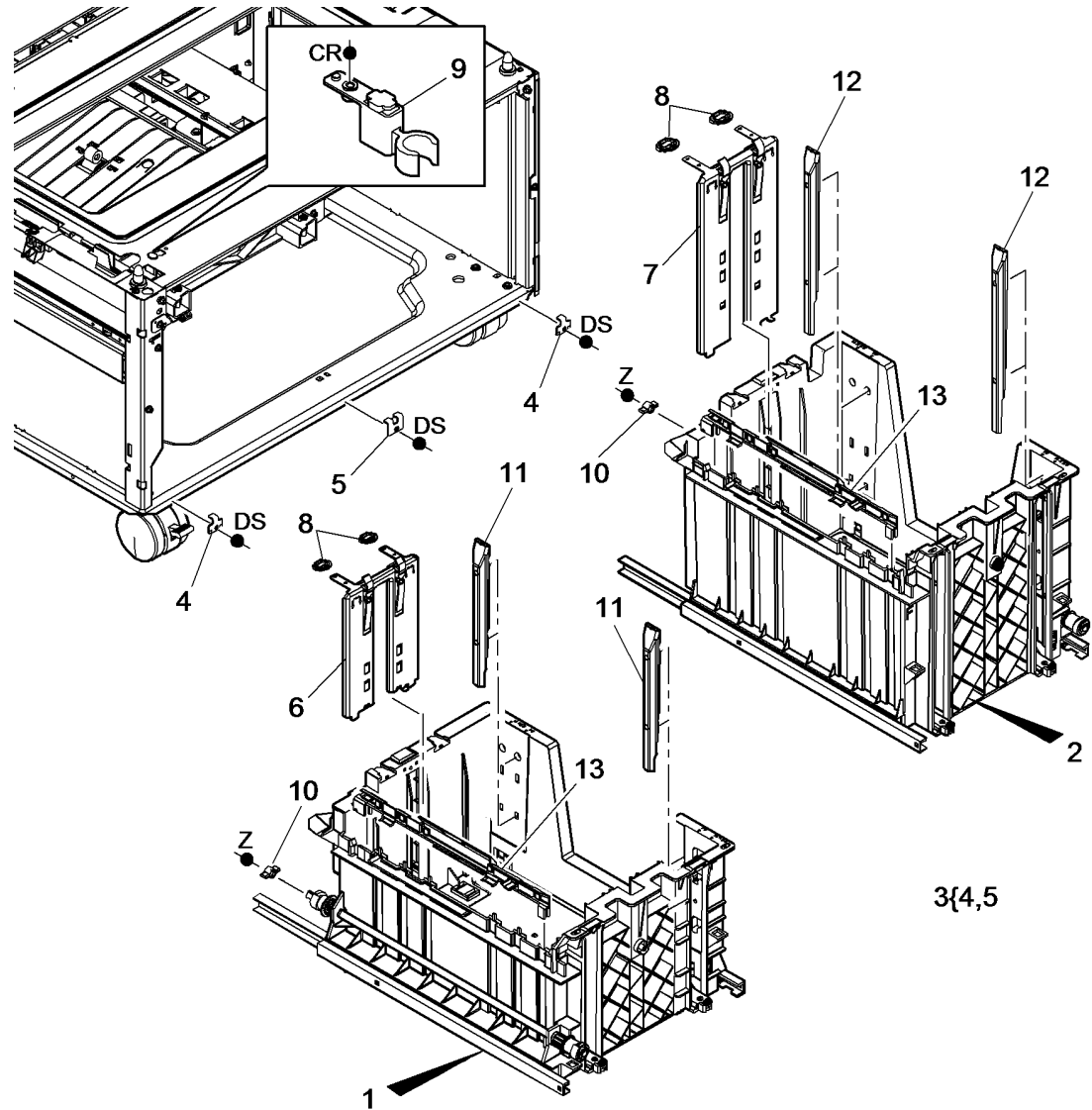
Item	Part	Description
1	-	Tray hoist pulley (Not Spared)
2	050K74063	Tray 4 assembly
3	050K74053	Tray 3 assembly
4	-	Front short elevator cable (Tray 4) (P/O PL 70.18 Item 9)
5	-	Rear elevator cable (tray 4) (P/O PL 70.18 Item 10)
6	-	Rear elevator cable (tray 3) (P/O PL 70.18 Item 9)
7	-	Front long elevator cable (tray 4) (P/O PL 70.18 Item 10)
8	-	Front long elevator cable (tray 3) (P/O PL 70.18 Item 9)
9	604K84081	Tray 3 elevator cable kit
10	604K84091	Tray 4 elevator cable kit
11	-	Pulley carrier (Not Spared)
12	004K07622	Tray 4 elevate damper assembly
13	004K07690	Tray 3 elevate damper assembly
14	-	Retard pad (Not Spared)
15	868E87140	Tray 3 skew bracket
16	868E87150	Tray 4 skew bracket
17	-	Front short elevator cable (Tray 3) (P/O PL 70.18 Item 10)



V-8-0138-A

PL 70.19 Tray 3 and 4 Assembly (2 of 2)

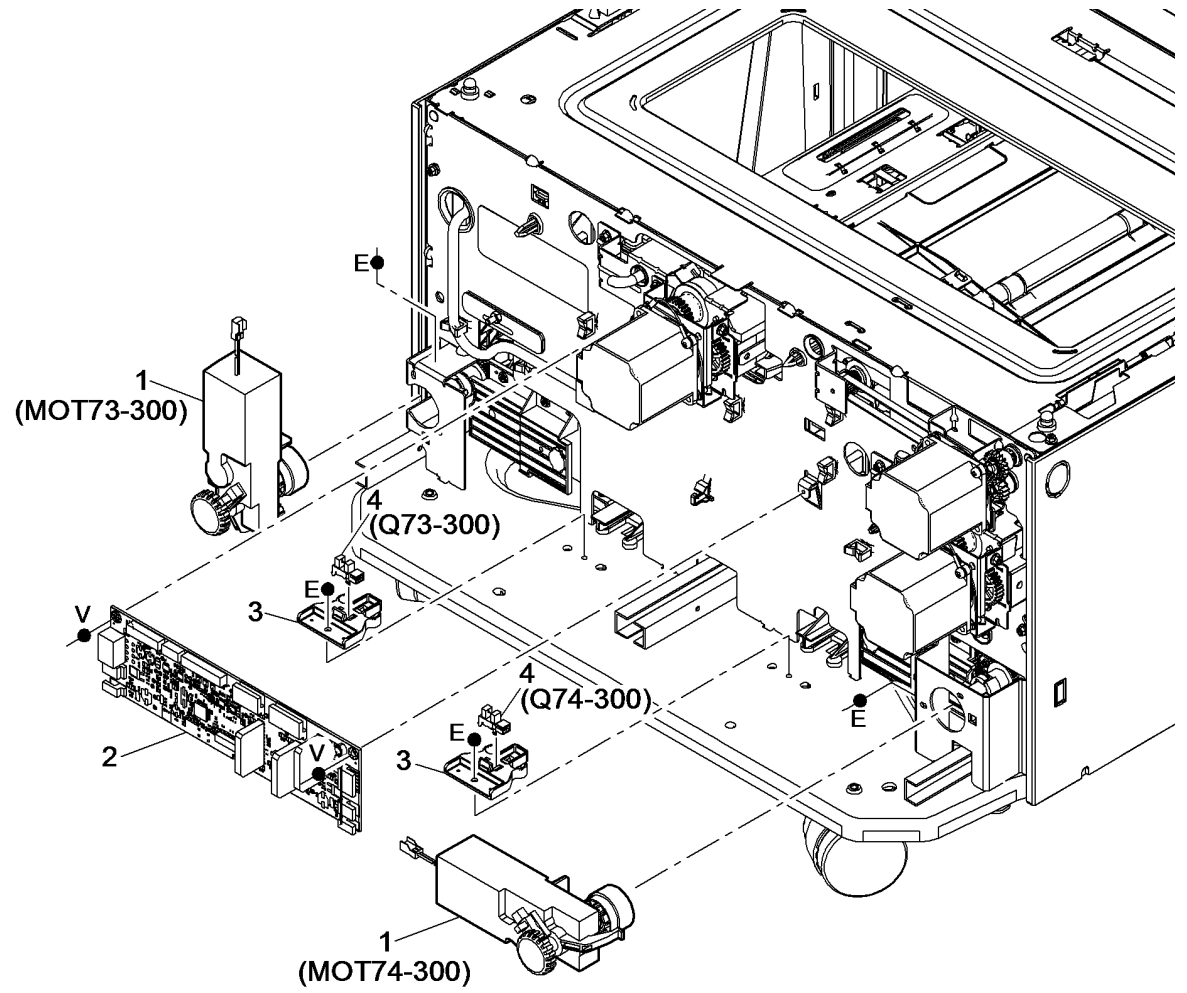
Item	Part	Description
1	-	Tray 4 assembly (REF: PL 70.18 Item 2)
2	-	Tray 3 assembly (REF: PL 70.18 Item 3)
3	604K83671	Tray 3 and 4 clamp kit
4	-	Side clamp (2 off) (P/O PL 70.19 Item 3)
5	-	Centre clamp (P/O PL 70.19 Item 3)
6	-	Tray 4 paper tray guide (P/O PL 70.18 Item 2)
7	-	Tray 3 paper tray guide (P/O PL 70.18 Item 3)
8	019E74532	Retaining clips
9	-	Front clip (Not Spared)
10	-	Elevator drives gear coupling (Not Spared)
11	-	Tray 4 paper guide (P/O PL 70.18 Item 2)
12	-	Tray 3 paper guide (P/O PL 70.18 Item 3)
13	815E73163	Separation strip



V-8-0139-A

PL 70.21 Elevator Motor and Control PWB

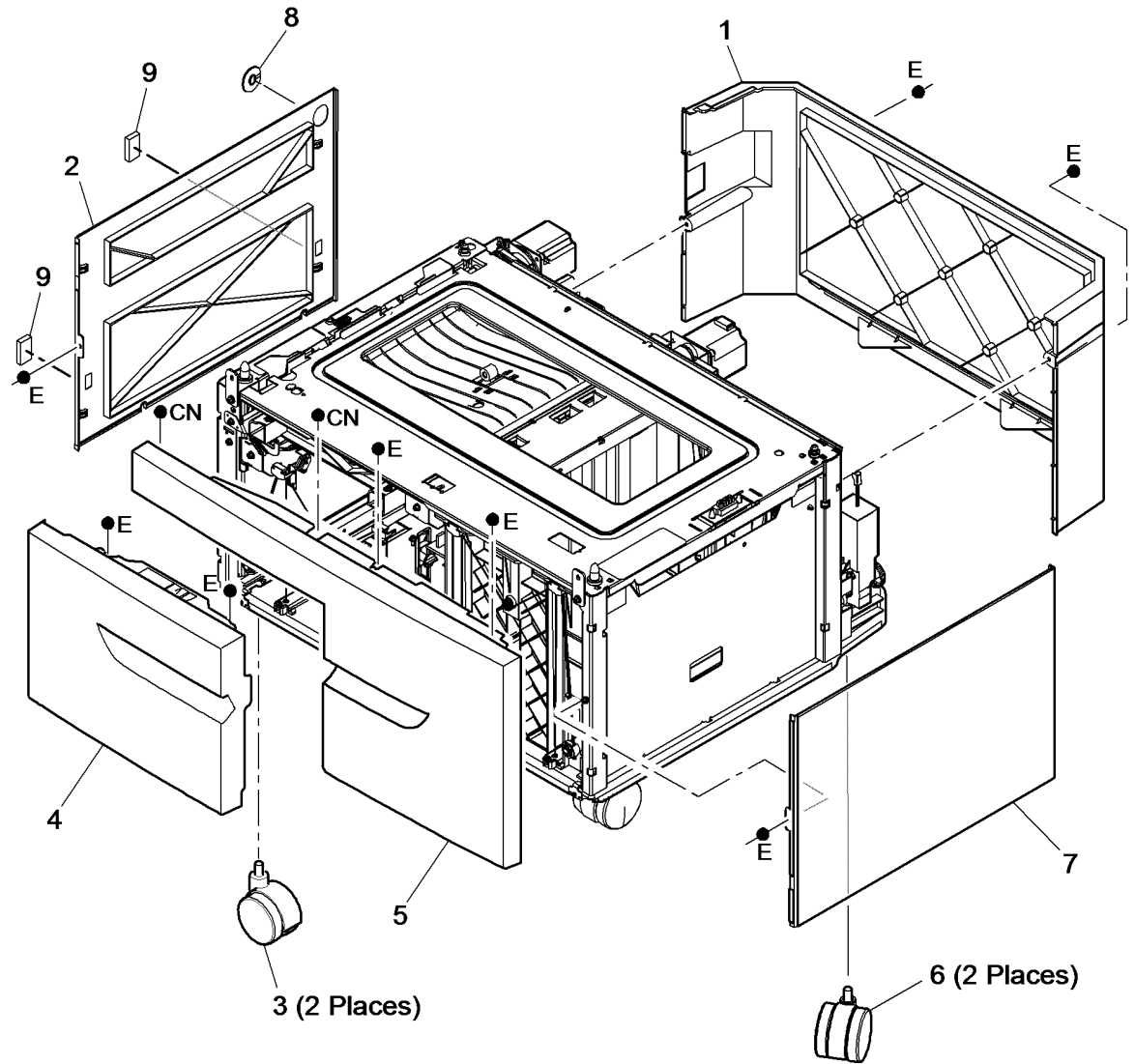
Item	Part	Description
1	127K68350	Tray 3 elevator motor (MOT73-010)/ Tray 4 elevator motor (MOT74-010)
2	960K80940	HCF control PWB
3	019E87841	Sensor holder
4	-	Tray 3 home sensor (Q73-300)/ Tray 4 home sensor (Q74-300) (REP 70.18)



V-8-0140-A

PL 70.26 Tray 3 and 4 Assembly Covers

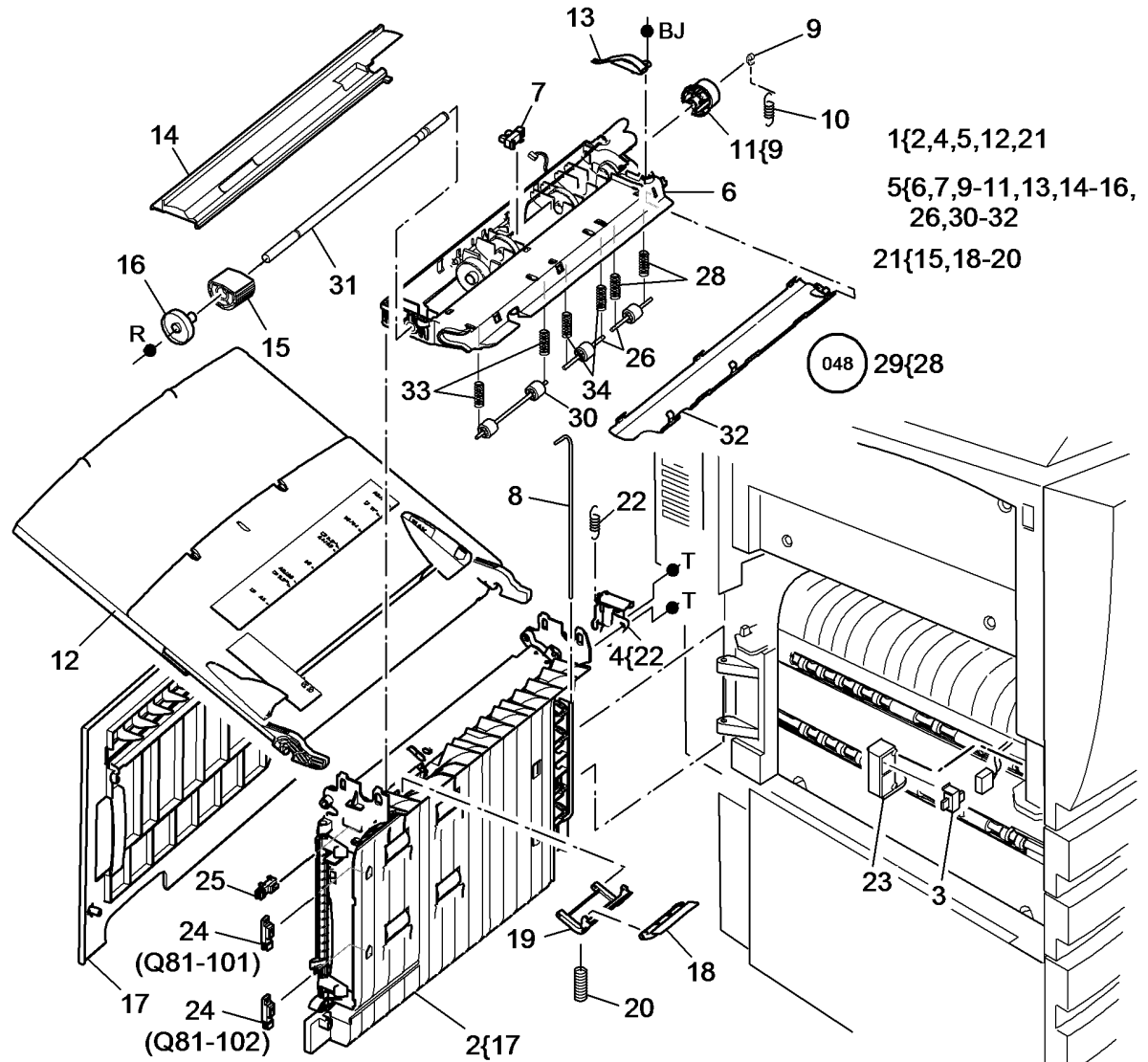
Item	Part	Description
1	848E63675	Rear cover
2	848E63644	Left cover
3	059K77240	Castor (locking)
4	604K83651	Tray 4 front cover
5	604K83660	Tray 3 front cover
6	-	Castor (Not spared)
7	848E63650	Right cover
8	-	Cover infill 1 (P/O PL 70.26 Item 2)
9	-	Cover infill 2 (P/O PL 70.26 Item 2)



V-8-0144-A

PL 70.30 Bypass Tray and Left Door Assembly

Item	Part	Description
1	050K67883	Bypass tray and left door assembly (45-55 ppm) (REP 70.2)
2	-	Left door (P/O PL 70.30 Item 1)
3	110E19990	Left door interlock (S01-305)
4	121E25680	Bypass feed solenoid (SOL81-050) (REP 80.7)
5	-	Feed head assembly (P/O PL 70.30 Item 1) (REP 80.13)
6	-	Feed head (P/O PL 70.30 Item 5) (REP 80.13)
7	130E12060	Bypass empty sensor (Q75-320) (REP 80.17)
8	-	Hinge pin (Not Spared)
9	-	Spring retainer (P/O PL 70.30 Item 11)
10	809E57640	Spring drive gear
11	807E05311	Drive gear assembly (REP 80.14)
12	-	Bypass tray (P/O PL 70.30 Item 1)
13	809E84190	Ground spring
14	-	Feed head top cover (P/O PL 70.30 Item 5)
15	-	Feed roll (P/O PL 70.30 Item 21) (REP 80.15)
16	-	Nip roll (P/O PL 70.30 Item 5)
17	-	Left door cover (P/O PL 70.30 Item 2)
18	-	Retard pad bracket (P/O PL 70.30 Item 21)
19	-	Retard pad assembly (P/O PL 70.30 Item 21) (REP 80.16)
1C	050K67893	Bypass tray and left door assembly (65-90 ppm) (REP 70.2)
20	-	Retard pad spring (P/O PL 70.30 Item 21)
21	059K39862	Feed roll and retard pad assembly (See NOTE 2) (REP 80.16)
22	-	Solenoid spring (P/O PL 70.30 Item 4)
23	003E78141	Interlock cover
24	130E12770	Tray 1 feed sensor (Q81-101)/Tray 2 feed sensor (Q81-102) (65-90 ppm) (REP 80.18)
25	130E11610	Wait Sensor (Q81-100) (65-90 ppm) (See NOTE 1) (REP 80.11)
26	-	Nip roll (Not Spared)
27	-	Not used
28	-	Pre-reg nip roll spring (P/O PL 70.30 Item 29)
29	-	Skew bypass tray spares kit (x2 spring) (REF: PL 31.13 Item 7) (W/ TAG 048)
30	-	Nip roller (Not Spared)
31	-	Shaft (Not Spared)
32	-	Lower cover (Not Spared)
33	-	Front pre-nip roll spring (Not Spared)
34	-	Middle pre-nip roll spring (Not Spared)



V-8-0024-A

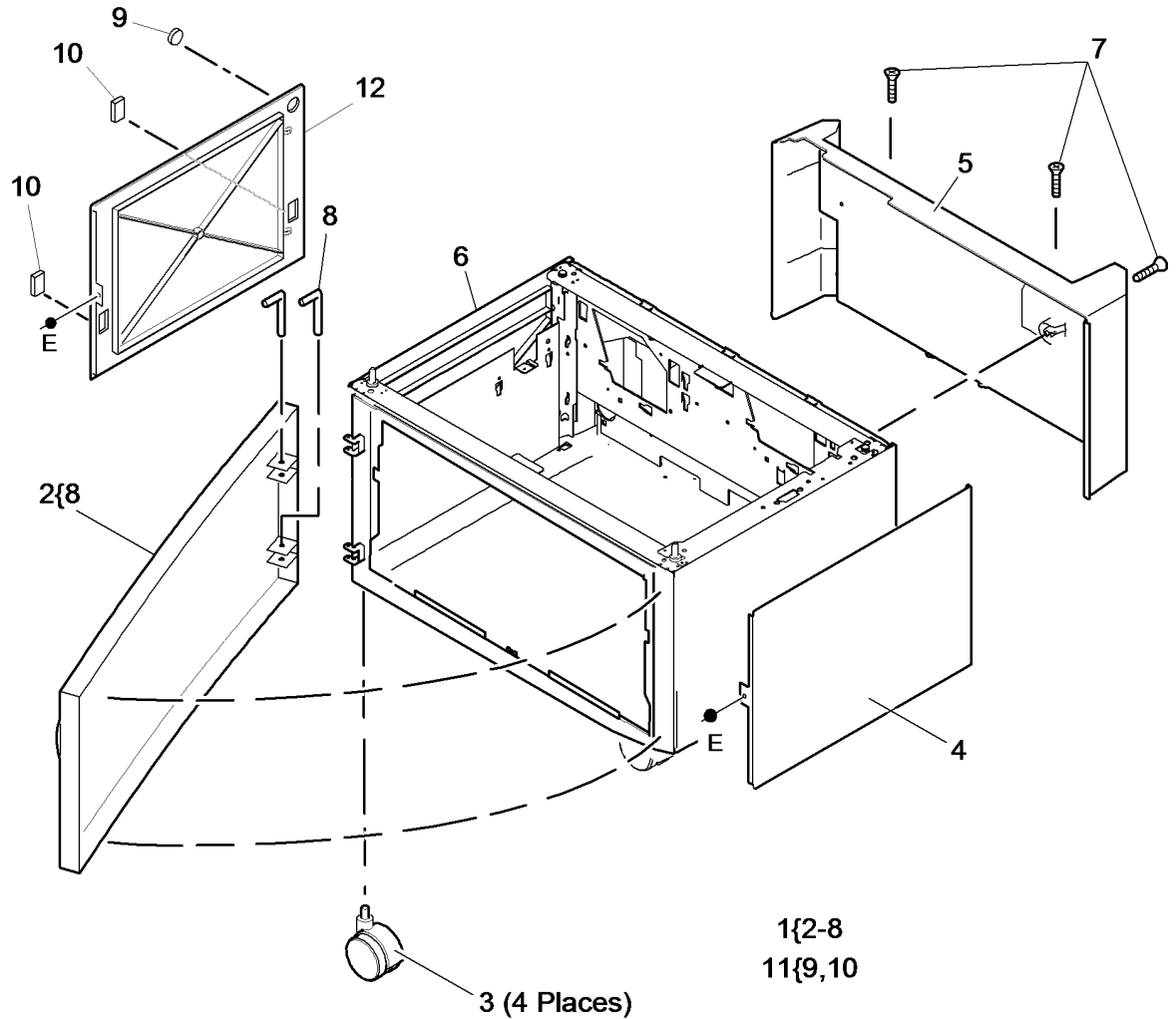
NOTE: 1.Refer to PL 80.15 Item 3 for the 45-55 ppm wait sensor.

NOTE: 2.HFSI. To reset the HFSI count, refer to dC135.

PL 70.40 Stand Assembly

Item	Part	Description
1	-	Stand unit (complete) (Not Spared)
2	-	Front door (Not Spared) (NOTE)
3	059K77240	Castor (locking)
4	848E63650	Right cover
5	-	Rear cover (Not Spared)
6	-	Stand base (Not Spared)
7	-	Screw (M6x30)
8	-	Door hinge pin (P/O PL 70.40 Item 2)
9	-	Cover infill 1 (P/O PL 70.40 Item 11)
10	-	Cover infill 2 (P/O PL 70.40 Item 11)
11	-	Cover infill kit (Not Spared)
12	-	Left cover (Not Spared)

NOTE: Hinge pins (PL 70.40 Item 8) are supplied with the front door.

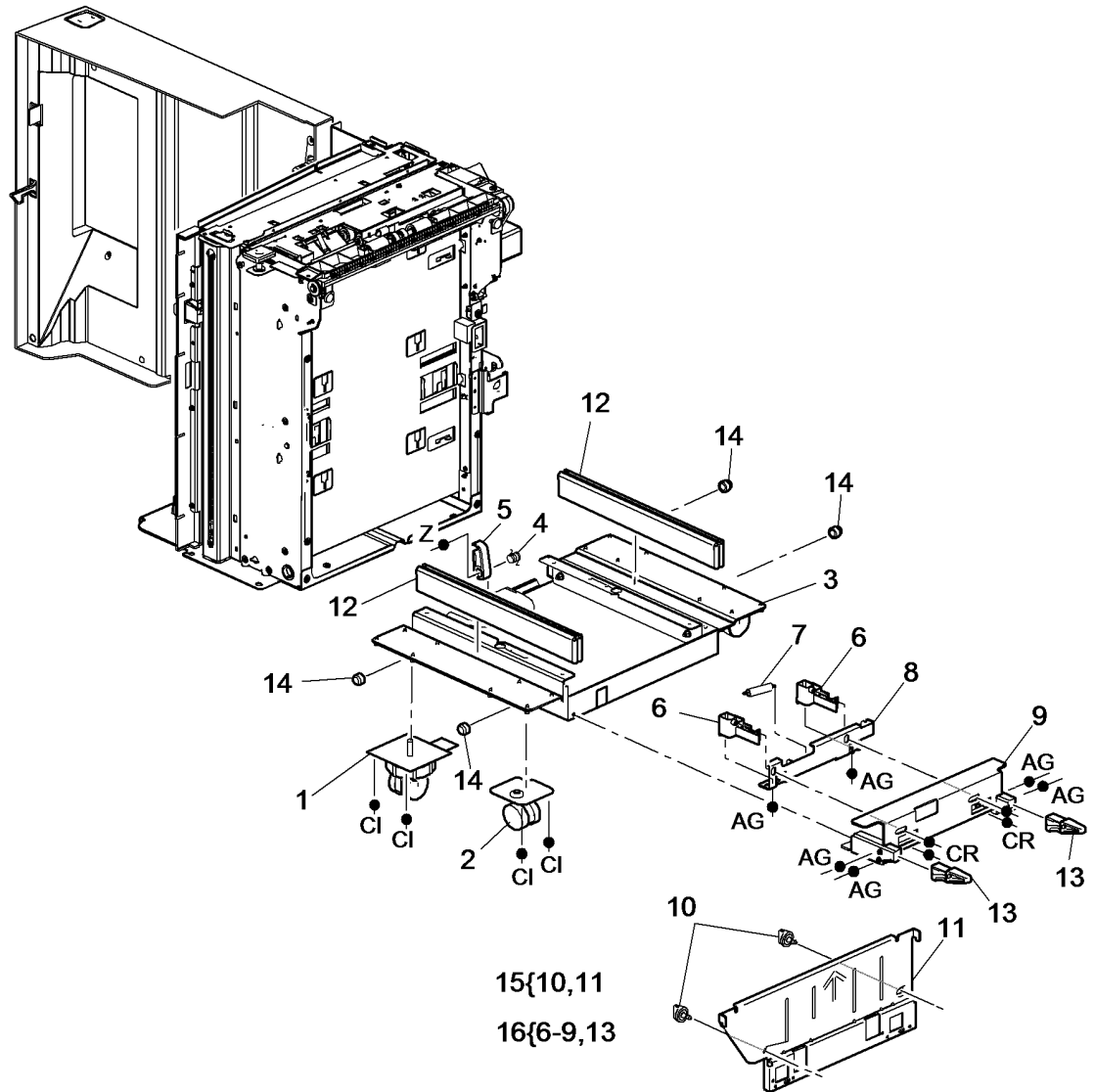


V-8-0025-A

PL 70.62 Tray 6 Base

Item	Part	Description
1	—	Adjustable castor (Not Spared)
2	—	Castor (Not Spared)
3	—	Platform assembly (Not Spared)
4	009E74211	Spring bias
5	003E76870	Latch bias
6	003E78020	Docking latch
7	—	Docking latch spring (P/O PL 70.62 Item 16)
8	—	Docking latch bracket (P/O PL 70.62 Item 16)
9	—	Docking latch main bracket (P/O PL 70.62 Item 16)
10	803E13680	Docking latch thumb screw (See NOTE)
11	068K54920	Docking plate (See NOTE)
12	—	Slide assembly (Not Spared)
13	—	Docking guides (P/O PL 70.62 Item 16)
14	—	Slide assembly locking nut (Not Spared)
15	—	Docking plate assembly (P/O PL 31.11 Item 11)
16	003K20681	Latch assembly

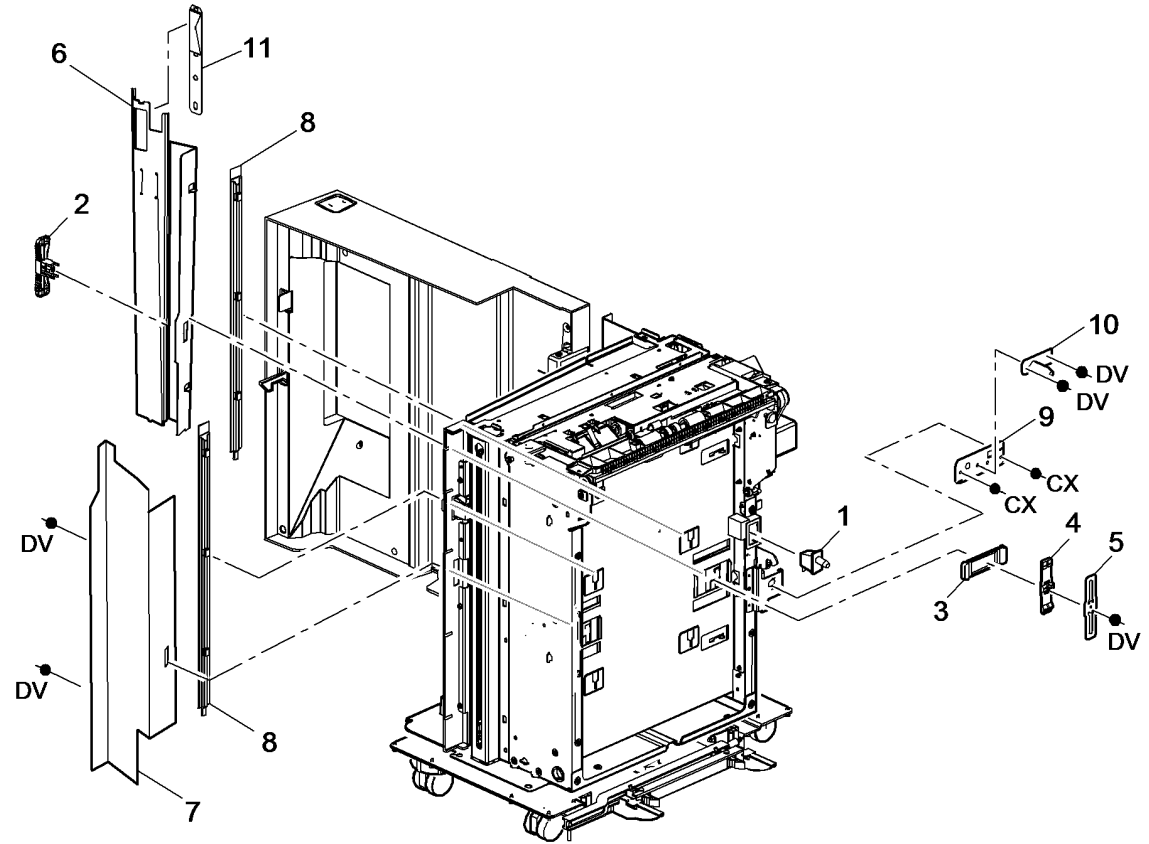
NOTE: This part is can also be ordered as part of a kit PL 31.11 Item 11.



V-8-0027-A

PL 70.64 Tray 6 Guides

Item	Part	Description
1	110E07300	Docking interlock switch (S76-310)
2	-	Handle latch (Not Spared)
3	-	Latch spacer (Not Spared)
4	-	Slide latch (Not Spared)
5	-	Spring leaf (Not Spared)
6	-	Rear guide (P/O PL 70.64 Item 12)
7	-	Front guide assembly (Not Spared)
8	038E34401	Guide strip
9	-	Adjustment plate (P/O PL 70.64 Item 13)
10	-	Docking pin (P/O PL 70.64 Item 13)
11	-	Rear guide assembly spring (P/O PL 70.64 Item 12)
12	038K16403	Rear guide assembly
13	029K04680	Docking pin assembly



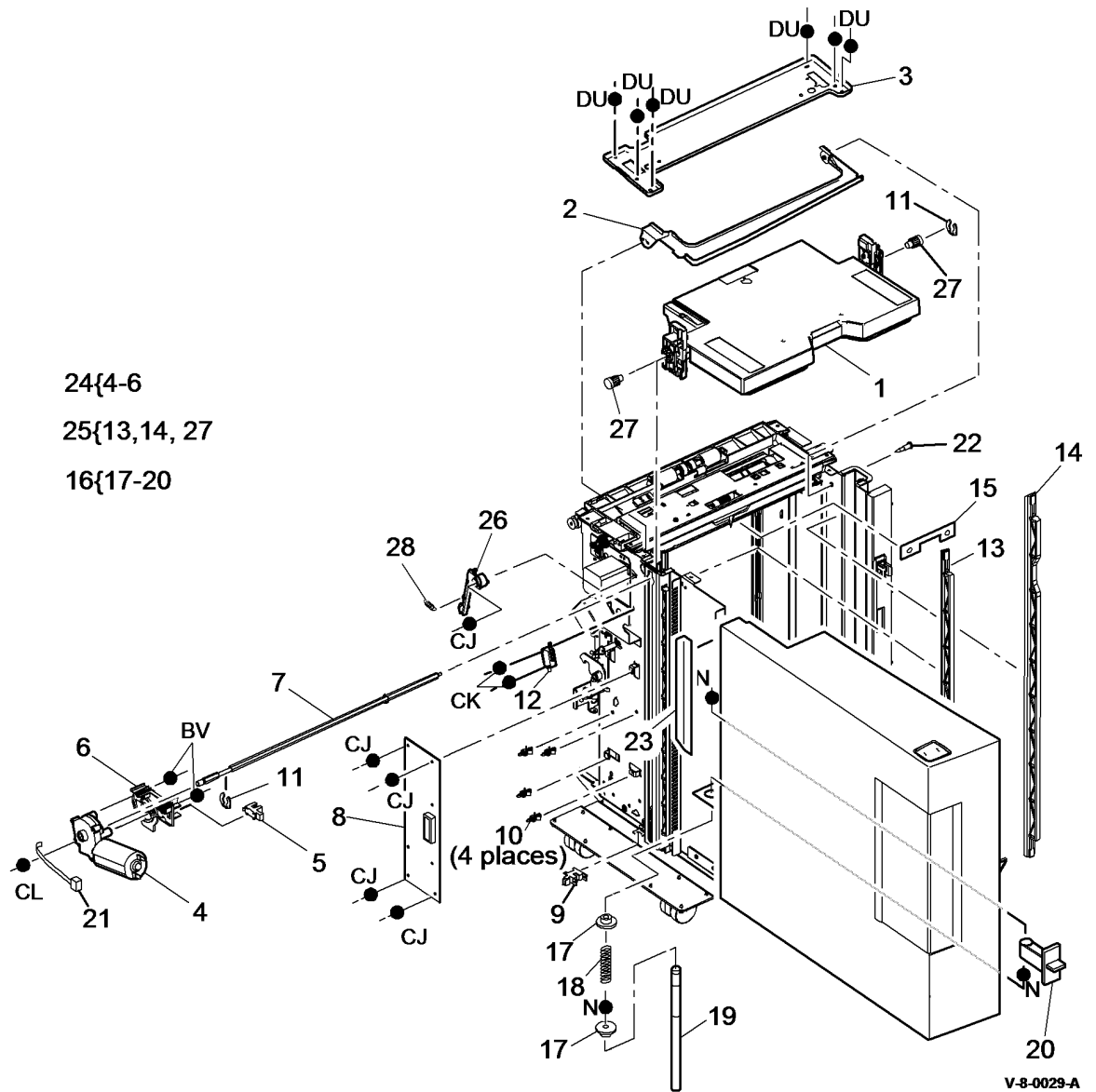
12{6,11

13{9,10

V-8-0028-A

PL 70.68 Tray 6 Lift assembly (1 of 2)

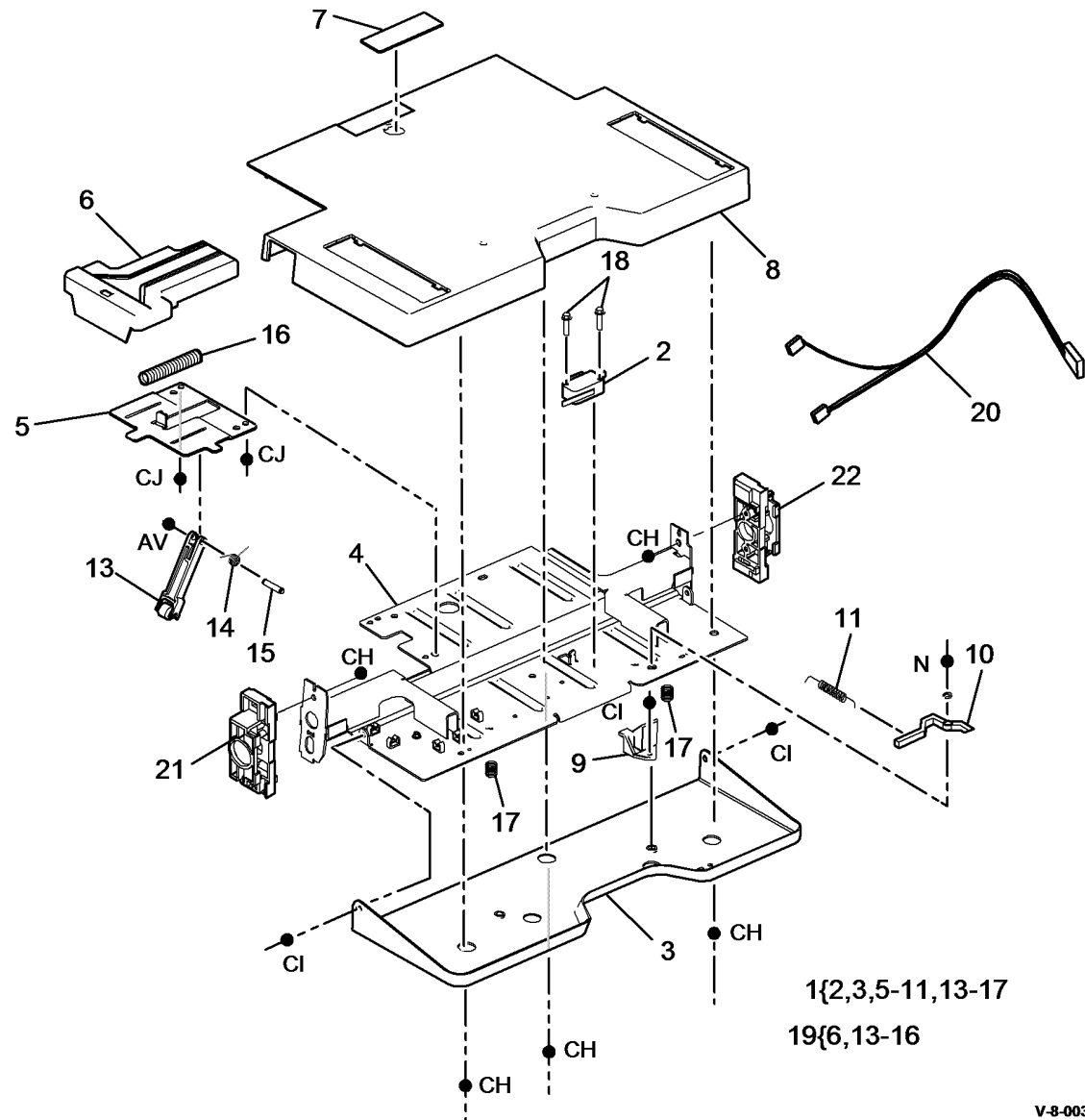
Item	Part	Description
1	-	Tray assembly (complete) (REF: PL 70.70 Item 1)
2	-	Crash bar (Not Spared)
3	-	Frame top brace (Not Spared)
4	-	Elevator motor (MOT76-010) (P/O PL 70.68 Item 24) (REP 70.8)
5	130K74380	Elevator motor encoder sensor (Q76-340) (REP 70.7)
6	-	Elevator motor bracket (P/O PL 70.68 Item 24)
7	-	Elevator motor shaft (Not Spared)
8	960K35024	Tray 6 control PWB
9	130K75511	Stack down sensor (Q76-335) (REP 70.15)
10	-	Standoff (Not Spared)
11	-	Tray level drive gear clip (Not Spared)
12	110E06961	Upper limit switch (S76-412) (REP 70.9)
13	-	Rear elevator rack (P/O PL 70.68 Item 25) (REP 70.13)
14	-	Front elevator rack (P/O PL 70.68 Item 25) (REP 70.13)
15	-	Retard roller shield (P/O PL 80.47 Item 1)
16	003K20950	Shipping handle assembly
17	-	Shipping pin bearing (P/O PL 70.68 Item 16)
18	-	Shipping pin spring (P/O PL 70.68 Item 16)
19	-	Shipping pin (P/O PL 70.68 Item 16)
20	-	Shipping pin handle (P/O PL 70.68 Item 16)
21	-	Cable tie (Not Spared)
22	-	Clinch stud (Not Spared)
23	-	Cable holder (Not Spared)
24	127K56330	Elevator motor assembly (REP 70.8)
25	007K19660	Elevator rack assembly (REP 70.13)
26	-	Upper limit switch actuator (Not Spared)
27	-	Tray level drive gear (P/O PL 70.68 Item 25) (REP 70.13)
28	-	Actuator spring (Not Spared)



V-8-0029-A

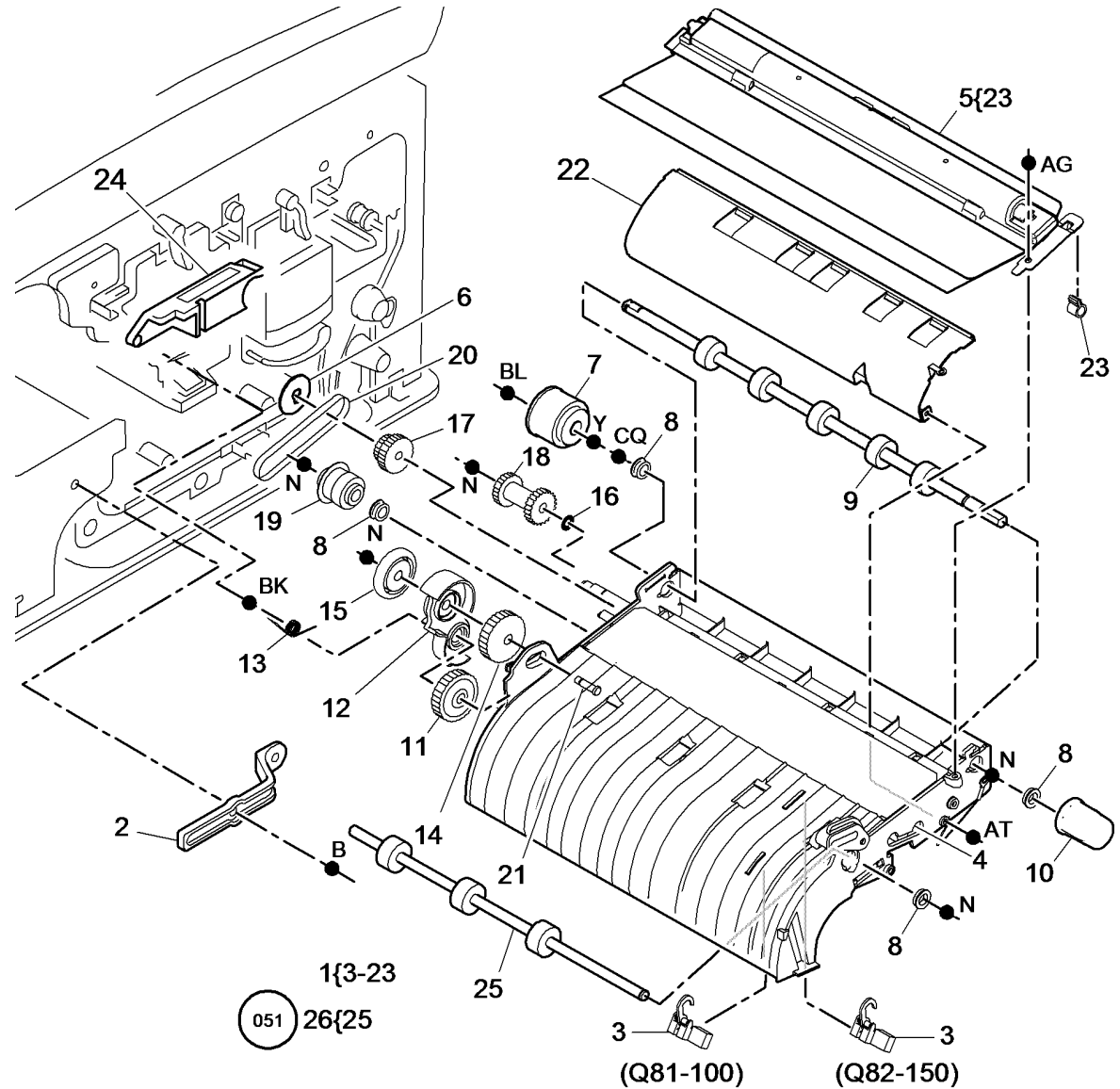
PL 70.70 Tray 6 Lift assembly (2 of 2)

Item	Part	Description
1	-	Tray lift assembly (Not Spared)
2	110E06961	Tray down limit switch (S76-415) (REP 70.10)
3	025E06871	Lower safety bar
4	-	Lift plate (Not Spared)
5	-	Fixing plate (Not Spared)
6	-	Infill plate (P/O PL 70.70 Item 19)
7	019K13470	Cork pad
8	-	Tray lift top cover (Not Spared)
9	-	Lift plate crash bar actuator 2 (Not Spared)
10	-	Lift plate crash bar actuator 1 (Not Spared)
11	-	Crash bar actuator spring (Not Spared)
12	-	Not used
13	-	Infill actuator arm (P/O PL 70.70 Item 19)
14	-	Infill actuator arm spring (P/O PL 70.70 Item 19)
15	-	Infill actuator arm pin (P/O PL 70.70 Item 19)
16	-	Infill plate spring (P/O PL 70.70 Item 19)
17	-	Lower safety spring (Not Spared)
18	612W25655	Tray down limit switch screw
19	815K11380	Infill plate assembly
20	962K50461	Tray 6 elevator harness
21	032E29800	Rear elevator tray guide
22	032E29790	Front elevator tray guide



PL 80.15 Registration Transport (45-55 ppm)

Item	Part	Description
1	-	Registration transport assembly (Not Spared) (REP 80.2, ADJ 80.1)
2	-	Retainer bracket (Not Spared)
3	130E11430	Wait sensor (Q81-100), Registration sensor (Q82-150) (NOTE 2) (REP 80.4)
4	-	Registration transport guide (P/O PL 80.15 Item 1)
5	059K52341	Registration nip assembly
6	028E16630	Snap on washer (M6)
7	-	Registration clutch (CL82-070) (P/O PL 31.12 Item 13) (REP 80.3, ADJ 80.1, ADJ 40.1)
8	013E36980	Bearing
9	806E18030	Drive roll assembly (REP 80.20)
10	-	Jam clearance knob (P/O PL 80.15 Item 1)
11	-	Gear (26T) (P/O PL 80.15 Item 1)
12	-	Spring arm (P/O PL 80.15 Item 1)
13	-	Torsion spring (P/O PL 80.15 Item 1)
14	-	Gear (28T) (P/O PL 80.15 Item 1)
15	-	Ring pitch (P/O PL 80.15 Item 1)
16	-	Black nylon washer (P/O PL 80.15 Item 1)
17	-	Gear (22G/28T) (P/O PL 80.15 Item 1) (ADJ 40.1)
18	-	Gear (23T) (P/O PL 80.15 Item 1) (ADJ 40.1)
19	-	Gear (22G/20T) (P/O PL 80.15 Item 1)
20	-	Drive belt (P/O PL 80.15 Item 1) (REP 80.21)
21	-	Spring arm pin (P/O PL 80.15 Item 1)
22	-	Lower bias guide (P/O PL 80.15 Item 1)
23	835E05350	Bias contact (NOTE 1)
24	-	Clutch cover (P/O PL 31.12 Item 13)
25	-	Drive shaft (P/O PL 80.15 Item 26)
26	-	Drive roll repair kit (REF: PL 31.13 Item 9) (W/TAG 051)

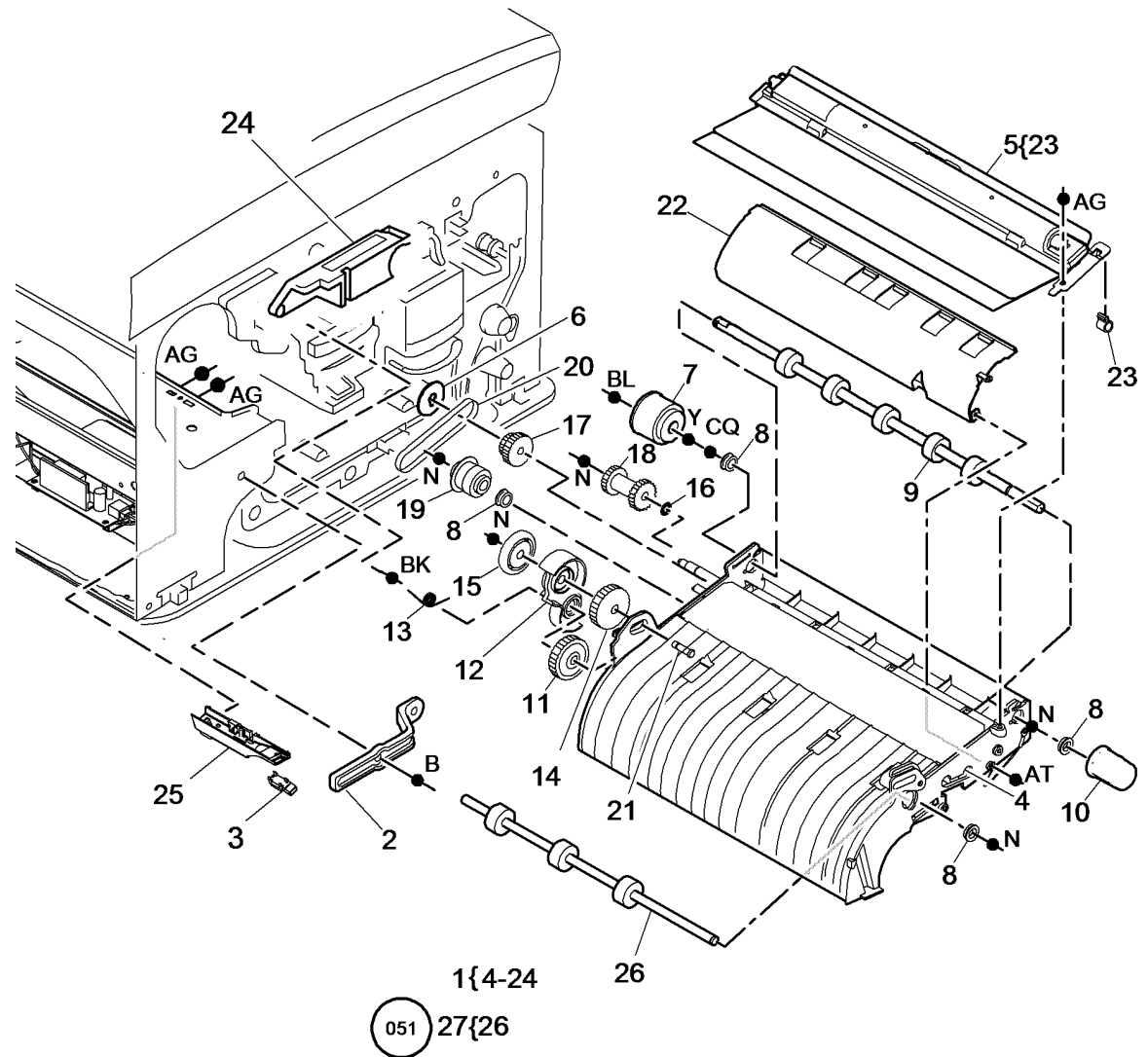


NOTE: 1. HFSI. To reset the HFSI count, refer to dC135.

NOTE: 2. Sensor reference Q08-110 may also be seen when the tray 6 is present.

PL 80.17 Registration Transport (65-90 ppm)

Item	Part	Description
1	-	Registration transport assembly (Not Spared) (REP 80.2, ADJ 80.1)
2	-	Retainer bracket (Not Spared)
3	130E11610	Registration sensor (Q82-150) (REP 80.9)
4	-	Registration transport guide (P/O PL 80.17 Item 1)
5	059K52341	Registration nip assembly
6	028E16630	Snap on washer (M6)
7	-	Registration clutch (CL82-070) (P/O PL 31.12 Item 13) (REP 80.3, ADJ 80.1, ADJ 40.1)
8	013E36980	Bearing
9	806E18030	Drive roll assembly (REP 80.20)
10	-	Jam clearance knob (P/O PL 80.17 Item 1)
11	-	Gear (26T) (P/O PL 80.17 Item 1)
12	-	Spring arm (P/O PL 80.17 Item 1)
13	-	Torsion spring (P/O PL 80.17 Item 1)
14	-	Gear (28T) (P/O PL 80.17 Item 1)
15	-	Ring pitch (P/O PL 80.17 Item 1)
16	-	Black nylon washer (P/O PL 80.17 Item 1)
17	-	Gear (22G/28T) (P/O PL 80.17 Item 1) (ADJ 40.1)
18	-	Gear (23T) (P/O PL 80.17 Item 1) (ADJ 40.1)
19	-	Gear (22G/20T) (P/O PL 80.17 Item 1)
20	-	Drive belt (P/O PL 80.17 Item 1) (REP 80.27)
21	-	Spring arm pin (P/O PL 80.17 Item 1)
22	-	Lower bias guide (P/O PL 80.17 Item 1)
23	835E05350	Bias contact (NOTE)
24	-	Clutch cover (P/O PL 31.12 Item 13)
25	-	Registration sensor bracket (Not Spared)
26	-	Drive shaft (P/O PL 80.17 Item 27)
27	-	Drive roll repair kit (REF: PL 31.13 Item 9) (W/TAG 051)

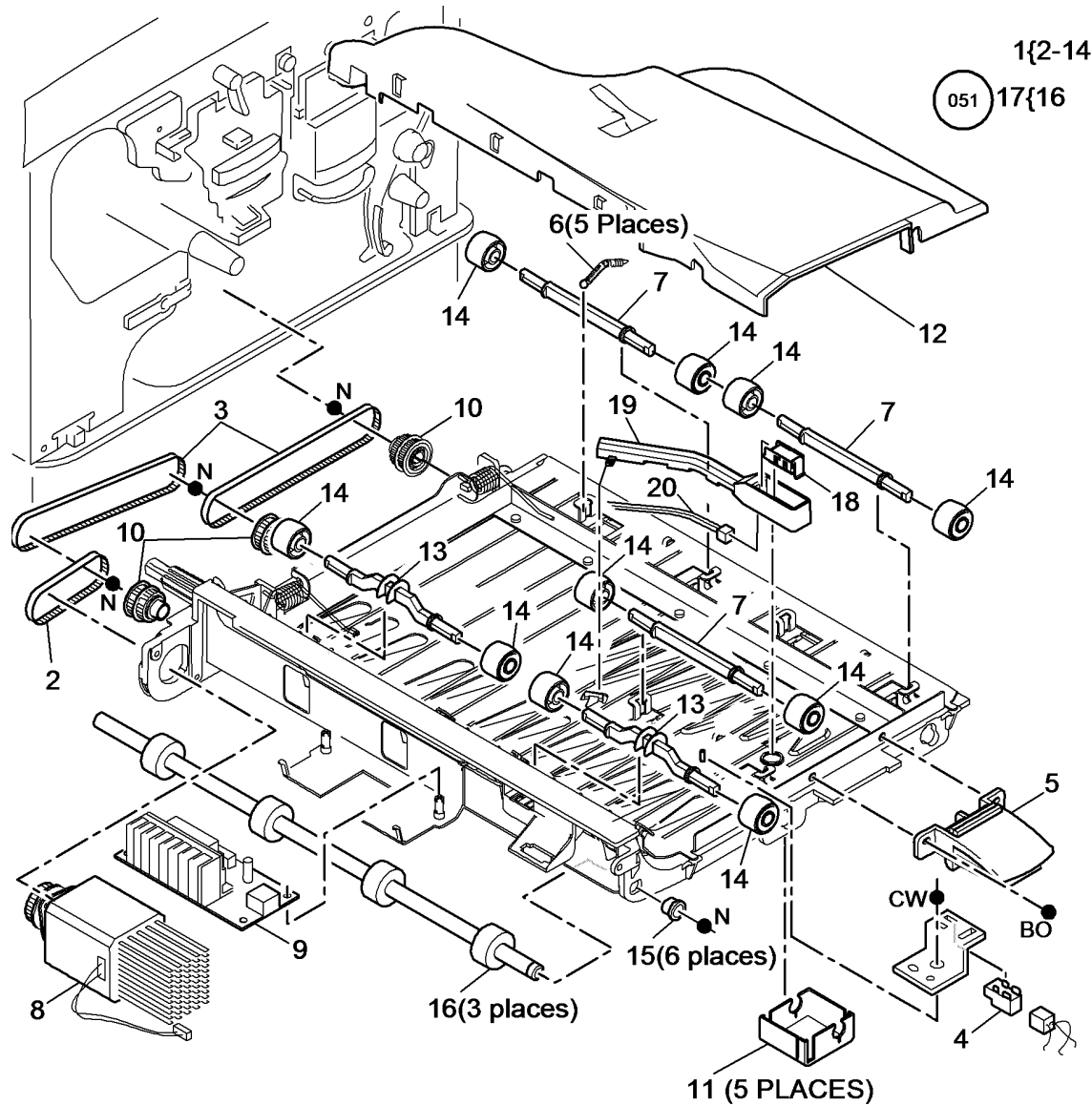


V-8-0034-A

NOTE: HFSI. To reset the HFSI count, refer to dC135.

PL 80.20 Duplex Transport (65-90 ppm)

Item	Part	Description
1	059K84730	Duplex transport (REP 80.5)
2	-	Drive belt (76T) (P/O PL 80.20 Item 1) (REP 80.6)
3	-	Drive belt (285T) (P/O PL 80.20 Item 1) (REP 80.6)
4	130E11610	Duplex sensor (Q83-160) (REP 80.22)
5	003K20760	Jam clearance latch
6	-	Spring (P/O PL 80.20 Item 1)
7	-	Nip roll shaft (P/O PL 80.20 Item 1)
8	127K62340	Duplex motor (MOT83-060) (REP 80.6)
9	960K32880	Duplex motor driver PWB (REP 80.6)
10	-	Drive pulley (P/O PL 80.20 Item 1)
11	-	Lower cover (P/O PL 80.20 Item 1)
12	-	Duplex duct (P/O PL 80.20 Item 1)
13	-	Duplex nip roll shaft (P/O PL 80.20 Item 1)
14	059K49400	Nip roll assembly
15	-	Bearing (P/O PL 80.20 Item 1)
16	-	Duplex drive roll shaft (P/O PL 80.20 Item 17)
17	-	Drive roll repair kit (REF: PL 31.13 Item 9) (W/TAG 051)
18	123E02481	Duplex transport LED (REP 80.48)
19	-	LED harness guide (Not Spared)
20	-	Duplex transport LED harness (Not Spared)



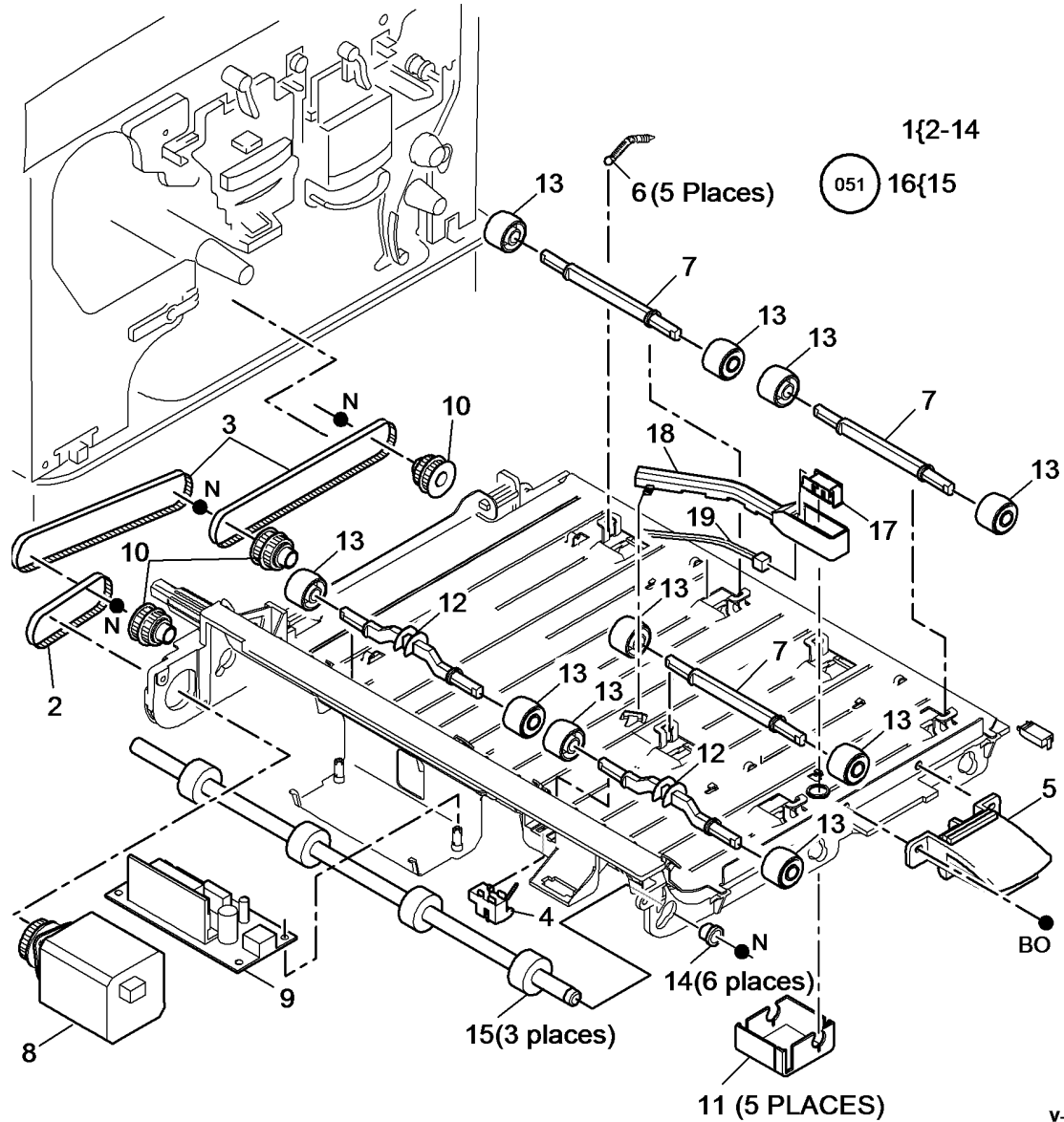
1{2-14

051 17{16

V-8-0035-A

PL 80.22 Duplex Transport (45-55 ppm)

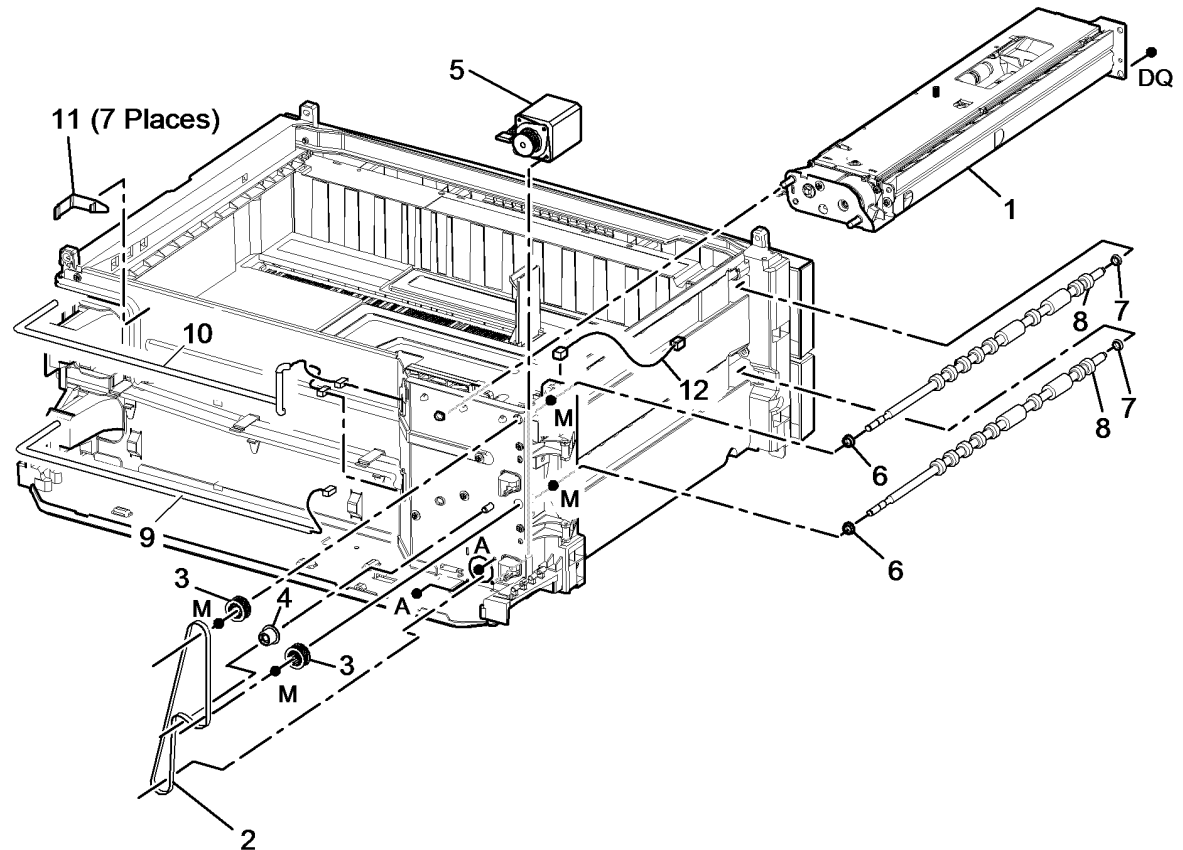
Item	Part	Description
1	059K84720	Duplex transport (REP 80.5)
2	-	Drive belt (76T) (P/O PL 80.22 Item 1) (REP 80.6)
3	-	Drive belt (285T) (P/O PL 80.22 Item 1) (REP 80.6)
4	130E12070	Duplex sensor (Q83-160) (REP 80.22)
5	003K20760	Jam clearance latch
6	-	Spring (P/O PL 80.22 Item 1)
7	-	Nip roll shaft (P/O PL 80.22 Item 1)
8	127K53190	Duplex motor (MOT83-060) (REP 80.6)
9	960K52720	Duplex motor driver PWB (REP 80.6)
10	-	Drive pulley (P/O PL 80.22 Item 1)
11	-	Lower cover (P/O PL 80.22 Item 1)
12	-	Duplex nip roll shaft (P/O PL 80.22 Item 1)
13	059K49400	Nip roll assembly
14	-	Bearing (P/O PL 80.22 Item 1)
15	-	Duplex drive roll shaft (P/O PL 80.22 Item 16)
16	-	Drive roll repair kit (REF: PL 31.13 Item 9) (W/TAG 051)
17	123E02481	Duplex transport LED (REP 80.48)
18	-	LED harness guide (Not Spared)
19	-	Duplex transport LED harness (Not Spared)



V-8-0036-A

PL 80.25 Tray 1 and 2 Paper Feed Assembly (1 of 2)

Item	Part	Description
1	-	Tray 1 or 2 paper feed assembly (REF: PL 80.26 Item 1)
2	023E31270	Transport drive belt (REP 80.8)
3	020E54150	Pulley
4	020E48680	Pulley idler
5	127K61842	Transport roll drives motor (MOT81-025) (REP 80.12)
6	013E37480	Rear transport roll bearing (REP 80.10)
7	013E37490	Front transport roll bearing (REP 80.10)
8	059K70070	Transport roll (REP 80.10)
9	962K64030	Power harness
10	962K64020	Signal harness
11	120E36130	Cable holder
12	962K64040	Connection harness

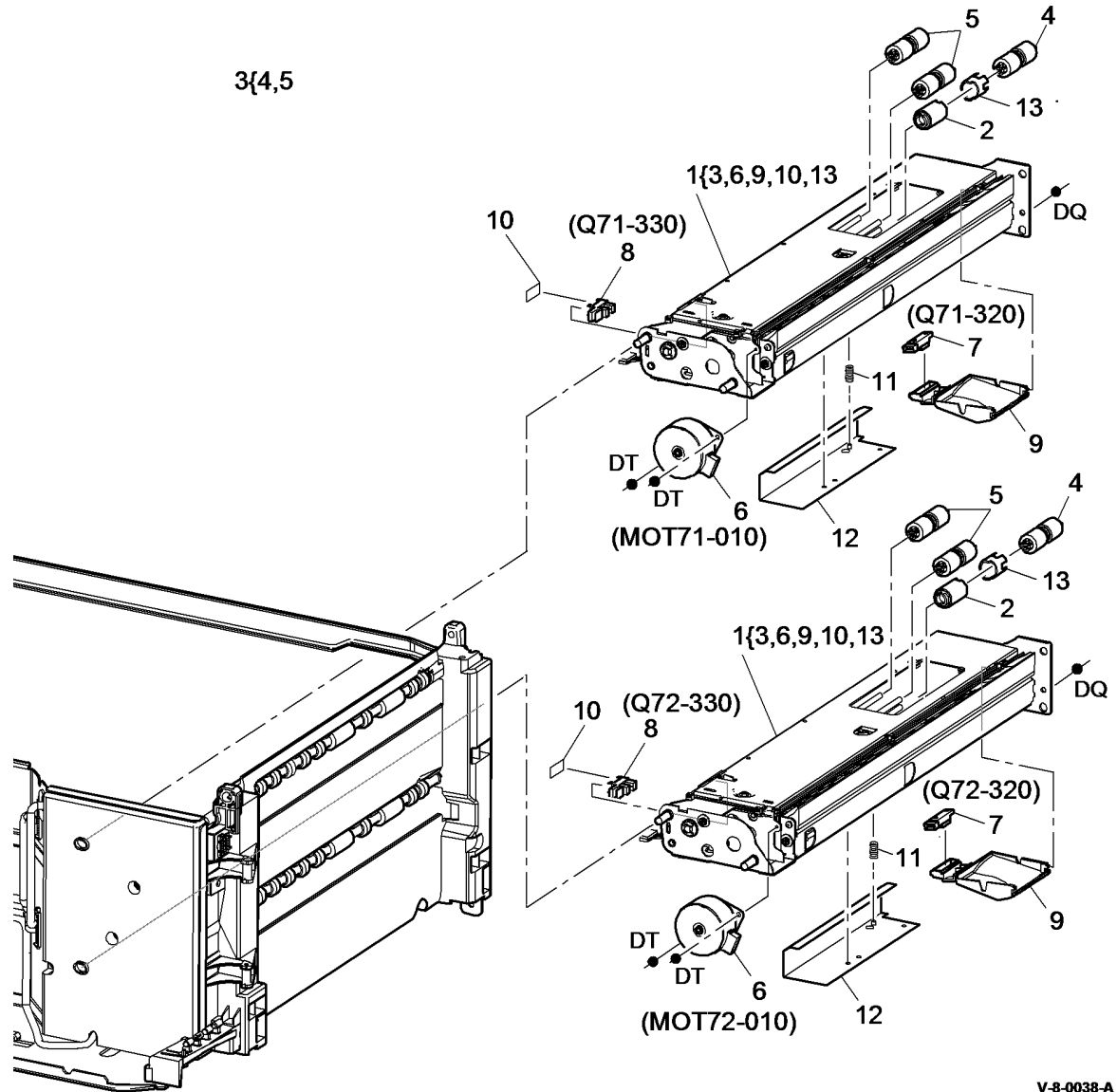


V-8-0037-A

PL 80.26 Tray 1 and 2 Paper Feed Assembly (2 of 2)

Item	Part	Description
1	604K61761	Tray 1 or 2 paper feed assembly (REP 80.1)
2	005K12242	Friction clutch (REP 80.29)
3	059K69800	Roll assembly (3 rolls) (See NOTE) (REP 80.25)
4	-	Retard roll (P/O PL 80.26 Item 3)
5	-	Feed Nudger roll assembly (P/O PL 80.26 Item 3)
6	127K61850	Tray 1 elevator motor (MOT71-010)/Tray 2 elevator motor (MOT72-010)
7	130E12770	Tray 1 empty sensor (Q71-320)/Tray 2 empty sensor (Q72-320)
8	130E12790	Tray 1 stack height sensor (Q71-330)/Tray 2 stack height sensor (Q72-330)
9	-	Guide (P/O PL 80.26 Item 1)
10	014E67650	Shim sensor
11	809E84180	Retard roll gate spring
12	-	Retard roll gate (P/O PL 80.26 Item 1)
13	-	Clutch coupling (P/O PL 80.26 Item 1) (REP 80.29)

NOTE: HFSI. To reset the HFSI count, refer to dC135.

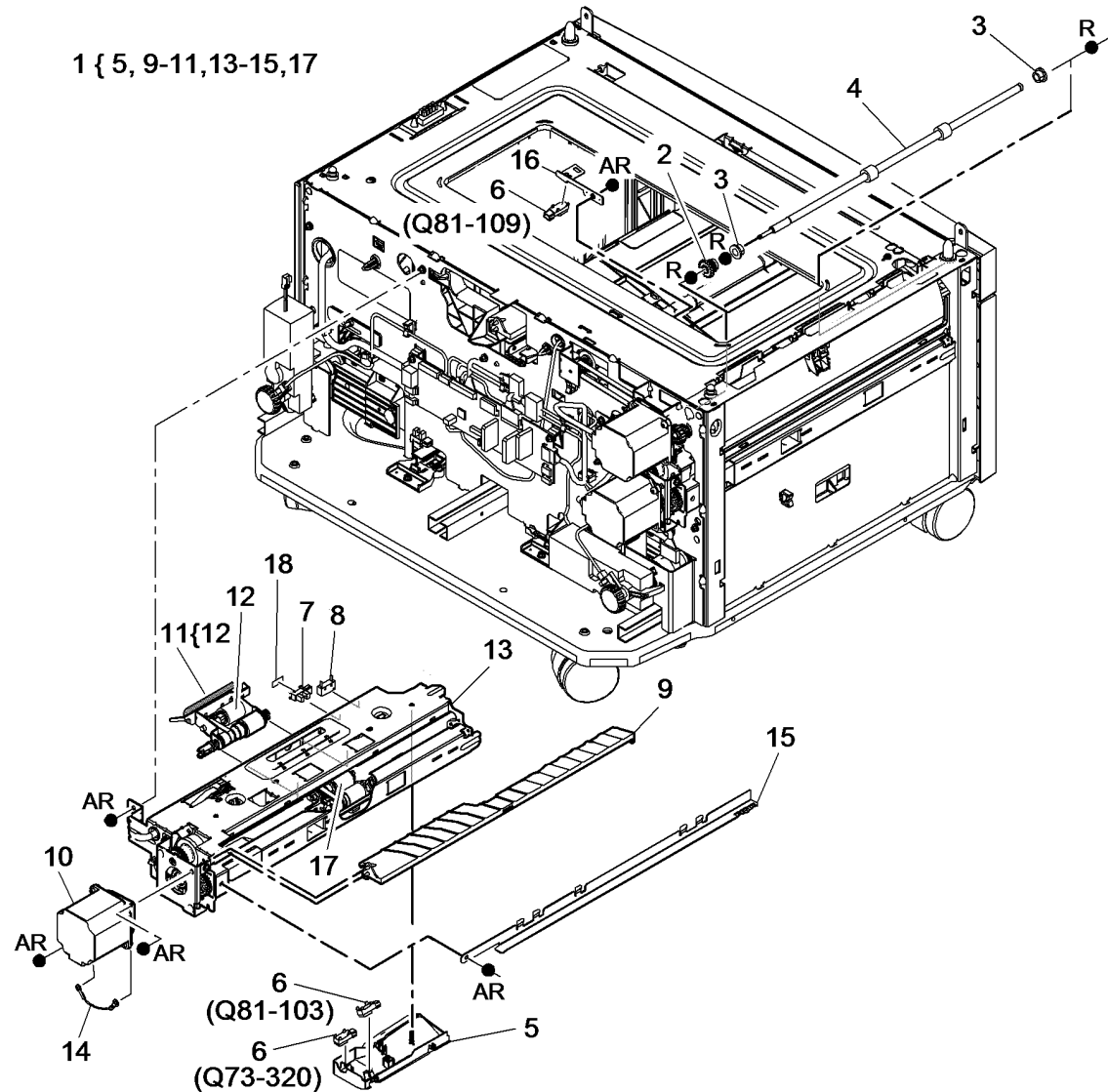


V-8-0038-A

PL 80.32 Tray 3 Paper Feed Assembly

Item	Part	Description
1	-	Tray 3 paper feed assembly (P/O PL 31.12 Item 12) (REP 80.30)
2	-	Gear (P/O PL 80.36 Item 16) (REP 80.37)
3	-	Bearing (P/O PL 31.12 Item 19)
4	-	Tray 3 and 4 transport roll (P/O PL 31.12 Item 19) (See NOTE) (REP 80.37)
5	-	Sensor mounting (P/O PL 80.32 Item 1) (REP 80.39, REP 80.40)
6	130E11610	Tray 3 empty sensor (Q73-320)(REP 80.39)/Tray 3 feed sensor (Q81-103)(REP 80.40)/Tray 3 exit sensor (Q81-109)(REP 80.35)
7	-	Tray 3 stack height sensor (Q73-330) (P/O PL 31.13 Item 17) (REP 80.38)
8	110E21540	Tray 3 over elevate switch
9	-	Tray 3 paper guide (P/O PL 80.32 Item 1) (REP 80.45)
10	-	Tray 3 feed motor (MOT81-030) (P/O PL 80.32 Item 1)
11	-	Feed roll assembly (P/O PL 31.13 Item 14) (See NOTE) (REP 80.44)
12	-	Nudger roll (P/O PL 80.32 Item 11) (REP 80.44, ADJ 80.4)
13	-	Feed frame assembly (P/O PL 80.32 Item 1) (REP 80.30)
14	-	Earth cable (P/O PL 80.32 Item 1)
15	-	Support bracket (P/O PL 80.32 Item 1) (REP 80.30)
16	-	Tray 3 exit sensor bracket (Not Spared) (REP 80.35)
17	-	Retard roll (P/O PL 31.13 Item 14) (See NOTE) (REP 80.44, ADJ 80.3)
18	-	Shim (P/O PL 31.13 Item 17)

NOTE: HFSI. To reset the HFSI count, refer to dC135.



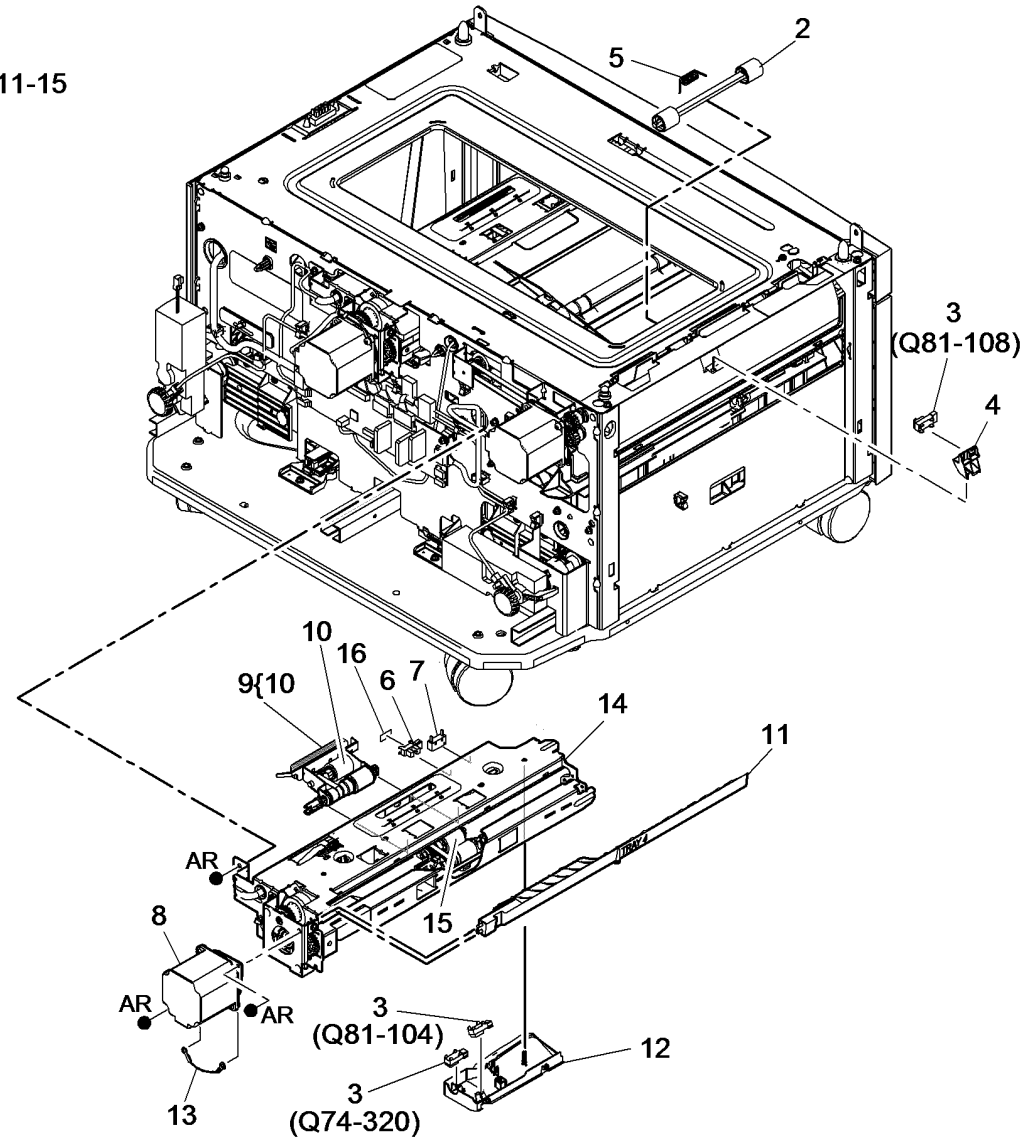
V-8-0141-A

PL 80.33 Tray 4 Paper Feed Assembly

Item	Part	Description
1	-	Tray 4 paper feed assembly (P/O PL 31.12 Item 12) (REP 80.31)
2	059K85140	Idler roll assembly (metal shaft) (REP 80.37)
-	-	Idler roll assembly (plastic shaft) (Not Spared) (REP 80.46)
3	130E11610	Tray 4 empty sensor (Q74-320)(REP 80.42) / Tray 4 feed sensor (Q81-104) (REP 80.43)/ HCF exit sensor (Q81-108)
4	-	HCF exit sensor bracket (Not Spared)
5	-	Spring (Not Spared)
6	-	Tray 4 stack height sensor (Q74-330) (P/O PL 31.13 Item 17) (REP 80.41)
7	110E21540	Tray 4 over elevate switch
8	-	Tray 4 feed motor (Q81-040) (P/O PL 80.33 Item 1)
9	-	Feed roll assembly (P/O PL 31.13 Item 14) (See NOTE) (REP 80.44)
10	-	Nudger roll (P/O PL 80.33 Item 9) (REP 80.44, ADJ 80.4)
11	-	Tray 4 paper guide (P/O PL 80.33 Item 1) (REP 80.46)
12	-	Sensor mounting (P/O PL 80.33 Item 1) (REP 80.42, REP 80.43)
13	-	Earth cable (P/O PL 80.33 Item 1)
14	-	Feed frame assembly (P/O PL 80.33 Item 1) (REP 80.31)
15	-	Retard roll (P/O PL 31.13 Item 14) (See NOTE) (REP 80.44, ADJ 80.3)
16	-	Shim (P/O PL 31.13 Item 17)

NOTE: HFSI. To reset the HFSI count, refer to dC135.

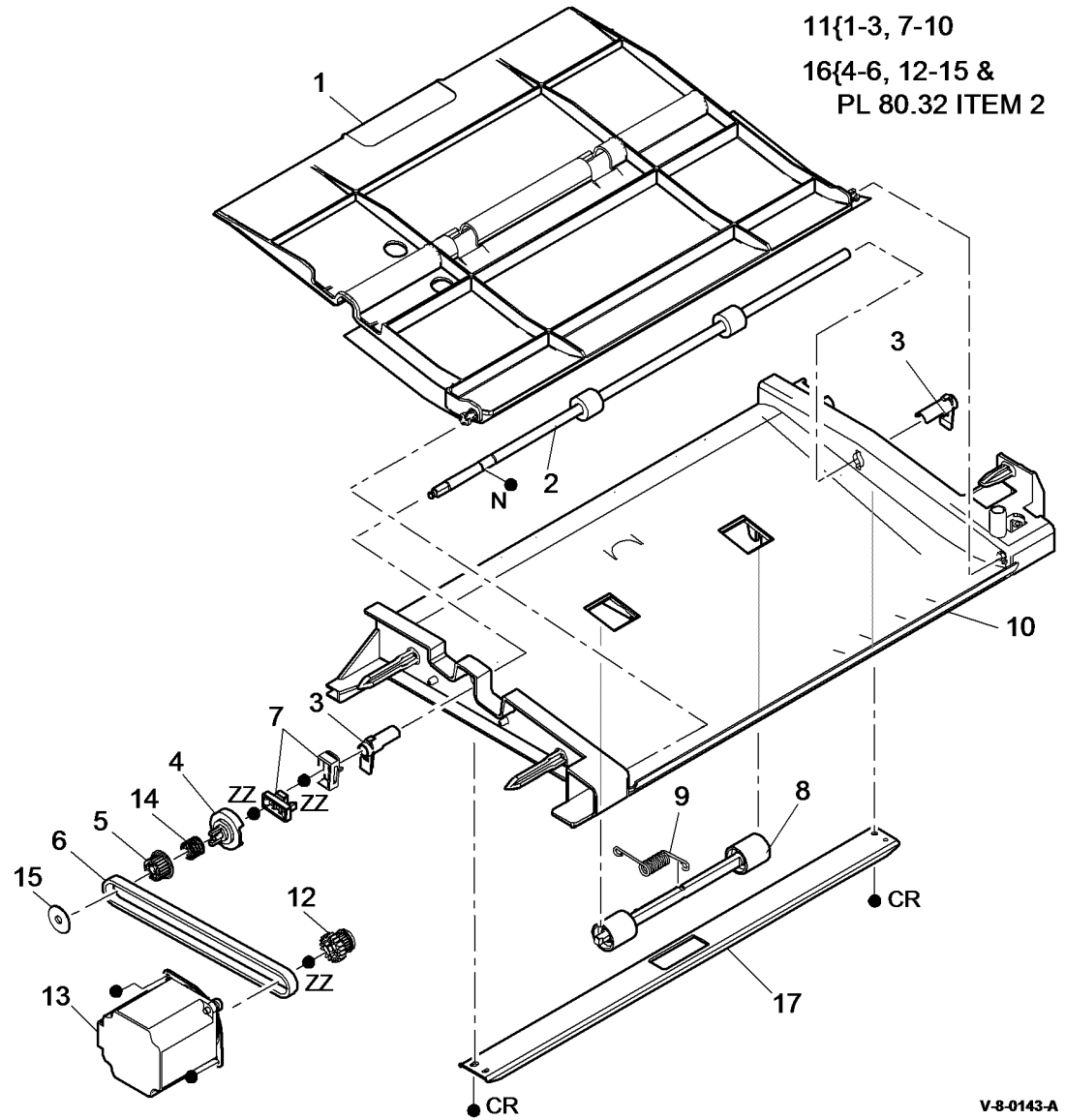
1 { 8,9,11-15



V-8-0142-A

PL 80.36 Tray 3 Transport Assembly

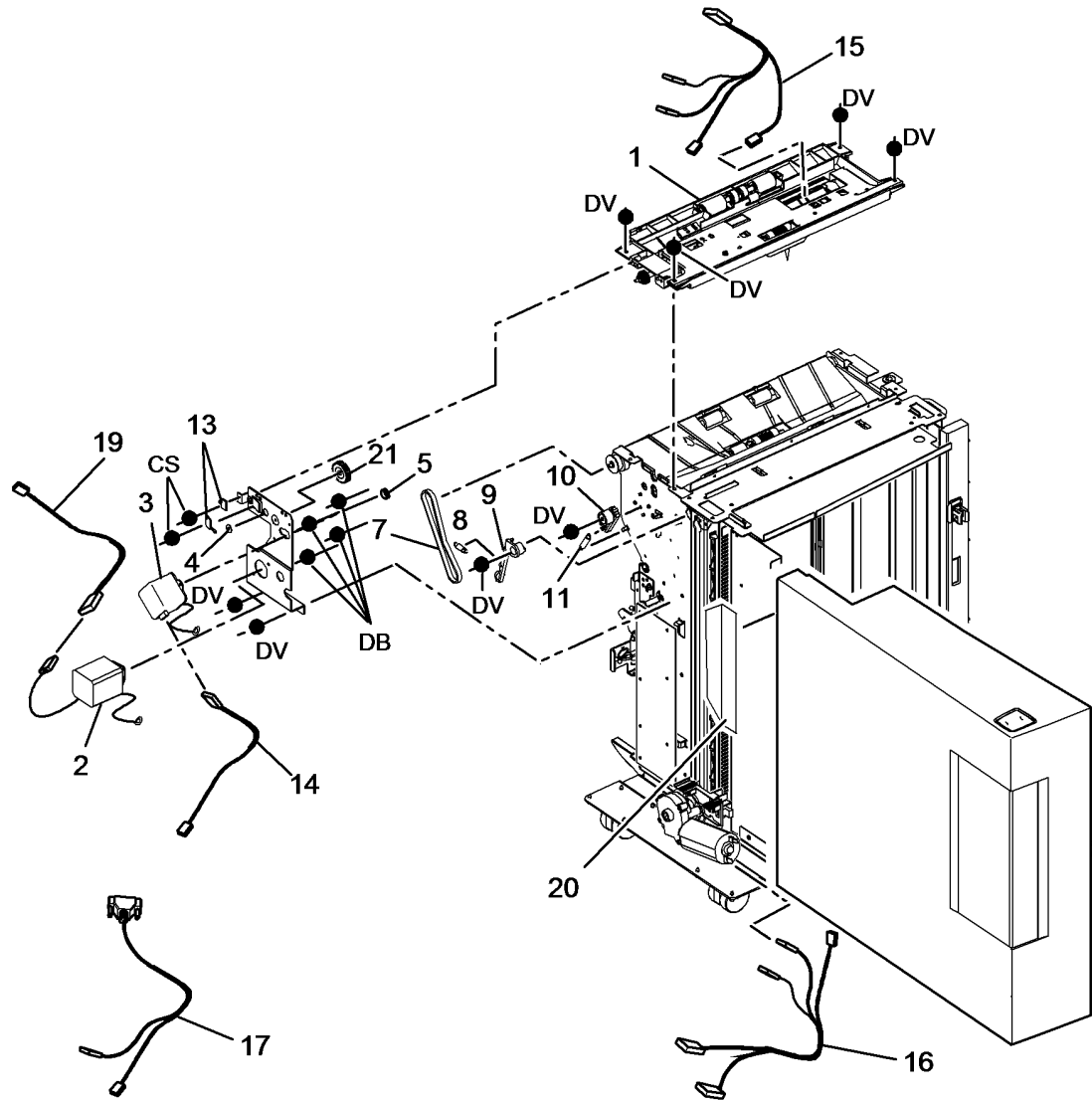
Item	Part	Description
1	-	Jam clearance door (P/O PL 80.36 Item 11)
2	-	Takeaway roll assembly (P/O PL 31.12 Item 16) (REP 80.36)
3	-	Takeaway roll bearing (P/O PL 31.12 Item 16) (REP 80.36)
4	-	Clutch drive (P/O PL 80.36 Item 16) (REP 80.47)
5	-	Pulley (P/O PL 80.36 Item 16) (REP 80.47)
6	-	Drive belt (P/O PL 80.36 Item 16) (REP 80.47)
7	-	Drive coupling (P/O PL 31.12 Item 16) (REP 80.36)
8	059K85140	Idler roll assembly (metal shaft) (REP 80.36)
-	-	Idler roll assembly (plastic shaft) (Not spared) (REP 80.36)
9	-	Spring (P/O PL 80.36 Item 11)
10	-	Base (P/O PL 80.36 Item 11)
11	038K23512	Tray 3 transport assembly (REP 80.34)
12	-	Transport gear pulley (P/O PL 80.36 Item 16) (REP 80.33)
13	-	HCF transport motor (MOT81-045) (P/O PL 80.36 Item 16) (REP 80.32)
14	-	Spring (P/O PL 80.36 Item 16) (REP 80.47)
15	-	Pulley flange (P/O PL 80.36 Item 16) (REP 80.47)
16	604K83700	Transport motor and drives kit
17	-	Tray 3 transport brace (Not Spared)



V-8-0143-A

PL 80.40 Tray 6 Feed Assembly (1 of 3)

Item	Part	Description
1	-	Upper feeder assembly (REF: PL 80.45 Item 1) (REP 80.28)
2	127K56453	Transport motor (MOT81-065) (REP 80.27)
3	127K61980	Feed motor (MOT81-060) (REP 80.26)
4	-	Bearing (Not Spared)
5	-	Gear (P/O PL 80.40 Item 3)
6	-	Not used
7	423W09050	Drive belt (REP 80.23)
8	-	Upper limit actuator spring (Not Spared)
9	-	Upper limit actuator (Not Spared)
10	-	Belt tensioner (Not Spared)
11	-	Belt tensioner spring (Not Spared)
12	-	Not used
13	125E00430	Static eliminator
14	-	Transport motor harness (Not Spared)
15	-	Tray 6 upper feeder assembly harness (Not Spared)
16	962K50475	Elevator motor harness
17	962K63351	IOT to tray 6 harness
18	-	Not used
19	-	Feed/elevator motor harness (Not Spared)
20	-	Elevator harness shield (Not Spared)
21	007K14401	Gear 30T bearing



V-8-0042-A

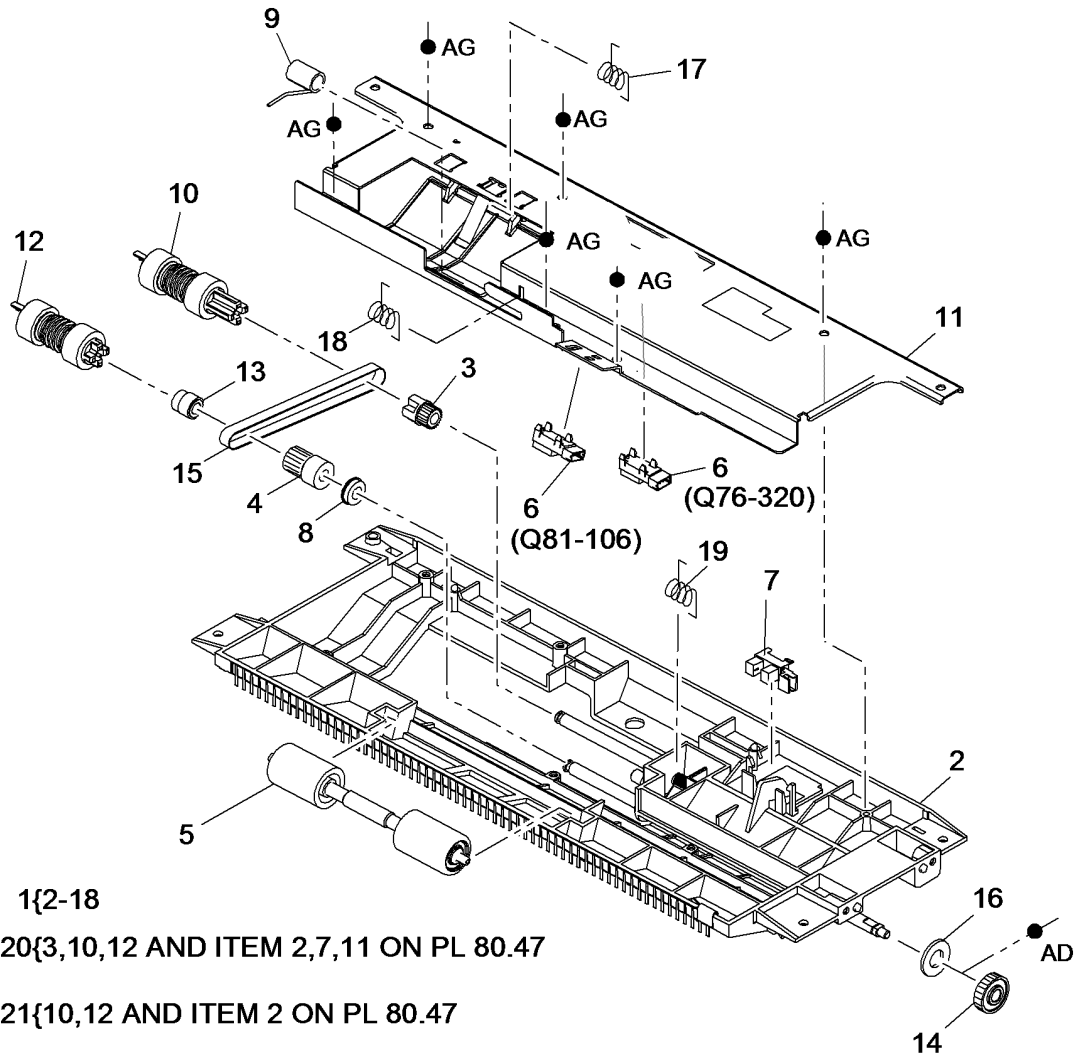
PL 80.45 Tray 6 Feed Assembly (2 of 3)

Item	Part	Description
1	059K69991	Upper feed assembly (REP 80.28)
2	-	Upper feed assembly base (P/O PL 80.45 Item 1)
3	-	One way gear (P/O PL 80.45 Item 20)
4	-	One way coupling (P/O PL 80.45 Item 20)
5	-	Take away idler roller (P/O PL 31.11 Item 8)
6	130E11610	Empty sensor (Q76-320)/Feed sensor (Q81-106)(REP 80.19)
7	130E12060	Stack height sensor (Q76-330) (REP 70.6)
8	013E93370	Bearing
9	-	Torsion spring (P/O PL 80.45 Item 1)
10	-	Nudger roll (P/O PL 80.45 Item 20)
11	-	Upper feed assembly top cover (P/O PL 80.45 Item 1)
12	-	Feed roll (P/O PL 80.45 Item 20)
13	-	Clutch (P/O PL 80.45 Item 20)
14	-	Gear (38T) (P/O PL 80.45 Item 1)
15	-	Roller belt (P/O PL 80.45 Item 1)
16	-	Washer (P/O PL 80.45 Item 1)
17	-	Torsion chute spring (P/O PL 80.45 Item 1)
18	-	Housing spring (P/O PL 80.45 Item 1)
19	-	Torsion nudger spring (P/O PL 80.45 Item 1)
20	604K84480	Feed roll retrofit kit (See NOTES 1 & 3) (W/TAG P-002)
21	604K55480	Feed roll kit (Pack of 3) (See NOTES 2 & 3) (W/TAG P-002) (REP 80.24)

NOTE: 1. Kit installs reduced miss-feed (different colour) rolls and associated parts.

NOTE: 2. Replaces the rolls installed with the feed roll retrofit kit, PL 80.45 Item 20.

NOTE: 3. HFSI. To reset the HFSI count, refer to dC135.



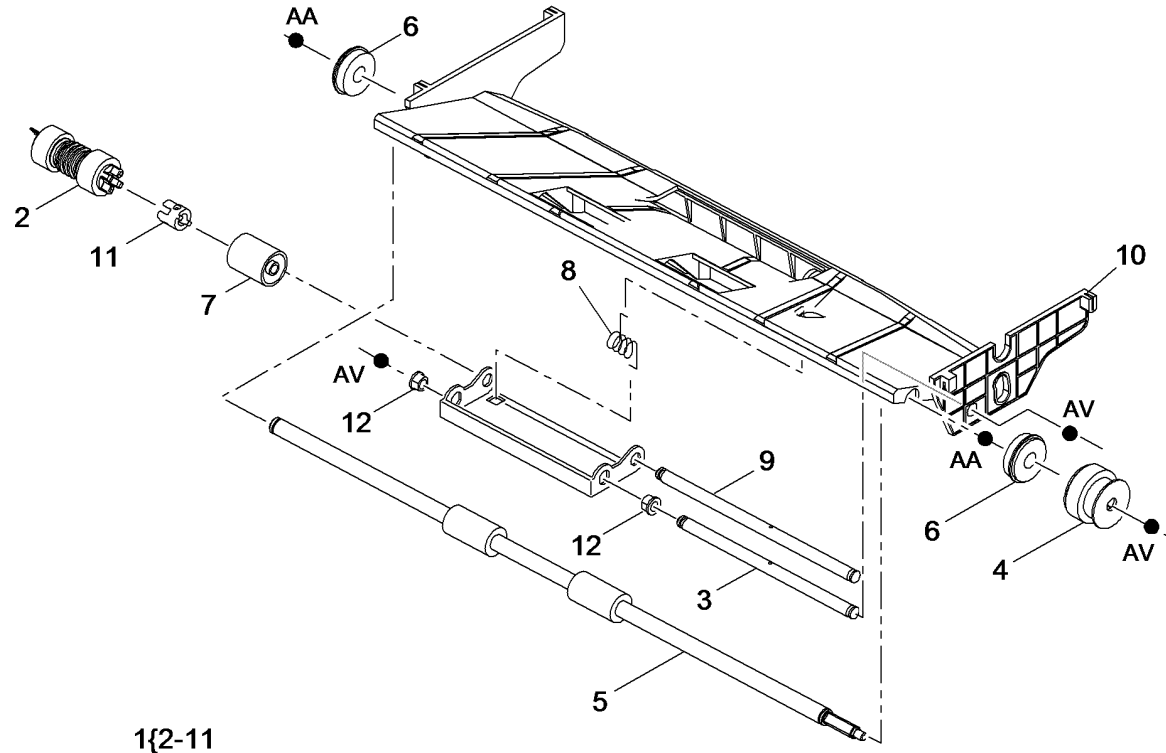
1{2-18
20{3,10,12 AND ITEM 2,7,11 ON PL 80.47

21{10,12 AND ITEM 2 ON PL 80.47

V-8-0043-A

PL 80.47 Tray 6 Feed Assembly (3 of 3)

Item	Part	Description
1	059K84700	Lower feed assembly (REP 80.28)
2	-	Retard roll (P/O PL 80.45 Item 20)
3	-	Actuator pivot shaft (P/O PL 80.47 Item 1)
4	-	One way pulley clutch (P/O PL 80.47 Item 1)
5	-	Take away roller (P/O PL 31.11 Item 8) (REP 80.28)
6	-	Bearing (P/O PL 80.47 Item 1)
7	005E29040	Clutch
8	-	Torsion retard spring (P/O PL 80.47 Item 1)
9	-	Retard roller shaft (P/O PL 80.47 Item 1)
10	-	Lower feed assembly base (P/O PL 80.47 Item 1)
11	-	Clutch coupling (P/O PL 80.45 Item 20)
12	-	Actuator pivot shaft bearing (P/O PL 80.47 Item 1)

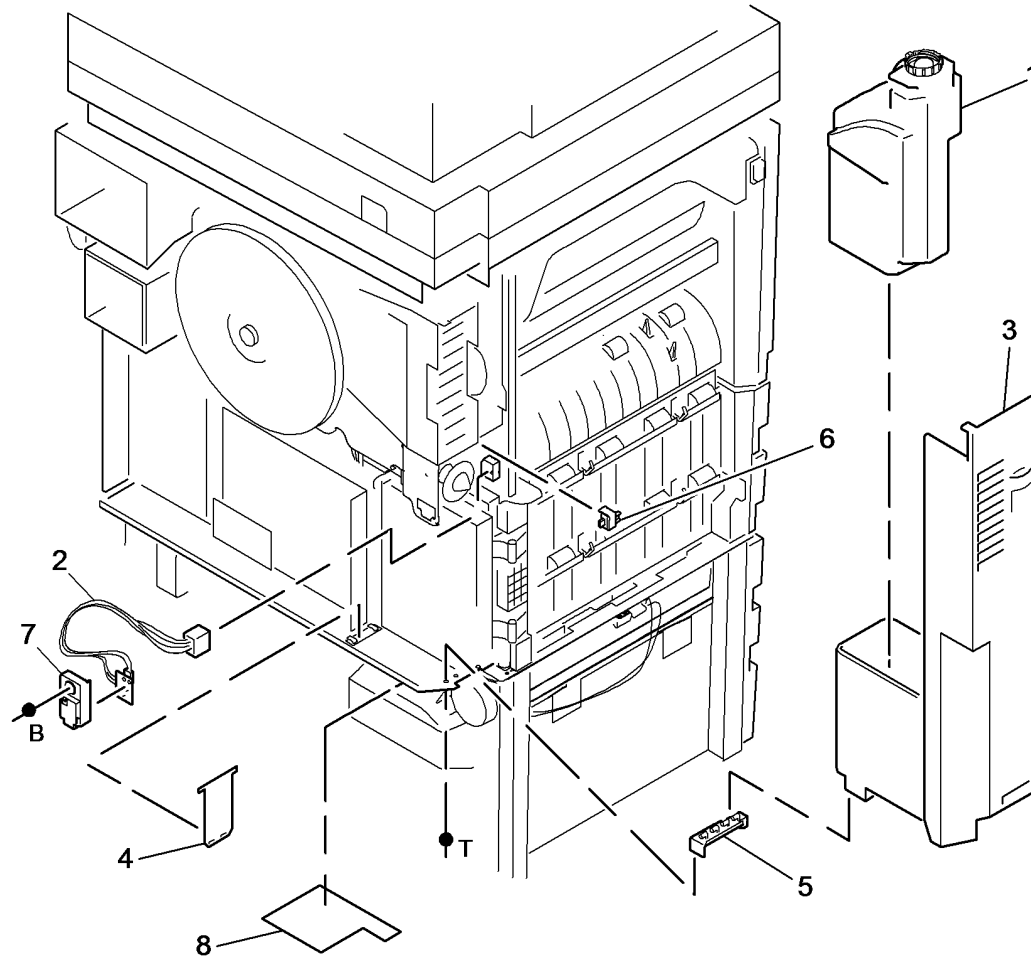


V-8-0044-A

PL 90.10 Waste Toner Bottle Assembly

Item	Part	Description
1	008R12896	Waste toner bottle
2	130K74702	Waste toner full sensor (Q93-350) (REP 90.4)
3	-	Waste toner door (Not Spared) (REP 90.1)
4	003E77450	Strap (NOTE)
5	803E03180	Hinge block
6	-	Waste toner door switch (S93-380) (REF: PL 40.10 Item 8, PL 40.15 Item 8)
7	-	Sensor cover (Not Spared)
8	848E96690	Toner cover

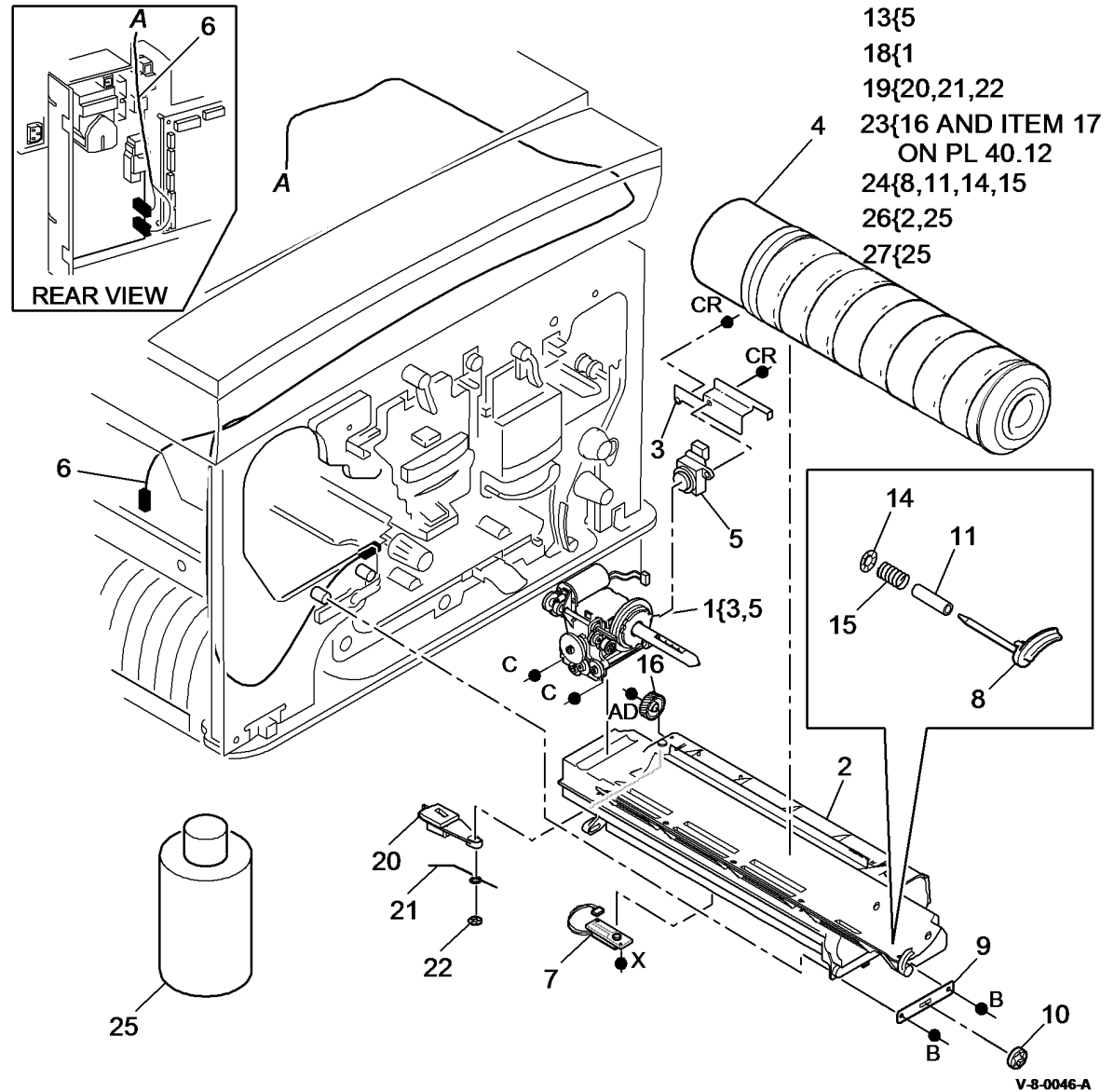
NOTE: Refer to REP 90.1 for the waste toner bottle assembly.



V-8-0045-A

PL 90.15 Developer Assembly (65-90 ppm)

Item	Part	Description
1	-	Toner dispense module (P/O PL 90.15 Item 18) (REP 90.5)
2	-	Developer module (P/O PL 90.15 Item 26) (REP 90.2)
3	-	Retaining bracket (P/O PL 90.15 Item 1)
4	-	Toner cartridge (REF: PL 26.11 Item 3) (See NOTE 1)
5	-	Low toner sensor (Q93-310) (P/O PL 90.15 Item 13)
6	962K25641	Registration/Developer bias harness
7	-	Toner concentration sensor (Q92-601) (P/O PL 90.15 Item 2)
8	-	Toner cartridge latch (P/O PL 90.15 Item 24)
9	-	Retaining plate (P/O PL 90.15 Item 2)
10	-	Speed nut (P/O PL 90.15 Item 2)
11	-	Sleeve (P/O PL 90.15 Item 24)
12	-	Not used
13	-	Out of toner sensor kit (REF: PL 31.13 Item 8)
14	-	Push on fastener (P/O PL 90.15 Item 24)
15	-	Spring (P/O PL 90.15 Item 24)
16	-	Main drive gear (P/O PL 90.15 Item 23) (See NOTE 2) (ADJ 40.1)
17	-	Not used
18	-	Toner dispense module kit (REF: PL 31.12 Item 1)
19	-	Trickle outlet shutter kit (REF: PL 31.12 Item 3)
20	-	Shutter assembly (P/O PL 90.15 Item 19)
21	-	Shutter spring (P/O PL 90.15 Item 19)
22	-	Push on fastener (P/O PL 90.15 Item 19)
23	-	Developer/Drives interface kit (REF: PL 31.13 Item 12) (See NOTE 2)
24	604K18510	Developer latch repair kit
25	-	Developer material (P/O PL 90.15 Item 26, PL 90.15 Item 27)
26	604K84580	Developer spares kit (includes developer)
27	604K84590	Developer charge kit

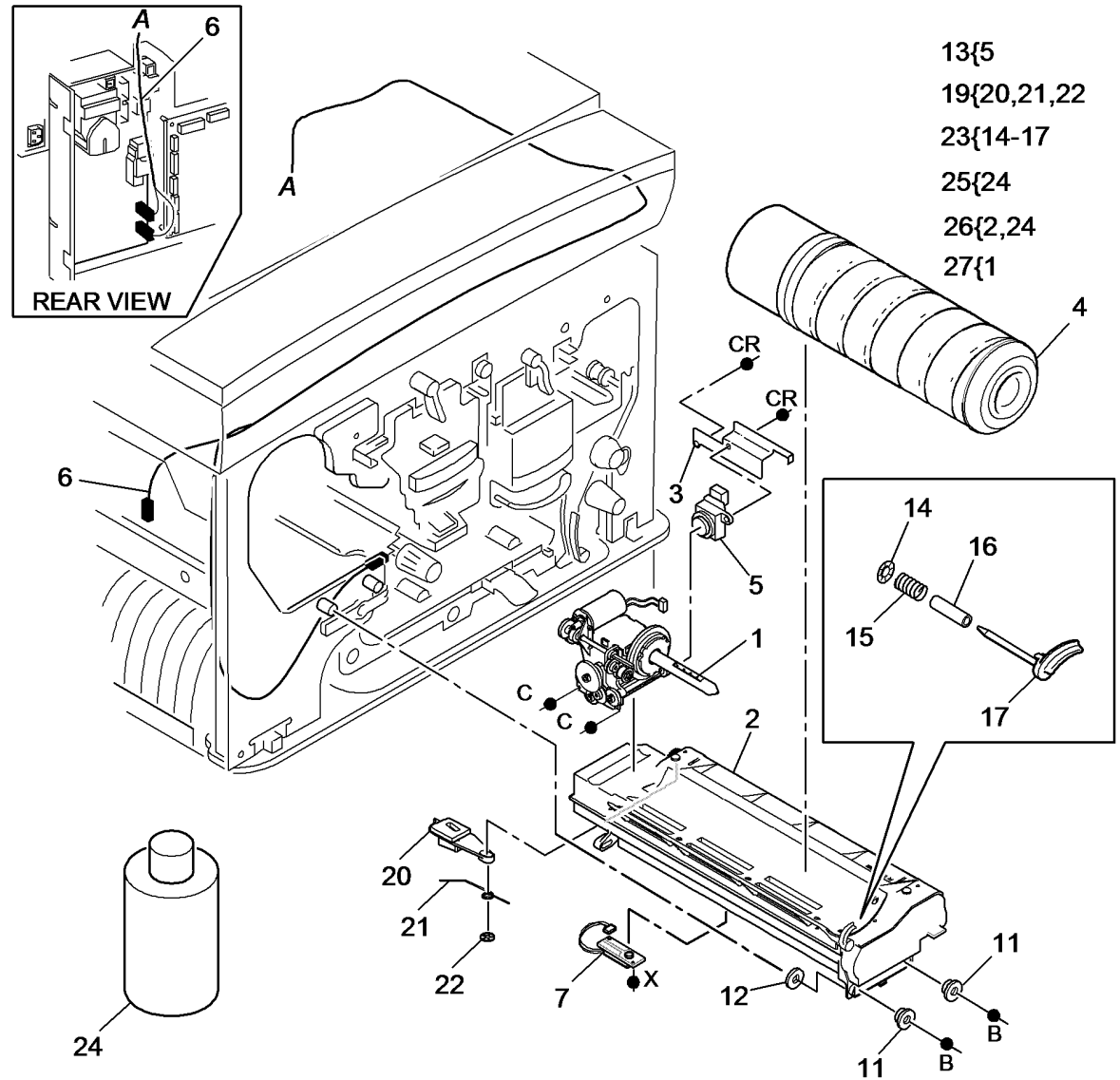


NOTE: 1. A waste toner bottle, PL 90.10 Item 1 is supplied with the toner cartridges.

NOTE: 2. The main drive gear PL 90.15 Item 16 and developer drive gear/pulley PL 40.12 Item 17, must always be replaced as a pair.

PL 90.17 Developer Assembly (45-55 ppm)

Item	Part	Description
1	-	Toner dispense module (P/O PL 90.17 Item 27) (REP 90.5)
2	-	Developer module (P/O PL 90.17 Item 26) (See NOTE 1) (REP 90.2)
3	-	Retaining bracket (Not Spared)
4	-	Toner cartridge (REF: PL 26.11 Item 3) (See NOTE 2)
5	-	Low toner sensor (Q93-310) (P/O PL 90.17 Item 13)
6	-	Registration/Developer bias harness (Not Spared)
7	-	Toner concentration sensor (Q92-601) (P/O PL 90.17 Item 2)
8	-	Not used
9	-	Not used
10	-	Not used
11	-	Stepped washer (Not Spared)
12	-	Washer (Not Spared)
13	-	Out of toner sensor kit (REF: PL 31.13 Item 8)
14	-	Push on fastener (P/O PL 90.17 Item 23)
15	-	Spring (P/O PL 90.17 Item 23)
16	-	Sleeve (P/O PL 90.17 Item 23)
17	-	Toner cartridge latch (P/O PL 90.17 Item 23)
18	-	Not used
19	-	Trickle outlet shutter kit (REF: PL 31.12 Item 3)
20	-	Shutter assembly (P/O PL 90.17 Item 19)
21	-	Shutter spring (P/O PL 90.17 Item 19)
22	-	Push on fastener (P/O PL 90.17 Item 19)
23	604K30560	Developer latch repair kit
24	-	Developer material (P/O PL 90.17 Item 25, PL 90.17 Item 26)
25	604K84590	Developer charge kit
26	604K84570	Developer spares kit (includes developer)
27	-	Toner dispense module kit (REF: PL 31.12 Item 1)



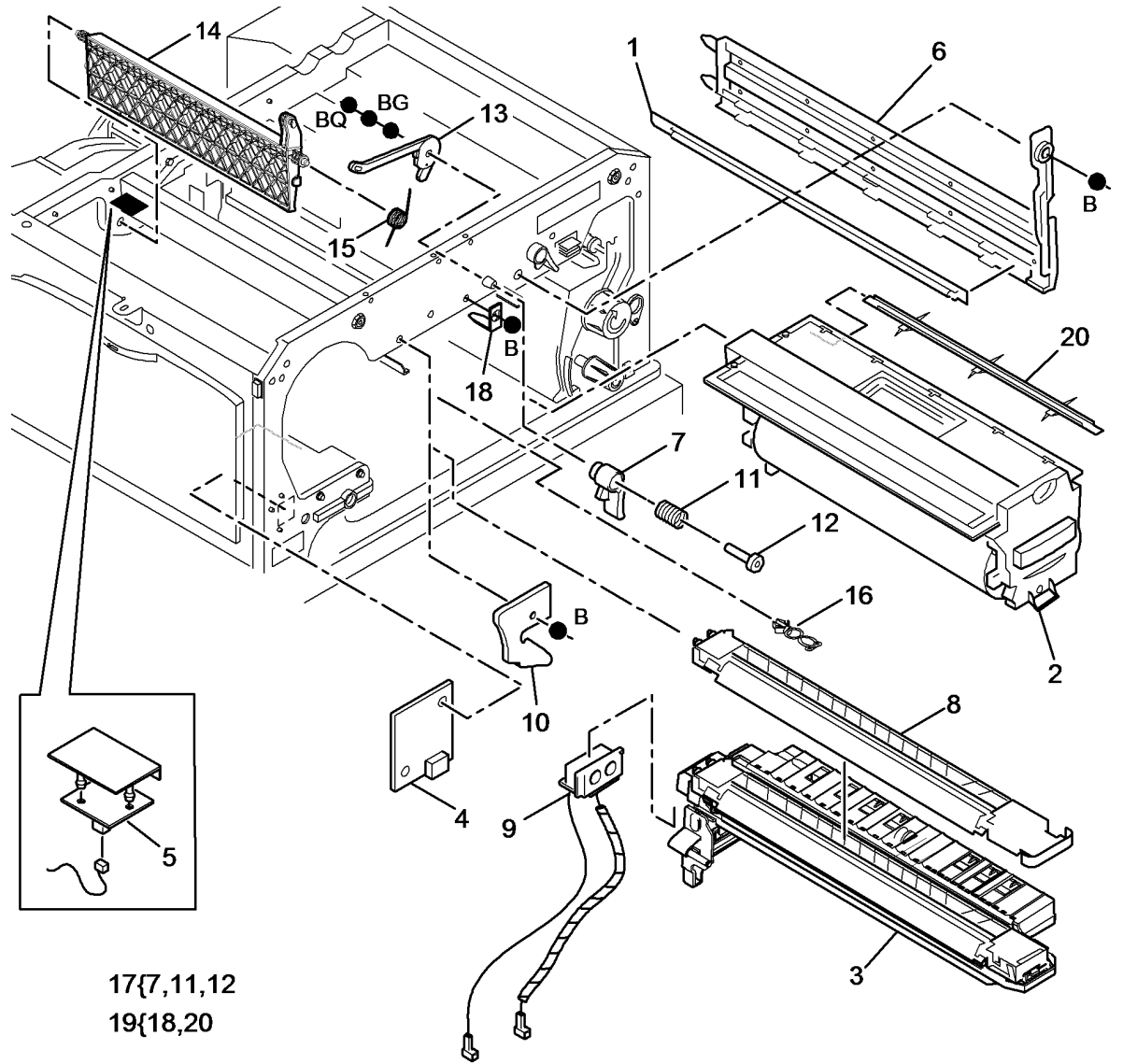
NOTE: 1. To remove and replenish the developer material, refer to the developer charge kit, PL 90.17 Item 25.

NOTE: 2. A waste toner bottle, PL 90.10 Item 1 is supplied with the toner cartridges.

V-8-0047-A

PL 90.20 Xerographic Module and Short Paper Path Assembly

Item	Part	Description
1	-	Erase lamp (Not Spared) (REP 90.9)
2	-	Xerographic module (see below for variants, see also NOTE 1, NOTE 2 and NOTE 3)
-	113R00672	Metered (USSG/XCL/XE)
-	113R00673	Sold (XE)
-	113R00674	Sold (USSG/XCL)
3	-	Short paper path assembly (REF: PL 10.25 Item 1) (NOTE 1)
4	130E10510	Humidity sensor (Q91-601)/ Ambient temperature sensor (Q91-602)
5	960K40570	Developer temperature sensor (Q92-602)
6	055E68280	Erase lamp support
7	-	Xerographic module latch (P/O PL 90.20 Item 17) (REP 90.6)
8	504K12320	Transfer/Detack corotron (NOTE 1) (ADJ 90.1)
9	113K03330	Transfer/Detack harness
10	815E79891	Pivot plate
11	-	Latch spring (P/O PL 90.20 Item 17)
12	-	Latch pin (P/O PL 90.20 Item 17)
13	-	Latch plate (Not Spared)
14	031E11102	Developer paddle (REP 90.7)
15	809E69220	Spring
16	-	Curly clip (Not Spared)
17	-	Developer latch pin kit (REF: PL 31.12 Item 8) (REP 90.6)
18	-	Bracket stabiliser (P/O PL 90.20 Item 19)
19	-	XRU skids kit (REF: PL 31.13 Item 16)
20	-	Stripper finger assembly (P/O PL 90.20 Item 19)



17{7,11,12
19{18,20

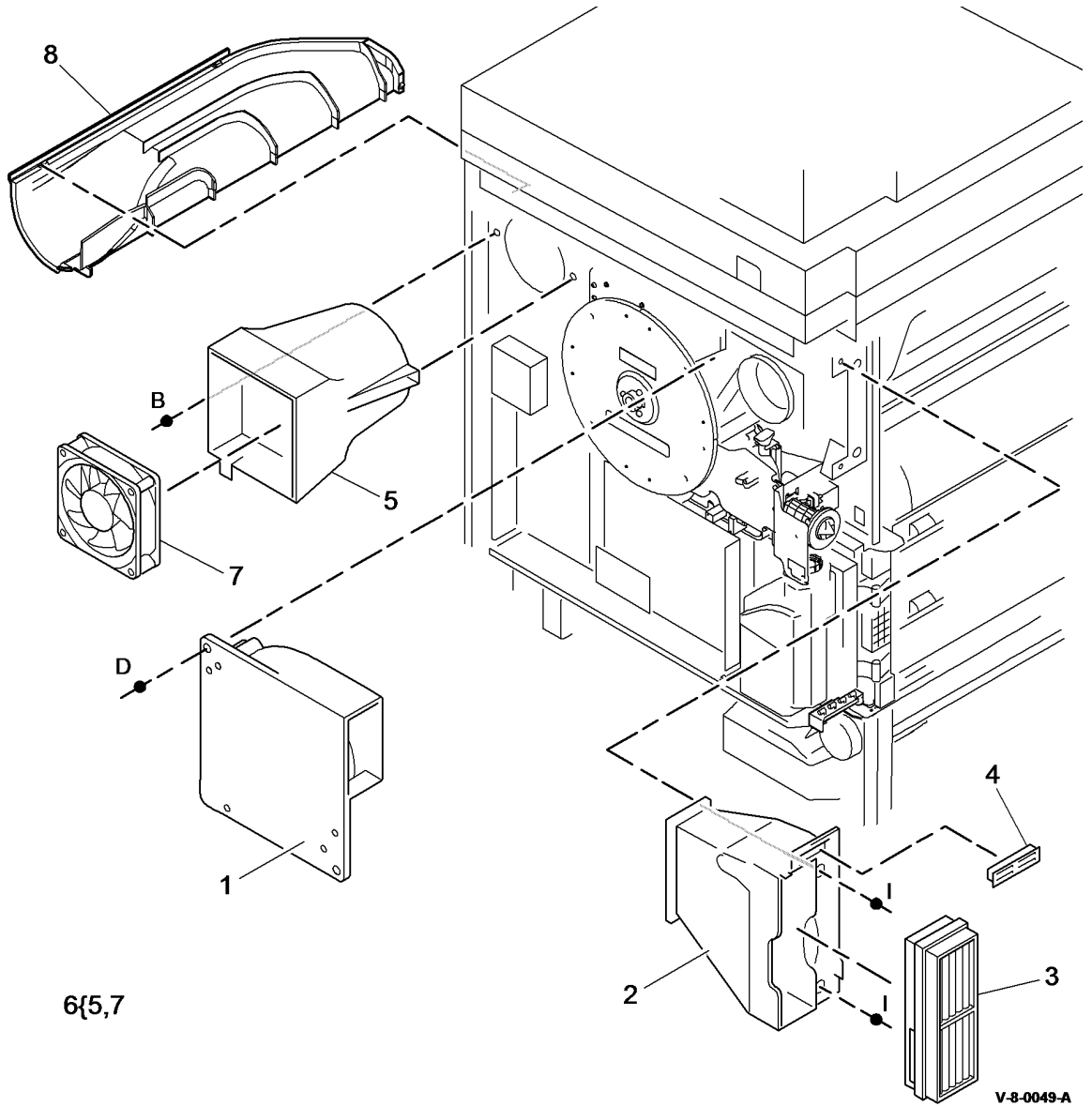
NOTE: 1. A transfer/detack corotron PL 90.20 Item 8 is supplied with the xerographic module.

NOTE: 2. For the charge scorotron and the charge scorotron grid harnesses, refer to PL 40.17 or PL 40.12.

V-8-0048-A

PL 90.25 Ozone Fan and Photoreceptor Fan

Item	Part	Description
1	127K42790	Ozone fan (MOT42-030) (REP 90.3)
2	054E33051	Ozone duct
3	053K04960	Ozone filter
4	-	Magnet (P/O PL 90.25 Item 2)
5	-	Photoreceptor duct (P/O PL 90.25 Item 6)
6	127K53200	Photoreceptor fan assembly
7	-	Fan (P/O PL 90.25 Item 6)
8	054E33001	Lower duct



6{5,7}

Common Hardware

Item	Part	Description
A	-	Screw M3x6 Taptite (Zinc finish)
B	-	Screw M4x8 Taptite
C	-	Screw M4x12 Self Tapping
D	-	Screw M3.9.5 Taptite
E	-	Screw M3x8 Taptite
F	-	Screw M3x7.5 Taptite
G	-	Screw M4x12 Self Tapping
H	-	Screw M3x4.5 Machine
I	-	Screw M4x16 Self Tapping
J	-	Screw M3x14 Self Tapping (Countersunk)
K	-	Screw M3x16 Self Tapping
L	-	Screw M4x10 Self Tapping
M	-	E-Clip M4
N	-	E-Clip M5
O	-	Screw M4x12 Self Tapping
P	-	Screw M4x12 Taptite
Q	-	Screw M4x11 Self Tapping
R	-	KL Clip M6
S	-	Screw M4x30 Taptite
T	-	Screw M3x10 Self Tapping
U	-	Screw M3x10 Taptite
V	-	Screw M3x6 Taptite
W	-	Screw M3x16 Self Tapping
X	-	Screw M3x6 Self Tapping
Y	-	E-Clip M8
Z	-	E-Clip M4
AA	-	E-Clip M7
AB	-	Screw M3x25 Self Tapping
AC	-	Screw M3x4 Taptite
AD	-	E-Clip M6
AE	-	Washer M8
AF	-	Spring Washer M6
AG	-	Screw M3.5x10 Self Tapping
AH	-	Circlip M5
AI	-	Circlip M8
AJ	-	Star Washer M4
AK	-	Screw M4x9.5 Machine
AL	-	Screw M5x18 Self Tapping
AM	-	Star Washer M3.5
AN	-	Screw M3.5x5.5 Machine
AO	-	Screw M3.5x6 Machine
AP	-	Screw M5x11 Taptite
AQ	-	Screw M3x8 Taptite
AR	-	Screw M4x8 Machine
AS	-	Screw M4x10 Self Tapping
AT	-	Screw M4x10 Self Tapping
AU	-	Screw M3x5 Machine
AV	-	E-Clip M3.5
AW	-	Screw M3x5.5 Taptite

AX	-	Screw M3x14 Machine
AY	-	Screw M3x18 Self Tapping
AZ	-	Washer M4
BA	-	Screw M4x16 Machine
BB	-	Screw M4x5 Machine
BC	-	Screw M3x10 Machine
BD	-	Screw M3x6 Machine
BE	-	Screw M4x7.5 Machine
BF	-	Screw M3x5.5 Machine
BG	-	Washer M3
BH	-	Spring Washer M3
BI	-	Screw M3x6 Machine
BJ	-	Screw M3x22 Self Tapping
BK	-	Retaining Ring (Skiffy) M7
BL	-	Circlip M10
BM	-	Screw M3x8 Machine
BN	-	Screw M4x8 Self Tapping
BO	-	Screw M3x6 Taptite
BP	-	Screw M3x4 Machine (Countersunk)
BQ	-	Screw M3x16 Machine
BR	-	Screw M3x9.5 Self Tapping
BS	251W16355	Washer M4
BT	-	Screw M4x8 Self Tapping
BU	-	Screw M3x5.5 Self Tapping
BV	-	Screw M4x7 Taptite
BW	-	Screw M3x6 Self Tapping
BX	-	Screw M3x8 Self Tapping
BY	-	Screw M4x8 Self Tapping
BZ	-	Screw M4x16 Taptite
CA	-	Screw M3x8 Self Tapping
CB	-	Screw M4x10 Self Tapping
CC	-	Screw M4x8 Self Tapping
CD	-	Screw M3x10 Self Tapping
CE	-	Screw M3x12 Self Tapping
CF	-	Screw M4x5 Taptite
CG	-	Circlip M6
CH	-	Screw M3x10 Machine
CI	-	Screw M4x5 Machine
CJ	-	Screw M3x11 Self Tapping
CK	-	E-clip M2.5
CL	-	Washer M5
CM	-	Screw M4x9 Self Tapping
CN	-	Screw M3x14 Self Tapping
CO	-	Screw M3x8 Self Tapping
CP	-	Screw M4x15 Taptite
CQ	-	Spring Washer M8
CR	-	Screw M3x8 Self Tapping
CS	-	Screw M4x8 Machine
CT	-	Screw M3x5.5 Machine
CU	-	Screw M3x9 Self Tapping
CV	-	Nut M3
CW	-	Nut M3

CX	–	Screw M4x6 Machine
CY	–	Screw M4x11.5 Taptite
CZ	–	Screw M3x7.5 Taptite
DA	–	Screw M4x7 Self Tapping
DB	–	Screw M3x6 Self Tapping
DC	–	Screw M3x12 Self Tapping
DD	–	Screw M5x12 Self Tapping
DE	–	Circlip M7
DF	–	Screw M3x6 Machine
DG	–	Screw M3x7.5 Self Tapping
DH	–	Screw M4x7 Self Tapping
DI	–	Screw M4x34 Self Tapping
DJ	–	Screw M4x16 Self Tapping
DK	–	Screw M4x7 Self Tapping
DL	–	Screw M4x6 Taptite
DM	–	M3 Star Washer
DN	–	Screw M4x6 Machine
DO	–	Screw M3x6 Self Tapping
DP	–	M3 Nut (Washer Head)
DQ	–	Screw M4x11 Machine
DR	–	Washer M8 (Nylatron)
DS	–	Screw M3 x 8
DT	–	Screw M3x17 Taptite
DU	–	Screw M2.5x8 Taptite
DV	–	Screw M3.5x10 Torx
DW	–	Screw M3.5x10 Taptite
EA	–	Screw M4x6 Machine
EB	–	Screw M4x10 Machine
EC	–	Screw M4x8 Machine
EF	–	Screw M5x6 machine
EH	–	Pivot pin M4X10 Hex Head
EI	–	Nylon bearing
EJ	–	6mm x 10mm x 13mm bush (bronze)
ET	–	M4 x 5.5 Screw/Machine/Pozi/Wash Hd Brass
EU	–	M3x16 Screw/Machine/Pozi/Pan Hd
EV	–	KL Clip M4
EW	–	Screw M4 x 25 Self Tapping
EX	–	KL Clip M7
ZZ	–	E-clip M3