

WorkCentre® 3655  
Multifunction Printer  
Service Manual



**Sample  
Fault Code Structure:**

**71-101-00**



WorkCentre® 3655  
Multifunction Printer  
Service Manual

Updated 11/16/15 DAW

Xerox Internal-Use Only



## 5 Parts Lists

### Control Panel

PL 1.1 UI Base .....	5-3
PL 1.2 Console UI .....	5-4

### Laser Unit

PL 2.1 ROS .....	5-5
------------------	-----

### Drive

PL 3.1 Drive .....	5-6
--------------------	-----

### NOHAD and Links

PL 4.1 NOHAD & Links .....	5-7
----------------------------	-----

### Dispense

PL 5.1 Dispenser .....	5-8
------------------------	-----

### Transfer

PL 6.1 Transfer .....	5-9
-----------------------	-----

### Fuser

PL 7.1 Fuser .....	5-10
--------------------	------

### Xerographic

PL 8.1 Xerographics .....	5-11
---------------------------	------

### Tray 550

PL 9.2 Tray 550 .....	5-12
-----------------------	------

### Option 550-Sheet Feeder

PL 11.1 Option Feeder 550 (1/4) .....	5-13
PL 11.2 Option Feeder 550 (2/4) .....	5-14
PL 11.3 Option Feeder 550 (3/4) .....	5-15
PL 11.4 Option Feeder 550 (4/4) .....	5-16

### MSI Bypass Tray

PL 13.1 MSI (1/2) .....	5-17
PL 13.2 MSI (2/2) .....	5-18

### Duplex

PL 14.1 Duplex Chute .....	5-19
----------------------------	------

### Registration

PL 15.1 Registration (1/3) .....	5-20
PL 15.2 Registration (2/3) .....	5-21
PL 15.3 Registration (3/3) .....	5-22

### Exit

PL 17.1 Exit .....	5-23
--------------------	------

### Electrical

PL 18.1 Electrical (1/4) .....	5-24
--------------------------------	------

PL 18.2 Electrical (2/4) .....	5-25
PL 18.3 Electrical (3/3) .....	5-26
PL 18.4 Electrical (4/4) .....	5-27

### Covers

PL 19.1 Covers (1/3) .....	5-28
PL 19.2 Covers (2/3) .....	5-29
PL 19.3 Covers (3/3) .....	5-30

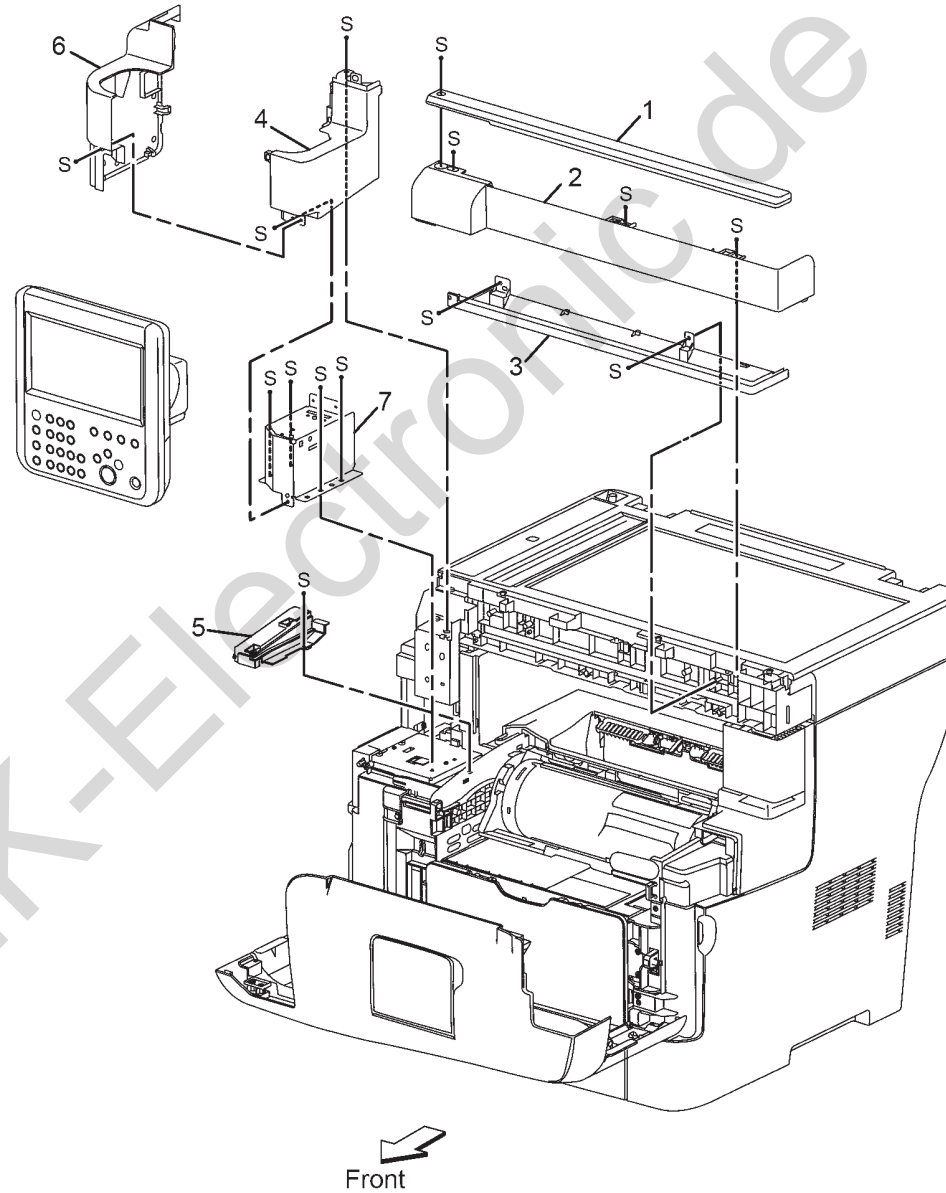
### IIT

PL 21.1 IIT/DADF .....	5-31
------------------------	------

www MK-Electronic.de

## PL 1.1 UI Base

Item	Part	Description
1	822E04720	CVR IIT Front Top
2	822E04700	CVR IIT Front
3	-	CVR IIT Front Bottom
4	822E04661	CVR UI Base Right Upper
5	-	CVR UI Base Right Bottom
6	822E04621	CVR UI Base Left
7	-	Frame Assy Neck UI

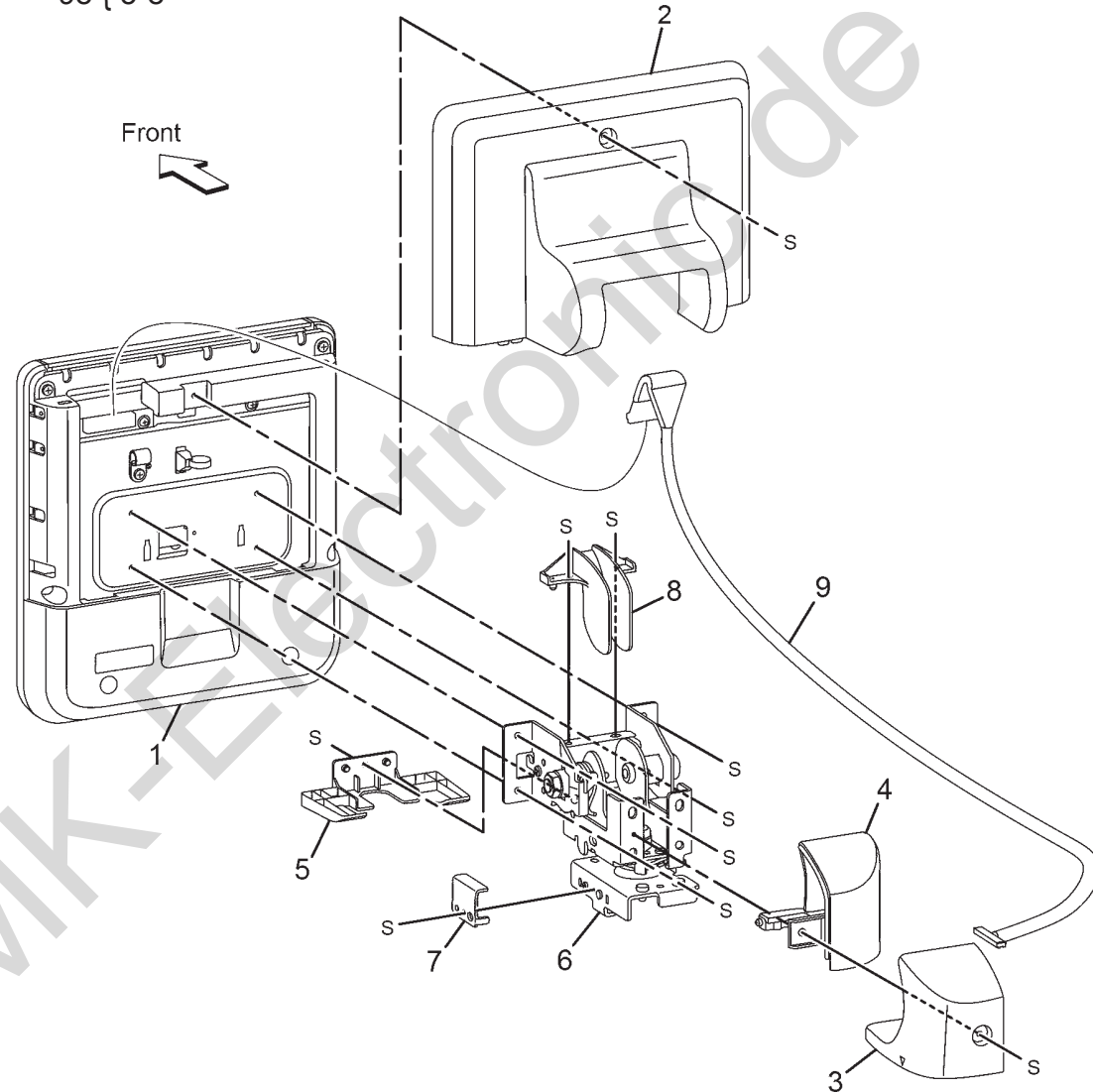


0501001A-BUR

# PL 1.2 Console UI

Item	Part	Description
1	848K91372	Console Assy UI 220v
-	848K89312	Console Assy UI 110v
2	822E09640	CVR UI Rear Upper
3	-	CVR UI Hinge Left
4	-	CVR UI Hinge Right
5	-	CVR UI Rear Lower (p/o item 98)
6	-	UI Assy Hinge Neck (p/o item 98)
7	-	UI Stopper Swivel (p/o item 98)
8	-	Guide UI Cable (p/o item 98)
9	-	UI Cable
98	604K90601	Kit UI Assy Hinge

98 { 5-8

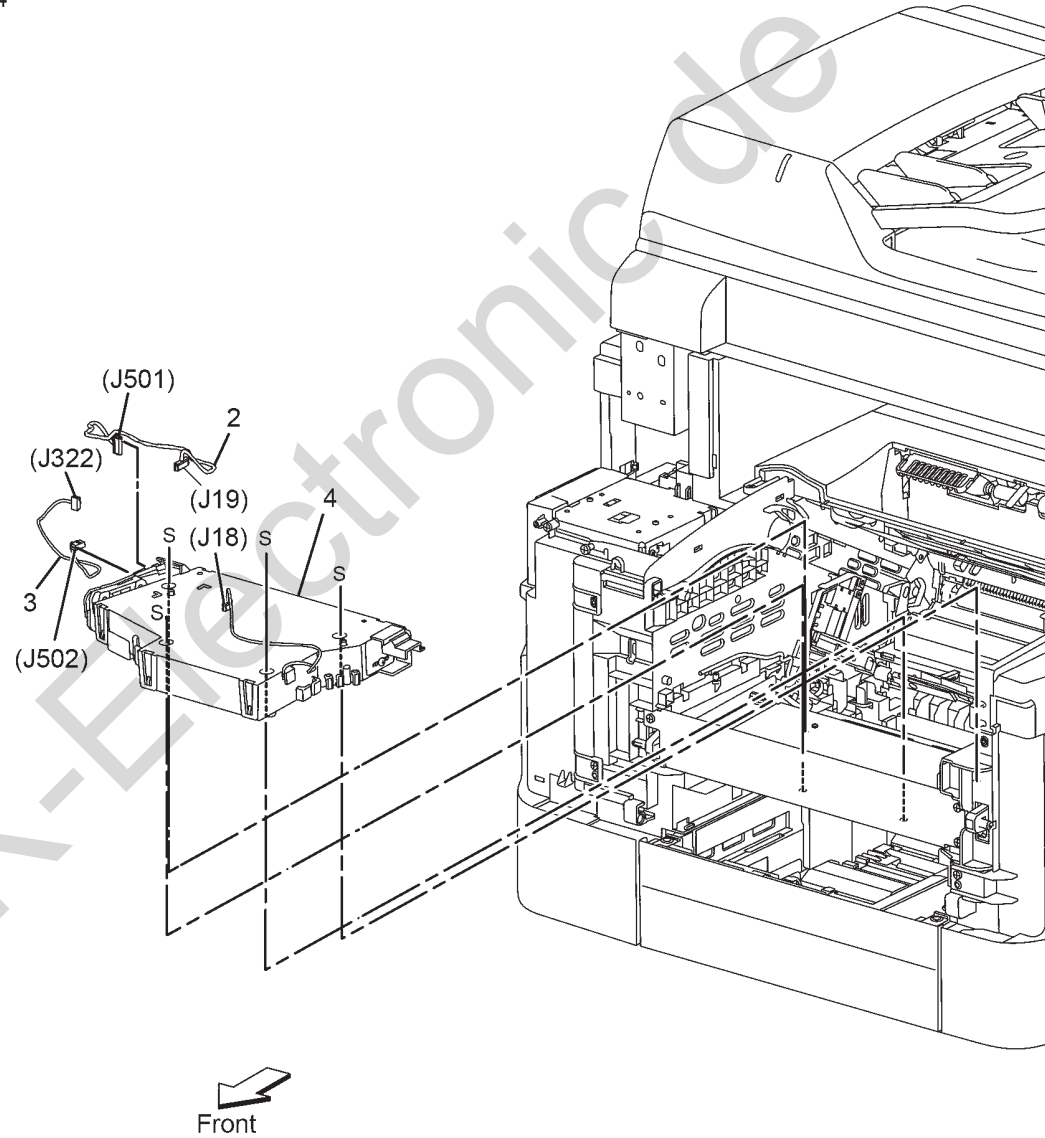


0501002A-BUR

# PL 2.1 ROS

Item	Part	Description
1	062K24263	Laser Unit (ROS)
2	-	Harness ROS-MCU
3	-	Harness Video
4	-	Laser Unit

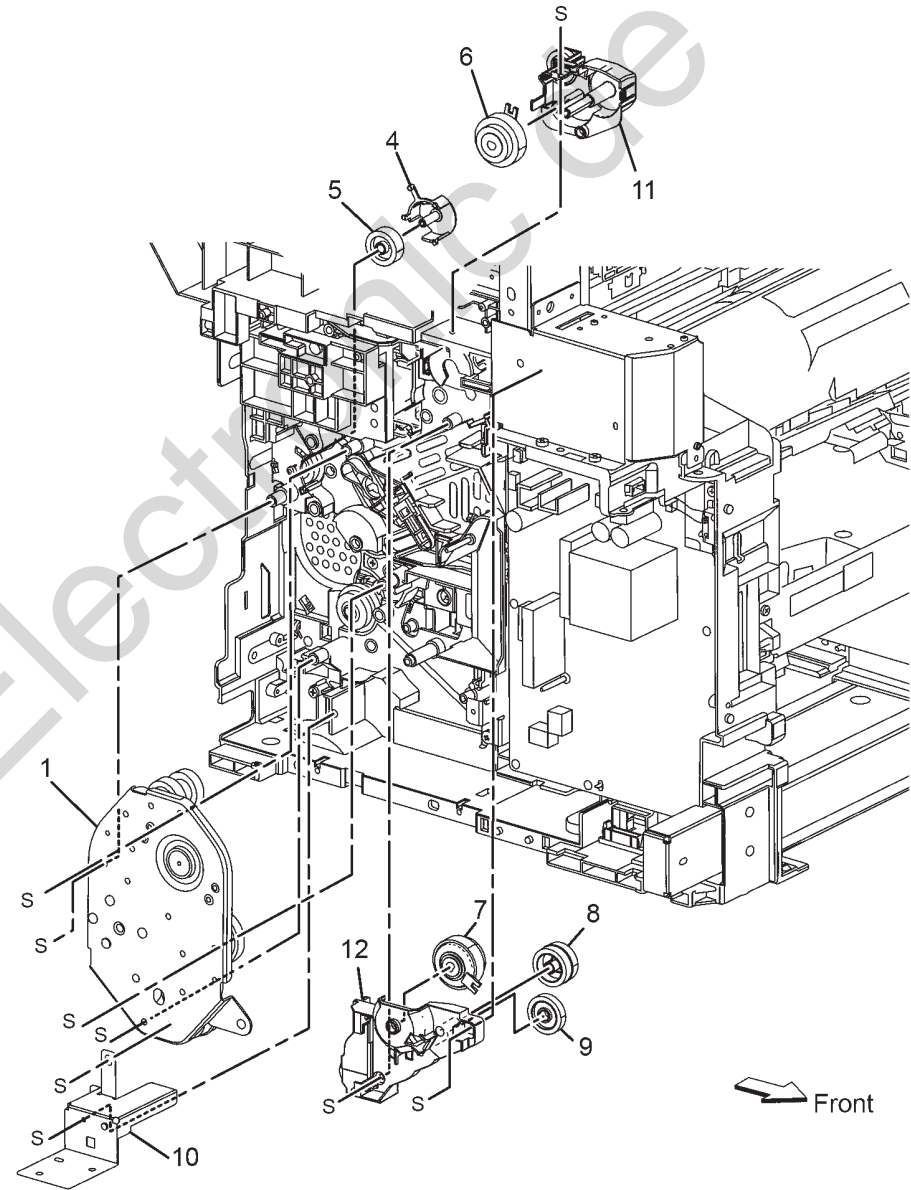
1 { 2-4



0502001A-BUR

## PL 3.1 Drive

Item	Part	Description	
1	007K20850	Drive Assembly Main (SCC)	2 { 7-9,12
2	007K18912	Holder Assembly Drive Exit Out (SCC)	3 { 6,11
3	604K80770	Holder Assembly Drive Exit In (SCC)	
4	019E83450	Holder Gear Dup	
5	-	Gear Dup In	
6	-	Clutch Assembly Exit T21 (SCC)	
7	-	Clutch Assembly Invet T24 (SCC)	
8	-	Gear E3 Z	
9	-	Gear E3	
10	-	Chassis ESS Bottom	
11	-	Exit Invert Drive Assy	
12	-	Exit Drive Assy	

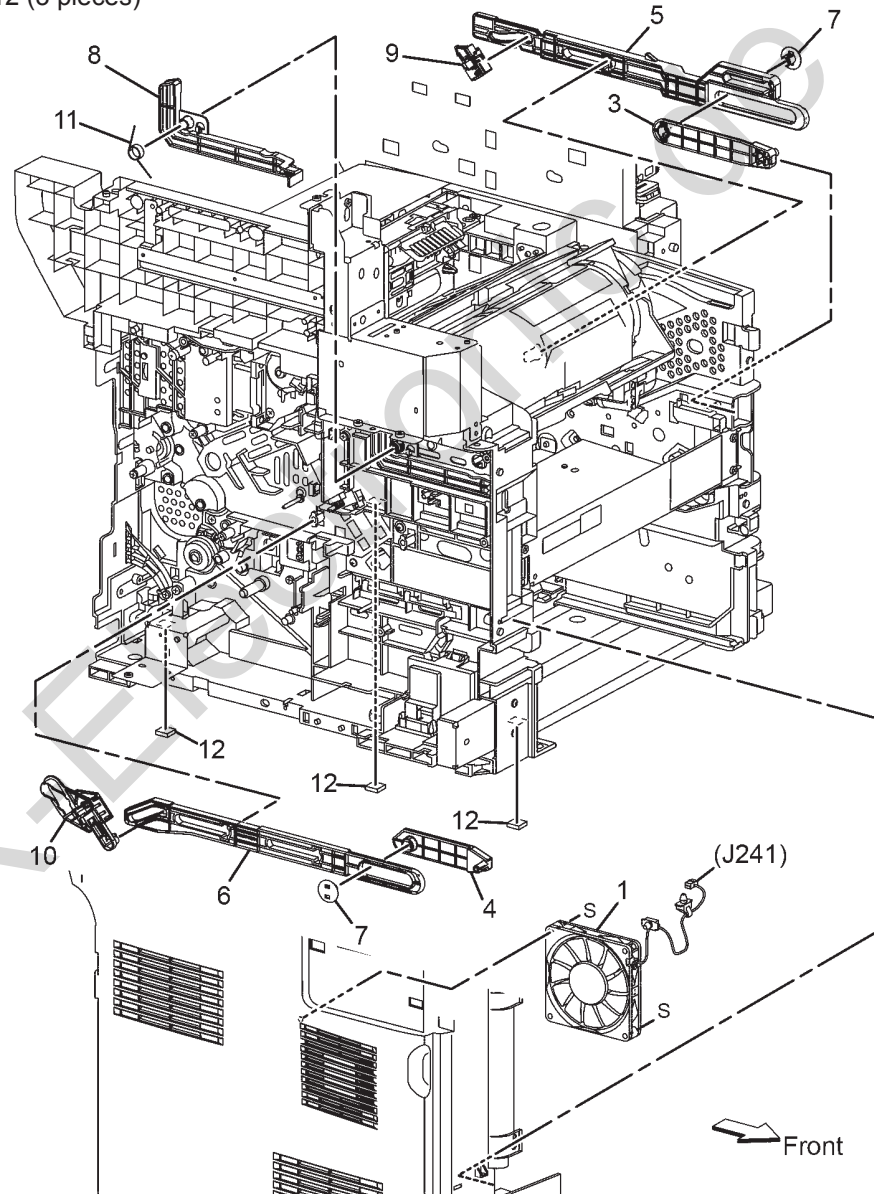


0503001A-BUR

## PL 4.1 NOHAD & Links

Item	Part	Description
1	127K72250	Fan Assembly Main (SCC)
2	-	Duct ESS
3	012E18133	Link Front Right
4	012E18143	Link Front Left
5	-	Link Shaft Right
6	-	Link Shaft Left
7	012E18172	Link Connector
8	-	Link Interlock CRU
9	-	Stopper Assembly Xero Right
10	-	Stopper Assembly Xero Left
11	-	Spring Interlock CRU
12	-	Foot (p/o item 99)
99	604K77650	Kit Foot Assy (3 pieces)

99 { 12 (3 pieces)

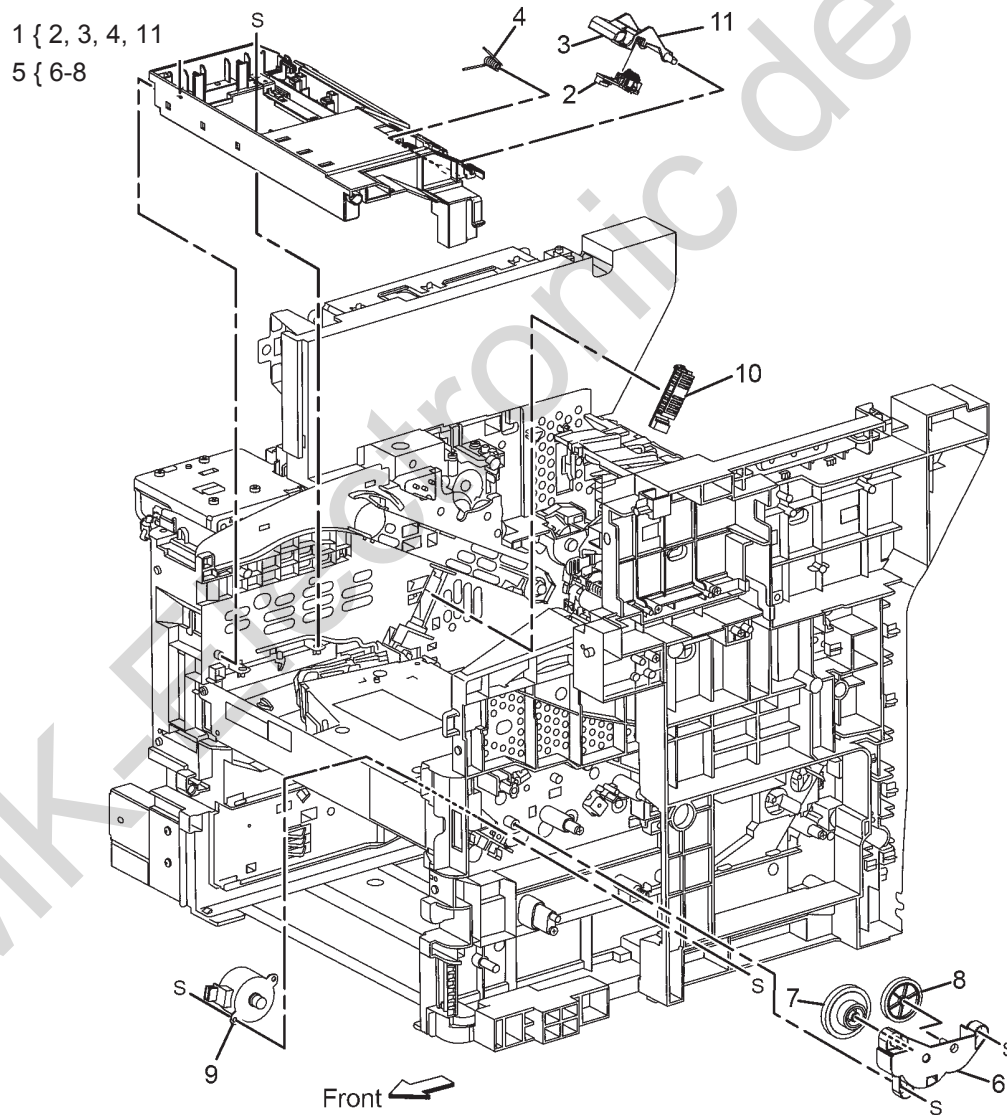


0504001A-BUR



# PL 5.1 Dispenser

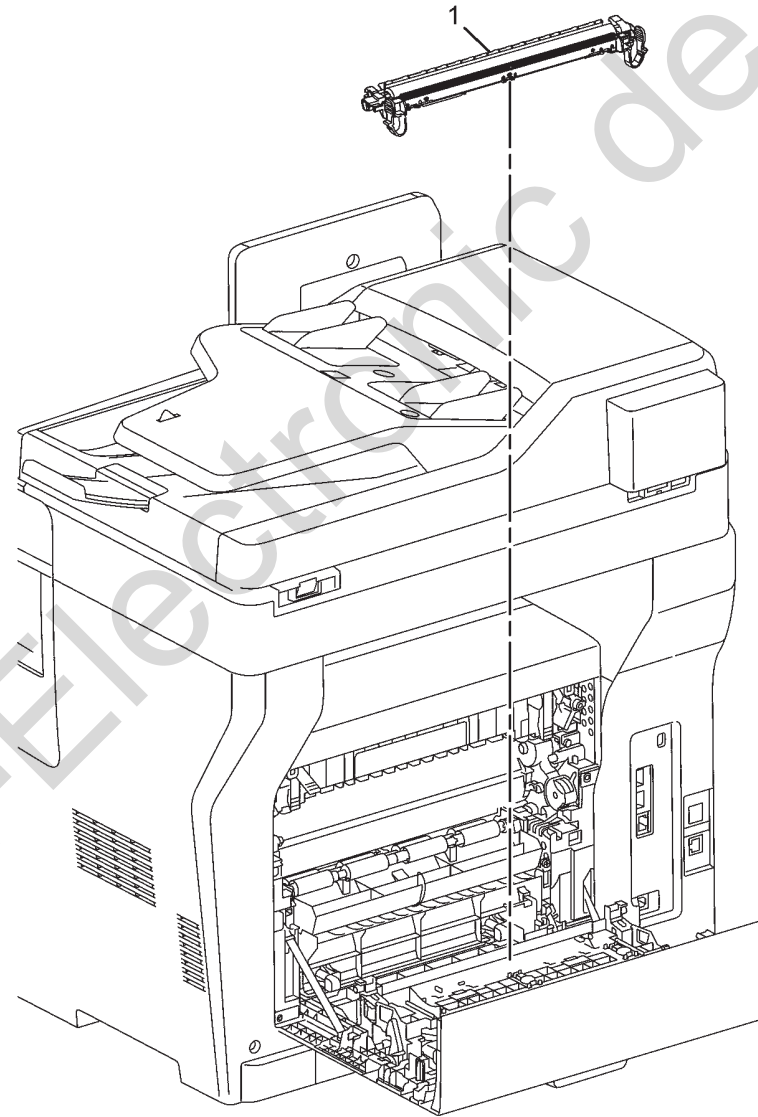
Item	Part	Description
1	604K77290	Kit CRUM Assy
2	-	Connector Assy CRUM (p/o item 1)
3	-	Housing CRUM (p/o item 1)
4	-	Spring CRUM (p/o item 1)
5	007K18413	Drive Assy Disp
6	-	(SCC) Housing Disp Drive (p/o item 5)
7	-	Gear Idler Motor (p/o item 5)
8	-	Gear Output (p/o item 5)
9	127K52160	(SCC) Motor Disp N
10	116K91040	Connector Assy, Xerographic
11	-	CRUM Assy



0505001A-BUR

# PL 6.1 Transfer

Item	Part	Description
1	059K75560	Roll Assy Trans CRU

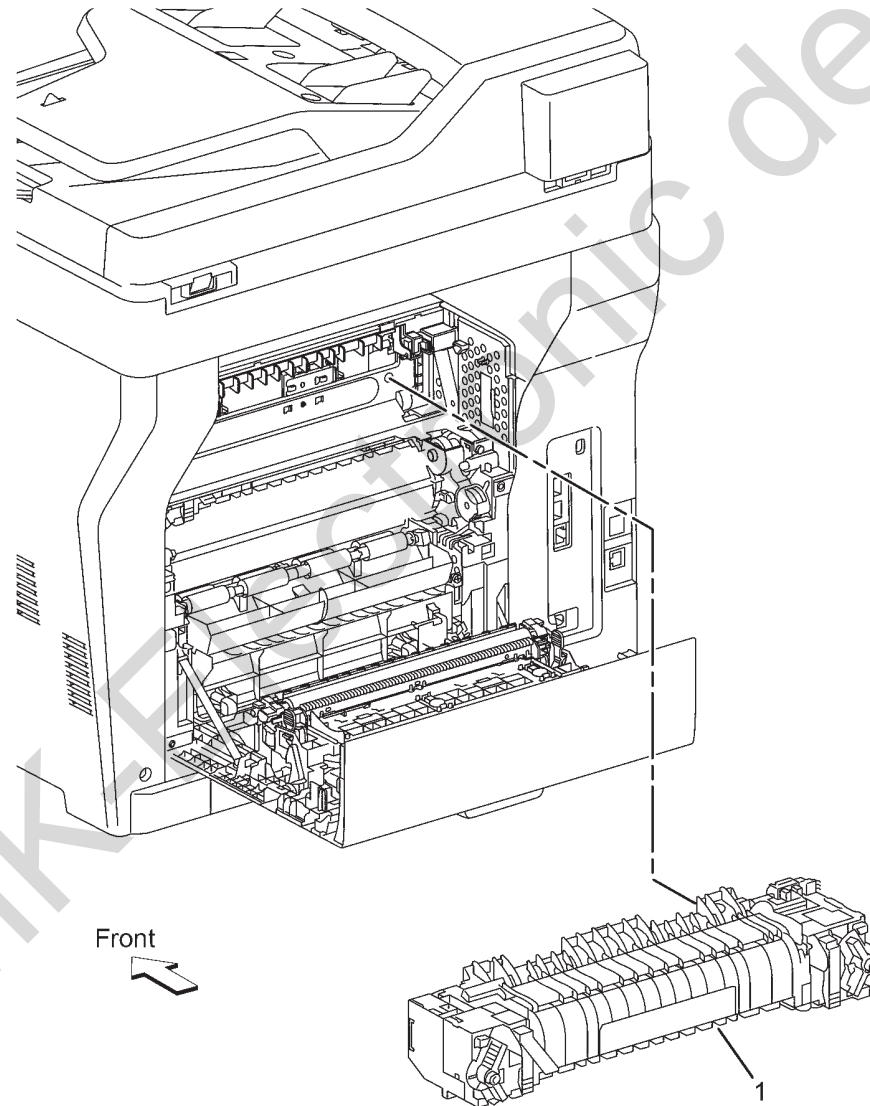


Front  
↙

0506001A-BUR

## PL 7.1 Fuser

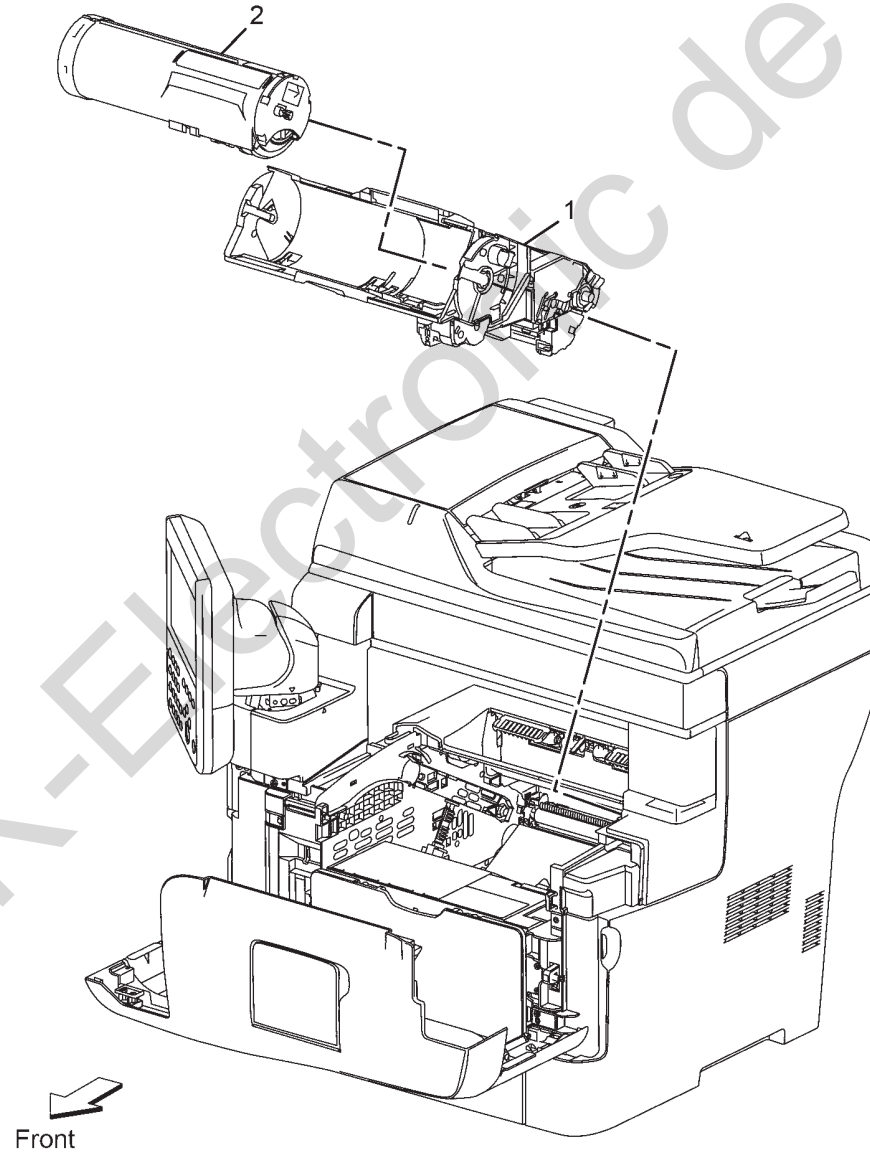
Item	Part	Description
1	126K30929	(SCC) Fusing Unit 220V
-	126K30919	(SCC) Fusing Unit 110V
	604K98010	Envelope Fuser, 110V



0507001A-BUR

## PL 8.1 Xerographics

Item	Part	Description
1	113R00773	Xero Assy
2	106R02737	Kit PKG TN XC DMO 6K
-	106R02738	Kit PKG TN XC EU/US 14K
-	106R02740	Kit PKG TN XC EU/US 25K
-	106R02741	Kit PKG TN XC DMO 25K
-	106R02742	Kit PKG TN XC WW 25K Metered
-	106R02736	Kit PKG TN XC EU/US 6K
-	106R02739	Kit PKG TN XC DMO 14K

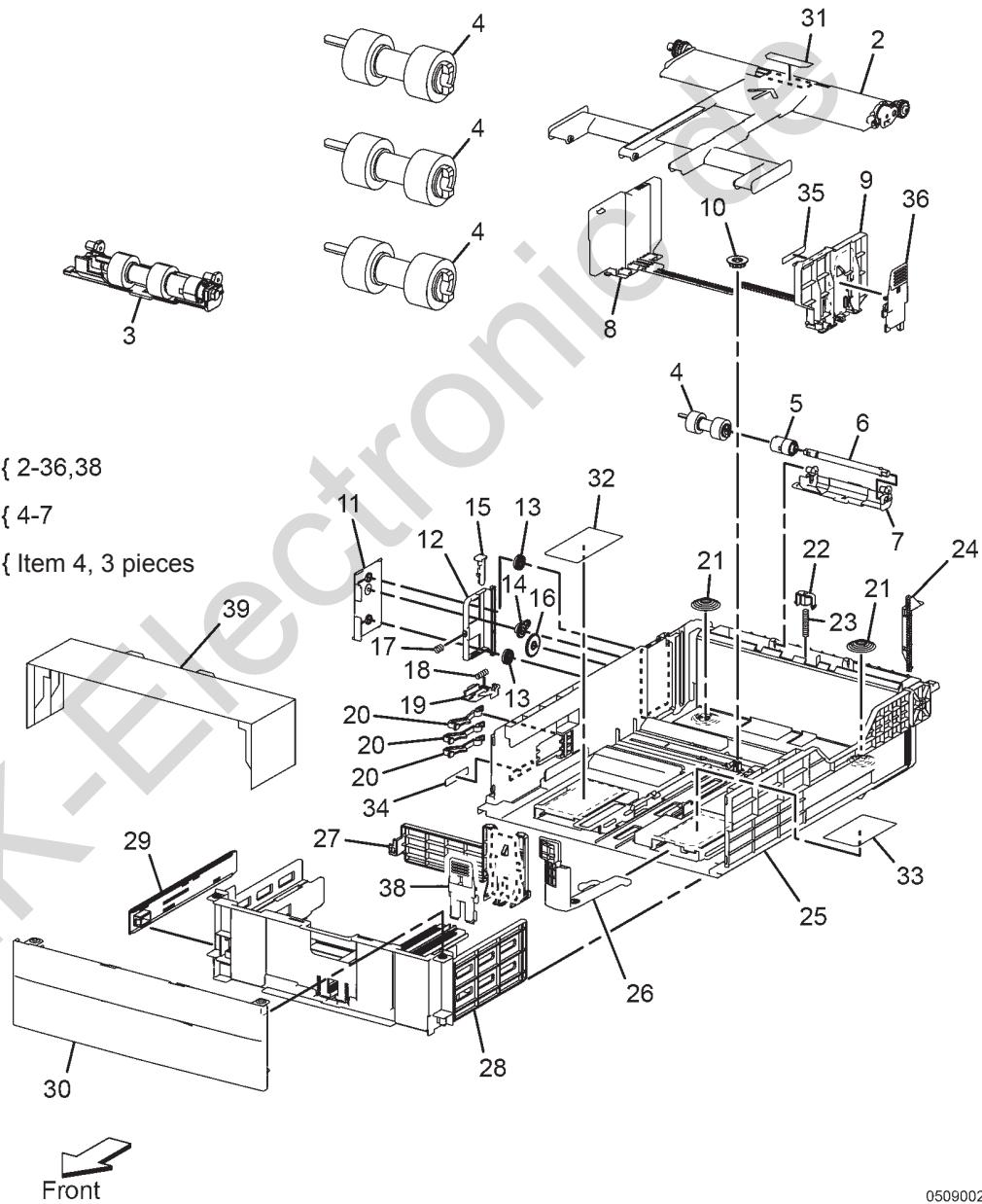


0508001A-BUR

# PL 9.2 Tray 550

Item	Part	Description
1	050K72340	Cassette Assy 550
2	-	Plate Bottom CST X
3	604K78360	Holder Assy Retard CST
4	-	Roll Assy Feed (part of 3, and part of 98)
5	-	Clutch Friction RTD Z (part of 3)
6	-	Shaft Retard CST (part of 3)
7	-	Holder Retard CST (part of 3)
8	-	Guide Assy Side R 550
9	-	Guide Assy Side L 550
10	-	Gear Pinion
11	-	Cover BTM Lock 550
12	-	Back BTM Lock 550
13	-	Gear BTM Lock Pinion
14	-	Gear Lever BTM Lock
15	-	Lever BTM Lock
16	-	Gear 40 BTM Lock
17	-	Spring BTM Lock
18	-	Spring Lock PB
19	-	Actuator Lock PB L
20	-	Actuator Size
21	-	Spring BTM Up 550 A4
22	-	Holder Spring Retard MSI
23	-	Spring Retard CST
24	-	Rack Left Up PB 550
25	-	Housing Base 550
26	-	Lever EXT End 550
27	-	Guide End 550
28	-	Housing End 550
29	-	Plate Slot Size
30	-	Handle Tray 550
31	-	Pad PB
32	-	Label-INST D
33	-	LABEL-INST AD
34	-	LABEL-TRACEABILITY TRAY 550
35	-	--
36	-	HANDLE GD SD 550
37	-	--
38	-	Handle Guide End 550
39	-	Dust Cover
98	604K11192	Kit Roll Assy Feed (Item 4, 3 pieces)

1 { 2-36,38  
 3 { 4-7  
 98 { Item 4, 3 pieces

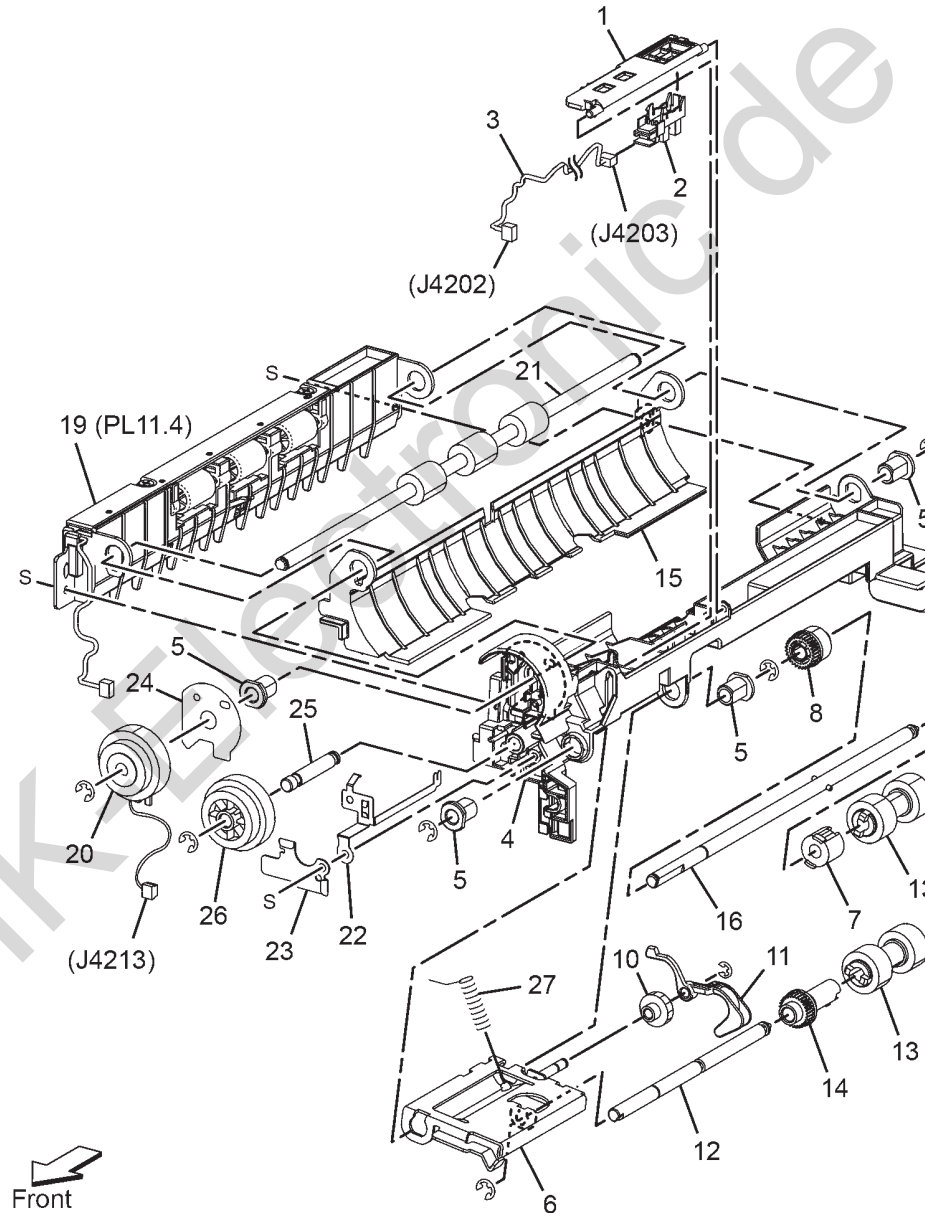


0509002A-BUR



# PL 11.2 Option Feeder 550 (2/4)

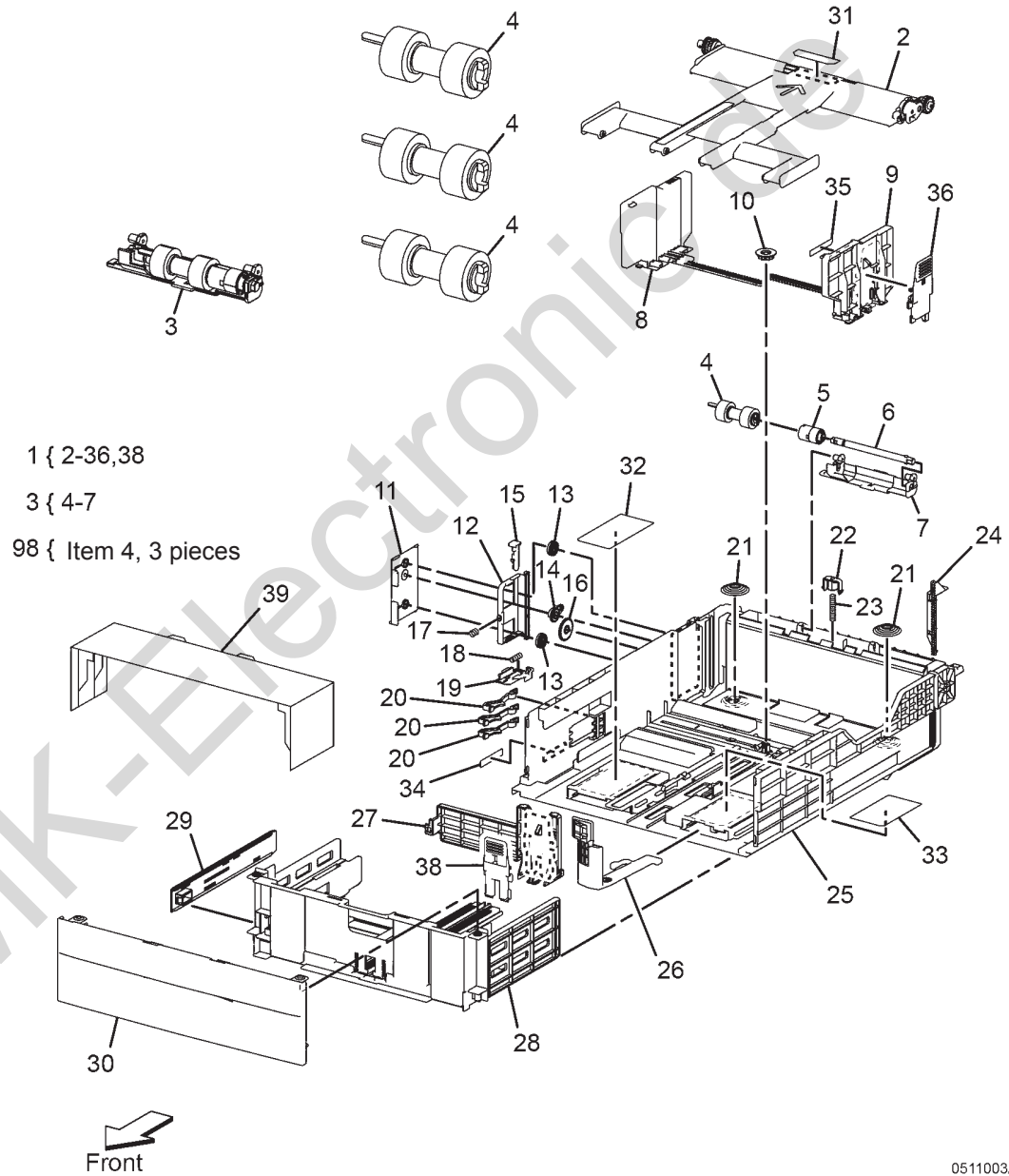
Item	Part	Description
1	-	Cover Sensor No Paper
2	930W00123	No Paper Sensor
3	-	Harness Assy OPT No paper
4	-	Chute-upper OPT 550
5	-	Bearing Nudger
6	-	Support Assy Nudger
7	-	(SCC) Clutch One way Feed
8	-	Gear Feed
9	-	--
10	-	Gear Idler Nudger
11	120E33253	Actuator No Paper
12	-	Shaft Nudger
13	-	Roll Assy Feed (see PL 11.3.98)
14	-	Gear Nudger
15	-	Chute-lower OPT 550
16	-	Shaft Assy-feed 550
17	-	--
18	-	--
19	-	Chute Assy Pinch 550 (see PL 11.4)
20	121K48670	Clutch Assy Registration
21	059K71770	Roll Assy Take Away
22	-	Plate Earth T A
23	-	Bracket Spring Nudger
24	-	Cover Harness SNS
25	-	Shaft Gear
26	-	Gear OPT Feeder 550
27	-	Spring Nudger OPT



0511002A-BUR

# PL 11.3 Option Feeder 550 (3/4)

Item	Part	Description
1	050K72340	Cassette Assy 550
2	-	Plate Bottom CST X
3	604K78360	Holder Assy Retard CST
4	-	Roll Assy Feed (part of 3, and part of 98)
5	-	Clutch Friction RTD Z (part of 3)
6	-	Shaft Retard CST (part of 3)
7	-	Holder Retard CST (part of 3)
8	-	Guide Assy Side R 550
9	-	Guide Assy Side L 550
10	-	Gear Pinion
11	-	Cover BTM Lock 550
12	-	Back BTM Lock 550
13	-	Gear BTM Lock Pinion
14	-	Gear Lever BTM Lock
15	-	Lever BTM Lock
16	-	Gear 40 BTM Lock
17	-	Spring BTM Lock
18	-	Spring Lock PB
19	-	Actuator Lock PB L
20	-	Actuator Size
21	-	Spring BTM Up 550 A4
22	-	Holder Spring Retard MSI
23	-	Spring Retard CST
24	-	Rack Left Up PB 550
25	-	Housing Base 550
26	-	Lever EXT End 550
27	-	Guide End 550
28	-	Housing End 550
29	-	Plate Slot Size
30	-	Handle Tray 550
31	-	Pad PB
32	-	Label-INST D
33	-	Label-INST AD
34	-	Label-Traceability Tray 550
35	-	--
36	-	Handle GD SD 550
37	-	--
38	-	Handle Guide End 550
39	-	Dust Cover
98	604K11192	Kit Roll Assy Feed (Item 4, 3 pieces)

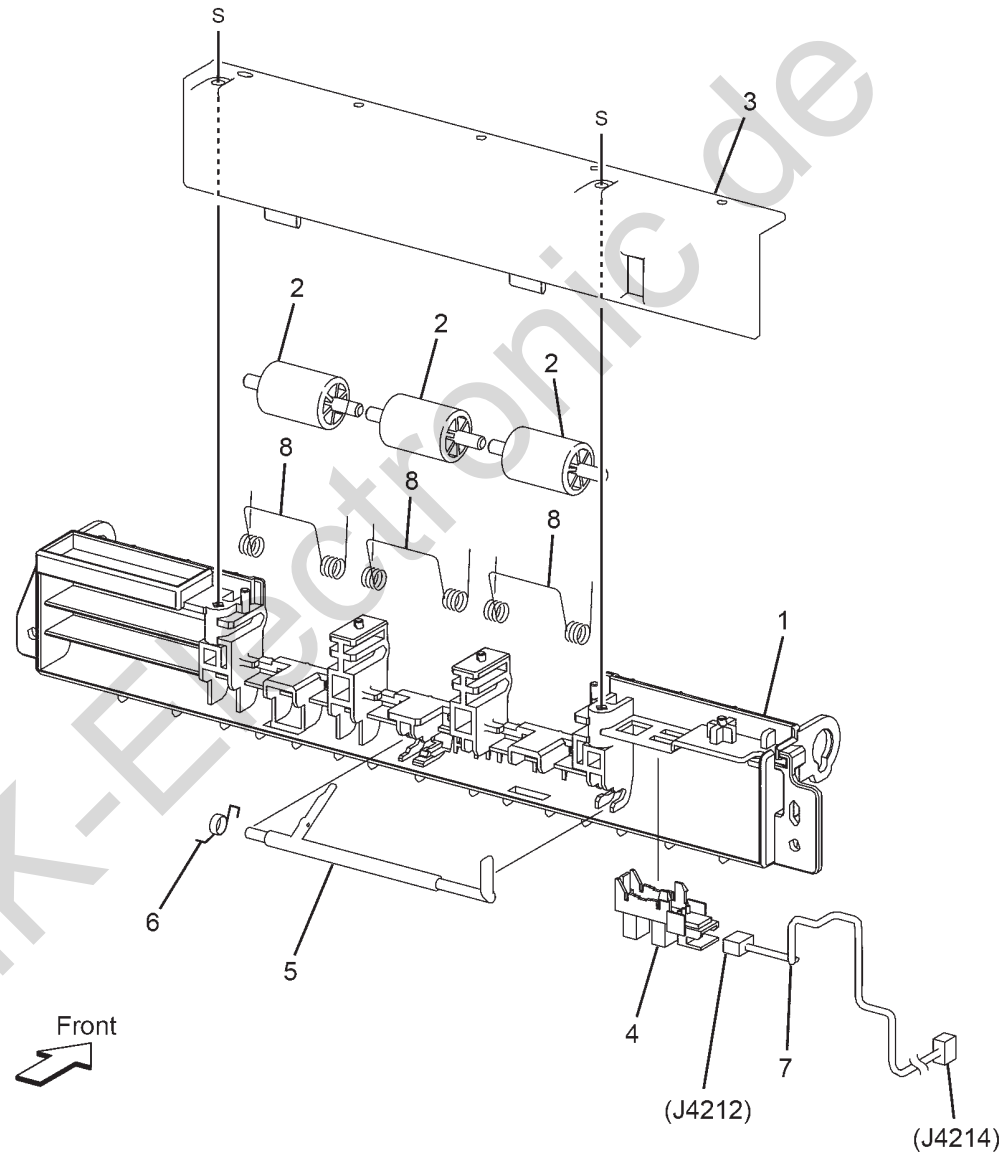


0511003A-BUR



# PL 11.4 Option Feeder 550 (4/4)

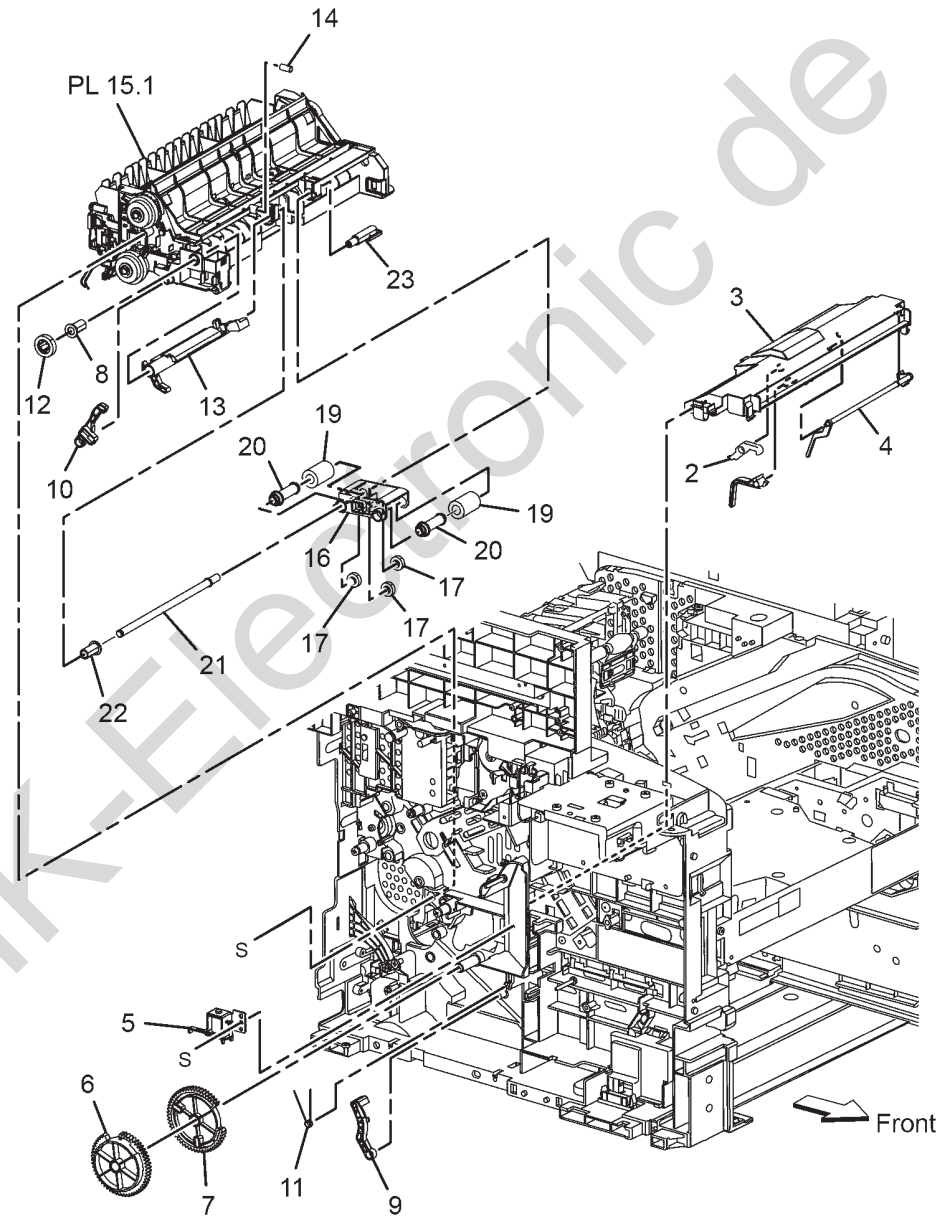
Item	Part	Description
1	-	Chute Pinch 550
2	-	Roll Pinch TA OP
3	-	Cover Chute
4	930W00123	Sensor Photo (Path Sensor)
5	-	Actuator PRE REGI
6	-	Spring Sensor PRE REGI
7	-	Harness Assy OPT REG
8	-	Spring Pinch TA OP



0511004A-BUR

# PL 13.1 MSI (1/2)

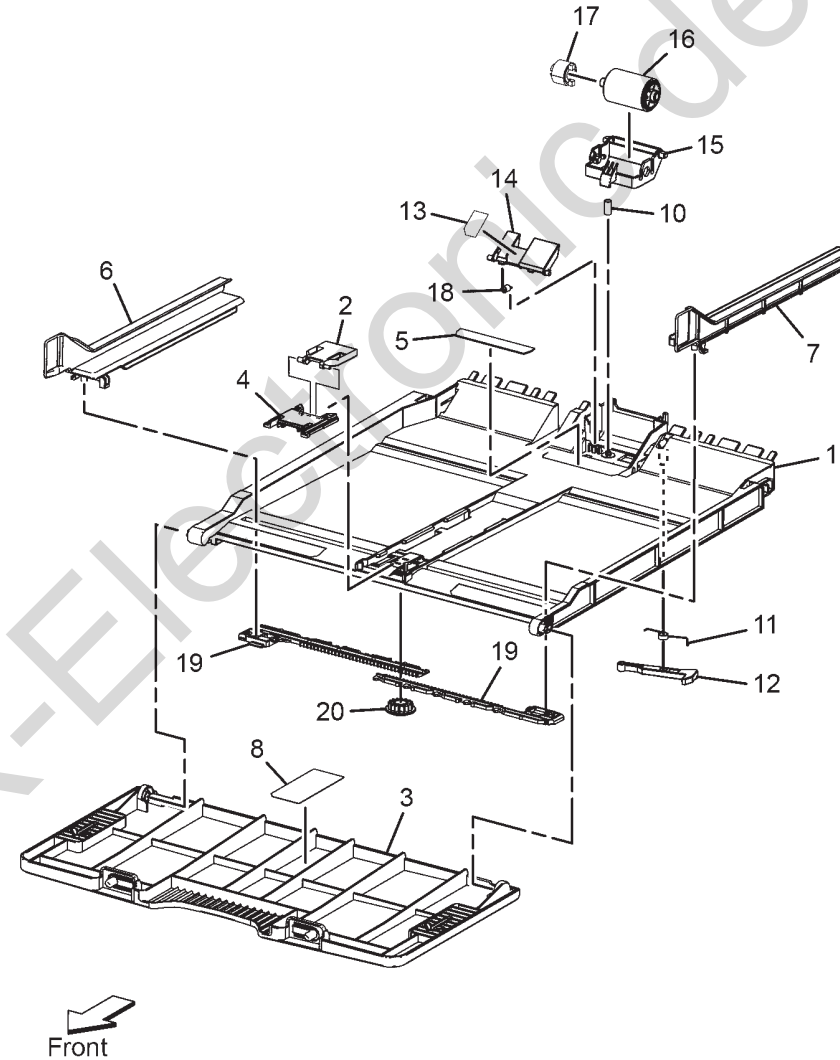
Item	Part	Description
1	801K57914	Frame Assy Top MSI
2	-	Lock MSI IN
3	-	Frame Top MSI
4	-	Actuator No Paper MSI
5	121E23570	(SCC) Solenoid Feed MSI
6	-	Gear Segment MSI 1
7	-	Gear Segment MSI 2
8	-	Bearing Feed MSI
9	-	Arm Lifter MSI
10	-	Stopper Lifter MSI
11	-	Spring Feed MSI
12	-	Gear Feed MSI
13	-	Lever Lifter MSI
14	-	Spring NF MSI
15	059K78790	Holder Assy Pick Up
16	-	Holder Pick Up
17	-	Gear Idler Feeder
18	-	Roll Assy Feed
19	-	Roll Rubber
20	-	Core Roll
21	-	Shaft Feed MSI
22	-	Bearing Feed MSI
23	-	Flange Pick Up



0513001A-BUR

# PL 13.2 MSI (2/2)

Item	Part	Description
1	-	Tray Base MSI
2	-	Guide End MSI
3	-	Cover MSI
4	-	Holder-End MSII
5	-	Pad MSI
6	-	Guide-Side MSI L
7	-	Guide-Side MSI R
8	-	--
9	-	--
10	-	Spring-Retard Roll (part of 98)
11	-	Spring-Stopper Sheet 150
12	-	Lock-Sheet 150
13	-	Guide-Retard MSI Mylar
14	-	Stopper-Sheet 150
15	-	Holder-Retard Roll (part of 98)
16	-	Roll Assy-Retard Roll (part of 98)
17	-	Clutch Assy Friction (part of 98)
18	-	Spring-MSI Paper Stopper Mid
19	-	Rack Guide Side
20	-	Gear Pinion
96	-	--
98	604K78370	Kit Retard Roll MSI Assy
99	050K72540	Tray Assy MSI (ACO)

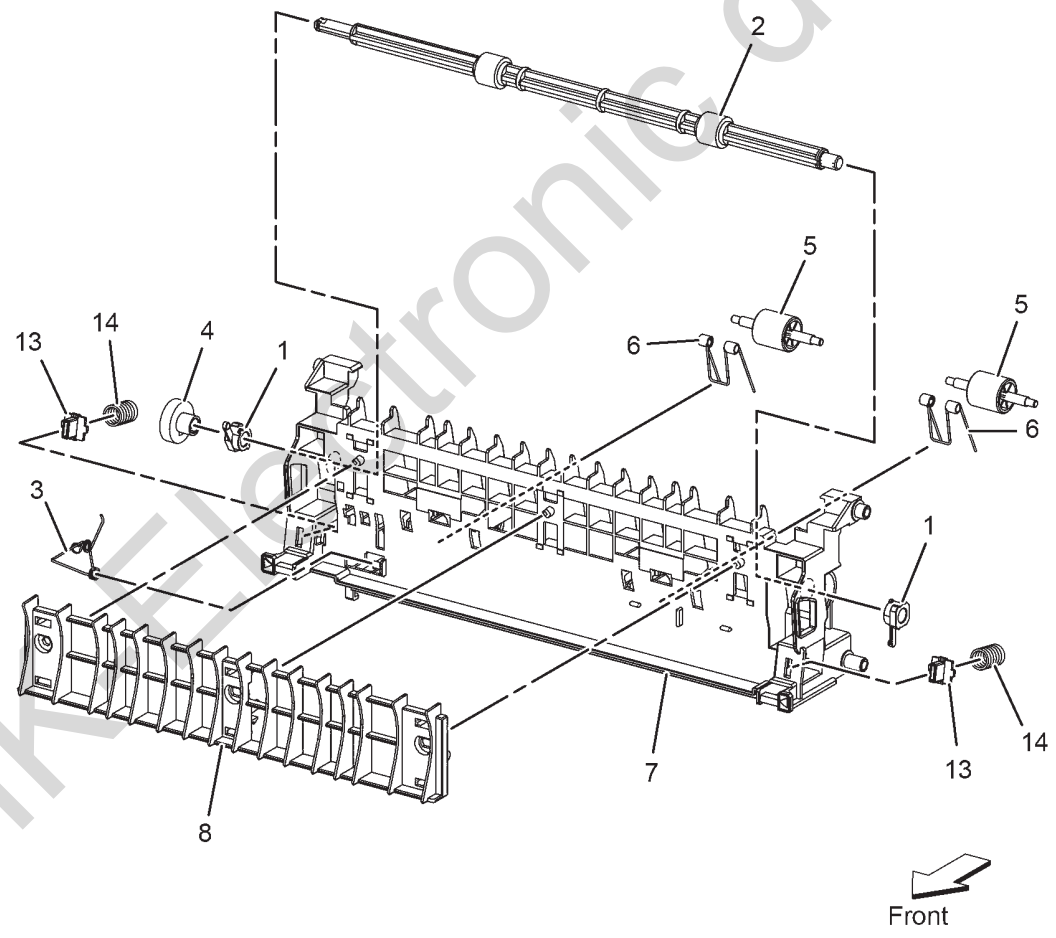


0513002A-BUR

# PL 14.1 Duplex Chute

Item	Part	Description
1	-	Bearing DUP
2	059K74750	Roll Assy DUP
3	-	Spring Earth DTS
4	-	Gear DUP
5	-	Roll Pinch DUP
6	-	Spring Pinch DUP
7	-	Chute DUP IN
8	-	Chute TRANS
9	-	--
10	-	--
11	-	--
12	054K48100	Chute Assy-DUP
13	-	Cap-Spring BTR
14	-	Spring-BTR

12 { 1-8, 13, 14

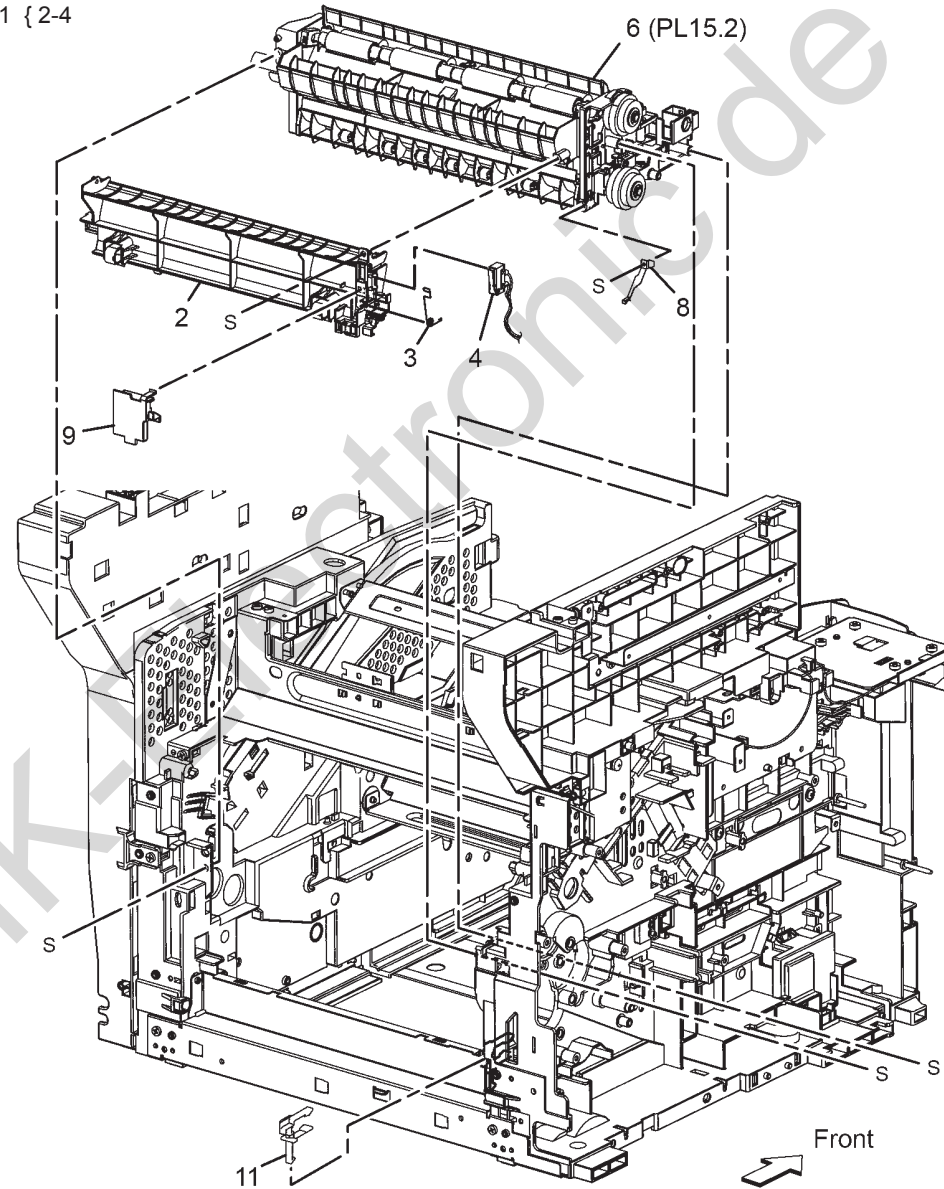


0514001A-BUR

# PL 15.1 Registration (1/3)

Item	Part	Description
1	604K85750	Kit SW Assy I/L Rear
2	-	Chute DUP Lower
3	-	Spring WC IL
4	-	(SCC) Harness Assy Interlink
5	-	Spring Interlock
6	059K79334	(SCC) Transport Assy-Regi FDR (PL 15.2)
7	-	Lock Tray
8	-	Plate Earth REGI OUT ZA
9	-	Holder-Connector Rear Fan
10	-	--
11	803E13351	Stopper CST ZA S3

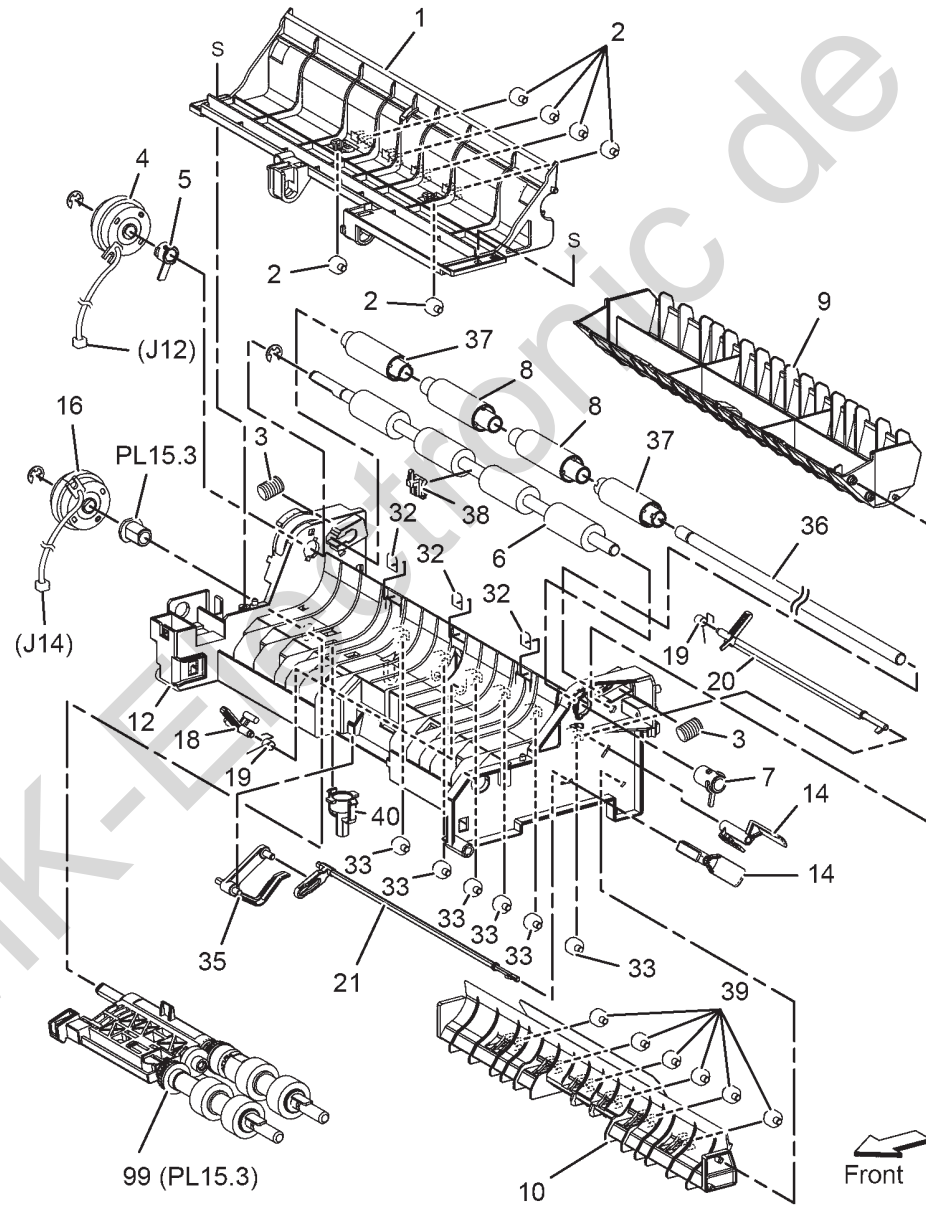
1 { 2-4



0515001A-BUR

# PL 15.2 Registration (2/3)

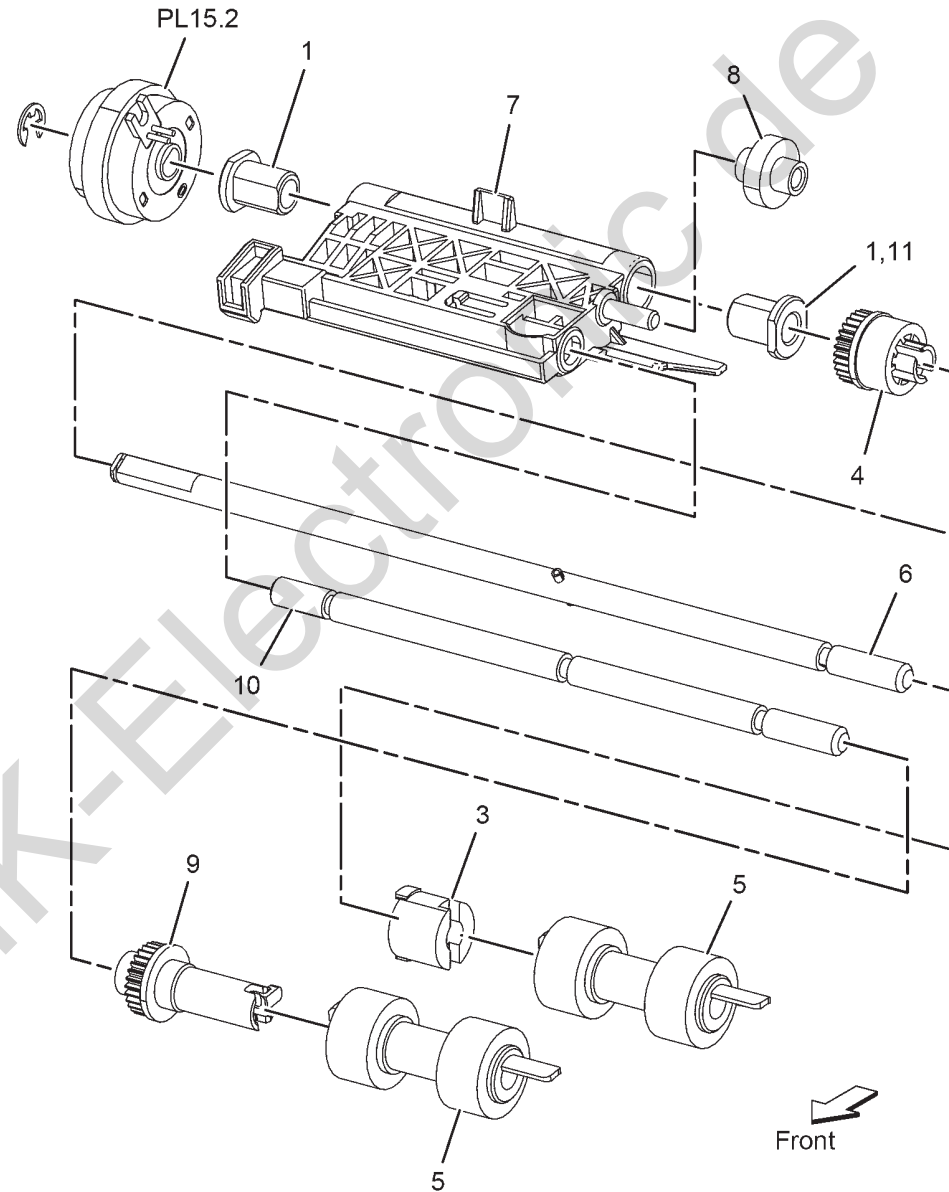
Item	Part	Description
1	--	Chute REGI IN
2	--	Roll Support 2
3	--	Spring REGI
4	121K51870	(SCC) REGI. Clutch
5	--	Bearing REGI Earth ZA
6	059K74580	Roll Assy Rubber ZA
7	--	Bearing REGI R
8	--	Roll Assy REGI Pinch
9	--	Chute REGI OUT
10	--	Chute Feed Lower MID
11	--	--
12	--	Chute REGI
13	--	--
14	055E60433	Shutter Sensor REGI
15	--	--
16	121K51880	(SCC) CST Feed Clutch
17	--	--
18	--	Actuator REGI MSI
19	--	Spring Actuator REGI ZA
20	--	Actuator REGI
21	--	Actuator No Paper Tray
32	--	Guide Chute
33	--	Roll Support 2
34	--	Bracket Nudger AD (LOW)
35	--	Actuator No Paper Tray M B
36	--	Shaft REGI Pinch
37	--	Roll REGI Pinch
38	--	Bearing REGI CTR
39	--	Roll Support 2
40	--	Bracket Nudger D
41	--	--
99	--	Kit Feeder Assy (see PL 15.3)



0515002A-BUR

### PL 15.3 Registration (3/3)

Item	Part	Description
1	-	Bearing Nudger
2	-	Feeder Assy
3	-	Gear Feed
4	-	Clutch One Way Feed
5	604K11192	Roll Assy Feed
6	-	Shaft Assy Feed
7	-	Plate Nudger
8	-	Gear Idler Nudger
9	-	Gear Nudger TI
10	-	Shaft Nudger ZA
11	-	Bearing Nudger D

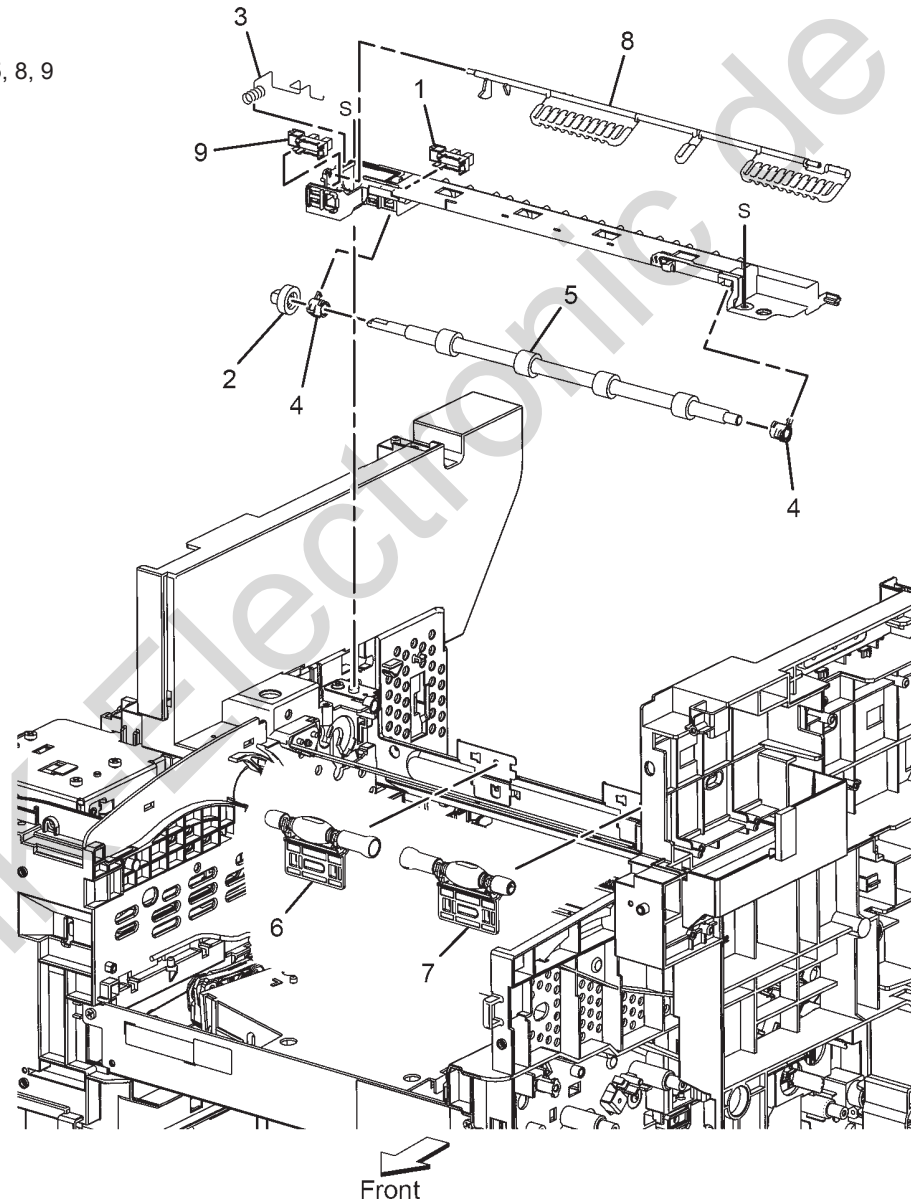


0515003A-BUR

## PL 17.1 Exit

Item	Part	Description
1	930W00123	Exit Sensor
2	-	Gear Exit
3	-	Spring Earth Sensor
4	-	Bearing Exit
5	059K79430	Roll Assy Exit
6	604K77510	Kit Pinch Assy L
7	604K77520	Kit Pinch Assy R
8	-	Actuator Full Stack
9	-	Full Stack Sensor
99	054K48380	Chute Assy Exit

99 { 1-5, 8, 9



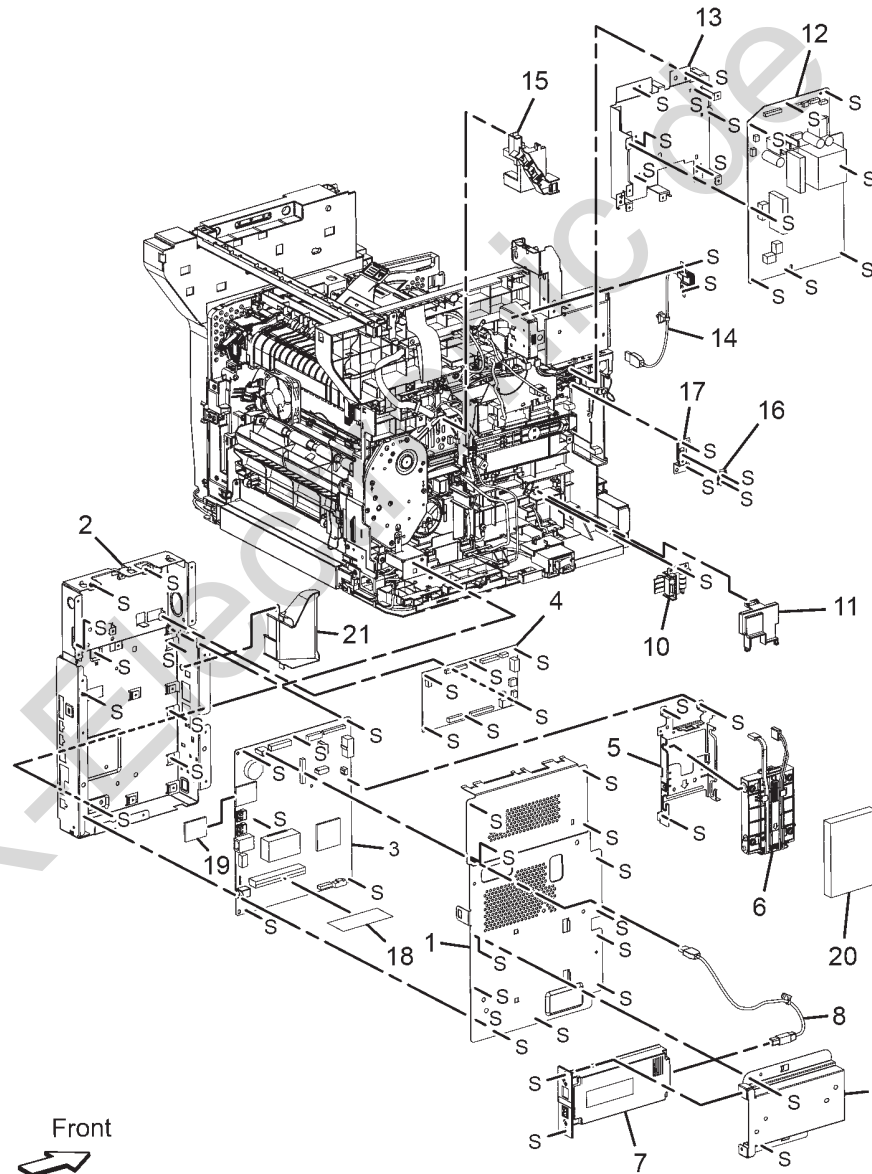
0517001A-BUR



# PL 18.1 Electrical (1/4)

Item	Part	Description
1	-	Plate Window ESS IIT MCU
2	-	Box ESS IIT MCU
3	604K90920	IP Board Kit (REP18.1.98)
4	960K74900	(SCC) IIT MCU Board
5	-	Bracket HDD
6	-	Chassis HDD
7	084K42800	Fax Board
8	-	Cable Fax
9	-	Bracket Fax
10	110K16610	SW Assy Size 550
11	-	CVR Sensor Size
12	105K31920	(SCC) LVPS 220v
-	105K31910	(SCC) LVPS 110v
13	-	Plate LVPS
14	952K17171	Side USB Assy
15	-	Guide Harness Fusing
16	-	SW Assy I/L
17	-	Bracket I/L
18	133K27490	RAM Memory
19	604K90940	SD Card (REP 18.1.96)
20	604K90931	HDD (REP 18.1.97)
21	-	Plate Assy ESS IIT-MCU

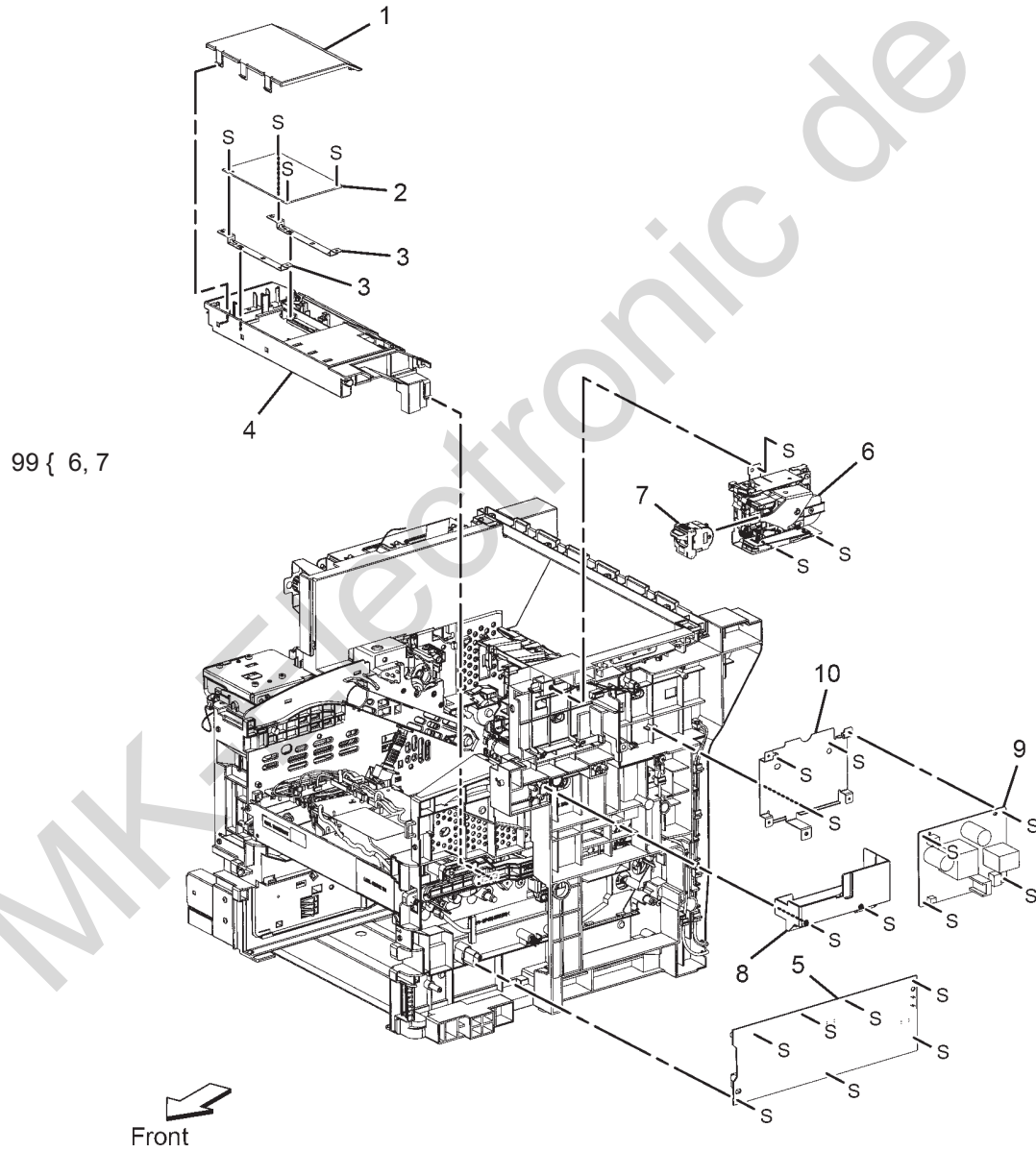
Note: If the Wireless Print Kit is defective, Sales will need to order a replacement. 497K11500



0518001A-BUR

# PL 18.2 Electrical (2/4)

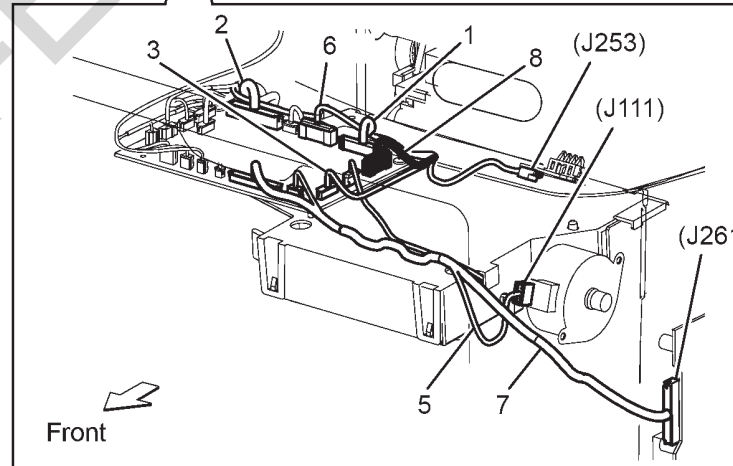
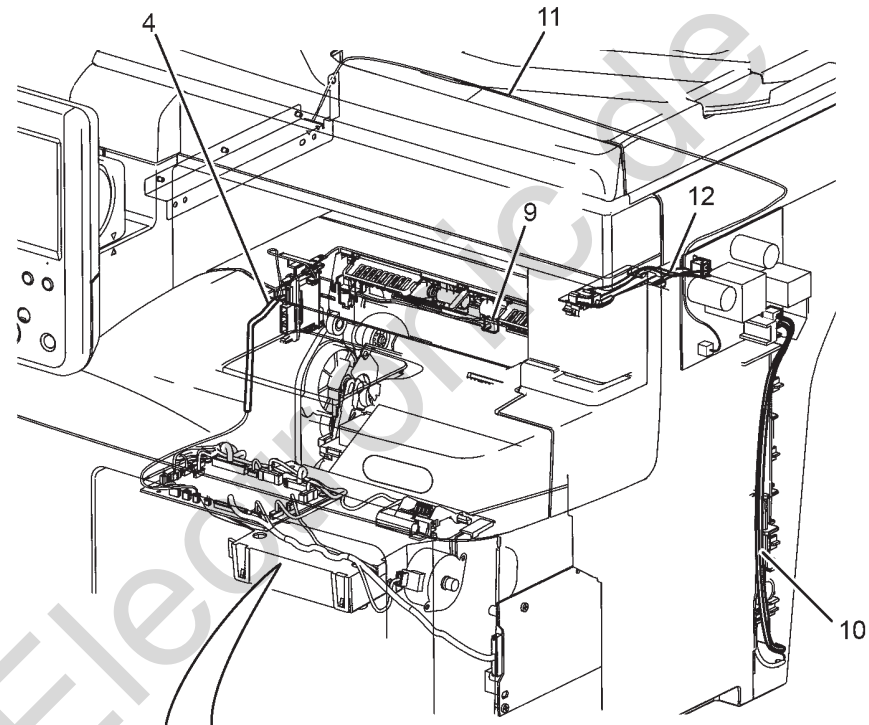
Item	Part	Description
1	-	CVR MCU
2	960K74850	(SCC) MCU Board
3	-	Bracket MCU
4	-	Housing MCU
5	105K30954	(SCC) HVPS
6	-	Stapler Assy (p/o item 99)
7	-	Stapler Cartridge (p/o item 99)
8	-	Housing Stapler
9	105K31920	(SCC) PWBA Stapler LVPS 220v
10	105K31930	(SCC) PWBA Stapler LVPS 110v
11	-	Plate Sub LVPS
99	604K90550	Kit Stapler Assy



0518002A-BUR

### PL 18.3 Electrical (3/3)

Item	Part	Description
1	-	(SCC) Harness Assy MCU-ESS
2	-	(SCC) Harness Assy MCU-LVPS
3	-	(SCC) Harness Assy MCU 24V
4	-	(SCC) Harness Assy MCU-Fusing100
5	-	(SCC) Harness Assy MCU-DISP MOT
6	-	(SCC) Harness Assy MCU-XERO CRUM
7	-	(SCC) Harness Assy MCU-HVPS
8	-	(SCC) Harness Assy MCU-ROS
9	-	(SCC) Harness Assy LVPS-Drawer 100
10	-	(SCC) Harness Assy SubLV-LVPS
11	-	(SCC) Harness Assy SubLV-IITmcu
12	-	(SCC) Harness Assy SubLV-Stapler Assy
13	-	(SCC) Harness Assy LVPS-Drawer 200
14	-	(SCC) Harness Assy MCU-Fusing200

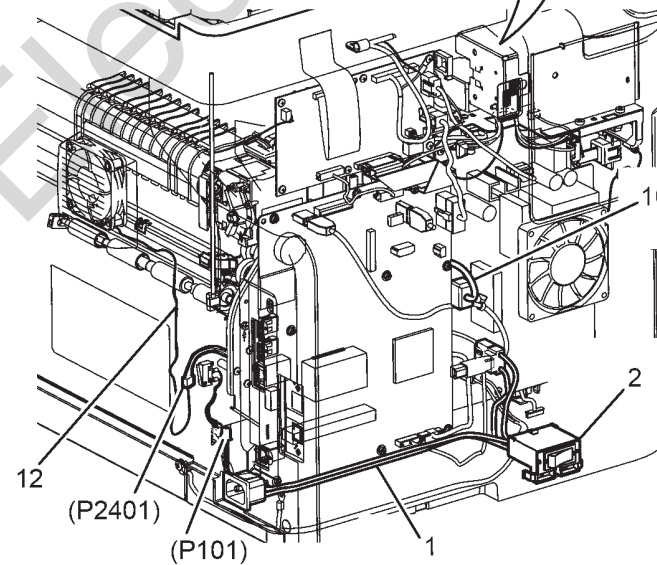
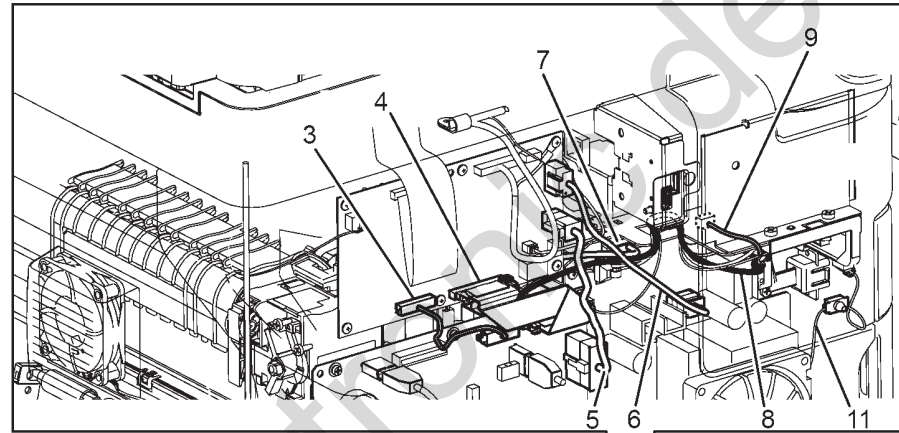


0518003A-BUR

## PL 18.4 Electrical (4/4)

Item	Part	Description
1	-	(SCC) Harness Assy INLET 100
2	-	Bracket Switch
3	-	(SCC) Harness Assy IIT MCU-ESS
4	-	(SCC) Flat Cable IIT MCU-ESS
5	-	(SCC) Harness Assy IIT MCU-ESS 2
6	-	(SCC) Harness Assy IIT MCU-LVPS
7	-	(SCC) Harness Assy ESS-LVPS
8	-	(SCC) Harness Assy LVPS-I/L SW - Front
9	-	- (SCC) Harness Assy LVPS-I/L SW - Rear
10	-	(SCC) Harness Assy LVPS-Fusing 100
11	-	(SCC) Harness Assy LVPS-Fan Main
12	-	(SCC) Harness Assy LVPS-Fan Rear
13	-	(SCC) Harness Assy INLET 200
14	-	(SCC) Harness Assy LVPS-Fusing 200
98	-	(SCC) KIT AC Inlet 220V
99	-	(SCC) KIT AC Inlet 110V

99 { 1,2

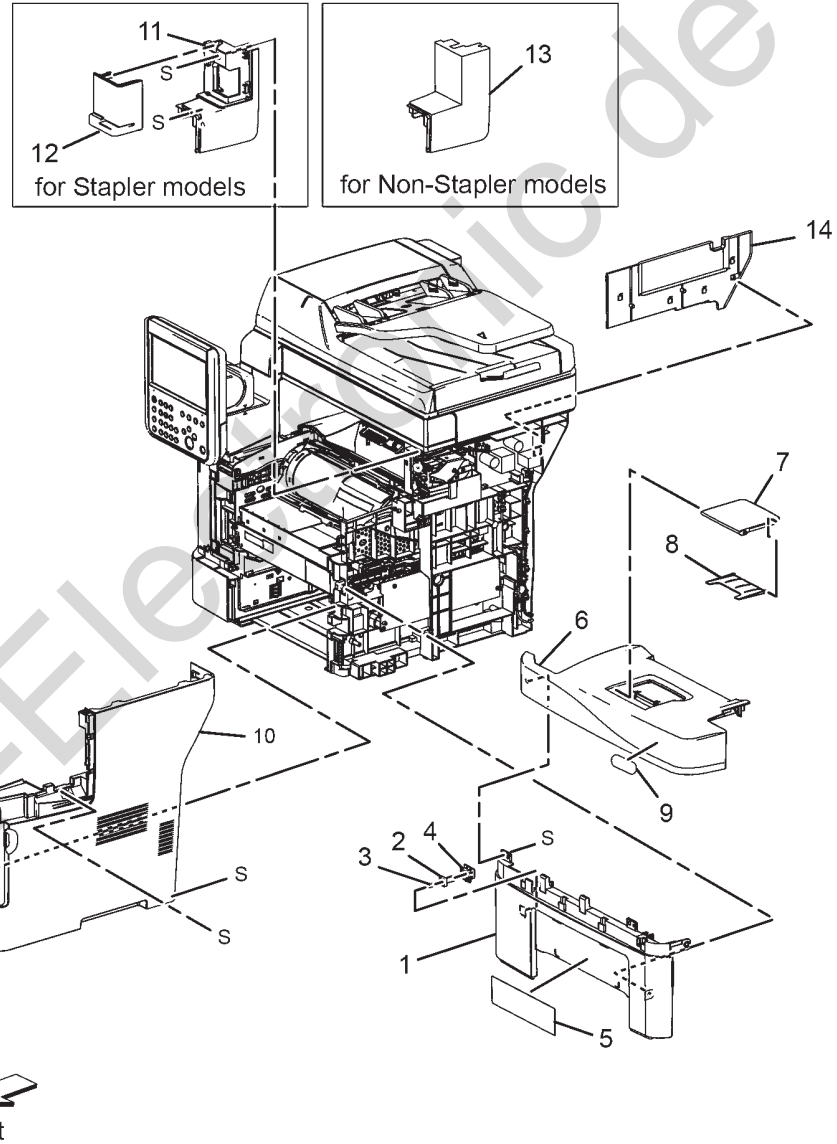


0518004A-BUR

# PL 19.1 Covers (1/3)

Item	Part	Description
1	-	CVR Front
2	-	Actuator Interlock
3	-	Spring Interlock
4	-	Holder Interlock
5	-	Label MSI Instruction
6	-	CVR Front Top
7	-	CVR Extension
8	-	CVR Extension 2nd
9	-	Plate Assy Logo XC
10	822E04811	CVR Side Right
11	822E04872	CVR Stapler
12	822E04891	CVR Window Stapler
13	822E04851	CVR Side Right Out
14	-	CVR Side Right Inner
96	604K90570	Kit CVR Assy Front
97	604K90580	Kit CVR Assy Front Top
99	604K85900	Kit CVR Assy Extension

96 { 1-5  
97 { 6, 9  
99 { 7, 8

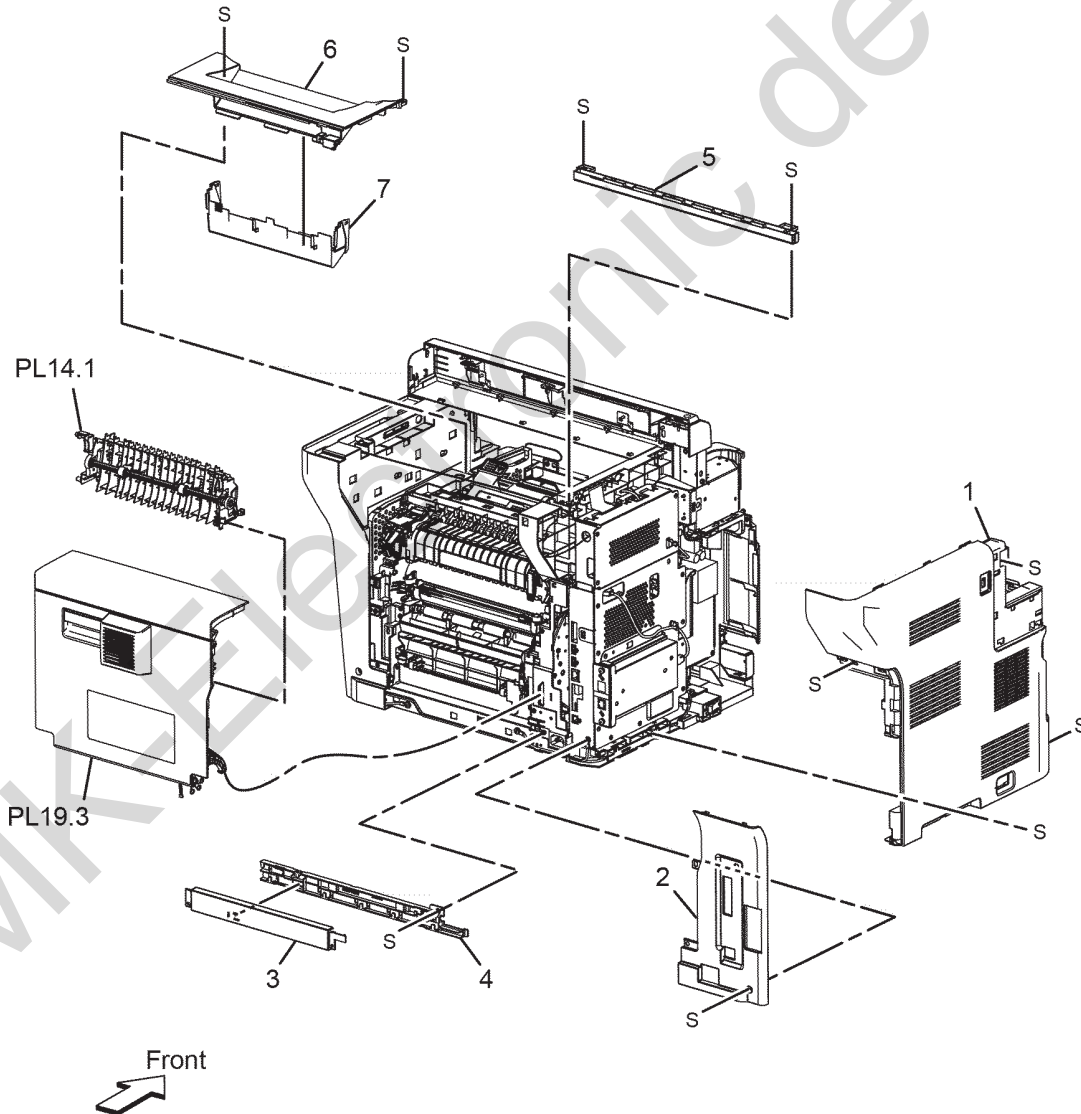


0519001A-BUR

## PL 19.2 Covers (2/3)

Item	Part	Description
1	822E04641	CVR Side Left
2	822E04651	CVR Side Left Rear
3	822E08260	CVR Rear Under
4	-	Guide Harness Under Rear
5	032E43511	Guide Harness SubLV
6	-	CVR Exit Top
7	-	CVR Exit
99	848K62912	Kit CVR Assy Exit

99 { 6, 7

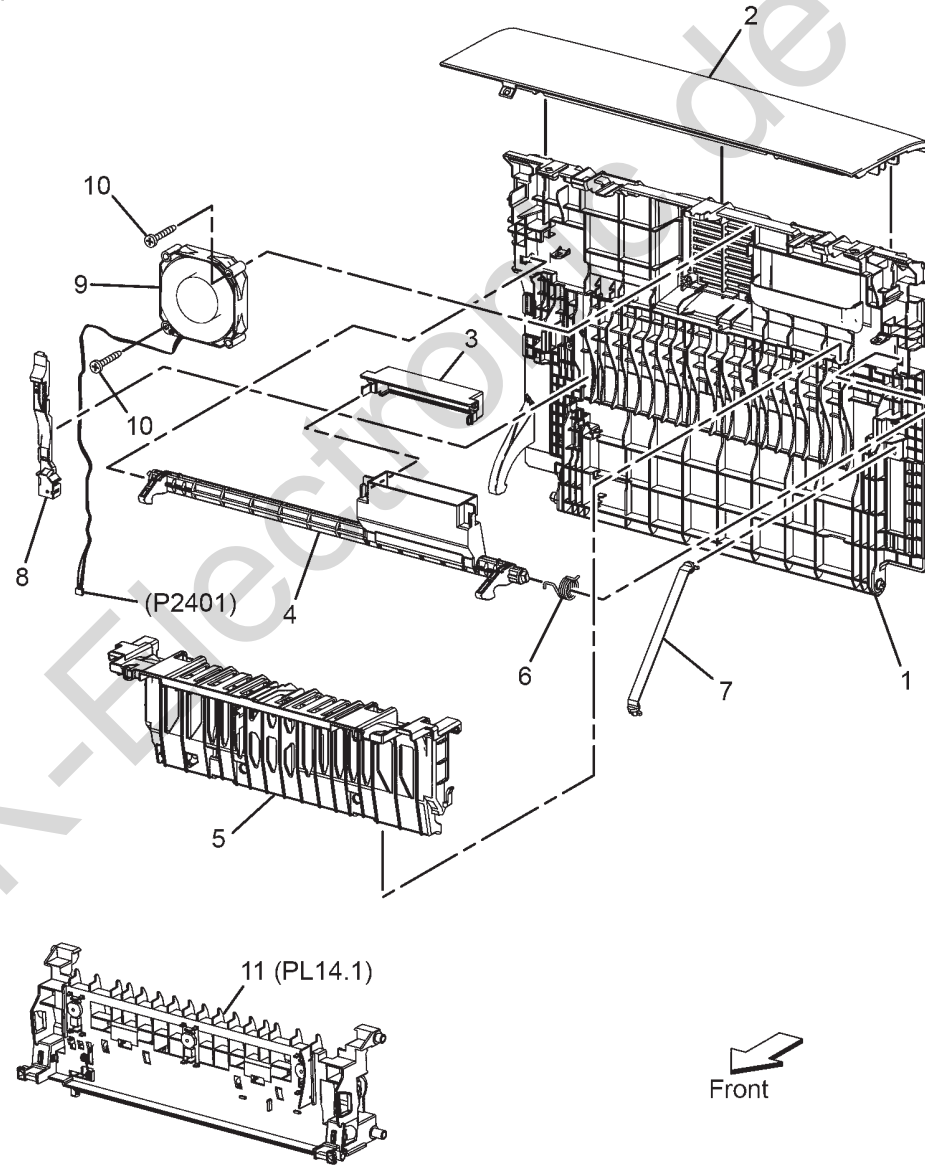


0519002A-BUR

# PL 19.3 Covers (3/3)

Item	Part	Description
1	-	CVR Rear
2	-	CVR Rear Top
3	-	CVR Latch Rear
4	-	Latch Rear
5	-	Chute Dup Out
6	-	Spring Latch Right
7	868E76893	Strap Rear
8	-	Guide Harness Rear
9	127E86631	Fan Rear (Sub-Fan)
10	-	Screw TP
11	054K48100	Chute Assy Duplex
99	604K85650	Kit CVR Assy Rear

99 { 1-10

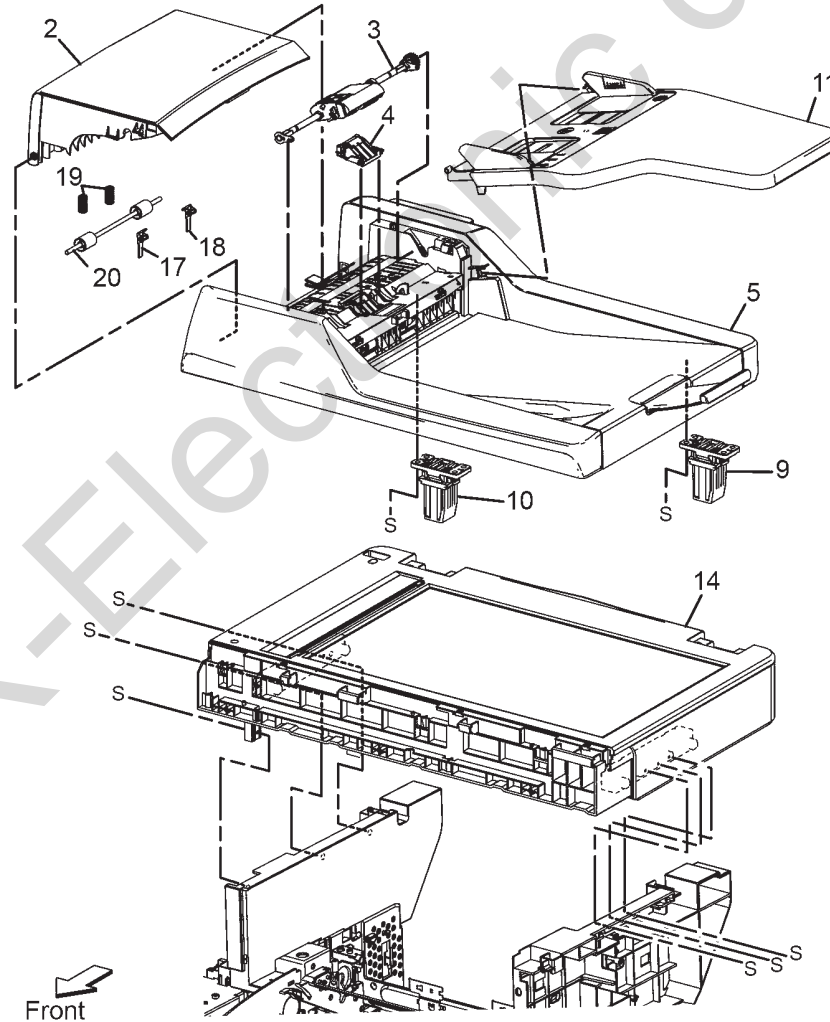


0519003A-BUR

# PL 21.1 IIT/DADF

Item	Part	Description
1	059K81533	DADF Assy
2	-	Cover Top ADF (p/o item 98)
3	-	Roller Assy ADF (p/o item 97)
4	-	Separation Pad (p/o item 97)
5	-	ADF Frame Assy
6	-	--
7	-	--
8	-	--
9	003K89860	Hinge Assy-Right
10	003K89140	Hinge Assy-Left
11	050K71060	ADF Tray Assy
12	-	--
13	-	--
14	062K25594	IIT Assy
15	-	--
16	-	--
17	-	Stopper Plate L (p/o item 98)
18	-	Stopper Plate R (p/o item 98)
19	-	PF 1 Idle Spring (p/o item 98)
20	-	Idle Roll Assy (p/o item 98)
97	604K85850	Kit DADF Pick Up Module (Mid)
98	604K85860	DADF Assy Top Cover (Mid)

1 { 2-13, 15-20  
 97 { 3, 4  
 98 { 2, 17-20



0521001A-BUR