

Overview

Introduction 5-3
 Subsystem Information 5-4
 Symbology 5-5

Electrical Components

PL 1.1A Electrical Control Components/DC Power Generation (W/O TAG 27)..... 5-7
 PL 1.1B Electrical Control Components/DC Power Generation (W/TAG 27) 5-8
 PL 1.2A AC Electrical Components (W/O TAG 25) 5-9
 PL 1.2B AC Electrical Components (W/TAG 25) 5-10
 PL 1.3 DC Electrical Components..... 5-11
 PL 1.4 Control Console 5-12

Media Roll Feed

PL 7.1 Roll Supply Feed Assembly 5-13
 PL 7.2 Roll Supply Drives 5-14
 PL 7.3 Roll Supply Drawer Components (Part 1 of 4)..... 5-15
 PL 7.4 Roll Supply Drawer Components (Part 2 of 4)..... 5-16
 PL 7.5 Roll Supply Drawer Components (Part 3 of 4)..... 5-17
 PL 7.6 Roll Supply Drawer Components (Part 4 of 4)..... 5-18
 PL 7.7 Media Cutter Assembly..... 5-19
 PL 7.8 Media Cutter Components 5-20

Media Transport

PL 8.1 Media Transport Assembly 5-21
 PL 8.2 Media Registration Components 5-22
 PL 8.3 Cut Sheet Feed Components 5-23
 PL 8.4 Media Transport Components 5-24

Xerographic Module

PL 9.1 Xerographic Module Assembly 5-25
 PL 9.2 Photoreceptor 5-26
 PL 9.3 Image Module Assembly 5-27
 PL 9.4 Transfer/Detack Corotron 5-28
 PL 9.5A Drum Cleaning (Part 1 of 3) 5-29
 PL 9.5B Drum Cleaning (Part 2 of 3) 5-30
 PL 9.5C Drum Cleaning (Part 3 of 3) 5-31
 PL 9.6 Web Oiler Assembly 5-32
 PL 9.7 Web Oiler Components 5-33

DEVELOPER Module

PL 9.8 Developer Module Assembly 5-34
 PL 9.9 Developer Module Components (Part 1 of 2) 5-35
 PL 9.10 Developer Module Components (Part 2 of 2) 5-36

Fuser

PL 10.1 Xerographic Module Assembly 5-37
 PL 10.2 Fuser Components 5-38
 PL 10.3 Fuser Pressure Components And Moisture Collection 5-39
 PL 10.4 Fuser Heat Control And Stripper Fingers..... 5-40

Covers and Interlock Switches

PL 14.1 Transport Latching Cover And Rear Door 5-41
 PL 14.2 Front Door And Right Side Covers 5-42
 PL 14.3 Developer Cover And Catch Tray 5-43
 PL 14.4 Top Cover And Catch Tray Brackets 5-44
 PL 14.5 Left Side Covers (8825 Only)..... 5-45

Electrical Connectors and Fasteners

PL 15.1 Miscellaneous Electrical Connectors And Fasteners..... 5-46

Common Hardware

Common Hardware 5-47
 Part Number Index 5-48

Introduction

Overview

The Parts List section identifies all part numbers and the corresponding location of all spared subsystem components.

Organization

Parts Lists

Each item number in the part number listing corresponds to an item number in the related illustration. All the parts in a given subsystem of the machine will be located in the same illustration or in a series of associated illustrations.

Electrical Connectors and Fasteners

This section contains the illustrations and descriptions of the plugs, jacks, and fasteners used in the machine. A part number listing of the connectors is included.

Common Hardware

The common hardware is listed in alphabetical order by the letter or letters used to identify each item in the part number listing and in the illustrations. Dimensions are in millimetres unless otherwise identified.

Part Number Index

This index lists all the spared parts in the machine in numerical order. Each number is followed by a reference to the parts list on which the part may be found.

Other Information

Abbreviations

Abbreviations are used in the parts lists and the exploded view illustrations to provide information in a limited amount of space. The following abbreviations are used in this manual:

Table 1

Abbreviation	Meaning
A3	297 x 594 Millimetres
A4	210 x 297 Millimetres
A5	148 x 210 Millimetres
AD	Auto Duplex
AWG	American Wire Gauge
EMI	Electro Magnetic Induction
GB	Giga Byte
KB	Kilo Byte
MB	Mega Byte
MM	Millimetres
MOD	Magneto Optical Drive
NOHAD	Noise Ozone Heat Air Dirt
PL	Parts List
P/O	Part of

Table 1

Abbreviation	Meaning
R/E	Reduction/Enlargement
REF:	Refer to
SCSI	Small Computer Systems Interface
W/	With
W/O	Without

Table 2

Operating Companies	
Abbreviation	Meaning
AO	Americas Operations
NASG - US	North American Solutions Group - US
NASG - Canada	North American Solutions Group - Canada
XE	Xerox Europe

Symbology

Symbology used in the Parts List section is identified in the Symbology section.

Service Procedure Referencing

If a part or assembly has an associated repair or adjustment procedure, the procedure number will be listed at the end of the part description in the parts lists e.g. (REP 5.1, ADJ 5.3)

Subsystem Information

Use of the Term "Assembly"

The term "assembly" will be used for items in the part number listing that include other itemized parts in the part number listing. When the word "assembly" is found in the part number listing, there will be a corresponding item number on the illustrations followed by a bracket and a listing of the contents of the assembly.

Brackets

A bracket is used when an assembly or kit is spared, but is not shown in the illustration. The item number of the assembly or kit precedes the bracket; the item numbers of the piece parts follow the bracket.

Tag

The notation "W/Tag" in the parts description indicates that the part configuration has been updated. Check the change Tag index in the General Information section of the Service Data for the name and purpose of the modification.

In some cases, a part or assembly may be spared in two versions: with the Tag and without the Tag. In those cases, use whichever part is appropriate for the configuration of the machine on which the part is to be installed. If the machine does not have a particular Tag and the only replacement part available is listed as "W/Tag," install the Tag kit or all of the piece parts. The Change Tag Index tells you which kit or piece parts you need.

Whenever you install a Tag kit or all the piece parts that make up a Tag, mark the appropriate number on the Tag matrix.

Symbology

A Tag number within a circle pointing to an item number shows that the part has been changed by the tag number within the circle (Figure 1). Information on the modification is in the Change Tag Index.

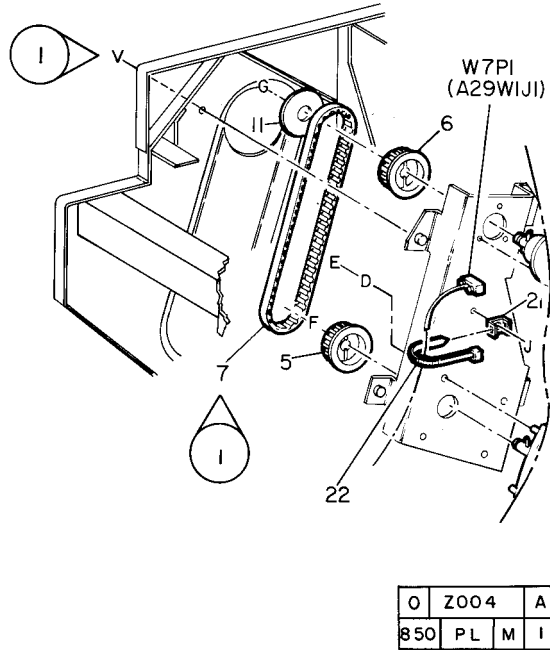


Figure 1 With Tag Symbol

A Tag number within a circle having a shaded bar and pointing to an item number shows that the configuration of the part shown is the configuration before the part was changed by the Tag number within the circle (Figure 2).

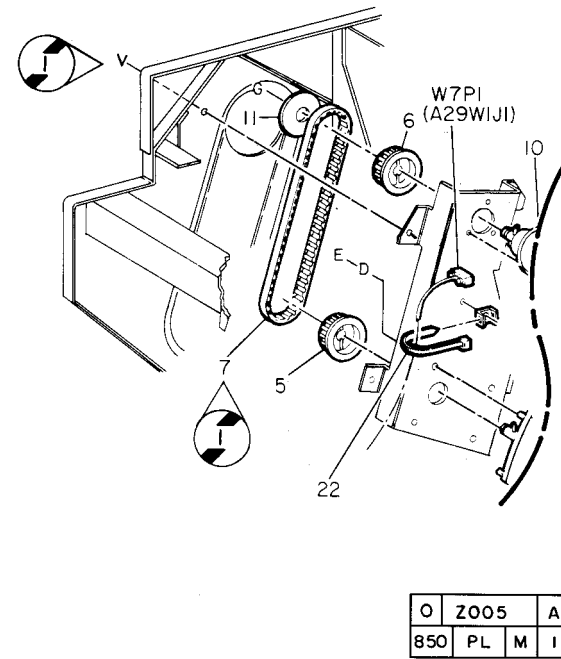


Figure 2 Without Tag Symbol

A tag number within a circle with no apex shows that the entire drawing has been changed by the tag number within the circle (Figure 3). Information on the modification is in the Change Tag Index.

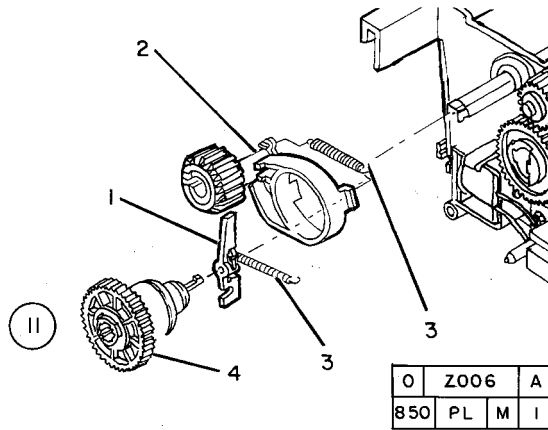


Figure 3 Entire Drawing With Tag Symbol

A tag number within a circle with no apex and having a shaded bar shows that the entire drawing was the configuration before being changed by the tag number within the circle (Figure 4).

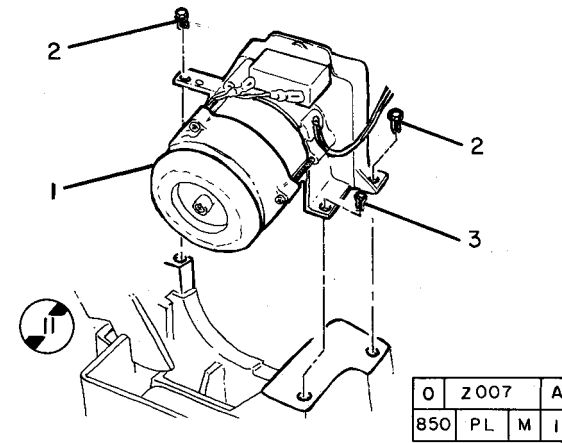


Figure 4 Entire Drawing Without Tag Symbol

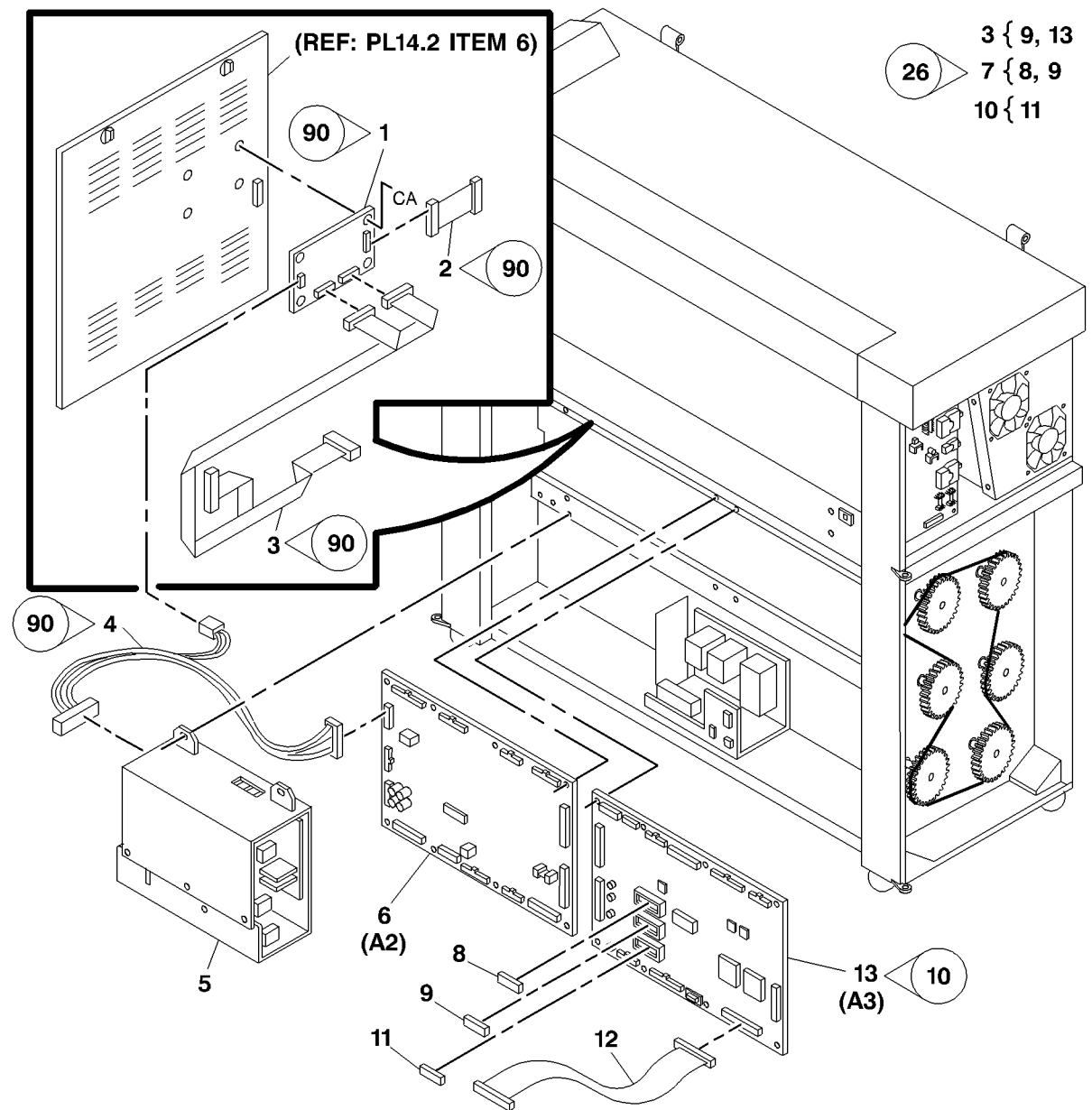
PL 1.1A Electrical Control Components/DC Power Generation (W/O TAG 27)

Item	Part	Description
1	160K37310	A/B Switch PWB (8830) (W/TAG 90)
2	162K28840	VPI Harness (8830) (W/TAG 90)
3	162K41460	A/B Switch to IOT Harness (8830) (W/TAG 90)
4	162K41440	Power Driver Harness (8830) (W/TAG 90)
5	105K15863	DC Low Voltage Power Supply
6	160K33322	Driver PWB (A2) (W/O TAG 25)
-	600K75311	Driver PWB (A2) (W/TAG 25)
7	600K81881	Circuit Assembly Kit (EO) (W/TAG 4, TAG 16, TAG 17, TAG 26, W/O TAG 53)
-	600K81882	Circuit Assembly Kit (EO) (W/TAG 4, TAG 16, TAG 17, TAG 26, TAG 53,)
-	600K81873	Circuit Assembly Kit (NACO) (W/TAG 4, TAG 16, TAG 17, TAG 26, TAG 53, TAG 87)
8	600K88890	Control Eprom Kit
9	-	Language Eprom No. 1 (P/O PL 1.1A Item 3)
10	-	Language Eprom No.2 Kit (Not Spared)
11	537K51151	AO Portuguese Language Eprom
-	537K51161	AO Spanish Language Eprom
12	162K29730	Controller Connector (See Note 1)
13	-	Main PWB (A3) (Not Spared) (See Note 2) (W/TAG 3, TAG 10) (W/O TAG 27) (REP 3.1)

NOTE: 1:- Cable supplied for non-imbedded controllers only.

NOTE: 2:- See PL1.1B Item 4.

NOTE:



3 { 9, 13
7 { 8, 9
10 { 11

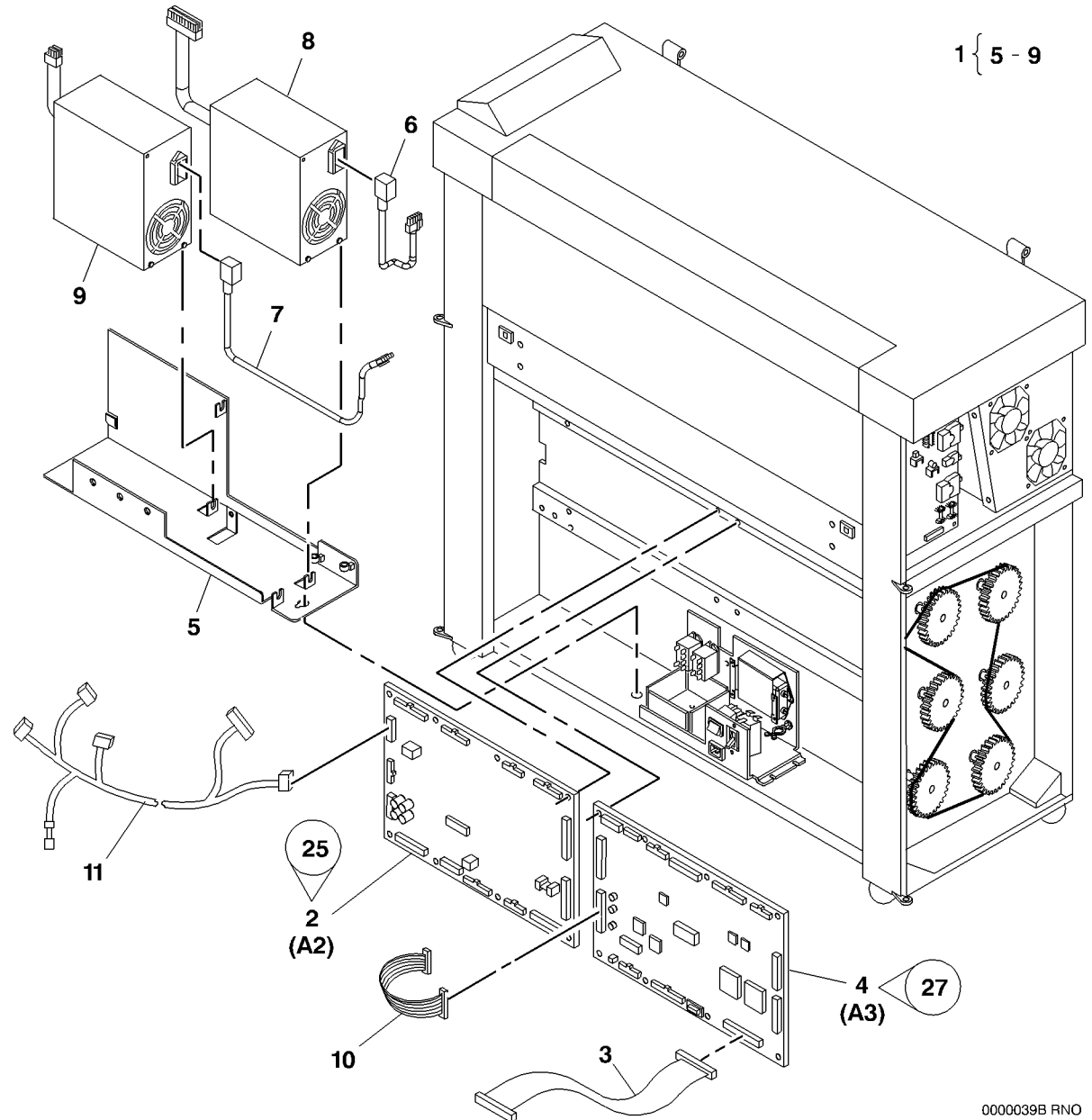
0000001E-RNO

PL 1.1B Electrical Control Components/DC Power Generation (W/TAG 27)

1 { 5 - 9

Item	Part	Description
1	105K18273	DC Low Voltage Power Supply Assembly (W/TAG 25)
2	160K33322	Driver PWB (A2) (W/O TAG 25)
-	600K75311	Driver PWB Kit (A2) (W/TAG 25)
3	162K29730	Controller Connector (See Note)
4	600K75321	Main PWB Kit (A3) (W/TAG 27)
5	-	Power Module Mounting Bracket (P/O PL 1.1B Item 1)
6	-	Power Cord (5V PS) (P/O PL 1.1B Item 1)
7	117K32660	Power Cord (25V PS)
8	105E13850	Power Supply (5V)
9	105E13863	Power Supply (25V)
10	152K36231	Jumper Harness (14 Conductor)
11	162K23453	Motor Control Harness

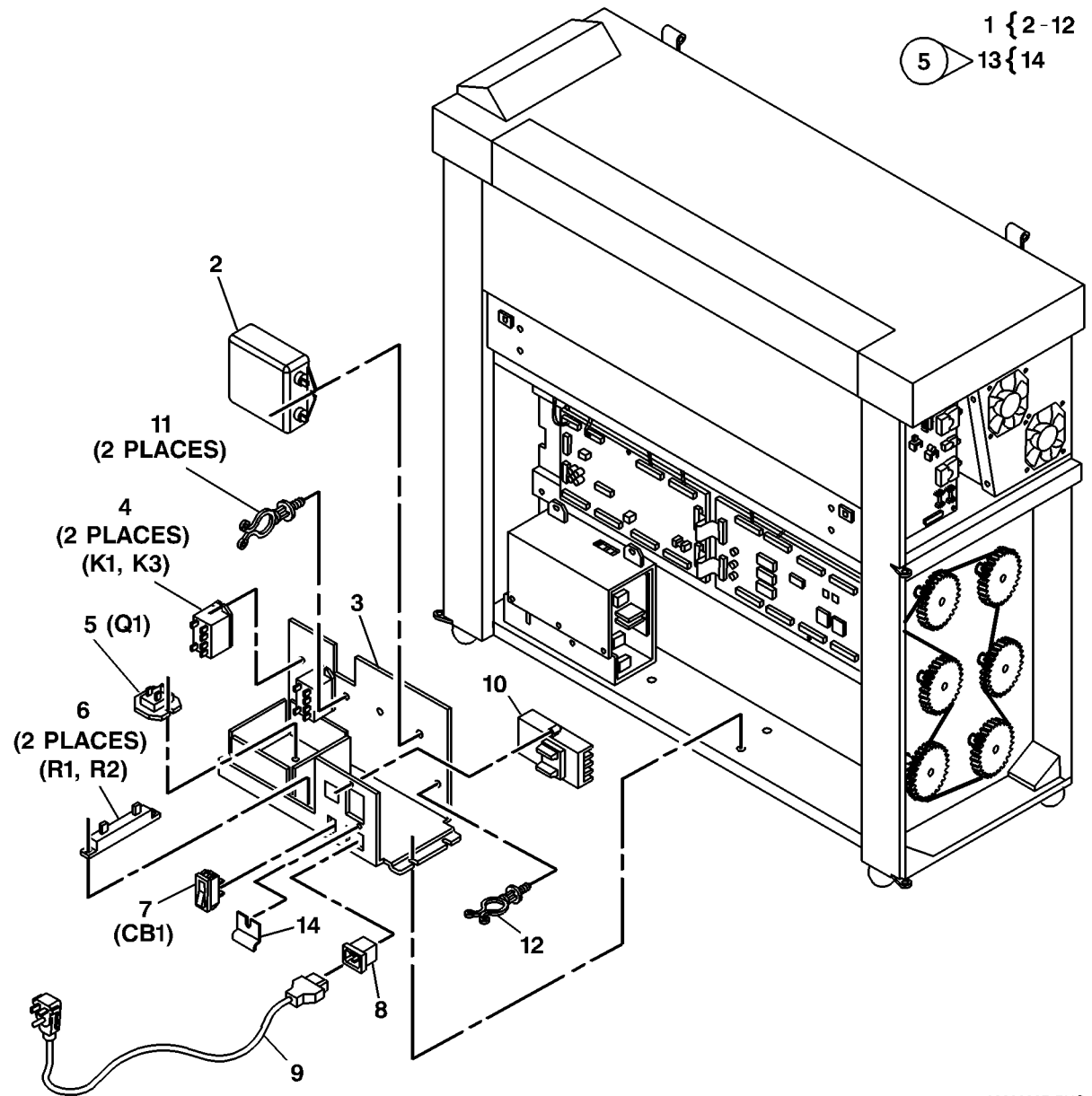
NOTE: 1: Note cable supplied for non-embedded controllers only.



0000039B RNO

PL 1.2A AC Electrical Components (W/O TAG 25)

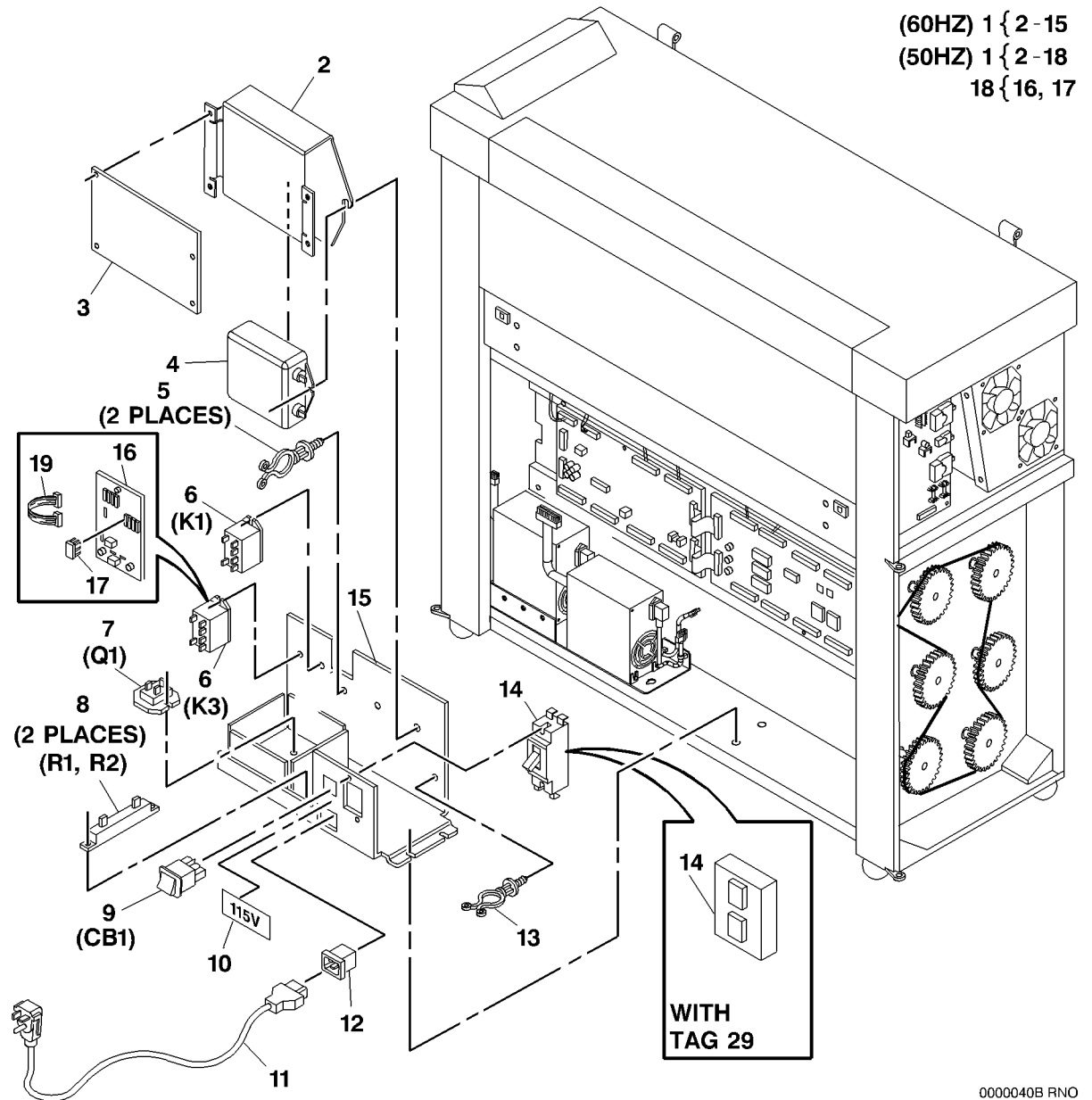
Item	Part	Description
1	-	AC Module Assembly (Not Spared) (50/60 Hz)
2	142K01540	Filter
3	-	AC Module Housing (P/O PL 1.2A Item 1) (50/60 Hz)
4	109E01040	AC Relay (K1/K3)
5	707W01652	Fuser Triac (Q1) (REP 10.3)
6	103E02721	Ballast Resistor (R1/R2) (60HZ)
-	103E02731	Ballast Resistor (R1/R2) (50HZ)
7	-	Main Power Switch (CB1) (P/O PL 1.2A Item 1)
8	-	Inlet Connector (P/O PL 1.2A Item 1)
9	117K22761	Power Cord (60HZ)
-	117K27550	Power Cord (50HZ)
10	108E01762	Ground Fault Panel
11	120E02160	Twist Clamp
12	120E02150	Twist Clamp
13	600K60610	AC Module Kit (TAG 5)
14	-	Support Bracket (P/O PL 1.2A Item 13)



000002B RNO

PL 1.2B AC Electrical Components (W/TAG 25)

Item	Part	Description
1	-	AC Module Assembly (Not Spared) (50/60 Hz)
2	-	PWB Bracket (Not Spared)
3	160K59660	PWB
4	142K01540	Filter
5	120E02160	Twist Clamp
6	109E01040	AC Relay (K1) (50/60 Hz), AC Relay (K3) (60 Hz) (K1/K3)
7	707W01652	Fuser Triac (Q1) (REP 10.3)
8	103E02721	Ballast Resistor (R1/R2) (60HZ)
-	103E02731	Ballast Resistor (R1/R2) (50HZ)
9	-	Main Power Switch (CB1) (P/O PL 1.2B Item 1)
10	891E25140	Label (60HZ Only)
11	117K22761	Power Cord (60 Hz)
-	117K27550	Power Cord (50 Hz)
12	-	Inlet Connector (P/O PL 1.2B Item 1)
13	120E02150	Twist Clamp
14	108E02282	Residual Current Breaker (20A) (W/ TAG 29)
-	108E05310	Ground Fault Panel (20A) (W/O TAG 29)
15	-	AC Module Housing (P/O PL 1.2B Item 1) (50/60 Hz)
16	-	Heat Rod Control PWB (P/O PL 1.2B Item 18) (W/TAG 50)
17	604K04430	Fuser Control Kit (PIC) (W/TAG 50)
18	160K73561	Heat Rod Control PWB Assembly (50 Hz) (W/TAG 50)
19	162K68390	Interconnect Harness

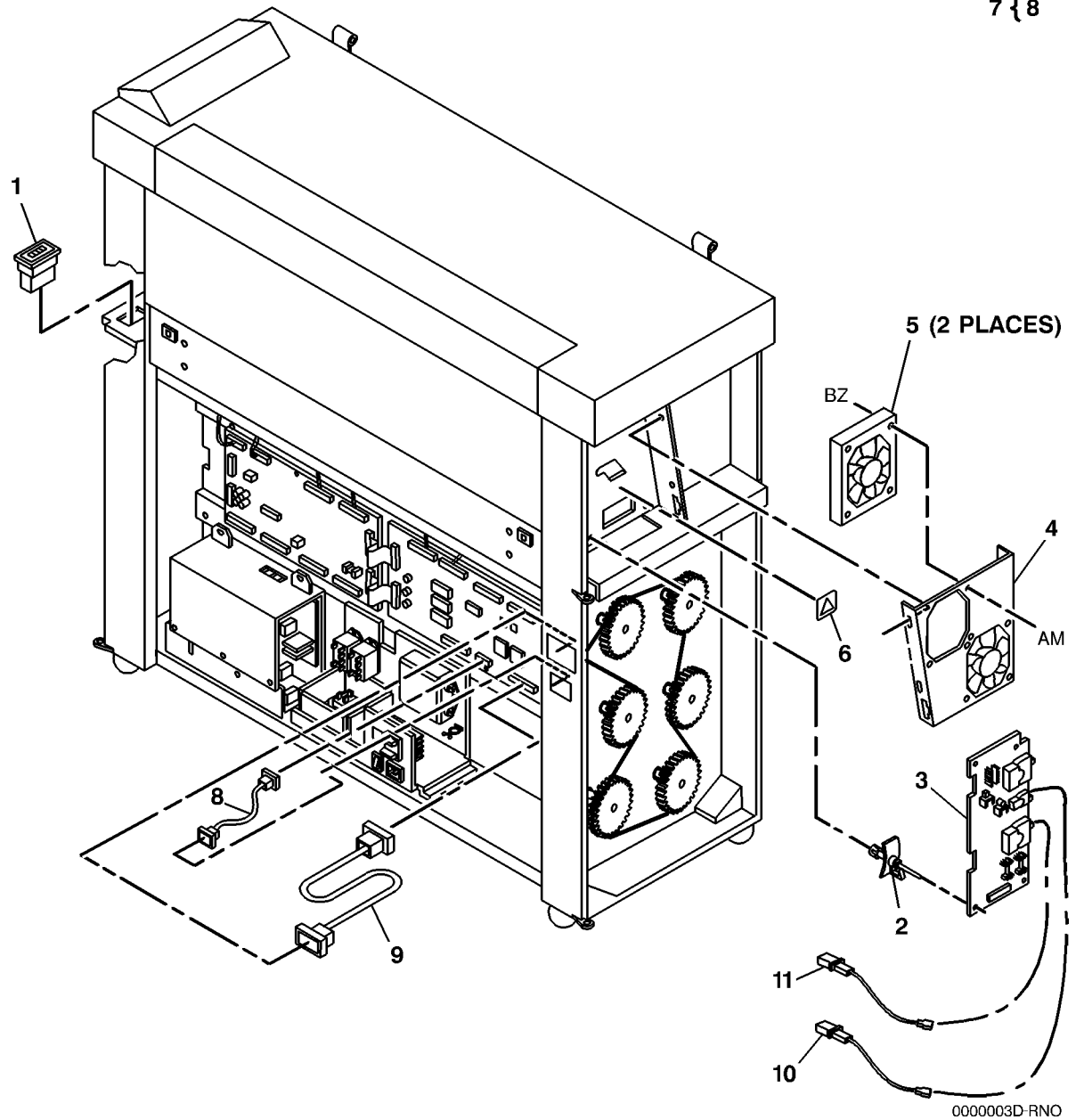


(60HZ) 1 { 2 - 15
(50HZ) 1 { 2 - 18
18 { 16, 17

0000040B RNO

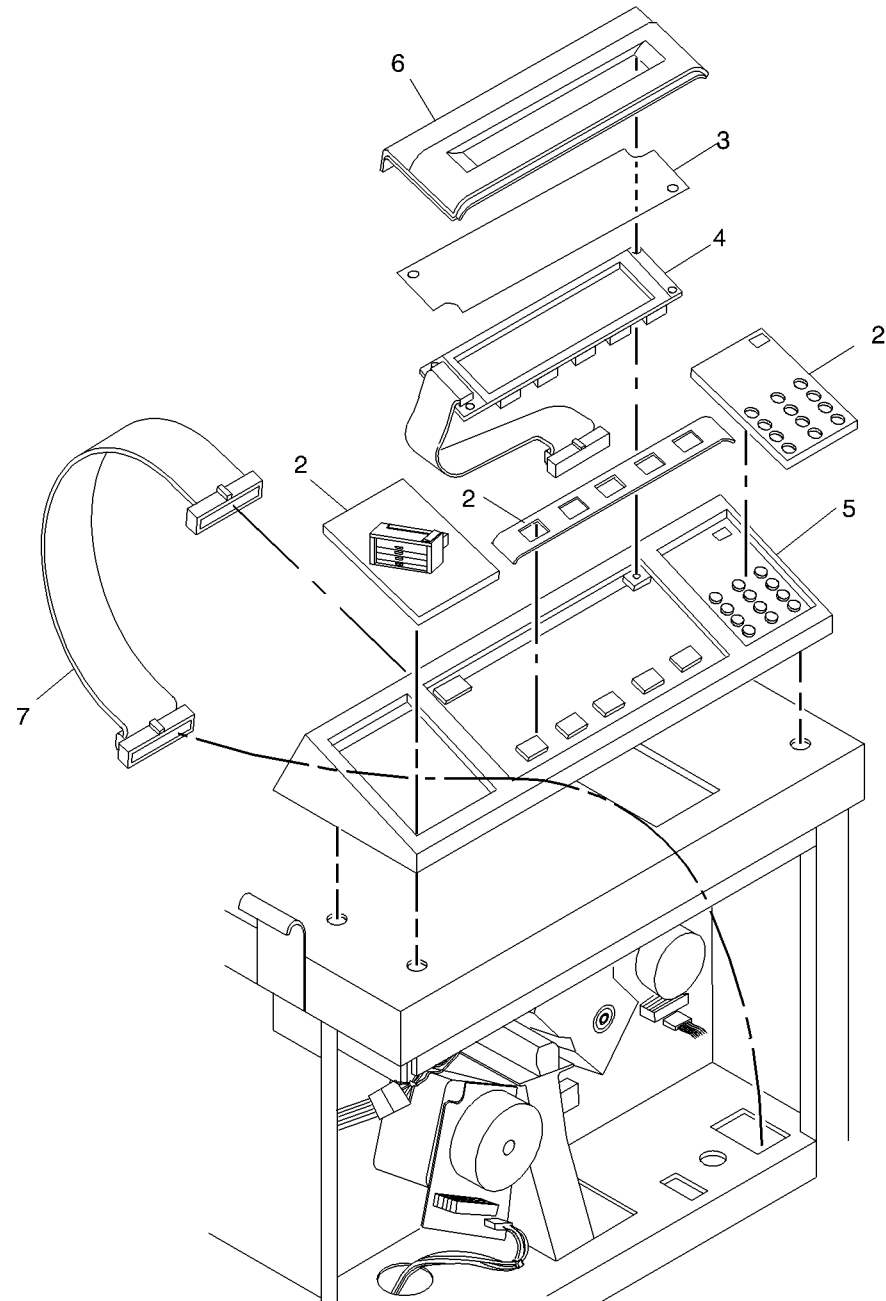
PL 1.3 DC Electrical Components

Item	Part	Description
1	111K00021	Media Counter
2	-	Standoff (Not Spared)
3	105K13542	High Voltage Power Supply (REP 3.2)
4	054K12300	Fan Duct
5	127E11240	Fan
6	092E36450	Charge Corotron Label (Red Arrow)
7	600K60900	Diagnostic Kit
8	-	Harness (P/O PL 1.3 Item 7)
9	162K32650	Folder Enablement Harness
10	117K26200	Transfer Corotron Harness
11	117K26191	Detack Corotron Harness



PL 1.4 Control Console

Item	Part	Description
1	101K26083	Control Console Assembly (8830) (W/TAG 32)
-	101K40051	Control Console Assembly (8825) (W/TAG 32)
2	096E78251	Control Console Label (8830) (W/O TAG 32)
-	891E70531	Control Console Label (8825) (W/TAG 32)
-	891E70530	Control Console Label (8825) (W/O TAG 32)
-	096E78252	Control Console Label (8830) (W/TAG 32)
3	-	ESD Insulator (P/O PL 1.4 Item 1)
4	-	Display (P/O PL 1.4 Item 1)
5	-	Control Console Housing (P/O PL 1.4 Item 1)
6	101E12281	Display Housing
7	162K23421	Control Console To Controller Harness

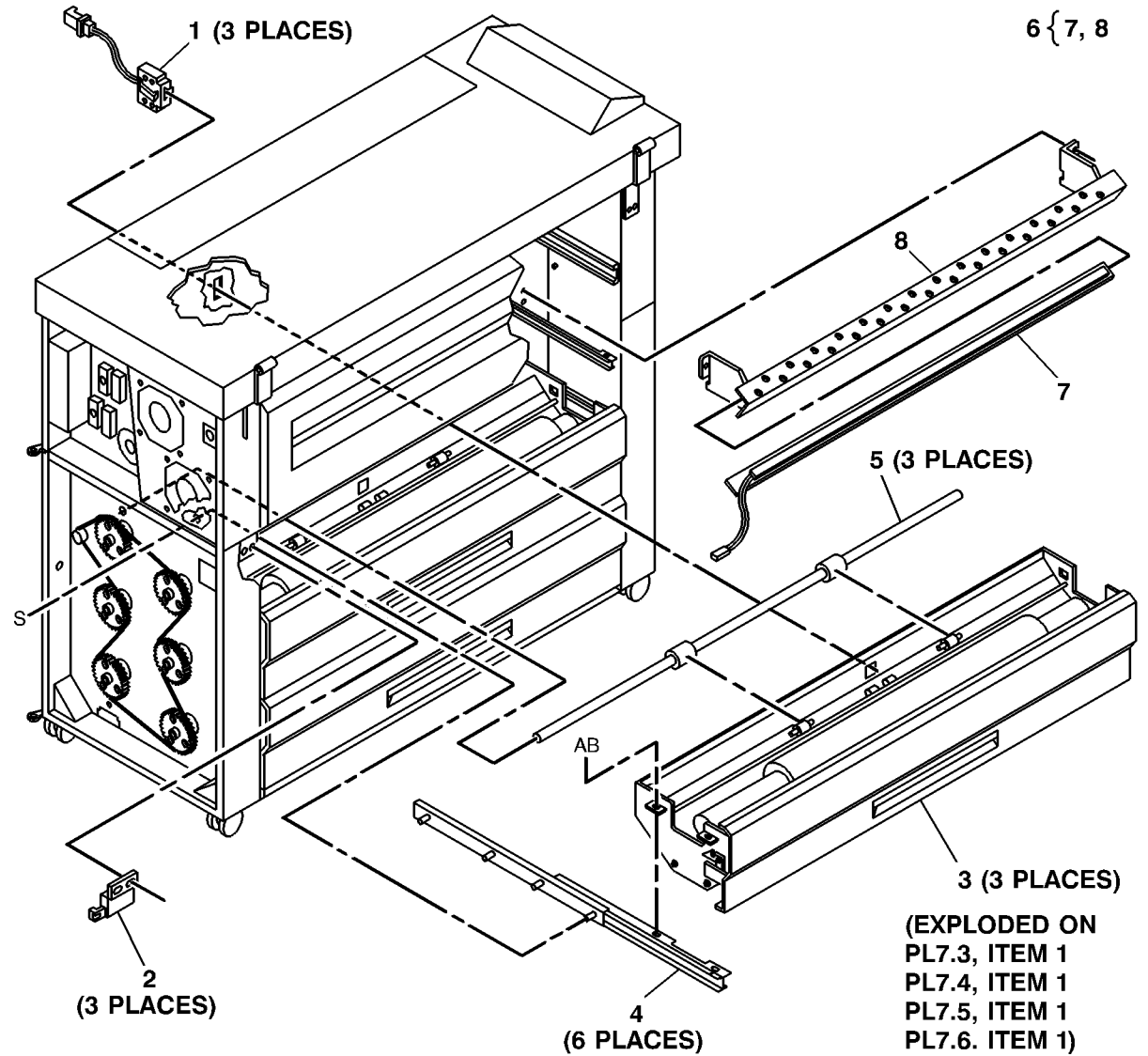


1 { 2 - 6

000004C-RNO

PL 7.1 Roll Supply Feed Assembly

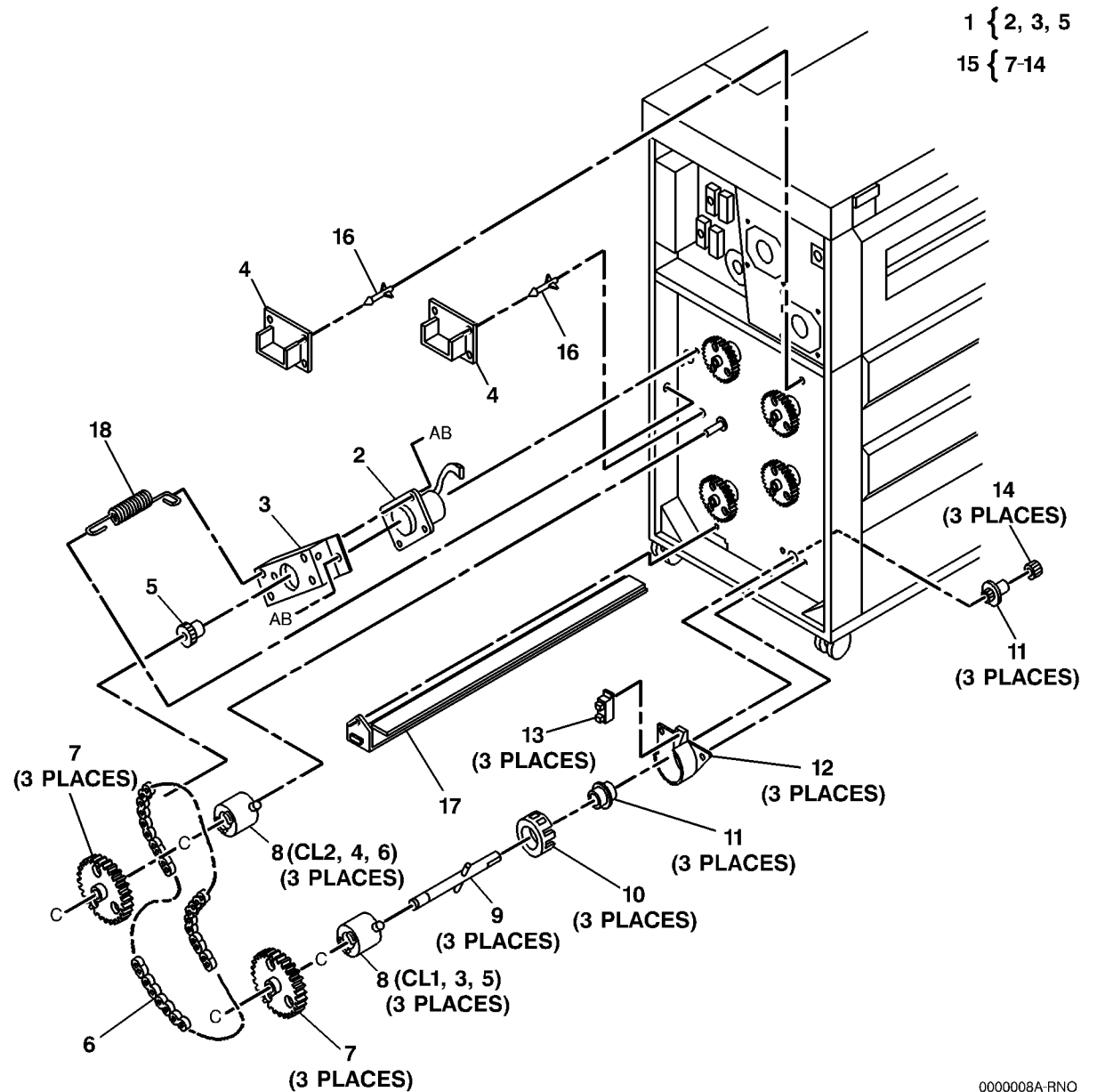
Item	Part	Description
1	130K51801	Position Sensor
2	130E02271	Drawer Interlock Switch
3	050K53080	Roll Supply Drawer Assembly (Sealed) (REP 7.1)
-	050K19612	Roll Supply Drawer Assembly (REP 7.1)
4	010K01351	Slide
5	022K28930	Roll Feed Drive Roll (REP 7.4)
6	-	Heater Assembly (Not Spared)
7	126K07330	Heater
8	-	Heater Housing (P/O PL 7.1 Item 6)



000007A-RNO

PL 7.2 Roll Supply Drives

Item	Part	Description
1	007K07561	Roll Drive Motor Assembly
2	127K04293	Roll Drive Motor (REP 7.9)
3	-	Bracket (P/O PL 7.2 Item 1)
4	160K23870	Drive Motor PWB
5	007E16410	Main Drive Sprocket (10T)
6	023E06750	Chain (8830)
-	023E17510	Chain (8825)
7	007E19071	Sprocket (50T)
8	121E07510	Clutch (Feed, Rewind) (REP 7.5 REP 7.6)
9	-	Rewind Shaft (P/O PL 7.2 Item 15)
10	005E06810	Encoder Disk (REP 7.11)
11	413W30854	Bearing
12	-	Rewind Housing (P/O PL 7.2 Item 15)
13	130E03250	Motion Sensor (REP 7.7)
14	007E14610	Rewind Drive Gear (12T)
15	007K05760	Rewind Drive Assembly
16	-	Standoff (Not Spared)
17	-	Media Roll Heater (Not Spared) (50/60 Hz) (REP 7.10A)
18	009E43260	Motor Spring

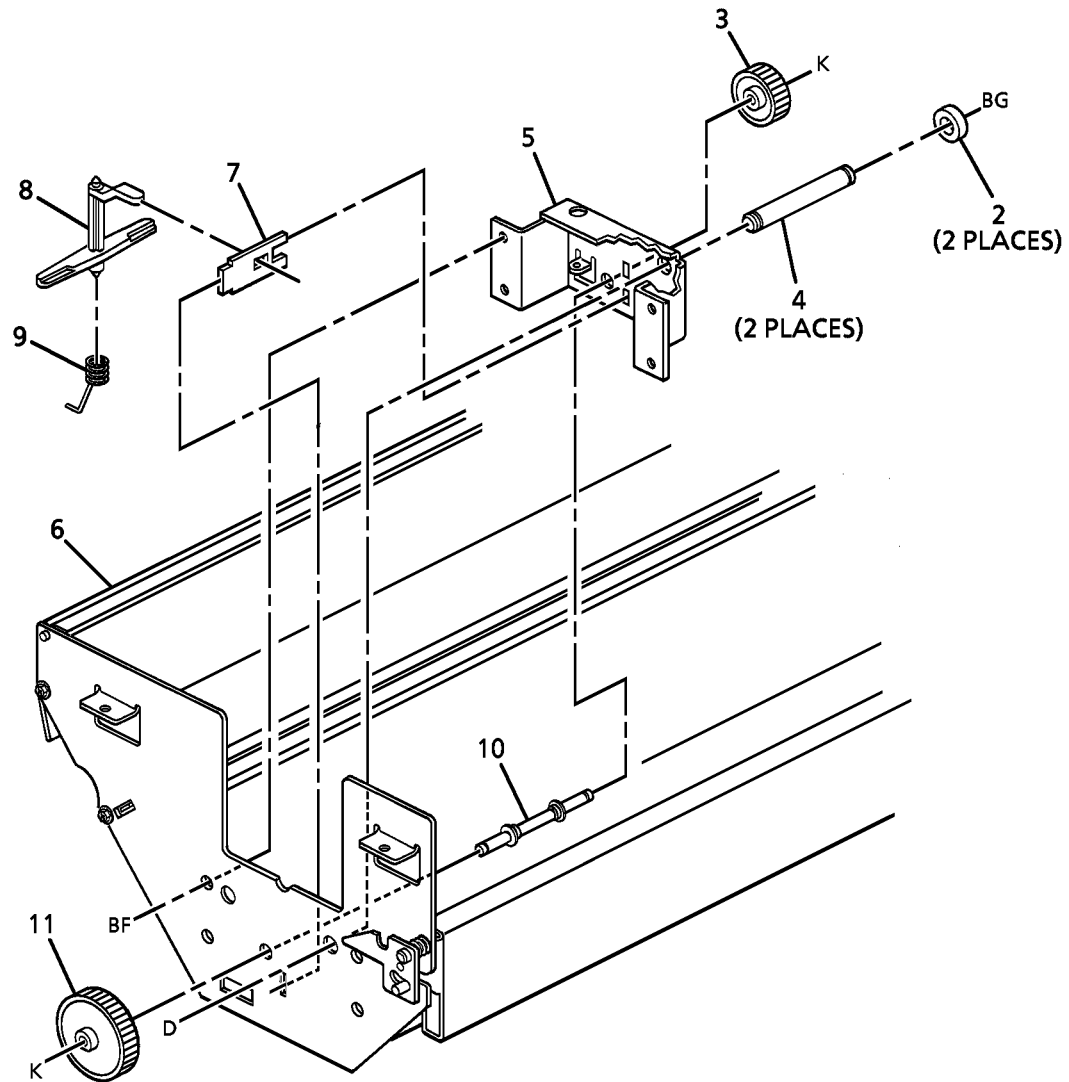


0000008A-RNO

PL 7.3 Roll Supply Drawer Components (Part 1 of 4)

1{2-11

Item	Part	Description
1	-	Part of Roll Supply Drawer Assembly (REF: PL 7.1 Item 3)
2	022E11540	Support Roller
3	007E14650	Rewind Internal Gear (20T) (REP 7.2)
4	029E14760	LH Support Pin
5	-	LH Cradle Bracket (P/O PL 7.3 Item 1)
6	-	Drawer Frame (P/O PL 7.3 Item 1)
7	-	LH Roll Lock (P/O PL 7.3 Item 1)
8	003E17610	Roll Lock
9	009E27340	Roll Lock Spring
10	029E12930	Rewind Shaft
11	007E14600	Rewind Gear (32T) (REP 7.2)

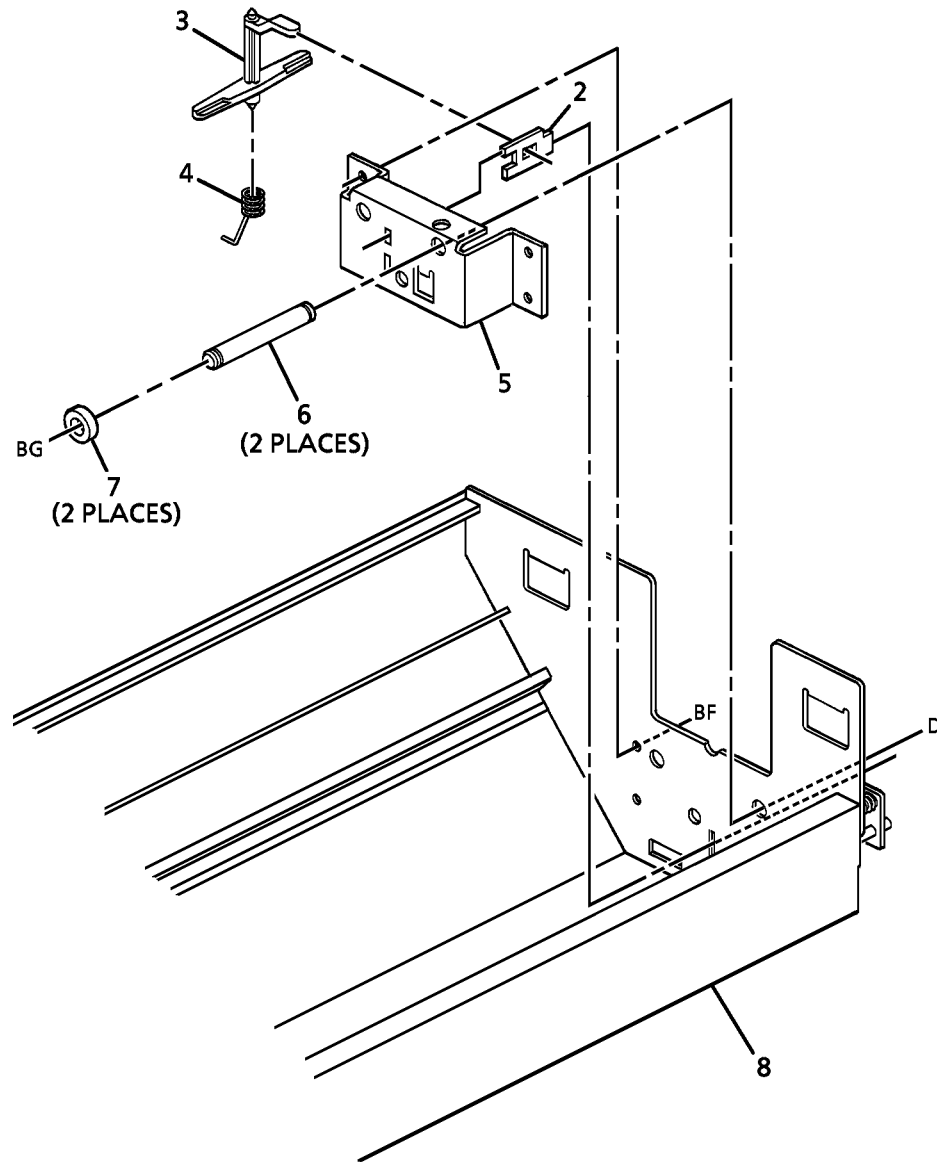


000009A-RNO

PL 7.4 Roll Supply Drawer Components (Part 2 of 4)

1{2-8}

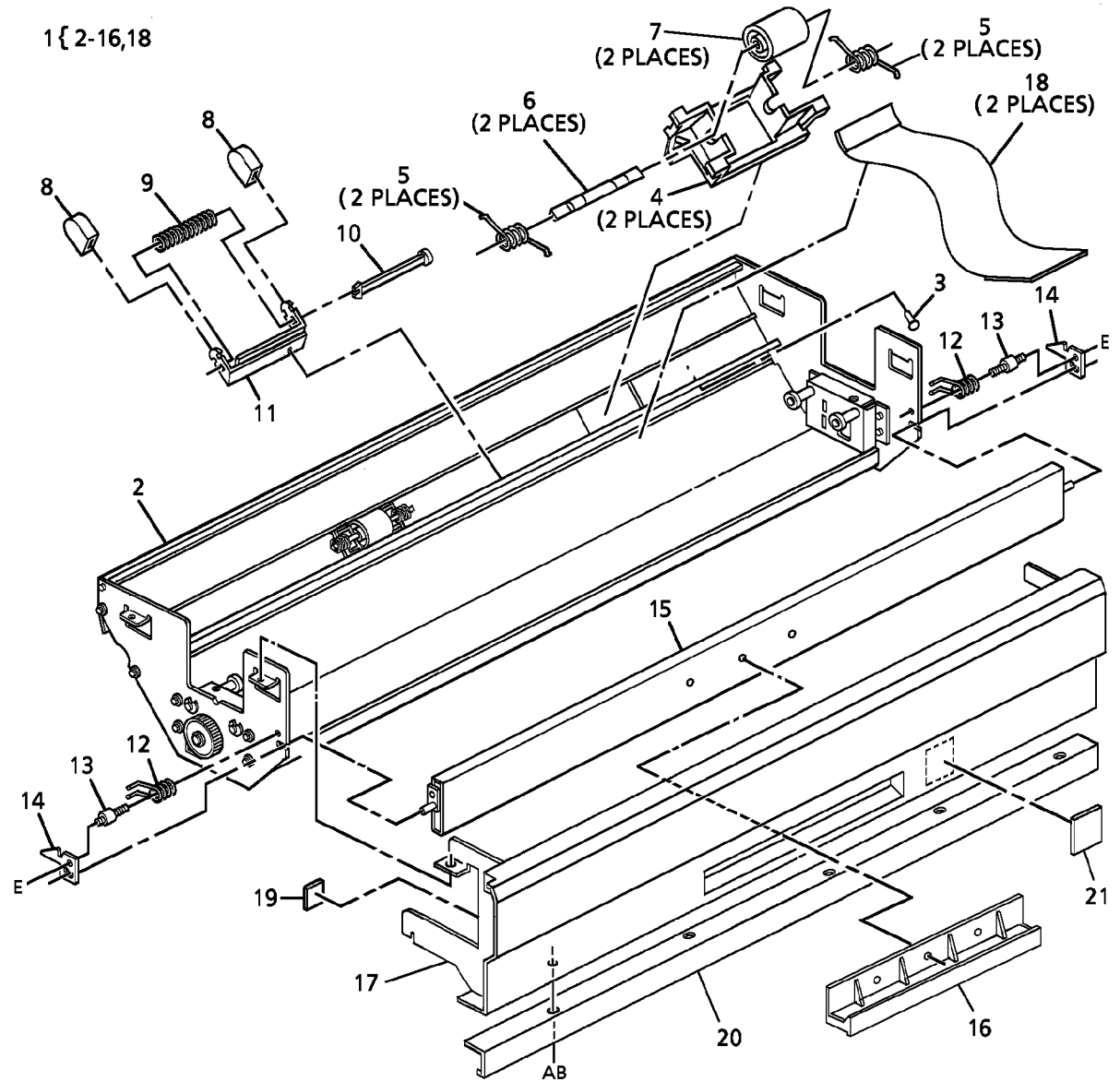
Item	Part	Description
1	–	Part of Roll Supply Drawer Assembly (REF: PL 7.1 Item 3)
2	–	RH Roll Lock (P/O PL 7.4 Item 1)
3	003E17610	Roll Lock
4	009E27340	Roll Lock Spring
5	–	RH Cradle Bracket (P/O PL 7.4 Item 1)
6	029E14750	RH Support Pin
7	022E11540	Support Roller
8	–	Drawer Frame (P/O PL 7.4 Item 1)



0000010A-RNO

PL 7.5 Roll Supply Drawer Components (Part 3 of 4)

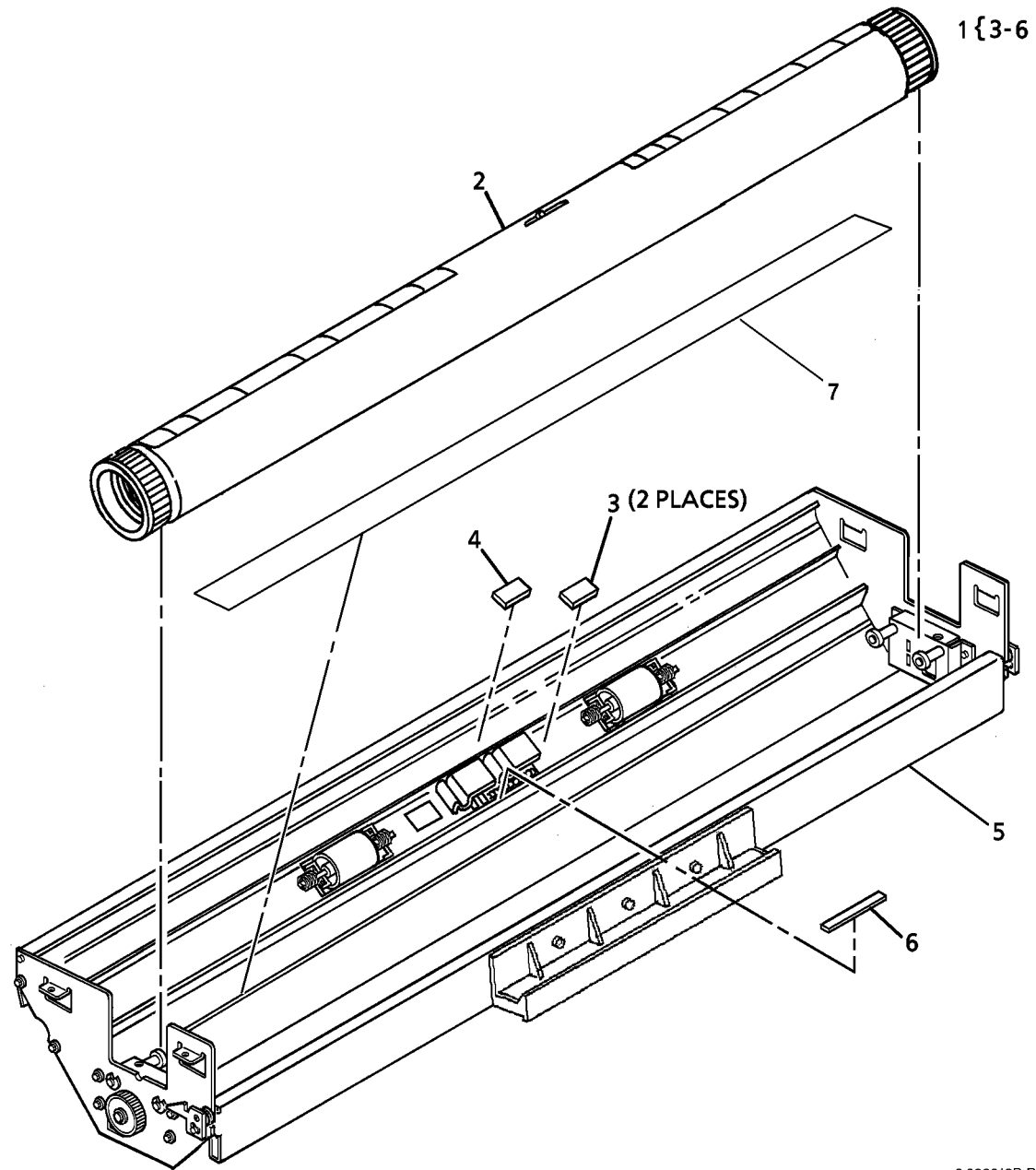
Item	Part	Description
1	-	Part of Roll Supply Drawer Assembly (REF: PL 7.1 Item 3)
2	-	Drawer Frame (P/O PL 7.5 Item 1)
3	017E04250	Baffle Stop
4	068E17221	Bracket
5	009E27351	Pinch Roll Spring
6	-	Pinch Roll Shaft (P/O PL 7.5 Item 1)
7	022E10060	Roll Feed Pinch Roll (REP 7.3)
8	-	Lock Release Handle (P/O PL 7.5 Item 1)
9	009E32790	Lock Spring
10	029E14460	Retainer
11	-	Latch (P/O PL 7.5 Item 1)
12	009E27330	Drawer Latch Spring
13	029E13701	Latch Pin
14	-	Supply Drawer Latch (P/O PL 7.5 Item 1)
15	003K07581	Handle
16	003E39000	Drawer Handle (W/O TAG 32)
-	003E39001	Drawer Handle (W/TAG 32)
17	048K44880	Drawer Cover
18	038K09190	Paper Guide
19	121E07680	Magnet
20	048E39380	Kickplate
21	891E01960	Drawer Label
-	891E01961	Drawer Label (Optional Drawer)



0000011A-RN0

PL 7.6 Roll Supply Drawer Components (Part 4 of 4)

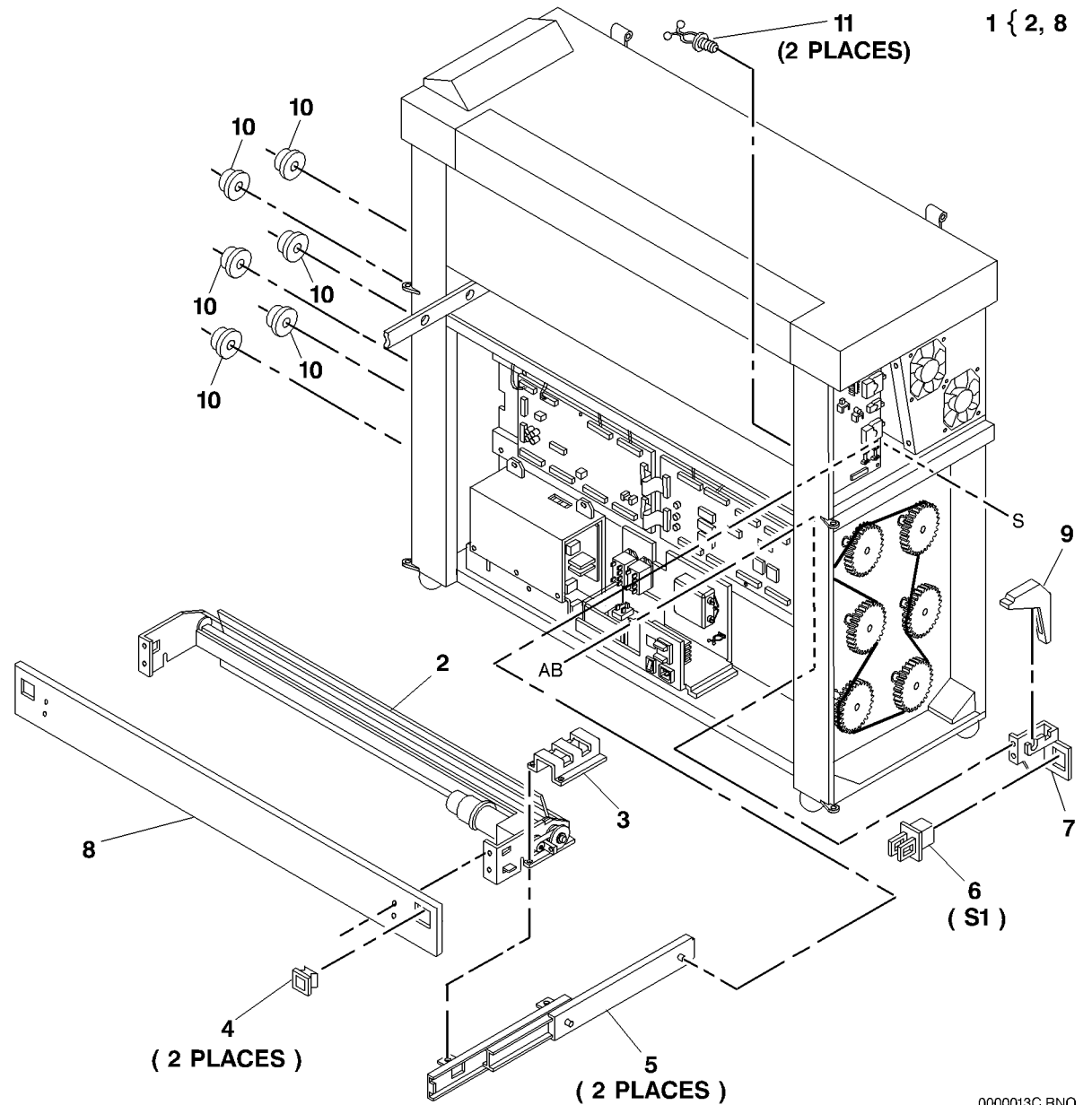
Item	Part	Description
1	–	Part of Roll Supply Drawer Assembly (REF: PL 7.1 Item 3)
2	052K03580	Roll Support Tube Assembly
3	092E22541	Label (Push Here)
4	092E36431	Label (Media Lead)
5	–	Drawer Frame (P/O PL 7.6 Item 1)
6	092E22560	Label (Pinch Arrows)
7	600K89510	Mylar baffle Extension Kit (W/TAG 31)



0 000012B-RNO

PL 7.7 Media Cutter Assembly

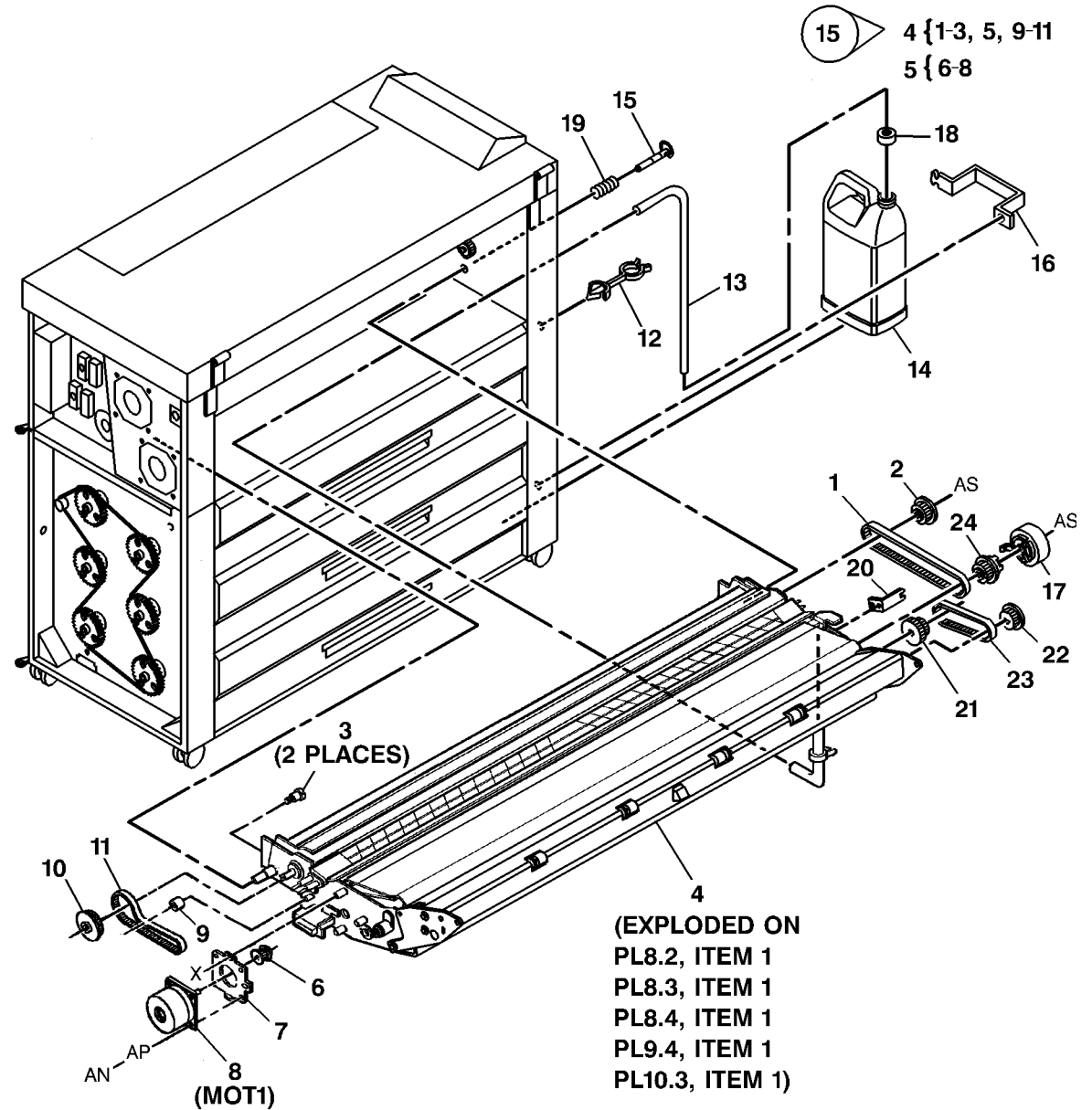
Item	Part	Description
1	037K01100	Media Cutter Assembly
2	-	Media Cutter (P/O PL 7.7 Item 1)
3	-	Bracket (Not Spared)
4	003E18781	Latch
5	010K01360	Media Cutter Slide
6	110E02640	Media Cutter Cover Interlock Switch (S1)
7	-	Bracket (Not Spared)
8	-	Cutter Cover (P/O PL 7.7 Item 1)
9	011E04470	Cutter Interlock Actuator Lever
10	413W31054	Bearing
11	120E02160	Twist Clamp



0000013C RNO

PL 8.1 Media Transport Assembly

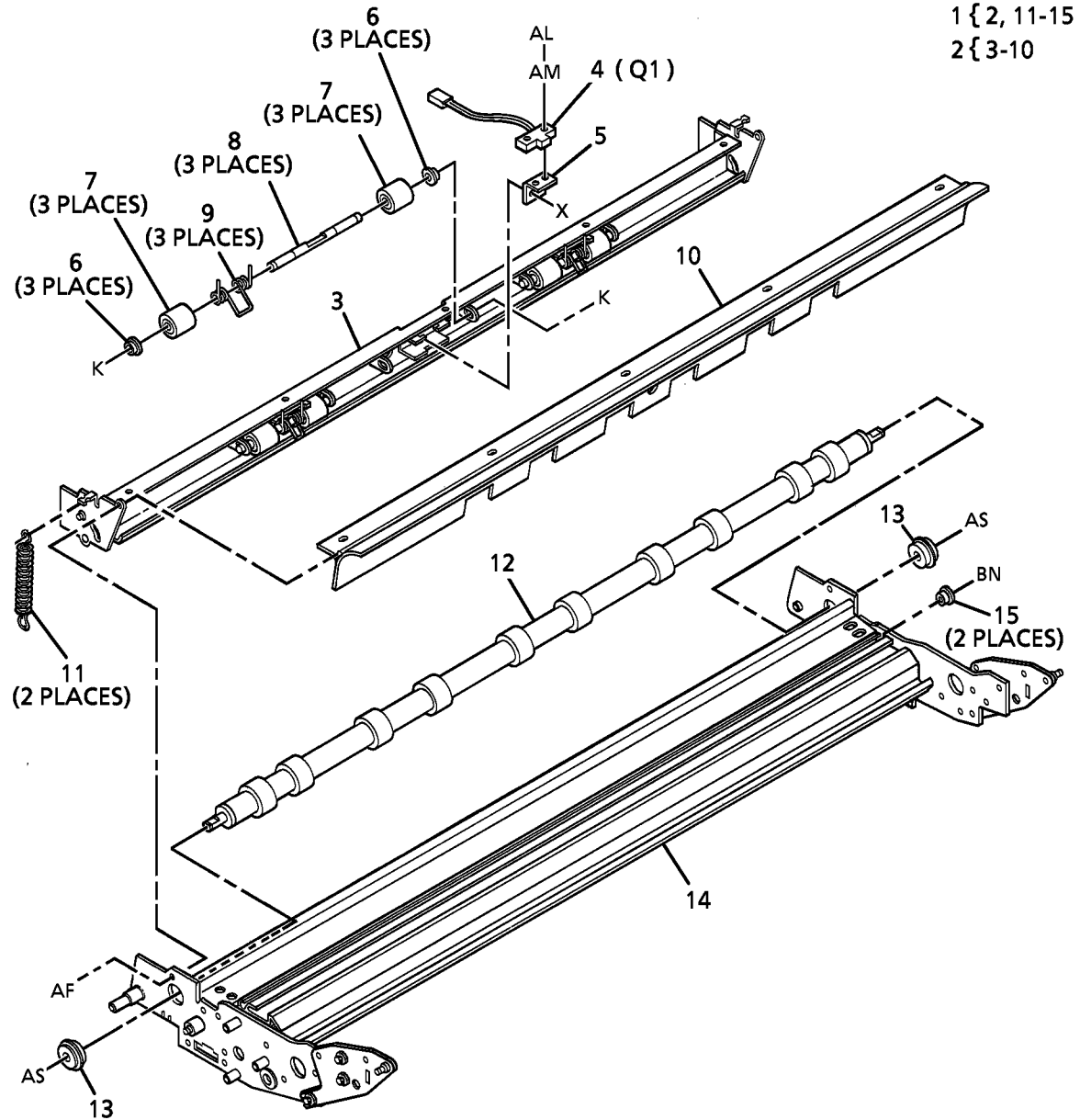
Item	Part	Description
1	423W72201	Sheet Drive Belt
2	020E13853	Sheet Drive Pulley
3	026E11970	Shoulder Screw
4	022K63750	Media Transport Assembly (8825) (W/O TAG 89) (REP 8.1,ADJ 8.1)
-	022K49205	Media Transport Assembly (8830) (W/TAG 15), Media Transport Assembly (8825) (W/TAG 89) (REP 8.1,ADJ 8.1)
5	-	Transport Drive Motor Assembly (Not Spared)
6	020E13603	Drive Motor Pulley
7	-	Motor Mounting Plate (P/O PL 8.1 Item 5)
8	127K04293	Transport Drive Motor (MOT1) (REP 8.10)
9	022E11441	Idler Roller
10	020E12353	Registration Drive Pulley
11	423W64001	Registration Drive Belt (REP 8.13)
12	120E02160	Twist Clamp
13	052E07910	Moisture Collection Tube
14	093E01501	Moisture Collection Bottle
15	029K01111	Pin
16	-	Bracket (Not Spared)
17	121K10612	Clutch (REP 8.4)
18	-	Bottle Cap (Not Spared)
19	009E32510	Compression Spring
20	017E07221	Clutch Brake
21	020E26340	Gear Pulley
22	020E26350	Exit Drive Pulley
23	423W59001	Belt
24	020K08080	Clutch Pulley



0000015B-RNO

PL 8.2 Media Registration Components

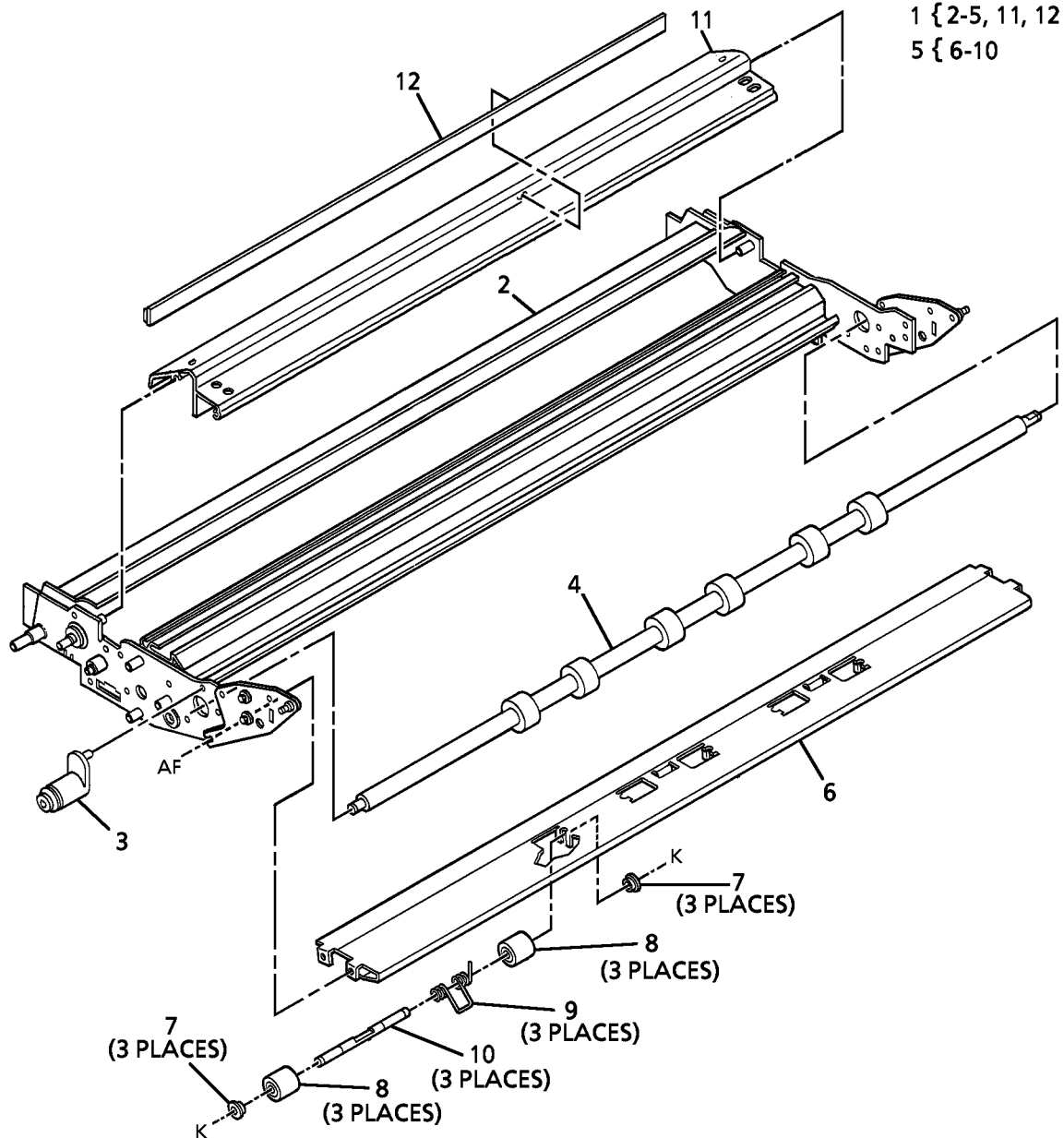
Item	Part	Description
1	-	Part of Media Transport Assembly (REF: PL 8.1 Item 4)
2	-	Registration Support Assembly (P/O PL 8.2 Item 1)
3	-	Registration Support (P/O PL 8.2 Item 2)
4	130E05990	Media Registration Sensor (Q1) (REP 8.8)
5	030K37830	Registration Sensor Bracket
6	016E06020	Bushing
7	022E10531	Registration Pinch Roll (REP 8.12)
8	006E42300	Pinch Roll Shaft
9	009E32500	Pinch Roll Spring
10	-	Turnaround Baffle (P/O PL 8.2 Item 2)
11	009E32480	Registration Support Spring
12	006K17441	Registration Drive Roll (REP 8.17)
13	413W31054	Bearing
14	-	Media Transport Frame (P/O PL 8.2 Item 1)
15	016E08931	Bushing



0000016A-RNO

PL 8.3 Cut Sheet Feed Components

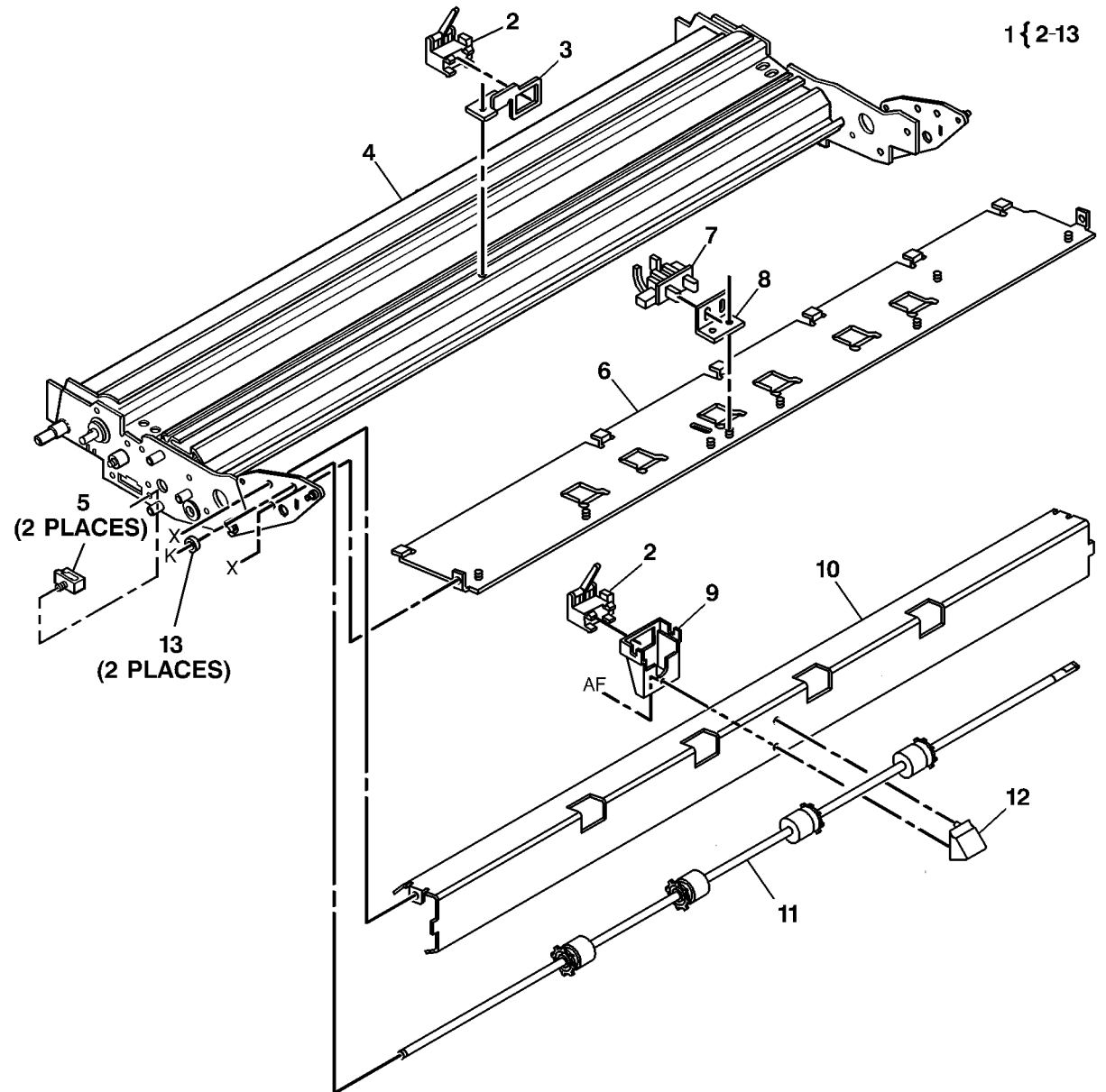
Item	Part	Description
1	-	Part of Media Transport Assembly (REF: PL 8.1 Item 4)
2	-	Media Transport Frame (P/O PL 8.3 Item 1)
3	019E14350	Drag Brake (8830), Drag Brake (8825) (W/TAG 90)
4	006K15682	Sheet Drive Roll (8830) (REP 8.7), Sheet Drive Roll (8825) (W/TAG 90) (REP 8.7)
5	-	Sheet Support Assembly (P/O PL 8.3 Item 1)
6	-	Sheet Lower Baffle (P/O PL 8.3 Item 5)
7	016E06020	Bushing (8830), Bushing (8825) (W/TAG 90)
8	022E09390	Sheet Pinch Roll (8830) (REP 8.6), Sheet Pinch Roll (8825) (W/TAG 90) (REP 8.6)
9	009E32490	Sheet Pinch Spring (8830), Sheet Pinch Spring (8825) (W/TAG 90)
10	006E23540	Sheet Pinch Shaft (8830), Sheet Pinch Shaft (8825) (W/TAG 90)
11	-	Top Guide (P/O PL 8.3 Item 1)
12	-	Shield (P/O PL 8.3 Item 1)



0000017A-RNO

PL 8.4 Media Transport Components

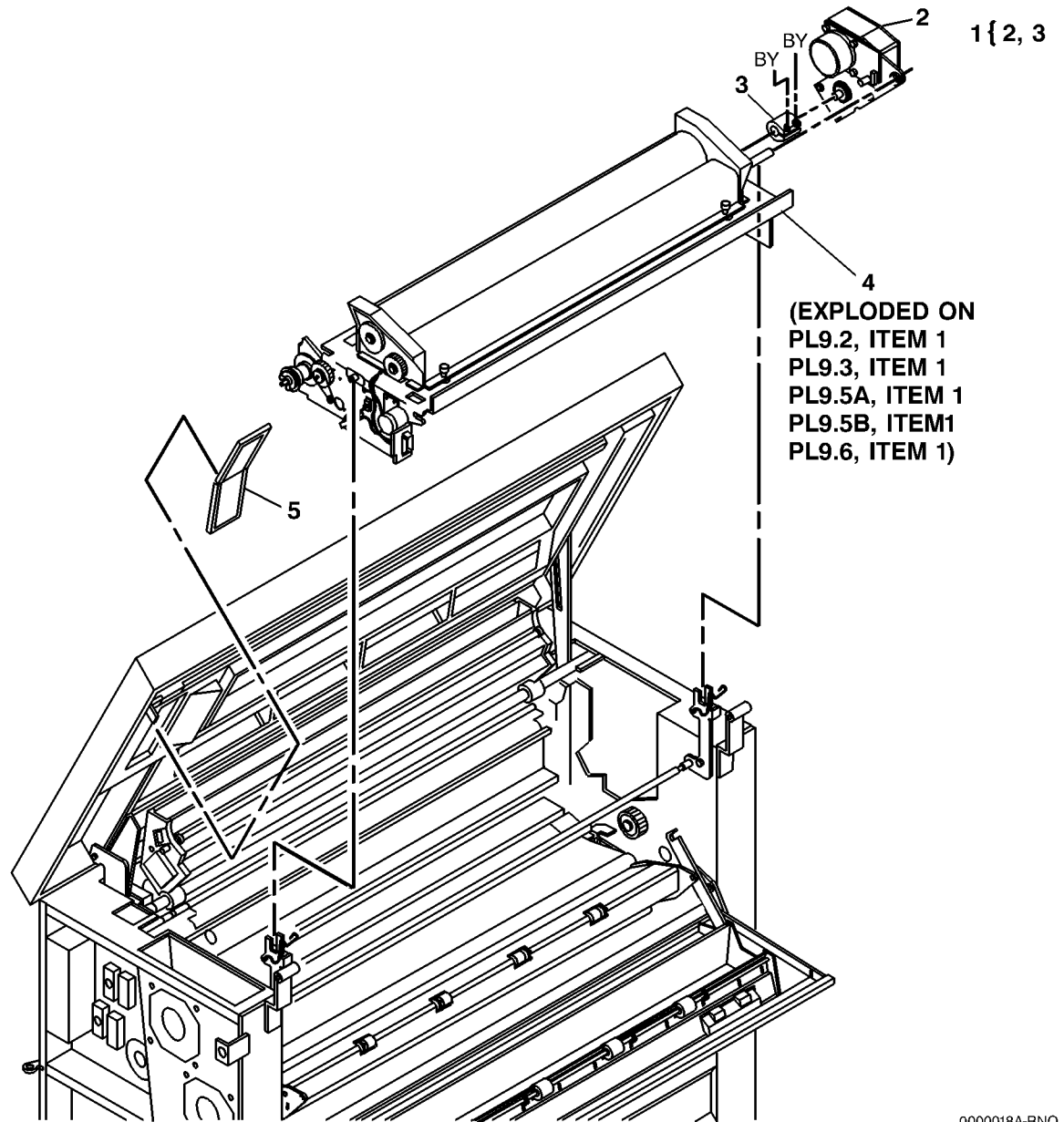
Item	Part	Description
1	–	Part of Media Transport Assembly (REF: PL 8.1 Item 4)
2	110K08711	Buckle Switch (Upper) (REP 8.4), Buckle Switch (Lower) (REP 8.2)
3	–	Sensor Bracket (P/O PL 8.4 Item 1)
4	–	Transport Frame (P/O PL 8.4 Item 1)
5	019E07100	Cable Clip
6	–	Sheet Upper Baffle (P/O PL 8.4 Item 1)
7	110K03731	Sheet Feed Switch (8830), Sheet Feed Switch (8825) (W/TAG 90)
8	–	Switch Bracket (P/O PL 8.4 Item 1)
9	049E54980	Sensor Bracket
10	–	Exit Support (P/O PL 8.4 Item 1)
11	006K15670	Exit Roll (REP 8.16)
12	032E10830	Stacker Support
13	–	Bushing (P/O PL 8.4 Item 1)



000006A-RNO

PL 9.1 Xerographic Module Assembly

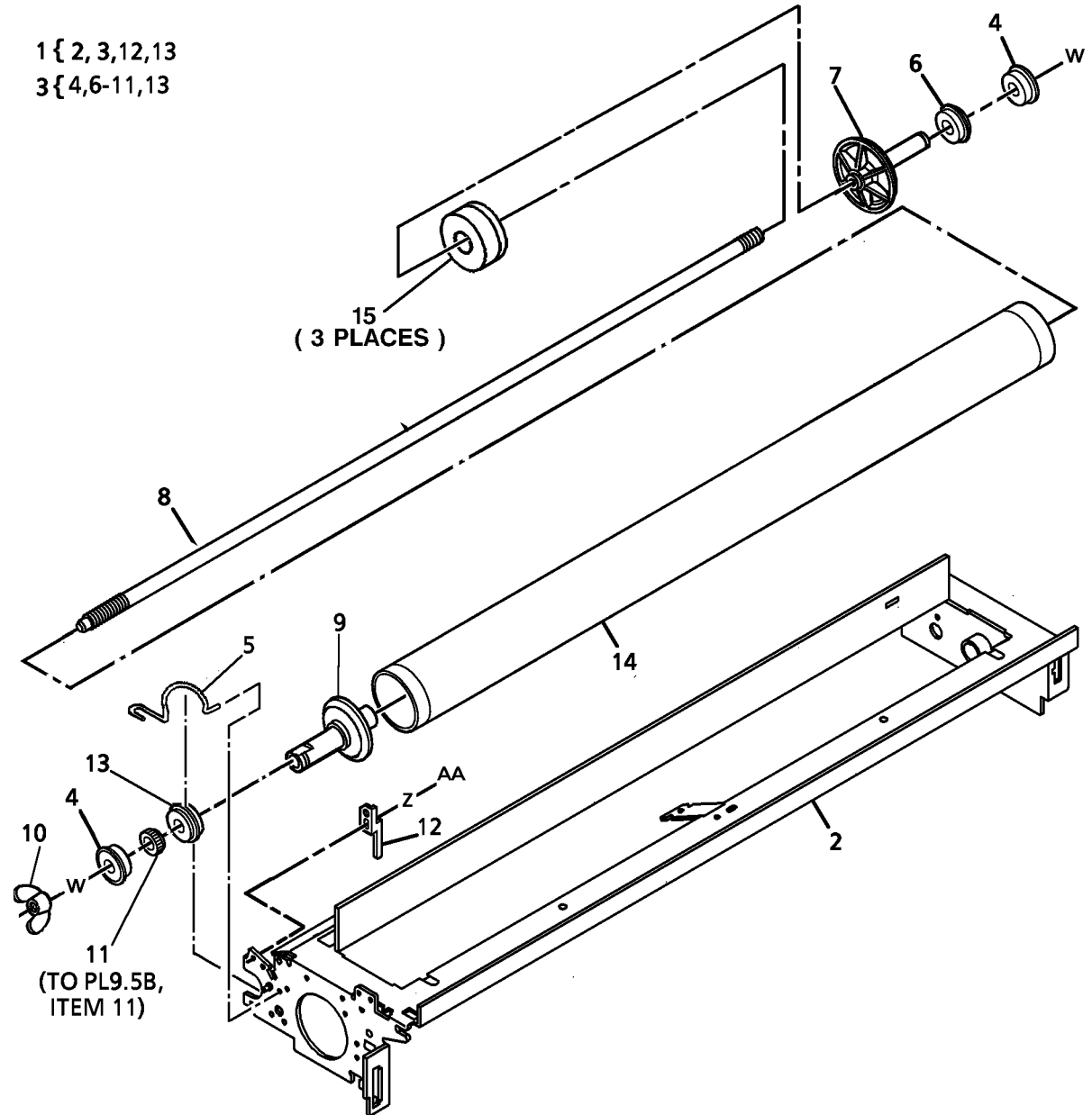
Item	Part	Description
1	127K17882	Photoreceptor Drive Assembly
2	–	Photoreceptor Drive (P/O PL 9.1 Item 1)
3	005K04151	Coupling
4	126K05992	Xerographic Module Assembly (60 Hz) (REP 9.1)
–	126K07152	Xerographic Module Assembly (50 Hz) (REP 9.1)
5	053E04750	Ozone Filter



0000018A-RNO

PL 9.2 Photoreceptor

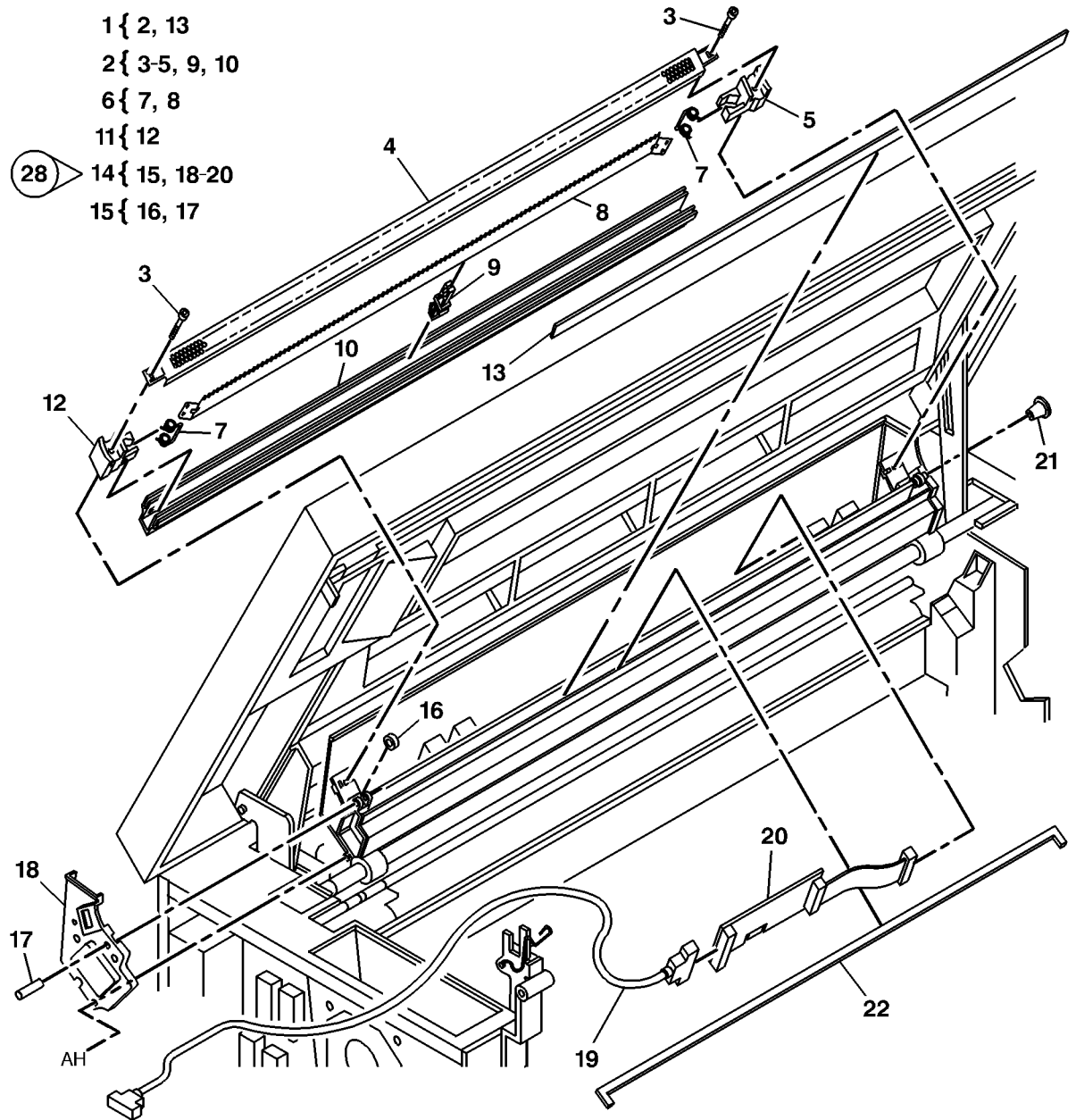
Item	Part	Description
1	–	Part of Xerographic Module Assembly (REF: PL 9.1 Item 4)
2	–	Xerographic Frame (P/O PL 9.2 Item 1)
3	006K15640	Shaft Assembly
4	013K00380	Bearing
5	028E11470	Bearing Retainer
6	–	Bearing (P/O PL 9.2 Item 3)
7	005K04131	RH End Cap
8	–	Shaft (P/O PL 9.2 Item 3)
9	005K04201	LH Hub
10	230W00652	Wing Nut
11	007E01340	Toner Auger Drive Gear
12	030E16161	Ground Clip
13	–	Bearing (P/O PL 9.2 Item 1)
14	001R00535	Photoreceptor (REP 9.3)
15	604K00440	Foam Damper Kit (3/Kit)



0000020B-RNO

PL 9.3 Image Module Assembly

Item	Part	Description
1	-	Part of Xerographic Module Assembly (REF: PL 9.1 Item 4)
2	125K02220	Scorotron Assembly
3	026E57690	Screw (M4 X 30)
4	062E08051	Screen
5	-	Right End Block (P/O PL 9.3 Item 2)
6	600K58750	Pin Array Kit (REP 9.8)
7	-	Spring (P/O PL 9.3 Item 6)
8	-	Pin Array (P/O PL 9.3 Item 6)
9	-	Center Support (P/O PL 9.3 Item 2)
10	-	Scorotron Extrusion (P/O PL 9.3 Item 2)
11	600K58730	Left End Block Kit
12	-	Left End Block (P/O PL 9.3 Item 11)
13	035E41210	Seal
14	600K58761	Image Module Assembly Kit (W/ TAG 28)
15	600K58740	Roller Kit
16	-	Roller (P/O PL 9.3 Item 15)
17	-	Pin (P/O PL 9.3 Item 15)
18	-	Cover (P/O PL 9.3 Item 14)
19	-	Harness (P/O PL 9.3 Item 14)
20	160K30980	Circuit Board (W/O TAG 28)
-	160K63410	Circuit Board (W/TAG 28)
21	021E07660	Cap Plug
22	035E37240	Gasket

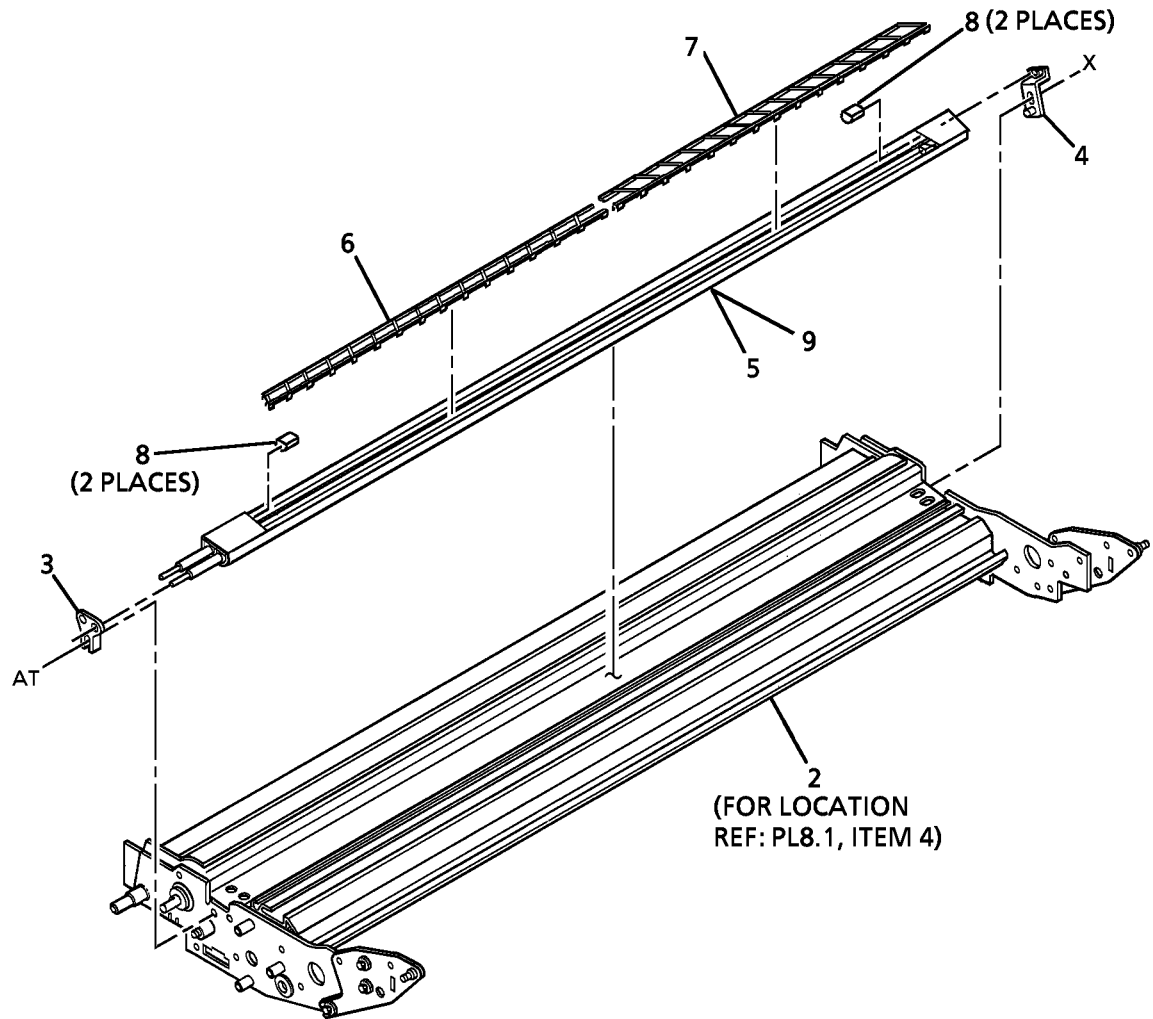


000005B-RNO

PL 9.4 Transfer/Detack Corotron

Item	Part	Description
1	–	Part of Media Transport Assembly (REF: PL 8.1 Item 4)
2	–	Transport Frame (P/O PL 9.4 Item 1)
3	019E16080	Left Corotron Clamp
4	019E19971	Right Corotron Clamp
5	125K02580	Transfer/Detack Corotron (REP 9.9)
6	038E06610	Rear Detack Corotron Shield
7	038E06620	Front Detack Corotron Shield
8	004E00502	Foam Damper
9	600K37740	Corotron Repair Kit

1 { 2-4

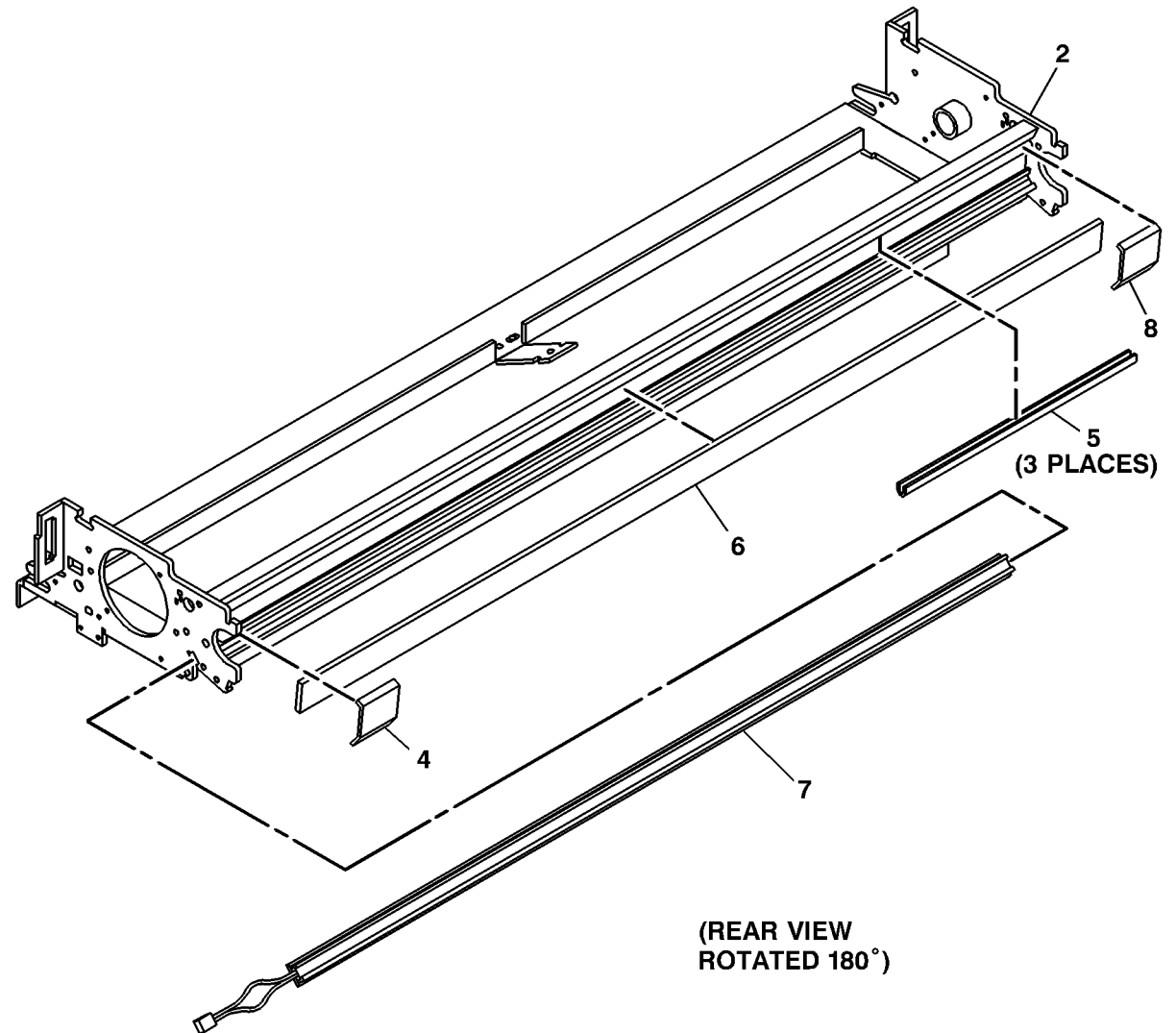


0000022A-RNO

PL 9.5A Drum Cleaning (Part 1 of 3)

Item	Part	Description
1	-	Part of Xerographic Module Assembly (REF: PL 9.1 Item 4)
2	-	Xerographic Frame (P/O PL 9.5A Item 1)
3	600K59060	Cleaning Blade Kit (REP 9.4)
4	-	Blade Seal (P/O PL 9.5A Item 3)
5	-	Cleaner Blade Retainer (P/O PL 9.5A Item 3)
6	-	Cleaner Blade (P/O PL 9.5A Item 3)
7	101K25780	Discharge LED
8	-	Blade Seal (P/O PL 9.5A Item 3)

1 { 2, 7
 3 { 4-6, 8 AND
 ITEM 7 ON PL9.5B

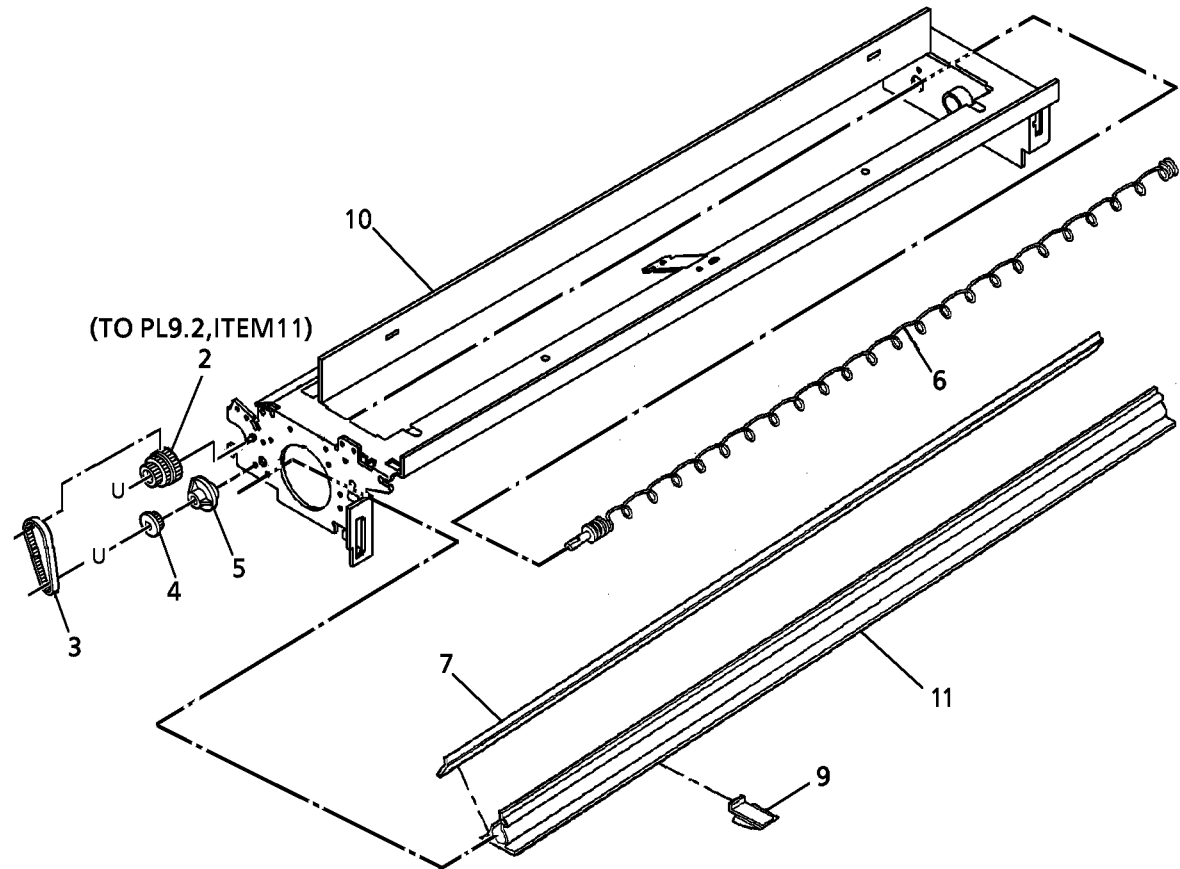


0000021B-RNO

PL 9.5B Drum Cleaning (Part 2 of 3)

Item	Part	Description
1	–	Part of Xerographic Module Assembly (REF: PL 9.1 Item 4)
2	007E05221	Auger Gear Pulley
3	023E01620	Auger Drive Belt
4	020E04350	Auger Pulley
5	013E00803	Auger Bearing
6	094K00085	Waste Toner Auger
7	035K05790	Photoreceptor Seal (Part of Cleaning Blade Kit) (REF: PL 9.5A Item 3) (REP 9.17)
8	600K08481	Media Deflector Kit (7/Kit)
9	–	Media Guide (P/O PL 9.5B Item 8)
10	–	Xerographic Frame (P/O PL 9.5B Item 1)
11	–	Housing (P/O PL 9.5B Item 1)

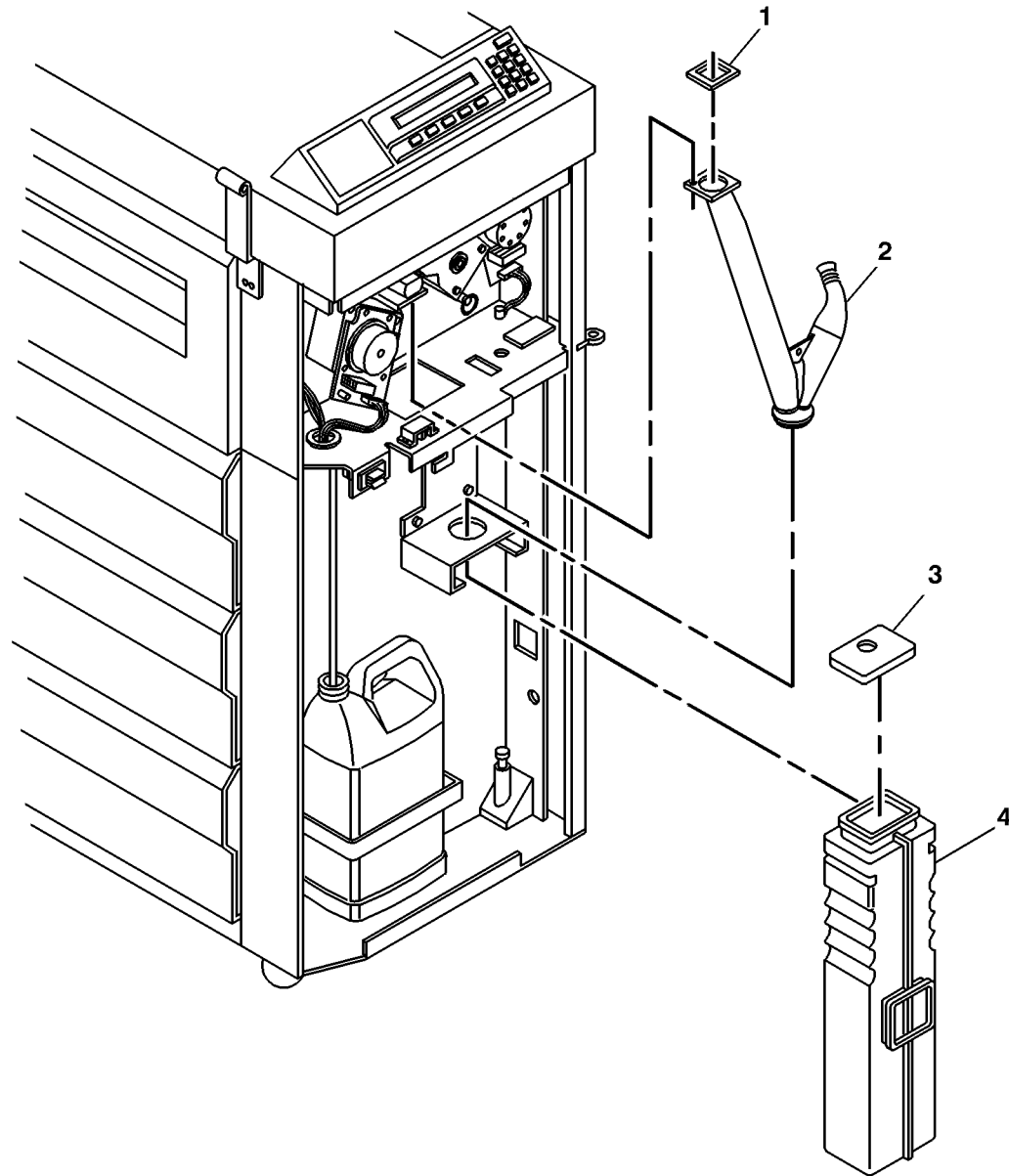
1 { 2-6, 10, 11
 7 { P/O KIT
 REF: PL9.5A, ITEM 3
 8 { 9



0000023B-RN0

PL 9.5C Drum Cleaning (Part 3 of 3)

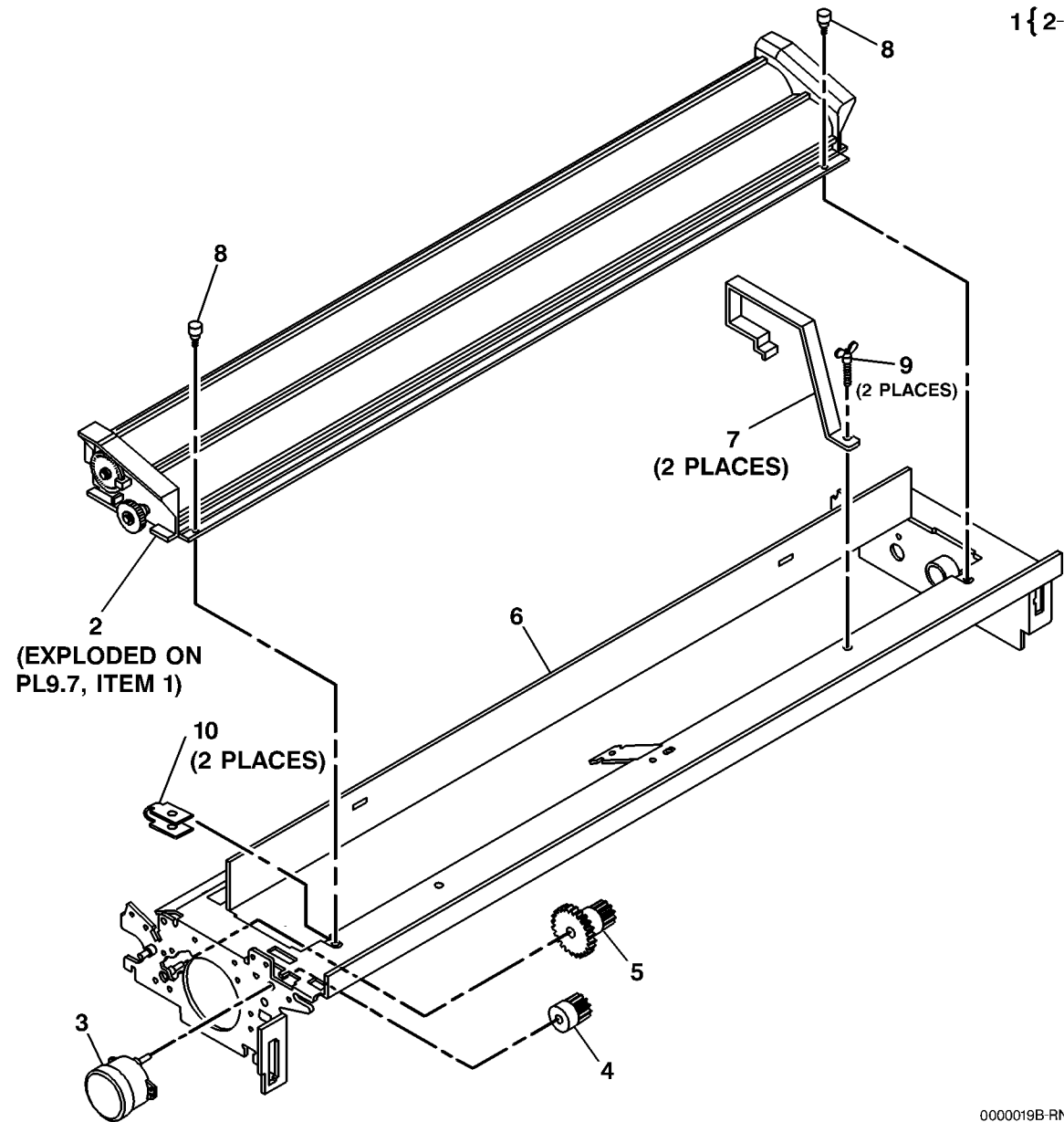
Item	Part	Description
1	035K05950	Toner Exit Seal
2	054E06533	Toner Waste Tube
3	035K05941	Waste Bracket Seal
4	093K02420	Toner Bottle



0000038A-RNO

PL 9.6 Web Oiler Assembly

Item	Part	Description
1	—	Part of Xerographic Module Assembly (REF: PL 9.1 Item 4)
2	094K03301	Web Oiler Assembly (REP 10.7)
3	127K21990	Web Oiler Motor
4	007K08920	Oiler Drive Gear
5	007K08930	Idler Gear (40t/18T)
6	—	Xerographic Frame (P/O PL 9.6 Item 1)
7	003E39010	Handle
8	003E44550	Screw (M4)
9	029E24860	Fastener
10	027E03950	Clip

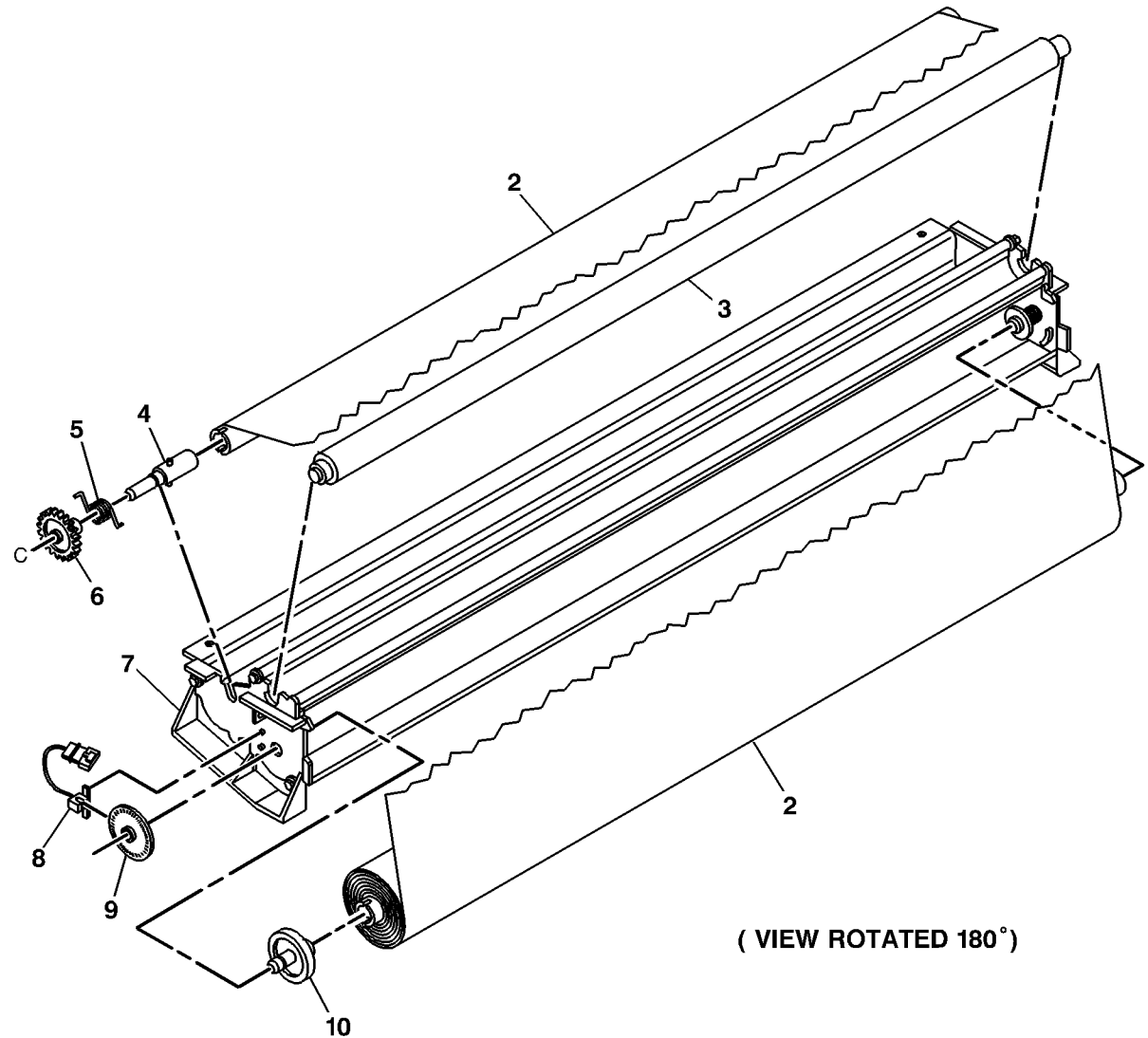


0000019B-RNO

PL 9.7 Web Oiler Components

Item	Part	Description
1	–	Part of Web Oiler Assembly (REF: PL 9.6 Item 2)
2	022K49131	Web Oiler (REP 10.9)
3	022K49380	Pinch Roll
4	–	Take Up Shaft (P/O PL 9.7 Item 1)
5	009E75260	Spring
6	007E42580	Take Up Gear
7	–	Web Frame (P/O PL 9.7 Item 1)
8	130K55130	Web Motion Sensor
9	146K00461	Encoder Wheel
10	005E11130	Brake

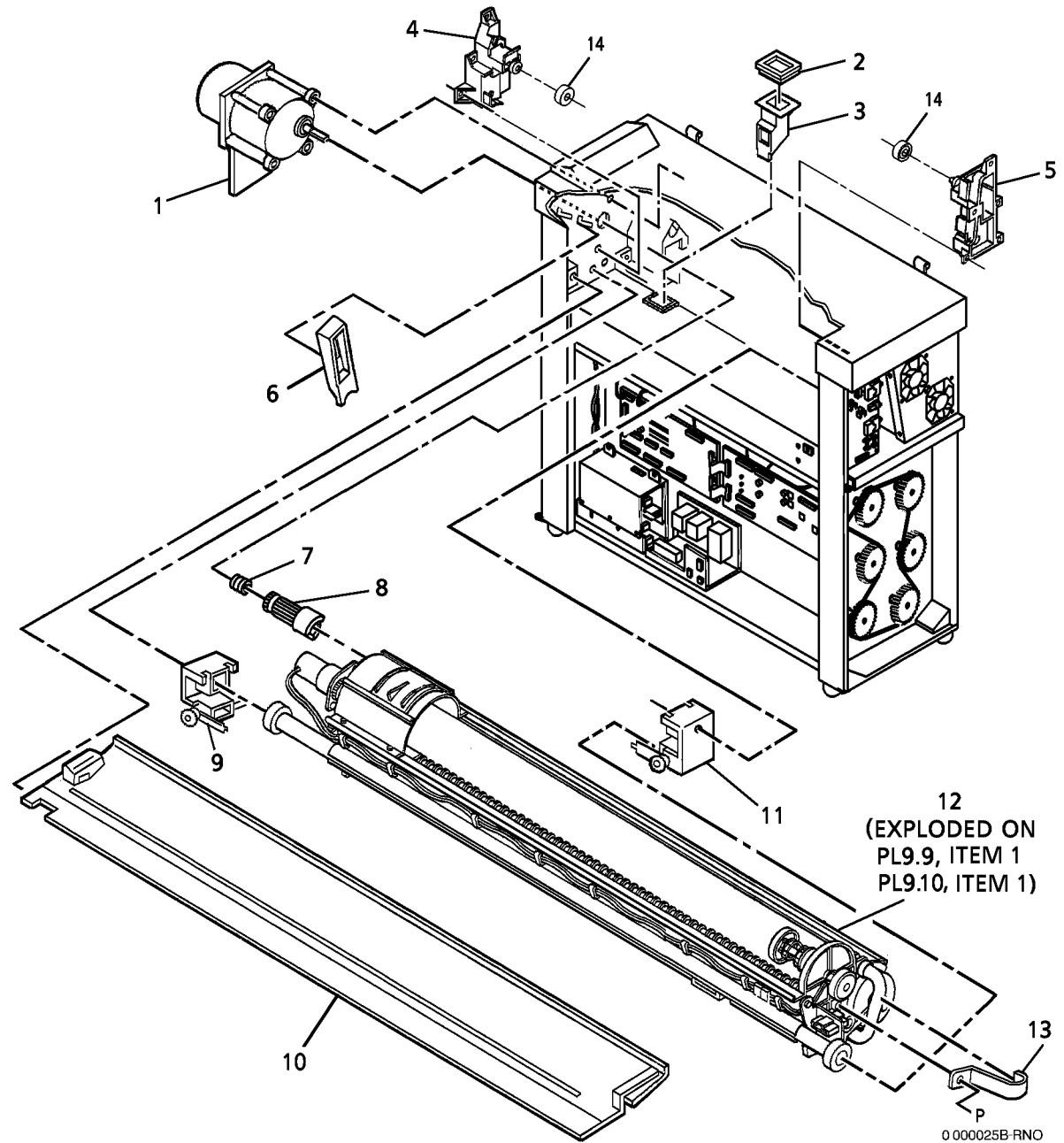
1 { 2-10



0000024A-RNO

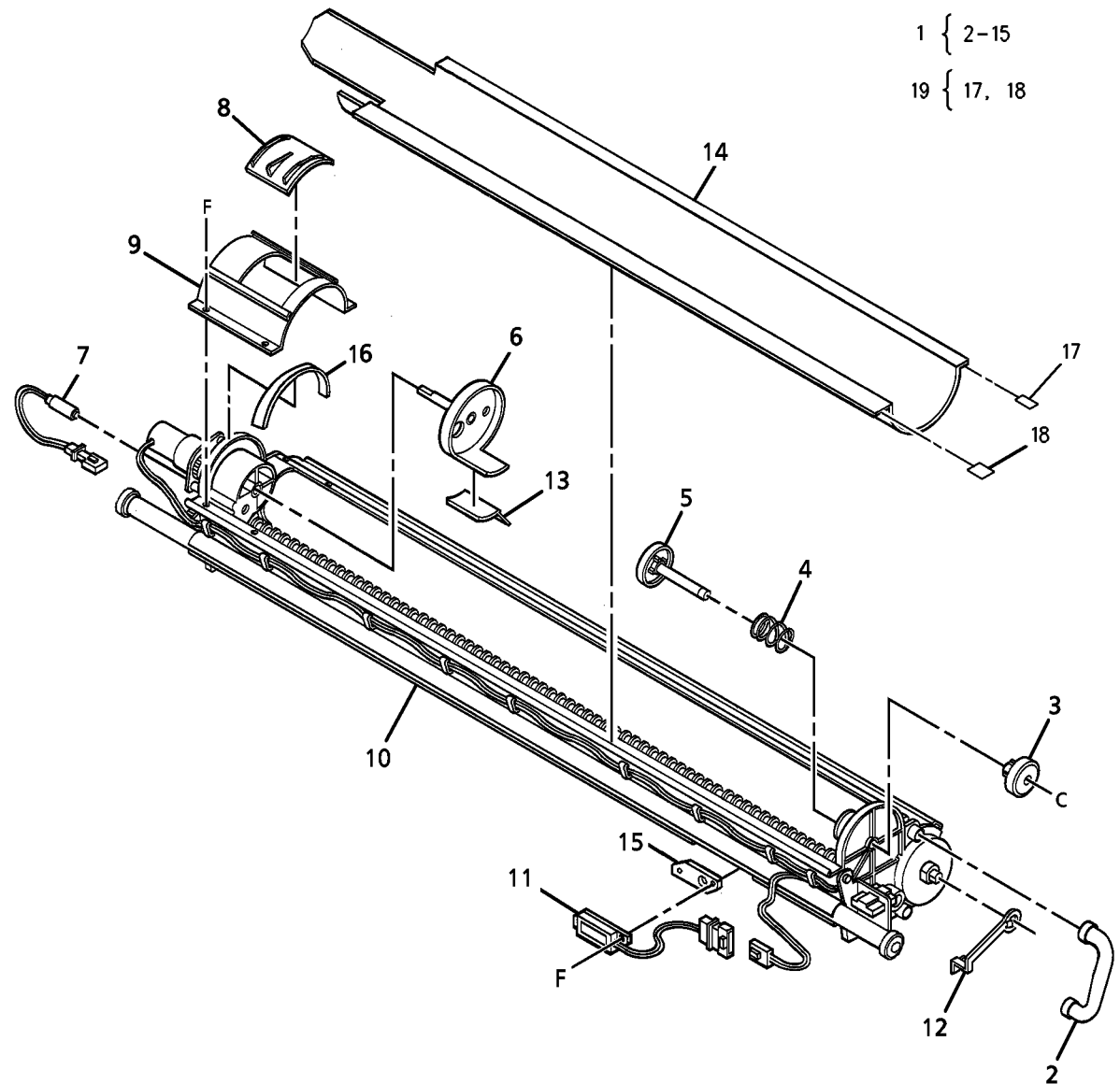
PL 9.8 Developer Module Assembly

Item	Part	Description
1	127E10341	Drum/Developer Drive Motor
2	035K05900	Gasket
3	010E04190	Trickle Slide
4	014K04740	Developer Support (Drive Side)
5	014K04730	Developer Support
6	028E07771	Retainer
7	009E41251	Coupling Spring
8	007E15351	Drive Gear/Coupling
9	030K56160	Developer Support (Drive Side)
10	050E12851	Developer Baffle
11	030K56150	Developer Support
12	121K10422	Developer Module Assembly (REP 9.5)
13	019E21480	Clip
14	604K00520	Roller Kit (2/Kit) (W/TAG 52)



PL 9.9 Developer Module Components (Part 1 of 2)

Item	Part	Description
1	-	Part of Developer Module Assembly (REF: PL 9.8 Item 12)
2	054E03181	Pressure Equilizer Tube (REP 9.8)
3	003E19330	Cartridge Knob
4	-	Spring (P/O PL 9.9 Item 1)
5	005K01351	Cartridge Hub
6	-	Cartridge Drive Plate (P/O PL 9.9 Item 1) (REP 9.14)
7	130K30381	Toner Cartridge Home Sensor (REP 9.12, ADJ 9.5)
8	002E40470	Top Shield Door
9	055K13840	Top Shield
10	-	Developer Frame (P/O PL 9.9 Item 1)
11	130K53300	Toner Sensor (REP 9.11)
12	019E15551	Bias Clip
13	001E23080	Toner Strip
14	055K13830	Sump Shield (REP 9.13)
15	-	Sensor Spacer (P/O PL 9.9 Item 1)
16	035E12210	Seal
17	-	Foam Gasket (P/O PL 9.9 Item 19)
18	-	Foam Gasket (P/O PL 9.9 Item 19)
19	604K00080	Seal Repair Kit (W/TAG 51)

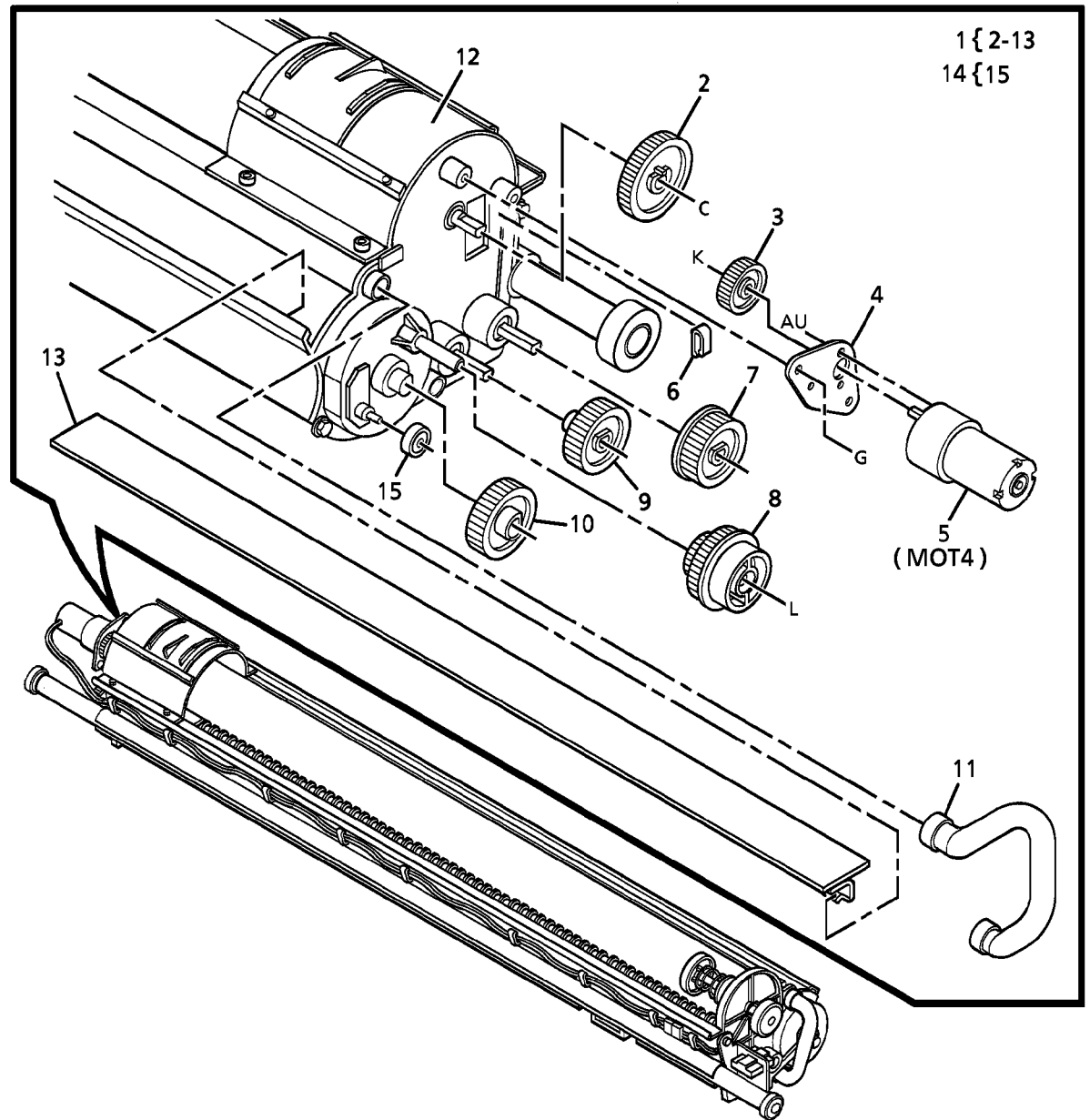


1 { 2-15
19 { 17, 18

0 000026B-RNO

PL 9.10 Developer Module Components (Part 2 of 2)

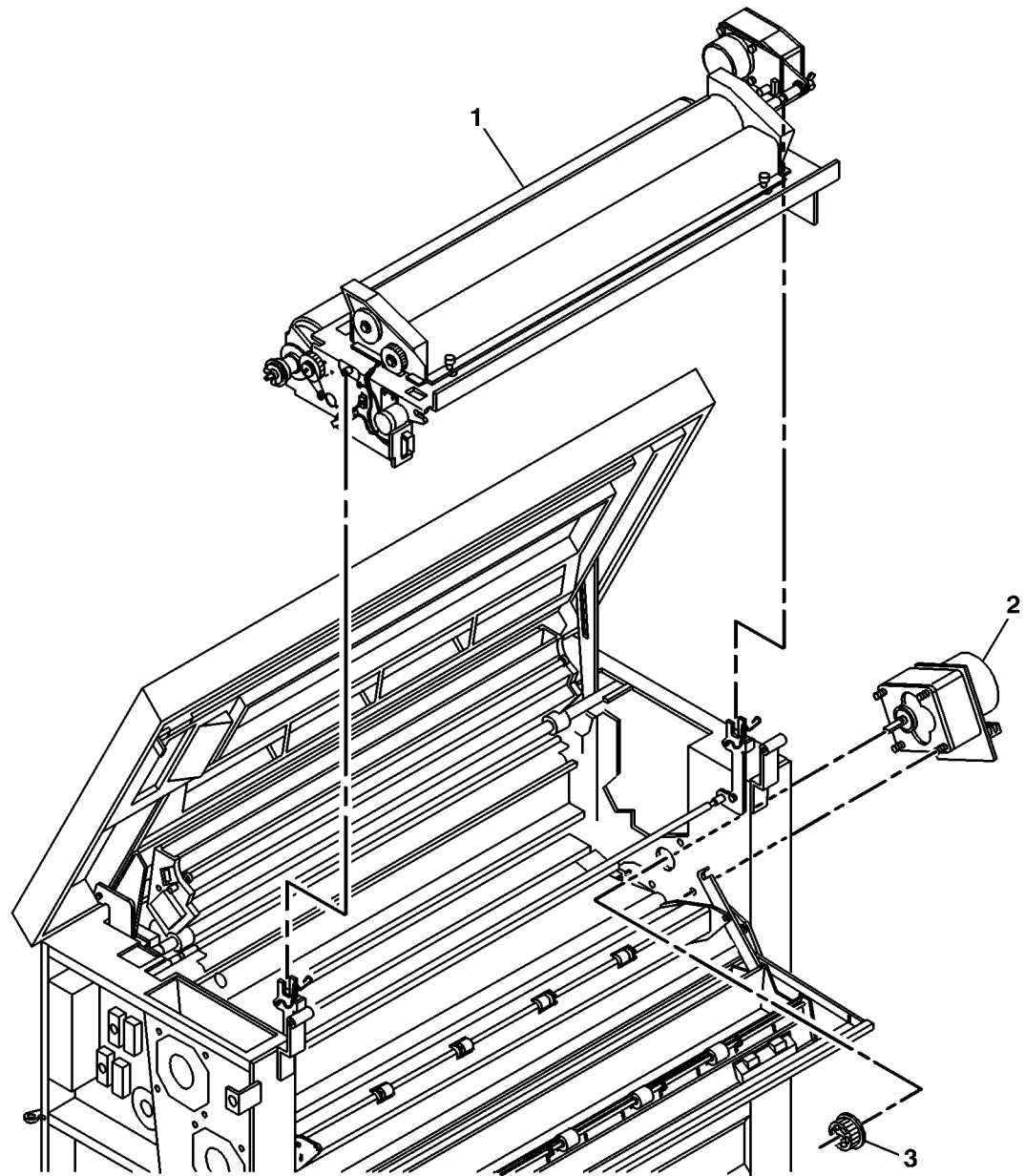
Item	Part	Description
1	-	Part of Developer Module Assembly (REF: PL 9.8 Item 12)
2	007E16330	Cartridge Gear (44T)
3	007E16341	Cartridge Drive Gear (26T)
4	-	Motor Mounting Plate (P/O PL 9.10 Item 1)
5	127K22600	Cartridge Drive Motor (MOT4) (REP 9.6)
6	120E04750	Cable Clip
7	007E14690	Auger Drive Gear (37T)
8	007K05260	Developer Drive Gear (43T/25T)
9	007E14700	Auger Drive Gear (37T)
10	007E14710	Magnetic Roll Drive Gear (40T)
11	054E03491	Pressure Equilizer Tube (REP 9.18)
12	-	Developer Frame (P/O PL 9.10 Item 1)
13	035K04581	Seal
14	600K58720	DRS Roller Kit
15	-	Roller (P/O PL 9.10 Item 14)



0000027A-RNO

PL 10.1 Xerographic Module Assembly

Item	Part	Description
1	126K05992	Xerographic Module Assembly (60 Hz) (REP 9.1)
-	126K07152	Xerographic Module Assembly (50 Hz) (REP 9.1)
2	127E10331	Fuser Drive Motor
3	007E44391	Drive Pulley (28T)

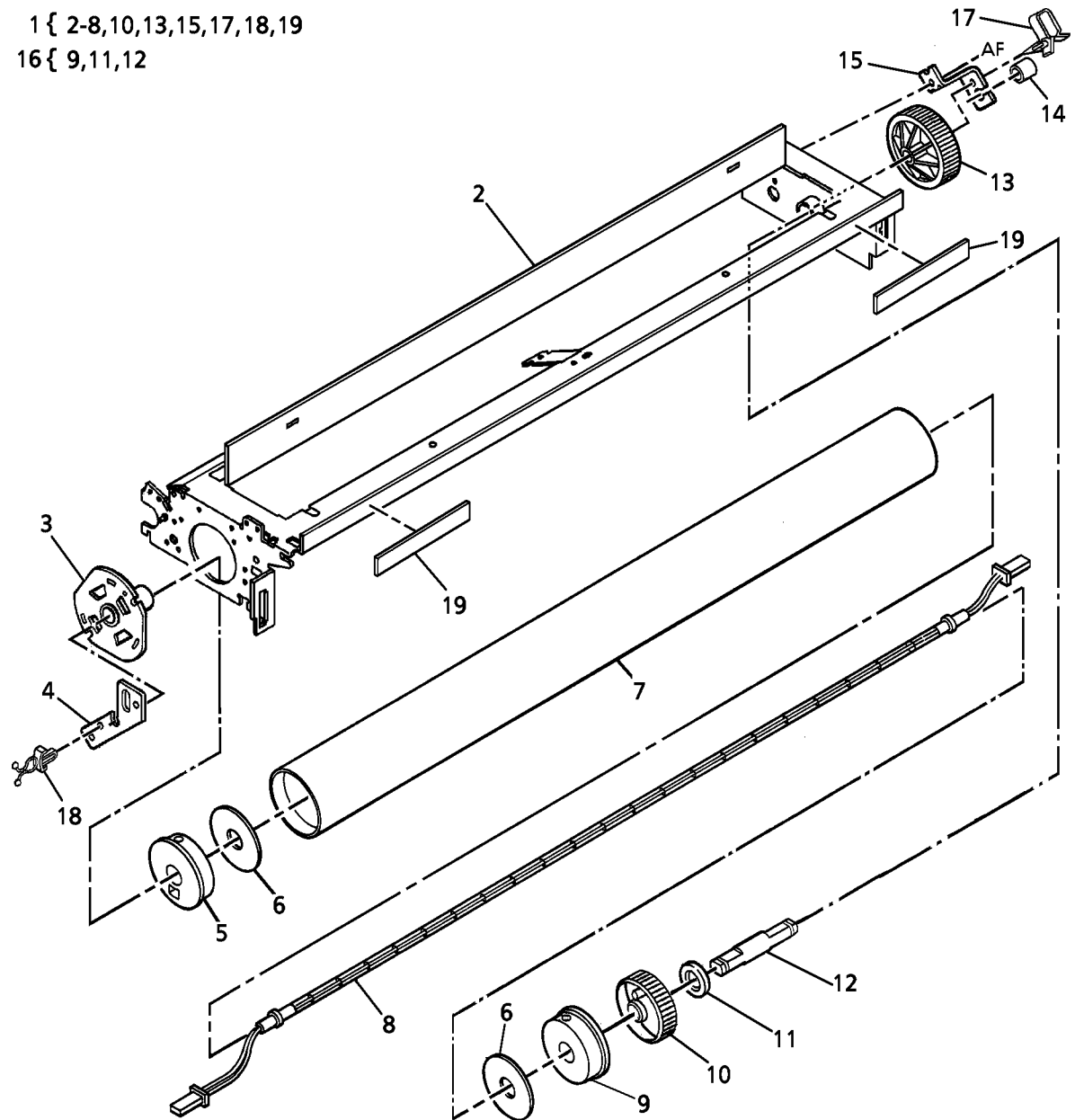


0000028A-RN0

PL 10.2 Fuser Components

Item	Part	Description
1	-	Part of Xerographic Module Assembly (REF: PL 10.1 Item 1)
2	-	Xerographic Frame (P/O PL 10.2 Item 1)
3	005K03430	Fuser Hub
4	-	LH Lamp Bracket (P/O PL 10.2 Item 1)
5	005K02613	LH Fuser Bearing
6	062E05461	Reflector
7	022K40050	Fuser Heat Roll (REP 10.2)
8	126E00492	Fuser Heat Rod (60 Hz) (REP 10.1)
-	126E00821	Fuser Heat Rod (50 Hz) (REP 10.1)
9	-	RH Fuser Bearing (P/O PL 10.2 Item 16)
10	007E42570	Exit Drive Gear
11	115E02231	Ground Ring
12	006E23471	Fuser Drive Shaft
13	007E42780	Fuser Gear (80t)
14	016E08080	Grommet
15	049E06460	RH Lamp Bracket
16	600K45270	Fuser Drive Shaft Kit
17	120E05440	Clip
18	120E06510	Twist Tie Clamp
19	121E01402	Magnet

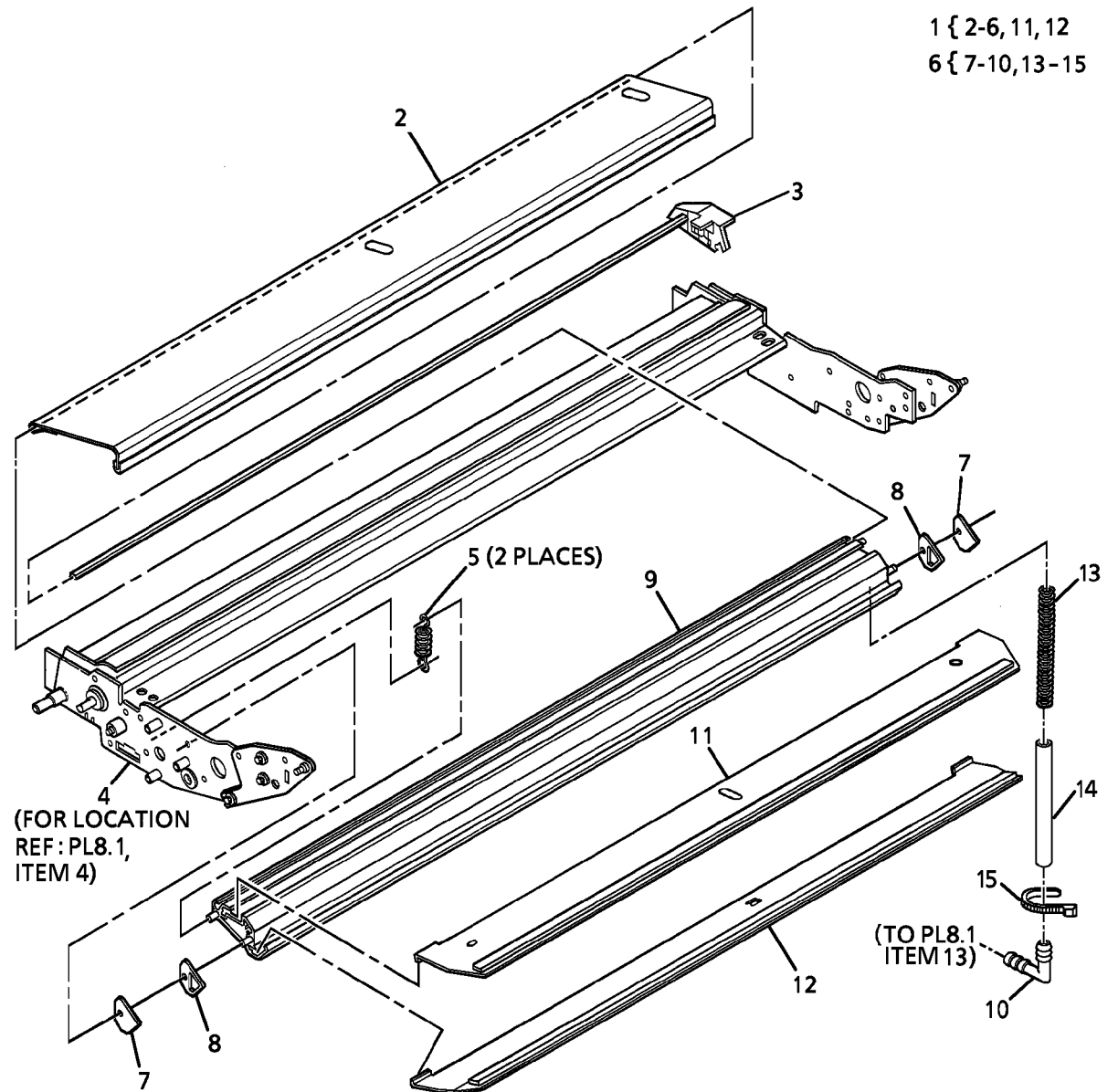
1 { 2-8,10,13,15,17,18,19
16 { 9,11,12



0000029A-RNO

PL 10.3 Fuser Pressure Components And Moisture Collection

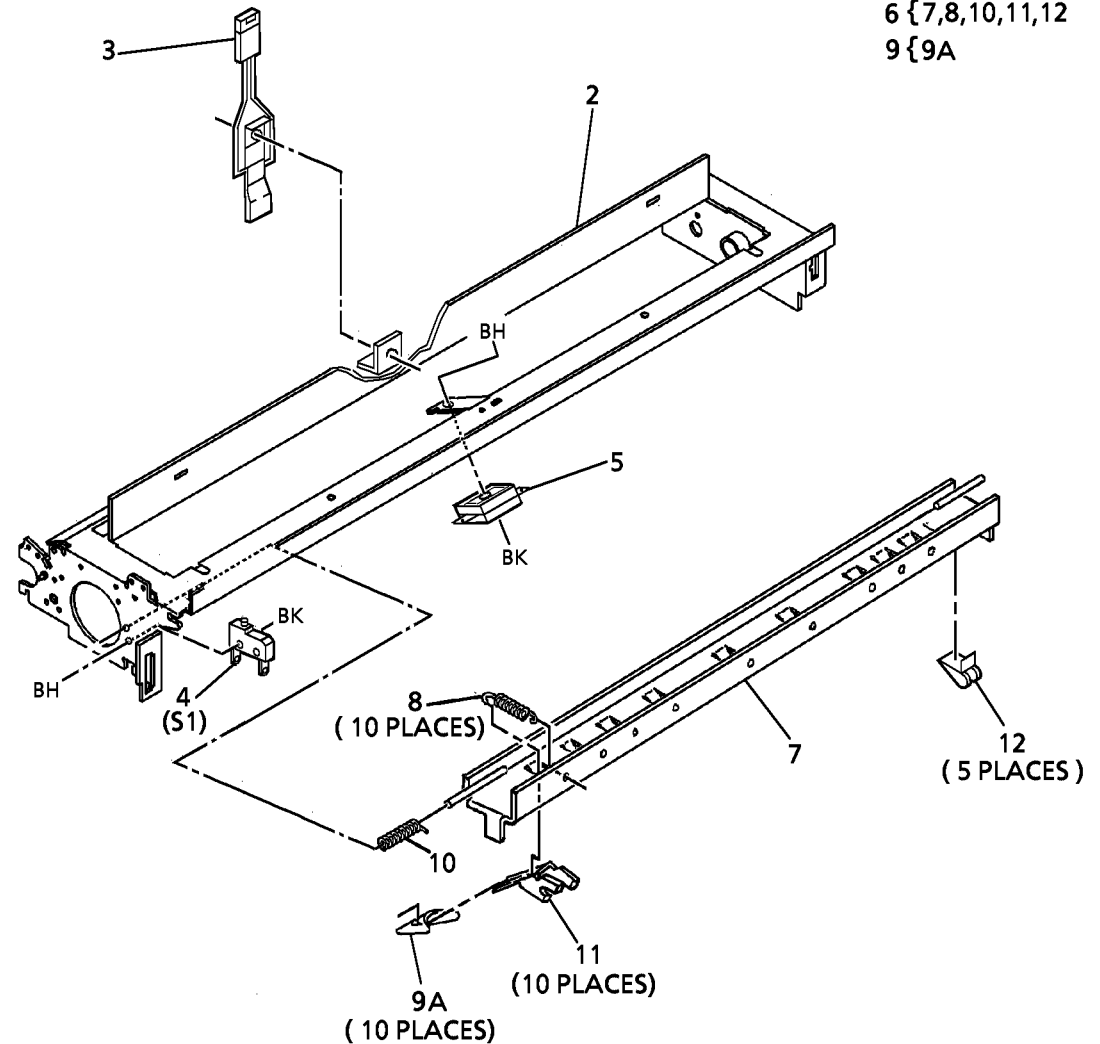
Item	Part	Description
1	–	Part of Media Transport Assembly (REF: PL 8.1 Item 4)
2	023K00942	Fabric Guide (REP 8.9)
3	003K09130	Fabric Guide Retainer Handle
4	–	Transport Frame (P/O PL 10.3 Item 1)
5	009E32490	Spring
6	–	Housing Assembly (P/O PL 10.3 Item 1)
7	–	End Cap (P/O PL 10.3 Item 6)
8	–	Gasket (P/O PL 10.3 Item 6)
9	–	Housing (P/O PL 10.3 Item 6)
10	–	Adapter (P/O PL 10.3 Item 6)
11	033K02430	Pressure Plate A (REP 8.5)
12	033K02040	Pressure Plate B (REP 8.5)
13	009E46870	Drain Tube Spring
14	052E07900	Moisture Drain Tube
15	420W10201	Cable Tie



0000030B-RNO

PL 10.4 Fuser Heat Control And Stripper Fingers

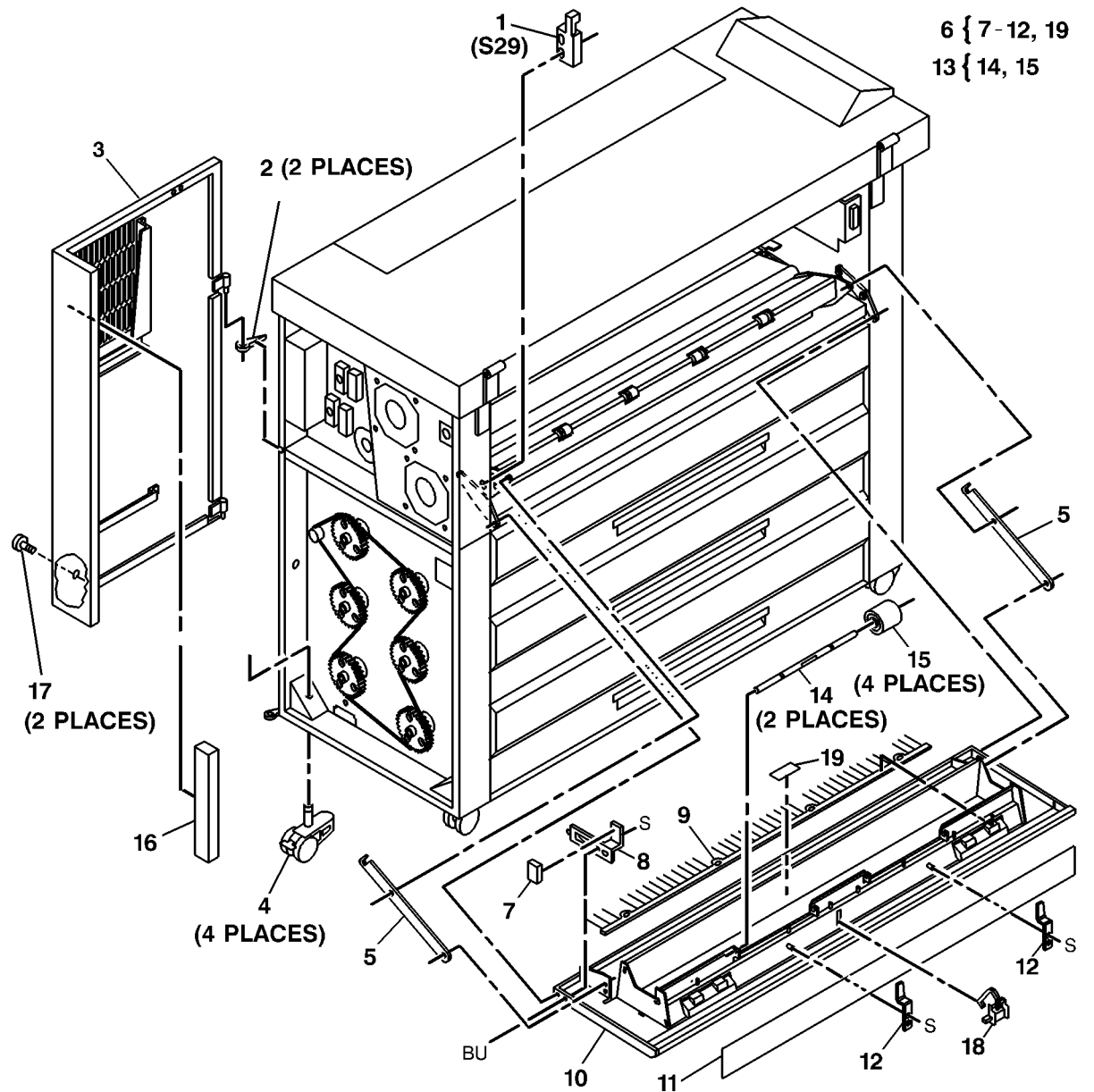
Item	Part	Description
1	-	Part of Xerographic Module Assembly (REF: PL 10.1 Item 1)
2	-	Xerographic Frame (P/O PL 10.4 Item 1)
3	130K54730	Thermistor
4	110E05500	Stripper Finger Jam Switch (S1)
5	130K54841	Thermal Fuse
6	600K68100	Special Stripper Finger Kit (FX Series Media Only)
-	030K55720	Stripper Bracket Assembly
7	-	Stripper Finger Support (P/O PL 10.4 Item 6)
8	009E61600	Spring
9	600K35880	Stripper Finger Spare Kit
9A	-	Stripper Finger (REP 10.8)
10	009E38060	Spring
11	068E38113	Stripper Finger Bracket
12	038K11070	Paper Guide



0000031B-RN0

PL 14.1 Transport Latching Cover And Rear Door

Item	Part	Description
1	130E02271	Feed Shelf Interlock Switch (S29)
2	014E20541	Left Hinge Spacer
3	048K47700	Rear Door
4	017K01120	Caster
5	-	Bracket (Not Spared)
6	030K55634	Transport Latching Cover Assembly (8830) (W/TAG 32), Transport Latching Cover Assembly (8825) (W/TAG 90)
-	030K64020	Transport Latching Cover Assembly (8825) (W/O TAG 90)
7	121E07680	Magnet
8	019E33441	Ground Retainer
9	115E01410	Static Brush
10	-	Transport Latching Cover (P/O PL 14.1 Item 6)
11	096E72590	Label
-	096E72591	Label
12	809E02290	Shaft Spring
13	600K59260	Exit Idler Roll Kit
14	-	Shaft (P/O PL 14.1 Item 13)
15	-	Roll (P/O PL 14.1 Item 13)
16	035E41160	Gasket
17	029E28060	Fastener
18	110K09430	Switch
19	-	Label (P/O PL 14.1 Item 6)

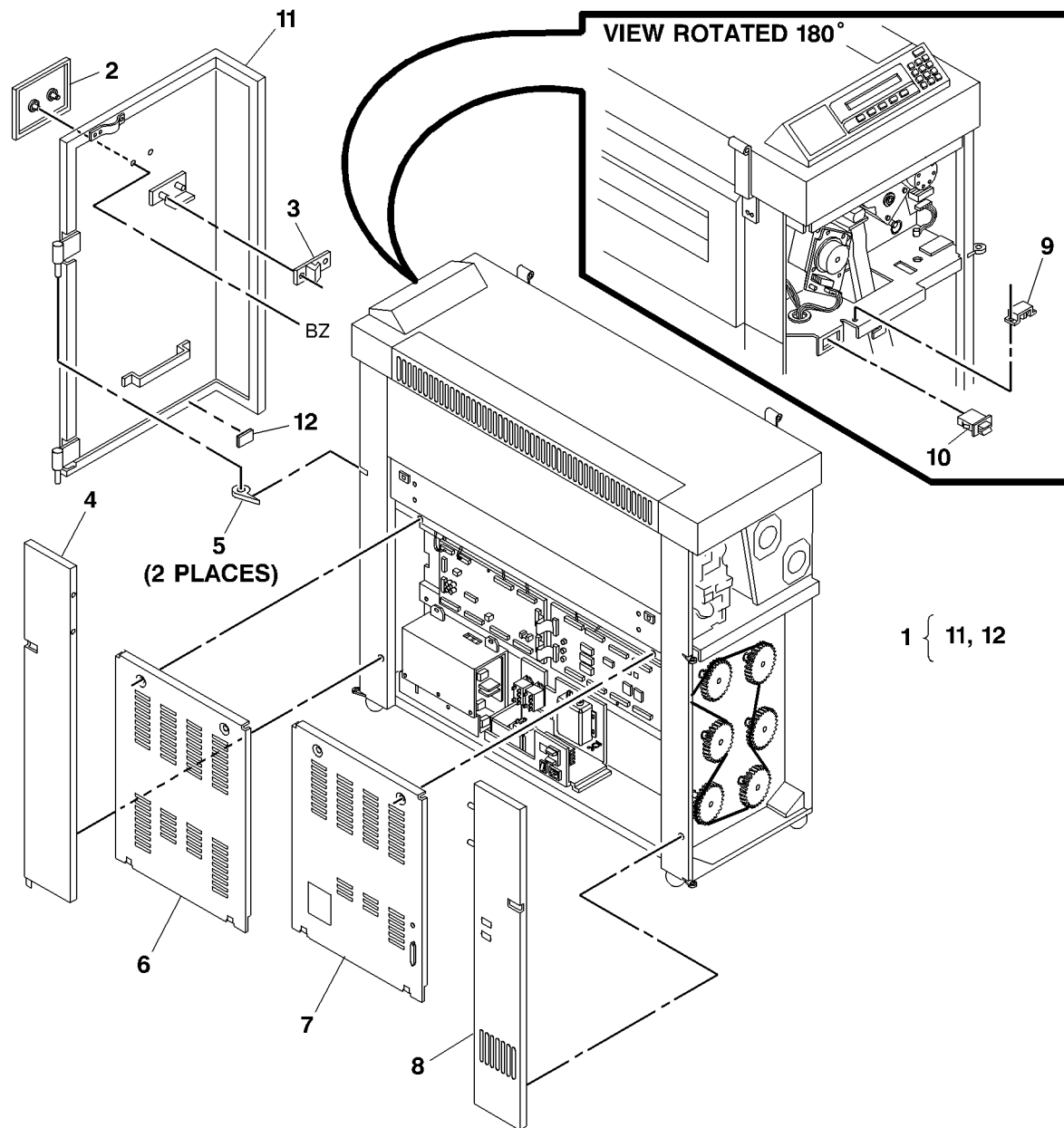


6 { 7 - 12, 19
13 { 14, 15

0000033C-RNO

PL 14.2 Front Door And Right Side Covers

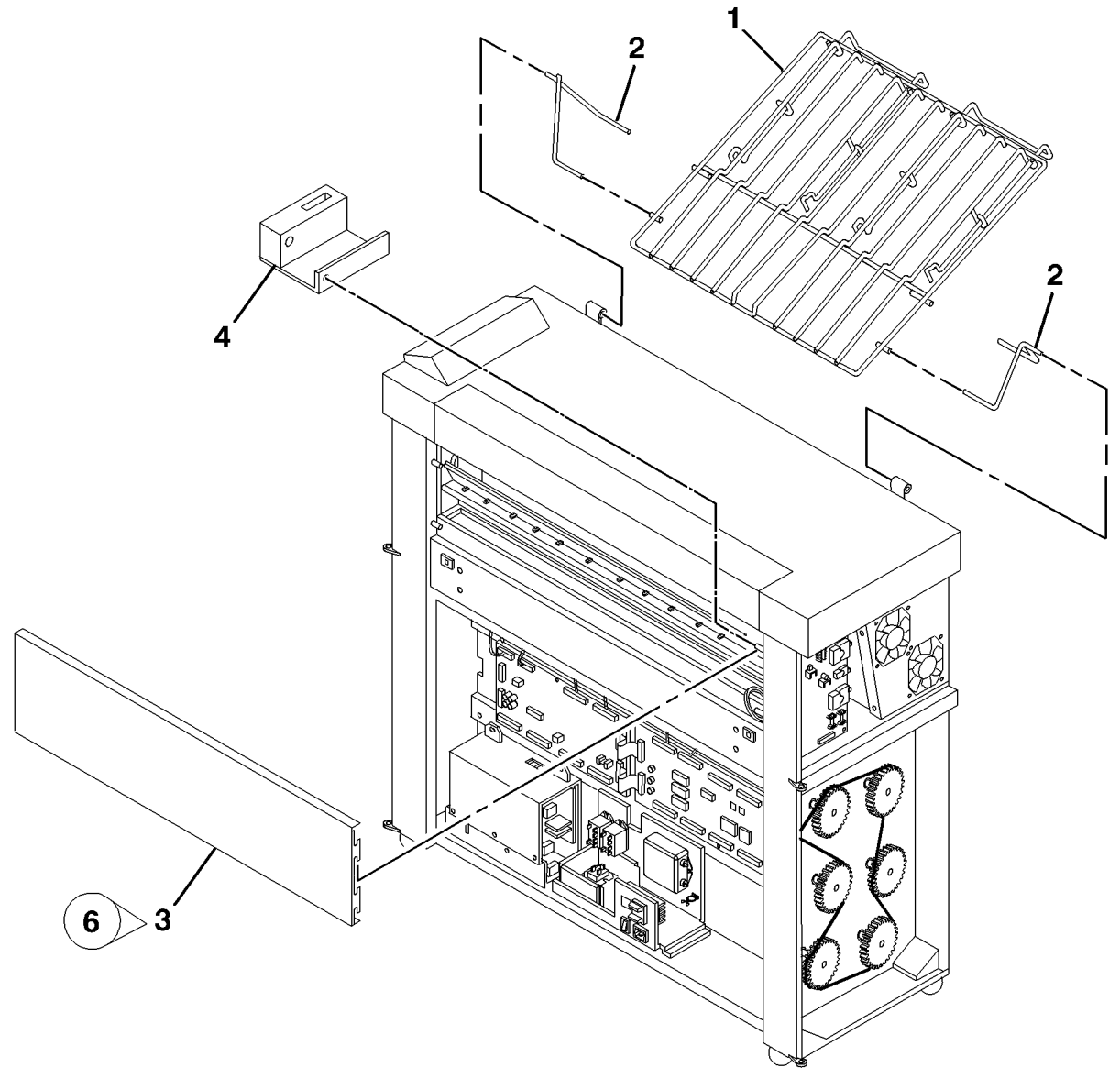
Item	Part	Description
1	048K14304	Front Door Cover Assembly (W/ TAG 32)
2	891E09080	Logo Plate
3	003E13010	Keeper
4	048K47710	Right Side, Left Cover
5	014E20551	Right Hinge Spacer
6	048K47681	Right Side, Left Lower Cover
7	048K47692	Right Side, Right Lower Cover
8	048K44401	Right Side, Right Cover
9	003E13020	Front Door Latch
10	110E02640	Front Door Cover Interlock Switch
11	-	Front Door Cover (P/O PL 14.2 Item 1)
12	121E10610	Magnet



0000034C-RNO

PL 14.3 Developer Cover And Catch Tray

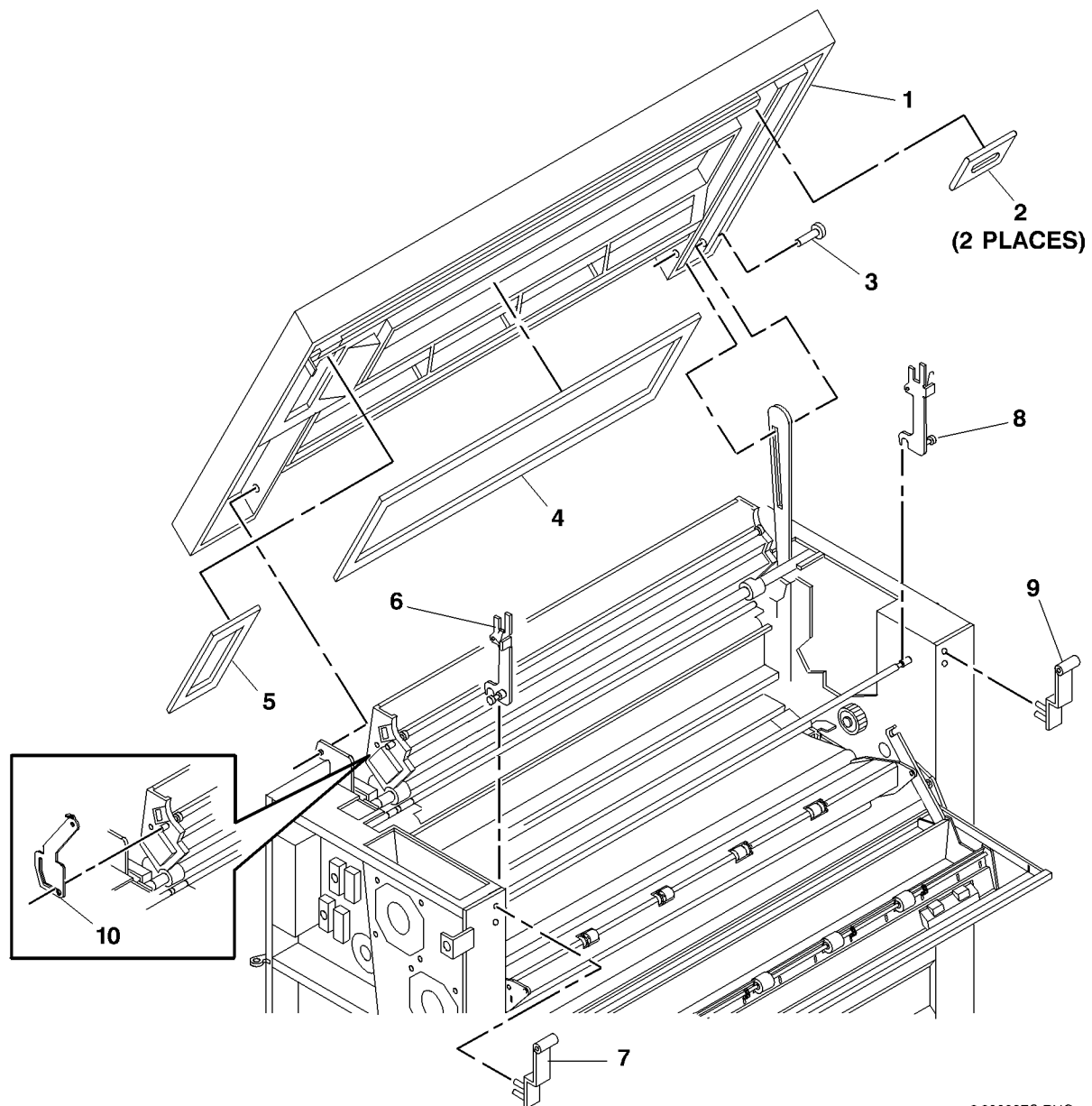
Item	Part	Description
1	073E11800	Catch Tray Kit
2	073E11710	Tray Support Kit
3	048E51410	Rear Developer Cover (W/TAG 6)
4	110K08970	Interlock Switch



0 000035C RNO

PL 14.4 Top Cover And Catch Tray Brackets

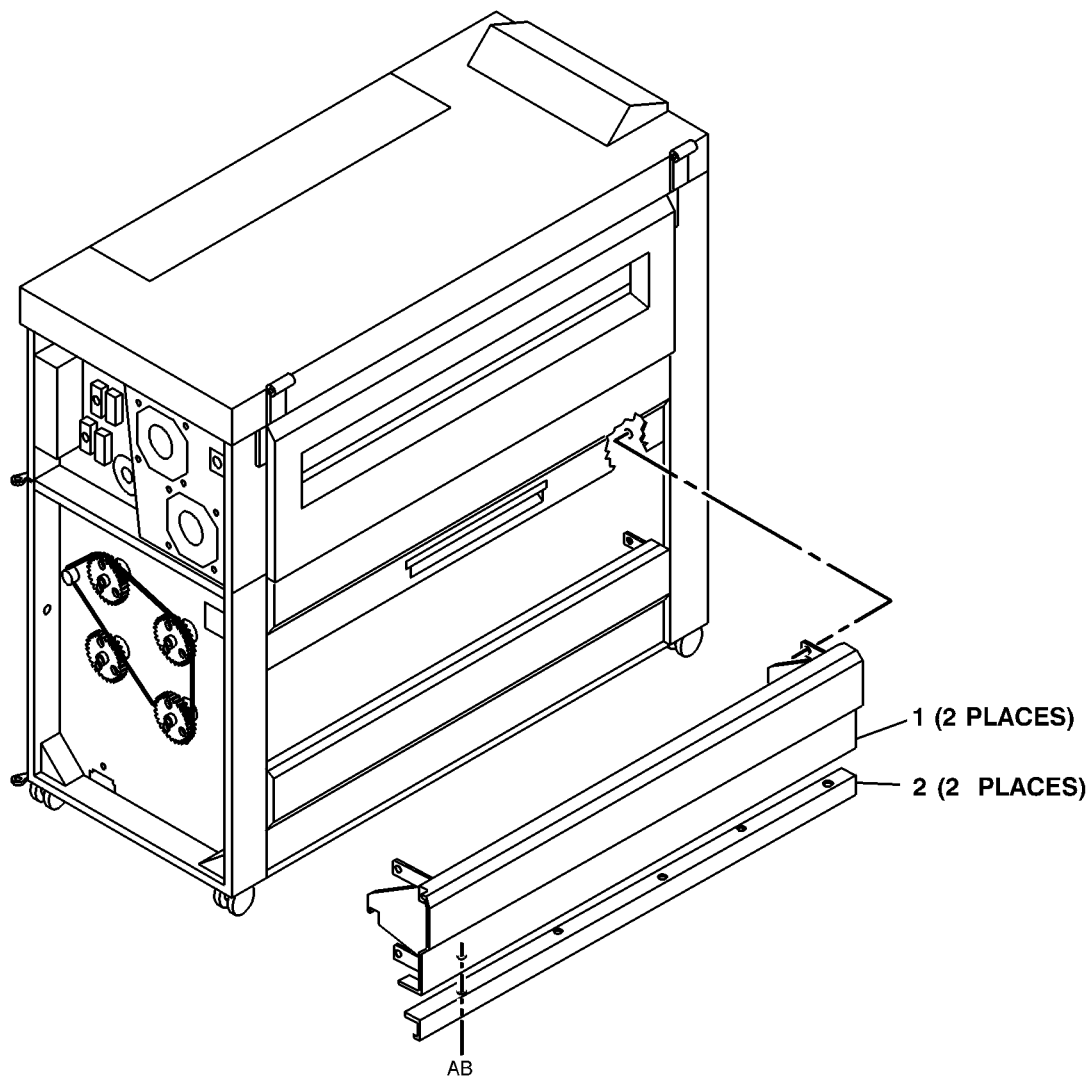
Item	Part	Description
1	048K45054	Top Cover (W/TAG 32)
2	055E38100	Shielding Pad
3	029E23670	Pin
4	035E37240	Gasket
5	035E41150	Gasket
6	030K57191	RH Service Bracket
7	030K57890	RH Catch Tray Bracket
8	030K57181	LH Service Bracket
9	030K57900	LH Catch Tray Bracket
10	008E06000	Cam Bracket



0 000037C RNO

PL 14.5 Left Side Covers (8825 Only)

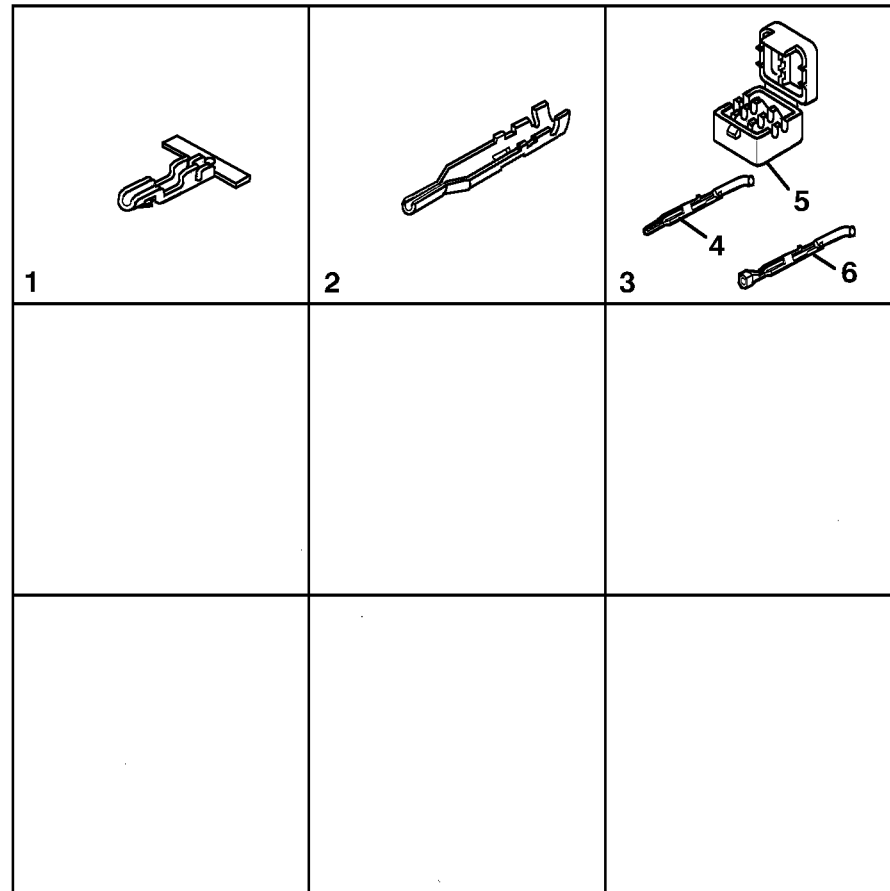
Item	Part	Description
1	048K79480	Left Middle Cover, Left Lower Cover
2	048E39380	Kickplate



0000032A-RN0

PL 15.1 Miscellaneous Electrical Connectors And Fasteners

Item	Part	Description
1	-	Contact Socket (20-26 AWG) (To be Available at Later Date)
2	-	Contact Pin (20-26 AWG) (To be Available at Later Date)
3	-	Wire And Connector Repair Kit (To be Available at Later Date)
4	-	Pin Wire (P/O PL 15.1 Item 3) (10/Kit)
5	-	Connector (P/O PL 15.1 Item 3) (20/Kit)
6	-	Socket Wire (P/O PL 15.1 Item 3) (10/Kit)



0000036B-RN0

Common Hardware

Item	Part	Description
A	112W11655	Hex Screw (6 X 16)
B	112W07455	Screw
C	354W21052	Retaining Ring (7-9mm)
D	354W21252	Retaining Ring (9-12mm)
E	153W23352	Screw
F	132W00253	Screw
G	156W27555	Screw
H	156W27655	Screw (4.2 X 16)
J	251W10856	Plain Washer
K	354W20852	Retaining Ring (5-7mm)
-	354W24251	Alternate
L	356W02502	Retaining Ring
M	251W10455	Washer (M4)
N	256W20454	Lockwasher (M4)
P	112W27255	Screw
R	351W12551	Retaining Ring (M25)
S	220W00450	Nut (M4)
T	251W10655	Washer (M6)
U	351W10651	Retaining Ring (M6)
V	121W30455	Set Screw
W	351W11551	Retaining Ring (M15)
X	112W27355	Screw
Y	286W03954	Spiral Pin (3 X 22)
Z	259W30351	Lockwasher (M4)
AA	131W37153	Screw
AB	153W27452	Screw (4.2 X 9.5)
AC	131W37553	Screw
AD	131W37853	Screw
AE	131W40253	Screw
AF	153W17552	Screw
AG	112W07255	Screw
AH	156W27455	Screw (4.2 X 9.5)
AJ	156W23355	Screw
AK	286W02354	Spring Pin (2-19mm)
AL	113W06455	Screw
AM	251W10355	Washer (M3)
AN	113W50555	Screw
AP	256W20554	Lockwasher (M5)
AR	236W00651	Speed Nut
AS	354W21152	Retaining Ring (8-11mm)
AT	112W27655	Screw
AU	113W06355	Screw
AV	220W00650	Nut (M6)
AW	112W27455	Screw
AX	153W23452	Screw
AY	251W22602	Flat Washer
AZ	153W42353	Screw
BA	153W17451	Screw
BB	201W00455	Nut
BC	265W00650	Lockwasher (M6)
BD	236W00851	Speednut
BE	265W00850	Lockwasher (M8)
BF	153W27552	Screw (4.2 X 13)
BG	354W00555	Retaining Ring (6mm)
BH	113W13802	Screw (2-56 X 1/2)
BJ	354W20752	Retaining Ring (4-5mm)
BK	215W10102	Nut (8-48)
BL	113W54055	Screw
BM	153W27952	Screw
BN	153W17752	Screw
BP	141W30553	Setscrew
BR	131W20853	Screw
BS	102W10355	Flathead Screw
BT	158W17452	Screw
BU	113W10355	Screw
BV	354W20652	Retaining Ring (3-4mm)
BW	158W21752	Screw
BX	132W03653	Capscrew
BY	320W34301	Rivet
BZ	236W00251	Speednut
CA	112W05255	Screw

Part Number Index

Table 1 Part Number Index

Table 1 Part Number Index		Part Number	Part List
		007E01340	PL 9.2
		007E05221	PL 9.5B
001R00535	PL 9.2	007K05260	PL 9.10
001E23080	PL 9.9	007K05760	PL 7.2
002K35642	PL 10.3	007K07561	PL 7.2
002E40470	PL 9.9	007K08920	PL 9.6
002K55230	PL 10.3	007K08930	PL 9.6
003K07581	PL 7.5	007E14600	PL 7.3
003K09130	PL 10.3	007E14610	PL 7.2
003E13010	PL 14.2	007E14650	PL 7.3
003E13020	PL 14.2	007E14690	PL 9.10
003E16521	PL 7.8	007E14700	PL 9.10
003E17220	PL 7.5	007E14710	PL 9.10
003E17580	PL 7.3	007E15351	PL 9.8
003E17610	PL 7.3	007E16330	PL 9.10
	PL 7.4	007E16341	PL 9.10
003E17620	PL 7.4	007E16410	PL 7.2
003E17780	PL 7.5	007E19071	PL 7.2
003E18781	PL 7.7	007E42570	PL 10.2
003E19330	PL 9.9	007E42580	PL 9.7
003E39000	PL 7.5	007E42780	PL 10.2
003E39001	PL 7.5	007E44391	PL 10.1
003E39010	PL 9.6	008E06000	PL 14.4
003E44550	PL 9.6	009E27330	PL 7.5
004E00502	PL 9.4	009E27340	PL 7.3
005K01351	PL 9.9		PL 7.8
005K02613	PL 10.2		PL 7.4
005K03430	PL 10.2	009E27351	PL 7.5
005K04131	PL 9.2	009E30860	PL 7.8
005K04151	PL 9.1	009E30870	PL 7.8
005K04201	PL 9.2	009E32480	PL 8.2
005E06810	PL 7.2	009E32490	PL 10.3
005E11130	PL 9.7		PL 8.3
006K15640	PL 9.2	009E32500	PL 8.2
006K15670	PL 8.4	009E32510	PL 8.1
006K15682	PL 8.3	009E32790	PL 7.5
006K15770	PL 9.9	009E38060	PL 10.4
006K17441	PL 8.2	009E41251	PL 9.8
006E23471	PL 10.2	009E43260	PL 7.2
006E23540	PL 8.3	009E46870	PL 10.3
006E42300	PL 8.2	009E61600	PL 10.4

Table 1 Part Number Index

Table 1 Part Number Index

Part Number	Part List	Part Number	Part List
009E75260	PL 9.7	022E10531	PL 8.2
010K01351	PL 7.1	022E11441	PL 8.1
010K01360	PL 7.7	022E11540	PL 7.3
010E04190	PL 9.8		PL 7.4
011E04470	PL 7.7	022K28930	PL 7.1
013K00380	PL 9.2	022K40050	PL 10.2
013E00803	PL 9.5B	022K49131	PL 9.7
014K04730	PL 9.8	022K49205	PL 8.1
014K04740	PL 9.8	022K49380	PL 9.7
014E20541	PL 14.1	022K63750	PL 8.1
014E20551	PL 14.2	023K00942	PL 10.3
015K10310	PL 8.1	023E01620	PL 9.5B
015E17790	PL 9.10	023E06750	PL 7.2
016E06020	PL 8.2	023E17510	PL 7.2
	PL 8.3	026E11970	PL 8.1
016E08080	PL 10.2	026E57690	PL 9.3
016E08180	PL 10.3	027E03950	PL 9.6
016E08931	PL 8.2	028K00130	PL 9.2
017K01120	PL 14.1	028E07430	PL 7.8
017E04250	PL 7.5	028E07771	PL 9.8
017E07221	PL 8.1	028E11470	PL 9.2
019E07100	PL 8.4	029K01111	PL 8.1
019E14350	PL 8.3	029E12930	PL 7.3
019E15551	PL 9.9	029E12940	PL 7.5
019E16080	PL 9.4	029E13701	PL 7.5
019E19971	PL 9.4	029E14430	PL 7.2
019E21480	PL 9.8	029E14460	PL 7.5
019E33441	PL 14.1	029E14750	PL 7.4
020E04350	PL 9.5B	029E14760	PL 7.3
020K08080	PL 8.1	029E23670	PL 14.4
020E12353	PL 8.1	029E24860	PL 9.6
020E13603	PL 8.1	029E28060	PL 14.1
020E13853	PL 8.1	030E16161	PL 9.2
020E18830	PL 7.8	030K37830	PL 8.2
020E20680	PL 7.8	030K41991	PL 8.3
020E26340	PL 8.1	030K42002	PL 8.2
020E26350	PL 8.1	030K46230	PL 8.2
021E04990	PL 10.3	030K46240	PL 8.3
021E07660	PL 9.3	030K50810	PL 10.4
022E09390	PL 8.3	030K55634	PL 14.1
022E10060	PL 7.5	030K55720	PL 10.4

Table 1 Part Number Index

Table 1 Part Number Index

Part Number	Part List	Part Number	Part List
030K56150	PL 9.8	048K79480	PL 14.5
030K56160	PL 9.8	049E06460	PL 10.2
030K57181	PL 14.4	049E54970	PL 8.4
030K57191	PL 14.4	049E54980	PL 8.4
030K57890	PL 14.4	050E12851	PL 9.8
030K57900	PL 14.4	050K19612	PL 7.1
030K64020	PL 14.1	050K53080	PL 7.1
032E10830	PL 8.4	052K03580	PL 7.6
033K02040	PL 10.3	052E07900	PL 10.3
033K02430	PL 10.3	052E07910	PL 8.1
035K04581	PL 9.10	053E04750	PL 9.1
035K05790	PL 9.5B	054E03181	PL 9.9
035K05900	PL 9.8	054E03491	PL 9.10
035K05941	PL 9.5C	054E06533	PL 9.5C
035K05950	PL 9.5C	054K12300	PL 1.3
035E12210	PL 9.9	055K13830	PL 9.9
035E15280	PL 10.3	055K13840	PL 9.9
035E37240	PL 14.4	055E38100	PL 14.4
	PL 9.3	062E05461	PL 10.2
035E41150	PL 14.4	062E08051	PL 9.3
035E41160	PL 14.1	068E17110	PL 7.2
035E41210	PL 9.3	068E17120	PL 7.2
037K01100	PL 7.7	068E17221	PL 7.5
038K06601	PL 7.8	068E32610	PL 7.4
038E06610	PL 9.4	068E32620	PL 7.3
038E06620	PL 9.4	068E38113	PL 10.4
038K07214	PL 8.4	068E38332	PL 10.2
038K07241	PL 8.2	068E62740	PL 7.8
038K09190	PL 7.5	073E11710	PL 14.3
038K11070	PL 10.4	073E11800	PL 14.3
048K14304	PL 14.2	092E22541	PL 7.6
048E39380	PL 14.5	092E22560	PL 7.6
	PL 7.5	092E36431	PL 7.6
048K44401	PL 14.2	092E36450	PL 1.3
048K44880	PL 7.5	093E01501	PL 8.1
048K45054	PL 14.4	093K02420	PL 9.5C
048K47681	PL 14.2	094K00085	PL 9.5B
048K47692	PL 14.2	094K03301	PL 9.6
048K47700	PL 14.1	096E72590	PL 14.1
048K47710	PL 14.2	096E72591	PL 14.1
048E51410	PL 14.3	096E78251	PL 1.4

Table 1 Part Number Index

Table 1 Part Number Index

Part Number	Part List	Part Number	Part List
096E78252	PL 1.4	117K26191	PL 1.3
101E12281	PL 1.4	117K26200	PL 1.3
101K25695	PL 1.2A	117K27550	PL 1.2A
101K25780	PL 9.5A		PL 1.2B
101K26083	PL 1.4	117K32660	PL 1.1B
101K27784	PL 1.2A	120E02150	PL 1.2A
101K40051	PL 1.4		PL 1.2B
101K40571	PL 1.2B	120E02160	PL 1.2A
101K42340	PL 1.2B		PL 8.1
103E02721	PL 1.2A		PL 7.7
	PL 1.2B		PL 1.2B
103E02731	PL 1.2A	120E04750	PL 9.10
	PL 1.2B	120E05440	PL 10.2
105K13542	PL 1.3	120E06510	PL 10.2
105E13850	PL 1.1B	121E01402	PL 10.2
105E13863	PL 1.1B	121E07510	PL 7.2
105K15863	PL 1.1A	121E07680	PL 14.1
105K18273	PL 1.1B		PL 7.5
108E01762	PL 1.2A	121K10422	PL 9.8
108E02282	PL 1.2B	121E10610	PL 14.2
108E02870	PL 1.2A	121K10612	PL 8.1
108E05310	PL 1.2B	125K02220	PL 9.3
109E01040	PL 1.2A	125K02580	PL 9.4
	PL 1.2B	126E00492	PL 10.2
110E02640	PL 14.2	126E00821	PL 10.2
	PL 7.7	126K02521	PL 7.2
110K03731	PL 8.4	126K02980	PL 7.2
110E05500	PL 10.4	126K05992	PL 10.1
110E06020	PL 1.2B		PL 9.1
110K08711	PL 8.4	126K07152	PL 10.1
110K08970	PL 14.3		PL 9.1
110K09430	PL 14.1	126K07330	PL 7.1
111K00021	PL 1.3	127K04293	PL 7.2
114K00491	PL 1.2A		PL 8.1
114E06001	PL 1.2B	127K09962	PL 8.1
115E01410	PL 14.1	127E10331	PL 10.1
115E02231	PL 10.2	127E10341	PL 9.8
115P60155	PL 15.1	127E11240	PL 1.3
115P60182	PL 15.1	127K17882	PL 9.1
117K22761	PL 1.2A	127K21990	PL 9.6
	PL 1.2B	127K22600	PL 9.10

Table 1 Part Number Index

Table 1 Part Number Index

Part Number	Part List	Part Number	Part List
127K26580	PL 7.8	423W57550	PL 7.8
130E02271	PL 14.1	423W59001	PL 8.1
	PL 7.1	423W64001	PL 8.1
130E03250	PL 7.2	423W72201	PL 8.1
	PL 7.8	537K51151	PL 1.1A
130E05990	PL 8.2	537K51161	PL 1.1A
130K30381	PL 9.9	600K08481	PL 9.5B
130K51801	PL 7.1	600K30680	PL 15.1
130K53300	PL 9.9	600K35880	PL 10.4
130K54730	PL 10.4	600K37740	PL 9.4
130K54841	PL 10.4	600K45270	PL 10.2
130K55130	PL 9.7	600K58720	PL 9.10
142K01540	PL 1.2A	600K58730	PL 9.3
	PL 1.2B	600K58740	PL 9.3
146K00461	PL 9.7	600K58750	PL 9.3
152K36231	PL 1.1B	600K58761	PL 9.3
160K23870	PL 7.2	600K59060	PL 9.5A
160K30980	PL 9.3	600K59260	PL 14.1
160K33322	PL 1.1A	600K60610	PL 1.2A
	PL 1.1B	600K60900	PL 1.3
160K37310	PL 1.1A	600K68100	PL 10.4
160K59660	PL 1.2B	600K75311	PL 1.1A
160K63410	PL 9.3		PL 1.1B
160K73561	PL 1.2B	600K75321	PL 1.1B
162K23421	PL 1.4	600K81873	PL 1.1A
162K23453	PL 1.1B	600K81881	PL 1.1A
162K28840	PL 1.1A	600K81882	PL 1.1A
162K29730	PL 1.1A	600K88890	PL 1.1A
	PL 1.1B	600K89510	PL 7.6
162K32650	PL 1.3	604K00080	PL 9.9
162K41440	PL 1.1A	604K00440	PL 9.2
162K41460	PL 1.1A	604K00520	PL 9.8
162K68390	PL 1.2B	604K04430	PL 1.2B
230W00652	PL 9.2	707W01652	PL 1.2A
413W30854	PL 7.2		PL 1.2B
413W31054	PL 7.7	809E02290	PL 14.1
	PL 8.2	830E28580	PL 1.2B
413W71554	PL 9.2	891E01960	PL 7.5
414W10550	PL 1.3	891E01961	PL 7.5
414W30551	PL 7.2	891E09080	PL 14.2
420W10201	PL 10.3	891E25140	PL 1.2B

Table 1 Part Number Index

Part Number	Part List
891E70530	PL 1.4
891E70531	PL 1.4