

5. Parts List

Overview

Introduction	5-3
Subsystem Information	5-4
Symbology	5-5

Parts Lists

Xerographics

PL 1.1 Xerographic Components	5-7
PL 1.2 Xerographic Module	5-8
PL 1.3 Drum Assembly	5-9
PL 1.4 Pretransfer Lamp Assembly	5-10
PL 1.5 Transfer/Detach Corotron Assembly	5-11
PL 1.6 Charge Scorotron Assembly	5-12
PL 1.7 LED Print Head	5-13

Development

PL 3.1 Developer Assembly and Toner Hopper Assembly	5-14
PL 3.2 Developer Components (Part 1 of 2)	5-15
PL 3.3 Developer Components (Part 2 of 2)	5-16
PL 3.4 Toner Hopper Assembly	5-17

Fusing

PL 4.1 Fuser Assembly	5-18
PL 4.2 Fuser Components (Part 1 of 5)	5-19
PL 4.3 Fuser Components (Part 2 of 5)	5-20
PL 4.4 Fuser Components (Part 3 of 5)	5-21
PL 4.5 Fuser Components (Part 4 of 5)	5-22
PL 4.6 Fuser Components (Part 5 of 5)	5-23

RFC

PL 5.1 Cutter Assembly	5-24
PL 5.2 Cutter Components	5-25

Paper Transportation

PL 6.1 Inner Transport Assembly	5-26
PL 6.2 Inner Transport Components (Part 1 of 3)	5-27
PL 6.3 Inner Transport Components (Part 2 of 3)	5-28
PL 6.4 Inner Transport Components (Part 3 of 3)	5-29
PL 6.5 Registration, Paper, Mid-Transport Rollers and Clutches	5-30
PL 6.6 Manual Feed Roller Assembly	5-31

Drawers

PL 7.1 Drawer Assemblies	5-32
PL 7.2 Paper Shaft Assembly	5-33
PL 7.3 Upper Drawer Components (Part 1 of 4)	5-34
PL 7.4 Upper Drawer Components (Part 2 of 4)	5-35
PL 7.5 Upper Drawer Components (Part 3 of 4)	5-36
PL 7.6 Upper Drawer Components (Part 4 of 4)	5-37
PL 7.7 Middle Drawer Components (Part 1 of 4)	5-38
PL 7.8 Middle Drawer Components (Part 2 of 4)	5-39
PL 7.9 Middle Drawer Components (Part 3 of 4)	5-40
PL 7.10 Middle Drawer Components (Part 4 of 4)	5-41
PL 7.11 Lower Drawer Components (Part 1 of 4)	5-42
PL 7.12 Lower Drawer Components (Part 2 of 4)	5-43
PL 7.13 Lower Drawer Components (Part 3 of 4)	5-44
PL 7.14 Lower Drawer Components (Part 4 of 4)	5-45

Drives

PL 8.1 Main Drive 1	5-46
PL 8.2 Main Drive 2	5-47
PL 8.3 Fuser Drive	5-48
PL 8.4 Drum Drive	5-49

Frames and Covers

PL 9.1 Miscellaneous Covers	5-50
PL 9.2 Manual Bypass Tray	5-51
PL 9.3 Operator Panel	5-52
PL 9.4 Right Side Frame Components	5-53
PL 9.5 Left Side Frame Components	5-54
PL 9.6 Main Frame Components	5-55
PL 9.7 Frame Components	5-56
PL 9.8 Paper Drawer Rails	5-57
PL 9.9 Right Side Covers	5-58

Electrical

PL 10.1 Electrical Components	5-59
-------------------------------------	------

Scanner

PL 11.1 Scanner and Other Components	5-60
Part Number Index	5-61

Introduction

Overview

The Parts List section identifies all part numbers and the corresponding location of all spared subsystem components.

Organization

Parts Lists

Each item number in the part number listing corresponds to an item number in the related illustration. All the parts in a given subsystem of the machine will be located in the same illustration or in a series of associated illustrations.

Electrical Connectors and Fasteners

This section contains the illustrations and descriptions of the plugs, jacks, and fasteners used in the machine. A part number listing of the connectors is included.

Common Hardware

The common hardware is listed in alphabetical order by the letter or letters used to identify each item in the part number listing and in the illustrations. Dimensions are in millimeters unless otherwise identified.

Part Number Index

This index lists all the spared parts in the machine in numerical order. Each number is followed by a reference to the parts list on which the part may be found.

Other Information

Abbreviations

Abbreviations are used in the parts lists and the exploded view illustrations to provide information in a limited amount of space. The following abbreviations are used in this manual:

Table 1

Abbreviation	Meaning
A3	297 x 594 Millimeters
A4	210 x 297 Millimeters
A5	148 x 210 Millimeters
AD	Auto Duplex
AWG	American Wire Gauge
EMI	Electro Magnetic Induction
GB	Giga Byte
KB	Kilo Byte
MB	Mega Byte
MM	Millimeters
MOD	Magneto Optical Drive
NOHAD	Noise Ozone Heat Air Dirt
PL	Parts List
P/O	Part of

Table 1

Abbreviation	Meaning
R/E	Reduction/Enlargement
REF:	Refer to
SCSI	Small Computer Systems Interface
W/	With
W/O	Without

Table 2

Operating Companies	
Abbreviation	Meaning
AO	Americas Operations
NASG - US	North American Solutions Group - US
NASG - Canada	North American Solutions Group - Canada
XE	Xerox Europe

Symbology

Symbology used in the Parts List section is identified in the Symbology section.

Service Procedure Referencing

If a part or assembly has an associated repair or adjustment procedure, the procedure number will be listed at the end of the part description in the parts lists e.g. (REP 5.1, ADJ 5.3)

Subsystem Information

Use of the Term “Assembly”

The term “assembly” will be used for items in the part number listing that include other itemized parts in the part number listing. When the word “assembly” is found in the part number listing, there will be a corresponding item number on the illustrations followed by a bracket and a listing of the contents of the assembly.

Brackets

A bracket is used when an assembly or kit is spared, but is not shown in the illustration. The item number of the assembly or kit precedes the bracket; the item numbers of the piece parts follow the bracket.

Tag

The notation “W/Tag” in the parts description indicates that the part configuration has been updated. Check the change Tag index in the General Information section of the Service Data for the name and purpose of the modification.

In some cases, a part or assembly may be spared in two versions: with the Tag and without the Tag. In those cases, use whichever part is appropriate for the configuration of the machine on which the part is to be installed. If the machine does not have a particular Tag and the only replacement part available is listed as “W/Tag”, install the Tag kit or all of the piece parts. The Change Tag Index tells you which kit or piece parts you need.

Whenever you install a Tag kit or all the piece parts that make up a Tag, mark the appropriate number on the Tag matrix.

Symbology

A Tag number within a circle pointing to an item number shows that the part has been changed by the tag number within the circle (Figure 1). Information on the modification is in the Change Tag Index.

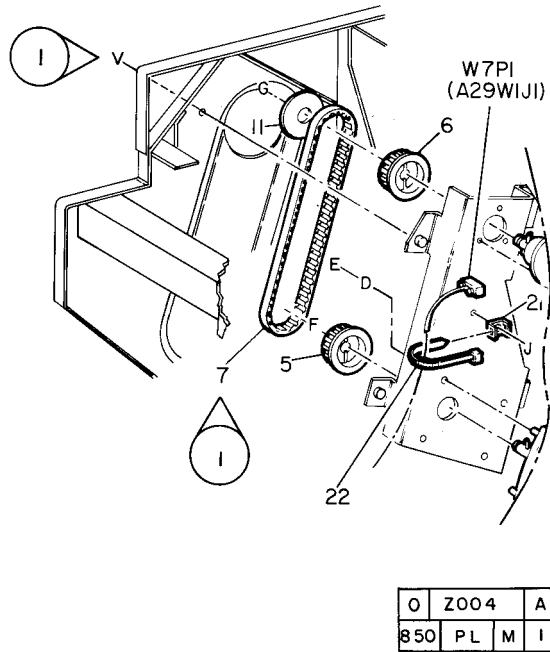


Figure 1 With Tag Symbol

A Tag number within a circle having a shaded bar and pointing to an item number shows that the configuration of the part shown is the configuration before the part was changed by the Tag number within the circle (Figure 2).

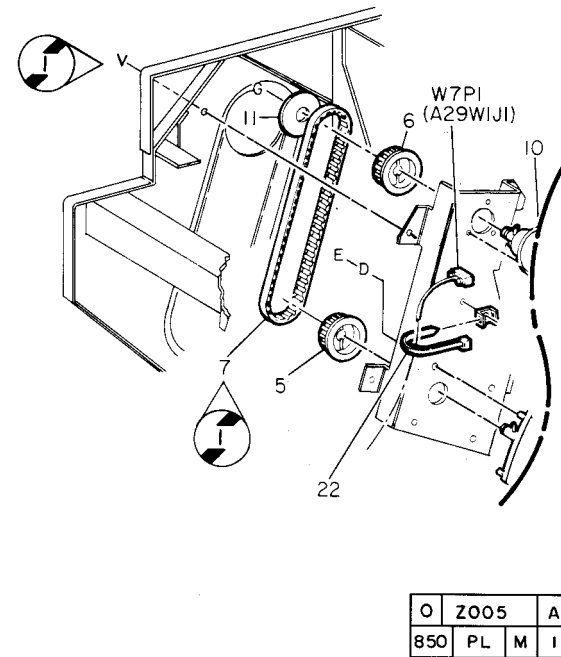


Figure 2 Without Tag Symbol

A tag number within a circle with no apex shows that the entire drawing has been changed by the tag number within the circle (Figure 3). Information on the modification is in the Change Tag Index.

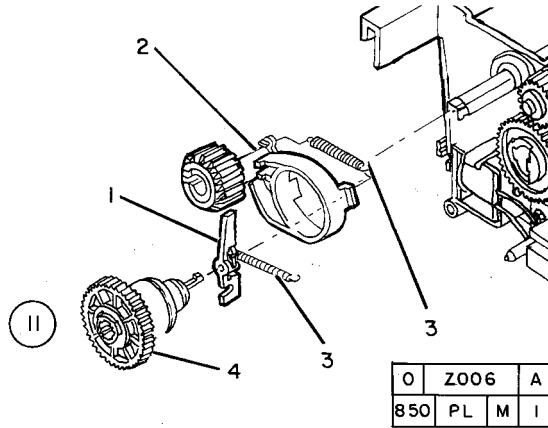


Figure 3 Entire Drawing With Tag Symbol

A tag number within a circle with no apex and having a shaded bar shows that the entire drawing was the configuration before being changed by the tag number within the circle (Figure 4).

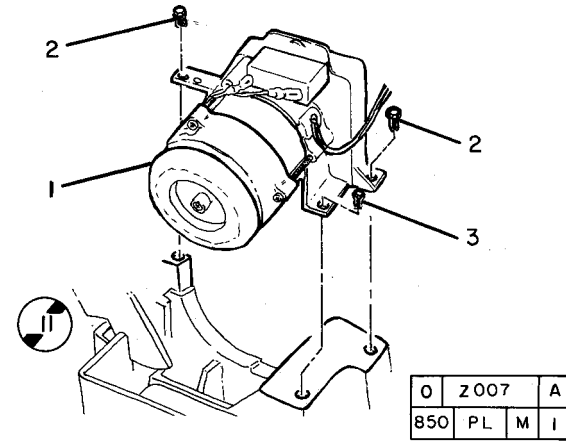
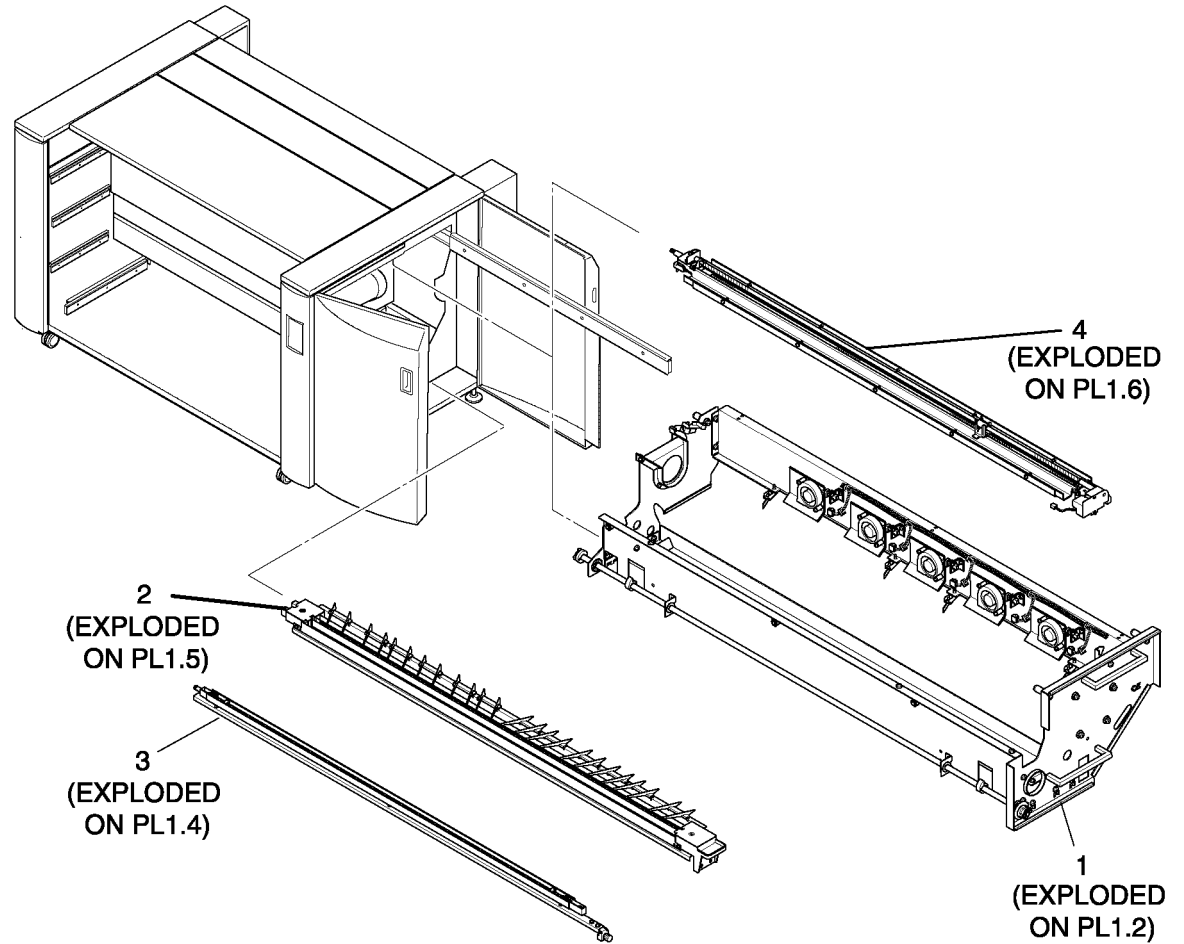


Figure 4 Entire Drawing Without Tag Symbol

PL 1.1 Xerographic Components

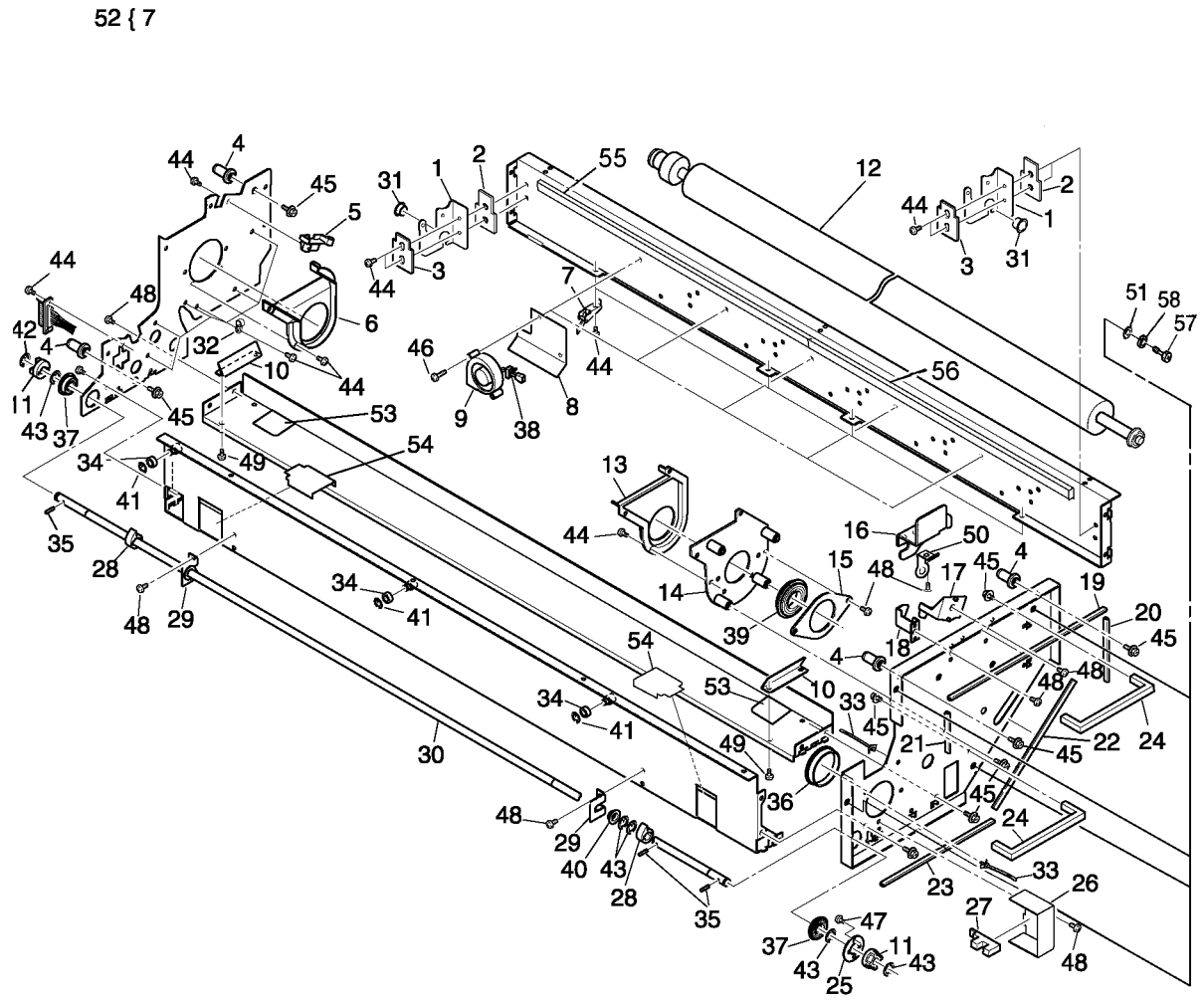
Item	Part	Description
1	–	Xerographic Module (Not Spared)
2	105N01999	Transfer/Detach Corotron Assembly
3	105N01998	Pretransfer Lamp Assembly
4	105N01997	Charge Scorotron Assembly



0501001A-OBS

PL 1.2 Xerographic Module

Item	Part	Description
1	-	Bracket (P/O PL 1.1 Item 1)
2	-	Spacer (P/O PL 1.1 Item 1)
3	-	Clamp (P/O PL 1.1 Item 1)
4	-	Pin (P/O PL 1.1 Item 1)
5	030N00635	Corona Bracket (Rear)
6	020N00726	Drum Guide
7	-	Stripper Finger (P/O PL 1.2 Item 52)
8	-	Bracket (P/O PL 1.1 Item 1)
9	127N01428	Separation Blower (BL12, BL13, BL14, BL15, BL16)
10	-	Block (P/O PL 1.1 Item 1)
11	005N00807	Coupling
12	022N01601	Cleaning Roller
13	-	Drum Guide (P/O PL 1.1 Item 1)
14	-	Inside Plate (P/O PL 1.1 Item 1)
15	-	Bracket (P/O PL 1.1 Item 1)
16	-	Bracket (P/O PL 1.1 Item 1)
17	030N00634	Corona Bracket (Front)
18	-	Drum Guide (P/O PL 1.1 Item 1)
19	-	Seal (P/O PL 1.1 Item 1)
20	-	Seal (P/O PL 1.1 Item 1)
21	-	Seal (P/O PL 1.1 Item 1)
22	-	Seal (P/O PL 1.1 Item 1)
23	-	Seal (P/O PL 1.1 Item 1)
24	-	Handle (P/O PL 1.1 Item 1)
25	-	Plate (P/O PL 1.1 Item 1)
26	-	Bracket (P/O PL 1.1 Item 1)
27	064N00018	Developer Position Sensor (Q25)
28	008N01733	Cam
29	-	Holder (P/O PL 1.1 Item 1)
30	-	Shaft (P/O PL 1.1 Item 1)
31	-	Bushing (P/O PL 1.1 Item 1)
32	-	Clamp (P/O PL 1.1 Item 1)
33	-	Binder (P/O PL 1.1 Item 1)
34	-	Collar (P/O PL 1.1 Item 1)
35	-	Pin (P/O PL 1.1 Item 1)
36	-	Bushing (P/O PL 1.1 Item 1)
37	013N00269	Bearing
38	-	Clamp (P/O PL 1.1 Item 1)
39	013N13804	Bearing
40	-	Bearing (P/O PL 1.1 Item 1)
41	-	E-Ring (P/O PL 1.1 Item 1)
42	-	E-Ring (P/O PL 1.1 Item 1)
43	-	E-Ring (P/O PL 1.1 Item 1)
44	-	Screw (P/O PL 1.1 Item 1)
45	-	Hex Head Bolt (P/O PL 1.1 Item 1)
46	-	Screw (P/O PL 1.1 Item 1)
47	-	Screw (P/O PL 1.1 Item 1)
48	-	Screw (P/O PL 1.1 Item 1)
49	-	Screw (P/O PL 1.1 Item 1)
50	015N00489	Ground Plate
51	-	Flat Washer (P/O PL 1.1 Item 1)
52	600N01780	Stripper Finger Kit (4/Kit)
53	-	Spacer (P/O PL 1.1 Item 1)
54	-	Spacer (P/O PL 1.1 Item 1)
55	122N00225	Erase Lamp PWB 1
56	122N00226	Erase Lamp PWB 2
57	026N00738	Screw
58	009N01450	Spring Washer

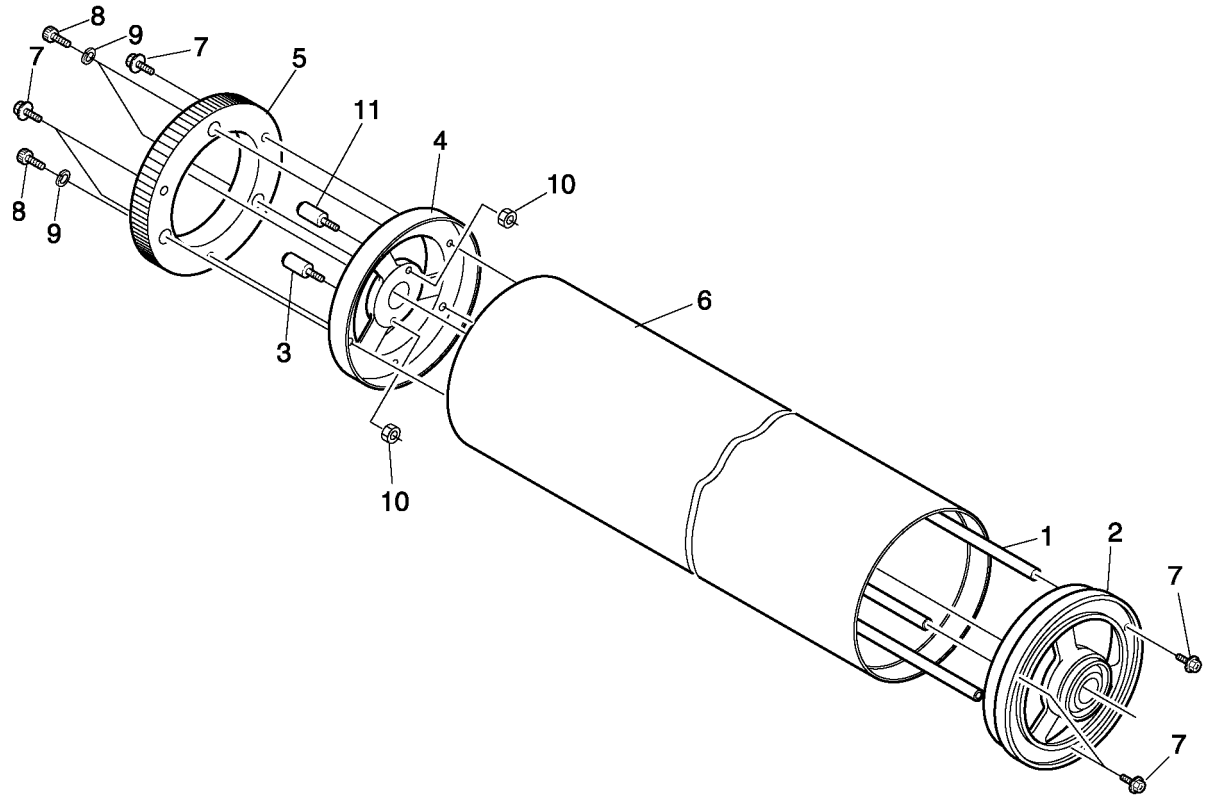


0501002C-OBS

PL 1.3 Drum Assembly

Item	Part	Description
1	-	Tie Rod (P/O PL 1.3 Item 12)
2	-	End Bell (P/O PL 1.3 Item 12)
3	-	Drive Pin (P/O PL 1.3 Item 12)
4	-	End Bell (P/O PL 1.3 Item 12)
5	007N01189	Drum Gear (178T)
6	144N00116	Drum
7	-	Hex Head Bolt (P/O PL 1.3 Item 12)
8	-	Screw (P/O PL 1.3 Item 12)
9	-	Spring Washer (P/O PL 1.3 Item 12)
10	-	Hex Nut (P/O PL 1.3 Item 12)
11	-	Drive Pin (P/O PL 1.3 Item 12)
12	600N01781	Drum Kit

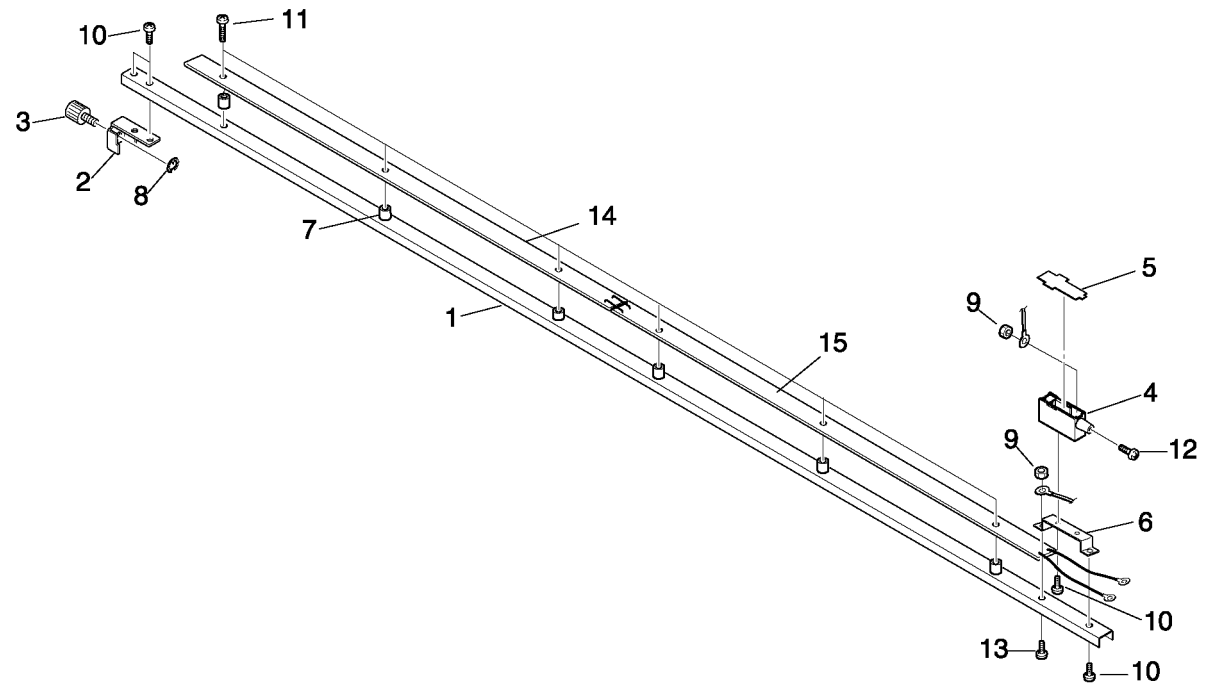
12 { 1-4, 7-11



0501003A-OBS

PL 1.4 Pretransfer Lamp Assembly

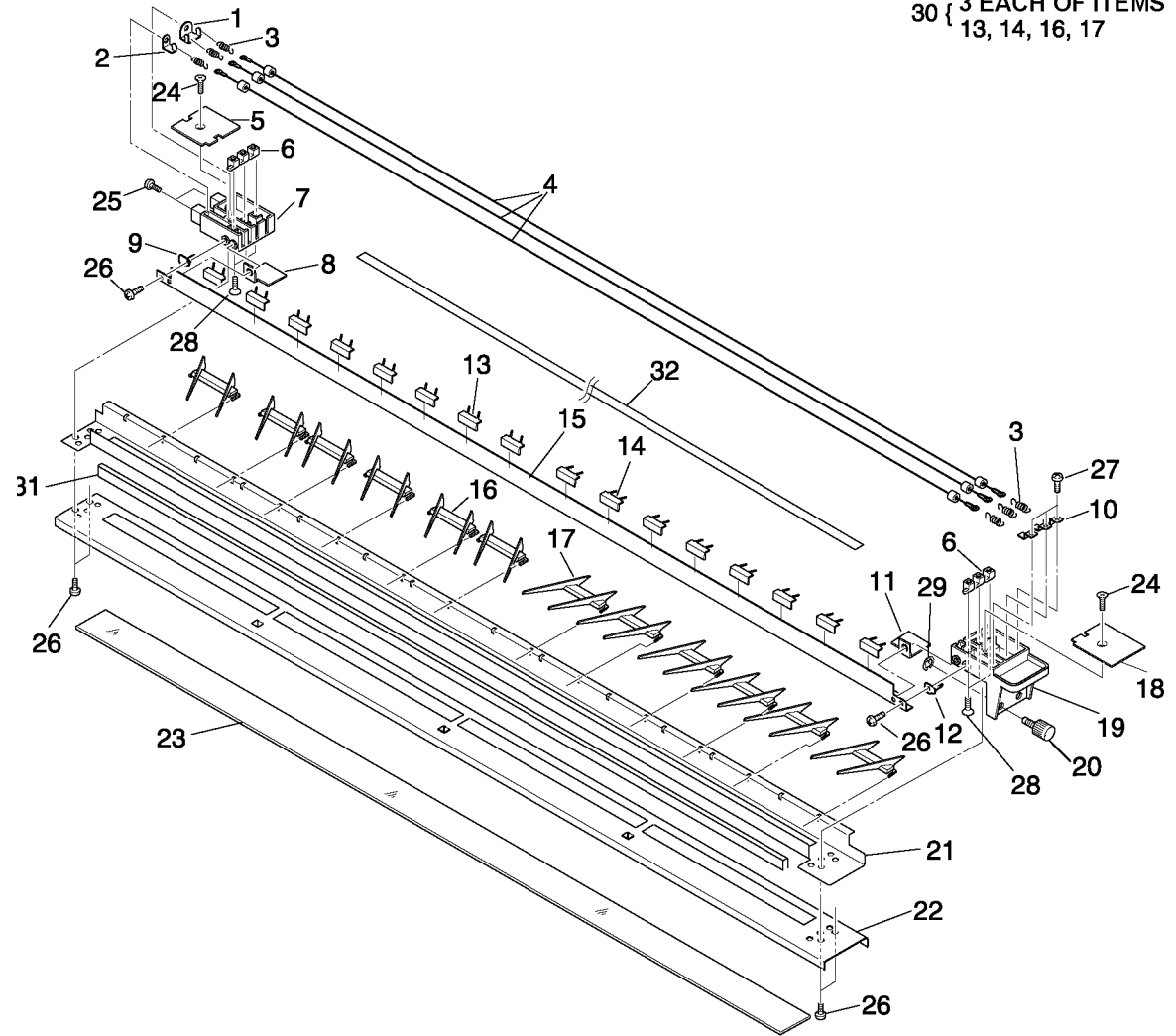
Item	Part	Description
1	–	Base (P/O PL 1.1 Item 3)
2	–	Plate (P/O PL 1.1 Item 3)
3	–	Knob (P/O PL 1.1 Item 3)
4	–	Holder (P/O PL 1.1 Item 3)
5	–	Cover (P/O PL 1.1 Item 3)
6	–	Bracket (P/O PL 1.1 Item 3)
7	–	Collar (P/O PL 1.1 Item 3)
8	–	E-Ring (P/O PL 1.1 Item 3)
9	–	Hex Nut (P/O PL 1.1 Item 3)
10	–	Screw (P/O PL 1.1 Item 3)
11	–	Screw (P/O PL 1.1 Item 3)
12	–	Screw (P/O PL 1.1 Item 3)
13	–	Screw (P/O PL 1.1 Item 3)
14	–	Pretransfer Lamp 1 (P/O PL 1.1 Item 3)
15	–	Pretransfer Lamp 2 (P/O PL 1.1 Item 3)



0501004A-OBS

PL 1.5 Transfer/Detach Corotron Assembly

Item	Part	Description
1	-	Hook (P/O PL 1.1 Item 2)
2	-	Hook (P/O PL 1.1 Item 2)
3	009N00852	Wire Spring Kit (6/Kit)
4	117N01146	Corotron Wire Kit (3/Kit)
5	-	Cover (P/O PL 1.1 Item 2)
6	-	Height Adjuster (P/O PL 1.1 Item 2)
7	125N00052	Holder (P/O PL 1.1 Item 2)
8	014N00423	Spacer
9	091N00424	Ground Plate
10	-	Hook (P/O PL 1.1 Item 2)
11	014N00422	Spacer
12	091N00423	Ground Plate
13	-	Guide (P/O PL 1.5 Item 30)
14	-	Guide (P/O PL 1.5 Item 30)
15	-	Housing (P/O PL 1.1 Item 2)
16	-	Guard (P/O PL 1.5 Item 30)
17	-	Guard (P/O PL 1.5 Item 30)
18	-	Cover (P/O PL 1.1 Item 2)
19	125N00051	Holder (P/O PL 1.1 Item 2)
20	-	Knob (P/O PL 1.1 Item 2)
21	-	Holder (P/O PL 1.1 Item 2)
22	-	Base (P/O PL 1.1 Item 2)
23	-	Shield (P/O PL 1.1 Item 2)
24	-	Screw (P/O PL 1.1 Item 2)
25	-	Screw (P/O PL 1.1 Item 2)
26	-	Screw (P/O PL 1.1 Item 2)
27	-	Screw (P/O PL 1.1 Item 2)
28	-	Screw (P/O PL 1.1 Item 2)
29	-	E-Ring (P/O PL 1.1 Item 2)
30	600N01785	Transfer Corotron Guard-Corona Guide Kit
31	120N00419	Mylar Shield
32	120N00418	Mylar Tape Shield



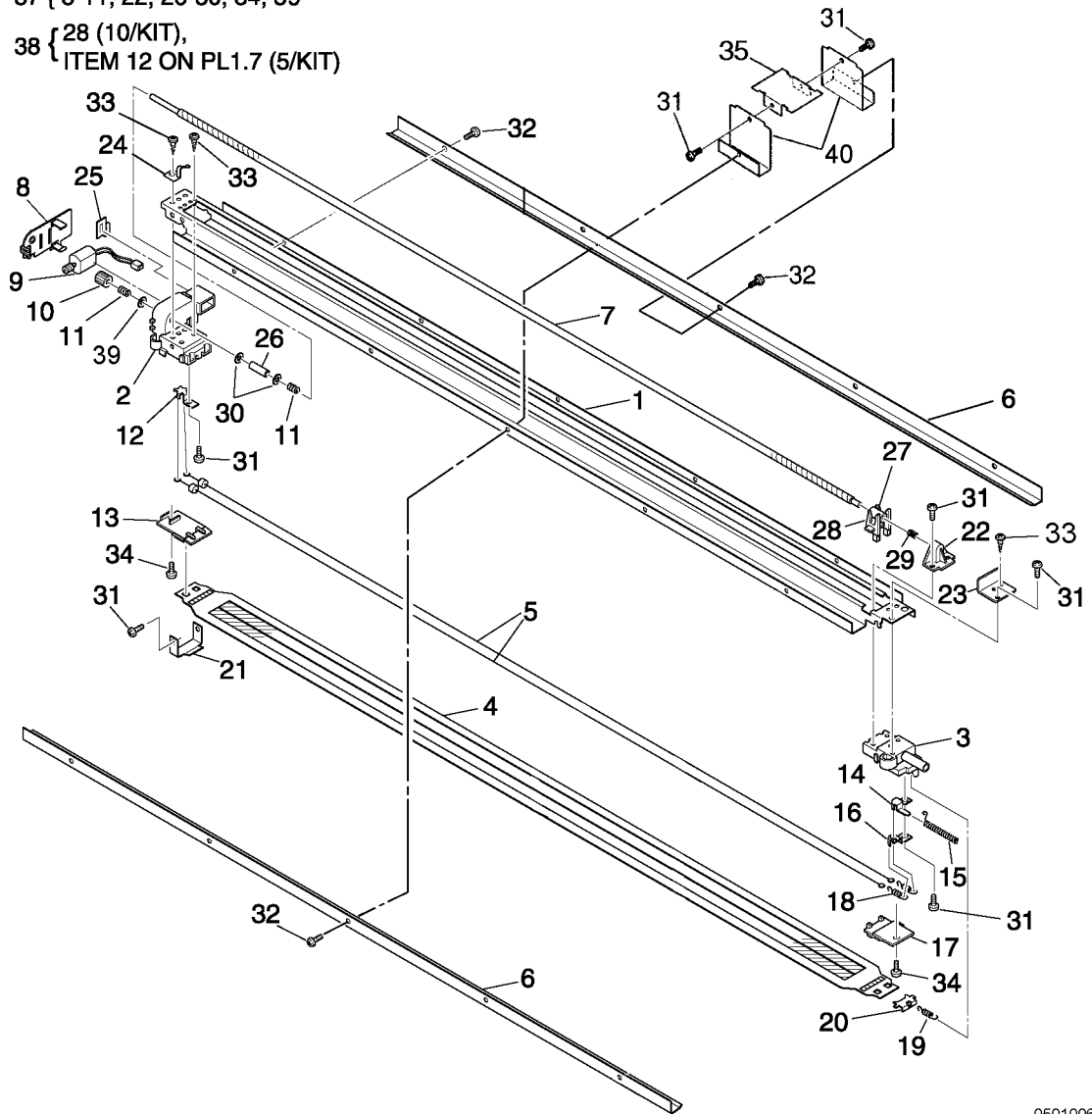
30 { 3 EACH OF ITEMS
13, 14, 16, 17

0501005B-OBS

PL 1.6 Charge Scorotron Assembly

Item	Part	Description
1	-	Corotron Housing (P/O PL 1.1 Item 4)
2	101N01323	Front Housing
3	101N01324	Rear Housing
4	015N00498	Grid Plate (without Tag 7)
-	015N00532	Grid Plate (with Tag 7)
5	-	Corotron Wire (P/O PL 1.6 Item 36)
6	-	Bracket (P/O PL 1.1 Item 4)
7	-	Screw Shaft (P/O PL 1.1 Item 4)
8	-	Motor Cover (P/O PL 1.6 Item 37)
9	127N07247	Charge Scorotron Cleaning Motor
10	007N01232	Gear (20T)
11	009N01417	Compression Spring
12	-	Hook (P/O PL 1.1 Item 4)
13	-	Cover (P/O PL 1.1 Item 4)
14	-	Hook (P/O PL 1.1 Item 4)
15	009N01416	Tension Spring
16	-	Hook (P/O PL 1.1 Item 4)
17	101N01325	Rear Housing Cover
18	-	Spring (P/O PL 1.1 Item 4)
19	-	Grid Spring (P/O PL 1.1 Item 4)
20	-	Hook (P/O PL 1.1 Item 4)
21	-	Electrode Plate (P/O PL 1.1 Item 4)
22	-	Screw Holder (P/O PL 1.6 Item 37)
23	-	Connection Plate (P/O PL 1.1 Item 4)
24	-	Leaf Spring (P/O PL 1.1 Item 4)
25	-	Ground Plate (P/O PL 1.1 Item 4)
26	-	Tube (P/O PL 1.6 Item 37)
27	-	Slider (P/O PL 1.6 Item 37)
28	600N03210	Wire Cleaning Unit
29	009N01418	Compression Spring
30	028N00317	Flat Washer
31	-	Screw (P/O PL 1.1 Item 4)
32	026N00727	Screw
33	-	Screw (P/O PL 1.1 Item 4)
34	-	Screw (P/O PL 1.6 Item 37)
35	-	Bracket (Not Spared)
36	600N01782	Corotron Wire Kit (6/Kit)
37	600N03218	Wire Cleaning Kit (W/[TAG 5])
38	600N01784	Pad Kit
39	-	Thrust Washer (P/O PL 1.6 Item 37)
40	-	Bracket (Not Spared)

36 { 5
 37 { 8-11, 22, 26-30, 34, 39
 38 { 28 (10/KIT),
 ITEM 12 ON PL1.7 (5/KIT)

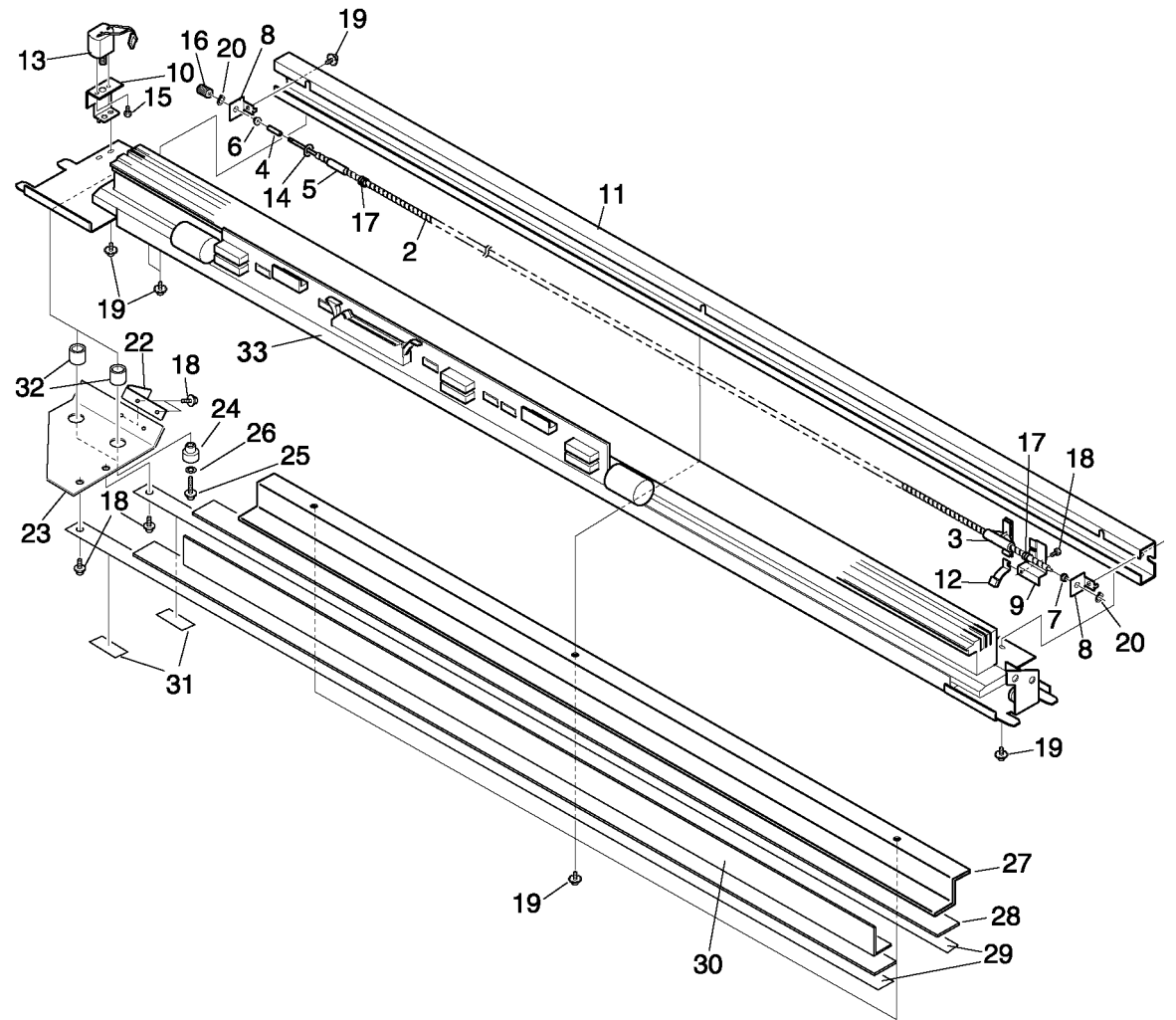


0501006D-OBS

PL 1.7 LED Print Head

Item	Part	Description
1	107N00439	LED Print Head Assembly
2	-	Screw Shaft (Not Spared)
3	-	Slider (P/O PL 1.7 Item 21)
4	-	Collar (Not Spared)
5	-	Collar (Not Spared)
6	-	Holder (Not Spared)
7	-	Holder (Not Spared)
8	-	Bracket (Not Spared)
9	-	Slider (P/O PL 1.7 Item 21)
10	030N00637	Bracket
11	032N00383	Guide
12	-	Pad (P/O PL 1.6 Item 38)
13	127N07247	LED Print Head Cleaning Motor (MOT8) (Not Spared)
14	028N00317	Flat Washer
15	-	Screw (Not Spared)
16	-	Gear (Not Spared) (20T)
17	009N01418	Compression Spring
18	026N00727	Pan Head Screw
19	-	Screw (Not Spared)
20	028N00318	Retaining Ring
21	010N01179	Slider Assembly Kit (2/Kit) (W/[TAG 5])
22	-	Contact Plate (Not Spared)
23	-	Bracket (Not Spared)
24	-	Bushing (Not Spared)
25	-	Screw (Not Spared)
26	-	Flat Washer (Not Spared)
27	-	Bracket (Not Spared)
28	-	Insulator (Not Spared)
29	-	Electrode (Not Spared)
30	-	Bracket (Not Spared)
31	-	Mylar Insulation (Not Spared)
32	-	Collar (Not Spared)
33	107N00423	LED Print Head

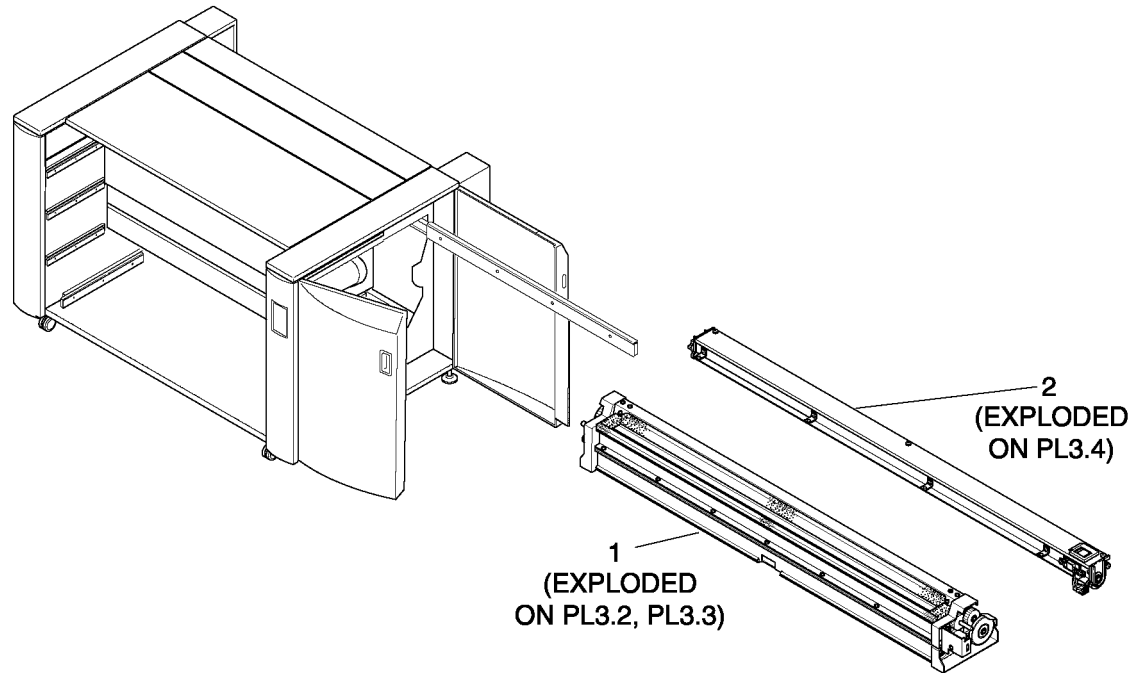
1 { 2 - 3 }
21 { 3, 9 }



0501007C-C

PL 3.1 Developer Assembly and Toner Hopper Assembly

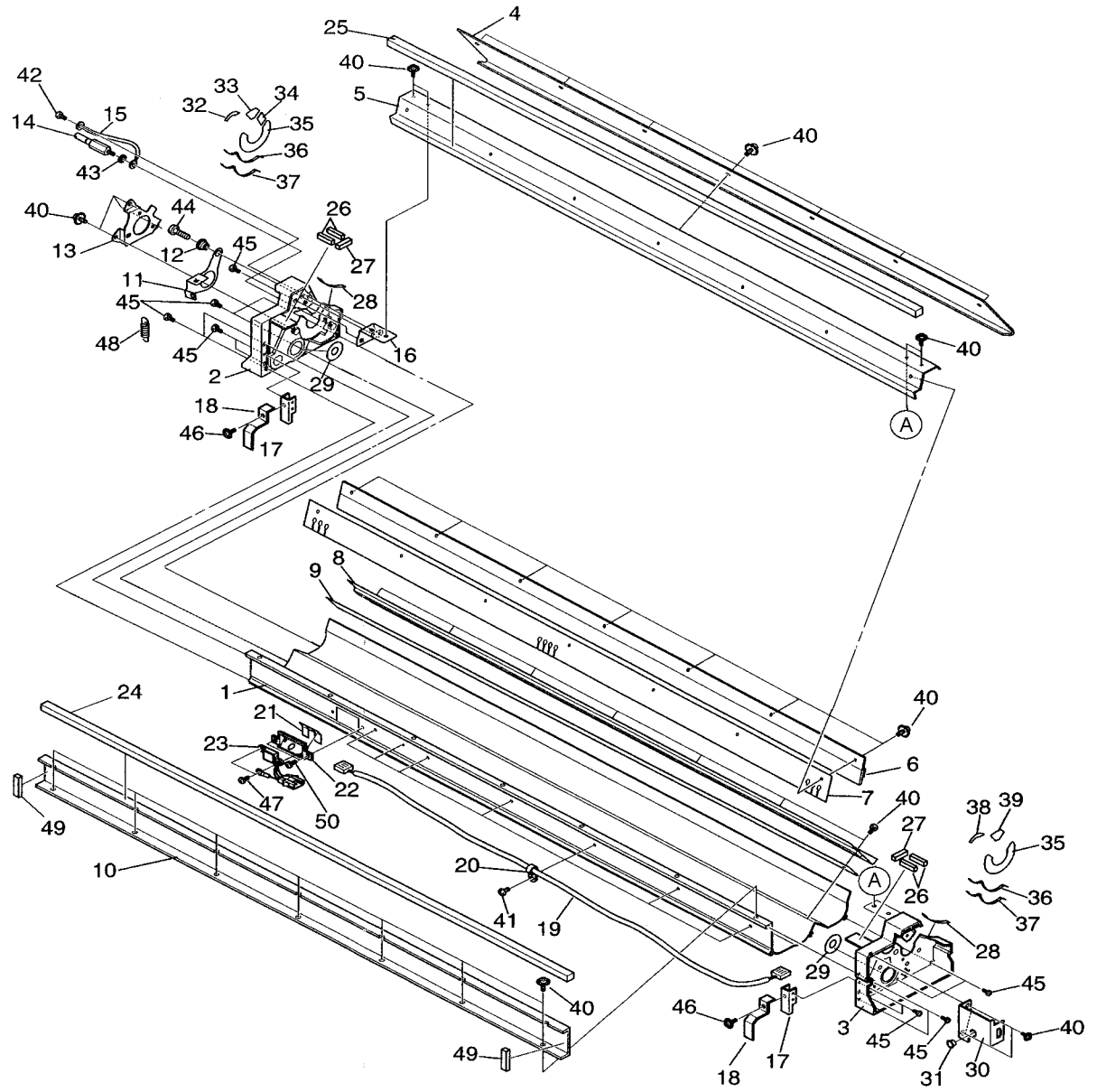
Item	Part	Description
1	121N00614	Developer Assembly
2	022N01584	Toner Hopper Assembly



0503001A-OBS

PL 3.2 Developer Components (Part 1 of 2)

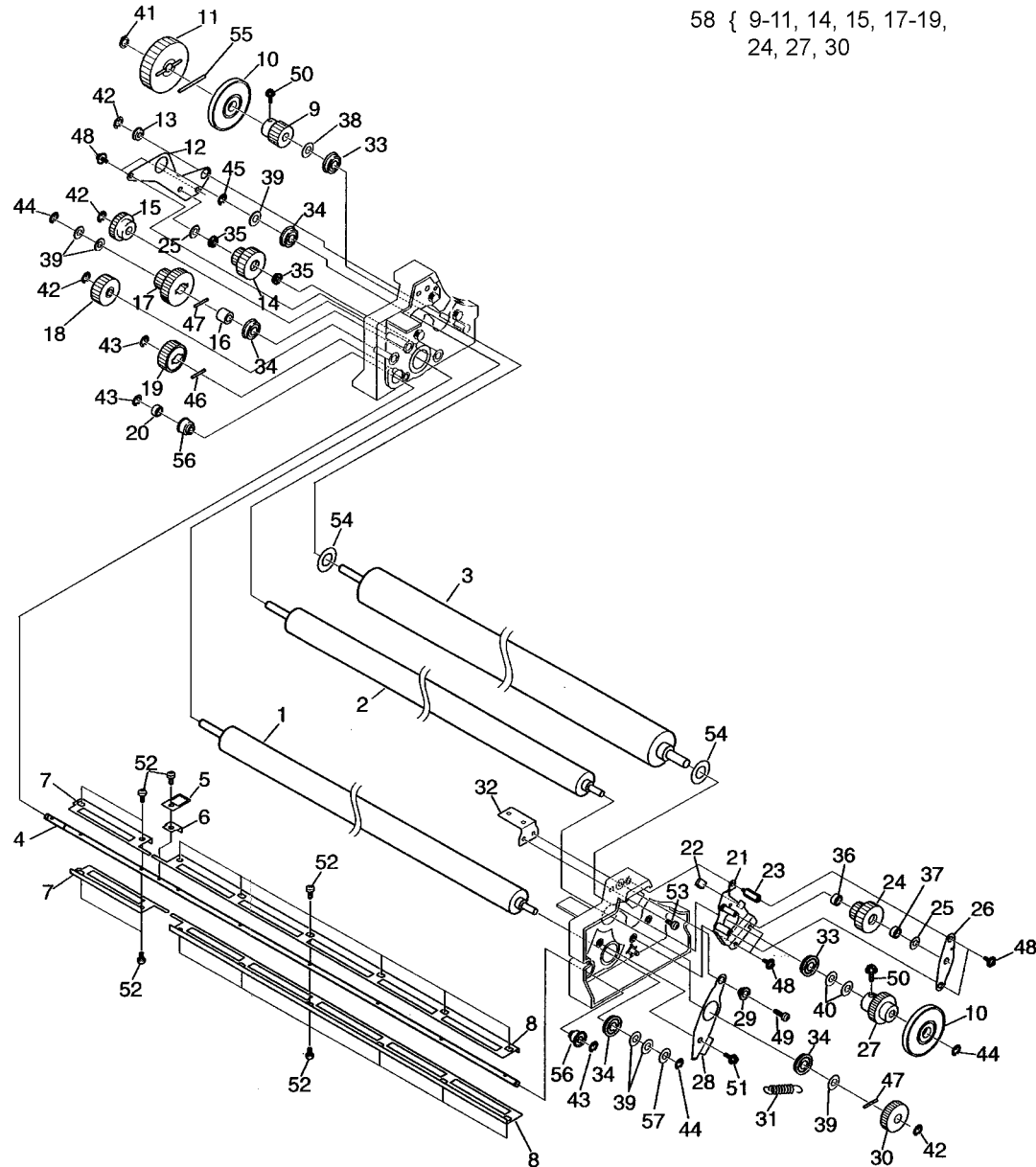
Item	Part	Description
1	-	Base (Not Spared)
2	-	Side Plate A (Not Spared)
3	-	Side Plate B (Not Spared)
4	-	Cover (Not Spared)
5	-	Stay (Not Spared)
6	-	Bracket (Not Spared)
7	-	Spring Holder (Not Spared)
8	-	Bracket (Not Spared)
9	-	Spacer (Not Spared)
10	-	Stay (Not Spared)
11	-	Arm (Not Spared)
12	005N00808	Collar
13	-	Bracket (Not Spared)
14	-	Stud (Not Spared)
15	116N00237	Bias Terminal Lead
16	-	Bracket (Not Spared)
17	030N00646	Bracket
18	-	Bracket (Not Spared)
19	-	Toner Sensor Lead (Not Spared)
20	-	Clamp (Not Spared)
21	-	Guide (Not Spared)
22	-	Holder (Not Spared)
23	130N00681	Toner Sensor
24	-	Seal (Not Spared)
25	-	Seal (Not Spared)
26	-	Seal (Not Spared)
27	-	Seal (Not Spared)
28	-	Side Seal (Not Spared)
29	-	Seal (Not Spared)
30	-	Bracket (Not Spared)
31	-	Bushing (Not Spared)
32	-	Seal (Not Spared)
33	-	Seal (Not Spared)
34	-	Seal (Not Spared)
35	-	Seal (Not Spared)
36	-	Seal (Not Spared)
37	-	Seal (Not Spared)
38	-	Seal (Not Spared)
39	-	Seal (Not Spared)
40	-	Screw (Not Spared)
41	-	Screw (Not Spared)
42	-	Screw (Not Spared)
43	-	Washer (Not Spared)
44	-	Washer (Not Spared)
45	-	Screw (Not Spared)
46	-	Screw (Not Spared)
47	-	Screw (Not Spared)
48	-	Spring (Not Spared)
49	035N00364	Seal
50	-	Screw (Not Spared)



0503002B-OBS

PL 3.3 Developer Components (Part 2 of 2)

Item	Part	Description
1	-	Donor Roll (Not Spared)
2	-	Metering Roll (Not Spared)
3	-	Developer Roll (Not Spared)
4	-	Mixing Shaft (Not Spared)
5	-	Wiper (Not Spared)
6	-	Bracket (Not Spared)
7	-	Agitator (Not Spared)
8	-	Agitator (Not Spared)
9	-	Gear (P/O PL 3.3 Item 58) (22T)
10	018N00189	Counter Roller
11	-	Gear (P/O PL 3.3 Item 58) (56T)
12	-	Bracket (Not Spared)
13	-	Collar (Not Spared)
14	-	Double Gear (P/O PL 3.3 Item 58) (39/23)
15	-	Double Gear (P/O PL 3.3 Item 58) (332/22)
16	-	Spacer (Not Spared)
17	-	Double Gear (P/O PL 3.3 Item 58) (39/23)
18	-	Gear (P/O PL 3.3 Item 58) (22T)
19	-	Gear (P/O PL 3.3 Item 58) (22T)
20	-	Collar (Not Spared)
21	-	Bracket (Not Spared)
22	-	Seal (Not Spared)
23	-	Stud (Not Spared)
24	-	Double Gear (P/O PL 3.3 Item 58) (34/18)
25	-	Collar (Not Spared)
26	-	Bracket (Not Spared)
27	-	Gear (P/O PL 3.3 Item 58) (29T)
28	-	Arm (Not Spared)
29	-	Collar (Not Spared)
30	-	Gear (P/O PL 3.3 Item 58) (30T)
31	-	Spring (Not Spared)
32	-	Bracket (Not Spared)
33	047N00015	Ball Bearing
34	013N00270	Ball Bearing
35	-	Ball Bearing (Not Spared)
36	-	Ball Bearing (Not Spared)
37	-	Ball Bearing (Not Spared)
38	-	Thrust Washer (Not Spared)
39	-	Thrust Washer (Not Spared)
40	-	Thrust Washer (Not Spared)
41	-	Retaining Ring (Not Spared)
42	-	Retaining Ring (Not Spared)
43	-	Retaining Ring (Not Spared)
44	-	Retaining Ring (Not Spared)
45	-	Retaining Ring (Not Spared)
46	-	Pin (Not Spared)
47	-	Pin (Not Spared)
48	-	Screw (Not Spared)
49	-	Screw (Not Spared)
50	-	Hex Head Bolt (Not Spared)
51	-	Hex Head Bolt (Not Spared)
52	-	Screw (Not Spared)
53	-	Screw (Not Spared)
54	-	Seal (Not Spared)
55	-	Pin (Not Spared)
56	-	Bearing (Not Spared)
57	028N00199	Thrust Washer
58	600N01786	Developer Gear Kit

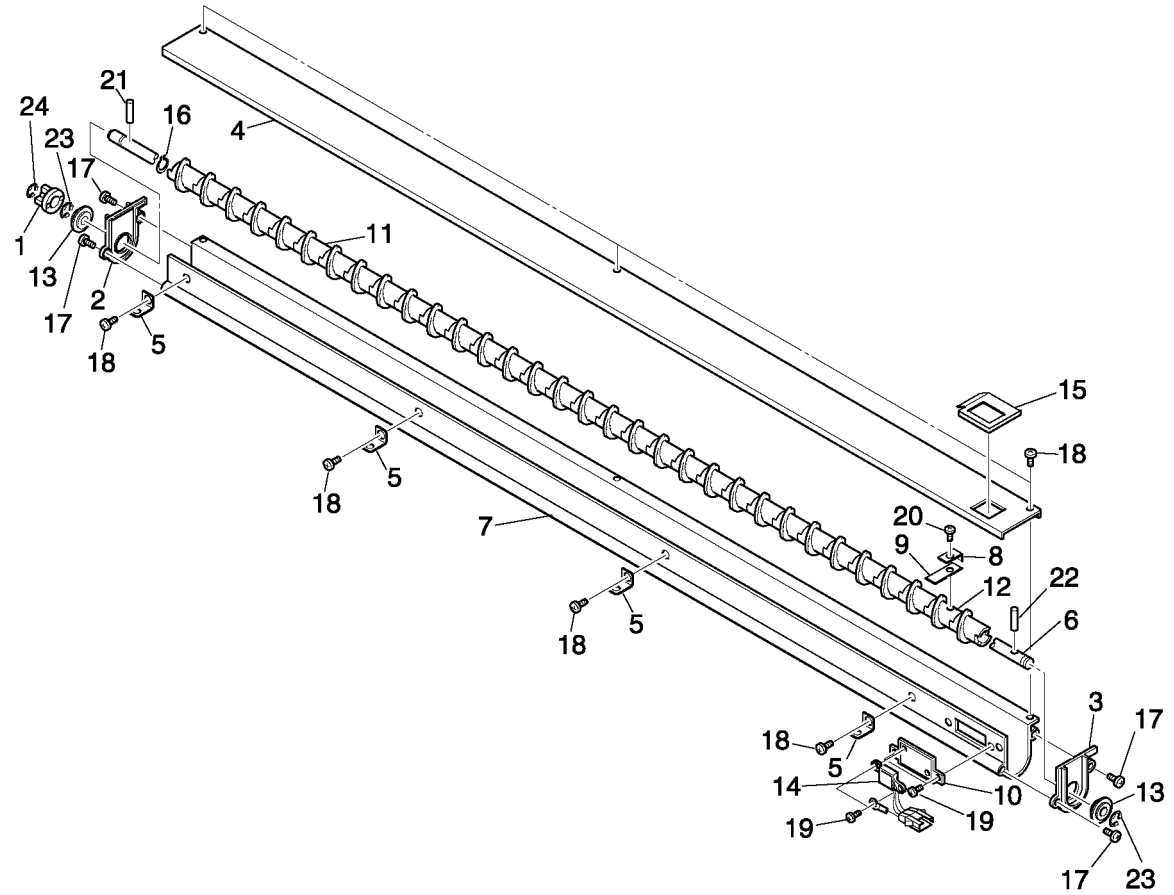


58 { 9-11, 14, 15, 17-19, 24, 27, 30

0503003B-OBS

PL 3.4 Toner Hopper Assembly

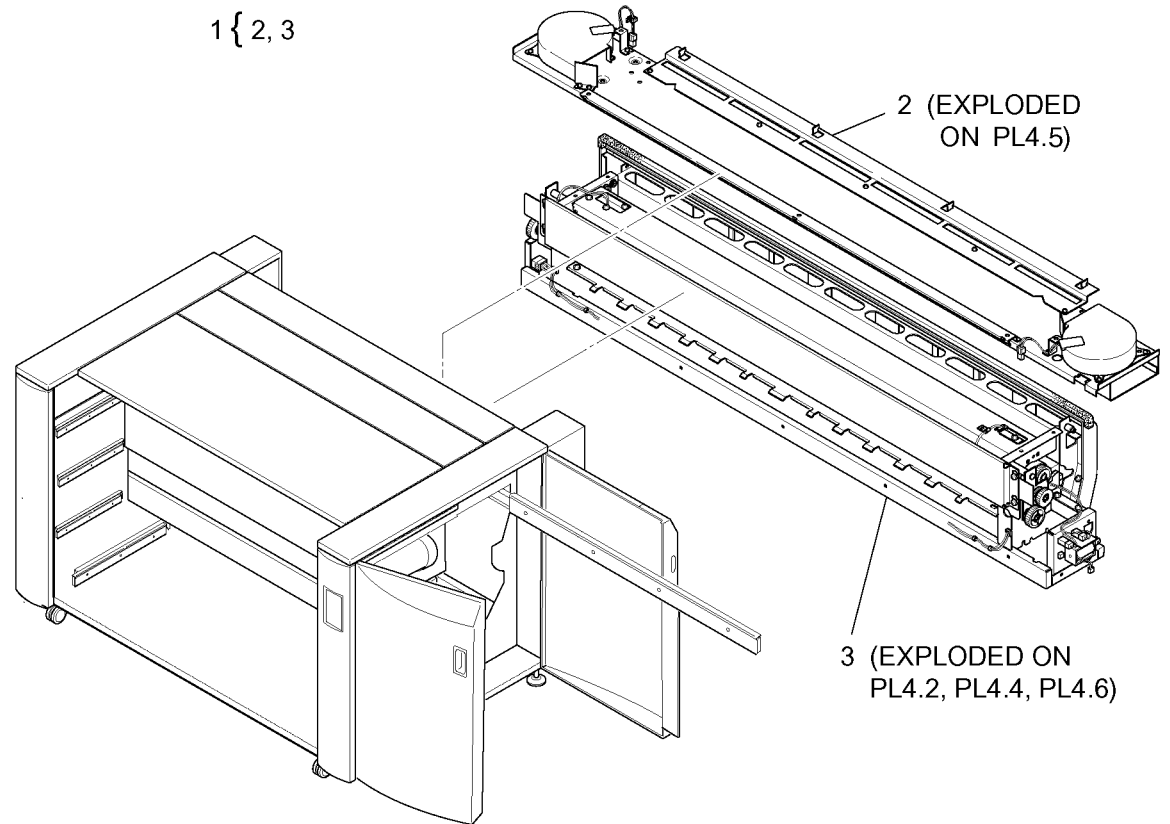
Item	Part	Description
1	–	Coupling (P/O PL 3.1 Item 2)
2	–	Side Plate (P/O PL 3.1 Item 2)
3	–	Side Plate (P/O PL 3.1 Item 2)
4	–	Cover (P/O PL 3.1 Item 2)
5	–	Bracket (P/O PL 3.1 Item 2)
6	–	Shaft (P/O PL 3.1 Item 2)
7	–	Toner Channel (P/O PL 3.1 Item 2)
8	030N00636	Bracket
9	035N00352	Wiper
10	–	Holder (P/O PL 3.1 Item 2)
11	–	Screw (P/O PL 3.1 Item 2)
12	–	Screw (P/O PL 3.1 Item 2)
13	013N00270	Bearing
14	130N00681	Toner Hopper Sensor (TLS1)
15	035N00351	Seal
16	–	Retaining Ring (P/O PL 3.1 Item 2)
17	–	Screw (P/O PL 3.1 Item 2)
18	–	Screw (P/O PL 3.1 Item 2)
19	–	Screw (P/O PL 3.1 Item 2)
20	–	Screw (P/O PL 3.1 Item 2)
21	–	Pin (P/O PL 3.1 Item 2)
22	–	Pin (P/O PL 3.1 Item 2)
23	–	E-Ring (P/O PL 3.1 Item 2)
24	–	E-Ring (P/O PL 3.1 Item 2)



0503004A-OBS

PL 4.1 Fuser Assembly

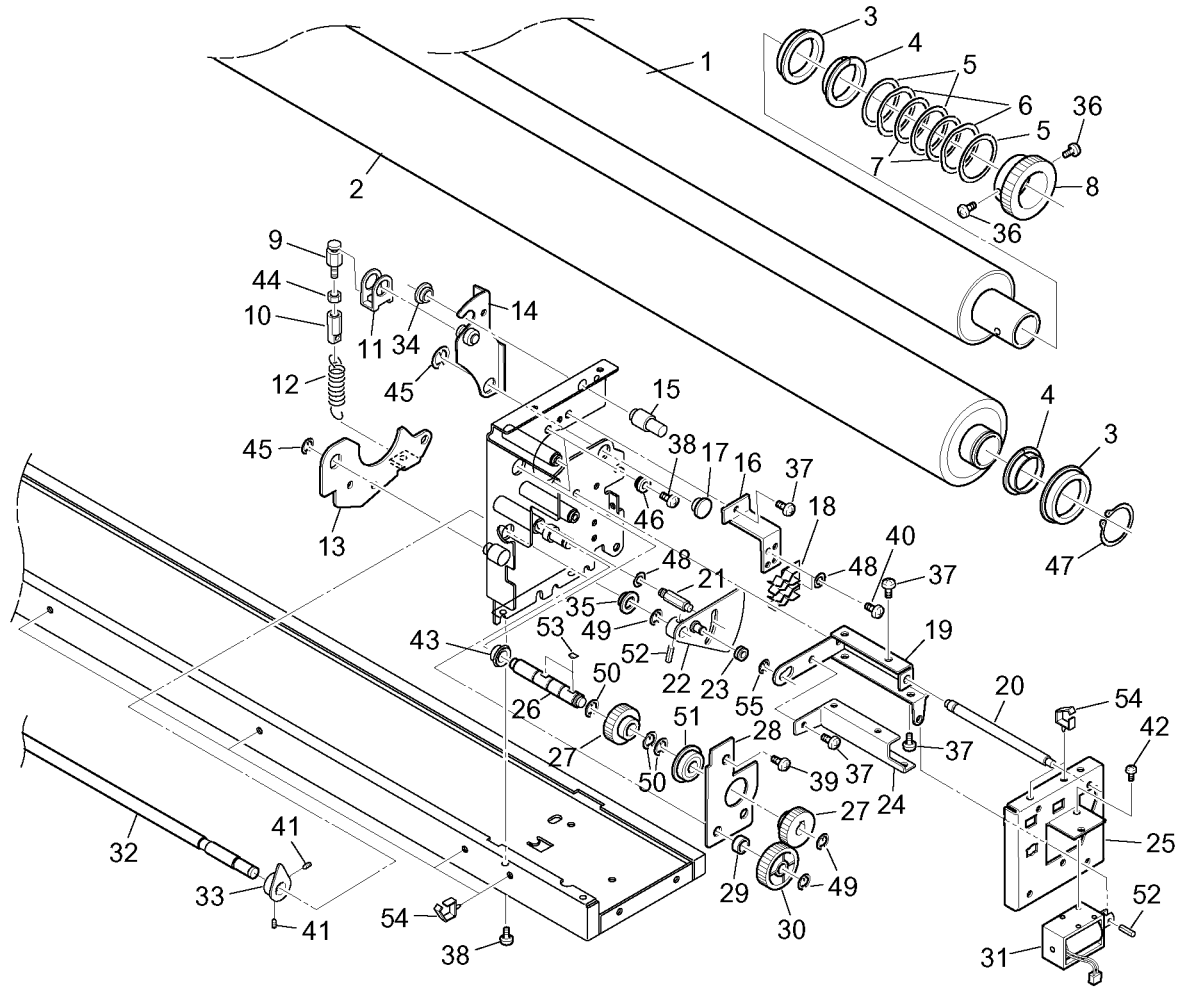
Item	Part	Description
1	126N00216	Fuser Assembly (RFU)
-	126N00202	Fuser Assembly (LML)
2	126N00217	Fuser Blower Assembly
3	-	Fuser (P/O PL 4.1 Item 1)



0504001B-OBS

PL 4.2 Fuser Components (Part 1 of 5)

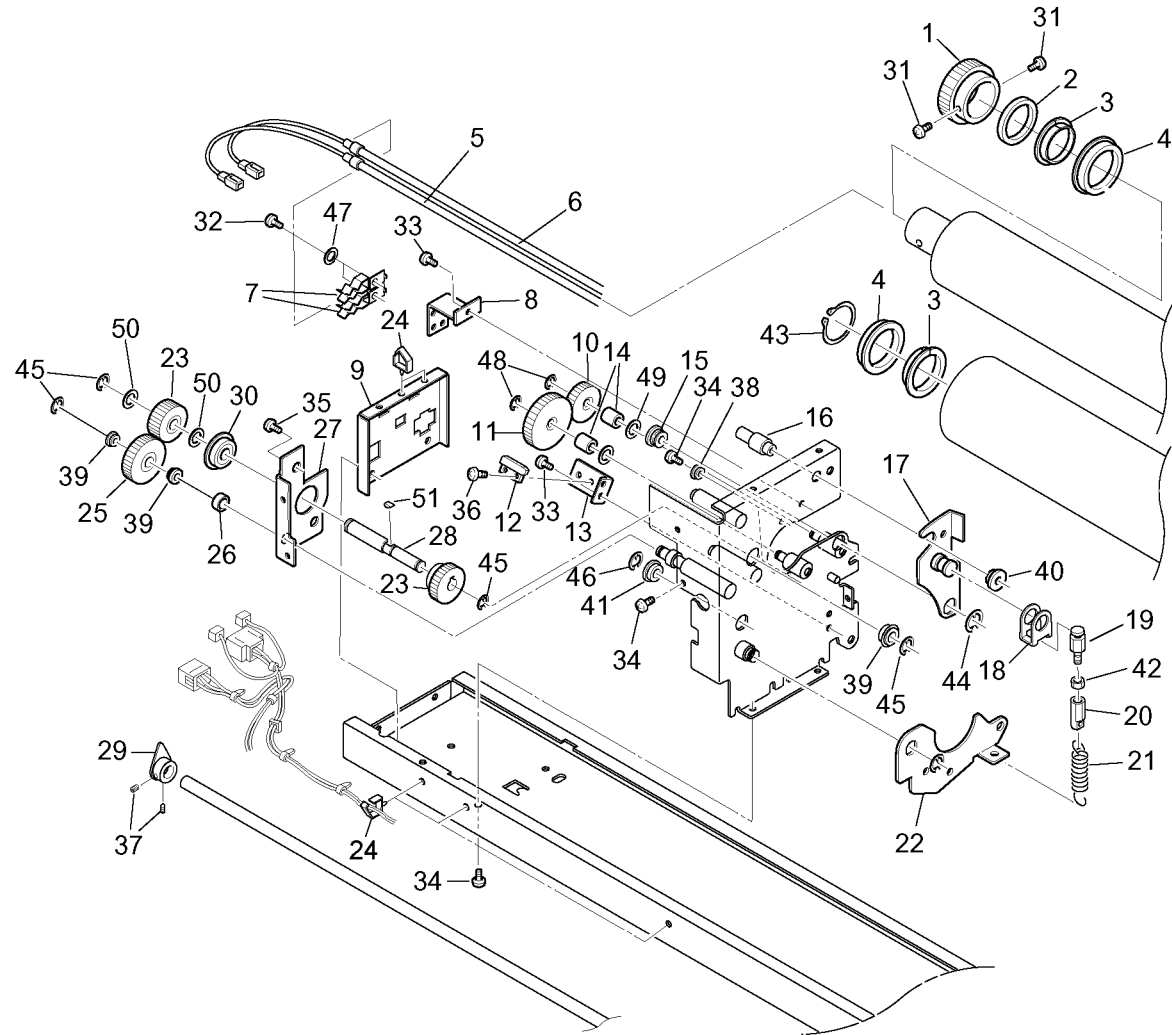
Item	Part	Description
1	126N00201	Heat Roll
2	022N00598	Pressure Roller
3	047N00014	Bearing
4	118N00128	Bushing
5	014N00296	Spacer
6	028N00190	Wave Washer
7	005N00409	Collar
8	007N00560	Spur Gear (50T)
9	009N00789	Hook
10	019N00347	Hook
11	019N00346	Hook
12	-	Extension Spring (Not Spared)
13	-	Side Plate (Not Spared)
14	011N00490	Lever
15	-	Stud (Not Spared)
16	129N00004	Fuser Rod Holder
17	-	Shaft (Not Spared)
18	113N00274	Lamp Mount
19	-	Lever (Not Spared)
20	-	Shaft (Not Spared)
21	-	Shaft (Not Spared)
22	-	Lever (Not Spared)
23	-	Collar (Not Spared)
24	-	Lever (Not Spared)
25	-	Bracket (Not Spared)
26	-	Shaft (Not Spared)
27	007N01190	Spur Gear (30T)
28	-	Side Plate (Not Spared)
29	005N00416	Collar
30	007N00546	Spur Gear (40T)
31	-	Fuser Entrance Solenoid (SOL1) (Not Spared)
32	-	Shaft (Not Spared)
33	-	Cam (Not Spared)
34	-	Bushing (Not Spared)
35	-	Collar (Not Spared)
36	-	Screw (Not Spared)
37	-	Screw (Not Spared)
38	-	Screw (Not Spared)
39	-	Hex Head Bolt (Not Spared)
40	-	Screw (Not Spared)
41	-	Set Screw (Not Spared)
42	-	Screw (Not Spared)
43	013N00271	Bearing
44	-	Hex Nut (Not Spared)
45	-	E-Ring (Not Spared)
46	-	Collar (Not Spared)
47	-	Retaining Ring (Not Spared)
48	-	Flat Washer (Not Spared)
49	-	E-Ring (Not Spared)
50	-	E-Ring (Not Spared)
51	013N00269	Bearing
52	-	Pin (Not Spared)
53	029N00180	Woodruff Key
54	-	Wire Saddle (Not Spared)
55	-	E-Ring (Not Spared)



0504002A-OBS

PL 4.3 Fuser Components (Part 2 of 5)

Item	Part	Description
1	007N00560	Spur Gear (50T)
2	005N00417	Collar
3	118N00128	Bushing
4	047N00014	Bearing
5	122N00219	Side Heat Rod (HTR2) (Red)
6	122N00101	Center Heat Rod (HTR1) (White)
7	113N00274	Lamp Mount
8	122N00100	Bracket
9	-	Connector Mount (Not Spared)
10	007N00506	Spur Gear (30T)
11	007N00553	Spur Gear (50T)
12	110N00727	Fuser Exit Switch (LS2)
13	-	Plate (Not Spared)
14	135N00029	Bearing
15	-	Shaft (Not Spared)
16	-	Stud (Not Spared)
17	011N00491	Lever
18	019N00346	Hook
19	009N00789	Hook
20	019N00347	Hook
21	009N01451	Extension Spring
22	-	Side Plate (Not Spared)
23	007N00547	Spur Gear
24	-	Wire Saddle (Not Spared)
25	007N00749	Spur Gear (40T)
26	005N00416	Collar
27	-	Side Plate (Not Spared)
28	-	Shaft (Not Spared)
29	-	Cam (Not Spared)
30	013N00269	Bearing
31	-	Screw (Not Spared)
32	-	Screw (Not Spared)
33	-	Screw (Not Spared)
34	-	Screw (Not Spared)
35	-	Hex Head Bolt (Not Spared)
36	-	Screw (Not Spared)
37	-	Set Screw (Not Spared)
38	-	Collar (Not Spared)
39	013N00271	Bearing
40	-	Bushing (Not Spared)
41	-	Collar (Not Spared)
42	-	Hex Nut (Not Spared)
43	-	Retaining Ring (Not Spared)
44	-	E-Ring (Not Spared)
45	-	E-Ring (Not Spared)
46	-	E-Ring (Not Spared)
47	-	Flat Washer (Not Spared)
48	-	E-Ring (Not Spared)
49	-	Thrust Washer (Not Spared)
50	028N00199	Thrust Washer
51	029N00180	Woodruff Key

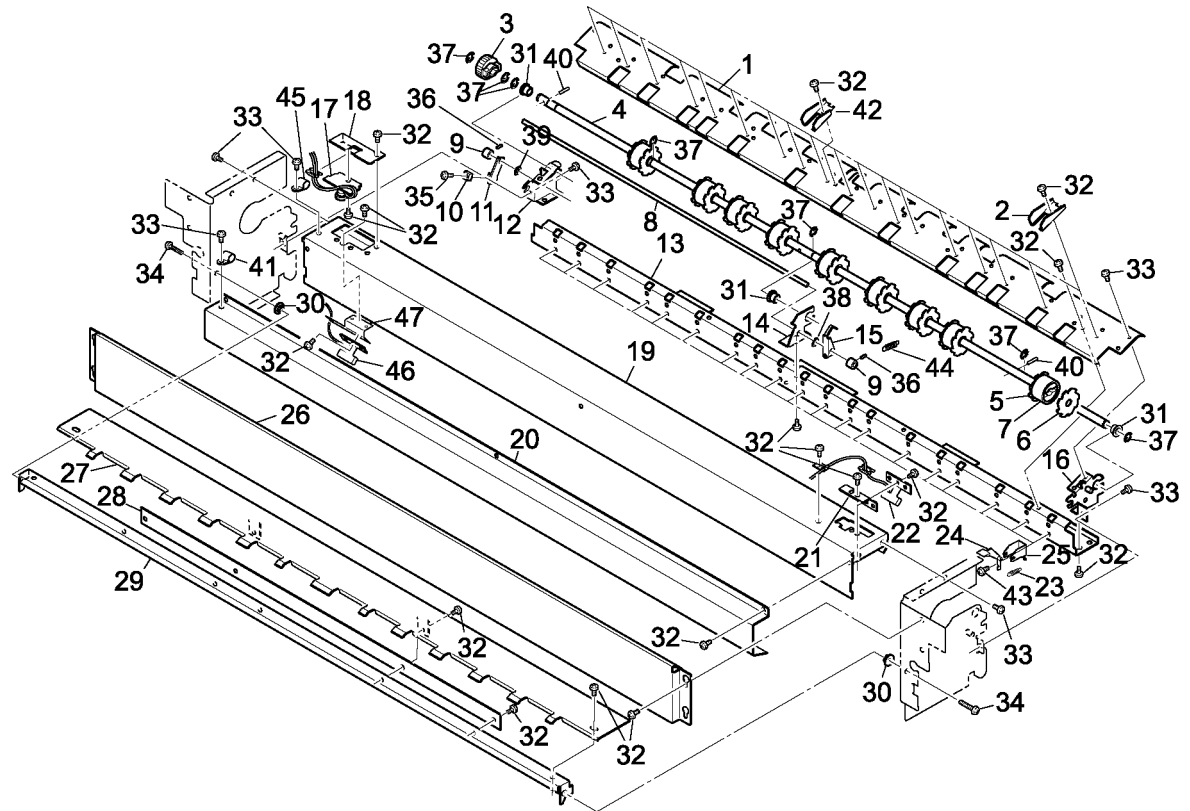


0504003B-OBS

PL 4.4 Fuser Components (Part 3 of 5)

Item	Part	Description
1	-	Frame (Not Spared)
2	-	Guide (Not Spared)
3	007N00555	Spur Gear (26T)
4	-	Shaft (Not Spared)
5	022N02028	Roller
6	022N02029	Roller
7	003N00608	Seal
8	-	Shaft (Not Spared)
9	-	Bushing (Not Spared)
10	121N00292	Magnet
11	120N00434	Actuator
12	-	Side Plate (Not Spared)
13	-	Frame (Not Spared)
14	-	Bearing Plate (Not Spared)
15	120N00225	Actuator
16	-	Side Plate (Not Spared)
17	130N00671	Thermostat (TS1)
18	-	Plate (Not Spared)
19	-	Cover (Not Spared)
20	-	Cover (Not Spared)
21	-	Plate (Not Spared)
22	130N01294	Fuser Thermistor (RT1)
23	-	Extension Spring (P/O PL 4.4 Item 49)
24	-	Separation Finger (P/O PL 4.4 Item 48)
25	-	Holder (P/O PL 4.4 Item 50)
26	-	Cover (Not Spared)
27	-	Guide Plate (Not Spared)
28	-	Adjustment Plate (Not Spared)
29	-	Frame (Not Spared)
30	-	Collar (Not Spared)
31	013N00273	Bearing
32	-	Screw (Not Spared)
33	-	Screw (Not Spared)
34	-	Screw (Not Spared)
35	-	Screw (Not Spared)
36	-	Set Screw (Not Spared)
37	-	E-Ring (Not Spared)
38	-	Thrust Washer (Not Spared)
39	-	Grip Ring (Not Spared)
40	-	Pin (Not Spared)
41	-	Cable Clamp (Not Spared)
42	-	Guide (Not Spared)
43	-	Screw (Not Spared)
44	-	Spring (Not Spared)
45	-	Cable Clamp (Not Spared)
46	130N01295	Thermistor (RT3)
47	-	Bracket (Not Spared)
48	600N01788	Lower Separation Finger Kit (20/Kit)
49	600N01789	Extension Spring 1 Kit (10/Kit)
50	600N01790	Holder Kit (5/kit)

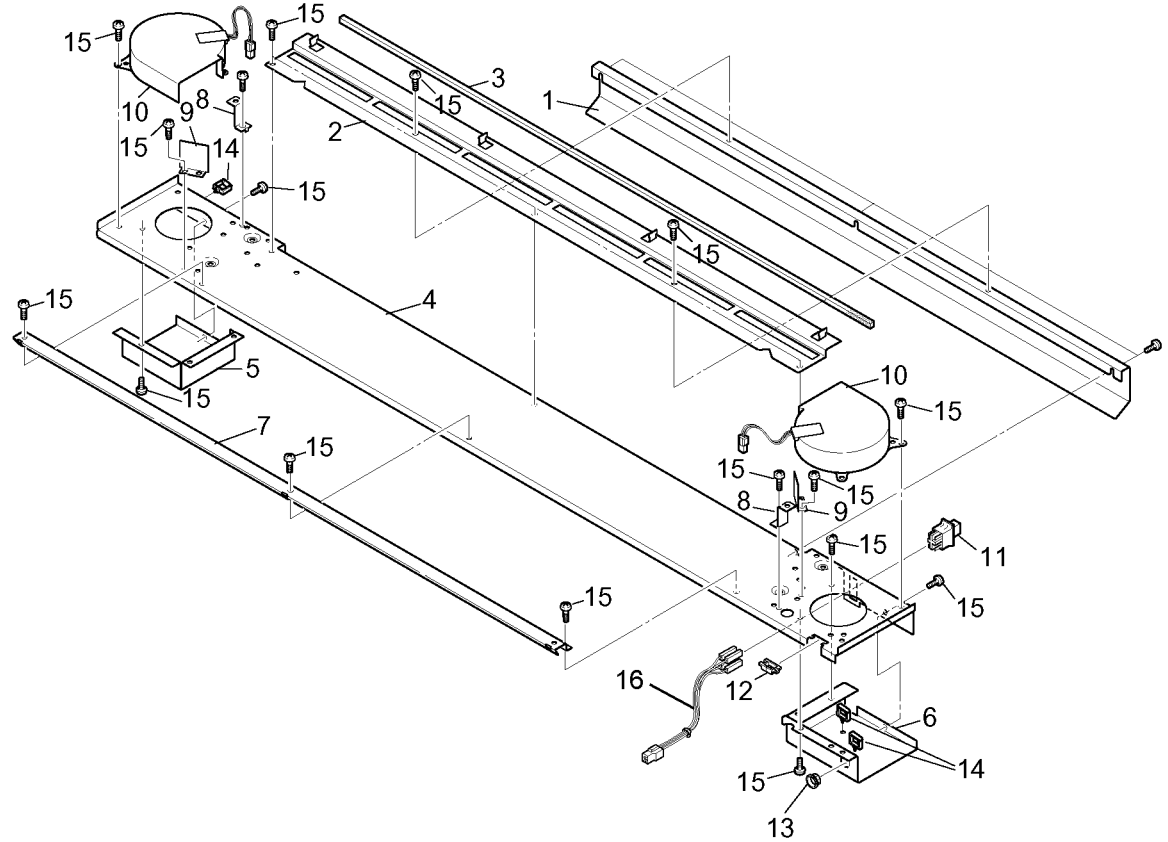
48 { 24
49 { 23
50 { 25



0504004A-OBS

PL 4.5 Fuser Components (Part 4 of 5)

Item	Part	Description
1	-	Cover (Not Spared)
2	-	Bracket (Not Spared)
3	-	Seal (Not Spared)
4	-	Cover (Not Spared)
5	-	Duct (Not Spared)
6	-	Duct (Not Spared)
7	-	Bracket (Not Spared)
8	-	Mount (Not Spared)
9	-	Bracket (Not Spared)
10	033N00134	Blower (BL2, BL3)
11	109N00211	Exit Cover (Fuser) Interlock Switch (DS5)
12	-	Wire Saddle (Not Spared)
13	016N00145	Bushing
14	-	Wire Saddle (Not Spared)
15	-	Screw (Not Spared)
16	115N00848	SW Terminal Lead

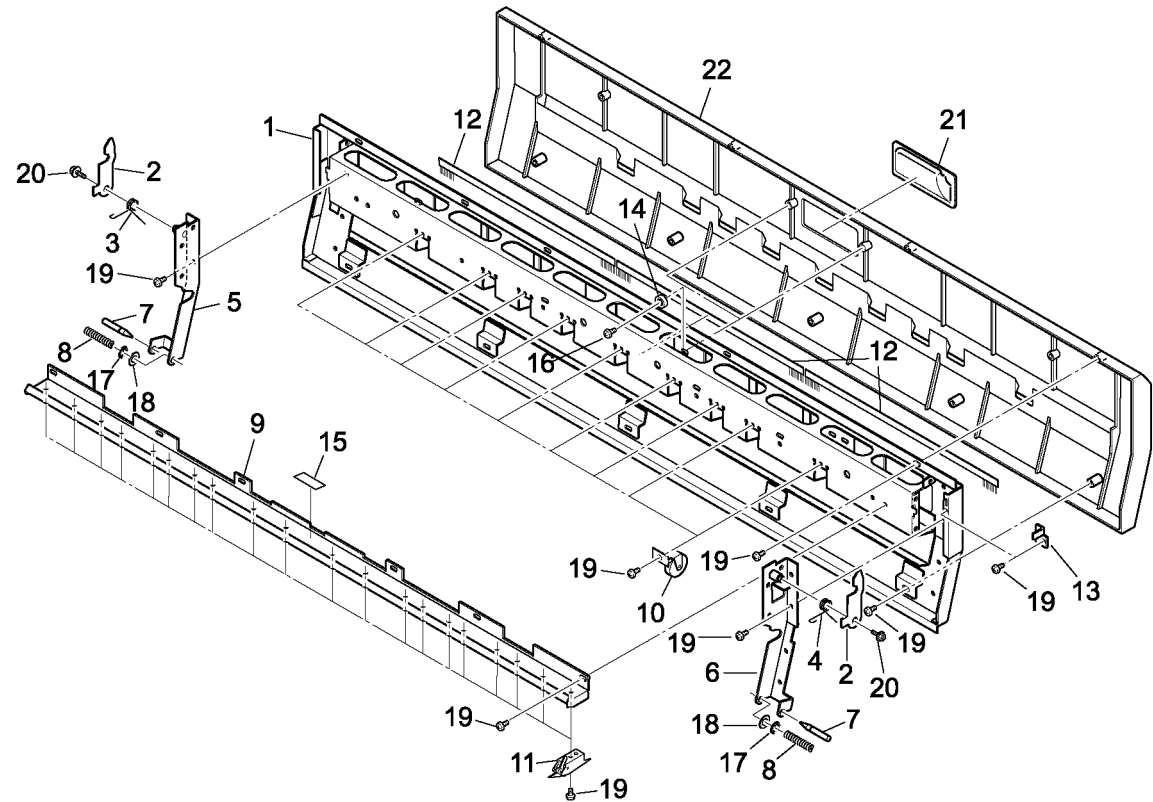


0504005B-OSB

PL 4.6 Fuser Components (Part 5 of 5)

Item	Part	Description
1	-	Cover (Not Spared)
2	019N00769	Hook
3	009N01452	Torsion Spring
4	009N01453	Torsion Spring
5	091N80179	Side Plate
6	091N80180	Side Plate
7	006N01226	Shaft
8	009N00795	Compression Spring
9	-	Plate (Not Spared)
10	022N00686	Roller (9/Kit)
11	-	Separation Finger (P/O PL 4.6 Item 23)
12	115N00258	Static Eliminator
13	-	Actuator (Not Spared)
14	-	Spacer (Not Spared)
15	-	Label (Not Spared)
16	-	Screw (Not Spared)
17	-	E-Ring (Not Spared)
18	-	Flat Washer (Not Spared)
19	-	Screw (Not Spared)
20	-	Hex Head Bolt (Not Spared)
21	003N00925	Handle (RFU)
22	002N02234	Fuser Exit Door (RFU)
23	600N01787	Upper Separation Finger Kit (20/Kit)

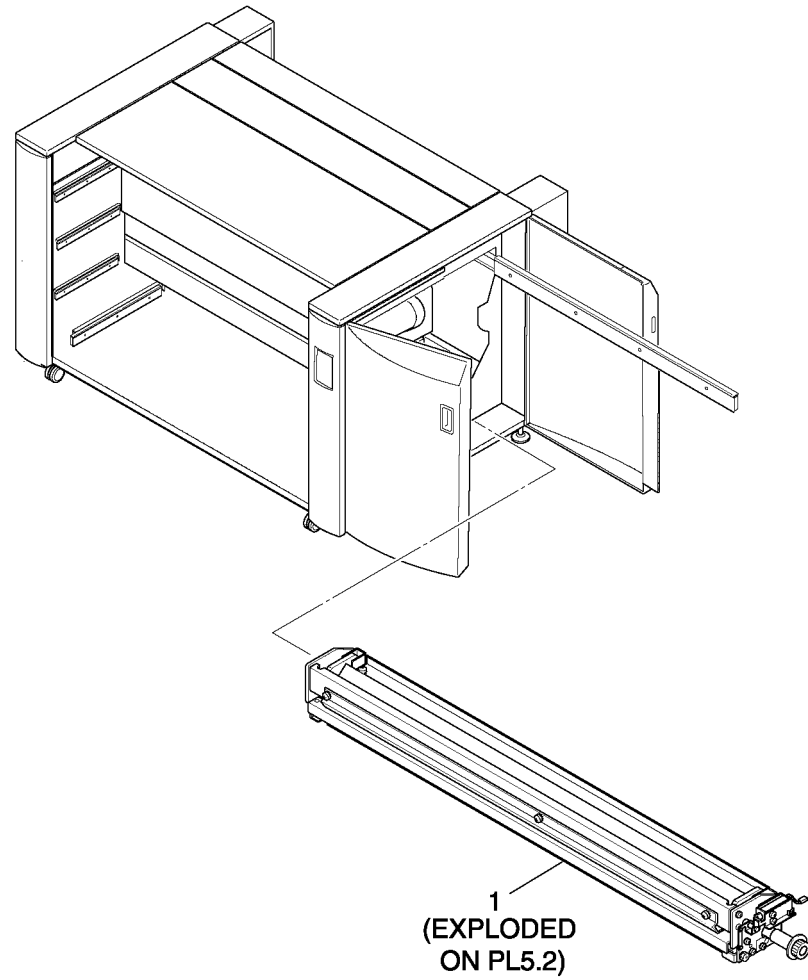
23 { 11



0504006A-OSB

PL 5.1 Cutter Assembly

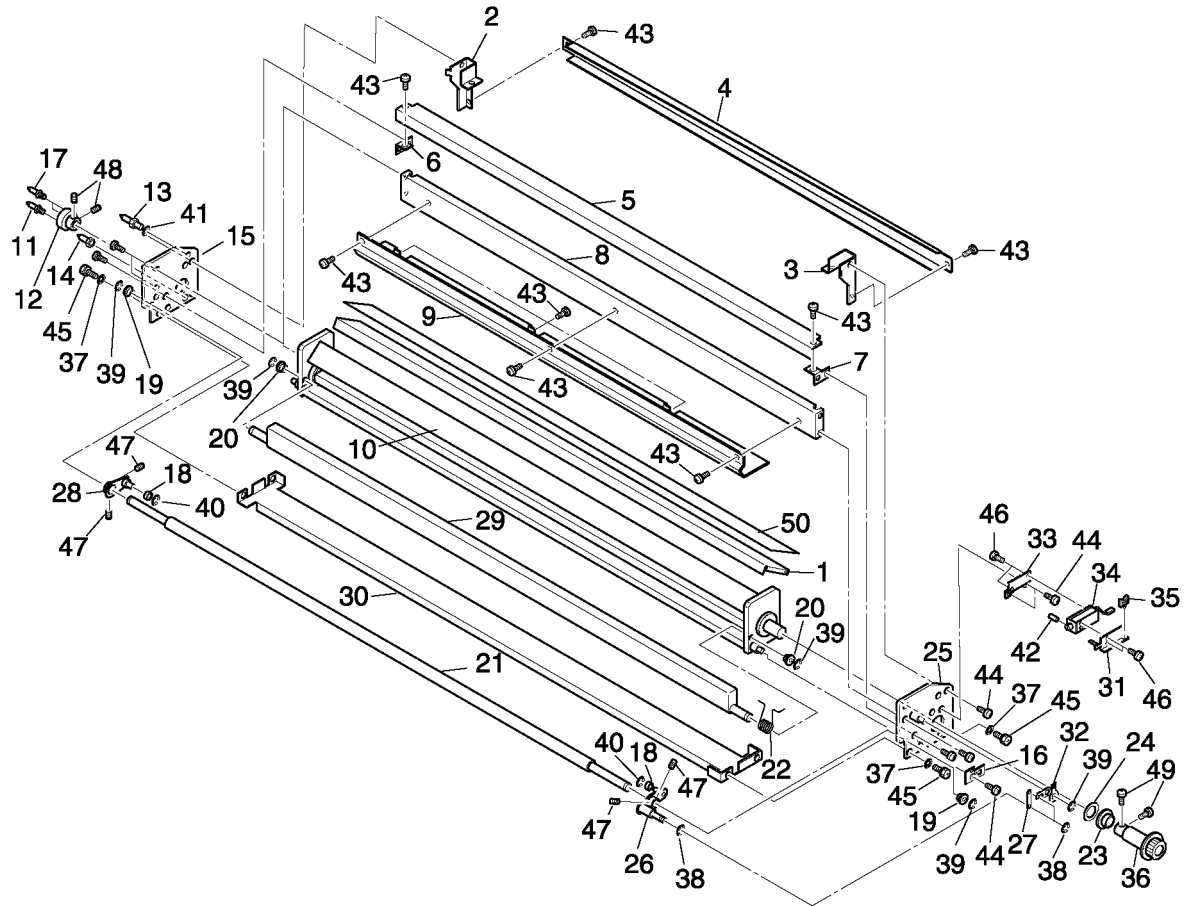
Item	Part	Description
1	037N00116	Cutter Assembly



0505001A-OBS

PL 5.2 Cutter Components

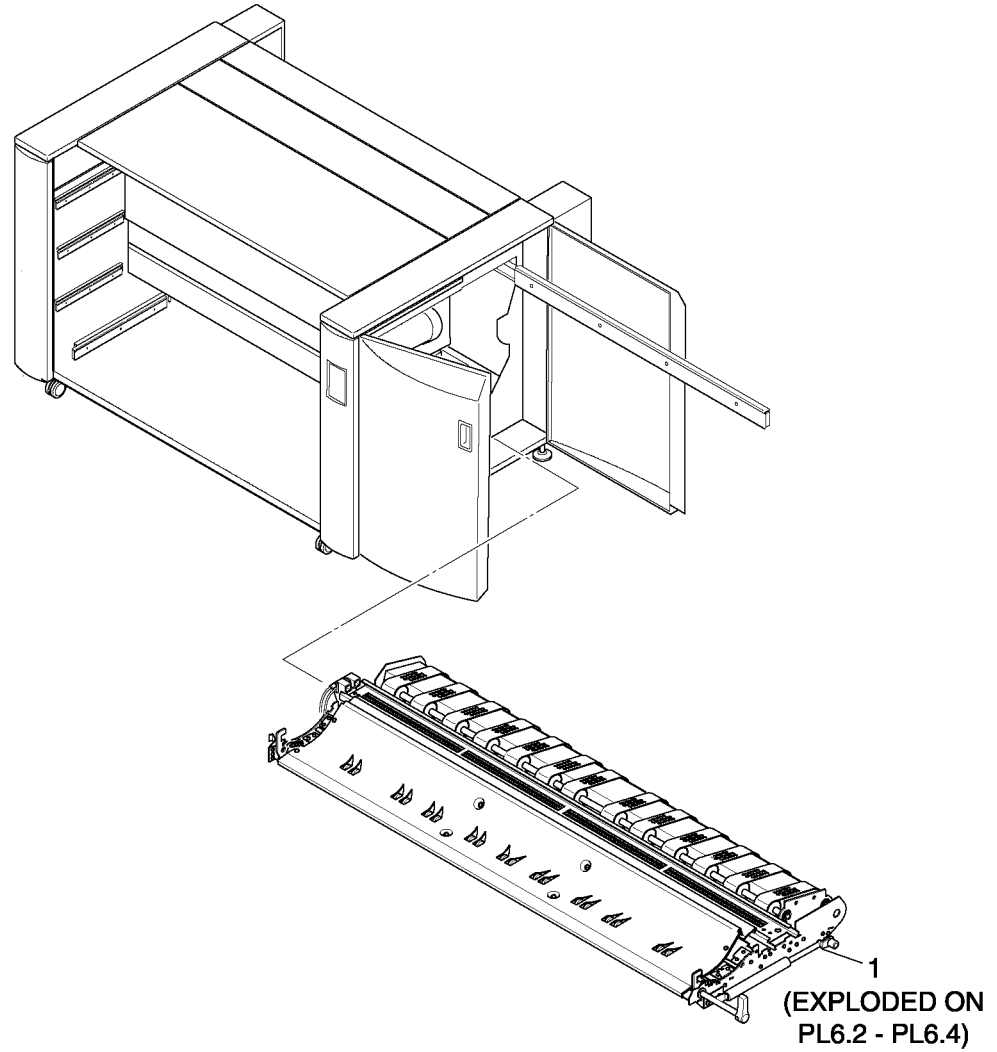
Item	Part	Description
1	-	Bracket (P/O PL 5.1 Item 1)
2	-	Bracket (P/O PL 5.1 Item 1)
3	-	Bracket (P/O PL 5.1 Item 1)
4	-	Guide (P/O PL 5.1 Item 1)
5	-	Plate (P/O PL 5.1 Item 1)
6	-	Plate (P/O PL 5.1 Item 1)
7	-	Plate (P/O PL 5.1 Item 1)
8	-	Stay (P/O PL 5.1 Item 1)
9	-	Plate (P/O PL 5.1 Item 1)
10	-	Cutter Bar (P/O PL 5.1 Item 1)
11	029N00179	Pin
12	023N00608	Coupling
13	026N00518	Stud
14	026N00519	Stud
15	-	Side Panel (P/O PL 5.1 Item 1)
16	-	Stop Plate (P/O PL 5.1 Item 1)
17	006N00884	Pin
18	-	Bearing (P/O PL 5.1 Item 1)
19	-	Bearing (P/O PL 5.1 Item 1)
20	-	Bearing (P/O PL 5.1 Item 1)
21	-	Shaft (P/O PL 5.1 Item 1)
22	-	Spring (P/O PL 5.1 Item 1)
23	-	Stop Plate (P/O PL 5.1 Item 1)
24	-	Label (P/O PL 5.1 Item 1)
25	-	Side Plate (P/O PL 5.1 Item 1)
26	-	Link Plate (P/O PL 5.1 Item 1)
27	-	Link Plate (P/O PL 5.1 Item 1)
28	-	Link Plate (P/O PL 5.1 Item 1)
29	037N00117	Stay (Oil Pad)
30	-	Base Plate (P/O PL 5.1 Item 1)
31	-	Stop Bracket (P/O PL 5.1 Item 1)
32	-	Link Plate (P/O PL 5.1 Item 1)
33	-	Solenoid Mounting Plate (P/O PL 5.1 Item 1)
34	121N00298	Oil Dispense Solenoid (SOL2)
35	-	Clamp (P/O PL 5.1 Item 1)
36	003N00930	Knob with Label
37	-	Flat Washer (P/O PL 5.1 Item 1)
38	-	E-Ring (P/O PL 5.1 Item 1)
39	-	E-Ring (P/O PL 5.1 Item 1)
40	-	E-Ring (P/O PL 5.1 Item 1)
41	-	Spring Washer (P/O PL 5.1 Item 1)
42	-	Spring Pin (P/O PL 5.1 Item 1)
43	-	Screw (P/O PL 5.1 Item 1)
44	-	Screw (P/O PL 5.1 Item 1)
45	-	Hex Head Bolt (P/O PL 5.1 Item 1)
46	-	Screw (P/O PL 5.1 Item 1)
47	026N00440	Set Screw
48	-	Set Screw (P/O PL 5.1 Item 1)
49	-	Screw (P/O PL 5.1 Item 1)
50	-	Paper Exit Guide (P/O PL 5.1 Item 1)



0505002A-OBS

PL 6.1 Inner Transport Assembly

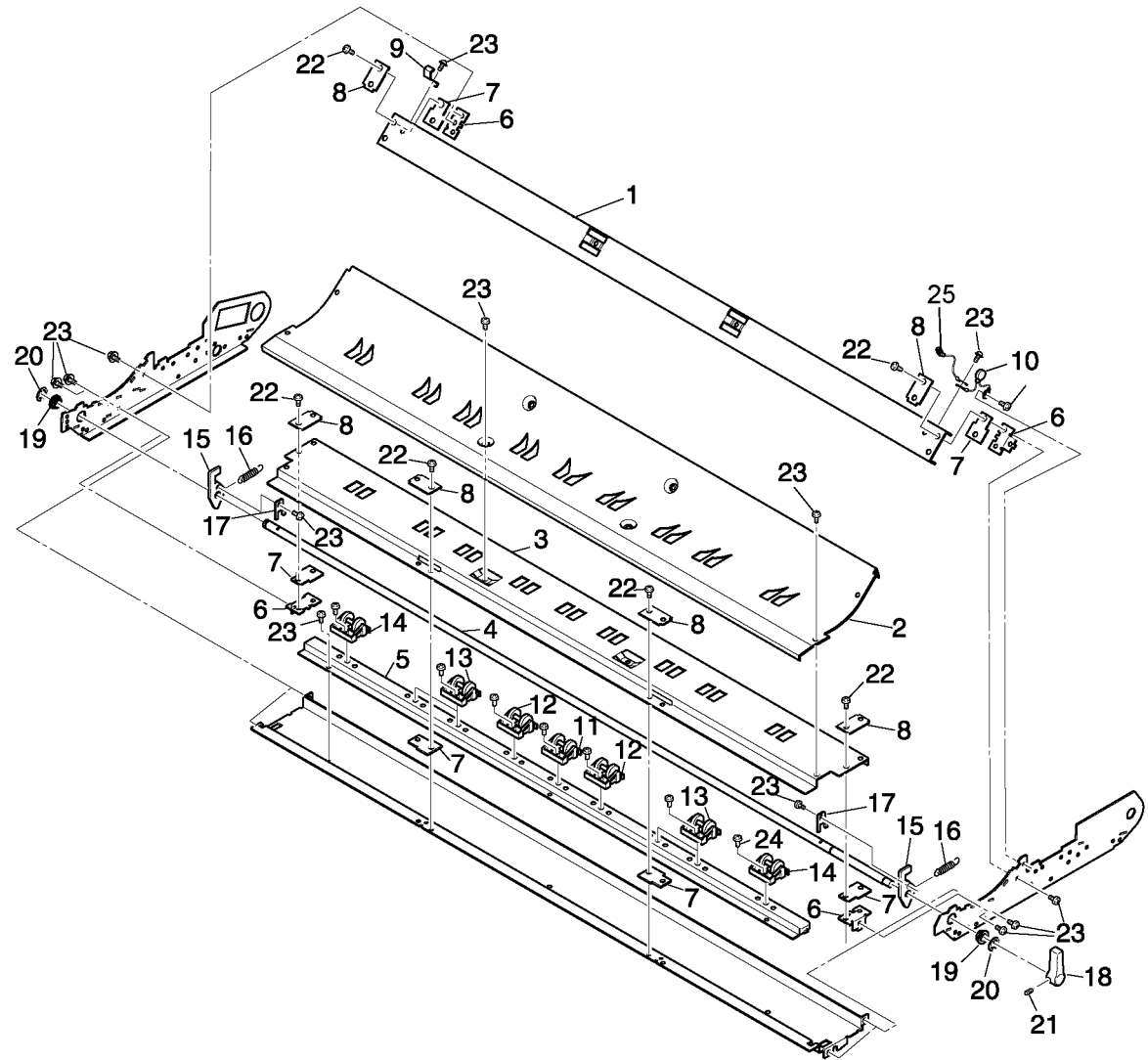
Item	Part	Description
1	-	Inner Transport Assembly (Not Spared)



0506001A-OBS

PL 6.2 Inner Transport Components (Part 1 of 3)

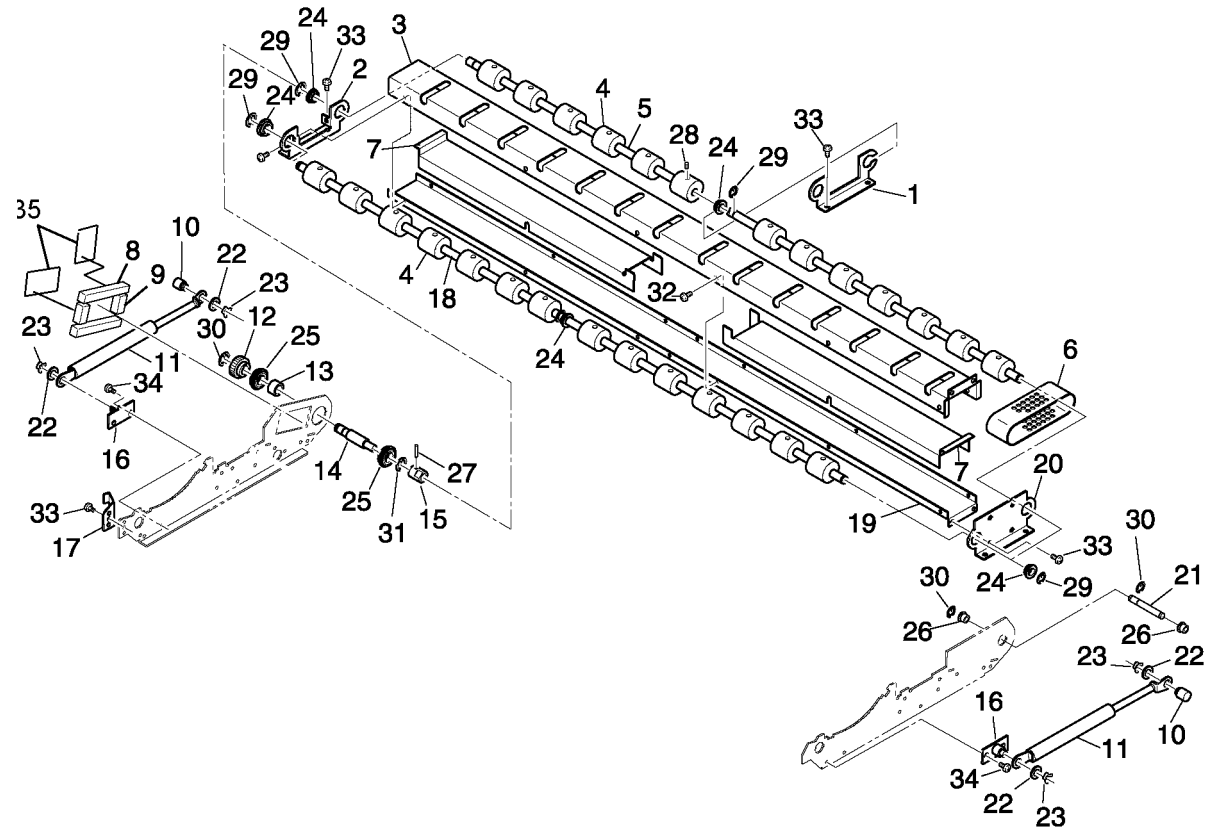
Item	Part	Description
1	-	Frame (Not Spared)
2	-	Plate (Not Spared)
3	-	Frame (Not Spared)
4	-	Shaft (Not Spared)
5	-	Bracket (Not Spared)
6	-	Bracket (Not Spared)
7	-	Spacer (Not Spared)
8	-	Clamp (Not Spared)
9	-	Contact Plate (Not Spared)
10	-	Varistor (Not Spared)
11	-	Roller (Not Spared)
12	-	Roller (Not Spared)
13	-	Roller (Not Spared)
14	-	Roller (Not Spared)
15	-	Hook (Not Spared)
16	009N01454	Spring
17	-	Plate (Not Spared)
18	003N00605	Knob
19	-	Bearing (Not Spared)
20	-	E-Ring (Not Spared)
21	026N00440	Set Screw
22	-	Screw (Not Spared)
23	-	Screw (Not Spared)
24	-	Screw (Not Spared)
25	-	High Voltage Lead (Not Spared)



0506002B-OBS

PL 6.3 Inner Transport Components (Part 2 of 3)

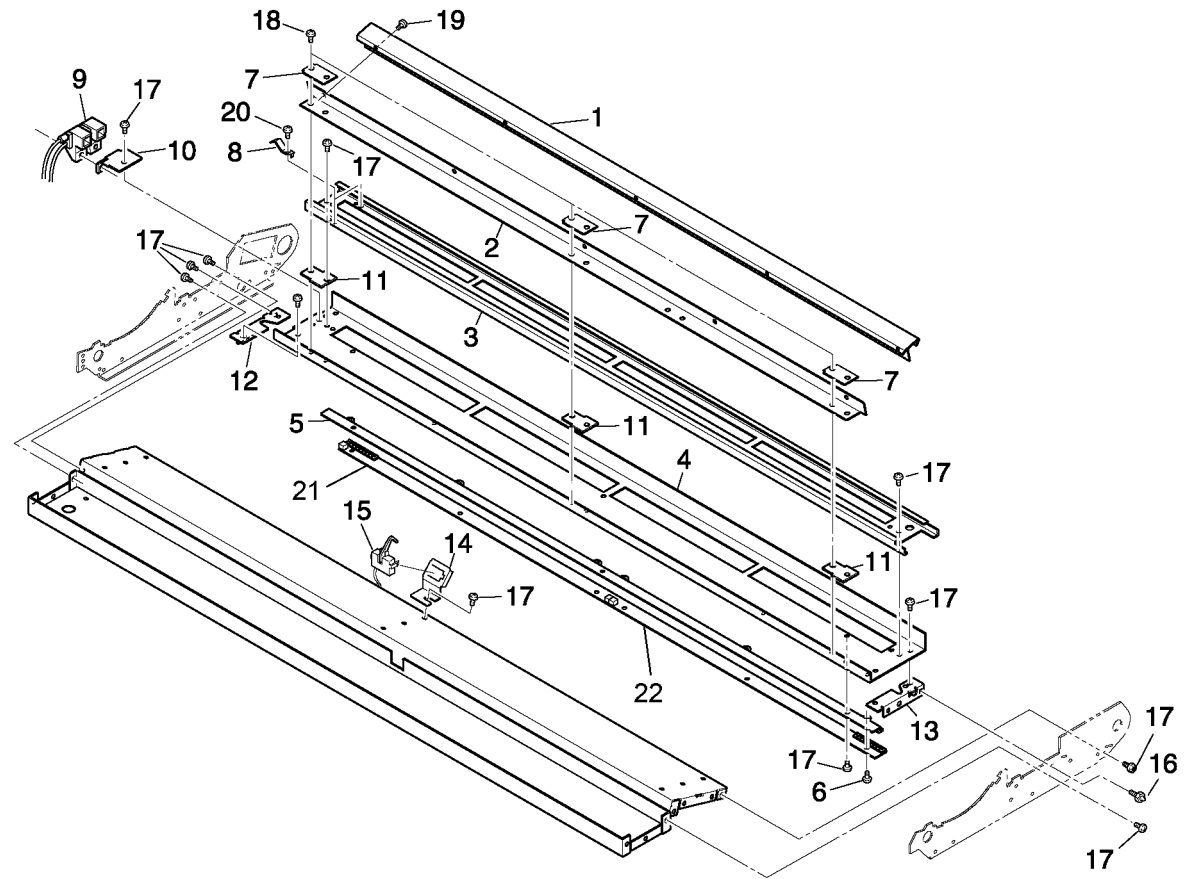
Item	Part	Description
1	-	Bracket (Not Spared)
2	-	Bracket (Not Spared)
3	-	Duct (Not Spared)
4	-	Roller (Not Spared)
5	-	Roller Shaft (Not Spared)
6	-	Belt (P/O PL 6.3 Item 36)
7	-	Duct (Not Spared)
8	142N00086	Seal
9	142N00085	Seal
10	-	Shaft (Not Spared)
11	009N00792	Gas Spring
12	007N00531	Spur Gear (27T)
13	-	Collar (Not Spared)
14	005N00452	Shaft
15	005N01006	Coupling
16	-	Bracket (Not Spared)
17	-	Actuator (Not Spared)
18	-	Roller Shaft (Not Spared)
19	-	Duct (Not Spared)
20	-	Bracket (Not Spared)
21	005N00423	Shaft
22	-	Flat Washer (Not Spared)
23	-	Retaining Ring (Not Spared)
24	013N00320	Bearing
25	047N00015	Bearing
26	135N00033	Bearing
27	-	Pin (Not Spared)
28	026N00440	Set Screw
29	-	E-Ring (Not Spared)
30	-	E-Ring (Not Spared)
31	-	E-Ring (Not Spared)
32	-	Screw (Not Spared)
33	-	Screw (Not Spared)
34	-	Screw (Not Spared)
35	-	Tape (Not Spared)
36	023N00379	Belt Kit (14/Kit)



0506003C-OBS

PL 6.4 Inner Transport Components (Part 3 of 3)

Item	Part	Description
1	-	Guide Plate (Not Spared)
2	-	Setting Plate (Not Spared)
3	-	Rail (Not Spared)
4	-	Bracket (Not Spared)
5	-	Bracket (Not Spared)
6	-	Screw (Not Spared)
7	-	Clamp (Not Spared)
8	009N00793	Leaf Spring
9	605N00053	TR Connector Block Kit (W/[TAG 2])
10	-	Bracket (Not Spared)
11	-	Spacer (Not Spared)
12	-	Bracket (Not Spared)
13	-	Bracket (Not Spared)
14	-	Bracket (Not Spared)
15	120N00224	Separation Sensor (Q18)
16	-	Pin (Not Spared)
17	-	Screw (Not Spared)
18	-	Screw (Not Spared)
19	-	Screw (Not Spared)
20	-	Screw (Not Spared)
21	140N04704	Seperation Lamp PWB 1
22	121N00290	Seperation Lamp PWB 2

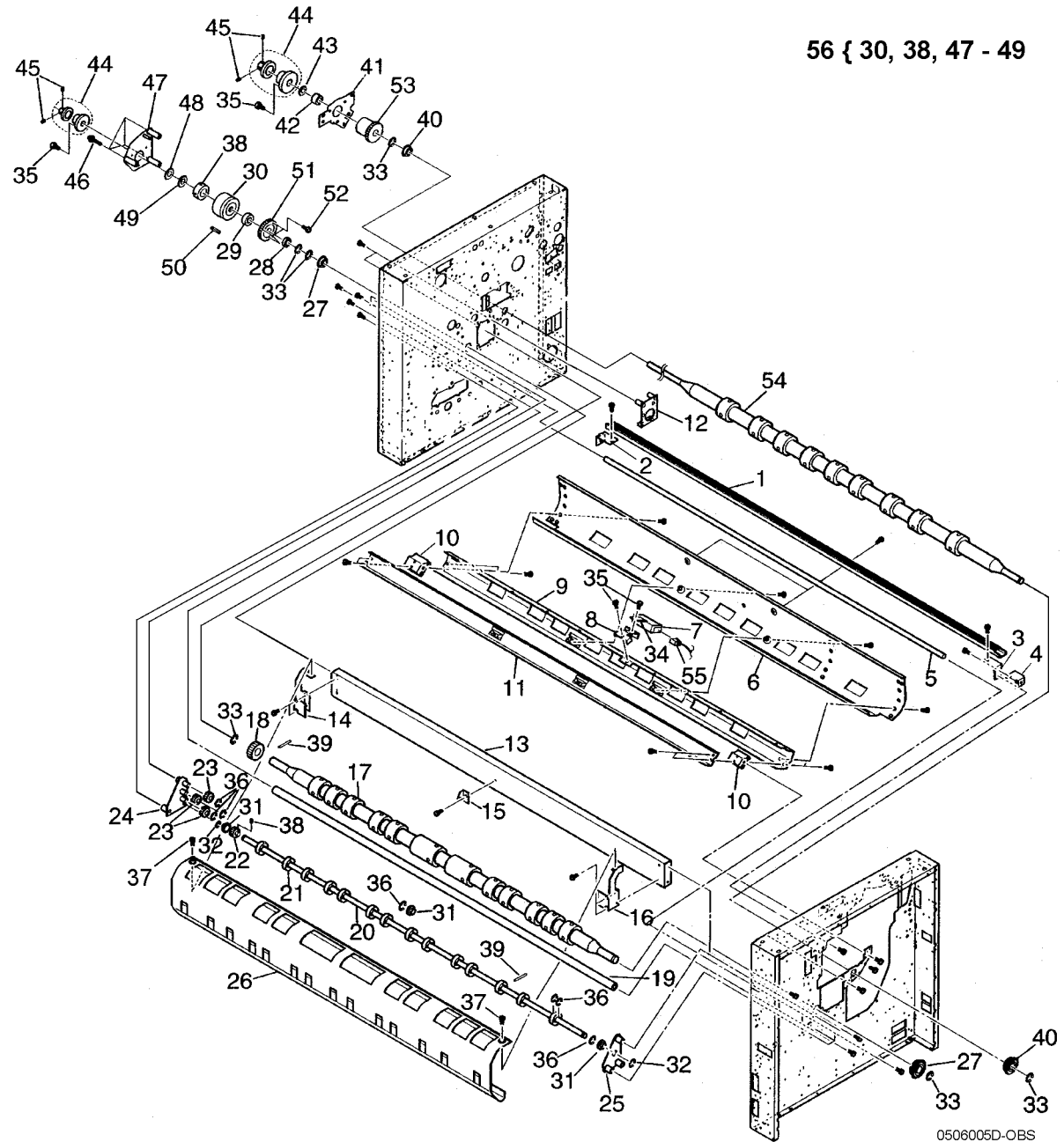


0506004B-OBS

PL 6.5 Registration, Paper, Mid-Transport Rollers and Clutches

Item	Part	Description
1	-	Corona Rail (Not Spared)
2	-	Bracket (Not Spared)
3	-	Bracket (Not Spared)
4	-	Bracket (Not Spared)
5	-	Shaft (Not Spared)
6	-	Plate (Not Spared)
7	062N00244	Registration Sensor (Q12)
8	-	Bracket (Not Spared)
9	-	Rib (Not Spared)
10	-	Block (Not Spared)
11	-	Rib (Not Spared)
12	003N00601	Stop Plate
13	-	Stay (Not Spared)
14	-	Mount (Not Spared)
15	013N00267	Shaft Holder
16	-	Mount (Not Spared)
17	-	Registration Roller (Not Spared)
18	007N00510	Spur Gear (28T)
19	-	Stay (Not Spared)
20	-	Roller Shaft (Not Spared)
21	-	Registration Pinch Roller (Not Spared)
22	007N00559	Spur Gear (20T)
23	007N00516	Spur Gear (20T)
24	074N00023	Side Plate (L)
25	091N00425	Side Plate (R)
26	-	Guide Plate (Not Spared)
27	013N00269	Bearing
28	-	Collar (Not Spared)
29	-	Bearing (Not Spared)
30	005N00427	Mid-Transport Clutch (CL6)
31	-	Bearing (Not Spared)
32	-	E-Ring (Not Spared)
33	-	E-Ring (Not Spared)
34	-	Plate (Not Spared)
35	-	Screw (Not Spared)
36	-	Retaining Ring (Not Spared)
37	-	Screw (Not Spared)
38	-	Collar (P/O PL 6.5 Item 56)
39	-	Pin (Not Spared)
40	-	Ball Bearing (Not Spared)
41	-	Clutch Plate (Not Spared)
42	014N00298	Spacer
43	-	Thrust Washer (Not Spared)
44	-	Electromagnetic Brake (Not Spared)
45	-	Set Screw (Not Spared)
46	-	Screw (Not Spared)
47	-	Mount (P/O PL 6.5 Item 56)
48	028N00197	Thrust Washer (.5 mm Thick)
49	028N00196	Thrust Washer (.2 mm Thick)
50	028N00199	Thrust Washer (1.0 mm Thick)
51	007N00521	Spur Gear (50T)
52	-	Screw (Not Spared)
53	121N00615	Registration Clutch (CL5)
54	-	Registration Roller (Not Spared)
55	130N01297	Registration Sensor Harness
56	022N02024	Clutch Kit (RFU)
-	005N00997	Clutch Kit (LML)

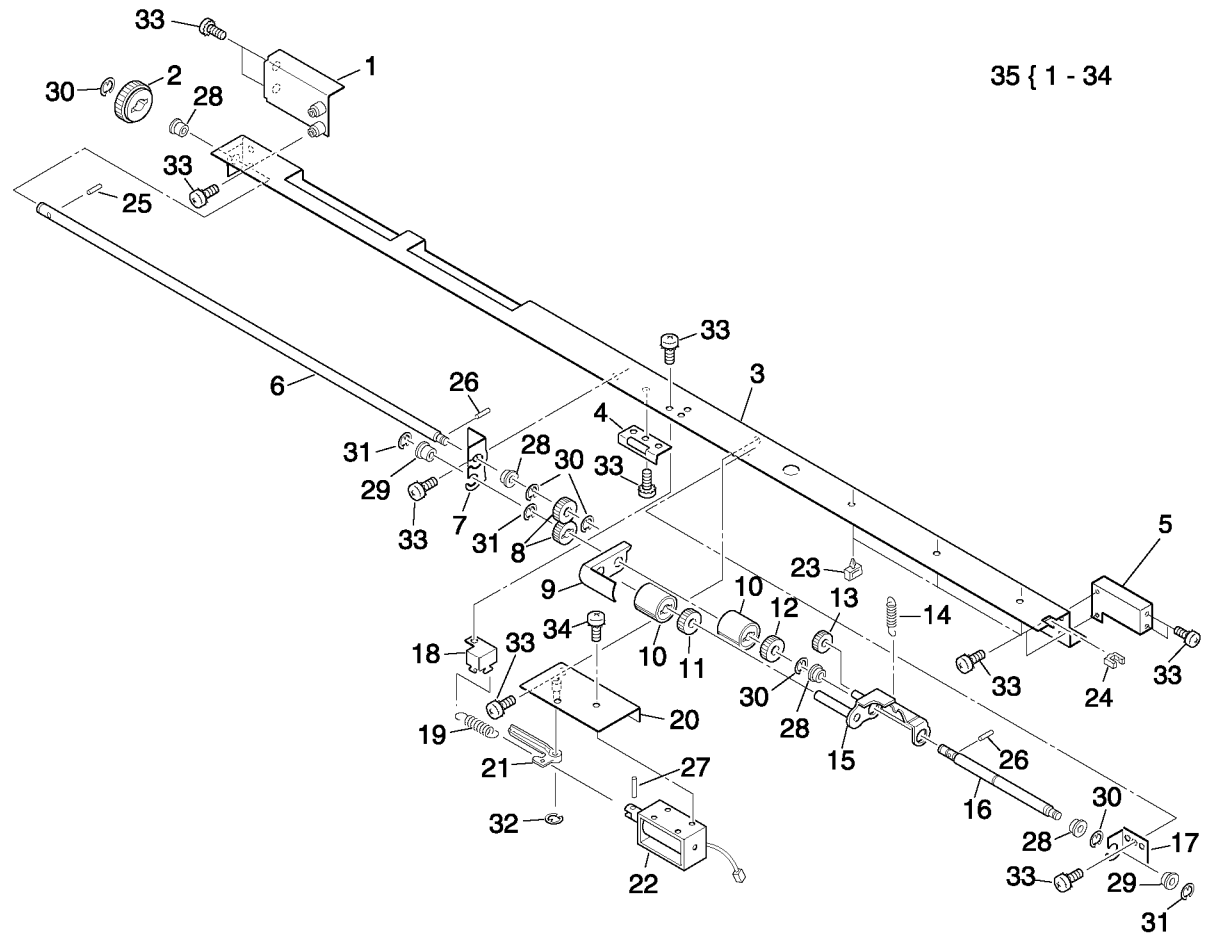
56 { 30, 38, 47 - 49



0506005D-OBS

PL 6.6 Manual Feed Roller Assembly

Item	Part	Description
1	007N01233	Bracket
2	-	Spur Gear (P/O PL 6.6 Item 35) (32T)
3	-	Frame (P/O PL 6.6 Item 35)
4	-	Stop Bracket (P/O PL 6.6 Item 35)
5	-	Bracket (P/O PL 6.6 Item 35)
6	-	Shaft (P/O PL 6.6 Item 35)
7	-	Bracket (P/O PL 6.6 Item 35)
8	-	Gear (P/O PL 6.6 Item 35) (18T)
9	-	Roller Cover (P/O PL 6.6 Item 35)
10	022N02045	Paper Pickup Roller
11	-	Gear (P/O PL 6.6 Item 35) (18T)
12	-	Gear (P/O PL 6.6 Item 35) (18T)
13	-	Gear (P/O PL 6.6 Item 35) (14T)
14	-	Tension Spring (P/O PL 6.6 Item 35)
15	-	Roller Holder (P/O PL 6.6 Item 35)
16	-	Shaft (P/O PL 6.6 Item 35)
17	-	Bracket (P/O PL 6.6 Item 35)
18	-	Hook (P/O PL 6.6 Item 35)
19	-	Tension Spring (P/O PL 6.6 Item 35)
20	-	Bracket (P/O PL 6.6 Item 35)
21	-	Solenoid Arm (P/O PL 6.6 Item 35)
22	121N01063	Pickup Solenoid (SOL3)
23	-	Locking Wire Saddle (P/O PL 6.6 Item 35)
24	-	Edge Saddle (P/O PL 6.6 Item 35)
25	-	Pin (P/O PL 6.6 Item 35)
26	-	Pin (P/O PL 6.6 Item 35)
27	-	Spring Pin (P/O PL 6.6 Item 35)
28	-	Bearing (P/O PL 6.6 Item 35)
29	-	Bearing (P/O PL 6.6 Item 35)
30	-	E-Ring (P/O PL 6.6 Item 35)
31	-	E-Ring (P/O PL 6.6 Item 35)
32	-	E-Ring (P/O PL 6.6 Item 35)
33	-	Screw (P/O PL 6.6 Item 35)
34	-	Screw (P/O PL 6.6 Item 35)
35	001N00402	Roller Assembly

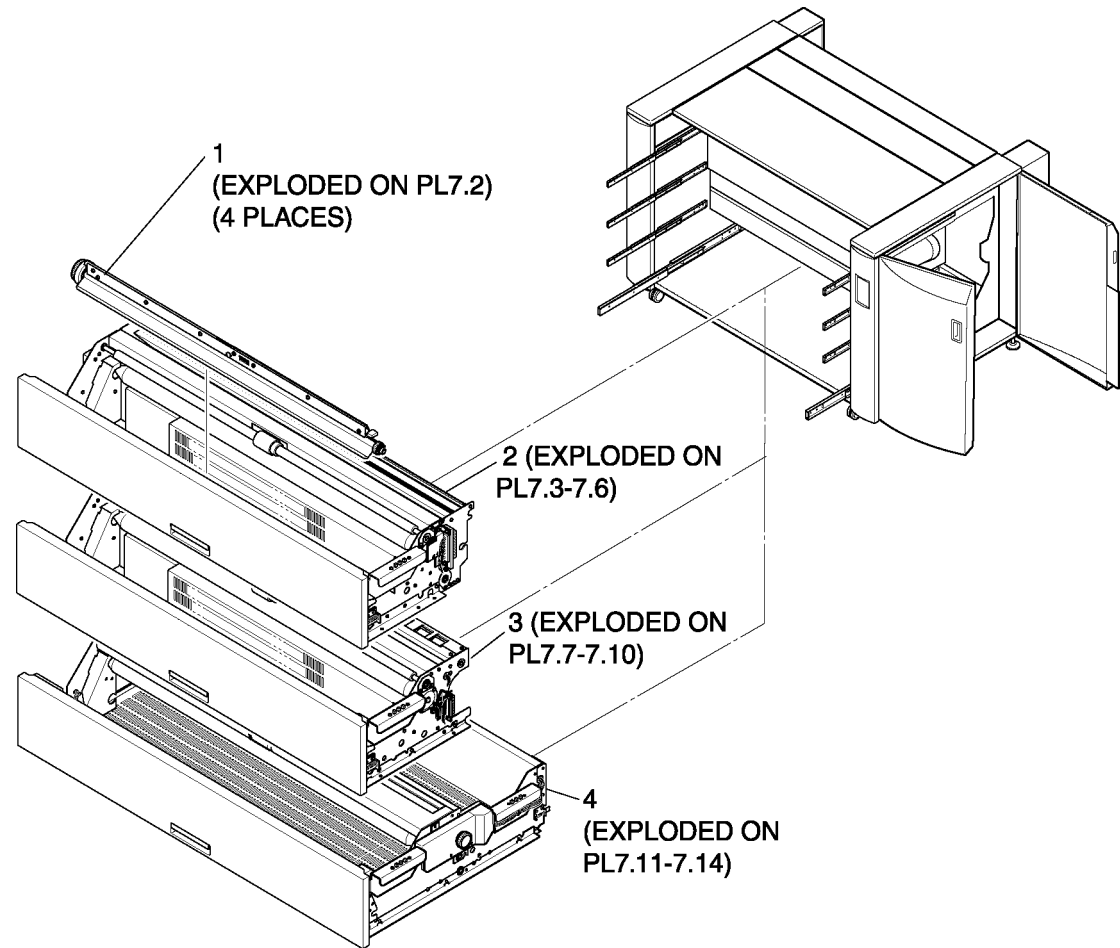


0506006A-OBS

PL 7.1 Drawer Assemblies

Item	Part	Description
1	022N02015	Paper Shaft Assembly
2	–	Upper Drawer Assembly (Not Spared)
3	–	Middle Drawer Assembly (Not Spared)
4	–	Lower Drawer Assembly (Not Spared)
5	600N03216	Spring Kit (8/Kit)

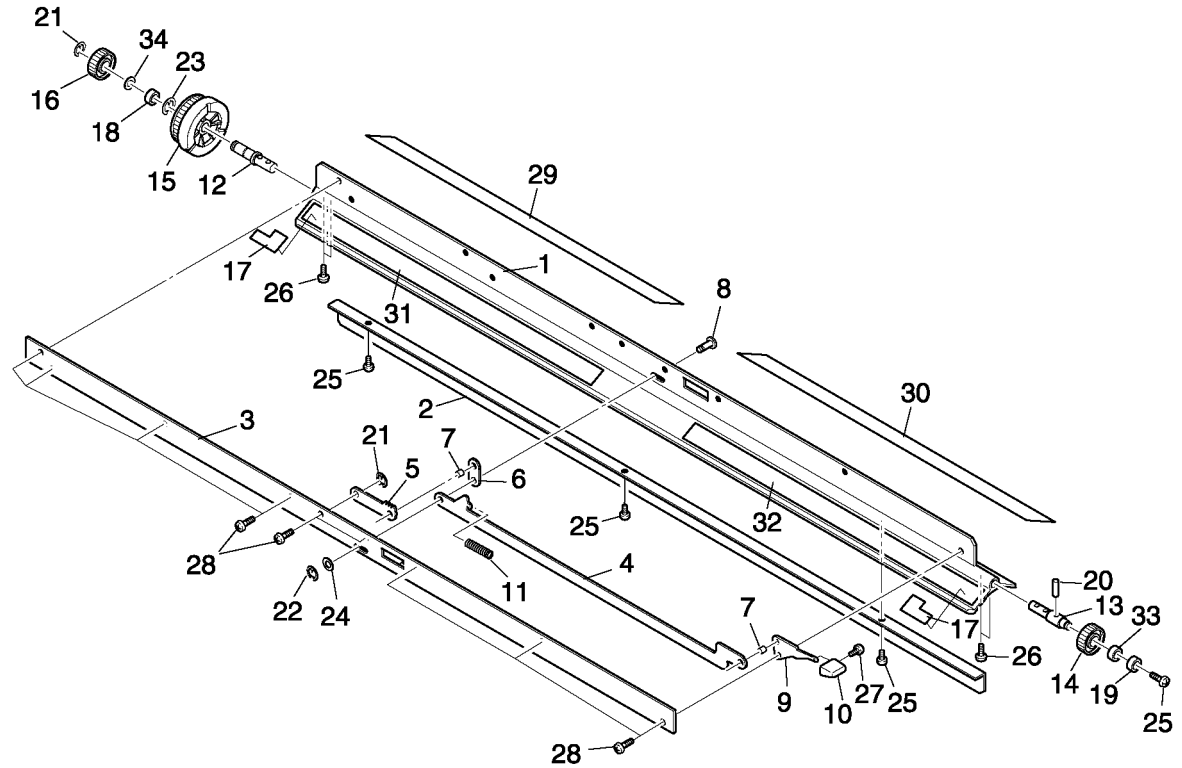
5 { PL7.4 ITEM 32
 PL7.5 ITEM 31
 PL7.8 ITEM 31
 PL7.9 ITEM 20
 PL7.12 ITEM 45
 PL7.13 ITEM 30



0507001B-OBS

PL 7.2 Paper Shaft Assembly

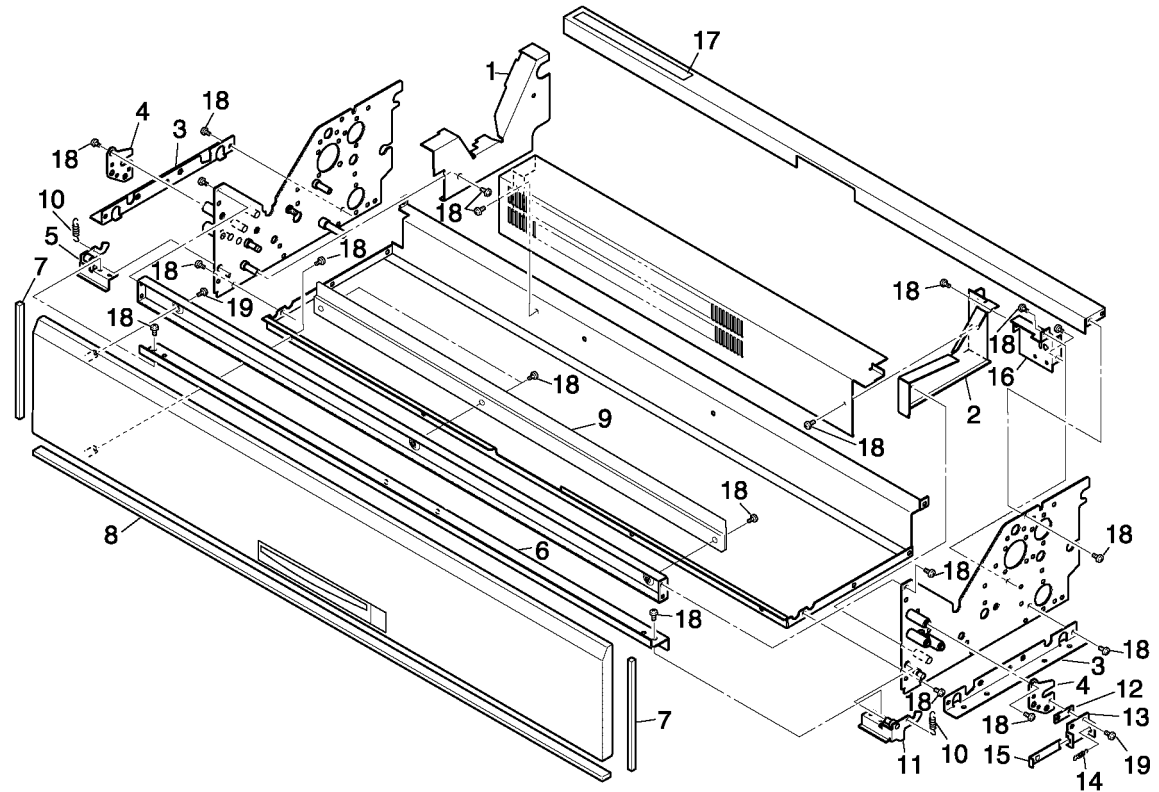
Item	Part	Description
1	-	Spool Holder (P/O PL 7.1 Item 1)
2	-	Plate (P/O PL 7.1 Item 1)
3	-	Plate (P/O PL 7.1 Item 1)
4	-	Connecting Bracket (P/O PL 7.1 Item 1)
5	091N00549	Stop Lever
6	-	Plate (P/O PL 7.1 Item 1)
7	-	Pin (P/O PL 7.1 Item 1)
8	-	Shaft (P/O PL 7.1 Item 1)
9	-	Lever (P/O PL 7.1 Item 1)
10	-	Knob (P/O PL 7.1 Item 1)
11	-	Spring (P/O PL 7.1 Item 1)
12	-	Pin (P/O PL 7.1 Item 1)
13	029N00146	Pin
14	022N00600	Roller
15	022N00601	Brake
16	007N01191	Gear
17	-	Label (P/O PL 7.1 Item 1)
18	-	Bearing (P/O PL 7.1 Item 1)
19	022N00955	Collar
20	-	Pin (P/O PL 7.1 Item 1)
21	-	E-Ring (P/O PL 7.1 Item 1)
22	-	E-Ring (P/O PL 7.1 Item 1)
23	-	E-Ring (P/O PL 7.1 Item 1)
24	-	Flat Washer (P/O PL 7.1 Item 1)
25	-	Screw (P/O PL 7.1 Item 1)
26	-	Screw (P/O PL 7.1 Item 1)
27	-	Screw (P/O PL 7.1 Item 1)
28	-	Screw (P/O PL 7.1 Item 1)
29	-	Label (P/O PL 7.1 Item 1)
30	-	Label (P/O PL 7.1 Item 1)
31	-	Label (P/O PL 7.1 Item 1)
32	-	Label (P/O PL 7.1 Item 1)
33	013N00370	Bearing
34	-	Thrust Washer (P/O PL 7.1 Item 1)



0507002A-OBS

PL 7.3 Upper Drawer Components (Part 1 of 4)

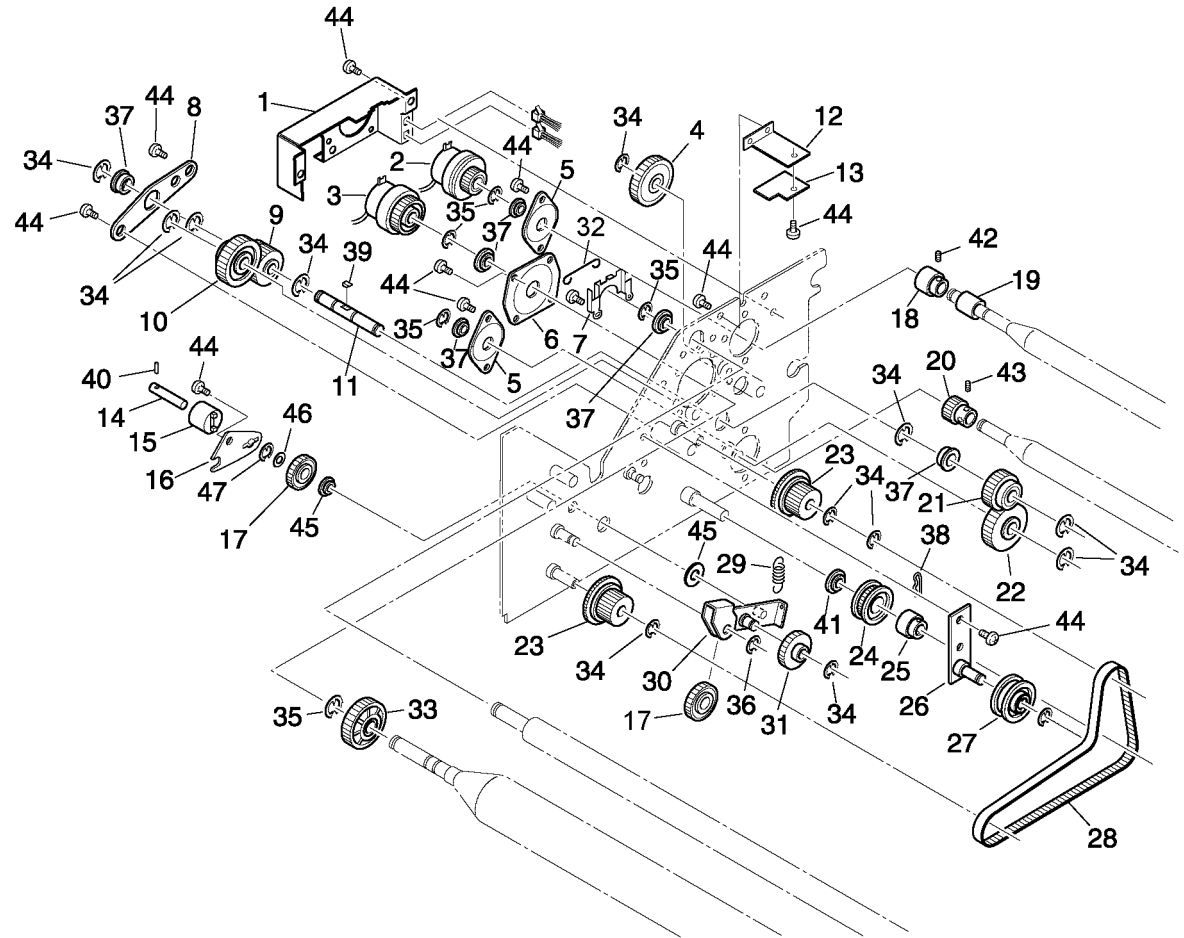
Item	Part	Description
1	-	Gear Cover (Not Spared)
2	-	Cover (Not Spared)
3	-	Mount (Not Spared)
4	-	Stop Plate (Not Spared)
5	019N00344	Hook
6	-	Stay (Not Spared)
7	-	Seal (Not Spared)
8	-	Seal (Not Spared)
9	-	Guide (Not Spared)
10	009N00778	Extension Spring
11	019N00345	Hook
12	-	Spacer (Not Spared)
13	-	Mount (Not Spared)
14	009N00800	Extension Spring
15	-	Actuator (Not Spared)
16	-	Sensor Mount (Not Spared)
17	-	Label (Not Spared)
18	-	Screw (Not Spared)
19	-	Screw (Not Spared)



0507003B-OBS

PL 7.4 Upper Drawer Components (Part 2 of 4)

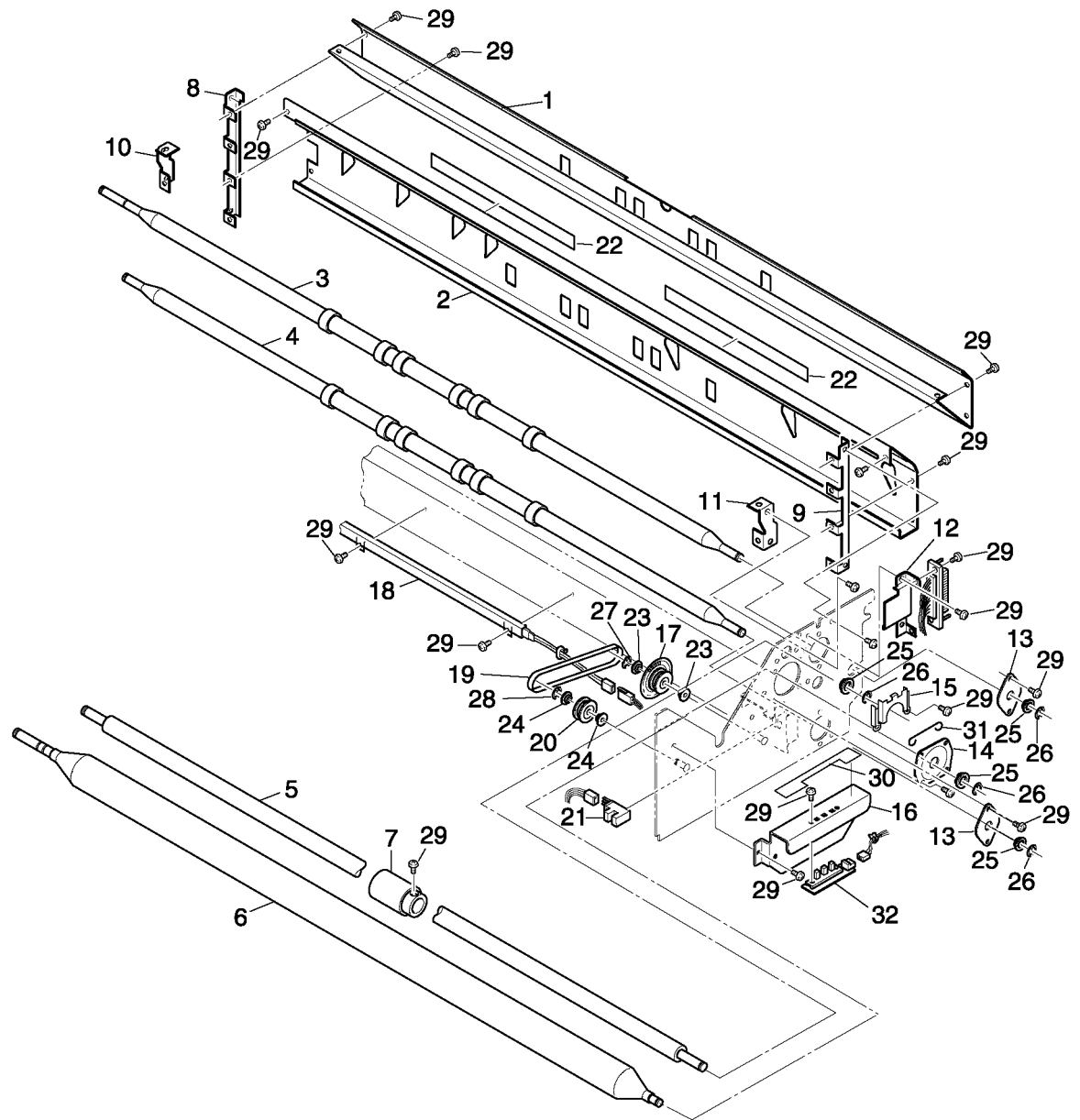
Item	Part	Description
1	–	Mount (Not Spared)
2	121N00289	Manual Drive Clutch (CL7)
3	005N01017	Roll Feed Clutch (CL8)
4	007N00546	Spur Gear (40T)
5	091N00417	Stop Plate
6	091N00414	Roller Stop Plate
7	–	Bracket (Not Spared)
8	–	Stop Plate (Not Spared)
9	007N00528	Spur Gear (30T)
10	007N00527	Spur Gear (34T)
11	–	Shaft (Not Spared)
12	–	Mount (Not Spared)
13	–	Leaf (Not Spared)
14	–	Shaft (Not Spared)
15	105N01499	Torque Limiter
16	–	Bracket (Not Spared)
17	007N00514	Spur Gear
18	005N00413	Collar
19	019N00348	Brake Roller
20	007N00559	Spur Gear (30T)
21	007N00549	Spur Gear (30T)
22	007N00552	Spur Gear (36T)
23	007N00513	Spur Gear/Pulley (40T/P30)
24	020N00727	Pulley
25	105N01498	Torque Limiter
26	091N00415	Pin Plate
27	020N00268	Pulley
28	023N00322	Belt
29	009N00777	Extension Spring
30	031N00136	Tension Arm
31	007N00511	Spur Gear (30T)
32	–	Spring (P/O PL 7.1 Item 5)
33	007N00512	Spur Gear (40T)
34	–	E-Ring (Not Spared)
35	–	E-Ring (Not Spared)
36	–	E-Ring (Not Spared)
37	013N00271	Bearing
38	–	Snap Pin (Not Spared)
39	029N00180	Woodruff Key
40	–	Spring Pin (Not Spared)
41	013N13805	Bearing
42	–	Set Screw (Not Spared)
43	026N00440	Set Screw
44	–	Screw (Not Spared)
45	–	Collar (Not Spared)
46	–	Collar (Not Spared)
47	–	E-Ring (Not Spared)



0507004B-OBS

PL 7.5 Upper Drawer Components (Part 3 of 4)

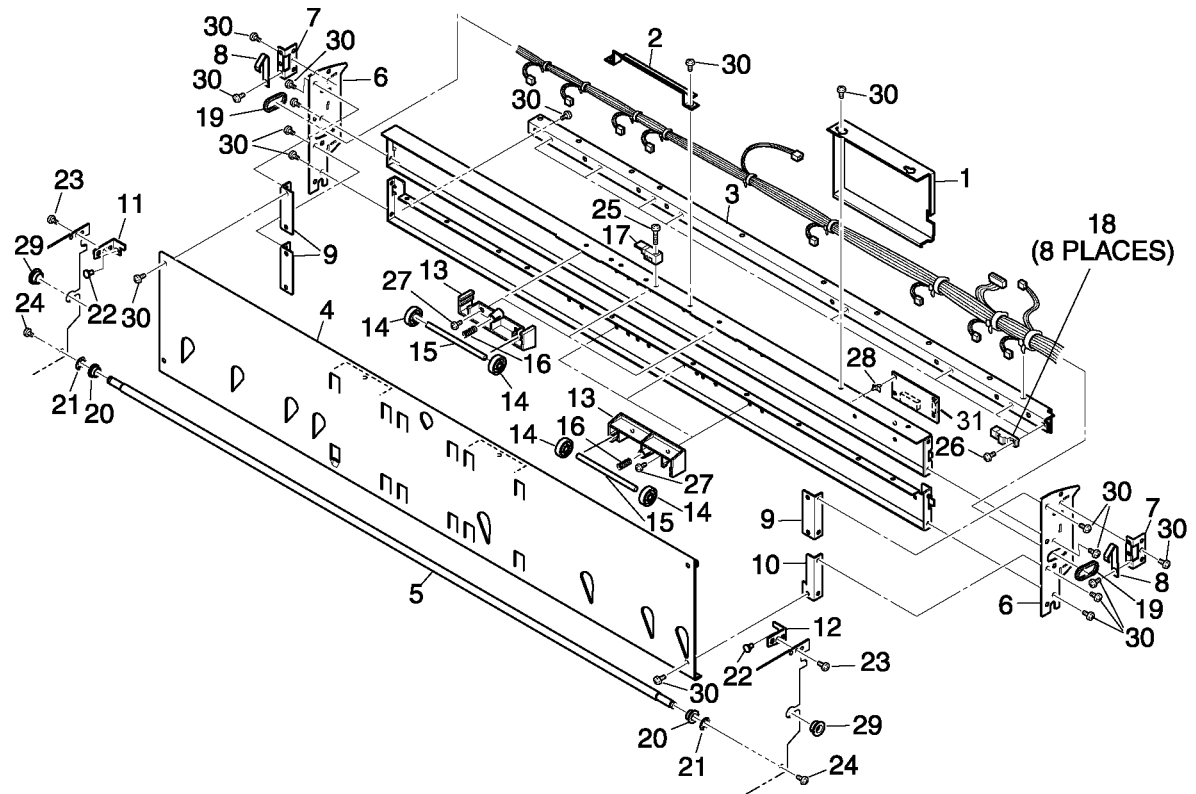
Item	Part	Description
1	-	Paper Guide (Not Spared)
2	-	Paper Guide Plate (Not Spared)
3	022N00603	Roller
4	022N00604	Roller
5	-	Roller Shaft (Not Spared)
6	006N01227	Roll 1 Paper Feed Pinch Roller
7	022N00807	Roll 1 Paper Feeder Roller
8	-	Bracket (Not Spared)
9	-	Bracket (Not Spared)
10	-	Mount (Not Spared)
11	-	Mount (Not Spared)
12	-	Bracket (Not Spared)
13	091N00417	Stop Plate
14	091N00414	Roller Stop Plate
15	-	Bracket (Not Spared)
16	-	Spool Guide (Not Spared)
17	146N00122	Encoder Disk
18	126N00218	Paper Heater (HTR8)
19	023N00323	Belt
20	020N00267	Pulley
21	064N00018	Roll 1 Feed Clock Sensor (Q13)
22	-	Label (Not Spared)
23	-	Bearing (Not Spared)
24	-	Bearing (Not Spared)
25	135N00034	Bearing
26	-	E-Ring (Not Spared)
27	-	E-Ring (Not Spared)
28	-	E-Ring (Not Spared)
29	-	Screw (Not Spared)
30	-	Label (Not Spared)
31	-	Spring (P/O PL 7.1 Item 5)
32	-	Roll 1 Media Selection PWB (See PL 10.1 Item 16)



0507005A-OBS

PL 7.6 Upper Drawer Components (Part 4 of 4)

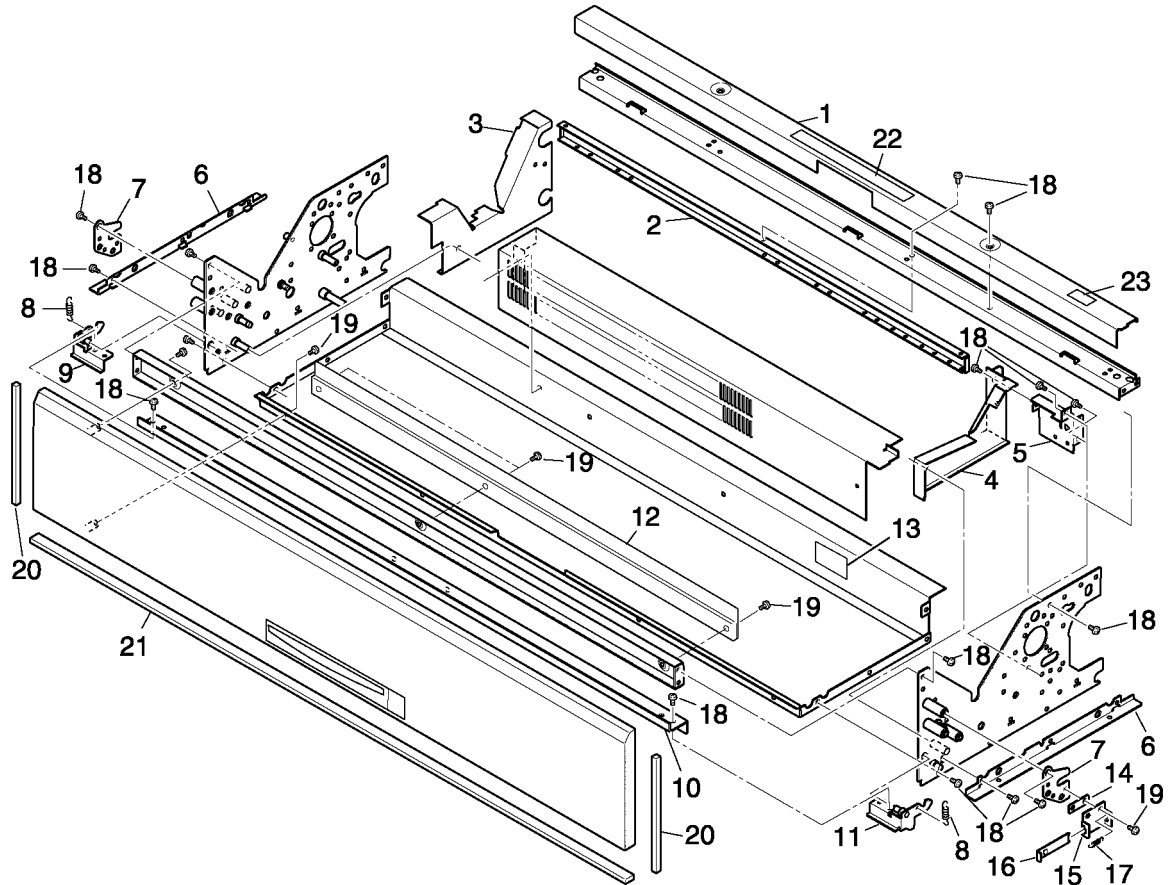
Item	Part	Description
1	-	Cover (Not Spared)
2	-	Wire Harness Cover (Not Spared)
3	-	Stay (Not Spared)
4	-	Paper Guide (Not Spared)
5	-	Shaft (Not Spared)
6	-	Side Panel (Not Spared)
7	-	Bracket (Not Spared)
8	-	Leaf Spring (Not Spared)
9	-	Mount (Not Spared)
10	-	Mount (Not Spared)
11	-	Stop Bracket (Not Spared)
12	-	Stop Bracket (Not Spared)
13	022N00596	Roller Holder
14	022N00689	Roller (10/Kit)
15	-	Shaft (Not Spared)
16	009N00783	Compression Spring
17	064N00019	Manual Start Sensor (Q20)
18	062N00244	Roll 1 Paper Set Sensor (Q2), Roll 1 Size Sensor (Q5 thru Q11)
19	-	Grommet (Not Spared)
20	-	Bearing (Not Spared)
21	-	E-Ring (Not Spared)
22	-	Bumper (Not Spared)
23	-	Screw (Not Spared)
24	-	Hex Head Bolt (Not Spared)
25	-	Screw (Not Spared)
26	-	Screw (Not Spared)
27	-	Screw (Not Spared)
28	-	Spacer (Not Spared)
29	016N00146	Bushing
30	-	Screw (Not Spared)
31	-	DC Translation PWB (P/O PL 10.1 Item 17)



0507006B-OSB

PL 7.7 Middle Drawer Components (Part 1 of 4)

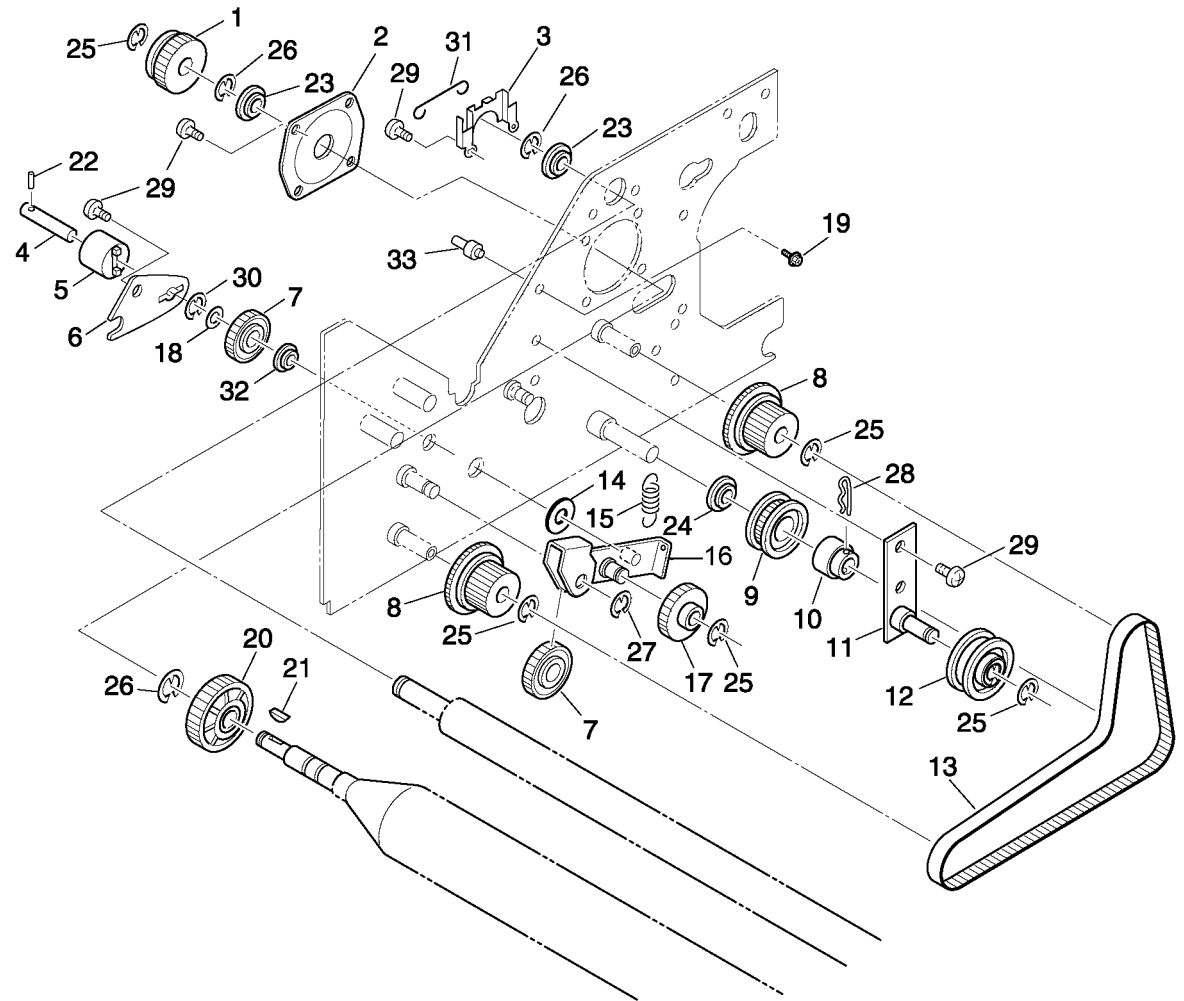
Item	Part	Description
1	-	Sensor Cover (Not Spared)
2	-	Stay (Not Spared)
3	-	Gear Cover (Not Spared)
4	-	Cover (Not Spared)
5	-	Sensor Mount (Not Spared)
6	-	Bracket (Not Spared)
7	-	Stop Plate (Not Spared)
8	009N00778	Extension Spring
9	019N00344	Hook
10	-	Stay (Not Spared)
11	019N00345	Hook
12	-	Guide (Not Spared)
13	-	DC Translation PWB (P/O PL 10.1 Item 17)
14	-	Spacer (Not Spared)
15	-	Mount (Not Spared)
16	-	Actuator (Not Spared)
17	009N00800	Extension Spring
18	-	Screw (Not Spared)
19	-	Screw (Not Spared)
20	-	Seal (Not Spared)
21	-	Seal (Not Spared)
22	-	Label (Not Spared)
23	-	Label (Not Spared)



0507007B-OSB

PL 7.8 Middle Drawer Components (Part 2 of 4)

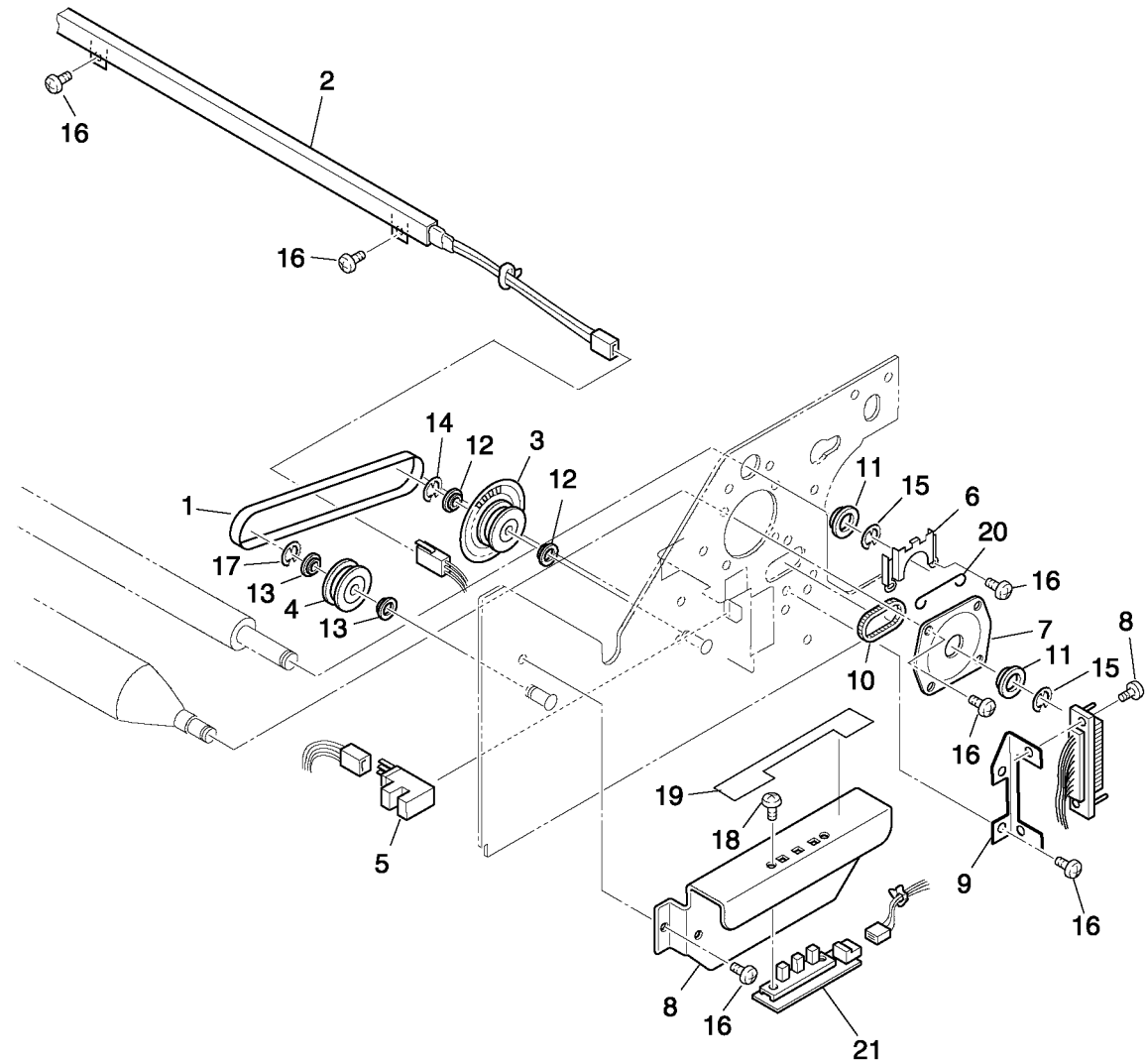
Item	Part	Description
1	007N00558	Spur Gear (30T)
2	091N00414	Roller Stop Plate
3	-	Bracket (Not Spared)
4	-	Shaft (Not Spared)
5	-	Torque Limiter (Not Spared)
6	-	Bracket (Not Spared)
7	007N00514	Spur Gear (30T)
8	007N00513	Spur Gear/Pulley (40T/P30)
9	-	Pulley (Not Spared)
10	-	Torque Limiter (Not Spared)
11	091N00415	Pin Plate
12	020N00268	Pulley
13	023N00322	Belt
14	009N00777	Extension Spring
15	014N00297	Spacer
16	031N00136	Tension Arm
17	007N00511	Spur Gear (30T)
18	-	Collar (Not Spared)
19	-	Hex Head Bolt (Not Spared)
20	007N00512	Spur Gear (40T)
21	029N00180	Woodruff Key
22	-	Spring Pin (Not Spared)
23	135N00034	Bearing
24	-	Bearing (Not Spared)
25	-	E-Ring (Not Spared)
26	-	E-Ring (Not Spared)
27	-	E-Ring (Not Spared)
28	-	Snap Pin (Not Spared)
29	-	Screw (Not Spared)
30	-	E-Ring (Not Spared)
31	-	Spring (P/O PL 7.1 Item 5)
32	-	Collar (Not Spared)
33	-	Shaft (Not Spared)



0507008B-OBS

PL 7.9 Middle Drawer Components (Part 3 of 4)

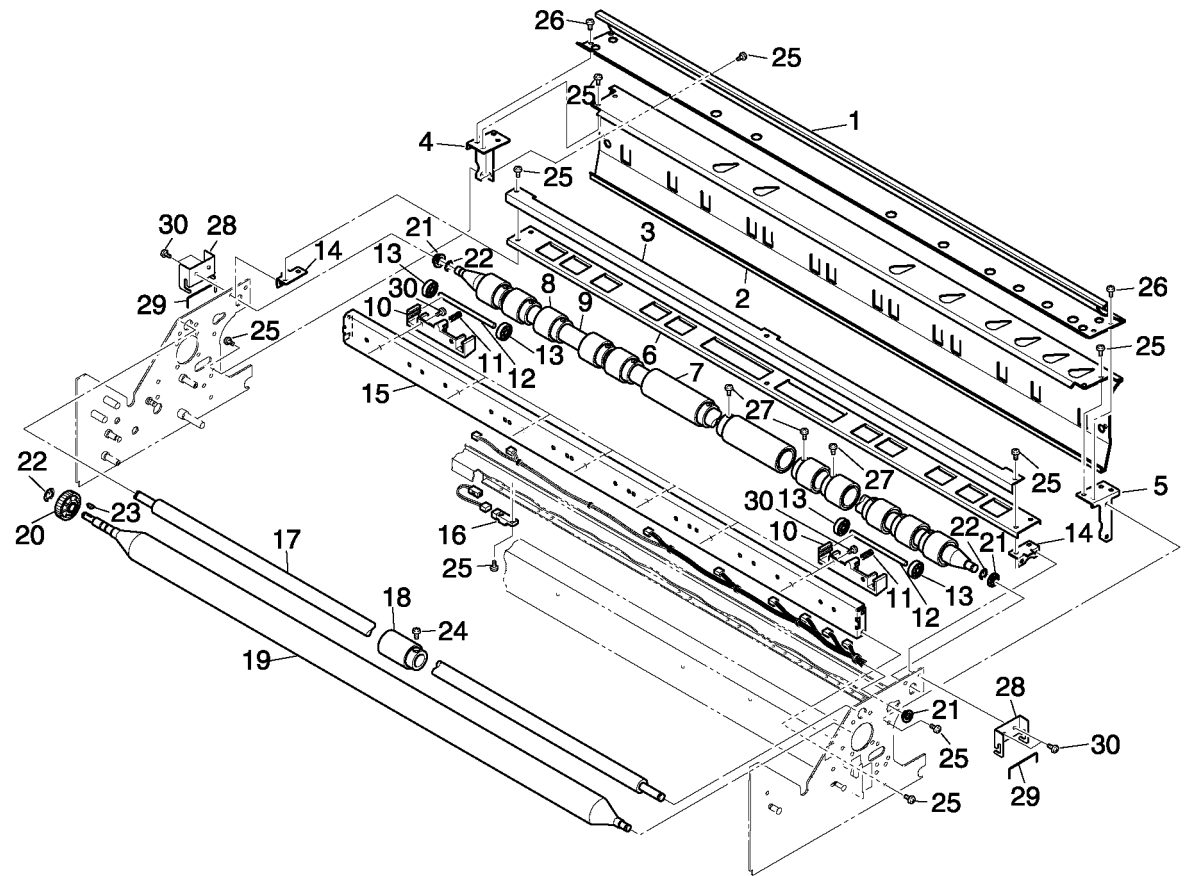
Item	Part	Description
1	023N00323	Belt
2	126N00218	Paper Heater (HTR7)
3	146N00122	Encoder Disk
4	020N00267	Pulley
5	064N00018	Roll 2 Feed Clock Sensor (Q14)
6	-	Bracket (Not Spared)
7	091N00414	Roller Stop Plate
8	-	Spool Guide (Not Spared)
9	-	Mount (Not Spared)
10	-	Grommet (Not Spared)
11	-	Bearing (Not Spared)
12	-	Bearing (Not Spared)
13	135N00034	Bearing
14	-	E-Ring (Not Spared)
15	-	E-Ring (Not Spared)
16	-	Screw (Not Spared)
17	-	E-Ring (Not Spared)
18	-	Screw (Not Spared)
19	-	Media Select Label (Not Spared)
20	-	Spring (P/O PL 7.1 Item 5)
21	-	Roll 2 Media Selection PWB (See PL 10.1 Item 16)



0507009A-OBS

PL 7.10 Middle Drawer Components (Part 4 of 4)

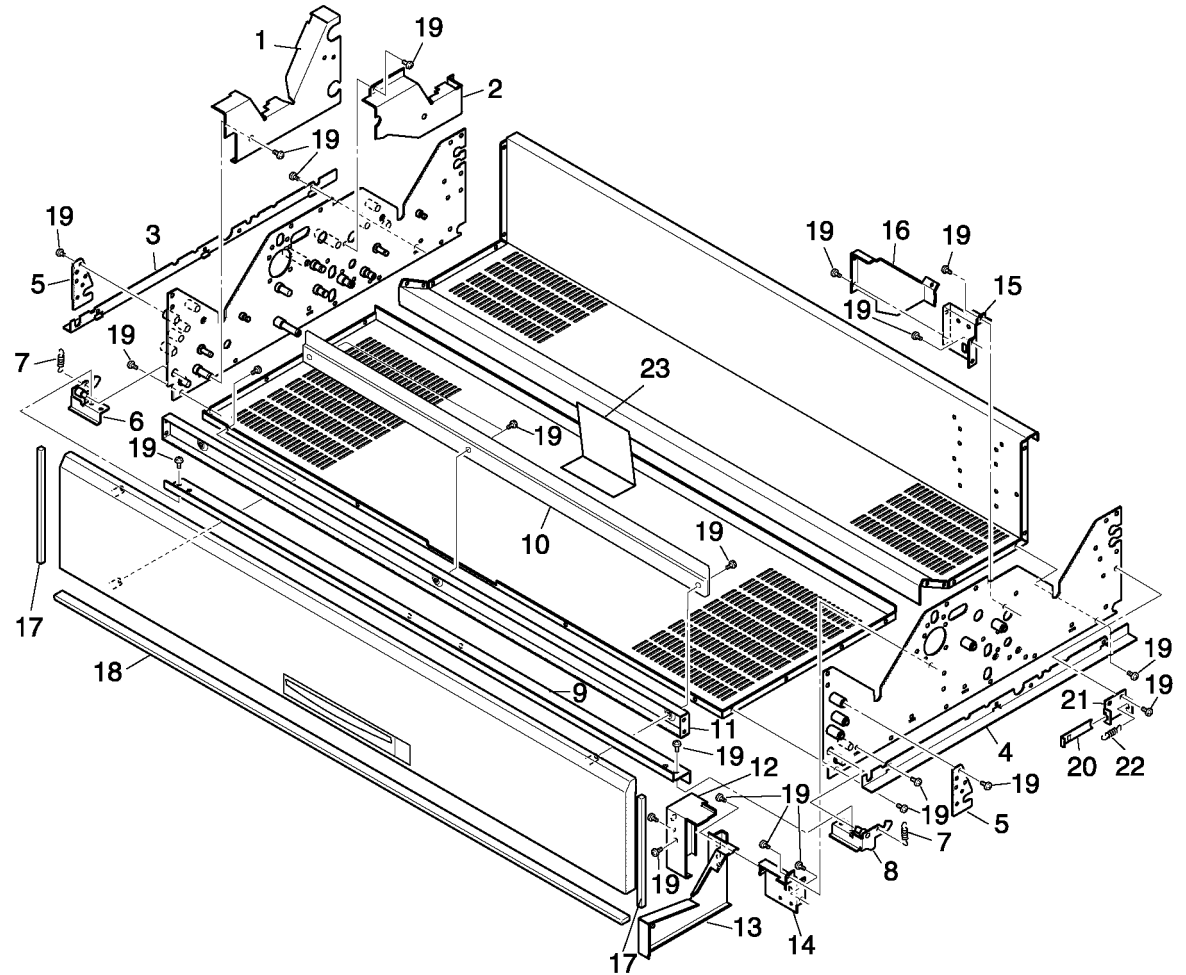
Item	Part	Description
1	-	Paper Guide (Not Spared)
2	-	Paper Guide (Not Spared)
3	-	Paper Guide Plate (Not Spared)
4	-	Bracket (Not Spared)
5	-	Bracket (Not Spared)
6	-	Stay (Not Spared)
7	022N00623	Roller
8	022N00622	Roller
9	-	Roller Shaft (Not Spared)
10	022N00596	Roller Holder
11	009N00784	Compression Spring
12	-	Shaft (Not Spared)
13	022N00689	Roller (10/Kit)
14	-	Mount (Not Spared)
15	-	Mount (Not Spared)
16	062N00244	Roll 2 Paper Set Sensor (Q2), Roll 2 Size Sensor (Q5 thru Q11)
17	-	Shaft (Not Spared)
18	022N00807	Roll 2 Paper Feed Roller
19	006N01228	Roll 2 Paper Feed Pinch Roller
20	007N00512	Spur Gear (40T)
21	135N00034	Bearing
22	-	E-Ring (Not Spared)
23	029N00180	Woodruff Key
24	-	Screw (Not Spared)
25	-	Screw (Not Spared)
26	-	Screw (Not Spared)
27	-	Screw (Not Spared)
28	030N00644	Bracket
29	009N01425	Spring
30	-	Screw (Not Spared)



0507010A-OBS

PL 7.11 Lower Drawer Components (Part 1 of 4)

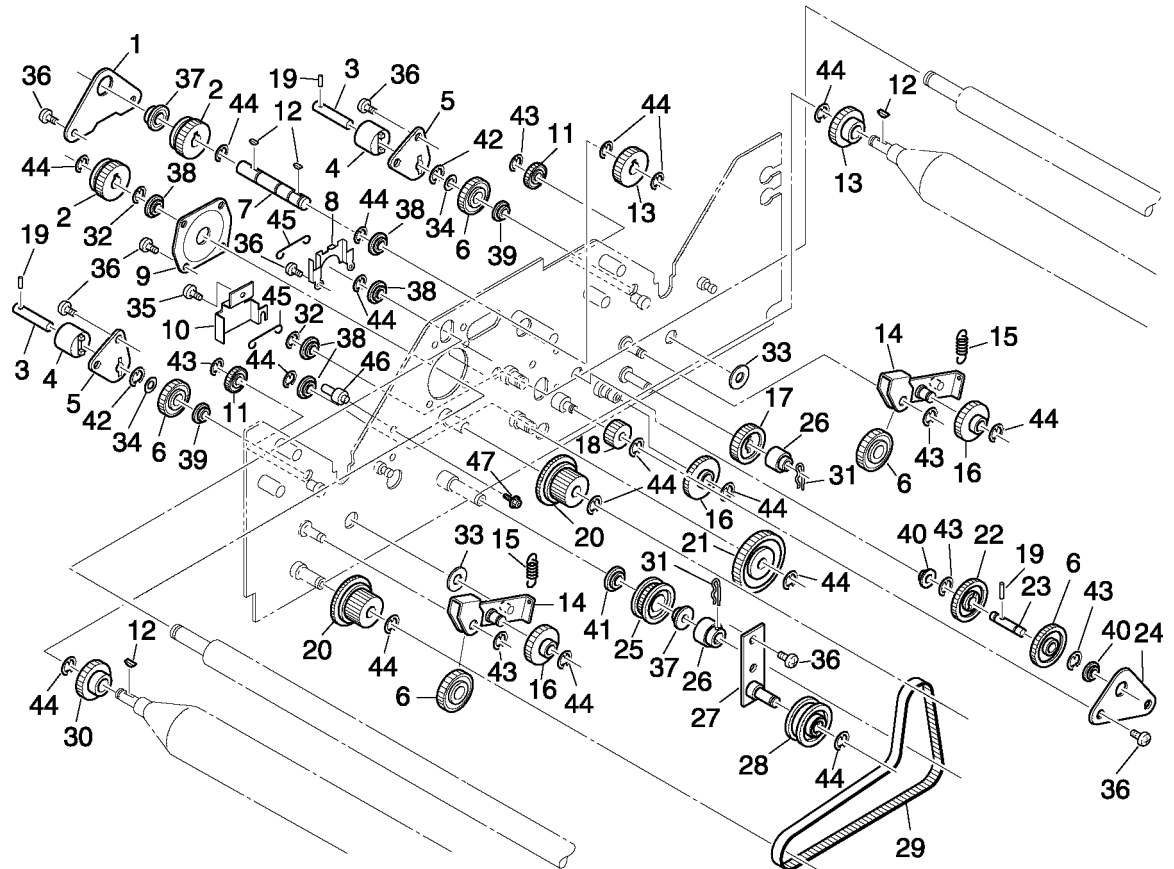
Item	Part	Description
1	-	Gear Cover (Not Spared)
2	-	Gear Cover (Not Spared)
3	-	Plate (Not Spared)
4	-	Plate (Not Spared)
5	-	Stop Plate (Not Spared)
6	019N00344	Hook
7	009N00778	Extension Spring
8	019N00345	Hook
9	-	Stay (Not Spared)
10	-	Guide (Not Spared)
11	-	Stay (Not Spared)
12	-	Cover (Not Spared)
13	-	Cover (Not Spared)
14	-	Sensor Mount (Not Spared)
15	-	Sensor Holder (Not Spared)
16	-	Encoder Disk Cover (Not Spared)
17	-	Seal (Not Spared)
18	-	Seal (Not Spared)
19	-	Screw (Not Spared)
20	-	Actuator (Not Spared)
21	-	Mount (Not Spared)
22	009N00800	Extension Spring
23	001N00415	Mylar Strip



0507011A-OBS

PL 7.12 Lower Drawer Components (Part 2 of 4)

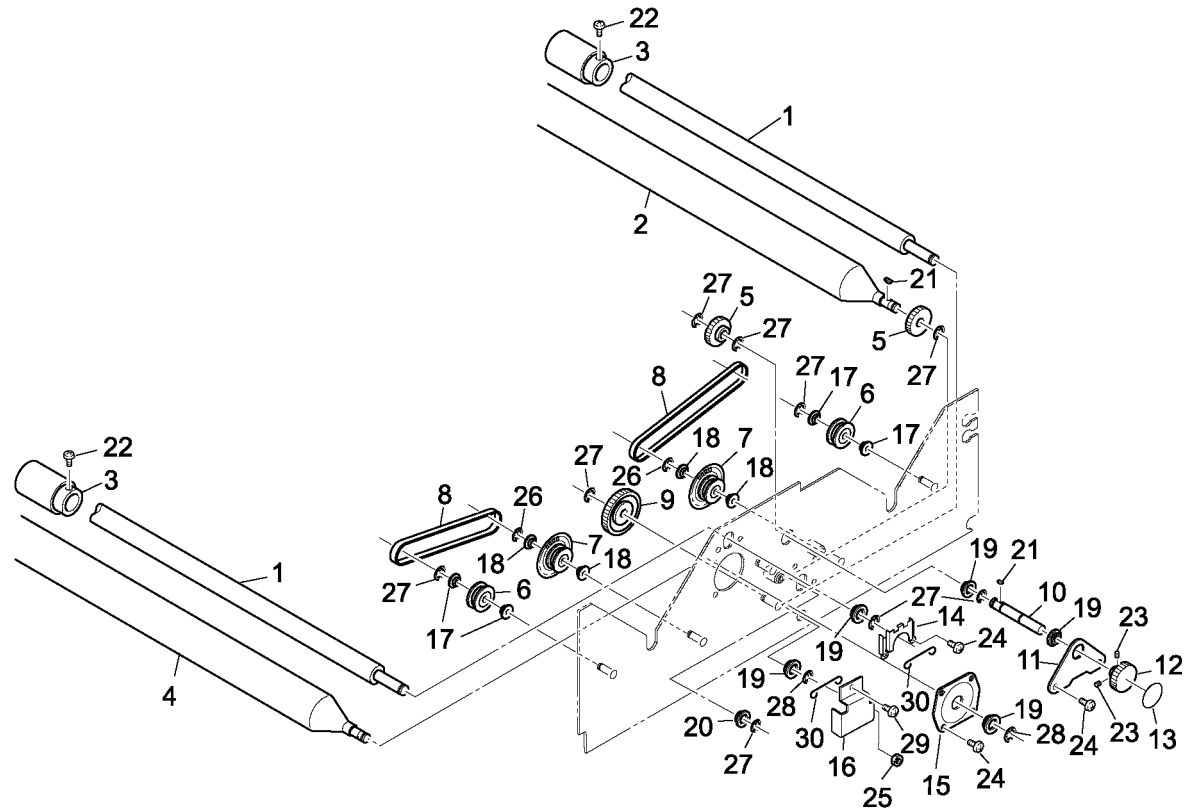
Item	Part	Description
1	-	Plate (Not Spared)
2	007N00558	Spur Gear (30T)
3	-	Shaft (Not Spared)
4	105N01499	Torque Limiter
5	-	Bracket (Not Spared)
6	007N00514	Spur Gear (30T)
7	006N00834	Drive Shaft
8	-	Bracket (Not Spared)
9	091N00414	Roller Stop Plate
10	-	Bracket (Not Spared)
11	007N01234	Spur Gear (20T)
12	029N00180	Woodruff Key
13	007N00520	Spur Gear (30T)
14	031N00136	Tension Arm
15	009N00777	Extension Spring
16	-	Spur Gear (Not Spared) (30T)
17	007N01192	Gear
18	007N00516	Spur Gear (20T)
19	-	Spring Pin (Not Spared)
20	007N00513	Spur Gear/Pulley (40T/P30)
21	007N00517	Spur Gear (45T)
22	007N00515	Spur Gear (30T)
23	005N00429	Transmission Shaft
24	-	Plate (Not Spared)
25	-	Pulley (Not Spared)
26	105N01498	Torque Limiter
27	091N00415	Pin Plate
28	020N00268	Pulley
29	023N00322	Belt
30	007N00512	Spur Gear (40T)
31	-	Snap Pin (Not Spared)
32	-	E-Ring (Not Spared)
33	014N00297	Spacer
34	-	Collar (Not Spared)
35	-	Screw (Not Spared)
36	-	Screw (Not Spared)
37	013N00271	Bearing
38	013N00271	Bearing
39	-	Collar (Not Spared)
40	-	Bearing (Not Spared)
41	-	Bearing (Not Spared)
42	-	E-Ring (Not Spared)
43	-	E-Ring (Not Spared)
44	-	E-Ring (Not Spared)
45	-	Spring (P/O PL 7.1 Item 5)
46	-	Shaft (Not Spared)
47	-	Hex Head Bolt (Not Spared)



0507012A-OBS

PL 7.13 Lower Drawer Components (Part 3 of 4)

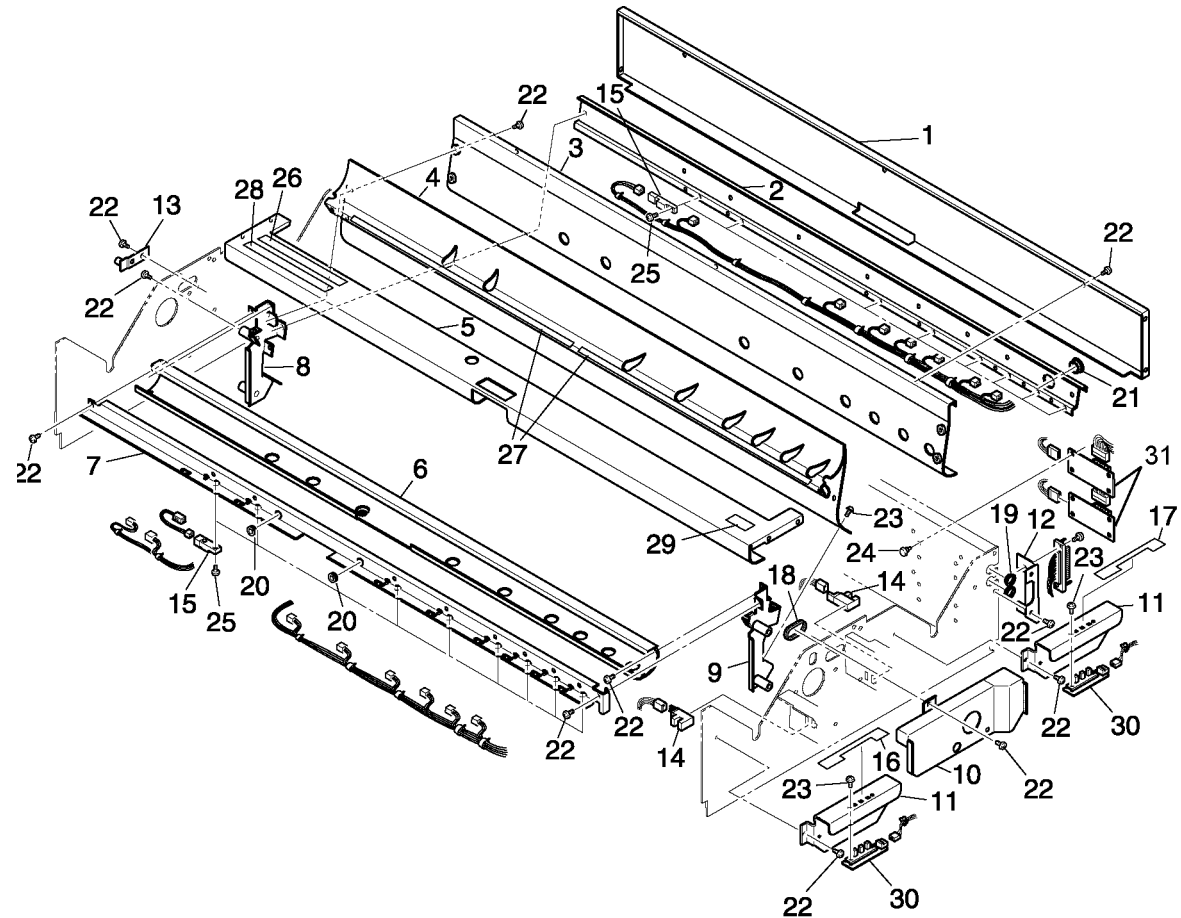
Item	Part	Description
1	–	Roller Shaft (Not Spared)
2	006N01229	Roller Shaft
3	022N00807	Paper Feeder Roller
4	–	Roller Shaft (Not Spared)
5	007N00520	Spur Gear (30T)
6	020N00267	Pulley
7	146N00122	Encoder Disk
8	023N00323	Belt
9	007N00517	Spur Gear (45T)
10	–	Shaft (Not Spared)
11	–	Plate (Not Spared)
12	003N00606	Knob
13	–	Label (Not Spared)
14	–	Bracket (Not Spared)
15	091N00414	Roller Stop Plate
16	–	Bracket (Not Spared)
17	–	Bearing (Not Spared)
18	–	Bearing (Not Spared)
19	135N00034	Bearing
20	–	Bearing (Not Spared)
21	029N00180	Woodruff Key
22	–	Set Screw (Not Spared)
23	026N00440	Screw
24	–	Screw (Not Spared)
25	–	Hex Nut (Not Spared)
26	–	E-Ring (Not Spared)
27	–	E-Ring (Not Spared)
28	–	E-Ring (Not Spared)
29	–	Screw (Not Spared)
30	–	Spring (P/O PL 7.1 Item 5)



0507013A-OBS

PL 7.14 Lower Drawer Components (Part 4 of 4)

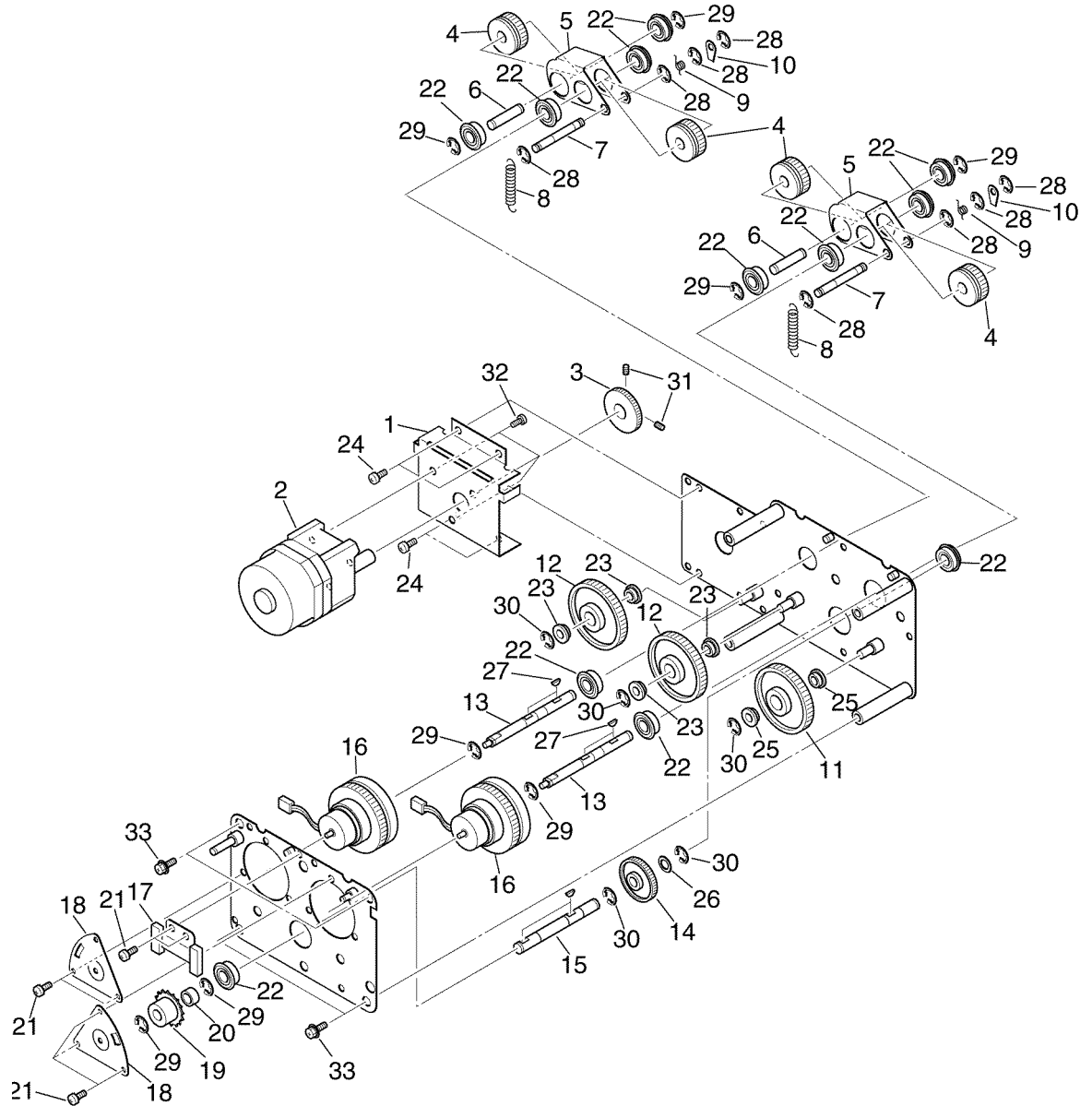
Item	Part	Description
1	-	Rear Cover (Not Spared)
2	-	Stay (Not Spared)
3	-	Paper Guide (Not Spared)
4	-	Paper Guide (Not Spared)
5	-	Lower Cover (Not Spared)
6	-	Lower Guide (Not Spared)
7	-	Stay (Not Spared)
8	-	Bracket (Not Spared)
9	-	Bracket (Not Spared)
10	-	Cover (Not Spared)
11	-	Spool Guide (Not Spared)
12	-	Bracket (Not Spared)
13	-	Stop Bracket (Not Spared)
14	064N00018	Roll 3 Feed Clock Sensor (Q15), Roll 4 Feed Clock Sensor (Q16)
15	062N00244	Roll 3 Paper Set Sensor (Q3), Roll 4 Paper Set Sensor (Q4), Roll 3 Size Sensor, Roll 4 Size Sensor (Q5 thru Q11)
16	-	Label (Not Spared)
17	-	Label (Not Spared)
18	-	Grommet (Not Spared)
19	-	Bushing (Not Spared)
20	016N00145	Bushing
21	016N00146	Bushing
22	-	Screw (Not Spared)
23	-	Screw (Not Spared)
24	-	Spacer (Not Spared)
25	-	Screw (Not Spared)
26	-	Label (Not Spared)
27	-	Label (Not Spared)
28	-	Label (Not Spared)
29	-	Label (Not Spared)
30	140N04710	Media Selection PWB (P/O PL 10.1 Item 16)
31	-	DC Translation PWB (P/O PL 10.1 Item 17)



0507014B-OSB

PL 8.1 Main Drive 1

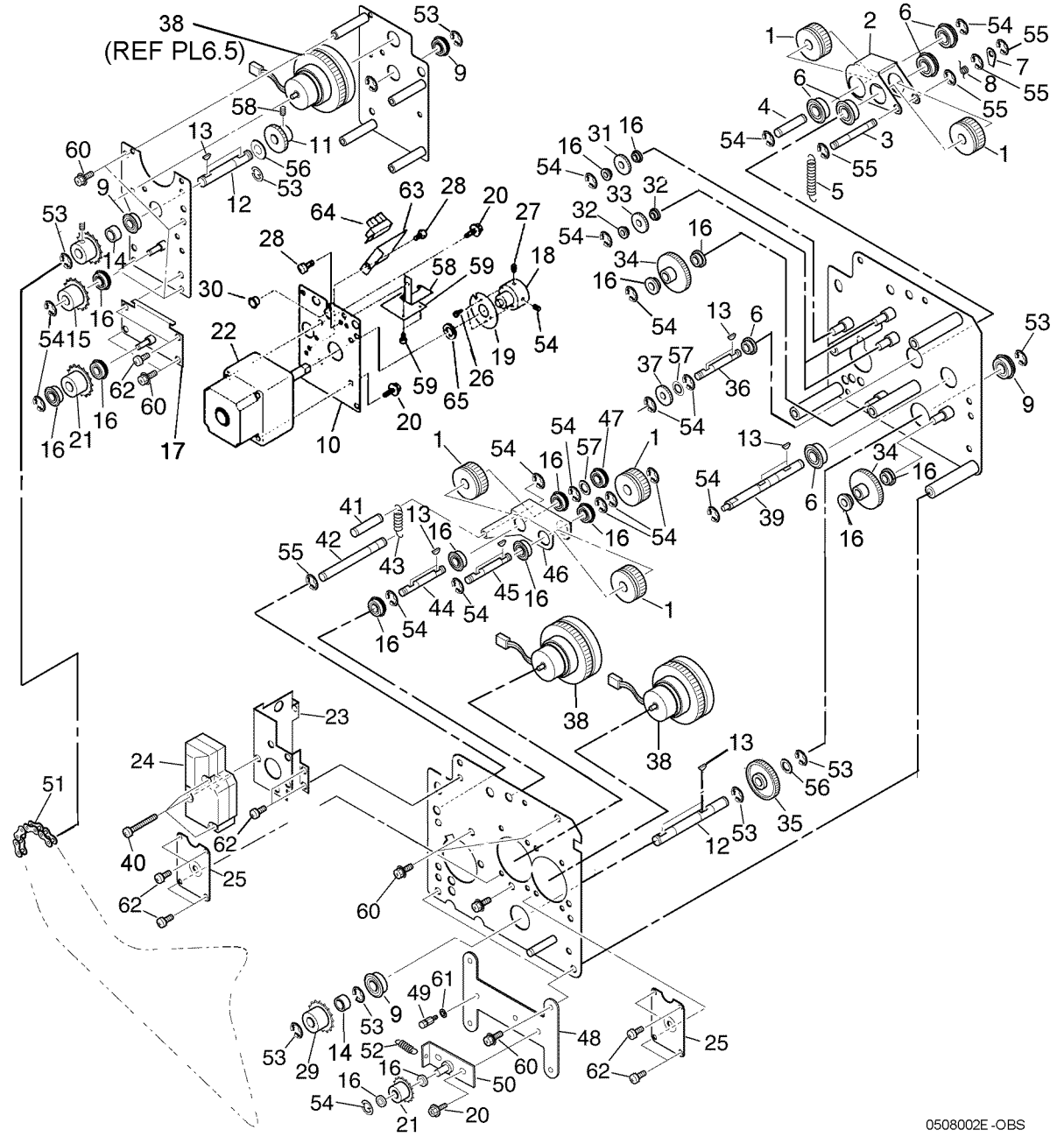
Item	Part	Description
1	001N00399	Motor Bracket
2	127N00750	Paper Feed Motor (MOT2)
3	007N01235	Gear (40T)
4	007N00558	Spur Gear (30T)
5	-	Idler Arm (Not Spared)
6	005N00428	Lower Drive Shaft
7	-	Pin (Not Spared)
8	009N00779	Extension Spring
9	009N00780	Spring
10	003N00601	Spring Stop
11	007N00529	Spur Gear (50T)
12	007N01236	Spur Gear (50T)
13	005N00805	Clutch Transmission Shaft
14	007N00504	Spur Gear (50T)
15	006N01200	Drive Shaft
16	121N00615	Roll 3 Feed Clutch, Roll 4 Feed Clutch (CL3, CL4)
17	-	Wire Harness Holder (Not Spared)
18	005N00806	Clutch Setting Plate
19	007N00554	Sprocket (15T)
20	005N00404	Collar
21	-	Screw (Not Spared)
22	013N00383	Bearing
23	013N00269	Bearing
24	-	Screw (Not Spared)
25	013N00271	Bearing
26	028N00199	Thrust Washer
27	029N00180	Woodruff Key
28	-	E-Ring (Not Spared)
29	-	E-Ring (Not Spared)
30	-	E-Ring (Not Spared)
31	026N00440	Set Screw
32	-	Hex Head Bolt (Not Spared)
33	-	Hex Head Bolt (Not Spared)



0508001A-OBS

PL 8.2 Main Drive 2

Item	Part	Description
1	007N00558	Spur Gear (30T)
2	-	Idler Arm (Not Spared)
3	-	Shaft (Not Spared)
4	005N00428	Lower Drive Shaft
5	009N00779	Extension Spring
6	-	Bearing (Not Spared)
7	-	Spring Stop (Not Spared)
8	009N00780	Spring
9	013N00269	Bearing
10	-	Motor Base (Not Spared)
11	007N01187	Gear (50T)
12	006N01200	Drive Shaft
13	029N00180	Woodruff Key
14	005N00404	Collar
15	007N01188	Sprocket (15T)
16	013N00271	Bearing
17	-	Bracket (Not Spared)
18	011N00364	Coupling
19	-	Disk (Not Spared)
20	-	Hex Head Bolt (Not Spared)
21	007N00551	Sprocket (15T)
22	127N07248	Cutter Motor (MOT3)
23	-	Motor Bracket (Not Spared)
24	121N01060	Developer Position Motor (MOT4)
25	005N00407	Clutch Mount
26	-	Screw (Not Spared)
27	-	Set Screw (Not Spared)
28	-	Screw (Not Spared)
29	007N00554	Sprocket (15T)
30	-	Bushing (Not Spared)
31	007N01186	Spur Gear (24T)
32	135N00030	Bearing
33	007N00503	Spur Gear (30T)
34	007N00529	Spur Gear (50T)
35	007N00504	Spur Gear (50T)
36	005N00405	Clutch Shaft
37	007N00520	Spur Gear (30T)
38	121N00615	Roll 1/Manual Feed Clutch, Registration Clutch, Roll 2 Feed Clutch (CL1, CL5, CL2)
39	006N00838	Transmission Shaft
40	-	Screw (Not Spared)
41	-	Shaft (Not Spared)
42	-	Shaft (Not Spared)
43	009N01415	Spring
44	006N00990	Shaft
45	006N00992	Shaft
46	-	Idler Arm (Not Spared)
47	013N00327	Bearing
48	-	Support Plate (Not Spared)
49	-	Pin (Not Spared)
50	-	Idler Plate (Not Spared)
51	023N01001	Chain
52	009N01414	Spring
53	-	E-Ring (Not Spared)
54	-	E-Ring (Not Spared)
55	-	E-Ring (Not Spared)
56	028N00199	Thrust Washer (1.0 mm Thick)
58	-	Mount (Not Spared)
59	130N00672	Sensor PWB
60	-	Hex Head Bolt (Not Spared)
61	-	Spring Washer (Not Spared)
62	-	Screw (Not Spared)
63	-	Bracket (Not Spared)
64	064N00018	Inner Transport Set Sensor (Q24)
65	-	Thrust Washer (Not Spared)

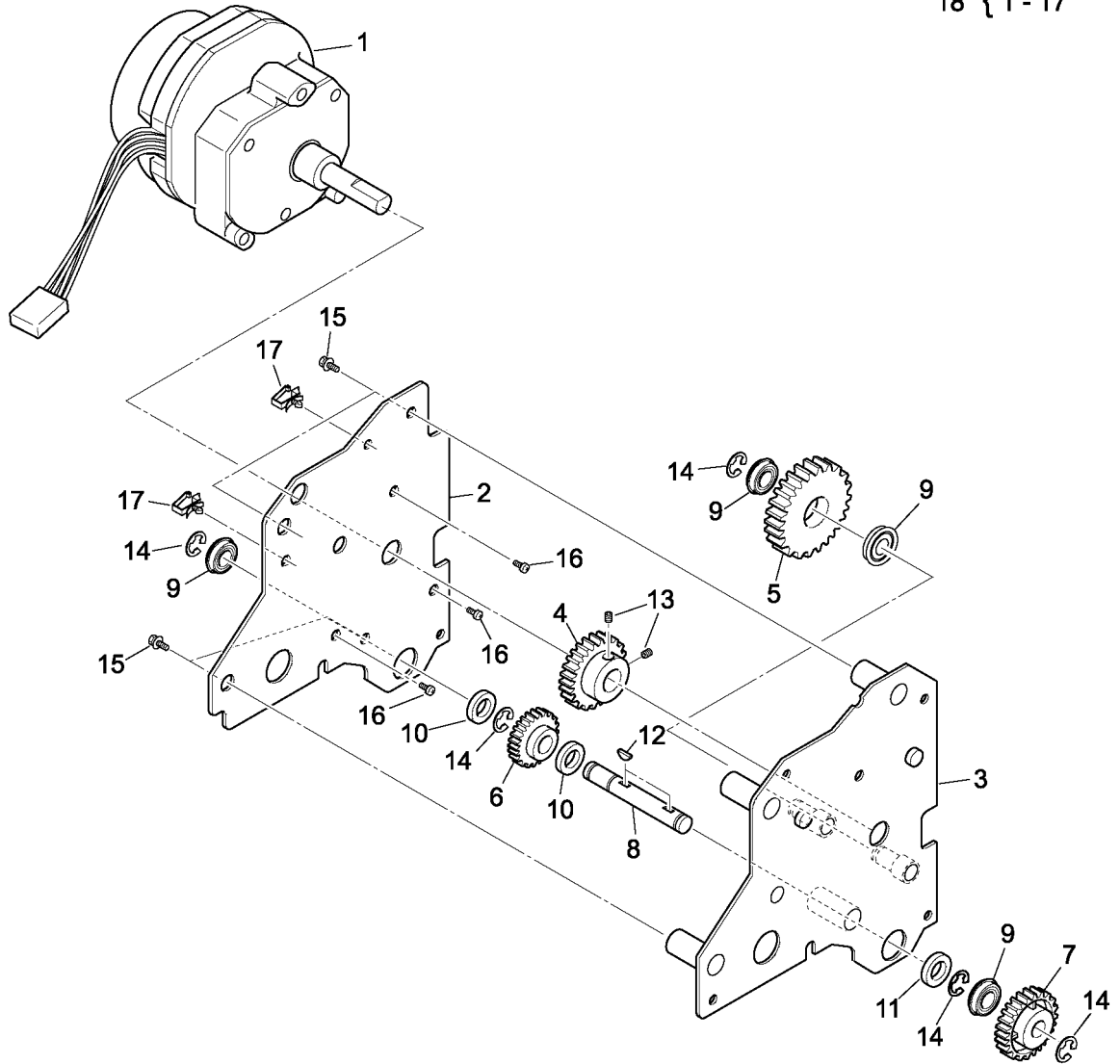


0508002E -OBS

PL 8.3 Fuser Drive

Item	Part	Description
1	127N00750	Fuser Motor (MOT5)
2	-	Side Plate (P/O PL 8.3 Item 18)
3	-	Side Plate (P/O PL 8.3 Item 18)
4	007N00561	Spur Gear (26T)
5	007N00749	Spur Gear (40T)
6	007N00532	Spur Gear (29T)
7	007N00533	Spur Gear (33T)
8	006N00988	Shaft
9	013N00271	Bearing
10	005N00408	Collar
11	005N00414	Collar
12	029N00180	Woodruff Key
13	-	Set Screw (P/O PL 8.3 Item 18)
14	-	E-Ring (P/O PL 8.3 Item 18)
15	-	Hex Head Bolt (P/O PL 8.3 Item 18)
16	-	Screw (P/O PL 8.3 Item 18)
17	-	Locking Wire Saddle (P/O PL 8.3 Item 18)
18	023N01002	Fuser Drive Assembly

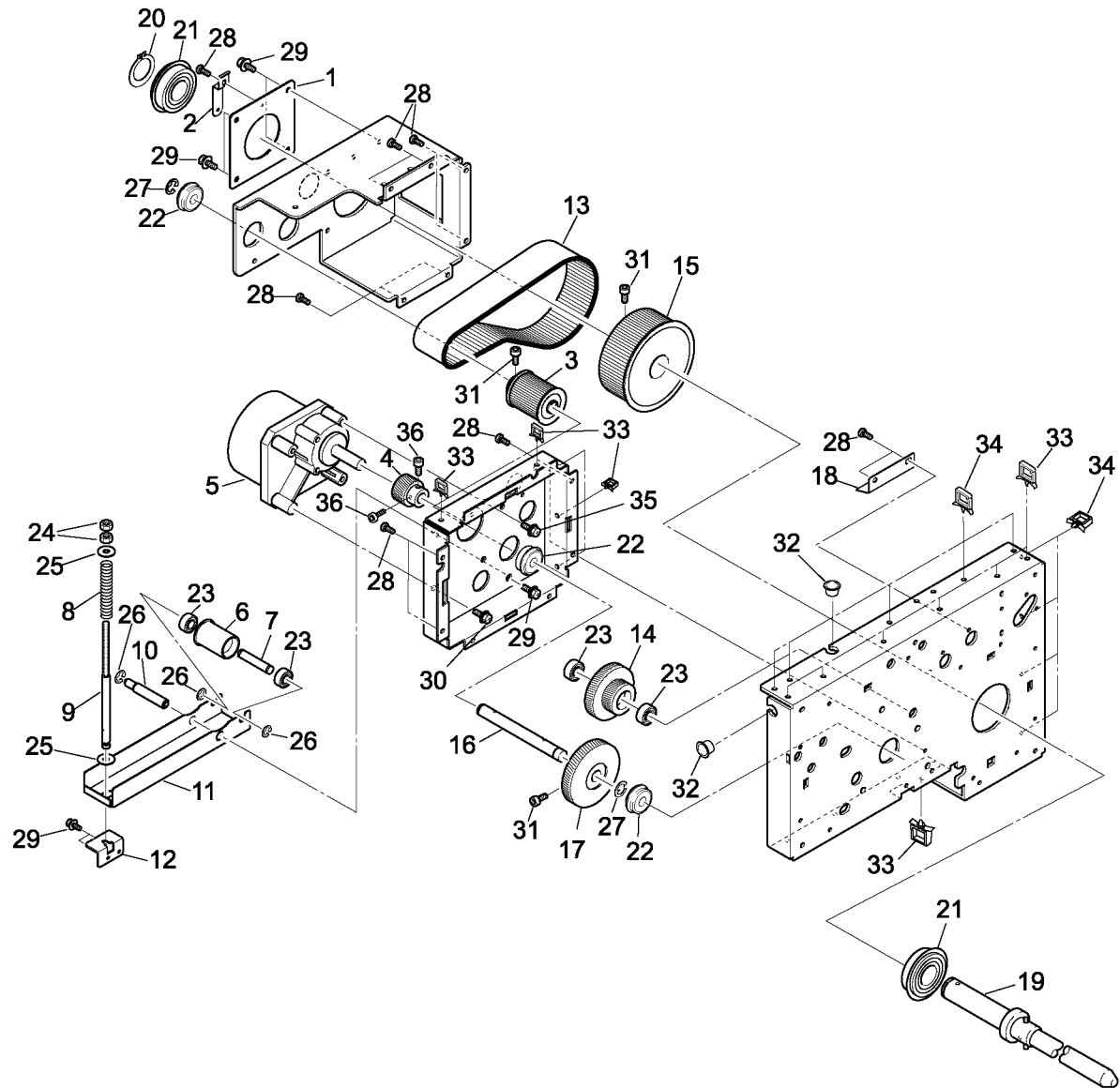
18 { 1 - 17



0508003A-OBS

PL 8.4 Drum Drive

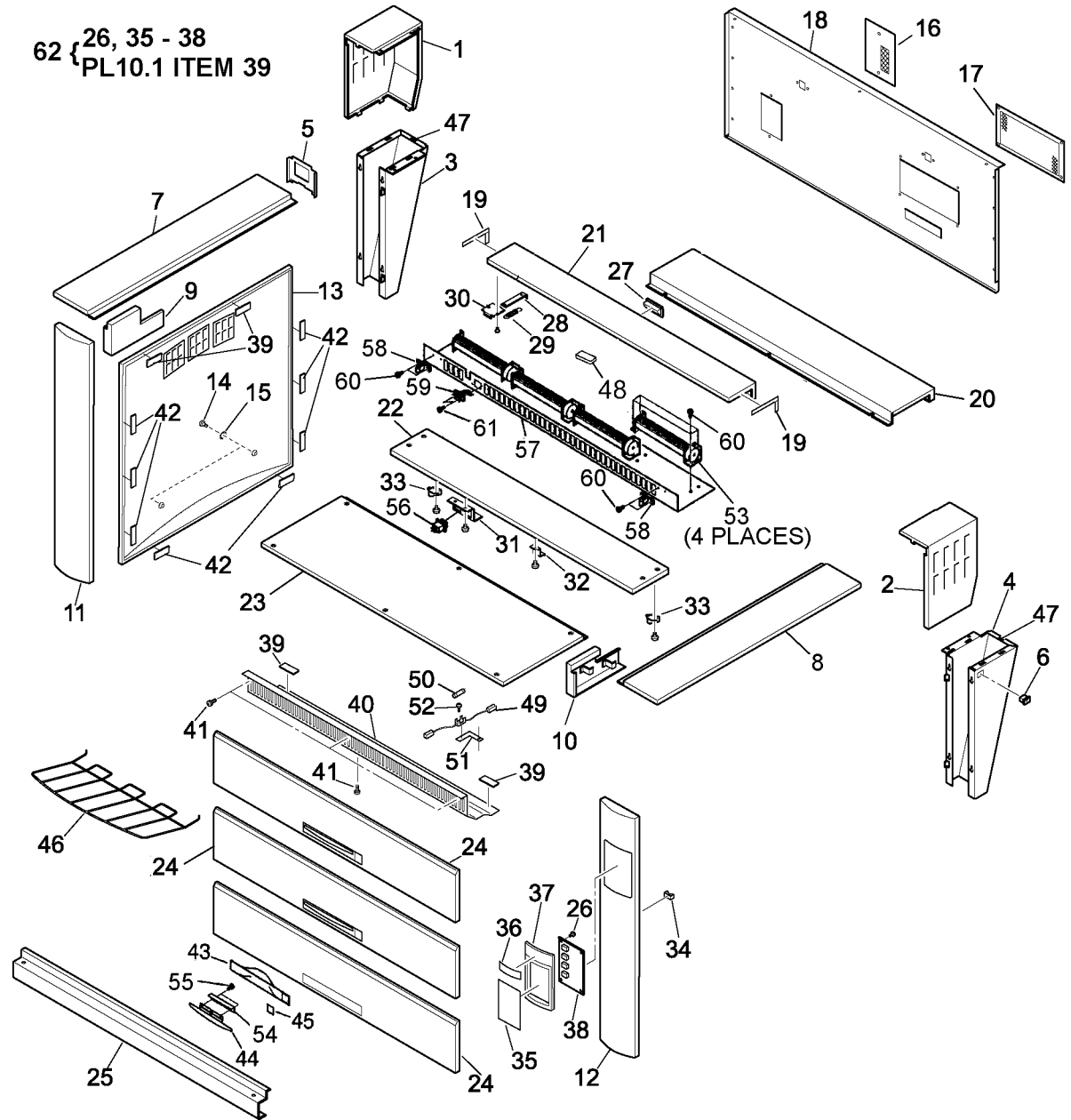
Item	Part	Description
1	-	Holder (Not Spared)
2	-	Contact Plate (Not Spared)
3	020N00723	Pulley (24T)
4	007N01183	Gear (50T)
5	127N01427	Drum Drive Motor (MOT1)
6	020N00725	Pulley
7	-	Shaft (Not Spared)
8	-	Tension Spring (Not Spared)
9	-	Shaft (Not Spared)
10	-	Shaft (Not Spared)
11	-	Idler Plate (Not Spared)
12	-	Bracket (Not Spared)
13	023N01000	Timing Belt
14	007N01184	Gear (40/140T)
15	020N00724	Pulley (72T)
16	-	Shaft (Not Spared)
17	007N01185	Gear (80T)
18	-	Plate (Not Spared)
19	-	Drum Shaft (Not Spared)
20	-	C-Ring (Not Spared)
21	-	Bearing (Not Spared)
22	013N13806	Bearing
23	013N13807	Bearing
24	-	Nut (Not Spared)
25	-	Plain Washer (Not Spared)
26	-	E-Ring (Not Spared)
27	-	E-Ring (Not Spared)
28	-	Screw (Not Spared)
29	-	Hex Head Bolt (Not Spared)
30	-	Hex Head Bolt (Not Spared)
31	-	Screw (Not Spared)
32	-	Bushing (Not Spared)
33	-	Wire Saddle (Not Spared)
34	-	Wire Saddle (Not Spared)
35	-	Screw (Not Spared)
36	026N00440	Set Screw



0508004A-OBS

PL 9.1 Miscellaneous Covers

Item	Part	Description
1	101N01327	Fuser Cover (L) (LML)
2	101N01326	Fuser Cover (R) (LML)
3	001N00400	Base (LML)
4	001N00401	Base (RFU)
5	002N02254	Base (LML)
6	002N02255	Base (RFU)
7	002N02127	Cover (LML)
8	002N02220	Cover (RFU)
9	110N01355	Controller Power Switch (S3)
10	002N02122	Upper Cover (L) (LML)
11	002N02222	Upper Cover (L) (RFU)
12	002N02121	Upper Cover (R) (LML)
13	002N02223	Upper cover (R) (RFU)
14	002N02117	Cover (B) (LML)
15	002N02224	Cover (B) (RFU)
16	002N02116	Cover (A) (LML)
17	002N02225	Cover (A) (RFU)
18	002N02115	Cover (L) (LML)
19	002N02226	Cover (L) (RFU)
20	002N02114	Cover (R) (LML)
21	002N02227	Cover (R) (RFU)
22	002N02120	Left Cover (LML)
23	002N02228	Left Cover (RFU)
24	-	Screw (Not Spared)
25	-	Lock Washer (Not Spared)
26	002N02231	Cover (E) (RFU)
27	002N02232	Cover (F) (RFU)
28	002N02233	Panel (RFU)
29	-	Tape (Not Spared)
30	002N02126	Upper Cover (D) (LML)
31	002N02235	Upper Cover (D) (RFU)
32	002N02125	Upper Cover (C) (LML)
33	002N02236	Upper Cover (C) (RFU)
34	002N02124	Upper Cover (B) (LML)
35	002N02237	Upper Cover (B) (RFU)
36	002N02123	Upper Cover (A) (LML)
37	002N02238	Upper Cover (A) (RFU)
38	002N02113	Deck Cover (LML)
39	002N02111	Cover (G) (LML)
40	002N02239	Cover (RFU)
41	-	Screw (Not Spared)
42	003N00868	Handle (LML)
43	-	Actuator (Not Spared)
44	009N00800	Extension Spring
45	030N00640	Bracket
46	030N00639	Bracket
47	030N00638	Bracket
48	022N00611	Catch
49	-	Bushing (Not Spared)
50	892E88320	Roll Supply Label (FR)
51	892E88340	Roll Supply Label (GR)
52	-	Roll Supply Label (Not Spared) (EN)
53	892E88380	Roll Supply Label (SP)
54	892E88360	Roll Supply Label (IT)
55	-	Label (Not Spared)
56	038N00420	Bezel (RFU)
57	-	Media Status Indicator PWB (P/O PL 10.1 Item 39)
58	-	Gasket (Not Spared)
59	038N00419	Paper Guide
60	-	Screw (Not Spared)
61	-	Gasket (Not Spared)
62	003N00870	Deck Handle (A) (LML)
63	003N00883	Deck Handle (B) (LML)
64	003N00926	Deck Handle (B) (RFU)
65	-	Label (Not Spared)
66	050K54990	Catch Tray (LML)
67	050N00430	Catch Tray (RFU)
68	014N00424	Spacer
69	-	Seal (Not Spared)
70	116N00235	Fuse Block
71	108N00518	Fuse (F2)
72	030N00645	Bracket
73	-	Screw (Not Spared)
74	127N01424	Blower (BL4, BL5, BL6, BL7)
75	-	Bracket (Not Spared)
76	-	Screw (Not Spared)
77	110N01058	Upper Cover Interlock switch (DS6)
78	-	Cover (Not Spared)
79	-	Roller Catch Plunger (Not Spared)
80	-	Fan Lead (Not Spared)
81	-	Screw (Not Spared)
82	-	Screw (Not Spared)
83	018N00179	Deck Indicator Kit

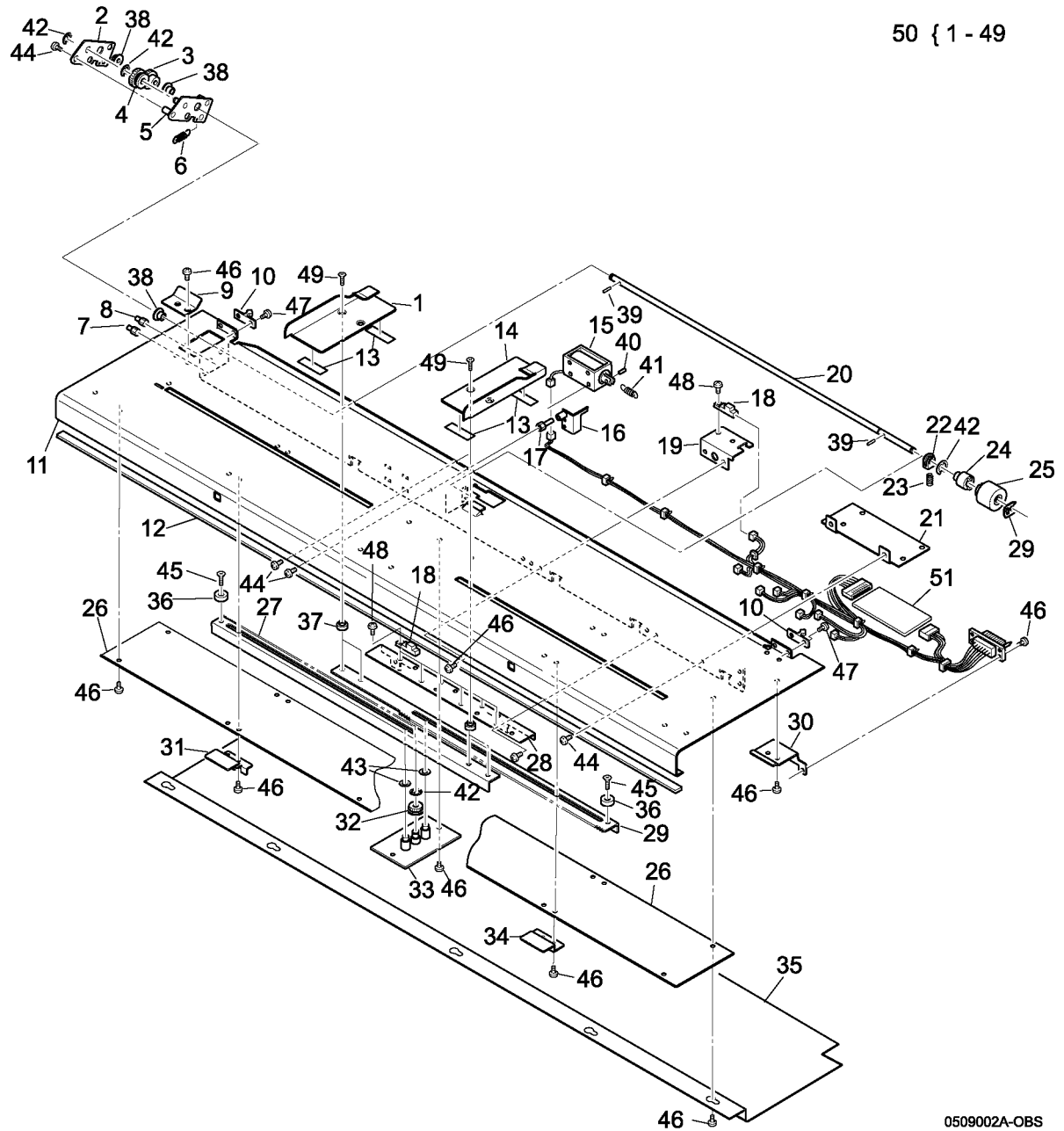


0509001D-OBS

PL 9.2 Manual Bypass Tray

50 { 1 - 49

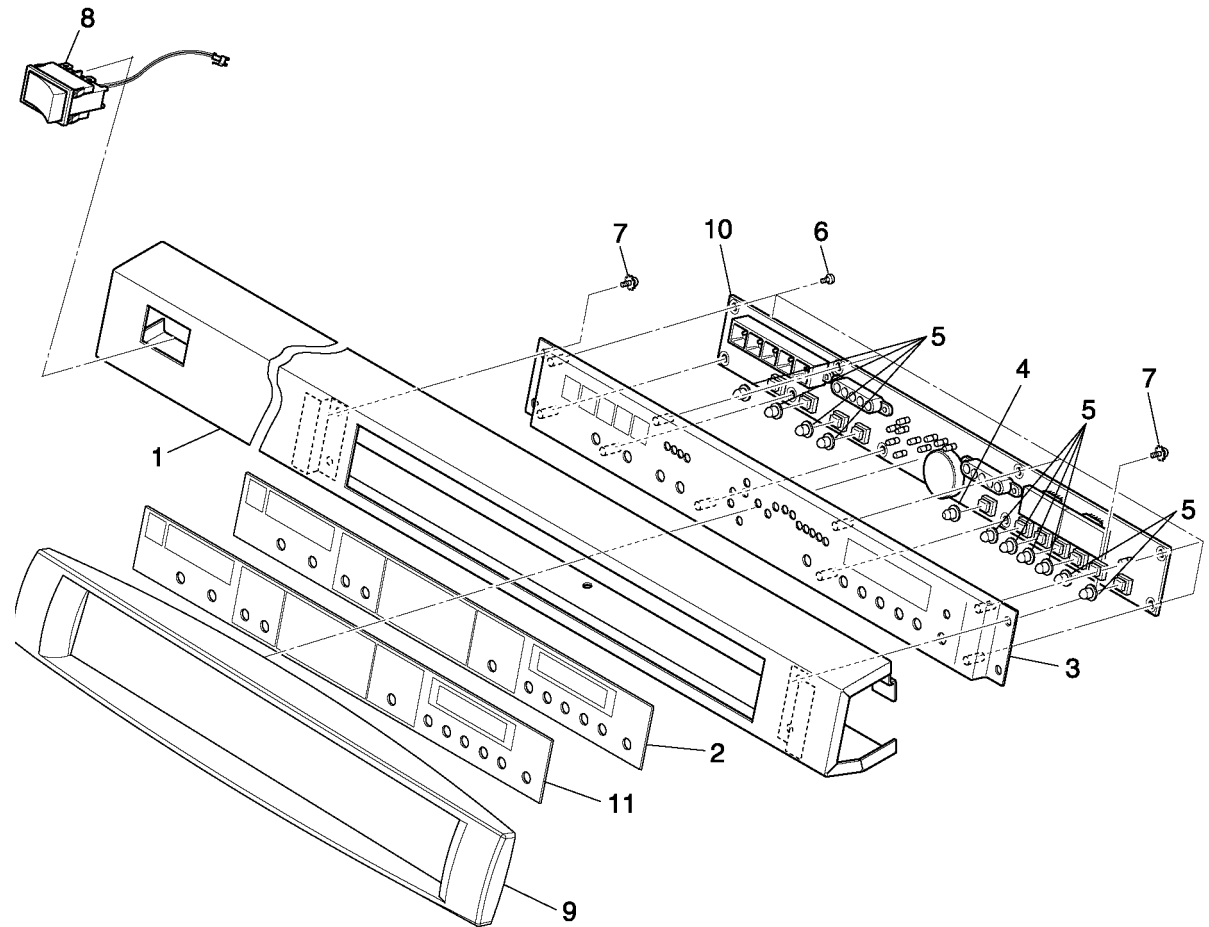
Item	Part	Description
1	-	Guide (P/O PL 9.2 Item 50)
2	-	Bracket (P/O PL 9.2 Item 50)
3	-	Gear (P/O PL 9.2 Item 50) (24T)
4	-	Gear (P/O PL 9.2 Item 50) (24T)
5	-	Bracket (P/O PL 9.2 Item 50)
6	-	Spring (P/O PL 9.2 Item 50)
7	-	Pin (P/O PL 9.2 Item 50)
8	-	Pin (P/O PL 9.2 Item 50)
9	-	Bracket (P/O PL 9.2 Item 50)
10	-	Plunger (P/O PL 9.2 Item 50)
11	050N00429	Manual Bypass Table (RFU)
12	-	Seal (P/O PL 9.2 Item 50)
13	-	Felt (P/O PL 9.2 Item 50)
14	-	Guide (P/O PL 9.2 Item 50)
15	-	Retard Solenoid (SOL4) (P/O PL 9.2 Item 50)
16	-	Bracket (P/O PL 9.2 Item 50)
17	-	Pin (P/O PL 9.2 Item 50)
18	062N00244	Manual Tray Size Sensor (Q31 thru Q37)
19	-	Bracket (P/O PL 9.2 Item 50)
20	-	Shaft (P/O PL 9.2 Item 50)
21	-	Bracket (P/O PL 9.2 Item 50)
22	-	Collar (P/O PL 9.2 Item 50)
23	009N01424	Compression Spring
24	-	Torque Limiter (P/O PL 9.2 Item 50)
25	022N02030	Roller
26	-	Cover (P/O PL 9.2 Item 50)
27	-	Rack (P/O PL 9.2 Item 50)
28	-	Bracket (P/O PL 9.2 Item 50)
29	-	Retaining Ring (P/O PL 9.2 Item 50)
30	-	Bracket (P/O PL 9.2 Item 50)
31	-	Bracket (P/O PL 9.2 Item 50)
32	-	Gear (P/O PL 9.2 Item 50) (16T)
33	-	Bracket (P/O PL 9.2 Item 50)
34	-	Bracket (P/O PL 9.2 Item 50)
35	-	Cover (P/O PL 9.2 Item 50)
36	-	Collar (P/O PL 9.2 Item 50)
37	-	Collar (P/O PL 9.2 Item 50)
38	-	Bearing (P/O PL 9.2 Item 50)
39	-	Pin (P/O PL 9.2 Item 50)
40	-	Pin (P/O PL 9.2 Item 50)
41	-	Spring (P/O PL 9.2 Item 50)
42	-	Retaining Ring (P/O PL 9.2 Item 50)
43	-	Collar (P/O PL 9.2 Item 50)
44	-	Hex Head Bolt (P/O PL 9.2 Item 50)
45	-	Screw (P/O PL 9.2 Item 50)
46	-	Screw (P/O PL 9.2 Item 50)
47	-	Screw (P/O PL 9.2 Item 50)
48	-	Screw (P/O PL 9.2 Item 50)
49	-	Screw (P/O PL 9.2 Item 50)
50	500N00101	Manual Bypass Tray Assembly (LML)
51	140N06100	Manual Sheet Size PWB



0509002A-OBS

PL 9.3 Operator Panel

Item	Part	Description
1	—	Cover (Not Spared)
2	—	Panel (Not Spared)
3	—	Frame (Not Spared)
4	—	Button (Not Spared)
5	—	Button (Not Spared)
6	—	Screw (Not Spared)
7	—	Screw (Not Spared)
8	110N01356	Main Power Switch (S1)
9	056E05140	Bezel (White)
—	056E05150	Bezel (Celestial Blue)
—	056E05050	Bezel (Gray)
10	140N06067	Indication PWB
11	893E18440	Control Panel Label (E)
—	892E88310	Control Panel Label (FR)
—	892E88330	Control Panel Label (IT)
—	892E88350	Control Panel Label (GR)
—	892E88370	Control Panel Label (SP)

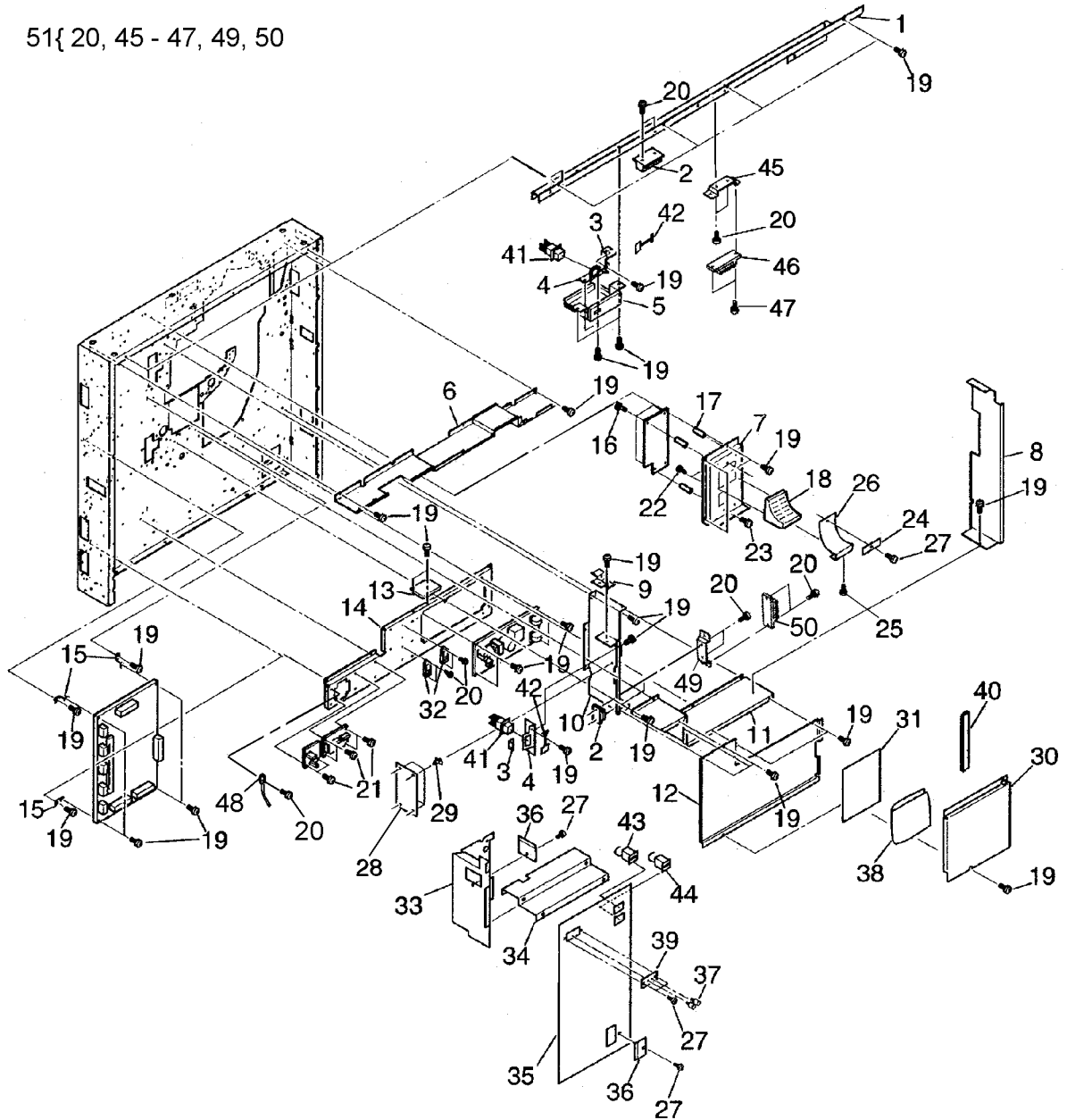


0509003A-OBS

PL 9.4 Right Side Frame Components

Item	Part	Description
1	-	Bracket (Not Spared)
2	-	Magnet Catch (Not Spared)
3	-	Bracket (Not Spared)
4	-	Bracket (Not Spared)
5	-	Bracket (Not Spared)
6	-	Bracket (Not Spared)
7	-	Bracket (Not Spared)
8	-	Cover (Not Spared)
9	-	Bracket (Not Spared)
10	-	Bracket (Not Spared)
11	-	Bracket (Not Spared)
12	-	Bracket (Not Spared)
13	-	Bracket (Not Spared)
14	-	Bracket (Not Spared)
15	113N00368	Mount
16	-	Screw
17	-	Stud (Not Spared)
18	-	Hood (Not Spared)
19	-	Screw (Not Spared)
20	-	Screw (P/O PL 9.4 Item 51)
21	-	Screw (Not Spared)
22	-	Screw (Not Spared)
23	-	Screw (Not Spared)
24	-	Cover (Not Spared)
25	-	Screw (Not Spared)
26	-	Sheet (Not Spared)
27	-	Screw (Not Spared)
28	-	Toner Dispense Motor Controller PWB (PL 10.1 Item 33)
29	-	Locking Card Spacer (Not Spared)
30	-	Cover (Not Spared)
31	-	Service Mode List (Not Spared)
32	109N00213	DC Power Relays (K4, K5)
33	-	Bracket (Not Spared)
34	-	Bracket (Not Spared)
35	-	Bracket (Not Spared)
36	-	Bracket (Not Spared)
37	-	Pin (Not Spared)
38	-	Drum Bag (Not Spared)
39	030N00662	Bracket
40	042N00123	Drum Cleaner
41	110N01058	Right Door Interlock switch (DS7), Left (Toner) Door Interlock switch (DS8)
42	-	Bracket (Not Spared)
43	111N00048	Counter 1
44	111N00047	Counter 2
45	-	Bracket (P/O PL 9.4 Item 51)
46	-	Magnet (P/O PL 9.4 Item 51)
47	-	Screw (P/O PL 9.4 Item 51)
48	130N01263	Thermistor
49	-	Bracket (P/O PL 9.4 Item 51)
50	-	Magnet (P/O PL 9.4 Item 51)
51	600N03213	Door Magnet Kit (W/[TAG 3])

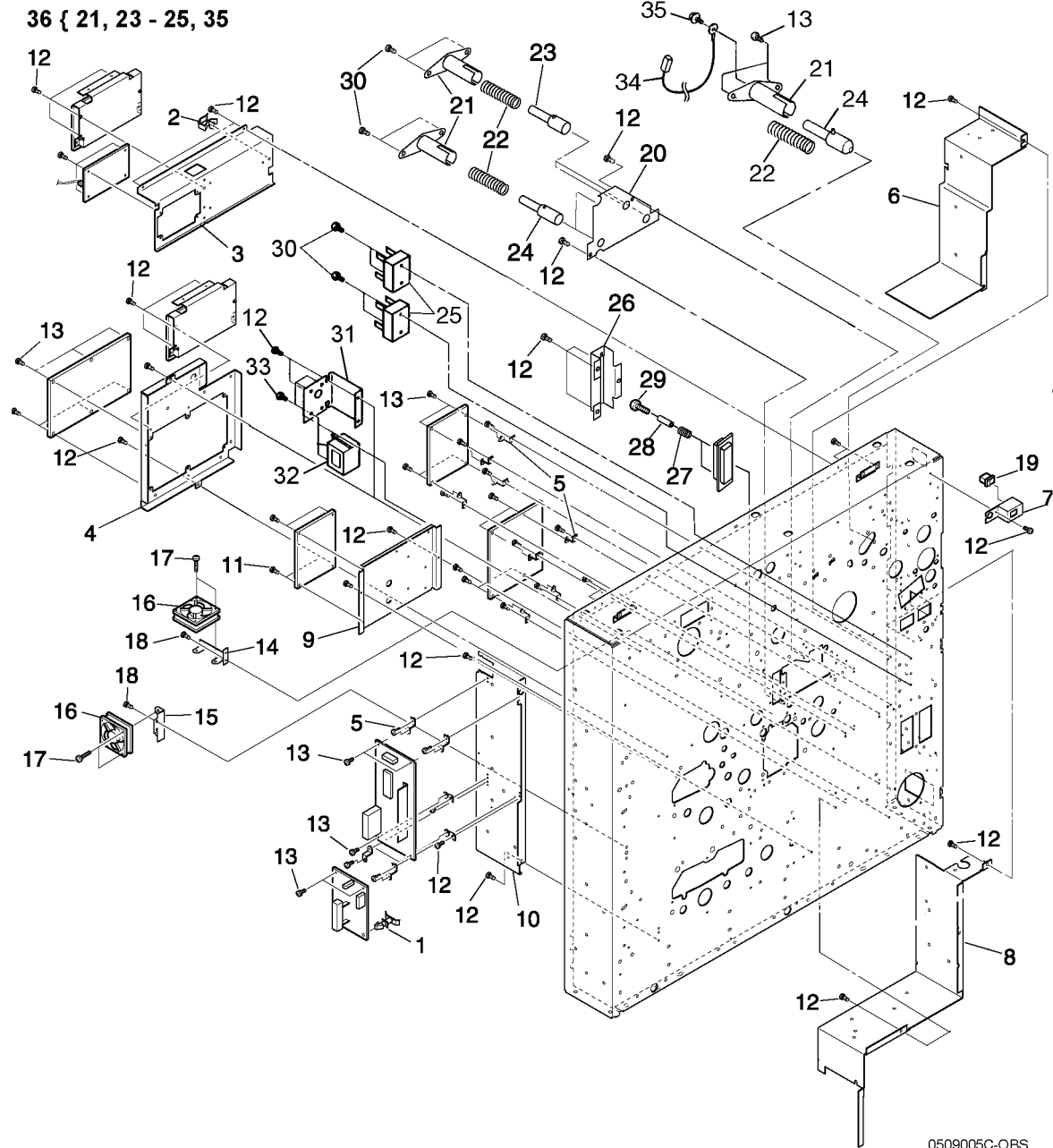
51{ 20, 45 - 47, 49, 50



0509004E-OBS

PL 9.5 Left Side Frame Components

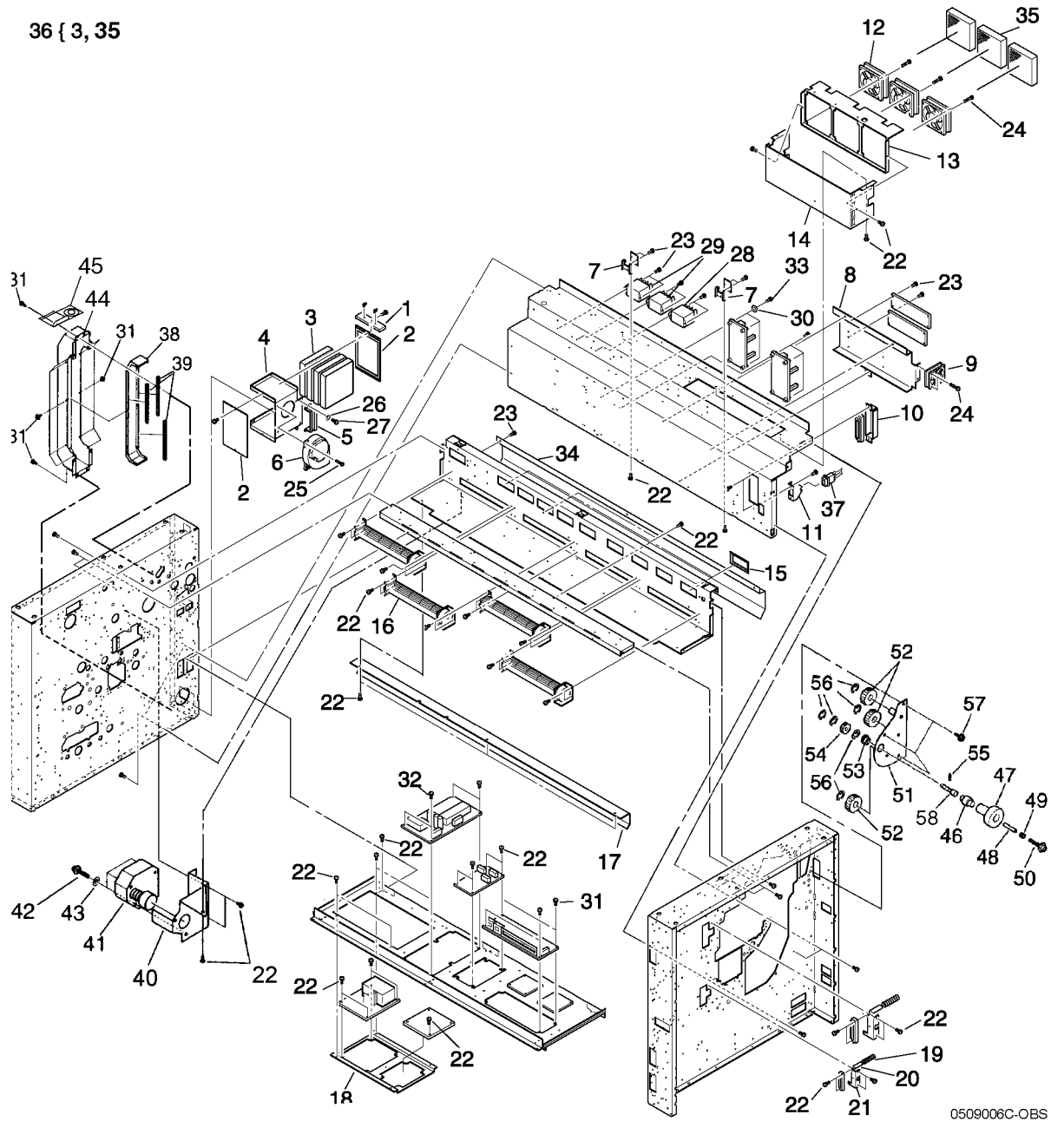
Item	Part	Description
1	-	Locking Card Spacer (Not Spared)
2	-	Locking Wire Saddle (Not Spared)
3	-	Bracket (Not Spared)
4	-	Bracket (Not Spared)
5	113N00368	Mount
6	-	Cover 1 (Not Spared)
7	-	Bracket (Not Spared)
8	-	Cover 2 (Not Spared)
9	-	Bracket (Not Spared)
10	-	Bracket (Not Spared)
11	-	Screw (Not Spared)
12	-	Screw (Not Spared)
13	-	Screw (Not Spared)
14	-	Bracket (Not Spared)
15	-	Bracket (Not Spared)
16	033N00225	Cutter Cooling Fan (FM3, FM4)
17	-	Screw (Not Spared)
18	-	Screw (Not Spared)
19	-	Paper Heater Switch (S2) (Not Spared)
20	-	Plate (Not Spared)
21	-	Holder (Not Spared)
22	-	Spring (Not Spared)
23	-	Pin (Not Spared)
24	-	Pin (Not Spared)
25	109N00572	Solid State Relay
26	-	Bracket (Not Spared)
27	009N00794	Compression Spring
28	005N00410	Collar
29	-	Screw (Not Spared)
30	-	Screw (Not Spared)
31	-	Plate (Not Spared)
32	101N00829	Circuit Protector (CB1)
33	-	Screw (Not Spared)
34	152N11502	Bias Lead
35	-	Pan Head Screw (Not Spared)
36	600N03217	HV Spring Kit



PL 9.6 Main Frame Components

Item	Part	Description
1	-	Cover (Not Spared)
2	-	Cover (Not Spared)
3	-	Ozone Filter (P/O PL 9.6 Item 36)
4	-	Filter Case (Not Spared)
5	-	Cover (Not Spared)
6	105N01098	Vacuum Transport Blower (BL1)
7	-	Mount (Not Spared)
8	-	Bracket (Not Spared)
9	127N01425	LVPS 3, 4 Cooling Fan (FM2)
10	-	Mount (Not Spared)
11	-	Mount (Not Spared)
12	127N01426	Blower (BL17, BL18, BL19)
13	-	Bracket (Not Spared)
14	-	Duct (Not Spared)
15	-	Bushing (Not Spared)
16	127N01424	Blower (BL8, BL9, BL10, BL11)
17	-	Cover (Not Spared)
18	-	PWB Mount (Not Spared)
19	009N00794	Compression Spring
20	005N00410	Collar
21	-	Mount (Not Spared)
22	-	Screw (Not Spared)
23	-	Screw (Not Spared)
24	-	Screw (Not Spared)
25	-	Screw (Not Spared)
26	-	Flat Washer (Not Spared)
27	-	Screw (Not Spared)
28	109N00592	AC Interlock Relay (K1)
29	109N00593	AC Interlock Relay, Side Fuser Relay (K2, K3)
30	-	Flat Washer (Not Spared)
31	-	Screw (Not Spared)
32	-	Screw (Not Spared)
33	-	Screw (Not Spared)
34	-	Bracket (Not Spared)
35	-	Ozone Filter (P/O PL 9.6 Item 36)
36	600N01779	Ozone Filter Kit (7/Kit)
37	109N00211	Lower Drawer Interlock Switch (DS3)
38	-	Duct (Not Spared)
39	-	Grommet (Not Spared)
40	-	Bracket (Not Spared)
41	127N01449	DC Motor, Hopper Auger
42	-	Screw (Not Spared)
43	-	Flat Washer (Not Spared)
44	-	Duct (Not Spared)
45	-	Oil Pan (Not Spared)
46	-	Knob Coupling (Not Spared)
47	-	Knob (Not Spared)
48	-	Sleeve (Not Spared)
49	-	Compression Spring (Not Spared)
50	-	Pan Head Screw
51	-	Mount 1 (Not Spared)
52	-	Gear (Not Spared) (40T)
53	-	Ball Bearing (Not Spared)
54	-	Gear (Not Spared) (20T)
55	-	Parallel Pin (Not Spared)
56	-	Retaining E-Ring (Not Spared)
57	-	Hex Head Bolt (Not Spared)
58	-	Shaft 1 (Not Spared)

36 { 3, 35

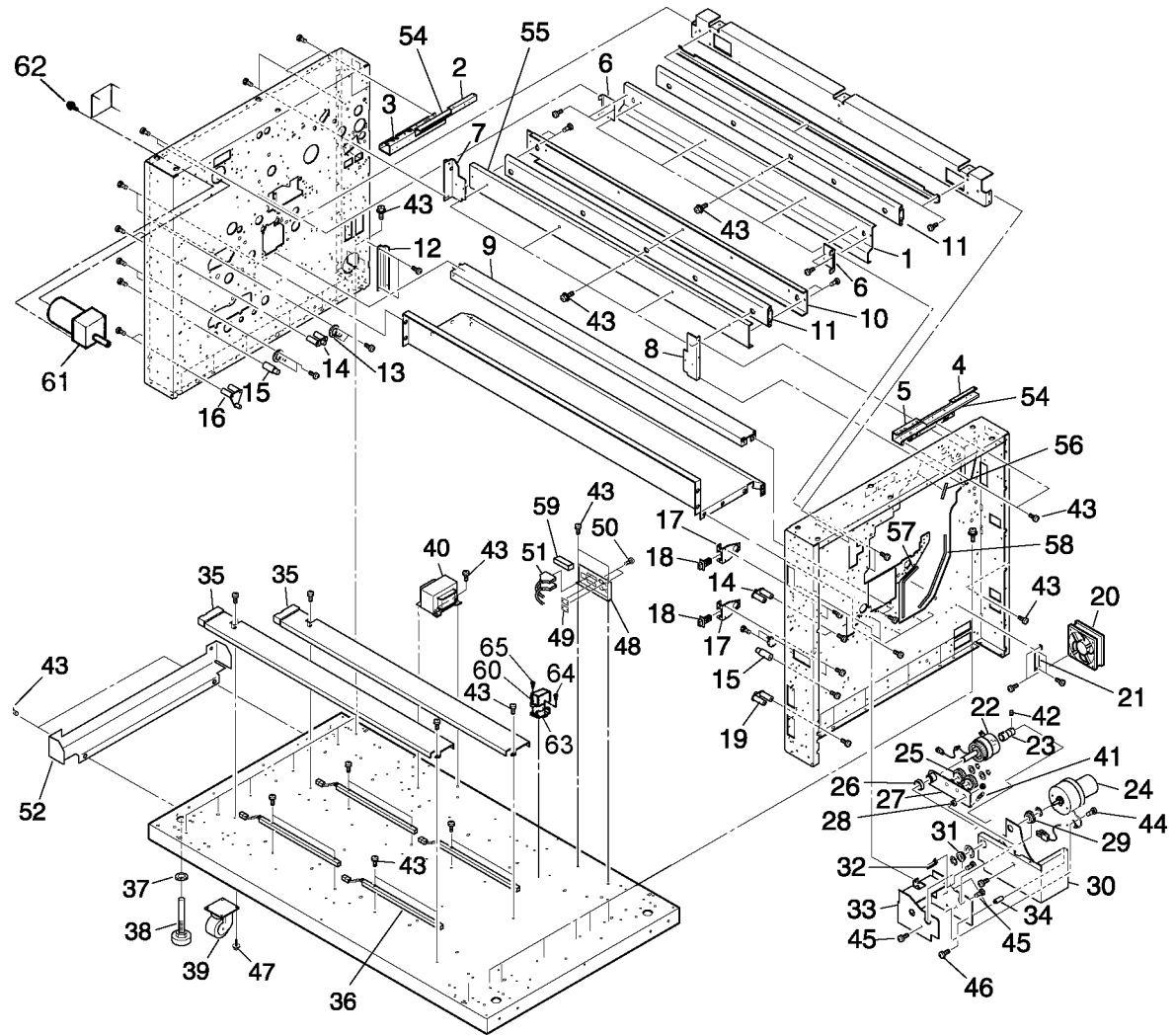


0509006C-OBS

PL 9.7 Frame Components

53 { 22 - 34, 41, 42, 44 - 46

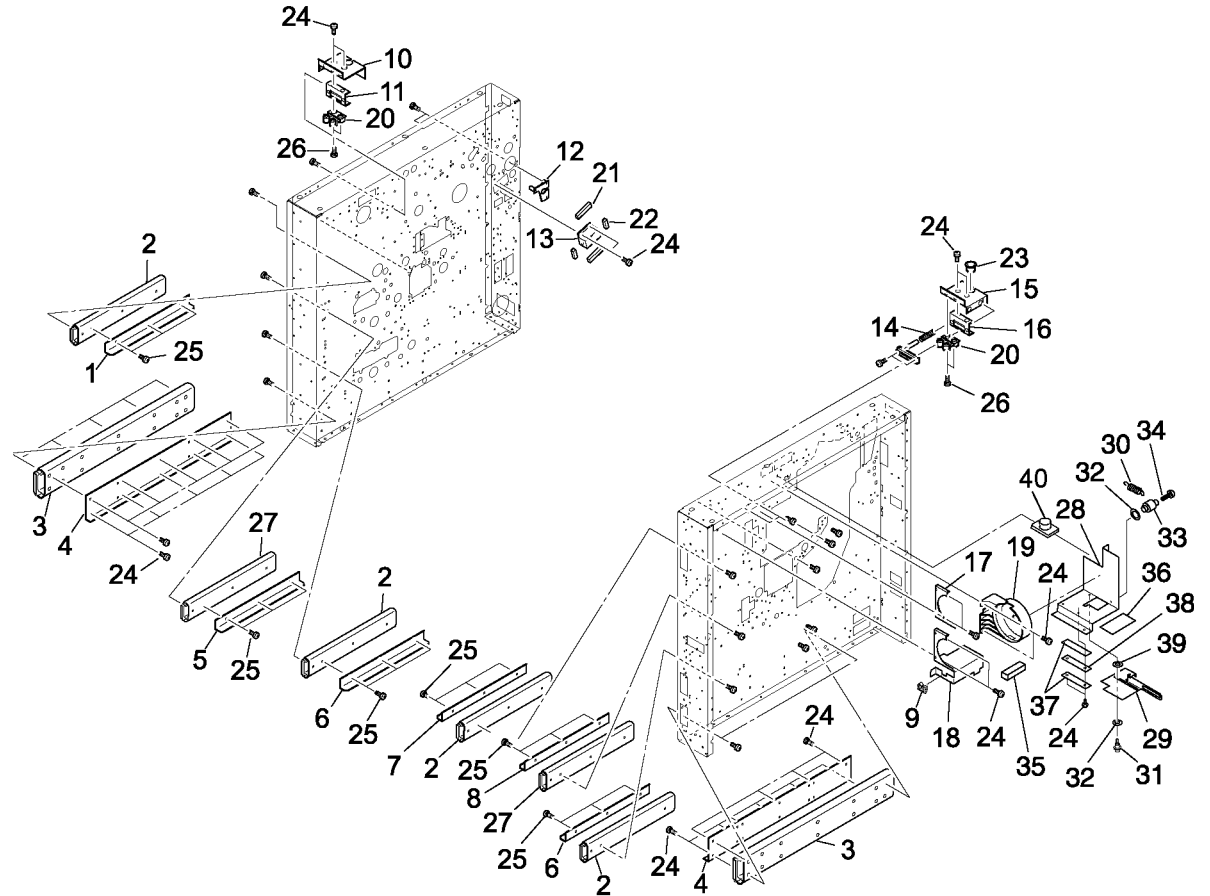
Item	Part	Description
1	-	Rail Bracket (Not Spared)
2	-	Bracket (Not Spared)
3	-	Bracket (Not Spared)
4	-	Bracket (Not Spared)
5	-	Bracket (Not Spared)
6	-	Rail Bracket (Not Spared)
7	-	Rail Bracket (Not Spared)
8	-	Rail Bracket (Not Spared)
9	-	Stay (Not Spared)
10	-	Rail Bracket (Not Spared)
11	-	Rail Slide (Not Spared)
12	-	Bracket (Not Spared)
13	-	Boss (Not Spared)
14	-	Plate (Not Spared)
15	-	Pin (Not Spared)
16	-	Plate (Not Spared)
17	-	Mount (Not Spared)
18	109N00211	Upper Drawer Interlock Switch (DS1), Middle Drawer Interlock Switch (DS2)
19	-	Plate (Not Spared)
20	127N01425	LVPS1 Cooling Fan (FM1)
21	-	Bracket (Not Spared)
22	-	Toner Dispense Clutch (CL11) (P/O PL 9.7 Item 53)
23	-	Pin (P/O PL 9.7 Item 53)
24	-	Toner Dispense Motor (MOT7) (P/O PL 9.7 Item 53)
25	-	Gear (P/O PL 9.7 Item 53) (22T)
26	-	Collar (P/O PL 9.7 Item 53)
27	-	Mount (P/O PL 9.7 Item 53)
28	-	Pin (P/O PL 9.7 Item 53)
29	-	Bearing (P/O PL 9.7 Item 53)
30	-	Mount (P/O PL 9.7 Item 53)
31	135N00030	Bearing
32	-	Mount (P/O PL 9.7 Item 53)
33	-	Bracket (P/O PL 9.7 Item 53)
34	-	Stud (P/O PL 9.7 Item 53)
35	-	Cover (Not Spared)
36	126N00203	Paper Heater (HTR3, HTR4, HTR5, HTR6)
37	009N01413	Spring Washer
38	017N00134	Adjuster
39	017N00132	Caster
40	105N01497	Transformer (T1)
41	-	Extension Spring (P/O PL 9.7 Item 53)
42	-	Set Screw (P/O PL 9.7 Item 53)
43	-	Screw (Not Spared)
44	-	Screw (P/O PL 9.7 Item 53)
45	-	Screw (P/O PL 9.7 Item 53)
46	-	Screw (P/O PL 9.7 Item 53)
47	-	Hex Head Bolt (Not Spared)
48	-	Bracket (Not Spared)
49	-	Connector Plate (Not Spared)
50	-	Screw (Not Spared)
51	-	Signal Cable (Not Spared)
52	-	Bracket (Not Spared)
53	005N00809	Toner Dispense Clutch Assembly
54	-	Slide Rail (Not Spared)
55	-	Rail Bracket (Not Spared)
56	-	Gasket (Not Spared)
57	-	Gasket (Not Spared)
58	-	Gasket (Not Spared)
59	-	Dust Cover (Not Spared)
60	109N00593	DC Power Relay (K6)
61	127N01448	DC Motor, Manual Feed
62	-	Hex Head Bolt (Not Spared)
63	-	Relay Mount (Not Spared)
64	-	Screw (Not Spared)
65	-	Screw (Not Spared)



0509007C-OBS

PL 9.8 Paper Drawer Rails

Item	Part	Description
1	-	Bracket (Not Spared)
2	010N00048	Rail
3	010N00047	Rail
4	-	Bracket (Not Spared)
5	-	Mount (Not Spared)
6	-	Bracket (Not Spared)
7	-	Bracket (Not Spared)
8	-	Mount (Not Spared)
9	-	Edge Saddle (Not Spared)
10	-	Bracket (Not Spared)
11	-	Bracket (Not Spared)
12	-	Bearing Plate (Not Spared)
13	-	Duct (Not Spared)
14	009N00794	Compression Spring
15	-	Bracket (Not Spared)
16	-	Bracket (Not Spared)
17	-	Mount (Not Spared)
18	-	Bracket (Not Spared)
19	120N00435	Toner Cartridge Support
20	022N00611	Catch
21	142N00086	Seal
22	142N00085	Seal
23	016N00145	Bushing
24	-	Screw (Not Spared)
25	-	Screw (Not Spared)
26	-	Screw (Not Spared)
27	001N00416	Rail
28	-	Bracket (Not Spared)
29	055N00283	Shutter
30	009N01455	Spring
31	-	Screw (Not Spared)
32	-	Thrust Washer (Not Spared)
33	-	Spring Hook (Not Spared)
34	-	Screw (Not Spared)
35	-	Gasket (Not Spared)
36	-	Sheet (Not Spared)
37	-	Spacer (Not Spared)
38	-	Spacer (Not Spared)
39	-	Flat Washer (Not Spared)
40	-	Seal (Not Spared)



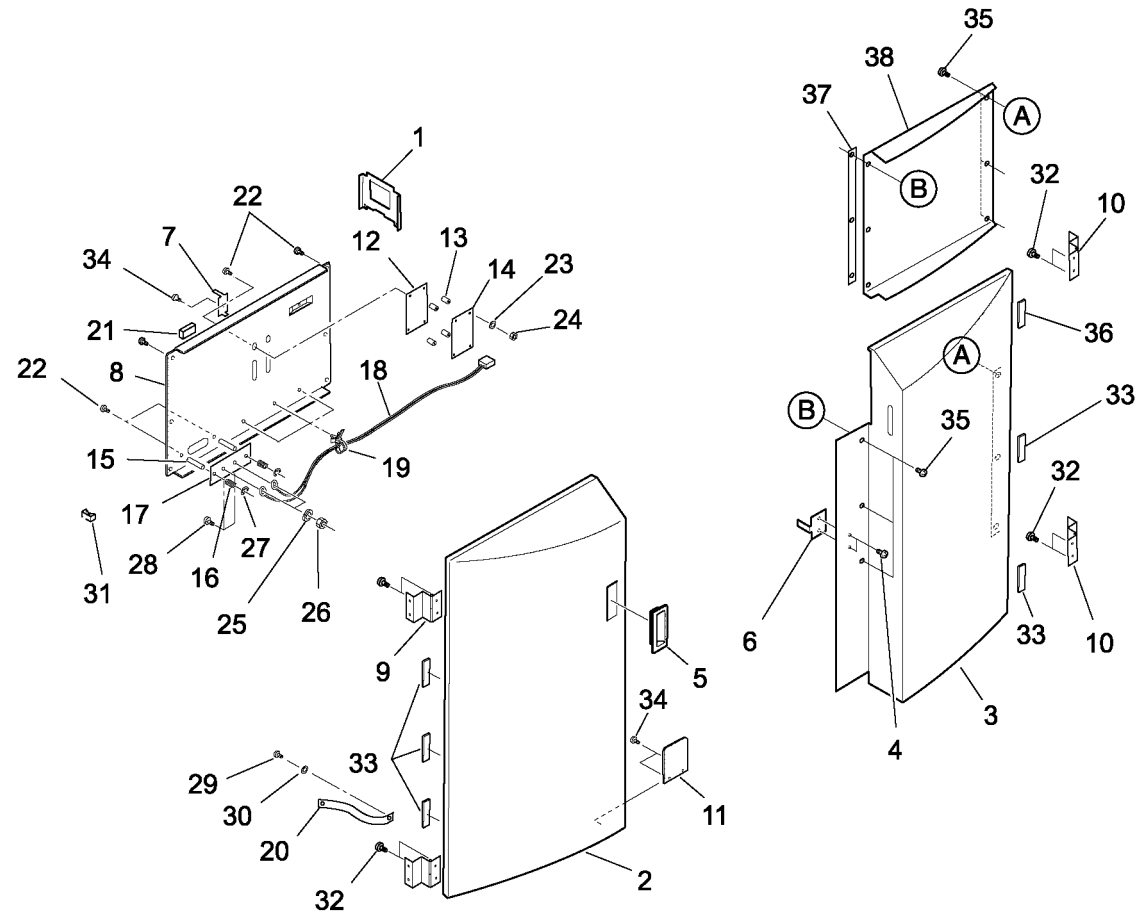
0509008B-OBS

PL 9.9 Right Side Covers

Item	Part	Description
1	002N02221	1394 Connector Cover (White)
-	002N02112	1394 Connector Cover (Purple)
2	002N02229	Left Door (White)
-	002N02119	Left Door (Purple)
3	002N02230	Right Door (White)
-	002N02118	Purple Right Door (Purple)
4	-	Screw (P/O PL 9.9 Item 39)
5	003N00868	Handle (Purple)
6	120N00413	Actuator
7	-	Actuator (P/O PL 9.9 Item 40)
8	-	Bracket (P/O PL 9.9 Item 40)
9	-	Bracket (P/O PL 9.9 Item 40)
10	-	Bracket (P/O PL 9.9 Item 39)
11	-	Bracket (P/O PL 9.9 Item 40)
12	-	Mylar Sheet (P/O PL 9.9 Item 40)
13	-	Stud (P/O PL 9.9 Item 40)
14	-	Toner Level Transmission PWB (PL 10.1 Item 8)
15	029N00341	Pin
16	009N01456	Spring
17	-	Bracket (P/O PL 9.9 Item 40)
18	107N00437	LED Terminal Lead
19	-	Binder (P/O PL 9.9 Item 40)
20	-	Door Strap (P/O PL 9.9 Item 40)
21	-	Stop Bracket (P/O PL 9.9 Item 40)
22	-	Screw (P/O PL 9.9 Item 40)
23	-	Flat Washer (P/O PL 9.9 Item 40)
24	-	Hex Nut (P/O PL 9.9 Item 40)
25	-	Spring Washer (P/O PL 9.9 Item 40)
26	-	Hex Nut (P/O PL 9.9 Item 40)
27	-	E-Ring (P/O PL 9.9 Item 40)
28	-	Screw (P/O PL 9.9 Item 40)
29	-	Screw (P/O PL 9.9 Item 40)
30	-	Flat Washer (P/O PL 9.9 Item 40)
31	-	Bushing (P/O PL 9.9 Item 40)
32	-	Screw (P/O PL 9.9 Item 39, PL 9.9 Item 40)
33	-	Gasket (P/O PL 9.9 Item 39, PL 9.9 Item 40)
34	-	Screw (P/O PL 9.9 Item 40)
35	-	Screw (P/O PL 9.9 Item 39)
36	-	Gasket (P/O PL 9.9 Item 39)
37	-	Guard (P/O PL 9.9 Item 39)
38	-	Bracket (P/O PL 9.9 Item 39)
39	002N02253	Right Door Assembly (White)
40	002N02252	Left Door Assembly (White)

39 { 3, 4, 6, 10, 32, 33, 35 - 38

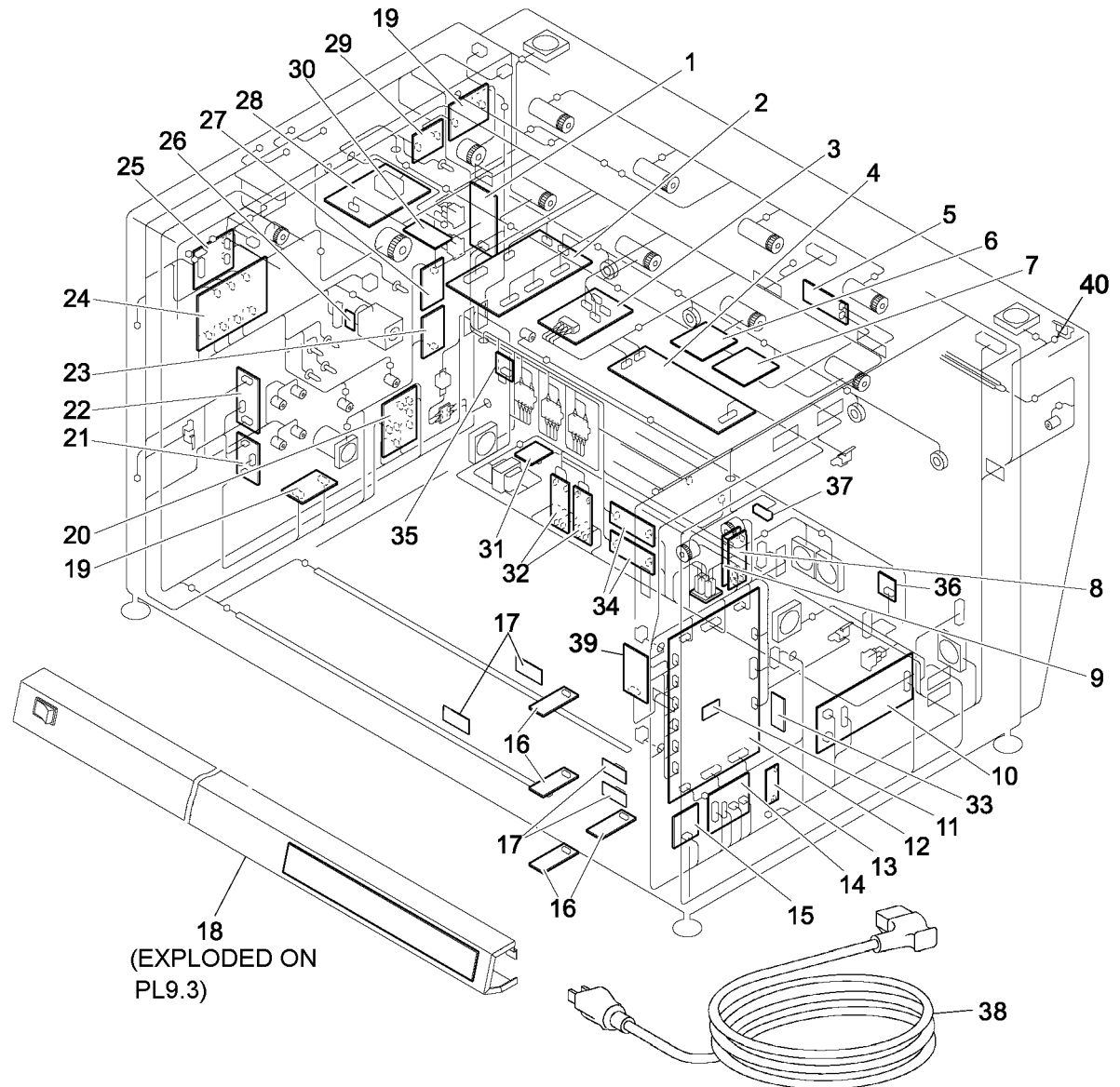
40 { 1, 2, 5, 7 - 9, 11 - 34



0509009A-OBS

PL 10.1 Electrical Components

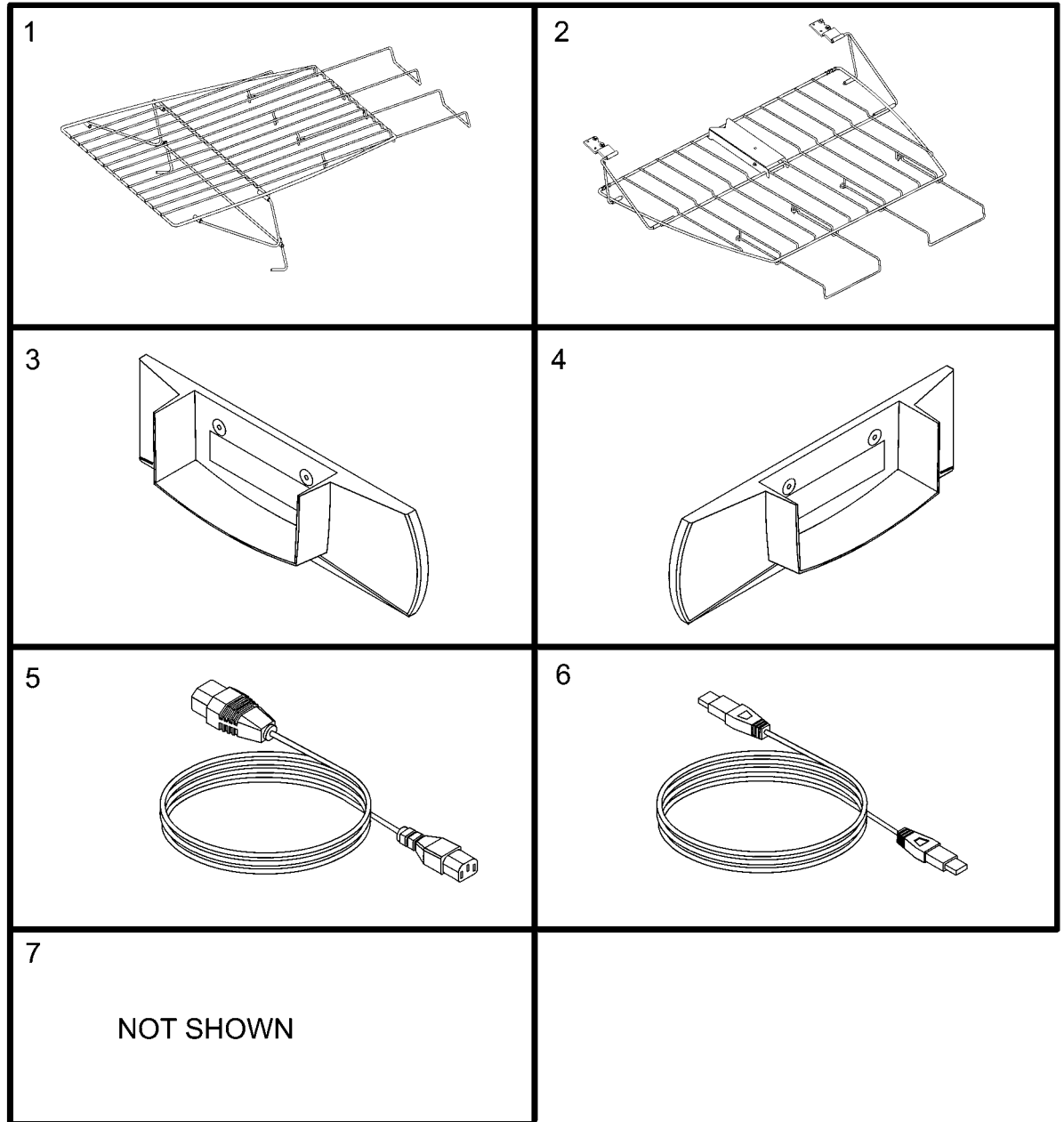
Item	Part	Description
1	140N06073	Overheat Protection PWB
2	140N06068	DC Driver PWB
3	140N04709	DC Terminal PWB
4	112N00173	LVPS 2
5	130N01254	SPS Controller PWB
6	140N06072	LED Driver PWB
7	105N02011	HVPS 5 (W/[TAG 1])
8	140N06070	Toner Level Transmission PWB
9	140N06071	Toner Level Receiver PWB
10	112N00174	LVPS 1
11	140N06075	Memory PWB
12	127N07269	DC Controller PWB (W/[TAG 6])
13	140N06069	LED Indicator PWB
14	140N04711	Diode PWB
15	130N01255	Humidity Sensor PWB
16	128N00399	Media Selection PWB
17	140N04710	DC Translation PWB
18	-	Operator Panel (Not Spared)
19	127N01431	Paper Feed Motor Controller PWB/Fuser Motor Controller PWB
20	140N06066	AC Terminal PWB
21	140N06074	Anti-Flickering PWB
22	127N07225	Cutter Motor Control PWB (W/[TAG 4])
23	105N01505	HVPS 4
24	105N01500	Developer Bias Power Supply
25	127N01430	Drum Motor Controller PWB
26	130N00672	Cutter Home Position Sensor (Q22)
27	105N01504	HVPS 3
28	105N01501	HVPS 1
29	105N01502	HVPS 6
30	105N02010	Pretransfer PWB
31	142N00159	Noise Filter PWB (NF3)
32	142N00160	Noise Filter PWB (NF1, NF2)
33	127N07250	Toner Dispense Motor Control PWB
34	112N00172	LVPS3/LVPS4
35	-	Transmission PWB (Not Spared)
36	-	Receiving PWB (Not Spared)
37	-	Surface Potential Sensor (SPS1) (Not Spared)
38	117K27001	Power Cord
-	117E25540	Power Cord (EO) (16 Amp)
39	-	Media Status Indicator (Not Spared)
40	117N01629	1394 Cable, Internal



0510001C-OBS

PL 11.1 Scanner and Other Components

Item	Part	Description
1	050K55330	Scanner Catch Tray (RFU)
2	050K55350	IOT Catch Tray (RFU)
3	068K40330	LH Scanner Support (RFU)
4	068K40340	RH Scanner Support (RFU)
5	117E25610	Power Cord
6	117E25530	1394/Firewire Cord
7	117E25410	Access Controller Power Cord



0511001B-OBS

Part Number Index

Table 1 Part Number Index

Part Number	Part List
001N00399	PL 8.1
001N00400	PL 9.1
001N00401	PL 9.1
001N00402	PL 6.6
001N00415	PL 7.11
001N00416	PL 9.8
002N02111	PL 9.1
002N02112	PL 9.9
002N02113	PL 9.1
002N02114	PL 9.1
002N02115	PL 9.1
002N02116	PL 9.1
002N02117	PL 9.1
002N02118	PL 9.9
002N02119	PL 9.9
002N02120	PL 9.1
002N02121	PL 9.1
002N02122	PL 9.1
002N02123	PL 9.1
002N02124	PL 9.1
002N02125	PL 9.1
002N02126	PL 9.1
002N02127	PL 9.1
002N02220	PL 9.1
002N02221	PL 9.9
002N02222	PL 9.1
002N02223	PL 9.1
002N02224	PL 9.1
002N02225	PL 9.1
002N02226	PL 9.1
002N02227	PL 9.1
002N02228	PL 9.1
002N02229	PL 9.9
002N02230	PL 9.9
002N02231	PL 9.1
002N02232	PL 9.1
002N02233	PL 9.1
002N02234	PL 4.6
002N02235	PL 9.1

Table 1 Part Number Index

Part Number	Part List
002N02236	PL 9.1
002N02237	PL 9.1
002N02238	PL 9.1
002N02239	PL 9.1
002N02252	PL 9.9
002N02253	PL 9.9
002N02254	PL 9.1
002N02255	PL 9.1
003N00601	PL 6.5
	PL 8.1
003N00605	PL 6.2
003N00606	PL 7.13
003N00608	PL 4.4
003N00868	PL 9.1
	PL 9.9
003N00870	PL 9.1
003N00883	PL 9.1
003N00925	PL 4.6
003N00926	PL 9.1
003N00930	PL 5.2
005N00404	PL 8.1
	PL 8.2
005N00405	PL 8.2
005N00407	PL 8.2
005N00408	PL 8.3
005N00409	PL 4.2
005N00410	PL 9.5
	PL 9.6
005N00413	PL 7.4
005N00414	PL 8.3
005N00416	PL 4.2
	PL 4.3
005N00417	PL 4.3
005N00423	PL 6.3
005N00427	PL 6.5
005N00428	PL 8.1
	PL 8.2
005N00429	PL 7.12
005N00452	PL 6.3
005N00805	PL 8.1
005N00806	PL 8.1

Table 1 Part Number Index

Part Number	Part List
005N00807	PL 1.2
005N00808	PL 3.2
005N00809	PL 9.7
005N00997	PL 6.5
005N01006	PL 6.3
005N01017	PL 7.4
006N00834	PL 7.12
006N00838	PL 8.2
006N00884	PL 5.2
006N00988	PL 8.3
006N00990	PL 8.2
006N00992	PL 8.2
006N01200	PL 8.1
	PL 8.2
006N01226	PL 4.6
006N01227	PL 7.5
006N01228	PL 7.10
006N01229	PL 7.13
007N00503	PL 8.2
007N00504	PL 8.1
	PL 8.2
007N00506	PL 4.3
007N00510	PL 6.5
007N00511	PL 7.4
	PL 7.8
007N00512	PL 7.10
	PL 7.12
	PL 7.4
	PL 7.8
007N00513	PL 7.12
	PL 7.8
	PL 7.4
007N00514	PL 7.12
	PL 7.8
	PL 7.4
007N00515	PL 7.12
007N00516	PL 6.5
	PL 7.12
007N00517	PL 7.12
	PL 7.13
007N00520	PL 7.12

Table 1 Part Number Index

Part Number	Part List
	PL 7.13
	PL 8.2
007N00521	PL 6.5
007N00527	PL 7.4
007N00528	PL 7.4
007N00529	PL 8.1
	PL 8.2
007N00531	PL 6.3
007N00532	PL 8.3
007N00533	PL 8.3
007N00546	PL 4.2
	PL 7.4
007N00547	PL 4.3
007N00549	PL 7.4
007N00551	PL 8.2
007N00552	PL 7.4
007N00553	PL 4.3
007N00554	PL 8.1
	PL 8.2
007N00555	PL 4.4
007N00558	PL 7.12
	PL 8.2
	PL 8.1
	PL 7.8
007N00559	PL 6.5
	PL 7.4
007N00560	PL 4.2
	PL 4.3
007N00561	PL 8.3
007N00749	PL 4.3
	PL 8.3
007N01183	PL 8.4
007N01184	PL 8.4
007N01185	PL 8.4
007N01186	PL 8.2
007N01187	PL 8.2
007N01188	PL 8.2
007N01189	PL 1.3
007N01190	PL 4.2
007N01191	PL 7.2
007N01192	PL 7.12

Table 1 Part Number Index

Part Number	Part List
007N01232	PL 1.6
007N01233	PL 6.6
007N01234	PL 7.12
007N01235	PL 8.1
007N01236	PL 8.1
008N01733	PL 1.2
009N00777	PL 7.12
	PL 7.4
	PL 7.8
009N00778	PL 7.11
	PL 7.7
	PL 7.3
009N00779	PL 8.1
	PL 8.2
009N00780	PL 8.1
	PL 8.2
009N00783	PL 7.6
009N00784	PL 7.10
009N00789	PL 4.2
	PL 4.3
009N00792	PL 6.3
009N00793	PL 6.4
009N00794	PL 9.5
	PL 9.6
	PL 9.8
009N00795	PL 4.6
009N00800	PL 7.11
	PL 7.7
	PL 9.1
	PL 7.3
009N00852	PL 1.5
009N01413	PL 9.7
009N01414	PL 8.2
009N01415	PL 8.2
009N01416	PL 1.6
009N01417	PL 1.6
009N01418	PL 1.6
	PL 1.7
009N01424	PL 9.2
009N01425	PL 7.10
009N01450	PL 1.2

Table 1 Part Number Index

Part Number	Part List
009N01451	PL 4.3
009N01452	PL 4.6
009N01453	PL 4.6
009N01454	PL 6.2
009N01455	PL 9.8
009N01456	PL 9.9
010N00047	PL 9.8
010N00048	PL 9.8
010N01179	PL 1.7
011N00364	PL 8.2
011N00490	PL 4.2
011N00491	PL 4.3
013N00267	PL 6.5
013N00269	PL 1.2
	PL 6.5
	PL 8.2
	PL 8.1
	PL 4.3
	PL 4.2
013N00270	PL 3.3
	PL 3.4
013N00271	PL 4.2
	PL 7.12
	PL 4.3
	PL 8.1
	PL 8.2
	PL 8.3
013N00273	PL 4.4
013N00320	PL 6.3
013N00327	PL 8.2
013N00370	PL 7.2
013N00383	PL 8.1
013N13804	PL 1.2
013N13805	PL 7.4
013N13806	PL 8.4
013N13807	PL 8.4
014N00296	PL 4.2
014N00297	PL 7.12
	PL 7.8
014N00298	PL 6.5
014N00422	PL 1.5

Table 1 Part Number Index

Part Number	Part List
014N00423	PL 1.5
014N00424	PL 9.1
015N00489	PL 1.2
015N00498	PL 1.6
016N00145	PL 4.5
	PL 7.14
	PL 9.8
016N00146	PL 7.14
	PL 7.6
017N00132	PL 9.7
017N00134	PL 9.7
018N00179	PL 9.1
018N00189	PL 3.3
019N00344	PL 7.11
	PL 7.7
	PL 7.3
019N00345	PL 7.11
	PL 7.7
	PL 7.3
019N00346	PL 4.2
	PL 4.3
019N00347	PL 4.2
	PL 4.3
019N00348	PL 7.4
019N00769	PL 4.6
020N00267	PL 7.13
	PL 7.9
	PL 7.5
020N00268	PL 7.12
	PL 7.4
	PL 7.8
020N00723	PL 8.4
020N00724	PL 8.4
020N00725	PL 8.4
020N00726	PL 1.2
020N00727	PL 7.4
022N00596	PL 7.10
	PL 7.6
022N00598	PL 4.2
022N00600	PL 7.2
022N00601	PL 7.2

Table 1 Part Number Index

Part Number	Part List
022N00603	PL 7.5
022N00604	PL 7.5
022N00611	PL 9.1
	PL 9.8
022N00622	PL 7.10
022N00623	PL 7.10
022N00686	PL 4.6
022N00689	PL 7.10
	PL 7.6
022N00807	PL 7.10
	PL 7.13
	PL 7.5
022N00955	PL 7.2
022N01584	PL 3.1
022N01601	PL 1.2
022N02015	PL 7.1
022N02024	PL 6.5
022N02028	PL 4.4
022N02029	PL 4.4
022N02030	PL 9.2
022N02045	PL 6.6
023N00322	PL 7.12
	PL 7.4
	PL 7.8
023N00323	PL 7.13
	PL 7.9
	PL 7.5
023N00379	PL 6.3
023N00608	PL 5.2
023N01000	PL 8.4
023N01001	PL 8.2
023N01002	PL 8.3
026N00440	PL 5.2
	PL 6.3
	PL 7.13
	PL 6.2
	PL 8.4
	PL 7.4
	PL 8.1
026N00518	PL 5.2
026N00519	PL 5.2

Table 1 Part Number Index

Part Number	Part List
026N00727	PL 1.6
	PL 1.7
026N00738	PL 1.2
028N00190	PL 4.2
028N00196	PL 6.5
028N00197	PL 6.5
028N00199	PL 3.3
	PL 8.1
	PL 8.2
	PL 6.5
	PL 4.3
028N00317	PL 1.6
	PL 1.7
028N00318	PL 1.7
029N00146	PL 7.2
029N00179	PL 5.2
029N00180	PL 4.2
	PL 7.12
	PL 7.10
	PL 4.3
	PL 7.4
	PL 8.1
	PL 8.3
	PL 8.2
	PL 7.8
	PL 7.13
029N00341	PL 9.9
030N00634	PL 1.2
030N00635	PL 1.2
030N00636	PL 3.4
030N00637	PL 1.7
030N00638	PL 9.1
030N00639	PL 9.1
030N00640	PL 9.1
030N00644	PL 7.10
030N00645	PL 9.1
030N00646	PL 3.2
030N00662	PL 9.4
031N00136	PL 7.12
	PL 7.4
	PL 7.8

Table 1 Part Number Index

Part Number	Part List
032N00383	PL 1.7
033N00134	PL 4.5
033N00225	PL 9.5
035N00351	PL 3.4
035N00352	PL 3.4
035N00364	PL 3.2
037N00116	PL 5.1
037N00117	PL 5.2
038N00419	PL 9.1
038N00420	PL 9.1
042N00123	PL 9.4
047N00014	PL 4.2
	PL 4.3
047N00015	PL 3.3
	PL 6.3
050N00429	PL 9.2
050N00430	PL 9.1
050K54990	PL 9.1
050K55330	PL 11.1
050K55350	PL 11.1
055N00283	PL 9.8
056E05050	PL 9.3
056E05140	PL 9.3
056E05150	PL 9.3
062N00244	PL 6.5
	PL 7.10
	PL 7.14
	PL 9.2
	PL 7.6
064N00019	PL 7.6
068K40330	PL 11.1
068K40340	PL 11.1
074N00023	PL 6.5
091N00414	PL 7.12
	PL 7.13
	PL 7.8
	PL 7.9
	PL 7.5
	PL 7.4
091N00415	PL 7.12
	PL 7.8

Table 1 Part Number Index

Part Number	Part List
	PL 7.4
091N00417	PL 7.4
	PL 7.5
091N00423	PL 1.5
091N00424	PL 1.5
091N00425	PL 6.5
091N00549	PL 7.2
091N80179	PL 4.6
091N80180	PL 4.6
101N00829	PL 9.5
101N01323	PL 1.6
101N01324	PL 1.6
101N01325	PL 1.6
101N01326	PL 9.1
101N01327	PL 9.1
105N01098	PL 9.6
105N01497	PL 9.7
105N01498	PL 7.12
	PL 7.4
105N01499	PL 7.12
	PL 7.4
105N01500	PL 10.1
105N01501	PL 10.1
105N01502	PL 10.1
105N01504	PL 10.1
105N01505	PL 10.1
105N01997	PL 1.1
105N01998	PL 1.1
105N01999	PL 1.1
105N02010	PL 10.1
105N02011	PL 10.1
107N00423	PL 1.7
107N00437	PL 9.9
107N00439	PL 1.7
108N00518	PL 9.1
109N00211	PL 4.5
	PL 9.7
	PL 9.6
	PL 9.1
109N00213	PL 9.4
109N00572	PL 9.5

Table 1 Part Number Index

Part Number	Part List
109N00592	PL 9.6
109N00593	PL 9.6
	PL 9.7
110N00727	PL 4.3
110N01058	PL 9.1
	PL 9.4
110N01355	PL 9.1
110N01356	PL 9.3
111N00047	PL 9.4
111N00048	PL 9.4
112N00172	PL 10.1
112N00173	PL 10.1
112N00174	PL 10.1
113N00274	PL 4.2
	PL 4.3
113N00368	PL 9.4
	PL 9.5
115N00258	PL 4.6
115N00848	PL 4.5
116N00235	PL 9.1
116N00237	PL 3.2
117N01146	PL 1.5
117N01629	PL 10.1
117E25410	PL 11.1
117E25530	PL 11.1
117E25540	PL 10.1
117E25610	PL 11.1
117K27001	PL 10.1
118N00128	PL 4.2
	PL 4.3
120N00224	PL 6.4
120N00225	PL 4.4
120N00413	PL 9.9
120N00418	PL 1.5
120N00419	PL 1.5
120N00434	PL 4.4
120N00435	PL 9.8
121N00289	PL 7.4
121N00290	PL 6.4
121N00292	PL 4.4
121N00298	PL 5.2

Table 1 Part Number Index

Part Number	Part List
121N00614	PL 3.1
121N00615	PL 6.5
	PL 8.1
	PL 8.2
121N01060	PL 8.2
121N01063	PL 6.6
122N00100	PL 4.3
122N00101	PL 4.3
122N00219	PL 4.3
122N00225	PL 1.2
122N00226	PL 1.2
126N00201	PL 4.2
126N00202	PL 4.1
126N00203	PL 9.7
126N00216	PL 4.1
126N00217	PL 4.1
126N00218	PL 7.5
	PL 7.9
127N00750	PL 8.1
	PL 8.3
127N01424	PL 9.1
	PL 9.6
127N01425	PL 9.6
	PL 9.7
127N01426	PL 9.6
127N01427	PL 8.4
127N01428	PL 1.2
127N01430	PL 10.1
127N01431	PL 10.1
127N01448	PL 9.7
127N01449	PL 9.6
127N07225	PL 10.1
127N07247	PL 1.6
127N07248	PL 8.2
127N07250	PL 10.1
127N07269	PL 10.1
128N00399	PL 10.1
129N00004	PL 4.2
130N00671	PL 4.4
130N00672	PL 10.1
	PL 8.2

Table 1 Part Number Index

Part Number	Part List
130N00681	PL 3.2
	PL 3.4
130N01254	PL 10.1
130N01255	PL 10.1
130N01263	PL 9.4
064N00018	PL 1.2
	PL 8.2
	PL 7.9
	PL 7.14
	PL 7.5
130N01294	PL 4.4
130N01295	PL 4.4
130N01297	PL 6.5
135N00029	PL 4.3
135N00030	PL 8.2
	PL 9.7
135N00033	PL 6.3
135N00034	PL 7.10
	PL 7.12
	PL 7.13
	PL 7.4
	PL 7.8
	PL 7.9
	PL 7.5
140N04704	PL 6.4
140N04709	PL 10.1
140N04710	PL 10.1
140N04711	PL 10.1
140N06066	PL 10.1
140N06067	PL 9.3
140N06068	PL 10.1
140N06069	PL 10.1
140N06070	PL 10.1
140N06071	PL 10.1
140N06072	PL 10.1
140N06073	PL 10.1
140N06074	PL 10.1
140N06075	PL 10.1
140N06100	PL 9.2
142N00085	PL 6.3
	PL 9.8

Table 1 Part Number Index

Part Number	Part List
142N00086	PL 6.3
	PL 9.8
142N00159	PL 10.1
142N00160	PL 10.1
144N00116	PL 1.3
146N00122	PL 7.13
	PL 7.5
	PL 7.9
152N11502	PL 9.5
500N00101	PL 9.2
600N01779	PL 9.6
600N01780	PL 1.2
600N01781	PL 1.3
600N01782	PL 1.6
600N01784	PL 1.6
600N01785	PL 1.5
600N01786	PL 3.3
600N01787	PL 4.6
600N01788	PL 4.4
600N01789	PL 4.4
600N01790	PL 4.4
600N03210	PL 1.6
600N03213	PL 9.4
600N03216	PL 7.1
600N03217	PL 9.5
600N03218	PL 1.6
605N00053	PL 6.4
892E88310	PL 9.3
892E88320	PL 9.1
892E88330	PL 9.3
892E88340	PL 9.1
892E88350	PL 9.3
892E88360	PL 9.1
892E88370	PL 9.3
892E88380	PL 9.1
893E18440	PL 9.3