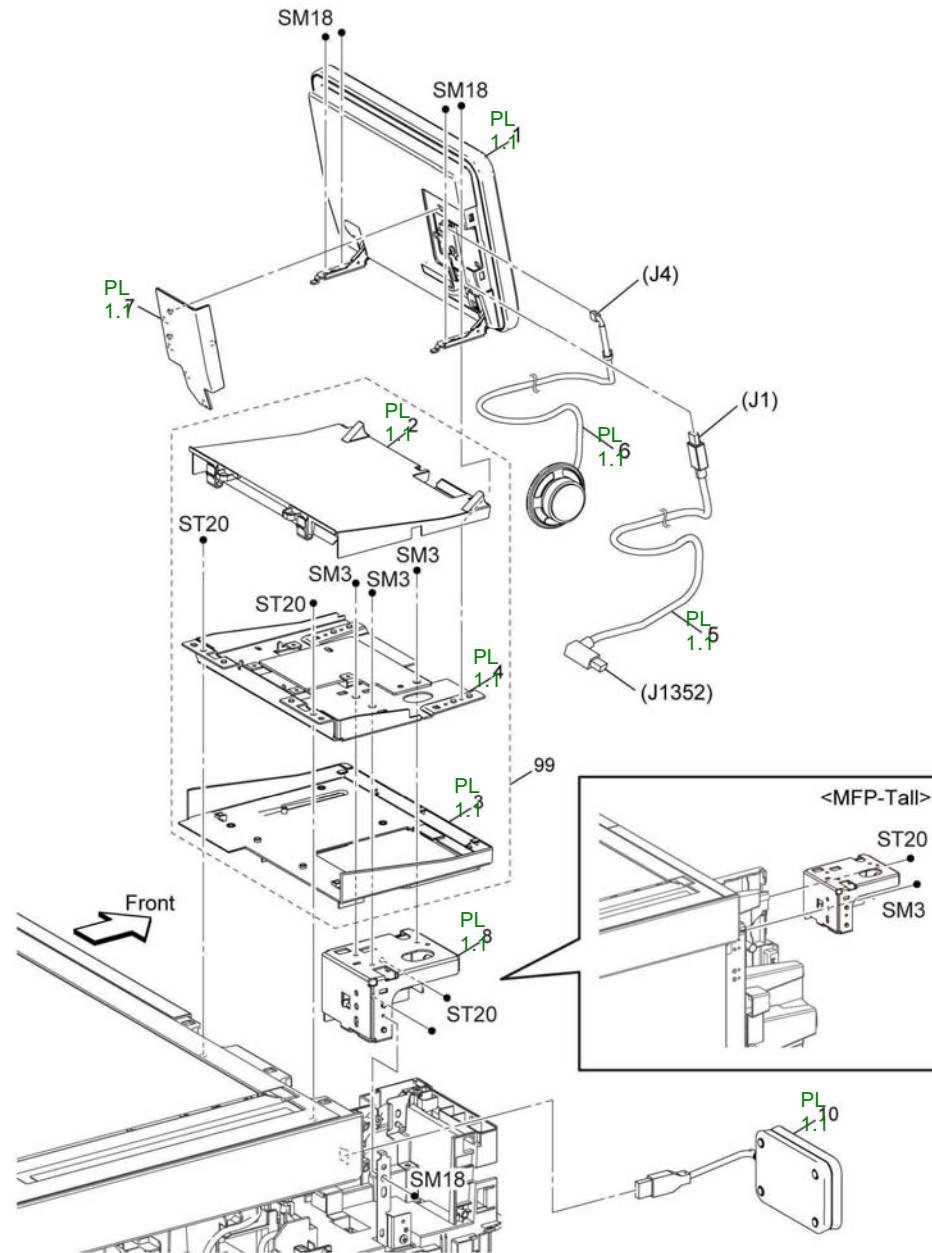


5 Parts Lists

1 - UI			
PL 1.1 UI MFP-Std, MFP-Tall	5-3	PL 17.1 Exit.....	5-25
PL 1.2 UI (SFP).....	5-4	18 - Electrical	
2.0 - LPH		PL 18.1 Electrical (MFP-Std.) (1/4)	5-26
PL 2.1 LPH.....	5-5	PL 18.2 Electrical (MFP-Std.) (2/4)	5-27
3 - Drive		PL 18.3 Electrical (MFP-Std.) (3/4)	5-28
PL 3.1 Drive	5-6	PL 18.4 Electrical (MFP-Std.) (4/4)	5-29
4 - NOHAD		PL 18.5 Electrical (MFP-Tall) (1/4)	5-30
PL 4.1 NOHAD.....	5-7	PL 18.6 Electrical (MFP-Tall) (2/4)	5-31
5 - Dispenser		PL 18.7 Electrical (MFP-Tall) (3/4)	5-32
PL 5.1 Dispenser.....	5-8	PL 18.8 Electrical (MFP-Tall) (4/4)	5-33
6 - Transfer		PL 18.9 Electrical (SFP) (1/4).....	5-34
PL 6.1 Transfer	5-9	PL 18.10 Electrical (SFP) (2/4).....	5-35
7 - Fusing		PL 18.11 Electrical (SFP) (3/4).....	5-36
PL 7.1 Fusing.....	5-10	PL 18.12 Electrical (SFP) (4/4).....	5-37
8 - Xerographic		19 - Cover	
PL 8.1 Xerographic	5-11	PL 19.1 Cover (MFP-Std.) (1/2)	5-38
9 - Tray		PL 19.2 Cover (MFP-Std.) (2/2)	5-39
PL 9.1 Tray.....	5-12	PL 19.3 Cover (MFP-Tall) (1/2).....	5-40
10 - Option Feeder		PL 19.4 Cover (MFP-Tall) (2/2).....	5-41
PL 10.1 Option Feeder (1/3)	5-13	PL 19.5 Cover (SFP) (1/2).....	5-42
PL 10.2 Option Feeder (2/3)	5-14	PL 19.6 Cover (SFP) (2/2).....	5-43
PL 10.3 Option Feeder (3/3)	5-15	20 Mailbox	
11		PL 20.1 Mailbox.....	5-44
PL 11.1 HCF Front-Right	5-16	PL 20.2 Mailbox.....	5-45
PL 11.2 HCF Left	5-17	21	
PL 11.3 HCF (3/4 Tray).....	5-18	PL 21.1 Finisher	5-46
PL 11.4 HCF (4/4 Tray).....	5-19	PL 21.2 Finisher	5-47
13 - MSI		Cabinet	
PL 13.1 MSI	5-20	PL 30.1 Cabinet.....	5-48
PL 13.2 MSI (2/2)	5-21	PL 30.2 Caster	5-49
14 - Duplex		50 - Scanner	
PL 14.1 Duplex.....	5-22	PL 50.1 Scanner (MFP only).....	5-50
15 - Registration			
PL 15.1 Registration (1/2)	5-23		
PL 15.2 Registration (2/2)	5-24		
17 - Exit			

PL 1.1 UI MFP-Std, MFP-Tall

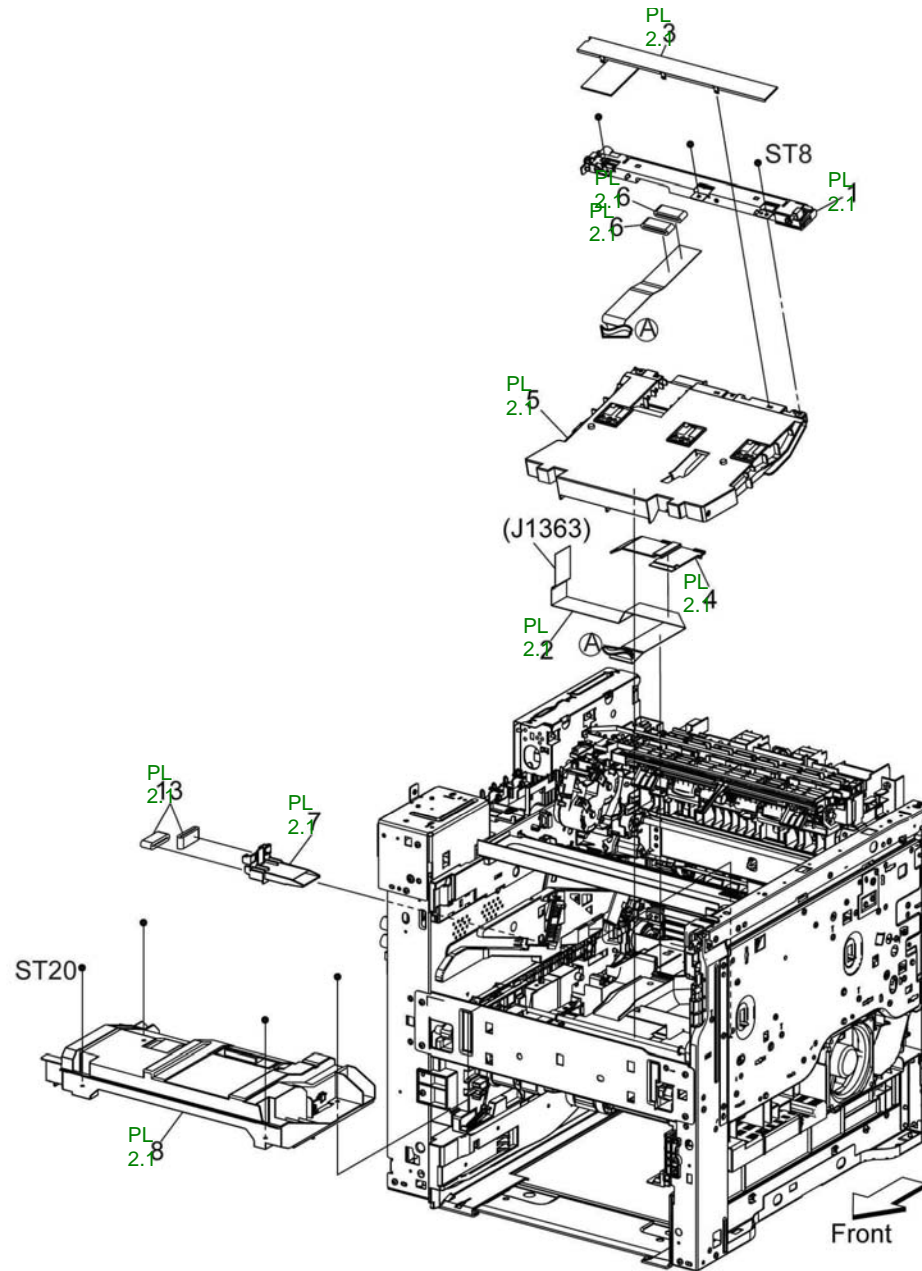
Item	Part	Description
1	948K02982	Console assembly UI AIO (REP 1.1)
2	822E18611	UI inner cover (REP 1.2)
3	822E18601	UI frame cover (REP 1.3)
4	-	UI frame plate (Not spared)
5	952K35720	UI harness (tall) (REP 1.4)
-	952K35710	UI harness (REP 1.4)
6	-	Speaker main
7	822E30280	UI access door (hatch) (REP 1.5)
8	-	UI frame bracket (Not spared)
9	-	Not used
10	-	ICCR card (Not spared)



E-8-2001-A

PL 2.1 LPH

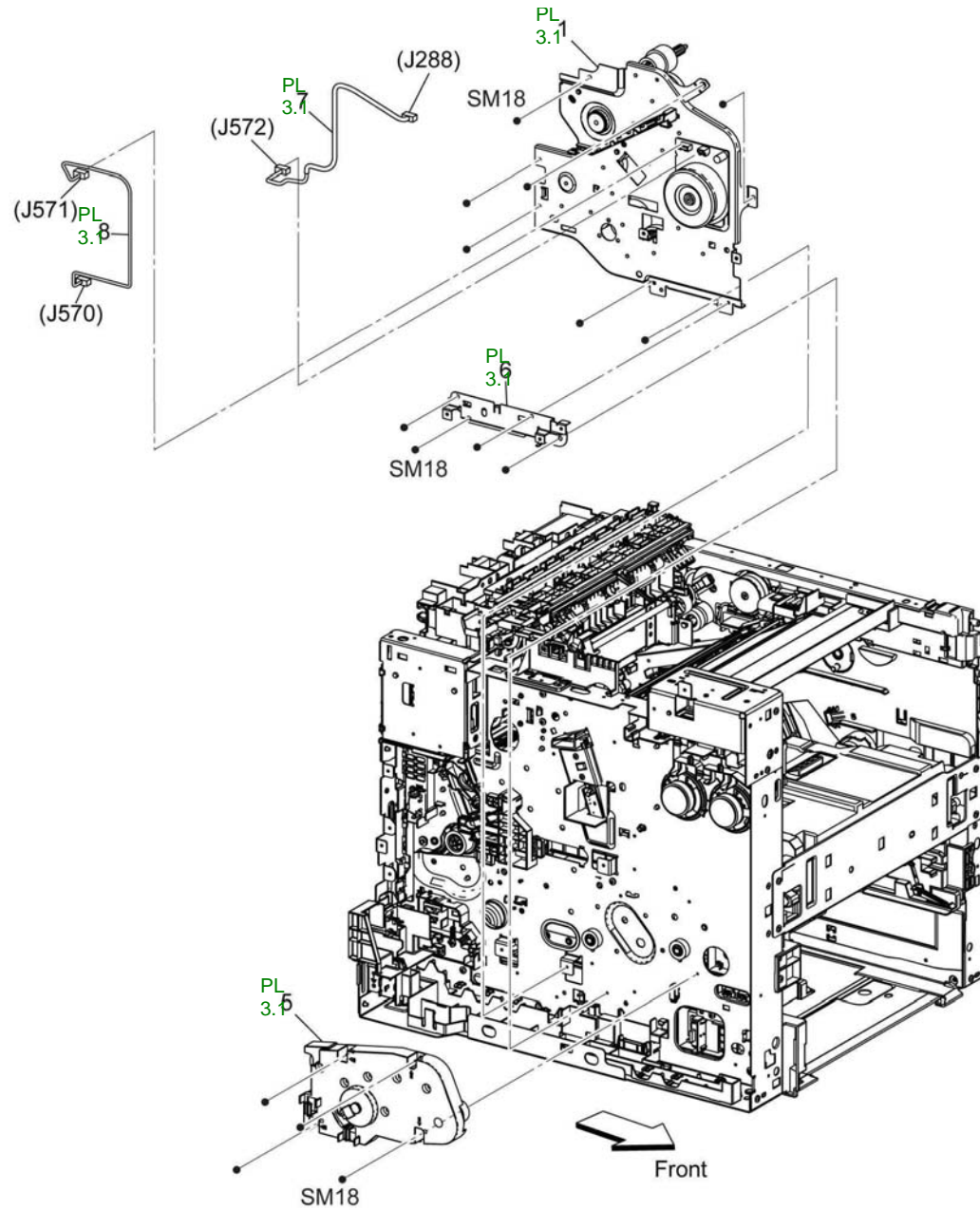
Item	Part	Description
1	930K00760	Head assembly LPH mono
2	117E41970	FFC LPH
3	-	Cover LPH (guide cleaner) (Not spared)
4	-	Cover LPH ESD (Not spared)
5	-	Holder LPH RT (Not spared)
6	-	Core ferrite LPH (Not spared)
7	-	Guide FFC mono LPH (Not spared)
8	-	Guide toner (Not spared)
9	-	Not used
10	-	Not used
11	-	Not used
12	-	Not used
13	-	Core ferrite LPH (Not spared)



E-8-2003-A

PL 3.1 Drive

Item	Part	Description
1	007K22820	Drive assembly main
2	-	Not used
3	-	Not used
4	-	Not used
5	007K21981	Drive assembly MSI
6	-	Plate MCU (Not spared)
7	-	Harness assembly motor PWR-MV (Not spared)
8	-	Harness assembly motor - MV (Not spared)

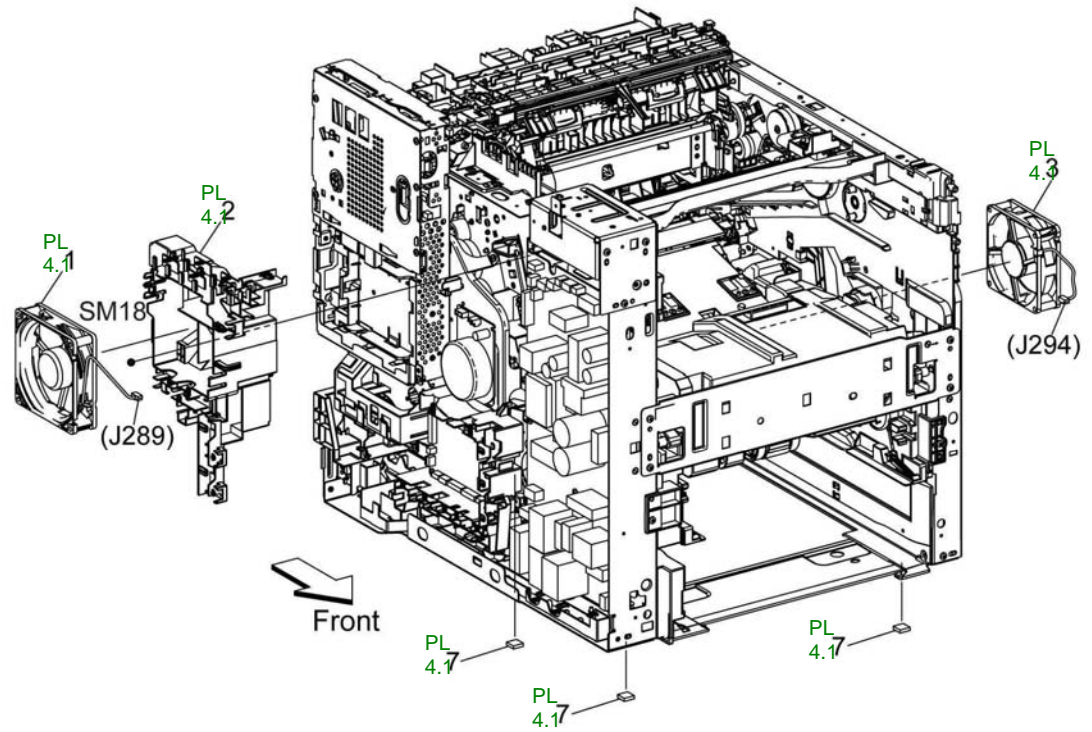


E-8-2004-A

PL 4.1 NOHAD

Item	Part	Description
1	127K74220	Fan main
2	-	Duct fan main (Not spared)
3	127K74200	Fan sub
4	-	Not used
5	-	Not used
6	-	Not used
7	017K94350	Rubber foot
99	604K77650	Kit foot assembly

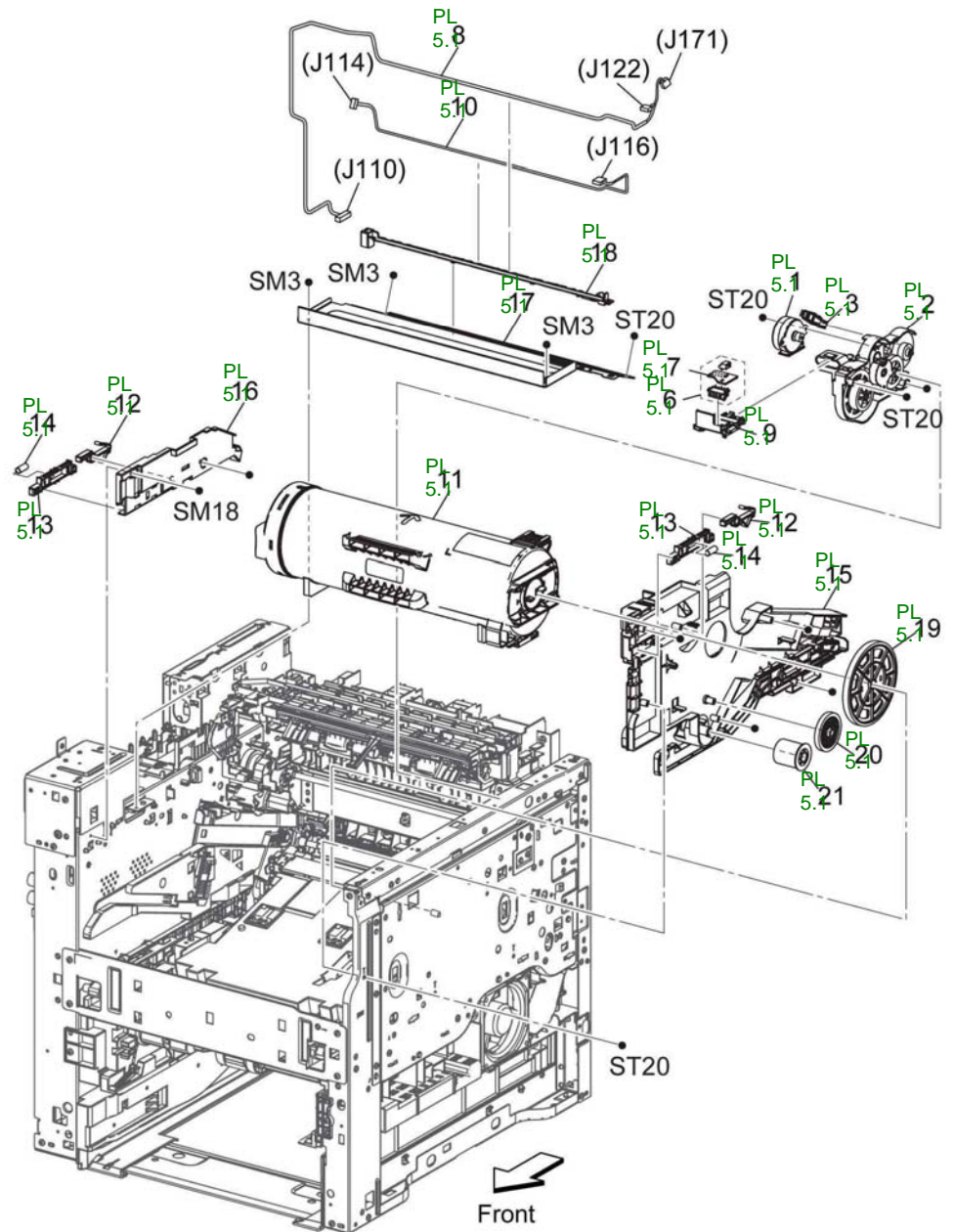
PL 4.1
99 {Item 7x3 pcs}



E-8-2005-A

PL 5.1 Dispenser

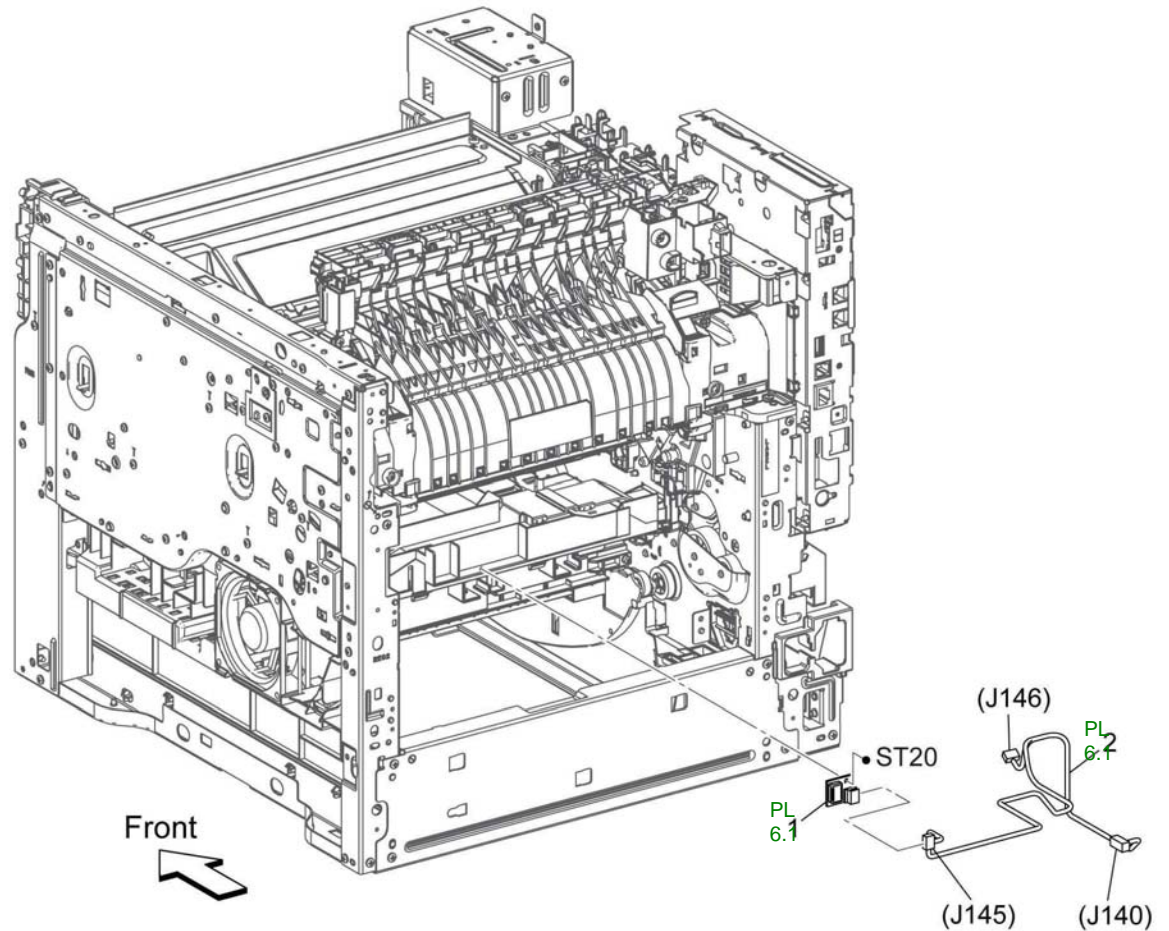
Item	Part	Description
1	127K64260	Motor assembly DISP/ENV
2	007K23091	Drive assembly DISP/ENV (with 3)
3	-	Photo sensor (nipp position sensor) (Not spared)
4	-	Not used
5	-	Not used
6	-	Connector assembly CRUM toner (with 7) (Not spared)
7	-	PWBA CRUM toner (Not spared)
8	-	Harness assembly DISP/ENV-MV (Not spared)
9	-	Housing CRUM dispenser (Not spared)
10	-	Harness assembly toner CRUM-MV (Not spared)
11	-	Toner cartridge (Not spared)
12	-	Latch CTRG (Not spared)
13	-	Link latch CTRG (Not spared)
14	-	Spring latch CTRG (Not spared)
15	-	Guide CRU R (Not spared)
16	-	Guide CRU L2 (Not spared)
17	-	Frame top mono (Not spared)
18	-	Guide harness top (Not spared)
19	-	Assembly coupling (Not spared)
20	-	Gear idler dispenser (Not spared)
21	-	Gear out CRU (Not spared)



E-8-2006-A

PL 6.1 Transfer

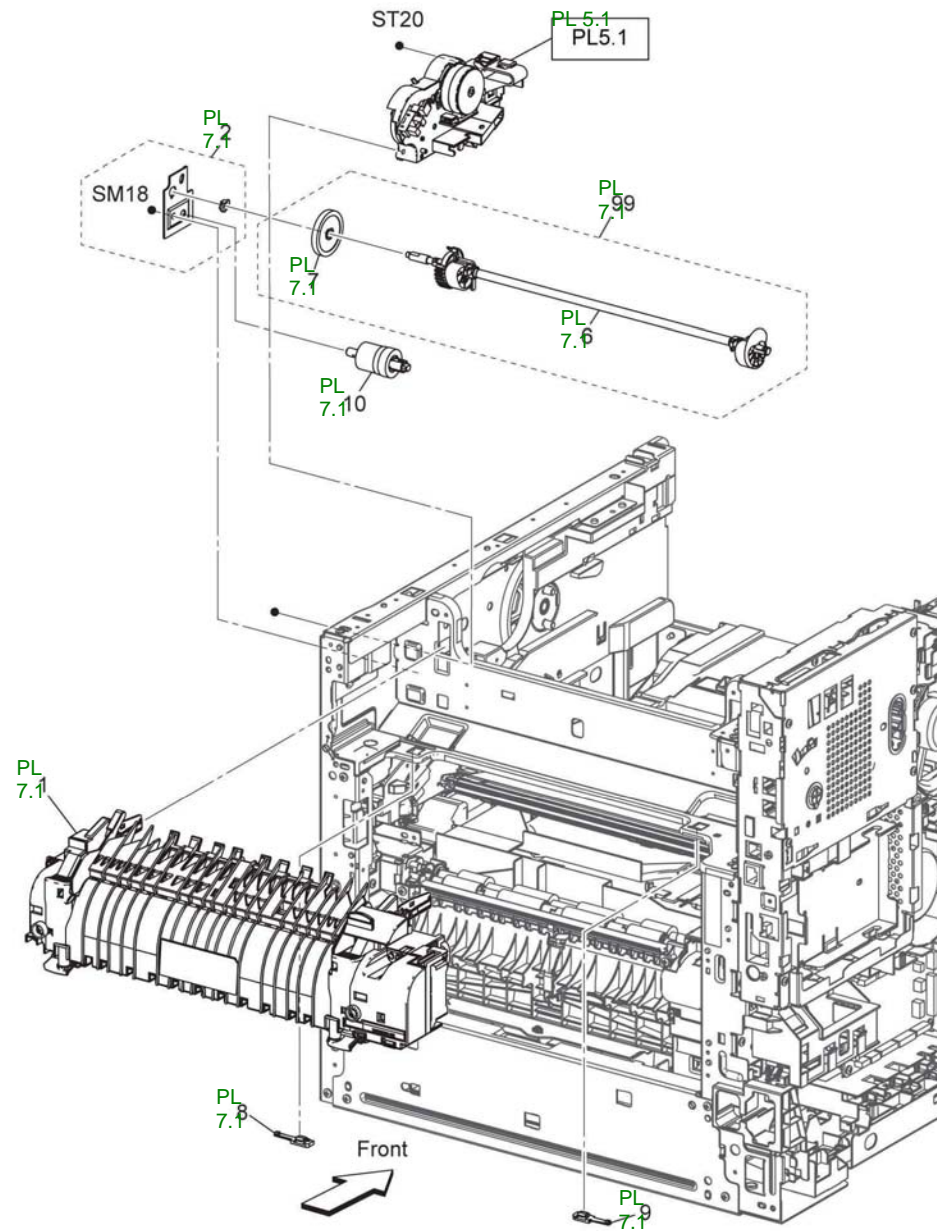
Item	Part	Description
1	130E17310	Humidity and temperature sensor
2	-	Harness assembly TA CLT/HUM-MV (Not spared)



E-8-2007-A

PL 7.1 Fusing

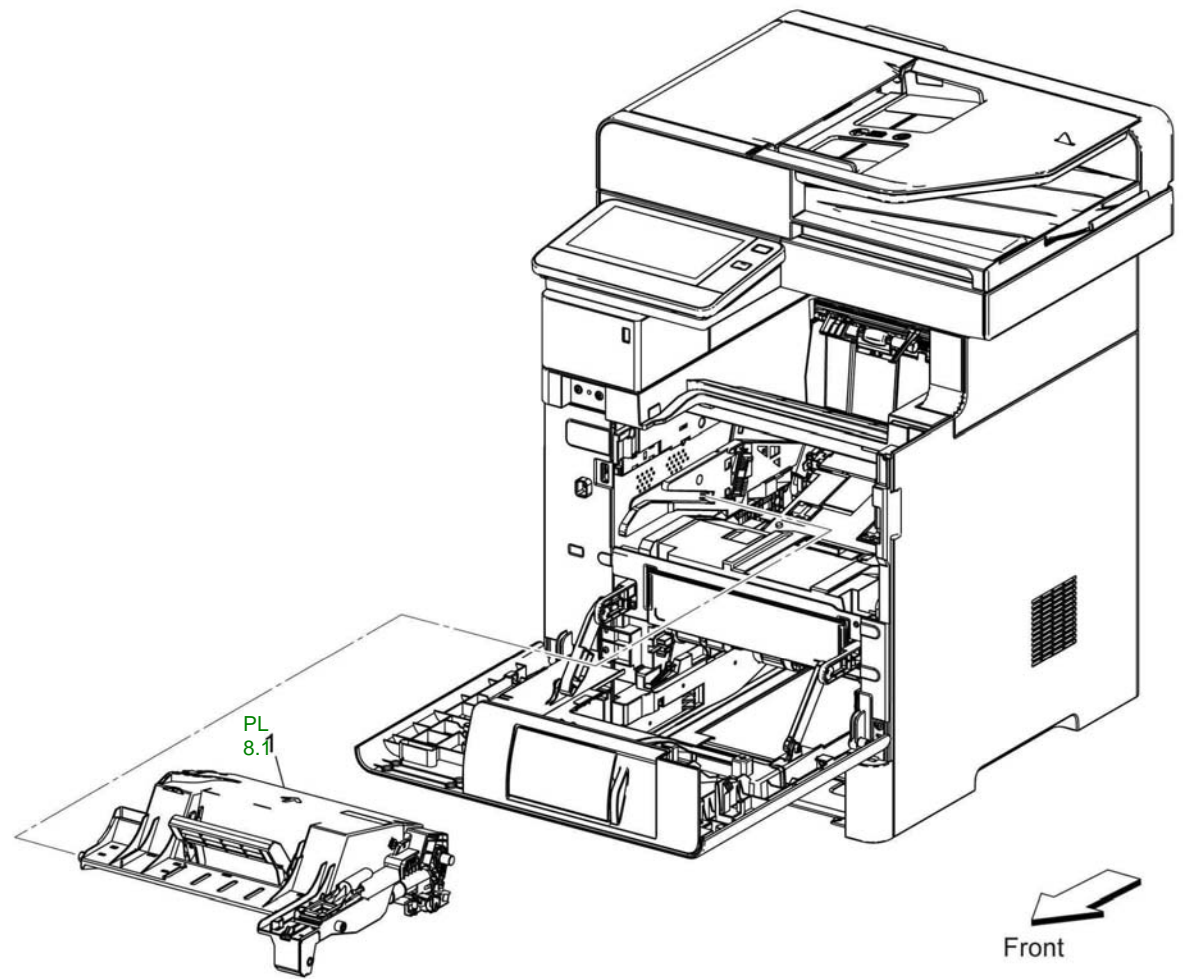
Item	Part	Description
1	-	110V fuser (not spared)
-	-	220V fuser (not spared)
2	-	Bracket nip retract (not spared)
3	-	Not used
4	-	Not used
5	-	Not used
6	-	Shaft retract (P/O PL 7.1 Item 99)
7	-	Gear shaft retraction (P/O PL 7.1 Item 99)
8	-	Block CRU (not spared)
9	-	Block CRU D (not spared)
10	-	Nip retraction shaft damper (not spared)
99	607K05110	Nip retraction shaft assembly (with 6-7)



E-8-2008-A

PL 8.1 Xerographic

Item	Part	Description
1	-	Xerographic developer CRU assembly (not spared)

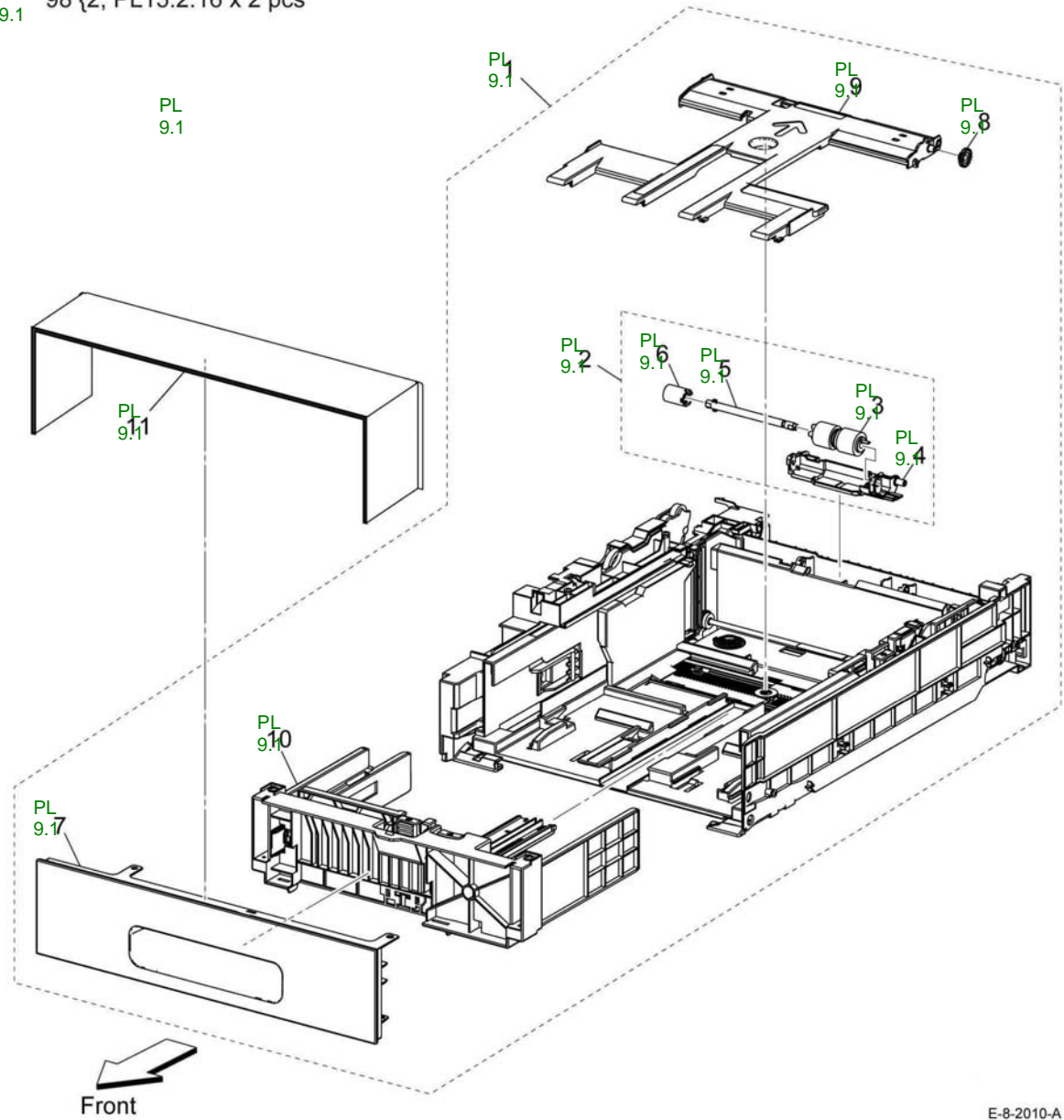


E-8-2009-A

PL 9.1 Tray

Item	Part	Description
1	050K75820	Cassette assembly 550 IOT (with 2-10, label) (REP 9.1)
2	019K17070	Holder assembly separator CST (with 3-6) (REP 9.2)
3	-	Roll assembly (not spared)
4	-	Holder separator (not spared)
5	-	Shaft separator CST (not spared)
6	-	Clutch assembly friction (not spared)
7	-	Handle CST 550 (not spared)
8	-	Gear assembly (not spared)
9	-	Plate assembly bottom (not spared)
10	-	Housing assembly end 550 (not spared)
11	948K11521	Dust cover 550 (REP 9.3)
12	859K00100	Roll assembly
98	607K00050	Feed and sparator roll kit (with 2, 12 x 2 pcs) ((REP 9.4))

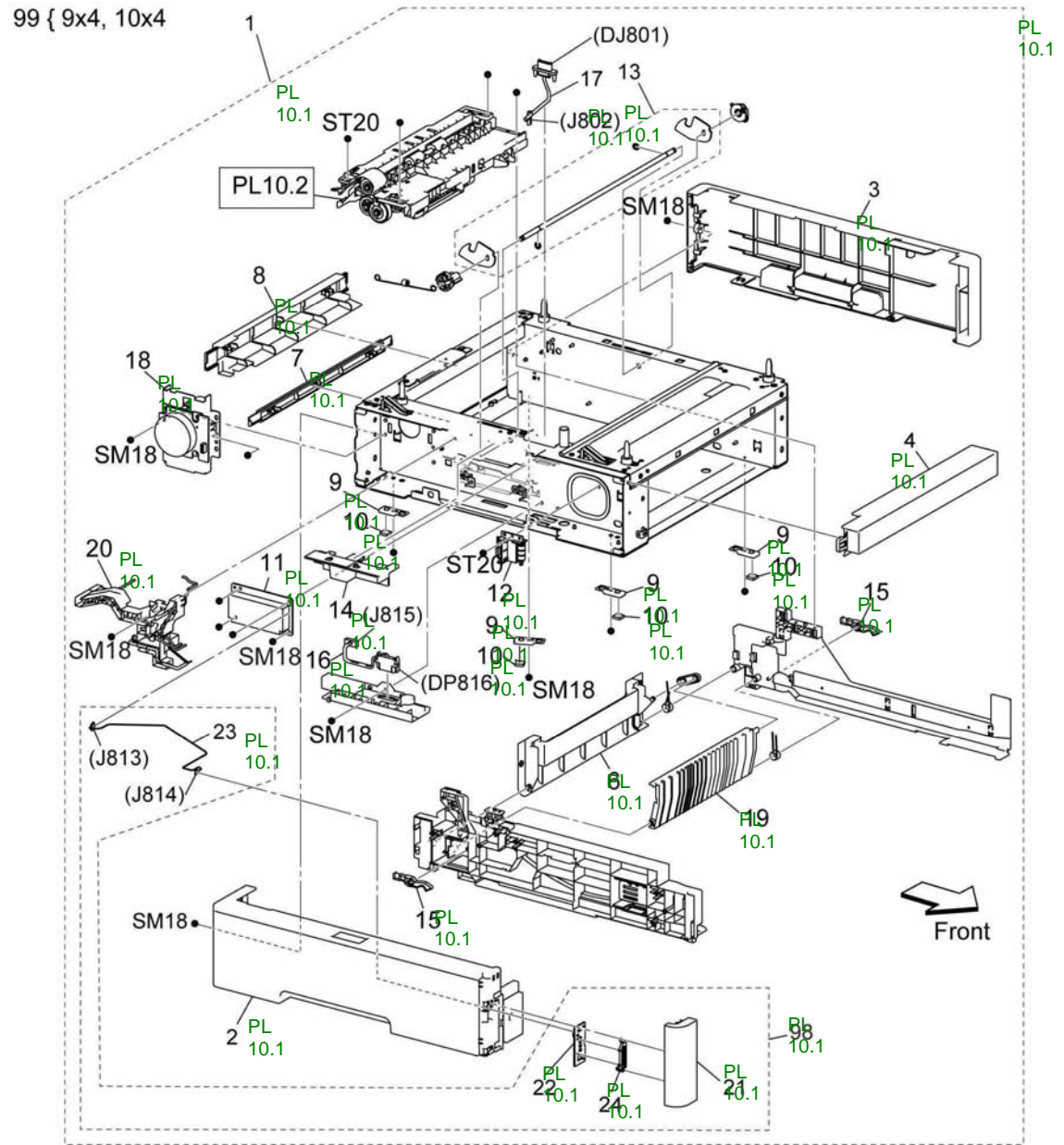
PL 9.1 98 {2, PL15.2.16 x 2 pcs



E-8-2010-A

PL 10.1 Option Feeder (1/3)

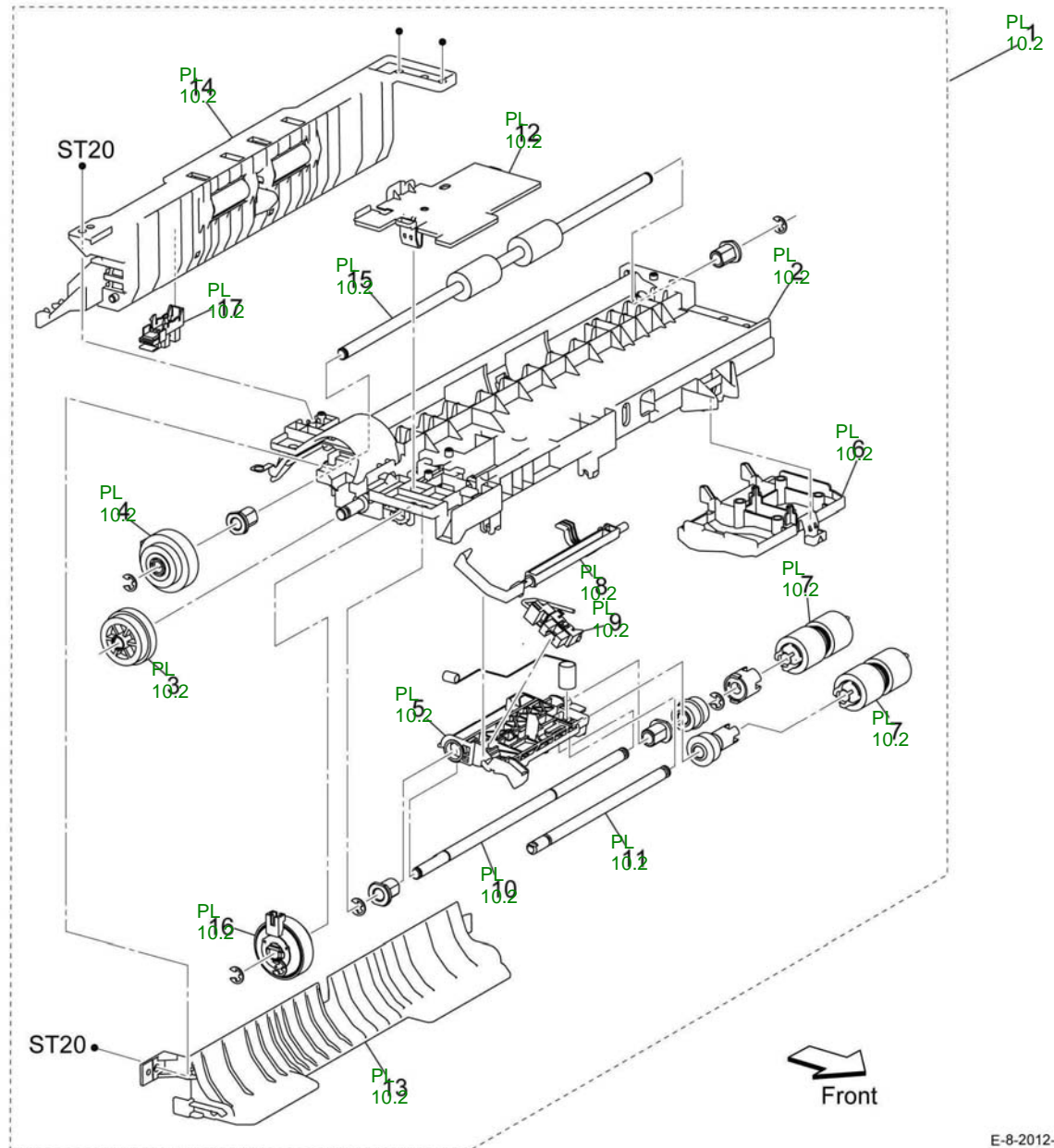
Item	Part	Description
1	859K09980	Kit feeder assembly OPF 550 (with 2-23, PL10.2) (REP 10.1)
2	-	Cover side l OPF 550 (not spared)
3	-	Cover side r OPF 550 (not spared)
4	-	Cover lip top OPF 550 (not spared)
5	-	Not used
6	-	Cover rear OPF 550 (not spared)
7	-	Cover rear under OPF 550 (not spared)
8	-	Cover rear top OPF 550 (not spared)
9	-	Foot base OPF 550 (not spared)
10	017K94350	Foot OPF 550 (REP 10.2)
11	-	PWB assembly OPF 550 (not spared)
12	110K16610	Switch assembly size OPF 550 (REP 10.3)
13	-	Lock assembly OPF 550 (not spared)
14	-	Gear rack lock OPF 550 (not spared)
15	-	Latch tray OPF 550 (not spared)
16	-	Harness assembly FDR drawer (not spared)
17	-	Harness assembly OPF 2C (not spared)
18	-	Motor assembly drive OPF 550 (not spared)
19	-	Chute rear OPF 550 (not spared)
20	-	Guide harness OPF 550 (not spared)
21	-	CVR front l OPF (not spared)
22	-	Tray LED assembly (not spared)
23	-	Harness assembly LED (J813-J814) (not spared)
24	-	Cover shade tray (not spared)
98	607K00450	Kit OPF FDR LED (with 21, 22, 23) (REP 10.4)
99	-	Kit foot OPF 550 (with 9x4, 10x4) (not spared)



E-8-2011-A

PL 10.2 Option Feeder (2/3)

Item	Part	Description
1	–	Feeder assembly OPF 550 (with 2-15) (not spared)
2	–	Frame feeder top (not spared)
3	–	Gear P24-P27 (not spared)
4	–	Clutch assembly PH OPF 550 (not spared)
5	–	Support nudger (not spared)
6	054E60150	Chute upper feed ([REP 10.5])
7	859K00100	Roll assembly (REP 10.6)
8	120E35551	Actuator no paper (REP 10.7)
9	–	Sensor photo (opt. feeder no paper sensor) (not spared)
10	–	Shaft feed OPF 550 (not spared)
11	–	Shaft nudger OPF 550 (not spared)
12	–	Cover harness OPF 550 (not spared)
13	–	Chute feeder (not spared)
14	–	Roll assembly TA pinch OPF 550 (not spared)
15	–	Roller assembly TA OPF 550 (not spared)
16	–	Clutch assembly PH OPF 550 (OPT feed clutch) (not spared)
17	–	Sensor photo (OPT path paper sensor) (not spared)

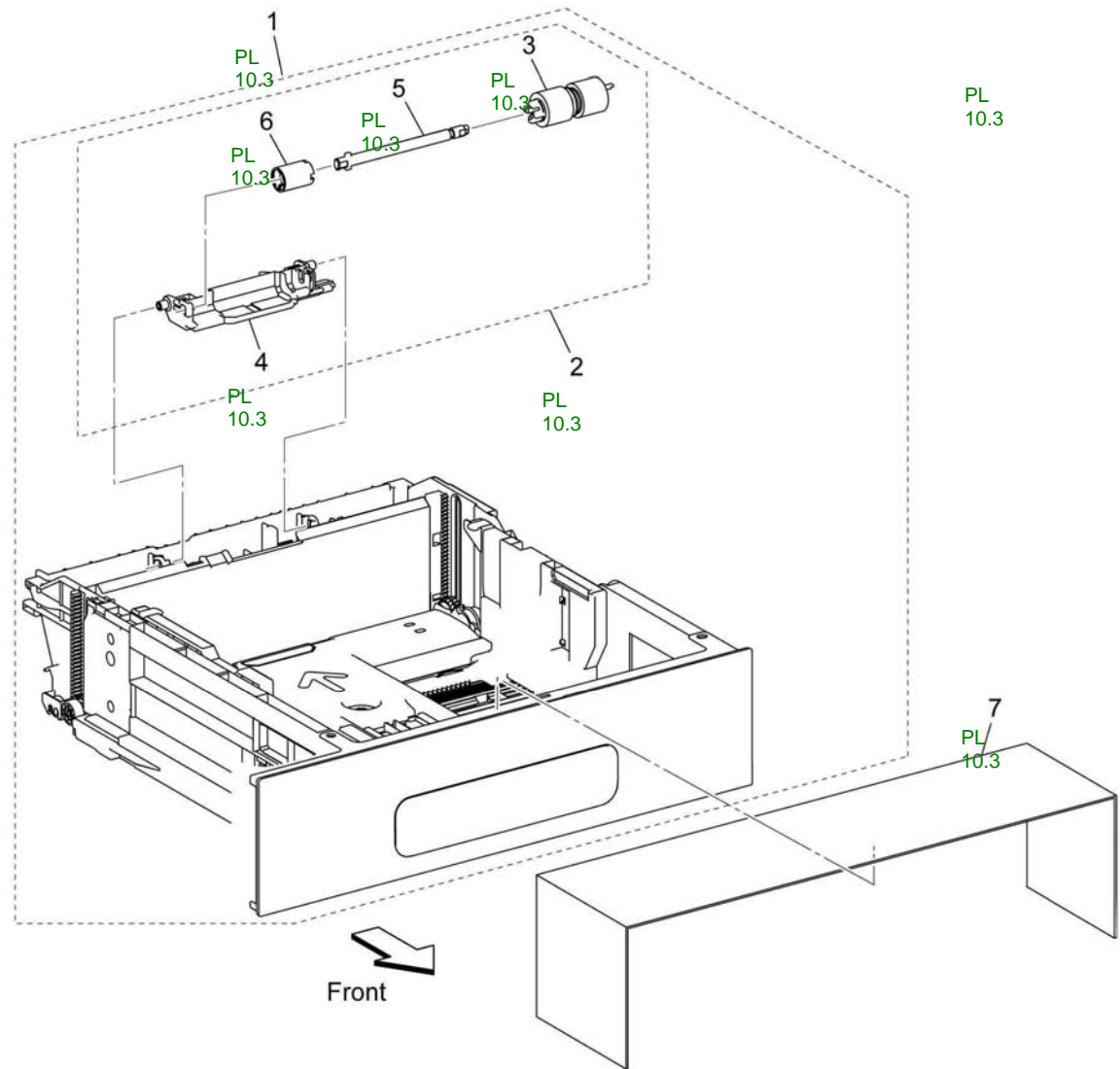


E-8-2012-A

PL 10.3 Option Feeder (3/3)

Item	Part	Description
1	050K75820	Cassette assembly OPF 550 (with 2-6) (REP 10.8)
2	019K17070	Holder assembly separator CST (with 3-6) (REP 10.9)
3	-	Roll assembly (not spared)
4	-	Holder separator (not spared)
5	-	Shaft separator (not spared)
6	-	Clutch assembly friction (not spared)
7	948K11521	Dust cover 550 (REP 10.10)
8	859K00100	Roll assembly
98	607K00050	Feed and separator roll kit (with 2, PL10.2.7 x2 pcs) (REP 10.11)

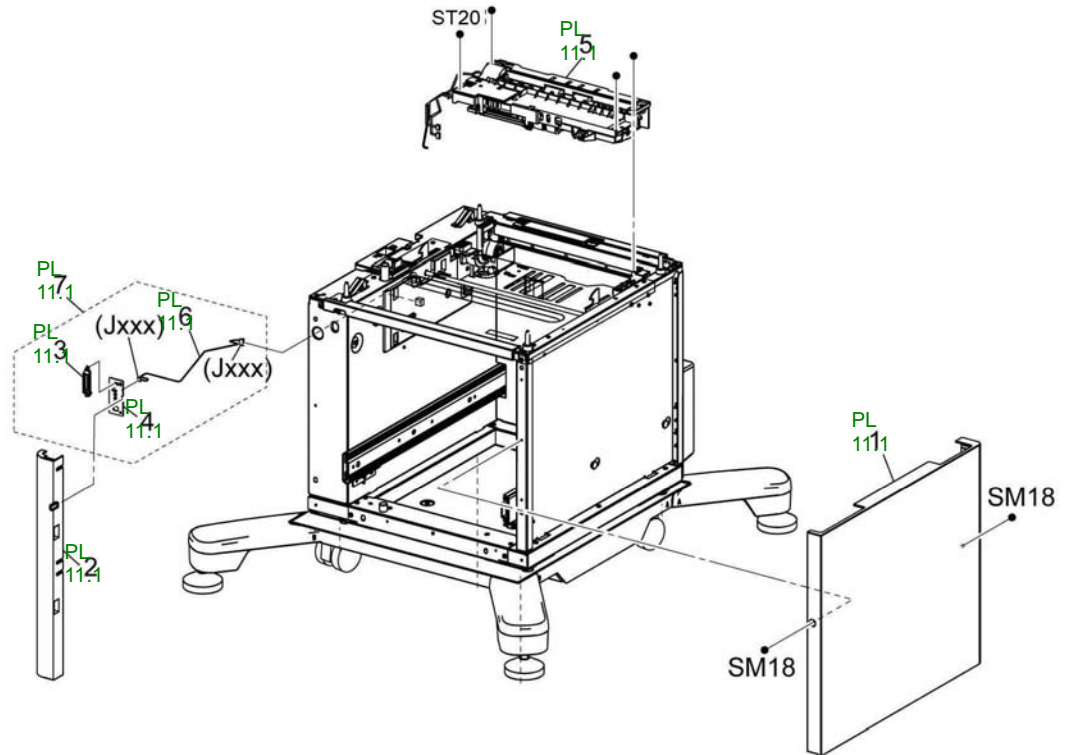
PL 10.3 { Item 2, PL10.2.7 x2 pcs



E-8-2013-A

PL 11.1 HCF Front-Right

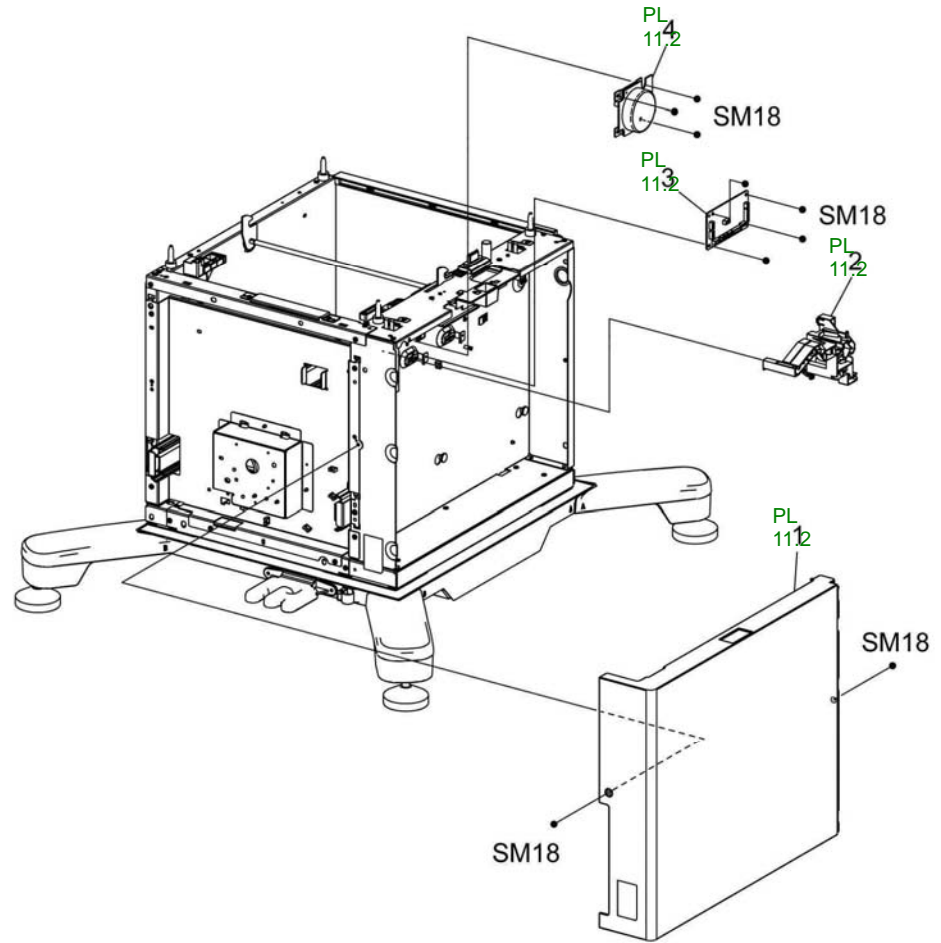
Item	Part	Description
1	–	Cover right (not spared)
2	–	Cover front L (not spared)
3	–	Cover shade tray LED (not spared)
4	–	PWBA LED (not spared)
5	859K09990	Feeder assembly (HCF)
6	–	Harness assembly LED (not spared)
7	607K05000	LED assembly W/I wire (with 3, 4, 6)



E-8-2014-A

PL 11.2 HCF Left

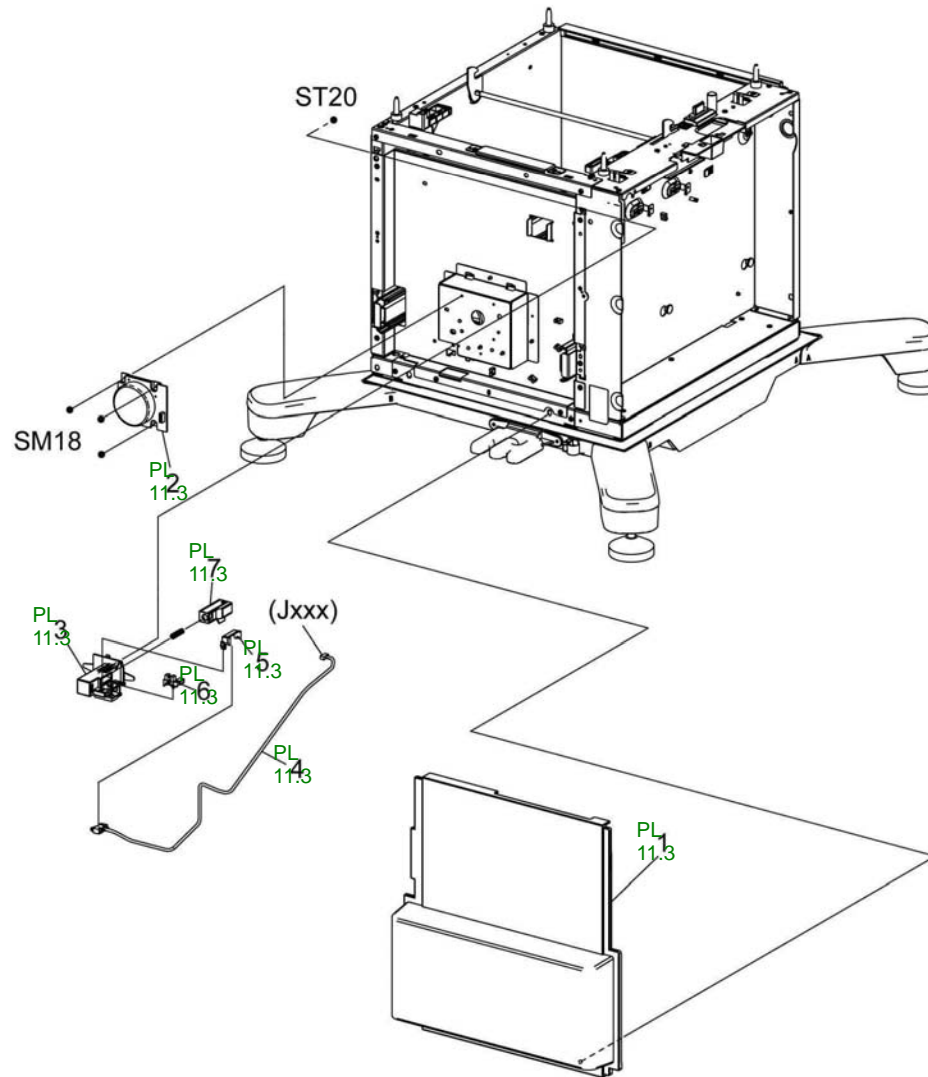
Item	Part	Description
1	–	Cover left (not spared)
2	–	Guide harness (not spared)
3	960K89873	PWBA OPF
4	127K73200	Motor assembly main



E-8-2015-A

PL 11.3 HCF (3/4 Tray)

Item	Part	Description
1	–	Cover rear (not spared)
2	127K73200	Motor assembly main P1
3	–	Bracket actuator sensor (not spared)
4	952K24820	SW interlock
5	–	Guide SW SUB (not spared)
6	–	Open tray sensor
7	012E18960	Actuator link sensor end

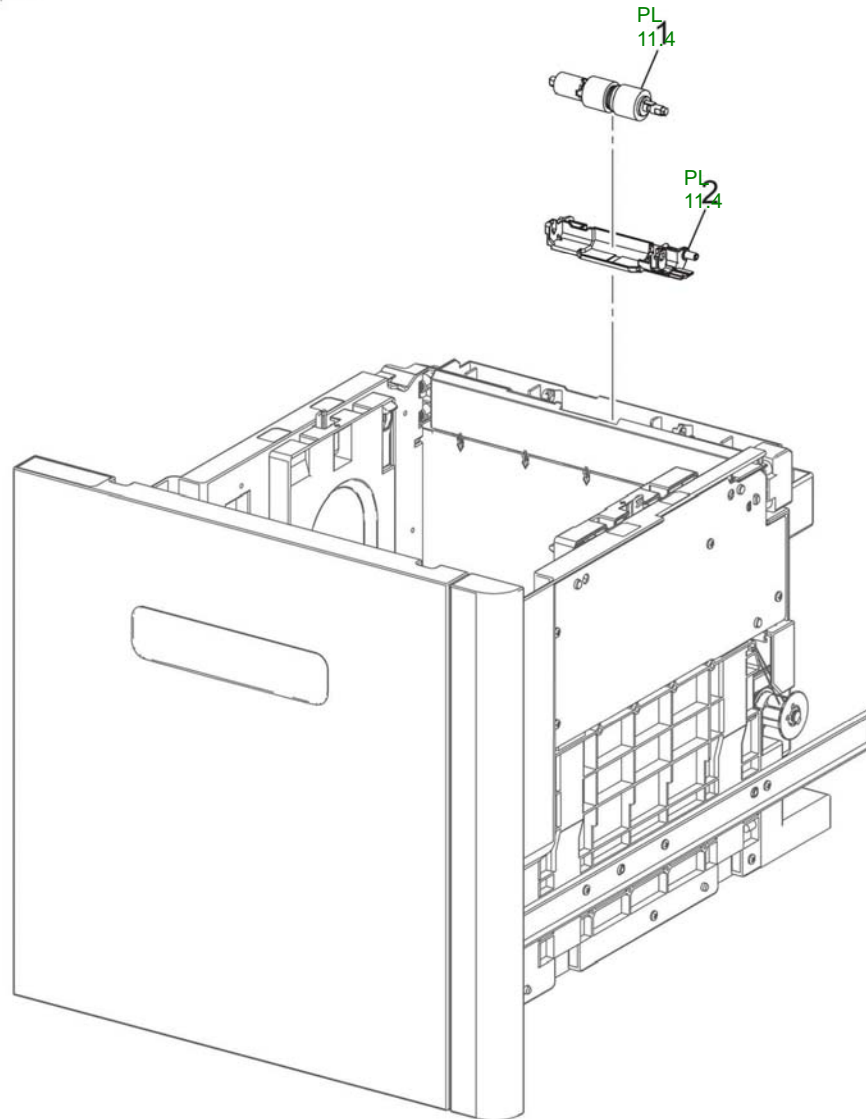


E-8-2016-A

PL 11.4 HCF (4/4 Tray)

Item	Part	Description
1	859K00100	Shaft assembly feed
2	019K17070	Holder separator
98	607K00050	Feed and sparater roll kit (with 2, PL 10.2.7 X2 pcs)

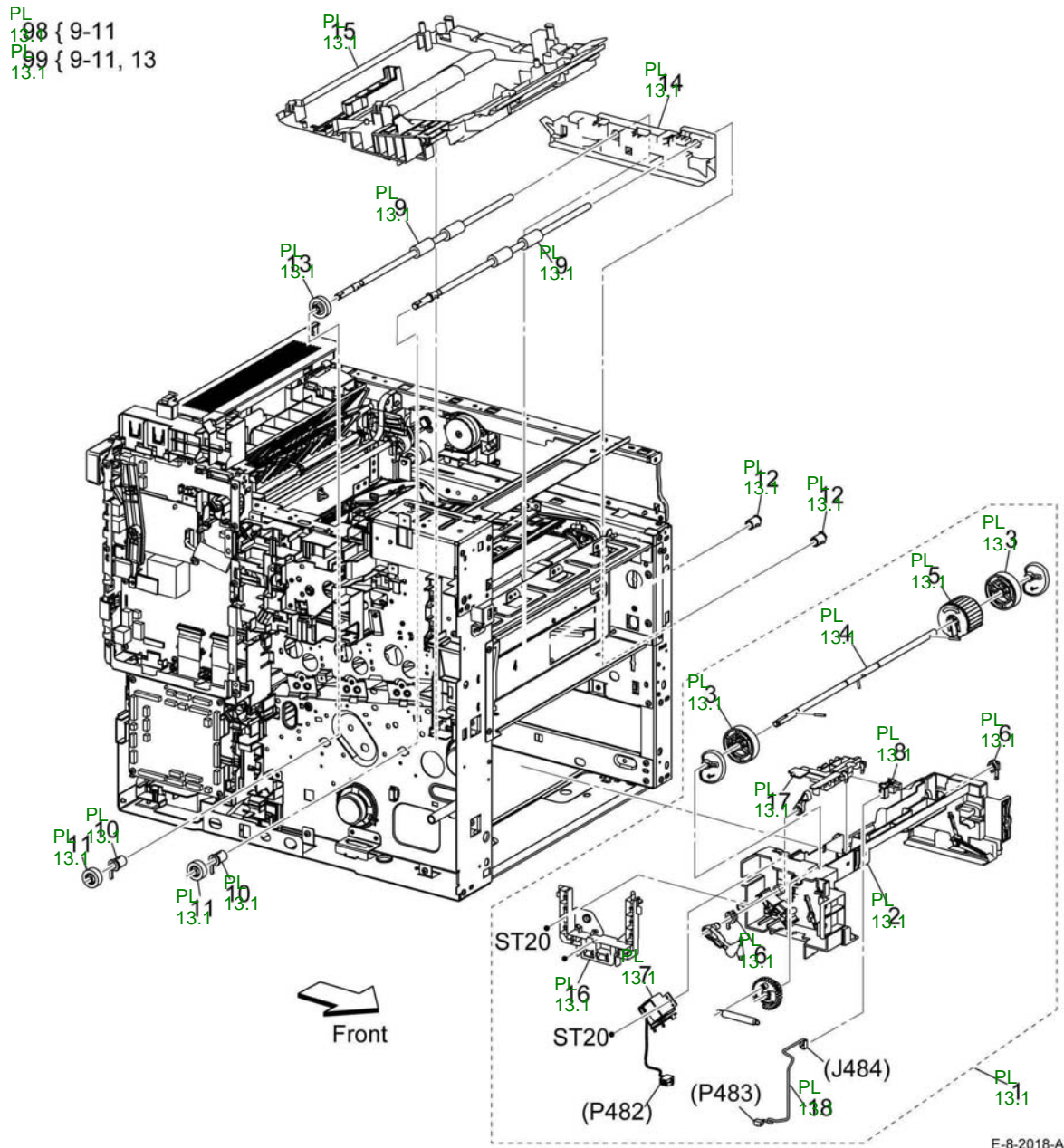
PL 10.2
98 { 1, 2



E-8-2017-A

PL 13.1 MSI

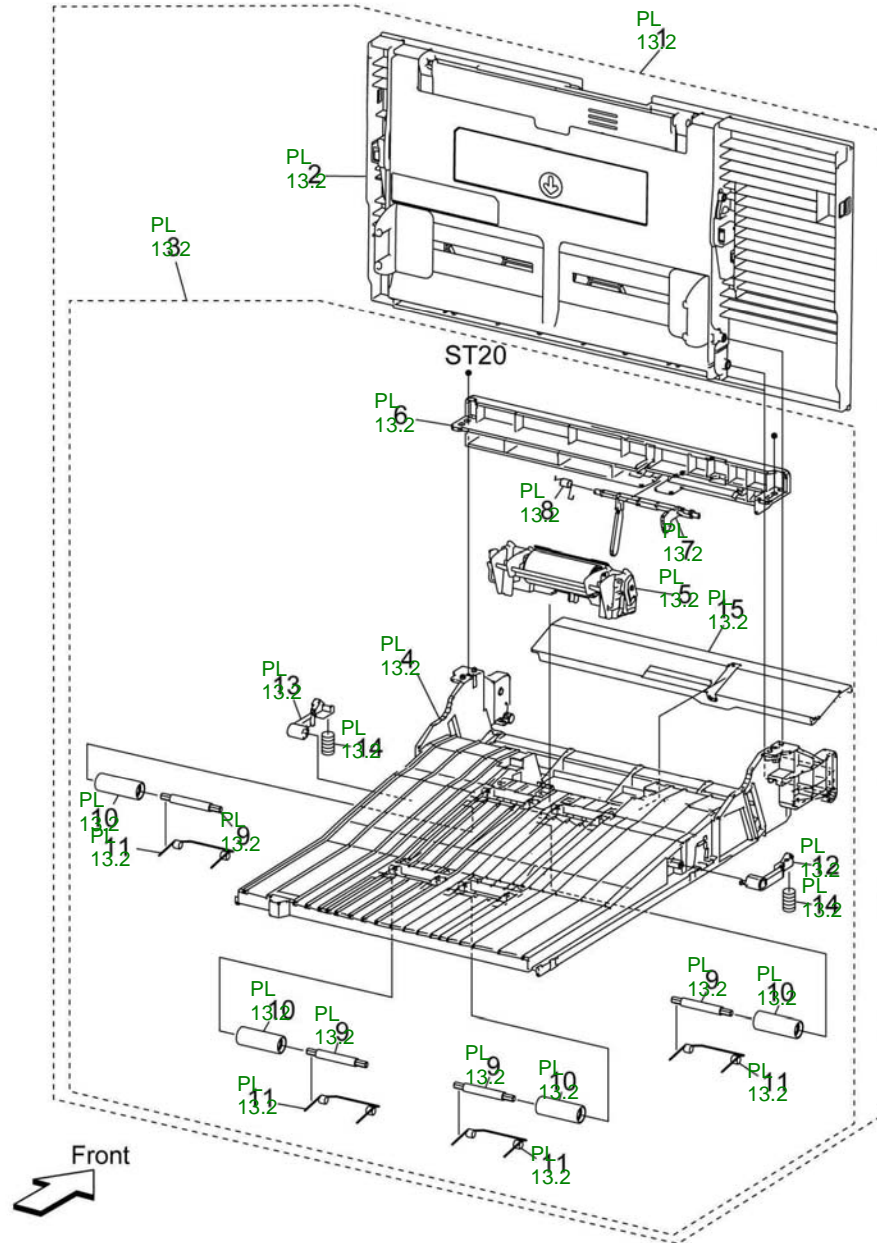
Item	Part	Description
1	801K71230	Frame assembly MSI (with 2-8, 16-18) (REP 13.1)
2	-	Frame MSI (not spared)
3	-	Roll core MSI (not spared)
4	-	Shaft assembly feed MSI (not spared)
5	059K89701	Feed roll MSI (REP 13.2)
6	-	Bearing dup MSI (not spared)
7	-	Solenoid feed MSI (not spared)
8	930W00123	Sensor-photo int (MSI No Paper Sensor) (REP 13.3)
9	-	Roll assembly TA 1 (not spared)
10	-	Bearing TA L (not spared)
11	-	Gear turn (not spared)
12	-	Bearing TA3 AD (not spared)
13	-	Gear TA 2 (not spared)
14	-	Guide MSI R (not spared)
15	-	Upper chute MSI (not spared)
16	-	Guide harness MSI (not spared)
17	-	Bracket no paper MSI (not spared)
18	-	Harness assembly no paper MSI (not spared)
98	-	Kit MSI roll assembly TA 1 (with 9-11) (not spared)
99	604K97990	Kit MSI roll assembly TA 1 / 2 (with 9-11, 13) (REP 13.4)



E-8-2018-A

PL 13.2 MSI (2/2)

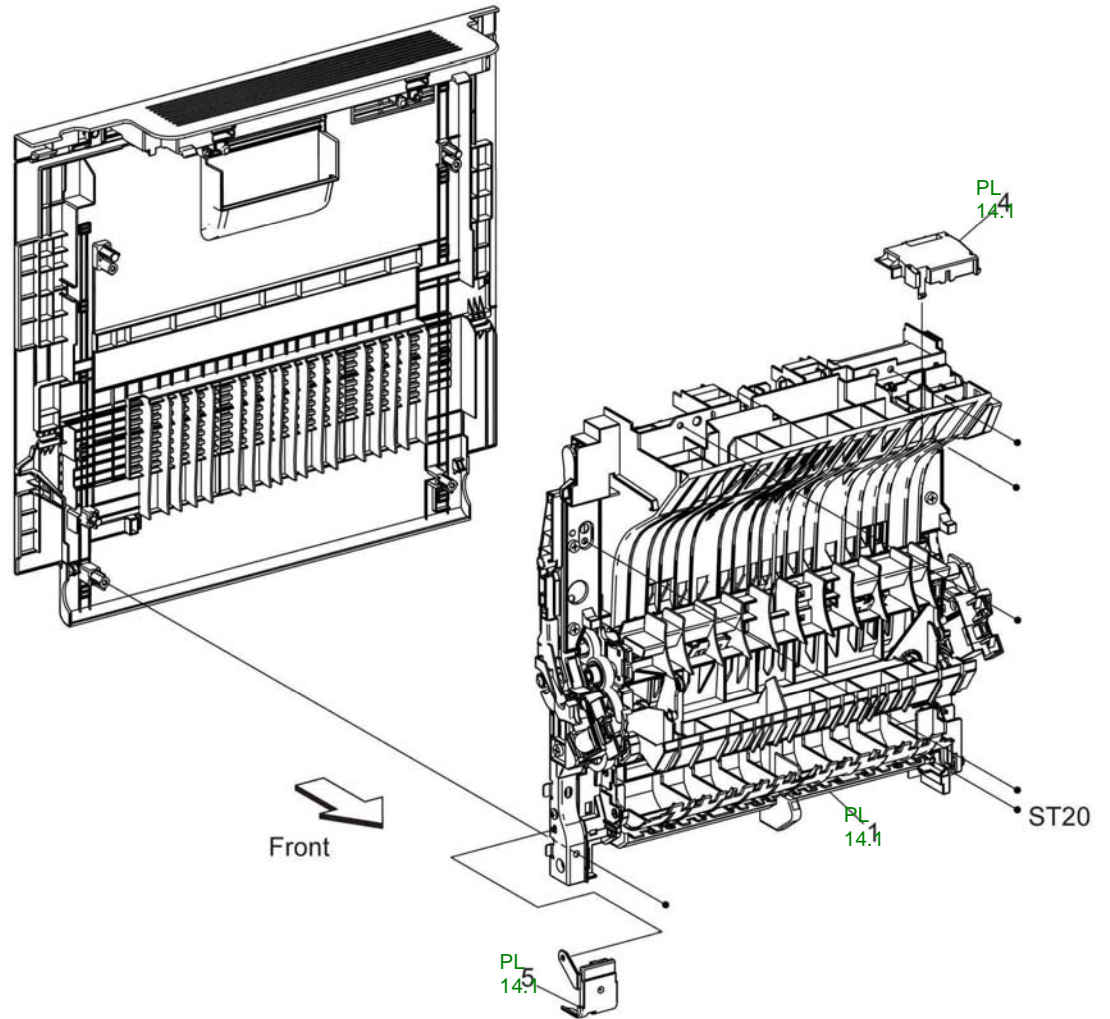
Item	Part	Description
1	050K73491	Tray assembly MSI main (with 2-3) (REP 13.5)
2	-	Cover assembly MSI (not spared)
3	-	Chute assembly MSI (with 4-15) (not spared)
4	-	Chute MSI (not spared)
5	105K33341	Holder assembly separator MSI (REP 13.6)
6	-	Bar MSI Front (not spared)
7	-	Actuator no paper MSI (not spared)
8	-	Spring no paper MSI (not spared)
9	-	Shaft pinch TA (not spared)
10	-	Roll pinch MSI (not spared)
11	-	Spring pinch MSI (not spared)
12	-	Latch MSI L (not spared)
13	-	Latch MSI R
14	-	Spring latch MSI (not spared)
15	-	Plate assembly bottom MSI (not spared)



E-8-2019-A

PL 14.1 Duplex

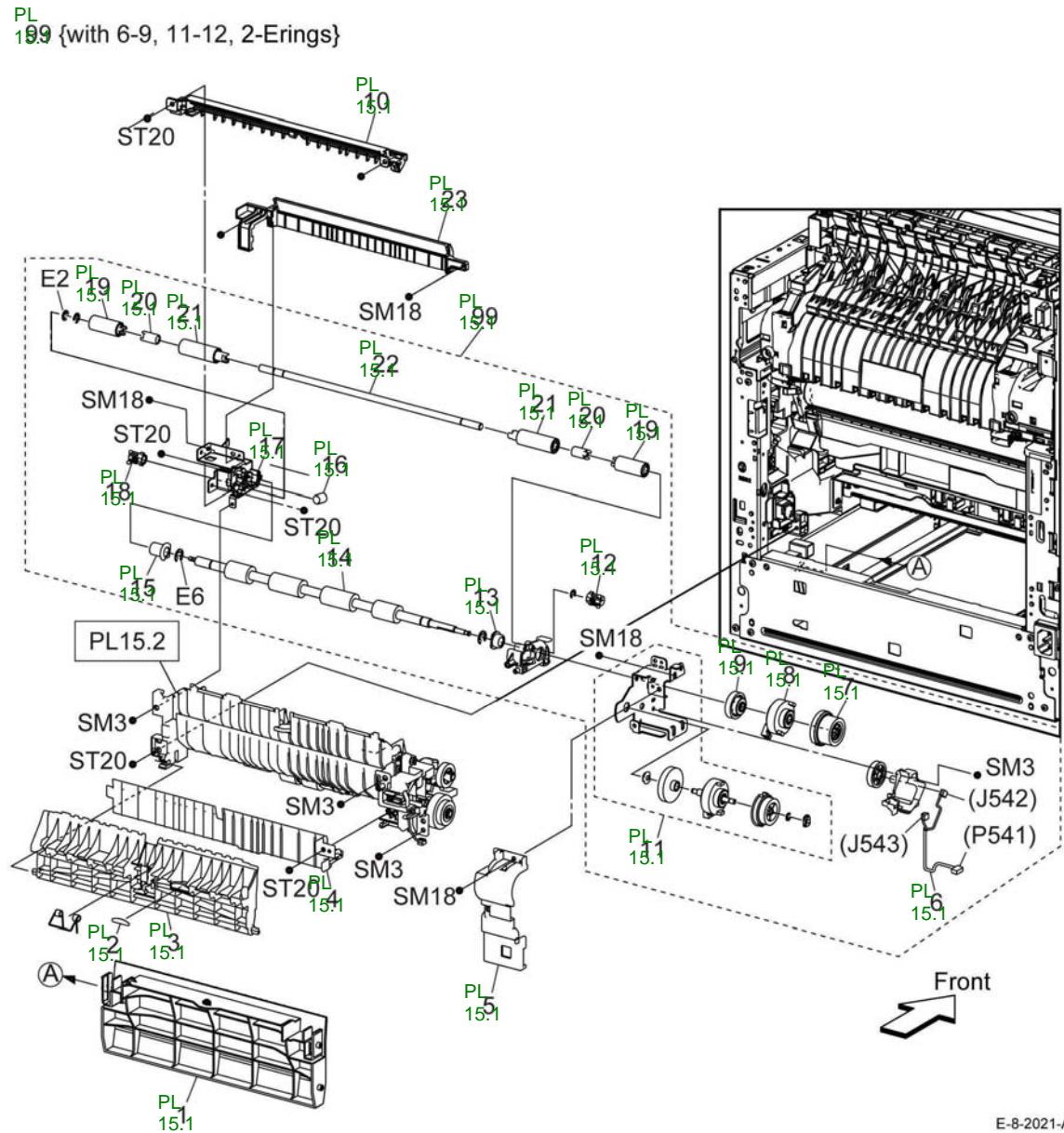
Item	Part	Description
1	–	Duplex assembly (not spared)
2	–	Not used
3	–	Not used
4	–	Cover rear fan harness (not spared)
5	822E37420	Cover relay



E-8-2020-A

PL 15.1 Registration (1/2)

Item	Part	Description
1	054E56471	Chute OPT 550
2	-	Label jam chute (not spared)
3	-	Chute dup lower (not spared)
4	-	Chute feeder (not spared)
5	-	Cover dup gear (not spared)
6	-	Harness assembly CLT REGI/DUP-C (not spared)
7	-	Gear CLT registration (not spared)
8	-	Clutch assembly registration (not spared)
9	-	Gear assembly one way (not spared)
10	-	Chute DUP upper (not spared)
11	-	Bracket assembly registration D (not spared)
12	-	Bearing registration pinch AD (not spared)
13	-	Bearing registration AD (not spared)
14	-	Roll assembly registration (not spared)
15	-	Bearing registration D (not spared)
16	-	Spring registration
17	-	Bracket assembly registration AD (not spared)
18	-	Bearing registration pinch D (not spared)
19	-	Roll registration pinch out (not spared)
20	-	Spacer registration pinch (not spared)
21	-	Roll registration pinch in (not spared)
22	-	Shaft registration pinch (not spared)
23	-	Chute assembly upper (not spared)
99	607K04980	Kit roll assembly DUP registration (with 6-9, 11-22 + 2 E-Rings)

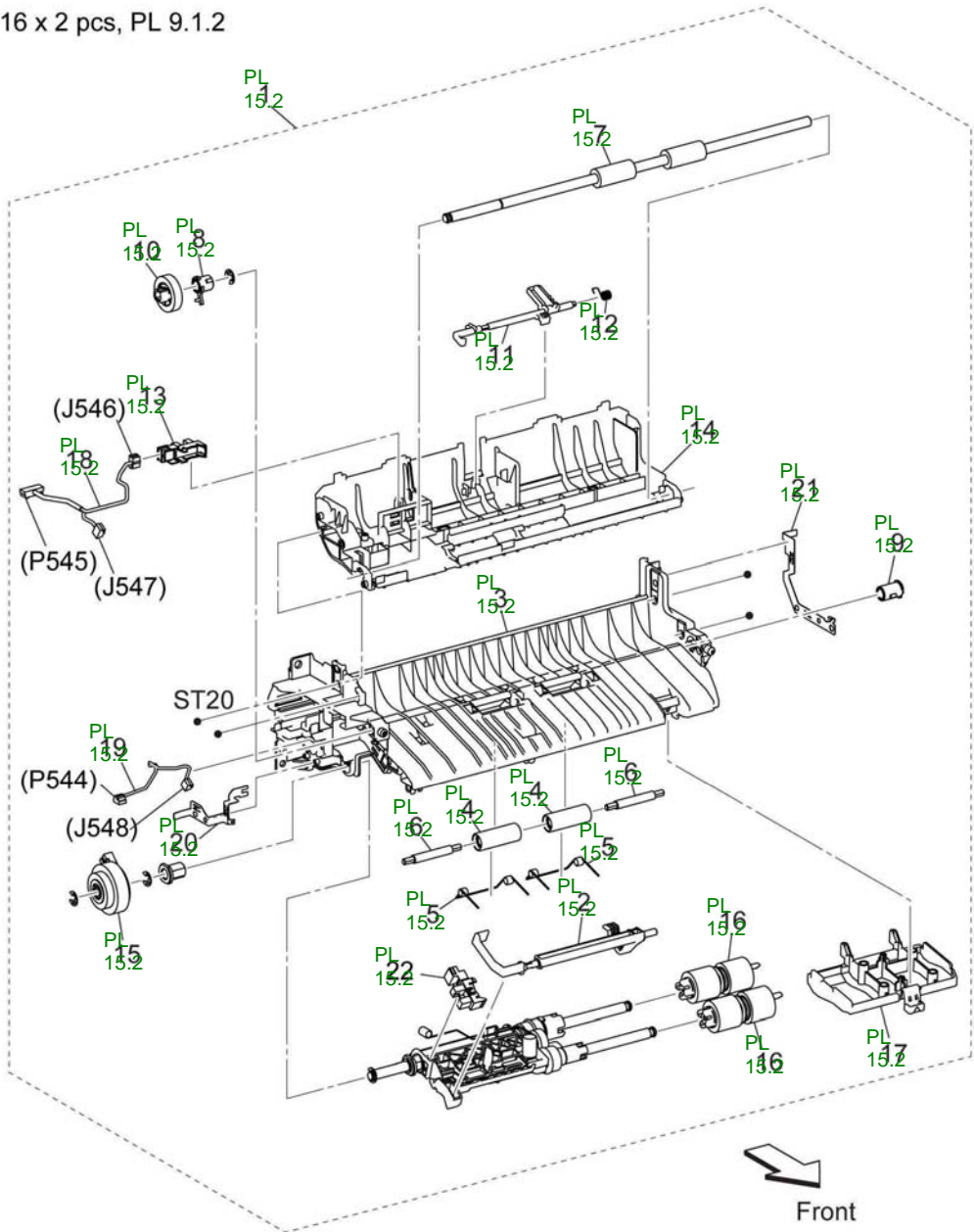


E-8-2021-A

PL 15.2 Registration (2/2)

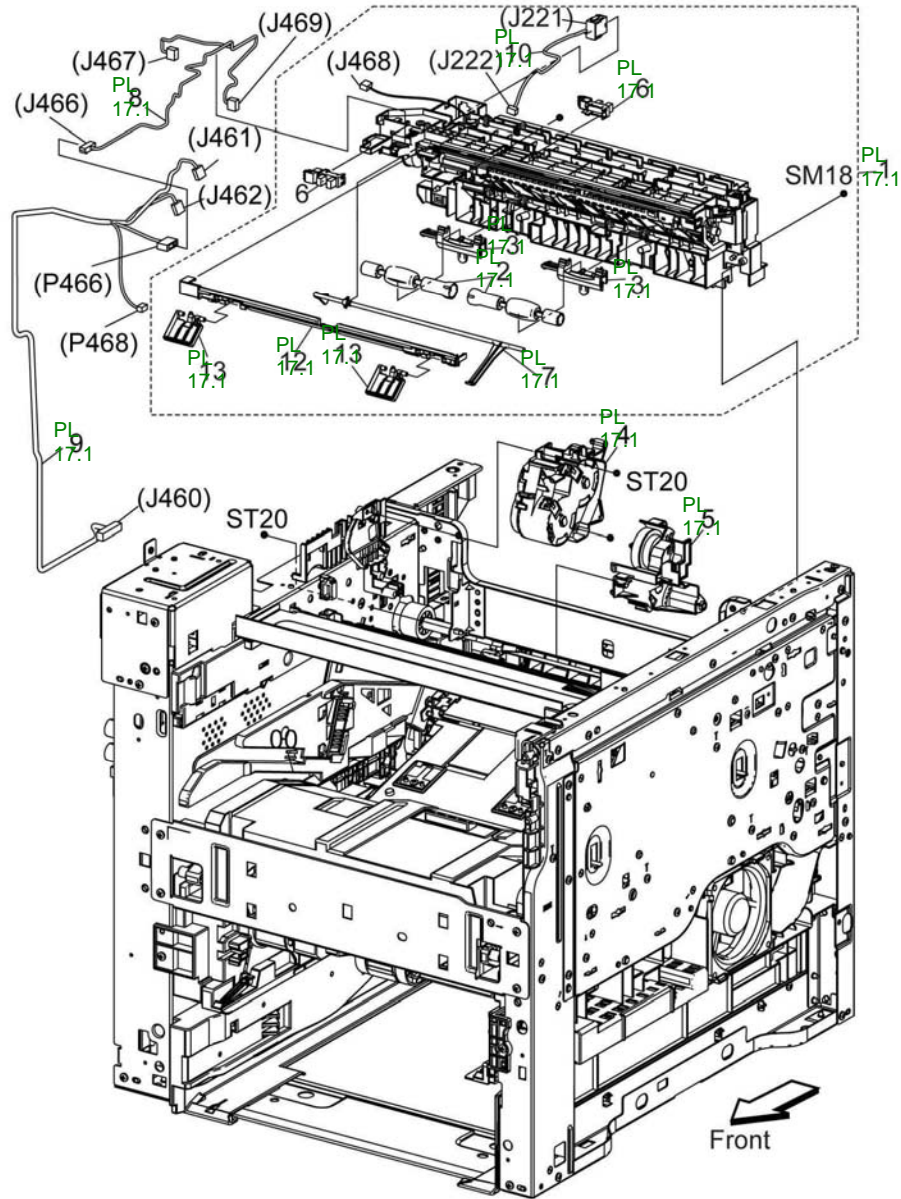
Item	Part	Description
1	054K58700	Chute assembly registration feeder (with 2-21) (REP 15.3)
2	120E35551	Actuator no paper (REP 15.4)
3	-	Chute registration (not spared)
4	-	Roll pinch TA (not spared)
5	-	Spring pinch TA (not spared)
6	-	Shaft pinch TA (not spared)
7	-	Roll assembly TA3 (not spared)
8	-	Bearing TA3 D (not spared)
9	-	Bearing TA3 AD (not spared)
10	-	Gear TA3 (not spared)
11	-	Actuator registration (with 12) (not spared) (REP 15.5)
12	-	Spring actuator registration (not spared)
13	930W00123	Sensor photo int (registration sensor) (REP 15.6)
14	-	Chute registration upper (not spared)
15	-	Clutch assembly PH
16	859K00100	Roll assembly ([REP 15.7])
17	054E60150	Chute upper feed ([REP 15.8])
18	-	Harness assembly SNR registration/NO (not spared)
19	-	Harness assembly clutch feed (not spared)
20	-	Plate earth feed (not spared)
21	-	Plate earth TA3
22	-	Sensor photo int (no paper sensor) (not spared)
98	607K00050	Feed and sparator roll kit (with 16 x 2 pcs, PL 9.1.2) ([REP 15.9])

PL 98 { 16 x 2 pcs, PL 9.1.2



PL 17.1 Exit

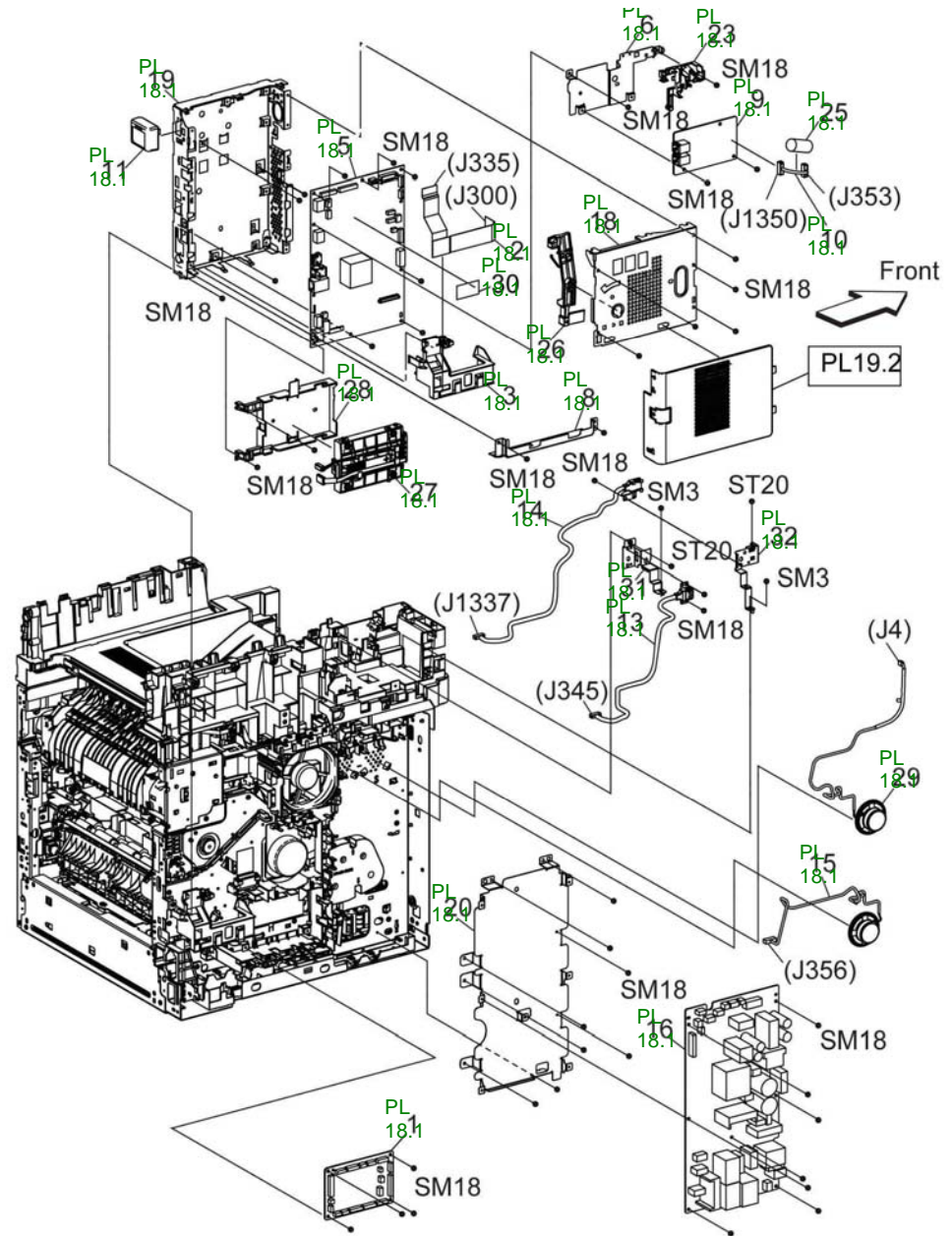
Item	Part	Description
1	054K58740	Chute assembly exit (with 2-3, 6-7, 10-11) (MFP -S)
-	054K58710	Chute assembly exit (with 2-3, 6-7, 10-11)
2	-	Roll pinch (Not spared)
3	-	Cover pinch (Not spared)
4	007K22150	Drive assembly exit main
5	007K21430	Gear assembly idle exit
6	930W00123	Full stuck sensor, C sensor
7	120E38230	Actuator full stuck (MFP -S)
-	120E35590	Actuator full stuck
8	-	Harness assembly full stuck - MV (Not spared)
9	-	Harness assembly developer - MV (Not spared)
10	-	Harness assembly finisher - MV (Not spared)
11	-	Not used
12	-	Cover top exit lower (Not spared)
13	-	Chute flapper exit (Not spared)



E-8-2023-A

PL 18.1 Electrical (MFP-Std.) (1/4)

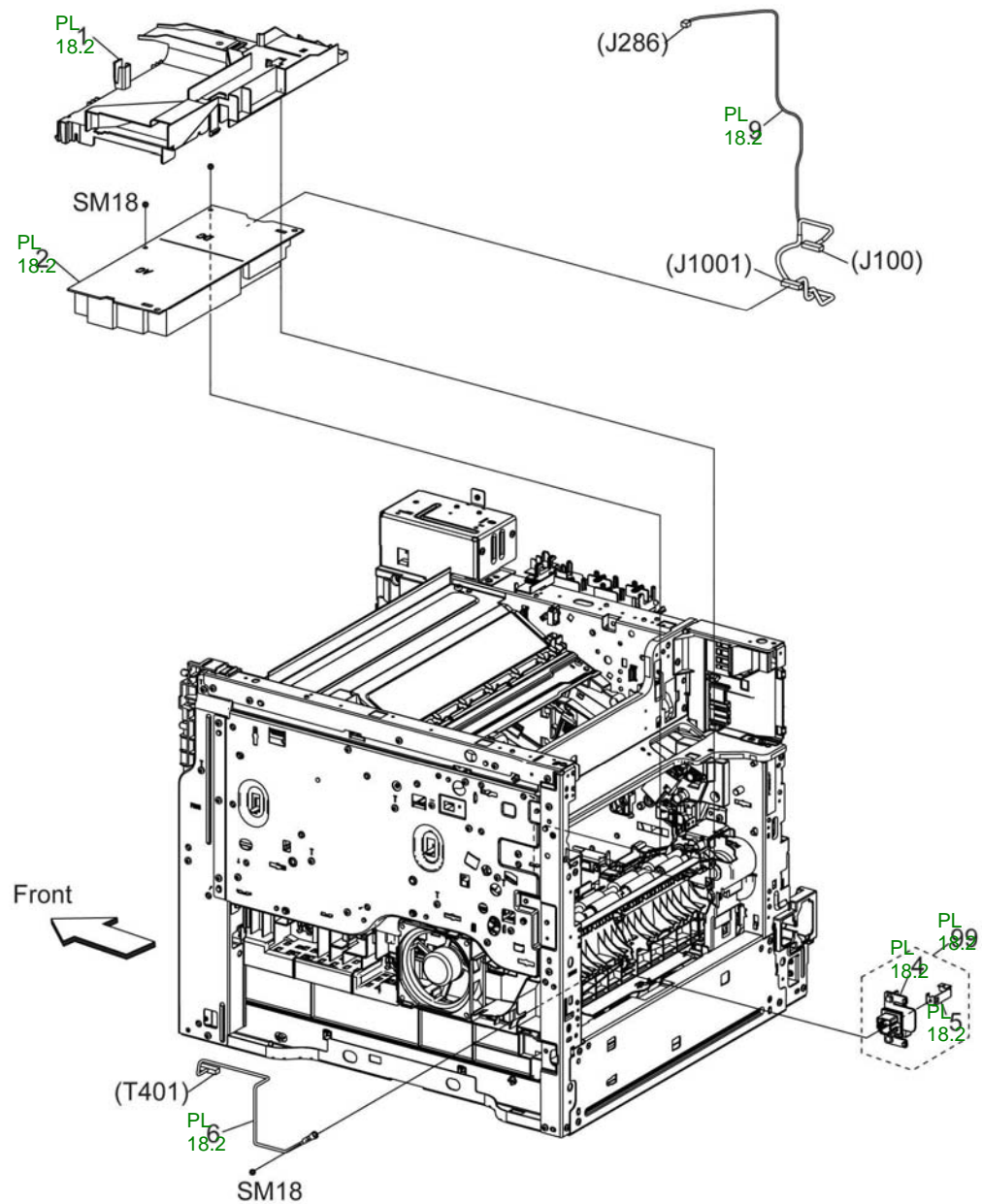
Item	Part	Description
1	960K81100	PWBA MCU
2	952K25540	FFC MCU ESS
3	-	Guide FFC MCU
4	-	Not used
5	-	PWBA ESS MFP (Not spared)
6	-	PLATE FAX (Not spared)
7	-	Not used
8	-	Plate ESS low (Not spared)
9	960K80761	PWBA FAX
10	-	Harness assembly fax (Not spared)
11	-	Wireless module (Not spared)
12	-	Not used
13	952K40000	Harness assembly ICCR USB
14	952K39990	Harness assembly front USB
15	-	Speaker assembly A4 fax (not spared)
16	105K33370	PWBA LVPS 220V
-	105K33360	PWBA LVPS 110V
17	-	Not used
18	-	Plate ESS top (not spared)
19	-	Box ESS AIO (not spared)
20	-	Plate LVPS (not spared)
21	-	Not used
22	-	Not used
23	-	Guide harness ESS (not spared)
24	-	Not used
25	-	Core fax (not spared)
26	-	Link WIFI (not spared)
27	-	HDD assembly (not spared)
28	-	Bracket HDD (not spared)
29	-	Speaker main (not spared)
30	-	EMMC card (not spared)
31	-	Bracket USB ICCR (not spared)
32	-	Bracket USB (not spared)



E-8-2024-A

PL 18.2 Electrical (MFP-Std.) (2/4)

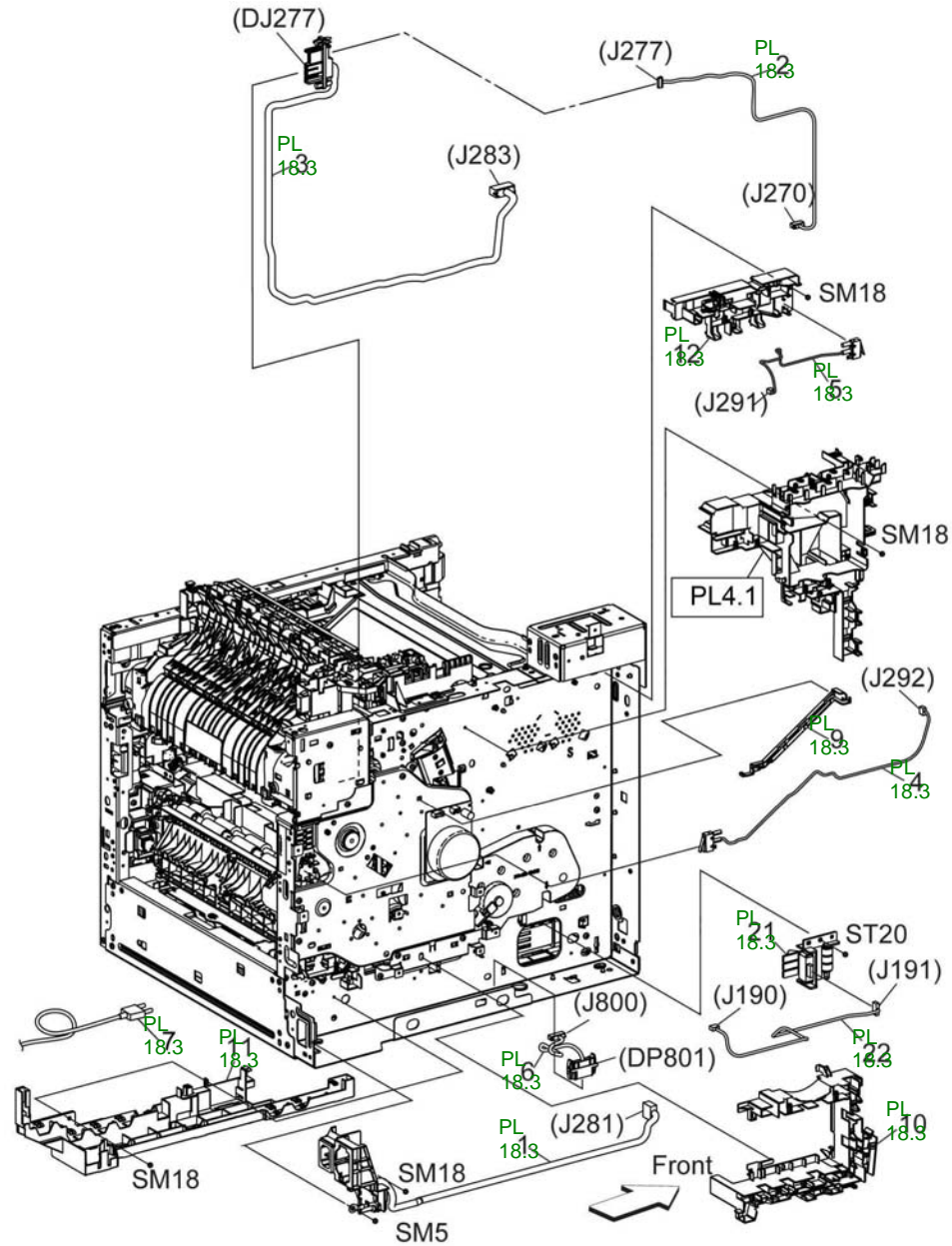
Item	Part	Description
1	–	Cover HVPS (not spared)
2	105K33120	PWBA HVPS
3	–	Not used
4	–	Housing 2ND BTR (not spared)
5	–	Plate BIAS 2nd BTR (not spared)
6	–	Harness 2nd BTR (T401) (not spared)
7	–	Not used
8	–	Not used
9	–	Harness assembly MCU-HVPS-MV (not spared)
99	–	Kit housing 2nd BTR (with 4-5) (not spared)



E-8-2025-A

PL 18.3 Electrical (MFP-Std.) (3/4)

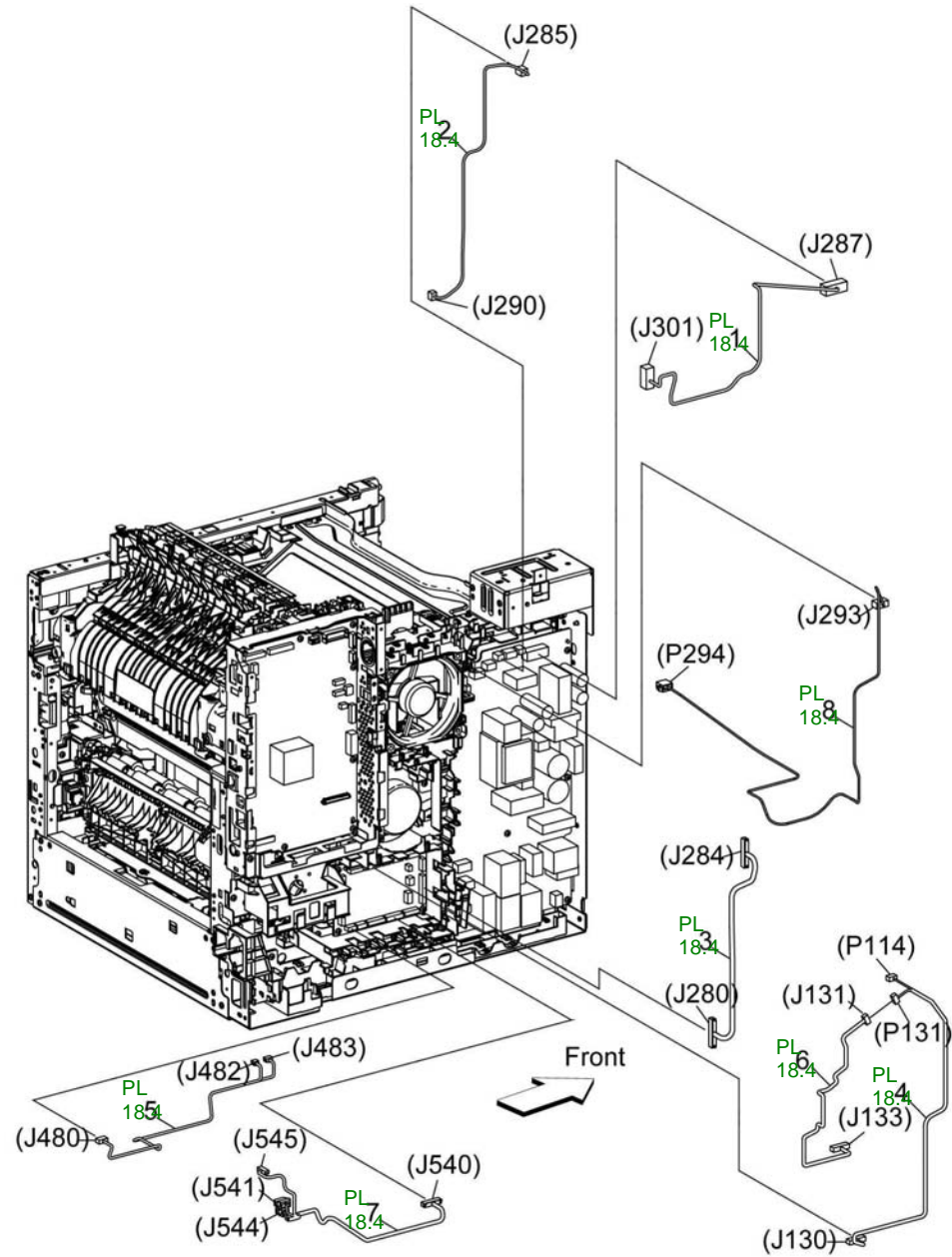
Item	Part	Description
1	-	Kit harness assembly inlet (not spared)
2	-	Harness assembly fusing DC-MV (not spared)
3	952K25320	Harness fusing AC 220V
-	952K25310	Harness assembly fusing AC 100V-MV
4	952K25390	Harness assembly I/L rear-MV
5	952K25380	Harness assembly I/L FRONT-MV
6	952K25490	Harness assembly OPF-MV
7	-	Power cord 110V (not spared)
8	-	Not used
9	-	Guide harness rear IL (not spared)
10	-	Guide harness MCU (not spared)
11	-	Guide harness AC (not spared)
12	-	Guide harness F USB (not spared)
13	-	Not used
14	-	Not used
15	-	Not used
16	-	Not used
17	-	Not used
18	-	Not used
19	-	Not used
20	-	Not used
21	110K16610	Switch assembly size
22	-	Harness assembly switch size (not spared)



D-8-2026-A

PL 18.4 Electrical (MFP-Std.) (4/4)

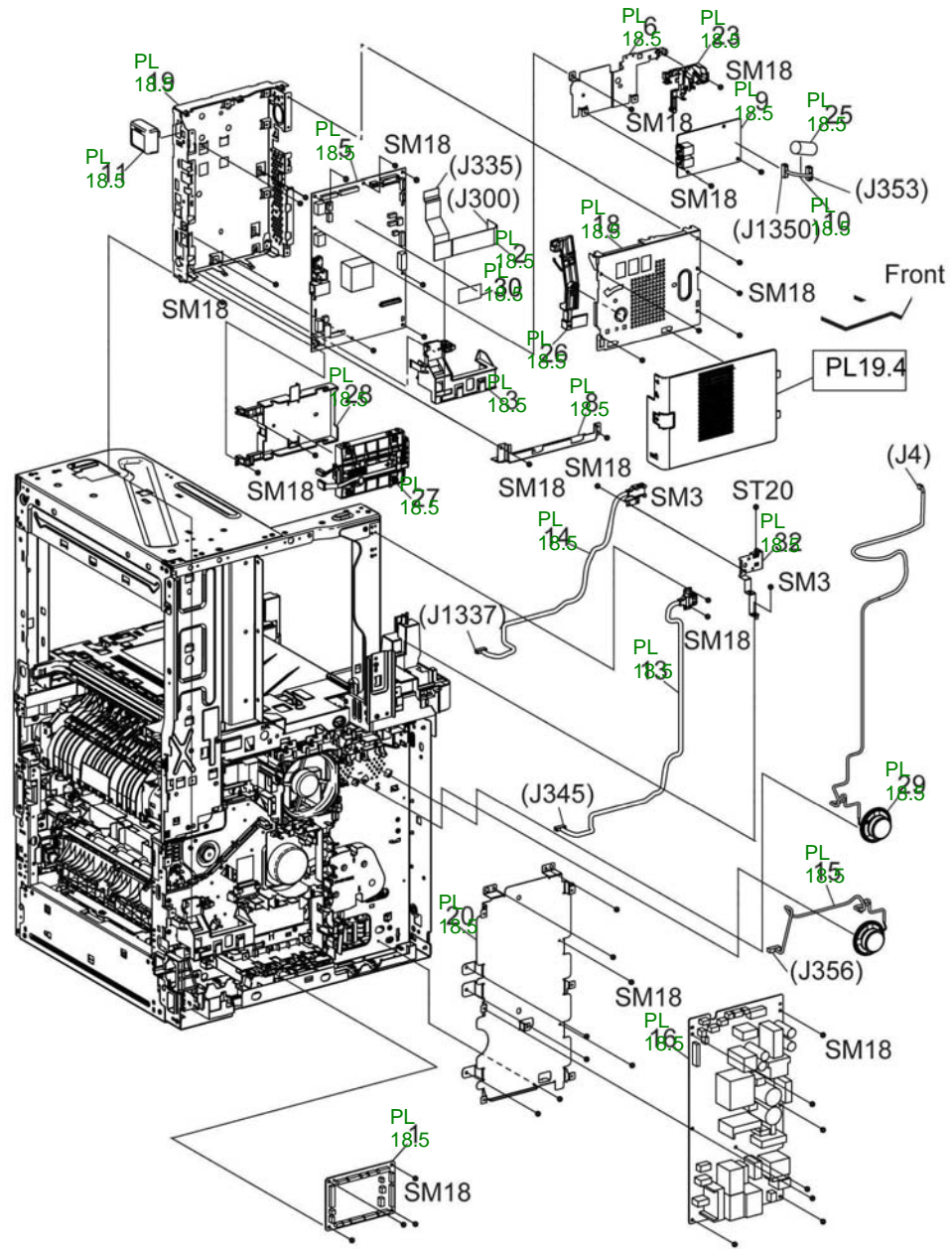
Item	Part	Description
1	-	Harness assembly ESS-PWR-MV (not spared)
2	-	Harness assembly 24V-MCU-MV (not spared)
3	-	Harness assembly LV-MCU-MV (not spared)
4	-	Harness assembly CRUM-MV (not spared)
5	-	Harness assembly MSI-MV (not spared)
6	-	Harness assembly XERO CRUM-MV (not spared)
7	-	Harness assembly REGI-MV (not spared)
8	-	Harness assembly SUB FAN-MV (not spared)



E-8-2027-A

PL 18.5 Electrical (MFP-Tall) (1/4)

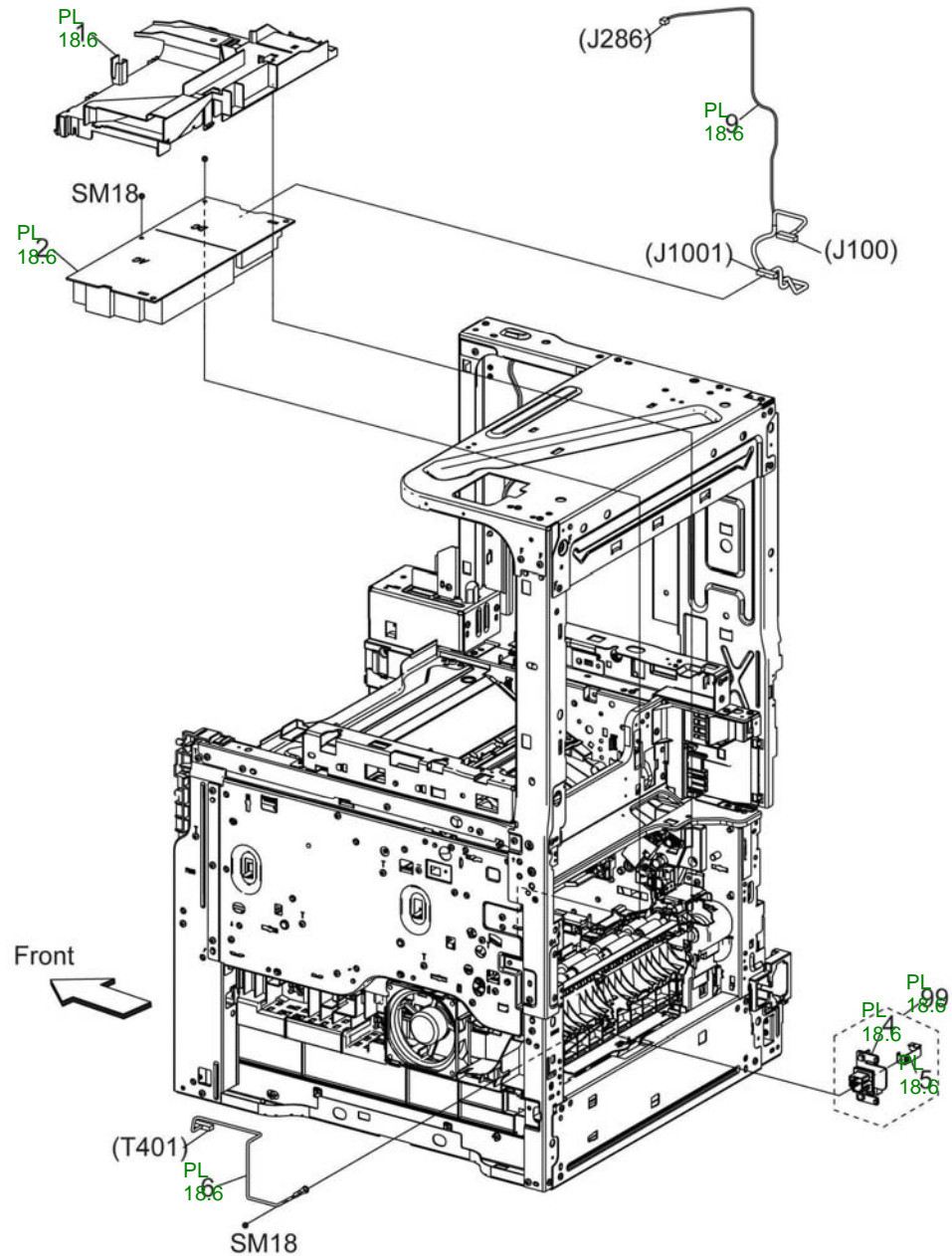
Item	Part	Description
1	960K81100	PWBA MCU
2	952K25540	FFC MCU ESS
3	-	Guide FFC MCU (not spared)
4	-	Not used
5	-	PWBA ESS tall (not spared)
6	-	Plate FAX (not spared)
7	-	Not used
8	-	Plate ESS low (not spared)
9	960K80761	PWBA FAX
10	-	Harness assembly FAX (not spared)
11	-	Wireless module (not spared)
12	-	Not used
13	952K40000	Harness assembly ICCR USB
14	952K40010	Harness assembly front USB
15	-	Speaker assembly A4 FAX (not spared)
16	105K33360	PWBA LVPS 110V
-	105K33370	PWBA LVPS 220V
17	-	Not used
18	-	Plate ESS top (not spared)
19	-	Box ESS AIO (not spared)
20	-	Plate LVPS (not spared)
21	-	Not used
22	-	Not used
23	-	Guide harness ESS (not spared)
24	-	Not used
25	-	Core FAX (not spared)
26	-	Link WIFI
27	-	HDD assembly (not spared)
28	-	Bracket HDD (not spared)
29	-	Speaker main (not spared)
30	-	EMMC card (not spared)
31	-	Not used
32	-	Bracket USB (not spared)



E-8-2028-A

PL 18.6 Electrical (MFP-Tall) (2/4)

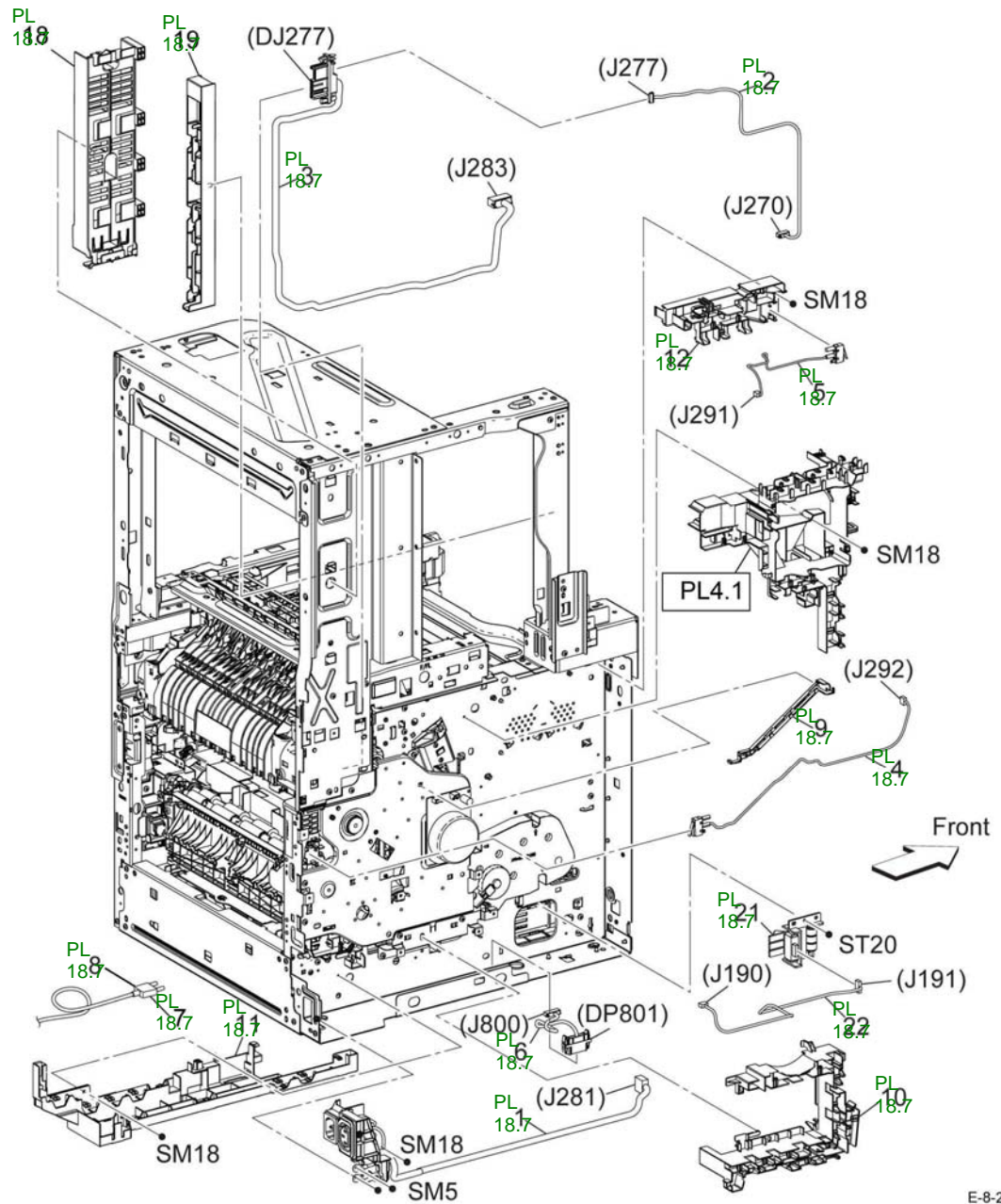
Item	Part	Description
1	-	COVER HVPS
2	105K33121	PWBA HVPS
3	-	Not used
4	-	Housing 2nd BTR (not spared)
5	-	Plate BIAS 2nd BTR (not spared)
6	-	Harness 2nd BTR
7	-	Not used
8	-	Not used
9	-	Harness assembly MCU-HVPS-MV (not spared)
99	-	Kit housing 2nd BTR (with 4-5) (not spared)



E-8-2029-A

PL 18.7 Electrical (MFP-Tall) (3/4)

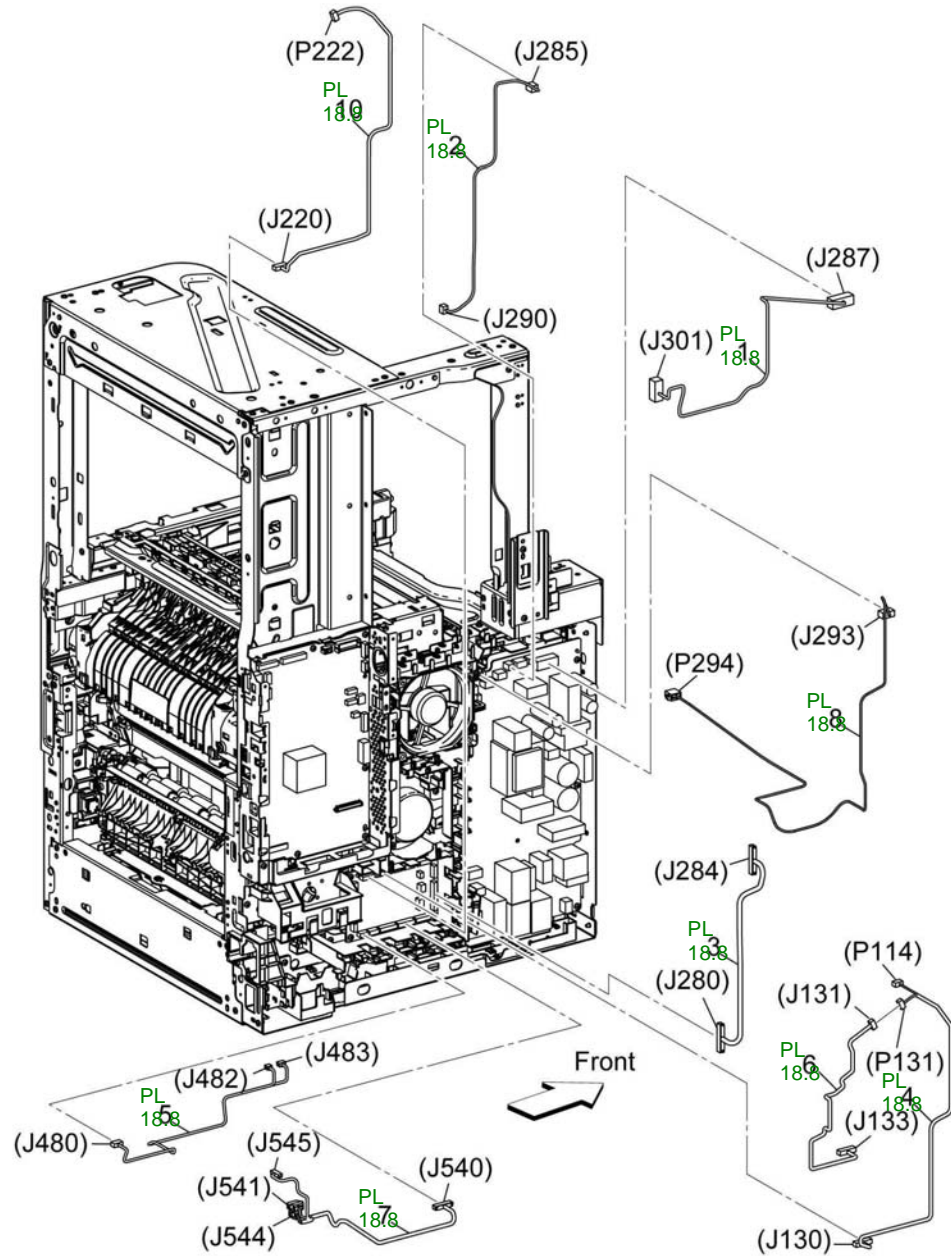
Item	Part	Description
1	-	Kit harness assembly inlet (not spared)
2	-	Harness assembly fusing DC-MV (not spared)
3	952K25320	Harness fusing AC 220V
-	952K25310	Harness assembly fusing AC 100V-MV
4	952K25390	Harness assembly I/L rear-MV
5	952K25380	Harness assembly I/L front-MV
6	952K25490	Harness assembly OPF-MV
7	-	Power cord 110V (not spared)
8	-	Power cord 220V (not spared)
9	-	Guide harness rear IL (not spared)
10	-	Guide harness MCU (not spared)
11	-	Guide harness AC (not spared)
12	-	Guide harness F USB (not spared)
13	-	Not used
14	-	Not used
15	-	Not used
16	-	Not used
17	-	Not used
18	-	Guide harness IIT (not spared)
19	-	Guide harness UI FIN (not spared)
20	-	Not used
21	110K16610	Switch assembly size
22	-	Harness assembly SW size (not spared)



E-8-2039-A

PL 18.8 Electrical (MFP-Tall) (4/4)

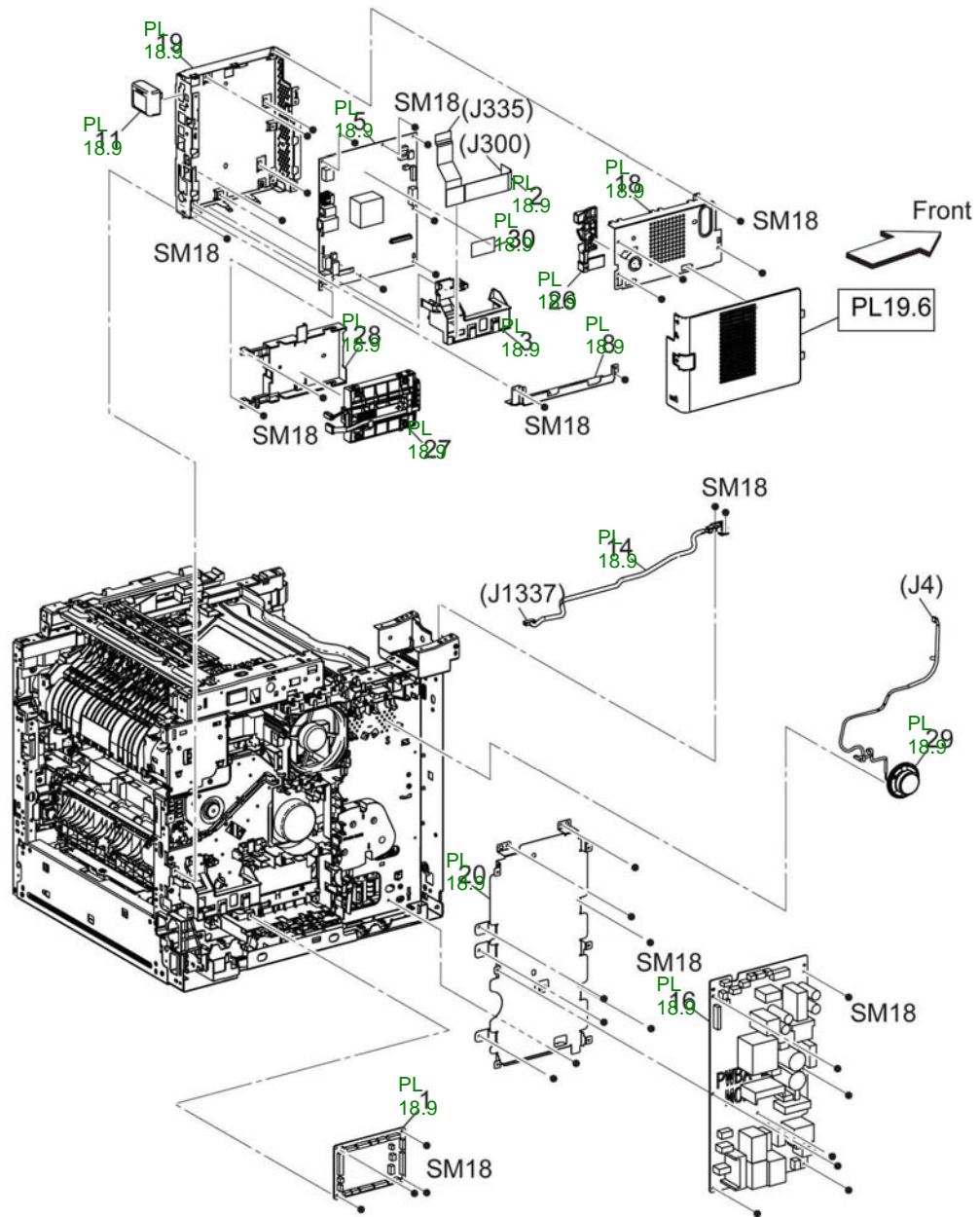
Item	Part	Description
1	-	Harness assembly ESS-PWR-MV (not spared)
2	-	Harness assembly 24V-MCU-MV (not spared)
3	-	Harness assembly LV-MCU-MV (not spared)
4	-	Harness assembly CRUM-MV (not spared)
5	-	Harness assembly MSI-MV (not spared)
6	-	Harness assembly XERO CRUM-MV (not spared)
7	-	Harness assembly REGI-MV (not spared)
8	-	Harness assembly SUB fan-MV (not spared)
9	-	Not used
10	-	Harness assembly FIN-MCU-MV (not spared)



E-8-2031-A

PL 18.9 Electrical (SFP) (1/4)

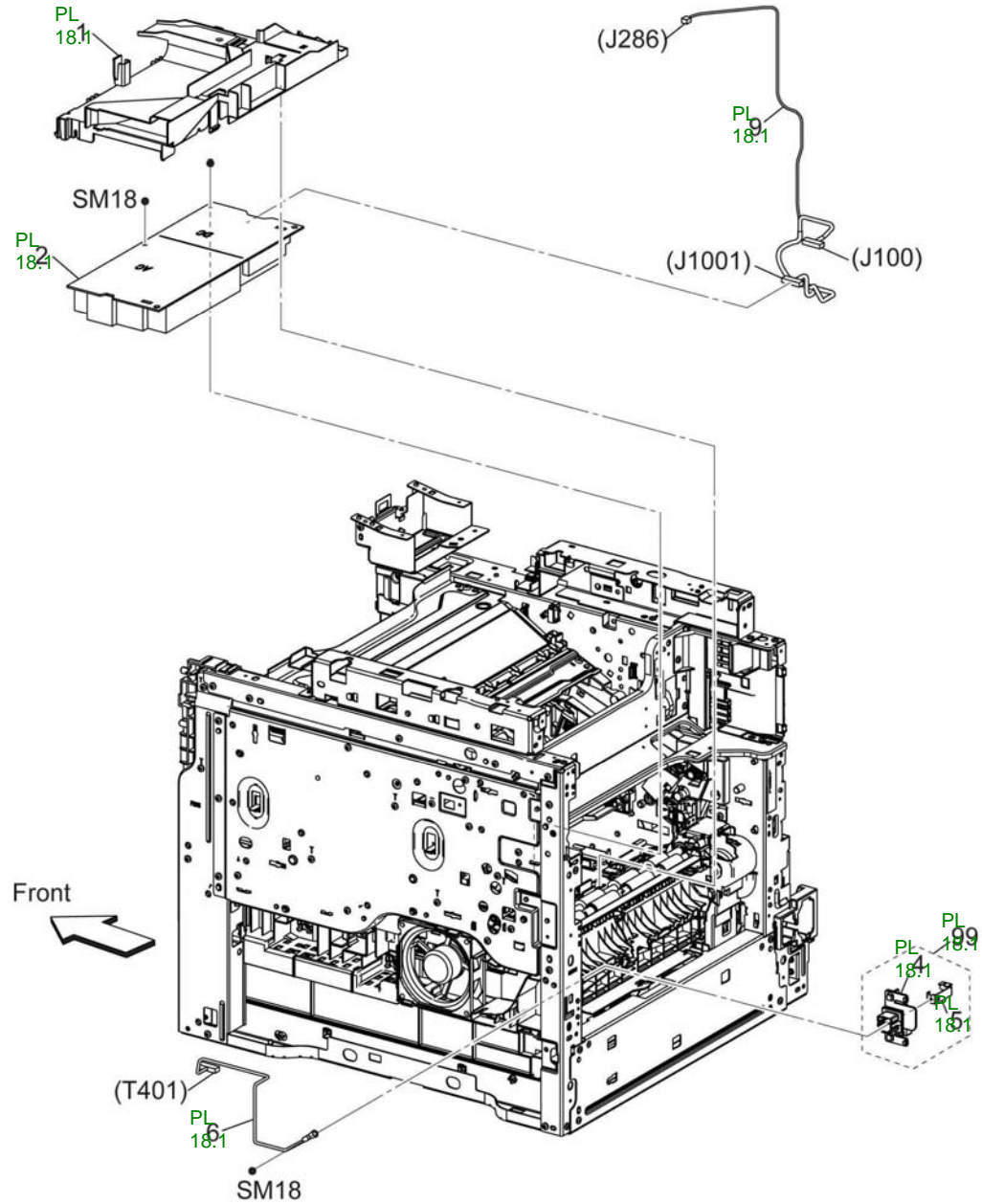
Item	Part	Description
1	960K81100	PWBA MCU
2	952K25540	FFC MCU ESS
3	-	Guide FFC MCU (not spared)
4	-	Not used
5	-	PWBA ESS SFP (not spared)
6	-	Not used
7	-	Not used
8	-	Plate ESS low (not spared)
9	-	Not used
10	-	Not used
11	-	Wireless module (not spared)
12	-	Not used
13	-	Not used
14	952K39980	Harness assembly front USB
15	-	Not used
16	105K33360	PWBA LVPS 110V
-	105K33370	PWBA LVPS 220V
17	-	Not used
18	-	Plate ESS top (not spared)
19	-	Box ESS SFP (not spared)
20	-	Plate LVPS (not spared)
21	-	Not used
22	-	Not used
23	-	Not used
24	-	Not used
25	-	Not used
26	-	Link WIFI (not spared)
27	-	HDD assembly (not spared)
28	-	Bracket HDD (not spared)
29	-	Speaker main (not spared)
30	-	EMMC card (not spared)
31	-	Not used
32	-	Not used



E-8-2032-A

PL 18.10 Electrical (SFP) (2/4)

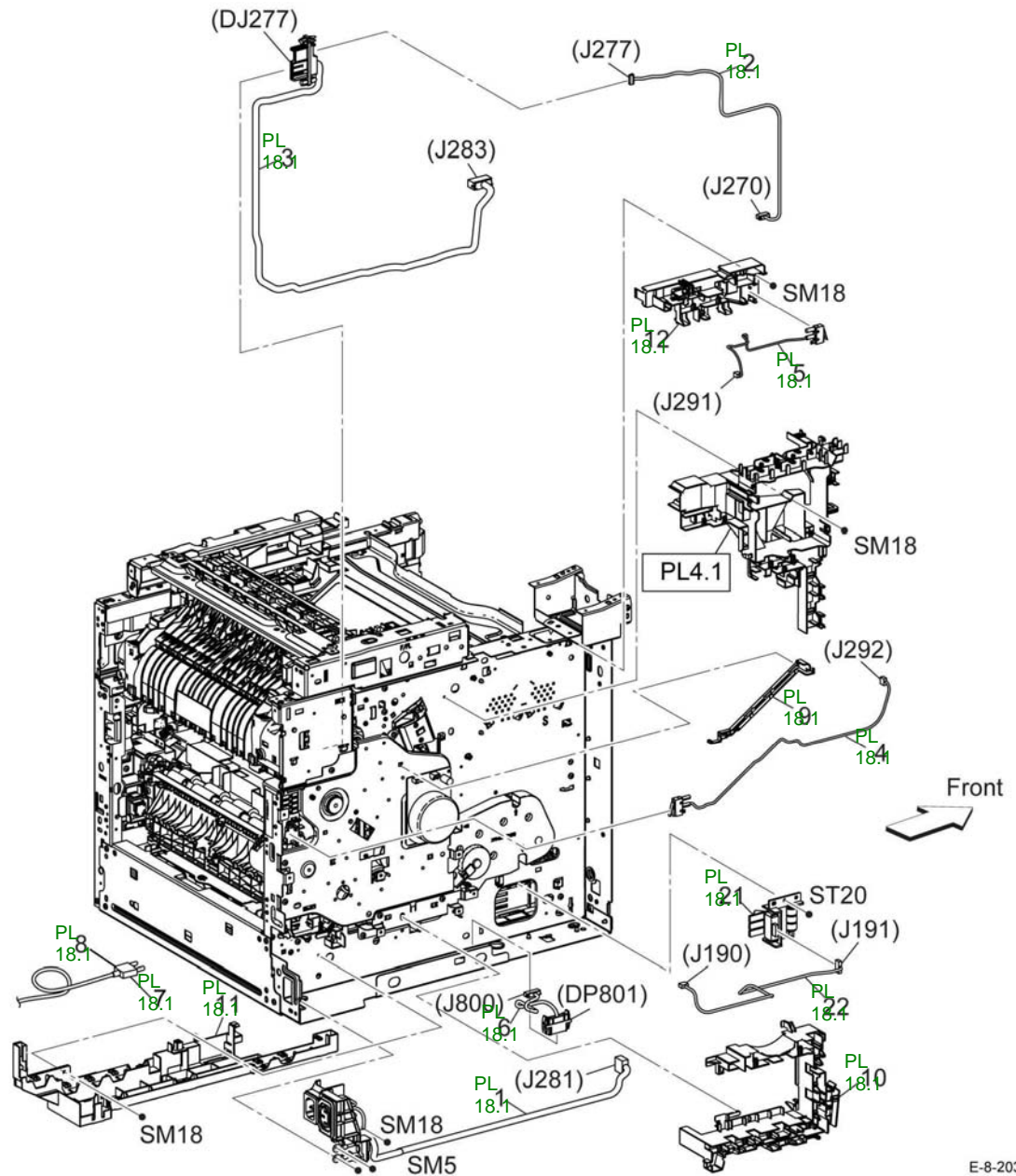
Item	Part	Description
1	–	Cover HVPS (not spared)
2	105K33121	PWBA HVPS
3	–	Not used
4	–	Housing 2nd BTR (not spared)
5	–	Plate bias 2nd BTR (not spared)
6	–	Harness 2nd BTR (not spared)
7	–	Not used
8	–	Not used
9	–	Harness assembly MCU-HVPS-MV (not spared)
99	–	Kit housing 2nd BTR (with 4-5) (not spared)



E-8-2033-A

PL 18.11 Electrical (SFP) (3/4)

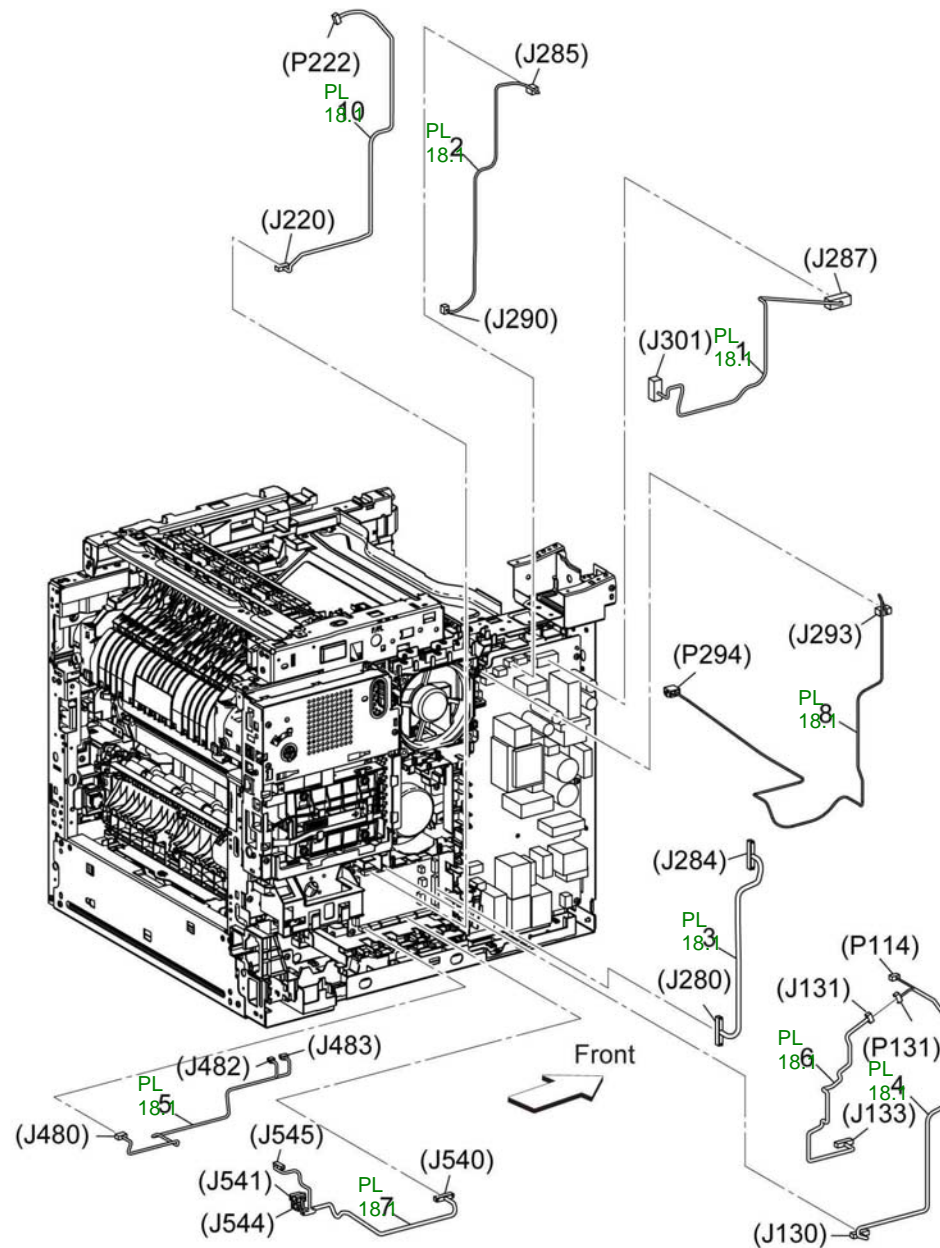
Item	Part	Description
1	-	Kit harness assembly inlet (not spared)
2	-	Harness assembly fusing DC-MV (not spared)
3	952K25320	Harness fusing AC 220V
-	952K25310	Harness assembly fusing AC 100V-MV
4	952K25390	Harness assembly I/L rear-MV (SW-J292)
5	952K25380	Harness assembly I/L front-MV (SW-J291)
6	952K25490	Harness assembly OPF-MV
7	-	Power cord 110V (not spared)
8	-	Power cord 220V (not spared)
9	-	Guide hareness rear IL (not spared)
10	-	Guide harness MCU (not spared)
11	-	Guide harness AC (not spared)
12	-	Guide harness F USB (not spared)
13	-	Not used
14	-	Not used
15	-	Not used
16	-	Not used
17	-	Not used
18	-	Not used
19	-	Not used
20	-	Not used
21	110K16610	Switch assembly size
22	-	Harness assembly SW size (not spared)



E-8-2034-A

PL 18.12 Electrical (SFP) (4/4)

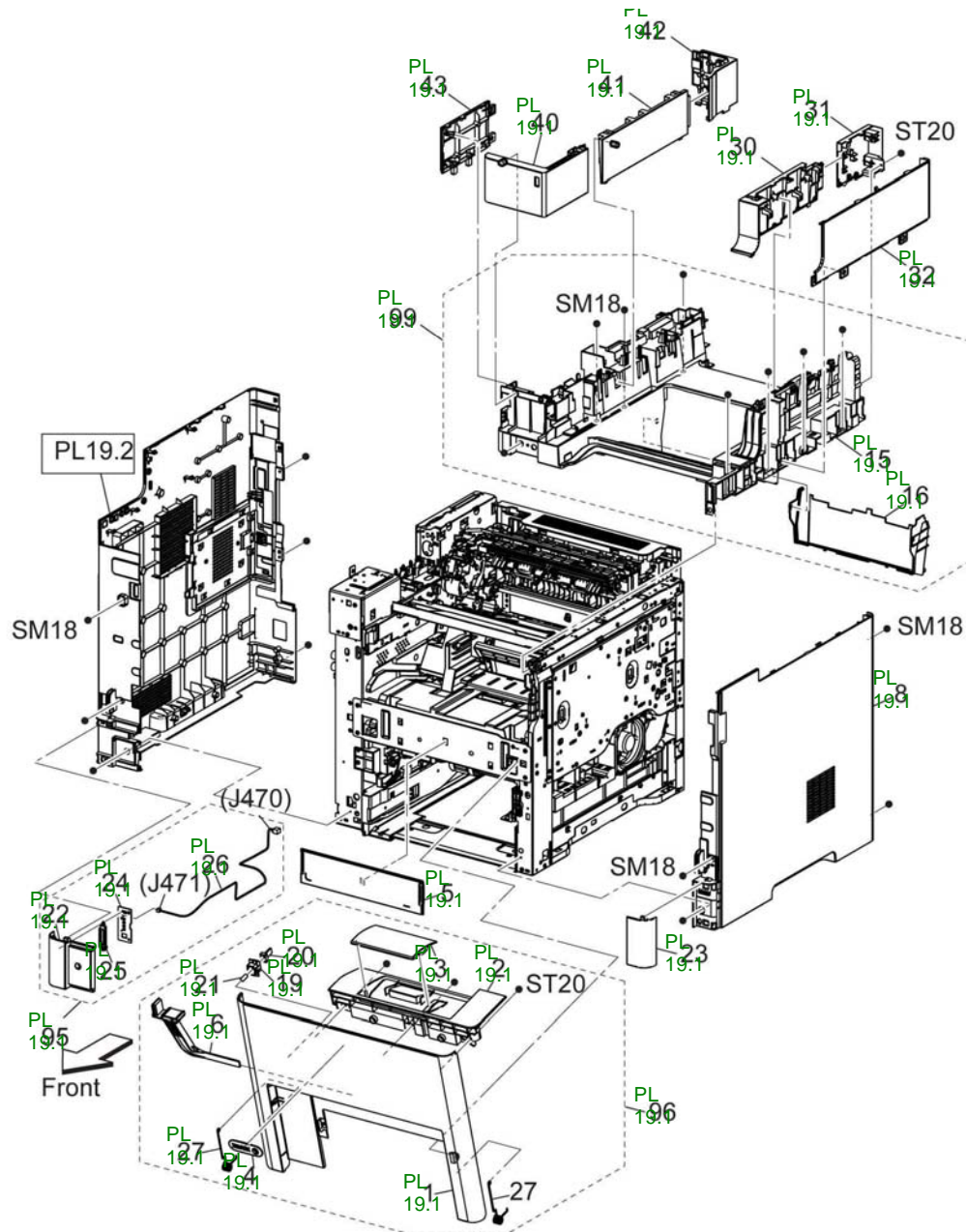
Item	Part	Description
1	-	Harness assembly ESS-PWR-MV (not spared)
2	-	Harness assembly 24V-MCU-MV (not spared)
3	-	Harness assembly LV-MCU-MV (not spared)
4	-	Harness assembly CRUM-MV (not spared)
5	-	Harness assembly MSI-MV (not spared)
6	-	Harness assembly XERO CRUM-MV (not spared)
7	-	Harness assembly REGI-MV (not spared)
8	-	Harness assembly SUB fan-MV (not spared)
9	-	Not used
10	-	Harness assembly FIN-MCU-MV (not spared)



E-8-2035-A

PL 19.1 Cover (MFP-Std.) (1/2)

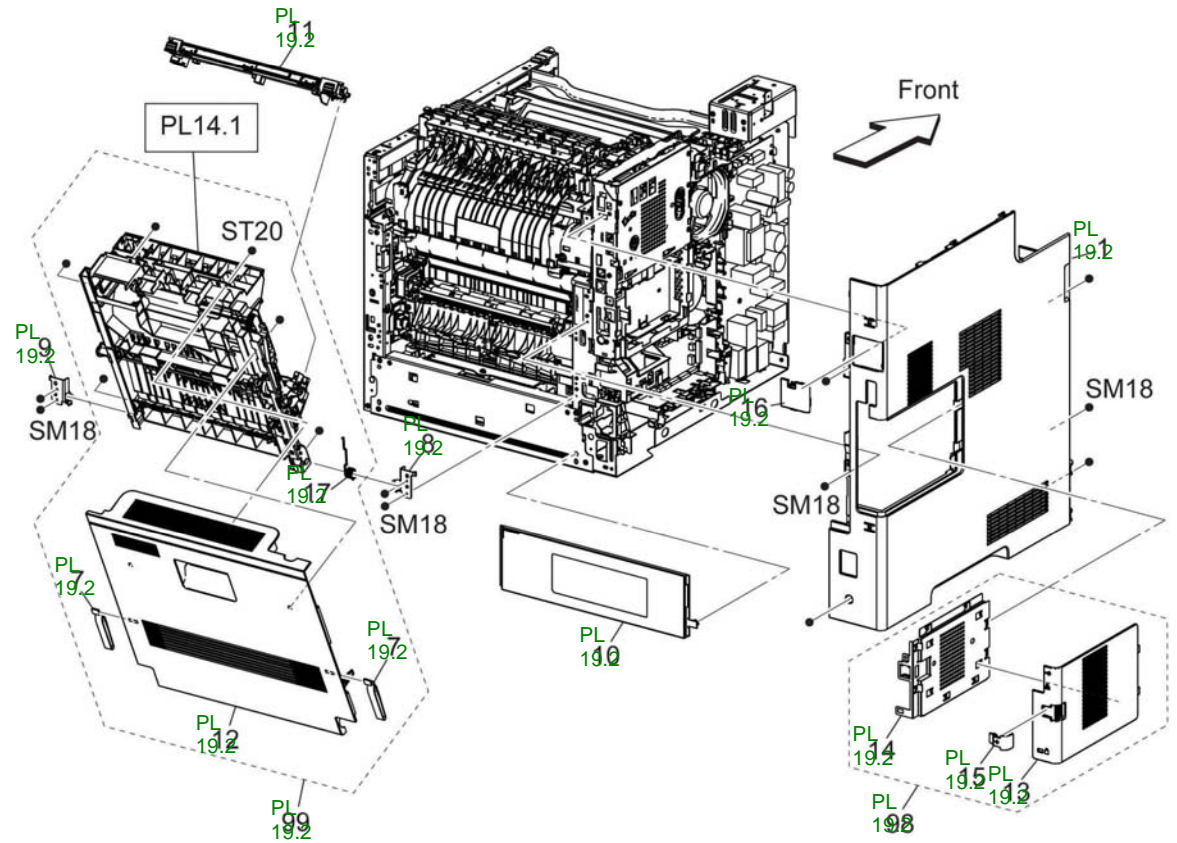
Item	Part	Description
1	-	Cover front (not spared)
2	-	Cover top front (not spared)
3	-	Tray extension (not spared)
4	-	Logo (not spared)
5	-	Cover front IN (not spared)
6	042K95900	LPH cleaner assembly
7	-	Not used
8	822E32721	Cover side R
9	-	Not used
10	-	Not used
11	-	Not used
12	-	Not used
13	-	Not used
14	-	Not used
15	-	Cover top (not spared)
16	-	Cover exit (not spared)
17	-	Not used
18	-	Not used
19	-	Holder IL (not spared)
20	-	Actuator IL (not spared)
21	-	Spring IL (not spared)
22	-	Cover front L (not spared)
23	822E32421	Cover front R
24	-	Tray LED PWBA (not spared)
25	-	Cover shade tray (not spared)
26	-	Harness assembly LED (not spared)
27	-	Spring cover front (not spared)
28	-	Not used
30	822E32660	Cover IIT inner R
31	822E32700	Cover IIT inner R rear
32	822E32740	Cover IIT side R
33	-	Not used
40	822E32622	Cover ICCR
41	822E32640	Cover IIT inner L
42	822E32681	Cover IIT inner L rear
43	822E32782	Cover IIT side L
95	948K16200	Cover assembly front L (with 22, 24-26)
96	948K16230	Cover assembly front (with 1-4, 6, 19-21, 27)
97	-	Not used
98	-	Not used
99	948K16220	Cover assembly top (with 15, 16)



E-8-2036-A

PL 19.2 Cover (MFP-Std.) (2/2)

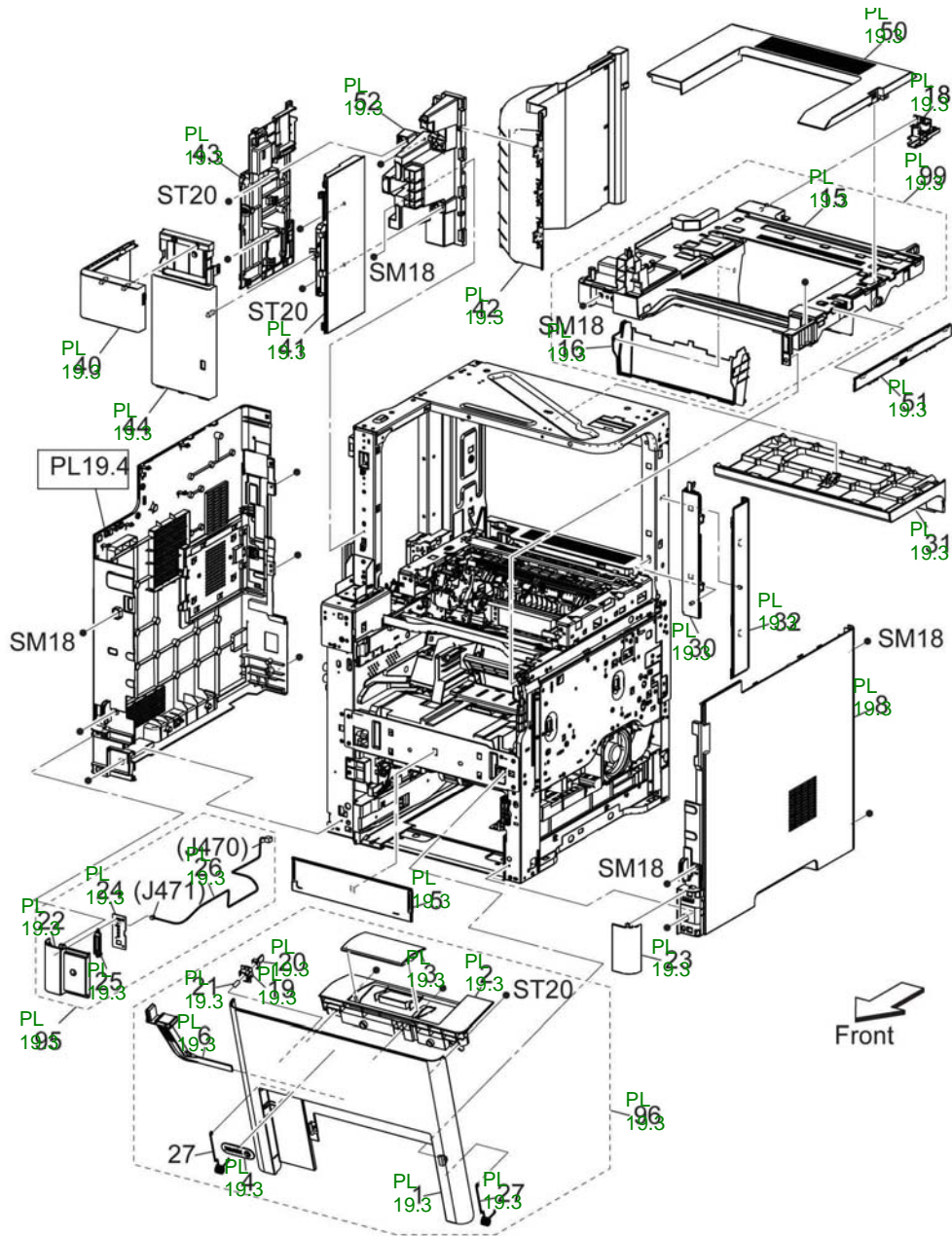
Item	Part	Description
1	822E46590	Cover side L (non-FAX)
-	822E33022	Cover side L
2	-	Not used
3	-	Not used
4	-	Not used
5	-	Not used
6	-	Not used
7	-	Strap cover rear (not spared)
8	-	Hinge assembly rear L (not spared)
9	-	Hinge assembly rear R (not spared)
10	-	Cover rear bottom (not spared)
11	-	BTR roll assembly (not spared)
12	-	Cover assembly rear AIO (not spared)
13	-	ESS window (not spared)
14	-	Plate ESS window (not spared)
15	-	Lever ESS window (not spared)
16	822E27572	WiFi cap
17	-	Spring cover rear (not spared)
98	815K21540	Kit ESS window assembly (with 13-15)
99	-	Kit cover assembly rear AIO (with 7x2, 12, PL14.1) (not spared)



E-8-2037-A

PL 19.3 Cover (MFP-Tall) (1/2)

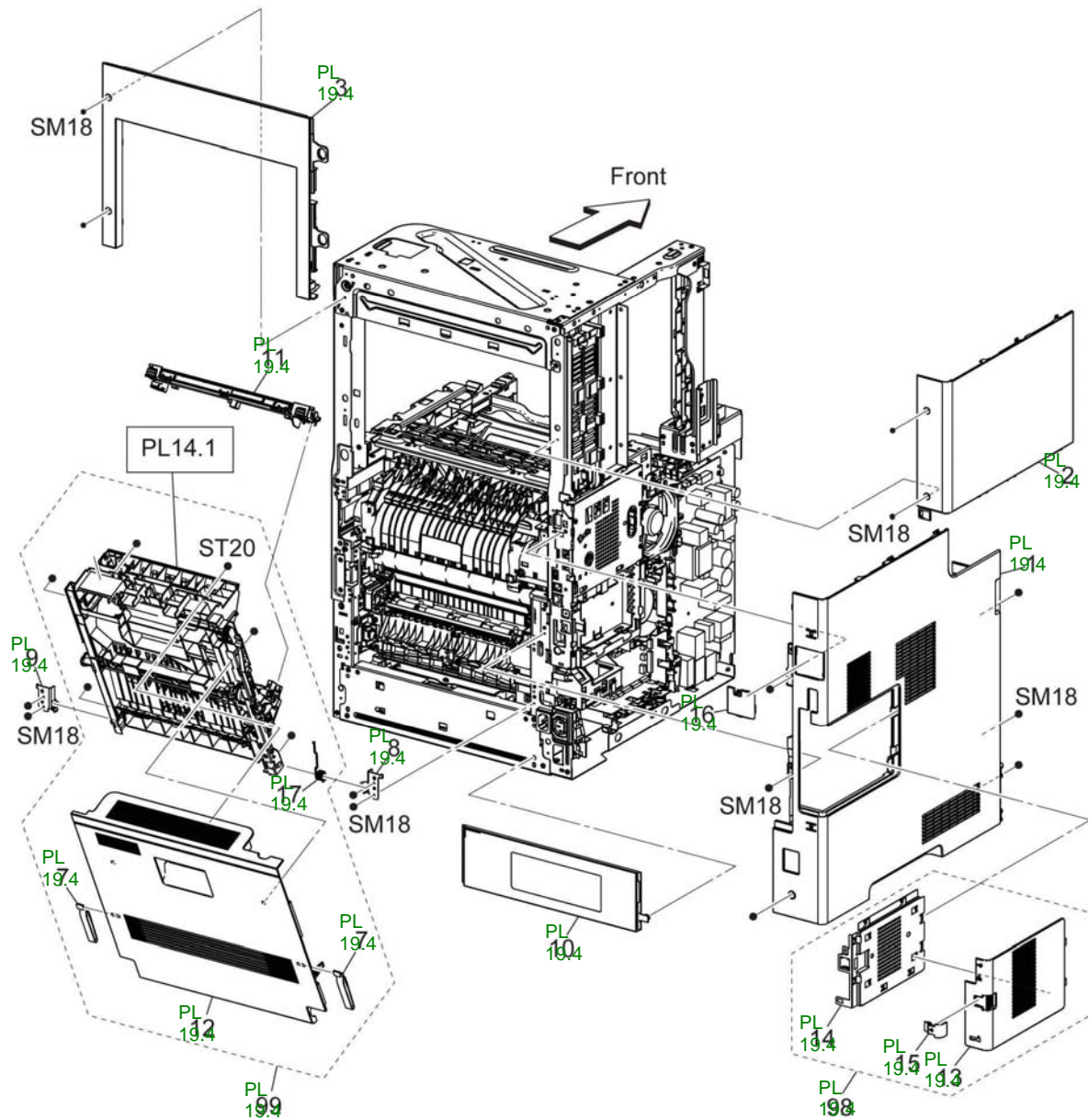
Item	Part	Description
1	-	Cover front (not spared)
2	-	Cover front top (not spared)
3	-	Tray extension (not spared)
4	-	Logo (not spared)
5	-	Cover front IN (not spared)
6	042K95900	LPH cleaner assembly
7	-	Not used
8	822E32721	Cover side R
9	-	not used
10	-	Not used
11	-	Cover waste (not spared)
12	-	Not used
13	-	Not used
14	-	Not used
15	-	Cover top (not spared)
16	-	Cover exit (not spared)
18	822E32391	OPT blind cover
19	-	Holder IL (not spared)
20	-	Actuator IL (not spared)
21	-	Spring IL (not spared)
22	-	Cover front L (not spared)
23	822E32421	Cover front R
24	-	Tray LED PWBA (not spared)
25	-	Cover shade tray (not spared)
26	-	Harness assembly LED (J470-J471) (not spared)
27	-	Spring cover front (not spared)
30	822E32960	Cover FIN inner R
31	-	Coverr FIN inner right
32	822E32940	Coverr FIN side R
40	822E32842	Cover ICCR FIN
41	822E32921	Cover FIN inner L
42	822E34800	Cover FIN inner side L
43	822E32901	Cover FIN side L SUB
44	822E32860	Cover FIN front
50	822E34782	Cover FIN top exit
51	822E37761	Coverr FIN side R cap
52	801E35940	Frame FIN
53	-	Not used
95	948K16200	Cover assembly front L (with 22, 24-26)
96	948K16230	Cover assembly front (with 1-4, 6, 19-21, 27)
97	-	Not used
98	-	Not used
99	948K04190	Cover assembly top (with 15, 16)



E-8-2038-A

PL 19.4 Cover (MFP-Tall) (2/2)

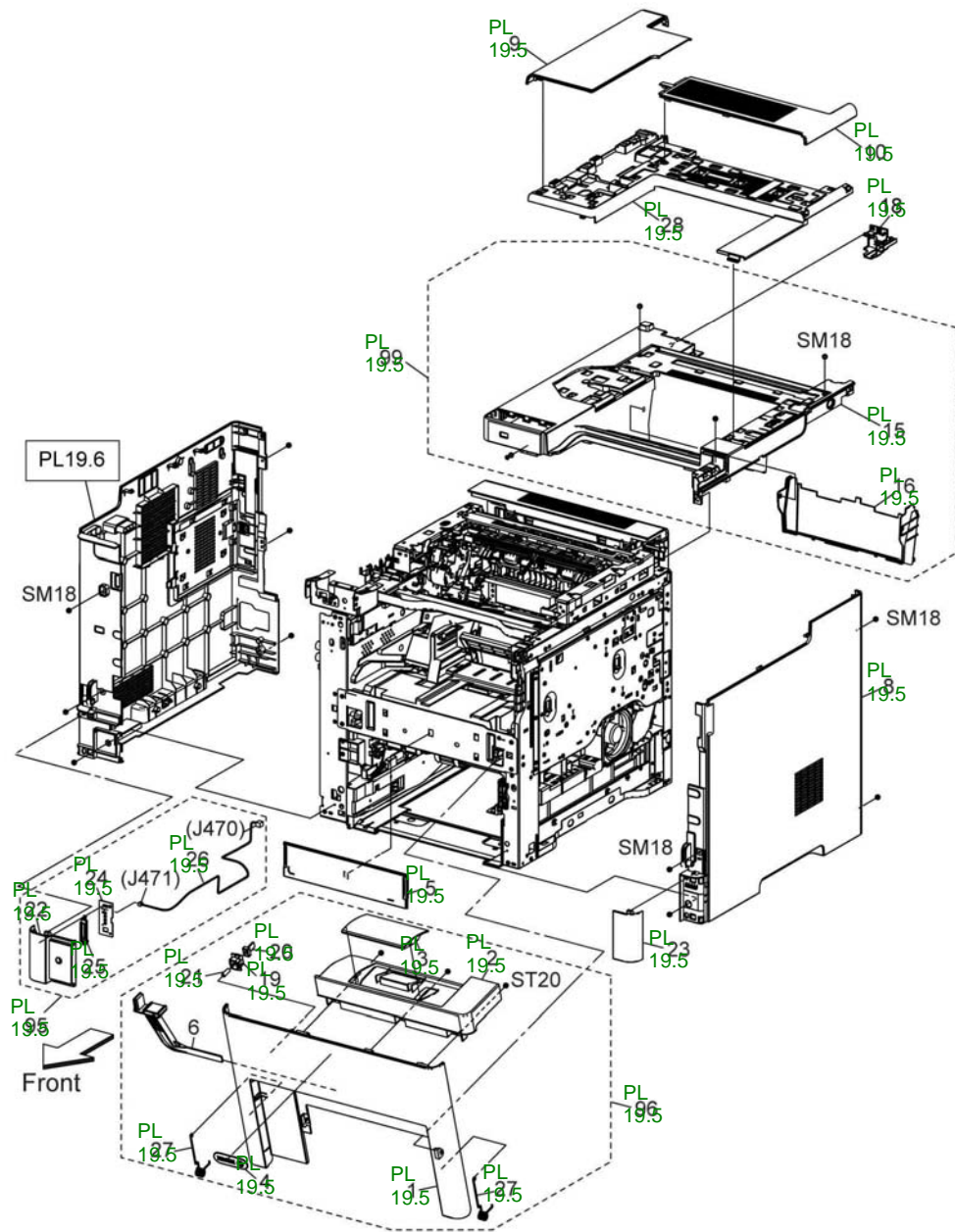
Item	Part	Description
1	822E46600	Cover side L (non-FAX)
-	822E33022	Cover side L
2	822E32882	Cover FIN side L
3	822E33001	Cover FIN rear
4	-	Not used
5	-	Not used
6	-	Not used
7	-	Strap cover rear (not spared)
8	-	Hinge assembly rear L (not spared)
9	-	Hinge assembly rear R (not spared)
10	-	Cover rear bottom (not spared)
11	-	BTR roll assembly (not spared)
12	-	Cover assembly rear AIO (not spared)
13	-	ESS window (not spared)
14	-	Plate ESS window (not spared)
15	-	Lever ESS window (not spared)
16	822E27572	WiFi cap
17	-	Spring cover rear (not spared)
98	815K21540	Kit ESS window assembly (with 13-15)
99	-	Kit cover assembly rear AIO (with 7x2, 12, PL14.1) (not spared)



E-8-2039-A

PL 19.5 Cover (SFP) (1/2)

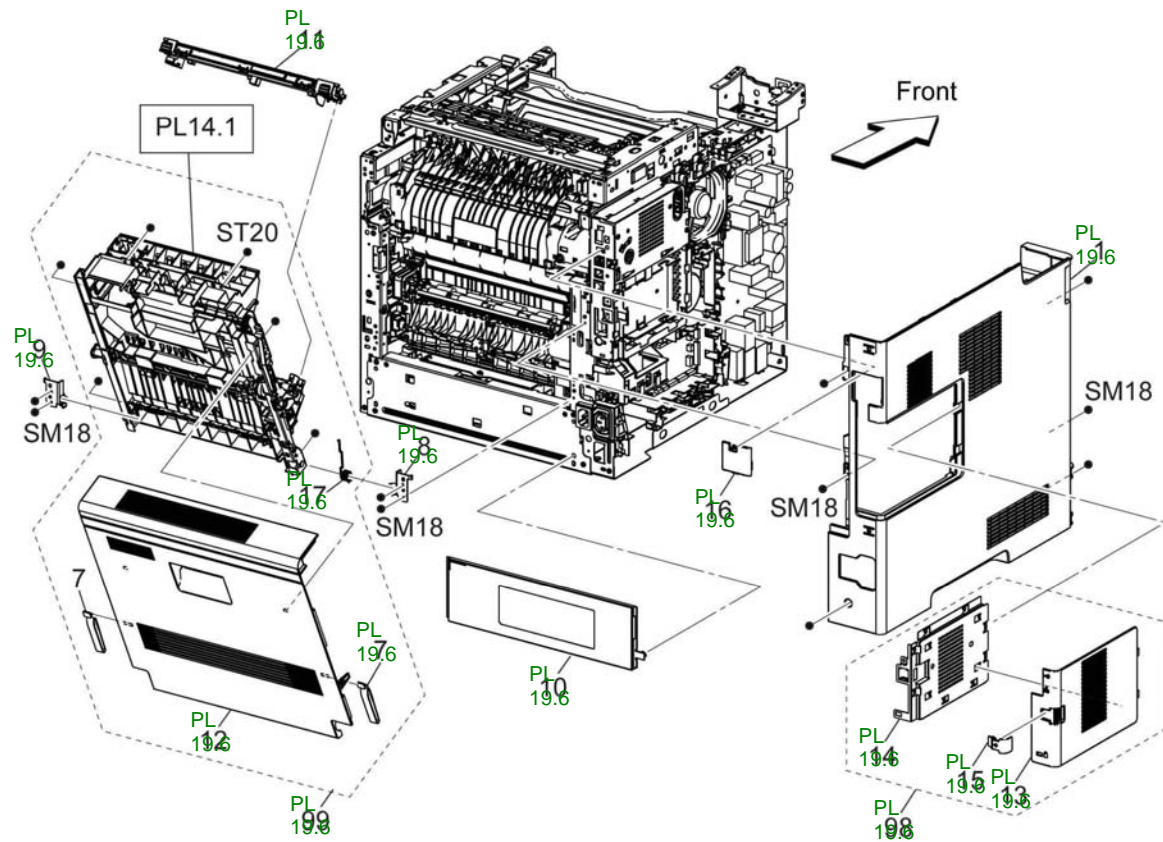
Item	Part	Description
1	-	Cover front (not spared)
2	-	Cover front top (not spared)
3	-	Tray extension (not spared)
4	-	Logo (not spared)
5	-	Cover front IN
6	-	Not used
7	-	Not used
8	822E32401	Cover side R
9	-	Cover top rear L (not spared)
10	822E32383	Cover top rear R
11	-	Not used
12	-	Not used
13	-	Not used
14	-	Not used
15	-	Cover top (not spared)
16	-	Cover exit (not spared)
17	-	Not used
18	-	OPT blind cover (not spared)
19	-	Holder IL (not spared)
20	-	Actuator IL (not spared)
21	-	Spring IL (not spared)
22	-	Cover front L (not spared)
23	822E32421	Cover front R
24	-	Tray LED PWBA (not spared)
25	-	Cover shade tray (not spared)
26	-	Harness assembly LED (not spared)
27	-	Spring cover front
28	-	Cover top exit
95	948K16200	Cover assembly front L (with 22, 24-26)
96	948K16180	Cover assembly front (with 1-4, 6, 19-21, 27)
97	-	Not used
98	-	Not used
99	948K04170	Cover assembly top SFP (with 15, 16)



E-8-2040-A

PL 19.6 Cover (SFP) (2/2)

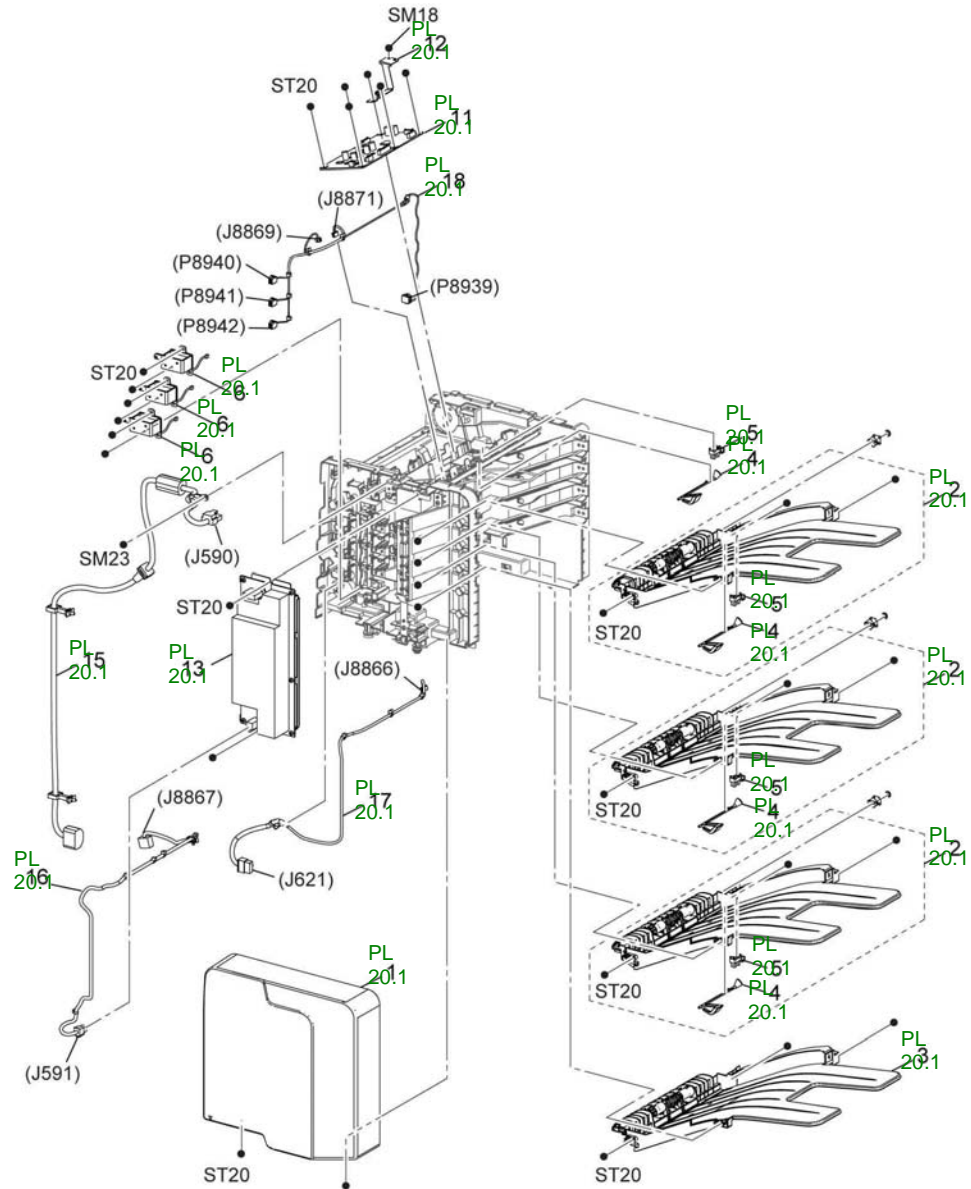
Item	Part	Description
1	-	Cover side L (not spared)
2	-	Not used
3	-	Not used
4	-	Not used
5	-	Not used
6	-	Not used
7	-	Strap cover rear (not spared)
8	-	Hinge assembly rear L (not spared)
9	-	Hinge assembly right R (not spared)
10	-	Cover rear bottom (not spared)
11	-	BTR roll assembly
12	-	Cover assembly rear SFP (not spared)
13	-	ESS window (not spared)
14	-	Plate ESS window (not spared)
15	-	Lever ESS window (not spared)
16	822E27572	WiFi cap
17	-	Spring cover rear (not spared)
98	815K21540	Kit ESS window assembly (with 13-15)
99	-	Kit cover assembly rear SFP (with 7x2, 12, PL14.1) (not spared)



E-8-2041-A

PL 20.1 Mailbox

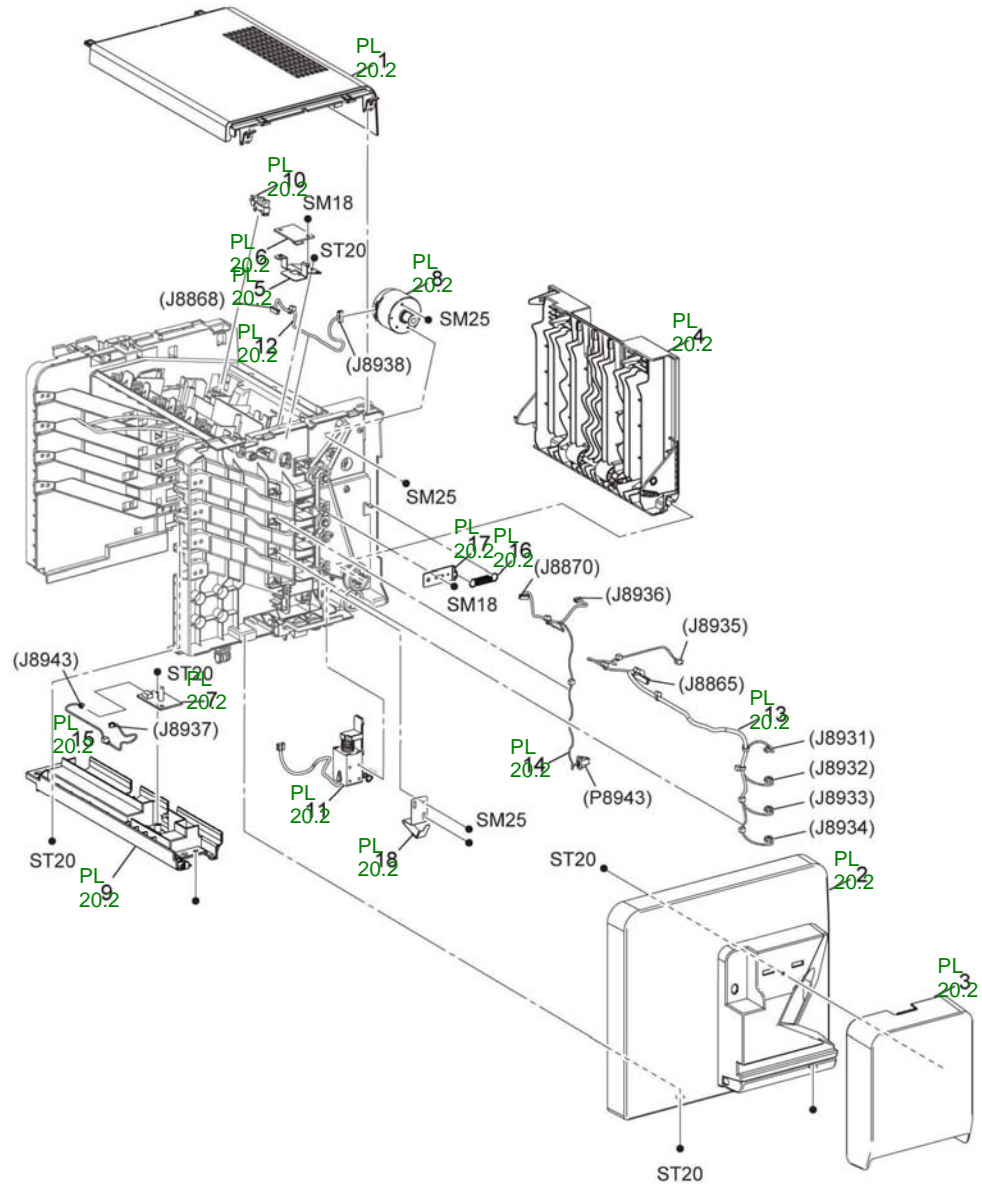
Item	Part	Description
1	-	Cover LH C
2	607K05020	Tray assembly (with label) (with 4, 5)
3	607K05030	Tray assembly bottom (with label)
4	-	Actuator tray full
5	-	Sensor photo int (1/2/3/4-bin full paper sensor)
6	049K34930	Bracket assembly gate solenoid
7	-	Not used
8	-	Not used
9	-	Not used
10	-	Not used
11	960K90041	PWBA GPF A4MBX
12	960K90043	Bracket earth RH
13	105E22590	LVPS W/I bracket
14	-	Not used
15	-	Harness assembly MBX AC
16	-	Harness assembly MBX DC
17	-	Harness assembly MBX IF
18	-	Harness assembly trans S



E-8-2047-A

PL 20.2 Mailbox

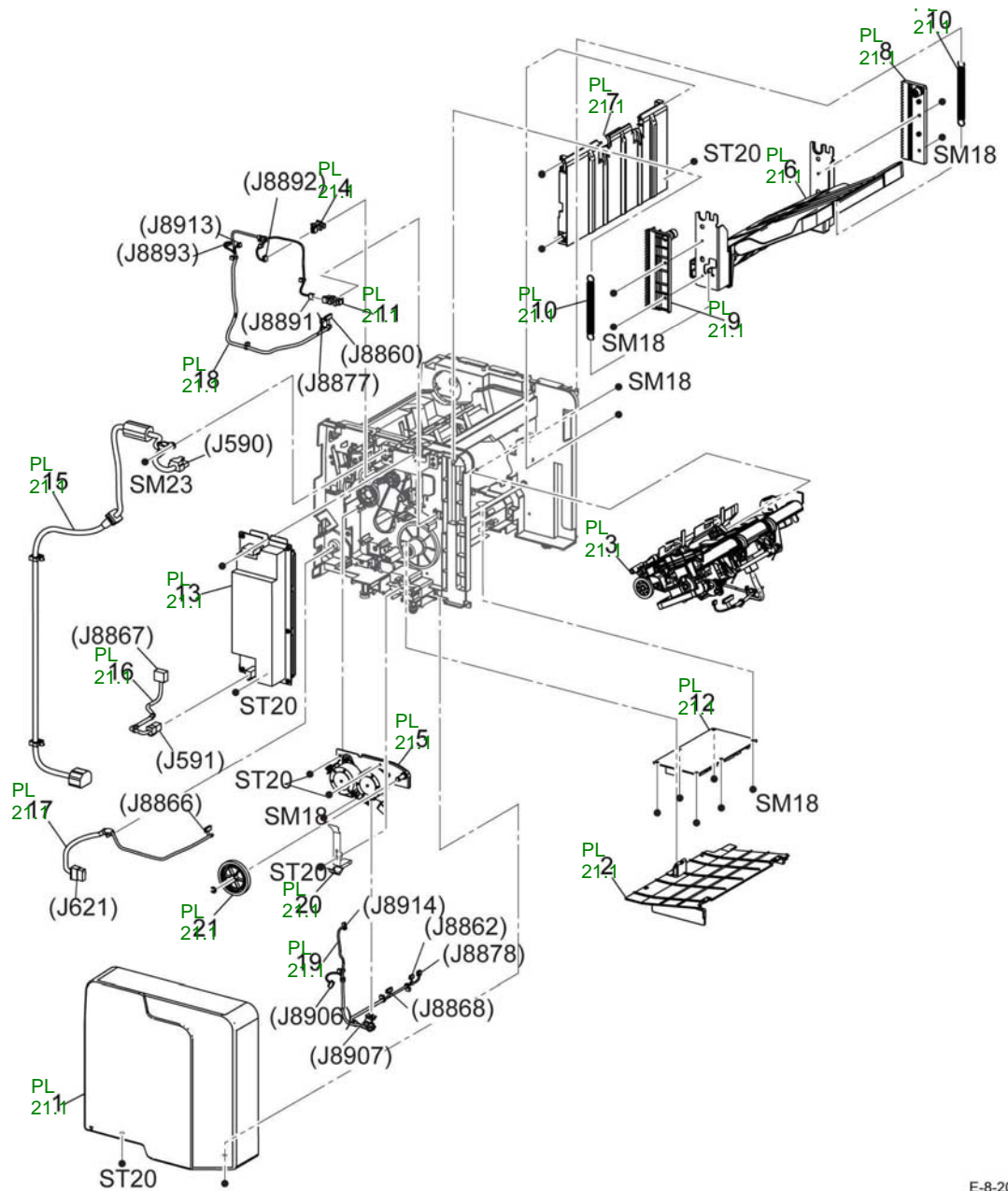
Item	Part	Description
1	-	Cover Top C (Not Spared) (REP 20.3)
2	-	Cover RH C (Not Spared) (REP 20.2)
3	-	Cover assembly staple (Not Spared)
4	-	Cover assembly rear (Not Spared)
5	-	Bracket vertical sensor MBX (Not Spared)
6	-	PWBA vertical sensor rev (Not Spared)
7	-	PWBA vertical sensor LED (Not Spared)
8	127K72241	Motor assembly (REP 20.6)
9	-	Chute low MBX (Not Spared)
10	-	Rear cover interlock sensor (Not Spared)
11	121K58300	Solenoid assembly gate (REP 20.7)
12	-	Harness assembly MBX trans M (Not Spared)
13	-	Harness assembly Mbx sensor (Not Spared)
14	-	Harness assembly vertical sensor (Not Spared)
15	-	Harness assembly vertical LED (Not Spared)
16	-	Spring tension (Not Spared)
17	-	Bracket tension (Not Spared)
18	-	Plate ground RH (Not Spared)



E-8-2048-A

PL 21.1 Finisher

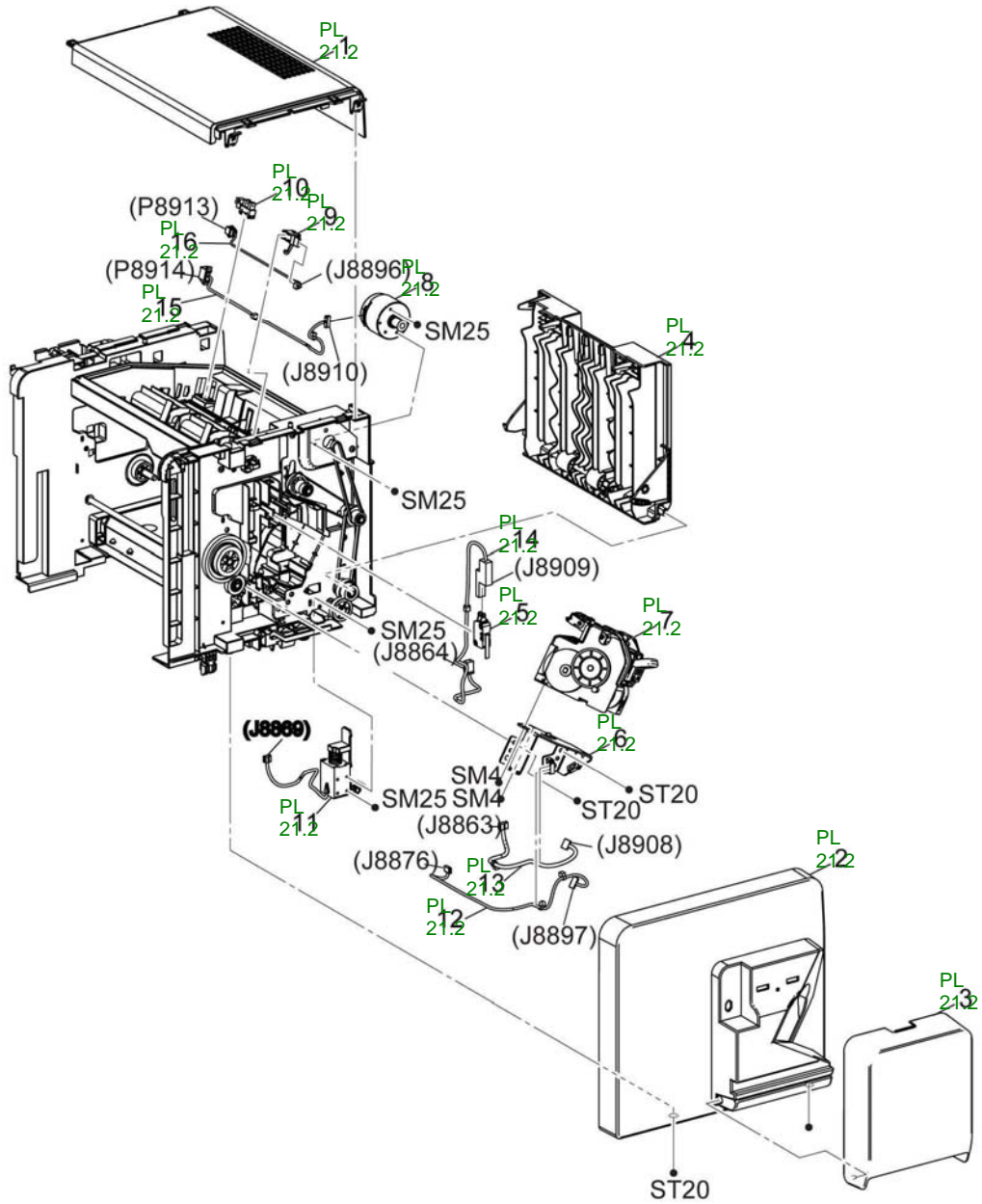
Item	Part	Description
1	-	Cover LH C
2	-	Cover Lower C
3	-	Tray assembly compile
4	-	Sensor photo int (sub paddle home sensor)
5	049K34570	Motor assembly stepping
6	050K75450	Tray assembly base
7	-	Tray guide C
8	-	Gear assembly Rack R
9	-	Gear assembly rack L
10	-	Spring-lift
11	-	Sensor photo int (stacker tray no-paper & full sensor)
12	960K90034	PWBA GPF A4fin
13	105E22590	LVPS
14	-	Not Used
15	-	Harn assembly AC
16	-	Harness assembly fin DC
17	-	Harness assembly fin IF
18	-	Harness assembly fin SNR1
19	-	Harness assembly fin mot
20	-	Plate ground LH
21	-	Gear-Z50 Z20



E-8-2049-A

PL 21.2 Finisher

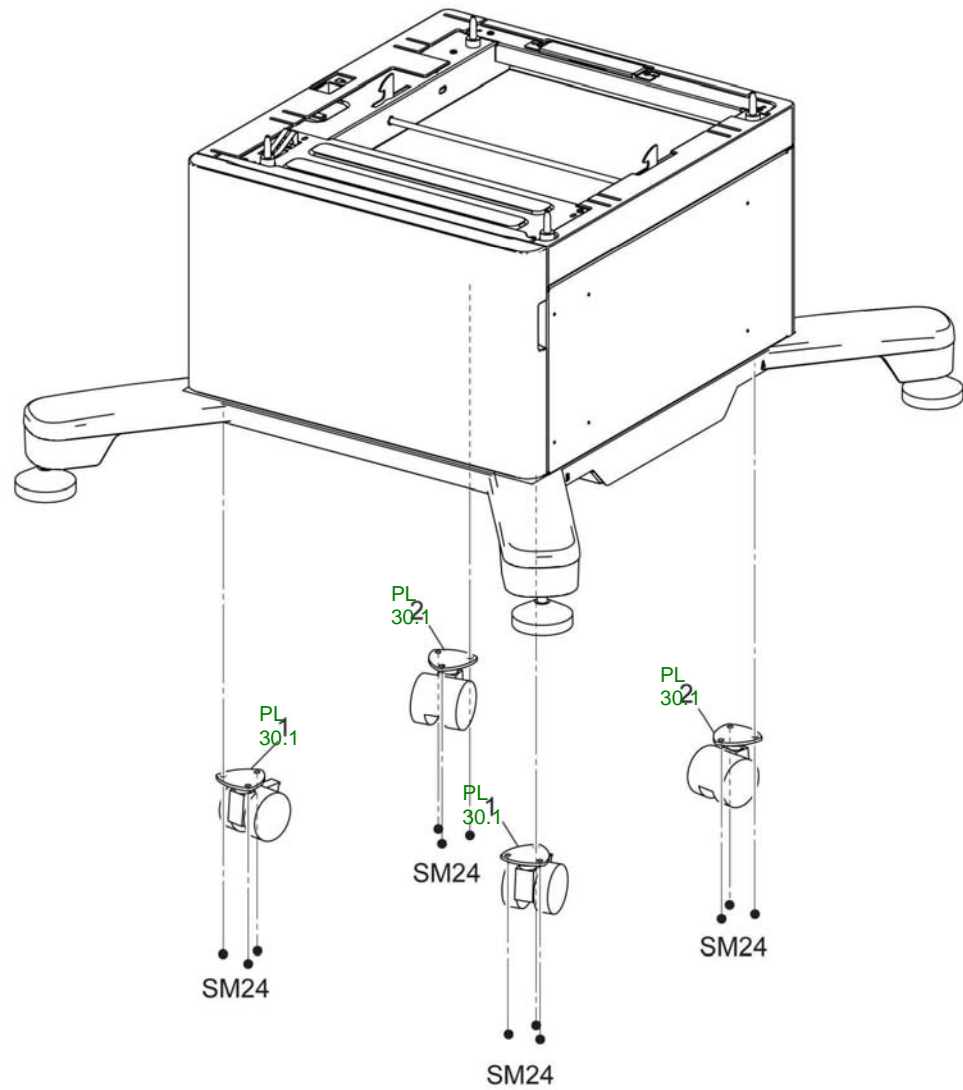
Item	Part	Description
1	-	Cover top C (Not Spared) (REP 21.3)
2	-	Cover RH C (Not Spared)
3	948K04650	Cover assembly staple
4	-	Cover assembly rear (Not Spared)
5	-	Switch safety IL (Not Spared)
6	-	Bracket stapler (Not Spared)
7	029K93260	Stapler assembly (REP 21.10)
8	127K72241	Motor assembly (REP 21.6)
9	-	Compile exit sensor (Not Spared)
10	-	Rear cover interlock sensor (Not Spared)
11	121K58300	Solenoid assembly gate (REP 21.7)
12	-	Harness assembly staple unit (Not Spared)
13	-	Harness assembly stapler M (Not Spared)
14	-	Harness assembly fin IL (Not Spared)
15	-	Harness assembly fin trans M1 (Not Spared)
16	-	Harness assembly fin compile sensor (Not Spared)
99	006K35670	Shaft assembly - paddle sub



E-8-2050-A

PL 30.1 Cabinet

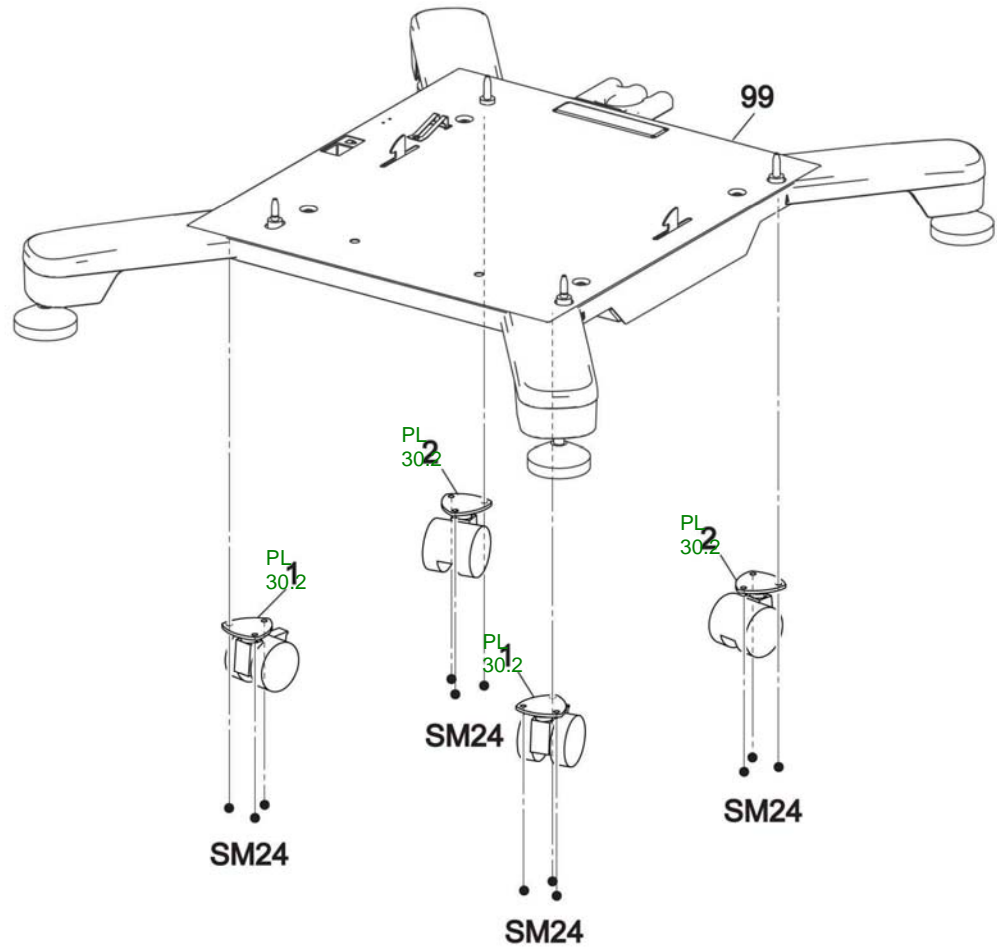
Item	Part	Description
1	-	Caster (with lock)
2	-	Caster (without lock)



E-8-2051-A

PL 30.2 Caster

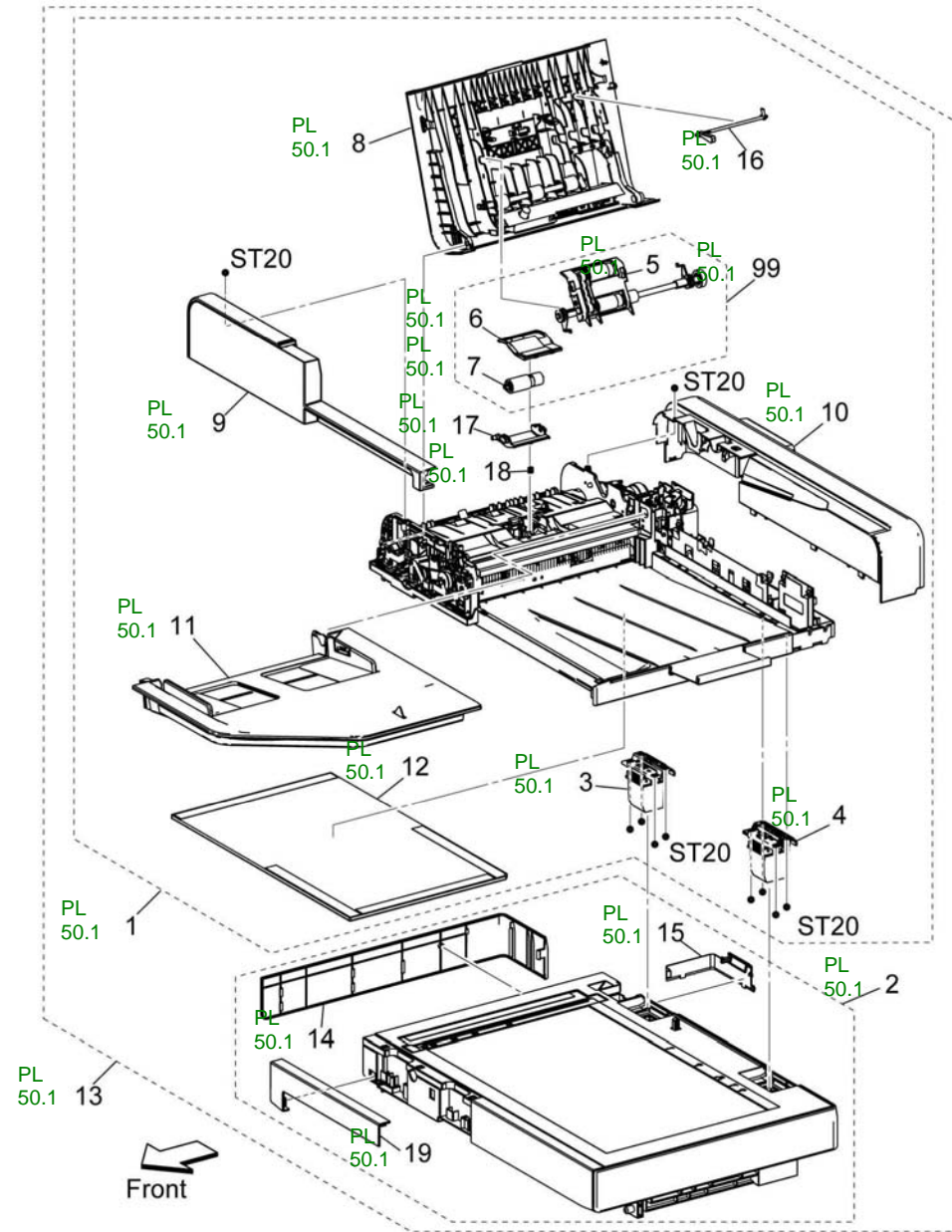
Item	Part	Description
1	-	Caster (with lock)
2	-	Caster (without lock)



E-8-2052-A

PL 50.1 Scanner (MFP only)

Item	Part	Description
1	607K04880	DADF assembly (with 3-12, 16, 17) (REP 50.1)
-	607K04890	DADF assembly tall (with 3-12, 16, 17) (REP 50.1)
2	607K05161	IIT assembly MFP low (with 14-15, 19) (REP 50.2)
-	607K04861	IIT assembly MFP high std (with 14-15, 19) (REP 50.2)
-	607K04871	IIT assembly MPF high tall (with 14-15, 19) (REP 50.2)
3	036K92351	Counterbalance assembly L (REP 50.3)
4	036K92331	Counterbalance assembly R (REP 50.3)
5	-	Feeder roll DADF (P/O PL 50.1 Item 99)
6	-	Cover assembly separator (P/O PL 50.1 Item 99)
7	-	Roll assembly separator DADF (P/O PL 50.1 Item 99)
8	-	Feeder assembly upper (P/O PL 50.1 Item 1)
9	-	Cover DADF front (P/O PL 50.1 Item 1)
10	-	Cover DADF rear (P/O PL 50.1 Item 1)
11	-	Tray assembly DADF (P/O PL 50.1 Item 1)
12	004K03660	Cushion assembly platen (REP 50.4)
13	-	Scanner assembly (with 1-2)
14	822E35271	Cover IIT left (REP 50.5)
15	822E35341	Cover IIT left cap (REP 50.6)
16	120E35681	DADF actuator (REP 50.7)
17	-	Holder separator DADF (P/O PL 50.1 Item 1)
18	-	Spring separator DADF (Not Spared)
19	822E35311	Cover front IIT (REP 50.8)
99	-	Kit DADF feed roll (with 5-7) (P/O PL 50.1 Item 1)



E-8-20