

5 Overview			
Introduction	5-3	PL 10.2 Top Covers and Inner Covers	5-35
Subsystem Information	5-3	PL 10.3 Rear Cover	5-36
Parts Lists		Inverter	
Drives		PL 11.1 Inverter Transport	5-37
PL 1.1 Drive Unit	5-5	Duplex Transport	
PL 1.2 Main Drive Motor Assembly	5-6	PL 12.1 Duplex Transport Assembly: 1 of 2	5-38
PL 1.3 IBT Steering Motor and MOB Sensor	5-7	IOT Control Chassis	
Paper Transportation		PL 13.1 IOT Control Chassis Assembly	5-39
PL 2.1 Tray 2	5-8	1T 3T Modules	
PL 2.3 Tray 2 Feeder and Left Lower Cover Assembly (Left Hand Door B Assembly) ..	5-9	PL 15.1 Tray 3/4/5 Feeders & Paper Trays	5-40
PL 2.4 Tray 2 Feeder: 1 of 2	5-10	PL 15.3 Tray 3 Feeder: 1 of 2	5-41
PL 2.5 Tray 2 Feeder: 2 of 2	5-11	PL 15.4 Tray 3 Feeder: 2 of 2	5-42
PL 2.6 Registration Transport	5-12	PL 15.5 Tray 4 Feeder: 1 of 2	5-43
PL 2.7 Left Cover Unit (Left Hand Door A)	5-13	PL 15.6 Tray 4 Feeder: 2 of 2	5-44
PL 2.8 Left Cover Assembly (Left Hand Door A): 1 of 2	5-14	PL 15.7 Tray 5 Feeder: 1 of 2	5-45
PL 2.9 Left Cover Assembly: 2 of 2	5-15	PL 15.8 Tray 5 Feeder: 2 of 2	5-46
PL 2.10 Exit Transport Assembly	5-16	PL 15.9 Electrical Components and Casters	5-47
PL 2.11 Tray 1 (MPT): 1 of 2	5-17	PL 15.10 Left Cover Assembly	5-48
PL 2.12 Tray 1: 2 of 2	5-18	PL 15.11 Covers	5-49
PL 2.13 Tray 1 (MPT) Feed Assembly	5-19	Tray Module - TT	
ROS		PL 16.1 Tray 3/4/5 Assembly	5-50
PL 3.1 ROS Assembly	5-20	PL 16.3 Tray 4	5-51
Xerographics		PL 16.4 Tray 5	5-52
PL 4.1 Xerographic Module: 1 of 2	5-21	PL 16.5 Paper Feeder: 1 of 2	5-53
PL 4.2 Xerographic Module: 2 of 2	5-22	PL 16.6 Paper Feeder: 2 of 2	5-54
Transfer		PL 16.7 Tray 3 Feeder	5-55
PL 5.1 Lift Unit	5-23	PL 16.11 Tray 5 Feeder	5-56
PL 5.2 IBT Unit	5-24	PL 16.13 Left Cover Assembly (Left Hand Door C)	5-57
PL 5.3 IBT Belt Assembly (Accumulator Belt Assembly)	5-25	PL 16.14 Tray 4/5 Lift Gear Assembly	5-58
PL 5.6 IBT Elevator	5-26	PL 16.15 Electrical Components and Casters	5-59
Development		PL 16.16 Covers	5-60
PL 6.1 Developer Unit: 1 of 2	5-27	A/P Finisher	
PL 6.2 Developer Unit: 2 of 2	5-28	PL 21.1 A/P Finisher	5-61
Fuser		PL 21.2 Finisher Cover: 1 of 2	5-62
PL 7.1 Fuser Assembly	5-29	PL 21.3 Finisher Cover: 2 of 2	5-63
Air System		PL 21.4 Finisher Stack	5-64
PL 8.1 Air System	5-30	PL 21.5 Finisher Punch	5-65
Electrical Components		PL 21.6 Finisher Stapler	5-66
PL 9.1 Electrical Components: 1 of 3	5-31	PL 21.7 Finisher Eject: 1 of 3	5-67
PL 9.2 Electrical Components: 2 of 3	5-32	PL 21.8 Finisher Eject: 2 of 3	5-68
PL 9.3 Electrical Components: 3 of 3	5-33	PL 21.9 Finisher Eject: 3 of 3	5-69
Covers		PL 21.10 Finisher Transport: 1 of 2	5-70
PL 10.1 Front Cover	5-34	PL 21.11 Finisher Transport: 2 of 2	5-71
		PL 21.12 Finisher Electrical	5-72
		PL 21.13 Finisher Harness	5-73
		PL 21.15 Booklet Accessory	5-74
		PL 21.16 Booklet Component - 1	5-75

PL 21.17 Booklet Component -2 (End Guide).....	5-76
PL 21.18 Booklet Component -3.....	5-77
PL 21.19 Booklet Component -4.....	5-78
PL 21.20 Booklet Component -5.....	5-79
PL 21.21 Booklet Component -6 (Chute).....	5-80
PL 21.22 Booklet Component -7.....	5-81
PL 21.23 Booklet Tray Component.....	5-82
PL 21.24 H - Transport: 1 of 4.....	5-83
PL 21.25 H - Transport: 2 of 4.....	5-84
PL 21.26 H - Transport: 3 of 4.....	5-85
PL 21.27 H - Transport: 4 of 4.....	5-86

Common Hardware

Common Hardware.....	5-87
Kit Part Number.....	5-88
Part Number Index.....	5-88

Introduction

Overview

The Parts List section identifies all part numbers and the corresponding location of all spared subsystem components.

Organization

Parts Lists

Each item number in the part number listing corresponds to an item number in the related illustration. All the parts in a given subsystem of the machine will be located in the same illustration or in a series of associated illustrations.

Electrical Connectors and Fasteners

This section contains the illustrations and descriptions of the plugs, jacks, and fasteners used in the machine. A part number listing of the connectors is included.

Common Hardware

The common hardware is listed in alphabetical order by the letter or letters used to identify each item in the part number listing and in the illustrations. Dimensions are in millimeters unless otherwise identified.

Part Number Index

This index lists all the spared parts in the machine in numerical order. Each number is followed by a reference to the parts list on which the part may be found.

Symbology

Symbology used in the Parts List section is identified in the Symbology section.

Service Procedure Referencing

If a part or assembly has an associated repair or adjustment procedure, the procedure number will be listed at the end of the part description in the parts lists e.g. (REP 5.1, ADJ 5.3)

Subsystem Information

Use of the Term “Assembly”

The term “assembly” will be used for items in the part number listing that include other itemized parts in the part number listing. When the word “assembly” is found in the part number listing, there will be a corresponding item number on the illustrations followed by a bracket and a listing of the contents of the assembly.

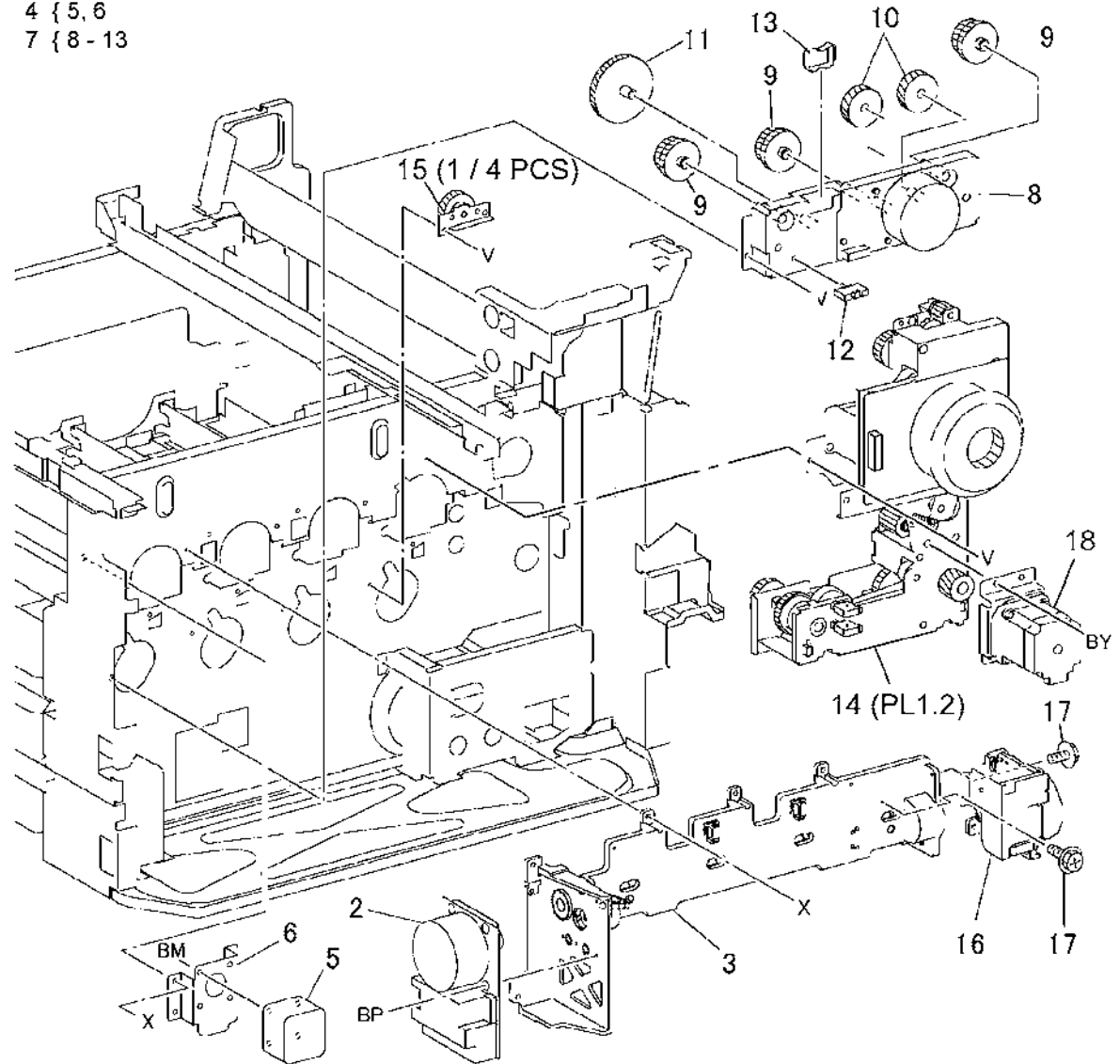
Brackets

A bracket is used when an assembly or kit is spared, but is not shown in the illustration. The item number of the assembly or kit precedes the bracket; the item numbers of the piece parts follow the bracket.

PL 1.1 Drive Unit

Item	Part	Description
1	007K88604	Imaging Unit Motor Assembly (REP 4.4)
2	-	Imaging Unit Motor (P/O PL 1.1 Item 1)
3	-	Gear Bracket (P/O PL 1.1 Item 1)
4	007K87600	IBT Motor Assembly (REP 4.2)
5	-	IBT Motor (P/O PL 1.1 Item 4)
6	-	Gear Bracket (P/O PL 1.1 Item 4)
7	007K88661	Developer Drive Motor Assembly (REP 4.3)
8	-	Developer Drive Motor (P/O PL 1.1 Item 7)
9	-	Gear (47/38T) (P/O PL 1.1 Item 7)
10	-	Gear (51/25T) (P/O PL 1.1 Item 7)
11	-	Gear (P/O PL 1.1 Item 7) (76T)
12	-	Clamp (P/O PL 1.1 Item 7)
13	-	Edge Saddle (P/O PL 1.1 Item 7)
14	007K88113	Main Drive Motor Assembly (REP 4.1)
15	007K87221	Developer Gear
16	-	Imaging Unit Motor (P/O PL 1.1 Item 1)
17	-	Screw (P/O PL 1.1 Item 1)
18	127K38881	Take Away Motor

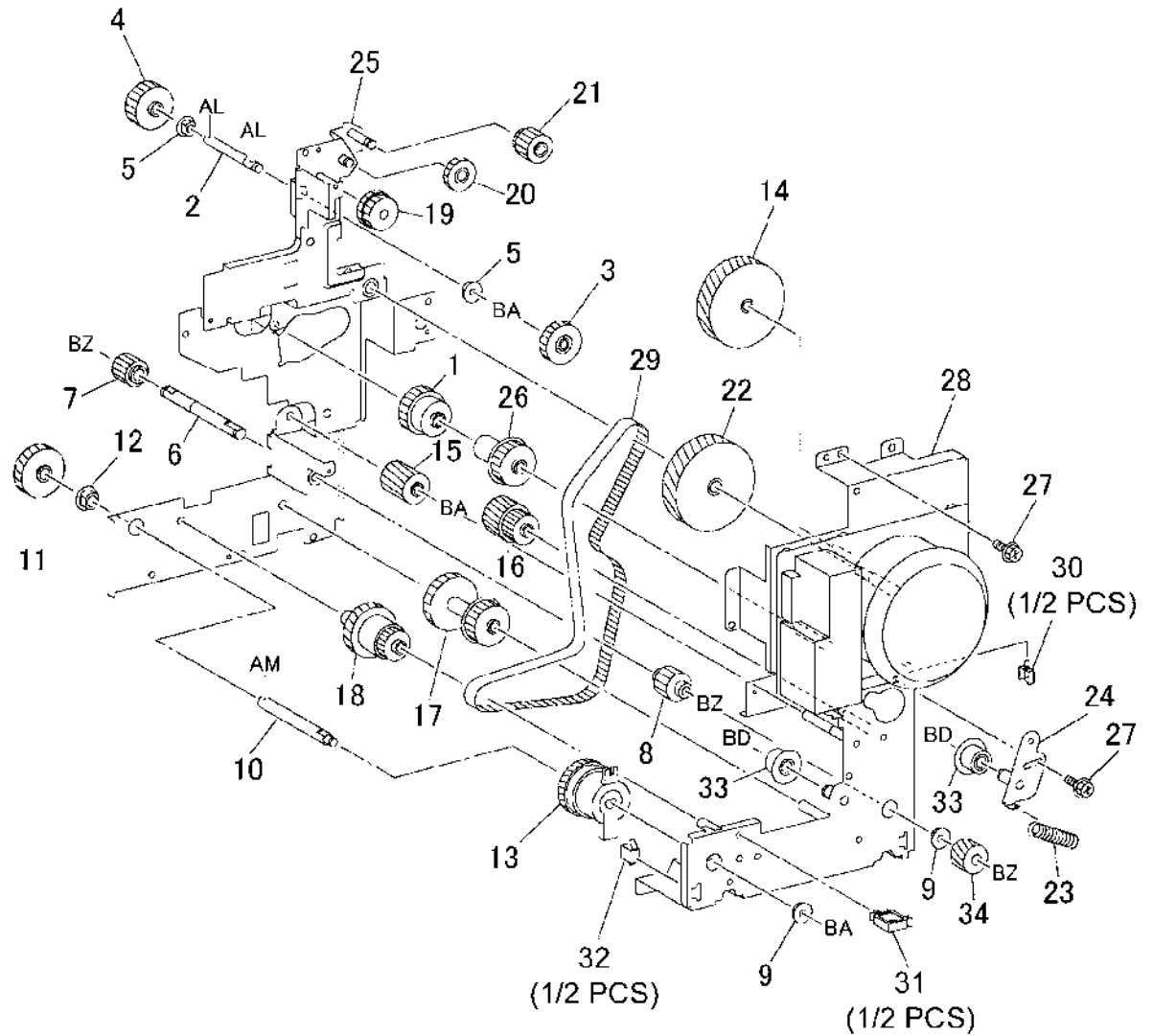
1 { 2, 3, 16, 17
 4 { 5, 6
 7 { 8 - 13



s7780-0734A

PL 1.2 Main Drive Motor Assembly

Item	Part	Description
1	-	Friction Clutch (P/O PL 1.1 Item 14)
2	-	Shaft (P/O PL 1.1 Item 14)
3	-	Gear (32T) (P/O PL 1.1 Item 14)
4	-	Gear (28T) (P/O PL 1.1 Item 14)
5	-	Bearing (P/O PL 1.1 Item 14)
6	-	Shaft (P/O PL 1.1 Item 14)
7	-	Gear (20T) (P/O PL 1.1 Item 14)
8	-	Gear (25T) (Not Spared)
9	-	Bearing (P/O PL 1.1 Item 14)
10	-	Shaft (P/O PL 1.1 Item 14)
11	-	Gear (39T) (P/O PL 1.1 Item 14)
12	-	Bearing (P/O PL 1.1 Item 14)
13	121K23270	Developer K Clutch
14	-	Gear (69/27T) (P/O PL 1.1 Item 14)
15	-	Gear (23T) (P/O PL 1.1 Item 14)
16	-	Gear (28/22T) (P/O PL 1.1 Item 14)
17	-	Gear (45/30T) (P/O PL 1.1 Item 14)
18	-	Gear (41/25T) (P/O PL 1.1 Item 14)
19	-	Gear (24/20T) (P/O PL 1.1 Item 14)
20	-	Gear (19T) (P/O PL 1.1 Item 14)
21	-	Gear (18T) (P/O PL 1.1 Item 14)
22	-	Gear (73/23T) (P/O PL 1.1 Item 14)
23	-	Spring (P/O PL 1.1 Item 14)
24	-	Tension Bracket (P/O PL 1.1 Item 14)
25	-	Bracket (P/O PL 1.1 Item 14)
26	-	Pulley (P/O PL 1.1 Item 14)
27	-	Screw (P/O PL 1.1 Item 14)
28	-	Main Motor (P/O PL 1.1 Item 14)
29	-	Belt (P/O PL 1.1 Item 14)
30	-	Clamp (P/O PL 1.1 Item 14)
31	-	Clamp (P/O PL 1.1 Item 14)
32	-	Connector (P/O PL 1.1 Item 14)
33	-	Pulley (P/O PL 1.1 Item 14)
34	-	Gear (30T) (Not Spared)

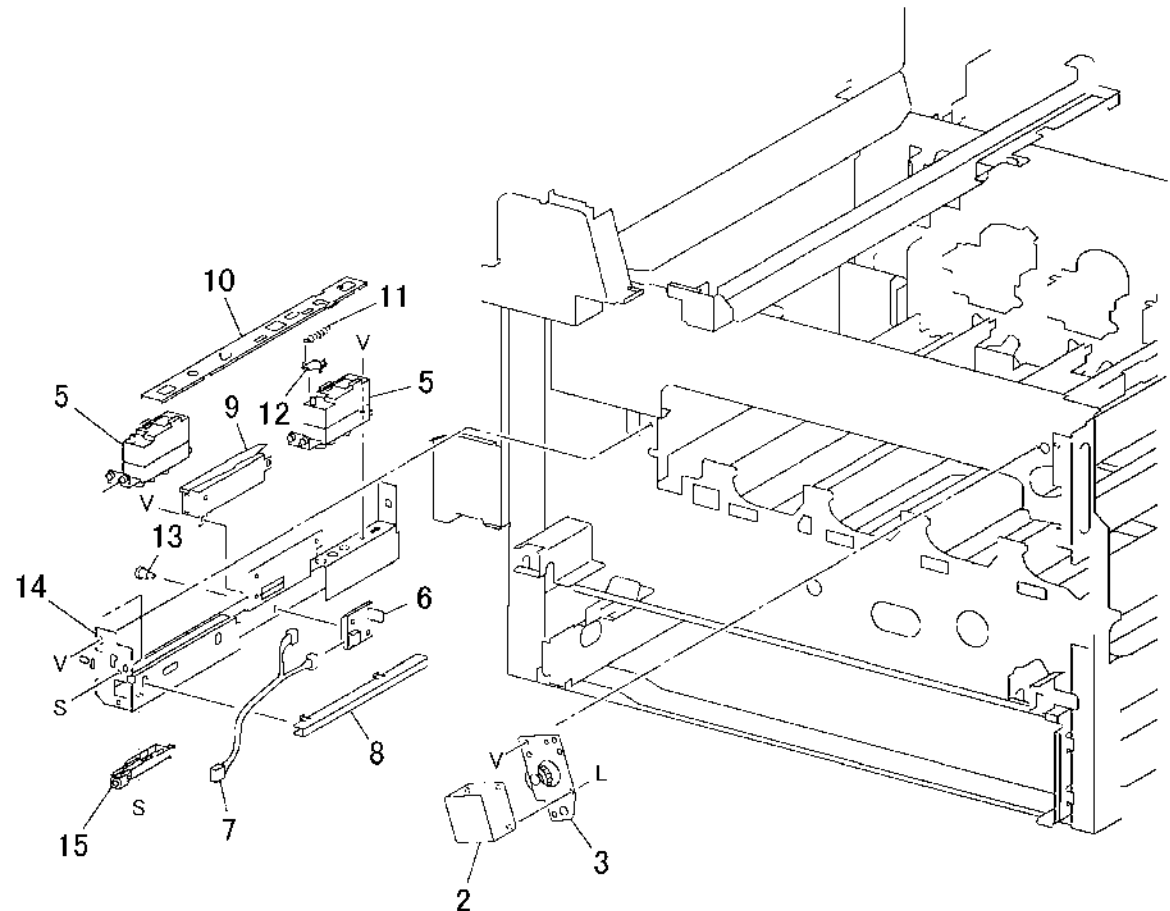


s7760-0735A

PL 1.3 IBT Steering Motor and MOB Sensor

Item	Part	Description
1	007K85582	IBT Steering Drive Assembly (REP 9.12)
2	-	IBT Steering Motor (P/O PL 1.3 Item 1)
3	-	Plate (P/O PL 1.3 Item 1)
4	130K60866	MOB Sensor Assembly (REP 9.14)
5	-	MOB Sensor (P/O PL 1.3 Item 4)
6	-	Environment Sensor (P/O PL 1.3 Item 4)
7	-	Wire Harness (P/O PL 1.3 Item 4)
8	-	Cover (P/O PL 1.3 Item 4)
9	-	ADC Sensor (P/O PL 1.3 Item 4)
10	-	Shutter (P/O PL 1.3 Item 4)
11	-	Spring (P/O PL 1.3 Item 4)
12	-	Link (P/O PL 1.3 Item 4)
13	-	Spacer (P/O PL 1.3 Item 4)
14	-	MOB Bracket (P/O PL 1.3 Item 4)
15	-	Slide (P/O PL 1.3 Item 4)

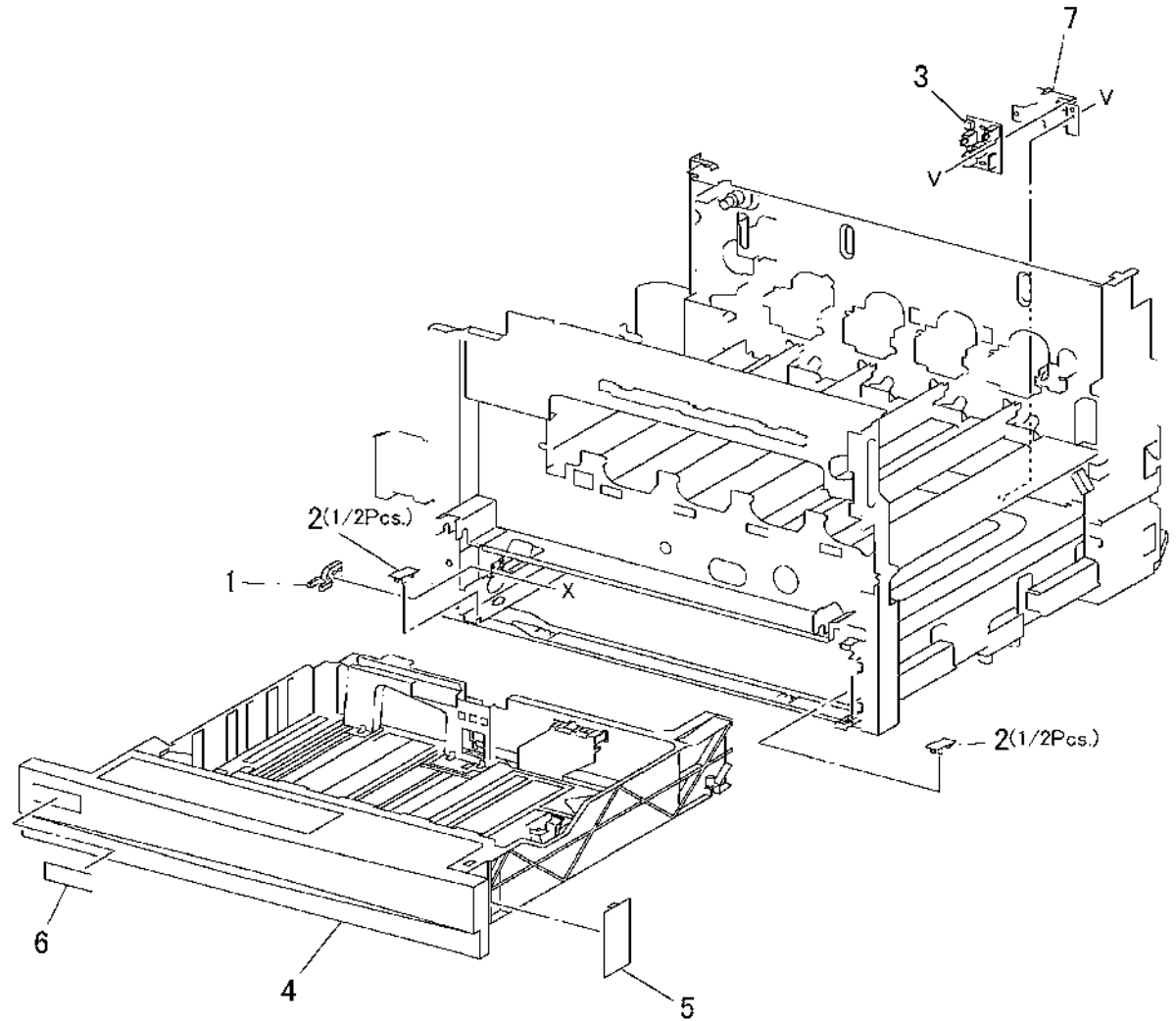
1 { 2, 3
4 { 5 - 15



s7760-0736A

PL 2.1 Tray 2

Item	Part	Description
1	003E23672	Stop
2	014E42850	Spacer
3	110K12990	Tray 2 Paper Size Sensor (REP 7.5)
4	050K48175	Tray 2 (REP 7.8)
5	-	Cover (Not Spared)
6	892E82830	Label (1)
7	-	Bracket (Not Spared)

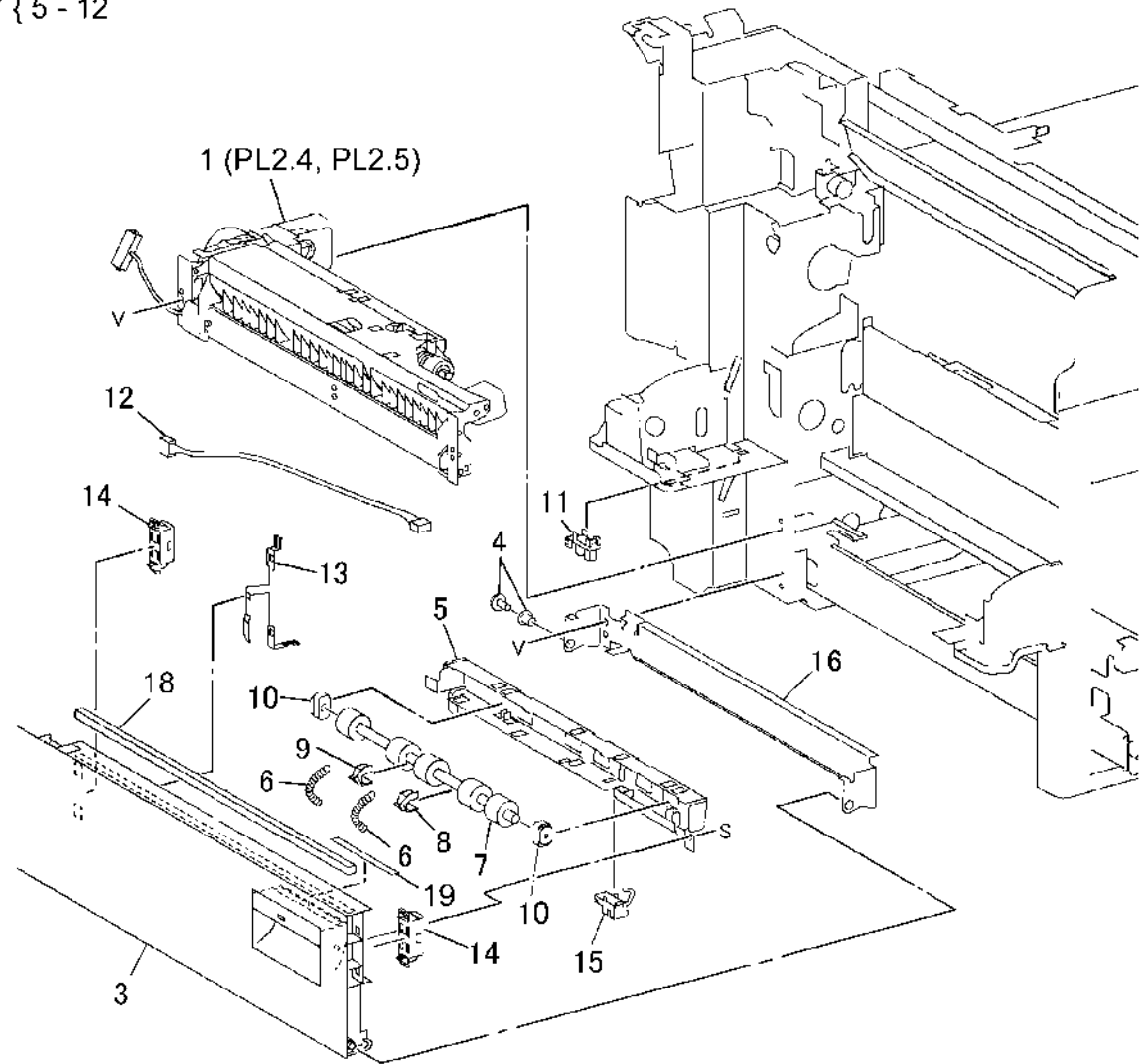


s7760-0737A

PL 2.3 Tray 2 Feeder and Left Lower Cover Assembly (Left Hand Door B Assembly)

2 { 3, 5 - 14, 18, 19
17 { 5 - 12

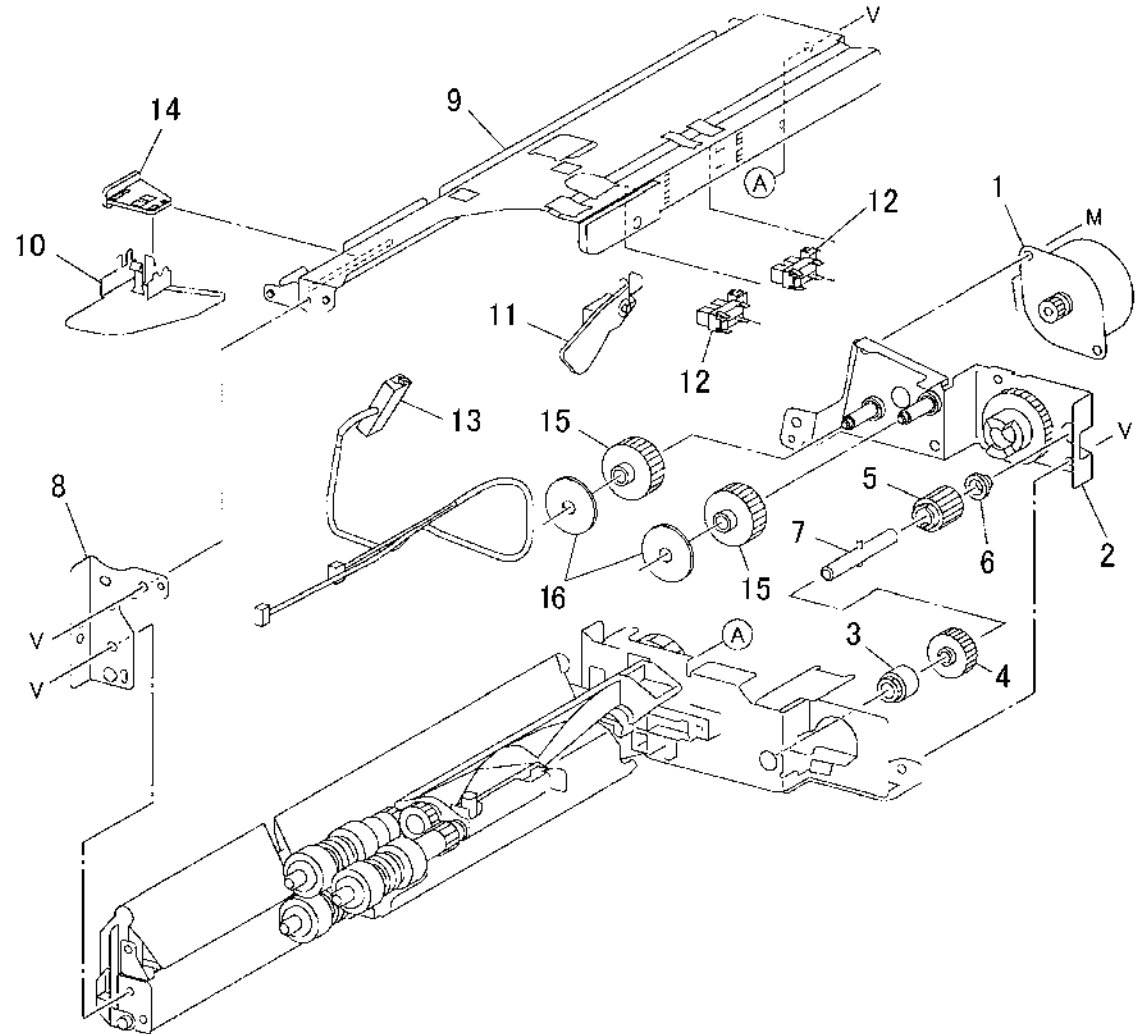
Item	Part	Description
1	059K15577	Tray 2 Feeder (REP 7.3)
2	802K56394	Left Lower Cover Assembly (REP 14.6)
3	-	Left Lower Cover (P/O PL 2.3 Item 2)
4	029E31600	Rivet
5	-	Bracket (P/O PL 2.3 Item 2)
6	-	Spring (P/O PL 2.3 Item 2)
7	-	Pinch Roll (P/O PL 2.3 Item 2)
8	-	Bearing (P/O PL 2.3 Item 2)
9	-	Bearing (P/O PL 2.3 Item 2)
10	-	Bearing (P/O PL 2.3 Item 2)
11	130K60851	Tray 2 Feed Out Sensor
12	-	Wire Harness (P/O PL 2.3 Item 2)
13	-	Ground Plate (P/O PL 2.3 Item 2)
14	-	Magnet (P/O PL 2.3 Item 2)
15	130E82190	LH Lower Cover Interlock Switch
16	-	Bracket (Not Spared)
17	-	Pinch Roll Assembly
18	-	Seal (Not Spared)
19	-	Seal (Not Spared)



s7700-0738A

PL 2.4 Tray 2 Feeder: 1 of 2

Item	Part	Description
1	127K23230	Tray 2 Feed/Lift Motor (REP 7.4)
2	-	Bracket (P/O PL 2.3 Item 1)
3	005K83081	One-way Clutch
4	007K85730	One-way Gear
5	-	Gear (13T) (P/O PL 2.3 Item 1)
6	-	Bearing (P/O PL 2.3 Item 1)
7	-	Shaft (P/O PL 2.3 Item 1)
8	-	Front Frame (P/O PL 2.3 Item 1)
9	-	Upper Frame (P/O PL 2.3 Item 1)
10	-	Front Chute (P/O PL 2.3 Item 1)
11	120E18141	Actuator
12	130E82190	Tray 2 Level / No Paper Sensor
13	-	Wire Harness (P/O PL 2.3 Item 1)
14	-	Support (P/O PL 2.3 Item 1)
15	-	Gear (15T) (P/O PL 2.3 Item 1)
16	-	Washer (P/O PL 2.3 Item 1)

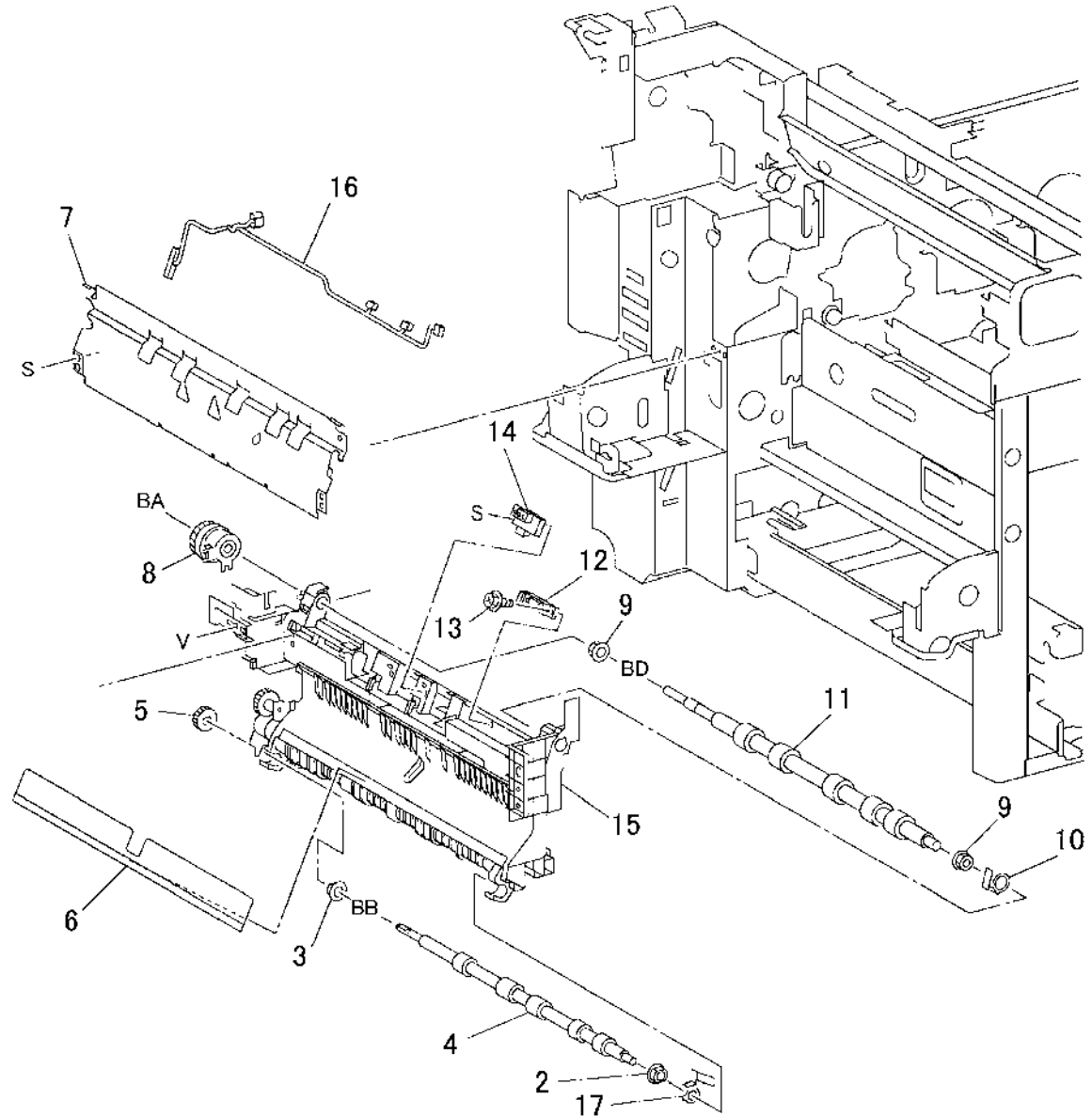


s7780-0739A

PL 2.6 Registration Transport

Item	Part	Description
1	059K26794	Registration Transport Assembly (REP 8.6)
2	-	Bearing (P/O PL 2.6 Item 1)
3	-	Bearing (P/O PL 2.6 Item 1)
4	-	Takeaway Roll (Not Spared)
5	-	Gear (22T) (P/O PL 2.6 Item 1)
6	-	Paper Guide (P/O PL 2.6 Item 1)
7	-	Registration Chute (P/O PL 2.6 Item 1)
8	121K22220	Registration Clutch
9	-	Bearing (P/O PL 2.6 Item 1)
10	-	Ground Plate (P/O PL 2.6 Item 1)
11	-	Registration Roll (P/O PL 2.6 Item 1)
12	130E87400	Registration Sensor
13	-	Screw (P/O PL 2.6 Item 1)
14	960K16660	OHP Sensor
15	-	Registration Support (P/O PL 2.6 Item 1)
16	-	Wire Harness (P/O PL 2.6 Item 1)
17	-	Ground Plate (P/O PL 2.6 Item 1) (ACO)

1 { 2 - 17

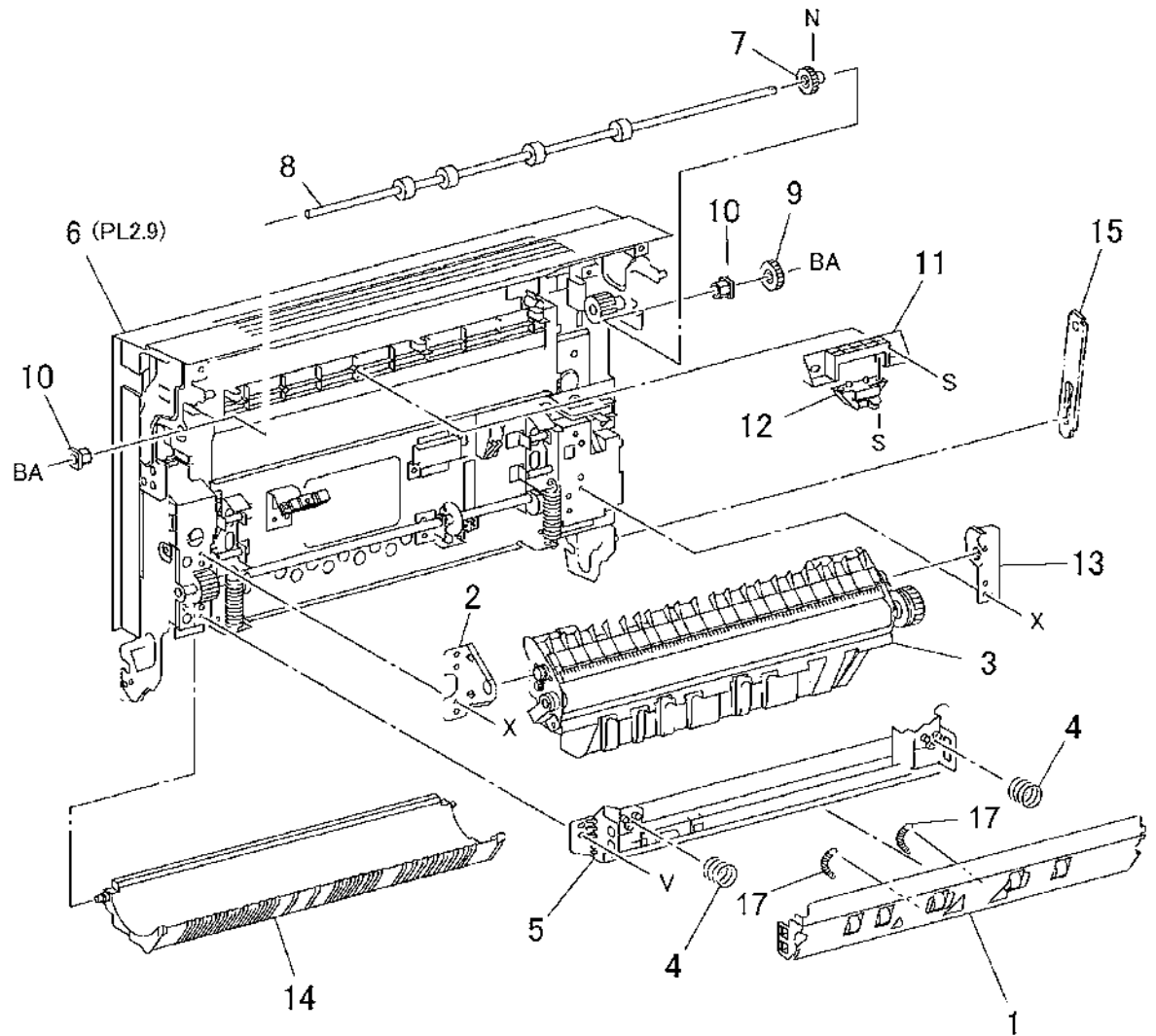


s7760-0741A

PL 2.8 Left Cover Assembly (Left Hand Door A): 1 of 2

16 { 11, 12

Item	Part	Description
1	-	Registration Chute
2	-	Holder (Not Spared)
3	604K19991	2nd BTR
4	809E29620	Spring
5	-	Support
6	-	Left Cover (Left Hand Door A) (Not Spared)
7	007E62630	Gear (22T)
8	059K15613	Exit Roll
9	007E79480	Gear (22T)
10	-	Bearing (Not Spared)
11	-	Holder (Not Spared)
12	110K10651	Fuser Exit Switch
13	-	Holder (Not Spared)
14	054K16131	Duplex Chute (REP 8.2)
15	-	Stop (Not Spared)
16	-	Fuser Exit Switch Assembly
17	809E26070	Extension Spring

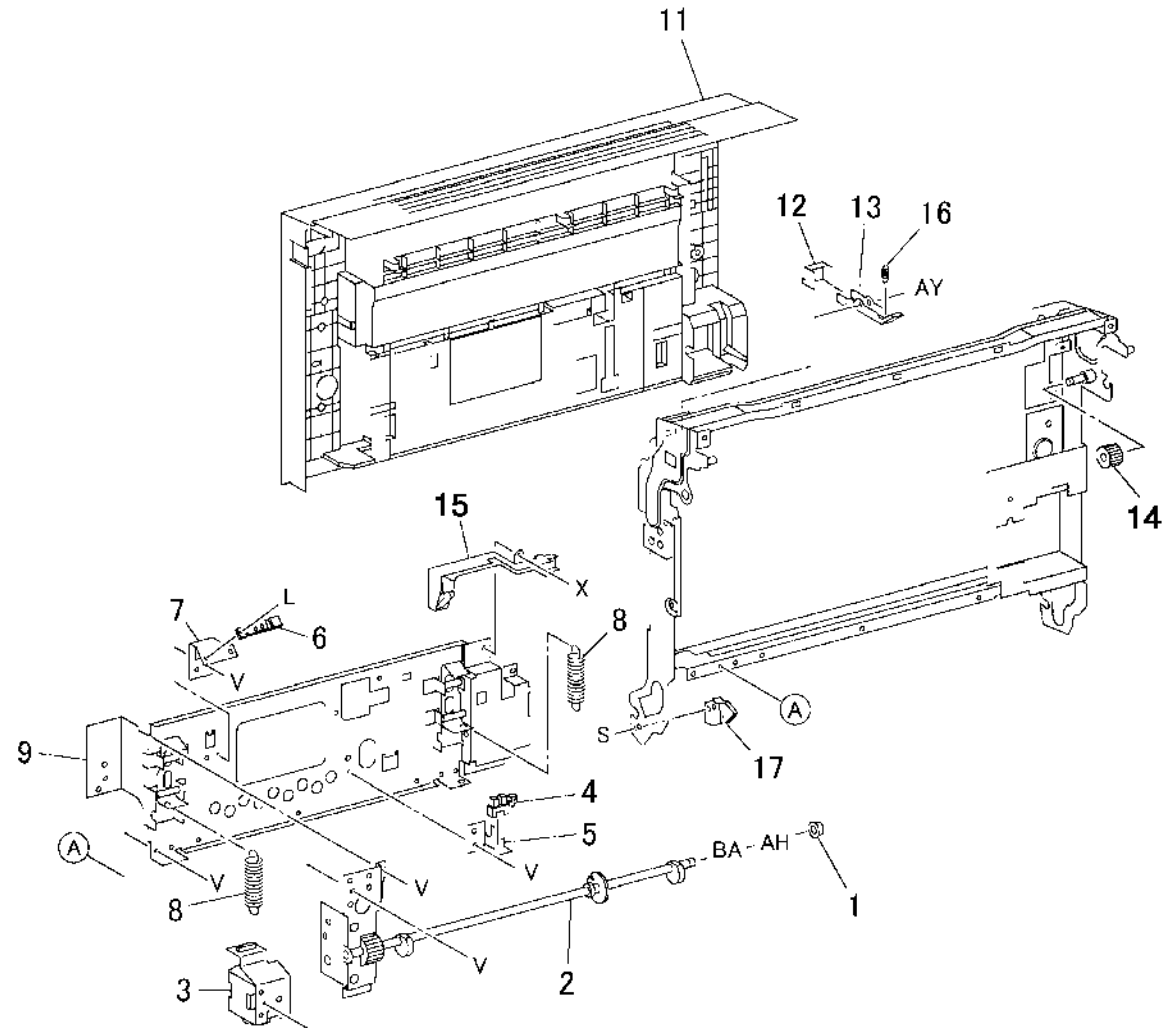


s7760-0743A

PL 2.9 Left Cover Assembly: 2 of 2

Item	Part	Description
1	-	Bearing (Not Spared)
2	007K87440	Gear Assembly
3	127K29513	2nd BTR Retract Motor
4	130E82190	2nd BTR Retract Sensor
5	-	Bracket (Not Spared)
6	130E84300	POB Sensor
7	-	Bracket (Not Spared)
8	-	Spring (Not Spared)
9	-	Bracket (Not Spared)
10	802K27076	Left Cover Assembly
11	-	Left Cover (Left Hand Door A) (P/O PL 2.9 Item 10)
12	-	Lever (P/O PL 2.9 Item 10)
13	-	Bracket (P/O PL 2.9 Item 10)
14	-	Gear (21T) (P/O PL 2.9 Item 10)
15	-	Connector Assembly (Not Spared)
16	-	Spring (P/O PL 2.9 Item 10)
17	007K86932	Damper Gear (45T)

10 { 11-14,16,17

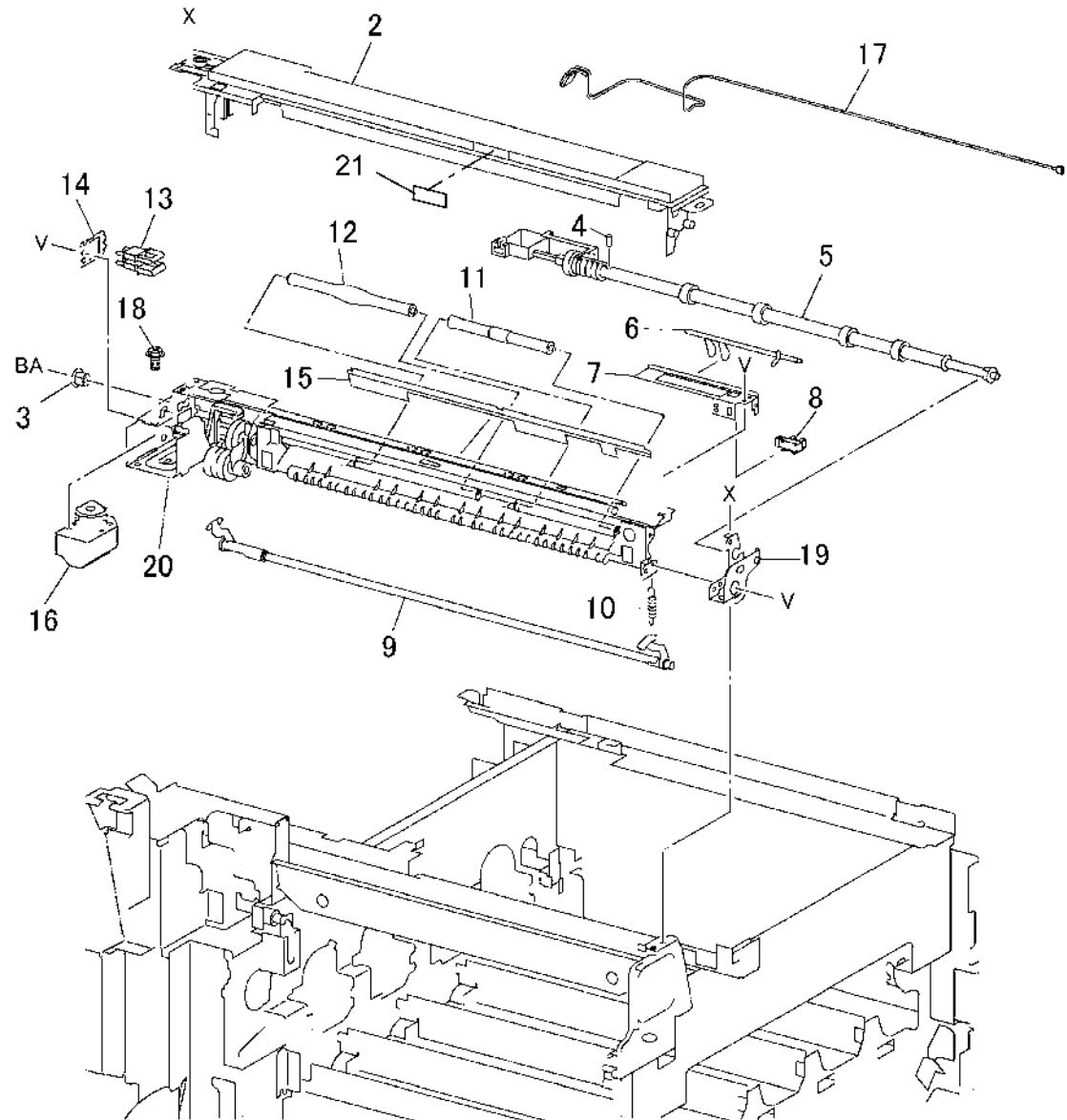


s7760-0744A

PL 2.10 Exit Transport Assembly

Item	Part	Description
1	059K45940	Exit Transport Assembly (REP 8.7)
2	802E12772	Exit Transport Cover
3	-	Bearing (P/O PL 2.10 Item 1)
4	-	Pin (P/O PL 2.10 Item 1)
5	-	Exit Roll (P/O PL 2.10 Item 1)
6	120E18161	Actuator
7	-	Bracket (P/O PL 2.10 Item 1)
8	130E82190	Full Paper Stack Sensor
9	-	Latch (P/O PL 2.10 Item 1)
10	-	Spring (P/O PL 2.10 Item 1)
11	-	Pinch Roll (P/O PL 2.10 Item 1)
12	-	Pinch Roll (P/O PL 2.10 Item 1)
13	-	LH Cover Interlock Switch (P/O PL 2.10 Item 1)
14	-	Bracket (P/O PL 2.10 Item 1)
15	-	Static Eliminator (P/O PL 2.10 Item 1)
16	-	Offset Motor (P/O PL 2.10 Item 1)
17	-	Wire Harness (P/O PL 2.10 Item 1)
18	-	Screw (P/O PL 2.10 Item 1)
19	-	Front Bracket (P/O PL 2.10 Item 1)
20	-	Frame (P/O PL 2.10 Item 1)
21	-	Label (Not Spared)

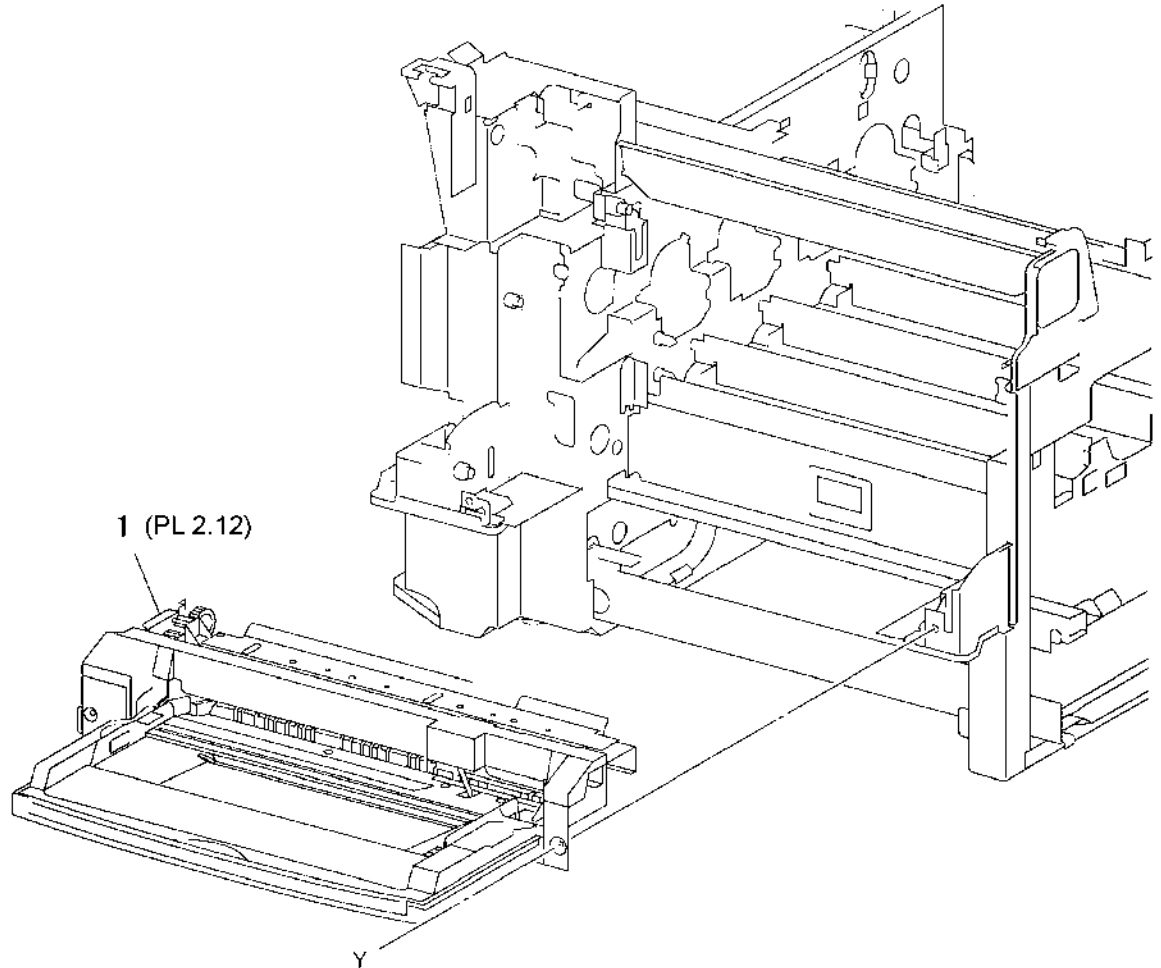
1 { 2 - 20



s7760-0745A

PL 2.11 Tray 1 (MPT): 1 of 2

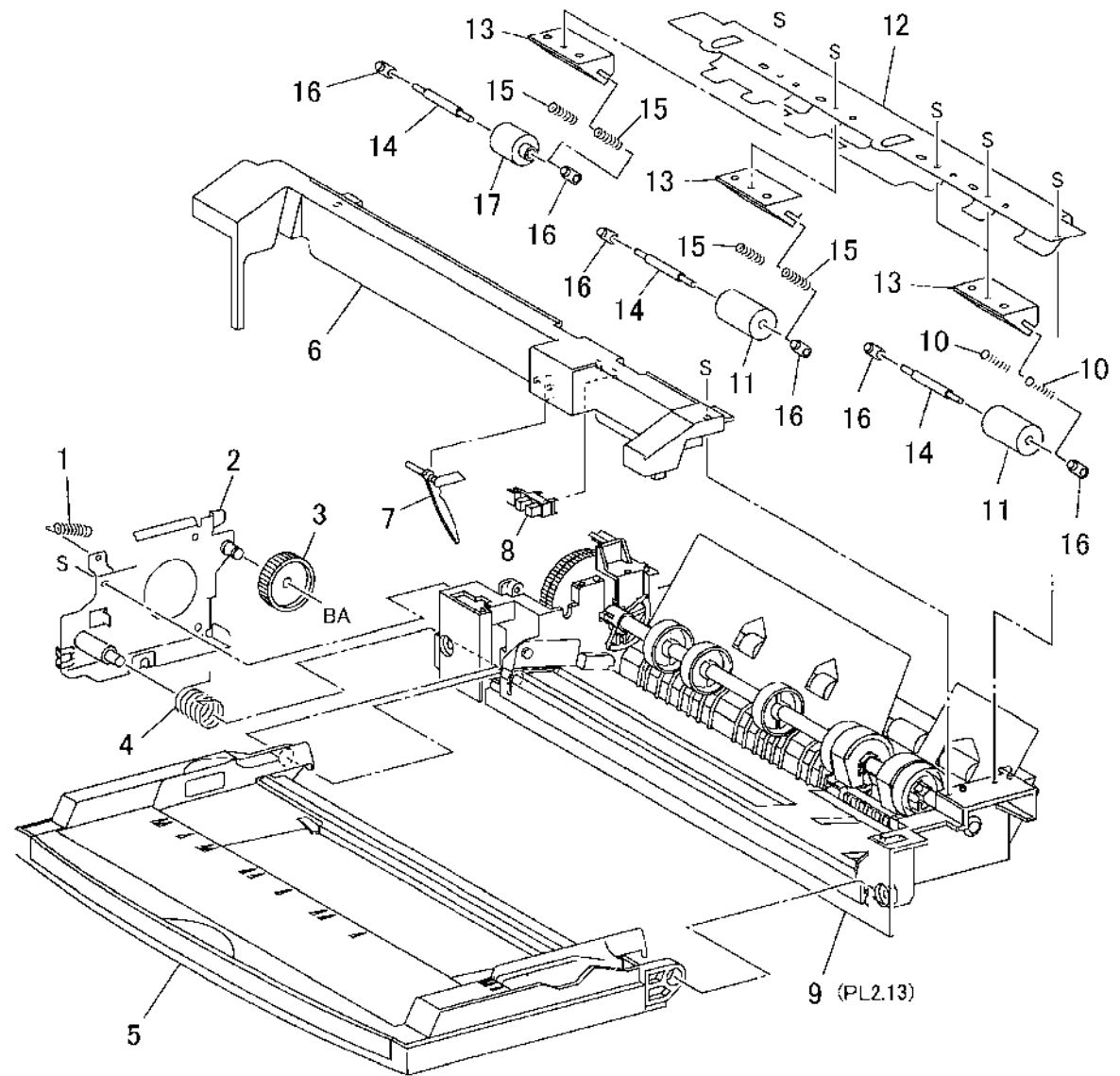
Item	Part	Description
1	059K45880	Tray 1 (MPT) (REP 7.1)



s7760-0746A

PL 2.12 Tray 1: 2 of 2

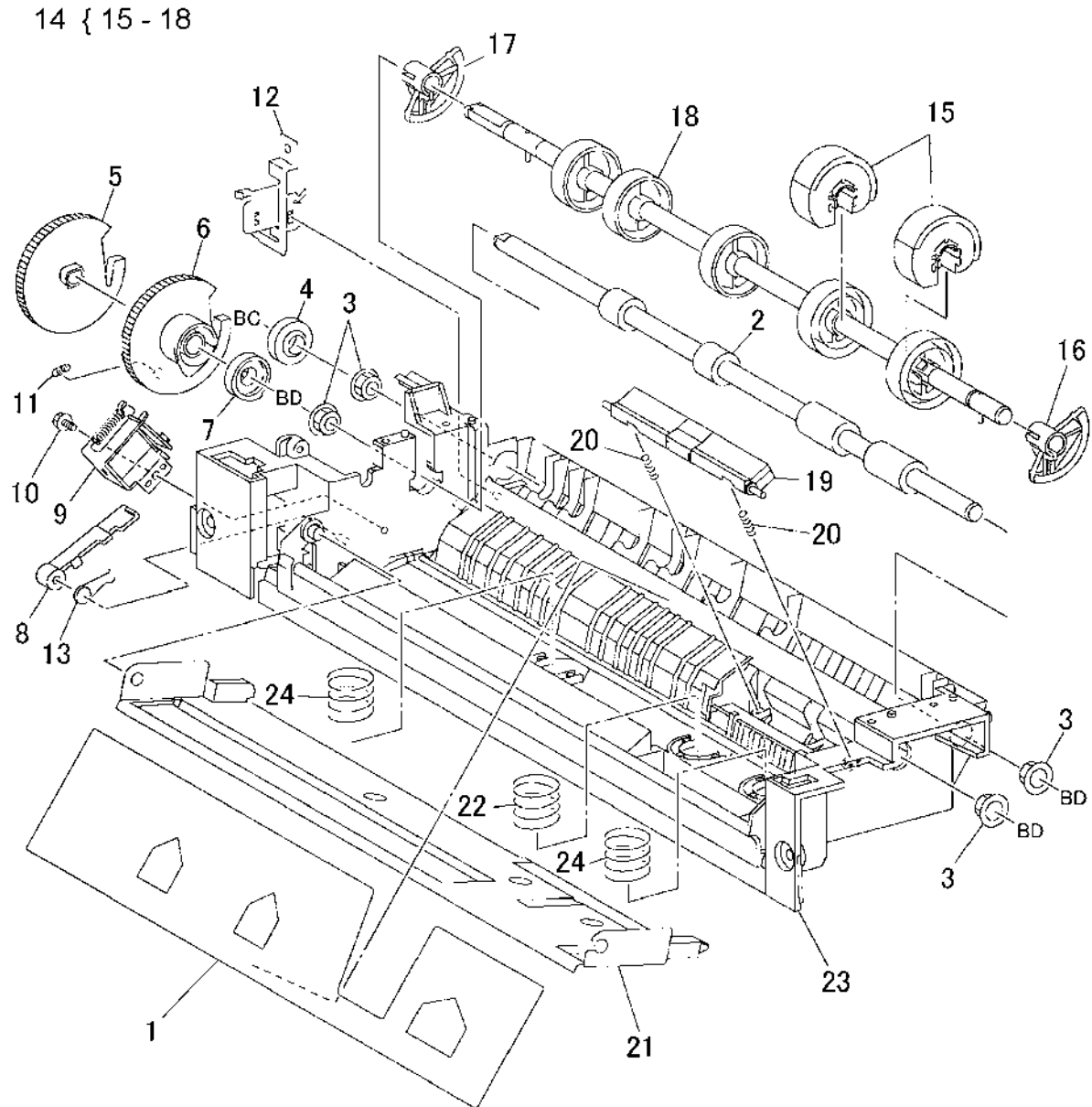
Item	Part	Description
1	-	Spring (P/O PL 2.11 Item 1)
2	-	Bracket (P/O PL 2.11 Item 1)
3	-	Gear (P/O PL 2.11 Item 1)
4	-	Spring (P/O PL 2.11 Item 1)
5	050K51322	Tray 1 (MPT) Assembly
6	-	Upper Frame (P/O PL 2.11 Item 1)
7	120E11971	Actuator
8	130E82190	Tray 1 No Paper Sensor
9	-	Tray 1 (MPT) Feed Assembly (P/O PL 2.11 Item 1)
10	-	Spring (P/O PL 2.11 Item 1)
11	-	Pinch Roll 1/2 (P/O PL 2.11 Item 1)
12	-	Chute (P/O PL 2.11 Item 1)
13	-	Guide (P/O PL 2.11 Item 1)
14	-	Shaft (P/O PL 2.11 Item 1)
15	-	Spring (P/O PL 2.11 Item 1)
16	-	Spacer (P/O PL 2.11 Item 1)
17	-	Pinch Roll 3 (P/O PL 2.11 Item 1)



s7760-0747A

PL 2.13 Tray 1 (MPT) Feed Assembly

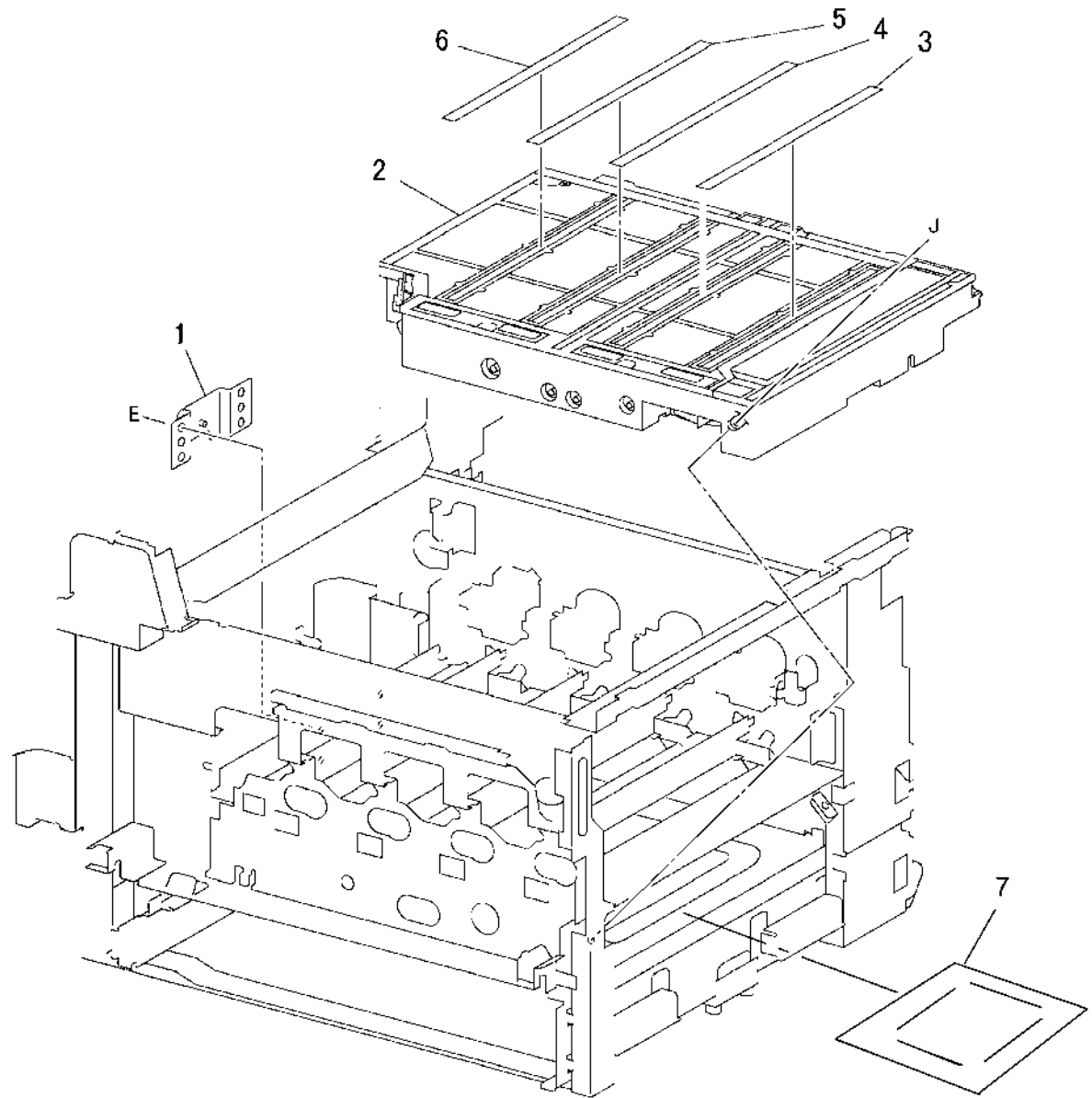
Item	Part	Description
1	038E23560	Paper Guide
2	-	Takeaway Roll (Not Spared)
3	-	Bearing (Not Spared)
4	-	Gear (Not Spared)
5	-	Pick-up Gear (Not Spared)
6	-	Cam Gear (Not Spared)
7	-	Stop Lever (Not Spared)
8	-	Gear Lever (Not Spared)
9	121E92780	Tray 1 Feed Solenoid
10	-	Screw (Not Spared)
11	-	Spring (Not Spared)
12	-	Ground Plate (Not Spared)
13	-	Spring (Not Spared)
14	059K24020	Feed Roll Assembly
15	059K24010	Feed Roll (REP 7.2)
16	-	Cam (P/O PL 2.13 Item 14)
17	-	Cam (P/O PL 2.13 Item 14)
18	-	Shaft (P/O PL 2.13 Item 14)
19	019K97131	Retard Pad
20	-	Spring (Not Spared)
21	-	Bottom Plate (Not Spared)
22	809E07520	Spring
23	-	Lower Frame (Not Spared)
24	809E27640	Spring



s7760-0748A

PL 3.1 ROS Assembly

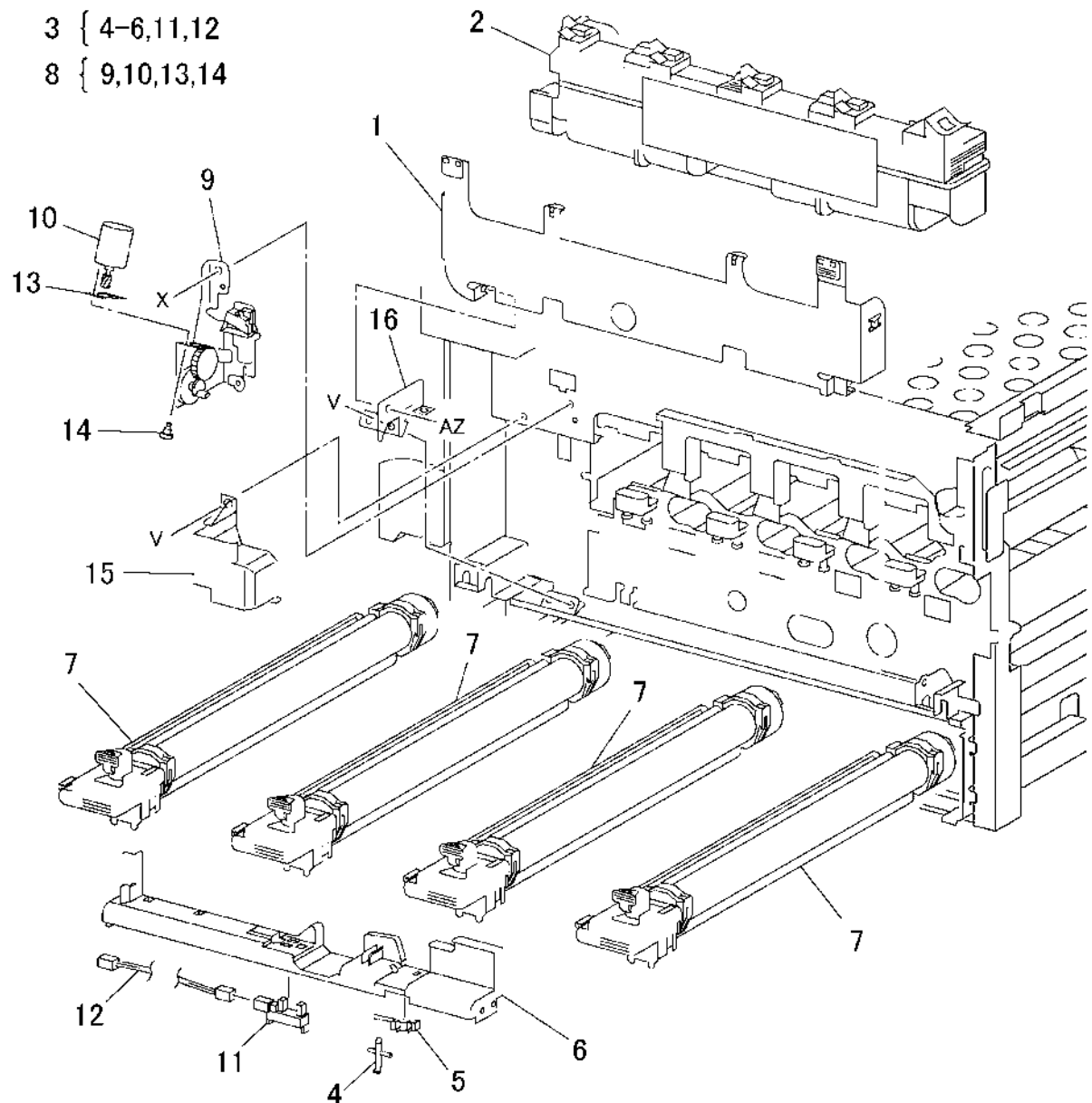
Item	Part	Description
1	-	Bracket (Not Spared)
2	062K16910	ROS (REP 6.1)
3	-	Seal Glass (Y) (Not Spared)
4	-	Seal Glass (M) (Not Spared)
5	- </td <td>Seal Glass (C) (Not Spared)</td>	Seal Glass (C) (Not Spared)
6	-	Seal Glass (K) (Not Spared)
7	-	M/C Heater (Not Spared)



97760-0749A

PL 4.1 Xerographic Module: 1 of 2

Item	Part	Description
1	802K47090	Waste Toner Cartridge Cover (REP 9.3)
2	008R12903	Waste Toner Cartridge
3	003K86122	Sensor Holder Assembly
4	-	Lever (P/O PL 4.1 Item 3)
5	-	Waste Toner Cartridge Interlock Switch (P/O PL 4.1 Item 3)
6	-	Holder (P/O PL 4.1 Item 3)
7	013R00588	Imaging Unit
8	127K29244	Agitator Motor Assembly (REP 9.13)
9	-	Bracket (P/O PL 4.1 Item 8)
10	-	Agitator Motor (P/O PL 4.1 Item 8)
11	130E91010	Full Toner Sensor (REP 9.5)
12	-	Wire Harness (P/O PL 4.1 Item 3)
13	-	Damper (P/O PL 4.1 Item 8)
14	-	Screw (P/O PL 4.1 Item 8)
15	-	Inner Cover (Not Spared)
16	-	Bracket (Not Spared)

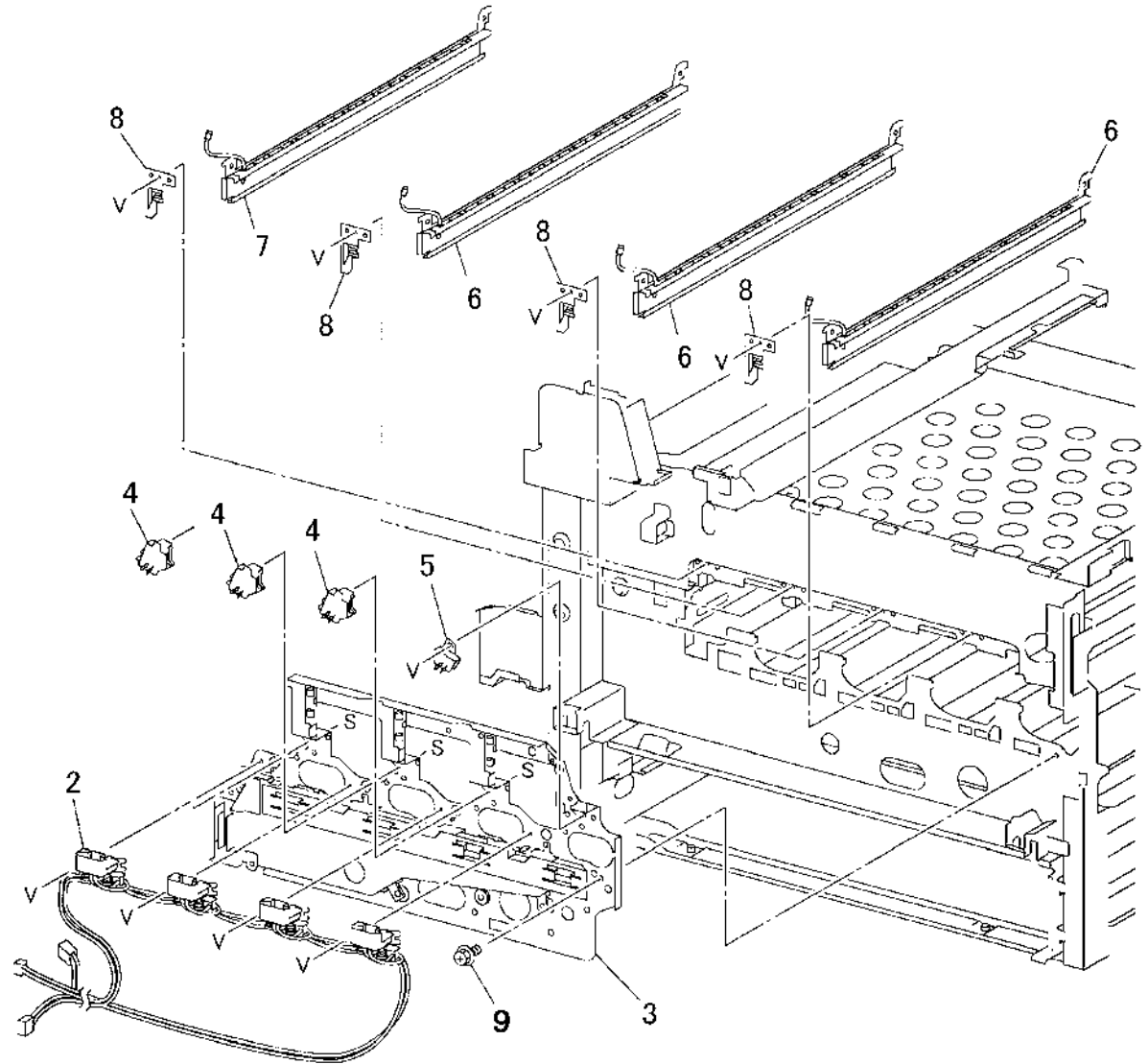


s7760-0750A

PL 4.2 Xerographic Module: 2 of 2

Item	Part	Description
1	-	Imaging Unit Plate Assembly (REP 9.8)
2	-	Wire Harness (P/O PL 4.2 Item 1)
3	-	Xero PLate (P/O PL 4.2 Item 1)
4	-	Block (M, C, K) (P/O PL 4.2 Item 1)
5	-	Block (Y) (P/O PL 4.2 Item 1)
6	122K93331	Erase Lamp w/Rail (Y, M, C)
7	122K93341	Erase Lamp w/Rail (K)
8	-	Bracket (Not Spared)
9	-	Screw (Not Spared)

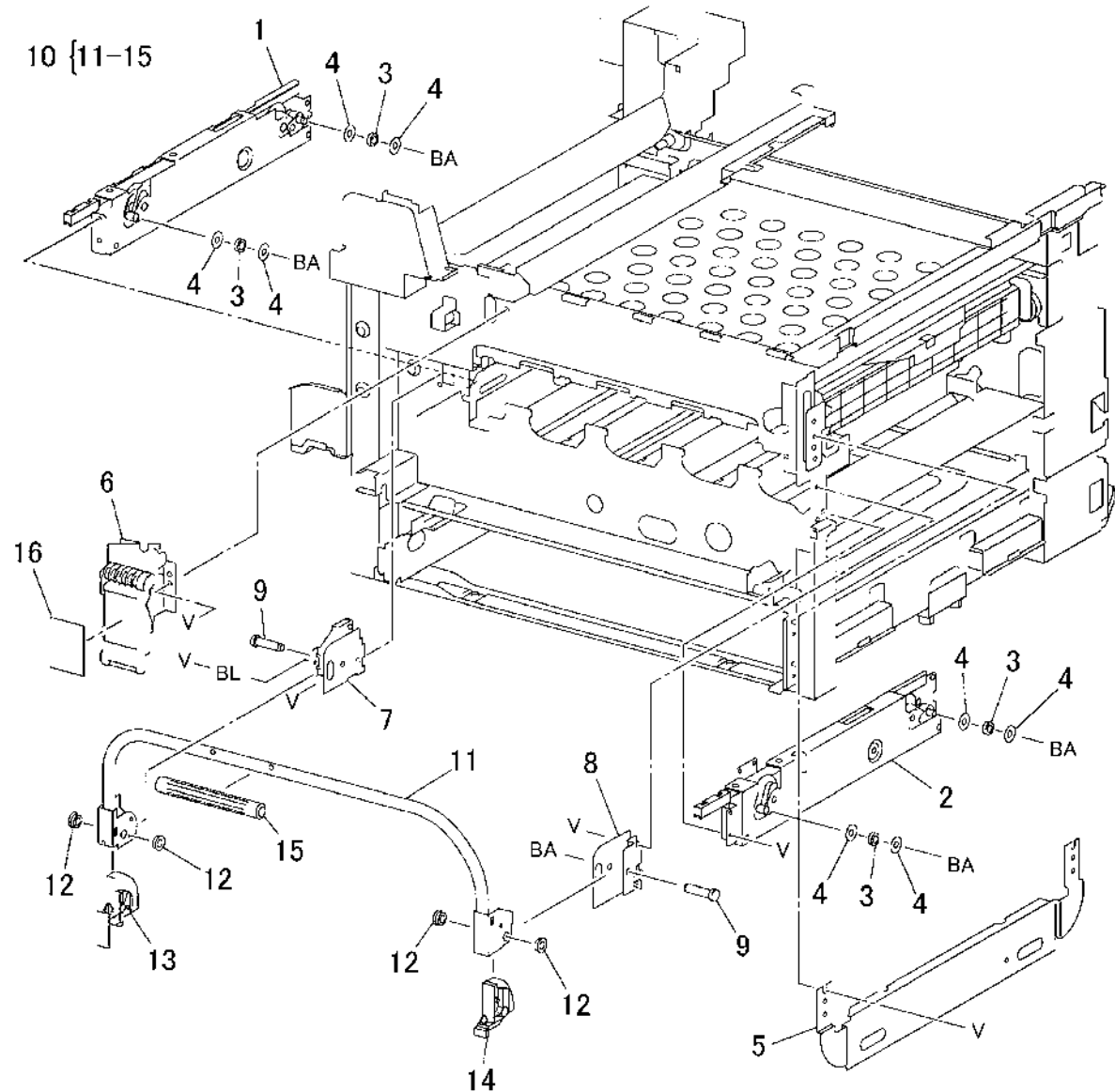
1 { 2 - 5



s7760-0751A

PL 5.1 Lift Unit

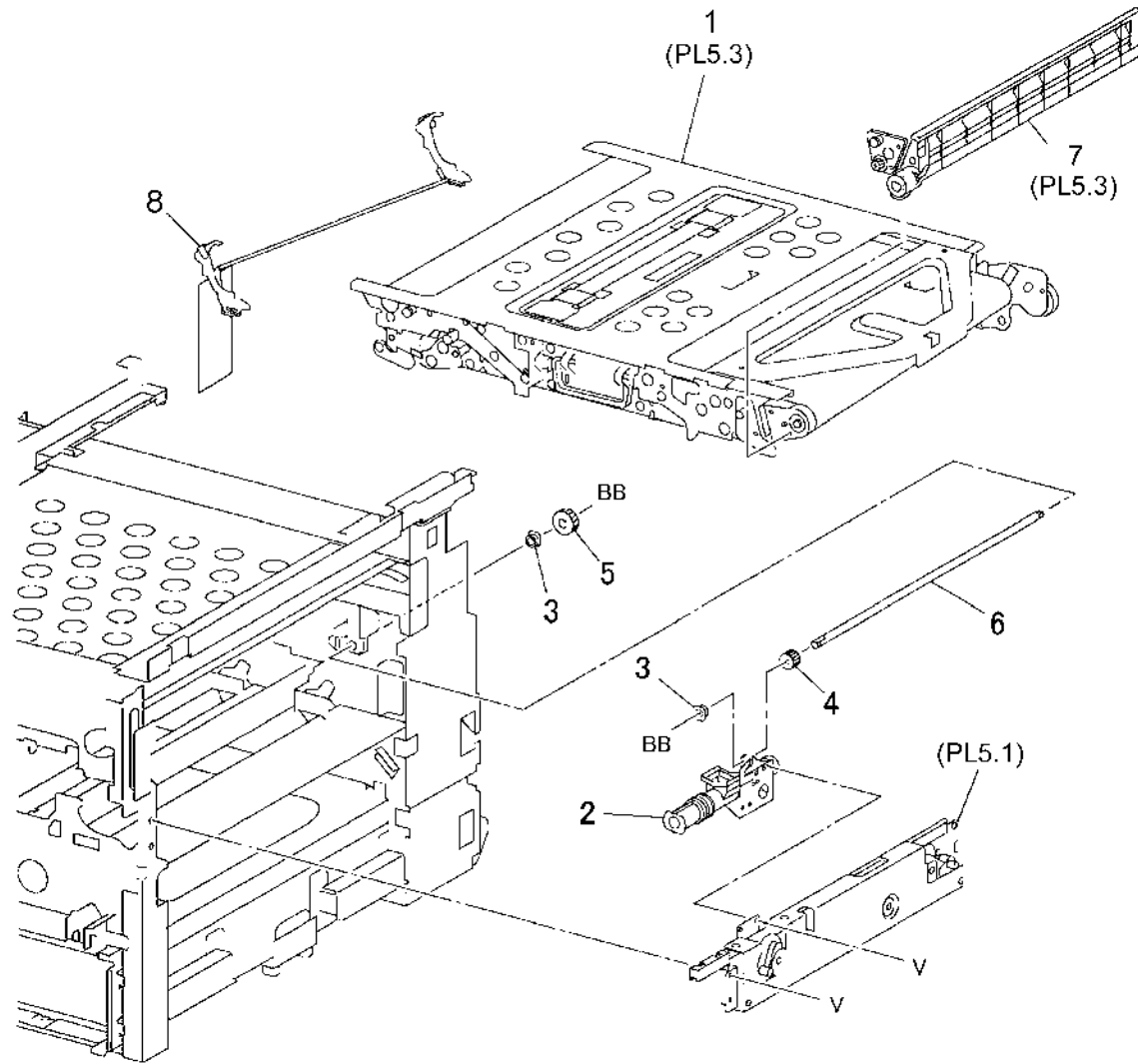
Item	Part	Description
1	001K70543	Left Lift Assembly (REP 9.21)
2	001K70552	Right Lift Assembly (REP 9.20)
3	413W66150	Bearing
4	-	Washer (Not Spared)
5	-	Plate (Not Spared)
6	003K11672	Latch Assembly
7	003E52291	Left Hinge (REP 9.19)
8	003E52301	Right Hinge (REP 9.19)
9	006E71740	Shaft
10	011K94970	Lever Assembly (REP 9.18)
11	-	IBT Cam Lever (P/O PL 5.1 Item 10)
12	-	Bearing (P/O PL 5.1 Item 10)
13	-	Left Cap (P/O PL 5.1 Item 10)
14	-	Right Cap (P/O PL 5.1 Item 10)
15	-	Grip (P/O PL 5.1 Item 10)
16	003K12910	Label



s7760-0752A

PL 5.2 IBT Unit

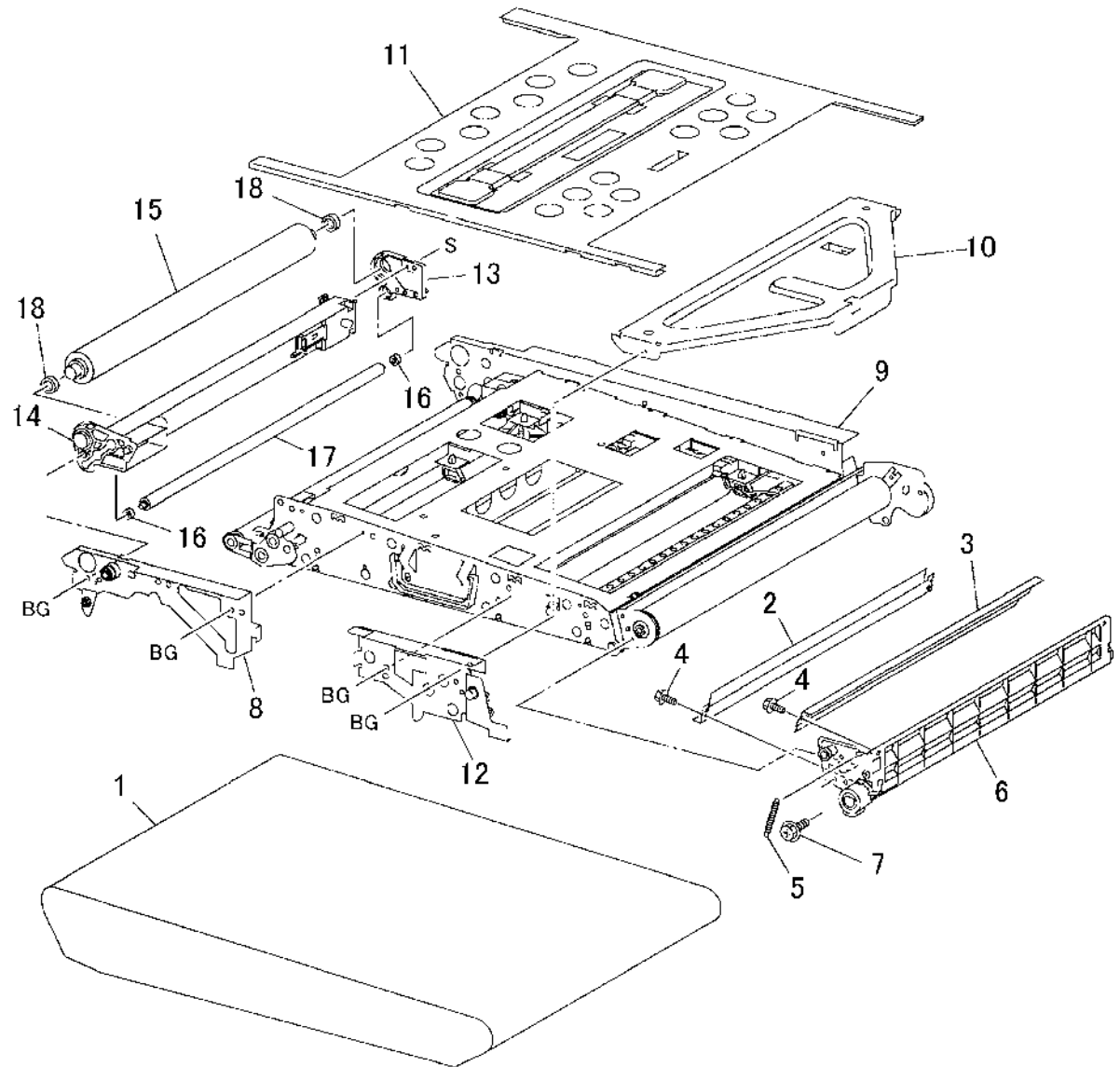
Item	Part	Description
1	604K20891	IBT Belt Assembly (Accumulator Belt Assembly) (REP 9.15)
2	802K12951	Auger Assembly (REP 9.17)
3	-	Bearing (Not Spared)
4	007E61910	Gear (14T)
5	007E61890	Gear (18T)
6	-	Shaft (Not Spared)
7	604K07062	IBT Belt Cleaner Assembly (Accumulator Belt Assembly) (REP 9.16)
8	003K12650	Removal Support



s7760-0753A

PL 5.3 IBT Belt Assembly (Accumulator Belt Assembly)

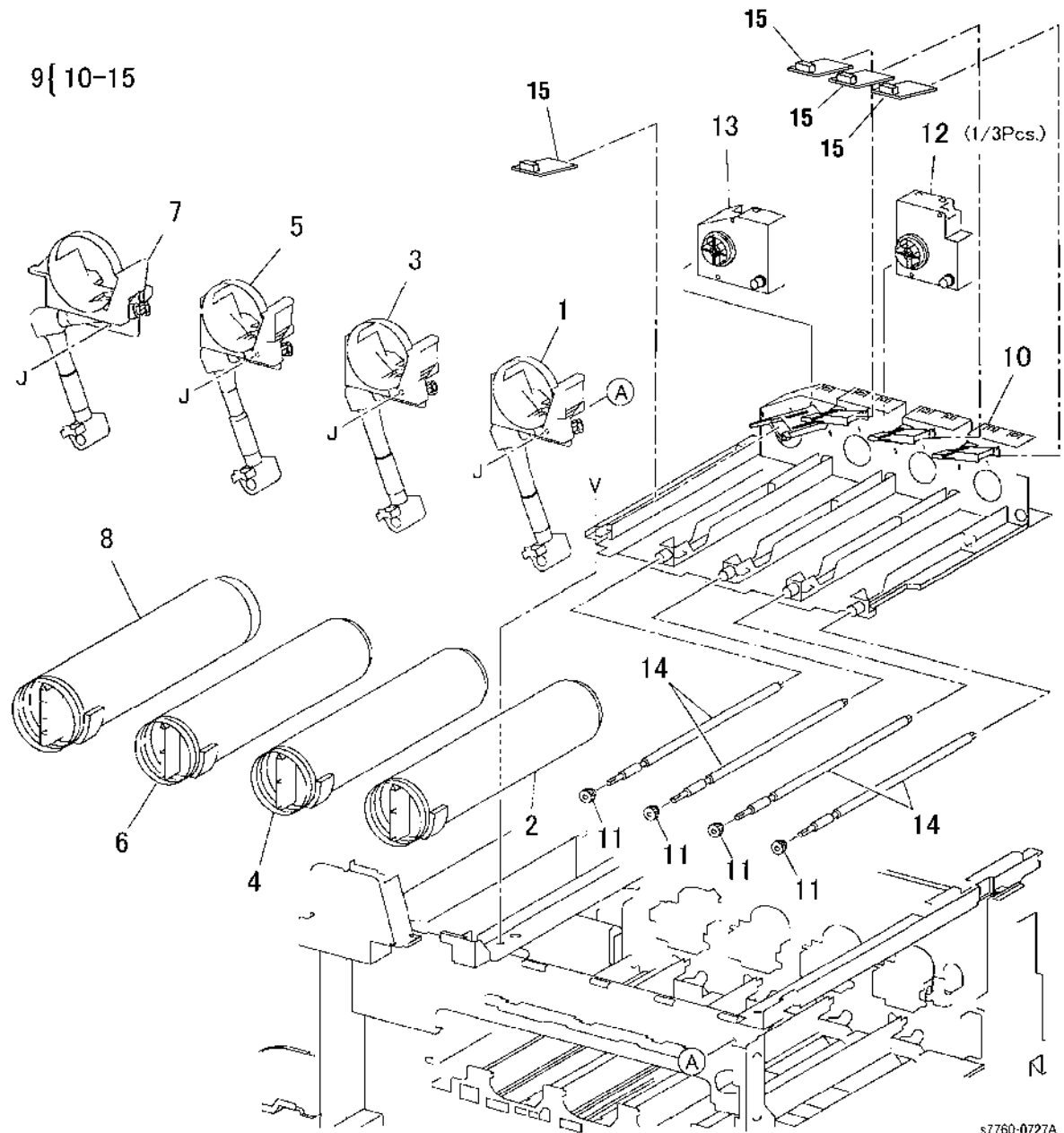
Item	Part	Description
1	064K91451	Transfer Belt (REP 9.22)
2	-	Blade (P/O PL 5.2 Item 7)
3	-	Seal (P/O PL 5.2 Item 7)
4	-	Screw (P/O PL 5.2 Item 7)
5	-	Spring (P/O PL 5.2 Item 7)
6	-	Housing (P/O PL 5.2 Item 7)
7	-	Screw (P/O PL 5.2 Item 1)
8	-	Support (P/O PL 5.2 Item 1)
9	-	IBT Frame (P/O PL 5.2 Item 1)
10	-	Right Handle (P/O PL 5.2 Item 1)
11	-	Left Handle (P/O PL 5.2 Item 1)
12	-	Bracket (P/O PL 5.2 Item 1)
13	-	Housing (P/O PL 5.2 Item 1)
14	-	Housing (P/O PL 5.2 Item 1)
15	059K23150	Backup Roll
16	-	Bearing (P/O PL 5.2 Item 1)
17	-	Pre Roll (P/O PL 5.2 Item 1)
18	013E18980	Bearing



s7760-0754A

PL 6.1 Developer Unit: 1 of 2

Item	Part	Description
1	802K63551	Toner Dispenser (Y) (REP 9.7)
2	006R01178	Toner Cartridge
3	802K63561	Toner Dispenser (M) (REP 9.7)
4	006R01177	Toner Cartridge
5	802K63571	Toner Dispenser (C) (REP 9.7)
6	006R01176	Toner Cartridge
7	802K63581	Toner Dispenser (K) (REP 9.7)
8	006R01175	Toner Cartridge
9	802K86530	Toner Dispenser Base Assembly (REP 9.11)
10	—	Toner Dispenser Base (P/O PL 6.1 Item 9)
11	—	Gear (P/O PL 6.1 Item 9)
12	127K33930	Toner Dispenser Motor (Y, M, C)
13	127K33940	Toner Dispenser Motor (K)
14	—	Shaft (P/O PL 6.1 Item 9)
15	116K90811	CRUM Antenna PWB

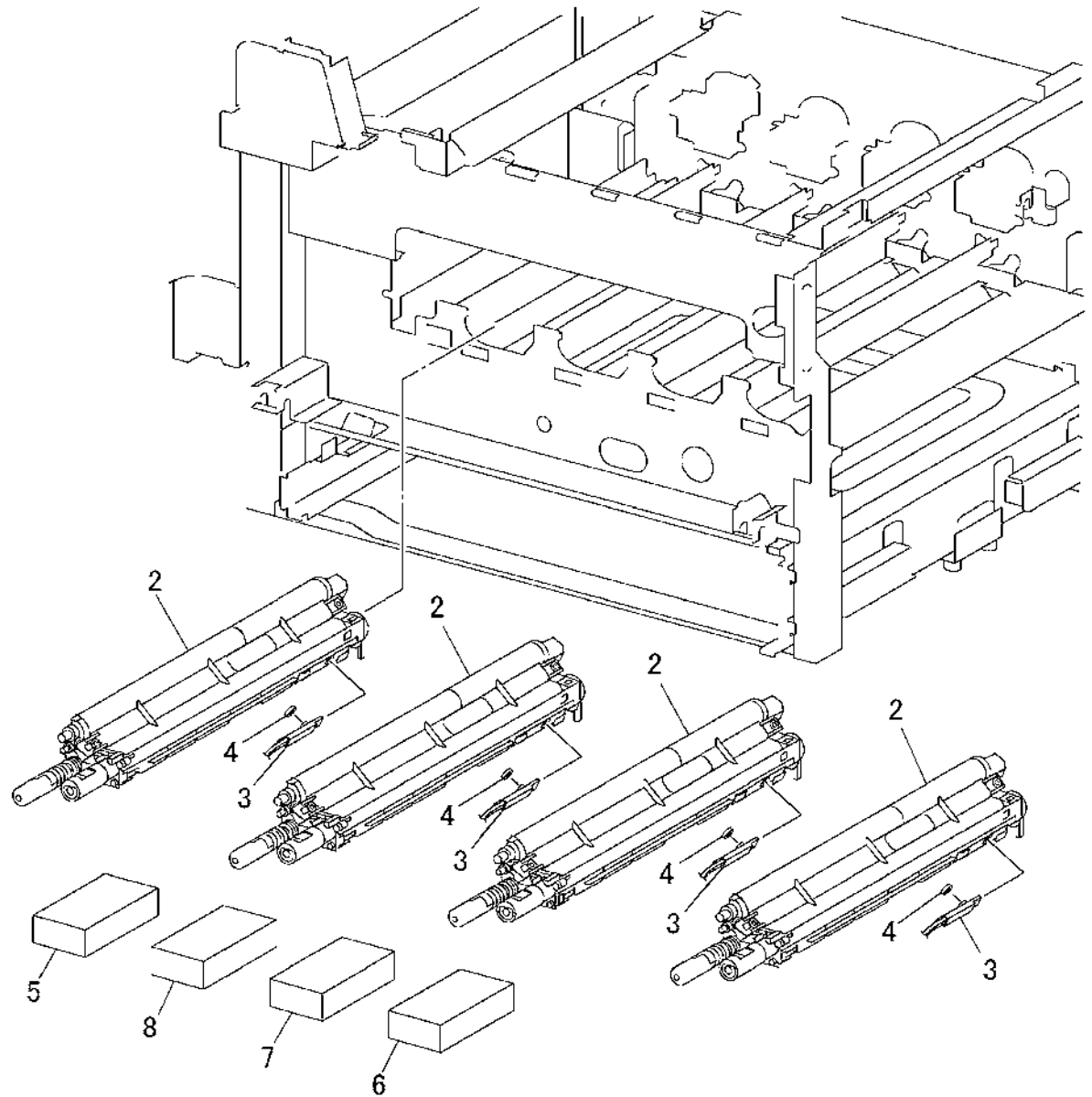


s7760-0727A

PL 6.2 Developer Unit: 2 of 2

Item	Part	Description
1	802K60191	Developer Housing (Y, M, K, C) (REP 9.9)
2	—	Developer Housing (P/O PL 6.2 Item 1)
3	130K63000	ATC Sensor (Y, M, K, C) (REP 9.26)
4	035E65010	Seal
5	604K22550	Developer (K) (REP 9.10)
6	604K22520	Developer (Y) (REP 9.10)
7	604K22530	Developer (M) (REP 9.10)
8	604K22540	Developer (C) (REP 9.10)

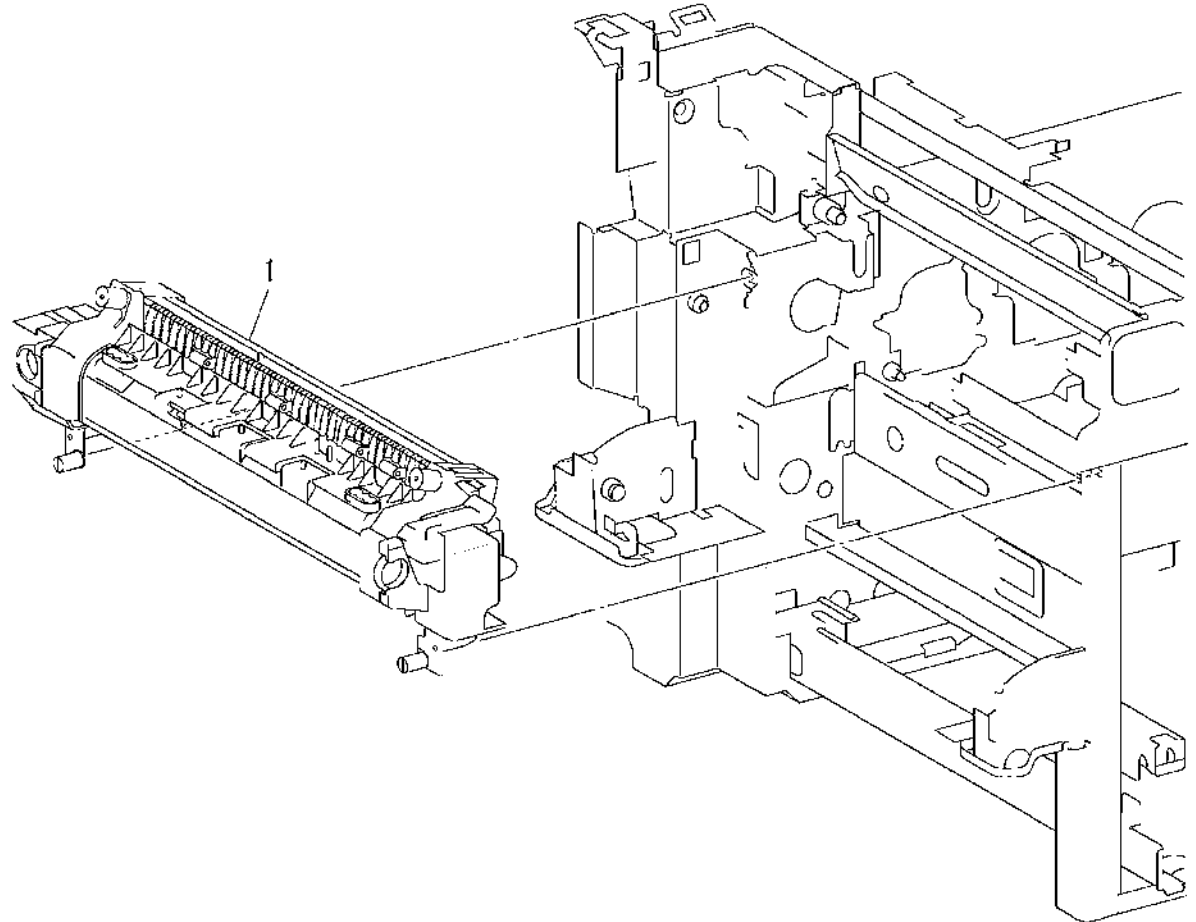
1 { 2 - 4



s7760-0756A

PL 7.1 Fuser Assembly

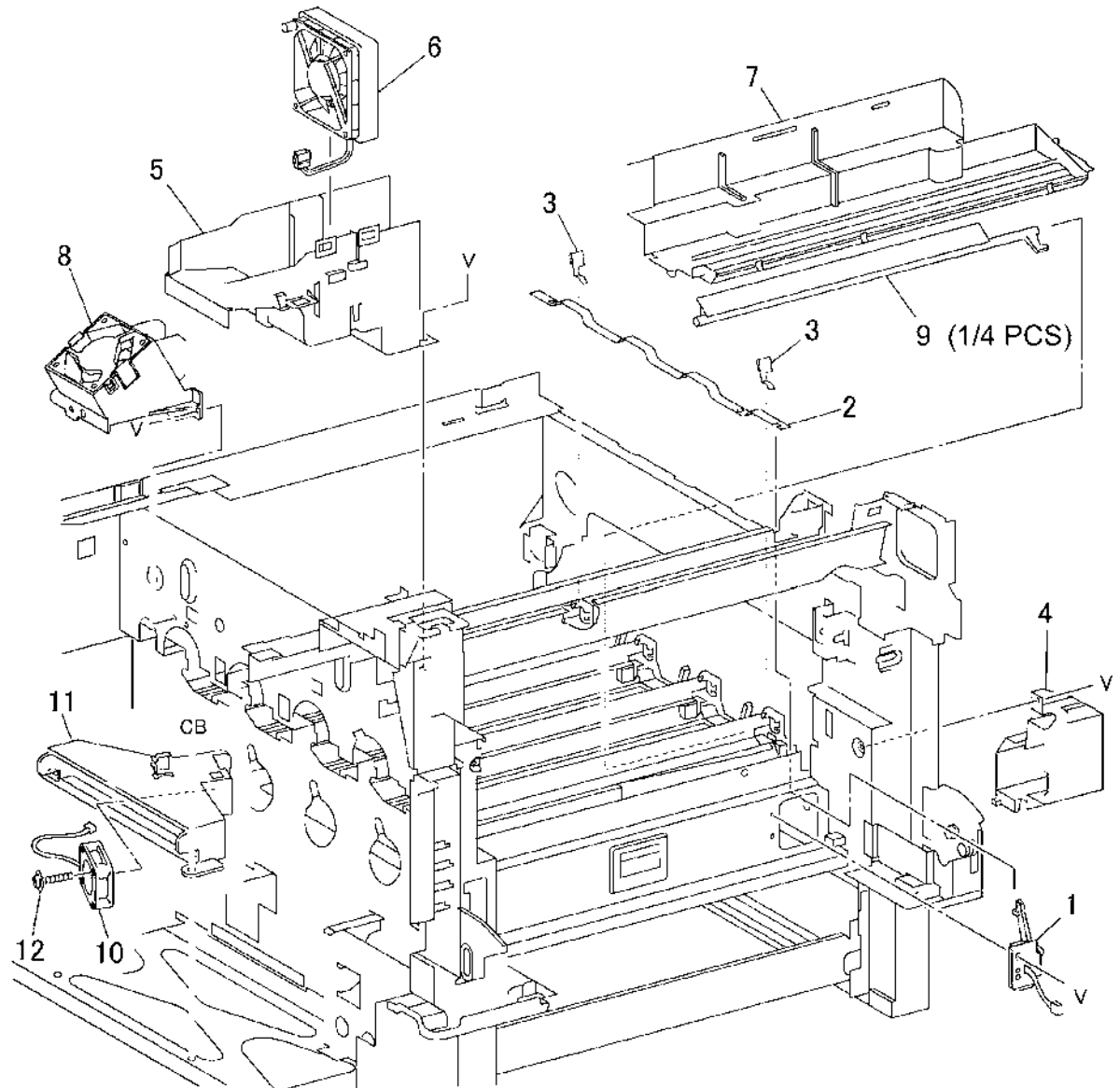
Item	Part	Description
1	008R12933	Fuser (110V)
-	008R12934	Fuser (220V)



s7760-0757A

PL 8.1 Air System

Item	Part	Description
1	127K32731	ROS Shutter Motor (REP 9.2)
2	-	Link (Not Spared)
3	-	Spring (Not Spared)
4	802E16971	Inner Cover (REP 14.10)
5	-	Duct (Not Spared)
6	127K29341	Fuser Fan (REP 10.2)
7	-	Duct (Not Spared)
8	127K36641	ROS Fan
9	-	BCR Cleaning CAM
10	054K26141	Bottom Fan
11	-	Duct (Not Spared)
12	-	Screw (Not Spared)

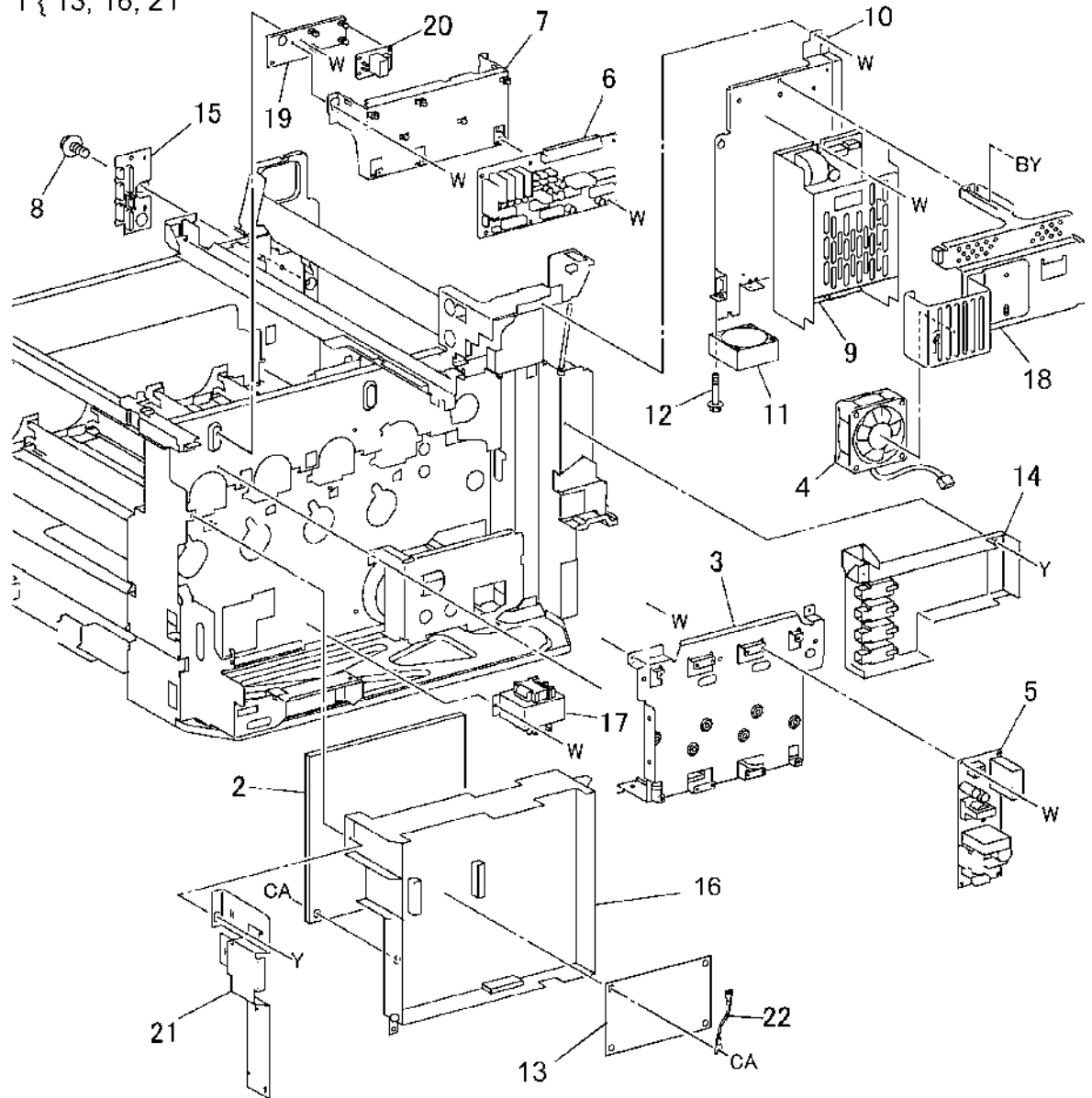


s7760-0758A

PL 9.1 Electrical Components: 1 of 3

Item	Part	Description
1	105K20452	DEV/BTR2/DTS HVPS T10 (REP 1.7)
2	105E11982	BCR HVPS T12 (REP 1.7)
3	-	LVPS Bracket (Not Spared) (REP 1.1)
4	127K49040	Developer Fan
5	105E16270	5V LVPS (110V) (REP 1.4)
-	105E16280	5V LVPS (220V) (REP 1.4)
6	960K15800	Interface PWB (REP 1.8)
7	-	Bracket (Not Spared)
8	-	Screw (Not Spared)
9	105E15190	24V LVPS (120V/220V) (REP 1.5)
10	-	24V LVPS Chassis (Not Spared) (REP 1.9)
11	127K29332	LVPS Fan
12	-	Screw (Not Spared)
13	105K22140	HVPS Control PWB (P/O PL 9.1 Item 1)
14	105E11980	BTR1 HVPS T11 (REP 1.10)
15	-	Connector Chassis (Not Spared)
16	105K20463	HVPS Chassis (P/O PL 9.1 Item 1) (REP 1.6)
17	-	Choke Coil (110V)
-	104E94220	Resistor (220V)
18	-	Mounting Bracket
19	-	Plate (Not Spared)
20	160K88292	Interlock Relay PWB
21	-	Plate
22	-	Wire Harness

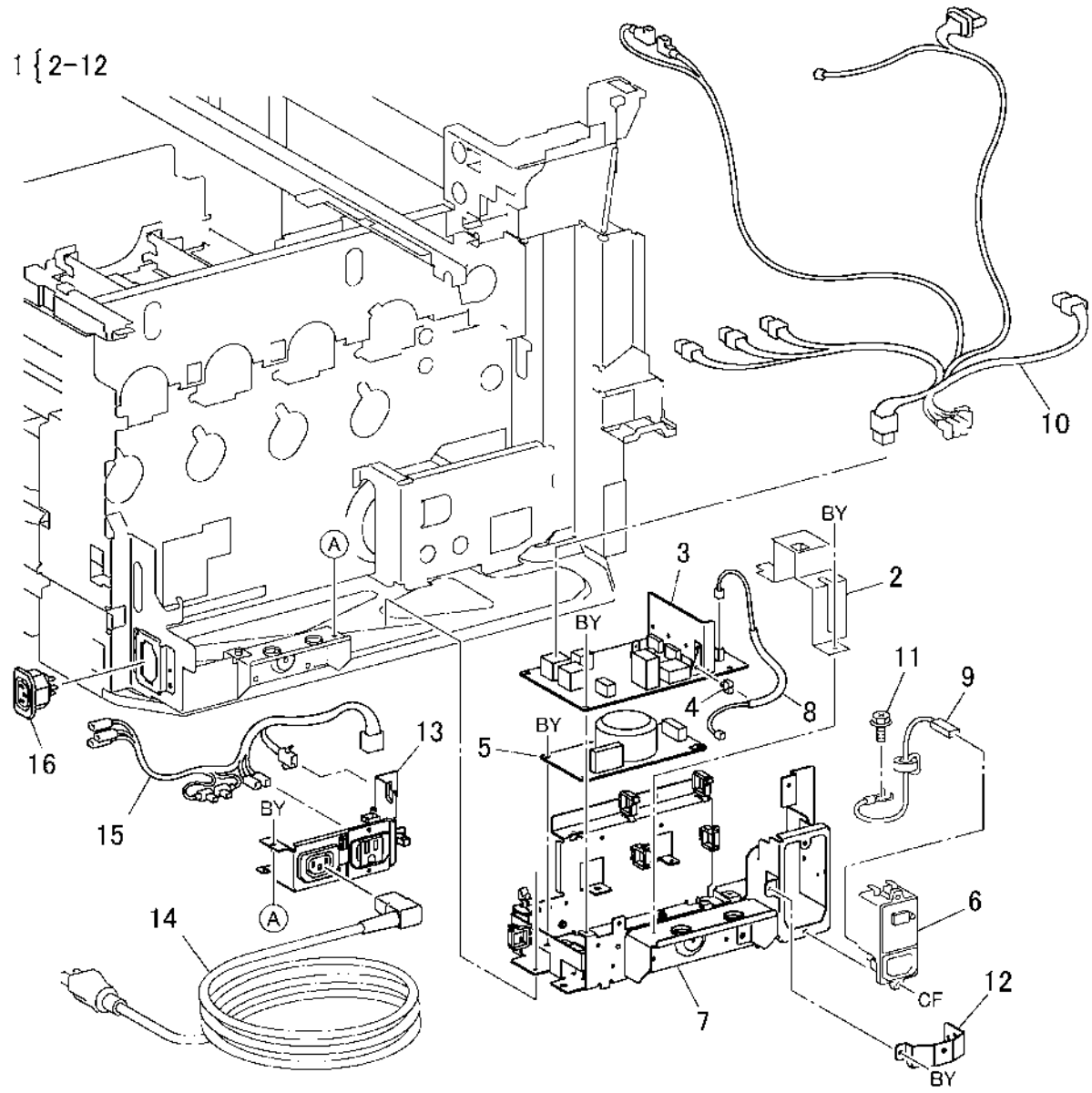
1 { 13, 16, 21



s7760-0759A

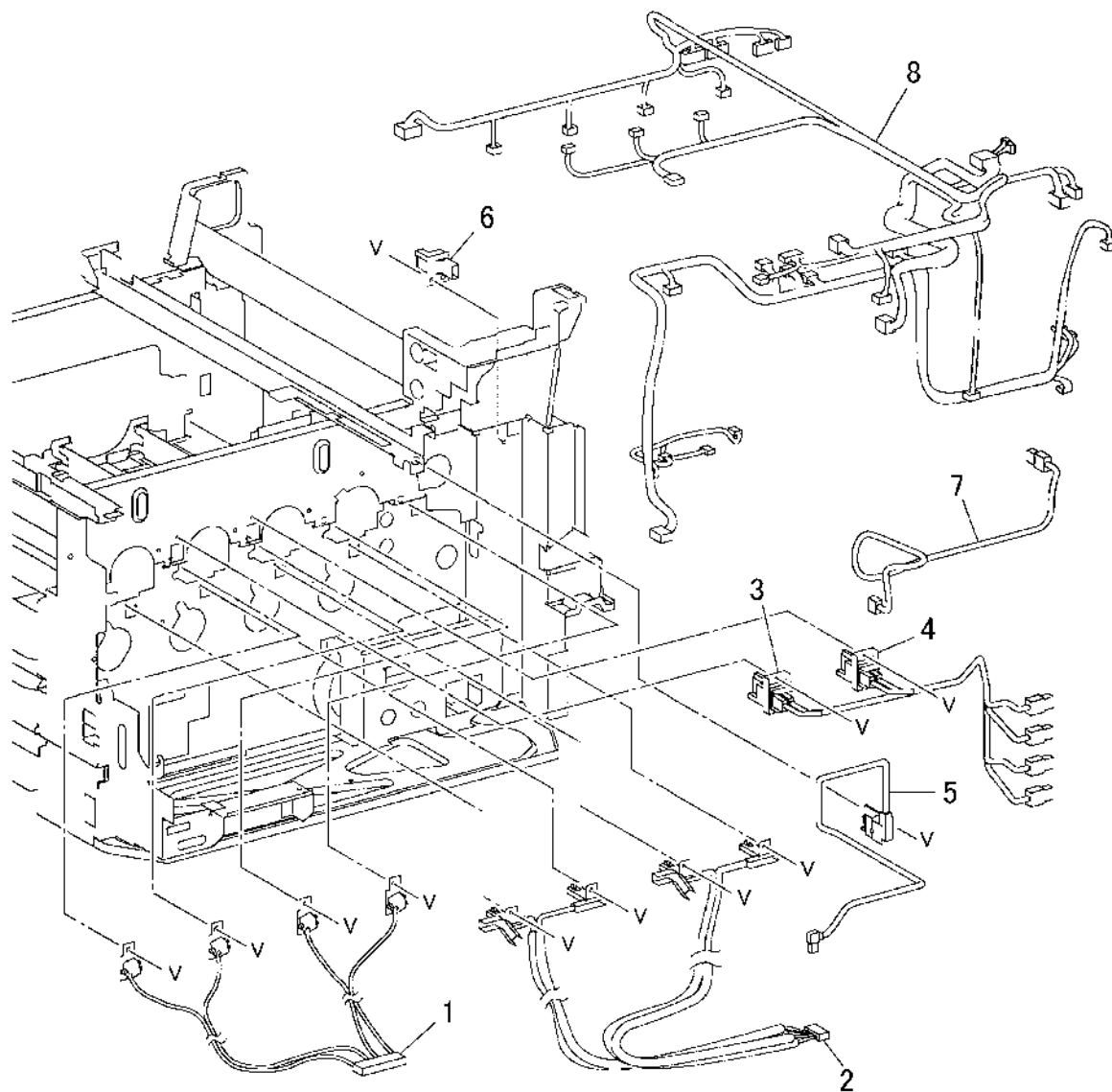
PL 9.2 Electrical Components: 2 of 3

Item	Part	Description
1	101K46433	AC Power Chassis Assembly (220V)
-	101K52400	AC Power Chassis Assembly (110V)
2	-	Bracket (P/O PL 9.2 Item 1)
3	960K06700	AC Drive PWB (110V) (REP 1.11)
-	960K06710	AC Drive PWB (220V) (REP 1.11)
4	-	Clamp (P/O PL 9.2 Item 1)
5	160K97661	Noise Filter PWB (110V)
-	960K02901	Noise Filter PWB (220V)
6	908W01201	GFI Breaker
7	-	AC Power Chassis (P/O PL 9.2 Item 1)
8	962K08790	Wire Harness (P/O PL 9.2 Item 1)
9	-	Wire Harness (P/O PL 9.2 Item 1)
10	962K20052	Wire Harness (P/O PL 9.2 Item 1) (ACO)
11	-	Screw (P/O PL 9.2 Item 1)
12	-	Bracket (P/O PL 9.2 Item 1)
13	-	Outlet Panel
14	117E16210	Power Cord (220V)
-	152S05108	Power Cord (250V, 10A) Europe
-	117K31400	Power Cord (110V)
15	162K55110	Wire Harness
16	-	Outlet



PL 9.3 Electrical Components: 3 of 3

Item	Part	Description
1	014K81604	Developer Block
2	162K62111	Wire Harness
3	162K55941	Wire Harness (Y, M)
4	162K55971	Wire Harness (C, K)
5	162K56000	2nd Wire Harness
6	113K82310	DTS Connector
7	162K56031	DTS Wire Harness
8	962K37972	Main Harness Assembly
-	962K37980	Main Harness Assembly (Left)
-	962K37991	Main Harness Assembly (Right)

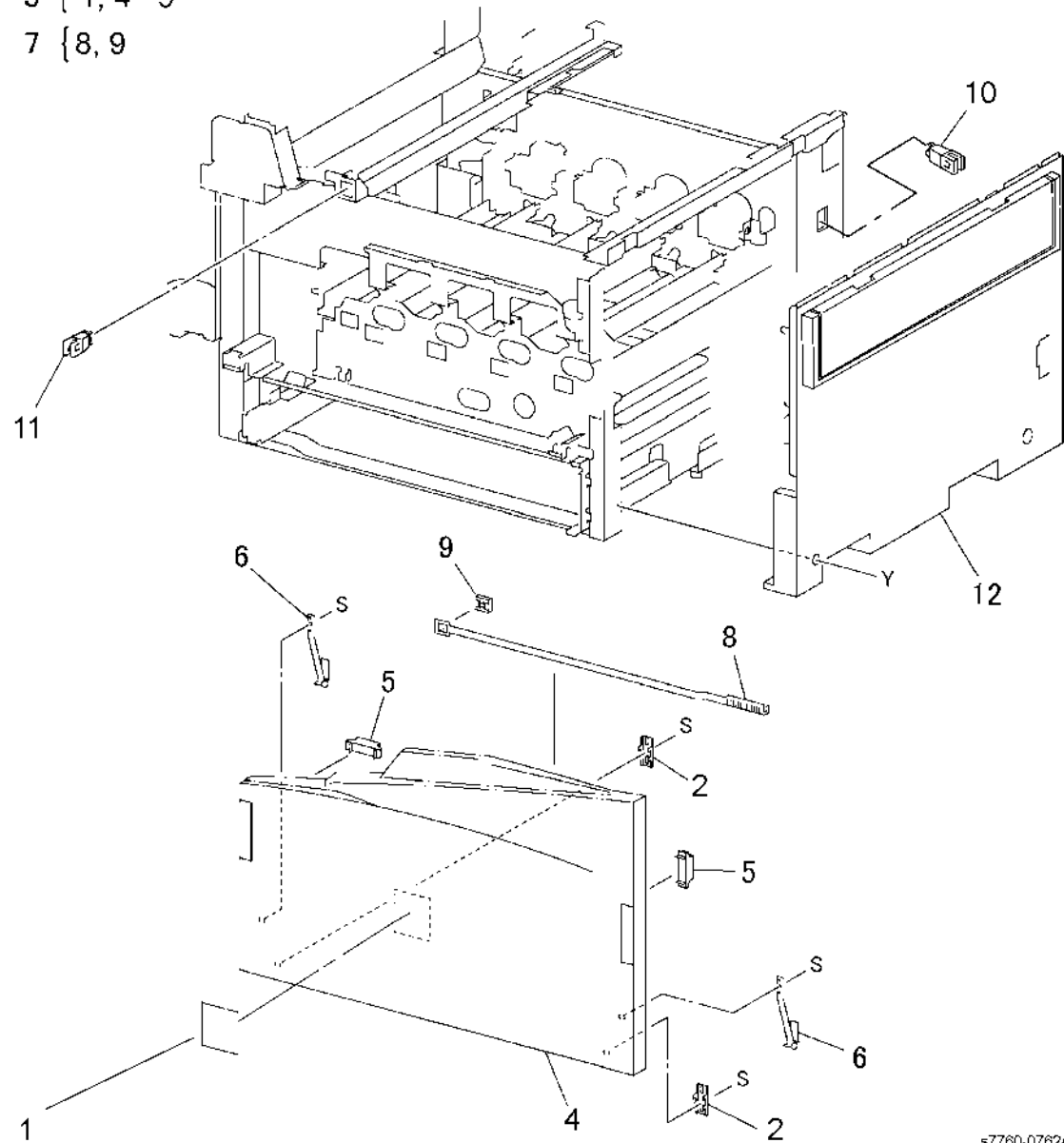


s7760-0761A

PL 10.1 Front Cover

Item	Part	Description
1	802K62050	Logo Plate
2	-	Hinge (Not Spared)
3	802K89981	Front Cover Assembly (REP 14.7)
4	-	Front Cover (P/O PL 10.1 Item 3)
5	-	Magnet (P/O PL 10.1 Item 3)
6	830E57230	Strap
7	042K93270	ROS Cleaner Assembly
8	-	ROS Cleaner (P/O PL 10.1 Item 7)
9	042K92010	Cleaner Base
10	110E94770	Right Interlock Switch
11	110E97990	Front Interlock Switch
12	802K59860	Right Cover (REP 14.3)

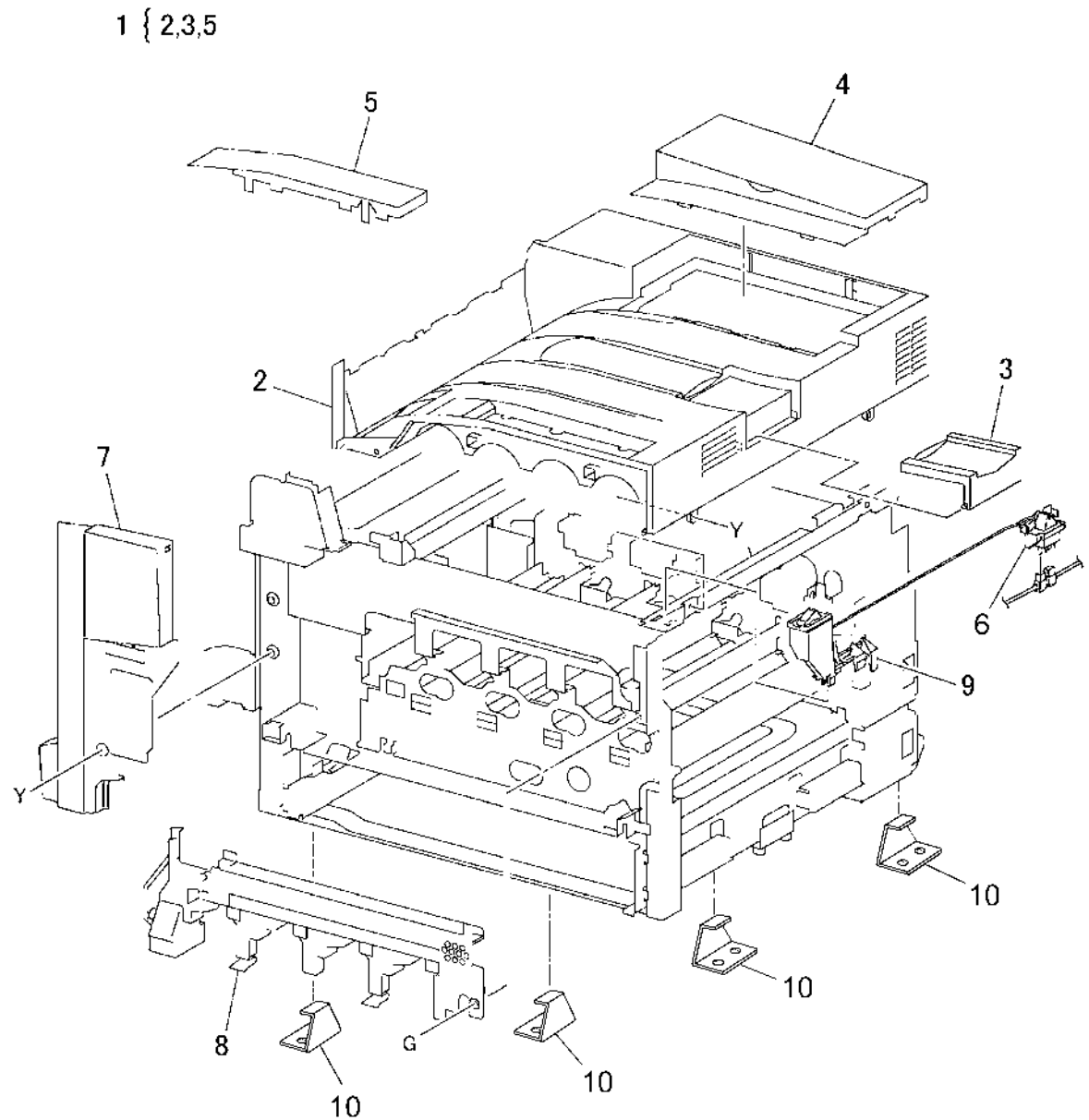
3 { 1, 4 - 9
7 { 8, 9



s7760-0762A

PL 10.2 Top Covers and Inner Covers

Item	Part	Description
1	802K89970	Top Cover Assembly (REP 14.1)
2	—	Top Cover (P/O PL 10.2 Item 1)
3	—	Stop (P/O PL 10.2 Item 1)
4	802E12400	Connector Cover
5	101K57541	Control Panel Assembly (P/O PL 10.2 Item 1)
6	110K11211	Main Power Switch
7	802K59881	Fuser Cover (REP 14.8)
8	802K46071	Dispenser Cover (REP 9.6)
9	012K94261	Link
10	—	Pallet Bracket
11	962K41710	Wire Harness (Not Shown)

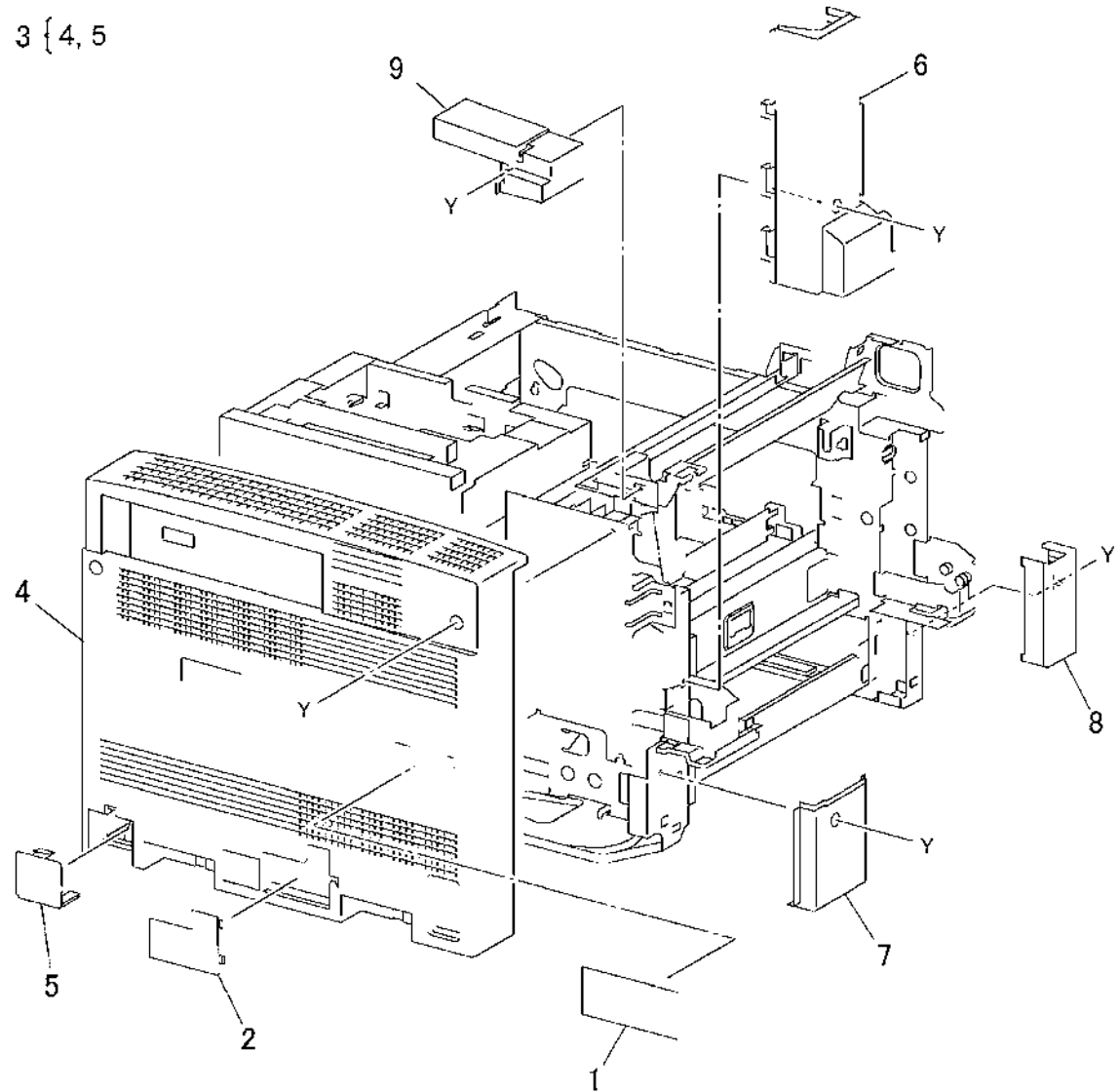


s7760-0763A

PL 10.3 Rear Cover

Item	Part	Description
1	-	Data Plate (Not Spared)
2	802E33910	Blind Cover
3	802K90000	Rear Cover Assembly (120V)
-	802K67961	Rear Cover Assembly (220V)
4	-	Rear Cover (P/O PL 10.3 Item 3) (REP 14.2)
5	802E12490	Blind Cover
6	802E12501	Rear Left Middle Cover (REP 14.4)
7	802E14351	Rear Left Lower Cover
8	-	Front Left Cover (Not Spared)
9	802E27861	Rear Left Upper Cover (REP 14.5)

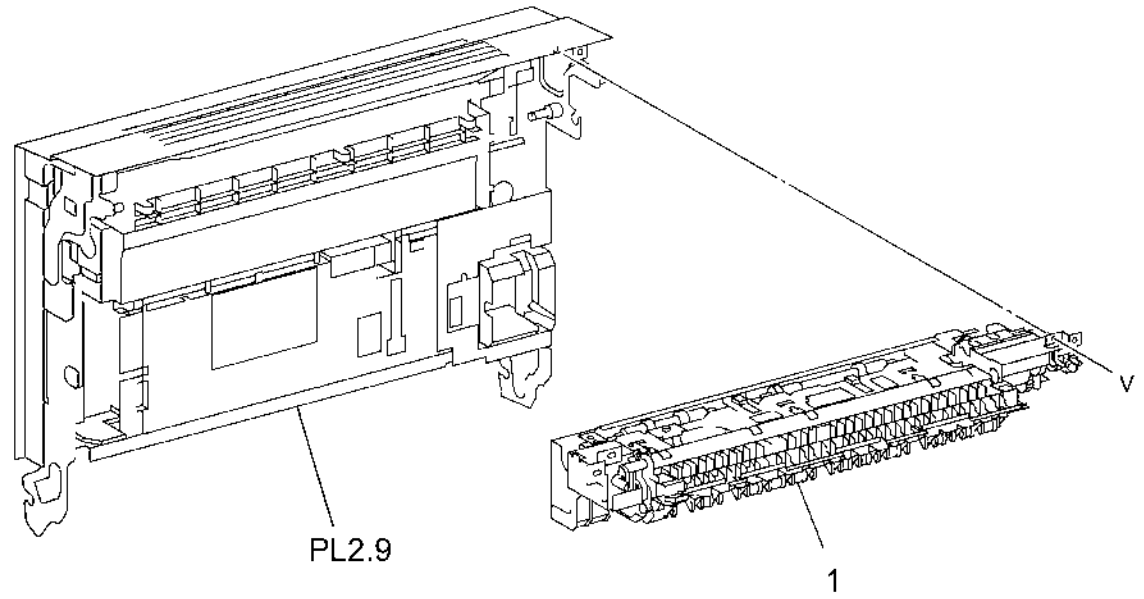
3 { 4, 5



s7760-0764A

PL 11.1 Inverter Transport

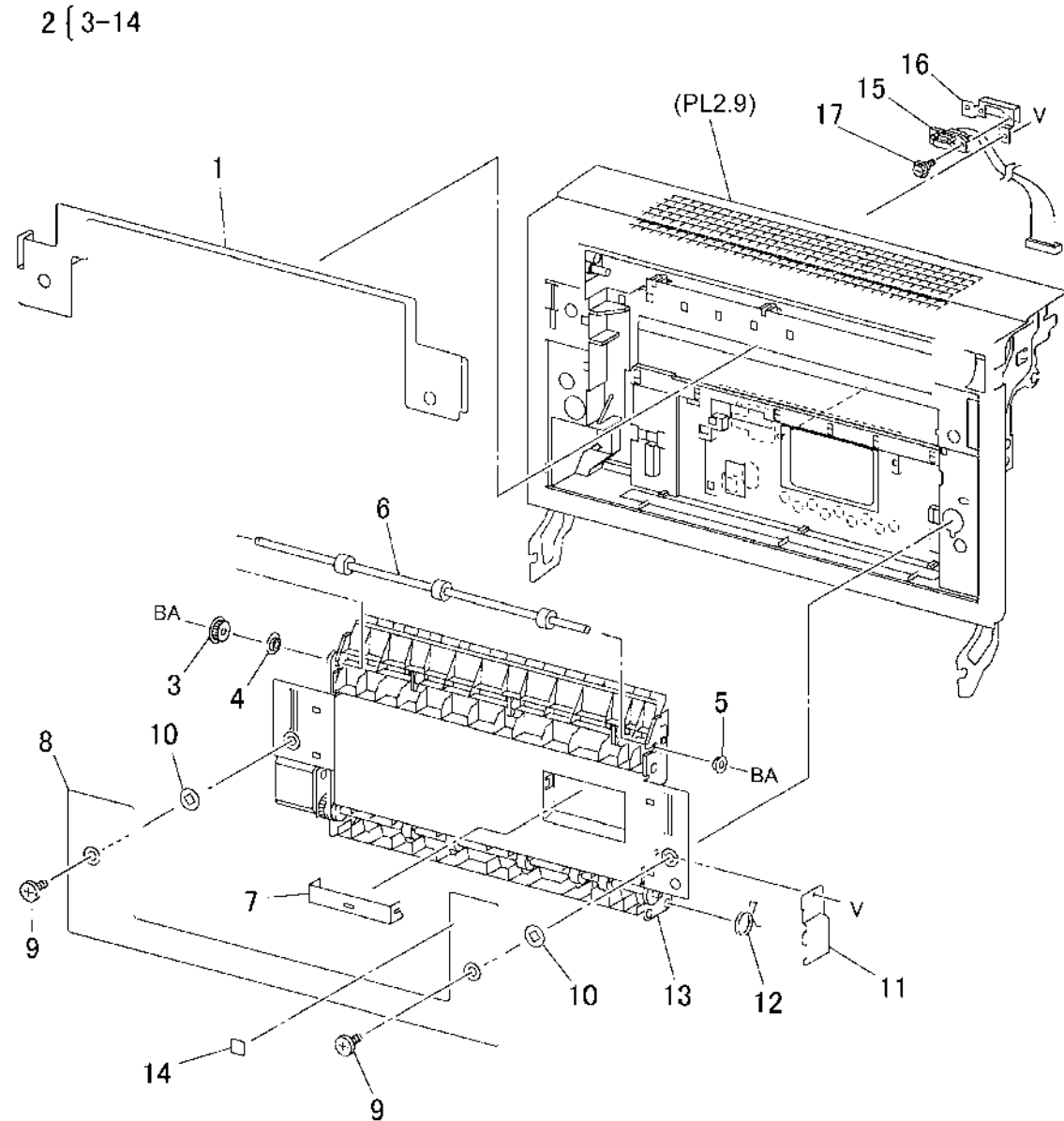
Item	Part	Description
1	059K36872	Inverter Transport (REP 8.5)



s7760-0765A

PL 12.1 Duplex Transport Assembly: 1 of 2

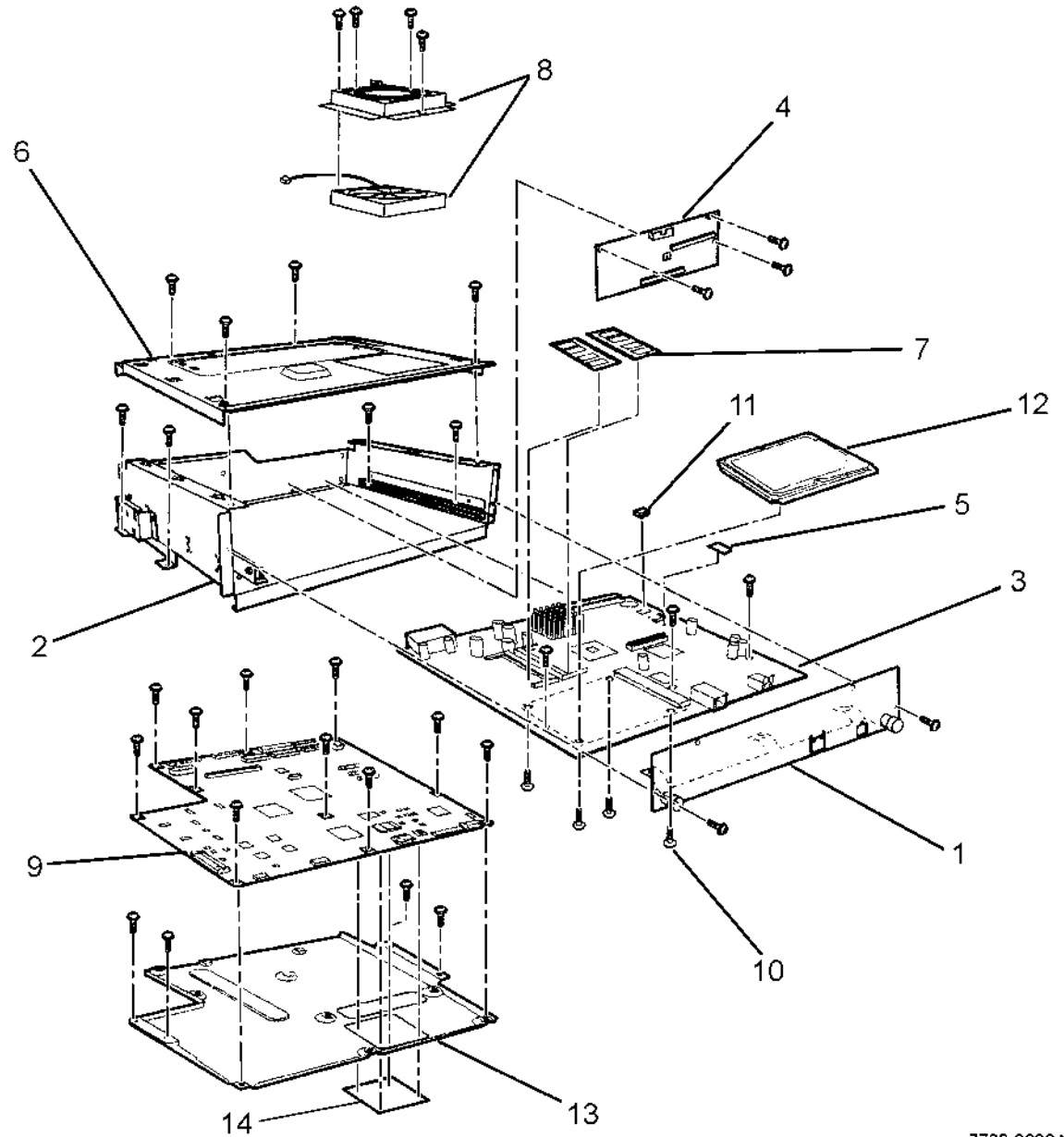
Item	Part	Description
1	-	Duplex Transport Upper Cover (Not Spared)
2	059K45890	Duplex Transport Assembly (REP 8.3)
3	-	One-way Pulley (P/O PL 12.1 Item 2)
4	-	Bearing (P/O PL 12.1 Item 2)
5	-	Bearing (P/O PL 12.1 Item 2)
6	059K23960	Duplex Transport Roll
7	-	Handle (P/O PL 12.1 Item 2)
8	-	Lower Cover (P/O PL 12.1 Item 2)
9	-	Screw (P/O PL 12.1 Item 2)
10	-	Nylon Washer (P/O PL 12.1 Item 2)
11	-	Cover (P/O PL 12.1 Item 2)
12	-	Spring (P/O PL 12.1 Item 2)
13	-	Duplex Transport (P/O PL 12.1 Item 2)
14	-	Label (P/O PL 12.1 Item 2)
15	-	Wire Harness (Not Spared)
16	-	Bracket (Not Spared)
17	-	Screw (Not Spared)



s7760-0768A

PL 13.1 IOT Control Chassis Assembly

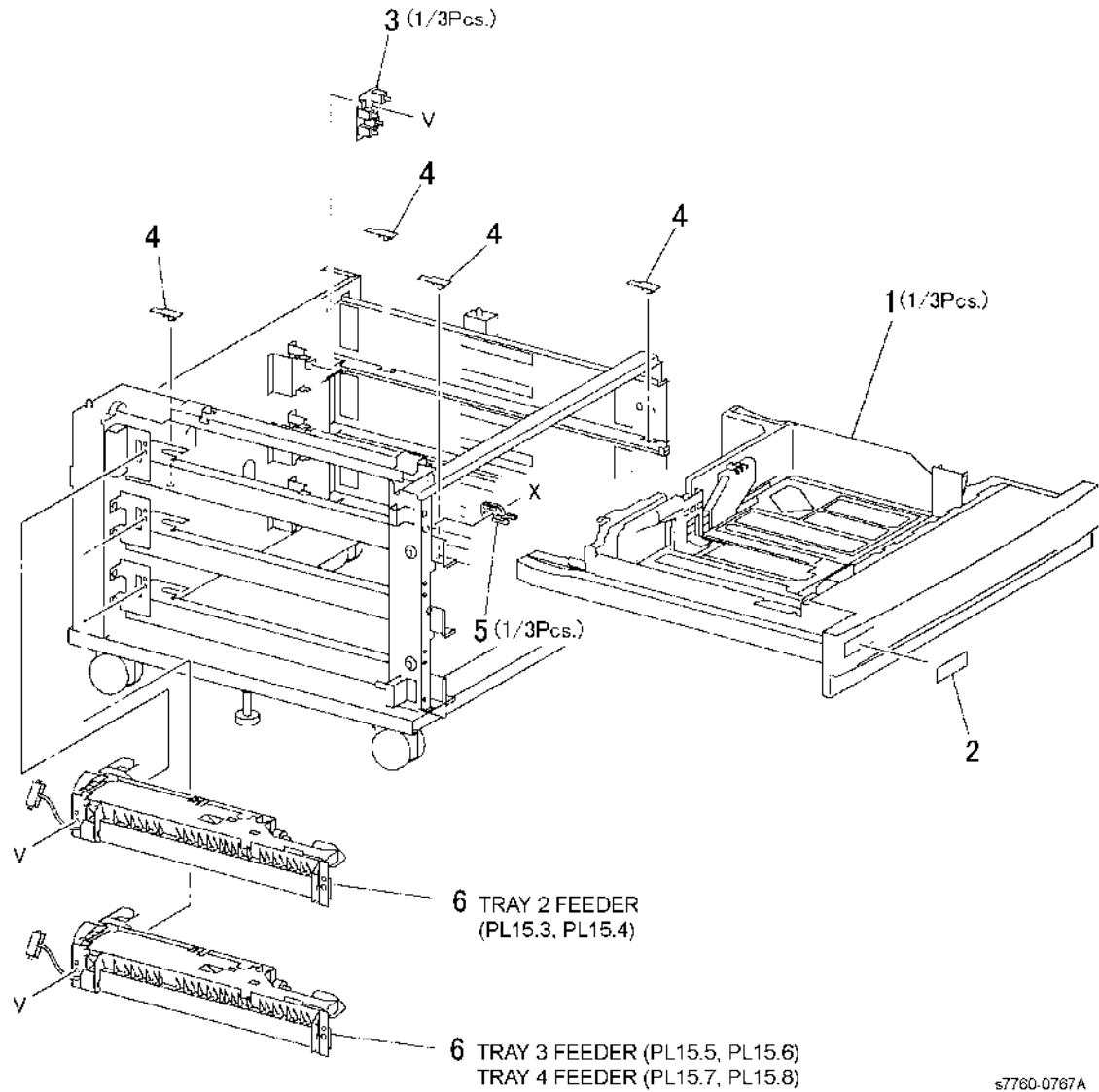
Item	Part	Description
1	–	Rear Panel (Not Spared)
2	101K52490	Electrical Chassis Assembly (REP 1.3)
3	960K34661	Image Processor Board (REP 1.12)
4	–	Bridge PWB (Not Spared)
5	069E00430	Configuration Chip, Network
6	–	Top Cover (includes item 8) (Not Spared)
7	133K27690	512 MB Memory
8	127K49440	Fan Assembly, ESS
9	960K22980	PWBA MCU (Engine Control) (REP 1.2)
10	–	Screw (see FRU Parts List) (Not Spared)
11	237E23660	Image Processor NVRAM
12	121E25670	Internal HD Programmed (REP 1.17)
13	–	Cover, Shield (Not Spared)
14	160K76652	PWBA MCU NVRAM (Engine Control)



s7760-0626A

PL 15.1 Tray 3/4/5 Feeders & Paper Trays

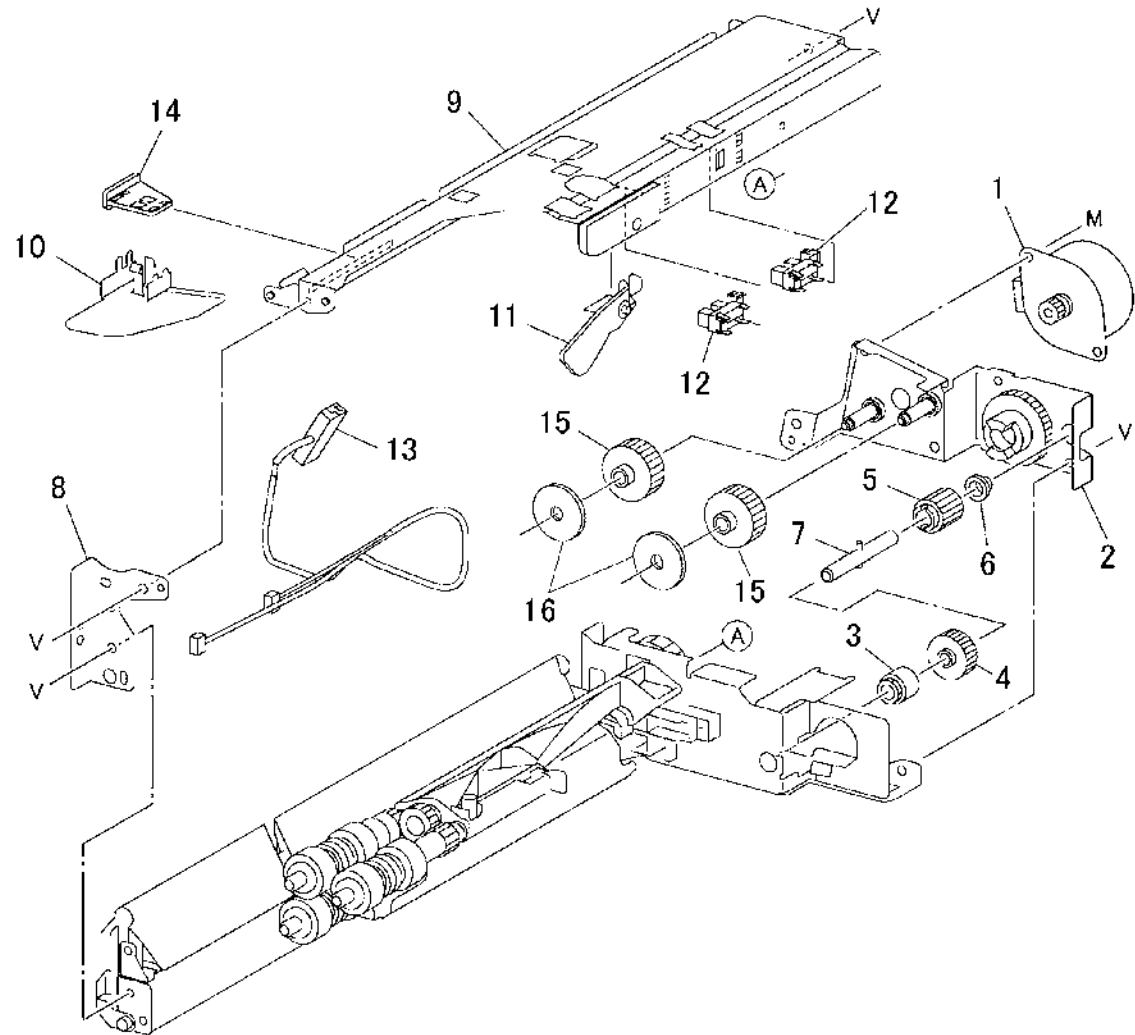
Item	Part	Description
1	-	Tray 3/4/5 (REP 7.13, REP 7.14, REP 7.15)
2	892E82840	Label (Tray 3)
-	892E82860	Label (Tray 5)
-	892E82850	Label (Tray 4)
3	110K12990	Paper Size Sensor (Tray 3/4/5)
4	-	Spacer (Not Spared)
5	003E23672	Stop
6	059K15577	Feeder (Tray 3/4/5) (REP 7.16, REP 7.17, REP 7.18)



s7760-0767A

PL 15.3 Tray 3 Feeder: 1 of 2

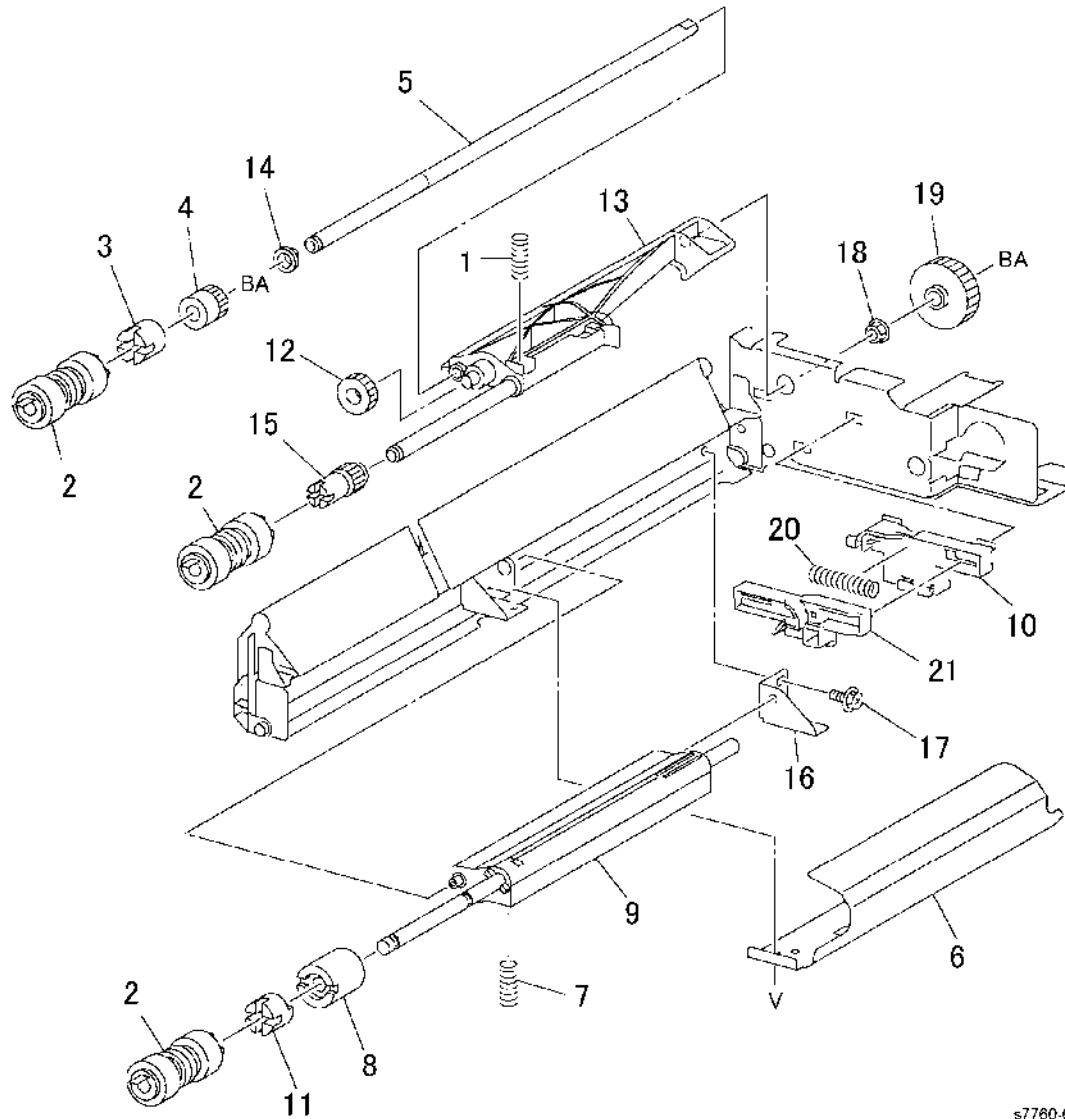
Item	Part	Description
1	127K23230	Tray 3 Feed/Lift Motor (REP 7.4)
2	-	Bracket (P/O PL 15.1 Item 6)
3	005K83081	One-way Clutch
4	007K85730	One-way Gear
5	-	Gear (13T) (P/O PL 15.1 Item 6)
6	-	Bearing (P/O PL 15.1 Item 6)
7	-	Shaft (P/O PL 15.1 Item 6)
8	-	Front Frame (P/O PL 15.1 Item 6)
9	-	Upper Frame (P/O PL 15.1 Item 6)
10	-	Front Chute (P/O PL 15.1 Item 6)
11	120E18141	Actuator
12	130E82190	Tray 3 Level / No Paper Sensor
13	-	Wire Harness (P/O PL 15.1 Item 6)
14	-	Support (P/O PL 15.1 Item 6)
15	-	Gear (15T) (P/O PL 15.1 Item 6)
16	-	Washer (P/O PL 15.1 Item 6)



s7760-0768A

PL 15.4 Tray 3 Feeder: 2 of 2

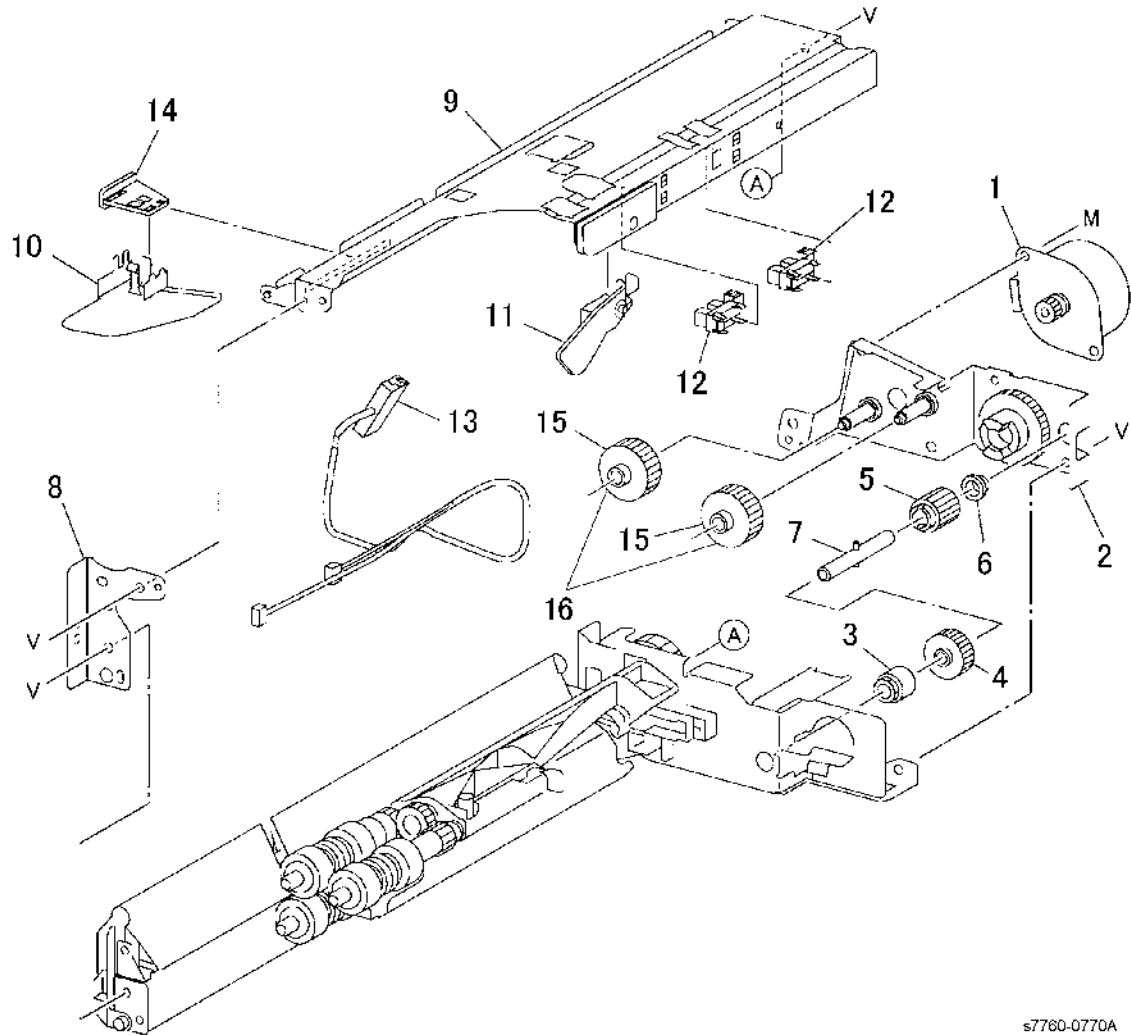
Item	Part	Description
1	-	Spring (P/O PL 15.1 Item 6)
2	600K78460	Roll Kit (3 Rolls/Kit)
3	005K05890	One-way Clutch
4	-	Gear (P/O PL 15.1 Item 6)
5	-	Shaft (P/O PL 15.1 Item 6)
6	-	Chute (P/O PL 15.1 Item 6)
7	-	Spring (P/O PL 15.1 Item 6)
8	-	Friction Clutch (P/O PL 15.1 Item 6)
9	-	Support (P/O PL 15.1 Item 6)
10	-	Holder (P/O PL 15.1 Item 6)
11	-	Spacer (P/O PL 15.1 Item 6)
12	-	Gear (31T) (P/O PL 15.1 Item 6)
13	-	Support (P/O PL 15.1 Item 6)
14	-	Bearing (P/O PL 15.1 Item 6)
15	-	Gear (P/O PL 15.1 Item 6)
16	-	Support (P/O PL 15.1 Item 6)
17	-	Screw (P/O PL 15.1 Item 6)
18	-	Bearing (P/O PL 15.1 Item 6)
19	-	Gear (35T) (P/O PL 15.1 Item 6)
20	-	Spring (P/O PL 15.1 Item 6)
21	-	Lever (P/O PL 15.1 Item 6)



s7760-0789A

PL 15.5 Tray 4 Feeder: 1 of 2

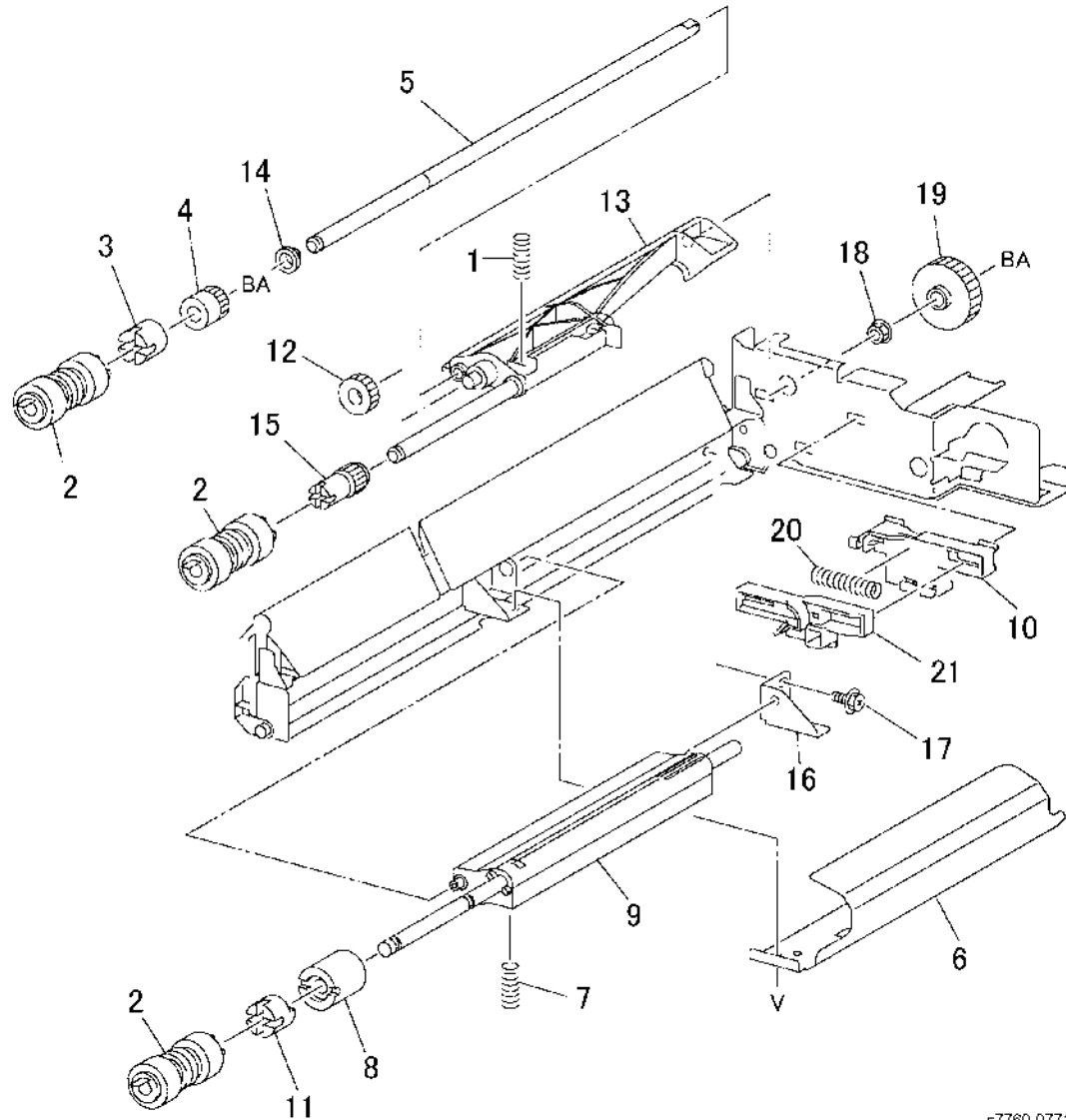
Item	Part	Description
1	127K23230	Tray 4 Feed/Lift Motor (REP 7.4)
2	-	Bracket (P/O PL 15.1 Item 6)
3	005K83081	One-way Clutch
4	007K85730	One-way Gear
5	-	Gear (13T) (P/O PL 15.1 Item 6)
6	-	Bearing (P/O PL 15.1 Item 6)
7	-	Shaft (P/O PL 15.1 Item 6)
8	-	Front Frame (P/O PL 15.1 Item 6)
9	-	Upper Frame (P/O PL 15.1 Item 6)
10	-	Front Chute (P/O PL 15.1 Item 6)
11	120E18141	Actuator
12	130E82190	Tray 4 Level / No Paper Sensor
13	-	Wire Harness (P/O PL 15.1 Item 6)
14	-	Support (P/O PL 15.1 Item 6)
15	-	Gear (15T) (P/O PL 15.1 Item 6)
16	-	Washer (P/O PL 15.1 Item 6)



s7760-0770A

PL 15.6 Tray 4 Feeder: 2 of 2

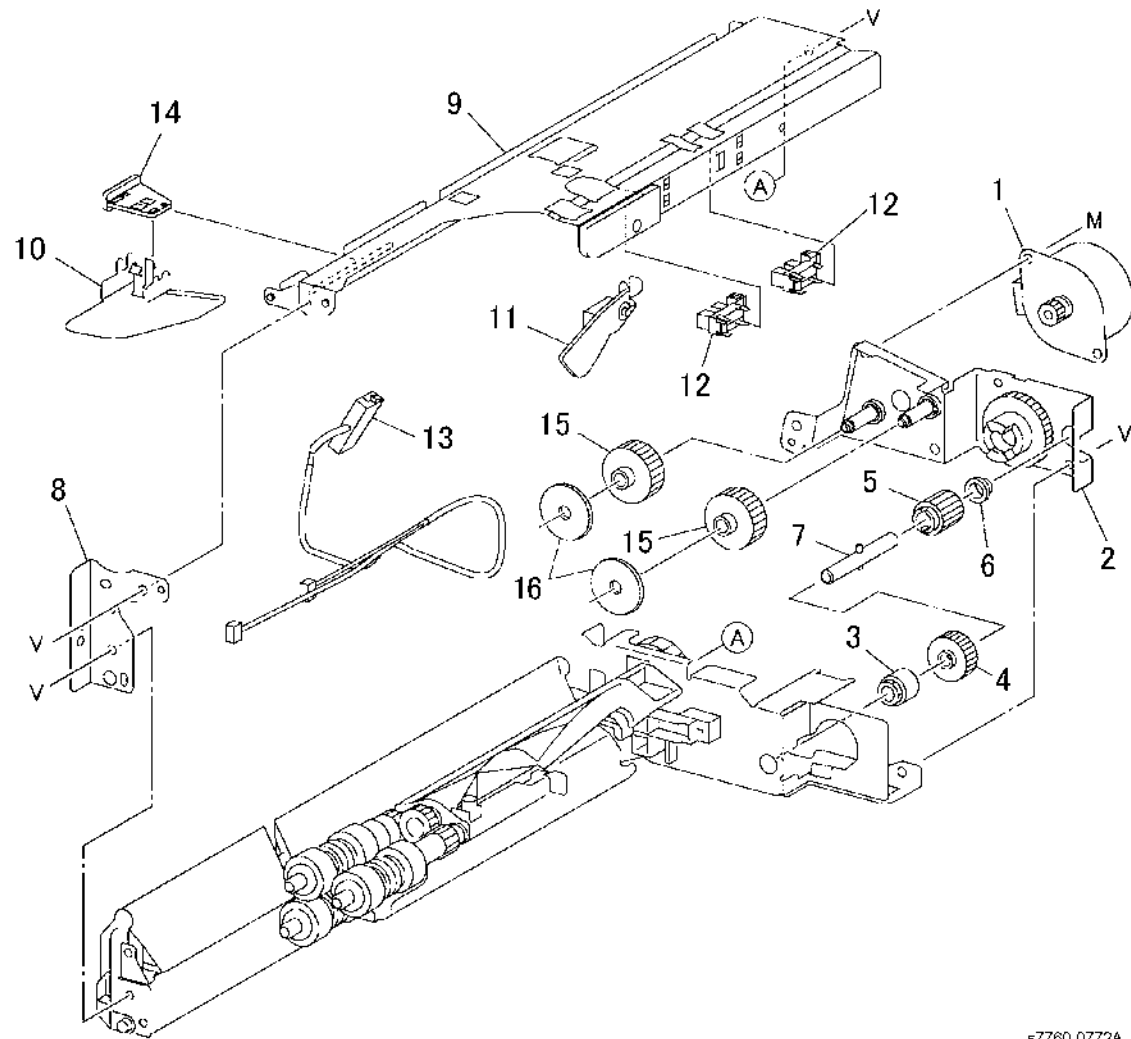
Item	Part	Description
1	–	Spring (P/O PL 15.1 Item 6)
2	600K78460	Roll Kit (3 Rolls/Kit)
3	005K05890	One-way Clutch
4	–	Gear (P/O PL 15.1 Item 6)
5	–	Shaft (P/O PL 15.1 Item 6)
6	–	Chute (P/O PL 15.1 Item 6)
7	–	Spring (P/O PL 15.1 Item 6)
8	–	Friction Clutch (P/O PL 15.1 Item 6)
9	–	Support (P/O PL 15.1 Item 6)
10	–	Holder (P/O PL 15.1 Item 6)
11	–	Spacer (P/O PL 15.1 Item 6)
12	–	Gear (31T) (P/O PL 15.1 Item 6)
13	–	Support (P/O PL 15.1 Item 6)
14	–	Bearing (P/O PL 15.1 Item 6)
15	–	Gear (P/O PL 15.1 Item 6)
16	–	Support (P/O PL 15.1 Item 6)
17	–	Screw (P/O PL 15.1 Item 6)
18	–	Bearing (P/O PL 15.1 Item 6)
19	–	Gear (35T) (P/O PL 15.1 Item 6)
20	–	Spring (P/O PL 15.1 Item 6)
21	–	Lever (P/O PL 15.1 Item 6)



s7760.0771A

PL 15.7 Tray 5 Feeder: 1 of 2

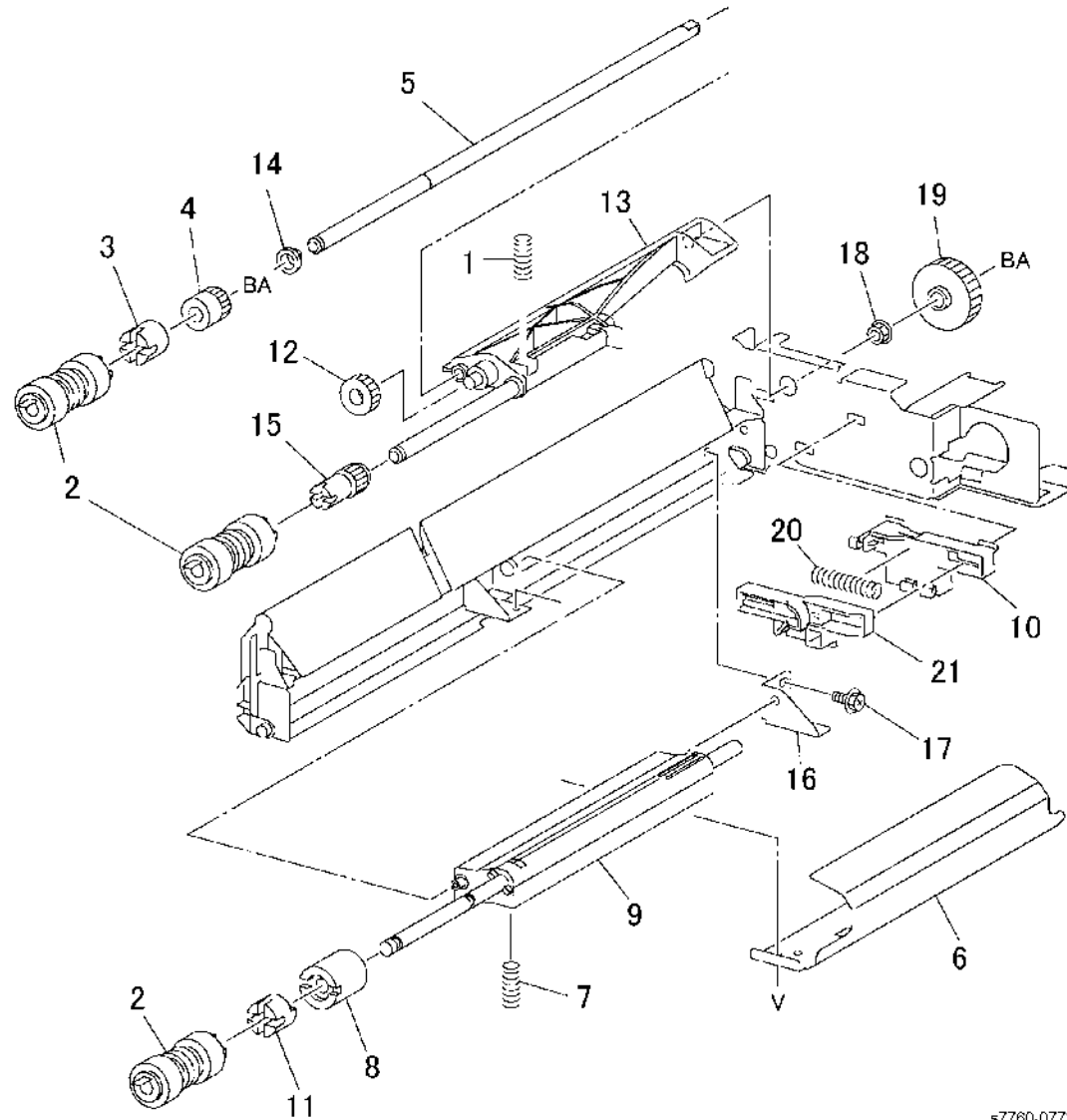
Item	Part	Description
1	127K23230	Tray 5 Feed/Lift Motor (REP 7.4)
2	-	Bracket (P/O PL 15.1 Item 6)
3	005K83081	One-way Clutch
4	007K85730	One-way Gear
5	-	Gear (13T) (P/O PL 15.1 Item 6)
6	-	Bearing (P/O PL 15.1 Item 6)
7	-	Shaft (P/O PL 15.1 Item 6)
8	-	Front Frame (P/O PL 15.1 Item 6)
9	-	Upper Frame (P/O PL 15.1 Item 6)
10	-	Front Chute (P/O PL 15.1 Item 6)
11	120E18141	Actuator
12	130E82190	Tray 5 Level / No Paper Sensor
13	-	Wire Harness (P/O PL 15.1 Item 6)
14	-	Support (P/O PL 15.1 Item 6)
15	-	Gear (15T) (P/O PL 15.1 Item 6)
16	-	Washer (P/O PL 15.1 Item 6)



s7760-0772A

PL 15.8 Tray 5 Feeder: 2 of 2

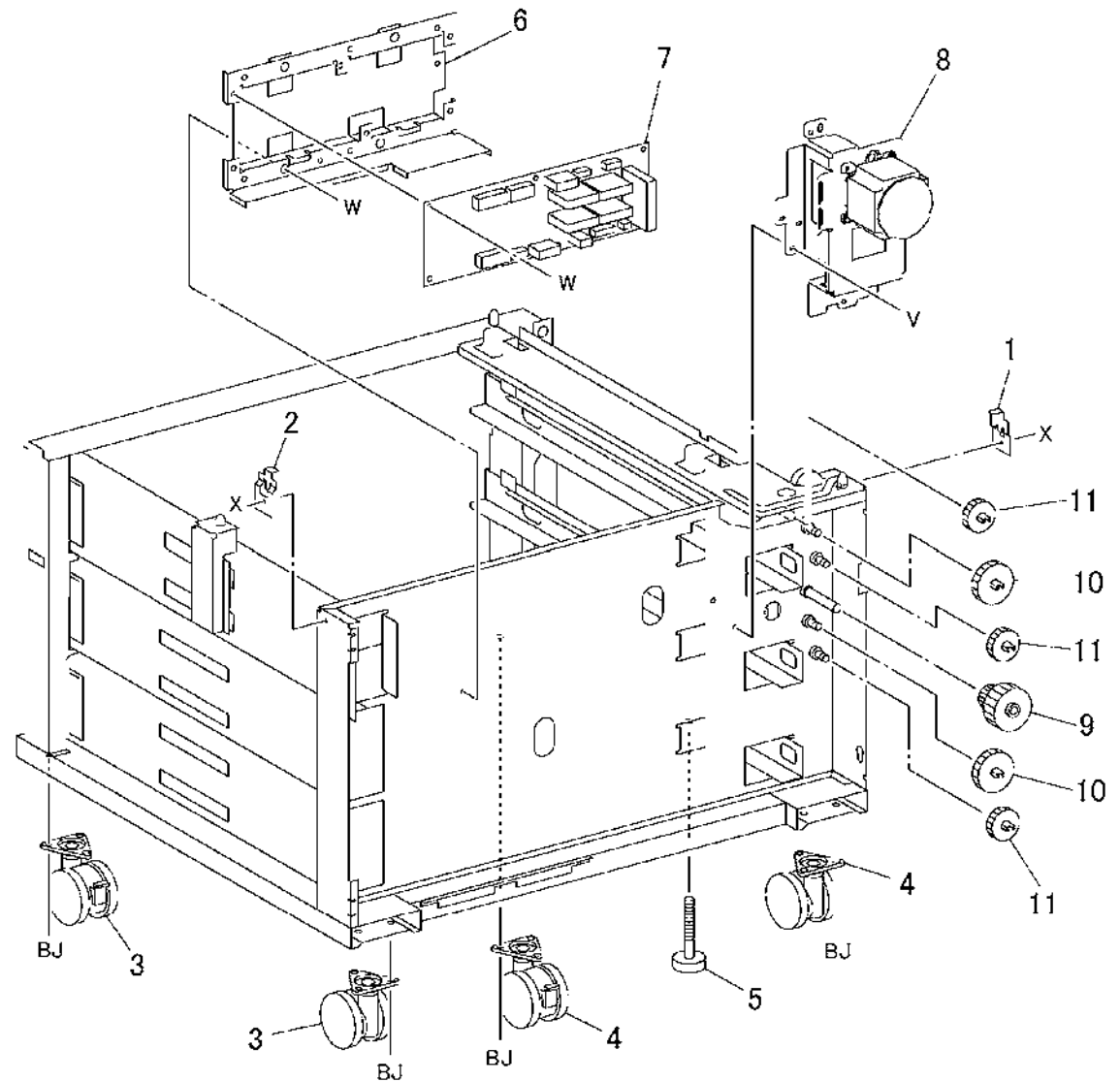
Item	Part	Description
1	-	Spring (P/O PL 15.1 Item 6)
2	600K78460	Roll Kit (3 Rolls/Kit)
3	005K05890	One-way Clutch
4	-	Gear (P/O PL 15.1 Item 6)
5	-	Shaft (P/O PL 15.1 Item 6)
6	-	Chute (P/O PL 15.1 Item 6)
7	-	Spring (P/O PL 15.1 Item 6)
8	-	Friction Clutch (P/O PL 15.1 Item 6)
9	-	Support (P/O PL 15.1 Item 6)
10	-	Holder (P/O PL 15.1 Item 6)
11	-	Spacer (P/O PL 15.1 Item 6)
12	-	Gear (31T) (P/O PL 15.1 Item 6)
13	-	Support (P/O PL 15.1 Item 6)
14	-	Bearing (P/O PL 15.1 Item 6)
15	-	Gear (P/O PL 15.1 Item 6)
16	-	Support (P/O PL 15.1 Item 6)
17	-	Screw (P/O PL 15.1 Item 6)
18	-	Bearing (P/O PL 15.1 Item 6)
19	-	Gear (35T) (P/O PL 15.1 Item 6)
20	-	Spring (P/O PL 15.1 Item 6)
21	-	Lever (P/O PL 15.1 Item 6)



s7760-0773A

PL 15.9 Electrical Components and Casters

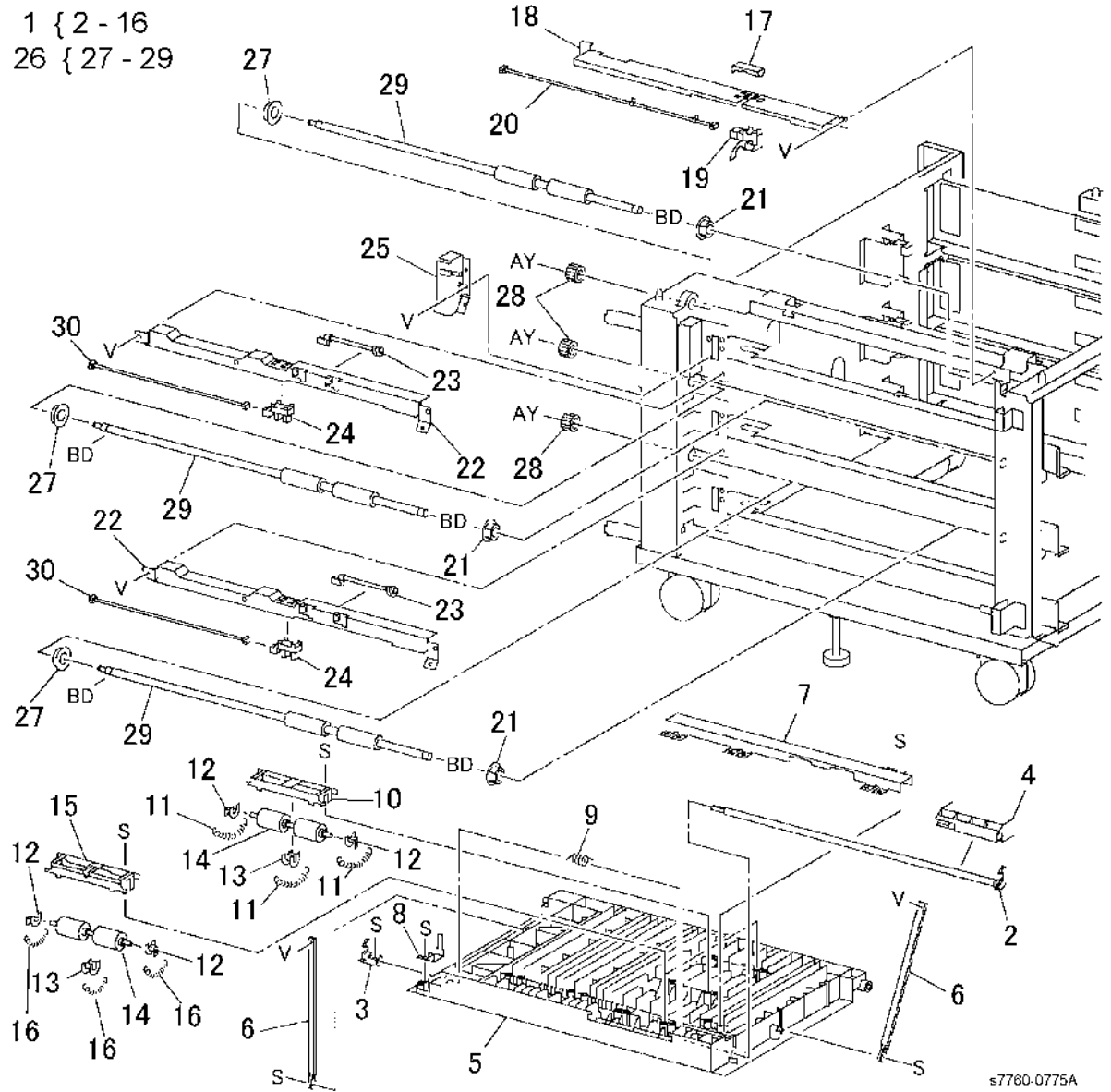
Item	Part	Description
1	-	Left Connecting Bracket (Not Spared)
2	-	Right Connecting Bracket (Not Spared)
3	017K93740	Caster
4	017K93750	Caster
5	-	Foot (Not Spared)
6	-	Bracket (Not Spared)
7	960K01742	Tray 3 Module PWB
-	960K03381	3TM PWB
8	127K36021	Takeaway Motor 1
9	007E66060	Gear (23/46T)
10	007E66070	Gear (46T)
11	007E66050	Gear (33T)



s7760-0774A

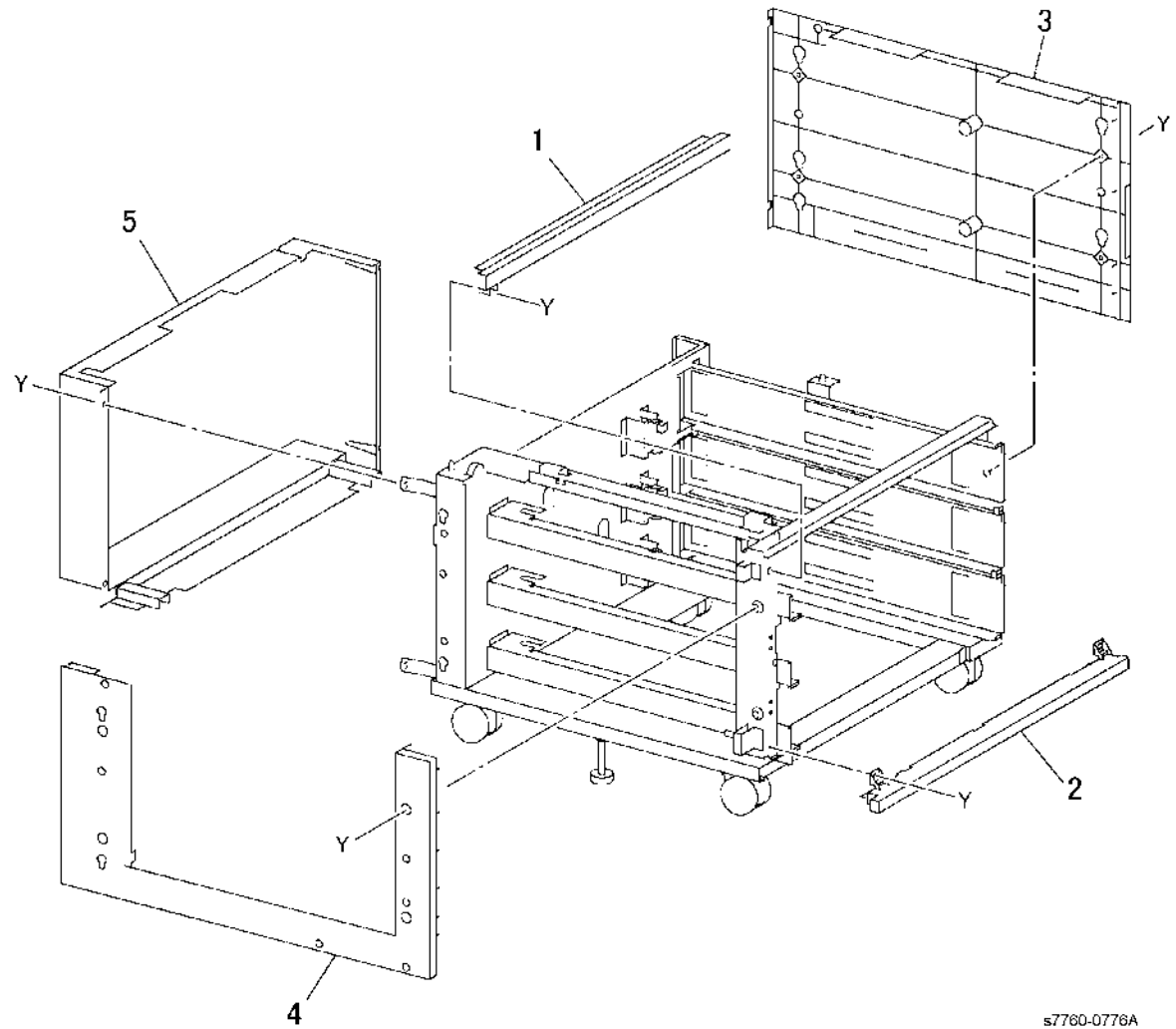
PL 15.10 Left Cover Assembly

Item	Part	Description
1	802K25721	Left Cover Assembly (Left Hand Door C Assembly) (REP 14.11)
2	003E53701	Shaft
3	003E53710	Hook
4	011E10800	Handle
5	-	Left Cover (Left Hand Door C) (P/O PL 15.10 Item 1)
6	-	Support (P/O PL 15.10 Item 1)
7	-	Cover (P/O PL 15.10 Item 1)
8	-	Actuator (P/O PL 15.10 Item 1)
9	-	Spring
10	-	Bearing (P/O PL 15.10 Item 1)
11	809E28961	Spring
12	-	Bearing (P/O PL 15.10 Item 1)
13	-	Bearing (P/O PL 15.10 Item 1)
14	-	Roll (P/O PL 15.10 Item 1)
15	-	Bracket (P/O PL 15.10 Item 1)
16	809E28980	Spring
17	-	Cover (Not Spared)
18	-	Chute (Not Spared)
19	130K61511	Takeaway Sensor
20	162K62811	Wire Harness
21	-	Bearing (Not Spared)
22	-	Chute (Not Spared)
23	120E18820	Actuator
24	130E81600	Feedout Sensor (Tray 3/4)
25	015K49471	Interlock Switch
26	059K18901	Takeaway Roll Assembly
27	-	Bearing (P/O PL 15.10 Item 26)
28	-	Gear (P/O PL 15.10 Item 26)
29	-	Takeaway Roll (P/O PL 15.10 Item 26)
30	-	Wire Harness (Not Spared)



PL 15.11 Covers

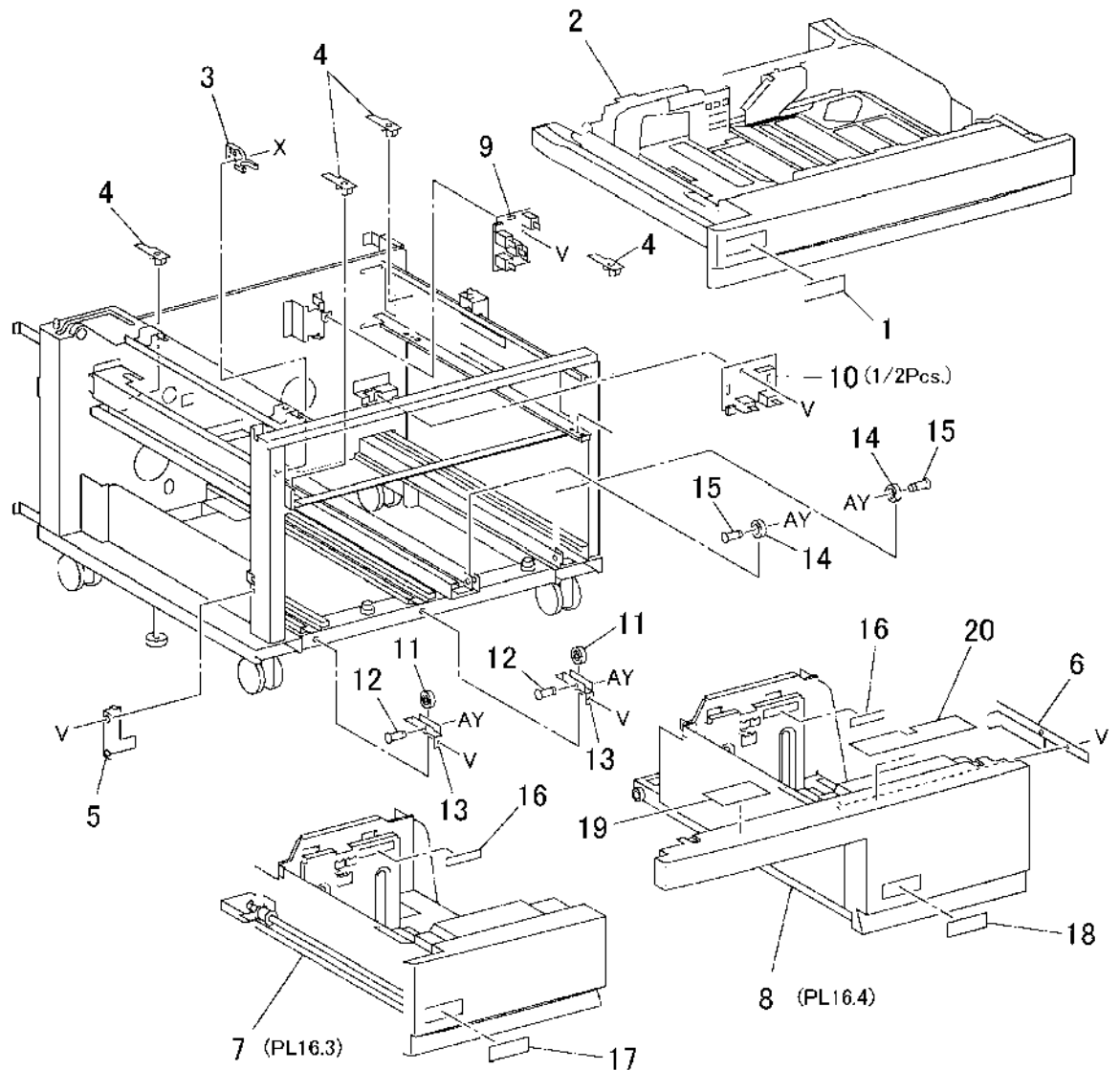
Item	Part	Description
1	802E23951	Front Upper Cover
2	—	Front Lower Cover
3	802E23941	Right Cover
4	802E23931	Left Lower Cover (REP 14.12)
5	802K50492	Rear Cover



s7760-0776A

PL 16.1 Tray 3/4/5 Assembly

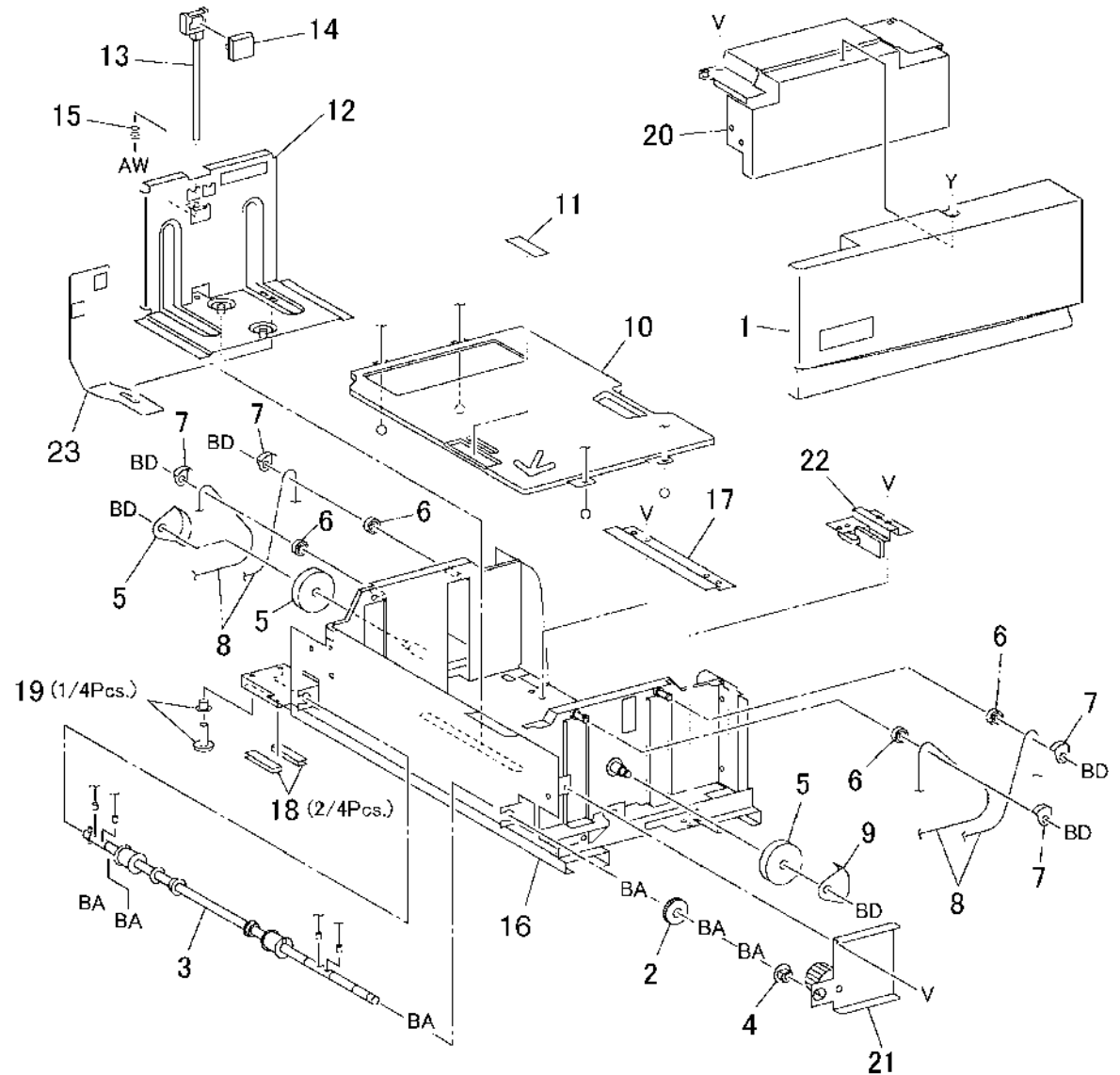
Item	Part	Description
1	-	Label (Not Spared) (Tray 3)
2	050K51391	Tray 3 (REP 7.9)
3	003E23672	Stop (Tray 3)
4	014E42850	Spacer (Tray 3)
5	-	Stop (Not Spared) (Tray 4)
6	-	Stop (Not Spared) (Tray 5)
7	050K43131	Tray 4 Assembly (REP 7.6)
8	050K43120	Tray 5 Assembly (REP 7.7)
9	110K12990	Tray 3 Paper Size Sensor
10	110K10881	Tray 4/5 Paper Size Sensor
11	059E95930	Roll
12	-	Shaft (Not Spared)
13	-	Bracket (Not Spared)
14	-	Roll (Not Spared)
15	-	Shaft (Not Spared)
16	-	Max Label (Not Spared)
17	-	Label (Tray 4)
18	-	Label (Tray 5)
19	-	Label (Not Spared)
20	-	Instruction Label (Not Spared)



s7760-0777A

PL 16.3 Tray 4

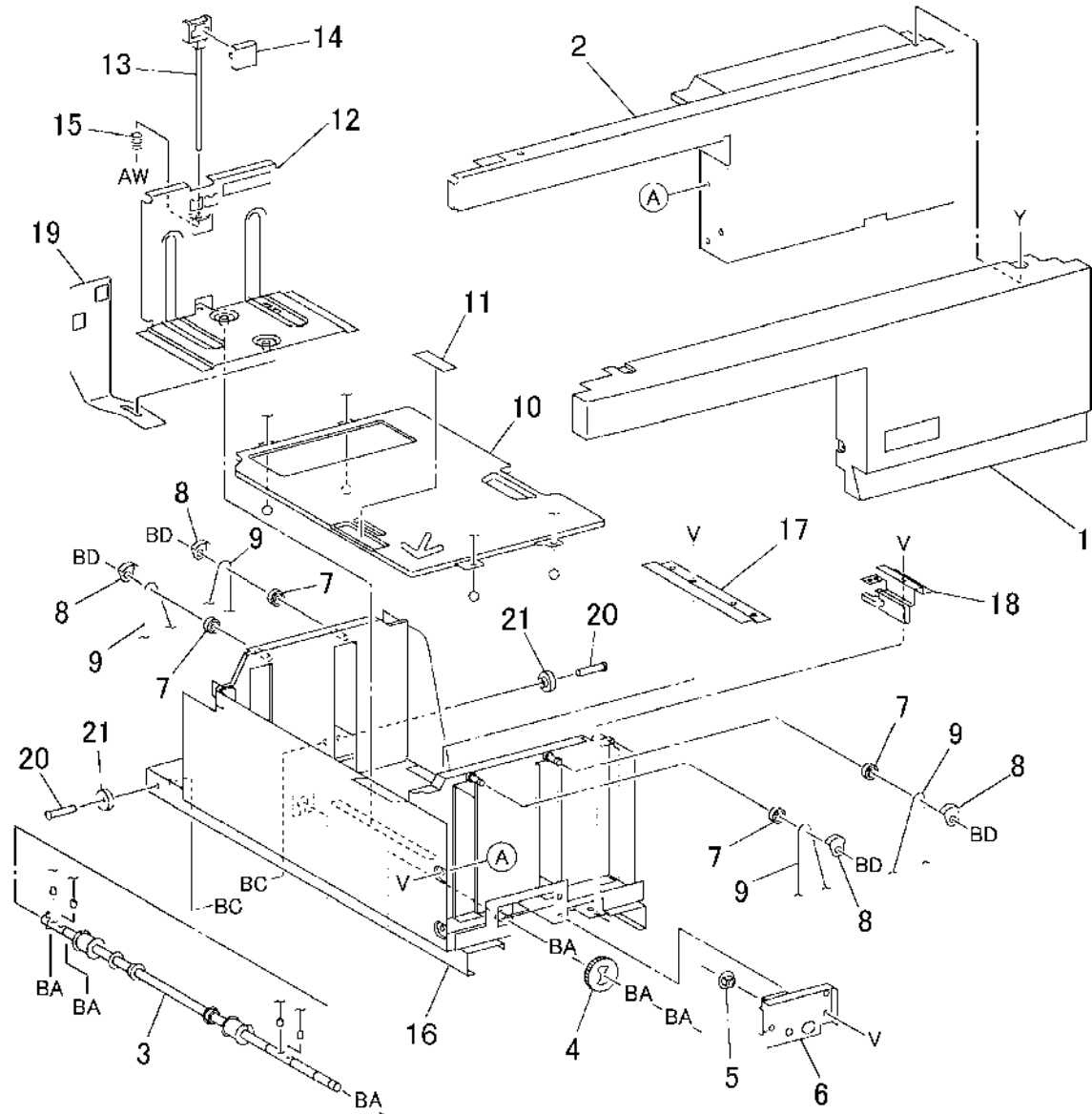
Item	Part	Description
1	802E23992	Tray 4 Cover
2	-	Pulley (P/O PL 16.1 Item 7)
3	-	Lift Shaft (P/O PL 16.1 Item 7)
4	-	Bearing (P/O PL 16.1 Item 7)
5	020E93120	Pulley
6	-	Pulley (P/O PL 16.1 Item 7)
7	-	Cable Guide (P/O PL 16.1 Item 7)
8	-	Pulley Cable (P/O PL 16.1 Item 7)
9	-	Cable Guide (P/O PL 16.1 Item 7)
10	-	Bottom Plate (P/O PL 16.1 Item 7)
11	-	Pad (P/O PL 16.1 Item 7)
12	-	Side Guide (P/O PL 16.1 Item 7)
13	-	Knob (P/O PL 16.1 Item 7)
14	-	Knob (P/O PL 16.1 Item 7)
15	009E26970	Spring
16	-	Frame (P/O PL 16.1 Item 7)
17	-	Bracket (P/O PL 16.1 Item 7)
18	-	Spacer (P/O PL 16.1 Item 7)
19	-	Spacer (P/O PL 16.1 Item 7)
20	-	Bracket (P/O PL 16.1 Item 7)
21	-	Brake (P/O PL 16.1 Item 7)
22	-	Latch (P/O PL 16.1 Item 7)
23	-	Actuator (P/O PL 16.1 Item 7)



s7760-0778A

PL 16.4 Tray 5

Item	Part	Description
1	802E23982	Tray 5 Cover
2	-	Tray Front Frame (P/O PL 16.1 Item 8)
3	-	Lift Shaft (P/O PL 16.1 Item 8)
4	-	Lift Gear (P/O PL 16.1 Item 8)
5	-	Bearing (P/O PL 16.1 Item 8)
6	-	Brake (P/O PL 16.1 Item 8)
7	-	Pulley (P/O PL 16.1 Item 8)
8	-	Cable Guide (P/O PL 16.1 Item 8)
9	012E10070	Tray Cable
10	-	Bottom Plate (P/O PL 16.1 Item 8)
11	-	Pad (P/O PL 16.1 Item 8)
12	-	Side Guide (P/O PL 16.1 Item 8)
13	-	Knob (P/O PL 16.1 Item 8)
14	-	Knob (P/O PL 16.1 Item 8)
15	009E26970	Spring
16	-	Tray Frame (P/O PL 16.1 Item 8)
17	-	Bracket (P/O PL 16.1 Item 8)
18	-	Latch (P/O PL 16.1 Item 8)
19	-	Actuator (P/O PL 16.1 Item 8)
20	-	Shaft (P/O PL 16.1 Item 8)
21	059E95920	Roll

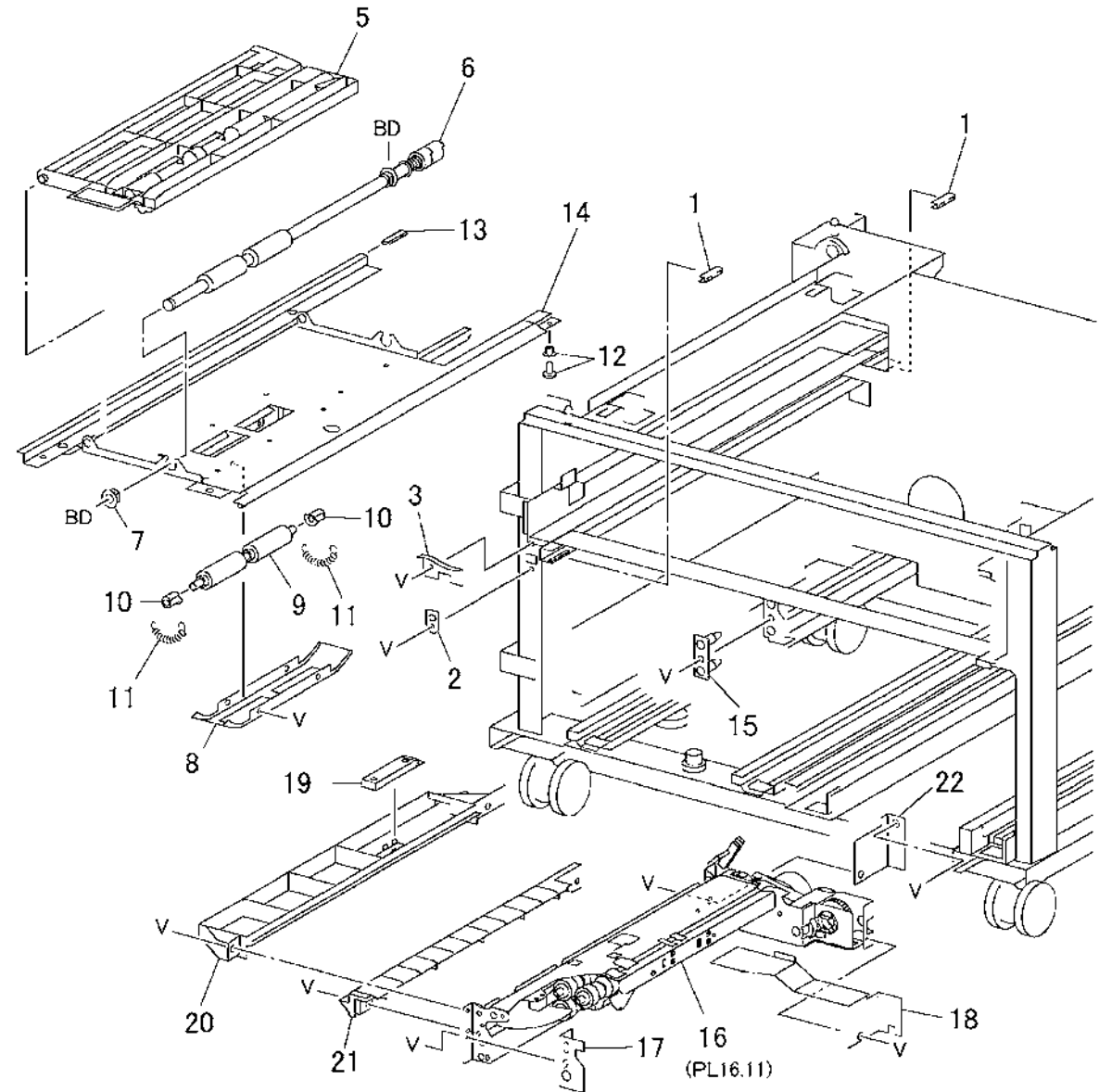


s7760-0779A

PL 16.5 Paper Feeder: 1 of 2

Item	Part	Description
1	—	Spacer (Not Spared)
2	—	Guide (Not Spared)
3	—	Stop (Not Spared)
4	059K21792	Tray 5 Transport Assembly
5	—	Upper Chute (P/O PL 16.5 Item 4)
6	—	Takeaway Roll (P/O PL 16.5 Item 4)
7	—	Bearing (P/O PL 16.5 Item 4)
8	—	Cover (P/O PL 16.5 Item 4)
9	—	Pinch Roll (P/O PL 16.5 Item 4)
10	—	Bearing (P/O PL 16.5 Item 4)
11	—	Spring (P/O PL 16.5 Item 4)
12	160K91011	Spacer (P/O PL 16.5 Item 4)
13	—	Spacer (P/O PL 16.5 Item 4)
14	—	Lower Chute (P/O PL 16.5 Item 4)
15	—	Bracket (Not Spared)
16	059K18333	Tray 5 Feeder (REP 7.12)
17	—	Bracket (Not Spared)
18	—	Bracket (Not Spared)
19	130E87400	Tray 5 Feedout Sensor
20	054E18540	Upper Chute
21	054E18532	Lower Chute
22	—	Bracket (Not Spared)

4 { 5 - 14

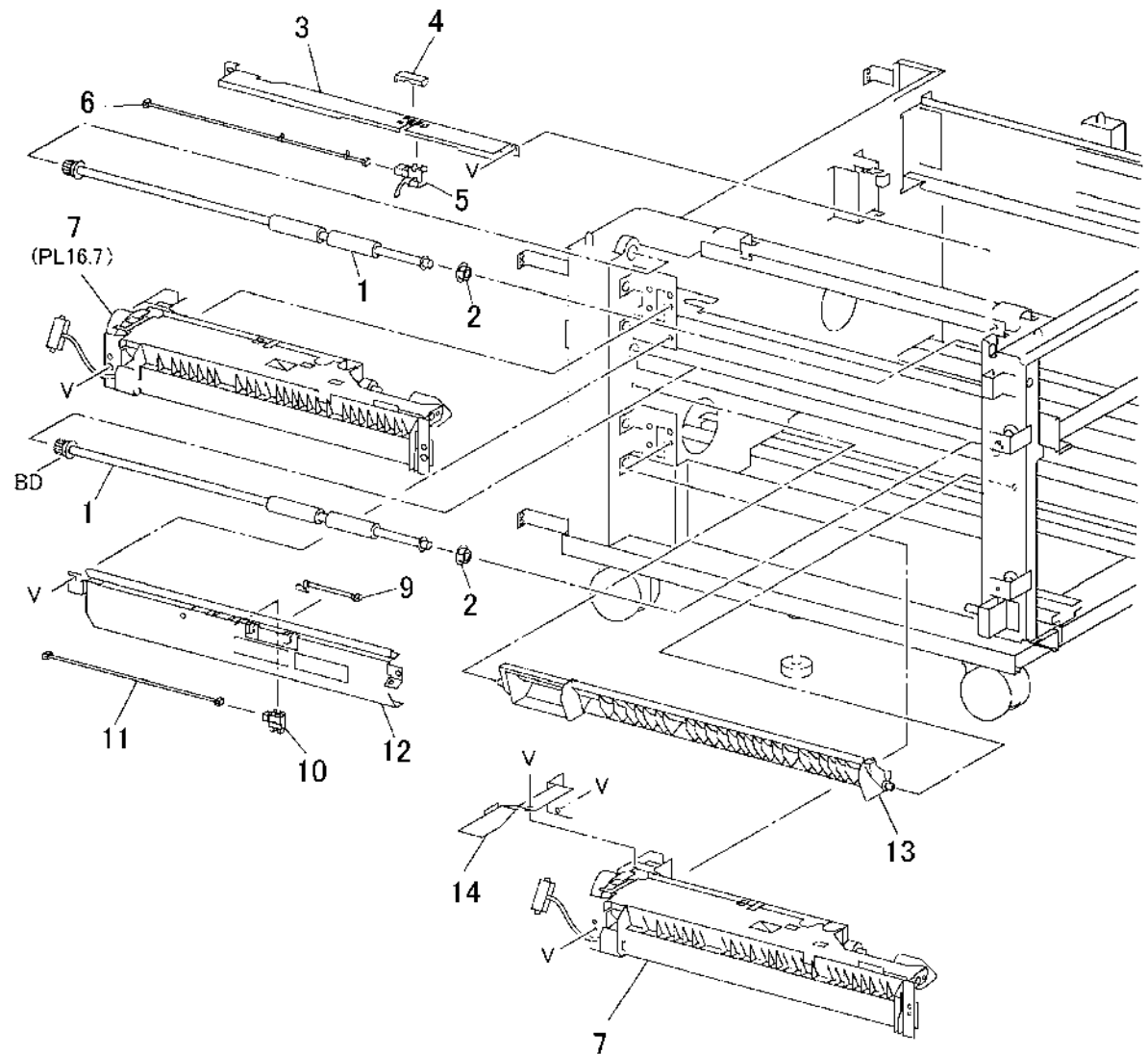


s7760-0780A

PL 16.6 Paper Feeder: 2 of 2

Item	Part	Description
1	059K18901	Takeaway Roll
2	-	Bearing (Not Spared)
3	-	Chute (Not Spared)
4	-	Cover (Not Spared)
5	130K61511	Takeaway Sensor
6	162K62811	Wire Harness
7	059K15577	Tray 3 Feeder, Tray 4 Feeder (REP 7.10, REP 7.11)
8	054K18271	Chute Assembly
9	-	Actuator (P/O PL 16.6 Item 8)
10	130E81600	Tray 4 Feedout Sensor
11	-	Wire Harness (P/O PL 16.6 Item 8)
12	-	Chute (P/O PL 16.6 Item 8)
13	054E16060	Lower Chute
14	-	Bracket (Not Spared)

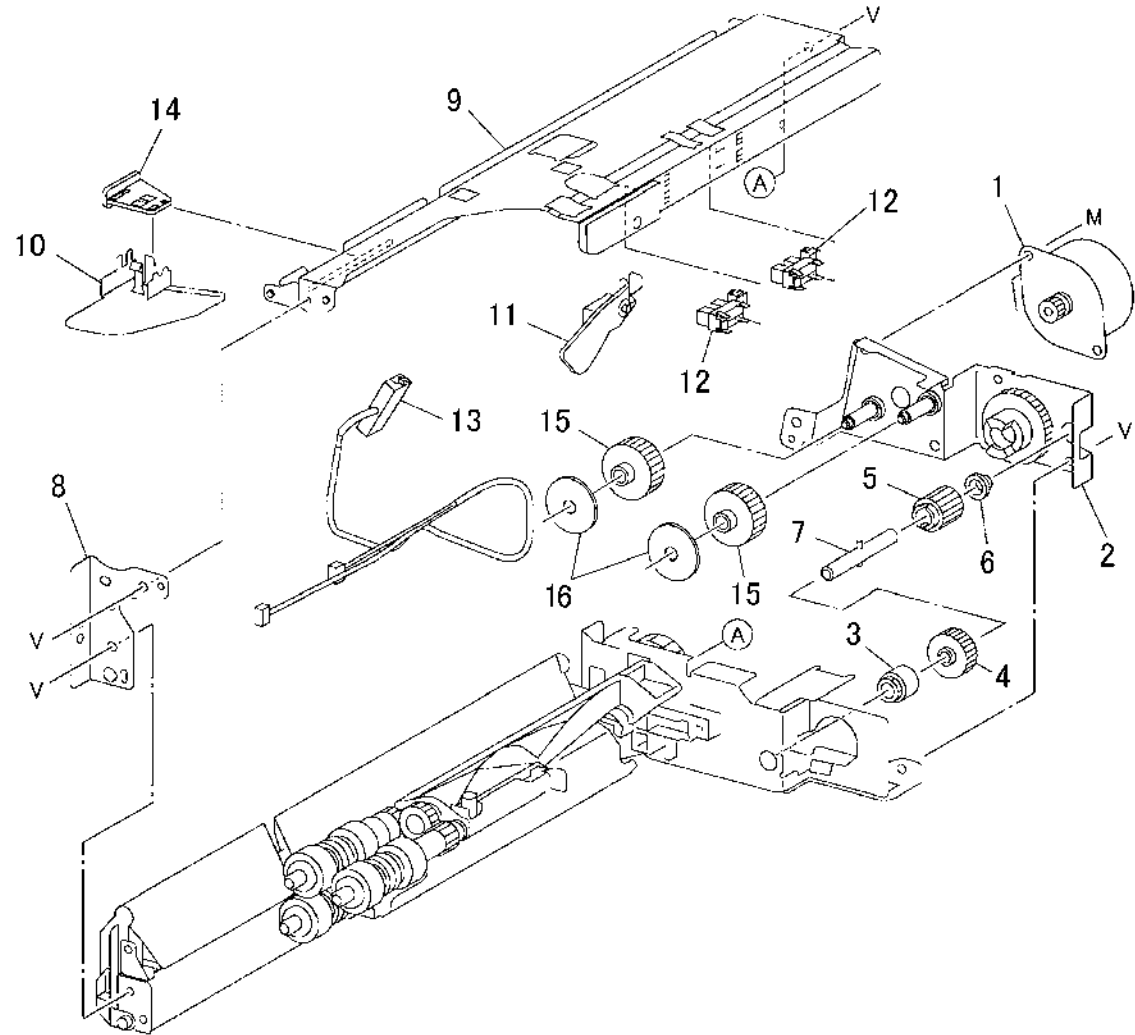
8 { 9 - 12



s7760-0781A

PL 16.7 Tray 3 Feeder

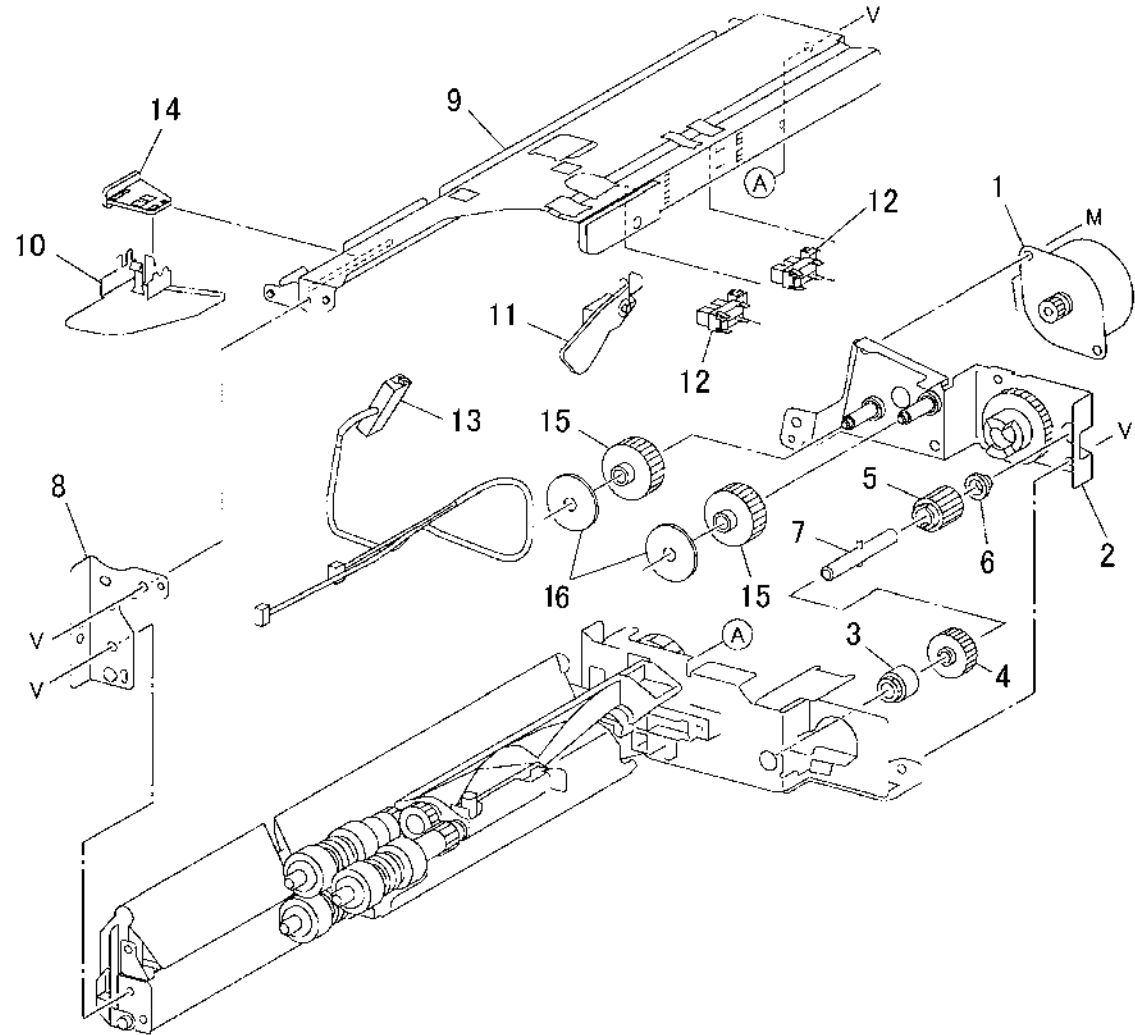
Item	Part	Description
1	127K23230	Tray 3 Feed/Lift Motor
2	—	Bracket (P/O PL 16.6 Item 7)
3	005K83081	One-way Clutch
4	007K85730	One-way Gear
5	—	Gear (13T) (P/O PL 16.6 Item 7)
6	—	Bearing (P/O PL 16.6 Item 7)
7	—	Shaft (P/O PL 16.6 Item 7)
8	—	Front Frame (P/O PL 16.6 Item 7)
9	—	Upper Frame (P/O PL 16.6 Item 7)
10	—	Front Chute (P/O PL 16.6 Item 7)
11	—	Actuator (P/O PL 16.6 Item 7)
12	130E82190	Tray 3 Level Sensor
13	—	Wire Harness (P/O PL 16.6 Item 7)
14	—	Support (P/O PL 16.6 Item 7)
15	—	Gear (29T) (P/O PL 16.6 Item 7)
16	—	Washer (P/O PL 16.6 Item 7)



s7760-0782A

PL 16.11 Tray 5 Feeder

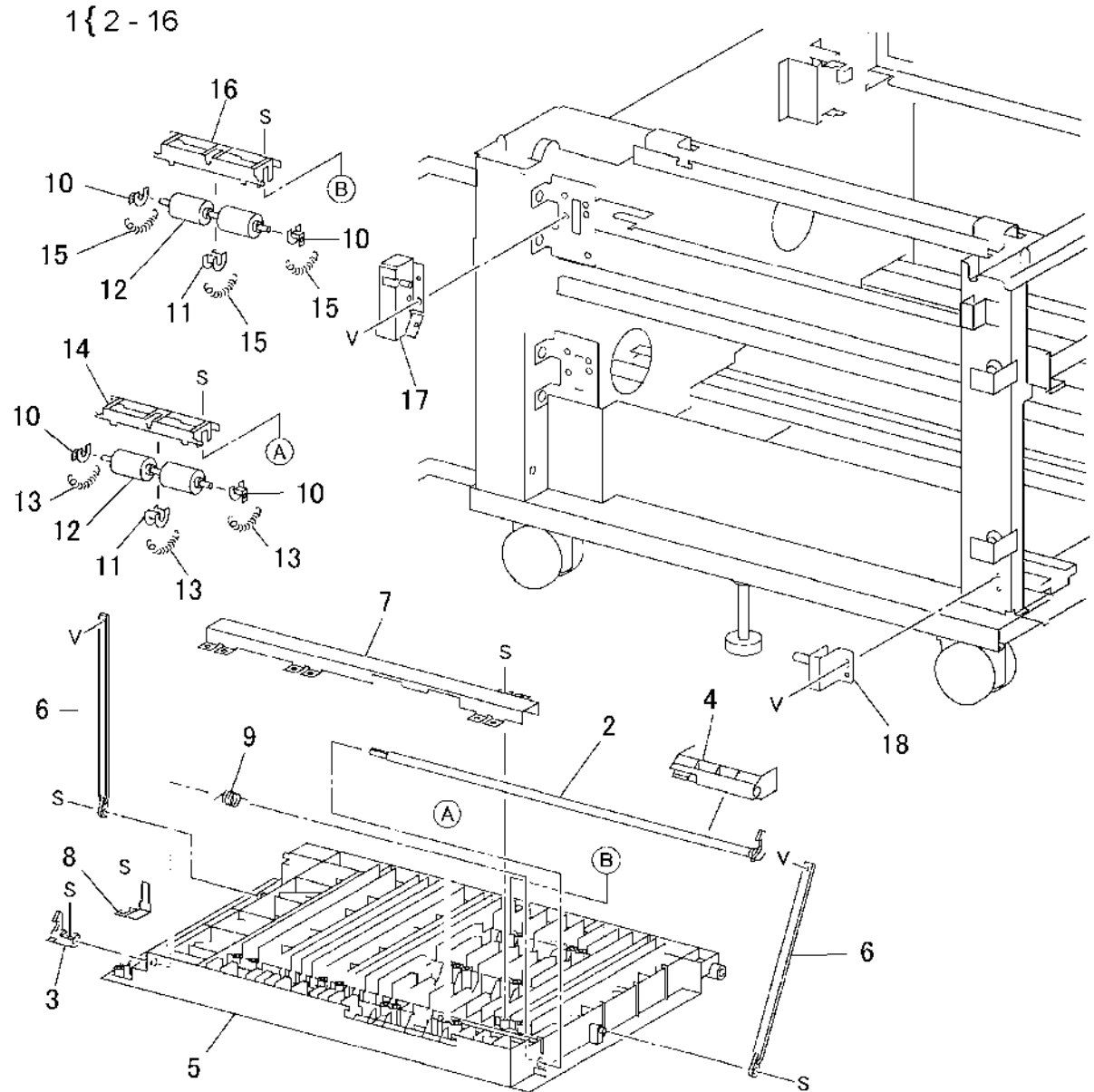
Item	Part	Description
1	127K23230	Tray 5 Feed/Lift Motor (REP 7.4)
2	-	Bracket (P/O PL 16.5 Item 16)
3	005K83081	One-way Clutch
4	007K85730	One-way Gear
5	-	Gear (13T) (P/O PL 16.5 Item 16)
6	-	Bearing (P/O PL 16.5 Item 16)
7	-	Shaft (P/O PL 16.5 Item 16)
8	-	Front Frame (P/O PL 16.5 Item 16)
9	-	Upper Frame (P/O PL 16.5 Item 16)
10	-	Front Chute (P/O PL 16.5 Item 16)
11	-	Actuator (P/O PL 16.5 Item 16)
12	130E82190	Tray 5 Level/No Paper Sensor
13	162K56590	Wire Harness
14	-	Support (P/O PL 16.5 Item 16)
15	-	Gear (29T) (P/O PL 16.5 Item 16)
16	-	Washer (P/O PL 16.5 Item 16)



s7760-0783A

PL 16.13 Left Cover Assembly (Left Hand Door C)

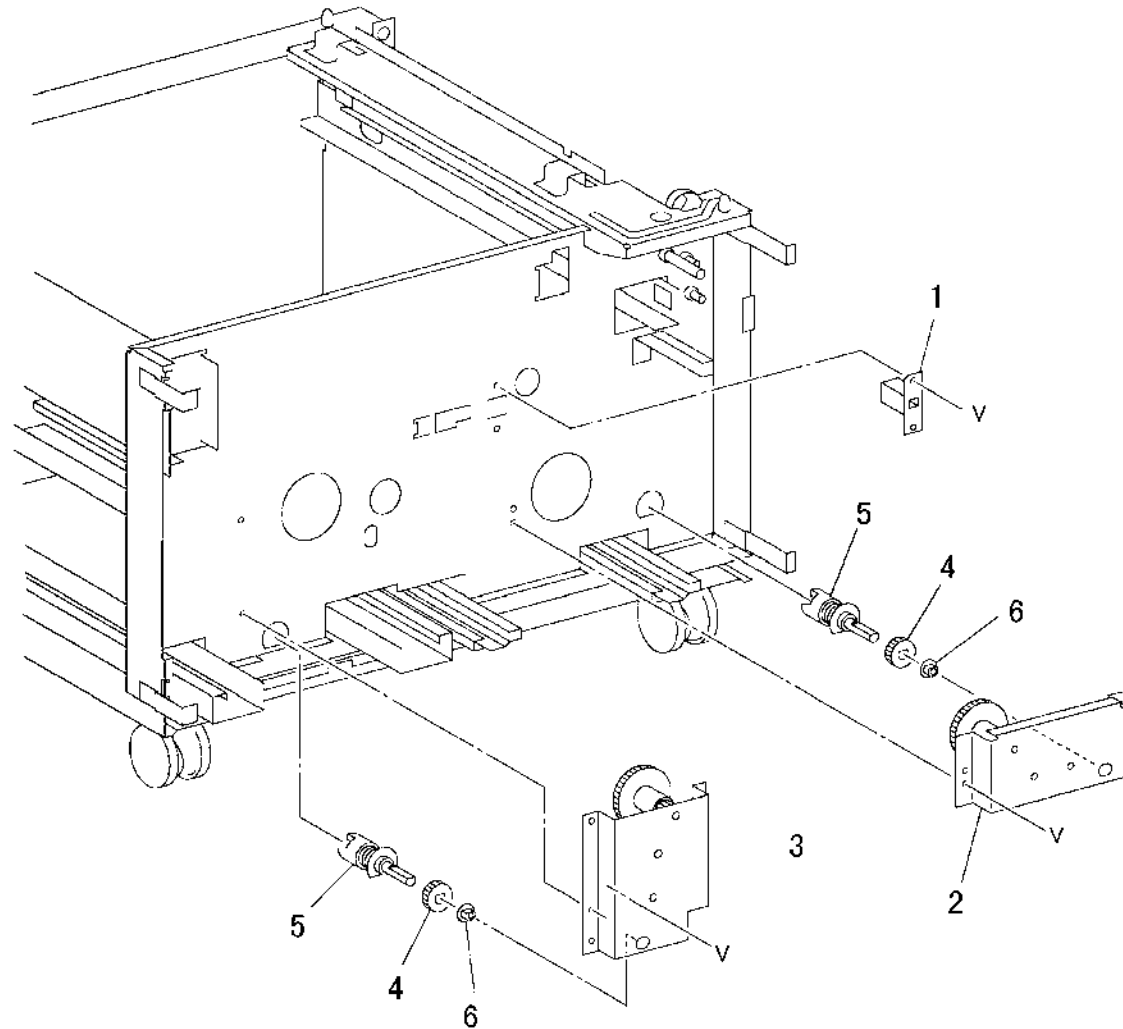
Item	Part	Description
1	802K25731	Left Cover Assembly (Left Hand Door C Assembly) (REP 14.11)
2	003E53701	Shaft
3	003E53710	Hook
4	011E10800	Handle
5	-	Left Cover (Left Hand Door C) (P/O PL 16.13 Item 1)
6	-	Support (P/O PL 16.13 Item 1)
7	-	Cover (P/O PL 16.13 Item 1)
8	-	Actuator (P/O PL 16.13 Item 1)
9	-	Spring (P/O PL 16.13 Item 1)
10	-	Bearing (P/O PL 16.13 Item 1)
11	-	Bearing (P/O PL 16.13 Item 1)
12	-	Pinch Roll (P/O PL 16.13 Item 1)
13	809E28961	Spring
14	-	Bracket (P/O PL 16.13 Item 1)
15	809E28980	Spring
16	-	Bracket (P/O PL 16.13 Item 1)
17	015K49471	Interlock Switch
18	-	Bracket (Not Spared)



s7760-0784A

PL 16.14 Tray 4/5 Lift Gear Assembly

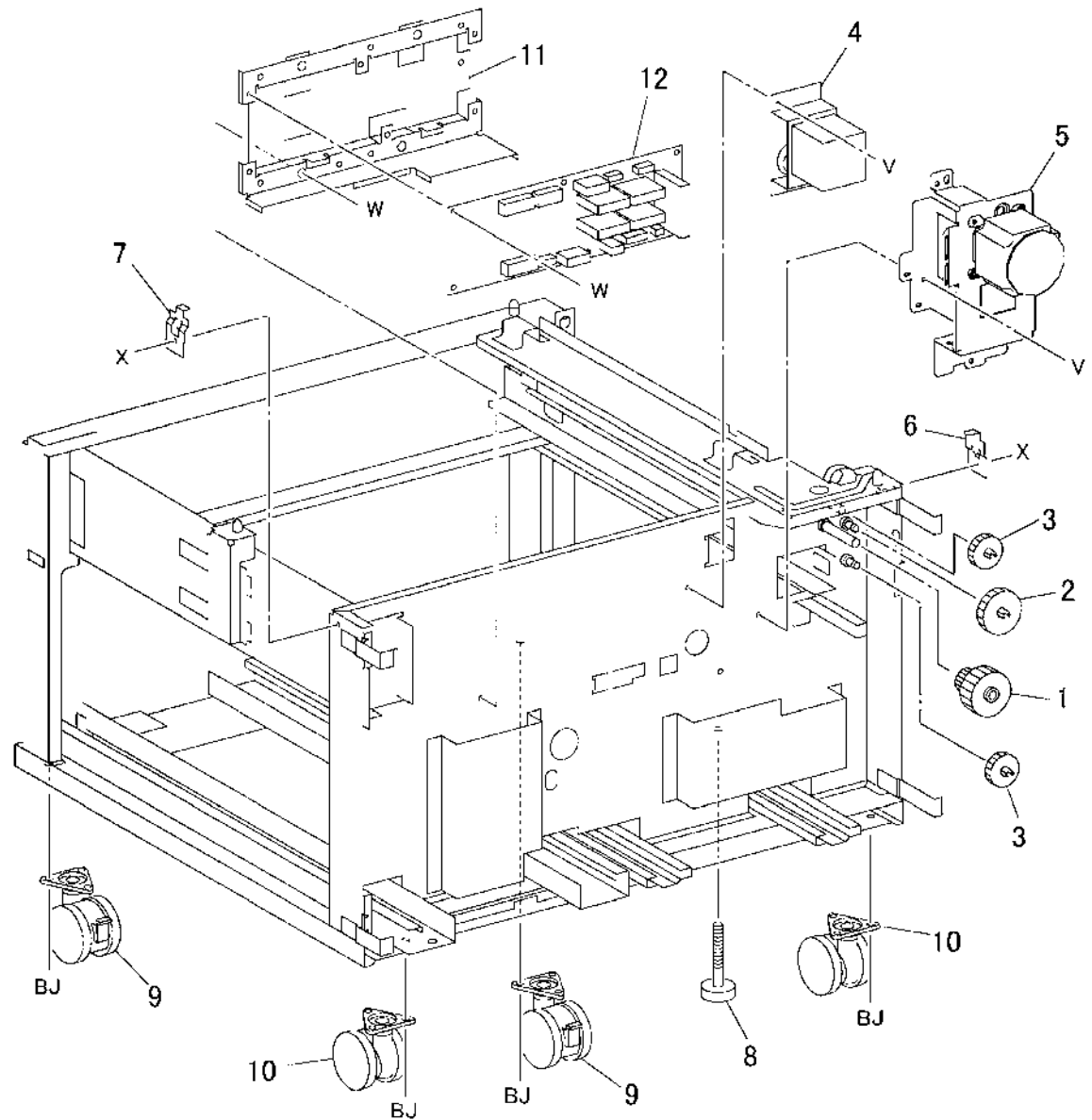
Item	Part	Description
1	-	Transport Guide (Not Spared)
2	015K49461	Gear Assembly (Tray 4)
3	015K49450	Gear Assembly (Tray 5)
4	007E66080	Lift Gear
5	011K96791	Coupling
6	-	Bearing (Not Spared)



s7760-0785A

PL 16.15 Electrical Components and Casters

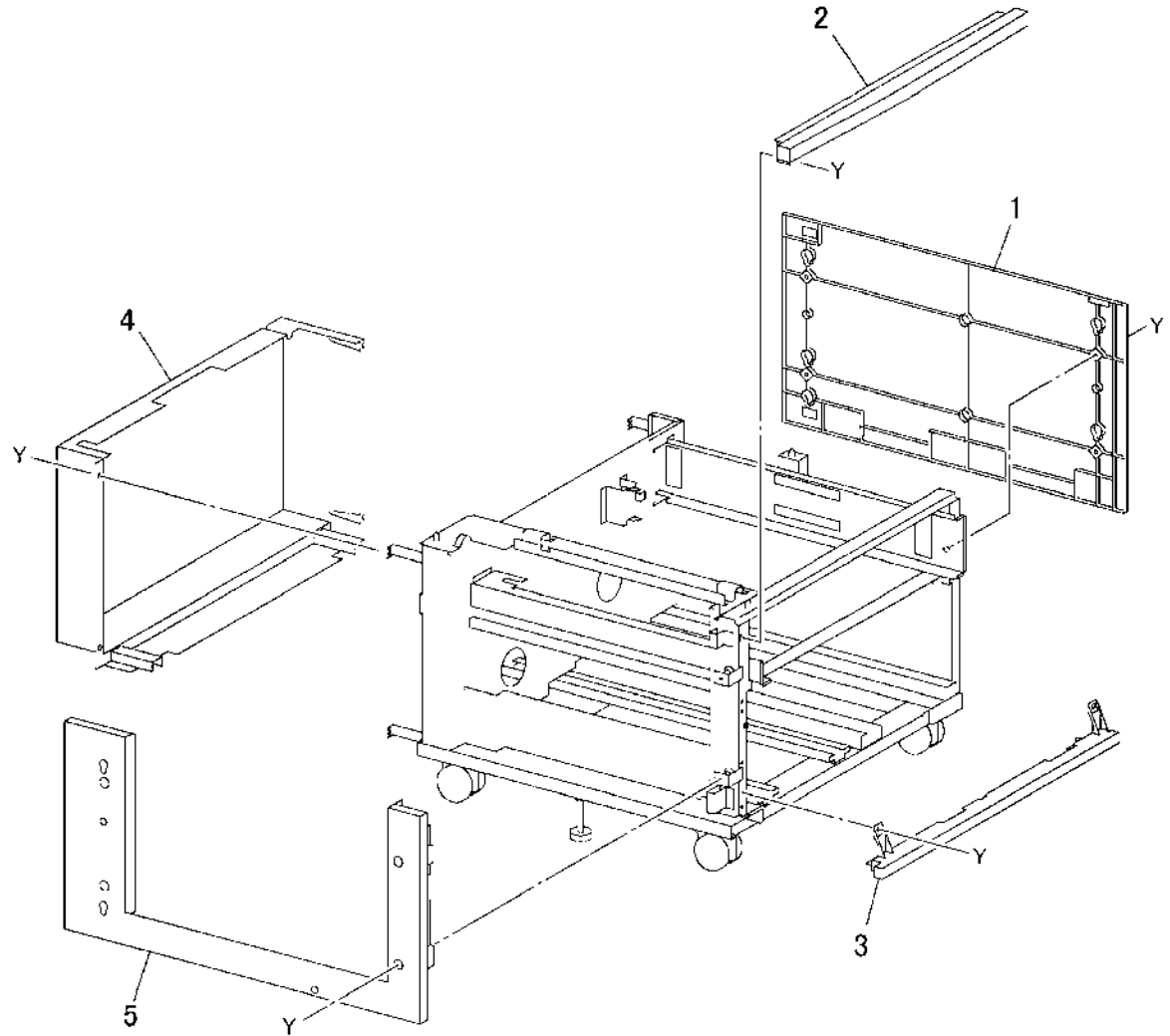
Item	Part	Description
1	007E66060	Gear (23/46T)
2	007E66070	Gear (46T)
3	007E66050	Gear (33T)
4	127K31841	Takeaway Motor 2
5	127K36021	Takeaway Motor 1
6	-	Left Coupling (Not Spared)
7	-	Right Coupling (Not Spared)
8	-	Foot (Not Spared)
9	017K93740	Caster
10	017K93750	Caster
11	-	Bracket (Not Spared)
12	960K01752	TTM PWB



s7760-0788A

PL 16.16 Covers

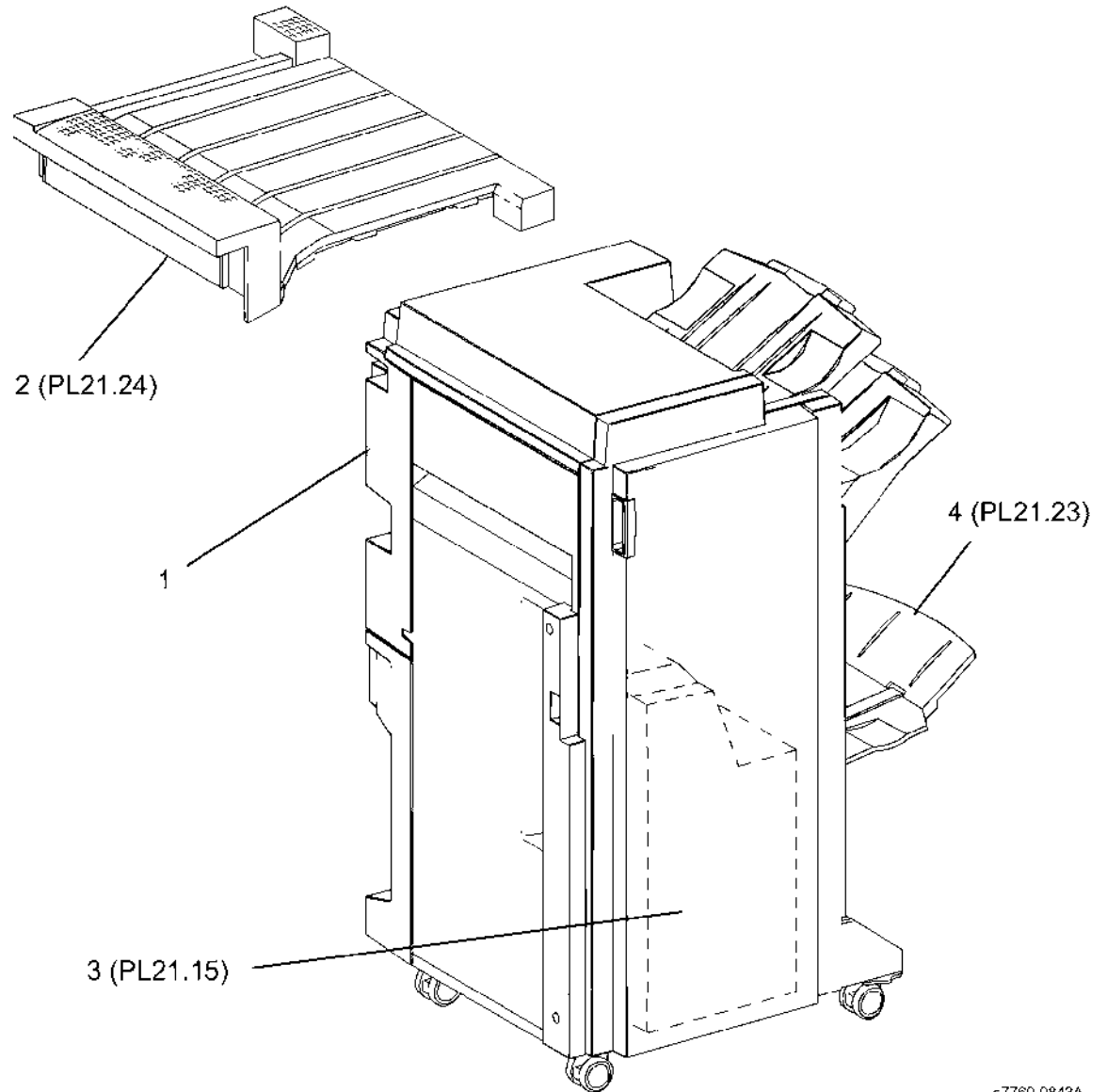
Item	Part	Description
1	–	Right Cover (Not Spared)
2	802E23952	Front Upper Cover
3	802E23961	Front Lower Cover
4	802K50492	Rear Cover (REP 14.9)
5	802E23931	Left Lower Cover (Left Hand Door C) (REP 14.12)



s7760-0787A

PL 21.1 A/P Finisher

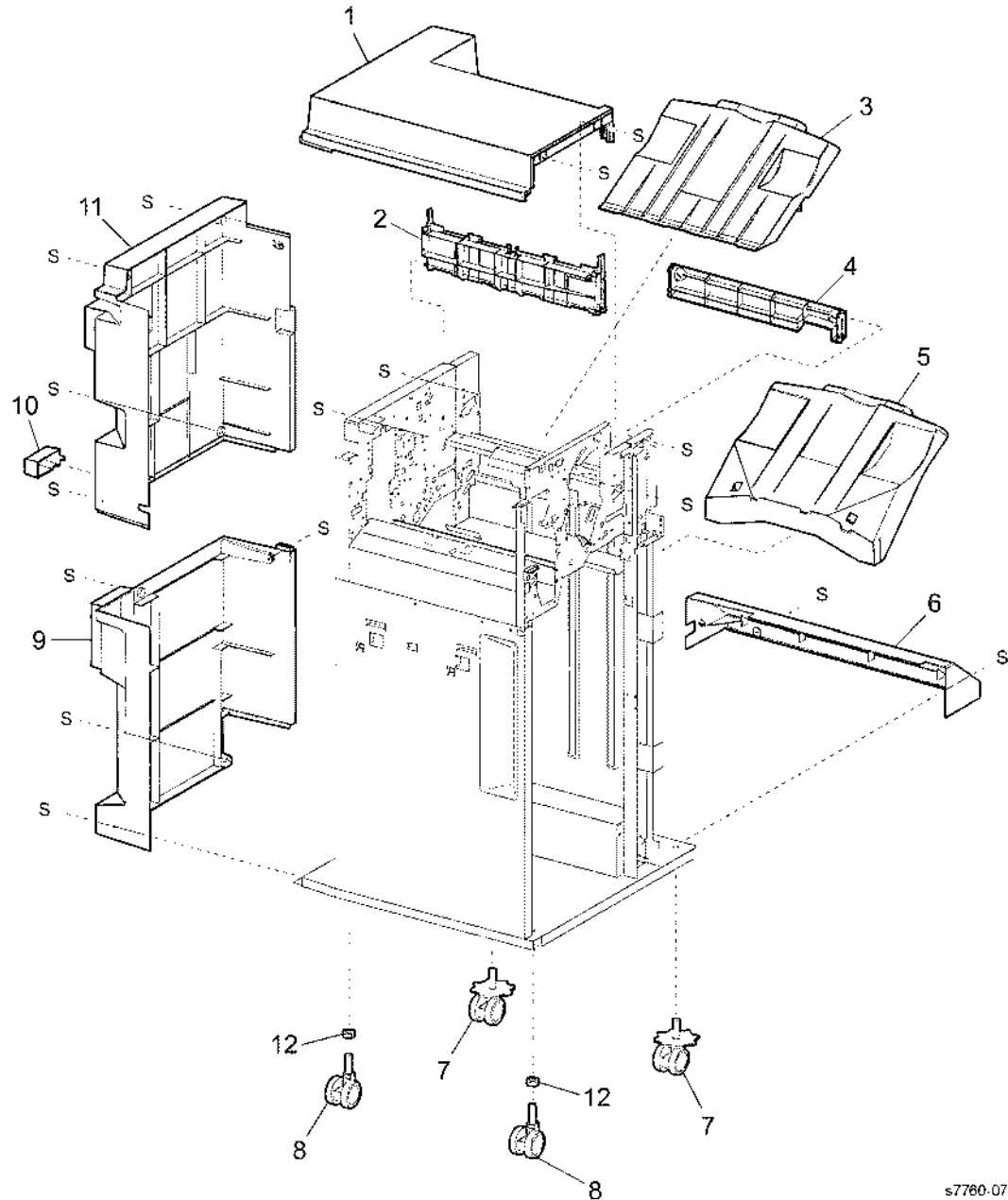
Item	Part	Description
1	–	A/P Finisher (Not Spared) (REP 12.50, ADJ 12.2)
2	059K37912	H-Transport Assembly (PL 21.24) (REP 12.51)
3	–	Booklet Maker (PL 21.15) (REP 12.55)
4	–	Booklet Tray (PL 21.23)



s7760.0843A

PL 21.2 Finisher Cover: 1 of 2

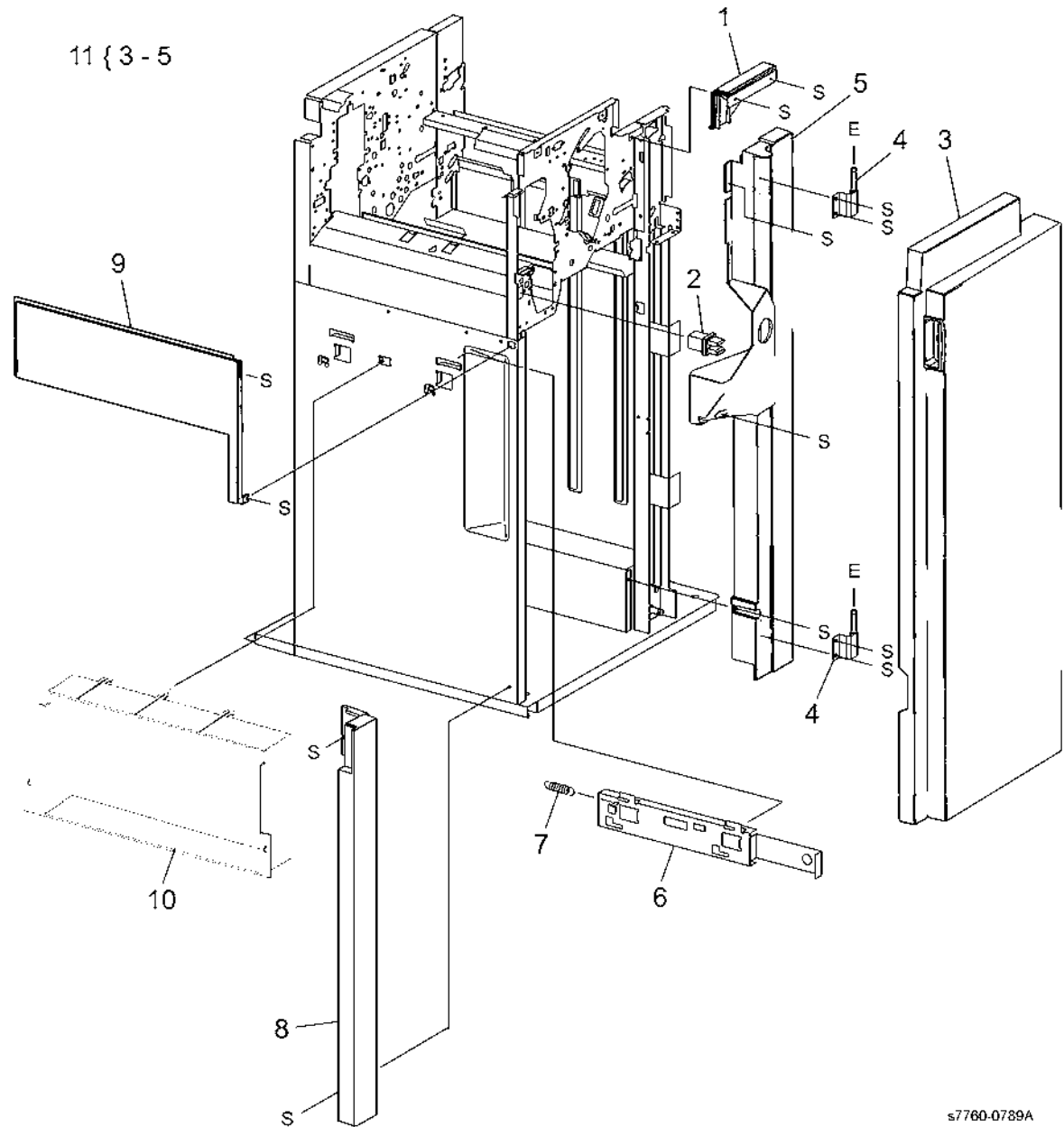
Item	Part	Description
1	-	Top Cover (Not Spared) (REP 12.43)
2	-	Tray Spring Guide (Not Spared) (REP 12.47)
3	-	Top Tray (Not Spared) (REP 12.45)
4	-	Eject Cover (Not Spared) (REP 12.46)
5	-	Stacker Tray (Not Spared) (REP 12.58)
6	-	Bottom Cover (Not Spared)
7	017E98040	Caster
8	017E97230	Caster
9	-	Rear Lower Cover (Not Spared) (REP 12.42)
10	-	H-Transport Connector Cover (Not Spared)
11	-	Rear Upper Cover (Not Spared) (REP 12.41)
12	-	Nut M12X1.25 (Not Spared)



s7760-0788A

PL 21.3 Finisher Cover: 2 of 2

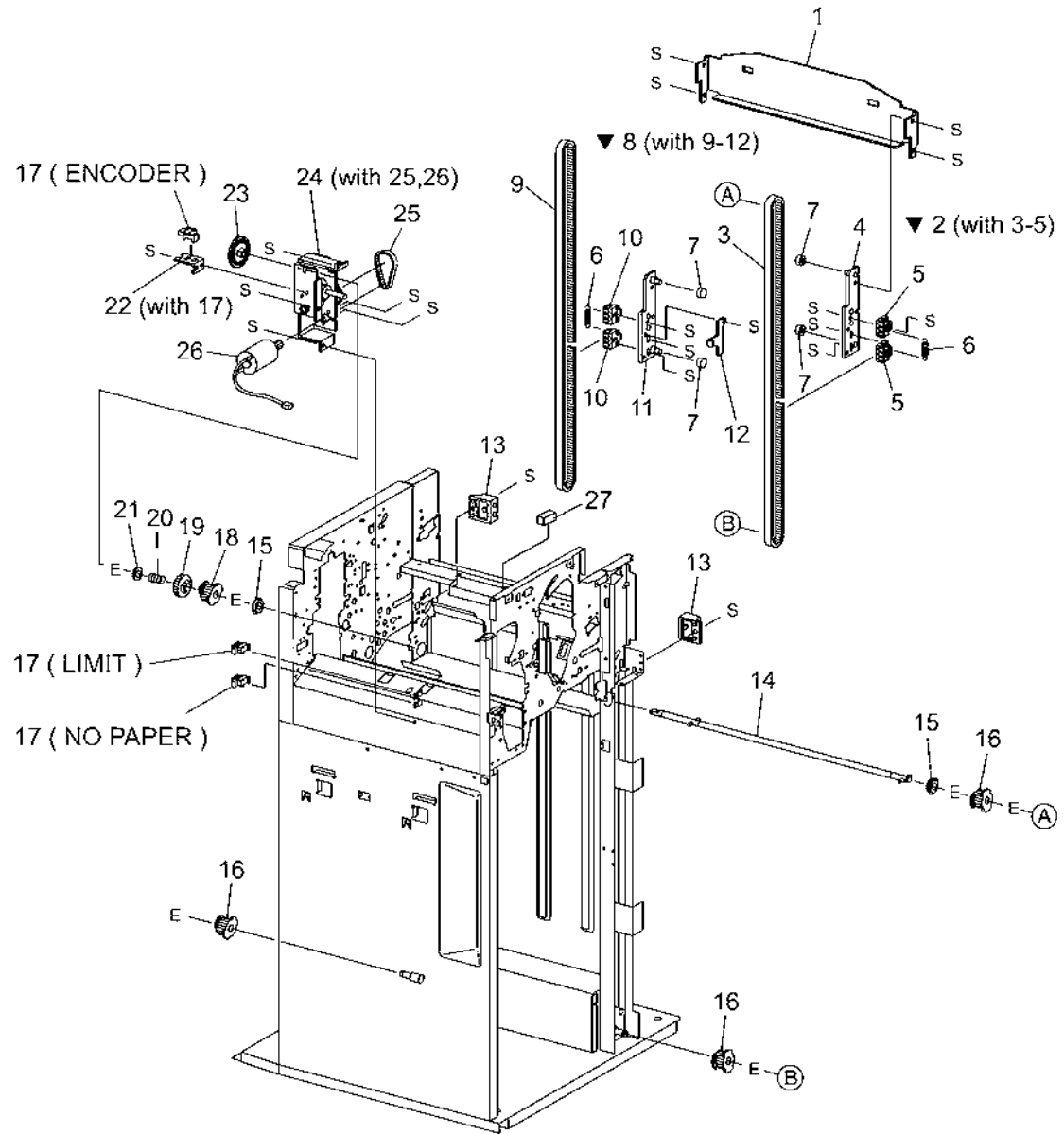
Item	Part	Description
1	-	Front Top Cover (Not Spared) (REP 12.44)
2	110E97990	Front Door Interlock Switch
3	-	Front Door (P/O PL 21.3 Item 11)
4	-	Hinge Bracket (P/O PL 21.3 Item 11)
5	-	Front Right Cover (P/O PL 21.3 Item 11)
6	-	Docking Plate (Not Spared)
7	-	Spring (Not Spared)
8	802E73871	Front Left Cover
9	-	Left Top Cover (Not Spared) (REP 12.49)
10	015K67230	IOT Docking Plate
11	802K67130	Front Door Assembly (REP 12.40)
12	-	Interlock Cover (Not Spared)



s7760-0789A

PL 21.4 Finisher Stack

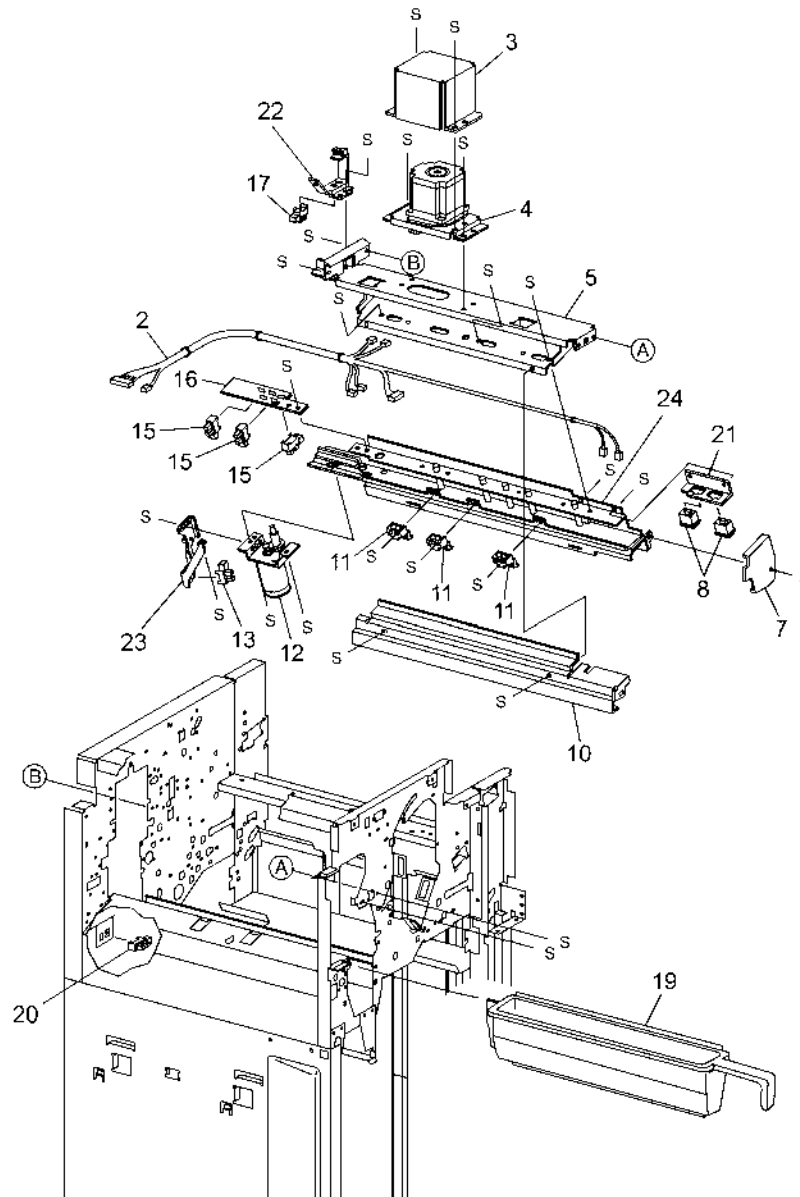
Item	Part	Description
1	-	Stacker Tray Bracket (Not Spared)
2	041K94720	Left Carriage Assembly
3	-	Stacker Drive Belt (P/O PL 21.4 Item 2) (REP 12.60)
4	-	Left Carriage Bracket (P/O PL 21.4 Item 2)
5	-	Belt Clamp (P/O PL 21.4 Item 2)
6	809E56850	Spring
7	013E27150	Carriage Bearing
8	041K94730	Right Carriage Assembly
9	023E21520	Stacker Drive Belt (P/O PL 21.4 Item 8) (REP 12.60)
10	019E58660	Belt Clamp (P/O PL 21.4 Item 8)
11	-	Right Carriage Bracket (P/O PL 21.4 Item 8)
12	-	Stacker Sensor Actuator (P/O PL 21.4 Item 8)
13	802K67140	Stack Height Sensor (Front, Rear)
14	-	Elevator Drive Shaft (Not Spared)
15	413W77559	Bearing
16	020E37720	Pulley (18T)
17	130K88770	Stacker Encoder Sensor, Stacker No Paper Sensor (No Paper), Upper Limit Sensor (Limit)
18	020E37710	Clutch Pulley
19	807E08990	Clutch Gear
20	809E56860	Spring
21	251W31178	Washer
22	-	Sensor Bracket (Not Spared)
23	146E01770	Stacker Encoder
24	015K65900	Elevator Motor Assembly
25	-	Elevator Motor Drive Belt (P/O PL 21.4 Item 24)
26	-	Elevator Motor (P/O PL 21.4 Item 24)
27	110E11990	Down Load Interlock Switch



s7760-0790A

PL 21.5 Finisher Punch

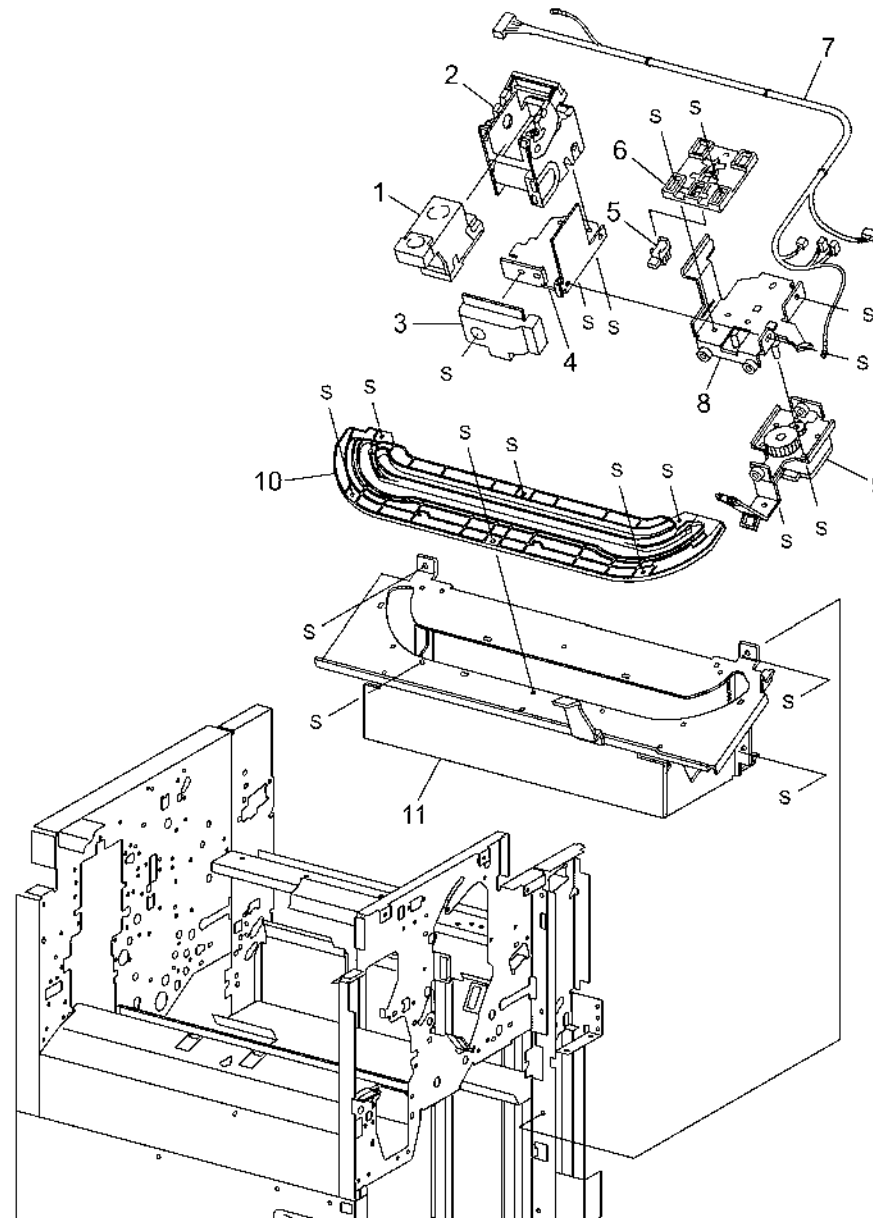
Item	Part	Description	
1	-	Puncher Frame Assembly (REP 12.52)	1{ 2 - 8 6{ 8, 21
2	-	Puncher Unit Harness (P/O PL 21.5 Item 9)	9{ 2, 6 - 16
3	-	Puncher Motor Cover (P/O PL 21.5 Item 9)	14{ 12, 13, 23 18{ 17
4	015K65880	Puncher Move Motor	
5	-	Frame Assembly Holder (Not Spared)	
6	015K65840	Sensor Registration Bracket Assembly	
7	-	Front Punch Cover (Not Spared)	
8	-	Side Registration Sensor 1 (Reg 1) and 2 (Reg 2) (P/O PL 21.5 Item 6)	
9	015K65870	Punch Bracket Assembly	
10	-	Left Punch Cover (Not Spared)	
11	-	Guide Assembly (P/O PL 21.5 Item 9)	
12	-	Punch Motor Assembly (P/O PL 21.5 Item 9)	
13	-	Punch Motor Sensor (P/O PL 21.5 Item 14)	
14	015K65920	Punch Motor Bracket Assembly	
15	-	Front Punch Sensor (Front), Home Punch Sensor (Home), Hole Select Punch Sensor (Hole) (P/O PL 21.5 Item 9)	
16	-	Sensor Bracket (P/O PL 21.5 Item 9)	
17	-	Punch Move Home Sensor (P/O PL 21.5 Item 18)	
18	015K65830	Punch Move Home Sensor Assembly	
19	060E01140	Puncher Waste Bin	
20	130K88770	Puncher Box Set Sensor	
21	-	Sensor Registration Bracket (P/O item 6)	
22	-	Punch Move Home Sensor Bracket (P/O 18)	
23	-	Punch Motor Bracket (P/O PL 21.5 Item 14)	
24	-	Punch Bracket (P/O PL 21.5 Item 9)	



s7760-0791A

PL 21.6 Finisher Stapler

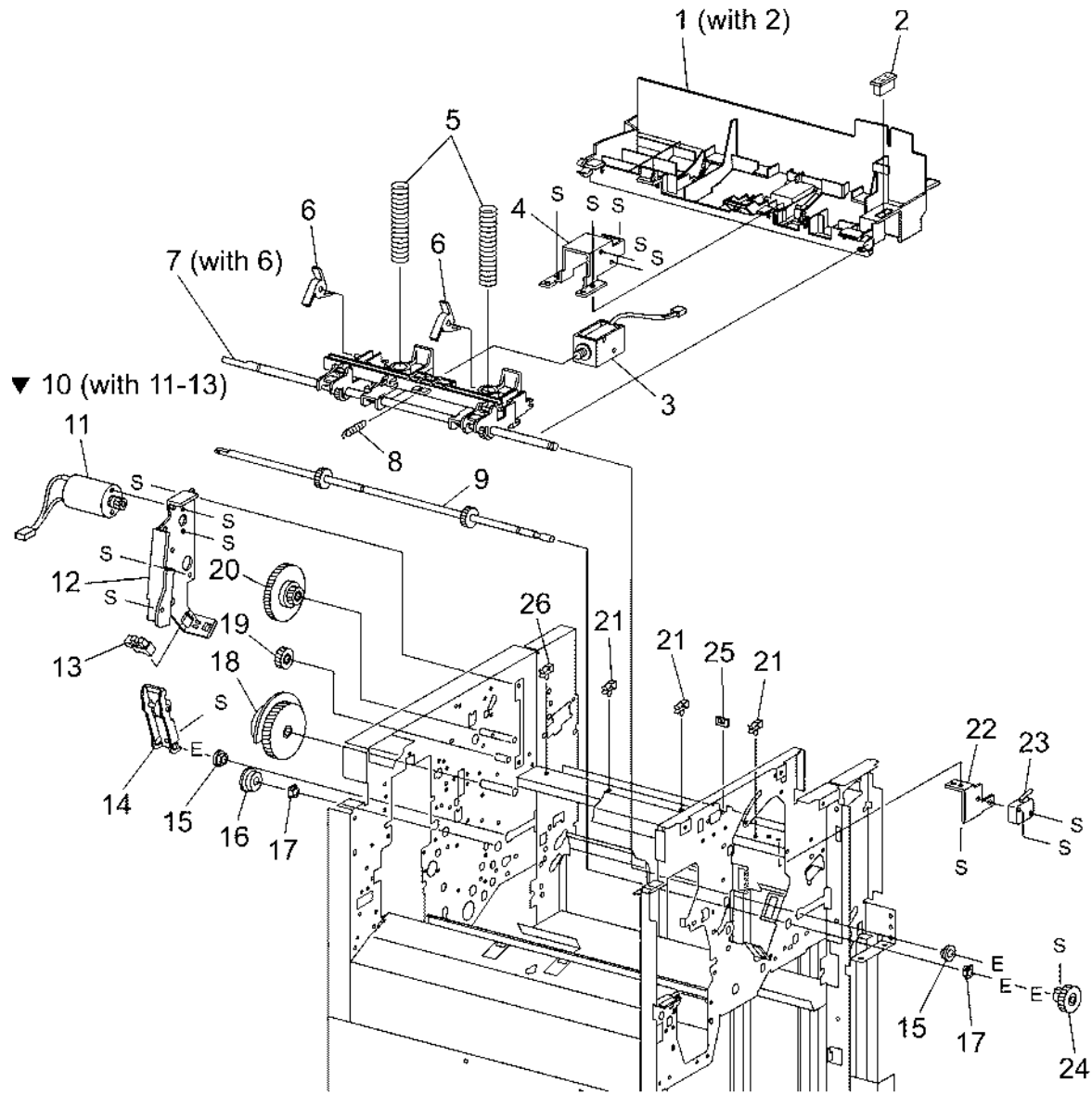
Item	Part	Description
1	–	Staple Cartridge
2	029K92151	Stapler Assembly (REP 12.53)
3	–	Stapler Cover (Not Spared)
4	–	Stapler Holder (Not Spared)
5	130K88770	Stapler Move Position Sensor
6	–	Stapler Harness Guide (Not Spared)
7	–	Staple Harness (Not Spared)
8	–	Upper Stapler Carriage (Not Spared)
9	041K94750	Stapler Move Motor
10	001E66640	Stapler Rail (REP 12.54)
11	–	Stapler Frame (Not Spared)



s7760-0792A

PL 21.7 Finisher Eject: 1 of 3

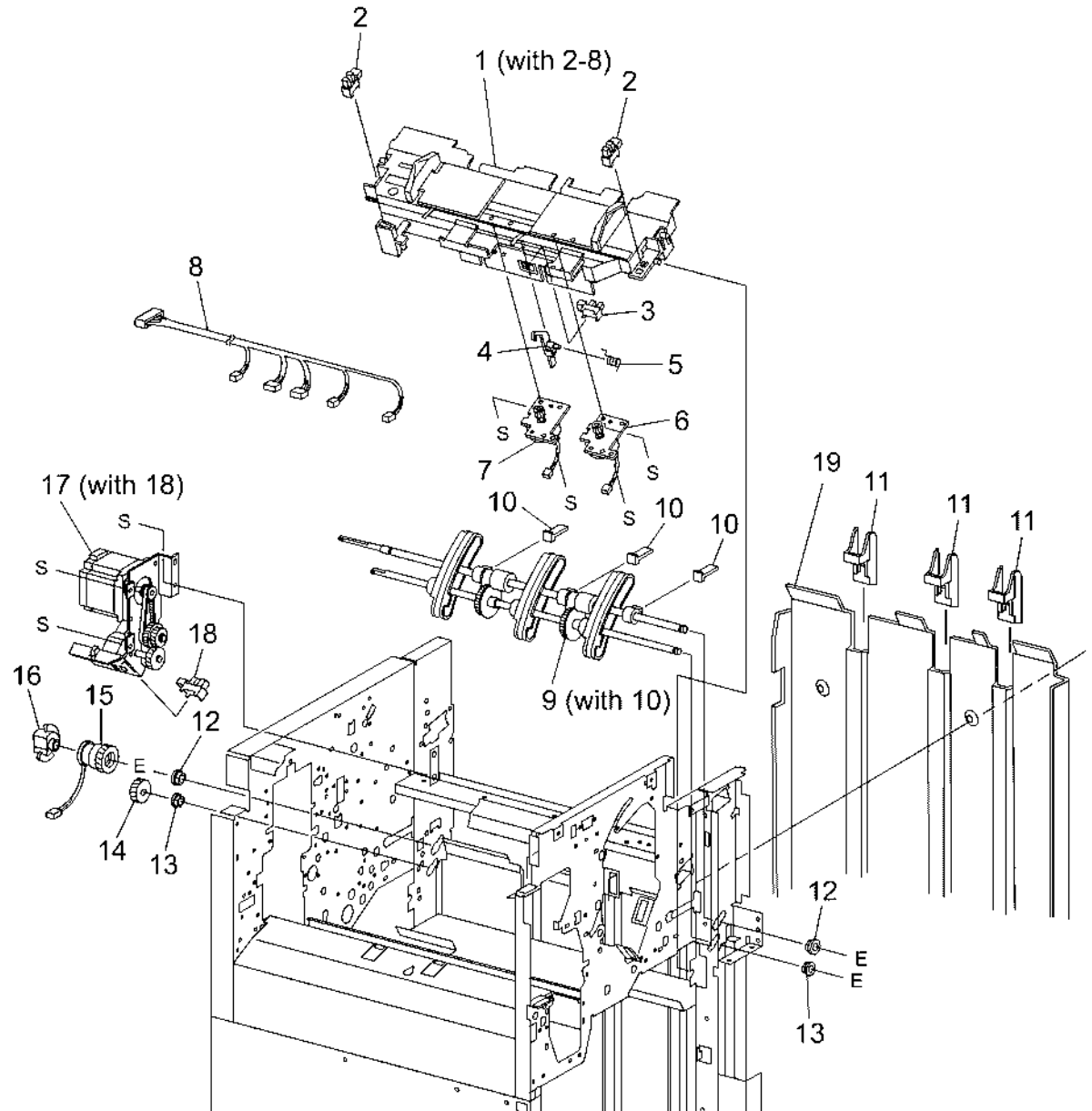
Item	Part	Description
1	-	Eject Chute Assembly (REP 12.67)
2	-	Magnet (Not Spared)
3	121K34620	Sub Paddle Solenoid
4	-	Solenoid Bracket (Not Spared)
5	-	Pinch Spring (Not Spared)
6	-	Cyclone Paddle (P/O PL 21.7 Item 7)
7	006K24160	Eject Pinch Shaft Assembly
8	809E56880	Solenoid Spring
9	006K24090	Paddle Shaft
10	015K65860	Eject Clamp Motor Assembly (with 11-13)
11	-	Eject Clamp Motor (P/O PL 21.7 Item 10)
12	-	Eject Clamp Bracket (P/O PL 21.7 Item 10)
13	130K88780	Eject Clamp Home Sensor
14	011K97710	Eject Cam Follower
15	413W77559	Bushing
16	807E04700	Gear (23T)
17	413W11660	Bushing
18	807E04750	Cam Gear (70T)
19	807E08990	Gear (23T)
20	807E04740	Gear (68T/20T)
21	-	Wire Clip (Not Spared)
22	-	Switch Bracket (Not Spared)
23	110E11590	Eject Cover Switch
24	-	Entrance Knob (Not Spared)
25	-	Wire Clamp (Not Spared)
26	-	Wire Clip (Not Spared)



s7760-0793A

PL 21.8 Finisher Eject: 2 of 3

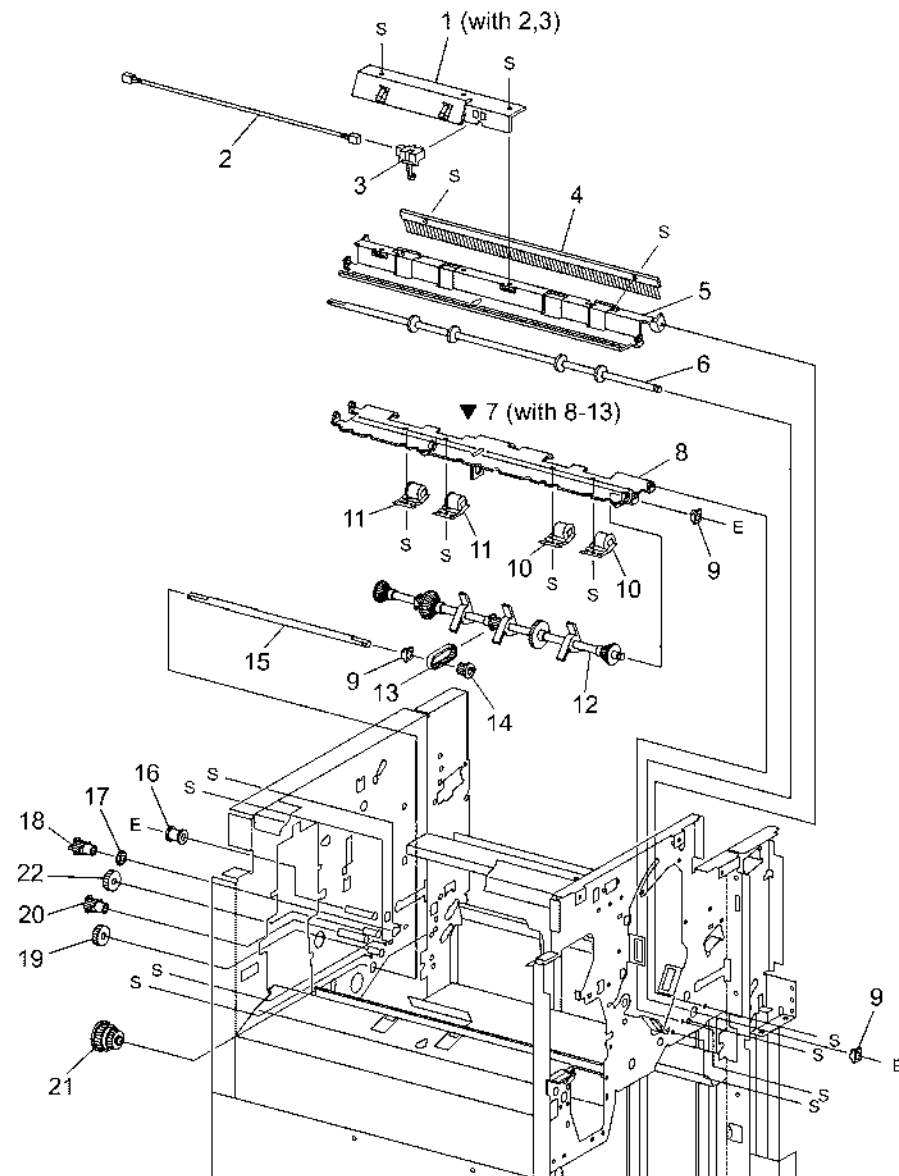
Item	Part	Description
1	-	Compiler Tray Assembly (REP 12.57)
2	130K88770	Tamper Home Sensor (Front, Rear) (P/O PL 21.8 Item 1)
3	130K88780	Compiler Tray No Paper Sensor (P/O PL 21.8 Item 1)
4	-	Sensor Actuator (P/O PL 21.8 Item 1)
5	-	Torsion Spring (P/O PL 21.8 Item 1)
6	-	Front Tamper Motor (P/O PL 21.8 Item 1)
7	-	Rear Tamper Motor (P/O PL 21.8 Item 1)
8	962K27671	Compiler Harness (P/O PL 21.8 Item 1)
9	-	Eject Roll Shaft Assembly
10	-	Set Clamp Paddle (P/O PL 21.8 Item 9)
11	-	Paddle Guide (Not Spared)
12	-	Bushing (Not Spared)
13	-	Bushing (Not Spared)
14	807E04760	Gear (39T)
15	121K34630	Set Clamp Clutch (34T)
16	120E24310	Set Clamp Actuator
17	015K65850	Eject Motor Assembly
18	-	Set Clamp Home Sensor (P/O PL 21.8 Item 17)
19	-	Inner Cover (Not Spared) (REP 12.48)



s7760-0794A

PL 21.9 Finisher Eject: 3 of 3

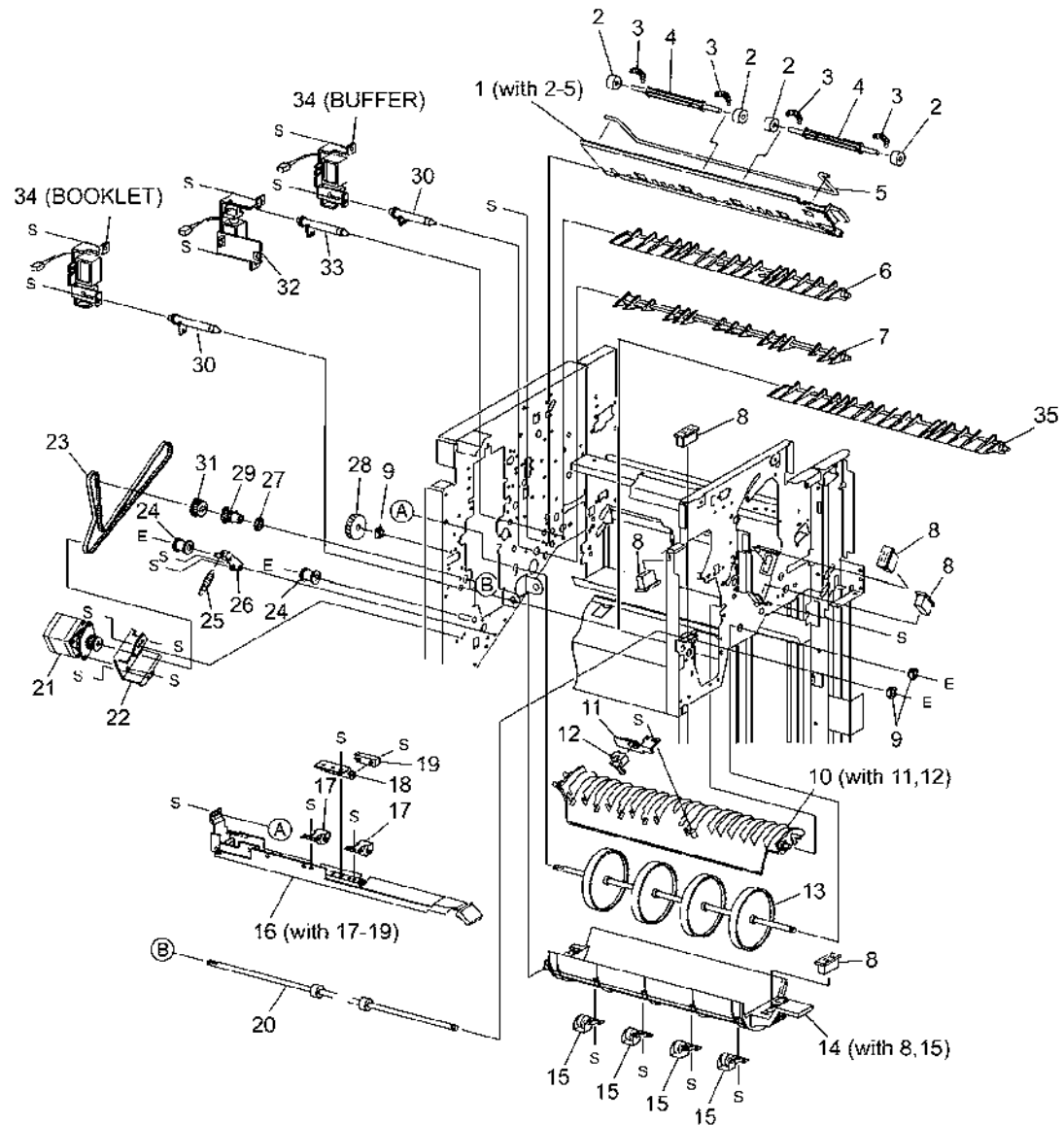
Item	Part	Description
1	-	Sensor Bracket Assembly
2	-	Complier Sensor Harness (P/O PL 21.9 Item 1)
3	130K88190	Complier Exit Sensor (P/O PL 21.9 Item 1)
4	105E13100	Static Eliminator
5	-	Upper Exit Chute (Not Spared)
6	-	Lower Exit Roll (Not Spared)
7	-	Lower Exit Roll Chute Assembly
8	-	Lower Exit Roll Chute (P/O PL 21.9 Item 7)
9	-	Bushing (P/O PL 21.9 Item 7)
10	022K67870	Exit Pinch Roller 1 (P/O PL 21.9 Item 7)
11	022K67880	Exit Pinch Roller 2 (P/O PL 21.9 Item 7)
12	006K24240	Paddle Shaft (P/O PL 21.9 Item 7) (REP 12.59)
13	423W25554	Synchronous Belt (55T) (P/O PL 21.9 Item 7)
14	-	Pulley (17T) (Not Spared)
15	-	Paddle Drive Shaft (Not Spared)
16	-	Pulley (Not Spared)
17	-	Bearing (Not Spared)
18	020E37690	Pulley (20T)
19	-	Gear (23T) (Not Spared)
20	020E37660	Pulley (20T)
21	020E37670	Pulley (44T/20T)
22	-	Gear (23T) (Not Spared)



s7760-0795A

PL 21.10 Finisher Transport: 1 of 2

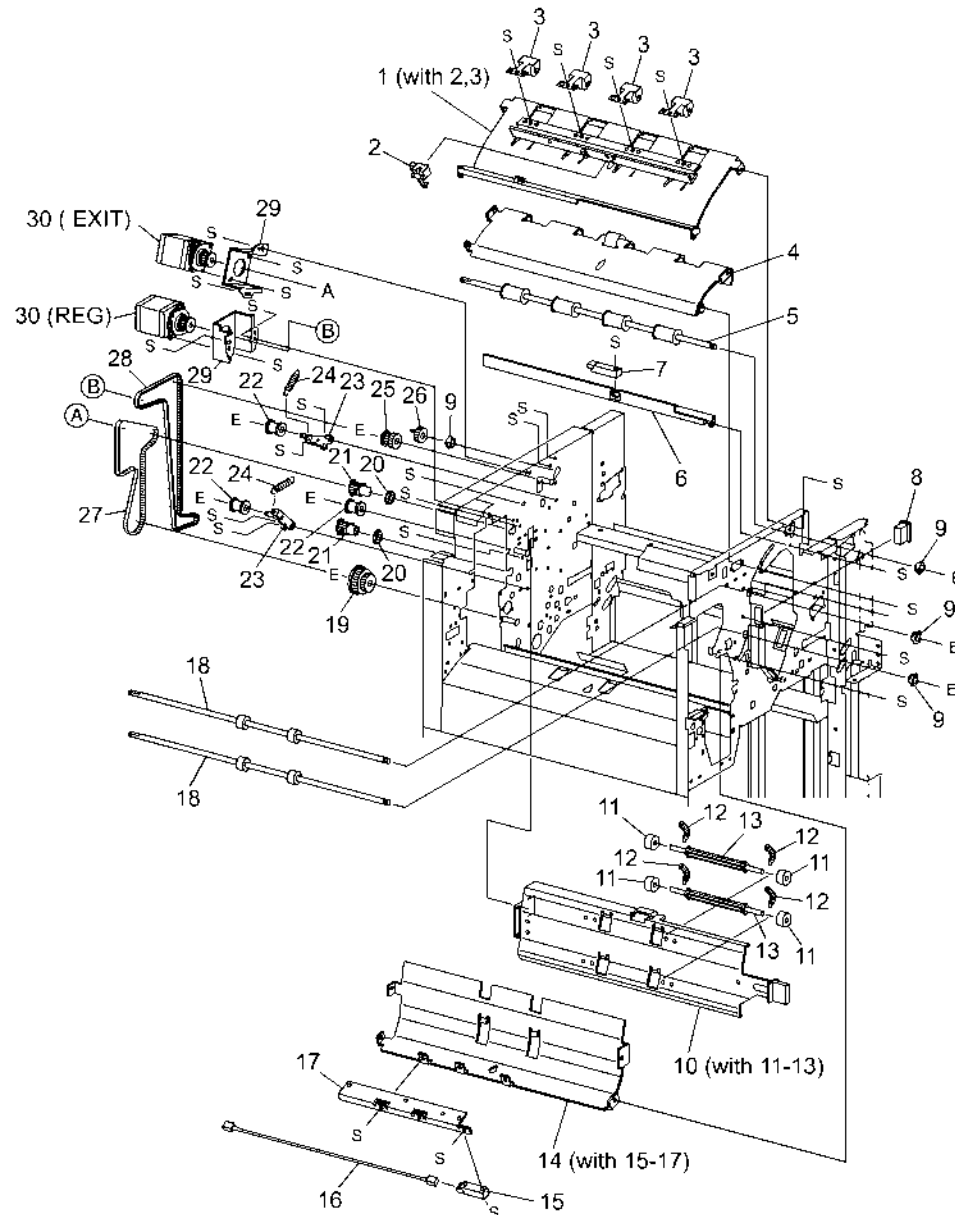
Item	Part	Description
1	-	Upper Exit Open Chute Assembly
2	-	Pinch Roller (P/O PL 21.10 Item 1)
3	-	Spring (P/O PL 21.10 Item 1)
4	-	Shaft (P/O PL 21.10 Item 1)
5	-	Torsion Spring (P/O PL 21.10 Item 1)
6	-	Transport Gate (Not Spared)
7	-	Buffer Gate (Not Spared)
8	121E92890	Magnet (P/O PL 21.10 Item 14)
9	413W11660	Bushing
10	-	Top Buffer Chute Assembly
11	-	Sensor Bracket (P/O PL 21.10 Item 10)
12	130K88190	Buffer Path Sensor (P/O PL 21.10 Item 10) (REP 12.67)
13	022K71010	Buffer Roll (REP 12.64)
14	054K27160	Bottom Buffer Chute Assembly (REP 12.65)
15	-	Exit Pinch roller (P/O PL 21.10 Item 14)
16	-	Upper Entrance Chute Assembly
17	022K67850	Entrance Pinch Roller (P/O PL 21.10 Item 16)
18	-	Sensor Bracket (P/O PL 21.10 Item 16)
19	130E87370	Transport Entrance Sensor (P/O PL 21.10 Item 16)
20	022K70970	Entrance Roll
21	127K40281	Finisher Transport Motor
22	-	Motor Bracket (Not Spared)
23	423W87054	Finisher Transport Motor Belt
24	-	Pulley (Not Spared)
25	-	Tension Spring (Not Spared)
26	-	Tension Bracket (Not Spared)
27	413W66250	Bearing
28	807E04710	Gear (46T)
29	020E37660	Pulley (20T)
30	012E11991	Buffer Link
31	807E04700	Gear (23T)
32	015K65810	Transport Gate Solenoid
33	012E11980	Transport Link
34	015K65821	Buffer Gate Solenoid, Booklet Gate Solenoid
35	-	Booklet Gate (Not Spared)



s7750 0796A

PL 21.11 Finisher Transport: 2 of 2

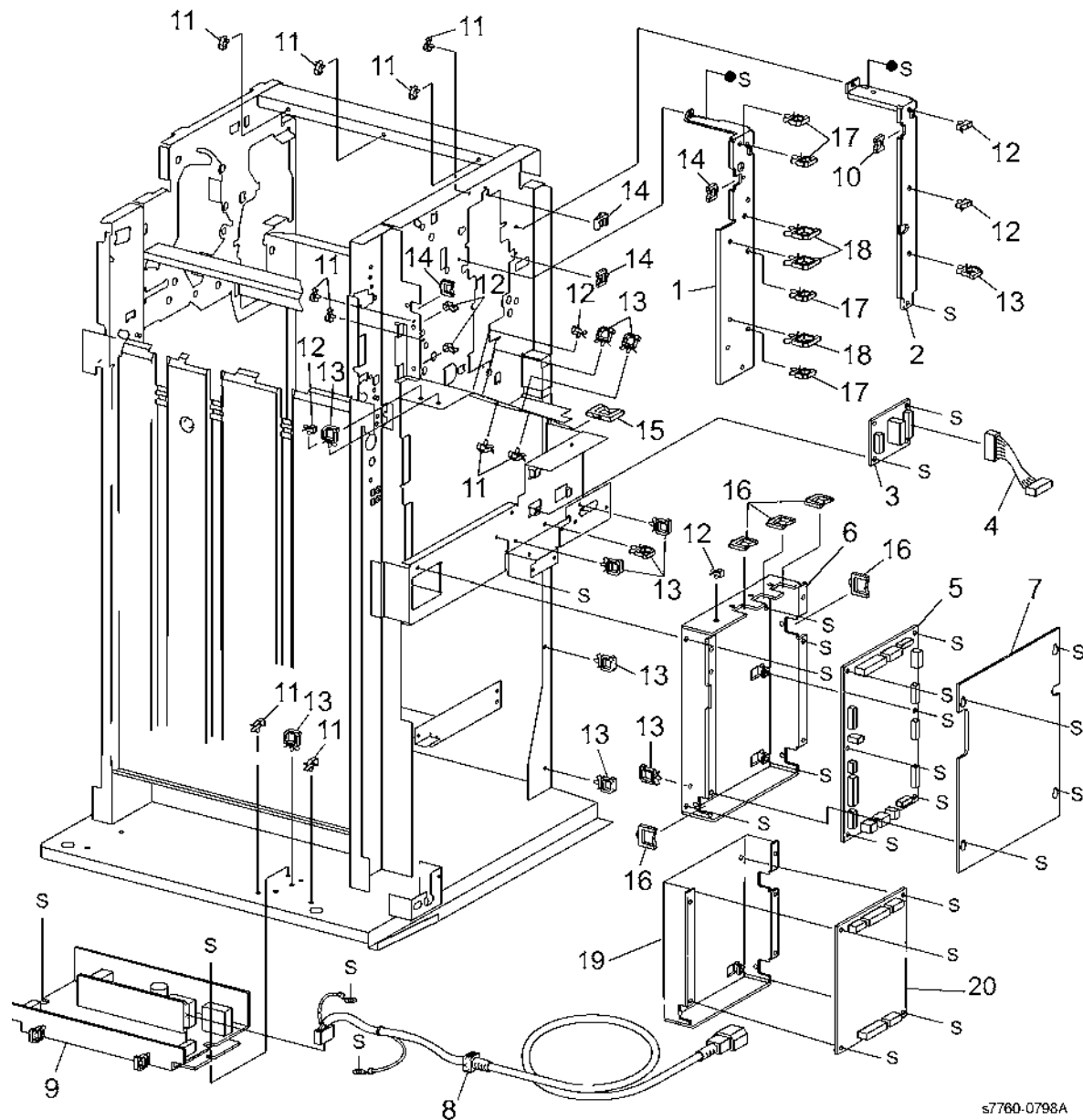
Item	Part	Description
1	-	Top Tray Exit Baffle Assembly (Not Spared)
2	130K88190	Top Tray Exit Sensor (P/O PL 21.11 Item 1)
3	022K67860	Exit Pinch Roller (P/O PL 21.11 Item 1)
4	-	Top Tray Lower Exit Baffle (Not Spared)
5	022K70990	Exit Drive Shaft
6	-	Sensor Bracket (Not Spared)
7	130E87370	Top Tray Full Sensor (REP 12.47)
8	121E92890	Magnet
9	413W11660	Bushing
10	054K27580	Lower Top Exit Chute Assembly
11	-	Pinch Roller (P/O PL 21.11 Item 10)
12	-	Spring (P/O PL 21.11 Item 10)
13	-	Shaft (P/O PL 21.11 Item 10)
14	-	Upper Top Exit Chute Assembly
15	130E80100	Gate Sensor (P/O PL 21.11 Item 14) (REP 12.62)
16	-	Sensor Harness (P/O PL 21.11 Item 14)
17	-	Sensor Bracket (P/O PL 21.11 Item 14)
18	022K70980	Transport Roll
19	020E37680	Pulley (53T/23T)
20	413W66250	Bearing
21	020E37690	Pulley (20T)
22	-	Pulley (Not Spared)
23	-	Tension Bracket (Not Spared)
24	-	Tension Spring (Not Spared)
25	020E37700	Pulley (20T/20T)
26	807E04720	Gear (20T)
27	423W40054	Registration Motor Drive Belt
28	423W86454	Exit Motor Drive Belt
29	-	Motor Bracket (Not Spared)
30	127K40281	Registration Motor (Reg) and Exit Motor (Exit)



s7760-0797A

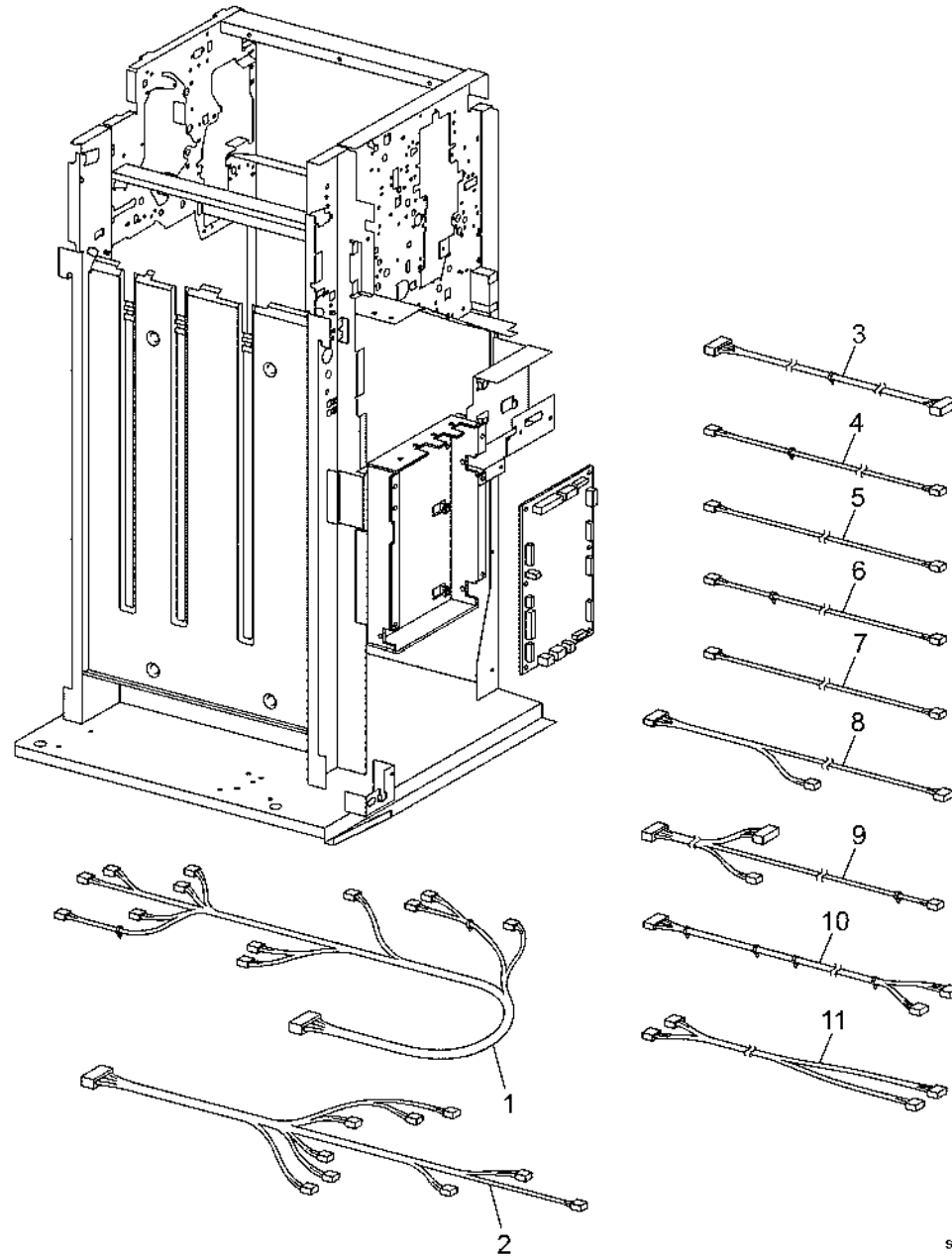
PL 21.12 Finisher Electrical

Item	Part	Description
1	-	Left Harness Bracket (Not Spared)
2	-	Right Harness Bracket (Not Spared)
3	960K04681	H-Transport PWB
4	962K29160	Harness
5	960K04691	Finisher PWB (REP 12.68)
6	-	Finisher PWB Bracket (Not Spared)
7	-	Finisher PWB Cover (Not Spared)
8	962K36610	AC Inlet Harness
9	105K21081	Finisher LVPS
10	-	Wire Clamp (Not Spared)
11	-	Wire Clip (Not Spared)
12	-	Wire Clip (Not Spared)
13	-	Wire Clip (Not Spared)
14	-	Wire Clamp (Not Spared)
15	-	Wire Clamp (Not Spared)
16	-	Wire Clamp (Not Spared)
17	-	Wire Clip (Not Spared)
18	-	Wire Clip (Not Spared)
19	-	Booklet PWB Bracket (Not Spared)
20	960K04671	Booklet PWB



PL 21.13 Finisher Harness

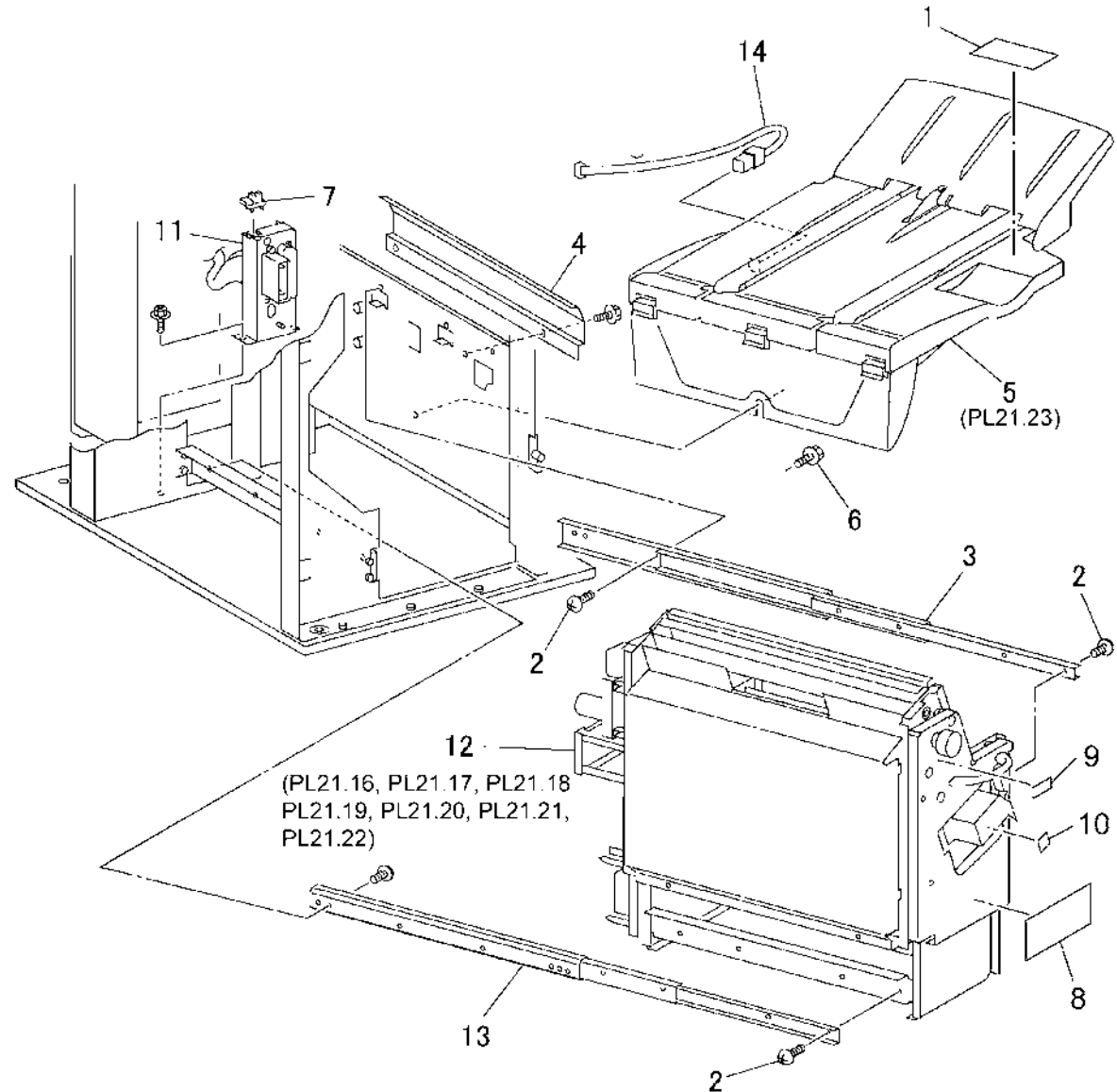
Item	Part	Description
1	-	Main Sensor Harness (Not Spared)
2	-	Main Drive Harness (Not Spared)
3	-	Interface Harness (Not Spared)
4	-	Transport Entrance Sensor Harness (Not Spared)
5	-	Buffer Sensor Harness (Not Spared)
6	-	Top Exit Sensor Harness (Not Spared)
7	-	Top Sensor Harness (Not Spared)
8	-	Punch Drive Harness (Not Spared)
9	-	Punch Sensor Harness (Not Spared)
10	-	LVPS Harness (Not Spared)
11	-	Interlock Harness (Not Spared)



s7760-0799A

PL 21.15 Booklet Accessory

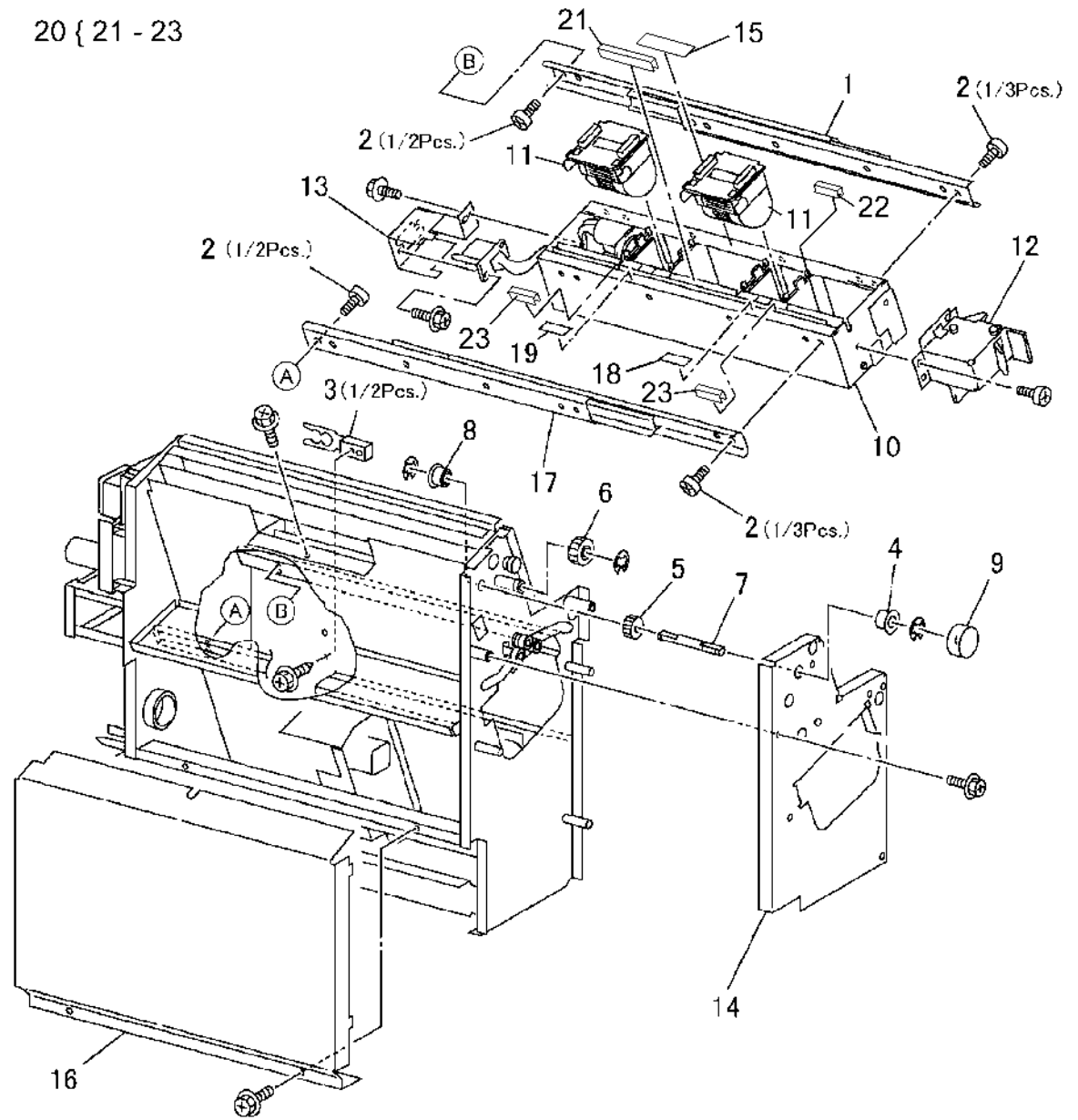
Item	Part	Description
1	—	Label (Not Spared)
2	—	Screw (Not Spared)
3	801K16560	Right Rail
4	—	Cover (Not Spared)
5	050K49300	Booklet Tray Assembly
6	—	Knob Screw (Not Spared)
7	130K88770	Booklet Drawer Set Sensor
8	—	Label (Not Spared)
9	—	Label (Not Spared)
10	—	Label (Not Spared)
11	—	Connector (Not Spared)
12	801K16551	Booklet Drawer Assembly (REP 12.55, ADJ 12.4, ADJ 12.5, ADJ 12.8, ADJ 12.9)
13	801K16580	Left Rail
14	962K29221	Wire Harness



57760-0800A

PL 21.16 Booklet Component - 1

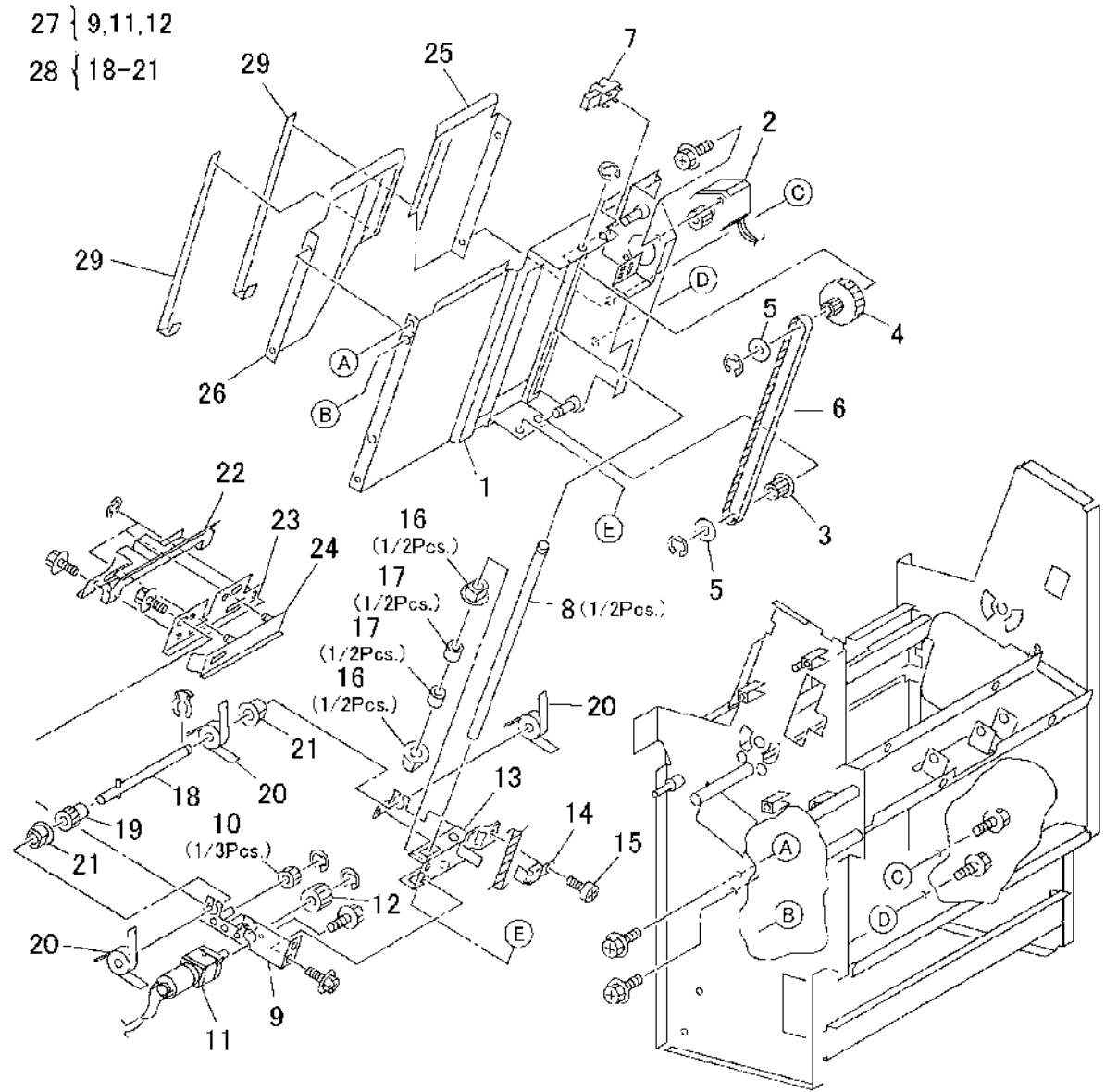
Item	Part	Description
1	801K18730	Right Rail
2	-	Screw (Not Spared)
3	003E59690	Stopper
4	-	Bearing (Not Spared)
5	407W07717	Gear (17T)
6	407W07731	Gear (31T)
7	-	Shaft (Not Spared)
8	-	Ball Bearing (Not Spared)
9	003K13680	Knob
10	029K92290	Stapler (REP 12.56, ADJ 12.6, ADJ 12.7, ADJ 12.10)
11	029K92041	Staple
12	015K67280	Latch
13	-	Bracket (Not Spared)
14	-	Front Cover (Not Spared)
15	-	Label (Not Spared)
16	-	Left Cover (Not Spared)
17	801K16581	Left Rail
18	-	Label (Not Spared)
19	-	Label (Not Spared)
20	604K18740	Paper Skew Guide Kit
21	-	Paper Guide (Center) (Not Spared)
22	-	Paper Guide (Front) (Not Spared)
23	-	Paper Guide (Clinch) (Not Spared)



s7760-0801A

PL 21.17 Booklet Component -2 (End Guide)

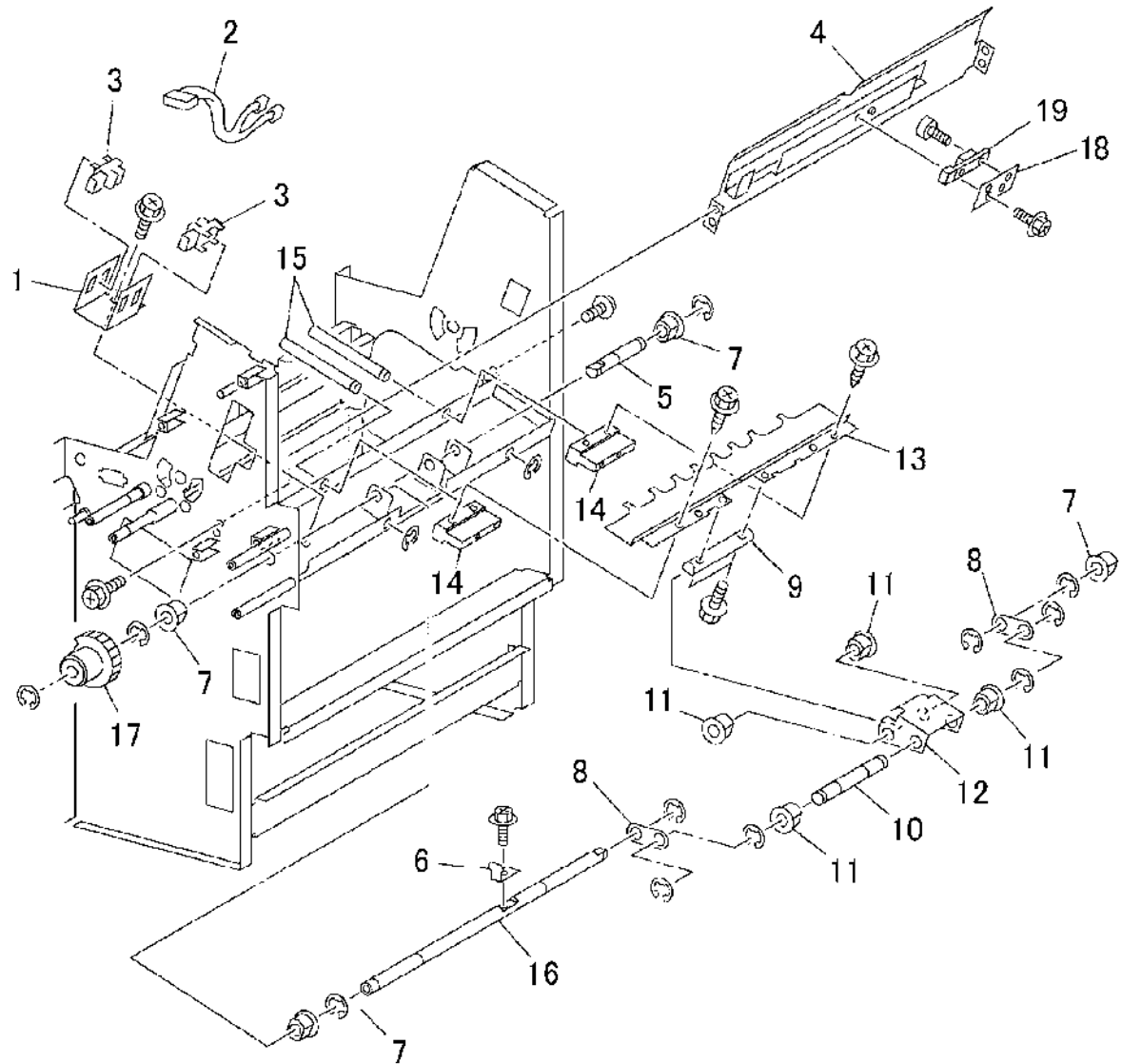
Item	Part	Description
1	-	Compile Chute (Not Spared)
2	127K46170	Booklet End Guide Motor
3	020E37210	Pulley
4	807E02050	Gear Pulley (40T/20T)
5	-	Washer (Not Spared)
6	423W86254	Belt
7	130K88780	Booklet End Guide Home Sensor
8	-	Shaft (Not Spared)
9	-	Bracket (P/O PL 21.17 Item 27)
10	807E02070	Gear (14T)
11	-	Booklet Paddle Motor (P/O PL 21.17 Item 27)
12	-	Gear (14T) (P/O PL 21.17 Item 27)
13	-	Bracket (Not Spared)
14	-	Stopper (Not Spared)
15	-	Screw (Not Spared)
16	-	Bearing (Not Spared)
17	-	Roll (Not Spared)
18	-	Shaft (P/O PL 21.17 Item 28)
19	-	Gear (14T) (P/O PL 21.17 Item 28)
20	-	Paddle (P/O PL 21.17 Item 28)
21	-	Bearing (P/O PL 21.17 Item 28)
22	-	End Guide (Not Spared)
23	-	Support Bracket (Not Spared)
24	-	Adjust Bracket (Not Spared) (ADJ 12.4)
25	-	Chute (Front) (Not Spared)
26	-	Chute (Rear) (Not Spared)
27	015K60410	Booklet Paddle Motor Assembly
28	006K22960	Paddle Shaft Assembly
29	-	Paper Guide (Not Spared)



s7760-0802A

PL 21.18 Booklet Component -3

Item	Part	Description
1	-	Bracket (Not Spared)
2	962K18401	Wire Harness
3	130K88780	Knife Home Sensor, Knife Folder Sensor
4	-	Chute (Not Spared)
5	-	Shaft (Not Spared)
6	-	Actuator (Not Spared)
7	-	Bearing (Not Spared)
8	-	Joint (Not Spared)
9	-	Shaft (Not Spared)
10	-	Shaft (Not Spared)
11	-	Bearing (Not Spared)
12	-	Bracket (Not Spared)
13	015K67271	Bracket Assembly Knife
14	-	Guide (Not Spared)
15	-	Shaft (Not Spared)
16	-	Shaft (Not Spared)
17	807E02060	Gear (42T)
18	-	Bracket (Not Spared)
19	130E87410	Booklet Compile No Paper Sensor

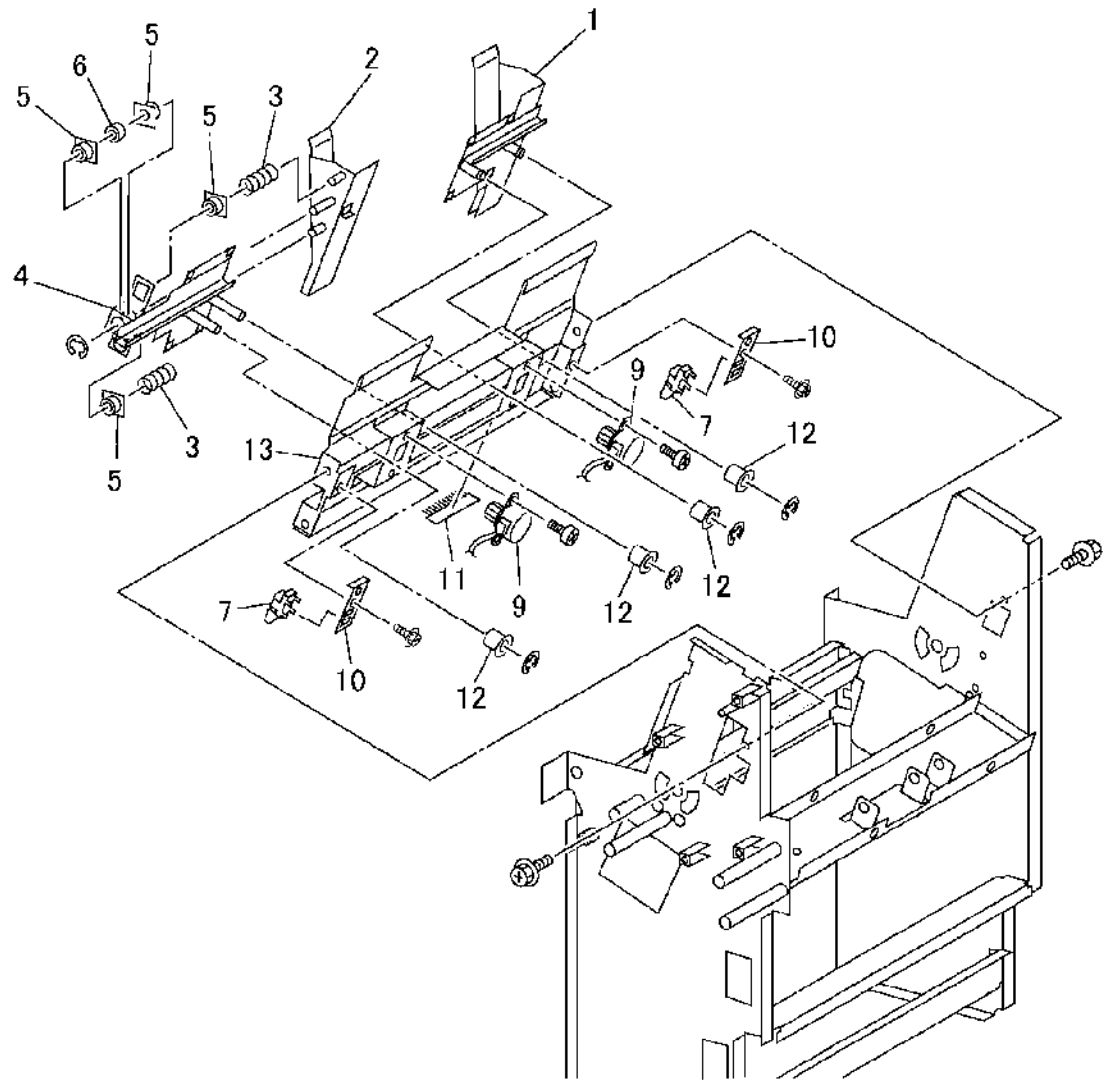


s7760-0803A

PL 21.19 Booklet Component -4

Item	Part	Description
1	038K87360	Front Tamper Guide
2	-	Rear Tamper Guide (P/O PL 21.19 Item 8)
3	-	Spring (P/O PL 21.19 Item 8)
4	-	Rack (P/O PL 21.19 Item 8)
5	-	Bearing (P/O PL 21.19 Item 8)
6	-	Roll (P/O PL 21.19 Item 8)
7	130K88780	Booklet Tamper Home Sensor (Front and Rear)
8	038K87371	Rear Tamper Assembly
9	127K48210	Booklet Tamper Motor (Front and Rear)
10	-	Bracket (Not Spared) (Not Spared)
11	105E15120	Static Eliminator
12	013E25490	Roll
13	-	Frame (Not Spared)

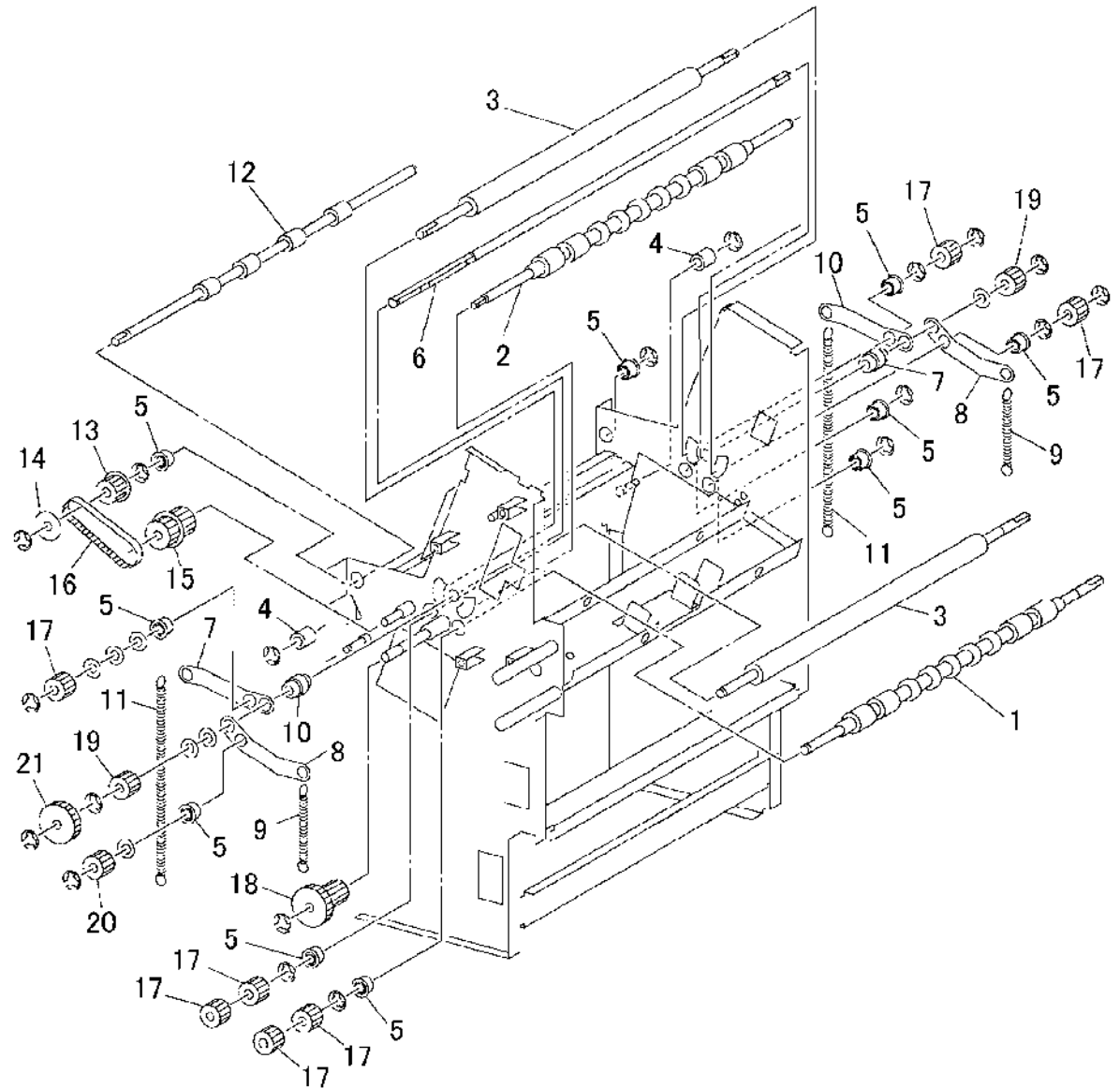
8 { 2-6



S7760-08C4A

PL 21.20 Booklet Component -5

Item	Part	Description
1	022K71020	Booklet Pre-Folding Roll
2	022K71040	Booklet Pre-Folding Nip Roll
3	022K66870	Booklet Folding Roll
4	022K66880	Booklet Folding Nip Roll
5	-	Ball Bearing (Not Spared)
6	-	Shaft (Not Spared)
7	013E25480	Bearing
8	-	Tension Plate 1 (Not Spared)
9	809E59991	Spring (ADJ 12.7)
10	-	Tension Plate 2 (Not Spared)
11	809E59981	Spring
12	-	Booklet Eject Roll (Not Spared)
13	-	Pulley (16T) (Not Spared)
14	-	Flange (Not Spared)
15	807E02040	Gear Pulley (20T/25T)
16	423W46754	Belt
17	007E89980	Gear (16T)
18	007E89990	Gear (38T/18T)
19	007E89970	Gear (18T)
20	407W07516	Gear (16T)
21	007E77770	Gear (38T)

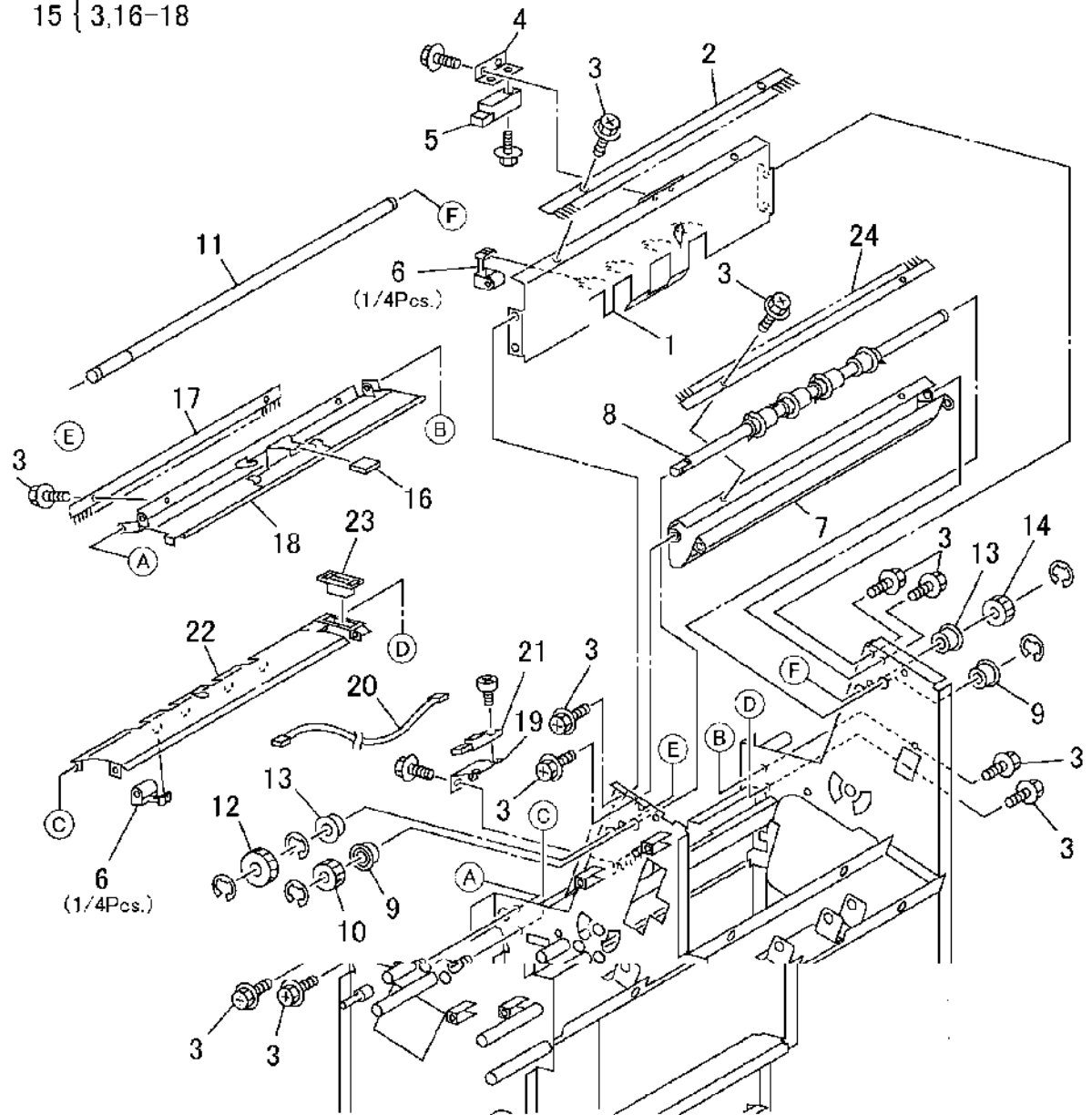


s7760-0805A

PL 21.21 Booklet Component -6 (Chute)

15 { 3,16-18

Item	Part	Description
1	-	Chute (Not Spared)
2	105E15140	Static Eliminator
3	-	Screw (P/O PL 21.21 Item 15)
4	-	Bracket (Not Spared)
5	130E87370	Booklet In Sensor
6	059K00521	Pinch Roll
7	-	Chute (Not Spared)
8	-	Booklet In Roll (Not Spared)
9	-	Ball Bearing (Not Spared)
10	407W07516	Gear (16T)
11	-	Shaft (Not Spared)
12	407W08727	Gear (27T)
13	-	Bearing (Not Spared)
14	-	Gear (17T) (Not Spared)
15	054K28570	Upper Exit Chute Assembly
16	003E63380	Knob
17	105E12170	Static Eliminator
18	-	Upper Exit Chute (P/O PL 21.21 Item 15)
19	-	Bracket (Not Spared)
20	962K18411	Wire Harness
21	130E87410	Booklet Folder Roll Exit Sensor
22	-	Lower Exit Chute (Not Spared)
23	121E92720	Magnet
24	105E12080	Static Eliminator



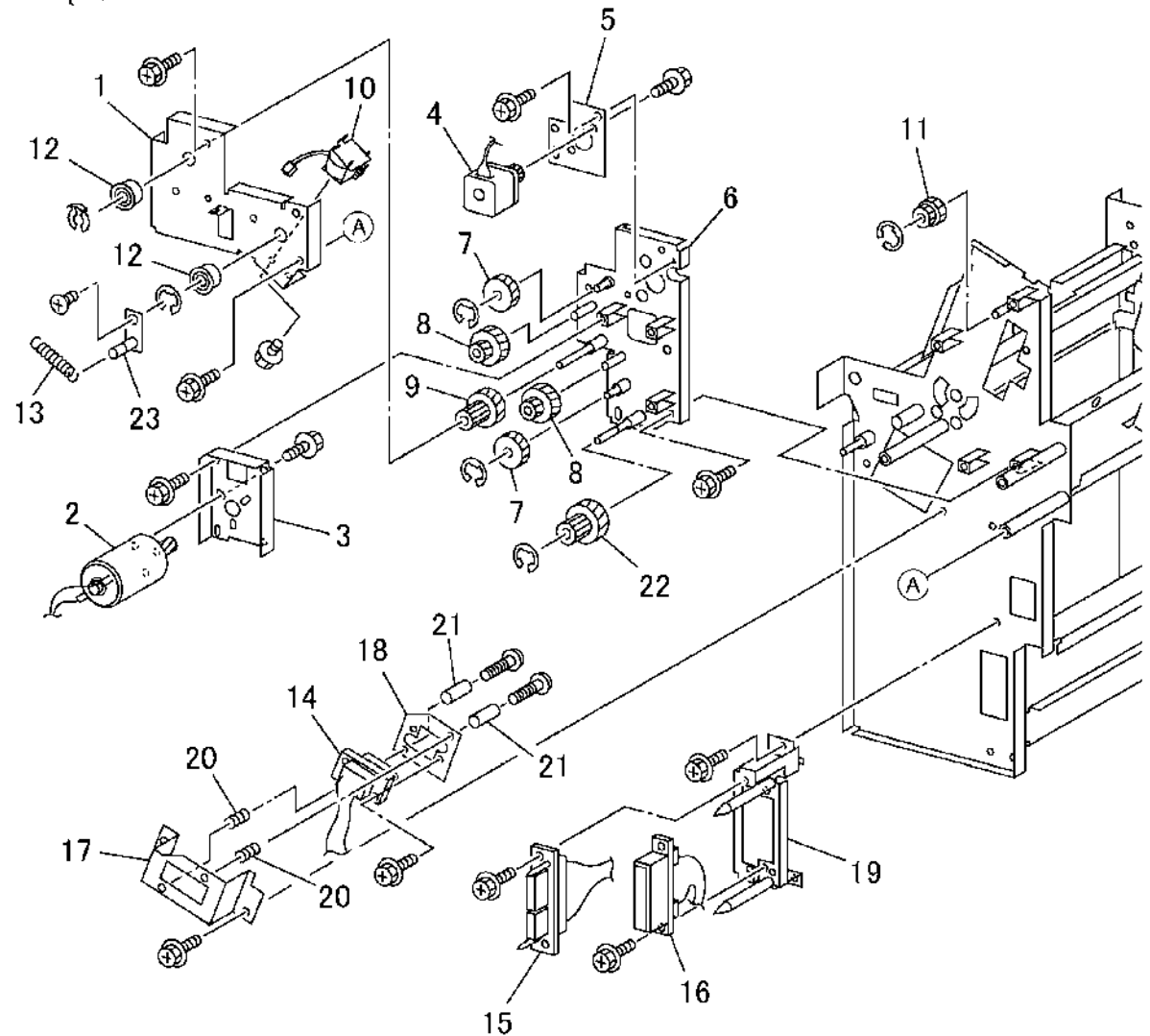
s7760-0806A

PL 21.22 Booklet Component -7

Item	Part	Description
1	-	Bracket (Not Spared)
2	-	Booklet Fold Motor (P/O PL 21.22 Item 24)
3	-	Bracket (P/O PL 21.22 Item 24)
4	127K46170	Booklet Paper Path Motor
5	-	Bracket (P/O PL 21.22 Item 25)
6	-	Bracket (Not Spared)
7	007E77620	Gear (45T)
8	007E77610	Gear (43T/14T)
9	007E77600	Gear (44T/16T)
10	121K31360	Knife Solenoid
11	807E01750	Gear (27T/34T)
12	-	Ball Bearing (Not Spared)
13	809E41620	Spring
14	962K18420	Wire Harness
15	962K18431	Wire Harness
16	962K18441	Wire Harness
17	-	Bracket (Not Spared)
18	-	Bracket (Not Spared)
19	-	Bracket (Not Spared)
20	809E41570	Spring
21	-	Spacer (Not Spared)
22	807E02080	Gear (48T/18T)
23	-	Link (Not Spared)
24	015K69650	Booklet Fold Motor Assembly
25	015K60340	Booklet Paper Path Motor Assembly

24 { 2,3

25 { 4,5

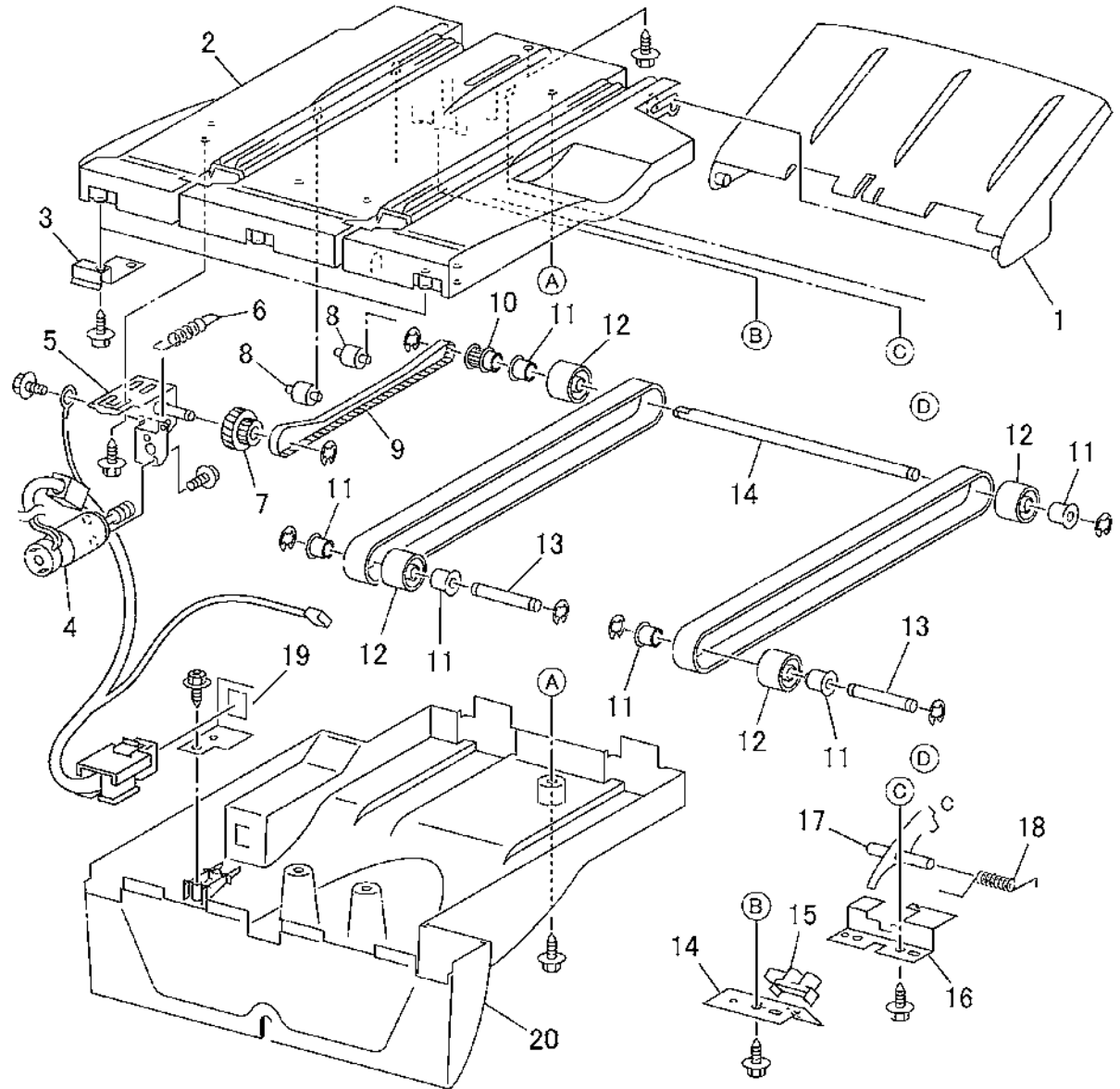


s7760.0807A

PL 21.23 Booklet Tray Component

Item	Part	Description
1	050E19900	Tray
2	-	Upper Tray (Not Spared)
3	-	Bracket (Not Spared)
4	127K38050	Tray Belt Drive Motor
5	-	Bracket (Not Spared)
6	-	Spring (Not Spared)
7	-	Gear Pulley (Not Spared)
8	-	Roll (Not Spared)
9	-	Belt (Not Spared)
10	-	Pulley (Not Spared)
11	-	Bearing (Not Spared)
12	-	Roll (Not Spared)
13	-	Shaft (Not Spared)
14	-	Shaft (Not Spared)
15	130K64300	Booklet No Paper Sensor
16	-	Bracket (Not Spared)
17	-	Actuator (P/O PL 21.23 Item 21)
18	-	Spring (P/O PL 21.23 Item 21)
19	-	Bracket (Not Spared)
20	-	Lower Tray (Not Spared)
21	604K13840	Actuator Assembly

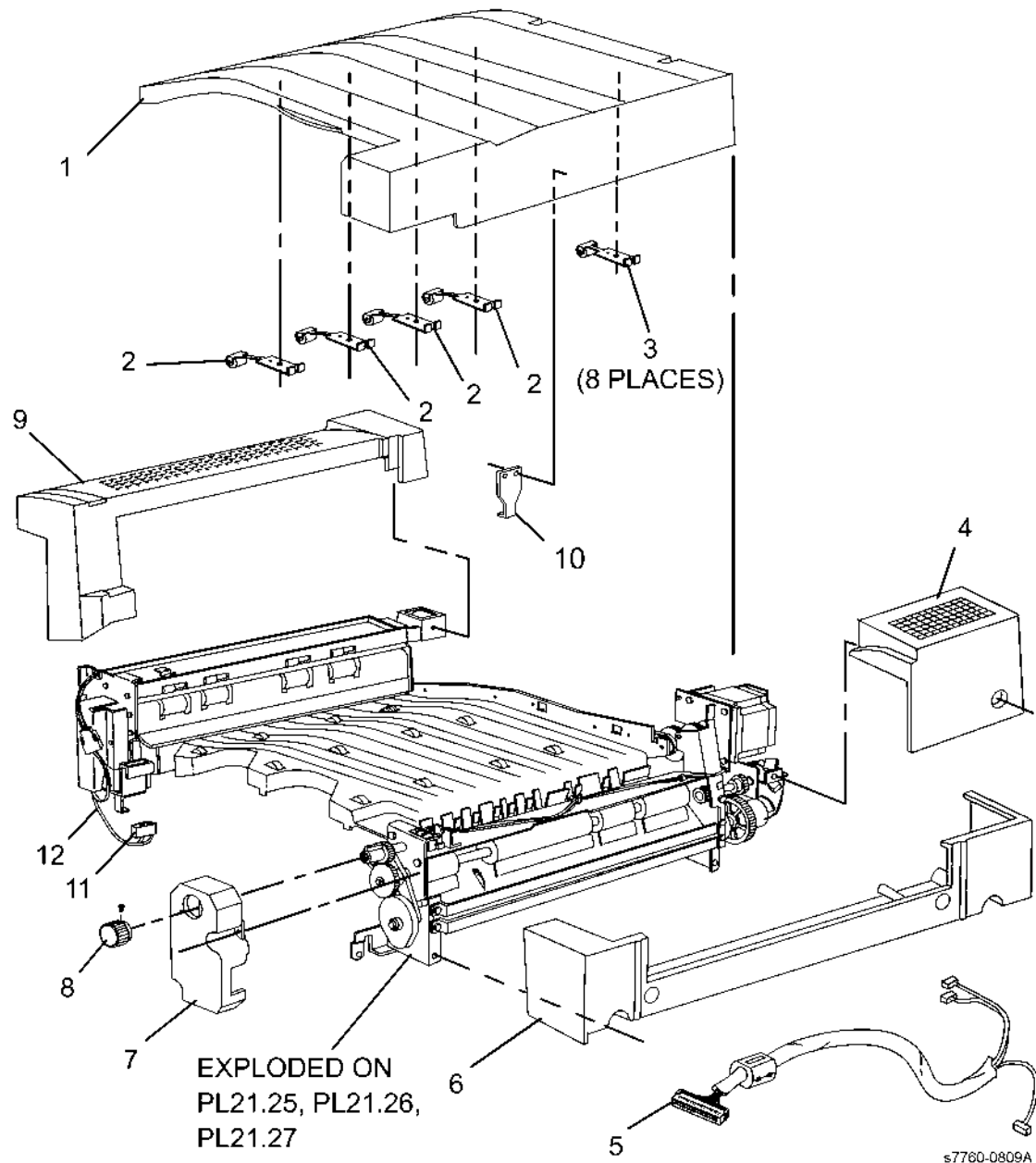
21 { 17,18



s7760-0808A

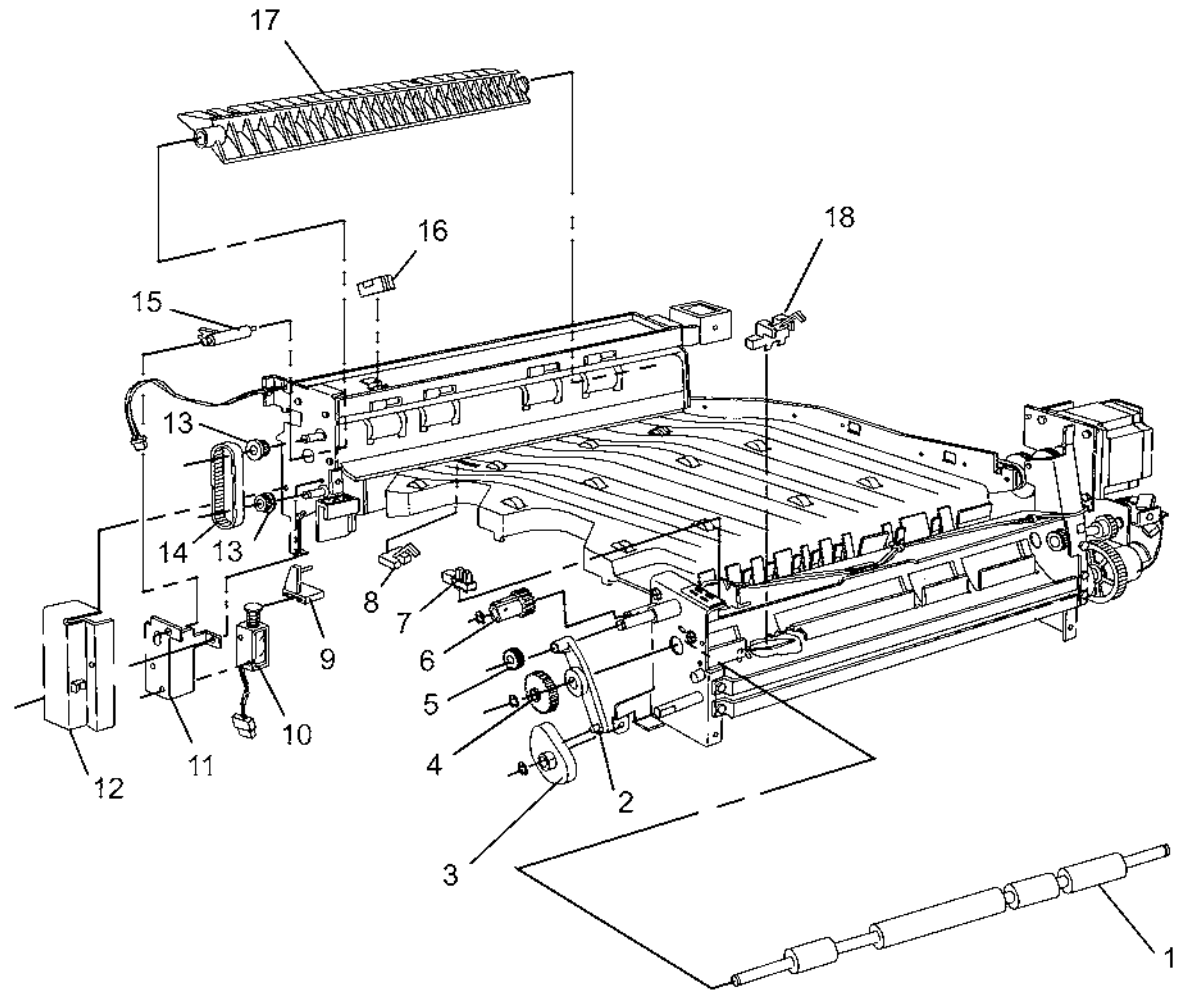
PL 21.24 H - Transport: 1 of 4

Item	Part	Description
1	-	H - Transport Center Tray (Not Spared)
2	022K71111	Pinch Spring Assembly
3	022K71121	Pinch Spring Assembly
4	-	Upper Decurler Cover (Not Spared)
5	-	Harness Assembly (Not Spared)
6	-	Decurler Cover (Not Spared)
7	-	Cover (Not Spared)
8	003E61620	Knob
9	-	Top Exit Cover (Not Spared)
10	-	Latch Bracket (Not Spared)
11	110K12282	Interlock Switch
12	113E20900	Interlock Switch Harness



PL 21.25 H - Transport: 2 of 4

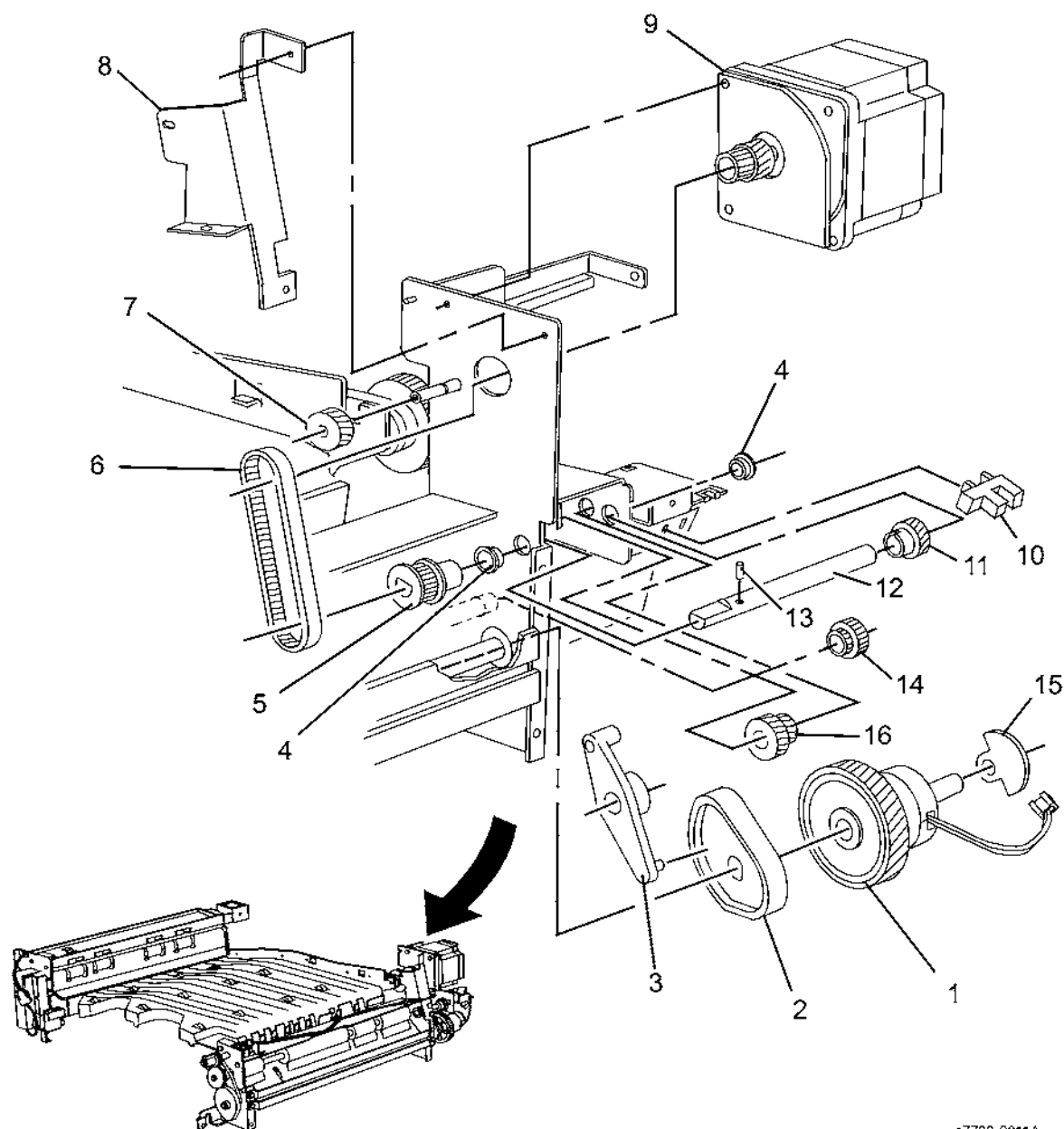
Item	Part	Description
1	022K67641	Decurler Roll
2	031E94651	Decurler Arm
3	008E94070	Decurler Cam
4	007K89451	Gear (20T)
5	807E08980	Gear
6	604K25210	Knob Gear
7	130K88780	H - Transport Interlock Sensor
8	130K88291	H - Transport Entrance Sensor
9	012E12110	Guide
10	121K34421	Gate Solenoid
11	-	Solenoid Bracket (Not Spared)
12	-	Solenoid Cover (Not Spared)
13	020E37490	Pulley (18T)
14	423W26754	Exit Drive Roll Belt (67T)
15	012E12170	Gate Link
16	130E88350	Center Tray Exit Sensor
17	050E89621	Entrance Gate
18	130K87970	H - Transport Exit Sensor



s7760-0810A

PL 21.26 H - Transport: 3 of 4

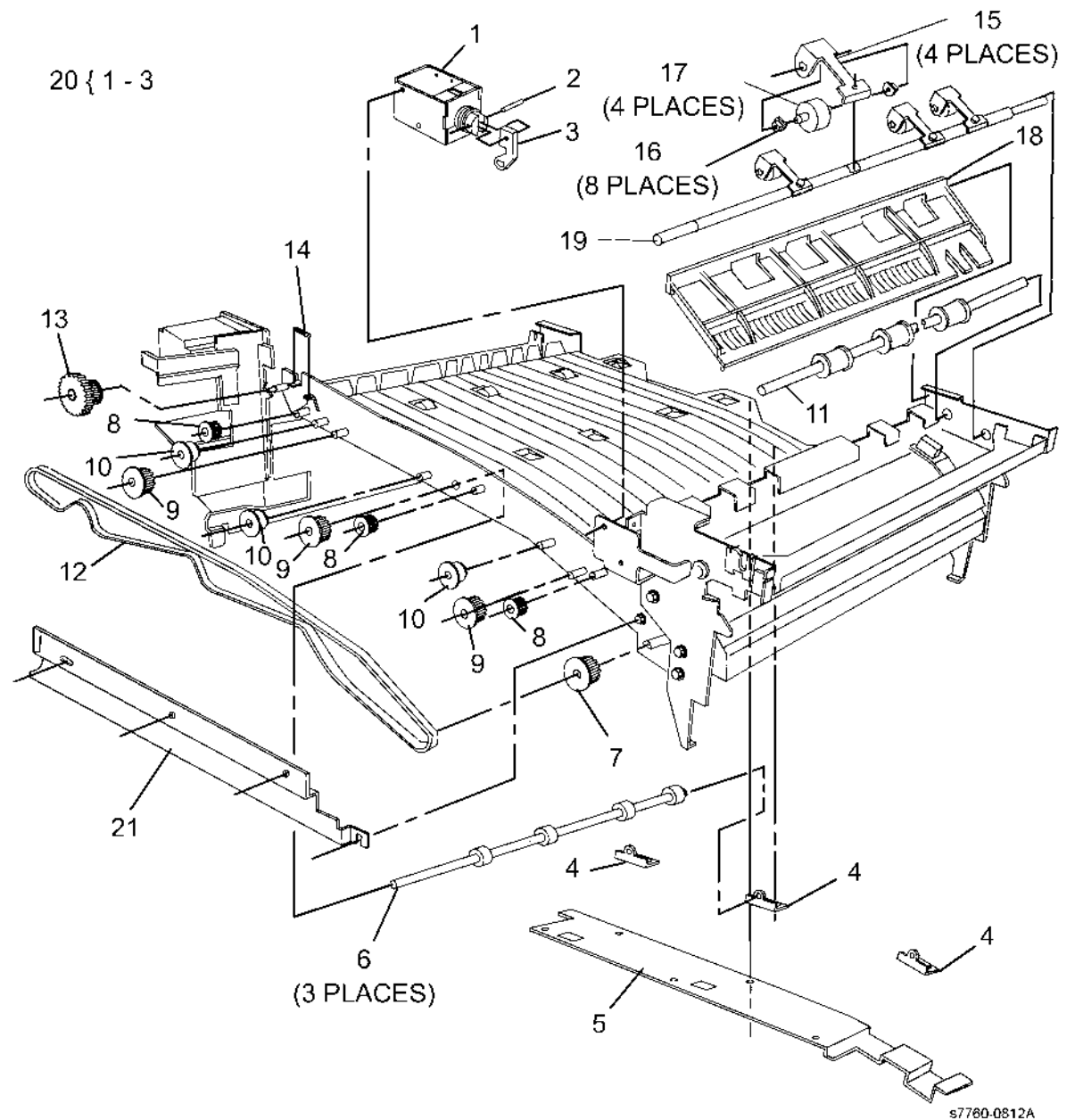
Item	Part	Description
1	121K24610	Decurler Cam Clutch
2	008E94070	Decurler Cam
3	-	Decurler Arm (Not Spared)
4	-	Bushing (Not Spared)
5	020E37480	Pulley (20T)
6	423W27854	H - Transport Motor Belt (78T)
7	807E08600	Gear (20T)
8	-	Cover (Not Spared)
9	127K40051	H - Transport Drive Motor
10	130K88780	Decurler Cam Sensor
11	807E04000	Gear (24T)
12	-	Shaft (Not Spared)
13	-	Pin (Not Spared)
14	807E04010	Gear (20T/24T)
15	120E20690	Sensor Flag
16	007K89440	One Way Gear (18T)



s7760-0811A

PL 21.27 H - Transport: 4 of 4

Item	Part	Description
1	121K35313	Tray Nip Solenoid (P/O PL 21.27 Item 20)
2	-	Pin (P/O PL 21.27 Item 20)
3	-	Tray Nip Link (P/O PL 21.27 Item 20)
4	-	Support Bracket (Not Spared)
5	-	Bracket (Not Spared)
6	022K67631	H - Transport Drive Roll
7	020E37750	Pulley (26T)
8	020E37440	Pulley (18T)
9	020K10760	One Way Pulley
10	022E27700	Idler Roll
11	022K67652	Exit Drive Roll
12	423W88254	H - Transport Drive Belt (450T) (REP 12.66)
13	020E37460	Gear Pulley (40T/26T)
14	-	Spring (Not Spared)
15	809E56092	Pinch Roll Spring
16	013E26740	Bushing
17	022E27750	Exit Pinch Roll
18	054E26112	Upper Exit Chute
19	-	Pinch Roll Shaft (Not Spared)
20	121K35312	Tray Nip Solenoid Assembly
21	-	Bracket (Not Spared)



Common Hardware

Item	Part	Description
A	112W27651	Screw (M3x6)
B	112W27659	Screw (M3x6)
C	112W27851	Screw (M3x8)
D	112W28451	Screw (M3x14)
E	113W20457	Screw (M3x4)
F	113W20651	Screw (M3x6)
G	113W20857	Screw (M3x8)
H	113W21057	Screw (M3x10)
J	113W21657	Screw (M3x16)
K	113W27451	Screw (M3x4)
L	113W27551	Screw (M3x5)
M	113W27651	Screw (M3x6)
N	113W27851	Screw (M3x8)
P	113W28051	Screw (M3x10)
Q	113W28851	Screw (M3x20)
R	153W17655	Thread-forming Screw (M3x6)
S	153W17855	Thread-forming Screw (M3x8)
T	153W18055	Thread-forming Screw (M3x10)
U	153W27855	Thread-forming Screw (M3x8)
V	158W27655	Screw (M3x6)
W	158W27663	Screw (M3x6)
X	158W27855	Screw (M3x8)
Y	158W27863	Screw (M3x8)
Z	158W28255	Screw (M3x12)
AA	158W35855	Screw (M4x8)
AB	220W21250	Flange Nut (M3)
AC	251W24251	Washer (4)
AD	251W24450	Washer (4)
AE	252W24250	Nylon Washer (4)
AF	252W26450	Nylon Washer (5)
AG	252W27350	Nylon Washer (6)
AH	252W27450	Nylon Washer (6)
AJ	252W29450	Nylon Washer (8)
AK	271W16050	Dowel Pin (2x10)
AL	271W28250	Dowel Pin (3x12)
AM	271W28650	Dowel Pin (3x16)
AN	271W28950	Dowel Pin (3x22)
AP	271W36850	Dowel Pin (4x20)
AQ	285W15651	Spring Pin (2x6)
AR	285W15851	Spring Pin (2x8)
AS	285W16251	Spring Pin (2x12)
AT	285W28051	Spring Pin (3x10)
AU	285W28251	Spring Pin (3x12)
AV	285W28651	Spring Pin (3x16)
AW	354W15251	E-Clip (2)
AX	354W19251	E-Clip (2.5)
AY	354W21251	E-Clip (3)
AZ	354W21254	K-Clip (3)
BA	354W24251	E-Clip (4)
BB	354W24254	K-Clip (4)
BC	354W26251	E-Clip (5)
BD	354W27251	E-Clip (6)
BE	354W27254	K-Clip (6)
BF	354W29251	E-Clip (8)
BG	113W20657	Screw (M3x6)
BH	113W16051	Screw (M2x10)
BJ	158W45055	Screw (M5x10)
BK	158W36355	Screw (M4x12)
BL	251W24451	Washer (4)
BM	113W20557	Screw (M3x5)
BN	113W15851	Screw (M2x8)
BP	113W28056	Screw (M3x10)
BQ	113W28251	Screw (M3x12)
BR	113W28256	Screw (M3x12)
BS	153W27650	Thread-forming Screw (M3x6)
BT	153W27850	Thread-forming Screw (M3x8)
BU	252W27250	Nylon Washer (6)
BV	252W29350	Nylon Washer (8)
BW	285W29151	Spring Pin (3x25)
BX	158W35655	Screw (M4x6)
BY	113W36257	Screw (M4x12)
BZ	158W35863	Thread-forming Screw - Deltite Tip (M4x8)
CA	158W36055	Screw (M4x10)
CB	153W71153	Screw (M3x8)
CC	153W71453	Screw (M3x14)
CD	153W42353	Screw (M4x12)

Kit Part Number

Table 1 Kit Part Number

Part Number	Description
604K16630	Sensor Kit
600K87510	Sensor Flag Kit
600K78460	Roller Kit
604K05880	MSI Roller Kit
604K00820	Hardware Kit
604K16730	Internal Repackaging Kit
604K16740	Complete Repackaging Kit

Part Number Index

Table 1 Part Number Index

Part Number	Part List
001E66640	PL 21.6
001K70083	PL 5.6
001K70543	PL 5.1
001K70552	PL 5.1
003K11672	PL 5.1
003K12650	PL 5.2
003K12910	PL 5.1
003K13680	PL 21.16
003E23672	PL 15.1
003E23672	PL 16.1
003E23672	PL 2.1
003E52291	PL 5.1
003E52301	PL 5.1
003E53701	PL 15.10
003E53701	PL 16.13
003E53710	PL 15.10
003E53710	PL 16.13
003E59690	PL 21.16
003E61620	PL 21.24
003E63380	PL 21.21
003K86122	PL 4.1
004E11831	PL 2.7
005K05890	PL 15.4
005K05890	PL 15.8
005K05890	PL 15.6
005K05890	PL 2.5
005K83081	PL 15.3
005K83081	PL 15.7
005K83081	PL 15.5
005K83081	PL 2.4
005K83081	PL 16.7
005K83081	PL 16.11
006R01175	PL 6.1
006R01176	PL 6.1
006R01177	PL 6.1
006R01178	PL 6.1
006K22960	PL 21.17
006K24090	PL 21.7
006K24160	PL 21.7

Table 1 Part Number Index

Part Number	Part List
006K24240	PL 21.9
006E71740	PL 5.1
007E61890	PL 5.2
007E61910	PL 5.2
007E62630	PL 2.8
007E64740	PL 2.7
007E66050	PL 15.9
007E66050	PL 16.15
007E66060	PL 15.9
007E66060	PL 16.15
007E66070	PL 15.9
007E66070	PL 16.15
007E66080	PL 16.14
007E77600	PL 21.22
007E77610	PL 21.22
007E77620	PL 21.22
007E77770	PL 21.20
007E79480	PL 2.8
007K85582	PL 1.3
007K85730	PL 15.3
007K85730	PL 15.7
007K85730	PL 2.4
007K85730	PL 16.7
007K85730	PL 15.5
007K85730	PL 16.11
007K86932	PL 2.9
007K87221	PL 1.1
007K87440	PL 2.9
007K87600	PL 1.1
007K88113	PL 1.1
007K88604	PL 1.1
007K88661	PL 1.1
007K89440	PL 21.26
007K89451	PL 21.25
007E89970	PL 21.20
007E89980	PL 21.20
007E89990	PL 21.20
008R12903	PL 4.1
008R12933	PL 7.1
008R12934	PL 7.1
008E94070	PL 21.25

Table 1 Part Number Index

Part Number	Part List
008E94070	PL 21.26
009E26970	PL 16.3
009E26970	PL 16.4
011E10800	PL 15.10
011E10800	PL 16.13
011K94970	PL 5.1
011K96791	PL 16.14
011K97710	PL 21.7
012E10070	PL 16.4
012E11980	PL 21.10
012E11991	PL 21.10
012E12110	PL 21.25
012E12170	PL 21.25
012K94261	PL 10.2
013R00588	PL 4.1
013E18980	PL 5.3
013E25480	PL 21.20
013E25490	PL 21.19
013E26740	PL 21.27
013E27150	PL 21.4
014E42850	PL 16.1
014E42850	PL 2.1
014K81604	PL 9.3
015K49311	PL 5.6
015K49450	PL 16.14
015K49461	PL 16.14
015K49471	PL 15.10
015K49471	PL 16.13
015K49481	PL 5.6
015K60340	PL 21.22
015K60410	PL 21.17
015K65810	PL 21.10
015K65821	PL 21.10
015K65830	PL 21.5
015K65840	PL 21.5
015K65850	PL 21.8
015K65860	PL 21.7
015K65870	PL 21.5
015K65880	PL 21.5
015K65900	PL 21.4
015K65920	PL 21.5

Table 1 Part Number Index

Part Number	Part List
015K67230	PL 21.3
015K67271	PL 21.18
015K67280	PL 21.16
015K69650	PL 21.22
017K93740	PL 15.9
017K93740	PL 16.15
017K93750	PL 15.9
017K93750	PL 16.15
017E97230	PL 21.2
017E98040	PL 21.2
019E58660	PL 21.4
019K97131	PL 2.13
020K10760	PL 21.27
020E37210	PL 21.17
020E37440	PL 21.27
020E37460	PL 21.27
020E37480	PL 21.26
020E37490	PL 21.25
020E37660	PL 21.10
020E37660	PL 21.9
020E37670	PL 21.9
020E37680	PL 21.11
020E37690	PL 21.11
020E37690	PL 21.9
020E37700	PL 21.11
020E37710	PL 21.4
020E37720	PL 21.4
020E37750	PL 21.27
020E93120	PL 16.3
022E27700	PL 21.27
022E27750	PL 21.27
022K66870	PL 21.20
022K66880	PL 21.20
022K67631	PL 21.27
022K67641	PL 21.25
022K67652	PL 21.27
022K67850	PL 21.10
022K67860	PL 21.11
022K67870	PL 21.9
022K67880	PL 21.9
022K70970	PL 21.10

Table 1 Part Number Index

Part Number	Part List
022K70980	PL 21.11
022K70990	PL 21.11
022K71010	PL 21.10
022K71020	PL 21.20
022K71040	PL 21.20
022K71111	PL 21.24
022K71121	PL 21.24
023E21520	PL 21.4
029E31600	PL 2.3
029K92041	PL 21.16
029K92151	PL 21.6
029K92290	PL 21.16
031E94651	PL 21.25
035E65010	PL 6.2
038E23560	PL 2.13
038K87360	PL 21.19
038K87371	PL 21.19
041K94720	PL 21.4
041K94730	PL 21.4
041K94750	PL 21.6
042K92010	PL 10.1
042K93270	PL 10.1
050E19900	PL 21.23
050K43120	PL 16.1
050K43131	PL 16.1
050K48175	PL 2.1
050K49300	PL 21.15
050K51322	PL 2.12
050K51391	PL 16.1
050E89621	PL 21.25
054E16060	PL 16.6
054K16131	PL 2.8
054K18271	PL 16.6
054E18532	PL 16.5
054E18540	PL 16.5
054E26112	PL 21.27
054K26141	PL 8.1
054K27160	PL 21.10
054K27580	PL 21.11
054K28570	PL 21.21
059K00521	PL 21.21

Table 1 Part Number Index

Part Number	Part List
059K15577	PL 15.1
059K15577	PL 16.6
059K15577	PL 2.3
059K15613	PL 2.8
059K18333	PL 16.5
059K18901	PL 15.10
059K18901	PL 16.6
059K21792	PL 16.5
059K23150	PL 5.3
059K23960	PL 12.1
059K24010	PL 2.13
059K24020	PL 2.13
059K26794	PL 2.6
059K36872	PL 11.1
059K37912	PL 21.1
059K45880	PL 2.11
059K45890	PL 12.1
059K45940	PL 2.10
059E95920	PL 16.4
059E95930	PL 16.1
060E01140	PL 21.5
062K16910	PL 3.1
064K91451	PL 5.3
069E00430	PL 13.1
101K46433	PL 9.2
101K52400	PL 9.2
101K52490	PL 13.1
101K57541	PL 10.2
104E94220	PL 9.1
105E11980	PL 9.1
105E11982	PL 9.1
105E12080	PL 21.21
105E12170	PL 21.21
105E13100	PL 21.9
105E15120	PL 21.19
105E15140	PL 21.21
105E15190	PL 9.1
105E16270	PL 9.1
105E16280	PL 9.1
105K20452	PL 9.1
105K20463	PL 9.1

Table 1 Part Number Index

Part Number	Part List
105K21081	PL 21.12
105K22140	PL 9.1
110K10651	PL 2.8
110K10881	PL 16.1
110K11211	PL 10.2
110E11590	PL 21.7
110E11990	PL 21.4
110K12282	PL 21.24
110K12990	PL 15.1
110K12990	PL 16.1
110K12990	PL 2.1
110E94770	PL 10.1
110E97990	PL 10.1
110E97990	PL 21.3
113E20900	PL 21.24
113K82310	PL 9.3
116K90811	PL 6.1
117E16210	PL 9.2
117K31400	PL 9.2
120E11971	PL 2.12
120E18141	PL 15.3
120E18141	PL 15.5
120E18141	PL 2.4
120E18141	PL 15.7
120E18161	PL 2.10
120E18820	PL 15.10
120E20690	PL 21.26
120E24310	PL 21.8
121K22220	PL 2.6
121K23270	PL 1.2
121K24610	PL 21.26
121E25670	PL 13.1
121K31360	PL 21.22
121K34421	PL 21.25
121K34620	PL 21.7
121K34630	PL 21.8
121K35312	PL 21.27
121K35313	PL 21.27
121E92720	PL 21.21
121E92780	PL 2.13
121E92890	PL 21.10

Table 1 Part Number Index

Part Number	Part List
121E92890	PL 21.11
122K93331	PL 4.2
122K93341	PL 4.2
127K23230	PL 15.3
127K23230	PL 15.5
127K23230	PL 15.7
127K23230	PL 2.4
127K23230	PL 16.7
127K23230	PL 16.11
127K29244	PL 4.1
127K29332	PL 9.1
127K29341	PL 8.1
127K29513	PL 2.9
127K31841	PL 16.15
127K32731	PL 8.1
127K33930	PL 6.1
127K33940	PL 6.1
127K36021	PL 15.9
127K36021	PL 16.15
127K36641	PL 8.1
127K38050	PL 21.23
127K38881	PL 1.1
127K40051	PL 21.26
127K40281	PL 21.10
127K40281	PL 21.11
127K46170	PL 21.17
127K46170	PL 21.22
127K48210	PL 21.19
127K49040	PL 9.1
127K49440	PL 13.1
130K60851	PL 2.3
130K60866	PL 1.3
130K61511	PL 15.10
130K61511	PL 16.6
130K63000	PL 6.2
130K64300	PL 21.23
130E80100	PL 21.11
130E81600	PL 15.10
130E81600	PL 16.6
130E82190	PL 15.3
130E82190	PL 16.7

Table 1 Part Number Index

Part Number	Part List
130E82190	PL 2.12
130E82190	PL 2.4
130E82190	PL 2.3
130E82190	PL 2.9
130E82190	PL 2.10
130E82190	PL 16.11
130E82190	PL 15.7
130E82190	PL 15.5
130E84300	PL 2.9
130E87370	PL 21.10
130E87370	PL 21.11
130E87370	PL 21.21
130E87400	PL 16.5
130E87400	PL 2.6
130E87410	PL 21.18
130E87410	PL 21.21
130K87970	PL 21.25
130K88190	PL 21.10
130K88190	PL 21.11
130K88190	PL 21.9
130K88291	PL 21.25
130E88350	PL 21.25
130K88770	PL 21.15
130K88770	PL 21.4
130K88770	PL 21.5
130K88770	PL 21.6
130K88770	PL 21.8
130K88780	PL 21.17
130K88780	PL 21.26
130K88780	PL 21.25
130K88780	PL 21.7
130K88780	PL 21.8
130K88780	PL 21.19
130K88780	PL 21.18
130E91010	PL 4.1
133K27690	PL 13.1
146E01770	PL 21.4
152S05108	PL 9.2
160K88292	PL 9.1
160K91011	PL 16.5
160K97661	PL 9.2

Table 1 Part Number Index

Part Number	Part List
162K55110	PL 9.2
162K55941	PL 9.3
162K55971	PL 9.3
162K56000	PL 9.3
162K56031	PL 9.3
162K56590	PL 16.11
162K62111	PL 9.3
162K62811	PL 15.10
162K62811	PL 16.6
251W31178	PL 21.4
407W07516	PL 21.20
407W07516	PL 21.21
407W07717	PL 21.16
407W07731	PL 21.16
407W08727	PL 21.21
413W11660	PL 21.10
413W11660	PL 21.7
413W11660	PL 21.11
413W66150	PL 5.1
413W66250	PL 21.10
413W66250	PL 21.11
413W77559	PL 21.4
413W77559	PL 21.7
423W25554	PL 21.9
423W26754	PL 21.25
423W27854	PL 21.26
423W40054	PL 21.11
423W46754	PL 21.20
423W86254	PL 21.17
423W86454	PL 21.11
423W87054	PL 21.10
423W88254	PL 21.27
600K78460	PL 15.4
600K78460	PL 2.5
600K78460	PL 15.6
600K78460	PL 15.8
604K07062	PL 5.2
604K13840	PL 21.23
604K18740	PL 21.16
604K19991	PL 2.8
604K20891	PL 5.2

Table 1 Part Number Index

Part Number	Part List
604K22520	PL 6.2
604K22530	PL 6.2
604K22540	PL 6.2
604K22550	PL 6.2
604K25210	PL 21.25
801K16551	PL 21.15
801K16560	PL 21.15
801K16580	PL 21.15
801K16581	PL 21.16
801K18730	PL 21.16
802E12400	PL 10.2
802E12490	PL 10.3
802E12501	PL 10.3
802E12772	PL 2.10
802K12951	PL 5.2
802E14351	PL 10.3
802E16971	PL 8.1
802E23931	PL 15.11
802E23931	PL 16.16
802E23941	PL 15.11
802E23951	PL 15.11
802E23952	PL 16.16
802E23961	PL 16.16
802E23982	PL 16.4
802E23992	PL 16.3
802K25721	PL 15.10
802K25731	PL 16.13
802K27076	PL 2.9
802E27861	PL 10.3
802E33910	PL 10.3
802K46071	PL 10.2
802K47090	PL 4.1
802K50492	PL 15.11
802K50492	PL 16.16
802K56394	PL 2.3
802K59860	PL 10.1
802K59881	PL 10.2
802K60191	PL 6.2
802K62050	PL 10.1
802K63551	PL 6.1
802K63561	PL 6.1

Table 1 Part Number Index

Part Number	Part List
802K63571	PL 6.1
802K63581	PL 6.1
802K67130	PL 21.3
802K67140	PL 21.4
802K67961	PL 10.3
802E73871	PL 21.3
802K86530	PL 6.1
802K89430	PL 2.7
802K89970	PL 10.2
802K89981	PL 10.1
802K90000	PL 10.3
807E01750	PL 21.22
807E02040	PL 21.20
807E02050	PL 21.17
807E02060	PL 21.18
807E02070	PL 21.17
807E02080	PL 21.22
807E04000	PL 21.26
807E04010	PL 21.26
807E04700	PL 21.10
807E04700	PL 21.7
807E04710	PL 21.10
807E04720	PL 21.11
807E04740	PL 21.7
807E04750	PL 21.7
807E04760	PL 21.8
807E08600	PL 21.26
807E08980	PL 21.25
807E08990	PL 21.4
807E08990	PL 21.7
809E07520	PL 2.13
809E26070	PL 2.8
809E26330	PL 5.6
809E27640	PL 2.13
809E28961	PL 15.10
809E28961	PL 16.13
809E28980	PL 15.10
809E28980	PL 16.13
809E29620	PL 2.8
809E41570	PL 21.22
809E41620	PL 21.22

Table 1 Part Number Index

Part Number	Part List
809E56092	PL 21.27
809E56850	PL 21.4
809E56860	PL 21.4
809E56880	PL 21.7
809E59981	PL 21.20
809E59991	PL 21.20
830E57230	PL 10.1
892E82830	PL 2.1
892E82840	PL 15.1
892E82850	PL 15.1
892E82860	PL 15.1
908W01201	PL 9.2
960K01742	PL 15.9
960K01752	PL 16.15
960K02901	PL 9.2
960K03381	PL 15.9
960K04671	PL 21.12
960K04681	PL 21.12
960K04691	PL 21.12
960K06700	PL 9.2
960K06710	PL 9.2
960K15800	PL 9.1
960K16660	PL 2.6
960K22980	PL 13.1
960K34661	PL 13.1
962K08790	PL 9.2
962K18401	PL 21.18
962K18411	PL 21.21
962K18420	PL 21.22
962K18431	PL 21.22
962K18441	PL 21.22
962K20052	PL 9.2
962K27671	PL 21.8
962K29160	PL 21.12
962K29221	PL 21.15
962K36610	PL 21.12
962K37972	PL 9.3
962K37980	PL 9.3
962K37991	PL 9.3
962K41710	PL 10.2