

Phaser® 6700
Color Laser Printer



Phaser® 6700 Service Manual

Xerox Internal-Use Only



Phaser® 6700 Printer Service Manual

Warning

The following servicing instructions are for use by qualified service personnel only. To avoid personal injury, do not perform any servicing other than that contained in the operating instructions, unless you are qualified to do so.

Prepared By:

Xerox Corporation
Content Development and Language Services
26600 SW Parkway
Wilsonville, OR 97070

© 2011 by Xerox Corporation. All rights reserved.

XEROX® and XEROX and Design®, Phaser®, CentreWare®, PrintingScout®, Walk-Up®, WorkCentre®, FreeFlow®, SMARTsend®, Scan to PC Desktop®, ColorQube, Global Print Driver®, and Mobile Express Driver are trademarks of Xerox Corporation in the United States and/or other countries

Unpublished rights reserved under the copyright laws of the United States. Contents of this publication may not be reproduced in any form without permission of Xerox Corporation.

Copyright protection claimed includes all forms and matters of copyrightable materials and information now allowed by statutory or judicial law or hereinafter granted, including without limitation, material generated from the software programs which are displayed on the screen such as styles, templates, icons, screen displays, looks, etc.

Xerox technical training materials and service manuals are intended for use by authorized Xerox service technicians and service partners only and are not for resale. These materials may not be distributed, copied, or otherwise reproduced without prior written consent from Xerox Corporation.

Adobe Reader®, Adobe Type Manager®, ATM™, and PostScript® are trademarks of Adobe Systems Incorporated in the United States and/or other countries.

Apple®, AppleTalk®, Bonjour®, EtherTalk®, LaserWriter®, LocalTalk®, Macintosh®, Mac OS®, and TrueType® are trademarks of Apple Computer, Inc. in the United States and/or other countries.

HP-GL®, HP-UX®, and PCL® are trademarks of Hewlett-Packard Corporation in the United States and/or other countries.

Windows®, Vista™, and Windows Server™ are trademarks of Microsoft Corporation in the United States and/or other countries.

Novell®, NetWare®, NDPS®, NDS®, Novell Directory Services®, IPX™, and Novell Distributed Print Services™ are trademarks of Novell, Incorporated in the United States and/or other countries.

SunSM, Sun Microsystems™, and Solaris™ are trademarks of Sun Microsystems, Incorporated in the United States and/or other countries.

SWOP® is a trademark of SWOP, Inc.

UNIX® is a registered trademark in the US and other countries, licensed exclusively through X/Open Company Limited.

As an ENERGY STAR® partner, Xerox Corporation has determined that this product meets the ENERGY STAR guidelines for energy efficiency. The ENERGY STAR name and logo are registered U.S. marks.



PANTONE® Colors generated may not match PANTONE-identified standards. Consult current PANTONE Publications for accurate color. PANTONE® and other Pantone, Inc. trademarks are the property of Pantone, Inc. © Pantone, Inc., 2000.

Contents

About this Service Manual	xiii
Manual Organization	xiv
Symbols Marked on the Product	xv
Power Safety Precautions	xvi
Electrostatic Discharge (ESD) Precautions	xvii
Service Safety Summary	xviii
Regulatory	xx

1 General Information

Printer Overview	1-2
Technical Support Information	1-2
Printer Configurations	1-3
Parts of the Printer	1-4
Front and Side Views	1-4
Right Door View	1-5
Rear View	1-6
Control Panel	1-7
Control Panel Special Functions	1-8
Printer Options	1-8
Memory	1-8
Hard Disk	1-8
Duplex	1-9
Optional Feeders	1-9
Finisher	1-11
Printer Stand	1-11
Customer-Replaceable Maintenance Items	1-12
Consumables	1-13
Specifications	1-13
Electrical Specifications	1-13
Printer Specifications	1-14
Memory Specifications	1-15
First Print Output Time	1-15
Installation Clearances	1-16
Environmental Specifications	1-17
Reports, Information and Test Pages	1-18
External Interfaces	1-20
USB	1-20
Ethernet	1-20
Network Protocols	1-20
PDL/Emulation	1-21

2 Theory of Operation

Overview	2-2
Print Process Overview	2-3
Print Process Components	2-4
Charging	2-4
Exposure	2-5
Development	2-7
Primary Transfer	2-9
Cleaning	2-11
Secondary Transfer	2-12
Neutralization	2-13
Cleaning	2-14
Fusing	2-15
Waste Toner Collection	2-16
Sensors	2-17
Photo Sensors	2-18
Microswitches	2-18
Sensors in the Media Path	2-19
Media Handling	2-30
Printer Media Path Drive	2-30
Printer Media Path Components	2-31
Multipurpose Tray 1	2-32
Trays 2 ~ 6	2-32
Multiple Sheet Feed Prevention	2-33
Media Registration	2-34
Transfer/Fusing/Exit	2-36
Duplex Feed Single Sheet	2-37
Major Printer Components	2-39
Multipurpose Tray 1	2-40
Trays 2 ~ 6	2-41
Tray 2 Feeder	2-43
Process Control	2-44
Laser Unit	2-45
Toner Dispense	2-47
Imaging Units	2-49
Transfer Belt	2-50
Fuser	2-53
Exit	2-55
Duplex	2-56
Drive	2-57
Electrical	2-75
Print Quality Controls	2-79
Operating Modes	2-79
Laser Intensity Control	2-79
Image Process Control	2-79
Fuser Temperature Control	2-82
Optional Feeders	2-83
Trays	2-83
Electrical	2-84
Finisher Overview	2-87
Finisher Media Path	2-88
Media Path Components	2-89

Major Finisher Components	2-93
Horizontal Transport	2-93
Finisher Transport	2-94
Compile Tray	2-96
Stapler	2-99
Stacker Tray	2-101
Electrical	2-110

3 Error Messages and Codes

Introduction	3-2
Fault and Status Message Format	3-2
Viewing Fault and Status Messages at the Control Panel	3-2
Viewing Fault and Status Messages in CWIS	3-2
Printing the Fault History	3-3
Servicing Instructions	3-3
Messages, Codes, and Procedures	3-4
Error Messages Abbreviations	3-4
Fault and Status Summary	3-5
Troubleshooting Procedures	3-35
Tray 3 ~ 6 Right Side Door Open	3-35
Front Door Open	3-37
Right Side Door Open	3-38
XPC Failure	3-39
Tray 2 ~ 6 is Open	3-40
Laser Failure	3-42
Engine Motor Failure - K Developer Drive	3-44
Engine Motor Failure - CMY Developer Drive	3-46
Waste Cartridge is Full / Near Full	3-48
CMYK Toner is Low or Empty	3-49
CMYK Imaging Unit is Near/Past End of Life or Missing	3-51
Fuser Envelope Lever is Up/Down	3-53
Fuser is Past End of Life	3-54
Maintenance Kit is Near/Past End of Life	3-55
Invalid CMYK Imaging Unit	3-56
Transfer Belt is Missing	3-57
Transfer Roller is Missing	3-58
Ribbon in CMYK Imaging Unit	3-59
Invalid CMYK Toner Cartridge	3-60
Invalid Fuser	3-62
Engine Motor Failure - Fuser Drive Assy	3-63
Fuser is Missing or Misinstalled	3-64
Fuser Failure	3-65
Engine Fan Failure - Fuser Fan	3-67
Engine Fan Failure - LVPS Fan	3-68
Fuser Failure	3-69
Finisher Failure	3-70
Finisher Communication Failure	3-71
Finisher Failure - Stack Height Sensor 1	3-73
Finisher Failure - Stacker No Paper Sensor	3-75
Finisher Failure - Stacker Lower Limit	3-77
Finisher Failure - Front Tamper Home Position	3-79
Finisher Failure - Rear Tamper Home Position	3-81
Finisher Failure - Eject Clamp Home Position	3-83
Finisher Failure - Set Clamp Home Position	3-85
Finisher Failure - Stapler Home Position	3-87
Finisher Failure - NVM Read/Write Error	3-89

Staple Cartridge is Empty	3-91
Staple is Jammed.....	3-92
Unable to Staple	3-94
Jam at Finisher - Compile Exit Sensor Jam.....	3-96
Jam at Finisher - Compile No Paper Sensor Jam.....	3-98
Finisher Output Tray is Jammed	3-100
Finisher Front Door is Open.....	3-102
Paper Transport Cover is Open.....	3-103
Engine NVRAM Failure.....	3-104
Engine Firmware Failure	3-105
Printer Failure - Image Marking Time Out	3-106
Unrecognized Status.....	3-107
Engine Motor Failure - Transfer Belt Drive Assembly	3-108
Engine Motor Failure - Imaging Unit Drive Assembly.....	3-109
Transfer Belt Failure	3-110
Printer Failure	3-112
Feeder Communication Failure	3-114
Misfeed in Tray 1	3-116
Tray 1 is Empty.....	3-118
Engine Motor Failure - Feed Drive Assembly	3-119
Misfeed in Tray 2	3-120
Optional Feeder Configuration Failure	3-122
Tray 2 ~ 6 is Empty	3-124
Optional Feeder Failure	3-126
Misfeed in Tray 3 ~ 6	3-128
Optional Feeder Failure - Feed Drive Motor.....	3-131
Jam at Right Side Door.....	3-133
Jam at Fuser	3-136
Jam at Tray 3 ~ 6 Right Side Door	3-138
Engine Sensor Failure - Mode Switching Sensors	3-141
Imaging Unit Failure.....	3-143
Printer Failure - HVPS Failure	3-145
Density Sensor Failure - ADC Sensor	3-146
Dusty Density Sensor	3-148
Engine Sensor Failure - Environmental Sensor	3-149
Imaging Unit Failure.....	3-151
CMYK Toner Failure.....	3-153

4 General Troubleshooting

Introduction	4-2
Initial Actions	4-2
Display Problems	4-2
Printing Problems.....	4-3
System Startup	4-4
Power On Self Test (POST)	4-5
Service Diagnostics	4-6
Entering Service Diagnostics.....	4-7
Exiting Service Diagnostics	4-8

Service Diagnostics Tests and Utilities	4-9
dc104 Usage Counters	4-9
dc108 Software Version	4-9
dc122 Fault History	4-9
dc131 NVM Access	4-10
dc135 CRU/HFSI	4-10
dc137 Page Pack	4-10
dc140 Analog Monitor	4-11
dc301 NVM Initialization	4-11
dc330 Component Control	4-12
dc361 NVM Save and Restore	4-19
dc612 Test Patterns	4-20
dc701 Fuser Temp Setup	4-20
dc711 Roller Test	4-20
dc741 Paper Size Switch	4-21
dc909 Calibrate for Paper	4-21
dc960 High Altitude	4-21
Print Engine Test Procedures	4-22
Exit Sensor	4-22
Envelope Mode Detection Sensor	4-23
Front Door Interlock Switch	4-24
Right Door Interlock Switch	4-25
Registration Sensor	4-26
Full Stack Sensor	4-27
Tray 1 No Paper Sensor	4-28
Tray 2 No Paper Sensor	4-29
Tray 2 Low Paper Sensors 1 and 2	4-30
Tray 2 Size Switch	4-31
Black Switching Sensor	4-32
Color Switching Sensor	4-33
Waste Toner Full Sensor	4-34
Fuser Drive Assembly	4-35
Fuser Fan	4-36
LVPS Fan	4-37
Feed Drive Assembly	4-38
Duplex Dive Clutch	4-39
Registration Clutch	4-40
Tray 1 Feed Solenoid	4-41
Tray 2 Feed Clutch	4-42
Tray 2 Take Away Clutch	4-43
Exit Clutch	4-44
Exit Inverter Clutch	4-45
Exit Inverter Solenoid	4-46
Imaging Unit Link Drive	4-47
Color Mode Switching Clutch	4-48
Erase LED Assemblies	4-49
Developer Drive Assemblies	4-50
Toner Dispense Assembly	4-51
Transfer Belt Drive Assembly	4-52

Optional Feeder Test Procedures	4-53
Tray 3 ~ 6 Take Away Sensor	4-53
Tray 3 ~ 6 No Paper Sensor	4-54
Tray 3 ~ 6 Size Switch	4-55
Tray 3 ~ 6 Low Paper Sensors 1 and 2	4-56
Tray 3 ~ 6 Right Side Door Switch	4-57
Tray 3 ~ 6 Feed Drive Assembly	4-58
Tray 3 ~ 6 Take Away Clutch	4-59
Tray 3 ~ 6 Feed Clutch	4-60
Finisher Test Procedures	4-61
Compile Tray Exit Sensor	4-61
Compile Tray No Paper Sensor	4-62
Front and Rear Tamper Home Sensor	4-63
Low Staple, Self Priming, and Staple Home Sensors	4-64
Eject Clamp Home Sensor	4-65
Set Clamp Home Sensor	4-66
Stacker No Paper Sensor	4-67
Stack Height Sensors	4-68
Finisher Front Door Interlock Switch	4-69
Horizontal Transport Open Switch	4-70
Sub Paddle Solenoid	4-71
Tamper Motors	4-72
Horizontal Transport Drive Assembly	4-73
Staple Motor	4-74
Set Clamp Clutch	4-75
Eject Motor	4-75
Stacker Drive Assembly	4-76
Control Panel Troubleshooting	4-77
No Display after Power is Turned On	4-77
Printer Hangs at the Xerox Logo, or Continuously Reboots	4-77
Ready LED is On, Display is Blank	4-77
Control Panel has Failed	4-78
Intermittent Problems	4-79
Inoperable Printer Troubleshooting	4-80
AC Power Supply Troubleshooting	4-80
DC Power Supply Troubleshooting	4-81
+24 VDC Interlock Switches	4-83
Image Processor Board	4-84
Printer Continually Displays Warming Up	4-85
Abnormal Noises	4-86
Abnormal Noise When Power is Turned On	4-86
Abnormal Noise During Standby	4-86
Abnormal Noise During Printing	4-86
Loud Clicking During Printing	4-86
Electrical Noise	4-87
Operating System and Application Problems	4-88
Windows 2000, Windows XP, Windows Server Troubleshooting	4-88
Verify Network Settings	4-88
Verify Driver Installation	4-88
Macintosh Troubleshooting	4-89

5 Print-Quality Troubleshooting

Print-Quality Overview	5-2
Defects Associated with Specific Printer Components	5-2
Checklist Before Troubleshooting Print-Quality	5-3
Check Printer Condition	5-3
Troubleshooting Print Quality Tutorial	5-4
Symptom Checklist	5-5
Print-Quality Troubleshooting	5-9
Print-Quality Defect Definitions	5-9
Light or Undertone Print	5-10
Blank Print	5-12
Black Print	5-14
Vertical Blank Lines	5-15
Horizontal Band, Voids, or Streaks	5-16
Vertical Stripes	5-17
Horizontal Stripes	5-18
Partial Band	5-19
Random Spots	5-20
Repeating Bands, Lines, Marks, or Spots	5-21
Residual Image or Ghosting	5-23
Background Contamination	5-24
Skew	5-25
Damaged Media	5-27
Unfused Image	5-29
Color Registration	5-30
Test Prints	5-31
Fault Isolation	5-31
Engine Test Print	5-31
CMYK Sample Test Print	5-32
Cyan 50 % Test Print	5-32
Magenta 50 % Test Print	5-33
Yellow 50 % Test Print	5-33
Black 50 % Test Print	5-34
RGB Test Print	5-34
Fuser Cleaning Test Print	5-35
Repeating Defects Test Print	5-35
Test Patterns Test Print	5-36
Image Specifications	5-37
Print Area	5-37

6 Adjustments and Calibrations

Adjustments	6-2
Color Adjustments	6-2
Image Position	6-3
NVRAM Utilities	6-4
Reset NVRAM	6-4
Reset Control Panel Touch Screen	6-4
Maintenance Kit Life Count Reset	6-4
Network Reset	6-4

Service Diagnostic NVRAM Utilities	6-5
dc131 - NVM Read/Write	6-5
dc301 - NVM Initialization	6-5
dc361 - NVM Save and Restore	6-6
dc701 Fuser Temperature Setup	6-7
dc909 Calibrate for Paper	6-7
dc960 High Altitude	6-7
Calibrations	6-8
Control Panel Calibration and Testing	6-8
Parameter Shadowing	6-9

7 Cleaning and Maintenance

Service Maintenance Procedure	7-2
Recommended Tools	7-2
Cleaning	7-2
Cleaning the Control Panel	7-3
Cleaning the ADC Sensors	7-3
Cleaning the Laser Lenses	7-4
Maintenance	7-5
RIP (Repair, Inspect, and Prevent) Procedure	7-5
Maintenance Kit - 604K73140	7-5
Moving the Printer	7-5

8 Service Parts Disassembly

Overview	8-2
Standard Orientation of the Printer	8-2
Preparation	8-2
Notations in the Disassembly Text	8-4
Fastener Types	8-5
Maintenance and Consumables	8-6
Tray Feed and Separator Roller Kit	8-6
Tray 1 Separator Roller	8-8
Feed Roller	8-9
Transfer Roller	8-11
Transfer Belt	8-12
Imaging Units	8-14
Waste Toner Cartridge	8-16
Fuser	8-17
Toner Cartridges	8-18
Staple Cartridge	8-18
Print Engine Covers	8-19
Top Cover	8-19
Output Tray	8-21
Exit Cover	8-22
Lower Right Cover	8-23
Upper Front Cover	8-24
Upper Inner Front Cover	8-25
Front Door	8-26
Lower Inner Front Cover	8-27
Left Cover	8-28
Rear Cover	8-31
Tray Bottom Plate Release Block	8-32
Tray 1 Separator Roller Assembly	8-33

Feeder / Registration Assembly	8-34
Feed Clutch	8-34
Tray 2 No Paper Actuator	8-35
Tray 2 No Paper Sensor	8-36
Take Away Clutch	8-37
Registration Clutch	8-38
Registration Sensor	8-39
Registration Sensor Actuator	8-40
Feeder/Registration Assembly	8-41
Right Door	8-43
Right Door Stopper Strap	8-43
Right Door Interlock Actuator	8-44
Tray 1 Cover Assembly	8-45
Right Door Assembly	8-46
Registration Chute	8-49
Tray 1 Chute Assembly	8-50
Tray 1 No Paper Sensor	8-51
Tray 1 No Paper Sensor Actuator	8-52
Tray 1 Feed Solenoid, Gear & Clutch	8-55
Lower Duplex Roller	8-58
Upper Duplex Roller	8-60
Duplex Handle	8-62
Print Engine Electrical	8-63
Control Panel	8-63
Control Panel Harness	8-64
Front Door Interlock Switch	8-65
Front Door Open Switch	8-68
Size Switch	8-69
Low Paper Sensors 1 and 2	8-70
Fuser Fan	8-71
Right Door Interlock Switch	8-72
Right Door Harness	8-78
Erase Lamp	8-82
Bias Housing Assembly	8-84
HVPS	8-86
Imaging Unit CRUM Connector	8-88
Transfer Belt Bias Assembly	8-90
Laser Unit	8-93
Procon Assembly	8-95
ADC Sensors	8-98
Waste Toner Full Sensor	8-100
Environmental Sensor	8-101
Dispense Assemblies	8-103
Toner Dispense Assembly	8-105
Toner Cartridge CRUM Reader Board	8-108
Waste Auger	8-110
Exit Dive Assembly	8-113
Fuser Harness	8-115
Exit Roller	8-119
Full Stack Sensor	8-120
Envelope Mode Detection Sensor	8-121
Full Stack Actuator	8-122
Exit Chute Assembly	8-123
Inverter Chute Assembly	8-125
Exit Inverter Solenoid	8-126
Imaging Unit Guides	8-128
Inner Frame Assembly	8-129

Fuser Drive Assembly	8-130
Transfer Belt Drive Assembly	8-135
Feed Drive Assembly	8-140
Black Switching Sensor Assembly	8-145
Color Switching Sensor Assembly	8-149
IP Board	8-150
MCU Board	8-152
LVPS Fan	8-153
Power Panel	8-154
EEPROM Board	8-155
Video Harness	8-156
Rear Cover Interlock Switch	8-161
Print Engine Drive	8-167
YMC Developer Drive Assembly	8-167
K Developer Drive Assembly	8-171
Imaging Unit Link Drive Kit	8-175
Drive Gear Kit	8-178
Print Engine Chassis	8-179
IP Cage	8-179
LVPS Cage	8-182
MCU Bracket	8-184
Hard Drive	8-187
RAM Memory	8-187
550-Sheet Feeder	8-188
550-Sheet Feeder Assembly	8-188
Rear Cover	8-190
Feed Chute Assembly	8-192
Right Door Open Switch	8-193
Turn Chute	8-194
Low Paper Sensors 1 and 2	8-195
Size Switch	8-196
Foot Assembly	8-197
Upper Option Harness	8-198
Feed Drive Assembly	8-199
Feeder Board	8-200
Lower Option Harness	8-201
Take Away Sensor	8-202
Take Away Clutch	8-203
Feed Clutch	8-205
No Paper Sensor Actuator	8-207
No Paper Sensor	8-208
Feeder Assembly	8-209

1100-Sheet Feeder	8-211
1100-Sheet Feeder Assembly	8-211
Lower Rear Cover	8-213
Lower Right Cover	8-214
Lower Front Cover	8-215
Lower Left Cover	8-216
Front and Rear Casters	8-217
Feet	8-218
Upper Feeder Section	8-219
Rear Cover	8-220
Upper Feed Chute Assembly	8-221
Right Door	8-223
Right Cover	8-225
Front Cover	8-226
Left Cover	8-227
1100-Sheet Feeder Board	8-228
Finisher	8-229
Finisher	8-229
Stacker Tray	8-232
Horizontal Transport	8-233
Horizontal Transport Top Cover	8-235
Horizontal Transport Drive Assembly	8-236
Horizontal Transport Cover Open Sensor	8-238
Top Cover	8-239
Rear Cover	8-240
Right Cover	8-241
Stacker Tray Guide Cover	8-242
Front Door	8-244
Harness Guide 1	8-245
Stack Height Sensors 1 and 2	8-247
Set Clamp Home Sensor	8-248
Eject Clamp Home Sensor	8-249
Height Sensor Bracket	8-251
Main Board	8-253
Eject Drive Assembly	8-254
Eject Drive Bracket Assembly	8-255
Set Clamp Clutch	8-257
Paper Guide 240	8-258
Eject Roller Assembly	8-261
Sub Paddle	8-262
Eject Pinch Roller	8-263
Sub Paddle Solenoid	8-265
Eject Chute Assembly	8-267
Lower Chute Assembly	8-269
Compile Tray Exit Sensor	8-271
Entry Drive Roller Assembly	8-272
Exit Drive Roller Assembly	8-273
Main Paddle Shaft Assembly	8-274
Transport Drive Assembly	8-275
Compile Tray Assembly	8-277
Front Tamper Home Sensor	8-280
Rear Tamper Home Sensor	8-281
Compile Tray No Paper Sensor	8-282

Tamper Motor.....	8-283
Stapler Assembly.....	8-284
Stacker Dive Assembly.....	8-285
Stacker No Paper Sensor.....	8-287
Front Door Interlock Switch.....	8-288
LVPS Assembly.....	8-289

9 Parts List

Serial Number Format.....	9-2
Using the Parts List.....	9-3
Print Engine Parts.....	9-4
Parts List 1.1 Covers (1/3).....	9-4
Parts List 1.2 Print Engine Covers (2/3).....	9-6
Parts List 1.3 Print Engine Covers (3/3).....	9-8
Parts List 2.1 Tray 2.....	9-10
Parts List 3.1 Feeder/Registration Assembly (1/3).....	9-12
Parts List 3.2 Feeder/Registration Assembly (2/3).....	9-14
Parts List 3.3 Feeder/Registration Assembly (3/3).....	9-16
Parts List 4.1 Right Door and Frame Assembly.....	9-18
Parts List 4.2 Tray 1 Feed.....	9-20
Parts List 4.3 Duplex.....	9-22
Parts List 4.4 Transfer Roller.....	9-24
Parts List 5.1 Xerographics.....	9-26
Parts List 5.2 Laser Unit.....	9-28
Parts List 5.3 Procon Assembly.....	9-30
Parts List 6.1 Toner Dispense and Recovery.....	9-32
Parts List 7.1 Fuser and Exit.....	9-34
Parts List 7.2 Exit.....	9-36
Parts List 7.3 Invert Chute.....	9-38
Parts List 8.1 Frame (1/2).....	9-40
Parts List 8.2 Frame Clamps and Guides (2/2).....	9-42
Parts List 9.1 Drive (1/2).....	9-44
Parts List 9.2 Drive (2/2).....	9-46
Parts List 10.1 Electrical (1/2).....	9-48
Parts List 10.2 Electrical (2/2).....	9-50
Parts List 11.1 Harness (1/2).....	9-52
Parts List 11.2 Harness (2/2).....	9-54
Feeder Parts Lists.....	9-56
Parts List 12.1 550-Sheet Feeder.....	9-56
Parts List 12.2 Media Detect.....	9-58
Parts List 12.3 Electrical.....	9-60
Parts List 12.4 Feeder.....	9-62
Parts List 12.5 Universal Tray.....	9-64
Parts List 13.1 1100-Sheet Feeder.....	9-66
Parts List 13.2 Covers.....	9-68
Parts List 13.3 Media Detect.....	9-70
Parts List 13.4 Electrical.....	9-72
Parts List 13.5 Feeder.....	9-74
Parts List 13.6 Universal Tray.....	9-76

Finisher Parts	9-78
Parts List 14.1 Finisher	9-78
Parts List 14.2 Horizontal Transport	9-80
Parts List 14.3 Covers	9-82
Parts List 14.4 Main Board	9-84
Parts List 14.5 Eject	9-86
Parts List 14.6 Eject Chute	9-88
Parts List 14.7 Finisher Transport	9-90
Parts List 14.8 Compile Tray	9-92
Parts List 14.9 Stacker	9-94
Parts List 14.10 Finisher LVPS	9-96
Parts List 14.11 Finisher Harnesses	9-98
Xerox Supplies and Accessories	9-100
Service Kits	9-102
World Kits	9-103

10 Wiring

Printer Plug/Jack Designations	10-2
Printer Plug/Jack Locator Diagrams	10-5
Map 1 - CRU Detection	10-5
Map 2 - Fuser and Feeder	10-6
Map 3 - Right Door	10-7
Map 4 - LVPS and IP Board	10-8
Map 5 - MCU Board and Laser Unit	10-9
Map 6 - Drive	10-10
Feeder Plug/Jack Designators	10-11
550-Sheet Feeder Plug/Jack Designators	10-11
1100-Sheet Feeder Plug/Jack Designators	10-12
Feeder Plug/Jack Locator Diagrams	10-13
Map 7 - 550-Sheet Feeder	10-13
Map 8 - 1100-Sheet Feeder	10-14
Finisher Plug/Jack Designators	10-15
Finisher Plug/Jack Locator Diagrams	10-16
Map 9 - Horizontal Transport	10-16
Map 10 - Compile Tray	10-17
Map 11 - Drive and Main Board	10-18
Wiring Diagrams	10-19
Notations Used in the Wiring Diagrams	10-19
Printer Wiring	10-21
System Connections 1/2	10-21
System Connections 2/2	10-22
Printer Wire Route List	10-23
LVPS	10-25
LVPS Signals	10-26
Tray 1 and 2 Feeder	10-27
Tray 1 and 2 Feeder Signals	10-28
Drive	10-29
Drive Signals	10-30
Laser Unit	10-31
Laser Unit Signals	10-32
Xerographic	10-33
Xerographic Signals	10-34
HVPS	10-35
HVPS Signals	10-36
Dispense and Development	10-37
Dispense and Development Signals	10-38

Fuser and Exit	10-39
Fuser and Exit Signals	10-40
IP Board and Control Panel	10-41
IP Board and Control Panel Signals	10-42
Feeder Wiring	10-43
Feeder Wire Route List	10-43
Feeder Board	10-44
Feeder Interconnection	10-45
Feeder Signals	10-46
Finisher Wiring	10-47
Finisher Connections	10-47
Finisher Wire Route List	10-48
Communication and Power	10-49
Communication and Power Signals	10-50
Transport and Compile Tray	10-51
Transport and Compile Tray Signals	10-52
Stacker	10-53
Stacker Signals	10-54
Stapler	10-55
Stapler Signals	10-55

Reference

Media Guidelines	A-2
Paper Characteristics	A-2
Recommended Paper	A-3
Unacceptable Paper	A-3
Firmware Update	A-4
Cloning Printer Configuration with CWIS	A-4
Firmware Update Using CWIS	A-4
Firmware Restore Using AltBoot	A-5
Service Diagnostics Summary	A-6
NVM Parametric Values	A-9
Obtaining Serial Back Channel Traces	A-13
Mode Select Port	A-14
CRU End of Life Behavior	A-15
Acronyms and Abbreviations	A-16

Index

About this Service Manual

The Phaser 6700 Printer Service Manual is the primary document used for repairing, maintaining, and troubleshooting the printer. Use this manual as your primary resource for understanding the operational characteristics of the printer and all available options. This manual describes specifications, theory, and the diagnosis and repair of problems occurring in the printer and attached options. Also included are detailed replacement procedures, parts lists, and wiring diagrams.

Manual Terms

Various terms are used throughout this manual to either provide additional information on a specific topic or to warn of possible danger present during a procedure or action. Be aware of all symbols and terms when they are used, and always read Note, Caution, and Warning statements.

Warning

A warning indicates an operating or maintenance procedure, practice or condition that, if not strictly observed, results in injury or loss of life.

Caution

A caution indicates an operating or maintenance procedure, practice or condition that, if not strictly observed, results in damage to, or destruction of, equipment.

Replacement Note

A replacement note provides important information related to parts replacement. When needed, replacement notes appear at the end of the disassembly procedure.

Note

A note indicates an operating or maintenance procedure, practice or condition that is necessary to efficiently accomplish a task. A note can provide additional information related to a specific subject or add a comment on the results achieved through a previous action.

Manual Organization

The Phaser 6700 Printer Service Manual contains these sections:

Introductory, Safety, and Regulatory Information: This section contains important safety information and regulatory requirements.

Chapter 1 - General Information: This section contains an overview of the printer's operation, configuration, specifications, and consumables.

Chapter 2 - Theory of Operation: This section contains detailed functional information on the print engine components.

Chapter 3 - Error Codes and Messages: This section provides detailed troubleshooting procedures for error messages and codes generated by resident diagnostics.

Chapter 4 - General Troubleshooting: Troubleshooting covers the operation of Power On Self Test (POST) and Service Diagnostics. In addition, this section includes troubleshooting methods for situations where error indicator is not available.

Chapter 5 - Print-Quality Troubleshooting: This section focuses on techniques to correct image quality problems associated with the printer output.

Chapter 6 - Adjustments and Calibrations: This section provides procedures for the adjustment of print engine components.

Chapter 7 - Cleaning and Maintenance: This section provides periodic cleaning procedures for the printer.

Chapter 8 - Service Parts Disassembly: This section contains removal procedures for spare parts listed in the Parts List. A replacement procedure is included when necessary.

Chapter 9 - Parts List: This section contains exploded views of the print engine and optional Field Replaceable Units (FRUs), as well as part numbers for orderable parts.

Chapter 10 - Wiring: This section contains the plug/jack locations and wiring diagrams for the printer.

Reference: This section provides illustrations of part removal sequences, printer firmware update instructions, and a list of acronyms and abbreviations.

Symbols Marked on the Product



Danger invisible laser radiation when open. Avoid direct exposure to beam.



Hot surface on or in the printer. Use caution to avoid personal injury.



Use caution (or draws attention to a particular component). Refer to the manual(s) for information.



It may take 30 minutes for the Fuser to cool down.



Do not touch the item.



Do not expose the item to sunlight.



Do not expose the item to light.

Product Terms

Caution: A personal injury hazard exists that may not be apparent. For example, a panel may cover the hazardous area.

Danger: A personal injury hazard exists in the area where you see the sign.

Power Safety Precautions

Power Source

For 115 VAC printers, do not apply more than 127 volts RMS between the supply conductors or between either supply conductor and ground. For 230 VAC printers, do not apply more than 254 volts RMS between the supply conductors or between either supply conductor and ground. Use only the specified power cord and connector. This manual assumes that the reader is a qualified service technician.

Plug the three-wire power cord (with grounding prong) into a grounded AC outlet only. If necessary, contact a licensed electrician to install a properly grounded outlet. If the product loses its ground connection, contact with conductive parts may cause an electrical shock. A protective ground connection by way of the grounding conductor in the power cord is essential for safe operation.

Disconnecting Power

Warning

Turning the power Off using the power switch does not completely de-energize the printer. You must also disconnect the Power Cord from the printer's Alternating Current (AC) inlet. Disconnect the Power Cord by pulling the plug, not the cord.

Disconnect the Power Cord in the following cases:

- if the power cord or plug is frayed or otherwise damaged,
- if any liquid or foreign material is spilled into the product,
- if the printer is exposed to any excess moisture,
- if the printer is dropped or damaged,
- if you suspect that the product needs servicing or repair,
- whenever you clean the product.

Electrostatic Discharge (ESD) Precautions

Some semiconductor components, and the respective sub-assemblies that contain them, are vulnerable to damage by Electrostatic Discharge (ESD). These components include Integrated Circuits (ICs), Large-Scale Integrated circuits (LSIs), field-effect transistors, and other semiconductor chip components. The following techniques will reduce the occurrence of component damage caused by static electricity.

Be sure the power is Off and observe these other safety precautions.

- Immediately before handling any semiconductor component assemblies, drain the electrostatic charge from your body. This can be accomplished by touching an earth ground source or by wearing a wrist strap device connected to an earth ground source. Wearing a wrist strap will also prevent accumulation of additional bodily static charges. Be sure to remove the wrist strap before applying power to the unit under test to avoid potential shock.
- After removing a static sensitive assembly from its anti-static bag, place it on a grounded conductive surface. If the anti-static bag is conductive, you may ground the bag and use it as a conductive surface.
- Do not use freon-propelled chemicals. These can generate electrical charges sufficient to damage some devices.
- Do not remove a replacement component or electrical sub-assembly from its protective package until you are ready to install it.
- Immediately before removing the protective material from the leads of a replacement device, touch the protective material to the chassis or circuit assembly into which the device will be installed.
- Minimize body motions when handling unpacked replacement devices. Motion such as your clothes brushing together, or lifting a foot from a carpeted floor can generate enough static electricity to damage an electrostatically sensitive device.
- Handle ICs and Erasable Programmable Read-Only Memories (EPROM's) carefully to avoid bending pins.
- Pay attention to the direction of parts when mounting or inserting them on Circuit Boards.

Service Safety Summary

General Guidelines

For qualified service personnel only: Refer also to the preceding “Power Safety Precautions” on page xvi.

Avoid servicing alone: Do not perform internal service or adjustment of this product unless another person capable of rendering first aid or resuscitation is present.

Use care when servicing with power: Dangerous voltages may exist at several points in this product. To avoid personal injury, do not touch exposed connections and components while power is On. Disconnect power before removing the power supply shield or replacing components.

Do not wear jewelry: Remove jewelry prior to servicing. Rings, necklaces and other metallic objects could come into contact with dangerous voltages and currents.

Warning Labels

Read and obey all posted warning labels. Throughout the printer, warning labels are displayed on potentially dangerous components. As you service the printer, check to make certain that all warning labels remain in place.

Safety Interlocks

Make sure all covers are in place and all Interlock Switches are functioning correctly after you have completed a printer service call. If you bypass an Interlock Switch during a service call, use extreme caution when working on or around the printer.

Class 1 Laser Product

The Phaser 6700 Printer is certified to comply with Laser Product Performance Standards set by the U.S. Department of Health and Human Services as a Class 1 Laser Product. This means that this product does not emit hazardous laser radiation; which is possible only because the laser beam is totally enclosed during all modes of customer operation. When servicing the printer or laser unit, follow the procedures specified in this manual and there will be no hazards from the laser.

Servicing Electrical Components

Before starting any service procedure, switch the printer power Off and unplug the power cord from the wall outlet. If you must service the printer with power applied, be aware of the potential for electrical shock.

Warning

Do not touch any electrical component unless you are instructed to do so by a service procedure.

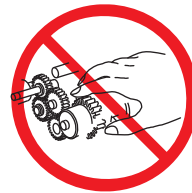


Servicing Mechanical Components

When servicing mechanical components within the printer, manually rotate the Drive Assemblies, Rollers, and Gears.

Warning

Do not try to manually rotate or manually stop the drive assemblies while any motor is running.



Servicing Fuser Components

Warning

This printer uses heat to fuse the image to the media. During operating, the Fuser is very hot. Allow at least 5 minutes for the Fuser to cool before you attempt to service the Fuser or adjacent components.

Regulatory

Xerox has tested this product to electromagnetic emission and immunity standards. These standards are designed to mitigate interference caused or received by this product in a typical office environment.

United States (FCC Regulations)

This equipment has been tested and found to comply with the limits for a Class A digital device, pursuant to Part 15 of the Federal Communications Commission (FCC) Rules. These limits are designed to provide reasonable protection against harmful interference in a residential installation. This equipment generates, uses, and can radiate radio frequency energy. If it is not installed and used in accordance with these instructions, it may cause harmful interference to radio communications. However, there is no guarantee that interference will not occur in a particular installation. If this equipment does cause harmful interference to radio or television reception, which can be determined by turning the equipment Off and On, the user is encouraged to try to correct the interference by one or more of the following measures:

- Reorient or relocate the receiver (device being interfered with).
- Increase the separation between the printer and the receiver.
- Connect the equipment into an outlet on a circuit different from that which the receiver is connected.
- Consult the dealer or an experienced radio/television technician for help.

Any changes or modifications not expressly approved by Xerox could void the user's authority to operate the equipment. To ensure compliance with Part 15 of the FCC rules, use shielded interface cables.

Canada (Regulations)

This Class A digital apparatus complies with Canadian ICES-003.

Cet appareil numérique de la classe A est conforme à la norme NMB-003 du Canada.

European Union

The CE mark applied to this product symbolizes Xerox's declaration of conformity with the following applicable Directives of the European Union as of the dates indicated:



December 12, 2006: Low Voltage Directive 2006/95/EC

December 15, 2004: Electromagnetic Compatibility Directive 2004/108/EC

March 9, 1999: Electromagnetic Compatibility Directive 99/5/EC

This product, if used properly in accordance with the user's instructions, is neither dangerous for the consumer nor for the environment.

To ensure compliance with European Union regulations, use shielded interface cables.

A signed copy of the Declaration of Conformity for this product can be obtained from Xerox.

General Information

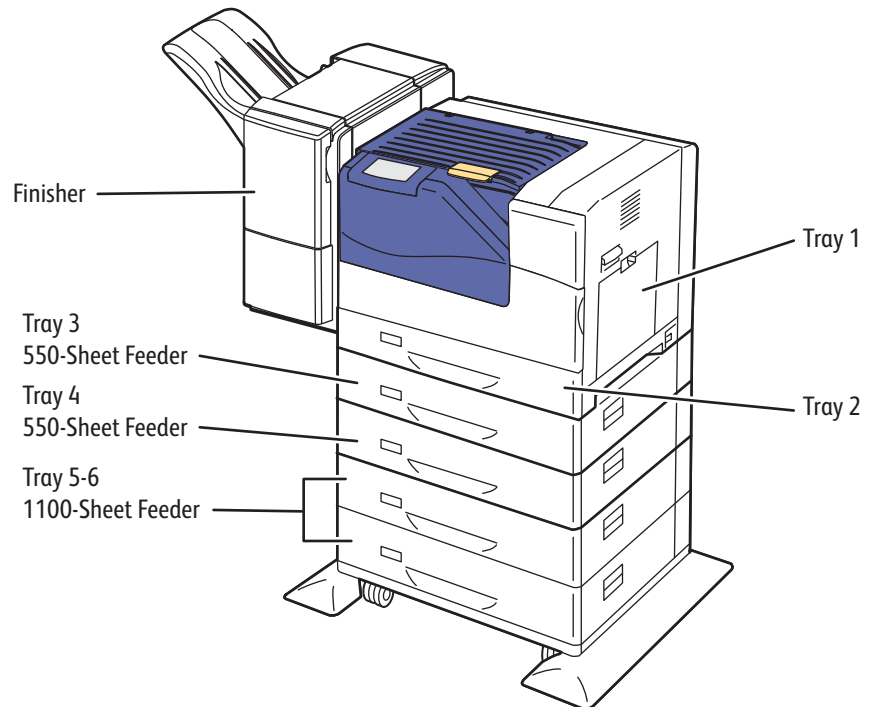
In the chapter....

- Printer Overview
- Printer Configurations
- Parts of the Printer
- Printer Options
- Customer-Replaceable Maintenance Items
- Specifications
- External Interfaces

Chapter 1

Printer Overview

The Phaser 6700 base configuration (N) combines a single-pass, color laser print engine with a multi-purpose, 150-sheet Tray 1 and 550-sheet Tray 2. Tray 2 is not interchangeable with optional Trays 3~6. The Output Tray holds 500 sheets facedown. The N configuration is simplex-only. Options to the Phaser 6700 add media capacity and functionality. For models not originally equipped, an optional 160 GB Hard Drive is available. Additional optional feeders (Trays 3, ~6) when installed, add a maximum of four 550-sheet universal media trays. This raises the maximum input media capacity to 2,900 sheets. On the output side, a 1000-sheet Finisher is available.



s6700-180

Note

Print the Paper Tips page from the Paper Tray Status screen accessed by touching the Printer on the Home screen for a list of supported media sizes and weights for each Tray.

Technical Support Information

The Xerox Service Manual is the primary document used for repairing, maintaining, and troubleshooting the printer.

To ensure complete understanding of this product, participation in Xerox Service Training is strongly recommended. To service this product, Xerox certification for this product is required.

For updates to the Service Manual, Service Bulletins, knowledge base, etc., go to:

- Xerox Global Service Net -<https://www.xrxgsn.com/secure/main.p>
- Service Partners: <http://www.office.xerox.com/partners>

For further technical support, contact your assigned Xerox Technical Support for this product.

Printer Configurations

The printer is available in these configurations

Printer Configuration

Features	6700N	6700DN	6700DT	6700DX
Processor Speed	1.25 GHz	1.25 GHz	1.25 GHz	1.25 GHz
Memory Configuration ^a	1 GB	1 GB	1 GB	1 GB
Print Speed (Color / Mono) Simplex				
Plain Paper (Letter/A4)	47/45	47/45	47/45	47/45
Heavy Paper (Letter/A4)	23.5/22.5	23.5/22.5	23.5/22.5	23.5/22.5
Glossy Paper (Letter/A4)	15.6/15	15.6/15	15.6/15	15.6/15
Transparency Mode (A4)	8/8	8/8	8/8	8/8
Print Speed (Color / Mono) Duplex				
Plain Paper (Letter/A4)	37.6/36	37.6/36	37.6/36	37.6/36
Heavy Paper (Letter/A4)	18.8/18	18.8/18	18.8/18	18.8/18
Resolutions (dpi)				
PCL	600 x 600	600 x 600	600 x 600	600 x 600
Standard	1200 x 600	1200 x 600	1200 x 600	1200 x 600
Photo	2400 x 1200	2400 x 1200	2400 x 1200	2400 x 1200
PostScript and PCL6 Fonts	Standard	Standard	Standard	Standard
USB 2.0 Support	Standard	Standard	Standard	Standard
Ethernet Interface	10/100/ 1000 Base-TX	10/100/ 1000 Base- TX	10/100/ 1000 Base- TX	10/100/ 1000 Base- TX
Hard Disk	Optional	Optional	Optional	Standard
Tray 1 (150 Sheets)	Standard	Standard	Standard	Standard
Tray 2 ^b (550 Sheets)	Standard	Standard	Standard	Standard
550-Sheet Feeder ^c	Optional	Optional	1 x 550	2 x 550
1100-Sheet Feeder	Optional	Optional	Optional	Optional
Finisher	Optional	Optional	Optional	Optional
Duplex ^d	Not Available	Standard	Standard	Standard
Wireless LAN	Optional	Optional	Optional	Optional
Printer Stand	Optional	Optional	Optional	Optional

a. Printer has one memory slot supporting 1024 MB or 2048 MB DDR2 DIMM.

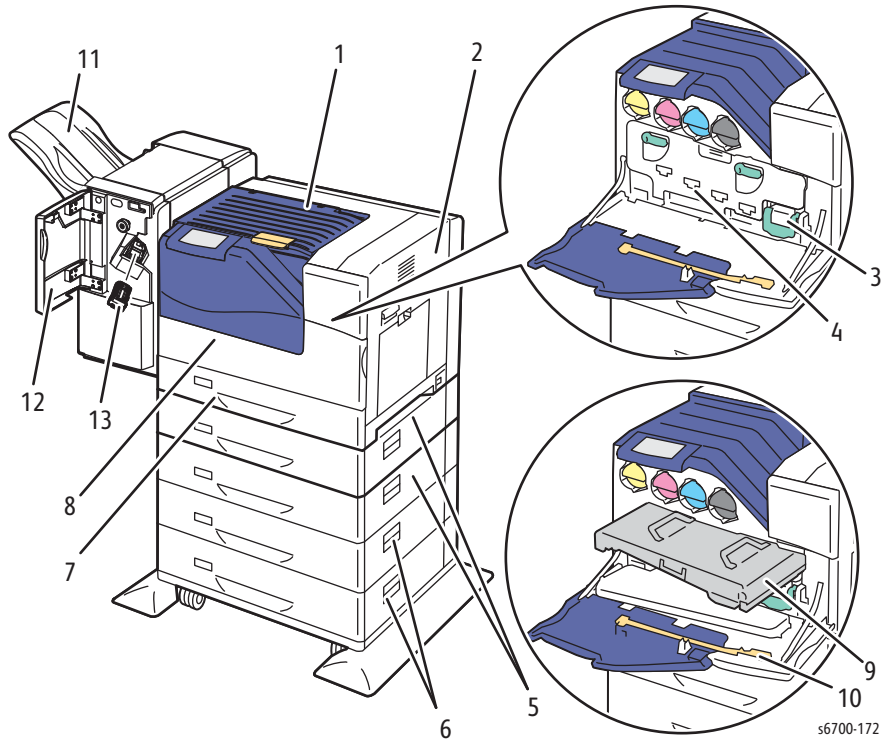
b. Tray 2 is not interchangeable with Option Feeder Trays.

c. Universal Trays to a maximum of four. See "Optional Feeders" on page 1-9.

d. No duplex upgrade path available for the 6700N model.

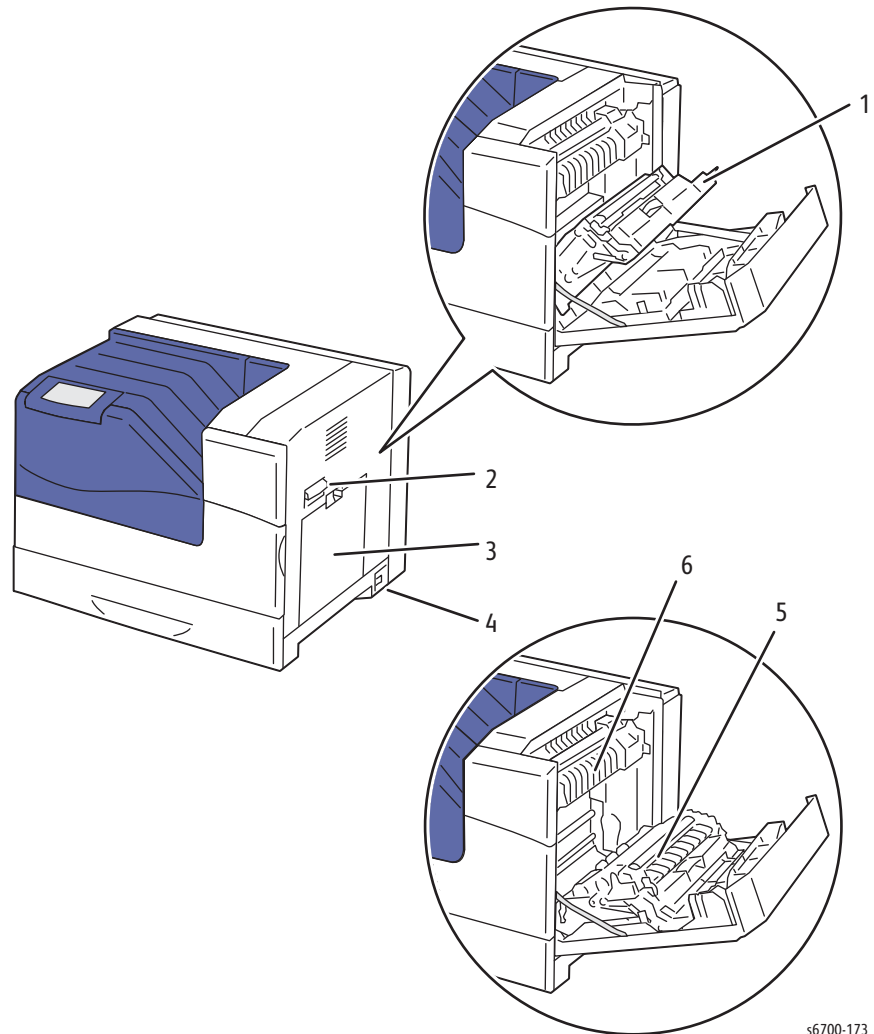
Parts of the Printer

Front and Side Views



- | | |
|----------------------------------|-------------------------|
| 1. Horizontal Transport | 8. Front Door |
| 2. Right Door | 9. Transfer Belt |
| 3. Waste Toner Cartridge | 10. Cleaning Wand |
| 4. Inner Frame Assembly | 11. Stacker Tray |
| 5. Tray 3 and 4 Right Side Doors | 12. Finisher Front Door |
| 6. Tray 5 and 6 Right Side Doors | 13. Staple Cartridge |
| 7. Tray 2 | |

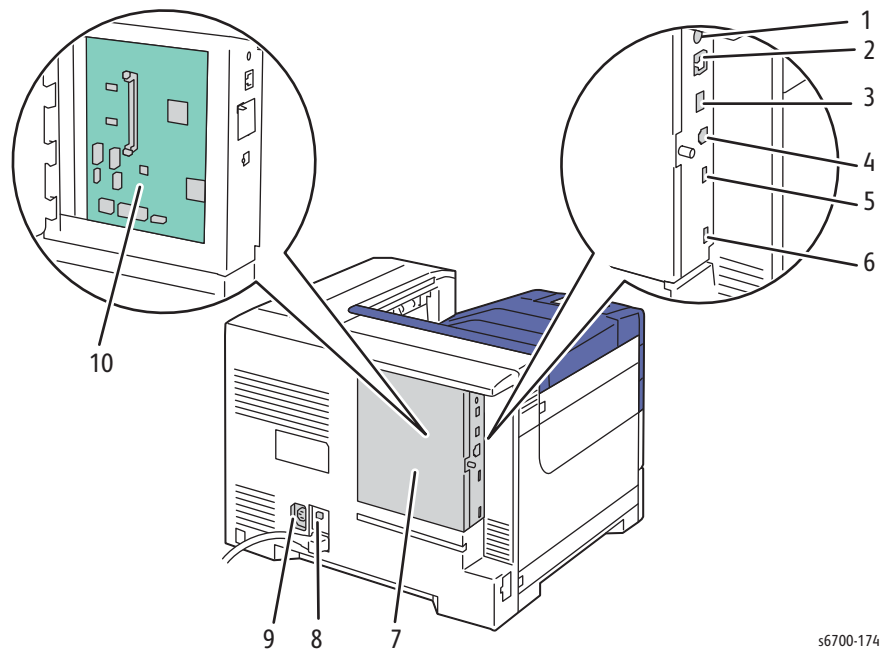
Right Door View



s6700-173

1. Duplex Chute
2. **Right Door Release**
3. **Tray 1**
4. **Power Switch**
5. Transfer Roller
6. Fuser

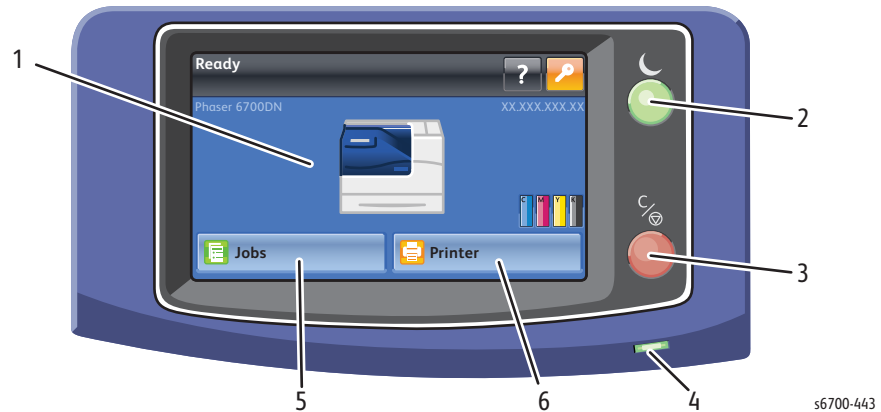
Rear View



s6700-174

1. Engine Test Print Button
2. Host USB Connection
3. Service USB Connection
4. Ethernet Connection
5. Mode Select Port
6. Serial Port
7. IP Board Cage
8. GFI Reset Button
9. Finisher AC Output
10. IP Board

Control Panel



s6700-443

1. **Display** - There are several basic screens: home, menus, information and parameter value setting. The home screen is the top level, with a status region at the top left, a help button and occasional Log Out button at the top right, two information fields, a printer mimic in the middle, toner gas gauges at the lower right, and Jobs and Printer buttons across the bottom. The status region has two lines for text with a “window shade” mechanism to show occasional information. Other screens include a top row with the screen’s icon and label at the left and one or more iconic buttons at the right: Help (?), Print (printer), Back (left arrow), OK (check mark), Cancel (X) and Home (house).
2. **Power Saver** - If pressed while the printer is idle and not in Low Power or Sleep mode, the Sleep mode screen is displayed for 5 seconds, during which time pressing Power Saver again returns the printer to Ready, or after which time Sleep mode is entered. If pressed while the printer is not at idle, nothing happens. When the printer is in Low Power mode, the Power Saver button light pulses On and Off in a 6-second cycle. If pressed while the printer is Low Power or Sleep mode, the printer wakes and begins warming up.
3. **Pause/Cancel** - If a job is printing when pressed, or when the job is deleted, printing stops after the pages already in the engine queue print. If all remaining job pages are already in the engine queue when pressed, or when the job is deleted, the job completes normally. If all remaining job pages are in the engine queue when pressed and another job is waiting to print, the Pause screen is displayed for the second job.
4. **Indicator LED** -The LED can be green, amber or red, and can be Off, blinking or steady. In general, it is Off when the power is Off and at times during the startup sequence, steady when the engine is idle and no job is busy, blinking when the engine or a job is doing something, green for no warnings or errors, amber for a warning condition, red for an error condition.
5. **Jobs** - View and manage currently active jobs. Also access the Completed Jobs list and local job submission functions. Displays up to 30 jobs in the active queue. Personal, saved and secure jobs require a Hard Drive.
6. **Printer** - Opens the tabbed Printer menu.

Control Panel Special Functions

Action	Method
Enter Service Diagnostics	From Ready to Print, press and hold the Pause Button for 5 seconds, then press and release the Power Saver Button to display the Service Diagnostics login screen.
Reset touchscreen parameters	From Ready to Print, press and hold the Power Saver Button for 5 seconds, then press and release the Pause Button to reset the Touchscreen to factory defaults and display the Control panel calibration screen. "Control Panel Calibration and Testing" on page 6-8.
Override locked Service Tools menu using Service credentials.	At the login screen: User Name - !\$ecivreS Pass code - 2732
Resetting the system admin (SA) pass code.	<ol style="list-style-type: none"> 1. Obtain the printer serial number and page count. 2. Call the Welcome Center for a temporary pass code. 3. Enter reset (not case sensitive) and temporary pass code at the login screen. <p>NOTE SA login credentials return to default values (ADMIN/1111) after 100 pages.</p>

Printer Options

Memory

The Image Processor Board features one memory slot supporting 1 GB or 2 GB DDR2 DIMMs, to a maximum of 2 GB. Memory must meet these characteristics:

- SO-DIMM; 200-PIN DDR2, 1.8V, 533MHZ
- Unbuffered, Non-parity

The Configuration page lists the amount of installed RAM.

Note

Remove existing memory to install the upgrade.

Hard Disk

A 160GB hard drive is available to enable the Job Collation, Saved Jobs, Proof, Personal, and Secure Print options. The Hard Drive installs on the Image Processor Board with stand-offs and connects to the board with a single connector.

Duplex

Automatic duplex printing is standard on all models except 6700N.

Note

Duplex upgrades are not available for the Phaser 6700N.

Optional Feeders

The 550- and 1100-sheet, Optional Feeders (Trays 3 ~ 6) increase input capacity. Up to four additional Trays are supported. Electrical connection is made by a single connector.

Supported Tray Combinations

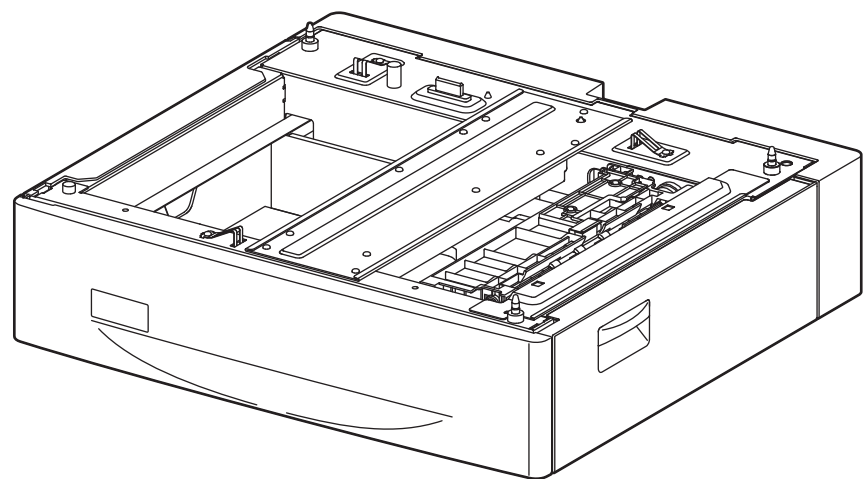
Configuration	Tray 1 and 2	Option Media Capacity	Trays	Total
1	150 +550	None	2	700
2	150 +550	Single 550 Feeder	3	1250
3	150 +550	Two 550 Feeders	4	1800
4	150 +550	1100-Sheet Feeder:	4	1800
5	150 +550	1100 & 550 Feeder:	5	2350
6	150 +550	1100 & two 550 Feeders	6	2900

Note

Print the Paper Tips page from the Paper Tray Status screen accessed by touching the Printer on the Home screen for a list of supported media sizes and weights for each Tray.

550-Sheet Feeder

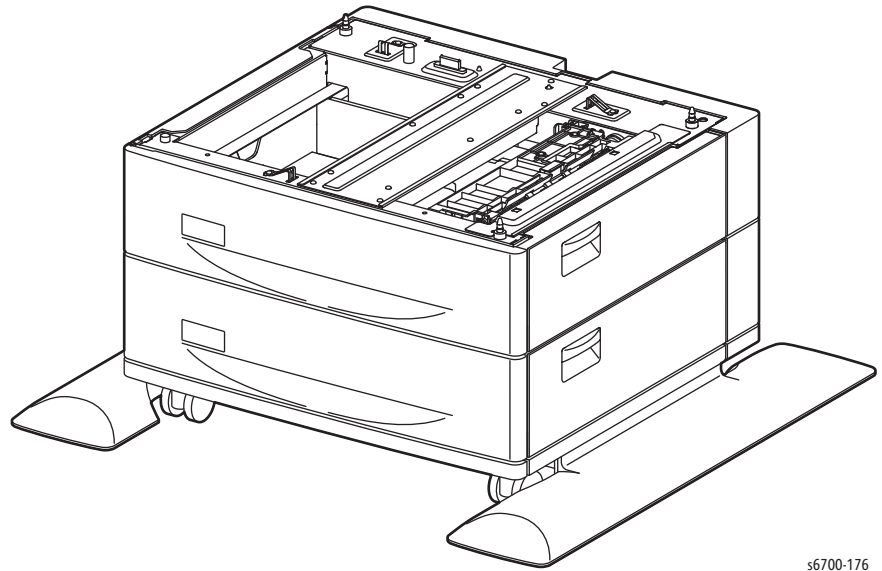
The 550-Sheet feeder adds a single, 550-sheet tray. The printer supports up to two 550-sheet feeders. The feeder is secured to the print engine with two screws located under the front edge of Tray 2 and a lock plate on the back.



s6700-175

1100-Sheet Feeder

The 1100-Sheet Feeder forms a base for the printer and adds two, 550-sheet trays. The feeder is secured to the print engine with two screws located under the front edge of either Tray 2 or optional feeder. A lock plate secures the feeder at the back.



s6700-176

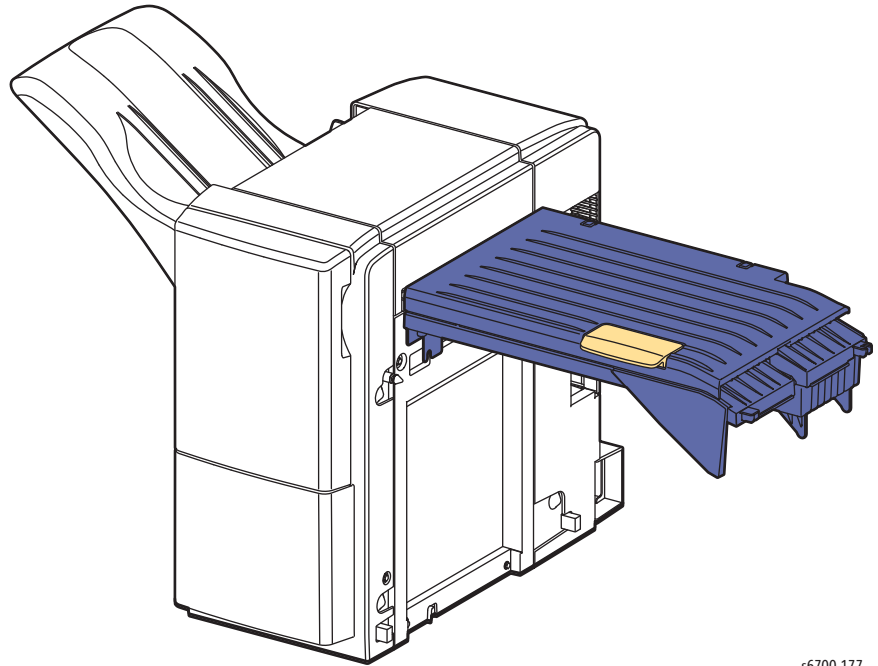
Note

To maintain system stability, do not install more than two 550-Sheet Feeders in a single system. Use an 1100-Sheet Feeder when more Trays or a wheeled stand are required.

Finisher

The Finisher increases printer output capacity to 1,000 sheets. Printer output is directed to the Finisher by the Horizontal Transport. Depending on job specifications, as media enters the Finisher it is, stapled, offset and stacked. The Stapler can staple a maximum of 50 sheets of 90 gsm media. The Staple cartridge holds 5,000 staples.

Control signals reach the Finisher through a single connector. Power is supplied from the printer's AC accessory panel. No optional trays are needed to install a Finisher on the Printer.



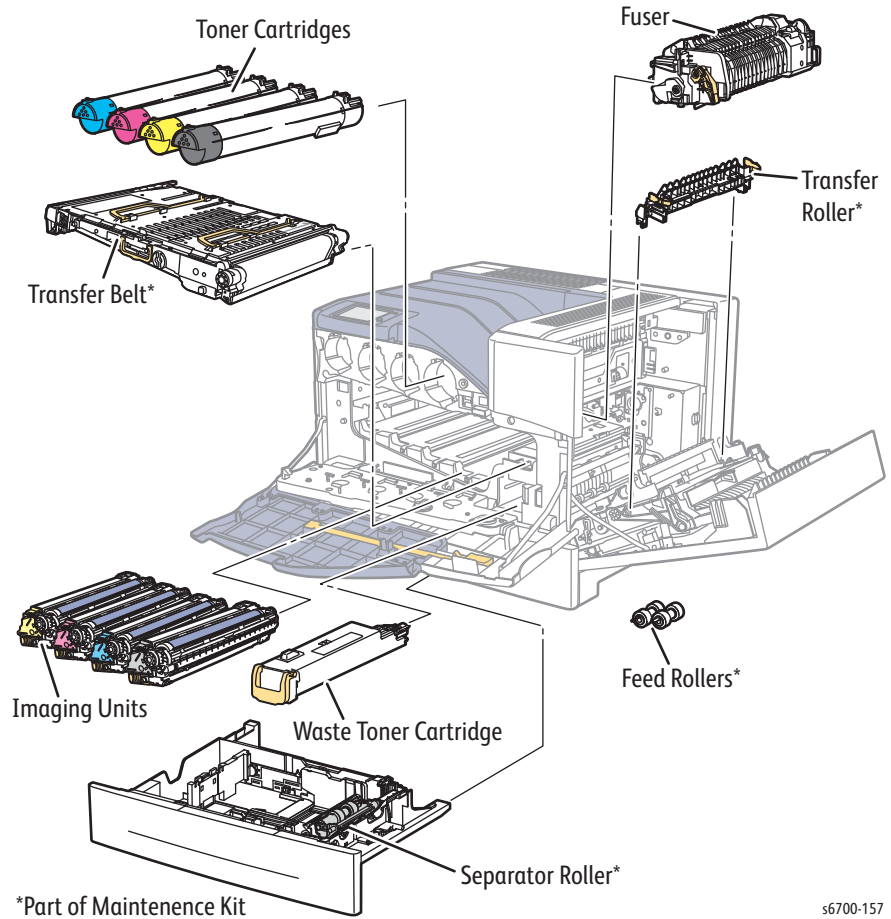
s6700-177

Printer Stand

An option printer stand is available to add height, media storage, and mobility to configurations not equipped with the 1100-Sheet Feeder. Order part number 097S04245.

Customer-Replaceable Maintenance Items

Maintenance items are parts or assemblies that require periodic replacement. These items are typically customer replaceable (CRU).



s6700-157

The listed items have limited life and require periodic replacement.

Customer-Replaceable Maintenance Items

Item	Print Life Letter/A4 at 5% coverage
Imaging Unit	50,000 pages
Maintenance Kit ^a	150,000 pages
<ul style="list-style-type: none"> ■ Transfer Roller^b ■ Transfer Belt ■ Separator Roller ■ Feed Rollers 	
Waste Toner Cartridge	25, 000 pages
Fuser	100,000 pages

a. After replacement, reset life counter at Control Panel.

b. Also available as an individually spared part (604K64970).

Consumables

Consumables consist of 4 Toner Cartridges. Each Toner Cartridge has a CRUM (Customer Replaceable Unit Meter) to record toner usage information. A CRUM counts the amount of remaining toner. When toner empty is detected, Life End status is displayed.

CMY Toner is not consumed when printing in monochrome mode or when printing Gray scale. Internal counters track consumables and maintenance life.

Life ratings are based on Letter/A4-size sheets at 5 % coverage.

item	Starter	Standard	High	PagePack
CMY Toner Cartridge	5,000	5,000	12,000	15,000
K Toner Cartridge	7,100	7,100	18,000	21,000

Specifications

Electrical Specifications

Characteristic	Specification
Power Supply Voltage/Frequency	
Line Voltages	99-140 VAC \pm 10 % 198-264 VAC \pm 10 %
Frequency Range	50/60 Hz \pm 3 Hz
In-rush Current	When the power switch is turned on, the in-rush current is a maximum of 100A, and 10ms (half cycle) or less. (Cold or Hot Start / Rated Voltage: \pm 10 %)
Power Consumption (with all options, 110 or 220 V)	
Power Saver 2 Mode	45 W or less in deep sleep mode
Ready Mode (Fuser On)	130W average, 1500 W maximum
Continuous Printing	600W average, 1500 W maximum

Printer Specifications

Characteristic	Specification	
Printing Technology	Recording System: Tandem four-color architecture using OPC drums and Transfer Belt	
	Exposure System: 4 laser beam scanning system	
	Transfer System: Four-color toner image transferred to the media	
	Fusing System: Thermal fusing by Free Belt Nip (FBNF)	
Color Medium	Cyan, Magenta, Yellow, and Black Toner Cartridges	
Average Image Coverage	Color	5 % each CMYK
	Mono	5 %
Max Image Coverage	240 % for all C, M, Y, K combined	
Printer Life	600,000 pages	
AMPV	2250	
Max Duty Cycle	120,000 pages/month, 4,000 pages/day*	
Operating Modes	State	Operation
Printing	During Printing	<ul style="list-style-type: none"> ■ Fuser: At operating temperature ■ Exposure system: Working ■ Printing system: Working ■ Cooling fan: Working (high)
Ready	Waiting	<ul style="list-style-type: none"> ■ Fuser: At ready temperature ■ Exposure system: Rest ■ Printing system: Rest ■ Cooling fan: Working (low)
Power Saver 1	Napping	<ul style="list-style-type: none"> ■ Fuser: At power saver 1 temperature ■ Exposure system: Rest ■ Printing system: Rest ■ Cooling fan: Working (low)
Power Saver 2	Sleeping	<ul style="list-style-type: none"> ■ Working MCU (Fuser/Exposure/ Fan are rest) ■ Working Controller board ■ Cooling fan: Intermittent
Warm-Up Time	Approximately 3.0 minutes from Power On to Ready	
Operating System	Windows	2000/2003/2008 Server/ XP/ Vista/ W7.
	Macintosh	OS 10.3.9 through 10.6
	Linux	Redhat, SuSe, and TurboLinux 10 Desktop
* 120k pages per 30 day month (Letter/A4 at 5% coverage).		

Memory Specifications

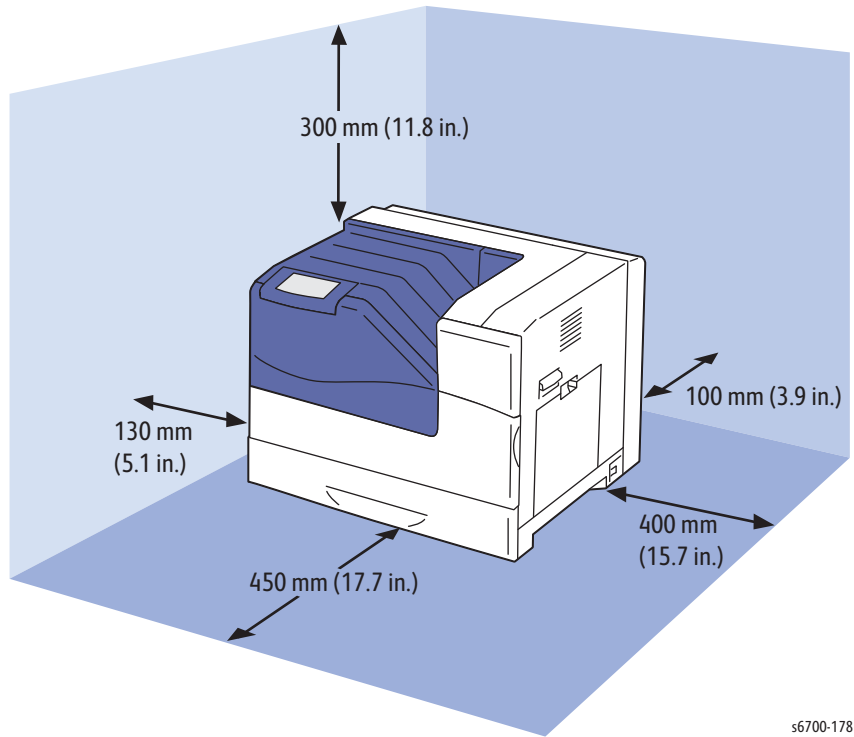
Characteristic	Specifications	
Memory	Minimum	1 GB standard memory
	Maximum	2 GB
Supported RAM	Supports one 1024 or 2048 MB SO DIMM in one slot.	

First Print Output Time

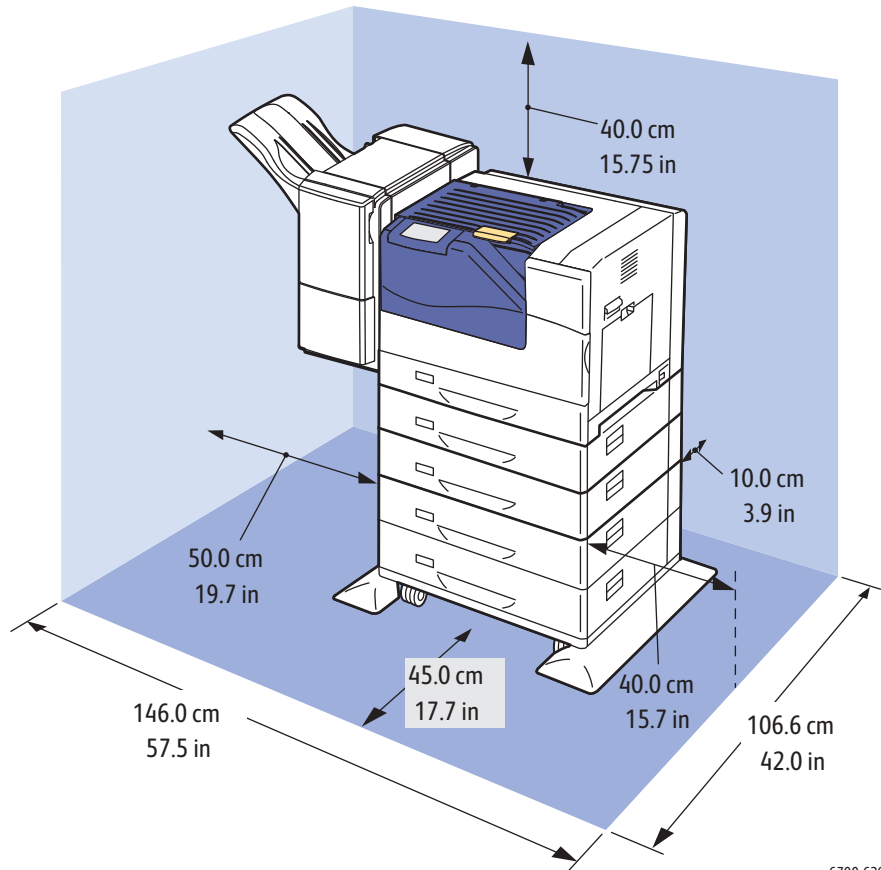
The FPOT (First Print Output Time) is 7 seconds for monochrome and 8 seconds for color. The time required from the receipt of print instructions to the output of the first sheet of printed media is calculated using these conditions (rounded to one decimal place).

- Controller processing time not included
- Printer is in Ready mode
- Standard resolution (1200 x 600)
- Media is A4/Letter
- Image process control time not included. The process control refers to controls such as TC control, electric potential control, cleaning cycle, and registration control. While the printer executes these controls, the engine may stop feeding media for a certain period of time.

Installation Clearances



s6700-178



s6700-629

Environmental Specifications

Environmental Requirements

Environmental requirements are as follows.

- Operating: 5 ~ 32 °C, 15~85 % RH
- Guaranteed print quality range: 15 ~28°C, 20~70 % RH
- Non-operating: -20 ~ 40 °C, 5~85 % RH
- Operating altitude: 0 to 3,100m (0 to 10170 ft)
- Resting surface tilt: 1 degree or less on any axis
- Ambient lighting: 3000 lux or less (without direct sun light)

Toner Cartridge Storage

- Up to 12 months at 0 to 35 °C, 15 to 80 % RH.
- Up to 48 hours at -20 to 0 °C with 5 to 15 % RH or 35 to 40 °C and 80 to 95 % RH.
- Storage altitude 0 to 3,100 m. Can be extended 15000 m when shipped by air. (Provided the cargo bay is pressurized to 70.9275 Kpa or more.).

Acoustic Noise

The noise level (at 60Hz) measured according to standard ISO7779.

Noise Levels

Item	Mode	Mono		Color	
		Printer/ Engine	Full System ^a	Printer/ Engine	Full System ^a
Standby Declared A-weighted sound power level (unit: B) ^b	Ready, Power Saver	5.30	5.30	5.30	5.30
Operating Declared A-weighted sound power level (unit: B) ^b	45PPM(A4)	7.48	7.82	7.45	7.82
Operating mean A-weighted emission sound pressure level (Bystander position (Unit: dB) ^c	45PPM(A4)	59	60	59	60

a. Full System Configuration: Printer/Engine + option

b. LwAd: Public sound power level = Measurement value LwA (one unit) + 0.3B

c. LpAm: Radiated Sound Pressure Level (Bystander Position)

Reports, Information and Test Pages

The printer provides several embedded pages to help adjust printer output, troubleshoot errors, monitor consumables, track usage and check system status.

Reports, Information and Test Pages

Page	Description
2-Sided Demo	Available in the Print Reference Materials menu, the 2-sided Demo page generates a duplex print.
CMYK Sampler	Available in the Print Reference Materials menu, the CMYK Sampler prints a spectrum of color rectangles with the values of each component color.
Configuration Report	Available in the Print Reference Materials menu and printed as the Startup page at power On by default, the Configuration Report contains information about the printer's configuration and network connectivity.
Connection Setup	Available in the Print Reference Materials menu, the Connection Setup page instructs users on how to connect the printer to their computers and network
Cyan / Magenta Calibration	Printed during color adjustment procedures, this page provides samples for adjusting cyan and magenta color densities at three levels.
Dark Calibration	Printed during color adjustment procedures, this page provides samples for adjusting the color balance at a dark (about 60 %) level.
Engine Test	The Engine Test print tests all engine functions necessary to print a page. Print this test page by pressing the Test Print button on the rear panel. See "Engine Test Print" on page 5-31.
Graphics Demo	Available in the Print Reference Materials menu, the Graphics Demo Page provides a detailed image for comparison.
Green / Black Calibration	Printed during color adjustment procedures, this page provides samples for adjusting green and black color densities at three levels.
Image Position Test	Available in the Resolve problems menu, the Image Position test page is printed with registration marks to visually adjust image alignment. The paper source being printed from and instructions are also printed on the page. See "Image Position" on page 6-3.
Light Calibration	Printed during color adjustment procedures, this page provides samples for adjusting the color balance at a light (about 20 %) level.
Medium Calibration	Printed during color adjustment procedures, this page provides samples for adjusting the color balance at a medium (about 40 %) level.
Office Demo	Available in the Print Reference Materials menu, the Office Demo page demonstrates the printer's color capabilities.

Reports, Information and Test Pages

Page	Description
Paper Tips	Available from the Print Reference Materials menu or Printer pull-down menu, the Paper Tips pages lists supported media for use in each tray to ensure print quality and prevent jams. The page also includes supported Xerox media part numbers, other supported media and weights.
PCL Font List	Available in the Print Reference Materials menu, the PCL Font page lists installed and downloaded PCL fonts.
PostScript Font List	Available in the Print Reference Materials menu, the PostScript Font page lists installed and downloaded PostScript fonts plus a few characters.
Repeating Defects	Helps show which consumables are responsible for particular defects that have shown up repeatedly. See “Repeating Defects Test Print” on page 5-35.
RGB Sampler	Available in the Print Reference Materials menu, the RGB Sampler prints a spectrum of color rectangles with the decimal values of each component color as a sample of printer output on 11 pages.
Service Usage Profile	A detailed log of printer use, tallying numbers of jams, how often features are used, usage by tray, job and page counts.
Spot Color Sampler	Available in the Print Reference Materials menu, the Spot Color page prints a set of Pantone Matching System swatches for coated colors on 14 pages.
Supplies Usage	Available in the Print Reference Materials menu, the Supplies Usage page reports the status of the printer’s consumables and CRUs.
System Status	Shows various information about the system status. See 8.5 System Status Page Fields, page 188 for details on content.
Troubleshooting Print Quality	Available in the Troubleshooting menu, the Troubleshooting Print Quality pages provide 6 pages of troubleshooting information and a set of test prints for examination. These pages assist with the diagnosis of quality problems.
Test Prints	Seven test prints are available in the Troubleshooting menu or from dc612: CMYK Sample Page / Cyan 50 % Fill Test Page / Magenta 50 % Fill Test Page / Yellow 50 % Fill Test Page / Black 50 % Fill Test Page / RGB Test Page / Test Patterns Test Page. See “Test Prints” on page 5-31.
Usage Profile	A limited log of printer use and information. See Usage Profile Page Fields on page 190 for details on content.

External Interfaces

USB

Item	Specification
Connector	Type-B x 1
Protocol	USB2.0, High Speed
Supported Client	Windows 2000, XP, Server 2003, Vista, W7, Server 2008 MacOS X machine with USB Linux machine with USB

Ethernet

Item	Specification
Connection	RJ-45 x 1 connector
Protocol	See "10.2 Network Protocol" for details
Supported Client	Windows 2000, XP, Server 2003, Vista, W7, Server 2008, Mac OS X (10.5.x or higher) Linux

Network Protocols

Printing Protocol

Protocol	Transport	Maximum Session ^{*2}
LPD	TCP/IP	1
Port9100	TCP/IP	1
IPP ^{*5}	TCP/IP	5
SMB ^{*5}	TCP/IP	5
	NetBEUI	5
NetWare (P-Server) ^{*5}	NCP/IPX	1
	TCP/IP ^{*1}	
EtherTalk ^{*5}	ATP/DDP	1

Other Protocols

Protocol	Transport	Application / Usage
SNMP	UDP/IP	Driver, Installer
HTTP/HTTPS	TCP/IP	EWS
DHCP	UDP/IP	IP setup
BOOTP	UDP/IP	IP setup
RARP	TCP/IP	IP management
AutoIP	TCP/IP	Installer (Device discovery)
WINS	TCP/IP	
SMTP	TCP/IP	
Telnet	TCP/IP	
WSD	TCP/IP	
Bonjour(mDNS)	UDP/IP	
DDNS	TCP/IP	

PDL/Emulation

The decomposer is PCL. Note that the printer can accept jobs generated by its own printer driver.

PDL	Interface	Operating system
PCL 5c	IEEE1284, USB, TCP/IP	
PCL 6	IEEE1284, USB, TCP/IP	Windows 2000, XP, Server 2003, Vista, Server 2008, Windows 7 (TBD: Post RTS)
Post Scripts 3	IEEE1284, USB, TCP/IP	Windows 2000, XP, Server 2003, Vista, Server 2008, Windows 7 (TBD: Post RTS) Mac OS X (10.2.x or higher) Mac OS 9 (TCP/IP only) Linux, Unix
Host based (XPS)	IEEE1284, USB, TCP/IP	Windows Vista

Theory of Operation

In this chapter...

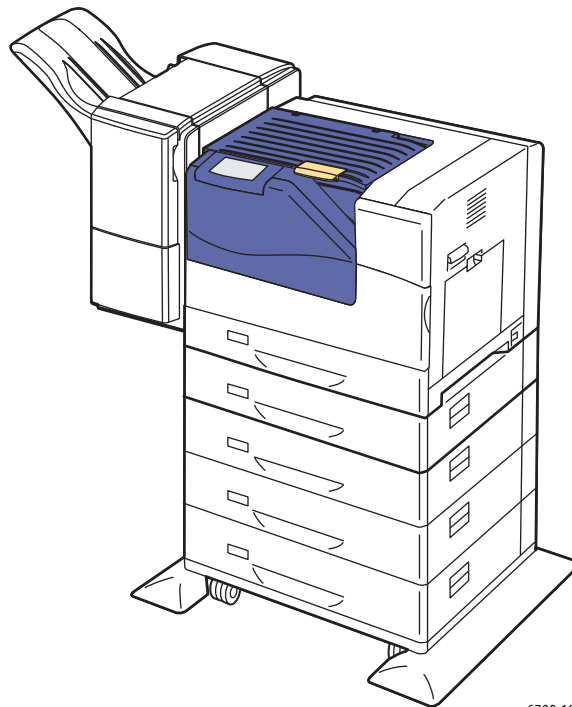
- Print Process Overview
- Sensors
- Media Handling
- Major Printer Components
- Print Quality Controls
- Optional Feeders
- Finisher Overview
- Major Finisher Components

Chapter 2

Overview

The Phaser 6700 base configuration combines a single-pass, color laser print engine with a multi-purpose Tray 1 and a 550-sheet Tray 2. The Output Tray holds 500 sheets facedown. Phaser 6700 options add memory, media capacity, and functionality. For models not originally equipped, an 160 GB Hard Drive is available. Optional feeders (Trays 3 ~ 6) when installed, add a maximum of four 550-sheet universal trays. This raises the maximum input media capacity to 2,900 sheets. On the output side, 1000-sheet stacker/stapler is available.

This section focuses on the printer's operational characteristics providing detailed descriptions of the paper path, sensors, xerographic and major system assemblies for the printer, optional feeders, and Finisher.



s6700-181

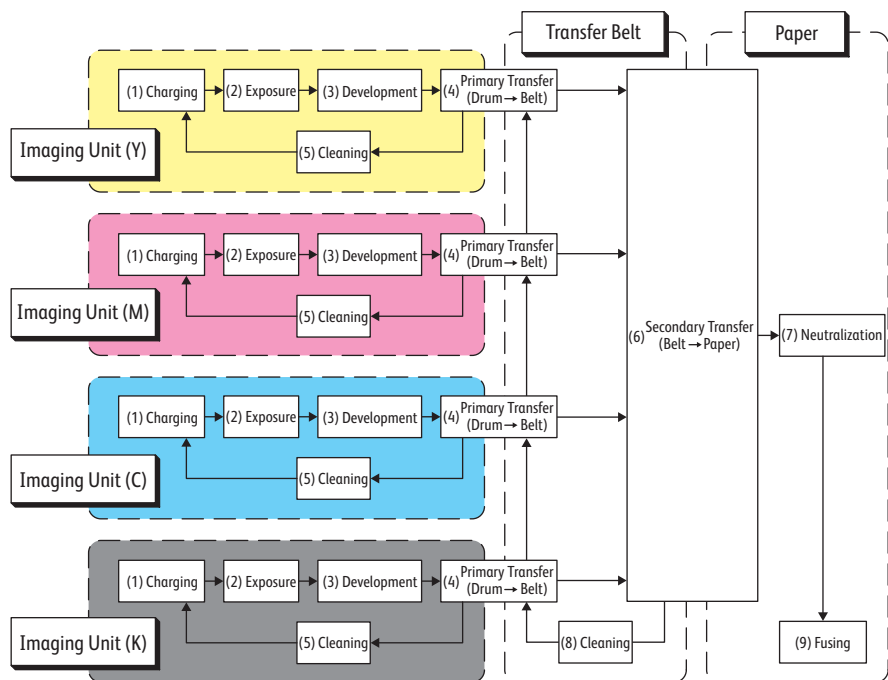
Print Process Overview

The Phaser 6700 is a full-color xerographic laser printer using a tandem printing system having four, color-specific drum/developer sets. The four, color-separated images of the original document are created with toner on the drums and transferred in registration onto the Transfer Belt to reproduce a full color image. The completed toner image is transferred from the belt and fixed on the print medium, and then output as a print.

The printing process includes these basic steps:

1. **Charging:** The drum surface is electrically charged.
2. **Exposure:** The imaging unit is irradiated with laser light.
3. **Development:** The image is developed with toner.
4. **Primary Transfer:** The four, color images on the drums are transferred onto the Intermediate Transfer Belt.
5. **Cleaning:** The drums are electrically neutralized and the toner remaining on the drums and BCRs is removed.
6. **Secondary Transfer:** The toner image on the Intermediate Transfer Belt is transferred onto the medium.
7. **Neutralization:** Electric charge of the paper is eliminated.
8. **Cleaning:** Toner remaining on the Intermediate Transfer Belt and 2nd bias transfer roller (BTR) is removed.
9. **Fusing:** Toner is fixed to the print medium by heat and pressure.

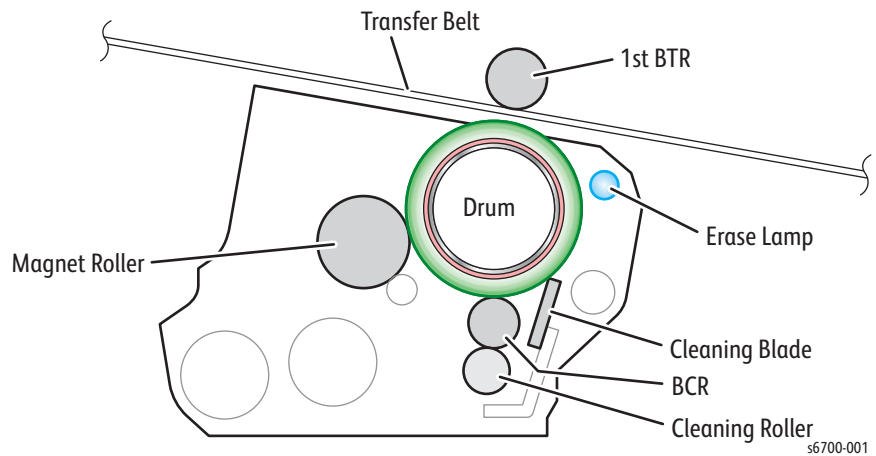
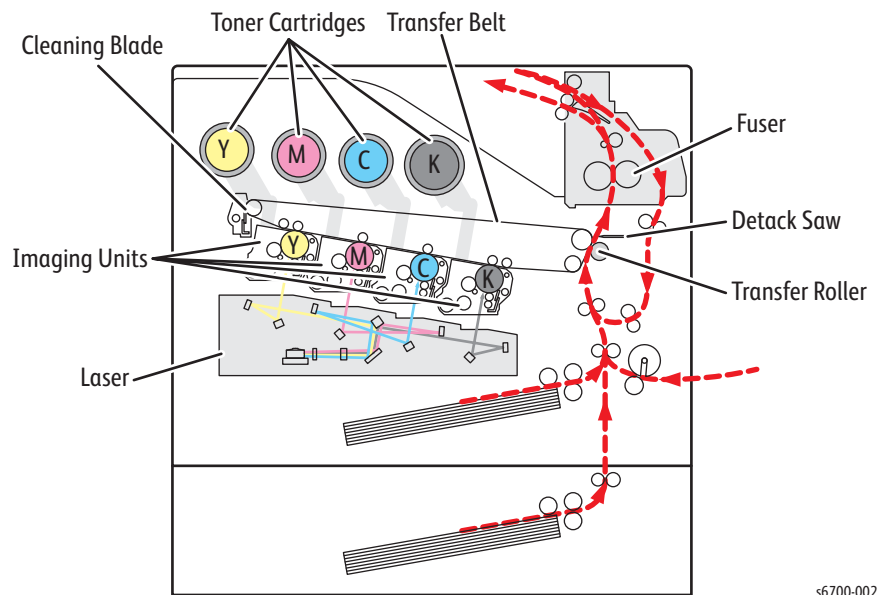
The following diagram shows the sequence of events for the xerographic process. Dashed lines indicate assemblies, solid lines indicate process.



s6700-087

Print Process Components

The location of components involved in the print process are shown in the figure below. Dashed lines indicate the media path.



Charging

In the charging process, the surface of the drum rotating at a constant speed is uniformly charged with negative polarity by the discharge from the BCR (bias charge roll).

This process is performed in parallel for all colors.

- Bias Charge Roll (BCR)

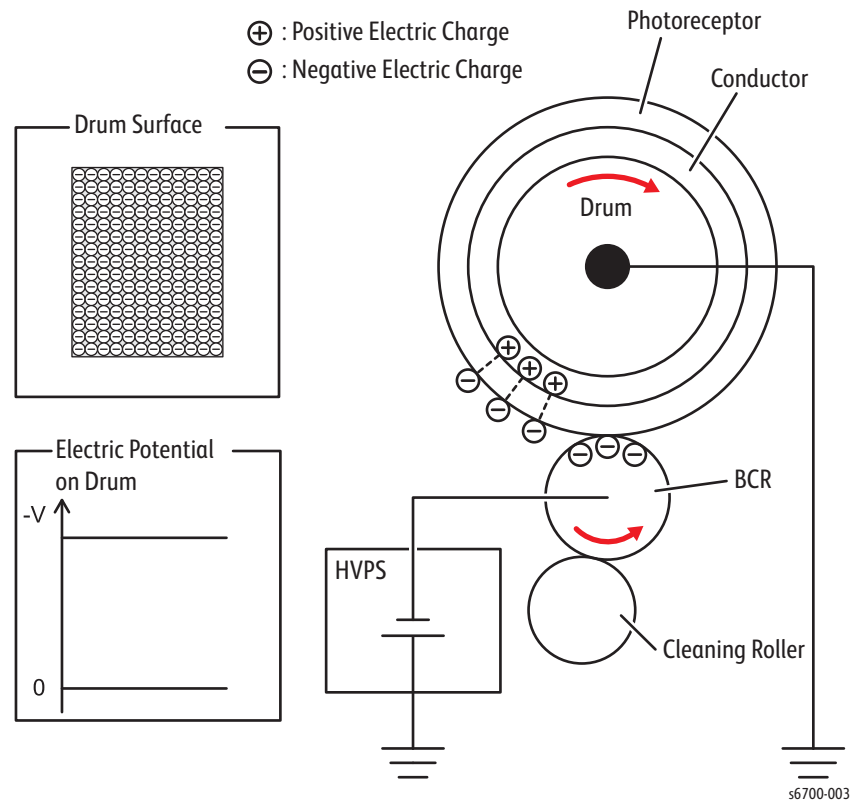
The BCR is kept in contact with the drum and rotates following the rotations of the drum. The BCR is a conductive roll that uniformly and negatively charges the drum surface with the negative voltage applied by the HVPS.

- Drum

The drum surface is uniformly and negatively charged with DC bias voltage. The drum surface consists of a photoreceptor (which is an insulator in the dark and a conductor in the light) backed with a conductor.

- Cleaning Roll

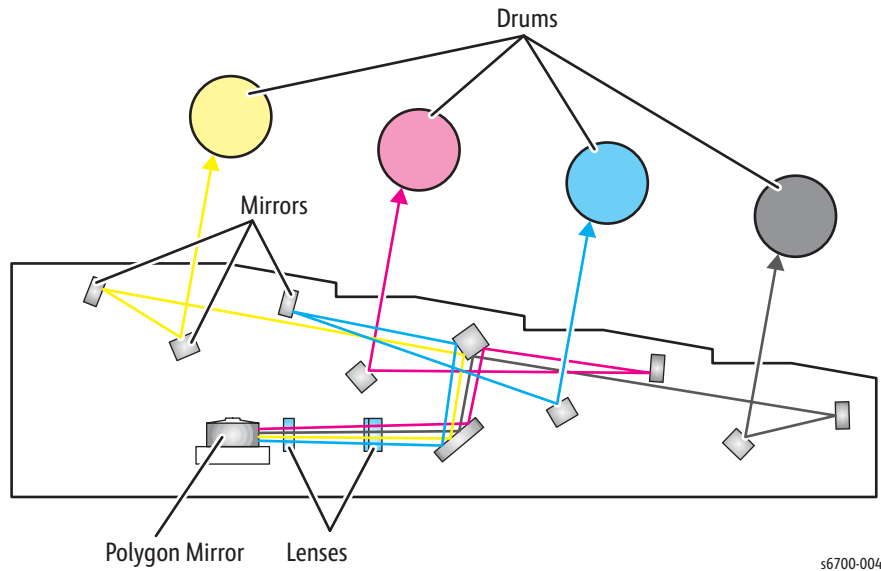
The cleaning roll contacts with the BCR to remove residual toner.



Exposure

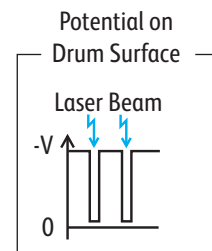
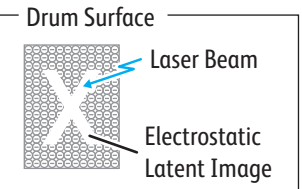
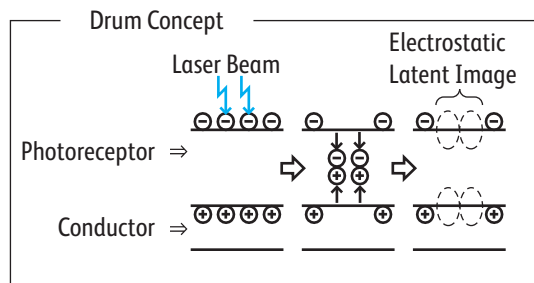
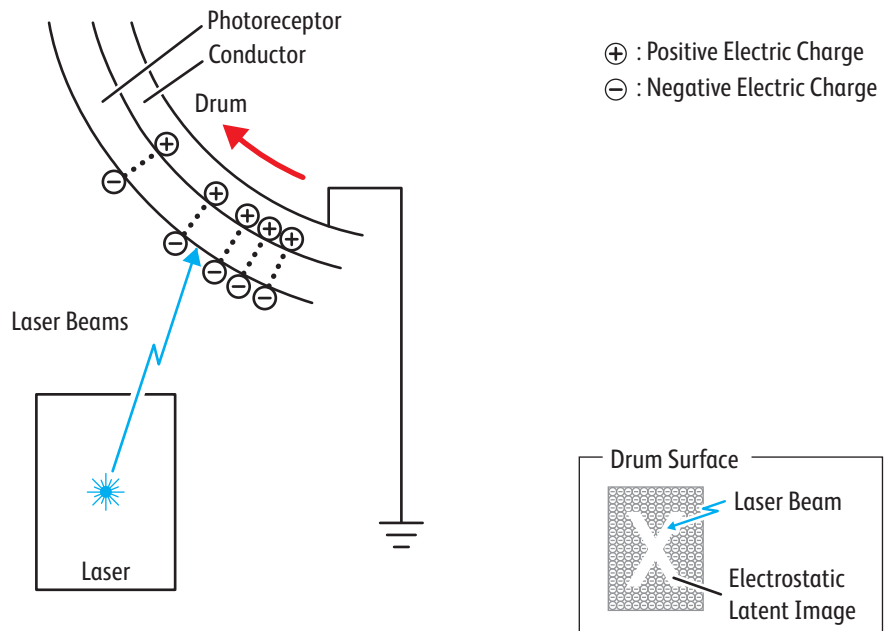
The exposure process forms an electrostatic latent image on the negatively charged drum by scanning it with laser beams. This process occurs in parallel for all colors.

Laser beams are emitted from the laser diode in the Laser Unit. The surface of each drum is scanned from end to end in the axial direction by the rotating polygon mirror, the fixed mirror, and the lens attached to the Laser Unit scanner motor.



s6700-004

Image data from the IP Board directs the laser beam as each drum is irradiated. The areas on the drum irradiated with laser becomes conductive. This allows the negative charge on the drum surface to flow to the positive side and to cancel out the positive charge, lowering the potential on the drum surface. This low-potential area becomes the electrostatic latent image.

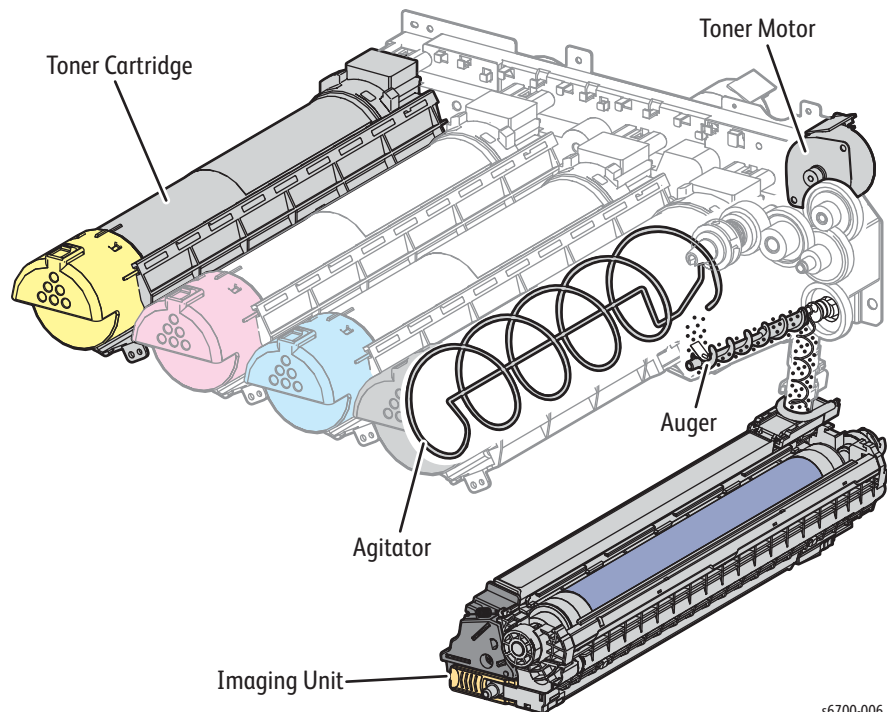


s6700-005

Development

The development process makes a visible image appear on the drum surface by electrically attracting toner particles to the electrostatic latent image. This process is performed in parallel for all colors independently.

Toner is fed into the Imaging Unit by the agitator and auger driven by the Toner Motor. The amount of the toner fed is determined by the pixel count. This is called “toner dispensation”, which is controlled by two types of control, “PCDC” and “ADC”. Refer to “Toner Density Control” on page 2-80

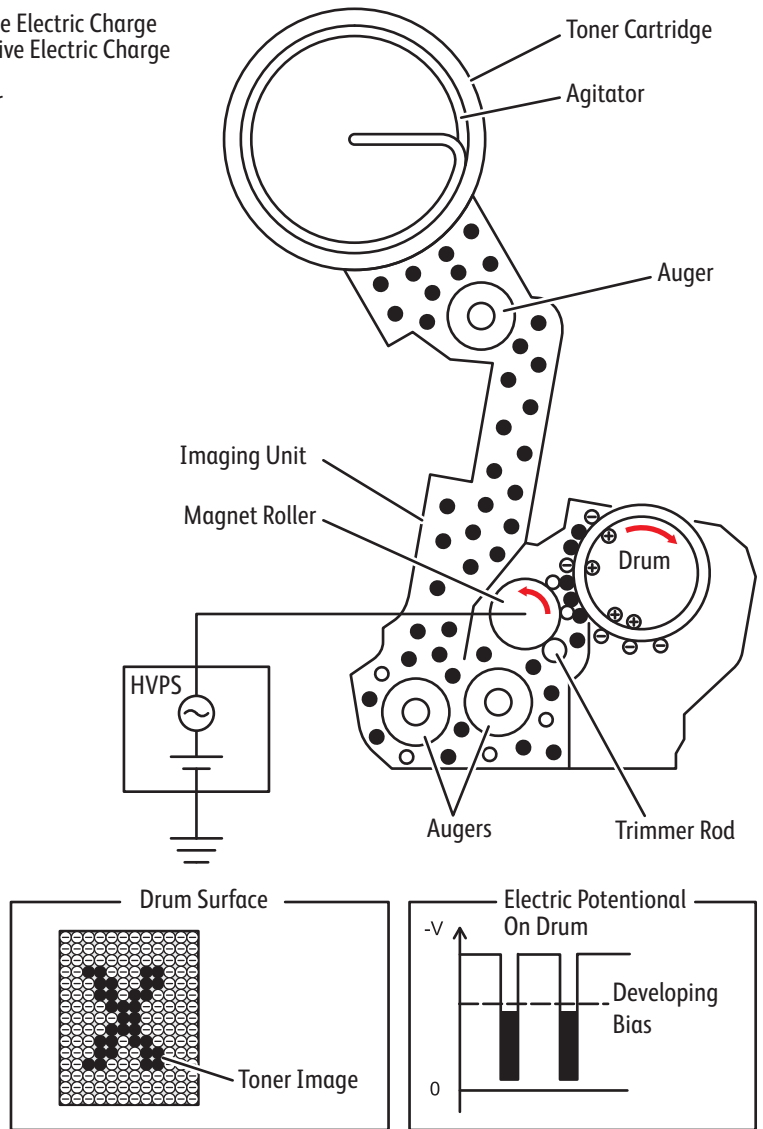


In the Imaging Unit, the incoming toner is mixed with developer (toner/carrier mixture) by the auger, and supplied to the magnet roll located near the drum's surface. The toner and carrier are charged by friction due to agitation (toner in negative, carrier in positive), and they attract each other electrically. The carrier, due to its magnetic properties, is attracted to the magnet roll, and then uniformly leveled by the trimmer rod.

The magnet roll is covered by a thin semi-conductive sleeve. A developing bias voltage is supplied to the sleeve from the High Voltage Power Supply (HVPS). The developing bias voltage is negative DC voltage combined with AC voltage. The DC voltage holds the the magnet roll at a constant negative voltage against the photoreceptor layer of the drum. Therefore, at the area where the negative electric charge on the drum surface does not decrease, the potential is lower than that of the magnet roll, while the potential is higher than that of the magnet roll at the area where the negative charge on the drum surface decreases.

The AC voltage waveform shakes the developer on the surface of the magnet roll so that the toner easily moves to the drum. Only portions of the drum surface where the negative charge has decreased below that of the magnet roll (electrostatic latent image) attract toner to form an image.

- ⊕ : Positive Electric Charge
- ⊖ : Negative Electric Charge
- : Toner
- : Carrier



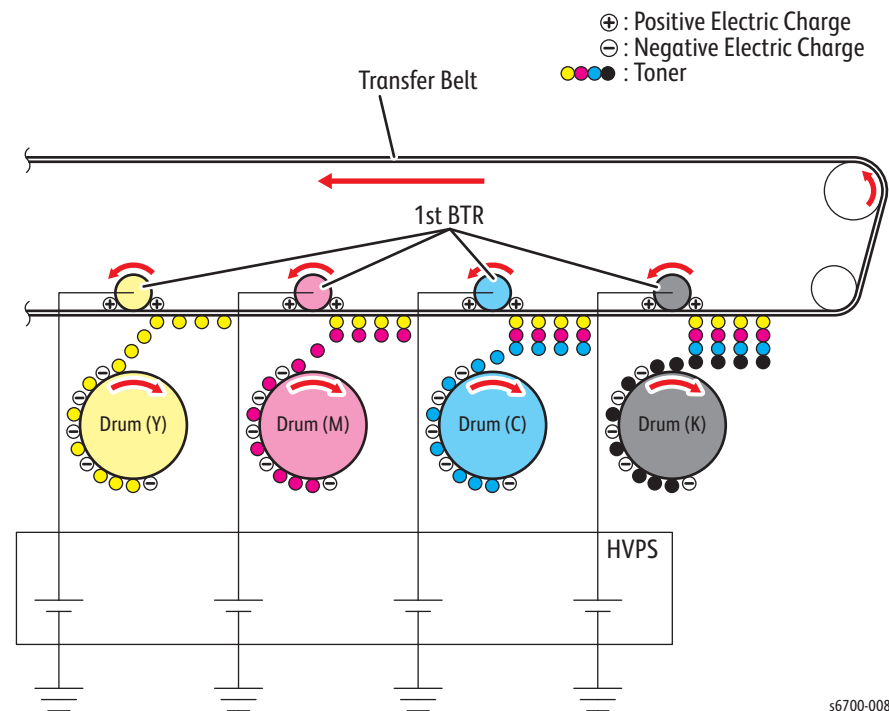
s6700-007

Primary Transfer

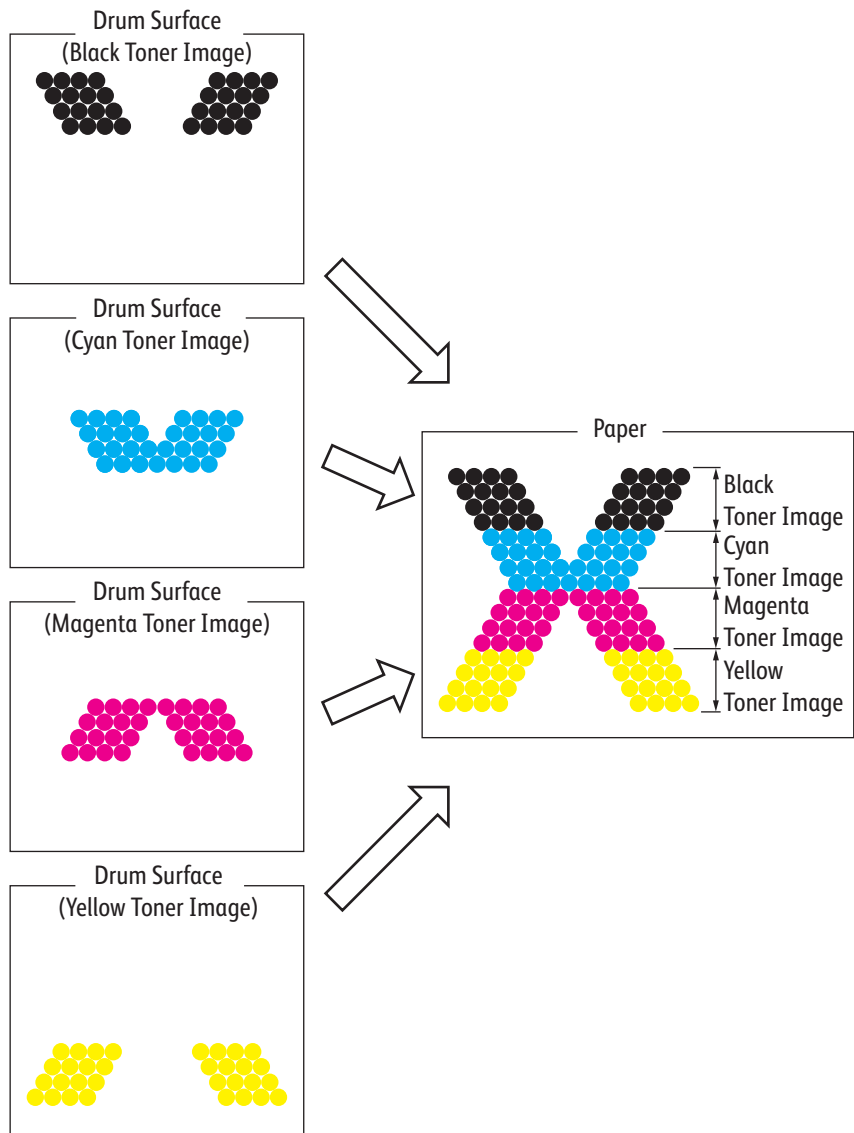
During primary transfer, the images formed on the drums are transferred onto the Transfer Belt via the 1st BTR (first bias transfer roll). The four color images are transferred from the drums onto the Transfer Belt in Y, M, C, and K order.

The 1st BTR is a metal roll, to which the positive voltage from the HVPS is applied. The 1st BTR positively charges the backside of the Transfer Belt with the voltage generated by the contact resistance with the Transfer Belt.

The toner images on the drums move to the Transfer Belt due to the attracting force generated between the negative polarity of the toner image and the positive polarity on the Transfer Belt.



s6700-008



s6700-054

Cleaning

During the cleaning process, excess toner and charge is removed from the drum and BCR surfaces.

Drum Cleaning

The excess toner that was not transferred to the Transfer Belt remains on the drum surface. To prevent image problems in subsequent prints, the excess toner is scraped off by the cleaning blade in contact with the drum, and then collected into the Waste Toner Box as described in “Waste Toner Collection” on page 2-16”.

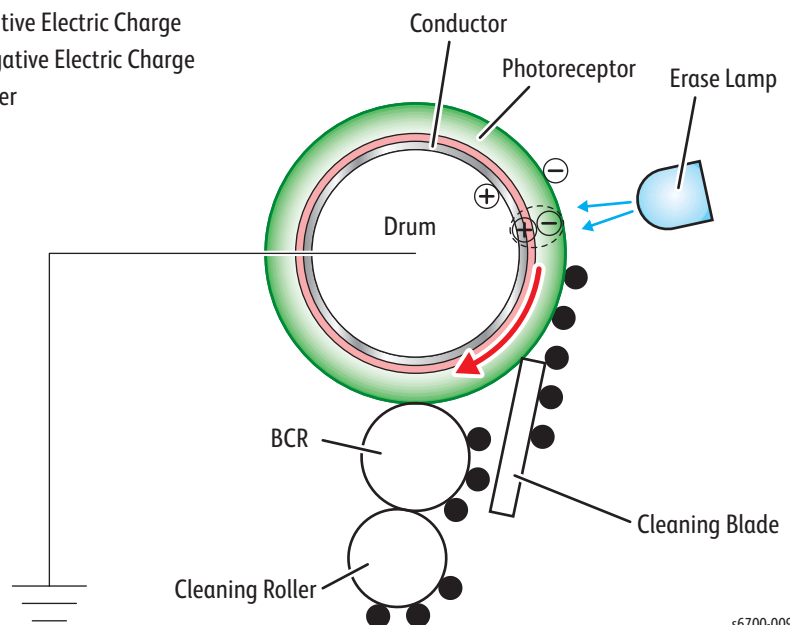
BCR Cleaning

Excess toner remaining on the BCR is removed by the cleaning roll made of spongy material, then collected into the Waste Toner Box as described in “Waste Toner Collection” on page 2-16”.

Charge Neutralization

After primary transfer, the charge remaining on the drum is eliminated by the Erase Lamp.

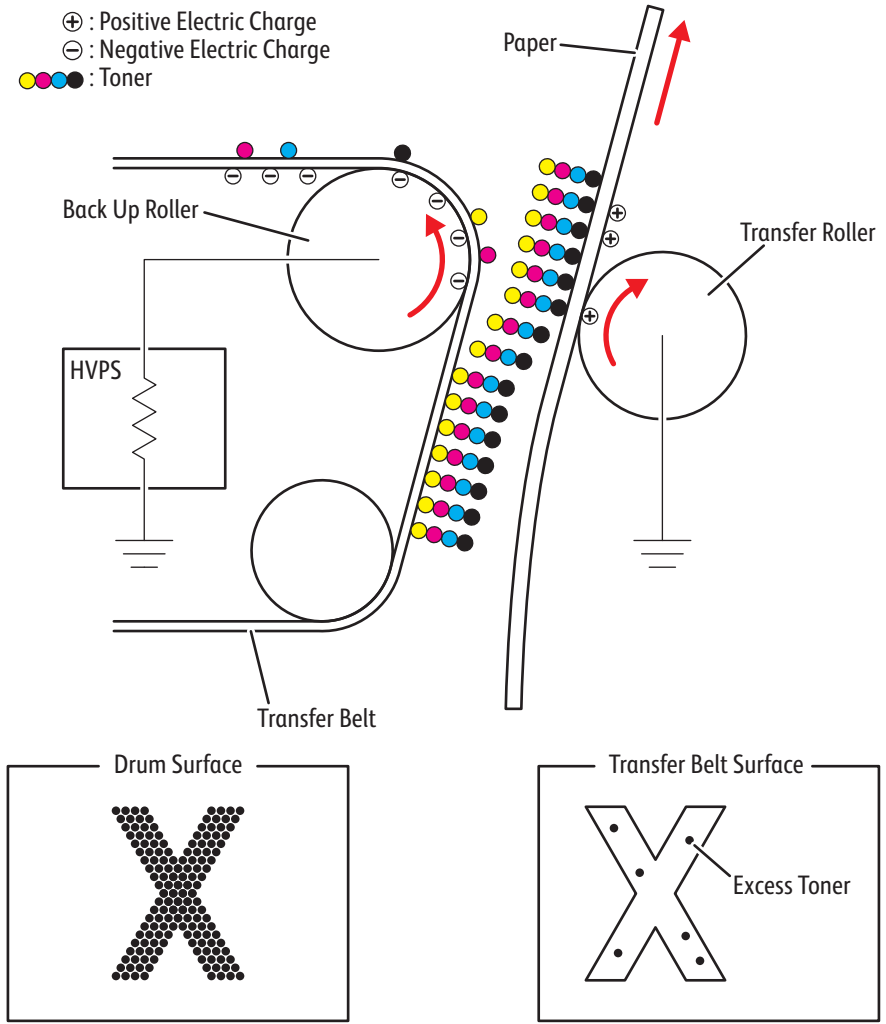
- ⊕ : Positive Electric Charge
- ⊖ : Negative Electric Charge
- : Toner



s6700-009

Secondary Transfer

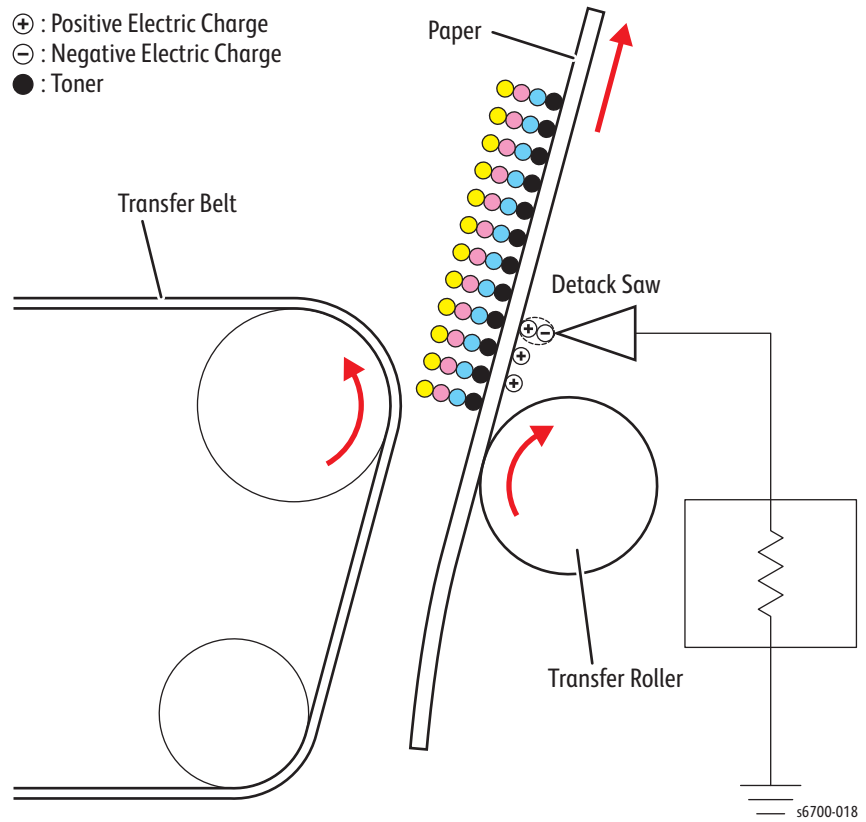
During secondary transfer, the toner image on the surface of the Transfer Belt is transferred onto the print medium using the Transfer Roller. The media passes between the Transfer Roller and Transfer Belt that runs in contact with the conductive roll (back up roll). The toner image on the Transfer Belt transfers to the media due to the attracting force generated between the back up roll negatively charged by the HVPS and the Transfer Roller grounded and positively polarized.



s6700-010

Neutralization

During neutralization, the charge on the media is neutralized by the detack saw. The charge is neutralized to prevent toner on the media spreading to surrounding metal surfaces. The detack saw is a metal sheet held at chassis ground potential. The detack saw is installed several millimeters away from the of the Transfer Belt.

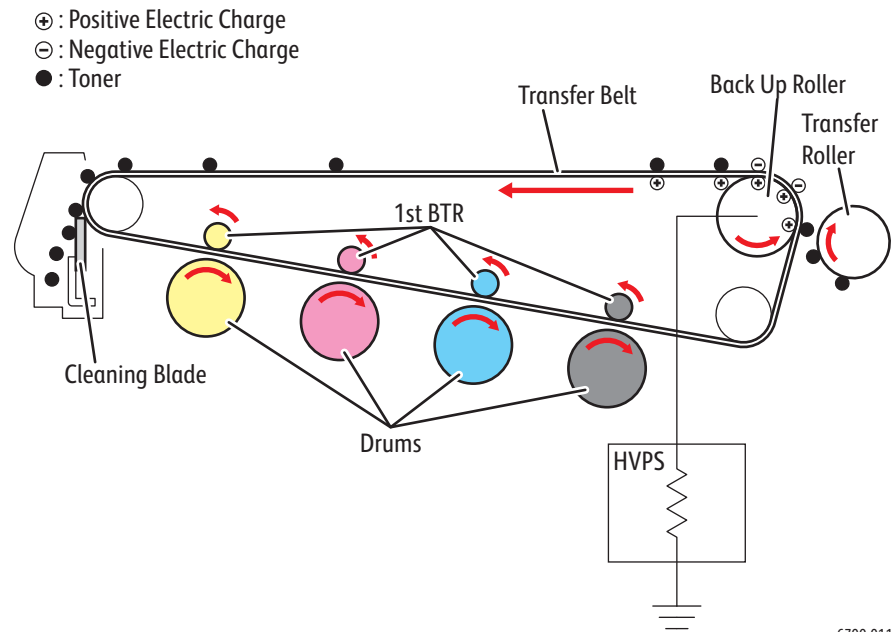


Cleaning

During cleaning, the toner and charge remaining on the Transfer Belt and Transfer Roller are removed after the toner image is transferred onto the print medium.

Transfer Belt Cleaning

Excess toner not transferred to the media remains on the Transfer Belt. To prevent image problems in subsequent prints, residual toner is scraped off by the cleaning blade and collected in the Waste Toner Cartridge as described in "Waste Toner Collection" on page 2-16".



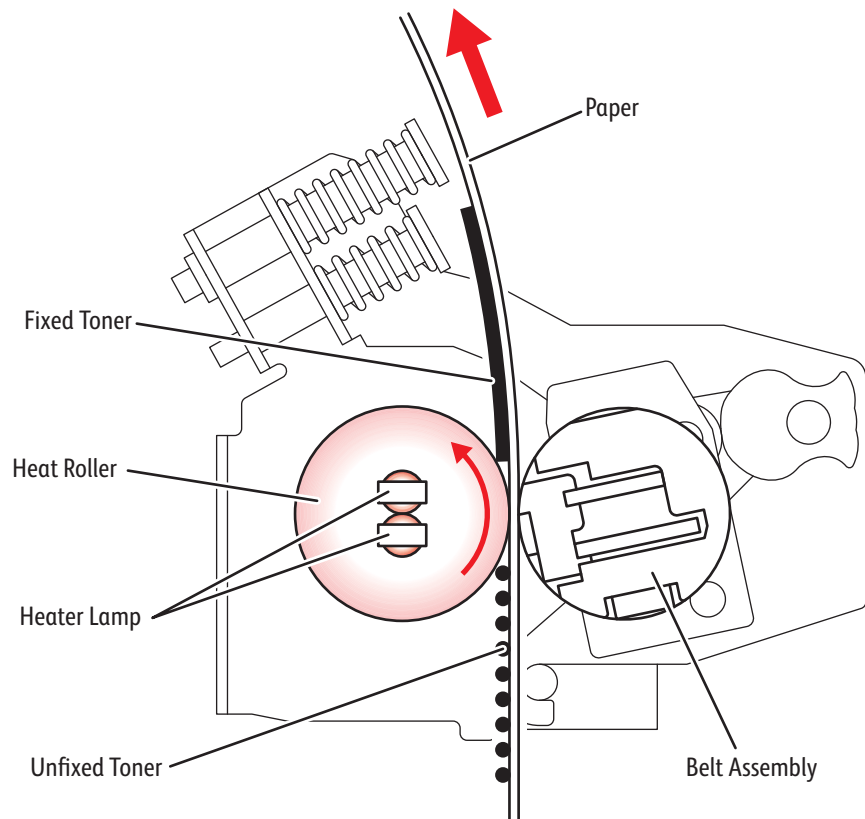
Transfer Roller Cleaning

Excess toner deposited on the Transfer Roller is transferred back onto the Transfer Belt by the attracting force generated by the back up roll positively polarized by the HVPS. The excess toner remaining on the Transfer Belt is scraped off by the cleaning blade and collected into the Waste Toner Box as described in "Waste Toner Collection" on page 2-16".

Fusing

During Fusing, toner is fixed on the media by heat and pressure. The toner particles are melted by the heat roll heated by the heater lamp, and fused by the pressure between the heat roll and belt. The belt, friction-driven by the heat roll, nips the media against the heat roll.

Fuser life is determined by number of prints. Life is 100K A/A4 pages to a near end of life, 125K A/A4 pages to end of life.

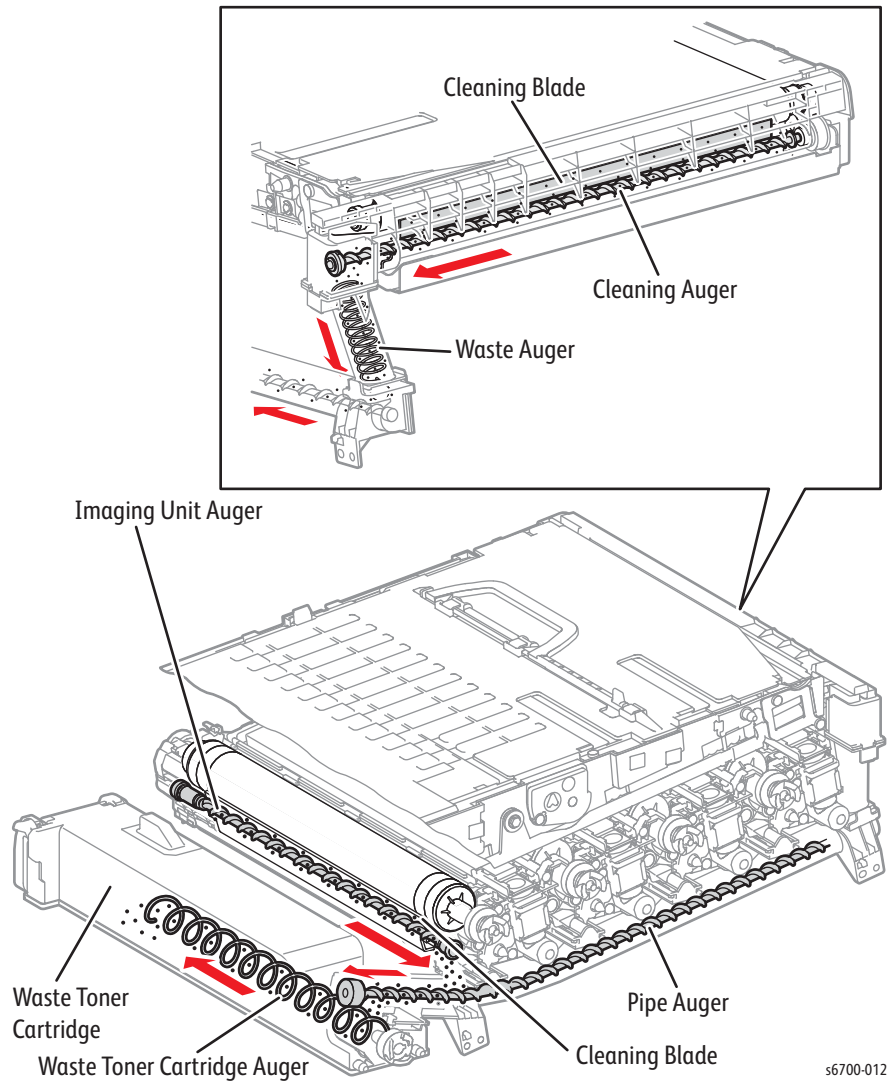


s6700-013

Waste Toner Collection

The waste toner generated during cleaning and the degraded developer exhausted from each developer unit are transported to the Waste Toner Cartridge by multiple augers.

Waste toner status is determined by the Waste Toner Full Sensor for near full and a page counter for full. Waste Toner Cartridge life should be 25 K A/A4 pages at 5 % coverage per toner, 20 % cumulative, to almost full and another 3600 pages to full.



s6700-012

Sensors

The printer contains sensors of various types that perform a variety of functions. One group of sensors track the movement of media along the paper path, and detect if a jam occurs. Other sensors detect the presence of the Toner Cartridges, stop printer activity if a door is open (interlock), and monitor fusing temperature. The types of sensors used vary with function. This table briefly describes the type and function of sensors and switches used to determine operational status and detect jams or failures.

List of Sensor and Interlock Functions

Name	Type	Function
Level Sensors 1, 2	Photo-receptive	Detects media stack height in Trays 2~6
No Paper	Photo-receptive	Detects no paper condition in all trays
Take Away	Photo-receptive	Detects media entering the media path
Size Switch	Microswitch array	Detects loaded media size
Front Door	Microswitch	Detects when the Front Door is open.
Registration	Photo-receptive	Detects paper at the registration rollers.
Switching	Photo-receptive	Detects Color or B/W print mode.
Exit	Photo-receptive	Detects paper as it leaves the exit.
Full Stack	Photo-receptive	Detects when the Output Tray is full.
Waste Toner	Photo-receptive	Detect toner level in the Waste Toner Cartridge.
Envelope Mode	Photo-receptive	Detect the position of the Envelope Mode Lever on the Fuser.
Temperature	Thermistor	Monitor temperature of the Heat Roller.
Door Interlocks	Microswitch	Interrupts +24 V to the Main Motor
Self Priming	Photo-receptive	Detects staple ready
Staple Home	Photo-receptive	Detects Stapler head position
Low Staple	Photo-receptive	Detects Staple Cartridge near empty.
Thermostats	Thermostatic switches	Interrupts AC power to the Fuser.
Offset	Photo-receptive	Senses the position of the Offset Chute.
Environmental	Integrated circuit	Monitors internal temperature and humidity.
Home Position	Photo-receptive	Detects home position.

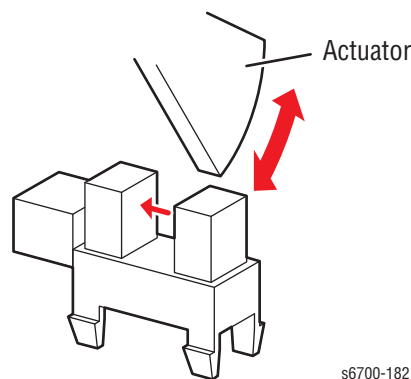
In general, there are three types of sensors are in use:

- Photo sensors
- Microswitches
- Thermistors

Photo Sensors

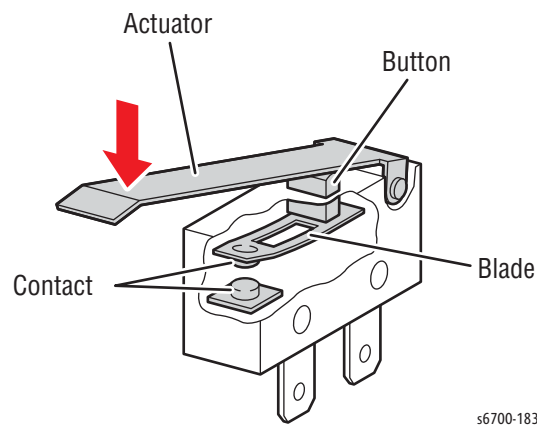
Two types of photo sensors are used, photo-reflective and photo-receptive. Photo-reflective sensors use light reflected back from an object to detect its presence. Photo-receptive sensors use an actuator or the object itself to block the light path to detect an object or condition.

Photo-reflective sensors have the light emitter and light receiver aligned on a single surface. Output of the photo-receptor is High ($> +4.5$ V) when light is being reflected back and Low ($< +3$ V) when it isn't. Photo-receptive sensors consist of a LED in one arm of a U-shaped holder, and a photo-transistor in the other arm. When the sensing area is vacant, nothing is between the arms of the sensor, light falls on the photo-receptor sending the signal High. If the light is interrupted, the photo-transistor goes Low. The figure below shows a typical photo-receptive sensor with the Hooks (catches) used to secure the sensor to its bracket.



Microswitches

Microswitches are used primarily as interlocks in the printer. They are in a normally open state, and close when actuated. A bank of microswitches is used to detect paper size in the universal trays. Microswitches also employ hooks or catches for retention in the bracket or frame. The figure illustrates a typical microswitch.



Thermistor

Thermistors have a known value of resistance whose value varies with temperature. Used primarily in the Fuser for temperature sensing.

CRUM

RFID devices that read and write data into NVRAM are otherwise known as CRUMs. CRUMs are present in Toner Cartridges, Imaging Units and Fuser. The toner CRUMs identify the cartridge type (Standard, Meter or High Capacity). The CRUMs contain an OTP part to record new or used cartridge. The rotation count, pixel count and page count data for supplies page are stored in the toner CRUM.

Sensors in the Media Path

The following illustrations show the designations of the various sensors located along the paper path. Error reporting is dependent on these designators. Error detection is based on paper transport timing through the sensing area.

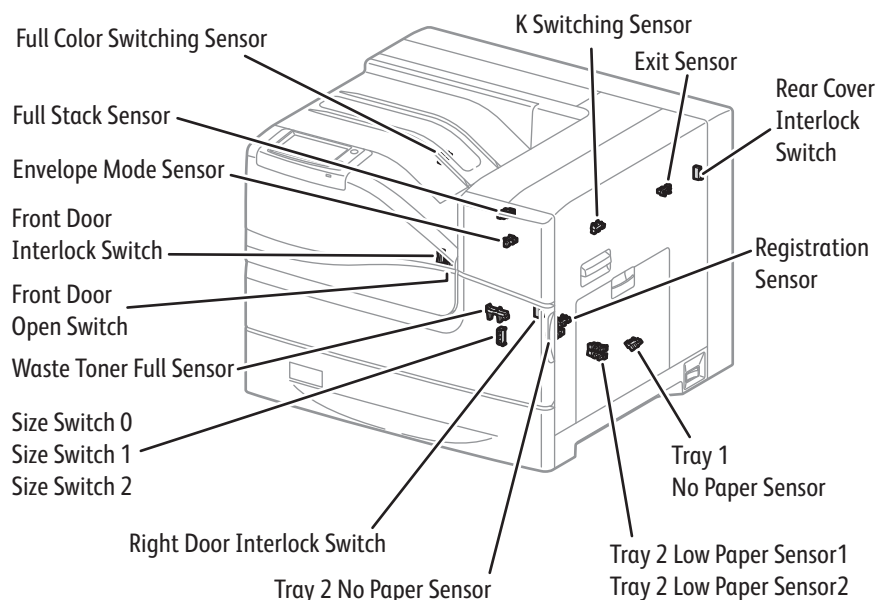
Sensors in the Printer

Interlock Sensors

The Interlock Switches disable +24 V when the Front or Right Door is opened. The Rear Cover Interlock Switch blocks +5V to the Laser Unit when open.

Media Feed Sensors

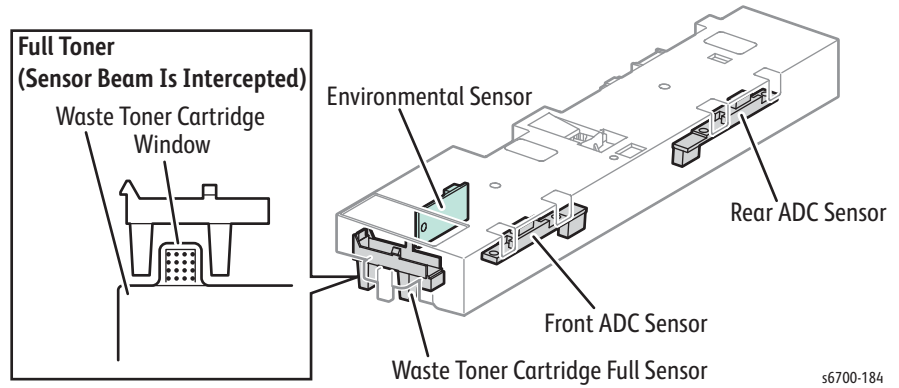
The diagram below identifies the remaining paper feed sensors in the printer, optional feeders, and Finisher.



s6700-055

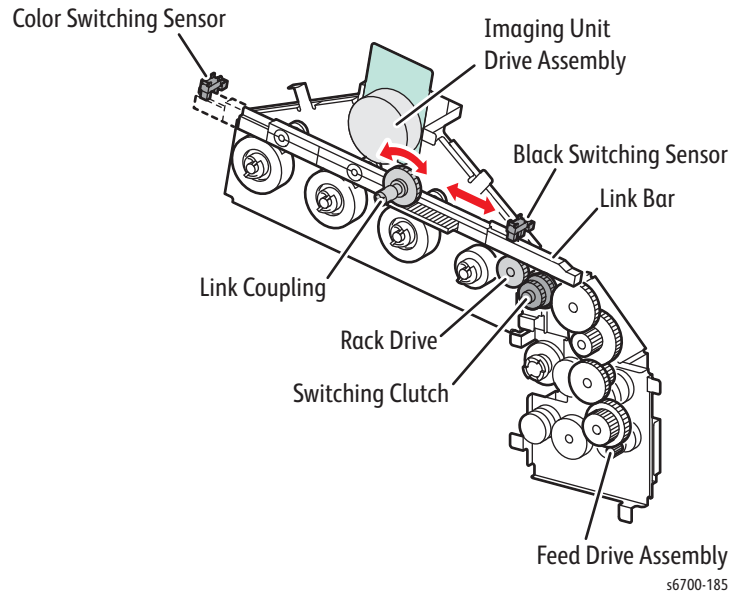
Process Control Sensors

Process control sensors, located in the Process Control Assembly (Procon) monitor the environment, toner application, and image quality.



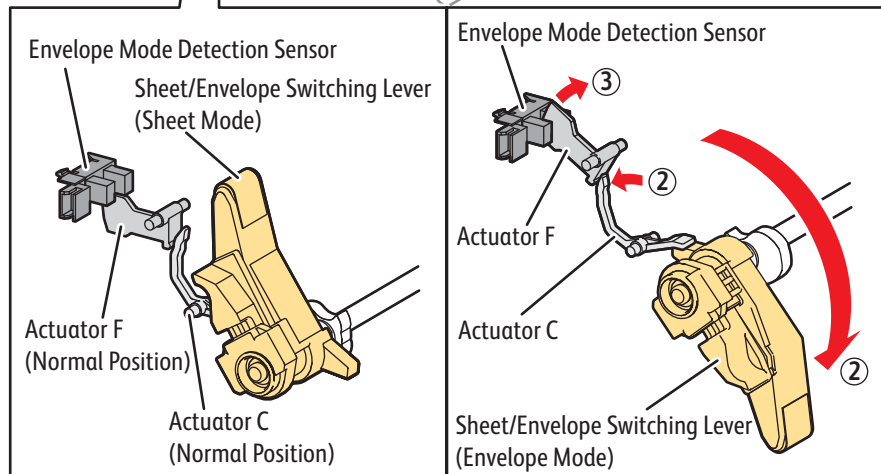
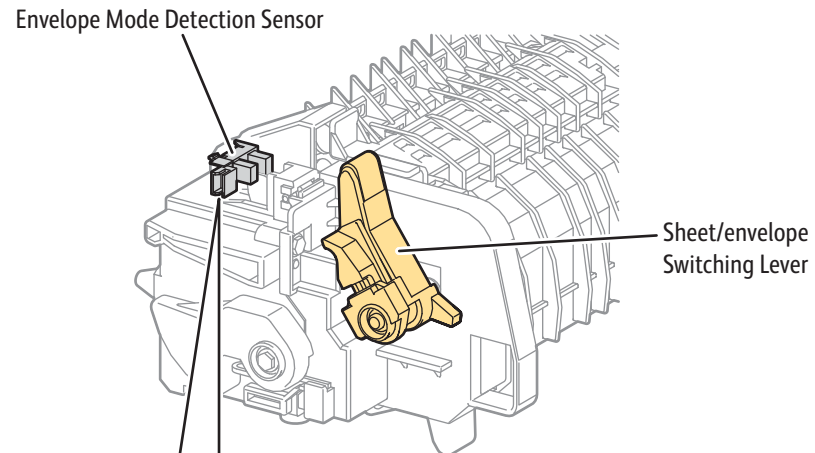
Mode Switching Sensors

The Color and Black Switching Sensors detect link bar position to indicate which mode the printer is running in (color or B/W). The Switching Sensor blocked by the link bar indicates the current mode to the controller.



Envelope Mode Detection

The Envelope Mode Detection Sensor, located on the Exit Assembly, detects the position of the sheet/envelope switching lever on the Fuser. The sheet/envelope switching lever is switched between Sheet Mode or Envelope Mode depending on the media used. Envelope Mode reduces Fuser nipping pressure to prevent wrinkles or slacks on envelopes due to heat and pressure during fusing.



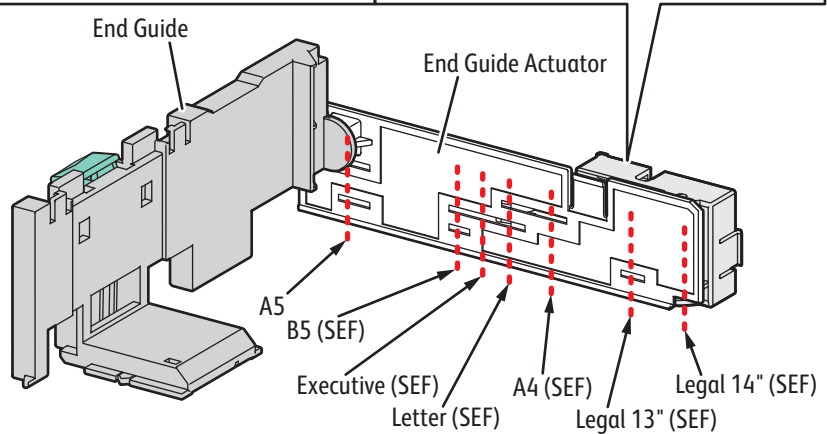
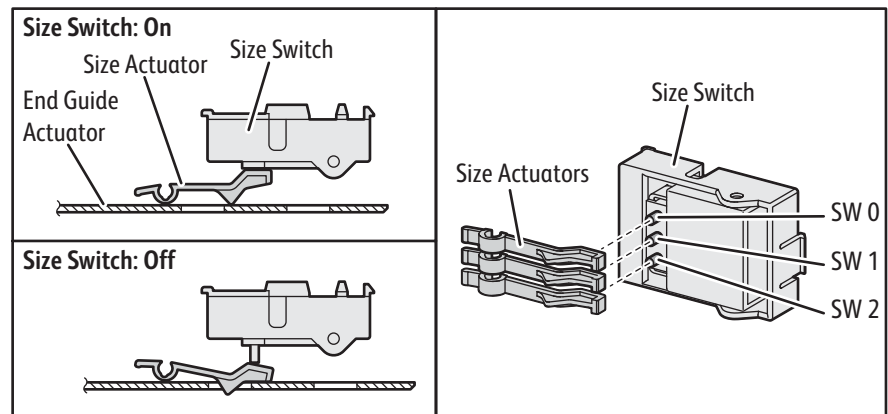
s6700-042

Media Size Detection

When the Tray is inserted and the end guide aligned to the media stack, the position of the size actuator that is coupled to the end guide, turns On or Off the switches of the Size Switch. The following table shows the correspondence between switch status and the paper size. The switches are referred to as Size Switch (SW) 0, SW1, and SW2 from top to bottom. This detection method is also used in the Optional Feeders.

Media Size	Size Switch ^a		
	SW0	SW1	SW2
Legal14" (SEF)	On	On	On
Legal13" (SEF)	On	On	Off
Executive (SEF)	On	Off	On
B5 (SEF)	On	Off	Off
A4 (SEF)	Off	On	On
Letter (SEF)	Off	Off	On
A5	Off	On	Off
No Tray	Off	Off	Off

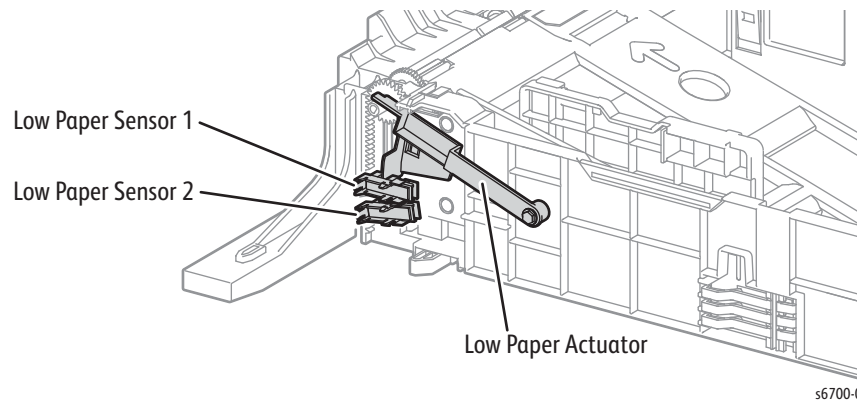
a. On: The actuator is pushing the size switch.



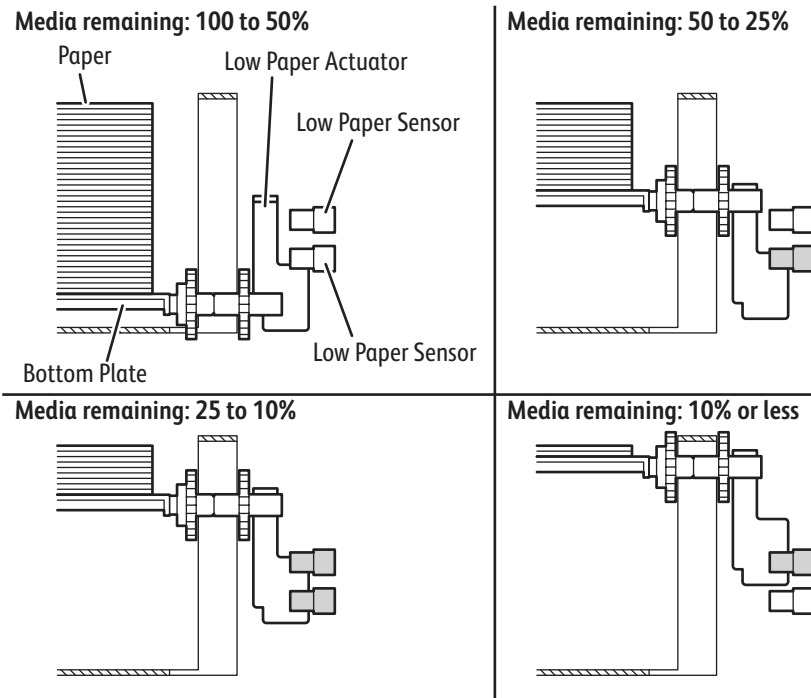
s6700-053

Media Level Sensing

As media is fed from the Tray, the media level drops. When the media level reaches a certain point, an actuator interrupts the level sensors signaling level status until the No Paper Sensor is activated. Paper level sensing operates the same way for Trays 2 through 6. Tray 1 uses No Paper sensing only. The Low Paper Sensors detect the amount of the media remaining in the Tray in three levels (50, 25, and 10%).



s6700-058

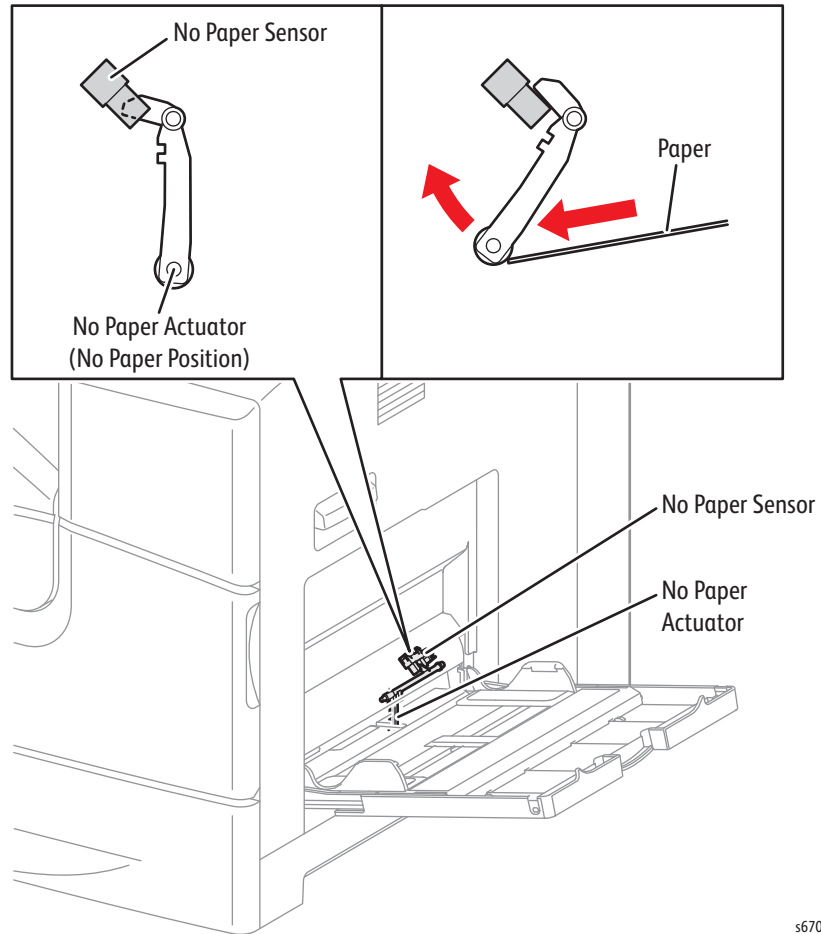


s6700-059

Media Detection

Tray 1

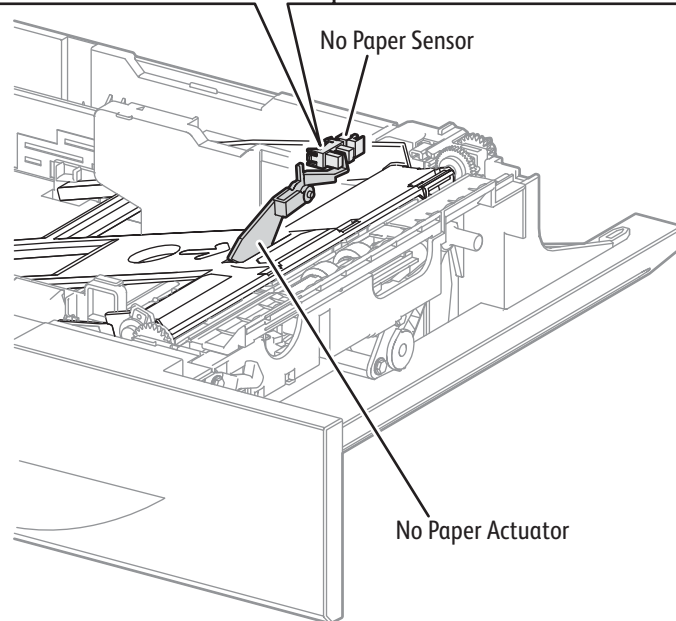
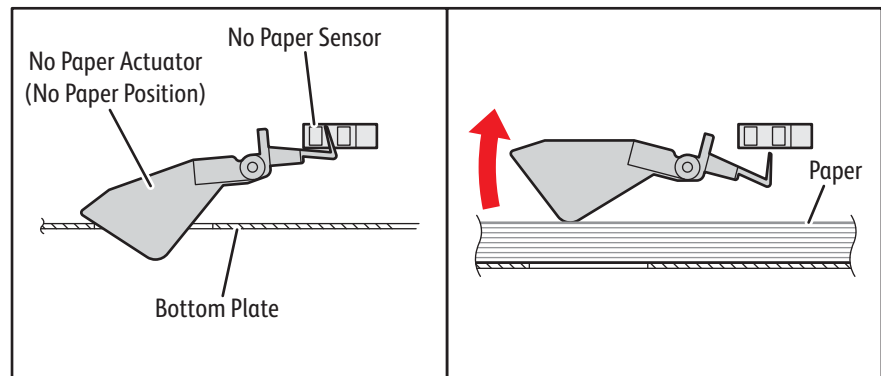
The Tray 1 No Paper Sensor detects media in the Tray by an actuator.



s6700-030

Trays 2 through 6

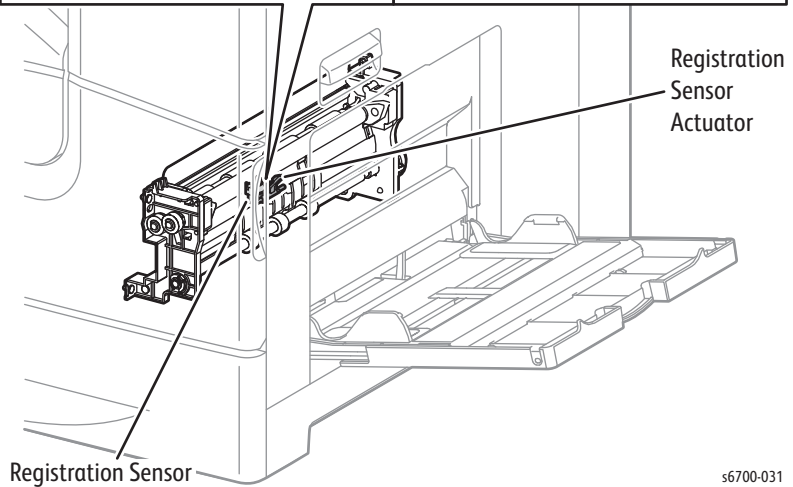
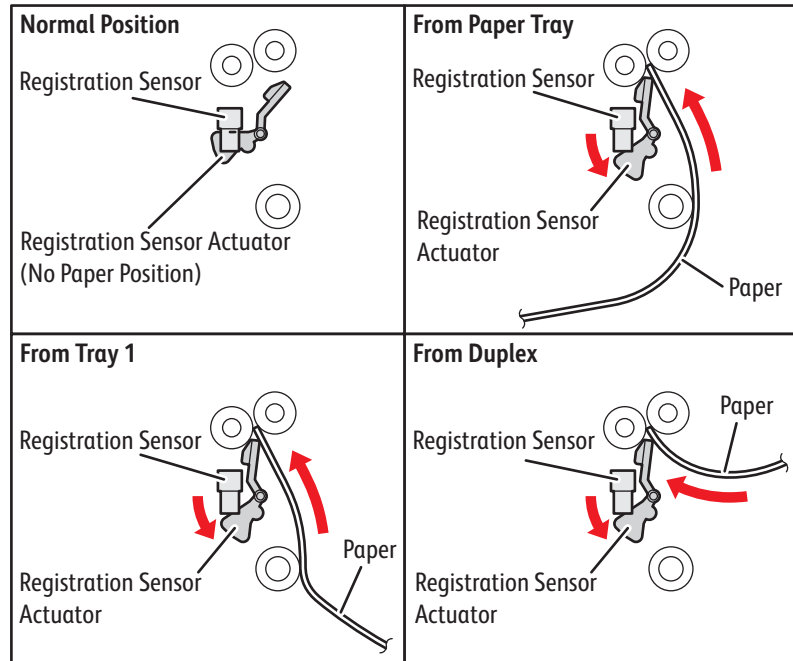
When the last sheet is fed from any of the universal trays (Trays 2 ~ 6), the No Paper Sensor actuator drops into an opening in the bottom plate, blocking the sensor. Feeding is inhibited until media is loaded into the tray.



s6700-027

Media Registration

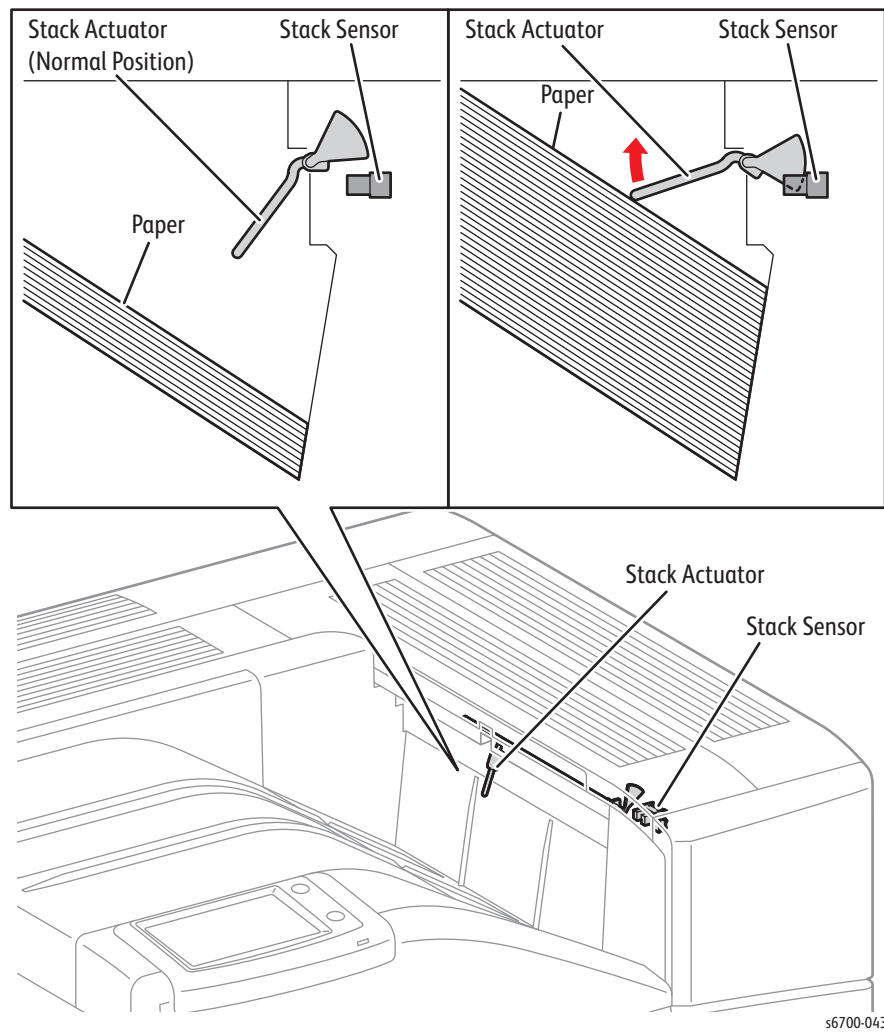
The Registration Sensor detects the leading edge of the media, and by duration of the On signal, media length.



s6700-031

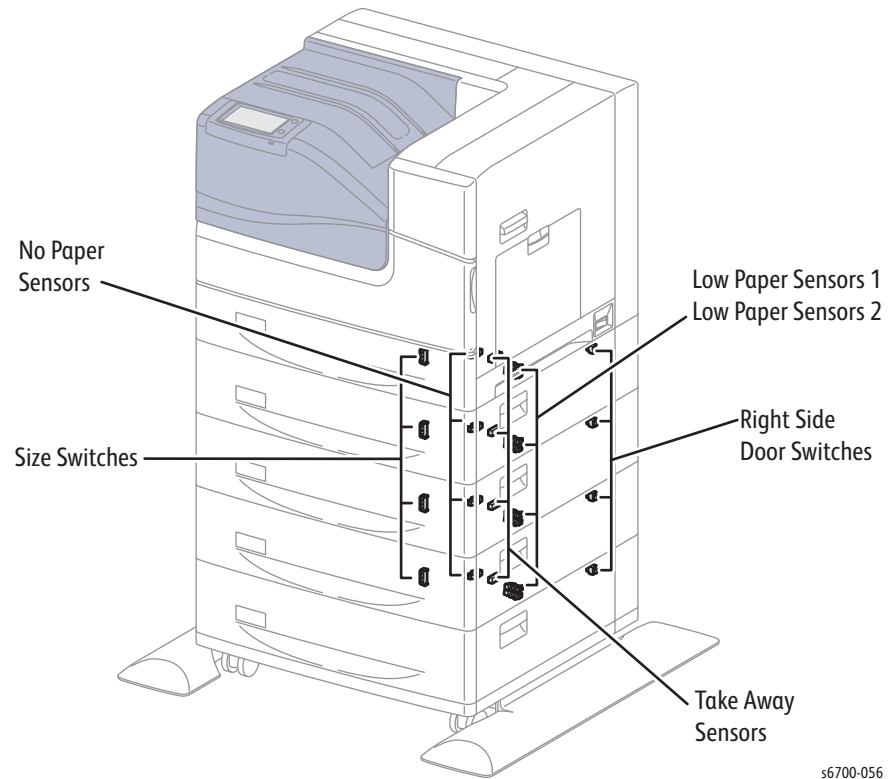
Output Tray

The Full Stack Sensor, located above the Output Tray in the Exit Assembly detects when the Output Tray has reached its capacity.



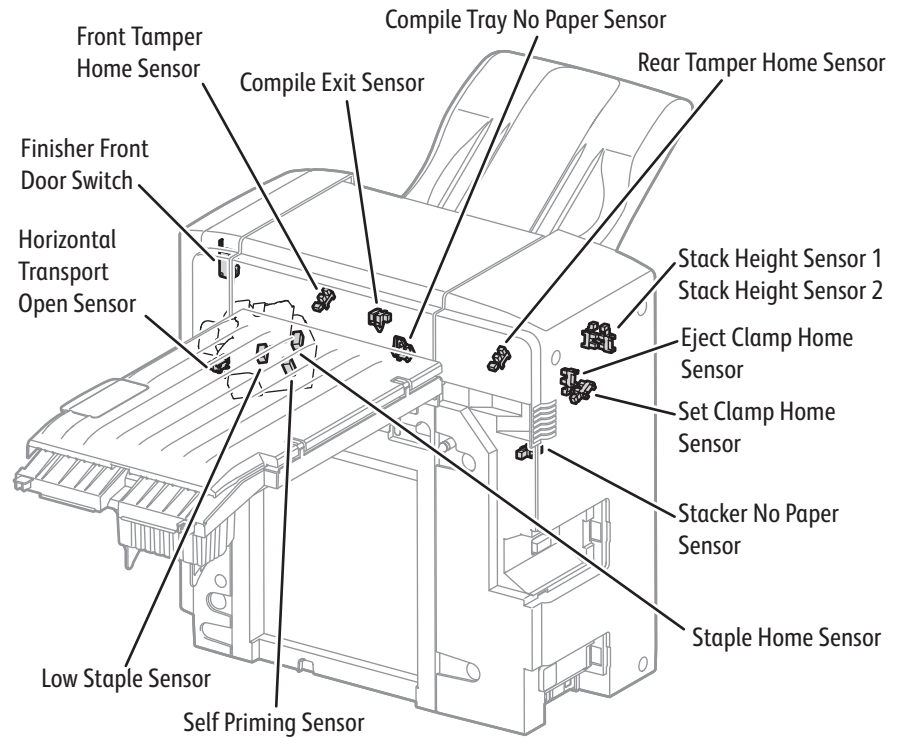
Optional Tray Sensors

The diagram below identifies Optional Feeder sensors.



Finisher Sensors

The diagram below identifies Finisher sensors.



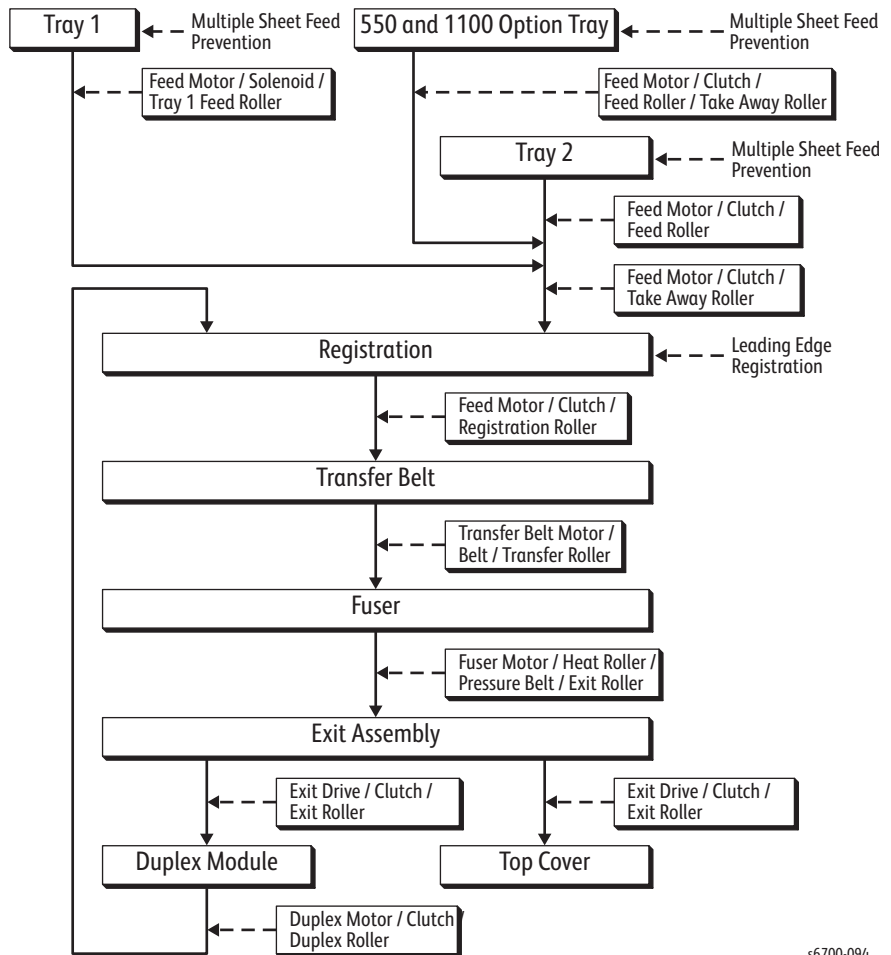
s6700-057

Media Handling

Media is driven along the media path by various drive motors, belts, gear assemblies and rollers. Synchronization of these components is managed by the MCU Board. The operating system monitors sensors located along the media path throughout the print engine and attached options. As a sheet travels along the media path, sensors change state temporarily to indicate the sheet's presence. If the pattern of sensor state changes differs from the expected timing for a particular media size and path, an error is reported.

Printer Media Path Drive

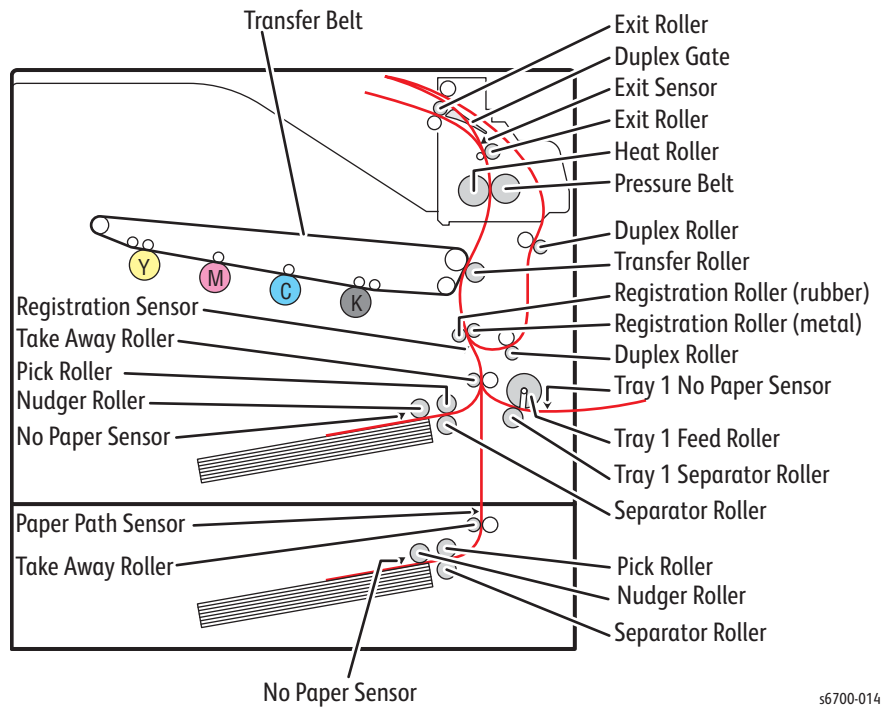
The illustration shows the flow of media, shown as solid lines, and the related drive components, shown by dashed lines, through the media path.



s6700-094

Printer Media Path Components

The illustration shows the flow of media, shown as dashed lines, and identifies key drive components of the printer.



s6700-014

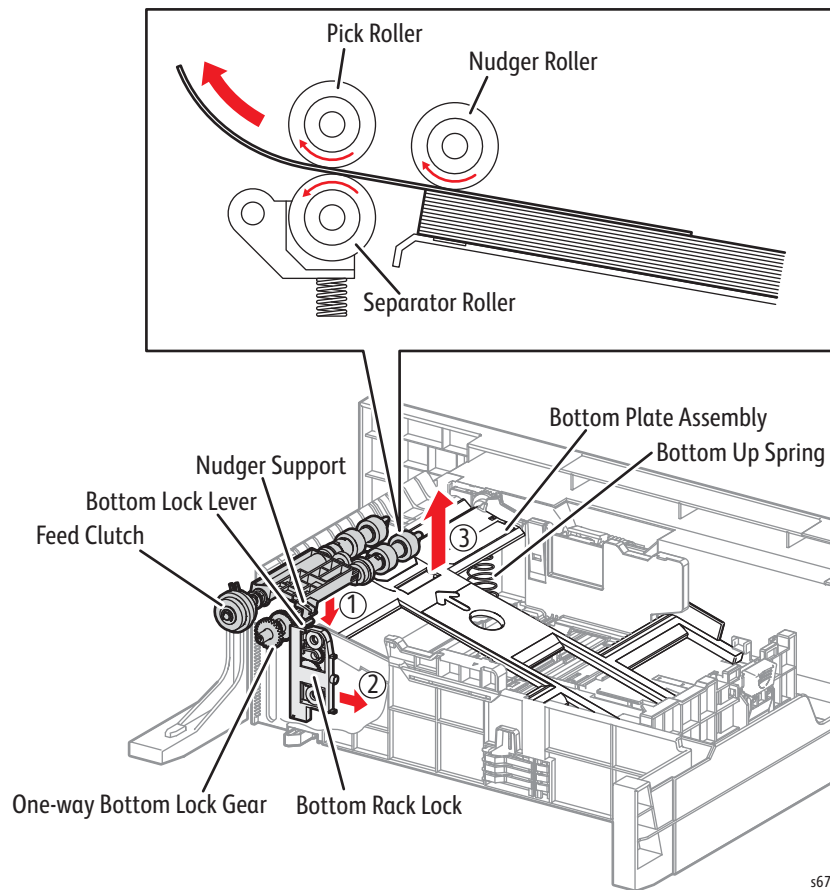
Multipurpose Tray 1

When feeding from Tray 1 starts, the Feed Roller rotates, driven by the Feed Drive Assembly and controlled by the Tray 1 Feed Solenoid, and feeds media to the position where it is nipped between the Feed and Separator Rollers.

Trays 2 ~ 6

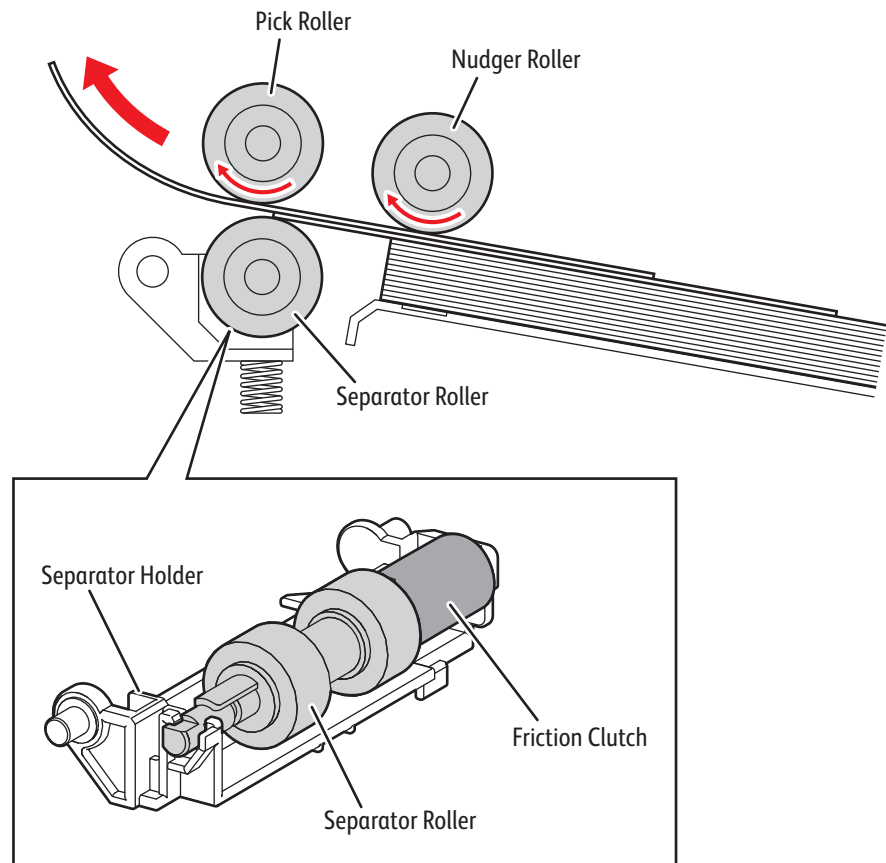
Inserting the Tray into the feeder unlocks the bottom plate. When the Tray is pushed in until it stops, the support nudger pushes the bottom lock lever and disengages the gear of the bottom rack lock from those of one way lock gear, allowing the bottom plate to rise to the feeding position by spring pressure.

When feeding starts, the Nudger Roller and Feed Roller rotate, driven by the Feed Drive Assembly and controlled by the Feed Clutch. The Nudger Roller feeds the media to the position where it is nipped between the Feed and Separator Rollers.



Multiple Sheet Feed Prevention

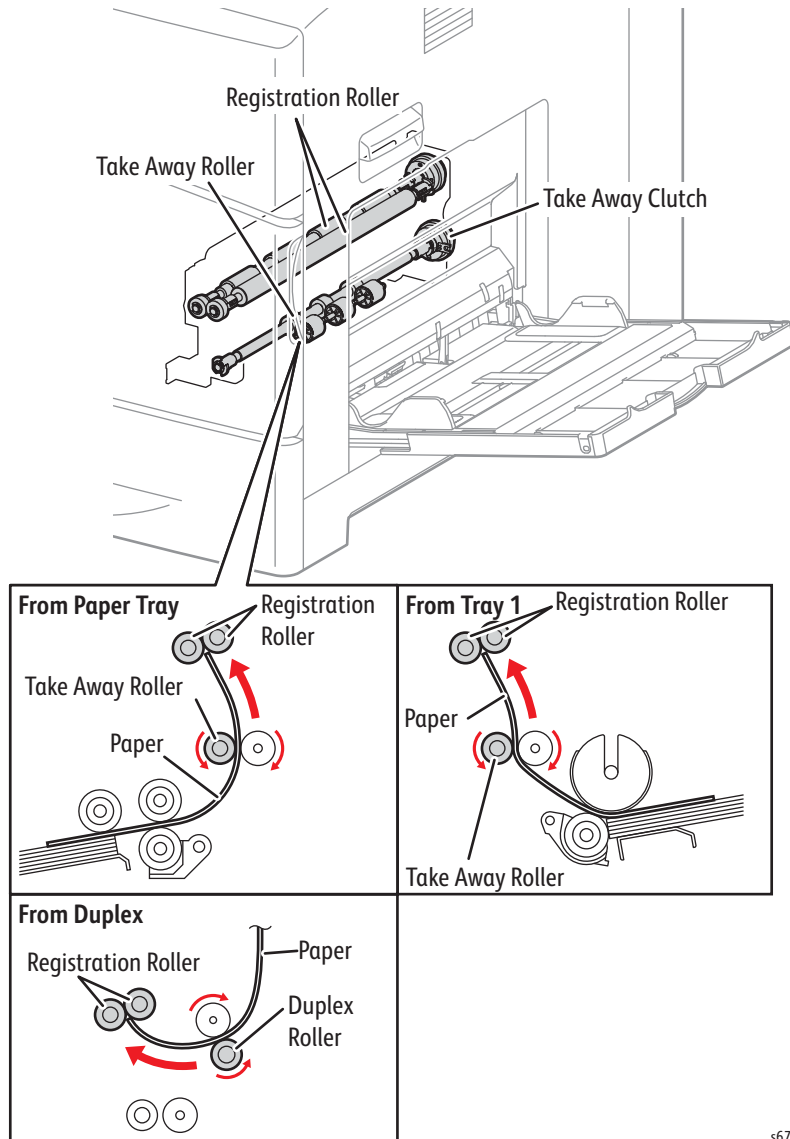
Normally, when only one sheet is fed, both the Feed Roll and Separator Roller rotate to allow the sheet to pass. However, when two sheets are fed concurrently, the Feed Roll rotates freely, but the additional thickness engages the Separator Roller friction clutch stopping the second sheet. The Separator Roller is pushed toward the Feed Roll by spring pressure, and controlled by the friction clutch.



s6700-016

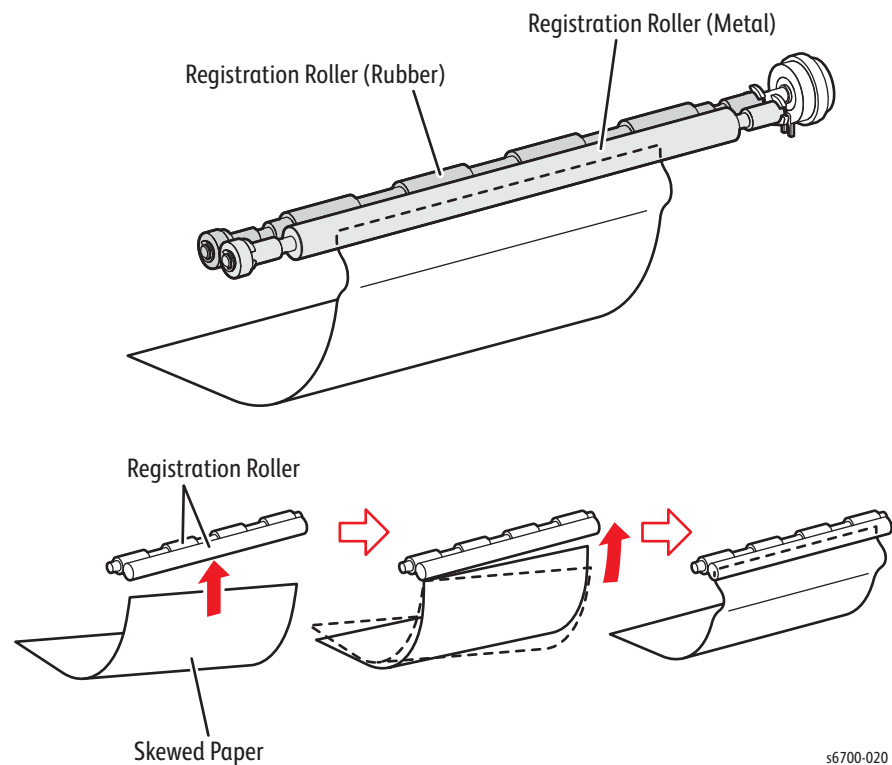
Media Registration

Sheets fed from the trays are guided into the registration area by the Take Away Roller driven by the Feed Drive Assembly and controlled by the Take Away Clutch. Sheets fed from the duplex area are guided to the registration area by the Duplex Rollers.



s6700-019

The leading edge of the sheet reaches registration and is fed to the toner transfer section (Transfer Roller). When a sheet is fed to the toner transfer position, the registration of the sheet may not be correct due to leading edge misalignment. To avoid this, the leading edge is aligned at the registration rollers before the sheet is fed across the Transfer Belt, or in front of the BTRs.



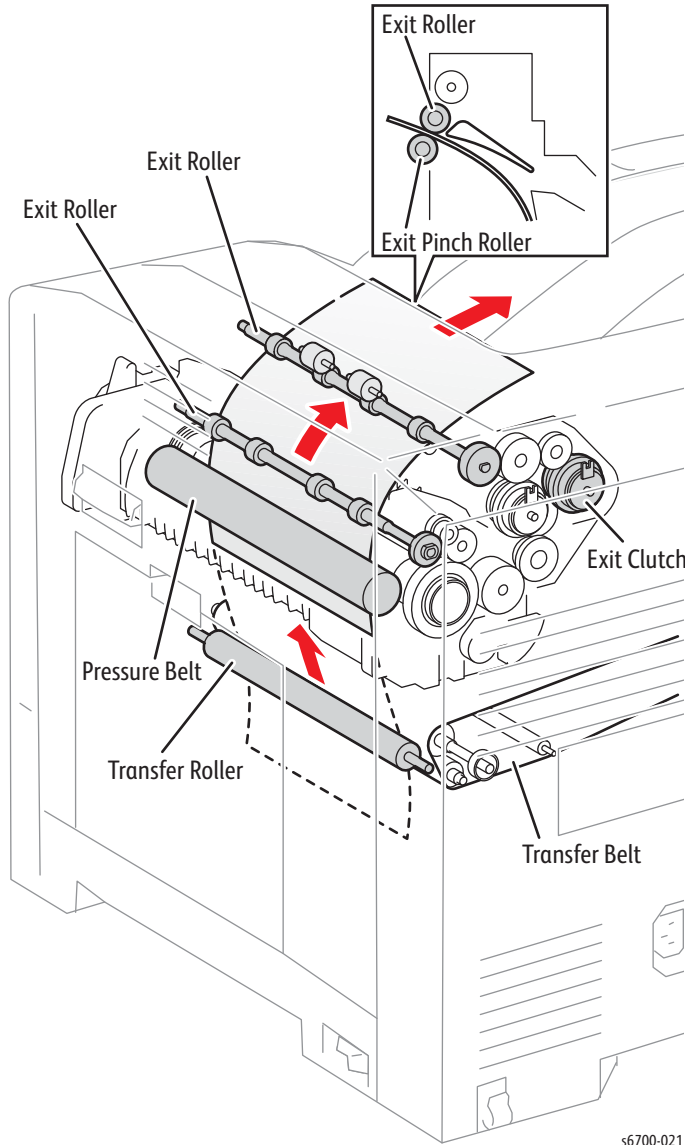
s6700-020

Before the registration rollers are energized, the paper is advanced from the tray to the rollers. By pushing the edge of the sheet against the registration roller that is not turning, the lead edge of the sheet is registered.

Transfer/Fusing/Exit

Sheets that pass the registration section reach the transfer position where it is nipped between the Transfer Belt and Transfer Roller driven by the Transfer Belt Drive Assembly. The toner image on the Transfer Belt is transferred onto the sheet, and then fused by heat by the Fuser driven by the Fuser Drive Assembly while the sheet is being fed to the Exit Assembly.

In the exit section, the sheet whose side 1 or side 2 has been printed is fed to the exit direction by the Exit Roller driven by the Fuser Drive Assembly and controlled by the Exit Clutch in the Exit Drive.

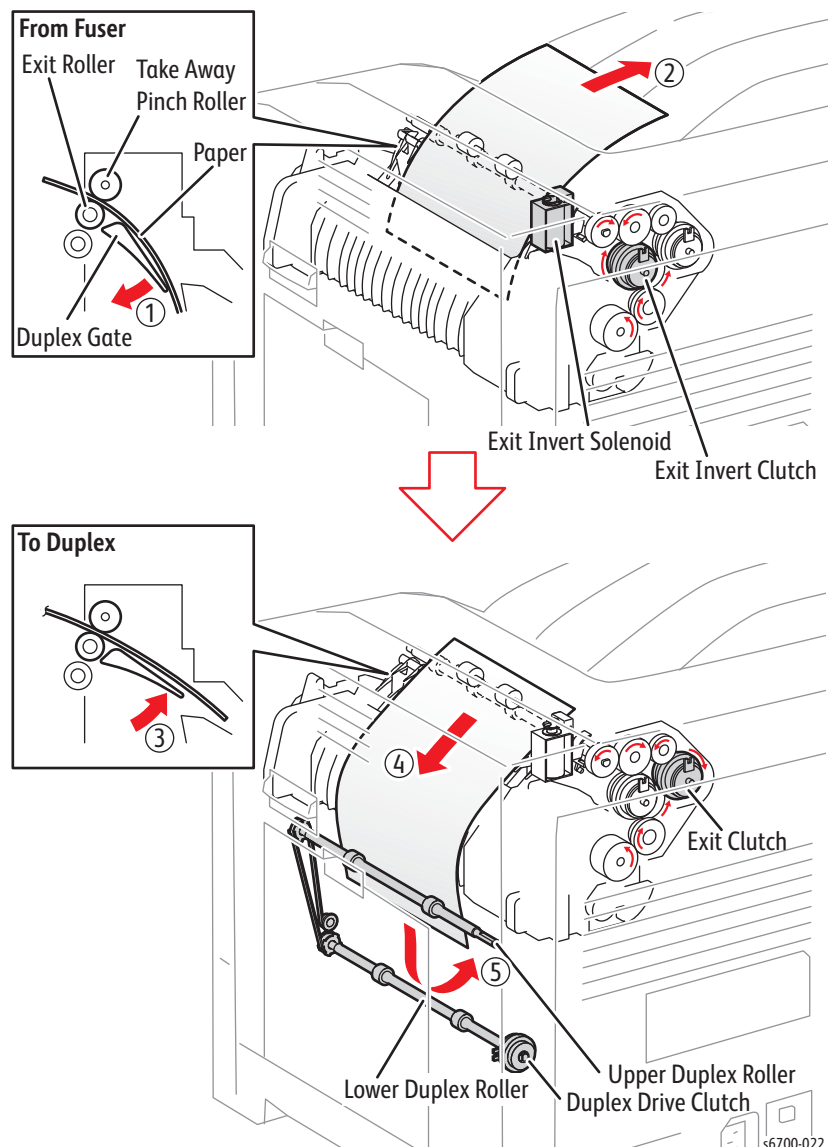


Duplex Feed Single Sheet

As the leading edge of the sheet exits from the Fuser after printing on side 1, the Exit Inverter Solenoid turns On, lowering the duplex gate to allow the sheet to travel along the upper side of the duplex gate to the position where it becomes nipped between the exit roller and take away roller. The sheet is then fed to the Exit section by the exit roller that rotates toward the exit (reverse direction), driven by the Fuser Drive Assembly and controlled by the Exit Inverter Clutch.

After the trailing edge exits the Fuser after printing side 1, the Exit Inverter Solenoid turns Off, raising the duplex gate to its original position to allow the single-side printed sheet to be fed back to the duplex section from the exit section by the exit roller that rotates (normal direction), driven by the Fuser Drive Assembly and controlled by the Exit Clutch in the Exit Drive.

In the duplex section, the single-side-printed sheet is fed back to the registration section by the Duplex Rollers driven by the Feed Drive Assembly and controlled by the Exit Inverter Clutch. After the printing on the side 2 is completed, the sheet exits in the same manner as it does after the printing side 1 is completed.

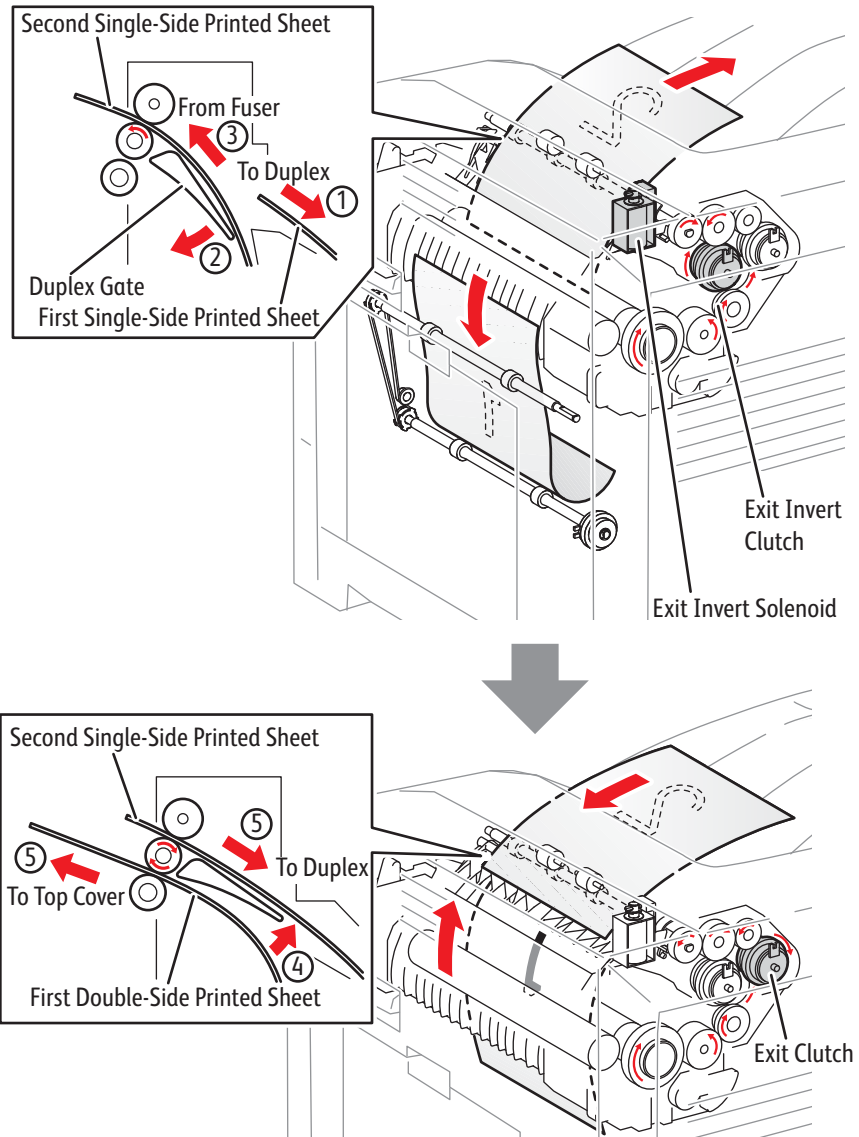


s6700-022

Duplex Feed of Multiple Sheets

After the first single-side printed sheet reaches the duplex section, the Exit Inverter Solenoid turns On, lowering the duplex gate to allow the second single-side-printed sheet to travel along the upper side of duplex gate to the upper part of the exit section. When the lead-edge of the first double-side printed sheet exits from the Fuser, the Exit Inverter Solenoid turns Off, raising the duplex gate to its original position to allow the double-side-printed sheet to be nipped between the exit roller and the take away roller and fed to the exit section by the exit roller.

As the second single-side printed sheet is fed to the duplex section, the preceding sheet is fed to the Output Tray.



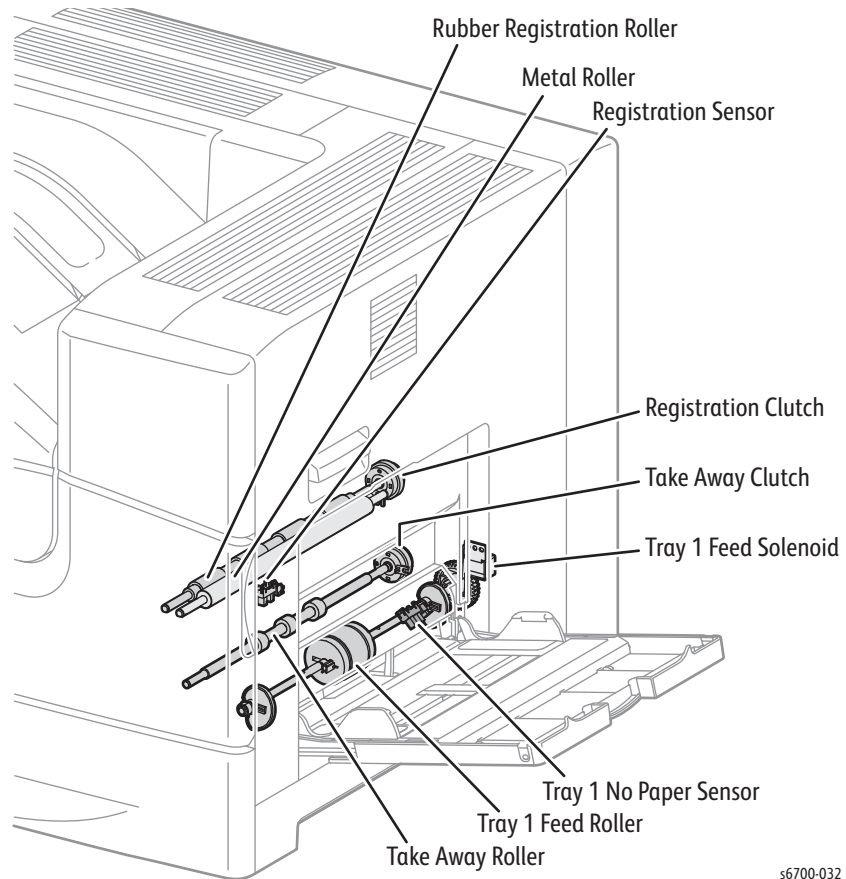
s6700-023

Major Printer Components

This section describes major printer components. These components are organized into the following functional blocks.

- Tray
- Feeder
- Tray 1 & Registration Assembly
- Process Control
- Laser Unit
- Dispenser
- Imaging Units
- Transfer Belt
- Fuser
- Exit
- Duplex
- Drive
- Electrical
- Optional 550 and 1100-sheet Feeders

Multipurpose Tray 1



s6700-032

- Tray 1 Feed Solenoid

The Tray 1 Feed Solenoid controls the driving torque from the Feed Drive Assembly to the Tray 1 Feed Roll.

- Take Away Clutch

The Take Away Clutch transmits the driving torque from the Feed Drive Assembly to the Take Away Roller.

- Take Away Roller

The take away roller starts rotating when the Take Away Clutch is engaged to feed the sheet from Trays 1 or 2 to the registration rollers.

- Tray 1 No Paper Sensor

The Tray 1 No Paper Sensor detects the presence/absence of media in the Tray by a change in actuator position.

- Registration Sensor

The Registration Sensor detects the leading edge of the sheet, and by duration of the On signal, media length.

- Registration Clutch

The Registration Clutch transmits the driving torque from the Feed Drive Assembly to rubber registration roller to feed media to the Fuser from the Tray or duplex unit. To register the image at the correct position on the medium, the feed timing from the registration assembly is adjusted by the duration of Registration Clutch operation.

Trays 2 ~ 6

Note

Due to Tray cover dimensions, Tray 2 is not interchangeable with Trays 3~6.

Trays 2 through 6 include end and side guides that manually adjust to the media loaded in the tray. These guides contact the front and rear edges of the media to hold it in position. Media size is determined by the position of the end guide that actuates switches in the Size Switch.

- Side Guides

The front and rear side guides align the media stack along its width, perpendicular to the feed direction.

- End Guide

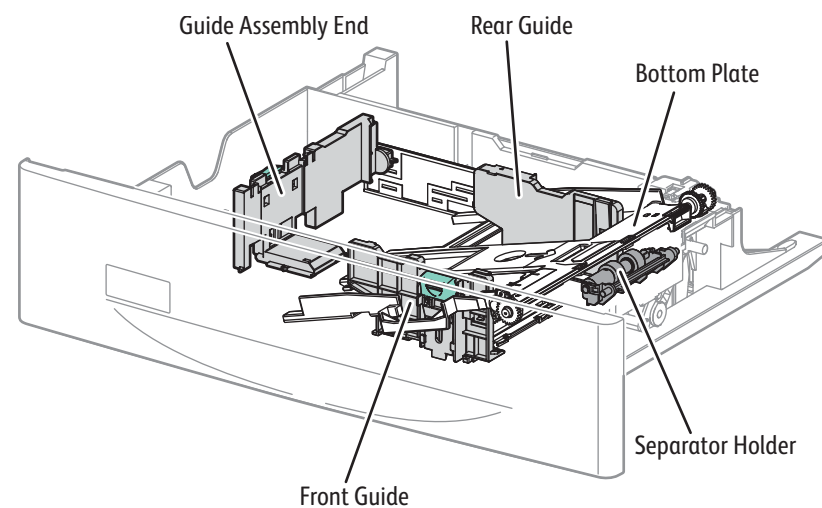
The end guide aligns the media stack lengthwise in the Tray. Based on end guide position, media size is determined by the combination of signals generated by three switches in the Size Switch.

- Separator Holder

The Separator Holder holds the Separator Roller and prevents multiple sheet feeds.

- Bottom Plate

When the Tray is pulled from the feeder, the bottom plate is lowered and locked to the bottom of the Tray. Replacing the Tray releases the bottom plate from the lock, pressing the media stack against the Nudger Roll by spring pressure.

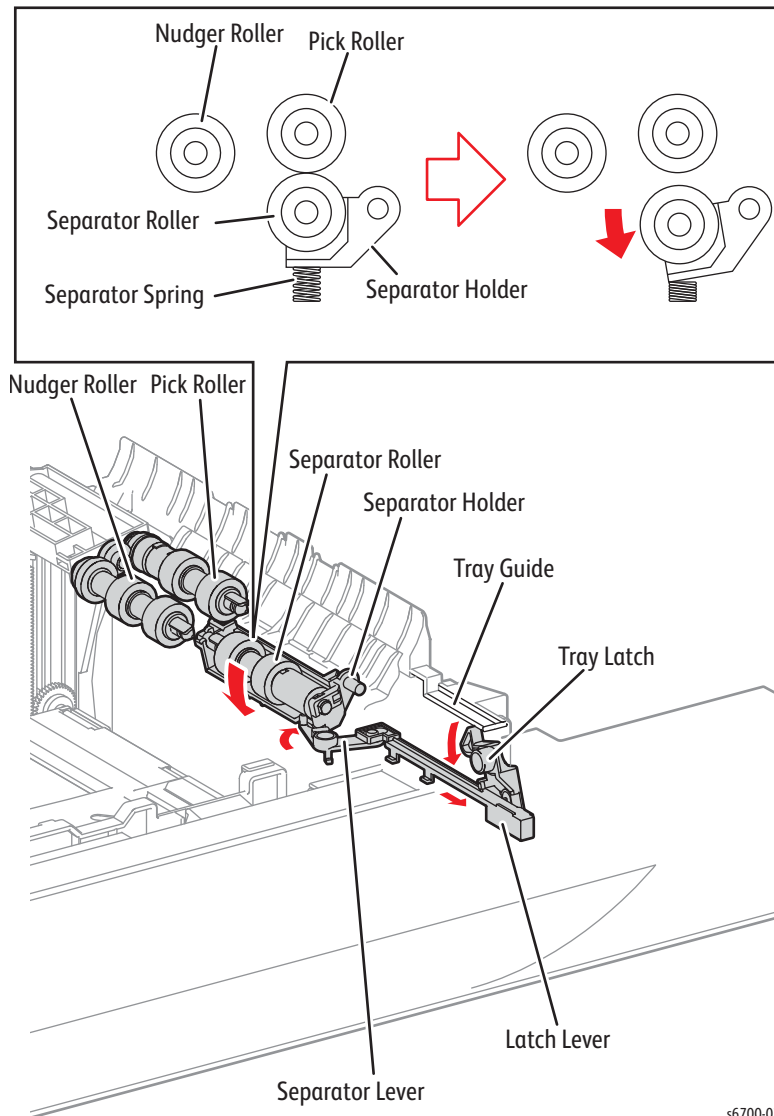


s6700-051

Inserting the Tray into the feeder presses the tray latch against the rail of the tray guide, swinging the tray latch downward and moving the latch lever forward. The latch lever swings the separator lever frontward, which swings the Separator Holder downward, making clearance enough for the Tray to go in.

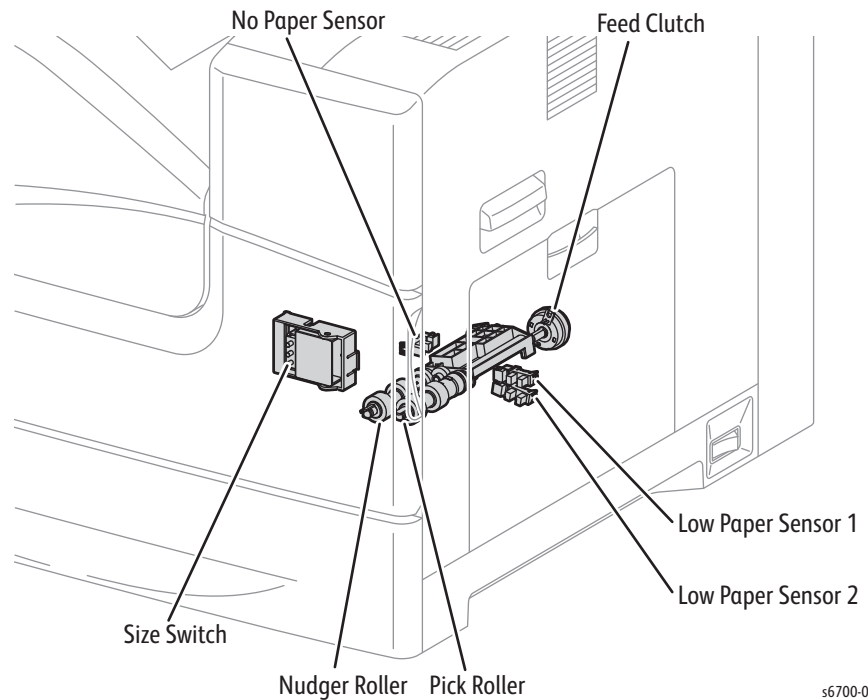
When the Tray is inserted until it stops, the tray latch comes off from the rail of the tray guide, allowing the tray latch, latch lever, and separator lever to return to their positions. Once disengaged from the separator lever, the Separator Holder is pressed against the Feed Roller in the feeder section by the spring pressure of the separator.

When the Tray is pulled out halfway, the tray latch, latch lever, and separator lever operate in the same fashion as when the Tray is inserted, swinging the Separator Holder downward to allow Tray removal.



s6700-025

Tray 2 Feeder



s6700-029

- Size Switch

The Size Switch detects media size and the presence of the Tray. Aligning the end guide to the media stack changes the position of the size actuator coupled to the end guide, turning On or Off the switches. Media size is determined by the combination of signal states of these switches. See “Media Size Detection” on page 2-22.

- No Paper Sensor

The No Paper Sensor detects the media in the Tray based on the position of No Paper Actuator. (No paper: Sensor beam is blocked)

- Low Paper Sensor 1 and 2

The Low Paper Sensors detect the amount of the media remaining in the Tray in three levels (50, 25, and 10%). See “Media Level Sensing” on page 2-23.

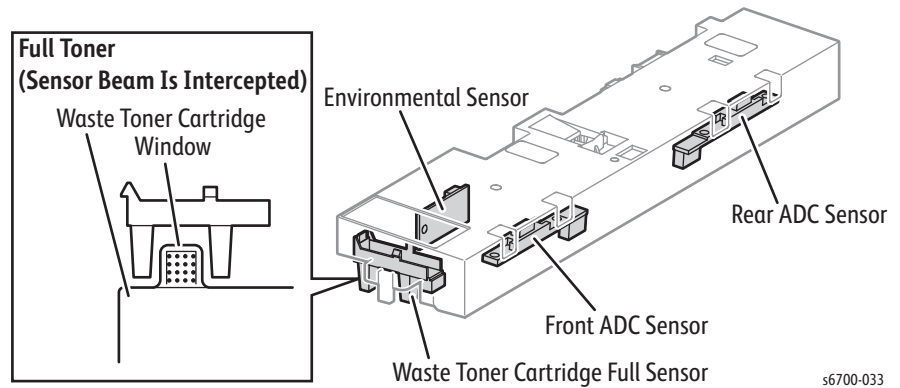
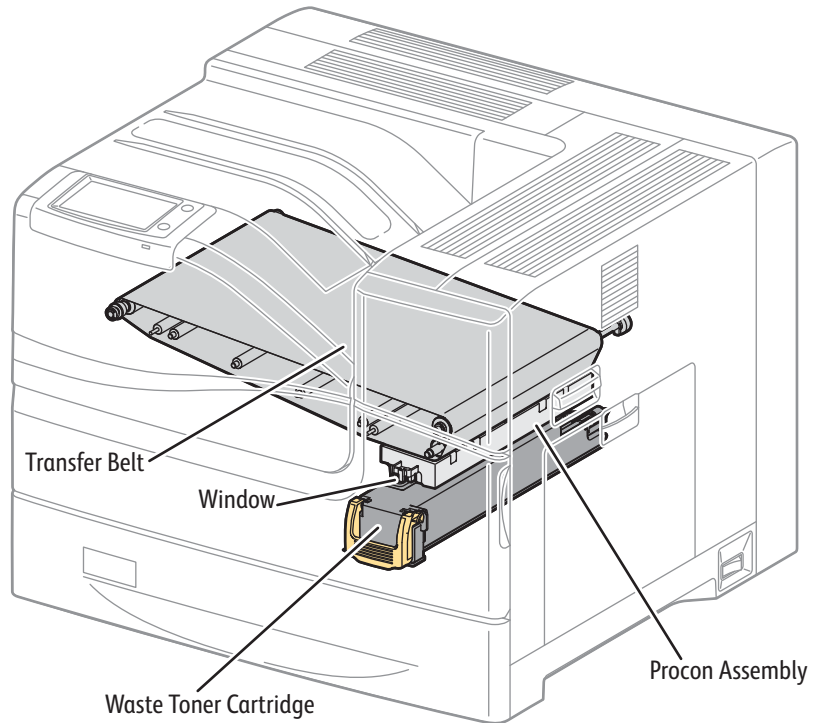
- Feed Clutch

The Feed Clutch transmits the driving torque from the Feed Drive Assembly to the Feed Roll.

- Feed Roller

When the Feed Clutch engages, the Feed Roller rotates to feed the media.

Process Control



s6700-033

- Front ADC Sensor

The Front ADC Sensor detects color registration errors by reading the marks placed on the front side of the Transfer Belt. The value measured is used to adjust the Laser Unit and Imaging Unit bias voltages.

- Rear ADC Sensor

The Rear ADC Sensor detects color registration errors by reading the marks placed on the rear side of the Transfer Belt. This sensor also measures toner patch density on the Transfer Belt before the second transfer, then converts the density value into a voltage value for toner density control.

- Waste Toner Full Sensor

The Waste Toner Full Sensor detects that the Waste Toner Cartridge has become filled to capacity. When the transparent window on the upper part of the Waste Toner Cartridge is blocked by toner, the sensor light is disrupted indicating the cartridge is full

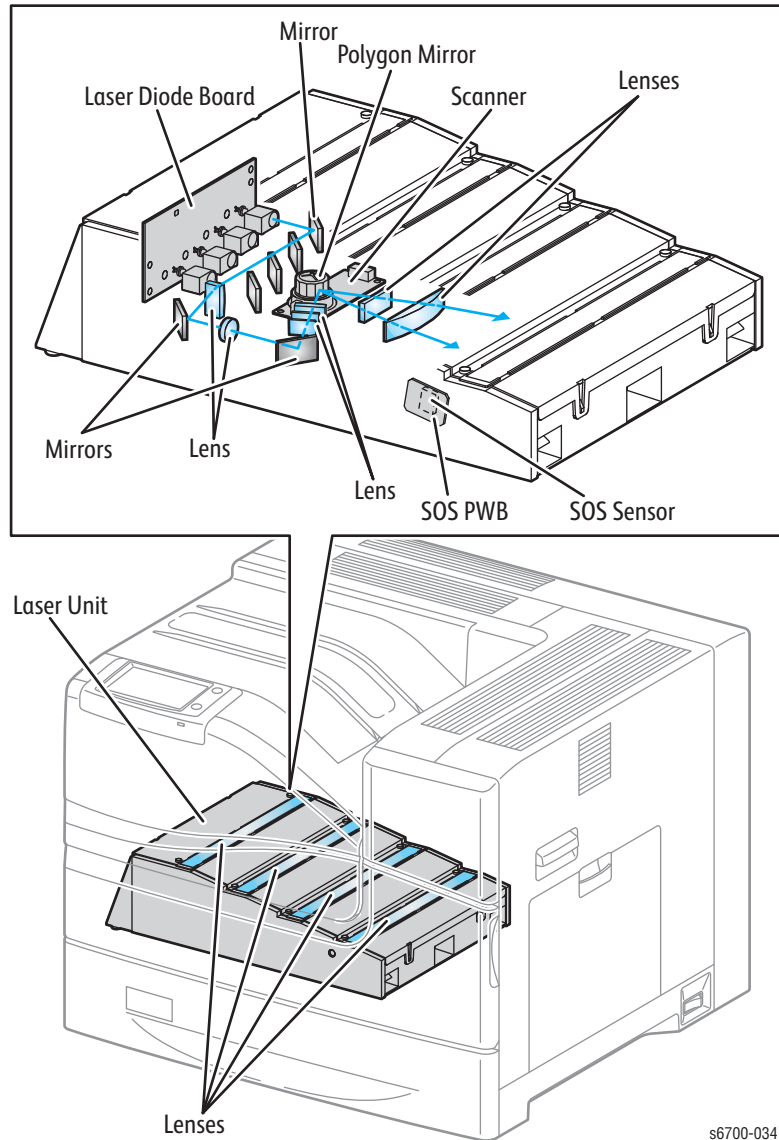
- Environmental Sensor

The Environmental Sensor measures the temperature and humidity within the printer and converts them into voltage values.

Laser Unit

The Laser Unit generates laser beams to form electrostatic latent images on the Imaging Unit's drum surface. Replaced as a single assembly, the Laser Unit consists of these parts:

- LD PWB
- Scanner Assembly
- Lens
- SOS PWB



- Laser Diode Board

The Laser Diode Board consists of four laser diodes corresponding to Y, M, C, and K. Each diode converts the electric signals of incoming image data into laser wave or pulse. In order to stabilize the laser light during the formation of an electrostatic latent image, APC (Auto Power Control) on the Laser Diode Board monitors the laser light quantity to adjust it to the appropriate level.

- Scanner Assembly

The Scanner Assembly consists of the scanner motor that rotates at a constant speed and the polygon mirror mounted on the scanner motor shaft.

The laser light output from the LD PWB is directed onto the polygon mirror. The 12-facet, polygon mirror changes the reflection angle of the laser light as it rotates allowing the laser light to scan the Imaging Unit drum along its axial direction. Scanning is performed using one mirror facet for each line.

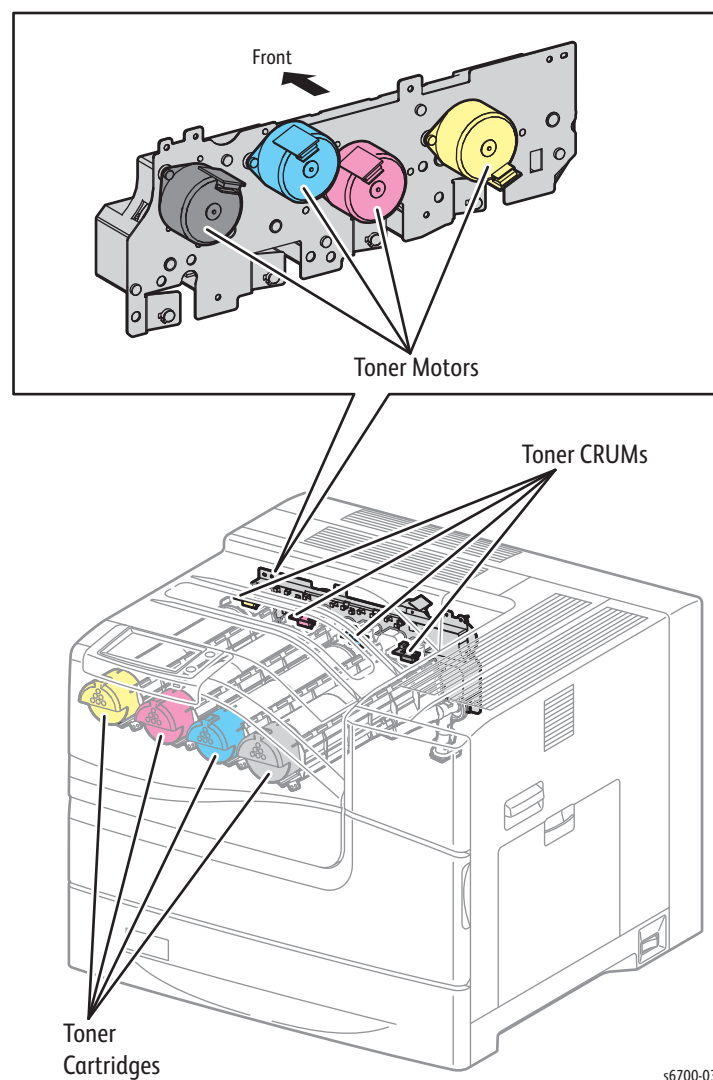
- Lens

The laser light reflected from the Polygon Mirror reaches the drum surface via the lens, mirror, and window. The lens corrects aberration, the mirror secures an optical path, and the window prevents foreign substance from entering the Laser Unit.

- Start Of Scan (SOS) PWB

The SOS sensor on the SOS PWB converts an incoming laser beam to an electric signal as a reference signal for starting scanning and transmits this signal to the MCU Board. The SOS sensor signals are used to synchronize the starting point of the laser-beam scanning with the starting point of the image writing.

Toner Dispense



- Toner Cartridges

The Toner Cartridges contain a mixture of toner and a small amount of carrier. that stores initial capacity, current level, region and manufacturer. The installation date is maintained in MCU NVRAM.

Toner Cartridges are available in metered or regional versions. Printers are shipped from the factory with neutral cartridges. The printer is programmed when the first non-neutral cartridge is inserted. Two regional variants, North America / Xerox Europe (NA/XE) and Developing Markets Operations (DMO) are available. The table lists Toner Cartridge part numbers for metered or regional versions. Neutral appears as the cartridge type until metered toner is enabled or a regional (NA/XE or DMO) cartridge is inserted.

Toner Cartridge Types

Description	Part Number
Standard Capacity Black Toner Cartridge for NA/XE	106R00506
Standard Capacity Cyan Toner Cartridge for NA/XE	106R00503
Standard Capacity Magenta Toner Cartridge for NA/XE	106R00504
Standard Capacity Yellow Toner Cartridge for NA/XE	106R00505
High Capacity Black Toner Cartridge for NA/XE	106R00510
High Capacity Cyan Toner Cartridge for NA/XE	106R00507
High Capacity Magenta Toner Cartridge for NA/XE	106R00508
High Capacity Yellow Toner Cartridge for NA/XE	106R00509
Standard Capacity Black Toner Cartridge for DMO	106R00514
Standard Capacity Cyan Toner Cartridge for DMO	106R00511
Standard Capacity Magenta Toner Cartridge for DMO	106R00512
Standard Capacity Yellow Toner Cartridge for DMO	106R00513
High Capacity Black Toner Cartridge for DMO	106R00526
High Capacity Cyan Toner Cartridge for DMO	106R00523
High Capacity Magenta Toner Cartridge for DMO	106R00524
High Capacity Yellow Toner Cartridge for DMO	106R00525
Metered Black Toner Cartridge	106R00522
Metered Cyan Toner Cartridge	106R00519
Metered Magenta Toner Cartridge	106R00520
Metered Yellow Toner Cartridge	106R00521

Toner level in the cartridge is determined by auger turns and sensors. Toner level is set to 100 % when a new cartridge is installed. Toner Cartridge life (A/A4 pages at 5 % coverage) is 15K for CMY, 21K for K for metered, 12K for CMY, 18K for K high capacity and 5K for CMY, 7.1K for K for standard and neutral.

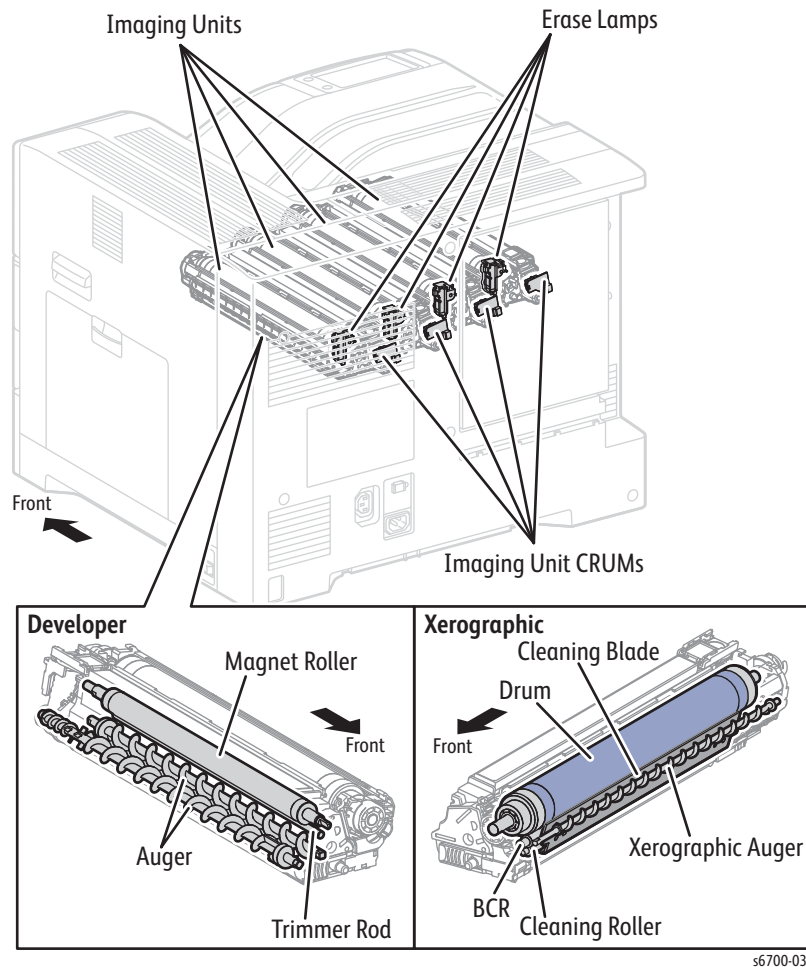
- Toner CRUMs

Toner CRUMs track Toner Cartridge type (regional/metered) and Toner Cartridge life.

- Toner Motors

The toner motors feed toner from the Toner Cartridges to the Imaging Units by driving the Toner Cartridge agitators and augers in the toner feeding route.

Imaging Units



- Drum

The drum surface holds the electrostatic latent and toner images.

- Bias Charge Roller (BCR)

Charges the drum electrically.

- Cleaning Roll

Removes the toner remaining on the BCR.

- Cleaning Blade

Removes the toner remaining on the drum after the toner image is transferred to the medium.

- Erase Lamp

The Erase Lamp removes electrical charge from the drum surface after the toner image is transferred onto the Transfer Belt.

- Imaging Unit CRUM Connectors

The CRUM stores, reads, and writes printer-specific information regarding the CRU (Customer-Replaceable Unit).

- Magnet Roll

The magnet roll contacts the drum to form the toner image on the drum surface.

- Auger

The auger agitates the toner particles.

- Trimmer

The trimmer uniformly levels the toner/carrier particles deposited on the surface of the magnet roll.

Transfer Belt

- 1st BTR Roll

Attracts the toner image from the drum to the Transfer Belt by positively charging the Transfer Belt.

- Belt

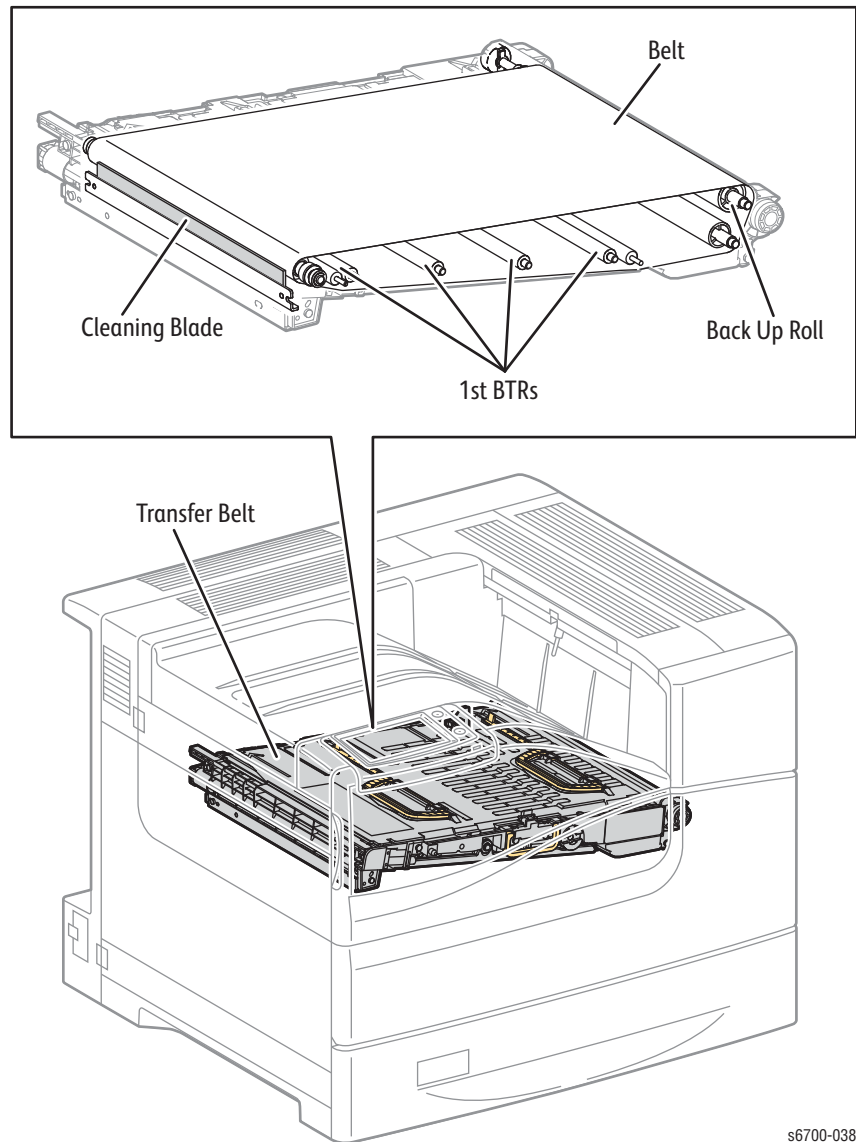
Receives the four, color-separated toner images from each drum in registration with one another.

- Backup Roll

Helps the toner particles migrate onto the belt by maintaining the belt at a position where it nearly contacts the media.

- Cleaning Blade

Removes excess toner from the Transfer Belt.

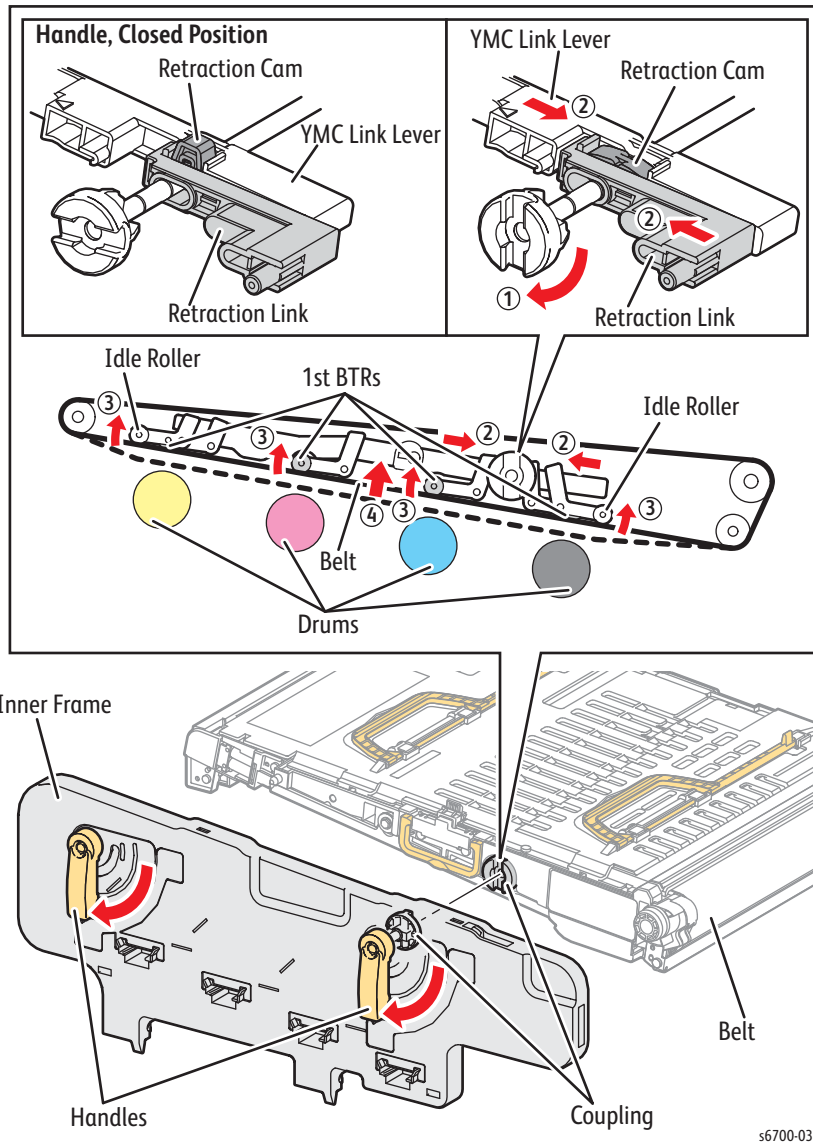


s6700-038

Transfer Belt Latch Mechanism

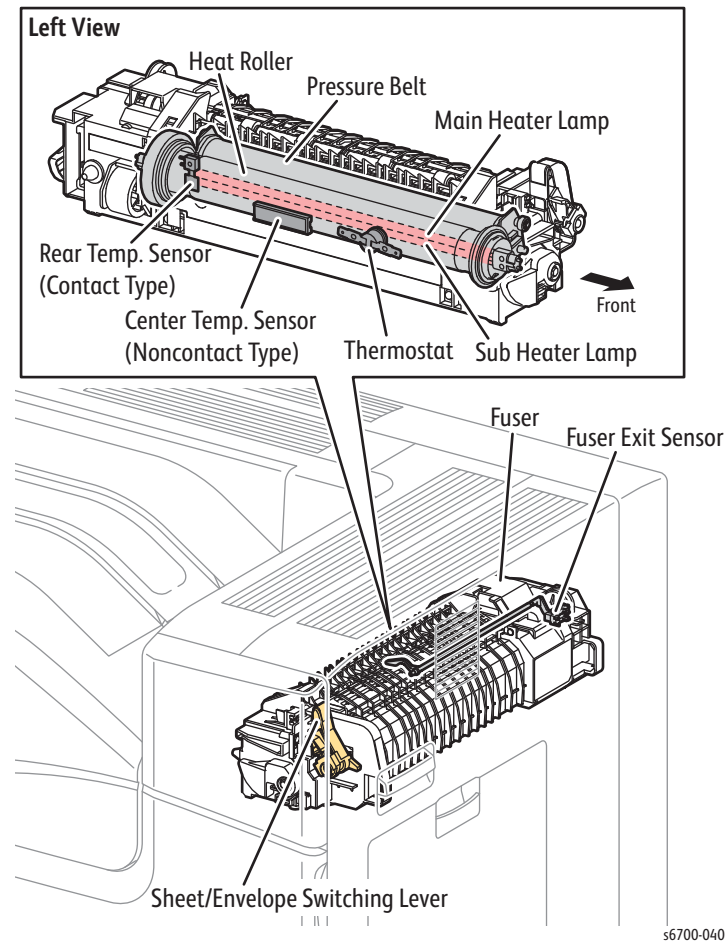
Since the Transfer Belt is positioned close to the Imaging Unit drum, removing the Transfer Belt to clear a jam may cause the Belt to contact the drum, which may damage both parts, degrading the image quality. To avoid this problem, the Belt moves away far enough from the drum. This operation is called “Retraction”.

Rotating the open/close handle of the Inner Frame Assembly to the close direction rotates the cam retract of the Transfer Belt via the coupling. The rotation of the cam retract allows the left and right roll idles and the four 1st BTRs to rise via the link retract and lever link YMC, moving the belt away from the drum to allow enough clearance for removal.



Fuser

The Fuser fixes the toner image onto the sheet by heat and pressure and guides the sheet into and out of the fixing position.



- Heat Roll

A metal roll that transfers heat to the sheet to fuse the toner onto the sheet.

- Pressure Belt

A belt and a spring system for pressing the sheet against the Heat Roll.

- Main Heater Lamp

A heating lamp located in the heat roll to heat left and right end sections.

- Sub Heater Lamp

A heating-coil-enclosed lamp located in the heat roll to heat its middle section.

- Center Temperature Sensor (non-contact type)

A thermistor positioned close to the heat roll in a non-contact manner to detect its surface temperature and to control the switching On/Off of the heater lamp.

- Rear Temperature Sensor (contact type)

A thermistor positioned in contact with the heat roll to detect its surface temperature and to prevent the heater lamp from overheating.

- Thermostat

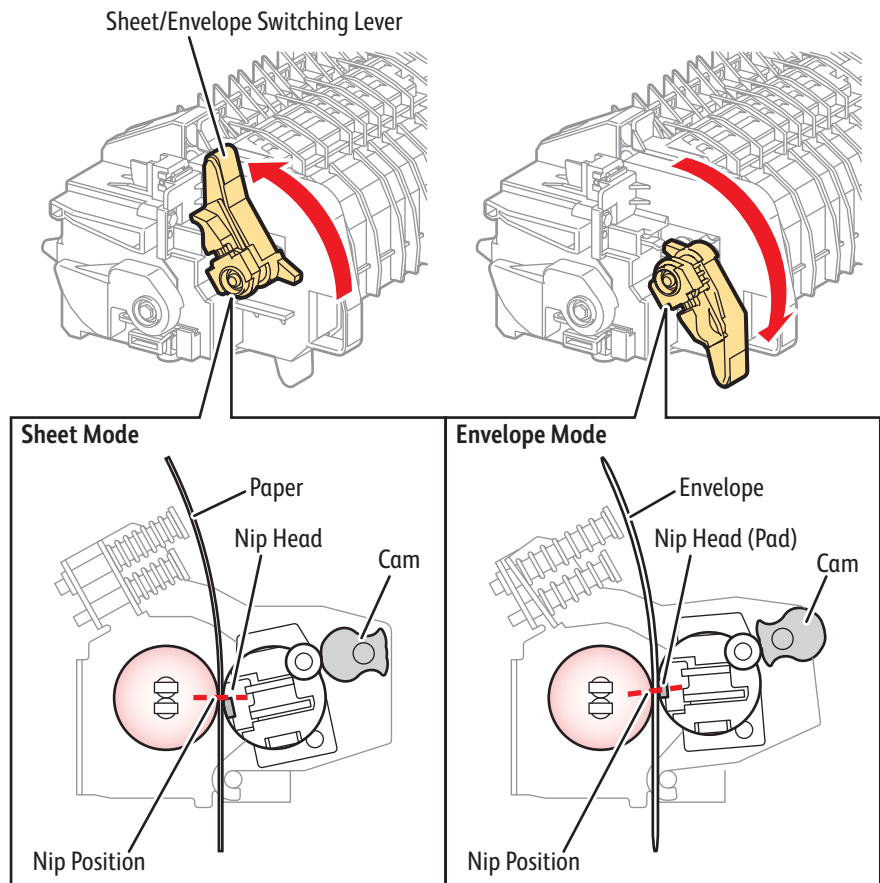
Connected in series with the power supply for the heater lamp. The thermostat prevents overheating of the heat roll by releasing the contacts when the heat roll has reached a set point temperature.

- Fuser Exit Sensor

Detects whether the fused print has passed through the Fuser based on the change of the actuator position.

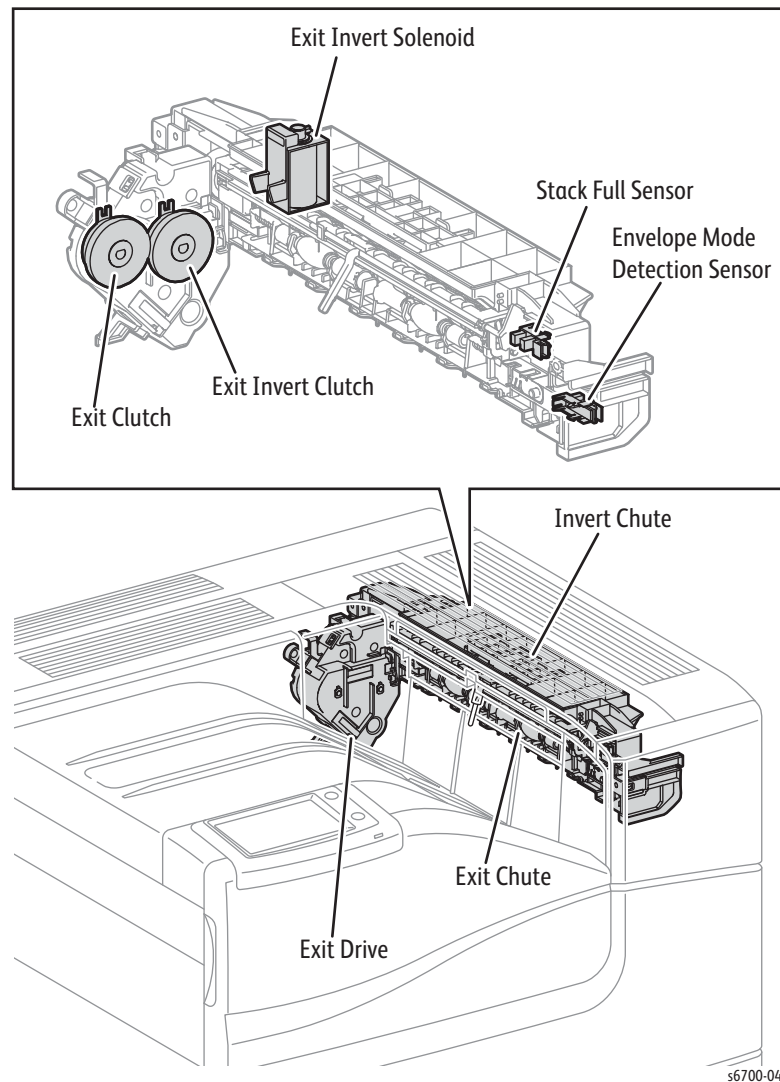
- Sheet/Envelope Switching Lever

The sheet/envelope switching lever is switched between Sheet Mode or Envelope Mode depending on the media used. Envelope Mode reduces nipping pressure to help prevent wrinkles or slacks on envelopes during fusing.



s6700-041

Exit



- Exit Inverter Solenoid

Lowers the Duplex Gate when turned On, and raises it when turned Off, switching the media path when executing duplex printing.

- Full Stack Sensor

Detects when the output tray has reached its capacity.

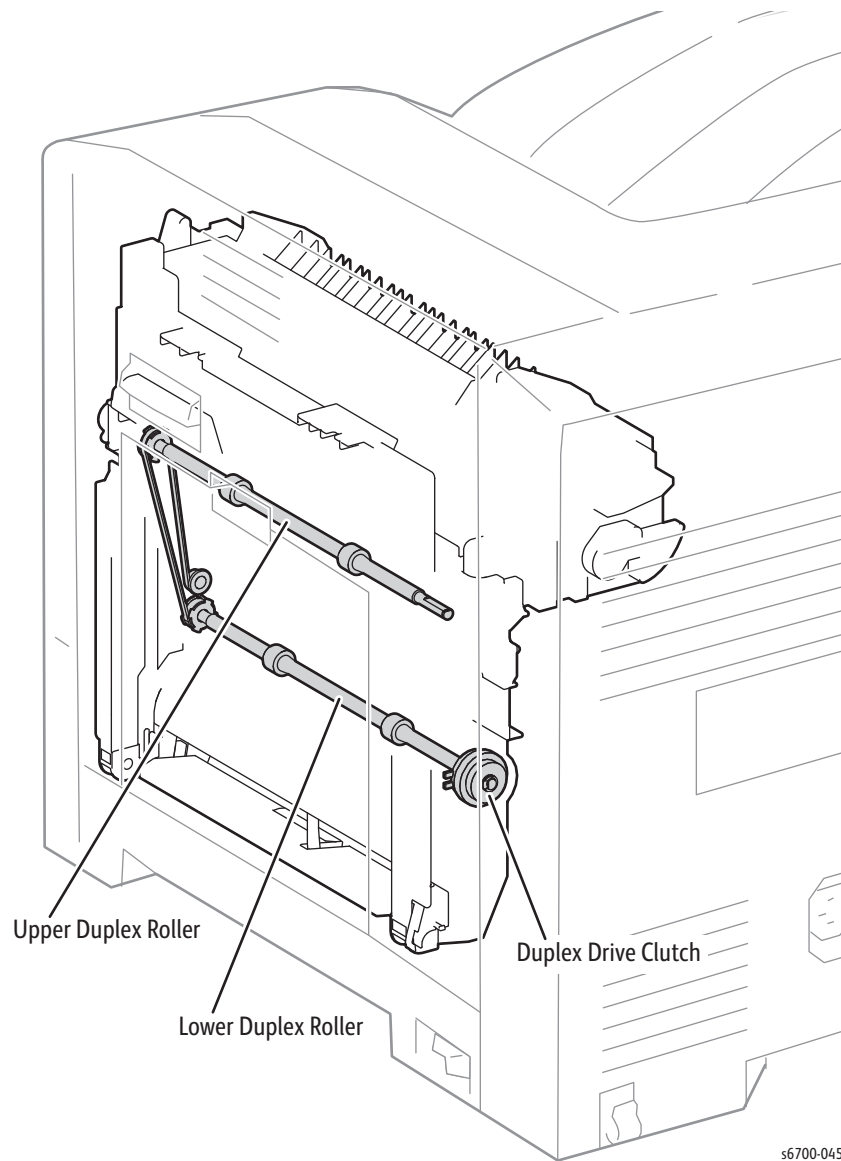
- Exit Clutch

Transmits the torque from the Fuser Drive Assembly to the Exit Roll to rotate the Exit Roll in the exit direction.

- Exit Inverter Clutch

Transmits the torque from the Fuser Drive Assembly to the Exit Roll to rotate the Exit Roll to the Duplex direction.

Duplex

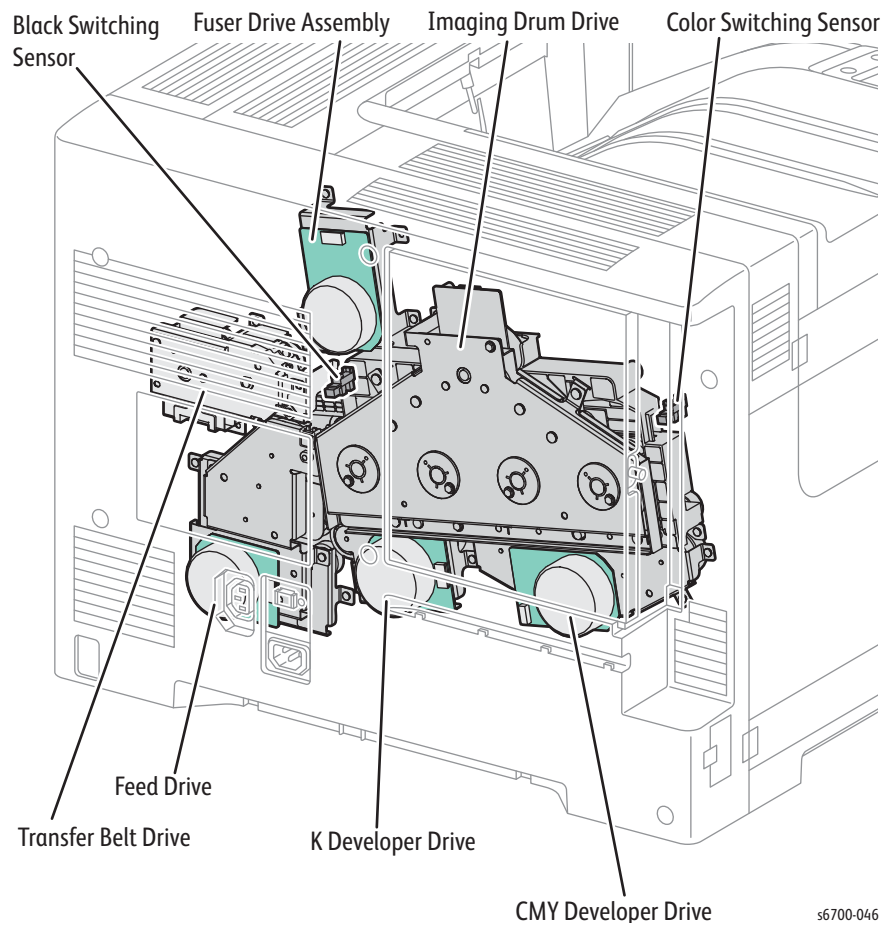


s6700-045

- Duplex Drive Clutch

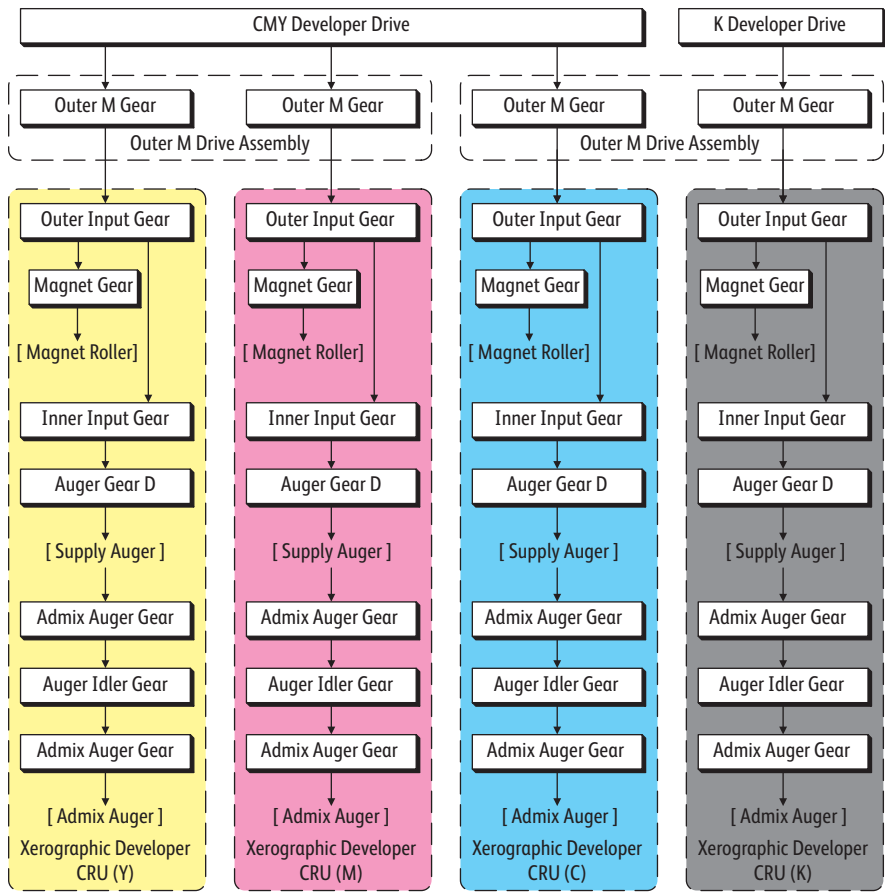
Transmits the torque from the Feed Drive Assembly to the duplex rollers.

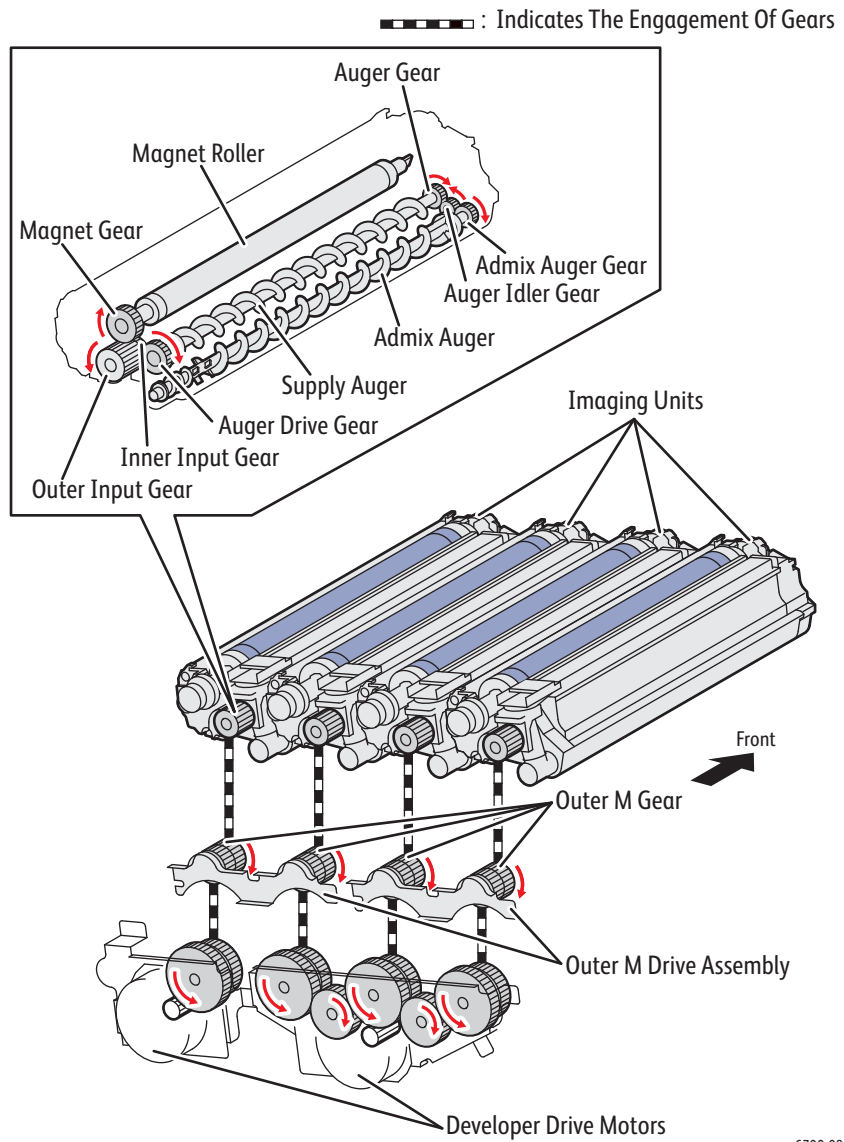
Drive



CMYK Developer Drive Motors

Motors that drive the augers and magnet rolls of the Imaging Units. The torque of the CMYK Developer Drive Motors are transmitted through the route below.

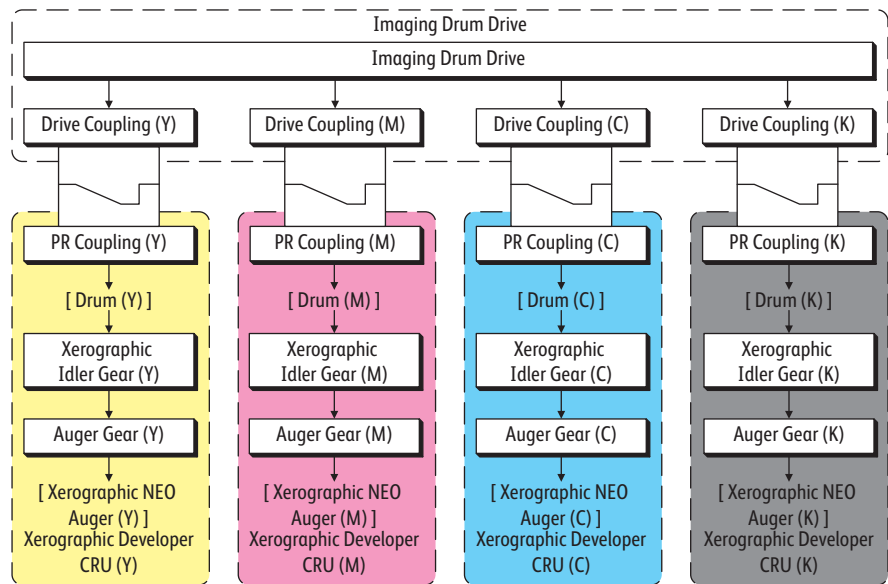




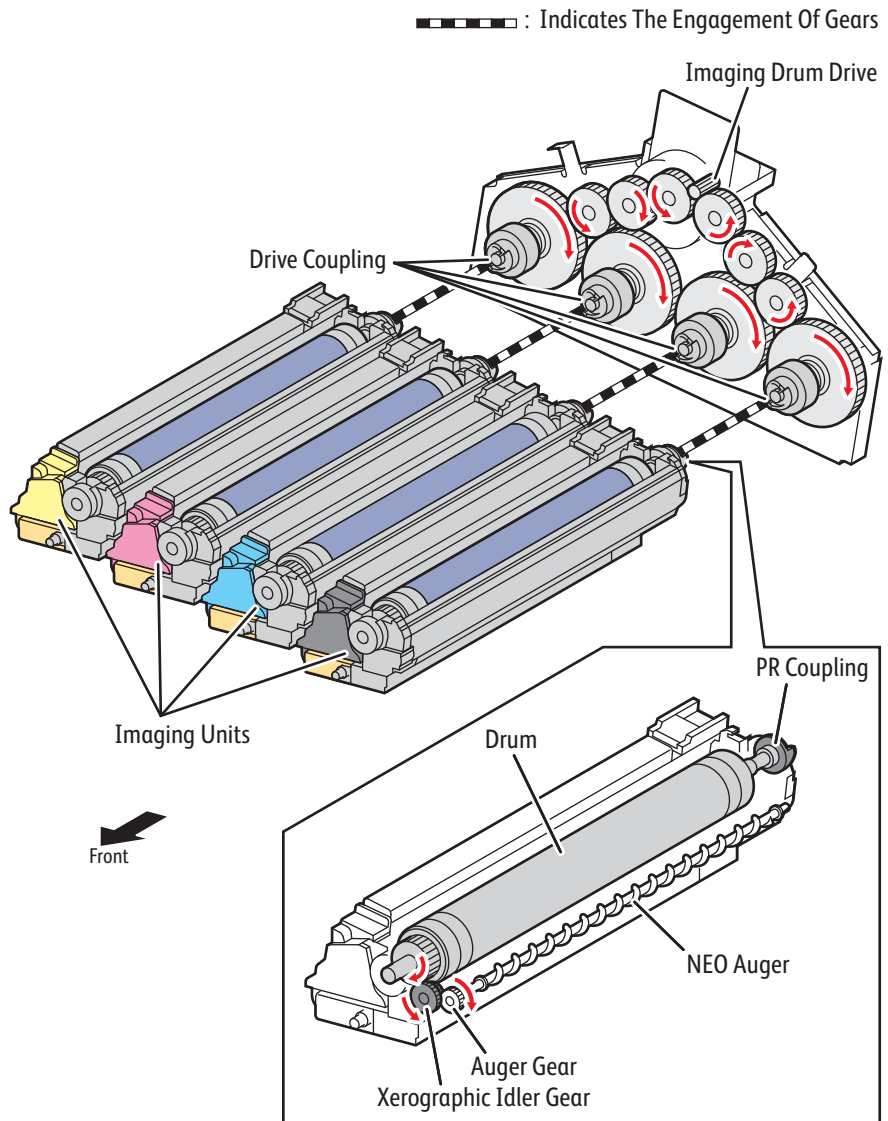
s6700-088

Imaging Drum Drive Assembly

A motor that drives the Imaging Unit drums. The torque of the Imaging Drum Drive Assembly is transmitted through the route below.



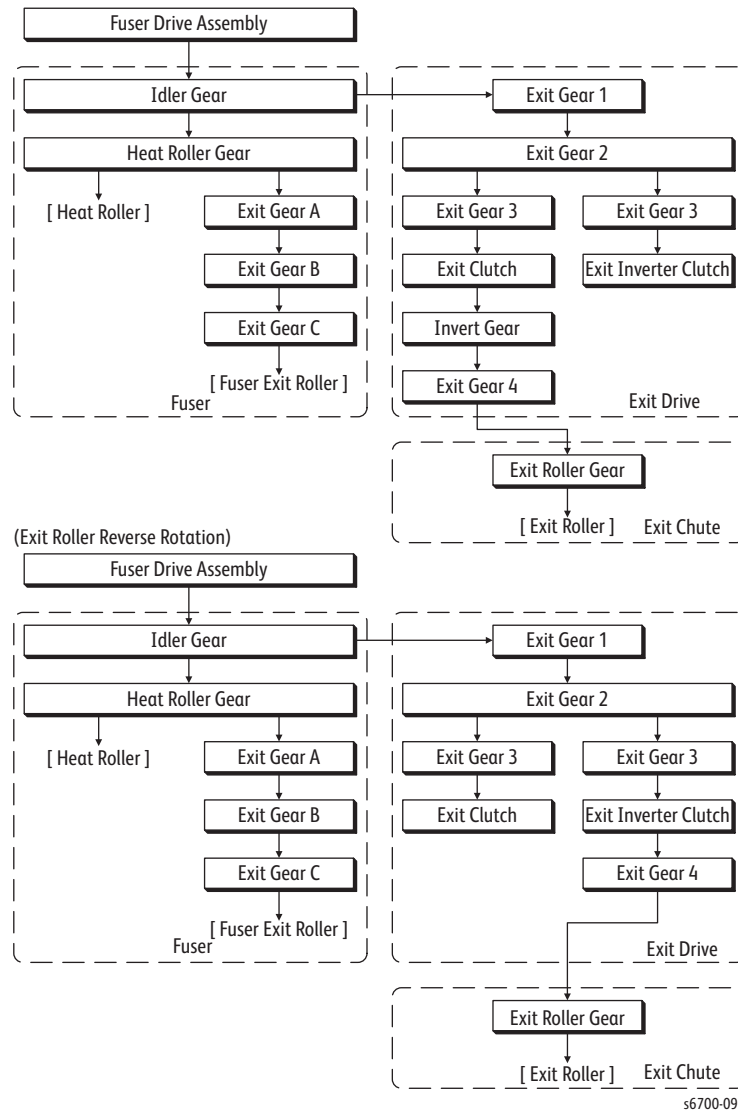
s6700-096

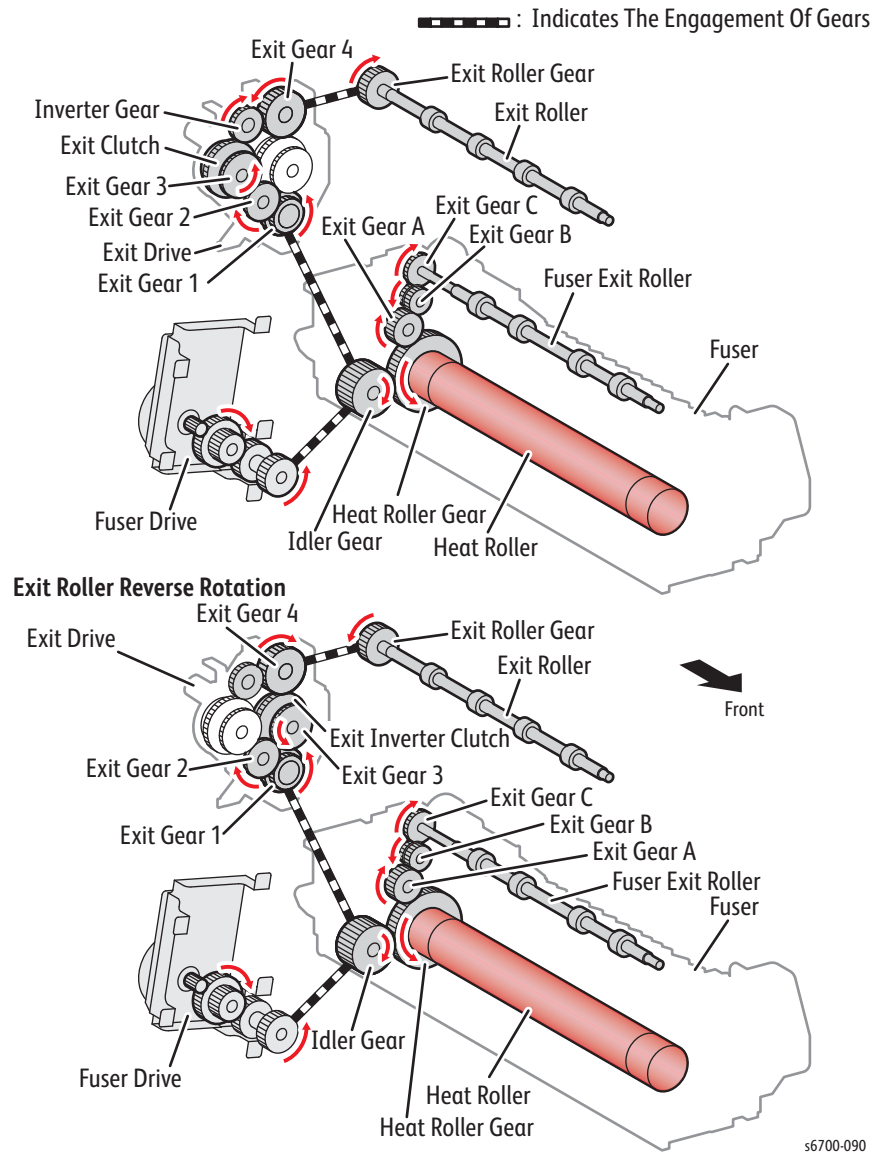


s6700-089

Fuser Drive Assembly

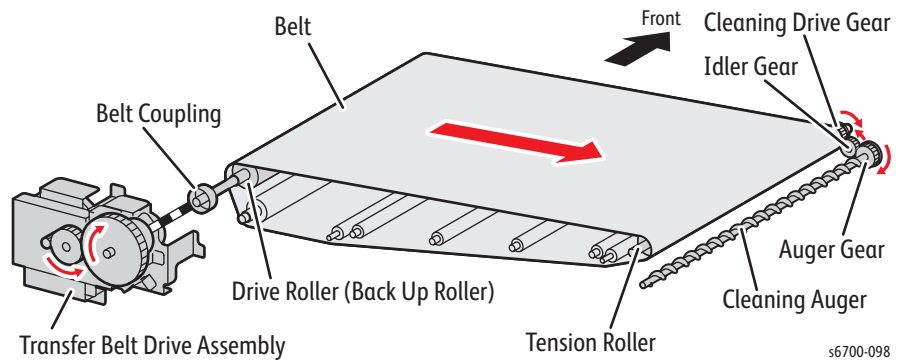
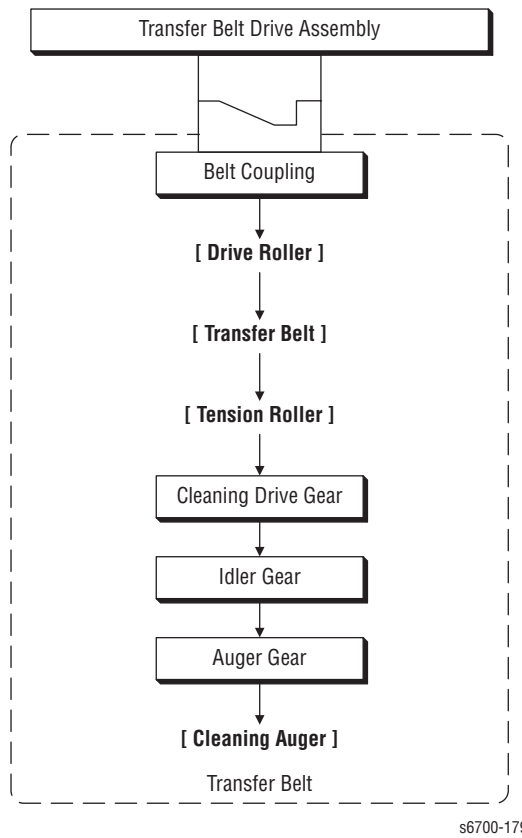
A motor and gear set that drives the Fuser and Exit Assembly. The torque of the Fuser Drive Assembly is transmitted through the route below.





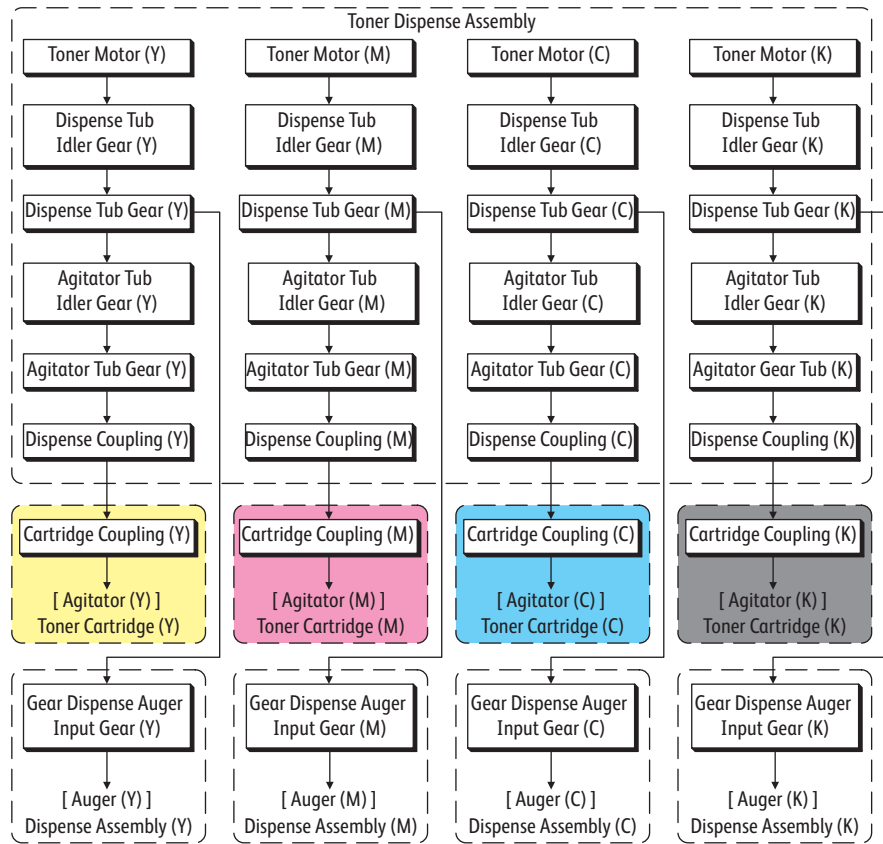
Transfer Belt Drive Assembly

A motor that drives the Transfer Belt and by friction, the Transfer Roller. The torque of the Transfer Belt Drive Assembly is transmitted through the route below.

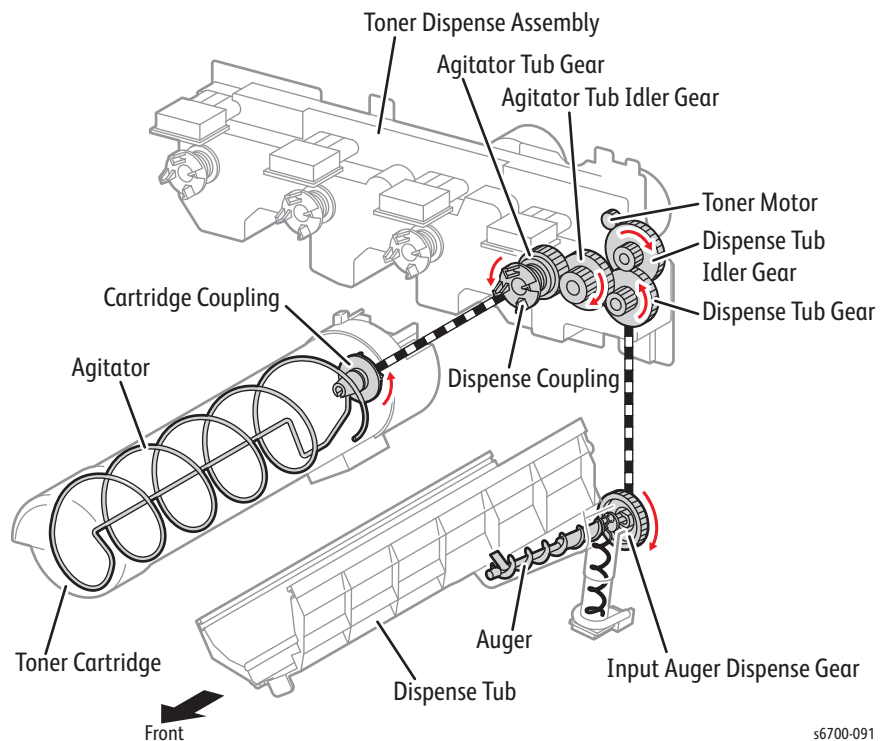


Toner Motors

The toner motors drive the Toner Cartridge agitators and toner delivery augers.



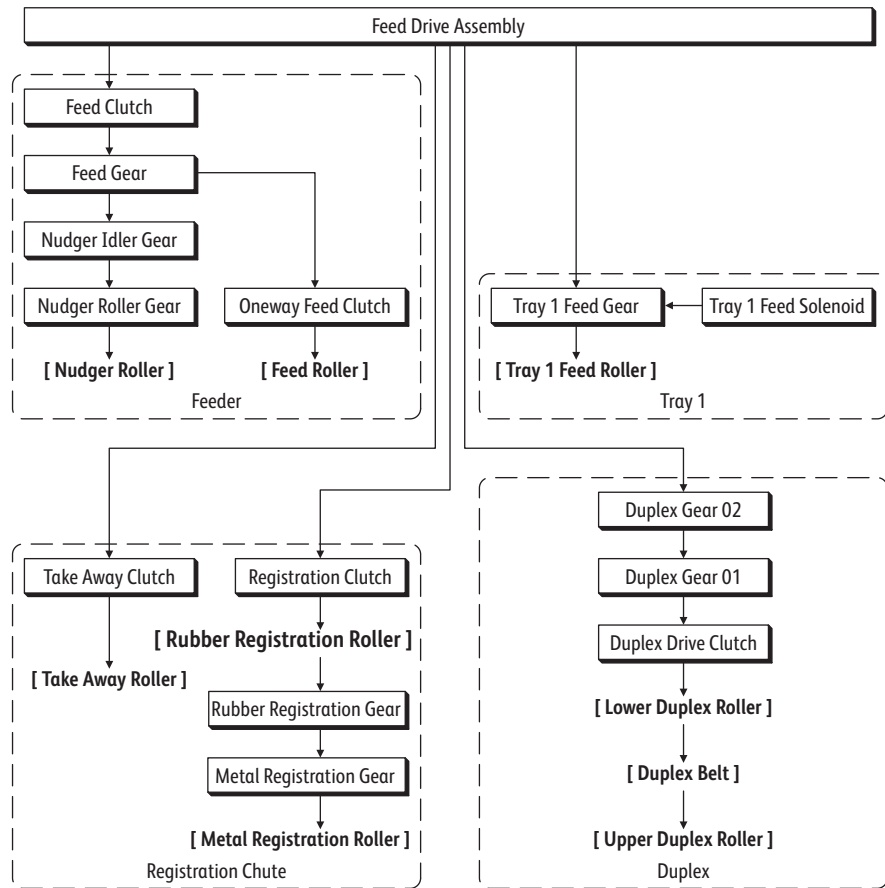
s6700-099



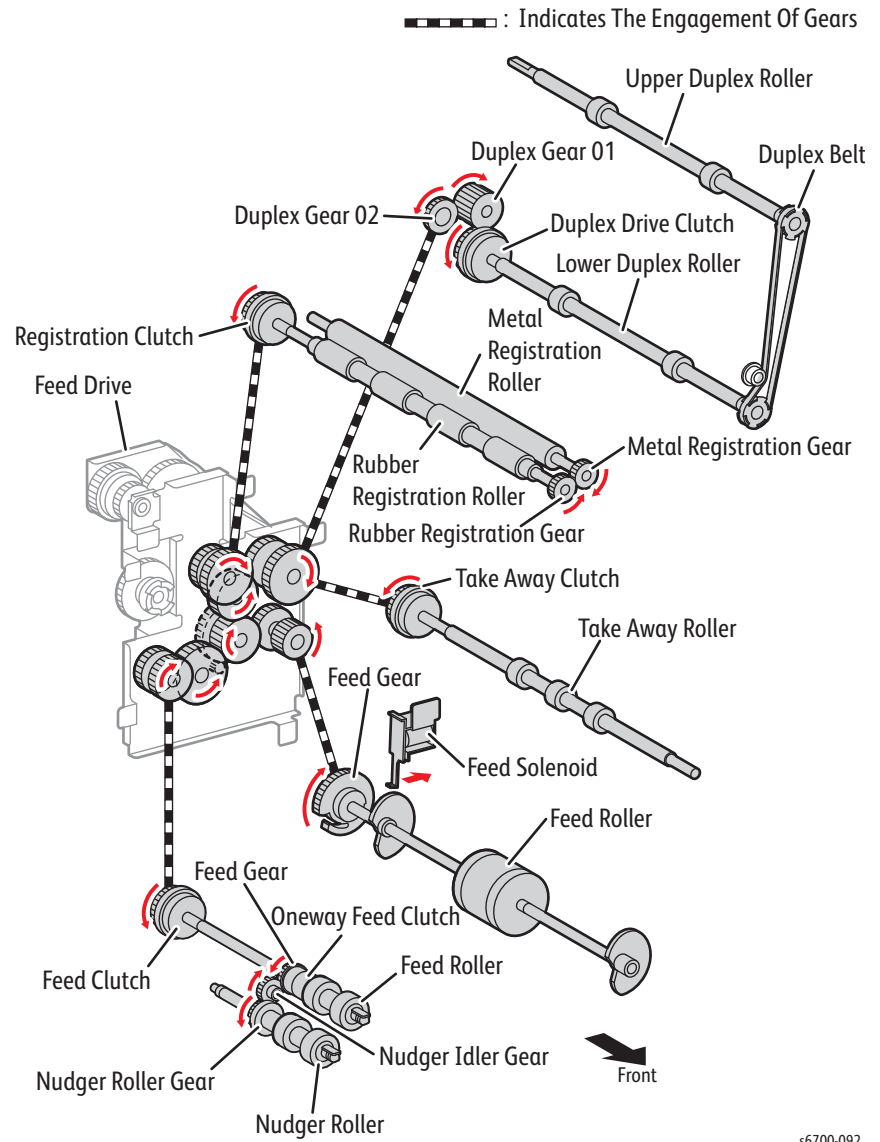
s6700-091

Feed Drive Assembly

Drives the media feed, registration, Tray 1, and duplex and includes the Switching Clutch that transmits the torque of the Feed Drive Assembly to the link guide to switch between the Color and B/W modes. Feed Drive Assembly drive is transmitted as follows.



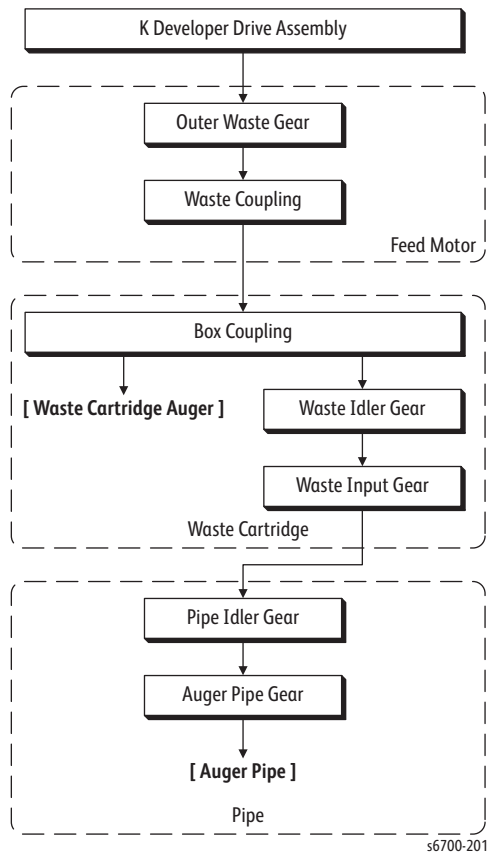
s6700-200

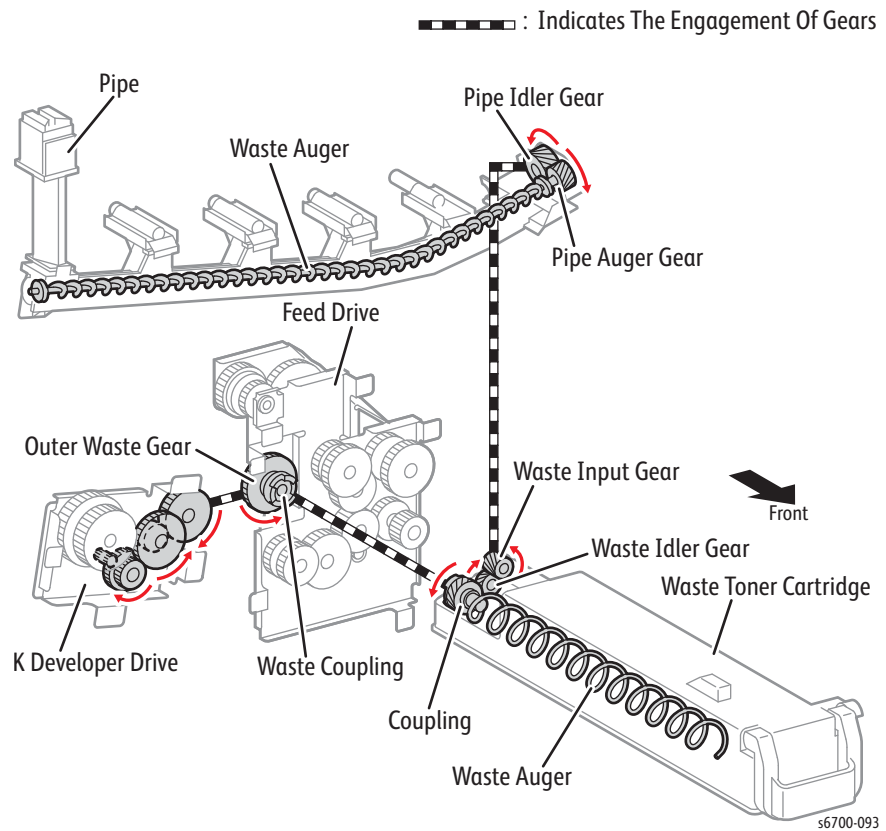


s6700-092

Excess Toner Collection

The K Developer Drive Assembly drives the augers of the Waste Toner Cartridge and Waste Auger.





Color and B/W Mode

Color mode uses all four colors while B/W mode uses Black only. To deactivate the color components during the B/W mode, drive transmission is switched.

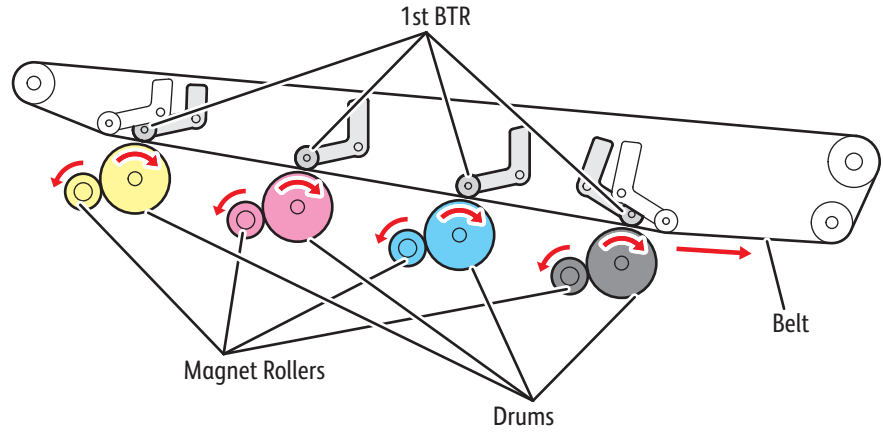
Operation in Color Mode

In Color mode, the Transfer Belt contacts the four Imaging Unit drums and corresponding 1st BTRs. The Imaging Drum, CMY Developer Drive, and K Developer Drive Assemblies drive the Imaging Unit drums and corresponding magnet rolls to form a color-separated image on each drum.

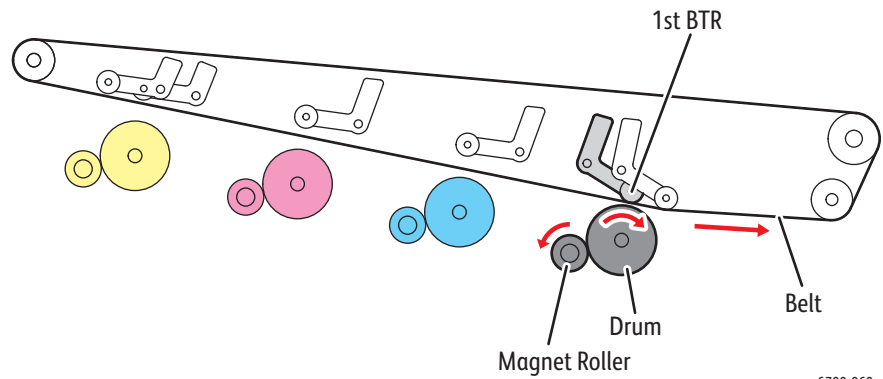
Operation in B/W Mode

In B/W mode, the Transfer Belt contacts the Black Imaging Unit drum and 1st BTR only. The Black drum is driven by the Imaging Drum Drive Assembly. The CMY Developer Drive Assembly is disengaged, and the K Developer Drive Assembly drives the Imaging Unit magnet roll to form an image on the Black drum.

Full Color Mode



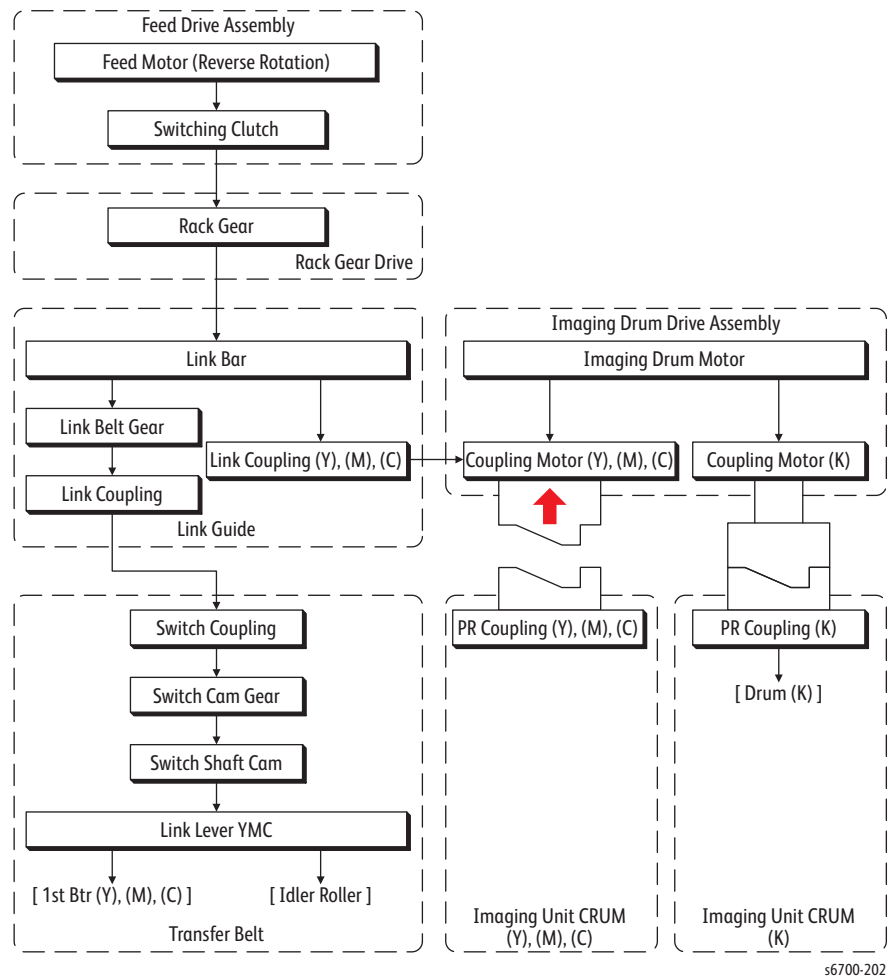
Black And White Mode



s6700-060

Switching Between Color and B/W Modes

Switching between Color and B/W modes is controlled by the rotation of the Feed Drive Assembly (B/W mode: reverse, Color mode: normal) and engagement of the Switching Clutch. When the switching clutch is turned On, the torque from the Feed Drive Assembly horizontally drives the link bar in the link guide via the rack drive to rotate the link coupling assembly and the three link couplings (Y/M/C). The position of the link bar is detected by the Color and Black Switching Sensors.



Rotation of the Coupling Link

The coupling link drives the switch cam shaft in the Transfer Belt, moving the link lever YMC horizontally inside the Transfer Belt to control the three color 1st BTRs.

- B/W mode: 1st BTRs for Y, M, and C are positioned near the Belt and the drums.
- Color mode: 1st BTRs for Y, M, and C are in contact with the Belt and the drums.

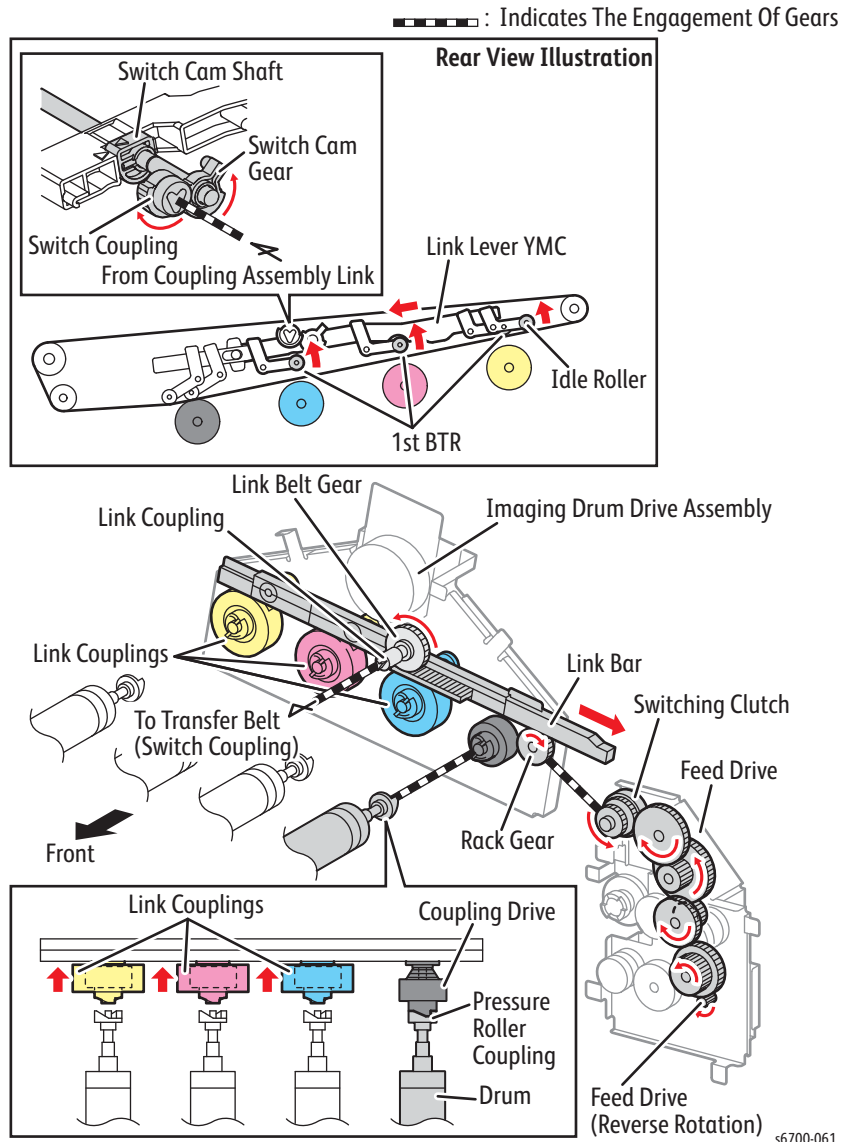
Rotation of the Link Coupling

The link couplings rotate to engage or disengage the couplings for the torque transmission between the Feed Drive Assembly and the three drums (Y, M, C).

- B/W mode: The couplings are disengaged to disconnect drive from the Feed Drive Assembly to the drums (Y, M, C).
- Color mode: The couplings are engaged to transmit drive from the Feed Drive Assembly to the drums (Y, M, C).

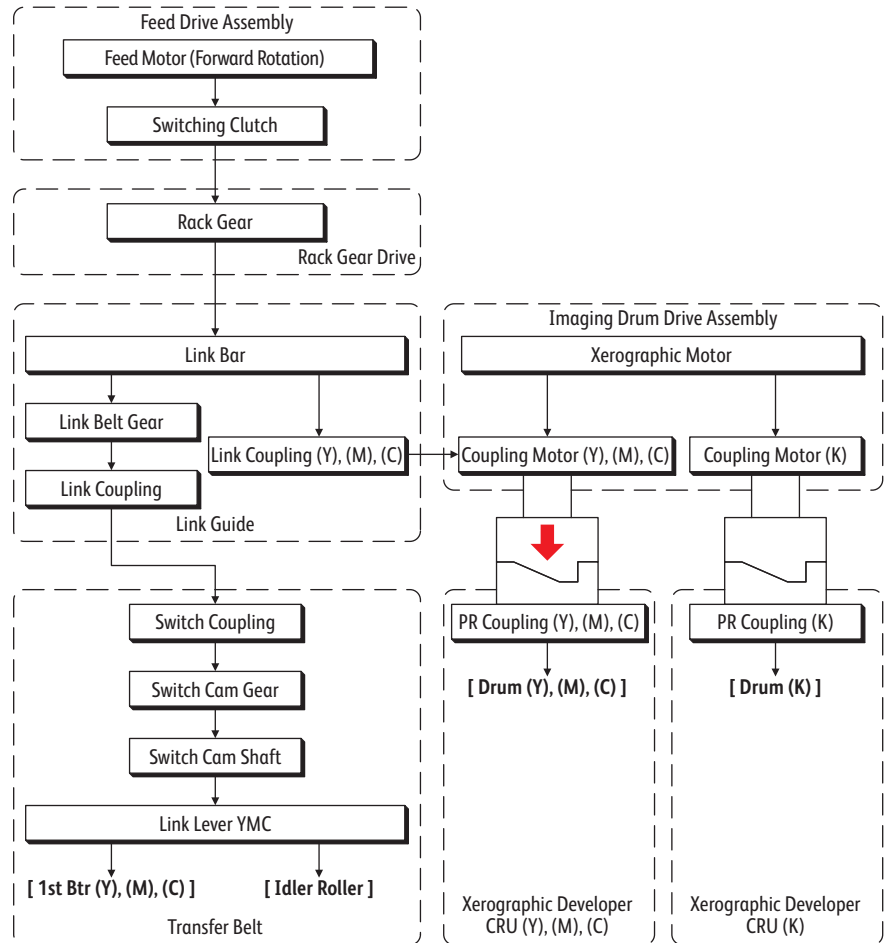
Switch to B/W Mode

Drive switching to B/W mode is transmitted through the route below.

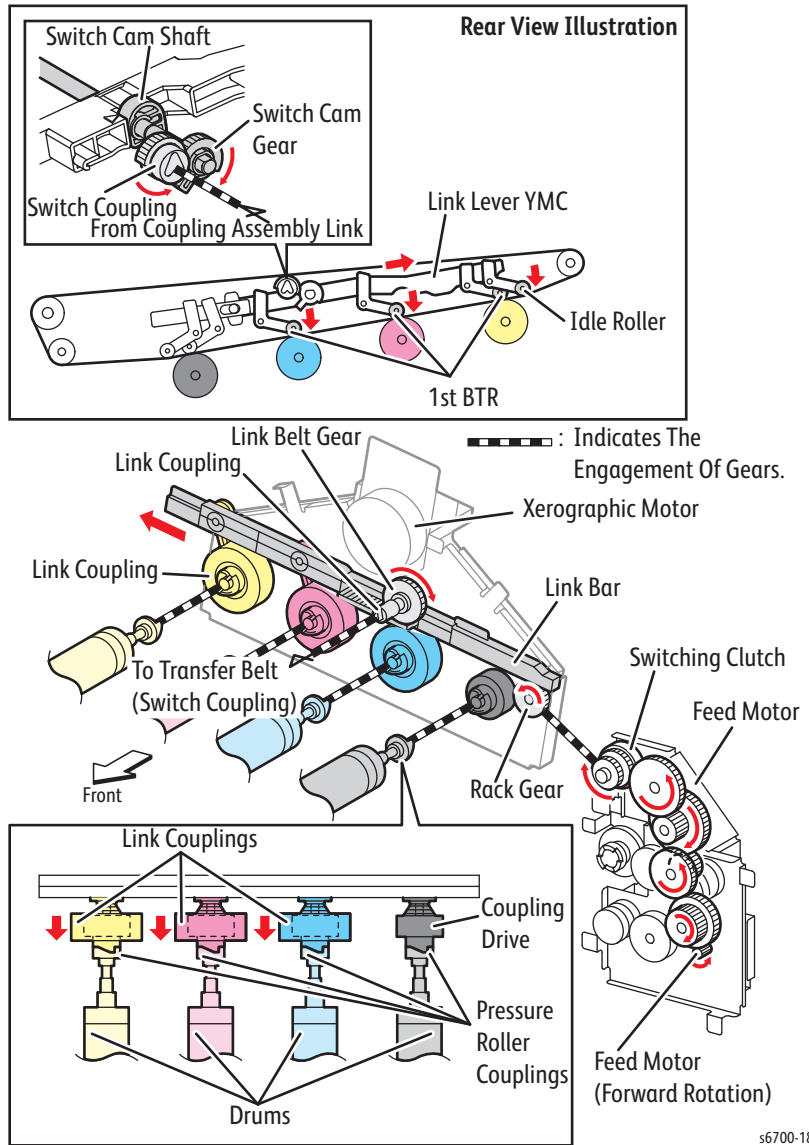


Switch To Color Mode

The switching to the Color mode is transmitted through the route below.

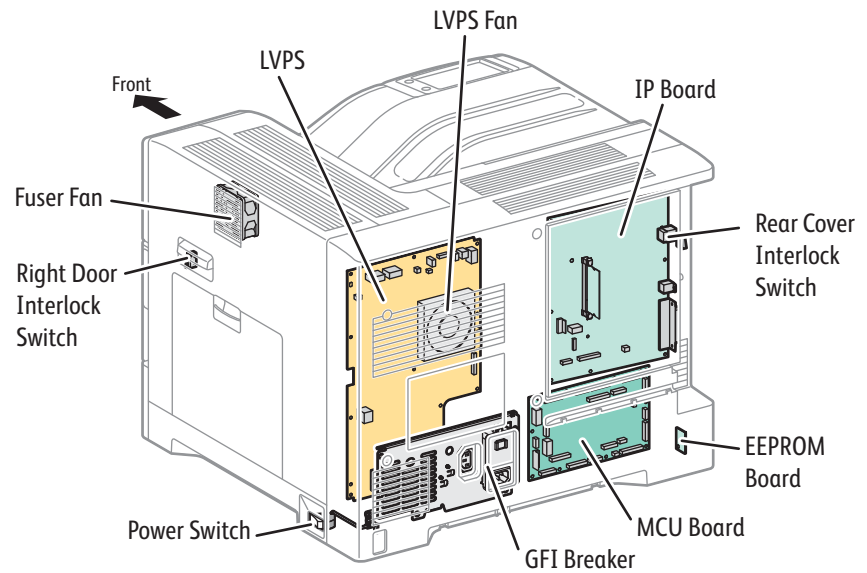


s6700-203

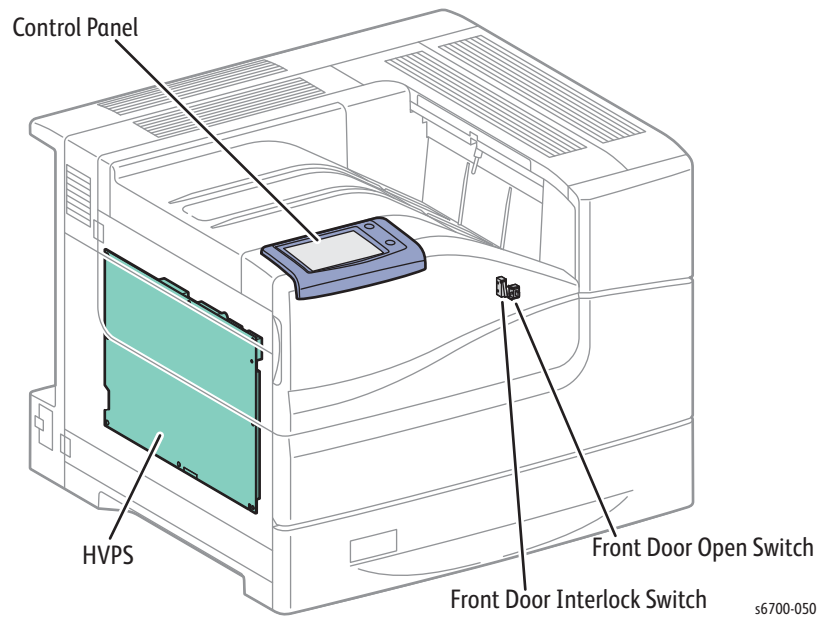


s6700-186

Electrical



s6700-049



s6700-050

Fans

- Fuser Fan
Exhausts heat generated near the Fuser.
- LVPS Fan
Exhausts heat generated near the LVPS.

Switches

- Power Switch

Turns On/Off the AC power to the printer.

- Front Door Interlock

Detects the open/close of the Front Cover. Interrupts DC power to the printer (+24VDC) when the Front Door is opened.

- Front Door Open

Detects the open/close of the Front Door and blocks power to the Laser Unit.

- Right Door Interlock

Detects the open/close of the Right Door. Interrupts DC power to the printer (+24VDC) when the Right Door is opened.

- Rear Cover Interlock

Detects the presence/absence of the Rear Cover. Interrupts the DC power to the laser Unit (+5VDC) when the Rear Cover is removed.

- GFI Breaker

Opens the circuit when the leakage current of the AC power supply exceeds the rated value.

Circuit Boards

- LVPS (Low Voltage Power Supply)

Supplies the AC power from the power supply to the heater section of the Fuser and generates stable low DC voltage to be used by the logic circuits and other components.

- HVPS (High Voltage Power Supply)

Supplies high voltage to the BCRs and the Magnet Rolls for each color.

- MCU Board (Machine Control Unit)

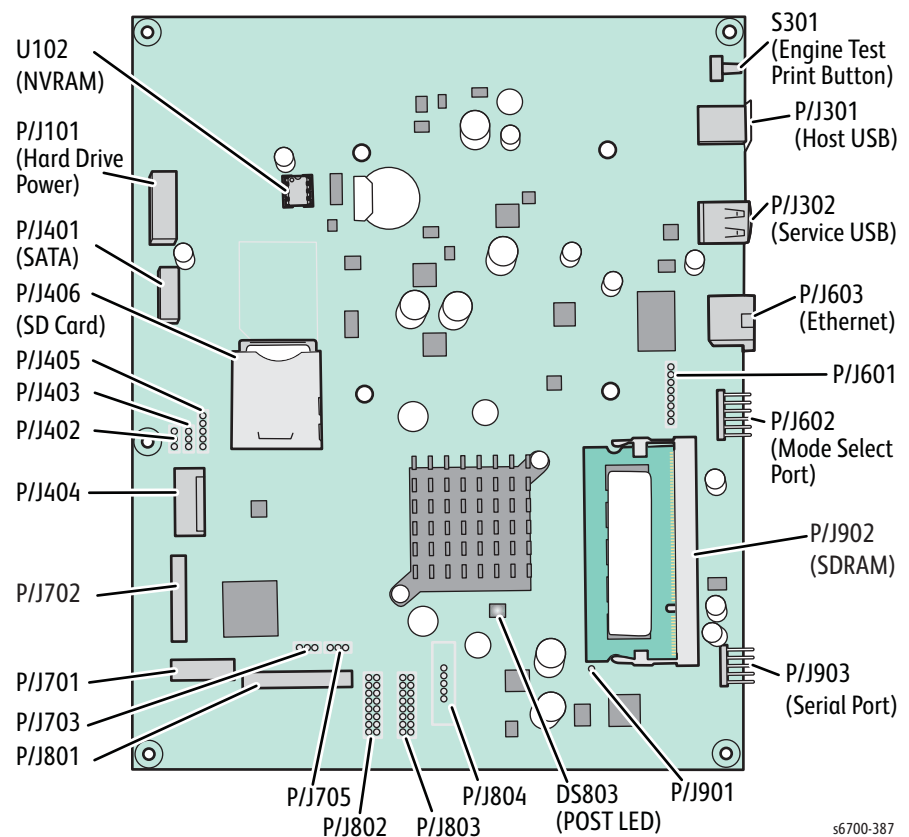
Controls the print operation based on the communication with the print controller and on the information from the sensors or switches.

- Image Processor Board (ESS)

The IP Board connected to the MCU Board controls the entire system (diagnostic, interface, image processing, etc.). Critical user-defined configuration parameters are periodically saved to NVRAM and the SD Card. Data is automatically restored to a replacement SD Card or NVRAM EEPROM on power up.

Components attached to the IP Board include:

- 4GB SD Card containing boot firmware, application software and system configuration parameters.
- 32KB, 8-pin NVRAM EEPROM contains device (configuration, page counts, activation date, etc.) data.
- 1GB Micron DDR2 RAM module.
- Hard Drive (optional) mounted to the IP Board with stand-offs and connected to P/J101 for power and P/J401 SATA.



- EEPROM Board

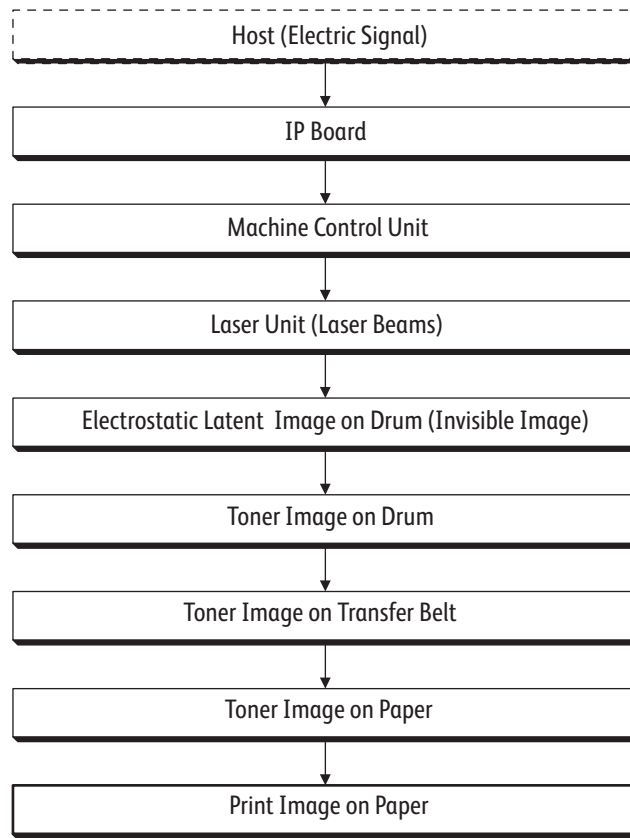
Stores the printer-specific information.

- Control Panel

Allows the user to view the printer status or execute operations via the LCD, LED, and buttons.

Data Flow

The print data (electric signal) from the printer controller flows as shown below before it is turned into a print.



s6700-204

Print Quality Controls

Operating Modes

The printer operates in the these four modes:

Mode	Operation
Printing	<ul style="list-style-type: none"> ■ Fuser: Held at operating temperature. ■ Exposure system: Operating status ■ Printing system: Operating status ■ Cooling fan: Operating status (high speed)
Ready	<ul style="list-style-type: none"> ■ Fuser: Held at ready temperature. ■ Exposure system: Stop status ■ Printing system: Stop status ■ Cooling fan: Operating status (low speed)
Sleep	<ul style="list-style-type: none"> ■ Fuser: Stop status ■ Exposure system: Stop status ■ Printing system: Stop status ■ Cooling fan: Operating status (low speed)
Deep Sleep	<ul style="list-style-type: none"> ■ Fuser: Stop status ■ Exposure system: Stop status ■ Printing system: Stop status ■ Cooling fan: Stopped

Laser Intensity Control

Image data is input to the laser diodes in the Laser Unit as electric signals, then converted by the laser diodes to optical signals. Since variations occur in laser light intensity, optics (such as lenses), or drum sensitivity, the laser light intensity is monitored and controlled by the laser diodes. The Laser Unit incorporates four laser diodes, one for each color, and adjusts light intensity automatically for each color.

Image Process Control

The parameters related to image formation must be corrected to stabilize printing. The control of the entire printing process including the parameter correction control is called "process control".

The process control is performed by the following two methods after every 30 cumulative prints upon termination of a print run or during a continuous run:

- Potential Control
- Toner Density Control

To supplement these two controls, the following controls are provided:

- High Area Coverage Mode
- Admix Mode

Potential Control

To attain stable image density, the drum charging voltage, the developing DC voltage and the laser diode output are adjusted according to the developing capability of each color carrier. The adjusted drum charging voltage, developing DC voltage, and laser light amount are fed back to keep the image density constant

The outline of control is as follows:

1. The Environmental Sensor detects the temperature and humidity.
2. The patches of respective colors (yellow, magenta, cyan, and black) for the potential control are generated and transferred onto the Transfer Belt.
3. The ADC Sensor detects the density of the patches on the Transfer Belt.
4. The drum charging voltage, developing DC voltage and the laser light intensity are adjusted for each color according to the detected patch density.

Toner Density Control

The toner density must be kept constant to stabilize the print image quality. The control system for this purpose is called toner density control.

Pixel Count Dispense Control

The quantity of the toner required in the developing process is calculated in terms of toner-dispensing time based on the pixel count being input to the Laser Unit. The amount of the toner fed to the Imaging Units is controlled by turning on the toner motors for the calculated time.

Auto Density Control

Patches of Yellow, Magenta, Cyan, and Black for the toner density control are generated, and transferred onto the Transfer Belt. The ADC Sensor measures the densities of these patches and compares them with a reference value. If the toner density is lower than the reference, the toner dispense quantity is increased at the next printing. If the toner density is higher than the reference value, the toner dispense quantity is reduced. Dispense quantity is calculated on a color-by-color basis.

High Area Coverage Mode

Continuous printing of high-area coverage images that exceed the toner dispense capability lowers toner density in the Imaging Units. High Area Coverage Mode postpones the next sheet feed and dispenses toner during this time if the toner dispense time has reached the specified value during continuous printing.

Admix Mode

This mode executes extra toner dispensation to prevent the toner density from being lowered whenever the value of the toner density control patch measured by the ADC Sensor falls far below the reference value. If the toner density level cannot be recovered after this operation, it is determined that the toner has run out.

ADC Sensor Adjustment

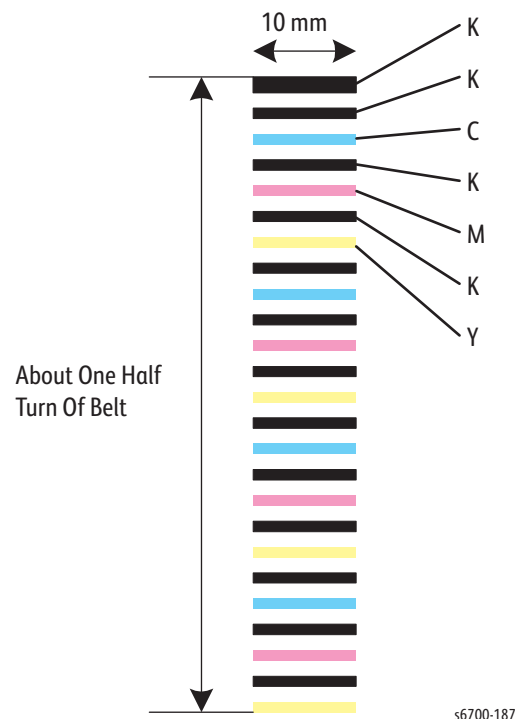
The ADC Sensor illuminates the toner patch applied to the Transfer Belt. ADC light reflected from the target is converted to output signals. To ensure an accurate patch density measurement, the surface of the ADC Sensor is cleaned to remove dust due to toner, etc., and the light quantity adjustment is made so that the reflected light satisfies the target value when the toner patch is created.

Color Registration Control

The printer uses a tandem system where the drums and developers are provided for each color. Since the four color-separated images are overlaid onto the print, a color shift may occur. Color registration control calculates how much the registration is shifted and adjusts the Laser Unit write timing. Lateral registration control adjusts all four colors in the lateral direction. Color registration control is executed during process control based on the change in the internal temperature and print count.

The control is outlined below:

1. With no toner on the Transfer Belt, the output value of the ADC Sensor is measured to determine the threshold value.
2. The patch for color registration control is generated on the Transfer Belt. This patch is composed of four cycles of a color pattern, each containing 10mm-wide color bars starting with a black trigger line followed by K, C, K, M, K, and Y (in this order).



3. The density of the patch is measured by the ADC Sensor.
4. The correction amount is calculated from the threshold value determined in 1) and the patch density measured in 3).
5. Laser Unit write timing is changed according to the shift correction amount.

Fuser Temperature Control

To control Fuser temperature, the target temperature is set, and then the heat lamp is turned On or Off to maintain heat roll surface temperature. The surface temperature of the heat roll is detected by non-contact temperature sensor located in the center of the heat roll and a soft-touch sensor located at each end of the heat roll.

However, the soft-touch sensor may detect a temperature lower than the actual value if the distance between the sensor and the heat roll has increased for some reason. To protect the Fuser in such a case, the heater lamp is turned Off if the warm-up target temperature is not reached within a specified time.

This target temperature varies depending on printer activity such as warm-up, printing, or during process control, and is set according to the interior temperature detected by the Environmental Sensor, the temperature difference between the middle and the ends of the heat roll, the printing mode, and the input supply voltage.

Cool Down

As printing continues, the heat roll temperature becomes nonuniform between the area that contacts the sheet and the area that does not. In such a case, media feeding is suspended for a certain duration to compensate for the temperature non uniformity of the Heat Roll. When the temperature of the heat roll ends is high, cool down is performed to lower the temperature to the target value.

Warm-up

The non-contact temperature sensor in the middle section of the heat roll loses its measuring accuracy when the temperature of the sensor itself is -5°C (23°F) or below. If internal temperatures fall below -5°C (23°F), the sensor is heated to maintain accuracy.

Optional Feeders

The 550- and 1100-sheet, optional feeders (Trays 3 ~ 6) increase input capacity. Up to four additional Trays per printer are supported. Electrical connection is made by a single connector. This brings the maximum media storage capacity to 2,900 sheets. This section describes in detail the paper path, sensors, major assemblies, and operational characteristics of the option feeders.

Trays

Note

All the optional trays (3-6) are identical.

- Side Guides

The front and rear side guides align the media stack along its width, perpendicularly to the feeding direction.

- End Guide

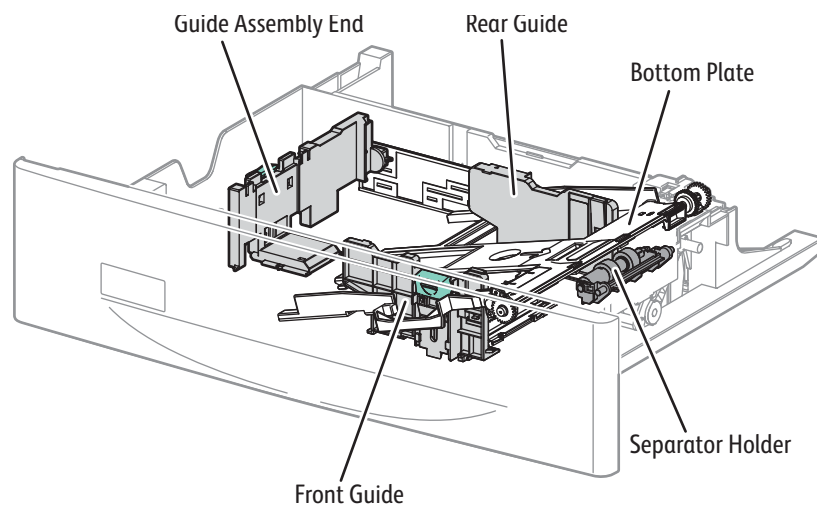
The end guide aligns the media stack lengthwise in the Tray. Based on end guide position, media size is determined by the combination of signals generated by three switches in the Size Switch.

- Separator Holder

The Separator Holder that includes the Separator Roller and the Feed Roll nip the media to prevent multiple sheet feeds.

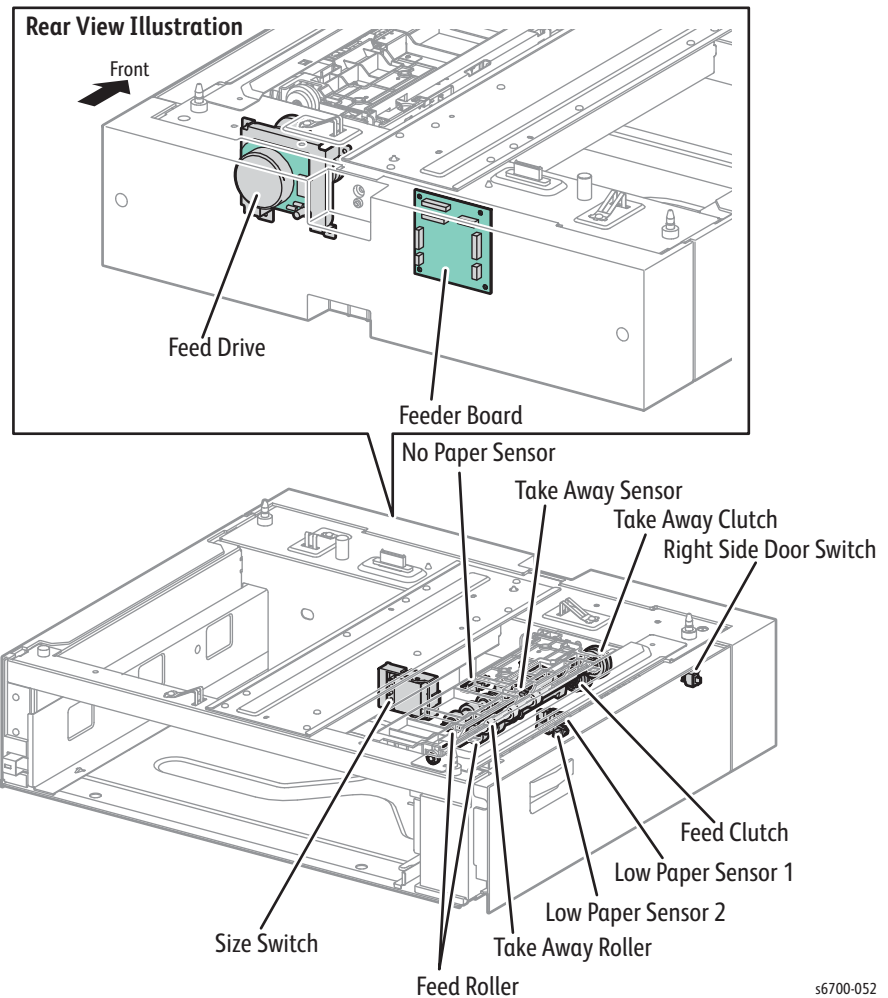
- Bottom Plate

When the Tray is pulled from the feeder, the bottom plate is lowered and locked to the bottom of the Tray. Replacing the Tray releases the bottom plate from the lock, pressing the media stack against the Nudger Roll by the spring pressure.



s6700-051

Electrical



s6700-052

- Size Switch

The Size Switch detects media size and the presence of the Tray. Aligning the end guide to the media stack changes the position of the size actuator coupled to the end guide, turning On or Off the switches. The media size is determined by the combination of signal states of these switches. See “Media Size Detection” on page 2-22.

- No Paper Sensor

The No Paper Sensor detects the presence/absence of print media in the paper tray based on the position of ACTUATOR NO PAPER. (No paper: Sensor beam is blocked)

- Low Paper Sensor

The Low Paper Sensor detects the amount of the print media remaining in the Tray in three levels (50, 25, and 10 %). See “Media Level Sensing” on page 2-23.

- Feed Clutch

The Feed Clutch transmits the driving torque from the Feeder Motor to the Feed Roll.

- Feed Roll

When the Feed Clutch operates, the Feed Roll starts rotating to feed media.

- Take Away Clutch

The Take Away Clutch transmits drive from the Feeder Motor to the Take Away Roller.

- Take Away Roller

The Take Away Roller starts rotating when the drive from the Feeder Motor is engaged by the Take Away Clutch feeding media from the Tray to the media path.

- Take Away Sensor

Detects that the media has reached the registration section.

- Feeder Board

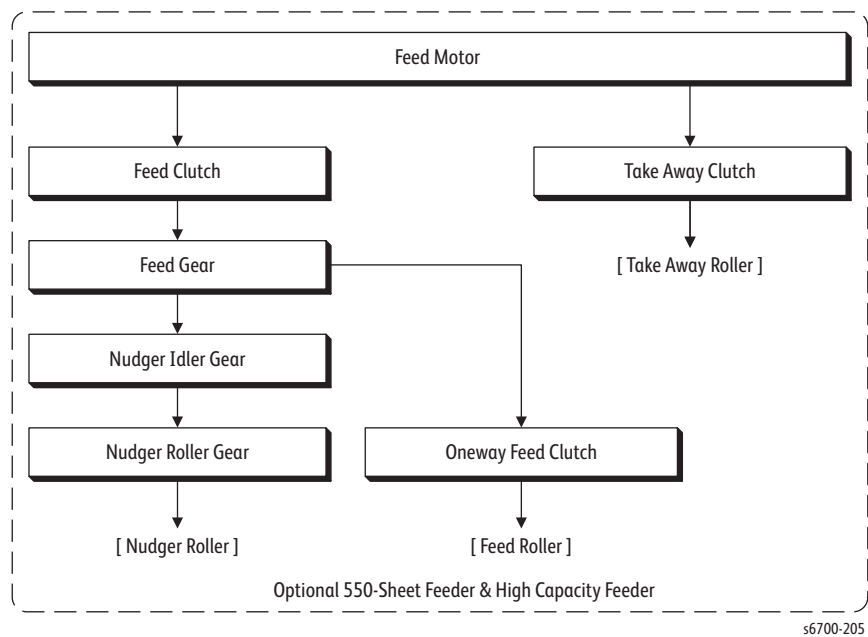
Controls the motors, sensors, and clutches in the Option Feeder.

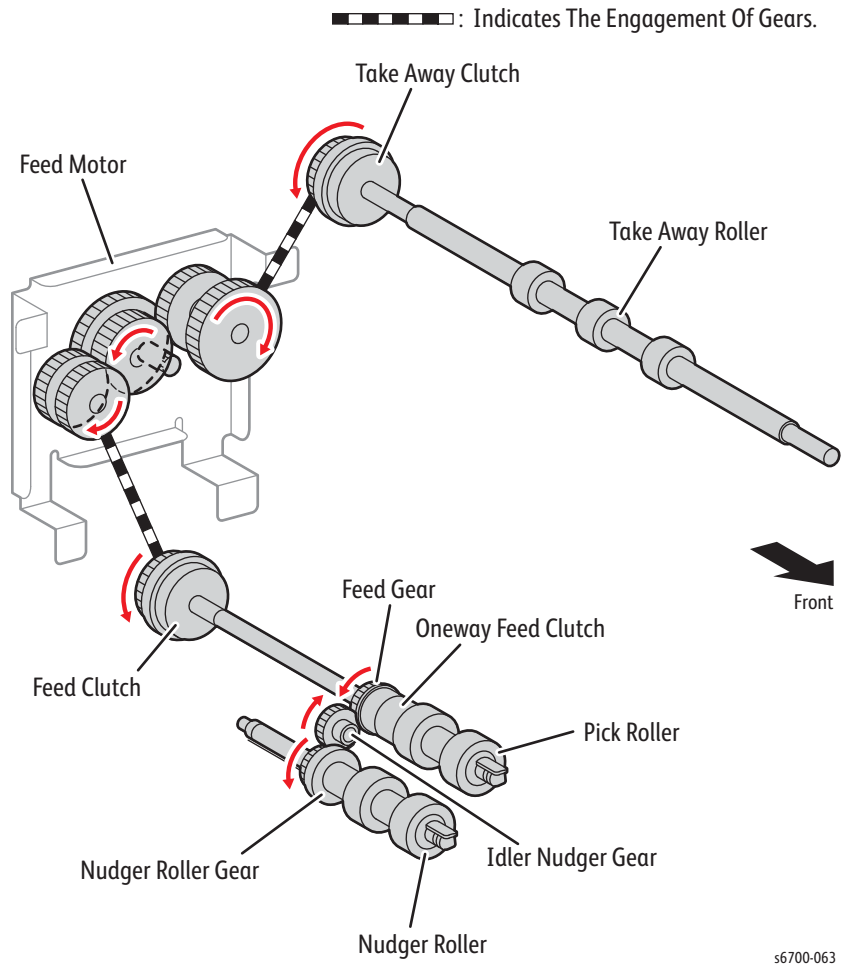
- Right Side Door Interlock

Interrupts DC power (+24VDC) when the Right Door is opened.

Feed Drive

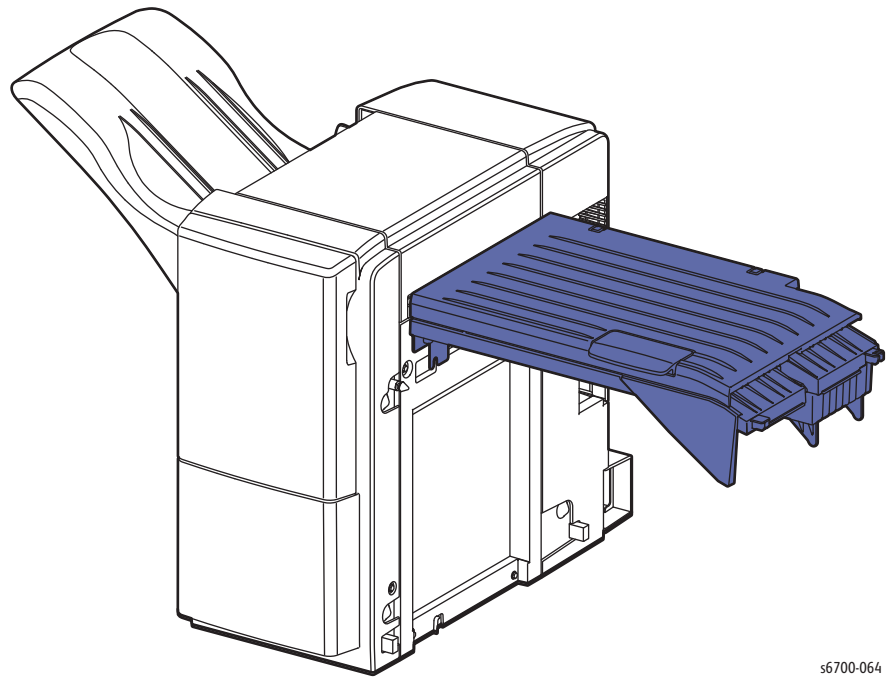
The Feed Drive Assembly drive is transmitted through the route below.





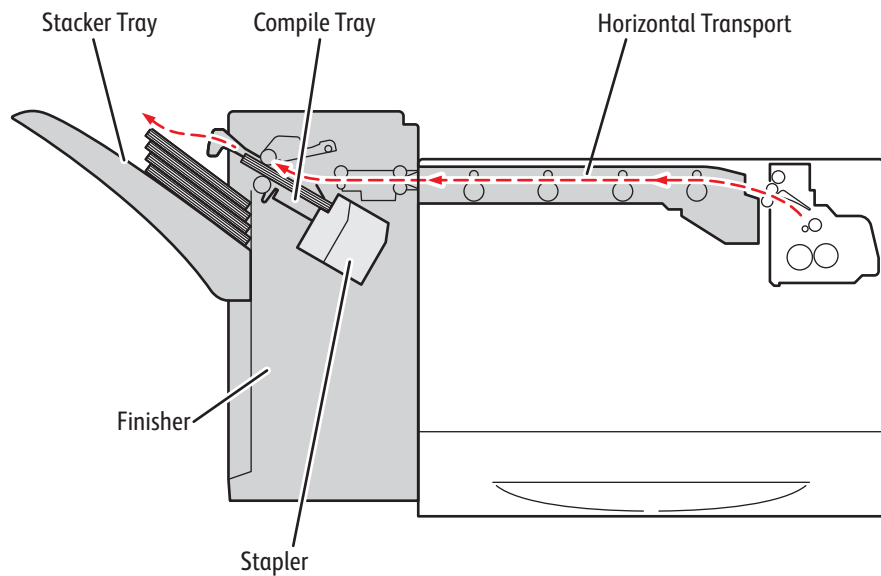
Finisher Overview

The Finisher is a customer installed option that adds stapling and stacking with offset. The Finisher docks with the printer and uses an accessory interface connection on the printer.



s6700-064

The Finisher is described in these functional blocks:



s6700-065

- Horizontal Transport
Moves sheets ejected from the printer to the Finisher.
- Compile Tray

Aligns the sheets.

- Stapler

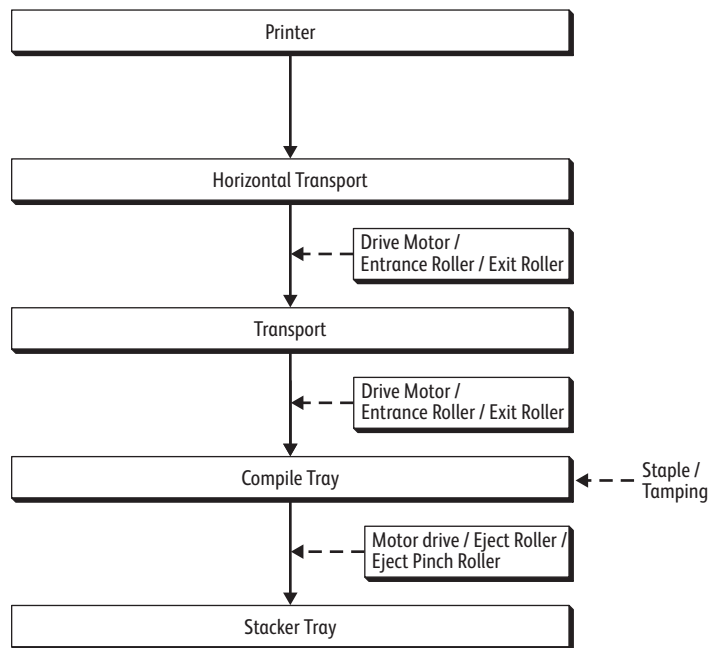
Staples the sheets in the specified position.

- Stacker Tray

Holds the sheets ejected.

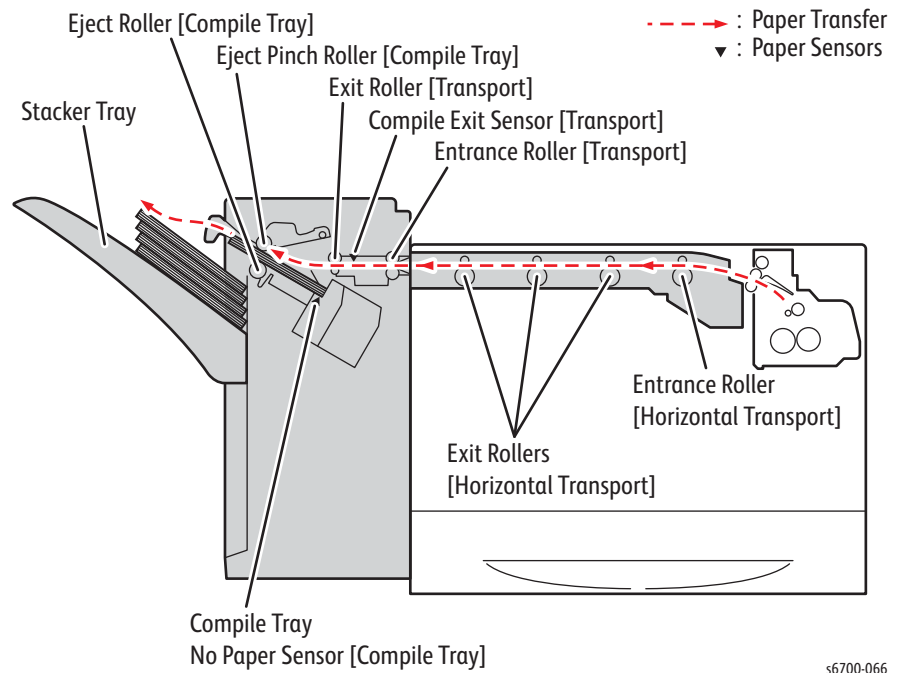
Finisher Media Path

Shown below is the media path for the Output Tray, through Exit, the Horizontal Transport, and the Finisher.



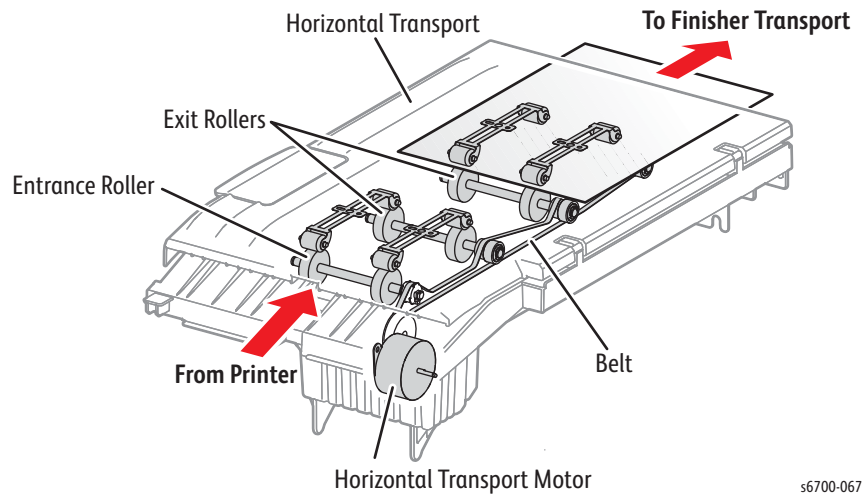
s6700-206

Media Path Components



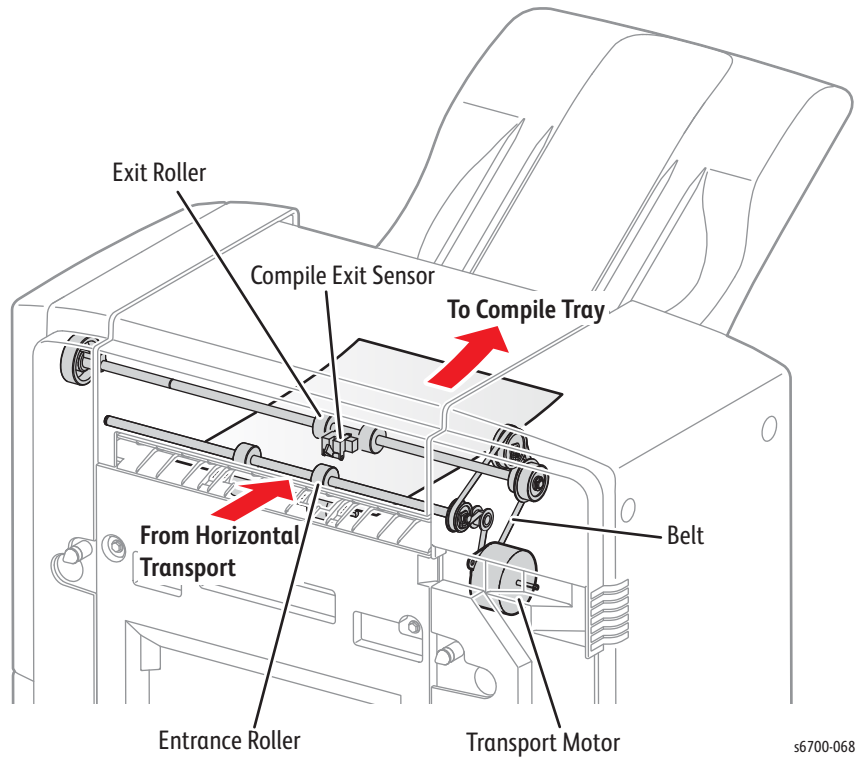
Horizontal Transport

As media exits the printer, the printer's Exit Sensor signal activates the Horizontal Transport Drive Assembly feeds the media to the Finisher entrance.



Finisher Transport

The sheet exits the Horizontal Transport and is fed to the Compile Tray by the Entrance and Exit Rollers driven by the Transport Motor. The sheet is detected by the Compile Tray Exit Sensor.

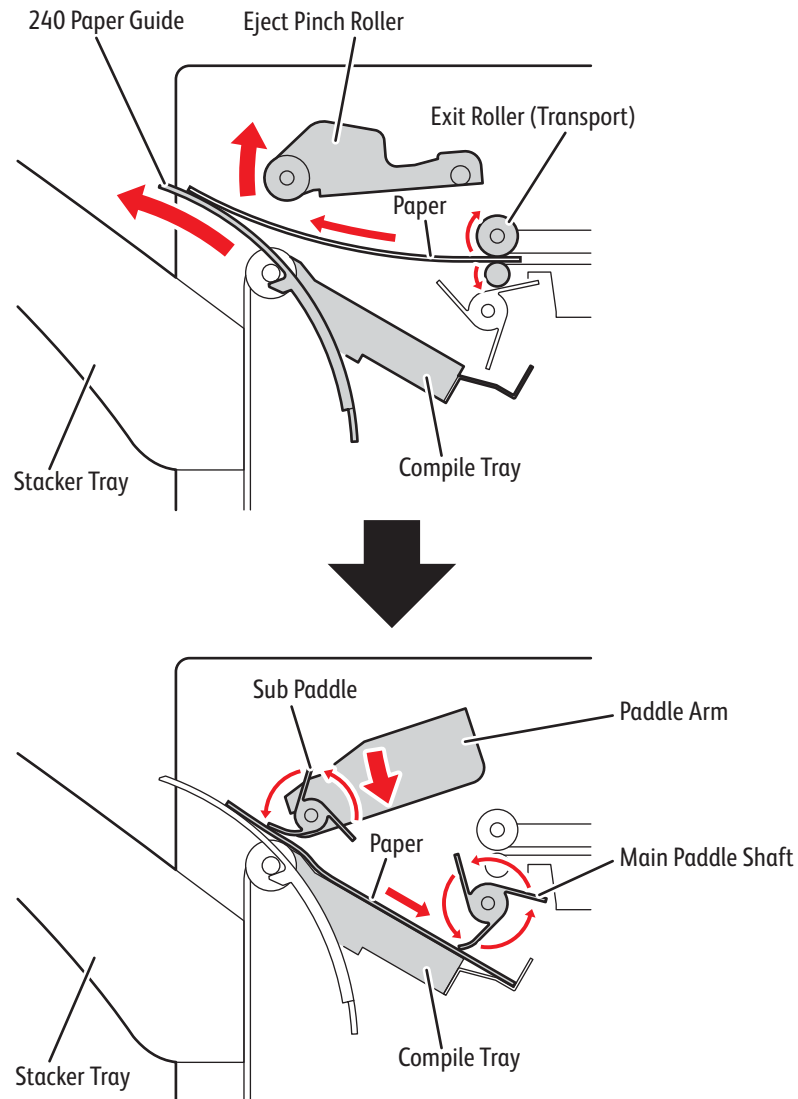


s6700-068

Compile Tray

While the paper guide slides out toward the Stacker Tray, driven by the Eject Motor, the Eject Pinch Roller retracts upward to allow the sheet to enter from the Finisher transport and fall onto the Compile Tray.

If stapling or tamping are not specified, the Eject Pinch Roller lowers to allow the sheet to exit to the Stacker Tray. If stapling or tamping is specified, the Paddle Arm Assembly is lowered by the Paddle Arm Solenoid directing the sheet onto the Compile Tray. Next, the Sub Paddle of the Paddle Arm Assembly and the Main Paddle of the Main Paddle Shaft rotate driven by the Transport Motor, to align the sheet against the Compile Tray flange.



s6700-069

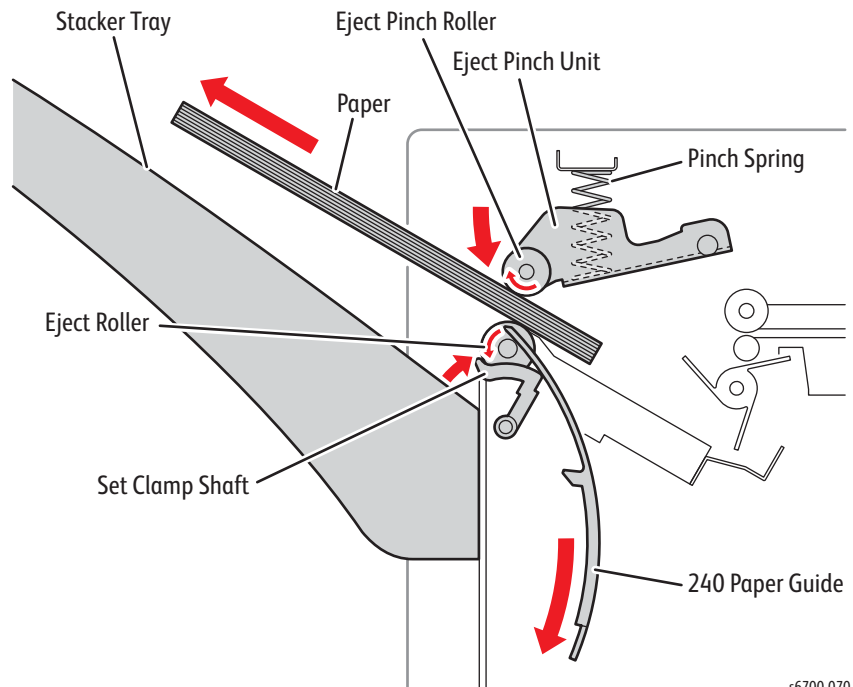
Ejection to Stacker Tray

When stapling or tamping is complete, the Eject Pinch Roller is lowered by the Eject Motor and the spring pressure of the Pinch Spring to guide the sheet to the Eject Rollers.

The sheet is ejected to the Stacker Tray by the Eject Roller that rotates in the normal direction driven by the Eject Motor and controlled by the sector gear. During ejection to the Stacker Tray, the 240 Paper Guide slides back to its original position driven by the Eject Motor so as not to obstruct the sheet.

The Set Clamp Clutch engages the Eject Motor to the Set Clamp Shaft, retracting the holder of the Set Clamp Shaft inside the Finisher so as not to obstruct the sheet.

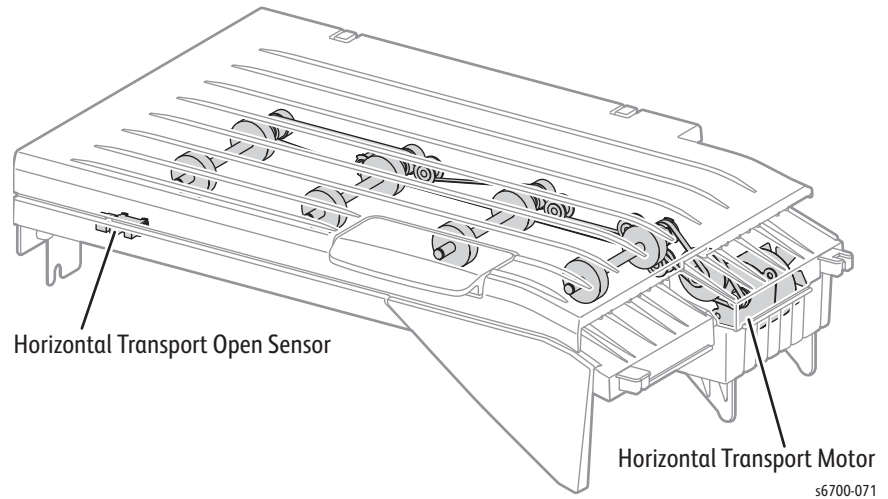
After the eject, the holder of the Set Clamp Shaft returns to its original position to hold down the ejected sheet.



s6700-070

Major Finisher Components

Horizontal Transport

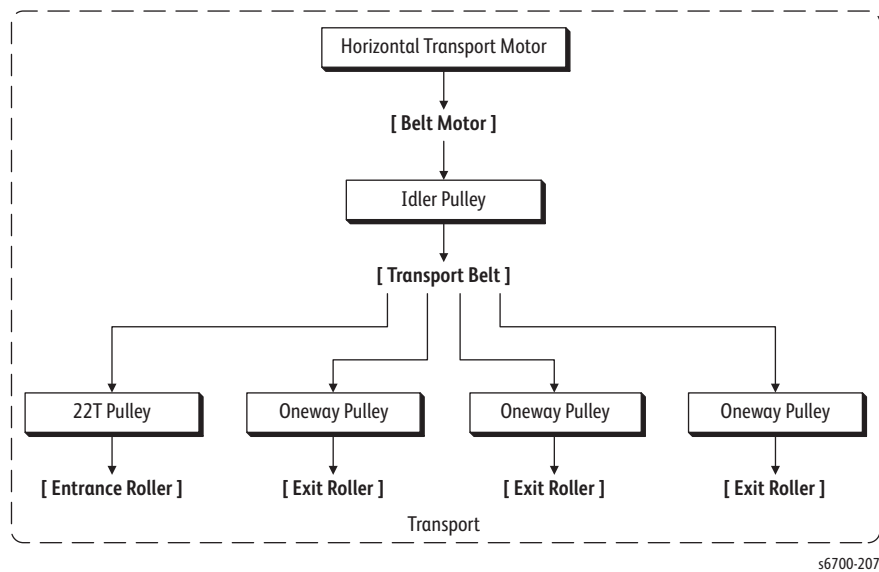


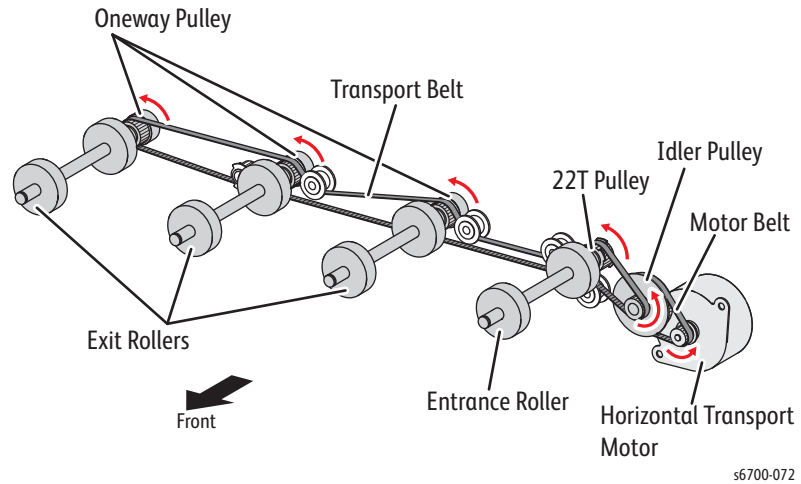
- Horizontal Transport Cover Open Sensor

A switch to detect when the Top Cover of the Horizontal Transport is open.

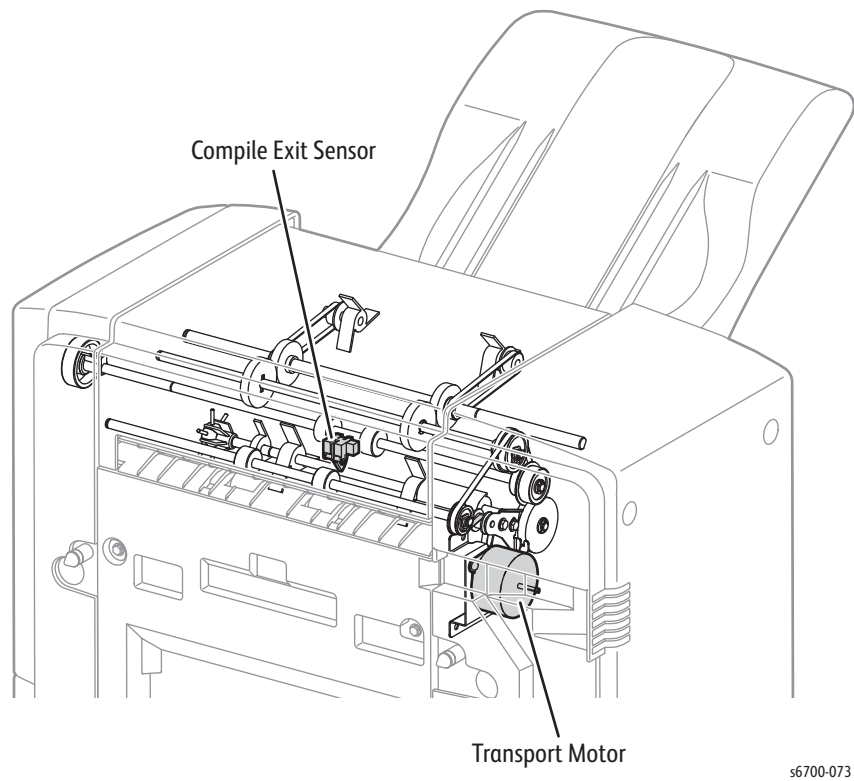
- Horizontal Transport Drive Assembly

A motor that drives the belt for paper feeding in the Horizontal Transport. It is provided with the Fan that exhausts heat out of the Horizontal Transport. Horizontal Transport Motor drive is transmitted through the route below.





Finisher Transport

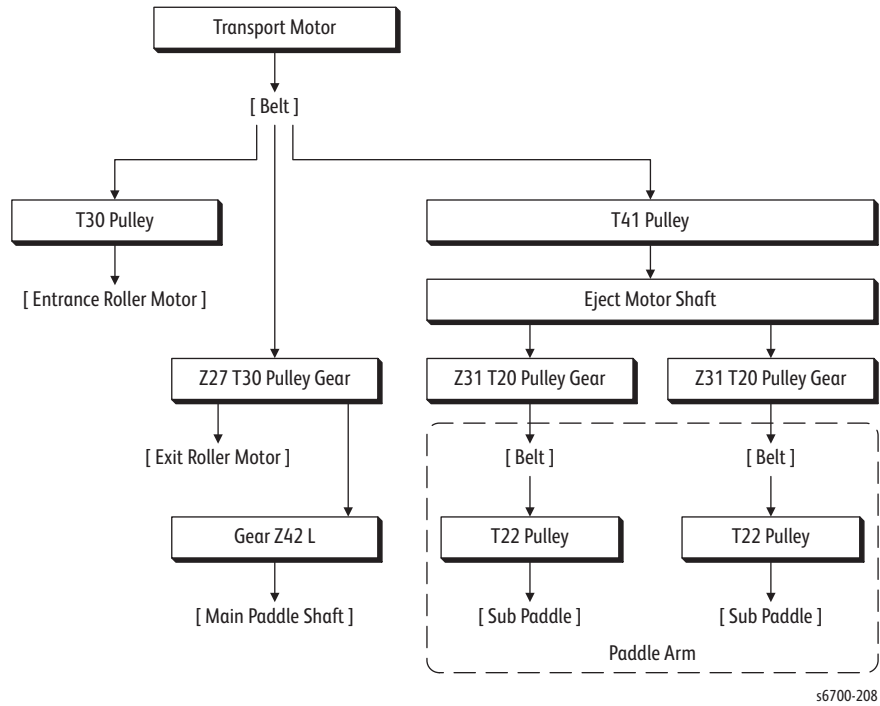


- Compile Tray Exit Sensor (PL 14.7.9)

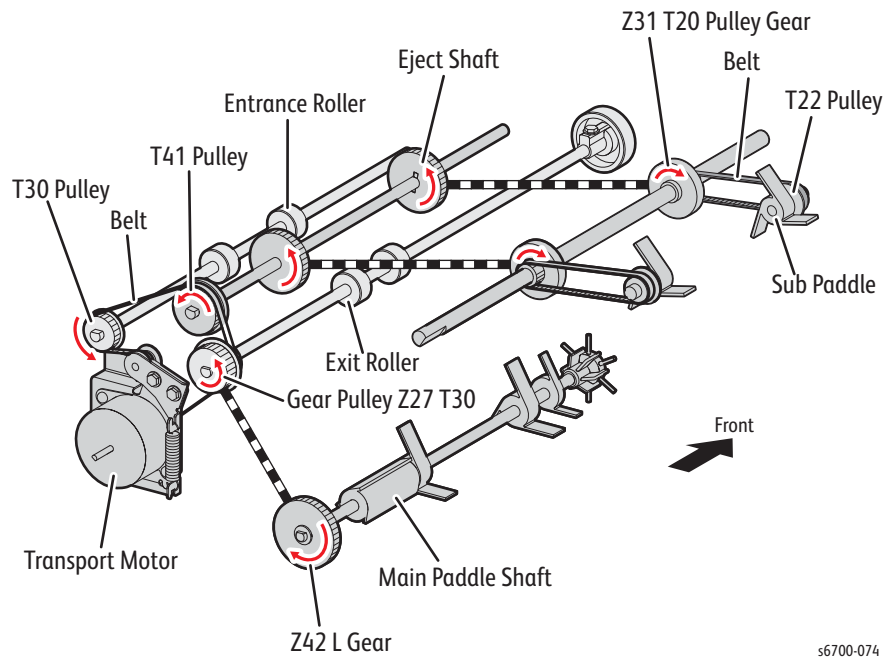
A sensor for detecting the presence of the paper in the Finisher transport based on the change of its actuator position.

- Transport Motor (PL 14.7.16)

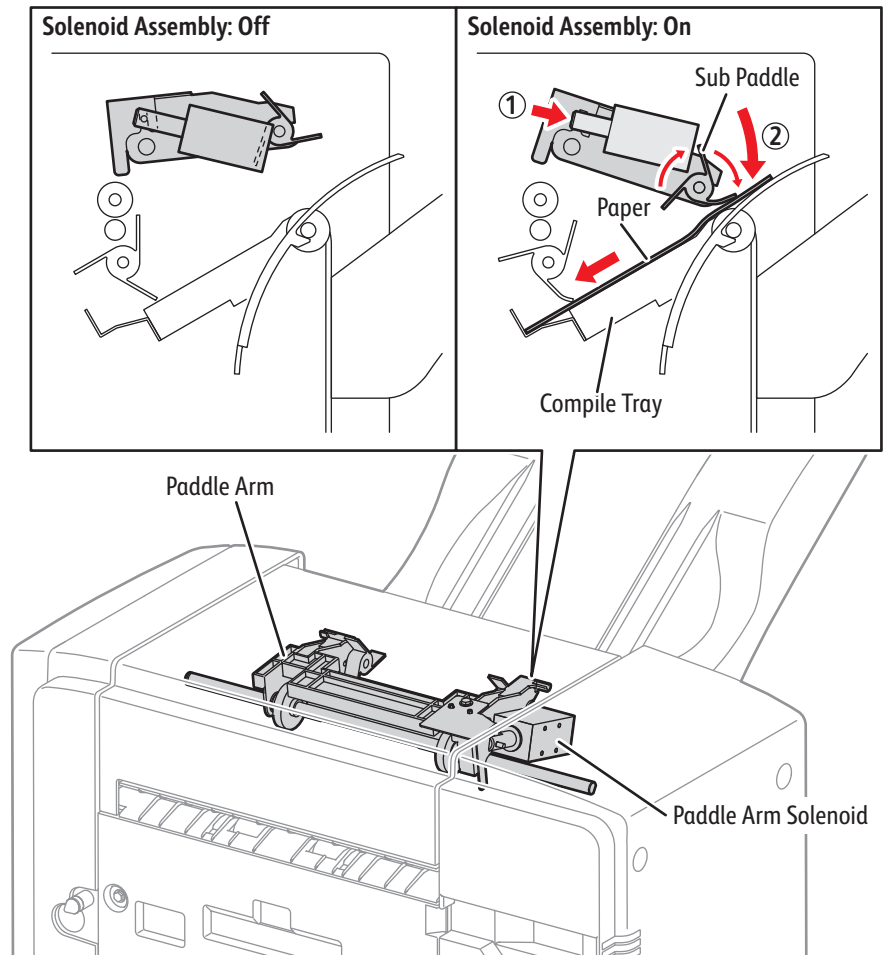
A motor that drives all feeding-related rollers in the Finisher transport, Compile Tray, and Stacker Tray. Transport Motor drive is transmitted through the route below.



— : Indicates The Engagement Of Gears.



Compile Tray



s6700-075

- Paddle Arm Solenoid (PL 14.6.20)

A solenoid that lowers the Paddle Arm onto the sheet fed from the Finisher transport, allowing the rotating Sub Paddle to align the sheet to the flange of the Compile Tray.

- Compile Tray No Paper Sensor (PL 14.8.13)

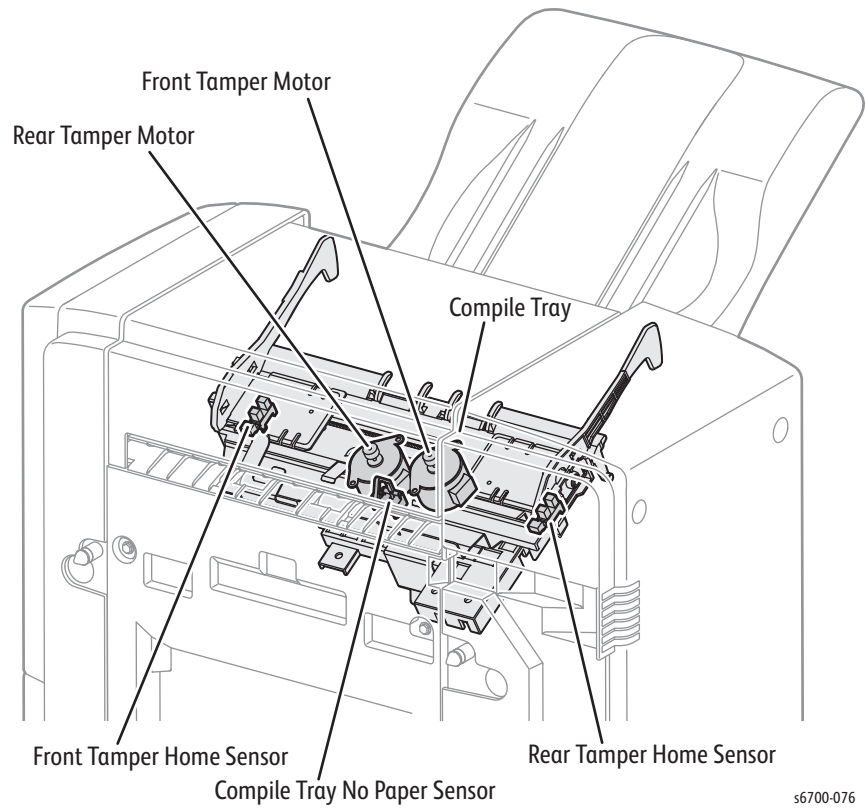
Detects the presence of the paper in the Compile Tray based on the change of its actuator position. (Paper present: Sensor beam received)

- Front Tamper Home Sensor (PL 14.8.9)

A sensor for detecting that the Front Tamper Guide (PL 14.8.4) is at its home position. (Home position: Sensor beam blocked).

- Rear Tamper Home Sensor (PL 14.8.9)

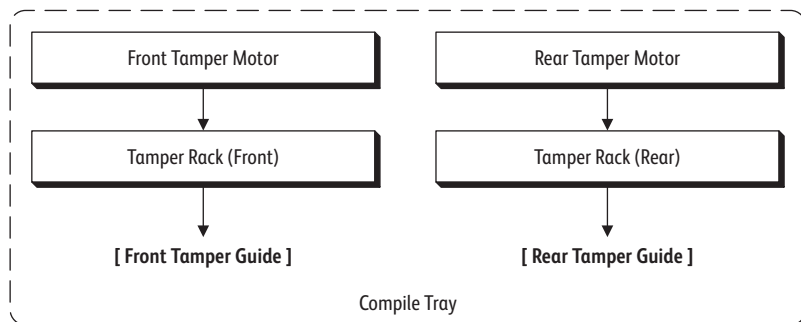
A sensor for detecting that the rear tamper guide (PL 14.8.5) is at its home position. (Home position: Sensor beam blocked)



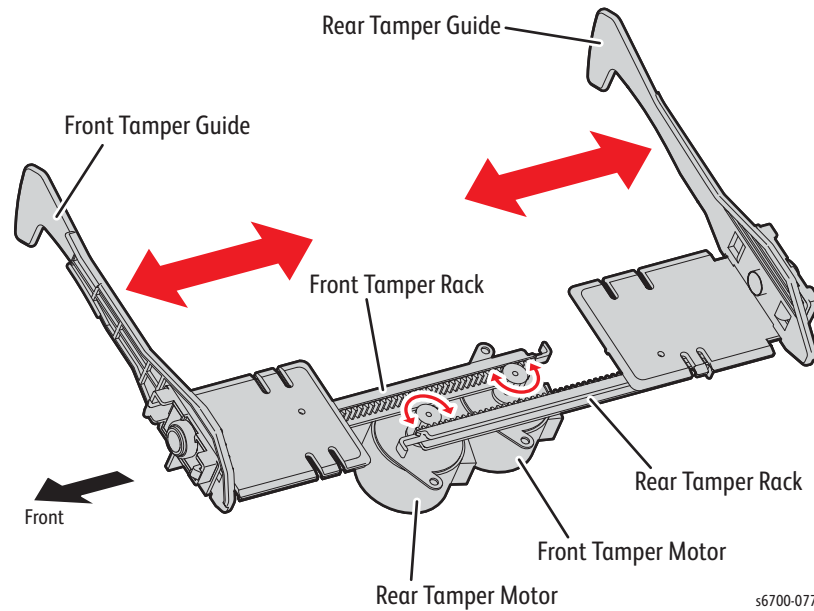
s6700-076

- Front Tamper Motor
- Rear Tamper Motor

Motors that move the Tamper Guides for tamping operation. Tamper Motor drive is transmitted through the route below.



s6700-188



Operations in Compile Tray

In the Compile Tray, sheets fed from the Finisher transport undergo a tamping operation to align the sheets in the width direction, and the offset stacking operation for placing the sets of sheets staggered in the Stacker Tray.

Tamping

Sheets fed from the Finisher transport undergo the tamping operation in the Compile Tray. Tamping refers to the operation of aligning the sheet to the specified position by sliding the Front and Rear Tamper Guides, driven by the Tamper Motors, until they contact the sheet edges.

Tamping is executed when the specified time has elapsed since the Compile Tray No Paper Sensor detects an incoming sheet. Tamping occurs every time a sheet is fed, and is repeated once more after tamping the last sheet is completed.

Tamping includes the following two modes:

- Front Tamping

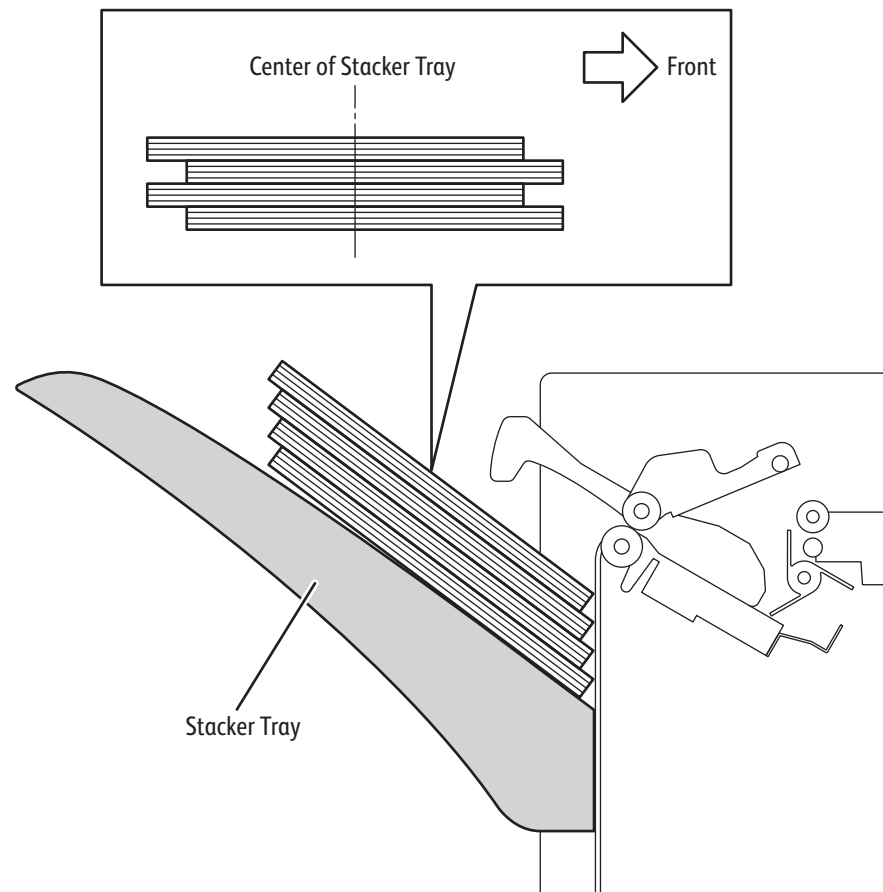
Activates the Rear Tamper only, with the Front Tamper locked at its home position.

- Rear Tamping

Activates the Front Tamper only, with the Rear Tamper locked at its home position.

Offset Stacking

Offset stacking staggers the position where the ejected sheets land on the Stacker Tray to help separate the stack of sheets into groups such as jobs or collated sets.



s6700-189

Stapler

- Low Staple Sensor

A photo-interrupter type sensor for detecting the remaining quantity of the staples. (Staples low: Sensor beam blocked)

- Self Priming Sensor

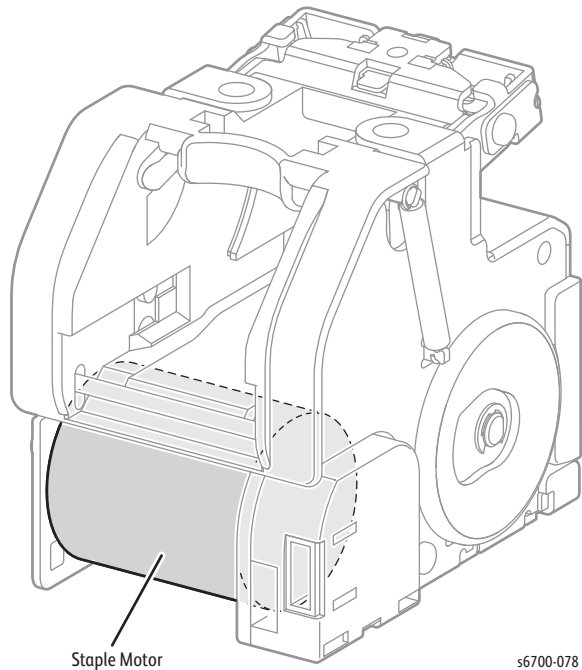
A photo-interrupter type sensor for detecting that the staple has reached the Stapler Head or that stapling has failed.

- Staple Home Sensor

A photo-interrupter type sensor for detecting that the Stapler Head is at its home position or that stapling has failed. It also triggers the Staple Motor to stop. (Home position: Sensor beam blocked)

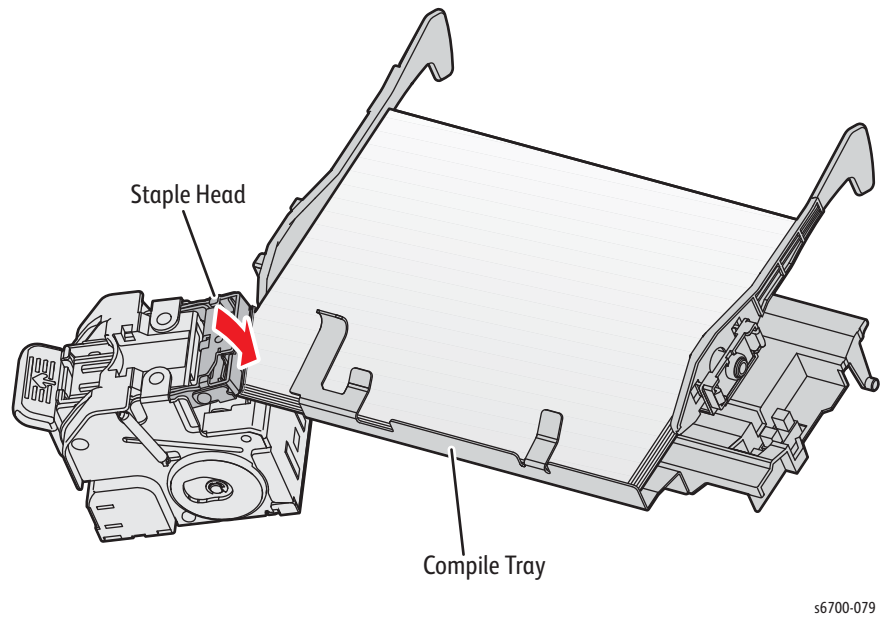
- Staple Motor

A motor that drives the Stapler Head to execute stapling. Rotates clockwise to activate the Stapler Head, and counterclockwise to return it to its original position.



Stapling

Sheets entering from the Finisher transport undergo tamping in the Compile Tray, then are stapled, maximum 50 sheets (A/A4-size 20# paper), in the position specified

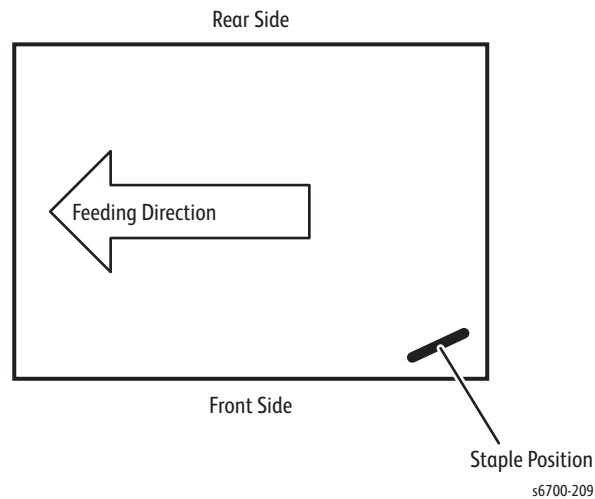


Stapling starts when the number of sheets deposited in the Compile Tray has reached the number of sheets for one set. The Stapler Assembly is driven by the staple motor to the stack and staples the stack as it comes down to the sheets.

When the staple motor rotates in the normal direction (clockwise), the Stapler Holder applies a staple onto the sheets and then returns to its home position. If stapling is not completed correctly, the staple motor rotates in the reverse direction (counterclockwise) to drive the Stapler Holder back to its home position. When staples are low, the Low Staple Sensor raises a warning message and suspends stapling. This warning message is also displayed when the Staple Cartridge is not installed.

Stapling Position

The staple is applied in the upper corner at an angle of 25 degrees after the sheets are aligned to the front edge by the Rear Tamper Guide.



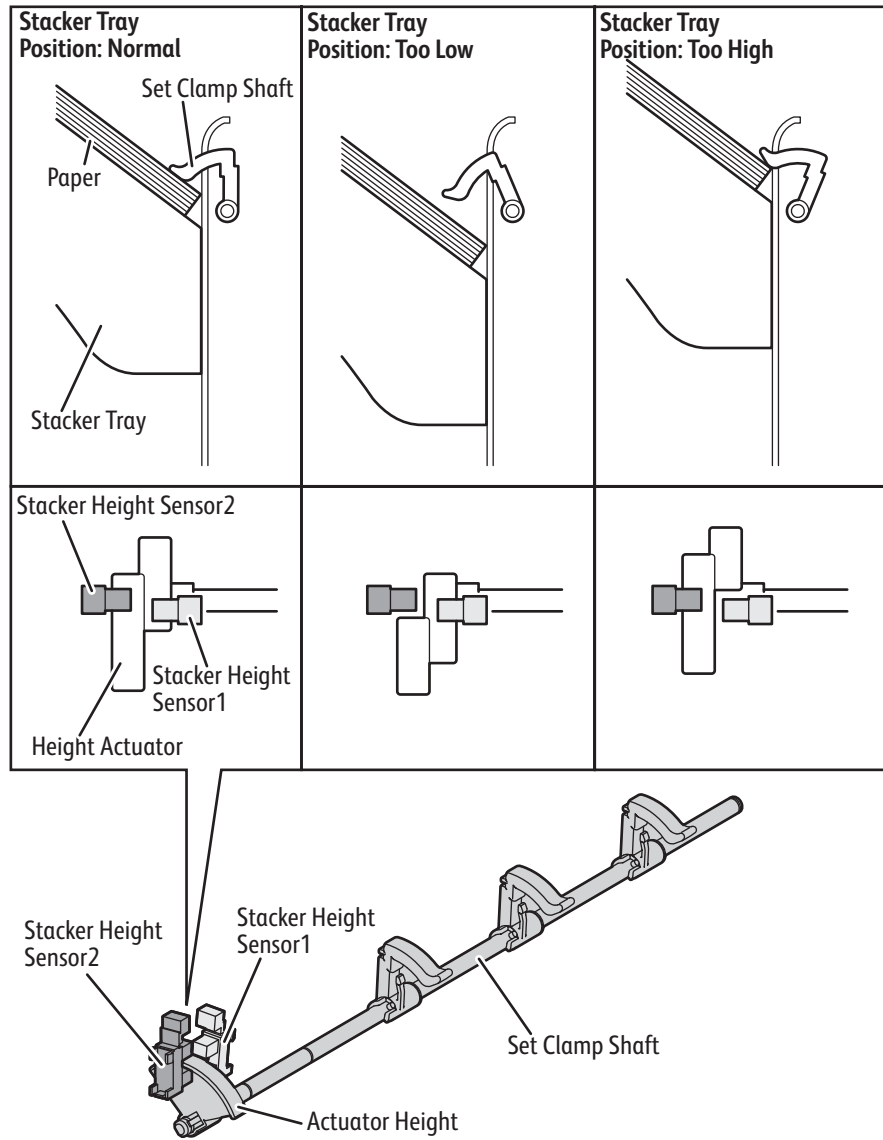
Stacker Tray

The Stacker Tray holds the sheets ejected from the Compile Tray by shifting to an appropriate position according to the height of the sheet stack. The capacity is 50 sets or 750 sheets of one size.

- Stack Height Sensors 1 and 2

Detects the height of the sheet stack on the Stacker Tray based on the change of its actuator position. The Stacker Motor moves up or down the Stacker Tray based on the detection results. The table shows the correspondence between the detection results and Stacker Tray movement.

Sensor 1 Detection	Sensor 2 Detection	Tray Movement	Evaluation
Beam Blocked	Beam Received	Up	Too Low
Beam Blocked	Beam Blocked	As Is	Normal
Beam Received	Beam Blocked	Down	Too High



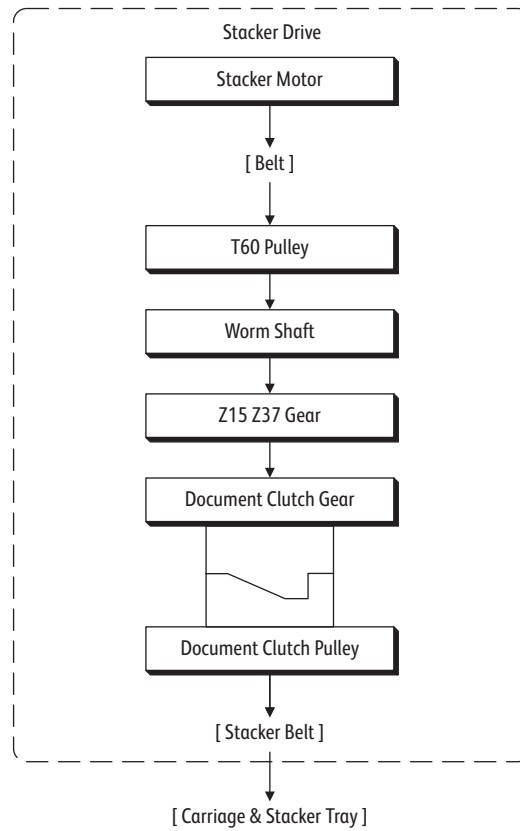
s6700-080

- Stacker No Paper Sensor

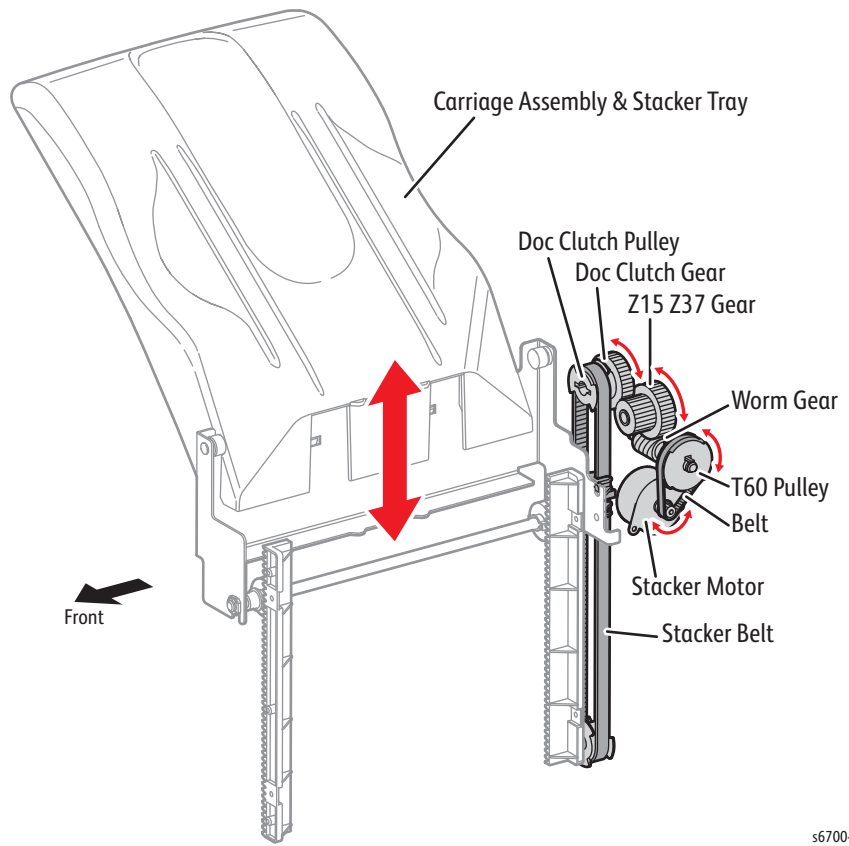
A sensor for detecting that the Stacker Tray is at the topmost position (home position). It also detects when the Stacker Tray is empty.

- Stacker Drive Assembly

A motor that moves up or down the Stacker Tray. Rotates clockwise to raise and counterclockwise to lower the Stacker Tray. Stacker Motor drive is transmitted through the route below.



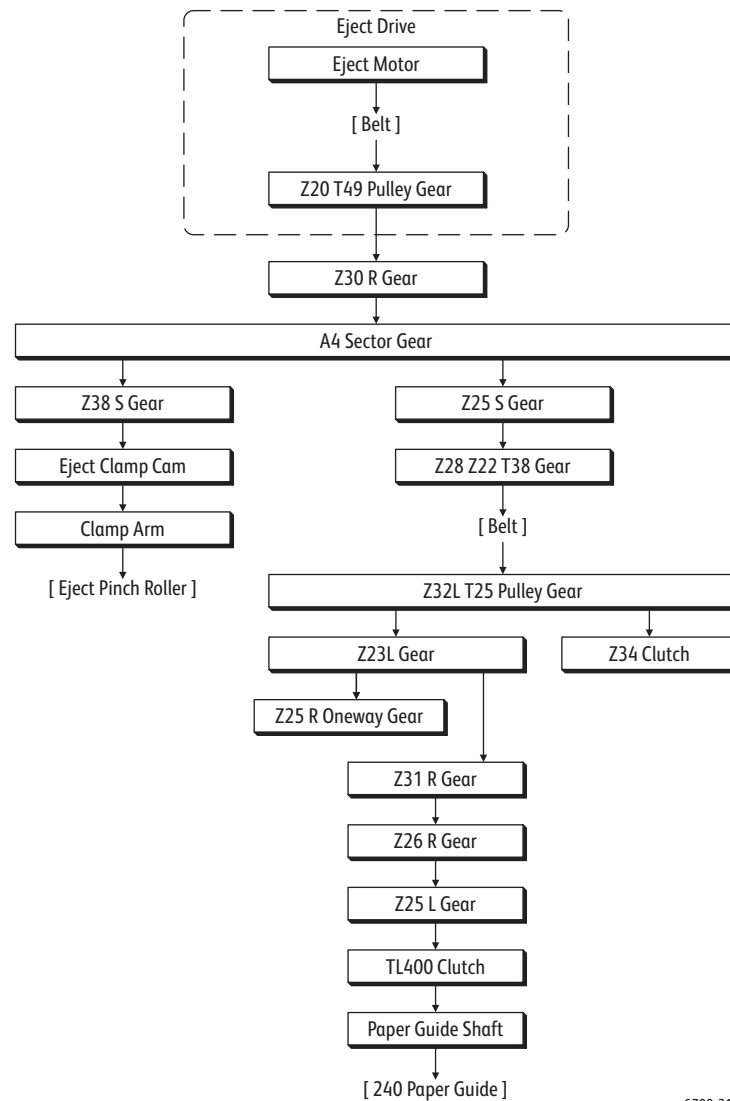
s6700-210



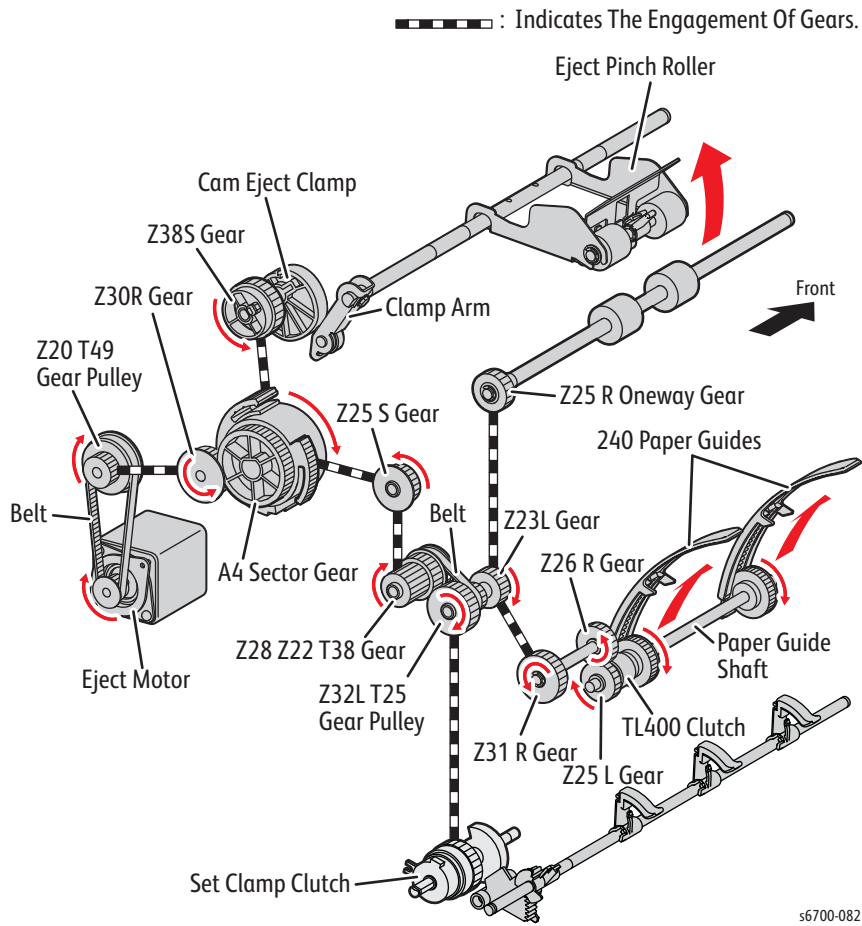
s6700-081

- Eject Motor

A stepping motor that drives sheet-ejecting components such as the Eject Clamp and the Set Clamp. Eject Motor drive is transmitted through the route below.



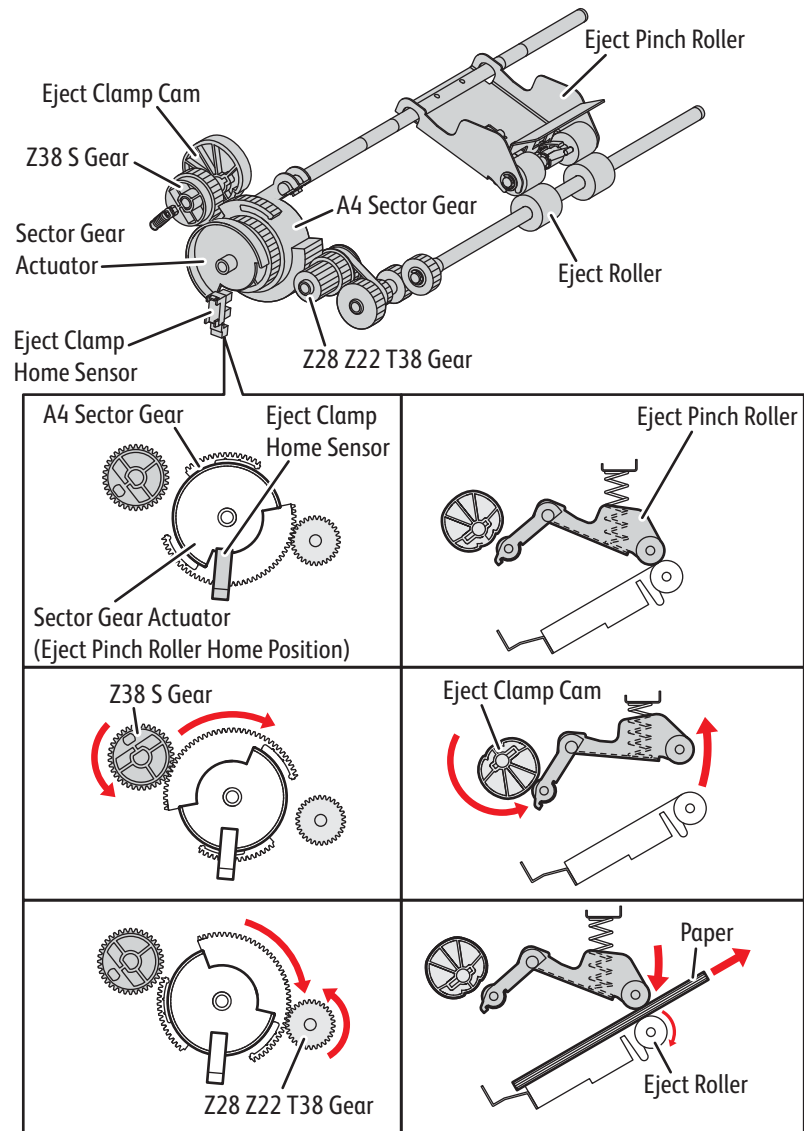
s6700-211



s6700-082

- Eject Clamp Home Sensor

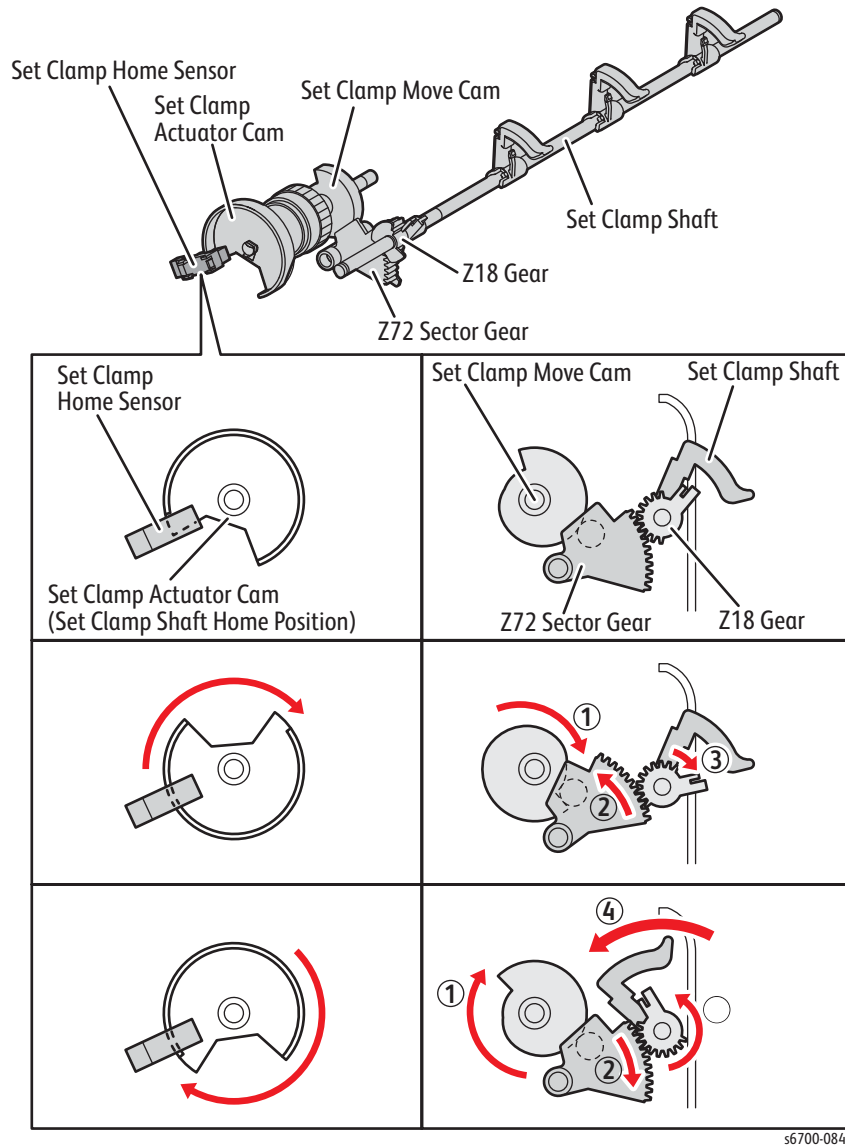
A sensor for detecting that the Eject Clamp is at its home position.



s6700-083

- Set Clamp Home Sensor

A sensor for detecting the Set Clamp is at its home position.



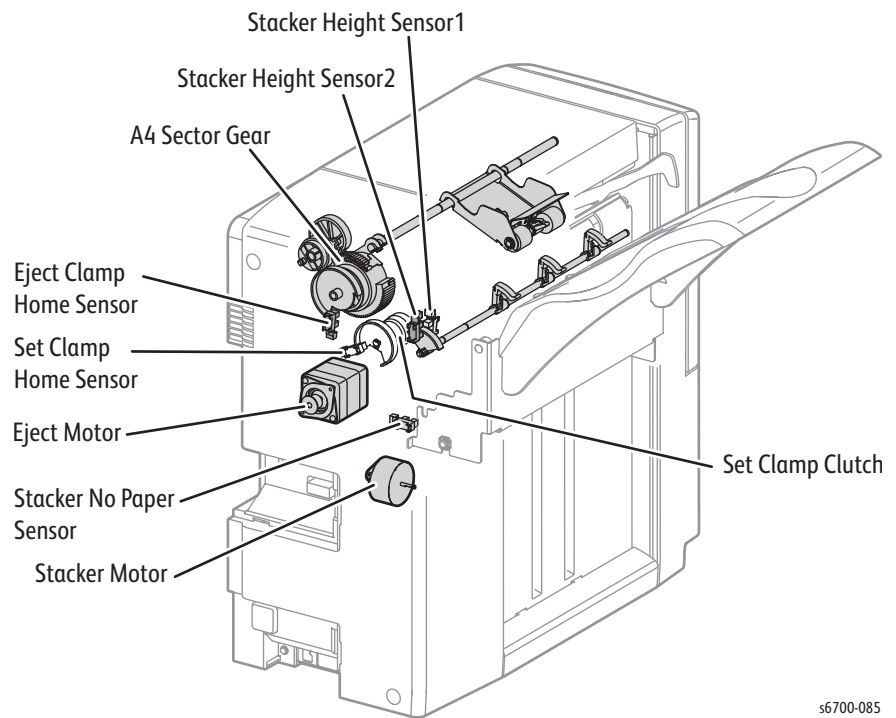
s6700-084

- Set Clamp Clutch

A clutch that transmits the torque from the Eject Motor to the Set Clamp Shaft.

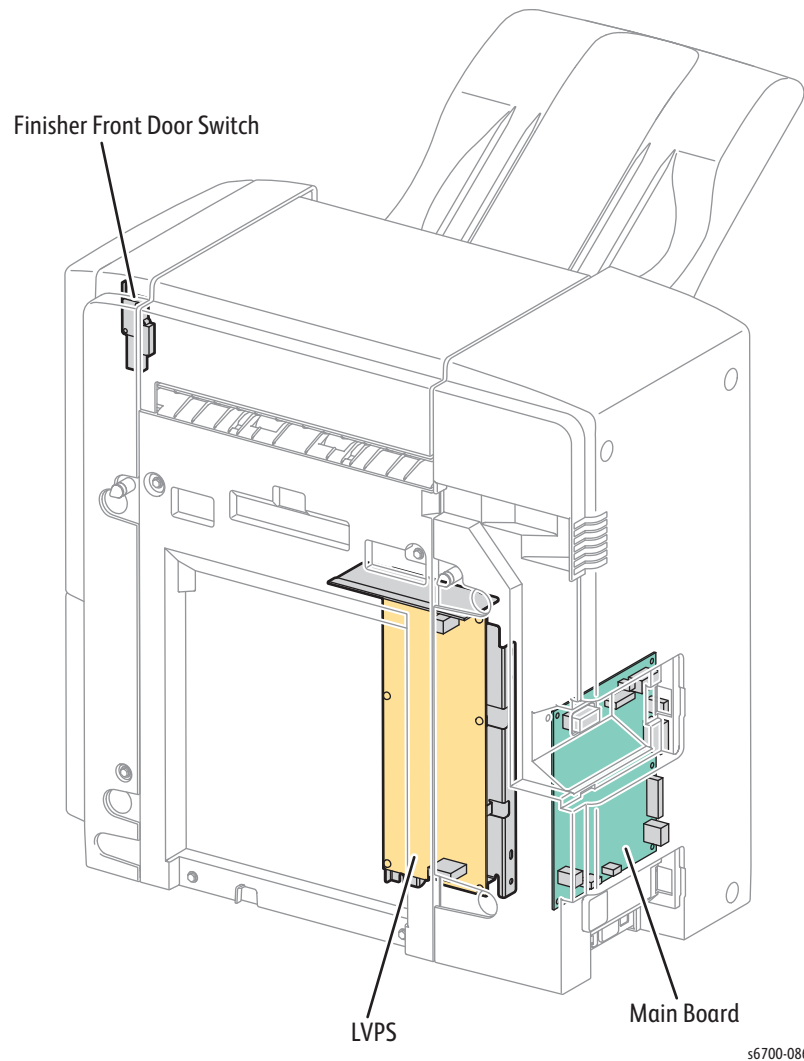
- Sector Gear

Controls the movement of the 240 Paper Guide by changing the transmission route from the Eject Motor. (Refer to 4. Torque Transmission Route.)



s6700-085

Electrical



- Front Door Switch

Detects whether the Front Cover is open. Interrupts the DC power to the components in the Finisher (+24VDC) when the Front Door is opened.

- Main Board

A board that controls the components in the Finisher.

- LVPS

Converts the AC power from the printer into stable low voltage DC power to be used for such components as logic circuits in the Finisher.

Error Messages and Codes

In this chapter...

- Introduction
- Servicing Instructions
- Messages, Codes, and Procedures
- Troubleshooting Procedures

Chapter 3

Introduction

This chapter describes numeric codes displayed for status and error messages displayed on the Control Panel, listed on the System Status page or Service Usage Profile pages, or shown in CWIS or Job Tracker. These messages serve as the entry point into the troubleshooting process.

Troubleshooting of problems not directly indicated by or associated with an error message or code is covered in Chapter 4, General Troubleshooting. Print quality problems are covered in Chapter 5, Print Quality Troubleshooting.

Fault and Status Message Format

System faults indicate a serious problem with the printer. Printing usually stops until the fault is corrected. Faults are indicated by a chain-code of the form (3nn.nnn.nn) and one or more descriptive text strings. As an example, a Fuser jam might produce the following on the Control Panel:

377.106.04 Printer Error Jam at Fuser

Notice the chain code fields are separated by dots.

System status events are typically less serious and may or may not stop printer operation. Status messages are indicated by a status code of the form nn-*nnn*-nn and one or more descriptive text strings. An example status message for the Fuser jam would appear as:

10-106-00 The printer is unavailable. Jam at Fuser.

Again, notice the status code fields are separated by dashes, not dots like the fault code. This is important when searching this manual and other Service databases for error information.

Viewing Fault and Status Messages at the Control Panel

The printer stores the last 60 messages of either type. A current, since last reboot, log for faults and messages is available in the Information tab of the Printer menu. Current faults lists the chain code and text. Touching the list entry displays the fault popup. Current messages lists the status message text string.

To view the Fault History from the Control Panel, touch **Printer > Tools > Setup > Service Tools > Fault History**.

Viewing Fault and Status Messages in CWIS

Status codes and messages are displayed in CWIS.

1. Open a web browser and enter the printer's IP address into the browser.
2. Select the Status Tab at the top of the CWIS application.
3. Refresh the screen to view fault and status information in the Alerts area.

Each line item includes the chain-code, description, and suggested skill level needed to correct the alert.

Printing the Fault History

The fault history is included on the System Status page and Service Usage Profile.

1. From the Control Panel, touch **Printer > Tools > Setup > Service Tools**.
2. Touch the Printer icon to open the drop-down menu.
3. Touch the desired report to print.

Each report includes chain-code, description, page count and date of up to 60 faults.

Servicing Instructions

The service checklist below is an overview of the path a service technician should take when servicing the printer and printer optional equipment.

Step 1: Identify the Problem

1. Check Current Faults and Current Messages in the Printer menu for information related to existing problems.
2. Check fault history in the Service Tools menu to review recent faults and/or jams.
3. Print the Engine Test Print to test print engine function.
4. Print normal customer prints and demo prints.
5. Make note of any print-quality problems in the test prints.
6. Make note of any mechanical or electrical abnormalities present.
7. Make note of any unusual noise or smell coming from the printer.
8. Print the System Status and Service Usage Profile embedded pages.
9. Verify the AC supply is within specifications by measuring the voltage at the electric outlet while the printer is running.

Step 2: Inspect and Clean the Printer

1. Turn the printer power Off.
2. Disconnect the power cord from the wall outlet.
3. Verify the power cord is undamaged and connected properly.
4. Remove the Imaging Units and protect them from light.
5. Remove the Transfer Belt.
6. Inspect the printer interior and remove any foreign matter such as paper clips, staples, pieces of paper, dust, or loose toner.
7. Do not use solvents or chemical cleaners to clean the printer interior.
8. Do not use any type of oil or lubricant on printer parts.
9. Use only an approved toner vacuum.
10. Clean all rubber rollers with a lint-free cloth, dampened slightly with cold water and mild detergent.
11. Clean all four laser windows.
12. Inspect the interior of the printer for damaged wires, loose connections, toner leakage, and damaged or worn parts.
13. If the Imaging Units appear damaged, replace with new ones.

Step 3: Find the Cause of the Problem

1. Use fault and status codes to locate the cause of the problem.
2. Use Service Diagnostics to check the printer and optional components.
3. Use the Wiring Diagrams and Plug/Jack Locator to locate test points.
4. Take voltage readings as instructed in the troubleshooting procedure.

Step 4: Correct the Problem

1. Use the Parts List to locate a part number.
2. Use the FRU Disassembly procedures to replace the part.

Step 5: Final Checkout

Test the printer to be sure you have corrected the initial problem and there are no additional problems present.

Messages, Codes, and Procedures

The error messages and codes generated by the printer's operating system are the lead-in to the troubleshooting procedures that follow in subsequent pages. This section correlates the output of the printer's diagnostic aids and provides the troubleshooting procedures to locate and correct the reported errors.

Error Messages Abbreviations

Due to limited display space, some messages include abbreviations. The most common abbreviations used throughout this chapter are listed here.

Term	Definition
ADC	Automatic Density Control
Assy	Assembly
CTD	ADC Sensor
CMY	Cyan, Magenta, Yellow
CRUM	Customer Replaceable Unit Memory
Dev	Developer
H-Xport	Horizontal Transport
IBT	Transfer Belt
IOT	Print Engine
K	Black
VOUT	Output voltage from ADC Sensor
Xero	Imaging Unit Drum Drive

Fault and Status Summary

The fault and status summary tables list possible fault and status codes displayed on the Control Panel, CWIS or Job Tracker, listed on the System Status page or Service Usage Profile. Also listed are the corresponding messages and a page reference for the corrective procedure.

- The Code column shows the chain-link code as it appears on the display when the fault occurs during normal operation.
- The message column lists the message displayed for the fault or status event.
- The Page column links to the troubleshooting procedure related to the fault or status event.

Faults

Table 1 lists all faults in ascending chain-link numeric order. Go to the referenced troubleshooting procedure for additional information on the fault's cause. Table 2 lists status codes in ascending numeric order and includes related fault chain-links. Use these tables to identify the proper procedure to correct the reported error.

Table 1. Fault Code Summary

Code	Message	Page
303.301.01	XPC Failure	3-39
303.302.02	XPC Failure	3-39
309.001.01	Laser Failure	3-42
309.002.02	Laser Failure	3-42
309.003.03	Laser Failure	3-42
309.003.01	Engine Motor Failure	3-44
309.004.01	Engine Motor Failure	3-46
310.310.01	Fuser is Missing or Misinstalled	3-64
310.311.02	Fuser Failure	3-65
310.312.05	Fuser Failure	3-65
310.313.06	Fuser Failure	3-65
310.314.07	Fuser Failure	3-65
310.315.09	Fuser Failure	3-65
310.316.12	Fuser Failure	3-65
310.317.13	Fuser Failure	3-65
310.318.14	Fuser Failure	3-65
310.319.04	Fuser Failure	3-65
310.320.03	Fuser Failure	3-65
310.321.15	Fuser Failure	3-65
310.322.16	Fuser Failure	3-65
310.323.17	Fuser Failure	3-65
310.324.20	Fuser Failure	3-65
310.325.22	Fuser Failure	3-65

Table 1. Fault Code Summary

Code	Message	Page
310.326.21	Fuser Failure	3-65
310.327.23	Fuser Failure	3-65
310.328.18	Fuser Failure	3-65
310.330.01	Engine Motor Failure	3-63
310.333.10	Fuser Failure	3-65
310.334.11	Fuser Failure	3-65
310.335.08	Fuser Failure	3-65
310.338.19	Fuser Failure	3-65
310.398.01	Engine Fan Failure	3-67
310.902.02	Fuser Failure	3-69
310.903.03	Fuser Failure	3-69
312.098.01	Finisher Failure	3-70
312.099.01	Finisher Communication Failure	3-71
312.099.02	Finisher Communication Failure	3-71
312.099.03	Finisher Communication Failure	3-71
312.099.04	Finisher Communication Failure	3-71
312.099.05	Finisher Communication Failure	3-71
312.099.06	Finisher Communication Failure	3-71
312.099.07	Finisher Communication Failure	3-71
312.211.01	Finisher Failure	3-73
312.212.01	Finisher Failure	3-75
312.213.01	Finisher Failure	3-77
312.221.01	Finisher Failure	3-79
312.222.01	Finisher Failure	3-81
312.223.01	Finisher Failure	3-79
312.224.01	Finisher Failure	3-81
312.260.01	Finisher Failure	3-83
312.261.01	Finisher Failure	3-83
312.283.01	Finisher Failure	3-85
312.284.01	Finisher Failure	3-85
312.291.01	Finisher Failure	3-87
312.300.01	Finisher Failure	3-89
312.450.01	Jam in Horizontal Transport	3-96
312.451.01	Jam at Finisher	3-96
312.452.01	Jam at Finisher	3-98
312.453.01	Jam at Finisher	3-96
312.454.01	Jam at Finisher	3-98
316.151.01	Engine NVRAM Failure	3-104
316.152.02	Engine NVRAM Failure	3-104
316.153.03	Engine NVRAM Failure	3-104

Table 1. Fault Code Summary

Code	Message	Page
316.154.04	Engine NVRAM Failure	3-104
316.155.05	Engine NVRAM Failure	3-104
316.156.06	Engine NVRAM Failure	3-104
316.157.07	Engine NVRAM Failure	3-104
316.158.08	Engine NVRAM Failure	3-104
316.159.09	Engine NVRAM Failure	3-104
316.405.05	Firmware Failure	3-105
316.406.06	Firmware Failure	3-105
316.407.07	Firmware Failure	3-105
316.408.08	Firmware Failure	3-105
316.409.09	Firmware Failure	3-105
316.410.10	Firmware Failure	3-105
316.411.11	Firmware Failure	3-105
316.412.12	Firmware Failure	3-105
316.413.13	Firmware Failure	3-105
316.414.14	Engine Firmware Failure	3-105
319.410.01	Printer Failure	3-106
342.324.01	Engine Motor Failure	3-108
342.325.01	Engine Motor Failure	3-109
342.329.01	Engine Fan Failure	3-68
342.601.02	Transfer Belt Failure	3-110
342.601.03	Transfer Belt Failure	3-110
345.301.01	Printer Failure	3-112
345.302.02	Printer Failure	3-112
345.303.03	Printer Failure	3-112
345.304.04	Printer Failure	3-112
345.305.05	Printer Failure	3-112
345.306.06	Printer Failure	3-112
370.099.01	Feeder Communication Failure	3-114
371.101.08	Misfeed in Tray 1	3-116
371.216.01	Engine Motor Failure	3-119
372.101.09	Misfeed in Tray 2	3-120
372.215.01	Option Feeder Configuration Failure	3-122
373.098.01	Option Feeder Failure	3-126
373.101.01	Misfeed in Tray 3	3-128
373.102.05	Jam at Tray 3 Right Side Door	3-138
373.216.01	Feeder Motor Failure	3-131
374.098.01	Option Feeder Failure	3-126
374.101.02	Misfeed in Tray 4	3-128
374.102.06	Jam at Tray 4 Right Side Door	3-138

Table 1. Fault Code Summary

Code	Message	Page
374.216.01	Feeder Motor Failure	3-131
375.098.01	Option Feeder Failure	3-126
375.101.03	Misfeed in Tray 5	3-128
375.102.07	Jam at Tray 5 Right Side Door	3-138
375.216.01	Feeder Motor Failure	3-131
376.098.01	Optional Feeder Failure	3-126
376.101.04	Misfeed in Tray 6	3-128
376.216.01	Feeder Motor Failure	3-131
377.101.03	Jam at Right Side Door	3-133
377.102.01	Jam at Right Side Door.	3-133
377.103.06	Jam at Fuser	3-136
377.104.05	Jam at Fuser	3-136
377.106.04	Jam at Fuser	3-136
377.110.08	Jam at Tray (3~ 6) Right Side Door	3-138
377.123.02	Jam at Right Door (duplex)	3-133
377.131.07	Jam at Right Door (duplex)	3-133
377.900.10	Jam at Right Side Door	3-133
377.901.09	Jam at Tray (3~ 6) Right Side Door	3-138
391.301.01	Engine Sensor Failure	3-141
391.302.02	Engine Sensor Failure	3-141
391.303.03	Engine Sensor Failure	3-141
391.304.04	Engine Sensor Failure	3-141
391.305.05	Engine Sensor Failure	3-141
391.306.06	Engine Sensor Failure	3-141
391.307.07	Engine Sensor Failure	3-141
391.308.08	Engine Sensor Failure	3-141
391.312.01	Printer Failure	3-145
391.901.02	Black (K) Imaging Unit Failure	3-143
391.902.03	Black (K) Imaging Unit Failure	3-143
391.903.02	Yellow (Y) Imaging Unit Failure	3-143
391.904.03	Yellow (Y) Imaging Unit Failure	3-143
391.905.02	Magenta (M) Imaging Unit Failure	3-143
391.906.03	Magenta (M) Imaging Unit Failure	3-143
391.907.02	Cyan (C) Imaging Unit Failure	3-143
391.908.03	Cyan (C) Imaging Unit Failure	3-143
392.310.01	Density Sensor Failure	3-146
392.311.02	Density Sensor Failure	3-146
392.320.01	Density Sensor Failure	3-146
392.661.01	Engine Sensor Failure	3-149
392.662.01	Overheat Failure	3-149

Table 1. Fault Code Summary

Code	Message	Page
392.670.01	Yellow (Y) Imaging Unit Failure	3-151
392.671.01	Magenta (M) Imaging Unit Failure	3-151
392.672.01	Cyan (C) Imaging Unit Failure	3-151
392.673.01	Black (K) Imaging Unit Failure	3-151
393.901.02	Black (K) Toner Failure	3-153
393.902.03	Black (K) Toner Failure	3-153
393.903.02	Yellow (Y) Toner Failure	3-153
393.904.03	Yellow (Y) Toner Failure	3-153
393.905.02	Magenta (M) Toner Failure	3-153
393.906.03	Magenta (M) Toner Failure	3-153
393.907.02	Cyan (C) Toner Failure	3-153
393.908.03	Cyan (C) Toner Failure	3-153

Status Messages

Table 2 lists status codes in ascending numeric order and includes status messages, the related fault chain-links. The Page column provides a link to the troubleshooting procedure when available.

Table 2. Status Code Summary

Code	Status Message	Control Panel Message	Related Chain-link	Page
01-503-00	The Tray 3 Right Side door is open. User intervention is required to close the door. Print service is not available.	Printer error. Tray 3 Right Side Door is open.	None	3-35
01-504-00	The Tray 4 Right Side door is open. User intervention is required to close the door. Print service is not available.	Printer error. Tray 4 Right Side Door is open.	None	3-35
01-505-00	The Tray 5 Right Side door is open. User intervention is required to close the door. Print service is not available.	Printer error. Tray 5 Right Side Door is open.	None	3-35
01-506-00	The Tray 6 Right Side door is open. User intervention is required to close the door. Print service is not available.	Printer error. Tray 6 Right Side Door is open.	None	3-35
01-510-00	The Printer Front Door is open. User intervention is required to close the door. Print service is not available.	Printer error. Front Door is open.	None	3-37
01-520-01	The Right Side Door is open. User intervention is required to close the door. Print service is not available.	Printer error. Right Side Door is open.	None	3-38
01-540-01	Paper removed from or added to Tray 1. User intervention is required at the local user interface to confirm Tray 1 settings. Print service can continue if the correct paper is available in other paper trays.	Tray 1 Settings.	None	

Table 2. Status Code Summary

Code	Status Message	Control Panel Message	Related Chain-link	Page
01-540-02	Paper removed from or added to Tray 2. User intervention is required at the local user interface to confirm Tray 2 settings. Print service can continue if the correct paper is available in other paper trays.	Tray 2 Settings.	None	
01-540-03	Paper removed from or added to Tray 3. User intervention is required at the local user interface to confirm Tray 3 settings. Print service can continue if the correct paper is available in other paper trays.	Tray 3 Settings.	None	
01-540-04	Paper removed from or added to Tray 4. User intervention is required at the local user interface to confirm Tray 4 settings. Print service can continue if the correct paper is available in other paper trays.	Tray 4 Settings.	None	
01-540-05	Paper removed from or added to Tray 5. User intervention is required at the local user interface to confirm Tray 5 settings. Print service can continue if the correct paper is available in other paper trays.	Tray 5 Settings.	None	
01-540-06	Paper removed from or added to Tray 6. User intervention is required at the local user interface to confirm Tray 6 settings. Print service can continue if the correct paper is available in other paper trays.	Tray 6 Settings.	None	
01-545-02	Tray 2 is a dedicated paper tray. User intervention is required to adjust the paper guides to the dedicated size. Print service can continue if the correct paper is available in other paper trays.	Printer error. Paper in Tray 2 has changed.	None	
01-545-03	Tray 3 is a dedicated paper tray. User intervention is required to adjust the paper guides to the dedicated size. Print service can continue if the correct paper is available in other paper trays.	Printer error. Paper in Tray 3 has changed.	None	
01-545-04	Tray 4 is a dedicated paper tray. User intervention is required to adjust the paper guides to the dedicated size. Print service can continue if the correct paper is available in other paper trays.	Printer error. Paper in Tray 4 has changed.	None	
01-545-05	Tray 5 is a dedicated paper tray. User intervention is required to adjust the paper guides to the dedicated size. Print service can continue if the correct paper is available in other paper trays.	Printer error. Paper in Tray 5 has changed.	None	

Table 2. Status Code Summary

Code	Status Message	Control Panel Message	Related Chain-link	Page
01-545-06	Tray 6 is a dedicated paper tray. User intervention is required to adjust the paper guides to the dedicated size. Print service can continue if the correct paper is available in other paper trays.	Printer error. Paper in Tray 6 has changed.	None	
03-275-00	<> <> <>	Ready To Print.	None	
03-300-00	XPC error. User intervention is required to Power Off/On the machine; service is required if the problem persists. Print service is not available.	The printer is unavailable. XPC Failure.	303.301.01 303.302.02	3-39
03-504-01	Machine is offline while in diagnostics; new jobs will not be accepted over the network. System Administrator intervention is required to bring the machine back online using the local user interface. Print service is not available.	The machine is offline.	None	
07-513-02	Tray 2 is open. User intervention is required to close the tray. Print service can continue if the correct paper is available in other paper trays.	Dedicated Tray 2 is open.	None	3-40
07-513-03	Tray 3 is open. User intervention is required to close the tray. Print service can continue if the correct paper is available in other paper trays.	Dedicated Tray 3 is open.	None	3-40
07-513-04	Tray 4 is open. User intervention is required to close the tray. Print service can continue if the correct paper is available in other paper trays.	Dedicated Tray 4 is open.	None	3-40
07-513-05	Tray 5 is open. User intervention is required to close the tray. Print service can continue if the correct paper is available in other paper trays.	Dedicated Tray 5 is open.	None	3-40
07-513-06	Tray 6 is open. User intervention is required to close the tray. Print service can continue if the correct paper is available in other paper trays.	Dedicated Tray 6 is open.	None	3-40
07-514-02	Tray 2 is open. User intervention is required to close the tray. Print service can continue if the correct paper is available in other paper trays.	Tray 2 is open.	None	3-40
07-514-03	Tray 3 is open. User intervention is required to close the tray. Print service can continue if the correct paper is available in other paper trays.	Tray 3 is open.	None	3-40
07-514-04	Tray 4 is open. User intervention is required to close the tray. Print service can continue if the correct paper is available in other paper trays.	Tray 4 is open.	None	3-40

Table 2. Status Code Summary

Code	Status Message	Control Panel Message	Related Chain-link	Page
07-514-05	Tray 5 is open. User intervention is required to close the tray. Print service can continue if the correct paper is available in other paper trays.	Tray 5 is open.	None	3-40
07-514-06	Tray 6 is open. User intervention is required to close the tray. Print service can continue if the correct paper is available in other paper trays.	Tray 6 is open.	None	3-40
09-000-00	Xerographic system error. User intervention is required to Power Off/On the machine; service is required if the problem persists. Print service is not available.	The printer is unavailable. Laser Failure.	309.001.01 309.002.02 309.003.03	3-42
09-600-00	The Waste Cartridge is near full. User intervention is required to reorder the Waste Cartridge (P/N 108R00975); do not replace until prompted. Print service is unaffected.	Waste Cartridge is near full.	None	3-48
09-601-00	The Waste Cartridge is full. User intervention is required to replace the Waste Cartridge (P/N 108R00975). Print service is not available.	Printer error. Waste Cartridge is full.	None	3-48
09-602-00	The Cyan Toner Cartridge is nearly empty. User intervention is required to reorder the Cyan Toner Cartridge; do not replace until prompted. Print service is unaffected.	Cyan (C) Toner is low.	None	3-49
09-603-00	The Magenta Toner Cartridge is nearly empty. User intervention is required to reorder the Magenta Toner Cartridge; do not replace until prompted. Print service is unaffected.	Magenta (M) Toner is low.	None	3-49
09-604-00	The Yellow Toner Cartridge is nearly empty. User intervention is required to reorder the Yellow Toner Cartridge; do not replace until prompted. Print service is unaffected.	Yellow (Y) Toner is low.	None	3-49
09-605-00	The Black Toner Cartridge is nearly empty. User intervention is required to reorder the Black Toner Cartridge; do not replace until prompted. Print service is unaffected.	Black (K) Toner is low.	None	3-49
09-607-00	The Maintenance Kit is near end of life. User intervention is required to reorder the Maintenance Kit (P/N 126K32220-110V or P/N 126K32230-220V); do not replace until prompted. Print service is unaffected.	Maintenance Kit is Near End Of Life.	None	3-55

Table 2. Status Code Summary

Code	Status Message	Control Panel Message	Related Chain-link	Page
09-608-00	The Cyan Imaging Unit is near end of life. User intervention is required to reorder the Cyan Imaging Unit (P/N 108R00971); do not replace until prompted. Print service is unaffected.	Cyan (C) Imaging Unit is Near End Of Life.	None	3-51
09-609-00	The Magenta Imaging Unit is near end of life. User intervention is required to reorder the Magenta Imaging Unit (P/N 108R00972); do not replace until prompted. Print service is unaffected.	Magenta (M) Imaging Unit is Near End Of Life.	None	3-51
09-610-00	The Yellow Imaging Unit is near end of life. User intervention is required to reorder the Yellow Imaging Unit (P/N 108R00973); do not replace until prompted. Print service is unaffected.	Yellow (Y) Imaging Unit is Near End Of Life.	None	3-51
09-611-00	The Black Imaging Unit is near end of life. User intervention is required to reorder the Black Imaging Unit (P/N 108R00974); do not replace until prompted. Print service is unaffected.	Black (K) Imaging Unit is Near End Of Life.	None	3-51
09-612-00	The Fuser has past end of life. User intervention is required to replace the Fuser (P/N 126K32190-110V or P/N 126K32200-220V). Print service may be degraded.	Fuser is PAST End Of Life.	None	3-54
09-613-00	The Maintenance Kit has past end of life. User intervention is required to reorder the Maintenance Kit (P/N 126K32220-110V or P/N 126K32230-220V); do not replace until prompted. Print service may be degraded.	Maintenance Kit is PAST End Of Life.	None	3-55
09-614-00	The Envelope Lever in the Fuser is not in position for printing on envelopes. User intervention is required to move the Envelope Lever down to reduce wrinkling when printing on envelopes. Print service may be degraded.	Fuser Envelope Lever is Up.	None	3-53
09-615-00	The Cyan Imaging Unit has past end of life. User intervention is required to replace the Cyan Imaging Unit (P/N 108R00971). Print service may be degraded.	Cyan (C) Imaging Unit is PAST End Of Life.	None	3-51
09-616-00	The Magenta Imaging Unit has past end of life. User intervention is required to replace the Magenta Imaging Unit (P/N 108R00972). Print service may be degraded.	Magenta (M) Imaging Unit is PAST End Of Life.	None	3-51

Table 2. Status Code Summary

Code	Status Message	Control Panel Message	Related Chain-link	Page
09-617-00	The Yellow Imaging Unit has past end of life. User intervention is required to replace the Yellow Imaging Unit (P/N 108R00973). Print service may be degraded.	Yellow (Y) Imaging Unit is PAST End Of Life.	None	3-51
09-618-00	The Black Imaging Unit has past end of life. User intervention is required to replace the Black Imaging Unit (P/N 108R00974). Print service may be degraded.	Black (K) Imaging Unit is PAST End Of Life.	None	3-51
09-619-00	The Cyan Toner Cartridge is empty. User intervention is required to replace the Cyan Toner Cartridge (P/N 106R01503-standard capacity or P/N 106R01511-high capacity). Print service is not available.	Printer error. Cyan (C) Toner is empty.	None	3-49
09-619-01	The Cyan Toner Cartridge is empty. User intervention is required to replace the Cyan Toner Cartridge (P/N 106R01519). Print service is not available.	Printer error. Cyan (C) Toner is empty.	None	3-49
09-619-02	The Cyan Toner Cartridge is empty. User intervention is required to replace the Cyan Toner Cartridge (P/N 106R01503-standard capacity or P/N 106R01507-high capacity). Print service is not available.	Printer error. Cyan (C) Toner is empty.	None	3-49
09-619-03	The Cyan Toner (C) is empty. User intervention is required to replace the Cyan Toner (C). Black and white printing can continue.	Printer error. Cyan (C) Toner is empty.	None	3-49
09-619-04	The Cyan Toner Cartridge is empty. User intervention is required to replace the Cyan Toner Cartridge (P/N 106R01515). Print service is not available.	Printer error. Cyan (C) Toner is empty.	None	3-49
09-619-09	The Cyan Toner (C) is empty. User intervention is required to replace the Cyan Toner (C). Black and white printing can continue.	Cyan (C) Toner is empty.	None	3-49
09-620-00	The Magenta Toner Cartridge is empty. User intervention is required to replace the Magenta Toner Cartridge (P/N 106R01504-standard capacity or P/N 106R01512-high capacity). Print service is not available.	Printer error. Magenta (M) Toner is empty.	None	3-49
09-620-01	The Magenta Toner Cartridge is empty. User intervention is required to replace the Magenta Toner Cartridge (P/N 106R01520). Print service is not available.	Printer error. Magenta (M) Toner is empty.	None	3-49

Table 2. Status Code Summary

Code	Status Message	Control Panel Message	Related Chain-link	Page
09-620-02	The Magenta Toner Cartridge is empty. User intervention is required to replace the Magenta Toner Cartridge (P/N 106R01504-standard capacity or P/N 106R01508-high capacity). Print service is not available.	Printer error. Magenta (M) Toner is empty.	None	3-49
09-620-03	The Magenta Toner (M) is empty. User intervention is required to replace the Magenta Toner (M). Black and white printing can continue.	Printer error. Magenta (M) Toner is empty.	None	3-49
09-620-04	The Magenta Toner Cartridge is empty. User intervention is required to replace the Magenta Toner Cartridge (P/N 106R01516). Print service is not available.	Printer error. Magenta (M) Toner is empty.	None	3-49
09-620-09	The Magenta Toner (M) is empty. User intervention is required to replace the Magenta (M) Toner Cartridge (P/N 106R01575). Black and white printing can continue.	Magenta (M) Toner is empty.	None	3-49
09-621-00	The Yellow Toner Cartridge is empty. User intervention is required to replace the Yellow Toner Cartridge (P/N 106R01505-standard capacity or P/N 106R01513-high capacity). Print service is not available.	Printer error. Yellow (Y) Toner is empty.	None	3-49
09-621-01	The Yellow Toner Cartridge is empty. User intervention is required to replace the Yellow Toner Cartridge (P/N 106R01521). Print service is not available.	Printer error. Yellow (Y) Toner is empty.	None	3-49
09-621-02	The Yellow Toner Cartridge is empty. User intervention is required to replace the Yellow Toner Cartridge (P/N 106R01505-standard capacity or P/N 106R01509-high capacity). Print service is not available.	Printer error. Yellow (Y) Toner is empty.	None	3-49
09-621-03	The Yellow Toner (Y) is empty. User intervention is required to replace the Yellow Toner (Y). Black and white printing can continue.	Printer error. Yellow (Y) Toner is empty.	None	3-49
09-621-04	The Yellow Toner Cartridge is empty. User intervention is required to replace the Yellow Toner Cartridge (P/N 106R01517). Print service is not available.	Printer error. Yellow (Y) Toner is empty.	None	3-49
09-621-09	The Yellow Toner (Y) is empty. User intervention is required to replace the Yellow Toner (Y). Black and white printing can continue.	Yellow (Y) Toner is empty.	None	3-49

Table 2. Status Code Summary

Code	Status Message	Control Panel Message	Related Chain-link	Page
09-623-00	The Cyan Toner Cartridge is empty. User intervention is required to replace the Cyan Toner Cartridge (P/N 106R01503-standard capacity or P/N 106R01511-high capacity). Print service is not available.	Printer error. Cyan (C) Toner is empty.	None	3-49
09-623-01	The Cyan Toner Cartridge is empty. User intervention is required to replace the Cyan Toner Cartridge (P/N 106R01519) Print service is not available.	Printer error. Cyan (C) Toner is empty.	None	3-49
09-623-02	The Cyan Toner Cartridge is empty. User intervention is required to replace the Cyan Toner Cartridge (P/N 106R01503-standard capacity or P/N 106R01507-high capacity). Print service is not available.	Printer error. Cyan (C) Toner is empty.	None	3-49
09-623-03	The Cyan Toner Cartridge is empty. User intervention is required to replace the Cyan Toner Cartridge with a genuine Xerox product. Print service is not available.	Printer error. Cyan (C) Toner is empty.	None	3-49
09-623-04	The Cyan Toner Cartridge is empty. User intervention is required to replace the Cyan Toner Cartridge (P/N 106R01515). Print service is not available.	Printer error. Cyan (C) Toner is empty.	None	3-49
09-624-00	The Magenta Toner Cartridge is empty. User intervention is required to replace the Magenta Toner Cartridge (P/N 106R01504-standard capacity or P/N 106R01512-high capacity). Print service is not available.	Printer error. Magenta (M) Toner is empty.	None	3-49
09-624-01	The Magenta Toner Cartridge is empty. User intervention is required to replace the Magenta Toner Cartridge (P/N 106R01520). Print service is not available.	Printer error. Magenta (M) Toner is empty.	None	3-49
09-624-02	The Magenta Toner Cartridge is empty. User intervention is required to replace the Magenta Toner Cartridge (P/N 106R01504-standard capacity or P/N 106R01508-high capacity). Print service is not available.	Printer error. Magenta (M) Toner is empty.	None	3-49
09-624-03	The Magenta Toner Cartridge is empty. User intervention is required to replace the Magenta Toner Cartridge with a genuine Xerox product. Print service is not available.	Printer error. Magenta (M) Toner is empty.	None	3-49

Table 2. Status Code Summary

Code	Status Message	Control Panel Message	Related Chain-link	Page
09-624-04	The Magenta Toner Cartridge is empty. User intervention is required to replace the Magenta Toner Cartridge (P/N 106R01516). Print service is not available.	Printer error. Magenta (M) Toner is empty.	None	3-49
09-625-00	The Yellow Toner Cartridge is empty. User intervention is required to replace the Yellow Toner Cartridge (P/N 106R01505-standard capacity or P/N 106R01513-high capacity). Print service is not available.	Printer error. Yellow (Y) Toner is empty.	None	3-49
09-625-01	The Yellow Toner Cartridge is empty. User intervention is required to replace the Yellow Toner Cartridge (P/N 106R01521). Print service is not available.	Printer error. Yellow (Y) Toner is empty.	None	3-49
09-625-02	The Yellow Toner Cartridge is empty. User intervention is required to replace the Yellow Toner Cartridge (P/N 106R01505-standard capacity or P/N 106R01509-high capacity). Print service is not available.	Printer error. Yellow (Y) Toner is empty.	None	3-49
09-625-03	The Yellow Toner Cartridge is empty. User intervention is required to replace the Yellow Toner (Y). Print service is not available.	Printer error. Yellow (Y) Toner is empty.	None	3-49
09-625-04	The Yellow Toner Cartridge is empty. User intervention is required to replace the Yellow Toner Cartridge (P/N 106R01517). Print service is not available.	Printer error. Yellow (Y) Toner is empty.	None	3-49
09-626-00	The Black Toner Cartridge is empty. User intervention is required to replace the Black Toner Cartridge (P/N 106R01506-standard capacity or P/N 106R01514-high capacity). Print service is not available.	Printer error. Black (K) Toner is empty.	None	3-49
09-626-01	The Black Toner Cartridge is empty. User intervention is required to replace the Black Toner Cartridge (P/N 106R01522). Print service is not available.	Printer error. Black (K) Toner is empty.	None	3-49
09-626-02	The Black Toner Cartridge is empty. User intervention is required to replace the Black Toner Cartridge (P/N 106R01506-standard capacity or P/N 106R01510-high capacity). Print service is not available.	Printer error. Black (K) Toner is empty.	None	3-49

Table 2. Status Code Summary

Code	Status Message	Control Panel Message	Related Chain-link	Page
09-626-03	The Black Toner Cartridge is empty. User intervention is required to replace the Black Toner Cartridge with a genuine Xerox product. Print service is not available.	Printer error. Black (K) Toner is empty.	None	3-49
09-626-04	The Black Toner Cartridge is empty. User intervention is required to replace the Black Toner Cartridge (P/N 106R01518). Print service is not available.	Printer error. Black (K) Toner is empty.	None	3-49
09-627-00	The Cyan Imaging Unit has reached end of life. User intervention is required to replace the Cyan Imaging Unit (P/N 108R00971). Print service is not available.	Printer error. Cyan (C) Imaging Unit is PAST End Of Life.	None	3-51
09-628-00	The Magenta Imaging Unit has reached end of life. User intervention is required to replace the Magenta Imaging Unit (P/N 108R00972). Print service is not available.	Printer error. Magenta (M) Imaging Unit is PAST End Of Life.	None	3-51
09-629-00	The Yellow Imaging Unit has reached end of life. User intervention is required to replace the Yellow Imaging Unit (P/N 108R00973). Print service is not available.	Printer error. Yellow (Y) Imaging Unit is PAST End Of Life.	None	3-51
09-630-00	The Black Imaging Unit has reached end of life. User intervention is required to replace the Black Imaging Unit (P/N 108R00974). Print service is not available.	Printer error. Black (K) Imaging Unit is PAST End Of Life.	None	3-51
09-631-00	The Envelope Lever in the Fuser is in the position for printing on envelopes. User intervention is required to move the Envelope Lever up to allow printing on non-envelope media. Print service is not available.	Printer error. Fuser Envelope Lever is Down.	None	3-53
09-632-00	The Fuser has past end of life. User intervention is required to replace the Fuser (P/N 126K32190-110V or P/N 126K32200-220V). Print service is not available.	Printer error. Fuser is PAST End Of Life.	None	3-54
09-633-00	The Maintenance Kit has reached end of life. User intervention is required to replace the Maintenance Kit (P/N 126K32220-110V or P/N 126K32230-220V). Print service is not available.	Printer error. Maintenance Kit is PAST End Of Life.	None	3-55

Table 2. Status Code Summary

Code	Status Message	Control Panel Message	Related Chain-link	Page
09-634-00	The Cyan Toner Cartridge is missing or not locked. User intervention is required to install or lock the Cyan Toner Cartridge (P/N 106R01503-standard capacity or P/N 106R01511-high capacity) Print service is not available.	Printer error. Cyan (C) Toner is missing.	None	3-49
09-634-01	The Cyan Toner Cartridge is missing or not locked. User intervention is required to install or lock the Cyan Toner Cartridge (P/N 106R01519). Print service is not available.	Printer error. Cyan (C) Toner is missing.	None	3-49
09-634-02	The Cyan Toner Cartridge is missing or not locked. User intervention is required to install or lock the Cyan Toner Cartridge (P/N 106R01503-standard capacity or P/N 106R01507-high capacity) Print service is not available.	Printer error. Cyan (C) Toner is missing.	None	3-49
09-634-03	The Cyan Toner Cartridge is missing or not locked. User intervention is required to install or lock the Cyan Toner Cartridge. Print service is not available.	Printer error. Cyan (C) Toner is missing.	None	3-49
09-634-04	The Cyan Toner Cartridge is missing or not locked. User intervention is required to install or lock the Cyan Toner Cartridge (P/N 106R01515). Print service is not available.	Printer error. Cyan (C) Toner is missing.	None	3-49
09-635-00	The Magenta Toner Cartridge is missing or not locked. User intervention is required to install or lock the Magenta Toner Cartridge (P/N 106R01504-standard capacity or P/N 106R01512-high capacity). Print service is not available.	Printer error. Magenta (M) Toner is missing.	None	3-49
09-635-01	The Magenta Toner Cartridge is missing or not locked. User intervention is required to install or lock the Magenta Toner Cartridge (P/N 106R01520). Print service is not available.	Printer error. Magenta (M) Toner is missing.	None	3-49
09-635-02	The Magenta Toner Cartridge is missing or not locked. User intervention is required to install or lock the Magenta Toner Cartridge (P/N 106R01504-standard capacity or P/N 106R01508-high capacity). Print service is not available.	Printer error. Magenta (M) Toner is missing.	None	3-49
09-635-03	The Magenta Toner Cartridge is missing or not locked. User intervention is required to install or lock the Magenta Toner Cartridge. Print service is not available.	Printer error. Magenta (M) Toner is missing.	None	3-49

Table 2. Status Code Summary

Code	Status Message	Control Panel Message	Related Chain-link	Page
09-635-04	The Magenta Toner Cartridge is missing or not locked. User intervention is required to install or lock the Magenta Toner Cartridge (P/N 106R01516). Print service is not available.	Printer error. Magenta (M) Toner is missing.	None	3-49
09-636-00	The Yellow Toner Cartridge is missing or not locked. User intervention is required to install or lock the Yellow Toner Cartridge (P/N 106R01505-standard capacity or P/N 106R01513-high capacity). Print service is not available.	Printer error. Yellow (Y) Toner is missing.	None	3-49
09-636-01	The Yellow Toner Cartridge is missing or not locked. User intervention is required to install or lock the Yellow Toner Cartridge (P/N 106R01521). Print service is not available.	Printer error. Yellow (Y) Toner is missing.	None	3-49
09-636-02	The Yellow Toner Cartridge is missing or not locked. User intervention is required to install or lock the Yellow Toner Cartridge (P/N 106R01505-standard capacity or P/N 106R01509-high capacity). Print service is not available.	Printer error. Yellow (Y) Toner is missing.	None	3-49
09-636-03	The Yellow Toner Cartridge is missing or not locked. User intervention is required to install or lock the Yellow Toner Cartridge. Print service is not available.	Printer error. Yellow (Y) Toner is missing.	None	3-49
09-636-04	The Yellow Toner Cartridge is missing or not locked. User intervention is required to install or lock the Yellow Toner Cartridge (P/N 106R01517). Print service is not available.	Printer error. Yellow (Y) Toner is missing.	None	3-49
09-637-00	The Black Toner Cartridge is missing or not locked. User intervention is required to install or lock the Black Toner Cartridge (P/N 106R01506-standard capacity or P/N 106R01514-high capacity) Print service is not available.	Printer error. Black (K) Toner is missing.	None	3-49
09-637-01	The Black Toner Cartridge is missing or not locked. User intervention is required to install or lock the Black Toner Cartridge (P/N 106R01522). Print service is not available.	Printer error. Black (K) Toner is missing.	None	3-49
09-637-02	The Black Toner Cartridge is missing or not locked. User intervention is required to install or lock the Black Toner Cartridge (P/N 106R01506-standard capacity or P/N 106R01510-high capacity) Print service is not available.	Printer error. Black (K) Toner is missing.	None	3-49

Table 2. Status Code Summary

Code	Status Message	Control Panel Message	Related Chain-link	Page
09-637-03	The Black Toner Cartridge is missing or not locked. User intervention is required to install or lock the Black Toner Cartridge. Print service is not available.	Printer error. Black (K) Toner is missing.	None	3-49
09-637-04	The Black Toner Cartridge is missing or not locked. User intervention is required to install or lock the Black Toner Cartridge (P/N 106R01518). Print service is not available.	Printer error. Black (K) Toner is missing.	None	3-49
09-638-01	The Black Imaging Unit is missing or not installed correctly. User intervention is required to replace the Black Imaging Unit (P/N 108R00974). Print service is not available.	Printer error. Black (K) Imaging Unit is missing.	None	3-51
09-638-02	The Cyan Imaging Unit is missing or not installed correctly. User intervention is required to replace the Cyan Imaging Unit (P/N 108R00971). Print service is not available.	Printer error. Cyan (C) Imaging Unit is missing.	None	3-51
09-638-03	The Magenta Imaging Unit is missing or not installed correctly. User intervention is required to replace the Magenta Imaging Unit (P/N 108R00972). Print service is not available.	Printer error. Magenta (M) Imaging Unit is missing.	None	3-51
09-638-04	The Yellow Imaging Unit is missing or not installed correctly. User intervention is required to replace the Yellow Imaging Unit (P/N 108R00973). Print service is not available.	Printer error. Yellow (Y) Imaging Unit is missing.	None	3-51
09-639-00	The Fuser is missing or not installed correctly. User intervention is required to install or lock the Fuser (P/N 126K32190-110V or P/N 126K32200-220V). Print service is not available.	The printer is unavailable. Fuser is missing or misinstalled.	10.310.01	3-64
09-644-00	A non-Xerox Cyan Toner Cartridge is in use. No user intervention is required. Print service is available, but Image Quality may be degraded.	Cyan (C) Toner is not genuine Xerox.	None	
09-645-00	A non-Xerox Magenta Toner Cartridge is in use. No user intervention is required. Print service is available, but Image Quality may be degraded.	Magenta (M) Toner is not genuine Xerox.	None	
09-646-00	A non-Xerox Yellow Toner Cartridge is in use. No user intervention is required. Print service is available, but Image Quality may be degraded.	Yellow (Y) Toner is not genuine Xerox.	None	

Table 2. Status Code Summary

Code	Status Message	Control Panel Message	Related Chain-link	Page
09-647-00	A non-Xerox Black Toner Cartridge is in use. No user intervention is required. Print service is available, but Image Quality may be degraded.	Black (K) Toner is not genuine Xerox.	None	
09-648-00	Cyan Imaging Unit error. User intervention is required to replace the Cyan Imaging Unit (P/N 108R00971). Print service is not available.	Invalid Cyan (C) Imaging Unit.	None	3-56
09-649-00	Magenta Imaging Unit error. User intervention is required to replace the Magenta Imaging Unit (P/N 108R00972). Print service is not available.	Invalid Magenta (M) Imaging Unit.	None	3-56
09-650-00	Yellow Imaging Unit error. User intervention is required to replace the Yellow Imaging Unit (P/N 108R00973). Print service is not available.	Invalid Yellow (Y) Imaging Unit.	None	3-56
09-651-00	Black Imaging Unit error. User intervention is required to replace the Black Imaging Unit (P/N 108R00974). Print service is not available.	Invalid Black (K) Imaging Unit.	None	3-56
09-652-00	The Transfer Belt is missing. User intervention is required to replace the Transfer Belt (included in the Maintenance Kit P/N 126K32220-110V or P/N 126K32230-220V). Print service is not available.	Printer error. Transfer Belt is missing.	None	3-57
09-653-00	The Transfer Roller is missing. User intervention is required to replace the Transfer Roller (included in the Maintenance Kit P/N 126K32220-110V or P/N 126K32230-220V). Print service is not available.	Printer error. Transfer Roller is missing.	None	3-58
09-654-00	The shipping ribbon was not removed from the Cyan Imaging Unit. User intervention is required to remove the shipping ribbon from the Imaging Unit. Print service is not available.	Printer error. Ribbon in Cyan (C) Imaging Unit.	None	3-59
09-655-00	The shipping ribbon was not removed from the Magenta Imaging Unit. User intervention is required to remove the shipping ribbon from the Imaging Unit. Print service is not available.	Printer error. Ribbon in Magenta (M) Imaging Unit.	None	3-59
09-656-00	The shipping ribbon was not removed from the Yellow Imaging Unit. User intervention is required to remove the shipping ribbon from the Imaging Unit. Print service is not available.	Printer error. Ribbon in Yellow (Y) Imaging Unit.	None	3-59

Table 2. Status Code Summary

Code	Status Message	Control Panel Message	Related Chain-link	Page
09-657-00	The shipping ribbon was not removed from the Black Imaging Unit. User intervention is required to remove the shipping ribbon from the Imaging Unit. Print service is not available.	Printer error. Ribbon in Black (K) Imaging Unit.	None	3-59
09-658-00	The Cyan Toner (C) is not compatible. User intervention is required to replace the Cyan Toner Cartridge (P/N 106R01503-standard capacity or P/N 106R01511-high capacity). Print service is not available.	Printer error. Invalid Cyan (C) Toner Cartridge.	None	3-60
09-658-01	The Cyan Toner (C) is not compatible. User intervention is required to replace the Cyan Toner Cartridge (P/N 106R01519) Print service is not available.	Printer error. Invalid Cyan (C) Toner Cartridge.	None	3-60
09-658-02	The Cyan Toner (C) is not compatible. User intervention is required to replace the Cyan Toner Cartridge (P/N 106R01503-standard capacity or P/N 106R01507-high capacity). Print service is not available.	Printer error. Invalid Cyan (C) Toner Cartridge.	None	3-60
09-658-03	The Cyan Toner (C) is not compatible. User intervention is required to replace the Cyan Toner (C). Print service is not available.	Printer error. Invalid Cyan (C) Toner Cartridge.	None	3-60
09-658-04	The Cyan Toner (C) is not compatible. User intervention is required to replace the Cyan Toner Cartridge (P/N 106R01515). Print service is not available.	Printer error. Invalid Cyan (C) Toner Cartridge.	None	3-60
09-659-00	The Magenta Toner (M) is not compatible. User intervention is required to replace the Magenta Toner Cartridge (P/N 106R01504-standard capacity or P/N 106R01512-high capacity). Print service is not available.	Printer error. Invalid Magenta (M) Toner Cartridge.	None	3-60
09-659-01	The Magenta Toner (M) is not compatible. User intervention is required to replace the Magenta Toner Cartridge (P/N 106R01520). Print service is not available.	Printer error. Invalid Magenta (M) Toner Cartridge.	None	3-60
09-659-02	The Magenta Toner (M) is not compatible. User intervention is required to replace the Magenta Toner Cartridge (P/N 106R01504-standard capacity or P/N 106R01508-high capacity). Print service is not available.	Printer error. Invalid Magenta (M) Toner Cartridge.	None	3-60

Table 2. Status Code Summary

Code	Status Message	Control Panel Message	Related Chain-link	Page
09-659-03	The Magenta Toner (M) is not compatible. User intervention is required to replace the Magenta Toner Cartridge with a genuine Xerox product. Print service is not available.	Printer error. Invalid Magenta (M) Toner Cartridge.	None	3-60
09-659-04	The Magenta Toner (M) is not compatible. User intervention is required to replace the Magenta Toner Cartridge (P/N 106R01516). Print service is not available.	Printer error. Invalid Magenta (M) Toner Cartridge.	None	3-60
09-660-00	The Yellow Toner (Y) is not compatible. User intervention is required to replace the Yellow Toner Cartridge (P/N 106R01505-standard capacity or P/N 106R01513-high capacity). Print service is not available.	Printer error. Invalid Yellow (Y) Toner Cartridge.	None	3-60
09-660-01	The Yellow Toner (Y) is not compatible. User intervention is required to replace the Yellow Toner Cartridge (P/N 106R01521). Print service is not available.	Printer error. Invalid Yellow (Y) Toner Cartridge.	None	3-60
09-660-02	The Yellow Toner (Y) is not compatible. User intervention is required to replace the Yellow Toner Cartridge (P/N 106R01505-standard capacity or P/N 106R01509-high capacity). Print service is not available.	Printer error. Invalid Yellow (Y) Toner Cartridge.	None	3-60
09-660-03	The Yellow Toner (Y) is not compatible. User intervention is required to replace the Yellow Toner Cartridge with a genuine Xerox product. Print service is not available.	Printer error. Invalid Yellow (Y) Toner Cartridge.	None	3-60
09-660-04	The Yellow Toner (Y) is not compatible. User intervention is required to replace the Yellow Toner Cartridge (P/N 106R01517). Print service is not available.	Printer error. Invalid Yellow (Y) Toner Cartridge.	None	3-60
09-661-00	The Black Toner (K) is not compatible. User intervention is required to replace the Black Toner Cartridge (P/N 106R01506-standard capacity or P/N 106R01514-high capacity). Print service is not available.	Printer error. Invalid Black (K) Toner Cartridge.	None	3-60
09-661-01	The Black Toner (K) is not compatible. User intervention is required to replace the Black Toner Cartridge (P/N 106R01522). Print service is not available.	Printer error. Invalid Black (K) Toner Cartridge.	None	3-60

Table 2. Status Code Summary

Code	Status Message	Control Panel Message	Related Chain-link	Page
09-661-02	The Black Toner (K) is not compatible. User intervention is required to replace the Black Toner Cartridge (P/N 106R01506-standard capacity or P/N 106R01510-high capacity). Print service is not available.	Printer error. Invalid Black (K) Toner Cartridge.	None	3-60
09-661-03	The Black Toner (K) is not compatible. User intervention is required to replace the Black Toner Cartridge with a genuine Xerox product. Print service is not available.	Printer error. Invalid Black (K) Toner Cartridge.	None	3-60
09-661-04	The Black Toner (K) is not compatible. User intervention is required to replace the Black Toner Cartridge (P/N 106R01518). Print service is not available.	Printer error. Invalid Black (K) Toner Cartridge.	None	3-60
09-662-00	The Fuser is not compatible. User intervention is required to replace the Fuser. User intervention is required to replace the Fuser.	Printer error. Invalid Fuser.	None	3-62
09-663-00	The Transfer Belt is not compatible. User intervention is required to replace the Transfer Belt (included in the Maintenance Kit P/N 126K32220-110V or P/N 126K32230-220V). Print service is not available.	Printer error. Invalid Transfer Belt.	None	
10-105-01	Paper jam behind the Right Side Door. User intervention is required to clear the paper jam. Print service is not available.	Printer error. Jam at Right Side Door.	377.102.01 377.123.02 377.101.03 377.131.07	3-133
10-105-02	Paper jam behind the Right Side Door. User intervention is required to clear the paper jam. Print service is not available.	Printer error. Jam at Right Side Door.	377.900.10	3-133
10-106-00	Paper jam in the Fuser. User intervention is required to clear the paper jam. Print service is not available.	Printer error. Jam at Fuser.	377.106.04 377.104.05 377.103.06	3-136

Table 2. Status Code Summary

Code	Status Message	Control Panel Message	Related Chain-link	Page
10-300-00	Fuser error. User intervention is required to Power Off/On the machine; service is required if the problem persists. Print service is not available.	The printer is unavailable. Fuser Failure.	310.311.02 310.320.03 310.319.04 310.312.05 310.313.06 310.314.07 310.335.08 310.315.09 310.333.10 310.334.11 310.316.12 310.317.13 310.318.14 310.321.15 310.322.16 310.323.17 310.328.18 310.338.19 310.324.20 310.326.21 310.325.22 310.327.23 310.902.02 310.903.03	3-65
10-330-00	System error. User intervention is required to Power Off/On the machine; service is required if the problem persists. Print service is not available.	The printer is unavailable. Engine Motor Failure.	309.003.01/ 309.004.01 310.330.01/ 342.324.01/ 342.325.01/ 371.216.01	3-44 3-46 3-63 3-108 3-109 3-119
10-398-00	System error. User intervention is required to Power Off/On the machine; service is required if the problem persists. Print service is not available.	The printer is unavailable. Engine Fan Failure.	310.398.01 342.329.01	3-67 3-68
12-099-00	Finisher communication error. User intervention is required to Power Off/On the machine; service is required if the problem persists. Print service is not available.	The printer is unavailable. Finisher Communication Failure.	312.099.01 312.099.02 312.099.03 312.099.04 312.099.05 312.099.06 312.099.07	3-71

Table 2. Status Code Summary

Code	Status Message	Control Panel Message	Related Chain-link	Page
12-221-00	Finisher error. User intervention is required to Power Off/On the machine; service is required if the problem persists. Print service is not available.	The printer is unavailable. Finisher Failure.	312.098.01 312.211.01 312.212.01 312.213.01 312.221.01 312.223.01 312.222.01 312.224.01 312.260.01 312.261.01 312.283.01 312.284.01 312.291.01 312.300.01	3-70 3-73 3-75 3-77 3-79 3-79 3-81 3-81 3-83 3-83 3-85 3-85 3-87 3-89
12-409-00	The Staple Cartridge is empty or missing. User intervention is required to install the Staple Cartridge (P/N 108R00813). Print service is not available.	Printer error. Staple Cartridge is empty.	None	3-91
12-423-00	Staple jam in the Finisher. User intervention is required to clear the jam. Print service is not available.	Printer error. Staple is jammed.	None	3-92
12-430-00	Finisher Stapler error. User intervention is required to Power Off/On the machine; service is required if the problem persists. Print service is not available.	Printer error. Unable to staple.	None	3-94
12-450-00	Paper jam in the Finisher. User intervention is required to clear the paper jam. Print service is not available.	Printer error. Jam at Finisher.	312.451.01 312.452.01 312.453.01 312.454.01	3-96 3-98 3-96 3-98
12-451-00	Paper jam in the Horizontal Transport. User intervention is required to clear the paper jam. Print service is not available.	Printer error. Jam in Horizontal Transport.	312.450.01	3-96
12-493-00	The Output Tray is full. User intervention is required to empty the tray. Print service is not available.	Printer error. Output Tray is full.	None	1.71
12-494-00	The Finisher Output Tray is full. User intervention is required to empty the tray. Print service is not available.	Printer error. Finisher Output Tray is full.	None	1.69
12-495-00	Finisher Main Tray error. User intervention is required to remove paper from tray. Print service is not available.	Printer error. Finisher Output Tray is jammed.	None	3-100
12-564-00	The Finisher Front Door is open. User intervention is required to close the door. Print service is not available.	Printer error. Finisher Front Door is open.	None	3-102
12-565-00	Paper Transport Cover is open. User intervention is required to close the cover. Print service is not available.	Printer error. Paper Transport Cover is open.	None	3-103

Table 2. Status Code Summary

Code	Status Message	Control Panel Message	Related Chain-link	Page
12-715-00	The Staple Cartridge is empty or missing. User intervention is required to install the Staple Cartridge (P/N 108R00813). Print service can continue without stapling.	Staple Cartridge is empty.	None	3-91
12-723-00	Staple jam in the Finisher. User intervention is required to clear the jam. Print service can continue without stapling.	Staple is jammed.	None	3-92
16-150-00	System error. User intervention is required to Power Off/On the machine; service is required if the problem persists. Print service is not available.	The printer is unavailable. Engine NVRAM Failure.	316.151.01 316.152.02 316.153.03 316.154.04 316.155.05 316.156.06 316.157.07 316.158.08 316.159.09	3-104
16-400-00	System error. User intervention is required to Power Off/On the machine; service is required if the problem persists. Print service is not available.	The printer is unavailable. Firmware Failure.	316.405.05 316.406.06 316.407.07 316.408.08 316.409.09 316.410.10 316.411.11 316.412.12 316.413.13 316.414.14	3-105
16-506-00	Cloning operation in progress. No user intervention is required; please wait for the cloning process to complete. Print service is temporarily disabled.	The printer is unavailable. Your Administrator is reconfiguring the system. Services will not be available.	None	
17-510-00	Internet Protocol (IPv6) duplicate address detected. User intervention is required to configure a unique IP address and Power Off/On the machine. Print service may be degraded.	Duplicate IPv6 address detected. Reconfigure with a unique address.	None	
17-513-00	Internet Protocol (IPv4) duplicate address detected. User intervention is required to configure a unique IP address and Power Off/On the machine. Print service may be degraded.	Duplicate IPv4 address detected. Reconfigure with a unique address.	None	
17-562-00	Machine is unable to contact the remote Xerox SMart eSolutions Communication Server. User intervention is required to review SMart eSolutions settings. Machine services are unaffected.	No communications with Xerox SMart eSolutions server. Contact System Administrator.	16.891	

Table 2. Status Code Summary

Code	Status Message	Control Panel Message	Related Chain-link	Page
17-563-00	Machine is unable to contact the remote Xerox SMart eSolutions Communication Server. User intervention is required to review SMart eSolutions settings. Machine services are unaffected.	No communications with Xerox SMart eSolutions server. Contact System Administrator.	16.892	
41-000-00	System error. User intervention is required to Power Off/On the machine; service is required if the problem persists. Print service is not available.	The printer is unavailable. Unrecognized Status.	None	3-107
42-601-00	Transfer Belt error. User intervention is required to Power Off the machine, remove and reinsert the Transfer Belt then Power On; if problem persists, install a new Transfer Belt or call for assistance. Print service is not available.	The printer is unavailable. Transfer Belt Failure.	342.601.02 342.601.03	3-110
70-099-00	Paper Feeder communication error. User intervention is required to Power Off/On the machine; service is required if the problem persists. Print service is not available.	The printer is unavailable. Feeder Communication Failure.	370.099.01	3-114
70-532-00	The paper required for the current job is not available. User intervention is required to load the correct paper. Print service is not available.	Printer error. Paper not available.	None	3-118
71-101-00	Misfeed in Tray 1. User intervention is required to clear the paper jam. Print service is not available.	Printer error. Misfeed in Tray 1.	371.101.08	3-116
71-103-00	Unknown paper size or type detected in Tray 1. User intervention is required at the local user interface to confirm Tray 1 settings. Print service can continue if the correct paper is available in other paper trays.	Printer error. Paper Size Jam from Tray 1.	None	
71-531-00	Tray 1 is empty. User intervention is required to add paper to Tray 1. Print service is not available.	Printer error. Tray 1 is empty.	None	3-118
71-532-00	The paper required for the current job is not available. User intervention is required to load the correct paper. Print service is not available.	Printer error. Tray 1 paper not available.	None	3-118
72-101-00	Misfeed in Tray 2. User intervention is required to clear the paper jam. Print service is not available.	Printer error. Misfeed in Tray 2.	372.101.09	3-120
72-103-00	Paper jam in Tray 2. User intervention is required to clear the paper jam in Tray 2. Print service is not available.	Printer error. Paper Size Jam from Tray 2.	None	3-40

Table 2. Status Code Summary

Code	Status Message	Control Panel Message	Related Chain-link	Page
72-215-00	Paper Feeder configuration error. User intervention is required to Power Off the machine, configure the Paper Feeder then Power On; if problem persists, call for assistance. Print service is not available.	The printer is unavailable. Optional Feeder Configuration Failure.	372.215.01	3-122
72-530-00	Tray 2 is empty. User intervention is required to add paper to the tray. Print service can continue if the correct paper is available in other paper trays.	Tray 2 is empty.	None	3-124
72-531-00	Tray 2 is empty. User intervention is required to add paper to the tray. Print service is not available.	Printer error. Tray 2 is empty.	None	3-124
72-532-00	The paper required for the current job is not available. User intervention is required to load the correct paper. Print service is not available.	Printer error. Tray 2 paper not available.	None	3-124
72-535-00	Tray 2 is nearly empty. User intervention is required to add paper to the tray. Print service is unaffected.	Tray 2 is nearly empty.	None	3-124
72-539-00	Tray 2 is open. User intervention is required to close the tray. Print service is not available.	Printer error. Tray 2 is open.	None	3-40
73-101-00	Misfeed in Tray 3. User intervention is required to clear the paper jam. Print service is not available.	Printer error. Misfeed in Tray 3.	373.101.01	3-128
73-102-00	Misfeed in Tray 3. User intervention is required to clear the paper jam in Tray 3. Print service is not available.	Printer error. Jam at Tray 3 Right Side Door.	373.102.05 377.110.08 377.901.09	3-138
73-103-00	Paper jam in Tray 3. User intervention is required to clear the paper jam in Tray 3. Print service is not available.	Printer error. Paper Size Jam from Tray 3.	None	3-40
73-530-00	Tray 3 is empty. User intervention is required to add paper to the tray. Print service can continue if the correct paper is available in other paper trays.	Tray 3 is empty.	None	3-124
73-531-00	Tray 3 is empty. User intervention is required to add paper to Tray 3. Print service is not available.	Printer error. Tray 3 is empty.	None	3-124
73-532-00	The paper required for the current job is not available. User intervention is required to load the correct paper. Print service is not available.	Printer error. Tray 3 paper not available.	None	3-124
73-535-00	Tray 3 is nearly empty. User intervention is required to add paper to the tray. Print service is unaffected.	Tray 3 is nearly empty.	None	3-124

Table 2. Status Code Summary

Code	Status Message	Control Panel Message	Related Chain-link	Page
73-539-00	Tray 3 is open. User intervention is required to close the tray. Print service is not available.	Printer error. Tray 3 is open.	None	3-40
74-101-00	Misfeed in Tray 4. User intervention is required to clear the paper jam. Print service is not available.	Printer error. Misfeed in Tray 4.	374.101.02	3-128
74-102-00	Misfeed in Tray 4. User intervention is required to clear the paper jam in Tray 4. Print service is not available.	Printer error. Jam at Tray 4 Right Side Door.	374.102.06 377.110.08 377.901.09	3-138
74-103-00	Paper jam in Tray 4. User intervention is required to clear the paper jam in Tray 4. Print service is not available.	Printer error. Paper Size Jam from Tray 4.	None	3-40
74-530-00	Tray 4 is empty. User intervention is required to add paper to the tray. Print service can continue if the correct paper is available in other paper trays.	Tray 4 is empty.	None	3-124
74-531-00	Tray 4 is empty. User intervention is required to add paper to the tray. Print service is not available.	Printer error. Tray 4 is empty.	None	3-124
74-532-00	The paper required for the current job is not available. User intervention is required to load the correct paper. Print service is not available.	Printer error. Tray 4 paper not available.	None	3-124
74-535-00	Tray 4 is nearly empty. User intervention is required to add paper to the tray. Print service is unaffected.	Tray 4 is nearly empty.	None	3-124
74-539-00	Tray 4 is open. User intervention is required to close the tray. Print service is not available.	Printer error. Tray 4 is open.	None	3-40
75-101-00	Misfeed in Tray 5. User intervention is required to clear the paper jam. Print service is not available.	Printer error. Misfeed in Tray 5.	375.101.03	3-128
75-102-00	Misfeed in Tray 5. User intervention is required to clear the paper jam in Tray 5. Print service is not available.	Printer error. Jam at Tray 5 Right Side Door.	375.102.07 377.110.08 377.901.09	3-138
75-103-00	Paper jam in Tray 5. User intervention is required to clear the paper jam in Tray 5. Print service is not available.	Printer error. Paper Size Jam from Tray 5.	None	3-40
75-530-00	Tray 5 is empty. User intervention is required to add paper to the tray. Print service can continue if the correct paper is available in other paper trays.	Tray 5 is empty.	None	3-124
75-531-00	Tray 5 is empty. User intervention is required to add paper to the tray. Print service is not available.	Printer error. Tray 5 is empty.	None	3-124

Table 2. Status Code Summary

Code	Status Message	Control Panel Message	Related Chain-link	Page
75-532-00	The paper required for the current job is not available. User intervention is required to load the correct paper. Print service is not available.	Printer error. Tray 5 paper not available.	None	3-124
75-535-00	Tray 5 is nearly empty. User intervention is required to add paper to the tray. Print service is unaffected.	Tray 5 is nearly empty.	None	3-124
75-539-00	Tray 5 is open. User intervention is required to close the tray. Print service is not available.	Printer error. Tray 5 is open.	None	3-40
76-101-00	Misfeed in Tray 6. User intervention is required to clear the paper jam. Print service is not available.	Printer error. Misfeed in Tray 6.	376.101.04	3-128
76-102-00	Paper jam in Tray 6. User intervention is required to clear the paper jam in Tray 6. Print service is not available.	Printer error. Jam at Tray 6 Right Side Door.	377.110.08 377.901.09	3-138
76-103-00	Paper jam in Tray 6. User intervention is required to clear the paper jam in Tray 6. Print service is not available.	Printer error. Paper Size Jam from Tray 6.	None	3-40
76-530-00	Tray 6 is empty. User intervention is required to add paper to the tray. Print service can continue if the correct paper is available in other paper trays.	Tray 6 is empty.	None	3-124
76-531-00	Tray 6 is empty. User intervention is required to add paper to the tray. Print service is not available.	Printer error. Tray 6 is empty.	None	3-124
76-532-00	The paper required for the current job is not available. User intervention is required to load the correct paper. Print service is not available.	Printer error. Tray 6 paper not available.	None	3-124
76-535-00	Tray 6 is nearly empty. User intervention is required to add paper to the tray. Print service is unaffected.	Tray 6 is nearly empty.	None	3-124
76-539-00	Tray 6 is open. User intervention is required to close the tray. Print service is not available.	Printer error. Tray 6 is open.	None	3-40
77-098-00	Paper Feeder error. User intervention is required to Power Off/On the machine; service is required if the problem persists. Print service is not available.	The printer is unavailable. Optional Feeder Failure.	373.098.01 374.098.01 375.098.01 376.098.01	3-126
77-216-00	Paper Feeder error. User intervention is required to Power Off/On the machine; service is required if the problem persists. Print service is not available.	The printer is unavailable. Feeder Motor Failure.	373.216.01 374.216.01 375.216.01 376.216.01	3-131
89-560-00	Print Engine calibration in progress. No user intervention is required; please wait. The machine is temporarily unavailable.	Calibrating.	None	

Table 2. Status Code Summary

Code	Status Message	Control Panel Message	Related Chain-link	Page
91-312-00	System error. User intervention is required to Power Off/On the machine; service is required if the problem persists. Print service is not available.	The printer is unavailable. Printer Failure.	319.410.01 345.301.01 345.302.02 345.303.03 345.304.04 345.305.05 391.312.01	3-106 3-112 3-112 3-112 3-112 3-112 3-145
91-901-00	Black Imaging Unit error. User intervention is required to Power Off the machine, remove and reinsert the Imaging Unit, then Power On; if problem persists, install a new Imaging Unit or call for assistance. Print service is not available.	The printer is unavailable. Black (K) Imaging Unit Failure.	391.901.02/ 391.902.03	3-143
91-903-00	Yellow Imaging Unit error. User intervention is required to Power Off the machine, remove and reinsert the Imaging Unit, then Power On; if problem persists, install a new Imaging Unit or call for assistance. Print service is not available.	The printer is unavailable. Yellow (Y) Imaging Unit Failure.	391.903.02 391.904.03	3-143
91-905-00	Magenta Imaging Unit error. User intervention is required to Power Off the machine, remove and reinsert the Imaging Unit, then Power On; if problem persists, install a new Imaging Unit or call for assistance. Print service is not available.	The printer is unavailable. Magenta (M) Imaging Unit Failure.	391.905.02 391.906.03	3-143
91-907-00	Cyan Imaging Unit error. User intervention is required to Power Off the machine, remove and reinsert the Imaging Unit, then Power On; if problem persists, install a new Imaging Unit or call for assistance. Print service is not available.	The printer is unavailable. Cyan (C) Imaging Unit Failure.	391.907.02 391.908.03	3-143
92-310-00	System error. User intervention is required to Power Off/On the machine; service is required if the problem persists. Print service is not available.	The printer is unavailable. Density Sensor Failure.	392.310.01 392.311.02 392.320.01	3-146
92-330-00	Density Sensor error. User intervention is required to clean sensor. Print service may be degraded.	Dusty Density Sensor.	None	3-146
92-573-00	The Printer is warming up. No user intervention is required; please wait. Print service is unaffected.	Warming Up.	None	
92-660-00	The Printer is warming up. Machine temperature is below normal operating parameters. Print service may be degraded.	Print speed reduced due to internal temperature.	None	3-149

Table 2. Status Code Summary

Code	Status Message	Control Panel Message	Related Chain-link	Page
92-661-00	System error. User intervention is required to Power Off/On the machine; service is required if the problem persists. Print service is not available.	The printer is unavailable. Engine Sensor Failure.	391.301.01 391.302.02 391.303.03 391.304.04 391.305.05 391.306.06 391.307.07 391.308.08 392.661.01	3-141 3-141 3-141 3-141 3-141 3-141 3-141 3-141 3-149
92-662-00	Internal system error. User intervention is required to Power Off/On machine; service is required if problem persists. Print service is not available.	The printer is unavailable. Overheat Failure.	392.662.01	3-149
92-670-00	Yellow Imaging Unit error. User intervention is required to Power Off/On the machine; service is required if the problem persists. Print service is not available.	The printer is unavailable. Yellow Imaging Unit Failure.	392.670.01	3-151
92-671-00	Magenta Imaging Unit error. User intervention is required to Power Off/On the machine; service is required if the problem persists. Print service is not available.	The printer is unavailable. Magenta Imaging Unit Failure.	392.671.01	3-151
92-672-00	Cyan Imaging Unit error. User intervention is required to Power Off/On the machine; service is required if the problem persists. Print service is not available.	The printer is unavailable. Cyan Imaging Unit Failure.	392.672.01	3-151
92-673-00	Black Imaging Unit error. User intervention is required to Power Off/On the machine; service is required if the problem persists. Print service is not available.	The printer is unavailable. Black Imaging Unit Failure.	392.673.01	3-151
93-901-00	Black Toner Cartridge error. User intervention is required to Power Off the machine, remove and reinsert the Toner Cartridge, then Power On; if problem persists, install a new Toner Cartridge. Print service is not available.	The printer is unavailable. Black (K) Toner Failure.	393.901.02/ 393.902.03	3-153
93-903-00	Yellow Toner Cartridge error. User intervention is required to Power Off the machine, remove and reinsert the Toner Cartridge, then Power On; if problem persists, install a new Toner Cartridge. Print service is not available.	The printer is unavailable. Yellow (Y) Toner Failure.	393.903.02/ 393.904.03	3-153

Table 2. Status Code Summary

Code	Status Message	Control Panel Message	Related Chain-link	Page
93-905-00	Magenta Toner Cartridge error. User intervention is required to Power Off the machine, remove and reinsert the Toner Cartridge, then Power On; if problem persists, install a new Toner Cartridge. Print service is not available.	The printer is unavailable. Magenta (M) Toner Failure.	393.905.02/ 393.906.03	3-153
93-907-00	Cyan Toner Cartridge error. User intervention is required to Power Off the machine, remove and re	The printer is unavailable. Cyan (C) Toner Failure.	393.907.02/ 393.908.03	3-153

Troubleshooting Procedures

Note

Whenever a part is replaced, cycle the power to check the repair. If the error persists, proceed to the next step in the procedure.

Tray 3 ~ 6 Right Side Door Open

The Optional Feeder right side door switch indicates the door is open.

Applicable Codes

- 01-503-00 Tray 3 Right Side door is open
- 01-504-00 Tray 4 Right Side door is open
- 01-505-00 Tray 5 Right Side door is open
- 01-506-00 Tray 6 Right Side door is open

Initial Actions

- Check the actuator on the right door.
- If the problem persists, follow the procedure below.

Troubleshooting Reference Table

Applicable Parts	Wiring and Plug/Jack References
<ul style="list-style-type: none"> ■ MCU Board, PL10.2.18 ■ Right Side Door, PL12.1.14 ■ Right Door Switch, PL12.2.2 ■ Feeder Board, PL12.3.4 ■ Lower Option Harness, PL12.3.11 	<ul style="list-style-type: none"> ■ “Map 5 - MCU Board and Laser Unit” on page 10-9 ■ “Map 7 - 550-Sheet Feeder” on page 10-13 ■ “Feeder Board” on page 10-44

Troubleshooting Procedure Table

Step	Actions and Questions	Yes	No
1	Check the switch actuator on the right side door. The right side door is undamaged.	Go to Step 2.	Replace the feeder.
2	Test the Right Door Switch for the affected tray using dc330: <ul style="list-style-type: none"> ■ Tray 3 (073-008) ■ Tray 4 (074-014) ■ Tray 5 (075-014) ■ Tray 6 (076-017) The signal changes (On/Off).	Go to Step 3.	Go to Step 4.
3	Check continuity of the Lower Option Harness between P/J353 on the Feeder Board and P/J360 at the switch. The harness is undamaged.	Go to Step 4.	Replace the Lower Option Harness (page 8-201).
4	Check for 3.3V at P/J353 on the Feeder Board. Is 3.3V available at J353-1?	Replace the Right Door Switch (page 8-193).	Go to Step 5.
5	Replace the Feeder Board (page 8-200). Does the error persist?	Replace the MCU Board (page 8-152).	Complete

Front Door Open

The Front Door Open Switch indicates the Front Door is open.

Applicable Code

- 01-510-00 Front Door is open

Initial Actions

- Check the actuator on the Front Door.
- If the problem persists, follow the procedure below.

Troubleshooting Reference Table

Applicable Parts	Wiring and Plug/Jack References
<ul style="list-style-type: none"> ■ Front Door, PL1.2.17 ■ Front Door Open Switch, PL1.2.3 ■ Front Interlock Harness, PL1.2.1 ■ Exit Harness, PL11.1.7 ■ LVPS, PL10.2.2 ■ MCU Board, PL10.2.18 	<ul style="list-style-type: none"> ■ “Map 1 - CRU Detection” on page 10-5 ■ “Map 5 - MCU Board and Laser Unit” on page 10-9 ■ “LVPS” on page 10-25

Troubleshooting Procedure Table

Step	Actions and Questions	Yes	No
1	Check the actuator on the Front Door. The door is undamaged.	Go to Step 2.	Replace the Front Door (page 8-26).
2	Test the Front Door Open Switch using dc330 (077-302). The signal changes (On/Off).	Go to Step 3.	Go to Step 4.
3	Check continuity of the Exit Harness between P/J20 on the MCU Board and P/J212 at the switch. The harness is undamaged.	Go to Step 4.	Replace the Exit Harness.
4	Check for 3.3V at P/J20-11 on the MCU Board. Is 3.3V available at JJ20-11?	Replace the Front Door Open Switch (page 8-68).	Go to Step 5.
5	Replace the LVPS (page 8-182). Does the error persist?	Replace the MCU Board (page 8-152).	Complete

Right Side Door Open

The Right Door Interlock Switch indicates the Right Door is open.

Applicable Code

- 01-520-01 Right Door is open

Initial Actions

- Check the actuator on the Front Door.
- If the problem persists, follow the procedure below.

Troubleshooting Reference Table

Applicable Parts	Wiring and Plug/Jack References
<ul style="list-style-type: none"> ■ Right Door Interlock Actuator, PL4.1.97 ■ Right Door Interlock Switch, PL4.2.96 ■ LVPS, PL10.2.2 ■ MCU Board, PL10.2.18 	<ul style="list-style-type: none"> ■ “Map 4 - LVPS and IP Board” on page 10-8 ■ “Map 5 - MCU Board and Laser Unit” on page 10-9 ■ “LVPS” on page 10-25

Troubleshooting Procedure Table

Step	Actions and Questions	Yes	No
1	Check the Right Door Interlock Actuator. The actuator is undamaged.	Go to Step 2.	Replace the actuator (page 8-44).
2	Test the Right Door Interlock Switch using dc330 (077-301). The signal changes (On/Off).	Go to Step 4.	Go to Step 3.
3	Replace the Right Door interlock Switch (page 8-72). Does the error persist?	Go to Step 4.	Complete.
4	Replace the LVPS (page 8-182). Does the error persist?	Replace the MCU Board (page 8-152).	Complete

XPC Failure

An internal data (XPC) error was detected by the print engine.

Applicable Codes

- 03-300-00 XPC Failure
- 303.301.01 Serial number error
- 303.302.02 XPC Failure

Initial Actions

- Cycle system power.
- If the problem persists, follow the procedure below.

Troubleshooting Reference Table

Applicable Parts	Wiring and Plug/Jack References
■ MCU Board, PL10.2.18	■ "Map 5 - MCU Board and Laser Unit" on page 10-9

Troubleshooting Procedure Table

Step	Actions and Questions	Yes	No
1	Does the error persist after a power cycle?	Go to Step 2.	Complete.
2	Initialize Engine NVM using dc301. The error persists.	Replace the MCU Board (page 8-152).	Complete.

Tray 2 ~ 6 is Open

The Size Switch indicates the Tray is open.

Applicable Codes

- 07-513-02 Dedicated Tray 2 is open
- 07-513-03 Dedicated Tray 3 is open
- 07-513-04 Dedicated Tray 4 is open
- 07-513-05 Dedicated Tray 5 is open
- 07-513-06 Dedicated Tray 6 is open
- 07-514-02 Dedicated Tray 2 is open
- 07-514-03 Dedicated Tray 3 is open
- 07-514-04 Dedicated Tray 4 is open
- 07-514-05 Dedicated Tray 5 is open
- 07-514-06 Dedicated Tray 6 is open
- 72-103-00 Paper Size Jam from Tray 2
- 72-539-00 Tray 2 is Open
- 73-103-00 Paper Size Jam from Tray 3
- 73-539-00 Tray 3 is Open
- 74-103-00 Paper Size Jam from Tray 4
- 74-539-00 Tray 4 is Open
- 75-103-00 Paper Size Jam from Tray 5
- 75-539-00 Tray 5 is Open
- 76-103-00 Paper Size Jam from Tray 6
- 76-539-00 Tray 6 is Open

Initial Actions

- Cycle system power.
- If the problem persists, follow the procedure below.

Troubleshooting Reference Table

Applicable Parts	Wiring and Plug/Jack References
<ul style="list-style-type: none"> ■ Tray, PL2.1.1 ■ Size Switch, PL3.1.1 ■ LPP/MOT Harness, PL11.2.5 ■ Feeder Assy, PL3.2.1 ■ MCU Board, PL10.2.18 	<ul style="list-style-type: none"> ■ “Map 2 - Fuser and Feeder” on page 10-6 ■ “Map 7 - 550-Sheet Feeder” on page 10-13 ■ “Map 8 - 1100-Sheet Feeder” on page 10-14 ■ “Tray 1 and 2 Feeder” on page 10-27 ■ “Feeder Board” on page 10-44

Troubleshooting Procedure Table

Step	Actions and Questions	Yes	No
1	Check the Tray guides and Size Switch actuators. The Tray is undamaged.	Go to Step 2.	Replace the Tray.
2	Test the Size Switch for the indicated Tray using dc741. The signal changes (On/Off) when the Tray is removed.	Go to Step 4.	Go to Step 3.
3	Check continuity of the LPP/MOT Harness between P/J18 on the MCU Board and P/J219 at the switch. For optional trays, check the Lower Option Harness P/J353 and P/J365. The harness is undamaged.	Replace the Size Switch (page 8-69).	Replace the harness.
4	Replace the Feeder/Registration Assembly (page 8-41) for Tray 2 faults, or the Optional Feeder for Trays 3-6. The error persists.	Replace the MCU Board (page 8-152).	Complete.

Laser Failure

A Laser Unit failure was detected.

Applicable Codes

- 09-000-00 Laser Failure
- 309.001.01 Warm up error
- 309.002.02 Rotation failure after ready
- 309.003.03 Laser diode error
- 10-330-00 Engine Motor Failure

Initial Actions

- Verify the Rear Cover is installed and secure.
- Cycle system power.
- If the problem persists, follow the procedure below.

Note

Chain-link 309.003.03 may indicate the Rear Interlock Switch is open interrupting 5V power to the Laser Unit causing the error.

Troubleshooting Reference Table

Applicable Parts	Wiring and Plug/Jack References
<ul style="list-style-type: none"> ■ Laser Unit, PL5.2.1 ■ MCU Board, PL10.2.18 ■ Rear Interlock Switch, PL1.3.6 	<ul style="list-style-type: none"> ■ “Map 5 - MCU Board and Laser Unit” on page 10-9 ■ “Laser Unit” on page 10-31

Troubleshooting Procedure Table

Step	Actions and Questions	Yes	No
1	Test the Laser Unit motor using dc330 (061-001). The Laser Unit is operational.	Go to Step 7.	Go to Step 2.
2	Remove the Rear Cover to check the Rear Interlock Switch. The switch is operational.	Go to Step 3.	Replace the switch (page 8-161).
3	Check P/J701 on the IP Board. The connection is secure.	Go to Step 4.	Secure the connection.
4	Check P/J303 on the LVPS. The connection is secure.	Go to Step 5.	Secure the connection.
5	Check PJ151, PJ152 and PJ153 on the Laser Unit. The connections are secure.	Go to Step 6.	Secure the connections.

Troubleshooting Procedure Table (continued)

Step	Actions and Questions	Yes	No
6	Check P/J3 on the MCU Board. The connection is secure.	Go to Step 7.	Secure the connection.
7	Replace the Laser Unit (page 8-93). Does the error persist?	Replace the MCU Board (page 8-152).	Complete.

Engine Motor Failure - K Developer Drive

An error associated with the K Developer Drive Assembly was detected.

Warning

Allow the Fuser to cool before servicing the printer.

Applicable Error

- 309.003.01 K Developer Drive Assembly failure

Initial Actions

- Cycle system power.
- Remove and reseat the Black Imaging Unit.
- If the problem persists, follow the procedure below.

Troubleshooting Reference Table

Applicable Parts	Wiring and Plug/Jack References
<ul style="list-style-type: none"> ■ Black Imaging Unit, PL5.1.11 ■ K Developer Drive, PL9.2.10 ■ MCU Board, PL10.2.18 ■ Drive Gear Kit, PL9.2.99 ■ Harness Assy LPP/ MOT, PL11.2.5 	<ul style="list-style-type: none"> ■ “Map 5 - MCU Board and Laser Unit” on page 10-9 ■ “Map 6 - Drive” on page 10-10 ■ “Drive” on page 10-29

Troubleshooting Procedure Table

Step	Actions and Questions	Yes	No
1	Cycle system power. Does the error persist?	Go to Step 2.	Complete
2	Check the Black Imaging Unit for excessive wear or damage. Rotate the Imaging Unit mag roller (lower small white gear located at the back of the Imaging Unit) to check operation. The Imaging Unit is undamaged.	Go to Step 3.	Replace the Black Imaging Unit.
3	Check P/J6 on the MCU Board and P/J253 on the K Developer Drive. The connections are secure.	Go to Step 4.	Secure the connections.
4	Test the K Developer Drive using dc330 (093-004). Does the motor rotate?	Replace the MCU Board (page 8-152).	Go to Step 5.

Troubleshooting Procedure Table (continued)

Step	Actions and Questions	Yes	No
5	Check installation of the K Developer Drive. Is the drive installed correctly?	Go to Step 6.	Correct the installation.
6	Check continuity of the Harness Assy LPP/ MOT between P/J253 and P/J6 on the MCU Board. The harness is undamaged.	Go to Step 7.	Replace the harness.
7	Check for 24V at P/J6 of the MCU Board. Is 24 V available at P/J6-2 and -4 when the Front Interlock Switch is closed?	Replace the K Developer Drive (page 8-171).	Go to Step 8.
8	Replace the Drive Gear Kit (page 8-178). Does the error persist?	Replace the MCU Board (page 8-152).	Complete.

Engine Motor Failure - CMY Developer Drive

An error associated with the CMY Developer Drive Assembly was detected.

Warning

Allow the Fuser to cool before servicing the printer.

Applicable Codes

- 309.004.01 YMC Developer Drive Assembly failure
- 10-330-00 Engine Motor Failure

Initial Actions

- Cycle system power.
- Remove and reseal the Imaging Units.
- If the problem persists, follow the procedure below.

Troubleshooting Reference Table

Applicable Parts	Wiring and Plug/Jack References
<ul style="list-style-type: none"> ■ Yellow Imaging Unit, PL5.1.8 ■ Magenta Imaging Unit, PL5.1.9 ■ Cyan Imaging Unit, PL5.1.10 ■ CMY Developer Drive, PL9.2.9 ■ Drive Gear Kit, PL9.2.99 ■ MCU Board, PL10.2.18 ■ Harness Assy LPP/ MOT, PL11.2.5 	<ul style="list-style-type: none"> ■ “Map 4 - LVPS and IP Board” on page 10-8 ■ “Map 5 - MCU Board and Laser Unit” on page 10-9 ■ “Map 6 - Drive” on page 10-10 ■ “Drive” on page 10-29

Troubleshooting Procedure Table

Step	Actions and Questions	Yes	No
1	Cycle system power. Does the error persist?	Go to Step 2.	Complete
2	Check the Imaging Units for excessive wear or damage. Rotate each Imaging Unit mag roller (lower small white gear located at the back of the Imaging Unit) to check operation. The Imaging Units are undamaged.	Go to Step 3.	Replace the affected Imaging Unit.
3	Check P/J5 on the MCU Board and P/J252 on the CMY Developer Drive. The connections are secure.	Go to Step 4.	Secure the connections.

Troubleshooting Procedure Table (continued)

Step	Actions and Questions	Yes	No
4	Test the CMY Developer Drive using dc330 (093-001). Does the motor rotate?	Replace the MCU Board (page 8-152).	Go to Step 5.
5	Check installation of the CMY Developer Drive. Is the drive installed correctly?	Go to Step 6.	Correct the installation.
6	Check continuity of the Harness Assy LPP/ MOT between P/J252 and P/J5 on the MCU Board. The harness is undamaged.	Go to Step 7.	Replace the harness.
7	Check for 24V at P/J315 on the LVPS. Is 24 V available at P/J315-1 when the Front Interlock Switch is closed?	Go to Step 8.	Replace the LVPS (page 8-182).
8	Replace the MCU Board (page 8-152). Does the error persist?	Replace the CMY Developer Drive (page 8-167).	Complete.

Waste Cartridge is Full / Near Full

The Waste Toner Full Sensor indicates the cartridge is full or nearly full.

Applicable Code

- 09-600-00 Waste Cartridge is Near Full
- 09-601-00 Waste Cartridge is Full

Initial Actions

- Replace the Waste Toner Cartridge.
- Cycle system power.
- If the problem persists, follow the procedure below.

Troubleshooting Reference Table

Applicable Parts	Wiring and Plug/Jack References
<ul style="list-style-type: none"> ■ Procon Assy, PL5.3.1 ■ Waste Toner Full Sensor PL5.3.13 ■ Exit Harness, PL11.1.7 ■ MCU Board, PL10.2.18 	<ul style="list-style-type: none"> ■ “Map 1 - CRU Detection” on page 10-5 ■ “Map 5 - MCU Board and Laser Unit” on page 10-9 ■ “Xerographic” on page 10-33

Troubleshooting Procedure Table

Step	Actions and Questions	Yes	No
1	Reseat the Waste Toner Cartridge. The error persists.	Go to Step 2.	Complete.
2	Test the Waste Toner Full Sensor using dc330 (091-001). The signal changes (On/Off).	Go to Step 3.	Go to Step 4.
3	Check continuity of the Exit Harness between P/J16 on the MCU Board and P/J106 at the sensor. The harness is undamaged.	Go to Step 4.	Replace the Exit Harness.
4	Check for 5V at P/J16-6 on the MCU Board. Is 5V available at P/J16-6?	Replace the Waste Toner Full Sensor (page 8-100).	Go to Step 5.
5	Replace the Procon Assy (page 8-95). The error persists.	Replace the MCU Board (page 8-152).	Complete

CMYK Toner is Low or Empty

The Toner CRUM indicates the Toner Cartridge is low or empty.

Applicable Codes

- 09-602-00 Cyan Toner is Low
- 09-602-01 Cyan Toner is Low
- 09-602-02 Cyan Toner is Low
- 09-603-00 Magenta Toner is Low
- 09-604-00 Yellow Toner is Low
- 09-605-00 Black Toner is Low
- 09-619-00 Cyan Toner is Empty
- 09-619-01 Cyan Toner is Empty
- 09-619-02 Cyan Toner is Empty
- 09-619-03 Cyan Toner is Empty
- 09-619-04 Cyan Toner is Empty
- 09-619-09 Cyan Toner is Empty
- 09-620-00 Magenta Toner is Empty
- 09-620-01 Magenta Toner is Empty
- 09-620-02 Magenta Toner is Empty
- 09-620-03 Magenta Toner is Empty
- 09-620-04 Magenta Toner is Empty
- 09-620-09 Magenta Toner is Empty
- 09-621-00 Yellow Toner is Empty
- 09-621-01 Yellow Toner is Empty
- 09-621-02 Yellow Toner is Empty
- 09-621-03 Yellow Toner is Empty
- 09-621-04 Yellow Toner is Empty
- 09-621-09 Yellow Toner is Empty
- 09-623-00 Cyan Toner is Empty
- 09-623-01 Cyan Toner is Empty
- 09-623-02 Cyan Toner is Empty
- 09-623-03 Cyan Toner is Empty
- 09-623-04 Cyan Toner is Empty
- 09-624-00 Magenta Toner is Empty
- 09-624-01 Magenta Toner is Empty
- 09-624-02 Magenta Toner is Empty
- 09-624-03 Magenta Toner is Empty
- 09-624-04 Magenta Toner is Empty
- 09-625-00 Yellow Toner is Empty
- 09-625-01 Yellow Toner is Empty
- 09-625-02 Yellow Toner is Empty
- 09-625-03 Yellow Toner is Empty
- 09-625-04 Yellow Toner is Empty
- 09-626-00 Black Toner is Empty
- 09-626-01 Black Toner is Empty
- 09-626-02 Black Toner is Empty
- 09-626-03 Black Toner is Empty
- 09-626-04 Black Toner is Empty
- 09-634-00 Cyan Toner Missing
- 09-634-01 Cyan Toner Missing
- 09-634-02 Cyan Toner Missing
- 09-634-03 Cyan Toner Missing
- 09-634-04 Cyan Toner Missing
- 09-635-00 Magenta Toner Missing
- 09-635-01 Magenta Toner Missing
- 09-635-02 Magenta Toner Missing
- 09-635-03 Magenta Toner Missing
- 09-635-04 Magenta Toner Missing
- 09-636-00 Yellow Toner Missing
- 09-636-01 Yellow Toner Missing
- 09-636-02 Yellow Toner Missing
- 09-636-03 Yellow Toner Missing
- 09-636-04 Yellow Toner Missing
- 09-637-00 Black Toner Missing
- 09-637-01 Black Toner Missing
- 09-637-02 Black Toner Missing
- 09-637-03 Black Toner Missing
- 09-637-04 Black Toner Missing

Initial Actions

- Replace the affected Toner Cartridge.
- Cycle system power.
- If the problem persists, follow the procedure below.

Troubleshooting Reference Table

Applicable Parts	Wiring and Plug/Jack References
<ul style="list-style-type: none"> ■ Toner Cartridge (Y), PL6.1.1 ■ Toner Cartridge (M), PL6.1.2 ■ Toner Cartridge (C), PL6.1.3 ■ Toner Cartridge (K), PL6.1.4 ■ CRUM Connector Assy, PL6.1.10 ■ MCU Board, PL10.2.18 ■ Toner CRUM Harness, PL11.1.1 	<ul style="list-style-type: none"> ■ “Map 1 - CRU Detection” on page 10-5 ■ “Map 5 - MCU Board and Laser Unit” on page 10-9 ■ “Dispense and Development” on page 10-37

Troubleshooting Procedure Table

Step	Actions and Questions	Yes	No
1	Reseat the indicated Toner Cartridge. The error persists.	Go to Step 2.	Complete.
2	Check connections between P/J11 on the MCU Board and indicated CRUM Connector: P/J204(Y), P/J205 (M), P/J206(C), P/J207 (K). The connection is secure.	Go to Step 3.	Secure the connection.
3	Check Toner CRUM Harness continuity between P/J11 on the MCU Board and indicated CRUM Connector: P/J204(Y), P/J205 (M), P/J206(C), P/J207 (K). The harness is undamaged.	Go to Step 4.	Replace the Toner CRUM Harness.
4	Check for 2.5V at P/J11-3(Y), -7(M), -11(C), -15(K) on the MCU Board. Is 2.5V available to the indicated Toner CRUM?	Replace the affected Toner Cartridge.	Replace the MCU Board (page 8-152).

CMYK Imaging Unit is Near/Past End of Life or Missing

The Imaging Unit CRUM indicates the Imaging Unit is near, past end of life, or missing.

Applicable Codes

- 09-608-00 Cyan Imaging Unit is Near End of Life
- 09-609-00 Magenta Imaging Unit is Near End of Life
- 09-610-00 Yellow Imaging Unit is Near End of Life
- 09-611-00 Black Imaging Unit is Near End of Life
- 09-615-00 Cyan Imaging Unit is Past End of Life
- 09-616-00 Magenta Imaging Unit is Past End of Life
- 09-617-00 Yellow Imaging Unit is Past End of Life
- 09-618-00 Black Imaging Unit is Past End of Life
- 09-627-00 Cyan Imaging Unit is Past End of Life
- 09-628-00 Magenta Imaging Unit is Past End of Life
- 09-629-00 Yellow Imaging Unit is Past End of Life
- 09-630-00 Black Imaging Unit is Past End of Life
- 09-638-01 Black Imaging Unit is Missing
- 09-638-02 Cyan Imaging Unit is Missing
- 09-638-03 Magenta Imaging Unit is Missing
- 09-638-04 Yellow Imaging Unit is Missing

Initial Actions

- Replace the affected Imaging Unit.
- Cycle system power.
- If the problem persists, follow the procedure below.

Troubleshooting Reference Table

Applicable Parts	Wiring and Plug/Jack References
<ul style="list-style-type: none"> ■ Yellow Imaging Unit, PL5.1.8 ■ Magenta Imaging Unit, PL5.1.9 ■ Cyan Imaging Unit, PL5.1.10 ■ Black Imaging Unit, PL5.1.11 ■ Imaging Unit CRUM, PL5.2.4 ■ MCU Board, PL10.2.18 ■ CRUM / Disp Harness, PL11.2.4 	<ul style="list-style-type: none"> ■ “Map 1 - CRU Detection” on page 10-5 ■ “Map 5 - MCU Board and Laser Unit” on page 10-9 ■ “Xerographic” on page 10-33

Troubleshooting Procedure Table

Step	Actions and Questions	Yes	No
1	Reseat the indicated Imaging Unit. The error persists.	Go to Step 2.	Complete.
2	Check connections between P/J12 on the MCU Board and indicated CRUM Connector: P/J208(Y), P/J209 (M), P/J210(C), P/J211 (K). The connection is secure.	Go to Step 3.	Secure the connection.
3	Check CRUM/Disp Harness continuity between P/J12 on the MCU Board and indicated CRUM Connector: P/J208(Y), P/J209 (M), P/J210(C), P/J211(K). The harness is undamaged.	Go to Step 4.	Replace the CRUM/Dispense Harness.
4	Check for 2.5V at P/J12-3(Y), -7(M), -11(C), -15(K) on the MCU Board. Is 2.5V available to the indicated Imaging Unit CRUM?	Replace the affected Imaging Unit.	Replace the MCU Board (page 8-152).

Fuser Envelope Lever is Up/Down

The Envelope Mode Sensor indicates the Fuser's envelope lever is in the wrong position for the media being fed.

Applicable Code

- 09-614-00 Fuser Envelope Lever is Up
- 09-631-00 Fuser Envelope Lever is Down

Initial Actions

Warning

Allow the Fuser to cool before servicing the printer.

- Check the envelope lever is in the correct position for the media in use.
- Cycle system power.
- If the problem persists, follow the procedure below.

Troubleshooting Reference Table

Applicable Parts	Wiring and Plug/Jack References
<ul style="list-style-type: none"> ■ Envelop Mode Sensor PL7.2.10 ■ MCU Board, PL10.2.18 ■ Exit Harness, PL11.1.7 	<ul style="list-style-type: none"> ■ "Map 2 - Fuser and Feeder" on page 10-6 ■ "Map 5 - MCU Board and Laser Unit" on page 10-9 ■ "Fuser and Exit" on page 10-39

Troubleshooting Procedure Table

Step	Actions and Questions	Yes	No
1	Remove the Fuser and check the envelope lever and actuator. The lever and actuator are undamaged.	Go to Step 2.	Replace the Fuser (page 8-17).
2	Test the Envelope Mode Sensor using dc330 (010-206). The signal changes (On/Off).	Go to Step 3.	Go to Step 4.
3	Check continuity of the Exit Harness between P/J20 on the MCU Board and P/J225 at the sensor. The harness is undamaged.	Go to Step 4.	Replace the Exit Harness.
4	Check for 3.3V at P/J20-1 on the MCU Board. Is 3.3V available at JJ20-1?	Replace the Envelope Mode Sensor (page 8-121).	Replace the MCU Board (page 8-152).

Fuser is Past End of Life

Fuser CRUM indicates the Fuser has reached end of service.

Applicable Codes

- 309-612-00 Fuser is Past End of Life
- 309.632.00 Fuser is Past End of Life

Initial Actions

Warning

Allow the Fuser to cool before servicing the printer.

- Replace the Fuser.
- Cycle system power.
- If the problem persists, follow the procedure below.

Troubleshooting Reference Table

Applicable Parts	Wiring and Plug/Jack References
<ul style="list-style-type: none"> ■ Fuser, PL7.1.99 ■ Fuser Harness, PL7.1.4 ■ MCU Board, PL10.2.18 	<ul style="list-style-type: none"> ■ “Map 2 - Fuser and Feeder” on page 10-6 ■ “Map 5 - MCU Board and Laser Unit” on page 10-9 ■ “Fuser and Exit” on page 10-39

Troubleshooting Procedure Table

Step	Actions and Questions	Yes	No
1	Reseat the Fuser. Does the error persist?	Go to Step 2.	Complete.
2	Check Fuser connections PJ180-S and P/J1 on the MCU Board. The connections are secure and undamaged.	Go to Step 3.	Replace the harness.
3	Check Fuser Harness continuity between P/J1 and P/J180-S. The harness is undamaged.	Go to Step 4.	Replace the harness.
4	Replace the Fuser (page 8-17). Does the error persist?	Replace the MCU Board (page 8-152).	Complete.

Maintenance Kit is Near/Past End of Life

Maintenance Kit counter indicates the Transfer Belt, Transfer Roller and Feed Rollers have reached end of service.

Applicable Codes

- 09-607-00 Maintenance Kit is Near End of Life
- 09-613-00 Maintenance Kit is Past End of Life
- 309.633.00 Maintenance Kit is Past End of Life

Initial Actions

- Replace the Maintenance Kit.
- Cycle system power.
- If the problem persists, follow the procedure below.

Troubleshooting Reference Table

Applicable Parts	Wiring and Plug/Jack References
<ul style="list-style-type: none"> ■ Maintenance Kit, PL5.1.99 ■ MCU Board, PL10.2.18 	<ul style="list-style-type: none"> ■ “Map 5 - MCU Board and Laser Unit” on page 10-9

Troubleshooting Procedure Table

Step	Actions and Questions	Yes	No
1	Reset the Maintenance Kit counter in the Reset HSF1 Counters screen under Service Tools. Does the error persist?	Replace the MCU Board (page 8-152).	Complete.

Invalid CMYK Imaging Unit

The Imaging Unit CRUM indicates the Imaging Unit is not valid for this model.

Applicable Codes

- 09-648-00 Invalid Cyan Imaging Unit
- 09-649-00 Invalid Magenta Imaging Unit
- 09-650-00 Invalid Yellow Imaging Unit
- 09-651-00 Invalid Black Imaging Unit

Initial Actions

- Cycle system power.
- If the problem persists, follow the procedure below.

Troubleshooting Reference Table

Applicable Parts	Wiring and Plug/Jack References
<ul style="list-style-type: none"> ■ Yellow Imaging Unit, PL5.1.8 ■ Magenta Imaging Unit, PL5.1.9 ■ Cyan Imaging Unit, PL5.1.10 ■ Black Imaging Unit, PL5.1.11 ■ Imaging Unit CRUM, PL5.2.4 ■ MCU Board, PL10.2.18 ■ CRUM / Disp Harness, PL11.2.4 	<ul style="list-style-type: none"> ■ “Map 1 - CRU Detection” on page 10-5 ■ “Map 5 - MCU Board and Laser Unit” on page 10-9 ■ “Xerographic” on page 10-33

Troubleshooting Procedure Table

Step	Actions and Questions	Yes	No
1	Check Imaging Unit part number. The Imaging Unit is the correct part for this model.	Go to Step 2.	Replace the affected Imaging Unit.
2	Check connections between P/J12 on the MCU Board and indicated CRUM Connector: P/J208(Y), P/J209 (M), P/J210(C), P/J211 (K). The connection is secure.	Go to Step 3.	Secure the connection.
3	Check CRUM/Disp Harness continuity between P/J12 on the MCU Board and indicated CRUM Connector: P/J208(Y), P/J209 (M), P/J210(C), P/J211(K). The harness is undamaged.	Go to Step 4.	Replace the CRUM/Dispense Harness.
4	Check for 2.5V at P/J12-3(Y), -7(M), -11(C), -15(K) on the MCU Board. Is 2.5V available to the indicated Imaging Unit CRUM?	Replace the affected Imaging Unit.	Replace the MCU Board (page 8-152).

Transfer Belt is Missing

Electrical contact to the Transfer Belt is broken.

Applicable Code

- 09-652-00 Transfer Belt is Missing

Initial Actions

- Reseat the Transfer Belt.
- Cycle system power.
- If the problem persists, follow the procedure below.

Troubleshooting Reference Table

Applicable Parts	Wiring and Plug/Jack References
<ul style="list-style-type: none"> ■ Maintenance Kit, PL5.1.99 ■ HVPS, PL5.2.3 ■ Transfer Belt Bias Assy, PL5.2.6 ■ MCU Board, PL10.2.18 	<ul style="list-style-type: none"> ■ “Map 1 - CRU Detection” on page 10-5 ■ “Map 5 - MCU Board and Laser Unit” on page 10-9 ■ “Xerographic” on page 10-33

Troubleshooting Procedure Table

Step	Actions and Questions	Yes	No
1	Check the Inner Frame Assembly for damage or improper operation. The Inner Frame Assy is undamaged.	Go to Step 2.	Replace the Inner Frame Assy (page 8-129).
2	Check Transfer Belt electrical contacts. The contacts are undamaged.	Go to Step 3.	Replace the Maintenance Kit.
3	Check P/J13 on the MCU Board and P/J331 on the HVPS. The connections are secure.	Go to Step 4.	Secure the connections.
4	Check continuity of the ROS/HV harness between P/J13 and P/J331. The harness is undamaged.	Go to Step 5.	Replace the harness.
5	Check the Transfer Belt Bias Assy electrical contacts. The contacts are undamaged.	Go to Step 4.	Replace the Transfer Belt Bias Assy (page 8-90).
6	Replace the HVPS (page 8-86). The error persists.	Replace the MCU Board (page 8-152).	Complete.

Transfer Roller is Missing

Electrical contact to the Transfer Roller is broken.

Applicable Code

- 09-653-00 Transfer Roller is Missing

Initial Actions

- Reseat the Transfer Roller.
- Cycle system power.
- If the problem persists, follow the procedure below.

Troubleshooting Reference Table

Applicable Parts	Wiring and Plug/Jack References
<ul style="list-style-type: none"> ■ Transfer Roller, PL4.4.99 ■ HVPS, PL5.2.3 ■ MCU Board, PL10.2.18 ■ ROS/HV Harness, PL11.2.2 	<ul style="list-style-type: none"> ■ “Map 1 - CRU Detection” on page 10-5 ■ “Map 5 - MCU Board and Laser Unit” on page 10-9 ■ “Xerographic” on page 10-33

Troubleshooting Procedure Table

Step	Actions and Questions	Yes	No
1	Check electrical contacts under the Transfer Roller. The contacts are undamaged.	Go to Step 2.	Repair the contacts.
2	Check P/J13 on the MCU Board and P/J331 on the HVPS. The connections are secure.	Go to Step 3.	Secure the connections.
3	Check continuity of the ROS/HV harness between P/J13 and P/J331. The harness is undamaged.	Go to Step 4.	Replace the harness.
4	Replace the Transfer Roller (page 8-11). The error persists.	Replace the HVPS (page 8-86).	Complete.

Ribbon in CMYK Imaging Unit

The shipping ribbon is present on one or more of the installed Imaging Units.

Applicable Codes

- 09-654-00 Ribbon in Cyan Imaging Unit
- 09-655-00 Ribbon in Magenta Imaging Unit
- 09-656-00 Ribbon in Yellow Imaging Unit
- 09-657-00 Ribbon in Black Imaging Unit

Initial Actions

- Cycle system power.
- If the problem persists, follow the procedure below.

Troubleshooting Reference Table

Applicable Parts	Wiring and Plug/Jack References
<ul style="list-style-type: none"> ■ Yellow Imaging Unit, PL5.1.8 ■ Magenta Imaging Unit, PL5.1.9 ■ Cyan Imaging Unit, PL5.1.10 ■ Black Imaging Unit, PL5.1.11 ■ Imaging Unit CRUM, PL5.2.4 ■ MCU Board, PL10.2.18 ■ CRUM / Disp Harness, PL11.2.4 	<ul style="list-style-type: none"> ■ “Map 1 - CRU Detection” on page 10-5 ■ “Map 5 - MCU Board and Laser Unit” on page 10-9 ■ “Xerographic” on page 10-33

Troubleshooting Procedure Table

Step	Actions and Questions	Yes	No
1	Check Imaging Unit. The shipping ribbon has been removed from the Imaging Unit.	Go to Step 2.	Remove the shipping ribbon.
2	Check connections between P/J12 on the MCU Board and indicated CRUM Connector: P/J208(Y), P/J209 (M), P/J210(C), P/J211 (K). The connection is secure.	Go to Step 3.	Secure the connection.
3	Check CRUM/Disp Harness continuity between P/J12 on the MCU Board and indicated CRUM Connector: P/J208(Y), P/J209 (M), P/J210(C), P/J211(K). The harness is undamaged.	Go to Step 4.	Replace the CRUM/Dispense Harness.
4	Check for 2.5V at P/J12-3(Y), -7(M), -11(C), -15(K) on the MCU Board. Is 2.5V available to the indicated Imaging Unit CRUM?	Replace the affected Imaging Unit.	Replace the MCU Board (page 8-152).

Invalid CMYK Toner Cartridge

The Toner Cartridge CRUM indicates the Toner Cartridge is not for use in this model.

Applicable Codes

- 09-658-00 Invalid Cyan Toner Cartridge
- 09-658-01 Invalid Cyan Toner Cartridge
- 09-658-02 Invalid Cyan Toner Cartridge
- 09-658-03 Invalid Cyan Toner Cartridge
- 09-658-04 Invalid Cyan Toner Cartridge
- 09-659-00 Invalid Magenta Toner Cartridge
- 09-659-01 Invalid Magenta Toner Cartridge
- 09-659-02 Invalid Magenta Toner Cartridge
- 09-659-03 Invalid Magenta Toner Cartridge
- 09-659-04 Invalid Magenta Toner Cartridge
- 09-660-00 Invalid Yellow Toner Cartridge
- 09-660-01 Invalid Yellow Toner Cartridge
- 09-660-02 Invalid Yellow Toner Cartridge
- 09-660-03 Invalid Yellow Toner Cartridge
- 09-660-04 Invalid Yellow Toner Cartridge
- 09-661-00 Invalid Black Toner Cartridge
- 09-661-01 Invalid Black Toner Cartridge
- 09-661-02 Invalid Black Toner Cartridge
- 09-661-03 Invalid Black Toner Cartridge
- 09-661-04 Invalid Black Toner Cartridge

Initial Actions

- Check Toner Cartridge part number.
- Cycle system power.
- If the problem persists, follow the procedure below.

Troubleshooting Reference Table

Applicable Parts	Wiring and Plug/Jack References
<ul style="list-style-type: none"> ■ Toner Cartridge (Y), PL6.1.1 ■ Toner Cartridge (M), PL6.1.2 ■ Toner Cartridge (C), PL6.1.3 ■ Toner Cartridge (K), PL6.1.4 ■ CRUM Connector Assy, PL6.1.10 ■ MCU Board, PL10.2.18 ■ Toner CRUM Harness, PL11.1.1 	<ul style="list-style-type: none"> ■ “Map 1 - CRU Detection” on page 10-5 ■ “Map 5 - MCU Board and Laser Unit” on page 10-9 ■ “Dispense and Development” on page 10-37

Troubleshooting Procedure Table

Step	Actions and Questions	Yes	No
1	Reseat the indicated Toner Cartridge. The error persists.	Go to Step 2.	Complete.
2	Check connections between P/J11 on the MCU Board and indicated CRUM Connector: P/J204(Y), P/J205 (M), P/J206(C), P/J207 (K). The connection is secure.	Go to Step 3.	Secure the connection.
3	Check Toner CRUM Harness continuity between P/J11 on the MCU Board and indicated CRUM Connector: P/J204(Y), P/J205 (M), P/J206(C), P/J207 (K). The harness is undamaged.	Go to Step 4.	Replace the Toner CRUM Harness.
4	Check for 2.5V at P/J11-3(Y), -7(M), -11(C), -15(K) on the MCU Board. Is 2.5V available to the indicated Toner CRUM?	Replace the affected Toner Cartridge.	Replace the MCU Board (page 8-152).

Invalid Fuser

The installed Fuser is incorrect, as reported by the Fuser CRUM, for this model.

Applicable Code

- 09-662-00 Invalid Fuser

Initial Actions

Warning

Allow the Fuser to cool before servicing the printer.

- Check Fuser part number.
- Cycle system power.
- If the problem persists, follow the procedure below.

Troubleshooting Reference Table

Applicable Parts	Wiring and Plug/Jack References
<ul style="list-style-type: none"> ■ Fuser, PL7.1.99 ■ Fuser Harness, PL7.1.4 ■ MCU Board, PL10.2.18 	<ul style="list-style-type: none"> ■ “Map 2 - Fuser and Feeder” on page 10-6 ■ “Map 5 - MCU Board and Laser Unit” on page 10-9 ■ “Fuser and Exit” on page 10-39

Troubleshooting Procedure Table

Step	Actions and Questions	Yes	No
1	Check the Fuser part number. The Fuser is correct for this model.	Go to Step 2.	Install the correct Fuser (page 8-17).
2	Check Fuser connections PJ180-S and P/J1 on the MCU Board. The connections are secure.	Go to Step 3.	Secure the connections.
3	Remove the Fuser harness and check continuity between P/J1 and P/J180-S. The harness is undamaged.	Go to Step 4.	Replace the Fuser harness.
4	Replace the Fuser (page 8-17). The error persists.	Replace the MCU Board (page 8-152).	Complete.

Engine Motor Failure - Fuser Drive Assy

A problem with the Fuser Drive Assembly was detected.

Applicable Codes

- 10-330-00 Engine Motor Failure
- 310.330.01 Engine Motor Failure

Initial Actions

Warning

Allow the Fuser to cool before servicing the printer.

- Reseat the Fuser in the printer.
- Cycle system power.
- If the problem persists, follow the procedure below.

Troubleshooting Reference Table

Applicable Parts	Wiring and Plug/Jack References
<ul style="list-style-type: none"> ■ Harness Assy FSR, PL7.1.4 ■ Fuser Drive Assy, PL9.1.1 ■ MCU Board, PL10.2.18 	<ul style="list-style-type: none"> ■ “Map 2 - Fuser and Feeder” on page 10-6 ■ “Map 5 - MCU Board and Laser Unit” on page 10-9 ■ “Fuser and Exit” on page 10-39

Troubleshooting Procedure Table

Step	Actions and Questions	Yes	No
1	Reseat the Fuser. Does the error persist?	Go to Step 2.	Complete.
2	Check Fuser Drive Assy connection P/J250 and P/J4B on the MCU Board. The connections are secure.	Go to Step 3.	Secure the connection.
3	Test the Fuser Drive using dc330 (010-008). The Fuser Drive rotates.	Go to Step	Go to Step 4.
4	Check Fuser harness continuity between P/J4B and P/250. The harness is undamaged.	Replace the MCU Board (page 8-152).	Replace the harness.
5	Check for 24V at P/J4B-2. 1. Close the Front Interlock Switch. 2. Run the Fuser Drive Assy using dc330 (010-008). 3. Check P/J4B-2 for 24V. Is 24 V available at P/J4B-2?	Replace the Fuser Drive Assy (page 8-130).	Replace the MCU Board (page 8-152).

Fuser is Missing or Misinstalled

Fuser is missing or incorrectly installed.

Applicable Codes

- 09-639-00 Fuser is Missing or Misinstalled
- 310.310.01 Fuser is Missing or Misinstalled

Initial Actions

Warning

Allow the Fuser to cool before servicing the printer.

- Reseat the Fuser in the printer.
- Cycle system power.
- If the problem persists, follow the procedure below.

Troubleshooting Reference Table

Applicable Parts	Wiring and Plug/Jack References
<ul style="list-style-type: none"> ■ Fuser, PL7.1.99 ■ Harness Assy FSR, PL7.1.4 ■ MCU Board, PL10.2.18 	<ul style="list-style-type: none"> ■ “Map 2 - Fuser and Feeder” on page 10-6 ■ “Map 5 - MCU Board and Laser Unit” on page 10-9 ■ “Fuser and Exit” on page 10-39

Troubleshooting Procedure Table

Step	Actions and Questions	Yes	No
1	Replace the Fuser. Does the error persist?	Go to Step 2.	Complete.
2	Check Fuser connections PJ180-S and P/J1 on the MCU Board. The connections are secure and undamaged.	Go to Step 3.	Replace the harness.
3	Remove the Fuser harness and check continuity between P/J1 and P/J180-S. The harness is undamaged.	Replace the MCU Board (page 8-152).	Replace the harness.

Fuser Failure

A failure was detected in the Fuser.

Applicable Codes

- 10-300-00 Fuser Failure
- 310.311.02 STS Disconnect error
- 310.312.05 Detection sensor disconnect
- 310.313.06 AD output detection error
- 310.314.07 Compensation sensor disconnect
- 310.315.09 AD output detection error (at NC)
- 310.316.12 STS-NC damage
- 310.317.13 NC low temp error
- 310.318.14 STS low temp error
- 310.319.04 Differential amp circuit damage
- 310.320.03 STS high temp error
- 310.321.15 Hard relay off
- 310.322.16 Main data update error
- 310.323.17 Sub data update error
- 310.324.20 Continuous lamp on error (sub)
- 310.325.22 Unexpected status
- 310.326.21 Cool down timeout
- 310.327.23 Unexpected status
- 310.328.18 Warm up ready timeout
- 310.333.10 NC high temp error
- 310.334.11 STS-NC damage
- 310.335.08 AD output detection error
- 310.338.19 Continuous lamp on error (main)

Initial Actions

Warning

Allow the Fuser to cool before servicing the printer.

- Reseat the Fuser in the printer.
- Cycle system power.
- If the problem persists, follow the procedure below.

Troubleshooting Reference Table

Applicable Parts	Wiring and Plug/Jack References
<ul style="list-style-type: none"> ■ Fuser, PL7.1.99 ■ Harness Assy FSR, PL7.1.4 ■ MCU Board, PL10.2.18 ■ LVPS Cage, PL10.2.1 	<ul style="list-style-type: none"> ■ “Map 2 - Fuser and Feeder” on page 10-6 ■ “Map 5 - MCU Board and Laser Unit” on page 10-9 ■ “Fuser and Exit” on page 10-39

Troubleshooting Procedure Table

Step	Actions and Questions	Yes	No
1	Replace the Fuser. Does the error persist?	Go to Step 2.	Complete.
2	Check Fuser connections PJ180-S and P/J1 on the MCU Board. The connections are secure and undamaged.	Go to Step 3.	Replace the harness.
3	Remove the Fuser harness and check continuity between P/J1 and P/J180-S. The harness is undamaged.	Replace the MCU Board (page 8-152).	Replace the harness.
4	Check Fuser connector P/J180 and LVPS connector P/J304. The connections are secure and undamaged.	Go to Step 5.	Secure the connections.
5	Check Fuser harness continuity between P/J180 to LVPS P/J304. The harness is undamaged.	Go to Step 6.	Replace the harness
6	Replace the MCU Board (page 8-152). Does the error persist?	Replace the LVPS (page 8-182).	Complete.

Engine Fan Failure - Fuser Fan

A failure was detected in the Fuser Fan.

Applicable Codes

- 10-398-00 Engine Fan Failure
- 310.398.01 Fuser Fan error

Initial Actions

- Check for obstructions or accumulations of dust or debris blocking fan rotation.
- Cycle system power.
- If the problem persists, follow the procedure below.

Troubleshooting Reference Table

Applicable Parts	Wiring and Plug/Jack References
<ul style="list-style-type: none"> ■ Fuser Fan, PL4.1.8 ■ Harness RH Cover, PL4.3.16 ■ MCU Board, PL10.2.18 ■ Harness RH Motor, PL11.2.3 	<ul style="list-style-type: none"> ■ “Map 3 - Right Door” on page 10-7 ■ “Map 5 - MCU Board and Laser Unit” on page 10-9 ■ “Fuser and Exit” on page 10-39

Note

Fan Alarm tests turn On the target Fan, then check for the Fan's Alarm signal returning to the MCU Board.

Troubleshooting Procedure Table

Step	Actions and Questions	Yes	No
1	Test the Fuser Fan Alarm signal using dc330 (010-210). The Fan Alarm state is Off.	Replace the MCU Board (page 8-152).	Go to Step 2.
2	Replace the Fuser Fan (page 8-71). The error persists.	Visually inspect and test continuity of all applicable harnesses	Complete.

Engine Fan Failure - LVPS Fan

A failure was detected in the LVPS fan.

Applicable Codes

- 10-398-00 Engine Fan Failure
- 342.329.01 LVPS Fan error

Initial Actions

- Check for obstructions or accumulations of dust or debris blocking fan rotation.
- Cycle system power.
- If the problem persists, follow the procedure below.

Troubleshooting Reference Table

Applicable Parts	Wiring and Plug/Jack References
<ul style="list-style-type: none"> ■ Fuser Fan, PL10.1.9 ■ LVPS, PL10.2.1 ■ LVPS Harness, PL11.1.2 ■ MCU Board, PL10.2.18 	<ul style="list-style-type: none"> ■ “Map 4 - LVPS and IP Board” on page 10-8 ■ “Map 5 - MCU Board and Laser Unit” on page 10-9 ■ “LVPS” on page 10-25

Note

Fan Alarm tests turn On the target Fan, then check for the Fan's Alarm signal returning to the MCU Board.

Troubleshooting Procedure Table

Step	Actions and Questions	Yes	No
1	Test the LVPS Fan Alarm signal using dc330 (042-206). The Fan Alarm state is Off.	Replace the MCU Board (page 8-152).	Go to Step 2.
2	Replace the LVPS Fan (page 8-153). The error persists.	Visually inspect and test continuity of all applicable harnesses	Complete.

Fuser Failure

A communication or CRUM data error was detected in the Fuser.

Applicable Codes

- 310.902.02 Fuser Unit Communication Error
- 310.903.03 CRUM data error

Initial Actions

- Reseat the Fuser to the printer.
- Check Fuser product compatibility.
- Cycle system power.
- If the problem persists, follow the procedure below.

Troubleshooting Reference Table

Applicable Parts	Wiring and Plug/Jack References
<ul style="list-style-type: none"> ■ Fuser, PL7.1.99 ■ Harness Assy FSR, PL7.1.4 ■ MCU Board, PL10.2.18 	<ul style="list-style-type: none"> ■ “Map 2 - Fuser and Feeder” on page 10-6 ■ “Map 5 - MCU Board and Laser Unit” on page 10-9 ■ “Fuser and Exit” on page 10-39

Troubleshooting Procedure Table

Step	Actions and Questions	Yes	No
1	Replace the Fuser. Does the error persist?	Go to Step 2.	Complete.
2	Check Fuser connections PJ180-S and P/J1 on the MCU Board. The connections are secure and undamaged.	Go to Step 3.	Replace the harness.
3	Check Fuser harness continuity between P/J1 and P/J180-S. The harness is undamaged.	Replace the MCU Board (page 8-152).	Replace the harness.

Finisher Failure

The printer detected a logic mode failure in the Finisher.

Applicable Codes

- 12-221-00 Finisher Failure
- 312.098.01 Finisher logic mode error

Initial Actions

- Reseat Finisher connections to the printer.
- Cycle system power.
- If the problem persists, follow the procedure below.

Troubleshooting Reference Table

Applicable Parts	Wiring and Plug/Jack References
<ul style="list-style-type: none"> ■ Harness, Finisher, PL11.1.8 ■ Finisher Main Board, PL14.4.12 ■ Harness Assy IF, PL14.11.7 	<ul style="list-style-type: none"> ■ “Map 11 - Drive and Main Board” on page 10-18 ■ “Communication and Power” on page 10-49

Troubleshooting Procedure Table

Step	Actions and Questions	Yes	No
1	Check system software version. The software is current.	Go to Step 2.	Update the system software.
2	Check Finisher connections P/J8890 and CN4 to the printer. The connections are secure and undamaged.	Go to Step 3.	Secure the connections.
3	Remove the Finisher I/F harness and check continuity between P/J8890 and CN4. The harness is undamaged.	Go to Step 4.	Replace the harness.
4	Check P/J22 on the MCU Board. The connection is secure and undamaged.	Go to Step 5.	Secure the connection.
5	Remove the Finisher harness and check continuity between P/J22 and P/J122. The harness is undamaged.	Go to Step 6.	Replace the harness.
6	Replace the Finisher Main Board (page 8-253). Does the error persist?	Replace the Finisher.	Complete.

Finisher Communication Failure

The printer detected a communication failure with the Finisher.

Applicable Codes

- 12-099-00 Finisher Communication Failure
- 312.099.01 Data Link Disconnect
- 312.099.02 Receive Buffer Overflow
- 312.099.03 Data Link Disconnect
- 312.099.04 Data Link Error
- 312.099.05 Initialization Ack Error
- 312.099.06 Initialization Complete Error
- 312.099.07 Device Controller Error

Initial Actions

- Reseat Finisher connections to the printer.
- Cycle system power.
- If the problem persists, follow the procedure below.

Troubleshooting Reference Table

Applicable Parts	Wiring and Plug/Jack References
<ul style="list-style-type: none"> ■ MCU Board, PL10.2.18 ■ Harness, Finisher, PL11.1.8 ■ Finisher Main Board, PL14.4.12 ■ Harness Assy IF, PL14.11.7 	<ul style="list-style-type: none"> ■ “Map 5 - MCU Board and Laser Unit” on page 10-9 ■ “Map 11 - Drive and Main Board” on page 10-18 ■ “Communication and Power” on page 10-49

Troubleshooting Procedure Table

Step	Actions and Questions	Yes	No
1	Check system software version. The software is current.	Go to Step 2.	Update the system software.
2	Check Finisher connections P/J8890 and CN4 to the printer. The connections are secure and undamaged.	Go to Step 3.	Secure the connections.
3	Remove the Finisher I/F harness and check continuity between P/J8890 and CN4. The harness is undamaged.	Go to Step 4.	Replace the harness.

Troubleshooting Procedure Table (continued)

Step	Actions and Questions	Yes	No
4	Check P/J22 on the MCU Board. The connection is secure and undamaged.	Go to Step 5.	Secure the connection.
5	Remove the Finisher harness and check continuity between P/J22 and P/J122. The harness is undamaged.	Go to Step 6.	Replace the harness.
6	Replace the Finisher Main Board (page 8-253). Does the error persist?	Replace the MCU Board (page 8-152).	Complete.

Finisher Failure - Stack Height Sensor 1

Stack Height Sensor 1 signal is not detected within the specified time after the Stacker Tray starts moving up.

Applicable Code

- 312.211.01 Finisher Stacker Tray failure

Initial Actions

- Check for obstructions preventing Stacker Tray movement.
- Reseat Finisher connections to the printer.
- Cycle system power.
- If the problem persists, follow the procedure below.

Troubleshooting Reference Table

Applicable Parts	Wiring and Plug/Jack References
<ul style="list-style-type: none"> ■ MCU Board, PL10.2.18 ■ Finisher Harness, PL11.1.8 ■ Stack Height Sensor 1, PL14.4.3 ■ Finisher Main Board, PL14.4.12 ■ Stacker Drive Assy, PL14.9.7 ■ MOT3 Harness, PL14.9.25 ■ Finisher LVPS, PL14.10.10 ■ SNR2 Harness, PL 14.11.6 ■ IF Harness, PL14.11.7 	<ul style="list-style-type: none"> ■ “Map 5 - MCU Board and Laser Unit” on page 10-9 ■ “Map 11 - Drive and Main Board” on page 10-18 ■ “Communication and Power” on page 10-49 ■ “Stacker” on page 10-53

Troubleshooting Procedure Table

Step	Actions and Questions	Yes	No
1	Check Stacker Drive and belts for obstacles or wear. Are there obstacles or belt wear in the vertical transport mechanism?	Remove obstacles or replace worn parts.	Go to Step 2.
2	Test Stack Height Sensor 1 using dc330 (012-040). The sensor signal changes (On/Off).	Go to Step 7.	Go to Step 3.
3	With Stack Height Sensor 1 turned On in diagnostics, check for 5V at P/J8873-1. Is 5 V available at P/J8873-1?	Replace Stack Height Sensor 1 (page 8-247).	Go to Step 4

Troubleshooting Procedure Table (continued)

Step	Actions and Questions	Yes	No
4	Check Finisher Main Board connection P/J8989. The connection is secure and undamaged.	Go to Step 5.	Secure the connection.
5	Check SNR2 harness continuity between P/J8989 and P/J8873. The harness is undamaged.	Go to Step 6.	Replace the harness.
6	With Stack Height Sensor 1 turned On in diagnostics, check for 5V at P/J8989-6B on the Finisher Main Board. Is 5 V available at P/J8989-6B?	Replace the MCU Board (page 8-152).	Replace the Finisher Main Board (page 8-253).
7	Test the Stacker Drive using dc330 (012-026 Up, 012-027 Down). The Stacker Tray moves up and downs (On/Off).	Go to Step 12.	Go to Step 8.
8	Check MOT3 harness continuity between P/J8983 on the Finisher Main Board and P/J8891 on the Stacker Drive. The harness is undamaged.	Go to Step 9.	Secure the connections.
9	With the Stacker Drive turned On in diagnostics, check for 24V at P/J8986-1 and -3 on the Finisher Main Board. Is 24V available at P/J8986?	Replace the Stacker Drive (page 8-285).	Go to Step 10.
10	Check for 24V at P/J8980-1 on the Finisher Main Board. Is 24V available at P/J8980-1.	Replace the MCU Board (page 8-152).	Go to Step 11.
11	Remove the Finisher LVPS harness and check continuity between P/J591 on the LVPS and P/J8980 on the Finisher Main Board. The harness is undamaged.	Replace the Finisher LVPS (page 8-289).	Replace the harness.
12	Replace the Finisher Main Board (page 8-253). Does the error persist?	Replace the MCU Board (page 8-152).	Complete.

Finisher Failure - Stacker No Paper Sensor

The Stacker Tray continues to move up following an On signal from the Stacker Tray No Paper Sensor.

Applicable Codes

- 12-221-00 Finisher Failure
- 312.212.01 Finisher Stacker Tray upper limit failure

Initial Actions

- Reseat Finisher connections to the printer.
- Cycle system power.
- If the problem persists, follow the procedure below.

Troubleshooting Reference Table

Applicable Parts	Wiring and Plug/Jack References
<ul style="list-style-type: none"> ■ MCU Board, PL10.2.18 ■ Finisher Harness, PL11.1.8 ■ Stack Height Sensor 1, PL14.4.3 ■ Stack Height Sensor 2, PL14.4.3 ■ Finisher Main Board, PL14.4.12 ■ Stacker Drive Assy, PL14.9.7 ■ MOT3 Harness, PL14.9.25 ■ Finisher LVPS, PL14.10.10 ■ SNR2 Harness, PL 14.11.6 ■ IF Harness, PL14.11.7 	<ul style="list-style-type: none"> ■ “Map 5 - MCU Board and Laser Unit” on page 10-9 ■ “Map 11 - Drive and Main Board” on page 10-18 ■ “Communication and Power” on page 10-49 ■ “Stacker” on page 10-53

Troubleshooting Procedure Table

Step	Actions and Questions	Yes	No
1	Check Stacker Drive and belts for obstacles or wear. Are there obstacles or belt wear in the vertical transport mechanism?	Remove obstacles or replace worn parts.	Go to Step 2.
2	Test Stack Height Sensor 1 using dc330 (012-040). The sensor signal changes (On/Off).	Go to Step 4.	Go to Step 3.
3	With Stack Height Sensor 1 turned On in diagnostics, check for 5V at P/J8873-1. Is 5 V available at P/J8873-1?	Replace Stack Height Sensor 1 (page 8-247).	Go to Step 6.

Troubleshooting Procedure Table (continued)

Step	Actions and Questions	Yes	No
4	Test Stack Height Sensor 2 using dc330 (012-041). The sensor signal changes (On/Off).	Go to Step 9.	Go to Step 5.
5	With Stack Height Sensor 2 turned On in diagnostics, check for 5V at P/J8874-1. Is 5 V available at P/J8874-1?	Replace Stack Height Sensor 2 (page 8-247).	Go to Step 6.
6	Check Finisher Main Board connection P/J8989. The connection is secure and undamaged.	Go to Step 7.	Secure the connection.
7	Check SNR2 harness continuity between P/J8989 and P/J8873. The harness is undamaged.	Go to Step 8.	Replace the harness.
8	With Stack Height Sensor 1 turned On in diagnostics, check for 5V at P/J8989-6B on the Finisher Main Board. Is 5 V available at P/J8989-6B?	Go to Step 9.	Replace the Finisher Main Board (page 8-253).
9	Test the Stacker Drive using dc330 (012-026 Up, 012-027 Down). The Stacker Tray moves up and downs (On/Off).	Go to Step 14.	Go to Step 10.
10	Check MOT3 harness continuity between P/J8983 on the Finisher Main Board and P/J8891 on the Stacker Drive. The harness is undamaged.	Go to Step 11.	Secure the connections.
11	With the Stacker Drive turned On in diagnostics, check for 24V at P/J8986-1 and -3 on the Finisher Main Board. Is 24V available at P/J8986?	Replace the Stacker Drive (page 8-285).	Go to Step 12.
12	Check for 24V at P/J8980-1 on the Finisher Main Board. Is 24V available at P/J8980-1.	Replace the MCU Board (page 8-152).	Go to Step 13.
13	Remove the Finisher LVPS harness and check continuity between P/J591 on the LVPS and P/J8980 on the Finisher Main Board. The harness is undamaged.	Replace the Finisher LVPS (page 8-289).	Replace the harness.
14	Replace the Finisher Main Board (page 8-253). Does the error persist?	Replace the MCU Board (page 8-152).	Complete.

Finisher Failure - Stacker Lower Limit

Stack Height Sensor 2 signal is not detected within the specified time after the Stacker Tray starts moving down.

Applicable Codes

- 12-221-00 Finisher Failure
- 312.213.01 Finisher Stacker Tray lower limit failure

Initial Actions

- Reseat Finisher connections to the printer.
- Cycle system power.
- If the problem persists, follow the procedure below.

Troubleshooting Reference Table

Applicable Parts	Wiring and Plug/Jack References
<ul style="list-style-type: none"> ■ MCU Board, PL10.2.18 ■ Finisher Harness, PL11.1.8 ■ Stack Height Sensor 2, PL14.4.3 ■ Finisher Main Board, PL14.4.12 ■ Stacker Drive Assy, PL14.9.7 ■ MOT3 Harness, PL14.9.25 ■ Finisher LVPS, PL14.10.10 ■ SNR2 Harness, PL 14.11.6 ■ IF Harness, PL14.11.7 	<ul style="list-style-type: none"> ■ “Map 5 - MCU Board and Laser Unit” on page 10-9 ■ “Map 11 - Drive and Main Board” on page 10-18 ■ “Communication and Power” on page 10-49 ■ “Stacker” on page 10-53

Troubleshooting Procedure Table

Step	Actions and Questions	Yes	No
1	Check Stacker Drive and belts for obstacles or wear. Are there obstacles or belt wear in the vertical transport mechanism?	Remove obstacles or replace worn parts.	Go to Step 2.
2	Test Stack Height Sensor 2 using dc330 (012-041). The sensor signal changes (On/Off).	Go to Step 7.	Go to Step 3.
3	With Stack Height Sensor 2 turned On in diagnostics, check for 5V at P/J8874-1. Is 5 V available at P/J8874-1?	Replace Stack Height Sensor 2 (page 8-247).	Go to Step 4

Troubleshooting Procedure Table (continued)

Step	Actions and Questions	Yes	No
4	Check Finisher Main Board connection P/J8989. The connection is secure and undamaged.	Go to Step 5.	Secure the connection.
5	Check SNR2 harness continuity between P/J8989 and P/J8874. The harness is undamaged.	Go to Step 6.	Replace the harness.
6	With Stack Height Sensor 2 turned On in diagnostics, check for 5V at P/J8989-6B on the Finisher Main Board. Is 5 V available at P/J8989-9B?	Replace the MCU Board (page 8-152).	Replace the Finisher Main Board (page 8-253).
7	Test the Stacker Drive using dc330 (012-026 Up, 012-027 Down). The Stacker Tray moves up and downs (On/Off).	Go to Step 12.	Go to Step 8.
8	Check MOT3 harness continuity between P/J8983 on the Finisher Main Board and P/J8891 on the Stacker Drive. The harness is undamaged.	Go to Step 3.	Secure the connections.
9	With the Stacker Drive turned On in diagnostics, check for 24V at P/J8986-1 and -3 on the Finisher Main Board. Is 24V available at P/J8986?	Replace the Stacker Drive (page 8-285).	Go to Step 10.
10	Check for 24V at P/J8980-1 on the Finisher Main Board. Is 24V available at P/J8980-1.	Replace the MCU Board (page 8-152).	Go to Step 11.
11	Remove the Finisher LVPS harness and check continuity between P/J591 on the LVPS and P/J8980 on the Finisher Main Board. The harness is undamaged.	Replace the Finisher LVPS (page 8-289).	Replace the harness.
12	Replace the Finisher Main Board (page 8-253). Does the error persist?	Replace the MCU Board (page 8-152).	Complete.

Finisher Failure - Front Tamper Home Position

Front Tamper Home Sensor state change not detected within the specified time after Front Tamper moves from home position.

Caution

Use care when manually moving the front tamper. Grasp the tamper as close to the tamper's base as possible and move the tamper slowly just enough to actuate the sensor, verify freedom of movement and check Tamper Motor operation.

Applicable Codes

- 12-221-00 Finisher Failure
- 312.221.01 Finisher Front Tamper Home Sensor On failure
- 312.223.01 Finisher Front Tamper Home Sensor Off failure

Initial Actions

- Reseat Finisher connections to the printer.
- Cycle system power.
- If the problem persists, follow the procedure below.

Troubleshooting Reference Table

Applicable Parts	Wiring and Plug/Jack References
<ul style="list-style-type: none"> ■ MCU Board, PL10.2.18 ■ Finisher Main Board, PL14.4.12 ■ Compile Tray, PL14.8.1 ■ Front Tamper Home Sensor, PL14.8.9 ■ Tamper Motor, PL14.8.18 ■ MOT1 Harness, PL14.11.3 ■ SNR1 Harness, PL14.11.5 	<ul style="list-style-type: none"> ■ "Map 5 - MCU Board and Laser Unit" on page 10-9 ■ "Map 10 - Compile Tray" on page 10-17 ■ "Map 11 - Drive and Main Board" on page 10-18 ■ "Communication and Power" on page 10-49 ■ "Transport and Compile Tray" on page 10-51

Troubleshooting Procedure Table

Step	Actions and Questions	Yes	No
1	Check the Front Tamper motion by gently moving the tamper. The tamper moves freely.	Go to Step 2.	Replace the Compile Tray (page 8-277).
2	Test Front Tamper Home Sensor using dc330 (012-031) and gently moving the front tamper in and out of the sensing area. The sensor signal changes (On/Off).	Go to Step 7.	Go to Step 3.

Troubleshooting Procedure Table (continued)

Step	Actions and Questions	Yes	No
3	With Front Tamper Home Sensor turned On in diagnostics, check for 5V at P/J8881-1. Is 5 V available at P/J8881-1?	Replace the Front Tamper Home Sensor (page 8-280).	Go to Step 4
4	Check Finisher Main Board connection P/J8988. The connection is secure and undamaged.	Go to Step 5.	Secure the connection.
5	Check SNR1 harness continuity between P/J8988 and P/J8881. The harness is undamaged.	Go to Step 6.	Replace the harness.
6	With Front Tamper Home Sensor turned On in diagnostics, check for 5V at P/J8988-6 on the Finisher Main Board. Is 5 V available at P/J8988-6?	Replace the MCU Board (page 8-152).	Replace the Finisher Main Board (page 8-253).
7	Test the Front Tamper Motor using dc330 (012-012). The motor rotates (On/Off).	Go to Step 12.	Go to Step 8.
8	Check MOT1 harness continuity between P/J8983 on the Finisher Main Board and P/J8884 on the Tamper Motor. The harness is undamaged.	Go to Step 9.	Replace the harness.
9	With the Front Tamper Motor turned On in diagnostics, check for 24V at P/J8983-11. Is 24V available at P/J8983-11?	Replace the Front Tamper Motor (page 8-283).	Go to Step 10.
10	Check for 24V at P/J8980-1 on the Finisher Main Board. Is 24V available at P/J8980-1.	Replace the MCU Board (page 8-152).	Go to Step 11.
11	Remove the Finisher LVPS harness and check continuity between P/J591 on the LVPS and P/J8980 on the Finisher Main Board. The harness is undamaged.	Replace the Finisher LVPS (page 8-289).	Replace the harness.
12	Replace the Finisher Main Board (page 8-253). Does the error persist?	Replace the MCU Board (page 8-152).	Complete.

Finisher Failure - Rear Tamper Home Position

Rear Tamper Home Sensor state change not detected within the specified time after Rear Tamper moves from home position.

Applicable Codes

- 12-221-00 Finisher Failure
- 312.222.01 Finisher Rear Tamper Home Sensor On failure
- 312.224.01 Finisher Rear Tamper Home Sensor Off failure

Initial Actions

- Reseat Finisher connections to the printer.
- Cycle system power.
- If the problem persists, follow the procedure below.

Note

Remove the Finisher Rear and Top Covers to access the applicable parts.

Troubleshooting Reference Table

Applicable Parts	Wiring and Plug/Jack References
<ul style="list-style-type: none"> ■ MCU Board, PL10.2.18 ■ Finisher Main Board, PL14.4.12 ■ Compile Tray, PL14.8.1 ■ Rear Tamper Home Sensor, PL14.8.9 ■ Tamper Motor, PL14.8.18 ■ MOT1 Harness, PL14.11.3 ■ SNR1 Harness, PL14.11.5 	<ul style="list-style-type: none"> ■ “Map 5 - MCU Board and Laser Unit” on page 10-9 ■ “Map 10 - Compile Tray” on page 10-17 ■ “Map 11 - Drive and Main Board” on page 10-18 ■ “Communication and Power” on page 10-49 ■ “Transport and Compile Tray” on page 10-51

Troubleshooting Procedure Table

Step	Actions and Questions	Yes	No
1	Check the Rear Tamper motion by gently moving the tamper. The tamper moves freely.	Go to Step 2.	Replace the Compile Tray (page 8-277).
2	Test Rear Tamper Home Sensor using dc330 (012-032) and gently moving the front tamper in and out of the sensing area. The sensor signal changes (On/Off).	Go to Step 7.	Go to Step 3.

Troubleshooting Procedure Table (continued)

Step	Actions and Questions	Yes	No
3	With Rear Tamper Home Sensor turned On in diagnostics, check for 5V at P/J8882-1. Is 5 V available at P/J8882-1?	Replace the Front Tamper Home Sensor (page 8-280).	Go to Step 4
4	Check Finisher Main Board connection P/J8988. The connection is secure and undamaged.	Go to Step 5.	Secure the connection.
5	Check SNR1 harness continuity between P/J8988 and P/J8882. The harness is undamaged.	Go to Step 6.	Replace the harness.
6	With Rear Tamper Home Sensor turned On in diagnostics, check for 5V at P/J8988-9 on the Finisher Main Board. Is 5 V available at P/J8988-9?	Replace the MCU Board (page 8-152).	Replace the Finisher Main Board (page 8-253).
7	Test the Rear Tamper Motor using dc330 (012-016). The motor rotates (On/Off).	Go to Step 12.	Go to Step 8.
8	Check MOT1 harness continuity between P/J8983 on the Finisher Main Board and P/J8883 on the Tamper Motor. The harness is undamaged.	Go to Step 9.	Replace the harness.
9	With the Rear Tamper Motor turned On in diagnostics, check for 24V at P/J8983-6. Is 24V available at P/J8983-6?	Replace the Front Tamper Motor (page 8-283).	Go to Step 10.
10	Check for 24V at P/J8980-1 on the Finisher Main Board. Is 24V available at P/J8980-1.	Replace the MCU Board (page 8-152).	Go to Step 11.
11	Remove the Finisher LVPS harness and check continuity between P/J591 on the LVPS and P/J8980 on the Finisher Main Board. The harness is undamaged.	Replace the Finisher LVPS (page 8-289).	Replace the harness.
12	Replace the Finisher Main Board (page 8-253). Does the error persist?	Replace the MCU Board (page 8-152).	Complete.

Finisher Failure - Eject Clamp Home Position

Eject Clamp Home Sensor state change not detected within the specified time.

Applicable Codes

- 12-221-00 Finisher Failure
- 312.260.01 Finisher Eject Clamp Home Sensor On failure
- 312.261.01 Finisher Eject Clamp Home Sensor Off failure

Initial Actions

- Reseat Finisher connections to the printer.
- Cycle system power.
- If the problem persists, follow the procedure below.

Note

Remove the Finisher Rear Cover to access the applicable parts.

Troubleshooting Reference Table

Applicable Parts	Wiring and Plug/Jack References
<ul style="list-style-type: none"> ■ MCU Board, PL10.2.18 ■ Eject Clamp Home Sensor, PL14.4.3 ■ Finisher Main Board, PL14.4.12 ■ Eject Motor, PL14.5.6 ■ SNR2 Harness, PL14.11.6 ■ MOT2 Harness, PL14.11.4 	<ul style="list-style-type: none"> ■ “Map 5 - MCU Board and Laser Unit” on page 10-9 ■ “Map 10 - Compile Tray” on page 10-17 ■ “Map 11 - Drive and Main Board” on page 10-18 ■ “Stacker” on page 10-53

Troubleshooting Procedure Table

Step	Actions and Questions	Yes	No
1	Check eject clamp motion by rotating the Eject Clamp Drive gears. The eject clamp moves freely.	Go to Step 2.	Replace any damaged parts.
2	Test Eject Clamp Home Position Sensor using dc330 (012-036) and rotating the eject clamp in and out of the sensing area. The sensor signal changes (On/Off).	Go to Step 7.	Go to Step 3.
3	With Eject Clamp Home Position Sensor turned On in diagnostics, check for 5V at P/J8870-1. Is 5 V available at P/J8870-1?	Replace the Eject Clamp Home Position Sensor (page 8-249).	Go to Step 4

Troubleshooting Procedure Table (continued)

Step	Actions and Questions	Yes	No
4	Check Finisher Main Board connection P/J8988. The connection is secure and undamaged.	Go to Step 5.	Secure the connection.
5	Check SNR2 harness continuity between P/J8989 and P/J8870. The harness is undamaged.	Go to Step 6.	Replace the harness.
6	With Eject Clamp Home Position Sensor turned On in diagnostics, check for 5V at P/J8989-11A on the Finisher Main Board. Is 5 V available at P/J8989-11A?	Replace the MCU Board (page 8-152).	Replace the Finisher Main Board (page 8-253).
7	Test the Eject Motor using dc330 (012-025). The motor rotates (On/Off).	Go to Step 12.	Go to Step 8.
8	Check MOT2 harness continuity between P/J8984 on the Finisher Main Board and P/J8878 on the Eject Motor. The harness is undamaged.	Go to Step 9.	Replace the harness.
9	Check for 24V at P/J8884-5 and P/J8884-5. Is 24V available at P/J8884-5 and P/J8884-5?	Replace the Eject Drive Assy (page 8-254).	Go to Step 10.
10	Check for 24V at P/J8980-1 on the Finisher Main Board. Is 24V available at P/J8980-1.	Replace the MCU Board (page 8-152).	Go to Step 11.
11	Remove the Finisher LVPS harness and check continuity between P/J591 on the LVPS and P/J8980 on the Finisher Main Board. The harness is undamaged.	Replace the Finisher LVPS (page 8-289).	Replace the harness.
12	Replace the Finisher Main Board (page 8-253). Does the error persist?	Replace the MCU Board (page 8-152).	Complete.

Finisher Failure - Set Clamp Home Position

Set Clamp Home Sensor state change not detected within the specified time.

Applicable Codes

- 312.283.01 Finisher Eject Clamp Home Sensor On failure
- 312.284.01 Finisher Eject Clamp Home Sensor Off failure

Initial Actions

- Reseat Finisher connections to the printer.
- Cycle system power.
- If the problem persists, follow the procedure below.

Note

Remove the Finisher Rear Cover to access the applicable parts.

Troubleshooting Reference Table

Applicable Parts	Wiring and Plug/Jack References
<ul style="list-style-type: none"> ■ MCU Board, PL10.2.18 ■ Set Clamp Home Sensor, PL14.4.3 ■ Set Clamp Cam Actuator, PL14.4.6 ■ Set Clamp Clutch, PL14.5.25 ■ Finisher Main Board, PL14.4.12 ■ Eject Motor, PL14.5.6 ■ SNR2 Harness, PL14.11.6 ■ MOT2 Harness, PL14.11.4 	<ul style="list-style-type: none"> ■ “Map 5 - MCU Board and Laser Unit” on page 10-9 ■ “Map 10 - Compile Tray” on page 10-17 ■ “Map 11 - Drive and Main Board” on page 10-18 ■ “Stacker” on page 10-53

Troubleshooting Procedure Table

Step	Actions and Questions	Yes	No
1	Check eject clamp motion by rotating the Eject Clamp Drive gears. The eject clamp moves freely.	Go to Step 2.	Repair any damaged parts.
2	Test Set Clamp Home Position Sensor using dc330 (012-037) and rotating the set clamp cam actuator in and out of the sensing area. The sensor signal changes (On/Off).	Go to Step 7.	Go to Step 3.
3	With Set Clamp Home Position Sensor turned On in diagnostics, check for 5V at P/J8871-1. Is 5 V available at P/J8871-1?	Replace the Set Clamp Home Position Sensor (page 8-248).	Go to Step 4

Troubleshooting Procedure Table (continued)

Step	Actions and Questions	Yes	No
4	Check Finisher Main Board connection P/J8988. The connection is secure and undamaged.	Go to Step 5.	Secure the connection.
5	Check SNR2 harness continuity between P/J8989 and P/J8870. The harness is undamaged.	Go to Step 6.	Replace the harness.
6	With Set Clamp Home Position Sensor turned On in diagnostics, check for 5V at P/J8989-3B on the Finisher Main Board. Is 5 V available at P/J8989-3B?	Replace the MCU Board (page 8-152).	Replace the Finisher Main Board (page 8-253).
7	Test the Eject Motor using dc330 (012-025). The motor rotates (On/Off).	Go to Step 10.	Go to Step 8.
8	Check MOT2 harness continuity between P/J8984 on the Finisher Main Board and P/J8878 on the Eject Motor. The harness is undamaged.	Go to Step 9.	Replace the harness.
9	Check for 24V at P/J8884-5 and P/J8884-5. Is 24V available at P/J8884-5 and P/J8884-5?	Replace the Eject Drive Assy (page 8-254).	Go to Step 10.
10	Test the Set Clamp Clutch Z34 using dc330 (012-021). The clutch clicks (On/Off).	Go to Step 14.	Go to Step 11.
11	Check MOT2 harness continuity between P/J8984 on the Finisher Main Board and P/J8877 on the Set Clamp Clutch. The harness is undamaged.	Go to Step 12.	Replace the harness.
12	Check for 24V at P/J8884-4 on the Finisher Main Board. Is 24V available at P/J8884-4?	Replace the MCU Board (page 8-152).	Go to Step 13.
13	Remove the Finisher LVPS harness and check continuity between P/J591 on the LVPS and P/J8980 on the Finisher Main Board. The harness is undamaged.	Replace the Finisher LVPS (page 8-289).	Replace the harness.
14	Replace the Finisher Main Board (page 8-253). Does the error persist?	Replace the MCU Board (page 8-152).	Complete.

Finisher Failure - Stapler Home Position

Staple Head Home Sensor On not detected within the specified time after staple motor reverse rotation starts.

Applicable Code

- 312.291.01 Finisher Stapler Home Sensor On failure

Initial Actions

- Check Staple Cartridge installation
- Reseat Finisher connections to the printer
- Cycle system power.
- If the problem persists, follow the procedure below.

Note

Remove the Finisher Front and Rear Covers to access the applicable parts.

Troubleshooting Reference Table

Applicable Parts	Wiring and Plug/Jack References
<ul style="list-style-type: none"> ■ MCU Board, PL10.2.18 ■ Stapler, PL14.8.20 ■ Finisher Main Board, PL14.4.12 ■ SNR1 Harness, PL14.11.5 ■ MOT1 Harness, PL14.11.3 	<ul style="list-style-type: none"> ■ “Map 5 - MCU Board and Laser Unit” on page 10-9 ■ “Map 10 - Compile Tray” on page 10-17 ■ “Map 11 - Drive and Main Board” on page 10-18 ■ “Stapler” on page 10-55

Troubleshooting Procedure Table

Step	Actions and Questions	Yes	No
1	Check stapler motion by rotating the black gears on the side of the Stapler. The mechanism moves freely.	Go to Step 2.	Replace the Stapler (page 8-284).
2	Test Stapler Home Position Sensor using dc330 (012-035) and rotating Stapler gears to move the Stapler clamp in and out of the sensing area. The sensor signal changes (On/Off).	Go to Step 6.	Go to Step 3.
3	Check Stapler connections to the Finisher Main Board P/J8886 and P/J8988. The connections are secure and undamaged.	Go to Step 4.	Secure the connections.

Troubleshooting Procedure Table (continued)

Step	Actions and Questions	Yes	No
4	Check SNR1 harness continuity between P/J8988 and P/J8886. The harness is undamaged.	Go to Step 5.	Replace the harness.
5	With Stapler Home Position Sensor turned On in diagnostics, check for 5V at P/J8886-5. Is 5 V available at P/J8886-5?	Replace the Stapler (page 8-284).	Replace the Finisher Main Board (page 8-253).
6	Check for 24V at P/J8980-1 of the LVPS harness. Is 24V available at P/J8884-1?	Replace the MCU Board (page 8-152).	Go to Step 7.
7	Remove the Finisher LVPS harness and check continuity between P/J591 on the LVPS and P/J8980 on the Finisher Main Board. The harness is undamaged.	Replace the Finisher LVPS (page 8-289).	Replace the harness.
8	Replace the Finisher Main Board (page 8-253). Does the error persist?	Replace the MCU Board (page 8-152).	Complete.

Finisher Failure - NVM Read/Write Error

An error detected during NVM access operation.

Applicable Codes

- 12-221-00 Finisher Failure
- 312.300.01 Finisher NVM failure

Initial Actions

- Reseat Finisher connections to the printer
- Cycle system power.
- If the problem persists, follow the procedure below.

Note

Remove the Finisher Rear Cover, if necessary, to access applicable parts.

Troubleshooting Reference Table

Applicable Parts	Wiring and Plug/Jack References
<ul style="list-style-type: none"> ■ MCU Board, PL10.2.18 ■ Finisher Harness, PL11.1.8 ■ Finisher Main Board, PL14.4.12 ■ I/F Harness, PL14.11.7 	<ul style="list-style-type: none"> ■ “Map 5 - MCU Board and Laser Unit” on page 10-9 ■ “Map 11 - Drive and Main Board” on page 10-18 ■ “Communication and Power” on page 10-49

Troubleshooting Procedure Table

Step	Actions and Questions	Yes	No
1	Initialize Finisher NVM using dc301, then exit and reboot the system. The error persists.	Go to Step 2.	Complete.
2	Check system software version. The software is current.	Go to Step 3.	Update the system software.
3	Check Finisher connections P/J8890 and CN4 to the printer. The connections are secure and undamaged.	Go to Step 4.	Secure the connections.
4	Remove the Finisher I/F harness and check continuity between P/J8890 and CN4. The harness is undamaged.	Go to Step 5.	Replace the harness.

Troubleshooting Procedure Table (continued)

Step	Actions and Questions	Yes	No
5	Check P/J22 on the MCU Board. The connection is secure and undamaged.	Go to Step 6.	Secure the connection.
6	Remove the Finisher harness and check continuity between P/J22 and P/J122. The harness is undamaged.	Go to Step 7.	Replace the harness.
7	Replace the Finisher Main Board (page 8-253). Does the error persist?	Replace the MCU Board (page 8-152).	Complete.

Staple Cartridge is Empty

The low staple sensor in the Stapler indicates the Staple Cartridge is empty.

Applicable Codes

- 12-409-00 Staple Cartridge is Empty
- 12-715-00 Staple Cartridge is Empty

Initial Actions

- Replace the Staple Cartridge.
- Cycle system power.
- If the problem persists, follow the procedure below.

Troubleshooting Reference Table

Applicable Parts	Wiring and Plug/Jack References
<ul style="list-style-type: none"> ■ MCU Board, PL10.2.18 ■ Finisher Main Board, PL14.4.12 ■ Stapler, PL14.8.20 ■ SNR1 Harness, PL14.11.5 	<ul style="list-style-type: none"> ■ “Map 5 - MCU Board and Laser Unit” on page 10-9 ■ “Map 10 - Compile Tray” on page 10-17 ■ “Map 11 - Drive and Main Board” on page 10-18 ■ “Stapler” on page 10-55

Troubleshooting Procedure Table

Step	Actions and Questions	Yes	No
1	Test the Low Staple Sensor using dc330 (012-033). The sensor signal changes (On/Off).	Go to Step 4.	Go to Step 2.
2	Checking SNR1 Harness continuity between P/J8988 on the Finisher Main Board and P/J8886 from the Stapler. The harness is undamaged?	Replace the Compile Exit Sensor (page 8-271).	Replace the harness.
3	Checking for 5V at P/J8988-10 on the Finisher Main Board. Is 5V available at J8988-10?	Replace the Stapler (page 8-284).	Secure the connection.
4	Replace the Finisher Main Board (page 8-253). The error persists.	Replace the MCU Board (page 8-152).	Complete.

Staple is Jammed

The staple home sensor in the Stapler indicates the staple motor could not rotate.

Applicable Codes

- 12-423-00 Staple is jammed
- 12-723-00 Staple is jammed

Initial Actions

- Check for obstructions in the Stapler.
- Cycle system power.
- If the problem persists, follow the procedure below.

Troubleshooting Reference Table

Applicable Parts	Wiring and Plug/Jack References
<ul style="list-style-type: none"> ■ MCU Board, PL10.2.18 ■ Finisher Main Board, PL14.4.12 ■ Stapler, PL14.8.20 ■ MOT1 Harness, PL14.11.3 ■ SNR1 Harness, PL14.11.5 	<ul style="list-style-type: none"> ■ “Map 5 - MCU Board and Laser Unit” on page 10-9 ■ “Map 10 - Compile Tray” on page 10-17 ■ “Map 11 - Drive and Main Board” on page 10-18 ■ “Stapler” on page 10-55

Troubleshooting Procedure Table

Step	Actions and Questions	Yes	No
1	Test the Stapler motor using dc330 (012-046). The signal changes (On/Off) and an audible noise is heard.	Go to Step 4.	Go to Step 2.
2	Checking MOT1 Harness continuity between P/J8983 on the Finisher Main Board and P/J8887 from the Stapler. The harness is undamaged?	Go to Step 3.	Replace the harness.
3	Checking for 24V at P/J8983-1 and -2 on the Finisher Main Board. Is 24V available at J8988-1 and -3?	Replace the Stapler (page 8-284).	Go to Step 7.
4	Test the staple home sensor using dc330 (012-046). The signal changes (On/Off).	Go to Step 7.	Go to Step 5.

Troubleshooting Procedure Table (continued)

Step	Actions and Questions	Yes	No
5	Checking SNR1 Harness continuity between P/J8988 on the Finisher Main Board and P/J8886 from the Stapler. The harness is undamaged?	Go to Step 6.	Replace the harness.
6	Checking for 5V at P/J8988-10 on the Finisher Main Board. Is 5V available at J8988-10 on the Finisher Main Board?	Replace the Stapler (page 8-284).	Secure the connection.
7	Replace the Finisher Main Board (page 8-253). The error persists.	Replace the MCU Board (page 8-152).	Complete.

Unable to Staple

The staple home sensor in the Stapler indicates the stapler motor did not rotate.

Applicable Code

- 12-430-00 Unable to staple

Initial Actions

- Check for obstructions in the Stapler.
- Cycle system power.
- If the problem persists, follow the procedure below.

Troubleshooting Reference Table

Applicable Parts	Wiring and Plug/Jack References
<ul style="list-style-type: none"> ■ MCU Board, PL10.2.18 ■ Finisher Main Board, PL14.4.12 ■ Stapler, PL14.8.20 ■ MOT1 Harness, PL14.11.3 ■ SNR1 Harness, PL14.11.5 	<ul style="list-style-type: none"> ■ “Map 5 - MCU Board and Laser Unit” on page 10-9 ■ “Map 10 - Compile Tray” on page 10-17 ■ “Map 11 - Drive and Main Board” on page 10-18 ■ “Stapler” on page 10-55

Troubleshooting Procedure Table

Step	Actions and Questions	Yes	No
1	Test the staple home sensor using dc330 (012-046). The signal changes (On/Off).	Go to Step 4.	Go to Step 2.
2	Checking SNR1 Harness continuity between P/J8988 on the Finisher Main Board and P/J8886 from the Stapler. The harness is undamaged?	Go to Step 3.	Replace the harness.
3	Checking for 5V at P/J8988-10 on the Finisher Main Board. Is 5V available at J8988-10 on the Finisher Main Board?	Replace the Stapler (page 8-284).	Secure the connection.
4	Test the Stapler motor using dc330 (012-046). The signal changes (On/Off) and an audible noise is heard.	Go to Step 7.	Go to Step 5.
5	Checking MOT1 Harness continuity between P/J8983 on the Finisher Main Board and P/J8887 from the Stapler. The harness is undamaged?	Go to Step 6.	Replace the harness.

Troubleshooting Procedure Table (continued)

Step	Actions and Questions	Yes	No
6	Checking for 24V at P/J8983-1 and -2 on the Finisher Main Board. Is 24V available at J8988-1 and -3?	Replace the Stapler (page 8-284).	Go to Step 7.
7	Replace the Finisher Main Board (page 8-253). The error persists.	Replace the MCU Board (page 8-152).	Complete.

Jam at Finisher - Compile Exit Sensor Jam

Compile Exit Sensor state change not detected within the specified time. This typically indicates media stuck in the Compile Tray or Horizontal Transport.

Applicable Codes

- 12-450-00 Jam at Finisher
- 312.450.01 Compile Exit Sensor On failure
- 312-451-00 Jam in Horizontal Transport
- 312.451.01 Compile Exit Sensor Off failure
- 312.453.01 Media remains at Compile Exit Sensor

Initial Actions

- Check for obstructions or debris in the Horizontal Transport.
- Reseat Finisher connections to the printer.
- Cycle system power.
- If the problem persists, follow the procedure below.

Note

Remove the Finisher Front, Rear and Top Covers to access the applicable parts.

Troubleshooting Reference Table

Applicable Parts	Wiring and Plug/Jack References
<ul style="list-style-type: none"> ■ MCU Board, PL10.2.18 ■ Compile Exit Sensor, PL14.7.9 ■ Finisher Main Board, PL14.4.12 ■ SN2 Harness, PL14.11.6 	<ul style="list-style-type: none"> ■ “Map 5 - MCU Board and Laser Unit” on page 10-9 ■ “Map 10 - Compile Tray” on page 10-17 ■ “Map 11 - Drive and Main Board” on page 10-18 ■ “Transport and Compile Tray” on page 10-51

Troubleshooting Procedure Table

Step	Actions and Questions	Yes	No
1	Test the Compile Exit Sensor using dc330 (012-029). To actuate the sensor, open the Horizontal Transport Cover and use the Exit Roller Knob to manually feed media into the Compile Tray. The sensor signal changes (On/Off).	Go to Step 7.	Go to Step 2.
2	Check for 5V at P/J8869-1. Is 5 V available at P/J8869-1?	Replace the Compile Exit Sensor (page 8-271).	Go to Step 3

Troubleshooting Procedure Table (continued)

Step	Actions and Questions	Yes	No
3	Check Finisher Main Board connection P/J8989. The connection is secure and undamaged.	Go to Step 4.	Secure the connection.
4	Check for 5V at P/J8989-12B on the Finisher Main Board. Is 5 V available at P/J8989-12B?	Replace the SNR2 harness.	Go to Step 5.
5	Check for 24V at P/J8884-4 on the Finisher Main Board. Is 24V available at P/J8884-4?	Replace the Finisher Main Board (page 8-253).	Go to Step 6.
6	Remove the Finisher LVPS harness and check continuity between P/J591 on the LVPS and P/J8980 on the Finisher Main Board. The harness is undamaged.	Replace the Finisher LVPS (page 8-289).	Replace the harness.
7	Check Finisher connections P/J8890 and CN4 to the printer. The connections are secure and undamaged.	Go to Step 8.	Secure the connections.
8	Remove the Finisher I/F harness and check continuity between P/J8890 and CN4. The harness is undamaged.	Go to Step 9.	Replace the harness.
9	Check P/J22 on the MCU Board. The connection is secure and undamaged.	Go to Step 10.	Secure the connection.
10	Remove the Finisher harness and check continuity between P/J22 and P/J122. The harness is undamaged.	Go to Step 11.	Replace the harness.
11	Replace the Finisher Main Board (page 8-253). Does the error persist?	Replace the MCU Board (page 8-152).	Complete.

Jam at Finisher - Compile No Paper Sensor Jam

Compile No Paper Sensor state change not detected within the specified time. This typically indicates media stuck in the Compile Tray possibly due to an eject failure.

Applicable Codes

- 12-450-00 Jam at Finisher
- 312.452.01 Compile No Paper Sensor On failure
- 312.454.01 Media remains at Compile Tray No Paper Sensor

Initial Actions

- Check for obstructions or debris in the Compile Tray.
- Reseat Finisher connections to the printer.
- Cycle system power.
- If the problem persists, follow the procedure below.

Note

Remove the Finisher Front, Rear and Top Covers to access the applicable parts.

Troubleshooting Reference Table

Applicable Parts	Wiring and Plug/Jack References
<ul style="list-style-type: none"> ■ MCU Board, PL10.2.18 ■ Compile No Paper Sensor, PL14.8.13 ■ Finisher Main Board, PL14.4.12 ■ SN1 Harness, PL14.11.5 	<ul style="list-style-type: none"> ■ “Map 5 - MCU Board and Laser Unit” on page 10-9 ■ “Map 10 - Compile Tray” on page 10-17 ■ “Map 11 - Drive and Main Board” on page 10-18 ■ “Transport and Compile Tray” on page 10-51

Troubleshooting Procedure Table

Step	Actions and Questions	Yes	No
1	Test the Compile No Paper Sensor using dc330 (012-030). To actuate the sensor, lift the Compile Tray's Eject Pinch Roller Assy and using a pencil or similar tool, push down on the actuator. The sensor signal changes (On/Off).	Go to Step 5.	Go to Step 2.
2	Check for 5V at P/J8988-3 on the Finisher Main Board. Is 5 V available at P/J8988-3?	Replace the Compile No Paper Sensor (page 8-282).	Go to Step 3

Troubleshooting Procedure Table (continued)

Step	Actions and Questions	Yes	No
3	Check for 24V at P/J8884-4 on the Finisher Main Board. Is 24V available at P/J8884-4?	Replace the Finisher Main Board (page 8-253).	Go to Step 4.
4	Remove the Finisher LVPS harness and check continuity between P/J591 on the LVPS and P/J8980 on the Finisher Main Board. The harness is undamaged.	Replace the Finisher LVPS (page 8-289).	Replace the harness.
5	Check Finisher connections P/J8890 and CN4 to the printer. The connections are secure and undamaged.	Go to Step 6.	Secure the connections.
6	Remove the Finisher I/F harness and check continuity between P/J8890 and CN4. The harness is undamaged.	Go to Step 7.	Replace the harness.
7	Check P/J22 on the MCU Board. The connection is secure and undamaged.	Go to Step 8.	Secure the connection.
8	Remove the Finisher harness and check continuity between P/J22 and P/J122. The harness is undamaged.	Go to Step 9.	Replace the harness.
9	Replace the Finisher Main Board (page 8-253). Does the error persist?	Replace the MCU Board (page 8-152).	Complete.

Finisher Output Tray is Jammed

The Stack Height Sensors indicate the Stacker Drive Assembly did not move the Stacker Tray to the home position.

Applicable Code

- 12-495-00 Finisher Output Tray is jammed

Initial Actions

- Check for obstructions in Stacker Tray drive.
- Cycle system power.
- If the problem persists, follow the procedure below.

Troubleshooting Reference Table

Applicable Parts	Wiring and Plug/Jack References
<ul style="list-style-type: none"> ■ MCU Board, PL10.2.18 ■ Stack Height Sensor 1 and 2, PL14.4.3 ■ Stacker Drive Assy, PL14.9.7 ■ Finisher Main Board, PL14.4.12 ■ MOT3 Harness, PL14.9.25 ■ SNR2 Harness, PL14.11.6 	<ul style="list-style-type: none"> ■ “Map 5 - MCU Board and Laser Unit” on page 10-9 ■ “Map 11 - Drive and Main Board” on page 10-18 ■ “Stacker” on page 10-53

Troubleshooting Procedure Table

Step	Actions and Questions	Yes	No
1	Test Stack Height Sensor 1 using dc330 (012-040). The signal changes (On/Off).	Go to Step 4.	Go to Step 2.
2	Checking SNR2 Harness continuity between P/J8989 on the Finisher Main Board and P/J8873 from the sensor. The harness is undamaged?	Go to Step 3.	Replace the harness.
3	Checking for 5V at P/J8989-6B on the Finisher Main Board. Is 5V available at J8989-6B on the Finisher Main Board?	Replace Stack Height Sensor 1 (page 8-247).	Go to Step 10.
4	Test Stack Height Sensor 2 using dc330 (012-041). The signal changes (On/Off).	Go to Step 7.	Go to Step 5.

Troubleshooting Procedure Table (continued)

Step	Actions and Questions	Yes	No
5	Checking SNR2 Harness continuity between P/J8989 on the Finisher Main Board and P/J8874 from the sensor. The harness is undamaged?	Go to Step 6.	Replace the harness.
6	Checking for 5V at P/J8989-9B on the Finisher Main Board. Is 5V available at J8989-9B on the Finisher Main Board?	Replace Stack Height Sensor 2 (page 8-247).	Go to Step 10.
7	Test the Stacker Drive Assy using dc330 (012-060 up/ 012-061 down). The Stacker Tray moves.	Go to Step 10.	Go to Step 8.
8	Checking MOT3 Harness continuity between P/J8983 on the Finisher Main Board and P/J8891 from the Stacker Drive Assy. The harness is undamaged?	Go to Step 9.	Replace the harness.
9	Checking for 24V at P/J8986-1 and -2 on the Finisher Main Board. Is 24V available at J8986-1 and -3?	Replace the Stacker Drive Assy (page 8-285).	Go to Step 10.
10	Replace the Finisher Main Board (page 8-253). The error persists.	Replace the MCU Board (page 8-152).	Complete.

Finisher Front Door is Open

The Front Door interlock Switch indicates the Front Door is open.

Applicable Codes

- 12-564-00 Finisher Front Door is open

Initial Actions

- Check for damage to the actuator on the door.
- Cycle system power.
- If the problem persists, follow the procedure below.

Troubleshooting Reference Table

Applicable Parts	Wiring and Plug/Jack References
<ul style="list-style-type: none"> ■ MCU Board, PL10.2.18 ■ Finisher Main Board, PL14.4.12 ■ Front Cover Assy, PL14.3.5 ■ Interlock Bracket Assy, PL14.10.1 ■ I/L Switch Harness, PL14.11.2 	<ul style="list-style-type: none"> ■ “Map 5 - MCU Board and Laser Unit” on page 10-9 ■ “Map 11 - Drive and Main Board” on page 10-18 ■ “Communication and Power” on page 10-49

Troubleshooting Procedure Table

Step	Actions and Questions	Yes	No
1	Check the Front Door for damage. The Front Door is undamaged.	Go to Step 2.	Replace the Front Cover (page 8-244).
2	Test the Interlock Switch using dc330 (012-042). The signal changes (On/Off).	Go to Step 5.	Go to Step 3.
3	Checking I/L Switch Harness continuity between P/J8988 on the Finisher Main Board and P/J8880 from the switch. The harness is undamaged?	Go to Step 4.	Replace the harness.
4	Checking for 24V at P/J8982-1 on the Finisher Main Board. Is 24V available at J8988-1?	Replace the Interlock Switch (page 8-288).	Go to Step 5.
5	Replace the Finisher Main Board (page 8-253). The error persists.	Replace the MCU Board (page 8-152).	Complete.

Paper Transport Cover is Open

The Horizontal Transport Cover Open Sensor indicates the cover is open.

Applicable Code

- 12-565-00 Paper Transport Cover is open

Initial Actions

- Check for damage to the actuator on the cover.
- Cycle system power.
- If the problem persists, follow the procedure below.

Troubleshooting Reference Table

Applicable Parts	Wiring and Plug/Jack References
<ul style="list-style-type: none"> ■ MCU Board, PL10.2.18 ■ H-Xport Top Cover, PL14.2.3 ■ Finisher Main Board, PL14.4.12 ■ Cover Open Sensor, PL14.2.35 	<ul style="list-style-type: none"> ■ “Map 5 - MCU Board and Laser Unit” on page 10-9 ■ “Map 9 - Horizontal Transport” on page 10-16 ■ “Transport and Compile Tray” on page 10-51

Troubleshooting Procedure Table

Step	Actions and Questions	Yes	No
1	Check the Horizontal Top Cover for damage. The cover is undamaged.	Go to Step 2.	Replace the Top Cover (page 8-235).
2	Test the cover sensor using dc330 (012-043). The signal changes (On/Off).	Go to Step 5.	Go to Step 3.
3	Checking HTU Harness continuity between P/J8987 on the Finisher Main Board and P/J8864 from the switch. The harness is undamaged?	Go to Step 4.	Repair the harness.
4	Checking for 5V at P/J8987-3 on the Finisher Main Board. Is 5V available at J8987-3?	Replace the Switch (page 8-238).	Go to Step 5.
5	Replace the Finisher Main Board (page 8-253). The error persists.	Replace the MCU Board (page 8-152).	Complete.

Engine NVRAM Failure

An NVM error was detected on the MCU Board.

Applicable Codes

- 16-150-00 Engine NVRAM Failure
- 316.151.01 NVM version read failure
- 316.152.02 Copy area read failure of 3 area write data
- 316.153.03 Ack error at 1-byte read
- 316.154.04 Ack error at continuous read
- 316.155.05 Write cannot start by device busy
- 316.156.06 Cannot Write verify error
- 316.157.07 Cannot finish write process
- 316.158.08 Read error of verify data
- 316.159.09 Write process retry over

Initial Actions

- Cycle system power.
- If the problem persists, follow the procedure below.

Troubleshooting Reference Table

Applicable Parts	Wiring and Plug/Jack References
<ul style="list-style-type: none"> ■ Engine NVRAM ■ MCU Board, PL10.2.18 	<ul style="list-style-type: none"> ■ “Map 5 - MCU Board and Laser Unit” on page 10-9

Troubleshooting Procedure Table

Step	Actions and Questions	Yes	No
1	Initialize Engine NVM using dc301, then exit and reboot the system. The error persists.	Go to Step 2.	Complete.
2	Use dc361 to save machine NVRAM contents to the IP Board. The transfer was successful.	Restore the saved engine file.	Go to Step 3.
3	Check the Engine Control (MCU) Board NVM Chip (U630) for correct installation. Is the NVM installed correctly?	Replace the MCU Board (page 8-152).	Reseat the NVRAM device in the MCU Board.

Engine Firmware Failure

A firmware error was detected in the engine.

Applicable Codes

- 16-400-00 Firmware Failure
- 316.405.05 Exception handling
- 316.406.06 Exception handling
- 316.407.07 Exception handling
- 316.408.08 Exception handling
- 316.409.09 Exception handling
- 316.410.10 Exception handling
- 316.411.11 Exception handling
- 316.412.12 Exception handling
- 316.413.13 Exception handling
- 316.414.14 Exception handling

Initial Actions

- Cycle system power.
- If the problem persists, follow the procedure below.

Troubleshooting Reference Table

Applicable Parts	Wiring and Plug/Jack References
■ MCU Board, PL10.2.18	■ "Map 5 - MCU Board and Laser Unit" on page 10-9

Troubleshooting Procedure Table

Step	Actions and Questions	Yes	No
1	Initialize Engine NVM using dc301, then exit and reboot the system. The error persists.	Go to Step 2.	Complete.
2	Check system firmware version. The firmware is current.	Go to Step 3.	Update the system firmware.
3	Check connections to the MCU Board, then cycle system power. Does the error persist?	Replace the MCU Board (page 8-152).	Complete.

Printer Failure - Image Marking Time Out

Start image marking time out error.

Applicable Codes

- 319.410.01 Command response time out.
- 91-312-00 Printer Failure

Initial Actions

- Cycle system power.
- If the problem persists, follow the procedure below.

Troubleshooting Reference Table

Applicable Parts	Wiring and Plug/Jack References
<ul style="list-style-type: none"> ■ IP Board, PL10.1.5 ■ MCU Board, PL10.2.18 	<ul style="list-style-type: none"> ■ “Map 4 - LVPS and IP Board” on page 10-8 ■ “Map 5 - MCU Board and Laser Unit” on page 10-9

Troubleshooting Procedure Table

Step	Actions and Questions	Yes	No
1	Check all IP Board connections. The connections are secure.	Go to Step 2.	Secure the connections.
2	Replace the IP Board (page 8-150), then cycle system power. Does the error persist?	Replace the MCU Board (page 8-152)	Complete.

Unrecognized Status

The print engine has reported an unknown status to the controller.

Applicable Code

- 41-000-00 Unrecognized Engine Status.

Initial Actions

- Cycle system power.
- If the problem persists, follow the procedure below.

Troubleshooting Reference Table

Applicable Parts	Wiring and Plug/Jack References
Unknown	

Troubleshooting Procedure Table

Step	Actions and Questions	Yes	No
1	Capture the unique status code displayed in the fault frame and escalate to Engineering for support.		

Engine Motor Failure - Transfer Belt Drive Assembly

An error associated with the Transfer Belt Drive (IBT Motor) was detected.

Applicable Codes

- 10-330-00 Engine Motor Failure
- 342.324.01 Transfer Belt Drive Assembly (IBT) failure

Initial Actions

- Cycle system power.
- Remove and reseal the Transfer Belt.
- If the problem persists, follow the procedure below.

Troubleshooting Reference Table

Applicable Parts	Wiring and Plug/Jack References
<ul style="list-style-type: none"> ■ Transfer Belt Drive, PL9.1.3 ■ MCU Board, PL10.2.18 ■ Harness Assy RH/ MOT, PL11.2.3 	<ul style="list-style-type: none"> ■ “Map 5 - MCU Board and Laser Unit” on page 10-9 ■ “Map 6 - Drive” on page 10-10 ■ “Drive” on page 10-29

Troubleshooting Procedure Table

Step	Actions and Questions	Yes	No
1	Cycle system power. Does the error persist?	Go to Step 2.	Complete
2	Check the Transfer Belt for excessive wear or edge damage. Rotate the Transfer Belt to check operation. The Transfer Belt is undamaged.	Go to Step 3.	Replace the Transfer Belt (page 8-12).
3	Check P/J7 on the MCU Board and P/J254 on the Transfer Belt Drive. The connections are secure.	Go to Step 4.	Secure the connections.
4	Test the IBT Motor Alarm signal using dc330 (093-019). The IBT Motor Alarm state is Off.	Replace the MCU Board (page 8-152).	Go to Step 5.
5	Replace the Transfer Belt Drive (page 8-135). The error persists.	Visually inspect and test continuity of all applicable harnesses	Complete.

Engine Motor Failure - Imaging Unit Drive Assembly

An error associated with the Imaging Unit Drive (Xero Drive Motor) was detected.

Applicable Codes

- 10-330-00 Engine Motor Failure
- 342.325.01 Xero Drive Motor failure

Initial Actions

- Cycle system power.
- Remove and reseat the CMY Imaging Units.
- If the problem persists, follow the procedure below.

Troubleshooting Reference Table

Applicable Parts	Wiring and Plug/Jack References
<ul style="list-style-type: none"> ■ Yellow Imaging Unit, PL5.1.8 ■ Magenta Imaging Unit, PL5.1.9 ■ Cyan Imaging Unit, PL5.1.10 ■ Imaging Unit Drive, PL9.2.6 ■ MCU Board, PL10.2.18 ■ Harness Assy DISP/FSR, PL11.2.6 	<ul style="list-style-type: none"> ■ “Map 5 - MCU Board and Laser Unit” on page 10-9 ■ “Map 6 - Drive” on page 10-10 ■ “Drive” on page 10-29

Troubleshooting Procedure Table

Step	Actions and Questions	Yes	No
1	Check the CMY Imaging Units for excessive wear or damage. Check rotation of the OPC Drum coupling (upper white gear located at the back of the Imaging Unit). The Imaging Units are undamaged and each drum rotates.	Go to Step 2.	Replace the affected Imaging Unit.
2	Cycle system power. Does the error persist?	Go to Step 3.	Complete
3	Test the Xero Drive Motor Alarm signal using dc330 (093-022). The Xero Drive Motor state is Off.	Replace the MCU Board (page 8-152).	Go to Step 4.
4	Replace the Imaging Unit Drive (page 8-175). The error persists.	Visually inspect and test continuity of all applicable harnesses	Complete.

Transfer Belt Failure

Communication error with the Transfer Belt was detected.

Applicable Codes

- 42-601-00 Transfer Belt Failure
- 342.601.02 Transfer Belt communication failure
- 342.602.03 Transfer Belt data error

Initial Actions

- Cycle system power.
- Remove and reseal the Transfer Belt.
- If the problem persists, follow the procedure below.

Troubleshooting Reference Table

Applicable Parts	Wiring and Plug/Jack References
<ul style="list-style-type: none"> ■ Transfer Belt Drive, PL9.1.3 ■ MCU Board, PL10.2.18 ■ Harness Assy RH/ MOT, PL11.2.3 	<ul style="list-style-type: none"> ■ “Map 5 - MCU Board and Laser Unit” on page 10-9 ■ “Map 6 - Drive” on page 10-10 ■ “Drive” on page 10-29

Troubleshooting Procedure Table

Step	Actions and Questions	Yes	No
1	Cycle system power. Does the error persist?	Go to Step 2.	Complete
2	Replace the Transfer Belt (page 8-12). Does the error persist?	Go to Step 3.	Complete
3	Check P/J7 on the MCU Board and P/J254 on the Transfer Belt Drive. The connections are secure.	Go to Step 4.	Secure the connections.
4	Test the Transfer Belt Drive using dc330 (094-001). Does the motor rotate?	Replace the MCU Board (page 8-152).	Go to Step 5.
5	Check Transfer Belt Drive installation. Is the drive installed correctly?	Go to Step 6.	Correct the installation.
6	Check continuity of the Harness Assy RH/ MOT between P/J254 and P/J7 on the MCU Board. The harness is undamaged.	Go to Step 7.	Replace the harness.

Troubleshooting Procedure Table (continued)

Step	Actions and Questions	Yes	No
7	Check for 24V at P/J7 of the MCU Board. Is 24 V available at P/J6-2 and -4 when the Front Interlock Switch is closed?	Replace the Transfer Belt Drive (page 8-135).	Replace the MCU Board (page 8-152).

Printer Failure

An Interface failure was detected between the MCU and Image Processor Boards.

Applicable Errors

- 345.301.01: Ack Received Sig High
- 345.302.02: Ack Received Sig Low
- 345.303.03: Receive Buffer Overflow
- 345.304.04: Send Buffer Overflow High
- 345.305.05: Send Buffer Overflow Low
- 345.306.06: Software detects No I/O
- 91-312-00 Printer Failure

Initial Actions

- Cycle system power.
- If the problem persists, follow the procedure below.

Troubleshooting Reference Table

Applicable Parts	Wiring and Plug/Jack References
<ul style="list-style-type: none"> ■ IP Board, PL10.1.5 ■ MCU Board, PL10.2.18 ■ Harness ESS PWR, PL11.1.3 ■ Harness ESS, PL11.1.10 	<ul style="list-style-type: none"> ■ “Map 4 - LVPS and IP Board” on page 10-8 ■ “Map 5 - MCU Board and Laser Unit” on page 10-9 ■ “IP Board and Control Panel” on page 10-41

Troubleshooting Procedure Table

Step	Actions and Questions	Yes	No
1	Cycle system power. Does the error persist?	Go to Step 2.	Complete
2	Check P/J2 on the MCU Board and P/J802 on the IP Board. The connections are secure.	Go to Step 3.	Secure the connections.
3	Check continuity of the IP Board Harness between P/J802 and P/J2 on the MCU Board. The harness is undamaged.	Go to Step 4.	Replace the harness.
4	Check P/J321 on the IP Board and P/J306 on the LVPS. The connections are secure.	Go to Step 5.	Secure the connections.

Troubleshooting Procedure Table (continued)

Step	Actions and Questions	Yes	No
5	Check for 5V and 3.3V at P/J306 -3, 4 and 5 on the LVPS Is 5 and 3.3 V available at P/J306 when the Front Interlock Switch is closed?	Go to Step 6.	Replace the LVPS (page 8-182).
6	Replace the IP Board (page 8-150). Does the error persist?	Replace the MCU Board (page 8-152).	Complete.

Feeder Communication Failure

A communication failure was detected between the MCU Board and the optional feeder.

Warning

Use two people to lift the printer from the optional feeder.

Caution

Remove the Finisher, if installed, before lifting the printer from the optional feeder.

Applicable Codes

- 70-099-00 Feeder Communication Failure
- 370.099.01 Feeder Communication Failure

Initial Actions

- Check optional feeder installation.
- Cycle system power.
- If the problem persists, follow the procedure below.

Troubleshooting Reference Table

Applicable Parts	Wiring and Plug/Jack References
<ul style="list-style-type: none"> ■ MCU Board, PL10.2.18 ■ Harness LPP/ MOT, PL11.2.5 ■ Harness OPT TOP, PL12.3.1 ■ Feeder Board, PL12.3.4 	<ul style="list-style-type: none"> ■ “Map 4 - LVPS and IP Board” on page 10-8 ■ “Map 5 - MCU Board and Laser Unit” on page 10-9 ■ “Map 7 - 550-Sheet Feeder” on page 10-13 ■ “Feeder Board” on page 10-44

Troubleshooting Procedure Table

Step	Actions and Questions	Yes	No
1	Check the option connectors on the printer and optional feeder for damage. The connectors are undamaged.	Go to Step 2.	Replace the affected option harness.
2	Check P/J21 on the MCU Board and P/J181 and P/J350 on the Feeder Board. The connections are secure.	Go to Step 3.	Secure the connections.
3	Check continuity of the Upper Option Harness between P/J181 and P/J350. The harness is undamaged.	Go to Step 4.	Replace the harness.

Troubleshooting Procedure Table (continued)

Step	Actions and Questions	Yes	No
4	Check continuity of the LPP/MOT Harness between P/J181 and PJ21 on the MCU Board. The harness is undamaged.	Go to Step 5.	Replace the harness.
5	Replace the Feeder Board (page 8-200). Does the error persist?	Replace the MCU Board (page 8-152).	Complete.

Misfeed in Tray 1

Media fed from Tray 1 did not reach the Registration Sensor on time.

Applicable Codes

- 71-101-00 Tray 1 misfeed
- 371.101.08 Tray 1 misfeed

Initial Actions

- Confirm Tray 1 is securely attached to the printer.
- Check the media path for obstructions.
- Check the media guides are set correctly.
- Cycle system power.
- If the problem persists, follow the procedure below.

Troubleshooting Reference Table

Applicable Parts	Wiring and Plug/Jack References
<ul style="list-style-type: none"> ■ Take Away Clutch, PL3.3.12 ■ Tray 1 Separator Roller PL3.1.99 ■ Registration Sensor, PL3.3.22 ■ Registration Sensor Harness, PL3.3.23 ■ Feed Roller, PL4.2.21 ■ Tray 1 Feed Solenoid, PL4.2.99 ■ Feed Drive Assy, PL9.1.4 ■ MCU Board, PL10.2.18 ■ Registration Harness, PL11.1.5 ■ Harness RH/MOT, PL11.2.3 	<ul style="list-style-type: none"> ■ “Map 2 - Fuser and Feeder” on page 10-6 ■ “Map 3 - Right Door” on page 10-7 ■ “Tray 1 and 2 Feeder” on page 10-27 ■ “Drive” on page 10-29

Troubleshooting Procedure Table

Step	Actions and Questions	Yes	No
1	Check the Feed and Separator Rollers for contamination or damage. The rollers are clean and undamaged.	Go to Step 2.	Clean or replace the rollers.
2	Test the Registration Sensor using dc330 (10-202). The signal changes (On/Off).	Go to Step 4.	Go to Step 3.
3	Check for 3.3V at P/J10-7 on the MCU Board. Is 3.3 V available at P/J10-7 when the Front Interlock Switch is closed?	Replace the Registration Sensor (page 8-39).	Replace the MCU Board (page 8-152).

Troubleshooting Procedure Table (continued)

Step	Actions and Questions	Yes	No
4	Test the Paper Feed motor Alarm using dc330 (10-204). The signal changes (On/Off).	Replace the Feed Drive Assy (page 8-199).	Go to Step 5.
5	Test the Tray 1 Feed Solenoid using dc330 (71-006). The solenoid plunger moves.	Go to Step 7.	Go to Step 6.
6	Check for 24V at P/J9-10 on the MCU Board. Is 24 V available at P/J9-10?	Replace the Solenoid, Gear & Clutch Kit (page 8-55).	Replace the MCU Board (page 8-152).
7	Test the Take Away Clutch using dc330 (72-008) The clutch signal changes (On/Off).	Go to Step 9.	Go to Step 8.
8	Check for 24V at P/J10-5 on the MCU Board Is 24 V available at P/J10-5?.	Replace the Take Away Clutch (page 8-37).	Go to Step 9.
9	Replace the MCU Board (page 8-152). The error persists.	Visually inspect and test continuity of all applicable harnesses.	Complete.

Tray 1 is Empty

The No Paper Sensor indicates the Tray 1 is empty or nearly empty.

Applicable Codes

- 72-531-00 Tray 1 is Empty
- 72-532-00 Tray 1 paper not available.

Initial Actions

- Cycle system power.
- If the problem persists, follow the procedure below.

Troubleshooting Reference Table

Applicable Parts	Wiring and Plug/Jack References
<ul style="list-style-type: none"> ■ No Paper Actuator, PL3.2.10 ■ No Paper Sensor, PL3.2.11 ■ No Paper Sensor Harness, PL3.2.12 ■ Feeder Assy, PL3.2.1, PL12.4.29 ■ Registration Sensor Harness, PL3.3.23 ■ MCU Board, PL10.2.18 	<ul style="list-style-type: none"> ■ “Map 2 - Fuser and Feeder” on page 10-6 ■ “Map 5 - MCU Board and Laser Unit” on page 10-9 ■ “Tray 1 and 2 Feeder” on page 10-27

Troubleshooting Procedure Table

Step	Actions and Questions	Yes	No
1	Check the No Paper Sensor Actuator for obstructions or damage. The actuator is undamaged.	Go to Step 2.	Replace the Actuator (page 8-35).
2	Test the No Paper Sensor using dc330 (71-104): The sensor signal changes (On/Off).	Replace the MCU Board (page 8-152).	Go to Step 3.
3	Check for 3.3V at P/J10-10 on the MCU Board. Is 3.3 V available at P/J10-10?	Replace the No Paper Sensor (page 8-36).	Go to Step 4.
4	Replace the MCU Board (page 8-152). The error persists.	Visually inspect and test continuity of all applicable harnesses.	Complete.

Engine Motor Failure - Feed Drive Assembly

An error associated with the Feed Drive Assembly was detected.

Applicable Codes

- 10-330-00 Engine Motor Failure
- 371.216.01 Feed Drive Assembly (PH) failure

Initial Actions

- Cycle system power.
- Remove and reseal Tray 2.
- If the problem persists, follow the procedure below.

Troubleshooting Reference Table

Applicable Parts	Wiring and Plug/Jack References
<ul style="list-style-type: none"> ■ Feed Drive Assy, PL9.1.4 ■ MCU Board, PL10.2.18 ■ Harness Assy RH/ MOT, PL11.2.3 	<ul style="list-style-type: none"> ■ "Map 5 - MCU Board and Laser Unit" on page 10-9 ■ "Map 6 - Drive" on page 10-10 ■ "Drive" on page 10-29

Troubleshooting Procedure Table

Step	Actions and Questions	Yes	No
1	Cycle system power. Does the error persist?	Go to Step 2.	Complete
2	Test the Feed Drive Motor Alarm signal using dc330 (010-204). The Feed Drive Motor state is Off.	Replace the MCU Board (page 8-152).	Go to Step 3.
3	Replace the Feed Drive (page 8-140). The error persists.	Visually inspect and test continuity of all applicable harnesses	Complete.

Misfeed in Tray 2

Media fed from Tray 2 did not reach the Registration Sensor on time.

Applicable Code

- 72-101-00 Misfeed in Tray 2
- 372.101.09 Tray 2 misfeed

Initial Actions

- Check Tray 2 installation and condition.
- Check the media path for obstructions.
- Check the media guides in the tray are set correctly.
- Cycle system power.
- If the problem persists, follow the procedure below.

Troubleshooting Reference Table

Applicable Parts	Wiring and Plug/Jack References
<ul style="list-style-type: none"> ■ Feed & Separator Roller Kit PL2.1.99 ■ Feed Clutch, PL3.2.2 ■ Take Away Clutch, PL3.3.12 ■ Registration Sensor, PL3.3.22 ■ Registration Sensor Harness, PL3.3.23 ■ Feed Drive, PL9.1.4 ■ MCU Board, PL10.2.18 ■ Registration Harness, PL11.1.5 ■ Harness RH/ MOT, PL11.2.3 	<ul style="list-style-type: none"> ■ “Map 2 - Fuser and Feeder” on page 10-6 ■ “Map 3 - Right Door” on page 10-7 ■ “Tray 1 and 2 Feeder” on page 10-27 ■ “Drive” on page 10-29

Troubleshooting Procedure Table

Step	Actions and Questions	Yes	No
1	Check the Feed and Separator Rollers for contamination, wear or damage. The rollers are clean and undamaged.	Go to Step 2.	Replace the rollers (page 8-6).
2	Test the Registration Sensor using dc330 (10-202). The signal changes (On/Off).	Go to Step 4.	Go to Step 3.
3	Check for 3.3V at P/J10-7 on the MCU Board. Is 3.3 V available at P/J10-7 when the Front Interlock Switch is closed?	Replace the Registration Sensor (page 8-39).	Replace the MCU Board (page 8-152).

Troubleshooting Procedure Table (continued)

Step	Actions and Questions	Yes	No
4	Test the Feed Drive Motor Alarm using dc330 (10-204). The signal changes (On/Off).	Replace the Feed Drive Assy (page 8-199).	Go to Step 5.
5	Test the Take Away Clutch using dc330 (72-008) The clutch signal changes (On/Off).	Go to Step 7.	Go to Step 6.
6	Check for 24V at P/J10-5 and -10 on the MCU Board. Is 24 V available at P/J10-5?	Replace the Take Away Clutch (page 8-37).	Replace the MCU Board (page 8-152).
7	Test the Feed Clutch using dc330 (72-007) The clutch signal changes (On/Off).	Go to Step 8.	Go to Step 9.
8	Check for 24V at P/J10-3 on the MCU Board. Is 24 V available at P/J10-3?	Replace the Feed Clutch (page 8-34).	Go to Step 9.
9	Replace the MCU Board (page 8-152). The error persists.	Visually inspect and test continuity of all applicable harnesses.	Complete.

Optional Feeder Configuration Failure

An unsupported Optional Feeder configuration was detected. In multiple feeder configurations, isolate the affected component by removing individual feeders from the system until the error clears.

Warning

Use two people to lift the printer from the optional feeder.

Caution

Remove the Finisher, if installed, before lifting the printer from the optional feeder.

Applicable Codes

- 72-215-00 Optional feeder configuration failure
- 372.215.01 Optional feeder configuration failure

Initial Actions

- Cycle system power.
- Reseat feeder connections.
- If the problem persists, follow the procedure below.

Troubleshooting Reference Table

Applicable Parts	Wiring and Plug/Jack References
<ul style="list-style-type: none"> ■ MCU Board, PL10.2.18 ■ Harness LPP/ MOT, PL11.2.5 ■ 550-Sheet Feeder, PL12.1.2 ■ Harness OPT TOP, PL12.3.1 ■ Feeder Board, PL12.3.4 ■ 1100-Sheet Feeder, PL13.1.1 	<ul style="list-style-type: none"> ■ “Map 4 - LVPS and IP Board” on page 10-8 ■ “Map 5 - MCU Board and Laser Unit” on page 10-9 ■ “Map 7 - 550-Sheet Feeder” on page 10-13 ■ “Map 8 - 1100-Sheet Feeder” on page 10-14 ■ “Drive” on page 10-29 ■ “Feeder Board” on page 10-44 ■ “Feeder Interconnection” on page 10-45

Troubleshooting Procedure Table

Step	Actions and Questions	Yes	No
1	Cycle system power. Does the error persist?	Go to Step 2.	Complete

Troubleshooting Procedure Table (continued)

Step	Actions and Questions	Yes	No
2	Compare feeder configuration with these allowed configurations. <ul style="list-style-type: none"> ■ 550 Sheet Feeder (x1) ■ 550 Sheet Feeder (x2) ■ 1100 Sheet Feeder (x1) ■ 550 Sheet (x1) + 1100 Sheet (x1) ■ 550 Sheet (x2) + 1100 Sheet (x1) Is the configuration supported?	Go to Step 3.	Reconfigure the system to a supported configuration.
3	Check PJ21 on the MCU Board and PJ181 and PJ350 on the Feeder Board. The connections are secure.	Go to Step 4.	Correct the installation.
4	Check continuity of the Upper Option Harness between P/J181 and P/J350 on the Feeder Board. The harness is undamaged.	Go to Step 5.	Replace the harness.
5	Check continuity of the Harness Assy LPP/ MOT between P/J181 and P/J21 on the MCU Board. The harness is undamaged.	Go to Step 6.	Replace the harness.
6	Replace the Feeder Board (page 8-200). Does the error persist?	Replace the MCU Board (page 8-152).	Complete.

Tray 2 ~ 6 is Empty

The No Paper Sensor indicates the Tray is empty or nearly empty.

Warning

Use two people to lift the printer from the optional feeder.

Caution

Remove the Finisher, if installed, before lifting the printer from the optional feeder.

Applicable Codes

- 72-530-00 Tray 2 is Empty
- 72-532-00 Tray 2 paper not available.
- 72-535-00 Tray 2 is nearly empty
- 72-530-00 Tray 3 is Empty
- 73-532-00 Tray 3 paper not available.
- 73-535-00 Tray 3 is nearly empty
- 74-530-00 Tray 4 is Empty
- 74-532-00 Tray 4 paper not available.
- 74-535-00 Tray 4 is nearly empty
- 75-530-00 Tray 5 is Empty
- 75-532-00 Tray 5 paper not available.
- 75-535-00 Tray 5 is nearly empty
- 76-530-00 Tray 6 is Empty
- 76-532-00 Tray 6 paper not available.
- 76-535-00 Tray 6 is nearly empty

Initial Actions

- Cycle system power.
- If the problem persists, follow the procedure below.

Troubleshooting Reference Table

Applicable Parts	Wiring and Plug/Jack References
<ul style="list-style-type: none"> ■ No Paper Actuator, PL3.2.10 ■ No Paper Sensor, PL3.2.11 ■ No Paper Sensor Harness, PL3.2.12 ■ Feeder Assy, PL3.2.1, PL12.4.29 ■ Feeder Board, PL12.3.4 ■ Registration Sensor Harness, PL3.3.23 ■ Lower Option Harness, PL12.3.11 ■ MCU Board, PL10.2.18 	<ul style="list-style-type: none"> ■ “Map 2 - Fuser and Feeder” on page 10-6 ■ “Map 5 - MCU Board and Laser Unit” on page 10-9 ■ “Tray 1 and 2 Feeder” on page 10-27

Troubleshooting Procedure Table

Step	Actions and Questions	Yes	No
1	Check the No Paper Sensor Actuator for obstructions or damage. The actuator is undamaged.	Go to Step 2.	Replace the Actuator (page 8-35).
2	Test the No Paper Sensor for the affected Tray using dc330: <ul style="list-style-type: none"> ■ Tray 2 (72-105) ■ Tray 3 (73-002) ■ Tray 4 (74-008) ■ Tray 5 (75-008) ■ Tray 6 (76-011) The sensor signal changes (On/Off).	Replace the MCU Board (page 8-152).	Go to Step 3.
3	Check for 3.3V at P/J10-10 on the MCU Board or P/J353-6 on the Feeder Board. Is 3.3 V available at P/J10-10 or P/J353-6?	Replace the No Paper Sensor (page 8-36).	Go to Step 4.
4	Replace the MCU Board (page 8-152) or Feeder Board (page 8-200). The error persists.	Visually inspect and test continuity of all applicable harnesses.	Complete.

Optional Feeder Failure

An error in an attached Optional Feeder was detected. Use the error code to isolate the affected component.

Warning

Use two people to lift the printer from the optional feeder.

Caution

Remove the Finisher, if installed, before lifting the printer from the optional feeder.

Applicable Codes

- 373.098.01 Tray 3 Optional Feeder Error
- 374.098.01 Tray 4 Optional Feeder Error
- 375.098.01 Tray 5 Optional Feeder Error
- 376.098.01 Tray 6 Optional Feeder Error
- 77-098-00 Optional Feeder Failure

Initial Actions

- Cycle system power.
- Reseat feeder connections.
- If the problem persists, follow the procedure below.

Troubleshooting Reference Table

Applicable Parts	Wiring and Plug/Jack References
<ul style="list-style-type: none"> ■ MCU Board, PL10.2.18 ■ Harness LPP/ MOT, PL11.2.5 ■ 550-Sheet Feeder, PL12.1.2 ■ Harness OPT TOP, PL12.3.1 ■ Feeder Board, PL12.3.4 ■ 1100-Sheet Feeder, PL13.1.1 	<ul style="list-style-type: none"> ■ “Map 4 - LVPS and IP Board” on page 10-8 ■ “Map 5 - MCU Board and Laser Unit” on page 10-9 ■ “Map 7 - 550-Sheet Feeder” on page 10-13 ■ “Map 8 - 1100-Sheet Feeder” on page 10-14 ■ “Drive” on page 10-29 ■ “Feeder Board” on page 10-44 ■ “Feeder Interconnection” on page 10-45

Troubleshooting Procedure Table

Step	Actions and Questions	Yes	No
1	Check system software versions. If necessary, update the system software and cycle system power. Does the error persist?	Go to Step 2.	Complete

Troubleshooting Procedure Table (continued)

Step	Actions and Questions	Yes	No
2	Check P/J21 on the MCU Board and P/J181 and P/J350 on the Feeder Board. The connections are secure.	Go to Step 3.	Correct the installation.
3	Check continuity of the Upper Option Harness between P/J181 and P/J350 on the Feeder Board. The harness is undamaged.	Go to Step 4.	Replace the harness.
4	Check continuity of the Harness Assy LPP/ MOT between P/J181 and P/J21 on the MCU Board. The harness is undamaged.	Go to Step 5.	Replace the harness.
5	Replace the Feeder Board (page 8-200). Does the error persist?	Replace the MCU Board (page 8-152).	Complete.

Misfeed in Tray 3 ~ 6

Media fed from the indicated Tray did not reach the Take Away Sensor on time.

Warning

Use two people to lift the printer from the optional feeder.

Caution

Remove the Finisher, if installed, before lifting the printer from the Optional Feeder.

Applicable Codes

- 73-101-00 Misfeed in Tray 3
- 373.101.01 Tray 3 misfeed
- 74-101-00 Misfeed in Tray 4
- 374.101.02 Tray 4 misfeed
- 75-101-00 Misfeed in Tray 5
- 375.101.03 Tray 5 misfeed
- 76-101-00 Misfeed in Tray 6
- 376.101.04 Tray 6 misfeed

Initial Actions

- Check installation of the indicated Tray.
- Reload the indicated tray with media from a newly opened package.
- Check media size settings for the affected tray.
- Check operation of the Right Door, Upper Chute and Turn Chute on the indicated tray.
- Check the media path for obstructions at the point media stops.
- Cycle system power.
- If the problem persists, follow the procedure below.

Troubleshooting Reference Table

Applicable Parts	Wiring and Plug/Jack References
<ul style="list-style-type: none"> ■ MCU Board, PL10.2.18 ■ Feed Drive, PL12.3.2 ■ Feeder Board, PL12.3.4 ■ OPT MOT Harness, PL12.3.5 ■ OPT CL Harness, PL12.3.12 ■ Take Away Sensor, PL12.4.3 ■ Take Away Clutch, PL12.4.5 ■ Feed Clutch, PL12.4.9 ■ Feed Roller Kit, PL12.4.99 	<ul style="list-style-type: none"> ■ “Map 5 - MCU Board and Laser Unit” on page 10-9 ■ “Map 7 - 550-Sheet Feeder” on page 10-13 ■ “Map 8 - 1100-Sheet Feeder” on page 10-14 ■ “Feeder Board” on page 10-44 ■ “Feeder Interconnection” on page 10-45

Troubleshooting Procedure Table

Step	Actions and Questions	Yes	No
1	Check the Feed, Nudger, Separator, and Take Away Rollers for wear, contamination or damage. The rollers are clean and undamaged.	Go to Step 2.	Replace the affected rollers.
2	Test the Take Away Sensor for the affected tray using dc330: <ul style="list-style-type: none"> ■ Tray 3 (73-001) ■ Tray 4 (74-007) ■ Tray 5 (75-007) ■ Tray 6 (76-010) The sensor signal changes (On/Off).	Go to Step 4.	Go to Step 3.
3	Check for 3.3V at P/J353-5 on the Feeder Board. Is 3.3 V available at P/J353-5 when the Interlock Switch is closed?	Replace the Take Away Sensor (page 8-202).	Go to Step 9.
4	Test the Feed Drive Motor Alarm for the affected tray using dc330 <ul style="list-style-type: none"> ■ Tray 3 (73-012) ■ Tray 4 (74-006) ■ Tray 5 (75-004) ■ Tray 6 (76-009) The alarm signal changes (On/Off).	Replace the affected Feed Drive Assy (page 8-199).	Go to Step 5.
5	Test the Take Away Clutch for the affected tray using dc771: <ul style="list-style-type: none"> ■ Tray 3 (73-013) ■ Tray 4 (74-004) ■ Tray 5 (75-005) ■ Tray 6 (76-005) The clutch signal changes (On/Off).	Go to Step 7.	Go to Step 6.
6	Check for 24V at P/J354-1 on the Feeder Board. Is 24 V available at P/J355-1 when the Interlock Switch is closed?	Replace the Take Away Clutch (page 8-203).	Go to Step 9.
7	Test the Feed Clutch for the affected tray using dc330: <ul style="list-style-type: none"> ■ Tray 3 (73-014) ■ Tray 4 (74-005) ■ Tray 5 (75-005) ■ Tray 6 (76-005) The clutch signal changes (On/Off).	Go to Step 8	Go to Step 9.
8	Check for 24V at P/J354-3 on the Feeder Board. Is 24 V available at P/J354-3 when the Interlock Switch is closed?	Replace the Feed Clutch (page 8-205).	Go to Step 9.

Troubleshooting Procedure Table (continued)

Step	Actions and Questions	Yes	No
9	Replace the affected Tray's Feeder Board (page 8-200). The error persists.	Go to Step 10.	Complete.
10	Replace the MCU Board (page 8-152). The error persists.	Visually inspect and test continuity of all applicable harnesses.	Complete.

Optional Feeder Failure - Feed Drive Motor

A failure in the Feed Drive motor of an attached Optional Feeder was detected. Use the error code to isolate the affected component.

Warning

Use two people to lift the printer from the optional feeder.

Caution

Remove the Finisher, if installed, before lifting the printer from the optional feeder.

Applicable Codes

- 373.216.01 Tray 3 Feeder Motor Failure
- 374.216.01 Tray 4 Feeder Motor Failure
- 375.216.01 Tray 5 Feeder Motor Failure
- 376.216.01 Tray 6 Feeder Motor Failure
- 77-216-00 Feeder Motor Failure113e

Initial Actions

- Cycle system power.
- Reseat feeder connections.
- If the problem persists, follow the procedure below.

Troubleshooting Reference Table

Applicable Parts	Wiring and Plug/Jack References
<ul style="list-style-type: none"> ■ MCU Board, PL10.2.18 ■ Harness LPP/ MOT, PL11.2.5 ■ 550-Sheet Feeder, PL12.1.2 ■ Harness OPT TOP, PL12.3.1 ■ Feeder Board, PL12.3.4 ■ 1100-Sheet Feeder, PL13.1.1 	<ul style="list-style-type: none"> ■ “Map 4 - LVPS and IP Board” on page 10-8 ■ “Map 5 - MCU Board and Laser Unit” on page 10-9 ■ “Map 7 - 550-Sheet Feeder” on page 10-13 ■ “Map 8 - 1100-Sheet Feeder” on page 10-14 ■ “Drive” on page 10-29 ■ “Feeder Board” on page 10-44 ■ “Feeder Interconnection” on page 10-45

Troubleshooting Procedure Table

Step	Actions and Questions	Yes	No
1	Test the Feed Drive for the indicated tray using dc330: <ul style="list-style-type: none"> ■ Tray 3 (73-011) ■ Tray 4 (74-003) ■ Tray 5 (75-003) ■ Tray 6 (76-003) The motor rotates (On/Off).	Go to Step 8.	Go to Step 2.

Troubleshooting Procedure Table (continued)

Step	Actions and Questions	Yes	No
2	Check P/J355 on the Feeder Board and P/J357 on the Feed Drive motor. The connections are secure.	Go to Step 3.	Secure the connection.
3	Check for 24V at P/J355-2 and -4 on the Feeder Board. Is 24 V available at P/J355-2 and -4 when the Interlock Switch is closed?	Replace the Feed Drive (page 8-199).	Go to Step 4.
4	Check for 24V at P/J350-10, -11, -12 on the Feeder Board. Is 24V available at P/J350-10, -11, -12 when the Interlock Switch is closed?	Replace the Feeder Board (page 8-200).	Go to Step 5.
5	Check continuity of the Upper Option harness. The harness is undamaged.	Go to Step 6.	Replace the harness.
6	Check for 24V at P/J307-3, -4, -5, -6 on the LVPS. Is 24V available at P/J308 when the Front Interlock Switch is closed?	Go to Step 7.	Replace the LVPS (page 8-182).
7	Check continuity of the LVPS Harness between P/J308 and PJ24 on the MCU Board. The harness is undamaged.	Replace the MCU Board (page 8-152).	Replace the harness.
8	Print a test print. Does the error persist?	Replace the Feeder Board (page 8-200).	Complete.

Jam at Right Side Door

Media remains at the Registration Sensor or in the duplex path.

Warning

Allow the Fuser to cool before servicing the printer.

Applicable Codes

- 10-105-01 Jam at Right Side Door
- 10-105-02 Jam at Right Side Door
- 377.101.03: Regi Off Jam
- 377.102.01: Psync On Jam
- 377.123.02: Duplex Regi On Jam
- 377.131.07: Duplex On Jam
- 377-900-10: Static Jam

Initial Actions

- Check installation of the indicated Tray.
- Reload the indicated tray with media from a newly opened package.
- Check media size settings for the affected tray.
- Check operation of the Right Door, Upper Chute and Turn Chute on the indicated tray.
- Check the media path for obstructions at the point media stops.
- Check Fuser installation.
- Cycle system power.
- If the problem persists, follow the procedure below.

Troubleshooting Reference Table

Applicable Parts	Wiring and Plug/Jack References
<ul style="list-style-type: none"> ■ Feeder Assembly, PL3.2.1 ■ Registration Sensor Actuator, PL3.3.20 ■ Registration Sensor, PL3.3.22 ■ Registration Sensor Harness, PL3.3.23 ■ Duplex Drive Clutch, PL4.3.9 ■ Duplex Roller, PL4.3.10 ■ Exit Inverter Solenoid, PL7.3.3 ■ Feed Drive, PL9.1.4 ■ MCU Board, PL10.2.18 ■ Registration Harness, PL11.1.5 ■ OPT/CL Harness, PL12.3.12 	<ul style="list-style-type: none"> ■ “Map 2 - Fuser and Feeder” on page 10-6 ■ “Map 3 - Right Door” on page 10-7 ■ “Map 6 - Drive” on page 10-10 ■ “Tray 1 and 2 Feeder” on page 10-27 ■ “Drive” on page 10-29 ■ “Fuser and Exit” on page 10-39

Troubleshooting Procedure Table

Step	Actions and Questions	Yes	No
1	Check the Transfer Belt, Transfer Roller and Fuser installation. The parts are installed correctly.	Go to Step 2.	Correct the installation.
2	Check the Registration Sensor Actuator. The actuator is undamaged and moves freely.	Go to Step 3.	Replace the actuator (page 8-40).
3	Test the Registration Sensor using dc330 (10-202). The signal changes (On/Off).	Go to Step 5.	Go to Step 4.
4	Check for 3.3V at P/J10-7 on the MCU Board. Is 3.3 V available at P/J10-7 when the Front Interlock Switch is closed?	Replace the Registration Sensor (page 8-39).	Replace the MCU Board (page 8-152).
5	Is the media jam at the registration area behind the Right Door Assy?	Go to Step 6.	Go to Step 9.
6	Inspect the registration rollers. The rollers are clean and undamaged.	Go to Step 7.	Clean or replace the rollers.
7	Test the registration rollers using dc711 (Registration Roller). The registration rollers rotate.	Go to Step 8.	Replace the Feeder/Registration Assy (page 8-41).
8	The error persists.	Replace the MCU Board (page 8-152),	Complete.
9	Is the media jam in the duplex area?	Go to Step 10.	Go to Step 16.
10	Inspect the Duplex Rollers. The rollers are clean and undamaged.	Go to Step 11.	Clean or replace the Duplex Rollers (page 8-58).
11	Test the Duplex Roller using dc771. The roller rotates (On/Off).	Go to Step 16.	Go to Step 12.
12	Test the Duplex Drive Clutch using dc330 (77-001). The clutch signal turns (On/Off).	Go to Step 14.	Go to Step 13.
13	Check for 24V at P/J9-12 on the MCU Board. Is 24V available at P/J9-12 when the Right Door Interlock Switch closed?	Replace the Duplex Drive Clutch (page 8-58).	Replace the MCU Board (page 8-152).
14	Test the Feed Drive using dc330 (10-008) The Feed Drive rotates.	Go to Step 16.	Go to Step 15.

Troubleshooting Procedure Table (continued)

Step	Actions and Questions	Yes	No
15	Check for 24V at P/J7B-2 and 7B-4 on the MCU Board. Is 24 V available at P/J7B-2 and 7B-4 when the Right Door Interlock Switch is closed?	Replace the Feed Drive Assy (page 8-140).	Replace the MCU Board (page 8-152).
16	Is the media jam in the Inverter Chute area?	Go to Step 17.	Confirm jam location.
17	Test the Exit Inverter Solenoid using dc330 (10-013) The Solenoid moves Up/Down?	Go to Step 19.	Go to Step 18.
18	Check for 3.3V at P/J19 on the MCU Board. Is 3.3V available at P/J19-16 when the Front Interlock Switch is closed?	Replace the Exit Inverter Solenoid (page 8-126).	Go to Step 19.
19	Replace the MCU Board (page 8-152). The error persists.	Visually inspect and test continuity of all applicable harnesses.	Complete.

Jam at Fuser

The Fuser exit sensor indicates media remains in the Fuser.

Warning

Allow the Fuser to cool before servicing the printer.

Note

Reset the Fuser life counter after installation of a new Fuser.

Applicable Codes

- 377.103.06: Exit Off Jam
- 377.104.05: Exit Off Early Jam
- 377.106.04: Exit On Jam

Initial Actions

- Check media condition.
- Check the media path for obstructions.
- Check media settings for the source tray.
- Cycle system power.
- If the problem persists, follow the procedure below.

Troubleshooting Reference Table

Applicable Parts	Wiring and Plug/Jack References
<ul style="list-style-type: none"> ■ Fuser Harness, PL 7.1.4 ■ Fuser, PL7.1.99 ■ Fuser Drive, PL9.1.1 ■ MCU Board, PL10.2.18 ■ Dispense/Fuser Harness, PL11.2.6 	<ul style="list-style-type: none"> ■ “Map 2 - Fuser and Feeder” on page 10-6 ■ “Map 6 - Drive” on page 10-10 ■ “LVPS” on page 10-25 ■ “Drive” on page 10-29 ■ “Fuser and Exit” on page 10-39

Troubleshooting Procedure Table

Step	Actions and Questions	Yes	No
1	Check the Fuser rollers, gear and connector for damage or debris. The rollers, gear and connector are undamaged.	Go to Step 2.	Replace the Fuser (page 8-17).
2	Test the Fuser exit sensor using dc330 (10-205). The signal changes (On/Off).	Go to Step 8.	Go to Step 3.
3	Check P/J1 on the MCU Board and P/J304 on the LVPS. The connections are secure.	Go to Step 4.	Secure the connections.

Troubleshooting Procedure Table (continued)

Step	Actions and Questions	Yes	No
4	Check for 3.3V at P/J180-S pin 10 on the Fuser Harness. Is 3.3 V available at P/J180-S pin 10 when the Interlock Switch is closed?	Replace the Fuser (page 8-17).	Go to Step 5.
5	Check for 3.3V at P/J1-4 on the MCU Board. Is 3.3V available at P/J1-4 when the Interlock Switch is closed?	Replace the Fuser Harness.	Go to Step 5.
6	Check for 3.3V at P/J308-4 on the LVPS. Is 3.3V available at P/J308-4 when the Front Interlock Switch is closed?	Go to Step 7.	Replace the LVPS (page 8-182).
7	Check continuity of the LVPS Harness between P/J308 and PJ24 on the MCU Board. The harness is undamaged.	Go to Step 8.	Replace the harness.
8	Test the Fuser Drive using dc330 (10-008) The Fuser Drive rotates.	Go to Step 15.	Go to Step 8.
9	Check P/J4 on the MCU Board and P/J250 at the motor. The connections are secure.	Go to Step 9.	Secure the connections.
10	Check for 24V at P/J250-7 and -9 on the Feed Drive. Is 24 V available at P/J250-7 and -9 when the Right Door Interlock Switch is closed?	Replace the Feed Drive Assy (page 8-140).	Go to Step 11.
11	Check continuity of the Dispense/ Fuser harness between P/J4B on the MCU Board and P/J250 on the Feed Drive motor. The harness is undamaged.	Go to Step 12.	Replace the harness.
12	Check for 24V at P/J23-1,-2, and -3 on the MCU Board. Is 24 V available at P/J23 with the Right Door Interlock Switch closed?	Replace the MCU Board (page 8-152).	Replace the harness.
13	Check for 24V at P/J305-1,-2, and -3 on the LVPS. Is 24V available at P/J305 when the Interlock Switch is closed?	Go to Step 13.	Replace the LVPS (page 8-182).
14	Check continuity of the LVPS PWR Harness between P/J305 and PJ23 on the MCU Board. The harness is undamaged.	Replace the MCU Board (page 8-152).	Replace the harness.

Jam at Tray 3 ~ 6 Right Side Door

The Take Away Sensor detects media in the media path of the indicated feeder.

Warning

Use two people to lift the printer from the optional feeder.

Caution

Remove the Finisher, if installed, before lifting the printer from the optional feeder.

Applicable Codes

- 73-102-00 Jam at Tray 3 Right Side Door
- 373.102.05 Tray 3 Right Door Jam
- 74-102-00 Jam at Tray 4 Right Side Door
- 374.102.06 Tray 4 Right Door Jam
- 75-102-00 Jam at Tray 5 Right Side Door
- 375.102.07 Tray 5 Right Door Jam
- 76-102-00 Jam at Tray 6 Right Door Jam
- 377.110.08 Option Regi On Jam
- 377.901.09 Option Static Jam

Initial Actions

- Check the affected paper tray for correct installation.
- Reload the indicated tray with media from a newly opened package and set the guides snugly against the media.
- Check media size settings for the affected tray.
- Check operation of the Right Door, Upper Chute and Turn Chute on the indicated tray.
- Check the media path for obstructions at the point media stops.
- Cycle system power.
- If the problem persists, follow the procedure below.

Troubleshooting Reference Table

Applicable Parts	Wiring and Plug/Jack References
<ul style="list-style-type: none"> ■ MCU Board, PL10.2.18 ■ Feed Drive, PL12.3.2 ■ Feeder Board, PL12.3.4 ■ Harness OPT MOT, PL12.3.5 ■ Harness OPT CL, PL12.3.12 ■ Take Away Sensor, PL12.4.3 ■ Take Away Clutch, PL12.4.5 ■ Feed Clutch, PL12.4.9 ■ Feed & Separator Roller Kit, PL12.4.99 	<ul style="list-style-type: none"> ■ “Map 5 - MCU Board and Laser Unit” on page 10-9 ■ “Map 7 - 550-Sheet Feeder” on page 10-13 ■ “Map 8 - 1100-Sheet Feeder” on page 10-14 ■ “LVPS” on page 10-25 ■ “Drive” on page 10-29 ■ “Feeder Board” on page 10-44 ■ “Feeder Interconnection” on page 10-45

Troubleshooting Procedure Table

Step	Actions and Questions	Yes	No
1	Check Feed and Separator Rollers of the affected tray are installed correctly, free of contamination and not worn. The rollers are clean and undamaged.	Go to Step 2.	Clean or replace the affected rollers.
2	Test the Take Away Sensor for the affected tray using dc330: <ul style="list-style-type: none"> ■ Tray 3 (73-001) ■ Tray 4 (74-007) ■ Tray 5 (75-007) ■ Tray 6 (76-010) The sensor signal changes (On/Off).	Go to Step 4.	Go to Step 3
3	Check for 3.3V at P/J353-5 on the Feeder Board. Is 3.3 V available at P/J353-5 when the Interlock Switch is closed?	Replace the Take Away Sensor (page 8-202).	Go to Step 9.
4	Test the Feed Drive Motor Alarm for the affected tray using dc330: <ul style="list-style-type: none"> ■ Tray 3 (73-012) ■ Tray 4 (74-006) ■ Tray 5 (75-004) ■ Tray 6 (76-009) The motor rotates (On/Off).	Replace the Feed Drive (page 8-199).	Go to Step 5.
5	Test the Take Away Clutch for the affected tray using dc771: <ul style="list-style-type: none"> ■ Tray 3 (73-013) ■ Tray 4 (74-004) ■ Tray 5 (75-005) ■ Tray 6 (76-005) The clutch signal changes (On/Off).	Go to Step 7.	Go to Step 6.

Troubleshooting Procedure Table (continued)

Step	Actions and Questions	Yes	No
6	Check for 24V at P/J354-1 on the affected Tray's Feeder Board. Is 24 V available at P/J355-1 when the Interlock Switch is closed?	Replace the Take Away Clutch (page 8-203).	Go to Step 9.
7	Test the Feed Clutch for the affected tray using dc330: <ul style="list-style-type: none"> ■ Tray 3 (73-014) ■ Tray 4 (74-005) ■ Tray 5 (75-005) ■ Tray 6 (76-005) The clutch signal changes (On/Off).	Go to Step 8	Go to Step 9.
8	Check for 24V at P/J354-3 on the affected Tray's Feeder Board. Is 24 V available at P/J354-3 when the Interlock Switch is closed?	Replace the Feed Clutch (page 8-205).	Go to Step 9.
9	Replace the Feeder Board (page 8-200). Does the error persist?	Go to Step 10.	Complete.
10	Replace the MCU Board (page 8-152). Does the error persist?	Visually inspect and test continuity of all applicable harnesses.	Complete.

Engine Sensor Failure - Mode Switching Sensors

A failure was detected in the Black (K) or FC (Full Color CMY) Switching Sensor.

Applicable Codes

- 391.301.01 K and FC sensors are On
- 391.302.02 K Sensor On timeout error
- 391.303.03 FC Sensor On timeout error
- 391.304.04 K Sensor Off timeout error
- 391.305.05 FC Sensor Off timeout error
- 391.306.06 Unknown sensor state
- 391.307.07 Unknown sensor state
- 391.308.08 Unknown sensor state
- 92-661-00 Engine Sensor Failure

Initial Actions

- Check Transfer Belt installation.
- Cycle system power.
- If the problem persists, follow the procedure below.

Troubleshooting Reference Table

Applicable Parts	Wiring and Plug/Jack References
<ul style="list-style-type: none"> ■ Transfer Belt, PL5.1.1 ■ Imaging Unit Link Drive, PL9.2.98 ■ Switching Sensor Assy, PL9.2.1 ■ MCU Board, PL10.2.18 ■ Harness RH/ MOT, PL11.2.3 ■ Harness CRUM/ DISP, PL11.2.4 	<ul style="list-style-type: none"> ■ “Map 1 - CRU Detection” on page 10-5 ■ “Map 5 - MCU Board and Laser Unit” on page 10-9. ■ “Map 6 - Drive” on page 10-10. ■ “LVPS” on page 10-25 ■ “Drive” on page 10-29

Troubleshooting Procedure Table

Step	Actions and Questions	Yes	No
1	Replace the Transfer Belt and cycle system power. Does the error persist?	Go to Step 2.	Complete.
2	Check guide link operation. Does the link slide smoothly back and forth between the Switching Sensors?	Go to Step 3.	Reseat or replace the Imaging Unit Link Drive (page 8-175).

Troubleshooting Procedure Table (continued)

Step	Actions and Questions	Yes	No
3	Test the Black Switching Sensor using dc330 (93-017). The sensor signal changes (On/Off).	Go to Step 8.	Go to Step 4.
4	Check continuity of the RH/MOT harness between P/J9 on the MCU Board and P/J200 at the sensor. The harness is undamaged.	Go to Step 5.	Replace the harness.
5	Check for 3.3V at P/J9-16 on the MCU Board. Is 3.3 V available at P/J9-16?	Replace the Black Switching Sensor (page 8-145).	Go to Step 6.
6	Check for 3.3V at P/J24-4 on the MCU Board. Is 3.3V available at P/J24-4 when the Front Interlock Switch is closed?	Replace the MCU Board (page 8-152).	Go to Step 7.
7	Check continuity of the LVPS Harness between P/J308 and PJ24 on the MCU Board. The harness in undamaged.	Replace the LVPS (page 8-182).	Replace the harness.
8	Test the Color Switching Sensor using dc330 (93-018). The sensor signal changes (On/Off).	Go to Step 13.	Go to Step 9.
9	Check continuity of the Dispense/CRUM harness between P/J15 on the MCU Board and P/J201 at the sensor. The harness is undamaged.	Go to Step 10.	Replace the harness.
10	Check for 3.3V at P/J15-1 on the MCU Board. Is 3.3 V available at P/J15-1?	Replace the Color Switching Sensor (page 8-149).	Go to Step 11.
11	Check for 3.3V at P/J24-4 on the MCU Board. Is 3.3V available at P/J24-4 when the Front Interlock Switch is closed?	Replace the MCU Board (page 8-152).	Go to Step 7.
12	Check continuity of the LVPS Harness between P/J308 and PJ24 on the MCU Board. The harness in undamaged.	Replace the LVPS (page 8-182).	Replace the harness.
13	If the error persists, replace these components, in order, until the error is resolved. 1. Imaging Unit Link Drive, PL9.2.98 2. MCU Board, PL10.2.18		

Imaging Unit Failure

A communication or CRUM data failure was detected in one or more of the Imaging Units.

Applicable Codes

- 91-901-00 Black (K) Imaging Unit Failure
- 391.901.02 Black (K) Imaging Unit communication error
- 91-903-00 Yellow (Y) Imaging Unit Failure
- 391.903.02 Yellow (Y) Imaging Unit communication error
- 91-905-00 Magenta (M) Imaging Unit Failure
- 391.905.02 Magenta (M) Imaging Unit communication error
- 91-907-00 Cyan (C) Imaging Unit Failure
- 391.907.02 Cyan (C) Imaging Unit communication error
- 391.902.03 Black (K) Imaging Unit Data error
- 391.904.03 Yellow (Y) Imaging Unit Data error
- 391.906.03 Magenta (M) Imaging Unit Data error
- 391.908.03 Cyan (C) Imaging Unit Data error

Initial Actions

- Reseat the affected Imaging Unit.
- Check the Imaging Unit is the correct part number for this model.
- Cycle system power.
- If the problem persists, follow the procedure below.

Troubleshooting Reference Table

Applicable Parts	Wiring and Plug/Jack References
<ul style="list-style-type: none"> ■ Yellow Imaging Unit, PL5.1.8 ■ Magenta Imaging Unit, PL5.1.9 ■ Cyan Imaging Unit, PL5.1.10 ■ Black Imaging Unit, PL5.1.11 ■ CRUM Connector Assy, PL5.2.4 ■ Harness CRUM/ DISP, PL11.2.4 ■ MCU Board, PL10.2.18 	<ul style="list-style-type: none"> ■ “Map 1 - CRU Detection” on page 10-5. ■ “Map 5 - MCU Board and Laser Unit” on page 10-9. ■ “Dispense and Development” on page 10-37.

Troubleshooting Procedure Table

Step	Actions and Questions	Yes	No
1	Reseat the affected Imaging Unit and cycle system power. Does the error persist?	Go to Step 2.	Complete.

Troubleshooting Procedure Table (continued)

Step	Actions and Questions	Yes	No
2	Replace the affected imaging Unit. Does the error persist?	Go to Step 3.	Complete.
3	Check P/J12 on the MCU Board and Imaging Unit CRUM connectors: <ul style="list-style-type: none"> ■ P/J208 (Y) ■ P/J209 (M) ■ P/J210 (C) ■ P/J211 (K) The connections are secure.	Go to Step 4.	Secure the connections.
4	Check continuity of the Dispense/CRUM harness. The harness is undamaged.	Go to Step 5.	Replace the harness.
5	Check for 2.5V at P/J12-3, -7, -11, or -15 on the MCU Board. Is 2.5 V available at P/J12 for the affected Imaging Unit?	Replace the Imaging Unit CRUM Connector (page 8-88).	Replace the MCU Board (page 8-152).

Printer Failure - HVPS Failure

A communication failure with the HVPS was detected.

Applicable Error

- 91-312-00 Printer Failure
- 391.312.01 HVPS Error

Initial Actions

- Cycle system power.
- If the problem persists, follow the procedure below.

Troubleshooting Reference Table

Applicable Parts	Wiring and Plug/Jack References
<ul style="list-style-type: none"> ■ HVPS, PL5.2.3 ■ MCU Board, PL10.2.18 ■ Harness ROS/HV, PL11.2.2 	<ul style="list-style-type: none"> ■ “Map 4 - LVPS and IP Board” on page 10-8 ■ “Map 5 - MCU Board and Laser Unit” on page 10-9 ■ “HVPS” on page 10-35

Troubleshooting Procedure Table

Step	Actions and Questions	Yes	No
1	Check P/J13 on the MCU Board and P/J331 on the HVPS. The connections are secure.	Go to Step 2.	Secure the connection.
2	Check continuity of the ROS/HV Harness between P/J331 and PJ13 on the MCU Board. The harness is undamaged.	Go to Step 3.	Replace the harness.
3	Replace the HVPS. Does the error persist?	Replace the MCU Board (page 8-152).	Complete.

Density Sensor Failure - ADC Sensor

An error was detected in the Front or Rear ADC sensor located in the Procon Assembly.

Applicable Error

- 92-310-00 Density Sensor Failure
- 392.310.01 CTD Rear Sensor Vdark error
- 392.311.02 CTD Rear Sensor Vcin error
- 392.320.01 CTD Front Sensor AD transition value error

Initial Actions

- Clean the sensors using the built-in wiper.
- Cycle system power.
- If the problem persists, follow the procedure below.

Troubleshooting Reference Table

Applicable Parts	Wiring and Plug/Jack References
<ul style="list-style-type: none"> ■ Procon Assy, PL5.3.1 ■ MCU Board, PL10.2.18 ■ Harness Erase/Exit, PL11.2.1 	<ul style="list-style-type: none"> ■ “Map 4 - LVPS and IP Board” on page 10-8 ■ “Map 5 - MCU Board and Laser Unit” on page 10-9 ■ “LVPS” on page 10-25 ■ “Xerographic” on page 10-33

Troubleshooting Procedure Table

Step	Actions and Questions	Yes	No
1	Check P/J17 on the MCU Board and P/J108 on the Procon Assy. The connections are secure.	Go to Step 2.	Secure the connection.
2	Check continuity of the Erase/Exit Harness between P/J108 and PJ17 on the MCU Board. The harness is undamaged.	Go to Step 3.	Replace the harness.
3	Check for 5V at P/J17-9 and -14 on the MCU Board. Is 5V available at P/J17-9 and -14 when the Front Interlock Switch is closed?	Replace the Procon Assy (page 8-95).	Go to Step 4.
4	Check for 5V at P/J24-17 on the MCU Board. Is 5V available at P/J24-17 when the Front Interlock Switch is closed?	Replace the MCU Board (page 8-152).	Go to Step 5.

Troubleshooting Procedure Table (continued)

Step	Actions and Questions	Yes	No
5	Check continuity of the LVPS Harness between P/J308 and PJ24 on the MCU Board. The harness is undamaged.	Replace the LVPS (page 8-182).	Replace the harness.
6	If the error persists, replace these components, in order, until the error is resolved. 1. Procon Assy, PL5.3.1 2. MCU Board, PL10.2.18		

Dusty Density Sensor

The Front or Rear ADC sensor located in the Procon Assembly is dirty.

Applicable Code

- 92-330-00 Dusty Density Sensor

Initial Actions

- Clean the sensors using the built-in wiper.

Note

Wipe the sensors three or four times to clean each sensor completely. Density improvement may not occur until 30 or 40 pages are printed.

- Cycle system power.
- If the problem persists, follow the procedure below.

Troubleshooting Reference Table

Applicable Parts	Wiring and Plug/Jack References
<ul style="list-style-type: none"> ■ Procon Assy, PL5.3.1 ■ MCU Board, PL10.2.18 ■ Harness Erase/Exit, PL11.2.1 	<ul style="list-style-type: none"> ■ “Map 4 - LVPS and IP Board” on page 10-8 ■ “Map 5 - MCU Board and Laser Unit” on page 10-9 ■ “LVPS” on page 10-25 ■ “Xerographic” on page 10-33

Troubleshooting Procedure Table

Step	Actions and Questions	Yes	No
1	Clean the sensors. The error persists.	Go to Step 2.	Complete.
2	Replace the Procon Assy (page 8-95). The error persists.	Replace the MCU Board (page 8-152).	Complete.

Engine Sensor Failure - Environmental Sensor

An error was detected in the Environmental Sensor (Temperature/ Humidity Sensor). The sensor detects a temperature or humidity anomaly.

Note

The printer may stop or operate at half speed mode as a result of this error.

Applicable Errors

- 92-660-00 Print speed reduced due to internal temperature
- 92-661-00 Engine Sensor Failure
- 392.661.01 Temperature error
- 92-662-00 Overheat Failure
- 392.662.01 Overheat error

Initial Actions

- Check for obstructions blocking system airflow.
- Cycle system power.
- If the problem persists, follow the procedure below.

Troubleshooting Reference Table

Applicable Parts	Wiring and Plug/Jack References
<ul style="list-style-type: none"> ■ Environmental Sensor, PL5.3.15 ■ Procon Assy, PL 5.3.1 ■ Harness Assy CTD/HUM, PL 5.3.2 ■ MCU Board, PL10.2.18 ■ Harness Erase/Exit, PL11.2.1 	<ul style="list-style-type: none"> ■ “Map 1 - CRU Detection” on page 10-5 ■ “Map 5 - MCU Board and Laser Unit” on page 10-9. ■ “LVPS” on page 10-25 ■ “Xerographic” on page 10-33

Troubleshooting Procedure Table

Step	Actions and Questions	Yes	No
1	Test the Environmental Sensor using dc140 Analog Monitor. Temperature and Humidity readings are within ranges.	Go to Step 2.	Go to Step 3.
2	Cycle system power. Does the error persist?	Go to Step 3	Complete.
3	Check P/J17 on the MCU Board and P/J106 on the Procon Assy. The connections are secure.	Go to Step 4.	Secure the connections.

Troubleshooting Procedure Table (continued)

Step	Actions and Questions	Yes	No
4	Check continuity of the Erase/Exit Harness between P/J106 and PJ16 on the MCU Board. The harness is undamaged.	Go to Step 5.	Replace the harness.
5	Check for 5V at P/J16-10 on the MCU Board. Is 5V available at P/J16-10 when the Front Interlock Switch is closed?	Go to Step 8.	Go to Step 6.
6	Check for 5V at P/J24-17 on the MCU Board. Is 5V available at P/J24-17 when the Front Interlock Switch is closed?	Replace the MCU Board (page 8-152).	Go to Step 7.
7	Check continuity of the LVPS Harness between P/J308 and PJ24 on the MCU Board. The harness is undamaged.	Replace the LVPS (page 8-182).	Replace the harness.
8	Remove the Procon Assy (page 8-95) and check continuity of the CTD/Hum harness between P/J106 and P/J213 at the sensor. The harness is undamaged.	Replace the Environmental Sensor (page 8-101).	Replace the harness.
9	If the error persists, replace these components, in order, until the error is resolved. 1. Environmental Sensor, PL5.3.15 2. Procon Assy, PL 5.3.1 3. MCU Board, PL10.2.18		

Imaging Unit Failure

A calibration patch error (low image density) was detected.

Applicable Codes

- 92-670-00 Yellow Imaging Unit Failure
- 392.670.01 Yellow image adjustment patch error
- 92-671-00 Magenta Imaging Unit Failure
- 392.671.01 Magenta image adjustment patch error
- 92-672-00 Cyan Imaging Unit Failure
- 392.672.01 Cyan image adjustment patch error
- 92-673-00 Black Imaging Unit Failure
- 392.673.01 Black image adjustment patch error

Initial Actions

- Reseat the affected Imaging Unit.
- Check the Imaging Unit is the correct part number for this model.
- Check Transfer Belt installation.
- Cycle system power.
- If the problem persists, follow the procedure below.

Troubleshooting Reference Table

Applicable Parts	Wiring and Plug/Jack References
<ul style="list-style-type: none"> ■ Yellow Imaging Unit, PL5.1.8 ■ Magenta Imaging Unit, PL5.1.9 ■ Cyan Imaging Unit, PL5.1.10 ■ Black Imaging Unit, PL5.1.11 ■ Transfer Belt, PL5.1.1 ■ HVPS, PL5.2.3 ■ Harness Assy ROS/HV (PL11.2.2) ■ MCU Board, PL10.2.18 	<ul style="list-style-type: none"> ■ “Map 1 - CRU Detection” on page 10-5. ■ “Map 5 - MCU Board and Laser Unit” on page 10-9. ■ “HVPS” on page 10-35.

Troubleshooting Procedure Table

Step	Actions and Questions	Yes	No
1	Reseat the affected Imaging Unit and cycle system power. Does the error persist?	Go to Step 2.	Complete.
2	Replace the affected imaging Unit. Does the error persist?	Go to Step 3.	Complete.

Troubleshooting Procedure Table (continued)

Step	Actions and Questions	Yes	No
3	Reseat the Transfer Belt and cycle system power. Does the error persist?	Go to Step 4.	Complete.
4	Replace the Transfer Belt (page 8-12). Does the error persist?	Go to Step 5.	Complete.
5	Check P/J332 on the HVPS and the HV contacts to the Bias Transfer Assy. The connections are secure.	Go to Step 6.	Secure the connections.
6	Check P/J13 on the MCU Board and P/J331 on the HVPS. The connections are secure.	Go to Step 5.	Secure the connections.
7	Check continuity of the ROS/HV Harness between P/J331 and PJ31 on the MCU Board. The harness is undamaged.	Replace the HVPS (page 8-182).	Replace the MCU Board (page 8-152).
8	If the error persists, replace these components, in order, until the error is resolved. 1. Bias Housing Assy, PL 5.2.2 2. HVPS, PL5.2.3 3. Harness Assy ROS/HV (PL11.2.2) 4. MCU Board, PL10.2.18		

CMYK Toner Failure

A communication or CRUM data failure was detected in one of the Toner Cartridges.

Applicable Codes

- 93-901-00 Black (K) Toner Failure
- 393.901.02 Black (K) Toner Cartridge communication error
- 393.902.03 Black (K) Toner Cartridge data error
- 93-903-00 Yellow (Y) Toner Failure
- 393.903.02 Yellow (Y) Toner Cartridge communication error
- 393.904.03 Yellow (Y) Toner Cartridge data error
- 93-905-00 Magenta (M) Toner Failure
- 393.905.02 Magenta (M) Toner Cartridge communication error
- 393.906.03 Magenta (M) Toner Cartridge data error
- 93-907-00 Cyan (C) Toner Failure
- 393.907.02 Cyan (C) Toner Cartridge communication error
- 393.908.03 Cyan (C) Toner Cartridge data error

Initial Actions

- Reseat the affected Toner Cartridge.
- Check the Toner Cartridge is the correct part number for this model.
- Cycle system power.
- If the problem persists, follow the procedure below.

Troubleshooting Reference Table

Applicable Parts	Wiring and Plug/Jack References
<ul style="list-style-type: none"> ■ Yellow Toner Cartridge, PL6.1.1 ■ Magenta Toner Cartridge, PL6.1.2 ■ Cyan Toner Cartridge, PL6.1.3 ■ Black Toner Cartridge, PL6.1.4 ■ CRUM Connector Assy, PL6.1.10 ■ MCU Board, PL10.2.18 ■ Harness TN CRUM, PL11.1.1 	<ul style="list-style-type: none"> ■ “Map 1 - CRU Detection” on page 10-5. ■ “Map 5 - MCU Board and Laser Unit” on page 10-9. ■ “Dispense and Development” on page 10-37.

Troubleshooting Procedure Table

Step	Actions and Questions	Yes	No
1	Reseat the affected Toner Cartridge and cycle system power. Does the error persist?	Go to Step 2.	Complete.

Troubleshooting Procedure Table (continued)

Step	Actions and Questions	Yes	No
2	Replace the affected Toner Cartridge. Does the error persist?	Go to Step 3.	Complete.
3	Check P/J11 on the MCU Board and toner CRUM connections P/J204(Y), P/J205(M), P/J206(C) and P/J207(K). The connections are secure.	Go to Step 4.	Secure the connections.
4	Check continuity of the TN/CRUM Harness between the CRUM connections and P/J11 on the MCU Board. The harness is undamaged.	Go to Step 5.	Replace the harness.
5	Check for 2.5V at P/J11-3, -7, -11, and -15 on the MCU Board Is 2.5 V available at P/J11?	Replace the Toner CRUM Connector Assy (page 8-108).	Replace the MCU Board (page 8-152).

General Troubleshooting

In this chapter...

- Introduction
- System Startup
- Power On Self Test (POST)
- Service Diagnostics
- Control Panel Troubleshooting
- DC Power Supply Troubleshooting
- +24 VDC Interlock Switches
- Abnormal Noises
- Operating System and Application Problems

Chapter 4

Introduction

This chapter covers the System Startup, Power On Self Test (POST), Service Diagnostics, and troubleshooting problems not associated with a fault code or error message.

For troubleshooting problems associated with a fault code or Control Panel error message, refer to “Messages, Codes, and Procedures” on page 3-4. Print-quality problems are covered in “Print-Quality Troubleshooting” on page 5-9.

Initial Actions

Some problems are easy to resolve. Use these steps in an attempt to quickly isolate the problem.

1. Turn Off the printer, wait 5 seconds, then turn On the printer. This often solves problems related to power transients, ESD, and software errors.
2. If a message appears on the Control Panel, see “Messages, Codes, and Procedures” on page 3-4 for specific procedures related to error messages.
3. Check the power cord. Is the power cord plugged into the printer and directly into a properly grounded electrical outlet? Is the power cord damaged?
4. Check the electrical outlet. Is the outlet turned off by a switch or breaker?
5. Does other electrical equipment plugged into the outlet operate?
6. Are all options properly installed?

Display Problems

If the Control Panel display is blank:

1. Turn Off the printer, wait 10 seconds, then turn On the printer.
2. The Xerox logo should appear on the display while POST tests run. If not, see “Control Panel Troubleshooting” on page 4-77.
3. When all tests and operating system loading is complete, “Ready to Print” should appear at the top left corner of the display.

Note

If the touchscreen is illuminated but unresponsive, press and hold the Power Saver button for 5 seconds, then press and release the Pause button to reset the touchscreen to factory defaults and initiate the touchscreen diagnostics. Refer to “Control Panel Calibration and Testing” on page 6-8.

If the problem persists, see “Control Panel Troubleshooting” on page 4-77, and “DC Power Supply Troubleshooting” on page 4-81.

Printing Problems

If menu settings entered from the Control Panel have no effect, change or disable print settings from the print driver, the print utilities, or the application.

Note

Settings made in the application, print driver, or print utilities override settings made from the Control Panel.

If a job did not print correctly or incorrect characters were printed, check the following:

1. Check for "Ready To Print" on the display before sending a print job.
2. Check the loaded media.
3. Check the print driver.
4. Check the printer connections to Ethernet or USB.
5. Verify that the correct print media size is selected.
6. If using a print spooler, verify that the spooler has not stalled.
7. Check the printer network interface from the Network tab of the About This Printer menu. Determine the host interface you are using. Print a Configuration page to verify that the current interface settings are correct.

Slow Printing

Printing complex images in Photo Mode for duplex jobs greater than 4 pages reduces print speed due to memory limitations. This is indicated when the printer cycles down, then back up following the 4th page. Increasing installed memory to 2GB eliminates this behavior. Another option is to switch to standard mode.

Another cause of slow operation is the use of data encryption on the Hard Drive. If User Data Encryption is enabled through CWIS, print processing slows as the encryption/decryption process occurs resulting in a reduction of print speeds of up to 40%.

Secure Print

If secure print is not available or not printing, refer to the requirements below.

- Secure Print requires a Hard Drive for print file storage. Check for the presence of a Hard Drive mounted on the IP Board.
- The number of secure print jobs the printer can store is dependent on the job size including number of pages, graphics, color attributes, and the amount of memory or Hard Disk space.

Misfeed

If print media misfeeds or multiple feeds occur, check the following:

1. Make sure the print media meets the specifications. Refer to “Media Guidelines” on page A-2.
2. Fan the media before loading it.
3. Check the media guides.
4. Check the fill level in each Tray. Reduce the amount of media loaded in the Tray if necessary.
5. Load the media to correctly position the “print first” side.
6. Turn the media over or around and try printing again.
7. Fill trays with only one type of media.
8. Remove the top and bottom sheets of a ream before loading.
9. Do not reload media until the media source is empty.
10. Try loading media from a newly opened ream.
11. Check the Feed Rollers for contamination or wear. Replace if necessary.

Jamming in the Media Path

Use the dc330 roller tests to exercise drive assemblies, clutches and motors in combination to test media transport at specific locations in the media path.

Fault Isolation

Print an Engine Test print to isolate errors to either the MCUI or IP Boards. If the printer prints the test print successfully, troubleshoot the IP Board and connected components. If the Engine Test print fails, troubleshoot the print engine starting with “AC Power Supply Troubleshooting” on page 4-80.

System Startup

Listed here is a typical startup routine from a cold start. The printer requires approximately 2 minutes to complete this sequence when equipped with a Hard Drive, 3 minutes without.

1. The printer performs a Power-On Self Test (POST) of the minimal essential hardware components to enable the operating systems to load and boot into a minimal-power safe state. See “Power On Self Test (POST)” on page 4-5.
2. A static power-on splash screen with the Xerox and Energy Star logos is displayed.
3. A dynamic warm-up screen appears showing the version of system software and a scrolling activity bar.
4. The home screen is displayed with status of warming up or calibrating.
5. The status message changes to Ready to Print when the printer is ready to accept jobs.

Power On Self Test (POST)

POST diagnostics provides a quick means of isolating a defective subsystem associated with the Image Processor Board (IP Board), SDRAM, and Control Panel.

POST Sequence

POST uses a separate and independent boot code; this code runs independently from the printer's operating system.

1. When power is turned On, the Health LED is lit on the IP Board, to indicate power is initiated.
2. The UART for debug serial port is initialized.
3. The SDRAM DIMM and EEPROM are tested, which included data and address lines. If an error is detected, the boot process halts and the error is indicated by a text message to the Control panel display and a blink code on the Health LED.

Note

An attempt is made to write detailed information to the serial port (which should work as the RAM is not being used at this point and the debug serial port is initialized).

4. The CPU loads its FPGA. If an error occurs, the system attempts to continue the boot process to allow for recovery and a text message is displayed on the Control Panel and a the Health LED blinks the appropriate code.
5. The IP Board health is checked. If there is a failure, the Health LED blinks.
6. The Operating System (OS) is loaded from ROM and the OS is brought up.

POST Error Reporting

POST reports errors using the Health LED located on the IP Board and, when possible, an error message displayed on the Control Panel.

Hard faults prevent the boot sequence from continuing; the boot sequence aborts with no further tests attempted. When a hard fault occurs, the error code will be flashed on the LED's., and if possible, displayed on the UI screen.

LED Blink Patterns

This table lists blink codes for each error. All errors blink the LED a certain number of times @ 2 Hz, pause for 2 seconds, and then repeat.

POST Health LED Error Blink patterns

Blink Code	Message	Action
2 blinks	RAM error	Replace DIMM, if error persists, IP Board.
3 blinks	FPGA error	Update SW, if error persists, replace SD Card
4 blinks	EEPROM error	Replace IP board EEPROM
6 blinks	UI Failure	Replace the Control Panel
7 blinks	UI Version Error	Update SW

Errors

RAM Error

A RAM error is displayed on the Control Panel when the test detects errors on the RAM DIMM installed on the IP Board. This error most often means an incompatible DIMM is installed, the DIMM is installed incorrectly or is missing. However, it can mean the DIMM is faulty. In rare instances, it could mean the IP Board and/or the DIMM socket is faulty.

FPGA Error

An FPGA error can mean either the FPGA binary on the SD card is missing and/or corrupt, or the FPGA itself is faulty (controller error). It is not possible in all cases to identify which one of these is the real problem. Therefore, reinstalling the SW using AltBoot may or may not fix the problem. If it does not, replace the IP Board.

EEPROM Error

This indicates the IP Board EEPROM is missing or could not be read.

UI Failure

This indicates that communication with the Control Panel could not be established. It most likely means the Control Panel or harness is disconnected or defective. Although not likely, it could also mean the controller (UI cable socket) is defective.

UI Version Error

Indicates a system SW version error. Use AltBoot to update system firmware.

Service Diagnostics

The Phaser 6700 has built-in diagnostics that provide tests for sensors, motors clutches, and solenoids. Access is also provided to system status, NVM addresses, and several test prints. Using these tools, technicians can diagnose problems quickly by isolating which component or subassembly requires service.

If confronted with an error that requires more than a cursory investigation to clear or when directed by a troubleshooting procedure, use Service Diagnostics to exercise selected assemblies or parts in the vicinity of the reported error. Diagnostic tests are controlled from the Control Panel.

Note

Clear pending print jobs before attempting to enter Service Diagnostics. No new jobs are processed while the printer is in diagnostic mode.

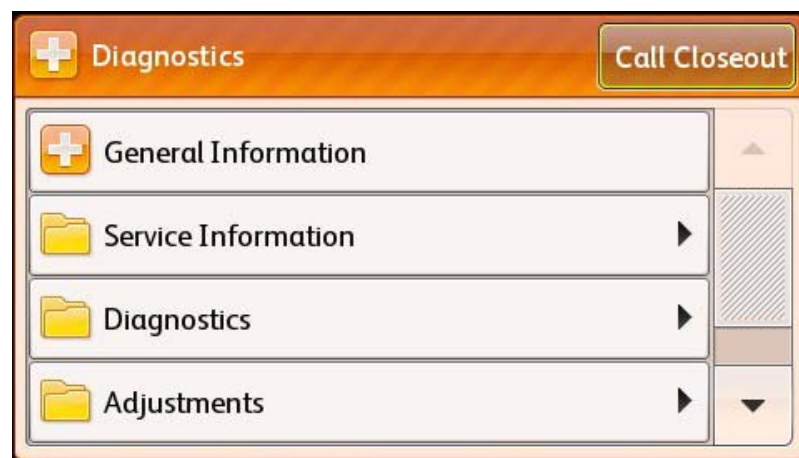
Entering Service Diagnostics

Service Diagnostics is accessible using these methods. Login using 6789.

- With the printer in the Ready state, press and hold the Pause Button for 5 seconds, then press and release the Power Saver Button. This method is available even with the menus locked.
- From the Printer > Setup > Service Tools menu, touch Service Diagnostics. The Service Diagnostics screen appears. If the Tools Menu is locked, use the CSE login credentials (user = !\$ecivreS and password = 2732). CSE login to the Tools menu can be disabled by the admin from CWIS.

Note

If the system is unable to access Service Diagnostics, “Unable to enter service diagnostics at this time. Please try again.” appears on the display.



These routines are available in Service Diagnostics. Detailed descriptions of each utility or test follow this overview.

General Information

General Information lists information about the printer.

- Product Code
- Serial Number
- Total Images
- Active IP Address
- Software Version

Service Information

Service Information lists utilities for managing counters, reviewing status and access to embedded test prints.

- dc104 Usage Counters
- dc108 Software Versions
- dc122 Fault History
- dc135 CRU/HFS Read and Reset
- dc612 Test Patterns

Diagnostics

Diagnostics lists utilities for testing components and combinations of components.

- dc140 Analog Monitor
- dc330 Component Control
- dc711 Roller Test
- dc741 Paper Size Switch Test

Adjustments

Adjustments lists utilities for accessing NVRAM and making xerographic process adjustments.

- dc131 NVM Access
- dc301 NVM initialization
- dc361 NVM Save and Restore
- dc701 Fuser Temp Setup
- dc909 Calibrate for Paper
- dc960 High Altitude

Maintenance

Maintenance lists utilities for managing consumables.

- dc122 Fault History
- dc135 CRU/HFS Read and Reset
- dc137 Page Pack

Exiting Service Diagnostics

After all service mode activities are complete, touch Call Closeout. The Call Closeout screen appears. Available options include the reset of the fault history logs (Reset Counters), Exit, Exit & Reboot and Cancel. It is recommended that following diagnostic testing or an NVM parameter change, reboot the printer to return it to correct operation.



Service Diagnostics Tests and Utilities

Most diagnostic tests are straightforward and require no additional explanation. However, there are some that require specific conditions be met to achieve meaningful results. These instructions cover each test group, listing special instructions, conditions, or other information necessary to successfully interpret the results of the diagnostic tests.

dc104 Usage Counters

Usage Counters displays printer usage information.

1. Access the Service Diagnostics menu (page 4-7).
2. Touch Service Information.
3. Touch dc104 Usage Counters.
4. The dc104 Usage Counters screen is displayed. Total impressions for Color and Black are displayed. Touch Usage Counters and select the desired counter to view.
 - Impression Counters
 - Sheet Counters
5. Touch X to exit.

dc108 Software Version

Software Version displays the current system software versions.

1. Access the Service Diagnostics menu (page 4-7).
2. Touch Service Information.
3. Touch dc108 Software Version.
4. The System Software Version screen is displayed listing current firmware versions for the printer and attached options.
5. Touch the Back Arrow to exit.

dc122 Fault History

Fault History displays the most recent (last 40) faults.

1. Access the Service Diagnostics menu (page 4-7).
2. Touch Service Information.
3. Touch dc122 Fault History.
4. A Fault History screen is displayed. Information includes:
 - Chain Link
 - Description
 - Date & Time
5. Touch the Fault for additional details.
6. An Information screen appears with fault details.
7. Touch X to exit the Information screen.
8. Touch the Back Arrow to exit.

dc131 NVM Access

Note

Write down existing values before making any changes.

NVM Access displays the value for a given NVM parameter ID and will write new values into given locations. Refer to “NVM Parametric Values” on page A-9.

1. Access the Service Diagnostics menu (page 4-7).
2. Touch Adjustments.
3. Select dc131 NVM Access.
4. Enter the two part NVM parameter identifier.
5. Touch Read.
6. The selected NVM parameter is added to a table showing parameters accessed since invoking the routine.
7. Check the displayed value is appropriate. If not, differs from that documented or a modification is required:
 - a. Enter the new value for that NVM parameter
 - b. Touch Write
 - c. The new value is written into NVM
 - d. The value is updated in the list displayed on the UI
8. If further NVM parameters require review, repeats steps 4~7.

Note

Select Exit and Reboot during Call Closeout after any NVM value change.

dc135 CRU/HFSI

The CRU/HFSI (dc135) routine provides read access to each CRU/HFSI and displays the remaining life information. The non-CRUM supply item life counters can be reset.

1. Access the Service Diagnostics menu (page 4-7).
2. Touch the Service Info tab.
3. Select dc135 CRU/HFSI.
4. A dc135 CRU/HFSI screen is displayed. Information includes:
 - Name
 - % Remaining
5. To reset a non-CRUM supply item, select the item. Touch the Reset Counter button to reset the life counter.
6. Touch X to exit.

dc137 Page Pack

Note

Page Pack requires unique CRU components, a valid Page Pack PIN and an established Page Pack contract.

Use the Page Pack utility to enable or disable the Page Pack feature.

1. Access the Service Diagnostics menu (page 4-7).
2. Touch Maintenance.
3. Select dc137 Page Pack.
4. Touch the desired state.
5. Touch Save to store the new state.
6. Touch X to exit.

dc140 Analog Monitor

The Analog Monitor (dc140) routine monitors one or more analog inputs for diagnostic troubleshooting.

1. Access the Service Diagnostics menu (page 4-7).
2. Touch the Diagnostics tab.
3. Select dc140 Analog Monitor.
4. A dc140 Analog Monitor screen is displayed. Information includes:
 - Component Name
 - Status
 - Range
 - Value
5. Select the item to be monitored. Select Start.
6. The value is displayed for the selected component.
7. To stop the process, select Stop or Stop All.
8. Click X to exit.

dc301 NVM Initialization

The NVM Initialization utility resets selected NVM to their factory default settings. NVM areas are defined by domain. To select NVM parameters to reset, follow these instructions.

1. Access the Service Diagnostics menu (page 4-7).
 2. Touch Adjustments.
 3. Select dc301 NVM Initialization.
 4. A dc301 NVM Initialization screen is displayed.
 5. Touch the domain to reset. Controller provides three NVM Data areas, Engine one and, if installed, Finisher provides one.
 6. To reset User, System or All NVM parameters to factory defaults, touch Controller, then touch the NVM Data area and touch Initialize.
 7. A prompt appears to confirm the initialization request. Touch Initialize to reset NVM.
 8. After confirmation, the display returns to the Adjustments menu and status messages appear at the top of the display during the reset process.
- Engine and Finisher domains reset system NVM for the target board.

Note

Select Exit & Reboot during call closeout after any NVM operations.

dc330 Component Control

Component Control (dc330) is used to test subsystems and discreet components of the printer and attached options. Two component types are defined:

- Inputs: sensors, switches, and motor encoders.
- Outputs: motors, fans, solenoids, clutches, lamps (e.g. LED's) and heaters.

Note

To view status of Fuser, ADC output voltage and environmental sensors, use dc140.

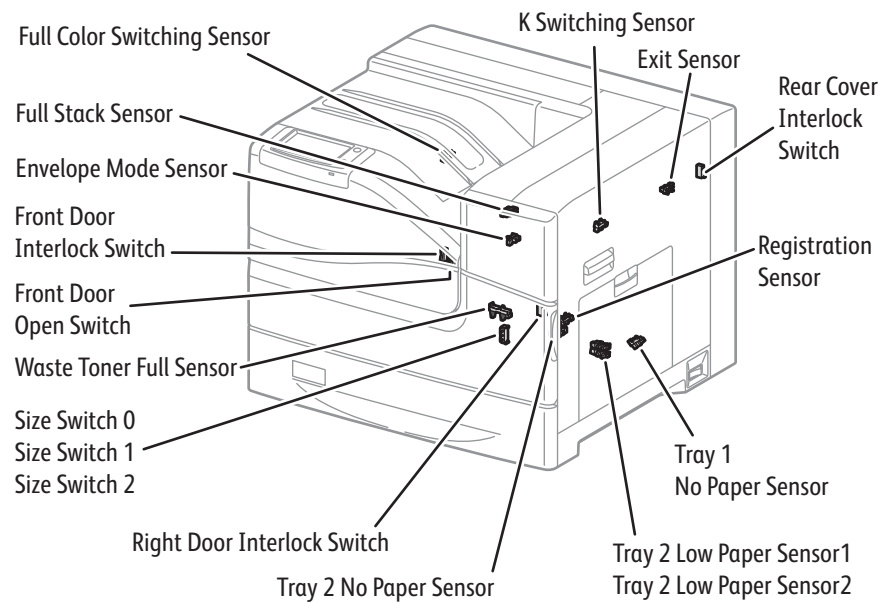
To select a component test:

1. Access the Service Diagnostics menu (page 4-7).
2. Touch the Diagnostics tab.
3. Select dc330 Component Control.
4. A dc330 Component Control screen is displayed. Information includes:
 - Chain Link
 - I/O (input or output)
 - Component
5. From the Chain pull-down menu, select the Chain number.
6. Select the component for test.
7. Select Start to perform the test.
8. Select Stop/Stop All to stop the test.
9. Touch X to exit the component test.

Note

Sensor, motor, clutch, and solenoid test results appear as On or Off states. Tests also allow audible and visual confirmation of operation where applicable. The following dc330 Component Control Tables list each component chain link and component test.

Input Control Codes for Print Engine Sensors



s6700-055

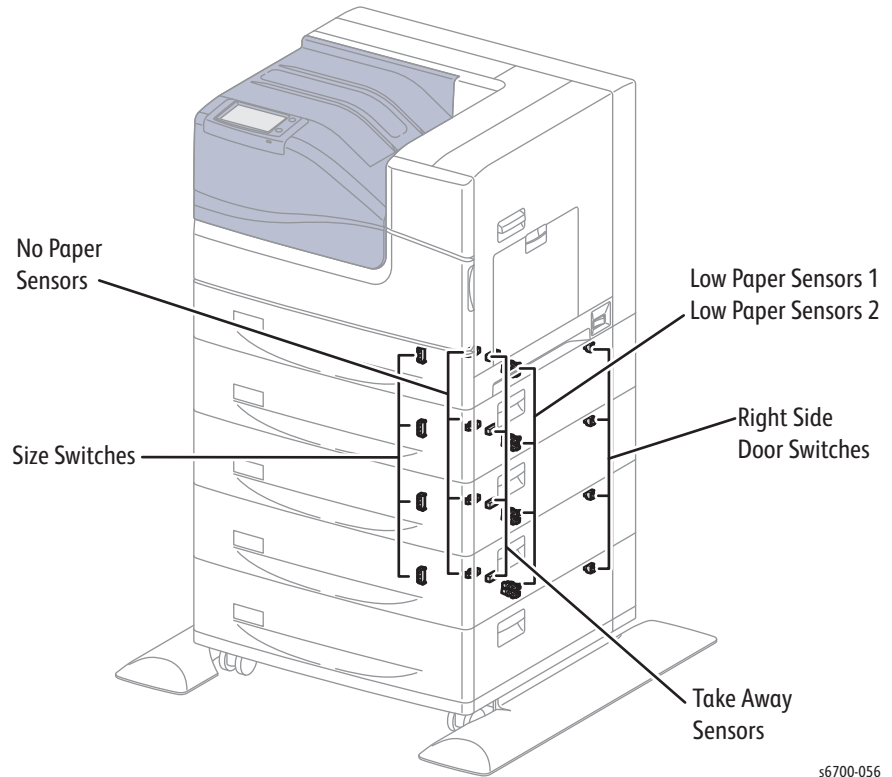
Print Engine dc330 Input Component Control Codes

Code	Component	Code	Component
010-209	Fuser Motor Alarm	072-105	Tray 2 No Paper Sensor
010-210	Fuser Fan Alarm	072-106	Tray 2 Low Paper Sensor1
010-205	Exit Sensor	072-107	Tray 2 Low Paper Sensor2
010-206	Envelope Mode Sensor	072-108	Tray 2 Size Switch 0
010-207	Fuser Enable	072-109	Tray 2 Size Switch 1
042-206	LVPS Fan Alarm	072-110	Tray 2 Size Switch 2
077-300	Front Door Interlock	077-302	Front Door Open Switch
077-301	Right Door Interlock	093-022	Xero Drive Motor Alarm
047-200	Detect Commander	093-017	Black Switching Sensor
010-208	Finisher Detect	093-018	Color Switching Sensor
010-204	Feed Drive Alarm	093-020	K Dev Motor Alarm
010-202	Registration Sensor	093-021	YMC Dev Motor Alarm
010-203	Full Stack Sensor	091-001	Waste Toner Full Sensor
071-104	Tray 1 No Paper Sensor	093-019	IBT Motor Alarm

Note

No input control code or dc330 test exists for the Rear Cover Interlock Switch. To test the switch, either test directly with a DMM, or look for the 309.003.03 (Laser Unit failure) error to indicate a defective switch.

Input Control Codes for Optional Feeder Sensors

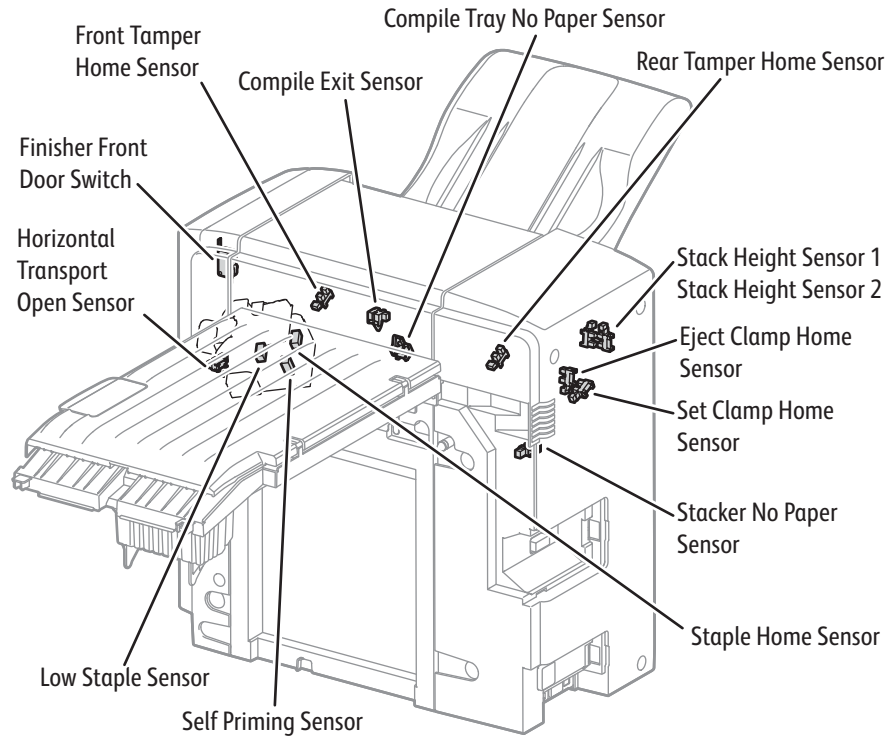


s6700-056

Optional Feeder dc330 Input Component Control Codes

Code	Component	Code	Component
073-012	Tray 3 Feed Motor Alarm	075-004	Tray 5 Feed Motor Alarm
073-001	Tray 3 Take Away Sensor	075-007	Tray 5 Take Away Sensor
073-002	Tray 3 No Paper Sensor	075-008	Tray 5 No Paper Sensor
073-003	Tray 3 Size Switch 0	075-009	Tray 5 Size Switch 0
073-004	Tray 3 Size Switch 1	075-010	Tray 5 Size Switch 1
073-005	Tray 3 Size Switch 2	075-011	Tray 5 Size Switch 2
073-006	Tray 3 Low Paper Sensor1	075-012	Tray 5 Low Paper Sensor1
073-007	Tray 3 Low Paper Sensor2	075-013	Tray 5 Low Paper Sensor2
073-008	Tray 3 Right Door Switch	075-014	Tray 5 Right Door Switch
074-006	Tray 4 Feed Motor Alarm	076-009	Tray 6 Feed Motor Alarm
074-007	Tray 4 Take Away Sensor	076-010	Tray 6 Take Away Sensor
074-008	Tray 4 No Paper Sensor	076-011	Tray 6 No Paper Sensor
074-009	Tray 4 Size Switch 0	076-012	Tray 6 Size Switch 0
074-010	Tray 4 Size Switch 1	076-013	Tray 6 Size Switch 1
074-011	Tray 4 Size Switch 2	076-014	Tray 6 Size Switch 2
074-012	Tray 4 Low Paper Sensor 1	076-015	Tray 6 Low Paper Sensor 1
074-013	Tray 4 Low Paper Sensor 2	076-016	Tray 6 Low Paper Sensor 2
074-014	Tray 4 Right Door Switch	076-017	Tray 6 Right Door Switch

Input Control Codes for Finisher Sensors

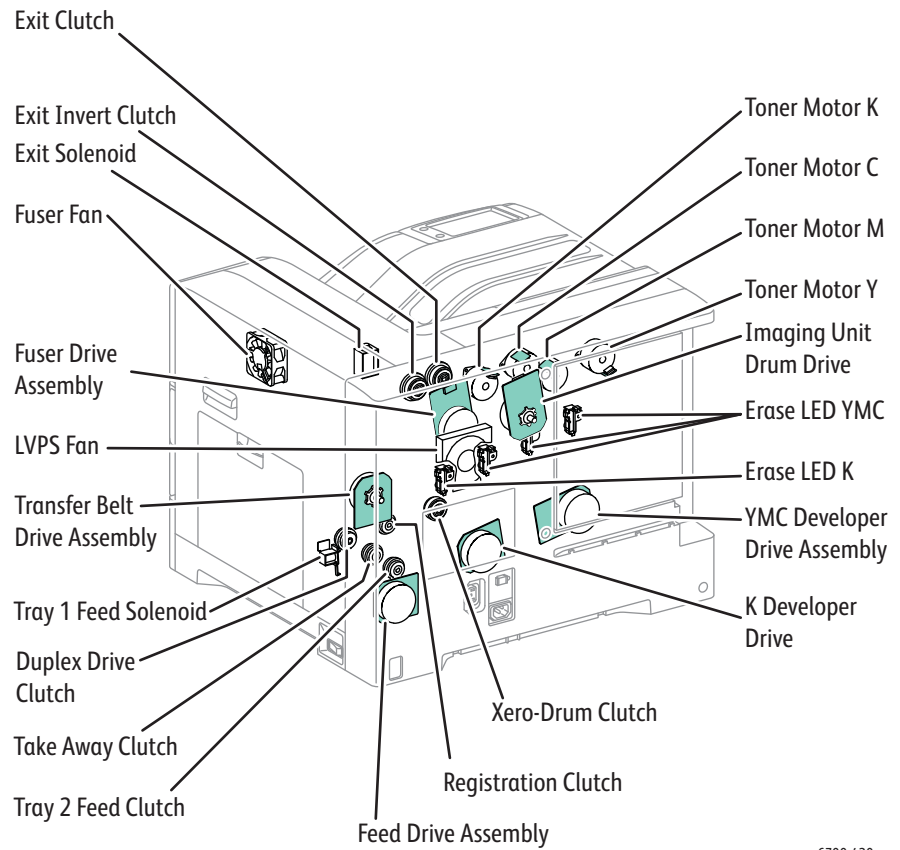


s6700-057

Finisher dc330 Input Component Control Codes

Code	Component	Code	Component
012-029	Compile Tray Exit Sensor	012-036	Eject Clamp Home Sensor
012-030	Compile Tray No Paper Sensor	012-037	Set Clamp Home Sensor
012-031	Front Tamper Home Sensor	012-038	Stacker No Paper Sensor
012-032	Rear Tamper Home Sensor	012-040	Stack Height Sensor 1
012-033	Low Staple Sensor	012-041	Stack Height Sensor 2
012-034	Self Priming Sensor	012-042	Front Door Switch
012-035	Staple Home Sensor	012-043	Horizontal Transport Cover

Output Control Codes for Print Engine Components



s6700-420

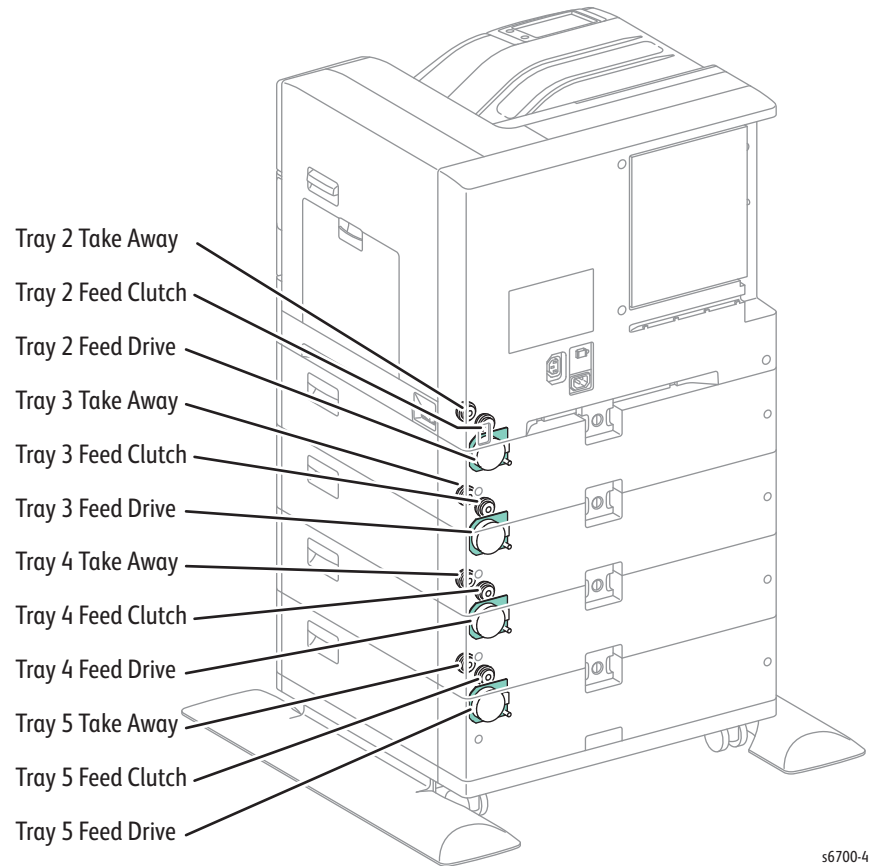
Print Engine dc330 Output Control Codes

Code	Component	Code	Component
010-001, 002, 003	Fuser Motor (High, Med, Low)	093-011, 012, 013	Xero Drive Motor (High, Med, Low)
042-004, 005	Fuser Fan (High, Low)	093-014	Xero-Drum Clutch
010-006	Fuser Control	093-015	Erase YMC LED
042-001	LVPS Fan	093-016	Erase K LED
061-001	Laser Motor (int)	093-001, 002, 003	YMC Dev Drive Motor (High, Med, Low)
010-007, 008, 009	Feed Motor (High, Med, Low)	093-004, 005, 006	K Dev Drive Motor (High, Med, Low)
077-001	Duplex Clutch	093-007	Toner Motor Y
010-010	Registration Clutch	093-008	Toner Motor M
071-006	Tray 1 Feed Solenoid	093-009	Toner Motor C
072-007	Tray 2 Feed Clutch	093-010	Toner Motor K
072-008	Tray 2 Take Away Clutch	094-001, 002, 003	IBT Motor (High, Med, Low)
010-011	Exit Clutch	094-005, 006, 007	IBT Motor Reverse (High, Med, Low)

Print Engine dc330 Output Control Codes (Continued)

Code	Component	Code	Component
010-012	Exit Invert Clutch	094-008, 009, 010	IBT Motor + Xero Int (High, Med, Low)
010-013	Exit Solenoid	094-011	IBT Color Mode Int
010-014, 015, 016	Feed Motor rev. (High, Middle, Low)		

Output Control Codes for Optional Feeder Components

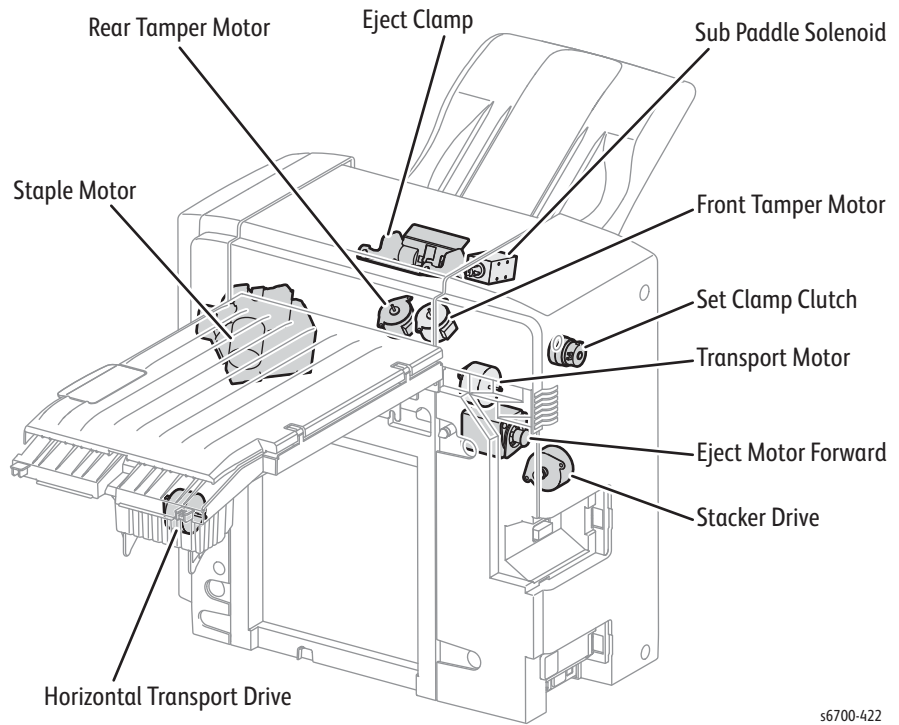


s6700-421

Option Feeder dc330 Output Control Codes

Code	Component	Code	Component
073-009, 010, 011	Tray 3 Feed Drive (High, Middle, Low)	075-001, 002, 003	Tray 5 Feed Drive (High, Middle, Low)
073-013	Tray 3 Take Away Clutch	075-005	Tray 5 Take Away Clutch
073-014	Tray 3 Feed Clutch	075-006	Tray 5 Feed Clutch
074-001, 002, 003	Tray 4 Feed Drive (High, Middle, Low)	076-001, 002, 003	Tray 6 Feed Drive (High, Middle, Low)
074-004	Tray 4 Take Away Clutch	076-004	Tray 6 Take Away Clutch
074-005	Tray 4 Feed Clutch	076-005	Tray 6 Feed Clutch

Output Control Codes for Finisher Components



s6700-422

Finisher dc330 Output Control Codes

Code	Component	Code	Component
012-013	Sub Paddle Solenoid	012-046	Staple Motor Forward
012-018	Transport Motor Reverse	012-047	Staple Motor Reverse
012-020, 022	Front Tamper Motor Front (Low, High)	012-050	Set Clamp Clutch
012-023, 025	Front Tamper Motor Rear (Low, High)	012-052	Eject Clamp Up
012-026, 028	Rear Tamper Motor Front (Low, High)	012-053	Eject Clamp Down
012-029, 031	Rear Tamper Motor Rear (Low, High)	012-054, 055	Eject Motor Forward (Low, High)
012-032, 033, 034, 035	Horizontal Transport Drive Forward	012-060	Stacker Drive Up
012-036, 037, 038	Transport Motor Forward (Low, Middle, High)	012-061	Stacker Drive Down
012-039	Horizontal Transport Drive Reverse		

dc361 NVM Save and Restore

NVM Save and Restore saves or restores system NVM contents to or from the installed SD Card or, if installed, a USB memory device. Use this routine to save and restore system and customer parameters.

Note

The printer automatically creates several copies of system configuration data. A master copy is created and time stamped at first-time power On. Master files are never overwritten and are useful when current system files are corrupt. The printer also writes a daily backup copy of IP Board NVM on a 15-day rotation. These files appear in the file list on the dc361 NVM Save and Restore screen. Files are listed by order of time stamp.

To save NVM parameters, follow these instructions.

1. Access the Service Diagnostics menu (page 4-7).
2. Touch Adjustments.
3. Select dc361 NVM Save and Restore. A dc361 NVM Save and Restore screen is displayed.
4. Touch Machine NVM. If a USB memory device is installed, a prompt appears to select the memory device to receive the NVM files. After selecting the device, the display returns to the dc361 NVM Save and Restore screen.
5. Touch Save to save NVM to the selected device. The routine creates three, time-stamped files, controller SD Card (IP Board), NVM EEPROM (IP Board), and engine EEPROM (MCU Board). The IP Board SD Card holds customer configuration parameters. The IP Board EEPROM stores system configuration parameters and the engine EEPROM stores engine control parameters.
6. A progress window appears to monitor the process. If an error occurs, a status message appears at the top of the display.

To restore NVM parameters, follow these instructions.

1. Access the Service Diagnostics menu (page 4-7).
2. Touch Adjustments.
3. Select dc361 NVM Save and Restore. A dc361 NVM Save and Restore screen is displayed.
4. Touch the correct saved file listed, then touch Restore.
5. A progress window appears to monitor the restore process. If an error occurs, a status message appears at the top of the display.

Note

Select Exit & Reboot during call closeout after any NVM operations.

dc612 Test Patterns

The dc612 Test Patterns provides access to embedded test prints useful for troubleshooting image quality and media transport problems. Options include number of prints, source tray and simplex or duplex printing.

1. Access the Service Diagnostics menu (page 4-7).
2. Touch Service information.
3. Select dc612 NVM Test Patterns. A dc612 Print Test Patterns screen is displayed including these prints:
 - CMYK Sample page
 - 50% solid fills of Cyan, Magenta, Yellow and Black
 - RGB Test Print
 - Test Patterns page
 - Fuser Cleaning page

See “Test Prints” on page 5-31 for additional information on dc612 test prints.

dc701 Fuser Temp Setup

The dc701 Fuser Temp Setup utility is used to adjust Fuser temperatures to compensate for media weight or improve toner adhesion.

1. Access the Service Diagnostics menu (page 4-7).
2. Touch Adjustments.
3. Select dc701 Fuser Temp Setup. A dc701 Fuser Temp Setup screen is displayed.
4. Touch the print mode to apply the Fuser temperature changes.
5. Touch the media weight to associate with the Fuser temperature setting.
6. Increment or decrement the default setting and touch Write to save the change. To reset the default, Write a value of zero.

Note

Fuser temperature adjustment range is +/- 6 for each media type.

dc711 Roller Test

The dc711 Roller Test exercises select motors, clutches, solenoids and rollers in combination to verify proper operation.

1. Access the Service Diagnostics menu (page 4-7).
2. Touch Diagnostics.
3. Select dc711 Roller Test. A dc711 Roller Test screen appears listing these options:
 - Exit Roller forward and reverse
 - Duplex Roller
 - Registration Roller
 - Tray 2 ~ 6 Feed Rollers
 - Tray 2 ~ 6 Take Away Rollers
4. Touch the roller to test and touch Start to begin the test.
5. Touch Stop to end the test.

dc741 Paper Size Switch

The dc741 Paper Size Switch Test monitors the signal from Tray 2 ~ 6 Size Switches and indicates signal status as each switch is opened and closed. Use the media guides in the Tray to actuate the switches or reach into the back of the Tray cavity and actuate the switches manually.

1. Access the Service Diagnostics menu (page 4-7).
2. Touch Diagnostics.
3. Select dc741 Paper Size Switch Test. A dc741 Paper Size Switch Test screen appears listing tests for each Size Switch detected.
4. Select the target Tray.
5. The current state of the switches and the media size represented appears.

dc909 Calibrate for Paper

The dc909 Calibrate for Paper utility is used to adjust Transfer Roller charge to compensate for media type or weight. Increased charge on the Transfer Roller increases toner attraction to the media. Refer to “Secondary Transfer” on page 2-12 for details of the toner transfer process.

1. Access the Service Diagnostics menu (page 4-7).
2. Touch Adjustments.
3. Select dc909 Calibrate for Paper. A dc909 Calibrate for Paper screen appears.
4. Touch the media type to apply the charge changes.
5. Increment or decrement the default setting and touch Write to save the change. To reset the default, Write a value of zero.

Note

Fuser temperature adjustment range is +/- 6 for each media type.

dc960 High Altitude

The dc960 Altitude Adjustment utility is used to adjust print process control to compensate for installations at higher altitudes. If the printer is installed more than 2000 meters above sea level, use dc960 to change print process control parameters.

1. Access the Service Diagnostics menu (page 4-7).
2. Touch Adjustments.
3. Select dc960 Altitude Adjustment. A dc909 Altitude Adjustment screen appears.
4. Touch the correct altitude setting and touch Write to save the new setting to NVM.
5. The Current Setting changes to reflect the new value.

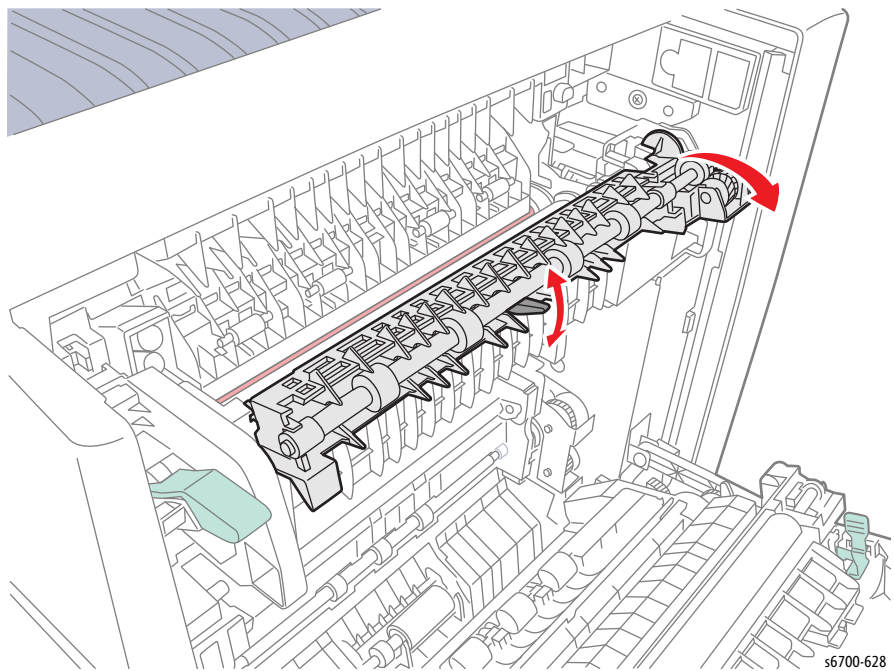
Print Engine Test Procedures

Exit Sensor

Warning

Allow the Fuser to cool before servicing the printer.

1. Access Service Diagnostics (page 4-7).
2. Touch Diagnostics.
3. Touch dc330 Component Control.
4. Touch the Chain pull-down and select Chain 10.
5. Touch Exit Sensor.
6. Open the Right Door.
7. Touch Start to perform the test.
8. Lift the Fuser jam chute to toggle the signal (On/Off).
9. Touch Stop/Stop All to stop the test.

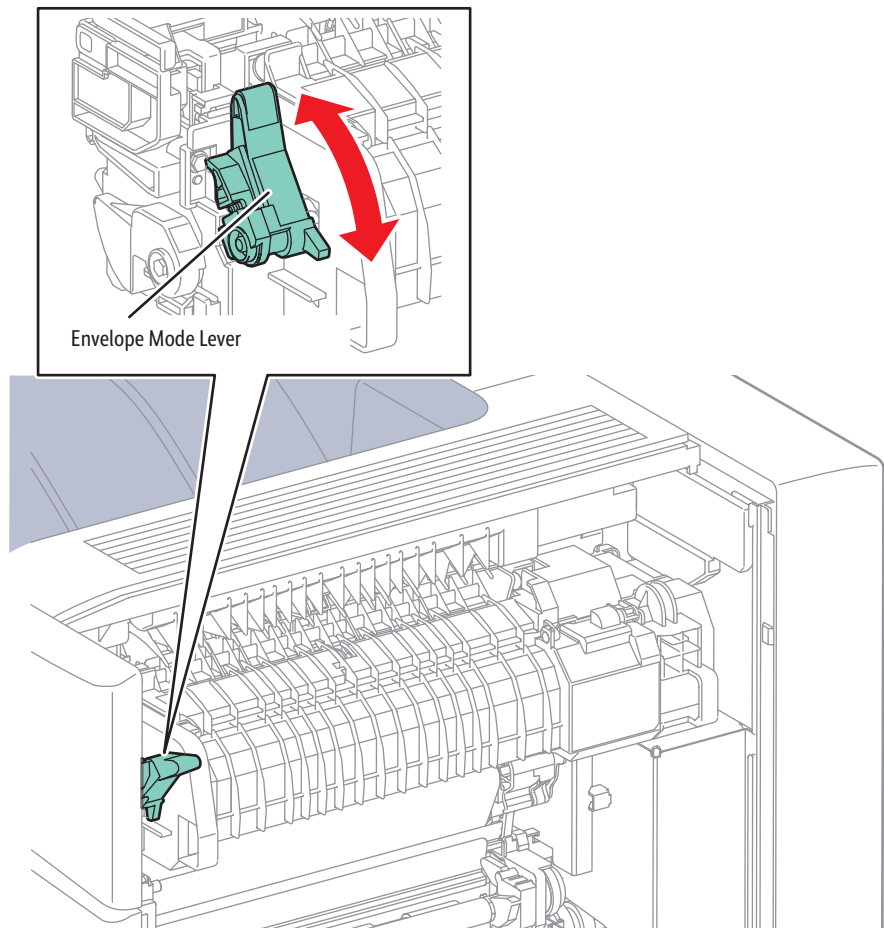


Envelope Mode Detection Sensor

Warning

Allow the Fuser to cool before servicing the printer.

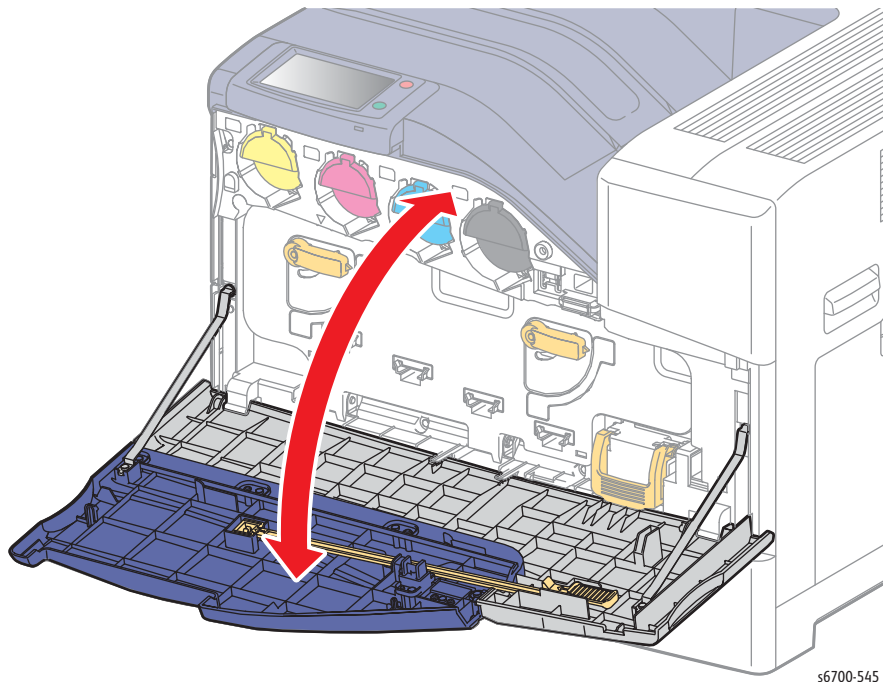
1. Access Service Diagnostics (page 4-7).
2. Touch Diagnostics.
3. Touch dc330 Component Control.
4. Touch the Chain pull-down and select Chain 10.
5. Touch Envelope Mode Detection Sensor.
6. Open the Right Door.
7. Touch Start to perform the test.
8. Lower the envelope mode lever to toggle the signal (On/Off).
9. Touch Stop/Stop All to stop the test.



s6700-544

Front Door Interlock Switch

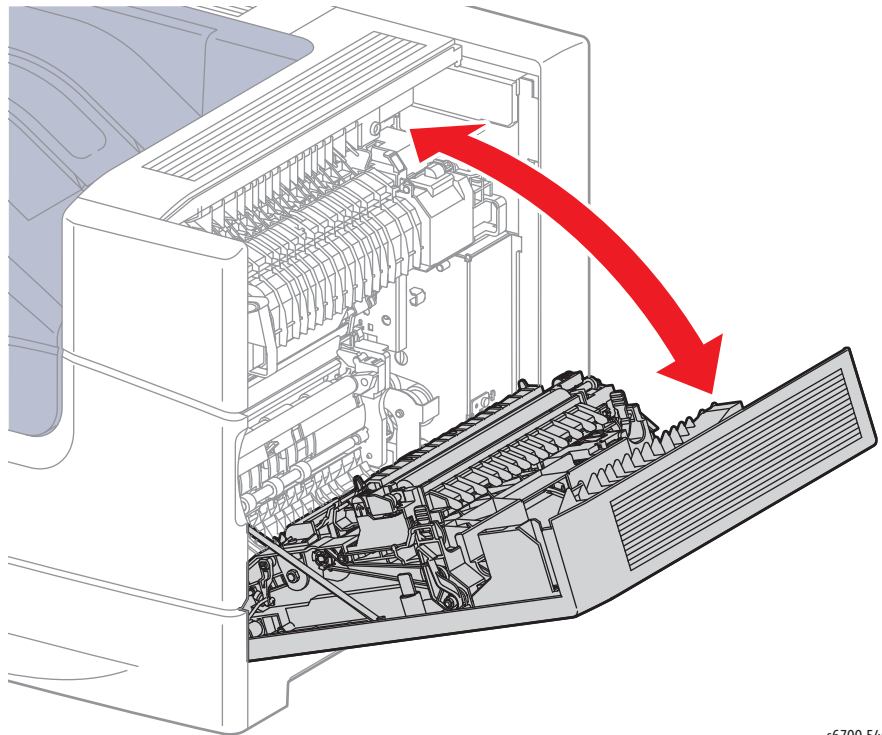
1. Access Service Diagnostics (page 4-7).
2. Touch Diagnostics.
3. Touch dc330 Component Control.
4. Touch the Chain pull-down and select Chain 77.
5. Touch Front Door Interlock or Front Door Open Switch.
6. Touch Start to perform the test.
7. Open and close the Front Door to toggle the signal (On/Off).
8. Touch Stop/Stop All to stop the test.



s6700-545

Right Door Interlock Switch

1. Access Service Diagnostics (page 4-7).
2. Touch Diagnostics.
3. Touch dc330 Component Control.
4. Touch the Chain pull-down and select Chain 77.
5. Touch Right Door Interlock.
6. Touch Start to perform the test.
7. Open and close the Right Door to toggle the signal (On/Off).
8. Touch Stop/Stop All to stop the test.



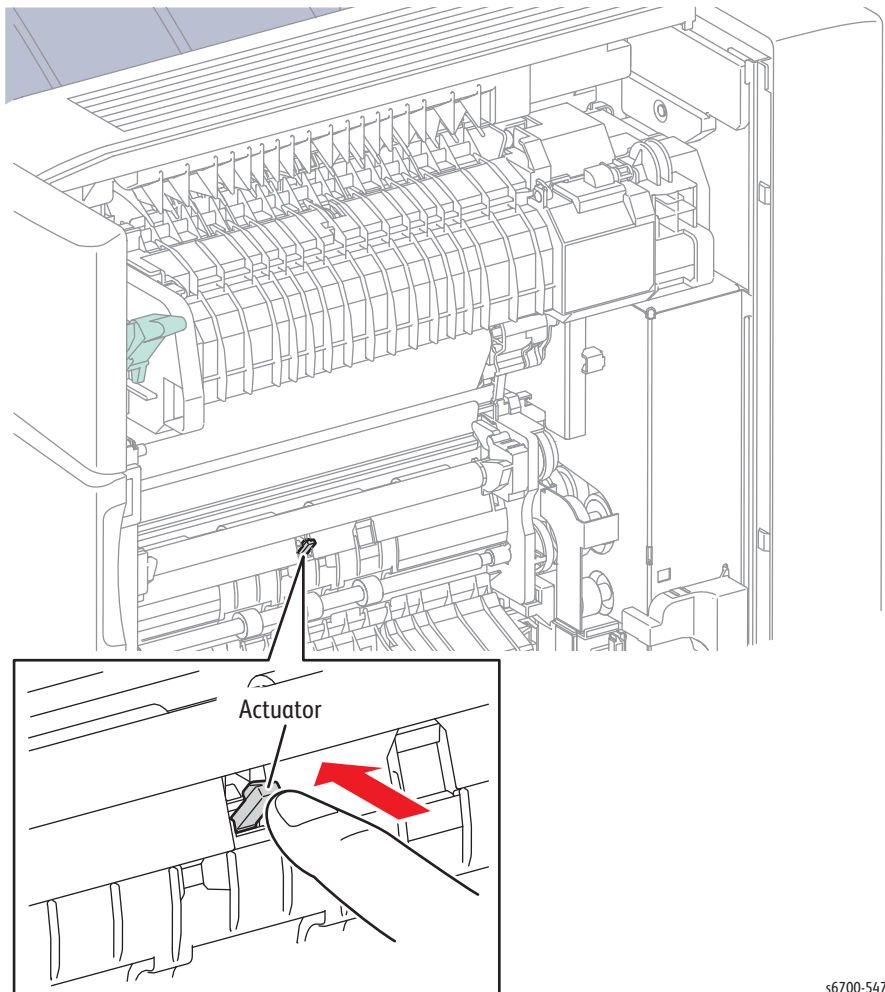
s6700-546

Registration Sensor

Warning

Allow the Fuser to cool before servicing the printer.

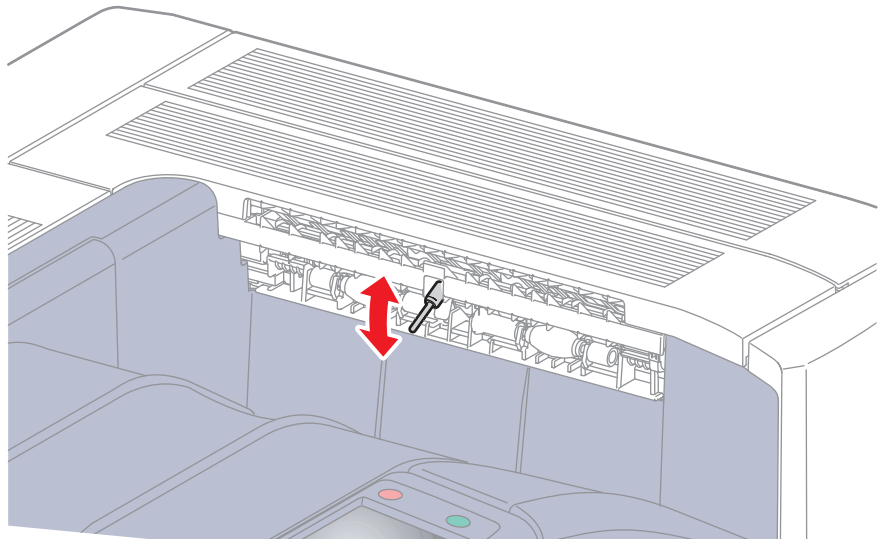
1. Access Service Diagnostics (page 4-7).
2. Touch Diagnostics.
3. Touch dc330 Component Control.
4. Touch the Chain pull-down and select Chain 10.
5. Touch Regi Sensor.
6. Open the Right Door.
7. Push and release the registration actuator to toggle the signal (On/Off).
8. Touch Stop/Stop All to stop the test.



s6700-547

Full Stack Sensor

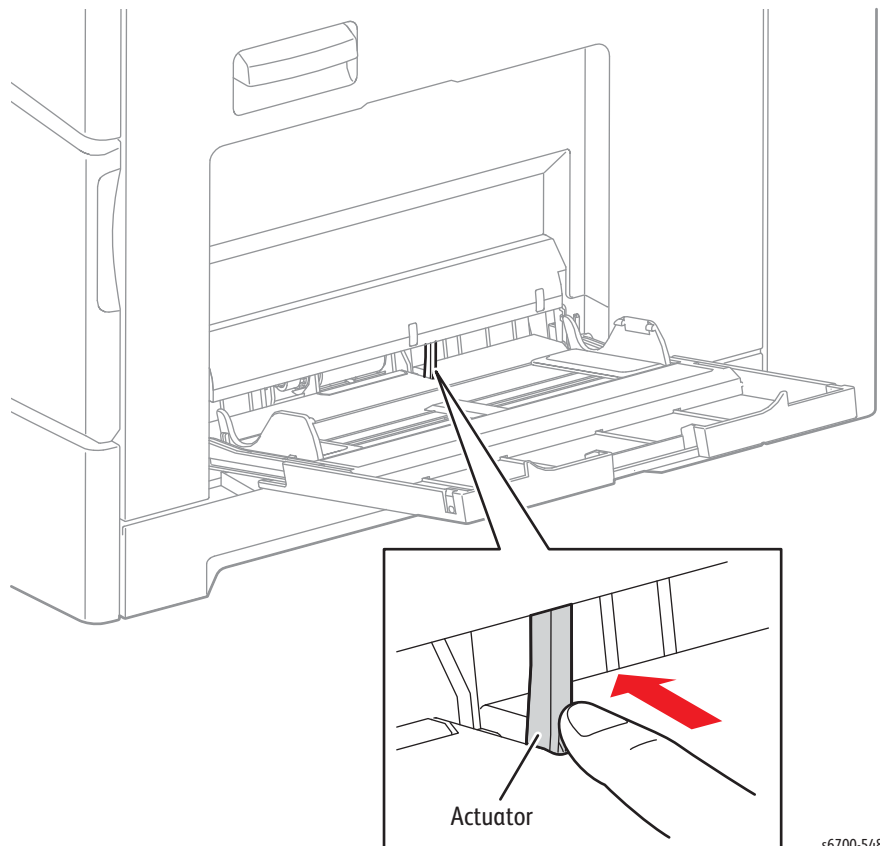
1. Access Service Diagnostics (page 4-7).
2. Touch Diagnostics.
3. Touch dc330 Component Control.
4. Touch the Chain pull-down and select Chain 10.
5. Touch Full Stack Sensor.
6. Open the Horizontal Transport Cover (if installed).
7. Lift and release the Full Stack Actuator to toggle the signal (On/Off).
8. Touch Stop/Stop All to stop the test.



s6700-549

Tray 1 No Paper Sensor

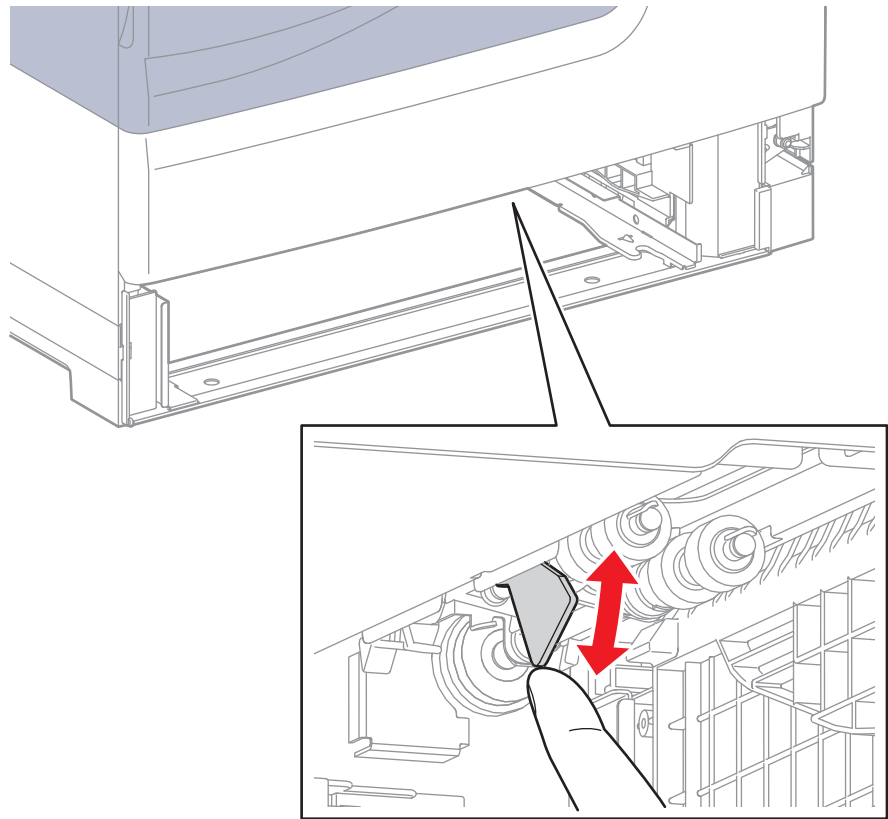
1. Access Service Diagnostics (page 4-7).
2. Touch Diagnostics.
3. Touch dc330 Component Control.
4. Touch the Chain pull-down and select Chain 71.
5. Touch Tray 1 No Paper Sensor.
6. Open Tray 1 if closed.
7. Push and release the no paper actuator to toggle the signal (On/Off).
8. Touch Stop/Stop All to stop the test.



s6700-548

Tray 2 No Paper Sensor

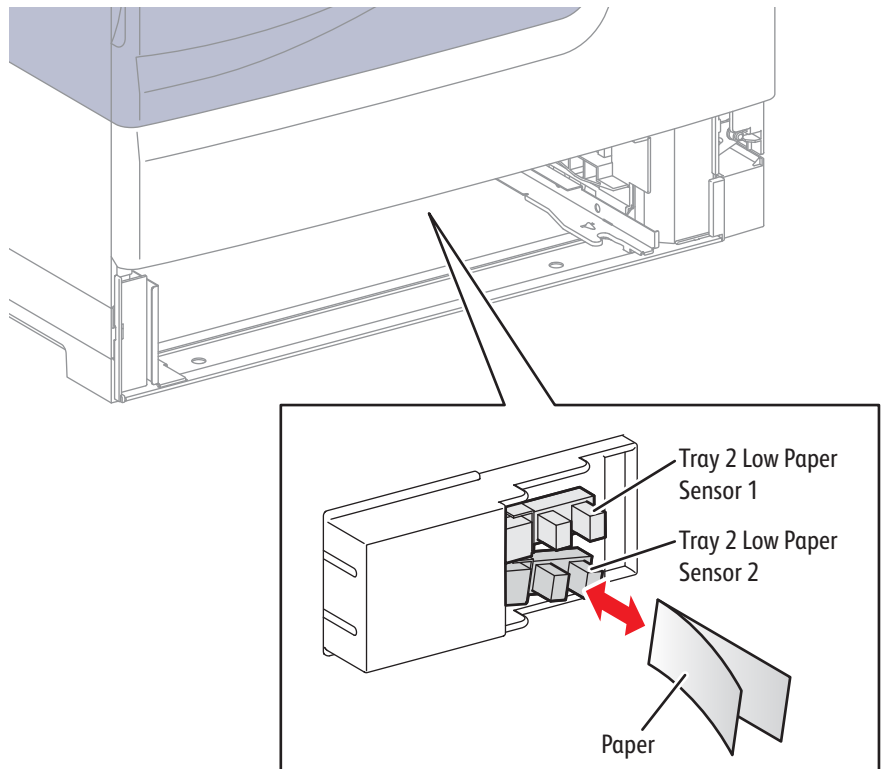
1. Remove Tray 2.
2. Access Service Diagnostics (page 4-7).
3. Touch Diagnostics.
4. Touch dc330 Component Control.
5. Touch the Chain pull-down and select Chain 72.
6. Touch Tray 2 No Paper Sensor.
7. Lift and release the no paper actuator to toggle the signal (On/Off).
8. Touch Stop/Stop All to stop the test.



s6700-550

Tray 2 Low Paper Sensors 1 and 2

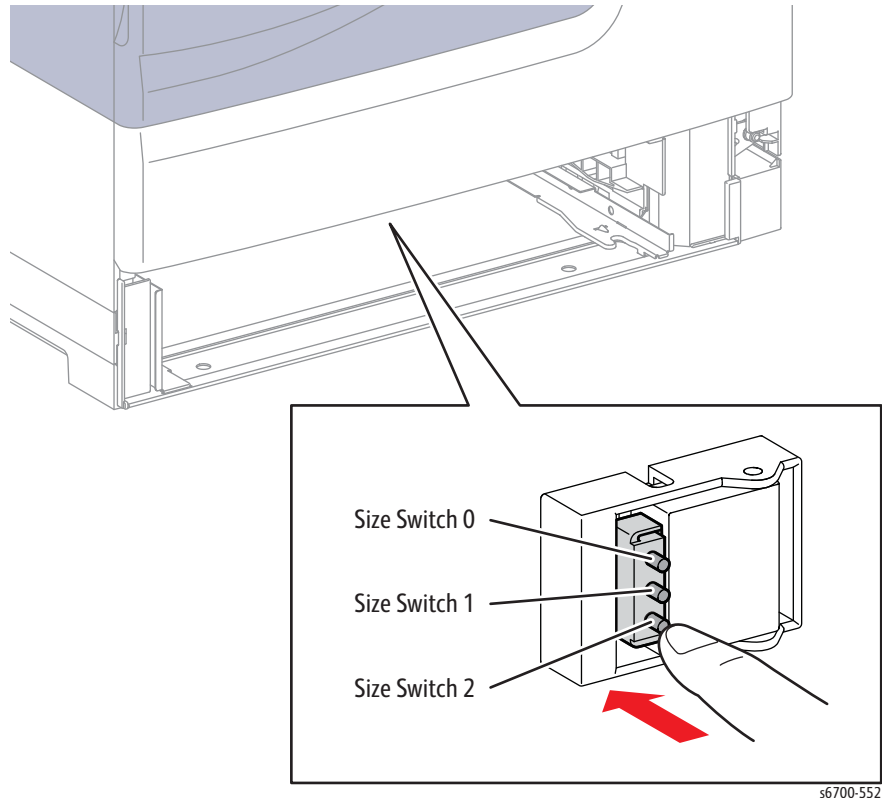
1. Remove Tray 2.
2. Access Service Diagnostics (page 4-7).
3. Touch Diagnostics.
4. Touch dc330 Component Control.
5. Touch the Chain pull-down and select Chain 72.
6. Touch Tray 2 Low Paper Sensor 1 or 2.
7. Block the Low Paper Sensors to toggle the signal (On/Off).
8. Touch Stop/Stop All to stop the test.



s6700-551

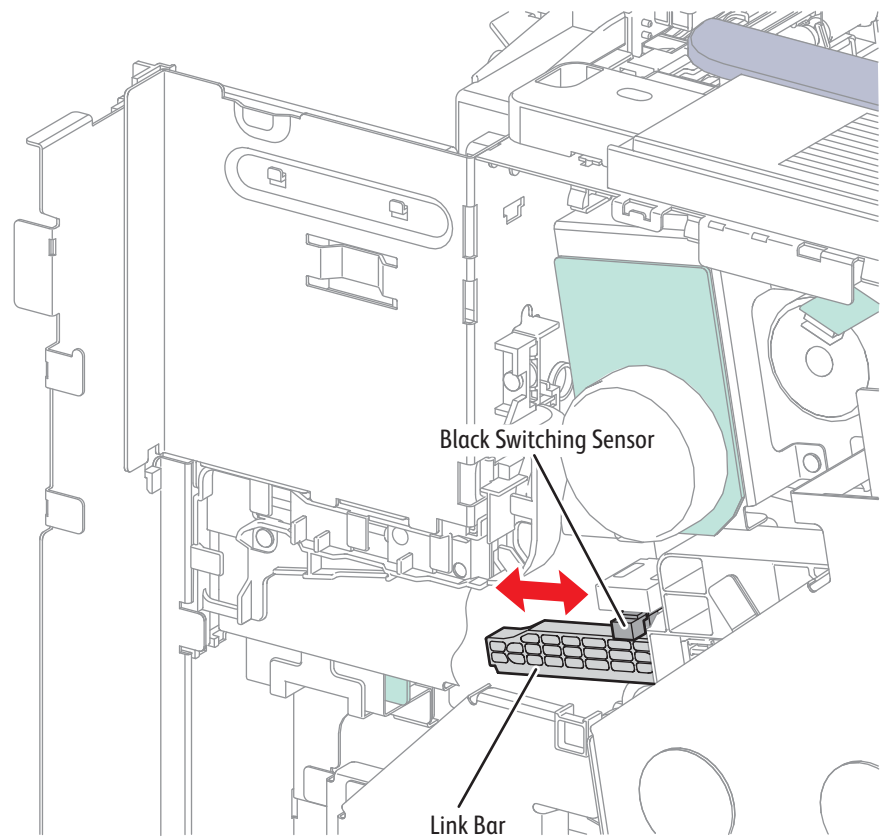
Tray 2 Size Switch

1. Remove Tray 2.
2. Access Service Diagnostics (page 4-7).
3. Touch Diagnostics.
4. Touch dc330 Component Control.
5. Touch the Chain pull-down and select Chain 72.
6. Touch Tray 2 Size Sensor 1 or 2.
7. Push each switch actuator to toggle the signal (On/Off).
8. Touch Stop/Stop All to stop the test.



Black Switching Sensor

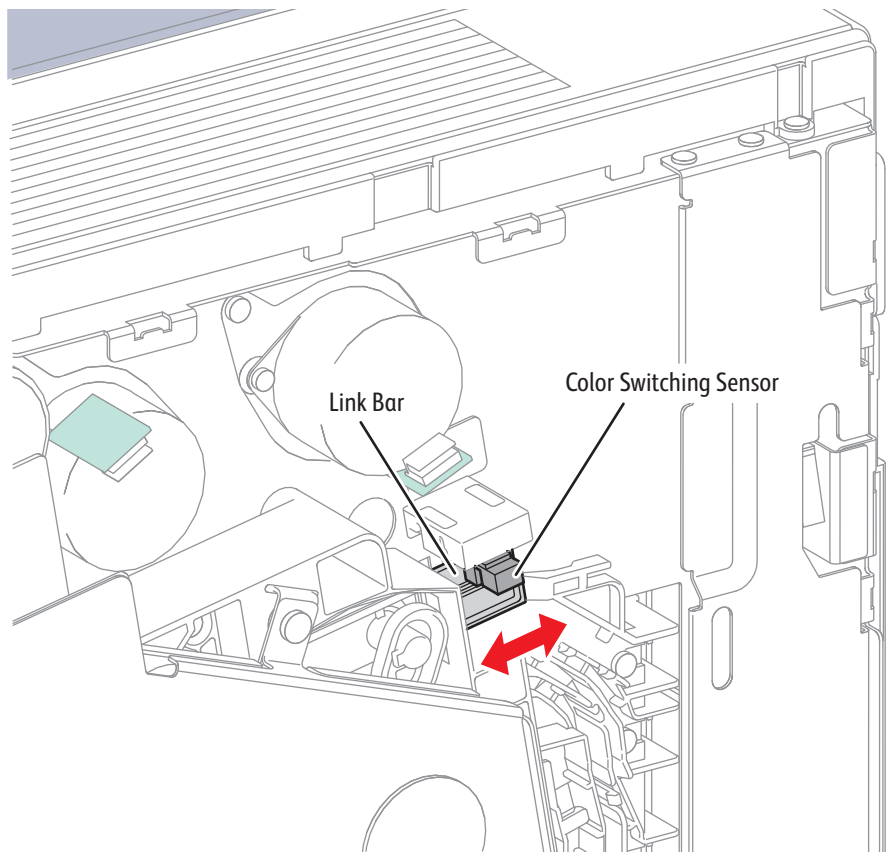
1. Access, but do not remove the Black Switching Sensor (page 8-145).
2. Access Service Diagnostics (page 4-7).
3. Touch Diagnostics.
4. Touch dc330 Component Control.
5. Touch the Chain pull-down and select Chain 93.
6. Touch Black Switching Sensor.
7. Slide the link bar to toggle the signal (On/Off).
8. Touch Stop/Stop All to stop the test.



s6700-553

Color Switching Sensor

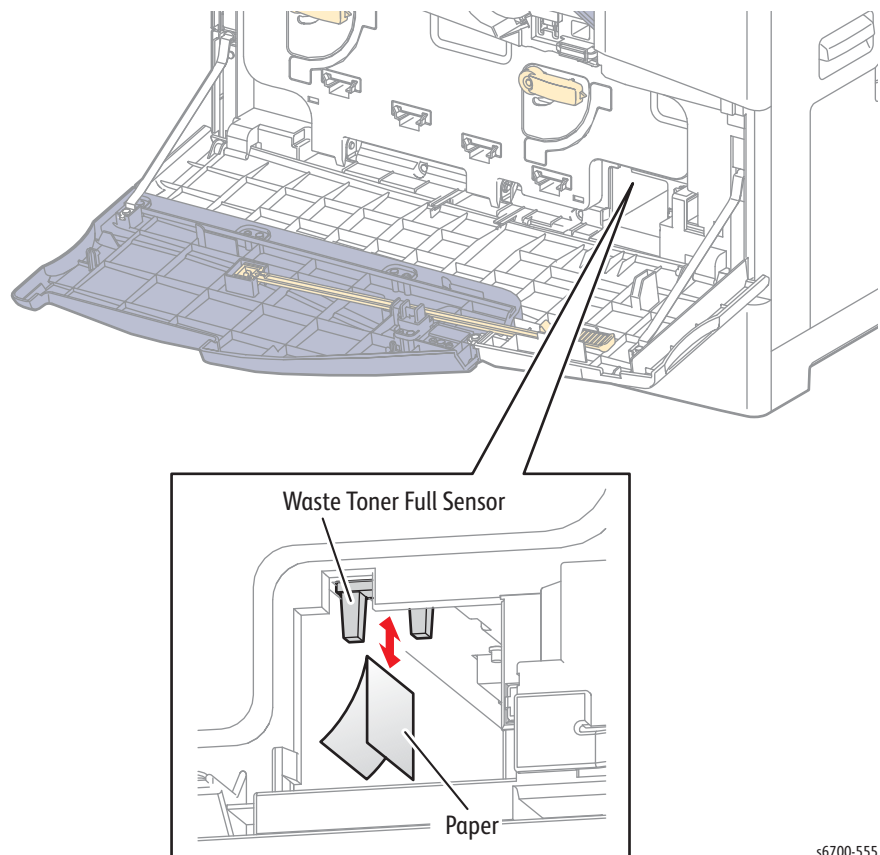
1. Access, but do not remove the Color Switching Sensor (page 8-149).
2. Access Service Diagnostics (page 4-7).
3. Touch Diagnostics.
4. Touch dc330 Component Control.
5. Touch the Chain pull-down and select Chain 93.
6. Touch Color Switching Sensor.
7. Slide the link bar to toggle the signal (On/Off).
8. Touch Stop/Stop All to stop the test.



s6700-554

Waste Toner Full Sensor

1. Open the Front Door.
2. Remove the Waste Toner Cartridge (page 8-16).
3. Access Service Diagnostics (page 4-7).
4. Touch Diagnostics.
5. Touch dc330 Component Control.
6. Touch the Chain pull-down and select Chain 91.
7. Touch Waste Toner Full Sensor.
8. Block the sensor to toggle the signal (On/Off).
9. Touch Stop/Stop All to stop the test.



s6700-555

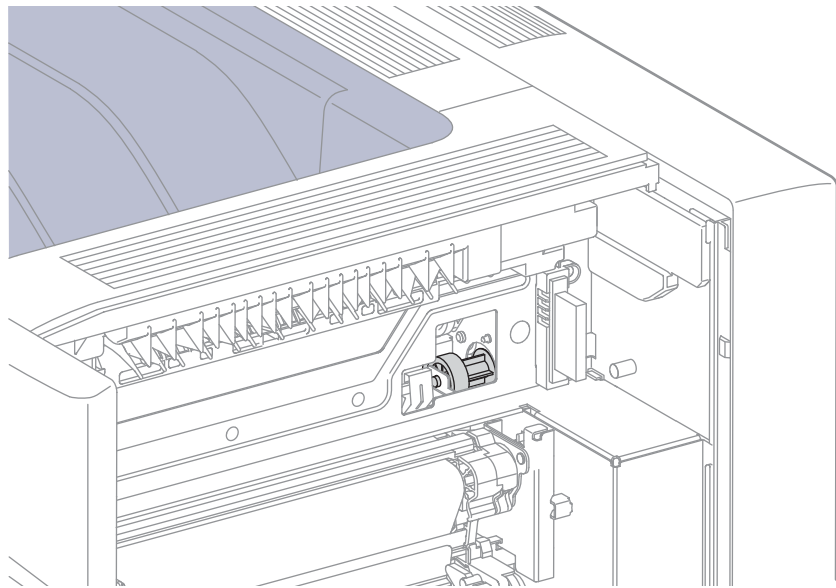
Fuser Drive Assembly

Warning

Allow the Fuser to cool before servicing the printer.

In typical office environments the Fuser Drive Assembly is audible during testing. If background noise is a problem, remove the Fuser (page 8-17) and defeat the Interlock Switch to directly view operation of the Fuser Drive Assembly.

1. Access Service Diagnostics (page 4-7).
2. Touch Diagnostics.
3. Touch dc330 Component Control.
4. Touch the Chain pull-down and select Chain 10.
5. Touch Fuser Motor (High, Med, or Low).
6. Touch Start to perform the test.
7. Touch Stop/Stop All to stop the test.

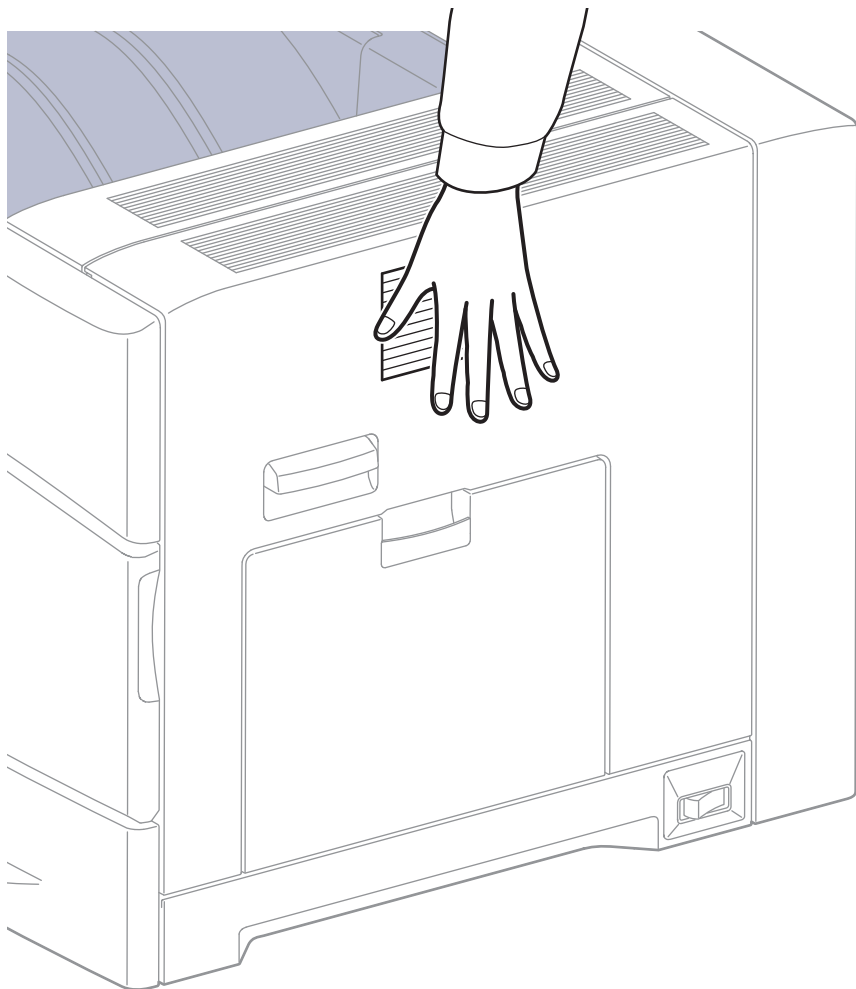


s6700-556

Fuser Fan

Confirm operation by airflow from the Fuser Fan vent.

1. Access Service Diagnostics (page 4-7).
2. Touch Diagnostics.
3. Touch dc330 Component Control.
4. Touch the Chain pull-down and select Chain 10.
5. Touch Fuser Fan (High or Low).
6. Touch Start to perform the test.
7. Touch Stop/Stop All to stop the test.

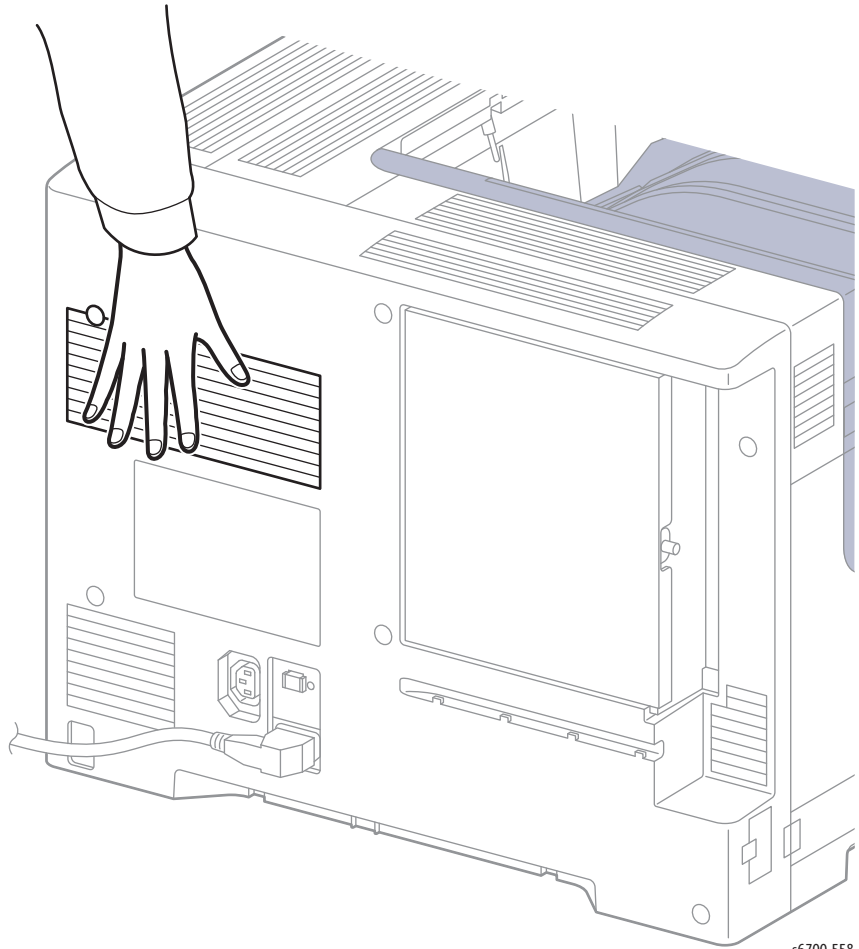


s6700-557

LVPS Fan

Confirm operation by airflow from the LVPS Fan vent.

1. Access Service Diagnostics (page 4-7).
2. Touch Diagnostics.
3. Touch dc330 Component Control.
4. Touch the Chain pull-down and select Chain 42.
5. Touch LVPS Fan (High or Low).
6. Touch Start to perform the test.
7. Touch Stop/Stop All to stop the test.

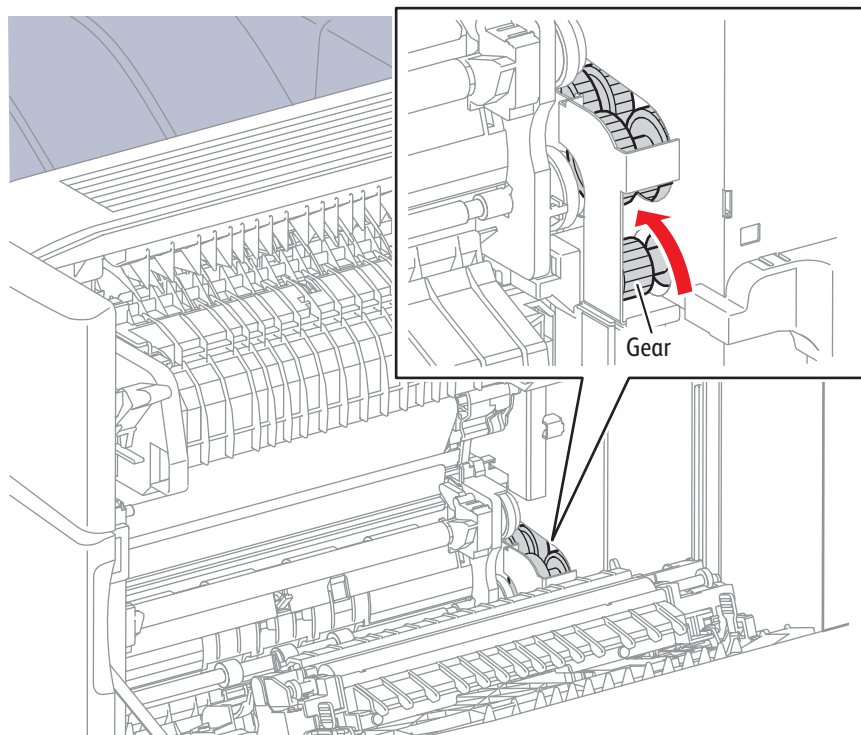


s6700-558

Feed Drive Assembly

In typical office environments the Feed Drive Assembly is audible during testing. If background noise is a problem, open the Right Door and defeat the Interlock Switch to directly view operation of the Feed Drive Assembly.

1. Access Service Diagnostics (page 4-7).
2. Touch Diagnostics.
3. Touch dc330 Component Control.
4. Touch the Chain pull-down and select Chain 10.
5. Touch Paper Feed Motor (High, Med or Low).
6. Touch Start to perform the test.
7. Touch Stop/Stop All to stop the test.



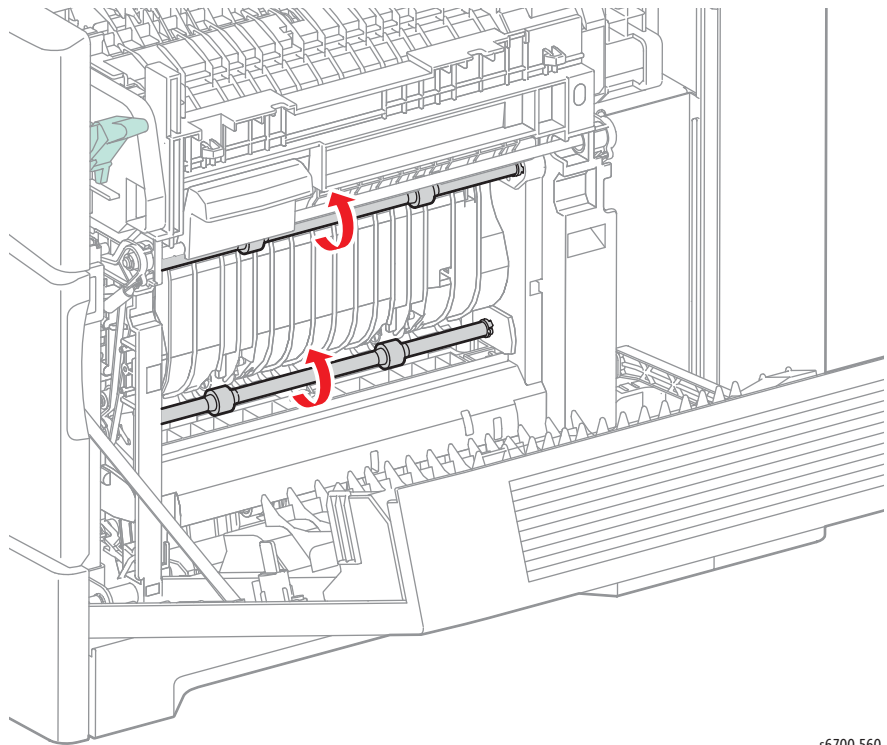
s6700-559

Duplex Dive Clutch

The Duplex Drive Clutch is engaged to drive the Duplex Rollers. Use the Duplex Roller test to check operation of the Duplex Drive Clutch.

In typical office environments the Duplex Rollers are audible during testing. If background noise is a problem, open the Right Door, raise the duplex frame and defeat the Interlock Switch to directly view operation of the Duplex Rollers.

1. Access Service Diagnostics (page 4-7).
2. Touch Diagnostics.
3. Touch dc711 Roller Test.
4. Touch Duplex Roller.
5. Touch Start to perform the test.
6. Touch Stop/Stop All to stop the test.



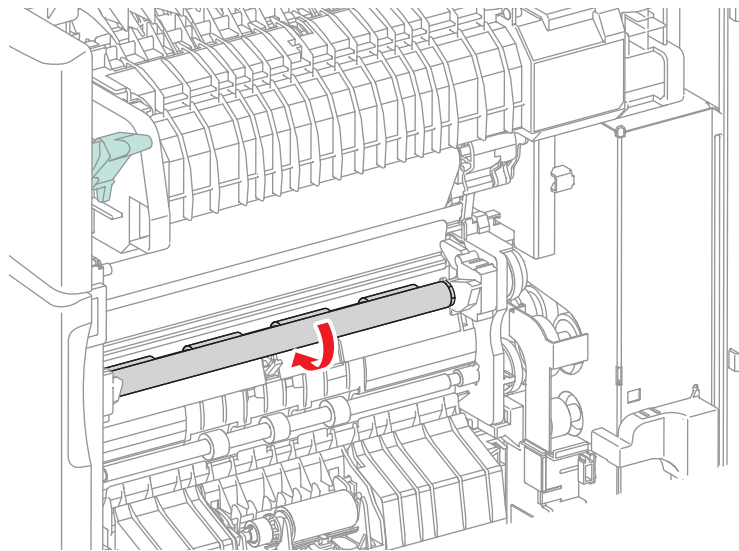
s6700-560

Registration Clutch

The Registration Clutch is engaged to drive the registration rollers. Use the Registration Roller test to check operation of the Registration Clutch.

In typical office environments the registration rollers are audible during testing. If background noise is a problem, open the Right Door and defeat the Interlock Switch to directly view operation of the registration rollers.

1. Access Service Diagnostics (page 4-7).
2. Touch Diagnostics.
3. Touch dc711 Roller Test.
4. Touch Registration Roller.
5. Touch Start to perform the test.
6. Touch Stop/Stop All to stop the test.

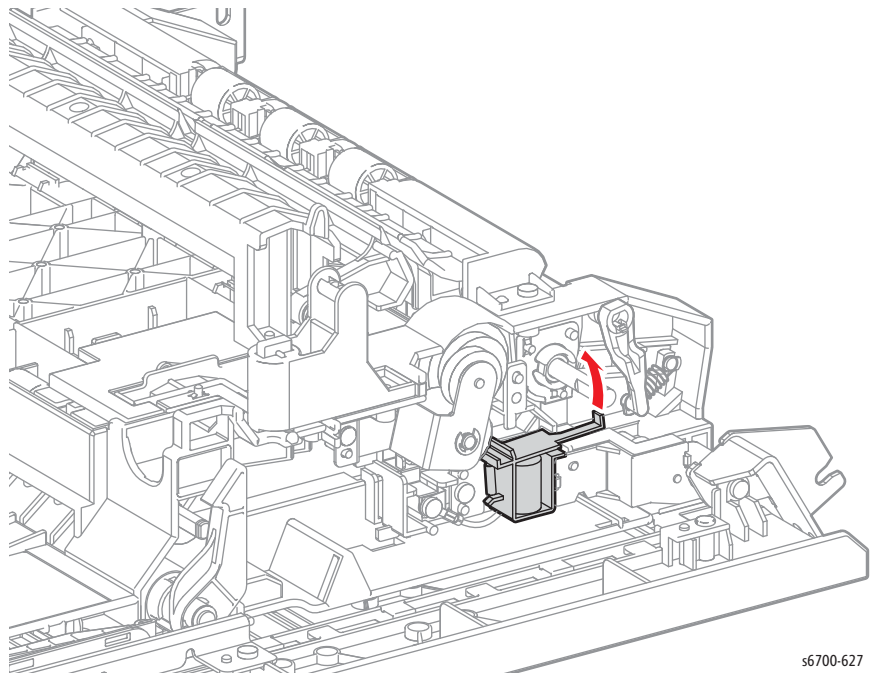


s6700-561

Tray 1 Feed Solenoid

In typical office environments the Tray 1 Feed Solenoid is audible during testing. If background noise is a problem, open the Right Door and defeat the Interlock Switch to directly view operation of the Tray 1 Feed Solenoid plunger located on the duplex frame.

1. Access Service Diagnostics (page 4-7).
2. Touch Diagnostics.
3. Touch dc330 Component Control.
4. Touch the Chain pull-down and select Chain 71.
5. Touch Tray 1 Feed Solenoid.
6. Touch Start to perform the test. The test automatically stops.



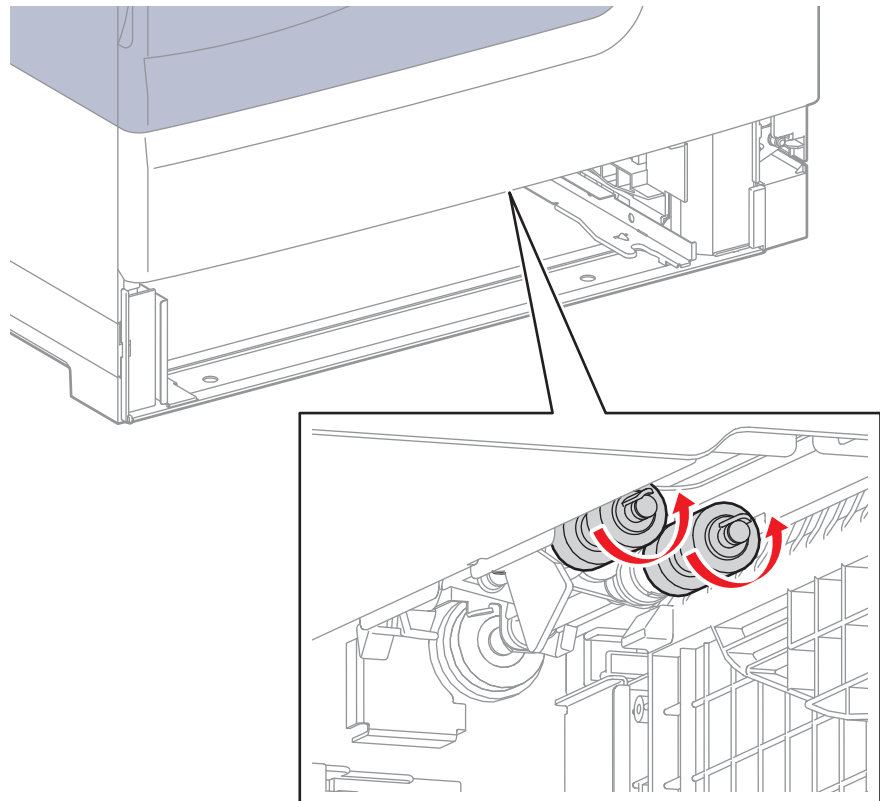
s6700-627

Tray 2 Feed Clutch

The Tray 2 Feed Clutch is engaged to drive the Tray 2 Feed Rollers. Use the Tray 2 Feed Roller test to check operation of the Tray 2 Feed Clutch.

In typical office environments the Tray 2 Feed Rollers are audible during testing. If background noise is a problem, remove Tray 2 to directly view operation of the Tray 2 Feed Rollers.

1. Access Service Diagnostics (page 4-7).
2. Touch Diagnostics.
3. Touch dc711 Roller Test.
4. Touch Tray 2 Feed Roller.
5. Touch Start to perform the test.
6. Touch Stop/Stop All to stop the test.

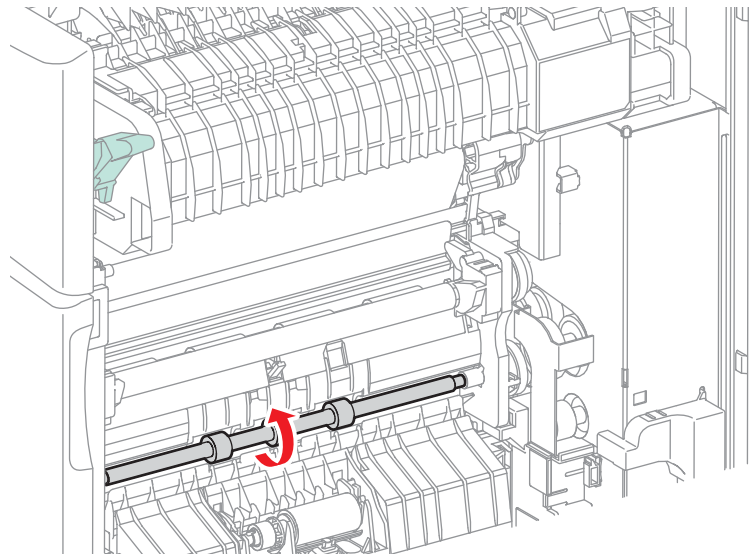


s6700-562

Tray 2 Take Away Clutch

The Tray 2 Take Away Clutch is engaged to drive the Tray 2 take away roller. Use the Tray 2 Take Away Roller test to check operation of the Tray 2 Take Away Clutch. In typical office environments the Tray 2 take away roller is audible during testing. If background noise is a problem, open the Right Door and defeat the Interlock Switch to directly view operation of the Tray 2 take away roller.

1. Access Service Diagnostics (page 4-7).
2. Touch Diagnostics.
3. Touch dc711 Roller Test.
4. Touch Tray 2 Take Away Roller.
5. Touch Start to perform the test.
6. Touch Stop/Stop All to stop the test.



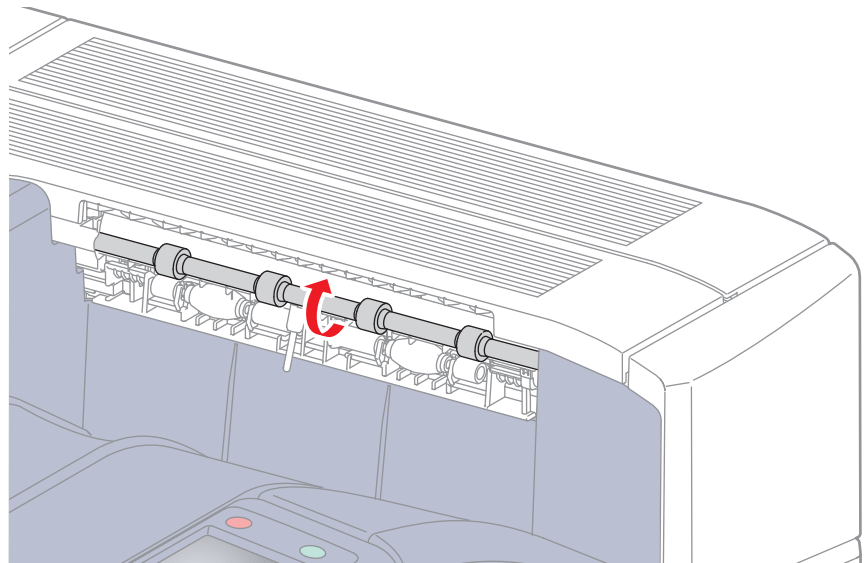
s6700-563

Exit Clutch

The exit clutch, part of the Exit Drive Assembly, is engaged to drive the exit roller with the Fuser Drive Assembly. Use the Exit Roller Forward test to check operation of the exit clutch.

In typical office environments the exit roller is audible during testing. If background noise is a problem, open the Right Door, defeat the Interlock Switch, and open the Fuser jam access to directly view operation of the exit roller.

1. Access Service Diagnostics (page 4-7).
2. Touch Diagnostics.
3. Touch dc711 Roller Test.
4. Touch Exit Roller Forward.
5. Touch Start to perform the test.
6. Touch Stop/Stop All to stop the test.



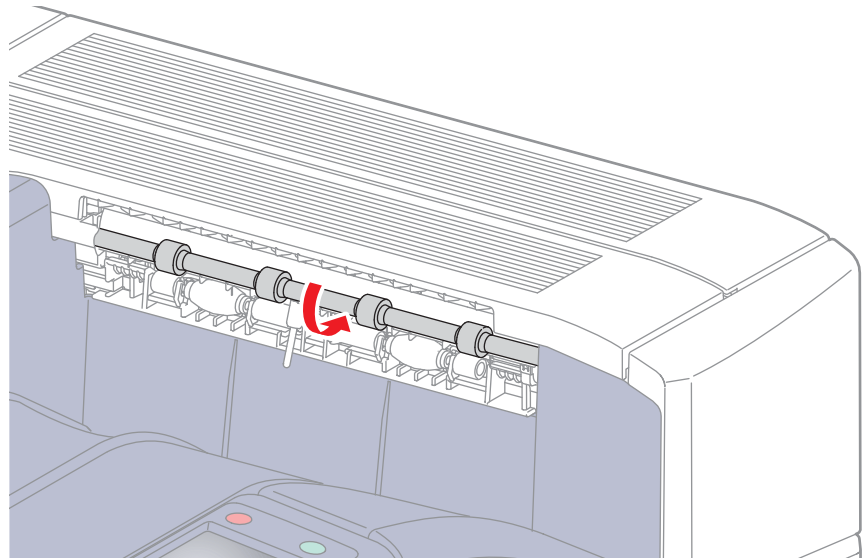
s6500-564

Exit Inverter Clutch

The exit inverter clutch, part of the Exit Drive Assembly, is engaged to drive the exit roller in reverse with the Fuser Drive Assembly. Use the Exit Roller Reverse test to check operation of the exit inverter clutch.

In typical office environments the exit roller is audible during testing. If background noise is a problem, open the Right Door, defeat the Interlock Switch, and open the Fuser jam access to directly view operation of the exit roller.

1. Access Service Diagnostics (page 4-7).
2. Touch Diagnostics.
3. Touch dc711 Roller Test.
4. Touch Exit Roller Reverse.
5. Touch Start to perform the test.
6. Touch Stop/Stop All to stop the test.



s6500-565

Exit Inverter Solenoid

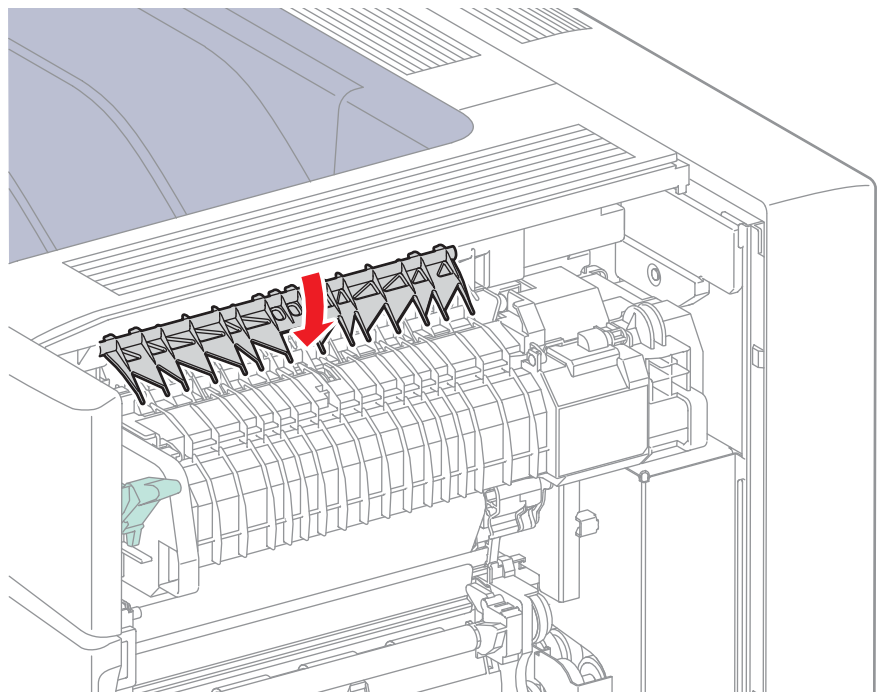
Warning

Allow the Fuser to cool before servicing the printer.

The exit inverter solenoid, part of the Invert Chute Assembly, actuates the diverter gate during duplex printing. Use the Exit Solenoid test to check operation of the exit inverter solenoid.

In typical office environments the exit inverter solenoid is audible during testing. If background noise is a problem, open the Right Door, defeat the Interlock Switch, to directly view operation of the diverter gate.

1. Access Service Diagnostics (page 4-7).
2. Touch Diagnostics.
3. Touch dc330 Component Control.
4. Touch the Chain pull-down and select Chain 10.
5. Touch Exit Solenoid.
6. Touch Start to perform the test.
7. Touch Stop/Stop All to stop the test.



s6700-566

Imaging Unit Link Drive

Caution

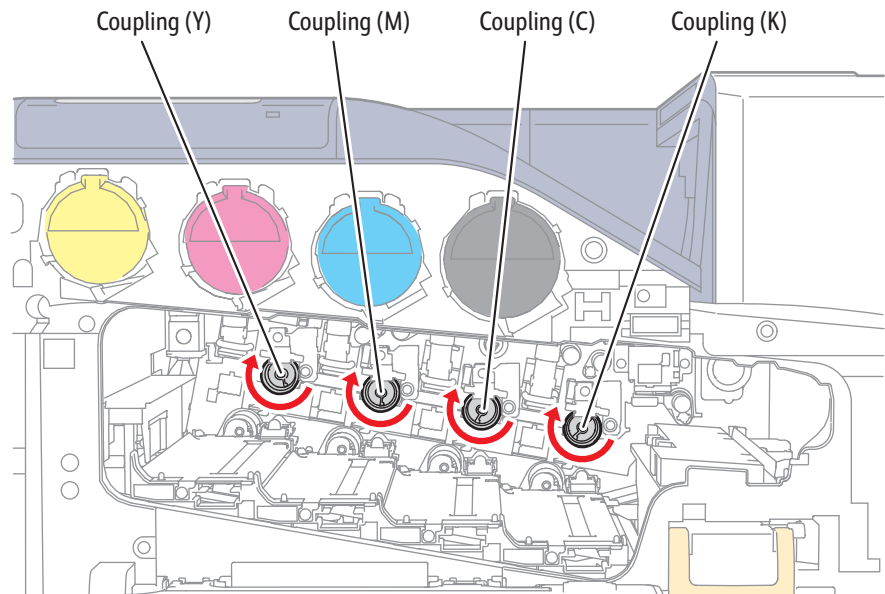
Cover the Imaging Units to prevent exposure to light.

Caution

Toner may collect on the Transfer Belt and leak from the Transfer Belt auger port. Use care when handling the Transfer Belt to avoid toner spills and belt damage.

In typical office environments the Imaging Unit Link Drive is audible during testing. If background noise is a problem, follow these steps to directly view operation of the Imaging Unit Link Drive.

1. Access Service Diagnostics (page 4-7).
2. Touch Diagnostics.
3. Touch dc330 Component Control.
4. Open the Front Cover.
5. Open the Right Door.
6. Open the Inner Frame Assembly.
7. Remove the Transfer Belt (page 8-12).
8. Remove the Imaging Units (page 8-14).
9. Defeat the Front and Right Door Interlock Switches.
10. Touch the Chain pull-down and select Chain 93.
11. Touch Xero Drive Motor (High, Med, or Low).
12. Touch Start to perform the test.
13. Touch Stop/Stop All to stop the test.



s6700-567

Color Mode Switching Clutch

Caution

Cover the Imaging Units to prevent exposure to light.

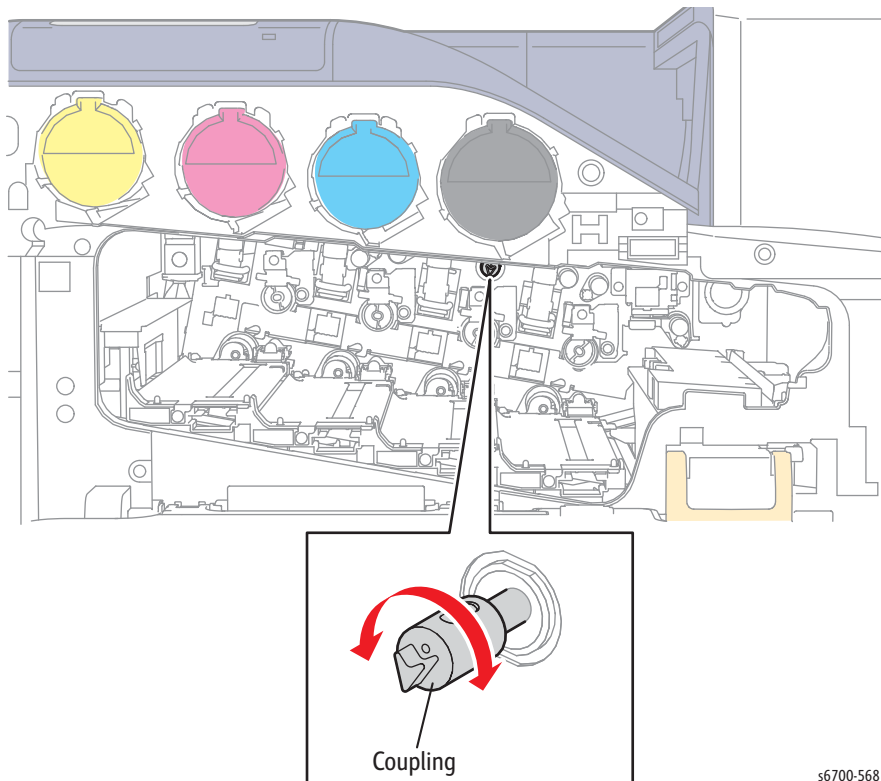
Caution

Toner may collect on the Transfer Belt and leak from the Transfer Belt auger port. Use care when handling the Transfer Belt to avoid toner spills and belt damage.

The color mode switching clutch is part of the Feed Drive Assembly.

In typical office environments the Imaging Unit Link Drive is audible during testing. If background noise is a problem, follow these steps to directly view operation of the Imaging Unit Link Drive.

1. Access Service Diagnostics (page 4-7).
2. Touch Diagnostics.
3. Touch dc330 Component Control.
4. Open the Front Cover.
5. Open the Right Door.
6. Open the Inner Frame Assembly.
7. Remove the Transfer Belt (page 8-12).
8. Remove the Imaging Units (page 8-14).
9. Defeat the Front Cover and Right Door Interlock Switches.
10. Touch the Chain pull-down and select Chain 93.
11. Touch Xero Clutch.
12. Touch Start to perform the test.
13. Touch Stop/Stop All to stop the test.



s6700-568

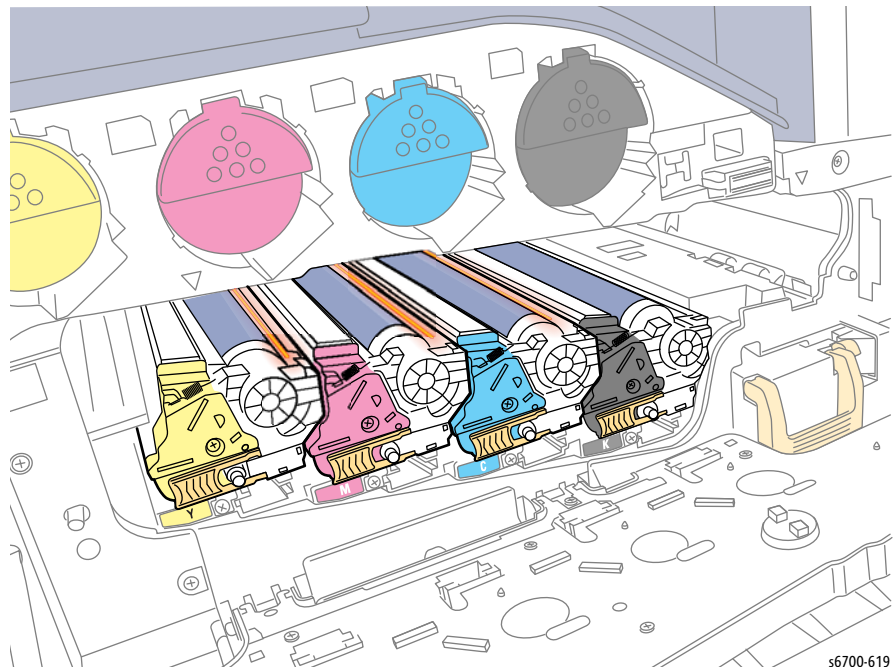
Erase LED Assemblies

Caution

Toner may collect on the Transfer Belt and leak from the Transfer Belt auger port. Use care when handling the Transfer Belt to avoid toner spills and belt damage.

The Erase LEDs illuminate a strip along the length of the Imaging Units during testing. Follow these steps to directly view operation of the Erase LED Assemblies.

1. Access Service Diagnostics (page 4-7).
2. Touch **Diagnostics**.
3. Touch **dc330 Component Control**.
4. Open the Front Cover.
5. Open the Right Door.
6. Open the Inner Frame Assembly.
7. Remove the Transfer Belt (page 8-12).
8. **Touch the Chain** pull-down and select **Chain 93**.
9. Touch Erase LED CMY or Erase LED K.
10. Touch **Start** to perform the test.
11. Touch **Stop/Stop All** to stop the test.



Developer Drive Assemblies

Caution

Cover the Imaging Units to prevent exposure to light.

Caution

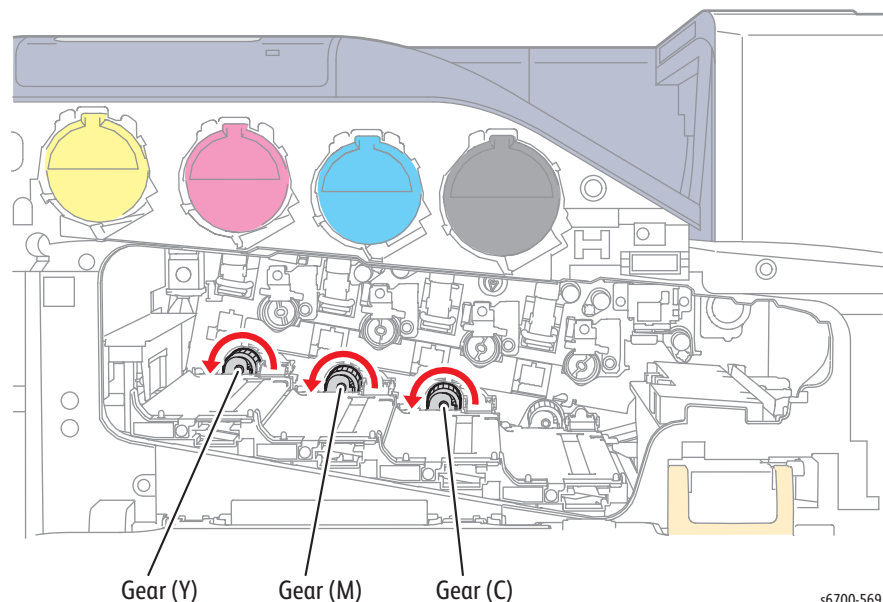
Toner may collect on the Transfer Belt and leak from the Transfer Belt auger port. Use care when handling the Transfer Belt to avoid toner spills and belt damage.

Note

Selecting CMY Dev Drive engages the three drive gears shown below. The K Dev Drive test engages a single drive gear for the Black Imaging Unit.

In typical office environments the Developer Drive Assemblies are audible during testing. If background noise is a problem, follow these steps to directly view operation of the Developer Drive Assemblies.

1. Access Service Diagnostics (page 4-7).
2. Touch Diagnostics.
3. Touch dc330 Component Control.
4. Open the Front Cover.
5. Open the Right Door.
6. Open the Inner Frame Assembly.
7. Remove the Transfer Belt (page 8-12).
8. Remove the Imaging Units (page 8-14).
9. Defeat the Front and Right Door Interlock Switches.
10. Touch the Chain pull-down and select Chain 93.
11. Touch YMC or K Dev Drive Motor (High, Med, or Low).
12. Touch Start to perform the test.
13. Touch Stop/Stop All to stop the test.



s6700-569

Toner Dispense Assembly

Caution

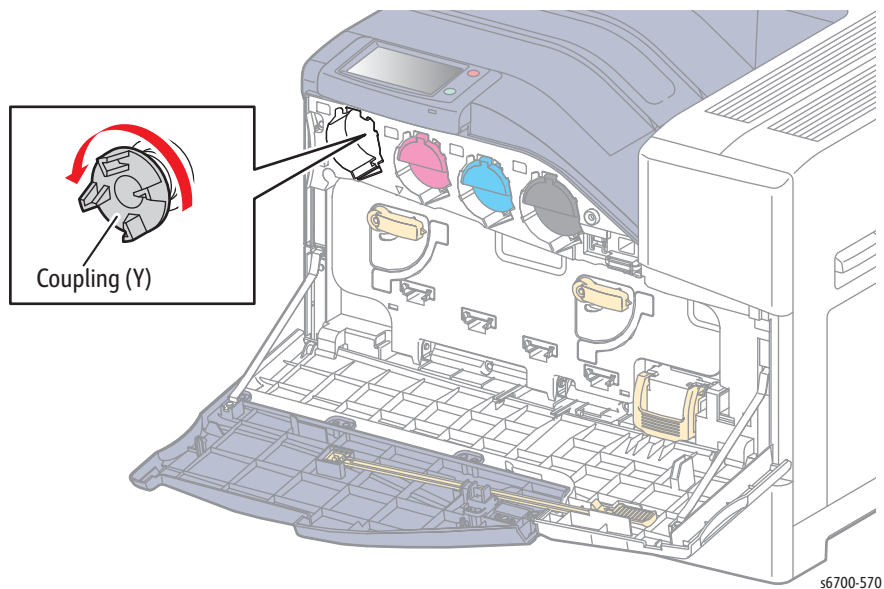
Remove the Toner Cartridges if testing the toner motors longer than 2 or 3 seconds.

Caution

Toner may leak from the Toner Cartridge delivery port. Use care when handling the Toner Cartridges to avoid toner spills.

In typical office environments the toner motors are audible during testing. If background noise is a problem, follow these steps to directly view operation of the Toner Dispense Assembly.

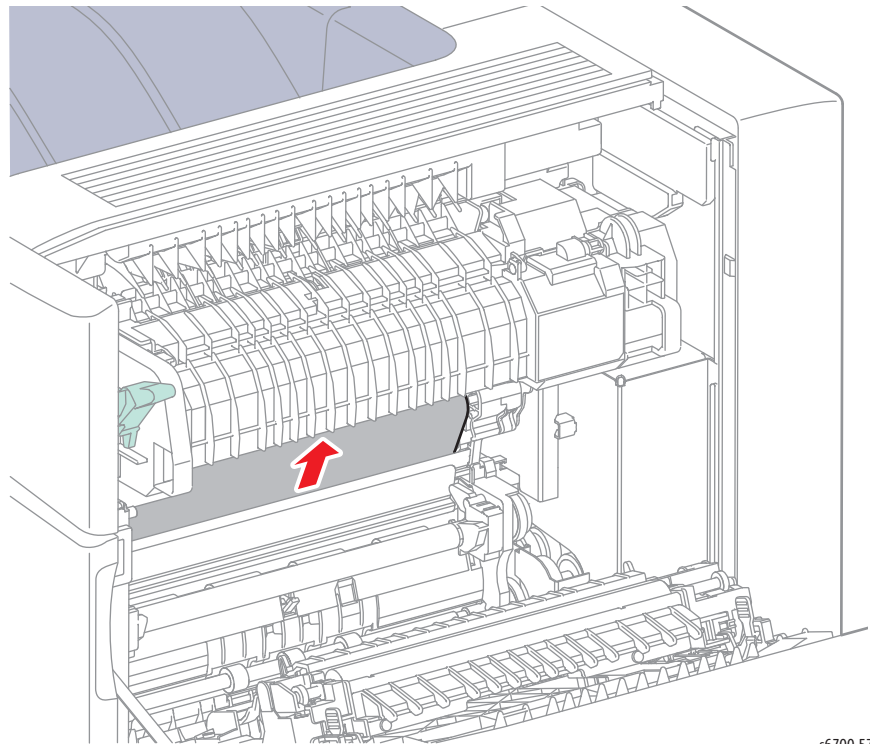
1. Access Service Diagnostics (page 4-7).
2. Touch Diagnostics.
3. Touch dc330 Component Control.
4. Open the Front Cover.
5. Remove the Toner Cartridges (page 8-18)
6. Defeat the Front Cover Interlock Switches.
7. Touch the Chain pull-down and select Chain 93.
8. Touch Y, M, C or K Toner Motor (High, Med, or Low).
9. Touch Start to perform the test.
10. Touch Stop/Stop All to stop the test.



Transfer Belt Drive Assembly

In typical office environments the Transfer Belt Drive Assembly is audible during testing. If background noise is a problem, follow these steps to directly view operation of the Transfer Belt being driven by the Transfer Belt Drive Assembly.

1. Access Service Diagnostics (page 4-7).
2. Touch Diagnostics.
3. Touch dc330 Component Control.
4. Open the Right Door.
5. Defeat the Right Cover Interlock Switches.
6. Touch the Chain pull-down and select Chain 94.
7. Touch IBT Motor (High, Med, or Low).
8. Touch Start to perform the test.
9. Touch Stop/Stop All to stop the test.

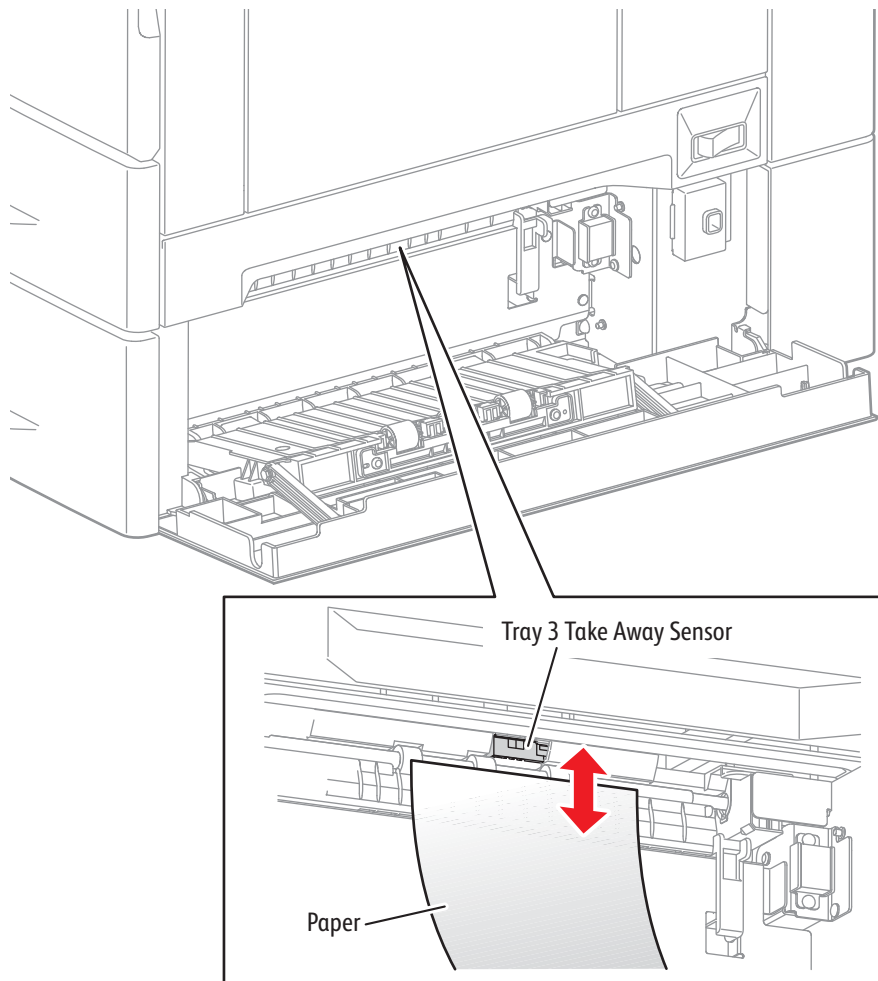


s6700-571

Optional Feeder Test Procedures

Tray 3 ~ 6 Take Away Sensor

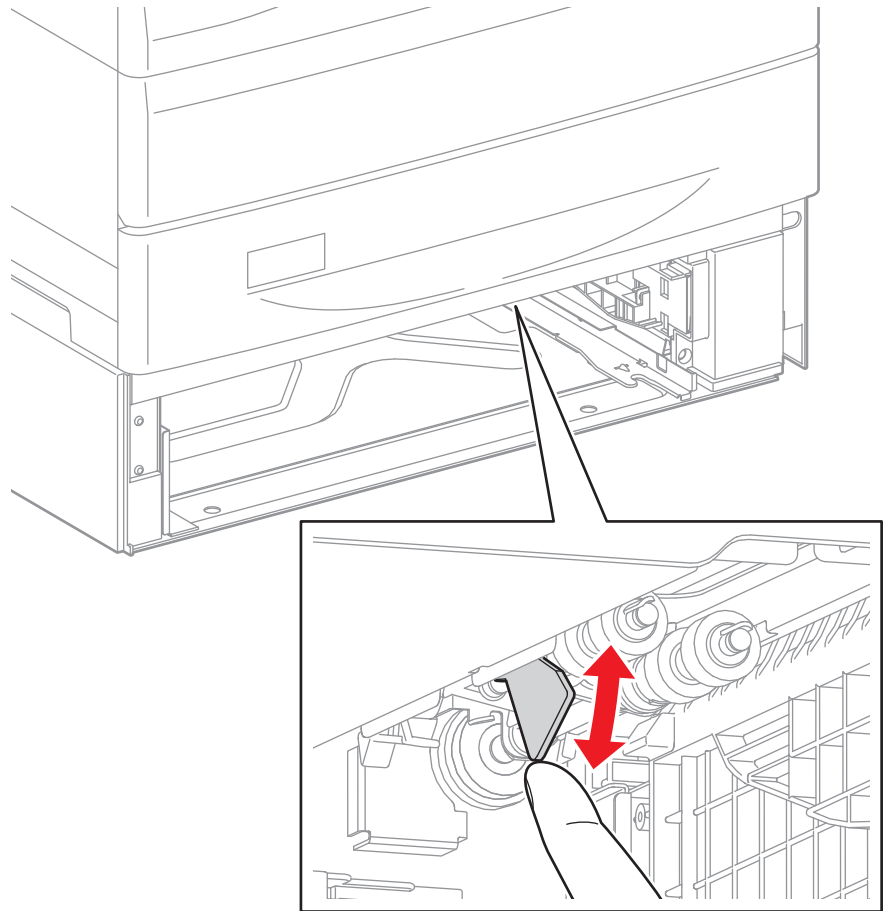
1. Open the Feeder Right Door.
2. Access Service Diagnostics (page 4-7).
3. Touch Diagnostics.
4. Touch dc330 Component Control.
5. Touch the Chain pull-down and select Chain 73, 74, 75, or 76.
6. Touch Tray Paper Path Sensor.
7. Insert a sheet of media into the media path to toggle the signal (On/Off).
8. Touch Stop/Stop All to stop the test.



s6700-572

Tray 3 ~ 6 No Paper Sensor

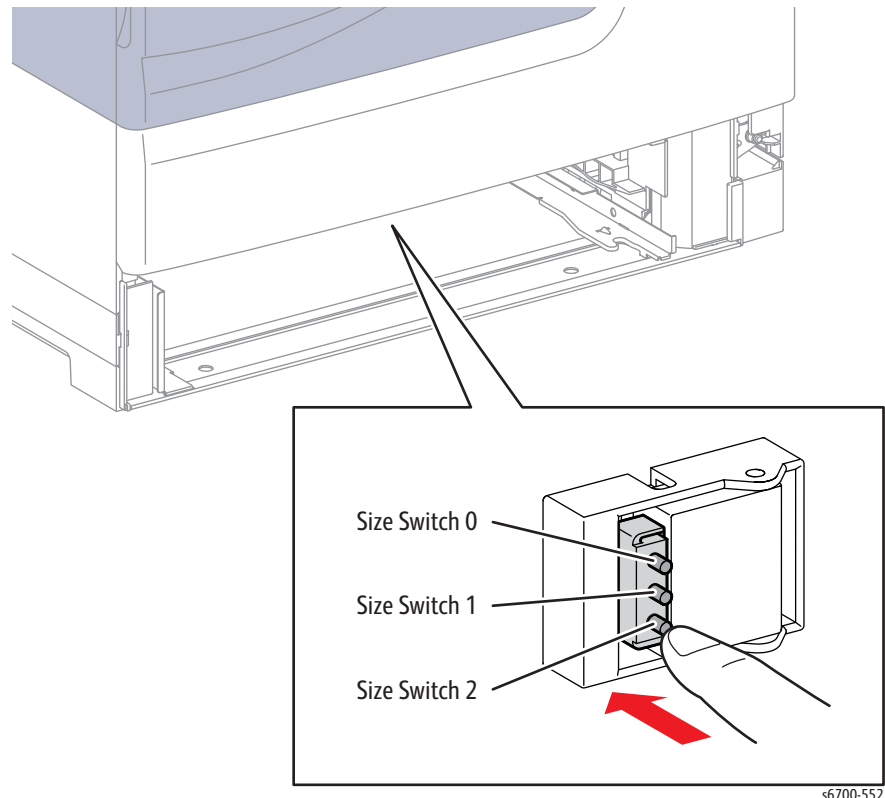
1. Remove the Tray.
2. Access Service Diagnostics (page 4-7).
3. Touch Diagnostics.
4. Touch dc330 Component Control.
5. Touch the Chain pull-down and select Chain 73, 74, 75, or 76.
6. Touch Tray No Paper Sensor.
7. Lift and release the No paper Sensor actuator to toggle the signal (On/Off).
8. Touch Stop/Stop All to stop the test.



s6700-573

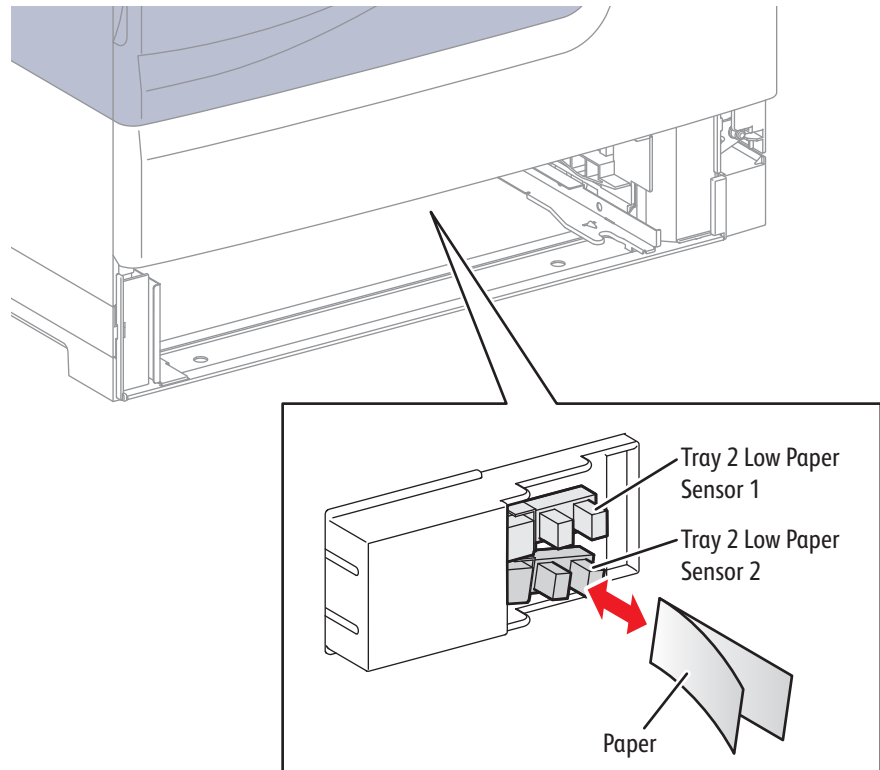
Tray 3 ~ 6 Size Switch

1. Remove the Tray.
2. Access Service Diagnostics (page 4-7).
3. Touch Diagnostics.
4. Touch dc330 Component Control.
5. Touch the Chain pull-down and select Chain 73, 74, 75, or 76.
6. Touch Tray Size Sensor 0, 1 or 2.
7. Push each switch actuator to toggle the signal (On/Off).
8. Touch Stop/Stop All to stop the test.



Tray 3 ~ 6 Low Paper Sensors 1 and 2

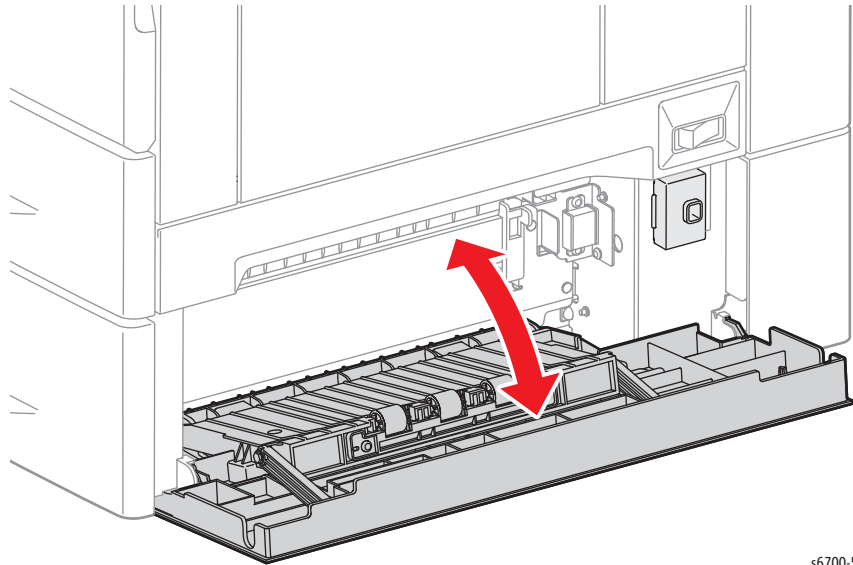
1. Remove the Tray.
2. Access Service Diagnostics (page 4-7).
3. Touch Diagnostics.
4. Touch dc330 Component Control.
5. Touch the Chain pull-down and select Chain 73, 74, 75, or 76.
6. Touch Tray Low Paper Sensor 1 or 2.
7. Block the sensor to toggle the signal (On/Off).
8. Touch Stop/Stop All to stop the test.



s6700-551

Tray 3 ~ 6 Right Side Door Switch

1. Access Service Diagnostics (page 4-7).
2. Touch Diagnostics.
3. Touch dc330 Component Control.
4. Touch the Chain pull-down and select Chain 73, 74, 75, or 76.
5. Touch Tray Right Side Door Switch.
6. Open and close the Right Door to toggle the signal (On/Off).
7. Touch Stop/Stop All to stop the test.

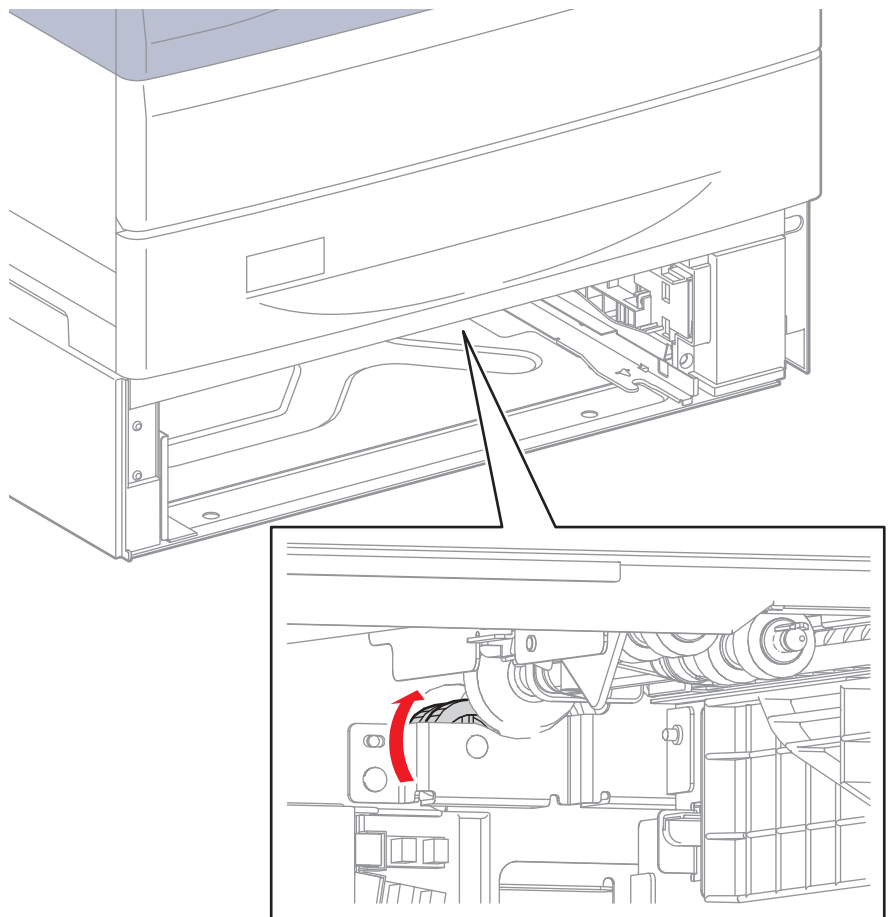


s6700-574

Tray 3 ~ 6 Feed Drive Assembly

In typical office environments the Feed Drive Assembly for the Optional Feeders is audible during testing. If background noise is a problem, remove the Tray to directly view operation of the Feed Drive.

1. Access Service Diagnostics (page 4-7).
2. Touch Diagnostics.
3. Touch dc330 Component Control.
4. Touch the Chain pull-down and select Chain 73, 74, 75, or 76.
5. Touch Tray Feed Motor (High, Med, or Low).
6. Touch Start to perform the test.
7. Touch Stop/Stop All to stop the test.



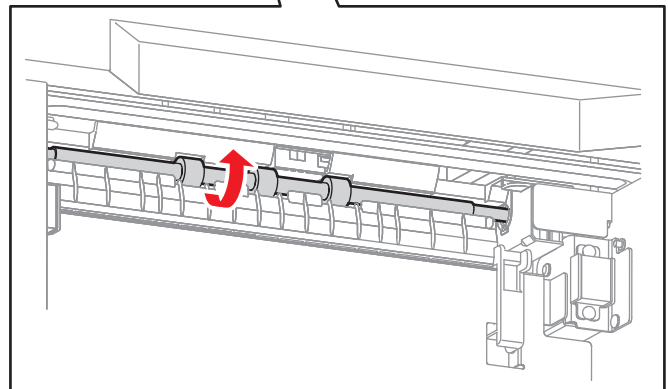
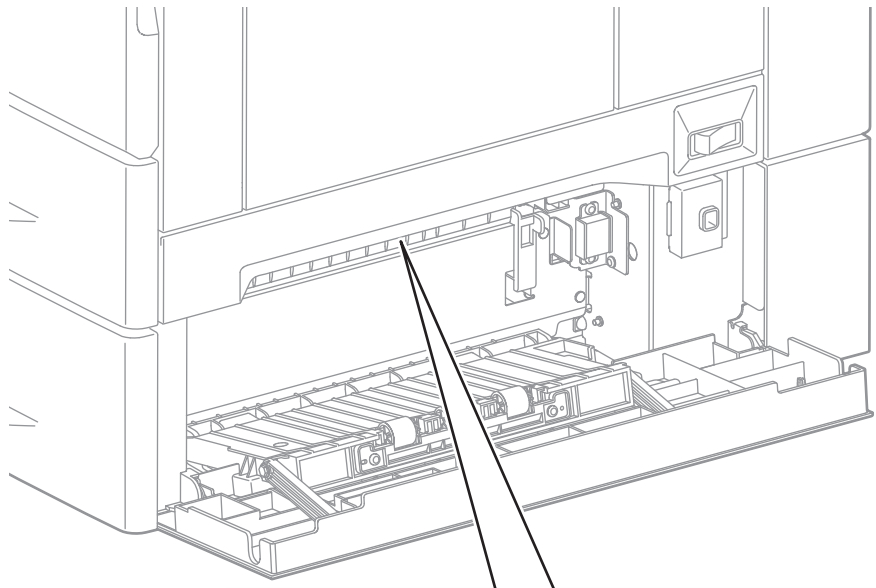
s6700-575

Tray 3 ~ 6 Take Away Clutch

The Option Feeder take away clutches are engaged to drive the take away rollers. Use the Tray Take Away Roller test to check operation of the take away clutch.

In typical office environments the take away rollers for the Optional Feeders are audible during testing. If background noise is a problem, open the Feeder Right Side Door and defeat the Door Switch to directly view operation of the take away roller.

1. Access Service Diagnostics (page 4-7).
2. Touch Diagnostics.
3. Touch dc711 Roller Test.
4. Touch Tray Take Away Roller for the tray being tested.
5. Touch Start to perform the test.
6. Touch Stop/Stop All to stop the test.



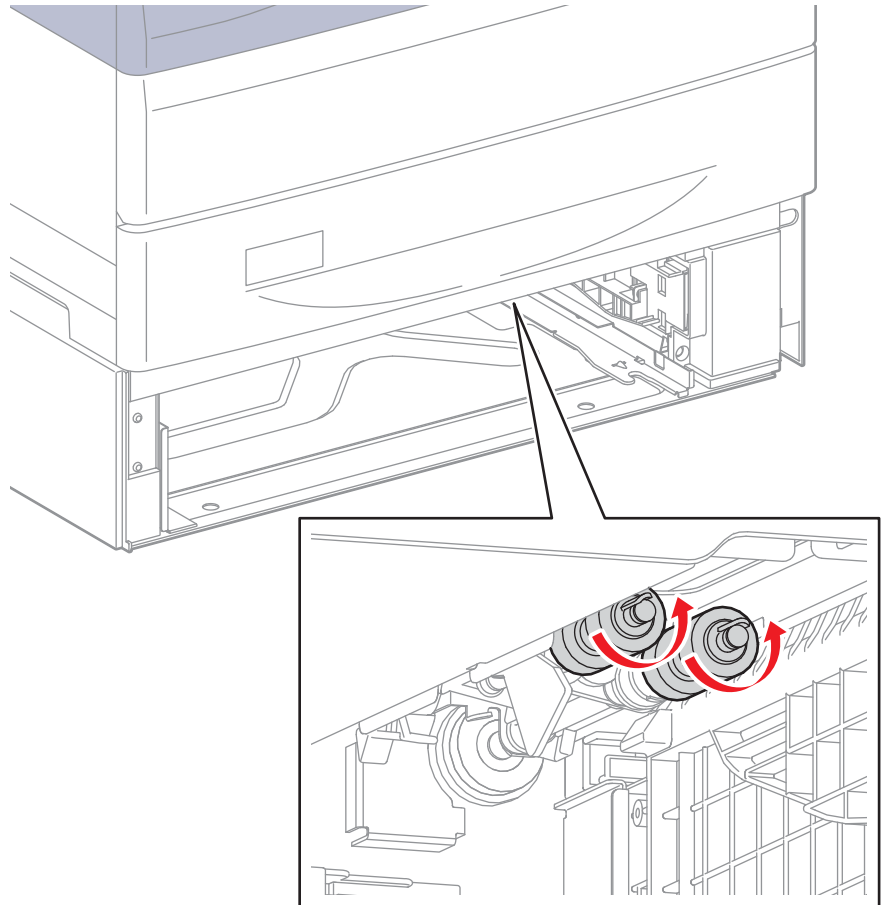
s6700-576

Tray 3 ~ 6 Feed Clutch

The Option Feeder Feed Clutches are engaged to drive the Feed Rollers with the Feed Drive Assembly. Use the Tray Feed Roller test to check operation of the Feed Clutch.

In typical office environments the Feed Rollers for the Optional Feeders are audible during testing. If background noise is a problem, remove the Tray to directly view operation of the Feed Rollers.

1. Access Service Diagnostics (page 4-7).
2. Touch Diagnostics.
3. Touch dc711 Roller Test.
4. Touch Tray Feed Roller for the tray being tested.
5. Touch Start to perform the test.
6. Touch Stop/Stop All to stop the test.

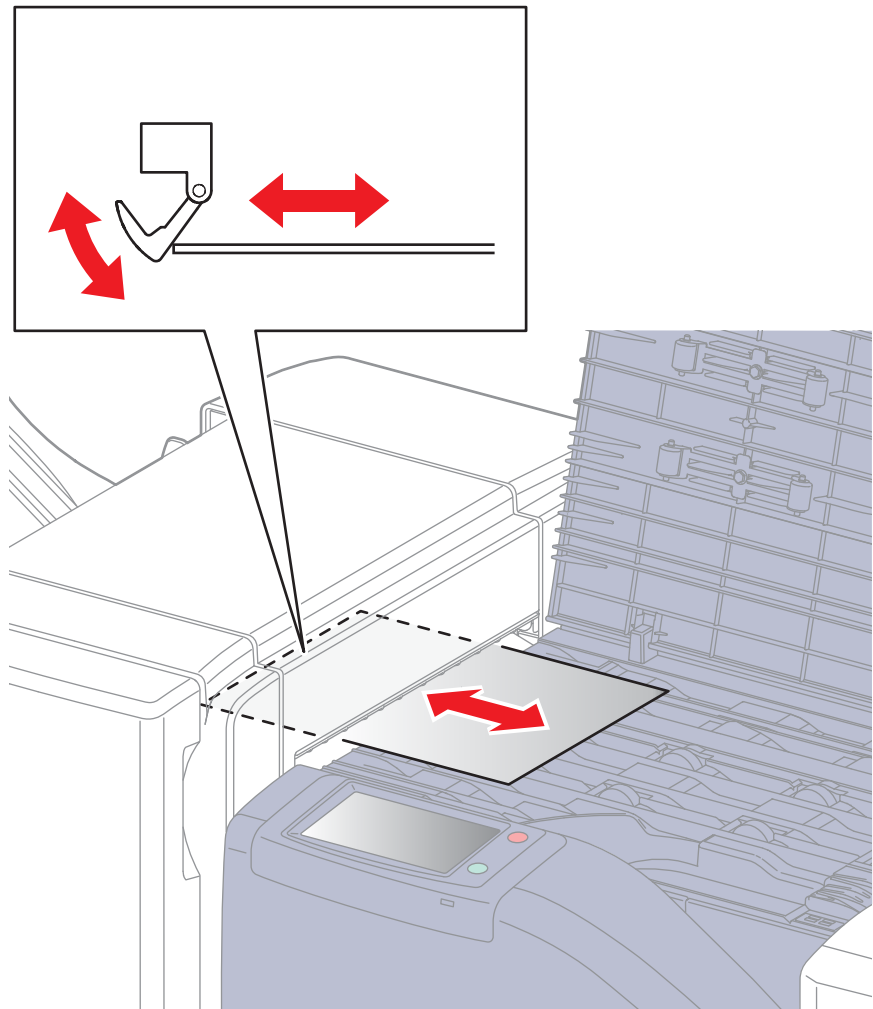


s6700-577

Finisher Test Procedures

Compile Tray Exit Sensor

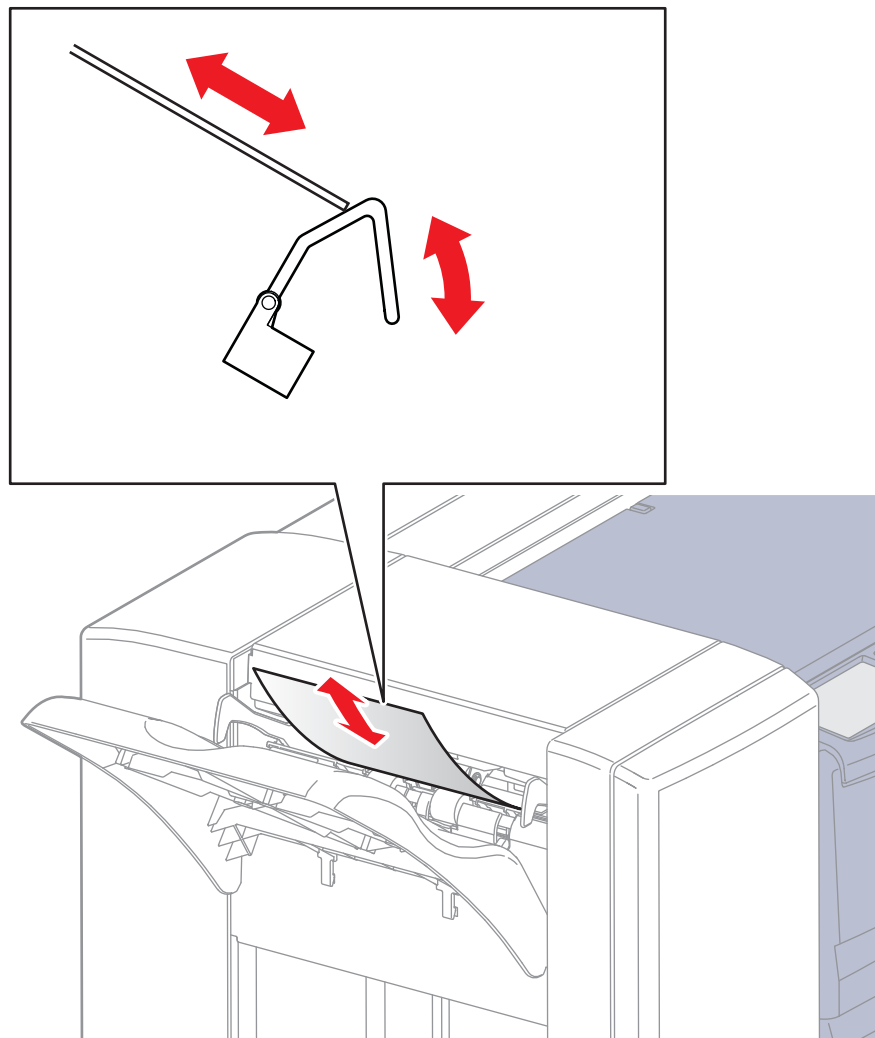
1. Access Service Diagnostics (page 4-7).
2. Touch Diagnostics.
3. Touch dc330 Component Control.
4. Touch the Chain pull-down and select Chain 12.
5. Touch Compile Exit Sensor.
6. Touch Start to perform the test.
7. Open the Horizontal Transport Cover.
8. Open the Finisher Front Door.
9. Insert a sheet into the media path. Using the Finisher jam knob to feed media through the Finisher, actuate the Compile Exit Sensor (On/Off).
10. Touch Stop/Stop All to stop the test.



s6700-578

Compile Tray No Paper Sensor

1. Access Service Diagnostics (page 4-7).
2. Touch Diagnostics.
3. Touch dc330 Component Control.
4. Touch the Chain pull-down and select Chain 12.
5. Touch Compile Tray No Paper Sensor.
6. Touch Start to perform the test.
7. Open the Horizontal Transport Cover.
8. Open the Finisher Front Door.
9. Insert a sheet into the media path. Using the Finisher jam knob to feed media through the Finisher, actuate the Compile Tray No Paper Sensor (On/Off).
10. Touch Stop/Stop All to stop the test.



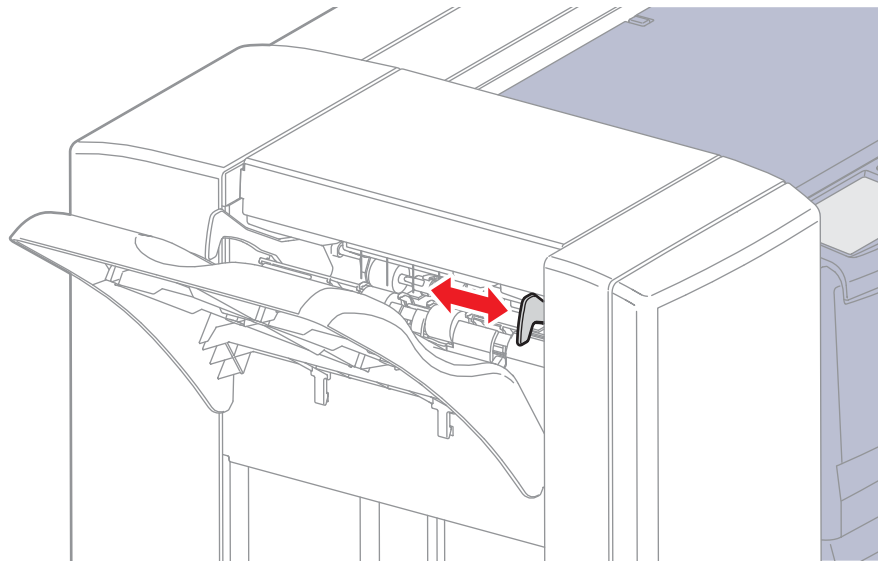
s6700-579

Front and Rear Tamper Home Sensor

Caution

Use care when manually moving the tampers. Grasp the tamper as close to the tamper's base as possible and move the tamper slowly just enough to actuate the sensor.

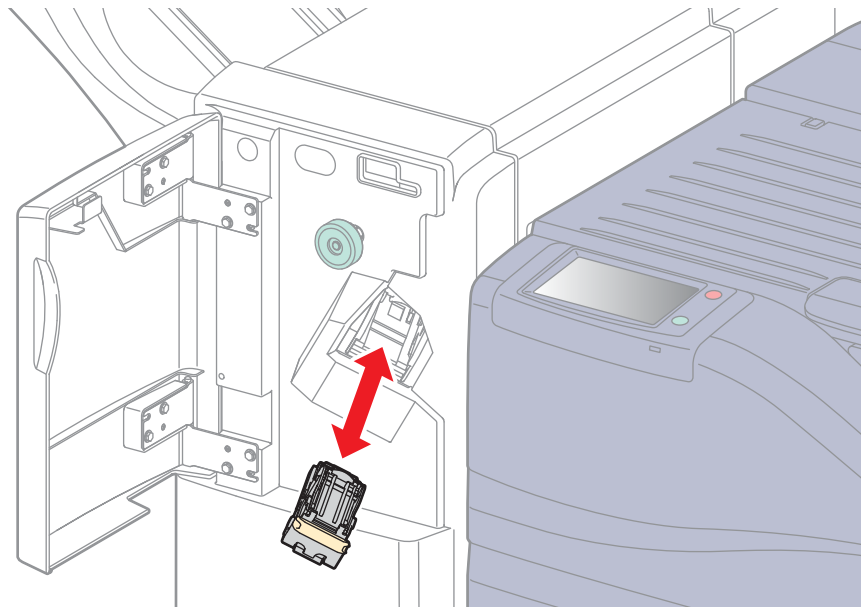
1. Access Service Diagnostics (page 4-7).
2. Touch Diagnostics.
3. Touch dc330 Component Control.
4. Touch the Chain pull-down and select Chain 12.
5. Touch Front or Rear Tamper Home Sensor.
6. Touch Start to perform the test.
7. Gently move the tamper in and out of home position (On/Off).
8. Touch Stop/Stop All to stop the test.



s6700-580

Low Staple, Self Priming, and Staple Home Sensors

1. Access Service Diagnostics (page 4-7).
2. Touch Diagnostics.
3. Touch dc330 Component Control.
4. Touch the Chain pull-down and select Chain 12.
5. Touch Low Staple, Self Priming, or Staple Home Sensor.
6. Touch Start to perform the test.
7. Remove the Staple Cartridge to toggle the sensor (On/Off).
8. Touch Stop/Stop All to stop the test.



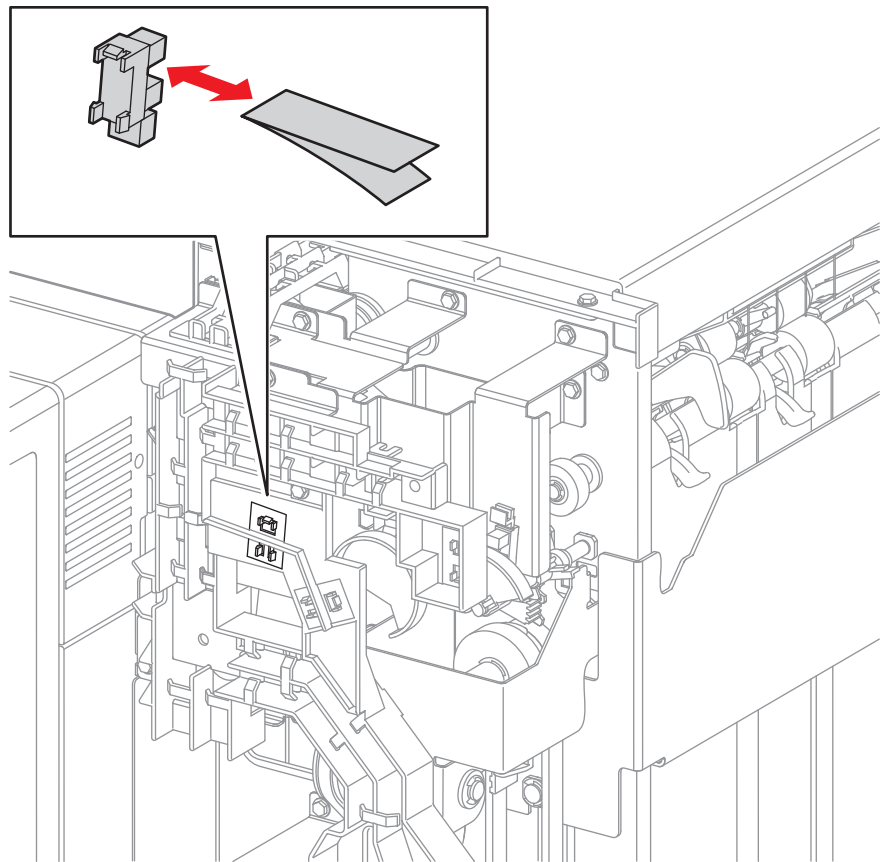
s6700-581

Eject Clamp Home Sensor

Note

Restore all electrical connections to the Finisher following removal of the Rear Cover.

1. Remove the Finisher Rear Cover (page 8-240).
2. Access Service Diagnostics (page 4-7).
3. Touch Diagnostics.
4. Touch dc330 Component Control.
5. Touch the Chain pull-down and select Chain 12.
6. Touch Eject Clamp Home Sensor.
7. Touch Start to perform the test.
8. Block the sensor to toggle the signal (On/Off).
9. Touch Stop/Stop All to stop the test.



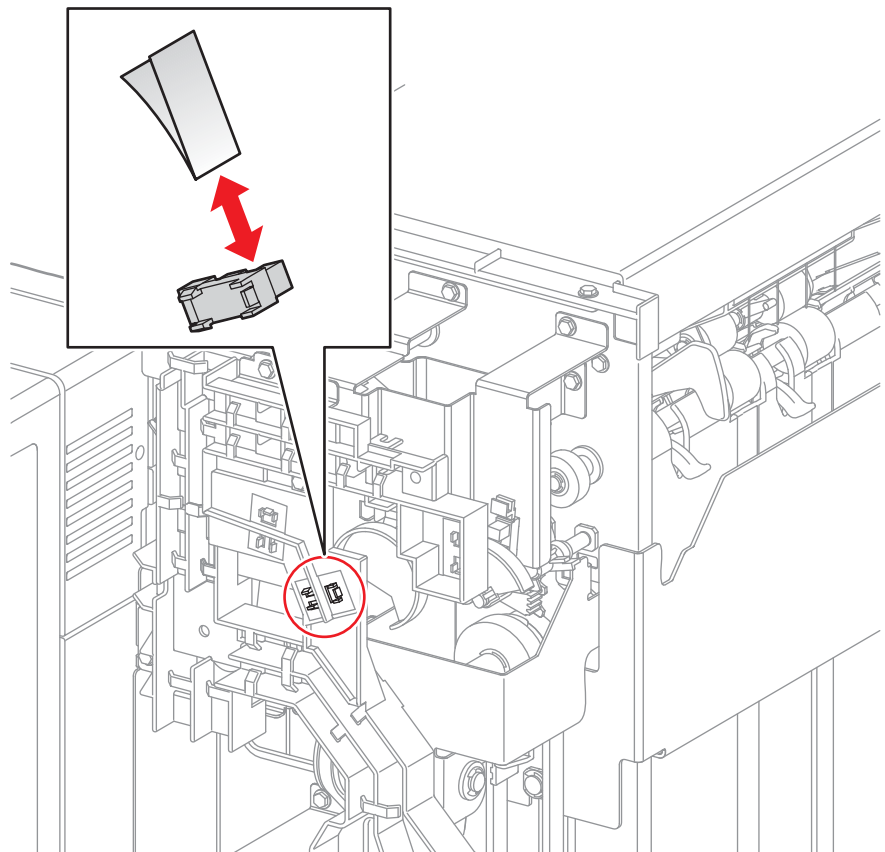
s6700-582

Set Clamp Home Sensor

Note

Restore all electrical connections to the Finisher following removal of the Rear Cover.

1. Remove the Finisher Rear Cover (page 8-240).
2. Access Service Diagnostics (page 4-7).
3. Touch Diagnostics.
4. Touch dc330 Component Control.
5. Touch the Chain pull-down and select Chain 12.
6. Touch Set Clamp Home Sensor.
7. Touch Start to perform the test.
8. Block the sensor to toggle the signal (On/Off).
9. Touch Stop/Stop All to stop the test.



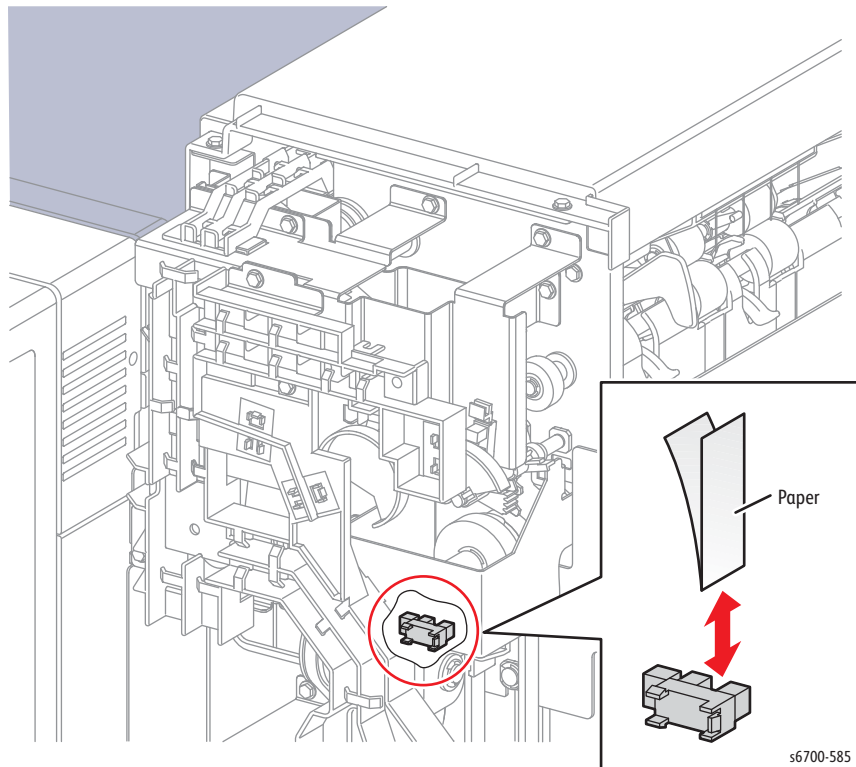
s6700-583

Stacker No Paper Sensor

Note

Restore all electrical connections to the Finisher following removal of the Rear Cover.

1. Remove the Finisher Rear Cover (page 8-240).
2. Access Service Diagnostics (page 4-7).
3. Touch Diagnostics.
4. Touch dc330 Component Control.
5. Touch the Chain pull-down and select Chain 12.
6. Touch Stacker No Paper Sensor.
7. Touch Start to perform the test.
8. Block the sensor to toggle the signal (On/Off).
9. Touch Stop/Stop All to stop the test.

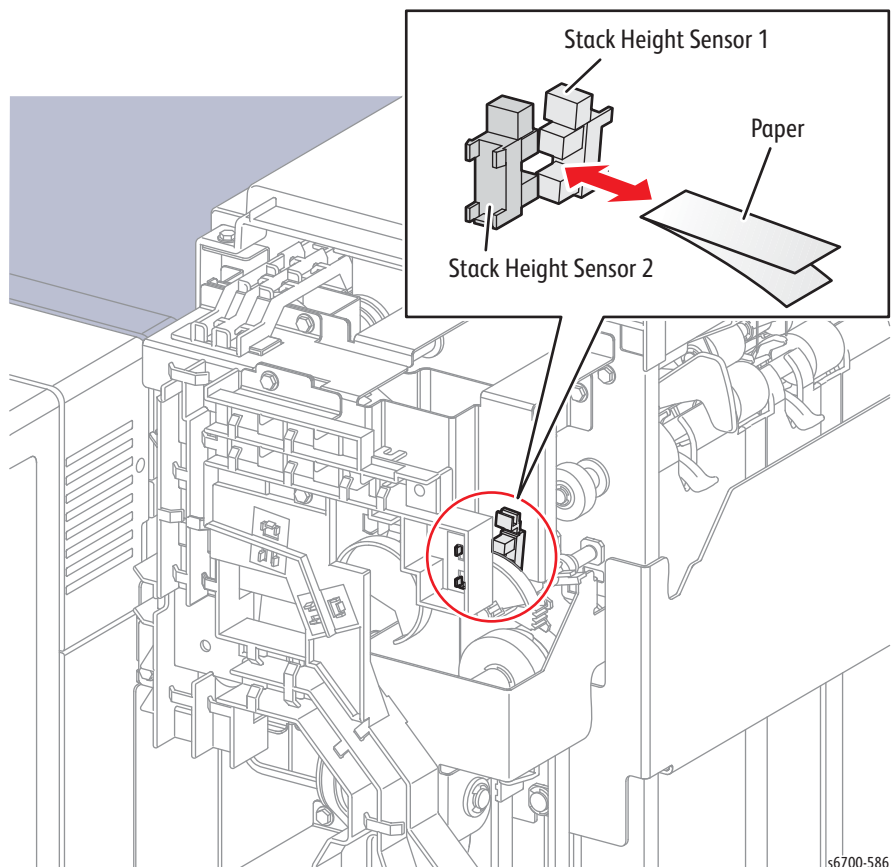


Stack Height Sensors

Note

Restore all electrical connections to the Finisher following removal of the Rear Cover.

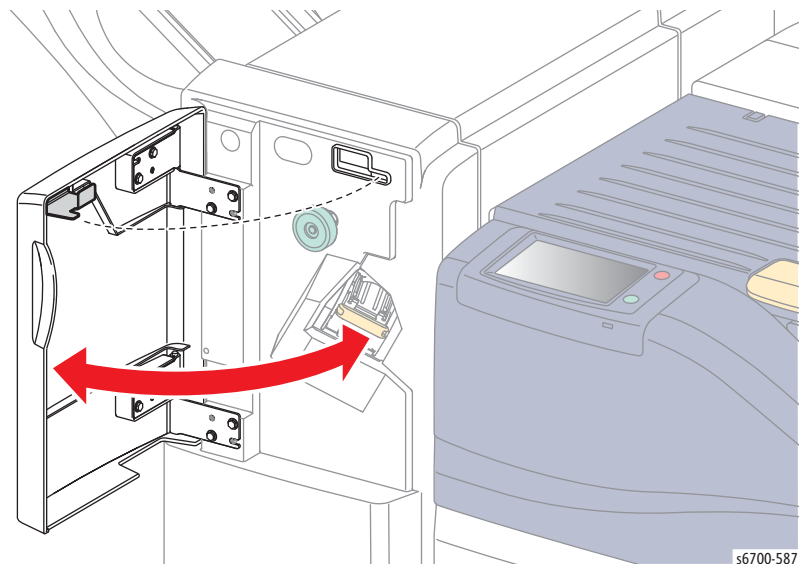
1. Remove the Finisher Rear Cover (page 8-240).
2. Access Service Diagnostics (page 4-7).
3. Touch Diagnostics.
4. Touch dc330 Component Control.
5. Touch the Chain pull-down and select Chain 12.
6. Touch Stack Height Sensor 1 or 2.
7. Touch Start to perform the test.
8. Block the sensor to toggle the signal (On/Off).
9. Touch Stop/Stop All to stop the test.



s6700-586

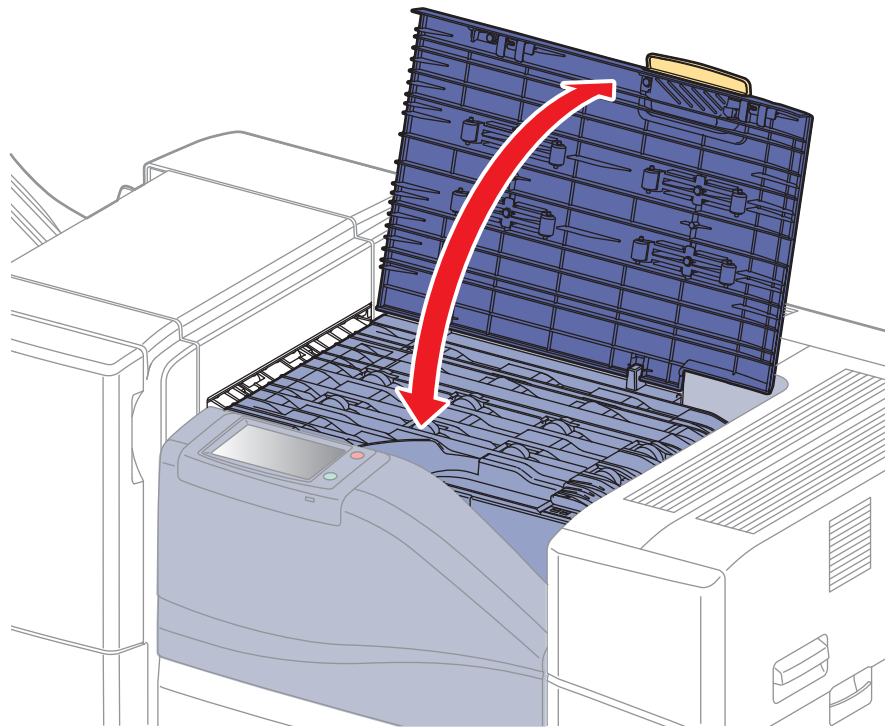
Finisher Front Door Interlock Switch

1. Access Service Diagnostics (page 4-7).
2. Touch Diagnostics.
3. Touch dc330 Component Control.
4. Touch the Chain pull-down and select Chain 12.
5. Touch Finisher Front Door Switch.
6. Touch Start to perform the test.
7. Open and close the Finisher Front Door to toggle the signal (On/Off).
8. Touch Stop/Stop All to stop the test.



Horizontal Transport Open Switch

1. Access Service Diagnostics (page 4-7).
2. Touch Diagnostics.
3. Touch dc330 Component Control.
4. Touch the Chain pull-down and select Chain 12.
5. Touch H-Xport Cover Sensor.
6. Touch Start to perform the test.
7. Open and close the Horizontal Transport Cover to toggle the signal (On/Off).
8. Touch Stop/Stop All to stop the test.

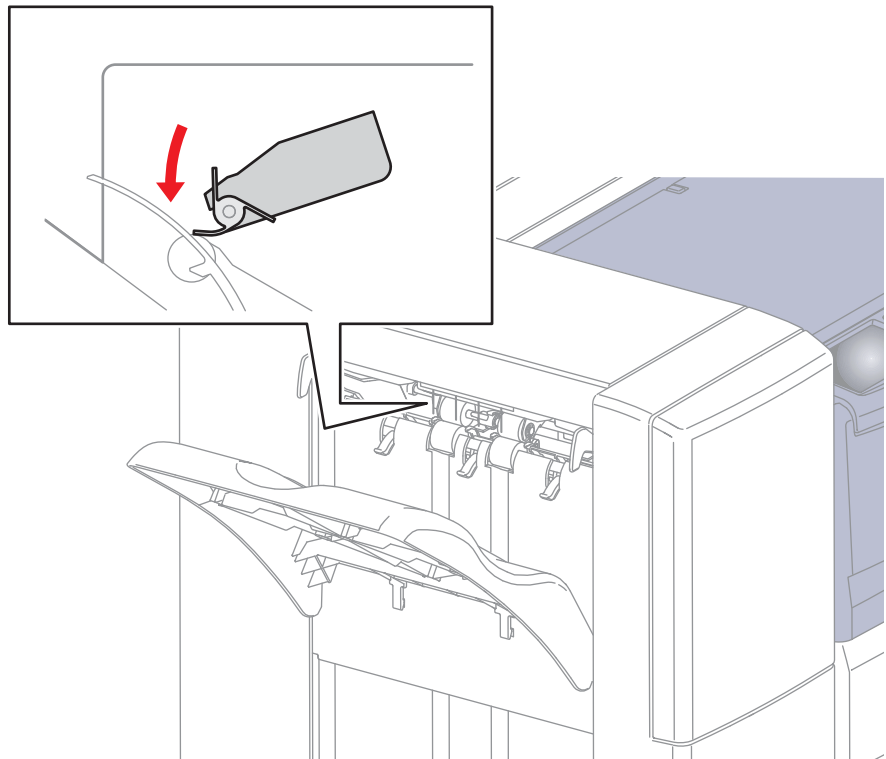


s6700-588

Sub Paddle Solenoid

The paddle solenoid drives the paddle arm onto the media. The action of the paddle arm confirms operation of the paddle solenoid.

1. Access Service Diagnostics (page 4-7).
2. Touch Diagnostics.
3. Touch dc330 Component Control.
4. Touch the Chain pull-down and select Chain 12.
5. Touch Paddle Solenoid.
6. Touch Start to perform the test.
7. Touch Stop/Stop All to stop the test.

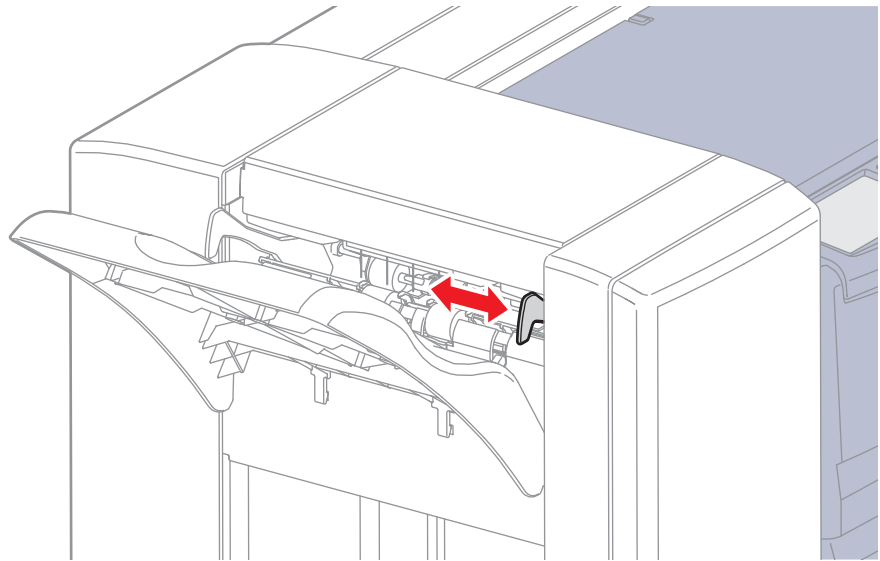


s6700-589

Tamper Motors

The Tamper Motors drive the front and rear tampers to align the media stack. The action of the tamper confirms operation of the Tamper Motor.

1. Access Service Diagnostics (page 4-7).
2. Touch Diagnostics.
3. Touch dc330 Component Control.
4. Touch the Chain pull-down and select Chain 12.
5. Touch Front or Rear Tamper Motor (High or Low).
6. Touch Start to perform the test.
7. Touch Stop/Stop All to stop the test.



s6700-580

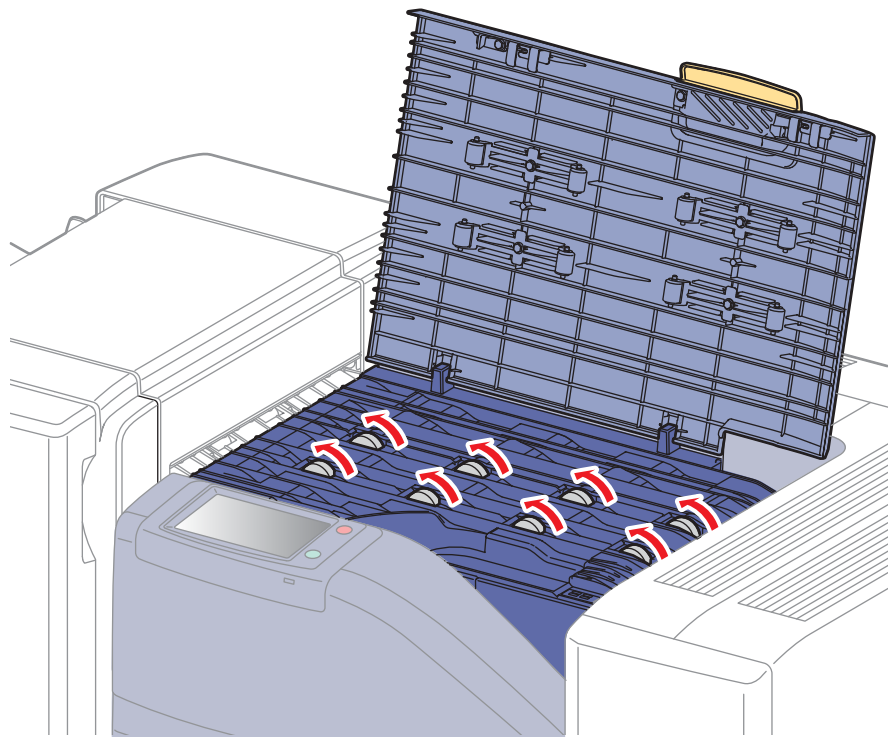
Horizontal Transport Drive Assembly

The Horizontal Transport Drive Assembly drives the transport rollers in the Horizontal Transport to move media between the printer exit and Finisher. The action of the transport rollers confirms operation of the Horizontal Transport Drive Assembly.

Note

The H-Xport Rev test only drives the roller closest to the printer exit.

1. Access Service Diagnostics (page 4-7).
2. Touch Diagnostics.
3. Touch dc330 Component Control.
4. Touch the Chain pull-down and select Chain 12.
5. Touch H-Xport Motor (1, 2, 3, 4 or Rev).
6. Open the Horizontal Transport Cover.
7. Touch Start to perform the test.
8. Touch Stop/Stop All to stop the test.

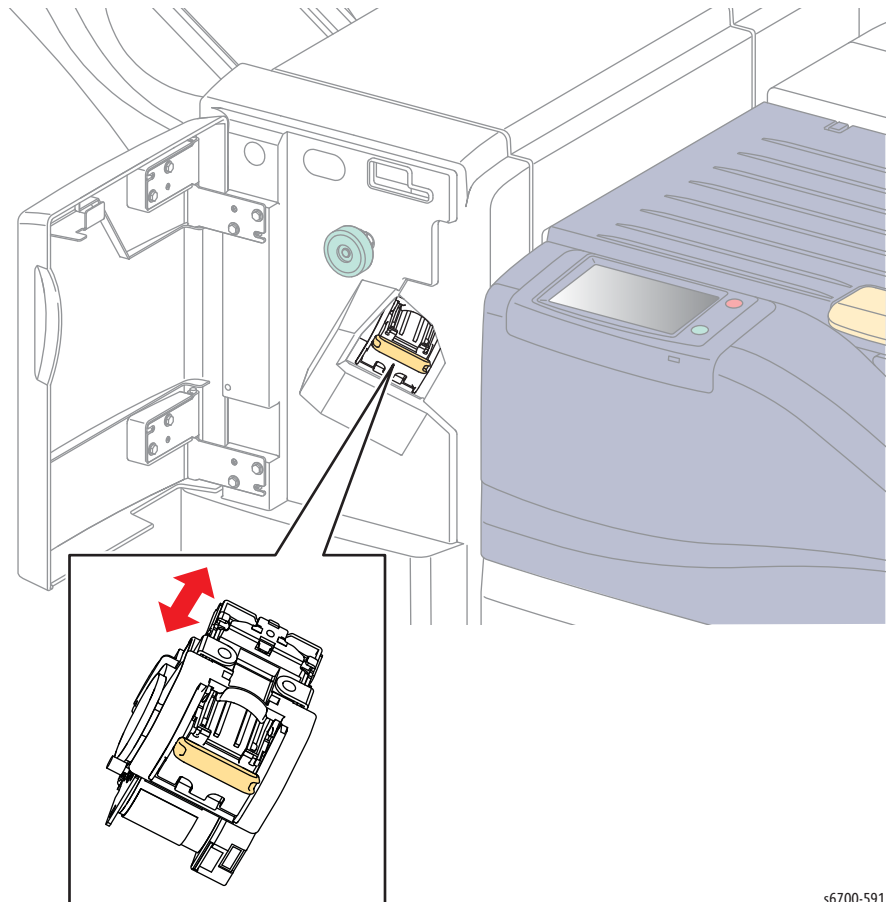


s6700-590

Staple Motor

The staple motor drives the Stapler to staple media. The action of the staple head confirms operation of the staple motor.

1. Access Service Diagnostics (page 4-7).
2. Touch Diagnostics.
3. Touch dc330 Component Control.
4. Open the Finisher Front Door.
5. Remove the Staple Cartridge.
6. Defeat the Finisher Front Door Interlock.
7. Touch the Chain pull-down and select Chain 12.
8. Touch Staple Motor (Forward or Reverse).
9. Touch Start to perform the test.
10. Touch Stop/Stop All to stop the test.



s6700-591

Set Clamp Clutch

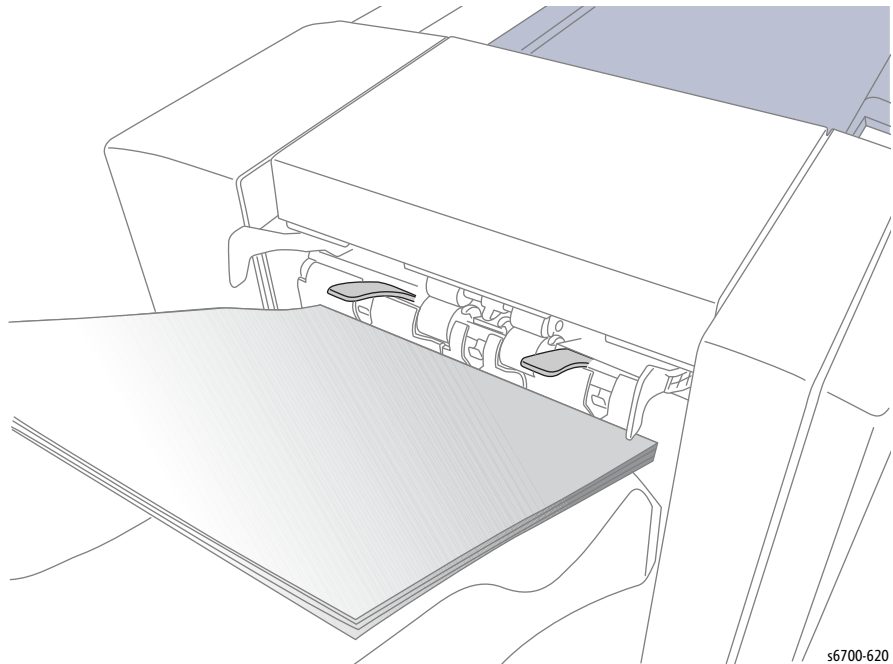
The set clamp clutch makes an audible click when energized by the test.

1. Access Service Diagnostics (page 4-7).
2. Touch Diagnostics.
3. Touch dc330 Component Control.
4. Touch the Chain pull-down and select Chain 12.
5. Touch Set Clamp Clutch.
6. Touch Start to perform the test.

Eject Motor

The eject motor drives the eject chute and media guides to deliver media to the Stacker Tray. The media guides extend and retract from the Finisher exit when the test successfully rotates the eject motor.

1. Access Service Diagnostics (page 4-7).
2. Touch Diagnostics.
3. Touch dc330 Component Control.
4. Touch the Chain pull-down and select Chain 12.
5. Touch Eject Motor Forward (High or Low).
6. Touch Start to perform the test.

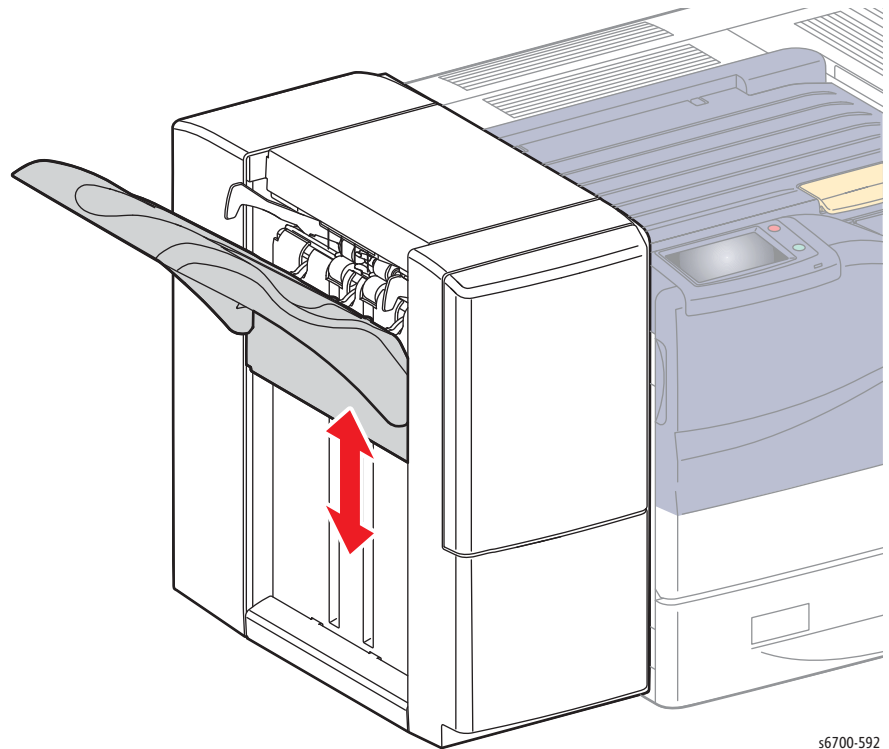


s6700-620

Stacker Drive Assembly

The Stacker Drive Assembly drives the Stacker Tray up and down. Motion of the Stacker Tray confirms operation of the Stacker Drive Assembly.

1. Access Service Diagnostics (page 4-7).
2. Touch Diagnostics.
3. Touch dc330 Component Control.
4. Touch the Chain pull-down and select Chain 12.
5. Touch Stacker Motor (Up or Down).
6. Touch Start to perform the test. The Stacker Tray will move either up or down for a few seconds.



s6700-592

Control Panel Troubleshooting

No Display after Power is Turned On.

1. Cycle system power and check for POST errors.
2. Reseat connectors on the Image Processor Board.
3. Print an Engine Test print.
4. Refer to “DC Power Supply Troubleshooting” on page 4-81.
5. Replace the Control Panel (page 8-63).
6. Replace the Control Panel wiring harnesses.

Printer Hangs at the Xerox Logo, or Continuously Reboots

This is most often caused by corrupted system firmware. Use these steps to correct this problem.

1. Is the printer plugged directly into a wall outlet? Is the circuit capable of meeting printer power requirements (voltage within the specified range and less than a 10 % drop in voltage when printing)? The printer will not perform reliably when plugged into a surge protector, power strip or un-interruptible power supply.
2. Power Off the printer, disconnect the network or USB cable, then power the printer back On. If the printer comes to Ready To Print, print an embedded page from the Print Reference Materials menu. Next, print from a laptop directly connected to the printer. If both tests are successful, the problem is a network issue. Use normal network troubleshooting procedures to solve the problem.
3. If the printer does not come to Ready To Print, try pressing the **Cancel** button to clear any jobs from the queue that could be causing the printer to hang. The **Cancel** button may have to be pressed multiple times to clear out all jobs. Then try printing embedded pages again.
4. Replace the SD Card on the Image Processor Board.
5. Reload system firmware with AltBoot from the USB Port.

Ready LED is On, Display is Blank

1. Cycle system power and check for POST errors.
2. Reseat IP Board and Control Panel connections.
3. Replace the Control Panel (page 8-63).
4. Replace the IP Board (page 8-150).
5. Replace the Control Panel wiring harness.

Control Panel has Failed

The Control Panel either fails to illuminate or the buttons fail to operate after the power switch is turned On.

Note

If the touchscreen is illuminated but unresponsive, press and hold the Power Saver button for 5 seconds, then press and release the Pause button to reset the touchscreen to factory defaults and initiate touchscreen diagnostics. Refer to “Control Panel Calibration and Testing” on page 6-8.

Initial Actions

- Cycle printer power.
- If the problem persists, follow the procedure below.

Troubleshooting Reference Table

Applicable Parts	Wiring and Plug/Jack Map References
<ul style="list-style-type: none"> ■ Control Panel, PL1.1.1 ■ Control Panel Harness, PL1.1.2 ■ Image Processor Board, PL10.1.5 ■ LVPS, PL10.2.1 	<ul style="list-style-type: none"> ■ “Map 1 - CRU Detection” on page 10-5 ■ “Map 4 - LVPS and IP Board” on page 10-8 ■ “IP Board and Control Panel” on page 10-41

Troubleshooting Procedure Table

Step	Actions and Questions	Yes	No
1	Check connections between the Image Processor Board and the Control Panel. Are P/J327 and P/J370 secure?	Go to Step 2.	Secure the connections.
2	Check the Control Panel Harness harness for continuity. Disconnect: <ul style="list-style-type: none"> ■ P/J327 from the IP Board ■ P/J370 from the Control Panel The harnesses is undamaged.	Go to Step 3.	Replace the harness.
3	Replace the Control Panel (page 8-63). Does the error persist?	Replace the IP Board (page 8-150)	Complete.

Intermittent Problems

This is not an exact procedure, but a set of recommended actions that can help locate the cause of an intermittent problem.

1. Check the fault history. Recent service actions may provide information about the problem. For example, a component that was recently replaced to correct another problem may cause the new intermittent problem.
2. Run the printer in a mode that exercises the suspect function. The printer may fail more frequently or may fail completely under these conditions. Look for signs of failure or abnormal operation. An intermittent problem is usually associated with a fault code, a jam code, or some other observable symptom.
3. Update system firmware. Use AltBoot if the installed firmware is the current version. See “Firmware Restore Using AltBoot” on page A-5.
4. Initialize NVM of the affected region using dc301. If unsure, initialize all Controller and Engine system NVM data. Exit & reboot from diagnostics.
5. Use the troubleshooting procedure associated with intermittent symptoms, examine all applicable parts. Look for:
 - a. contamination, such as a feed roller that has a build up of dirt or toner
 - b. wear, such as gear teeth that are rounded or have excessive backlash
 - c. HFSI, even if they are not near or have not exceeded life values
 - d. chafing wires, especially against moving components
 - e. misaligned, improperly adjusted, or incorrectly installed components
 - f. slow or slipping clutches; slow or binding solenoids
 - g. damaged components
 - h. excessive heat, or symptoms of excessive heat, such as the discoloration of a component
 - i. loose cables or wires
 - j. packing materials not removed
6. Use the troubleshooting procedure associated with intermittent symptoms, perform all adjustments related to the applicable parts listed in the troubleshooting table. Verify adjustments can be made, there is an adequate range of adjustment, and the adjustment is set at or near the nominal value. Any abnormality observed may indicate the cause of the problem. For example, a component is adjusted to the nominal value, but it is at the limit of the adjustment range. This is not normal and may indicate of the cause of the problem.
7. Use Service Diagnostics to operate all applicable parts listed in the troubleshooting table associated with the intermittent problem. Observe the components for any symptoms of abnormal operation, such as a hesitation, or an unusual sound.
8. Check that the AC and DC power are within specification (refer to “Electrical Specifications” on page 1-13).
9. Get technical advice or assistance when it is appropriate. This will depend upon the situation and the established local procedures.
10. Examine the defective parts associated with the failing function. Refer to the parts list and wiring diagrams to determine part interactions.
11. Operate all of the components that are not in the RAP, but are associated with the function that is failing with in Diagnostics, refer to the wiring diagrams. Observe the components for any symptoms of abnormal operation, such as a hesitation, or an unusual sound.
12. Replace any components or consumables that are known to be a frequent cause of the problem. When doing this, consider the cost and time required. If the suspected item is inexpensive, can be installed quickly, and has a high probability of resolving the problem, then it is reasonable to replace it.

Inoperable Printer Troubleshooting

No response from printer when the main power is switched On. The Control Panel and LED are not illuminated.

AC Power Supply Troubleshooting

Warning

Hazardous AC voltage is present at the Power Panel and LVPS when the printer is connected to the AC outlet. Disconnect the Power Cord from the AC supply before servicing the power supply.

Initial Actions

- Confirm the printer is plugged directly into a dedicated AC outlet.
- Check the AC outlet.
- Check the Power Cord.
- Reset the GFI Breaker.

If the error persists, eliminate the possibility that an installed option is the cause of the problem by following these steps.

1. Power printer Off.
2. Remove all installed options (Optional Feeders, Finisher, Hard Drive).
3. Power the printer On. If printer powers up normally, plug in the options one at a time until the defective option is isolated. If the printer remains inoperative, use the following procedure to locate the problem.

Troubleshooting Reference Table

Applicable Parts	Wiring and Plug/Jack References
<ul style="list-style-type: none"> ■ Power Panel, PL10.1.12 ■ Power Cord, PL10.1.19 ■ LVPS, PL10.2.1 	<ul style="list-style-type: none"> ■ “Map 4 - LVPS and IP Board” on page 10-8 ■ “LVPS” on page 10-25

Troubleshooting Procedure Table

Step	Actions and Questions	Yes	No
1	Check the Power Cord. Is the Power Cord plugged into the printer and AC outlet?	Go to Step 2.	Connect the Power Cord.
2	Check the voltage at the AC wall outlet. Is there approximately 110 or 220 VAC at the AC outlet?	Go to Step 3.	Notify the customer.
3	Check the power switch linkage. The linkage is connected.	Go to Step 4.	Connect the linkage.

Troubleshooting Procedure Table

Step	Actions and Questions	Yes	No
4	Replace the Power Panel (page 8-154). The error persists.	Replace the LVPS (page 8-182)	Complete.

DC Power Supply Troubleshooting

DC voltages are supplied by the LVPS. The LVPS includes protection circuitry that limits possible damage to printer components in the event of a short or transient event.

LVPS

Use this procedure to check the condition of the LVPS.

Warning

Hazardous AC voltage is present at the Power Panel and LVPS when the printer is connected to the AC outlet. Disconnect the Power Cord from the AC supply before servicing the power supply.

Initial Actions

- Cycle printer power.
- If the problem persists, follow the procedure below.

Troubleshooting Reference Table

Applicable Parts	Wiring and Plug/Jack Map References
<ul style="list-style-type: none"> ■ LVPS, PL10.2.1 ■ LVPS Power Harness, PL11.1.2 ■ LVPS Harness, PL11.1.9 ■ MCU Board, PL10.2.18 	<ul style="list-style-type: none"> ■ “Map 4 - LVPS and IP Board” on page 10-8 ■ “LVPS” on page 10-25

Troubleshooting Procedure Table

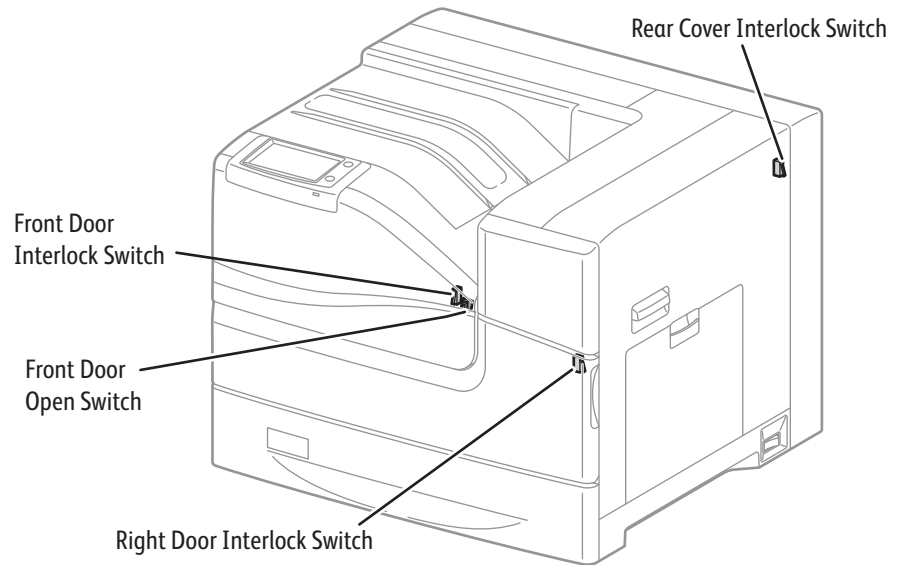
Step	Actions and Questions	Yes	No
1	Check the AC power supply (page 4-80). The error persists.	Go to Step 2.	Complete.
2	Check all connections to the LVPS. The connections are secure.	Go to Step 3.	Secure the connections.
3	Remove the LVPS harness and check harness continuity between P/J305 and P/J23 on the MCU Board. The harness is undamaged.	Go to Step 4.	Replace the harness.

Troubleshooting Procedure Table (Continued)

Step	Actions and Questions	Yes	No
4	1. Disconnect J305 and J306 from the LVPS. 2. Turn the Power Switch On. 3. Measure the DC voltages at these points on the LVPS: ■ P306-3 = +5 V ■ P306-4 = +3.3 V ■ P305-1 = +24 V Are all of the voltages present?	Go to Step 5.	Replace the LVPS (page 8-182)
5	Check LV PWR Harness continuity. The harness is undamaged.	Replace the MCU Board (page 8-152)	Repair the harness.

+24 VDC Interlock Switches

The Interlock Switches disable +24 V to the electromechanical components when the Front or Right Door is opened. The Rear Cover Interlock Switch blocks +5V to the Laser Unit when open.



s6700-593

Initial Actions

- Check the switch actuator located on the cover or door.
- Check for obstructions, damage or debris blocking switch motion.
- Cycle printer power.
- If the problem persists, follow the procedure below.

Troubleshooting Reference Table

Applicable Parts	Wiring and Plug/Jack Map References
<ul style="list-style-type: none"> ■ Front Door Interlock, PL1.2.1 ■ Front Cover Switch, PL 1.2.3 ■ Right Door Interlock, PL4.1.96 ■ MCU Board, PL10.2.18 ■ Rear Cover Interlock, PL 11.2.2 	<ul style="list-style-type: none"> ■ "Map 1 - CRU Detection" on page 10-5 ■ "Map 4 - LVPS and IP Board" on page 10-8 ■ "LVPS" on page 10-25 ■ "Laser Unit" on page 10-31

Troubleshooting Procedure Table

Step	Actions and Questions	Yes	No
1	Test the switch using dc330: <ul style="list-style-type: none"> ■ Front Door (077-300) ■ Front Cover (077-302) ■ Right Door (077-301) The switch signal changes (On/Off).	Replace the MCU Board (page 8-152)	Replace the switch.

Image Processor Board

This procedure is used to isolate the Image Processor Board, or one of its on-board options as the root cause of the failure.

Initial Actions

- Remove all installed options (Optional Feeders, Finisher, Hard Drive)
- Cycle printer power.
- If the problem persists, follow the procedure below.

Troubleshooting Reference Table

Applicable Parts	Wiring and Plug/Jack References
<ul style="list-style-type: none"> ■ IP Board, PL10.1.6 ■ IP Power Harness, PL11.1.3 ■ Options 	<ul style="list-style-type: none"> ■ “Map 4 - LVPS and IP Board” on page 10-8 ■ “IP Board and Control Panel” on page 10-41

Troubleshooting Procedure Table

Step	Actions and Questions	Yes	No
1	Print the Engine Test print (page 5-31). The test print is printed.	Go to Step 2.	Troubleshoot the print engine.
2	Reseat all connections to the IP Board and restart the printer. Does the error persist?	Go to Step 3.	Complete.
3	Check for +5 V and +3.3 V at P/J404. <ul style="list-style-type: none"> ■ P/J404-3 <=> P/J404-2 = +5 V ■ P/J404-4 <=> P/J404-2 = +3.3 V ■ P/J404-5 <=> P/J404-2 = +3.3 V Are the voltages present?	Replace the IP Board (page 8-150)	Go to Step 4.
4	Check continuity of the IP Board Power Harness. Disconnect P/J404 from the IP Board and P/J306 from the LVPS. Is the harness damaged?	Replace the harness.	Replace the LVPS (page 8-182)

Printer Continually Displays Warming Up

Warning

Allow the Fuser to cool before servicing the printer.

Initial Actions

- Reseat the Fuser.
- Cycle printer power.
- If the problem persists, follow the procedure below.

Troubleshooting Reference Table

Applicable Parts	Wiring and Plug/Jack Map References
<ul style="list-style-type: none"> ■ Fuser, PL7.1.99 ■ Harness Assy FSR, PL7.1.4 ■ MCU Board, PL10.2.18 ■ LVPS Cage, PL10.2.1 	<ul style="list-style-type: none"> ■ “Map 2 - Fuser and Feeder” on page 10-6 ■ “Map 5 - MCU Board and Laser Unit” on page 10-9 ■ “Fuser and Exit” on page 10-39

Troubleshooting Procedure Table

Step	Actions and Questions	Yes	No
1	Check Fuser connections PJ180-S and P/J1 on the MCU Board. The connections are secure and undamaged.	Go to Step 2.	Replace the harness.
2	Remove the Fuser harness and check continuity between P/J1 and P/J180-S. The harness is undamaged.	Go to Step 3.	Replace the harness.
3	Check Fuser connector P/J180 and LVPS connector P/J304. The connections are secure and undamaged.	Go to Step 4.	Secure the connections.
4	Check Fuser harness continuity between P/J180 to LVPS P/J304. The harness is undamaged.	Replace the Fuser (page 8-17).	Repair the harness
5	Replace the MCU Board (page 8-152). Does the error persist?	Replace the LVPS (page 8-182).	Complete.

Abnormal Noises

Abnormal Noise When Power is Turned On

The printer performs a mechanical initialization routine when powered On. This routine exercises transport drives, rollers, and other electromechanical components. If a component fails a fault code is displayed. If the printer boots successfully and an abnormal noise is heard, use Service Diagnostics to isolate the noisy component.

Abnormal Noise During Standby

Noise during printer standby is typically caused by a Fan or a xerographic component used during the printer's calibration routine. Test the Fans, Imaging Units and Transfer Belt using Service Diagnostics to isolate the noisy component.

Abnormal Noise During Printing

Noise during printing is likely caused by a media transport or xerographic component. Test the Feed, Fuser, Transfer Belt and Imaging Unit Drive Assemblies. Test the Feed and Take Away Rollers using Service Diagnostics. Print several Fuser Cleaning test prints in simplex and duplex to exercise all the media transport components to isolate the noisy component.

Loud Clicking During Printing

This could indicate a problem with waste toner transport. Remove the Transfer Belt and check for an accumulation of toner around the Transfer Belt's waste toner auger port. If toner has accumulated, replace the Transfer Belt and check the waste toner auger system for obstructions.

Electrical Noise

There is a variable pitch sound coming from the printer. Electrical noise can be either noise in the electrical lines or static in electromagnetic communications.

Initial Actions

- Cycle printer power.
- If the problem persists, follow the procedure below.

Troubleshooting Reference Table

Applicable Parts	Wiring and Plug/Jack Map References
<ul style="list-style-type: none"> ■ Imaging Units, PL5.1.8~11 ■ Transfer Belt, PL5.1.99 ■ HVPS, PL5.2.3 	“HVPS” on page 10-35

Troubleshooting Procedure Table

Step	Actions and Questions	Yes	No
1	Check for sources of external noise. 1. Are there other electrical appliances within 3 meters of the printer? 2. Turn the electrical appliances Off or relocate the printer at least 6 meters away from other electrical appliances. Does the noise persist?	Go to Step 2.	Complete
2	Check the AC ground. Is AC power supply outlet wired and grounded appropriately?	Go to Step 3.	Notify the customer.
3	Check the Transfer Belt high-voltage connections. Are the terminals on the Transfer Belt, and the four springs in the frame dirty and/or damaged?	Clean or replace the Transfer Belt (page 8-12) and contacts.	Go to Step 4.
4	Check the Imaging Unit connections. Are the terminals on each Imaging Unit, and Bias Housing Assy dirty or damaged?	Clean or replace the Imaging Unit (page 8-14) and contacts.	Go to Step 5.
5	Reseat the Imaging Units. Does the noise persist?	Go to Step 6.	Complete
6	Reseat the Transfer Belt. Does the noise persist?	Reseat connections on the HVPS.	Complete

Operating System and Application Problems

Windows 2000, Windows XP, Windows Server Troubleshooting

Note

For Window XP, select Classic Look or the Windows XP procedures will not match the following procedures. To select Classic Look, click Start, Settings, Taskbar, and Start Menu. Select the Start Menu tab, and then Classic Start Menu. Click OK.

This troubleshooting section assumes you have completed the following tasks.

- Loaded a Phaser printer PCL or PostScript printer driver.
- Printed and kept a current copy of the Configuration page.

Verify Network Settings

1. Verify the settings on the Configuration page.
 - IP Address Source is set to: DHCP, Control Panel, BOOTP, or Auto IP (depending on your network configuration).
 - Current IP Address is set correctly. (Note this address if it is assigned by Auto IP, DHCP, or BOOTP.)
 - Subnet Mask is set correctly (if used).
 - Default Gateway is set correctly (if used).
 - LPR is enabled. Verify that the LPR and AppSocket settings are set as desired.
 - Interpreters: Auto, PCL, or PostScript (depending on your driver).
2. Verify that the client is logged into the network and printing to the correct print queue. The user should also have access to the Phaser printer queue.
3. Reset network settings to factory defaults.

Verify Driver Installation

1. From the desktop, right-click My Network Places, and select Properties.
2. Right-click Local Area Connection and select Properties.
3. Click the General tab. View the list of installed network protocols to verify that TCP/IP is installed. (For more information, contact your network administrator.)
4. Click Install to install any components not listed, and then restart your computer.
5. From the Start menu, select Start > Settings > Printers and Faxes.
6. Right-click the printer icon, and select Properties.
7. Click the Advanced tab. Verify that the correct printer driver is installed.
8. Click the Ports tab. Verify that the IP Address in the Print to the Following Ports list is identical to the one on the Configuration page. You may need to click the Configure Port button to see the IP address. If necessary, re-select the TCP/IP number used for the printer.

Macintosh Troubleshooting

The following procedures eliminates cabling, communication, and connection problems. Once you complete these steps, print a test page from your software application.

Use these steps **only** for Mac OS 10.3.9 through 10.5.

1. For AppleTalk, use the steps below. For TCP/IP, proceed to step 2.
 - a. From the printer's Control Panel, verify that the EtherTalk is enabled. If it not, enable EtherTalk, and reset the printer.
 - b. Print the Configuration page and verify that EtherTalk is enabled.
 - c. From the Configuration page, verify the Zone. If you have multiple zones on your network, verify that your printer appears in the desired zone.
2. Open the Network Utility and click the Ping tab.
3. Enter the printer's IP address.
4. Click Ping. If you do not get a response, verify that your TCP/IP settings are correct for your printer and computer.

Print-Quality Troubleshooting

In this chapter...

- Print-Quality Overview
- Checklist Before Troubleshooting Print-Quality
- Print-Quality Troubleshooting
- Test Prints
- Image Specifications

Chapter 5

Print-Quality Overview

Print-quality defects can be attributed to printer components, non-Xerox consumables, media, internal software, external software applications, and environmental conditions. To successfully troubleshoot print-quality problems, eliminate as many variables as possible.

The printer includes several tools to help resolve print-quality defects. Located in the Troubleshooting menu under the Printer menu Tools tab is the Troubleshooting Print Quality tutorial. In the Resolve Problems menu are procedures for correcting common print defects. The Test Pages menu provides a list of basic test prints useful for identifying faulty xerographic components.

The first step is to generate prints using test pages embedded in the printer on a fresh ream of paper from the approved media list. Use paper acclimated to room temperature and humidity. If the print-quality defect remains after printing on approved media from an unopened ream of paper, use the procedures that follow to isolate the printer defect and repair the quality problem. If the embedded page print correctly, investigate the customer's application or environment.

Determine the temperature and humidity under which the printer is operating. Compare this to the "Environmental Specifications" on page 1-17. Extreme temperature and humidity can adversely affect print quality.

When analyzing a print-quality defect, first determine if the defect occurs in all colors or only one color and if it is repeating or a random occurrence. Continuous defects in the process direction, such as voids and lines, are the most difficult to diagnose. Inspect the visible surfaces of all rollers for obvious defects. If no defects are found, replace the Imaging Unit, Laser Unit, Transfer Belt, and Fuser one at a time until the defect is eliminated.

Defects Associated with Specific Printer Components

Some print-quality problems are associated with specific assemblies. The xerographic component is listed with the associated print-quality defects. Refer to the specific print-quality troubleshooting procedure for detail information.

Laser Unit

- Blank Print
- Vertical Blank Lines
- Vertical Stripes
- Partial Band

Transfer Belt

- Light or Undertone Print
- Vertical Stripes
- Partial Band
- Random Spots
- Repeating Bands, Lines, Marks, or Spots
- Background Contamination

Fuser

- Vertical Stripes
- Repeating Bands, Lines, Marks, or Spots
- Unfused Image

Imaging Units

- Light or Undertone Print
- Vertical Blank Lines
- Vertical Stripes
- Partial Band
- Random Spots
- Repeating Bands, Lines, Marks, or Spots
- Background Contamination

Checklist Before Troubleshooting Print-Quality

Check Printer Condition

Consumable and Maintenance Items

Check the consumable counters to determine the amount of life remaining in each Toner Cartridge, Imaging Unit, Maintenance Kit and Fuser. Replace any consumable or maintenance item that is at or near end of life before troubleshooting print defects.

Low toner can cause problems, such as fading, streaking, White lines, or dropouts. Imaging Units approaching end of life may produce high frequency banding and affect the printer's ability to maintain toner density increasing calibration cycles.

Cleaning

Paper, toner, and dust particles can accumulate inside the printer and cause print-quality problems such as smearing or specks. Clean the inside of the printer to reduce these problems.

Operating Environment

Check the temperature, humidity, clearances, and supporting surface meet specifications. Refer to "Specifications" on page 1-13.

Media Condition

Check the condition and type of media loaded. Refer to "Media Guidelines" on page A-2 for details on determining proper media condition.

Troubleshooting Print Quality Tutorial

A step by step print quality troubleshooting tutorial focusing on the identification and resolution of common print quality problems is available to print from the Troubleshooting menu. The tutorial includes instructions, test prints and videos demonstrating corrective actions. These print quality problems are addressed in the tutorial:

- Smears, smudges and streaks
- Repeating defects
- Colors align incorrectly
- Colors too light or dark
- Page margins are inconsistent
- Side 1 and 2 are not aligned
- Vertical White lines or streaks in one color
- Toner missing or easy to rub off

Print the Tutorial

Print the tutorial for troubleshooting and repair instructions.

1. Touch the Printer button on the Control Panel.
2. Touch the Tools tab.
3. Touch Troubleshooting.
4. Touch Troubleshoot Print Quality.
5. Touch Print to print the tutorial.

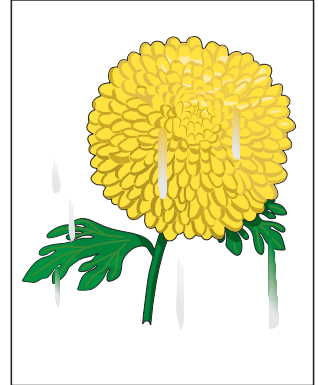
If the print quality problem is described in the tutorial, follow the instructions to correct the defect.

Symptom Checklist

Based on the observed defect, check the following items prior to performing troubleshooting. These actions may help resolve the problem without troubleshooting the printer.

Smears, smudges or streaks.

- If you are printing on an uneven print surface, change the Media Type settings in the Tray Settings menu.
- Verify that the paper is within the printer specifications.
- Load media from a fresh ream.
- Run the cleaning procedure from Smears, Smudges and Streaks in the Resolve Problems menu.
- Check AC input voltage.
- Check Fuser connections.



Smudges or Smears

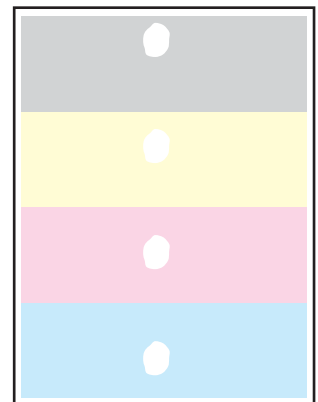
Repeating Spots or lines.

- Print the Repeating Defects page to locate the affected part.

Note

A video is available in Repeating Spots or Lines in the Resolve Problems menu showing how to use the repeating Defects page.

- Replace the affected part.

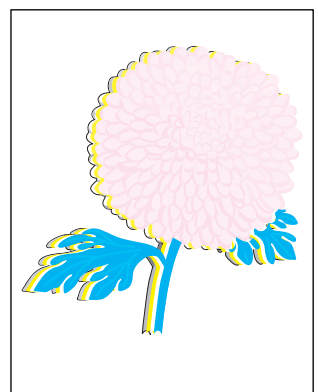


Repeating Defects

Colors align incorrectly

This problem can occur after installing a new black Toner Cartridge.

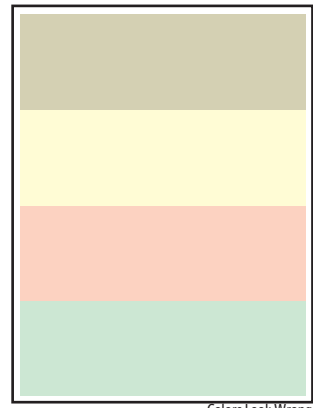
- Clean inside the printer.
- Check Imaging Unit life. Replace any that are near or at end of life.
- Check the Transfer Belt for near end of life or damage.
- Verify the printer is on a level surface.
- Run Colors Align Incorrectly in the Resolve Problems menu. This routine attempts to align the images vertically and horizontally. Failure to correctly align the images may indicate a color density problem.



Color Registration

Colors look wrong.

- a. Verify the printer is on a level surface.
- b. Run Calibrate Color from the Resolve Problems menu.



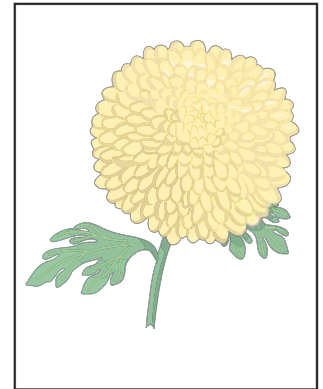
Colors Look Wrong

Colors too light or too dark.

- a. Check that the correct media is being used and the media settings for the Tray match.
- b. The toner level may be too low. Check the amount of toner and change the Toner Cartridges if necessary.
- c. Clean the ADC Sensors using the wiper built-in to the Procon Assembly. See “Cleaning the ADC Sensors” on page 7-3.

Note

A video is available in Colors Too Light or Too Dark in the Resolve Problems menu showing how to clean the ADC Sensors.

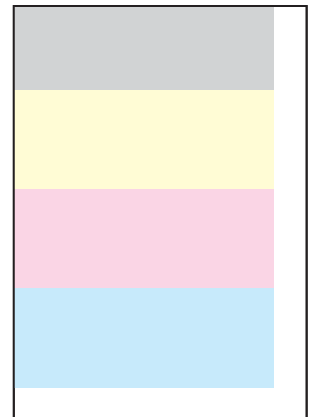


Light or Undertone Print

- d. If the media surface is rough, increase media weight settings for the Tray.

Page Margins are inconsistent.

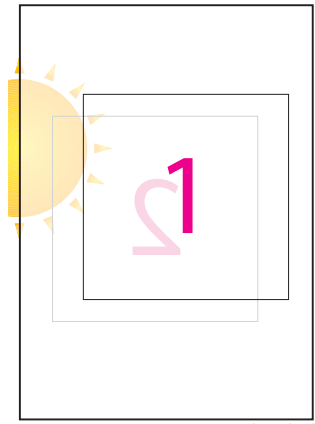
- a. Run Page Margins are Inconsistent from the Resolve Problems menu.



Margins Inconsistent

Sides 1 and 2 are not aligned.

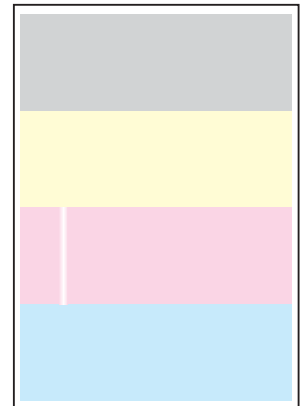
- a. Run Sides 1 & 2 Are Not Aligned from the Resolve Problems menu.



Sides Not Aligned

Vertical White lines or Streaks - One color.

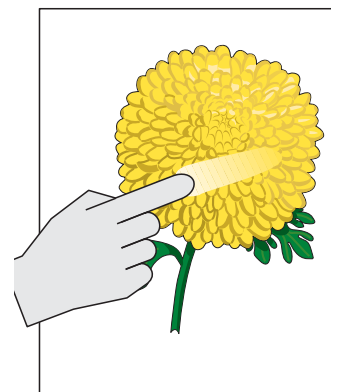
- a. Clean the laser lens of the affected color using the cleaning wand.
- b. Check for debris blocking the laser light path.
- c. Check the Fuser rollers for damage or contamination.



Vertical Line-One Color

Toner missing or easily rubbed off.

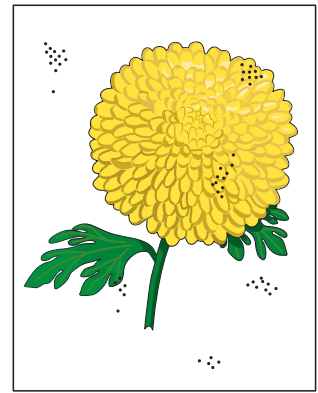
- a. Check that the correct media is being used and the media settings for the Tray match.
- b. Check the Fuser envelope lever position.
- c. Select a heavier media type at the Control Panel.



Unfused Image

Toner spots appear on the page and printing is blurred.

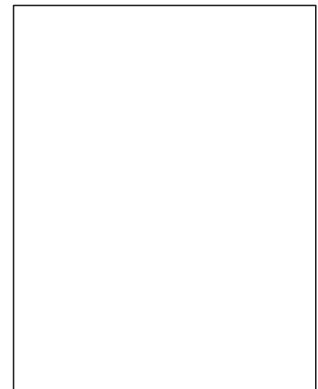
- a. Check Toner Cartridge installation.
- b. Check Toner Cartridge life counters.
- c. Change loaded media.
- d. Check humidity levels.
- e. Check for genuine Xerox Toner Cartridges.



Random Spots

Entire page is white or one color is missing from image.

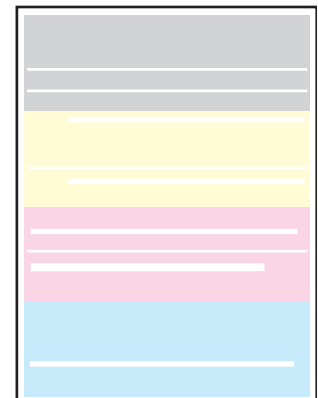
- a. Ensure the packaging material is removed from the Imaging Units.
- b. Check Toner Cartridge installation.
- c. Check Toner Cartridge life counters.



Blank Print

Streaks appear on the page.

- a. Check Toner Cartridge life counters.
- b. Check Imaging Unit life counters.
- c. Check consumable life counts.



Horizontal Band, Void, or Streaks

Print-Quality Troubleshooting

Print-Quality Defect Definitions

The following table lists the print-quality defect corrective procedure, their definition, and the page where each procedure is provided.

Defect	Description	Go to
Light or Undertone Print	The image density is too light in all colors.	page 5-10
Blank Print	The entire image area is blank.	page 5-12
Black Print	The entire image area is black.	page 5-14
Vertical Blank Lines	There are faded or completely non-printed lines along the page.	page 5-15
Horizontal Band, Voids, or Streaks	There are areas of the image that are extremely light or are missing entirely.	page 5-16
Vertical Stripes	There are black lines along the page in the direction of the paper travel.	page 5-17
Horizontal Stripes	There are dark lines running parallel with the leading edge of the print.	page 5-18
Partial Band	Areas of the image are extremely light or missing.	page 5-19
Random Spots	Spots of toner are randomly scattered.	page 5-20
Repeating Bands, Lines, Marks, or Spots	Recurring lines, marks, or spots on the page.	page 5-21
Background Contamination	There is toner contamination on all or most of the page.	page 5-24
Skew	The image is not parallel with both sides of the paper.	page 5-25
Damaged Media	The paper is wrinkled, folded, or worn-out.	page 5-27
Unfused Image	The toner is not completely fused.	page 5-29
Color Registration	A printed yellow or black image is not overlapped on a cyan or magenta image correctly.	page 5-30

Light or Undertone Print

The overall image density is too light in all colors.


Initial Actions

- Check for genuine Xerox Toner Cartridges.
- Check consumable life counters.
- Check for obstructions or debris in the beam path between the Laser and the Imaging Units.
- Check the media settings at the Control Panel.
- Clean the ADC Sensors (page 7-3).

Note

It may take 20 to 30 prints before ADC Sensor cleaning effects image quality.

Troubleshooting Reference Table

Applicable Parts	Example Print
<ul style="list-style-type: none"> ■ Transfer Belt, PL5.1.99 ■ Transfer Roller, PL5.1.99 ■ Dispense Assy, PL6.1.9 ■ MCU Board, PL10.2.18 	 <p>Light or Undertone Print</p>

Troubleshooting Procedure Table

Step	Actions and Questions	Yes	No
1	Print the CMYK test print to determine if one or all colors are affected. Is one or more of the colors faint?	Go to Step 2.	Go to Step 3.
2	Clean the laser windows with the provided cleaning tool, then reseal and lock the Toner Cartridges. The image prints correctly.	Complete	Go to Step 3.

Troubleshooting Procedure Table (Continued)

Step	Actions and Questions	Yes	No
3	<p>Caution: Do not run the toner motor more than a few seconds.</p> <p>Test the toner motors using dc330</p> <ul style="list-style-type: none"> ■ 093-007 (Y) ■ 093-008 (M) ■ 093-009 (C) ■ 093-010 (K) <p>Do the motors rotate?</p>	Go to Step 5.	Replace the Toner Dispense Assy (page 8-105), then go to Step 4.
4	The image prints correctly.	Complete	Go to Step 5.
5	<p>Reseat the Transfer Belt and Transfer Roller.</p> <p>The image prints correctly.</p>	Complete	Go to Step 6.
6	<p>Replace the Transfer Belt (page 8-12)</p> <p>The image prints correctly.</p>	Complete	Go to Step 7.
7	<p>Replace the Transfer Roller (page 8-11).</p> <p>The image prints correctly.</p>	Complete	Replace the MCU Board (page 8-152).

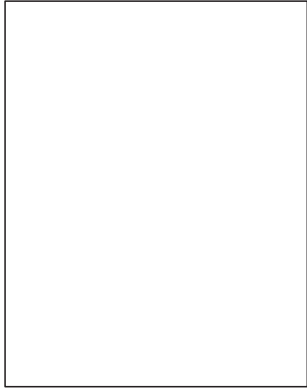
Blank Print

The entire image area is blank.

Initial Actions

- Check for genuine Xerox Toner Cartridges.
- Load media from a fresh ream acclimated to room temperature.
- Check the media path for obstructions or debris.
- Print an Engine Test print to isolate the problem between the IP Board and MCU Board.
- Check for obstructions in the beam path between the Laser Unit and Imaging Units.
- Check the Imaging Units for shipping ribbons.

Troubleshooting Reference Table

Applicable Parts	Example Print
<ul style="list-style-type: none"> ■ Transfer Belt, PL5.1.99 ■ HVPS, PL5.2.3 ■ MCU Board, PL10.2.18 	 <p style="text-align: center; font-size: small;">Blank Print</p>

Troubleshooting Procedure Table

Step	Actions and Questions	Yes	No
1	Remove the Transfer Belt and check the high-voltage contacts for damage. Are the Transfer Belt contacts damaged or dirty?	Clean or replace the Transfer Belt (page 8-12), then Step 2.	Go to Step 2.
2	Reseat the Imaging Units. The image prints correctly.	Complete	Go to Step 3.
3	Replace the Transfer Belt (page 8-12) The image prints correctly.	Complete	Go to Step 4.
4	Replace the Transfer Roller (page 8-11). The image prints correctly.	Complete	Go to Step 5.

Troubleshooting Procedure Table (Continued)

Step	Actions and Questions	Yes	No
5	Replace the HVPS (page 8-86) The image prints correctly.	Complete	Replace the MCU Board (page 8-152).


Black Print

The entire image is black.

Initial Actions

- Check the media path for obstructions or debris.
- Reseat the Toner Cartridges.

Troubleshooting Reference Table

Applicable Parts	Example Print
<ul style="list-style-type: none"> ■ Transfer Belt, PL5.1.99 ■ HVPS, PL5.2.3 ■ MCU Board, PL10.2.18 	 <p>Black Print</p>

Troubleshooting Procedure Table

Step	Actions and Questions	Yes	No
1	Print an Engine test print. The image prints correctly.	Reprint customer image.	Go to Step 2.
2	Check Imaging Unit high-voltage contacts. The contacts are undamaged?	Go to Step 3.	Replace the affected Imaging Unit contacts
3	Replace the Bias Housing Assy (page 8-84). The image prints correctly.	Complete.	Go to Step 4.
4	If the error persists, replace these components, in order, until the error is resolved. <ol style="list-style-type: none"> 1. Transfer Belt, PL5.1.99 2. HVPS, PL5.2.3 3. MCU Board, PL10.2.18 		

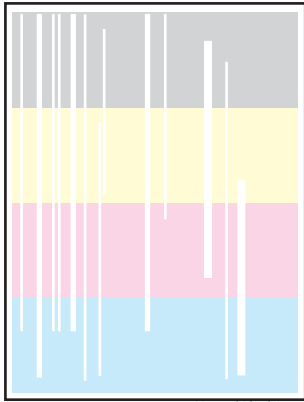
Vertical Blank Lines

There are faded or completely non-printed lines along the page in the direction of the paper travel from the leading edge to the trailing edge.

Initial Actions

- Check the area around the Laser Unit windows and openings in the Imaging Unit. Small obstructions, such as hair or fibers, can create streaks.
- Clean the laser windows using the cleaning tool provided.
- Check the media path for obstructions or debris.

Troubleshooting Reference Table

Applicable Parts	Example Print
<ul style="list-style-type: none"> ■ Imaging Unit Y, PL5.1.8 ■ Imaging Unit M, PL5.1.9 ■ Imaging Unit C, PL5.1.10 ■ Imaging Unit K, PL5.1.11 ■ Transfer Belt, PL5.1.99 ■ Fuser, PL7.1.99 ■ MCU Board, PL10.2.18 	

Troubleshooting Procedure Table

Step	Actions and Questions	Yes	No
1	Print a CMYK test print. The streaks appear in a single color.	Replace affected Imaging Unit (page 8-14).	Go to Step 2.
2	Inspect the Transfer Belt surface. Is there any damage to the surface?	Replace the Transfer Belt (page 8-12).	Go to Step 3.
3	Inspect the laser beam path. Are there any obstructions between the Laser Unit and Imaging Units?	Remove the foreign substances.	Go to Step 4.
4	Check the Fuser pressure and heat rollers for contamination or damage. The Fuser is clean and undamaged.	Go to Step 5.	Clean or replace the Fuser (page 8-17).
5	Replace the Transfer Belt (page 8-12). The image prints correctly.	Complete.	Replace the MCU Board (page 8-152).

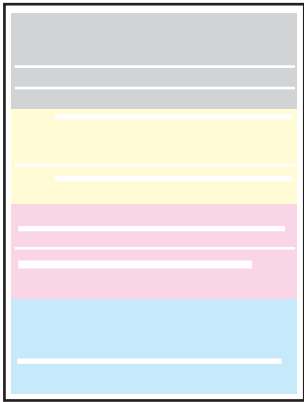
Horizontal Band, Voids, or Streaks

There are areas of the image that are extremely light or are missing entirely. These missing areas form wide bands which cover a wide area horizontally, perpendicular to the paper feed direction.

Initial Actions

- Print the CMYK 50 % Sample Test Print and attempt to isolate the defect to a specific color or interval. Troubleshoot the affected color or compare to the Repeating Defects page.
- Check the media path for obstructions or debris.

Troubleshooting Reference Table

Applicable Parts	Example Print
<ul style="list-style-type: none"> ■ Transfer Roller, PL4.4.1 ■ Imaging Unit Y, PL5.1.8 ■ Imaging Unit M, PL5.1.9 ■ Imaging Unit C, PL5.1.10 ■ Imaging Unit K, PL5.1.11 ■ Transfer Belt, PL5.1.1 ■ HVPS, PL5.2.3 	 <p style="text-align: center; font-size: small;">Horizontal Band, Void, or Streaks</p>

Troubleshooting Procedure Table

Step	Actions and Questions	Yes	No
1	Print a CMYK Sample test print. The defects appear in a single color.	Replace affected Imaging Unit (page 8-14).	Go to Step 2.
2	Measure the defect interval and compare to the diameters listed in the “Repeating Defects Component Locator” on page 5-22. The defect interval compares to a component diameter.	Replace the indicated component.	Replace the Transfer Belt (page 8-12).

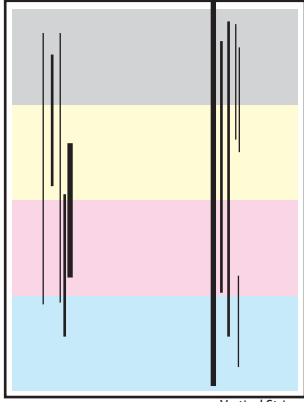
Vertical Stripes

There are black lines along the page in the direction of the paper travel from the leading edge to the trailing edge.

Initial Actions

- Check the media path for obstructions or debris.
- Check media condition. Try using media from a fresh ream.
- Print several test prints to clean the media path.

Troubleshooting Reference Table

Applicable Parts	Example Print
<ul style="list-style-type: none"> ■ Fuser, PL7.1.99 ■ Transfer Belt, PL5.1.99 	 <p style="text-align: center;">Vertical Stripes</p>

Troubleshooting Procedure Table

Step	Actions and Questions	Yes	No
1	Print a CMYK test print. The defects appear in a single color.	Replace affected Imaging Unit (page 8-14).	Go to Step 2.
2	Measure the defect interval and compare to the diameters listed in the "Repeating Defects Component Locator" on page 5-22. The defect interval compares to a component diameter.	Replace the indicated component.	Replace the Transfer Belt (page 8-12).
3	Print several Fuser Cleaning pages. The defect persists.	Replace the Fuser (page 8-17).	Complete.

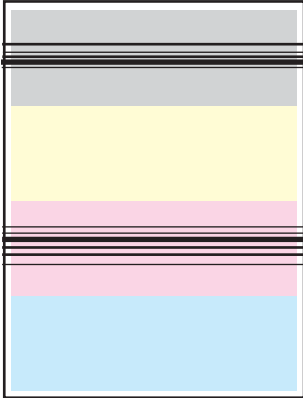
Horizontal Stripes

There are black lines running parallel with the leading edge of the print, perpendicular to the direction of the paper travel.

Initial Actions

- Check the media path for obstructions or debris.

Troubleshooting Reference Table

Applicable Notes	Example Print
<ul style="list-style-type: none"> ■ Transfer Roller, PL4.4.1 ■ Imaging Unit Y, PL5.1.8 ■ Imaging Unit M, PL5.1.9 ■ Imaging Unit C, PL5.1.10 ■ Imaging Unit K, PL5.1.11 ■ Fuser, PL7.1.99 ■ Transfer Belt, PL5.1.1 	 <p style="text-align: center; font-size: small;">Horizontal Stripes</p>

Troubleshooting Procedure Table

Step	Actions and Questions	Yes	No
1	Print a CMYK test print. The defects appear in a single color.	Replace affected Imaging Unit (page 8-14).	Go to Step 2.
2	Measure the defect interval and compare to the diameters listed in the “Repeating Defects Component Locator” on page 5-22. The defect interval compares to a component diameter.	Replace the indicated component.	Go to Step 3.
3	Check the Transfer Belt. Is the Transfer Belt dirty (finger printers, oil, etc.) or scratched?	Replace the Transfer Belt (page 8-12).	Go to Step 4.
4	Print several Fuser Cleaning pages. The defect persists.	Replace the Fuser (page 8-17).	Complete.

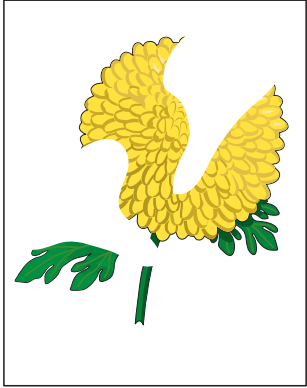
Partial Band

There are areas of the image that are extremely light or are missing in a limited area on the paper.

Initial Actions

- Check the media path for obstructions or debris.
- Check media condition. Try using media from a fresh ream.
- Reseat the Toner Cartridges.

Troubleshooting Reference Table

Applicable Notes	Example Print
<ul style="list-style-type: none"> ■ Transfer Roller, PL4.4.1 ■ Transfer Belt, PL5.1.1 ■ Fuser, PL7.1.99 ■ MCU Board, PL10.2.18 	 <p style="text-align: right; margin-top: 5px;">Partial Band</p>

Troubleshooting Procedure Table

Step	Actions and Questions	Yes	No
1	Print the Repeating Defects page. The defect compares to one shown on the test print.	Replace the affected component.	Go to Step 2.
2	Inspect the Transfer Belt surface. The Transfer Belt is clean and undamaged.	Go to Step 3.	Replace the Transfer Belt (page 8-12).
3	Check the Transfer Roller. The Transfer Roller is clean and undamaged.	Replace the Fuser (page 8-17).	Replace the Transfer Roller (page 8-11)

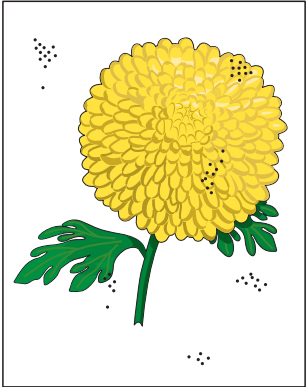
Random Spots

There are spots of toner randomly scattered across the page.

Initial Actions

- Check the media path for obstructions or debris.
- Check media condition. Try using media from a fresh ream.
- Print 10 Fuser Cleaning pages using dc612 to clean the media path.

Troubleshooting Reference Table

Applicable Notes	Example Print
<ul style="list-style-type: none"> ■ Transfer Belt, PL5.1.1 ■ HVPS, PL5.2.3 	 <p style="text-align: center;">Random Spots</p>

Troubleshooting Procedure Table

Step	Actions and Questions	Yes	No
1	Check Humidity level using dc140. The humidity is within specification.	Go to Step 2.	Advise customer.
2	Print several Fuser Cleaning pages to clean media path components. The spots continue to appear.	Go to Step 3.	Complete.
3	Examine prints for repeating patterns indicating a contaminated component. The spot pattern repeats.	Go to page 5-21.	Go to Step 4.
4	The spots are limited to the top half of the print.	Replace the Transfer Belt (page 8-12).	Replace the HVPS (page 8-86). If the defect persists, replace the MCU Board (page 8-152).

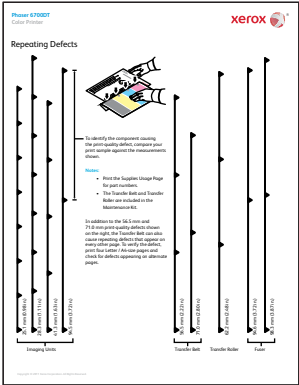
Repeating Bands, Lines, Marks, or Spots

There are recurring lines, marks, or spots on the page.

Initial Actions

- Check the media path for obstructions or debris.

Troubleshooting Reference Table

Applicable Notes	Example Print
<ul style="list-style-type: none"> ■ Transfer Roller, PL4.4.1 ■ Imaging Unit Y, PL5.1.8 ■ Imaging Unit M, PL5.1.9 ■ Imaging Unit C, PL5.1.10 ■ Imaging Unit K, PL5.1.11 ■ Fuser, PL7.1.99 ■ Transfer Belt, PL5.1.1 	 <p style="text-align: right; font-size: small;">s6700-634</p>

Troubleshooting Procedure Table

Step	Actions and Questions	Yes	No
1	<p>Print the Repeating Defects page from the Resolve Problems menu and compare the defects with the intervals shown.</p> <p>Spots, lines, or marks appear at regular intervals.</p>	<p>Refer to “Repeating Defects Component Locator” on page 5-22. and replace the defective component.</p>	<p>Refer to “Random Spots” on page 5-20.</p>

Repeating Defects Component Locator

Part	Roll	Part No.	Interval (mm)
Imaging Unit	Drum	PL5.1.8 ~ 11	94.5
	BCR		28.3
	BCR-CLN		25.1
	Mag Roller		31.3
	Supply Auger		41.3
	Mix Auger		41.3
Transfer Belt	1st BTR	PL5.1.1	31.4
	BUR + IBT		71.0
	Tension Roller		56.5
	Idle Roller		314.
Transfer Roller	2nd BTR		62.2
Fuser	Heat Roller	PL7.1.99	98.3
	Belt		94.6
	Exit Roller		47.4
	Pinch Roller		25.1
Exit Roller	Exit Roller	PL7.2.2	44.3
Exit Pinch Roller	Pinch Roller	PL7.2.3	31.4

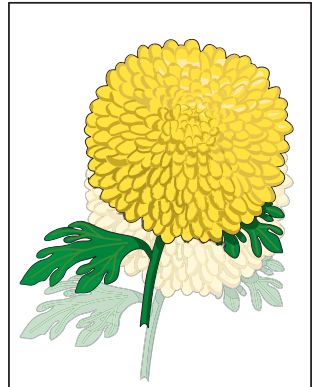
Residual Image or Ghosting

There are faint, ghostly images appearing on the page. The images may be either from a previous page or from the page currently being printed.

Initial Actions

- Check the media path for obstructions or debris.
- Check Tray media settings
- Reload Tray with fresh media.

Troubleshooting Reference Table

Applicable Notes	Example Print
<ul style="list-style-type: none"> ■ Erase LED Assy, PL5.1.2 ■ Imaging Unit Y, PL5.1.8 ■ Imaging Unit M, PL5.1.9 ■ Imaging Unit C, PL5.1.10 ■ Imaging Unit K, PL5.1.11 ■ Fuser, PL7.1.99 ■ Transfer Belt, PL5.1.1 ■ MCU Board, PL10.2.18 	 <p style="text-align: center;">Residual Image/Ghosting</p>

Troubleshooting Procedure Table

Step	Actions and Questions	Yes	No
1	Did the client print a large number of the same image?	Go to Step 2.	Go to Step 3.
2	Set media type to next heaviest type and print several test prints. The image prints correctly.	Complete	Go to Step 3.
3	Test the Erase LEDs using dc330: <ul style="list-style-type: none"> ■ 93-015 CMY ■ 93-016 K The erase LEDs light correctly.	Go to Step 4.	Replace the affected Erase LED (page 8-82).
4	Check the Fuser pressure and heat rollers. The Fuser is clean and undamaged.	Go to Step 5.	Replace the Fuser (page 8-17).
5	Replace the HVPS (page 8-86). The image prints correctly.	Complete	Replace the MCU Board (page 8-152).

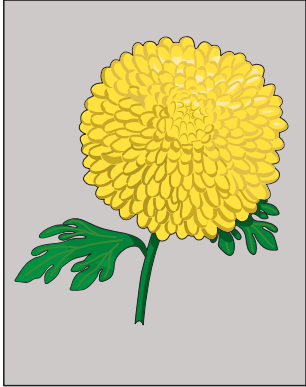
Background Contamination

There is toner contamination on all or most of the page. The contamination appears as a very light gray dusting.

Initial Actions

- Check Machine Humidity on the Configuration Report.
- Check the media path for obstructions or debris.
- Check Tray media settings match loaded media.
- Check the daily print volume. High daily volume can fatigue the Imaging Units.
- Load fresh media.

Troubleshooting Reference Table

Applicable Notes	Example Print
<ul style="list-style-type: none"> ■ Transfer Roller, PL4.4.1 ■ Transfer Belt, PL5.1.1 ■ MCU Board, PL10.2.18 	 <p style="text-align: center;">Background Contamination</p>

Troubleshooting Procedure Table

Step	Actions and Questions	Yes	No
1	Print several test prints. The image prints correctly.	Complete.	Go to Step 2.
2	Reseat the Transfer Roller. The image prints correctly.	Complete.	Go to Step 3.
3	Reseat the Transfer Belt. The image prints correctly.	Go to Step 4.	Replace the Transfer Belt (page 8-12). If the defect persists, replace the MCU Board (page 8-152).

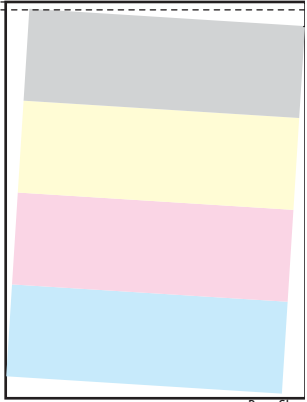
Skew

The printed image is not parallel with both sides of the paper.

Initial Actions

- Check the media path for obstructions or debris.
- Check Tray guides and settings.
- Check media condition. Load fresh media.
- Source media from different trays to isolate the source of the skewed media.

Troubleshooting Reference Table

Applicable Notes	Example Print
<ul style="list-style-type: none"> ■ Separator Roller, PL3.1.99 ■ Feeder/Registration Assy, PL3.2.1 ■ Right Door Assembly, PL4.1.99 ■ Feed Roller, PL4.2.21 ■ 550-Sheet Feeder, PL12.1.2 ■ 1100-Sheet Feeder, PL13.1.1 	 <p style="text-align: right; font-size: small;">Page Skew</p>

Troubleshooting Procedure Table

Step	Actions and Questions	Yes	No
1	Open and close the Right Door. The door latches properly.	Go to Step 2.	Replace any defective parts.
2	Reload media in the Tray. The image prints correctly.	Complete	Go to Step 6.
3	Check the Feed, Nudger and Separator Rollers in the affected Tray. The rollers are clean and undamaged.	Go to Step 4.	Replace the rollers.
4	Adjust image position for the affected Tray using the Page Margins Inconsistent routine in the Resolve Problems menu of Troubleshooting. The image prints correctly.	Complete.	Go to Step 5.

Troubleshooting Procedure Table (Continued)

Step	Actions and Questions	Yes	No
5	Check the right side door of the affected Tray. The door and Turn Chute are undamaged.	Go to Step 6.	Repair or replace damaged parts.
6	Test the registration rollers using dc711. The rollers rotate.	Go to Step 7.	Replace the Feeder/Registration Assembly (page 8-41).
7	Replace the Right Door Assembly (page 8-46). The image prints correctly.	Complete.	Replace the Optional Feeder Assembly.

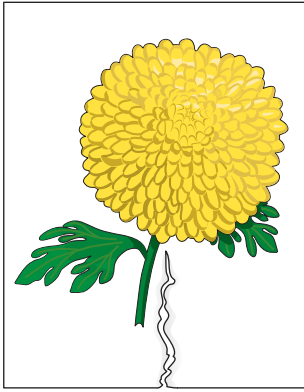
Damaged Media

Media exits the printer wrinkled, folded, or torn.

Initial Actions

- Check the media path for obstructions or debris.
- Check media type, weight and Tray guides.
- Print test prints from each tray, simplex and duplex, to locate the point in the media path where damage occurs.

Troubleshooting Reference Table

Applicable Notes	Example Print
<ul style="list-style-type: none"> ■ Separator Roller, PL3.1.99 ■ Feeder/Registration Assy, PL3.2.1 ■ Right Door Assembly, PL4.1.99 ■ Feed Roller, PL4.2.21 ■ Fuser, PL7.1.99 ■ Exit Chute Assy, PL7.2.99 ■ 550-Sheet Feeder, PL12.1.2 ■ 1100-Sheet Feeder, PL13.1.1 	 <p>Damaged Print Media</p>

Troubleshooting Procedure Table

Step	Actions and Questions	Yes	No
1	Print several test prints selecting a different source trays to isolate the affected Tray. Media damage is from a single Tray.	Go to Step 2.	Go to Step 3.
2	Check media feeding from the affected Tray. 1. Remove the source Tray. 2. Reload media in the Tray. 3. Print a test print. The media is undamaged.	Complete.	Exchange the Tray and retest. If media damage continues, go to Step 3. If not, replace the Tray.

Troubleshooting Procedure Table (Continued)

Step	Actions and Questions	Yes	No
3	Stall test to determine where media path damage occurs. Replace the following, in order, until the defective component is found. <ul style="list-style-type: none">■ Feed Rollers (page 8-6)■ Feeder/Registration Assy (page 8-41).■ Fuser (page 8-17)■ Transfer Belt (page 8-12)■ Exit Chute Assy (page 8-123)		

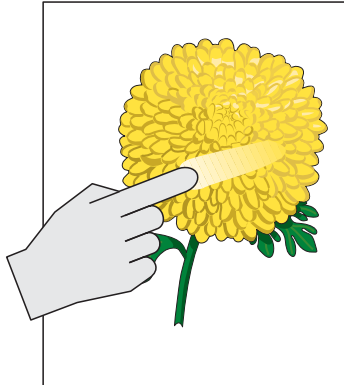
Unfused Image

The image is not completely fused to the paper. The image easily rubs off.

Initial Actions

- Check the media, settings and toner type.
- Check the printer is plugged directly into a known-good, grounded AC outlet.
- Check the position of the envelope lever on the Fuser.
- Check the Fuser connection (P/J180).

Troubleshooting Reference Table

Applicable Notes	Example Print
<ul style="list-style-type: none"> ■ Fuser, PL7.1.99 ■ LVPS, PL10.2.1 	 <p style="text-align: right;">Unfused Image</p>

Troubleshooting Procedure Table

Step	Actions and Questions	Yes	No
1	Check the media. The media clean, dry and approved.	Go to Step 2.	Replace the media.
2	Check the Toner Cartridges. The Toner Cartridges are Xerox.	Go to Step 3.	Replace with Xerox toner.
3	Test Fuser operating temperature using dc140. Fuser temperature is within normal range (150 - 180 degrees C).	Replace the media. If the error persists, replace the Fuser.	Go to Step 4.
4	Remove the Fuser and check the connections. The connection is secure and undamaged.	Replace the Fuser (page 8-17).	Repair or replace the Fuser harness.

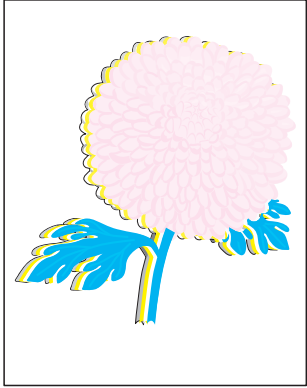
Color Registration

A printed yellow or black image is not overlapped on a cyan or magenta image correctly.

Initial Actions

- Clean the ADC Sensors using the built-in wiper in the Procon Assy.
- Run the Colors Align Incorrectly routine in the Resolve problems menu.
- Cycle system power.

Troubleshooting Reference Table

Applicable Notes	Example Print
<ul style="list-style-type: none"> ■ Procon Assy, PL5.3.1 ■ Imaging Unit Y, PL5.1.8 ■ Imaging Unit M, PL5.1.9 ■ Imaging Unit C, PL5.1.10 ■ Imaging Unit K, PL5.1.11 ■ Transfer Belt, PL5.1.1 ■ IP Board, PL10.1.5 ■ MCU Board, PL10.2.18 	 <p style="text-align: center;">Color Registration</p>

Troubleshooting Procedure Table

Step	Actions and Questions	Yes	No
1	Print the Test patterns test page. The color registration areas of the print appear correct.	Check the printing application.	Go to Step 2.
2	Clean the ADC Sensors using the wiper in the Procon Assy. NOTE It may require up to 40 prints before images improve after sensor cleaning. The image prints correctly.	Complete.	Go to Step 3.
3	Print the Engine Test Print. The image prints correctly.	Replace the IP Board (page 8-150).	Go to Step 4.
4	Replace the Procon Assy (page 8-95). The image prints correctly.	Complete.	Go to Step 5.
5	Replace the Transfer Belt (page 8-12). The image prints correctly.	Complete.	Replace the MCU Board (page 8-152).

Test Prints

A variety of test prints are available for troubleshooting print quality defects and to confirm proper printer operation. Test prints are available from the Printer > Tools > Troubleshooting menu and in Service Diagnostics under the Service Information menu (dc612).

Fault Isolation

Test prints can isolate printing problems to the MCU Board or IP Board by eliminating image data transfer between the two. Test prints print directly from ROM bypassing the IP Board. This allows examination of print engine function in isolation.

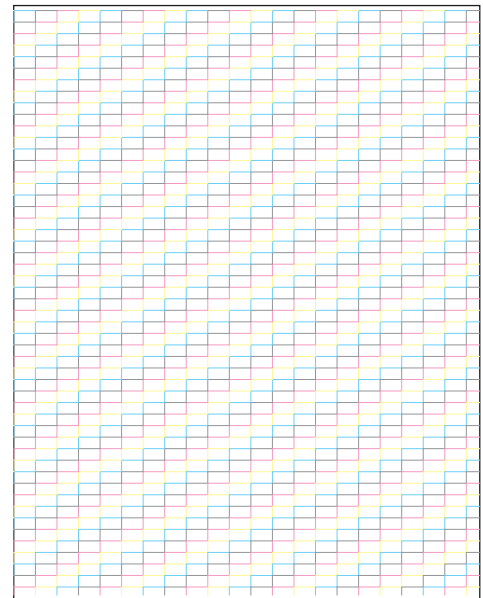
Test prints are also useful for stimulating asynchronous (dynamic) events related to the print process, or as a test for media path and media related problems. Some other key features of test prints:

- Is the only diagnostic utility to exercise the entire print cycle.
- Isolated from the operating system (PostScript). Runs from firmware.
- Isolates the Image Processor Board from Engine Control Board.
- Captures static or dynamic events.
- Helps to isolate events that cause print artifacts or prevents printing.

Engine Test Print

Engine Test print produces a step pattern stored in MCU firmware. The print tests all engine functions necessary to print a page. Print this test page by pressing the Test print button on the rear panel. See “Rear View” on page 1-6.

Isolate printer hardware problems to either the print engine or IP Board by printing the Engine Test print. If the print is successfully printed, focus on the IP Board or its components (RAM, Hard Drive, SD Card, etc.). If the print fails, refer to Section 4 for print engine troubleshooting help.

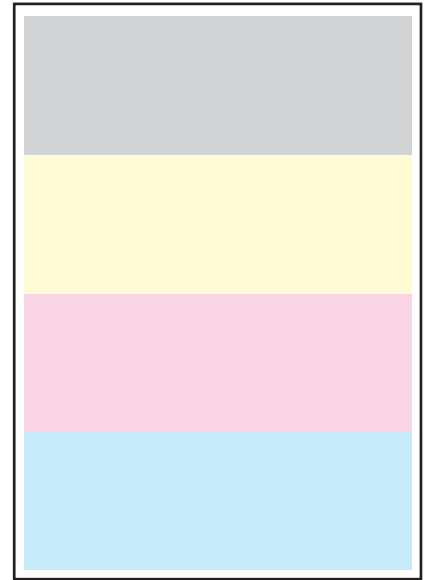


Engine Test Print Grid

CMYK Sample Test Print

This test print provides 20 % density for combination of cyan, magenta, and black on the whole page. This test is used to identify problems with balance of three color toners or another toner. Compare the print with this example to determine the problem.

- Checks Cyan, Magenta, or Yellow Toner Cartridge, HVPS, Imaging Units, biasing contacts.
- Used to troubleshoot repeating defects, missing colors, streaks, voids or banding.

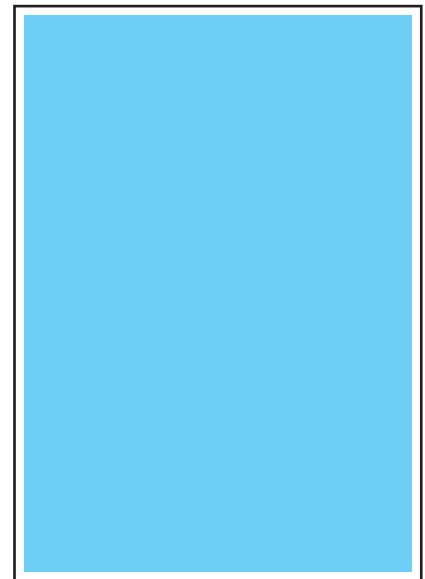


CMYK Test Print

Cyan 50% Test Print

This test print provides 50 % cyan fill coverage within printable margins. Use this test print to isolate defects to this specific color. Inspect the Toner Cartridge and Imaging Unit of the affected color. Replace the Toner Cartridge or Imaging Unit as needed.

- Checks Cyan Toner Cartridge, HVPS, Imaging Units, biasing contacts.

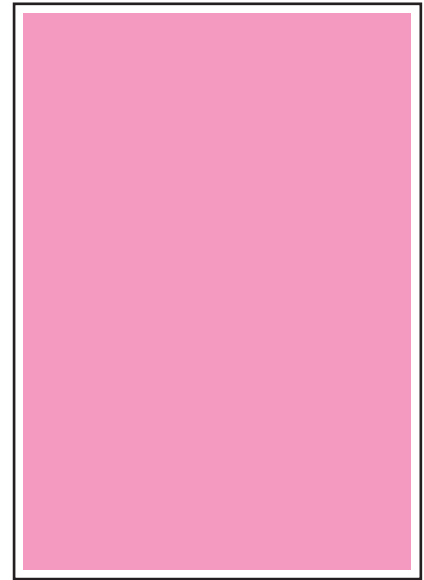


Cyan 50%

Magenta 50% Test Print

This test print provides 50 % magenta fill coverage within printable margins. Use this test print to isolate defects to this specific color. Inspect the Toner Cartridge and Imaging Unit of the affected color. Replace the Toner Cartridge or Imaging Unit as needed.

- Checks Magenta Toner Cartridge, HVPS, Imaging Units, biasing contacts.

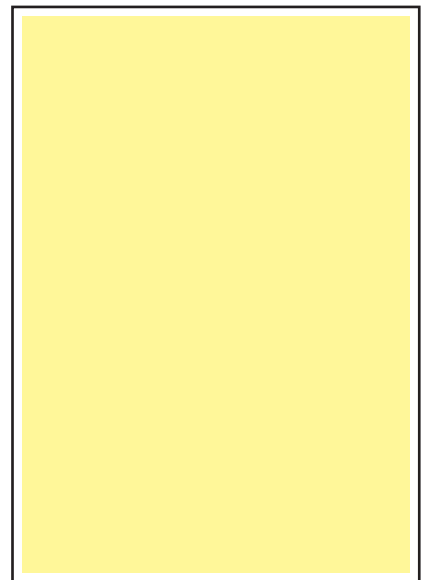


Magenta 50%

Yellow 50% Test Print

This test print provides 50 % yellow fill coverage within printable margins. Use this test print to isolate defects to this specific color. Inspect the Toner Cartridge and Imaging Unit of the affected color. Replace the Toner Cartridge or Imaging Unit as needed.

- Checks Yellow Toner Cartridge, HVPS, Imaging Units and biasing contacts.

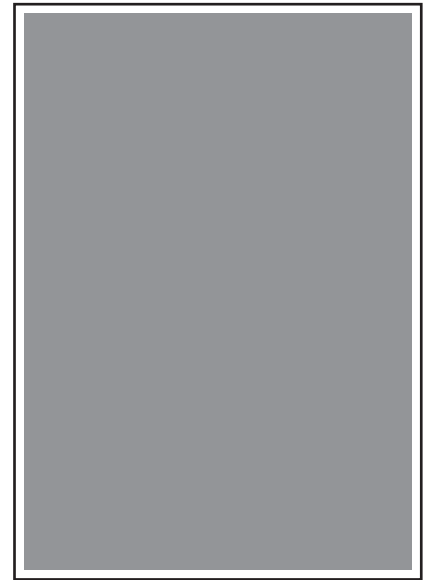


Yellow 50%

Black 50% Test Print

This test print provides 50 % black fill coverage within printable margins. Use this test print to isolate defects to this specific color. Inspect the Toner Cartridge and Imaging Unit of the affected color. Replace the Toner Cartridge or Imaging Unit as needed.

- Checks the black Toner Cartridge, HVPS, Imaging Units, Biasing Contacts.

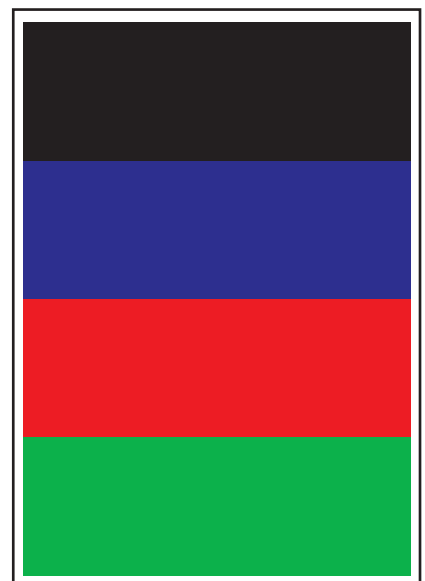


Black 50%

RGB Test Print

This test print provides 80 % density for cyan, magenta, yellow, and black on the whole page. This test is used to identify problems with the toner when printing pictures or photos. Compare the test print with this example to determine the problem.

- Checks Toner Cartridge and dispense for the problem color.
- Used to troubleshoot wrinkling, roller marks, scratches or cold offset (fusing).

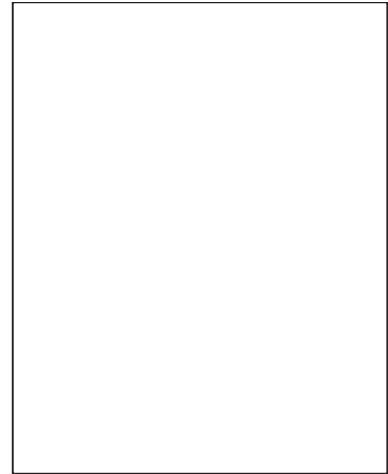


RGB Test Print

Fuser Cleaning Test Print

This chase page is used to test media transport without using toner and clean media path components of toner build up.

Initial page(s) may have toner streaks/smudges on them, successive prints should be cleaner and cleaner. It could require 3 or 4 sets to clear the contamination.



s6700-631

Repeating Defects Test Print

This page is used to identify the component causing repetitive defects on the output image. Print this page from Repeating Spots or Lines in the Resolve Problems menu.

Follow the instructions on the page to determine the affected component.

Phaser 6700DT
Color Printer

xerox

Repeating Defects

To identify the component causing the print-quality defect, compare your print sample against the measurements shown.

Notes:

- Print the Supplies Usage Page for part numbers.
- The Transfer Belt and Transfer Roller are included in the Maintenance Kit.

In addition to the 56.5 mm and 71.0 mm print-quality defects shown on the right, the Transfer Belt can also cause repeating defects that appear on every other page. To verify the defect, print four Letter / A4-size pages and check for defects appearing on alternate pages.

Imaging Units:
 25.7 mm (1.01 in.)
 28.3 mm (1.11 in.)
 42.0 mm (1.65 in.)
 96.5 mm (3.77 in.)

Transfer Belt:
 56.5 mm (2.23 in.)
 71.0 mm (2.80 in.)

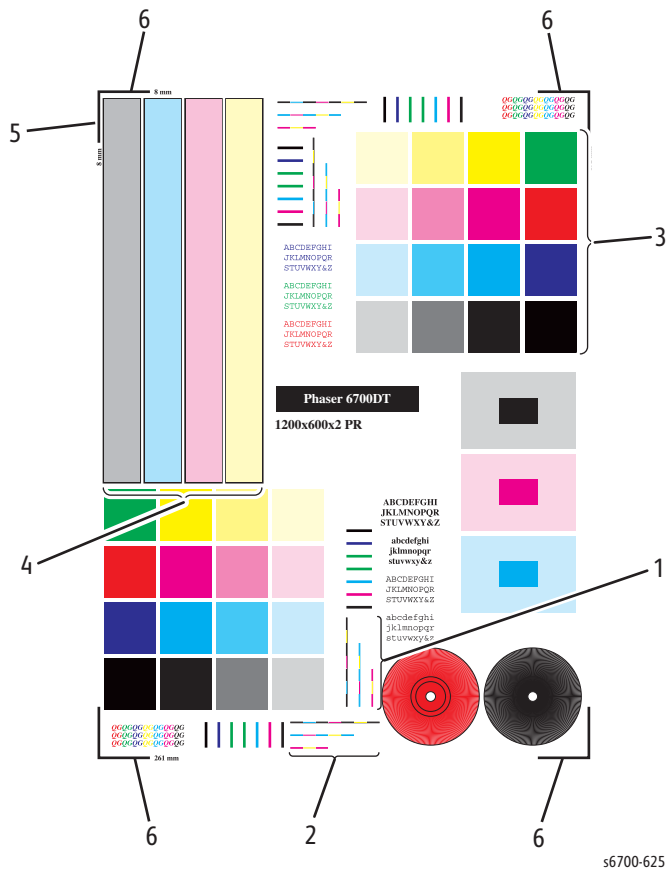
Transfer Roller:
 62.7 mm (2.48 in.)

Fuser:
 96.5 mm (3.77 in.)
 98.8 mm (3.89 in.)

Copyright © 2011 Xerox Corporation. All Rights Reserved.

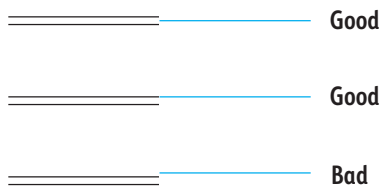
Test Patterns Test Print

This test print is used to identify problems related to color registration, margins, density, and image size. Compare the test print with this example to determine the problem.



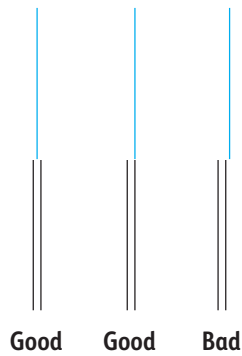
Analyzing the Test Patterns Test Print

1. Color Registration (Horizontal): The colored lines should match up as shown below. If alignment is bad, run the Colors Align Incorrectly procedure in the Resolve Problems menu.



s6700-633

- Color Registration (Vertical): The colored lines should match up as shown below. If alignment is bad, run the Colors Align Incorrectly procedure in the Resolve Problems menu.



s6700-632

- Uniform RGB: The secondary color squares should be uniformly colored with no mottling.
- Density: The color bars should have even density from top to bottom.
- Margins: Should be 8 mm from the edge of the paper to the line.
- Image Size: the image height should be 261 mm between the top and bottom lines. The image width should be 192 mm between the left and right lines.

Image Specifications

Print Area

- Maximum Print Area: 210.9 mm (8.3 inches) × 351.6 mm (13.8 inches)
- Guaranteed printable area: 207.9 mm (8.2inches) × 347.6 mm (13.7 inches)

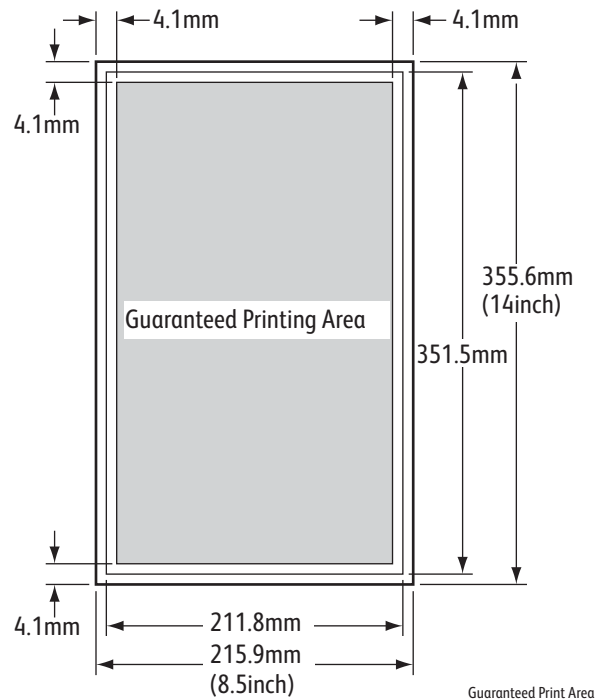


Image Specifications

Characteristic	Specification	Detail
Guaranteed Image	207.9 x 347.6	All trays
Skew	$\leq \pm 1.1$ mm @ 180mm	Leading edge
Perpendicularity	$\leq \pm 1.0$ mm @ 140mm	Leading edge
Margins	$\leq \pm 2.00$ mm	Leading edge
	$\leq \pm 2.50$ mm	Side edge
Magnification	$\leq 100 \pm 0.5\%$ @ 280mm	Vertical simplex
	$\leq 100 \pm 0.8\%$ @ 280mm	Vertical duplex
	$\leq 100 \pm 0.5\%$ @ 180mm	Horizontal simplex
	$\leq 100 \pm 0.8\%$ @ 180mm	Horizontal duplex
Curl	≤ 20 mm	Full speed
	≤ 30 mm	Medium speed

Adjustments and Calibrations

In this chapter...

- Adjustments
- NVRAM Utilities
- Service Diagnostic NVRAM Utilities
- Calibrations
- Parameter Shadowing

Chapter 6

Adjustments

The Service Diagnostics Adjustments menu lists utilities for accessing NVRAM and making xerographic process adjustments.

- dc131 NVM Access
- dc301 NVM initialization
- dc361 NVM Save and Restore
- dc701 Fuser Temp Setup
- dc909 Calibrate for Paper
- dc960 High Altitude

Color Adjustments

Automatic color adjustments occur periodically to maintain optimal print quality. Two types of print process adjustments are used; process control (procon) and registration control (regicon).

Procon adjustments occur:

- During power up
- Periodically during continuous printing
- At the end of each print job
- After installation of a new Toner Cartridge or Imaging Unit
- After a maintenance Kit counter reset
- After cleaning the ADC Sensors.

Regicon adjustments occur:

- During power up
- After a change in temperature or humidity is detected
- After installation of a new Toner Cartridge or Imaging Unit

Two manual color adjustments are available at Printer > Tools > Adjust Color. Color Calibration offers color density and grey balance adjust options. Color Registration provides automated horizontal and vertical color registration adjustment.

Image Position

The Page Margins Inconsistent and Sides 1 & 2 are not Sufficiently Aligned routines allow manual adjustment of image placement on the print up, down, left, right or on side 1 and 2 for each tray.

Initial launch of the Image Position routine includes:

- Displays the media type loaded in the selected tray
- Allows the user to print the test pattern
- Provides a list of current Image Position adjustment values for all media and trays
- Restore image position values to factory default settings.

Image Position adjustments include:

- A printed tutorial page explaining how to perform the adjustment
- The lead edge (up/down) of the image for each supported media grouping
- The side edge (left/right) of the image for the available trays
- Side 2 for the adjustments on supported media types

The range of adjustment is -15 to +15 up or down and -32 to +32 left or right. Each increment equals 0.17 mm. Total accustomed is +/- 2.5 mm up or down and +/- 5.5 mm left or right.

Note

Image position adjustments up or down apply to all trays.

Procedure

1. Touch Printer to access the Printer menu.
2. Touch the Tools tab.
3. Touch Troubleshooting to access the Troubleshooting menu.
4. Touch Resolve Problems.
5. Select page margins are Inconsistent to adjust simplex page margins and Sides 1&2 are not Sufficiently Aligned to adjust margins front and back for duplex prints.
6. Follow instructions given on the Control Panel or page to make the required adjustments.
7. Make necessary adjustment and touch the Done button to save the changes.

Note

The Restore Defaults button resets all image position values to factory default settings on all Trays.

NVRAM Utilities

Printer settings are stored in the IP Board SD Card and EEPROM. Control Panel menus include several utilities for managing these two NVM storage areas.

Reset NVRAM

NVRAM Reset, available at Printer > Tools > Setup > Service Tools, returns a user-defined NVM parameters to their factory default value.

Reset Control Panel Touch Screen

Press and hold the Power Saver button for 5 seconds, then press and release the Pause button to reset the touchscreen to factory defaults and initiate touchscreen diagnostics. Refer to “Control Panel Calibration and Testing” on page 6-8.

Maintenance Kit Life Count Reset

Maintenance Kit Life Count reset, available at Printer > Tools > Setup > Service Tools > Reset HSF1 Counters, clears the Maintenance Kit counter and initiates a Procon adjustment following installation of the new Maintenance Kit.

Network Reset

Network Reset, available at Printer > Tools > Setup > Network and USB > Ethernet, returns all user-defined network settings to their factory default values.

Service Diagnostic NVRAM Utilities

dc131 - NVM Read/Write

Caution

Use care when making changes to the NVM value. Always write down the original NVM value (for reference) prior to making any changes. Incorrect changes to an NVM value could make the printer inoperable.

The NVM Read / Write (dc131) routine provides the capability to review and modify machine control parameters stored in Non-Volatile Memory (NVM).

1. Access the Service Diagnostics menu (page 4-7).
2. Touch Adjustments.
3. Select **dc131 NVM Access**.

Note

The NVM ID has two numeric fields; the NVM value range is from 1 to 999. Not all NVM fields can be modified. Reference the NVM tables starting on page A-9 for information regarding each NVM parameter.

dc301 - NVM Initialization

Caution

Use the NVM Initialization procedure as a last option when servicing the Phaser 6700. A power cycle may be required to return the printer to normal operation.

The NVM Initialization (dc301) routine enables the reset of NVM values to their default settings within a specified module. Multiple modules may be initialized by a single request.

The NVM parameters initialized within each domain are dependent on the initialization type (user data, system data, and all data). Certain groups of NVM parameters are not affected by the NVM Initialization such as billing counters, even in the case of an all data initialization.

1. Access the Service Diagnostics menu (page 4-7).
2. Touch the Adjustments tab.
3. Select dc301 NVM Initialization.
4. Select the appropriate Domain and NVM Data options.
 - Domain - Controller, Engine, Finisher
 - NVM Data - User, System, All

Note

The User, System and All NVM Data options are only available in the Controller (IP Board) domain. Engine and Finisher domains offer the System NVM Data option.

5. Touch the Initialize button to perform the procedure.
6. A confirmation screen is displayed "Are you sure you want to initialize NVM?"
7. Touch the Initialize button.

8. After the NVM Initialization procedure is complete, an Initialization successful message is displayed.
9. Touch the Close button to exit the NVM Initialization screen. Reboot the printer at call closeout.

dc361 - NVM Save and Restore

The NVM Save and Restore (dc361) routine allows the user to back-up NVM data and restore the machine's NVM parameters to their previous values following a service action.

NVM Save and Restore can be used to recover a machine's NVM values from one of 15 auto-saved sets of parameters. The auto-save automatically stores the contents of the IP Board SD Card and EEPROM every day into a 15-day queue. Manually saving NVM copies the current contents of the IP Board SD Card, EEPROM and MCU Board EEPROM to NVRAM.

NVM Save and Restore also includes the ability to copy files between the modules and a USB thumb drive.

Saving NVM

1. Access the Service Diagnostics menu (page 4-7).
2. Touch the Adjustments tab.
3. Select dc361 NVM Save and Restore.
4. From the UI screen, select Machine NVM.
5. From the pull-down menu, select Save.
6. A progress message Saving NVM in Progress is displayed.
7. When NVM Save procedure is complete, the dc361 NVM Save and Restore menu is displayed showing three newly created Platforms (Controller SD Card, NVM EEPROM and Machine NVM). These three files are immediately available for restoration.
8. Touch the Close button to exit the dc361 NVM Save and Restore screen.

Restoring NVM

1. Access the Service Diagnostics menu (page 4-7).
2. Touch the Adjustments tab.
3. Select dc361 NVM Save and Restore.
4. From the pull-down menu, select the Platform (module) you want to restore.
5. A progress message Restoring NVM in Progress is displayed.
6. When NVM Restore procedure is complete, the dc361 NVM Save and Restore menu is displayed.
7. Touch the Close button to exit the dc361 NVM Save and Restore screen.

dc701 Fuser Temperature Setup

The dc701 Fuser Temp Setup utility is used to adjust Fuser temperatures to compensate for media weight or improve toner adhesion.

1. Access the Service Diagnostics menu (page 4-7).
2. Touch Adjustments.
3. Select dc701 Fuser Temp Setup. A dc701 Fuser Temp Setup screen is displayed.
4. Touch the print mode (standard or Photo) to apply the Fuser temperature changes.
5. Touch the media weight to associate with the Fuser temperature setting.
6. Increment or decrement the default setting and touch Write to save the change. To reset the default, Write a value of zero.
7. Print several test print to check print quality.

Note

Fuser temperature adjustment range is +/- 6 for each media type.

dc909 Calibrate for Paper

The dc909 Calibrate for Paper utility is used to adjust Transfer Roller charge to compensate for media type or weight. Increased charge on the Transfer Roller increases toner attraction to the media. Refer to "Secondary Transfer" on page 2-12 for details of the toner transfer process.

1. Access the Service Diagnostics menu (page 4-7).
2. Touch Adjustments.
3. Select dc909 Calibrate for Paper. A dc909 Calibrate for Paper screen appears.
4. Touch the media type to apply the charge changes.
5. Increment or decrement the default setting and touch Write to save the change. To reset the default, Write a value of zero.
6. Print several test print to check print quality.

Note

Transfer Roller bias voltage adjustment range is +/- 6 for each media type.

dc960 High Altitude

The dc960 Altitude Adjustment utility is used to adjust print process control to compensate for installations at higher altitudes. If the printer is installed more than 2000 meters above sea level, use dc960 to change print process control parameters.

1. Access the Service Diagnostics menu (page 4-7).
2. Touch Adjustments.
3. Select dc960 Altitude Adjustment. A dc960 Altitude Adjustment screen appears.
4. Touch the correct altitude setting and touch Write to save the new setting to NVM.
5. The Current Setting changes to reflect the new value.

Calibrations

Control Panel Calibration and Testing

Panel diagnostics includes various tests that help troubleshoot issues with the display or buttons. A touchscreen calibration routine is available to align touching the screen to the on screen display. Always calibrate the touchscreen after replacing the Control Panel.

Note

If you are unable to navigate the menus, press and hold the Power Saver button for 5 seconds, then press and release the Pause button to reset the touchscreen to factory defaults and initiate a touchscreen calibration routine.

Run Panel Diagnostics from the Service Tools menu.

1. Touch Panel Diagnostics on the Service Tools menu.
2. A list of tests is displayed on the Panel Diagnostics menu.
 - LCD Pixel Test
 - Touch Panel Test
 - Touch Panel Calibration
 - Button Test
 - Display Vertical Test
 - Exit
3. Touch the desired test on the Control Panel.
4. To exit any test while the test is in progress, press the pause button.
5. To exit Panel Diagnostics, touch Exit.

Control Panel Calibration Menu

Type of Test	Description
LCD Pixel Test	Test pixel colors in the display.
Touch Panel Calibration	<ul style="list-style-type: none"> ■ Performs a nine point calibration of the touchscreen to align the touch sensitive layer with the underlying LCD display. ■ Resets calibration data to factory defaults.
Touch Panel Test	Touch the panel to confirm each touch point is accurately sensed.
Display Vertical Test	Inspect for luminosity defects in the LCD display.
Button Test	Test Control Panel button function.
Exit	Exit Control Panel Calibration.

Parameter Shadowing

This function periodically saves critical, user-defined NVM parameters stored in the IP Board SD Card and EEPROM. When a replacement SD Card or EEPROM is installed, the printer restores the NVM parameters to the new part.

Caution

When troubleshooting problems related to the IP Board, do not replace the SD Card and EEPROM simultaneously. Replace one part and reboot. If the problem persists, replace the other part. Replacing both parts at once can result in the loss of customer configuration data.

Cleaning and Maintenance

In this chapter...

- Service Maintenance Procedure
- Cleaning
- Maintenance

Chapter 7

Service Maintenance Procedure

Perform the following procedures whenever you check, service, or repair a printer. Cleaning the printer, as outlined in the following steps, assures proper operation of the printer and reduces the probability of having to service the printer in the future.

The frequency of use, Average Monthly Print Volume (AMPV), type of media printed on, and operating environment are factors in determining how critical cleaning the machine is and how often it is necessary. Record the number of sheets printed.

Recommended Tools

- Toner vacuum cleaner
- Clean water
- Clean, dry, lint-free cloth
- Black light-protective bag

Cleaning

Perform the following general cleaning steps as indicated by the printer's operating environment.

Caution

Never apply alcohol or other chemicals to any part of the printer. Never use a damp cloth to clean up toner. If you remove an Imaging Unit, place it in a light-protective bag or otherwise protect it as exposure to light can quickly degrade performance and result in early failure.

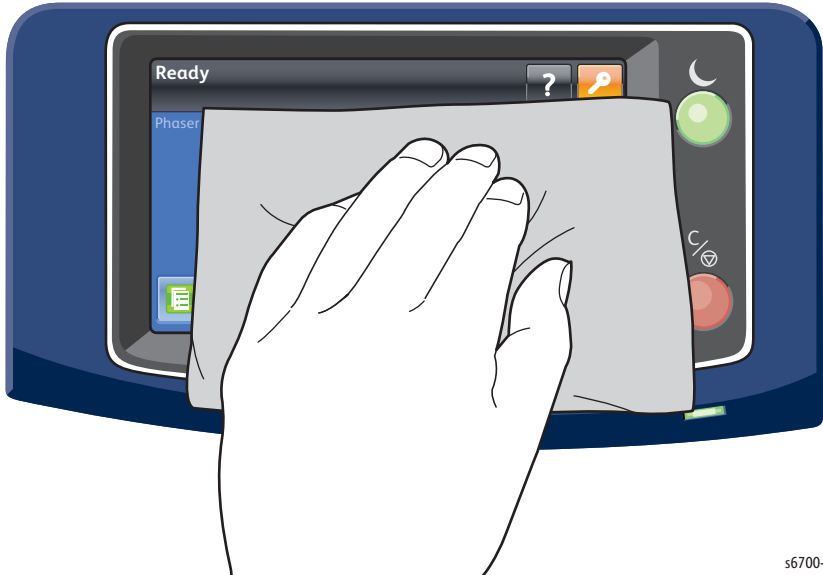
1. Record number of sheets printed.
2. Print several sheets of paper to check for problems or defects.
3. Turn the printer power Off and disconnect the power cord.
4. Remove the Imaging Units, Fuser, Toner Cartridges, and Transfer Belt before cleaning.
5. Clean all Fans.
6. Ensure that all cover vents are clean and free of obstructions.
7. Remove any debris or foreign objects from the Fuser, Transfer Belt, Imaging Unit, and inside of the printer.
8. Remove and clean the paper trays.
9. Clean all rubber rollers with a lint-free cloth slightly dampened with cold water.
10. Clean the ADC Sensors (page 7-3).
11. Clean all four laser lenses (page 7-4).

Cleaning the Control Panel

Caution

The LCD is easily scratched.

Use a soft, lint-free cloth to remove dust and fingerprints from the Control Panel.



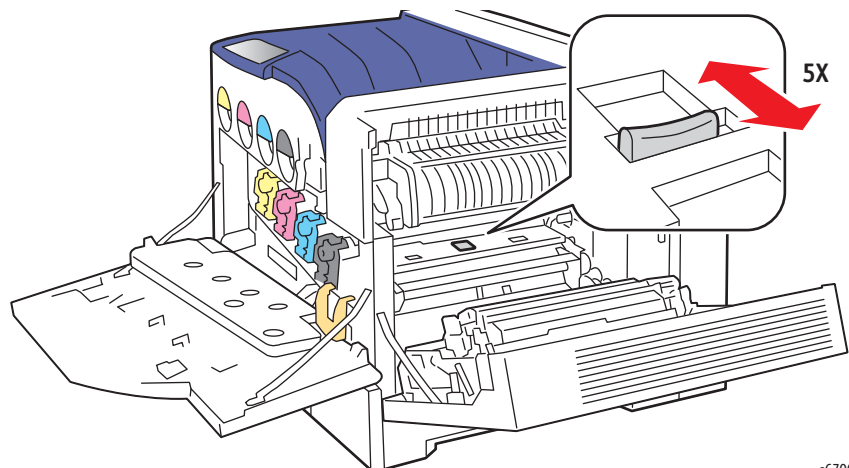
s6700-637

Cleaning the ADC Sensors

1. Open the Front Door.
2. Open the Inner Frame Assembly.
3. Open the Right Door.
4. Remove the Transfer Belt (page 8-12).
5. Use the wiper in the Procon Assembly to clean the ADC Sensors. Wipe the sensors at least 5 times to thoroughly clean the sensors.

Note

Toner density usually recovers after 20 or 30 color prints.



s6700-638

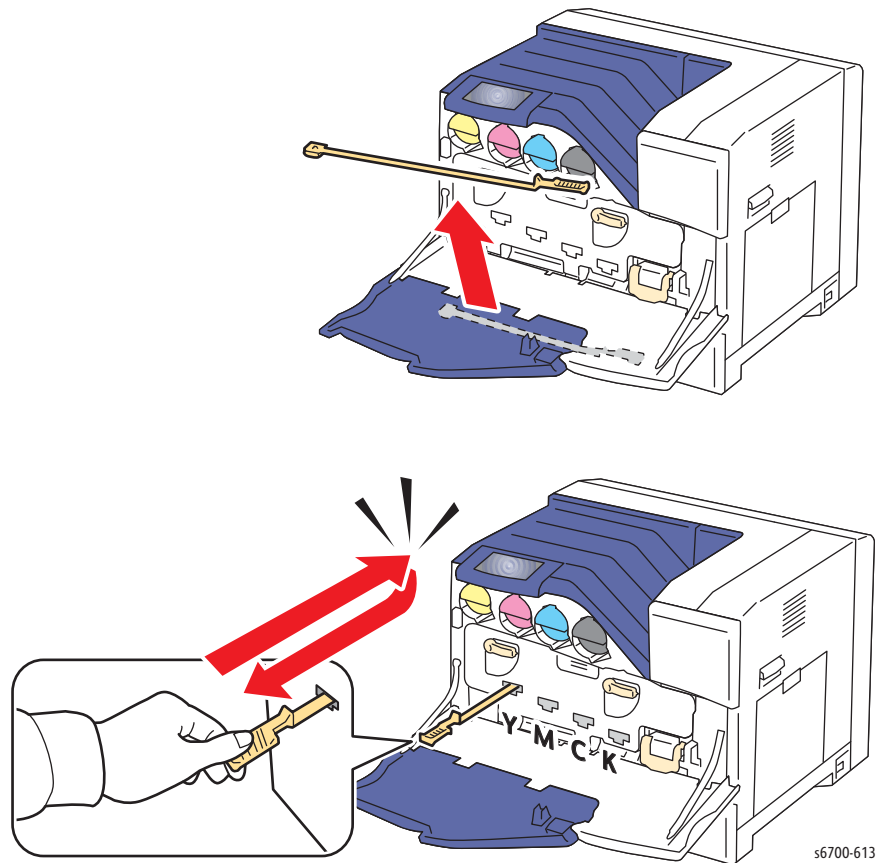
Cleaning the Laser Lenses

Clean all 4 laser lenses anytime an Imaging Unit is installed or vertical stripes begin to appear in the output.

1. Open the Front Door.
2. Using the provided cleaning wand, wipe each laser lens twice to thoroughly clean each lens.

Note

When installing a new Imaging Unit, replace the pad at the end of the cleaning wand. A new pad is included with each replacement Imaging Unit.



Maintenance

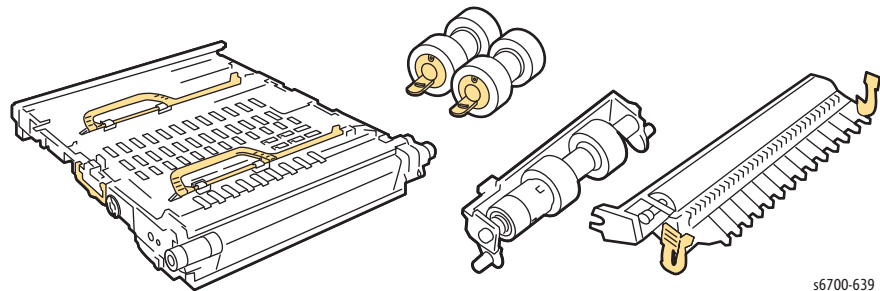
RIP (Repair, Inspect, and Prevent) Procedure

Perform these routine maintenance procedures during the course of servicing the printer.

- Clean the Feed Rollers, Exit Rollers, and Guides; replace if necessary.
- Remove and clean the paper trays.
- Print a Configuration and Error History pages, diagnose, and repair any problems as indicated.
- Clean the Fans and vents.
- Check cleanliness of the interior and exterior, including fans; if necessary clean (dust or vacuum) these areas.
- Review proper printer operation using a customer file, if possible. Check with the customer regarding any special applications they may be running.
- Review with the customer all work that was performed and discuss proper printer care.

Maintenance Kit - 604K73140

The Maintenance Kit includes a Transfer Belt, Transfer Roller and Feed Rollers to facilitate servicing the printer. A Maintenance Kit is Past End of Life message and subsequent hard stop indicates when Maintenance Kit replacement is necessary.



s6700-639

Replacement Note

Reset the Maintenance Kit Life counter available at Printer > Tools > Setup > Service Tools > Reset HSF1 Counters, after installing a new kit.

Moving the Printer

Warning

Remove all options before moving the printer.

Warning

To avoid injury, use 3 people to lift the printer.

Caution

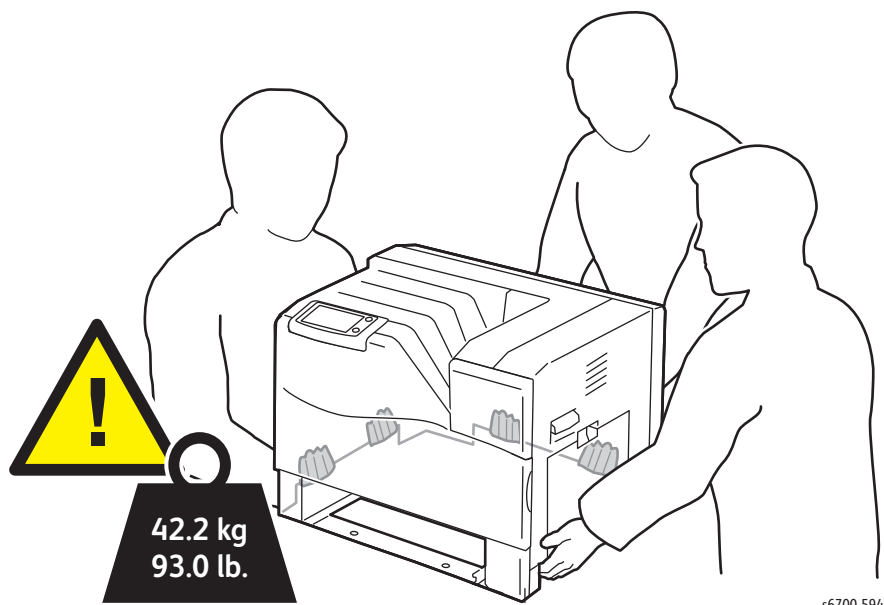
When moving the printer over long distances, use the Repack Kit, 695K28490. Instructions are included with the kit.

Before moving the printer, do the following:

1. Turn the printer Off and disconnect the Power Cord and other cables from the the printer.
2. Allow the printer to cool about 30 minutes.
3. Remove media from the trays.

When moving the printer:

- Use 3 people to lift and move the printer.
- When lifting the printer, grasp the areas as shown in the illustration.
- Do not tilt the printer more than 10 degrees to the front or back, or left or right. Tilting the printer more than 10 degrees may cause toner spillage.



Caution

Failure to repackage the printer properly for shipment can result in damage to the printer not covered by the warranty, Service Agreement, or Total Satisfaction Guarantee.

After moving the printer:

1. Remove the Toner Cartridges and Imaging Units, then clean any toner or other debris inside the printer.
2. Reinstall any parts removed
3. Clean all 4 laser lenses (page 7-4).
4. Reconnect the printer to the cables and power cord.
5. Plug in and turn On the printer.

Service Parts Disassembly

In this chapter...

- Overview
- Maintenance and Consumables
- Print Engine Covers
- Feeder / Registration Assembly
- Right Door
- Print Engine Electrical
- Print Engine Drive
- Print Engine Chassis
- 550-Sheet Feeder
- 1100-Sheet Feeder
- Finisher

Chapter 8

Overview

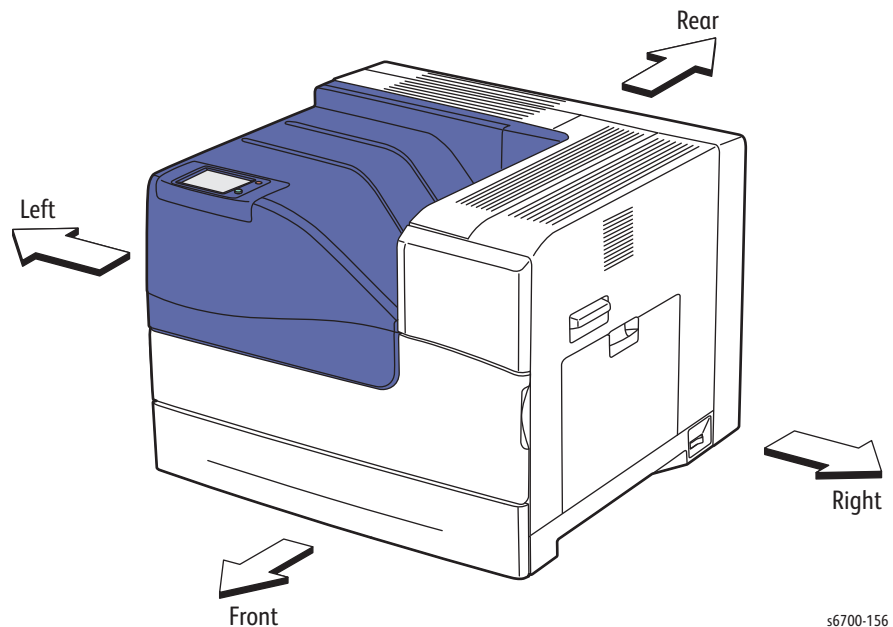
This section contains the removal procedures for field-replaceable parts listed in the Parts List. In most cases, the replacement procedure is simply the reverse of the removal procedure. In some instances, additional steps are necessary and are provided for replacement of the parts. For specific assemblies and parts, refer to Chapter 9.

Note

Part names that appear in the removal procedures may not match names that appear in the Parts List. For example, a part called Tray in a removal procedure may appear on the Parts List as Cassette, Assy. When working on a removal procedure, ignore any prerequisite procedure for parts already removed.

Standard Orientation of the Printer

When needed, the orientation of the printer is called out in the procedure as an aid for locating the printer parts. The following figure identifies the Front, Rear, Left, and Right sides of the printer.



s6700-156

Preparation

Before you begin any procedure:

Warning

Unplug the power cord from the wall outlet.

Warning

Allow the Fuser to cool before servicing the printer.

Caution

Many parts are secured by plastic tabs. Do not over flex or force these parts. Do not over torque screws threaded into plastic.

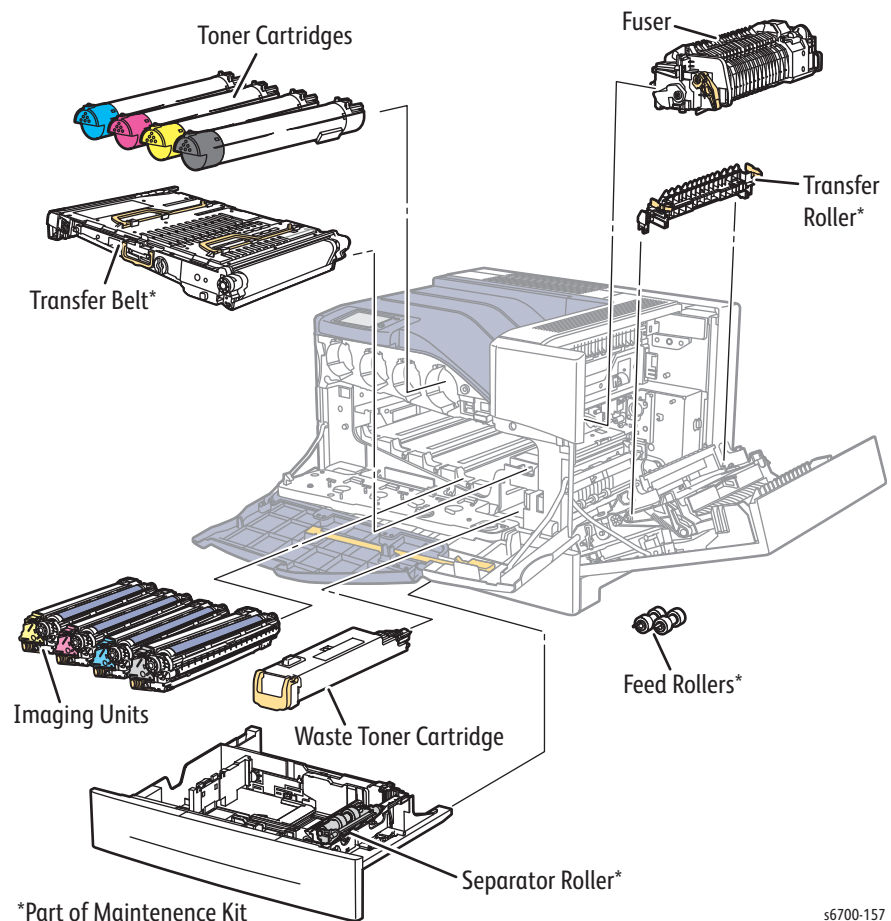
Caution

Do not remove Red-colored screws. These screws secure key chassis components. Removal of Red-colored screws can result in chassis misalignment.

Caution

Cover the Imaging Units to avoid light exposure.

1. Wear an Electrostatic Discharge wrist strap.
2. Turn Off power and disconnect the power cord from the wall outlet and printer.
3. Disconnect all cables from the printer.
4. Remove these items:
 - Imaging Units
 - Transfer Belt
 - Transfer Roller
 - Trays
 - Fuser
 - Toner Cartridges



s6700-157

Notations in the Disassembly Text

- The notation “(item X)” points to a numbered callout in the illustration corresponding to the disassembly procedure being performed.
- The notation “PLX.X.X” indicates that this component is listed in the Parts List.
- Bold arrows in an illustration show direction of movement when removing or replacing a component.
- The notation “(tap, plastic, 10 mm)” or “(metal, 6 mm)” refer to the type of screw being removed.

Replacement Note

Provides information specific to the replacement of parts or assemblies.

Caution

Do not remove Red screws. These screws secure key components. Removal of Red-colored screws can result in chassis misalignment.

Use care when installing self-tapping screws in plastic. To properly start the screw in plastic, turn the screw counter-clockwise in the hole until you feel the screw engage the threads, then tighten as usual. Improper alignment or over tightening the screw can result in damage to previously tapped threads.

Always use the correct type and size screw. Using the wrong screw can damage tapped holes. Do not use excessive force to remove or install either a screw or a printer part.

Fastener Types

This table lists fastener types used to assemble the system. The removal procedures provide dimensions for screws and clips being removed.

Type	Application	Shape
Screw for plastic, Silver, tapping <ul style="list-style-type: none"> ■ Screw thread is coarse compared to metal screw. ■ Screw tip is thin. 		
Screw for metal, Silver <ul style="list-style-type: none"> ■ Fine threads. ■ Diameter is uniform. 		
Screw for metal, Silver, with flange <ul style="list-style-type: none"> ■ Fine threads. ■ Diameter is uniform 		

Hardware Kit - 604K56670

Hardware Kit

Fastener Type	Size	Parts List Designator	Quantity
Screw for plastic, Silver, self-tapping	M4 x 10mm	ST6	2
Screw for plastic, Silver, self-tapping	M3 x 8mm	ST7	2
Sheet metal screw, Silver	M3 x 4mm	SM1	2
	M3 x 6mm	SM2	2
Sheet metal screw, Silver, with flange	M3 x 6mm	SM11	2
	M3 x 8mm	SM12	2
E-Ring, 3 mm (1)	D3	E1	2
	D4	E2	2

Maintenance and Consumables

Maintenance items include the Separator Roller in the Trays, Transfer Belt, Transfer Roller, Feed Rolls, and Fuser. Consumables consist of the Waste Toner Cartridge, Toner Cartridges, and Imaging Units. The Maintenance Kit bundles the Transfer Belt, Transfer Roller, Separator and Feed Rolls. The Transfer Roller is also available separately.

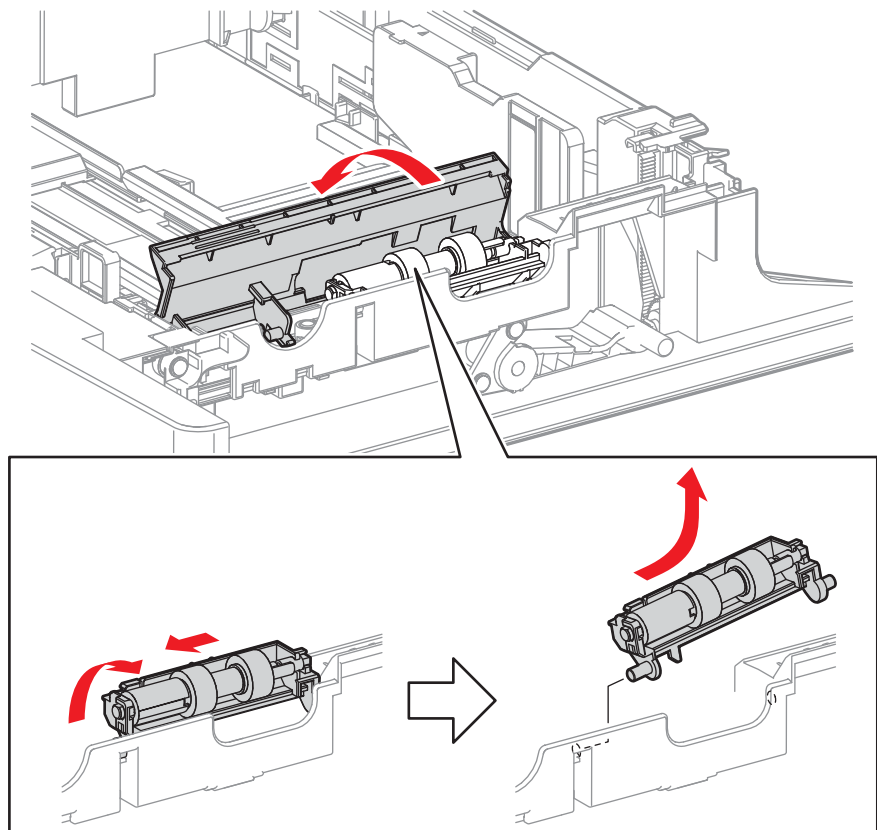
Note

After replacing the Maintenance Kit, reset the life counter.

Tray Feed and Separator Roller Kit

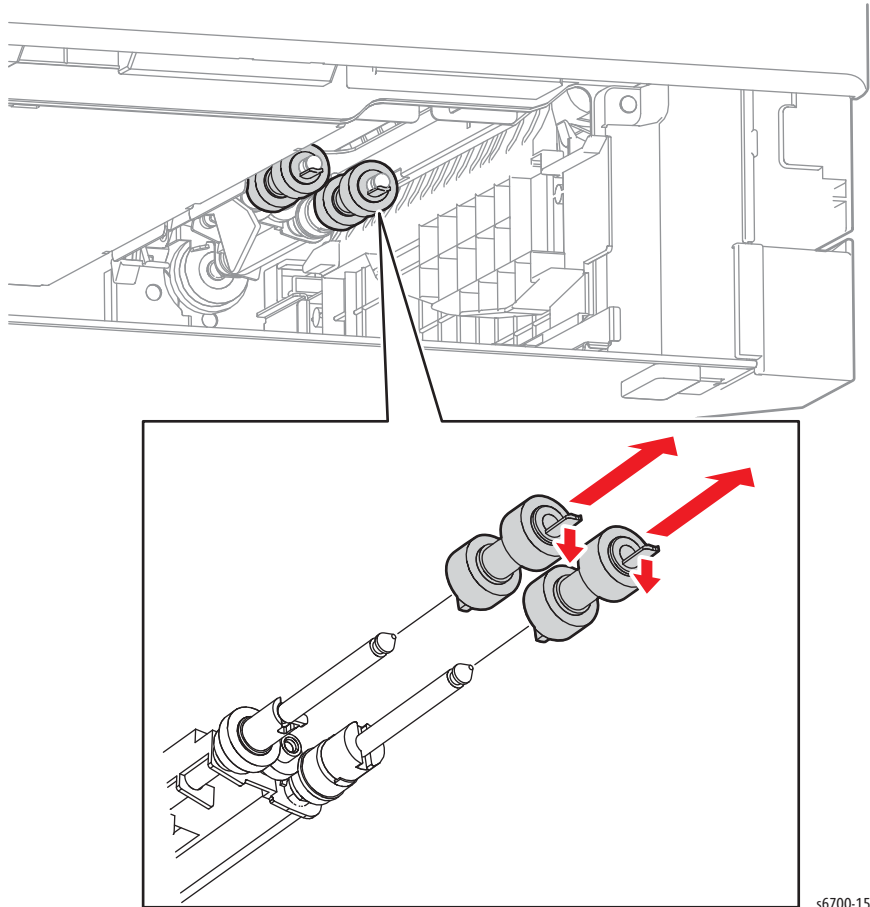
PL2.1.99

1. Remove the Tray.
2. Open the separator cover.
3. Raise the Separator Roller, then slide it forward to remove it from the Tray.



s6700-158

4. Remove the Feed Rollers from the shafts by releasing the hooks.

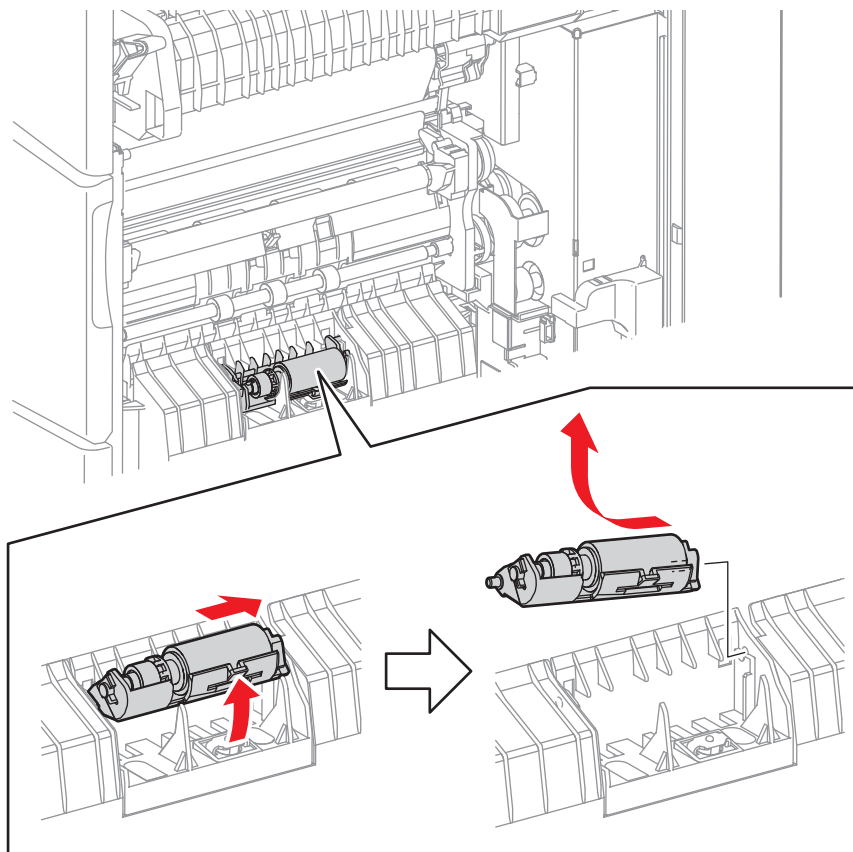


s6700-159

Tray 1 Separator Roller

PL3.1.99

1. Open the Right Door.
2. Raise the Tray 1 Separator Roller, then slide it backward to release the boss.

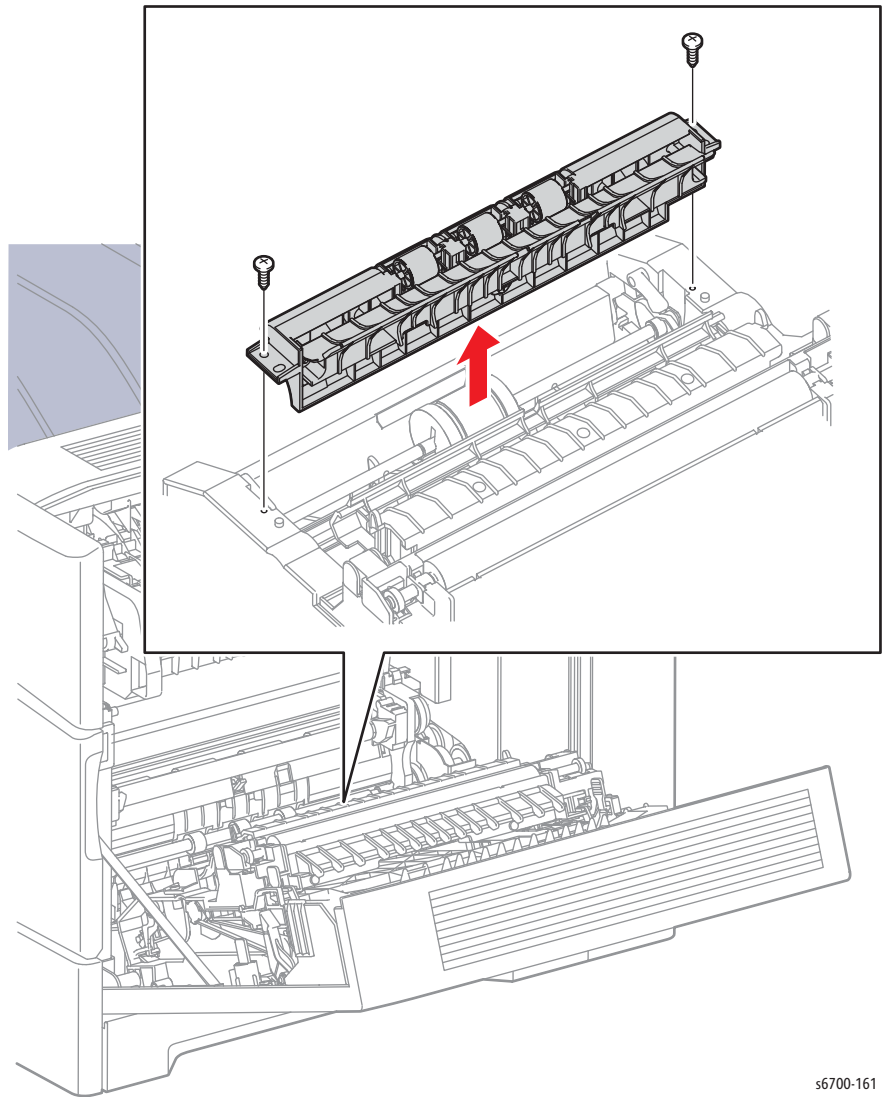


s6700-160

Feed Roller

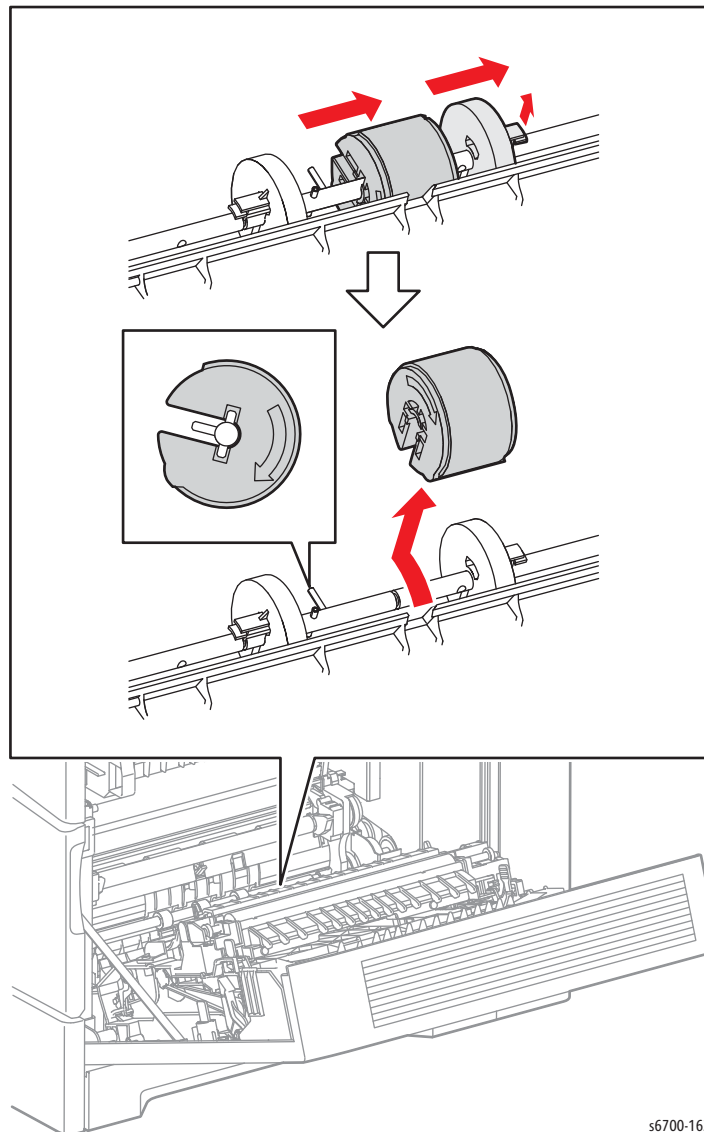
PL4.2.21

1. Open the Right Door.
2. Remove 2 screws (silver, tapping, 8mm) that secure the chute to the Right Door.



s6700-161

3. Release the hook of the roll core, then slide the roll core to the rear.
4. Release the groove on the Feed Roller from the vertical pin on the shaft by sliding the Feed Roll to the rear.
5. Remove the Feed Roller from the shaft by rotating the Feed Roller 180 degrees.

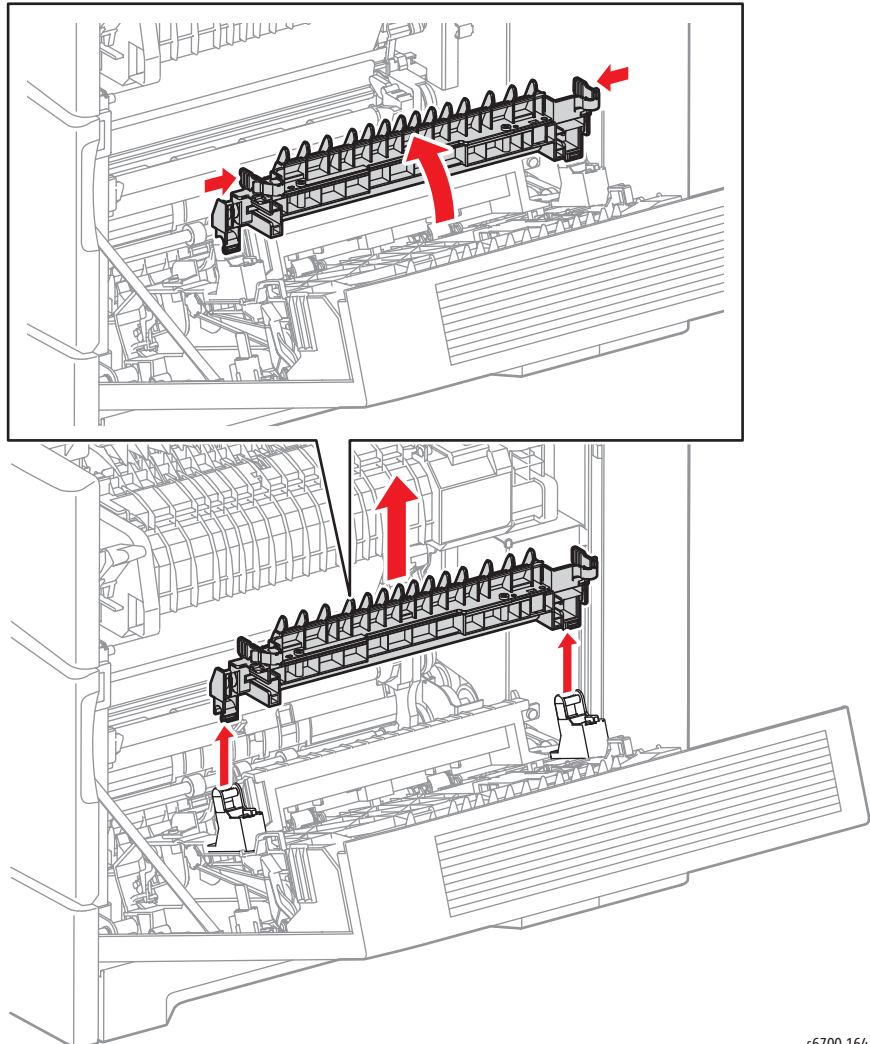


s6700-162

Transfer Roller

PL4.4.99

1. Open the Right Door.
2. Release the front and rear hooks of the Transfer Roller and raise the roller to remove it.



s6700-164

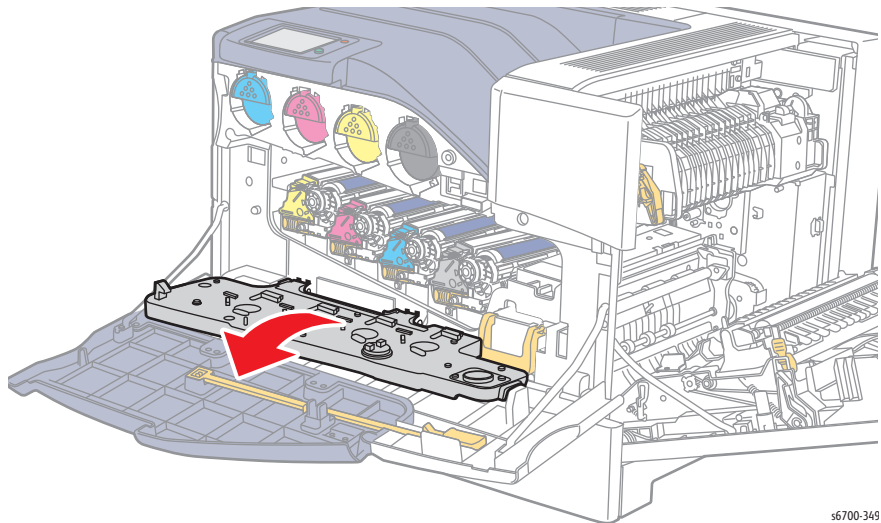
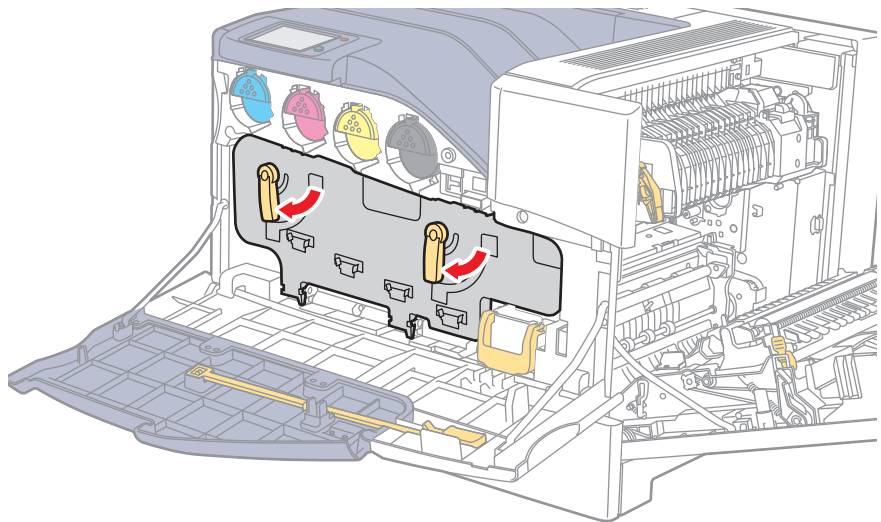
Transfer Belt

PL5.1.99

Caution

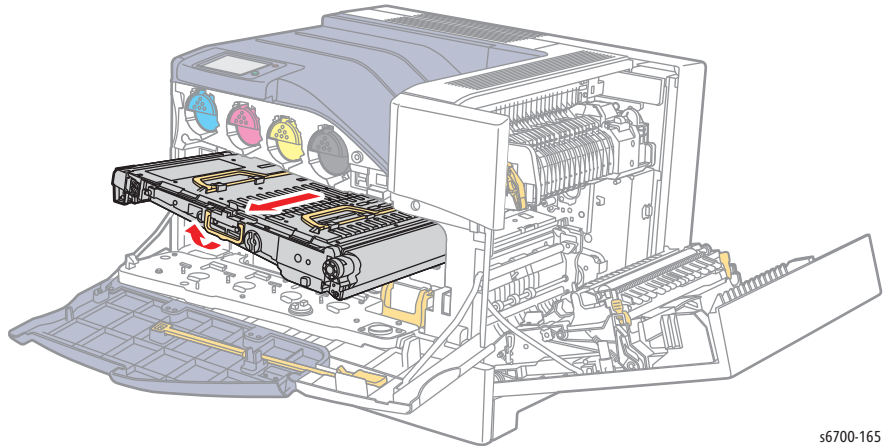
Toner may collect on the Transfer Belt and leak from the Transfer Belt auger port. Use care when handling the Transfer Belt to avoid toner spills and belt damage.

1. Open the Right Door.
2. Open the Front Door.
3. Unlock and open the Inner Frame Assy.



56700-349

3. Pull the Transfer Belt out slowly until the upper handles are accessible.

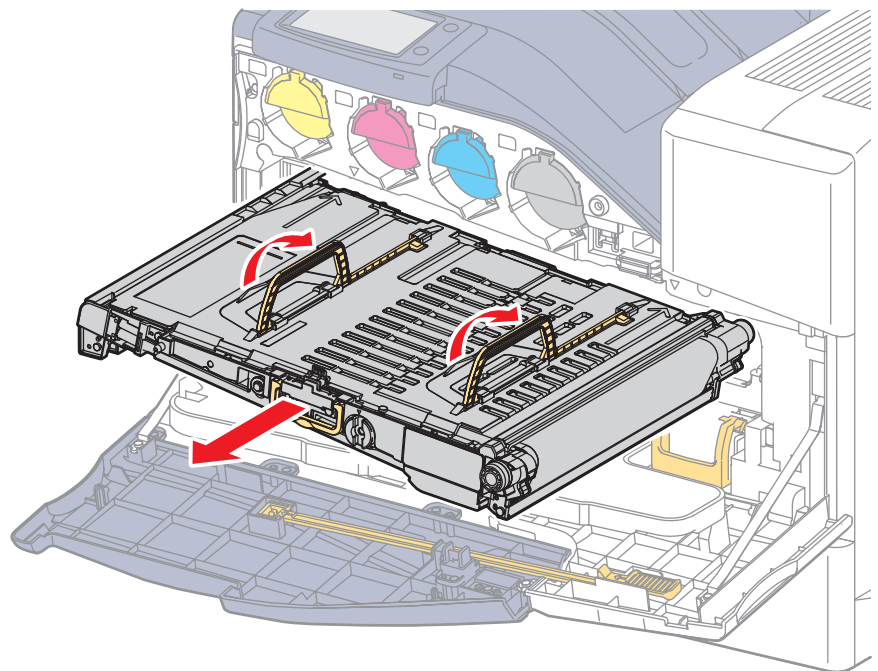


s6700-165

Note

To properly remove the Transfer Belt, hold the handles, taking care not to touch the belt.

5. Raise the top handles.
6. Holding the top handles, remove the Transfer Belt from the printer.



s6700-166

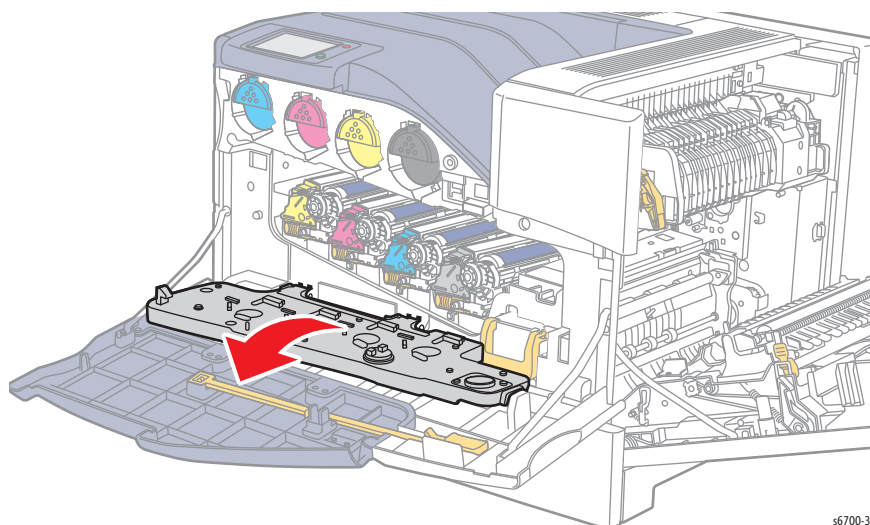
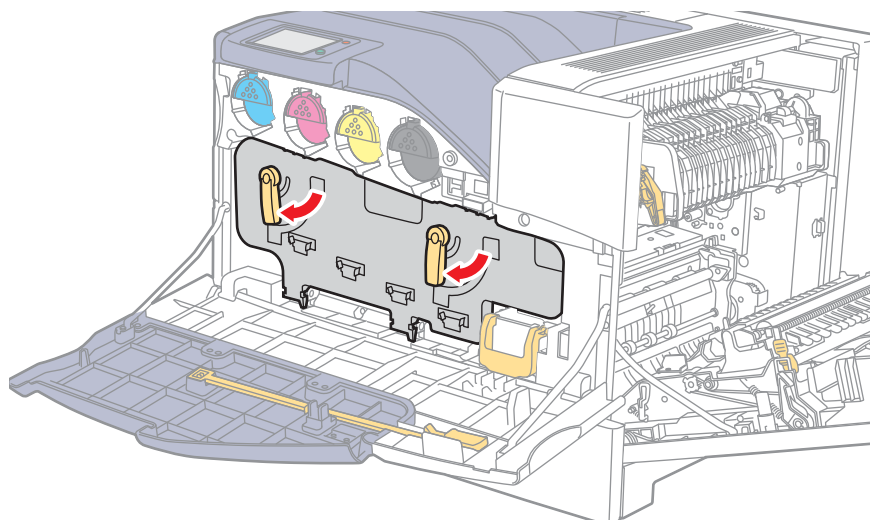
Imaging Units

PL5.1.8~5.1.11

Caution

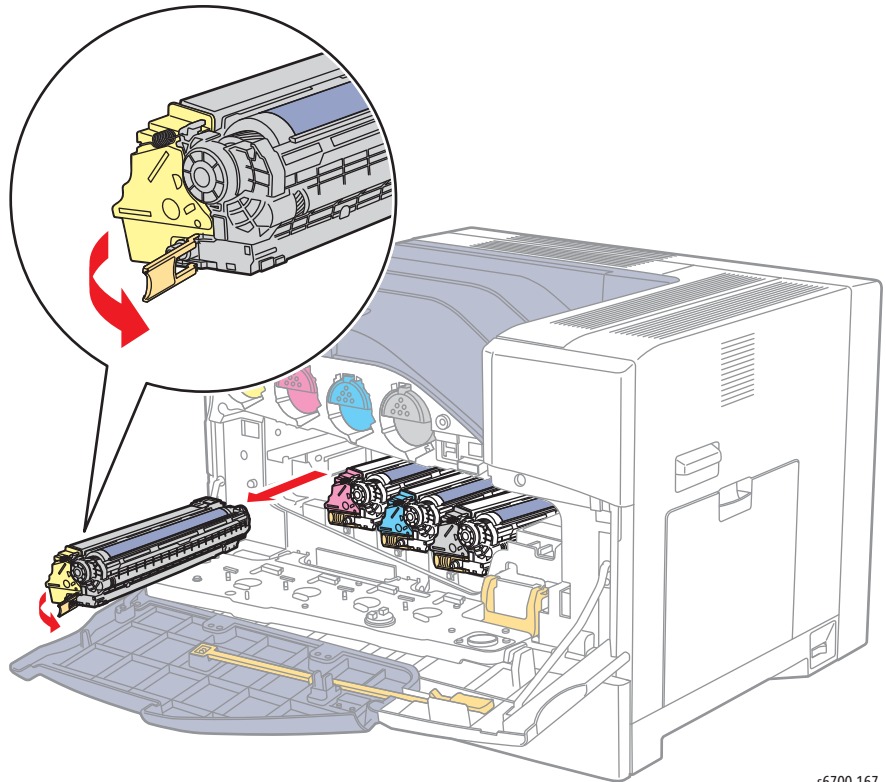
Cover the Imaging Units to prevent exposure to light.

1. Open the Front Door.
2. Unlock and open the Inner Frame Assy.



s6700-349

3. Release the handle of the Imaging Unit.
4. Holding the handle, pull the Imaging Unit slowly from the printer.



s6700-167

Replacement Note

Remove 2 sealing tapes from the new Imaging Unit after installation.

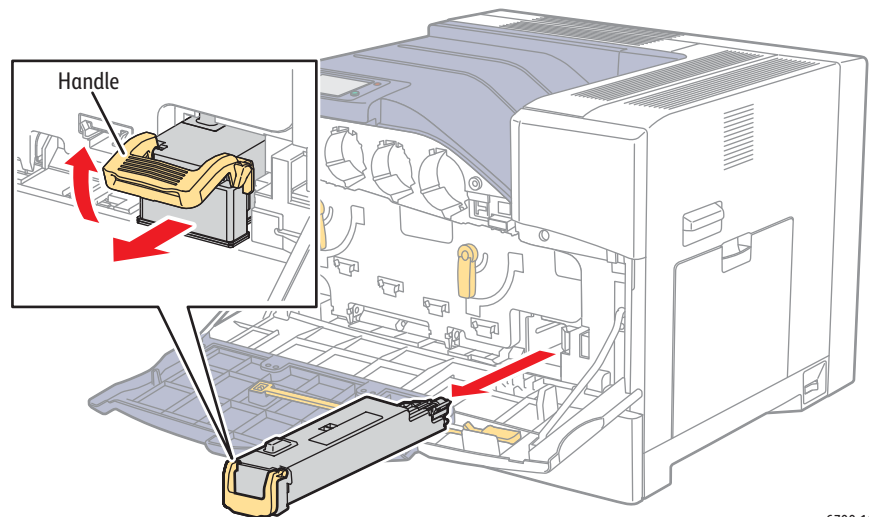
Waste Toner Cartridge

PL6.1.13

Caution

Toner may collect on the Waste Toner Cartridge and leak from the fill port. Use care when handling the Waste Toner Cartridge to avoid toner spills.

1. Open the Front Door.
2. Raise the Waste Toner Cartridge handle to release the lock.
3. Holding the handle, pull the Waste Toner Cartridge out of the printer.



s6700-168

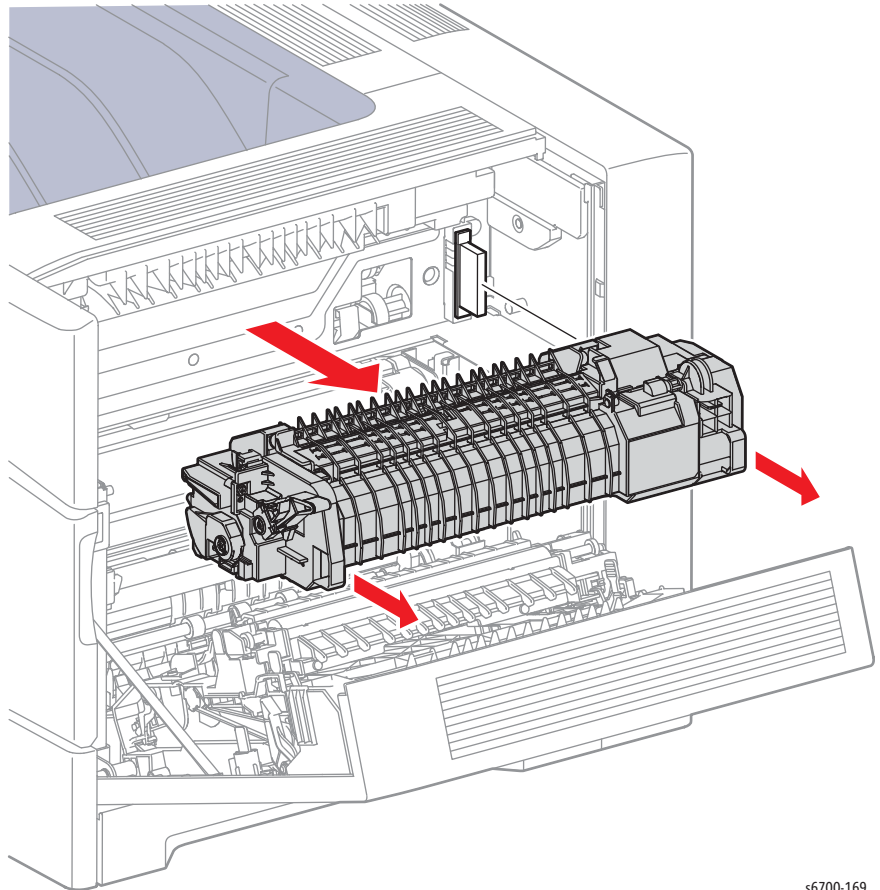
Fuser

PL7.1.99

Warning

Allow the Fuser to cool before servicing the printer.

1. Open the Right Door.
2. Holding the Fuser handles, pull the Fuser forward to remove it.



s6700-169

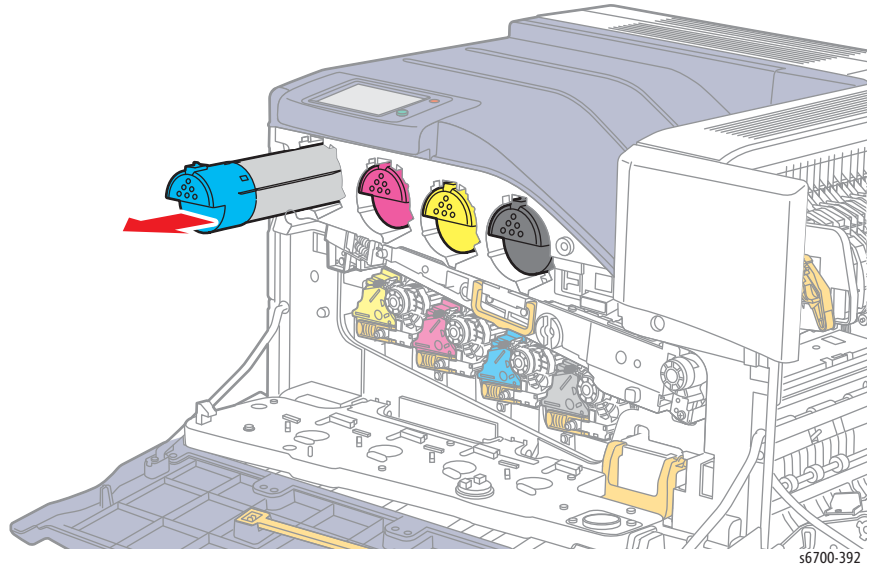
Replacement Note

Cycle system power after installing the replacement Fuser.

Toner Cartridges

PL6.1.1 ~ 4

1. Open the Front Door.
2. Holding the handle, pull the Toner Cartridge forward to remove it.



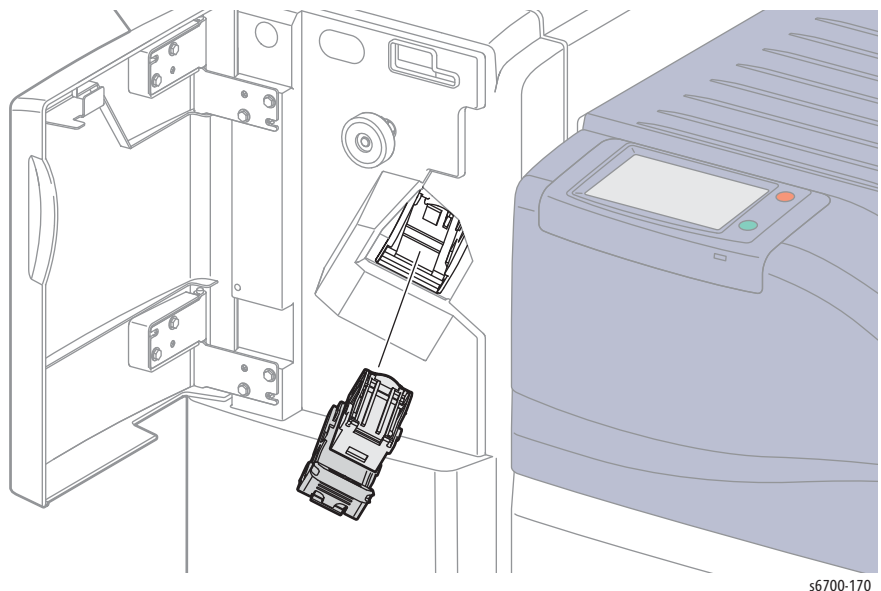
Replacement Note

Push the Toner cartridge into the chassis until the hook is engaged.

Staple Cartridge

PL14.8.21

1. Open the Finisher Front Door.
2. Pull the Staple Cartridge from the Stapler to remove.



Print Engine Covers

Top Cover

PL1.1.3

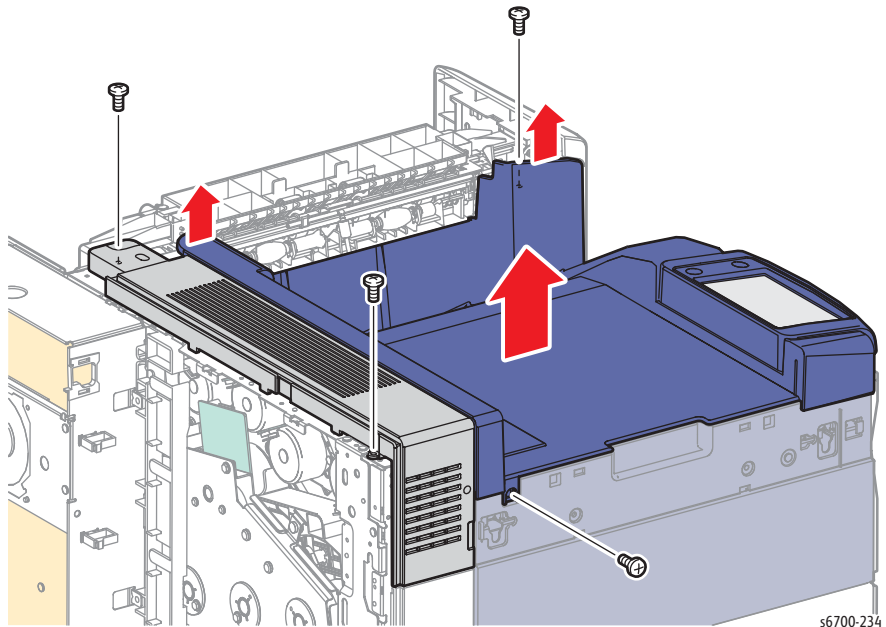
Warning

Allow the Fuser to cool before servicing the printer.

Caution

Cover the Imaging Units to prevent exposure to light.

1. Open the Front Door.
2. Open the Right Door.
3. Remove the Upper Inner Front Cover (page 8-25).
4. Remove the Upper Finisher Docking Cover (page 8-21).
5. Remove the Output Tray (page 8-21).
6. Remove the Rear Cover (page 8-31).
7. Remove the Exit Cover (page 8-22).
8. Remove the Control Panel (page 8-63).
9. Remove 4 screws (silver, 6mm) that secure the Top Cover Assy and release 2 bosses from the right side.



s6700-234

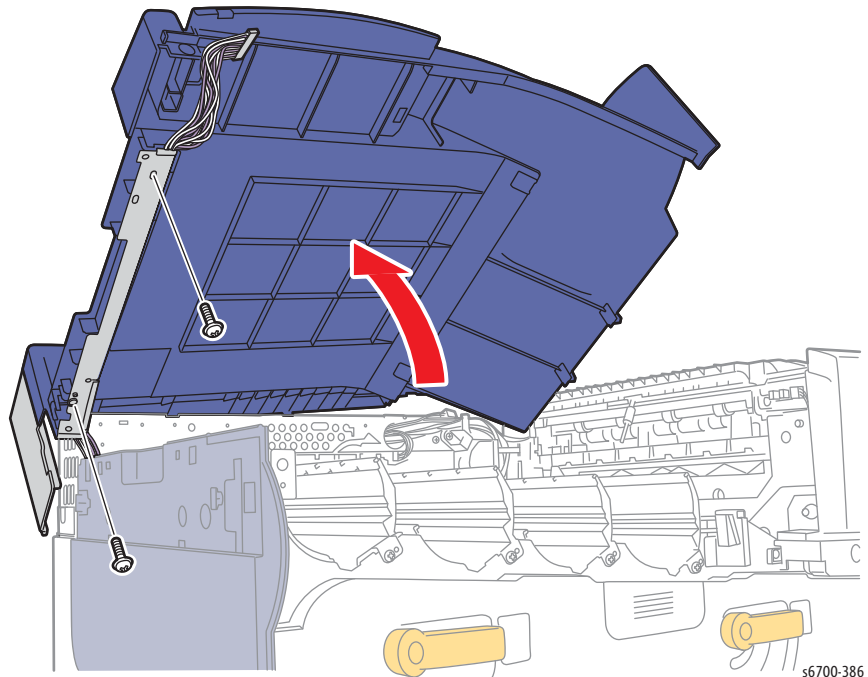
Note

Stop here if the Top Cover is being removed to access other parts. At this point rotate the Top Cover to repair underlying parts. Continue this procedure only when replacing the Top Cover.

Caution

When performing the next step, do not damage the Full Stack Actuator.

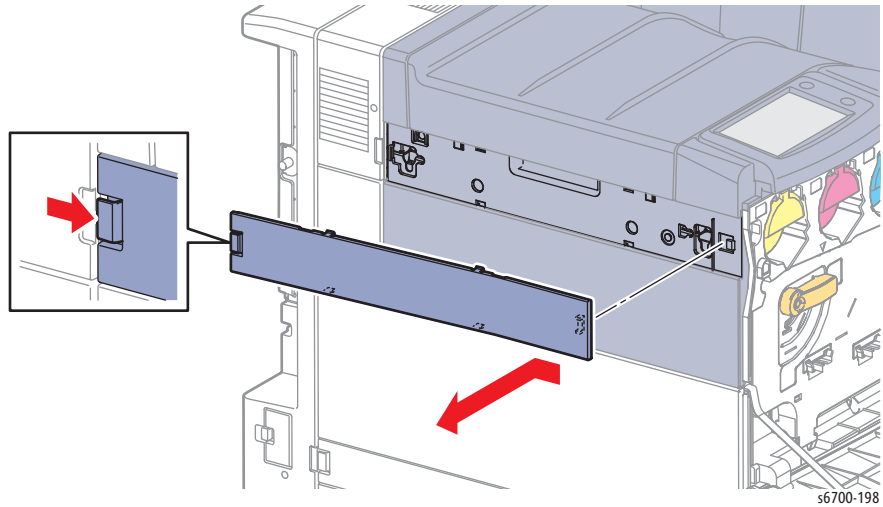
10. Lift the cover and release the Control Panel harness cable tie remove the 2 screws that secure the Control Panel harness guide cover and release 1 hook that secures the ferrite bead cover.
11. Slowly lift the cover and release the Control Panel Harness from the guide to remove the cover.



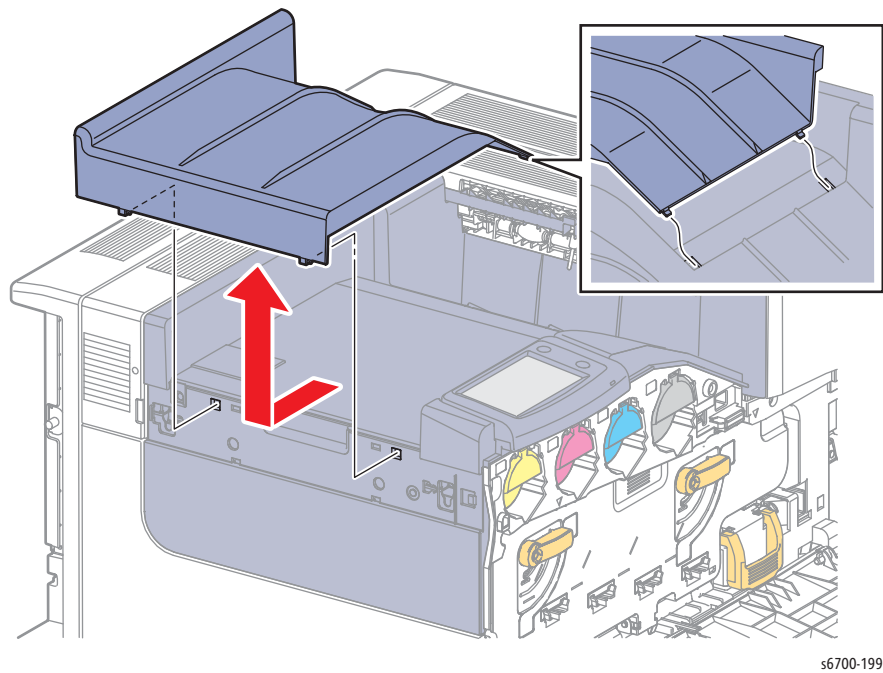
Output Tray

PL1.1.5

1. Release the hook to remove the Upper Finisher Docking Cover.



2. Remove the Output Tray by releasing the hook and shifting the Output Tray left.



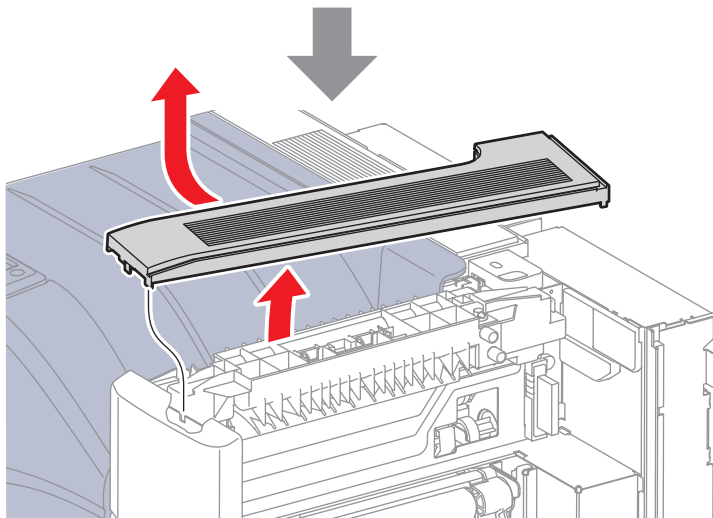
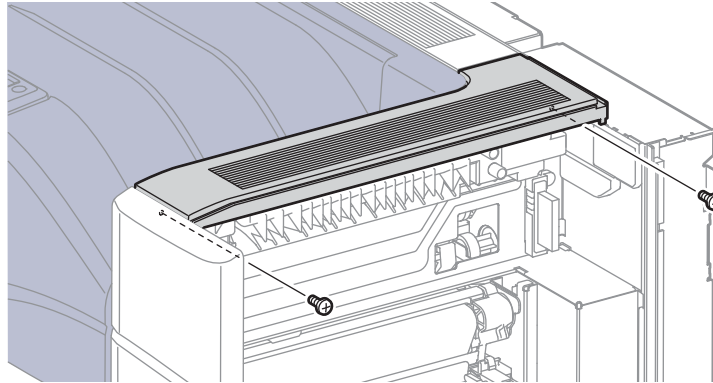
Exit Cover

PL1.1.9

Warning

Allow the Fuser to cool before servicing the printer.

1. Open the Right Door.
2. Remove the Rear Cover (page 8-31).
3. Remove 2 screws (silver, 6mm) that secure the Exit Cover to remove the cover.

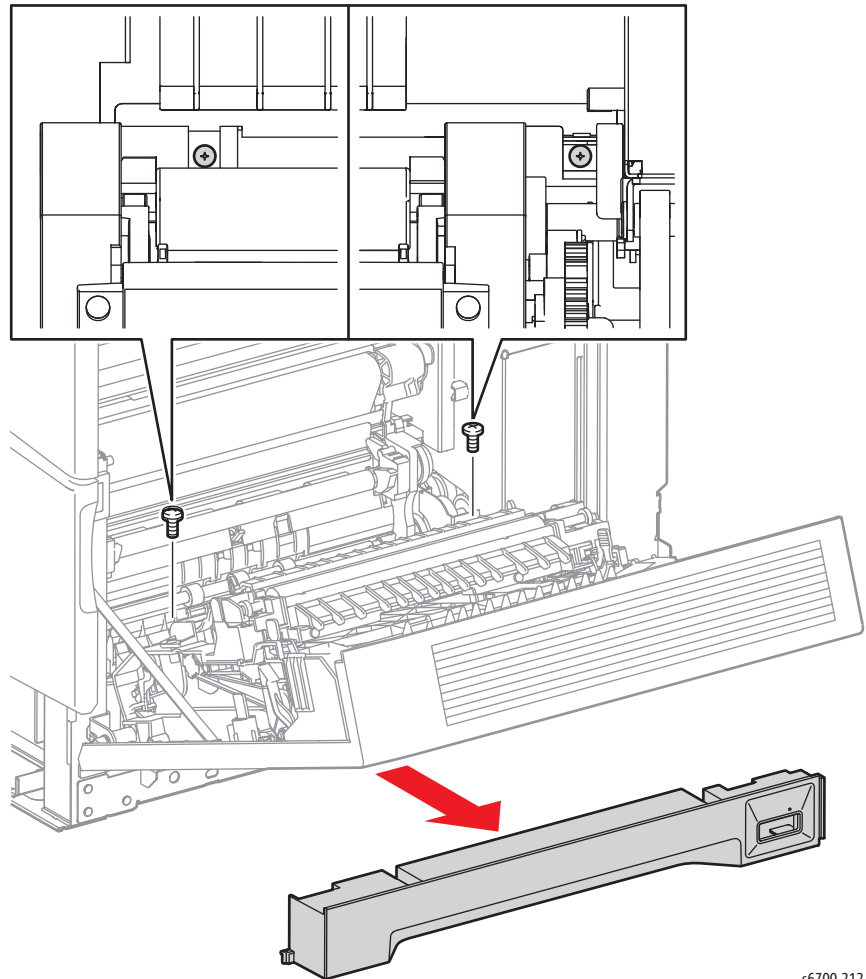


s6700-197

Lower Right Cover

PL1.1.11

1. Remove the Tray.
2. Open the Right Door.
3. Remove the Rear Cover (page 8-31).
4. Remove 2 screws (silver, 6mm) that secure the lower right cover.
5. Close the Right Door to remove the cover.



s6700-212

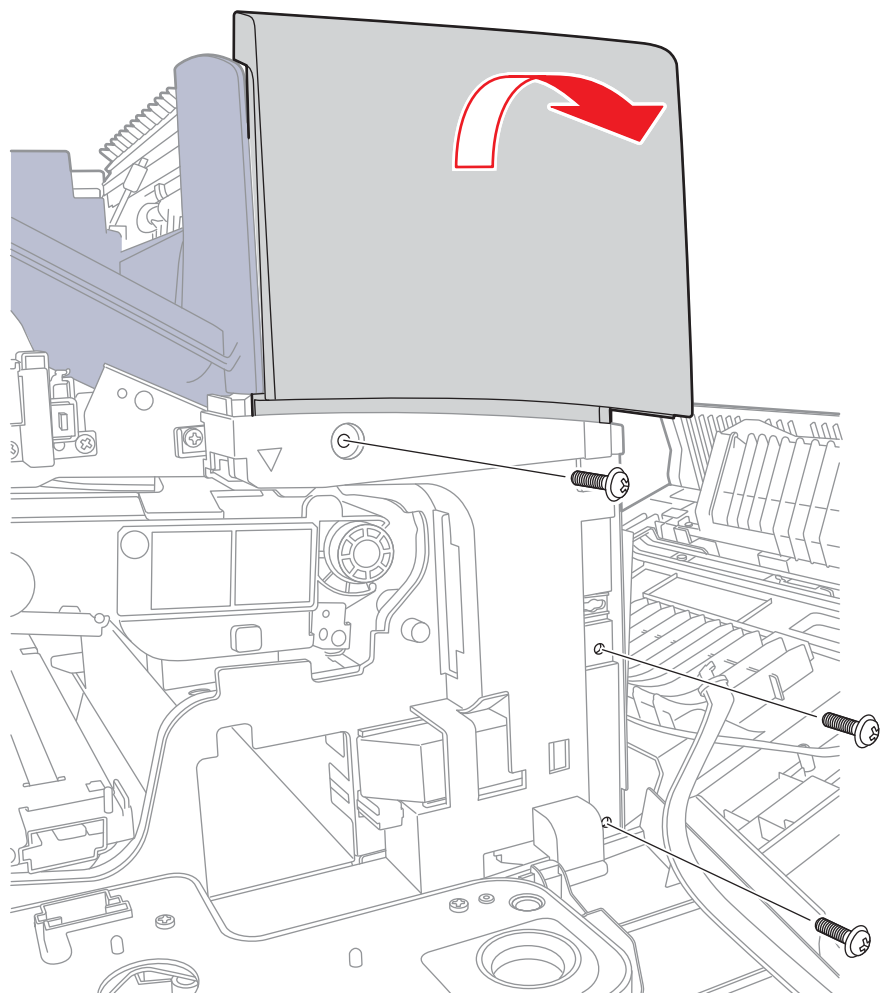
Upper Front Cover

PL1.2.5

Caution

Cover the Imaging Units to prevent exposure to light.

1. Open the Front Door.
2. Open the Right Door.
3. Remove the Exit Cover (page 8-22).
4. Open Inner Frame Assy.
5. Release the Front Cover Stopper Strap from the chassis.
6. Remove 3 screws (silver, 6mm) from the Lower Inner Front Cover.
7. Lift the cover to release 3 hooks and remove Upper Front Cover.



s6700-366

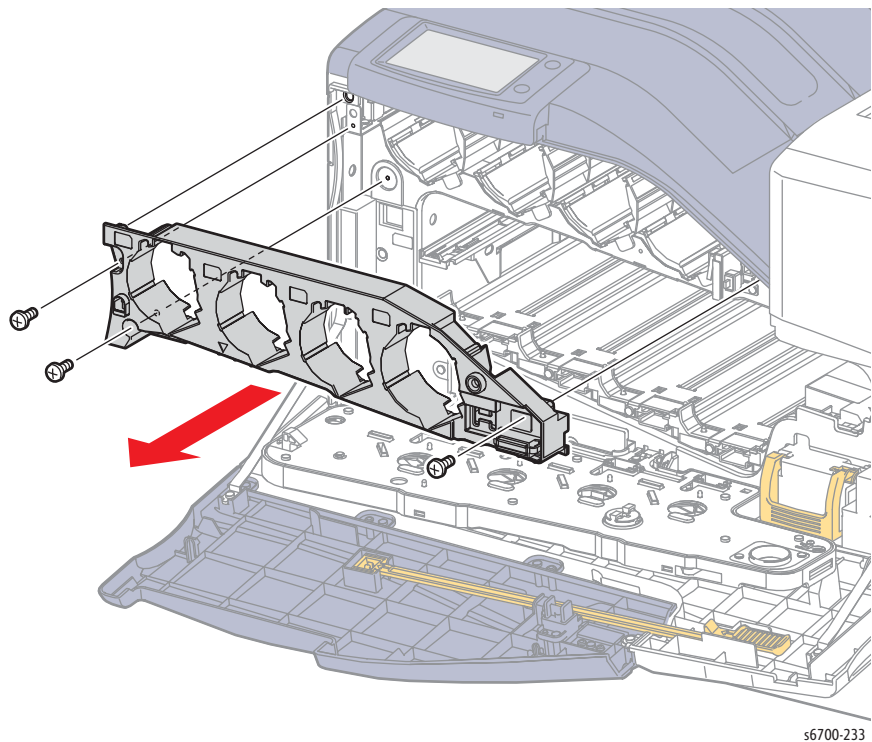
Upper Inner Front Cover

PL1.2.6

Caution

Cover the Imaging Units to prevent exposure to light.

1. Open the Front Door.
2. Remove the Toner Cartridges (page 8-18).
3. Open the Inner Frame Assy.
4. Remove 3 screws (silver, 6mm) that secure the Upper Inner Front Cover to the chassis.



s6700-233

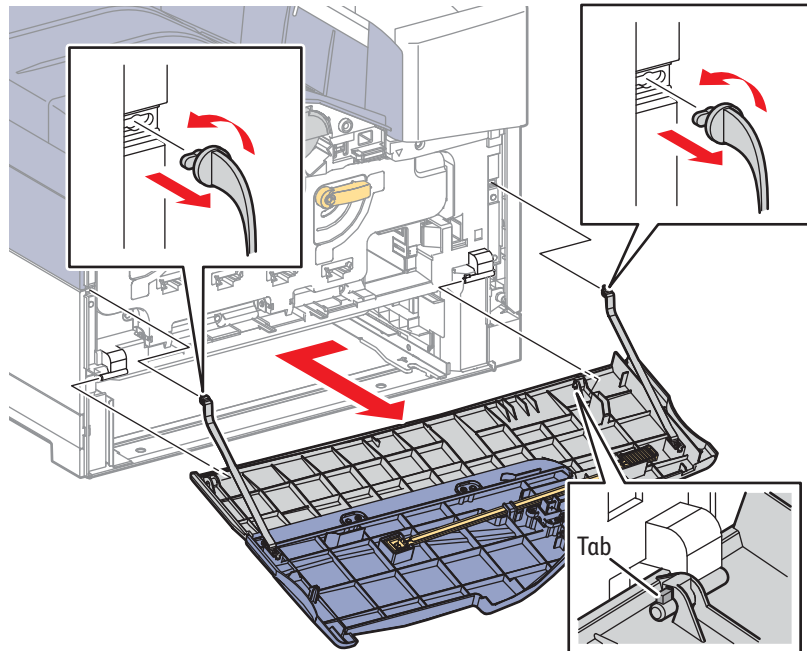
Front Door

PL1.2.17

Caution

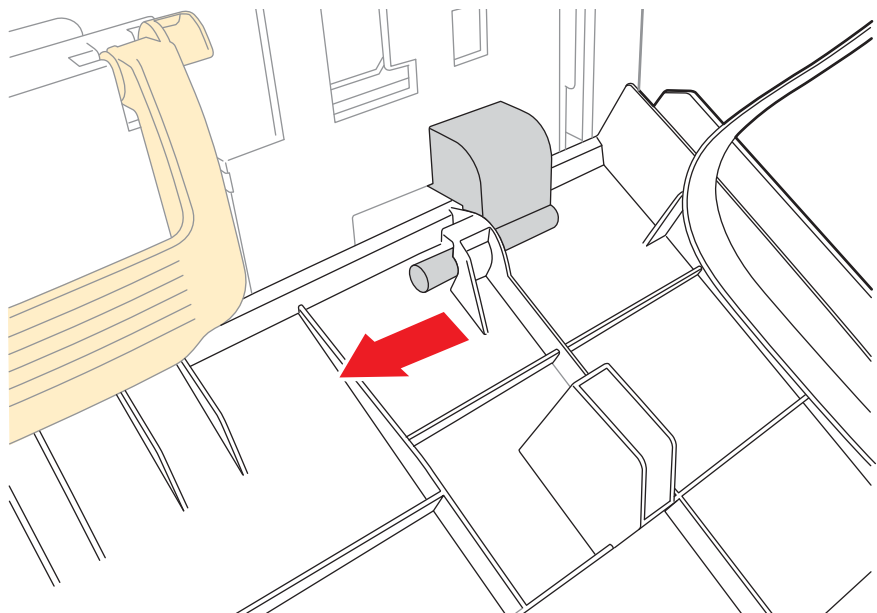
Front Door hinge points are easily damaged.

1. Open the Front Door.
2. Remove the Stopper Straps by rotating the straps 90 degrees to align the tab and notch.



s6700-194

3. Slide the Front Door left to release the cover from the hinge.



s6700-247

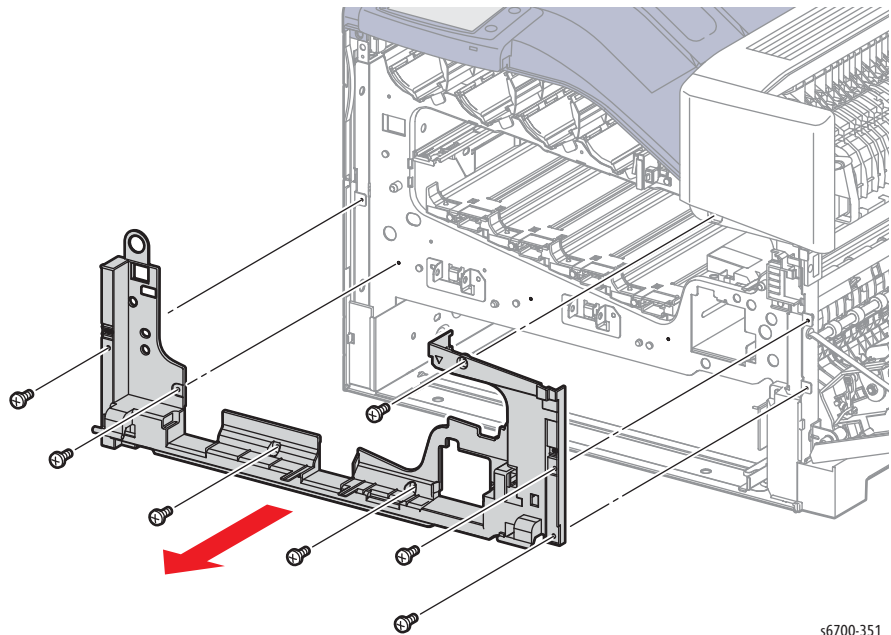
Lower Inner Front Cover

PL1.2.24

Caution

Cover the Imaging Units to prevent exposure to light.

1. Remove the Front Door (page 8-26).
2. Remove the Waste Toner Cartridge (page 8-16).
3. Remove the Inner Frame Assy (page 8-129).
4. Remove the Upper Inner Front Cover (page 8-25).
5. Remove 7 screws (silver, 6mm) that secure the Lower Inner Front Cover to the chassis.

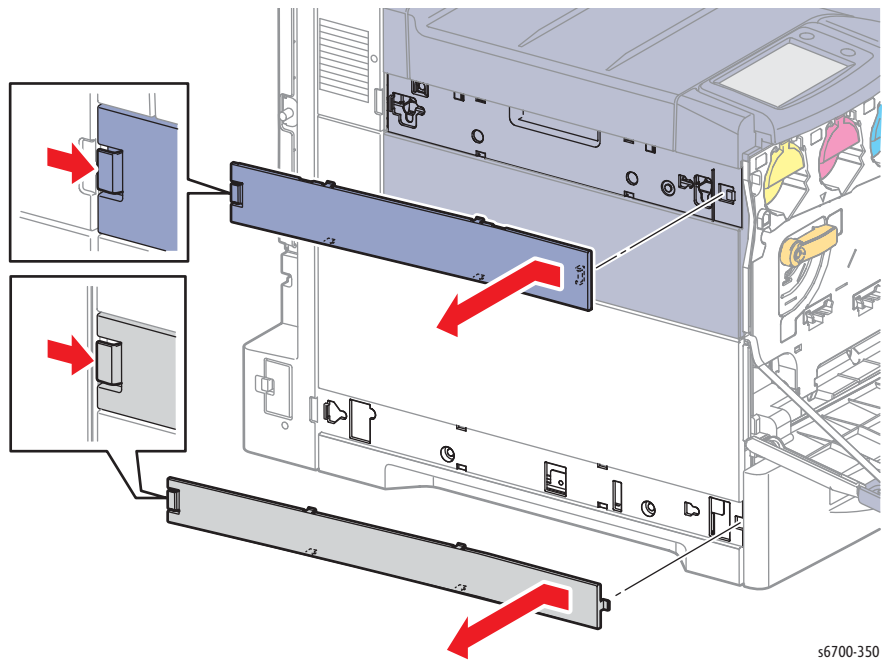


s6700-351

Left Cover

PL1.3.2

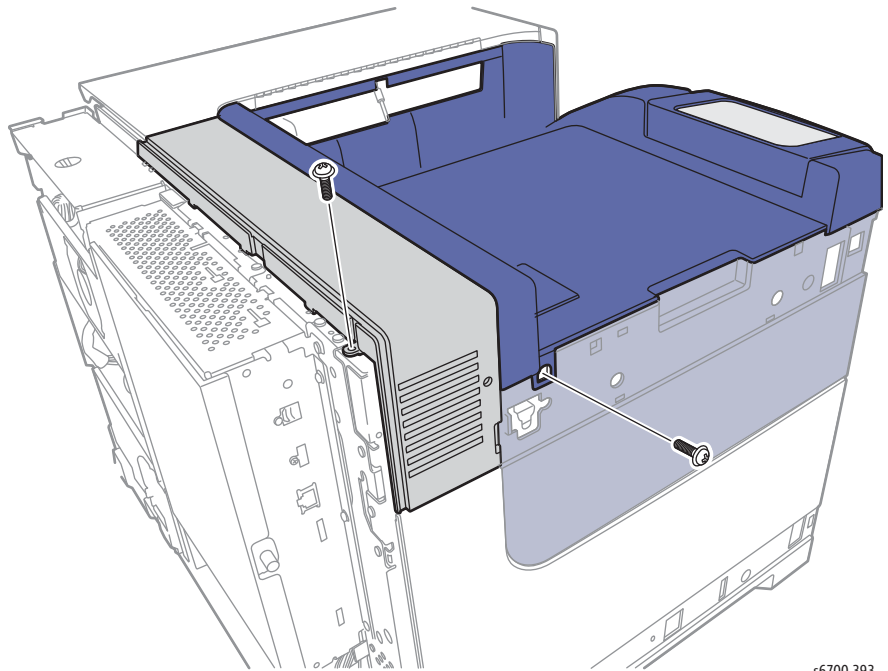
1. Remove the Tray.
2. Open the Front Door.
3. Remove the Rear Cover (page 8-31).
4. Slide the Upper and Lower Finisher Docking Covers to the front to release the hooks and remove the covers.



s6700-350

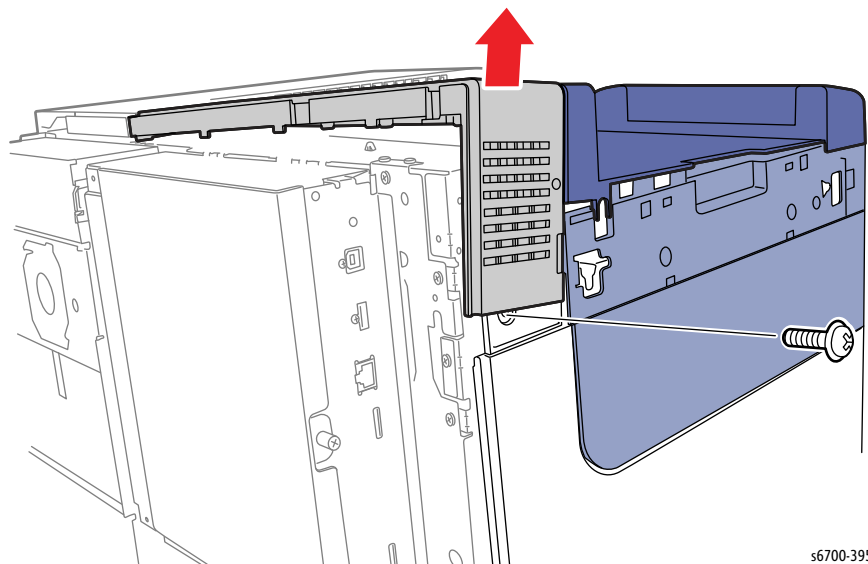
5. Remove the Output Tray (page 8-21).

6. Remove 1 screw (silver, 6mm) from the Rear Top Cover and 1 screw (silver, 6mm) from the Top Cover.



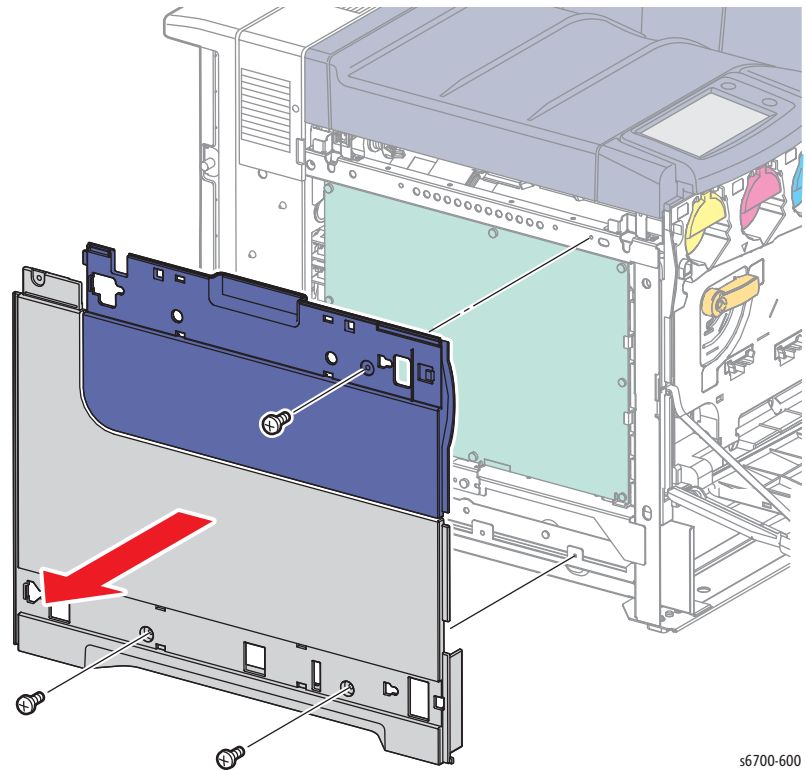
s6700-393

7. Lift the Rear Top Cover to access 1 screw (silver, 6mm) that secures the Left Cover.



s6700-395

8. Remove 3 screws (silver, 6mm) and lift the Left Cover to release 1 tab at the bottom.

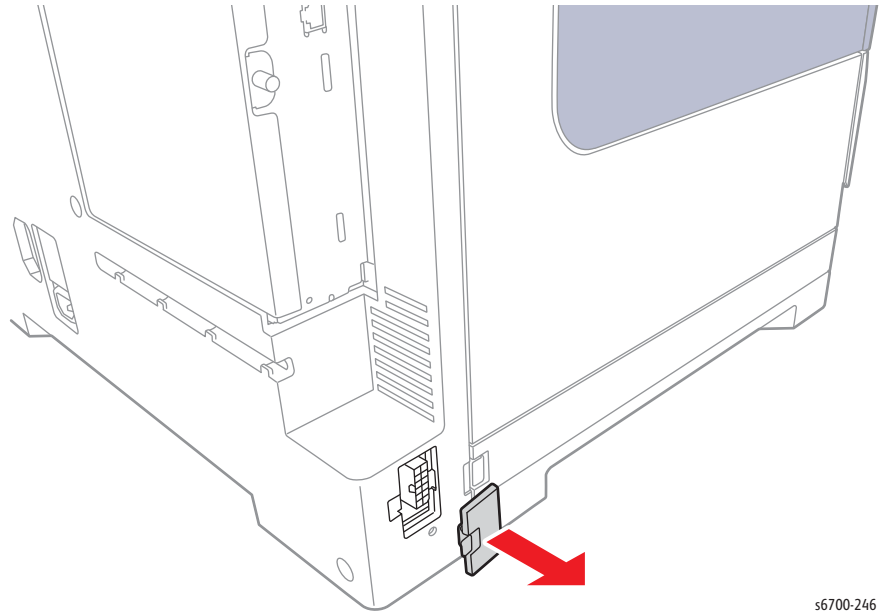


s6700-600

Rear Cover

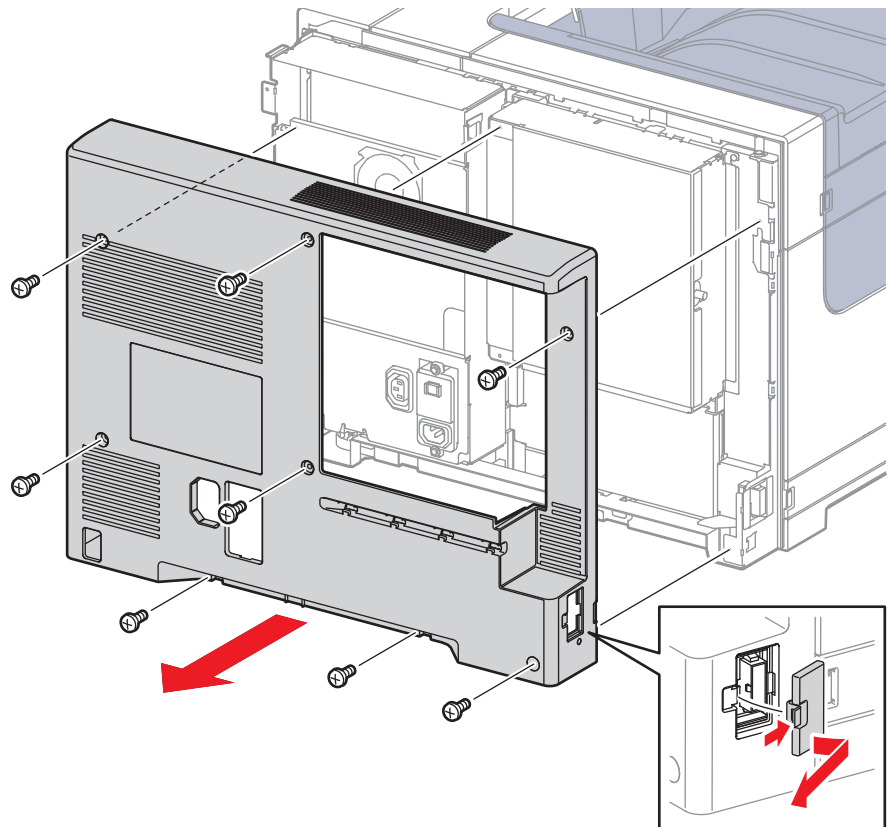
PL1.3.5

1. Release the hook that secures the Finisher Port Cover and remove the cover.



s6700-246

2. Remove 8 screws (silver, 6mm) that secure the Rear Cover to the chassis.
3. Remove the Rear Cover from the printer.

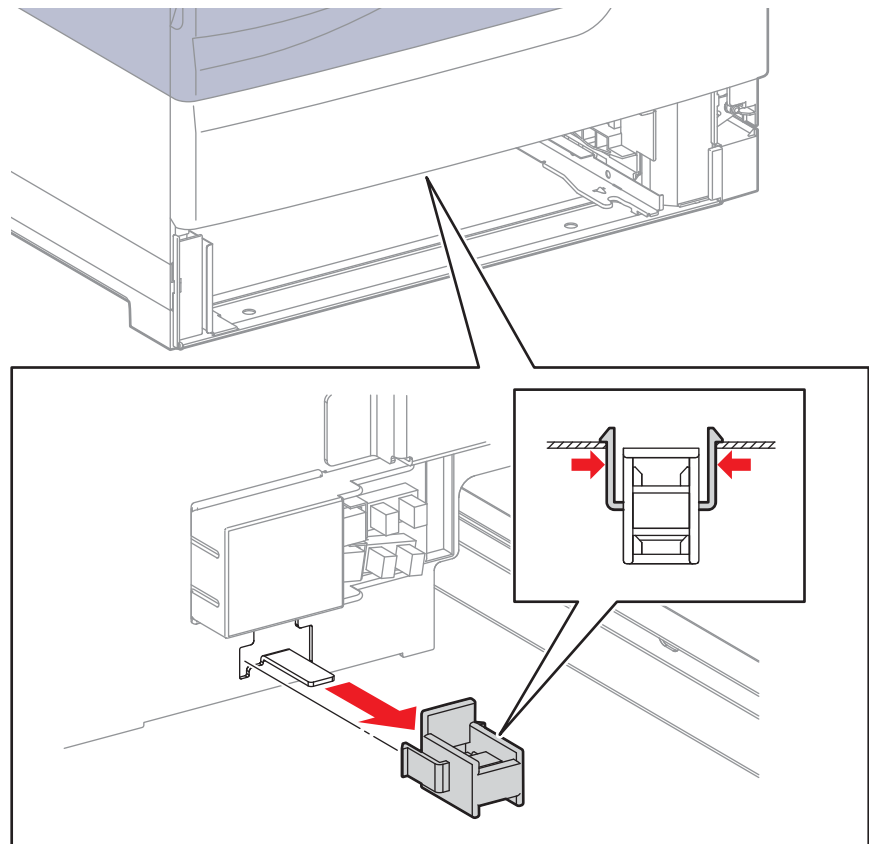


s6700-196

Tray Bottom Plate Release Block

PL3.1.5

1. Remove Tray 2.
2. Squeeze the sides of the block to release the hooks and remove the block.



s6700-352

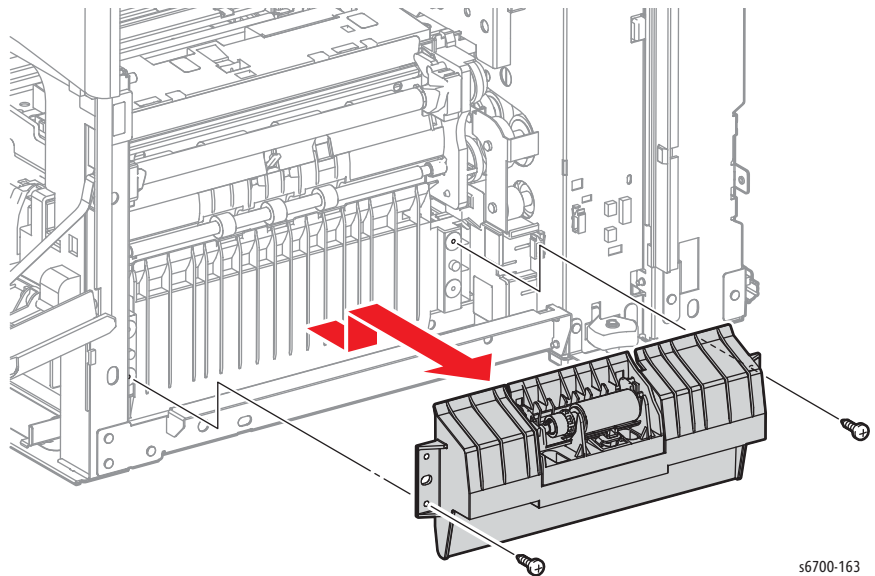
Tray 1 Separator Roller Assembly

PL3.1.7

Caution

Cover the Imaging Units to prevent exposure to light.

1. Remove the Tray.
2. Open the Front Door.
3. Open the Right Door.
4. Remove the Rear Cover (page 8-31).
5. Remove the Lower Right Cover (page 8-23).
6. Remove the Right Door Assembly (page 8-46).
7. Remove 2 screws (silver, tapping, 8mm) that secure the Tray 1 Separator Roller Assy to the chassis.



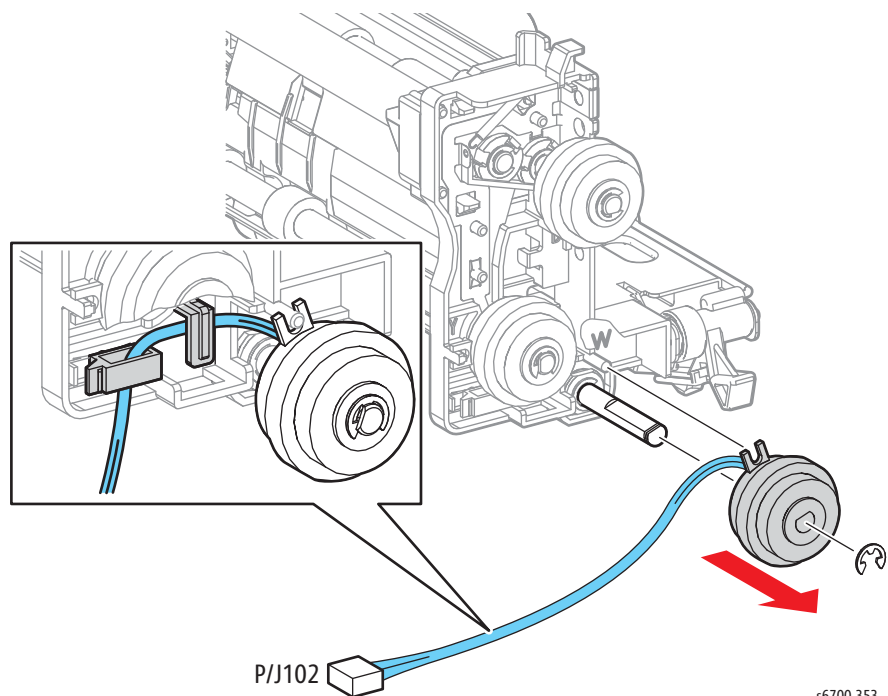
6700-163

Feeder / Registration Assembly

Feed Clutch

PL3.2.2

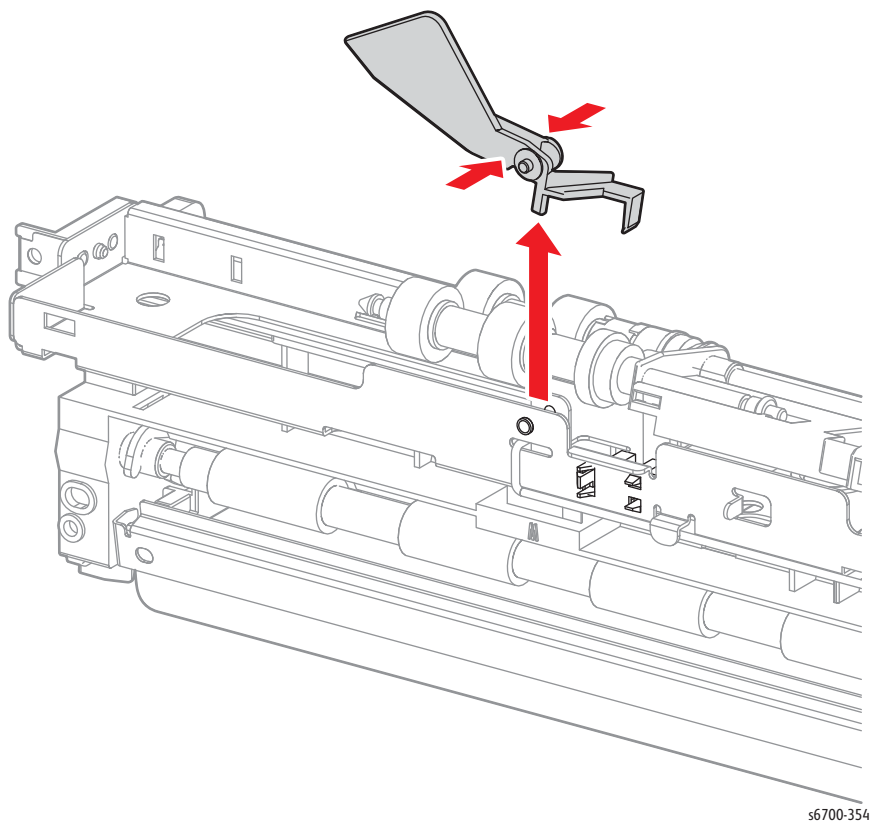
1. Remove Tray 2.
2. Open the Right Door.
3. Open the Inner Frame Assy.
4. Remove the Rear Cover (page 8-31).
5. Remove the Lower Right Cover (page 8-23).
6. Remove the Right Door Assembly. (page 8-46)
7. Remove the Feeder/Registration Assembly (page 8-41).
8. Remove the E-ring that secures the clutch to the feed shaft, disconnect P/J102 and release the clutch harness from the feeder to remove the clutch.



Tray 2 No Paper Actuator

PL3.2.10

1. Remove Tray 2.
2. Open the Right Door.
3. Open the Inner Frame Assy.
4. Remove the Rear Cover (page 8-31).
5. Remove the Lower Right Cover (page 8-23).
6. Remove the Right Door Assembly. (page 8-46)
7. Remove the Feeder/Registration Assembly (page 8-41).
8. Squeeze the actuator to release the bosses that secure the actuator to the feeder.

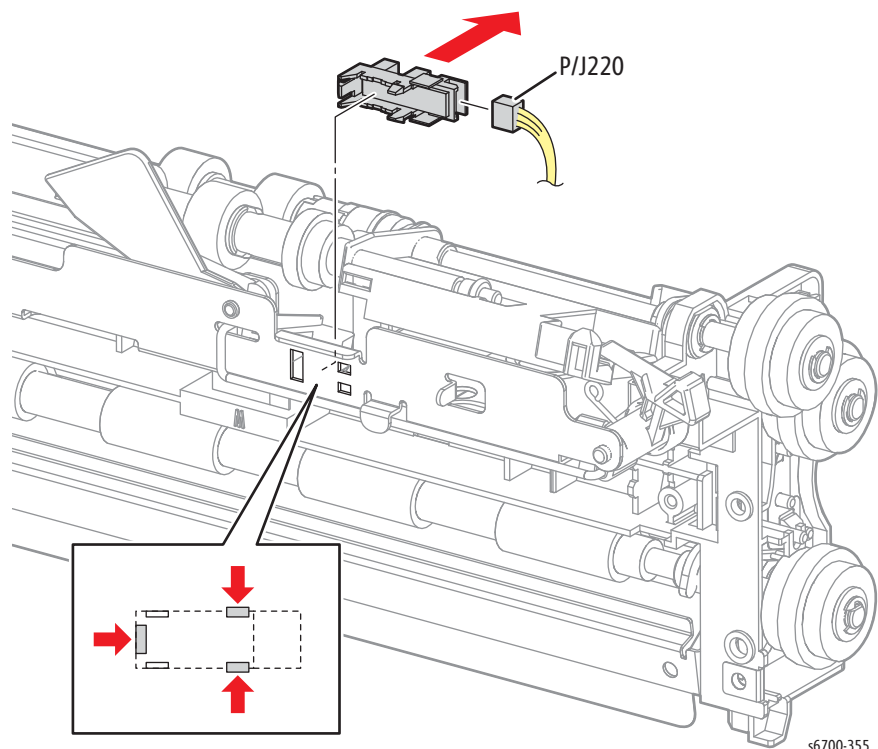


s6700-354

Tray 2 No Paper Sensor

PL3.2.11

1. Remove Tray 2.
2. Open the Right Door.
3. Open the Inner Frame Assy.
4. Remove the Rear Cover (page 8-31).
5. Remove the Lower Right Cover (page 8-23).
6. Remove the Right Door Assembly. (page 8-46)
7. Remove the Feeder/Registration Assembly (page 8-41).
8. Release the 3 hooks that secure the sensor to the feeder.
9. Disconnect P/J220 and remove the sensor.

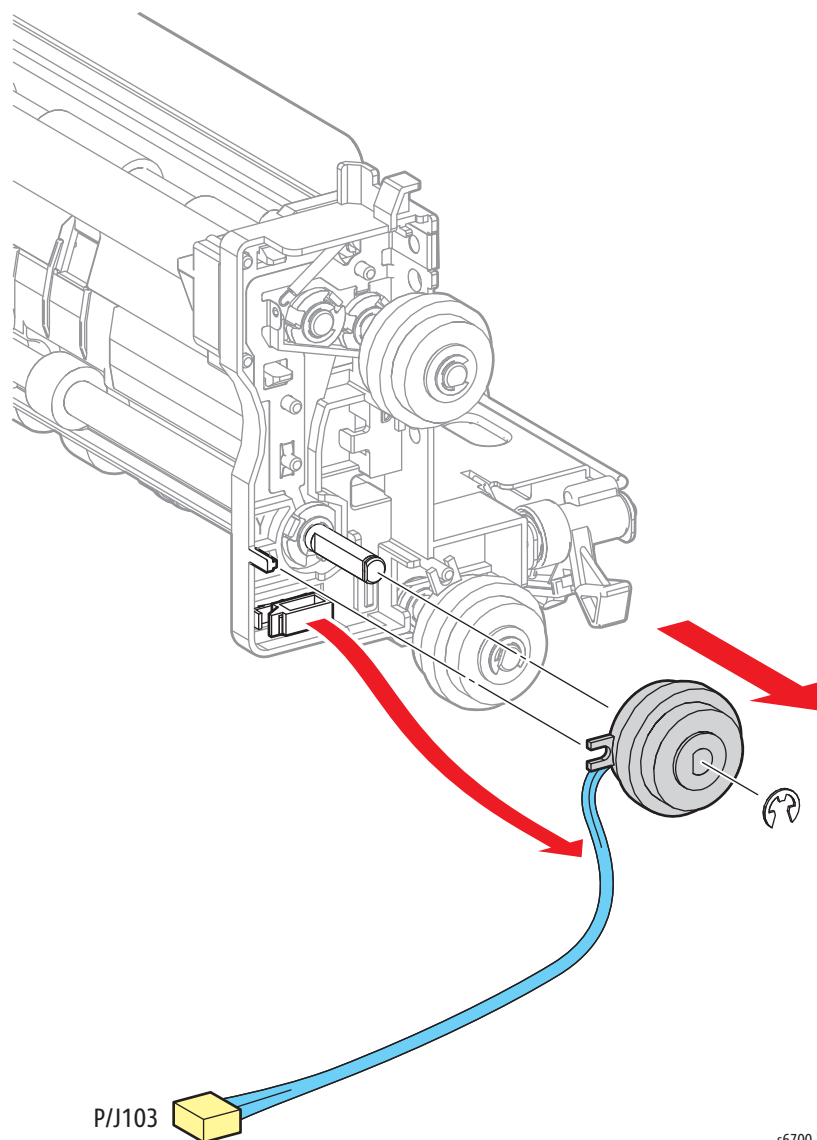


s6700-355

Take Away Clutch

PL3.3.12

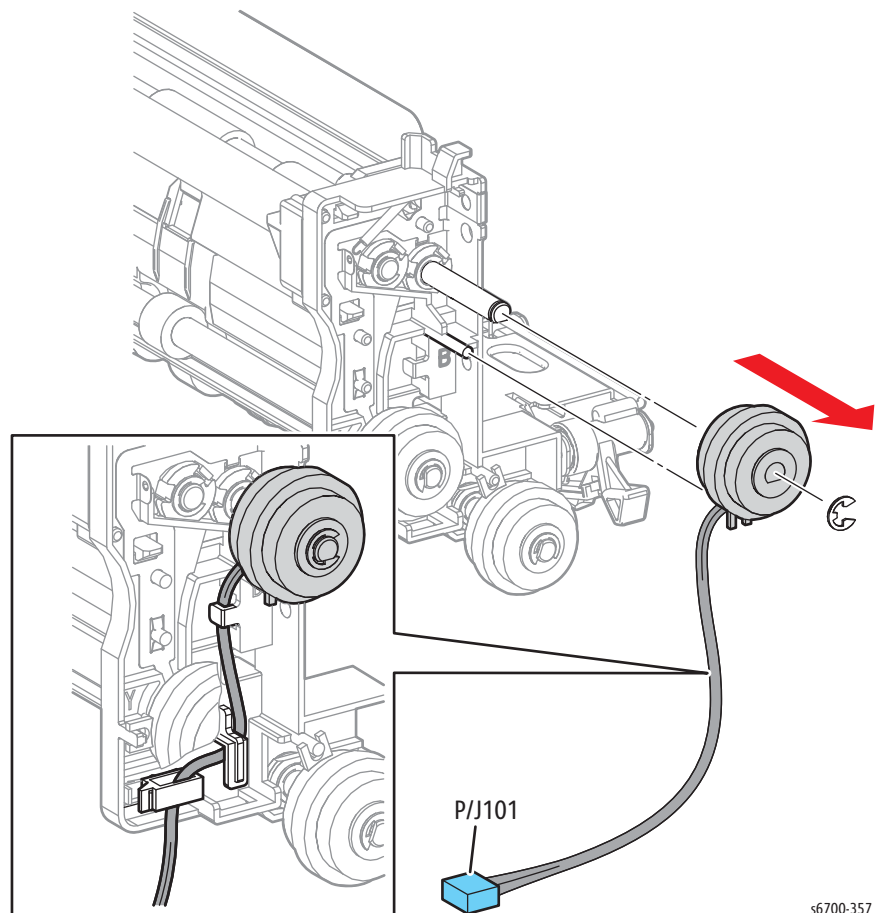
1. Remove Tray 2.
2. Open the Right Door.
3. Open the Inner Frame Assy.
4. Remove the Rear Cover (page 8-31).
5. Remove the Lower Right Cover (page 8-23).
6. Remove the Right Door Assembly. (page 8-46)
7. Remove the Feeder/Registration Assembly (page 8-41).
8. Remove the E-ring that secures the clutch to the take away roller, disconnect P/J103 and release the clutch harness from the clamp to remove the clutch.



Registration Clutch

PL3.3.1

1. Remove Tray 2.
2. Open the Right Door.
3. Open the Inner Frame Assy.
4. Remove the Rear Cover (page 8-31).
5. Remove the Lower Right Cover (page 8-23).
6. Remove the Right Door Assembly. (page 8-46)
7. Remove the Feeder/Registration Assembly (page 8-41).
8. Remove the E-ring that secures the clutch to the roller shaft and release the clutch harness from the guides and clamp to remove the clutch.

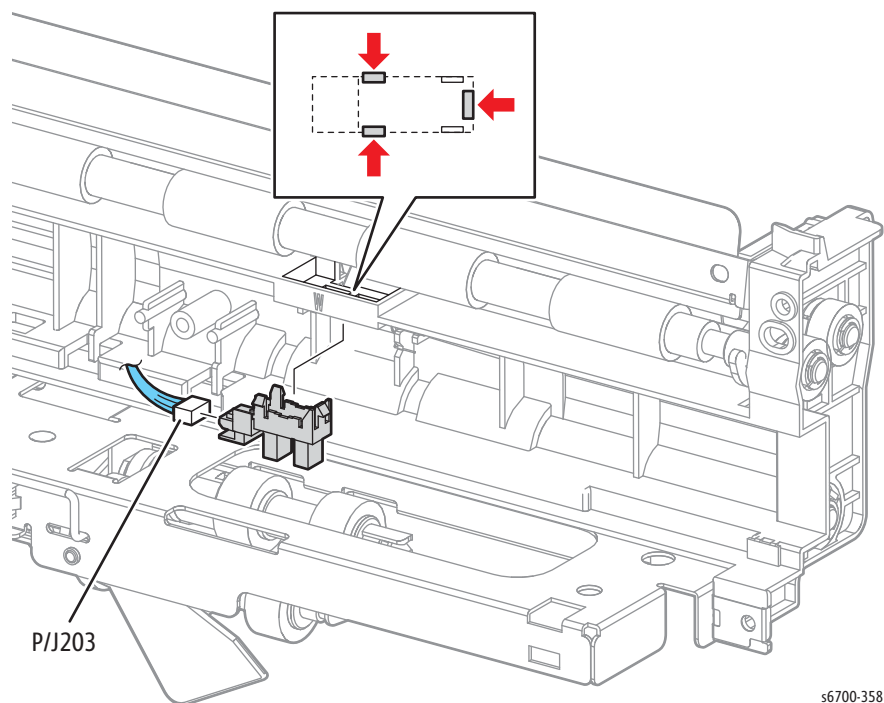


s6700-357

Registration Sensor

PL3.3.22

1. Remove Tray 2.
2. Open the Right Door.
3. Open the Inner Frame Assy.
4. Remove the Rear Cover (page 8-31).
5. Remove the Lower Right Cover (page 8-23).
6. Remove the Right Door Assembly. (page 8-46)
7. Remove the Feeder/Registration Assembly (page 8-41).
8. Release the 3 hooks that secure the sensor to the feeder.
9. Disconnect P/J203 and remove the sensor.

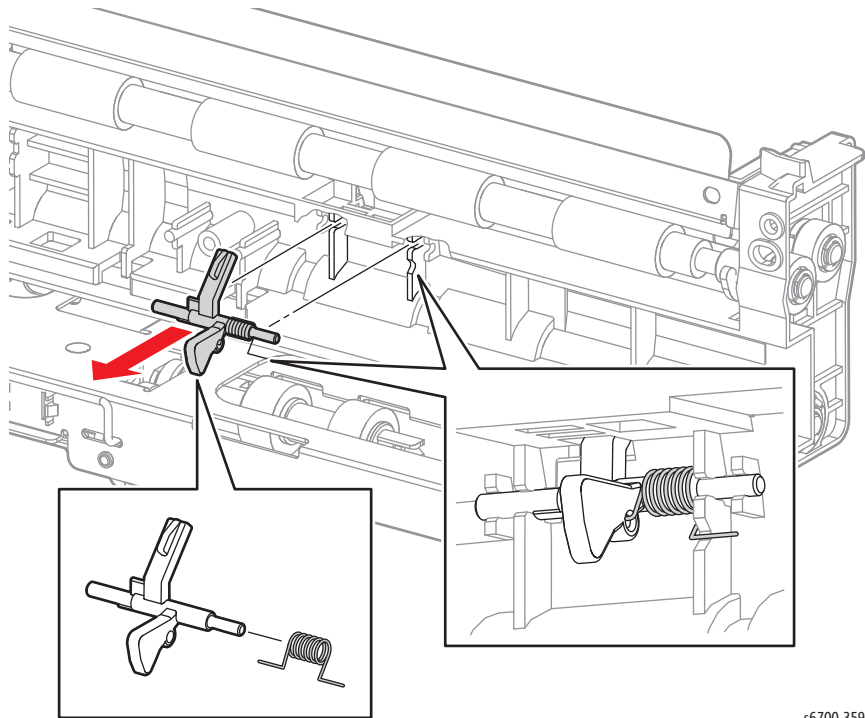


s6700-358

Registration Sensor Actuator

PL3.3.20

1. Remove Tray 2.
2. Open the Right Door.
3. Open the Inner Frame Assy.
4. Remove the Rear Cover (page 8-31).
5. Remove the Lower Right Cover (page 8-23).
6. Remove the Right Door Assembly. (page 8-46)
7. Remove the Feeder/Registration Assembly (page 8-41).
8. Remove the Registration Sensor (page 8-39)
9. Release the actuator shaft from the hooks on the feeder to remove the actuator.



s6700-359

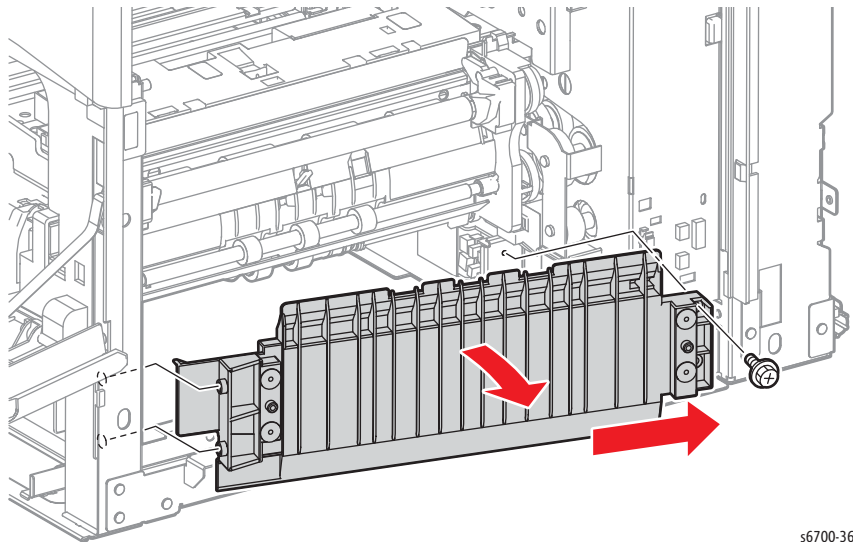
Feeder/Registration Assembly

PL3.2.1

Caution

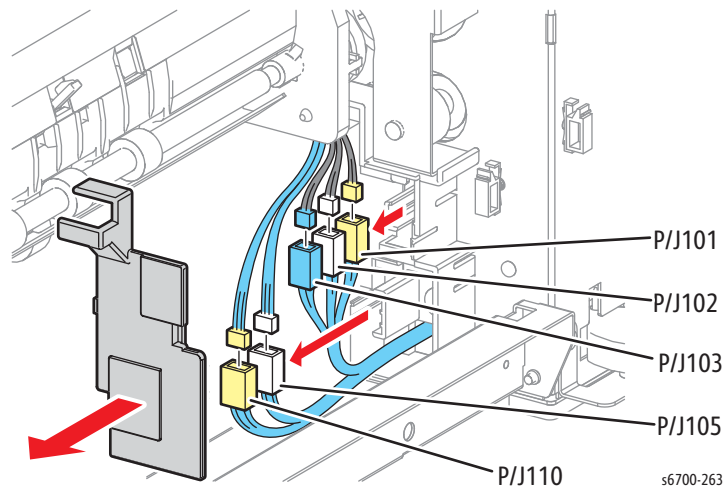
Cover the Imaging Units to prevent exposure to light.

1. Remove Tray 2.
2. Open the Right Door.
3. Open the Inner Frame Assy.
4. Remove the Rear Cover (page 8-31).
5. Remove the Lower Right Cover (page 8-23).
6. Remove the Right Door Assembly. (page 8-46)
7. Remove the Tray 1 Separator Assy (page 8-33).
8. Remove 1 screw (silver, 6mm) that secures the tray guide to the chassis.
9. Release the boss on the rear side of the tray guide, and slide the tray guide backward to release the two bosses on the front side.

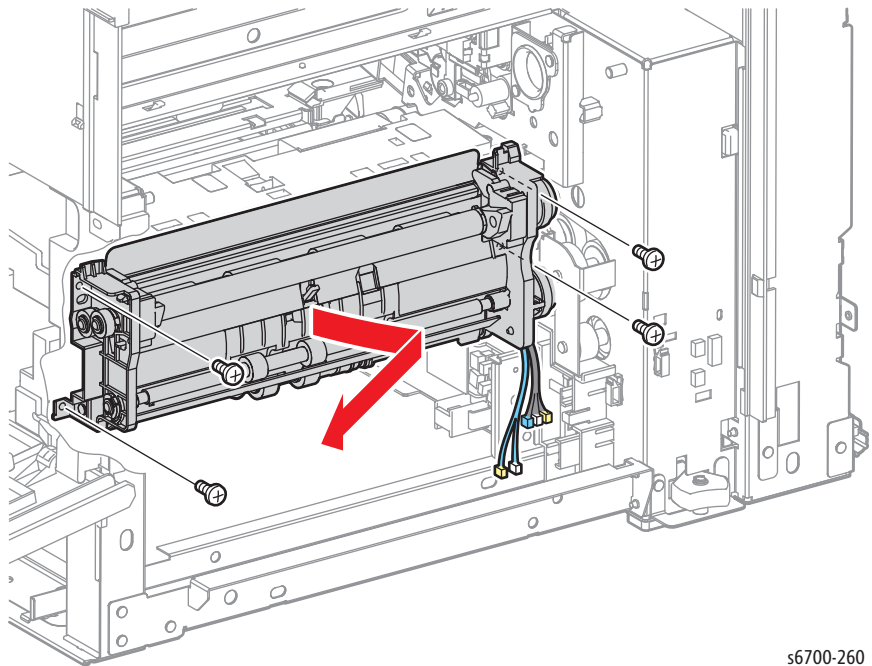


s6700-360

10. Remove the harness guide cover from the harness guide by releasing the hook.
11. Remove the harnesses and disconnect all connectors.



12. Remove 4 screws (silver, 6mm) that secure the feeder to the chassis.

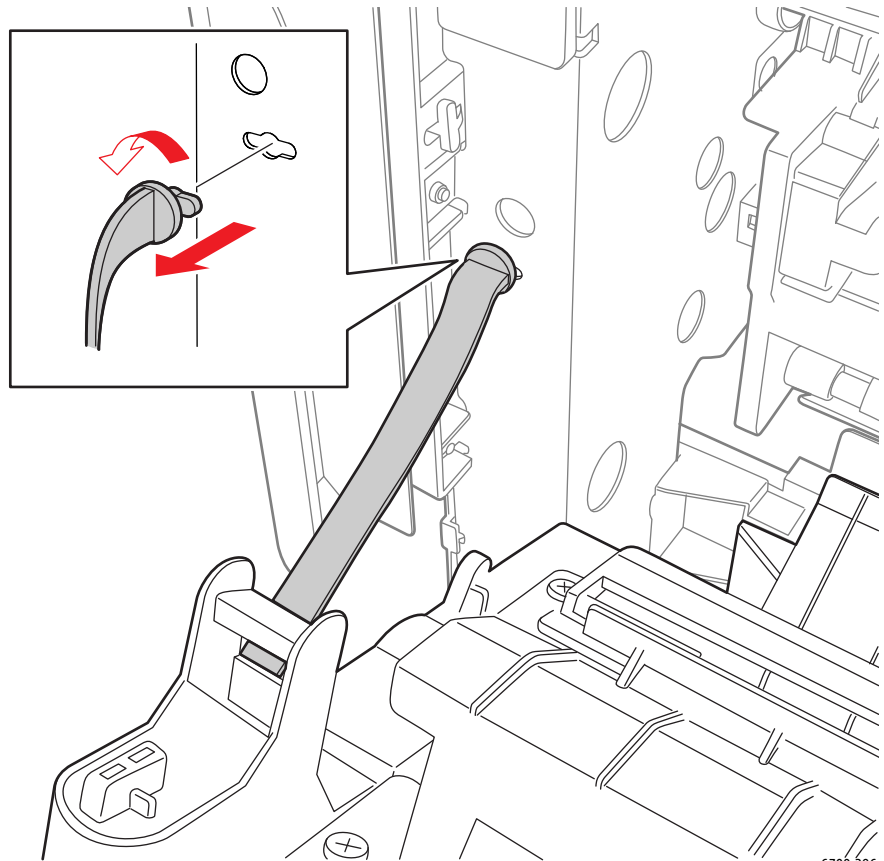


Right Door

Right Door Stopper Strap

PL4.1.21

1. Open the Right Door.
2. Rotate the Stopper Strap to release the strap from the chassis.

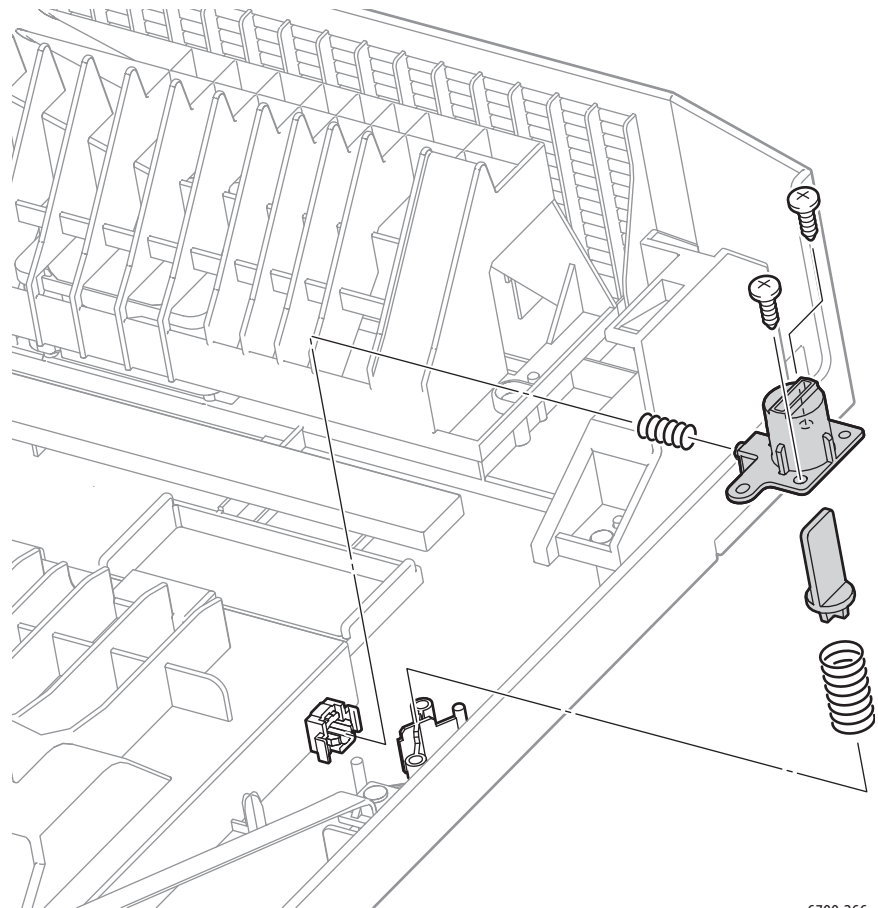


s6700-396

Right Door Interlock Actuator

PL4.1.97

1. Open the Right Door.
2. Raise and latch the duplex unit.
3. Remove the spring from the stopper and the boss of the interlock holder.
4. Remove 2 screws (silver, tapping, 8mm) that secure the Interlock Actuator to the Right Door.

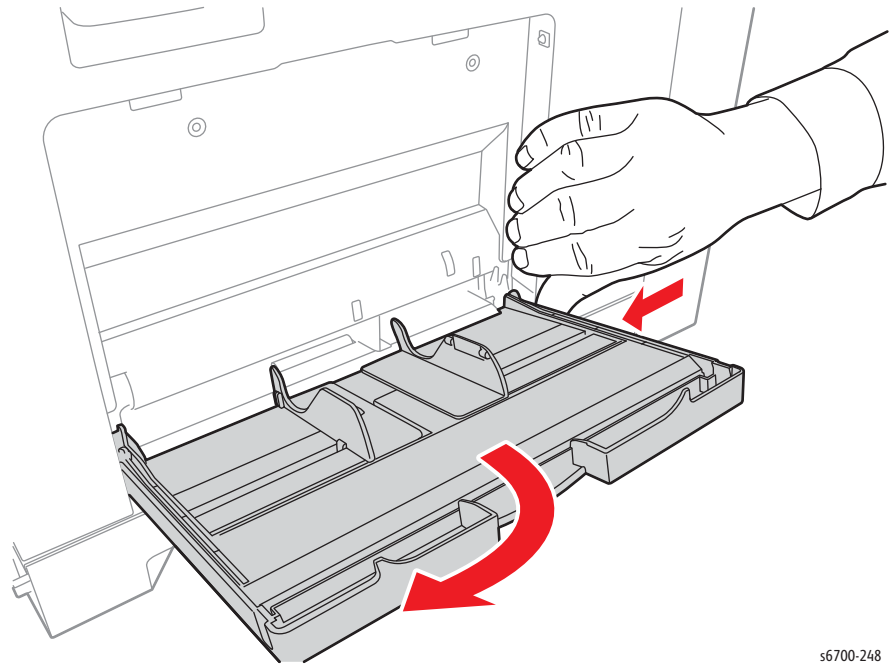


s6700-266

Tray 1 Cover Assembly

PL4.1.98

1. Open Tray 1.
2. Release the boss at each side to remove the Tray from the printer.



s6700-248

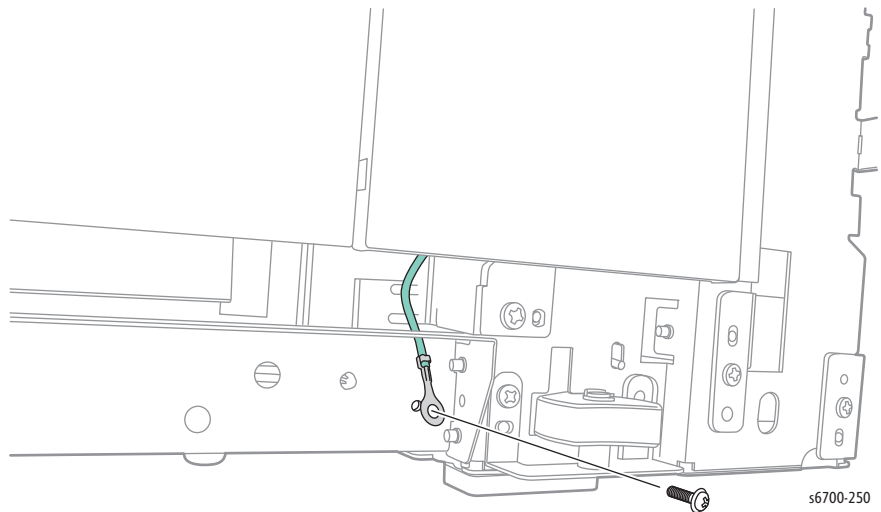
Right Door Assembly

PL4.1.99

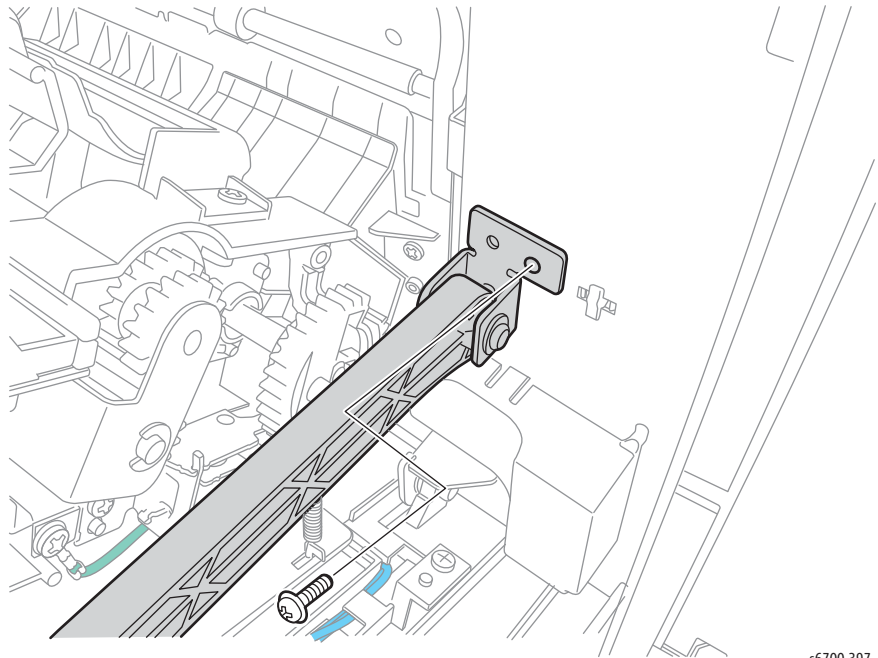
Caution

Cover the Imaging Units to prevent exposure to light.

1. Remove the Tray.
2. Open the Front Cover.
3. Open the Right Door.
4. Remove the Rear Cover (page 8-31).
5. Remove the Lower Right Cover (page 8-23).
6. Raise the Right Door and remove 1 screw (silver, 6mm) that secures the grounding terminal. Route the ground wire through the hole in the chassis to the outside.

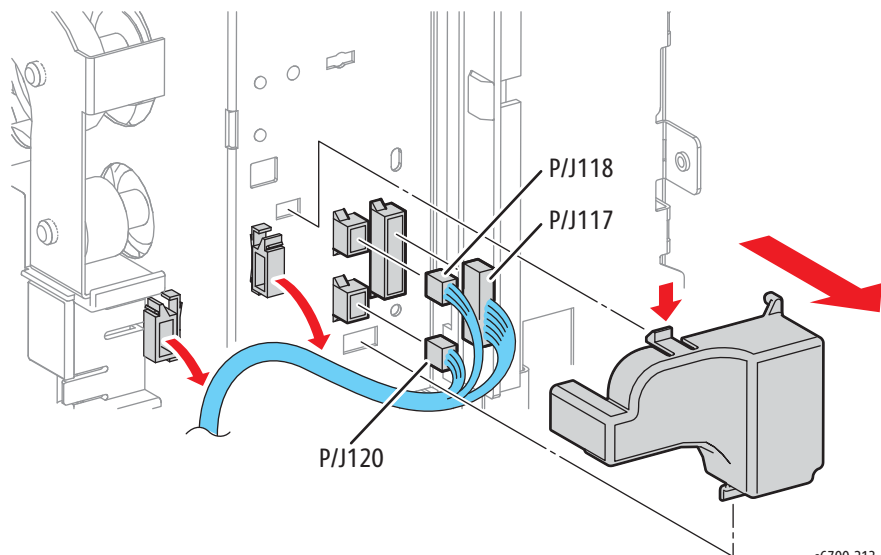


7. Remove 1 screw (silver, M4, 6mm) that secures the Link Assy to the printer.
8. Remove the right stopper strap by rotating the strap CCW 90 degrees to align the tab with the notch in the chassis.



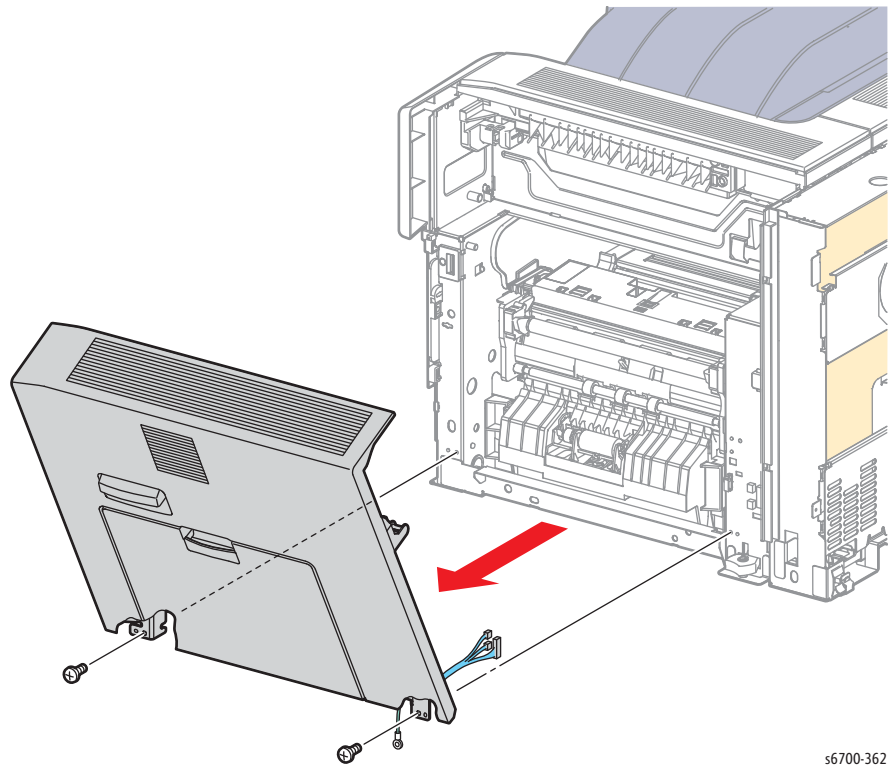
s6700-397

9. Remove the connector cover by releasing 2 hooks.
10. Disconnect P/J117, P/J118, and P/J120 and release the harness from the two clamps.



s6700-213

11. Remove 2 screws (silver, M4, 6mm) that secure the hinges to the chassis to remove the door.

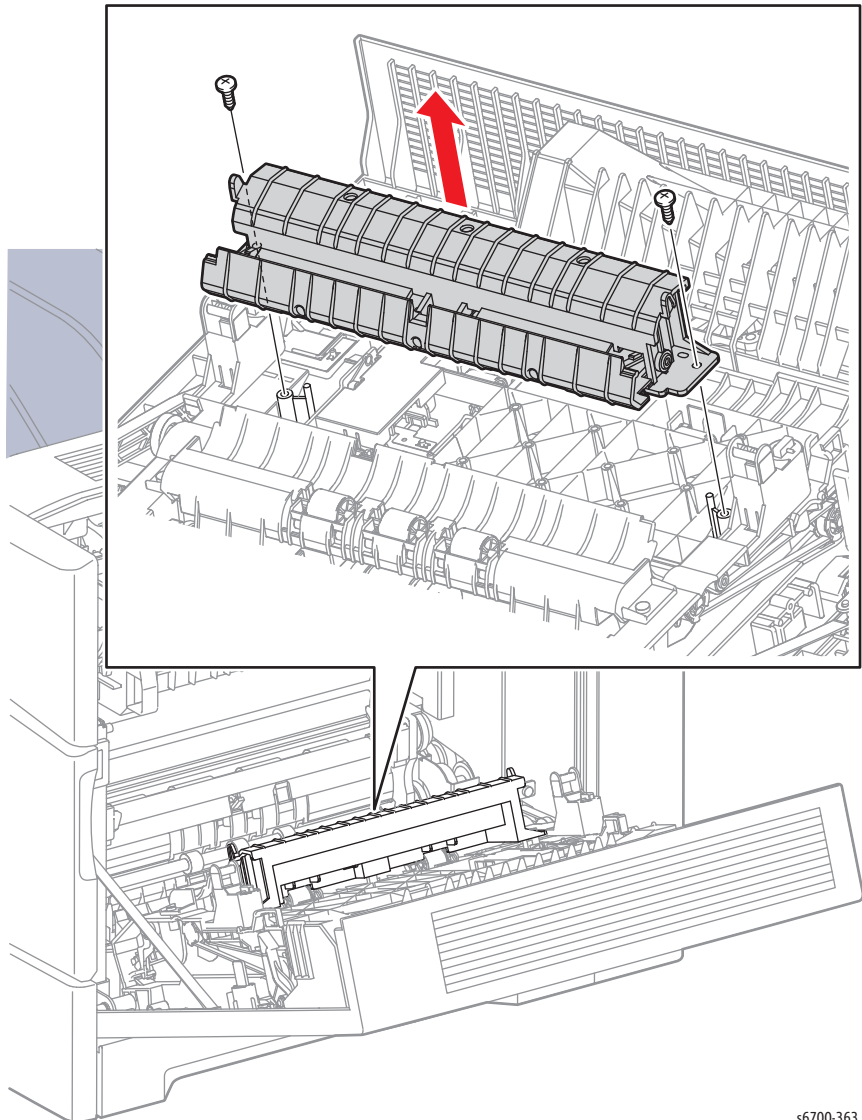


s6700-362

Registration Chute

PL4.2.1

1. Open the Right Door.
2. Remove the Transfer Roller (page 8-11).
3. Remove 2 screws that secure the chute to the duplex unit.

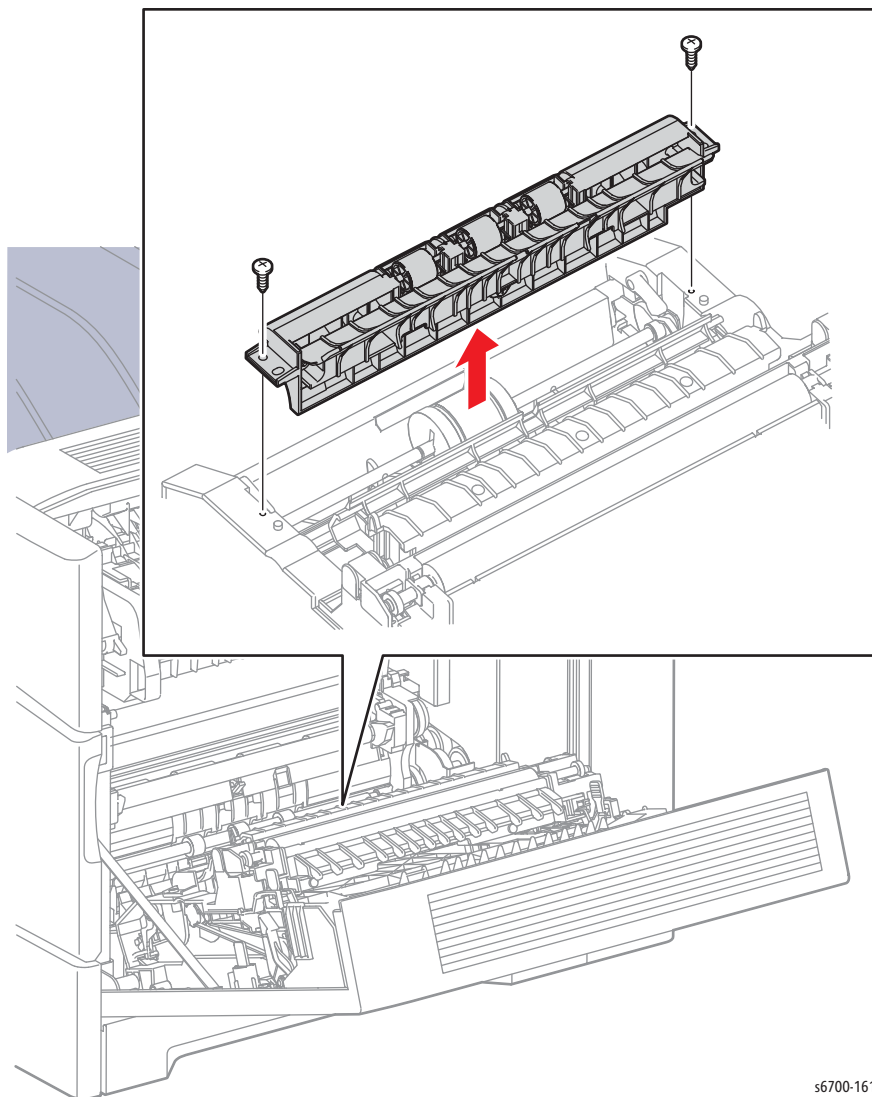


s6700-363

Tray 1 Chute Assembly

PL4.2.5

1. Open the Right Door.
2. Remove 2 screws that secure the chute to the duplex unit.

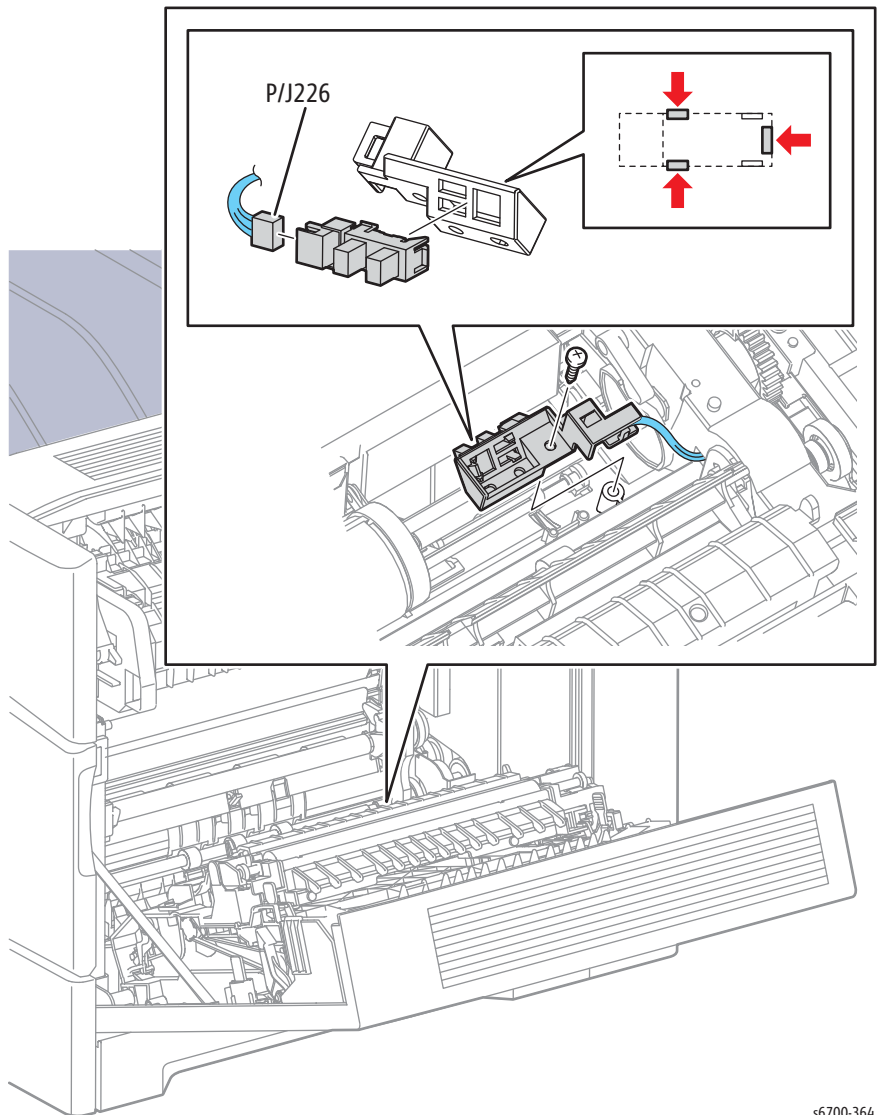


s6700-161

Tray 1 No Paper Sensor

PL4.2.14

1. Open the Right Door.
2. Remove the Tray 1 Chute Assy (page 8-50).
3. Remove 1 screw that secures the sensor bracket to the duplex unit.
4. Disconnect P/J226 and remove the sensor from the bracket.

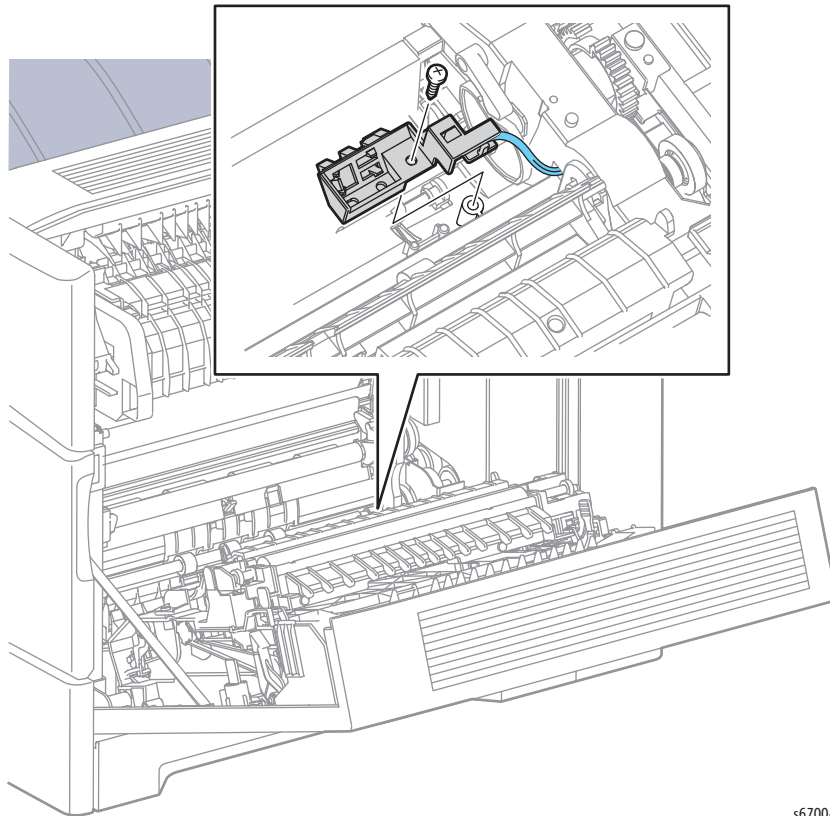


s6700-364

Tray 1 No Paper Sensor Actuator

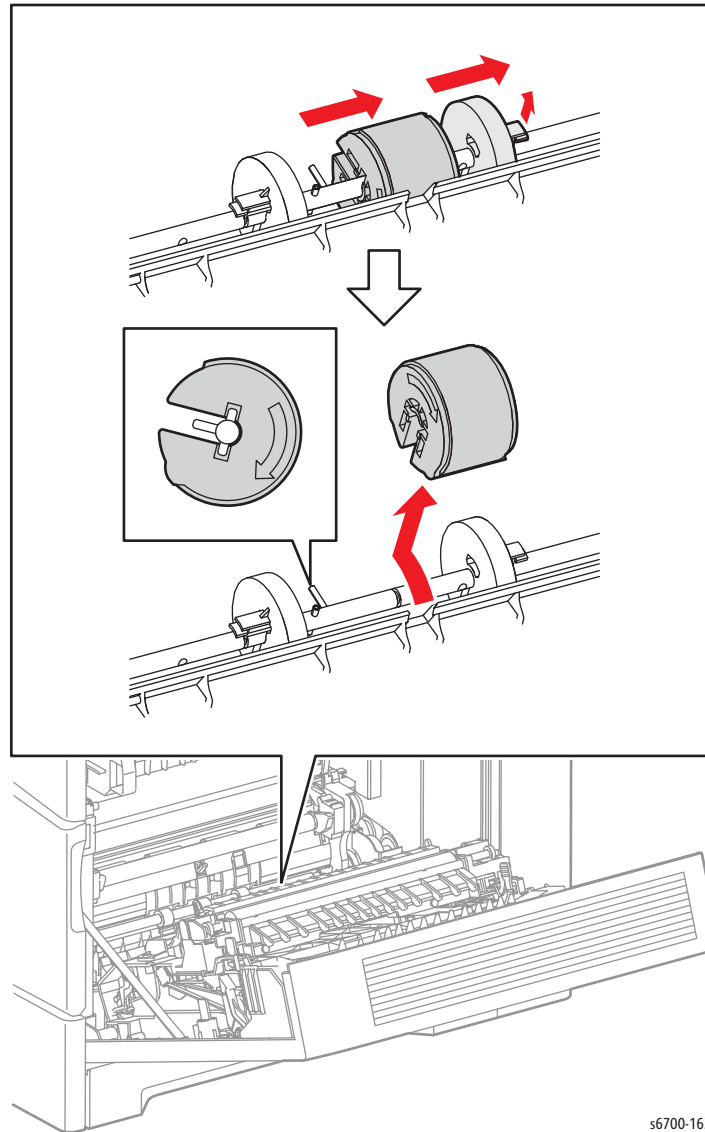
PL4.2.26

1. Open the Right Door.
2. Remove the Tray 1 Chute Assy (page 8-50).
3. Remove 1 screw that secures the sensor bracket to the duplex unit.



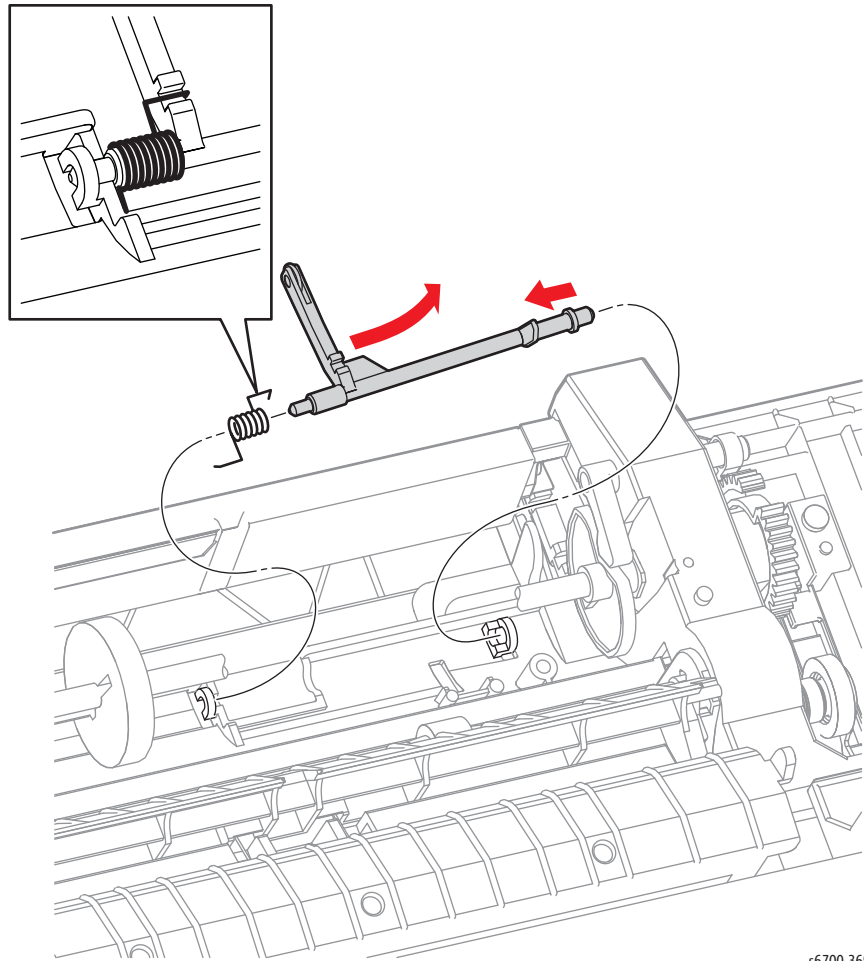
s6700-365

4. Remove the Feed Roller (page 8-9).



s6700-162

5. Flex the actuator shaft to release the ends of the shaft from the duplex unit.



s6700-369

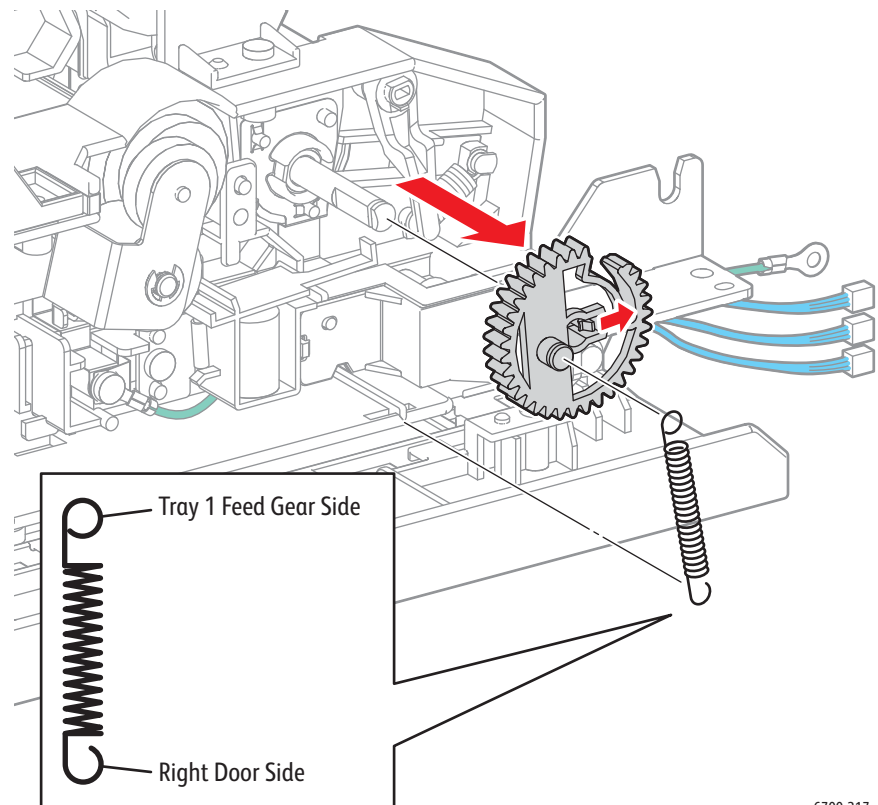
Tray 1 Feed Solenoid, Gear & Clutch

PL4.2.99

Caution

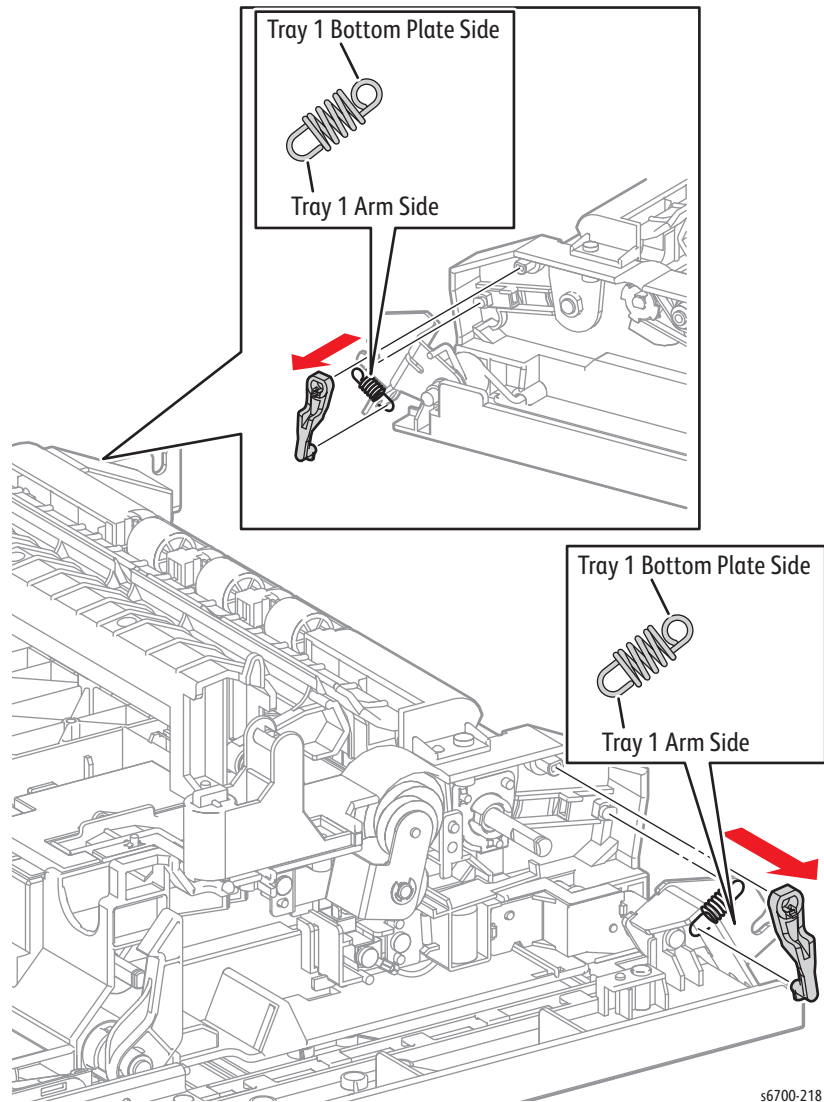
Cover the Imaging Units to prevent exposure to light.

1. Remove the Tray.
2. Open the Front Door.
3. Remove the Rear Cover (page 8-31).
4. Remove the Lower Right Cover (page 8-23).
5. Remove the Right Door (page 8-46).
6. Remove the Feed Spring from the Feed Gear and door.
7. Remove the Feed Gear from the shaft by releasing the hook of the Feed Gear.



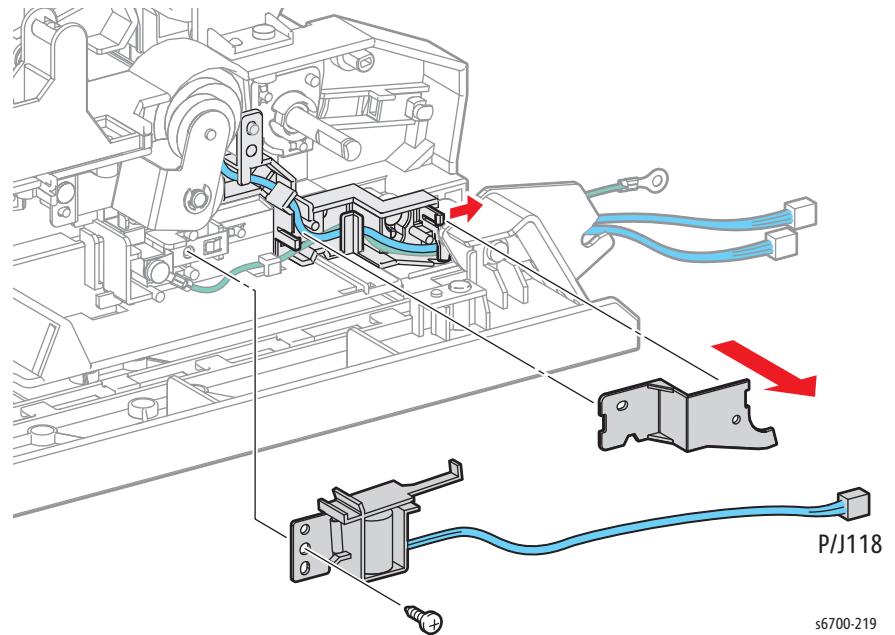
s6700-217

8. Remove the rear spring from the Tray 1 bottom plate.
9. Remove the rear arm from the rear follower by releasing the hook.
10. Remove the front spring from the front arm and Tray 1 bottom plate.
11. Remove the front arm from the follower by releasing the hook.

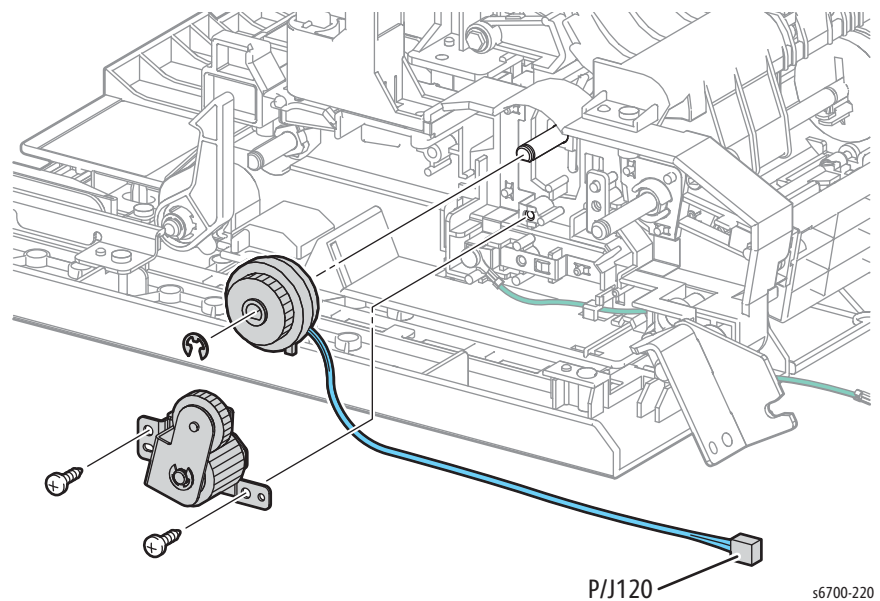


12. Remove the harness guide cover from the harness guide by releasing 2 hooks.
13. Open the duplex chute to release the solenoid and clutch harnesses from under the Right Door hinge pin.

14. Release the Tray 1 Feed Solenoid (P/J118) and Duplex Drive Clutch (P/J120) harnesses from the hooks of the harness guide.
15. Remove 1 screw (silver, tapping, 8mm) that secures the Tray 1 Feed Solenoid.



15. Remove 2 screws (silver, tapping, 8mm) that secure the Duplex Gear Assembly.
16. Remove the E-ring that secures the Duplex Drive Clutch to the Lower Duplex Roller.



Replacement Note

Attach the cam follower springs to the cam followers before installing the followers on the bottom plate shaft.

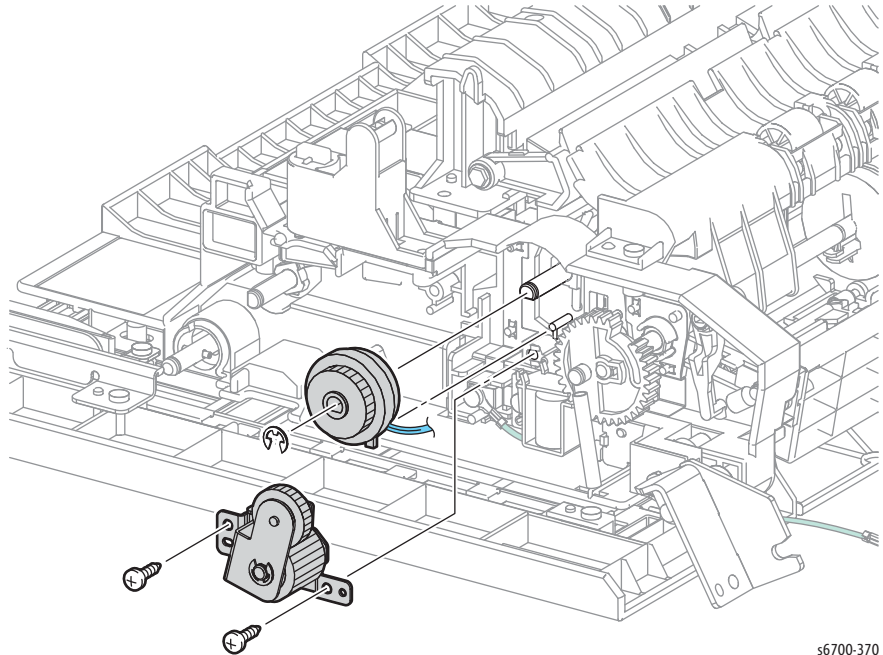
Lower Duplex Roller

PL4.3.10

Caution

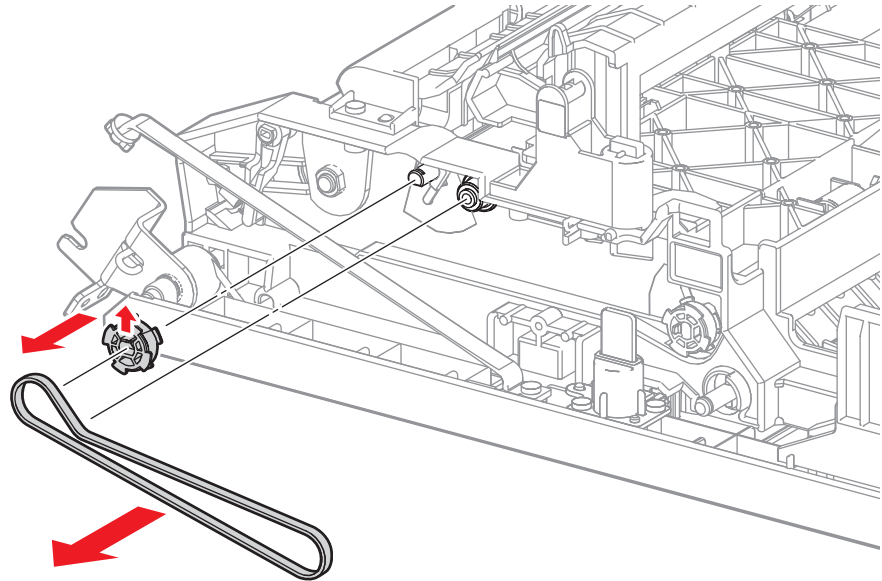
Cover the Imaging Units to prevent exposure to light.

1. Remove the Tray.
2. Open the Front Door.
3. Remove the Rear Cover (page 8-31).
4. Remove the Lower Right Cover (page 8-23).
5. Remove the Right Door (page 8-46).
6. Remove Tray 1 Chute Assy (page 8-50).
7. Remove 2 screws that secure the duplex gear assembly and the E-ring that secures the clutch to the Lower Duplex Roller shaft.



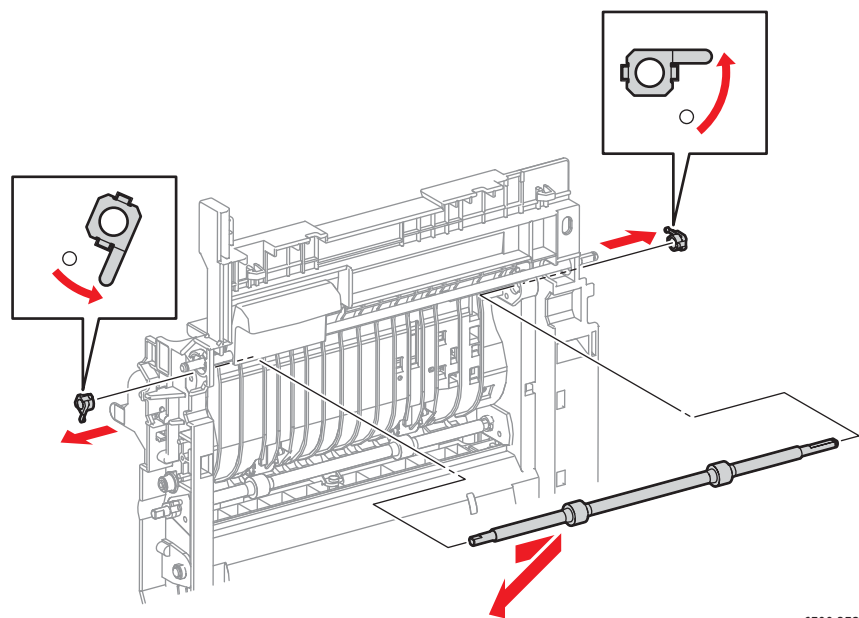
s6700-370

8. Release the hook that secures the pulley to the front end of the roller shaft.



s6700-371

9. Unlock the bearing at each end of the roller shaft and remove the roller from the duplex unit



s6700-372

Replacement Note

Press the center of the bearing to fully seat it on the shaft. Next, rotate the bearing lock into place.

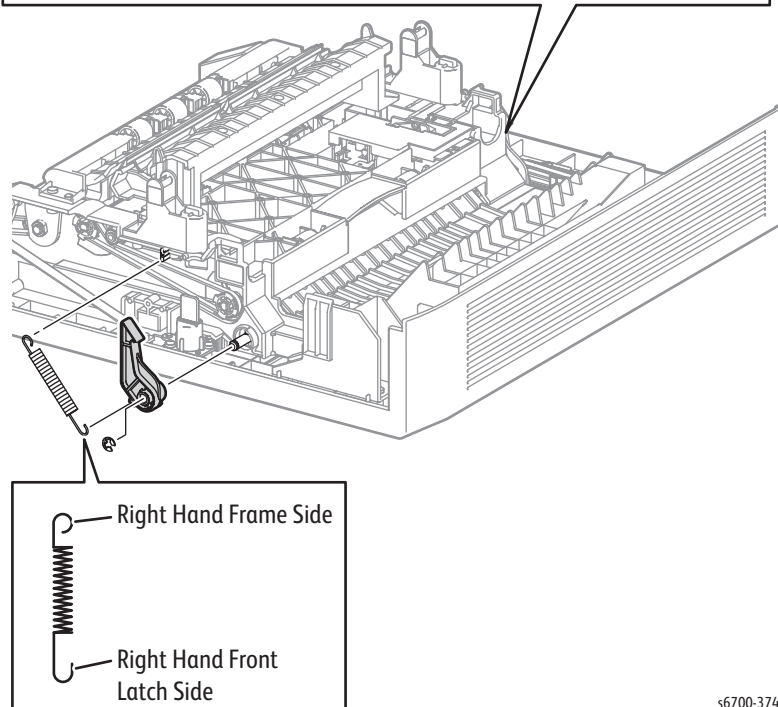
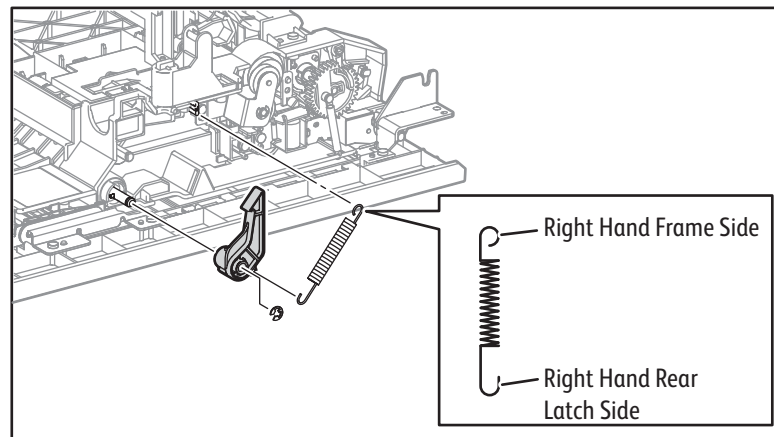
Upper Duplex Roller

PL4.3.10

Caution

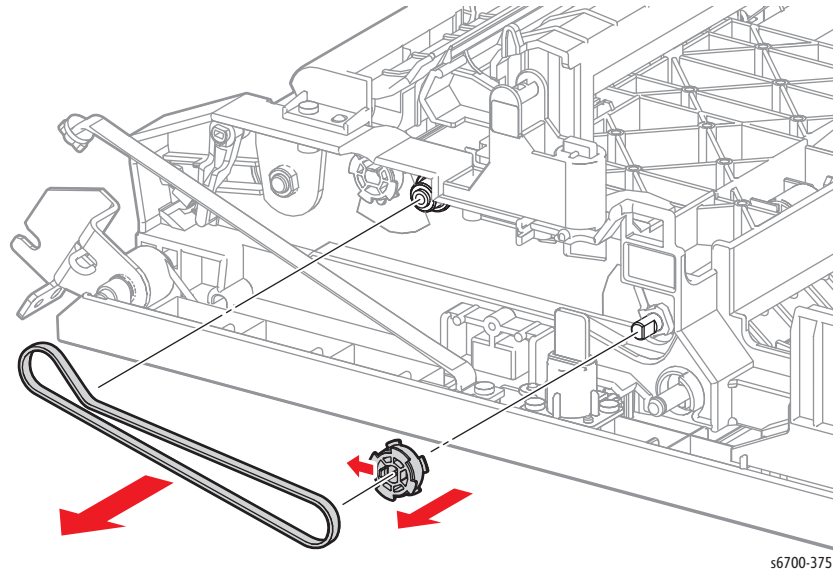
Cover the Imaging Units to prevent exposure to light.

1. Open the Right Door.
2. Open the duplex chute.
3. Remove the front and rear latches and springs from the latch shaft.

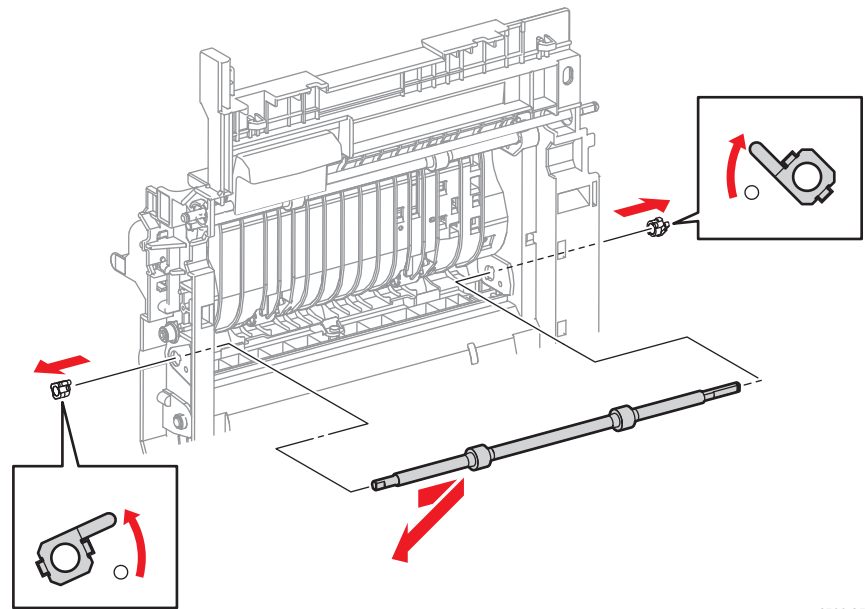


s6700-374

4. Release the hook that secures the pulley to the front end of the roller shaft.



5. Unlock the bearing at each end of the roller shaft and remove the roller from the duplex unit



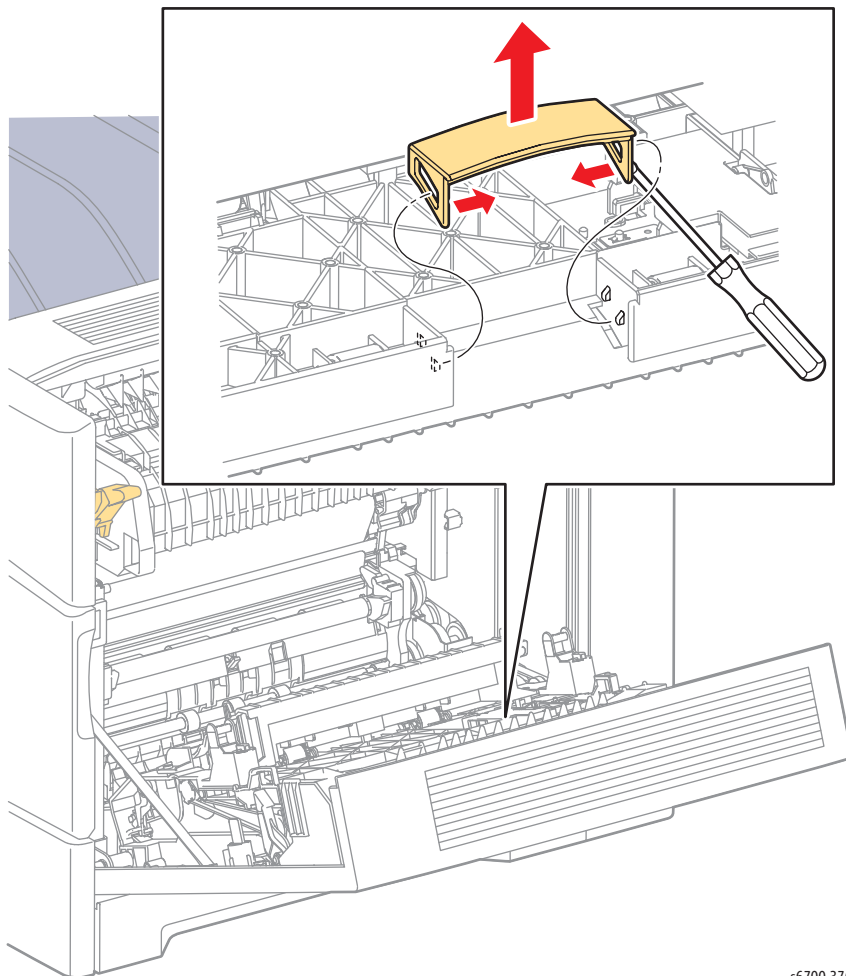
Replacement Note

Press the center of the bearing to fully seat it on the shaft. Next, rotate the bearing lock into place.

Duplex Handle

PL4.4.8

Raise one side and lift to remove the handle from the duplex unit.



s6700-376

Print Engine Electrical

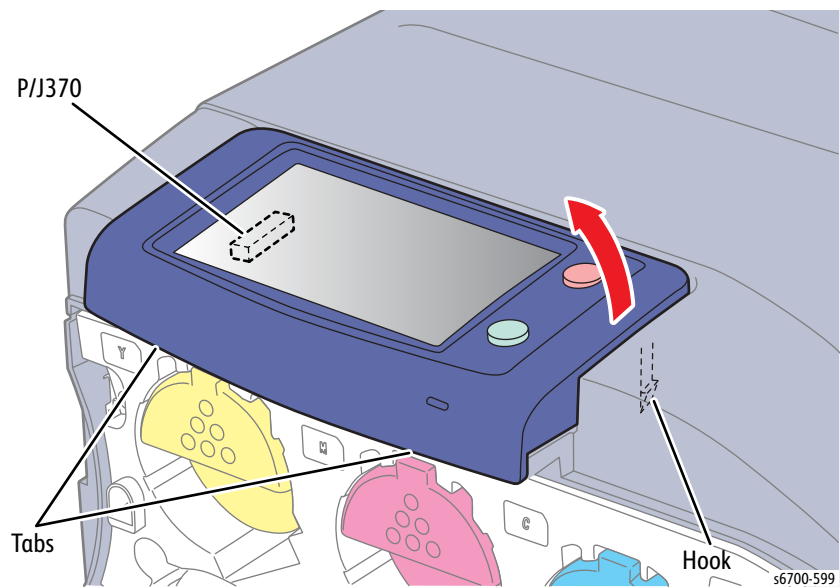
Control Panel

Note

The Control Panel is considered a Customer Replaceable Unit (CRU).

PL1.1.1

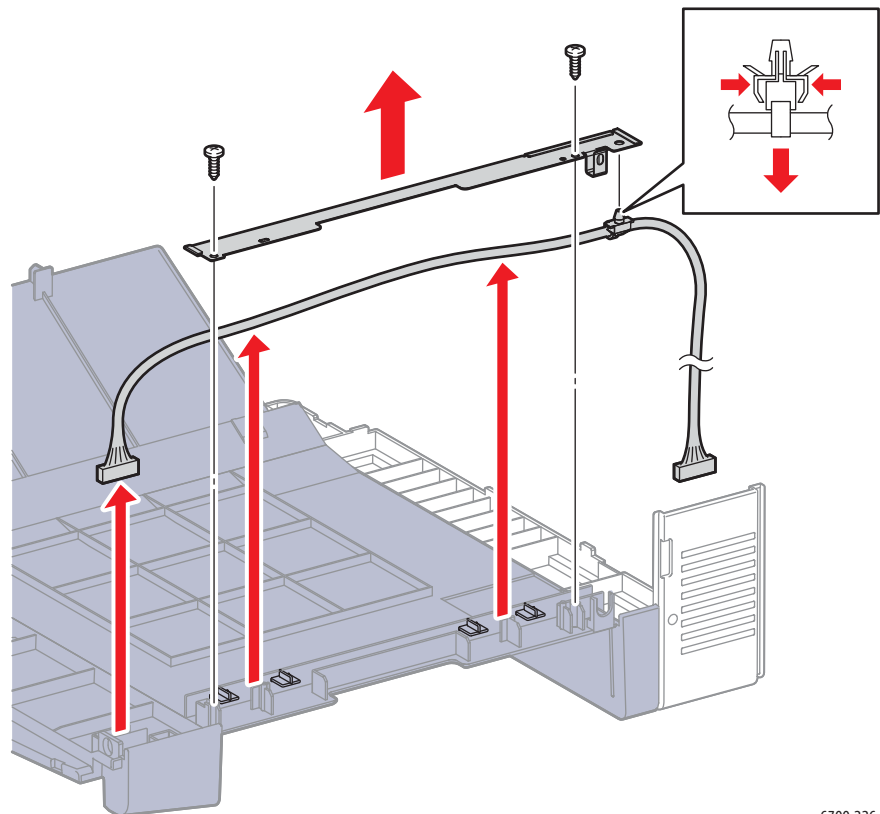
1. Open the Front Door.
2. Lift the front edge of the Control Panel cover to release 2 tabs and 2 hooks that secure the Control Panel cover to the Top Cover.
3. Disconnect P/J370 and remove the Control Panel.



Control Panel Harness

PL1.1.2

1. Open the Front Door.
2. Open the Right Cover.
3. Open the Inner Frame Assy.
4. Remove the Rear Cover (page 8-31).
5. Remove the Left Cover (page 8-28).
6. Remove the Output Tray (page 8-21).
7. Remove the Top Cover (page 8-19).
8. Route the harness along the left edge of the cover. Insert the cable tie in the harness cover and secure the harness cover to the Top Cover using 2 (silver, tapping, 8mm) screws.



s6700-226

Front Door Interlock Switch

PL1.2.1

Warning

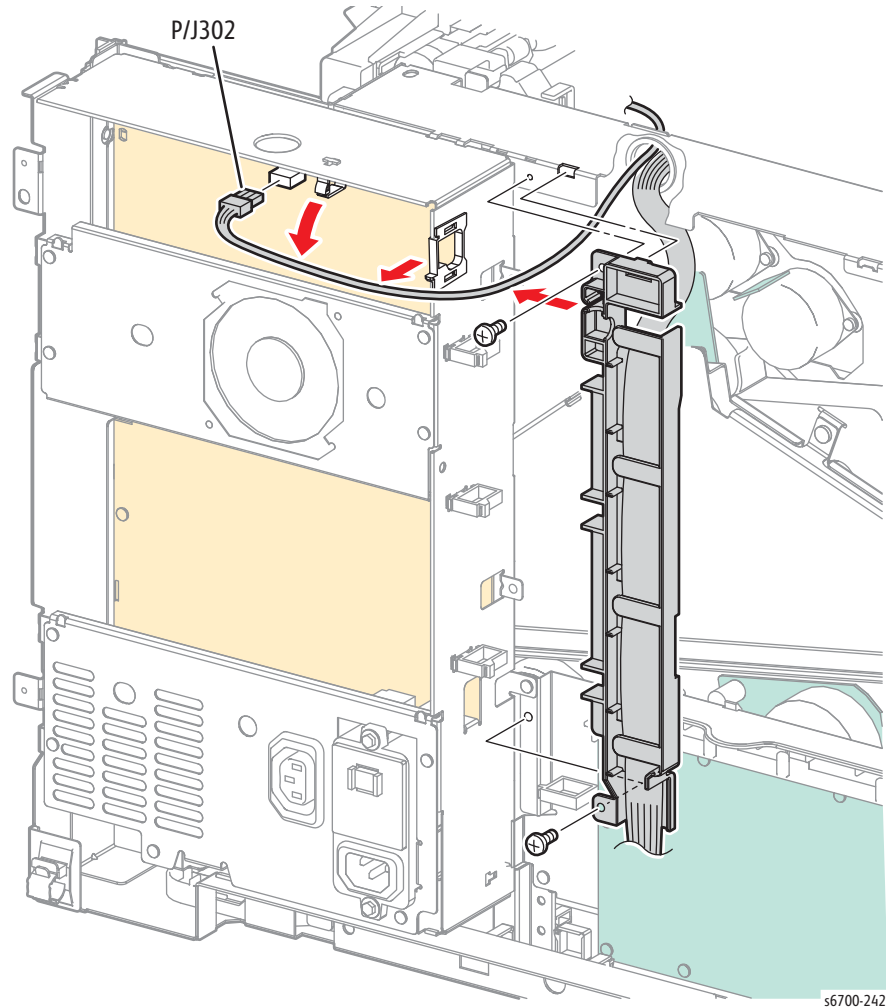
Allow the Fuser to cool before servicing the printer.

Caution

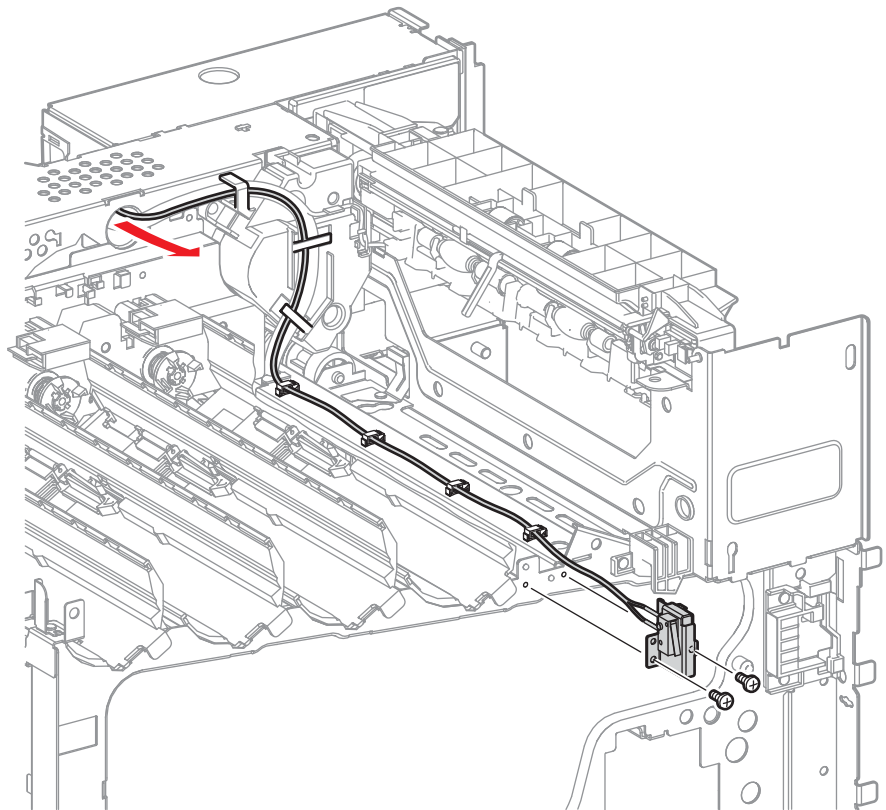
Cover the Imaging Units to prevent exposure to light.

1. Remove the Tray.
2. Remove the Front Door (page 8-26).
3. Remove the Toner Cartridges (page 8-18).
4. Remove the Waste Toner Cartridge (page 8-16)
5. Open the Right Door.
6. Remove the Transfer Belt (page 8-12).
7. Remove the Imaging Units (page 8-14).
8. Remove the Inner Frame Assy.
9. Remove the Fuser (page 8-17).
10. Remove the Rear Cover (page 8-31).
11. Remove the Exit Cover (page 8-22).
12. Remove the IP Cage (page 8-179).
13. Remove the Output Tray (page 8-21).
14. Remove the Top Cover (page 8-19).
15. Remove the Left Cover (page 8-28).
16. Remove the Upper Inner Front Cover (page 8-25).
17. Remove the Front Door Open Switch (page 8-68).

18. Disconnect P/J302 from the LVPS and release the interlock harness from 2 clamps.
19. Remove 2 screws (silver, 6mm) that secure the harness guide to the chassis.
20. Release the hook that secures the harness guide and slide the harness guide and harness together to access the harness.
21. Release the Front Interlock Harness from the guide.



22. Pull the Front Interlock Harness out through the hole of the frame.
23. Release the harness from the hooks on the Exit Motor and 4 clamps.
24. Remove 2 screws (silver, 6mm) that secure the interlock bracket to the chassis.
25. Remove the bracket and switch.

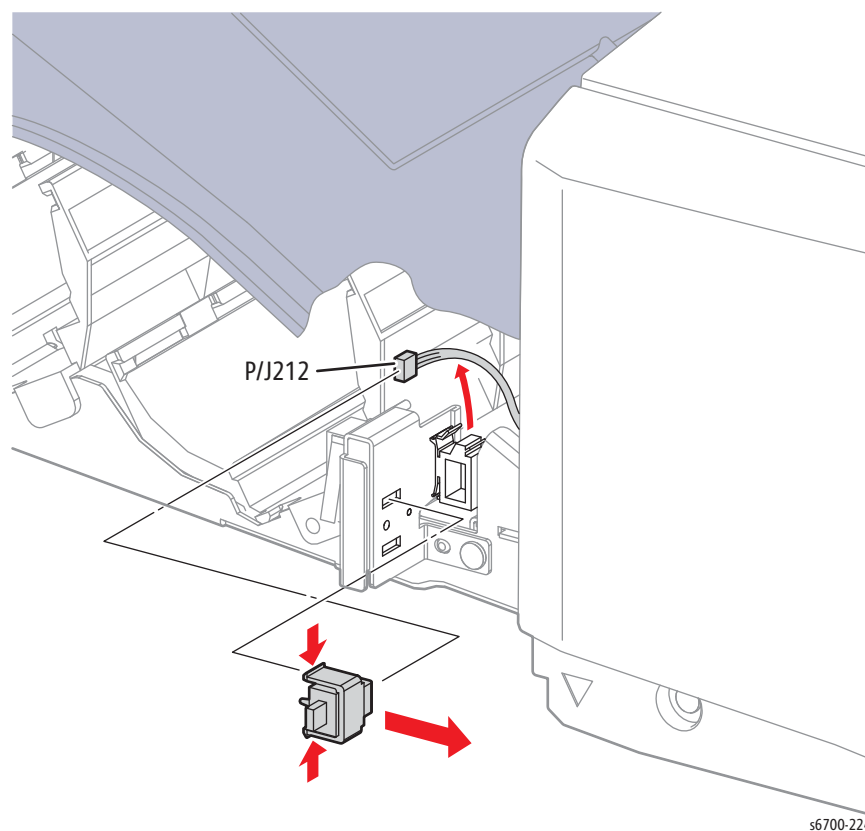


s6700-243

Front Door Open Switch

PL1.2.3

1. Open the Front Door.
2. Open the Inner Frame Assy.
3. Remove the Upper Inner Front Cover (page 8-25).
4. Disconnect P/J212 from the switch.
5. Release 2 hooks that secure the switch to the chassis.

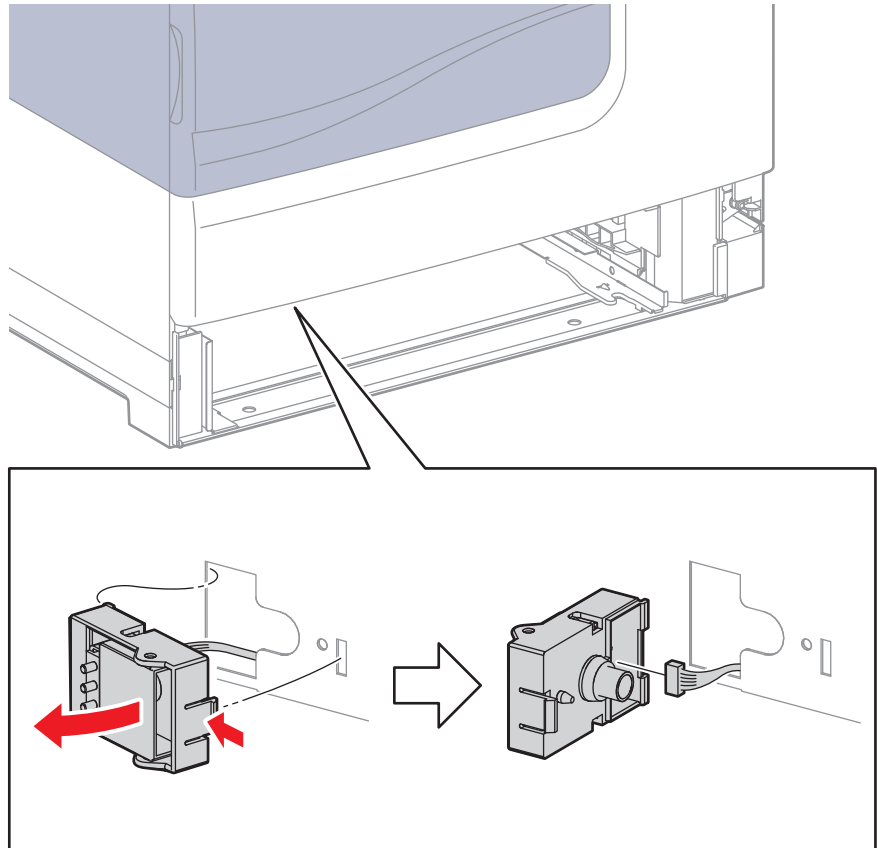


s6700-224

Size Switch

PL3.1.1

1. Remove the Tray.
2. Release the hook that secures the Size Switch in the tray cavity.
3. Disconnect the connector to remove the switch.

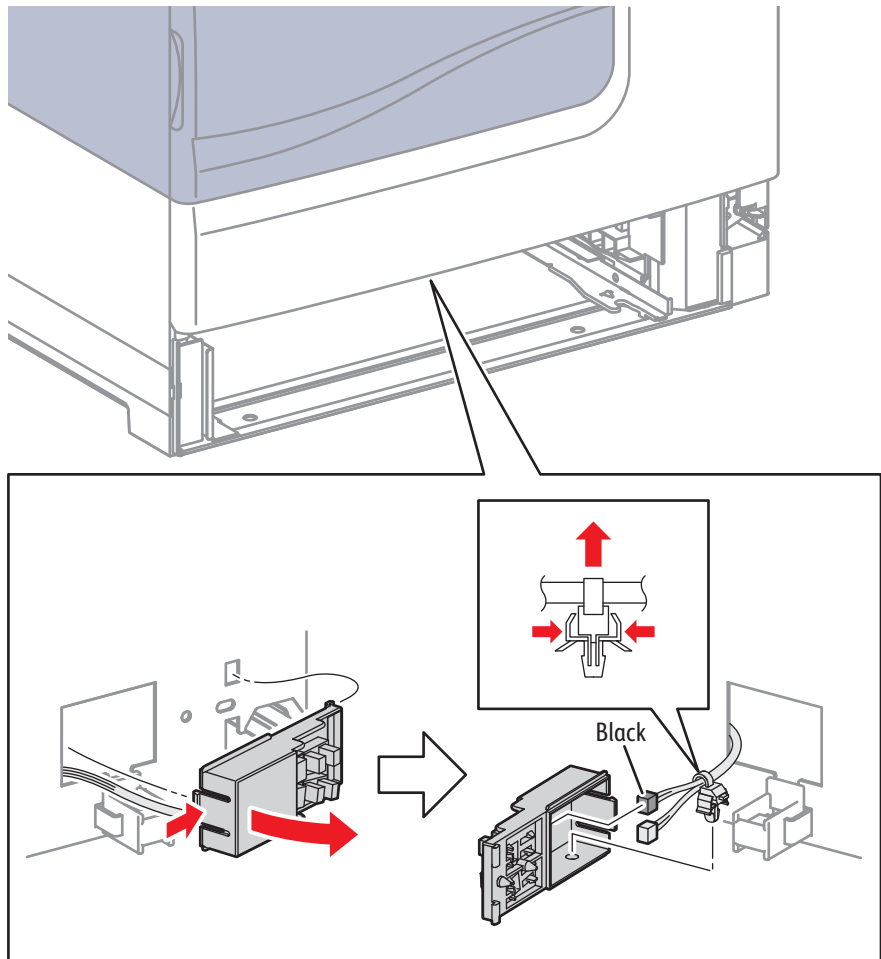


s6700-235

Low Paper Sensors 1 and 2

PL3.1.2

1. Remove the Tray.
2. Release the hook that secures the Low Paper Sensor holder in the tray cavity.
3. Release the clamp that secures the harness to the holder.
4. Disconnect 2 connectors from the Low Paper Sensors.

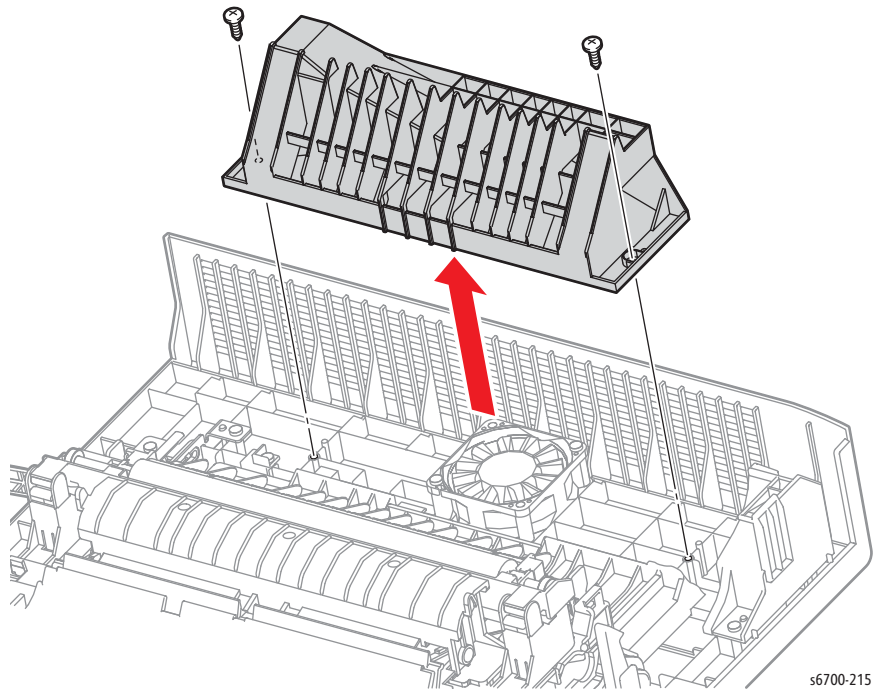


56700-236

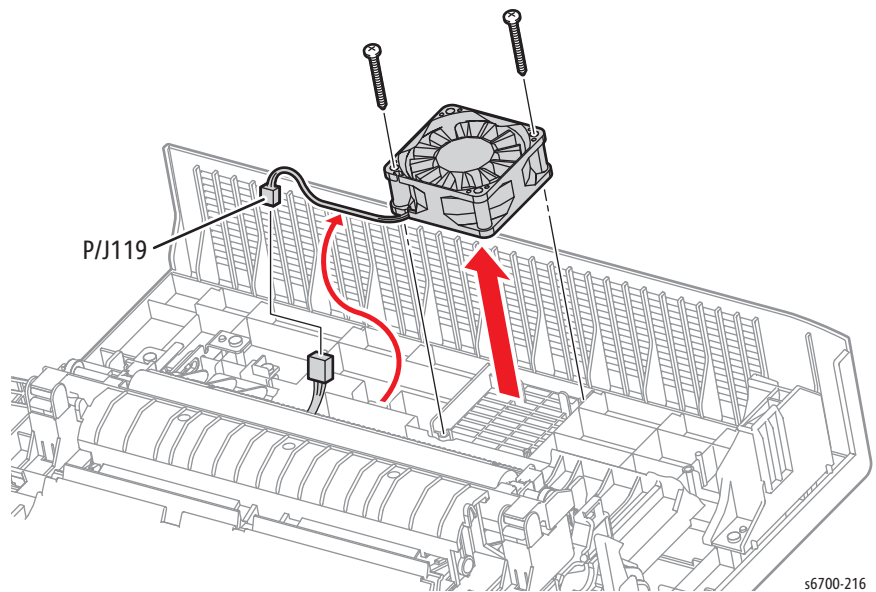
Fuser Fan

PL4.1.8

1. Open the Right Door.
2. Remove 2 screws (silver, tapping, 8mm) that secure the chute to the Right Door.



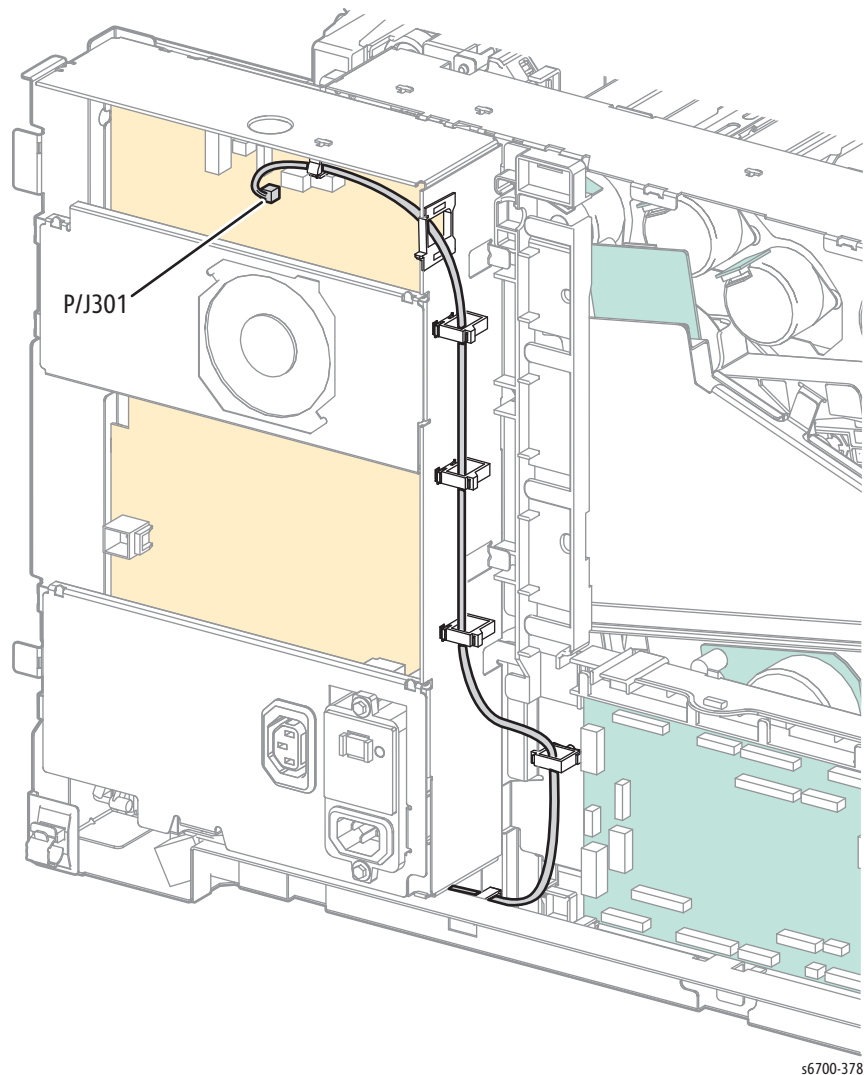
3. Disconnect P/J119, then release the harness from the hooks.
4. Remove 2 screws (silver, tapping, 34mm) that secure the Fan to the Right Door.



Right Door Interlock Switch

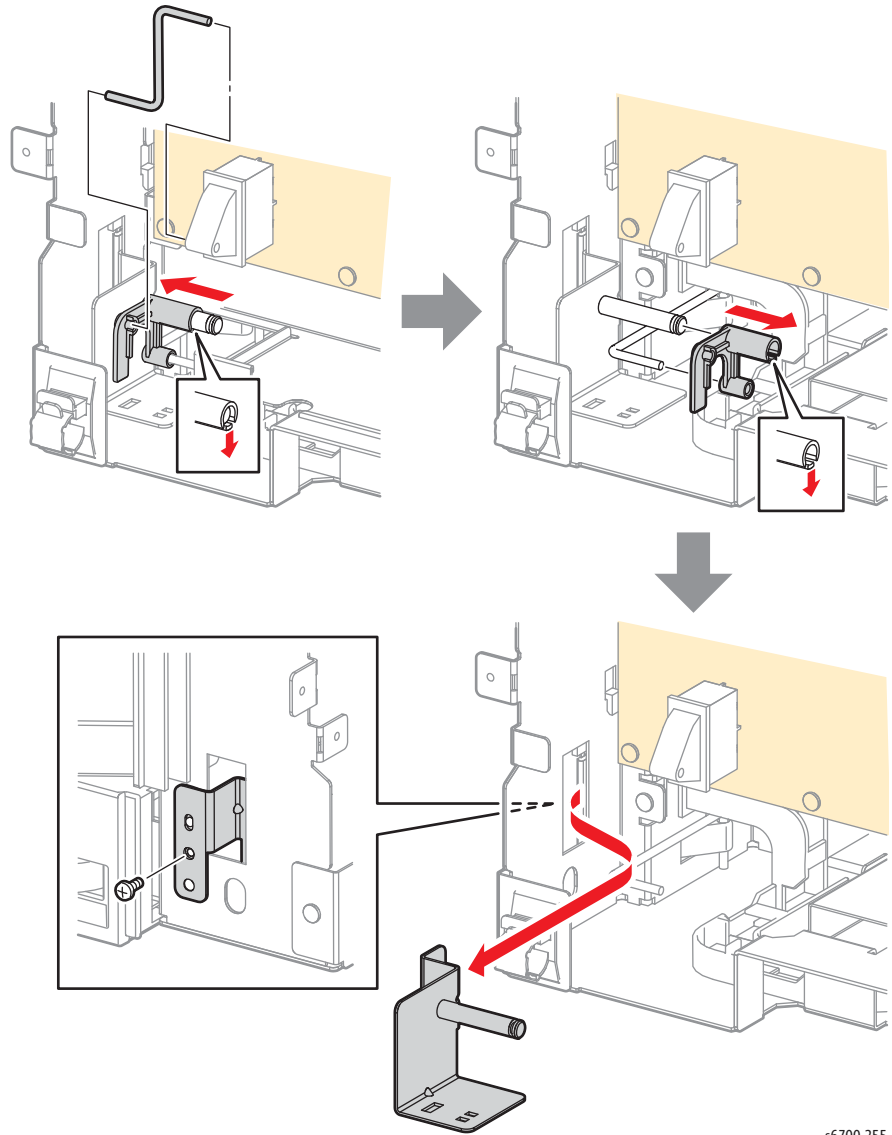
PL4.1.96

1. Remove Tray 2
2. Remove the Front Door (page 8-26).
3. Remove the Lower Right Cover (page 8-23).
4. Remove the Right Door Assembly (page 8-46).
5. Disconnect P/J301 from the LVPS and release the 7 harness clamps



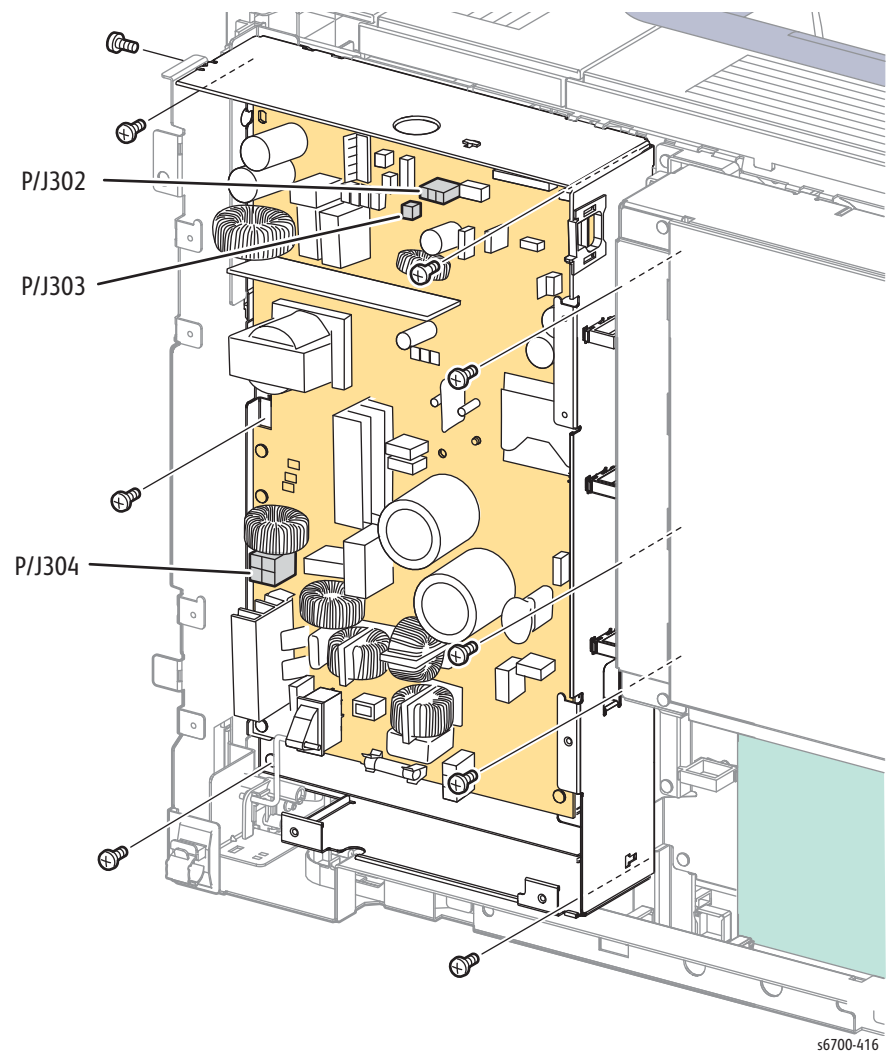
6. Remove the LVPS Fan (page 8-153).
7. Remove the Power Panel (page 8-154).

8. Remove the rear bracket and power switch link assembly.

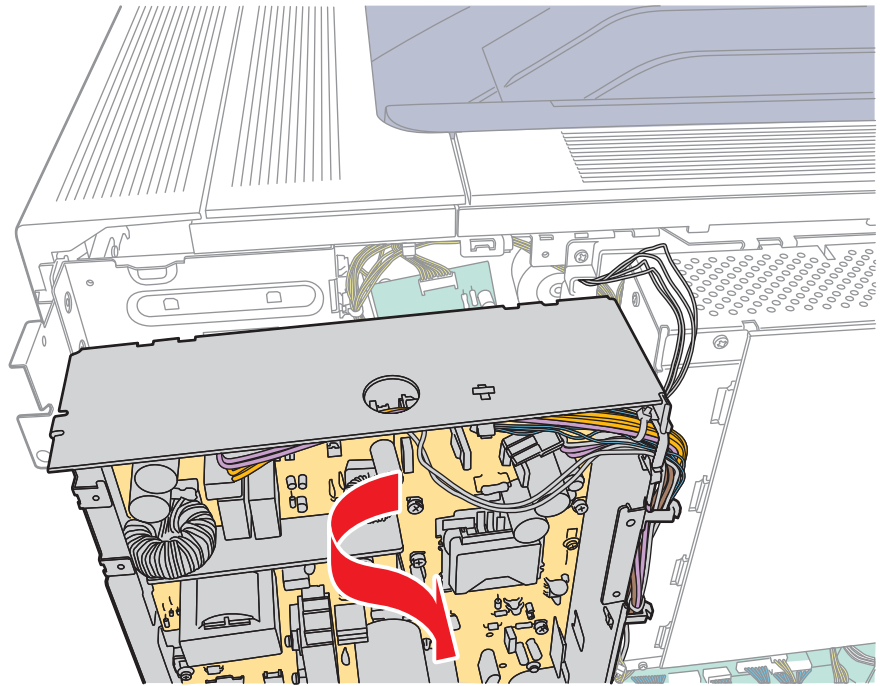


s6700-255

9. Disconnect P/J302, 303, and 304 from the LVPS.
10. Release the harnesses from the clamp.
11. Remove 9 screws that secure the LVPS Cage to the chassis.

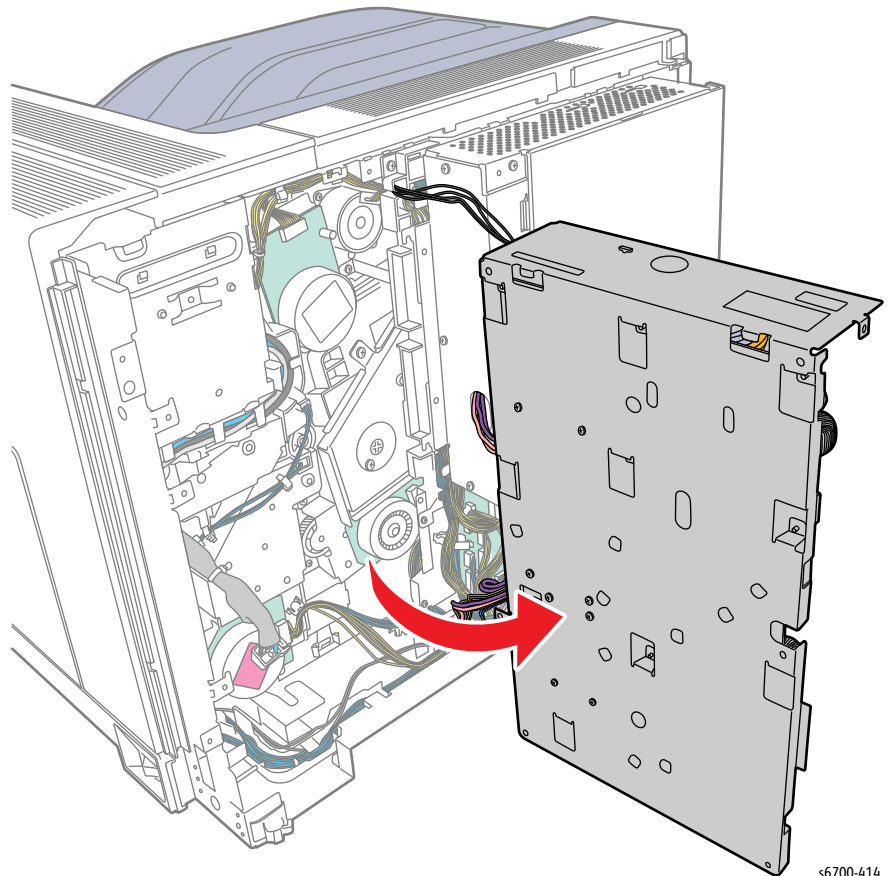


12. Remove but do not disconnect the LVPS Cage by first lifting the cage to release the upper and IP Board Cage hooks, then pull the right side outward and shift the LVPS Cage right to clear the tabs on the left.



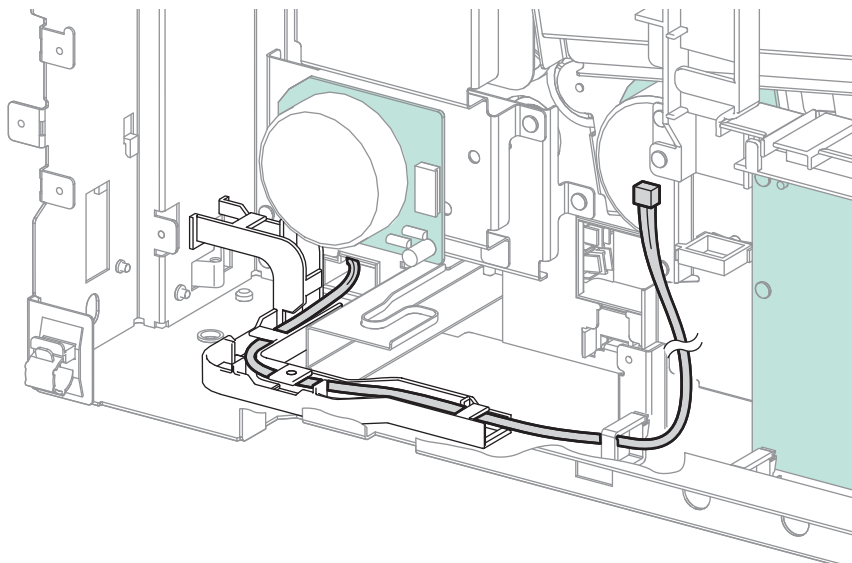
s6700-379

13. Stand the LVPS Cage on the work surface as shown,



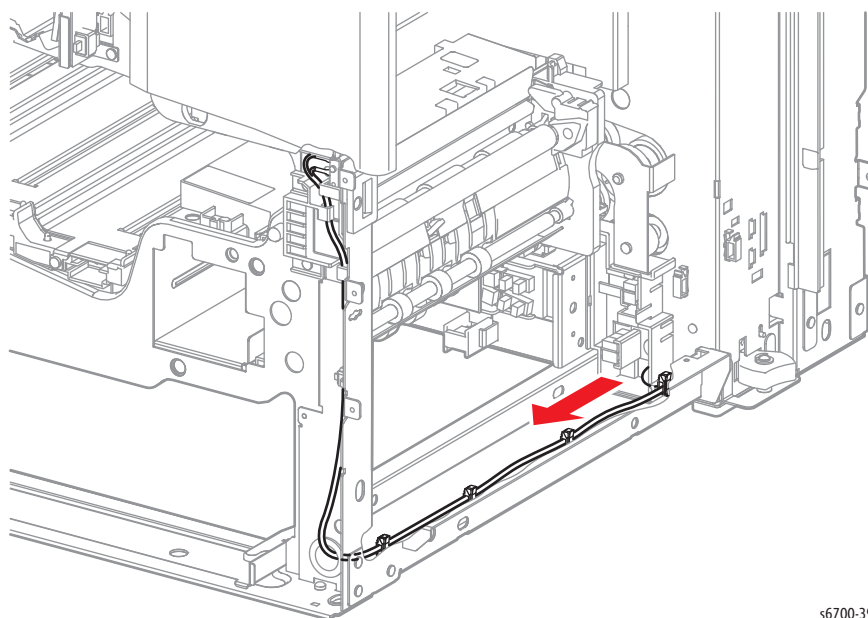
s6700-414

14. Release the interlock harness from the corner guide.



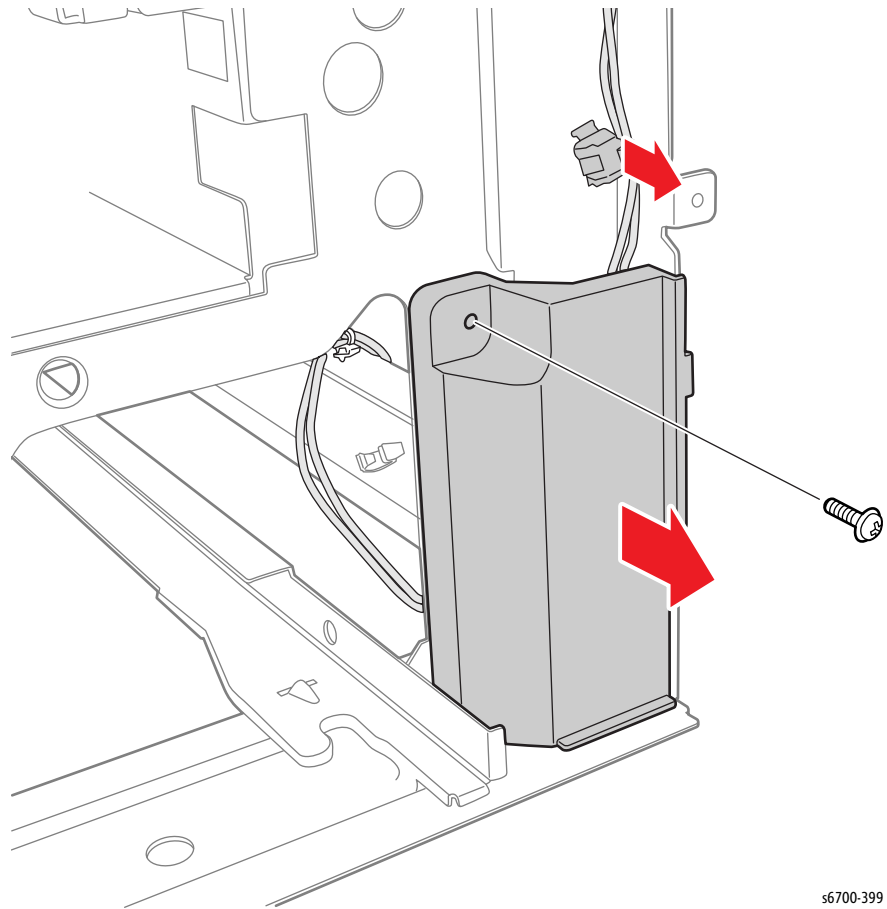
s6700-377

15. Pull the interlock harness through the harness guide and release 4 clamps.



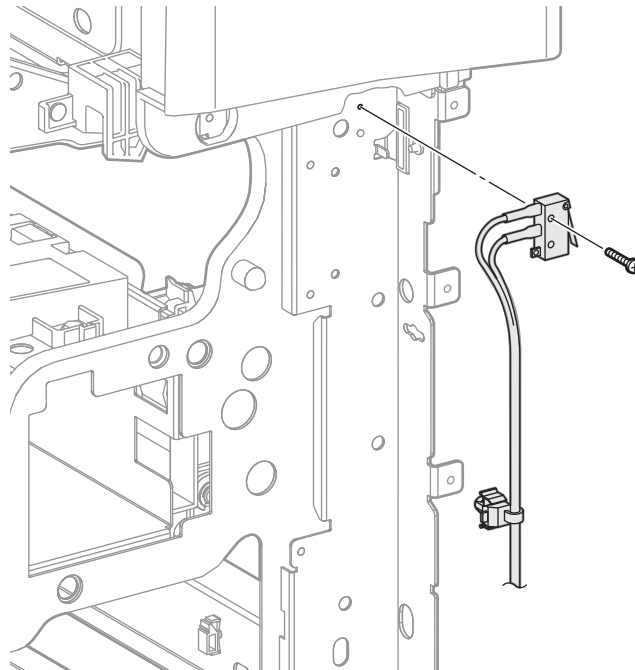
s6700-398

16. Remove 1 screw that secures the under cover and release the cable tie from the chassis.



s6700-399

17. Remove 1 screw that secures the switch to the chassis and remove the I/L harness.

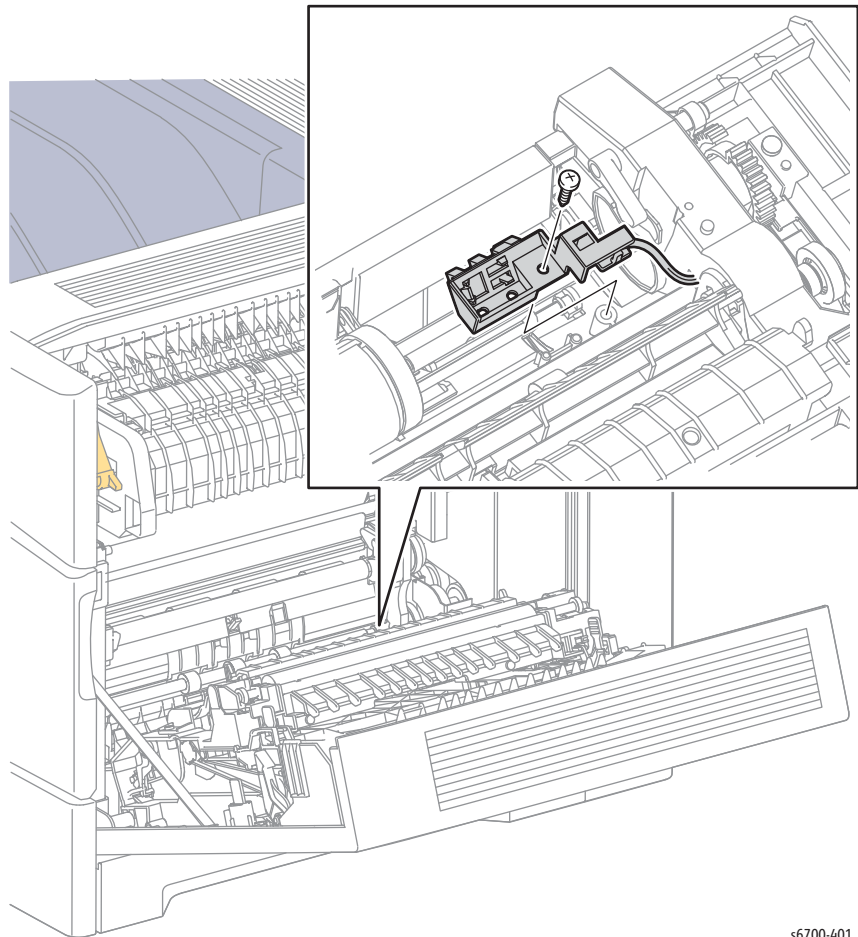


s6700-400

Right Door Harness

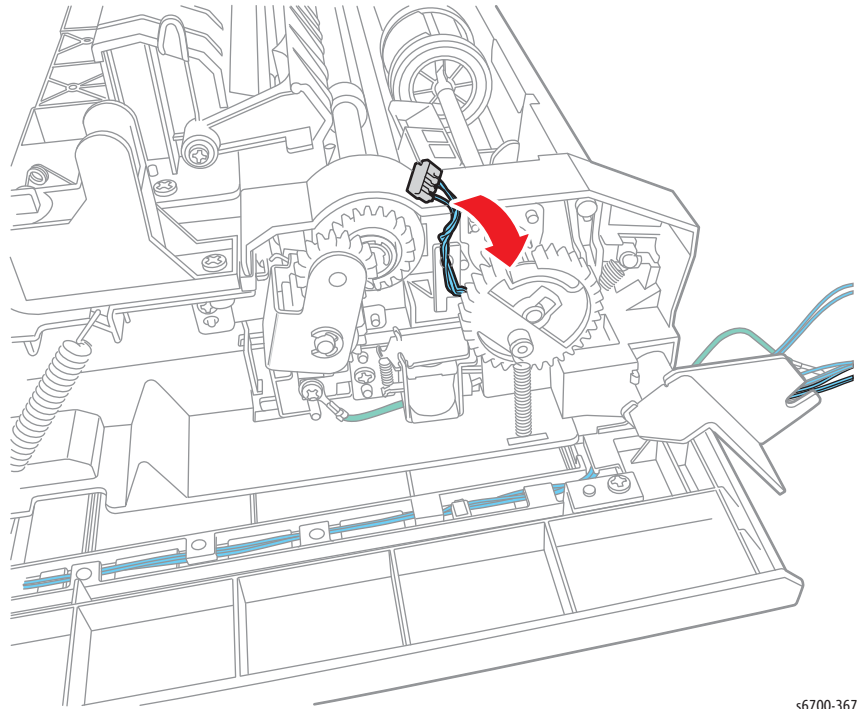
PL4.3.16

1. Remove Tray 2.
2. Remove the Rear Cover (page 8-31).
3. Remove the Lower Right Cover (page 8-23).
4. Remove the Right Door Assembly (page 8-46).
5. Remove the Tray 1 Chute Assembly (page 8-50).
6. Remove the Tray 1 No Paper Sensor Bracket and disconnect P/J226



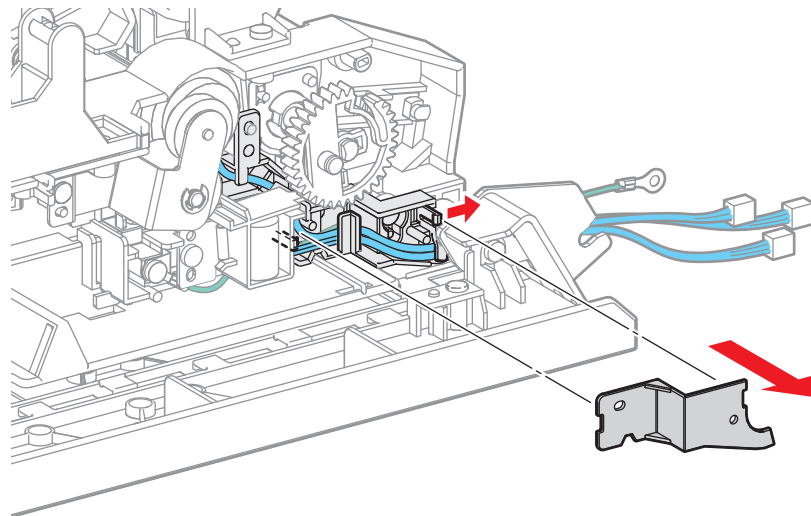
s6700-401

7. Remove the sensor harness from the feeder guides.



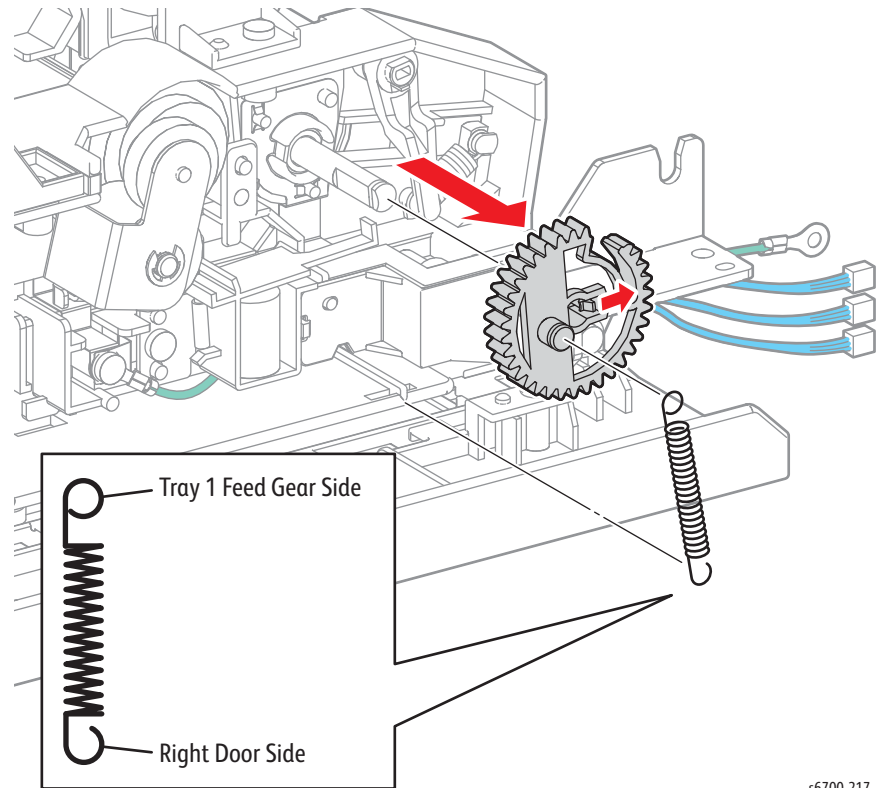
s6700-367

8. Remove the harness cover to release the harness from the feeder.

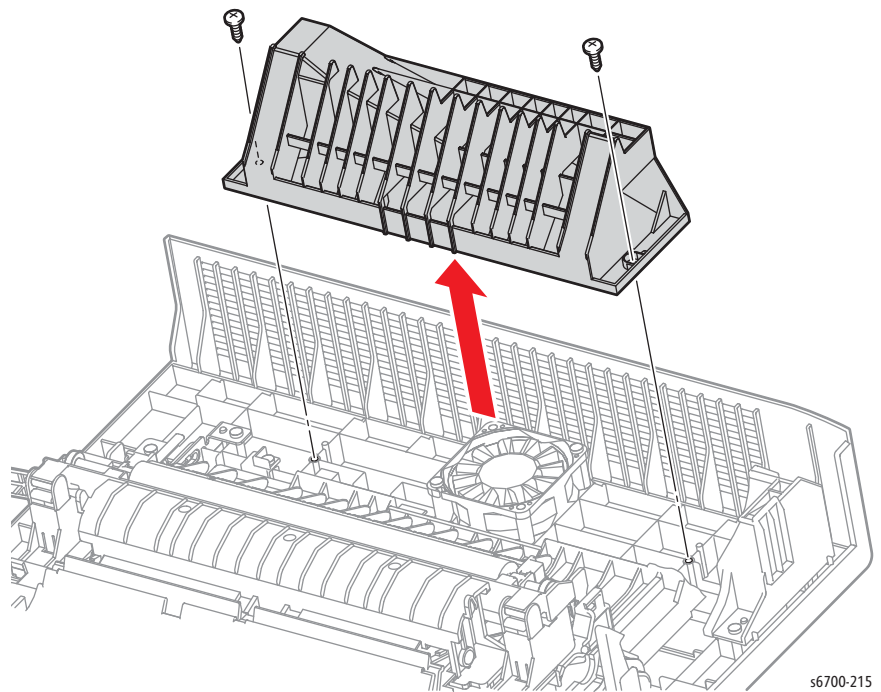


s6700-402

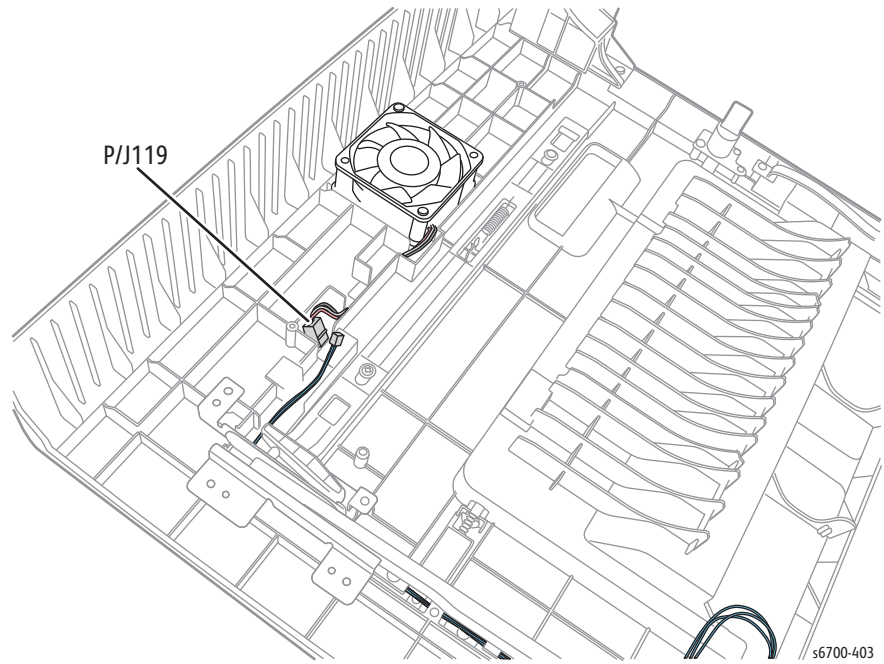
9. Remove the Feed Gear and Spring,



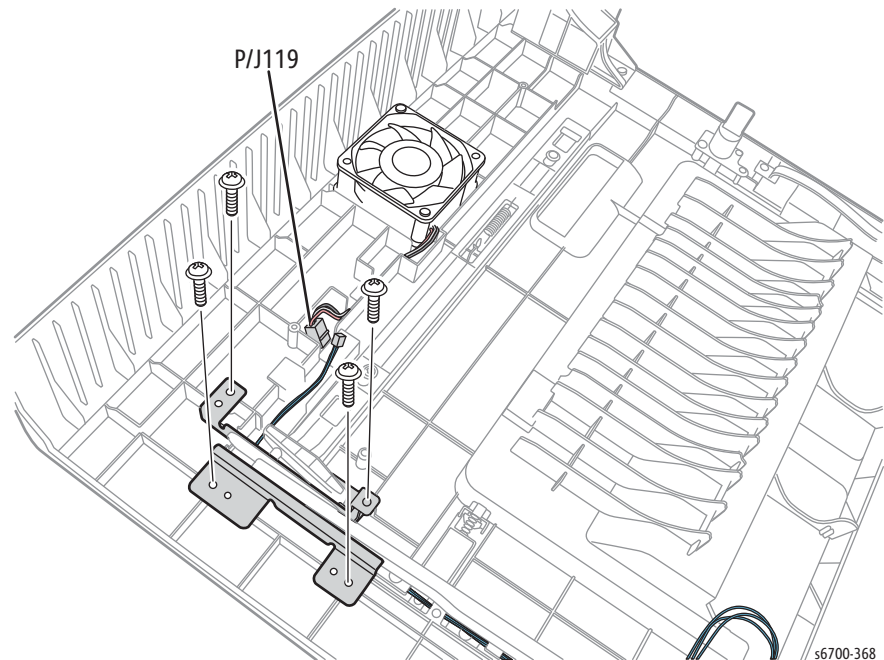
- 10. Release the harness from the Tray 1 Feeder guides.
- 11. Remove 2 screws that secure the Duplex Chute.



10. Disconnect the Fuser Fan P/J119.



10. Remove 4 screws that secure the Link Arm brackets.



11. Release the harness from the Right Door guides.

Erase Lamp

PL5.1.2

This procedure removes the Magenta Erase Lamp as an example. The procedure applies to all four lamps.

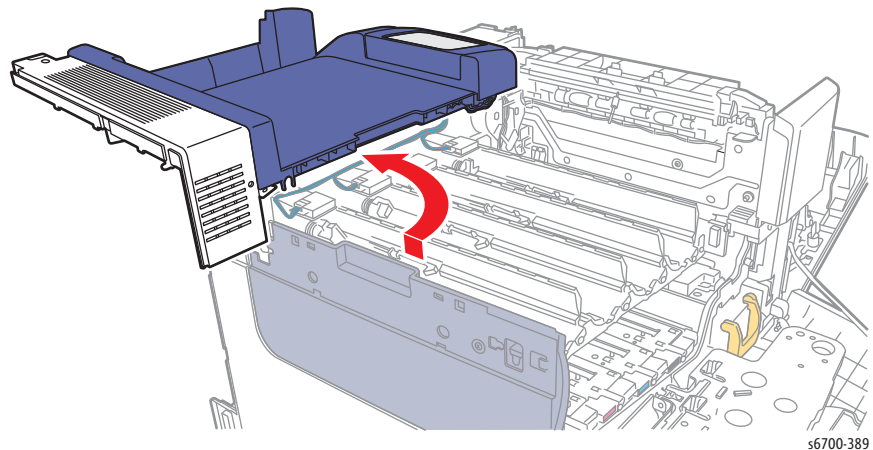
Warning

Allow the Fuser to cool before servicing the printer.

Caution

Cover the Imaging Units to prevent exposure to light.

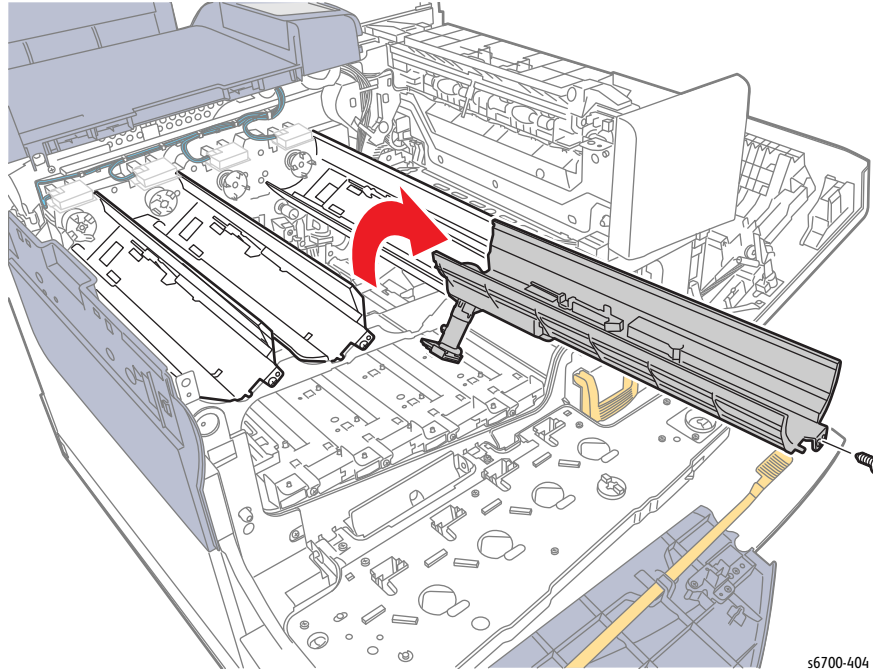
1. Remove Tray 2.
2. Open the Front Door.
3. Remove the Toner Cartridges (page 8-18).
4. Open the Right Door.
5. Open the Inner Frame Assembly.
6. Remove the Upper Inner Front Cover (page 8-25).
7. Remove the Transfer Belt (page 8-12).
8. Remove the Imaging Units (page 8-14).
9. Remove the Rear Cover (page 8-31).
10. Remove the Exit Cover (page 8-22).
11. Remove the Upper Finisher Docking Cover.
12. Remove the Output Tray (page 8-21).
13. Remove 4 screws that secure the Top Cover (page 8-19) and rotate the cover to rest on the back of the chassis,



Note

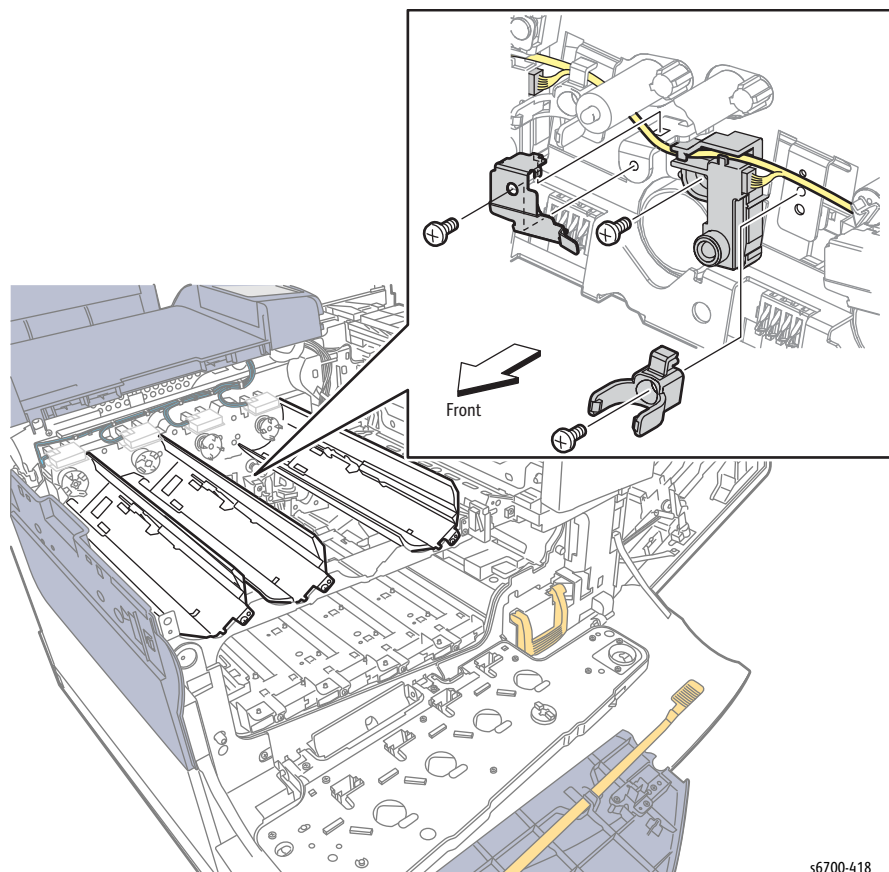
The following step is not necessary for the Yellow Erase Lamp.

14. Remove the Cyan Toner Dispense Assembly (page 8-103).



s6700-404

15. Release the harness from the hooks of the Erase Lamp. Remove 1 screw (silver, 6mm) that secures the Erase Lamp. Disconnect the Erase Lamp from the harness.



s6700-418

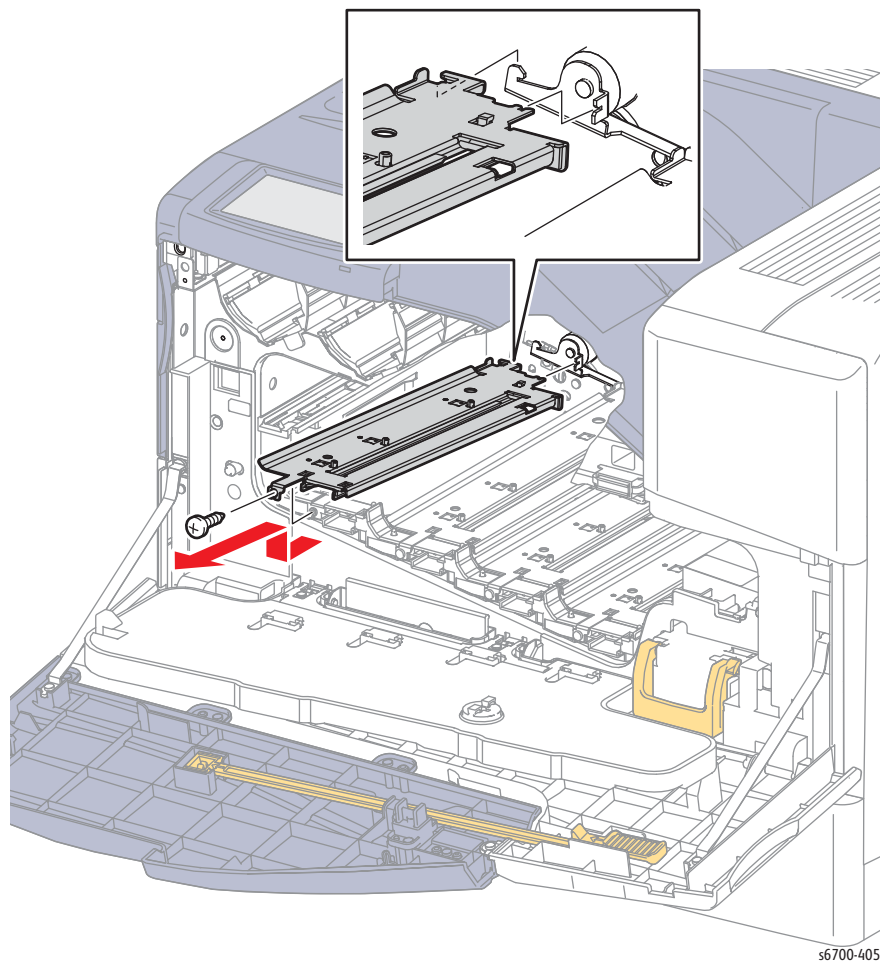
Bias Housing Assembly

PL5.2.2

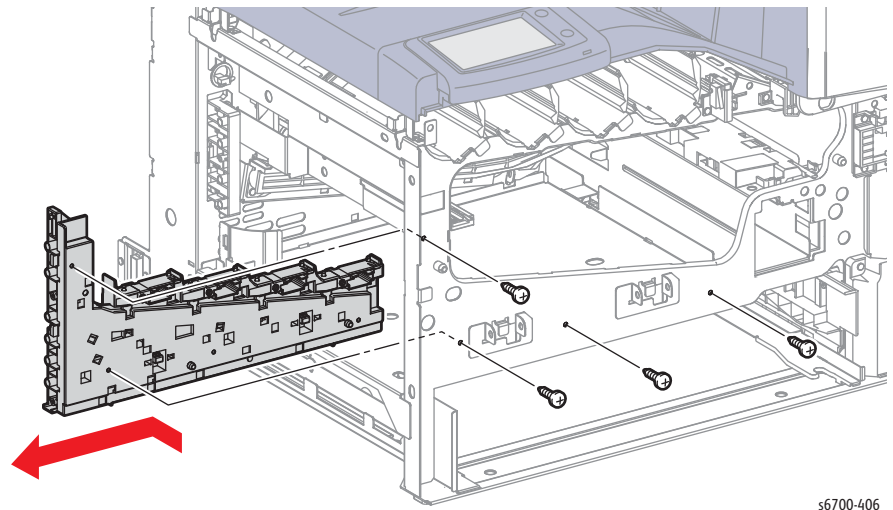
Caution

Cover the Imaging Units to prevent exposure to light.

1. Remove the Front Door (page 8-26).
2. Remove the Waste Toner Cartridge (page 8-16).
3. Remove the Inner Frame Assembly (page 8-129).
4. Remove the Upper Inner Front Cover (page 8-25).
5. Remove the Lower Inner Front Cover (page 8-27).
6. Remove the Rear Cover (page 8-31).
7. Remove the Left Cover (page 8-28).
8. Remove the HVPS (page 8-86).
9. Remove the Laser Unit (page 8-93).
10. Remove 4 Imaging Unit Guides (page 8-128).



11. Remove 4 screws that secure the Bias Housing Assembly to the chassis and remove.



s6700-406

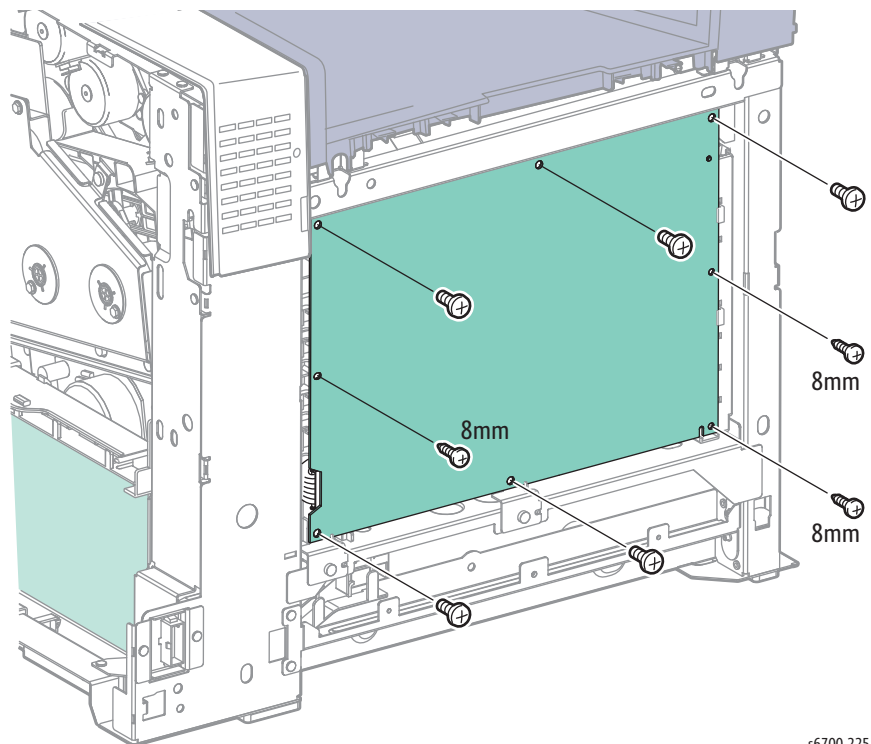
HVPS

PL5.2.3

Caution

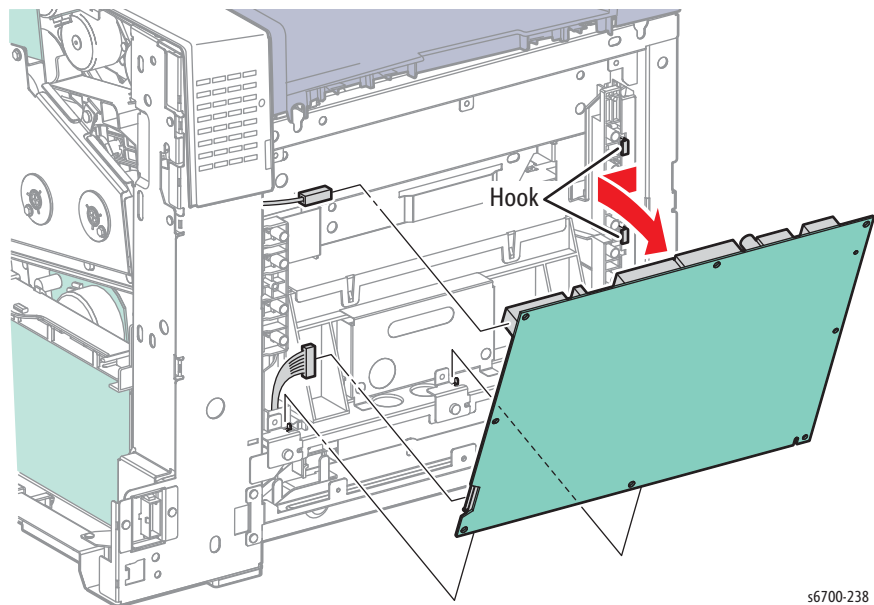
Cover the Imaging Units to prevent exposure to light.

1. Remove Tray 2.
2. Open the Front Door.
3. Open the Right Door.
4. Remove the Rear Cover (page 8-31).
5. Remove the Output Tray (page 8-21).
6. Remove the Left Cover (page 8-28).
7. Remove 5 screws (silver, M4, 6mm) and 3 screws (silver, tapping, 8mm) that secure the HVPS to the chassis.
8. Slide the HVPS left and then up to remove the board.



s6700-225

9. Release 2 hooks on the housing and tilt the HVPS outward.
10. Disconnect P/J331 and P/J332 to remove the HVPS.



s6700-238

Replacement Note

To ensure proper connection with the Bias Housing Assembly, align the plastic pins on the chassis with the holes in the HVPS.

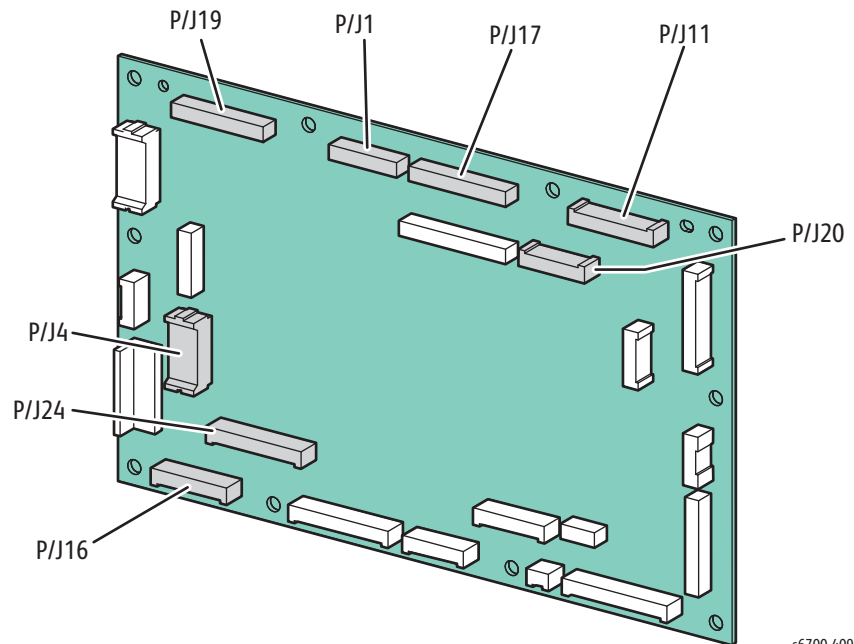
Imaging Unit CRUM Connector

PL5.2.4

Caution

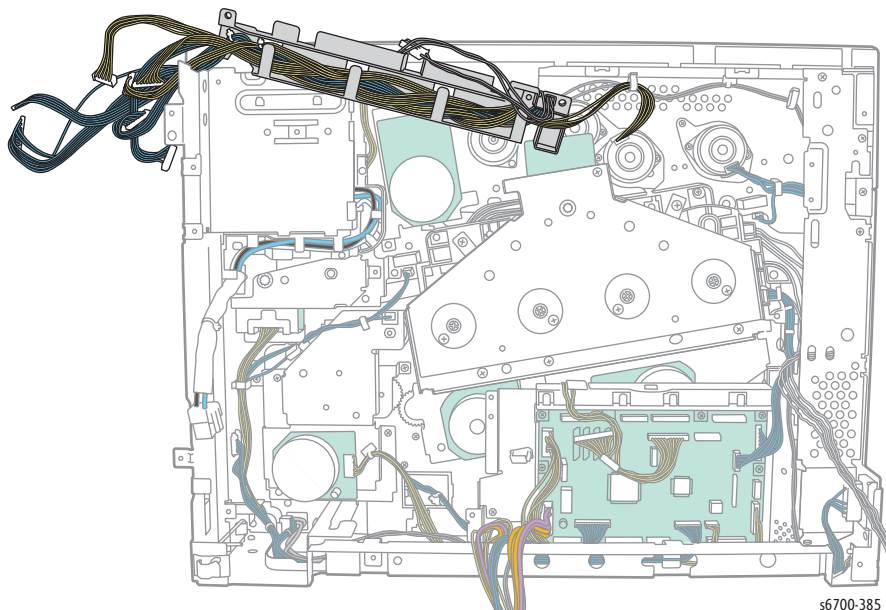
Use care when handling CRUM Connectors. The boards and attached contacts separate easily.

1. Remove the Rear Cover (page 8-31).
2. Remove the IP Board Cage (page 8-179).
3. Remove the LVPS Cage (page 8-182).
4. Disconnect P/J1, 4, 19, 17, 20, 11, 16 from the MCU Board.



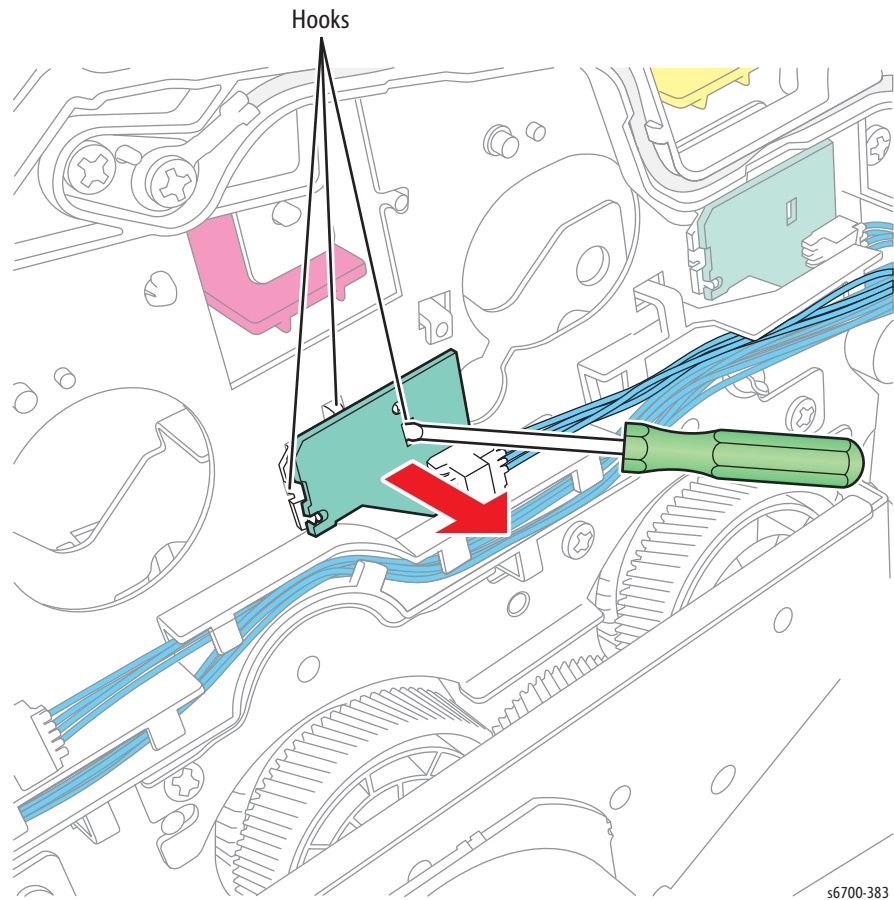
s6700-409

5. Remove 2 screws that secure the center harness guide and lift the lower end up as shown.



s6700-385

6. Remove the Imaging Unit Link Drive Kit (page 8-175).
7. Disconnect the affected CRUM Connector and release 2 hooks that secure to the chassis.



s6700-383

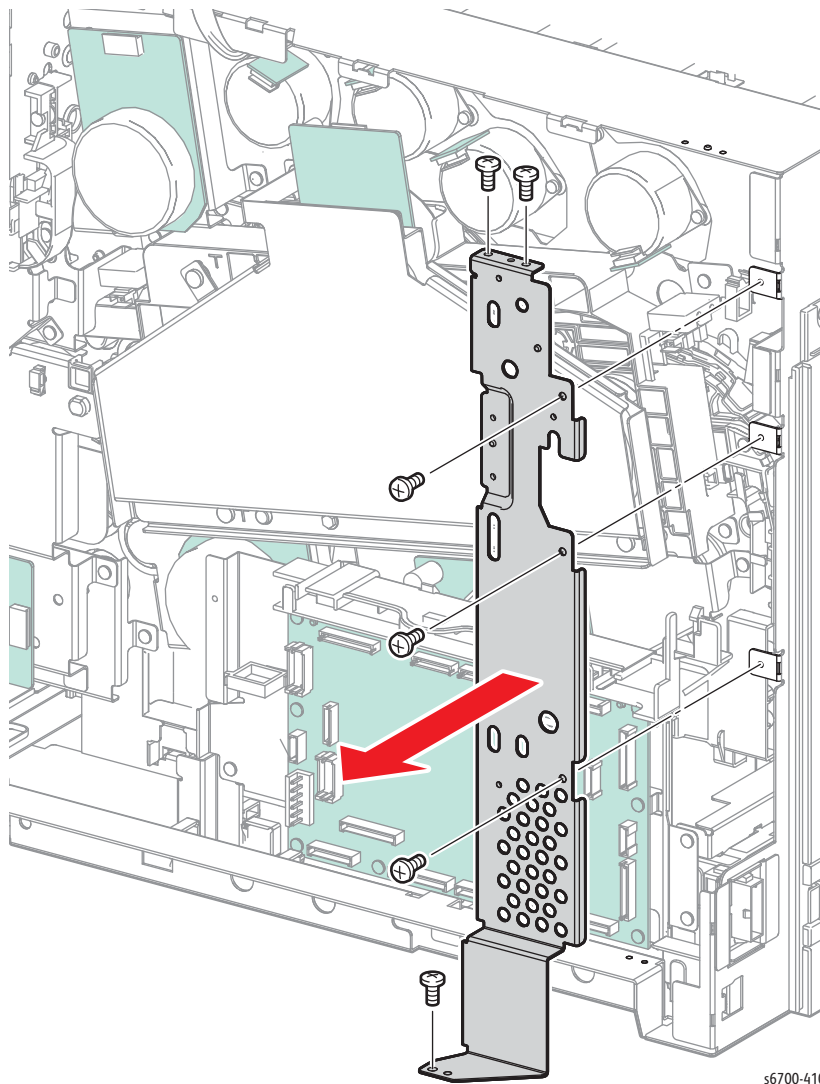
Replacement Note

Seat the CRUM Connector hooks securely in the chassis. Check hook engagement by viewing the CRUM connectors from the front of the printer.

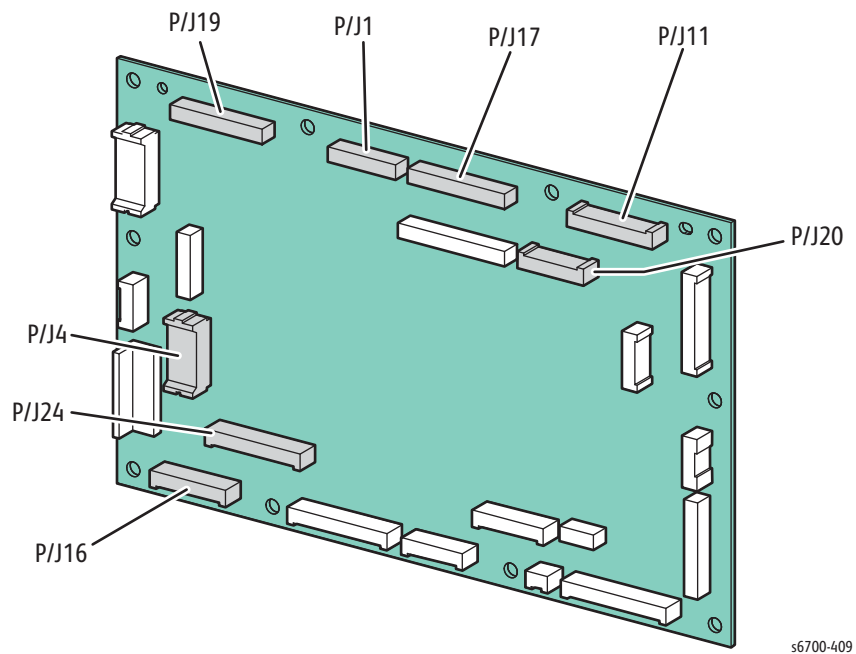
Transfer Belt Bias Assembly

PL5.2.6

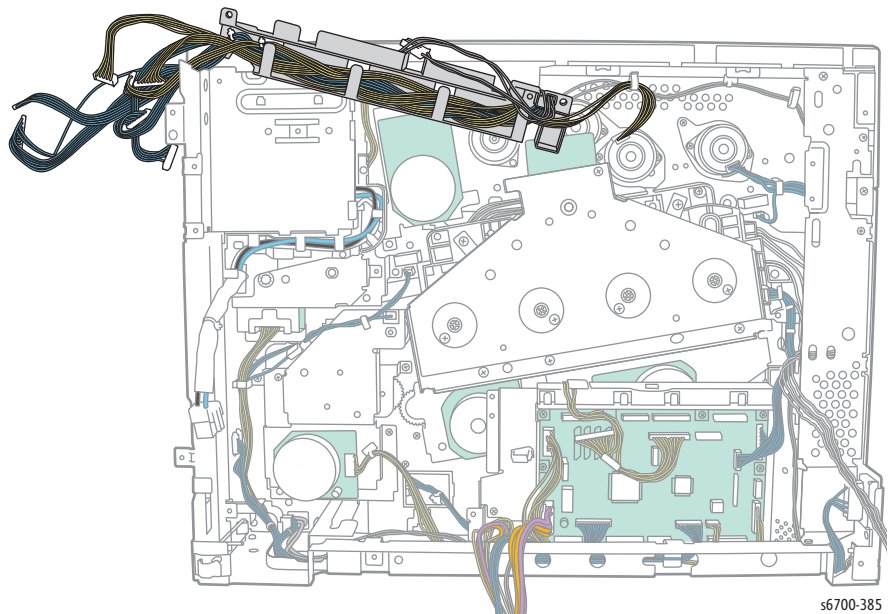
1. Open the Front Door.
2. Remove the Rear Cover (page 8-31).
3. Remove the Left Cover (page 8-28).
4. Remove the HVPS (page 8-86).
5. Remove the IP Board Cage (page 8-179).
6. Remove the LVPS Cage (page 8-182).
7. Remove the Fuser Drive Assembly (page 8-130).
8. Remove 6 screws (silver, 6mm) that secure the IP Board Cage support bracket to the chassis.



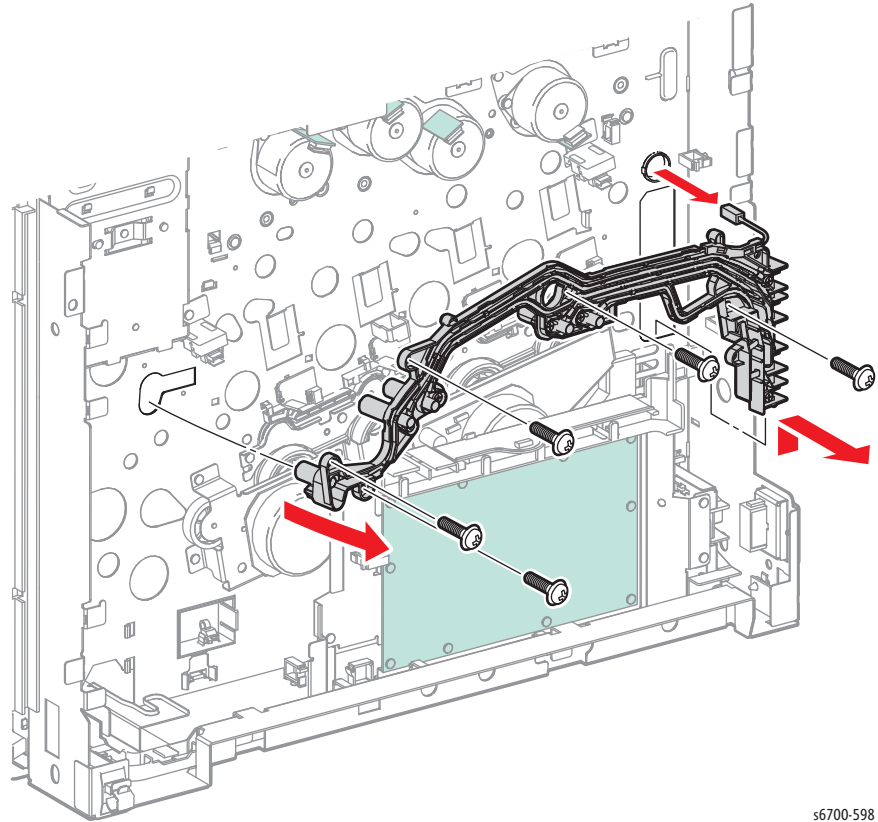
9. Remove, but do not disconnect the Transfer Belt Drive Assembly (page 8-135).
10. Disconnect P/J1, 4, 19, 17, 20, 11, 16 from the MCU Board.



11. Remove the 2 screws that secure the center harness guide and lift the lower end up as shown.



12. Remove the Imaging Unit Link Drive Kit (page 8-175).
13. Release the Imaging Unit CRUM harness from the guides on the Transfer Belt Bias Assembly.
14. Remove 5 screws (silver, 6mm) that secure the Transfer Belt Bias Assembly to the chassis.



s6700-598

Replacement Note

Insert the left end of the assembly first. Flex the assembly slightly to clear the sensors and springs.

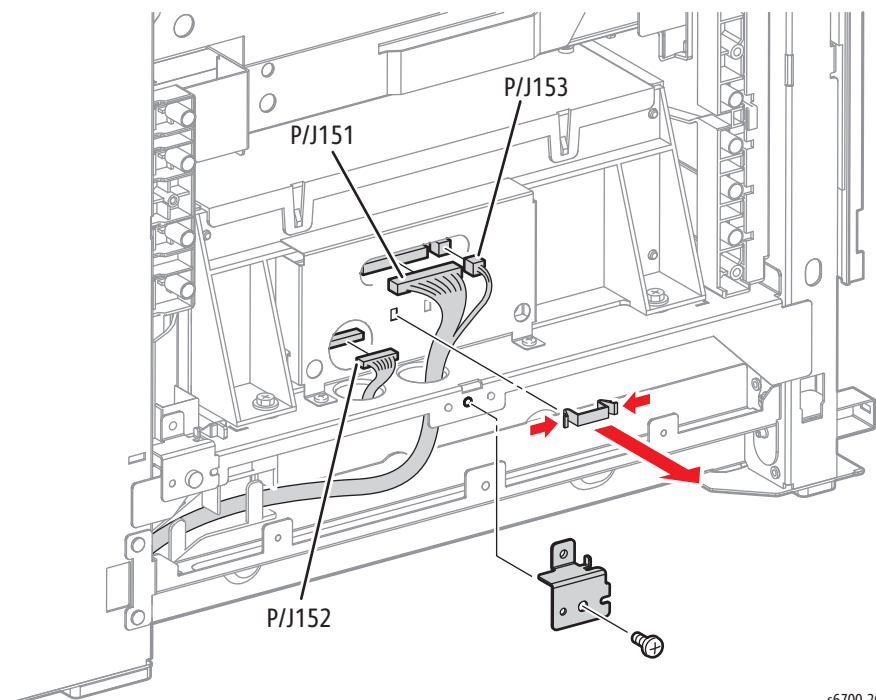
Laser Unit

PL5.2.99

Caution

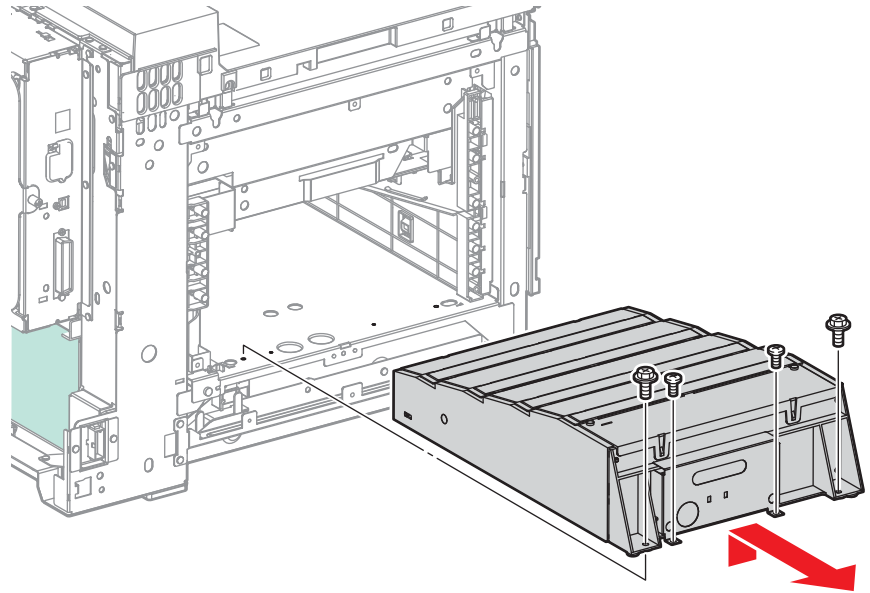
Cover the Imaging Units to prevent exposure to light.

1. Remove Tray 2.
2. Open the Front Door.
3. Open the Right Door.
4. Remove the Rear Cover (page 8-31).
5. Remove the Output Tray (page 8-21).
6. Remove the Left Cover (page 8-28).
7. Remove the HVPS (page 8-86).
8. Remove 1 screw (silver, M4, 6mm) that secures the HVPS bracket.
9. Release 2 hooks that secure the clamp to the Laser Unit.
10. Disconnect P/J151, P/J152, and P/J153 from the Laser Unit and feed the harnesses through the holes.



s6700-261

11. Remove 2 screws (silver, flanged, M4, 8mm) and 2 screws (silver, 6mm) that secure the Laser Unit.
12. Release 2 bosses from the holes by slightly lifting the Laser Unit and remove the Laser Unit.



s6700-258

Procon Assembly

PL5.3.1

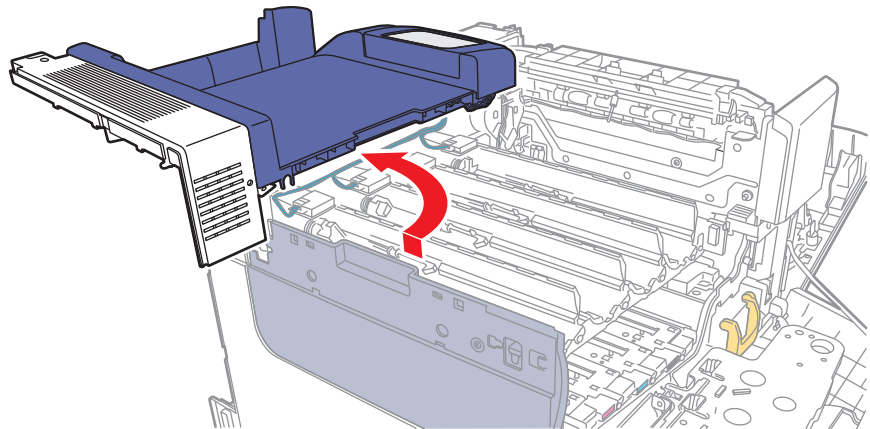
Warning

Allow the Fuser to cool before servicing the printer.

Caution

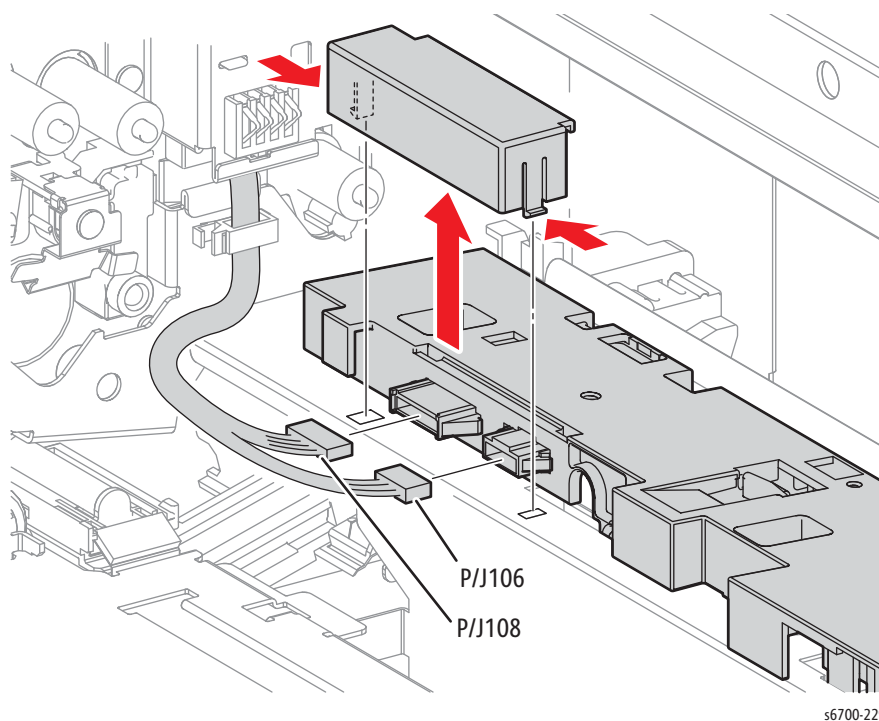
Cover the Imaging Units to prevent exposure to light.

1. Open the Front Door.
2. Open the Right Door.
3. Open the Inner Frame Assy.
4. Remove the Transfer Belt (page 8-12).
5. Remove the Imaging Units (page 8-14).
6. Remove the Upper Inner Frame Cover (page 8-25).
7. Remove the Rear Cover (page 8-31).
8. Remove the Exit Cover (page 8-22).
9. Remove the Upper Finisher Docking Cover.
10. Remove the Output Tray (page 8-21).
11. Remove 4 screws that secure the Top Cover (page 8-19) and move the cover to the rear.



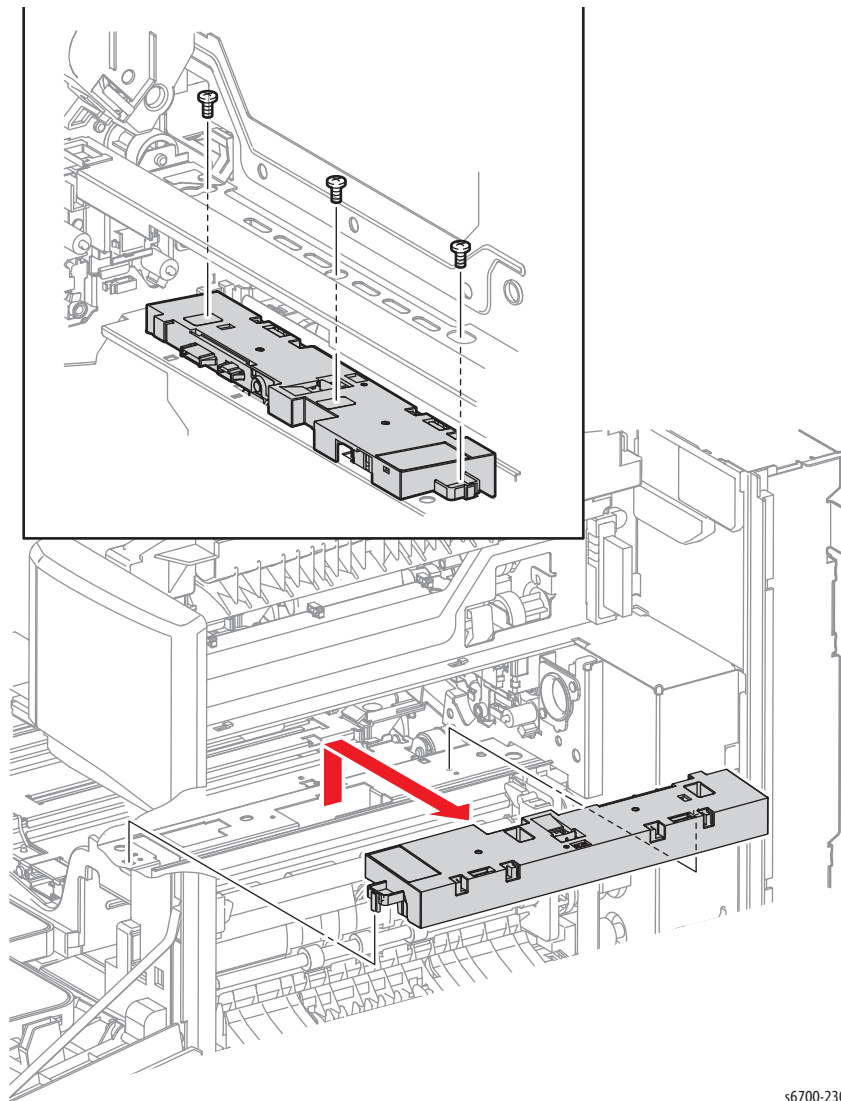
s6700-389

12. Release 2 hooks that secure the connector cover and remove the cover.
13. Disconnect P/J106, P/J108 and release the harness from the hook.



s6700-229

14. Using the access holes in the chassis, remove 3 screws (silver, 6mm) that secure the Procon Assy.



s6700-230

ADC Sensors

PL5.3.5

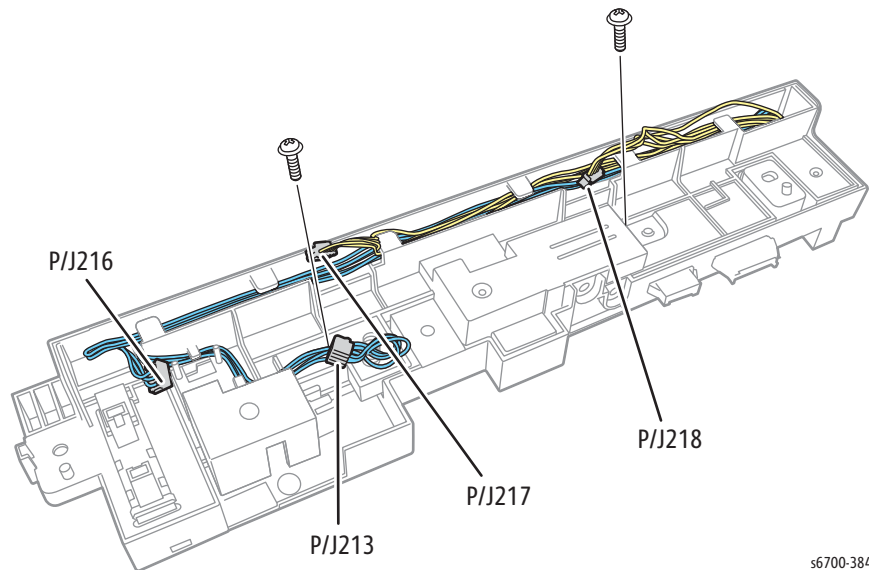
Warning

Allow the Fuser to cool before servicing the printer.

Caution

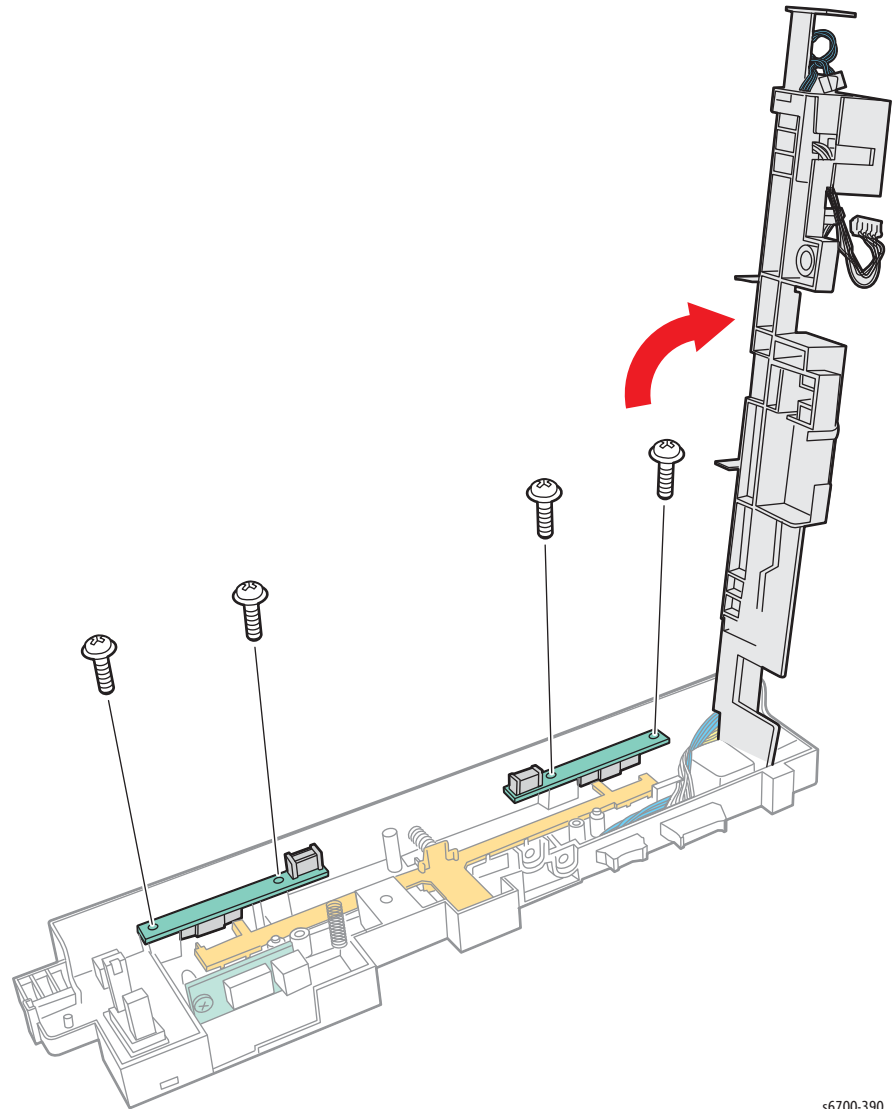
Cover the Imaging Units to prevent exposure to light.

1. Open the Front Door.
2. Open the Right Door.
3. Open the Inner Frame Assy.
4. Remove the Transfer Belt (page 8-12).
5. Remove the Imaging Units (page 8-14).
6. Remove the Upper Inner Front Cover (page 8-25).
7. Remove the Rear Cover (page 8-31).
8. Remove the Exit Cover (page 8-22).
9. Remove the Upper Finisher Docking Cover.
10. Remove the Output Tray (page 8-21).
11. Remove the Procon Assembly (page 8-95).
12. Turn the assembly over and disconnect P/J213, 216, 217, and 218.
13. Remove 2 screws that secure the cover to the assembly.



s6700-384

14. Lift the cover and remove 2 screws that secure each ADC Sensor



s6700-390

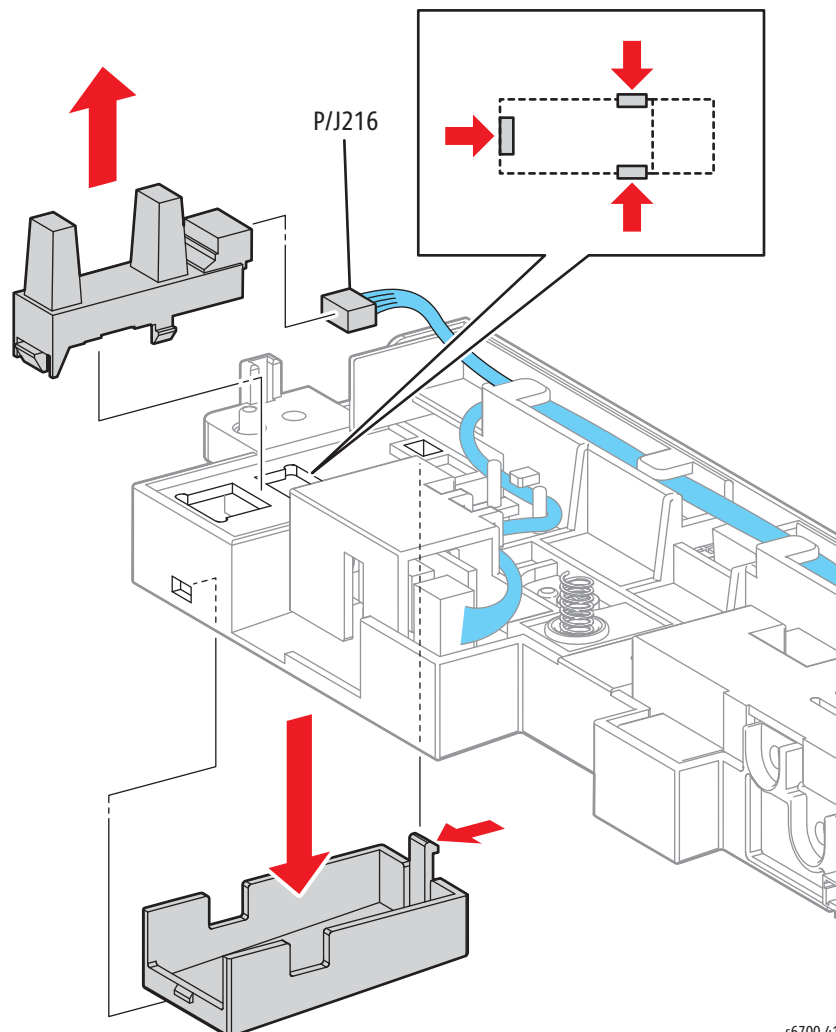
Waste Toner Full Sensor

PL5.3.13

Warning

Allow the Fuser to cool before servicing the printer.

1. Open the Front Door.
2. Open the Right Door.
3. Open the Inner Frame Assy.
4. Remove the Transfer Belt (page 8-12).
5. Remove the Imaging Units (page 8-14).
6. Remove the Upper Inner Front Cover (page 8-25).
7. Remove the Rear Cover (page 8-31).
8. Remove the Exit Cover (page 8-22).
9. Remove the Upper Finisher Docking Cover.
10. Remove the Output Tray (page 8-21).
11. Remove the Procon Assembly (page 8-95).
12. Turn the Procon Assembly over and disconnect P/J216.
13. Remove the sensor cover and release 3 hooks to remove the sensor.



s6700-411

Environmental Sensor

PL5.3.5

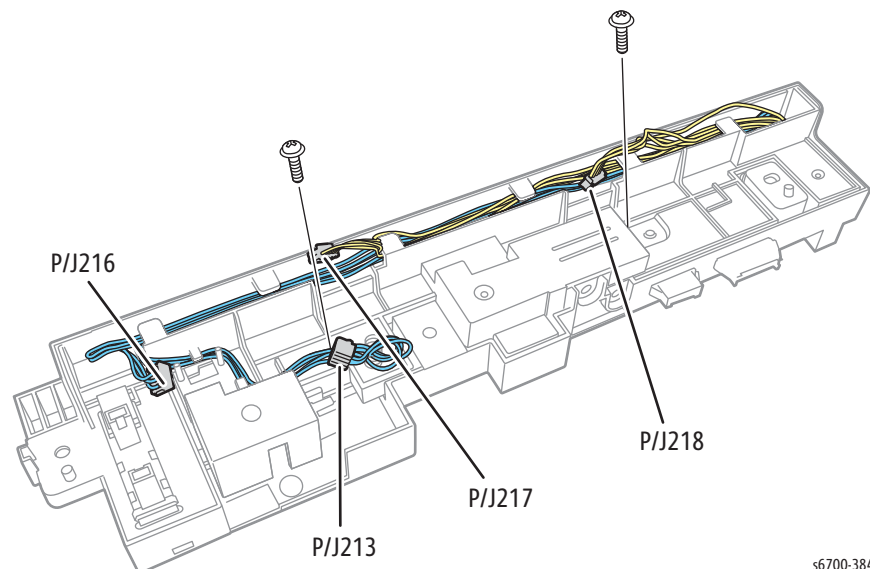
Warning

Allow the Fuser to cool before servicing the printer.

Caution

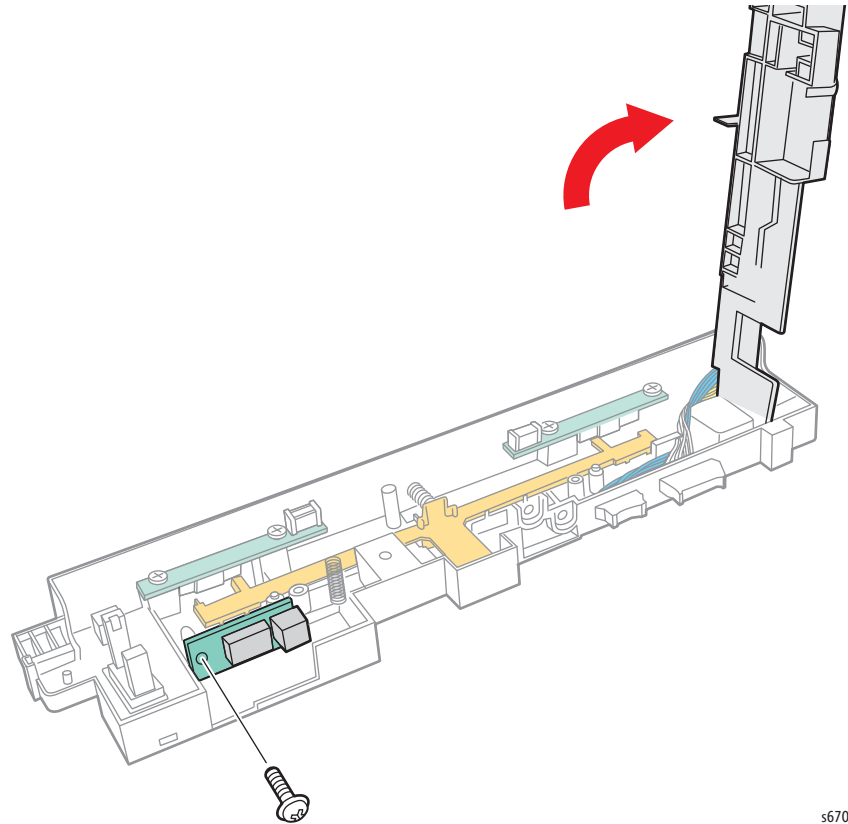
Cover the Imaging Units to prevent exposure to light.

1. Open the Front Door.
2. Open the Right Door.
3. Open the Inner Frame Assy.
4. Remove the Transfer Belt (page 8-12).
5. Remove the Imaging Units (page 8-14).
6. Remove the Upper Inner Front Cover (page 8-25).
7. Remove the Rear Cover (page 8-31).
8. Remove the Exit Cover (page 8-22).
9. Remove the Upper Finisher Docking Cover.
10. Remove the Output Tray (page 8-21).
11. Remove the Procon Assembly (page 8-95).
12. Turn the assembly over and disconnect P/J213, 216, 217, and 218.
13. Remove 2 screws that secure the cover to the assembly.



s6700-384

14. Lift the cover and remove 1 screws that secures the Environmental Sensor



s6700-391

Dispense Assemblies

PL6.1.5 ~ 6.1.8

Warning

Allow the Fuser to cool before servicing the printer.

Caution

Cover the Imaging Units to prevent exposure to light.

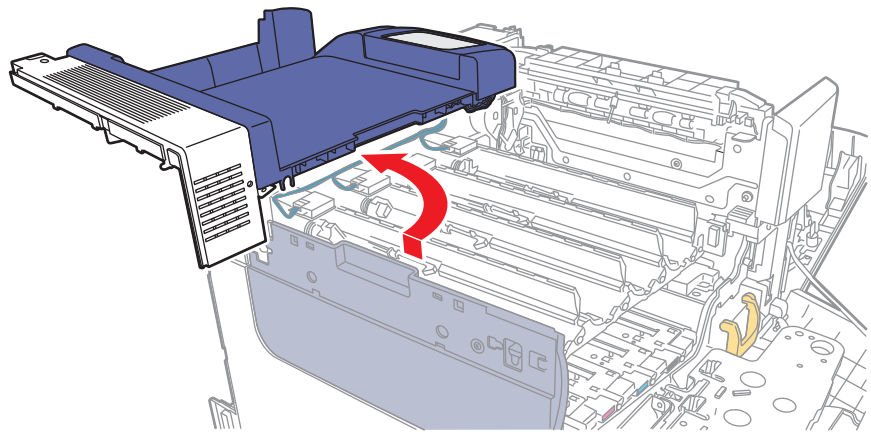
Note

Toner can leak from the dispense assemblies. Protect the work area.

Note

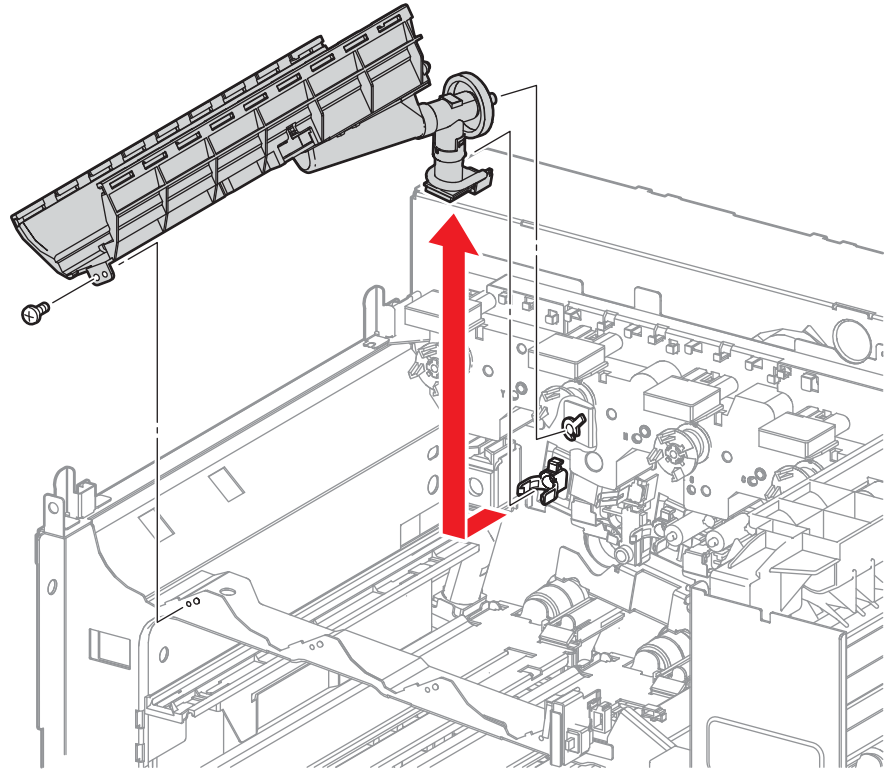
Toner Dispense Assemblies are not interchangeable.

1. Open the Front Door.
2. Open the Right Door.
3. Open the Inner Frame Assy.
4. Remove the Transfer Belt (page 8-12).
5. Remove the Imaging Units (page 8-14).
6. Remove the Upper Inner Front Cover (page 8-25).
7. Remove the Rear Cover (page 8-31).
8. Remove the Exit Cover (page 8-22).
9. Remove the Upper Finisher Docking Cover.
10. Remove the Output Tray (page 8-21).
11. Remove 4 screws that secure the Top Cover (page 8-19) and move the cover to the rear.



s6700-389

12. Remove the screw (silver, 6mm) that secures the assembly to the chassis.



s6700-252

Toner Dispense Assembly

PL6.1.9

Warning

Allow the Fuser to cool before servicing the printer.

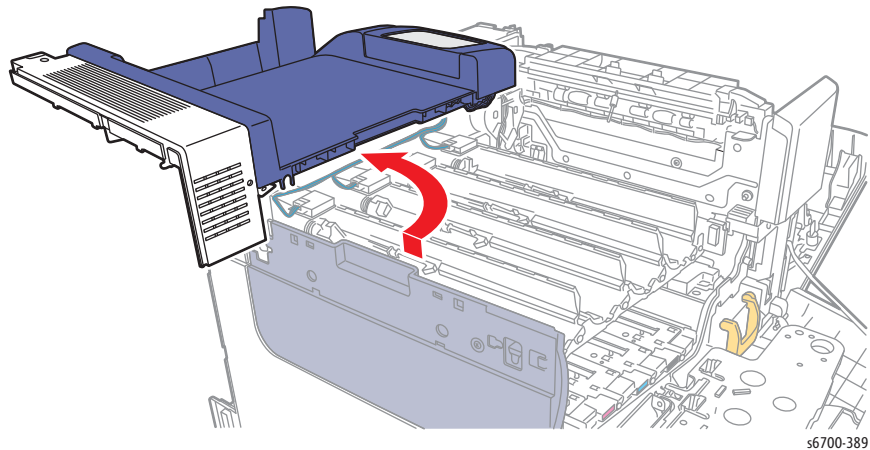
Caution

Cover the Imaging Units to prevent exposure to light.

Note

Toner can leak from the dispense assemblies. Protect the work area.

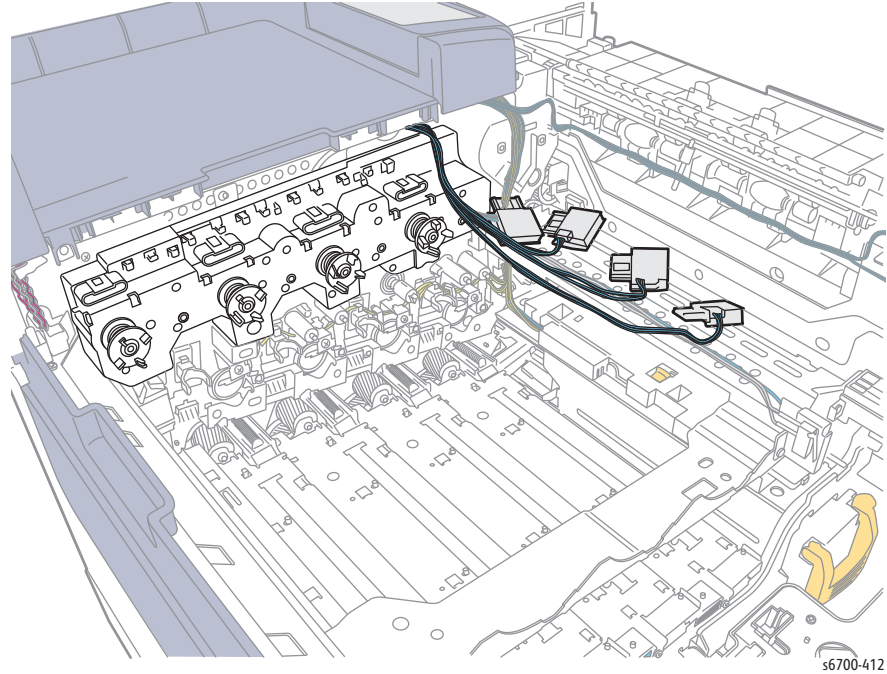
1. Open the Front Door.
2. Open the Right Door.
3. Open the Inner Frame Assy.
4. Remove the Transfer Belt (page 8-12).
5. Remove the Imaging Units (page 8-14).
6. Remove the Upper Inner Front Cover (page 8-25).
7. Remove the Rear Cover (page 8-31).
8. Remove the Exit Cover (page 8-22).
9. Remove the Upper Finisher Docking Cover.
10. Remove the Output Tray (page 8-21).
11. Remove 4 screws that secure the Top Cover (page 8-19) and move the cover to the rear.



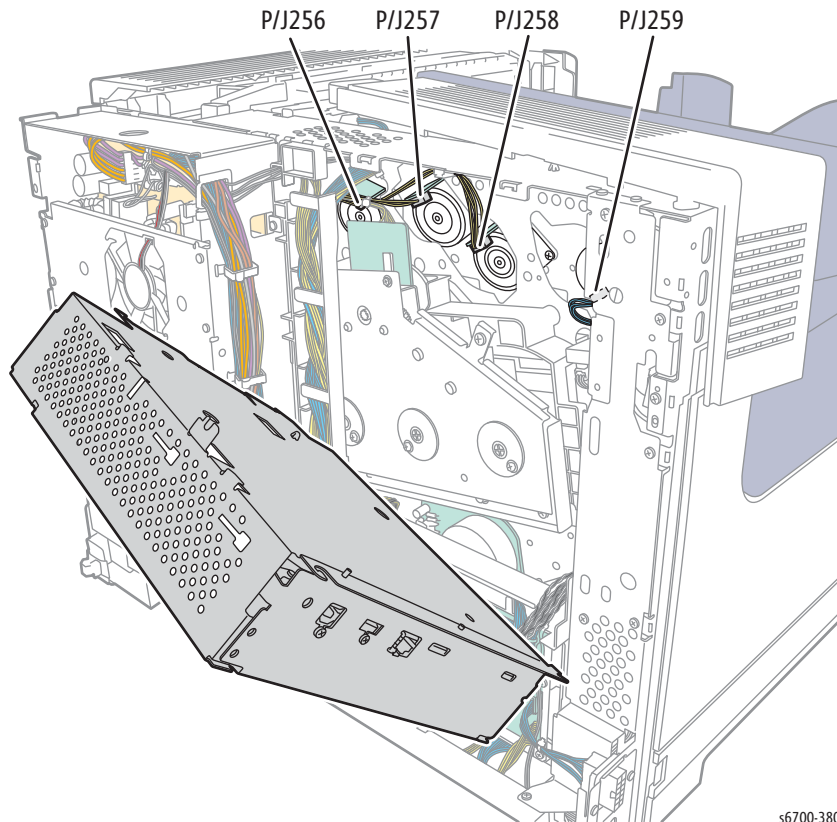
s6700-389

12. Remove the 4 Dispense Assemblies (page 8-103).
13. Release the 4 hooks that secure the Toner Cartridge CRUM Connectors to the Toner Dispense Assembly.

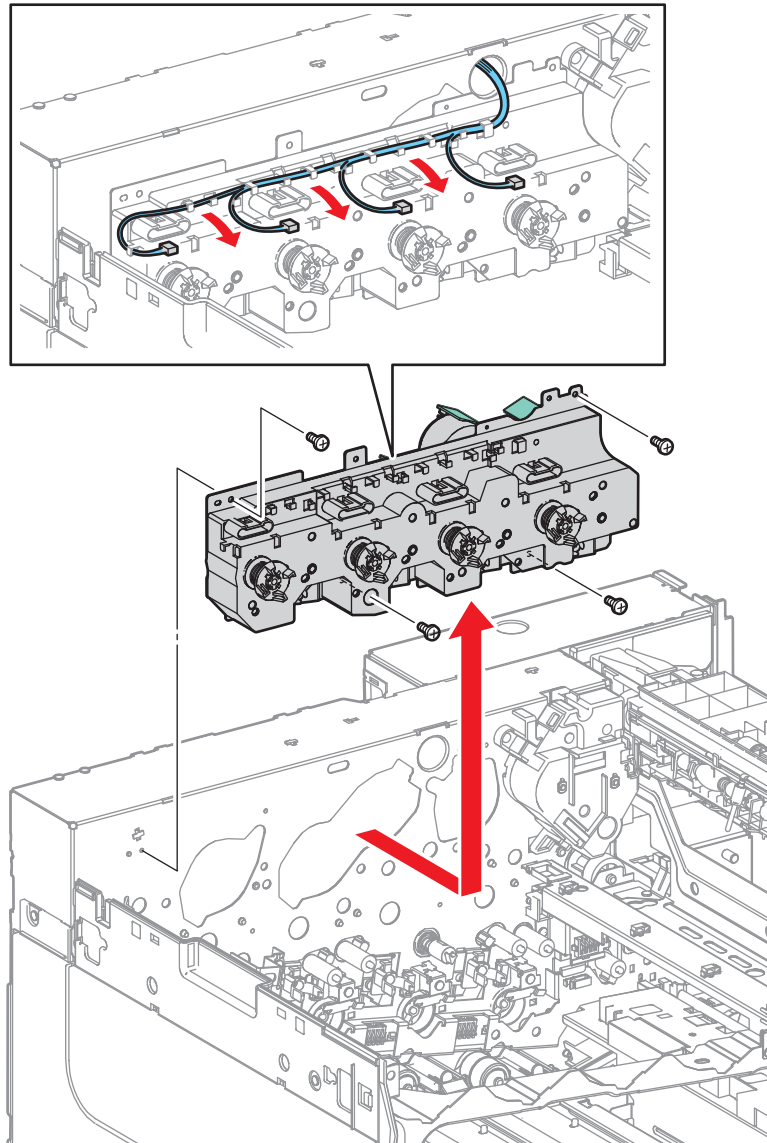
14. Release the CRUM harness from the hooks on the Toner Dispense Assembly.



15. Reposition the Top Cover and loosen 4 screws and remove 1 screw that secure the IP Board Cage to the chassis.
16. Lift the cage to release the hooks and disconnect the 4 toner motors from the harness



17. Remove the 4 screws that secure the Toner Dispense Assembly to the chassis.



s6700-423

Toner Cartridge CRUM Reader Board

PL6.1.10

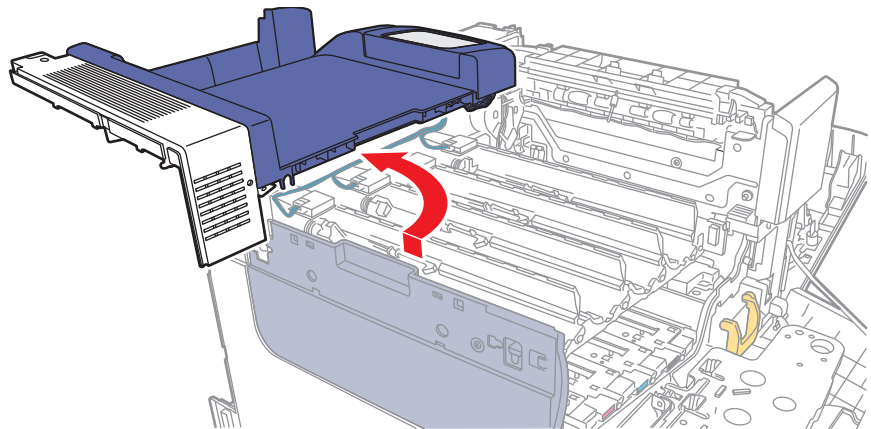
Warning

Allow the Fuser to cool before servicing the printer.

Caution

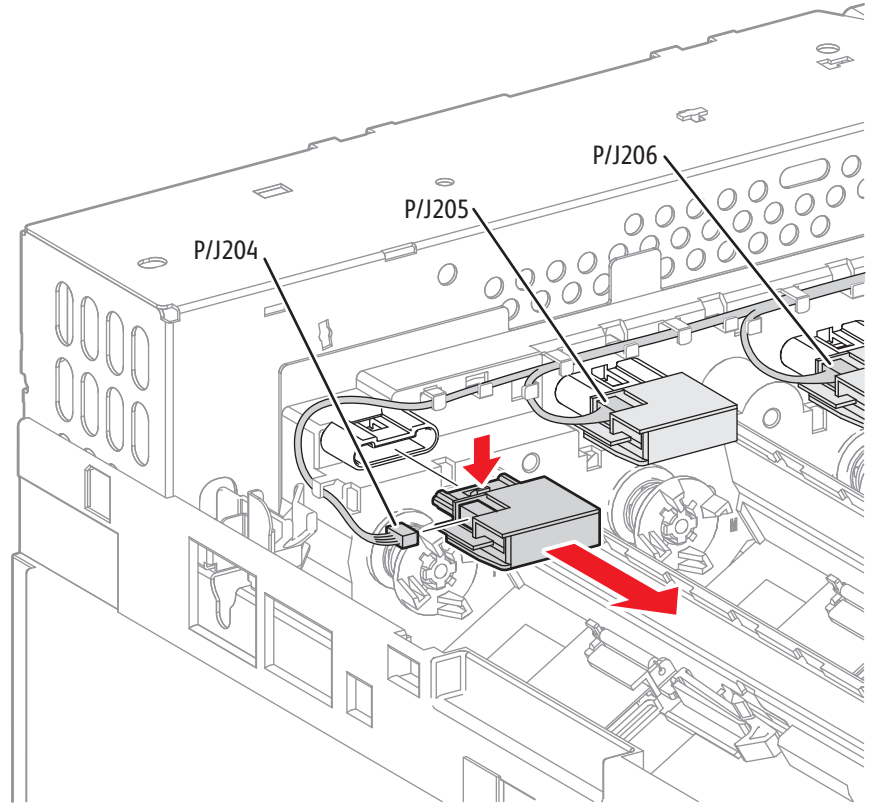
Cover the Imaging Units to prevent exposure to light.

1. Open the Front Door.
2. Open the Right Door.
3. Open the Inner Frame Assy.
4. Remove the Transfer Belt (page 8-12).
5. Remove the Imaging Units (page 8-14).
6. Remove the Upper Inner Front Cover (page 8-25).
7. Remove the Rear Cover (page 8-31).
8. Remove the Exit Cover (page 8-22).
9. Remove the Upper Finisher Docking Cover.
10. Remove the Output Tray (page 8-21).
11. Remove 4 screws that secure the Top Cover (page 8-19) and move the cover to the rear.



s6700-389

12. Release the hook and disconnect the harness from the affected connector.



s6700-244

Waste Auger

PL6.1.12

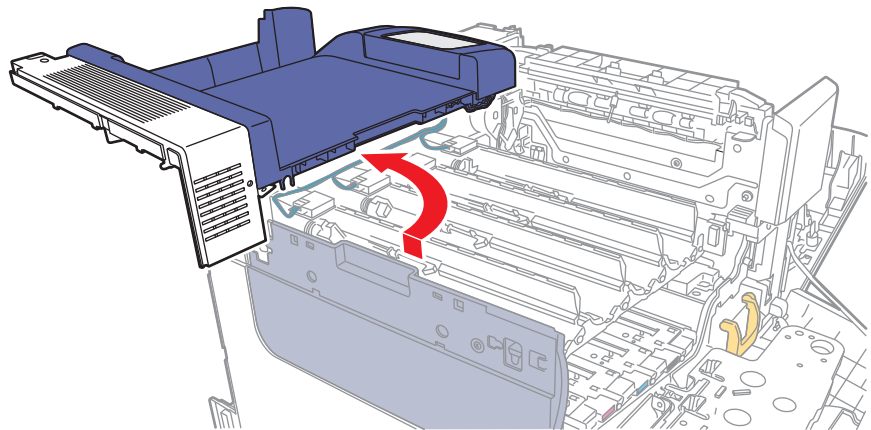
Caution

Cover the Imaging Units to prevent exposure to light.

Caution

Toner is present in the Waste Auger. Protect the work area.

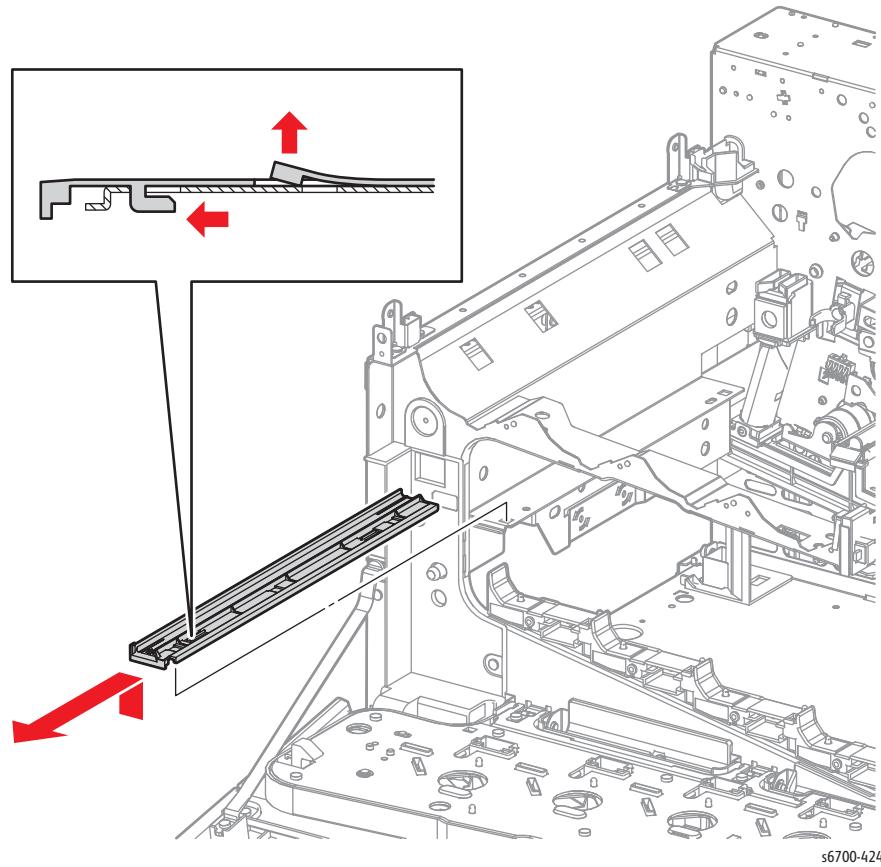
1. Open the Front Door.
2. Open the Right Door.
3. Open the Inner Frame Assy.
4. Remove the Transfer Belt (page 8-12).
5. Remove the Imaging Units (page 8-14).
6. Remove the Waste Toner Cartridge (page 8-16).
7. Remove the Upper Inner Front Cover (page 8-25).
8. Remove the Rear Cover (page 8-31).
9. Remove the Exit Cover (page 8-22).
10. Remove the Upper Finisher Docking Cover.
11. Remove the Output Tray (page 8-21).
12. Remove 4 screws that secure the Top Cover (page 8-19) and move the cover to the rear.



s6700-389

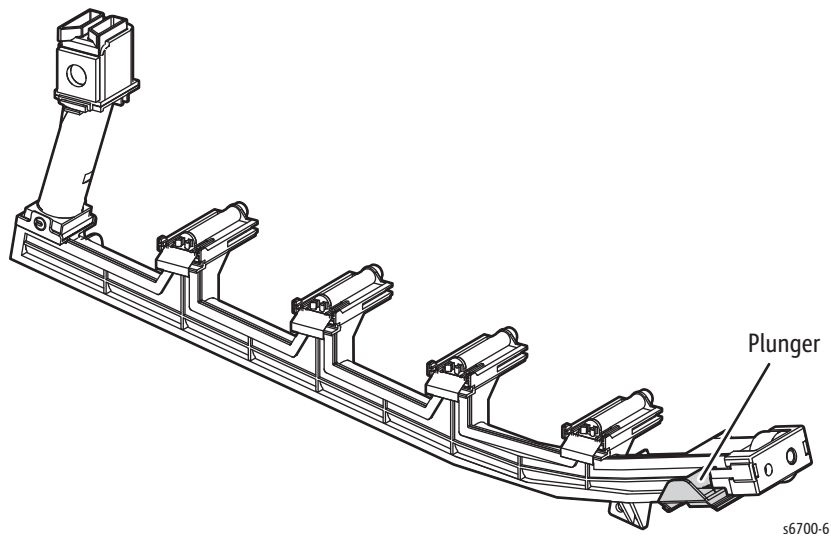
12. Remove the Lower Finisher Docking Cover.
13. Remove the Left Cover (page 8-28).
14. Remove the HVPS (page 8-86).
15. Remove the Laser Unit (page 8-93).
16. Remove 4 Imaging Unit Guides (page 8-128).

17. Remove the left belt guide.

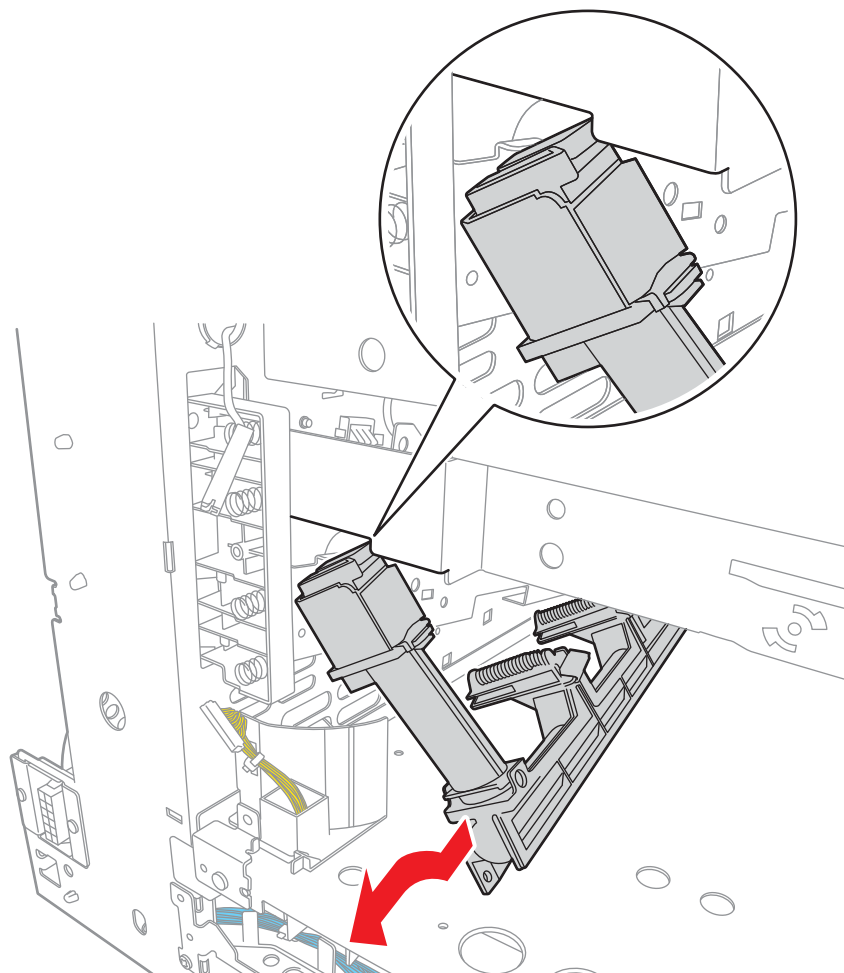


18. Remove the 2 screws that secure the Waste Auger to the chassis.

19. Working from the left side, depress the plunger on the right end of the Waste Auger.



20. Move the left end forward and downward while rotating the assembly CCW. Clearance is provided in the chassis to remove the assembly from the Laser Unit cavity,



s6700-382

Exit Dive Assembly

PL7.1.1

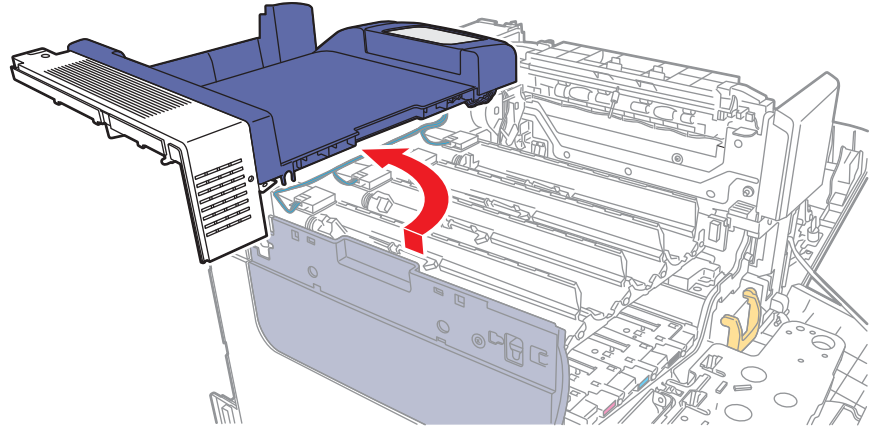
Warning

Allow the Fuser to cool before servicing the printer.

Caution

Cover the Imaging Units to prevent exposure to light.

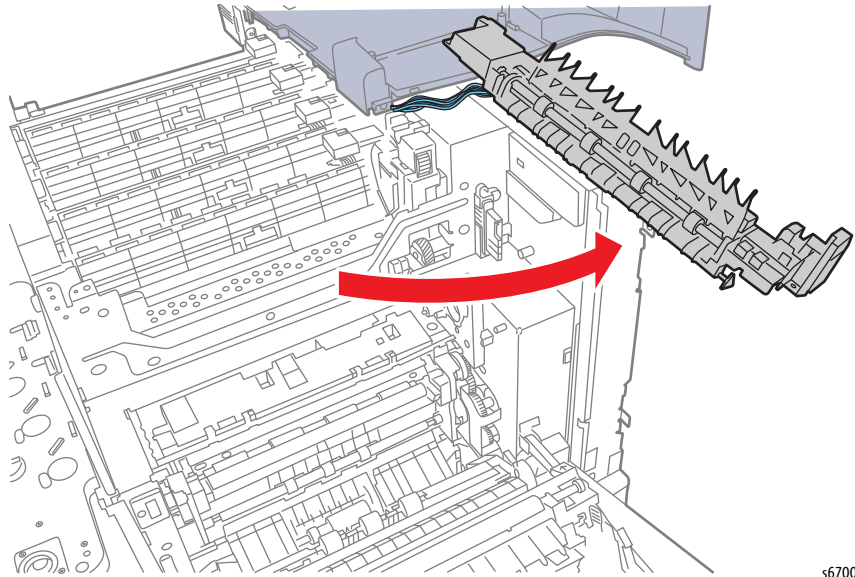
1. Open the Front Door.
2. Open the Right Door.
3. Remove the Fuser (page 8-17).
4. Open the Inner Frame Assy.
5. Remove the Transfer Belt (page 8-12).
6. Remove the Imaging Units (page 8-14).
7. Remove the Waste Toner Cartridge (page 8-16).
8. Remove the Upper Inner Front Cover (page 8-25).
9. Remove the Rear Cover (page 8-31).
10. Remove the Exit Cover (page 8-22).
11. Remove the Upper Finisher Docking Cover.
12. Remove the Output Tray (page 8-21).
13. Remove 4 screws that secure the Top Cover (page 8-19) and move the cover to the rear.



s6700-389

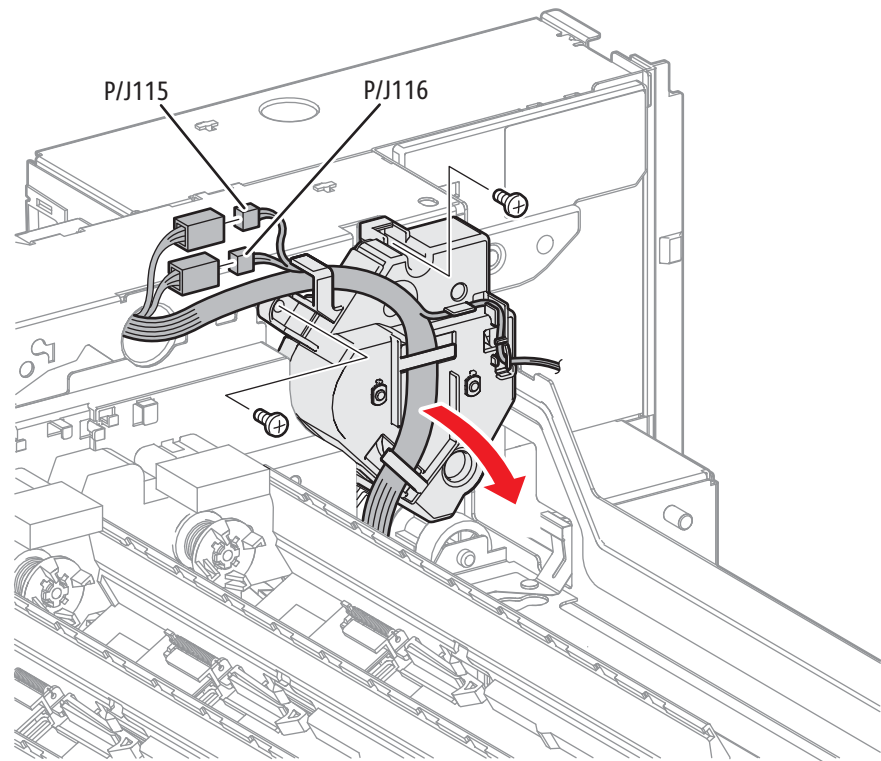
14. Remove the Invert Chute Assembly (page 8-125).

15. Remove the 2 screws that secure the Exit Chute Assembly and move it to the side.



s6700-603

15. Remove 2 screws (silver, 6mm) that secure the Exit Drive Assembly to the chassis.
16. Release the two bosses on the rear from the holes in the frame with the Exit Drive Assembly slightly tilted toward the front
17. Disconnect P/J115 and P/J116 and release the harness from the Exit Drive Assembly hooks.



s6700-231

Fuser Harness

PL7.1.4A ~4B

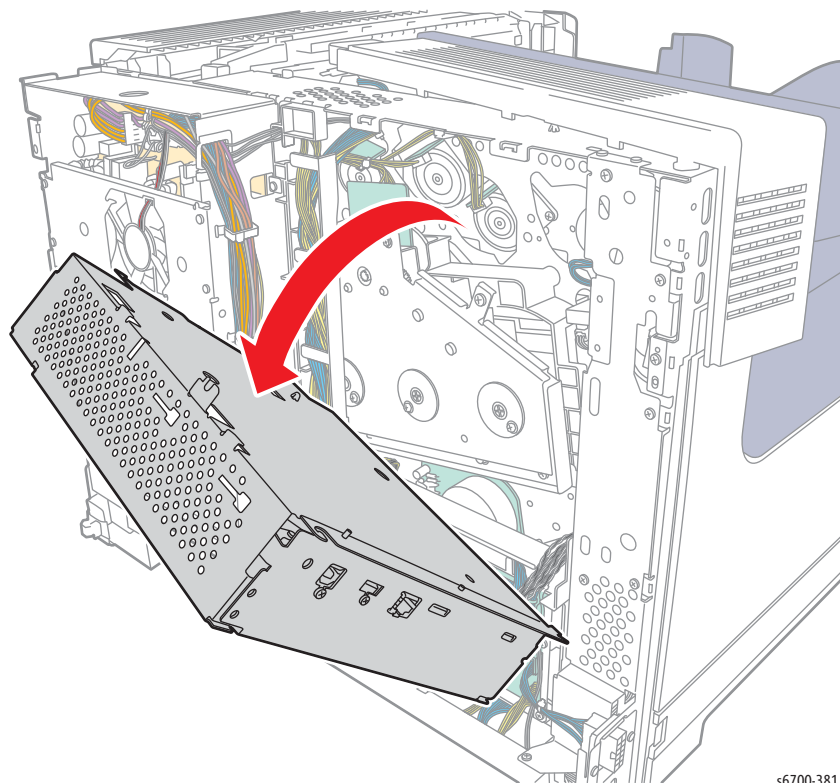
Warning

Allow the Fuser to cool before servicing the printer.

Caution

Cover the Imaging Units to prevent exposure to light.

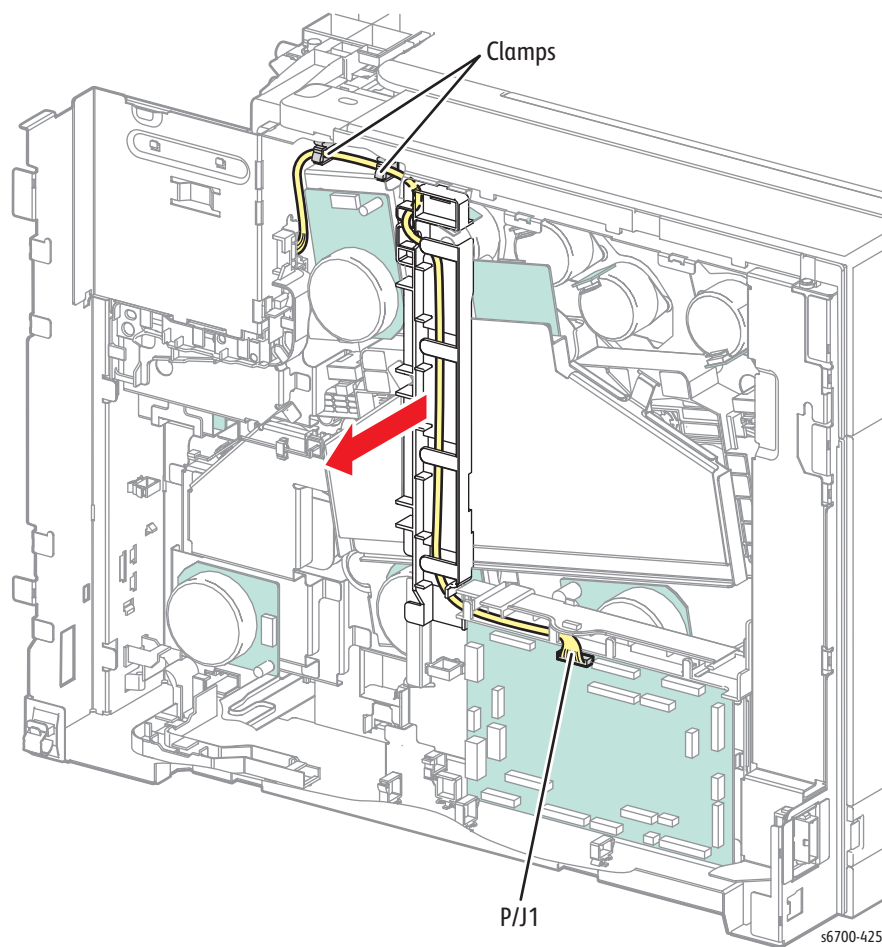
1. Remove the Fuser (page 8-17).
2. Remove the Rear Cover (page 8-31).
3. Disconnect P/J1 from the MCU Board.
4. Loosen, but do not remove 4 screws and remove 1 screw that secure the IP Board Cage to the chassis. Allow the IP Cage to rest against the work surface.



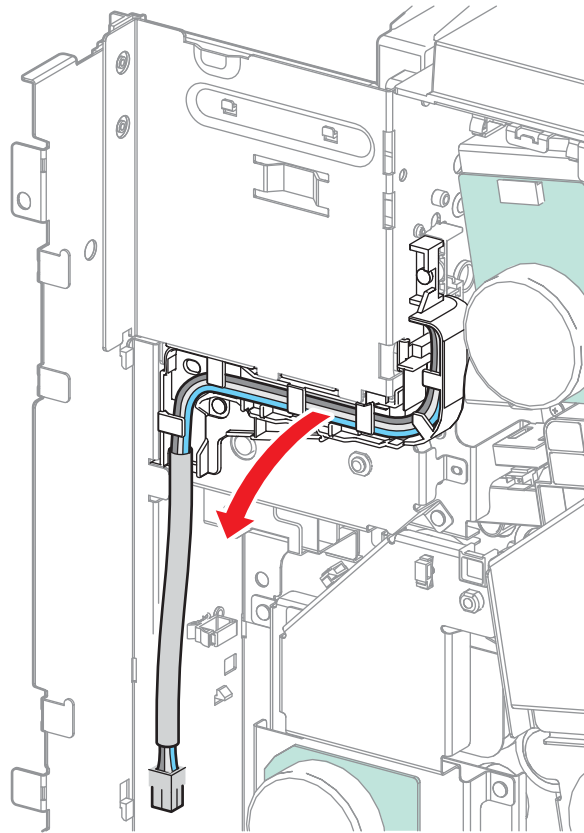
s6700-381

5. Remove the Power Panel (page 8-154).
6. Remove the LVPS Cage (page 8-182).

7. Release the Fuser Harness from the center and top guides.

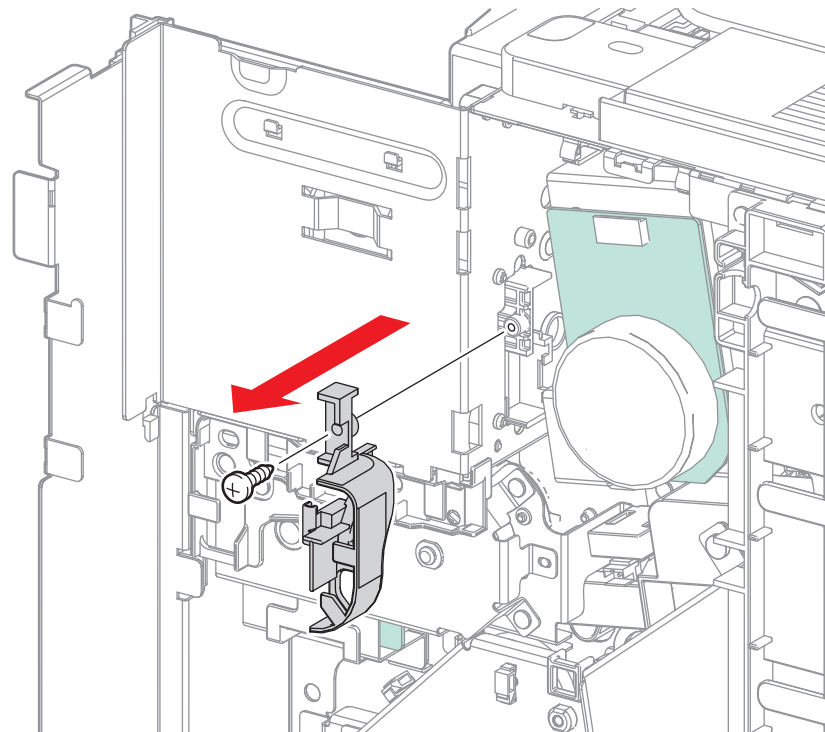


8. Remove Fuser Harness from right guide



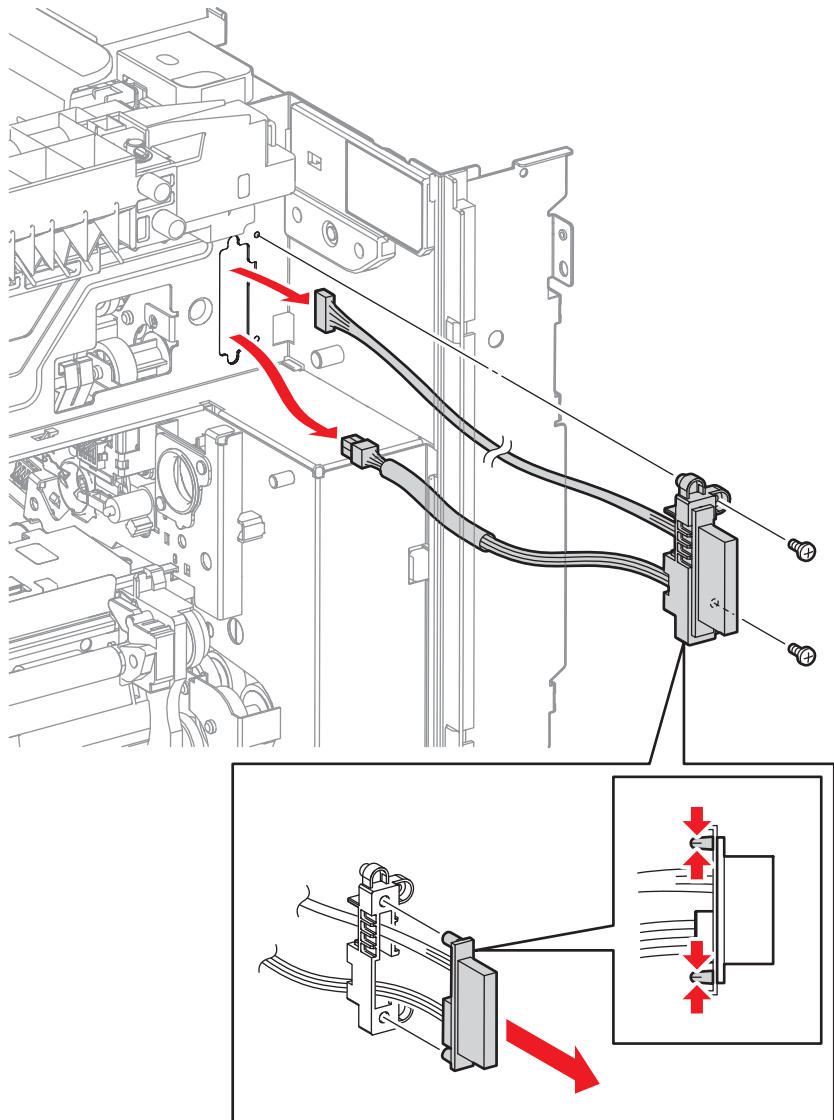
s6700-275

9. Remove 1 screw that secures the corner guide to the Fuser connector and release the Fuser Harness from the guide.



s6700-417

10. Remove 2 screws that secure the Fuser connector to the chassis, then remove the harness from the connector.



s6700-426

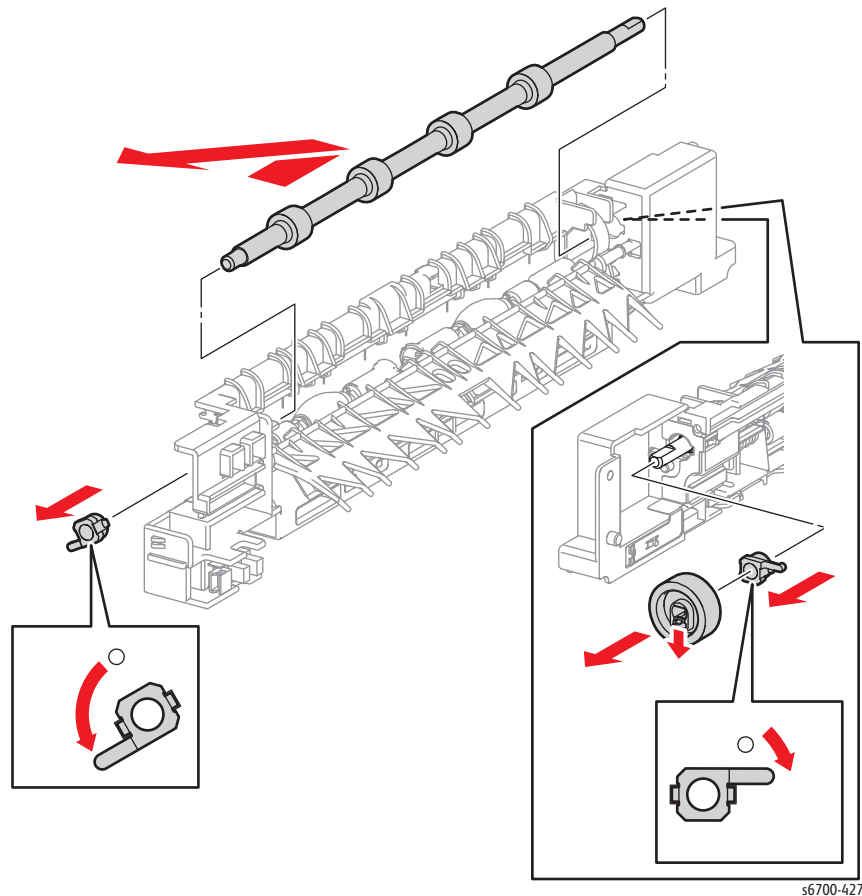
Exit Roller

PL7.2.2

Warning

Allow the Fuser to cool before servicing the printer.

1. Open the Right Door.
2. Remove the Fuser (page 8-17).
3. Remove the Rear Cover (page 8-31).
4. Remove the Exit Cover (page 8-22).
5. Remove the Invert Chute Assembly (page 8-125).
6. Remove but do not disconnect the Exit Chute Assembly (page 8-123).
7. Release 1 hook that secures the gear to the Exit Roller.
8. Release 2 bearings, then remove the Exit Roller from the Exit Chute.



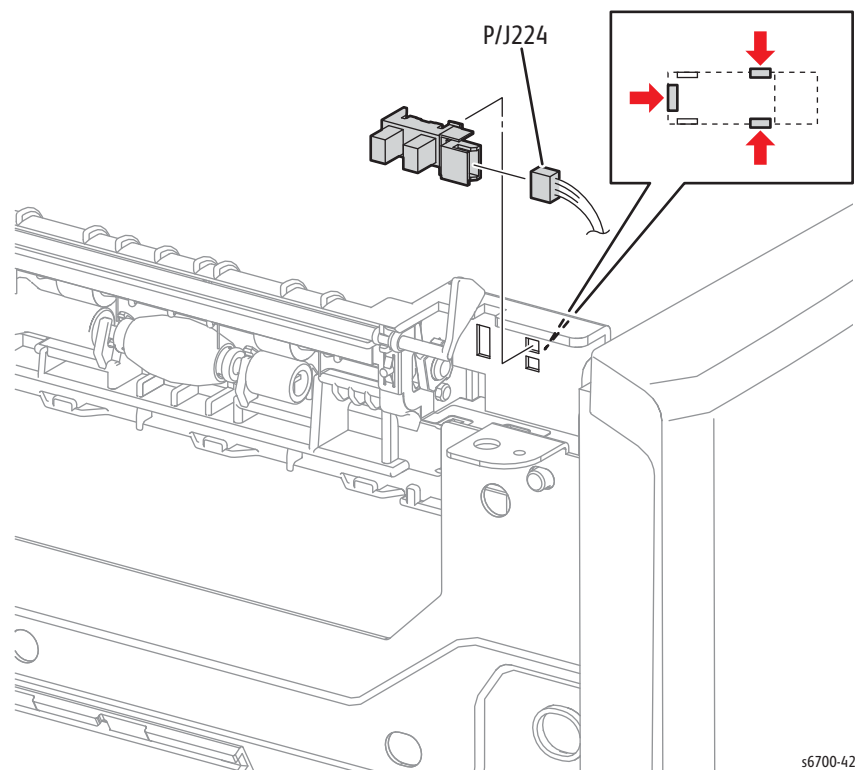
Full Stack Sensor

PL7.2.10

Warning

Allow the Fuser to cool before servicing the printer.

1. Open the Right Door.
2. Remove the Fuser (page 8-17).
3. Remove the Rear Cover (page 8-31).
4. Remove the Exit Cover (page 8-22).
5. Remove the Invert Chute Assembly (page 8-125).
6. Release the 3 hooks that secure the sensor to the Exit Chute Assembly.
7. Disconnect P/J224 to remove the sensor.



s6700-428

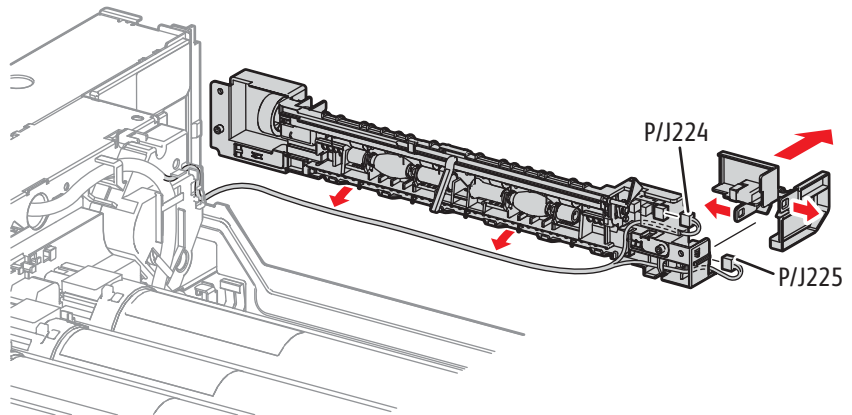
Envelope Mode Detection Sensor

PL7.2.10

Warning

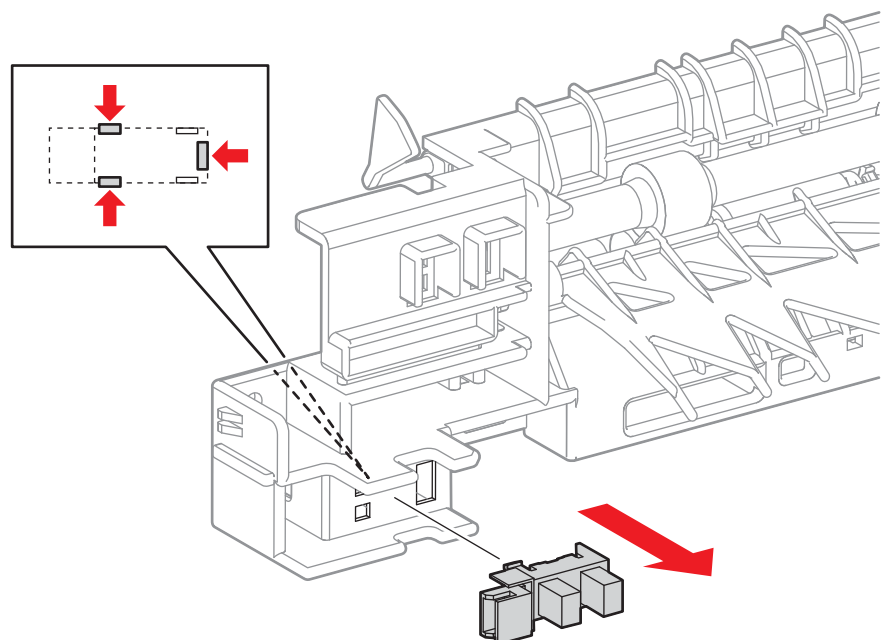
Allow the Fuser to cool before servicing the printer.

1. Open the Right Door.
2. Remove the Fuser (page 8-17).
3. Remove the Rear Cover (page 8-31).
4. Remove the Exit Cover (page 8-22).
5. Remove the Invert Chute Assembly (page 8-125).
6. Release the 2 hooks that secure the sensor cover to the Exit Chute Assembly.



s6700-253

8. Disconnect P/J225 to remove the sensor.
9. Release the 3 hooks that secure the sensor to the Exit Chute Assembly.



s6700-429

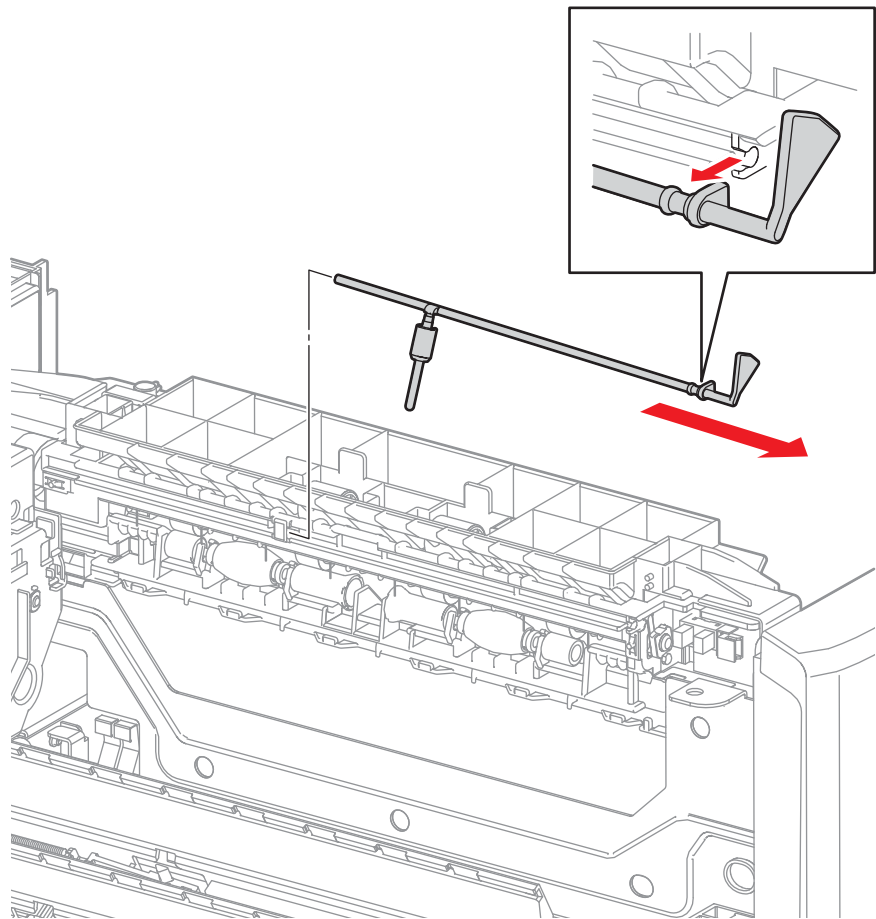
Full Stack Actuator

PL7.2.13

Warning

Allow the Fuser to cool before servicing the printer.

1. Open the Right Door.
2. Remove the Rear Cover (page 8-31).
3. Remove the Exit Cover (page 8-22).
4. Release the front end of the actuator shaft from the hook, then move the shaft forward to remove the actuator.



s6700-430

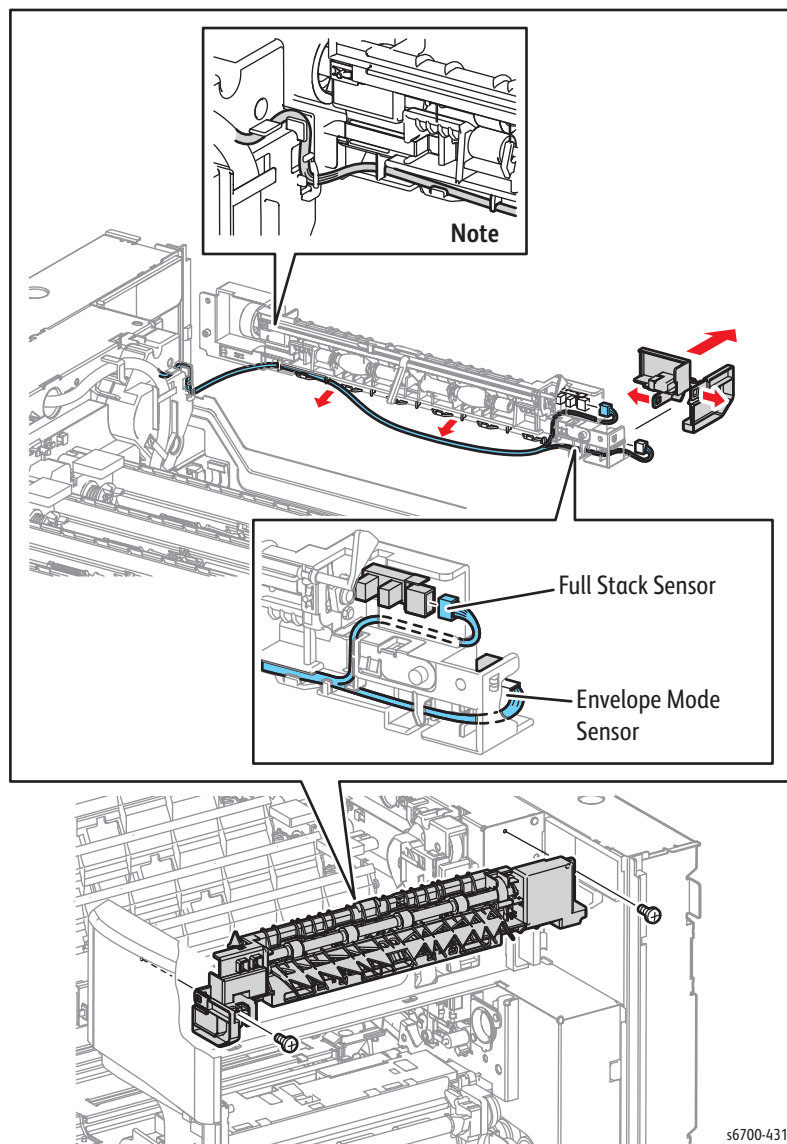
Exit Chute Assembly

PL7.2.99

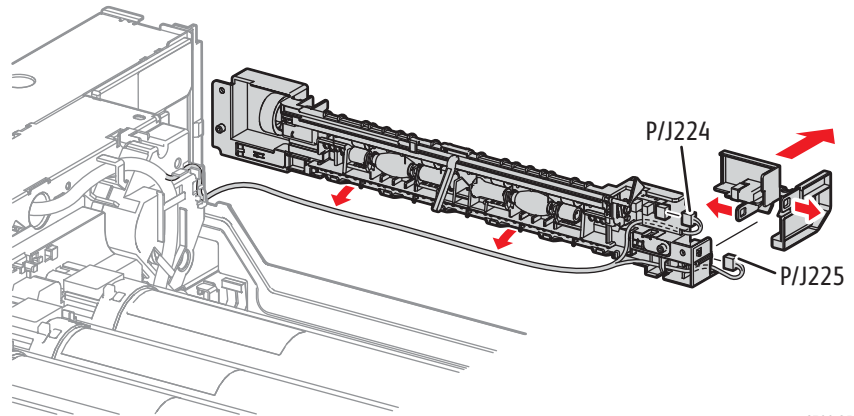
Warning

Allow the Fuser to cool before servicing the printer.

1. Open the Right Door.
2. Remove the Fuser (page 8-17).
3. Remove the Rear Cover (page 8-31).
4. Remove the Exit Cover (page 8-22).
5. Remove the Invert Chute Assembly (page 8-125).
6. Remove 2 screws that secure the Exit Chute to the chassis.



7. Release the 2 hooks that secure the sensor cover to the Exit Chute Assembly.



s6700-253

8. Disconnect P/J224 and 225 from the sensors and release the harness from the guides.

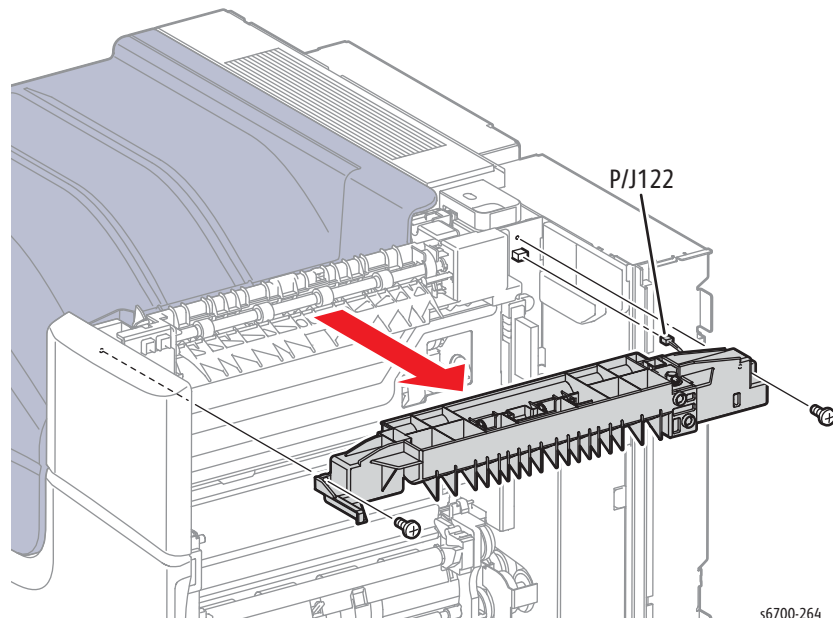
Inverter Chute Assembly

PL7.3.1

Warning

Allow the Fuser to cool before servicing the printer.

1. Open the Right Door.
2. Remove the Fuser (page 8-17).
3. Remove the Rear Cover (page 8-31).
4. Remove the Exit Cover (page 8-22).
5. Remove 2 screws (sliver, 6mm) that secure the Inverter Chute to the chassis.
6. Disconnect P/J122 to remove the chute.



s6700-264

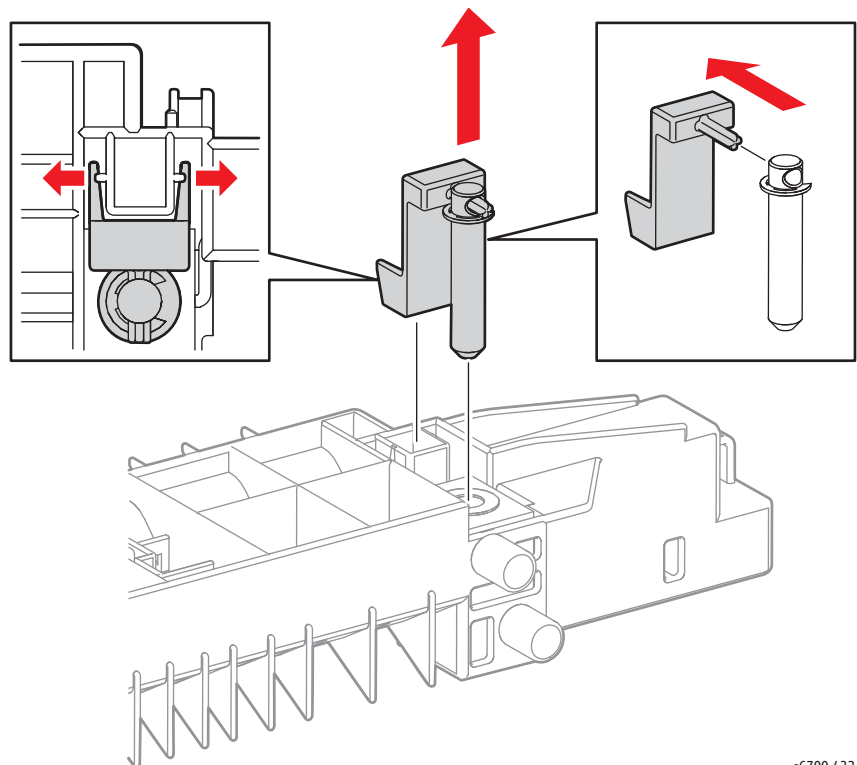
Exit Inverter Solenoid

PL7.3.3

Warning

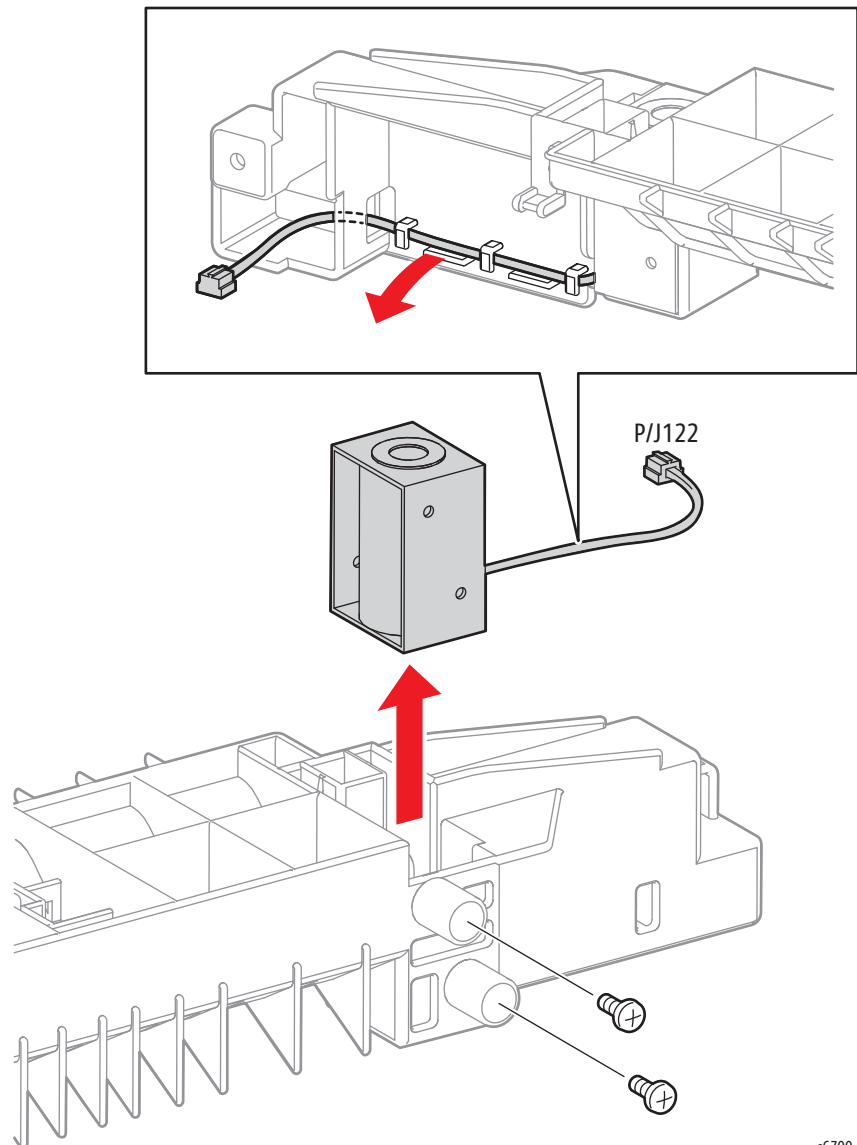
Allow the Fuser to cool before servicing the printer.

1. Open the Right Door.
2. Remove the Fuser (page 8-17).
3. Remove the Rear Cover (page 8-31).
4. Remove the Exit Cover (page 8-22).
5. Remove the Invert Chute Assembly (page 8-125).
6. Spread the invert actuator stops to remove the actuator and solenoid plunger from the chute.
7. Remove the invert actuator from the plunger.



s6700-432

8. Release the solenoid harness from the guides on the chute.
9. Remove 2 screws (silver, 4mm) that secure the solenoid in the chute.



56700-433

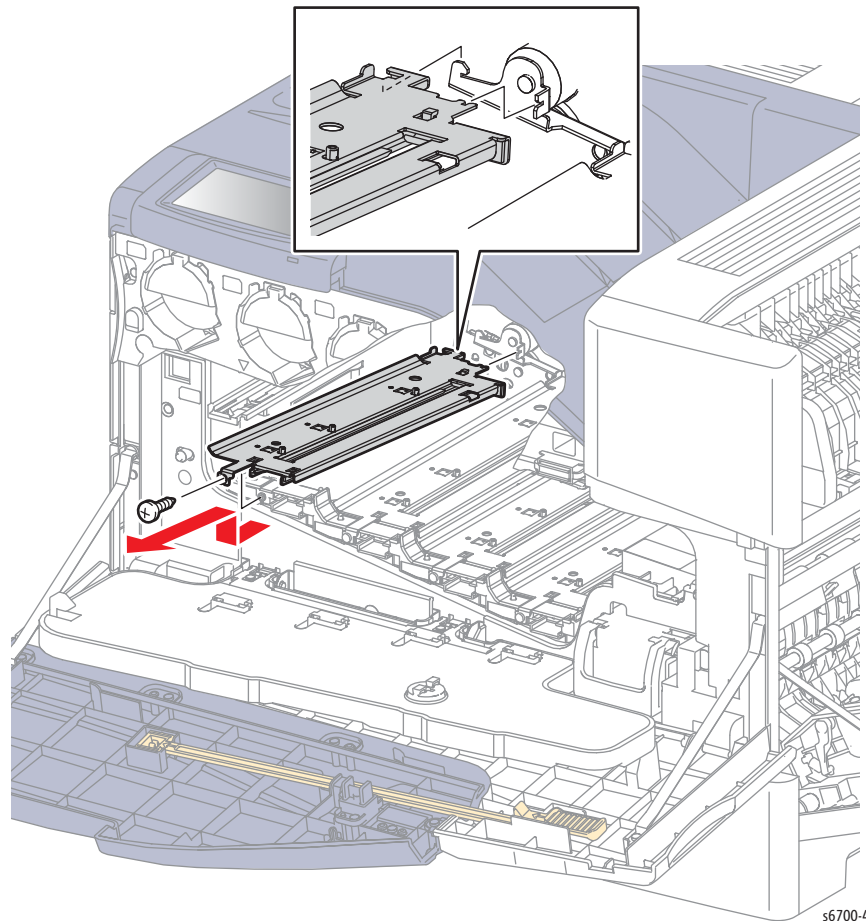
Imaging Unit Guides

PL8.1.1

Caution

Cover the Imaging Units to prevent exposure to light.

1. Open the Front Door.
2. Open the Inner Frame Assembly.
3. Remove the Transfer Belt (page 8-12).
4. Remove the Imaging Units (page 8-14).
5. Remove 1 screw that secures each guide to the chassis.



s6700-434

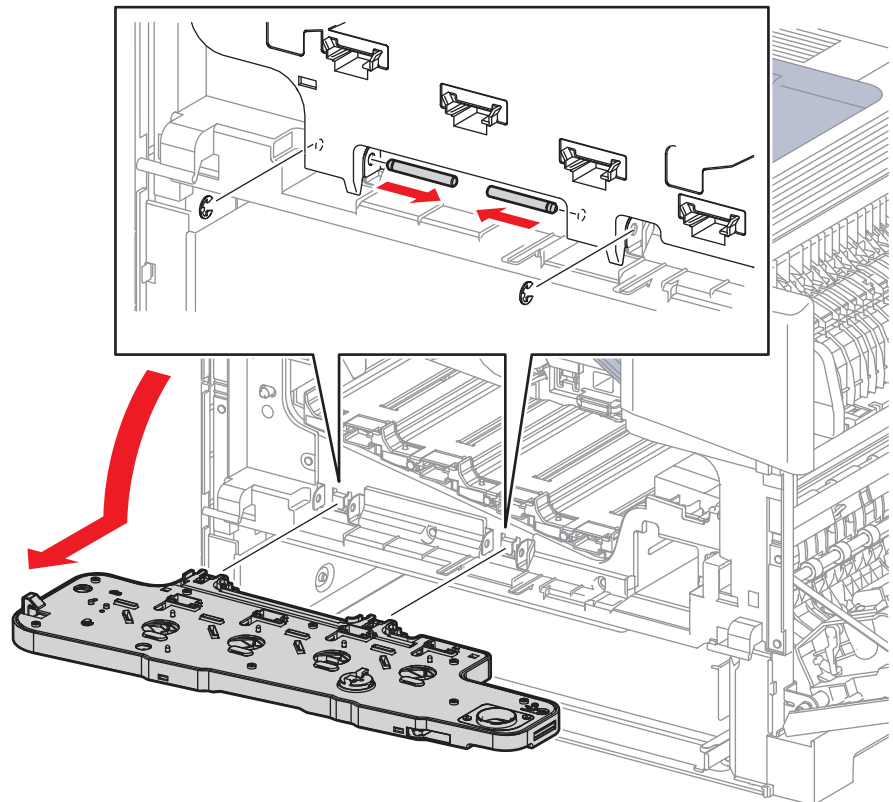
Replacement Note

Check for proper alignment and engagement with the chassis.

Inner Frame Assembly

PL8.1.9

1. Open the Front Door.
2. Open the Inner Frame Assembly.
3. Remove 2 E-clips and 2 pins that secure the Inner Frame Assembly to the chassis.

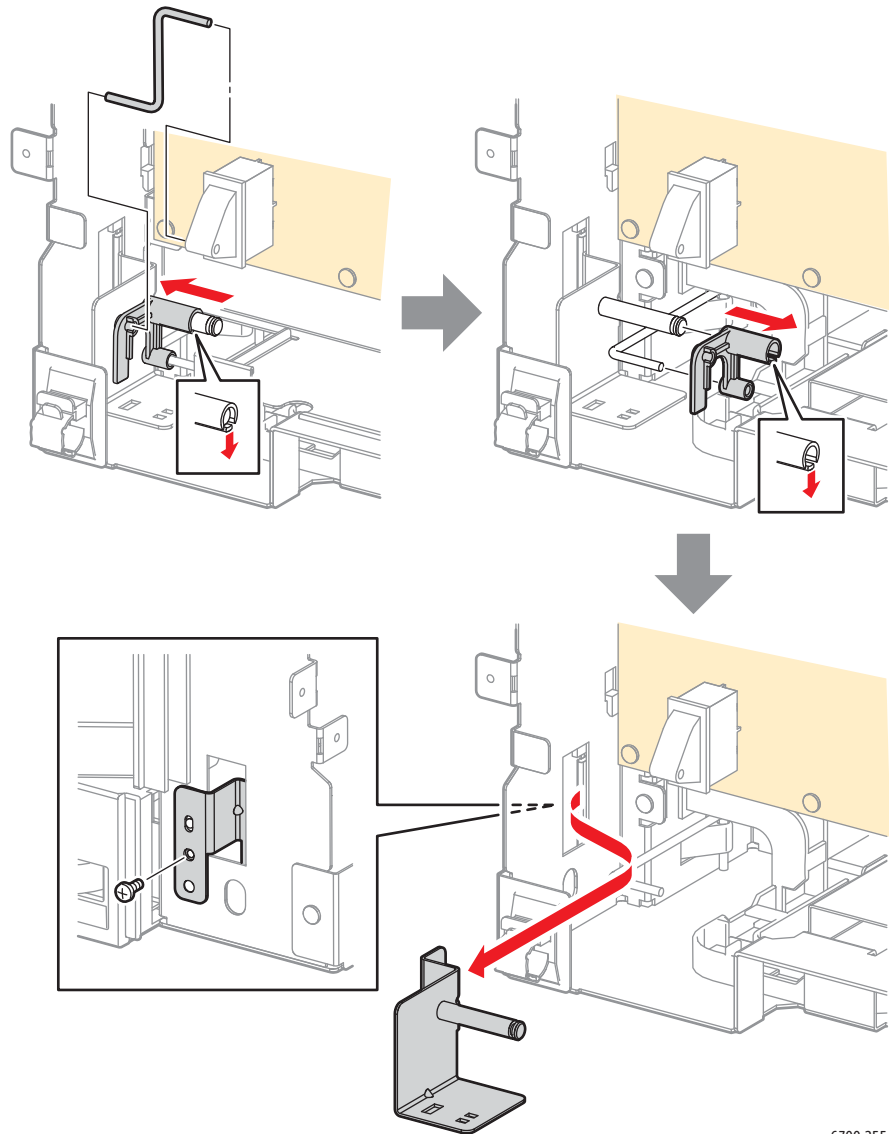


s6700-435

Fuser Drive Assembly

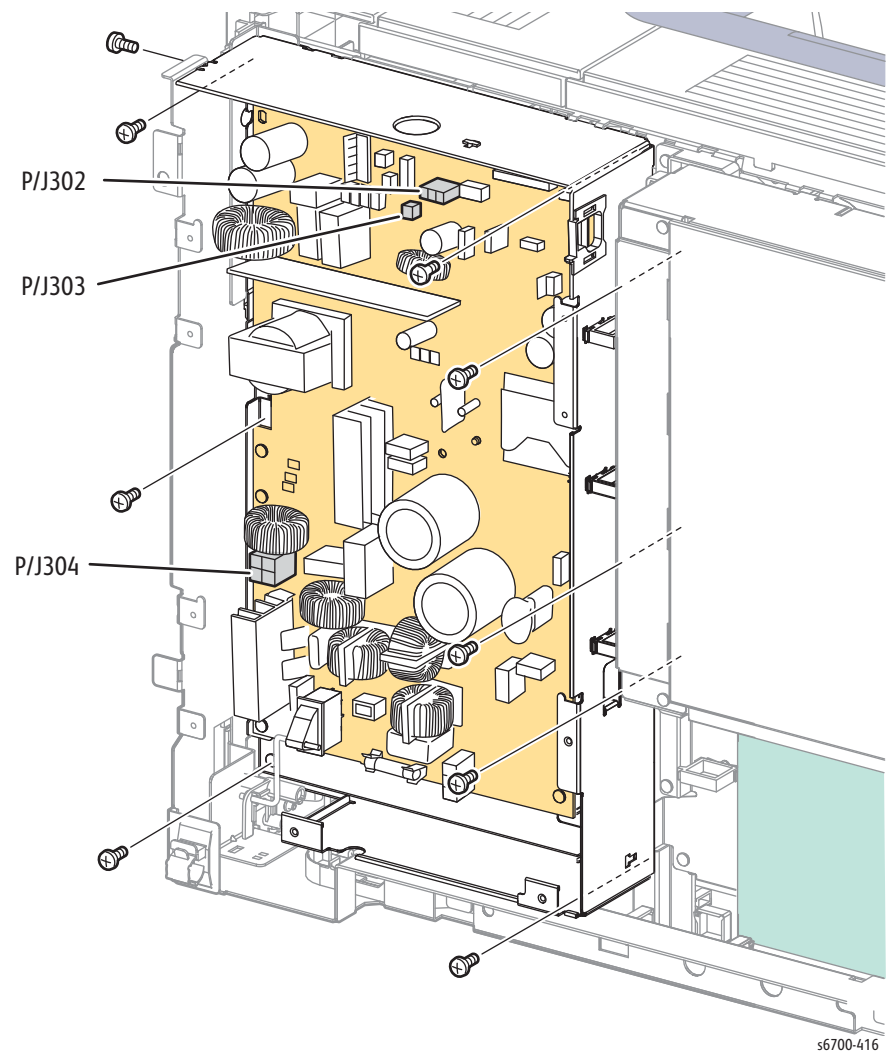
PL9.1.1

1. Remove the Rear Cover (page 8-31).
2. Remove the Power Panel (page 8-154).
3. Remove the LVPS Fan (page 8-153).
4. Remove the rear bracket and power switch link assembly.

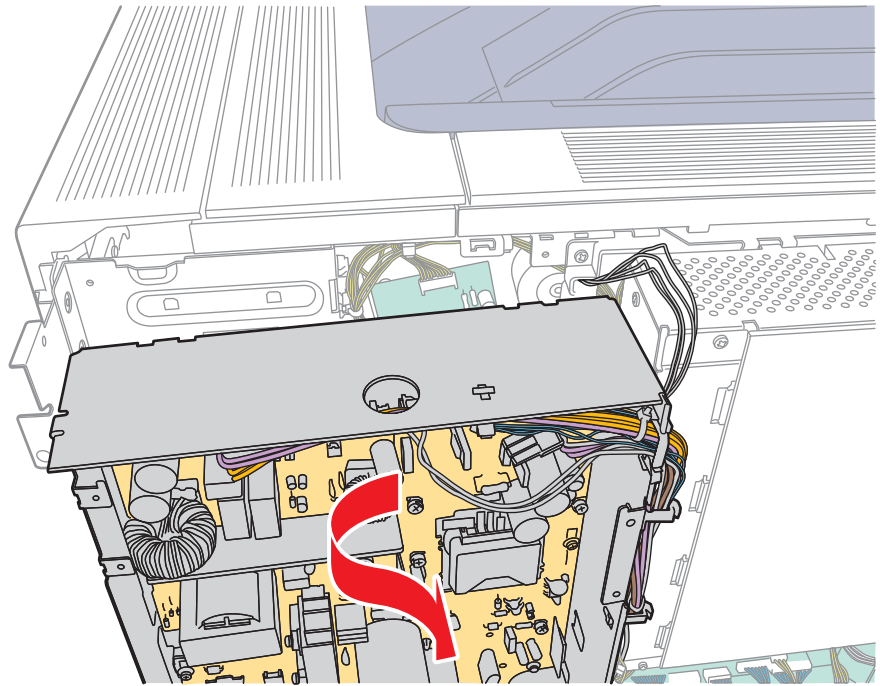


s6700-255

5. Disconnect P/J302, 303, and 304 from the LVPS.
6. Release the harnesses from the clamp.
7. Remove 9 screws that secure the LVPS Cage to the chassis.

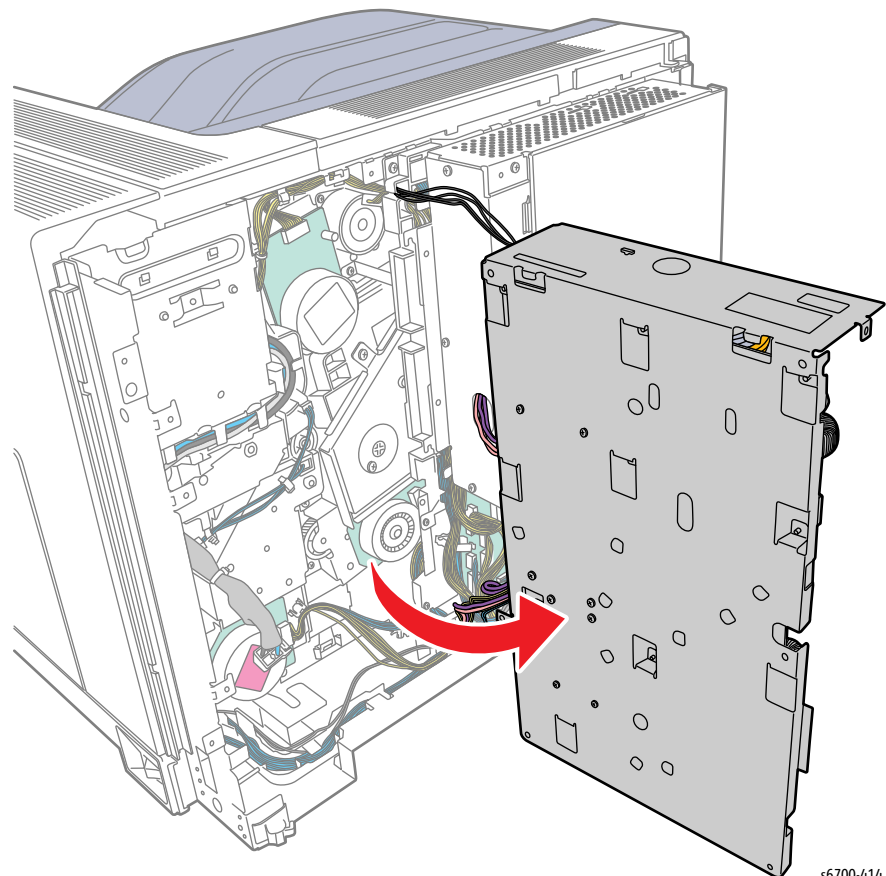


8. Remove but do not disconnect the LVPS Cage by first lifting the cage to release the upper and IP Board Cage hooks, then pull the right side outward and shift the LVPS Cage right to clear the tabs on the left.



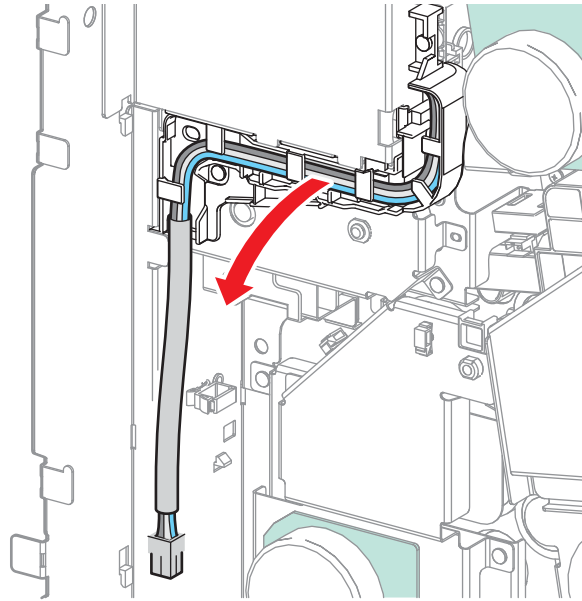
s6700-379

9. Stand the LVPS Cage on the work surface as shown,



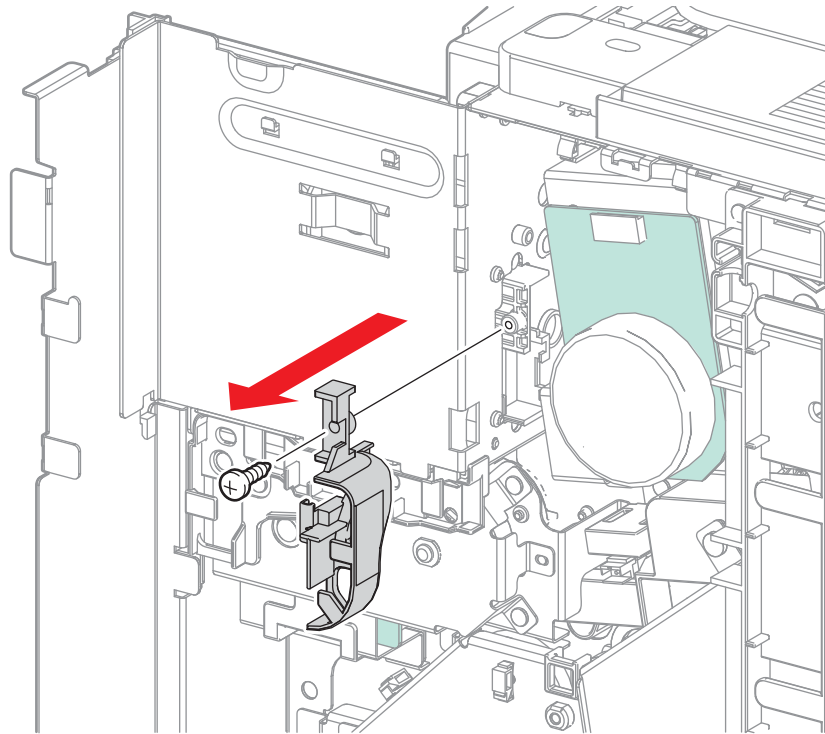
s6700-414

10. Release the Fuser Harness from the guide and harness bracket.



s6700-275

11. Remove 1 screw (silver, tapping, 8mm) that secures the bracket to the chassis.

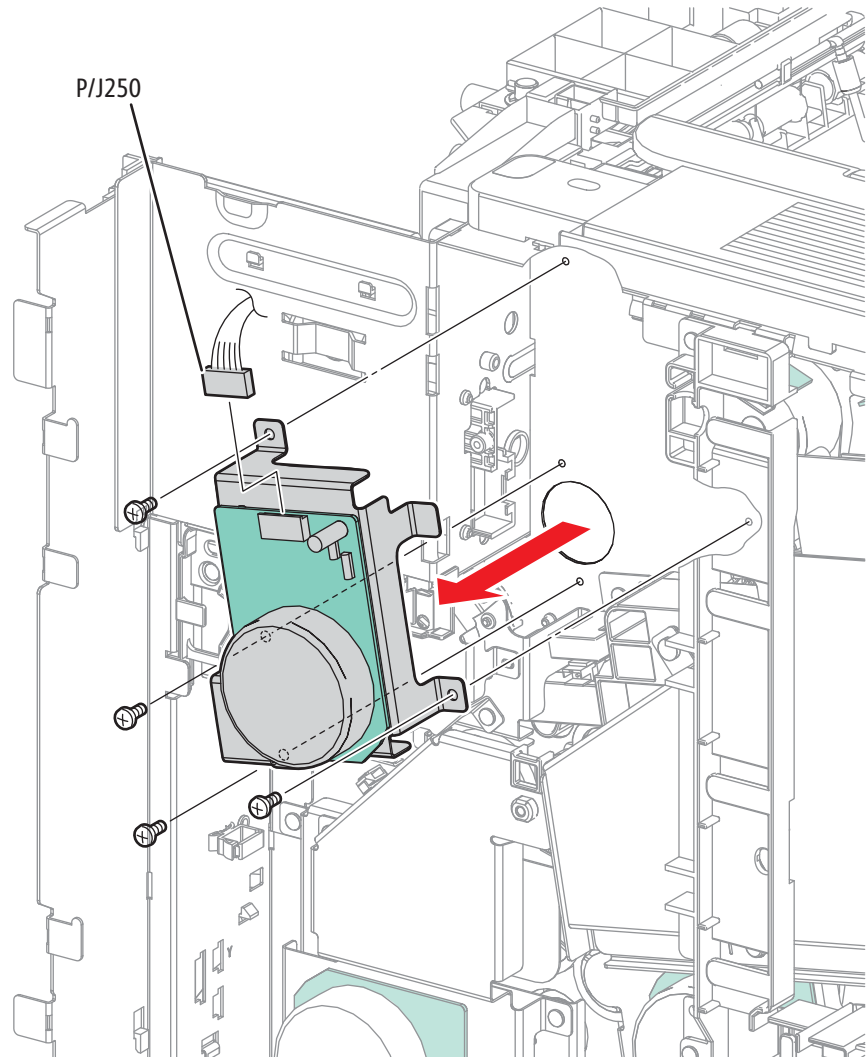


s6700-417

17. Disconnect P/J250 from the Fuser Drive Assy.
18. Remove 4 screws (silver, 6mm) that secure the Fuser Drive Assy.

Note

The drive gears are not captive to the shafts and may remain in the chassis after removal. Retrieve all gears before replacing the assembly.

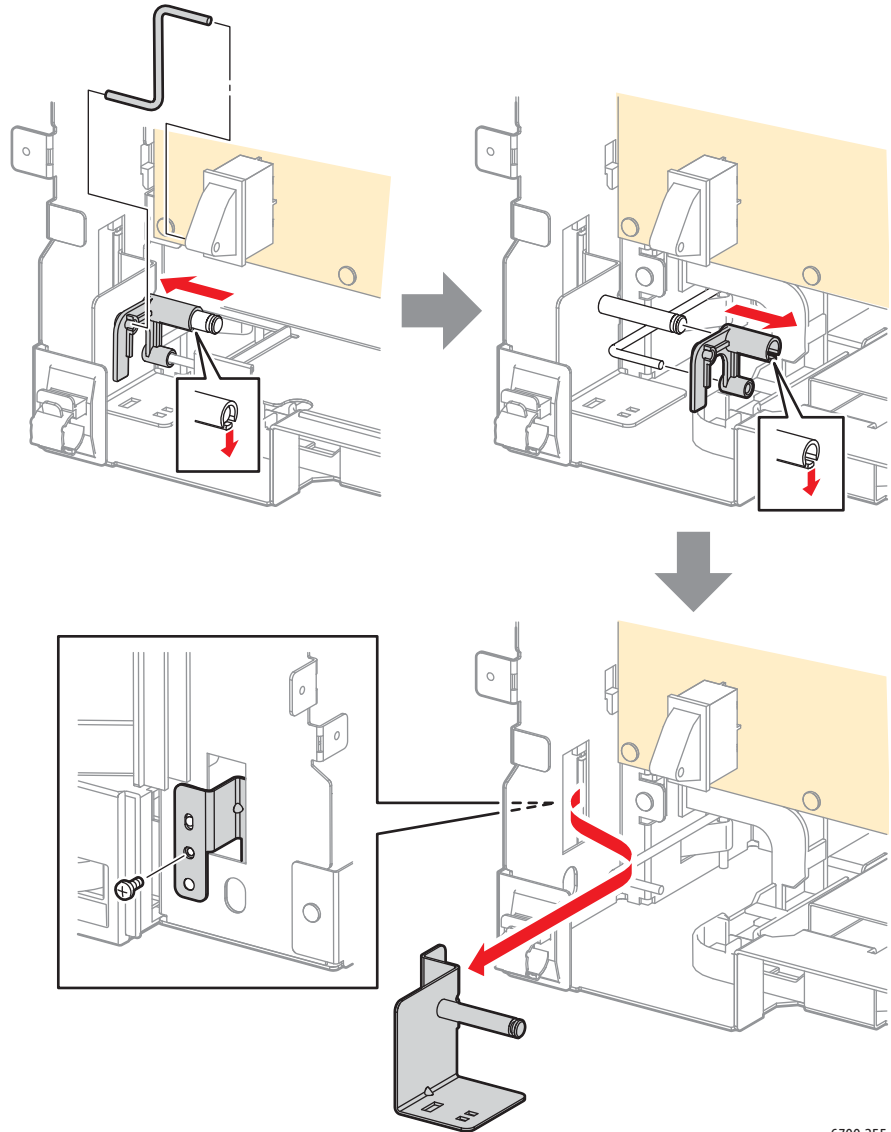


s6700-436

Transfer Belt Drive Assembly

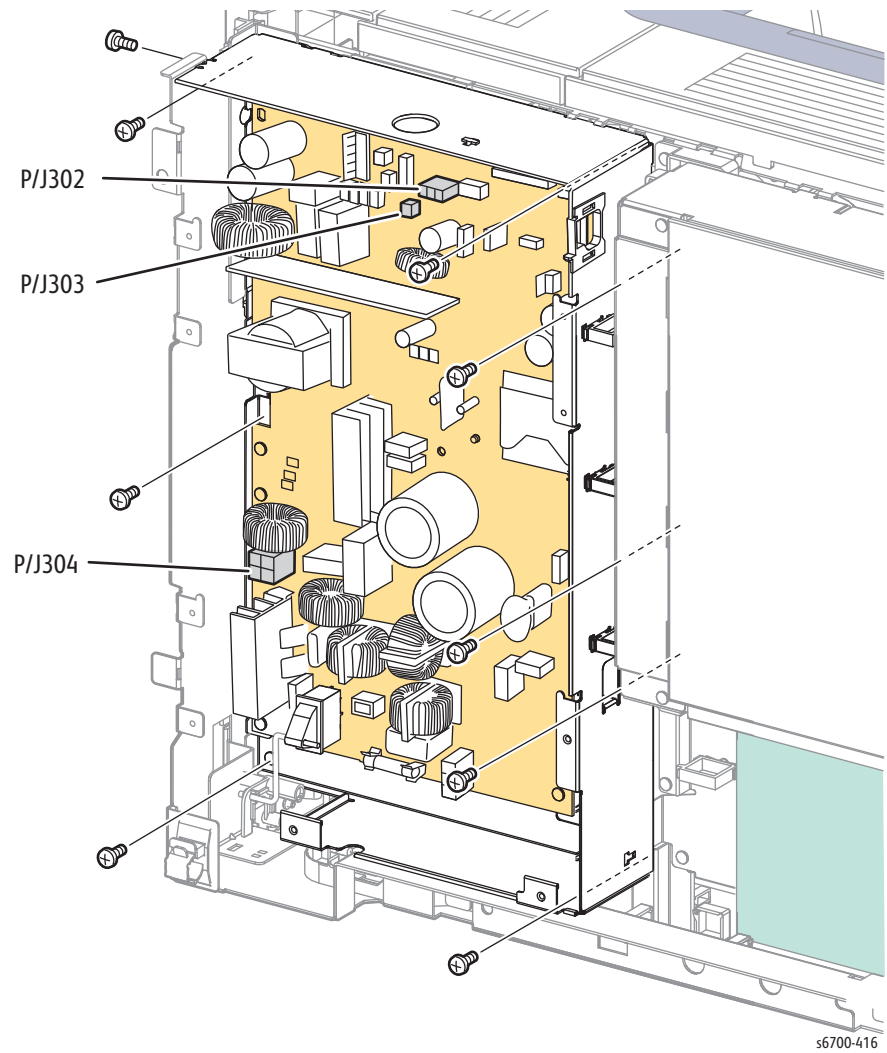
PL9.1.3

1. Remove the Rear Cover (page 8-31).
2. Remove the Power Panel (page 8-154).
3. Remove the LVPS Fan (page 8-153).
4. Remove the rear bracket and power switch link assembly.

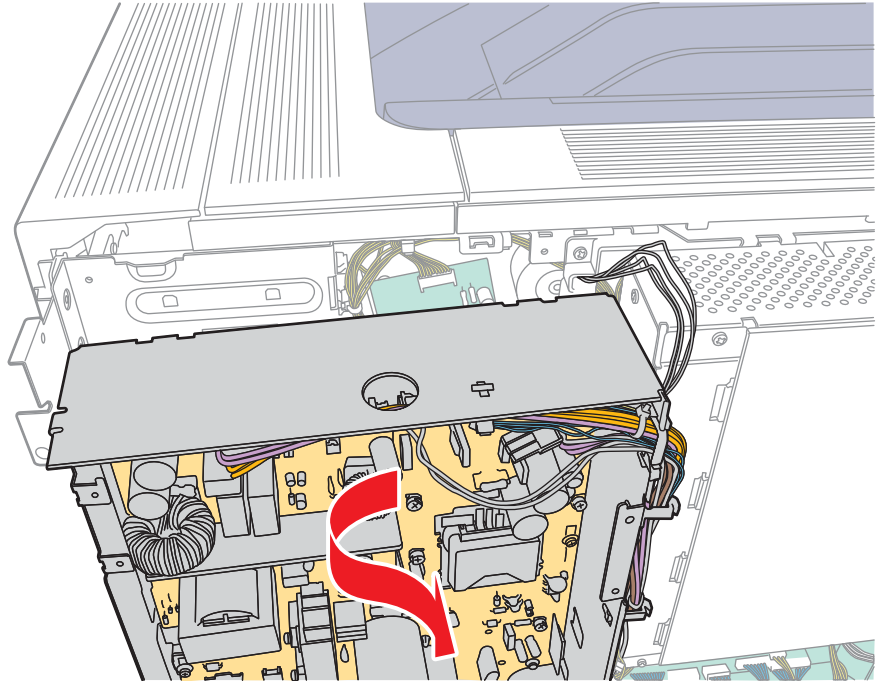


s6700-255

5. Disconnect P/J302, 303, and 304 from the LVPS.
6. Release the harnesses from the clamp.
7. Remove 9 screws that secure the LVPS Cage to the chassis.

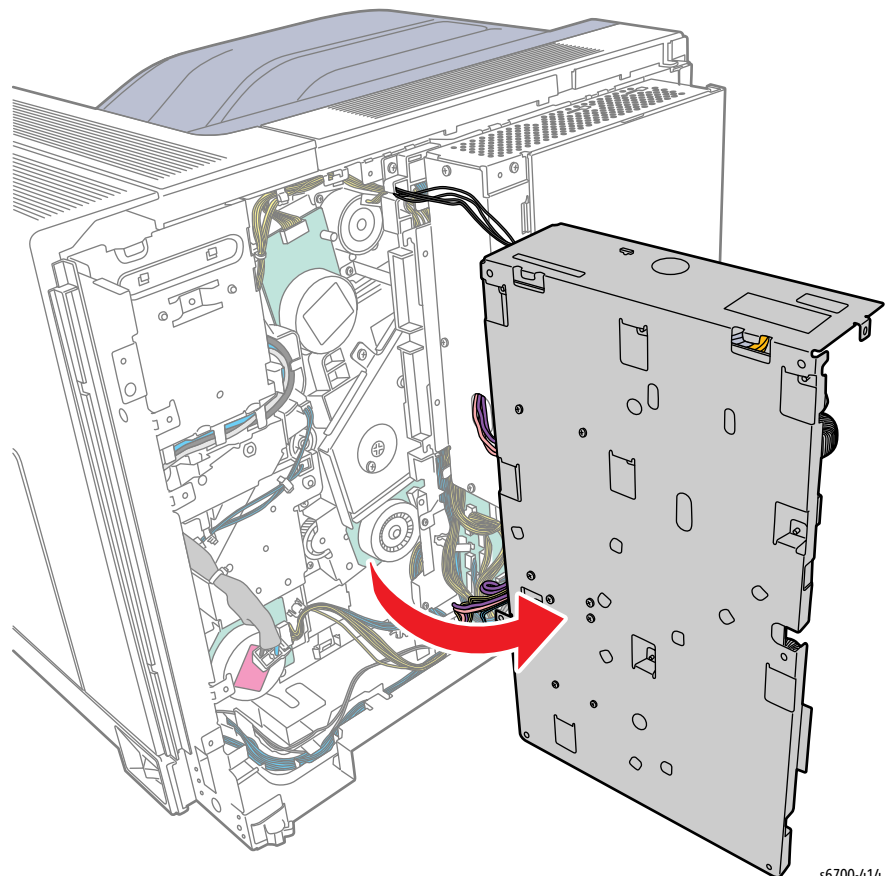


- Remove but do not disconnect the LVPS Cage by first lifting the cage to release the upper and IP Board Cage hooks, then pull the right side outward and shift the LVPS Cage right to clear the tabs on the left.



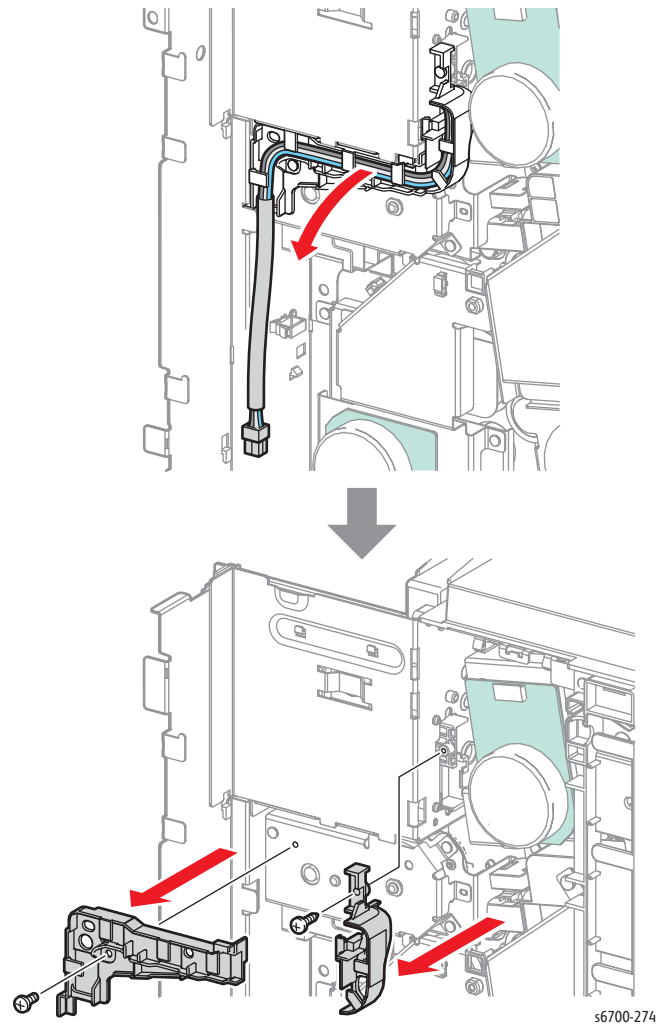
s6700-379

- Stand the LVPS Cage on the work surface as shown,

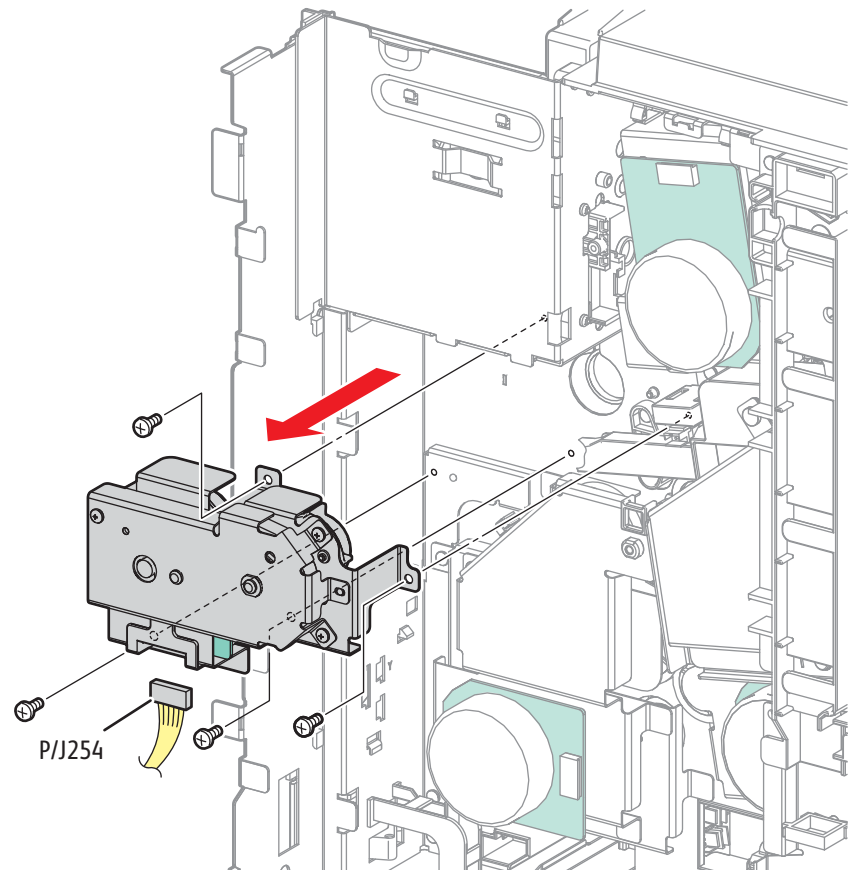


s6700-414

10. Release the Fuser Harness from the guide and harness bracket.
11. Remove 1 screws (silver, 6mm) and 1 screw (silver, tapping, 8mm) that secure the bracket and harness guide to the chassis.



12. Remove 4 screws (silver, 6mm) that secure the Transfer Belt Drive Assy.



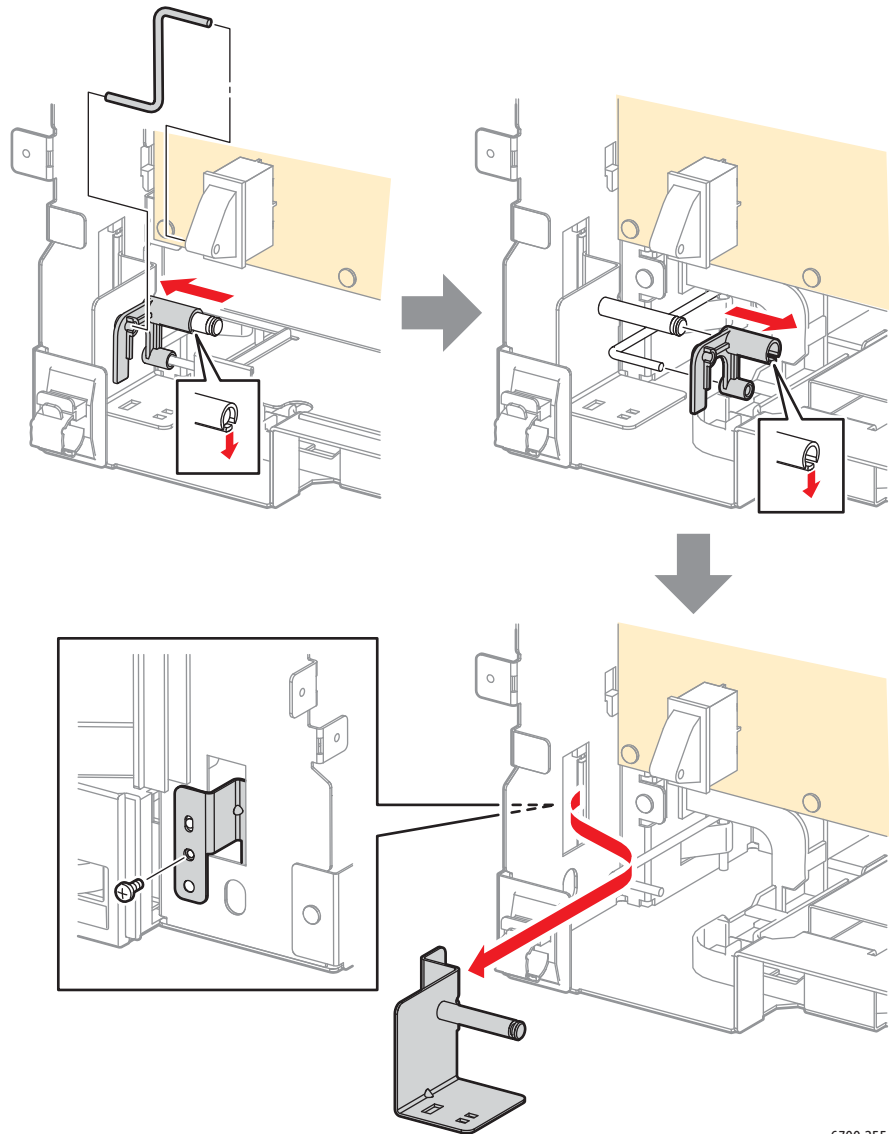
s6700-273

13. Disconnect P/J254 from the Transfer Belt Drive Assy.

Feed Drive Assembly

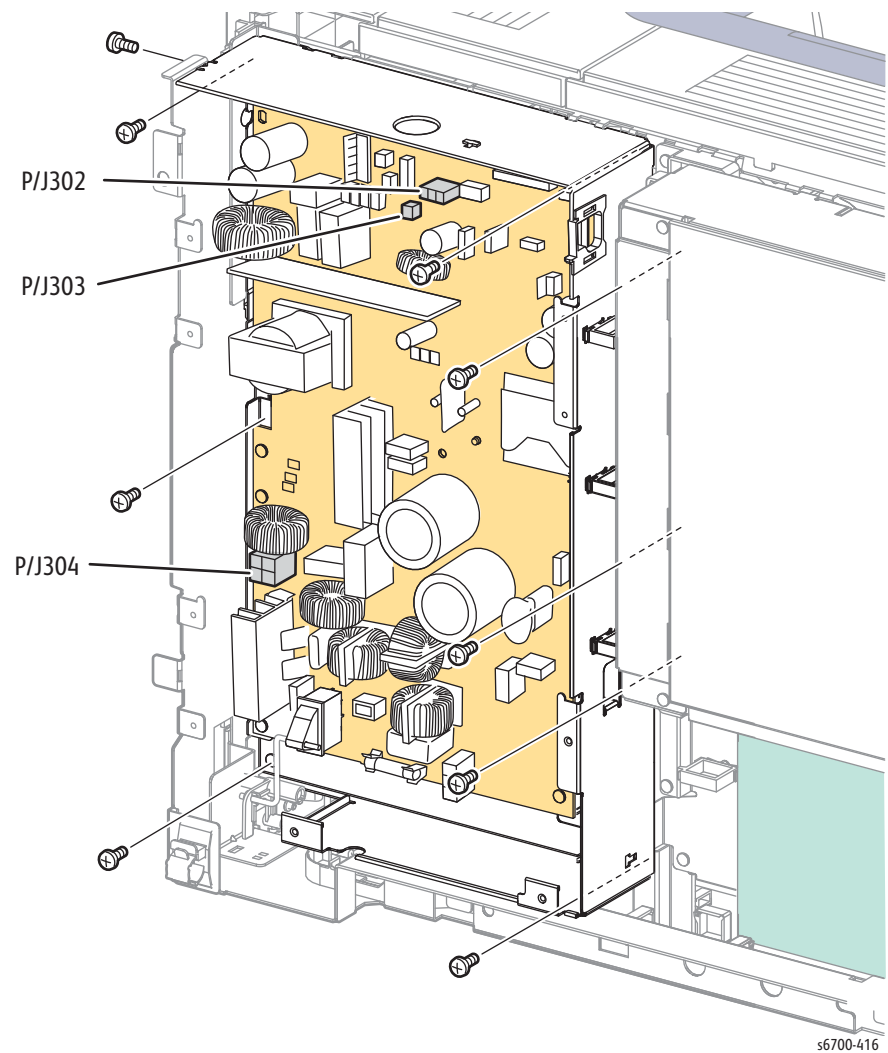
PL9.1.4

1. Remove the Rear Cover (page 8-31).
2. Remove the Power Panel (page 8-154).
3. Remove the LVPS Fan (page 8-153).
4. Remove the rear bracket and power switch link assembly.

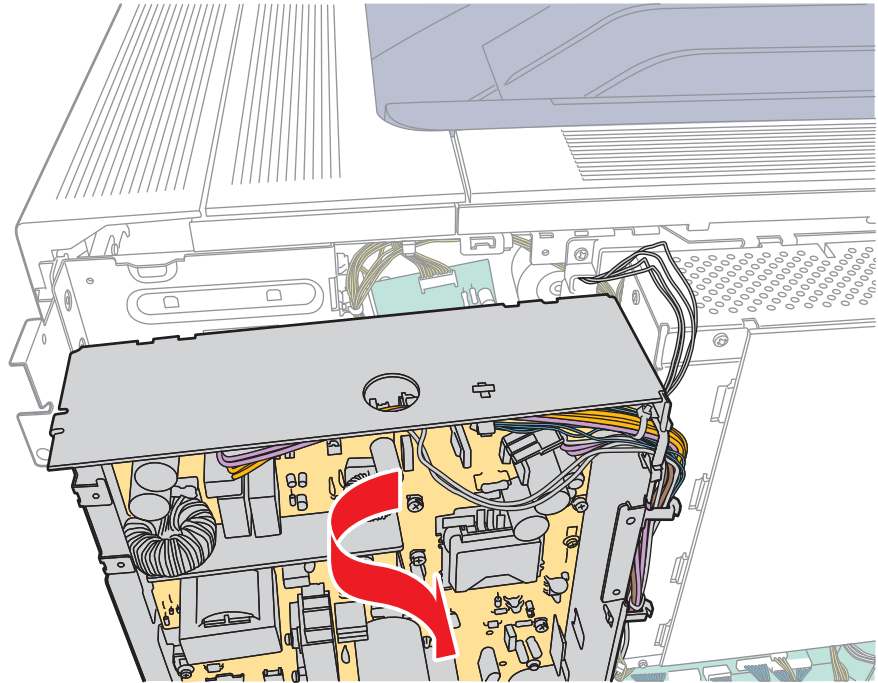


s6700-255

5. Disconnect P/J302, 303, and 304 from the LVPS.
6. Release the harnesses from the clamp.
7. Remove 9 screws that secure the LVPS Cage to the chassis.

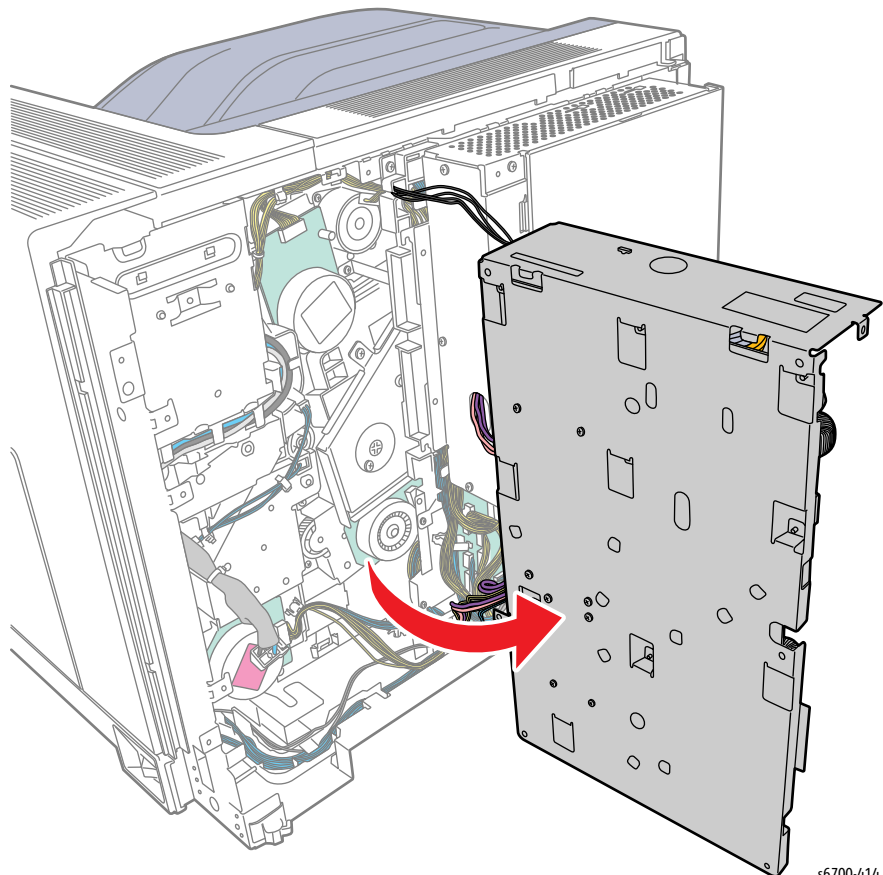


8. Remove but do not disconnect the LVPS Cage by first lifting the cage to release the upper and IP Board Cage hooks, then pull the right side outward and shift the LVPS Cage right to clear the tabs on the left.



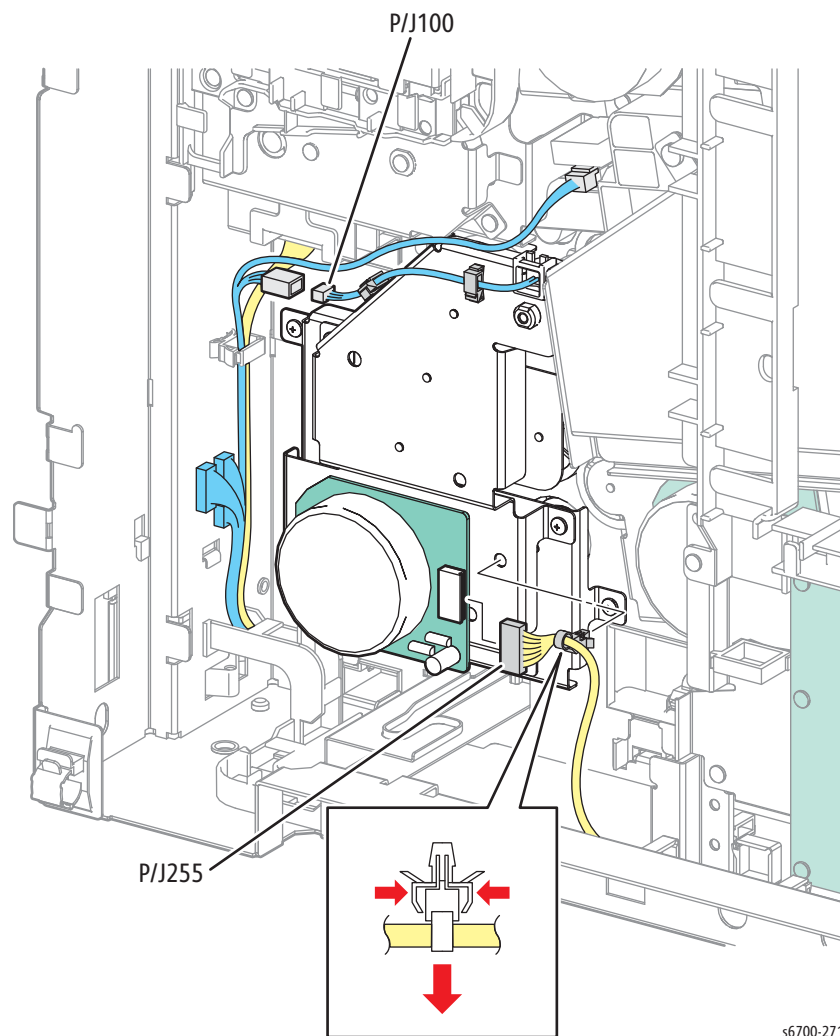
s6700-379

9. Stand the LVPS Cage on the work surface as shown,



s6700-414

10. Disconnect P/J100 from the Switching Clutch and release the Black Switching Sensor harness from the 2 clamps.
11. Disconnect P/J255 from the Feed Drive Assy and release the clamp that secures the harness.

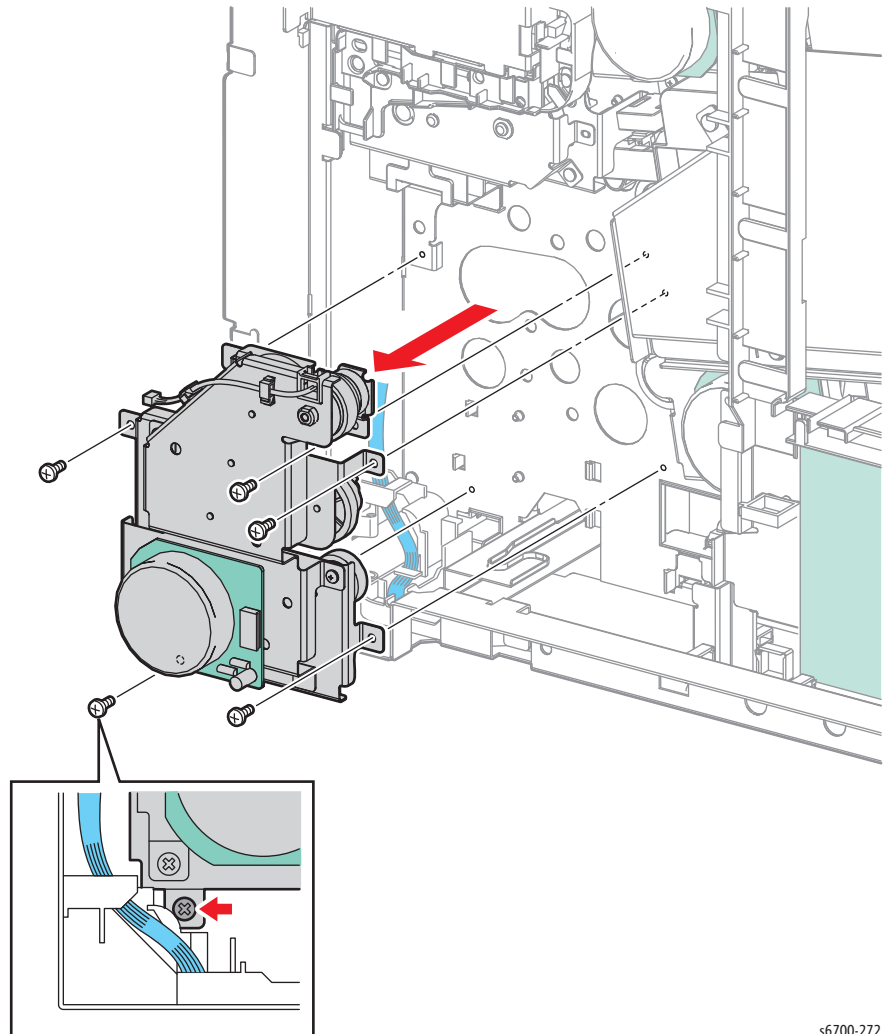


s6700-271

12. Release the connect harness guide boss from the hole and slide the guide clear.
13. Remove 5 screws (silver, 6mm) that secure the Feed Drive Assy and remove the motor.

Note

The drive gears are not captive to the shafts and may remain in the chassis after removal. Retrieve all gears before replacing the assembly.

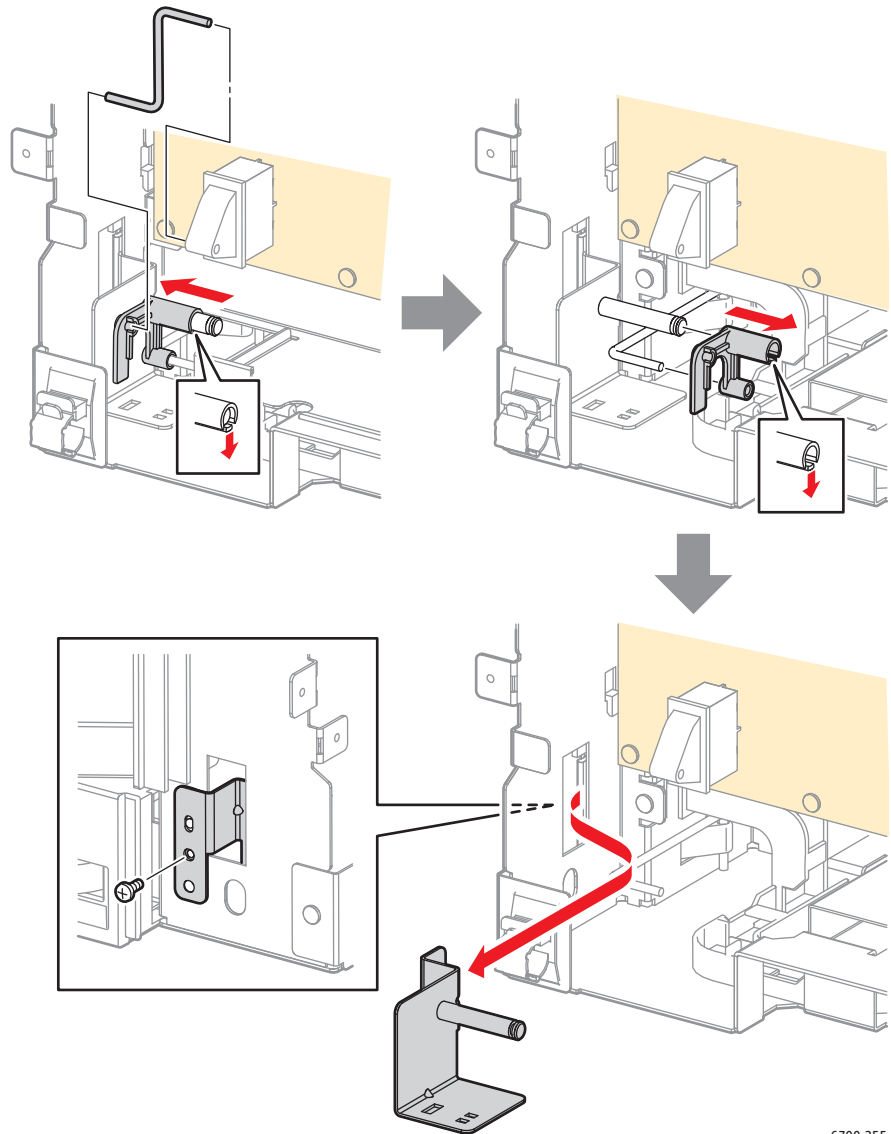


s6700-272

Black Switching Sensor Assembly

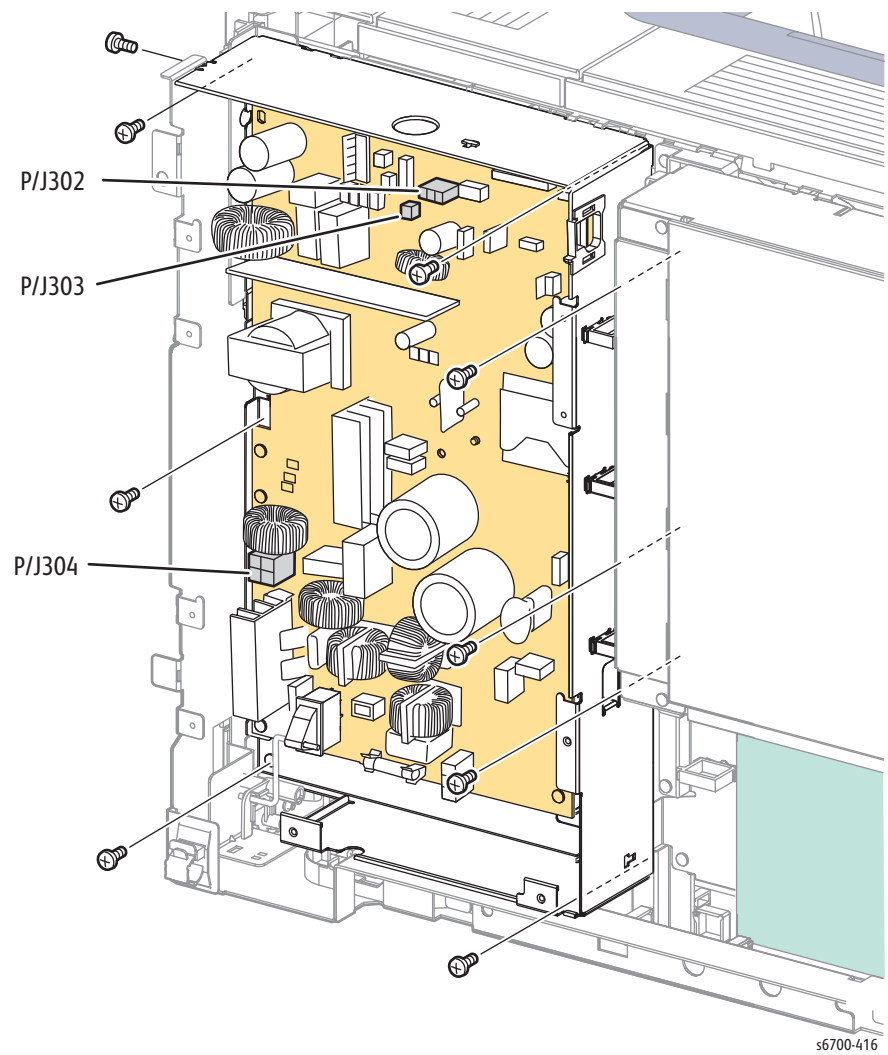
PL9.2.1

1. Remove the Rear Cover (page 8-31).
2. Remove the Power Panel (page 8-154).
3. Remove the LVPS Fan (page 8-153).
4. Remove the rear bracket and power switch link assembly.

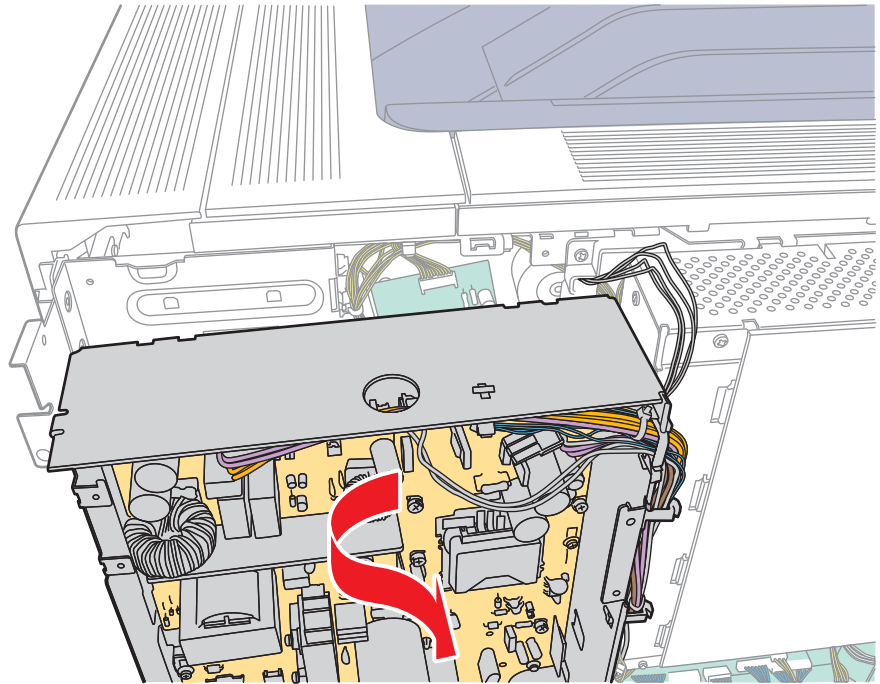


s6700-255

5. Disconnect P/J302, 303, and 304 from the LVPS.
6. Release the harnesses from the clamp.
7. Remove 9 screws that secure the LVPS Cage to the chassis.

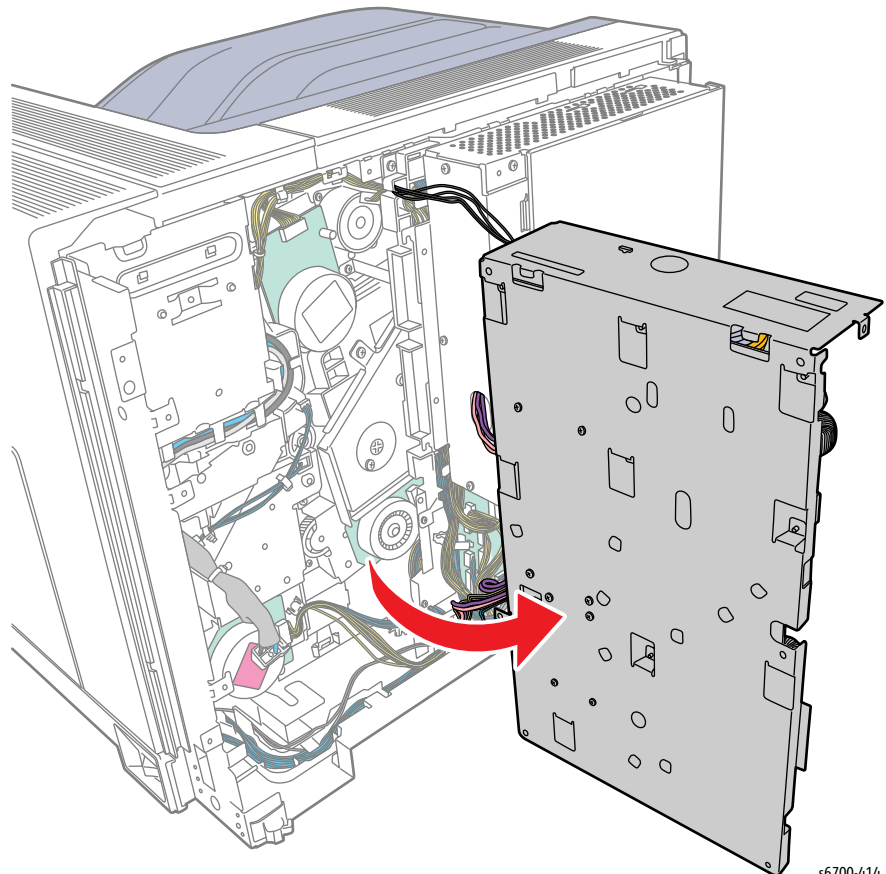


- Remove but do not disconnect the LVPS Cage by first lifting the cage to release the upper and IP Board Cage hooks, then pull the right side outward and shift the LVPS Cage right to clear the tabs on the left.



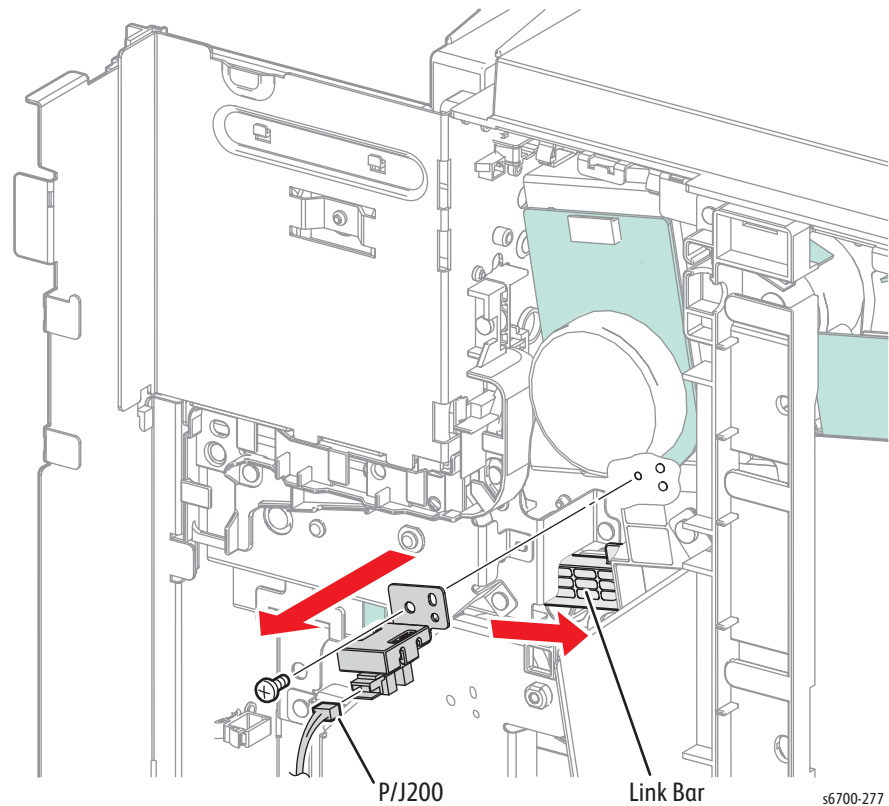
s6700-379

- Stand the LVPS Cage on the work surface as shown,



s6700-414

10. Disconnect P/J200 from the Black Switching Sensor.
11. Remove 1 screw (silver, 6mm) that secures the bracket to the chassis.
12. Slide the link bar actuator away from the sensor and remove the Black Switching Sensor Bracket.



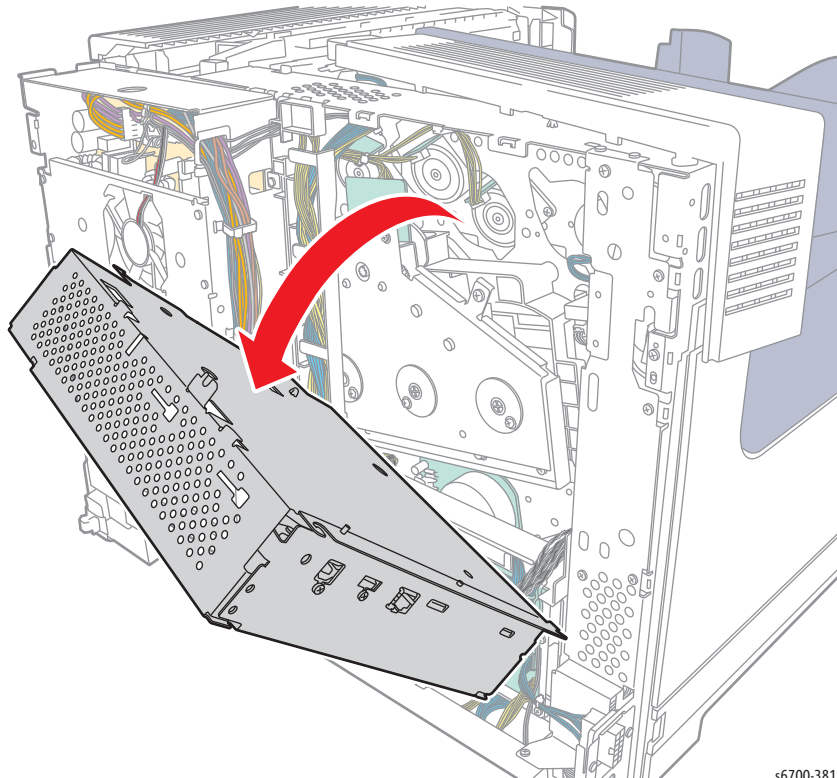
Replacement Note

Align the 2 chassis bosses to the sensor bracket.

Color Switching Sensor Assembly

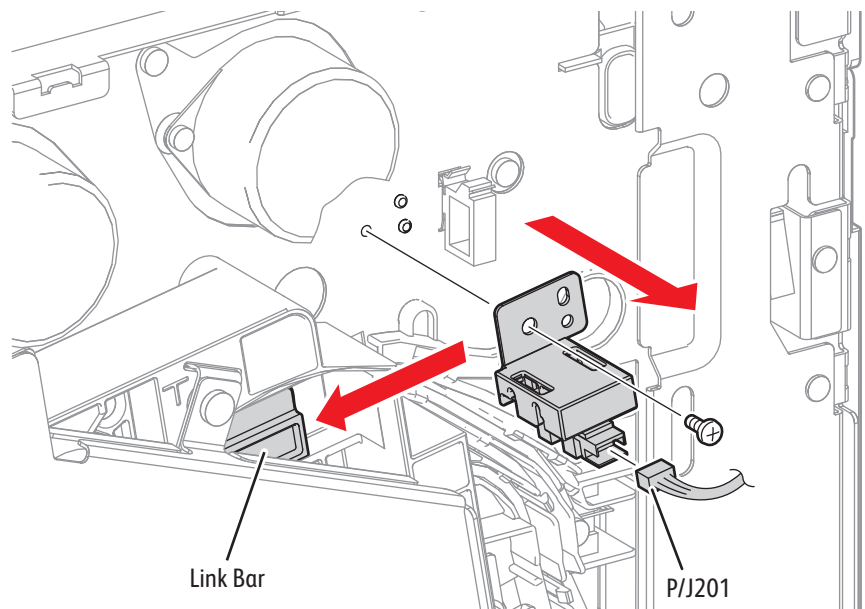
PL9.2.1

1. Remove the Rear Cover (page 8-31).
2. Loosen 4 screws and remove 1 screw but do not disconnect the IP Board Cage.
3. Rest the IP Board Cage on the work surface.



s6700-381

4. Slide the link bar actuator away from the sensor and remove the Color Switching Sensor Bracket.

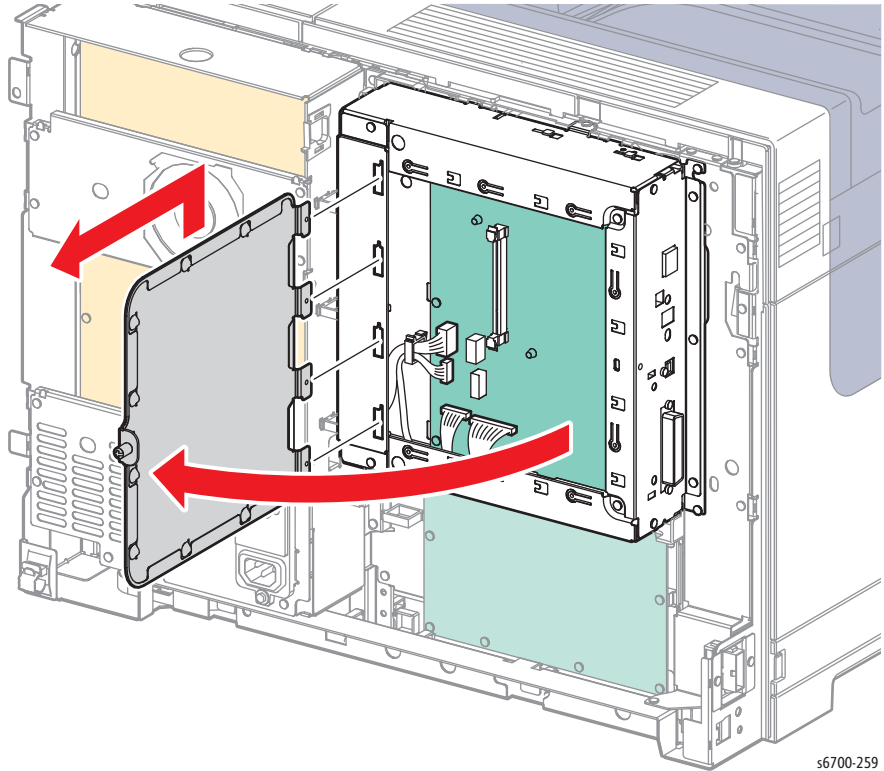


s6700-228

IP Board

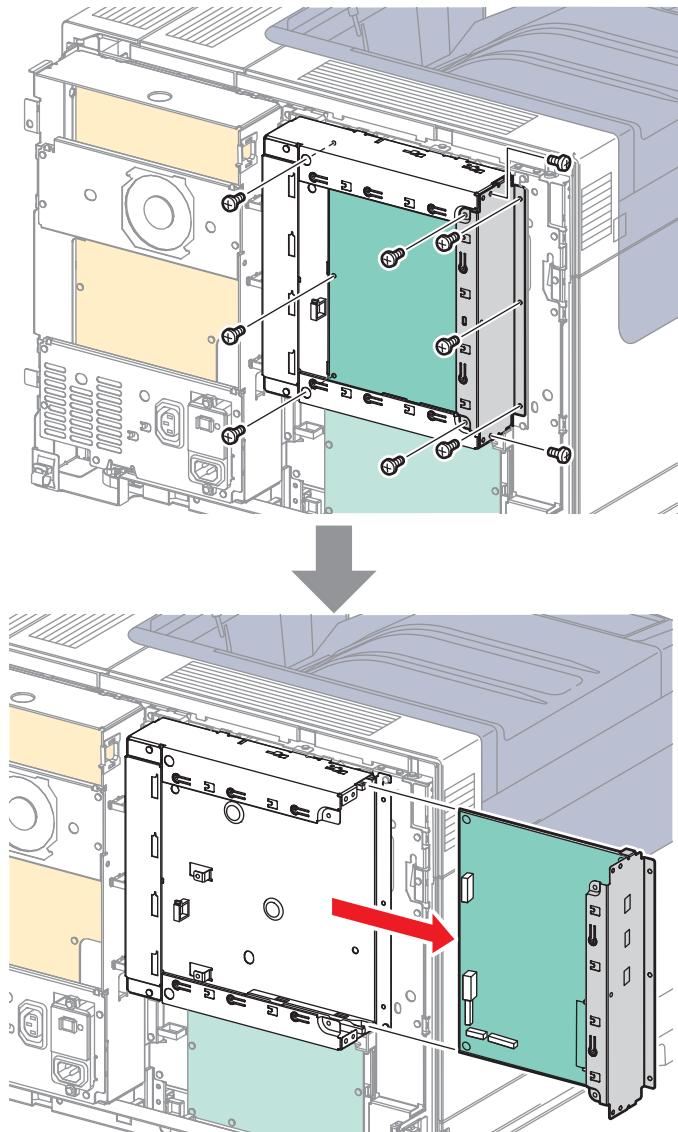
PL10.1.5

1. Remove the Rear Cover (page 8-31).
2. Loosen the knurled screw and open the IP cage cover.
3. Lift the IP cage cover slightly to release 4 tabs from holes in the IP Cage.
4. Disconnect all IP Board connections.



s6700-259

5. Remove 10 screws (silver, 6mm) that secure the IP Board and rear panel to the chassis.
6. Pull the rear panel and attached IP Board out of the printer.



s6700-437

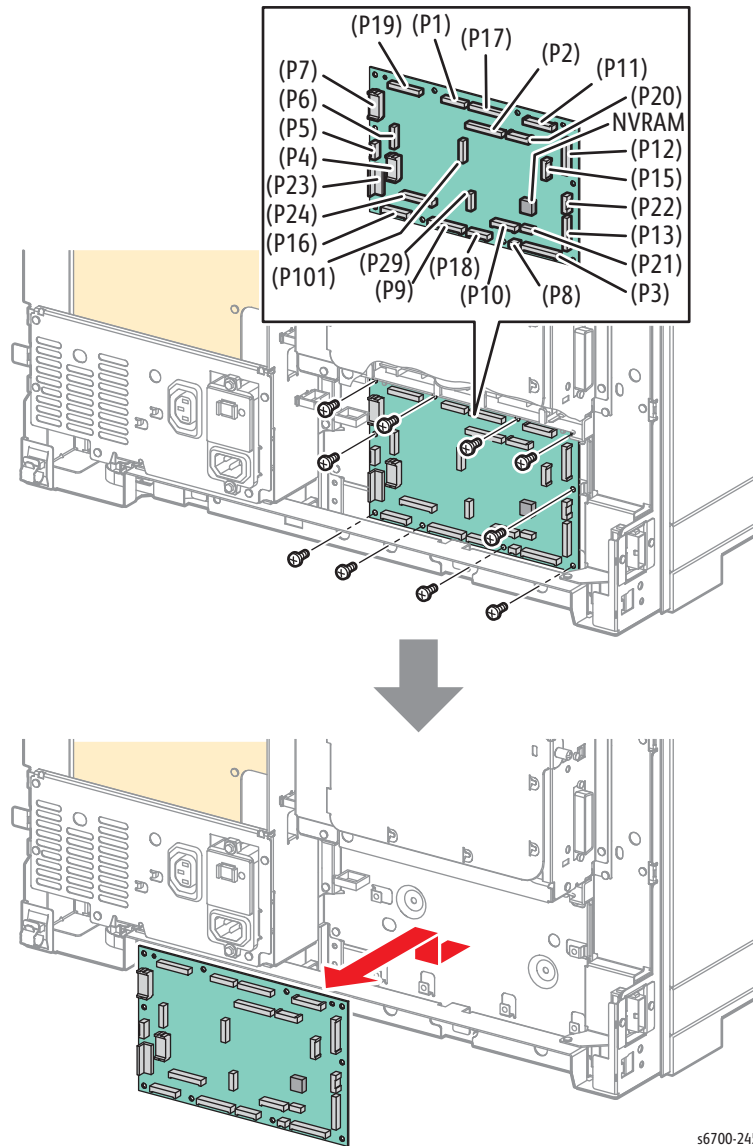
Replacement Note

Transfer the SD Card, EEPROM, RAM and Hard Drive to the replacement IP Board before installation.

MCU Board

PL10.2.18

1. Use dc361 to save Machine NVM to the SD Card.
2. Remove the Power Cord from the wall outlet.
3. Remove the Rear Cover (page 8-31).
4. Disconnect all MCU Board connections.
5. Move NVRAM (U630) to the replacement board.
6. Remove 10 screws (silver, 6mm) that secure the MCU Board to the chassis.



s6700-245

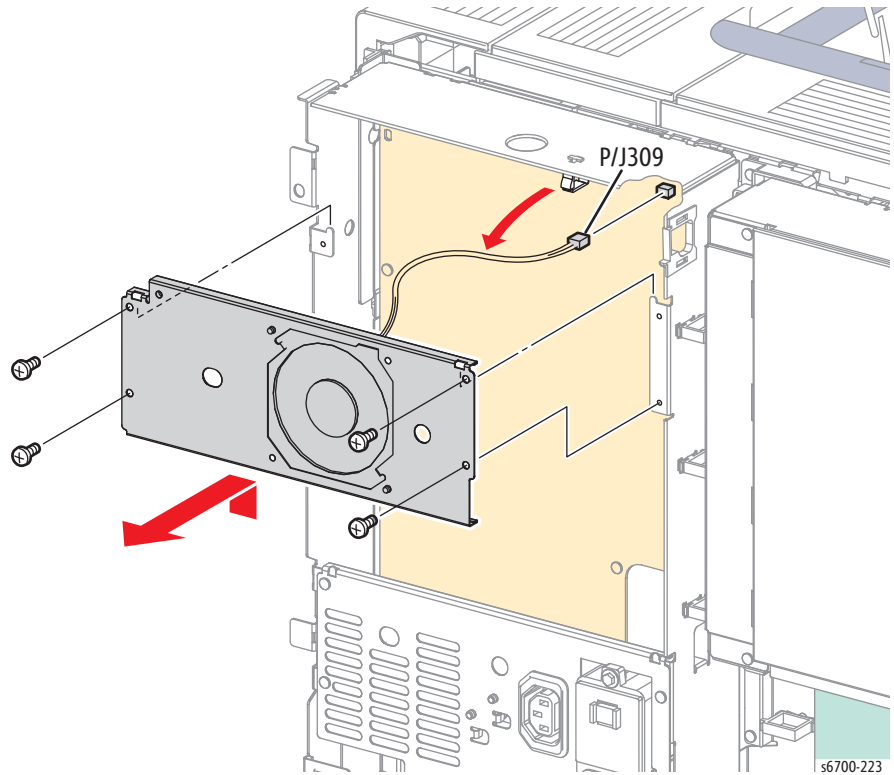
Replacement Note

Align pins on black wiring harness guide with the holes in the MCU Board to correctly orient the board in the chassis. MCU Board connections P8, P29 and P101 are not used.

LVPS Fan

PL10.1.9

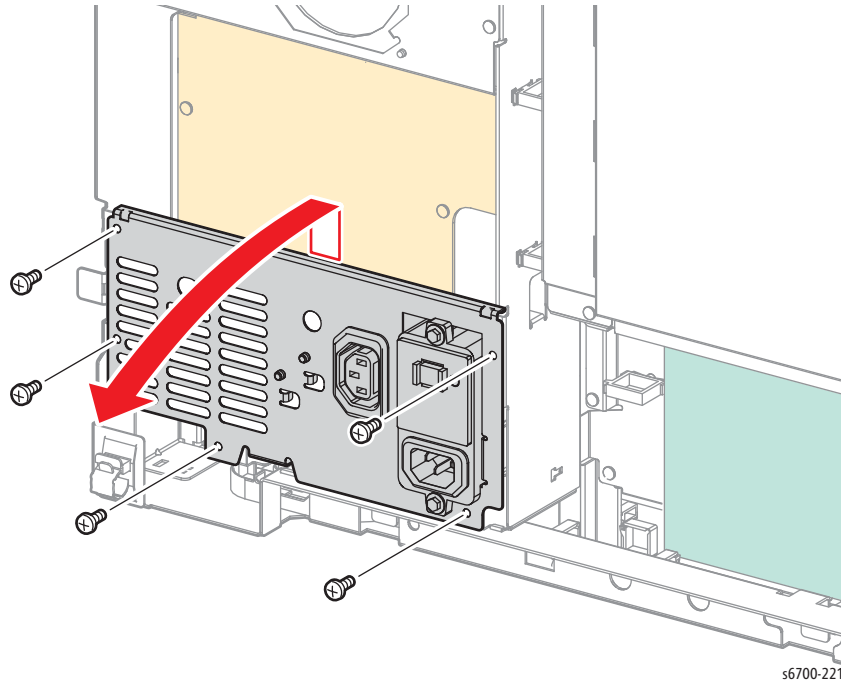
1. Remove the Rear Cover (page 8-31).
2. Disconnect P/J309 from the LVPS.
3. Remove 4 screws (silver, 6mm) that secure the fan to the chassis.
4. Lift the Fan slightly to release the two holes in the fan from the tabs.



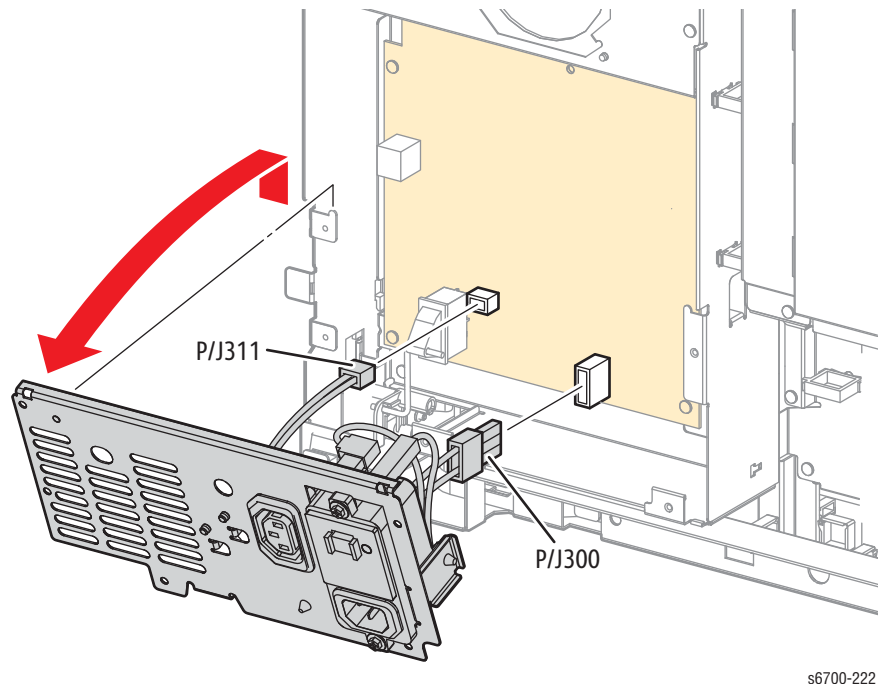
Power Panel

PL10.1.12

1. Remove the Rear Cover (page 8-31).
2. Remove 4 screws (silver, 6mm) that secure the Power Panel to the chassis.



3. Release the two holes in the Power Panel from the tabs of the printer and tilt the Power Panel toward you.
4. Disconnect P/J300 and P/J311 from the LVPS, and remove the Power Panel from the chassis.



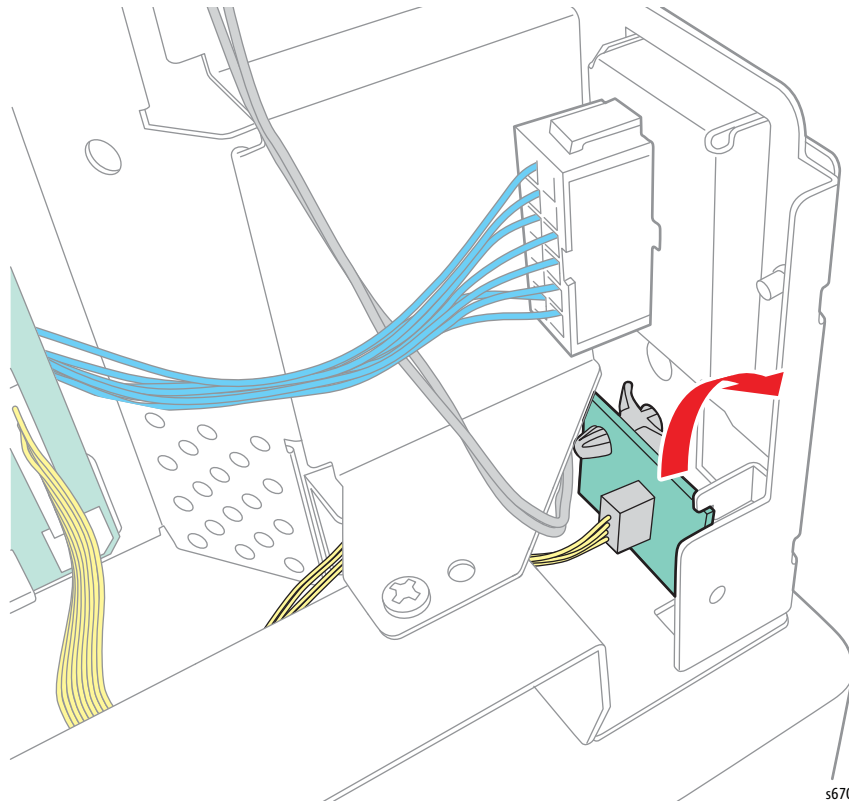
EEPROM Board

PL10.1.22

Caution

The MCU Board writes device-specific NVM parameters to the EEPROM Board making it unusable in any other printer.

1. Remove the Rear Cover (page 8-31).
2. Disconnect P/J214 from the EEPROM Board.
3. Release the support that secures the board to the chassis.

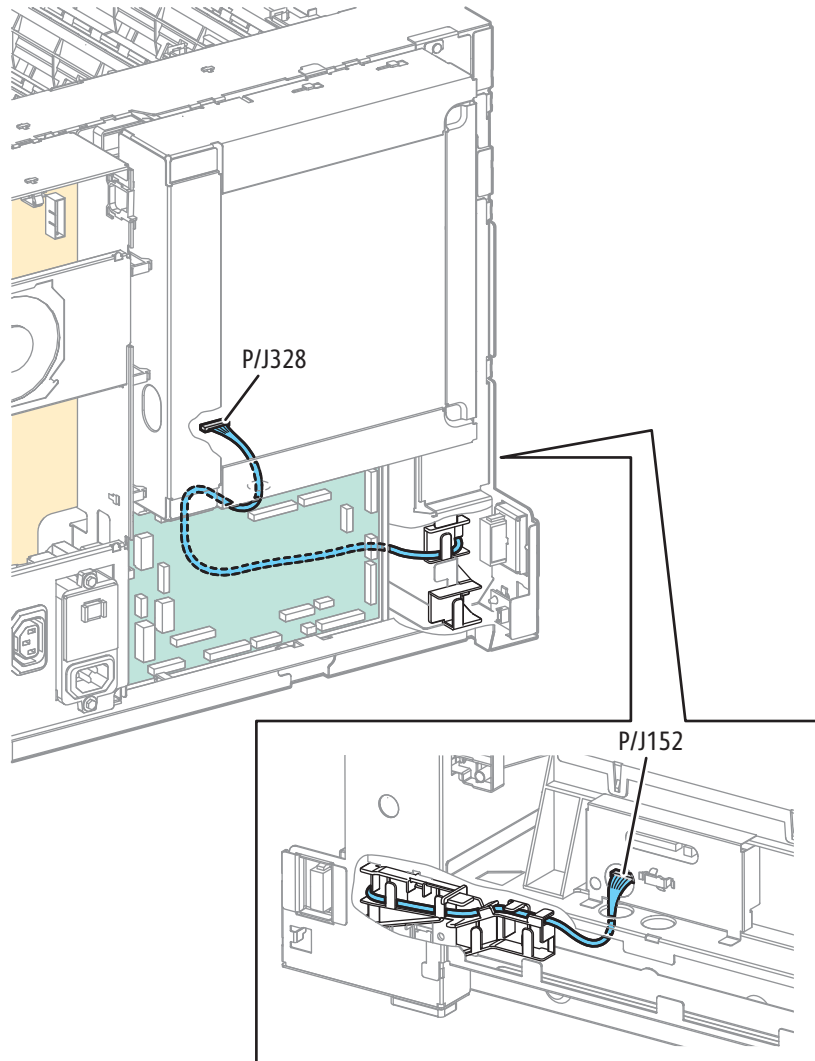


56700-604

Video Harness

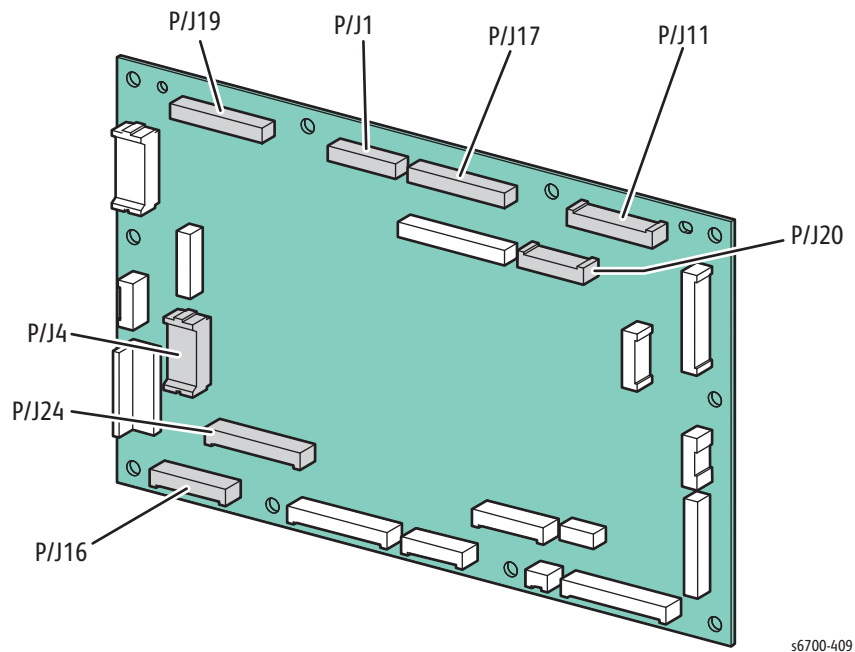
PL11.1.4

1. Remove the Rear Cover (page 8-31).
2. Remove the Upper and Lower Finisher Docking Covers.
3. Remove the Left Cover (page 8-28).
4. Remove the HVPS (page 8-86).
5. Disconnect P/J152 from the Laser Unit and release the harness from the guides.

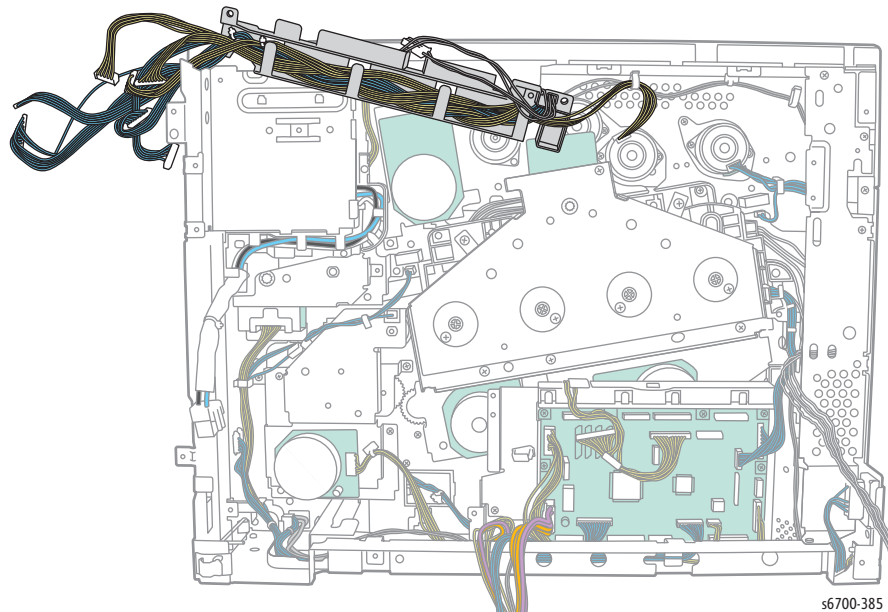


s6700-438

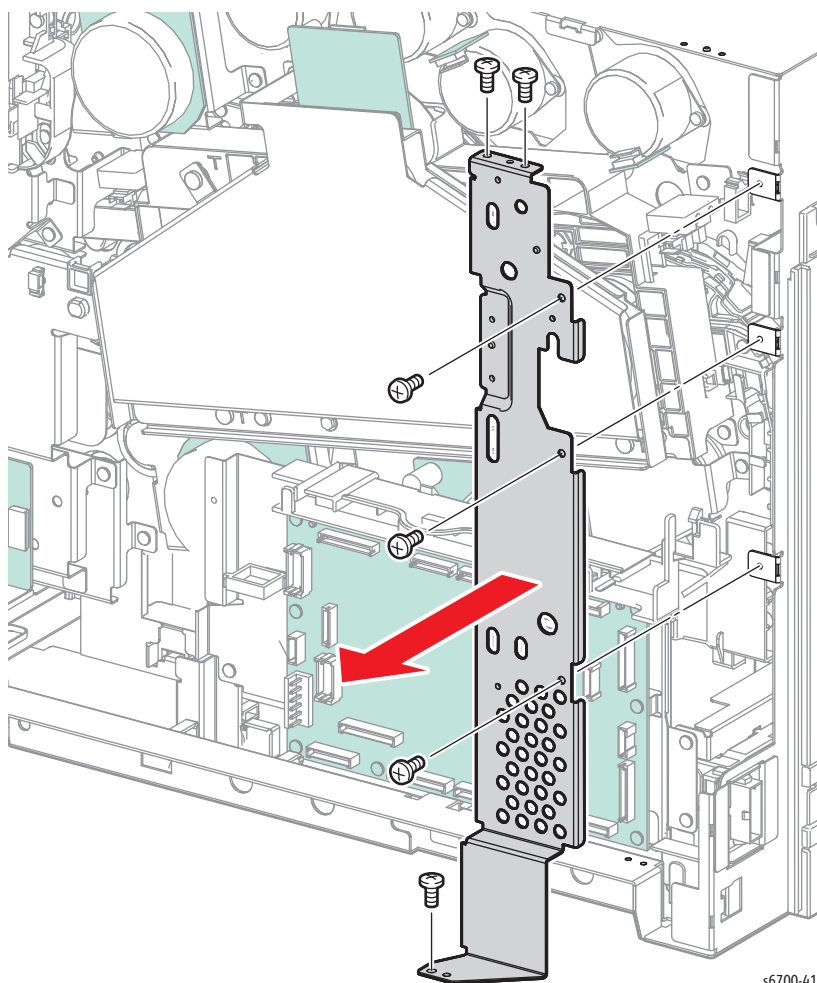
6. Remove the IP Board Cage (page 8-179).
7. Disconnect P/J1, 4, 19, 17, 20, 11, 16 from the MCU Board.



8. Remove the 2 screws that secure the center harness guide and lift the lower end up as shown.

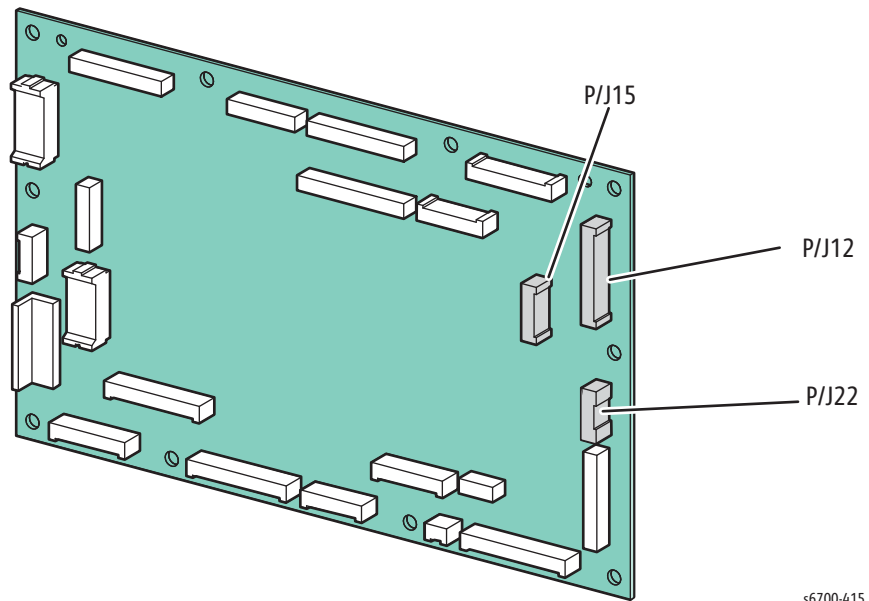


9. Remove 6 screws (silver, 6mm) that secure the IP Board Cage support bracket to the chassis.



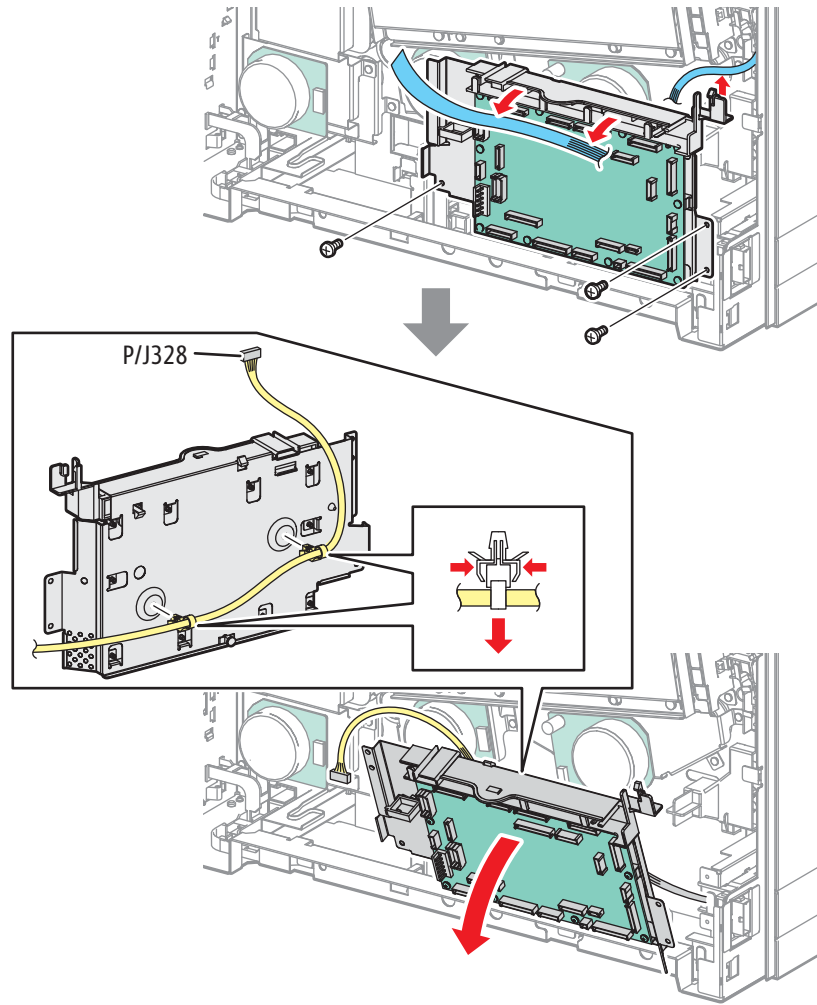
s6700-410

10. Disconnect P/J12, 15 and 22 from the MCU Board and release the CRUM/Dispense and Rear Cover Interlock Harnesses from the MCU Board Cage guide.



s6700-415

11. Open 2 harness clamps at the bottom of the MCU Board and release the harnesses from the clamps.
12. Remove 3 screws (silver, 6mm) that secure the MCU Board Cage to the chassis and tilt the cage forward to remove 2 ties to remove the Video Harness.



s6700-609

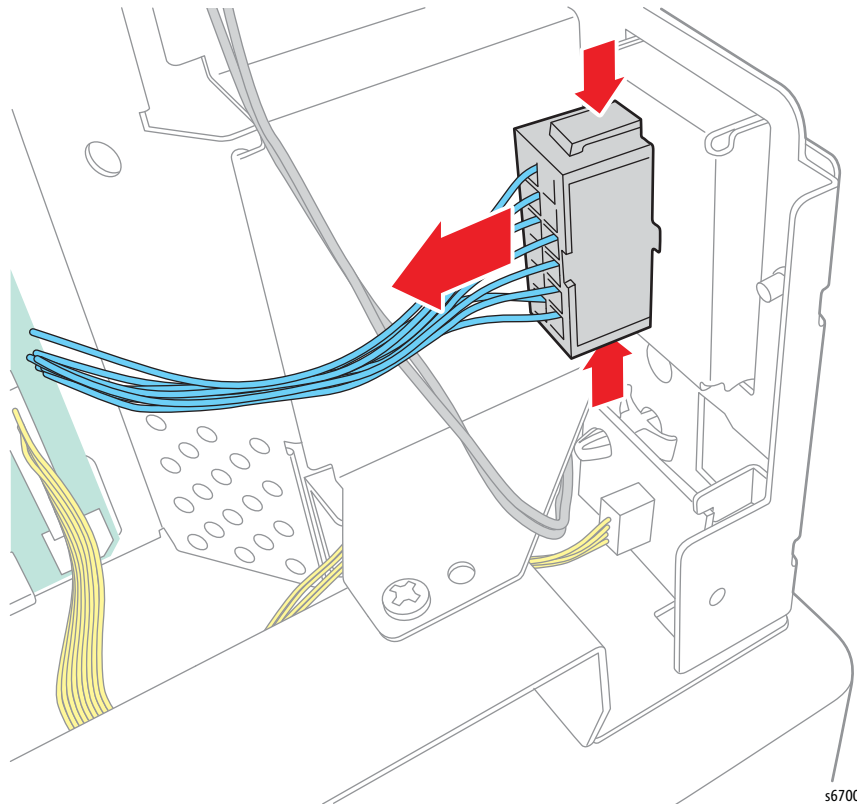
Rear Cover Interlock Switch

Note

An open Rear Cover Interlock Switch results in a Laser Failure error message on power up.

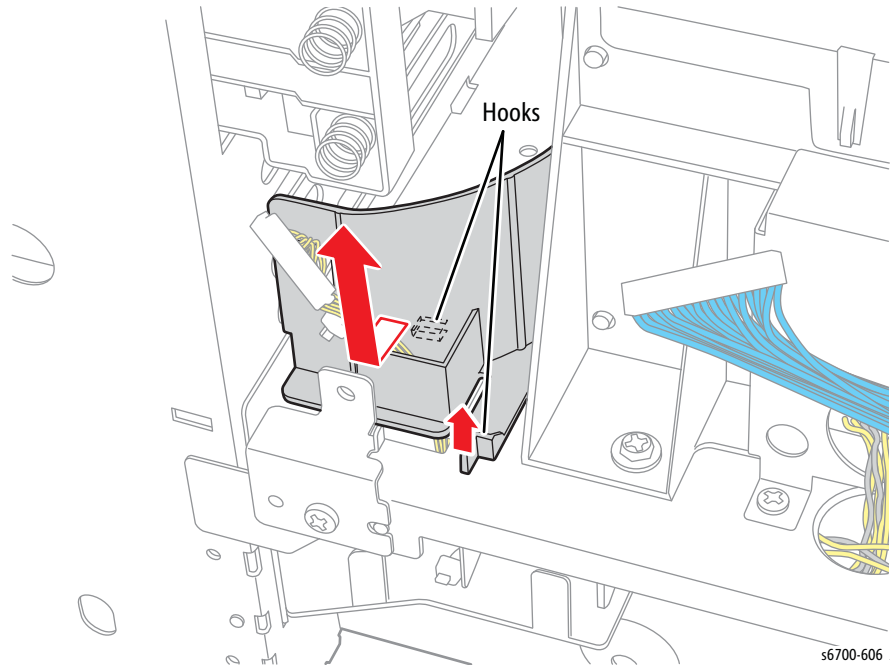
PL11.2.2

1. Remove the Rear Cover (page 8-31).
2. Remove the Upper and Lower Finisher Docking Covers.
3. Remove the Left Cover (page 8-28).
4. Remove the HVPS (page 8-86).
5. Remove the Finisher Port connector from the chassis.



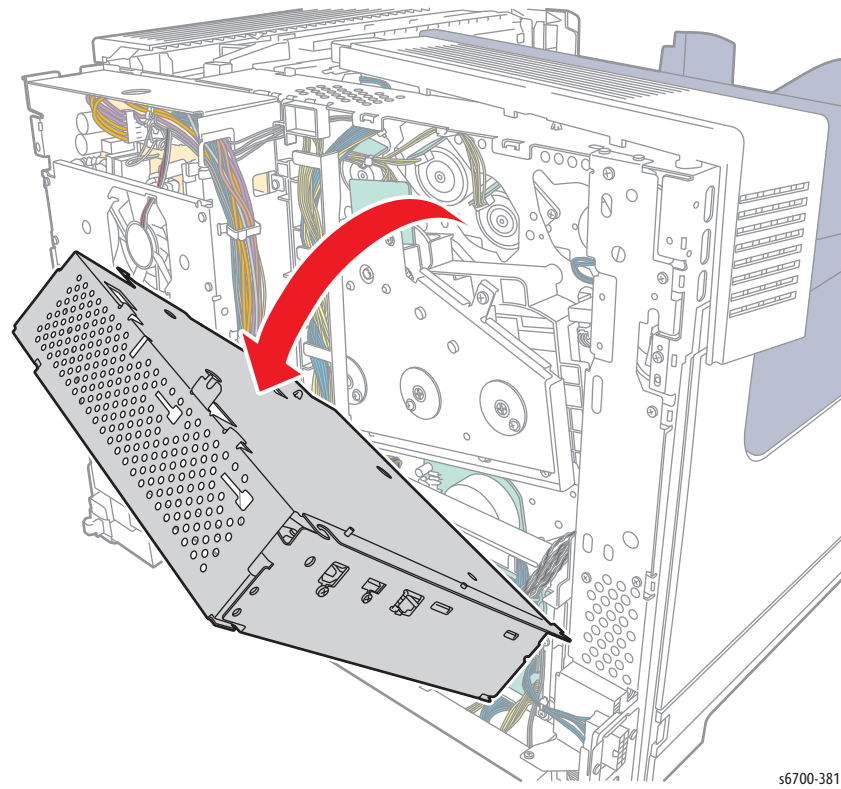
s6700-605

6. Release 2 hooks that secure the Rear Air Guide to the chassis.

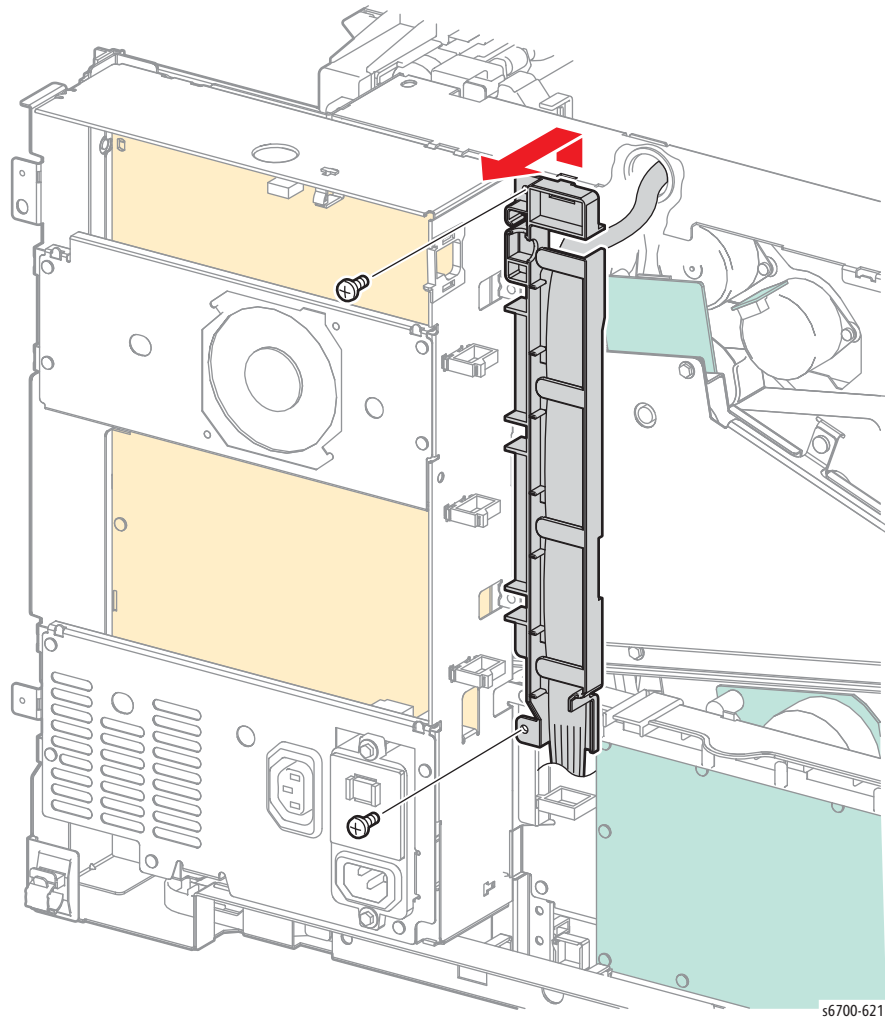


7. Loosen 4 screws and remove 1 screw but do not disconnect the IP Board Cage.

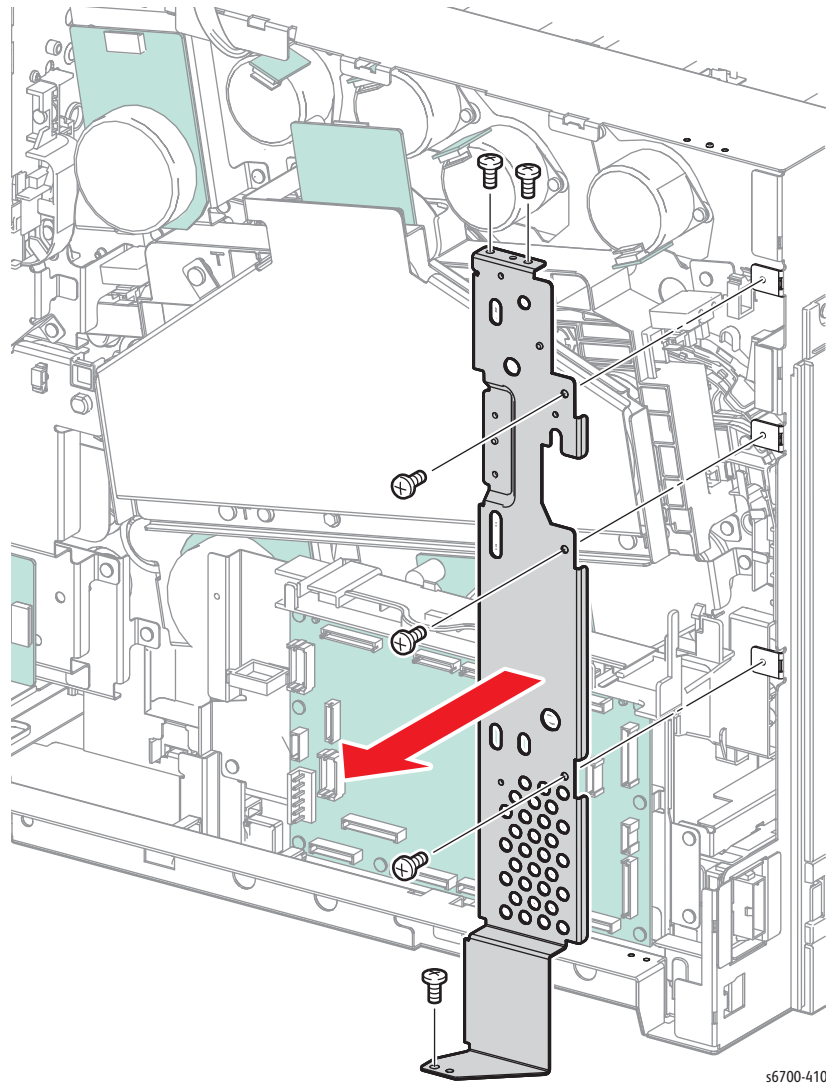
8. Rest the IP Board Cage on the work surface.



9. Disconnect P/J303 from the LVPS.
10. Remove 2 screws that secure the center harness guide to the chassis and lift to release the hook
11. Release the Rear Cover Interlock harness from the center harness guide, clamps.

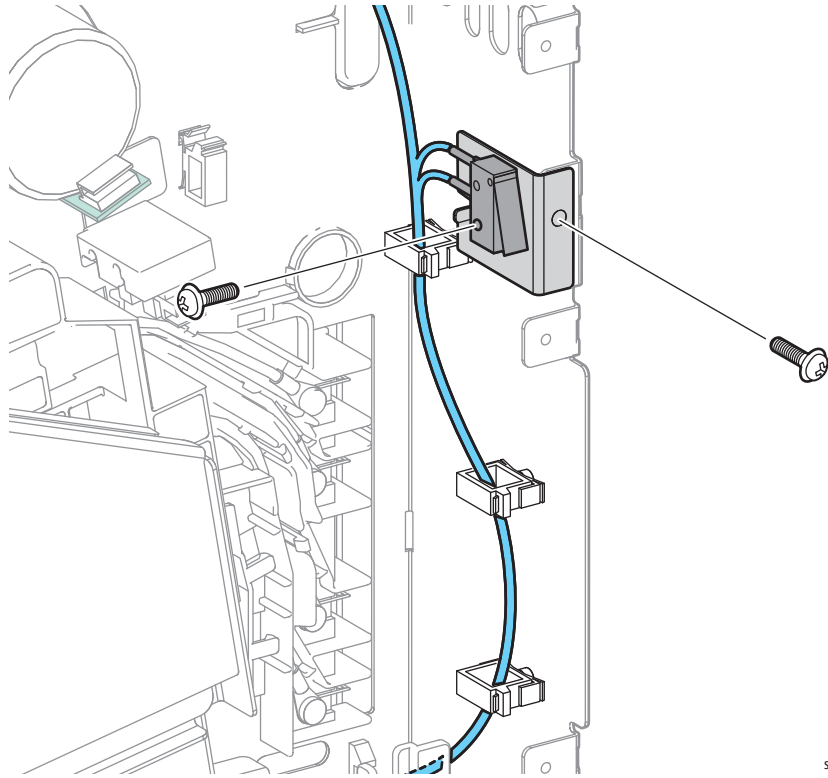


12. Remove 6 screws (silver, 6mm) that secure the IP Board Cage support bracket to the chassis.



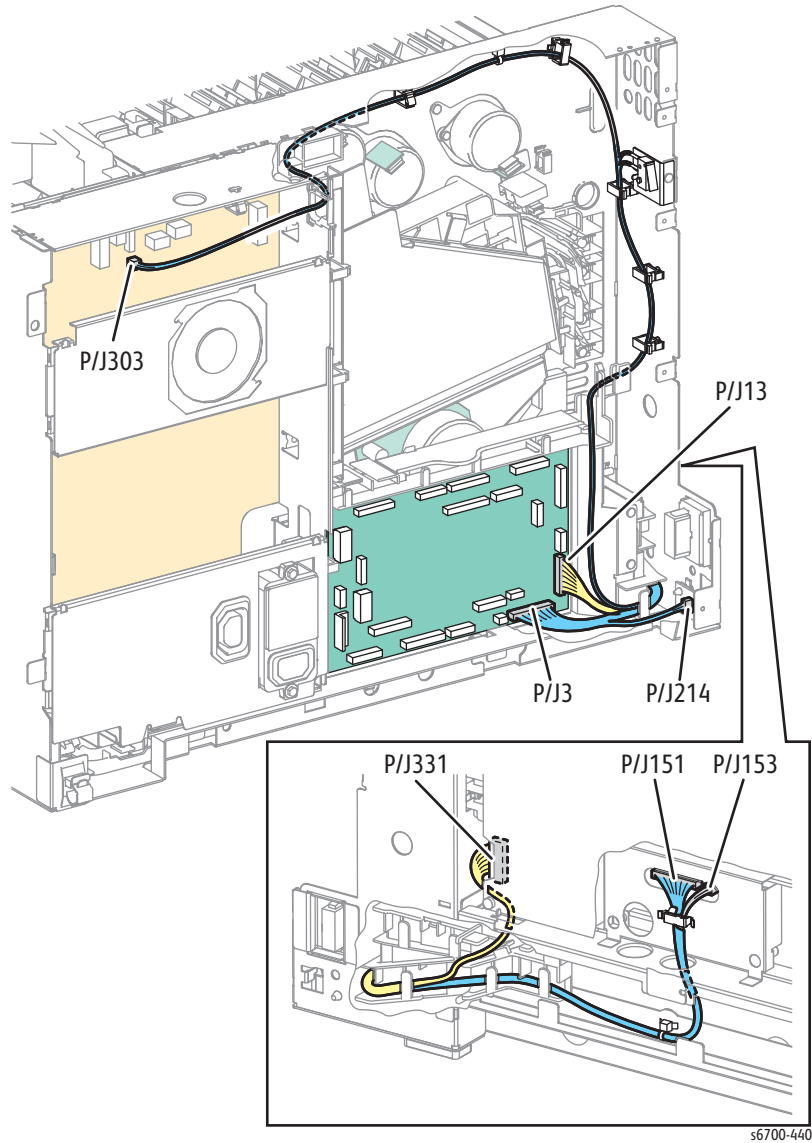
56700-410

13. Remove 1 screw that secures the switch to the bracket.



s6700-608

14. Disconnect P/J151 and 153 from the Laser Unit and release the harness from the clamp and tie.
15. Disconnect P/J3 and 13 from the MCU Board and P/J 214 from the EEPROM Board.
16. Release the interlock harness from tie and guide that route the harness through the chassis.



Replacement Note

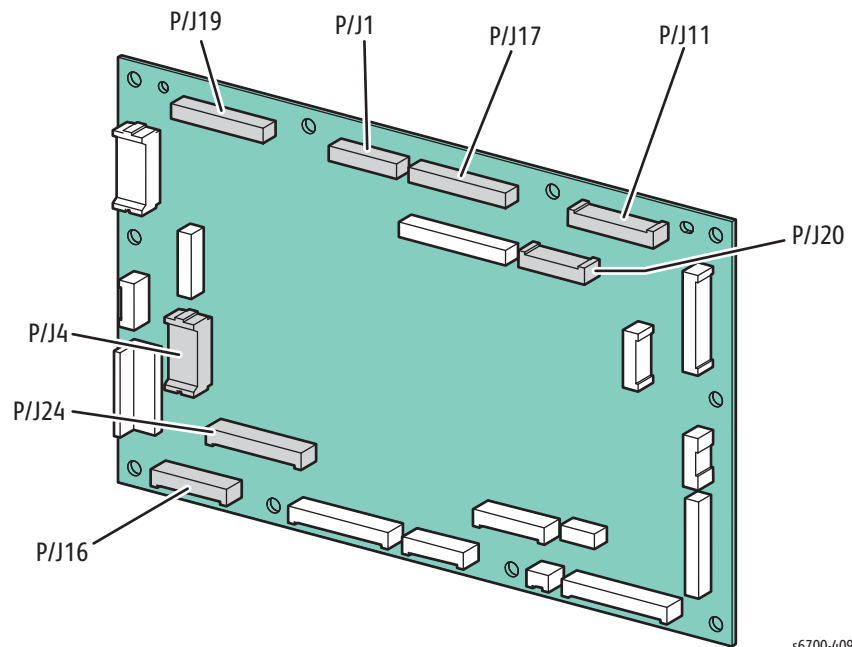
Route the HVPS connection through the hole provided in the chassis and rear air guide.

Print Engine Drive

YMC Developer Drive Assembly

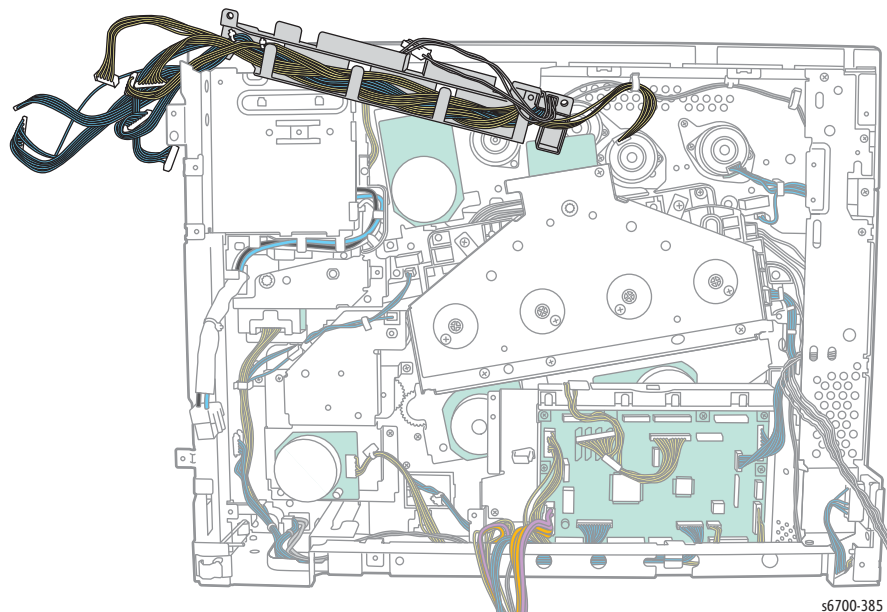
PL9.2.9

1. Remove the Rear Cover (page 8-31).
2. Remove the IP Board Cage (page 8-179).
3. Remove the LVPS Cage (page 8-182).
4. Disconnect P/J1, 4, 19, 17, 20, 11, 16 from the MCU Board.



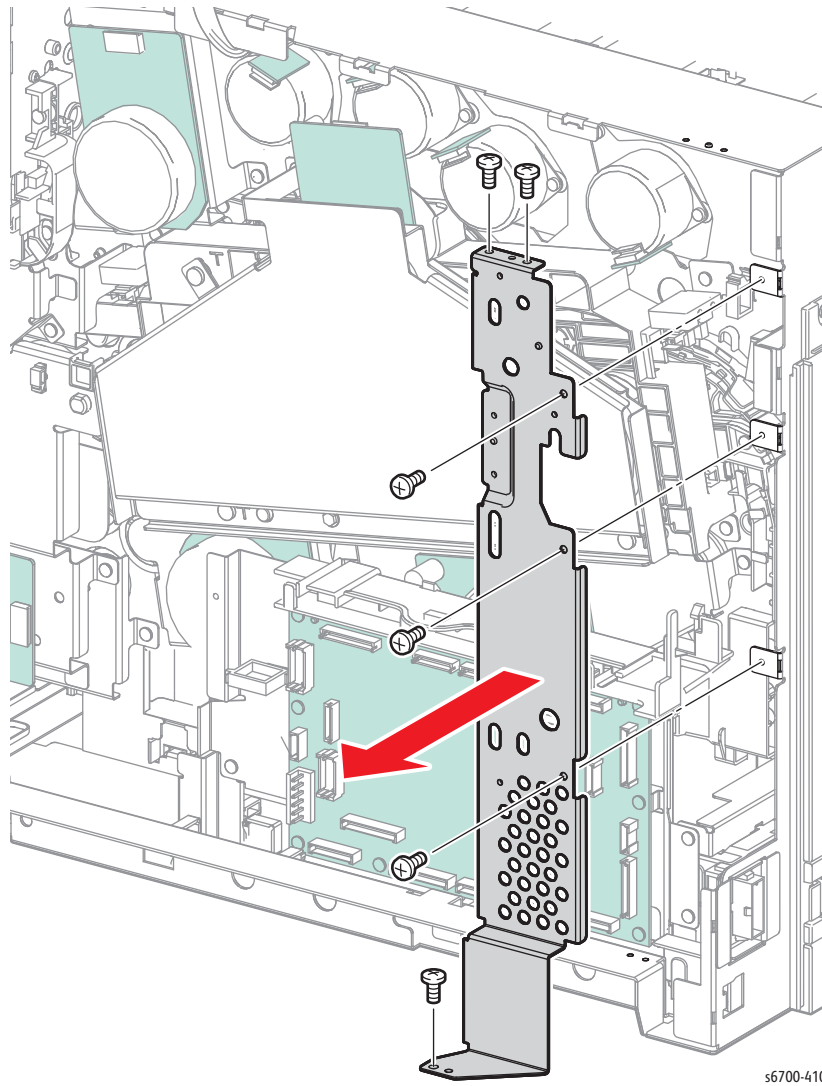
s6700-409

5. Remove the 2 screws that secure the center harness guide and lift the lower end up as shown.

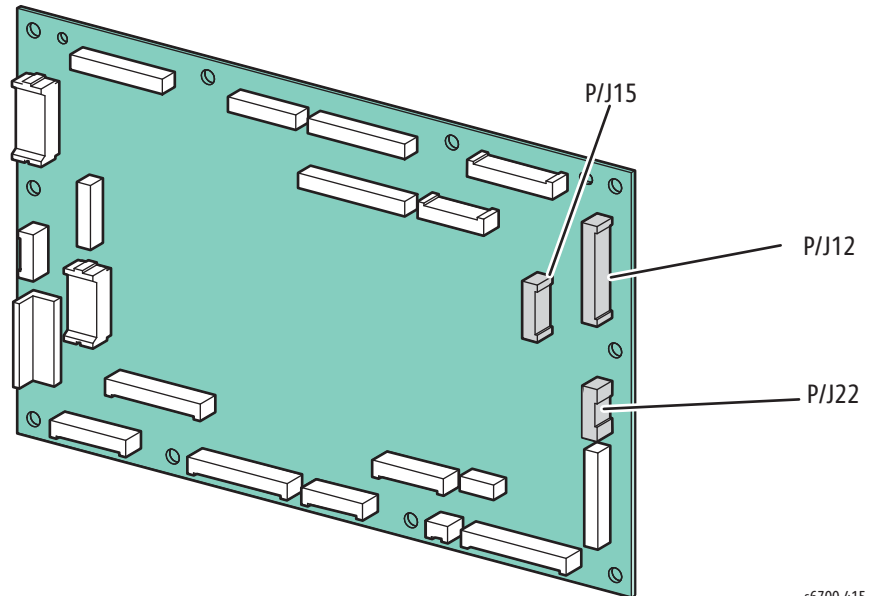


s6700-385

6. Remove 6 screws (silver, 6mm) that secure the IP Board Cage support bracket to the chassis.

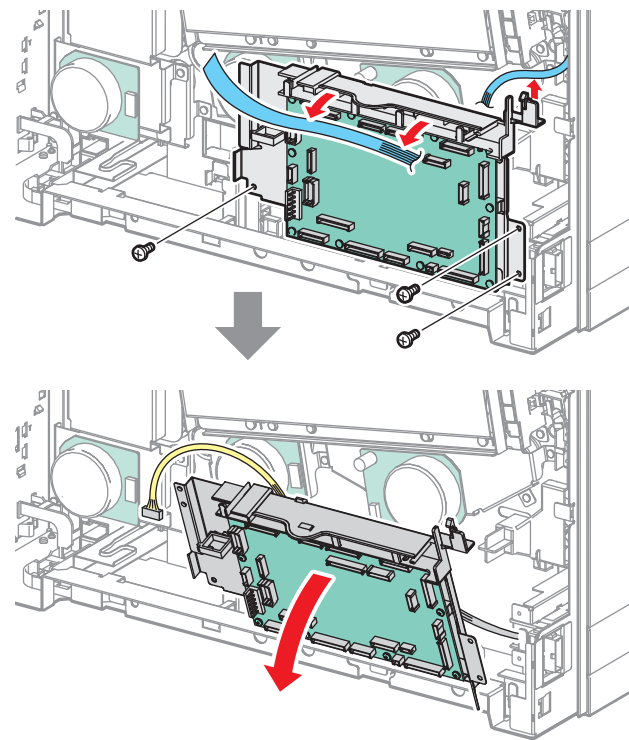


7. Disconnect P/J12, 15 and 22 from the MCU Board and release the CRUM/Dispense and Rear Cover Interlock Harnesses from the MCU Board Cage guide.
8. Open 2 harness clamps at the bottom of the MCU Board and release the harnesses from the clamps.



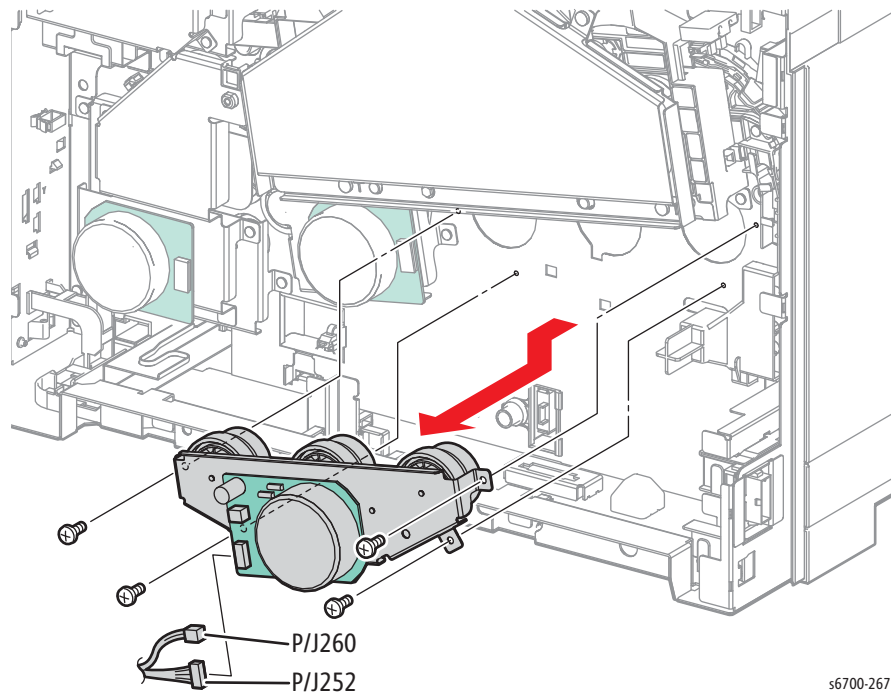
s6700-415

8. Remove 3 screws (silver, 6mm) that secure the MCU Board Cage to the chassis and tilt the cage forward.



s6700-614

9. Disconnect P/J252 and 260 from the YMC Developer Drive.
10. Remove 4 screws that secure the assembly to the chassis.

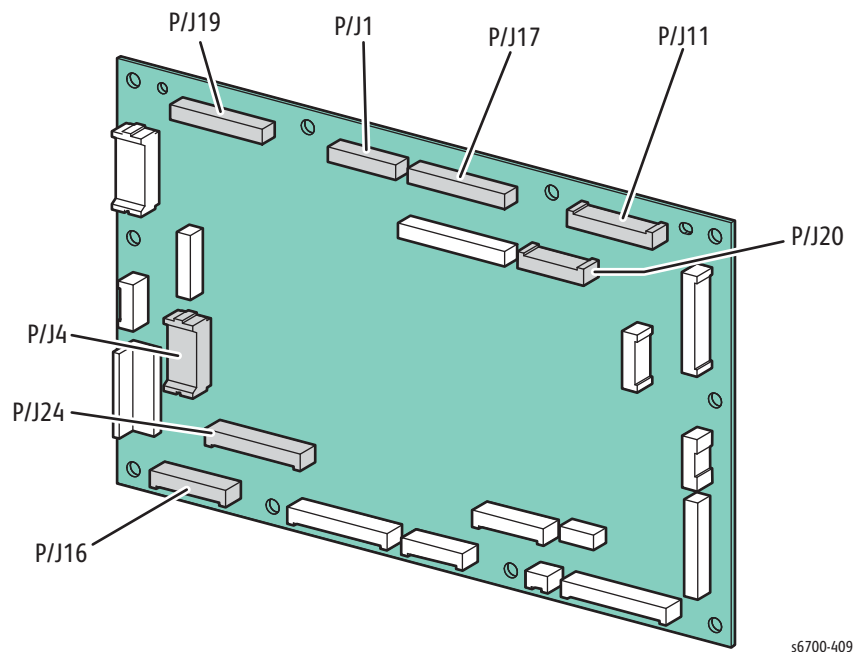


s6700-267

K Developer Drive Assembly

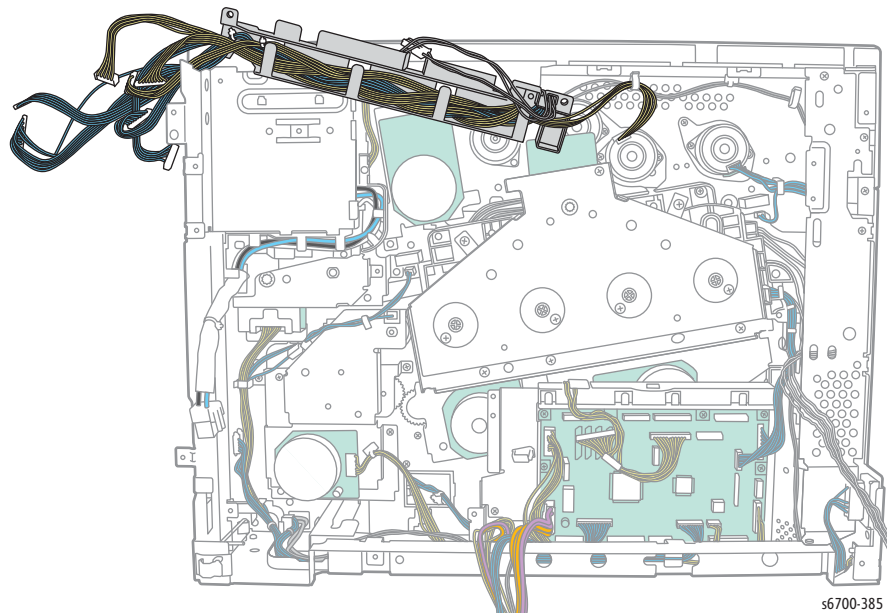
PL9.2.10

1. Remove the Rear Cover (page 8-31).
2. Remove the IP Board Cage (page 8-179).
3. Remove the LVPS Cage (page 8-182).
4. Disconnect P/J1, 4, 19, 17, 20, 11, 16, and 24 from the MCU Board.



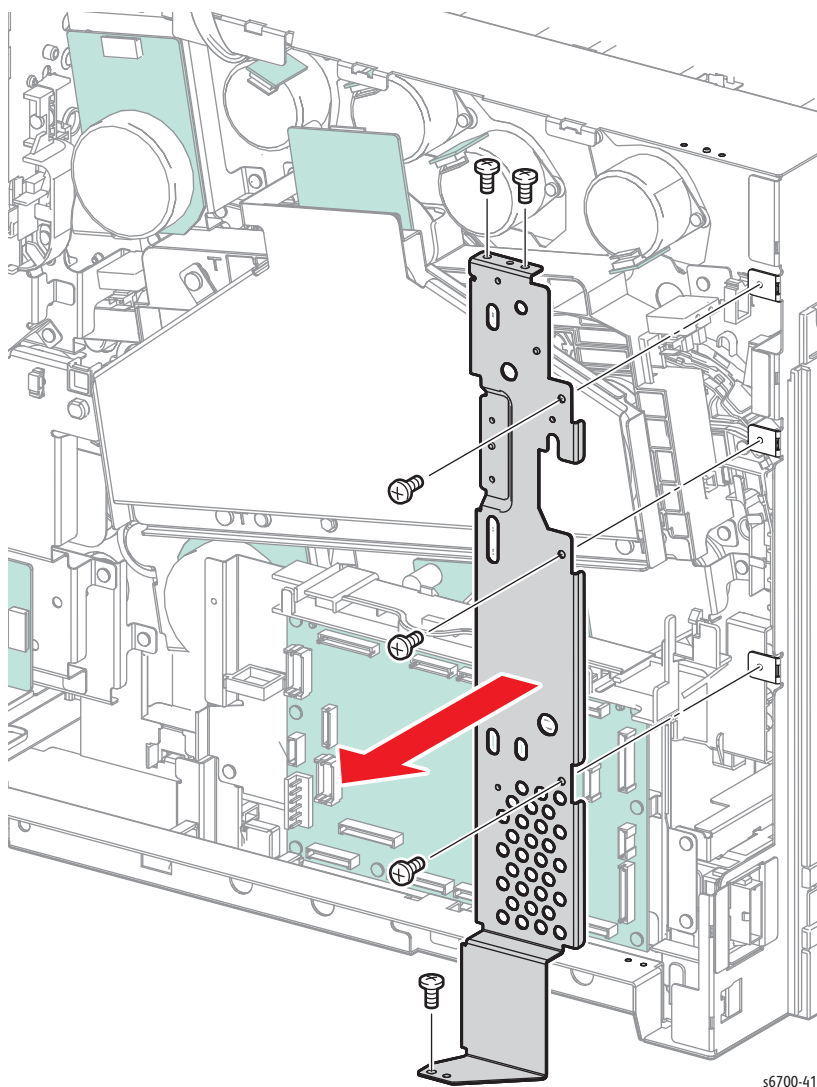
s6700-409

5. Remove the 2 screws that secure the center harness guide and lift the lower end up as shown.

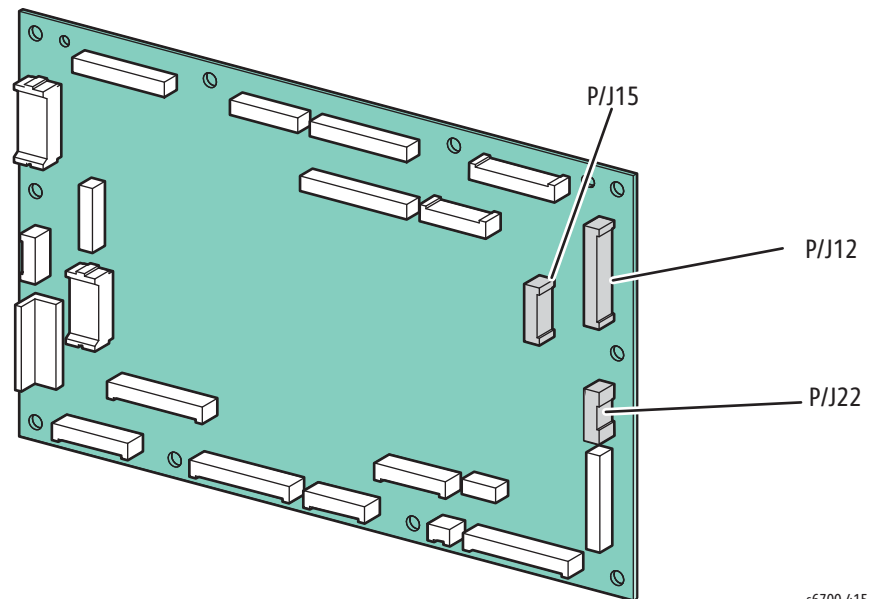


s6700-385

6. Remove 6 screws (silver, 6mm) that secure the IP Board Cage support bracket to the chassis.

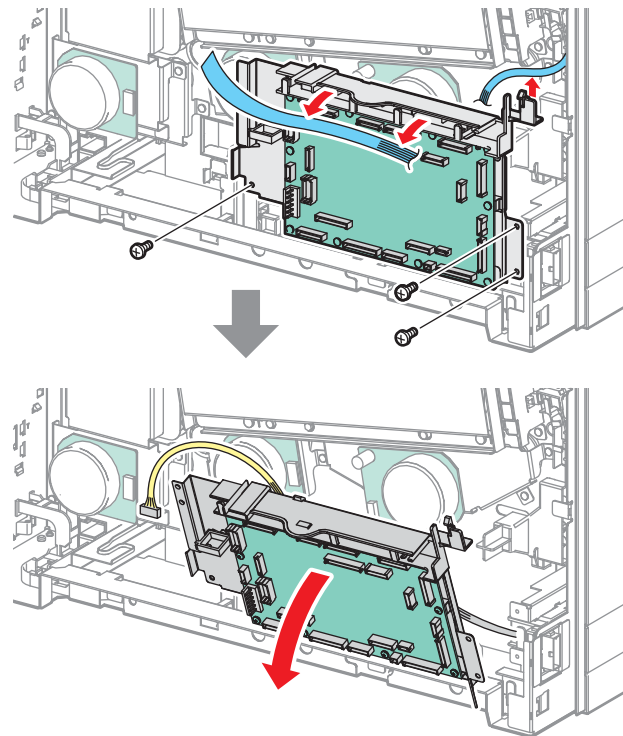


7. Disconnect P/J12, 15 and 22 from the MCU Board and release the CRUM/Dispense and Rear Cover Interlock Harnesses from the MCU Board Cage guide.
8. Open 2 harness clamps at the bottom of the MCU Board and release the harnesses from the clamps.



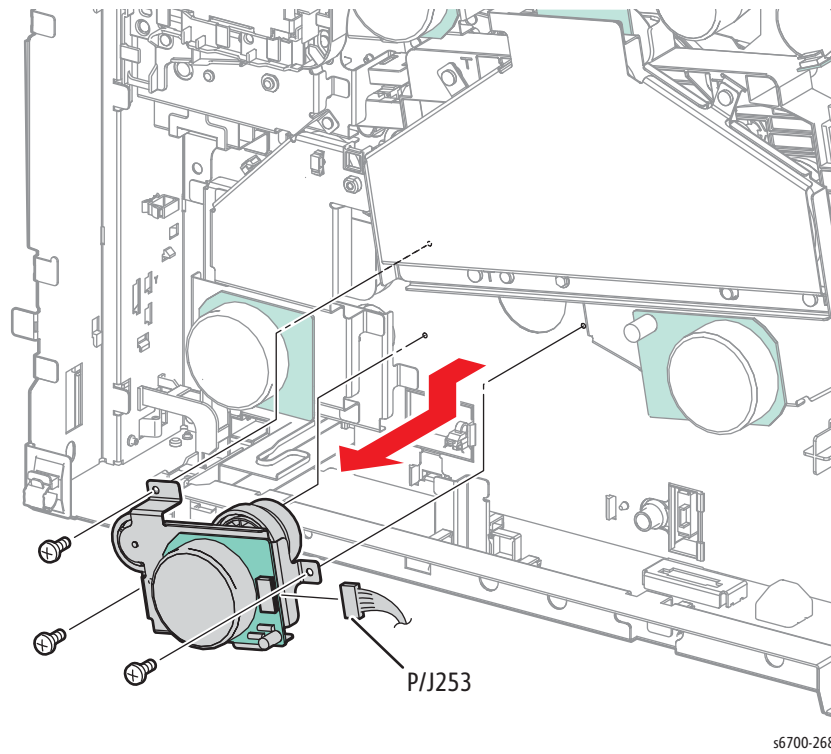
s6700-415

9. Remove 3 screws (silver, 6mm) that secure the MCU Board Cage to the chassis and tilt the cage forward



s6700-614

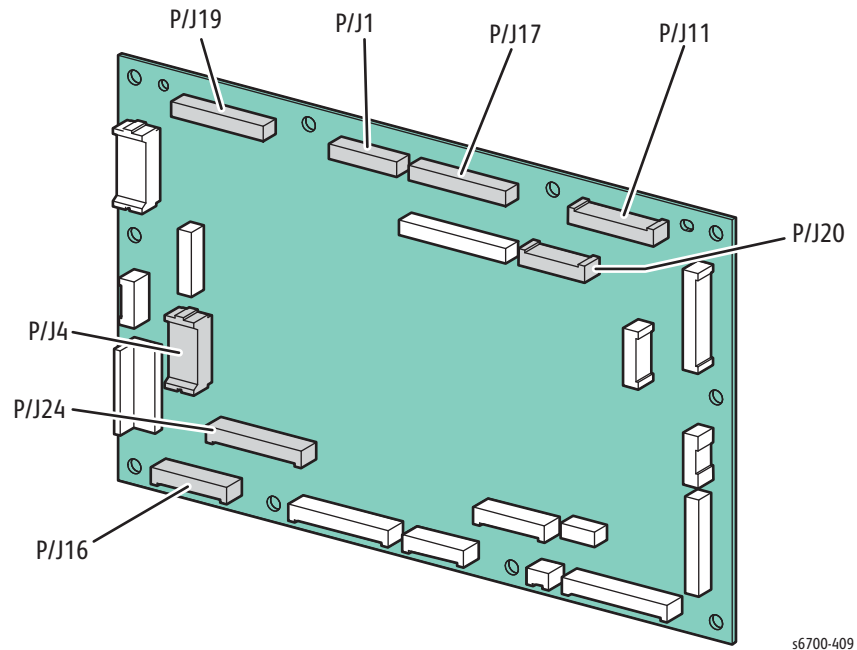
10. Disconnect P/J253 from the K Developer Drive.
11. Remove 3 screws that secure the assembly to the chassis.



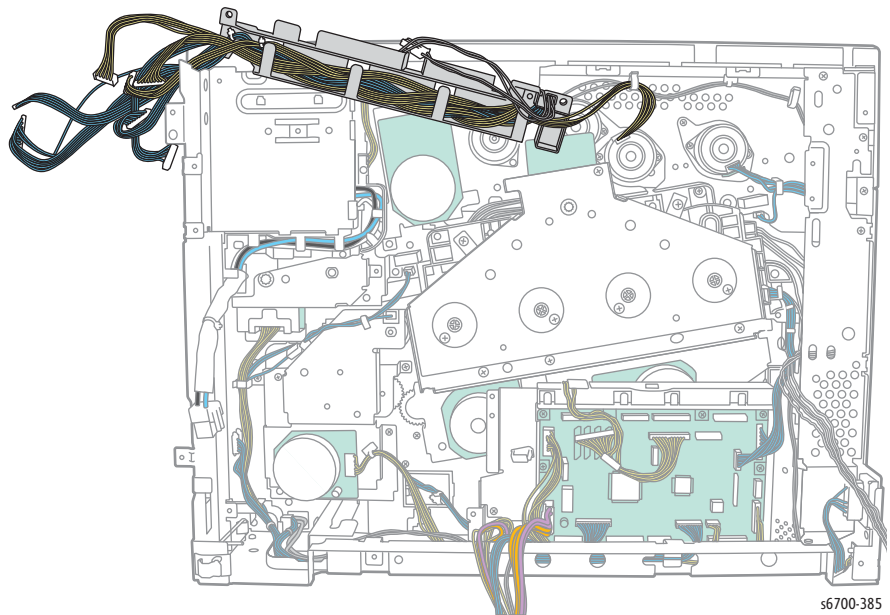
Imaging Unit Link Drive Kit

PL9.2.98

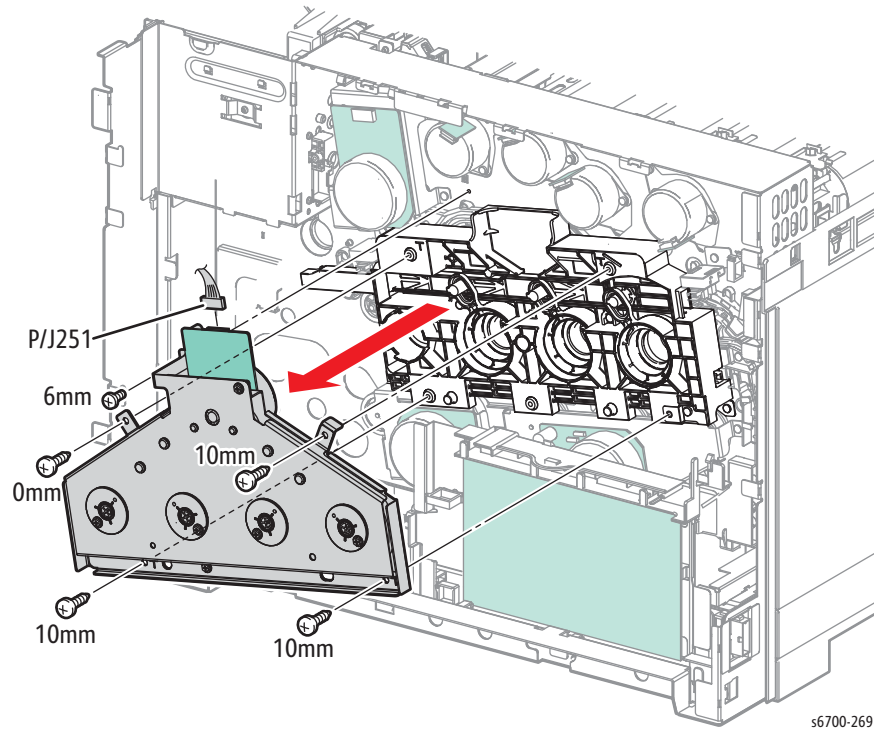
1. Remove the Rear Cover (page 8-31).
2. Remove the IP Board Cage (page 8-179).
3. Remove the LVPS Cage (page 8-182).
4. Disconnect P/J1, 4, 19, 17, 20, 11, 16 and 24 from the MCU Board.



5. Remove the 2 screws that secure the center harness guide and lift the lower end up as shown.

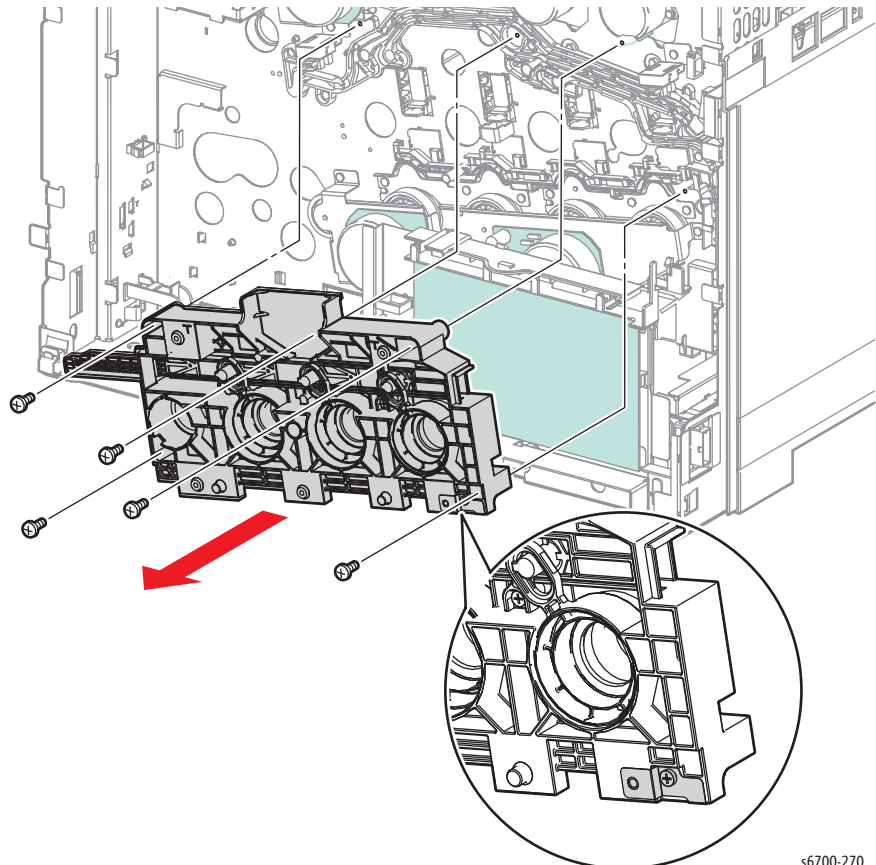


- Remove 4 (silver, 10mm) and 1 (silver, 6mm) screws that secure the Imaging Unit Drive Assembly to the Link Guide.
- Disconnect P/J251 to remove the Imaging Unit Drive Assembly.



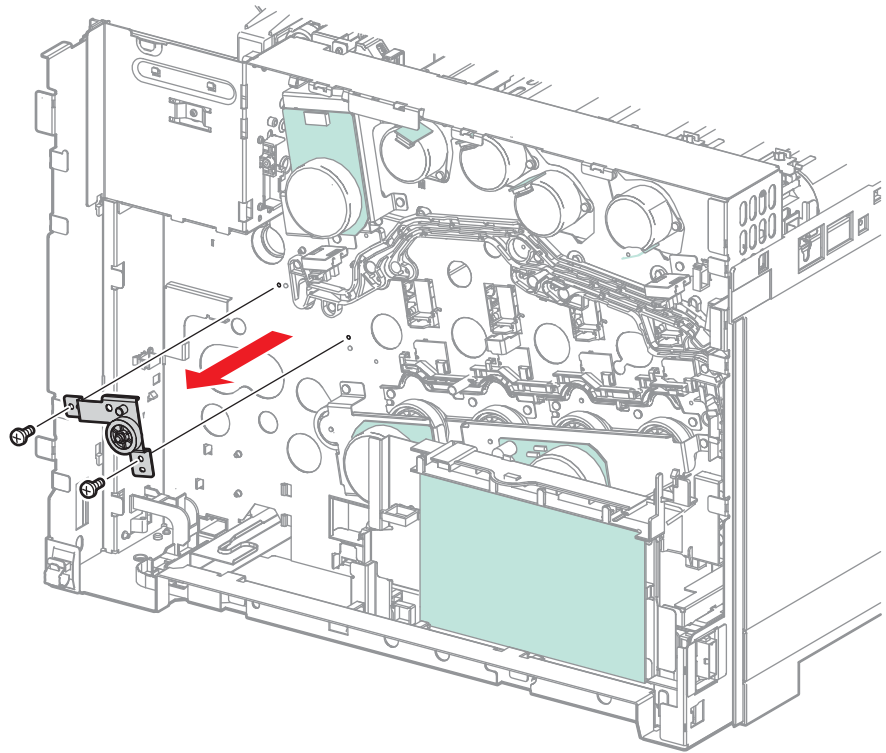
s6700-269

- Remove 5 screws (silver 6mm) that secure the Link Assembly to the chassis.



s6700-270

9. Remove, but do not disconnect the Transfer Belt Drive Assembly (page 8-135).
10. Remove 2 screws (silver, 6mm) that secure the rack drive to the chassis.



s6700-622

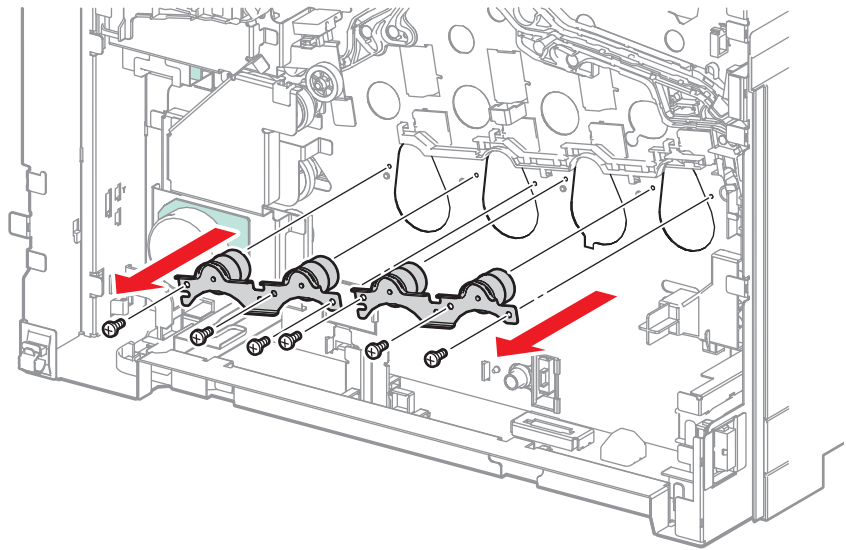
Replacement Note

Check the Link Assembly ground strap is captured by the screw in the lower right corner.

Drive Gear Kit

PL9.2.99

1. Remove Rear Cover (page 8-31).
2. Remove the IP Board Cage (page 8-179).
3. Remove the LVPS Cage (page 8-182).
4. Remove the CMY Developer Drive Assembly (page 8-167).
5. Remove the K Developer Drive Assembly (page 8-171).
6. Remove the Imaging Unit Link Drive Kit (page 8-175).
7. Remove 6 Screws (silver, 6mm) that secure the 2 Drive Gears to the chassis.



s6700-285

Print Engine Chassis

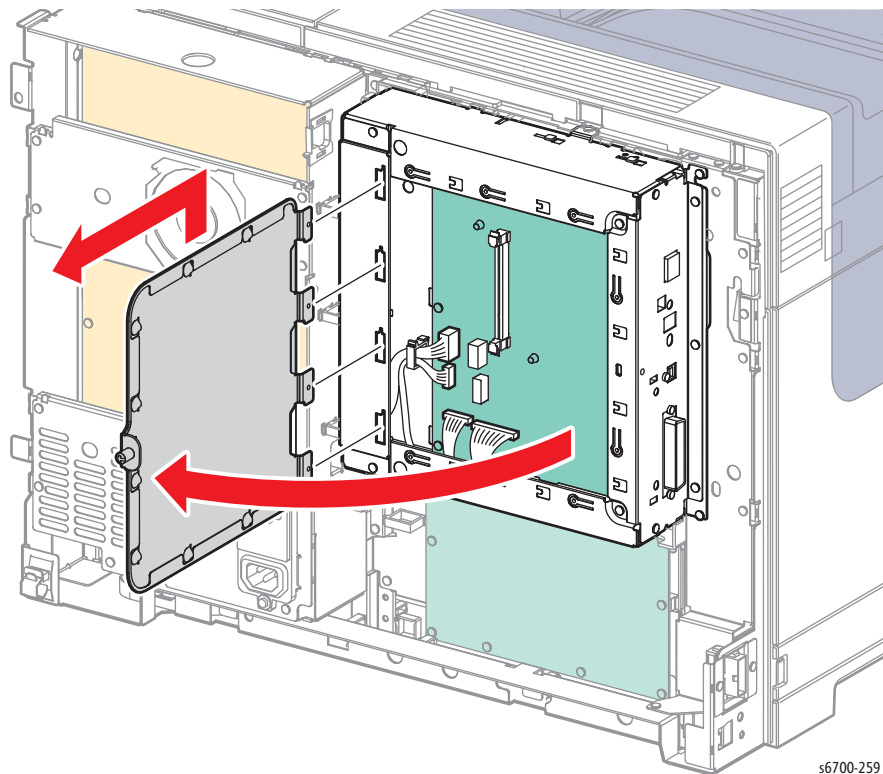
IP Cage

PL10.1.1

Caution

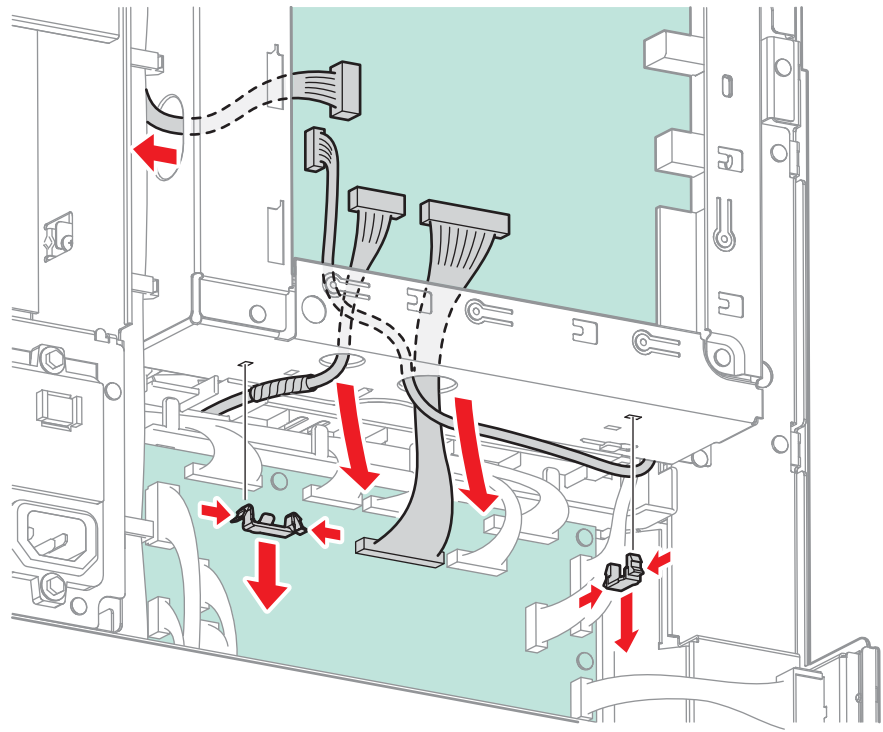
Cover the Imaging Units to prevent exposure to light.

1. Remove the Rear Cover (page 8-31).
2. Loosen the knurled screw, and open the IP cage cover.
3. Lift the IP cage cover slightly to release the 4 tabs and remove the cover.
4. Disconnect all IP Board connections.



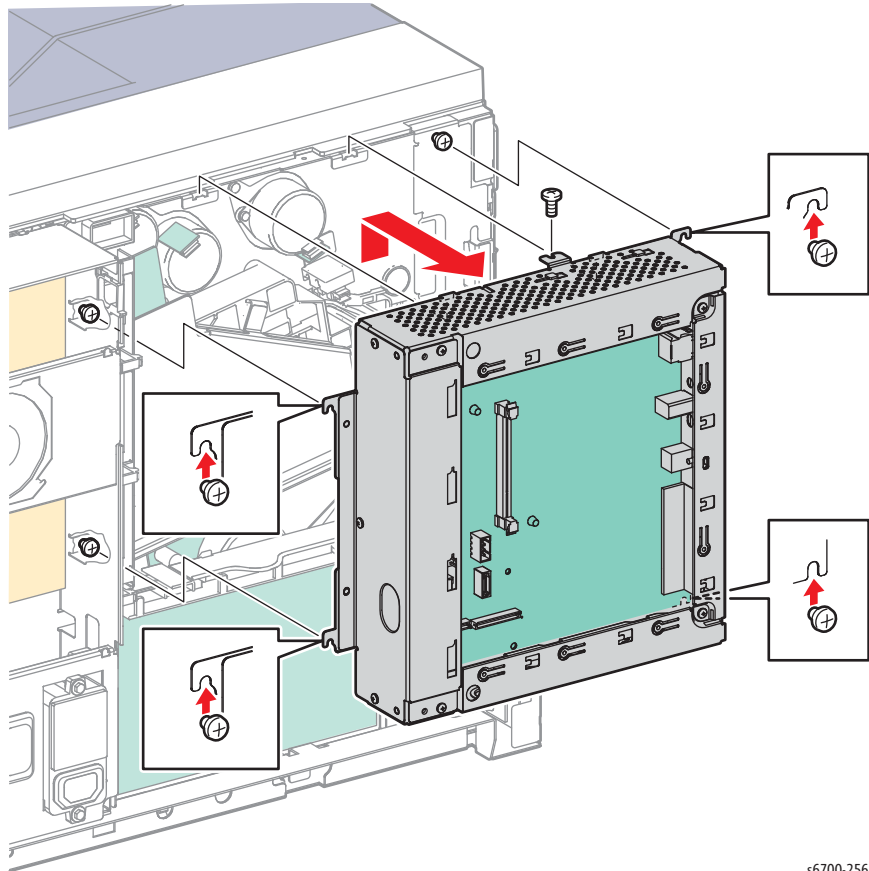
s6700-259

5. Release the Control Panel and ESS PWR Harnesses from the clamp.
6. Release the hooks that secure the clamps and remove the clamps.
7. Release the Control Panel Harness from the clamp.
8. Route all the harnesses through the hole in the IP Cage to the outside.



s6700-257

9. Remove 1 and loosen 4 screws (silver, 6mm) that secure the IP Cage to the chassis.
10. Lift the cage slightly to release 2 hooks and remove the IP Cage.



s6700-256

LVPS Cage

PL10.2.1

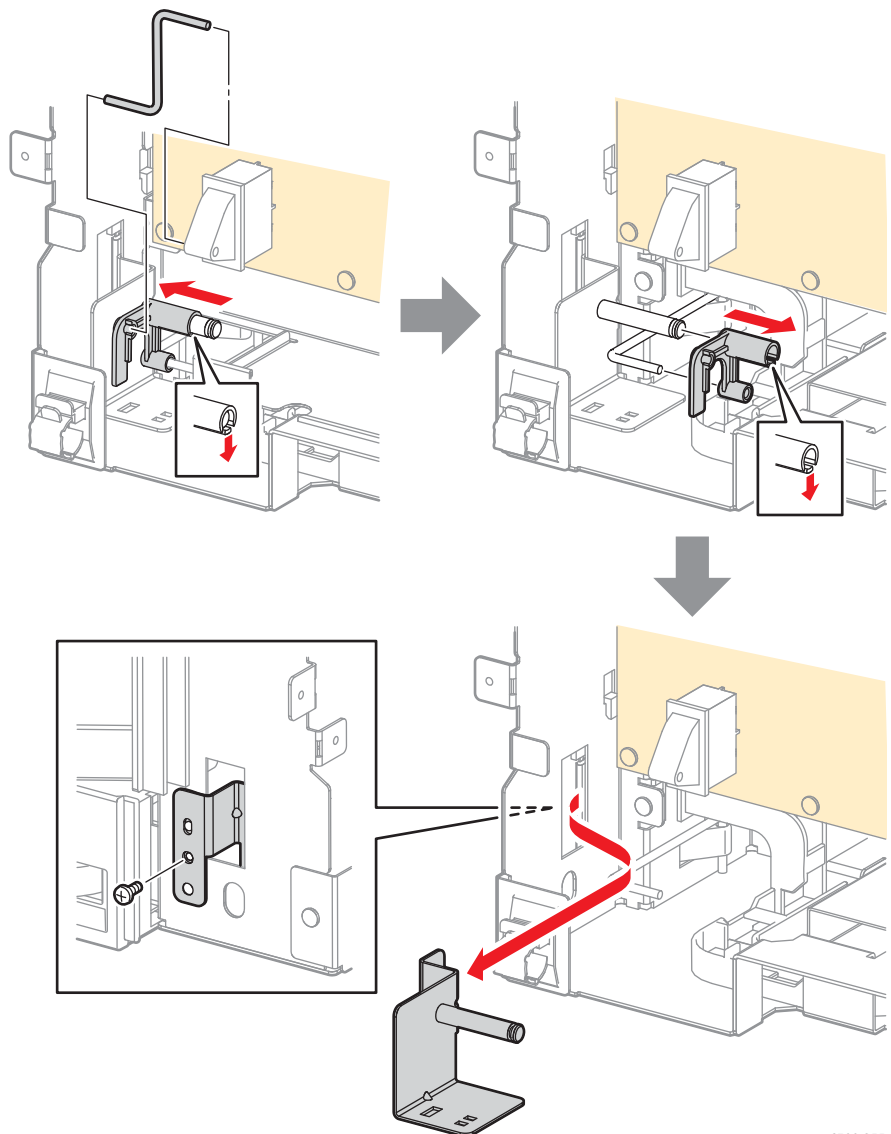
Warning

Allow the Fuser to cool before servicing the printer.

Caution

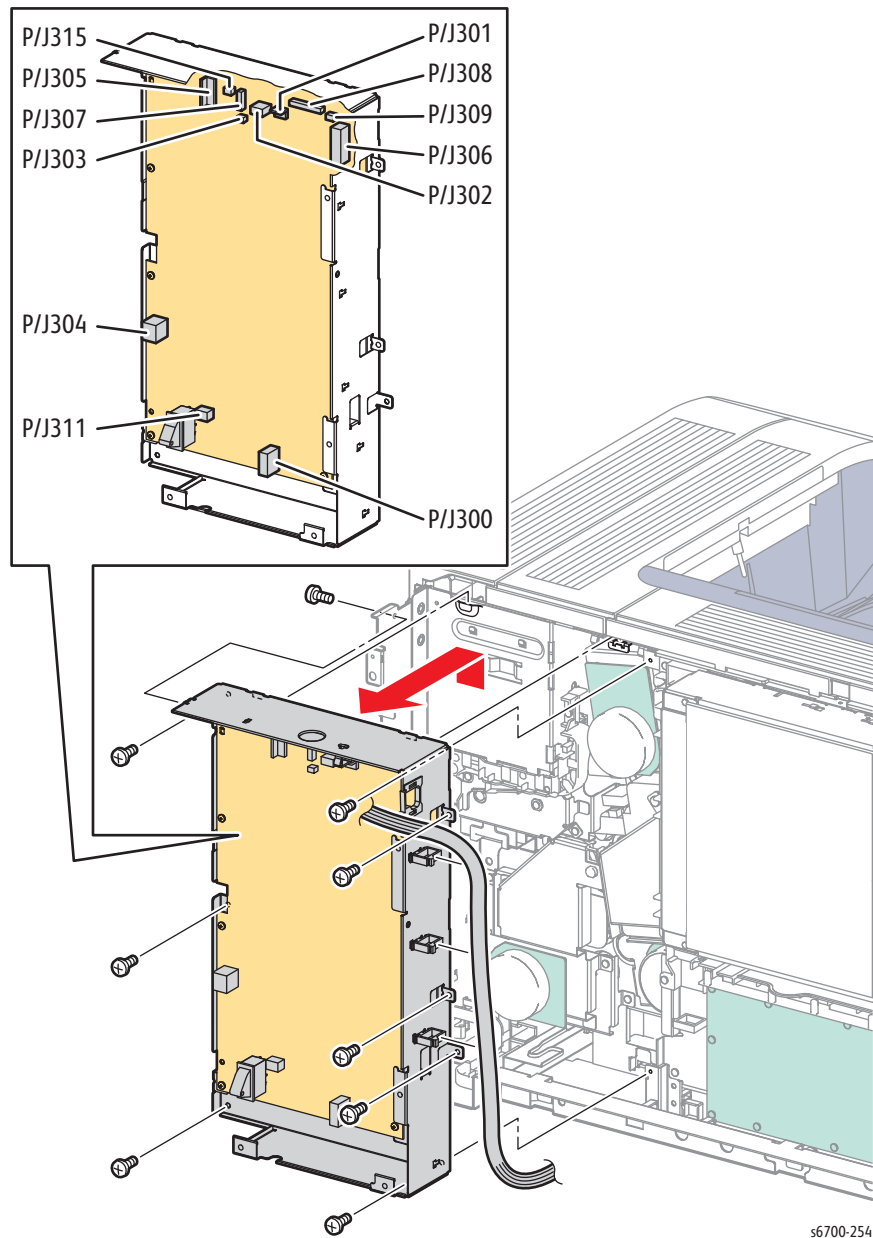
Cover the Imaging Units to prevent exposure to light.

1. Remove the Rear Cover (page 8-31).
2. Remove the LVPS Fan (page 8-153)
3. Remove the Power Panel (page 8-154).
4. Remove the rear bracket and power switch link assembly.



s6700-255

6. Disconnect all LVPS connections and release all harnesses from all clamps in the LVPS Cage.
7. Remove 9 screws (silver, 6mm) that secure the LVPS Cage to the chassis.
8. Lift the cage slightly to release 2 hooks and remove the cage.



s6700-254

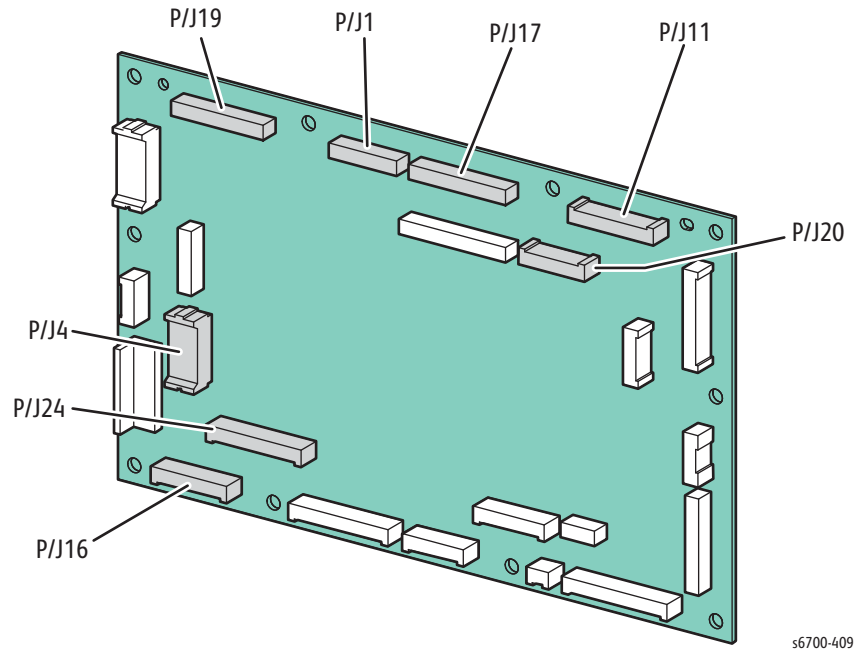
MCU Bracket

PL10.2.15

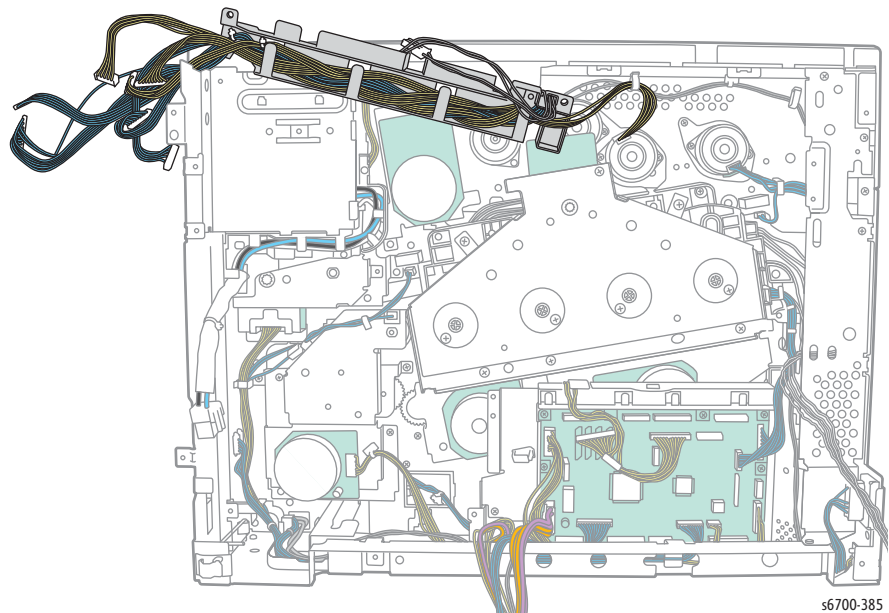
Warning

Allow the Fuser to cool before servicing the printer.

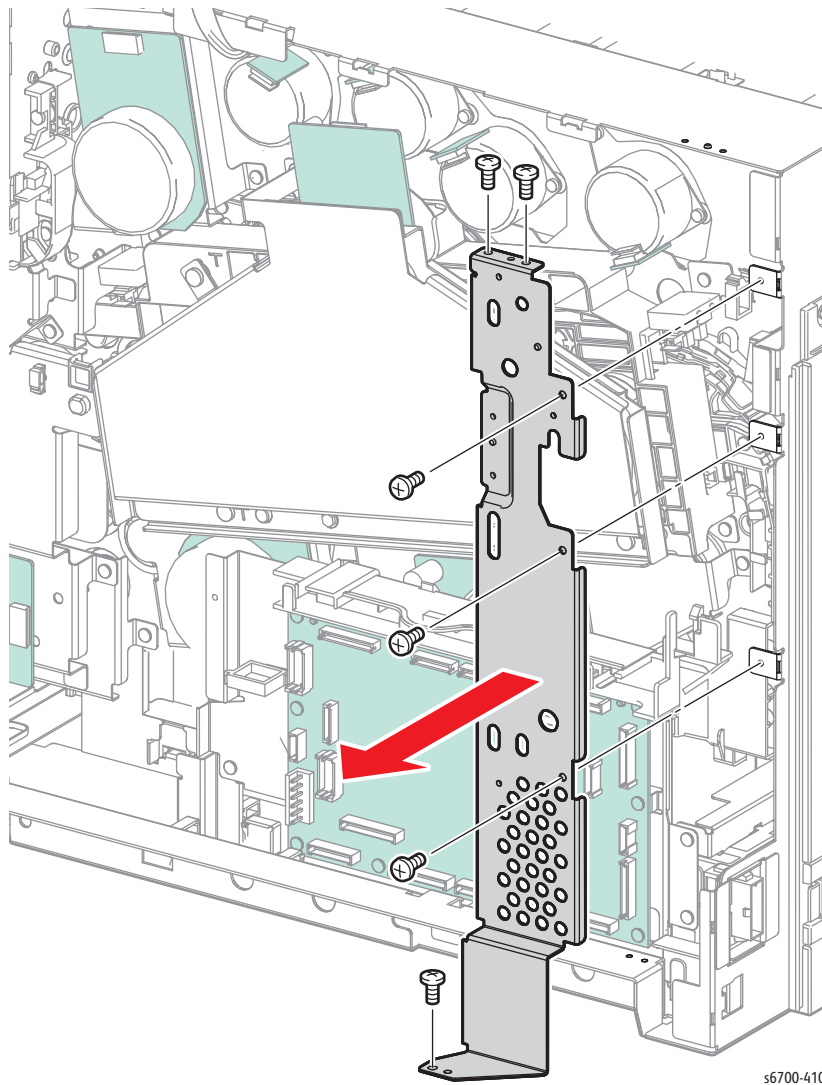
1. Remove the Rear Cover (page 8-31).
2. Remove the IP Cage (page 8-179).
3. Disconnect P/J1, 4, 19, 17, 20, 11, and 16 from the MCU Board.



4. Remove the 2 screws that secure the center harness guide and lift the lower end up as shown.

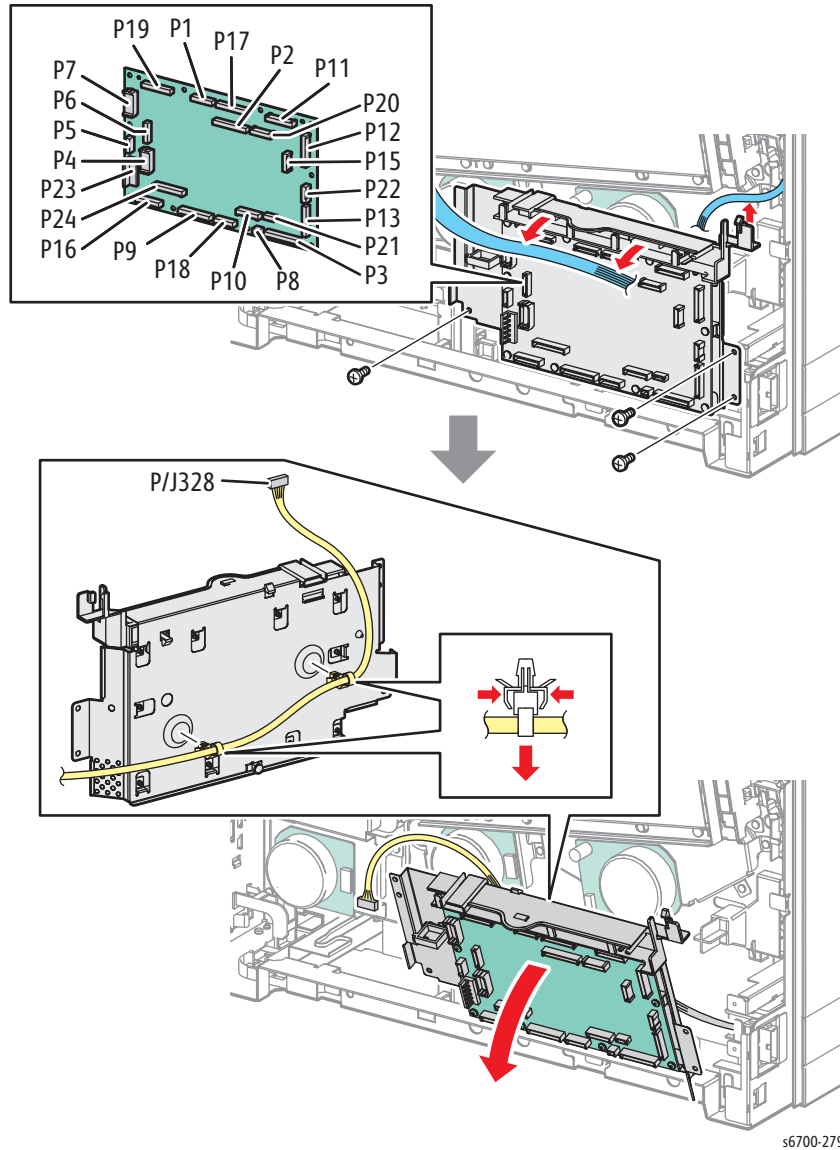


5. Remove 6 screws (silver, 6mm) that secure the IP Board Cage support bracket to the chassis.



s6700-410

6. Disconnect all connections to the MCU Board and release all harnesses from the clamps and MCU harness guides.
7. Remove 3 screws (silver, 6mm) that secure the MCU Cage to the chassis.
8. Remove 2 clamps that secure the video harness from the backside of the MCU Cage to remove the cage from the printer.

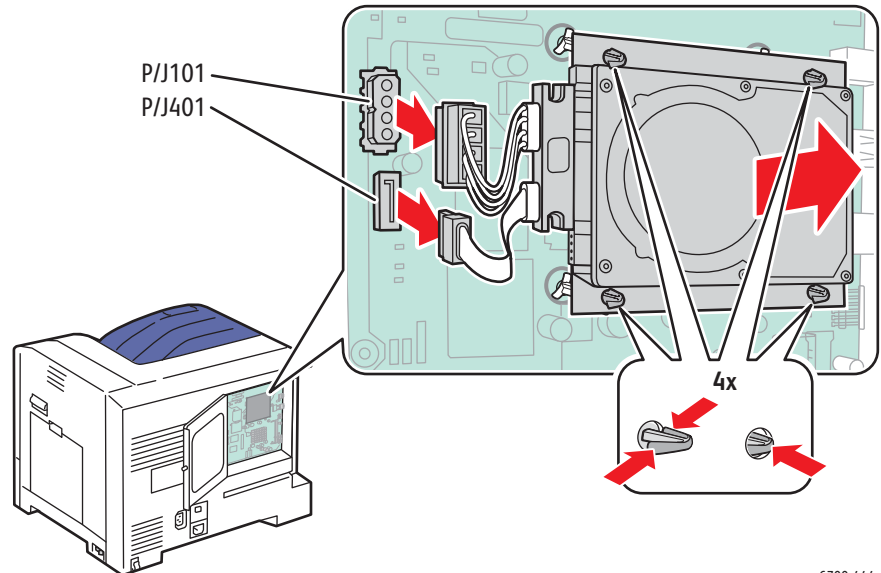


s6700-279

Hard Drive

PL10.1.23

1. Loosen the knurled screw and open the IP Cage Cover.
2. Disconnect P/J11 and P/J12 from the IP Board.
3. Release the pins that secure the Hard Drive to the IP Board Cage.

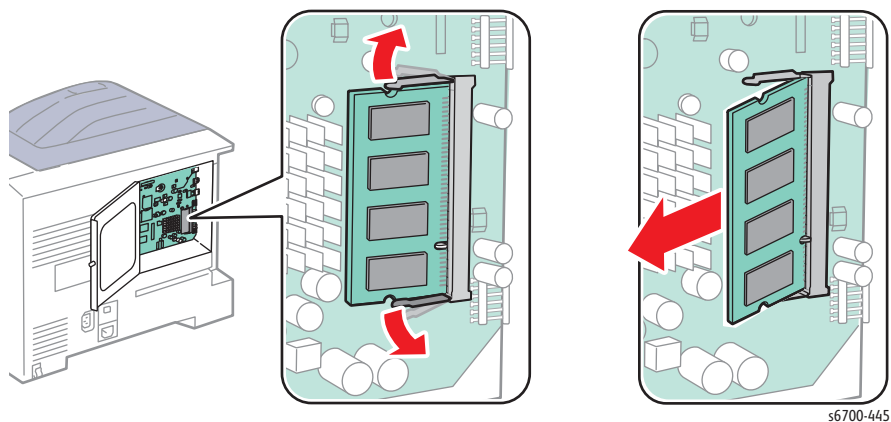


s6700-444

RAM Memory

PL10.1.24

1. Loosen the knurled screw and open the IP Cage Cover.
2. Push the release latches of the socket to release the RAM Memory and remove.



s6700-445

550-Sheet Feeder

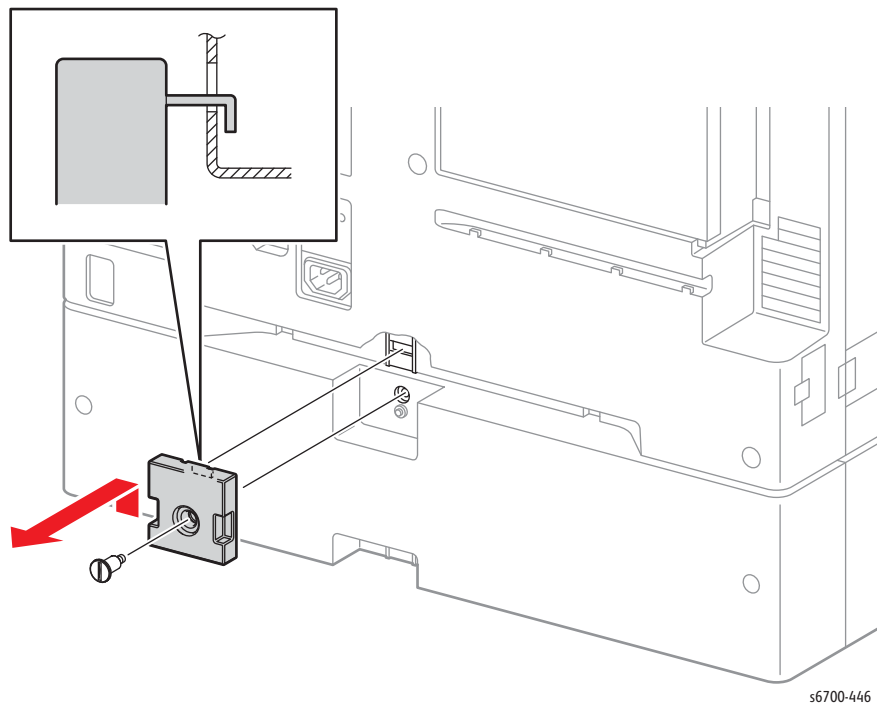
550-Sheet Feeder Assembly

PL12.1.2

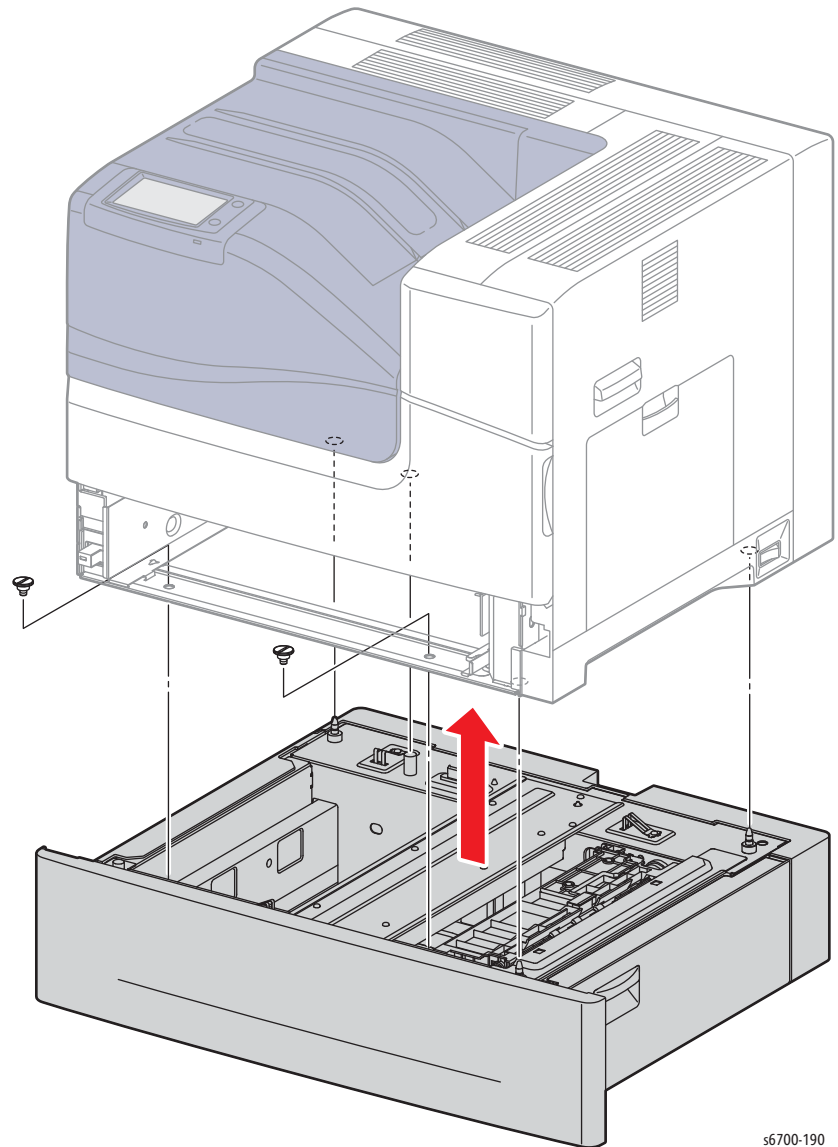
Warning

Lifting the printer from the Feeder requires 3 people.

1. Remove the Tray.
2. Remove the rear lock screw that secures the lock plate to the Feeder.
3. Release the hook from the hole and remove the lock plate from the Feeder.



4. Remove the two locking screws that secure the Feeder to the printer.
5. Lift the printer to separate it from the Feeder.



s6700-190

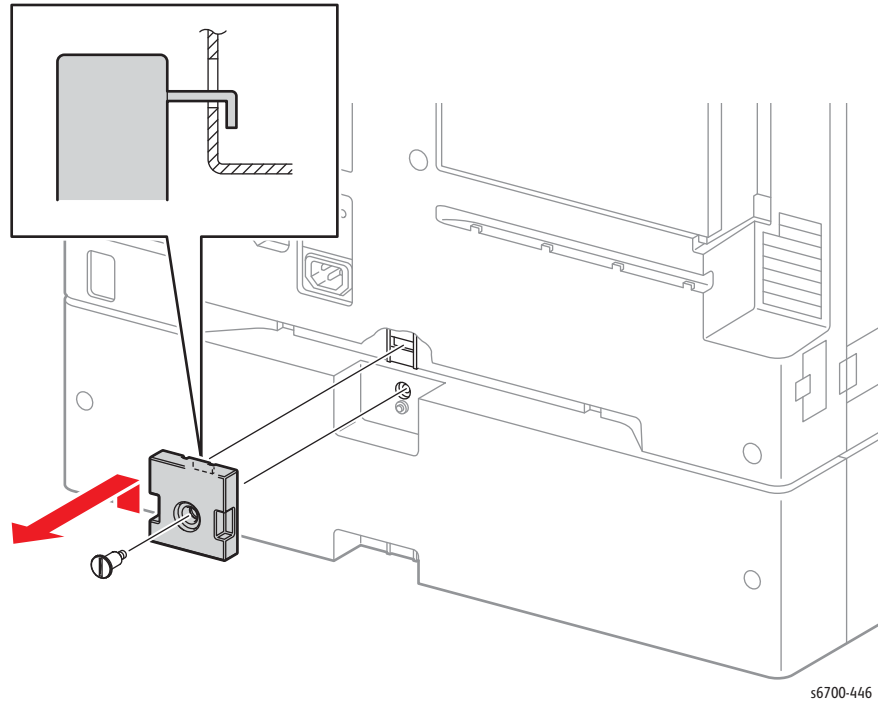
Replacement Note

Align the option connections before releasing the printer onto the Option Feeder Assembly.

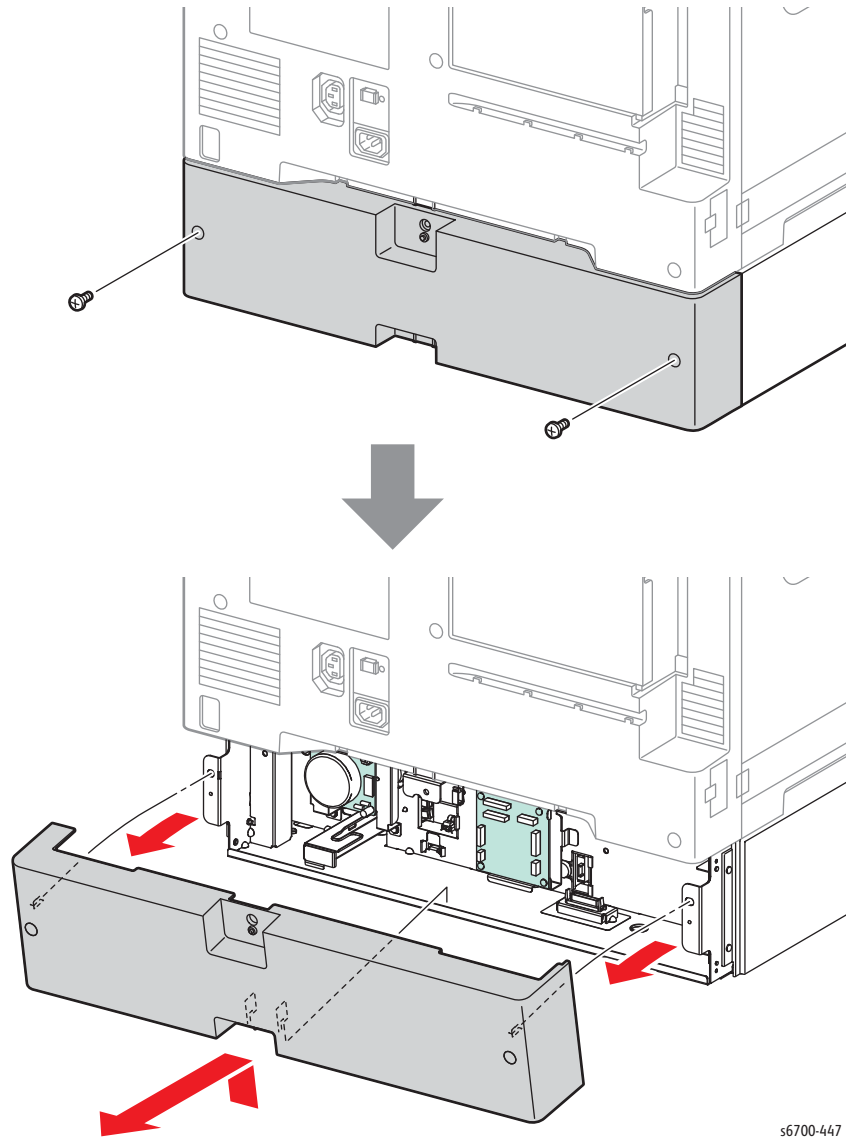
Rear Cover

PL12.1.4

1. Remove the rear lock screw that secures the lock plate to the Feeder.
2. Release the hook from the hole and remove the lock plate from the Feeder.



3. Remove 2 screws (silver, 6mm) and release 2 hooks that secure the rear cover to the Feeder Assy.

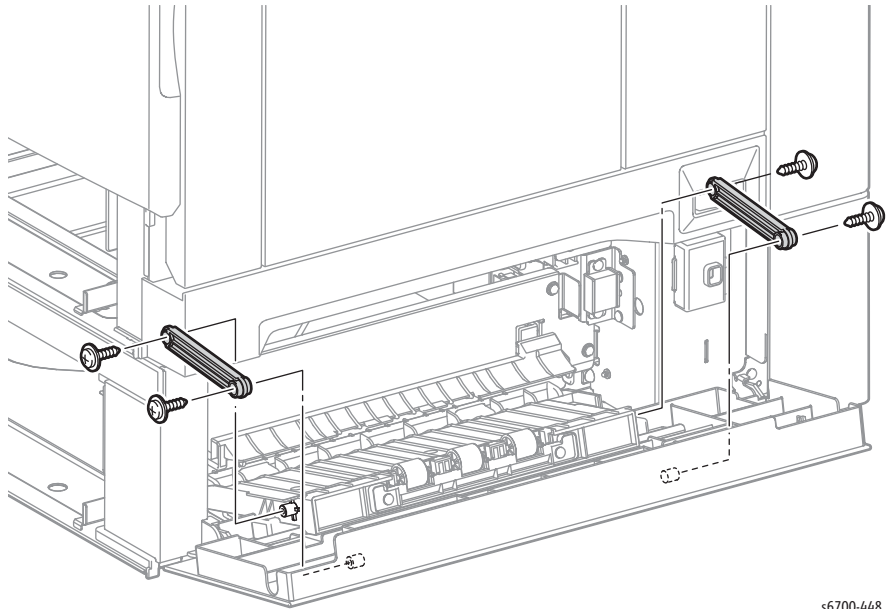


s6700-447

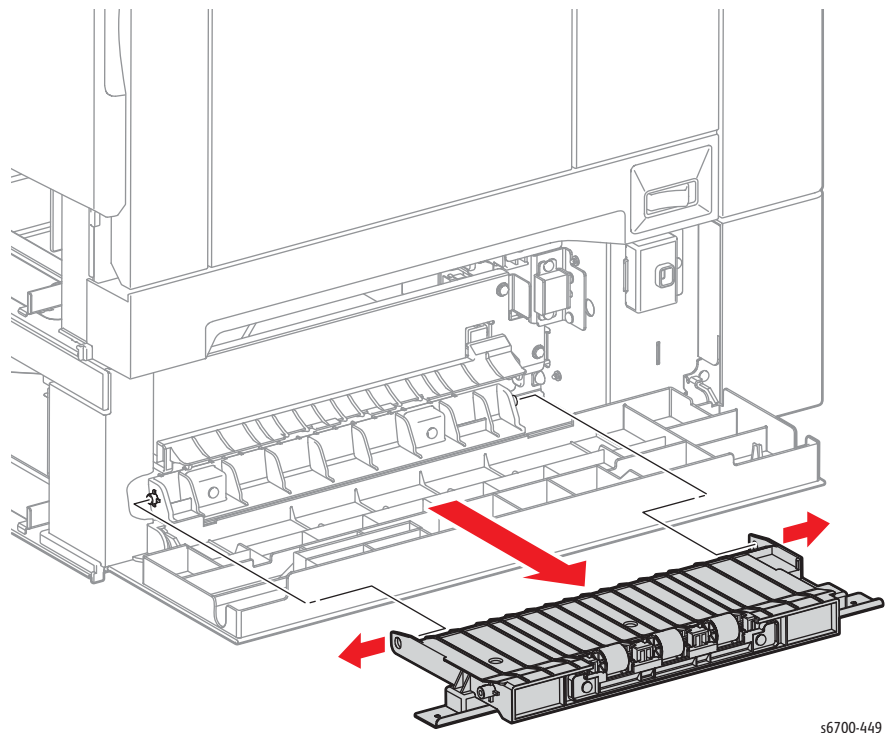
Feed Chute Assembly

PL12.1.7

1. Open the Right Door.
2. Remove 4 screws (silver, tapping, flanged, 8mm) that secure the chute arms.



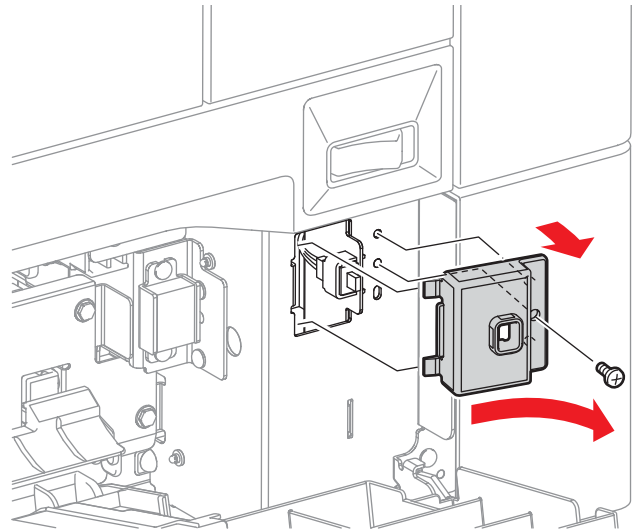
3. Release the 2 bosses and remove the Upper Chute Assy from the Feeder.



Right Door Open Switch

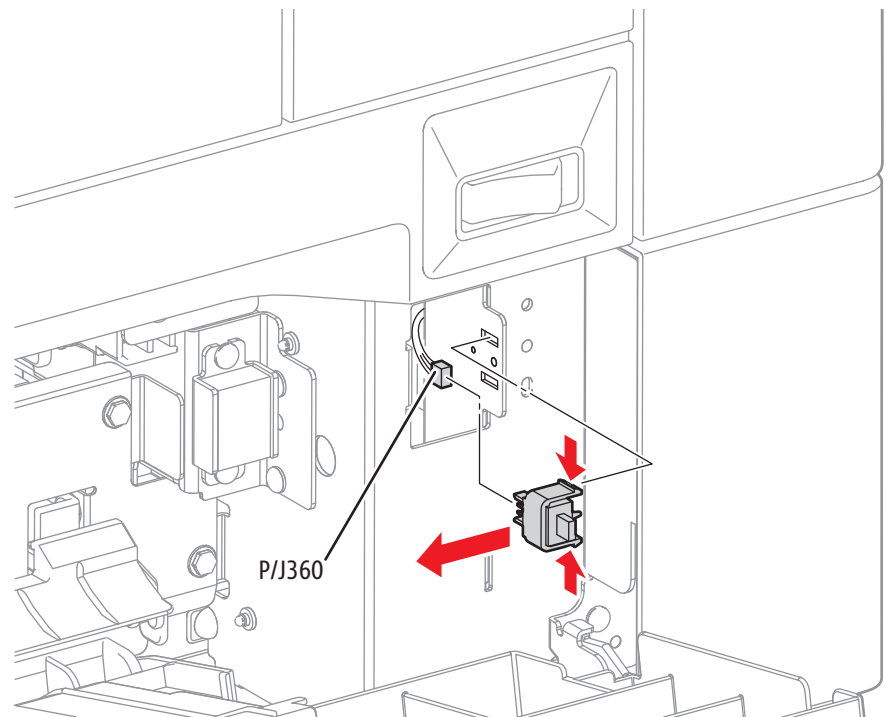
PL12.2.2

1. Open the right door.
2. Remove 1 screw (silver, 6mm) that secures the bracket to the Option Feeder.
3. Release 2 bosses and the hook to remove the bracket.



s6700-450

4. Remove the switch by releasing 2 hooks and disconnect P/J360.

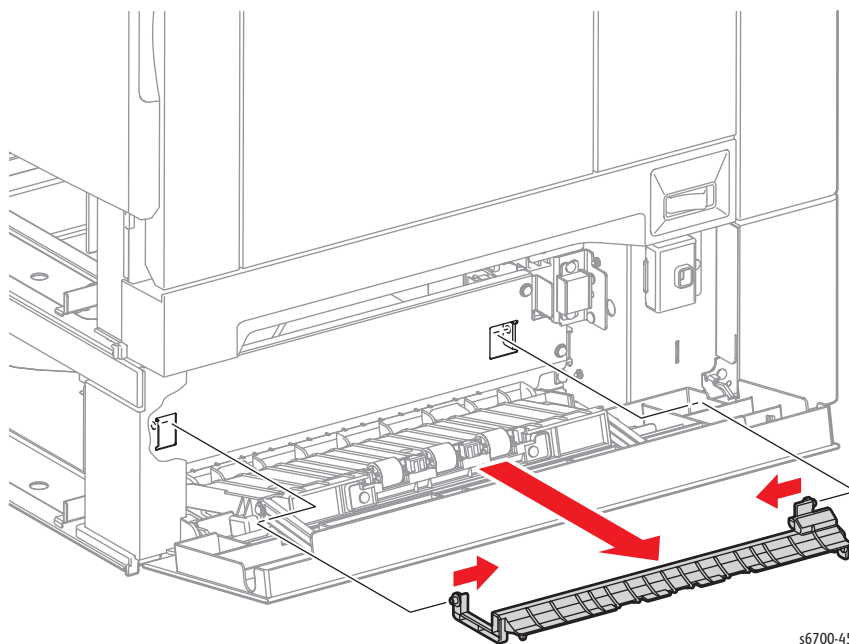


s6700-451

Turn Chute

PL12.2.5

1. Remove the Tray.
2. Open the Right Door.
3. Release 2 bosses to remove the Turn Chute from Feeder.

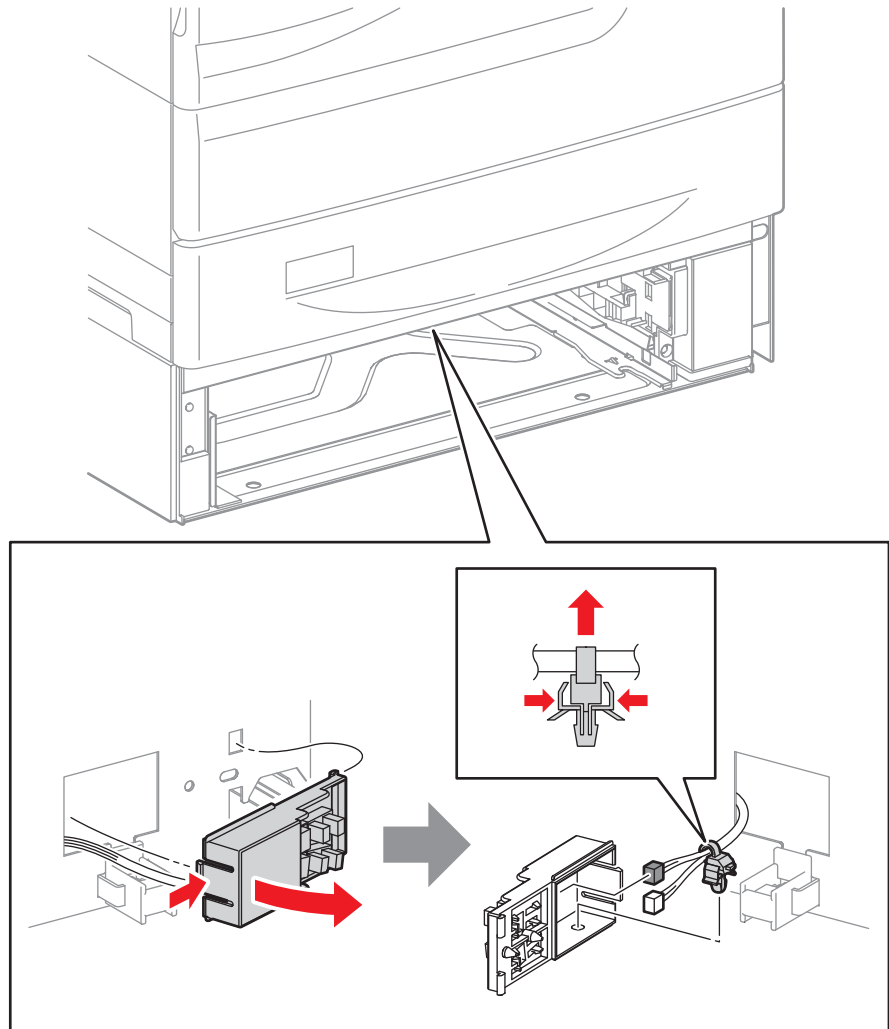


s6700-452

Low Paper Sensors 1 and 2

PL12.2.10

1. Remove the Tray.
2. Release 2 hooks that secure the Low Paper Sensor holder in the Tray cavity.
3. Release 3 hooks that each sensor in the holder.

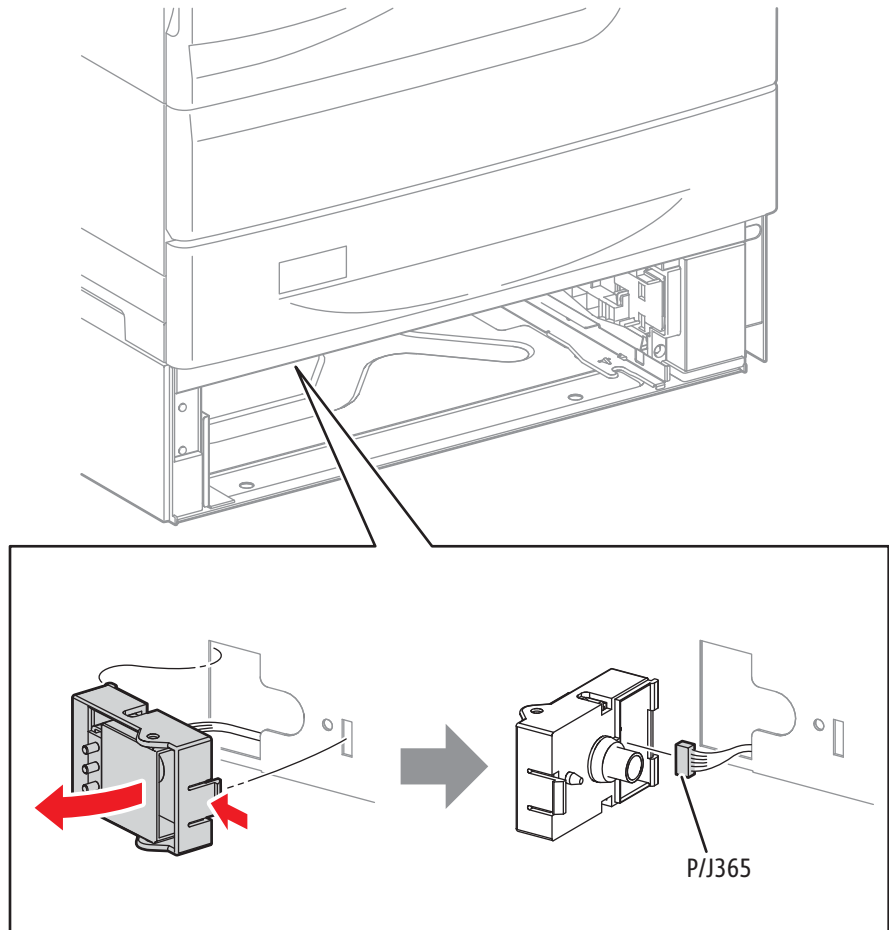


s6700-453

Size Switch

PL12.2.12

1. Remove the Tray.
2. Release the hook that secures the Size Switch in the Tray cavity.
3. Disconnect P/J365 to remove the switch.



s6700-454

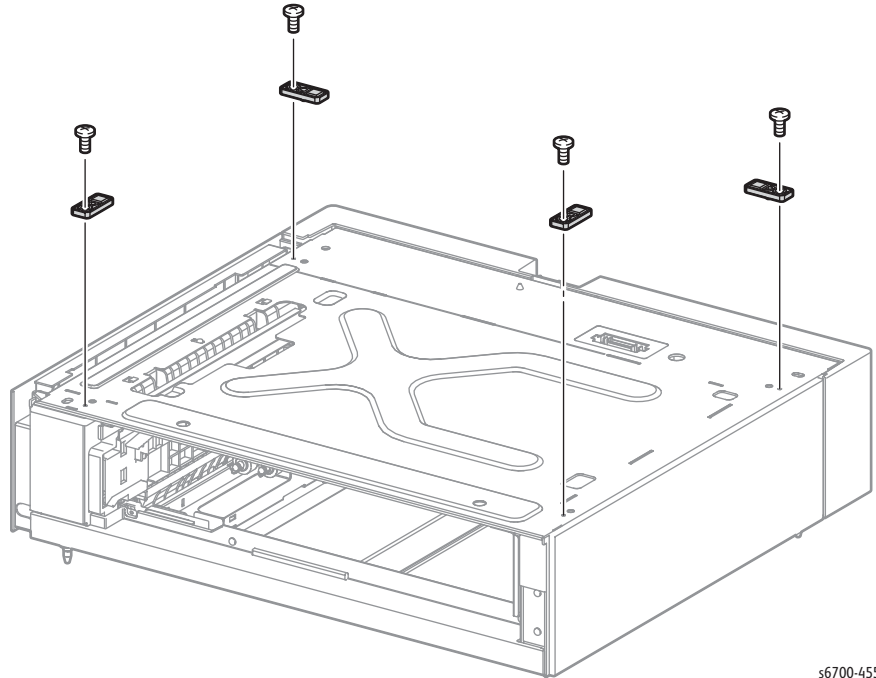
Foot Assembly

PL12.2.13

Warning

Lifting the printer from the Feeder requires 3 people.

1. Remove the Option Feeder (page 8-188).
2. Turn the Feeder over.
3. Remove 4 screws (silver, 6mm) that secure 4 feet to the Feeder.



s6700-455

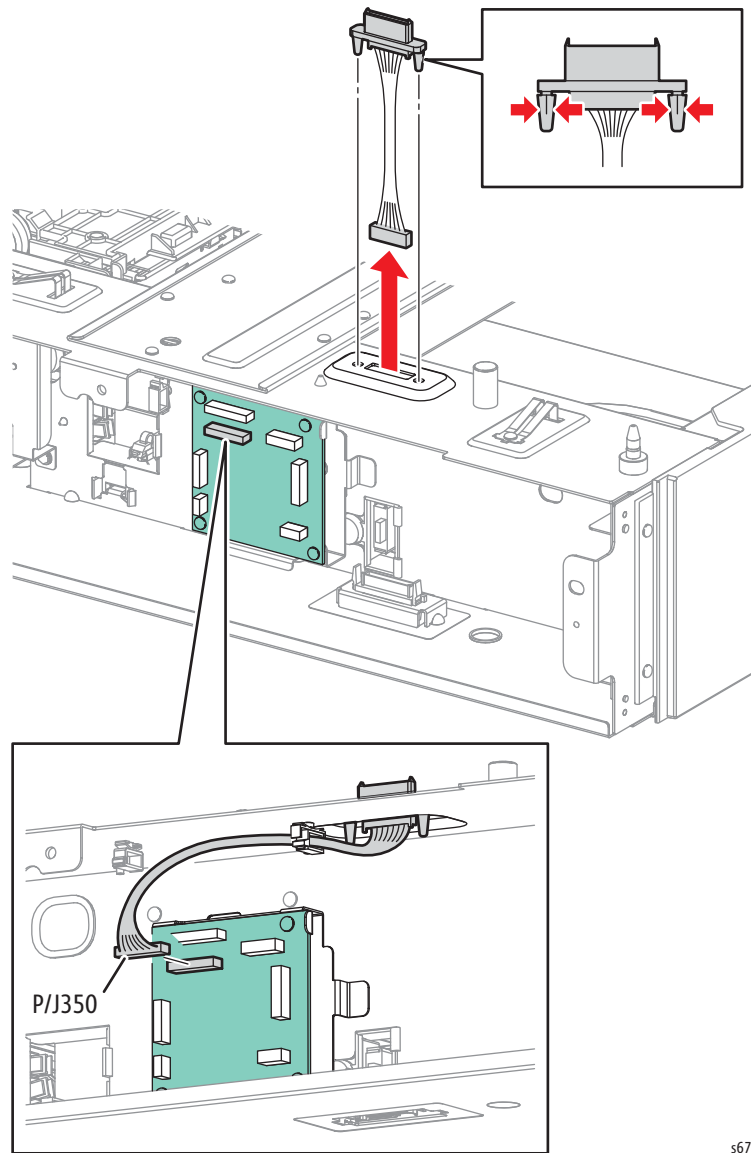
Upper Option Harness

12.3.1

Warning

Lifting the printer from the Feeder requires 3 people.

1. Remove the Option Feeder (page 8-188).
2. Remove the rear cover (page 8-190).
3. Disconnect P/J350 from the Feeder Board and release the harness from the clamp.
4. Release 2 hooks on the connector and pull the harness and connector through the hole on the Feeder.

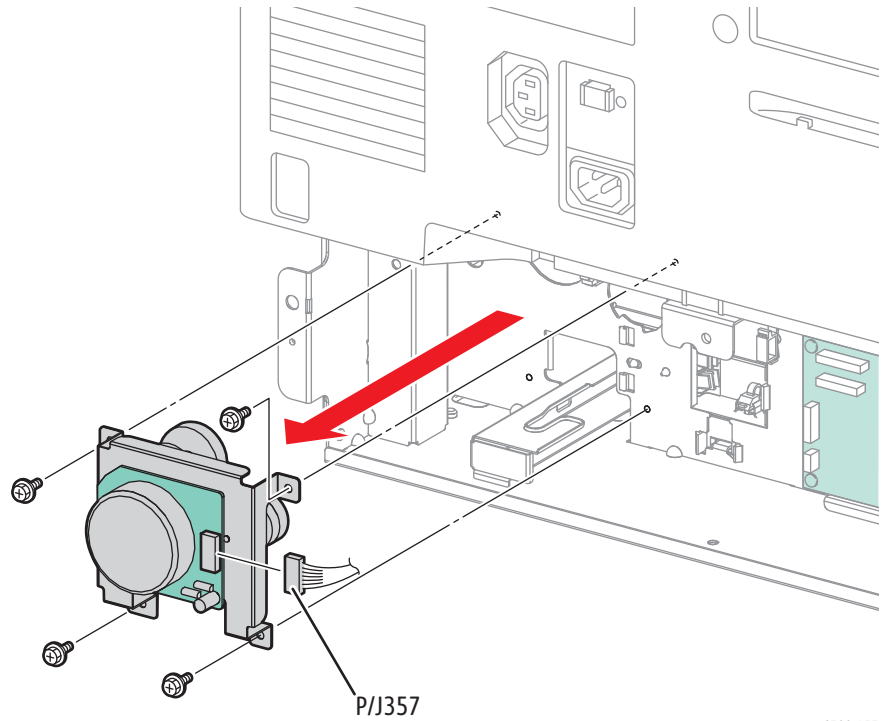


s6700-456

Feed Drive Assembly

PL12.3.2

1. Remove the Tray.
2. Remove the rear cover (page 8-190).
3. Disconnect P/J357 on the Feed Drive Assy.
4. Remove 4 screws (silver, flanged, 6mm) to remove the drive.

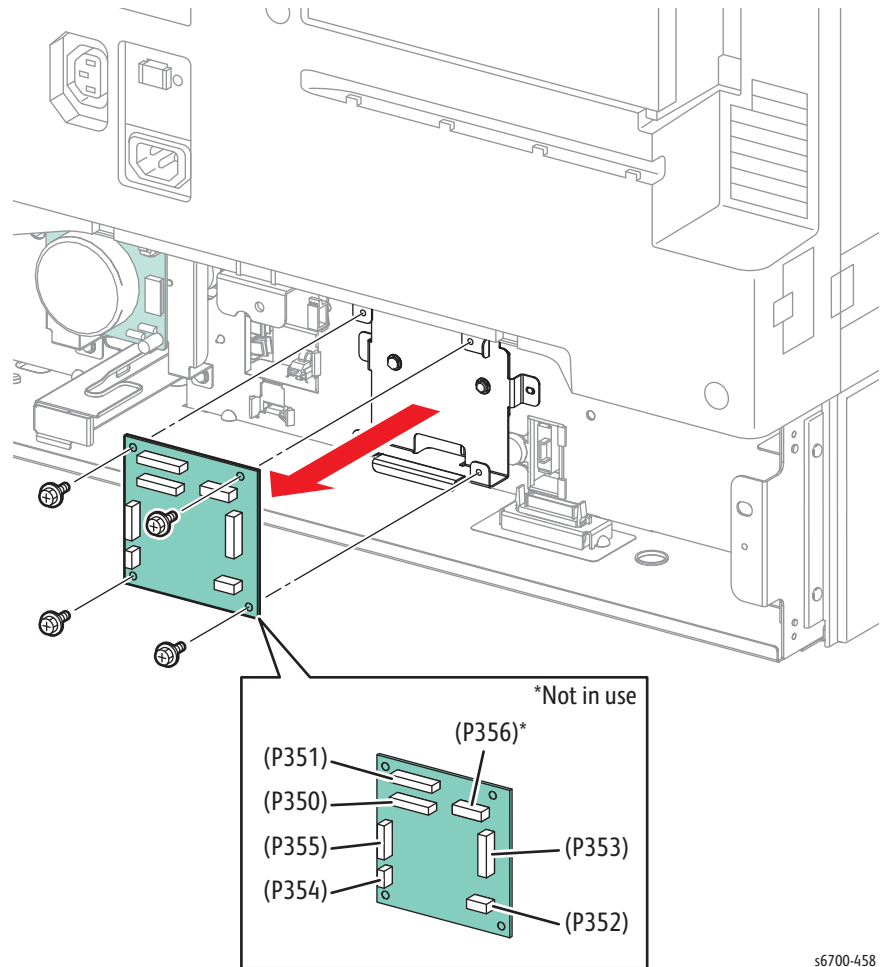


s6700-457

Feeder Board

PL12.3.4

1. Remove the Tray.
2. Remove the rear cover (page 8-190).
3. Disconnect 6 connectors from the Feeder Board.
4. Remove 4 screws (silver, 6mm) to remove the board from the Feeder.



s6700-458

Lower Option Harness

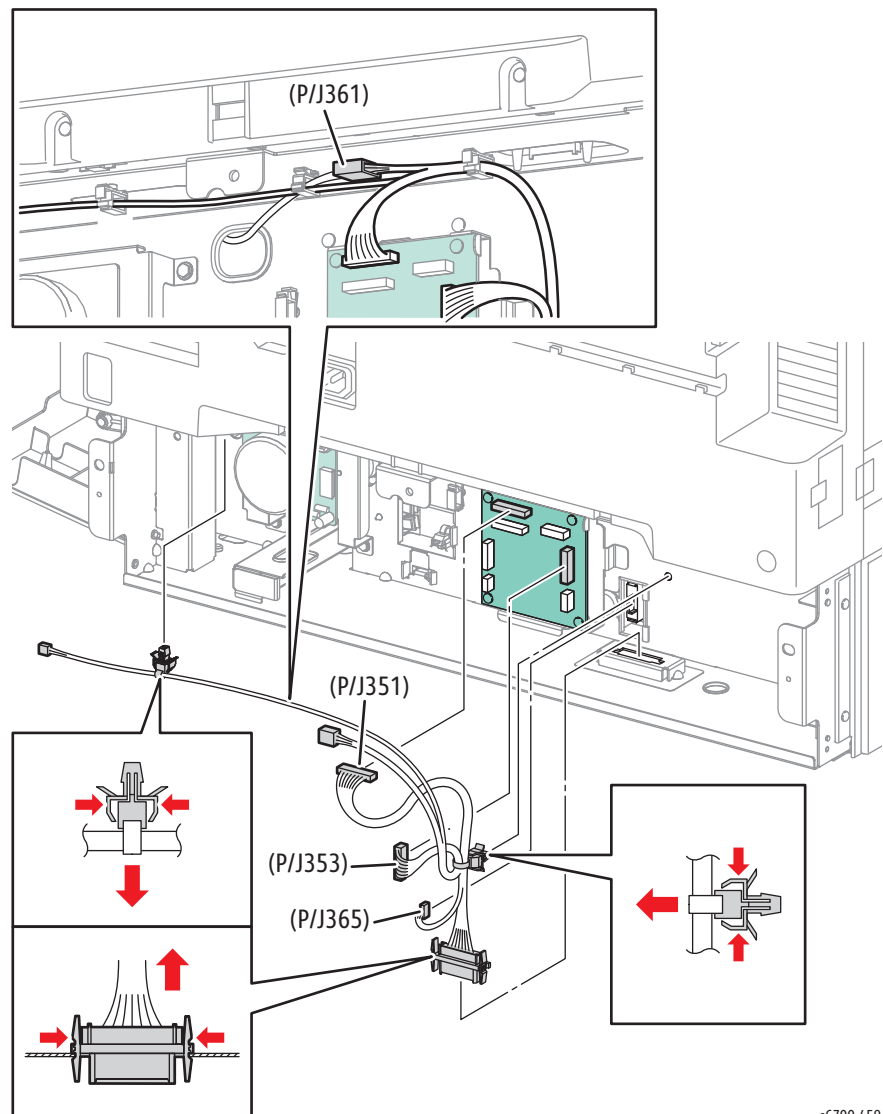
PL12.3.11

1. Remove the Tray.
2. Remove the rear cover (page 8-190).
3. Remove the Right Door Open Switch (page 8-193).
4. Release the harness from 3 clamps.
5. Remove 2 ties that secure the harness to the Feeder.

Note

When performing the following step, leave the relay connector on the harness.

6. Disconnect P/J361 from the Feeder.
7. Disconnect P/J365 from the Size Switch.
8. Disconnect P/J351 and P/J353 from the Feeder Board.
9. Release 2 hooks on the option connector to remove the harness from the Feeder.

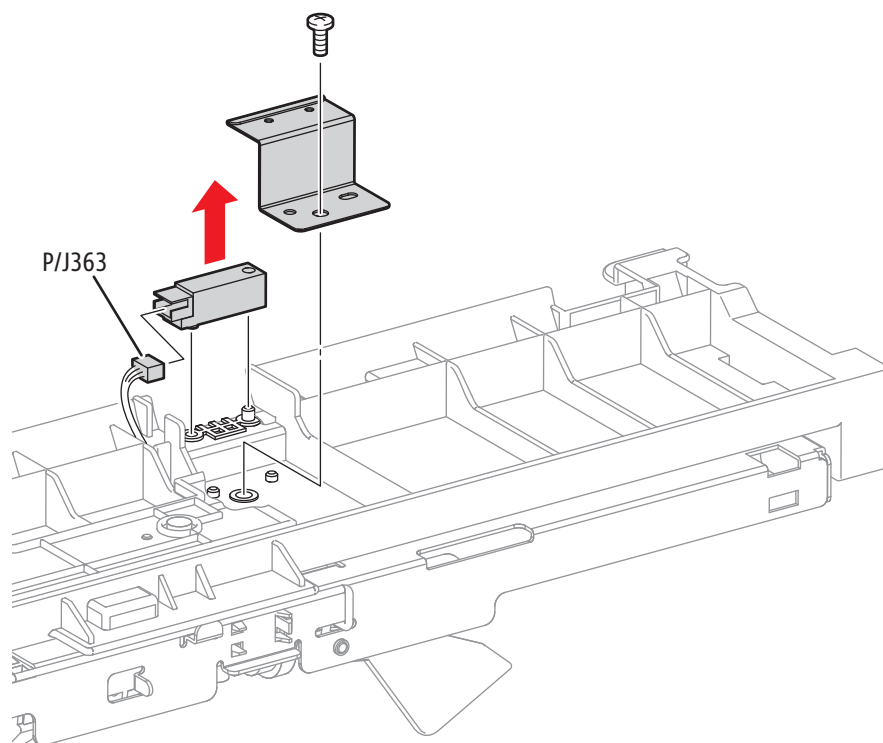


s6700-459

Take Away Sensor

PL12.4.3

1. Remove the Tray.
2. Remove the rear cover (page 8-190).
3. Remove the Feeder Assembly (page 8-209).
4. Remove 1 screw (silver, 8mm) that secures the sensor plate to the Feeder Assy.
5. Disconnect P/J363 and remove the sensor.

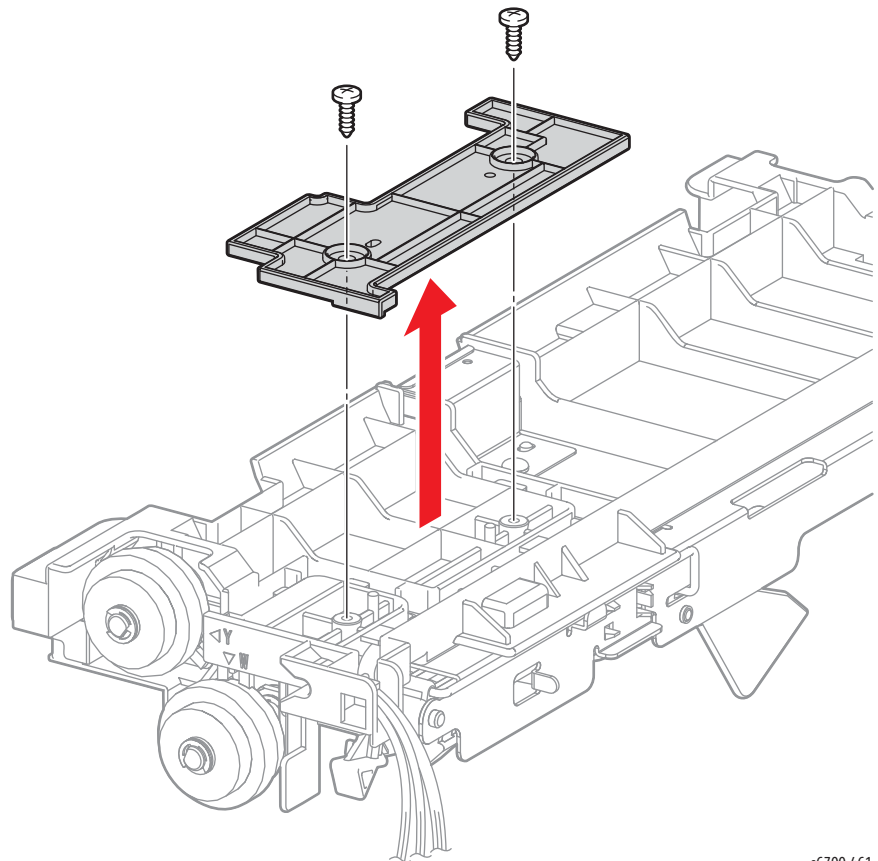


s6700-460

Take Away Clutch

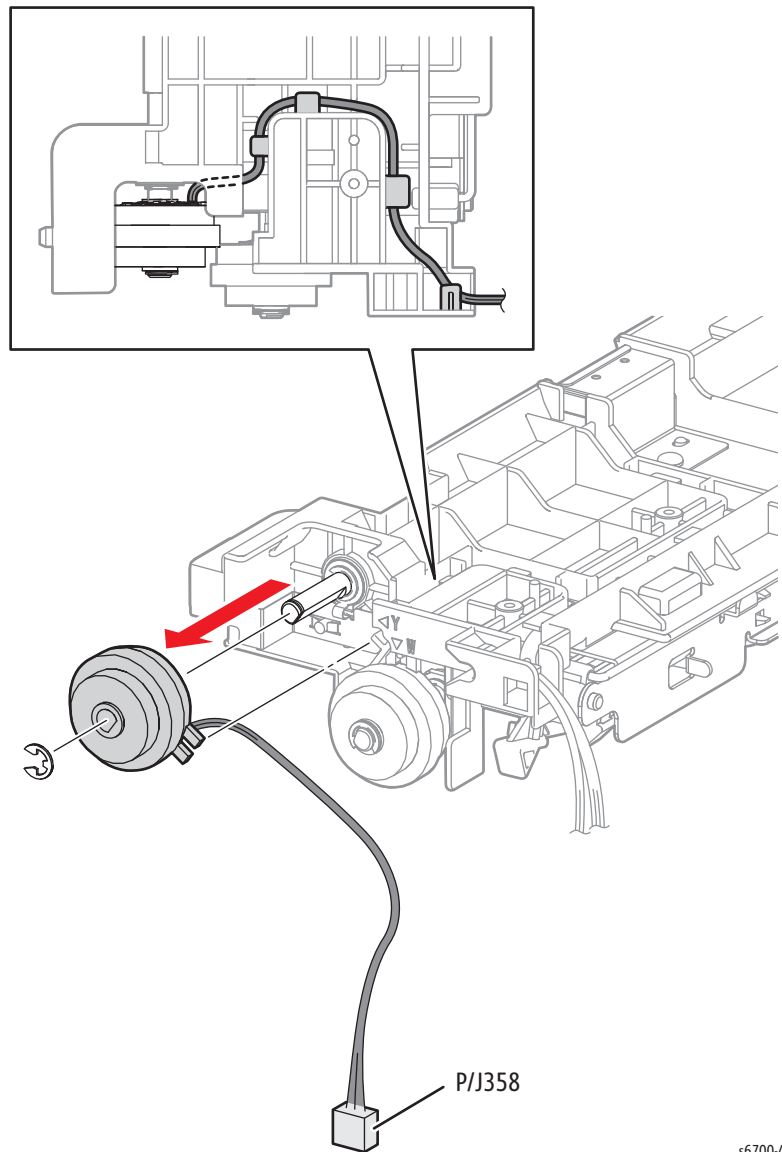
PL12.4.5

1. Remove the Tray.
2. Remove the rear cover (page 8-190).
3. Remove the Feeder Assembly (page 8-209).
4. Remove 2 screws (silver, tapping, 8mm) that secure the cover to the Feeder Assy.



s6700-461

5. Remove the E-ring that secures the clutch to the take away roller and release the harness to remove the clutch.

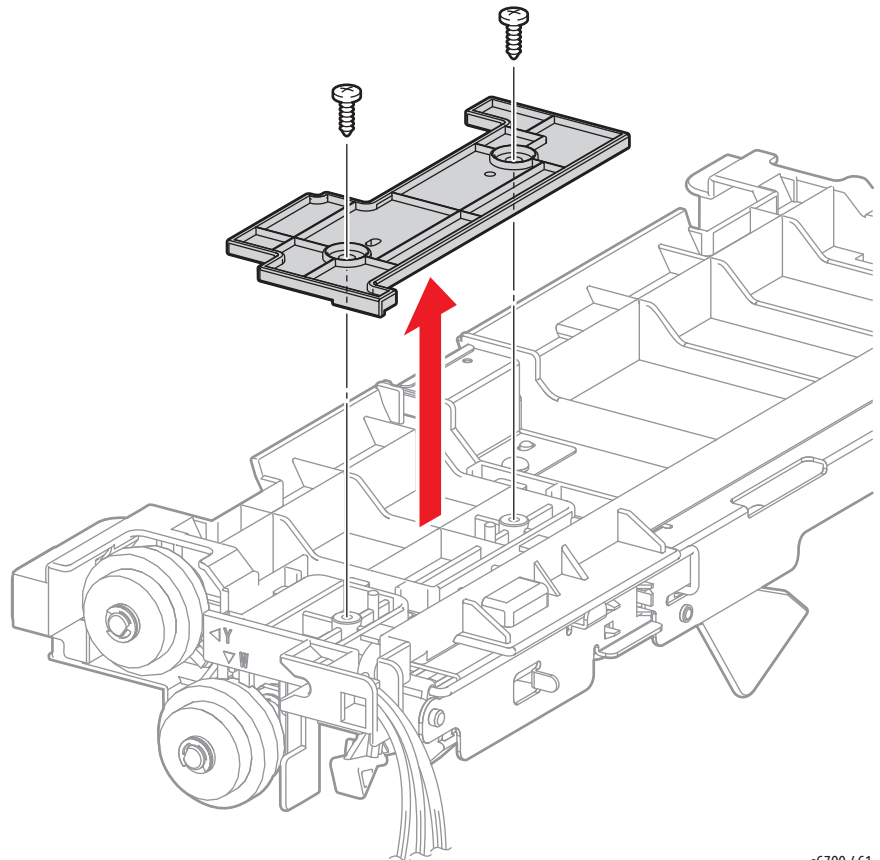


s6700-462

Feed Clutch

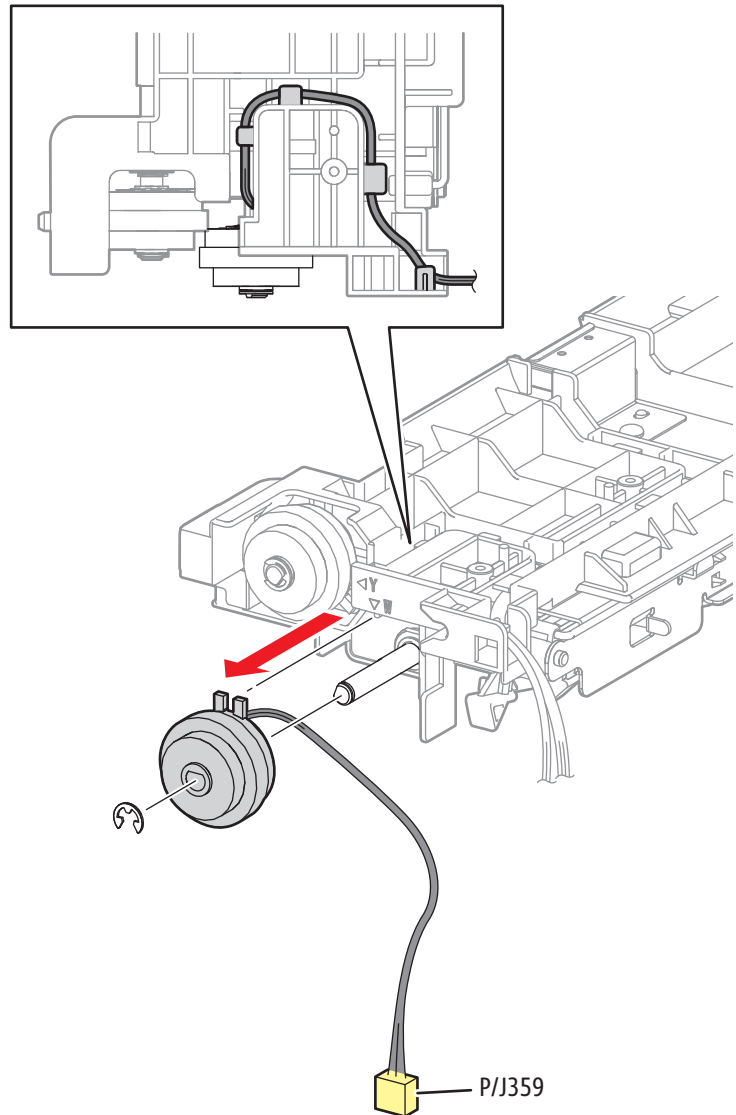
PL12.4.9

1. Remove the Tray.
2. Remove the rear cover (page 8-190).
3. Remove the Feeder Assembly (page 8-209).
4. Remove 2 screws (silver, tapping, 8mm) that secure the cover to the Feeder Assy.



s6700-461

5. Remove the E-ring that secures the clutch to the Feed Rollers and release the harness to remove the clutch.

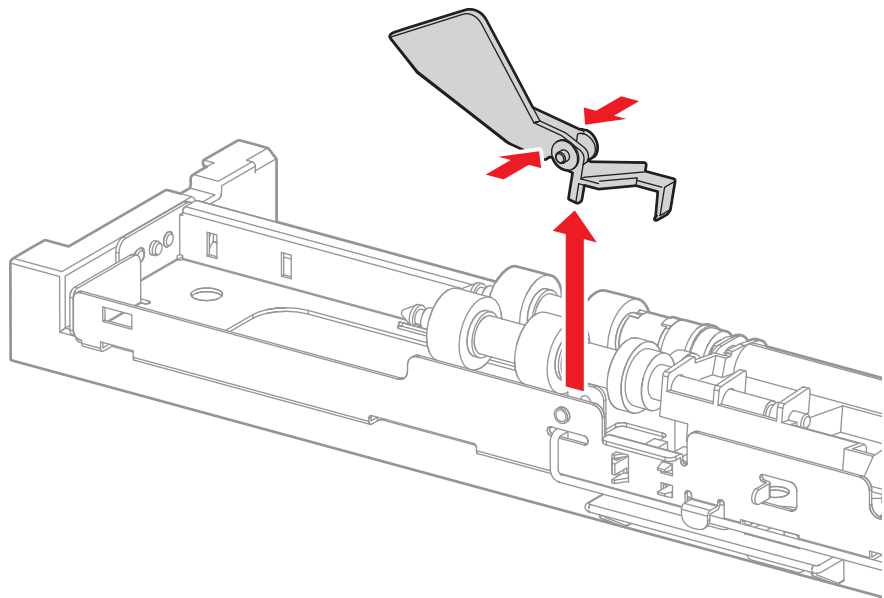


s6700-463

No Paper Sensor Actuator

PL12.4.17

1. Remove the Tray.
2. Remove the rear cover (page 8-190).
3. Remove the Feeder Assembly (page 8-209).
4. Release the two bosses of the actuator from the holes in the Feeder Assy.

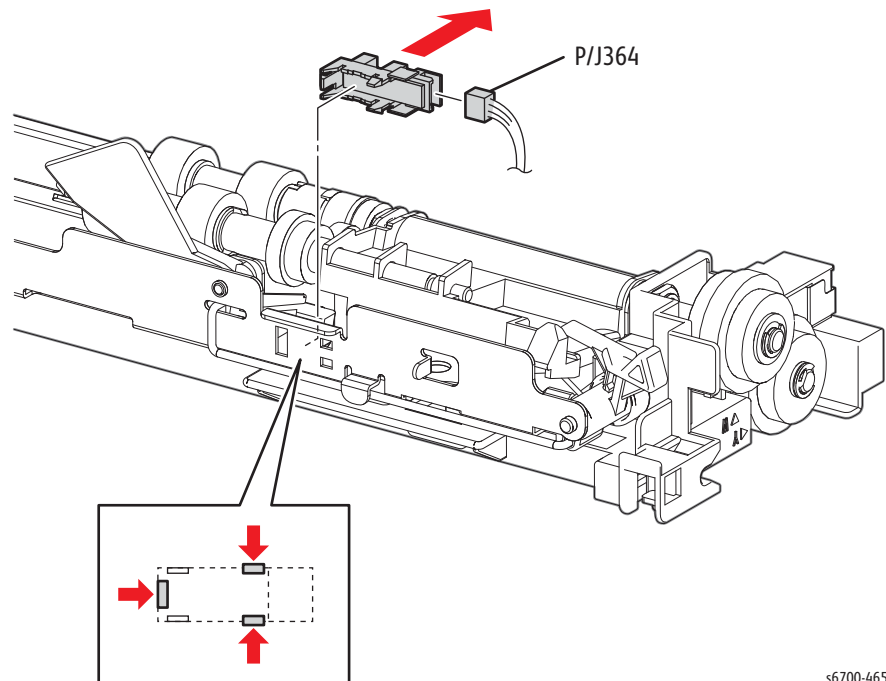


s6700-464

No Paper Sensor

PL12.4.18

1. Remove the Tray.
2. Remove the rear cover (page 8-190).
3. Remove the Feeder Assembly (page 8-209).
4. Release 3 hooks that secure the No Paper Sensor to the Feeder Assy.
5. Disconnect P/J364 to remove the sensor.

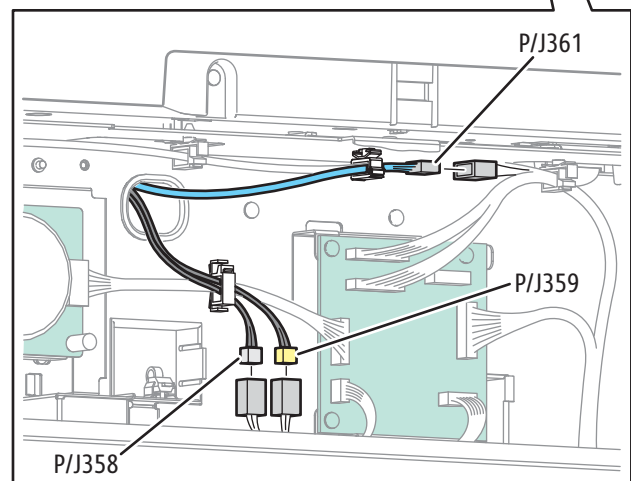
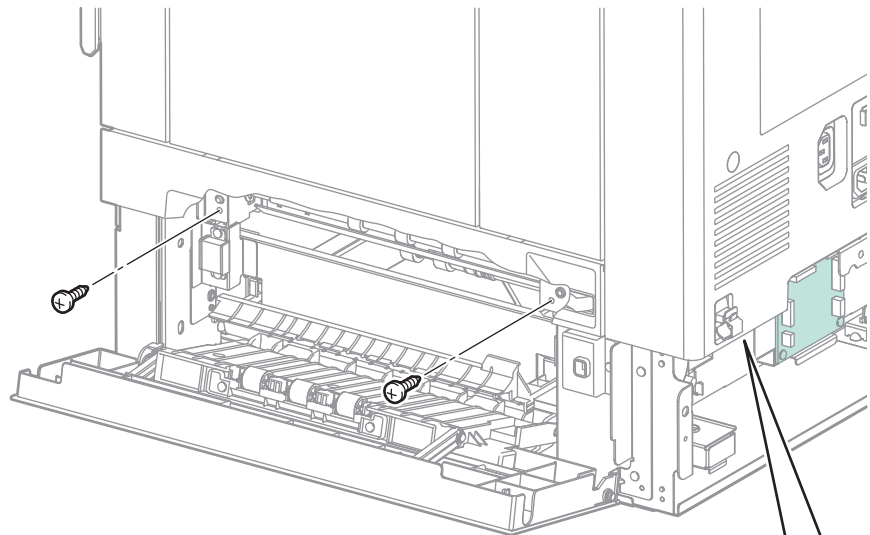


s6700-465

Feeder Assembly

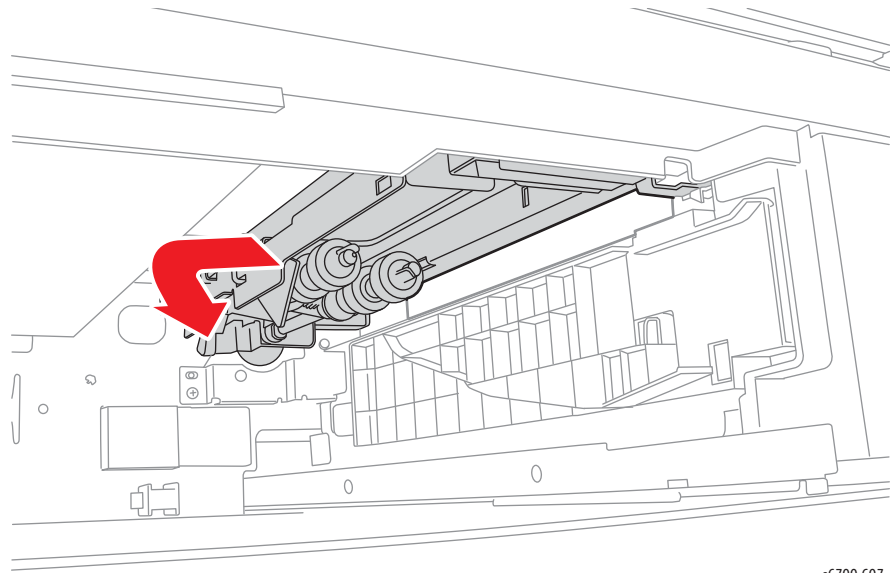
PL12.4.29

1. Remove the Tray.
2. Open the right door.
3. Remove the rear cover (page 8-190).
4. Release the harness of the Lower Option Harness from the two clamps.
5. Remove 2 screws (silver, tapping, 8mm) that secure the Feeder Assy to the Option Feeder.
4. Disconnect P/J358, 359, 361 from the Feeder Assy.



s6700-466

5. Slide the Feeder Assy left to release 2 bosses from the holes in the Option Feeder and remove the Feeder Assy.



s6700-607

1100-Sheet Feeder

1100-Sheet Feeder Assembly

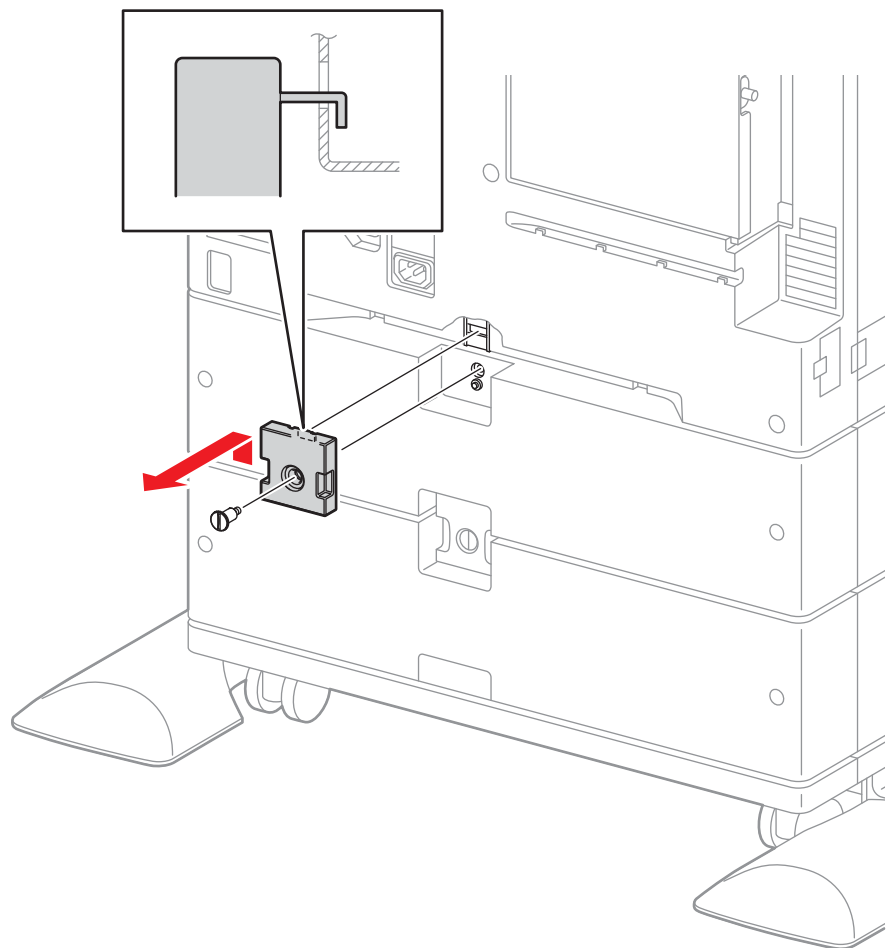
The 1100-sheet Feeder Assembly is two 550-sheet Feeders stacked together with the additional of a metal plate, stabilization feet and casters. Removal procedures for most 1100-sheet Feeder Assy parts are identical to those for the 550-sheet Feeder Assy. Replacement procedures unique to the 1100-sheet Feeder Assy are included in this section.

PL13.1.1

Warning

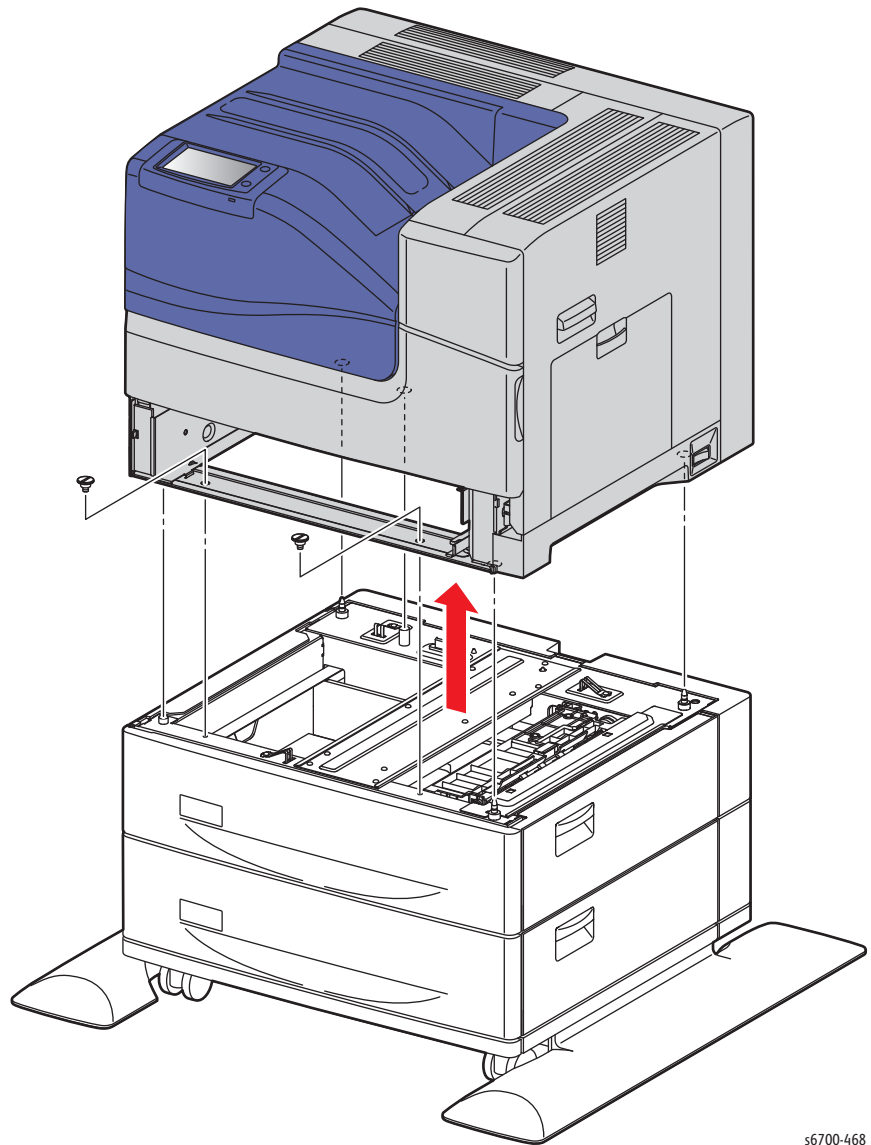
Lifting the printer from the Feeder requires 3 people.

1. Remove the Trays.
2. Remove the rear lock screw that secures the lock plate to the Feeder.
3. Release the hook from the hole and remove the lock plate from the Feeder.



s6700-467

4. Remove the two locking screws that secure the Feeder to the printer.
5. Lift the printer to separate it from the Feeder.

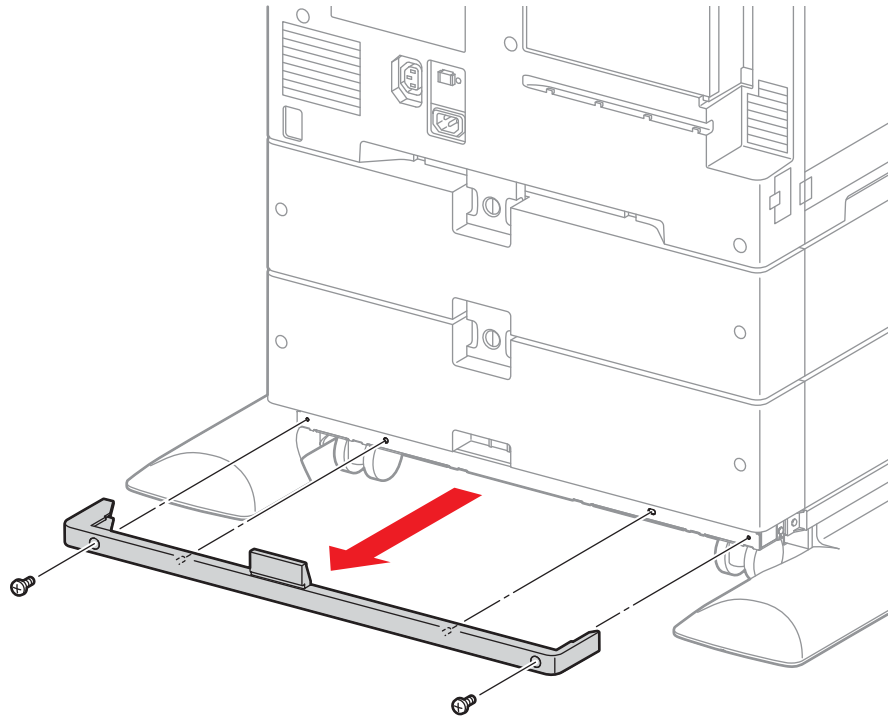


56700-468

Lower Rear Cover

PL13.1.3

1. Remove 2 screws (silver, 6mm) that secure the lower right cover to the Feeder Assy.
2. Slide the cover to the rear and release 2 hooks to remove the cover.

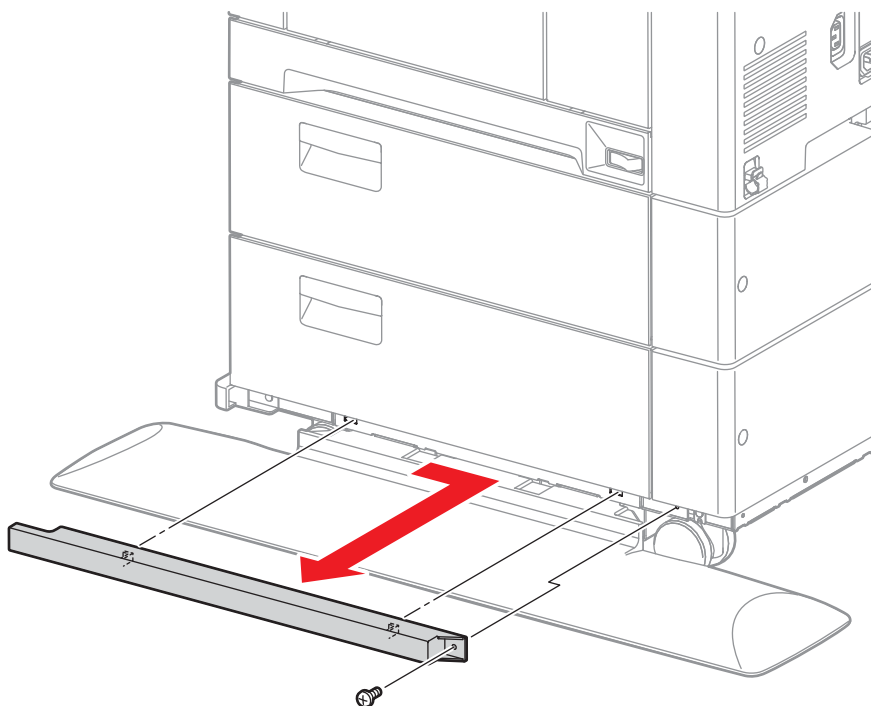


s6700-469

Lower Right Cover

PL13.1.4

1. Remove the lower rear cover (page 8-213).
2. Remove 1 screw (silver, 6mm) that secures the lower right cover to the Feeder Assy.
3. Slide the cover to the rear and release 2 hooks to remove the cover.

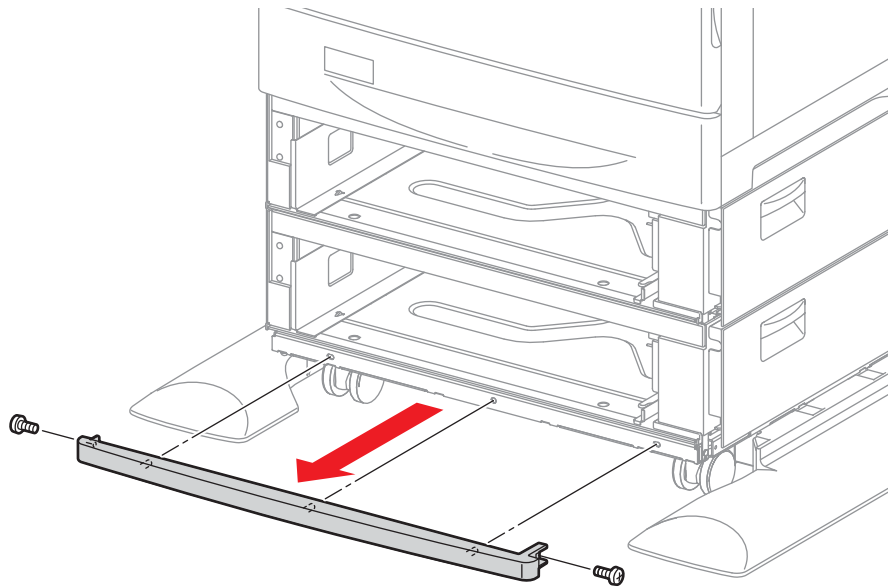


s6700-470

Lower Front Cover

PL13.1.5

1. Remove the lower rear cover (page 8-213).
2. Remove the lower right cover (page 8-214).
3. Remove the lower left cover (page 8-216).
4. Remove 2 screws (silver, 6mm) and slide the cover to the rear to release 2 hooks.

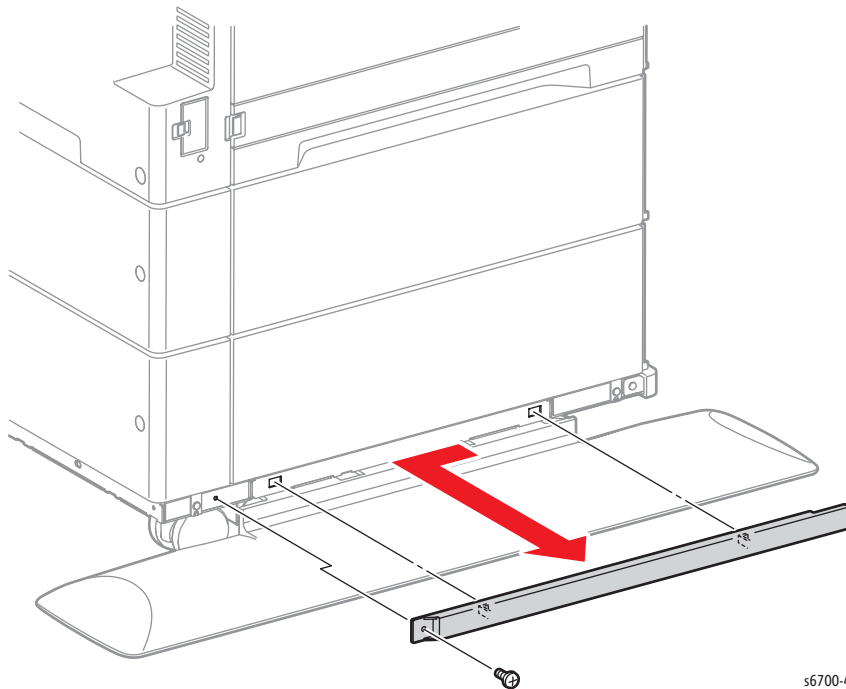


s6700-471

Lower Left Cover

PL13.1.6

1. Remove the lower rear cover (page 8-213).
2. Remove 1 screw (silver, 6mm) that secures the lower left cover to the Feeder Assy.
3. Slide the cover to the rear to release 2 hooks to remove the cover.



s6700-472

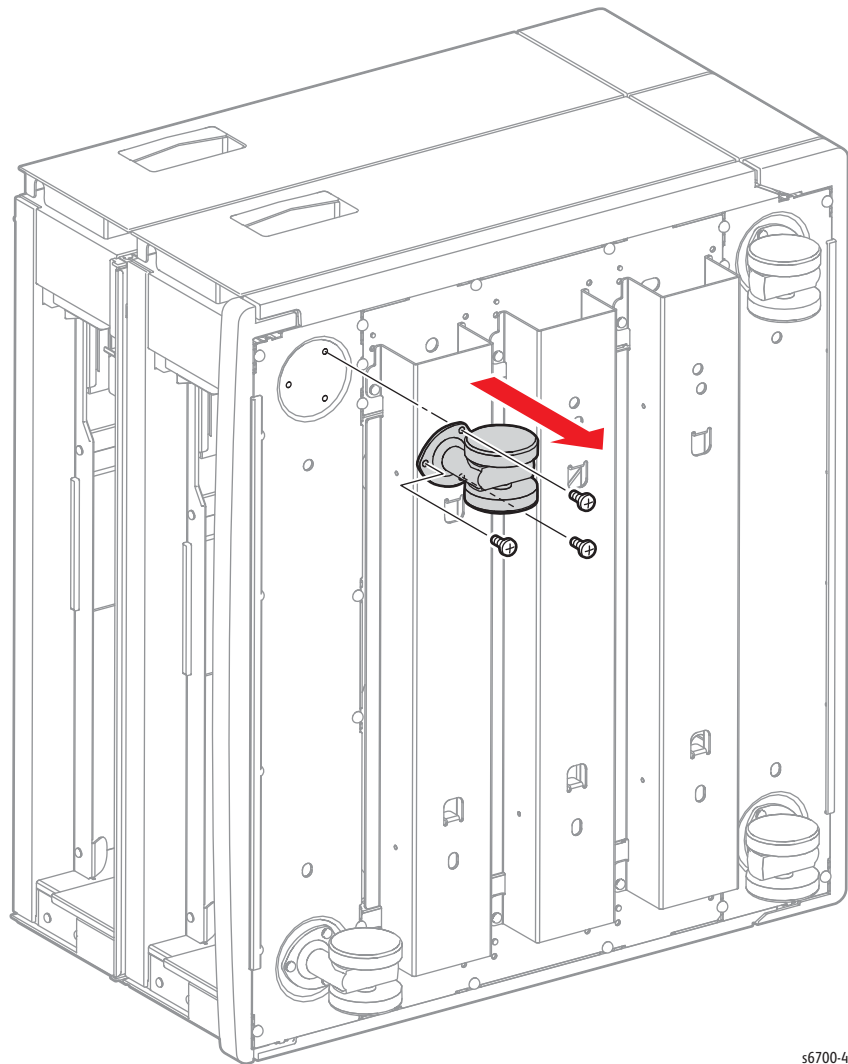
Front and Rear Casters

PL13.1.7, 13.1.8

Warning

Lifting the printer from the Feeder requires 3 people.

1. Remove the Trays.
2. Remove the 1100-Sheet Feeder Assembly (page 8-211).
3. Remove the Feet (page 8-218).
4. Turn the Feeder Assy over.
5. Remove 3 screws (silver, M4, 6mm) that secure each Caster to the Feeder Assy.

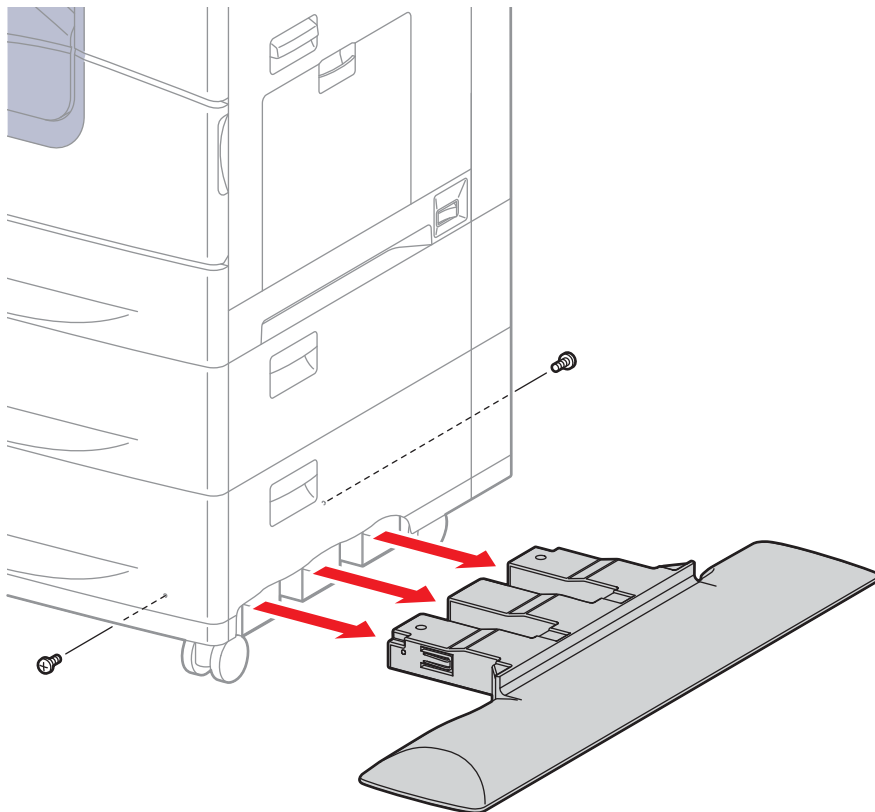


s6700-473

Feet

PL13.1.9

1. Remove 2 screws (silver, 6mm) that secure each Foot to the Feeder Assy.
2. Pull the Foot from the Feeder Assy.



s6700-474

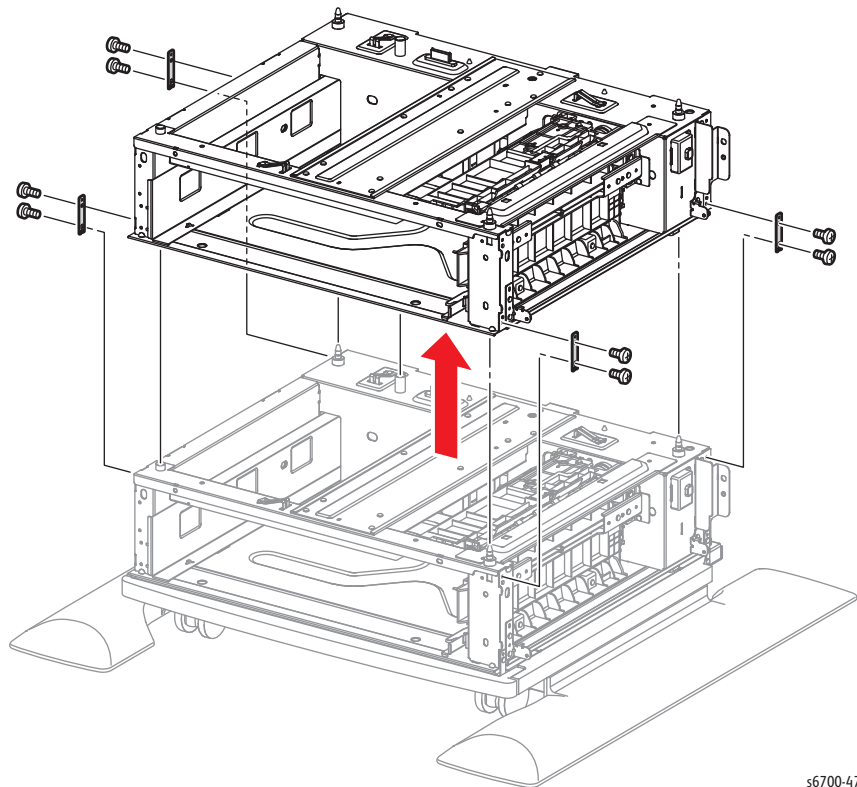
Upper Feeder Section

PL3.2.1

Warning

Lifting the printer from the Feeder requires 3 people.

1. Remove the Trays.
2. Remove the 1100-Sheet Feeder Assy (page 8-211).
3. Remove the lower rear cover (page 8-213).
4. Remove the upper and lower rear covers (page 8-220)
5. Remove the upper and lower left covers (page 8-227)
6. Remove the upper and lower right doors (page 8-223).
7. Remove the upper and lower front covers (page 8-226).
8. Remove the upper and lower right covers (page 8-225).
9. Remove 8 screws that secure the 550-Sheet Feeder Assemblies together.
10. Lift the upper Feeder Assy to separate it from the lower Feeder Assy.

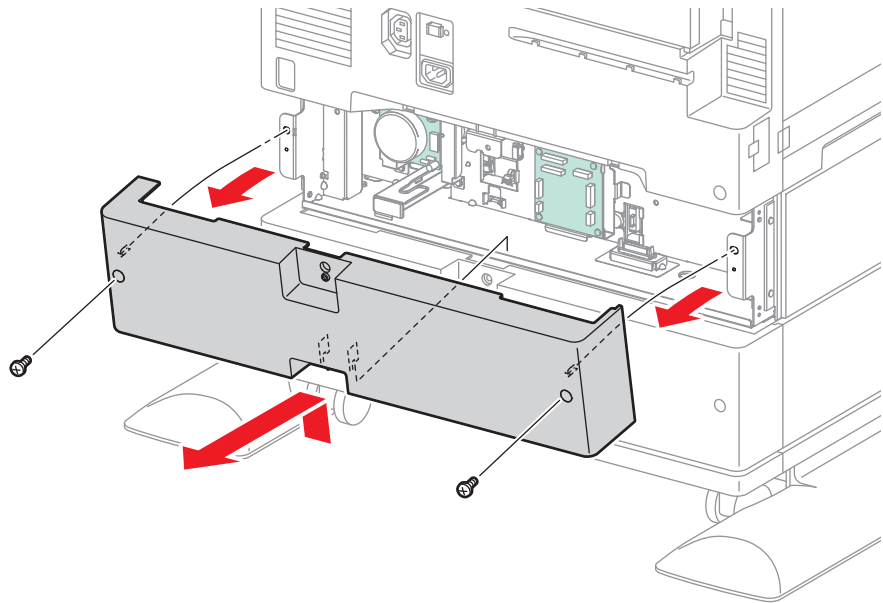


s6700-475

Rear Cover

PL13.2.2

1. Remove 1 screw that secures the rear lock plate to the Feeder Assy.
2. Release the hook on the rear lock plate from the hole in the printer.
3. Remove 2 screws (silver, 6mm) that secure the rear cover.
4. Release 2 hooks that hold the rear cover to the frame.

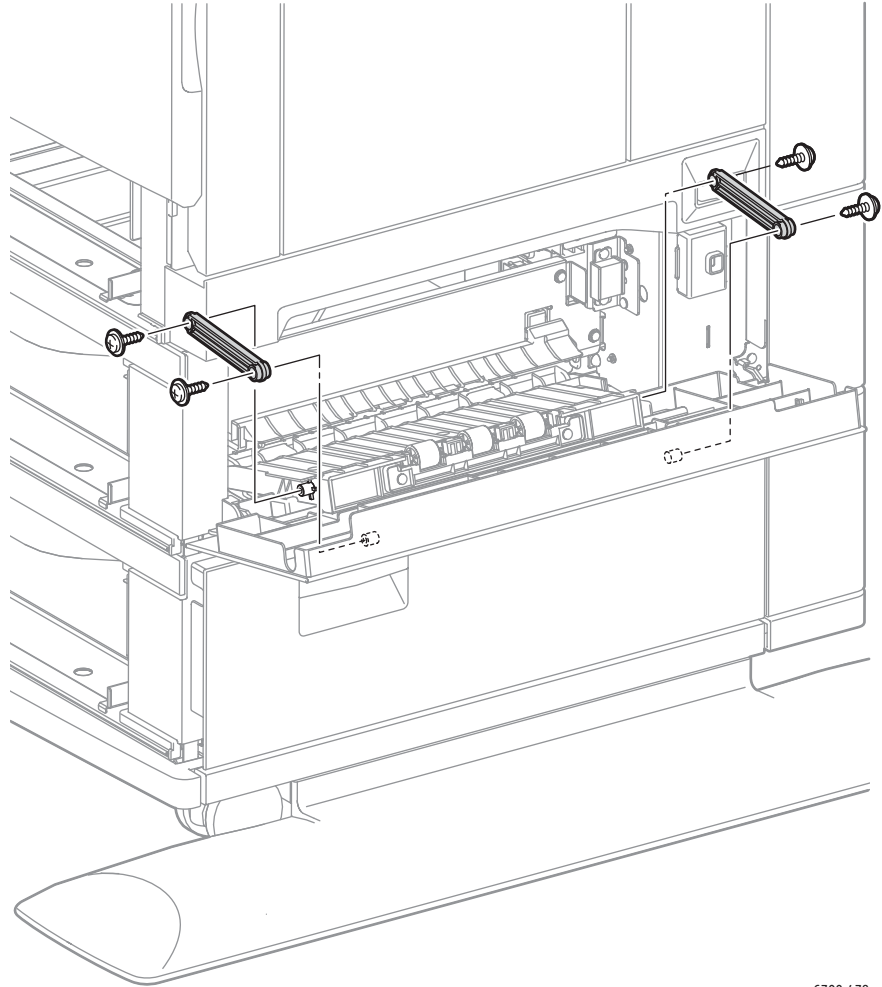


s6700-477

Upper Feed Chute Assembly

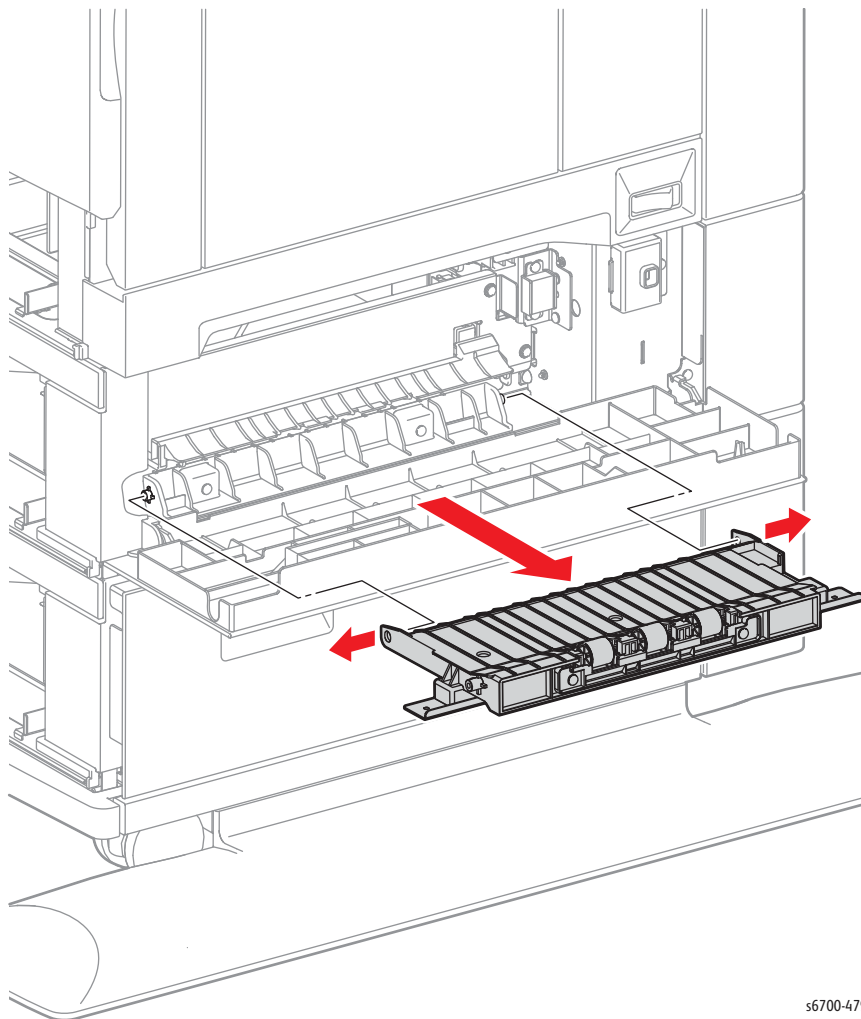
PL13.2.5

1. Open the Right Door.
2. Remove 4 screws (silver, tapping, flanged, 8mm) that secure the chute arms.



s6700-478

3. Release the 2 bosses and remove the Upper Chute Assy from the Feeder.

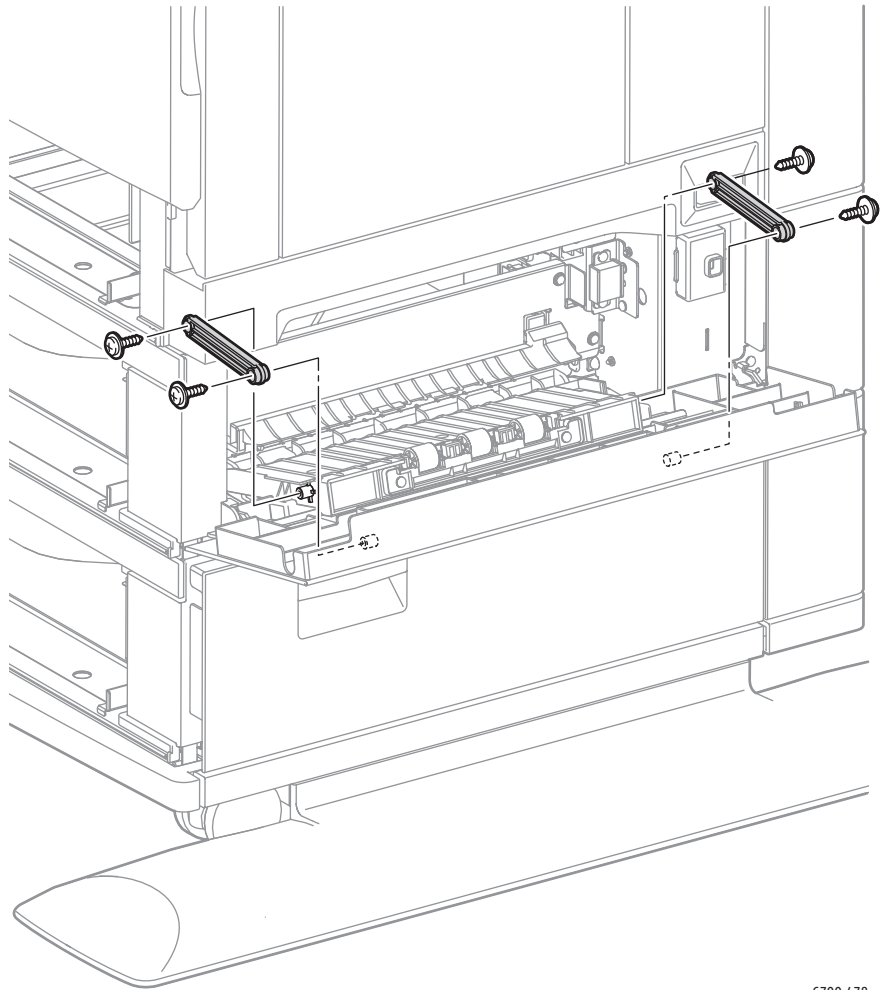


s6700-479

Right Door

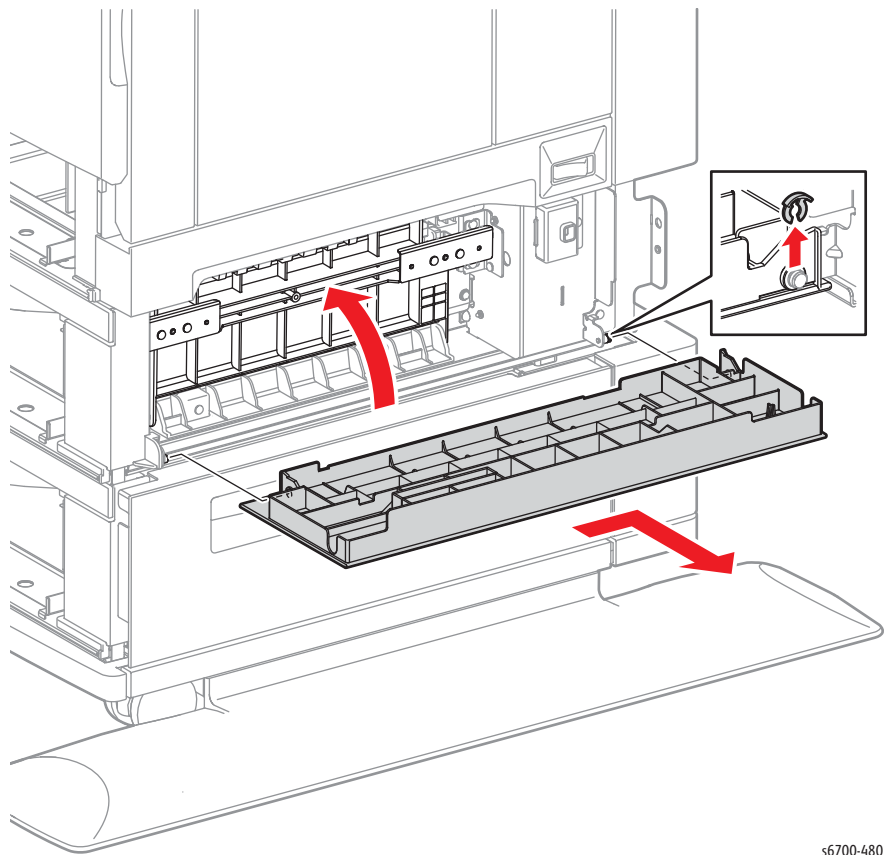
PL13.2.12

1. Remove the Trays.
2. Remove the rear cover (page 8-220).
3. Open the right door.
4. Remove 4 screws (silver, flanged, tapping, 8mm) that secure the front and rear chute arms.



s6700-478

5. Close the Feed Chute Assy.
6. Remove the KL-ring that secures the right door to the Feeder Assy.
7. Remove the door by sliding it rearward until the front and rear sides are released from the studs on the Feeder Assy.

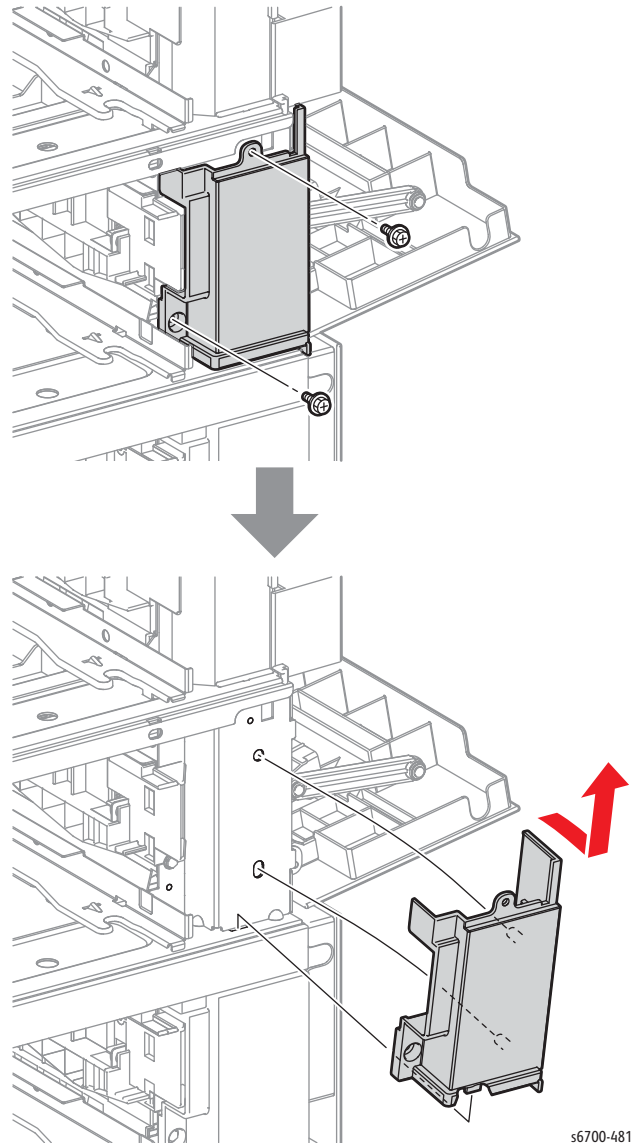


s6700-480

Right Cover

PL13.2.14

1. Remove the Trays.
2. Open the right door.
3. Remove the left cover (page 8-227).
4. Remove 2 screws (silver, flanged, 6mm) that secure the right cover.
5. Remove the right cover by tilting it forward to release 2 bosses, then release the tab from the hole on the Feeder Assy.

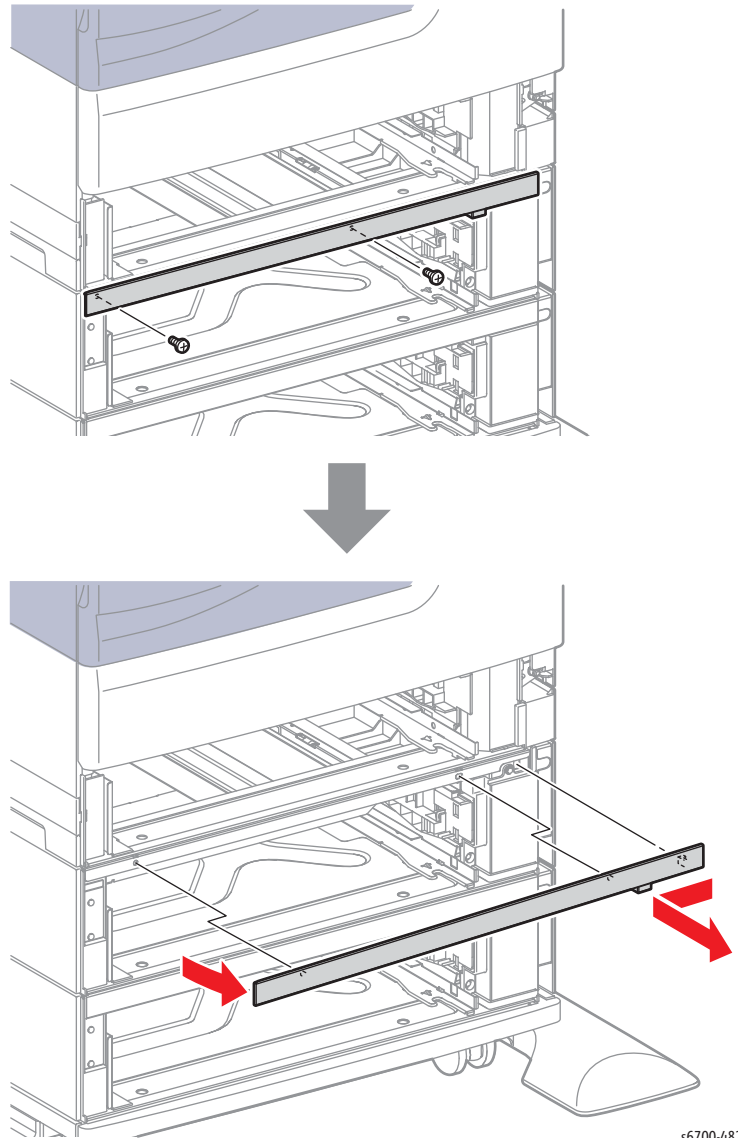


s6700-481

Front Cover

PL13.2.15

1. Remove the Trays.
2. Remove 2 screws (silver, 6mm) that secure the front cover to the Feeder Assy.
3. Slide the cover forward to release 2 bosses, then slide the cover left until the hook is released from the Feeder Assy.

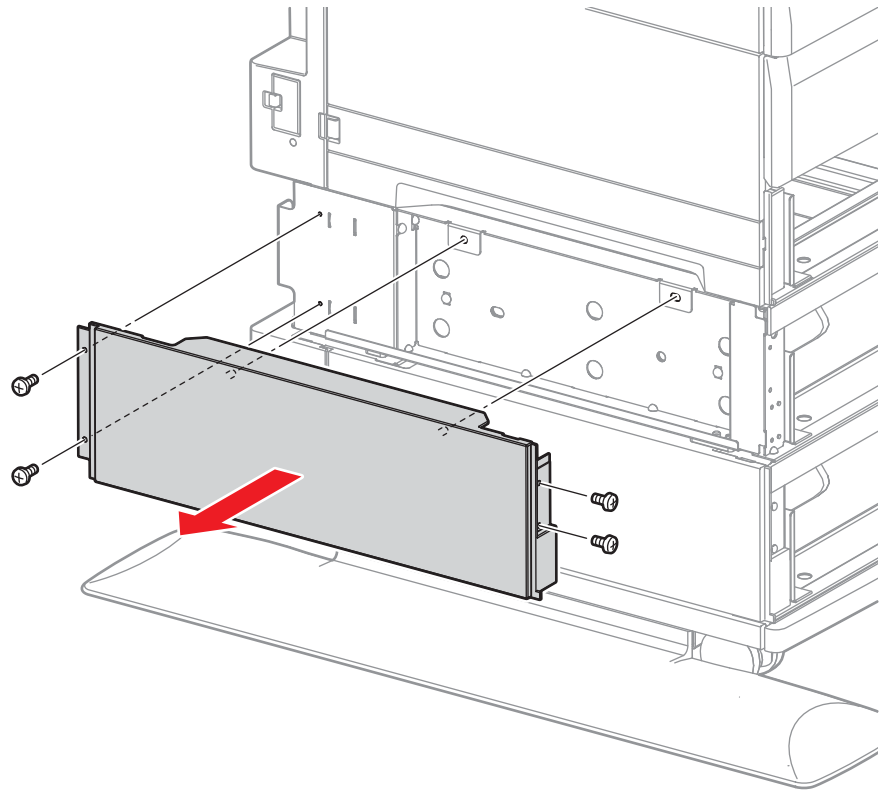


s6700-482

Left Cover

PL13.2.16

1. Remove the Trays.
2. Remove the rear cover (page 8-220).
3. Remove 4 four screws (silver, 6mm) that secure the cover to the Feeder Assy.

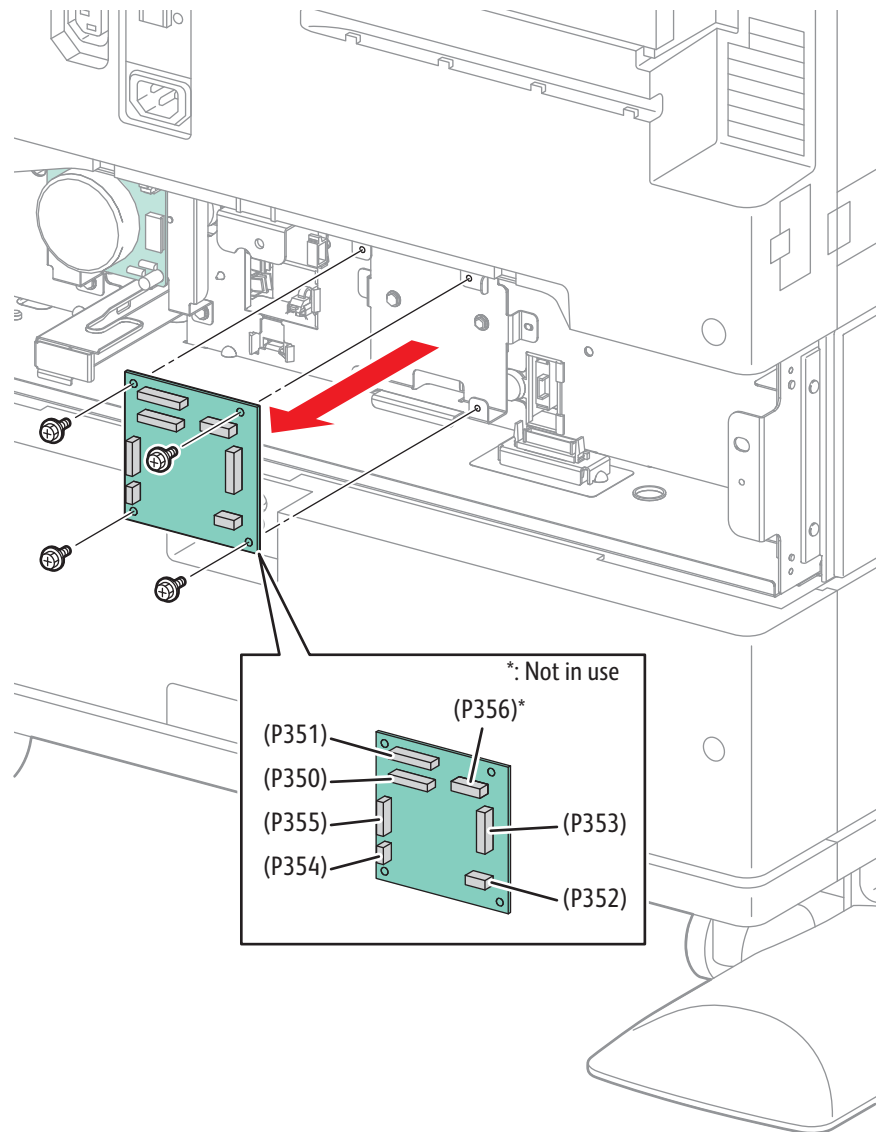


s6700-483

1100-Sheet Feeder Board

PL13.4.5

1. Remove the Tray.
2. Remove the rear cover (page 8-220).
3. Disconnect 6 connectors from the Feeder Board.
4. Remove 4 screws (silver, 6mm) to remove the board from the Feeder.



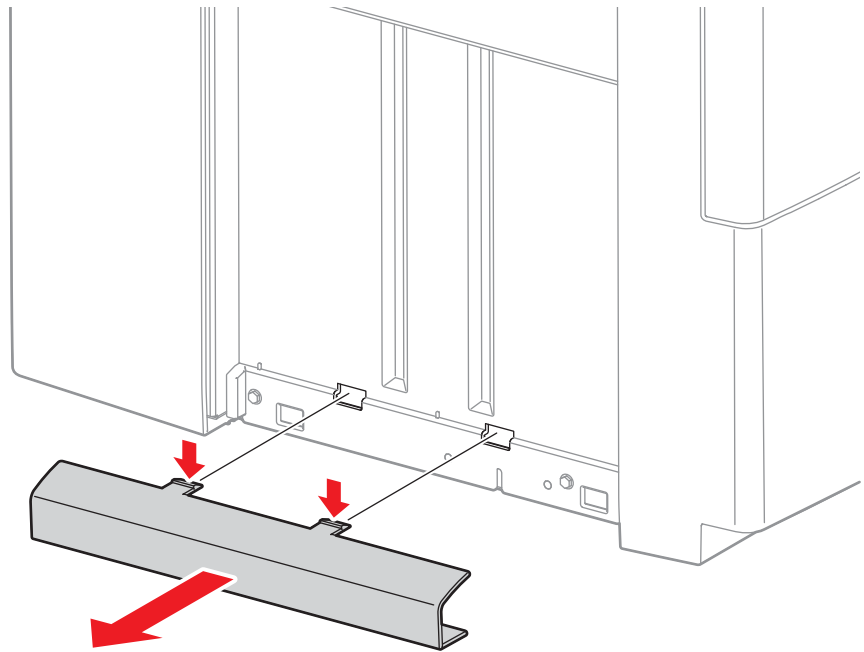
s6700-484

Finisher

Finisher

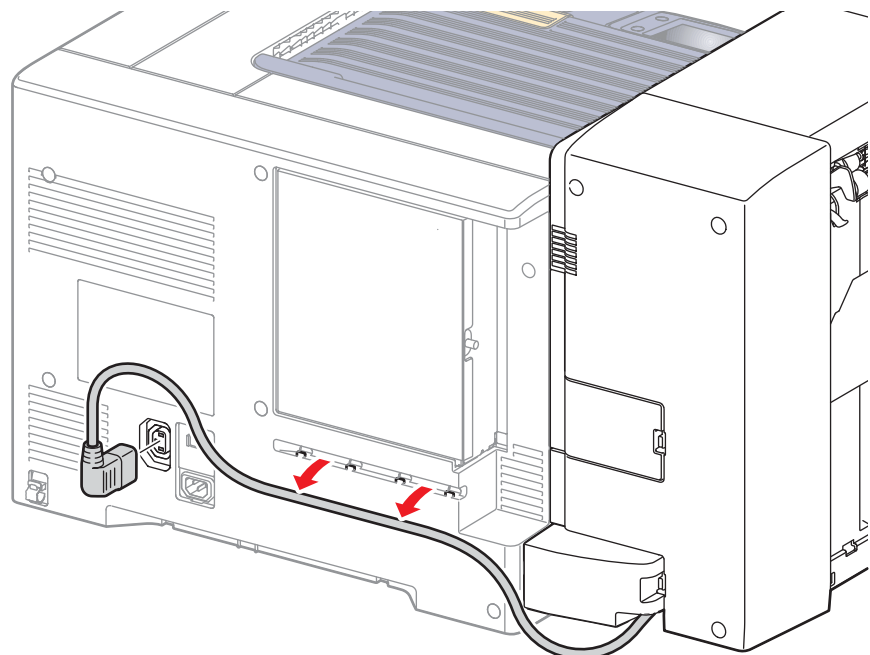
PL14.1.1

1. Remove the Stacker Tray (page 8-232).
2. Release 2 hooks on the tray guide cover to remove the cover from the Finisher.



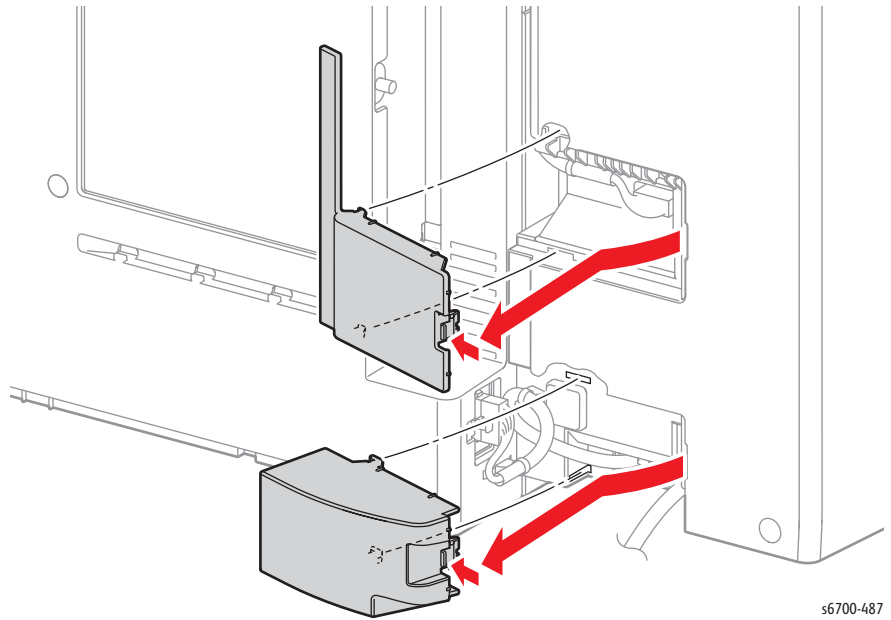
s6700-485

1. Disconnect the Finisher power cable from the Power Panel and release the cable from the harness clamp on the printer.



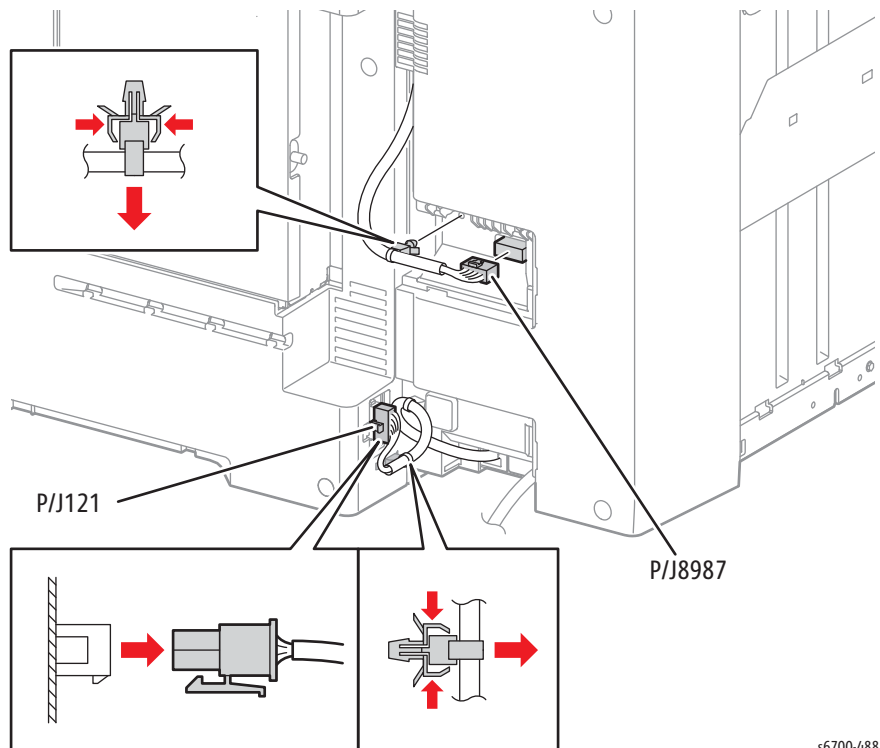
s6700-486

4. Release the hook that secures each connector cover to the Finisher.



s6700-487

5. Release 2 ties that secure the harnesses to the Finisher and disconnect P/J8987 and P121 from the Finisher.

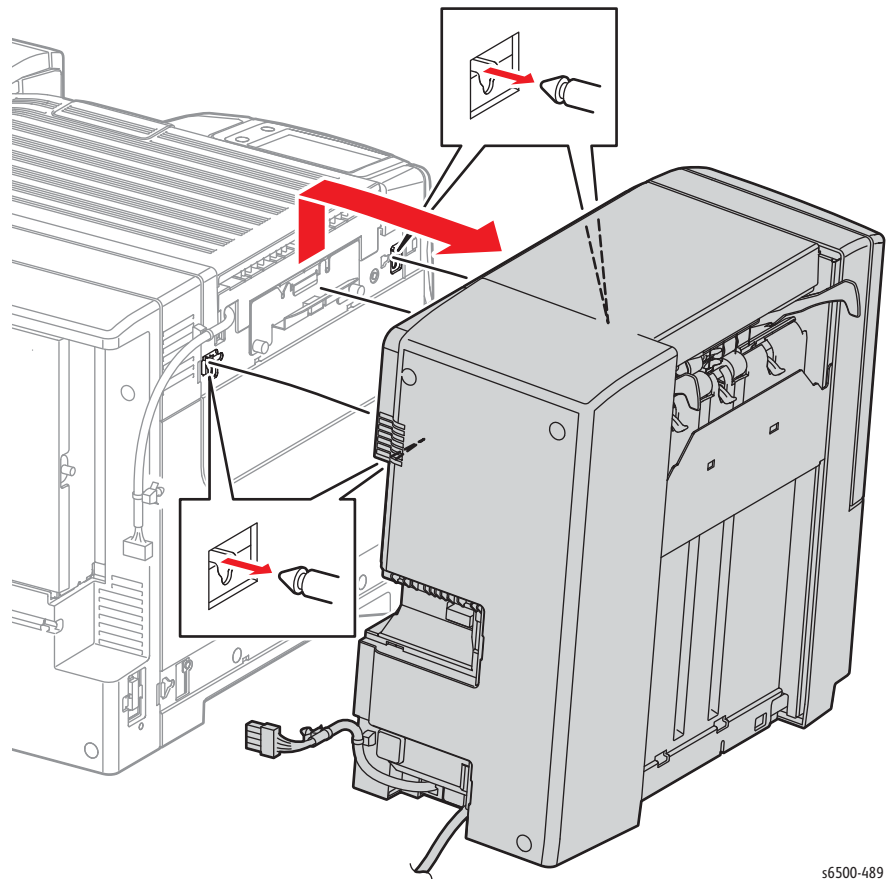


P/J121

P/J8987

s6700-488

6. Lift the Finisher slightly with one hand on the bottom of the Front Cover and the other on the handle.



s6500-489

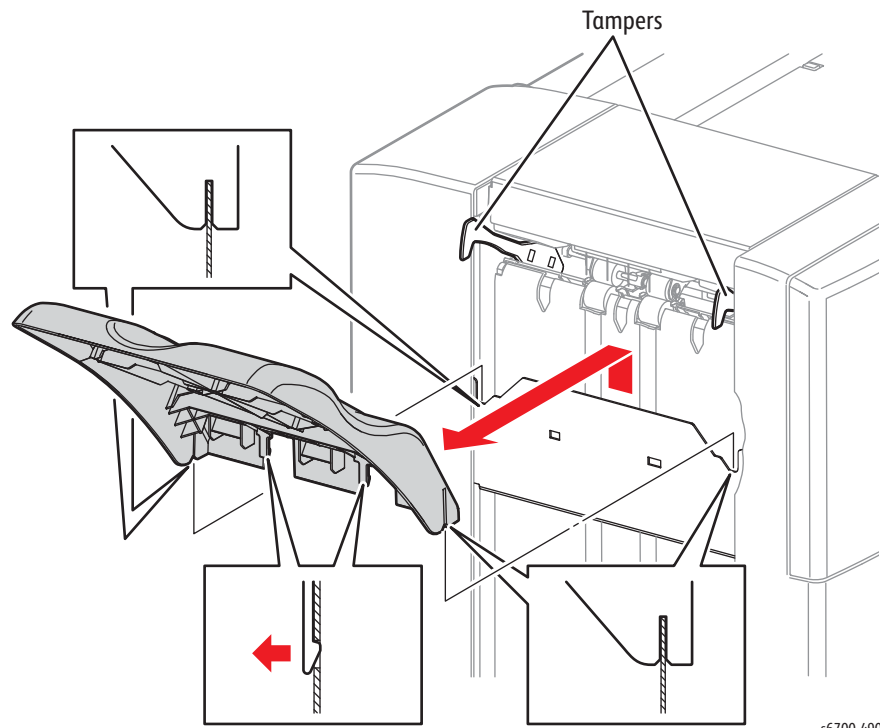
Stacker Tray

PL14.1.2

Note

When performing the following step, use care not to damage the Set Clamp Shaft holders or Tampers.

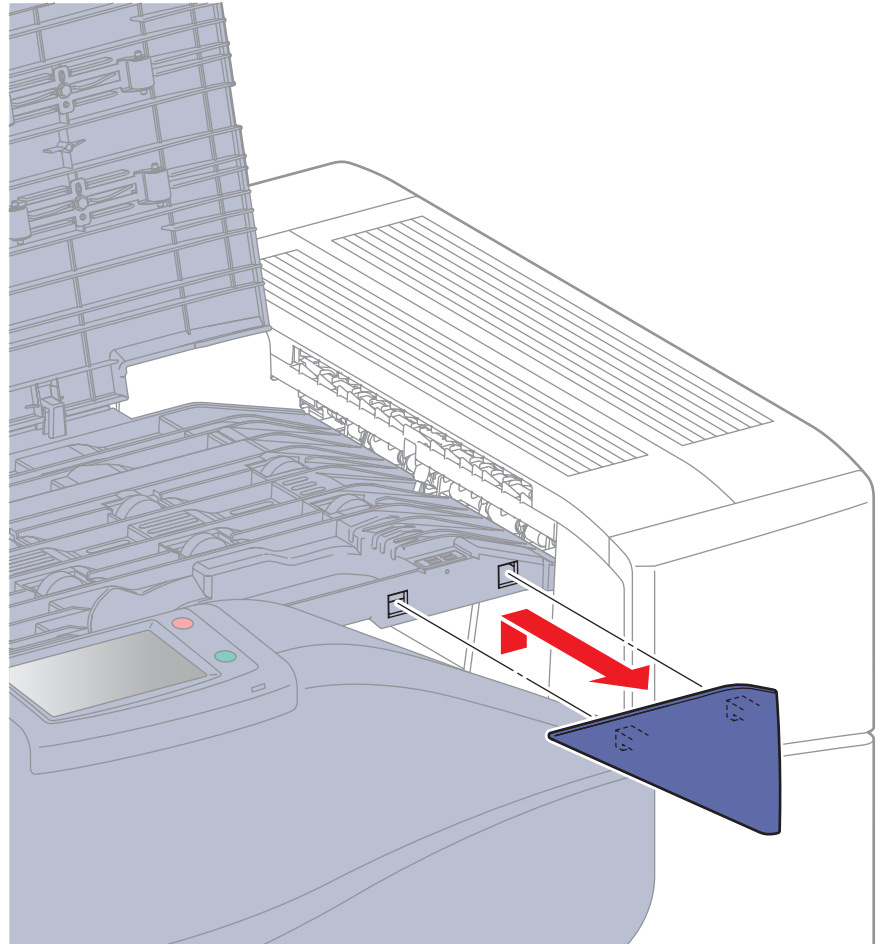
Release 2 hooks that secure the Stacker Tray to the Finisher.



Horizontal Transport

PL14.2.1

1. Remove the Finisher (page 8-229).
2. Open the Horizontal Transport Top Cover.
3. Release 2 hooks that secure the cover to the Horizontal Transport.



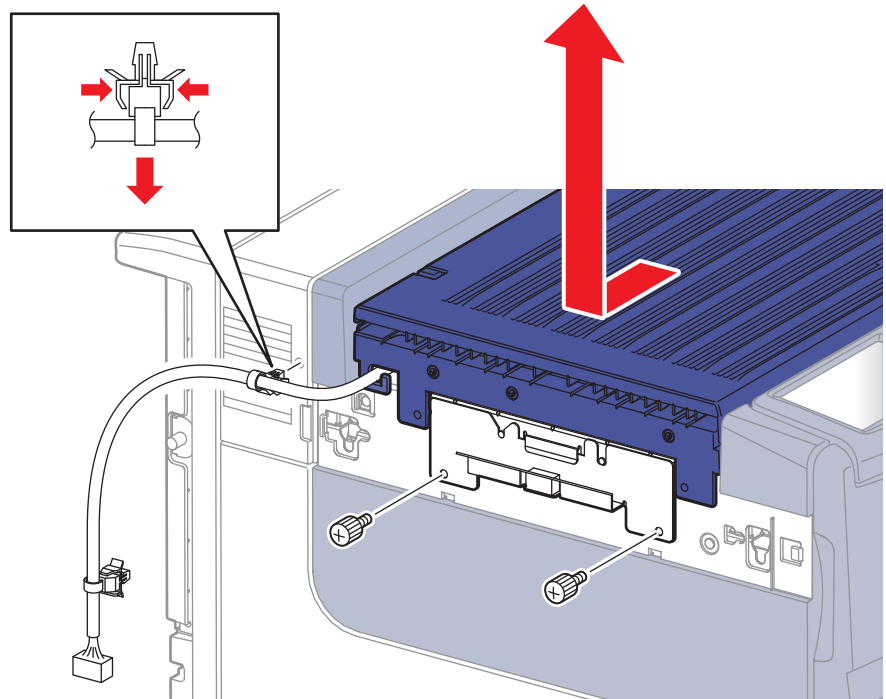
s6700-491

4. Close the Horizontal Transport Top Cover.

Note

When performing the following step, use caution not to damage the Stack Full Actuator.

5. Remove the tie that secures the Horizontal Transport harness to the printer.
6. Remove 2 screws (M4, steel) that secure the Horizontal Transport to the printer.
7. Remove the guide bracket.
8. Slide the Horizontal Transport to the Left until 2 tabs on the Horizontal Transport disengage from the printer, then lift to remove from the printer.

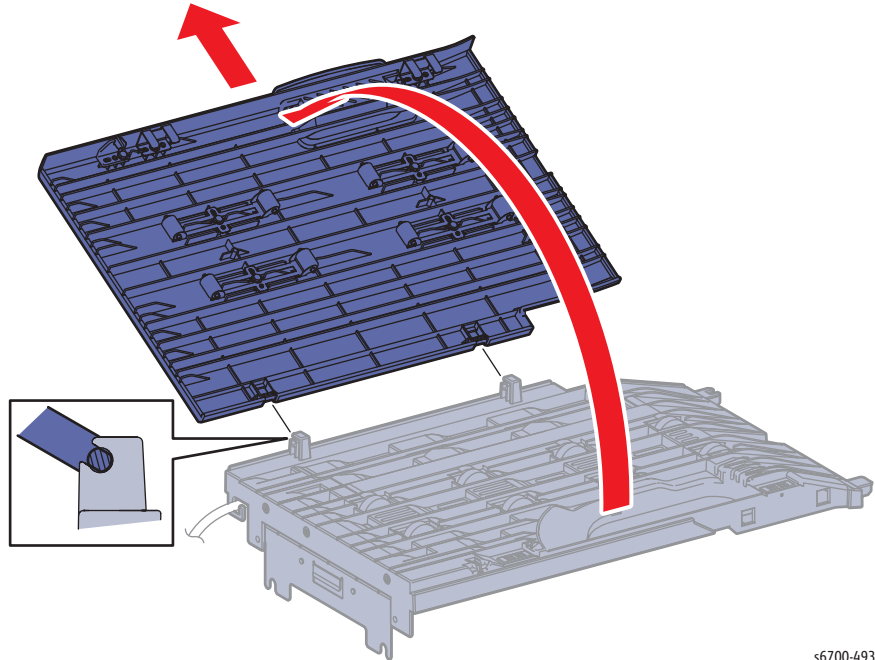


s6700-492

Horizontal Transport Top Cover

PL14.2.3

1. Remove the Horizontal Transport (page 8-233).
2. Raise the Top Cover until the flat surfaces on the pivots are parallel with the U-shaped notches on the Lower Chute.
3. Remove the Top Cover diagonally upward from the Lower Chute.

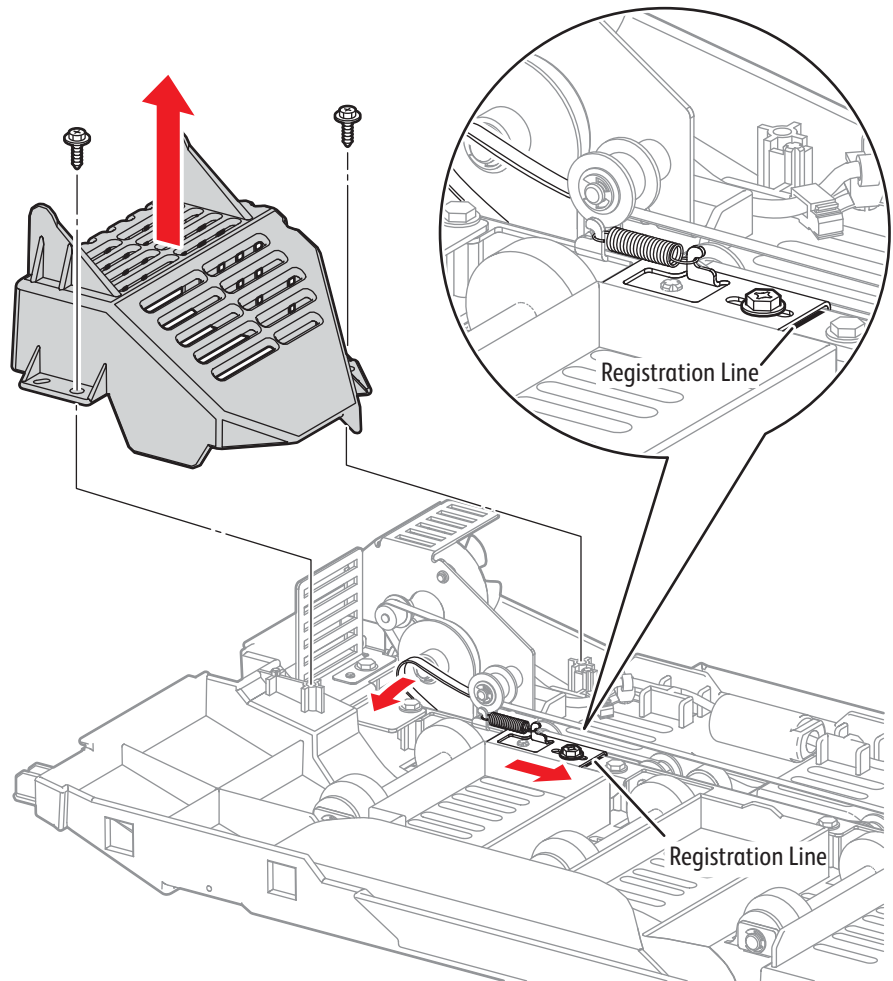


s6700-493

Horizontal Transport Drive Assembly

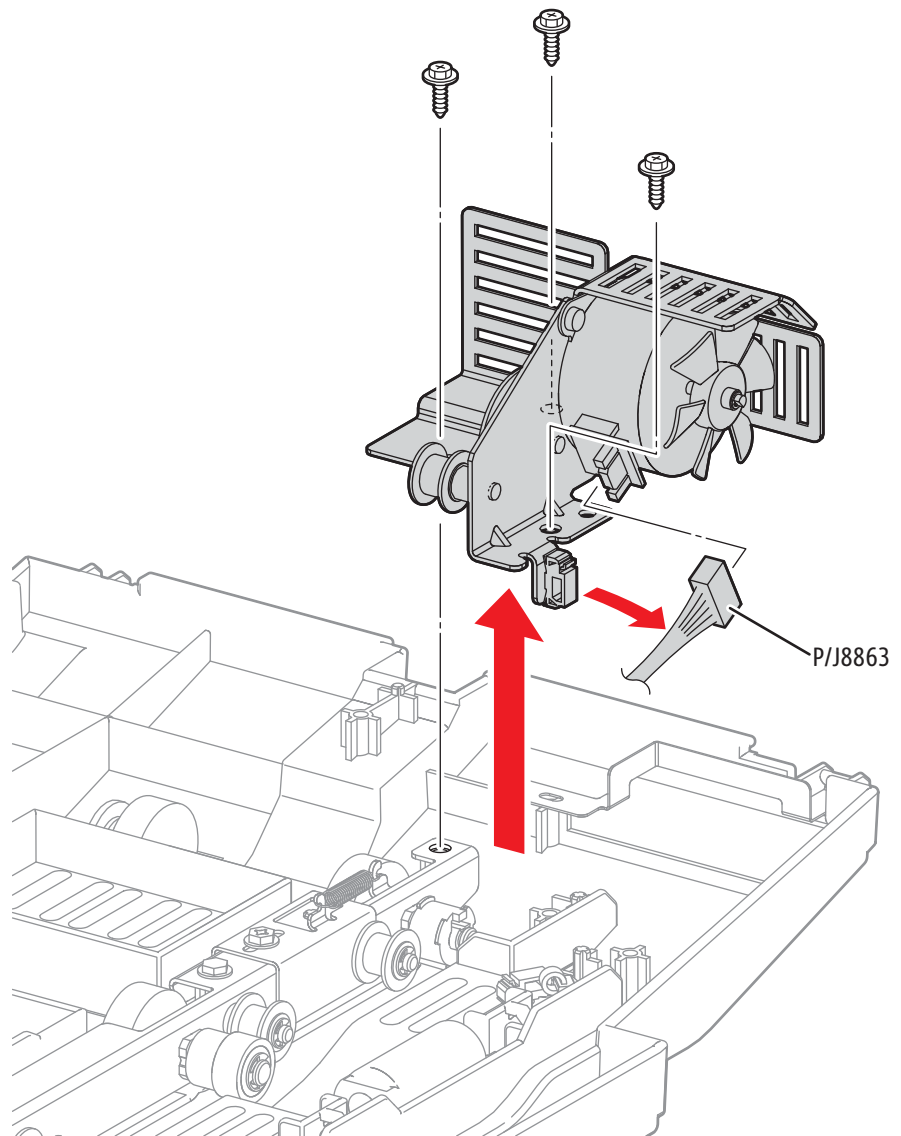
PL14.2.14

1. Remove the Horizontal Transport (page 8-233).
2. Turn the Horizontal Transport over and remove 2 screws (silver, tapping, flanged, 8mm) that secure the motor cover to the Lower Chute Assy and remove the cover.
3. Draw or scribe a line along the edges of the tension bracket to make it's current position.
4. Loosen 1 screw (silver, flanged, 6mm) that secures the tension bracket and slide the bracket to remove the transport belt.



s6700-494

5. Remove 3 screws (silver, tapping, flanged, 8mm) that secure the Horizontal Transport Drive Assembly to the Lower Chute Assembly.
6. Release the harness from the clamp and disconnect P/J8863 to remove the Horizontal Transport Drive Assembly.

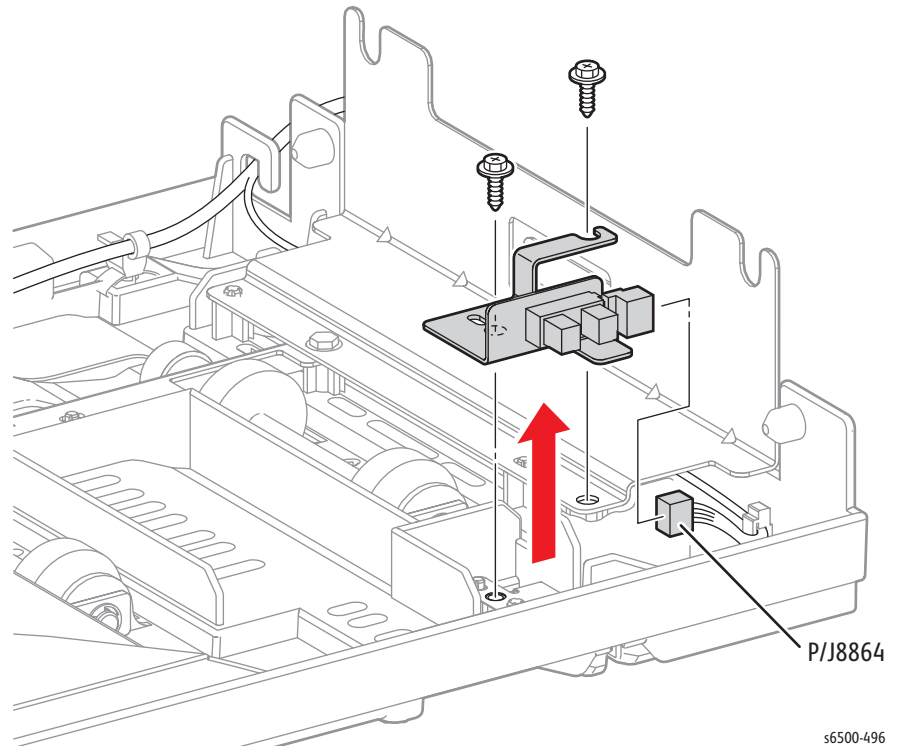


s6700-495

Horizontal Transport Cover Open Sensor

PL14.2.35

1. Remove the Horizontal Transport (page 8-233).
2. Turn the Horizontal Transport over and remove 2 screws (silver, tapping, flanged, 8mm) and disconnect P/J8864 that secure the sensor bracket and spring to the Lower Chute Assy.



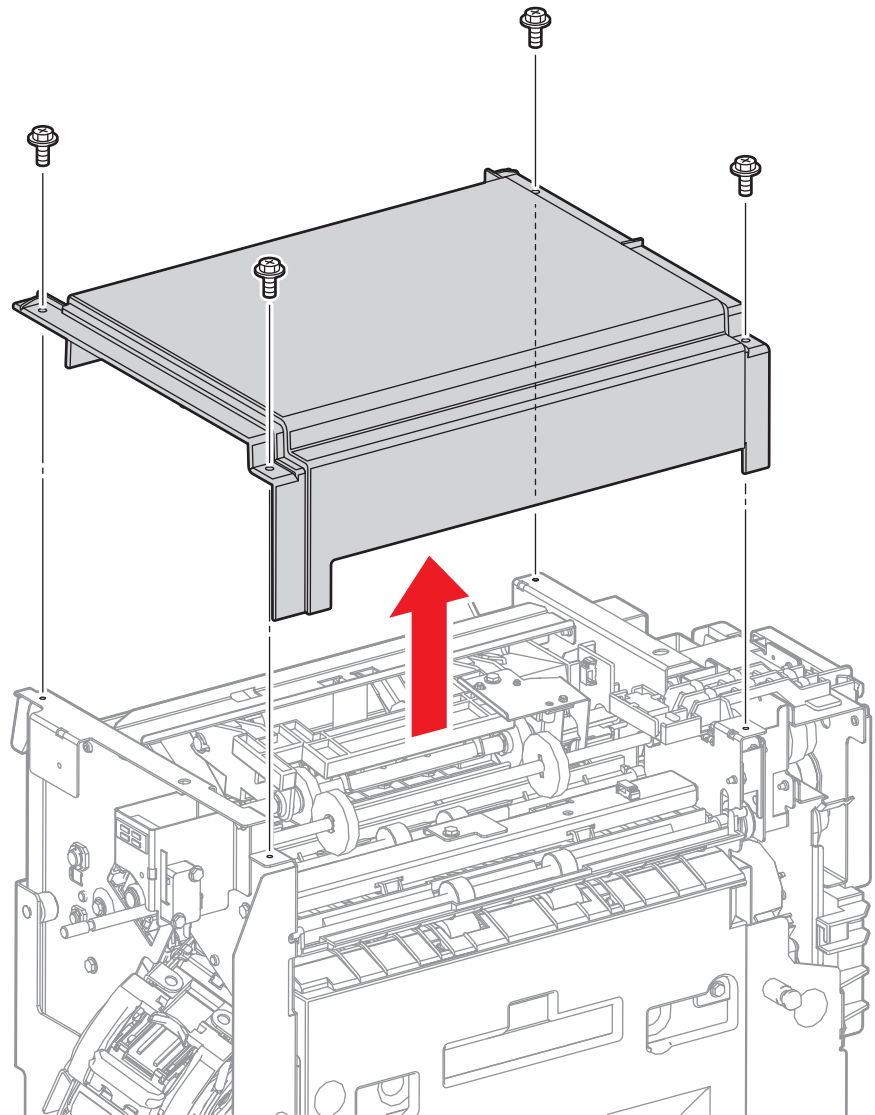
Replacement Note

Install the actuator spring on the bosses of the Lower Chute Assy first.

Top Cover

PL14.3.2

1. Remove the Finisher (page 8-229).
2. Remove the rear cover (page 8-240).
3. Remove the Front Cover (page 8-242).
4. Remove 4 screws (silver, flanged, 8mm) that secure the top cover to the Finisher.

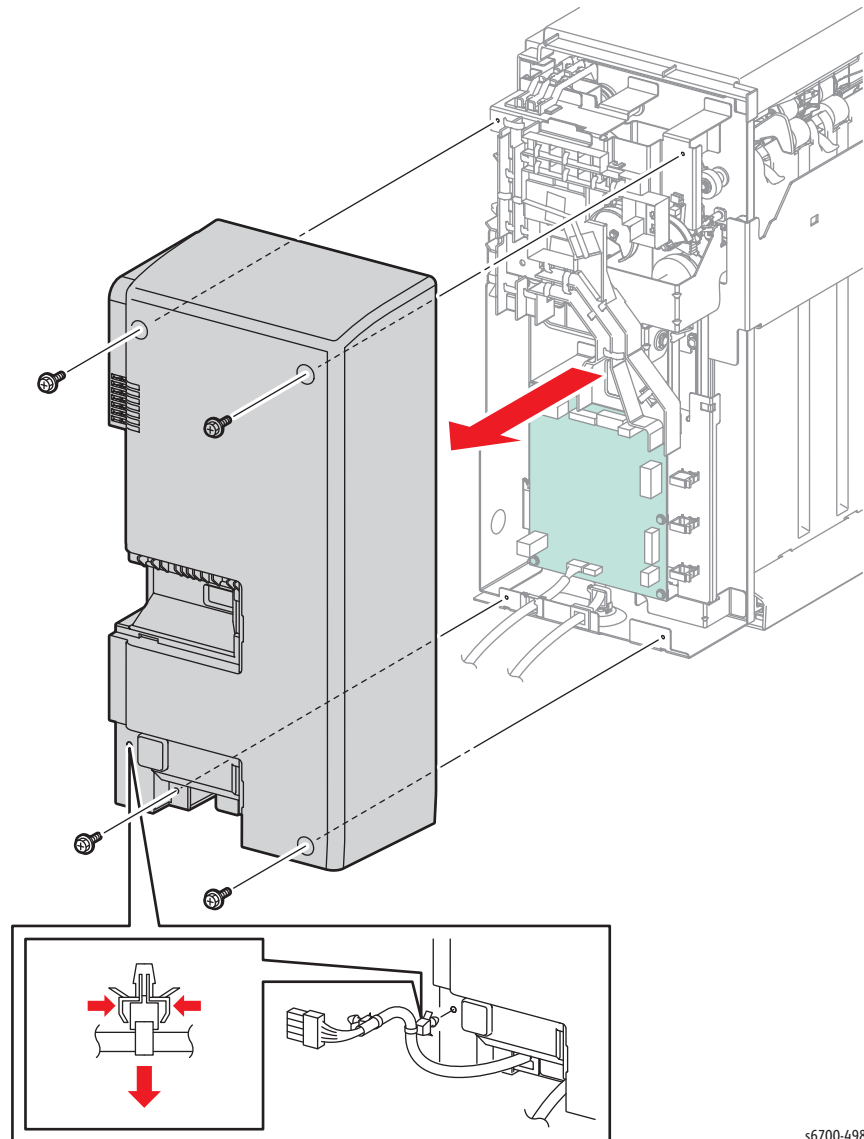


s6700-497

Rear Cover

PL14.3.3

1. Remove the Finisher (page 8-229).
2. Remove 4 screws (silver, flanged, 8mm) that secure the rear cover to the Finisher and remove the cover.

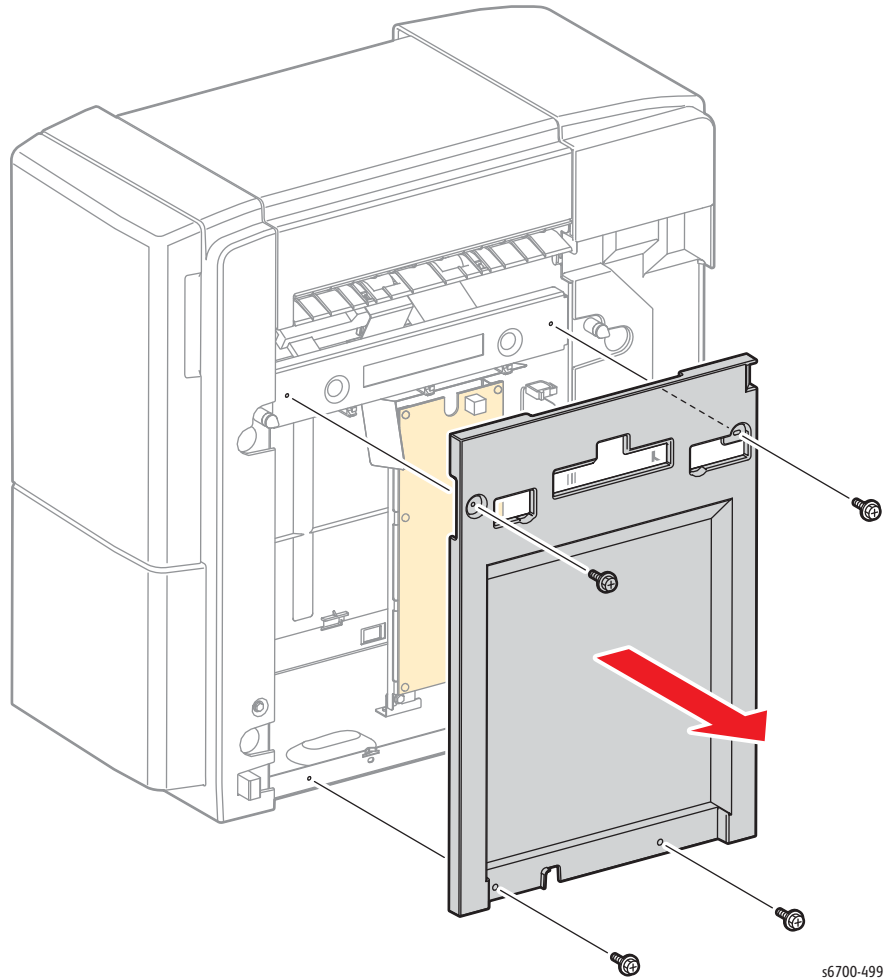


s6700-498

Right Cover

PL14.3.4

1. Remove the Finisher (page 8-229).
2. Remove the Front Cover (page 8-242).
3. Remove 4 screws (silver, flanged, 8mm) that secure the right cover to the Finisher and remove the cover.

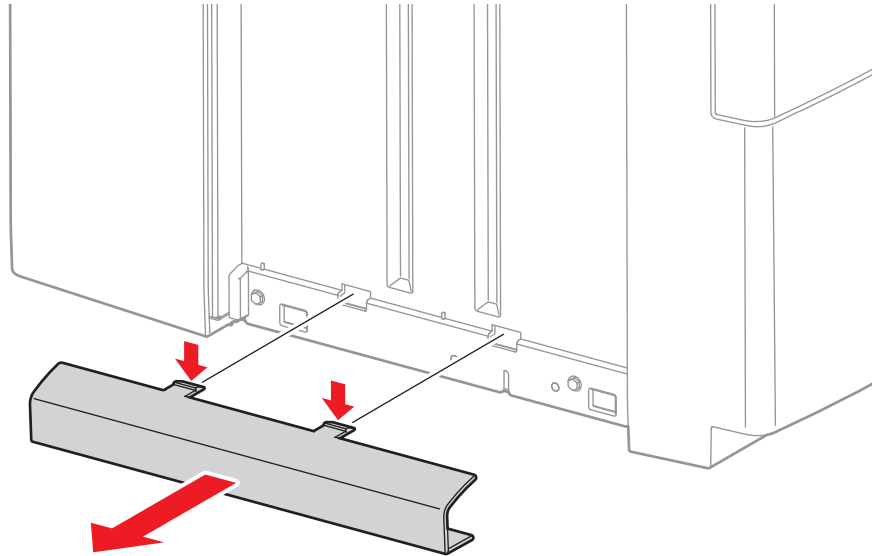


s6700-499

Stacker Tray Guide Cover

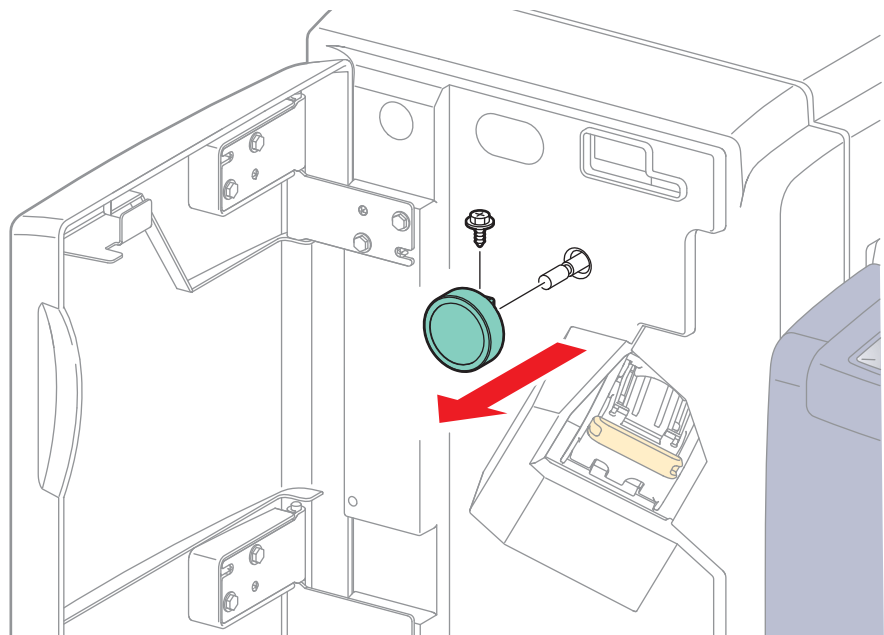
PL14.3.5

1. Remove the Finisher (page 8-229).
2. Release 4 hooks that secure the guide cover to the Finisher and remove the cover.



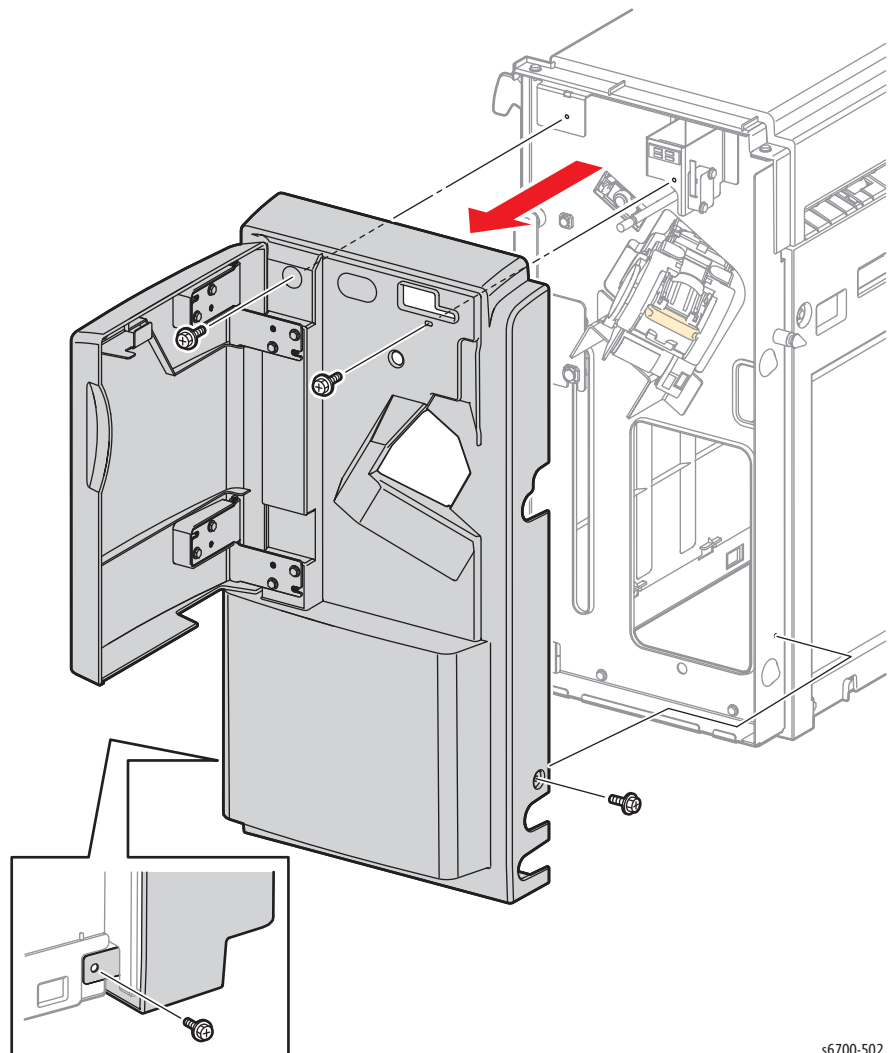
s6700-500

4. Open the Front Door.
5. Remove 1 screw (sliver, flanged, tapping, 6mm) that secures the Exit Knob to the Exit Drive Roll.



s6700-501

6. Remove 4 screws (silver, flanged, 8mm) that secure the Front Cover to the Finisher.



s6700-502

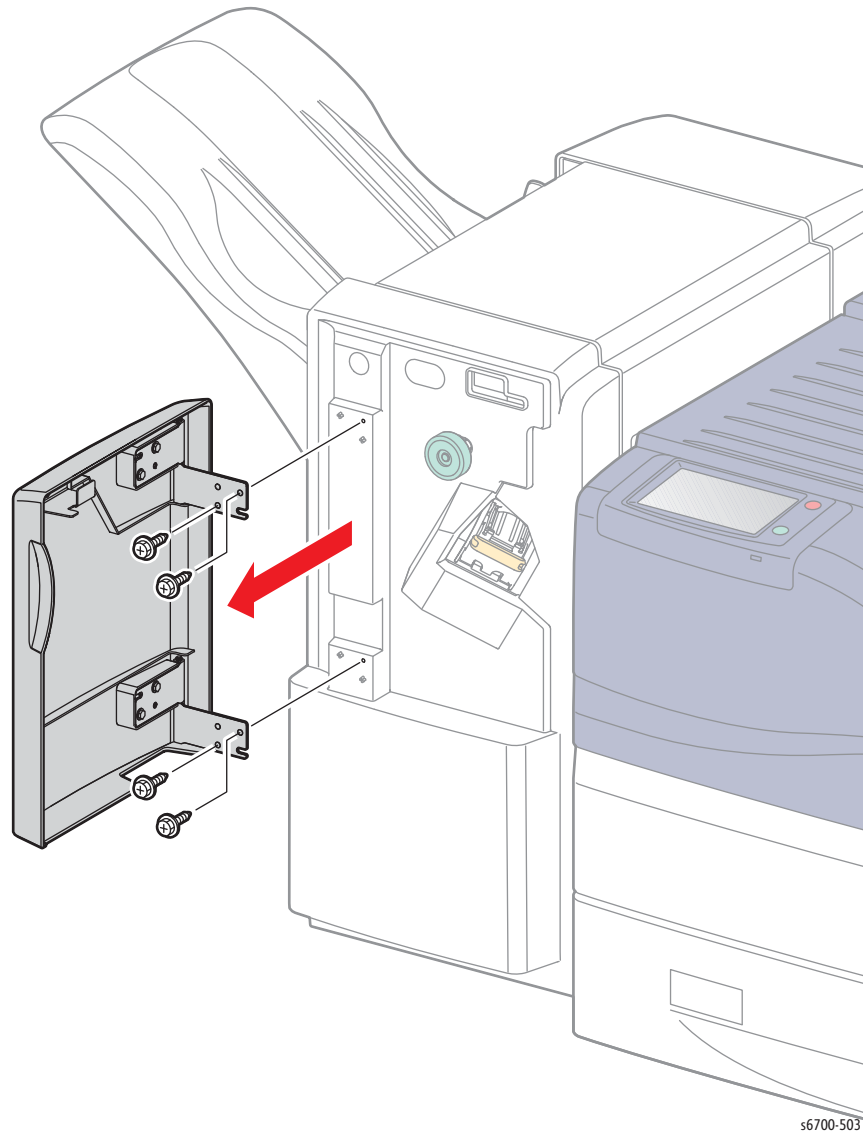
Replacement Note

Do not over tighten the Exit knob set screw.

Front Door

PL14.3.6

Remove 4 screws (silver, flanged, tapping, 8mm) that secure the front door to the Front Cover.



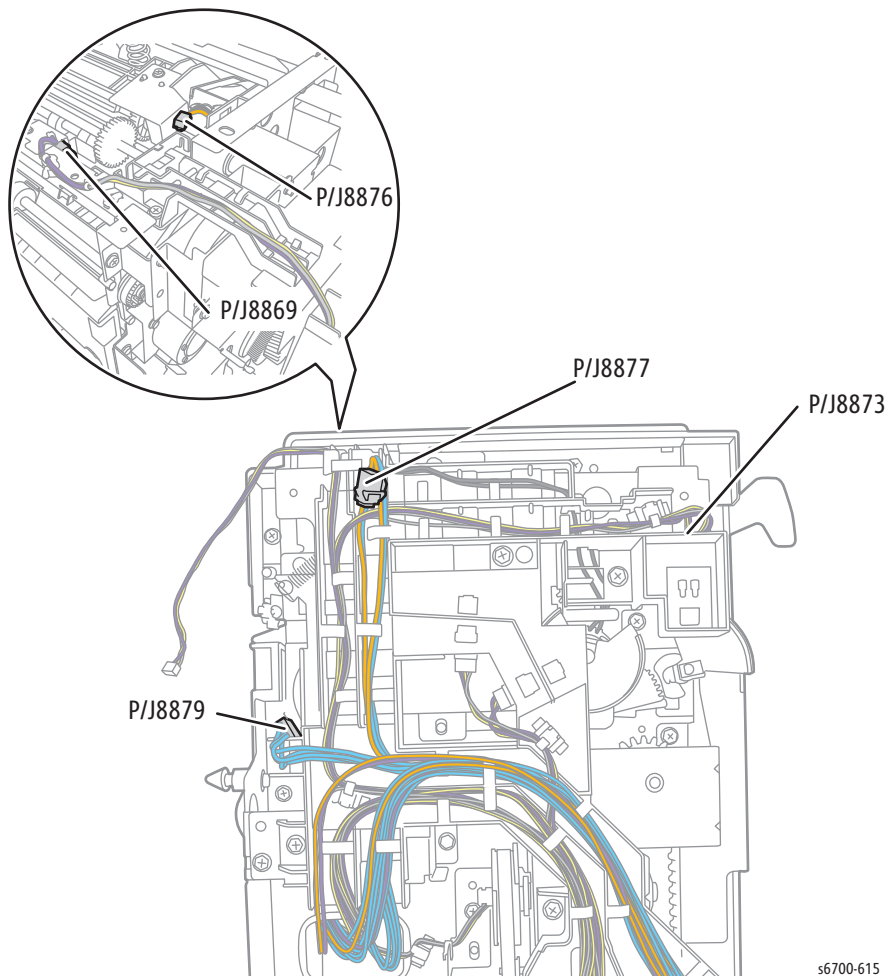
Harness Guide 1

PL14.4.1

Note

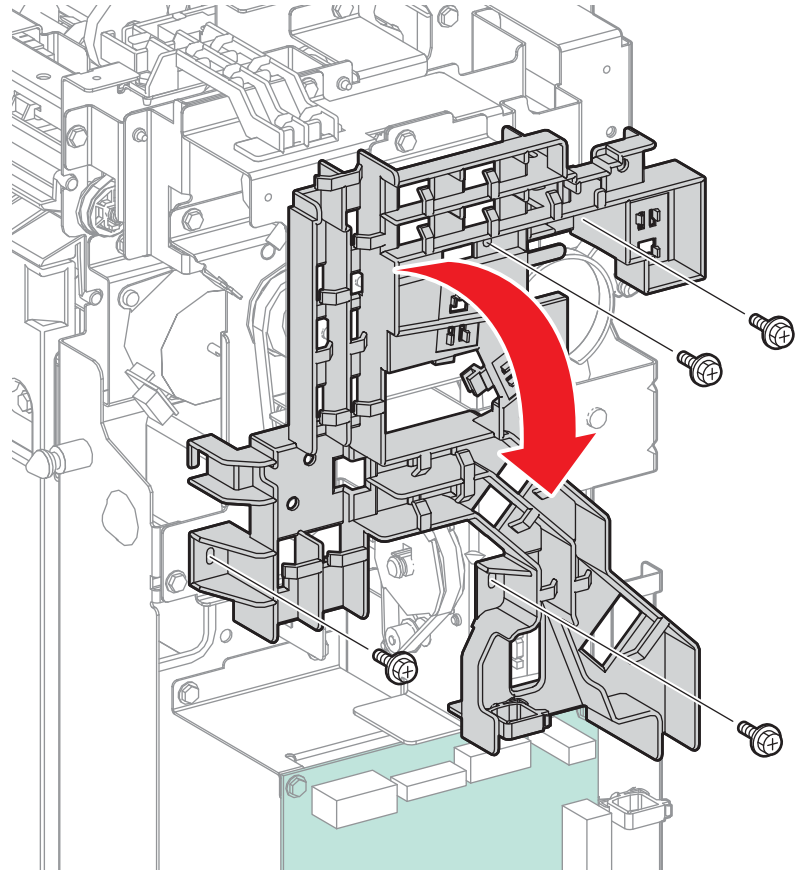
This procedure releases the harness guide from the chassis to provide access for the replacement of obstructed parts. Complete removal of the harness guide is not required.

1. Remove the Finisher (page 8-229).
2. Remove the rear cover (page 8-240).
3. Remove the Front Cover (page 8-242).
4. Remove the top cover (page 8-239).
5. Disconnect the Solenoid Assy (P/J8876) and remove the harness from harness guide 3.
6. Disconnect the Compile Exit Sensor (P/J8869) and release 1 tie and 1 clamp to remove the harness from harness guide 3.
7. Disconnect the Set Clamp Clutch (P/J8877) and remove the harness from harness guide 1.
8. Disconnect Stack Height Sensor 1 (P/J8873).
9. Disconnect the Transport Drive Assembly (P/J8879).



s6700-615

10. Remove 4 screws that secure harness guide 1 and lower the guide.

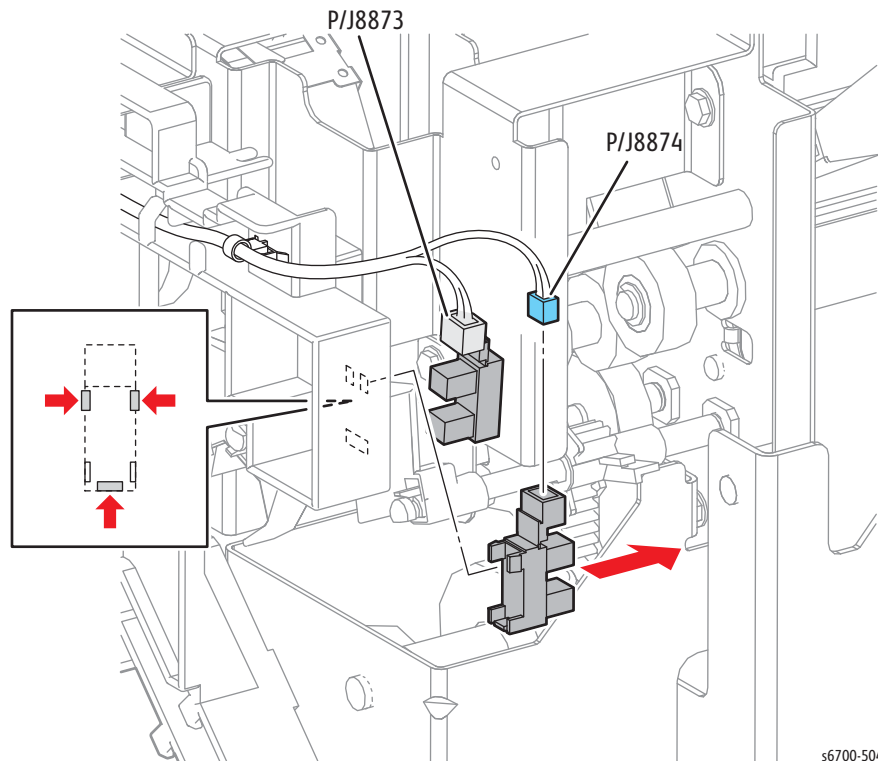


s6700-623

Stack Height Sensors 1 and 2

PL14.4.3

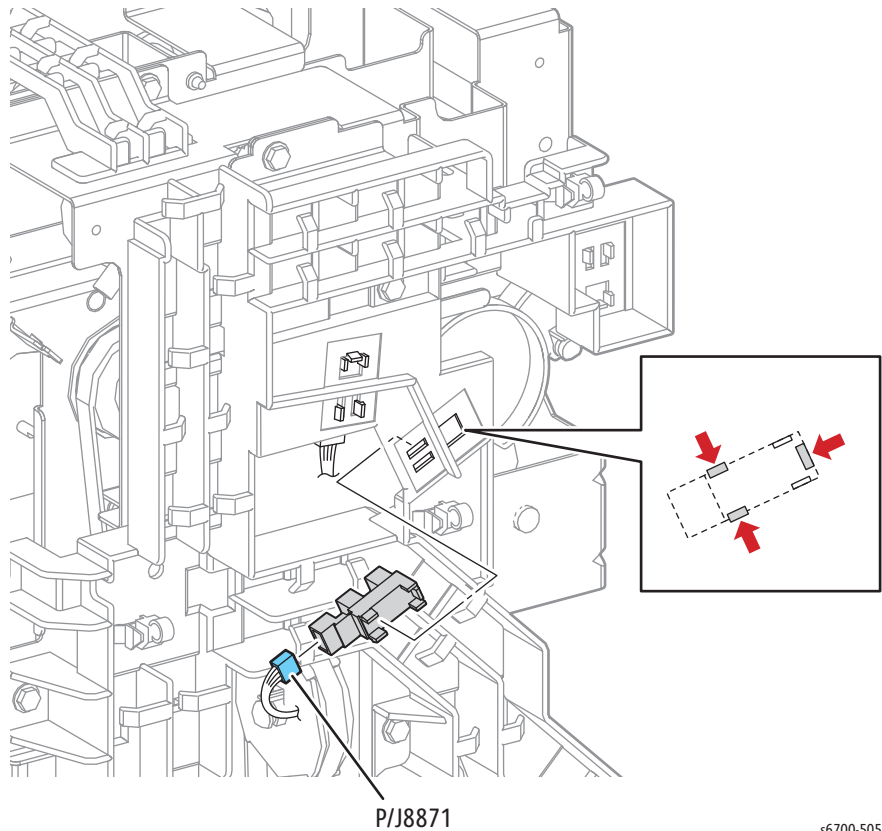
1. Remove the rear cover (page 8-240).
2. Release 3 hooks that secure each Stack Height Sensor to the Finisher.
3. Disconnect P/J8873 Stack Height Sensor 1 (White) and P/J8874 Stack Height Sensor 2 (Blue) to remove the sensor.



Set Clamp Home Sensor

PL14.4.3

1. Remove the rear cover (page 8-240).
2. Release 3 hooks that secure the Set Clamp Home Sensor to the Finisher.
3. Disconnect P/J8871 (Blue) to remove the sensor.

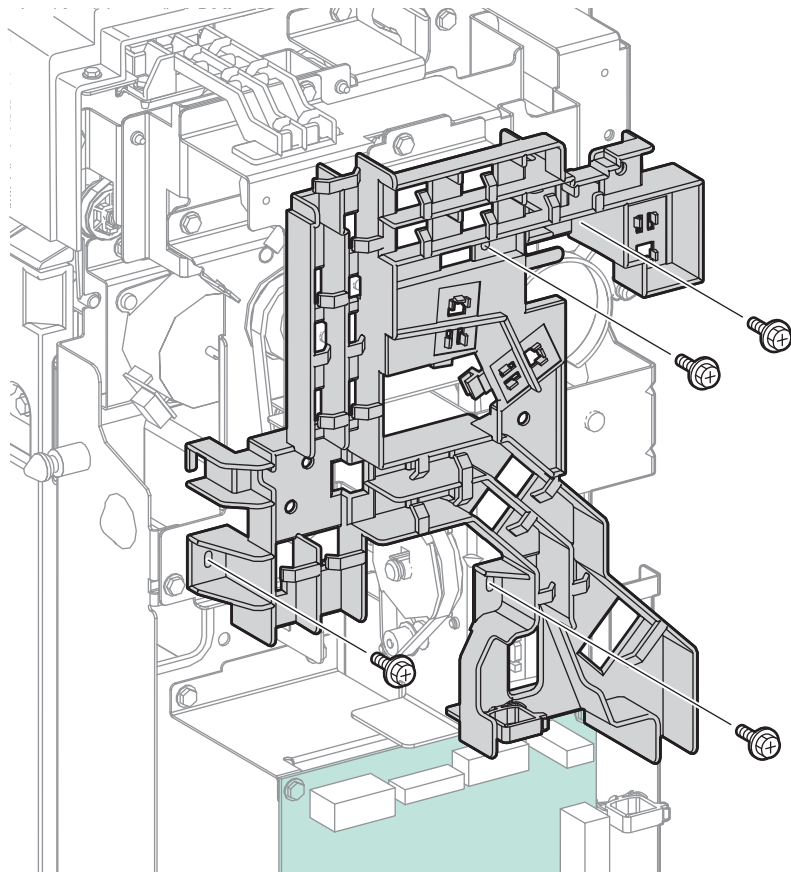


s6700-505

Eject Clamp Home Sensor

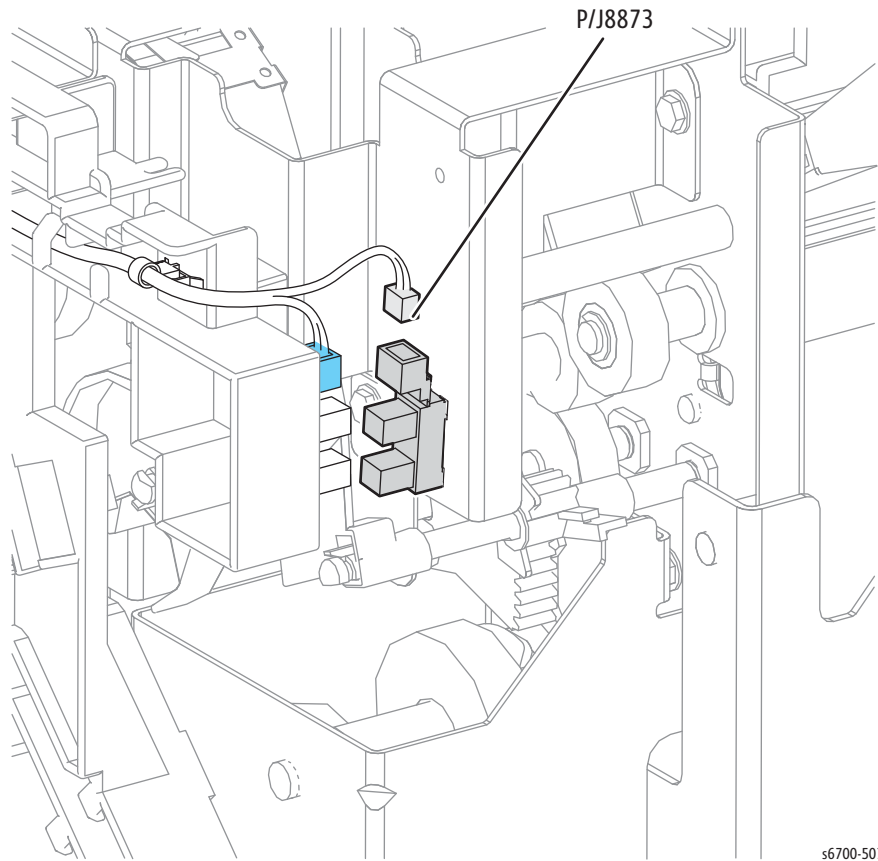
PL14.4.3

1. Remove the rear cover (page 8-240).
2. Remove 4 screws that secure harness guide 1 to the Finisher.



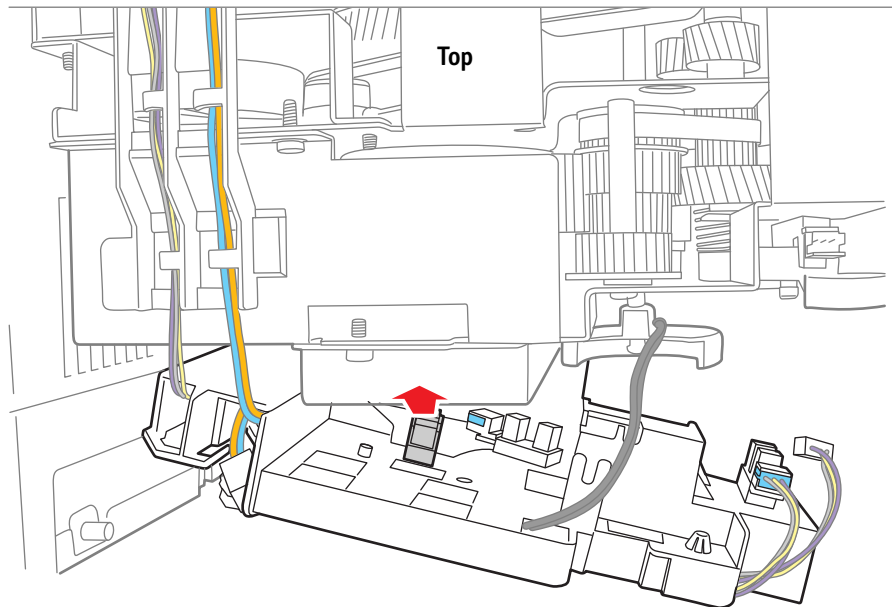
s6700-640

3. Disconnect P/J8873 (White, Stack Height Sensor 1) and pull the harness guide away from the chassis to access the Eject Clamp Home Sensor.



s6700-507

4. Release 3 hooks that secure the Eject Clamp Home Sensor to the Finisher.
5. Disconnect P/J8871 (Blue) to remove the sensor.



s6700-617

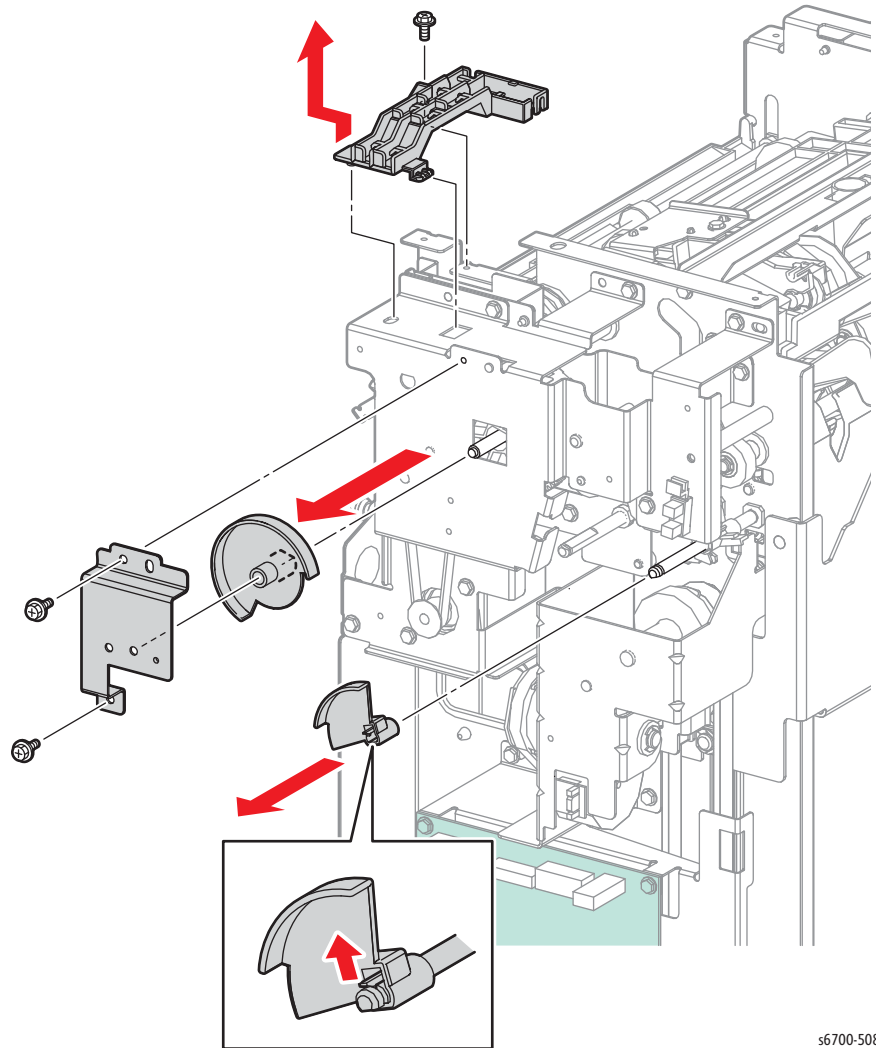
Height Sensor Bracket

PL14.4.8

Note

This procedure is provided to simplify other procedures where removal of the height sensor bracket is necessary to access obstructed spare parts. The height sensor bracket is not spared separately.

1. Remove 1 screw that secures harness guide 3 and remove the guide.
2. Remove the set clamp and stack height actuators.

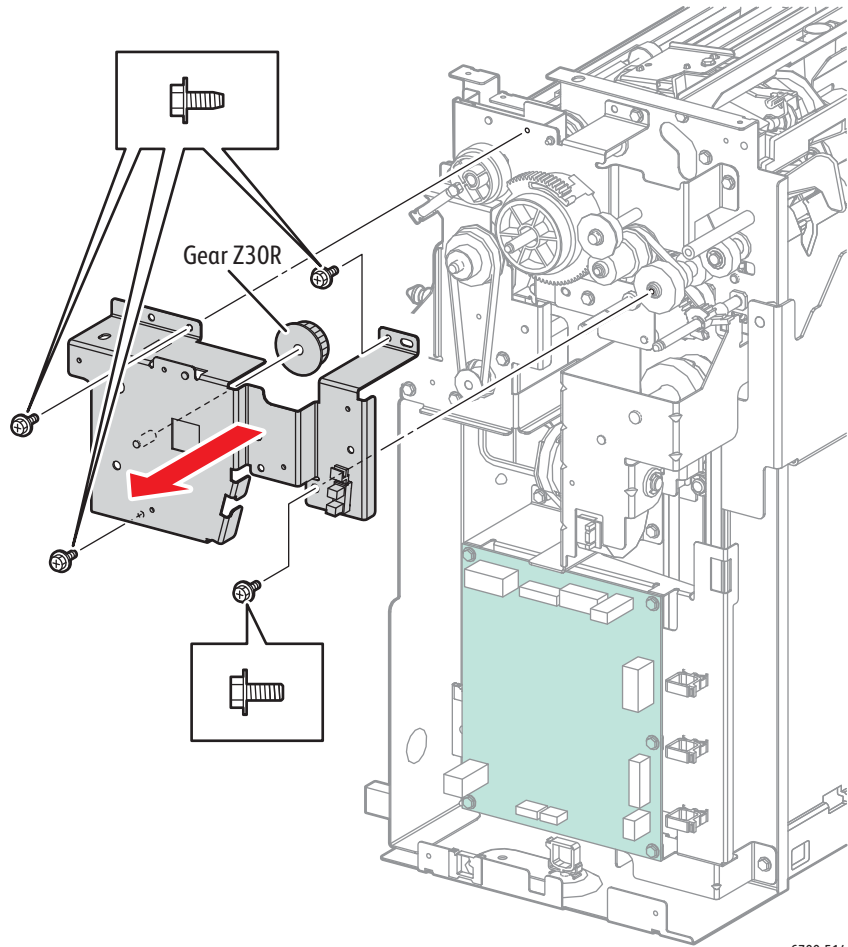


s6700-508

3. Remove 4 screws (3 silver sheet metal, 6mm, 1 machine) that secure the height sensor bracket assy .

Note

Gear Z30R is not captive to the height sensor bracket and may fall from the bracket when removed.

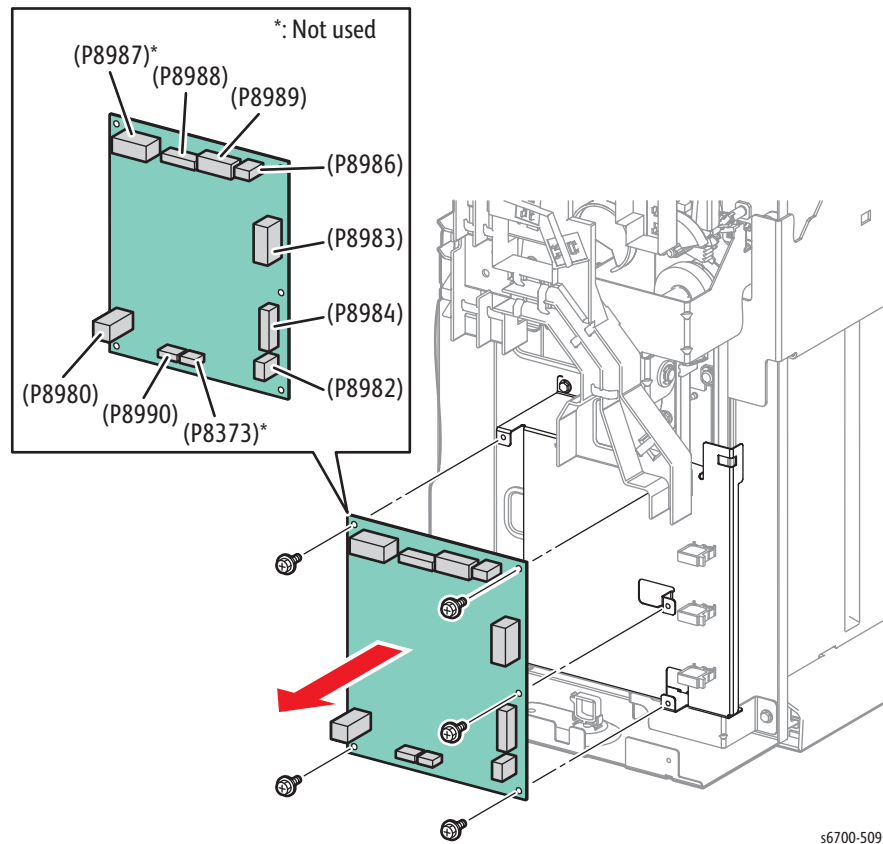


s6700-514

Main Board

PL14.4.12

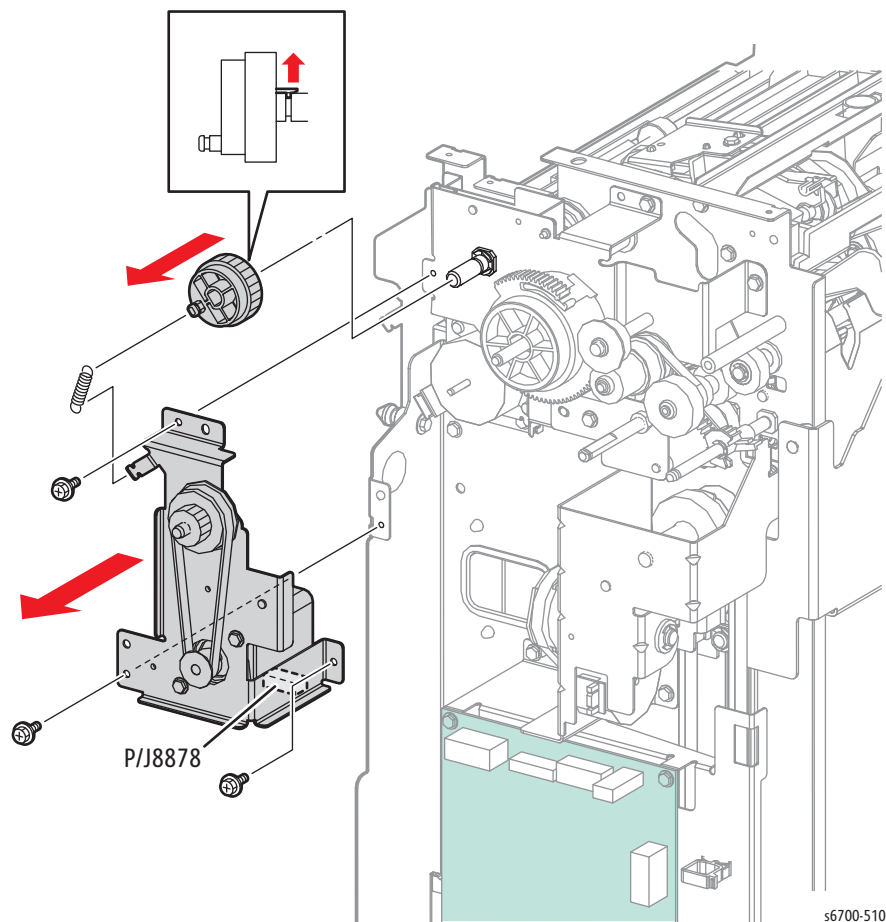
1. Remove the rear cover (page 8-240).
2. Disconnect all connections to the Main Board.
3. Remove 5 screws (silver, flanged, 6mm) that secure the Main Board to the Finisher and remove the board.



Eject Drive Assembly

PL14.5.1

1. Remove the Finisher (page 8-229).
2. Remove the rear cover (page 8-240).
3. Remove the Front Cover (page 8-242).
4. Remove the top cover (page 8-239).
5. Release harness guide 1 (page 8-245).
6. Remove height sensor bracket (page 8-251).
7. Remove the spring from the Gear Z38 and Eject Drive Assembly.
8. Remove 3 screws (silver, flanged, 6mm) that secure the Eject Drive Assembly to the Finisher.
9. Disconnect P/J8878 from the Eject Drive Assembly to remove the drive.



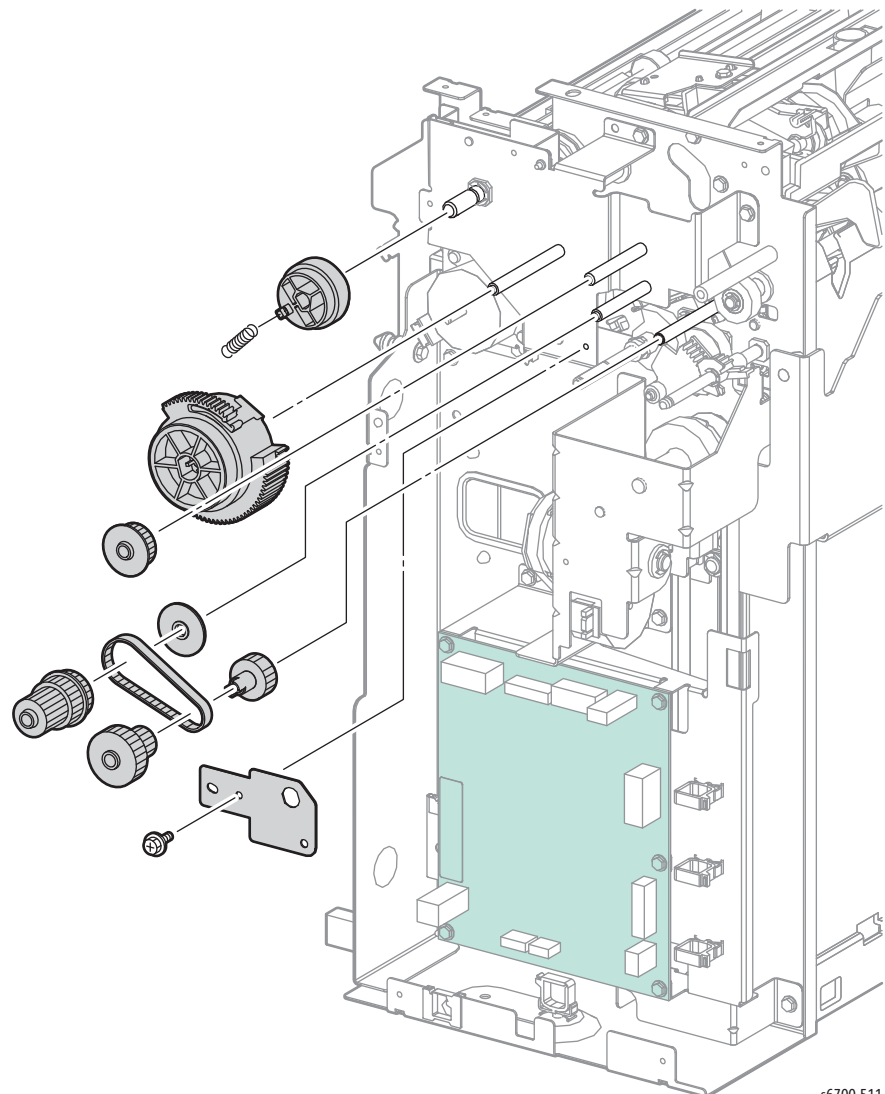
Replacement Note

Connect P/J8878 before securing the Eject Drive Assembly to the chassis.

Eject Drive Bracket Assembly

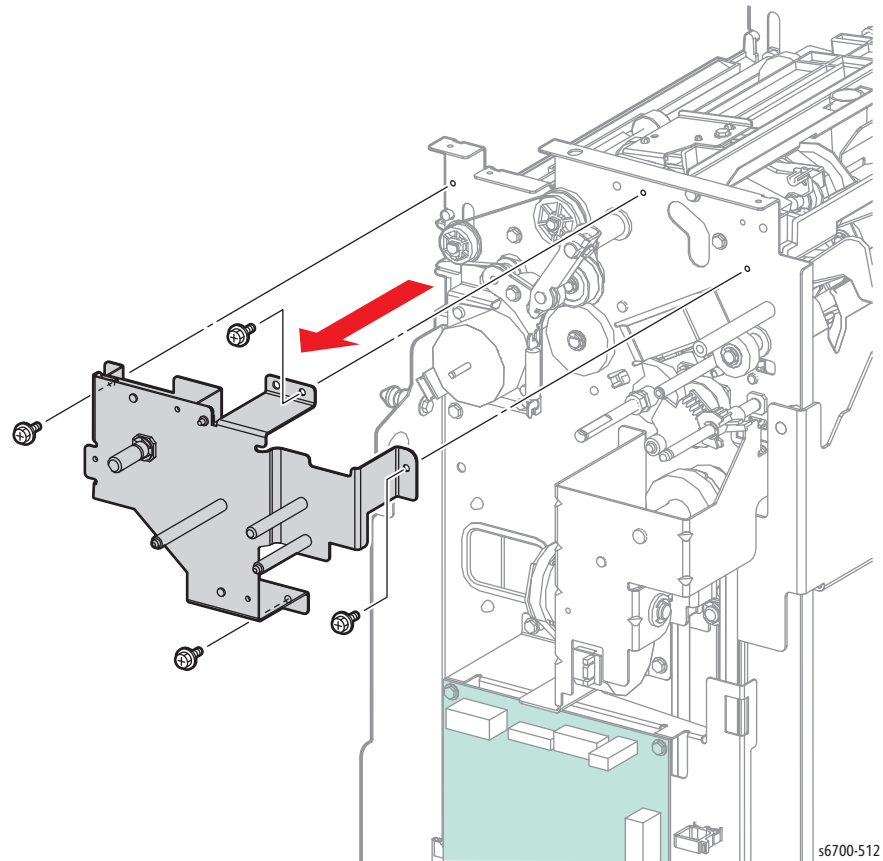
PL14.5.10

1. Remove the Finisher (page 8-229).
2. Remove the rear cover (page 8-240).
3. Remove the Front Cover (page 8-242).
4. Remove the top cover (page 8-239).
5. Remove the Eject Drive Assembly (page 8-254).
6. Remove the Set Clamp Clutch (page 8-257).
7. Release the hook and spring that secures gear Z38 S to the shaft of the Eject Drive Bracket Assy and remove the gear.
8. Remove gear Z25 S and sector gear from the Eject Drive Bracket Assy.
9. Remove the gear Z28 Z22 T38, belt, flange drive EJ, pulley Z32L T25 and gear Z23L from the Eject Drive Bracket Assy and the stud of the Finisher.
10. Remove 1 screw (silver, flanged, 6mm) that secures the clutch bracket to the Finisher.



s6700-511

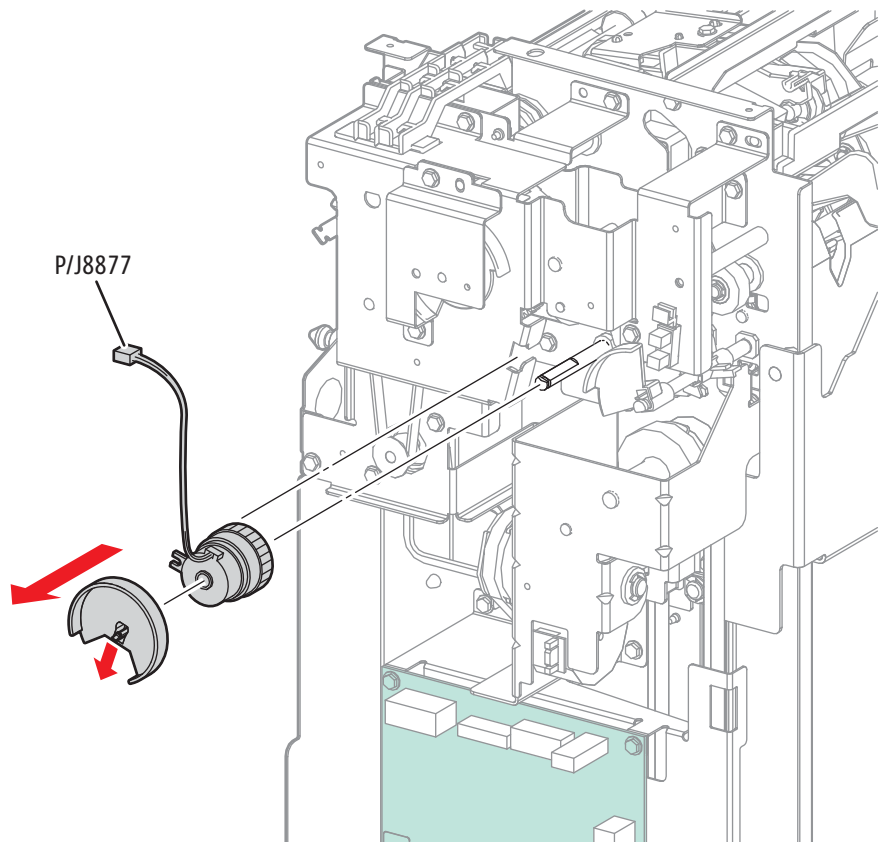
11. Remove 4 screws (silver, flanged, 6mm) that secure the Eject Drive Bracket Assy to the Finisher.



Set Clamp Clutch

PL14.5.25

1. Remove the Finisher (page 8-229).
2. Remove the rear cover (page 8-240).
3. Remove the Front Cover (page 8-242).
4. Remove the top cover (page 8-239).
5. Release harness guide 1 (page 8-245)
6. Release the hook that secures the set clamp actuator to the shaft and remove the actuator.
7. Remove the clutch from the set clamp drive shaft.



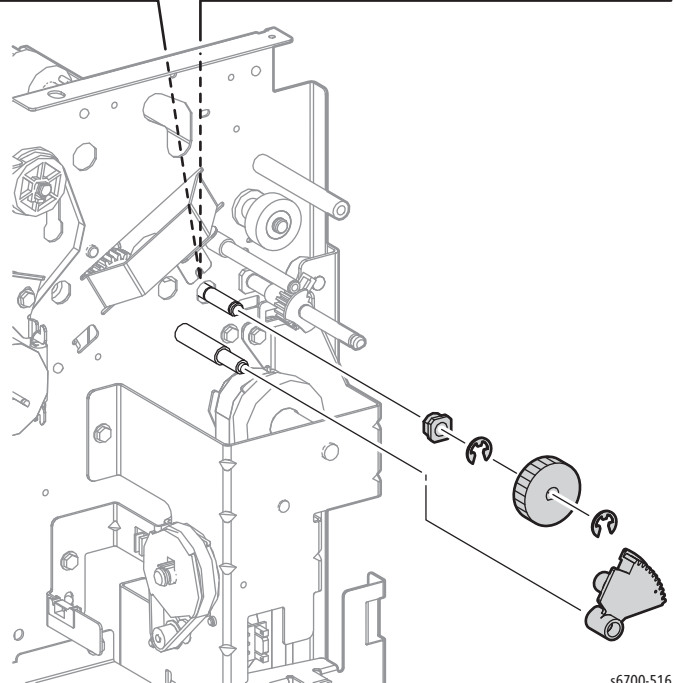
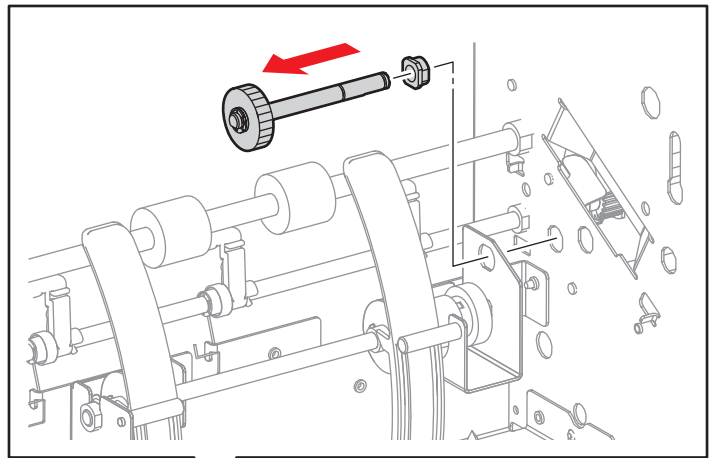
s6700-515

Paper Guide 240

PL14.5.38

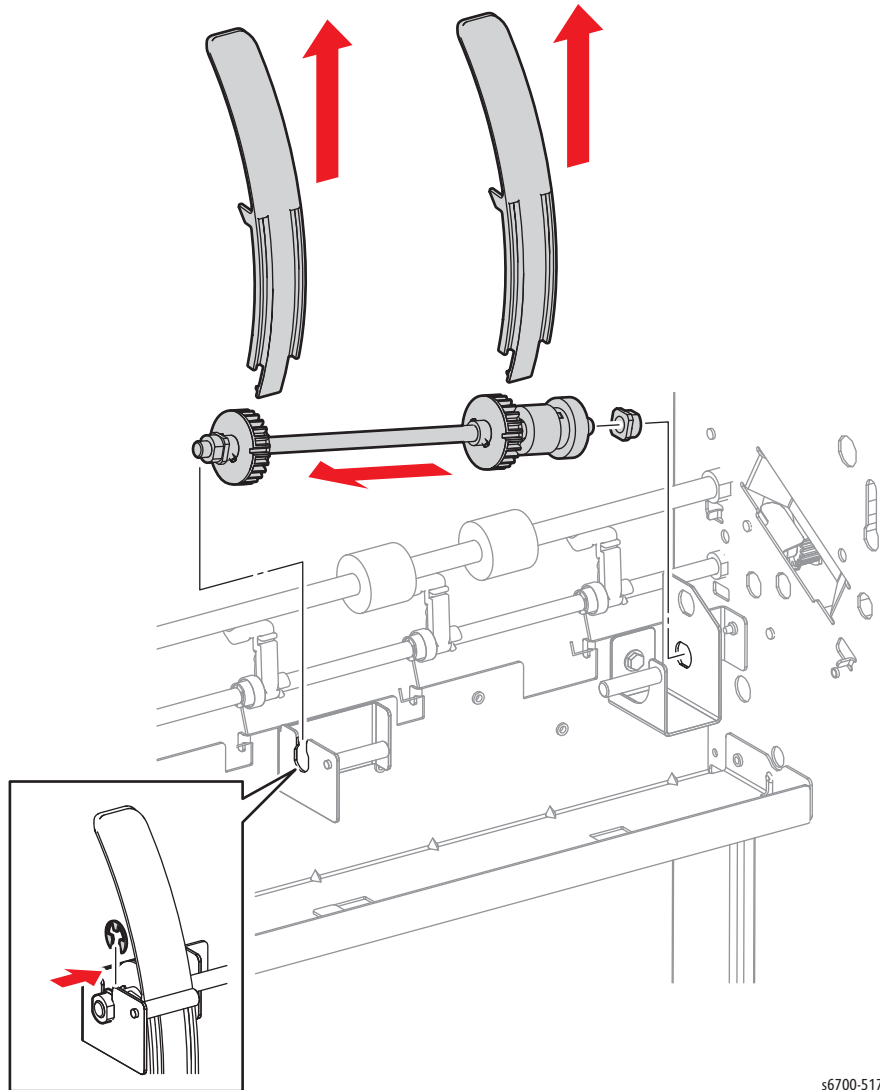
1. Remove the Finisher (page 8-229).
2. Remove the rear cover (page 8-240).
3. Remove the right cover (page 8-241).
4. Remove the Front Cover (page 8-242).
5. Remove the top cover (page 8-239).
6. Release harness guide 1 (page 8-245).
7. Remove the height sensor bracket (page 8-251).
8. Remove the Set Clamp Clutch (page 8-257).
9. Remove the Eject Drive Assembly (page 8-254).
10. Remove the Eject Drive Bracket Assembly (page 8-255).
11. Remove the Eject Chute Assembly (page 8-267).
12. Remove the Eject Roller Assembly (page 8-261).
13. Remove the Stapler Holder (page 8-284).
14. Remove the Compile Exit Sensor (page 8-271).
15. Remove the entry drive roller (page 8-272).
16. Remove the exit drive roller (page 8-273).
17. Remove the main paddle shaft (page 8-274).
18. Remove the Lower Chute Assembly (page 8-269).
19. Remove the Compile Tray Assembly (page 8-277).
20. Remove the sector gear Z72 from the stud of the Finisher.

21. Remove the E-ring that secures the gear Z31 R to the paper guide shaft M and remove the gear.
22. Remove the E-ring that secures the bearing to the paper guide shaft M and remove the bearing.



s6700-516

23. Remove the paper guide shaft M from the inside of the frame along with the gear Z26 R and bearing.
24. Remove the E-ring that secures the bearing to the paper guide shaft and slide the bearing inward so the front of the paper guide shaft is released from the bracket.
25. Remove the paper Guide 240 along with the paper guide shaft, gear Z25 L, and clutch TL400.

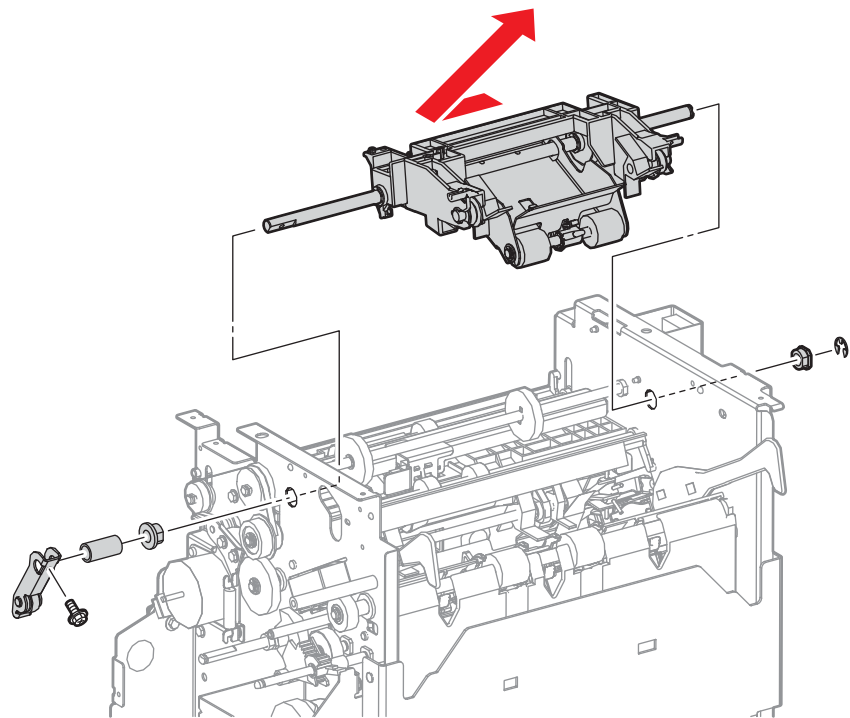


s6700-517

Eject Roller Assembly

PL14.6.3

1. Remove the Finisher (page 8-229).
2. Remove the rear cover (page 8-240).
3. Remove the Front Cover (page 8-242).
4. Remove the top cover (page 8-239).
5. Remove the Eject Drive Assembly (page 8-254).
6. Remove the Set Clamp Clutch (page 8-257).
7. Remove the Eject Drive Bracket Assembly (page 8-255).
8. Remove the Exit Chute Assembly (page 8-267).
9. Remove 1 screw (silver, flanged, 6mm) that secures the clamp arm to the Eject Roller shaft.
10. Remove the spacer and bearing from the Eject Roller shaft.
11. Remove the E-ring that secures the bearing Eject Roller shaft, and then remove the bearing.
12. Remove the Eject Roller Assy from the Finisher.

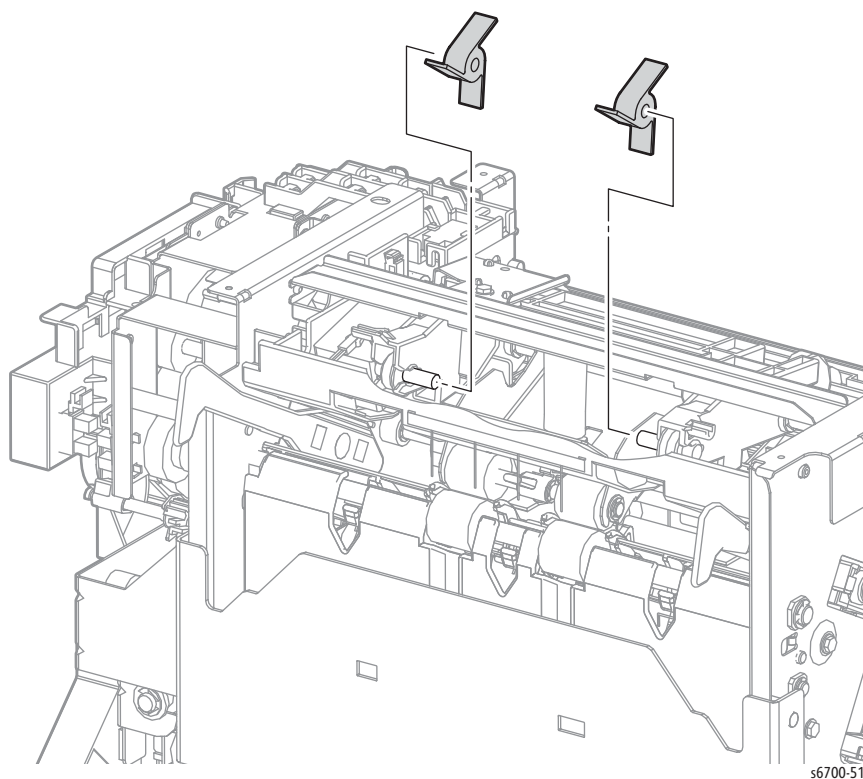


s6700-518

Sub Paddle

14.6.8

1. Remove the Finisher (page 8-229).
2. Remove the rear cover (page 8-240).
3. Remove the Front Cover (page 8-242).
4. Remove the top cover (page 8-239).
5. Remove the Sub Paddle from the Eject Roller Assembly.

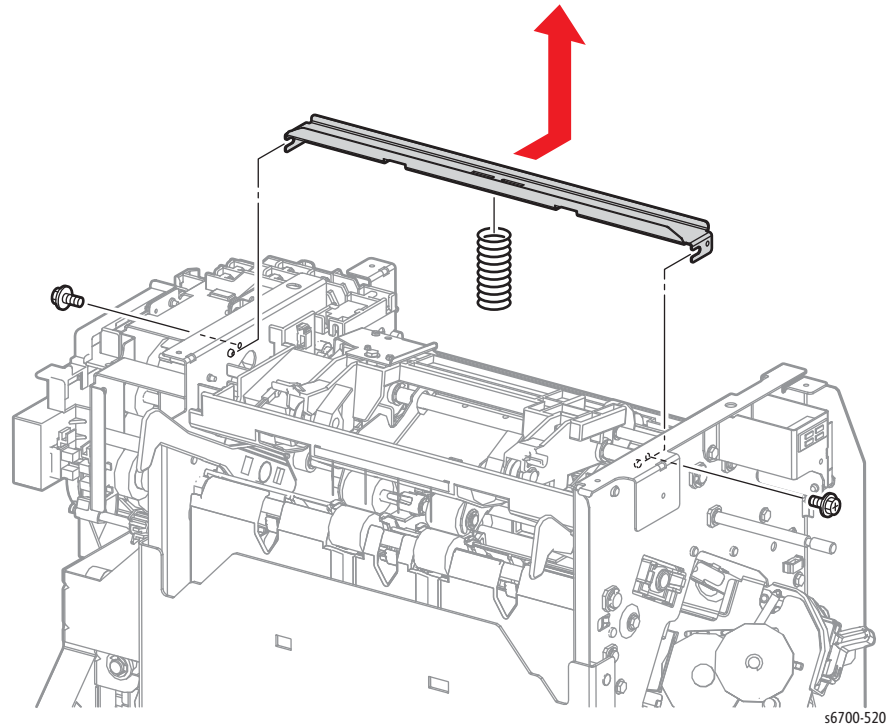


s6700-519

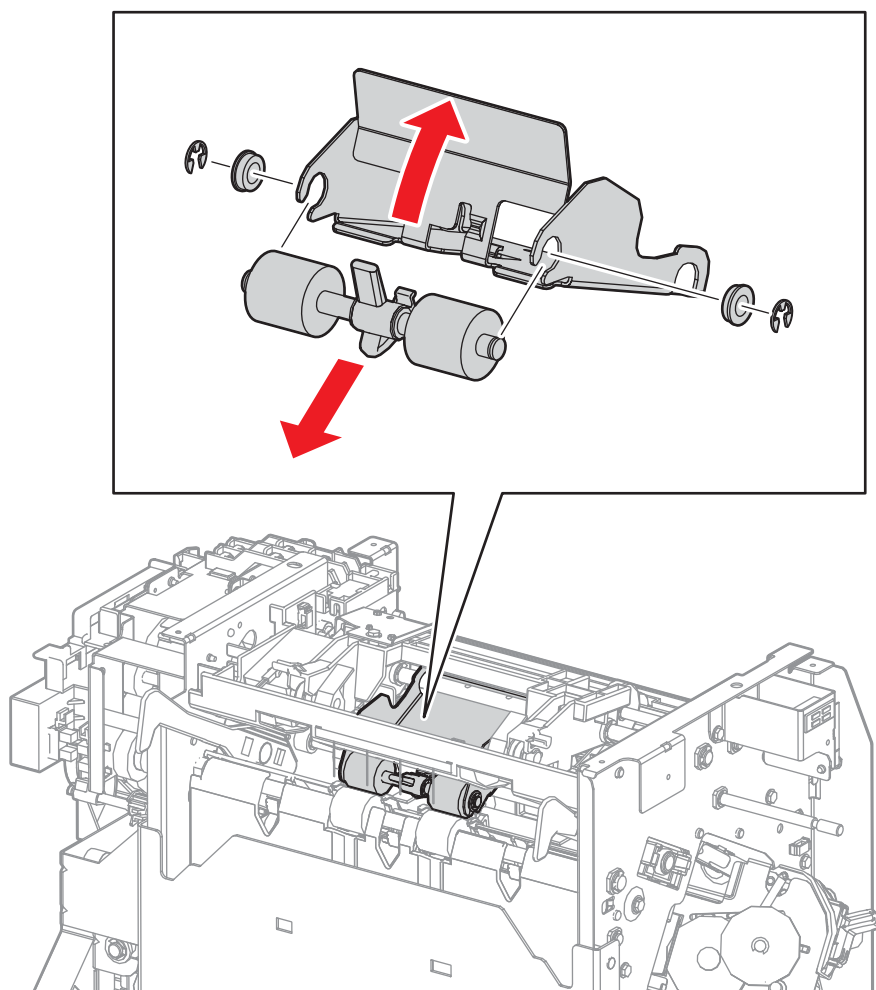
Eject Pinch Roller

PL14.6.16

1. Remove the Finisher (page 8-229).
2. Remove the rear cover (page 8-240).
3. Remove the Front Cover (page 8-242).
4. Remove the top cover (page 8-239).
5. Remove 2 screws (silver, flanged, 6mm) and release 2 bosses that secure the plate tie eject pinch to the Finisher.



6. Remove 2 E-rings that secure bearings at each end of the to the Eject Pinch Roller shaft.
7. Remove 2 bearings and remove the Eject Pinch Roller from the eject pinch bracket.

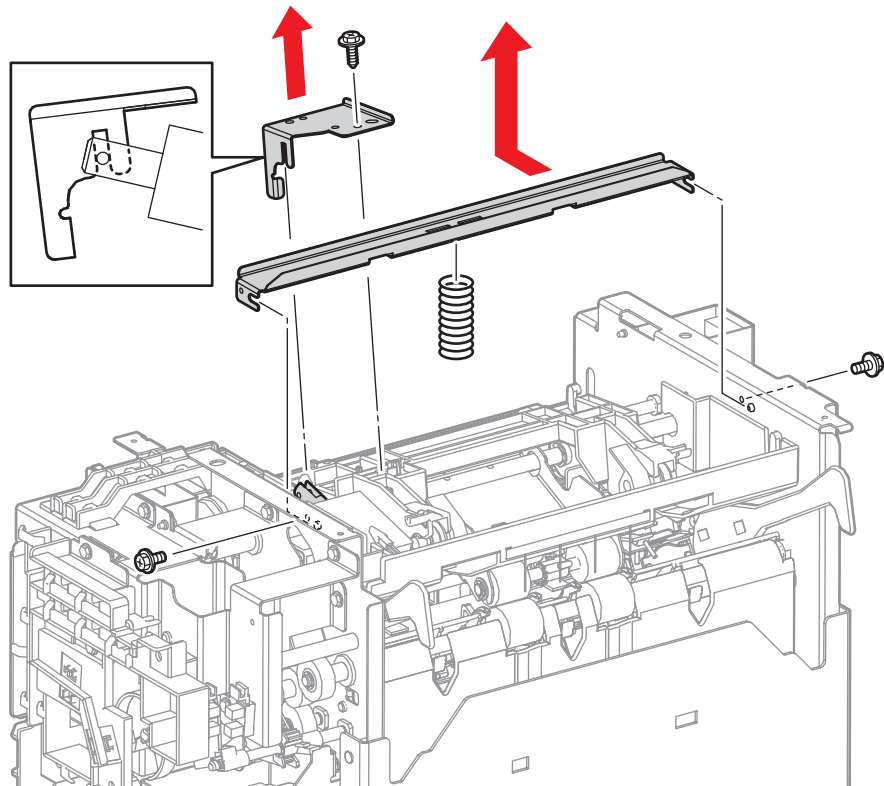


s6700-521

Sub Paddle Solenoid

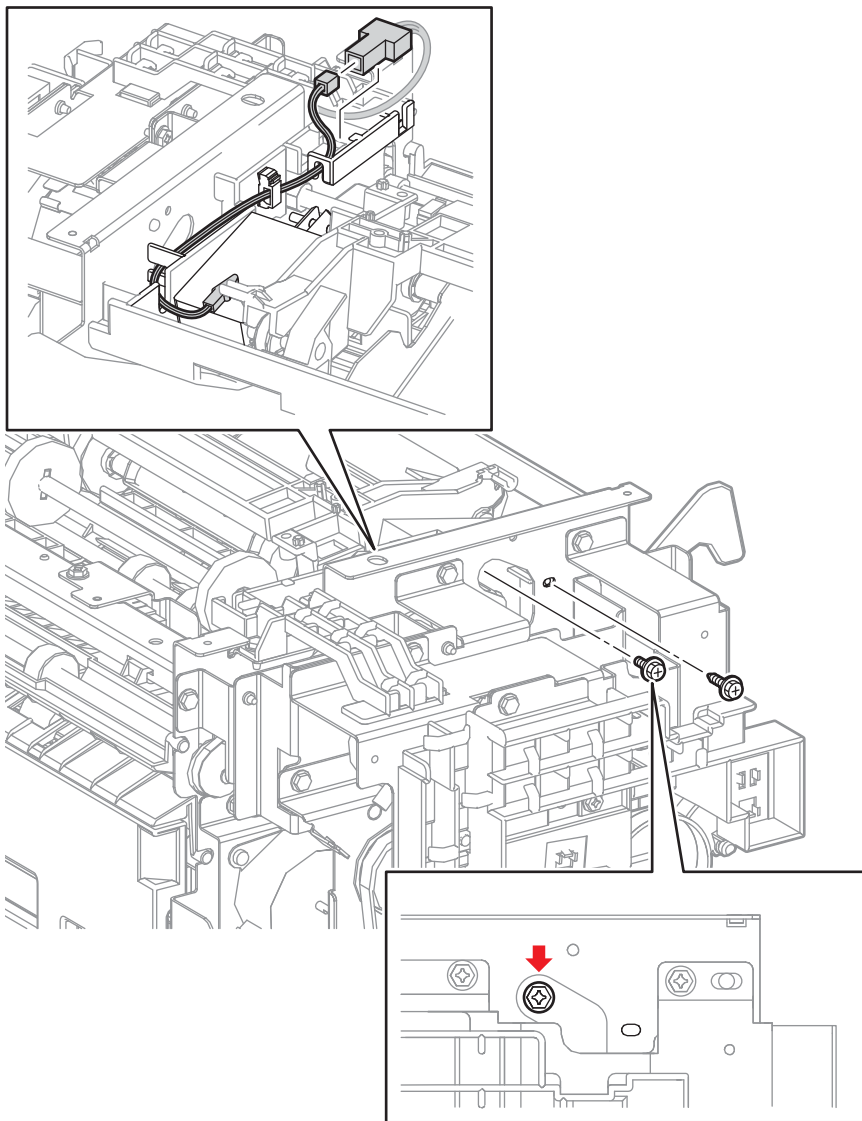
PL14.6.20

1. Remove the Finisher (page 8-229).
2. Remove the rear cover (page 8-240).
3. Remove the Front Cover (page 8-242).
4. Remove the top cover (page 8-239).
5. Remove 2 screws (silver, flanged, 6mm) and release 2 bosses that secure the plate tie eject pinch to the Finisher.
6. Remove 1 screw (silver, tapping, flanged, 8mm) that secures the support arm to the Eject Roller Assy.



s6700-522

7. Disconnect P/J8876 from the harness and release the harness from the clamp and notch of the Eject Chute Assy.
8. Remove 2 screws (silver, flanged, 5mm) that secures the solenoid to the Eject Chute Assy.

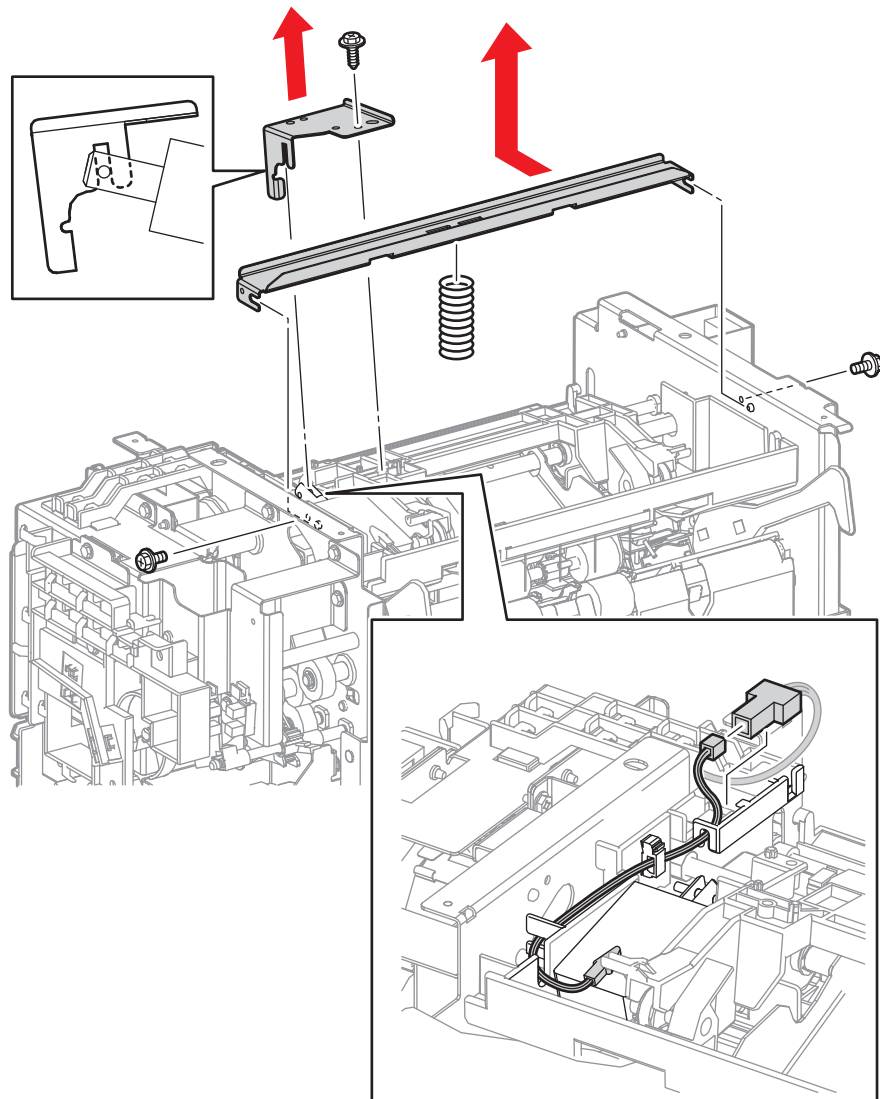


s6700-523

Eject Chute Assembly

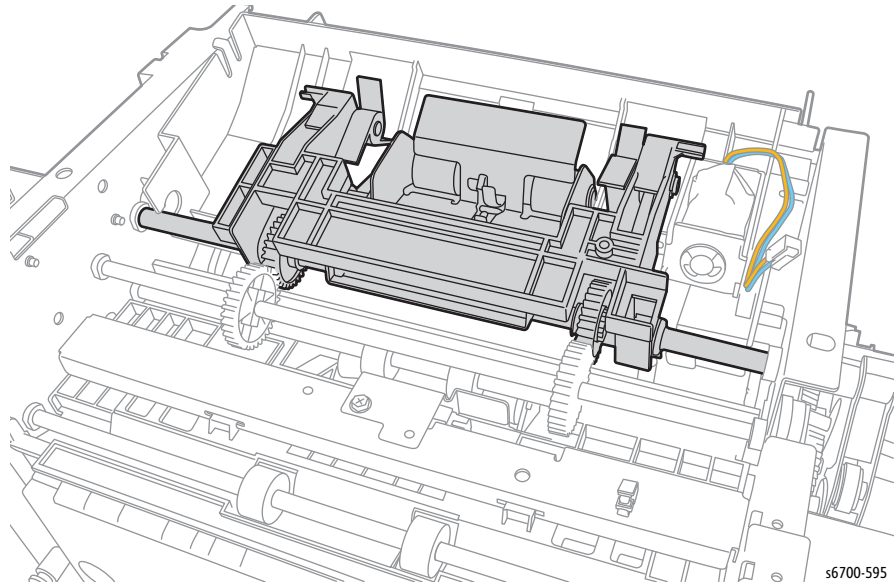
PL14.6.24

1. Remove the Finisher (page 8-229).
2. Remove the rear cover (page 8-240).
3. Remove the Front Cover (page 8-242).
4. Remove the top cover (page 8-239).
5. Remove 2 screws (silver, flanged, 6mm) and release 2 bosses that secure the plate tie eject pinch to the Finisher.
6. Remove the support arm from the Eject Roller Assy by removing 1 screw (silver, tapping, flanged, 8mm).
7. Remove the Sub Paddle Solenoid piston from the solenoid.
8. Disconnect the Sub Paddle Solenoid (P/J8876) and release the harness from the Eject Chute Assembly.



s6700-524

9. Rotate the Eject Roller Assy upward to release the sub paddle spring from the hooks on the Eject Roller Assy and on the Eject Chute Assy.
10. Remove 1 screw (silver, tapping, flanged, 8mm) that secures the Eject Chute Assy to the Finisher.
11. Release the bosses on the Eject Chute Assy from the holes on the Finisher.
12. Flex the front and rear notches on the Eject Chute Assy wider so that they are released from the bearings on the Eject Roller Assy, then pull out the Eject Chute Assy from the Finisher.

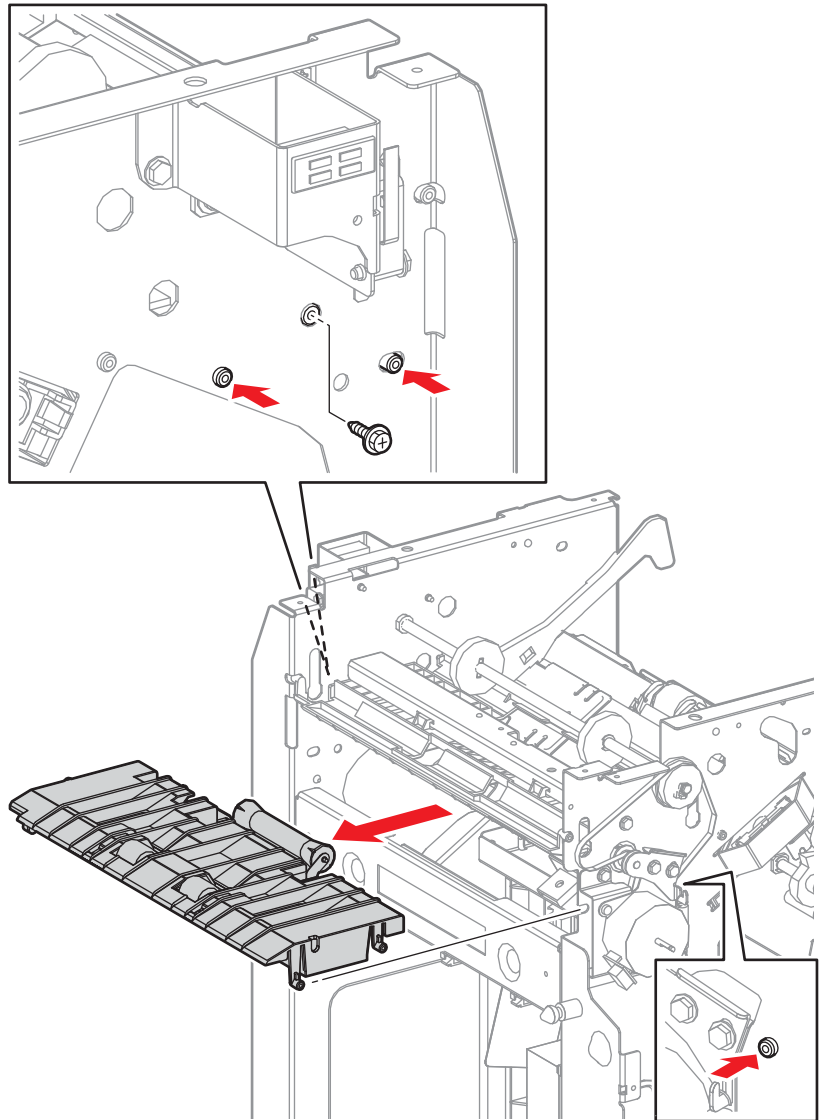


Lower Chute Assembly

PL14.7.2

1. Remove the Finisher (page 8-229).
2. Remove the rear cover (page 8-240).
3. Remove the right cover (page 8-241).
4. Remove the Front Cover (page 8-242).
5. Remove the top cover (page 8-239).
6. Release harness guide 1 (page 8-245).
7. Remove the height sensor bracket (page 8-251).
9. Remove the Set Clamp Clutch (page 8-257).
10. Remove the Eject Drive Assembly (page 8-254).
11. Remove the Eject Drive Bracket Assembly (page 8-255).
12. Remove the Eject Chute Assembly (page 8-267).
13. Remove the Eject Roller Assembly (page 8-261).
14. Remove the Stapler Holder (page 8-284).
15. Remove the Compile Tray Exit Sensor (page 8-271).
16. Remove the entry drive roller (page 8-272).
17. Remove the exit drive roller (page 8-273).
18. Remove the main paddle shaft (page 8-274).

19. Remove 1 screw (silver, tapping, flanged, 8mm) that secures the Lower Chute Assy to the Finisher.
20. Remove the Lower Chute Assy by releasing 4 bosses from holes in the Finisher.

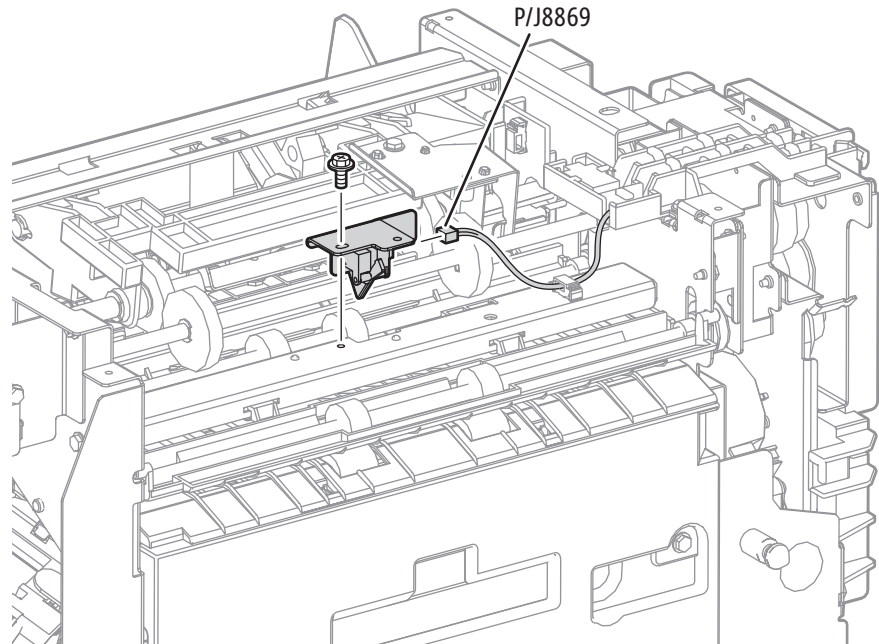


s6700-525

Compile Tray Exit Sensor

PL14.7.9

1. Remove the Finisher (page 8-229).
2. Remove the rear cover (page 8-240).
3. Remove the Front Cover (page 8-242).
4. Remove the top cover (page 8-239).
5. Remove 1 screw (silver, flanged, 6mm) that secures the sensor bracket to the Finisher and disconnect P/J8869 to remove the sensor.

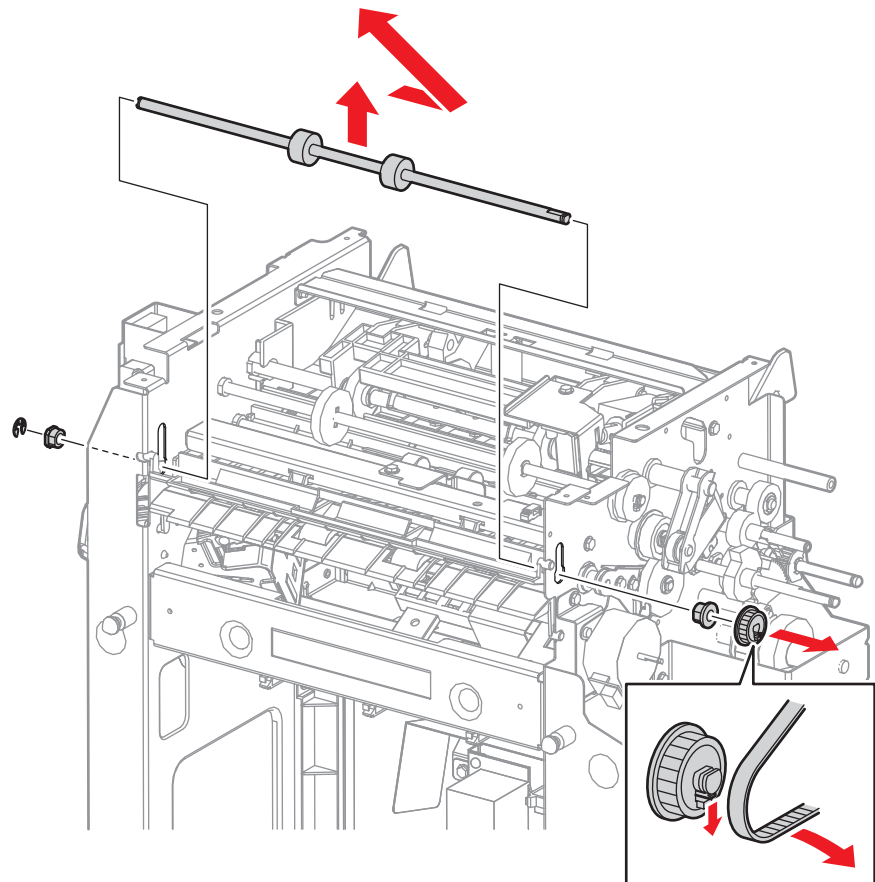


s6700-526

Entry Drive Roller Assembly

PL14.7.11

1. Remove the Finisher (page 8-229).
2. Remove the rear cover (page 8-240).
3. Remove the Front Cover (page 8-242).
4. Remove the top cover (page 8-239).
5. Release harness guide 1 (page 8-245).
6. Remove the height sensor bracket (page 8-251).
9. Remove the Set Clamp Clutch (page 8-257).
10. Remove the Eject Drive Assembly (page 8-254).
11. Remove the Eject Drive Bracket Assembly (page 8-255).
12. Release the belt from the pulley T30.
13. Remove the pulley T30 from the entry drive roller by releasing the hook of the pulley T30.
14. Remove the bearing from the entry drive roller.
15. Remove the E-ring that fixes the bearing to the entry drive roller, and then remove the bearing.

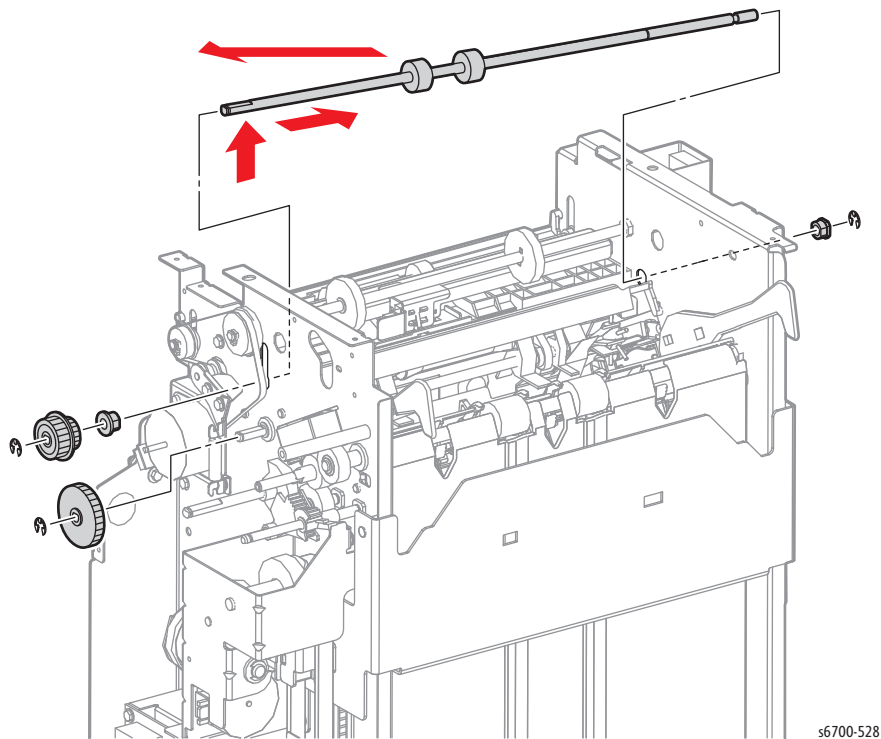


s6700-528

Exit Drive Roller Assembly

PL14.7.12

1. Remove the Finisher (page 8-229).
2. Remove the rear cover (page 8-240).
3. Remove the Front Cover (page 8-242).
4. Remove the top cover (page 8-239).
5. Release harness guide 1 (page 8-245).
6. Remove the height sensor bracket.
7. Remove the set clamp and stack height actuators.
9. Remove the Set Clamp Clutch (page 8-257).
10. Remove the Eject Drive Assembly (page 8-254).
11. Remove the Eject Drive Bracket Assembly (page 8-255).
12. Remove the Eject Chute Assembly (page 8-267).
13. Remove the Eject Roller Assembly (page 8-261).
14. Remove the E-ring that secures the gear Z42 L to the Main Paddle Shaft and remove the gear.
15. Remove the E-ring that secures the gear pulley Z27 T30 to the exit drive roller, and remove the gear pulley Z27 T30.
16. Remove the bearing from the exit drive roller.
17. Remove the E-ring that secures the bearing sleeve to the exit drive roller, and remove the bearing sleeve.
18. Remove the exit drive roller from the Finisher.

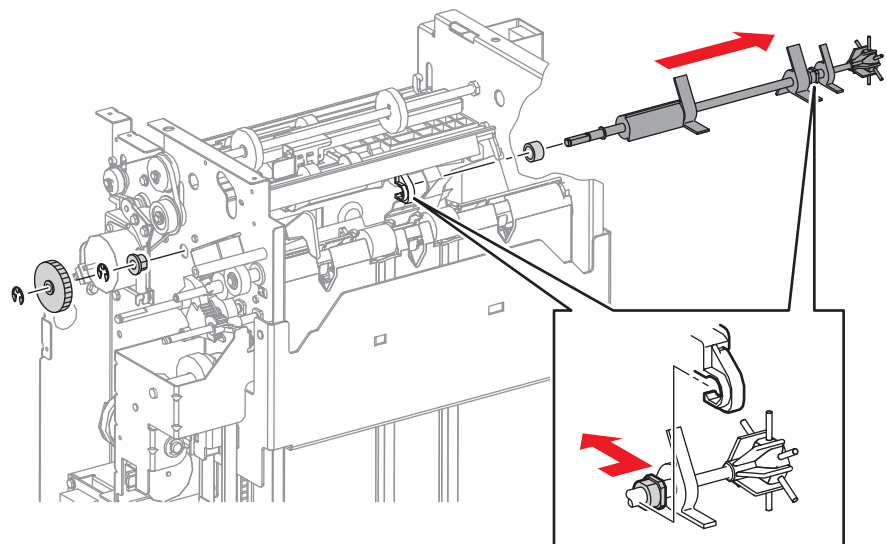


s6700-528

Main Paddle Shaft Assembly

PL14.7.13

1. Remove the Finisher (page 8-229).
2. Remove the rear cover (page 8-240).
3. Remove the Front Cover (page 8-242).
4. Remove the top cover (page 8-239).
5. Release harness guide 1 (page 8-245).
6. Remove the height sensor bracket (page 8-251).
9. Remove the Set Clamp Clutch (page 8-257).
10. Remove the Eject Drive Assembly (page 8-254).
11. Remove the Eject Drive Bracket Assembly (page 8-255).
12. Remove the Eject Chute Assembly (page 8-267).
13. Remove the Eject Roller Assembly (page 8-261).
14. Remove the Stapler Holder (page 8-284).
15. Remove the E-ring that secures gear Z42 L to the main paddle shaft and remove the gear.
16. Remove the E-ring that fixes the bearing powdered (PL14.7.20) to the main paddle shaft, and then remove the bearing powdered.
17. Slide the main paddle shaft forward to release the bearing o from the Lower Chute Assy, and remove the main paddle shaft along with the cap bearing from the Finisher.
18. Remove the cap bearing from the main paddle shaft.

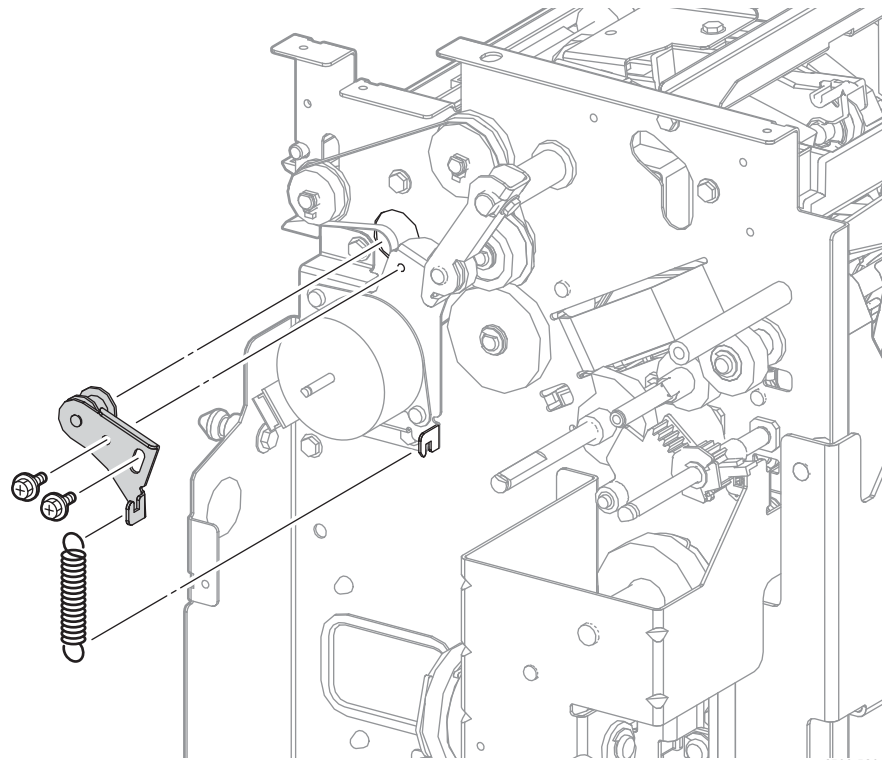


s6700-636

Transport Drive Assembly

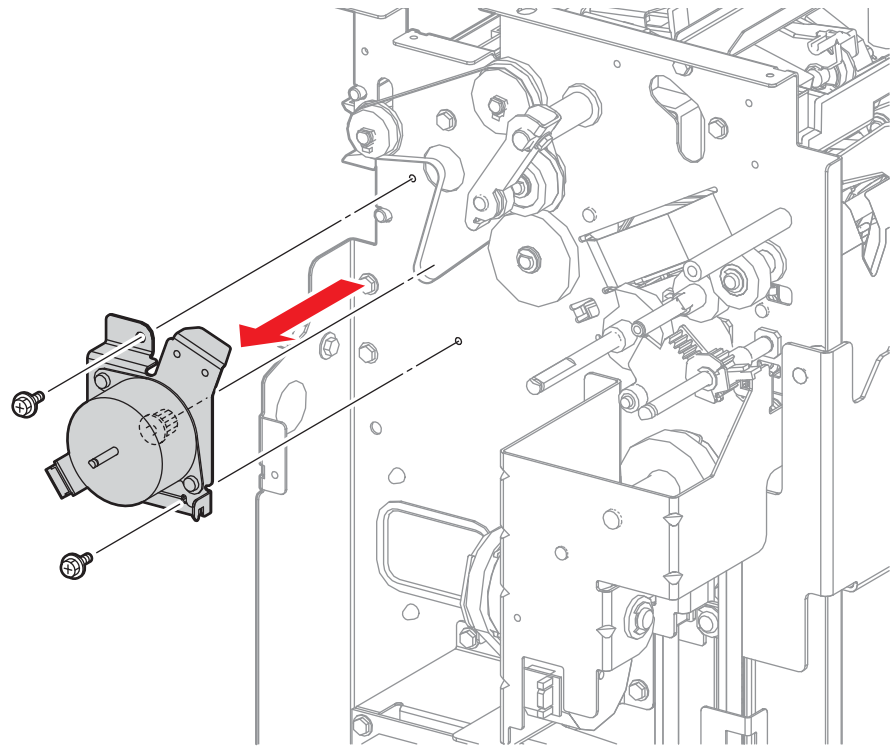
PL14.7.16

1. Remove the Finisher (page 8-229).
2. Remove the rear cover (page 8-240).
3. Remove the Front Cover (page 8-242).
4. Remove the top cover (page 8-239).
5. Remove the Eject Drive Assembly (page 8-254).
6. Remove the Eject Drive Bracket Assembly (page 8-255).
7. Remove the tension spring from the tension bracket and Transport Drive Assy.
8. Remove 2 screws (silver, flanged, 6mm) to remove the tension bracket from the Transport Drive Assy.



s6700-529

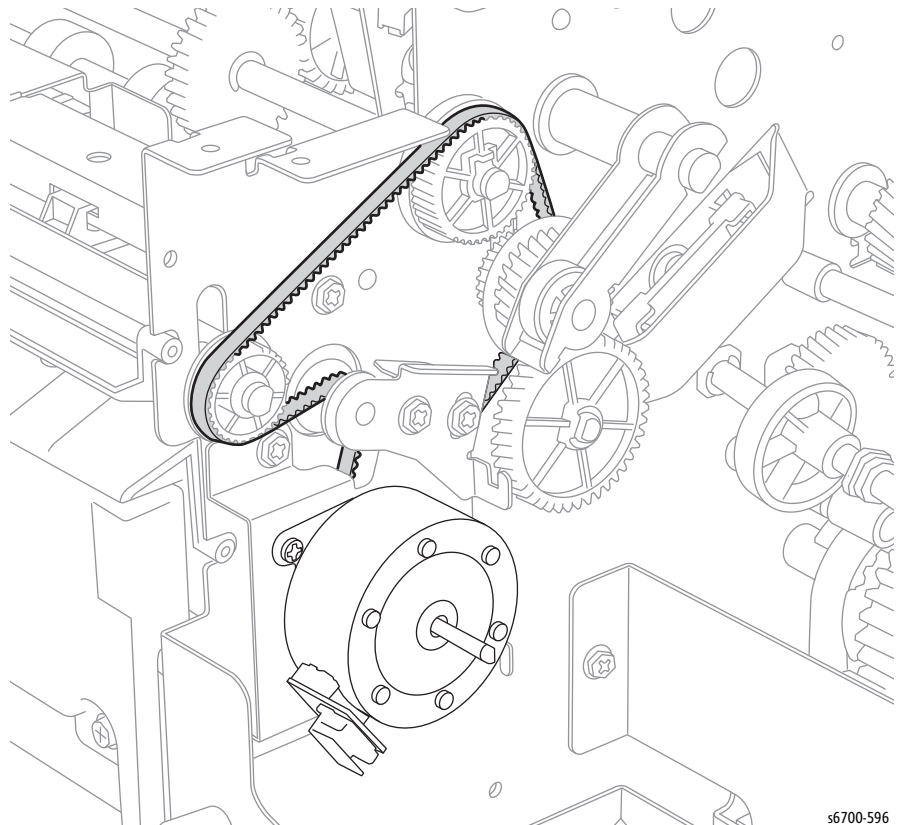
9. Remove 2 screws (silver, flanged, 6mm) that secure the Transport Drive Assy to the Finisher to remove the drive.



s6700-530

Replacement Note

Route the belt above the Transport Drive Assembly as shown.



s6700-596

Compile Tray Assembly

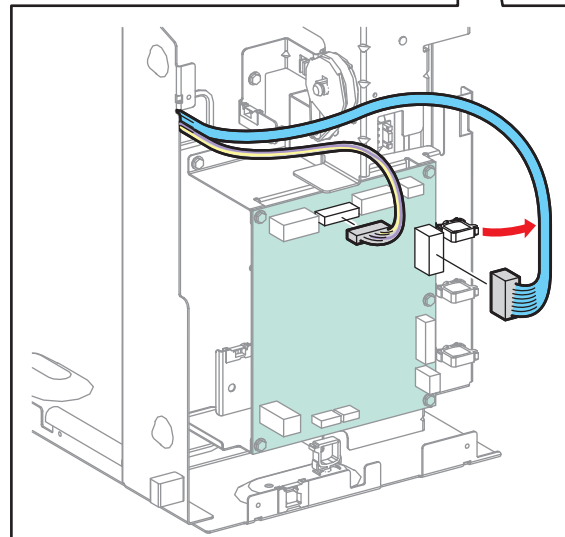
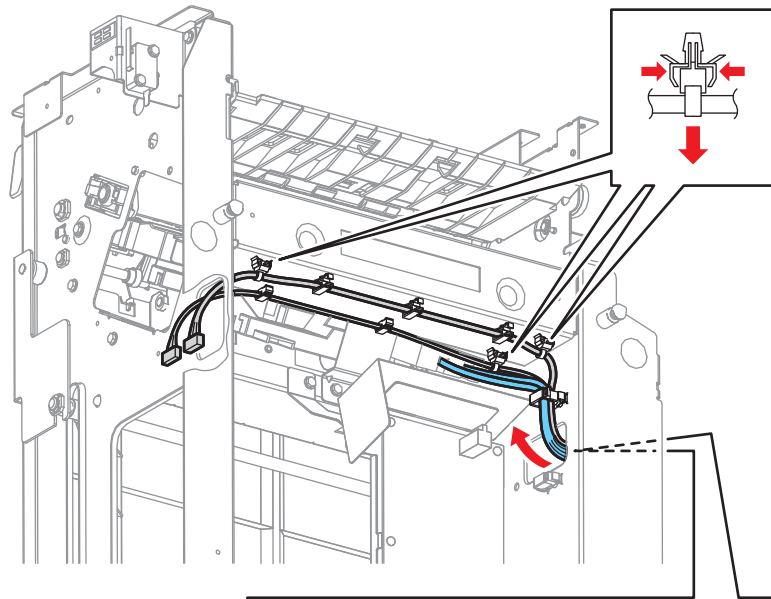
PL14.8.1

Caution

Never loosen the Red screw on the Compile Tray.

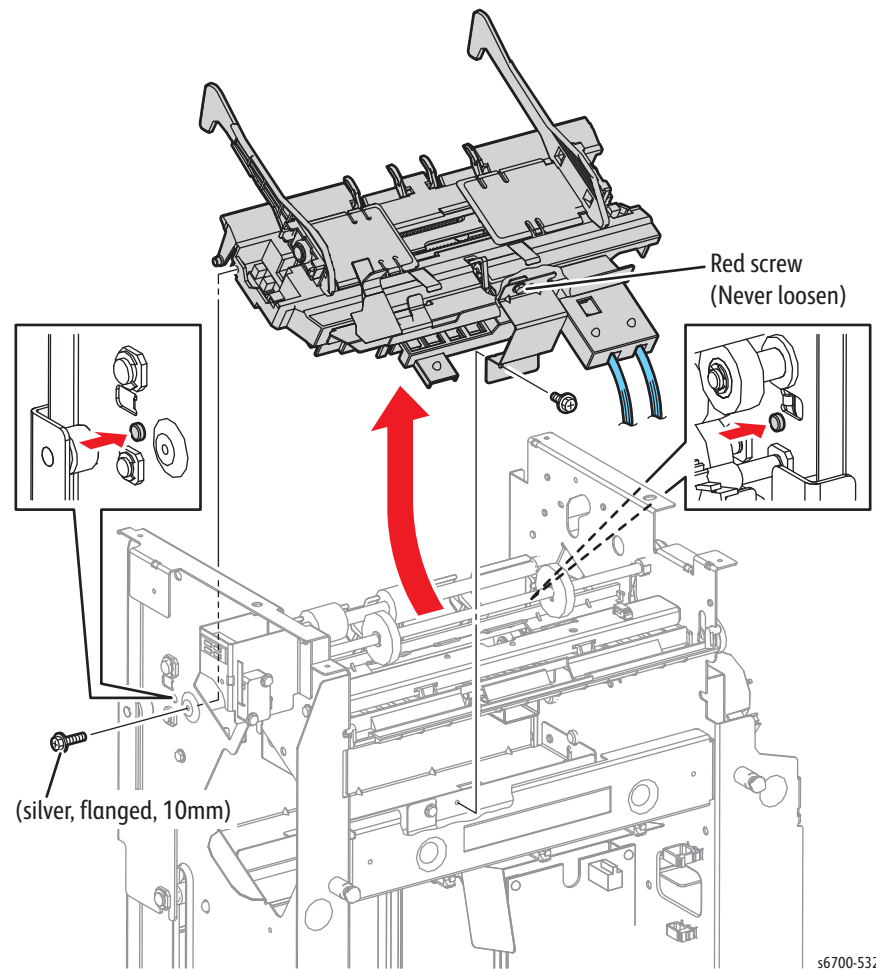
1. Remove the Finisher (page 8-229).
2. Remove the rear cover (page 8-240).
3. Remove the right cover (page 8-241).
4. Remove the Front Cover (page 8-242).
5. Remove the top cover (page 8-239).
6. Release harness guide 1 (page 8-245).
7. Remove the height sensor bracket (page 8-251).
8. Remove the Set Clamp Clutch (page 8-257).
9. Remove the Eject Drive Assembly (page 8-254).
10. Remove the Eject Drive Bracket Assembly (page 8-255).
11. Remove the Eject Chute Assembly (page 8-267).
12. Remove the Eject Roller Assembly (page 8-261).
13. Remove the Stapler Holder (page 8-284).
14. Remove the Compile Exit Sensor (page 8-271).
15. Remove the entry drive roller (page 8-272).
16. Remove the exit drive roller (page 8-273).
17. Remove the main paddle shaft (page 8-274).
18. Remove the Lower Chute Assembly (page 8-269).
19. Disconnect the motor harness at P/J8983 from the Main Board and remove the harness from the clamp.
20. Disconnect the sensor harness at P/J8988 from the Main Board .
21. Remove both harnesses from harness guide 1.

22. Release 2 ties and 4 clamps that secure the motor harness to the Finisher and pull the harness into the frame through the holes.
23. Release 1 tie and 3 clamps that secure the sensor harness to the Finisher and pull the harness into the frame through the hole.



s6700-531

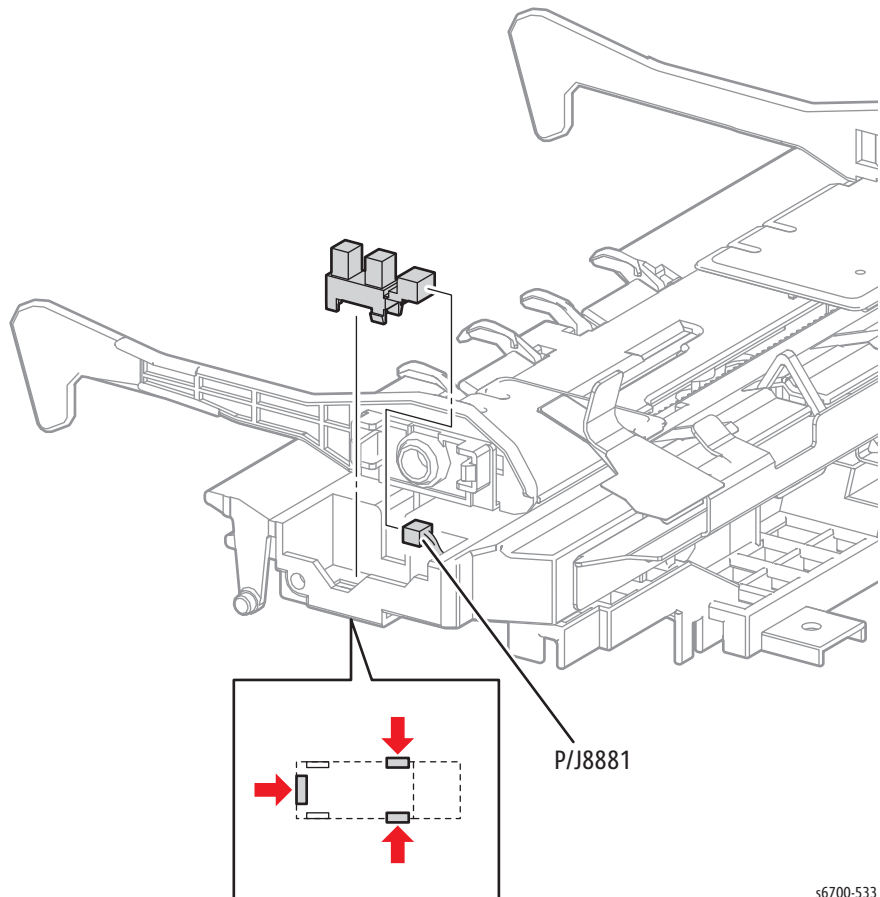
24. Remove 1 screw (silver, flanged, 6mm) and 1 screw (silver, flanged, 10mm) that secure the Compile Tray to the Finisher.
25. Release 2 bosses on the Compile Tray from the holes on the Finisher, and remove the Compile Tray, motor and sensor harnesses from the Finisher.



Front Tamper Home Sensor

PL14.8.9

1. Remove the Finisher (page 8-229).
2. Remove the Compile Tray Assy (page 8-277).
3. Release 3 hooks that secure the sensor to the Compile Tray.
4. Disconnect P/J8881 to remove the sensor.

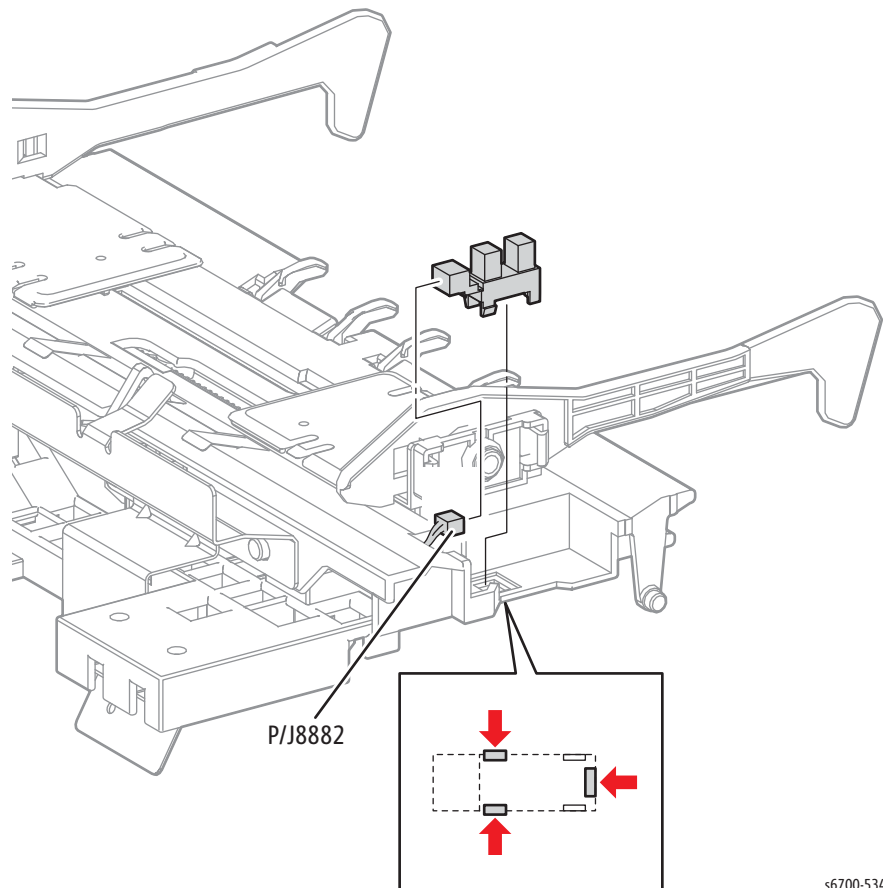


s6700-533

Rear Tamper Home Sensor

PL14.8.9

1. Remove the Finisher (page 8-229).
2. Remove the Compile Tray Assy (page 8-277).
3. Release 3 hooks that secure the sensor to the Compile Tray.
4. Disconnect P/J8882 to remove the sensor.

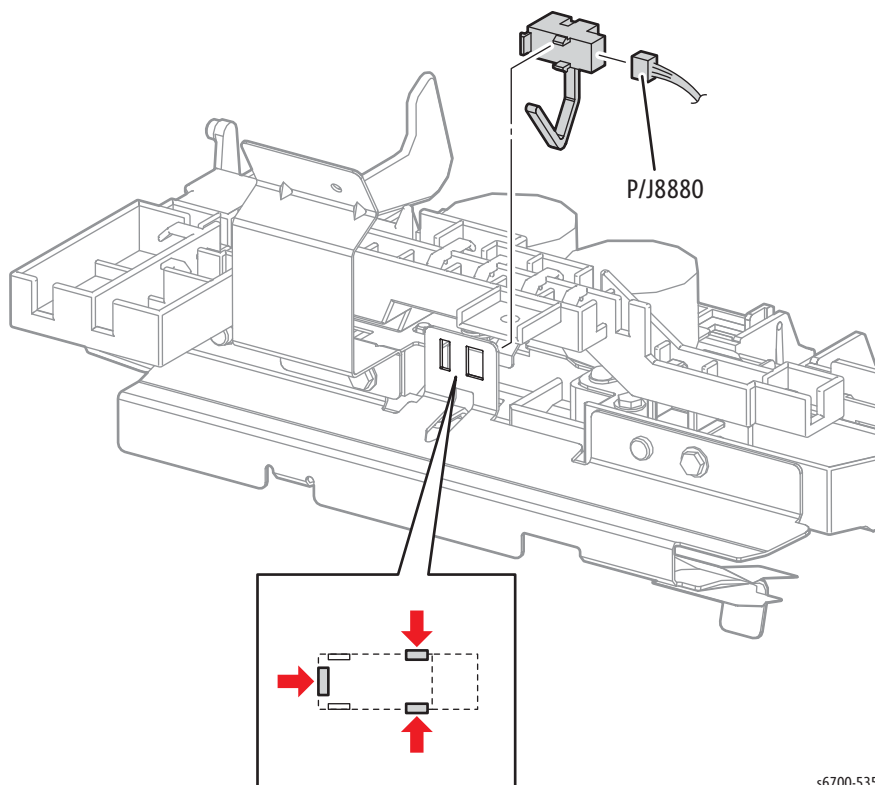


s6700-534

Compile Tray No Paper Sensor

PL14.8.13

1. Remove the Finisher (page 8-229).
2. Remove the Compile Tray Assy (page 8-277).
3. Release 3 hooks that secure the sensor to the Compile Tray.
4. Disconnect P/J8880 to remove the sensor.

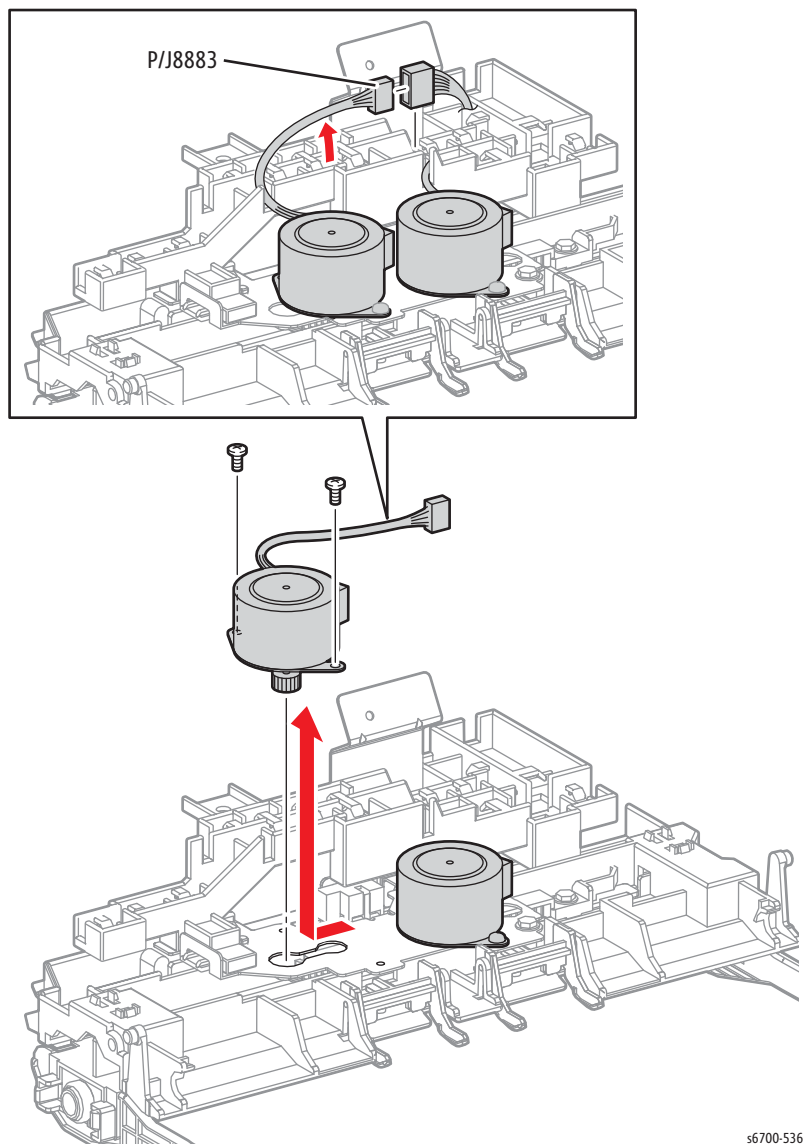


s6700-535

Tamper Motor

PL14.8.18

1. Remove the Finisher (page 8-229).
2. Remove the Compile Tray Assy (page 8-277).
3. Slide the tamper guides outward to the stops.
4. Disconnect the affected Tamper Motor (front P/J8883, rear P/J8884) from the Compile Tray harness.
5. Release the tamper motor harness from the guide.
6. Remove 2 screws (silver, 4mm) that secure the Tamper Motor to the Compile Tray.
7. Slide the Tamper Motor outward until its gears release from the tamper rack and remove the motor.

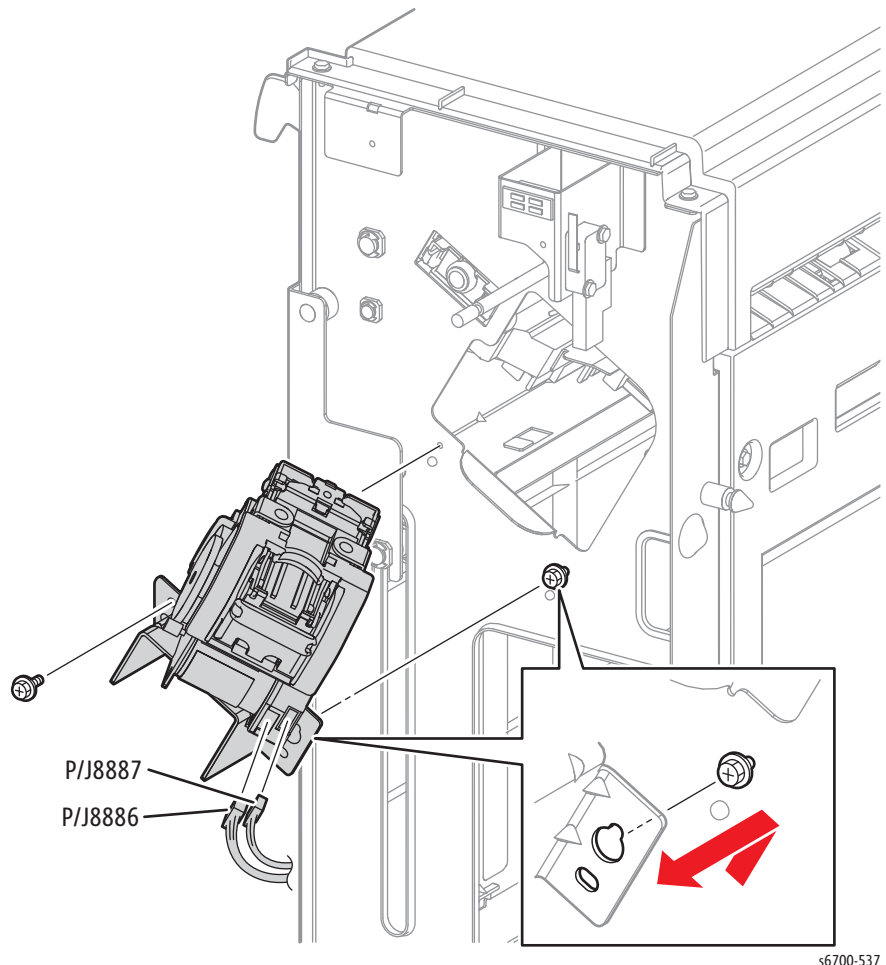


s6700-536

Stapler Assembly

PL14.8.19

1. Remove the Finisher (page 8-229).
2. Remove the Front Cover (page 8-242).
3. Disconnect P/J8886 and P/J8887 from the Stapler Assembly.
4. Remove 1 screw and loosen 1 screws (silver, flanged, 6mm) that secure the Stapler Assembly to the Finisher.
5. Lift the holder to release the Stapler Assembly bracket from the loose screws and remove the holder.

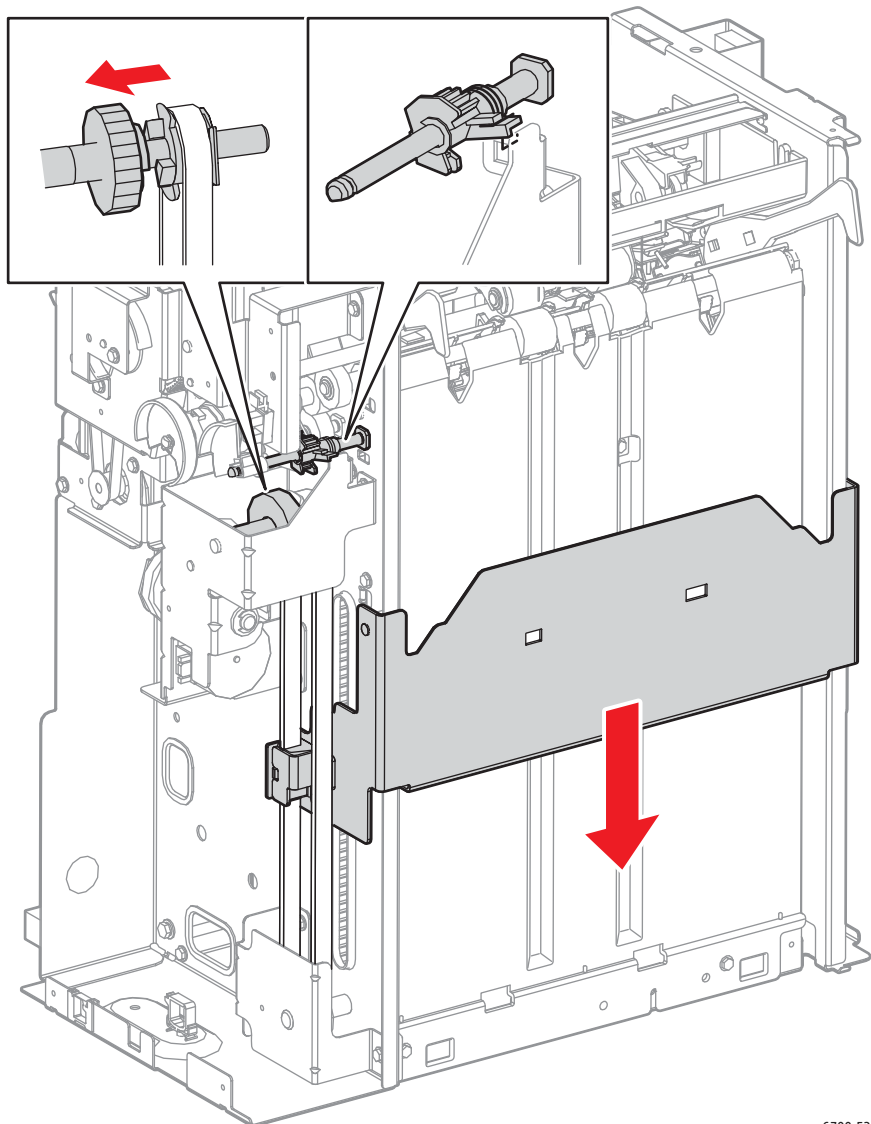


s6700-537

Stacker Dive Assembly

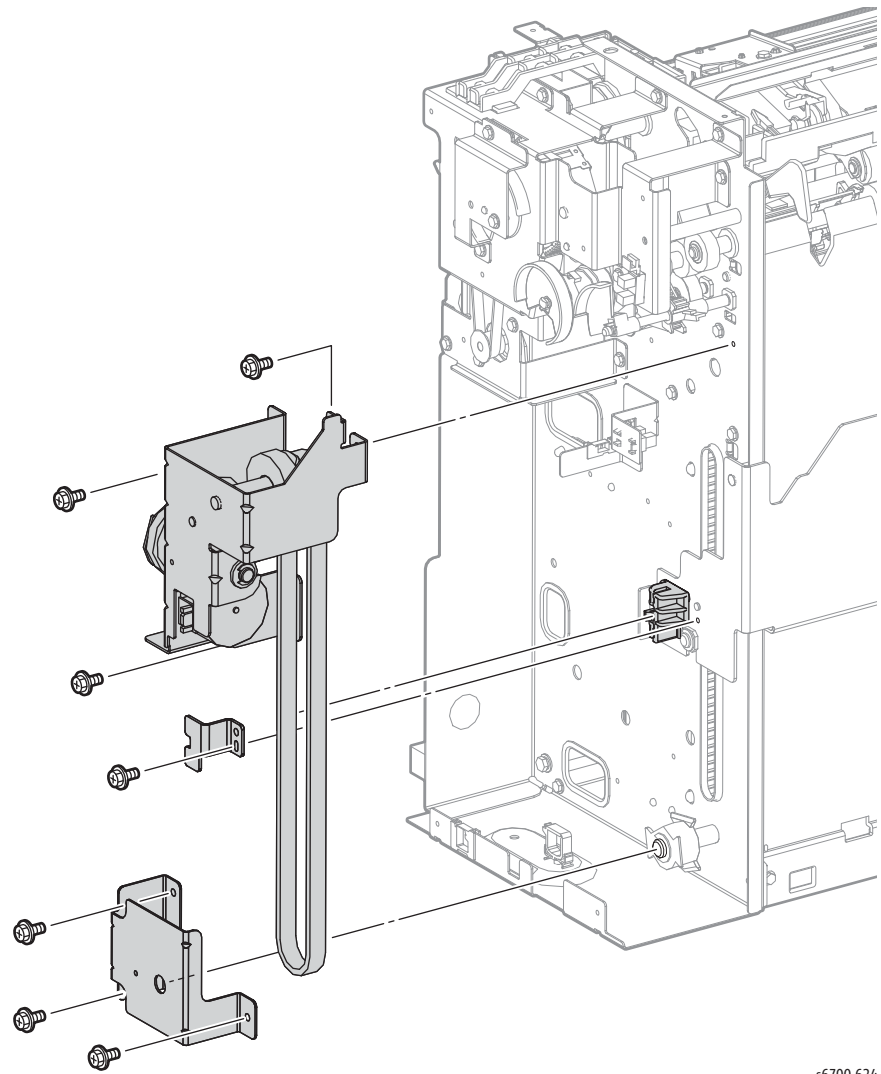
PL14.9.1

1. Remove the Finisher (page 8-229).
2. Remove the rear cover (page 8-240).
3. Remove the Front Cover (page 8-242).
4. Remove the top cover (page 8-239).
5. Release harness guide 1 (page 8-245).
6. Disconnect P/J8885 from the stacker motor.
7. Release the set link spring from the Stacker Drive Assy.



s6700-538

8. Remove 3 screws (silver, flanged, 6mm) that secure the Stacker Drive Assembly to the Finisher.

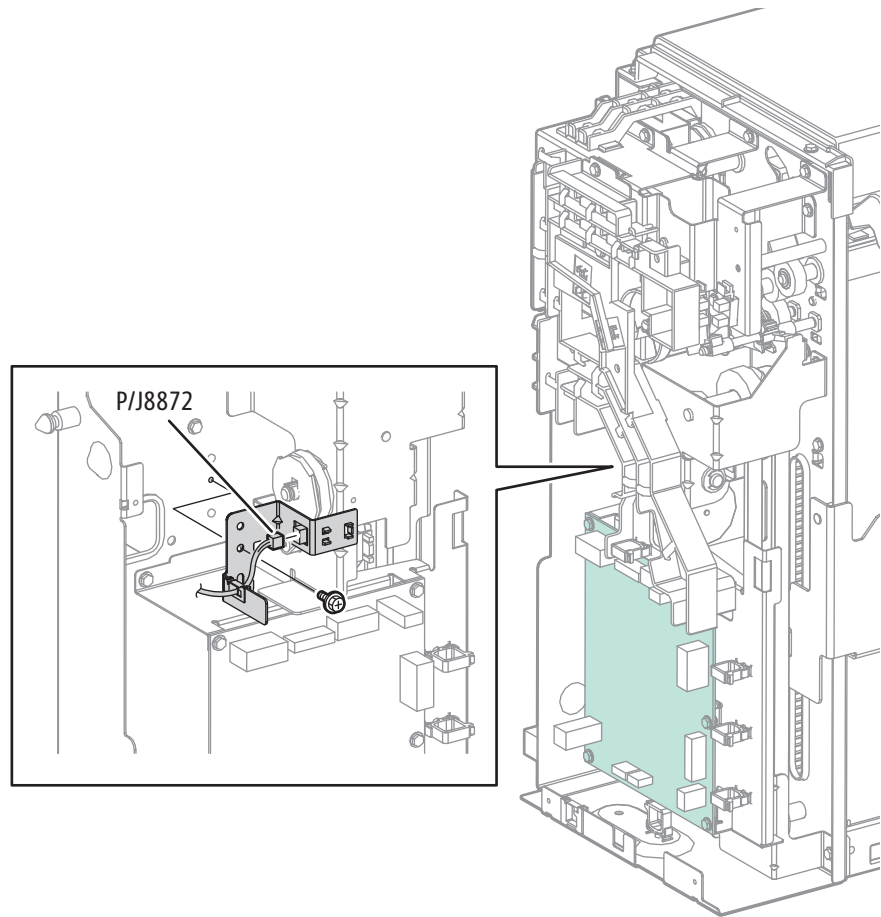


s6700-624

Stacker No Paper Sensor

PL14.9.26

1. Remove the rear cover (page 8-240).
2. Disconnect P/J8872 from the sensor and release the sensor harness from the clamp.
3. Remove 1 screw (silver, 6mm) that secures the sensor bracket to the Finisher.
4. Release 3 hooks that secure the Stacker No Paper Sensor to the bracket.

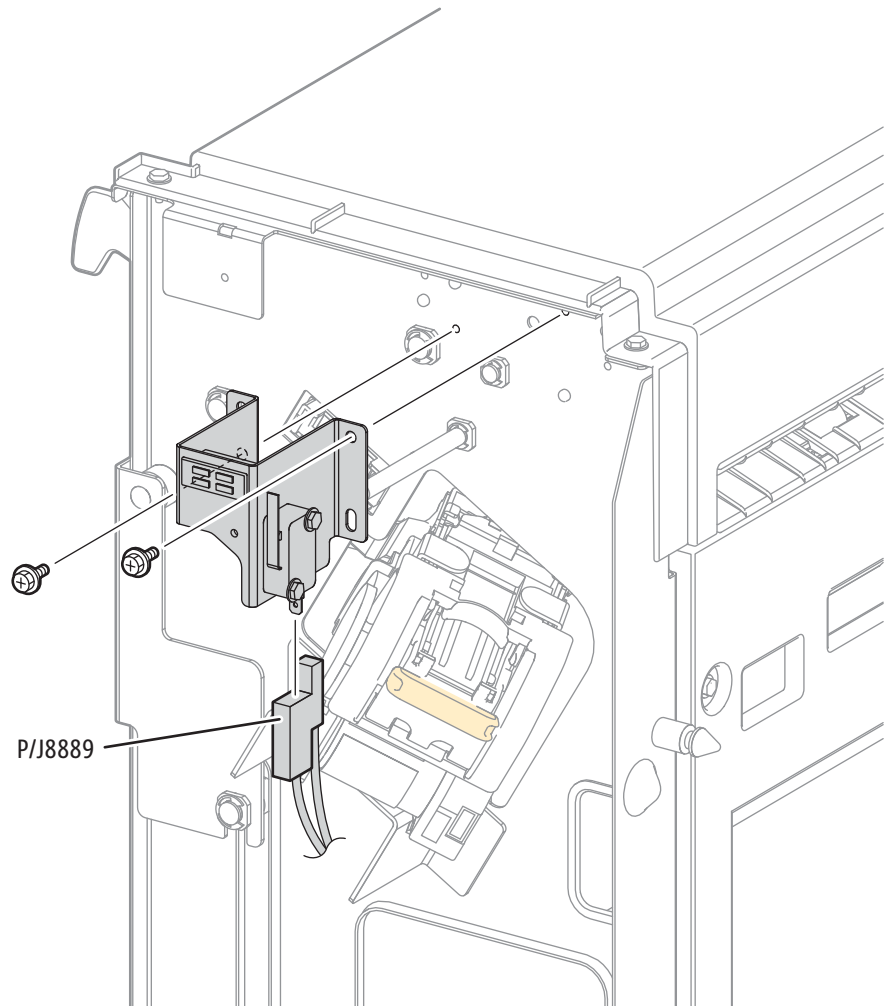


s6700-539

Front Door Interlock Switch

PL14.10.1

1. Remove the Stacker Tray (page 8-232).
2. Remove the Finisher (page 8-229).
3. Remove the Front Cover (page 8-242).
4. Disconnect P/J8889 from the Interlock Switch.
5. Remove 2 screws (silver, flanged, 6mm) that secure the bracket to the Finisher and remove the bracket.

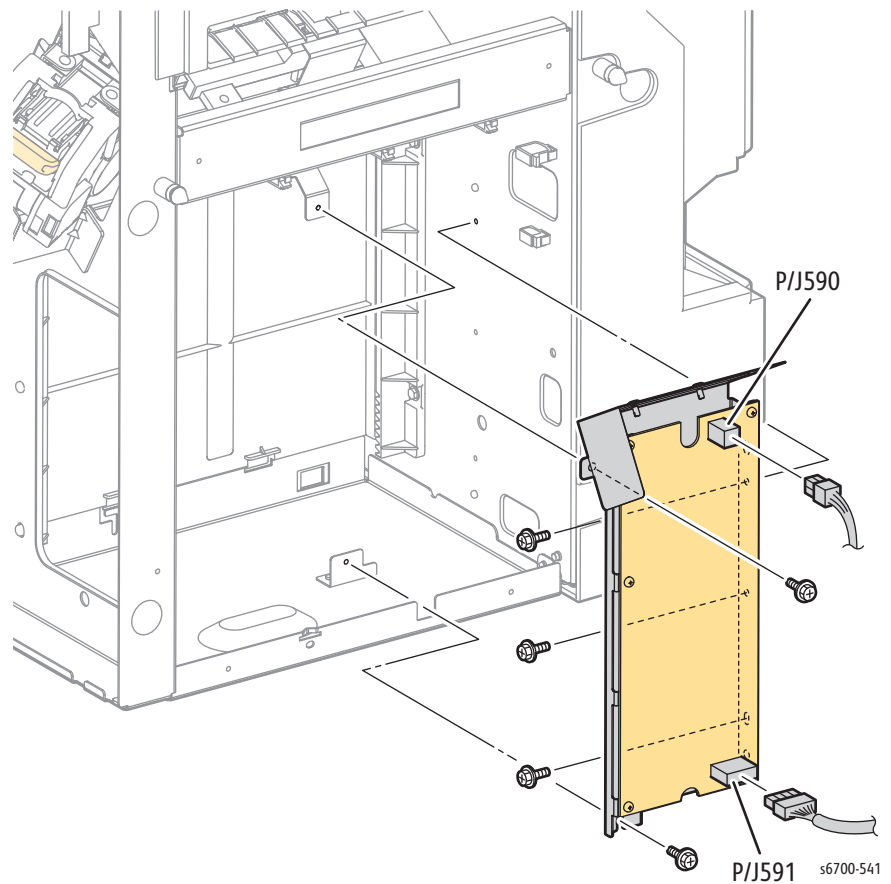


s6700-540

LVPS Assembly

PL14.10.10

1. Remove the Stacker Tray (page 8-232).
2. Remove the Finisher (page 8-229).
3. Remove the Front Cover (page 8-242).
4. Remove the right cover (page 8-241).
5. Disconnect P/J590 and P/J591 from the LVPS ASSY.
6. Remove 4 screws (silver, flanged, 6mm) that secure the LVPS to the Finisher and remove.



Parts List

In this chapter...

- Serial Number Format
- Using the Parts List
- Print Engine Parts
- Feeder Parts Lists
- Finisher Parts
- Xerox Supplies and Accessories
- Service Kits

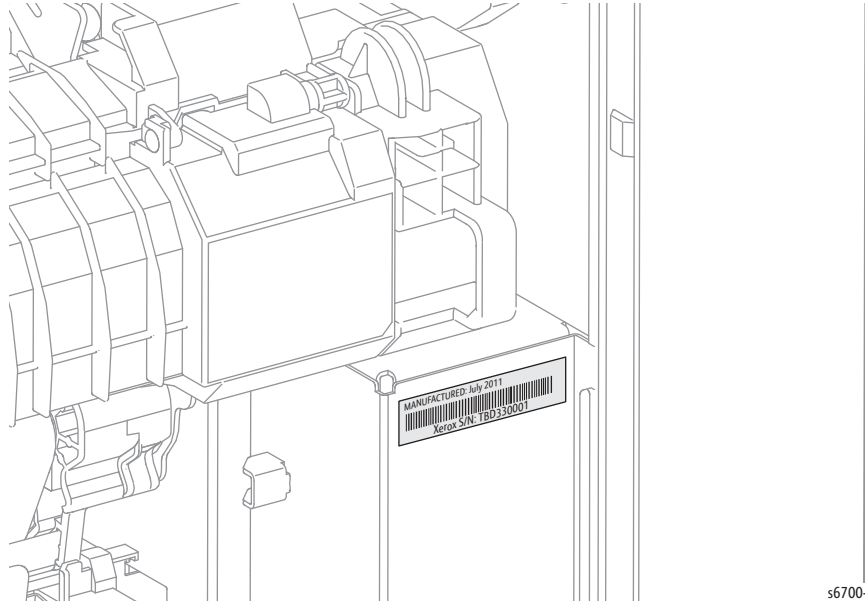
Chapter 9

Serial Number Format

Changes to Xerox products are made to accommodate improved components as they become available. When ordering parts, include this information:

- Component's part number
- Product type or model number
- Serial Number of the printer

The serial number is located on the chassis near the Fuser. Open the Right Door to view the serial number label. Serial number format is dependent on input voltage.



For 110V models, a nine-digit serial number uses this format **PPSSSSSS**.

- **PPP** = Three-digit alphanumeric product code

Product Code	Product
AB9	6700, 110 V Engine

- **SSSSSS** = Six-digit numeric serial number based on the following table. The serial numbers are reset only when the ending number is reached or when the revision number is rolled.

Product	Starting Serial Number	Ending Serial Number
6700_N, 110V Engine	770502	860000
6700_DN, 110V Engine		
6700_YDN, 110V Engine	573501	673500

For 220V models, a ten-digit serial number uses this format **MMMSSSSSc**.

- **MMM** = Three digit alphanumeric manufacturing location code

Product Code	Product	Location
AC0	6700V, 220 V Engine	317

- **SSSSSS** = Six digit numeric serial number based on the following table. The serial numbers are reset only when the ending number is reached or when the revision number is rolled

c = Check digit.

Product	Starting Serial Number	Ending Serial Number
6700V_DN, 220V Engine	001001	100500

Examples

Xerox Serial Number = AB9774072
 Product code for 110V printer = AB9
 Serial number for 6700_N or 6700_DN = 774072

Xerox Serial Number = 3170057367
 Manufacturing location code for 220V printer = 317
 Serial number for 6700V_DN = 005736
 Check digit = 7

Using the Parts List

Note

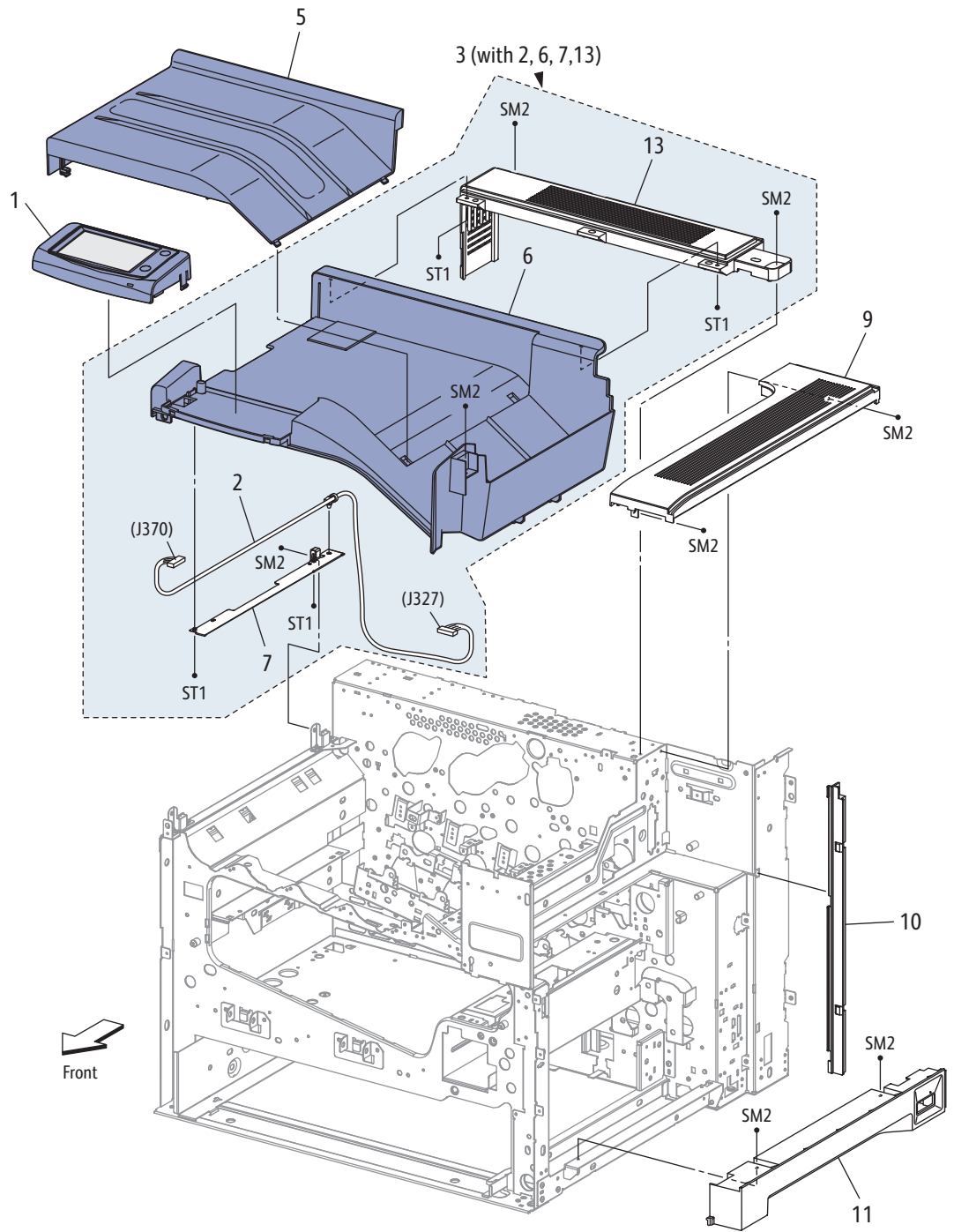
Parts with part numbers are available for order. Parts without part numbers are only available with the parent assembly.

- **Item:** The item number in the parts diagram.
- **Name/Description:** Part nomenclature and number of parts per order.
- **Part Number:** The part number to order that specific part.
- Parts are referenced **PL#.#.#**; For example, PL3.1.10 means the part is item 10 of Parts List 3.1.
- A black triangle preceding a number followed by a parenthetical statement in the parts diagram means the item is a parent assembly, made up of the individual parts called out in parentheses.
- The notation “**with X~Y**” following a part name indicates an assembly made up of components X through Y. For example, “1 (with 2~4)” means part 1 consists of part 2, part 3, and part 4.
- An asterisk (*) after a part indicates the page contains a note about this part.
- The notation “**J1<>J2 and P2**” is attached to a wire harness. It indicates connector Jack 1 is attached to one end of the harness and connector J2 is attached to the other end plugged into P2.
- Fastener location and type are indicated using designators. Refer to “Fastener Types” on page 8-5 for a complete list of fasteners used, and “Hardware Kit - 604K56670” on page 9-102 for fasteners available in the Hardware Kit.

Designator	Fastener Type
E	E-ring
KL	K-clip
ST	Screw, self-tapping
SM	Screw, sheet metal

Print Engine Parts

Parts List 1.1 Covers (1/3)

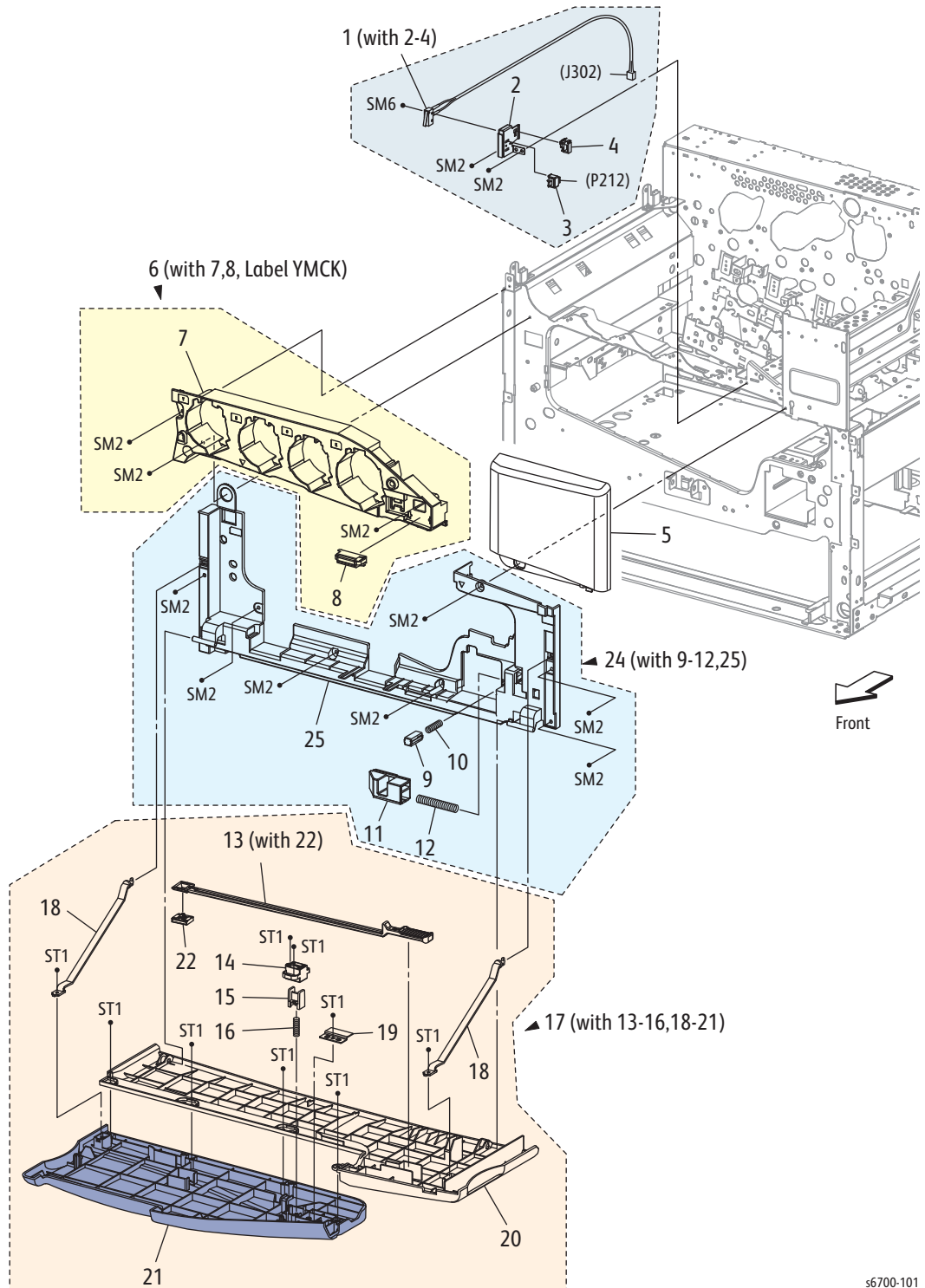


s6700-100

Part List 1.1 Covers (1/3)

Item	Description	Part Number
1	Console Assy Panel 110V (Control Panel) Console Assy Panel 220V	848E84850
2	Harness Opepane (J327-J370) (Control Panel Harness)	962K84820
3	Top Cover Assy (with 2, 6, 7, 13)	848K52492
4		
5	Top Cover Add Tray (Output Tray)	848E53951
6	Top Cover	
7	Guide Harness UI	
8		
9	Exit Cover	848K52500
10	Guide RH Rib	
11	Cover RH Under (lower right cover)	
12		
13	Cover Top Rear	
99	Kit Control Panel & Harness (with 1, 2)	

Parts List 1.2 Print Engine Covers (2/3)



s6700-101

Part List 1.2 Covers (2/3)

Item	Description	Part Number
1	Front Door Interlock Switch (I/L SW-J302) (with 2~4)	110K16170
2	Bracket Interlock Front	
3	Front Door Open Switch	110E11580
4	Clamp Locking	
5	Cover Front RH (upper front cover)	
6	Cover Assy Inner Upper (with 7, 8, Label YMCK)	848K52470
7	Cover Inner Upper	
8	Magnet Catch	
9	Holder Spring Box	
10	Spring Waste	
11	Latch Waste Box	
12	Spring Waste Box	
13	Laser Lens Cleaning Tool (with 22)	042K94080
14	Holder Inter Lock Front	
15	Actuator Inter Front	
16	Spring Inter Lock Front	
17	Front Door (with 13~16,18~21) (includes Xerox logo)	848K52463
18	Strap Cover Front	868E25990
19	Bracket Mag	
20	Cover Front Lower	
21	Cover Front Upper	
22	Cleaning Pad	
23		
24	Cover Assy Inner Lower (with 9~12, 25)	848K52481
25	Cover Inner Lower	

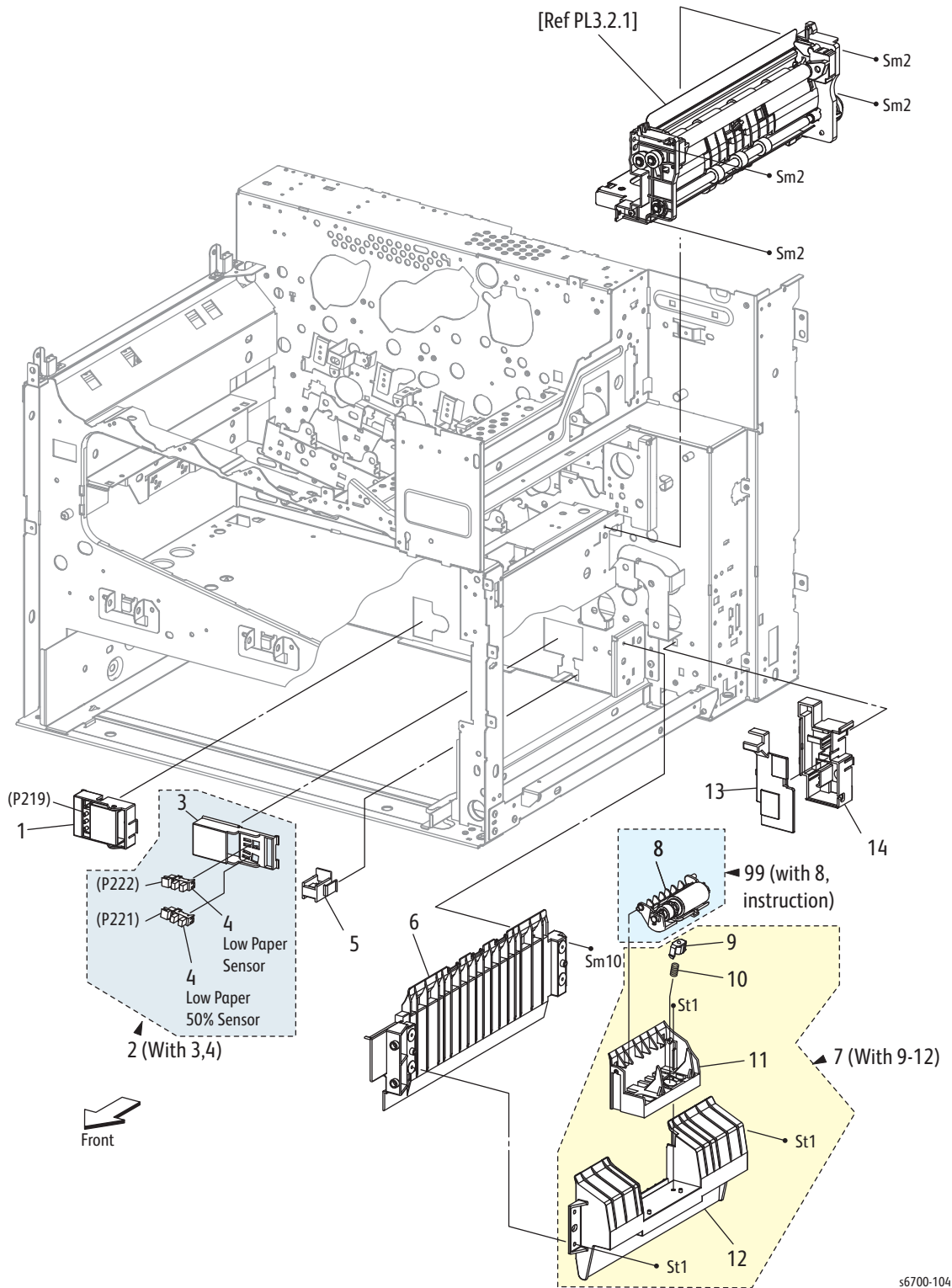
Part List 1.3 Covers (3/3)

Item	Description	Part Number
1	Bracket I/L Rear	
2	Cover LH (with 7, 8)	848K52511
3	Cover LH Finisher Upper (Upper Finisher Docking Cover)	848E 54010
4	Cover Rear LH (Finisher Port Cover)	848E54040
5	Cover Assy Rear	848E54031
6	SW Assy I/L Rear (with 1, PL11.2.2)	110K16160
7	Cover LH Outer	
8	Cover LH	
9	Cover LH Finisher Lower (Lower Finisher Docking Cover)	848E 54020

Part List 2.1 Tray 2

Item	Description	Part Number
1	Tray 2 Assy (with 2~14,16~41)	050K65702
2	Plate Assy Bottom	
3	Gear PB Front	
4	Gear BTM Dmp Oneway	
5	Shaft PB A4	
6	Gear BTM Lock Oneway	
7	Stopper PB	
8	Spring BTM Up 550 A4	
9	Guide Assy Side R	
10	Gear Pinion	
11	Guide Assy Side F	
12	Guide Assy End (With 13)	
13	Actuator Guide End	
14	Actuator Size	
15	--	
16	Plate Gear Lock	
17	Lever Separator	
18	Lever Latch	
19	Spring Cover Separator	
20	Cover Separator	
21	Holder Assy Separator	
22	Holder Spring Separator	019E76290
23	Spring Separator	809E85020
24	Actuator Low Paper	
25	Lever BTM Lock	
26	Gear Lever BTM Lock	
27	Spring BTM Lock	
28	Rack BTM Lock	
29	Cover BTM Up	
30	Gear BTM Lock Pinion	
31	Gear 40 Btm Lock	
32	Gear PB Rear	
33	Link PB	
34	Cover Link	
35	Spring Stopper Gear	
36	Actuator PLS PB	
37	Latch Tray	
38	Spring Latch	
39	Cover Tray	
40	Housing Base	
41	Label Kit	
99	Feed & Separator Roll Kit (with 21, PL3.2.18 x 2pcs)	604K65030

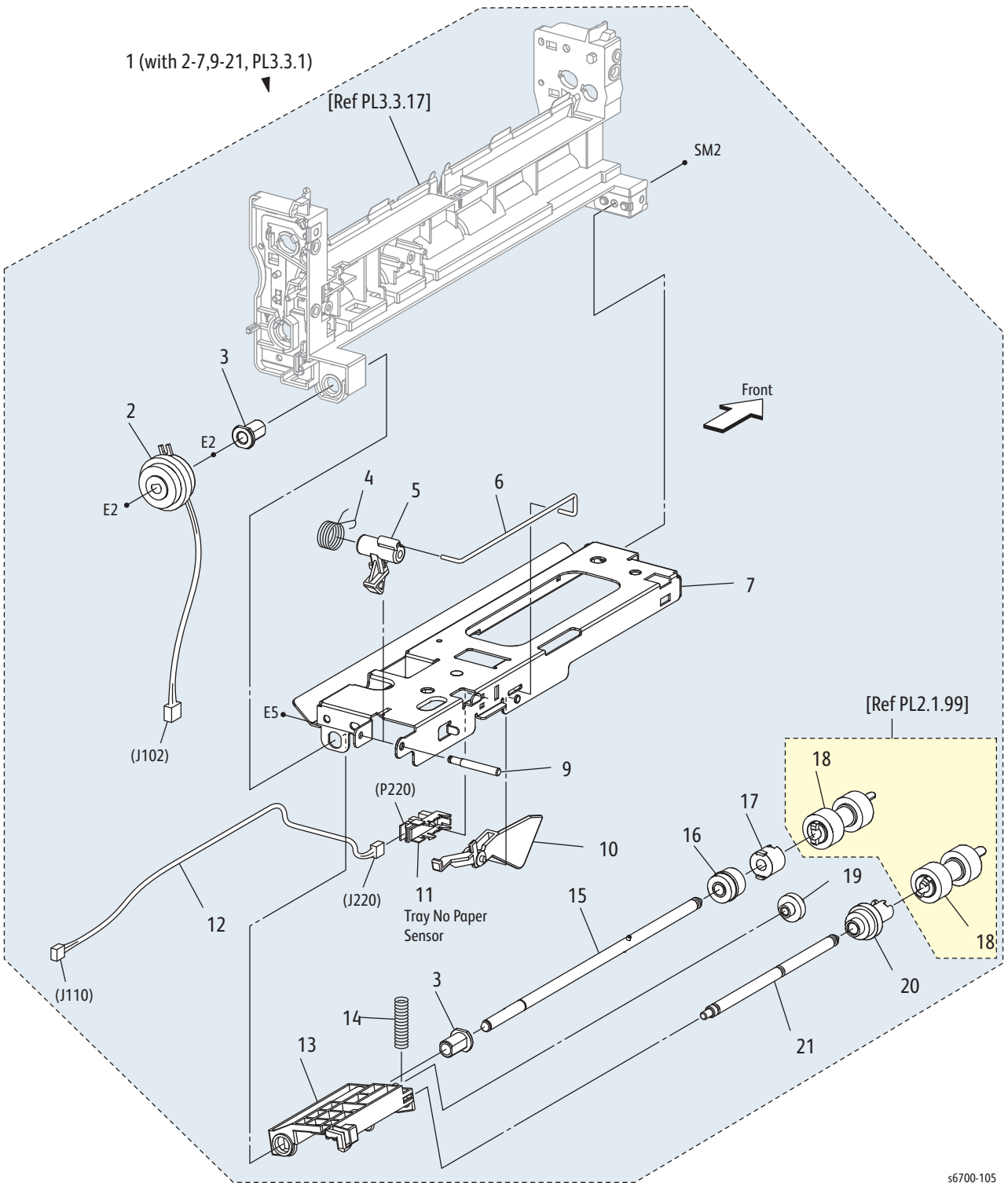
Parts List 3.1 Feeder/Registration Assembly (1/3)



Part List 3.1 Feeder/Registration Assembly (1/3)

Item	Description	Part Number
1	Switch Assy Size (Size Switch)	110K15830
2	Holder Assy Sensor Low (with 3,4)	019K10650
3	Holder Sensor	
4	Sensor Photo (Low Paper Sensor 1 and 2)	930W00123
5	Block Release	014E64090
6	Guide Tray	
7	Tray 1 Separator Assy (with 9-12)	054K42171
8	Holder Assy Separator MSI	
9	Holder Spring Separator	
10	Spring Separator MSI	
11	Bracket Separator	
12	Chute Base Separator	
13	Cover Guide Harness	
14	Guide Harness	
99	Kit Tray 1 Separator Roller (with 8)	604K65040

Parts List 3.2 Feeder/Registration Assembly (2/3)

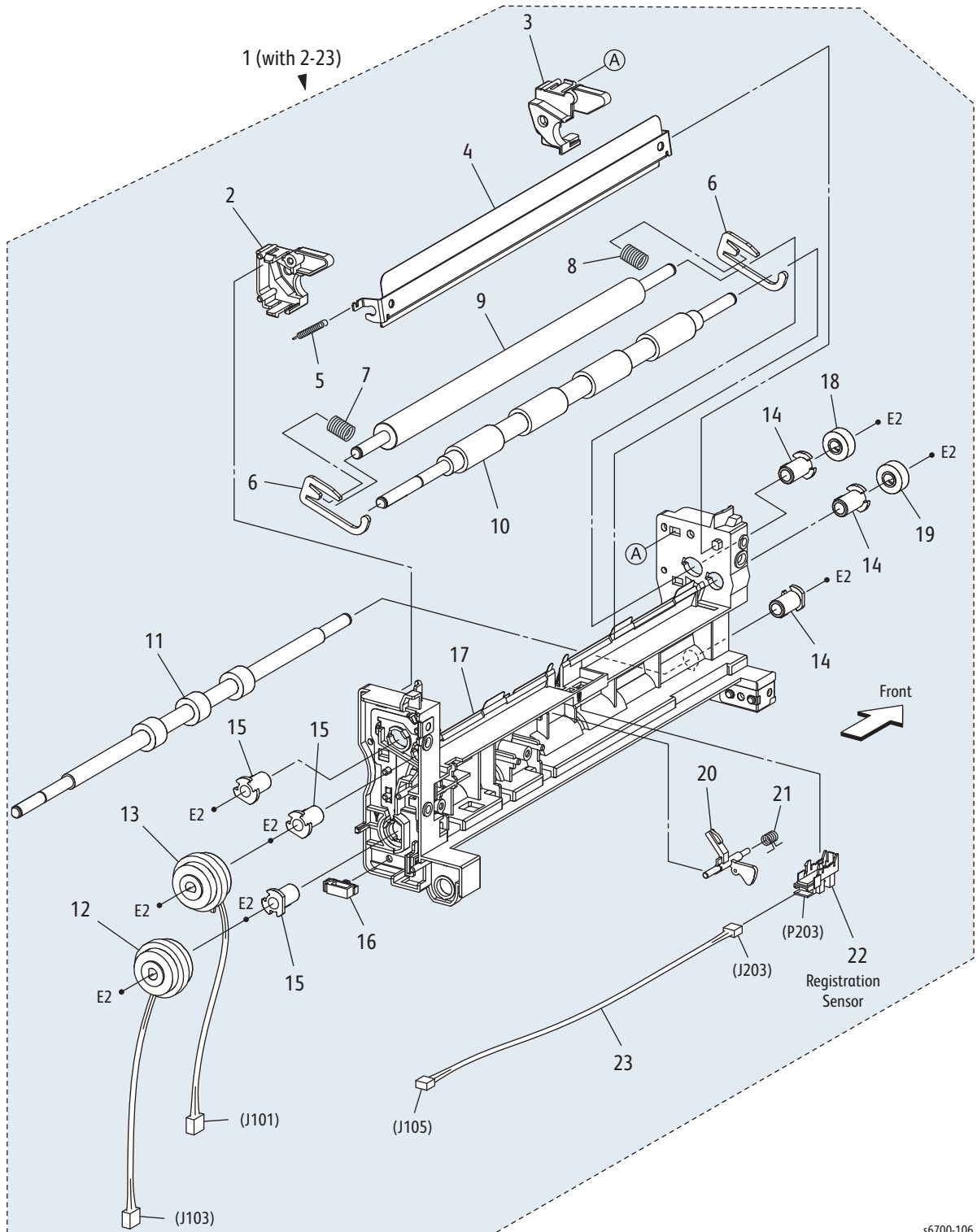


s6700-105

Part List 3.2 Feeder/Registration Assembly (2/3)

Item	Description	Part Number
1	Feeder Assy (with 2~7, 9~21, PL3.3.1)	054K43721
2	Clutch Assy Feed (Feed Clutch)	121K43561
3	Bearing Nudger	
4	Spring Lever Nudger	
5	Lever Nudger	
6	Link Actuator	
7	Chute Frame Top	
8	--	
9	Shaft Lever Nudger	
10	Actuator No Paper	120E31541
11	Sensor Photo (No Paper Sensor)	930W00123
12	Harness Assy No Paper Sensor (J110-J220)	
13	Support Nudger	
14	Spring Nudger	
15	Shaft Assy Feed	
16	Gear Feed	
17	Clutch Assy Oneway Feed	
18	Roll Assy Feed	
19	Gear Idler Nudger	
20	Roll Assy Gear Nudger	
21	Shaft Nudger	

Parts List 3.3 Feeder/Registration Assembly (3/3)

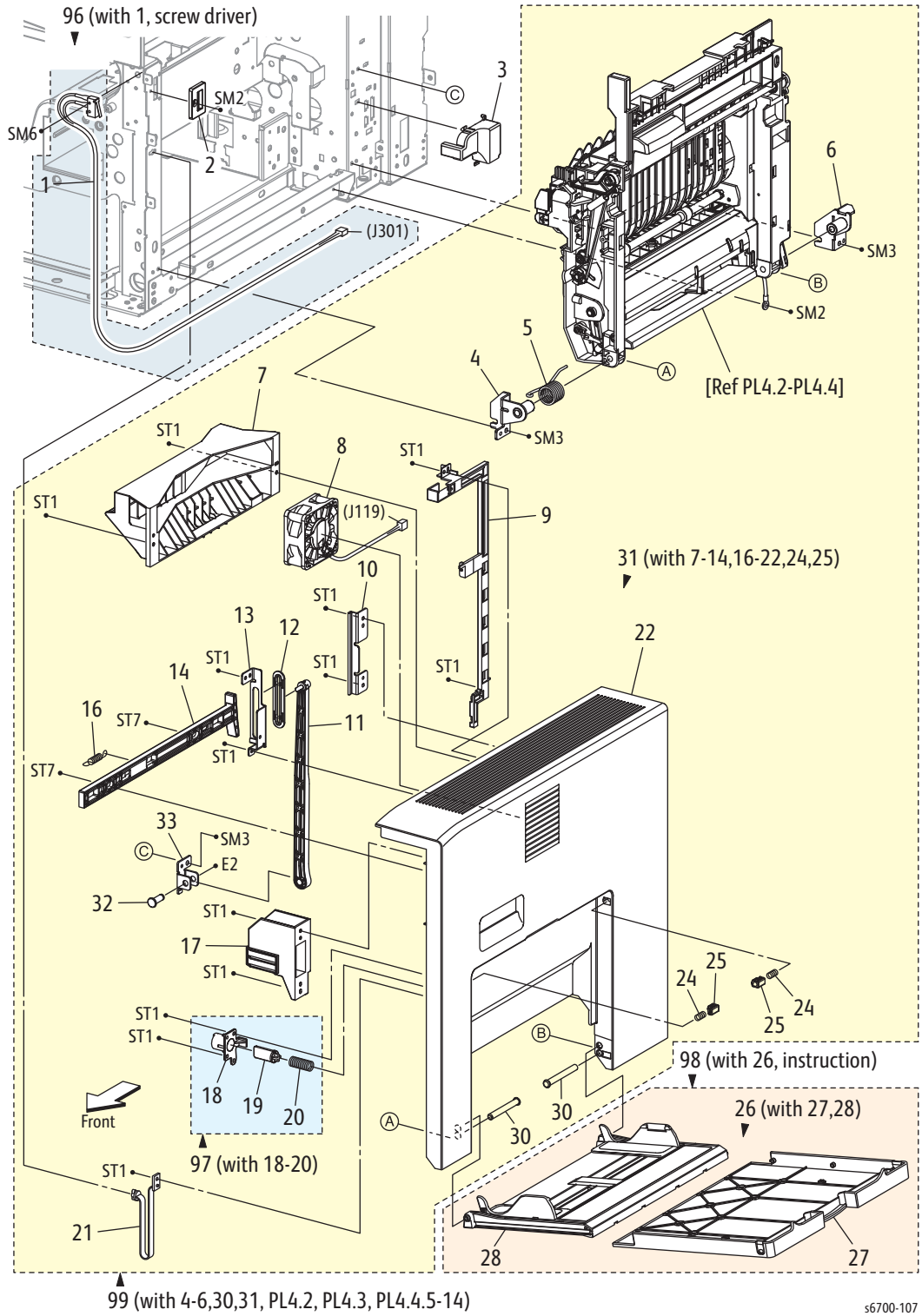


s6700-106

Part List 3.3 Feeder/Registration Assembly (3/3)

Item	Description	Part Number
1	Chute Assy Regi (With 2-23)	
2	Cover Spring Rear	
3	Cover Spring Front	
4	Chute Assy Upper Regi	
5	Spring Chute Upper	
6	Bracket Nip	
7	Spring Regi R	
8	Spring Regi F	
9	Roll Regi Metal	
10	Roll Assy Regi Rubber	
11	Roll Assy Take Away	
12	Clutch Assy Take Away (Take Away Clutch)	121K43551
13	Clutch Assy Regi (Registration Clutch)	121K43541
14	Bearing Regi	
15	Bearing Regi Earth	
16	Clamp Locking	
17	Chute Regi	
18	Gear Regi Metal	
19	Gear Regi Rubber	
20	Actuator Regi SNR (Registration Sensor Actuator)	120E31603
21	Spring Sensor Regi	
22	Sensor Photo (Registration Sensor)	930W00123
23	Harness Assy Regi SNR (J105-J203)	

Parts List 4.1 Right Door and Frame Assembly



Parts List 4.1 Right Cover and Frame

Item	Description	Part Number
1	Harness Assy I/L RH (I/L SW-J301)	
2	Cover Intlk	
3	Cover Connector	
4	Bracket Assy Pivot Front	
5	Spring RH Frame	
6	Bracket Assy Pivot Rear	
7	Chute Dup RH	
8	Fuser Fan	127E85810
9	Guide Harness RH Fan	
10	Guide Slide Latch	
11	Link Assy	
12	Guide Support Link	
13	Guide Plate Latch	
14	Latch Cover RH	
15	--	
16	Spring Latch Cover	
17	Guide Fuser RH	032E32010
18	Holder Intlk RH	
19	Actuator Intlk RH	
20	Spring Intlk RH	
21	Strap RH (Right Door Stopper Strap)	868E26010
22	Cover RH	
23		
24	Spring Stopper MSI	
25	Stopper MSI	
26	Cover Assy MSI (with 27, 28)	
27	Cover MSI	
28	Tray Assy MSI	
29	--	
30	Shaft Pivot	
31	Cover Assy RH (with 7~14,16~22, 24, 25)	
96	Kit Interlock Switch RH (with 1, screw driver)	604K57040
97	Kit Actuator Intlk RH (with 18-20) (Right Door Interlock Actuator)	604K56450
98	Kit Cover Assy Tray 1 (with 26)	604K64951
99	Kit RH Cover & Frame Assy (with 4~6, 30~31, PL4.2, PL4.3, PL4.4.2~14)	604K64962

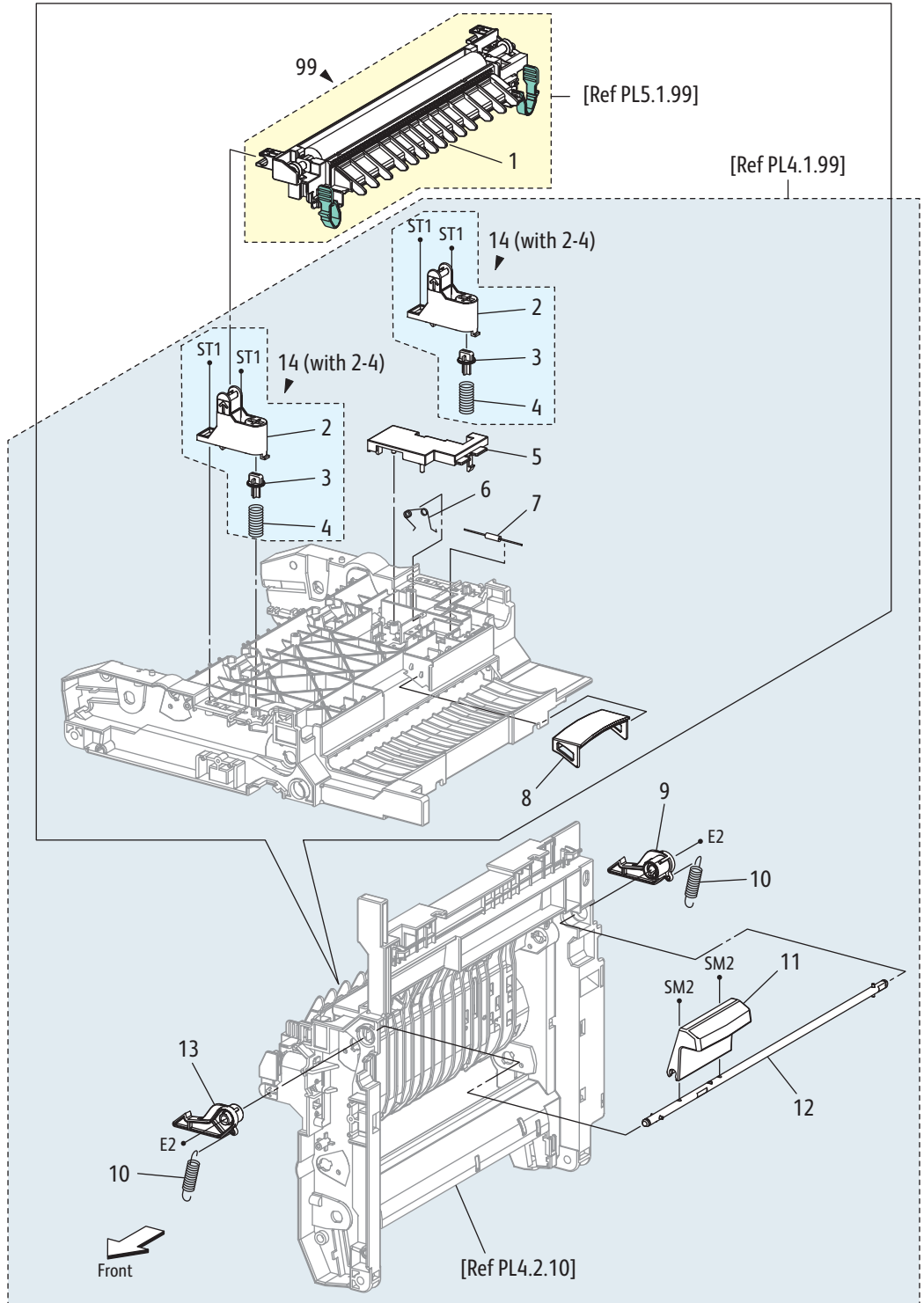
Parts List 4.2 Tray 1 Feed

Item	Description	Part Number
1	Chute Assy Pinch Regi (with 2~4) (Registration Chute)	054K40800
2	Spring Chute Swing	
3	Chute Regi Pinch	
4	Chute Regi Swing	
5	Chute Assy MSI (with 6~9, 34) (Tray 1 Chute Assy)	054K42151
6	Chute Loop MSI	
7	Chute Feed Upper	
8	Roll Pinch TA	
9	Spring Pinch TA	
10	Frame RH	
11	Spring Nf MSI	
12	Arm MSI	
13	Bracket Sensor	
14	Tray 1 No Paper Sensor	930W00123
15	Bearing Earth	
16	Cam MSI	
17	Roll Core MSI	
18	Pin MSI	
19	--	
20	Shaft Assy MSI	
21	Roll Assy Feed (Feed Roller)	059K50731
22	Plate Assy Bottom MSI	
23	Follower Rear	
24	Follower Front	
25	Roll Actuator No Paper	
26	Actuator No Paper (Tray 1 No Paper Sensor Actuator)	120E31580
27	Spring No Paper MSI (No Paper Sensor Actuator Spring)	809E89850
28	Gear Feed MSI	
29	Spring Feed MSI	
30	Cover Harn Guide RH	
31	Guide Harness RH	
32	Solenoid Feed MSI (Tray 1 Feed Solenoid)	
33	Wire Assy Earth	
34	Spring Pinch TA Ctr	
35	Holder MSI Front	
36	Frame Assy RH (with 10~18,20~33, 35, PL4.3, PL4.4.5~13)	
99	Kit RH Solenoid, Gear, Duplex Drive Clutch (with 11x2, 12x2, 28, 29, 32, PL4.3.8, PL4.3.9)	604K56510

Parts List 4.3 Duplex

Item	Description	Part Number
1	--	
2	--	
3	--	
4	--	
5	--	
6	Chute Dup Out	
7	Bearing Exit	
8	Gear Assy Dup	
9	Clutch Assy Dup	
10	Roll Assy Dup (Upper And Lower Duplex Roller)	059K62270
11	Belt Dup	
12	Pulley Dup	
13	Roller Belt Guide	
14	Roll Pinch TA	
15	Spring Pinch Dup	
16	Harness Assy RH Cover (J117-P119, J226)	962K74500

Parts List 4.4 Transfer Roller

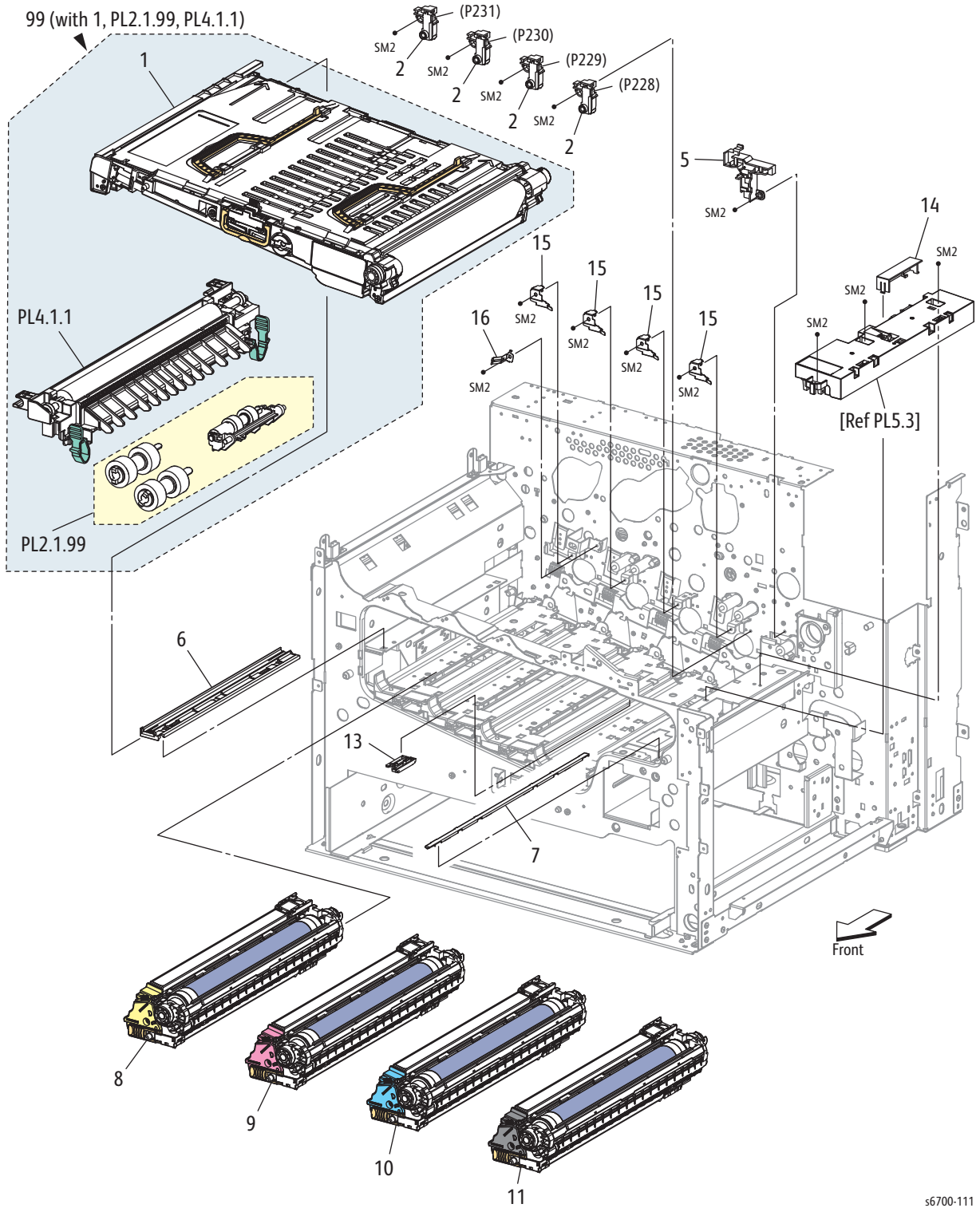


s6700-110

Parts List 4.4 Transfer Roller

Item	Description	Part Number
1	Transfer Roller	
2	Bracket 2nd BTR	
3	Cap Spring 2nd BTR	
4	Spring 2nd BTR	
5	Cover Resistor	
6	Spring Earth	
7	Resistor	
8	Handle RH (Duplex Handle)	803E05880
9	Latch Rear RH	
10	Spring Latch	
11	Handle Latch	
12	Shaft Assy Latch	
13	Latch Front RH	
14	Bracket Assy 2nd (with 2-4)	
99	Transfer Roller (with PL4.4.1, instructions)	604K64970

Parts List 5.1 Xerographics



s6700-111

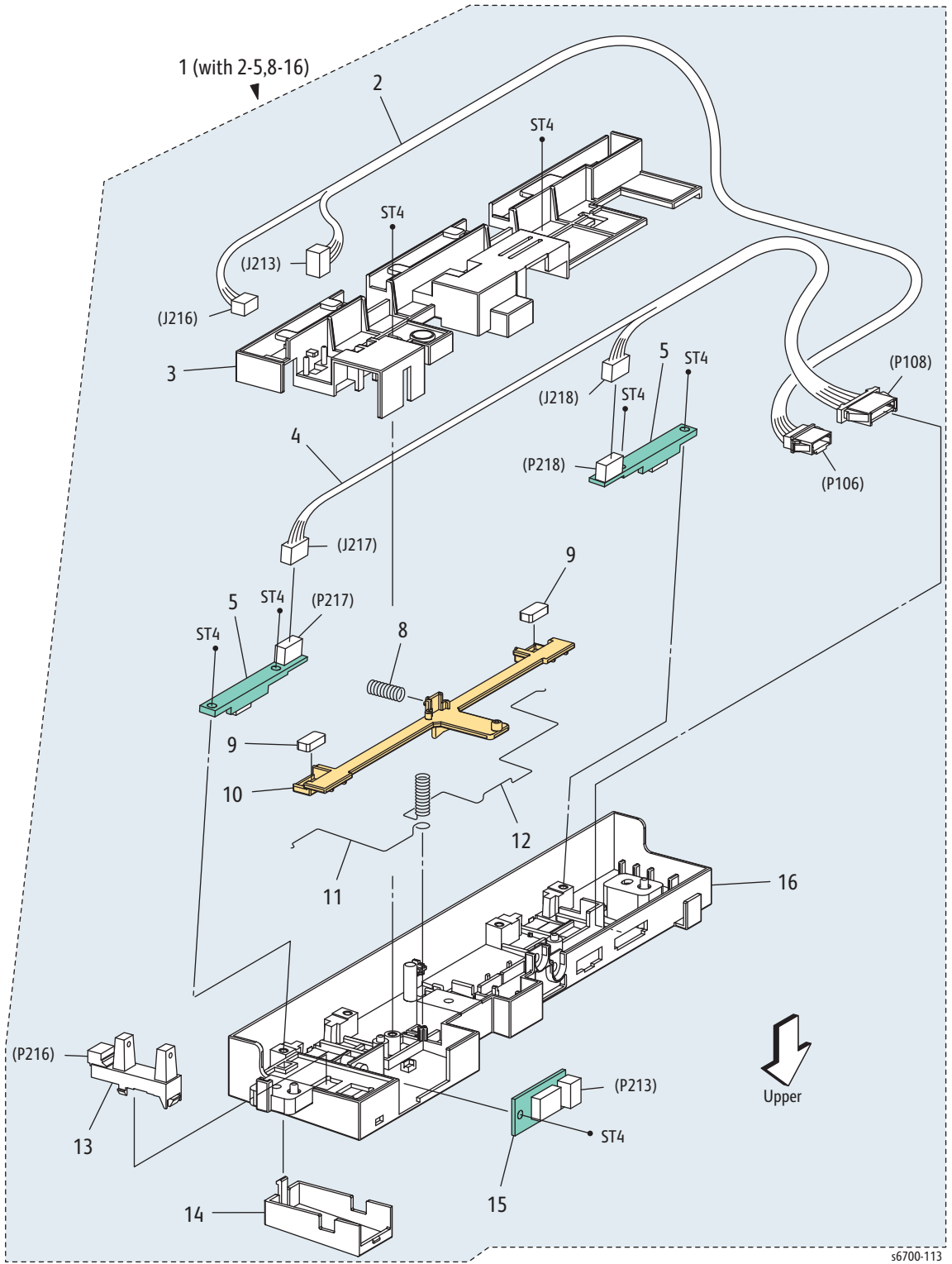
Parts List 5.1 Xerographics

Item	Description	Part Number
1	Transfer Belt	
2	Lamp Assy Erase (Erase Lamp)	122K94260
3		
4		
5	Guide Erase ADC	
6	Guide Belt L	
7	Guide Belt R	
8	Imaging Unit Y (with 1.2.22 x 1)	108R00973
9	Imaging Unit M (with 1.2.22 x 1)	108R00972
10	Imaging Unit C (with 1.2.22 x 1)	108R00971
11	Imaging Unit K (with 1.2.22 x 1)	108R00974
12		
13	Guide Handle	
14	Cover Connector	848E45650
15	Plate Spring CRU	
16	Plate Earth Ibt	
99	Maintenance Kit (with Transfer Belt, Transfer Roller, Feed Rollers, instructions)	604K73140

Part List 5.2 Laser Unit

Item	Description	Part Number
1	ROS Assy (Laser Unit)	
2	Housing Assy CR (Bias Housing Assy)	848K20400
3	PWBA HVPS (HVPS)	105K23573
4	Connector Assy Imaging Unit CRUM	113K83420
5	Guide CRUM CRU	032E31840
6	Housing Assy BTR (Transfer Belt Bias Assy)	848K20390
7	Clamp Press Rec-14	
99	Laser Unit Kit (with 1, 7)	604K64980

Parts List 5.3 Procon Assembly

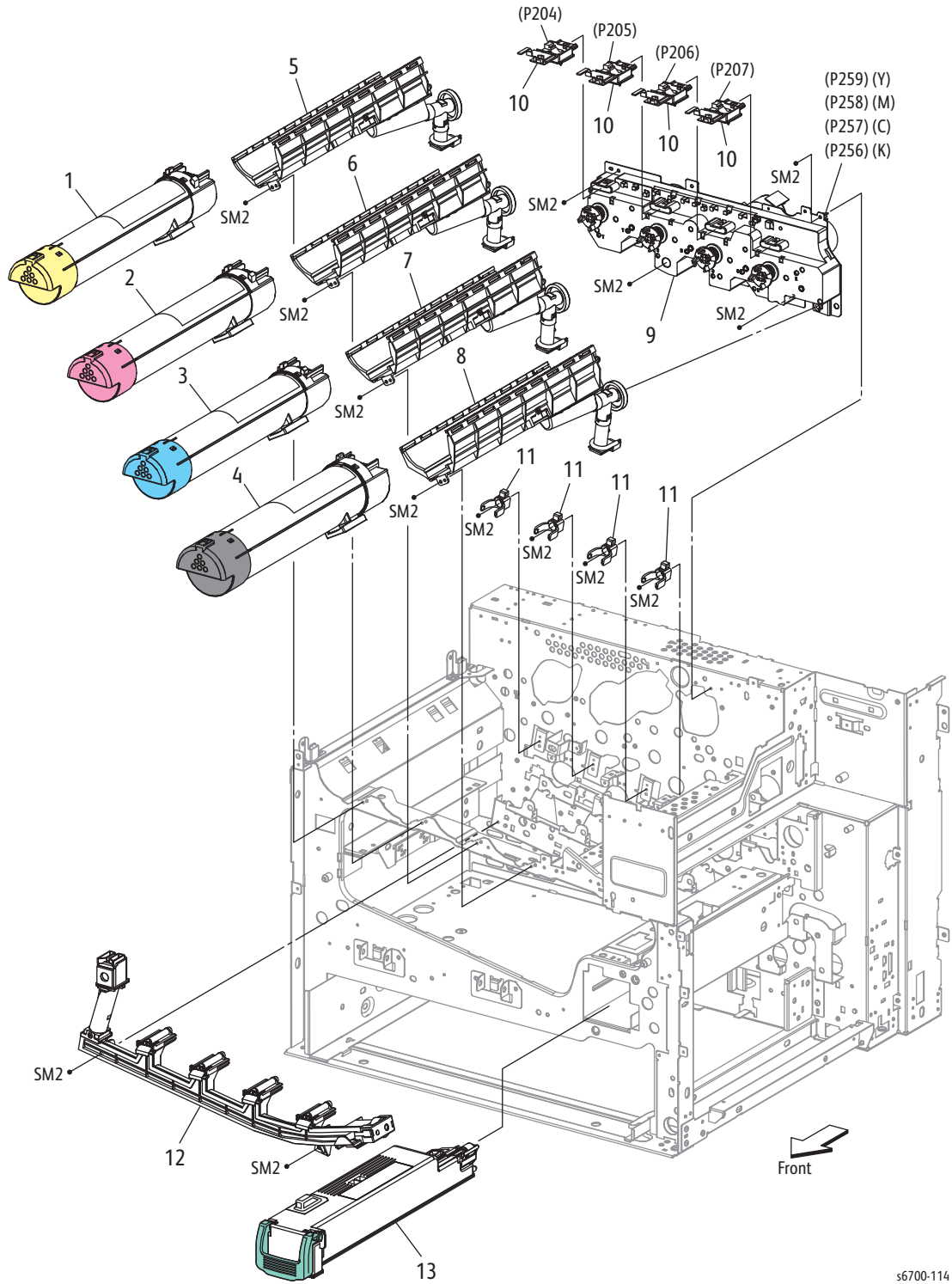


56700-113

Parts List 5.3 Procon Assembly

Item	Description	Part Number
1	Procon Assy (with 2~5, 8~16)	130K76890
2	Harness Assy CTD/HUM (P106, J213,J216)	
3	Cover ADC	
4	Harness Assy CTD SNR (P108-J217,J218)	
5	Color Density (ADC) Sensor	130E98170
6	--	
7	--	
8	Spring Shutter	
9	Pad ADC	
10	Shutter ADC	
11	Conductor Gnd F	
12	Conductor Gnd R	
13	Waste Toner Full Sensor	130E87512
14	Cover Sensor	
15	Environmental (Temp/Hum) Sensor	130E93460
16	Housing ADC	

Parts List 6.1 Toner Dispense and Recovery

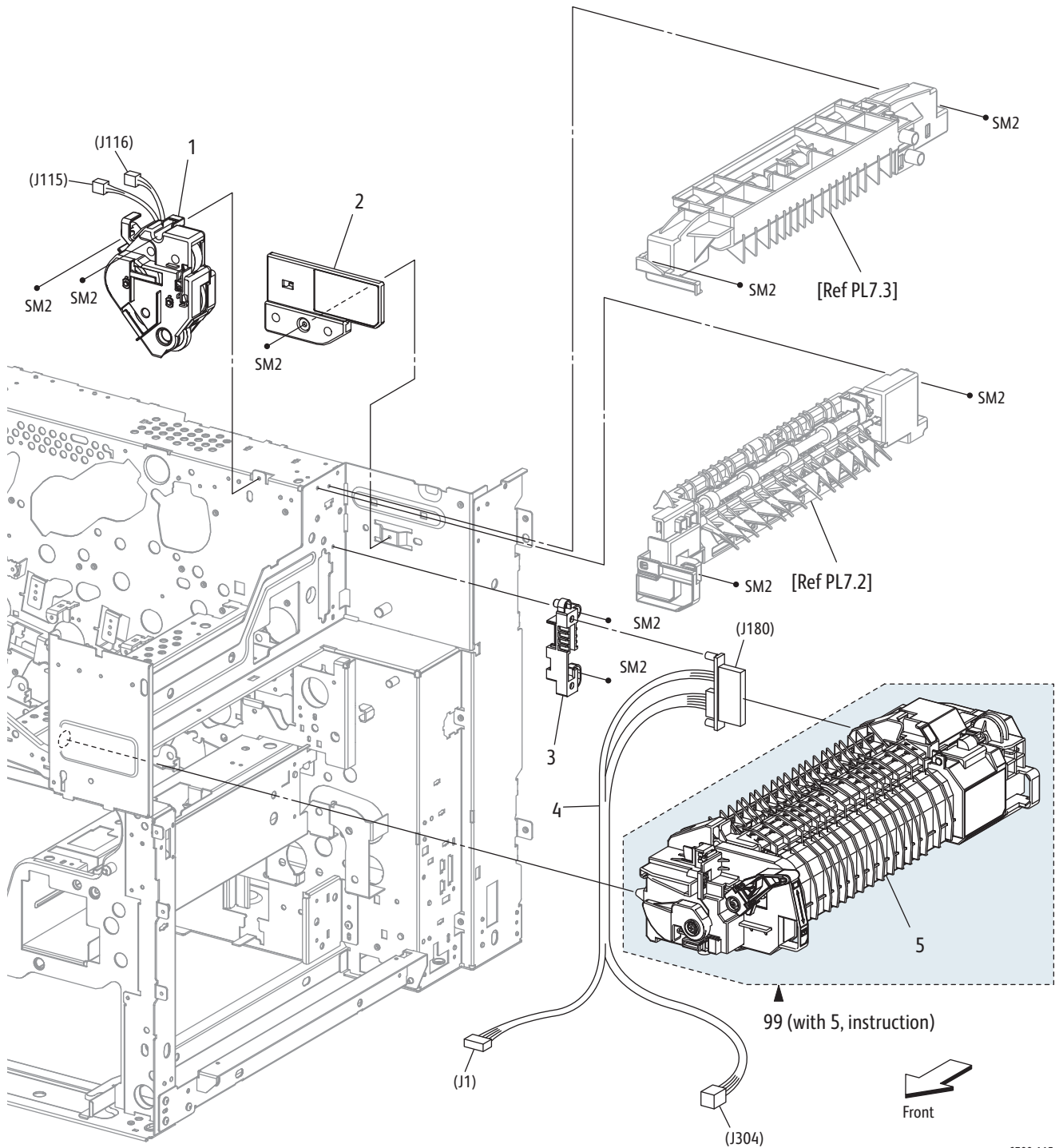


s6700-114

Parts List 6.1 Toner Dispense and Recovery

Item	Description	Part Number
1	Toner Cartridge (Y)	Refer to "Routine Maintenance and Service Items" on page 9-101.
2	Toner Cartridge (M)	
3	Toner Cartridge (C)	
4	Toner Cartridge (K)	
5	CRUM Dispense Assy (Y)	094K92535
6	CRUM Dispense Assy (M)	094K92545
7	CRUM Dispense Assy (C)	094K92555
8	CRUM Dispense Assy (K)	094K92525
9	Toner Dispense Assy	127K59310
10	Connector Assy CRUM (CRUM Reader Board)	019K11160
11	Clamp Pipe Disp	
12	Pipe Assy (Waste Auger)	052K97813
13	Waste Toner Cartridge	108R00975

Parts List 7.1 Fuser and Exit

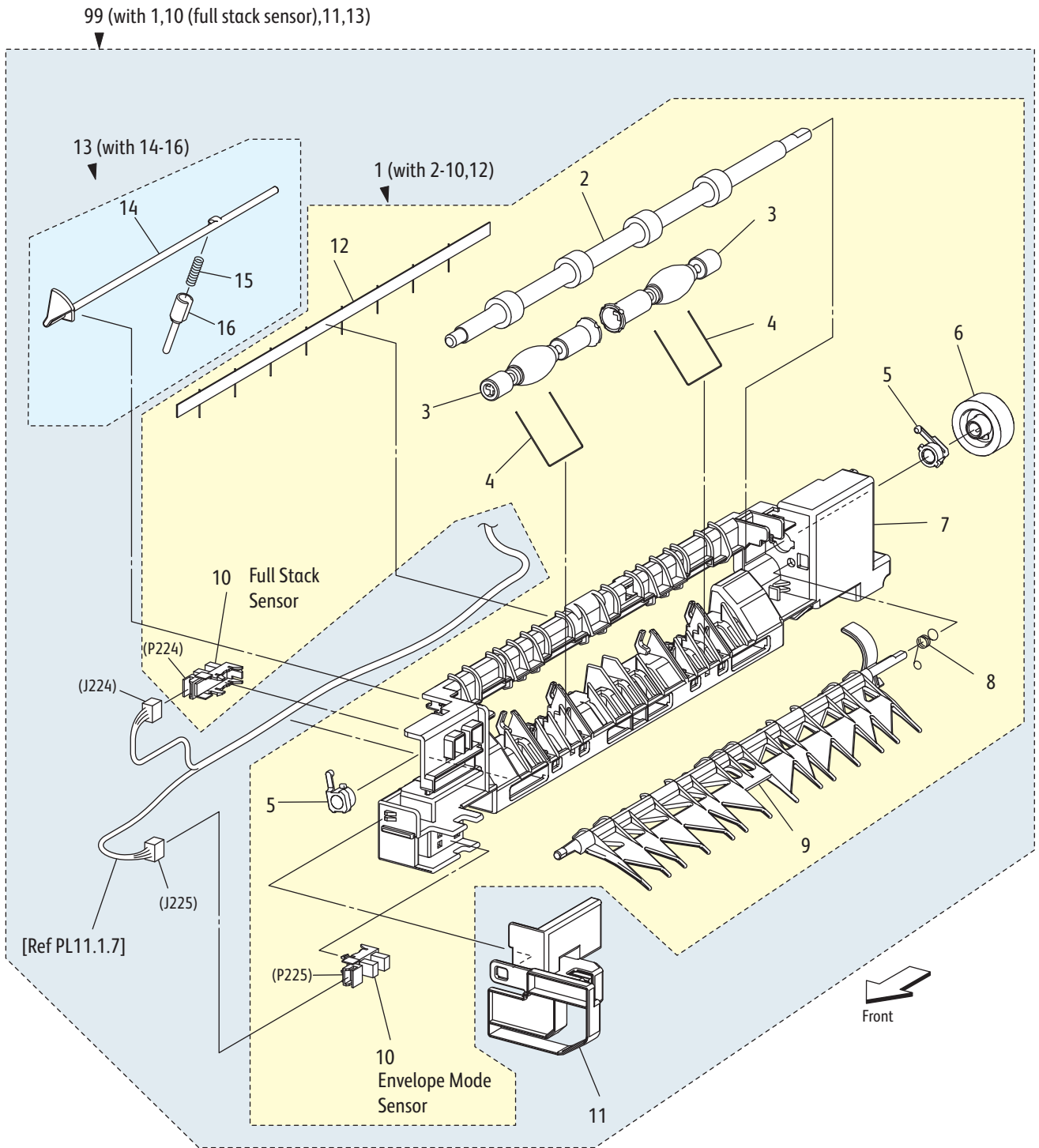


s6700-115

Parts List 7.1 Fuser and Exit Motor

Item	Description	Part Number
1	Exit Drive Assy	007K15331
2	Guide Invert	
3	Bracket Drawer Fuser	
4	Harness Assy FSR (J180-J1,J304) 110V Harness Assy FSR (J180-J1,J304) 220V	962K73590 962K73860
5	Fuser	
99	Fuser 110V (with 5, instructions) Fuser 220V (with 5, instructions)	126K32220 126K32230

Parts List 7.2 Exit

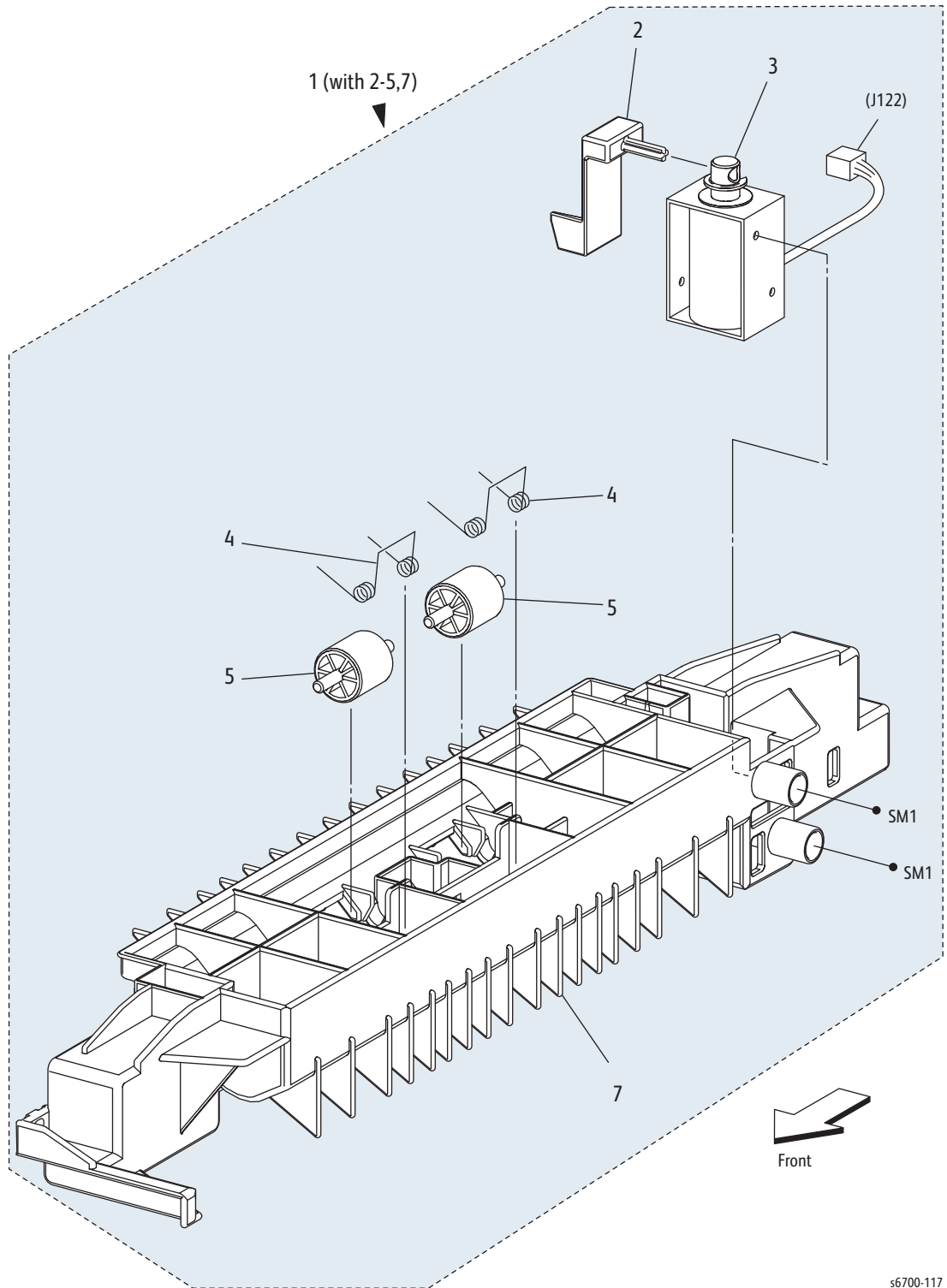


s6700-116

Parts List 7.2 Exit

Item	Description	Part Number
1	Chute Assy Exit (with 2~10, 12)	
2	Roll Assy Exit	
3	Roll Pinch Exit	
4	Spring Pinch Exit	
5	Bearing Exit	
6	Gear Exit Roll	
7	Chute Lower Exit	
8	Spring Path Change	
9	Chute Path Change Exit (Duplex Gate)	
10	Sensor Photo (Full Stack, Envelope Mode)	930W00123
11	Cover Snr Exit	
12	Eliminator Exit	
13	Actuator Full Stack (with 14~16)	120K92710
99	Kit Chute Assy Exit (with 1, 11, 13)	054K47220

Parts List 7.3 Invert Chute

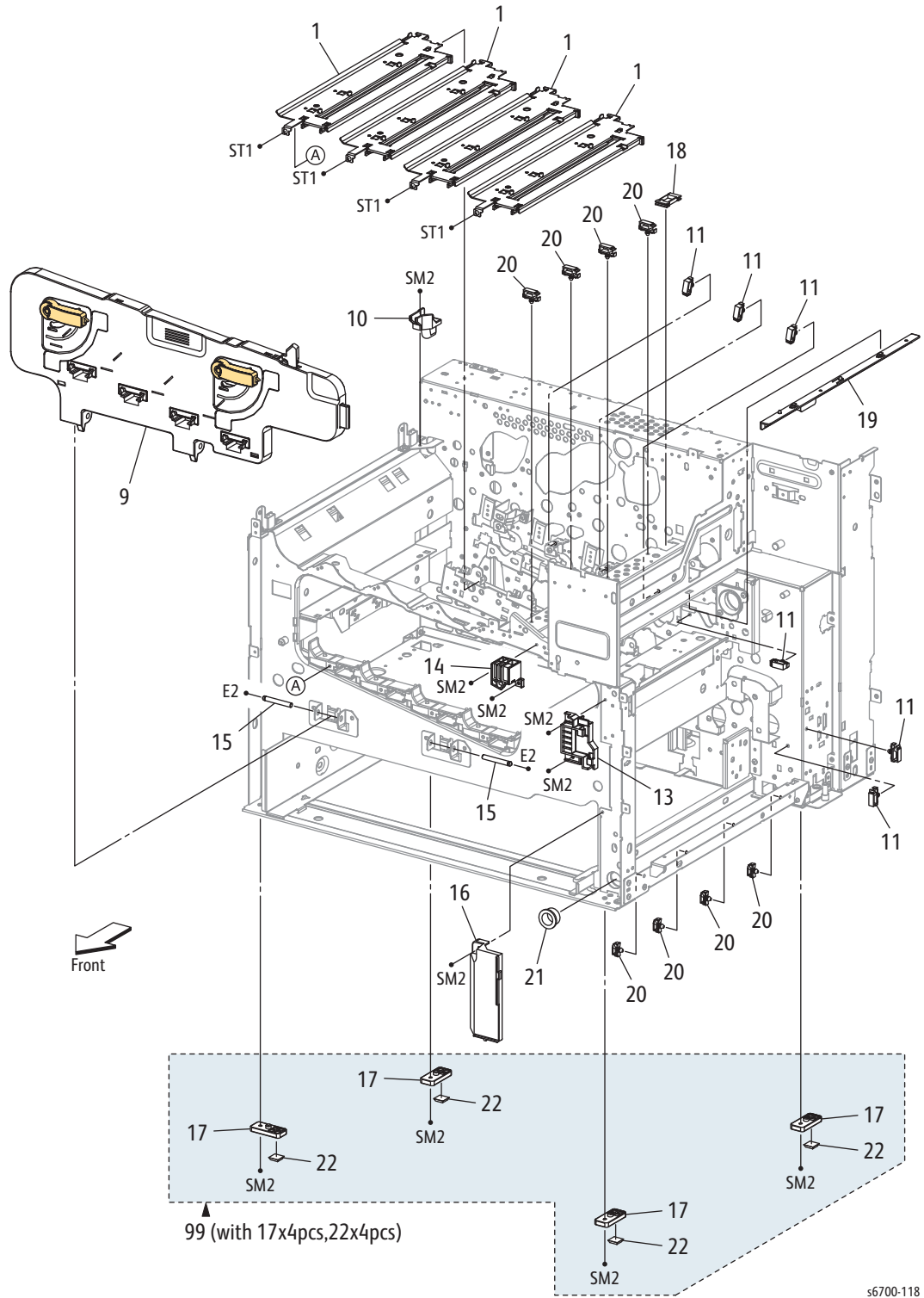


s6700-117

Parts List 7.3 Inverter Chute

Item	Description	Part Number
1	Chute Assy Inverter (with 2-5, 7)	054K40577
2	Act Path Change	
3	Exit Inverter Solenoid	121K43520
4	Spring Pinch Dup	
5	Roll Pinch TA	
6	--	
7	Chute Invert	
8	--	

Parts List 8.1 Frame (1/2)

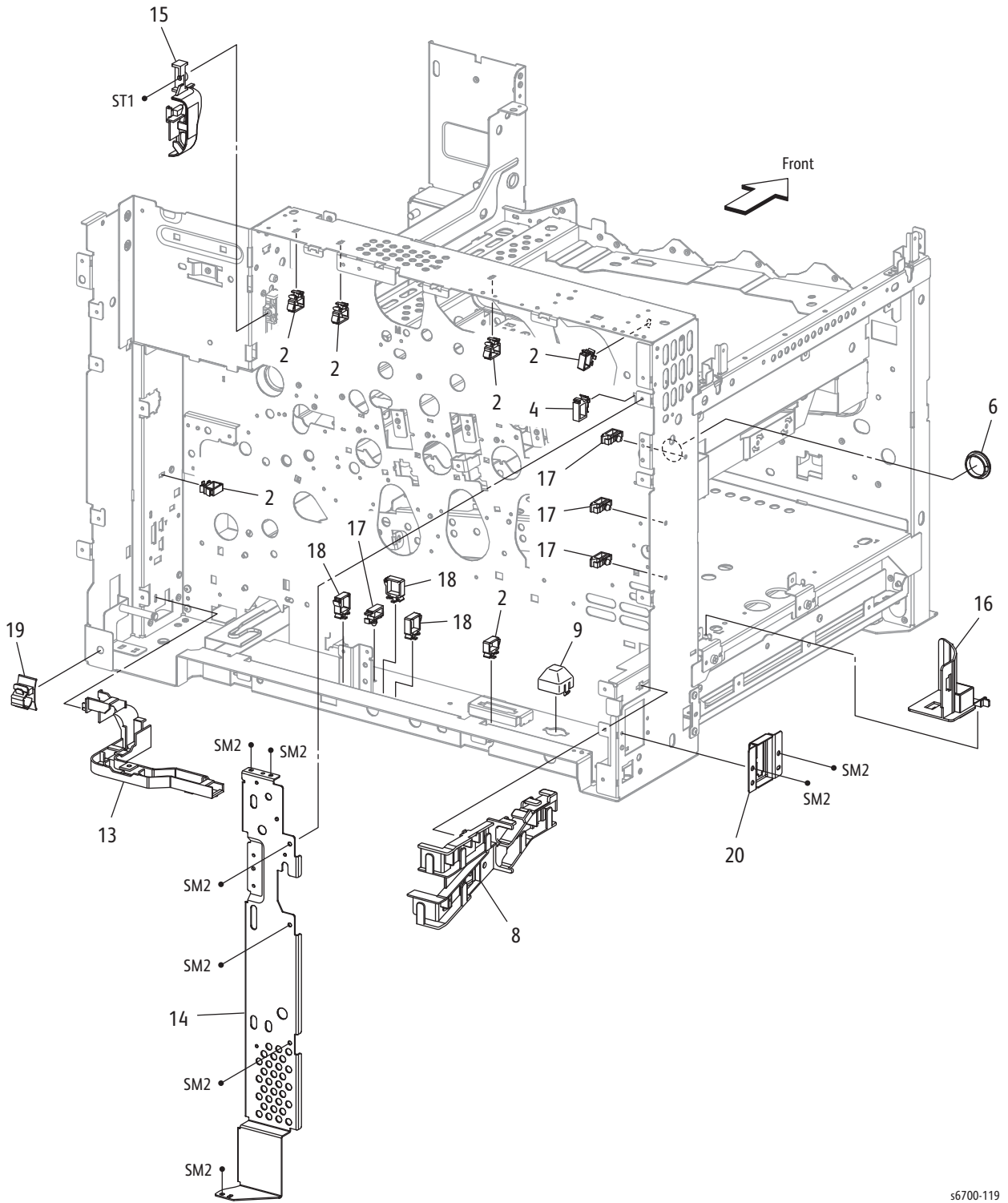


s6700-118

Parts List 8.1 Frame (1/2)

Item	Description	Part Number
1	Guide Assy CRU (Imaging Unit Guide)	032K05793
2	--	
3	--	
4	--	
5	--	
6	--	
7	--	
8	--	
9	Frame Assy 2nd (Inner Frame Assy)	801K44481
10	Guide Harness OP Panel	
11	Clamp Locking	
12	--	
13	Guide Frame Lock H	
14	Guide Frame Lock V	
15	Shaft Pivot Frame 2nd	806E28030
16	Cover FR Under	
17	Foot	
18	Bush	
19	Guide Air Trans	
20	Clamp Locking	
21	Bush Close-type	
22	Foot Rubber	
99	Kit Foot Assy (with 17x4 pcs, 22x4 pcs)	604K64990

Parts List 8.2 Frame Clamps and Guides (2/2)

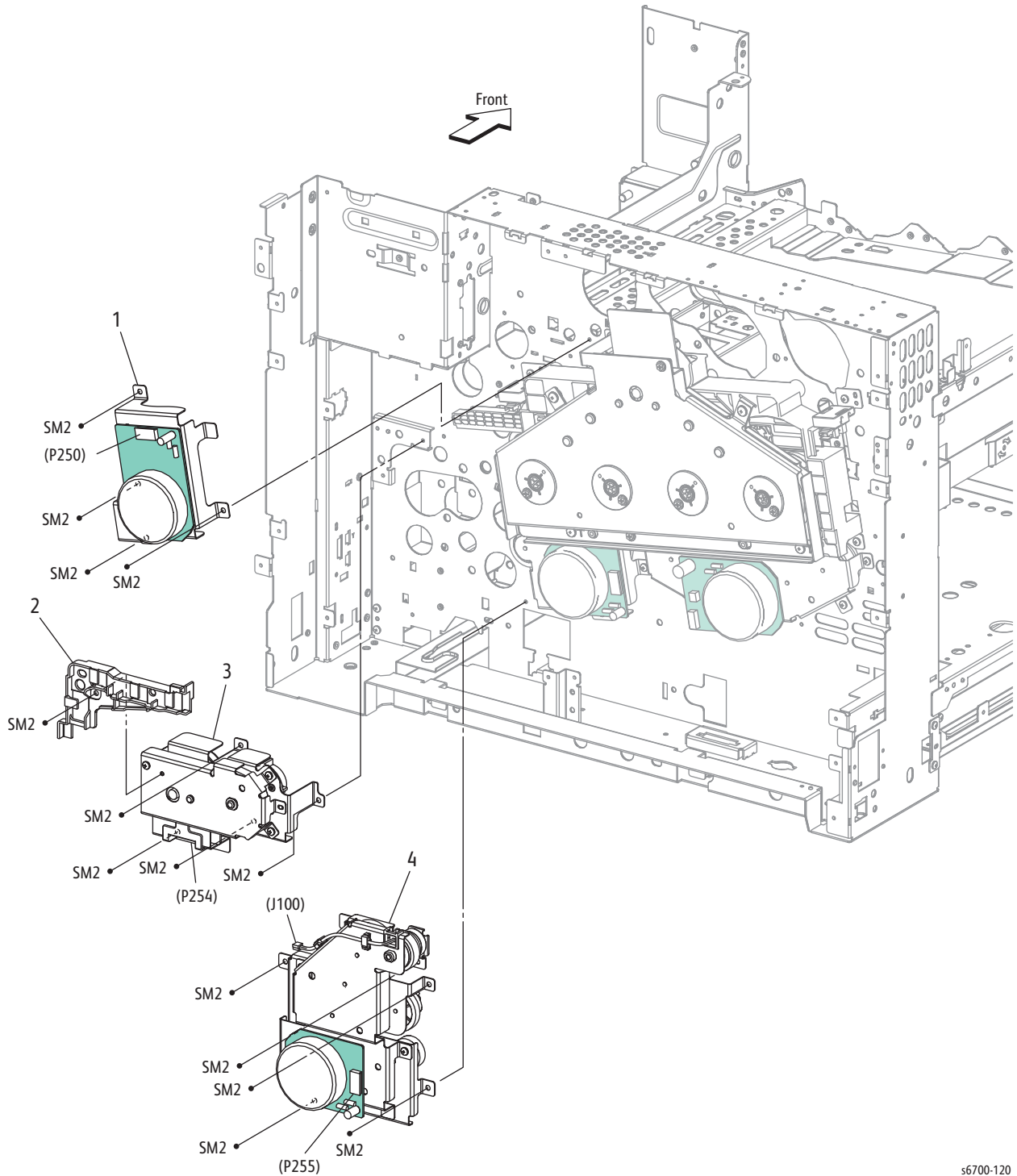


s6700-119

Parts List 8.2 Frame Clamps and Guides (2/2)

Item	Description	Part Number
1	--	
2	Clamp Rlwt-2V0	
3	--	
4	Clamp Locking	
5	--	
6	Bush Close-type	
7	--	
8	Guide Harness Rear	
9	Cover Pin	
10	--	
11	--	
12	--	
13	Guide Harness Connect	
14	Plate Support EM	
15	Bracket Fuser HNS	
16	Guide Air Rear	
17	Clamp Locking	
18	Clamp	
19	Clamp CKS BK	120E32030
20	Bracket FIN CONT	

Parts List 9.1 Drive (1/2)

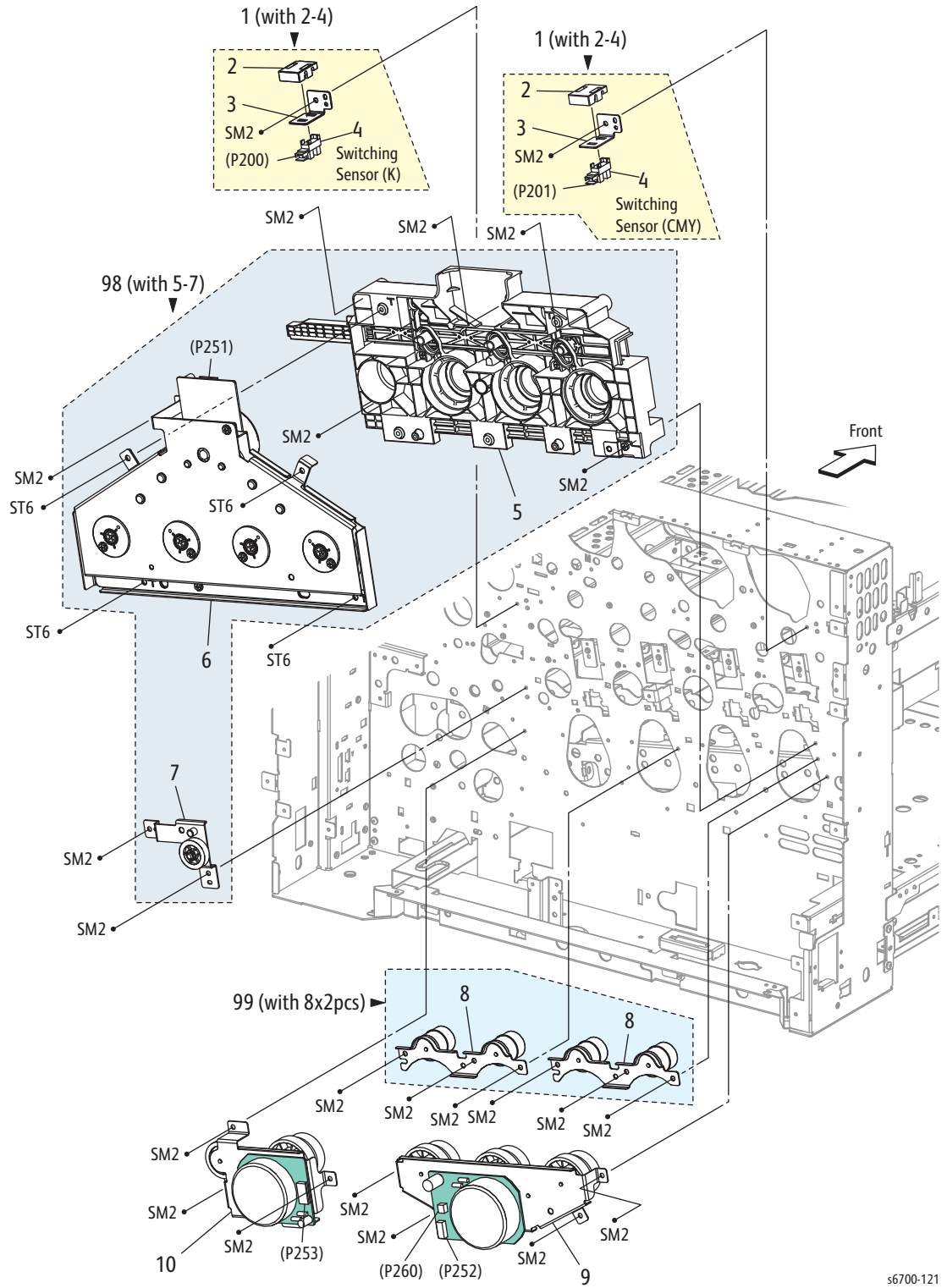


s6700-120

Parts List 9.1 Drive (1/2)

Item	Description	Part Number
1	Fuser Drive Assy	007K15360
2	Guide	
3	Transfer Belt Drive Assy	007K15392
4	Feed Drive Assy	007K15350

Parts List 9.2 Drive (2/2)

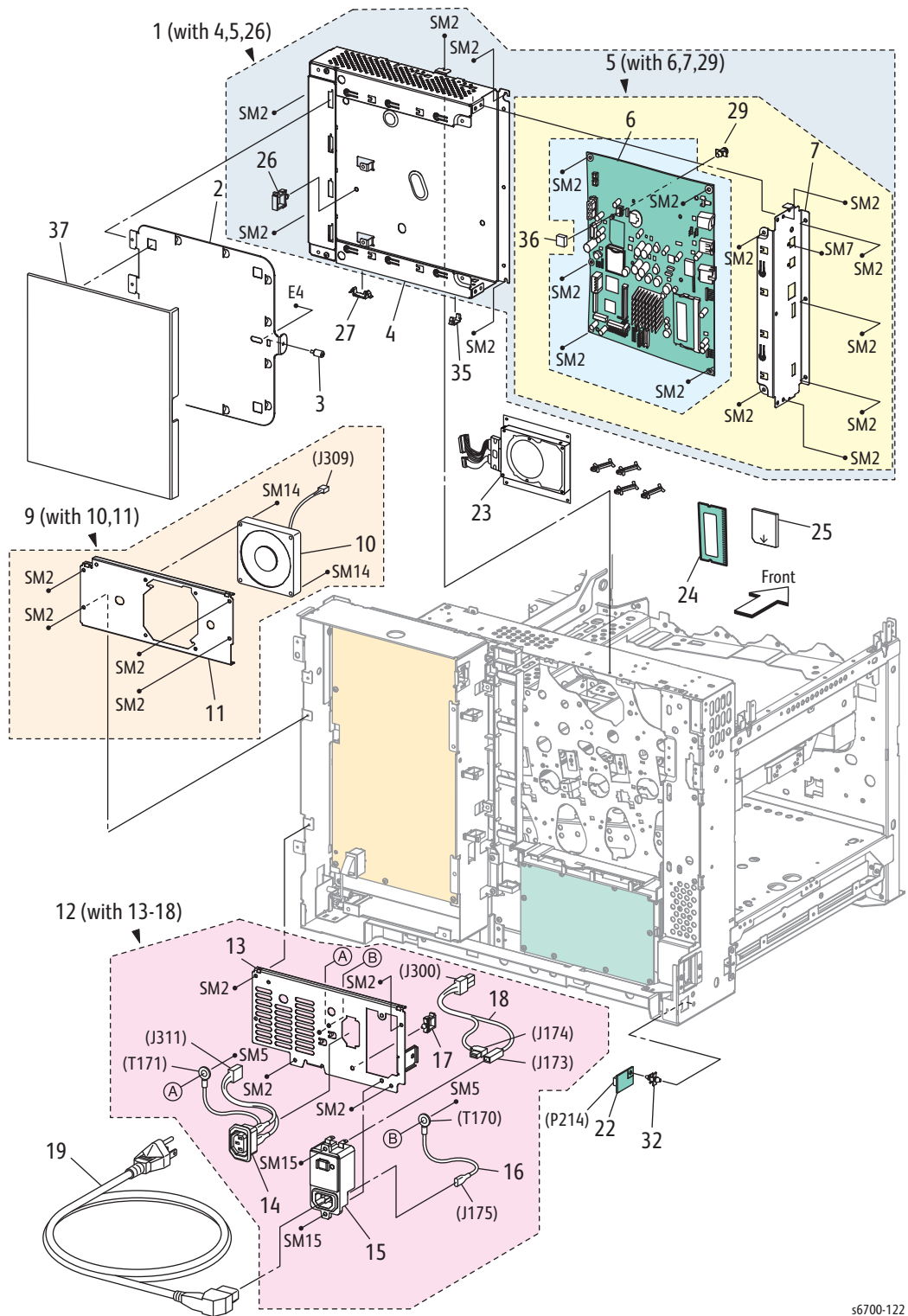


s6700-121

Parts List 9.2 Drive (2/2)

Item	Description	Part Number
1	Drive Assy SNS (with 2~4) (Switching Sensor)	007K15410
2	Guide SNS	
3	Plate SNS	
4	Sensor Photo (Color or Black Switching Sensor)	930W00123
5	Guide Assy Link	
6	Drive Assy Xero (Imaging Unit Drum Drive Assy)	
7	Drive Assy Rack	
8	Drive Assy M Out	
9	YMC Developer Drive Assy	007K15370
10	K Developer Drive Assy	007K15380
98	Imaging Unit Link Drive (with 5~7)	604K56290
99	Kit Drive Gear (with 8x2 pcs)	604K56300

Parts List 10.1 Electrical (1/2)



s6700-122

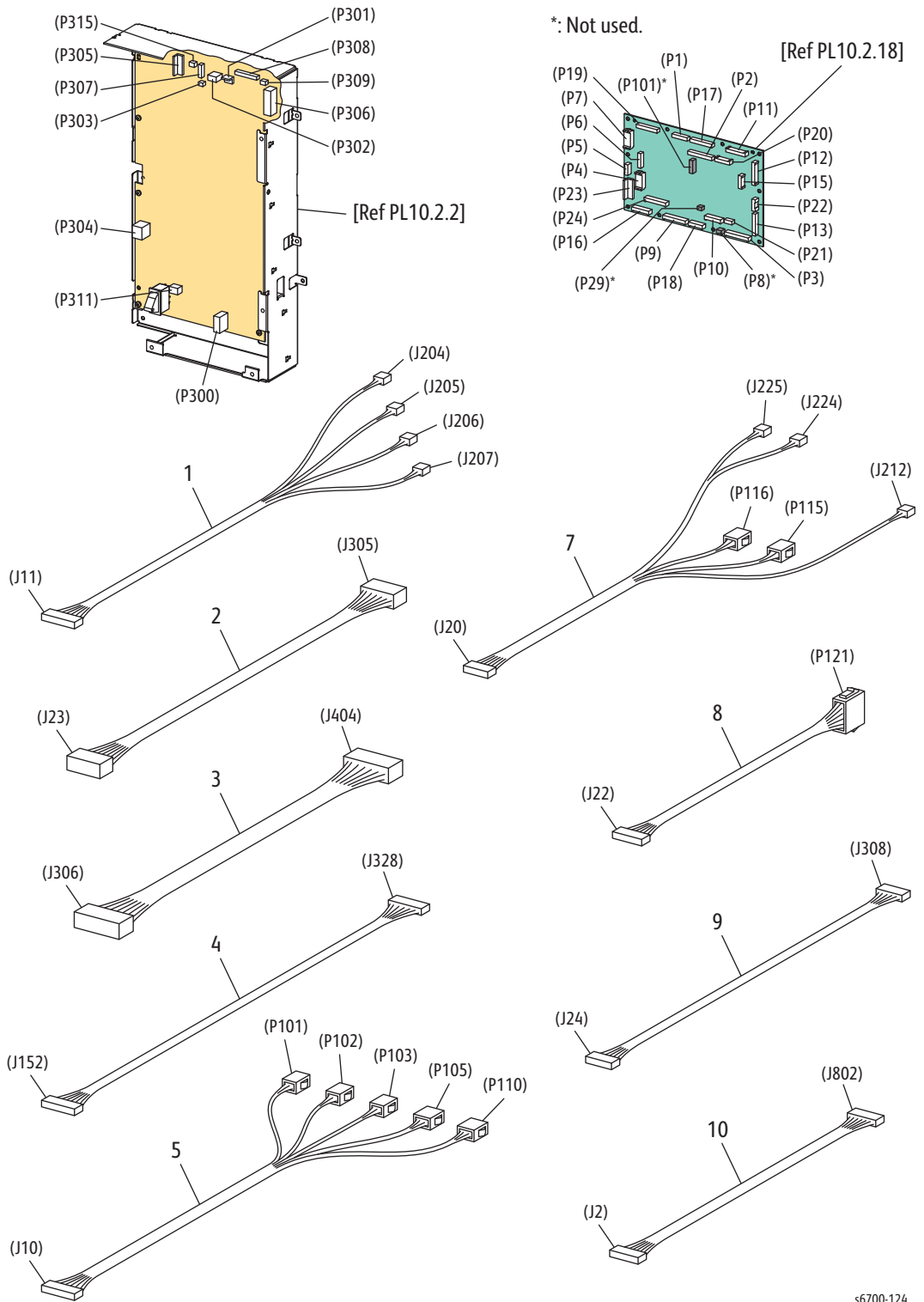
Parts List 10.1 Electrical (1/2)

Item	Description	Part Number
1	Box Assy ESS PWB (with 4, 5, 26, 28) (IP Cage)	
2	Plate Window ESS	
3	Screw Knurling	
4	Box Assy Base	
5	Image Processor Board (with rear panel, No NVRAM, No SD Card, No RAM) (with 6, 7, 29)	960K65211
6		
7		
8		
9	LVPS Fan Assy (with 10, 11)	101K58770
10	LVPS Fan	
11	Plate LVPS Fan	
12	Plate Assy LVPS Power (with 13-18) (Power Panel)	101K58761
13	Plate LVPS Power	
14	Harness Assy Fin Pwr (OUTLET-J311,T171)	
15	Breaker GFI Inlet	
16	Wire Assy GFI Earth (J175-T170)	
17	Clamp Locking	
18	Harness Assy AC (J300-J173,J174)	
19	Power Cord	Refer to "Power Cords" on page 9-101.
20	--	
21	--	
22	PWBA EEPROM (EEPROM Board)	960K47800
23	Hard Drive	121K51060
24	RAM Memory 1GB RAM Memory 2GB	237E25730 237E26060
25	SD Card (with system software)	069E00690
26	Clamp Locking	
27	Clamp Press Rec-16	
28	--	
29	Support	
30		
31		
32	Support	
33		
34	Clamp	
35	Clamp	
36	NVRAM (IP Board NVRAM IC)	960K66600
37	Cover Rear ESS	

Parts List 10.2 Electrical (2/2)

Item	Description	Part Number
1	Box Assy LVPS (with 2-5) 100/120V (LVPS Cage) Box Assy LVPS (with 2-5) 230V (LVPS Cage)	101K62200 101K62210
2	LVPS	
3	Clamp Rlwt-2V0	
4	Bush	
5	Clamp Locking	
6	Guide Harness Rear CTR	
7	--	
8	--	
9	Wire Short	
10	Link Rear	
11	Bracket Assy Rear	
12	Wire Long	
13	Knob Main Switch	
14	Bracket Assy Front	
15	Box Assy MCU (with 16-18, 20, 21, 23)	
16	Box MCU	
17	Guide Harness MCU Upr	
18	MCU Board	960K56300
19	--	
20	Clamp Locking	
21	Support	
22	Holder Box MCU	
23	Gasket Shield	

Parts List 11.1 Harness (1/2)

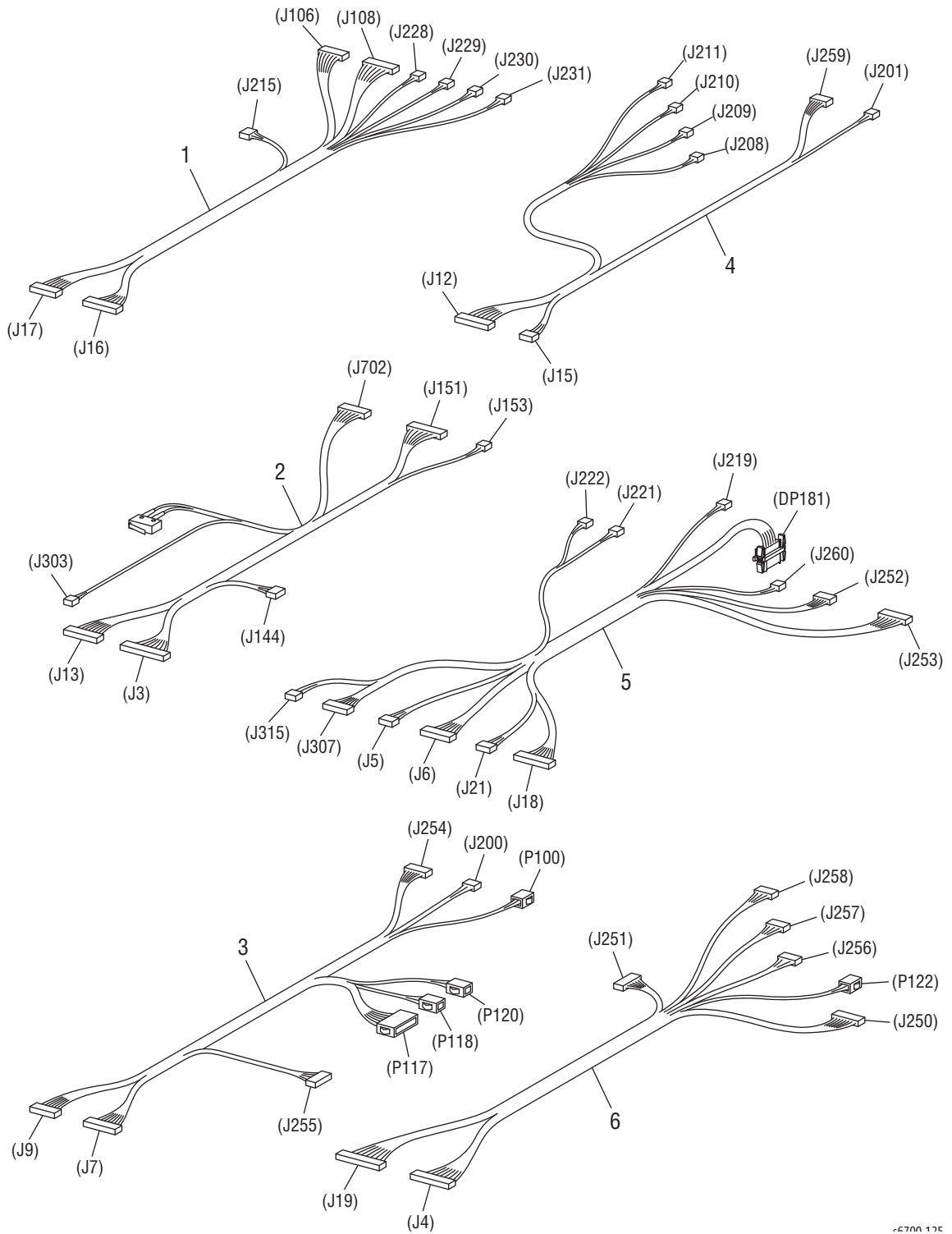


s6700-124

Parts List 11.1 Electrical (1/2)

Item	Description	Part Number
1	Harness Assy TN CRUM (J11-J204,J205,206,J207)	962K73600
2	Harness Assy LV PWR (J23-J305) (LVPS Power Harness)	962K73650
3	Harness Assy ESS PWR (J306-J404)	962K73700
4	Harness Assy Video (J152-J328)	962K73850
5	Harness Assy REGI (J10-P101 ,P102, P103, P105, P110)	962K74380
6	--	
7	Exit Harness (J20-P115,P116,J212,J224,J225)	962K74461
8	Harness Assy FIN (J22-P121)	962K74481
9	Harness Assy LVPS (J24-J308) (LVPS Harness)	962K74490
10	Harness Assy ESS (J2-J802)	962K73640

Parts List 11.2 Harness (2/2)



6700 112

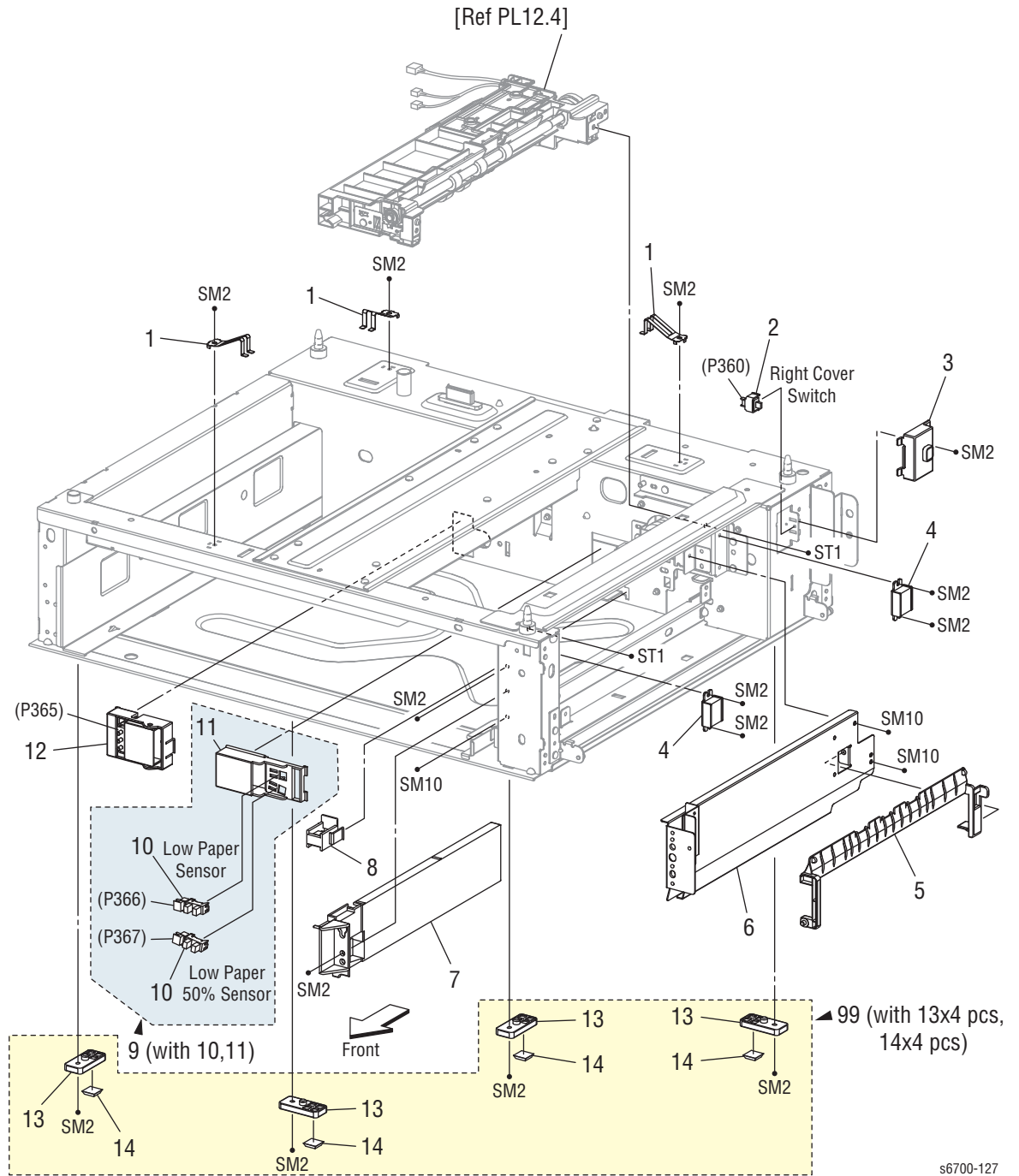
Parts List 11.2 Harnesses (2/2)

Item	Description	Part Number
1	Harness Assy Erase/Exit (J16,J17-J106, J108, J215, J228, J229, J230, J231)	962K78800
2	Harness Assy ROS/HV (J3, J13, PL1.3.6 Rear I/L SW, J151, J153, J144, J303, J702)	962K74580
3	Harness Assy RH/MOT (J7,J9-P100, P117, P118, P120, J200, J254, J255)	962K74590
4	Harness Assy CRUM/DISP (J12,J15-J201, J208, J209, J210, J211, J259)	962K74600
5	Harness Assy LPP/MOT (J5,J6,J18,J21-DP181, J219, J221, J222, J252, J253, J260, J307, J315)	962K74610
6	Harness Assy DISP/FSR (J4,J19-P122, J250, J251, J256, J257, J258)	962K77370

Part List 12.1 550-Sheet Feeder (1/5)

Item	Description	Part Number
1	550 Option Feeder (with 2, PL12.5.1, instructions)	059K77370
2	Feeder Assy 550 (with 4, 7, 13~18,PL12.2~PL12.4)	
3	Screw Lock	
4	Cover Rear	
5	Plate Lock Rear Assy	
6	Screw Lock Rear	
7	Chute Upper Assy (with 8~12)	054K39101
8	Roll Pinch Ta	
9	Spring Pinch Ta	
10	Chute Upper Top	
11	Chute Upper	
12	Plate Magnet	
13	Arm Chute	
14	Cover RH Opt (right side door)	
15	Chute Under	
16	Cover Right	
17	Cover Front	
18	Cover Left	
99	Optional Feeder Mounting Kit (with 3x2pcs, 5, 6)	604K65010

Parts List 12.2 Media Detect

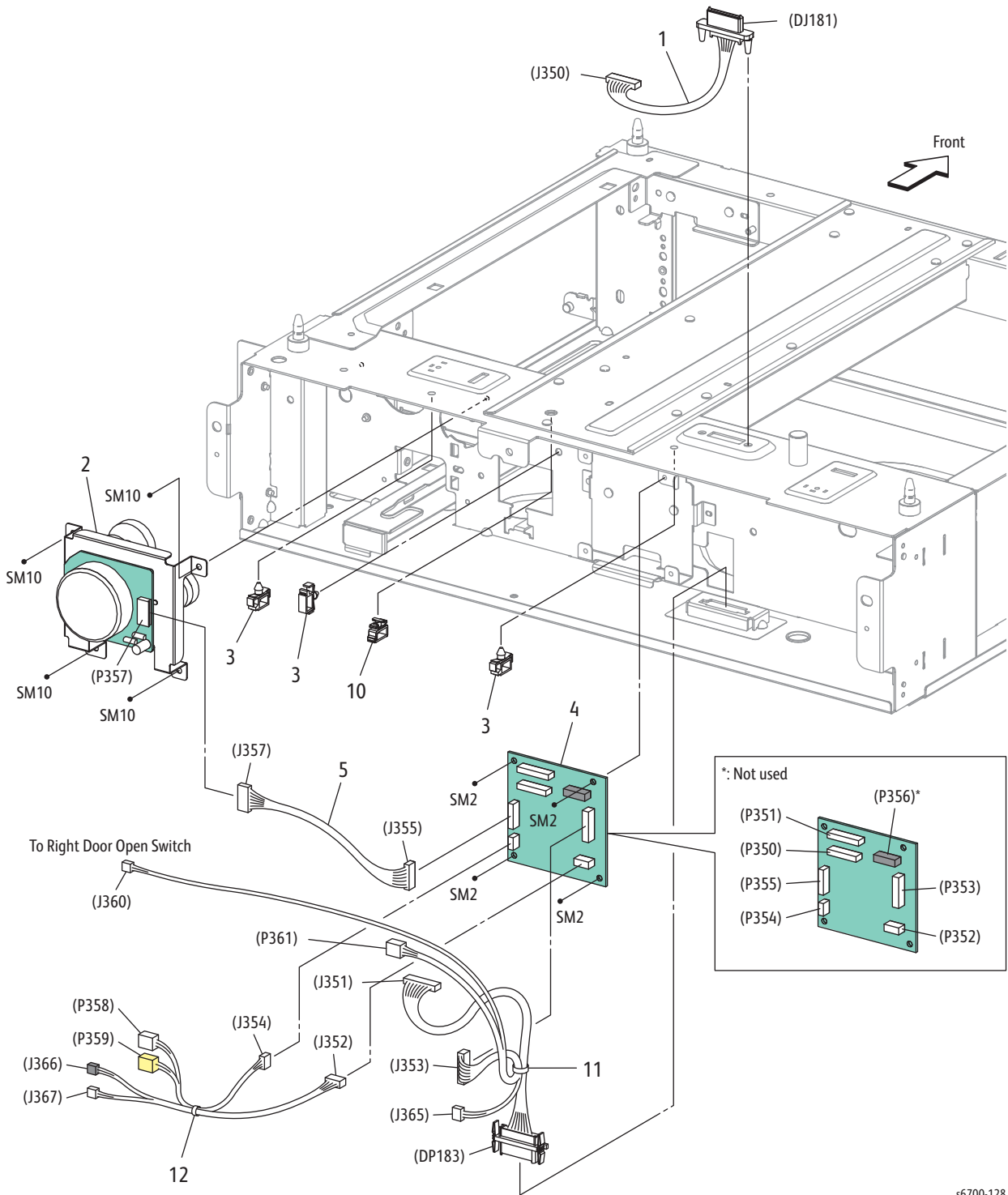


s6700-127

Parts List 12.2 Media Detect

Item	Description	Part Number
1	Earth Spring	
2	Right Side Door Switch	110E11580
3	Bracket Sensor	
4	Magnet	
5	Chute Feed (Turn Chute)	054E40280
6	Chute Assy Lower	
7	Guide Tray Opt	
8	Block Release	014E64090
9	Holder Assy Sensor Low (with 10,11)	019K10650
10	Sensor Photo (Low Paper Sensor 1 and 2)	930W00123
11	Holder Sensor	
12	Switch Assy Size (Size Switch)	110K15830
13	Foot Assy	
14	Foot Rubber	
99	Kit Foot Assy (with 13x4 pcs, 14x4 pcs)	604K64990

Parts List 12.3 Electrical

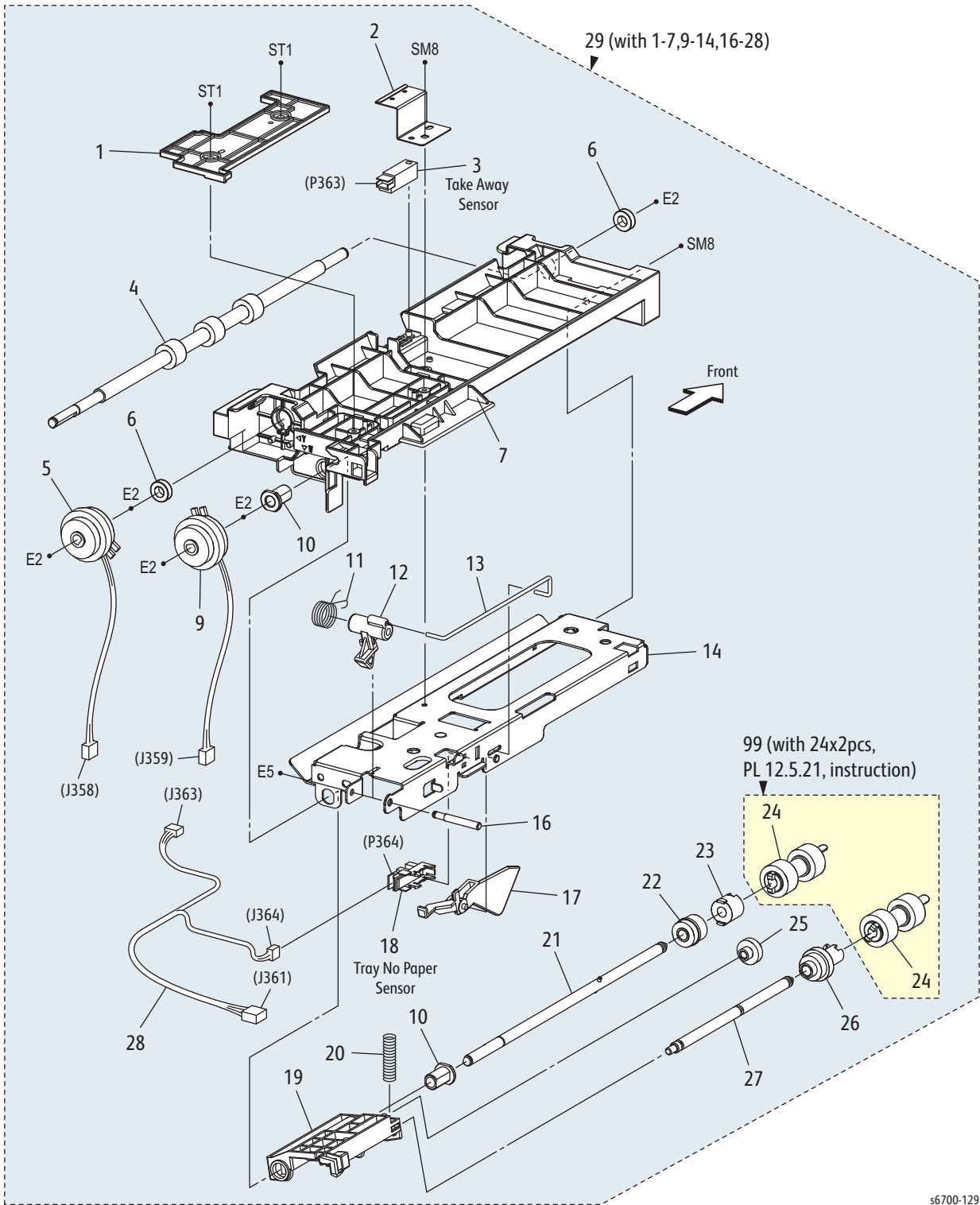


s6700-128

Parts List 12.3 Electrical

Item	Description	Part Number
1	Harness Assy Opt Top (J350-DJ181) (Upper Option Harness)	962K73730
2	Drive Assy Opt (Feed Drive Assy)	007K15440
3	Clamp Locking	
4	PWBA OPT FDR (Feeder Board)	960K56330
5	Harness Assy Opt Mot (J355-J357)	
6	--	
7	--	
8	--	
9	--	
10	Clamp	
11	Harness Assy Opt SW (J351, J353-J360, P361, J365, DP183) (Lower Option Harness)	962K78950
12	Harness Assy Opt CL (J352, J354-P358, P359, J366, J367)	

Parts List 12.4 Feeder

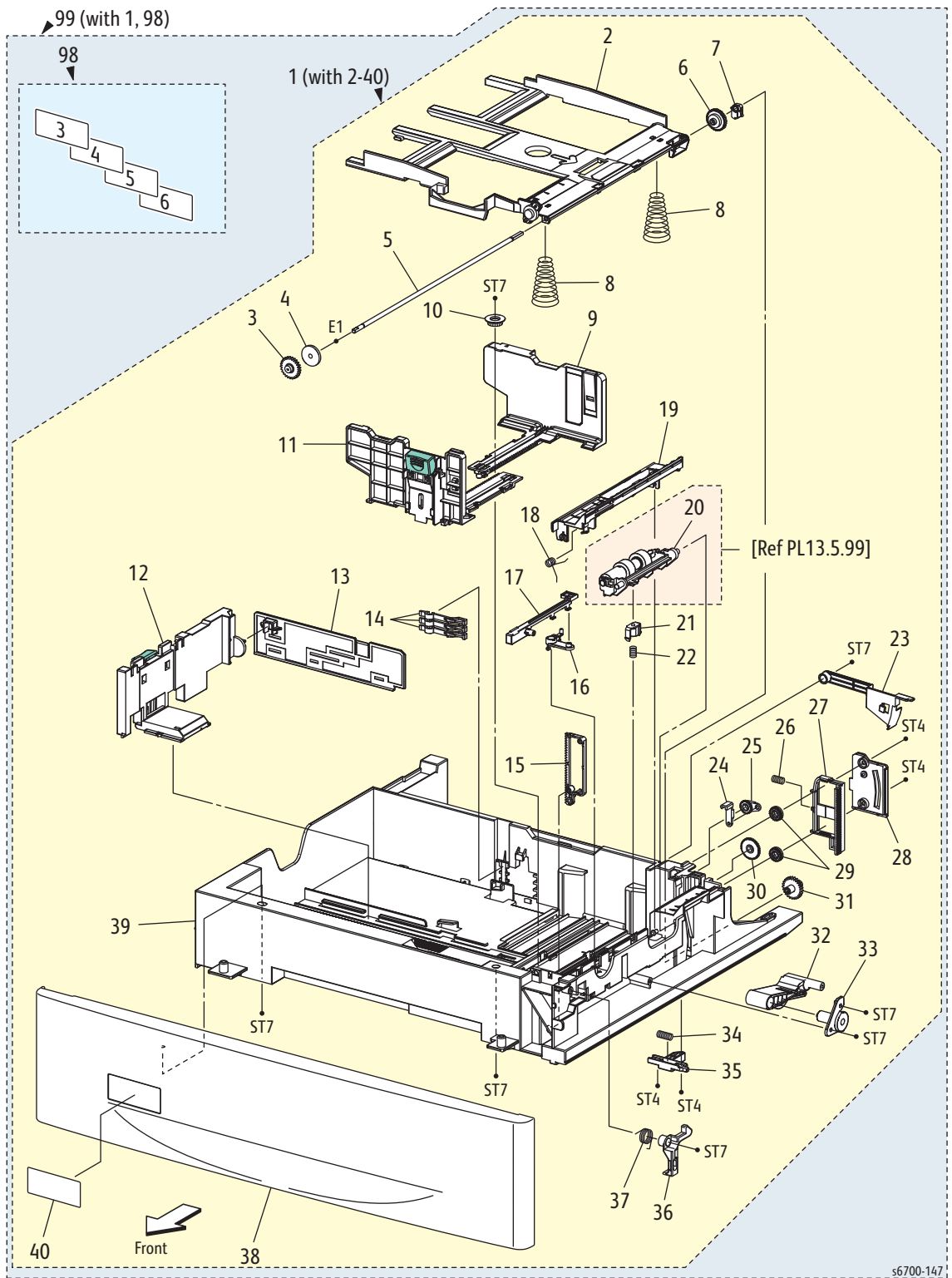


56700-129

Parts List 12.4 Feeder

Item	Description	Part Number
1	Cover Fdr Opt	
2	Plate Sensor	
3	Sensor (Take Away Sensor)	930W00123
4	Roll Assy Take Away	
5	Clutch Assy Take Away	
6	Bearing Ball	
7	Chute Fdr Opt	
8	--	
9	Clutch Assy Feed (Feed Clutch)	121K43561
10	Bearing Nudger	
11	Spring Lever Nudger	
12	Lever Nudger	
13	Link Actuator	
14	Chute Frame Top	
15	--	
16	Shaft Lever Nudger	
17	Actuator No Paper	120E31541
18	Sensor Photo (No Paper Sensor)	930W00123
19	Support Nudger	
20	Spring Nudger	
21	Shaft Assy Feed	
22	Gear Feed	
23	Clutch Oneway Feed	
24	Roll Assy Feed	
25	Gear Idler Nudger	
26	Roll Assy Gear Nudger	
27	Shaft Nudger	
28	Harness Assy Opt Path (J361-J363,J364)	
29	Feeder Assy Sub Opt (with 1~7 ,9~14,16~28)	022K76860
99	Feed & Separator Roll Kit (with 24x2pcs, PL12.5.21)	604K65030

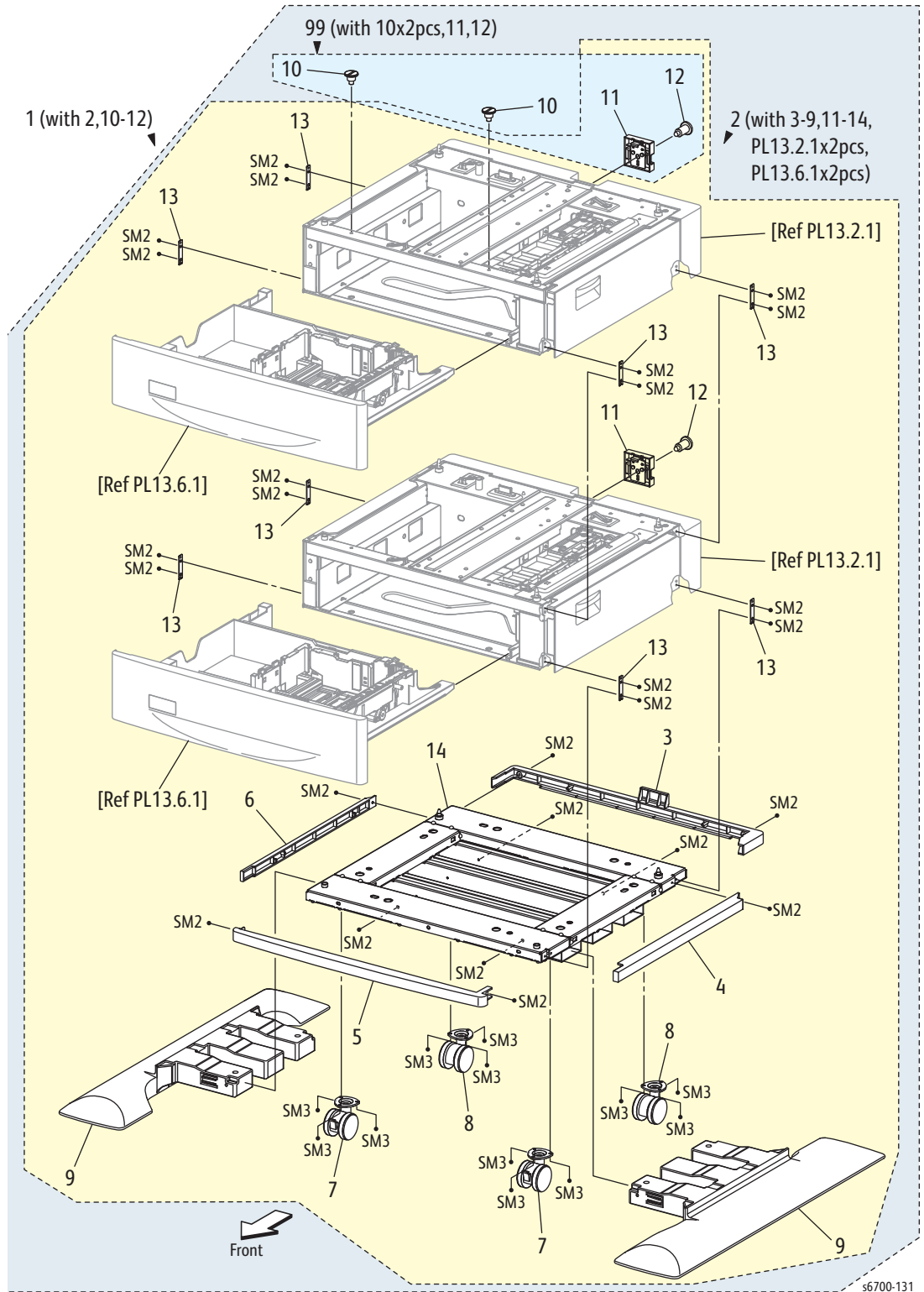
Parts List 12.5 Universal Tray



Parts List 12.5 Universal Tray

Item	Description	Part Number
1	Tray Assy Option (with 2~40)	
2	Plate Assy Bottom	
3	Gear Pb Front	
4	Gear Btm Dmp Oneway	
5	Shaft Pb A4	
6	Gear Btm Lock Oneway	
7	Stopper Pb	
8	Spring Btm Up 550 A4	
9	Guide Assy Side R	
10	Gear Pinion	
11	Guide Assy Side F	
12	Guide Assy End (With 13)	
13	Actuator Guide End	
14	Actuator Size	
15	- -	
16	Plate Gear Lock	
17	Lever Separator	
18	Lever Latch	
19	Spring Cover Separator	
20	Cover Separator	
21	Holder Assy Separator	
22	Holder Spring Separator	019E76290
23	Spring Separator	809E85020
24	Actuator Low Paper	
25	Lever Btm Lock	
26	Gear Lever Btm Lock	
27	Spring Btm Lock	
28	Rack Btm Lock	
29	Cover Btm Up	
30	Gear Btm Lock Pinion	
31	Gear 40 Btm Lock	
32	Gear Pb Rear	
33	Link Pb	
34	Cover Link	
35	Spring Stopper Gear	
36	Actuator Pls Pb	
37	Latch Tray	
38	Spring Latch	
39	Cover Tray Opt	
40	Housing Base	
41	Tray Label	
98	Kit Tray label (numbers 3~6)	897E65190
99	Kit Tray Assy Option (with 1, 98)	604K65000

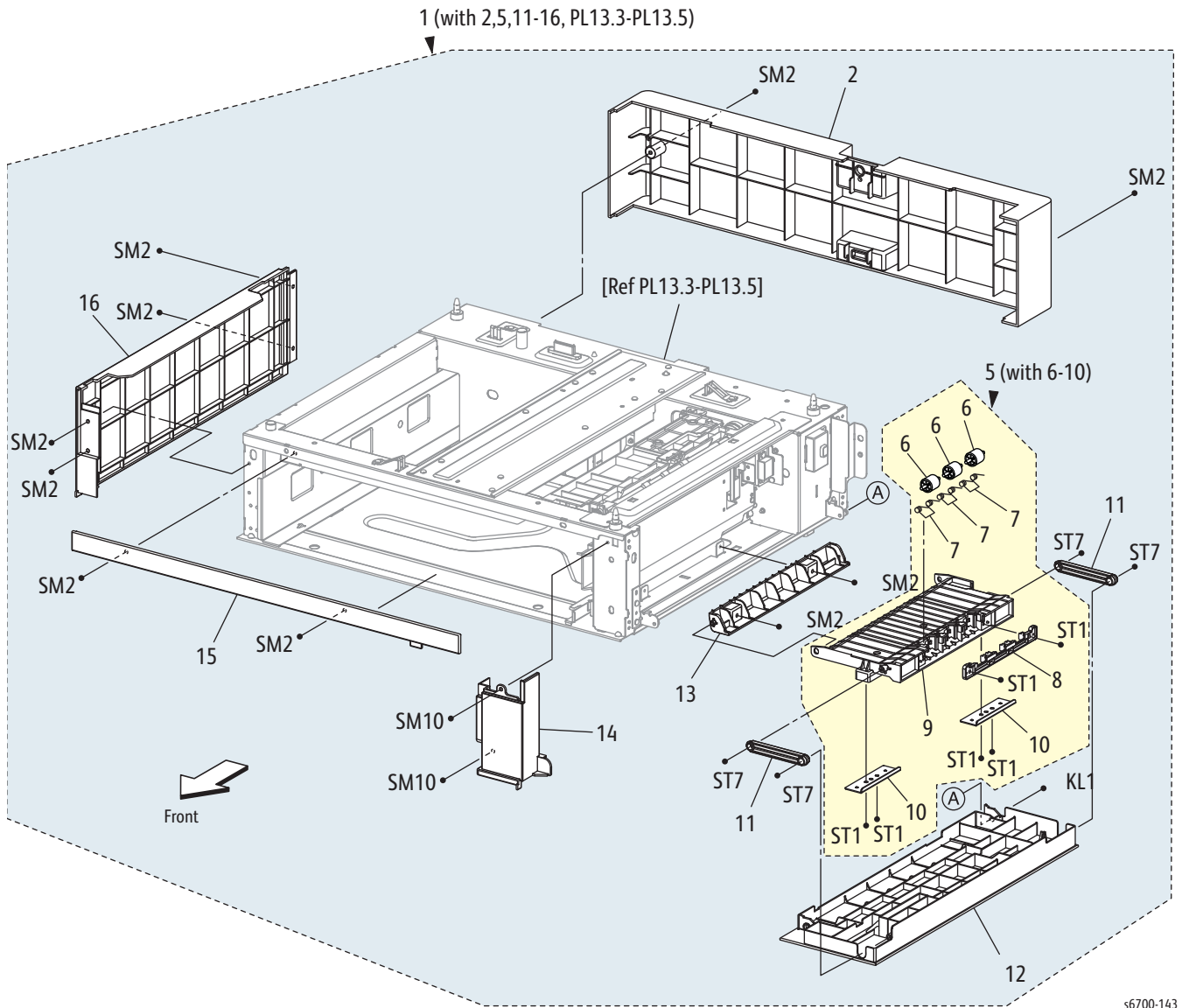
Parts List 13.1 1100-Sheet Feeder



Parts List 13.1 1100-Sheet Feeder

Item	Description	Part Number
1	1100 Option Feeder (with 2, 10-12)	059K77380
2	Feeder Assy 1100 (with 3~9,11~14, PL13.2.1x2pcs, PL13.6.1x2pcs)	
3	Cover Rear C	
4	Cover Right C	
5	Cover Front C	
6	Cover Left C	
7	Caster Front	417W41349
8	Caster Rear	417W41449
9	Foot	017E12741
10	Screw Lock	
11	Plate Lock Rear Assy	
12	Screw Lock Rear	
13	Plate Lock Opt F	
14	Frame Assy Caster	
99	Optional Feeder Mounting Kit (with 10x2, 11-12)	604K65010

Parts List 13.2 Covers

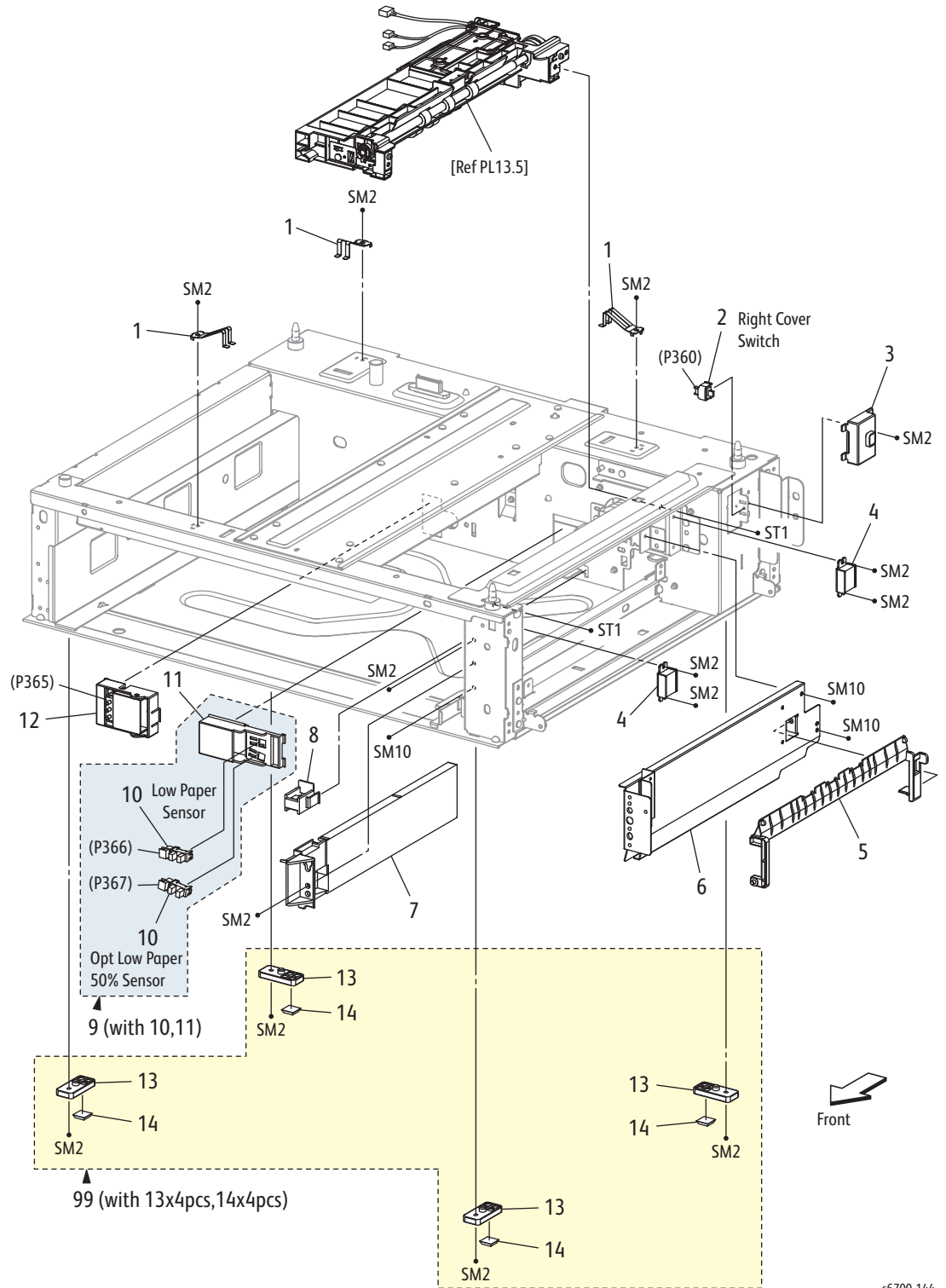


s6700-143

Parts List 13.2 Covers

Item	Description	Part Number
1	Feeder Assy 550 (with 2, 5, 11~16, PL13.3~PL13.5)	
2	Cover Rear	
3	--	
4	--	
5	Chute Upper Assy (with 6~10)	054K39101
6	Roll Pinch TA	
7	Spring Pinch TA	
8	Chute Upper Top	
9	Chute Upper	
10	Plate Magnet	
11	Arm Chute	
12	Cover RH Opt	
13	Chute Under	
14	Cover Right	
15	Cover Front	
16	Cover Left	

Parts List 13.3 Media Detect

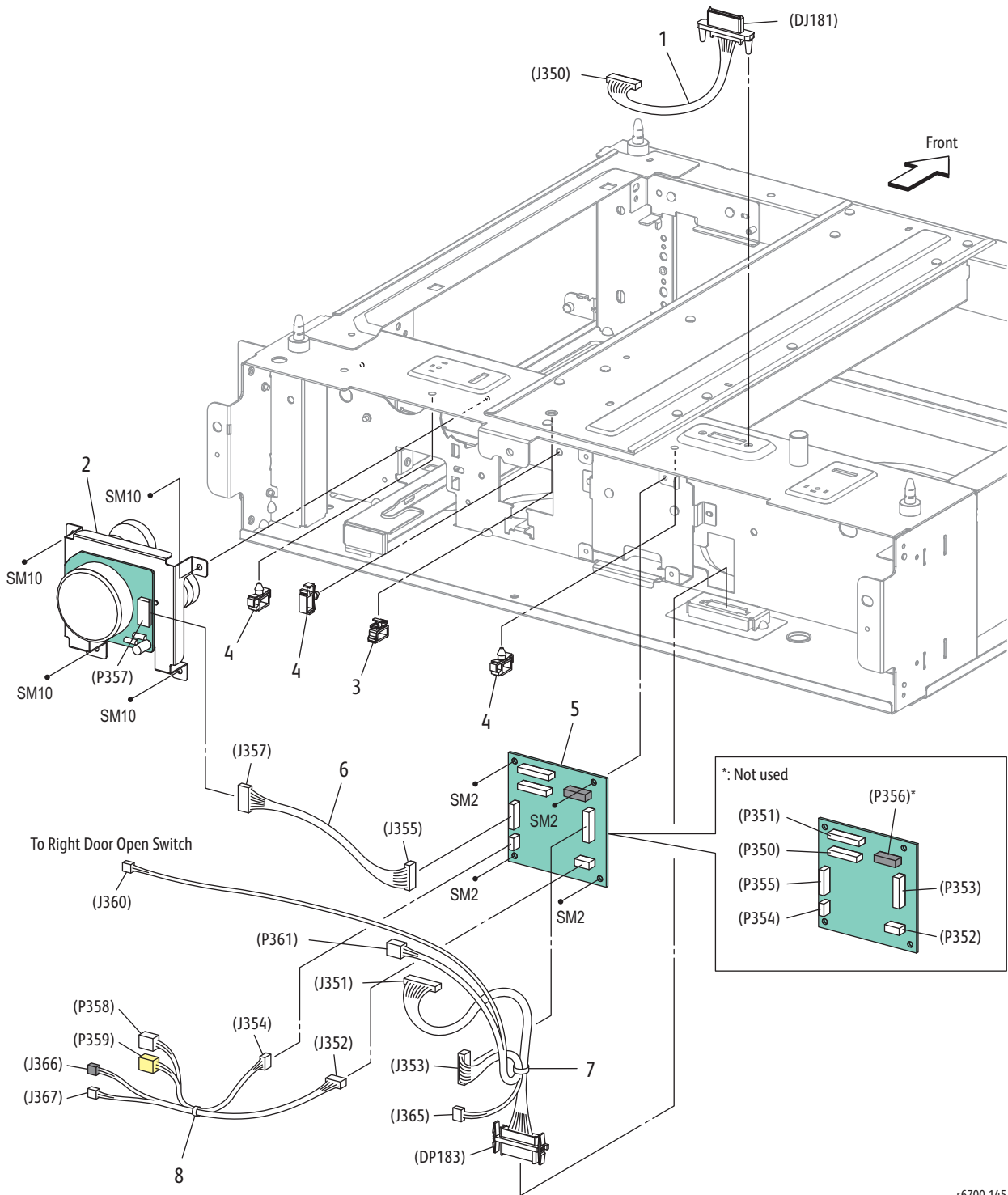


s6700-144

Part List 13.3 Media Detect

Item	Description	Part Number
1	Earth Spring	
2	Right Side Door Open Switch	110E11580
3	Bracket Sensor	
4	Magnet	
5	Chute Feed (Turn Chute)	054E40280
6	Chute Assy Lower	
7	Guide Tray Opt	
8	Block Release	014E64090
9	Holder Assy Sensor Low (with 10, 11)	019K10650
10	Sensor Photo (Low Paper Sensor 1 and 2)	930W00123
11	Holder Sensor	
12	Switch Assy Size (Size Switch)	110K15830
13	Foot	
14	Foot Rubber	
99	Kit Foot Assy (with 13x4 pcs, 14x4 pcs)	604K64990

Parts List 13.4 Electrical

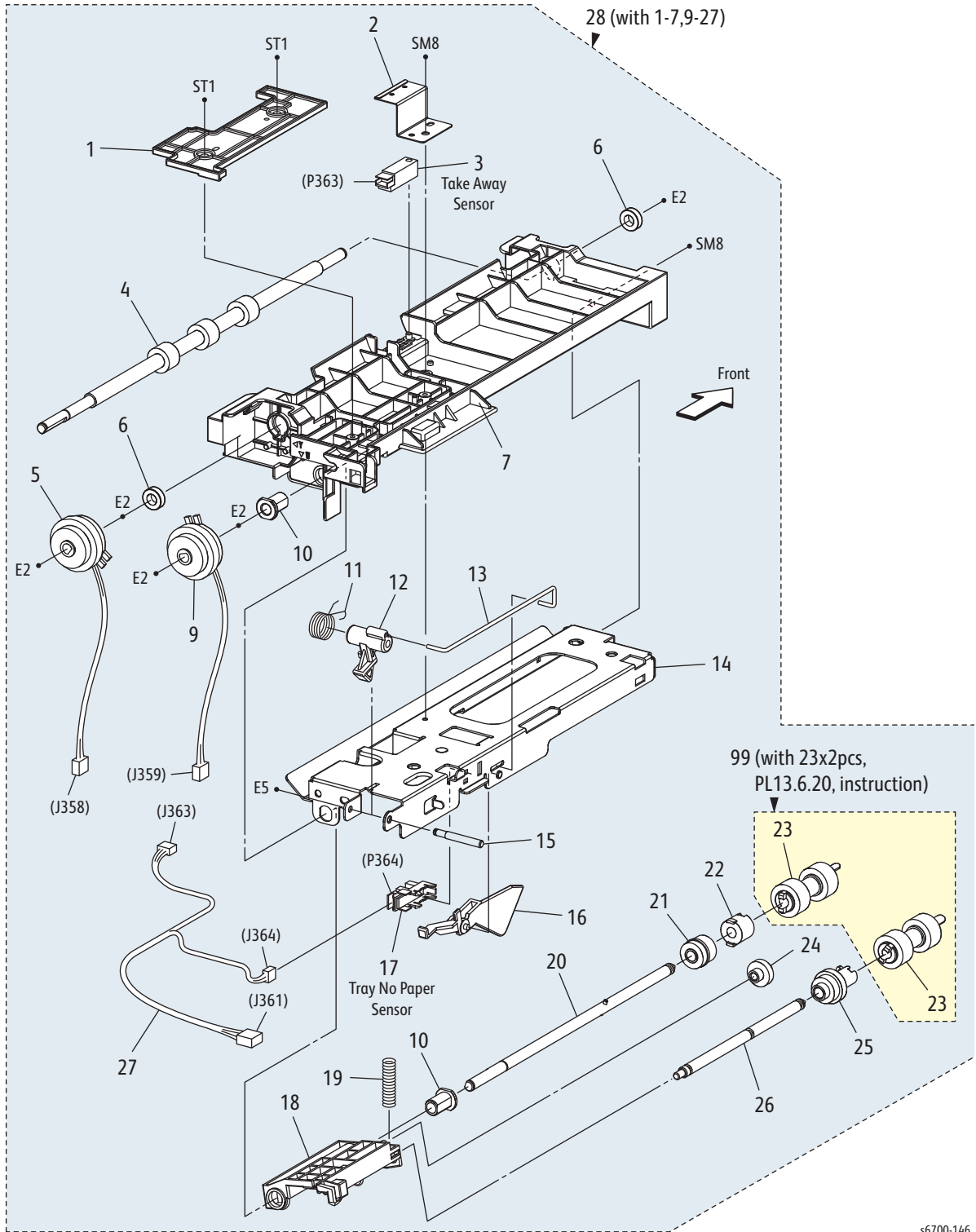


s6700-145

Parts List 13.4 Electrical

Item	Description	Part Number
1	Harness Assy Opt Top (J350-DJ181)	962K73730
2	Drive Assy Opt (Feed Drive Assy)	007K15440
3	Clamp	
4	Clamp Locking	
5	PWBA Opt Fdr (Feeder Board)	960K56340
6	Harness Assy Opt Mot (J355-J357)	
7	Harness Assy Opt SW (J351, J353-J360, P361, J365, DP183)	962K78950
8	Harness Assy Opt CL (J352, J354-P358, P359, J366, J367)	

Parts List 13.5 Feeder

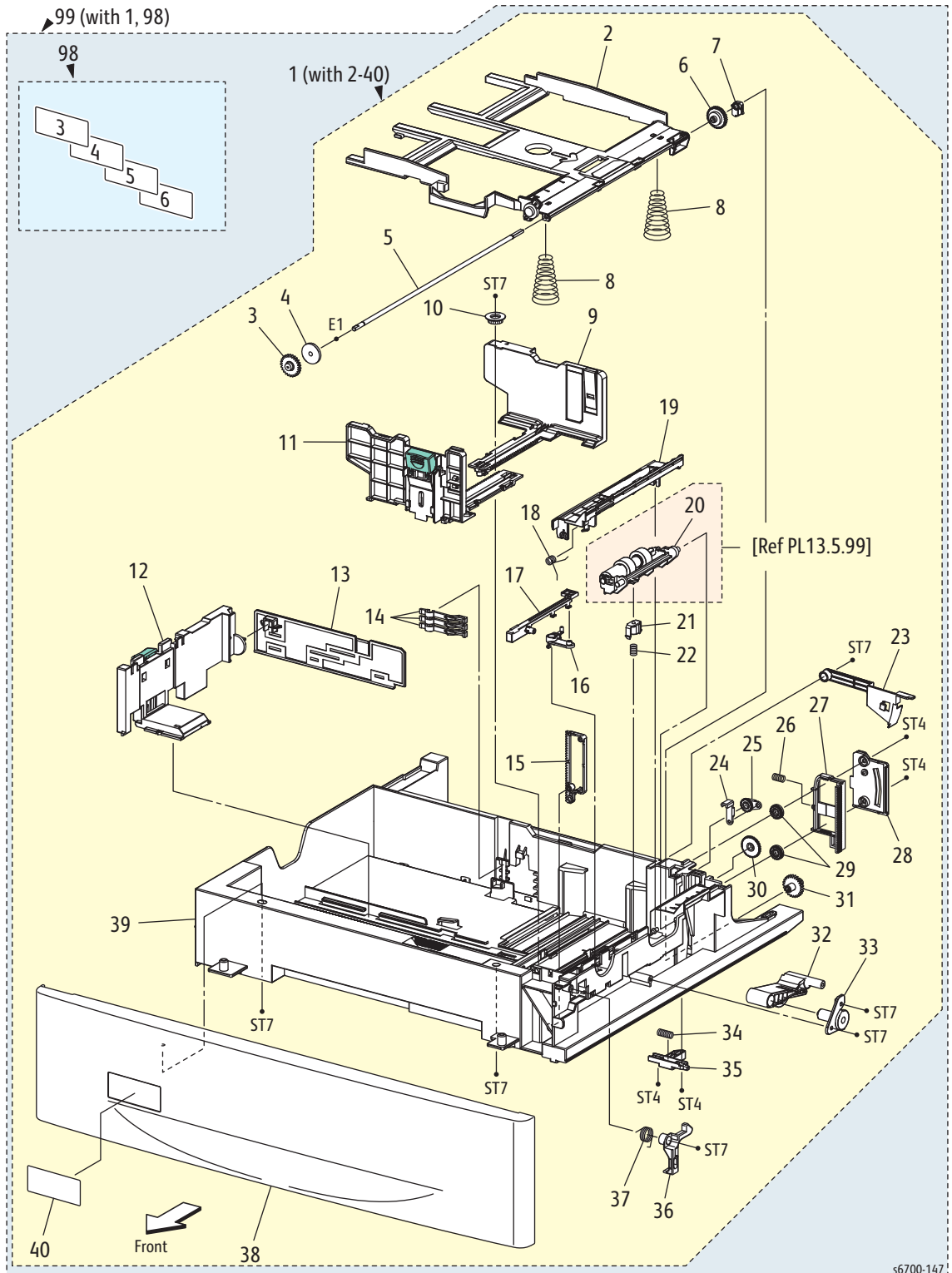


s6700-146

Parts List 13.5 Feeder

Item	Description	Part Number
1	Cover Fdr Opt	
2	Plate Sensor	
3	Take Away Sensor	930W00123
4	Roll Assy Take Away	
5	Clutch Assy Take Away	
6	Bearing Ball	
7	Chute Fdr Opt	
8	--	
9	Clutch Assy Feed	121K43561
10	Bearing Nudger	
11	Spring Lever Nudger	
12	Lever Nudger	
13	Link Actuator	
14	Chute Frame Top	
15	Shaft Lever Nudger	
16	Actuator No Paper	120E31541
17	Sensor Photo (No Paper Sensor)	930W00123
18	Support Nudger	
19	Spring Nudger	
20	Shaft Assy Feed	
21	Gear Feed	
22	Clutch Oneway Feed	
23	Roll Assy Feed	
24	Gear Idler Nudger	
25	Roll Assy Gear Nudger	
26	Shaft Nudger	
27	Harness Assy Opt Path (J361-J363,J364)	
28	Feeder Assy Sub Opt (with 1~7, 9~27)	022K76860
99	Kit Feed Roll & Separator Roll (with 23x2pcs, Pl13.6.20)	604K65030

Parts List 13.6 Universal Tray



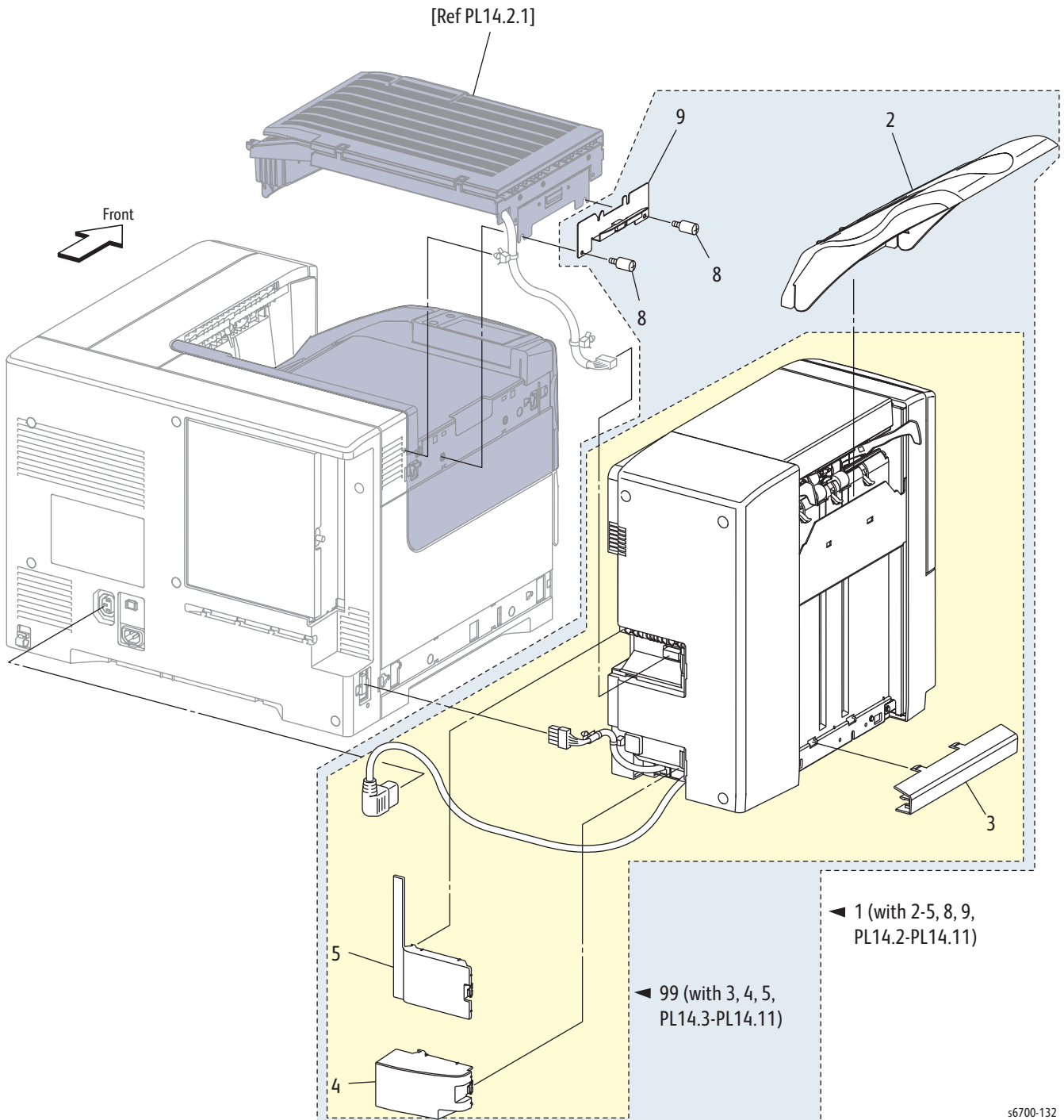
s6700-147

Parts List 13.6 Universal Tray

Item	Description	Part Number
1	Tray Assy Option (with 2~40)	
2	Plate Assy Bottom	
3	Gear PB Front	
4	Gear BTM Dmp Oneway	
5	Shaft PB A4	
6	Gear BTM Lock Oneway	
7	Stopper PB	
8	Spring BTM Up 550 A4	
9	Guide Assy Side R	
10	Gear Pinion	
11	Guide Assy Side F	
12	Guide Assy End	
13	Actuator Guide End	
14	Actuator Size	
15	Plate Gear Lock	
16	Lever Separator	
17	Lever Latch	
18	Spring Cover Separator	
19	Cover Separator	
20	Holder Assy Separator	
21	Holder Spring Separator	019E76290
22	Spring Separator	809E85020
23	Actuator Low Paper	
24	Lever BTM Lock	
25	Gear Lever BTM Lock	
26	Spring BTM Lock	
27	Rack BTM Lock	
28	Cover BTM Up	
29	Gear BTM Lock Pinion	
30	Gear 40 BTM Lock	
31	Gear PB Rear	
32	Link PB	
33	Cover Link	
34	Spring Stopper Gear	
35	Actuator PLS PB	
36	Latch Tray	
37	Spring Latch	
38	Cover Tray Opt	
39	Housing Base	
40	Tray Label	
98	Kit, Tray Label (numbers 3~6)	897E65190
99	Kit Tray Assy (with 1, 98)	604K65002

Finisher Parts

Parts List 14.1 Finisher



s6700-132

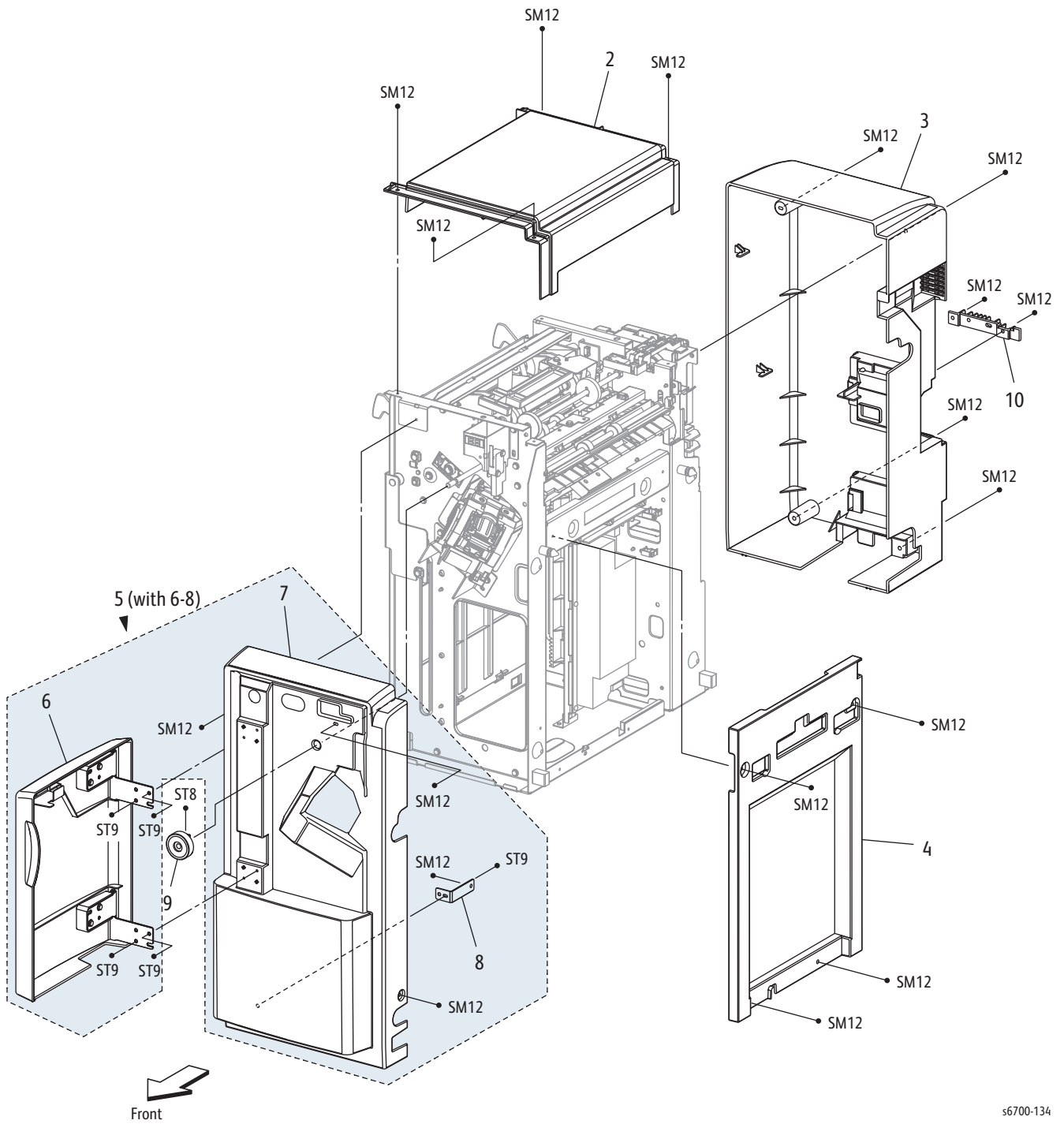
Parts List 14.1 Finisher

Item	Description	Part Number
1	Finisher (with 2~5, 8, 9, PL14.3~PL14.11)	059K78170
2	Tray Stacker	675K86860
3	Cover Guide Tray	
4	Cover Connector2	
5	Cover Connector	
6	--	
7	--	
8	Screw M4 Steel	826E28960
9	Bracket Assy Guide Add	
99	Kit Finisher Assy (with 3, 4, 5, PL14.3-PL14.11)	604K65020

Parts List 14.2 Horizontal Transport

Item	Description	Part Number
1	Horizontal Transport Assy (with 3,10)	022K76640
2	--	
3	Cover Assy Top H-TRA (with 4~8, 43)	848K39440
4	Cover Handle	
5	Cover Top H-TRA	
6	Bracket Magnet A4	
7	Actuator Sensor	
8	Roll Assy Pinch H-TRA	
9	--	
10	Chute Assy Lower H-TRA (with 12~14, 20, 22~24, 26~35, 38~41,44)	
11	--	
12	Magnet	
13	Chute Low H-TRA	
14	Drive H-TRA (with 15~20, 39) (Horizontal Transport Drive Assy)	068K64230
15	Fan A4	
16	Motor Assy Pm Htu	
17	Bracket Assy Motor	
18	Belt Motor	
19	Pulley Idler	
20	Pulley Tension	
21	--	
22	Cover Motor	
23	Bearing Htu A4	
24	Roll Assy Ent	
25	--	
26	Roll Assy Exit	
27	Spring Extension	
28	Bracket Assy Tension	
29	Bracket Assy Drive	
30	Bearing E Cond	
31	Belt Transport	
32	Pulley 22t	
33	Pulley Assy Oneway	
34	Pulley T17	
35	Bracket Assy Sensor (with 36,37)	068K64120
36	Sensor Photo	
37	Bracket Sensor	
38	Spring Sensor	
39	Clamp Locking	
40	Harness Assy HTU A4fin (J8987-j8863,j8864)	
41	Bracket Guide	
42	--	
43	Cover Bracket	
44	Spacer Htu	
45	Cover Add	

Parts List 14.3 Covers

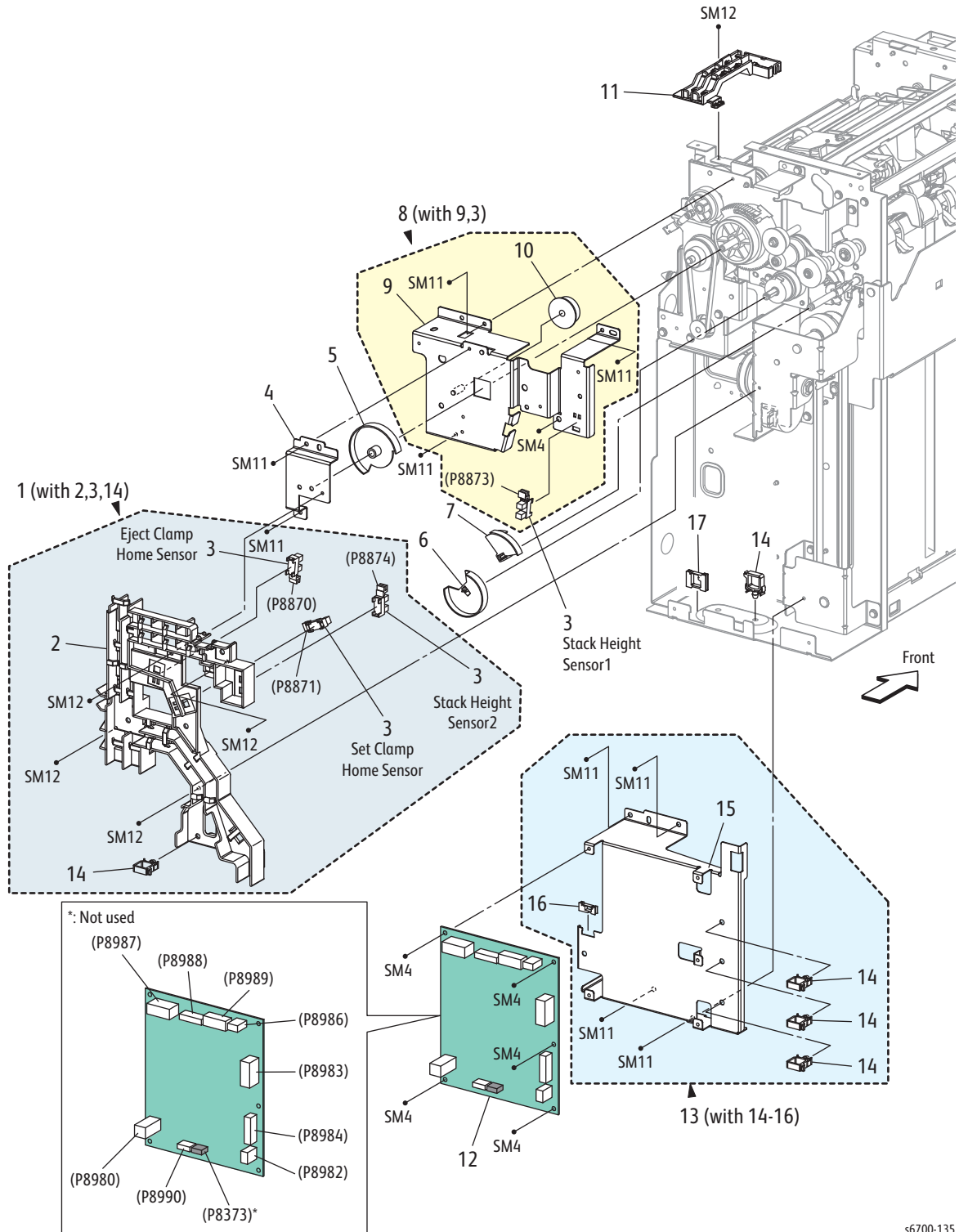


s6700-134

Parts List 14.3 Covers

Item	Description	Part Number
1	--	
2	Cover Top	
3	Cover Rear	
4	Cover RH	
5	Cover Assy Front (with 6~8)	848K39450
6	Cover Assy Front Door	
7	Cover Front	
8	Bracket Cover Front	
9	Knob Assy Exit	003K87701
10	Handle	

Parts List 14.4 Main Board

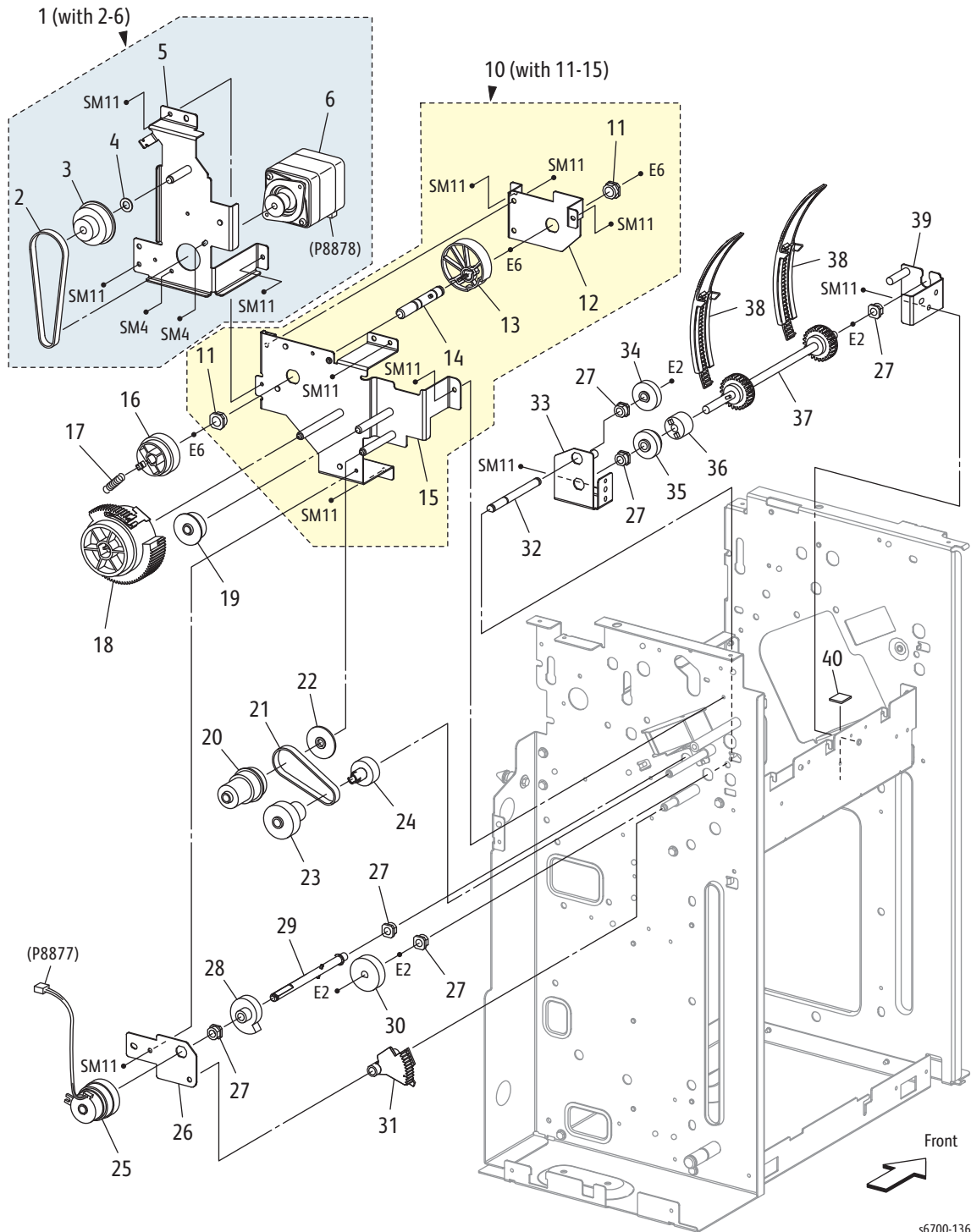


s6700-135

Parts List 14.4 Main Board

Item	Description	Part Number
1	Guide Assy Harness (with 2,3, 14)	
2	Guide Harness 1	
3	Sensor Photo (Stack Height, Set and Eject Clamp Home)	930W00111
4	Support Stud	
5	Actuator Gear Sect	
6	Actuator Set Clamp Cam	
7	Actuator Hight	
8	Bracket Assy Sensor Height (with 9,3)	
9	Bracket Assy Sensor	
10	Gear Z30 R	
11	Guide Harness 3	
12	PWBA Main A4fin (Main Board)	960K54034
13	Bracket Assy Pwba (with 14~16)	
14	Clamp Locking	
15	Bracket PWBA	
16	Bushing Saddle	
17	Bushing Saddle	

Parts List 14.5 Eject

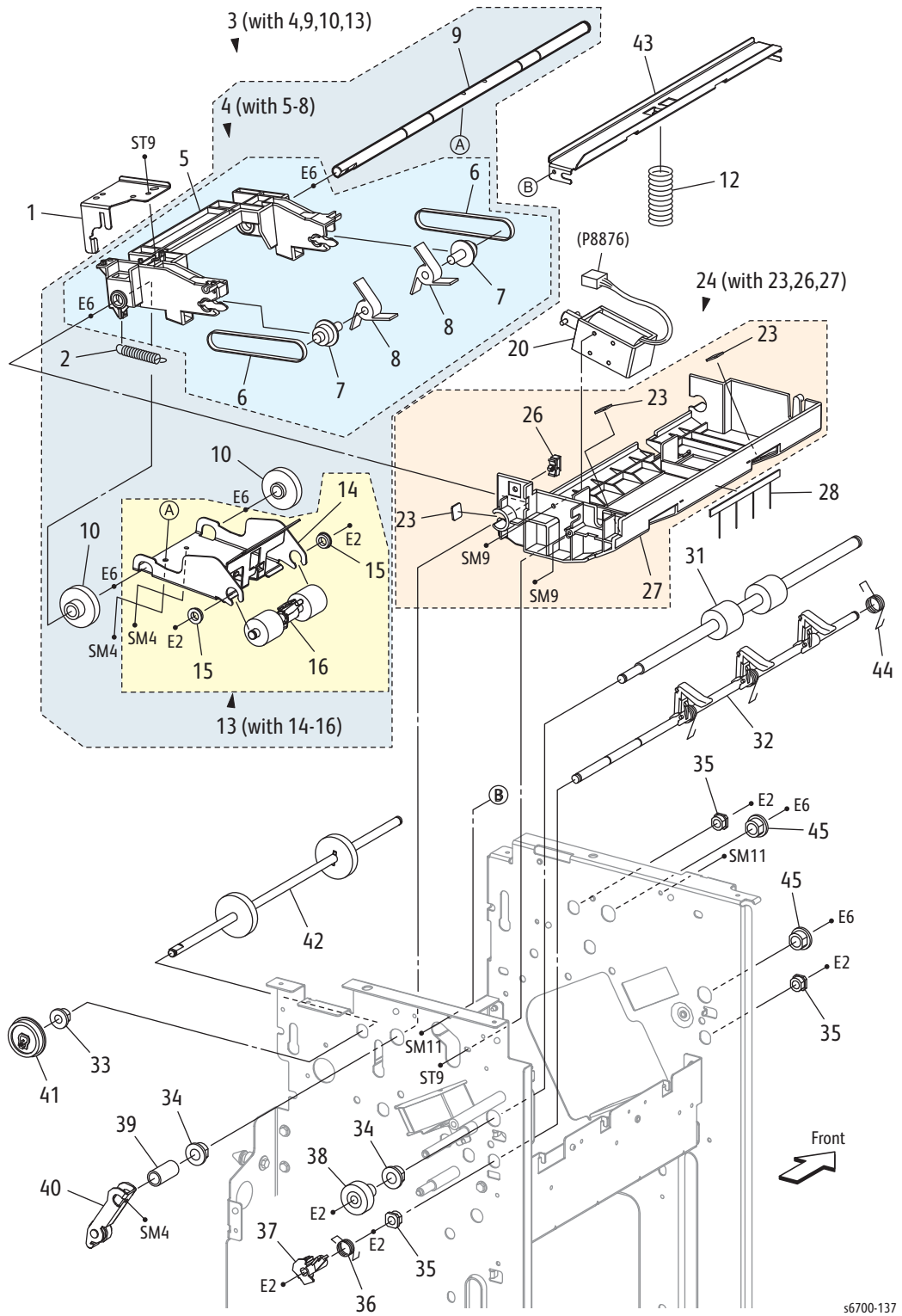


s6700-136

Parts List 14.5 Eject

Item	Description	Part Number
1	Motor Assy Eject Drive (with 2-6)	127K59630
2	Belt	
3	Gear Pulley Z20 T49	
4	Washer	
5	Bracket Assy Motor	
6	Motor Assy Eject	
7	--	
8	--	
9	--	
10	Bracket Assy Eject Drive (with 11-15)	068K64060
11	Bearing Sleeve	
12	Bracket Cam	
13	Cam Eject Clamp	
14	Shaft Assy Cam	
15	Bracket Assy Drive Ej	
16	Gear Z38 S	
17	Spring Clamp Cam	
18	Gear Assy Sector A4	
19	Gear Z25 S	
20	Gear Z28 Z22 T38	
21	Belt	
22	Flange Drive Ej	
23	Gear Pulley Z32l T25	
24	Gear Z23l	
25	Clutch Z34 (Set Clamp Clutch)	121K34631
26	Bracket Cl	
27	Bearing Sleeve	
28	Cam Set Clamp Move	
29	Shaft Assy Set Drive	
30	Gear Z31 R	
31	Gear Z72 Sector	
32	Shaft Guide Paper M	
33	Bracket Assy Shelf R	
34	Gear Z26 R	
35	Gear Z25 L	
36	Clutch Tl400	
37	Shaft Assy Guide Paper	
38	Guide Paper 240	032E32800
39	Bracket Assy Shelf F	
40	Damper Solenoid	

Parts List 14.6 Eject Chute

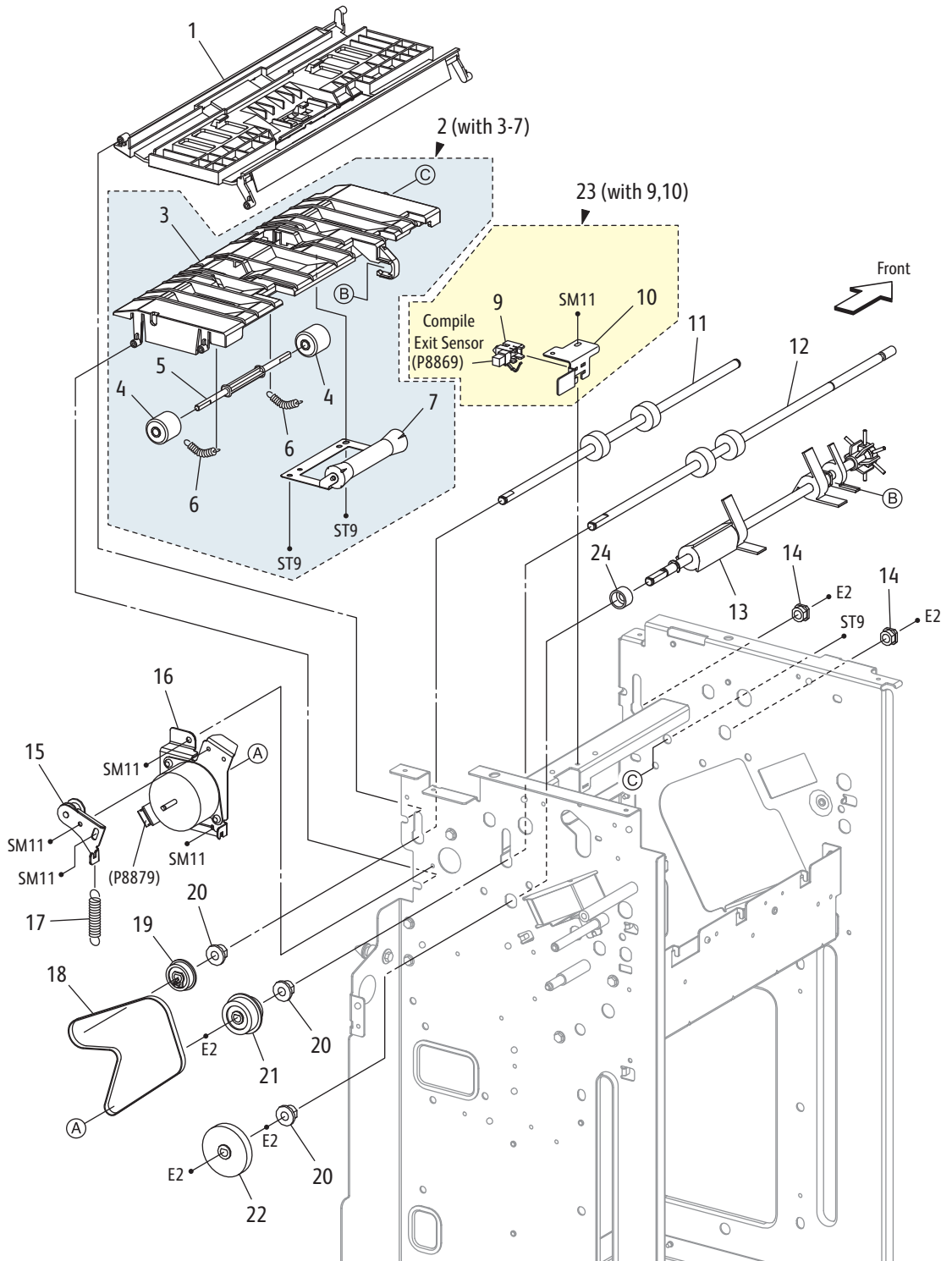


s6700-137

Parts List 14.6 Eject Chute

Item	Description	Part Number
1	Support Arm	
2	Spring Sub Paddle	
3	Roller Assy Eject A4 (with 4, 9, 10, 13)	059K61890
4	Arm Assy Paddle (with 5-8)	
5	Arm Sub Paddle	
6	Belt	
7	Pulley T22	
8	Paddle Sub	033E93330
9	Shaft Eject Clamp	
10	Gear Pulley Z31 T20	
11	--	
12	Spring Pinch	
13	Roller Assy Eject Pinch (with 14~16)	
14	Bracket Eject Pinch	
15	Bearing	
16	Roller Eject Pinch	059K61911
20	Sub Paddle Solenoid Assy	121K43900
23	Damper	
24	Chute Assy Eject (with 23, 26, 27)	
25	--	
26	Clamp Locking	
27	Chute Eject	
28	Eliminator Eject RH	105E19080
29	--	
30	--	
31	Roller Assy Eject	
32	Shaft Assy Set Clamp	
33	Bearing Powdered	
34	Bearing Powdered	
35	Bearing Sleeve	
36	Spring Set Link	
37	Gear Z18	
38	Gear Assy Z25 R Oneway	
39	Spacer Eject Clamp	
40	Arm Assy Clamp	
41	Pulley T41	
42	Shaft Assy Drive Eject	
43	Plate Tie Eject Pinch	
44	Spring Set Clamp	
45	Bearing Sleeve	

Parts List 14.7 Finisher Transport

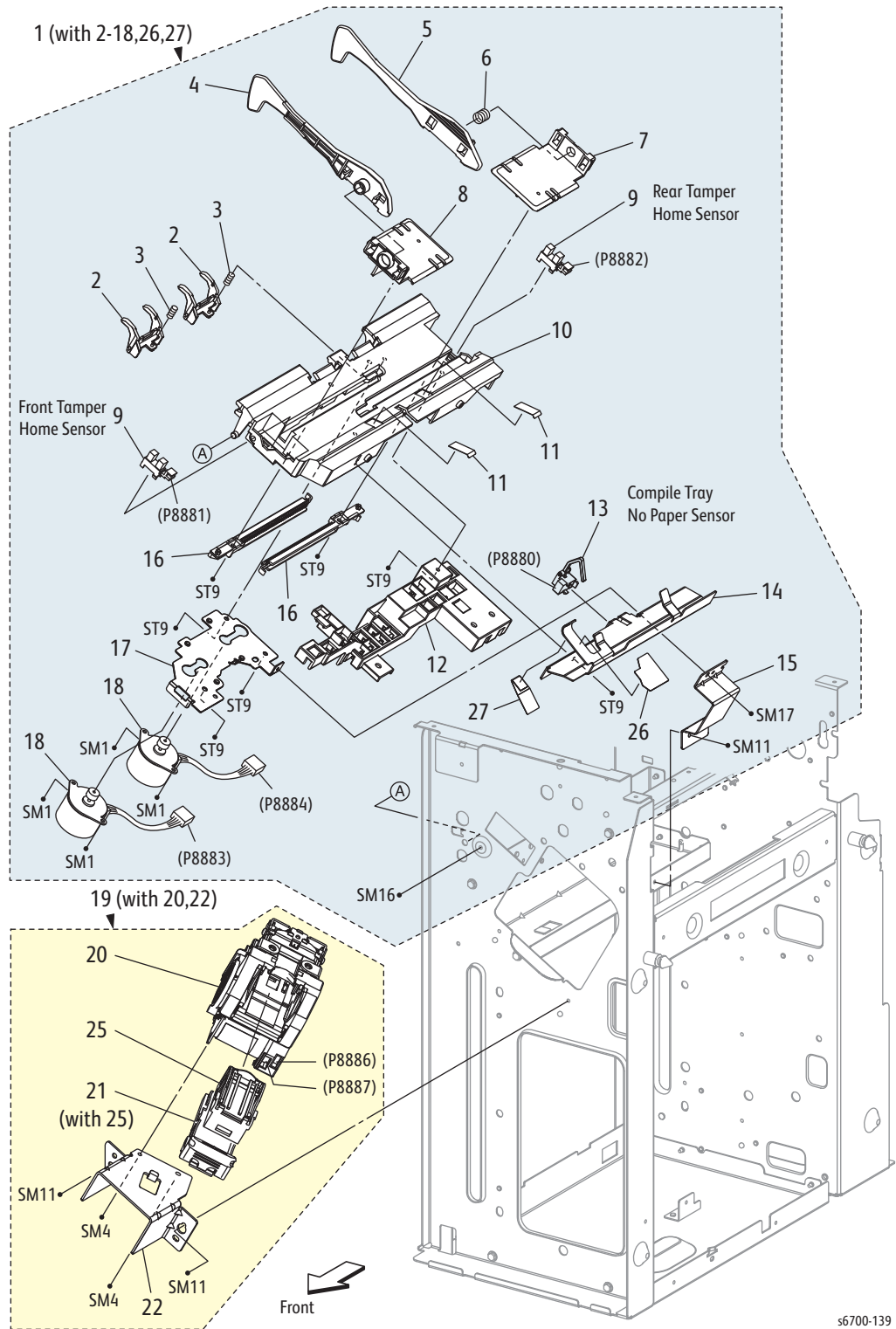


s6700-138

Parts List 14.7 Finisher Transport

Item	Description	Part Number
1	Chute Assy Upper	
2	Chute Assy Lower (with 3~7)	054K40183
3	Chute Fin Lower	
4	Roll Pinch Ent	
5	Shaft Pinch Ent	
6	Spring Pinch Ent	
7	Roll Assy Pinch Exit	
8	--	
9	Sensor Assy	
10	Bracket Sensor Exit	
11	Roll Assy Drive Ent	
12	Roll Assy Drive Exit	
13	Shaft Assy Main Paddle	
14	Bearing Sleeve	
15	Bracket Assy Tension2	
16	Drive Assy Trans (Transport Drive Assy)	068K64172
17	Spring Tension	
18	Belt	
19	Pulley T30	
20	Bearing Powdered	
21	Gear Pulley Z27 T30	
22	Gear Z42 L	
23	Sensor Assy Exit (with 9,10) (Compile Tray Exit Sensor)	068K67780
24	Cap Bearing	

Parts List 14.8 Compile Tray

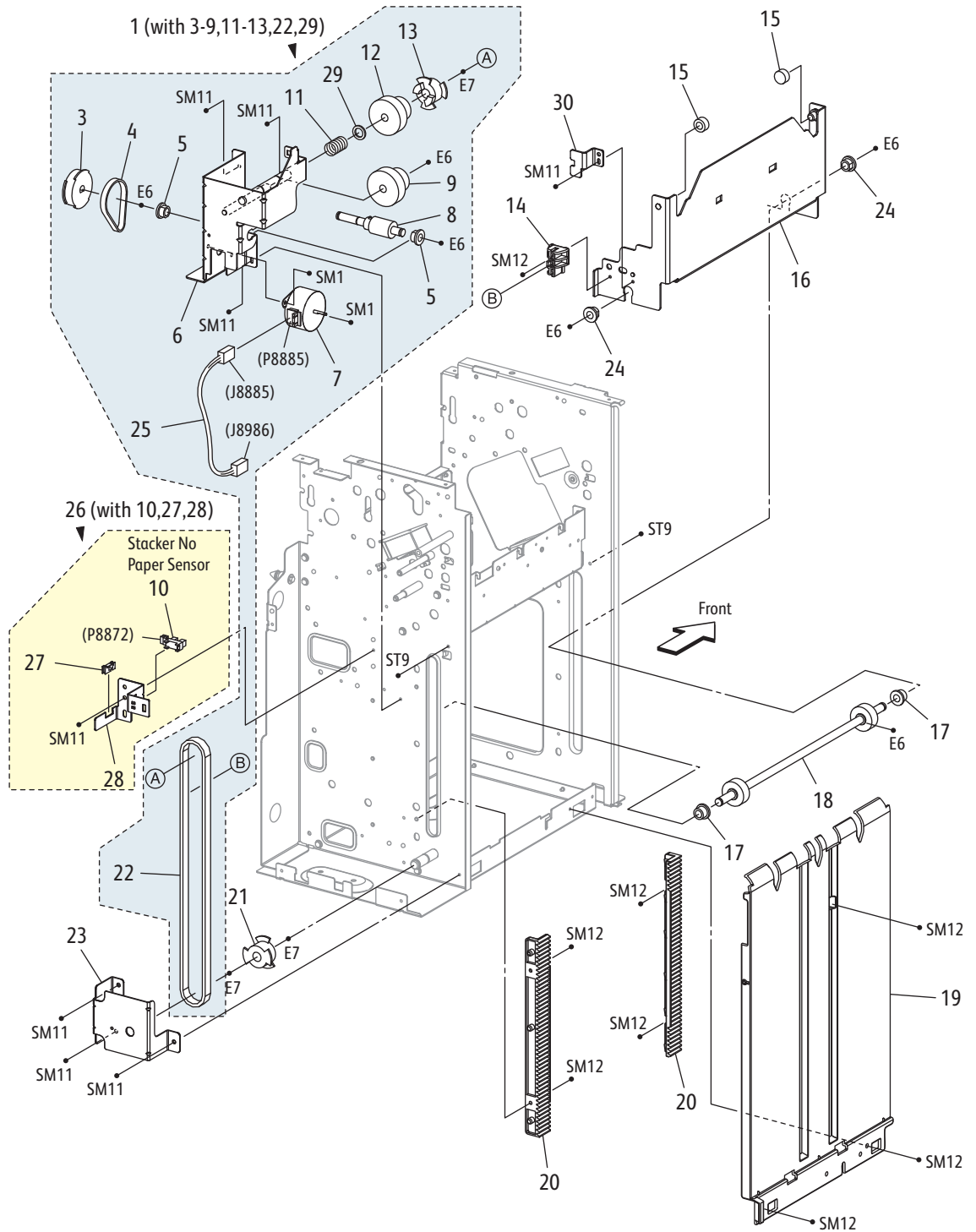


s6700-139

Parts List 14.8 Compile Tray

Item	Description	Part Number
1	Tray Assy Compile (with 2-18, 26, 27)	050K63700
2	Guide Paper Tray	
3	Spring Guide Paper	
4	Guide Tamper Front A4	
5	Guide Tamper Rear A4	
6	Spring Tamper Rear	
7	Base Tamper Rear A4	
8	Base Tamper Front A4	
9	Sensor Photo (Front/Rear Tamper Home Sensor)	930W00111
10	Tray Compile	
11	Guide Paper Paddle	
12	Guide Harness Compile Center	
13	Compile Tray No Paper Sensor Assy	
14	Guide Paper Compile Center	
15	Bracket Compile	
16	Rack Tamper	
17	Bracket Motor Tamper	
18	Motor Assy Tamper	127K58040
19	Holder Assy Stapler A4 (with 20,22)	019K10370
20	Stapler Assy (with 21)	
21	Holder Cartridge (with 25)	050K51250
22	Bracket Stapler Low	
23	--	
24	--	
25	Cartridge Staple	
26	Guide Paper Staple	
27	Guide Paper End Front A4 Fin	

Parts List 14.9 Stacker

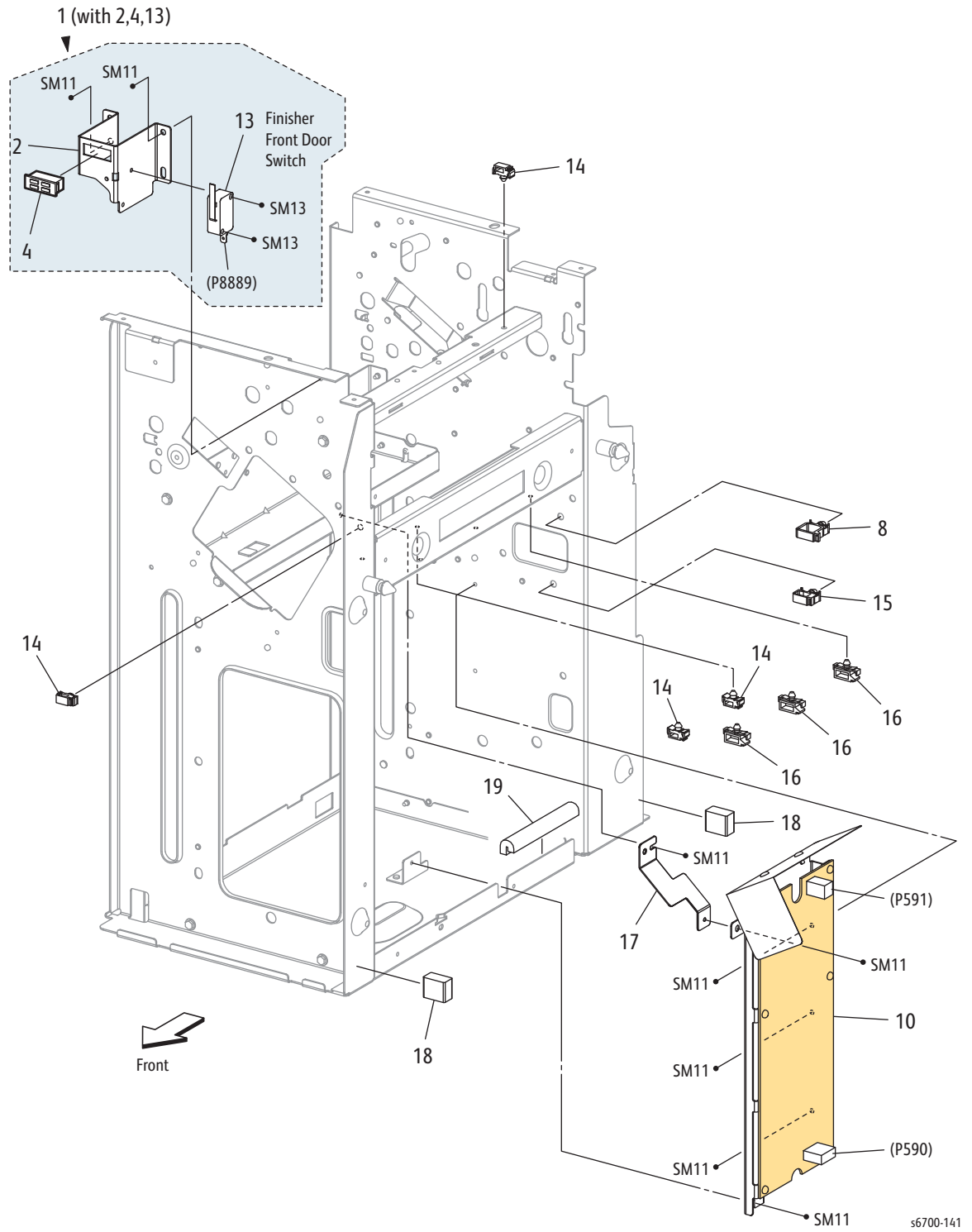


s6700-140

Parts List 14.9 Stacker

Item	Description	Part Number
1	Drive Assy Stacker (with 3-9,11-13, 22, 29)	068K64010
2	--	
3	Pulley T60	
4	Belt	
5	Bearing Powdered	
6	Bracket Assy Elev	
7	Motor Assy Stacker	
8	Shaft Assy Worm	
9	Gear Z15 Z37	
10	Sensor Photo (Stacker No Paper Sensor)	930W00111
11	Spring Doc	
12	Gear Doc Clutch B	
13	Pulley Doc Clutch B	
14	Clamp Belt	
15	Bearing Carriage	
16	Carriage Assy	
17	Bearing Powdered	
18	Shaft Assy Stacker	
19	Guide Tray	
20	Rack A4	
21	Pulley T18	
22	Belt Stacker	
23	Bracket Stud	
24	Bearing Sleeve	
25	Harness Assy MOT3 (J8885-J8986)	
26	Sensor Assy No Paper (with 10, 27, 28)	068K64461
27	Bushing Saddle	
28	Bracket Sensor No Paper	
29	Washer Nylon	
30	Bracket Clamp	

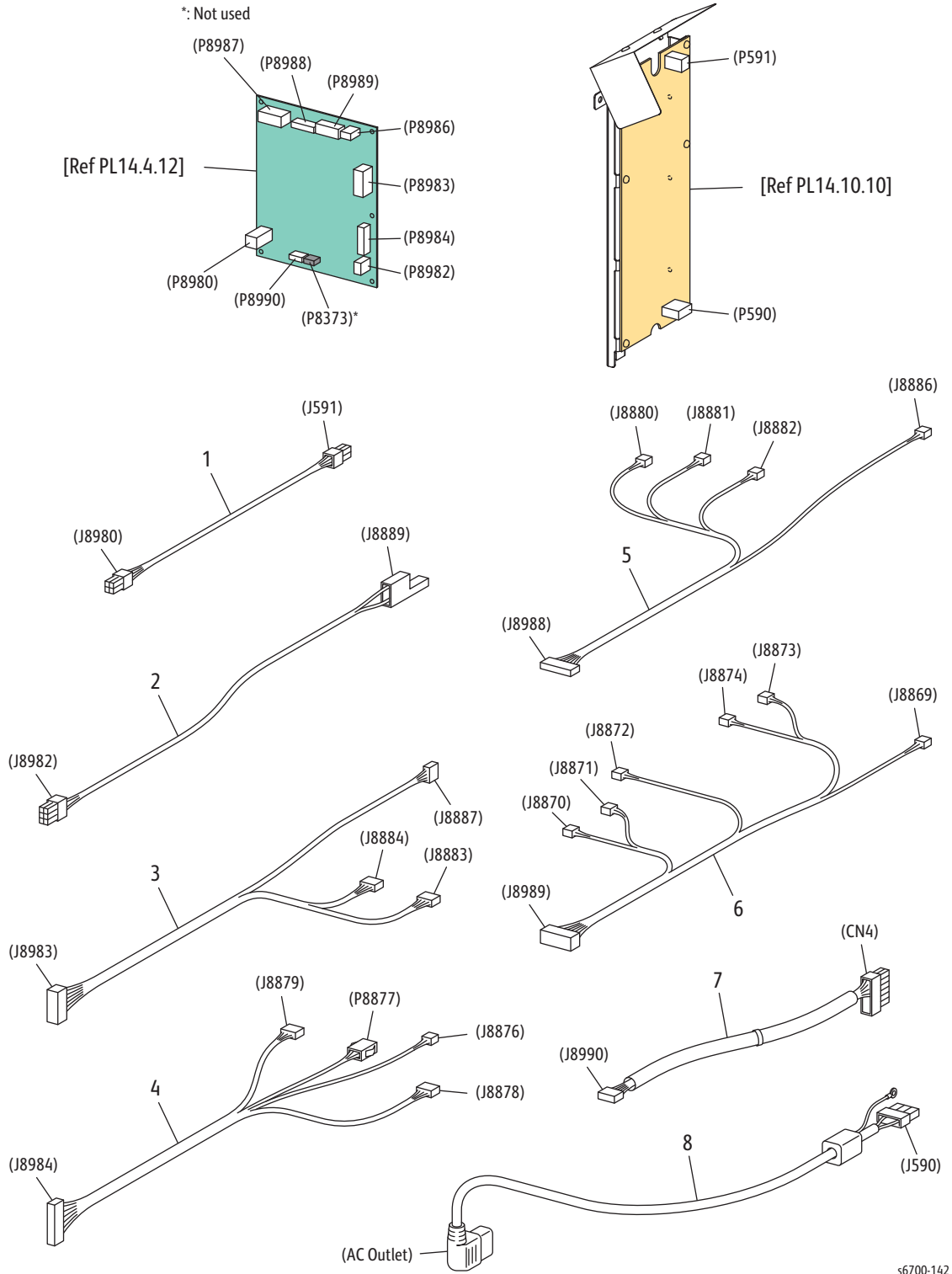
Parts List 14.10 Finisher LVPS



Parts List 14.10 Finisher LVPS

Item	Description	Part Number
1	Bracket Assy Interlock (with 2,4,13) (Front Door Interlock Switch)	068K64620
2	Bracket Interlock	
3	--	
4	Magnet	
5	--	
6	--	
7	--	
8	Clamp Locking	
9	--	
10	LVPS Assy	105K24210
11	--	
12	--	
13	Switch	
14	Clamp Locking	
15	Clamp Locking	
16	Clamp Locking	
17	Bracket EME	
18	Gasket	
19	Guide Edge	

Parts List 14.11 Finisher Harnesses



s6700-142

Parts List 14.11 Finisher Harnesses

Item	Description	Part Number
1	Harness Assy LVPS (J8980-J591)	962K73190
2	Harness Assy Intl SW (J8982-J8889)	
3	Harness Assy Mot1 (J8983-J8887, P8891)	
4	Harness Assy Mot2 (J8984-J8876, P8877, J8878, J8879)	
5	Harness Assy SNR1 (J8988-J8886, P8890)	
6	Harness Assy SNR2 (J8989-J8869, J8870, J8871, J8872, J8873, J8874)	
7	Harness Assy IF (J8990-CN4)	962K73131
8	Power Cable (J590-AC Outlet)	962K73221

Xerox Supplies and Accessories

Toner Cartridges are available in metered or regional versions. Printers are shipped from the factory with neutral cartridges that are set for metered use at power up or adopt the region when the first non-neutral cartridge is installed. Two regional variants, North America / Xerox Europe (NA/XE) and Developing Markets Operations (DMO) are available. The table lists Toner Cartridge part numbers for metered or regional versions. Neutral appears as the cartridge type until metered toner is enabled or a regional (NA/XE or DMO) cartridge is inserted.

Note

Toner level in the cartridge is determined by auger turns and sensors. Toner level is set to 100 % when a new cartridge is installed. Toner Cartridge life (A/ A4 pages at 5 % coverage) is 12K for CMY, 18K for K for hi-cap, 15K for CMY, 21K for K for metered, and 5K for CMY, 7.1K for K for standard and neutral.

Toner Cartridge Types

Region/Type	Description	Capacity
NA/XE/DMO	Cyan Standard Capacity	5,000
	Magenta Standard Capacity	5,000
	Yellow Standard Capacity	5,000
	Black Standard Capacity	7,100
	Cyan High Capacity	12,000
	Magenta High Capacity	12,000
	Yellow High Capacity	12,000
	Black High Capacity	18,000
Metered	Cyan Metered	15,000
	Magenta Metered	15,000
	Yellow Metered	15,000
	Black Metered	21,000

Note

Imaging Unit life is determined by number of prints, cycles (rotation time) and pixel count (dispense time). Life is 50K pages with 4 page per job average and < 15 % coverage.

Waste Toner status is determined by a sensor for almost full and a page count after that for full. Life should be about 25 K A/A4 pages at 5 % coverage per toner, 20 % cumulative, to almost full and another 3600 pages to full.

The Maintenance Kit life is determined by page count. Life is 150K A/A4 pages to a near end of life warning, approximately 180K A/A4 pages to end of life error hard stop.

Routine Maintenance and Service Items

Description	Part Number
Fuser 110V	126K32220
Fuser 220V	126K32230
Black Imaging Unit	108R00974
Cyan Imaging Unit	108R00971
Magenta Imaging Unit	108R00972
Yellow Imaging Unit	108R00973
Standard Capacity Black Toner Cartridge for NA/XE	106R00506
Standard Capacity Cyan Toner Cartridge for NA/XE	106R00503
Standard Capacity Magenta Toner Cartridge for NA/XE	106R00504
Standard Capacity Yellow Toner Cartridge for NA/XE	106R00505
High Capacity Black Toner Cartridge for NA/XE	106R00510
High Capacity Cyan Toner Cartridge for NA/XE	106R00507
High Capacity Magenta Toner Cartridge for NA/XE	106R00508
High Capacity Yellow Toner Cartridge for NA/XE	106R00509
Standard Capacity Black Toner Cartridge for DMO	106R00514
Standard Capacity Cyan Toner Cartridge for DMO	106R00511
Standard Capacity Magenta Toner Cartridge for DMO	106R00512
Standard Capacity Yellow Toner Cartridge for DMO	106R00513
High Capacity Black Toner Cartridge for DMO	106R00526
High Capacity Cyan Toner Cartridge for DMO	106R00523
High Capacity Magenta Toner Cartridge for DMO	106R00524
High Capacity Yellow Toner Cartridge for DMO	106R00525
Metered Black Toner Cartridge	106R00522
Metered Cyan Toner Cartridge	106R00519
Metered Magenta Toner Cartridge	106R00520
Metered Yellow Toner Cartridge	106R00521
Waste Toner Cartridge	108R00975
Maintenance Kit (Transfer Belt and Transfer Roller)	604K73140
Staple Cartridge (3 cartridges of 5K staples)	108R01039

Power Cords

Description	Part Number
Power Cord, North America (NEMA 5-15), 125 V, 15A	117E29520
Power Cord, Cable Assy, EUR, 240 V	152S06413
Power Cord, Cable Assy, UK, 240 V	152S06414
Power Cord, Denmark, 230V	152S06415
Power Cord, Australia, 230V	117E29490
Power Cord, China, 220V	117E35030
Power Cord, Argentina, 220V	117E35040
Power Cord, Switzerland, 230V	152S06416

Options/Accessories

Description	Part Number
550-Sheet Feeder	097S04150
1100-Sheet Feeder	097S04151
Finisher, 1000-Sheet Stacker, Stapler	097S04152
2GB RAM DIMM	097S04396
Hard Drive Productivity Kit, 160GB	097S04179
Printer Stand	097S04245

Service Kits

Maintenance Kit - 604K73140

Customer-Replaceable Maintenance Kit

Item	Procedure
Transfer Roller ^a	“Transfer Roller” on page 8-11
Transfer Belt	“Transfer Belt” on page 8-12
Separator Roller ^b	“Tray Feed and Separator Roller Kit” on page 8-6
Feed Rollers	“Feed Roller” on page 8-9

a. Also available as an individually spared part (604K64970).

b. Also available as an individually spared part (604K65030).

Hardware Kit - 604K56670

Hardware Kit

Fastener Type	Size	Parts List Designator	Quantity
Screw for plastic, Silver, self-tapping	M4 x 10mm	ST6	2
Screw for plastic, Silver, self-tapping	M3 x 8mm	ST7	2
Sheet metal screw, Silver	M3 x 4mm M3 x 6mm	SM1 SM2	2 2
Sheet metal screw, Silver, with flange	M3 x 6mm M3 x 8mm	SM11 SM12	2 2
E-Ring, 3 mm (1)	D3 D4	E1 E2	2 2

USB Drive with Firmware - 237E25960

USB AltBoot Thumb Drive loaded with firmware. See “Firmware Restore Using AltBoot” on page A-5.

Repack Kit- 695K28490

A repack kit is available to package and transport or ship the print engine.

World Kits

World Kits provide localized software and documentation.

World Kit

World Kit Type	Part Number
110V World Kit	650K33090
220V World Kit	650K33100

Wiring

In this chapter...

- Printer Plug/Jack Designations
- Printer Plug/Jack Locator Diagrams
- Feeder Plug/Jack Designators
- Feeder Plug/Jack Locator Diagrams
- Finisher Plug/Jack Designators
- Finisher Plug/Jack Locator Diagrams
- Wiring Diagrams
- Printer Wiring
- Feeder Wiring
- Finisher Wiring

Chapter 10

Printer Plug/Jack Designations

This chapter contains the plug/jack designators, locator diagrams, and wiring diagrams. The Plug/Jack Locator diagrams show the P/J locations within the printer. Use these illustrations to locate connections called out in the troubleshooting procedures presented in Sections 3, 4, and 5.

1. Locate the P/J connector designator in the first column of the table.
2. With this information, go to the map listed in the second column.
3. Use the coordinates to locate the connection indicated on the map by its P/J designation number.
4. The Remarks column provides a brief description of each connection.

Printer Plug/Jack Designators

P/J	Map	Coordinates	Remarks
1	5	B-172	Connects MCU Board and Fuser Harness
2	5	C-172	Connects MCU Board and ESS Harness
3	5	C-174	Connects MCU Board and ROS/HV Harness
4	5	A-173	Connects MCU Board and DISP/FSR Harness
5	5	A-173	Connects MCU Board and LPP/MOT Harness
6	5	A-172	Connects MCU Board and LPP/MOT Harness
7	5	A-172	Connects MCU Board and LPP/MOT Harness
8	5	C-174	No Connection
9	5	B-173	Connects MCU Board and RH/MOT Harness
10	5	C-173	Connects MCU Board and Registration Harness
11	4	F-154	Connects IP Board and Hard Drive
11	5	C-172	Connects MCU Board and TN CRUM Harness
12	4	F-154	Connects IP Board and Hard Drive
12	5	D-173	Connects MCU Board and CRUM/DISP Harness
13	5	D-173	Connects MCU Board and ROS/HV Harness
15	5	C-173	Connects MCU Board and CRUM/DISP Harness
16	5	A-173	Connects MCU Board and ERASE/EXIT Harness
17	5	C-172	Connects MCU Board and ERASE/EXIT Harness
18	5	B-173	Connects MCU Board and LPP/MOT Harness
19	5	A-172	Connects MCU Board and DISP/FSR Harness
20	5	C-172	Connects MCU Board and EXIT Harness
21	5	C-173	Connects MCU Board and LPP/MOT Harness
22	5	D-173	Connects MCU Board and FIN Harness
23	5	A-173	Connects MCU Board and LV PWR Harness
24	5	B-173	Connects MCU Board and LVPS Harness
100	6	C-183	Connects Feed Drive Assy (Switching Clutch) and RH/MOT Harness
101	2	H-125	Connects Registration Clutch and Registration Harness
101	5	B-172	No Connection
102	2	H-125	Connects Feed Clutch and Registration Harness

Printer Plug/Jack Designators (Continued)

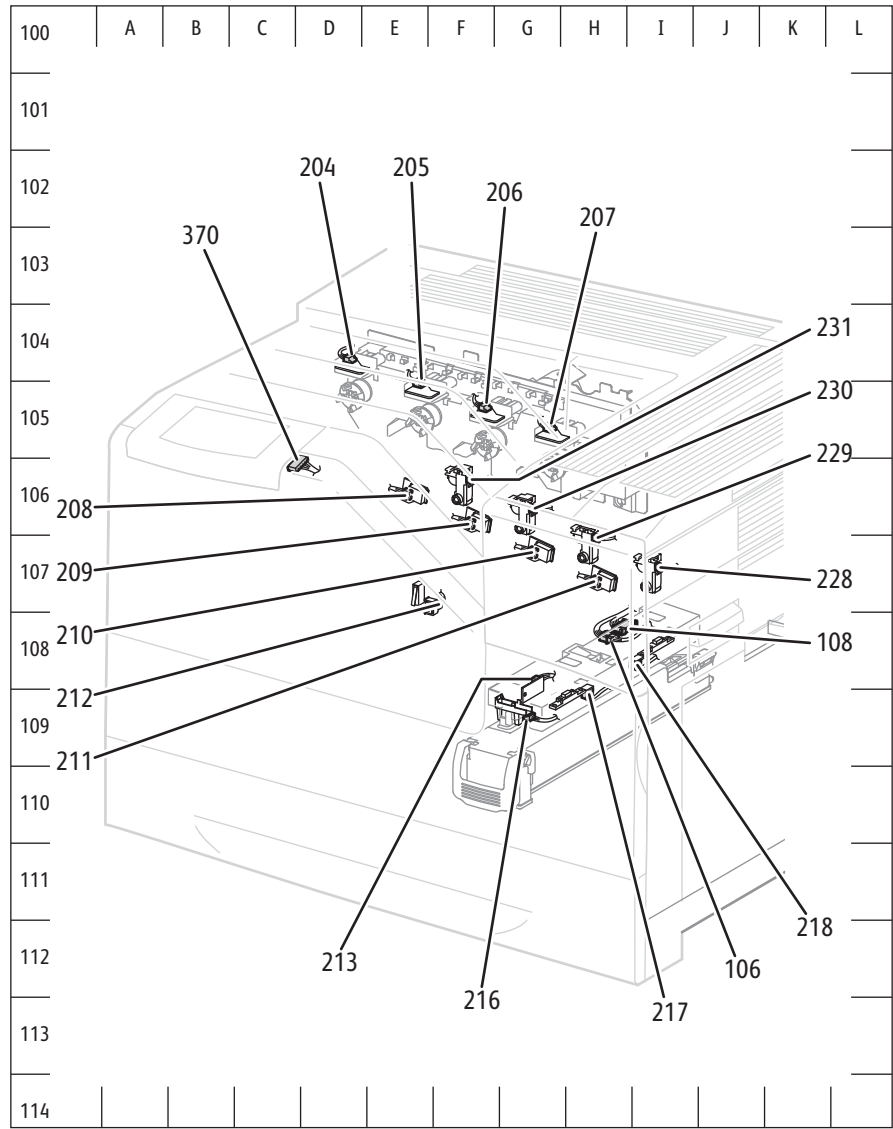
P/J	Map	Coordinates	Remarks
103	2	H-125	Connects Take Away Clutch and Registration Harness
105	2	H-125	Connects Registration Sensor and Registration Harness
106	1	H-108	Connects Procon Assy and ERASE/EXIT Harness
108	1	H-108	Connects Procon Assy and ERASE/EXIT Harness
110	2	H-125	Connects REGI Unit and Registration Harness
115	2	F-119	Connects Exit Drive Assy and Exit Harness
116	2	F-120	Connects Exit Clutch and Exit Harness
117	3	F-141	Connects RH COVER Harness and RH/MOT Harness
118	3	F-141	Connects Tray 1 Feed Solenoid and RH/MOT Harness
119	3	E-136	Connects Fuser Fan and Harness Assy RH COVER
120	3	F-141	Connects RH Cover and RH/MOT Harness
121	5	F-169	Connects Printer and Finisher
122	2	H-120	Connects Invert Solenoid and DISP/FSR Harness
151	5	H-167	Connects Laser Unit and Assy ROS/HV Harness
152	5	H-168	Connects Laser Unit and VIDEO Harness
153	5	H-167	Connects Laser Unit and ROS/HV Harness
173	4	D-154	Connects GFI Breaker and AC Harness
174	4	D-154	Connects GFI Breaker and AC Harness
175	4	D-155	Connects GFI Breaker and GFI EARTH
180	2	H-121	Connects Fuser and Fuser Harness
181	4	G-156	Connects LPP/MOT Harness and Feeder
200	6	D-183	Connects Switching Sensor (K) and RH/MOT Harness
201	6	I-183	Connects Color Switching Sensor and CRUM/DISP Harness
203	2	F-124	Connects Registration Sensor and Registration SNR Harness
204	1	D-105	Connects Y CRUM and TN CRUM Harness
205	1	E-105	Connects M CRUM and TN CRUM Harness
206	1	F-106	Connects C CRUM and TN CRUM Harness
207	1	G-106	Connects K CRUM and TN CRUM Harness
208	1	E-107	Connects Y CRUM and CRUM/DISP Harness
209	1	F-107	Connects M CRUM and CRUM/DISP Harness
210	1	G-107	Connects C CRUM and CRUM/DISP Harness
211	1	H-108	Connects K CRUM and CRUM/DISP Harness
212	1	F-108	Connects Front Interlock Switch and Exit Harness
213	1	G-109	Connects HUM Sensor and CTD/HUM Harness
214	5	F-170	Connects EEPROM Board and ROS/HV Harness
216	1	G-109	Connects Waste Toner Box Full Sensor and CTD/HUM
217	1	H-109	Connects Front ADC Sensor and CTD SNR Harness
218	1	I-109	Connects Rear ADC Sensor and CTD SNR Harness
219	2	D-125	Connects Size Switch and LPP/MOT Harness
220	2	F-124	Connects No Paper Sensor and NPP SNR Harness

Printer Plug/Jack Designators (Continued)

P/J	Map	Coordinates	Remarks
221	2	G-125	Connects Low Paper Sensor and LPP/MOT Harness
222	2	G-125	Connects Low Paper 50 % Sensor and LPP/MOT Harness
224	2	D-122	Connects Full Stack Sensor and EXIT Harness
225	2	D-122	Connects Envelope Mode Sensor and EXIT Harness
226	3	E-140	Connects Tray 1 No Paper Sensor and RH COVER Harness
228	1	I-108	Connects Erase Lamp K and ERASE/EXIT Harness
229	1	H-107	Connects Erase Lamp C and ERASE/EXIT Harness
230	1	G-107	Connects Erase Lamp M and ERASE/EXIT Harness
231	1	F-106	Connects Erase Lamp Y and ERASE/EXIT Harness
250	6	D-181	Connects Fuser Motor and DISP/FSR Harness
251	6	F-181	Connects Xero Drive Assy and DISP/FSR Harness
252	6	G-185	Connects Color Developer Motor and LPP/MOT Harness
253	6	F-185	Connects Black Developer Motor and LPP/MOT Harness
254	6	C-183	Connects Transfer Belt Motor and RH/MOT Harness
255	6	D-185	Connects Feed Drive Assy and RH/MOT Harness
256	6	E-181	Connects Toner Motor K and DISP/FSR Harness
257	6	F-181	Connects Toner Motor C and DISP/FSR Harness
258	6	G-182	Connects Toner Motor M and DISP/FSR Harness
259	6	H-182	Connects Toner Motor Y and CRUM/DISP Harness
260	6	G-185	Connects Developer Drive and LPP/MOT Harness
300	4	C-155	Connects LVPS and AC Harness
301	4	D-151	Connects LVPS and I/L RH Harness
302	4	C-151	Connects LVPS and I/L FRT Harness
303	4	C-151	Connects LVPS and ROS/HV Harness
304	4	B-154	Connects LVPS and Fuser Harness
305	4	C-151	Connects LVPS and LV PWR Harness
306	4	D-151	Connects LVPS and ESS PWR Harness
307	4	C-151	Connects LVPS and LPP/MOT Harness
308	4	D-151	Connects LVPS and LVPS Harness
309	4	D-151	Connects LVPS and LVPS Fan
311	4	C-155	Connects LVPS and FIN PWR Harness
315	4	C-151	Connects LVPS and LPP/MOT Harness
320	4	F-154	Connects IP Board and ESS Harness
321	4	F-154	Connects IP Board and ESS PWR Harness
327	4	F-154	Connects IP Board and Control Panel Harness
328	4	F-154	Connects IP Board and VIDEO Harness
331	4	J-155	Connects HVPS and ROS/HV Harness
332	4	J-153	Connects HVPS and Bias Housing Assy
370	1	D-106	Connects Control Panel and Control Panel Harness

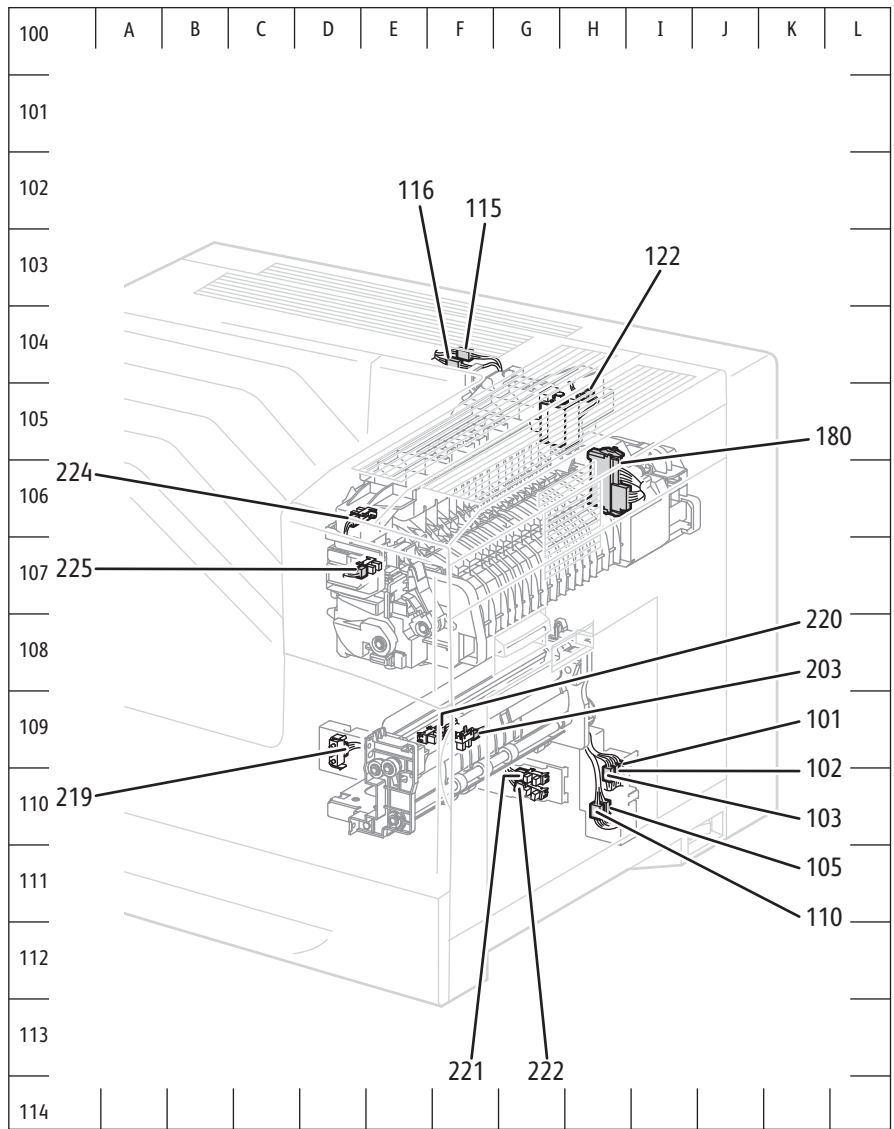
Printer Plug/Jack Locator Diagrams

Map 1 - CRU Detection



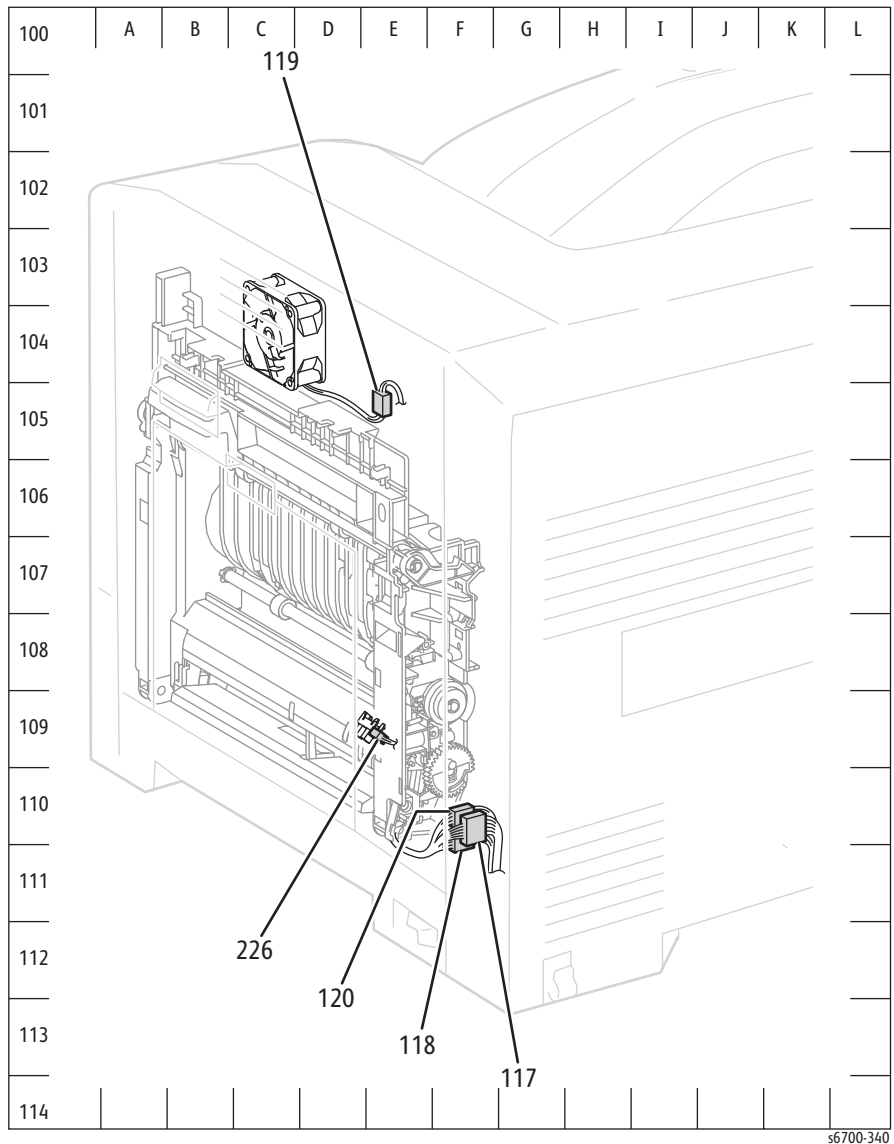
s6700-338

Map 2 - Fuser and Feeder

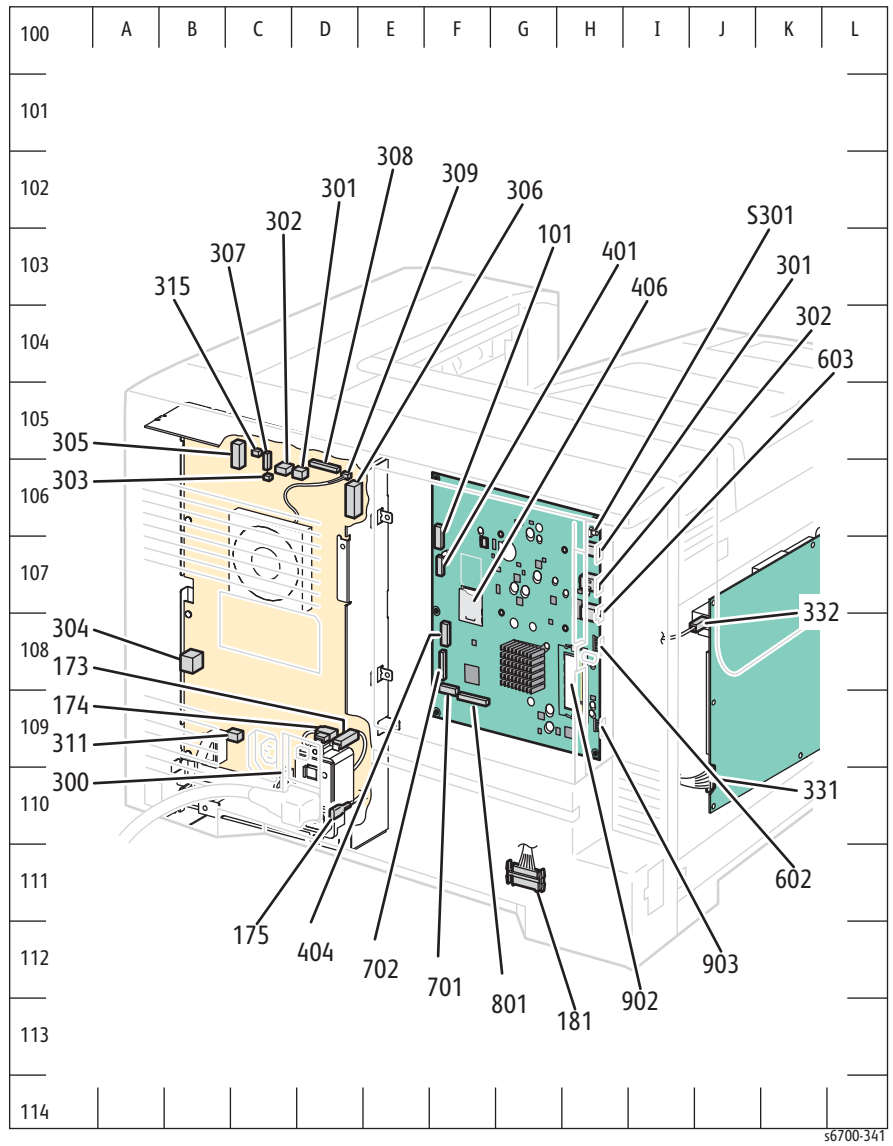


s6700-339

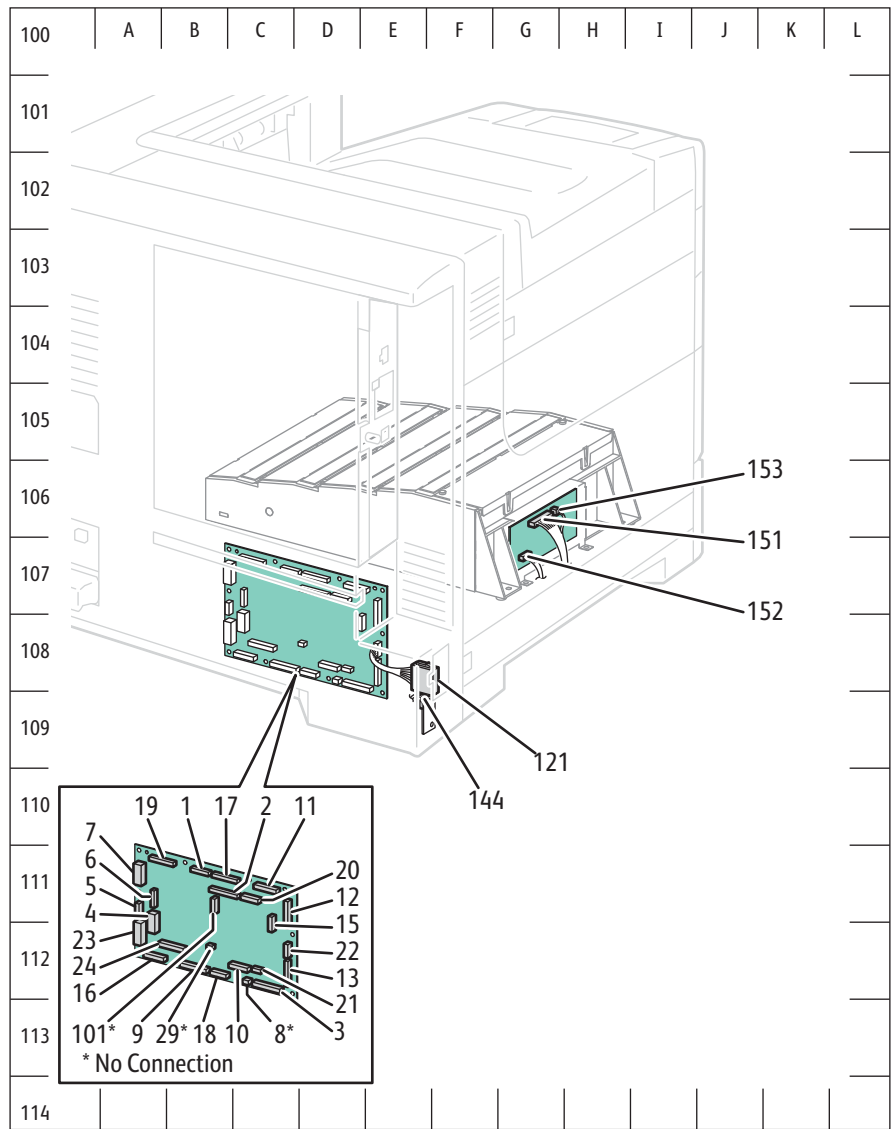
Map 3 - Right Door



Map 4 - LVPS and IP Board

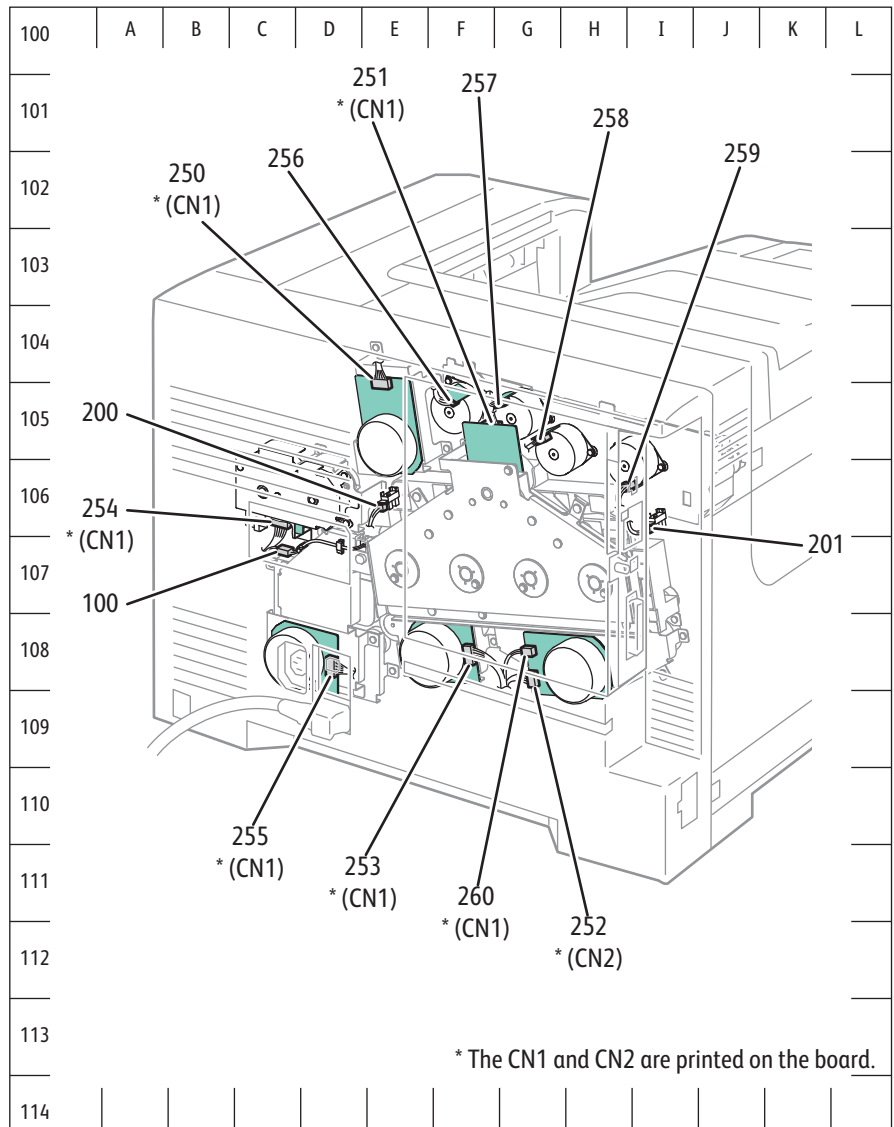


Map 5 - MCU Board and Laser Unit



s6700-342

Map 6 - Drive



s6700-343

Feeder Plug/Jack Designators

550-Sheet Feeder Plug/Jack Designators

550-Sheet Feeder Plug/Jack Designator

P/J	Map	Coordinates	Remarks
181	7	F-199	Connects OPT TOP Harness and LPP/MOT Harness
183	7	G-195	Connects OPT SW Harness and OPT TOP Harness
350	7	F-194	Connects Feeder Board and OPT TOP Harness
351	7	F-194	Connects Feeder Board and OPT SW Harness
352	7	F-195	Connects Feeder Board and OPT CL Harness
353	7	F-194	Connects Feeder Board and OPT SW Harness
354	7	E-194	Connects Feeder Board and OPT CL Harness
355	7	E-194	Connects Feeder Board and OPT MOT Harness
356	7	F-194	No Connection
357	7	C-193	Connects Feed Motor and OPT MOT Harness
358	7	E-194	Connects Take Away Clutch and OPT CL Harness
359	7	E-194	Connects Feed Clutch and OPT CL Harness
360	7	J-200	Connects RH Cover Switch and OPT SW Harness
361	7	F-193	Connects OPT PATH Harness and OPT SW Harness
363	7	H-200	Connects Take Away Sensor and OPT PATH Harness
364	7	G-200	Connects No Paper Sensor and OPT PATH Harness
365	7	F-200	Connects Size Switch and LPP/MOT Harness
366	7	H-201	Connects Low Paper Sensor and OPT CL Harness
367	7	H-201	Connects Low Paper 50 % Sensor and OPT CL Harness

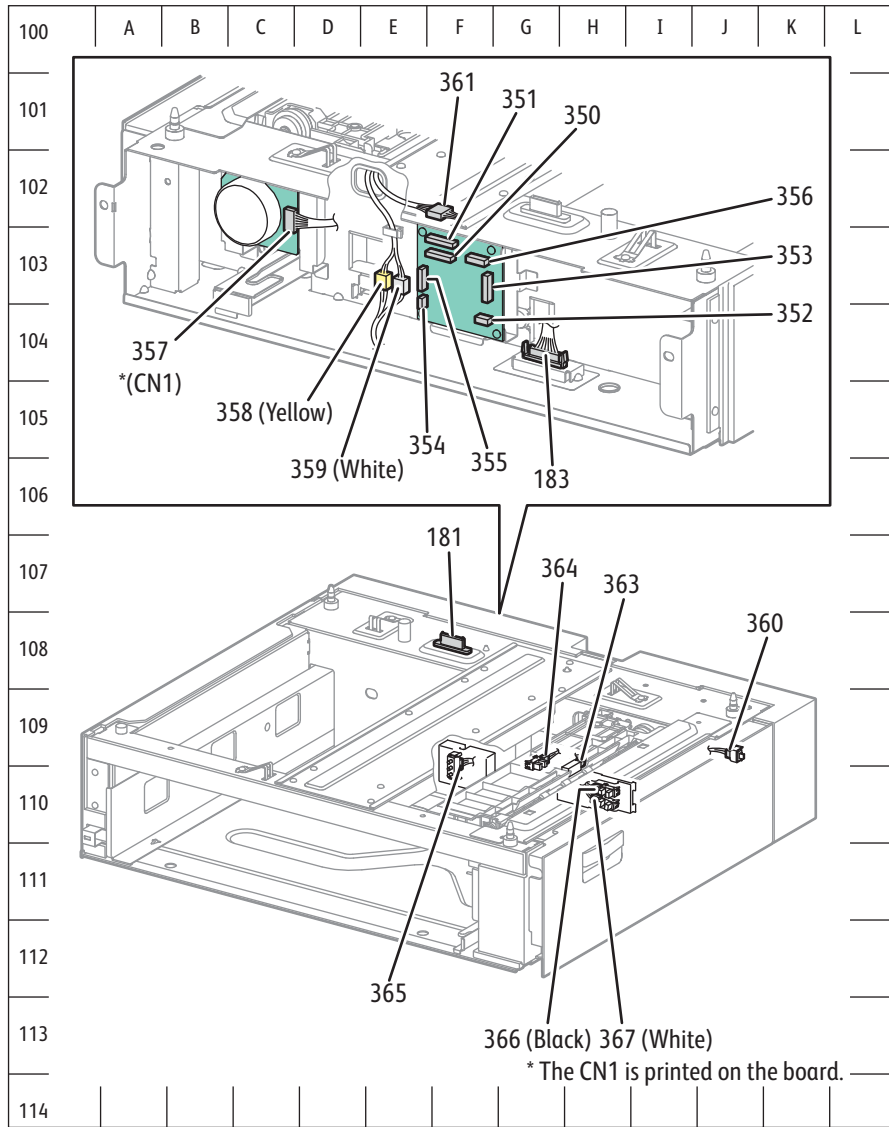
1100-Sheet Feeder Plug/Jack Designators

1100-Sheet Feeder Plug/Jack Designators

P/J	Map	Coordinates	Remarks
181	8	F-213	Connects OPT TOP Harness and LPP/MOT Harness
183	8	G-210	Connects OPT SW Harness and OPT TOP Harness
350	8	F-208	Connects Feeder Board and OPT TOP Harness
351	8	F-208	Connects Feeder Board and OPT SW Harness
352	8	F-209	Connects Feeder Board and OPT CL Harness
353	8	F-209	Connects Feeder Board and OPT SW Harness
354	8	F-209	Connects Feeder Board and OPT CL Harness
355	8	F-209	Connects Feeder Board and OPT MOT Harness
356	8	F-208	No Connection
357	8	C-208	Connects Feed Motor and OPT MOT Harness
358	8	E-209	Connects Take Away Clutch and OPT CL Harness
359	8	E-209	Connects Feed Clutch and OPT CL Harness
360	8	J-215	Connects RH Cover Switch and OPT SW Harness
361	8	F-208	Connects OPT PATH Harness and OPT SW Harness
363	8	H-215	Connects Take Away Sensor and OPT PATH Harness
364	8	G-215	Connects No Paper Sensor and OPT PATH Harness
365	8	F-225	Connects Size Switch and LPP/MOT Harness
366	7	H-201	Connects Low Paper Sensor and OPT CL Harness
367	7	H-201	Connects Low Paper 50 % Sensor and OPT CL Harness

Feeder Plug/Jack Locator Diagrams

Map 7 - 550-Sheet Feeder

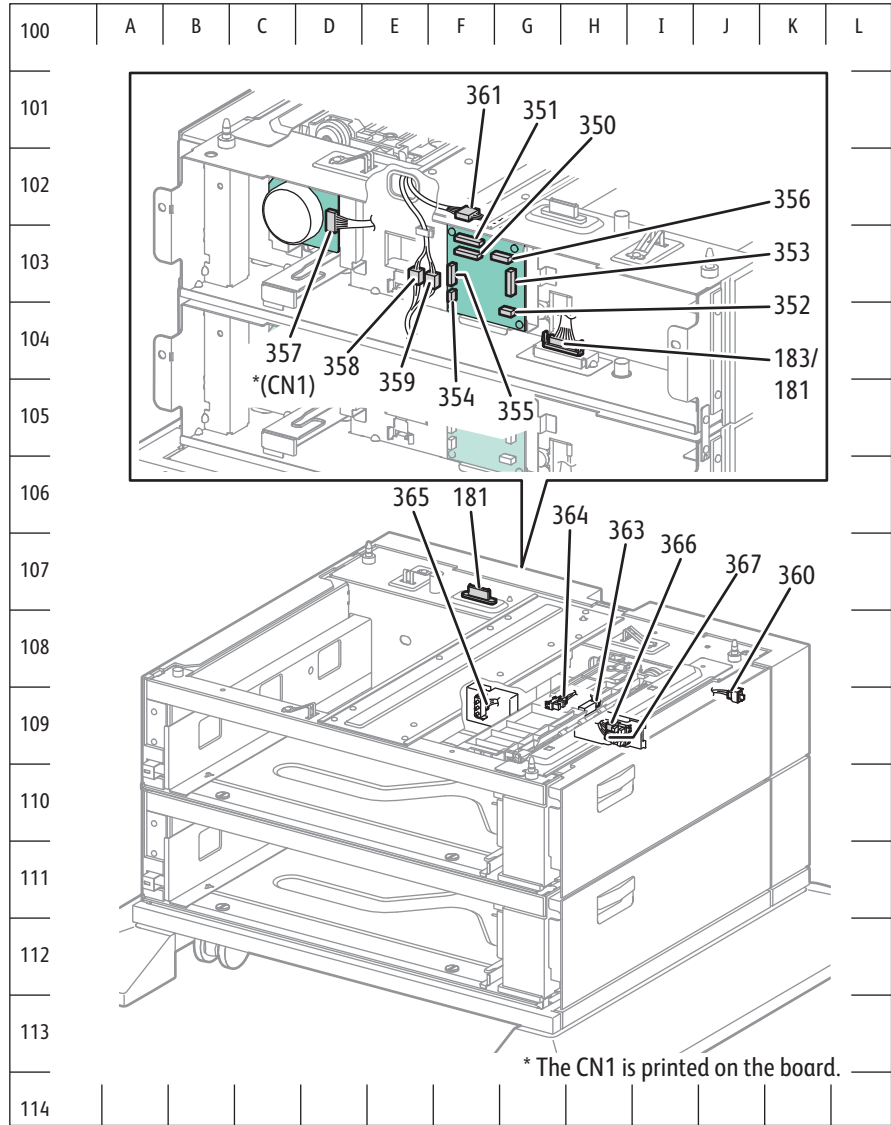


s6700-344

Map 8 - 1100-Sheet Feeder

Note

The P/J layout of the HCF is common among the upper and lower sections.



s6700:345

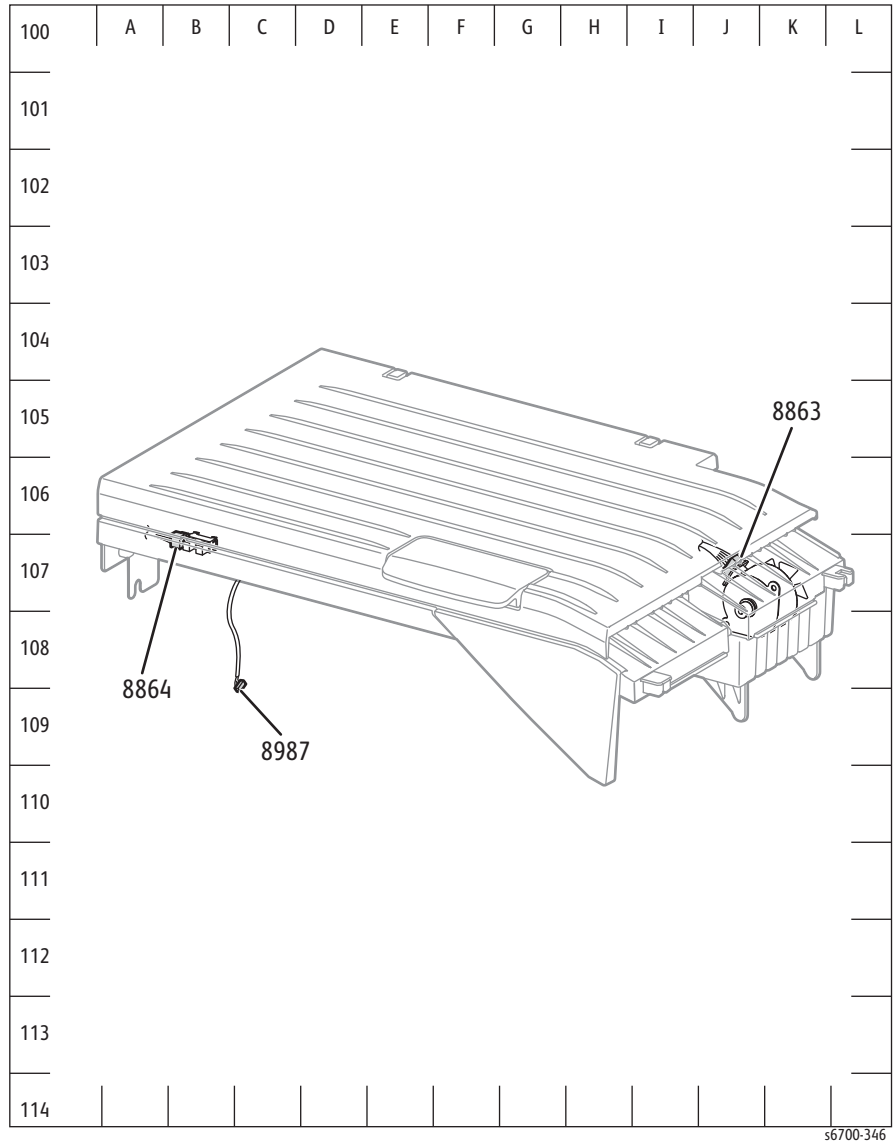
Finisher Plug/Jack Designators

Finisher Plug/Jack Designators

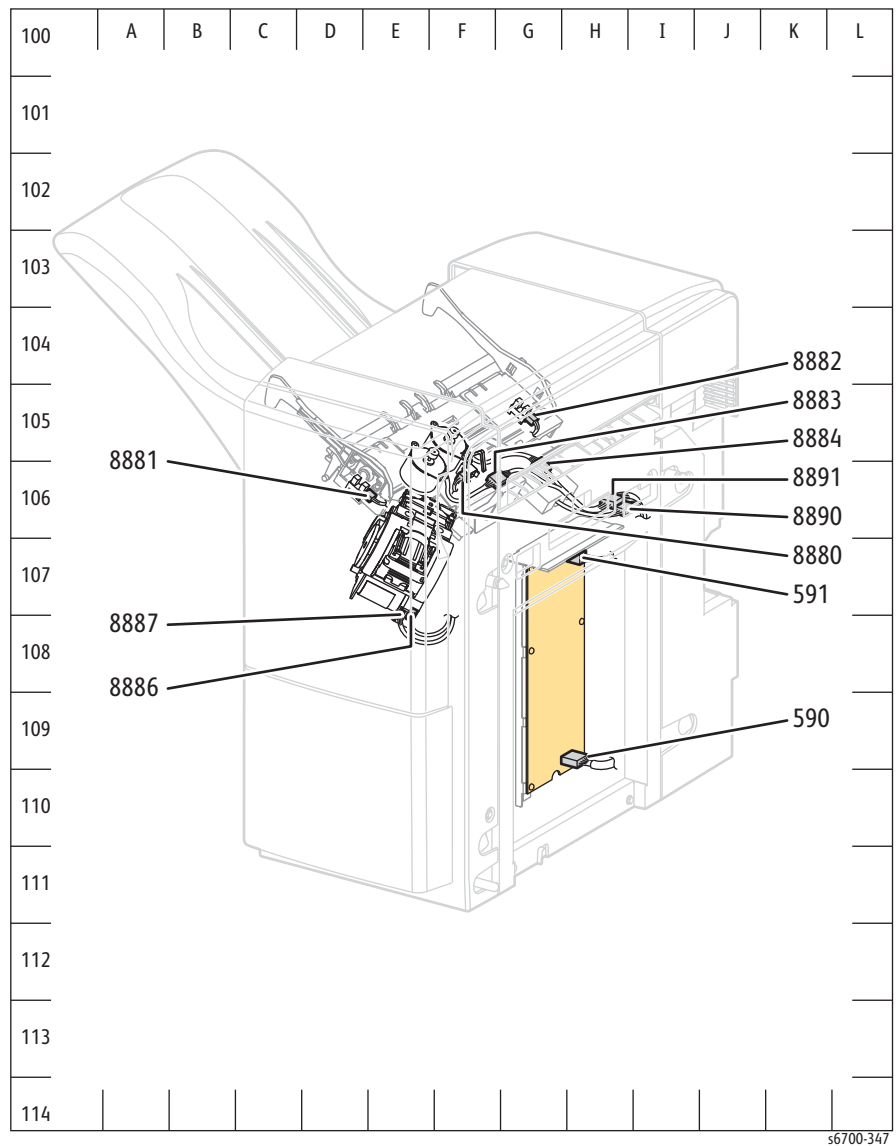
P/J	Map	Coordinates	Remarks
590	10	G-126	Connects LVPS and POWER Harness
591	10	G-123	Connects LVPS and LVPS Harness
8373	11	I-144	No Connection
8863	9	I-108	Connects Horizontal Transport Motor and HTU Harness
8864	9	B-108	Connects Top Cover Open Sensor and HTU Harness
8869	11	E-133	Connects Compile Exit Sensor and SNR2 Harness
8870	11	D-135	Connects Eject Clamp Home Sensor and SNR2 Harness
8871	11	D-135	Connects Set Clamp Home Sensor and SNR2 Harness
8872	11	E-136	Connects Stacker No Paper Sensor and SNR2 Harness
8873	11	E-135	Connects Stack Height Sensor1 and SNR2 Harness
8874	11	E-135	Connects Stack Height Sensor2 and SNR2 Harness
8876	11	D-133	Connects Sub Paddle Solenoid and MOT2 Harness
8877	11	C-134	Connects Set Clamp Clutch and MOT2 Harness
8878	11	D-136	Connects Eject Motor and MOT2 Harness
8879	11	C-135	Connects Transport Motor and MOT2 Harness
8880	10	E-122	Connects Compile Tray No Paper Sensor and COMP1 Harness
8881	10	D-122	Connects Front Tamper Home Sensor and COMP1 Harness
8882	10	G-121	Connects Rear Tamper Home Sensor and COMP1 Harness
8883	10	F-122	Connects Rear Tamper Motor and COMP2 Harness
8884	10	G-122	Connects Front Tamper Motor and COMP2 Harness
8885	11	E-137	Connects Stacker Motor and MOT3 Harness
8886	10	E-124	Connects Stapler and SNR1 Harness
8887	10	D-124	Connects Stapler and MOT1 Harness
8889	11	G-132	Connects Front Door Switch and I/L SW Harness
8890	10	H-122	Connects Compile Tray Harness and SNR1 Harness
8891	10	H-122	Connects Compile Tray Harness and MOT1 Harness
8980	11	H-143	Connects Main Board and LVPS Harness
8982	11	J-144	Connects Main Board and Interlock Switch Harness
8983	11	J-143	Connects Main Board and MOT1 Harness
8984	11	J-143	Connects Main Board and MOT2 Harness
8986	11	I-142	Connects Main Board and MOT3 Harness
8987	11	H-142	Connects Main Board and Horizontal Transport Harness
8988	11	I-142	Connects Main Board and SNR1 Harness
8989	11	I-142	Connects Main Board and SNR2 Harness
8990	11	H-144	Connects Main Board and Interface Harness
AC	11	A-141	Connects AC Power Cable and Printer
CN4	11	A-139	Connects Interface Harness and Printer

Finisher Plug/Jack Locator Diagrams

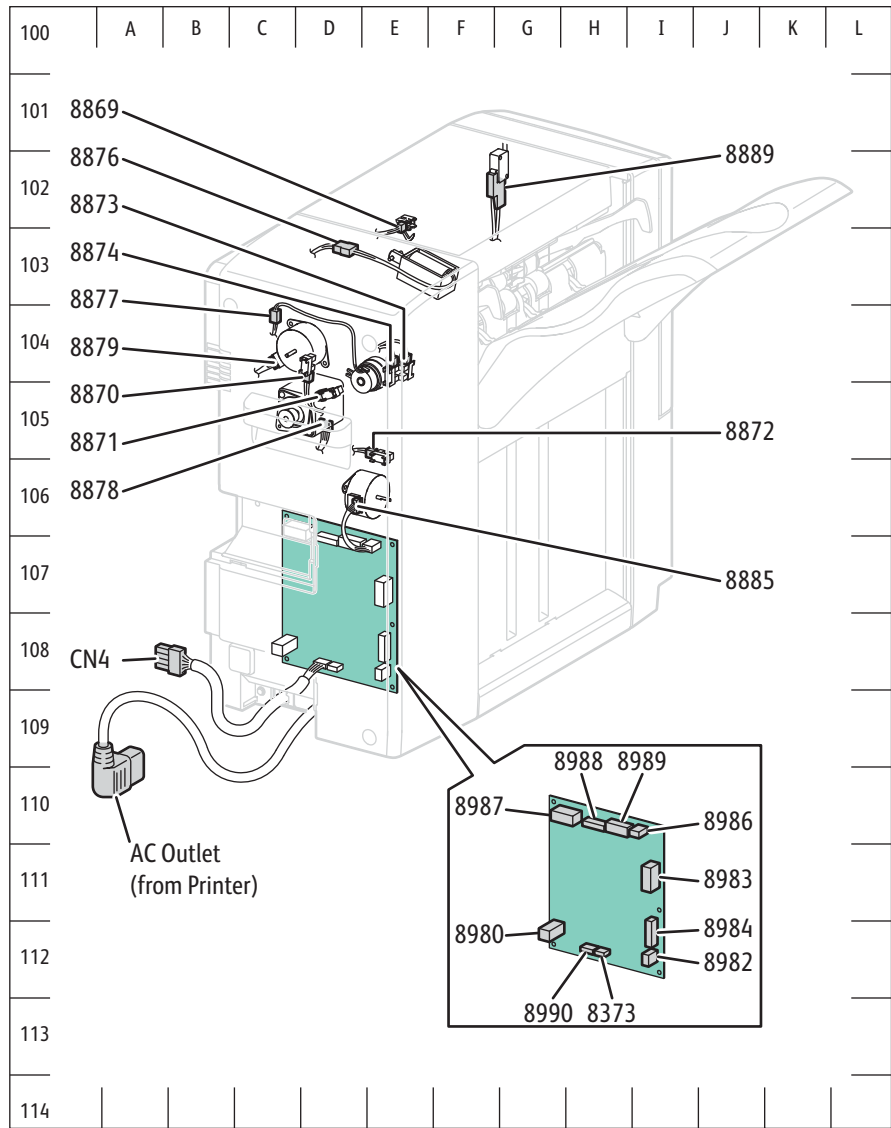
Map 9 - Horizontal Transport



Map 10 - Compile Tray



Map 11 - Drive and Main Board


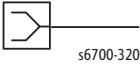






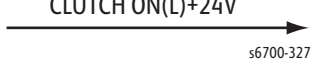


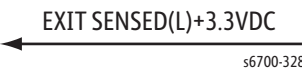
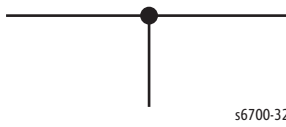
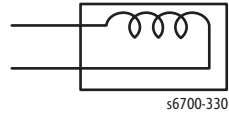


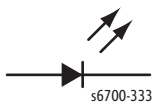

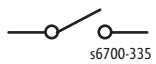
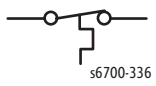

s6700-348

Wiring Diagrams

Notations Used in the Wiring Diagrams

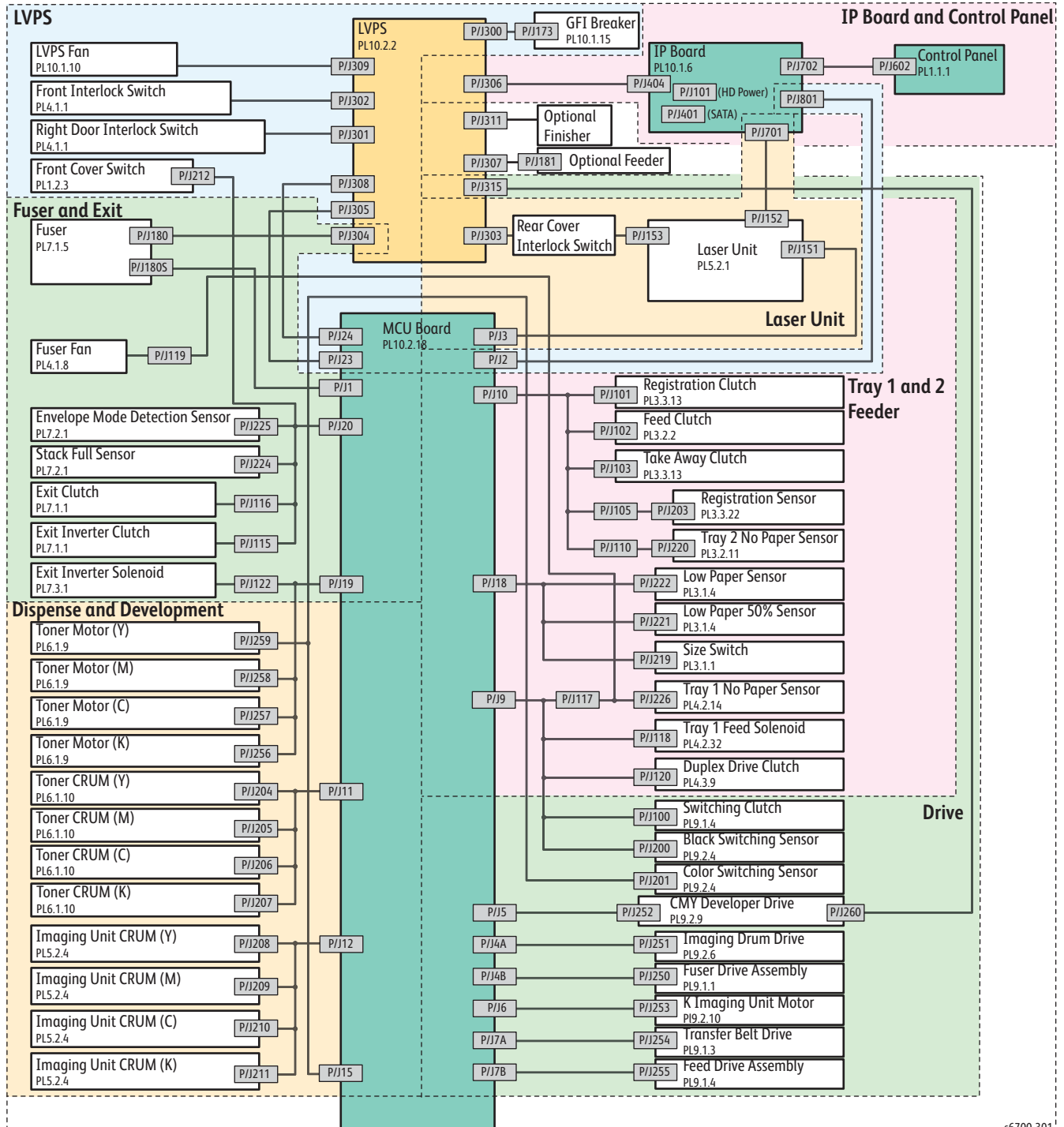
The following table lists the symbols used in the wiring diagrams.

Symbol	Description
 s6700-319	Denotes a Plug.
 s6700-320	Denotes a Jack.
P/Jxx  s6700-321	Denotes Pin yy and Jack yy of the connector Pxx and Jxx.
JPxxx  s6700-322	Denotes a Jumper Point (JPxxx/xxx). Each end of the Jumper connection has a numeric designation.
 s6700-323	Denotes the parts. PL X.Y.Z implies the item "Z" of plate (PL) "X.Y" in Parts List.
 s6700-324	Denotes functional parts attached with functional parts name.
 s6700-325	Denotes the control and its outline in the Board.
 s6700-326	Denotes a connection between parts with harness or wires, attached with signal name/ contents.
 s6700-327	Denotes function, and logic value of the signal to operate the function (Low: L, High: H). The given voltage is for signal in high status. The arrow indicates the direction of signal.

Symbol	Description
	Denotes function, and logic value of the signal when the function operated (Low: L, High: H). The given voltage is for signal in high status. The arrow indicates the direction of signal.
	Denotes a connection between wires.
	Denotes a Clutch or Solenoid.
	Denotes a Motor.
	Denotes a Photo Sensor.
	Denotes an LED.
	Denotes a Safety Interlock Switch.
	Denotes an On-Off Switch (single-pole, single-throw switch).
	Denotes an On-Off Switch (Temperature - normally close).
	Denotes an NPN Photo-transistor.
I/L +24 VDC	Denotes DC voltage when the Interlock Switch in MCU Board turns On.
+5 VDC +3.3 VDC	Denotes DC voltage.
SG	Denotes signal ground.
AG	Denotes analog ground.
RTN	Denotes return.

Printer Wiring

System Connections 1/2



s6700-301

Printer Wire Route List

The following table lists printer wire routing shown in the diagrams on the following pages.

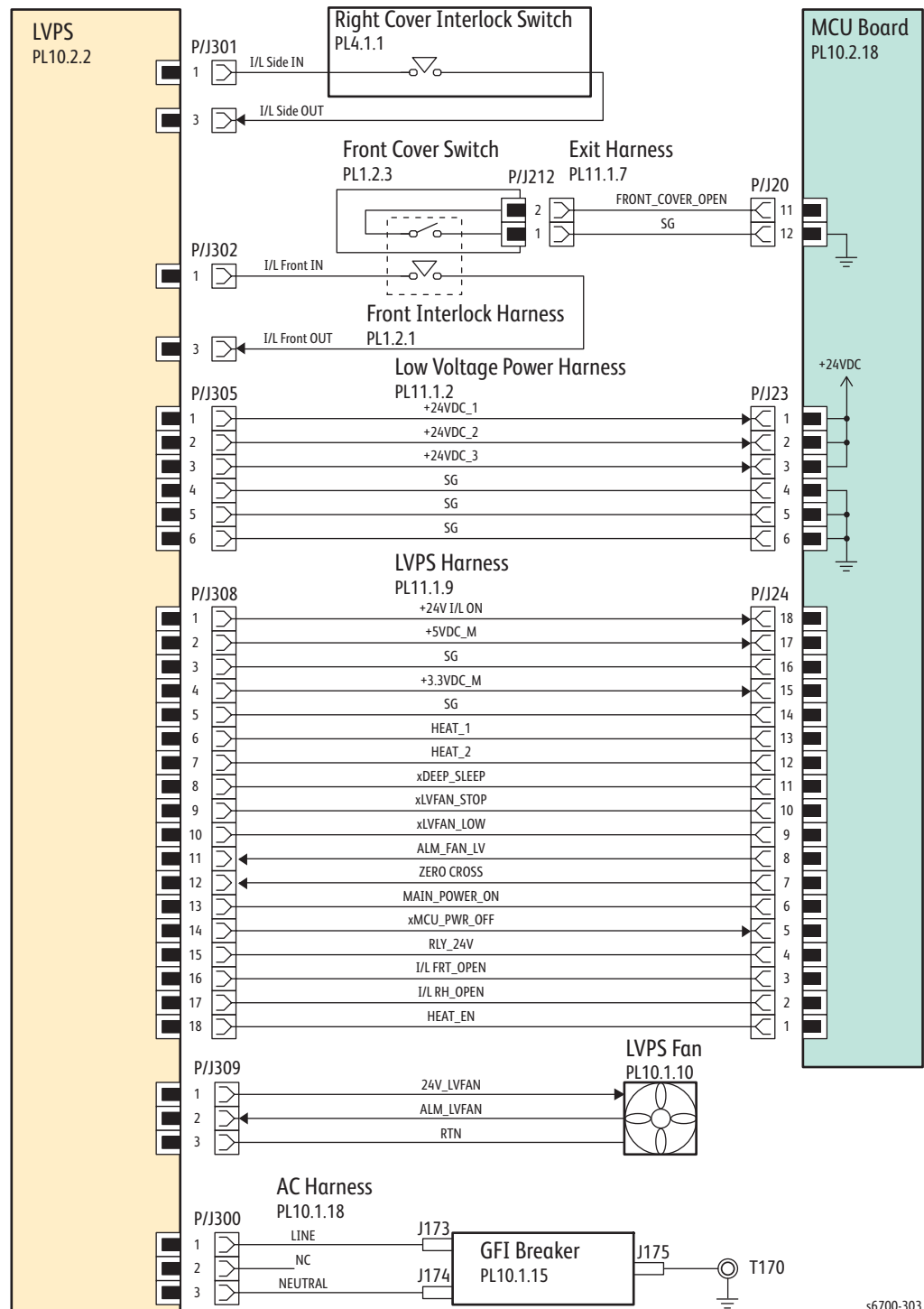
Printer Wire Route List

Wiring Diagram	Description
LVPS	Connects the LVPS and MCU Board.
	Connects the GFI Breaker and LVPS.
	Connects the LVPS Fan and LVPS.
	Connects the HARNESS ASSY I/L RH and LVPS.
	Connects the HARNESS ASSY I/L FRT and LVPS.
	Connects the Front Cover Interlock and MCU Board.
Feeders	Connects the Registration Clutch and MCU Board.
	Connects the Feed Clutch and MCU Board.
	Connects the Take Away Clutch and MCU Board.
	Connects the Registration Sensor and MCU Board.
	Connects the Tray 2 No Paper Sensor and MCU Board.
	Connects the Tray 1 No Paper Sensor and MCU Board.
	Connects the Tray 1 Feed Solenoid and MCU Board.
	Connects the Exit Inverter Clutch and MCU Board.
	Connects the Low Paper Sensor and MCU Board.
	Connects the Low Paper Sensor (50 %) and MCU.
Connects the Size Switch and MCU Board.	
Drive	Connects the CMY Developer Drive Assy and MCU Board.
	Connects the CMY Developer Drive Assy and LVPS ASSY.
	Connects the Imaging Drum Drive Assy and MCU Board.
	Connects the Fuser Drive Assy and MCU Board.
	Connects the K Developer Drive Assy and MCU Board.
	Connects the Transfer Belt Drive Assy and MCU Board.
	Connects the Feed Motor and MCU Board.
	Connects the Switching Clutch and MCU Board.
	Connects the Black Switching Sensor and MCU Board.
Connects the Color Switching Sensor and MCU Board.	
Laser Unit	Connects the Laser Unit and MCU Board.
Xerographic	Connects the Erase LED (Y) and MCU Board.
	Connects the Erase LED (M) and MCU Board.
	Connects the Erase LED (C) and MCU Board.
	Connects the Erase LED (K) and MCU Board.
	Connects the Rear ADC Sensor and MCU Board.
	Connects the Front ADC Sensor and MCU Board.
	Connects the Waste Box Full Sensor and MCU Board.
	Connects the Humidity Sensor and MCU Board.
	Connects the EEPROM Board and MCU Board.

Printer Wire Route List

Wiring Diagram	Description
HVPS	Connects the HVPS and MCU Board.
Developer	Connects the Toner Motor (Y) and MCU Board.
	Connects the Toner Motor (M) and MCU Board.
	Connects the Toner Motor (C) and MCU Board.
	Connects the Toner Motor (K) and MCU Board.
	Connects the Developer CRUM (Y) and MCU Board.
	Connects the Developer CRUM (M) and MCU Board.
	Connects the Developer CRUM (C) and MCU Board.
	Connects the Developer CRUM (K) and MCU Board.
	Connects the Toner Cartridge CRUM (Y) and MCU Board.
	Connects the Toner Cartridge CRUM (M) and MCU Board.
	Connects the Toner Cartridge CRUM (C) and MCU Board.
	Connects the Toner Cartridge CRUM (K) and MCU Board.
Fuser and Exit	Connects the Fuser Fan and MCU Board.
	Connects the DRIVE ASSY EXIT and MCU Board.
	Connects the CHUTE ASSY EXIT and MCU Board.
	Connects the CHUTE ASSY INVERT and MCU Board.
	Connects the Fuser and MCU Board.
	Connects the Fuser and LVPS.
IP Board	Connects the IP Board and MCU Board.
	Connects the Control Panel and IP Board.
	Connects the LVPS and IP Board

LVPS



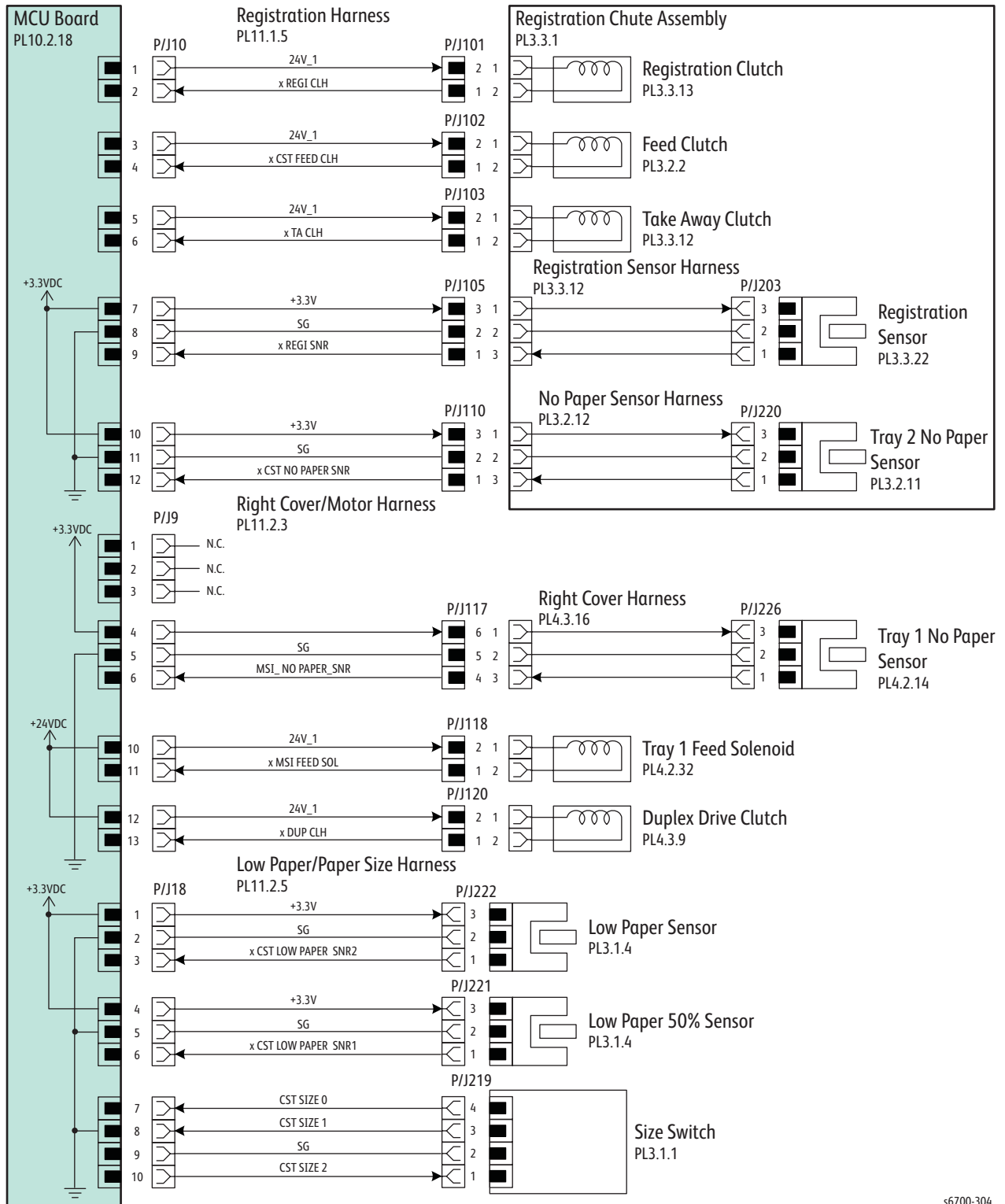
s6700-303

LVPS Signals

LVPS Signal Names and Function

Signal Name	Description
+24V I/L ON, +5VDC M, +3.3VDC M HEAT 1~3, HEAT EN I/L FRT OPEN, I/L RH OPEN DEEP SLEEP ZERO CROSS MAIN POWER ON MCU PWR OFF RLY 24V	LVPS control signals
LVFAN STOP LVFAN LOW ALM FAN LV	Fan control signals

Tray 1 and 2 Feeder



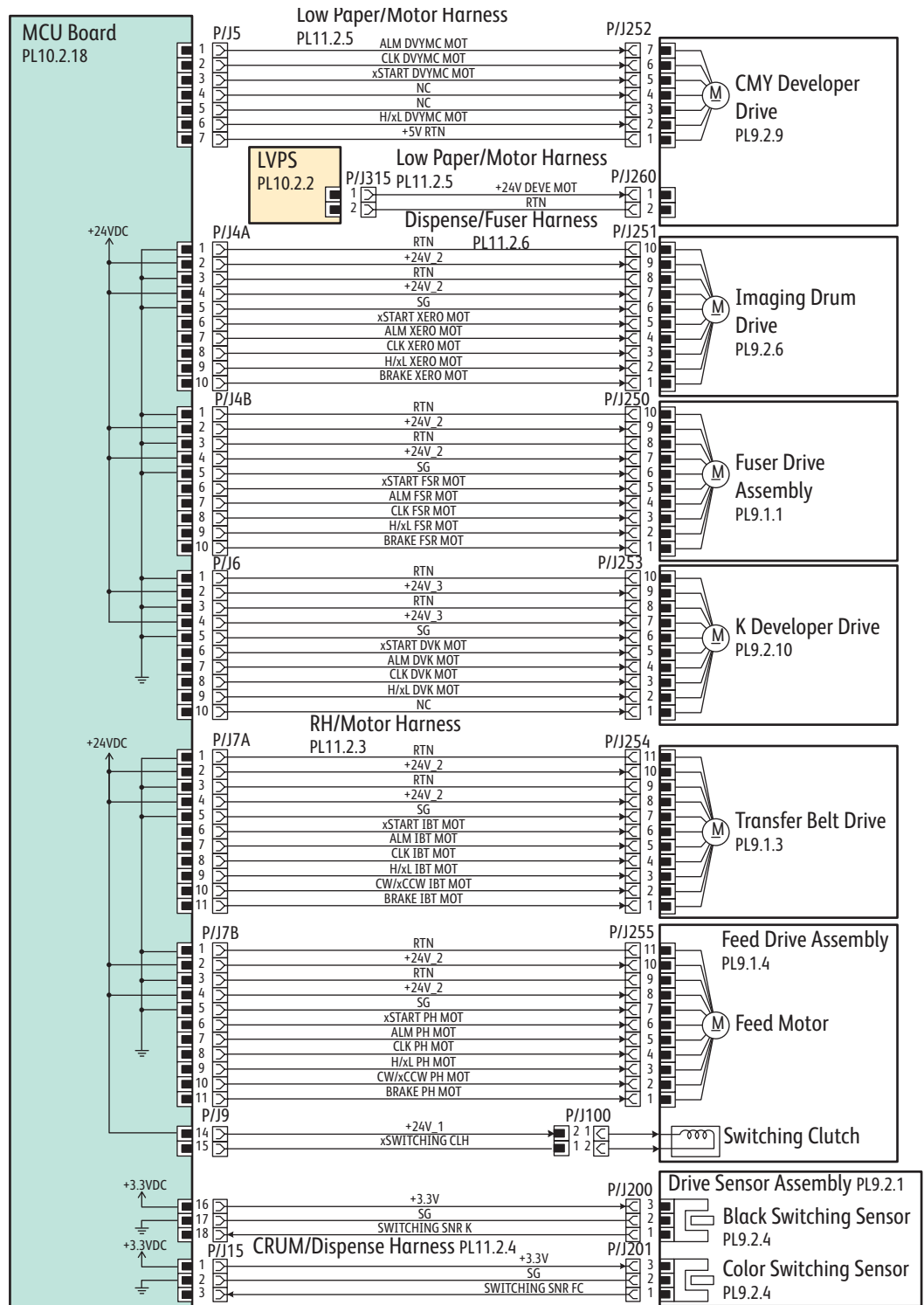
s6700-304

Tray 1 and 2 Feeder Signals

Tray 1 and 2 Feeder Signal Names and Function

Signal Name	Description
REGI CLH	Registration Clutch On/Off signal
CST FEED CLH	Tray 2 Feed Clutch On/Off signal
TA CLH	Take Away Clutch On/Off signal
REGI SNR	Registration Sensor media edge detect signal
CST NO PAPER SNR	Tray 2 media detect signal
MSI NO PAPER SNR	Tray 1 media detect signal
MSI FEED SOL	Tray 1 Feed Solenoid On/Off signal
DUP CLH	Exit Inverter Clutch On/Off signal
CST LOW PAPER SNR2	Tray 2 Low Paper detect signal
CST LOW PAPER SNR1	Tray 2 Low Paper detect signal at 50 %
CST SIZE 0 CST SIZE 1 CST SIZE 2	Size Switch signals

Drive



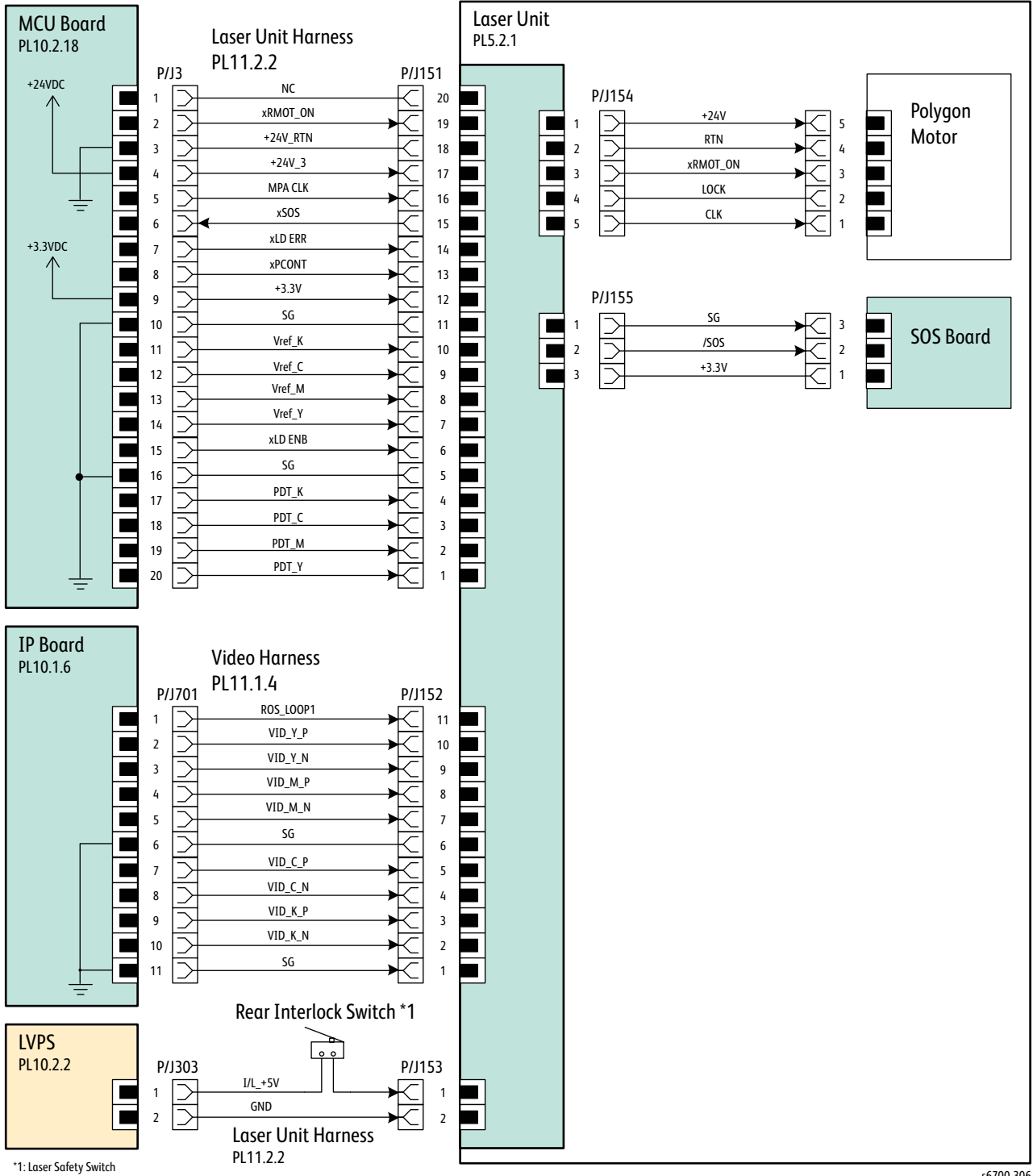
s6700-305

Drive Signals

Drive Signal Names and Function

Signal Name	Description
ALM DVYMC MOT CLK DVYMC MOT START DVYMC MOT H/xL DVYMC MOT	Developer (YMC) drive control signals
START XERO MOT ALM XERO MOT CLK XERO MOT H/xL XERO MOT BRAKE XERO MOT	XERO MOTOR drive control signals
START FSR MOT ALM FSR MOT CLK FSR MOT H/xL FSR MOT BRAKE FSR MOT	Fuser Motor drive control signals
START DVK MOT ALM DVK MOT CLK DVK MOT H/xL DVK MOT	Developer Motor (K) drive control signals
START IBT MOT ALM IBT MOT CLK IBT MOT H/xL IBT MOT CW/xCCW IBT MOT BRAKE IBT MOT	Transfer Belt Motor drive control signals
START PH MOT ALM PH MOT CLK PH MOT H/xL PH MOT CW/xCCW PH MOT BRAKE PH MOT	Drive control signal of the PH MOTOR
SWITCHING CLH	Color Mode Switching Clutch On/Off signal
SWITCHING SNR K	Color Mode Switching Sensor K detect signal of the Feed Motor
SWITCHING SNR FC	Color Mode Switching Sensor Color mode detect signal

Laser Unit



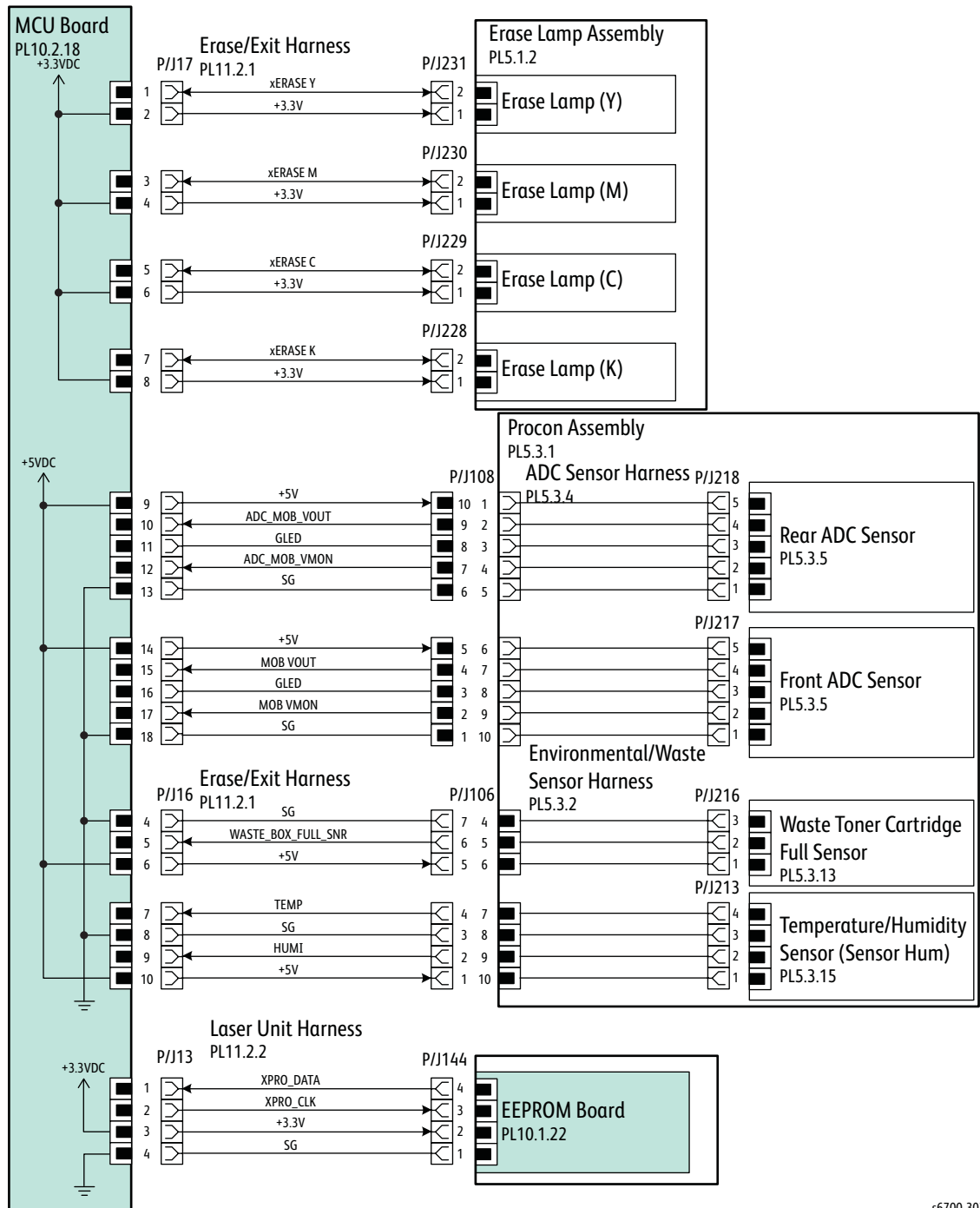
s6700-306

Laser Unit Signals

Laser Unit Signal Names and Function

Signal Name	Description
RMOT ON MPA CLK	Polygon motor drive control signal
SOS	Reference signal for scan start
Vref K, C, M, Y	Emission control signal of the laser diode
LD ERR	Laser diode error signal
PCONT	Power control signal of the laser diode
PDT K, C, M, Y ROS_LOOP1	Laser Unit video signals
VID K, C, M, Y P/N	Laser Unit video signals
SG	Signal Ground

Xerographic



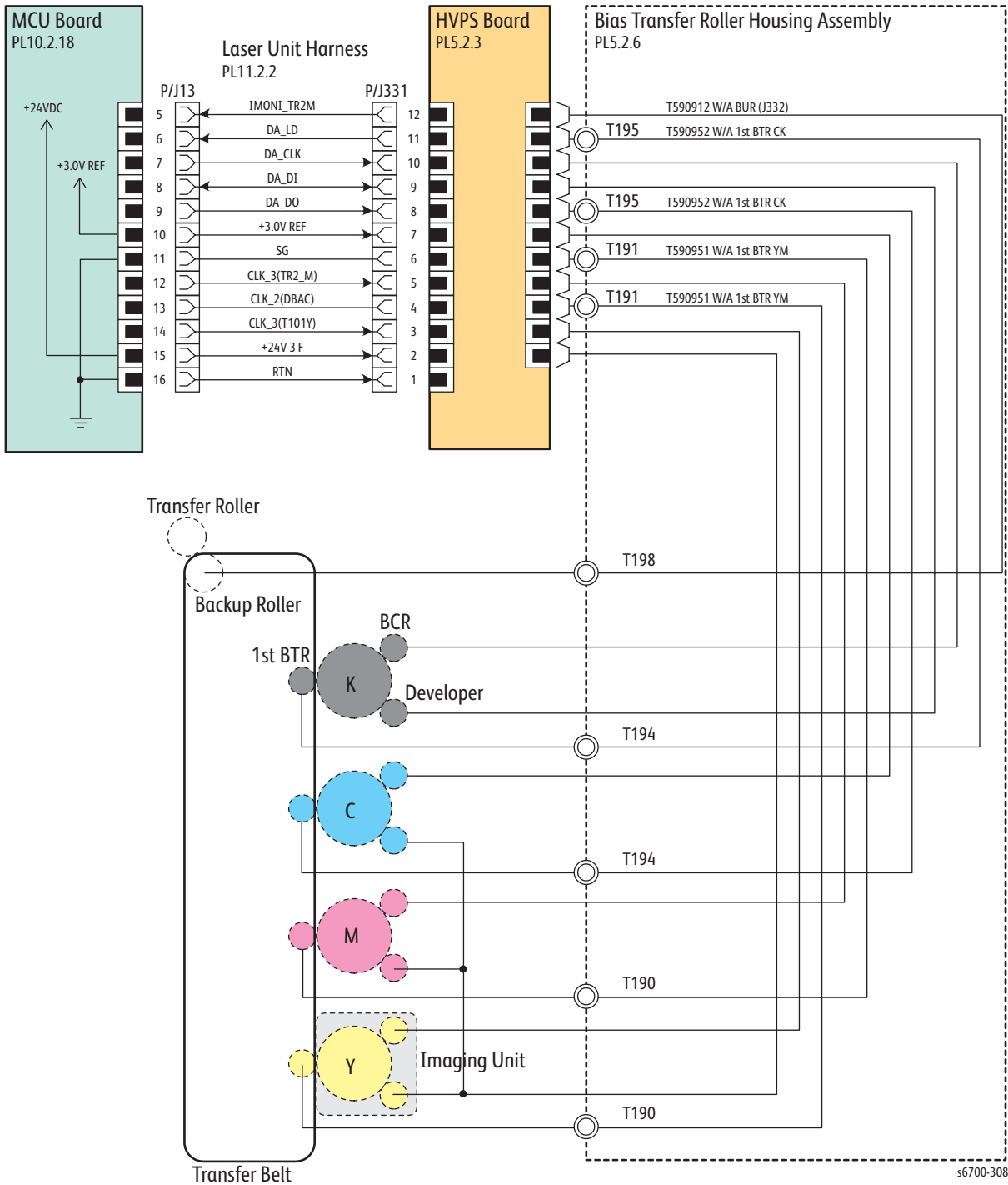
s6700-307

Xerographic Signals

Xerographic Signal Names and Function

Signal Name	Description
ERASE Y	Yellow erase LED On/Off signal
ERASE M	Mageneta erase LED On/Off signal
ERASE C	Cyan erase LED On/Off signal
ERASE K	Black erase LED On/Off signal
ADC MOB VOUT	Rear ADC Sensor density data
GLED	Rear ADC Sensor remote signal of the LED
ADC MOB VMON	Rear ADC Sensor control signal
MOB VOUT	Front ADC Sensor density data
GLED	Front ADC Sensor remote signal of the LED
MOB VMON	Front ADC Sensor control signal
WASTE BOX FULL SNR	Waste Box Full Sensor detect signal
TEMP	Humidity Sensor temperature data (Analog)
HUMI	Humidity Sensor humidity data (Analog)
XPRO DATA XPRO CLK	EEPROM Board control signals

HVPS

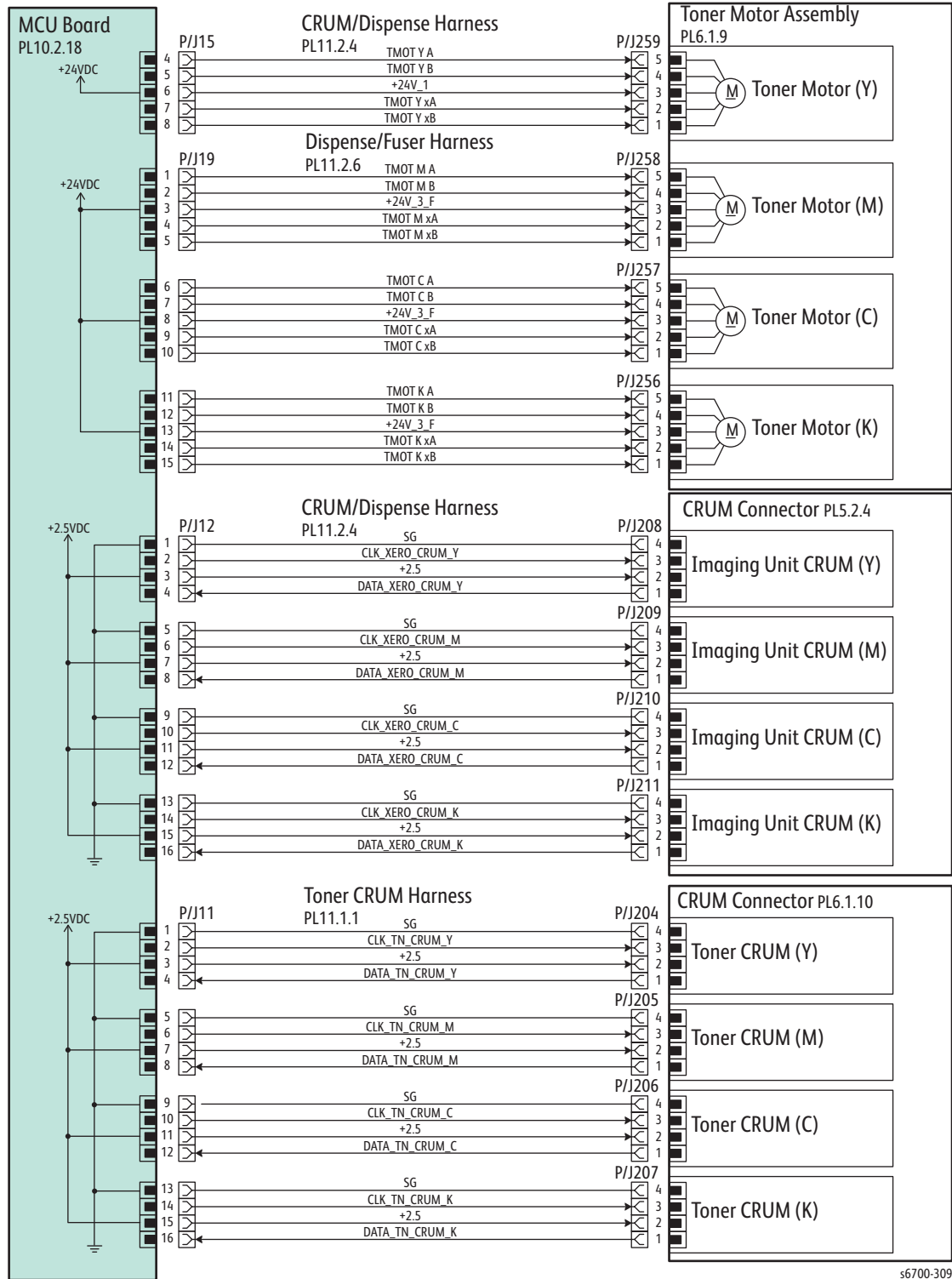


HVPS Signals

HVPS Signal Names and Function

Signal Name	Description
IMONI TR2M	HVPS control signals
DA LD	
DA CLK	
DA DI	
DA DO	
CLK 3(TR2_M)	
CLK 2(DBAC)	
CLK 3(T101Y)	

Dispense and Development



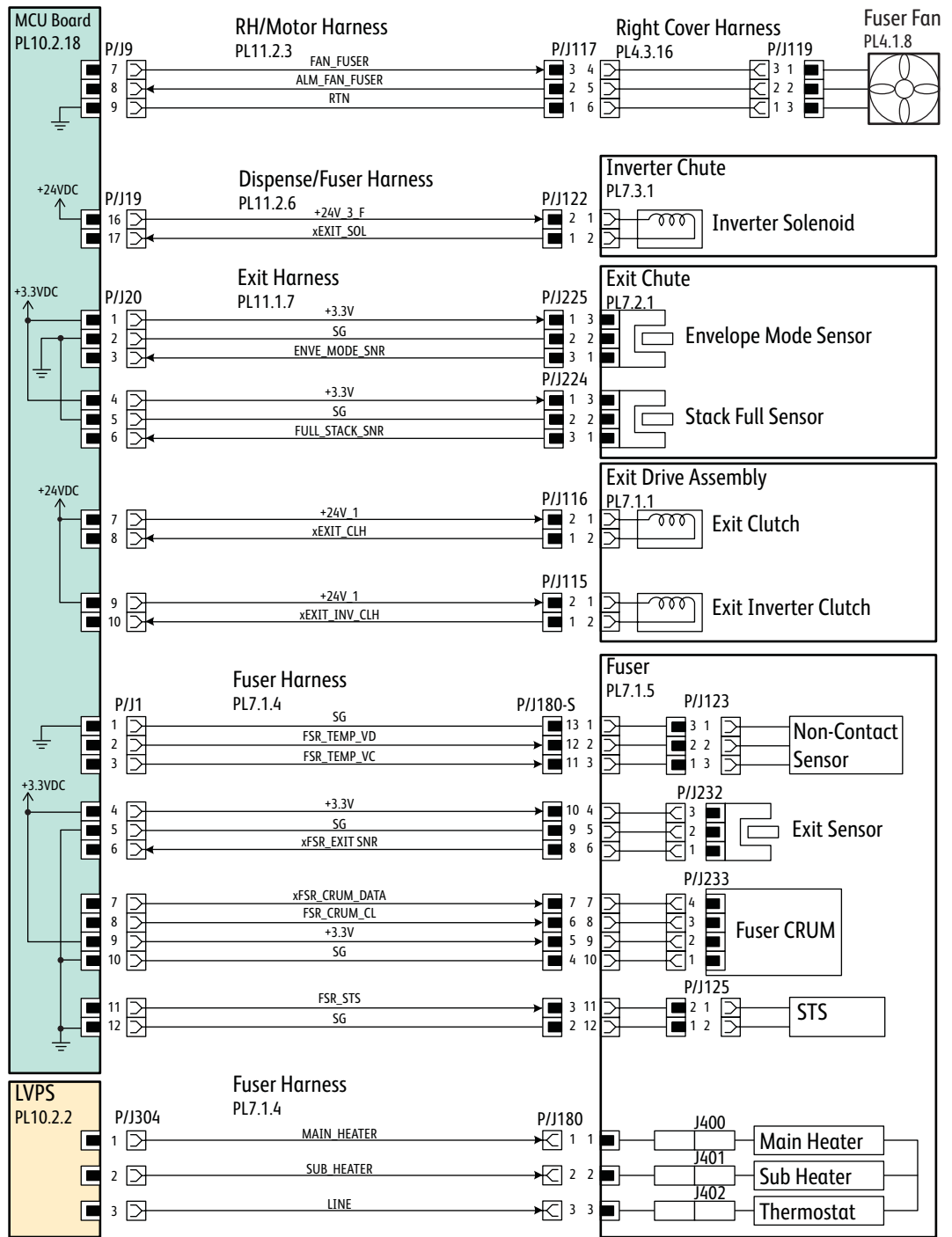
s6700-309

Dispense and Development Signals

Developer Signal Names and Function

Signal Name	Description
TMOT Y A TMOT Y B TMOT Y xA TMOT Y xB	Yellow Toner Motor control signals
TMOT M A TMOT MB TMOT M xA TMOT M xB	Magenta Toner Motor control signals
TMOT C A TMOT C B TMOT C xA TMOT C xB	Cyan Toner Motor control signals
TMOT K A TMOT K B TMOT K xA TMOT K xB	Black Toner Motor control signals
CLK XERO CRUM Y DATA XERO CRUM Y	Yellow Developer detection signals
CLK XERO CRUM M DATA XERO CRUM M	Magenta Developer detection signals
CLK XERO CRUM C DATA XERO CRUM_C	Cyan Developer detection signals
CLK XERO CRUM K DATA XERO CRUM K	Black Developer detection signals
CLK TN CRUM Y DATA TN CRUM Y	Yellow Toner Cartridge detection signals
CLK TN CRUM M DATA TN CRUM M	Magenta Toner Cartridge detection signals
CLK TN CRUM C DATA TN CRUM C	Cyan Toner Cartridge detection signals
CLK TN CRUM K DATA TN CRUM K	Black Toner Cartridge detection signals

Fuser and Exit



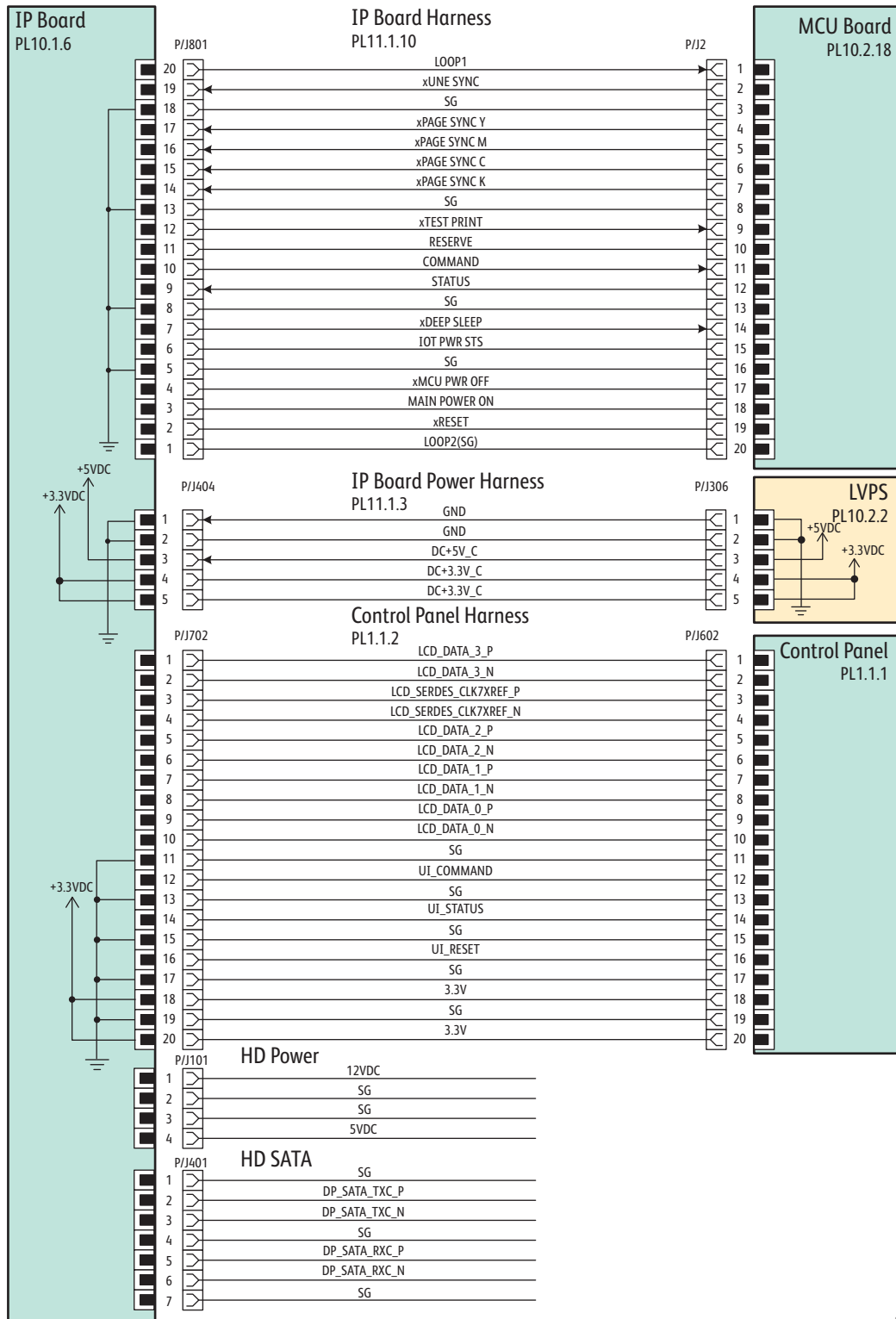
s6700-310

Fuser and Exit Signals

Fuser and Exit Signal Names and Function

Signal Name	Description
FAN FUSER ALM FAN FUSER	Fuser Fan control signals
EXIT SOL	Exit Solenoid On/Off signal
ENVE MODE SNR	Envelope Mode Sensor detect signal
FULL STACK SNR	Full Stack Sensor detect signal
EXIT CLH	Exit Clutch On/Off signal
EXIT INV CLH	Exit Inv Clutch On/Off signal
FSR TEMP VD FSR TEMP VC	Fuser temperature data (Analog)
FSR EXIT SNR	Exit Sensor media detect signal
FSR CRUM DATA FSR CRUM CL	Fuser CRUM control signals
FSR STS	Fuser heat roll surface temperature data (Analog)

IP Board and Control Panel



s6700-311

IP Board and Control Panel Signals

IP Board and Control Panel Signal Names and Function

Signal name	Description
UNE SYNC	Signal for data
PAGE SYNC Y PAGE SYNC M PAGE SYNC C PAGE SYNC K	Registration position signal of each of image
TEST PRINT	Test Print control signal
COMMAND	IP Board command signal
STATUS	MCU Board Status signal
DEEP SLEEP	Deep Sleep control signal
LCD_DATA	LCD video signals
LCD_SERDES	Panel clock
SG	Signal ground
3.3V	Panel power
UI_COMMAND UI_STATUS UI_RESET	Panel control signals

Feeder Wiring

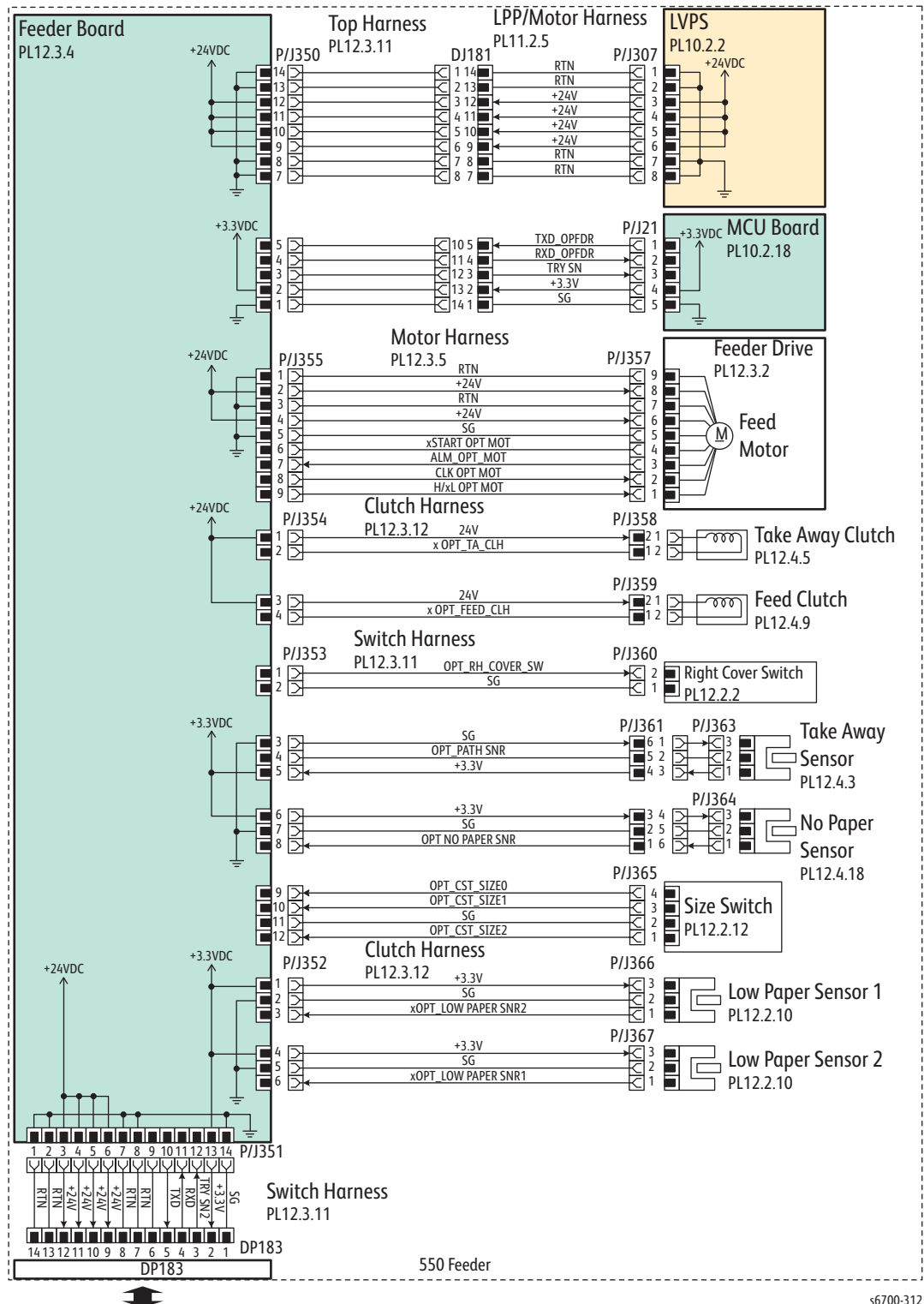
Feeder Wire Route List

The following describes the legend of the wiring diagrams between parts shown on the following pages.

Feeder Wire Route List

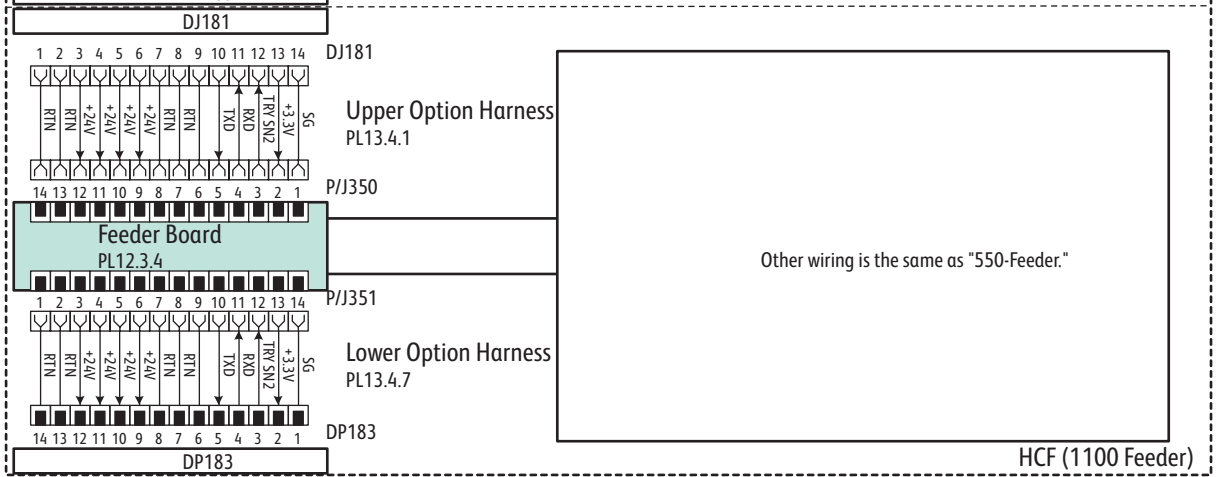
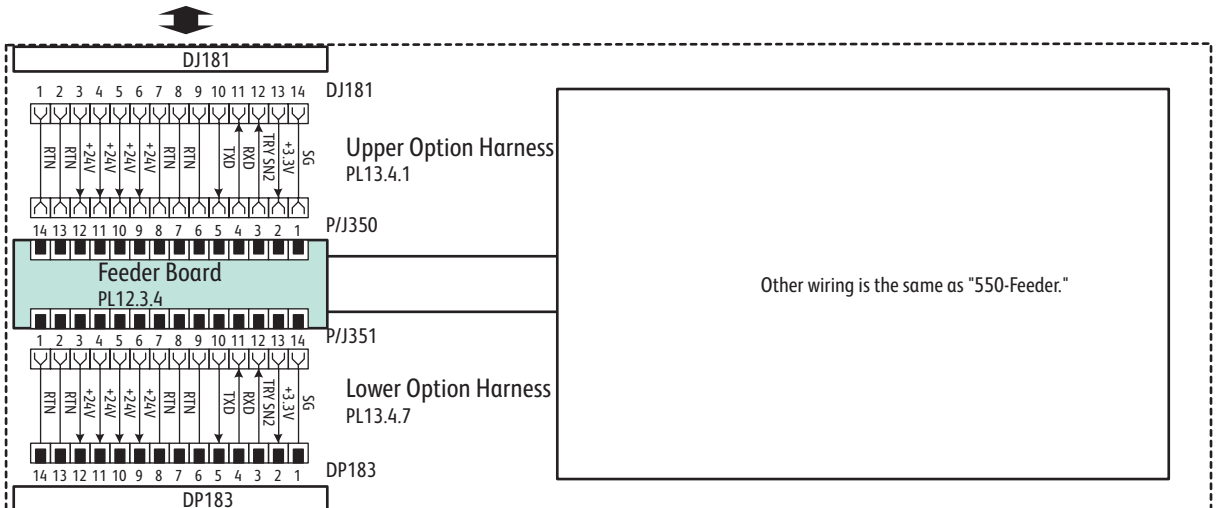
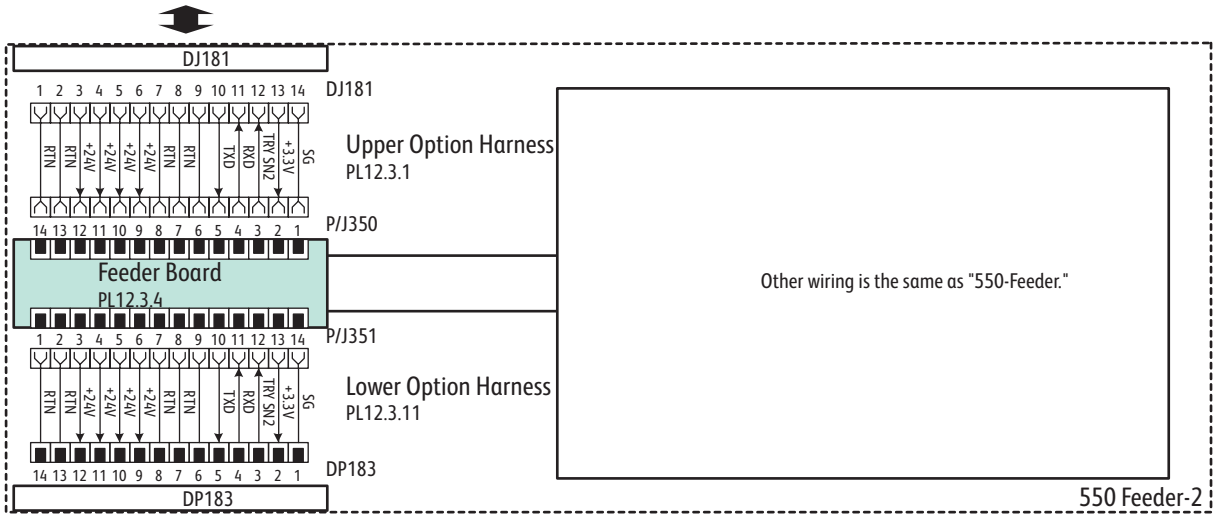
Wiring Diagram	Description
Option Feeders	Connects the Feeder Board and MCU Board.
	Connects the Feeder Board and LVPS.
	Connects the Feed Motor and Feeder Board.
	Connects the Take Away Clutch and Feeder Board.
	Connects the Feed Clutch and Feeder Board.
	Connects the RH Cover Switch and Feeder Board.
	Connects the Paper Path Sensor and Feeder Board.
	Connects the No Paper Sensor and Feeder Board.
	Connects the Size Switch and Feeder Board.
	Connects the Low Paper Sensor and Feeder Board.
	Connects the Low Paper Sensor (50 %) and Feeder Board.

Feeder Board



s6700-312

Feeder Interconnection



s6700-313

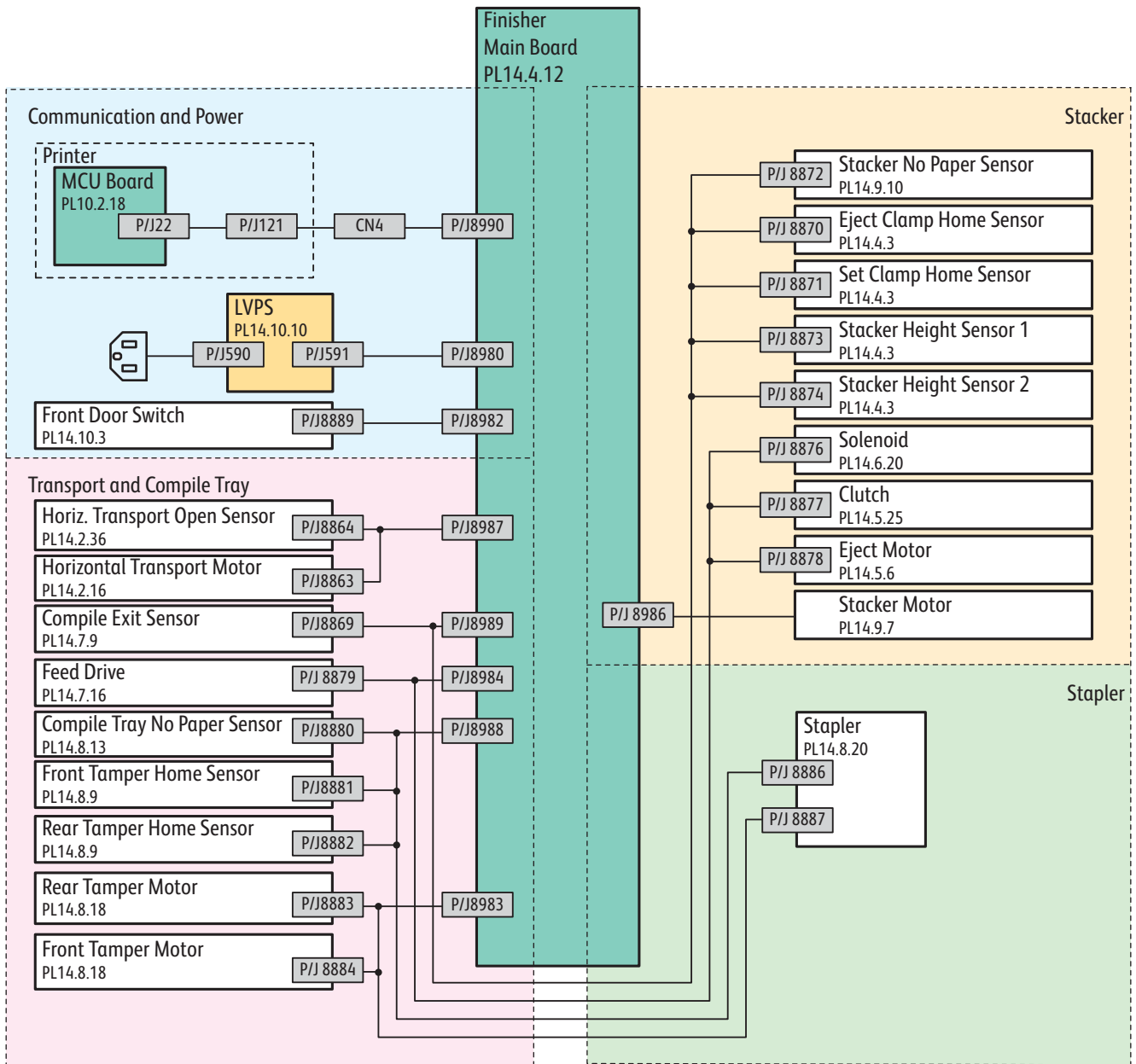
Feeder Signals

Optional Feeder Signal Names and Function

Signal Name	Description
TXD OPFDR RXD OPFDR TRY SN	Optional Feeder Board control signals
START OPT MOT ALM OPT MOT CLK OPT MOT H/L OPT MOT	Feed Motor control signals
TAKE AWAY CLUTCH	Take Away Clutch On/Off signal
CLUTCH ASSY FEED OPT	Feed Clutch On/Off signal
OPT NO PAPER SNR	No Paper Sensor detect signal
OPT CST SIZE 0 OPT CST SIZE 1 OPT CST SIZE 2	Size Switch On/Off signals. See “Media Size Detection” on page 2-22.
OPT LOW PAPER SNR2	Option Tray Low Paper detect signal
OPT LOW PAPER SNR1	Option Tray Low Paper detect signal at 50 %

Finisher Wiring

Finisher Connections



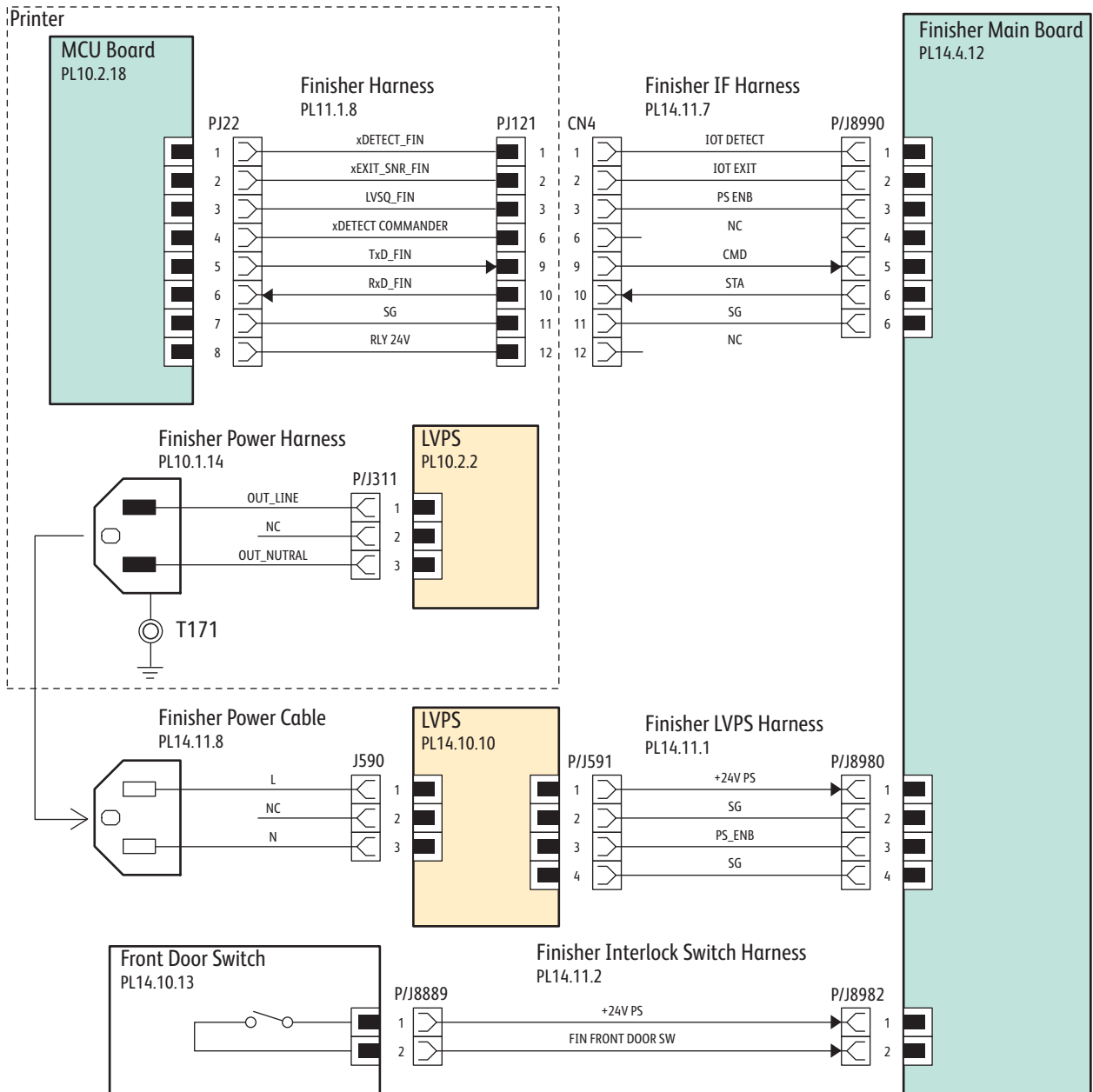
s6700-314

Finisher Wire Route List

Finisher Wire Route List

Wiring Diagram	Description
LVPS	Connects the Printer and Main Board.
	Connects the LVPS ASSY and Main Board.
	Connects the SWITCH and Main Board.
Transport	Connects the HTU-HXPORT OPEN SENSOR and Main Board.
	Connects the Horizontal Transport Motor and Main Board.
	Connects the Compile Exit Sensor and Main Board.
	Connects the DRIVE ASSY TRANS and Main Board.
	Connects the Compile Tray No Paper Sensor and Main Board.
	Connects the Front Tamper Home Sensor and Main Board.
	Connects the Rear Tamper Home Sensor and Main Board.
	Connects the Rear Tamper Motor and Main Board.
	Connects the Front Tamper Motor and Main Board.
Stacker	Connects the Stacker No Paper Sensor and Main Board.
	Connects the Eject Clamp Home Sensor and Main Board.
	Connects the Set Clamp Home Sensor and Main Board.
	Connects the Stacker Height Sensor1 and Main Board.
	Connects the Stacker Height Sensor2 and Main Board.
	Connects the SOLENOID ASSY and Main Board.
	Connects the CLUTCH Z34 and Main Board.
	Connects the Eject Motor and Main Board.
	Connects the Stacker Motor and Main Board.
Stapler	Connects the STAPLER ASSY and Main Board.

Communication and Power



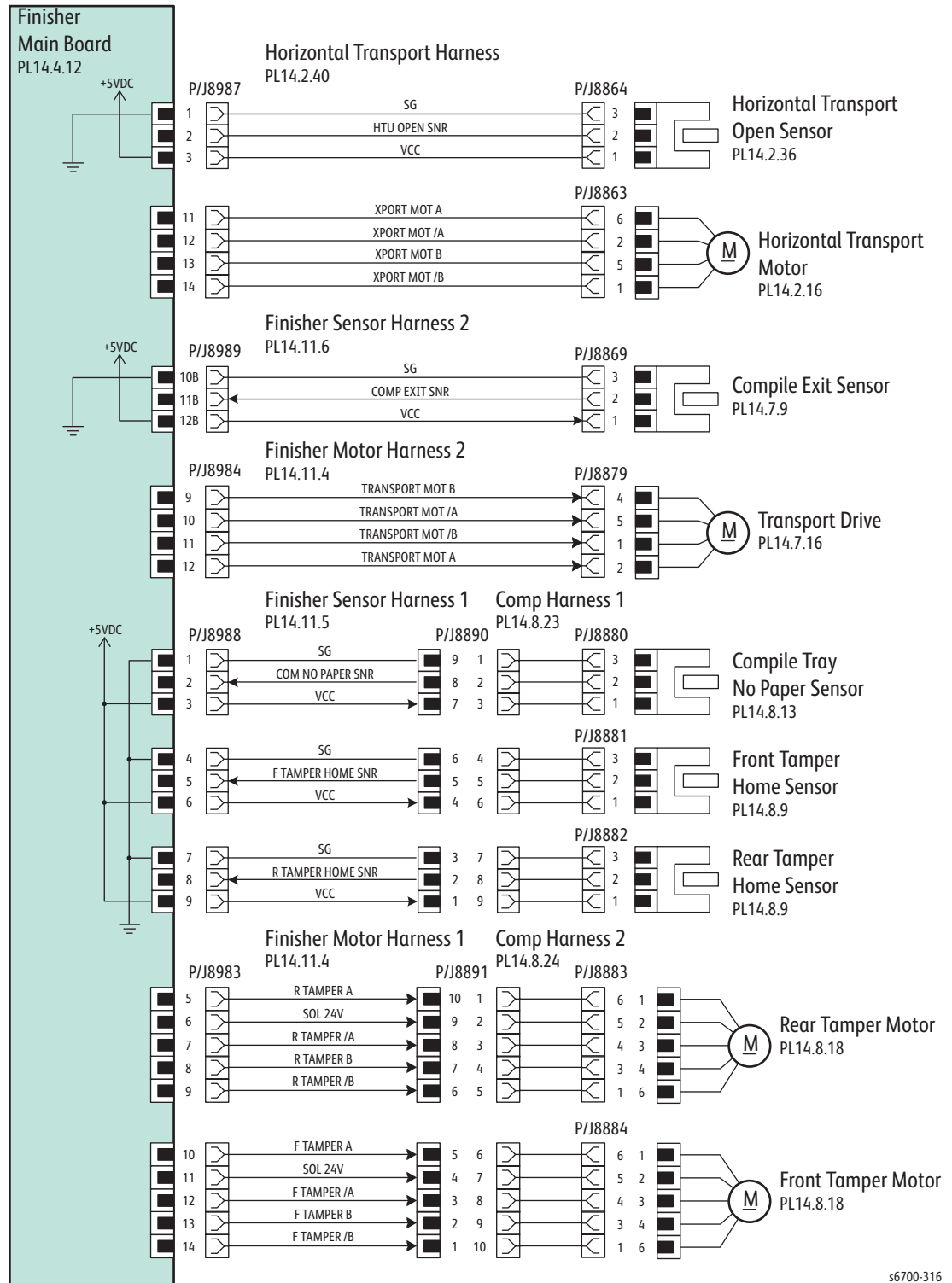
s6700-315

Communication and Power Signals

Finisher Communication and Power Signal Names and Function

Signal Name	Description
xDETECT_FIN	Communication signals between MCU Board and main Board.
xEXIT_SNR_FIN	
LVSQ_FIN	
xDETECT	
COMMANDER	
TxD FIN	
RxD FIN	
PS_ENB	LVPS control signal
FIN FRONT DOOR SW	Front Door Open Switch signal

Transport and Compile Tray



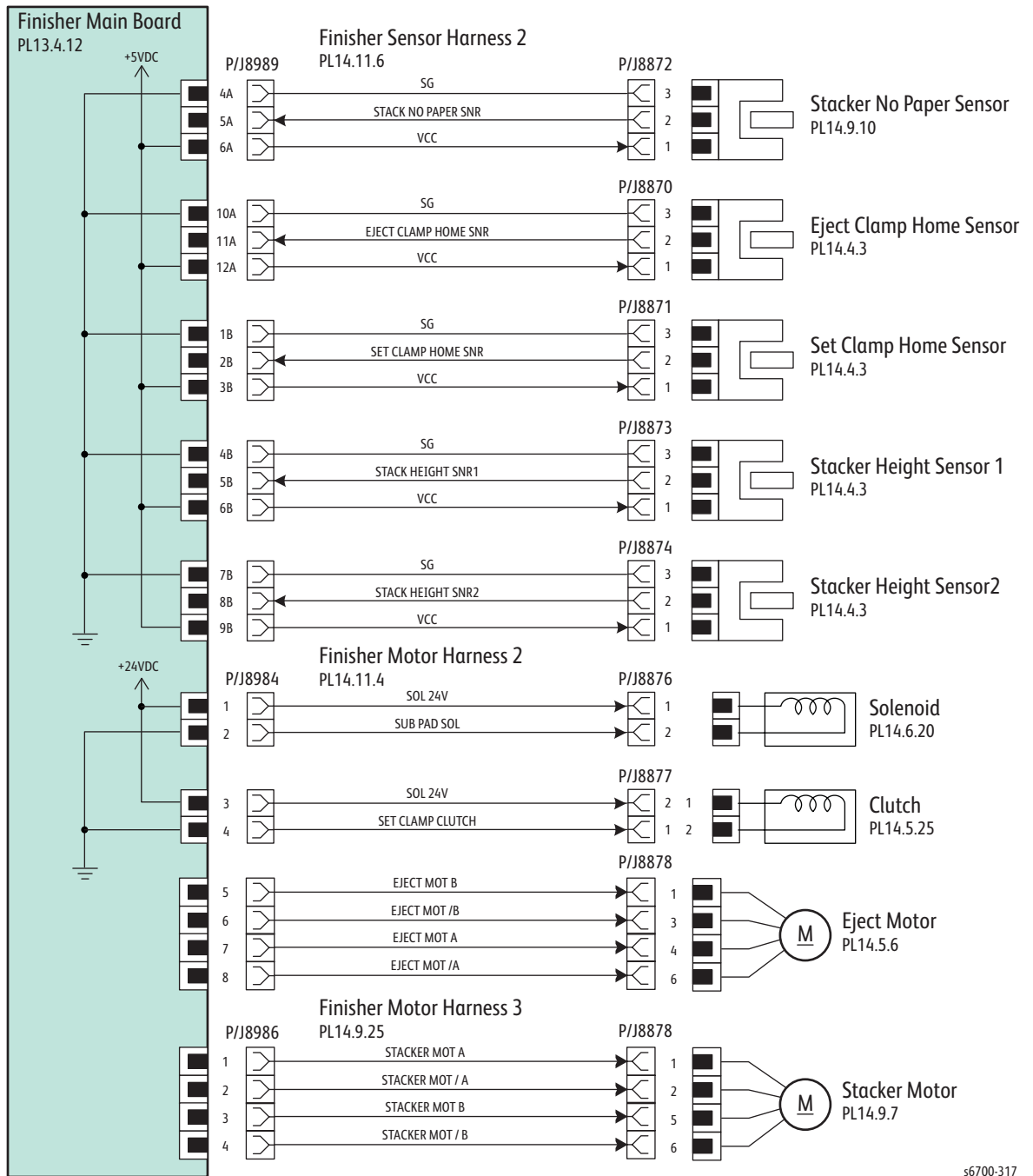
s6700-316

Transport and Compile Tray Signals

Transport and Compile Tray Signal Names and Function

Signal Name	Description
HTU OPEN SNR	Horizontal Transport Interlock detection signal
XPORT MOT A XPORT MOT /A XPORT MOT B XPORT MOT /B	Horizontal Transport Motor control signals
COMP EXIT SNR	Compile Exit Sensor media detection signal
TRANSPORT MOT A TRANSPORT MOT /A TRANSPORT MOT B TRANSPORT MOT /B	Drive control signal of the DRIVE ASSY TRANS.
COM NO PAPER SNR	Compile Tray No Paper Sensor detection signal
F TAMPER HOME SNR	Front Tamper Home Sensor home position signal
R TAMPER HOME SNR	Rear Tamper Home Sensor home position signal
R TAMPER A R TAMPER /A R TAMPER B R TAMPER /B	Rear Tamper motor control signals.
F TAMPER A F TAMPER /A F TAMPER B F TAMPER /B	Front Tamper motor control signals

Stacker



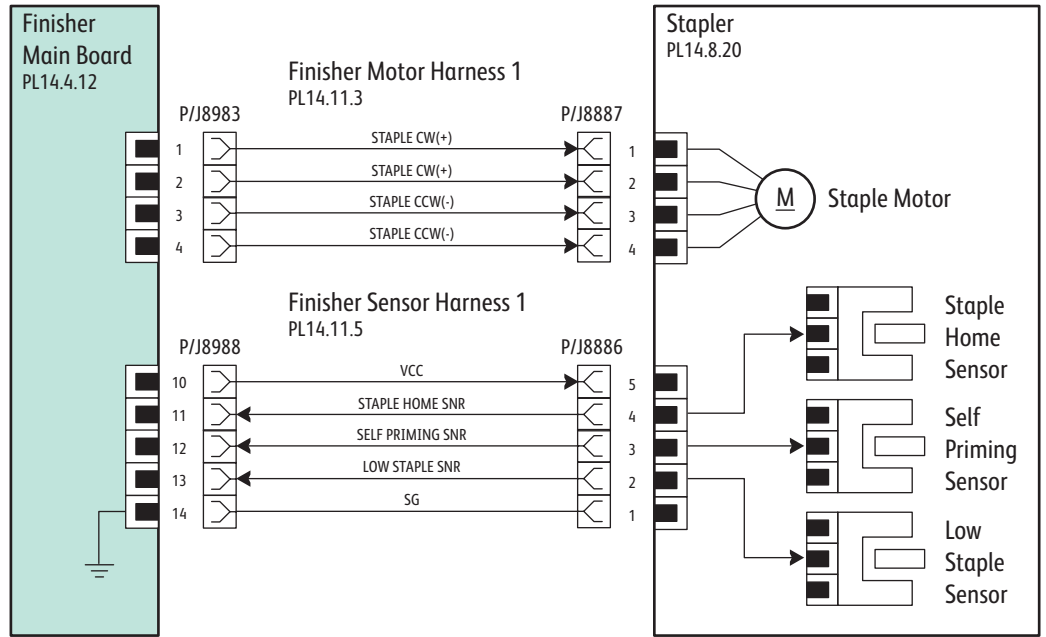
s6700-317

Stacker Signals

Stacker Signal Names and Function

Signal Name	Description
STACK NO PAPER SNR	Stacker No Paper Sensor detection signal
EJECT CLAMP HOME SNR	Eject Clamp Home Sensor home position detection signal
SET CLAMP HOME SNR	Set Clamp Home Sensor home position detection signal
STACK HEIGHT SNR1	Stacker Height Sensor1 detection signal
STACK HEIGHT SNR2	Stacker Height Sensor2 detection signal
SUB PAD SOL	Sub Paddle Solenoid On/Off control signal
SET CLAMP CLUTCH	Set Clamp Clutch On/Off control signal
EJECT MOT A EJECT MOT /A EJECT MOT B EJECT MOT /B	Eject Motor control signals
STACKER MOT A STACKER MOT /A STACKER MOT B STACKER MOT /B	Stacker Motor control signals

Stapler



Stapler Signals

Stapler Signal Names and Function

Signal name	Description
STAPLE CW(+) STAPLE CCW(-)	Staple Motor control signals
STAPLE HOME SNR	Staple Home Sensor home position detection signal
LOW STAPLE SNR	Low Staple Sensor detection signal.

Reference

In this chapter...

- Media Guidelines
- Firmware Update
- Service Diagnostics Summary
- NVM Parametric Values
- Obtaining Serial Back Channel Traces
- Mode Select Port
- CRU End of Life Behavior
- Acronyms and Abbreviations

Appendix **A**

Media Guidelines

Print media is paper, transparencies, labels, envelopes, coated paper and several other types. The printer prints on a variety of print media. Selecting the appropriate print media for the printer helps avoid printing problems. This section describes how to select, store, and load print media.

For the best results in color, a 75 g/m² (20 lb.) xerographic, long grain paper is recommended. For the best results in black and white, use 90 g/m² (24 lb.) xerographic, long grain paper.

When loading paper, identify the recommended print side on the paper package, and load the paper accordingly.

Paper Characteristics

The following paper characteristics affect print quality and printer reliability. Use these guidelines when evaluating the customer's paper stock.

Weight

The trays automatically feed paper weights from 60 to 220 g/m² (16 to 32 lb. bond) grain long. Paper lighter than 60 g/m² (16 lb.) might not feed properly, and could cause paper jams. For best performance, use 75 g/m² (20 lb. bond) grain long paper.

Curl

Curl is the tendency of media to curve at its edges. Excessive curl can cause feeding problems. Curl usually occurs after the paper passes through the printer, where it is exposed to high temperatures. Storing paper unwrapped in humid conditions, even in the paper tray, can contribute to curling prior to printing and cause feeding problems.

Smoothness

The degree of surface smoothness directly affects print quality. If the paper is too rough, the toner does not fuse to the paper properly, resulting in poor print quality. If the paper is too smooth, it can cause feeding problems. Smoothness between 150 and 250 Sheffield points produces the best print quality.

Moisture Content

The amount of moisture in the paper affects both print quality and the ability of the printer to feed the paper properly. Paper should remain in its original packaging until loaded. This limits the exposure of the paper to moisture changes that can degrade its performance.

Grain Direction

Grain refers to the alignment of paper fibers in a sheet of paper. Grain is either long, running the length of the paper, or short, running the width of the paper. For 60 to 135 g/m² (16 to 36 lb. bond) paper, long grain fibers are recommended. For papers heavier than 135 g/m² (36 lb. bond), short grain is preferred.

Fiber Content

Most high-quality xerographic paper is made from 100 % chemically pulped wood. Paper containing fibers such as cotton possess characteristics that can result in degraded paper handling.

Recommended Paper

Refer to the Phaser 6700 Recommended Media List (RML) for media approved for use in this product. Print the Paper Tips page for information about supported media types and general guidelines for media handling.

Unacceptable Paper

The following paper types are not recommended:

- Chemically treated papers used to make copies without carbon paper, also known as carbonless papers, carbonless copy paper (CCP), or no carbon required (NCR) paper
- Preprinted papers with chemicals affected by Fuser temperatures
- Preprinted forms that require registration (the print location on the page) greater than ±0.09 in., such as optical character recognition (OCR) forms. In some cases, the application can adjust registration to successfully print on these forms.
- Coated papers (erasable bond), synthetic papers, thermal papers
- Rough-edged, rough or heavily textured surface papers or curled papers
- Recycled papers containing more than 25 % post-consumer waste that do not meet DIN 19 309
- Multiple-part forms or documents
- Perforated or pre-cut label paper

Firmware Update

Note

When performing an upgrade, clone customer configuration settings before upgrading the firmware.

Cloning Printer Configuration with CWIS

Cloning stores system configuration data in a .dlm file. The .dlm file is used to duplicate one system's configuration onto another printer or restore configuration data after a service procedure. All printers sharing a clone file must have the same software version. Select all default information when creating the clone file.

To create a clone file:

1. In a web browser, enter the printer IP address.
2. In the upper right corner, click login.
3. From the top menu, click Properties.
4. Under the Configuration Overview > Cloning page, click View,
5. Verify all boxes on the Cloning page are checked.
6. Click the Clone button.
7. A progress bar is displayed on the bottom of the page.
8. Right-click the Cloning.dlm link to save the file to appropriate location.

Firmware Update Using CWIS

Note

Download the correct firmware file from the Xerox support web site.

1. Enter the printer's IP address in your browser's address box.
2. From the top menu, click the Properties button.
3. From the Properties menu on the left, expand General Setup.
4. Under Machine Software, select Manual Upgrade.
5. Click the Browse button to locate the .dlm file.
6. Click the Open button.
7. Click the Install Software button to download the firmware to the printer.
12. A progress bar appears on the bottom of the web browser.
13. A File has been submitted window appears on screen.
14. The Control Panel displays the Software Upgrade screen to indicate subsystem update progress.
15. When the firmware update process is complete, the printer will reboot.

Firmware Restore Using AltBoot

AltBoot restores system firmware. Use this procedure when the printer has corrupted software, hangs during power up or continually reboots. AltBoot resets system configuration to its default values. Restore customer settings after the system returns to Ready To Print.

Caution

Do not attempt AltBoot restoration on printers equipped with a Hard Drive using data encryption without first consulting with the Customer on the need to temporarily disable data encryption to preserve Hard Drive data. Data encryption stores the decryption key on the SD Card. During AltBoot, the decryption key is overwritten on the SD Card.

If printer function prevents decryption of Hard Drive data, loss of the decryption key following an AltBoot renders all Hard Drive data inaccessible. Replace the SD Card and Hard Drive to restore printer functionality.

Caution

Do not reboot or turn Off the printer during the restore process. The printer automatically reboots when the process is complete.

To prepare the USB thumb drive for an AltBoot restore, create an ALTBOOT folder, in the root directory. The folder name must be all uppercase. Next, using Notepad or similar utility, create a zero-length file in the ALTBOOT folder called FORCED_UPGRADE with no extension. Again, this file must reside in the ALTBOOT folder and be named exactly as shown. Finally, copy the latest firmware file (*.dlm) to the ALTBOOT folder.

1. Turn the printer Off.
2. Insert the prepared USB thumb drive in the USB Port on the printer's rear panel.
3. Turn the printer On. The printer reads the USB port and begins the restore process.
 - a. The splash screen displays the ENERGY STAR logo while the printer reads the thumb drive.
 - b. The restore process begins with Check Firmware Version being displayed.
 - c. Next, the Software Upgrade screen is displayed. Depending on the system configuration (Trays, Finisher) the process can require approximately 20 minutes. The Software Upgrade screen changes to reflect the current subsystem being restored.
 - d. After the firmware update process is complete, the AltBoot Complete screen is displayed instructing you to remove the USB thumb drive.
4. Remove the USB thumb drive from the printer's USB Port.
5. Wait for the printer to reboot and print a software upgrade report and Configuration page indicating the process is complete.

Service Diagnostics Summary

The Services Diagnostics menu provides access to these diagnostic routines.

Service Diagnostic Routines

Test	Control Panel Display	Test Description
General Info	Lists key system and network information	
	<ul style="list-style-type: none"> ■ Product Code ■ Serial Number ■ Total Images ■ IPv4 Address ■ IPv6 Address ■ System Software Version 	
Service Info	Provides information required during the servicing of the system.	
dc104 Usage Counters	<ul style="list-style-type: none"> ■ Serial Number ■ Color Impressions ■ Black Impressions ■ Total Impressions ■ Maintenance Impressions ■ Black Maintenance Impressions ■ Color Maintenance Impressions ■ Sheets (total) ■ 2-sided Sheets 	Provides usage counts for the listed items.
dc108 Software Version	<ul style="list-style-type: none"> ■ System Software Version ■ SW Upgrade ■ NC (Network Controller) ■ NC OS ■ LUI ■ Marking Engine ■ Finisher (if installed) ■ Option Trays (if installed) 	Provides software version information for installed modules.
dc122 Fault History	Chain Link Description Date & Time	Lists the last 60 faults.
dc135 CRU/HFSI	Name of CRU % Remaining Reset HFSI	Provides access to each CRU/HFSI and displays remaining life information. Non-CRUM life counters can be reset: Maintenance Kit <ul style="list-style-type: none"> ■ Transfer Belt ■ Transfer Roller ■ Feed Rollers
dc612 Print Test Pattern	Test Pattern List. Each print: <ul style="list-style-type: none"> ■ Number of Copies (1 - 99) ■ Source Tray ■ Print Mode (simplex/duplex) 	Provides test patterns for the service provider to use while troubleshooting print-quality problems.

Service Diagnostic Routines (Continued)

Test	Control Panel Display	Test Description
Diagnostics	Provides access to specific component controls and test patterns.	
dc140 Analog Monitor	Component Name Status Range Value	Provides the ability to monitor analog inputs for diagnostic troubleshooting.
dc330 Component Control	Chain-Link, I/O, Description Chain (of target component)	Test listed components.
dc711 Roller Tests	<ul style="list-style-type: none"> ■ Exit Roller ■ Duplex Roller ■ Registration Roller ■ Tray 2 ~ 6 Feed Rollers ■ Tray 2 ~ 6 Take Away Rollers 	Tests the operation of multiple transport components operating together.
dc741 Paper Size Switch	Tray 2 ~ 6 Paper Size Switch Test	Monitors Size Switch outputs SW0, SW1, SW2.
Adjustments	Used modify or change a NVM parameter.	
dc131 NVM Read/Write	Enter NVM ID, then Read NVM ID, Description, Value, Default Edit value, then Write.	Review and modify parameters stored in NVM. Refer to “NVM Parametric Values” on page A-9.
dc 301 NVM Initialization	Domain: Controller, Engine, Finisher NVM Data: Usr, System. All	Allows the user to reset to factory defaults all applicable NVM within a specified domain.
dc361 NVM Save and Restore	Location Serial Number Date Platform	Saves or restores NVM parameters to their previous values following replacement of the SD Card, IP Board EEPROM or MCU Board EEPROM.
dc701 Fuser Temp Setup	Standard, Photo Select media type Adjust +/- 6 and Write to NVM.	Calibrates Fusing temperature to match engine speed and media type.
dc909 Calibrate for Paper Type	Select media type Adjust +/- 6 and Write to NVM.	Adjust the Transfer Roller bias voltage to compensate for thick or specialty media.
dc960 Altitude Adjustment	Standard Altitude Medium Altitude High Altitude Write	Adjust the Transfer Roller bias voltage to compensate for locations where the altitude exceeds 1500 meters.

Service Diagnostic Routines (Continued)

Test	Control Panel Display	Test Description
Maintenance	Provides maintenance routines, CRU/HFSI usage and Fault logs.	
dc122 Fault History	Chain Link Description Date & Time	Provides the most recent (last 60) Faults including: Chain Link Description Last Occurrence
dc135 CRU/HFSI Status and Reset	Type Name % Remaining Reset HFSI	Provides access to each CRU/HFSI and displays remaining life. Non-CRUM items counters can be reset: Maintenance Kit <ul style="list-style-type: none"> ■ Transfer Belt ■ Transfer Roller ■ Feed Rollers
dc137 PagePack	Disable Enable PagePack Pass code	Enables or disables PagePack feature.
Call Closeout	Provides the ability to exit Diagnostics and clear specific counters.	
Call Closeout	Reset Counters Exit Only Exit and Reboot	Exits the Service Diagnostics menu.

NVM Parametric Values

The table below lists several characteristics of system NVM parameters. Use dc131 to adjust NVM parameters as directed by a service procedure or observed system behavior.

Caution

Adjustments to NVM parameters not listed is not recommend and could significantly impact the functionality of the printer.

Note

Enter the NVM ID as two numbers in the two numeric input fields of the dc131 NVM Read/Write screen. As an example, enter NVM ID 742-006 as 742 in one field and 6 in the other. Omit leading zeros.

NVM Parametric Values

NVM ID	Component Description	Default	Range	Units	Notes	Initialize Y/N
742-006	Lead Registration User Correction Value	0	-15~15	4 lines	Up/ Down Margin Adjust One step = 4 lines Max Adjustment = ±2.5mm	N
742-500	Feed Counter T1	0	NA	PV	Counter	N
742-504	Feed Counter T2	0	NA	PV	Counter	N
742-508	Duplex Feed Counter	0	NA	PV	Counter	N
742-512	Frequency of Exit Jam	0	NA		Counter	N
742-516	M/C PV Counter (FC)	0	NA	PV	Counter	N
742-520	M/C PV Counter (Total)	0	NA	PV	Counter	N
742-524	JAM History (1:After JAM occurrence)	0	0~1		Counter	N
742-525	Side Reg Adj Value Side 1 T1	0	-32~32	4 dots	Side to Side Margin Adjust One step = 4 Dots Max Adjustment = ±5.5mm	N
742-526	Side Reg Adj Value Side 1 T2	0	-32~32	4 dots	Side to Side Margin Adjust	N
742-527	Side Reg Adj Value Side 1 T3	0	-32~32	4 dots	Side to Side Margin Adjust	N
742-528	Side Reg Adj Value Side 1 T4	0	-32~32	4 dots	Side to Side Margin Adjust	N
742-529	Side Reg Adj Value Side 1 T5	0	-32~32	4 dots	Side to Side Margin Adjust	N
742-530	Side Reg Adj Value Side 1 T6	0	-32~32	4 dots	Side to Side Margin Adjust	N
742-531	Side Reg Adj Value Side 2 T1	0	-32~32	4 dots	Side to Side Margin Adjust	N
742-532	Side Reg Adj Value Side 2 T2	0	-32~32	4 dots	Side to Side Margin Adjust	N
742-533	Side Reg Adj Value Side 2 T3	0	-32~32	4 dots	Side to Side Margin Adjust	N
742-534	Side Reg Adj Value Side 2 T4	0	-32~32	4 dots	Side to Side Margin Adjust	N
742-535	Side Reg Adj Value Side 2 T5	0	-32~32	4 dots	Side to Side Margin Adjust	N
742-536	Side Reg Adj Value Side 2 T6	0	-32~32	4 dots	Side to Side Margin Adjust	N
742-537	OHP SNR SW	0	0~1	On/Off	Not used on 6700	N
742-538	Full Stack SNR SW	1	0~1	On/Off		N
742-539	Regi Loop T1 Media1 Full speed	0	-50~50	1ms	Regi Loop	N
742-540	Regi Loop T1 Media1 1/2 speed	0	-50~50	1ms	Regi Loop	N

NVM Parametric Values

NVM ID	Component Description	Default	Range	Units	Notes	Initialize Y/N
742-541	Regi Loop T1 Media1 1/3 speed	0	-50~50	1ms	Regi Loop	N
742-542	Regi Loop T1 Media2 Full speed	0	-50~50	1ms	Regi Loop	N
742-543	Regi Loop T1 Media2 1/2 speed	0	-50~50	1ms	Regi Loop	N
742-544	Regi Loop T1 Media2 1/3 speed	0	-50~50	1ms	Regi Loop	N
742-545	Regi Loop T1 Media3 Full speed	0	-50~50	1ms	Regi Loop	N
742-546	Regi Loop T1 Media3 1/2 speed	0	-50~50	1ms	Regi Loop	N
742-547	Regi Loop T1 Media3 1/3 speed	0	-50~50	1ms	Regi Loop	N
742-548	Regi Loop Tray2 Media1 Full speed	0	-50~50	1ms	Regi Loop	N
742-549	Regi Loop Tray2 Media1 1/2 speed	0	-50~50	1ms	Regi Loop	N
742-550	Regi Loop Tray2 Media1 1/3 speed	0	-50~50	1ms	Regi Loop	N
742-551	Regi Loop Tray2 Media2 Full speed	0	-50~50	1ms	Regi Loop	N
742-552	Regi Loop Tray2 Media2 1/2 speed	0	-50~50	1ms	Regi Loop	N
742-553	Regi Loop Tray2 Media2 1/3 speed	0	-50~50	1ms	Regi Loop	N
742-554	Regi Loop Tray2 Media3 Full speed	0	-50~50	1ms	Regi Loop	N
742-555	Regi Loop Tray2 Media3 1/2 speed	0	-50~50	1ms	Regi Loop	N
742-556	Regi Loop Tray2 Media3 1/3 speed	0	-50~50	1ms	Regi Loop	N
742-557	Regi Loop Tray3 - 6 Media1 Full speed	0	-50~50	1ms	Regi Loop	N
742-558	Regi Loop Tray3 - 6 Media1 1/2 speed	0	-50~50	1ms	Regi Loop	N
742-559	Regi Loop Tray3 - 6 Media1 1/3 speed	0	-50~50	1ms	Regi Loop	N
742-560	Regi Loop Tray3 - 6 Media2 Full speed	0	-50~50	1ms	Regi Loop	N
742-561	Regi Loop Tray3 - 6 Media2 1/2 speed	0	-50~50	1ms	Regi Loop	N
742-562	Regi Loop Tray3 - 6 Media2 1/3 speed	0	-50~50	1ms	Regi Loop	N
742-563	Regi Loop Tray3 - 6 Media3 Full speed	0	-50~50	1ms	Regi Loop	N
742-564	Regi Loop Tray3 - 6 Media3 1/2 speed	0	-50~50	1ms	Regi Loop	N
742-565	Regi Loop Tray3 - 6 Media3 1/3 speed	0	-50~50	1ms	Regi Loop	N
742-566	Regi Loop Dup Media1 Full speed	0	-50~50	1ms	Regi Loop	N
742-567	Regi Loop Dup Media1 1/2 speed	0	-50~50	1ms	Regi Loop	N
742-568	Regi Loop Dup Media1 1/3 speed	0	-50~50	1ms	Regi Loop	N
742-569	Regi Loop Dup Media2 Full speed	0	-50~50	1ms	Regi Loop	N
742-570	Regi Loop Dup Media2 1/2 speed	0	-50~50	1ms	Regi Loop	N
742-571	Regi Loop Dup Media2 1/3 speed	0	-50~50	1ms	Regi Loop	N
742-572	Regi Loop Dup Media3 Full speed	0	-50~50	1ms	Regi Loop	N
742-573	Regi Loop Dup Media3 1/2 speed	0	-50~50	1ms	Regi Loop	N
742-574	Regi Loop Dup Media3 1/3 speed	0	-50~50	1ms	Regi Loop	N
742-575	Low Paper Sw	1	0~1	On/Off		N
742-578	T3 Feed PV Counter	0	NA	PV	Counter	N
742-582	T4 Feed PV Counter	0	NA	PV	Counter	N
742-586	T5 Feed PV Counter	0	NA	PV	Counter	N
742-590	T6 Feed PV Counter	0	NA	PV	Counter	N

NVM Parametric Values

NVM ID	Component Description	Default	Range	Units	Notes	Initialize Y/N
746-002	ROS LD Fixed Value Y	106	0~255		LD Power	Y
746-003	ROS LD Fixed Value M	106	0~255		LD Power	Y
746-004	ROS LD Fixed Value C	106	0~255		LD Power	Y
746-005	ROS LD Fixed Value K	114	0~255		LD Power	Y
746-015	2BTR Counter Reset (0:No 1:Yes (Default))	1	0~1	Count		Y
746-059	1st BTR Fixed Current Full speed YMC	141	0~255	uA		Y
746-060	1st BTR Fixed Current Full speed K	151	0~255	uA		Y
746-061	1st BTR Fixed Current Full speed single K	151	0~255	uA		Y
746-062	1st BTR Fixed Current 1/2 speed YMC	72	0~255	uA		Y
746-063	1st BTR Fixed Current 1/2 speed K	85	0~255	uA		Y
746-064	1st BTR Fixed Current 1/2 speed single K	85	0~255	uA		Y
746-065	1st BTR Fixed Current 1/3 speed YMC	53	0~255	uA		Y
746-066	1st BTR Fixed Current 1/3 speed K	68	0~255	uA		Y
746-067	1st BTR Fixed Current 1/3 speed single K	68	0~255	uA		Y
746-508	High Alt Mode	0	0~8		0 = No correction	Y
746-509	High Alt Mode 01	8		V	500m	Y
746-510	High Alt Mode 02	16		V	1000m	Y
746-511	High Alt Mode 03	23		V	1500m	Y
746-512	High Alt Mode 04	31		V	"2000m (Medium Altitude)	Y
746-513	High Alt Mode 05	39		V	2500m	Y
746-514	High Alt Mode 06	47		V	"3000m (High Altitude)	Y
746-515	High Alt Mode 07	55		V	3500m	Y
746-516	High Alt Mode 08	62		V	4000m	Y
746-517	2BTR Offset Adj Plain-L	0	-6~6	V	Not used	N
746-518	2BTR Offset Adj Plain-H	0	-6~6	V	Plain Paper	N
746-519	2BTR Offset Adj Thicker	0	-6~6	V	"Heavyweight,Letterhead	N
746-520	2BTR Offset Adj Recycled	0	-6~6	V	Recycled Paper	N
746-521	2BTR Offset Adj Heavier L	0	-6~6	V	Cardstock	N
746-522	2BTR Offset Adj Heavier H	0	-6~6	V	Heavyweight Cardstock	N
746-523	2BTR Offset Adj Label-L	0	-6~6	V	Not used	N
746-524	2BTR Offset Adj Label-H	0	-6~6	V	Labels	N
746-525	2BTR Offset Adj OHP	0	-6~6	V	Transparency	N
746-526	2BTR Offset Adj Envelope	0	-6~6	V	Envelopes	N
746-527	2BTR Offset Adj Postcard	0	-6~6	V	Not used	N
746-528	2BTR Offset Adj Coated-L	0	-6~6	V	Not used	N
746-529	2BTR Offset Adj Coated-M	0	-6~6	V	Glossy Cardstock	N
746-530	2BTR Offset Adj Coated-H	0	-6~6	V	"Heavy Glossy Cardstock	N
746-531	2BTR Offset Adj Custom-1	0	-6~6	V	Custom 1	N
746-532	2BTR Offset Adj Custom-2	0	-6~6	V	Custom 2	N

NVM Parametric Values

NVM ID	Component Description	Default	Range	Units	Notes	Initialize Y/N
746-533	2BTR Offset Adj Custom-3	0	-6~6	V	Custom 3	N
746-534	2BTR Offset Adj Custom-4	0	-6~6	V	Custom 4	N
746-535	Approx Media Selection - 2BTR Custom1	0	0~13	V		N
746-536	Approx Media Selection - 2BTR Custom2	0	0~13	V		N
746-537	Approx Media Selection - 2BTR Custom3	0	0~13	V		N
746-538	2BTR High Alt Adj Mode 01	0	-15~15		0~500m	Y
746-539	2BTR High Alt Adj Mode 02	0	-15~15		501~1000m	Y
746-540	2BTR High Alt Adj Mode 03	-1	-15~15		1001~1500m	Y
746-541	2BTR High Alt Adj Mode 04	-2	-15~15		1501~2000m	Y
746-542	2BTR High Alt Adj Mode 05	-3	-15~15		2001~2500m	Y
746-543	2BTR High Alt Adj Mode 06	-4	-15~15		2501~3000m	Y
746-544	2BTR High Alt Adj Mode 07	-5	-15~15		3001~3500m	Y
746-545	2BTR High Alt Adj Mode 08	-6	-15~15		3501~4000m	Y
752-824	Skew K1 Y	16	0~255			Y
752-825	Skew K1 Y	16	0~255			Y
752-826	Skew K1 M	16	0~255			Y
752-827	Skew K1 M	16	0~255			Y
752-828	Skew K1 C	16	0~255			Y
752-829	Skew K1 C	16	0~255			Y
752-830	Skew K1 K	16	0~255			Y
752-831	Skew K1 K	16	0~255			Y
752-832	Skew K2 Y	8	0~255			Y
752-833	Skew K2 Y	8	0~255			Y
752-834	Skew K2 M	8	0~255			Y
752-835	Skew K2 M	8	0~255			Y
752-836	Skew K2 C	8	0~255			Y
752-837	Skew K2 C	8	0~255			Y
752-838	Skew K2 K	8	0~255			Y
752-839	Skew K2 K	8	0~255			Y

Obtaining Serial Back Channel Traces

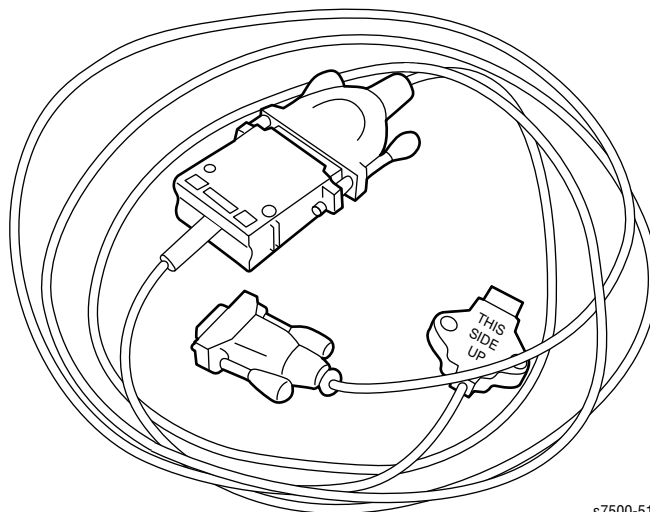
In rare cases the printer may exhibit unusual behavior that is difficult to troubleshoot. In such cases, if feasible, it can be useful to obtain a back channel trace from the printer's Serial Debug Port. The back channel trace, lists step-by-step what the printer is doing during the boot up phase up to the point that an error occurs or the printer enters the ready to print state. The trace may offer clues to help troubleshoot the problem. If the printer is experiencing erratic, intermittent or other problems that defy the normal troubleshooting procedures outlined in this manual you may be requested by engineering to capture a back channel trace for analysis.

Required equipment:

- Computer with a serial port
- Serial Cable, part number: 600T80374
- Level Adaptor, part number: 600T80375

To obtain a trace:

1. Turn Off the printer.
2. Connect the Serial Cable and Level Adaptor, then connect the Serial Cable to your PC. Serial port settings are COM1, 115200 Bits per second, 8 Data bits, no Parity, 1 stop bit, and Xon/ Xoff Flow control.
3. Connect the Level Adaptor to the Serial Port (J903 on the IP Board), accessible from the Rear Panel, with adapter's THIS SIDE UP label facing out from the printer's Rear Panel.



s7500-510

4. Start up a terminal program such as in Window's HyperTerminal (usually located in Programs -> Accessories -> Communications -> HyperTerminal). Verify the serial port settings are correct.
5. Turn On the printer.
6. The trace should appear in the terminal window. Examine the trace to troubleshoot the problem. Save the trace as a file, if necessary.

Note

If your PC has a Windows 7 operating system, HyperTerminal is not preloaded. An alternative software is TeraTerm 2.3

Mode Select Port

The Mode Select Port (J602 on the IP Board), accessible from the Rear Panel, is a 6-pin header used to place the printer in different operational modes or reset the IP Board.

These modes are set by connecting one or more pins to ground. The six pins are arranged in numeric order with Pin 1 at the top of the connector. Pins 1 and 6 are tied to a common ground with the Rear Panel. Pins 2 through 5, when grounded, set the printer to the mode indicated in the following table.

Caution

To reset the IP Board, momentarily short pins 5 and 6, then immediately re-open the connection. Shorting pins 5 and 6 for more than a few seconds could damage the IP Board.

Mode Select Port Settings

Mode	1	2	3	4	5	6
Printer Reset	GND				X	GND
Customer	GND	X				GND

- Reset is a hardware reset of the Image Processor Board resulting in a system reboot.
- Customer Mode is the normal mode for printing. The Serial Debug Port is receiving PostScript back channel information.

CRU End of Life Behavior

The printer is equipped with CRUMs that read and write data into MCU and IP Board NVRAM. CRUMs reside within Toner Cartridges, Imaging Units and Fuser. The toner CRUM identifies the type of Toner Cartridge (Standard, Meter or High Capacity). The CRUMs contain an OTP part to record new or used cartridge. Rotation count, pixel count and page count are stored in the Toner Cartridge CRUM.

Customer Replaceable Unit Life Behavior

	Control Panel Message	New CRU detect	Low	Hard Stop	Count Reset to 0	Life data stored in	Life data also stored
Toner Cartridge	Low / Out	CRUM ADC SNR	80 % estimated pages remaining	Yes /by controller ^a	New Toner Cartridge	MCU Board NVRAM	CRUM
Imaging Unit (pages)	Low / Out	CRUM	80 %	Yes (120 %) / by controller	New Imaging Unit	MCU Board NVRAM	CRUM
Transfer Belt (pages)	No	No	80 %	133 % / controller stop	On Control Panel	MCU Board NVRAM	-
Fuser (pages)	No	CRUM	80 %	125 % / controller stop	New Fuser	MCU Board NVRAM	CRUM
Transfer Roller	Yes	No	80 %	133 % / controller stop	On Control Panel	MCU Board NVRAM	-
Waste Toner Cartridge	Yes	No	90 % by Waste Toner Sensor	Controller stops considering remaining pages ^b at end of life	New cartridge (and some pages printed)	MCU Board NVRAM	-
Pick Roller	No	No	No	No	None	None	-
Stapler Cartridge	Out	No		No	New cartridge	None	-

a. Able to continue printing B/W if CMY are empty

b. Max pixels and pages are 17,302.92 x 106 pixels (1200 x 1200 dpi) or 3,600 pages

Acronyms and Abbreviations

Acronym	Description
A3	Paper size 297 millimeters (11.69 inches) x 420 millimeters (16.54 inches).
A4	Paper size 210 millimeters (8.27 inches) x 297 millimeters (11.69 inches).
A5	Paper size 148 millimeters (5.82 inches) x 210 millimeters (2.10 inches).
AC	Alternating Current is type of current available at power source for the printer.
ADC	Automatic Density Control
AMPV	Average Monthly Print Volume
APC	Auto Power Control
ASSY	Assembly
ATM	Adobe Type Manager
BCR	Bias Charge Roller
BOOTP	Boot Parameter Protocol
BTR	Bias Transfer Roller
CCD	Charge Coupled Device (Photoelectric Converter)
CCW	Counter-Clock Wise
CMYK	Toner colors for the printer: Y=yellow, C=cyan, M=magenta, K=black
CRU	Customer Replaceable Unit
CRUM	Customer Replaceable Unit Meter/Memory
CST	Cassette
dB	Decibel
DC	Direct Current
DDNS	Dynamic Domain Name System
DDR2 DIMM	Double Data Rate Dual In-Line Memory Module
DEV	Developer
DHCP	Dynamic Host Configuration Protocol
DPI	Dots Per Inch
DRV	Drive
DUP	Duplex
Duplex	2-sided printing
EA	Emulsion Aggregation (Toner)
EEPROM	Electrically Erasable Programmable Read-Only Memory

Acronym	Description
ESD	Electrostatic Discharge. A transfer of charge between bodies at different electrostatic potential.
ESS	Image process controller
FCC	Federal Communications Commission
FDR	Feeder
FPOT	First Print Output Time
FRU	Field Replaceable Unit
GB	Giga Byte
GDI	Graphics Device Interface
GND	Ground
HARN	Harness
HCF	High-Capacity Feeder
HDD	Hard Disk Drive
HUM	Humidity
HV	High Voltage
HVPS	High-Voltage Power Supply
Hz	Hertz (cycles per second)
IDT	Intermediate Drum Transfer
IEC	International Electrotechnical Commission
I/F	Interface
IIT	Image Input Terminal - ADF, Scanner
IOT	Image Output Terminal - the printer
IP	Image Processor
KB	Kilo Byte
LAN	Local Area Network
LCD	Liquid Crystal Display
LD	Laser Diode
LED	Light Emitting Diode
LEF	Long-Edge Feed
LPD	Line Printer Daemon
LPR	Line Printer Remote
LTR	Letter Size Paper (8.5 x 11 inches)
LVPS	Low-Voltage Power Supply
MB	Mega Byte
MCU	Machine Control Unit (Engine Control Board)
MHz	Mega Hertz
MIB	Management Information Base

Acronym	Description
MM	Millimeters
MOT	Motor
MPT	Multi-Purpose Tray
NCS	Non-Contact Sensor
NVM	Non-Volatile Memory
NVRAM	Non-Volatile Random Access Memory
OHP	Overhead Paper (Transparency)
OPT	Optional
OS	Operating System
PCB	Printed Circuit Board
PCL	Printer Command Language
PDL	Page Description Language
P/J	Plug Jack (electrical connections)
PJL	Printer Job Language
PL	Parts List
POP3	Post Office Protocol version 3
PPD	PostScript Printer Description
PPM	Pages Per Minute
PWBA	Printed Wiring Board Assembly
RAM	Random Access Memory
RH	Relative Humidity
RMS	Root Mean Square Voltage
ROM	Read-Only Memory
ROS	Raster Output Scanner - Laser Unit
SEF	Short-Edge Feed
SMB	Server Message Block
SNMP	Simple Network Management Protocol
SNR	Sensor
SOL	Solenoid
SOS	Start of Scan
TDC	Toner Density Control
TNR	Toner
UI	User Interface
USB	Universal Serial Bus
WINS	Wireless Integrated Network Sensor

Index

Numerics

1100-Sheet Feeder

Casters

- part number, 9-67
- removal, 8-217

Feed and Separator Roller

- part number, 9-75

Feed Clutch

- part number, 9-75
- testing, 4-60

Feed Drive

- testing, 4-58

Feed Drive Assembly

- part number, 9-73

Feeder Assembly

- part number, 9-75

Feeder Board

- part number, 9-73
- removal, 8-228

Feet

- part number, 9-67, 9-71
- removal, 8-218

front cover

- removal, 8-226

left cover

- removal, 8-227

Low Paper Sensor

- part number, 9-71
- testing, 4-56

Low Paper Sensor Assembly

- part number, 9-71

lower front cover

- removal, 8-215

lower left cover

- removal, 8-216

Lower Option Harness

- part number, 9-73

lower rear cover

- removal, 8-213

lower right cover

- removal, 8-214

Mounting Kit, 9-67

No Paper Actuator

- part number, 9-75

No Paper Sensor

- part number, 9-75
- testing, 4-54

part number, 9-67

rear cover

- removal, 8-220

removal, 8-211

right cover

- removal, 8-225

right door

- removal, 8-223

Right Side Door Open Switch

- part number, 9-71

Right Side Door Switch

- testing, 4-57

sensor locations, 2-28

Size Switch

- part number, 9-71
- testing, 4-55

take away clutch

- testing, 4-59

Take Away Sensor

- part number, 9-75
- testing, 4-53

Turn Chute

- part number, 9-71

Upper Chute Assembly

- part number, 9-69
- removal, 8-221

upper feeder

- removal, 8-219

Upper Option Harness

- part number, 9-73

550-Sheet Feeder

Feed Chute

- removal, 8-192

Feed Clutch

- part number, 9-63
- removal, 8-205
- testing, 4-60

Feed Drive

- testing, 4-58

Feed Drive Assembly

- part number, 9-61
- removal, 8-199

Feeder Assembly

- part number, 9-63
- removal, 8-209

Feeder Board

- part number, 9-61
- removal, 8-200

Feet

- part number, 9-59
- removal, 8-197

Low Paper Sensor

- part number, 9-59
- removal, 8-195
- testing, 4-56

Low Paper Sensor Assembly

- part number, 9-59

Lower Option Harness

- part number, 9-61
- removal, 8-201

Mounting Kit

- part number, 9-57

No Paper Actuator

- part number, 9-63
- removal, 8-207

No Paper Sensor

- part number, 9-63
- removal, 8-208

- testing, 4-54
- part number, 9-57
- rear cover
 - removal, 8-190
- removal, 8-188
- Right Door Open Switch
 - removal, 8-193
- Right Side Door Switch
 - part number, 9-59
 - testing, 4-57
- sensor locations, 2-28
- Size Switch
 - part number, 9-59
 - removal, 8-196
 - testing, 4-55
- take away clutch
 - removal, 8-203
 - testing, 4-59
- Take Away Sensor
 - part number, 9-63
 - removal, 8-202
 - testing, 4-53
- Turn Chute
 - part number, 9-59
 - removal, 8-194
- Upper Chute Assembly
 - part number, 9-57
- Upper Option Harness
 - part number, 9-61
 - removal, 8-198

A

- AC
 - power consumption, 1-13
 - power requirements, 1-13
 - troubleshooting, 4-80
- Accessories, 9-102
- Actuator, right door interlock, 9-19
- ADC Sensor, 2-44
 - cleaning, 7-3
 - operation, 2-80, 2-81
 - part number, 9-31
 - removal, 8-98
- AltBoot, A-5
 - file structure, A-5
 - procedure, A-5
- AltBoot Thumb Drive, 9-103

B

- Back channel trace, A-13
- Background contamination, 5-24
- Banding, 5-16
- Bias Housing Assembly
 - part number, 9-29
 - removal, 8-84
- Black print, 5-14
- Black Switching Sensor

- location, 2-57
- part number, 9-47
- removal, 8-145
- testing, 4-32
- Black Switching Sensor Assembly
 - part number, 9-47
 - removal, 8-145
- Blank prints, 5-12
- Boot sequence, 4-4
- Bottom Plate Release Block
 - part number, 9-13
 - removal, 8-32

C

- Calibrate
 - Control Panel, 6-8
- Chute Assy (Tray 1)
 - part number, 9-21
 - removal, 8-50
- Cloning, A-4
- Color registration
 - alignment error, 5-5
 - troubleshooting, 5-30
- Color Switching Sensor
 - location, 2-57
 - part number, 9-47
 - removal, 8-149
 - testing, 4-33
- Compile Tray
 - Compile Tray Exit Sensor
 - part number, 9-91
 - removal, 8-271
 - Compile Tray No Paper Sensor
 - part number, 9-93
 - No Paper Sensor
 - removal, 8-282
 - operation, 2-91
 - part number, 9-93
 - removal, 8-277
 - Tamper Motor
 - part number, 9-93
 - removal, 8-283
- Compile Tray Exit Sensor, 2-94
 - location, 2-90
 - part number, 9-91
 - removal, 8-271
 - testing, 4-61
- Compile Tray No Paper Sensor, 2-96
 - part number, 9-93
 - removal, 8-282
 - testing, 4-62
- Control Panel, 1-7
 - calibration, 6-8
 - cleaning, 7-3
 - location, 2-75
 - part number, 9-5
 - removal, 8-63
 - special functions, 1-8
 - testing, 6-8

- troubleshooting, 4-77
- Control Panel Harness
 - part number, 9-5
 - removal, 8-64
- CRUM, 2-19
- CRUM Connector
 - part number, 9-29
 - removal, 8-88
- CRUM Reader Board
 - part number, 9-33
 - removal, 8-108
- CSE login, 4-7
- Curl, A-2

D

- Developer Drive Assemblies
 - testing, 4-50
- Dispense Assembly
 - part number, 9-33
 - removal, 8-103
- Drive Gear Kit
 - part number, 9-47
 - removal, 8-178
- Duplex Drive Clutch, 2-56
 - testing, 4-39
- Duplex Gate, 2-37
 - operation, 2-37
- Duplex Handle
 - part number, 9-25
 - removal, 8-62
- Duplex Roller
 - location, 2-56
 - part number, 9-23
 - removal, 8-58

E

- EEPROM Board
 - location, 2-75
 - operation, 2-77
 - part number, 9-49
 - removal, 8-155
- Eject Clamp Home Sensor, 2-107
 - part number, 9-85
 - removal, 8-249
 - testing, 4-65
- Eject Drive Assembly
 - part number, 9-87
 - removal, 8-254
- Eject Motor, 2-105
- Eject Pinch Roller, 9-89
 - operation, 2-91
- Eject Roller
 - part number, 9-89
- Eject Roller Assembly
 - removal, 8-261
- Envelope Mode, 2-21
- Envelope Mode Detection Sensor, 2-21

- part number, 9-37
- removal, 8-121
- testing, 4-23
- Environmental Sensor, 2-45
 - part number, 9-31
 - removal, 8-101
- Erase Lamp, 2-49
 - operation, 2-11
 - part number, 9-27
 - removal, 8-82
- Erase LED
 - testing, 4-49
- Errors, 3-5
- Exit Assembly, 2-55
 - components, 2-55
 - operation, 2-36
- Exit Chute Assembly
 - part number, 9-37
 - removal, 8-123
- Exit Clutch, 2-55
- Exit Cover
 - part number, 9-5
 - removal, 8-22
- Exit Drive Assembly
 - part number, 9-35
 - removal, 8-113
 - testing, 4-44
- Exit harness
 - part number, 9-53
- Exit Inverter Clutch, 2-55
- Exit Inverter Solenoid, 2-37, 2-55
 - operation, 2-38
 - part number, 9-39
 - removal, 8-126
- Exit Roller
 - removal, 8-119
- Exit Sensor
 - testing, 4-22

F

- Fasteners, 8-5
- Feed Clutch, 2-43
- Feed Clutch (Tray 1)
 - part number, 9-21
 - removal, 8-55
- Feed Clutch (Tray 2)
 - part number, 9-15
 - testing, 4-42
- Feed Drive Assembly
 - operation, 2-66, 2-85
 - part number, 9-45
 - removal, 8-140
 - testing, 4-38
- Feed Roller, 2-32
 - part number, 9-21
 - removal, 8-7
- Feed Rollers
 - part number, 9-11
- Feed Solenoid (Tray 1)

- part number, 9-21
- Feeder
 - sensors, 2-28
- Feeder Assembly (Tray 2)
 - part number, 9-15
 - removal, 8-41
- Feeder Board
 - part number, 9-61
 - removal, 8-200
- Finisher, 2-87
 - Compile Tray
 - operation, 2-91
 - part number, 9-93
 - removal, 8-277
 - Compile Tray Exit Sensor
 - part number, 9-91
 - removal, 8-271
 - testing, 4-61
 - Compile Tray No Paper Sensor
 - testing, 4-62
 - eject chute assembly
 - removal, 8-267
 - Eject Clamp Home Sensor
 - part number, 9-85
 - removal, 8-249
 - testing, 4-65
 - Eject Drive Assembly
 - part number, 9-87
 - removal, 8-254
 - Eject Drive Bracket
 - part number, 9-87
 - removal, 8-255
 - eject motor
 - testing, 4-75
 - Eject Pinch Roller
 - part number, 9-89
 - removal, 8-263
 - Eject Roller Assembly
 - part number, 9-89
 - removal, 8-261
 - entry drive roller
 - removal, 8-272
 - exit drive roller
 - removal, 8-273
 - Exit Knob
 - part number, 9-83
 - removal, 8-242
 - Front Cover
 - part number, 9-83
 - front door
 - removal, 8-244
 - Front Door Interlock Switch
 - part number, 9-97
 - removal, 8-288
 - testing, 4-69
 - Front Door Switch, 2-110
 - Front Tamper Home Sensor
 - part number, 9-93
 - removal, 8-280
 - testing, 4-63
 - Horizontal Transport
 - part number, 9-81
 - removal, 8-233
 - Horizontal Transport Cover Open Sensor
 - part number, 9-81
 - removal, 8-238
 - Horizontal Transport Drive
 - removal, 8-236
 - Horizontal Transport Drive Assembly
 - part number, 9-81
 - removal, 8-236
 - testing, 4-73
 - Horizontal Transport Open Switch
 - testing, 4-70
 - interface cable
 - part number, 9-99
 - Lower Chute Assembly
 - part number, 9-91
 - LVPS
 - location, 2-110
 - part number, 9-97
 - removal, 8-289
 - Main Board
 - location, 2-110
 - part number, 9-85
 - removal, 8-253
 - main paddle shaft
 - removal, 8-274
 - media path, 2-89
 - Paper Guide
 - part number, 9-87
 - removal, 8-258
 - part number, 9-79
 - power cable
 - part number, 9-99
 - rear cover
 - removal, 8-240
 - Rear Tamper Home Sensor
 - testing, 4-63
 - Rear Tamper Home Sensor
 - part number, 9-93
 - removal, 8-281
 - removal, 8-229
 - right cover
 - removal, 8-241
 - sensor locations, 2-29
 - Set Clamp Clutch
 - part number, 9-87
 - removal, 8-257
 - testing, 4-75
 - Set Clamp Home Sensor
 - part number, 9-85
 - removal, 8-248
 - testing, 4-66
 - Stack Height Sensor
 - part number, 9-85
 - removal, 8-247
 - testing, 4-68
 - Stacker Drive Assembly
 - part number, 9-95
 - removal, 8-285
 - testing, 4-76
 - Stacker No Paper Sensor
 - part number, 9-95

- removal, 8-287
- testing, 4-67
- Stacker Tray
 - part number, 9-79
 - removal, 8-232
- stacker tray guide cover
 - removal, 8-242
- Staple Cartridge
 - part number, 9-93
- Stapler Assembly
 - part number, 9-93
 - removal, 8-284
- Sub Paddle
 - part number, 9-89
 - removal, 8-262
- Sub Paddle Solenoid
 - part number, 9-89
 - removal, 8-265
 - testing, 4-71
- Tamper Motor
 - part number, 9-93
 - removal, 8-283
 - testing, 4-72
- top cover
 - removal, 8-239
- Transport Drive Assembly
 - part number, 9-91
 - removal, 8-275
- Transport Motor
 - location, 2-90
- Finisher Port Cover
 - part number, 9-9
 - removal, 8-31
- Firmware update, A-4
- FPOT, 1-15
- Front Door
 - part number, 9-7
 - removal, 8-26
- Front Door Interlock Switch
 - location, 2-75
 - operation, 2-76
 - part number, 9-7
 - removal, 8-65
 - testing, 4-24
- Front Door Open Switch
 - location, 2-75
 - operation, 2-76
 - part number, 9-7
 - removal, 8-68
 - testing, 4-24
- Front Tamper Home Sensor, 2-96
 - part number, 9-93
 - removal, 8-280
 - testing, 4-63
- Front Tamper Motor, 2-97
- Full Stack Actuator
 - part number, 9-37
 - removal, 8-122
- Full Stack Sensor, 2-55
 - part number, 9-37
 - removal, 8-120
 - testing, 4-27

- Fuser
 - componets, 2-53
 - envelope mode, 2-21
 - harness
 - part number, 9-35
 - removal, 8-115
 - operation, 2-15
 - part number, 9-35
 - removal, 8-17
 - reset life counter, 6-7
 - sheet/envelope switching, 2-54
 - temperature regulation, 2-82
 - unfused image, 5-29
- Fuser Drive Assembly
 - location, 2-57
 - operation, 2-62
 - part number, 9-45
 - removal, 8-130
 - testing, 4-35
- Fuser Fan
 - location, 2-75
 - part number, 9-19
 - removal, 8-71
 - testing, 4-36

G

- GFI Breaker, 2-76
- Ghosting
 - troubleshooting, 5-23
- Grain, A-3

H

- Hard Drive
 - part number, 9-49
 - removal, 8-187
- Horizontal Transport
 - Cover Open Sensor
 - part number, 9-81
 - removal, 8-238
 - Horizontal Transport Drive Assembly
 - part number, 8-236, 9-81
 - media path, 2-89
 - part number, 9-81
 - removal, 8-233
 - Top Cover
 - part number, 9-81
 - removal, 8-235
- Horizontal Transport Cover Open Sensor, 2-93
- Horizontal Transport Drive Assembly, 2-93
 - testing, 4-73
- Horizontal Transport Open Switch
 - testing, 4-70
- HVPS
 - location, 2-75
 - operation, 2-76
 - part number, 9-29
 - removal, 8-86

I

- Image area, 5-37
- Image Processor Board
 - location, 2-75
 - operation, 2-77
- Imaging Unit
 - components, 2-4, 2-49
 - CRUM
 - part number, 9-29
 - operation, 2-7
 - part number, 9-27, 9-101
 - removal, 8-15
- Imaging Unit Guide
 - part number, 9-41
 - removal, 8-128
- Imaging Unit Link Drive
 - part number, 9-47
 - removal, 8-175
 - testing, 4-47
- Inner Frame Assembly
 - part number, 9-41
 - pivot shaft, 9-41
 - removal, 8-129
- Interlock Switch
 - troubleshooting, 4-83
- Invert Chute Assembly
 - testing, 4-46
- Inverter Chute Assembly
 - part number, 9-39
 - removal, 8-125
- IP Board
 - NVRAM, 9-49
 - part number, 9-49
 - removal, 8-150
- IP Board Power harness
 - part number, 9-53
- IP Cage
 - removal, 8-179

K

- K Developer Drive Assembly
 - part number, 9-47
 - removal, 8-171
 - testing, 4-50

L

- Laser Lens Cleaner
 - part number, 9-7
 - using, 7-4
- Laser Unit
 - components, 2-45
 - operation, 2-5
 - part number, 9-29
 - removal, 8-93
- Left Cover

- part number, 9-9
- Low Paper Sensor
 - operation, 2-23
 - part number, 9-13
 - removal, 8-70
 - testing, 4-30
- Lower Finisher Docking Cover
 - part number, 9-9
 - removal, 8-28
- Lower Inner Front Cover
 - part number, 9-7
 - removal, 8-27
- lower right cover
 - removal, 8-23
- LVPS
 - location, 2-75
 - operation, 2-76
 - part number, 9-51
 - testing, 4-81
- LVPS Cage
 - part number, 9-51
 - removal, 8-182
- LVPS Fan
 - location, 2-75
 - part number, 9-49
 - removal, 8-153
 - testing, 4-37
- LVPS harness
 - part number, 9-53
- LVPS Power harness
 - part number, 9-53

M

- Main Board
 - location, 2-110
 - part number, 9-85
- Maintenance items, 8-6
- Maintenance Kit, 7-5
 - part number, 9-27
- MCU Board
 - location, 2-75
 - operation, 2-76
 - part number, 9-51
 - removal, 8-152
- MCU Bracket
 - removal, 8-184
- Media
 - curl, A-2
 - damage, 5-27
 - grain, A-3
 - moisture content, A-2
 - registration, 2-35
 - texture, A-2
 - weight, A-2
- Media path, 2-31
- Memory
 - maximum, 1-15
 - minimum, 1-15
 - specifications, 1-15

supported types, 1-8

N

Network
settings, 4-88

No Paper Actuator (Tray 1)
part number, 9-21

No Paper Actuator (Tray 2)
part number, 9-15
removal, 8-35

No Paper Sensor, 2-23
part number, 9-15

No Paper Sensor (Tray 1)
operation, 2-24
part number, 9-21
removal, 8-51
testing, 4-28

No Paper Sensor (Tray 2)
operation, 2-25
removal, 8-36
testing, 4-29

Nudger Roller, 2-32

NVM value
initialization, 6-5
read/write, 6-5
save and restore, 6-6

NVRAM
location, 2-77
part number, 9-49

O

Operating Modes, 2-79

Option Feeder Tray
part number, 9-65

Optional Feeder, 1-9

Optional Feeder Mount Kit
part number, 9-57

Output Tray
part number, 9-5
removal, 8-21
Stack Full Sensor
operation, 2-27

P

Paddle Arm Solenoid, 2-96

Paper Guide
part number, 9-87

Paper Tips, 1-2
part number, 9-67, 9-89

Photo Sensor
part number, 9-13

Power Cord, 9-101
part number, 9-101

Power On Self Test, 4-5

Power Panel
part number, 9-49
removal, 8-154

Printer
configurations, 1-3
drive locations, 2-57
image defects, 5-9
moving, 7-6
operating modes, 2-79
printer life, 1-14
serial number, 9-2

Printer Feet
part number, 9-41

Printer Stand, 9-102

Procon Assembly
part number, 9-31
removal, 8-95

R

RAM Memory
part number, 9-49
removal, 8-187

Rear Cover
part number, 9-9
removal, 8-31

Rear Cover Interlock Switch
location, 2-75
operation, 2-76
part number, 9-9
removal, 8-161

Rear Tamper Home Sensor, 2-96
part number, 9-93
removal, 8-281
testing, 4-63

Rear Tamper Motor, 2-97

Registration Chute
part number, 9-21
removal, 8-49

Registration Clutch, 2-40
part number, 9-17
removal, 8-38
testing, 4-40

Registration harness
part number, 9-53

Registration Sensor, 2-26
location, 2-19
part number, 9-17
removal, 8-39
testing, 4-26

Registration Sensor Actuator
part number, 9-17
removal, 8-40

Repack Kit, 9-103

Repeating defects
troubleshooting, 5-21

Right Door
harness
part number, 9-23
stopper strap

- part number, 9-19
- Right Door Assembly
 - part number, 9-19
 - removal, 8-46
- Right Door Interlock Actuator
 - part number, 9-19
 - removal, 8-44
- Right Door Interlock Switch
 - location, 2-75
 - operation, 2-76
 - part number, 9-19
 - removal, 8-72
 - testing, 4-25

S

- SD Card
 - location, 2-77
 - part number, 9-49
- Sensor
 - ADC, 2-44
 - Environmental, 2-45
 - finisher, 2-29
 - functions, 2-17
 - Interlock, 2-76
 - level sensing, 2-23
 - Low Paper, 2-43
 - No Paper, 2-43
 - optional feeder, 2-28
 - Registration, 2-40
 - Size Switch, 2-43
 - Stack Full, 2-27
 - types, 2-18
 - Waste Toner Full, 2-45
- Sensors
 - process control, 2-20
 - switching sensors, 2-20
- Separator Holder, 2-41
 - operation, 2-42
- Separator Roller, 2-33
 - removal, 8-6
- Separator Roller (Tray 1)
 - part number, 9-13
- Separator Roller (Tray 2-6)
 - part number, 9-11
- Separator Assembly (Tray 1)
 - part number, 9-13
 - removal, 8-33
- Serial number, 9-2
 - format, 9-2
 - location, 9-2
- Set Clamp Clutch
 - operation, 2-92
 - part number, 9-87
 - removal, 8-257
 - testing, 4-75
- Set Clamp Home Sensor, 2-108
 - part number, 9-85
 - removal, 8-248
 - testing, 4-66
- Sheet Mode, 2-21
- Size Switch
 - location, 2-43
 - locations, 2-19
 - part number, 9-13
 - removal, 8-69
 - testing, 4-31
- Skew
 - troubleshooting, 5-25
- Specifications
 - electrical, 1-13
 - functional, 1-14
 - image, 5-37
 - memory, 1-15
- Spots, 5-20
- Stack Full Sensor, 2-27
- Stack Height Sensor, 2-101
 - part number, 9-85
 - removal, 8-247
 - testing, 4-68
- Stacker Drive Assembly, 2-103
 - part number, 9-95
 - removal, 8-285
 - testing, 4-76
- Stacker No Paper Sensor, 2-102
 - part number, 9-95
 - removal, 8-287
 - testing, 4-67
- Stacker Tray
 - operation, 2-101
 - part number, 9-79
 - removal, 8-232
- Staple Cartridge
 - part number, 9-93
 - removal, 8-18
- Stapler Assembly, 2-100
 - low staple sensor, 2-99
 - testing, 4-64
 - operation, 2-101
 - part number, 9-93
 - removal, 8-284
 - self priming sensor, 2-99
 - testing, 4-64
 - staple home sensor, 2-99
 - testing, 4-64
 - staple motor, 2-99
 - testing, 4-74
- Stopper Strap
 - part number, 9-7
 - removal, 8-26
- Sub Paddle
 - part number, 9-89
 - removal, 8-262
- Sub Paddle Solenoid
 - part number, 9-89
 - removal, 8-265
 - testing, 4-71
- Switching Sensors, 2-70
- System Software
 - part number, 9-49

T

Take Away Clutch, 2-34
Take Away Clutch (Tray 2)
 part number, 9-17
 removal, 8-37
 testing, 4-43
Take Away Roller, 2-40
Tamper Motor
 part number, 9-93
 removal, 8-283
 testing, 4-72
Tamping, 2-98
Technical support, 1-2
Test print
 black 50%, 5-34
 CMYK sample print, 5-32
 cyan 50%, 5-32
 magenta 50%, 5-33
 yellow 50%, 5-33
Texture, A-2
Thermistors, 2-19
Toner Cartridge
 life, 2-48
 part number, 2-48, 9-101
 removal, 8-18
 types, 2-48
Toner Cartridges, 2-47
Toner CRUM harness
 part number, 9-53
Toner Dispense Assembly
 operation, 2-65
 part number, 9-33
 removal, 8-105
 testing, 4-51
Toner Motors, 2-48
Top Cover
 part number, 9-5
 removal, 8-19
Transfer Belt
 components, 2-50
 drive, 2-64
 latch, 2-51
 operation, 2-9
 removal, 8-12
 waste toner transport, 2-16
Transfer Belt Bias Assembly
 part number, 9-29
 removal, 8-90
Transfer Belt Drive Assembly
 operation, 2-64
 part number, 9-45
 removal, 8-135
 testing, 4-52
Transfer Roller
 operation, 2-12
 part number, 9-25
 removal, 8-11
Transport Drive Assembly
 part number, 9-91

 removal, 8-275
Transport Motor, 2-94
Tray
 components, 2-41
 label
 part number, 9-77
 option
 part number, 9-77
 paper level detection, 2-23
 Separator Spring
 part number, 9-77
 Separator Spring Holder
 part number, 9-77
 Stacker
 part number, 9-79
 removal, 8-232
Tray 1
 components, 2-40
 operation, 2-32
 Separator Roller
 removal, 8-8
Tray 1 Chute Assy
 removal, 8-50
Tray 1 Cover
 part number, 9-19
 removal, 8-45
Tray 1 Feed Solenoid, 2-40
 removal, 8-55
 testing, 4-41
Tray 2
 part number, 9-11
Tray Bottom Plate Release Block
 removal, 8-32
Turn Chute
 part number, 9-59
 removal, 8-194

U

Unfused image, 5-29
Upper Finisher Docking Cover
 part number, 9-9
 removal, 8-21
upper front cover
 removal, 8-24
Upper Inner Front Cover
 part number, 9-7
 removal, 8-25
Upper Option Harness
 part number, 9-61

V

Video Harness
 part number, 9-53
 removal, 8-156
Voids, 5-19

W

Warm up time, 1-14
Waste Auger
 operation, 2-16, 2-68
 part number, 9-33
 removal, 8-110
Waste Toner Cartridge
 operation, 2-16, 2-68
 part number, 9-33
 removal, 8-16
Waste Toner Full Sensor, 2-45

part number, 9-31
removal, 8-100
testing, 4-34

Y

YMC Developer Drive Assembly
 part number, 9-47
 removal, 8-167
 testing, 4-50

COPYRIGHT © 2011, XEROX CORPORATION.
ALL RIGHTS RESERVED. UNPUBLISHED
RIGHTS RESERVED UNDER THE COPYRIGHT
LAWS OF THE UNITED STATES.

PART#: 701P51306

