

# Parts List

## In this chapter...

- Serial Number Format
- Using the Parts List
- Print Engine Parts
- Optional 550-Sheet Feeder
- Optional 1100-Sheet Feeder
- Xerox Supplies and Accessories
- Service Kits

## Chapter 9

## Serial Number Format

Changes to Xerox products are made to accommodate improved components as they become available. As improvements are made, part numbers may change from those appearing in this section. To get the latest part, provide the following information when ordering:

- Component's part number
- Product type or configuration number
- Serial number of the printer

### The serial number is coded as follows:

- The text “**S/N**” followed by the serial number in the barcode.
- The barcode **does not** include a field identifier.
- The nine digit serial number format **PPRSSSSS** where:

**PPP** - Is the alphanumeric Product Code

Product	Configuration	Voltage	Product Code
6300	N, DN	110 V	WHH
6300	N, DN	220 V	WHK
6350	DP, DT, DX	110 V	WNN
6350	DP, DT, DX	220 V	WNP
6360	N, DN, DT, DX	110 V	DBY
6360	N, DN, DT, DX	220 V	DCA

**R** - Is the numeric revision digit. Changes at major product updates or when the serial number is reset to a starting value or (30001, 60001, or 90001).

**SSSSS** - Is the five digit numeric serial number.

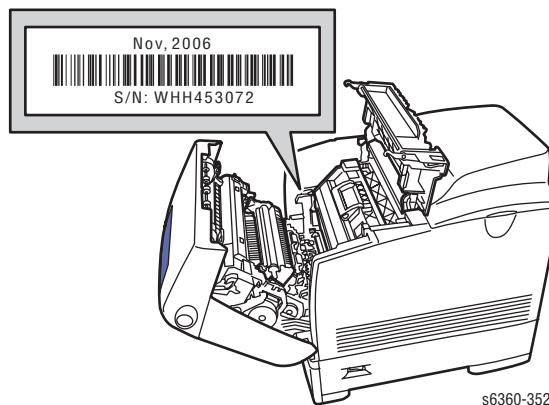
### For example:

**S/N WHH453072**

**WHH** = Product code for the 6300, configuration N or DN, 110 V Printer

**4** = Revision level

**53072** = Serial number for 6300 N



## Using the Parts List

Only those parts listed with part numbers are available for order. Parts listed without part numbers are only available as part of a parent assembly or Service Kit.

1. **ID No.:** The item number reference to the parts list diagram.
2. **Part Number:** The material part number used to order specific parts.

### Note

Parts specific to a particular model are listed as shown in this example:

ID No	Part Number	Name/Description
1.	116-1989-00 054K38040	Chute Assy In (with 2~30), (6300/6350) Chute Assy In (with 2~31), (6360)

Alphanumeric part numbers (054K38040) are either 6360-unique, as indicated above, or common for all models. 6300/6350-unique part numbers use the numeric, hyphenated form (116-1989-00).

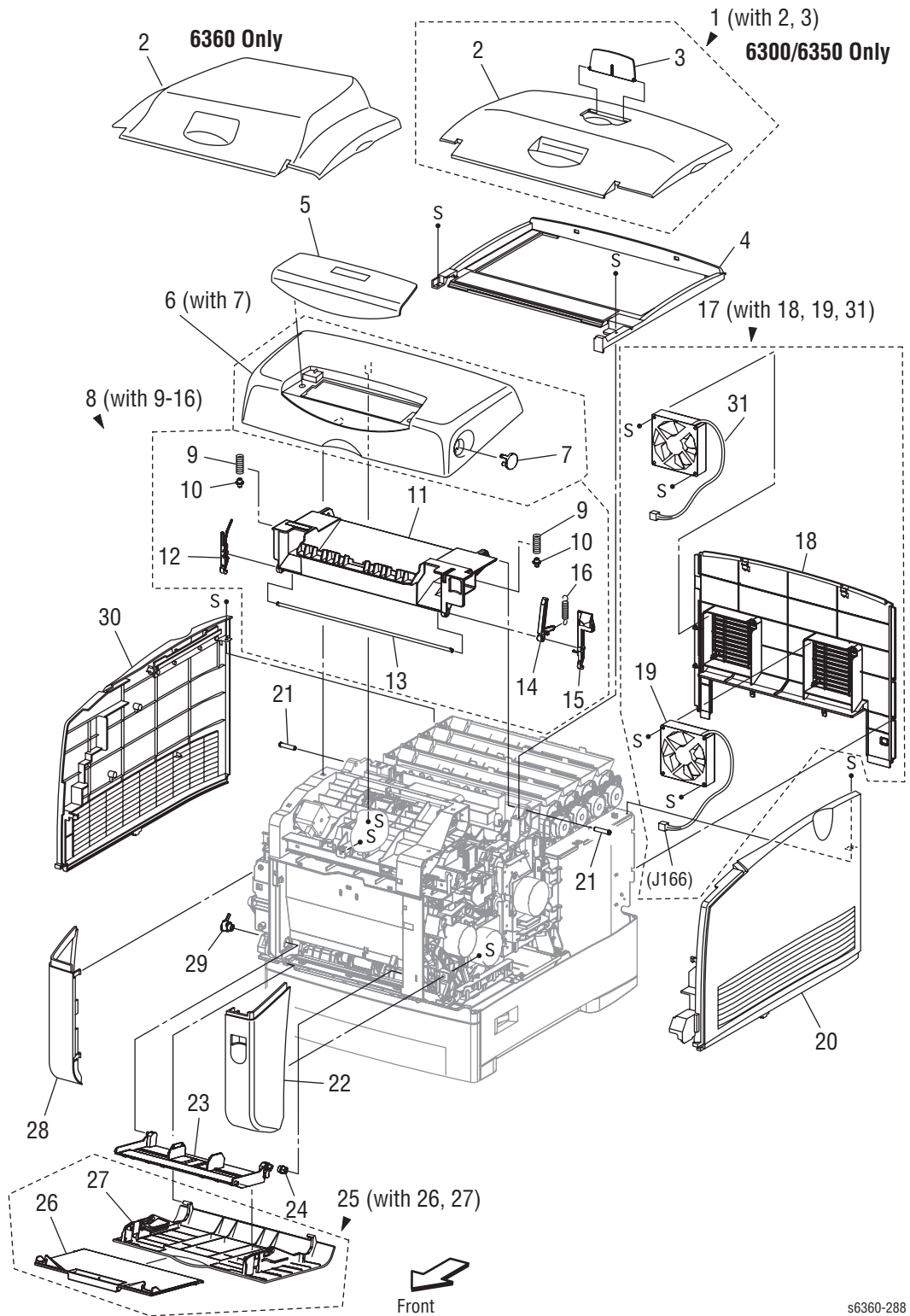
3. **Name/Description:** Name of the part and number supplied per order.
4. Parts throughout this manual are referenced **PL#.#.#**; For example, PL3.1.10 means the part is item 10 of Parts List 3.1.
5. In the exploded view diagrams, a black triangle preceding a number followed by a parenthetical statement indicates the item is a parent assembly, made up of the parts listed in parentheses and enclosed by a dashed line.
6. The notation “**(with X~Y)**” following a part name indicates an assembly includes components X through Y. For example, “1 (with 2~4)” means assembly number 1 consists of parts 2, 3, and 4.
7. The notation “**J1<>J2 and P2**” is attached to a wire harness. It indicates that connector Jack 1 is attached to one end of the wire harness and connector J2 is attached to the other end that is plugged into P2.

### Legend:

Identifier	Meaning
C	C-ring
E	E-ring
KL	K-clip
S	Screw

# Print Engine Parts

## Parts List 1.1 Covers

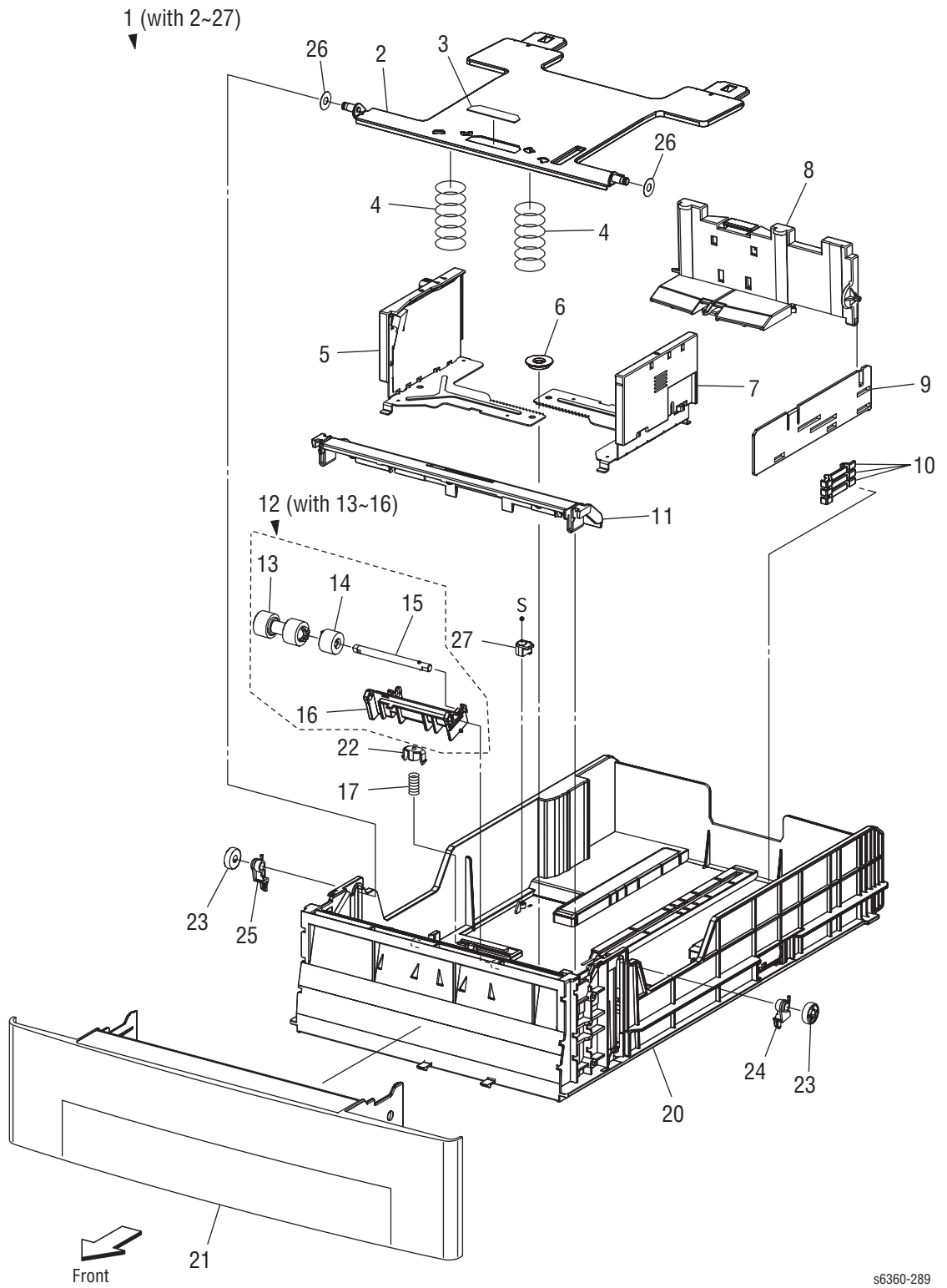


s6360-288

## Parts List 1.1 Covers - Service Parts List

No.	Part Number	Name/Description
1.	116-1964-00	Cover Assy Top (with 2,3), (6300/6350)
2.	802E95621	Cover, Top, (6360)
3.	116-2044-00	Cover Top Stopper
4.	802E76574	Cover Top Main
5.	333-4419-00 333-4424-00 101E28720	Control Panel, (6300) Control Panel, (6350) Control Panel, (6360)
6.	116-1966-00 802K91992	Cover Assy Front (with 7), (6300/6350) Cover Assy Front (with 7), (6360)
7.		Lever Out
8.	116-1967-00 802K98890	Cover Assy Top (Door C) (with 9~16), (6300/6350) Cover Assy Top (Door C) (with 9~16), (6360)
9.		Spring L/R
10.		Plunger
11.		Cover Top Phd
12.		Latch Top L
13.		Shaft Latch
14.		Latch Top Ir R
15.		Latch Top R
16.		Spring Stopper Bottom
17.		Cover Assy Rear (with 18,19)
18.	116-1968-00 802E95631	Cover Rear, (6300/6350) Cover Rear, (6360)
19.	127E83840	Fan Rear
20.	802K74543	Cover Side Right
21.		Stud Top
22.	802E75932	Cover Front Right
23.	050K58270	Tray 1 (MPT) Base
24.	Part of Tray Holder Kit	Holder Tray Right
25.	802K74593	Tray 1 (MPT) (with 26, 27)
26.		Tray 1 (MPT) Slide
27.		Cover Tray 1 (MPT)
28.	116-1974-00 802K91050	Cover Front Left, (6300/6350) Cover Front Left, (6360)
29.	Part of Tray Holder Kit	Holder, Tray Left
30.	802K74534	Cover Side Left
31.	127E84830	LVPS Fan (6360)

### Parts List 2.1 Tray 2

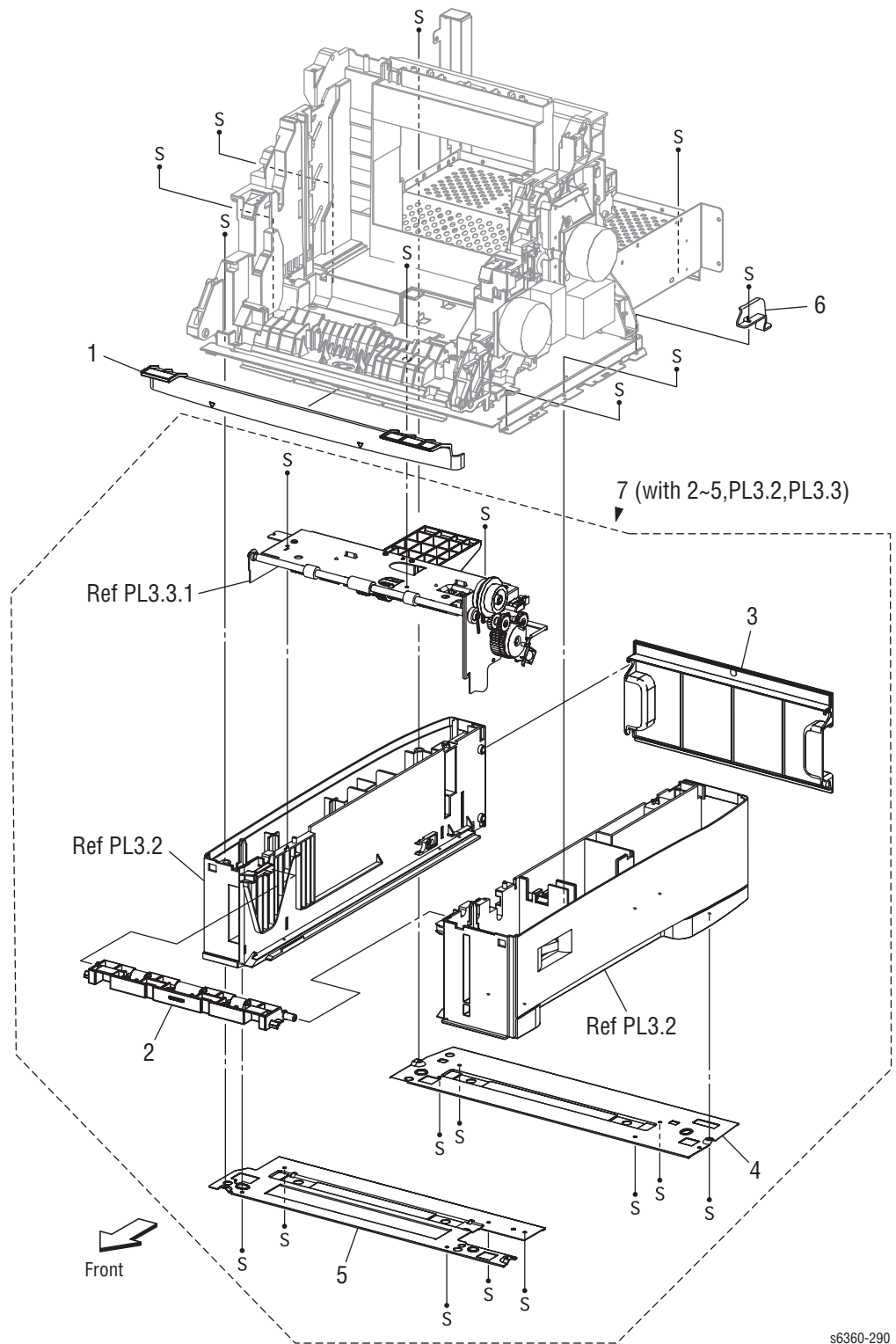


s6360-289

## Parts List 2.1 Cassette, Paper - Service Parts List

ID No.	Part Number	Name/Description
1.	604K28854	Universal Paper Tray (with 2~27)
2.		Plate Bottom
3.		Pad Bottom
4.		Spring N/f
5.		Guide Side Assy L
6.		Gear Manual
7.		Guide Side Assy R
8.		Guide End Assy
9.		Actuator Guide End
10.		Actuator Size
11.	054E27130	Chute Turn
12.	Part of Paper Feed Roller Kit	Universal Tray Retard Roller Assy (with 13~16)
13.		Roll Assy
14.		Clutch Assy Friction
15.		Shaft Retard
16.		Holder Retard
17.		Spring Retard
18.		
19.		
20.		Housing Cst 500
21.		Handle Cst
22.		Holder Spring Retard
23.		Roll PB
24.		Stopper Link PB R
25.		Stopper Link PB L
26.		Spacer Plate BTM
27.		Stopper Block

Parts List 3.1 Feeder (1/3)



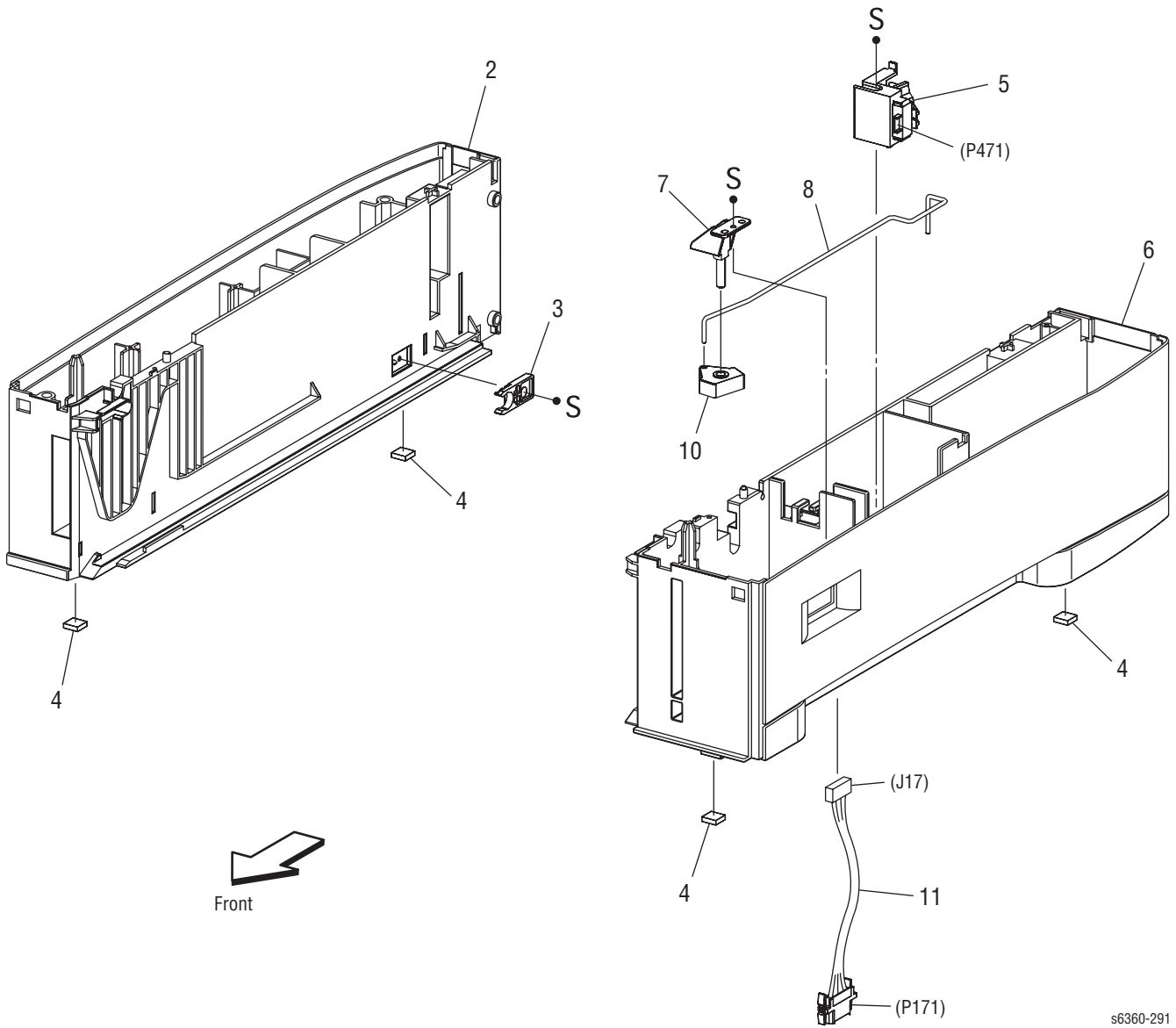
s6360-290



**Parts List 3.1 Feeder (1/3) - Service Parts List**

<b>ID No.</b>	<b>Part Number</b>	<b>Name/Description</b>
1.	802E76632	Frame Feeder Front
2.	054K28372	Feeder Chute Assy
3.	802E78002	Cover Paper Tray Rear
4.		Frame Feeder Bottom Rear
5.		Frame Feeder Bottom Front
6.		Support Link SW
7.	059K47071	Feeder Assy (with 2~5, PL3.2, PL3.3)

Parts List 3.2 Paper Feeder (2/3)

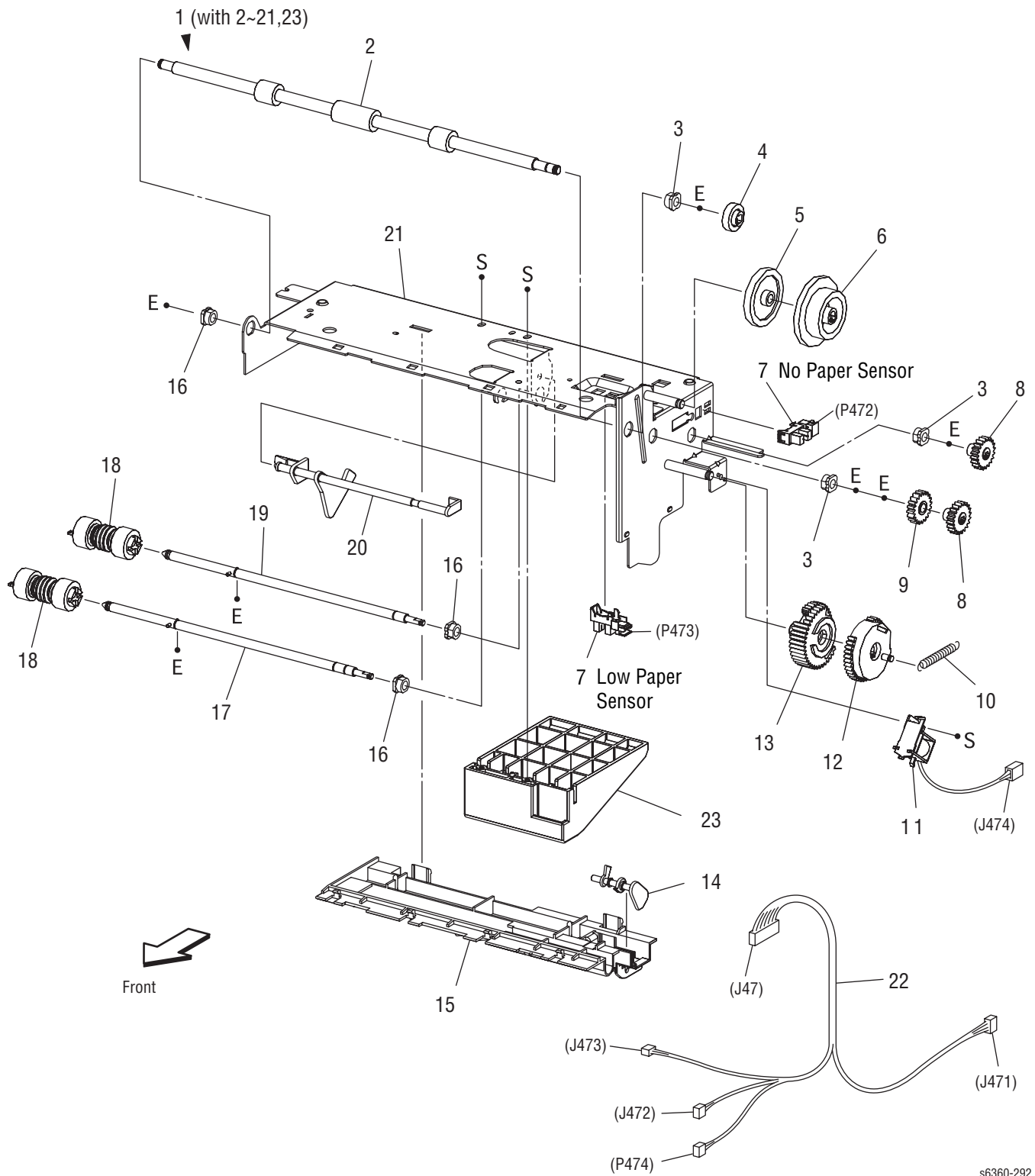


s6360-291

**Parts List 3.2 Paper Feeder (2/3) - Service Parts List**

<b>ID No.</b>	<b>Part Number</b>	<b>Name/Description</b>
1.		--
2.		Feeder L
3.	003E56900	Stopper, Paper Tray
4.	017E96630	Printer Feet (4 ea. per order)
5.	110K12160	Paper Size Switch
6.		Feeder R
7.		S/W Holder
8.		Power Switch Link Shaft
9.		--
10.		Power Switch Actuator
11.	Part of Wiring Harness Kit	Harness Assy OPFPLG (J17-P171)

**Parts List 3.3 Paper Feeder (3/3)**

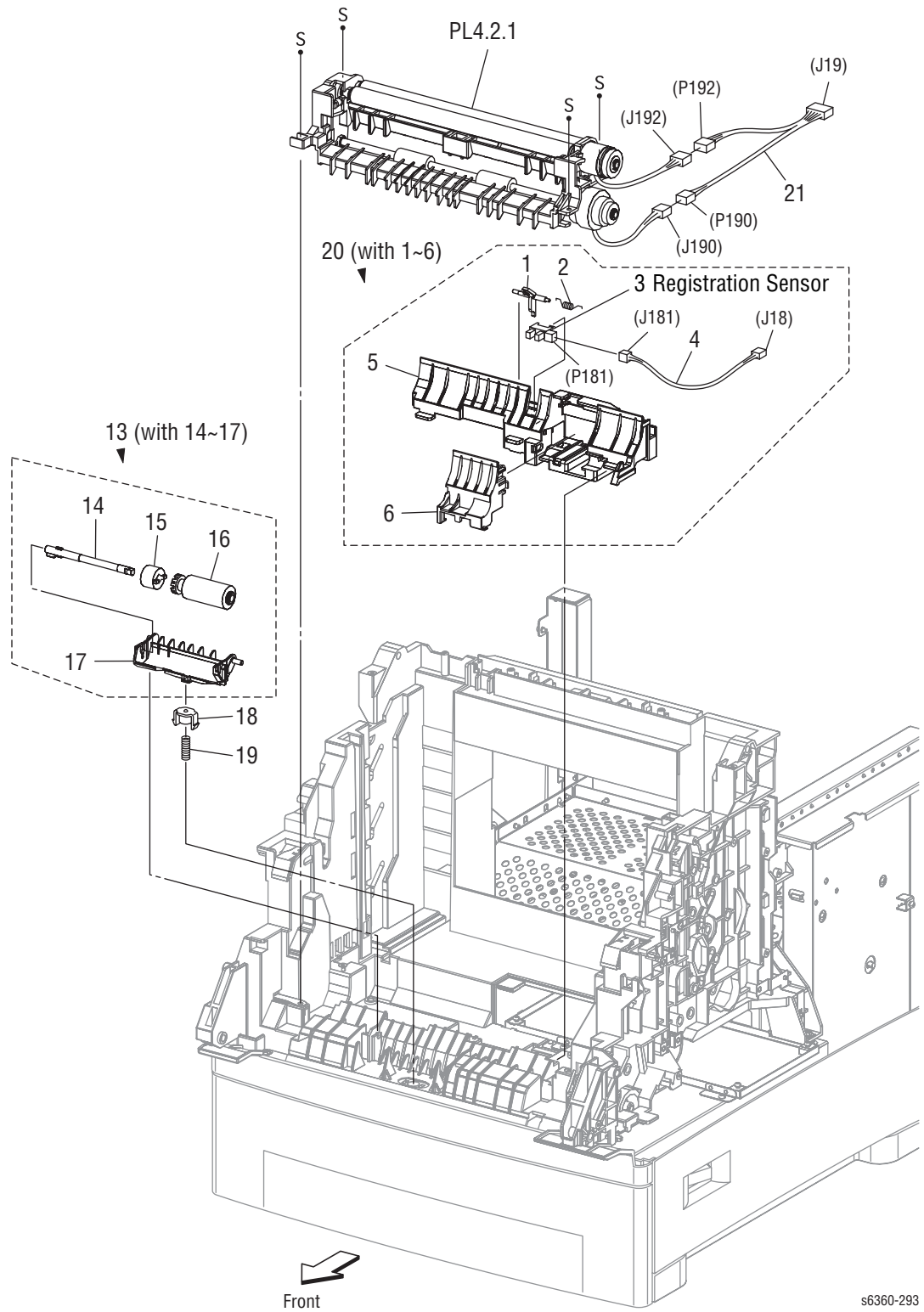


s6360-292

## Parts List 3.3 Paper Feeder (3/3) - Service Parts List

ID No.	Part Number	Name/Description
1.	130K69023	Paper Pick (Pickup Assy) Assembly (with 2~21, 23)
2.		Roll Assy Turn
3.		Bearing metal
4.		Gear Turn
5.		Gear Idler Turn
6.		Gear Idler In
7.	130E87090	Sensor Photo (Low Paper, No Paper Sensor)
8.		Gear Feed 2
9.		Gear Idler Feed
10.	Part of Spring Kit	Spring Feed H
11.		Solenoid Feed
12.		Gear Feed H2
13.		Gear Feed H1
14.	Part of Actuator Kit	Actuator Low Paper
15.		Chute Upper
16.		Bearing black
17.		Shaft Assy Feed
18.	Part of Paper Feed Roller Kit	Roll Assy Feed x 2
19.		Shaft Assy Nudger
20.	Part of Actuator Kit	Actuator No Paper
21.		Frame Assy Drive
22.	Part of Wiring Harness Kit	Harness Assy FDR (J47-J471,J472,J473,P474)
23.		Guide Paper

### Parts List 4.1 Retard and Registration Assemblies

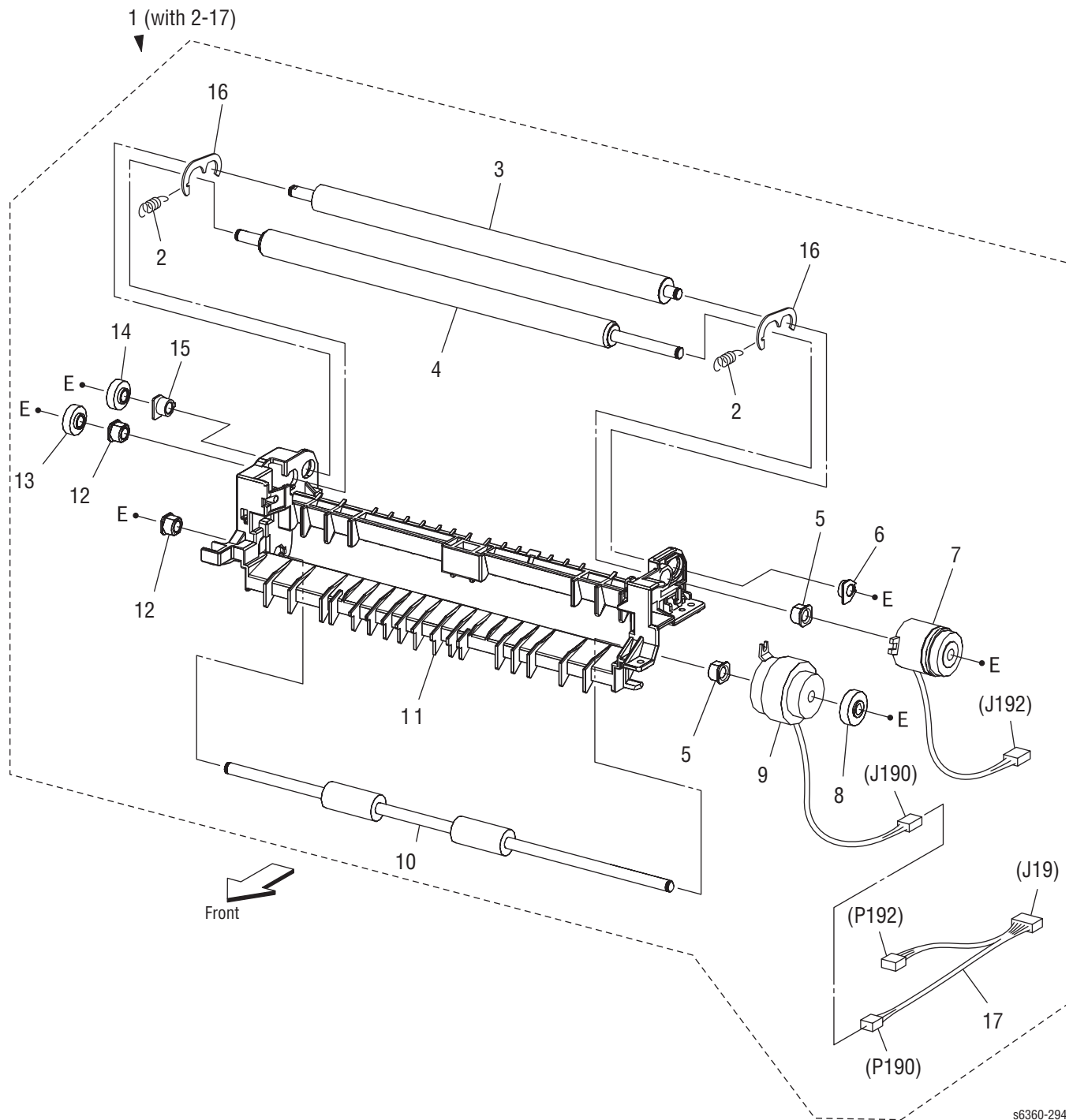


s6360-293

## Parts List 4.1 Retard and Registration Assemblies - Service Parts List

ID No.	Part Number	Name/Description
1.	Part of Actuator Kit	Actuator Regi
2.	Part of Spring Kit	Spring Sensor Regi
3.	130E87090	Sensor Photo (Registration Sensor)
4.		Harness Assy Regi SNS(J18-J181)
5.		Chute Regi In
6.		Chute Cover Media
7.		
8.		
9.		
10.		
11.		
12.		
13.	019K07120	Tray 1 (MPT) Retard Roller Assembly (with 14~17)
14.		Shaft Retard
15.		Clutch Assy Friction
16.		Roll Assy Retard
17.		Holder Retard
18.		Holder Spring Retard
19.		Spring Retard
20.	054K32112	Registration Chute Assy (with 1~6)
21.	Part of Wiring Harness Kit	Harness Assy FRONTCLH (J19-J191,J192)

**Parts List 4.2 Registration Roller Assembly**



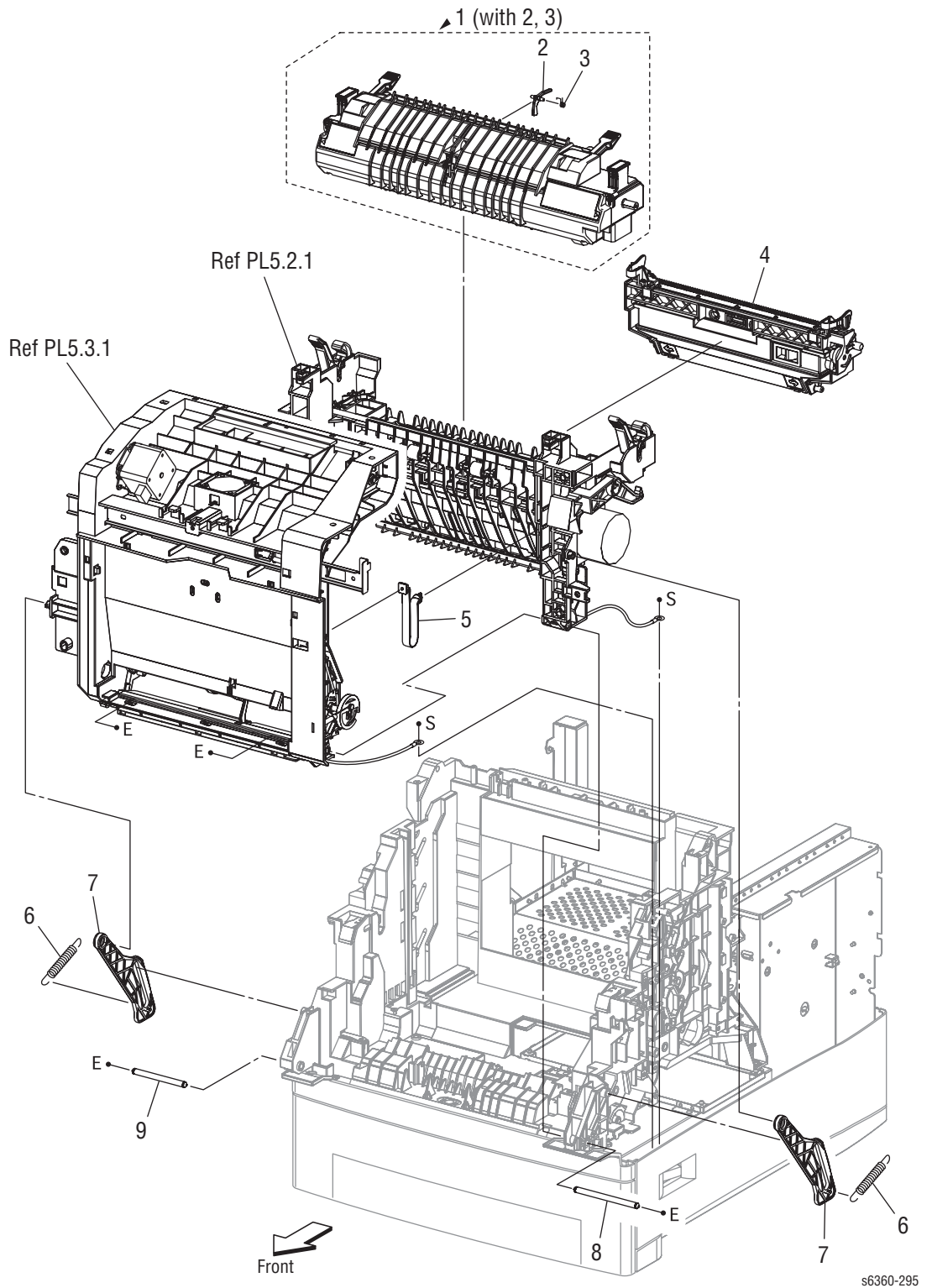
s6360-294



## Parts List 4.2 Registration Roller Assembly - Service Parts List

ID No.	Part Number	Name/Description
1.	116-1987-00 054K31053	Registration Roller Assy (with 2~15), (6300/6350) Registration Roller Assy (with 2~17), (6360)
2.		Spring Regi
3.		Roll Regi Metal
4.		Roll Regi Rubber
5.		Bearing
6.		Bearing Metal R
7.		Clutch Regi
8.		Gear P1
9.		Turn Clutch MPT
10.		Roll Turn MPT
11.		Chute Regi
12.		Bearing Earth
13.		Gear Regi Rubber
14.		Gear Regi Metal
15.		Bearing Metal L
16.		Plate REGI
17.		Harness, Front Clutch (J19-P190,P192)

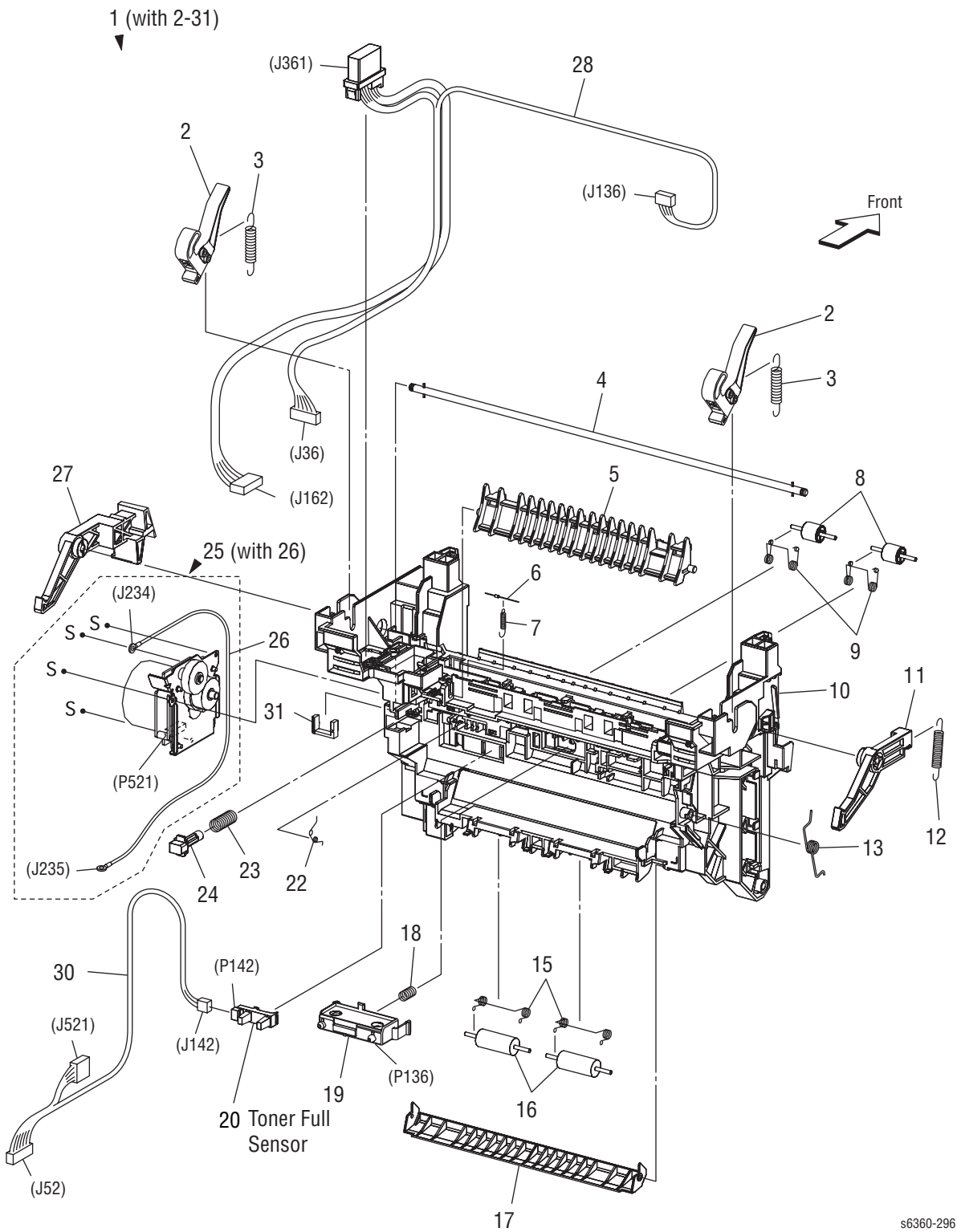
### Parts List 5.1 Chute Assembly In and Out



### Parts List 5.1 Chute Assembly In and Out - Service Parts List

ID No.	Part Number	Name/Description
1.	115R00035 115R00036 115R00055 115R00056	Fuser Assy 110V (with 2,3), (6300/6350) Fuser Assy 220V (with 2,3), (6300/6350) Fuser Assy 110V (with 2,3), (6360) Fuser Assy 220V (with 2,3), (6360)
2.	Part of Actuator Kit	Actuator Exit
3.	809E34550	Spring Actuator
4.	108R00646	Transfer Roller (Unit) (BTR)
5.	003E63190	Stopper Strap
6.	Part of Spring Kit	Spring Link
7.	012E12034	Link
8.		Shaft Pivot R
9.		Shaft Pivot L

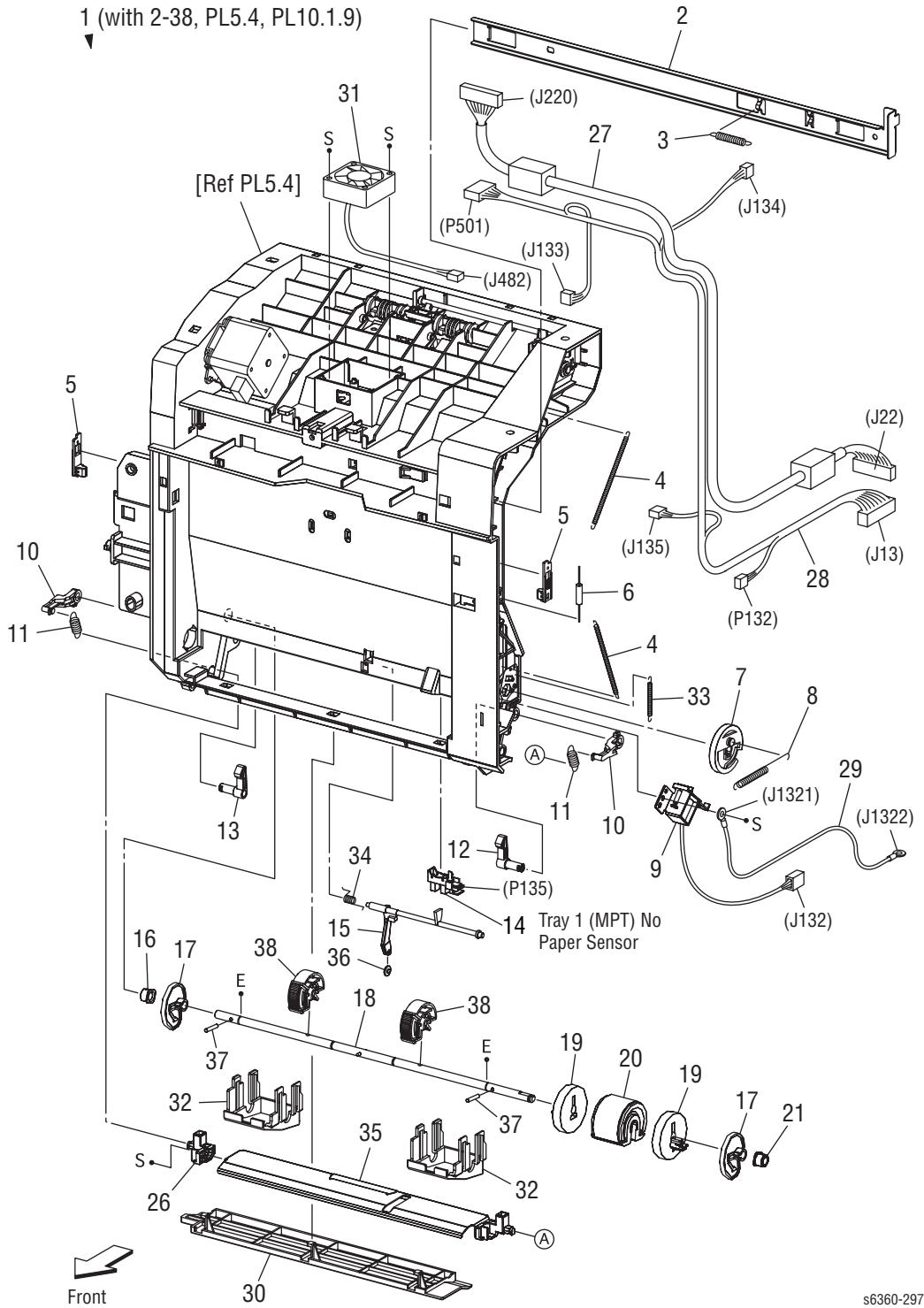
### Parts List 5.2 Chute Assembly In



## Parts List 5.2 Chute Assembly In - Service Parts List

ID No	Part Number	Name/Description
1.	116-1989-00 054K33370	Chute Assy In (with 2~30), (6300/6350) Chute Assy In (with 2~31), (6360)
2.	011E16891	Fuser Lock Lever
3.	Part of Spring Kit	Spring Lever
4.		Shaft Latch
5.		Chute FSR In
6.	107E24210	Diode F
7.	Part of Spring Kit	Spring Diode F
8.		Roll Pinch Dup
9.		Spring Pinch Dup
10.		Chute Dup In
11.		Latch L
12.	Part of Spring Kit	Spring Latch
13.		Spring BTR L
14.		- -
15.		Spring Pinch T
16.		Roll Pinch Turn
17.		Chute Turn In
18.	Part of Spring Kit	Spring ADC
19.	019K07146	CDT (ADC) Sensor Holder Assy (includes sensor)
20.	130E87512	Toner Full Sensor
21.		- -
22.	Part of Spring Kit	Spring Bias DTC
23.		Spring BTR R
24.		Stopper BTR R
25.	116-1993-00 007K94370	Fuser Drive Assembly (with 26), (6300/6350) Fuser Drive Assembly (with 26), (6360)
26.		Wire Assy FSR Earth
27.		Latch R
28.	Part of Wiring Harness Kit	Harness Assy FSR/ADC (J36-J136,J162,J361)
29.		- -
30.	Part of Wiring Harness Kit	Harness Assy TNRFULL/FSR (J52-J142,J521)
31.		Clamp

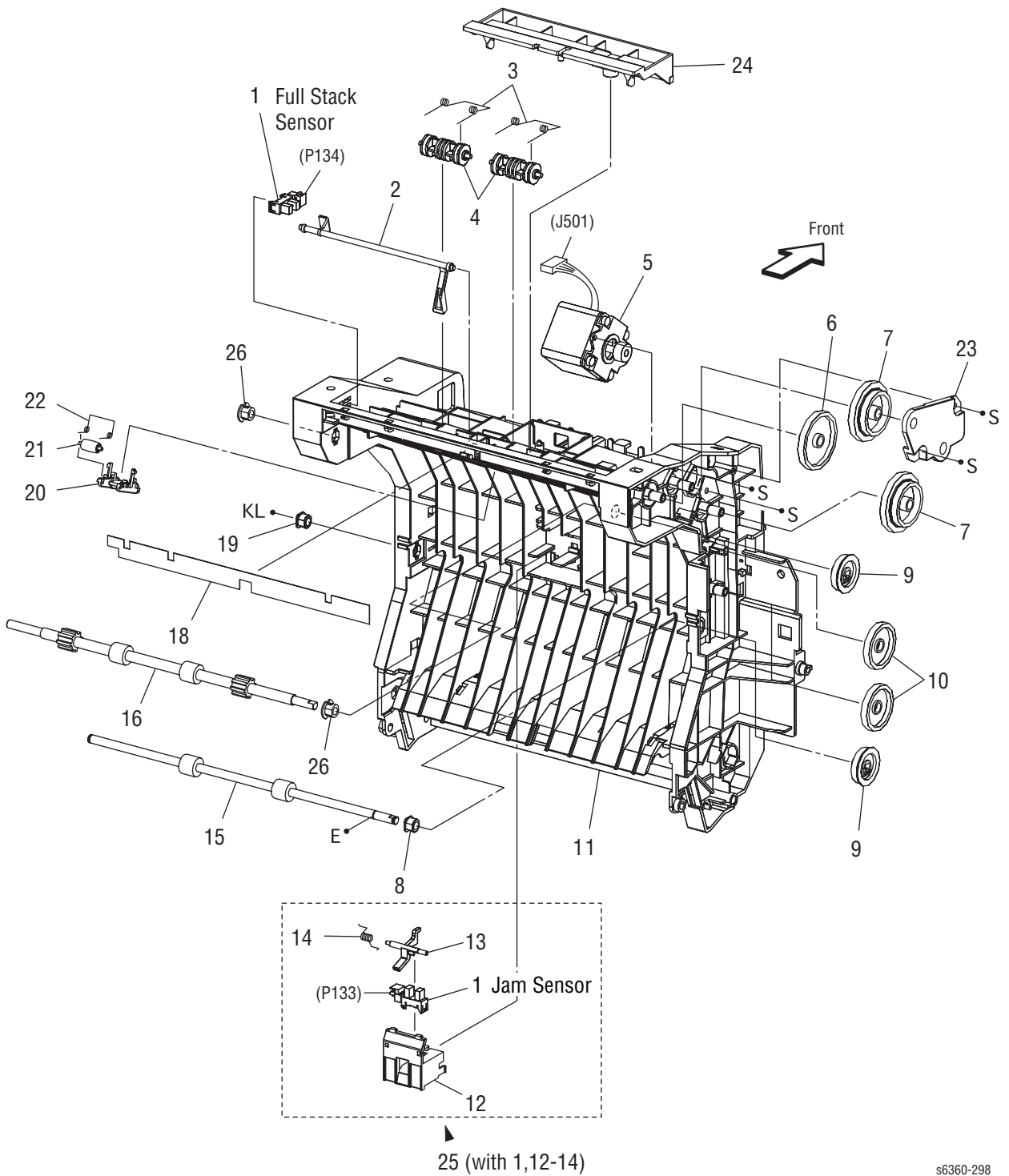
Parts List 5.3 Chute Assembly Out



## Parts List 5.3 Chute Assembly Out - Service Parts List

ID No.	Part Number	Name/Description
1.	116-1994-00 054K33312	Chute Assy Out (With 2~35,PL5.4), (6300/6350) Chute Assy Out (With 2~38,PL5.4, PL10.1.9), (6360)
2.		Plate Latch
3.		Spring Latch
4.	Part of Spring Kit	Spring Bias IDT1-I
5.		Latch MPT
6.	116-1995-00 103K81310	Resistor Gs1 50m, (6300/6350) Resistor Dup Out, (6360)
7.		Gear MPT
8.	Part of Spring Kit	Spring Feed MPT
9.	121E92901	Feed Solenoid MPT
10.		Arm MPT
11.	Part of Spring Kit	Spring N/F MPT
12.		Follower R
13.		Follower L
14.	130E87090	Sensor Photo No Paper (MPT)
15.	Part of Actuator Kit	Actuator No Paper MPT
16.		Bearing
17.		Cam MPT
18.		Shaft MPT
19.		Roll Core MPT
20.	059K36730	Feed Roller Assy MPT
21.		Bearing Earth
22.		--
23.		--
24.		--
25.		--
26.		Holder MPT L
27.	962K28260	Harness Assy Control Panel (OPEPANE2) (J22-J220)
28.	Part of Wiring Harness Kit	Harness Assy FRONT/DUP (J13- P132,J133,J134,J135,P501) )
29.		Wire Assy Dup Earth (J1321-J1322)
30.	802E51351	Lower Cover
31.	127E83860	Fuser Fan
32.	054E26831	Feed Chute
33.	Part of Spring Kit	Spring Earth Out2
34.	Part of Spring Kit	Spring No Paper MPT
35.	015K67343	Assy, Plate Bottom
36.		Roll Actuator No Paper
37.		Pin MSI
38.	059K45860	Roll Assy Env (6360)

**Parts List 5.4 Chute Assembly Duplex**



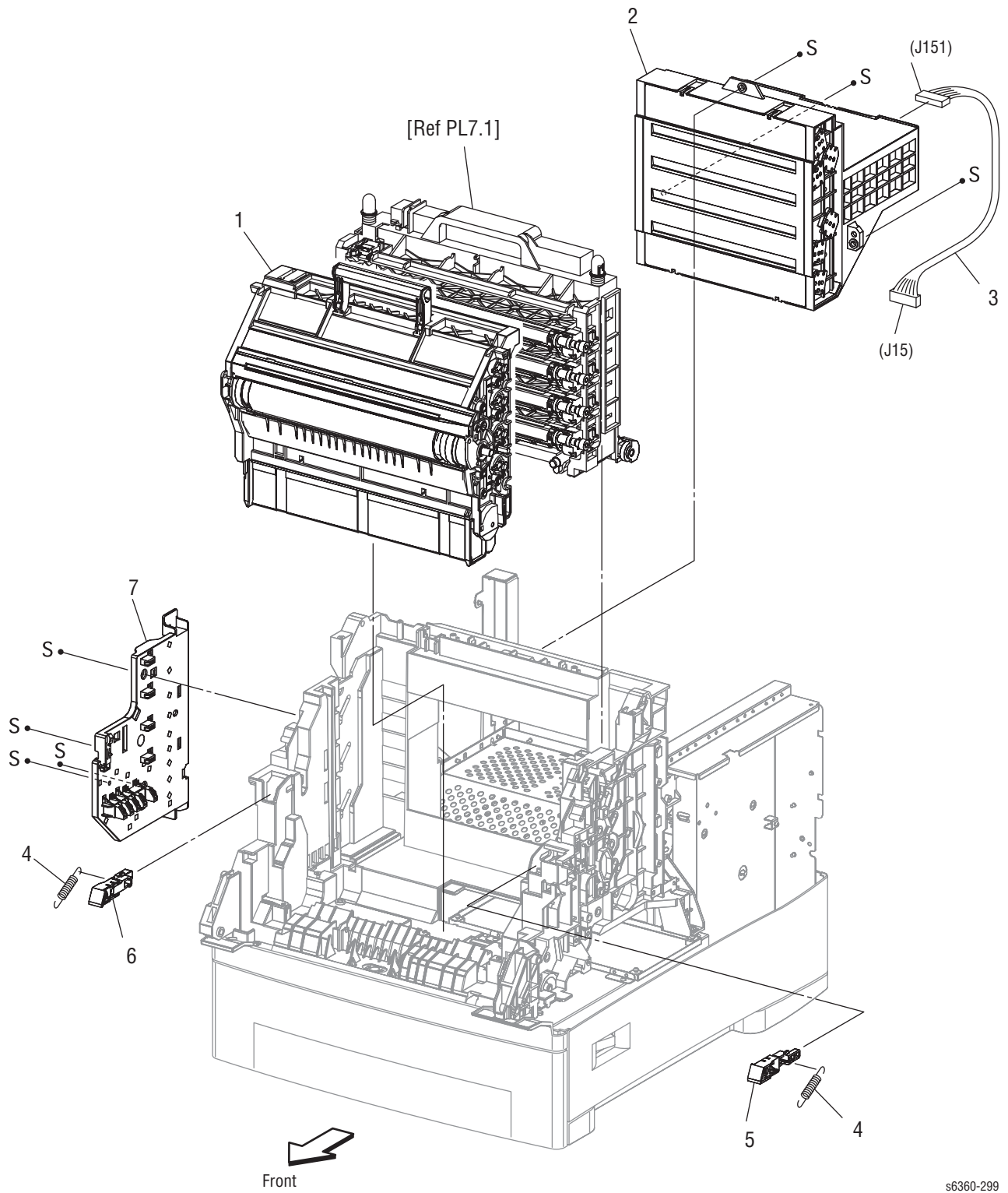
s6360-298



## Parts List 5.4 Chute Assembly Duplex - Service Parts List

ID No.	Part Number	Name/Description
1.	130E87090	Sensor Photo (Full Stack Sensor)
2.	Part of Actuator Kit	Actuator Full Stack
3.	Part of Spring Kit	Spring Pinch Exit
4.		Roll Pinch Exit
5.	116-2002-00 127K49770	Duplex Motor Assy, (6300/6350) Duplex Motor Assy, (6360)
6.	Part of Gear Kit	Gear 52
7.		Gear 40/66h
8.		Bearing
9.		Gear Exit/dup
10.		Gear 41
11.		Chute Dup Out
12.		Holder Sensor Dup
13.	116-1421-00	Actuator Duplex Jam (Part of Actuator Kit)
14.	116-1423-00	Actuator Spring Duplex Jam (Part of Spring Kit)
15.		Roll Dup
16.		Roll Exit
17.		--
18.		Eliminator Exit
19.		Bearing Earth
20.		Holder Roll
21.		Roll Corrugate
22.		Spring Corrugate
23.		Cover Gear Dupout
24.		Upper Exit Cover - Not included with PL5.3.1
25.		Jam Sensor Assy (1, 12~14)
26.		Bearing, Exit

## Parts List 6.1 Xerographics

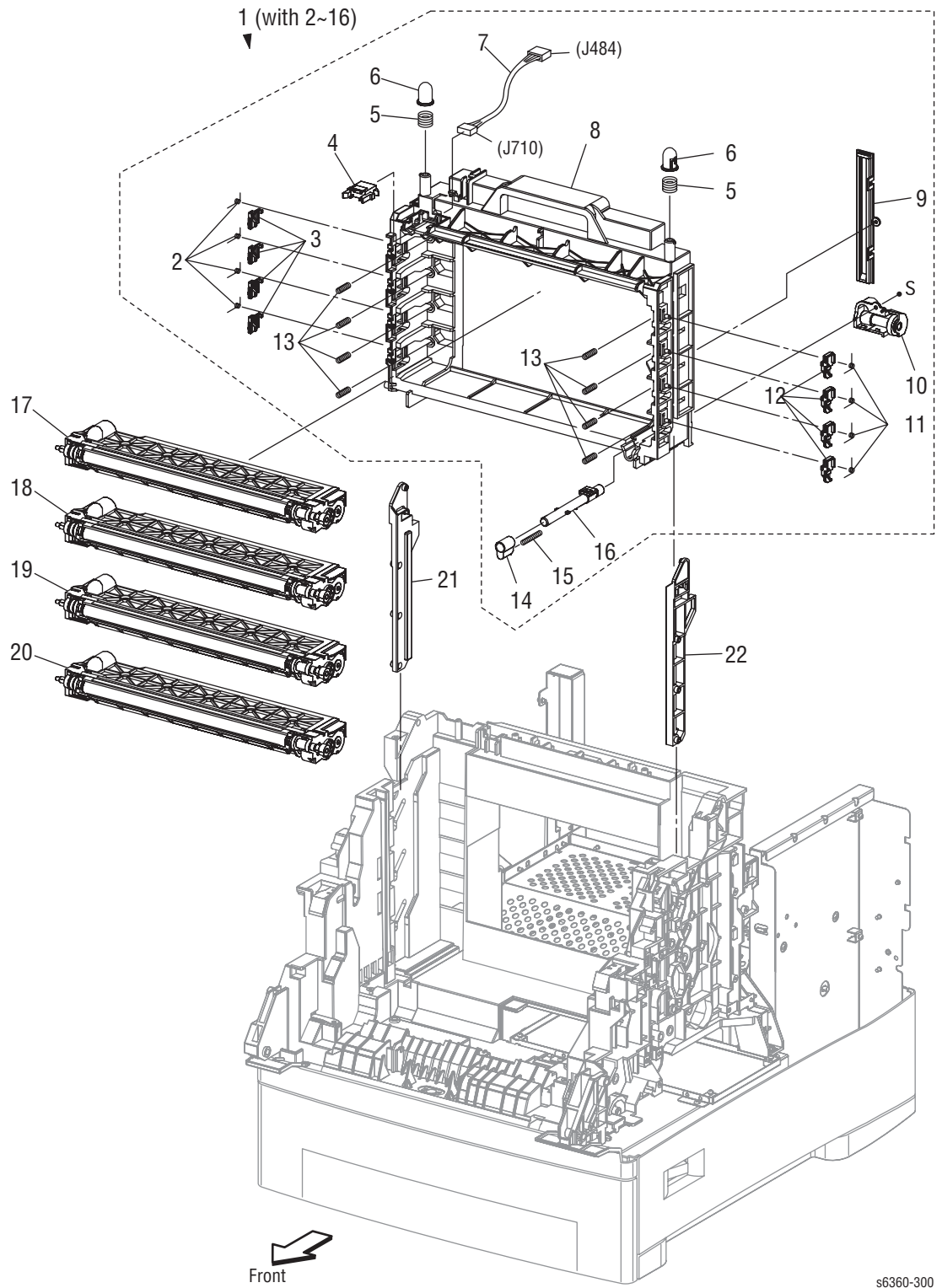


s6360-299

**Parts List 6.1 Xerographics - Service Parts List**

<b>ID No.</b>	<b>Part Number</b>	<b>Name/Description</b>
1.	108R00645	Imaging Unit (PHD)
2.	116-2003-00 062K17233	Laser Unit (ROS), (6300/6350) Laser Unit (ROS), (6360)
3.	962K09390	Harness Assy Ros (J15-J151)
4.	Part of Spring Kit	Spring Release
5.	003K13710	Lever Stopper Right
6.	003K13720	Lever Stopper Left
7.	802K67234	Housing Assy Bias

### Parts List 7.1 Development (1/2)

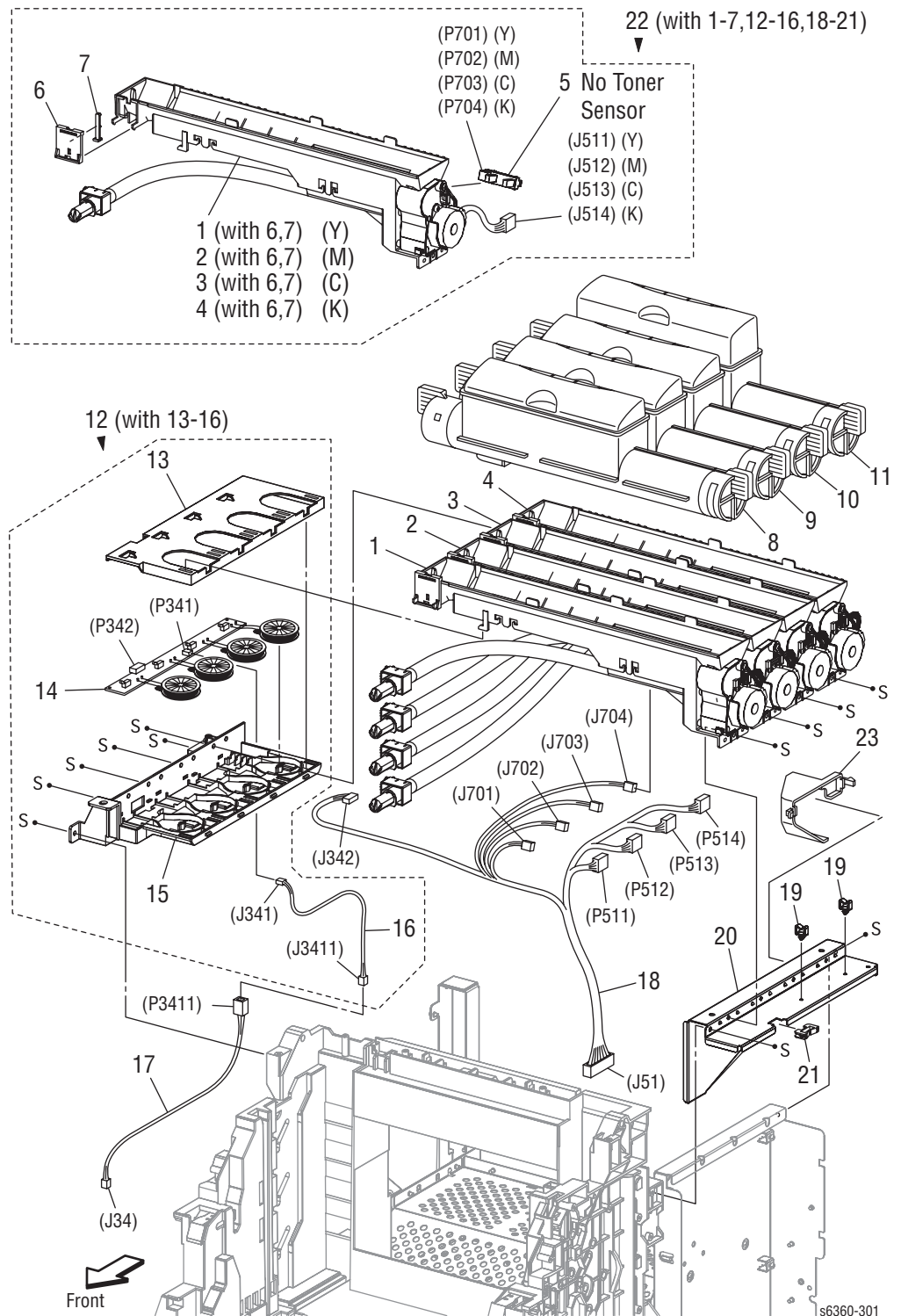


s6360-300

## Parts List 7.1 Development (1/2) - Service Parts List

ID No.	Part Number	Name/Description
1.	116-2007-00 801K28980	Developer Frame Assy (with 2~16), (6300/6350) Developer Frame Assy (with 2~16), (6360)
2.		Spring L
3.		Stopper Deve L
4.	130K60470	CRUM Connector
5.		Spring Plunger
6.		Plunger Frame
7.	962K38550	Harness Assy PHD2 (J484-J710)
8.		Frame Deve
9.		Cover Assy Frame
10.		Gear Assy Duct
11.		Spring R
12.		Stopper Deve R
13.	809E58680	Spring Tracking (Qty. 1)
14.		Shutter Duct
15.		Spring Shutter Duct
16.		Nozzle Assy Duct
17.	116-2008-00 848K03840	Developer Assy (Y), (6300/6350) Developer Assy (Y), (6360)
18.	116-2009-00 848K03850	Developer Assy (M), (6300/6350) Developer Assy (M), (6360)
19.	116-2010-00 848K03860	Developer Assy (C), (6300/6350) Developer Assy (C), (6360)
20.	116-2011-00 848K03870	Developer Assy (K), (6300/6350) Developer Assy (K), (6360)
21.	032E22532	Guide Frame Deve Left
22.	032E22522	Guide Frame Deve Right

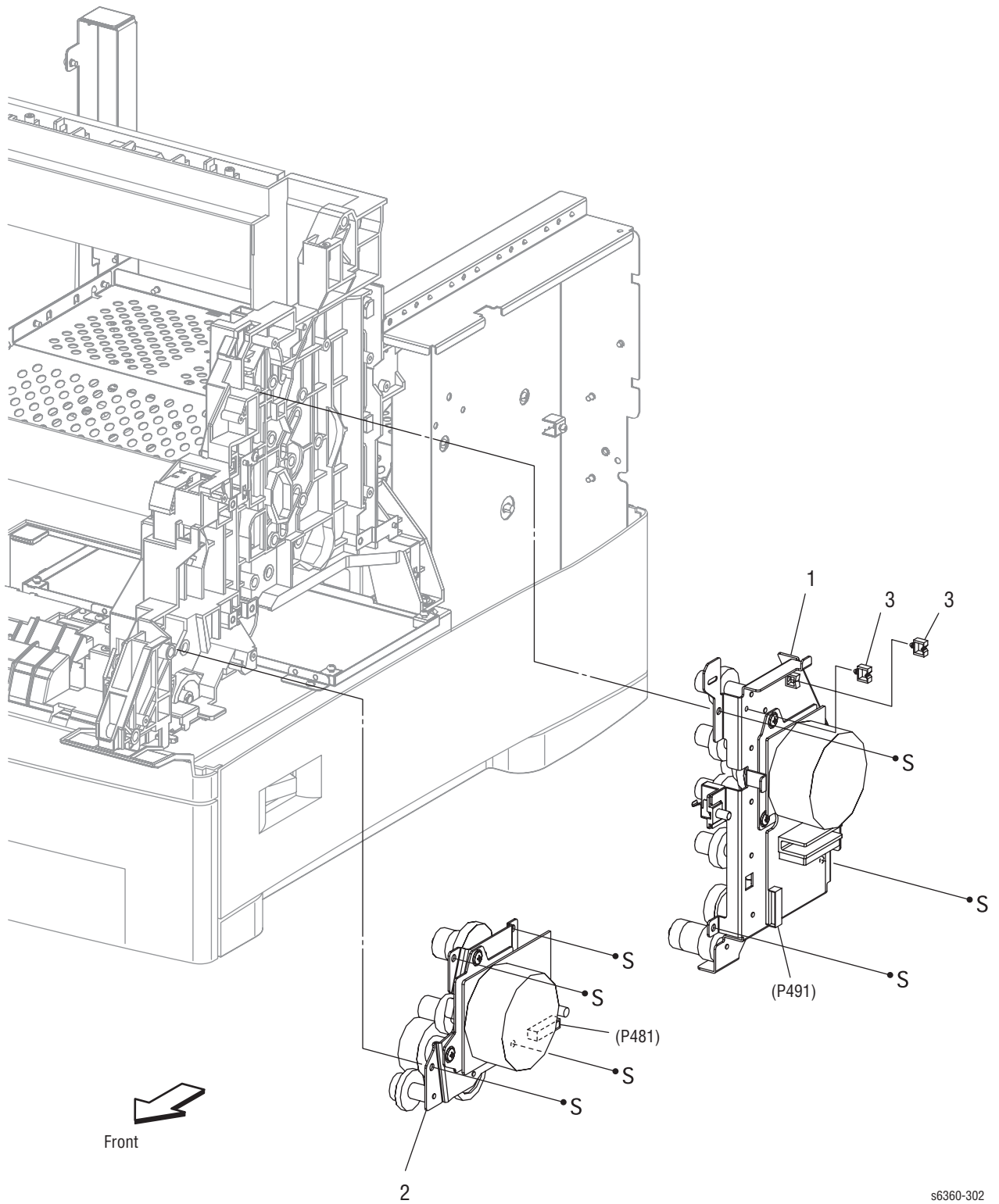
Parts List 7.2 Development (2/2)



## Parts List 7.2 Development (2/2) - Service Parts List

ID No.	Part Number	Name/Description
1.	116-2014-00 604K38410	Holder, Toner Cartridge Assy, Yellow (with 5~7) (6300/6350) Holder, Toner Cartridge Assy, Yellow (with 5~7) (6360)
2.	116-2015-00 604K38420	Holder, Toner Cartridge Assy, Magenta (with 5~7)(6300/6350) Holder, Toner Cartridge Assy, Magenta (with 5~7) (6360)
3.	116-2016-00 604K38430	Holder, Toner Cartridge Assy, Cyan (with 5~7) (6300/6350) Holder, Toner Cartridge Assy, Cyan (with 5~7) (6360)
4.	116-2017-00 604K38440	Holder, Toner Cartridge Assy, Black (with 5~7) (6300/6350) Holder, Toner Cartridge Assy, Black (with 5~7) (6360)
5.	130E88130	Sensor No Toner
6.	849E04740	Switch Bracket, Toner CTG-IN
7.	020E36250	Actuator Toner CTG-IN
8.	See (page 9-60)	Toner Cartridge (Y)
9.	See (page 9-60)	Toner Cartridge (M)
10.	See (page 9-60)	Toner Cartridge (C)
11.	See (page 9-60)	Toner Cartridge (K)
12.	116-2018-00 101K53960	Box Assy CRUM Reader (With 13~16) (6300/6350) Box Assy CRUM Reader (With 13~16) (6360)
13.		Cover Holder CRUM
14.		Coil Assy CRUM Reader
15.		Hsg Base CRUM
16.		Harness Assy RFID2 (J341-J3411)
17.	962K28000	Harness Assy RFID (J34-P3411)
18.	Part of Wiring Harness Kit	Harness Assy TNR (J51-J342,P511,P512,P513,P514,J701,J702,J703,J704) )
19.		Clamp Mini-sdl
20.		Bracket Holder Dsp
21.		Saddle Bush
22.		Dispenser Toner Hi Assy (With 1-7,12-21)
23.	054E30181	LV Fan Duct (6360)

Parts List 8.1 Drive

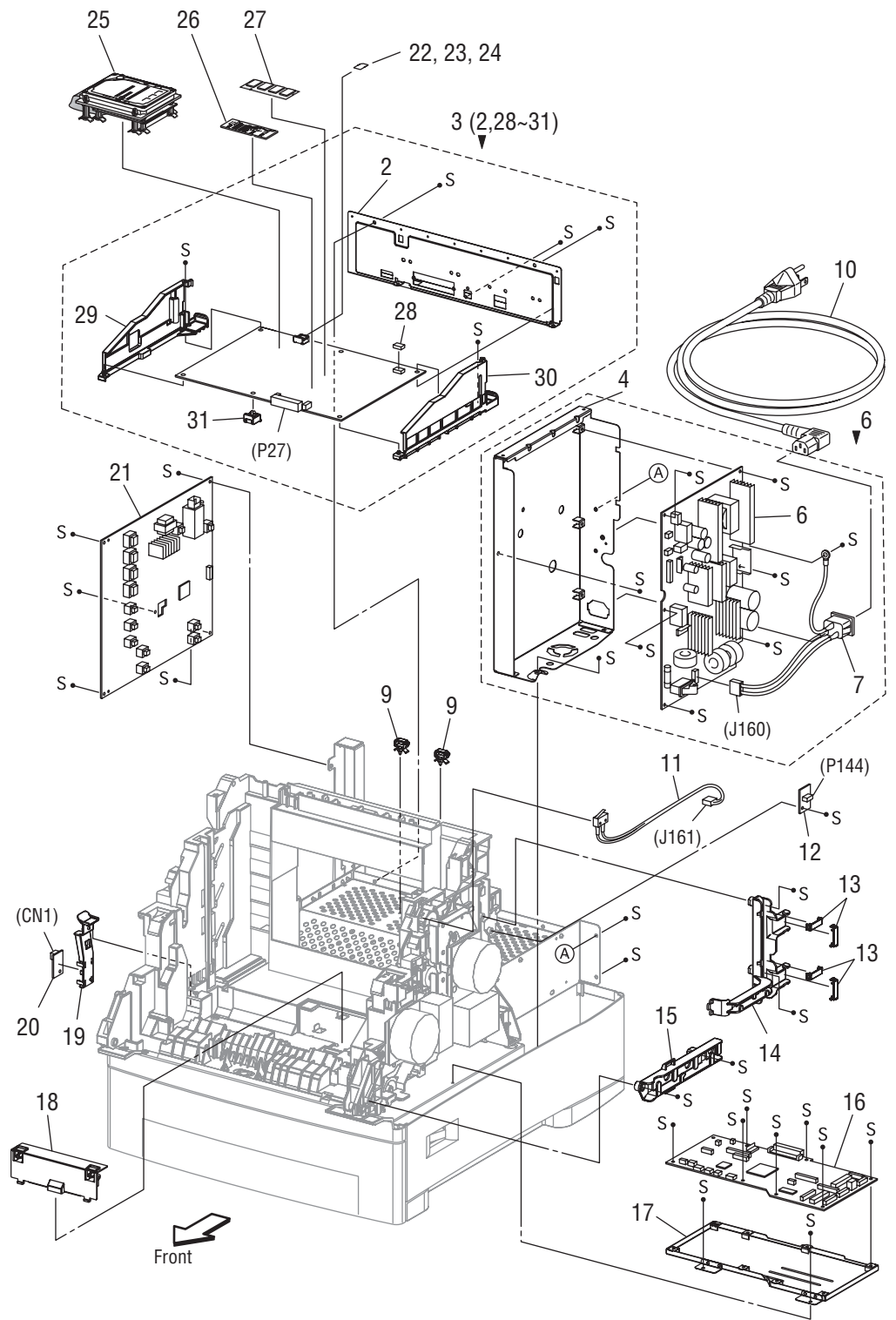




**Parts List 8.1 Drive - Service Parts List**

<b>ID No.</b>	<b>Part Number</b>	<b>Name/Description</b>
1	116-2019-00 007K94361	Developer Drive Assembly (6300/6350) Developer Drive Assembly (6360)
2	116-2020-00 007K94351	Main Drive Assembly (6300/6350) Main Drive Assembly (6360)
3		Clamp

## Parts List 9.1 Electrical

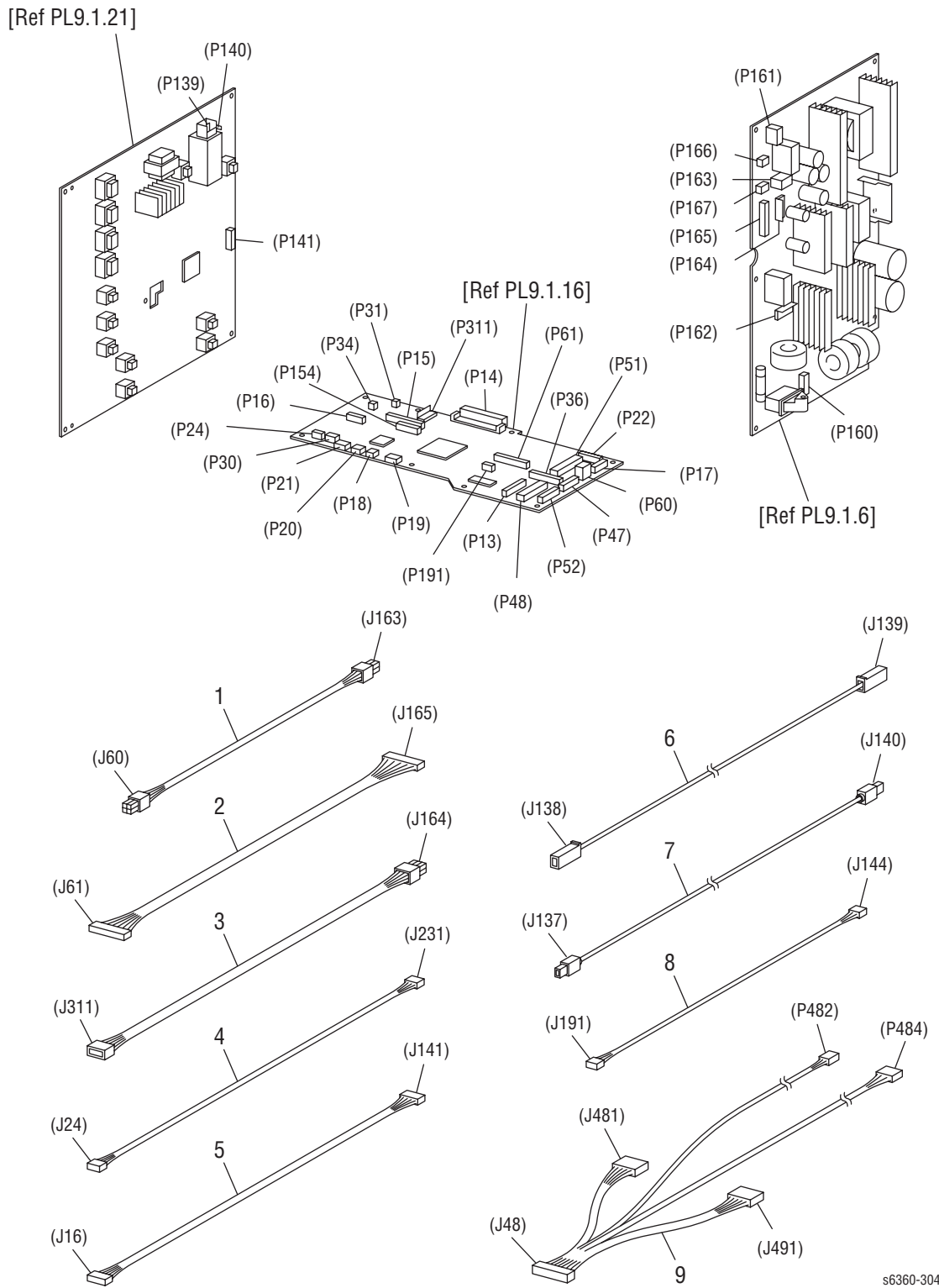


s6360-303

## Parts List 9.1 Electrical - Service Parts List

ID No.	Part Number	Name/Description
1.		- -
2.		Plate Assy Rear
3.	650-4365-00 960K41681	Image Processor Board (with 2, 28~31) (6300/6350) Image Processor Board (with 2, 28~31) (6360)
4.		Box Assy LVPS
5.		-
6a.	116-2037-00 604K38460	Low Voltage Power Supply (LVPS), 110V (with 4, 7) Low Voltage Power Supply (LVPS), 110V (with 4, 7) (6360)
6b.	116-2038-00 604K38470	Low Voltage Power Supply (LVPS), 220V (with 4, 7) Low Voltage Power Supply (LVPS), 230V (with 4, 7) (6360)
7.		Harness Assy AC Inlet
8.		- -
9.		Clamp
10.	675K17830 675K05330	Power Cord 110V (6300/ 6350/6360) Power Cord 220V (6360)
11.	962K28211	Interlock Switch Assy
12.	960K05780	EEPROM Circuit Board
13.	019E49010	Clamp Guide Harness
14.		Guide Harness R
15.		Guide Harness F
16.	116-2036-00 604K38453	Engine Control (MCU) Circuit Board (with 17) (6300/6350) Engine Control (MCU) Circuit Board (with 17) (6360)
17.		Bracket Assy MCU
18.		Cover Elec
19.		Bracket Temp
20.	130E87990	Temperature/Humidity Sensor
21.	116-2041-00 105K22062	High Voltage Power Supply (HVPS) Board (6300/6350) High Voltage Power Supply (HVPS) Board (6360)
22.	163-1521-00 069E00510	Configuration Card, N configuration (6300) Configuration Card, N configuration (6360)
23.	163-1525-00 069E00520	Configuration Card, DN configuration (6300) Configuration Card, DN configuration (6360)
24.	163-1522-00	Configuration Card, DP configuration (6350)
25.	807E23330	Internal Hard Drive
26.	237E23640	256 MB, DIMM DDR Lead Free
27.	237E23650	512 MB, DIMM DDR Lead Free
28.	116-1459-00 237E24050	IP Board NVRAM (6300/6350) IP Board NVRAM (6360)
29.		PWB Bracket Left
30.		PWB Bracket Right
31.		Block PWB

**Parts List 10.1 Harness Assemblies**



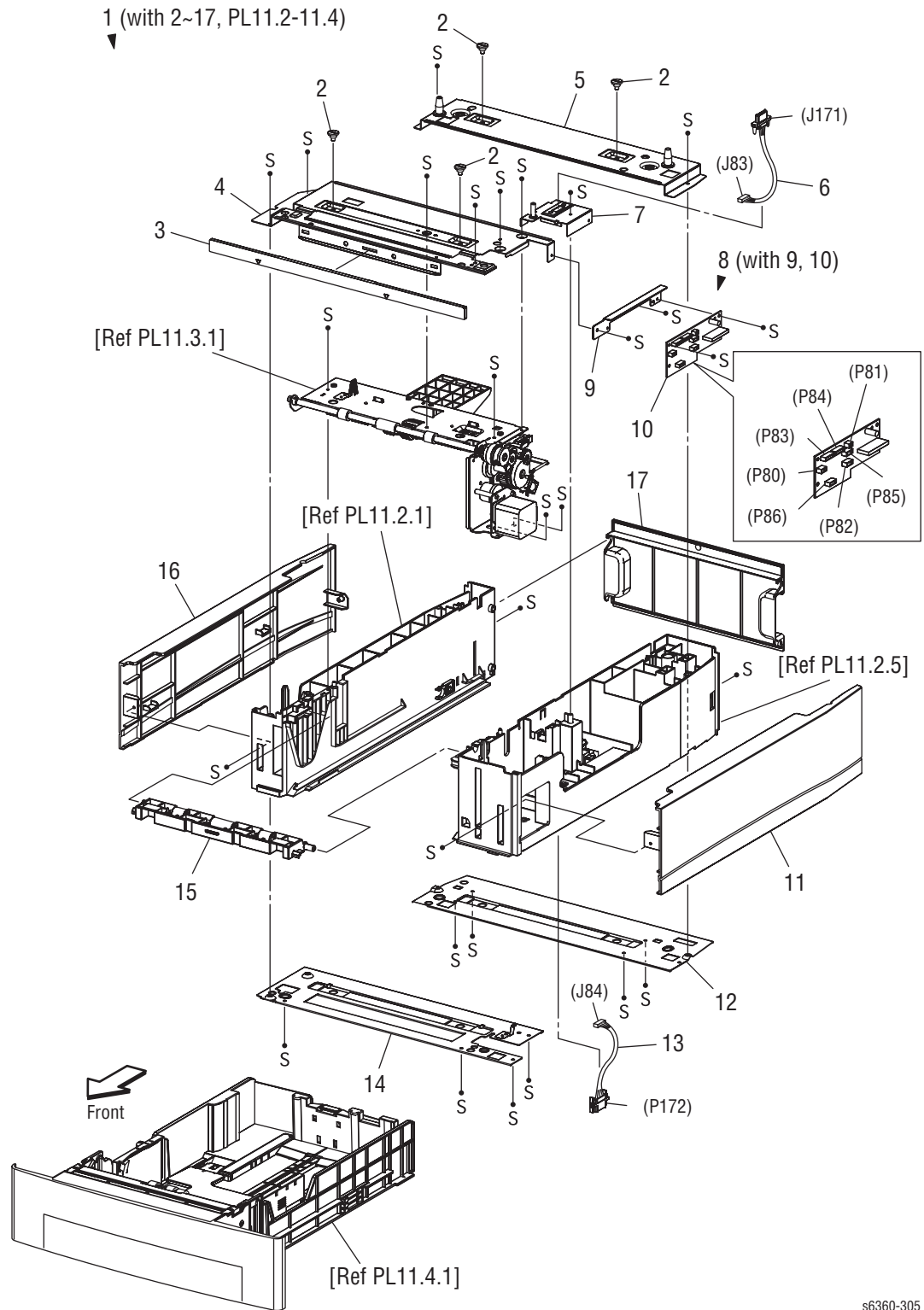
s6360-304

### Parts List 10.1 - Harness Assemblies - Service Parts List

ID No.	Part Number	Name/Description
1.	Part of Wiring Harness Kit	Harness Assy 24V (J60-J163)
2.	Part of Wiring Harness Kit	Harness Assy LV (J61-J165)
3.	Part of Wiring Harness Kit	Harness Assy LV RPG (J164-J311)
4.	Part of Wiring Harness Kit	Harness Assy TMP (J24-J231)
5.	Part of Wiring Harness Kit	Harness Assy HVPS (J16-J141)
6.	Part of Wiring Harness Kit	Wire Assy BTR (J138-J139)
7.	Part of Wiring Harness Kit	Wire Assy Regi (J137-J140)
8.	Part of Wiring Harness Kit	Harness Assy EEPROM (J191-J1911)
9.	Part of Wiring Harness Kit	Harness Assy FAN/PHD/MOT (J48-J481,J482,J484,J491)

# Optional 550-Sheet Feeder

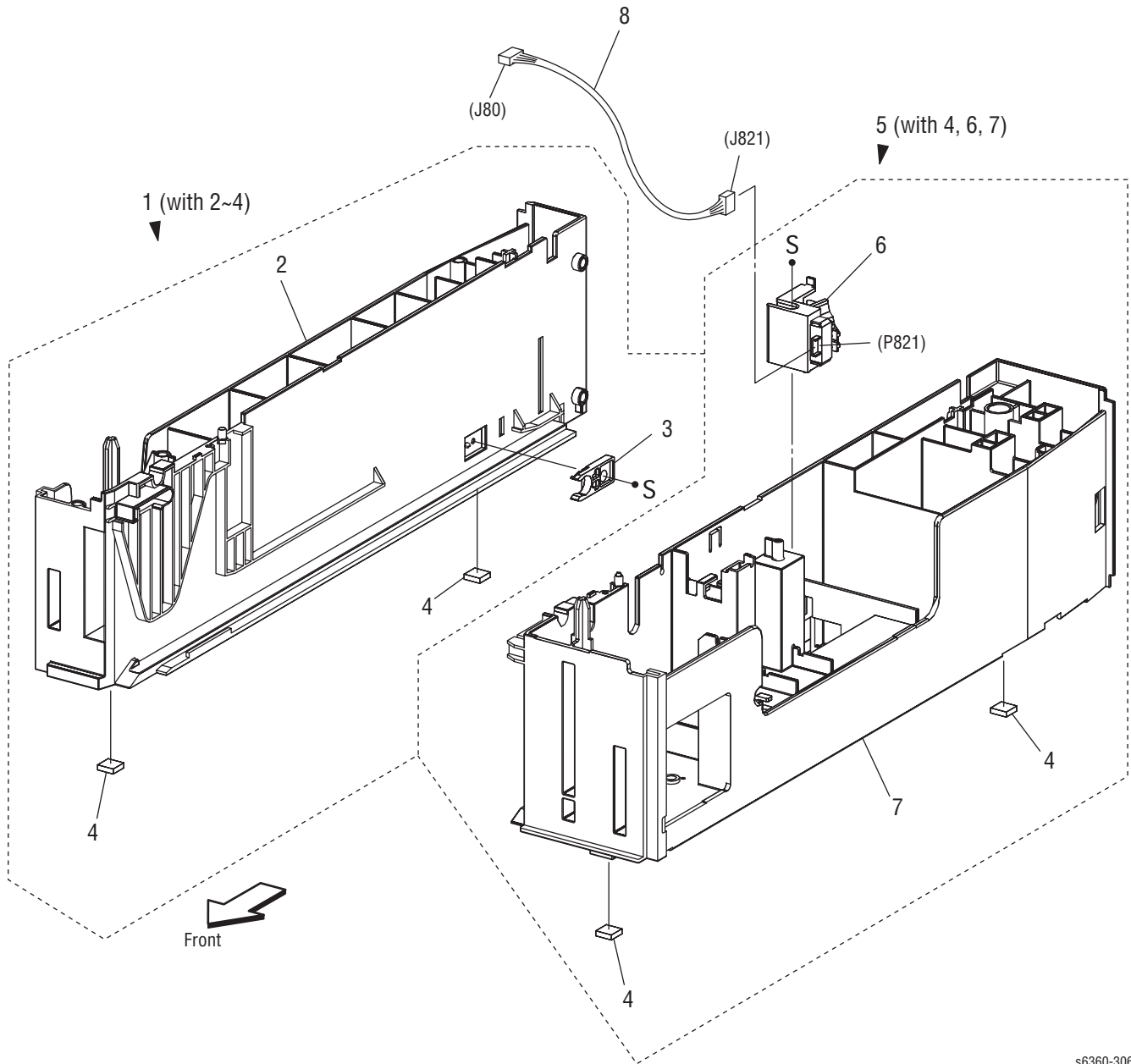
## Parts List 11.1 550-Sheet Feeder (1/2)



## Parts List 11.1 550-Sheet Feeder (1/2) - Service Parts List

ID No.	Part Number	Name/Description
1.	059K59790	550-Sheet Feeder (with 2-17,PL11.2~11.4)
2.		Screw Joint
3.		Cover Front
4.		Frame Assy Top Front
5.		Frame Assy Top Rear
6.	Part of Wiring Harness Kit	Harness Assy OPFREC (J83-J171)
7.		Plate Connector
8.		PWB Assy (with 9,10)
9.		Plate PWBA
10.	960K03290	PWBA OPTFDR
11.		Cover Right
12.		Plate Bottom Rear
13.		Harness Assy OPFPLG2 (J84-P172)
14.		Plate Bottom Front
15.	054K28372	Feeder Chute
16.		Cover Left
17.	802E78002	Cover, Paper Tray Rear

Parts List 11.2 550-Sheet Feeder (2/2)



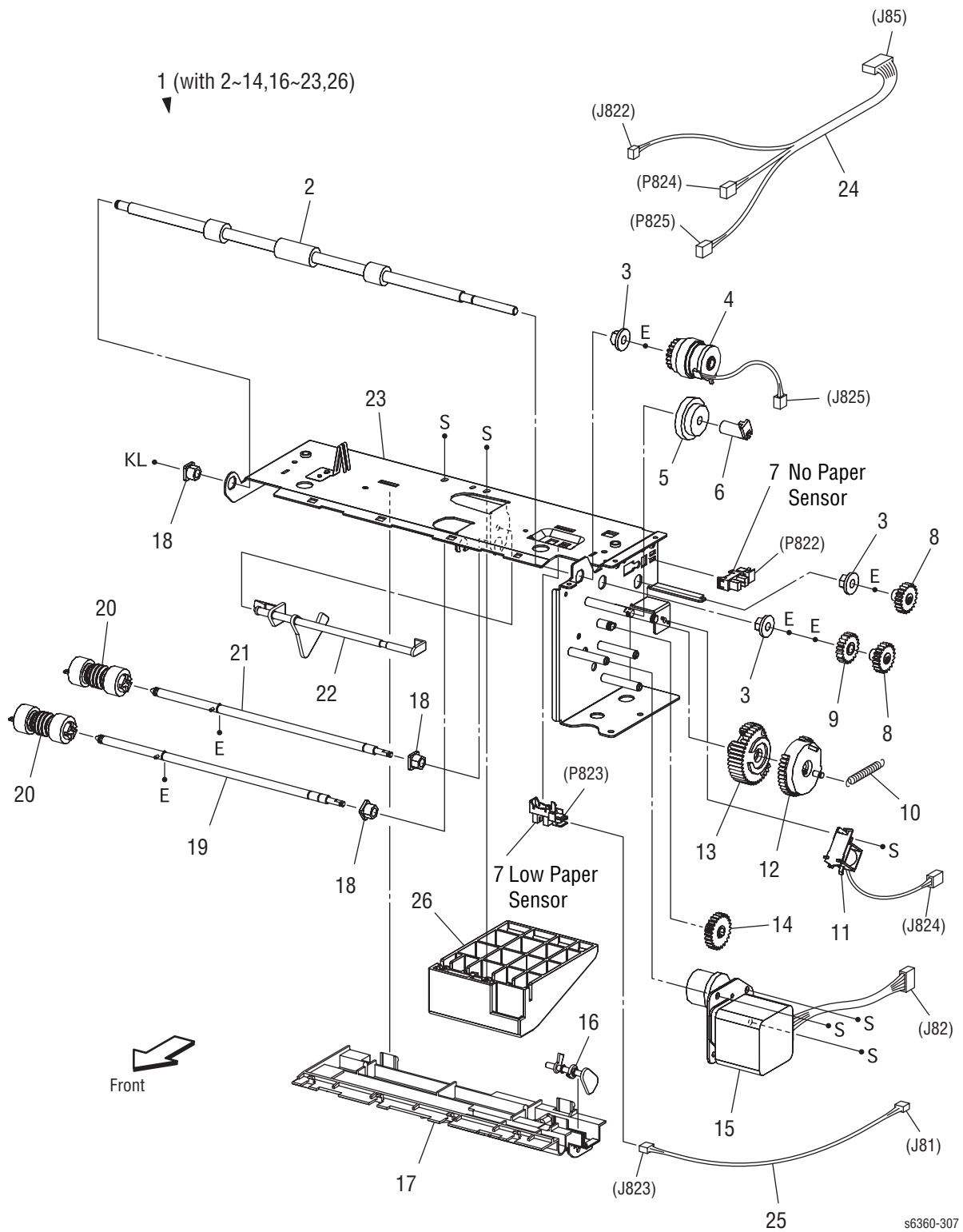
s6360-306



**Parts List 11.2 550-Sheet Feeder (2/2) - Service Parts List**

<b>ID No.</b>	<b>Part Number</b>	<b>Name/Description</b>
1.		Feeder Assy Left (with 2~4)
2.		Housing Left
3.	003E56900	Stopper, Paper Tray
4.	017E96630	Printer Feet (4 ea. per order)
5.		Feeder Assy Right (with 4,6,7)
6.	110K12160	Paper Size Switch Assy
7.		Housing Right
8.		Harness Assy SIZE (J80-J821)

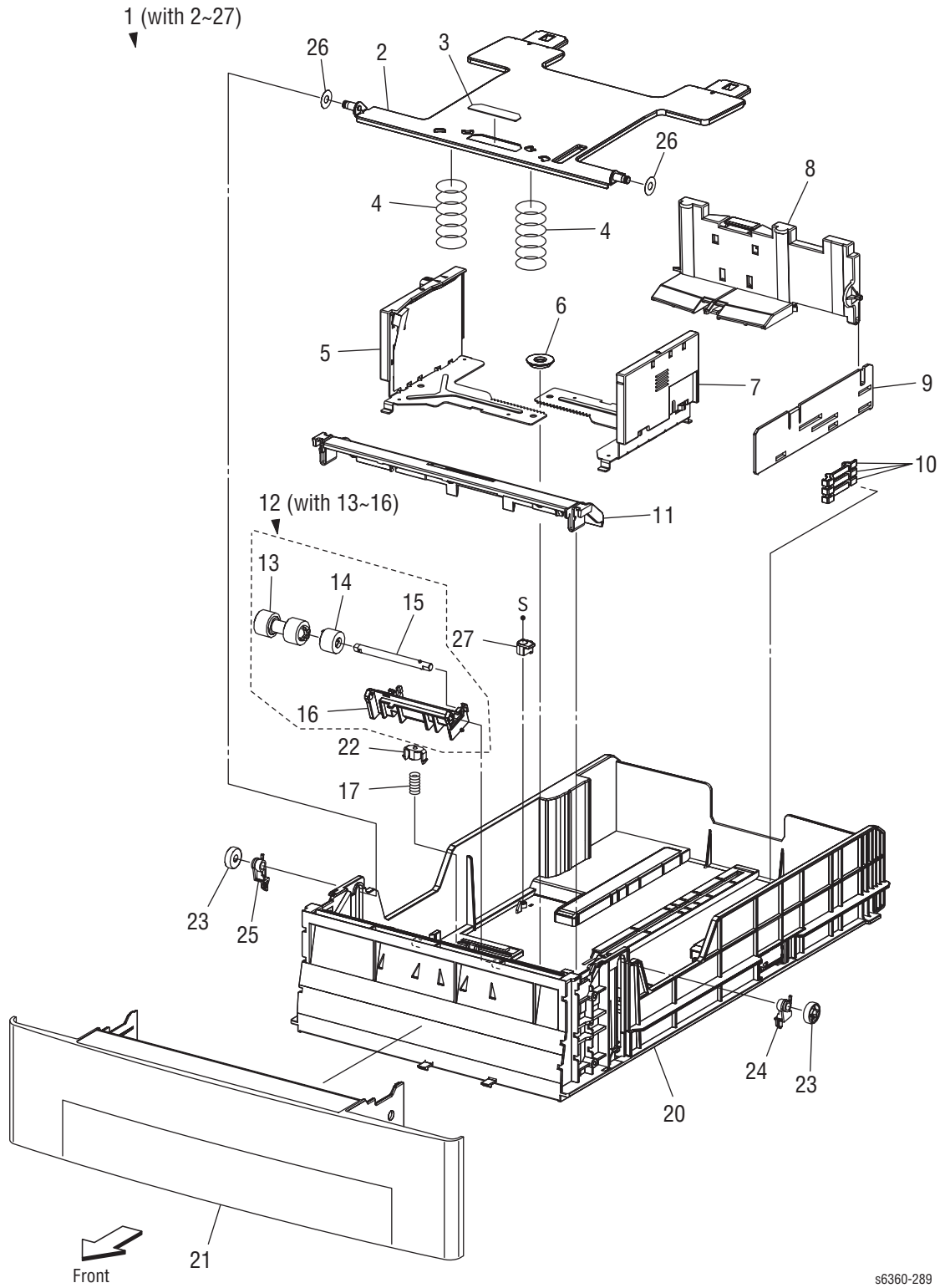
### Parts List 11.3 Tray 3 Paper Pick Assembly



## Parts List 11.3 Tray 3 Paper Pick Assembly - Service Parts List

ID No.	Part Number	Name/Description
1.		Paper Pick (Pickup Assy) Assembly (with 2~14,16~23, 26)
2.		Roll Assy Turn
3.		Bearing (F6xL8)/Metal
4.		Clutch Assy
5.		Gear Idle 21/29
6.		Stopper Clutch
7.	130E87090	Sensor Photo (No Paper, Low Paper Sensor)
8.		Gear Feed2
9.		Gear Idler Feed
10.	Part of Spring Kit	Spring Feed H
11.		Solenoid Feed
12.		Gear Feed H2
13.		Gear Feed H1
14.		Gear 24
15.		Drive Assy
16.	Part of Actuator Kit	Actuator Low Paper
17.		Chute Upper
18.		Bearing (F6xL8)/Black
19.		Shaft Assy Feed
20.	Part of Paper Feed Roller Kit	Roll Assy Nudger x 2
21.		Shaft Assy Nudger
22.	Part of Actuator Kit	Actuator No Paper
23.		Frame Assy Pickup
24.		Harness Assy OPFDR (J85-J822,P824,P825)
25.		Harness Assy LOWP (J81-J823)
26.		Guide Paper

### Parts List 11.4 Universal Paper Tray



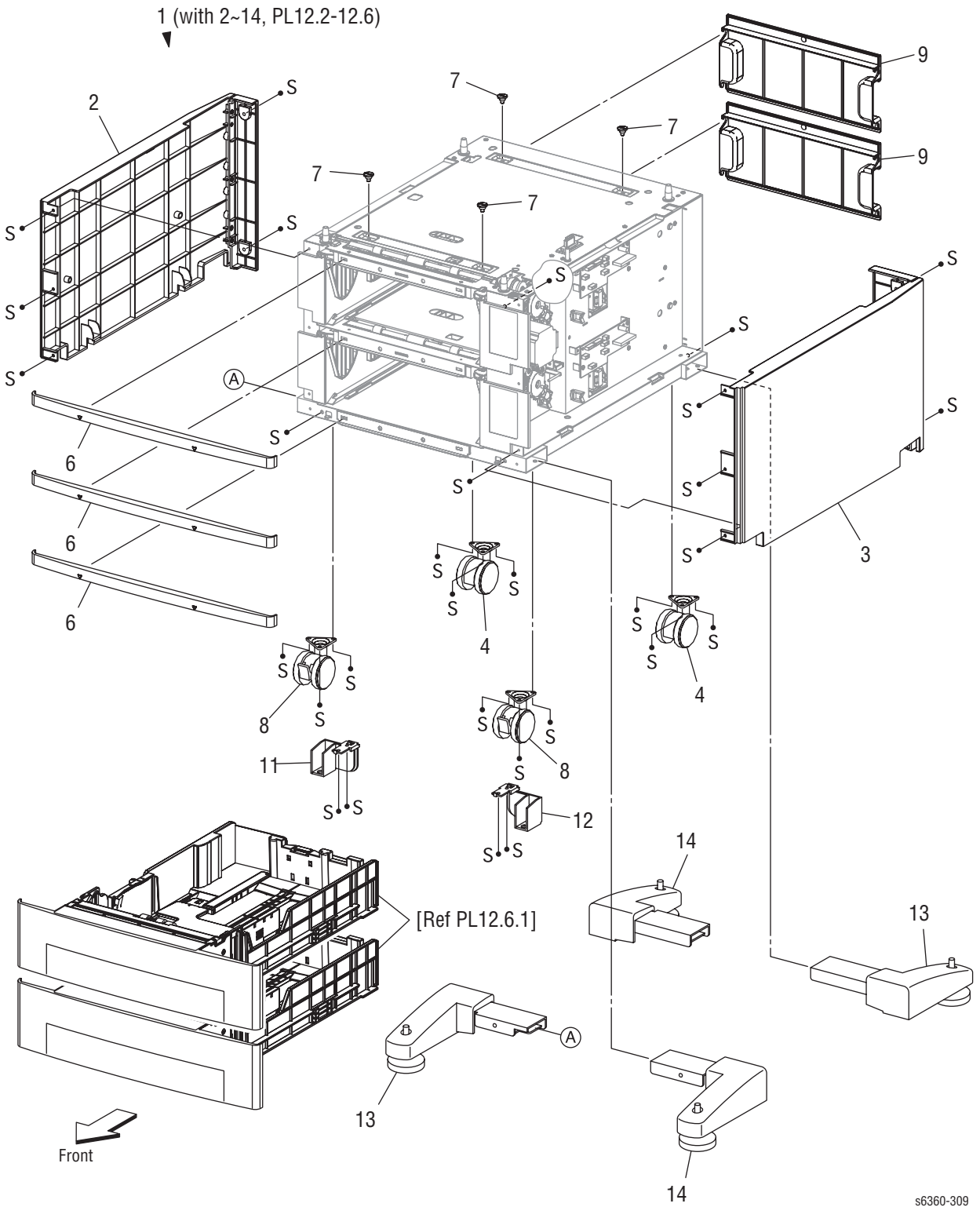
s6360-289

## Parts List 11.4 Universal Paper Tray - Service Parts List

ID No.	Part Number	Name/Description
1.	604K28854	Universal Paper Tray (with 2~27)
2.		Plate Assy Btm
3.		Pad Bottom
4.		Spring N/F
5.		Guide Assy Side L
6.		Gear Manual
7.		Guide Assy Side R
8.		Guide Assy End
9.		Actuator Guide End
10.		Actuator Size
11.	054E27130	Chute Turn
12.	Part of Paper Feed Roller Kit	Retard Assy (with 13~16)
13.		Roll Assy Retard
14.		Clutch Assy Friction
15.		Shaft Assy Retard
16.		Holder Retard
17.		Spring Retard
18.		--
19.		--
20.		Housing Cst 500
21.		Handle Cst
22.		Holder Spring Retard
23.		Roll PB
24.		Stopper Link PB R
25.		Stopper Link PB L
26.		Spacer Plate Btm
27.		Stopper Block

# Optional 1100-Sheet Feeder

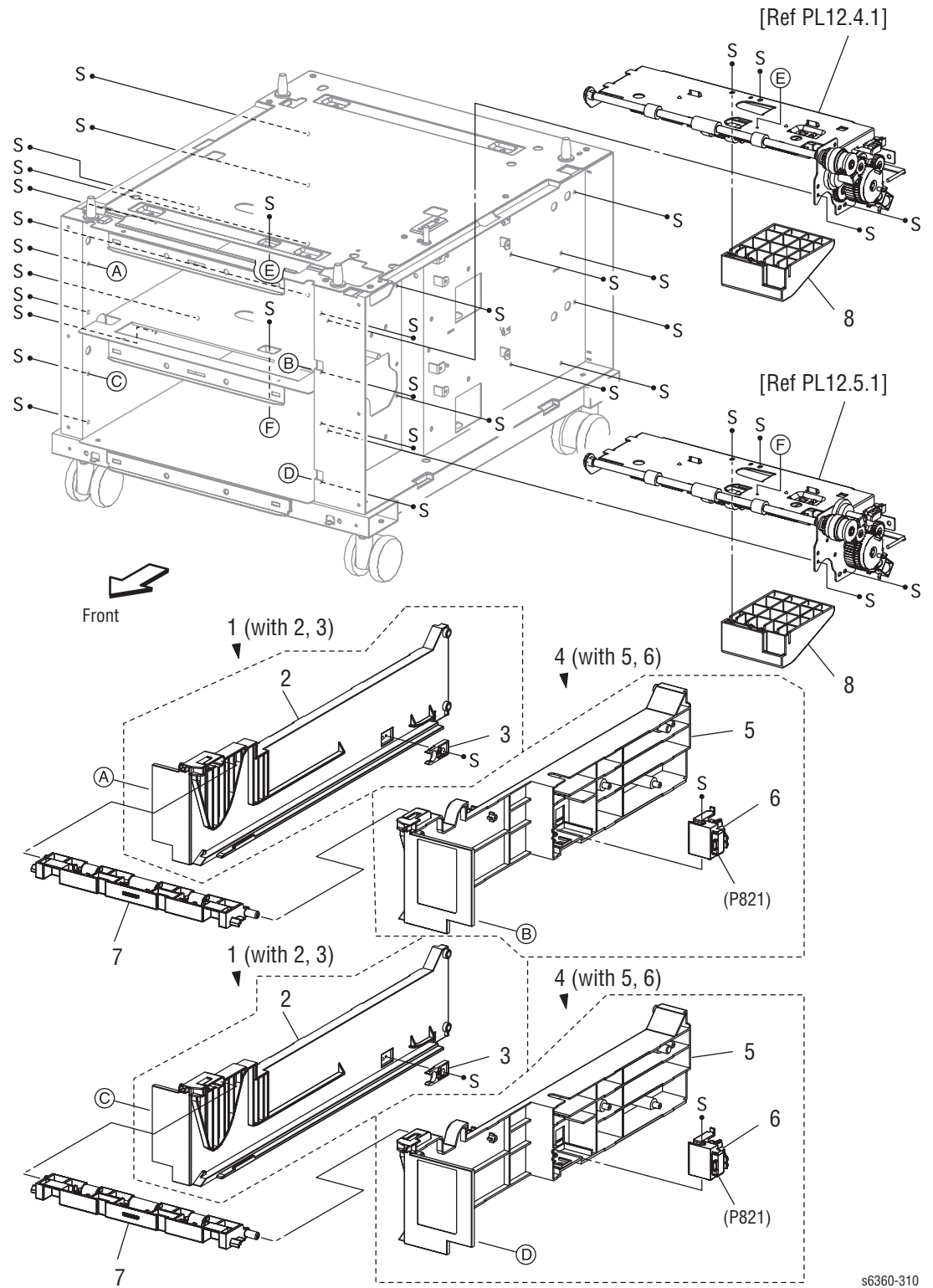
## Parts List 12.1 1100-Sheet Feeder Covers



## Parts List 12.1 1100-Sheet Feeder Covers - Service Parts List

ID No.	Part Number	Name/Description
1.	059K59800	1100-Sheet Feeder (with 2~12,PL12.2~PL12.6)
2.	802K77363	Cover Left
3.	802K77352	Cover Right
4.	417W41449	Caster (Non-locking)
5.		- -
6.		Cover Front
7.		Screw Joint
8.	417W41349	Caster (Locking)
9.	802E78002	Cover, Paper Tray Rear
10.		
11.		Caster Stopper 1
12.		Caster Stopper 2
13.	017K93433	Foot Assy A
14.	017K93443	Foot Assy B

### Parts List 12.2 Feeders





**Parts List 12.2 Feeders - Service Parts List**

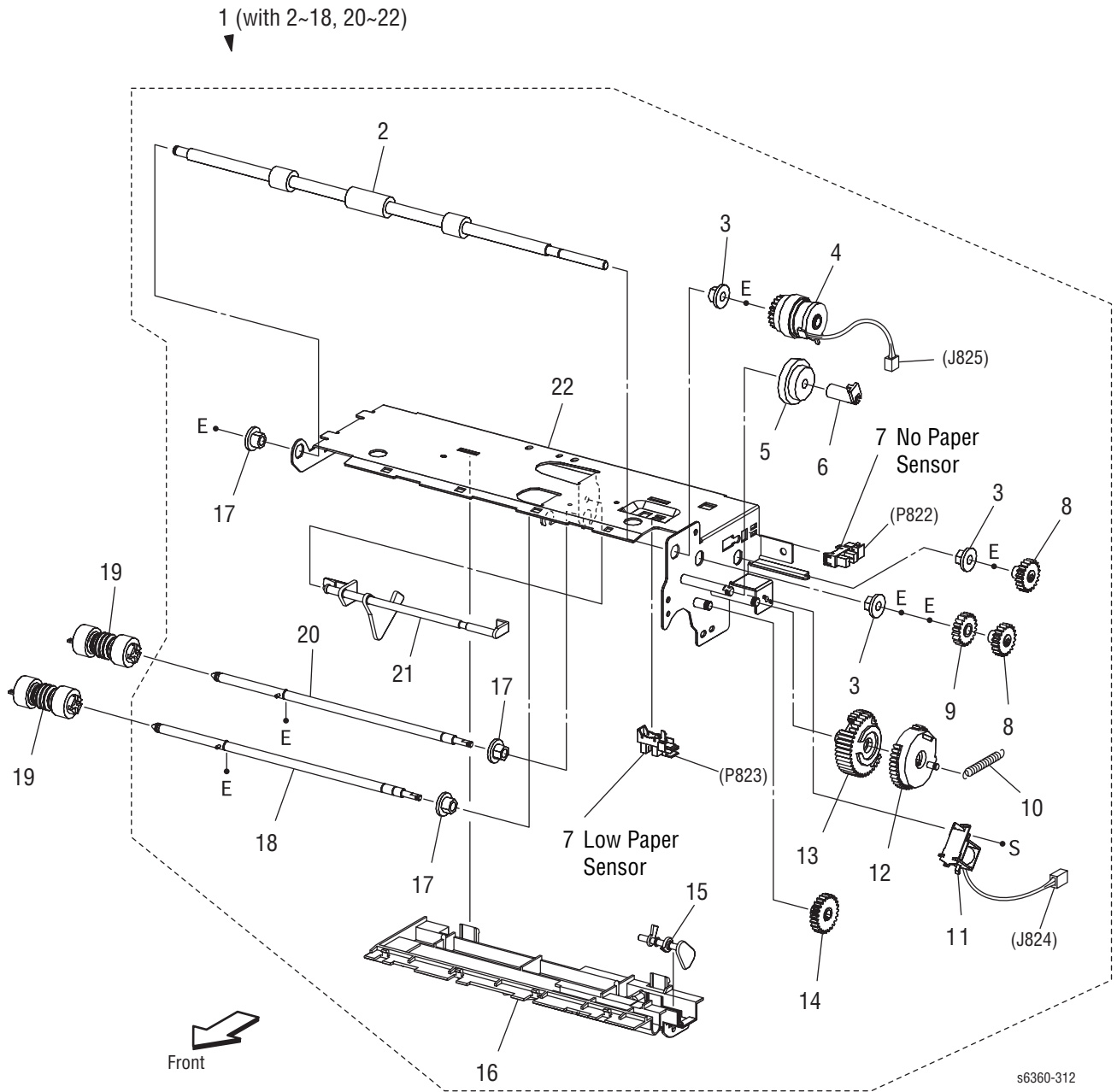
<b>ID No.</b>	<b>Part Number</b>	<b>Name/Description</b>
1.		Feeder Assy Left (with 2,3)
2.		Guide Cst L
3.	003E56900	Stopper Paper Tray
4.		Feeder Assy Right (with 5,6)
5.		Guide Cst R
6.	110K12160	Paper Size Switch Assy
7.	054K28372	Feeder Chute
8.		Guide Paper



**Parts List 12.3 Harness - Service Parts List**

<b>ID No.</b>	<b>Part Number</b>	<b>Name/Description</b>
1.	Part of Wiring Harness Kit	Harness Assy OPFREG2 (J83-J172)
2.		Spacer
3.	960K03290	Circuit Board HCF (OPTFDR 2 PWBA)
4.		Harness Assy OPF23 (J83-J84)
5.		Harness Assy SIZE2 (J80-J821)
6.		Harness Assy LOWP2 (J81-J823)
7.		Harness Assy OPFDR2 (J85-J822, P824, P825)
8.		Clamp Saddle
9.	005K07320	Drive Assy HCF
10.		Gear 24
11.		Clamp

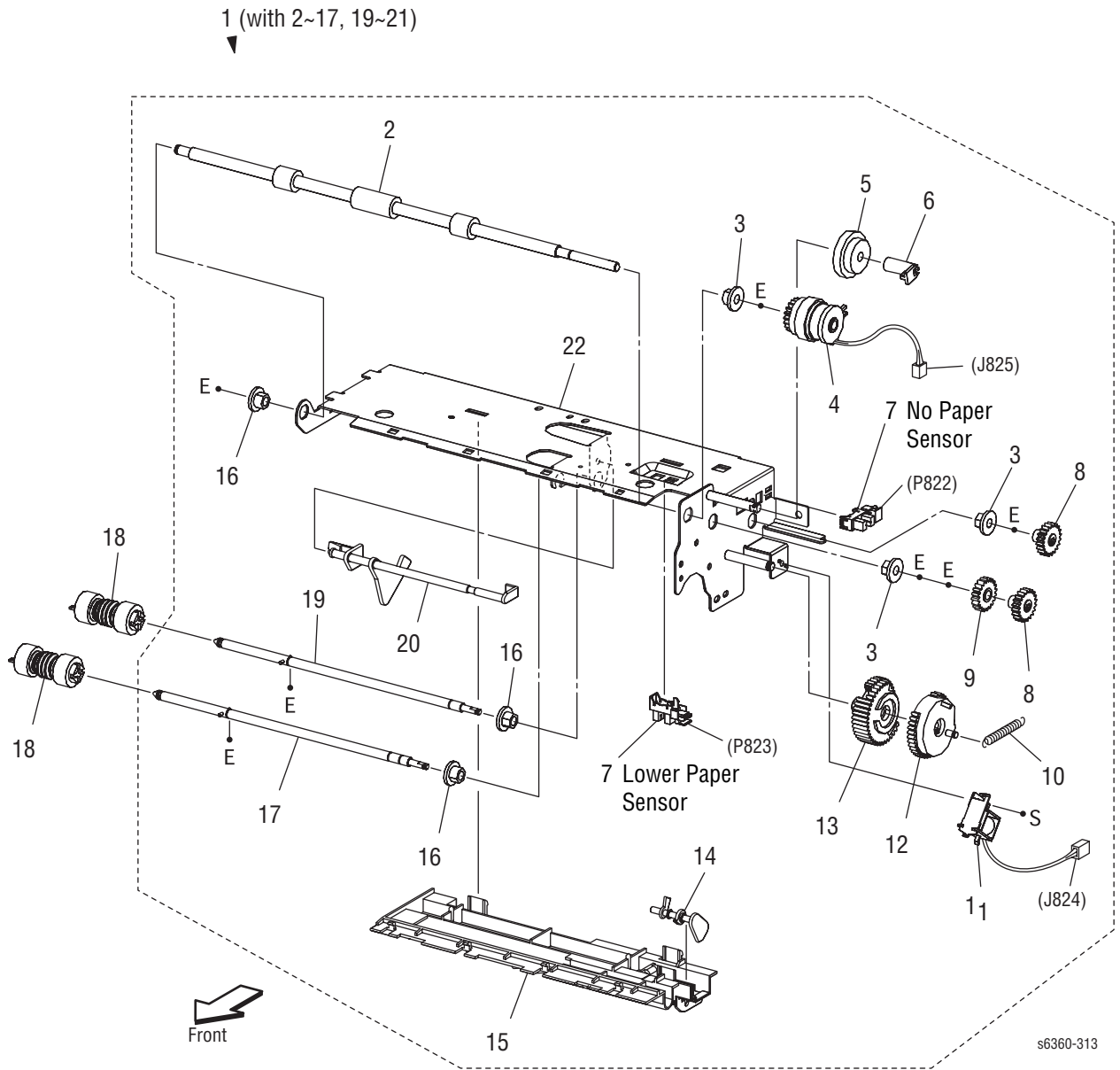
### Parts List 12.4 Paper Pick Assembly HCF T1



## Parts List 12.4 Paper Pick Assembly HCF T1 - Service Parts List

ID No.	Part Number	Name/Description
1.	604K28602	Paper Pick Assembly HCF T1 (with 2~18, 20~22)
2.		Roll Assy Turn
3.		Bearing (F6xL8)/Metal
4.		Clutch Assy
5.		Gear Idle 21/29
6.		Stopper Clutch
7.	130E87090	Sensor Photo (No Paper, Low Paper Sensor)
8.		Gear Feed2
9.		Gear Idler Feed
10.	Part of Spring Kit	Spring Feed H
11.		Solenoid Feed
12.		Gear Feed H2
13.		Gear Feed H1
14.		Gear 24
15.	Part of Actuator Kit	Actuator Low Paper
16.		Chute Upper
17.		Bearing (F6xL8)/Black
18.		Shaft Assy Feed
19.	Part of Paper Feed Roller Kit	Roll Assy Nudger x 2
20.		Shaft Assy Nudger
21.	Part of Actuator Kit	Actuator No Paper
22.		Frame Assy Pickup

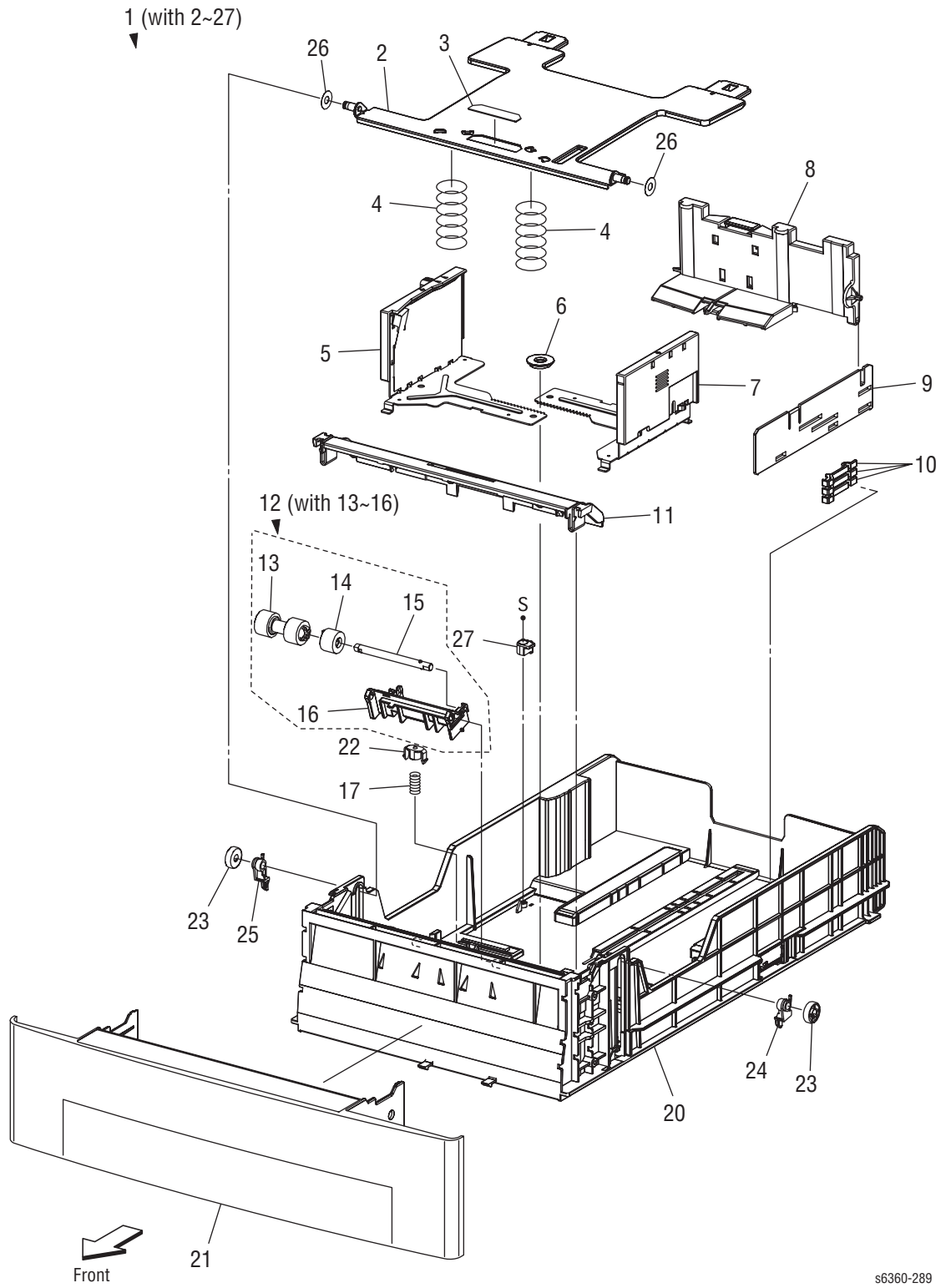
### Parts List 12.5 Paper Pick Assembly HCF T2



## Parts List 12.5 Paper Pick Assembly HCF T2 - Service Parts List

ID No.	Part Number	Name/Description
1.	604K28612	Paper Pick (Pickup Assy) Assembly HCF T2 (with 2~17, 19~21)
2.		Roll Assy Turn
3.		Bearing (F6xL8)/Metal
4.		Clutch Assy
5.		Gear Idle 21/29
6.		Stopper Clutch
7.	130E87090	Sensor Photo (No Paper, Low Paper Sensor)
8.		Gear Feed2
9.		Gear Idler Feed
10.		Spring Feed H
11.		Solenoid Feed
12.		Gear Feed H2
13.		Gear Feed H1
14.	Part of Actuator Kit	Actuator Low Paper
15.		Chute Upper
16.		Bearing (F6xL8)/Black
17.		Shaft Assy Feed
18.	Part of Paper Feed Roller Kit	Roll Assy Nudger x 2
19.		Shaft Assy Nudger
20.	Part of Actuator Kit	Actuator No Paper
21.		Frame Assy Pickup 4th

### Parts List 12.6 Universal Paper Tray



s6360-289



## Parts List 12.6 Universal Paper Tray - Service Parts List

ID No.	Part Number	Name/Description
1.	604K28854	Universal Paper Tray (with 2~27)
2.		Plate Assy Btm
3.		Pad Bottom
4.		Spring N/F
5.		Guide Assy Side L
6.		Gear Manual
7.		Guide Assy Side R
8.		Guide Assy End
9.		Actuator Guide End
10.		Actuator Size
11.	054E27130	Chute Turn
12.	Part of Paper Feed Roller Kit	Universal Retard Roller Assy (with 13~16)
13.		Roll Assy Retard
14.		Clutch Assy Friction
15.		Shaft Assy Retard
16.		Holder Retard
17.		Spring Retard
18.		--
19.		--
20.		Housing Cst 500
21.		Handle Cst
22.		Holder Spring Retard
23.		Roll PB
24.		Stopper Link PB R
25.		Stopper Link PB L
26.		Spacer Plate Btm
27.		Stopper Block

## Xerox Supplies and Accessories

### Repair Kits, World Kits and Repacking Kits

Description	Part Number
Kit, Spring	116-2031-00 604K38480 (6360)
Kit, Sensor Actuator	116-2032-00 604K38490 (6360)
Kit, Tray Holder	604K24151
Kit, Assorted Hardware (screws, E-rings)	604K24200
Kit, Paper Feed Roller	604K25823
Kit, Chute Assy Gear	604K24191
Kit, Harness	116-2040-00 604K38500 (6360)
World Kit	061-4511-00 650K27610 (6360)
Main Shipping Box	004-5506-00 004-5721-00 (6360)
Repackaging Kit	065-0637-00 604K48010 (6360)
Repackaging Kit, High-Cap Feeder	675K31138
Repackaging Kit, 550-Sheet Feeder	675K31747
Developer Assembly Shipping Restraint	108K91121

### Phaser 6300/6350/6360 Maintenance Items

Description	Part Number
Imaging Unit	108R00645
Fuser, 6300/6350	
110 V	115R00035
220 V	115R00036
Fuser, 6360	
110 V	115R00055
220 V	115R00056
Transfer Roller	108R00646
Universal Paper Tray (2, 3, 4, 5)	604K28854
Paper Feed Roller Kit	604K25823
Long-Life Maintenance Kit	650-4363-00
Long-Life Maintenance Kit	604K48020 (6360)

### Power Cords

Description	Part Number
Cable PWR, 115 V, 98, 0L	117E29520
Cable PWR EURO 220V , 99L	117E29500
Cable PWR U.K. 240 V, 96L	117E29510
Cable PWR AUST 240 V, 96L	117E29490
Cable Assy SWISS 220/240 V, 50 Hz	117E35050
Cable Assy PWR. DANISH, 250 V	117E29460
Cable Assy PWR, PRC	117E35030
Power, 240 V, ARGENTINA	117E35040

### Upgrade Kits and Options

Description	Part Number
Internal Hard Drive	807E23330
Memory:	
256 MB, DIMM DDR Lead Free	097S03381
512 MB, DIMM DDR Lead Free	097S03382
1100-Sheet Feeder w/ Trays	097S03379
1100- Sheet Feeder Casters Non-Locking	417W41449
1100- Sheet Feeder Casters Locking	417W41349
550-Sheet Feeder w/ Tray	097S03378
Wireless Network Adapter with N/A Power Converter 110V	097S03740
Wireless Network Adapter with Euro Power Converter 220V	097S03741
Wireless Network Adapter with UK Power Converter 220V	097S03742
Optional Feeder Label Kit (3, 4, and 5)	893E65400
Printer Feet	017E96630
Configuration Card, N configuration - 6300 Only	163-1521-00
Configuration Card, N configuration - 6360 Only	069E00510
Configuration Card, DN configuration - 6300 Only	163-1525-00
Configuration Card, DN configuration - 6360 Only	069E00520
Configuration Card, N to DN upgrade - 6360 Only	097S03791
Configuration Card, DP configuration - 6350 Only	163-1522-00
I/P Board NVRAM	163-1459-00
I/P Board NVRAM, 6360	237E24050

### Toner Cartridge Consumables

Description (capacity)	Part Number
Yellow Toner Cartridge, Standard-Capacity 6300/6350 (4K)	106R01075
Yellow Toner Cartridge, Standard-Capacity 6360 (5K)	106R01216
Yellow Toner Cartridge, High-Capacity 6300 (7K)	106R01084
Yellow Toner Cartridge, High-Capacity 6350 (10K)	106R01146
Yellow Toner Cartridge, High-Capacity 6360 (12K)	106R01220
Yellow Toner Cartridge, Metered 6300/6350 (10K)	106R01088
Yellow Toner Cartridge, Metered 6360 (12K)	106R01224
Magenta Toner Cartridge, Standard Capacity 6300/6350 (4K)	106R01074
Magenta Toner Cartridge, Standard Capacity 6360 (5K)	106R01215
Magenta Toner Cartridge, High-Capacity 6300 (7K)	106R01083
Magenta Toner Cartridge, High-Capacity 6350 (10K)	106R01145
Magenta Toner Cartridge, High-Capacity 6360 (12K)	106R01219
Magenta Toner Cartridge, Metered 6300/6350 (10K)	106R01087
Magenta Toner Cartridge, Metered 6360 (12K)	106R01223
Cyan Toner Cartridge, Standard-Capacity 6300/6350 (4K)	106R01073
Cyan Toner Cartridge, Standard-Capacity 6360 (5K)	106R01214
Cyan Toner Cartridge, High-Capacity 6300 (7K)	106R01082
Cyan Toner Cartridge, High-Capacity 6350 (10K)	106R01144
Cyan Toner Cartridge, High-Capacity 6360 (12K)	106R01218
Cyan Toner Cartridge, Metered 6300/6350 (10K)	106R01086
Cyan Toner Cartridge, Metered 6360 (12K)	106R01222
Black Toner Cartridge, Standard-Capacity 6300/6350 (4K)	106R01076
Black Toner Cartridge, Standard-Capacity 6360 (5K)	106R01217
Black Toner Cartridge, High-Capacity 6300 (7K)	106R01085
Black Toner Cartridge, High-Capacity 6350 (10K)	106R01147
Black Toner Cartridge, High-Capacity 6360 (12K)	106R01221
Black Toner Cartridge, Metered 6300/6350 (10K)	106R01089
Black Toner Cartridge, Metered 6360 (12K)	106R01225

#### Note

Toner Cartridges installed at the time of manufacture contain sufficient toner to prime the Auger Tubes without reducing life expectancy.

## Service Kits

Service kits are available as an easy means to obtain spare parts normally associated with larger assemblies. The following tables list each kit's contents.

### Feed Roller Kit

The Feed Roller Kit provides replacements for the Paper Pick and Retard Roller Assemblies.

#### Feed Roller Kit Contents - 604K25823

Part Reference	Name/Description	Quantity
PL2.1.12	Universal Retard Roller Assembly	1
PL3.3.18	Feed Rollers	2
071-0942-00	Installation Instructions	1

### Spring Kit

Two versions of the Spring Kit are available. For 6300/6350 models, use P/N 116-2031-00. For 6360 models use P/N 604K38480.

#### Spring Kit Contents - 116-2031-00 or 604K38480

Part Reference	Name/Description	Quantity
PL3.3.10	Feed Spring H	2
PL4.1.2	Registration Roller Spring	1
PL5.1.6	Link Spring	1
PL5.2.3	Fuser Lock Lever Spring	1
PL5.2.7	Diode Spring F	1
PL5.2.12	Latch Spring	1
PL5.2.18	CTD (ADC) Sensor Spring	1
PL5.2.22	DTC Bias Spring	1
PL5.3.4	IDT1-1 Bias Spring	1
PL5.3.8	MPT Feed Spring	1
PL5.3.11	MPT N/F Spring	1
PL5.3.33	Earth Out2 Spring	1
PL5.3.34	MPT No Paper Sensor Actuator Spring	1
PL5.4.3	Exit Pinch Roller Springs	2
PL5.4.14	Duplex Jam Sensor Actuator Spring	1
PL6.1.4	Stopper Lever Release Spring	1

## Sensor Acuator Kit

The Sensor Actuator Kit provides replacement actuators for the key paper path sensors. Two versions of the Sensor Actuator Kit are available. For 6300/6350 models, use P/N 116-2032-00. For 6360 models use P/N 604K38490. Replacement springs for most of these actuators are included in the Kit.

### Sensor Actuator Kit Contents - 116-2032-00 or 604K38490

Part Reference	Name/Description	Quantity
PL3.3.14	Low Paper Sensor Actuator	2
PL3.3.20	No Paper Sensor Actuator	2
PL4.1.1	Registration Sensor Actuator	1
PL5.1.2	Fuser Exit Sensor Actuator	1
PL5.3.15	Tray 1 (MPT) No Paper Sensor Actuator	1
PL5.4.2	Full Stack Sensor Actuator	1
PL5.4.13	Duplex Jam Sensor Actuator	1

## Long-Life Maintenance Kit

Install the Long-Life Maintenance Kit when the printer displays the Replace Maintenance Kit error message. Two versions of the Long Life Maintenance Kit are available. For 6300/6350 models, use P/N 650-4363-00. For 6360 models use P/N 604K48020.

### Long-Life Maintenance Kit Contents - 650-4363-00 or 604K48020

Part Reference	Name/Description	Quantity
PL2.1.12	Universal Tray Retard Roller Assembly	1
PL4.1.13	Tray 1 (MPT) Retard Roller Assembly	1
PL4.2.1	Registration Roller Assembly	1
PL5.3.20	Tray 1 (MPT) Feed Roller	1
PL7.1.17	Developer Assembly - Y	1
PL7.1.18	Developer Assembly - M	1
PL7.1.19	Developer Assembly - C	1
PL7.1.20	Developer Assembly - K	1

## Hardware Kit

### Hardware Kit Contents - 604K24200

Part Number	Name/Description	Quantity
112W27678	Screw Deltite S	4
112W27698	SEMS Machine Screw	2
158W35878	Screw DEL TP	2
153W17888	Screw Tap WP	2
153W27878	Screw-Tap BIND	4
153W28078	Screw-Tap BIND	8
826E10100	Screw Set	2
826E12480	Screw M3X6B	6
826E12570	Screw-DT FL4X10J	2
826E12580	Screw Round Tip	2
354W21278	E-ring	2
354W24251	E-ring	2
354W24254	KL-ring	2
354W27278	E-ring	4

## Chute Assembly Gear Kit

The Chute Assembly Gear Kit provides a replacement set of gears for the Duplex Chute Assembly.

### Gear Kit Contents - 604K24191

Part Reference	Name/Description	Quantity
PL5.4.6	Gear 52	1
PL5.4.7	Gear 40/66h	1
PL5.4.9	Gear Exit/Dup	2
PL5.4.10	Gear 41	2

## Harness Kit

Two versions of the Harness Kit are available. For 6300/6350 models, use P/N 116-2040-00. For 6360 models use P/N 604K38500.

### Harness Kit Contents - 116-2040-00 or 604K38500

Part Reference	Name/Description	Quantity
PL3.2.11	Harness Assy OPFPLG (J17-P171)	1
PL3.3.22	Harness Assy FDR (J47-J471,J472,J473,P474)	1
PL4.1.21	Harness Assy FRONTCLH (J19-J191,J192)	1
PL5.2.28	Harness Assy FSR/ADC (J36-J136,J162,J361)	1
PL5.2.30	Harness Assy TNRFULL/FSR (J52-J142,J521)	1
PL5.3.28	Harness Assy FRONT/DUP (J13-P132, J133, J134, J135, P501)	1
PL7.2.18	Harness Assy TNR (J51-J342, P511, P512, P513, P514, J701,J702,J703,J704)	1
PL10.1.1	Harness Assy 24V (J60-J163)	1
PL10.1.2	Harness Assy LV (J61-J165)	1
PL10.1.3	Harness Assy LV RPG (J164-J311)	1
PL10.1.4	Harness Assy TMP (J24-J231)	1
PL10.1.5	Harness Assy HVPS (J16-J141)	1
PL10.1.6	Wire Assy BTR (J138-J139)	1
PL10.1.7	Wire Assy Regi (J137-J140)	1
PL10.1.8	Harness Assy EEPROM (J191-J1911)	1
PL10.1.9	Harness Assy FAN/PHD/MOT (J48-J481, J482, J484, J491)	1
PL11.1.6	Harness Assy OPFREC (J83-P171)	1
PL12.3.1	Harness Assy OPFREC2 (J83-J172)	1