

Parts List

In this chapter...

- Serial Number Format
- Using the Parts List
- Print Engine Parts
- Options
- Xerox Supplies and Accessories
- Service Kits

Chapter 9

Serial Number Format

Changes to Xerox products are made to accommodate improved components as they become available. It is important when ordering parts to include the following information:

- Component's part number
- Product type or model number
- Serial Number of the printer

The serial number is found on a label located on the frame of the printer. Front Cover must be opened to locate the Serial Number.

The nine-digit serial number has the following format:

- **PPPRSSSSS**
- **PPP** = Three digit alphanumeric product code
- **R** = Single digit numeric revision digit, 0-9. To be rolled when a major product change occurs and initiated with a change request.

Product Code	Product
DPX	6180, 110 V Engine
DRA	6180V, 220 V Engine

Mass Production Units (MP Build)

PPP1SSSSS

SSSSS = Five digit numeric serial number based on the following table:

Product	Starting Serial Number	Ending Serial Number
6180_N, 110V Engine	10001	50000
6180_DN, 110V Engine	50001	80000
6180_YN, 110V, Engine	80001	99999
6180_N, 220V Engine	10001	70000
6180V_DN, 220V Engine	70001	99999

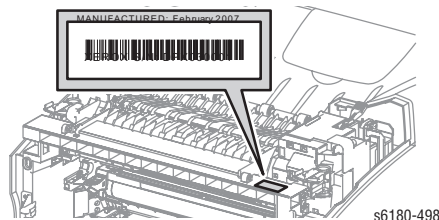
Example

DPX030001: Xerox Serial Number

DPX: Product Code for the Phaser 6180, configuration N or DN, 110V printer

0 = Revision Level

30001 = Serial Number for 6180 N



Using the Parts List

- **ID No.:** The callout number from the exploded part diagram.
- **Name/Description:** The name of the part to be ordered and the number of parts supplied per order.
- **Part Number:** The material part number used to order that specific part.
- Parts identified throughout this manual are referenced **PL#.#. #**; For example, PL3.1.10 means the part is item 10 of Parts List 3.1.
- A black triangle preceding a number followed by a parenthetical statement in an illustrated parts list means the item is a parent assembly, made up of the individual parts called out in parentheses.
- The notation “**with X~Y**” following a part name indicates an assembly that is made up of components X through Y. For example, “1 (with 2~4)” means part 1 consists of part 2, part 3, and part 4.
- An asterisk (*) following a part name indicates the page contains a note about this part.
- The notation (NS) next to a part indicates that particular part is not spared, but contained in a kit or major assembly.
- The notation “**J1<>J2 and P2**” is attached to a wire harness. It indicates that connector Jack 1 is attached to one end of the wire harness and connector J2 is attached to the other end that is plugged into P2.

Note

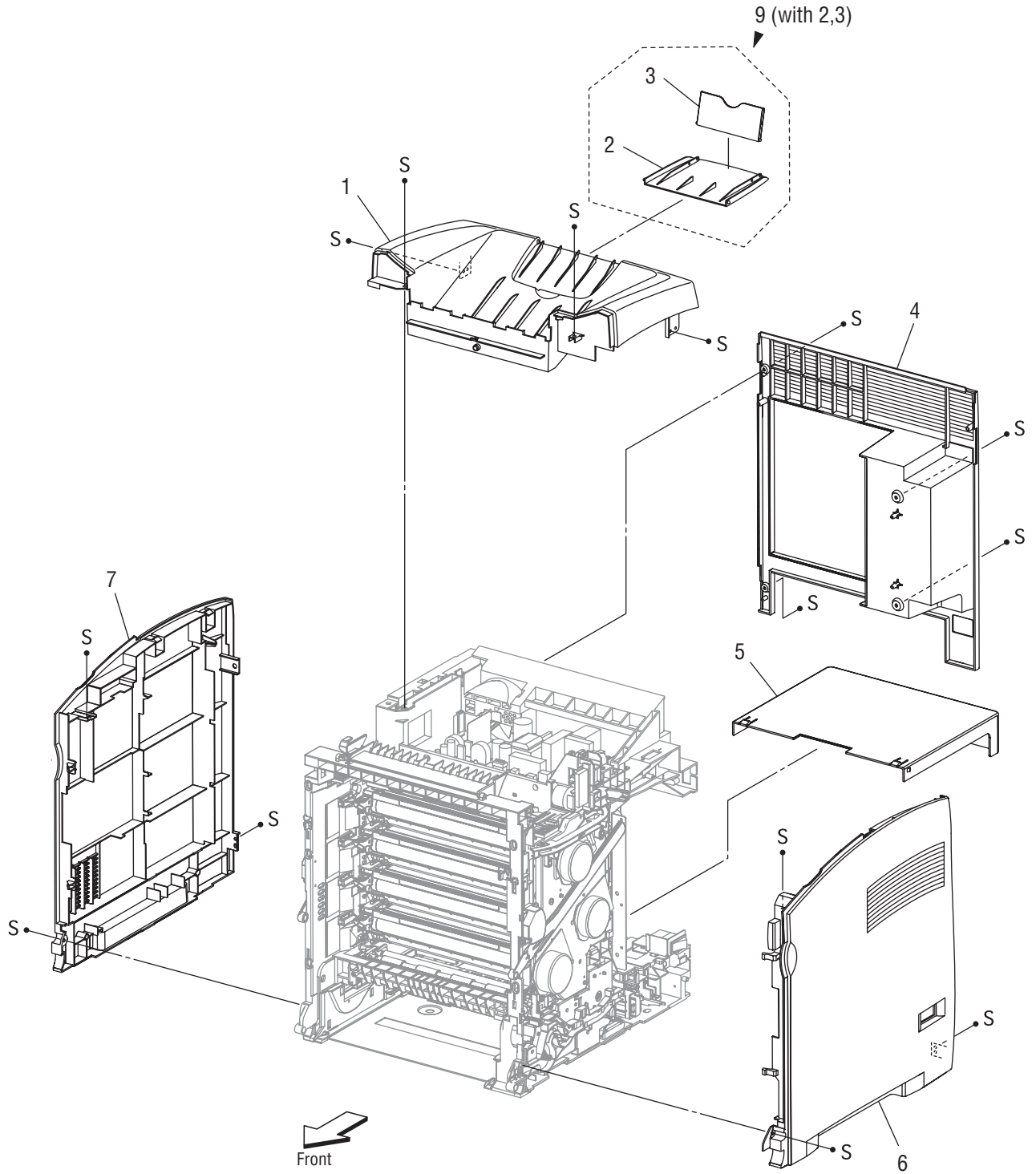
Only parts showing part numbers are available for ordering by support. Parts not showing part numbers are available on the parent assembly.

Abbreviations

Abbreviation	Meaning
C	C-ring
E	E-ring
KL	K-clip
S	Screw

Print Engine Parts

Parts List 1.1 Covers (1 of 2)

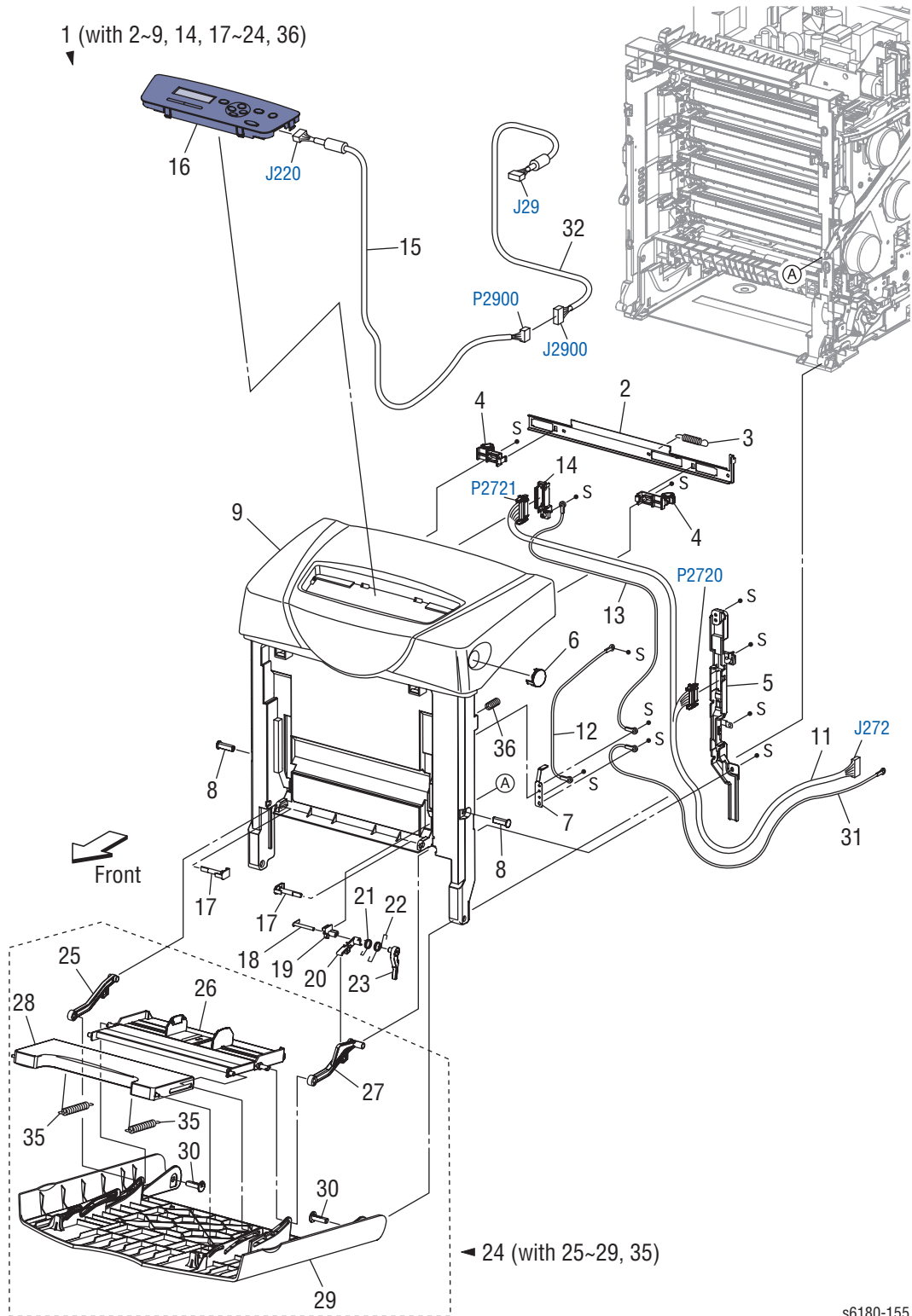


s6180-154

Parts List 1.1 Covers (1 of 2)

ID No.	Name/Description	Part Number
1.	Cover Top	802K99750
2.	Cover Extension 1	
3.	Cover Extension 2	
4.	Cover Rear	848E07961
5.	Cover CST (Tray Cover)	848E07990
6.	Cover Side Right Assy	848E07950
7.	Cover Side Left Assy	848E07940
8.	-----	
9.	Cover Assy Extender (with 2, 3)	802K97111

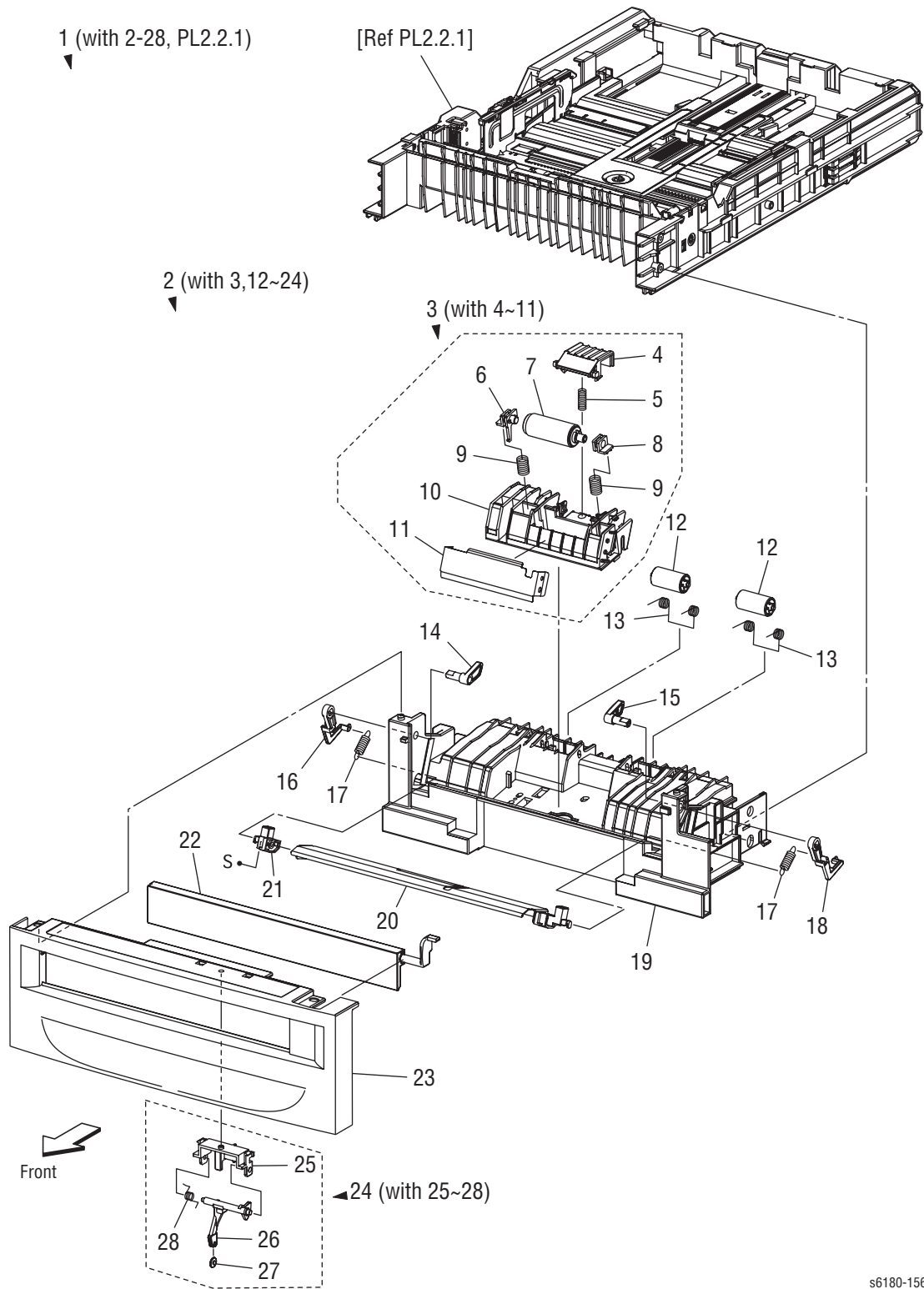
Parts List 1.2 Covers (2 of 2)



Parts List 1.2 Covers (2 of 2)

ID No.	Name/Description	Part Number
1.	Kit Cover Assy Front (with 2-9, 11-15, 18-23, 36)	675K47129
2.	Plate Latch	
3.	Spring Latch	
4.	Latch Front	
5.	Cover Harness	
6.	Button Top	
7.	Contact Front	
8.	Shaft Pivot (Pin Kit)	675K47432
9.	Cover Front Assy	
10.	-----	
11.	Harness Assy Front Cover (J272-P2720, P2721) - (Harness Kit)	604K38541
12.	Harness Assy Front Cover Earth 1 (T4321-T43210)	
13.	Harness Assy Drawer Earth (T4321-T43210)	
14.	Holder Drawer	
15.	Harness Assy Operation Panel (J220-P2900) - (Harness Kit)	604K38541
16.	Operator Panel (Control Panel)	848K01182
17.	Pin Pivot (Pin Kit)	675K47432
18.	Shaft Lever	
19.	Plate Pivot	
20.	Lever MPT 1	
21.	Spring Lever MPT	
22.	Spring Lever Link	
23.	Lever MPT 2	
24.	Cover Assy MPT (with 25-29, 35)	848K02012
25.	Link Assy MPT Left	
26.	Tray Assy MPT Base	
27.	Link Assy MPT Right	
28.	Tray MPT	
29.	Cover MPT (Tray 1 Cover/Door A)	
30.	Shaft Pivot MPT (Pin Kit)	675K47432
31.	Harness Assy Front Cover Earth 2 (T4322-T43221)	
32.	Harness Assy ESS (J29-J2900) - (Harness Kit)	604K38541
33.	Clamp RLWT-4V0 (not shown)	
34.	-----	
35.	Spring Tray	
36.	Spring	
98.	Kit Pin BKY (with 8, 17, 30 - 2pcs each)	675K47432

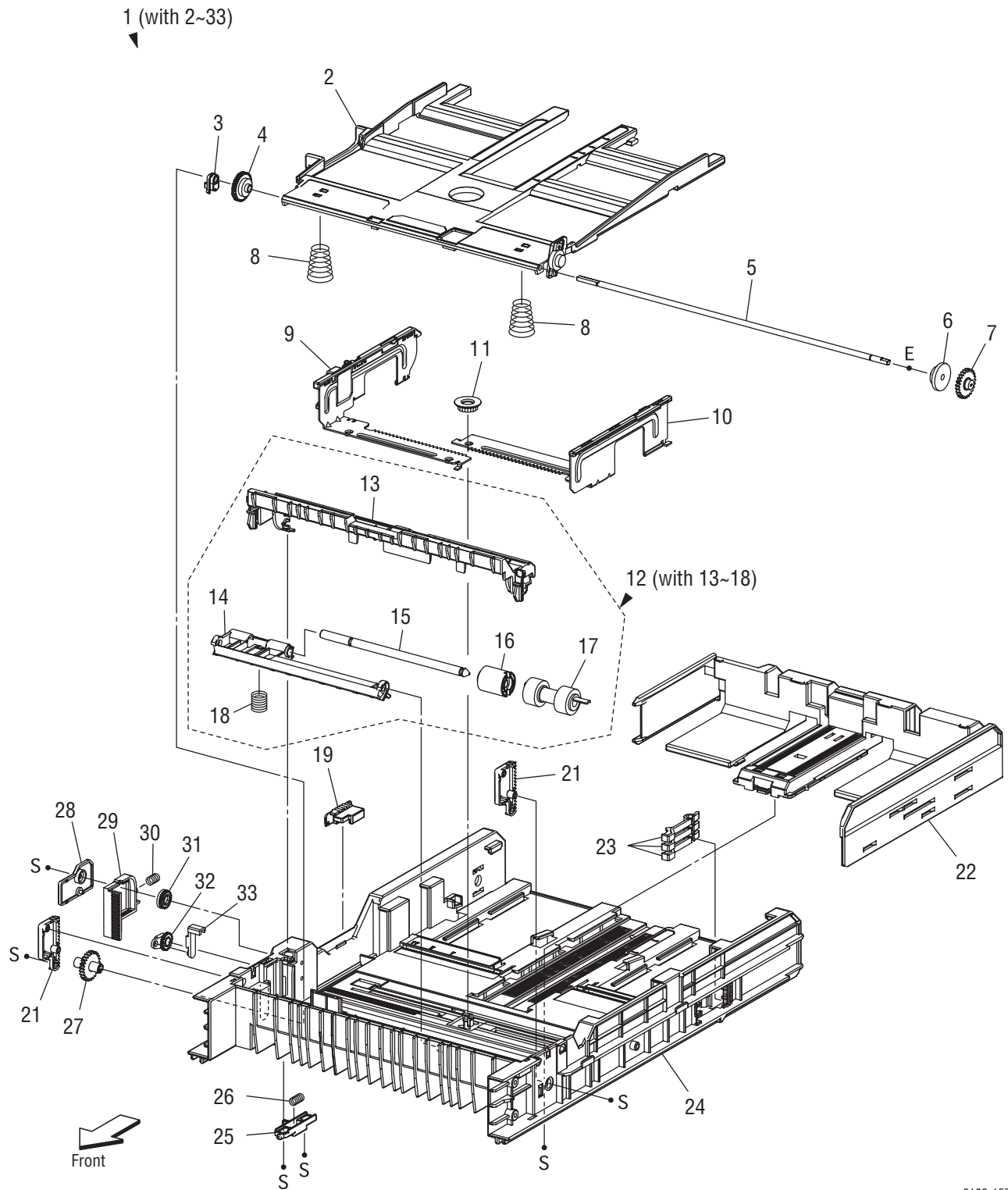
Parts List 2.1 Tray 2 (1 of 2)



Parts List 2.1 Tray 2 (1 of 2)

No.	Name/Description	Part Number
1.	Cassette Assy 250 (with 2-28, PL2.2.1) (Tray 2)	050K57912
2.	Cassette Assy Front (with 3-28) (Tray 2 Front Assy)	
3.	Kit Holder Assy Retard MPT (with 4-11)	019K09060
4.	Chute Separator	
5.	Spring Chute	
6.	Bearing Separator Left	
7.	Roll Assy Separator N	
8.	Gearing Separator Right	
9.	Spring Separator 200	
10.	Holder Separator MPT	
11.	Plate Assy Separator	
12.	Roll Pinch Turn	
13.	Spring Pinch Turn	
14.	Follower Left	
15.	Follower Right	
16.	Arm Left	
17.	Spring NF MPT	
18.	Arm Right	
19.	Housing Base FR 250	
20.	Plate Assy Bottom	
21.	Holder MPT Left	
22.	Cover Front MPT	
23.	Handle CST (Tray Handle)	
24.	Actuator Assy MPT (with 25-28)	120K92151
25.	Holder Actuator	
26.	Actuator No Paper MPT	
27.	Roll Actuator No Paper	
28.	Spring No Paper	

Parts List 2.2 Tray 2 (2 of 2)

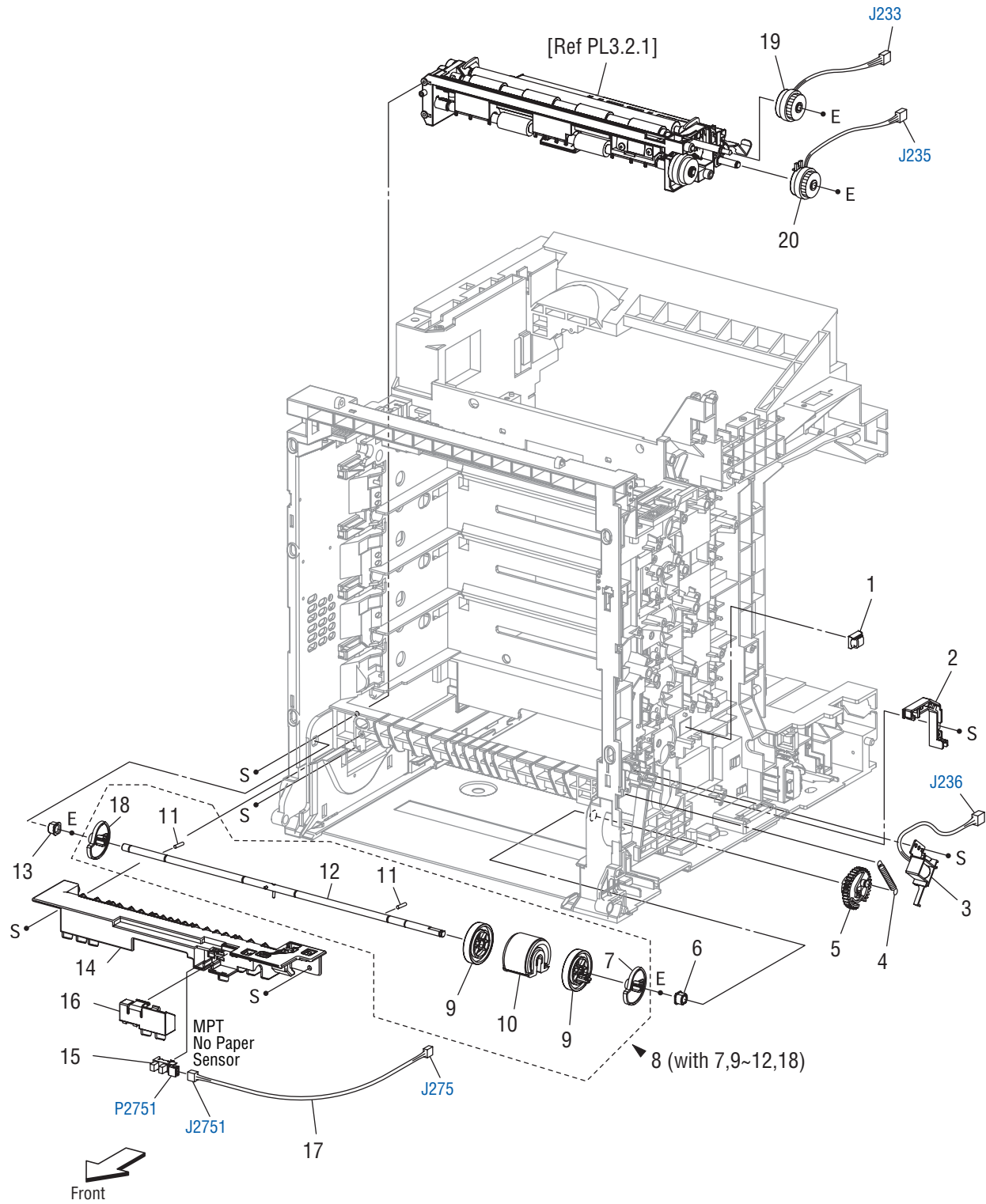


s6180-157

Parts List 2.2 Tray 2 (2 of 2)

No.	Name/Description	Part Number
1.	Cassette Assy Rear 250	
2.	Plate Assy BTM A4	
3.	Stopper PB	
4.	Gear BTM Lock Oneway	
5.	Shaft PB A4	
6.	Gear BTM DMP Oneway	
7.	Gear PB Left	
8.	Spring BTM Up 250 A4	
9.	Guide Assy Side Right 250 A4	
10.	Guide Assy Side Left 250 A4	
11.	Gear Pinion	
12.	Holder Assy Separator (with 13-18)	019K08510
13.	Cover Retard CST (Tray Retard Cover)	
14.	Holder Separator	
15.	Shaft Separator	
16.	Clutch Friction Retard	
17.	Kit, Roll Assy Retard (Separator) (Periodic Replacement Part - per 100K prints) (consists of 3 pcs and tech sheet)	675K47670
18.	Spring Separator	
19.	Switch Size Set	
20.	-----	
21.	Plate Gear Lock 250	
22.	Guide Assy Tray End 250	
23.	Actuator Size	
24.	Housing Base RE 250	
25.	Actuator Release PB	
26.	Spring Stopper Gear	
27.	Gear PB Right	
28.	Cover BTM Up 250	
29.	Rack BTM Lock 250	
30.	Spring BTM Lock	
31.	Gear BTM Lock Pinion	
32.	Gear Lever BTM Lock	
33.	Lever BTM Lock	

Parts List 3.1 Paper Feeder (1 of 2)



Parts List 3.1 Paper Feeder (1 of 2)

ID No.	Name/Description	Part Number
1.	Clamp	
2.	Duct MPT Solenoid	
3.	Kit Solenoid Feed MPT (with 4, 5)	675K35590
4.	Spring Feed MPT	
5.	Gear MPT	
6.	Bearing Earth	
7.	CAM MPT Right	
8.	Roll Assy MPT (with 7, 9-12, 18)	059K43961
9.	Roll Core MPT	
10.	Kit Roll Assy Feed MPT (with tech sheet)	675K47380
11.	Pin Dowel	
12.	Shaft MPT	
13.	Bearing	
14.	Chute MPT	
15.	Sensor Photo (Tray 1 No Paper Sensor)	930W00113
16.	Cover Sensor	802E89292
17.	Harness Assy MPT NPP (J275-J2751) - (Harness Kit)	604K38550
18.	CAM MPT Left	
19.	Clutch Assy PH Regi	
20.	Clutch Assy PH Feeder	

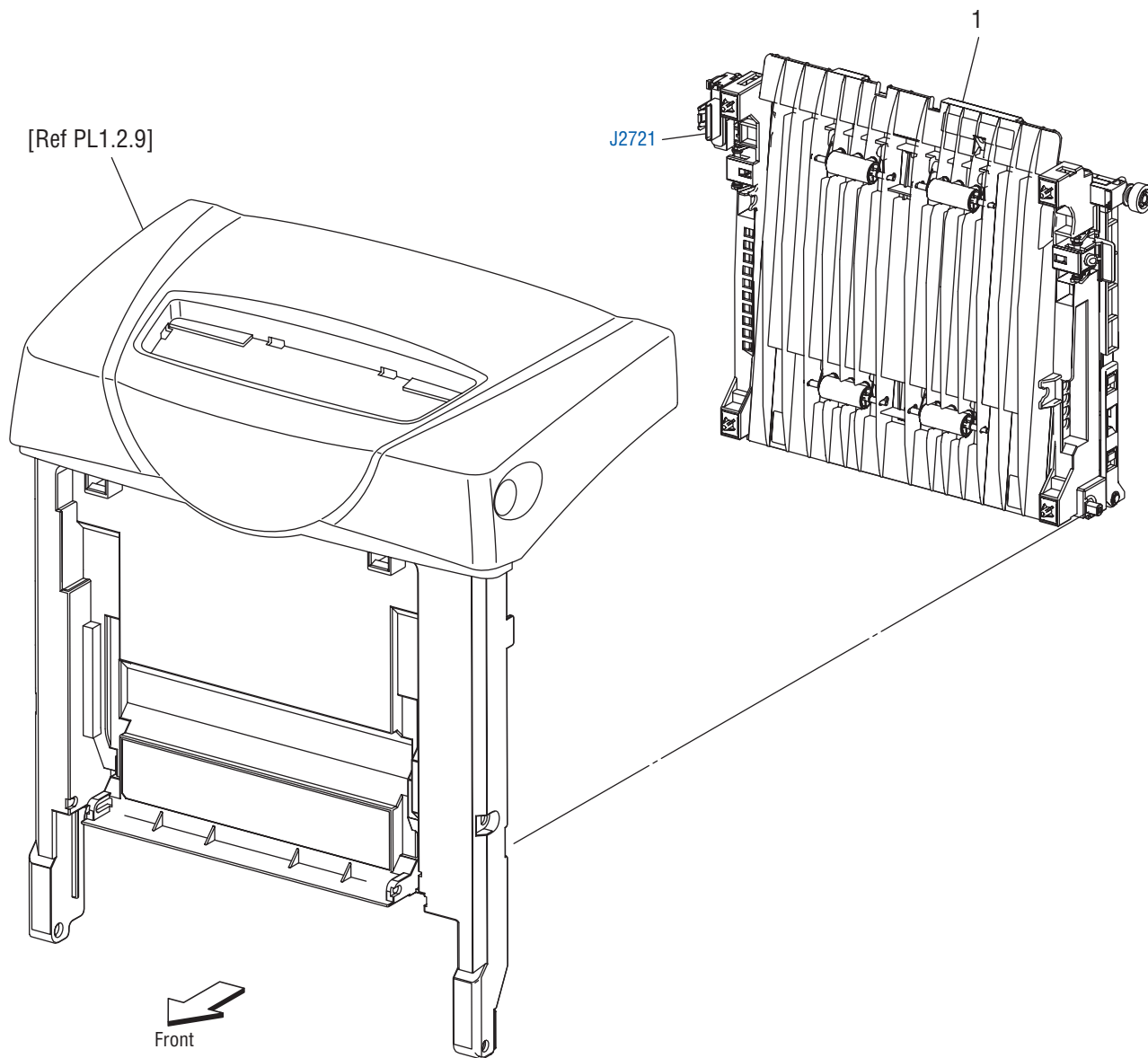
Parts List 3.2 Paper Feeder (2 of 2)

ID No.	Name/Description	Part Number
1.	Kit Feeder Assy (with 2, 11, 21, 25-28, 32, 33, 37, 42, 51-59, PL3.1.19-20)	675K47543
2.	Chute Assy Regi (with 3-21, 60)	
3.	Bracket NIP	
4.	Spring Regi Left	
5.	Spring Regi Right	
6.	Roll Regi Metal	
7.	Roll Regi Rubber	
8.	Film Inlet Left	
9.	Gear Regi Metal	
10.	Gear Regi Rubber	
11.	Bearing Regi	
12.	Chute Regi	
13.	Actuator A	
14.	Spring Regi Sensor A	
15.	Actuator B	
16.	Spring Regi Sensor B	
17.	Cover Actuator	
18.	Chute Separator BTM	
19.	Clamp Mini-Saddle	
20.	Clamp	
21.	Bearing Regi E	
22.	-----	
23.	-----	
24.	-----	
25.	Clutch Assy PH Turn	
26.	Bearing Nudger	
27.	Spring Earth	
28.	Chute Assy Regi Upper (with 29, 30)	
29.	Chute Regi Upper	
30.	Sensor Photo (Regi Sensor, Tray No Paper Sensor)	
31.	-----	
32.	Roll Assy Turn	
33.	Chute Assy Top (with 30, 34, 35)	
34.	Holder No Sensor	
35.	Chute Assy Separator	
36.	Clamp	
37.	Harness Assy Regi Sensor (J232-J2321, J2322) - (Harness Kit)	604K38550
38.	-----	
39.	-----	
40.	-----	

Parts List 3.2 Paper Feeder (2 of 2)

ID No.	Name/Description	Part Number
41.	-----	
42.	Shaft Feed	
43.	-----	
44.	Support Nudger Assy	
45.	Shaft Nudger	
46.	Roll Assy Gear Nudger	
47.	Gear Idler Nudger	
48.	Holder No Paper Left A4	
49.	Actuator No Paper A4	
50.	Holder No Paper Right A4	
51.	Clutch Oneway Nudger	
52.	Clutch Oneway Feed	
53.	Roll Assy Feed (Periodic Replacement Part - per 100K prints) (consist of 3 pcs and tech sheet)	675K47670
54.	PWBA OHP LED (Not used on 6180)	
55.	Cover OHP Sensor	
56.	PWBA OHP Sensor (Not used on 6180)	
57.	Harness Assy OHP Sensor (J241-J2411, J2412)	
58.	Harness Assy OHP (J24-P241)	
59.	Nudger Assy (with 44-50)	068K29482
60.	Guide Film	

Parts List 4.1 Transfer Unit



s6180-160

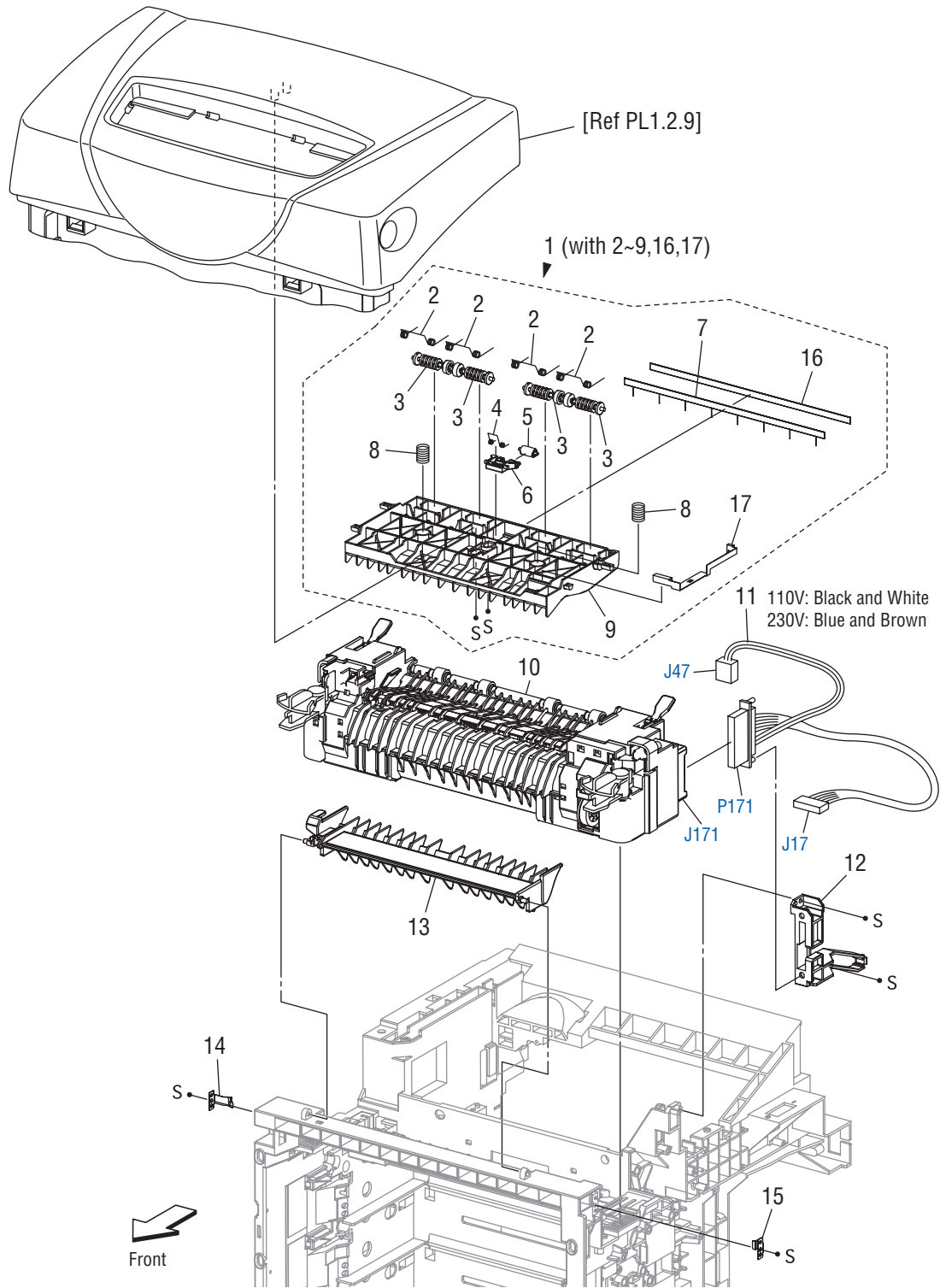
Parts List 4.1 Transfer

ID No.	Name/Description	Part Number
1.	Kit Belt CRU (Transfer Unit) (Periodic Replacement Part - per 100K prints)	675K47084

Parts List 5.1 Xerographics

ID No.	Name/Description	Part Number
1.	Spring ROS (Laser Unit Spring)	
2.	ROS Assy (with 1x2) (Laser Unit)	604K36193
3.	Connector CRUM	
4.	Sensor Assy CRU (with 5-8)	130K69871
5.	Actuator Sensor CRU	
6.	Spring CRU	
7.	Bracket Sensor CRU	
8.	Sensor Photo (Print Cartridge Sensor)	
9.	Spring Guide	
10.	Spring CRU Right	
11.	Spring CRU Left	
12.	Dispenser Assy	094K91880
13.	Bias Assy	
14.	Spring ESA Roll	
15.	LED Assy	122K93900
16.	Duct Harness Motor	
17.	HVPS	105K22440
18.	Cartridge Assy (Print Cartridge) (K) (Periodic Replacement Part - per 8K prints)	113R00726
	Cartridge Assy (Print Cartridge) (K) (Periodic Replacement Part - per 3K prints)	113R00722
19.	Cartridge Assy (Print Cartridge) (C) (Periodic Replacement Part - per 6K prints)	113R00723
	Cartridge Assy (Print Cartridge) (C) (Periodic Replacement Part - per 2K prints)	113R00719
20.	Cartridge Assy (Print Cartridge) (M) (Periodic Replacement Part - per 6K prints)	113R00724
	Cartridge Assy (Print Cartridge) (M) (Periodic Replacement Part - per 2K prints)	113R00720
21.	Cartridge Assy (Print Cartridge) (Y) (Periodic Replacement Part - per 6K prints)	113R00725
	Cartridge Assy (Print Cartridge) (Y) (Periodic Replacement Part - per 2K prints)	113R00721
22.	Core (Ferrite Core)	

Parts List 6.1 Fuser & Exit

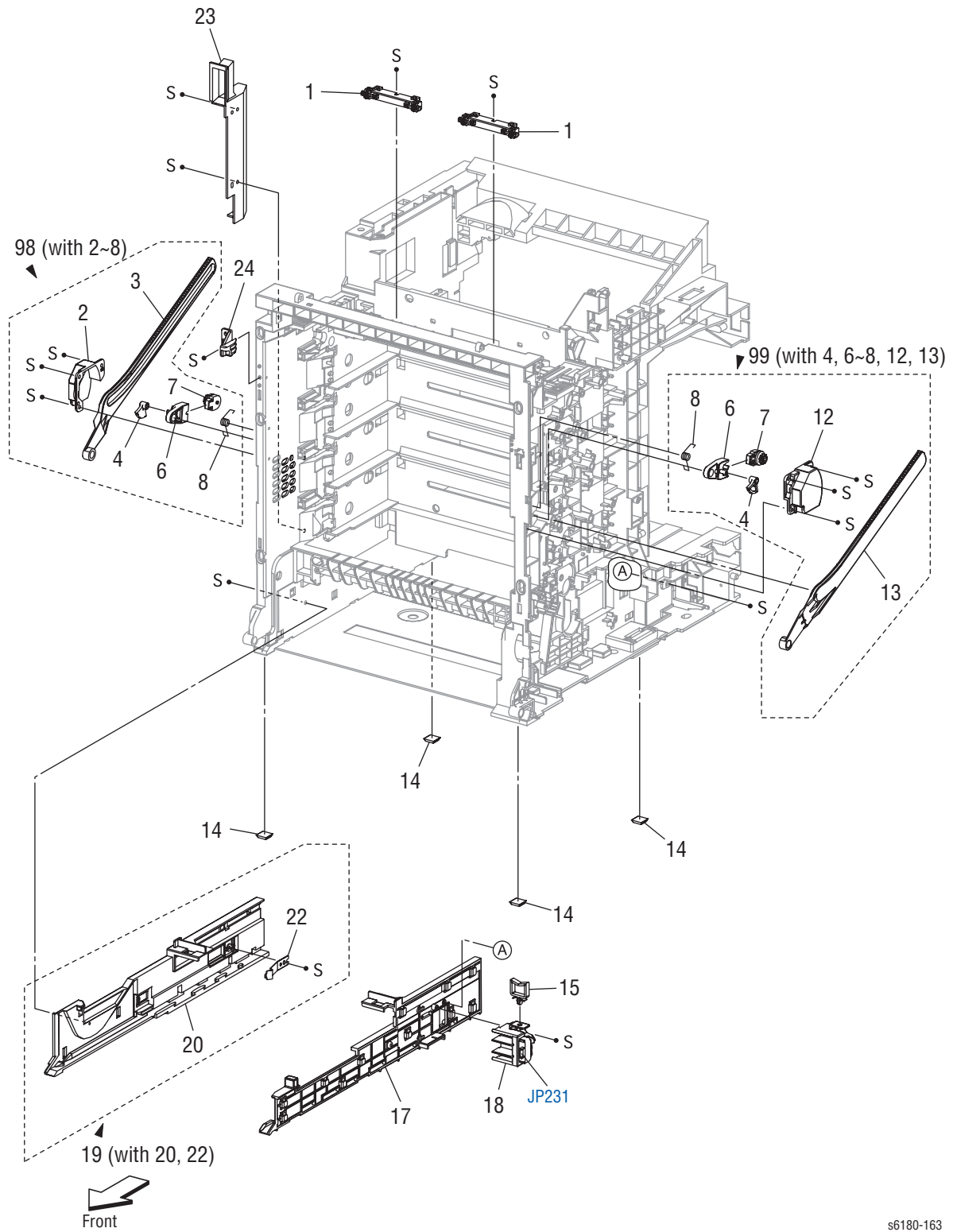


s6180-162

Parts List 6.1 Fuser & Exit

ID No.	Name/Description	Part Number
1.	Chute Assy Exit Out (with 2-9, 16, 17) (attached on PL 01.02.09)	054K30850
2.	Spring Pinch Exit Out	
3.	Roll Pinch Exit	
4.	Spring CORR	
5.	Roll Corrugate	
6.	Holder CORR 2	
7.	Eliminator Exit 1	
8.	Spring Chute Out	
9.	Chute Exit Out 20	
10.	Fuser Assy KMY 115V (Periodic Replacement Part - per 100K prints)	675K47094
	Fuser Assy KMY 230V (Periodic Replacement Part - per 100K prints)	675K47105
11.	Harness Assy Fuser (P171-J17, J47) - 100V/115V - (Harness Kit, Black & White)	604K38550
	Harness Assy Fuser (P171-J17, J47) - 230V - (Harness Kit, Blue & Brown)	604K38550
12.	Bracket Fuser	
13.	Chute Dup Gate	675K53460
14.	Plate Latch FSR AD	
15.	Plate Latch FSR D	
16.	Tape Eliminator	
17.	Plate Earth Exit	

Parts List 7.1 Frame

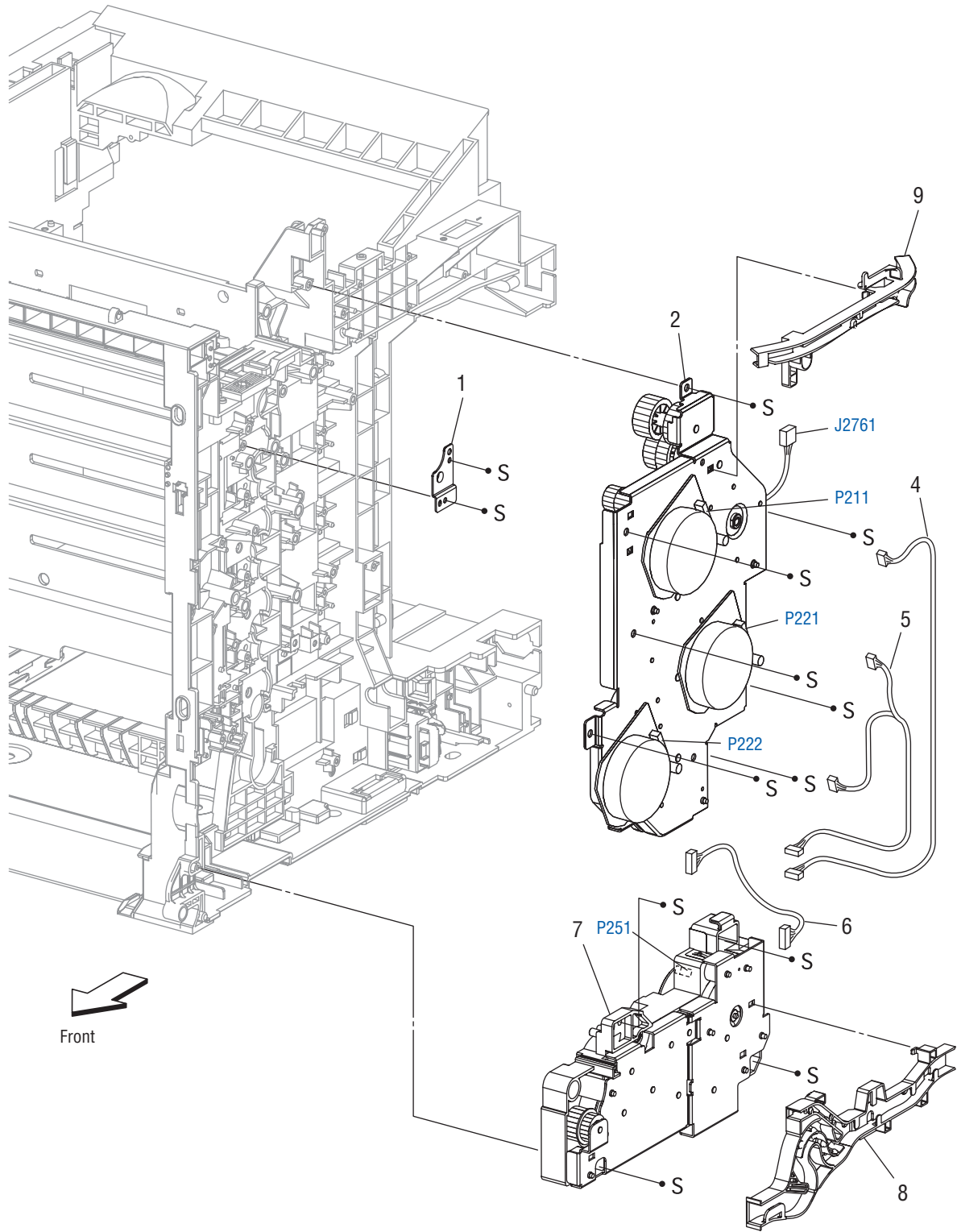


s6180-163

Parts List 7.1 Frame

ID No.	Name/Description	Part Number
1.	Wheel Star Assy	019K08450
2.	Link Assy Left (Kits)	
3.	Link Latch Trans (Kits)	
4.	Lever Release (Kits)	
5.	-----	
6.	Holder Damper H (Kits)	
7.	Damper Oil H (Kits)	
8.	Spring Support	
9.	-----	
10.	-----	
11.	-----	
12.	Link Assy Right (Kits)	
13.	Link Right	
14.	Kit Foot Assy (4 pcs)	675K35450
15.	Clamp WS-2W-V0	
16.	-----	
17.	Guide Tray Right 250	
18.	Switch Assy Size	110K12820
19.	Guide Tray Assy Left 250 (with 20, 22)	
20.	Guide Tray Left 250	
21.	-----	
22.	Spring Tray Lock	
23.	Duct Side Left	
24.	Stopper Frame Left	
98.	Kit Link Assy Left (with 2-8)	675K35433
99.	Kit Link Assy Right (with 4, 6-8, 12, 13)	675K48080

Parts List 8.1 Drive

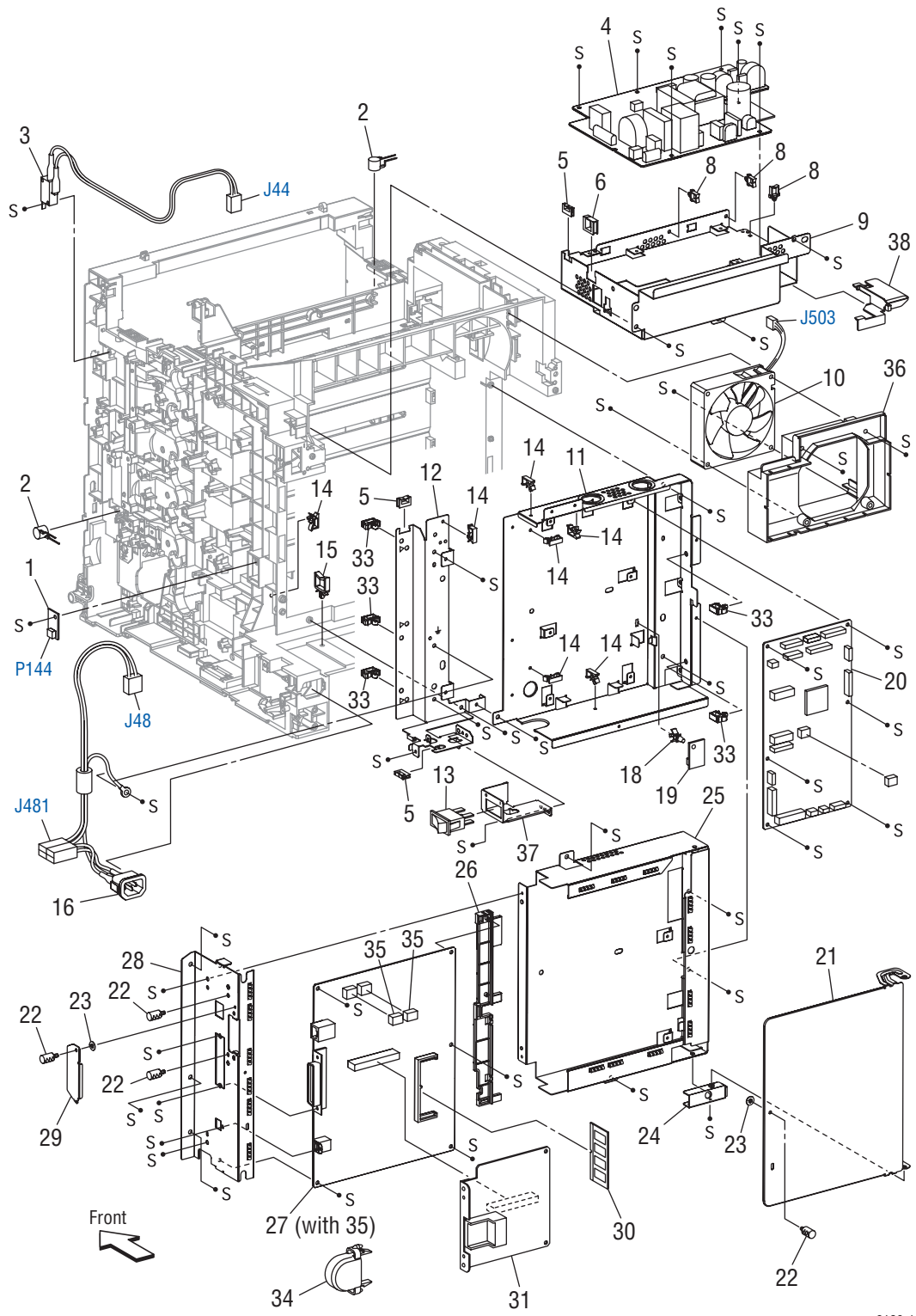


s6180-164

Parts List 8.1 Drive

ID No.	Name/Description	Part Number
1.	Bracket Gear T1	
2.	Drive Assy Main	675K45142
3.	-----	
4.	-----	
5.	-----	
6.	-----	
7.	Drive Assy PH	675K47390
8.	Duct Drive PH	
9.	Duct Drive Main	

Parts List 9.1 Electrical

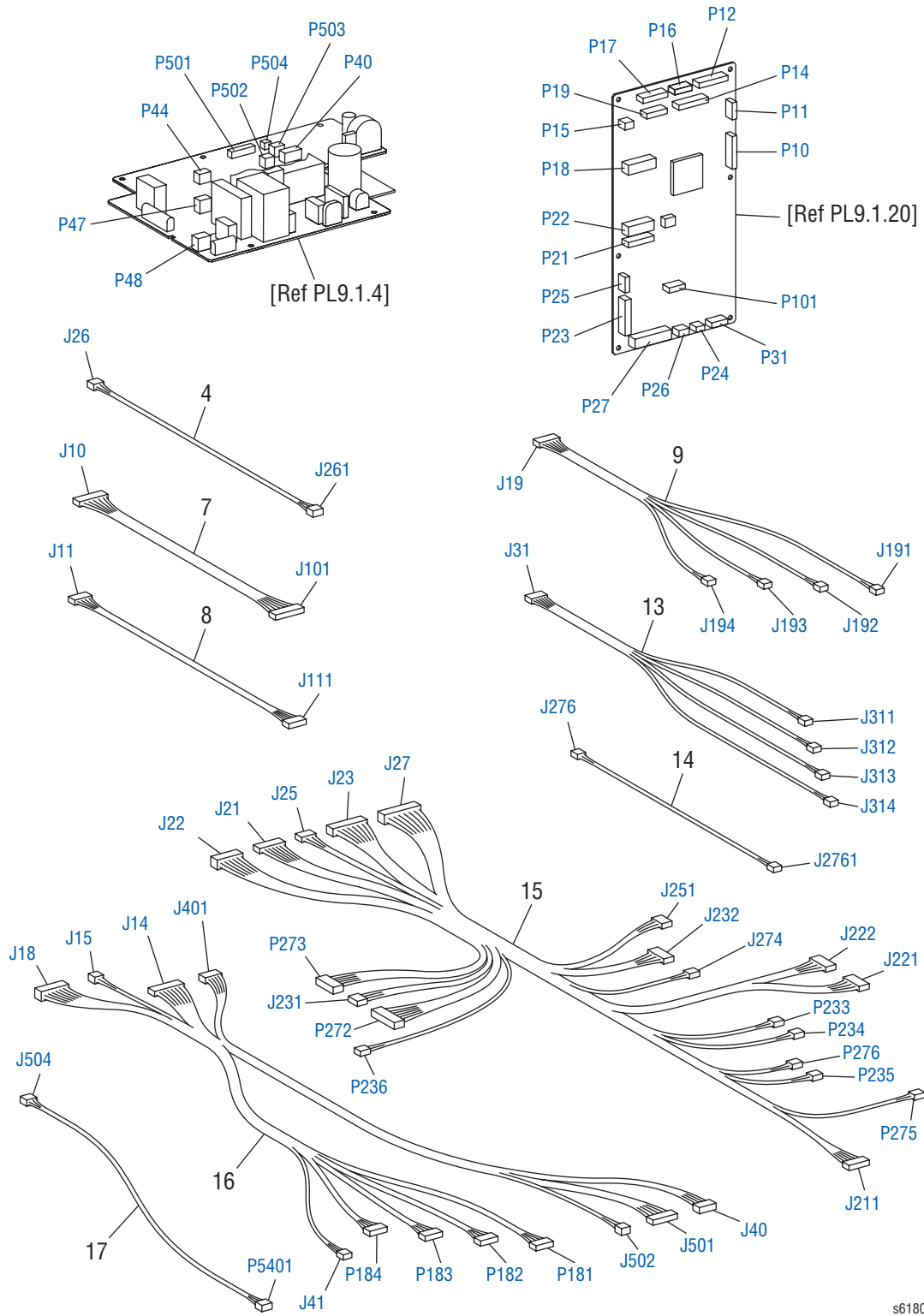


s6180-165

Parts List 9.1 Electrical

ID No.	Name/Description	Part Number
1.	PWBA EEPROM (XPRO)	960K17290
2.	Varistor	
3.	Harness Assy Interlock (Harness Kit)	604K38550
4.	LVPS KMY 100/115V	105K22420
	LVPS KMY 230V	105K22430
5.	Edge Saddle ES-0510	
6.	Edge Saddle LENS-1010	
7.	-----	
8.	Clamp RMS-3V0	
9.	Shield LVPS	
10.	Fan Main	127E84800
11.	Shield MCU	
12.	Plate Rear RH	
13.	Switch Power - (Harness Kit)	604K38560
14.	Clamp MST-10V0	
15.	Clamp WS-2W-V0	
16.	Harness Assy Inlet (J48-J481) - (Harness Kit)	604K38560
17.	Power Cord (not shown)	117E35170
18.	Spacer RCBT-11S	
19.	Sensor Humidity (Temperature Sensor)	130E87990
20.	PWBA MCU KMY	960K26322
21.	Shield Window	
22.	Screw Knurling	
23.	Washer	
24.	Bracket Pivot	
25.	Shield Assy ESS (Shield Controller Assembly)	
26.	Guide ESS (Controller Guide)	
27.	PWBA ESS (with 35) (Image Processor Board)	960K26232
28.	Shield Assy IF	
29.	Plate Opt	
30.	512 MB DDR2 Memory (1x 512 MB)	604K48400
	256 MB DDR2 Memory (1x 256 MB)	604K48180
31.	Multi-Protocol Network Card	675K47113
32.	Clamp RLWC-1SV0	
33.	Cover USB (Option)	
34.	NVM ROM	
35.	Duct Fan Main	
36.	Bracket SW	
37.	Duct ROS Guard	

Parts List 10.1 Wiring Harness



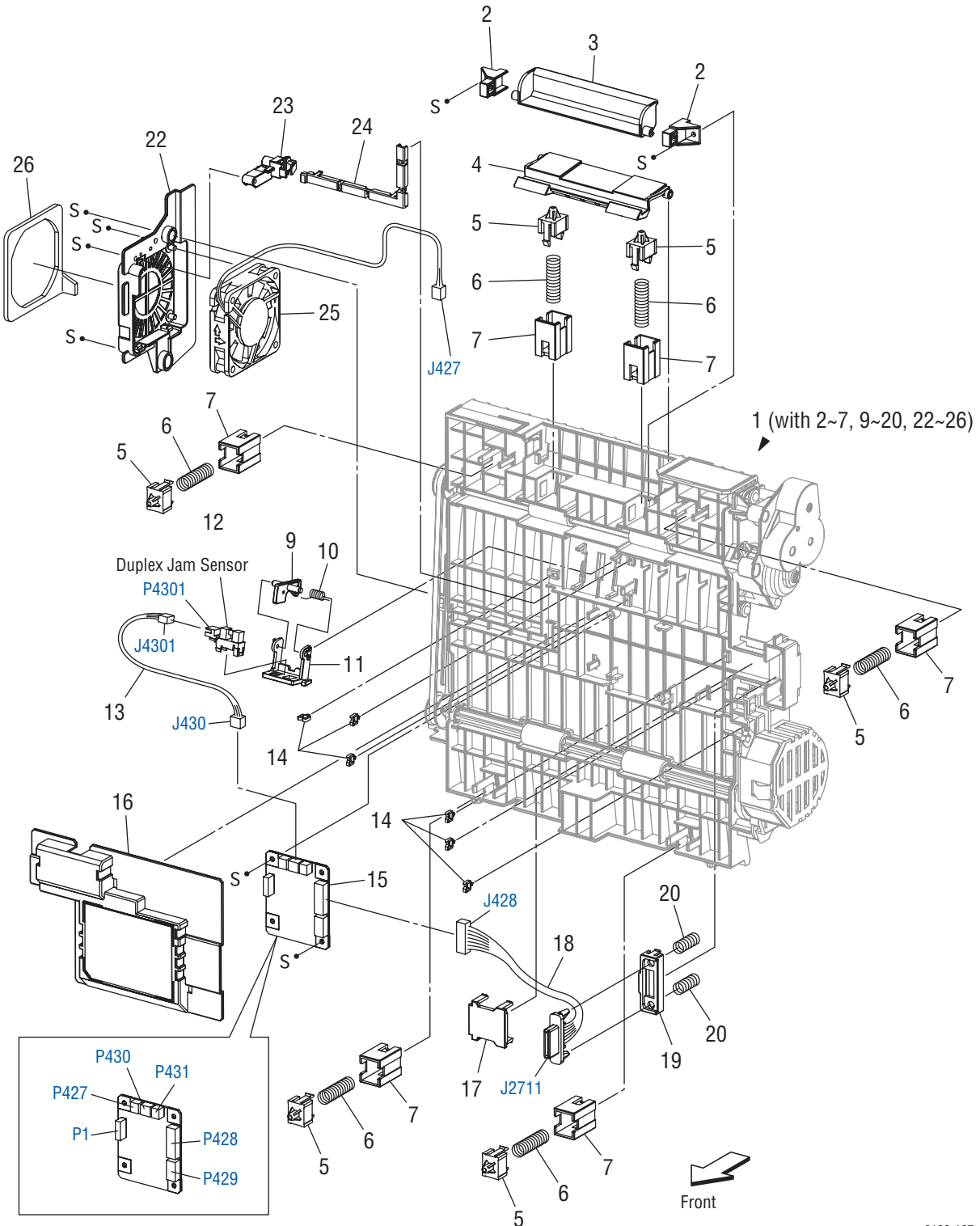
s6180-166

Parts List 10.1 Wiring Harness

ID No.	Name/Description	Part Number
1.	-----	
2.	-----	
3.	-----	
4.	Harness Assy Humidity (J26-J261) - (Harness Kit)	604K38560
5.	-----	
6.	-----	
7.	Harness Assy ESS (J10-J101) - (Harness Kit)	604K38560
8.	Harness Assy Video (J11-J111) - (Harness Kit)	604K38560
9.	Harness Assy TNR SNR (J19-J191, J192, J193, J194) - (Harness Kit)	604K38560
10.	-----	
11.	-----	
12.	-----	
13.	Harness Assy CRUM (J31-J311, J312, J313, J314) - (Harness Kit)	604K38560
14.	Harness Assy Exit CLT (J276-J2761) - (Harness Kit)	604K38550
15.	Harness Assy Right Side (J21, J22, J23, J25, J27-J211, J221, J222, J231, J232, P233, P234, P235, P236, J251, P272, P273, J274, P275, P276)	962K42112
16.	Harness Assy LV Top (J14, J15, J18, J401-J141, P181, P182, P183, P184, J40, J501, J502)	962K42101
17.	Harness Assy RLY (J504-J5401)	

Options

Parts List 11.1 Duplex



s6180-167

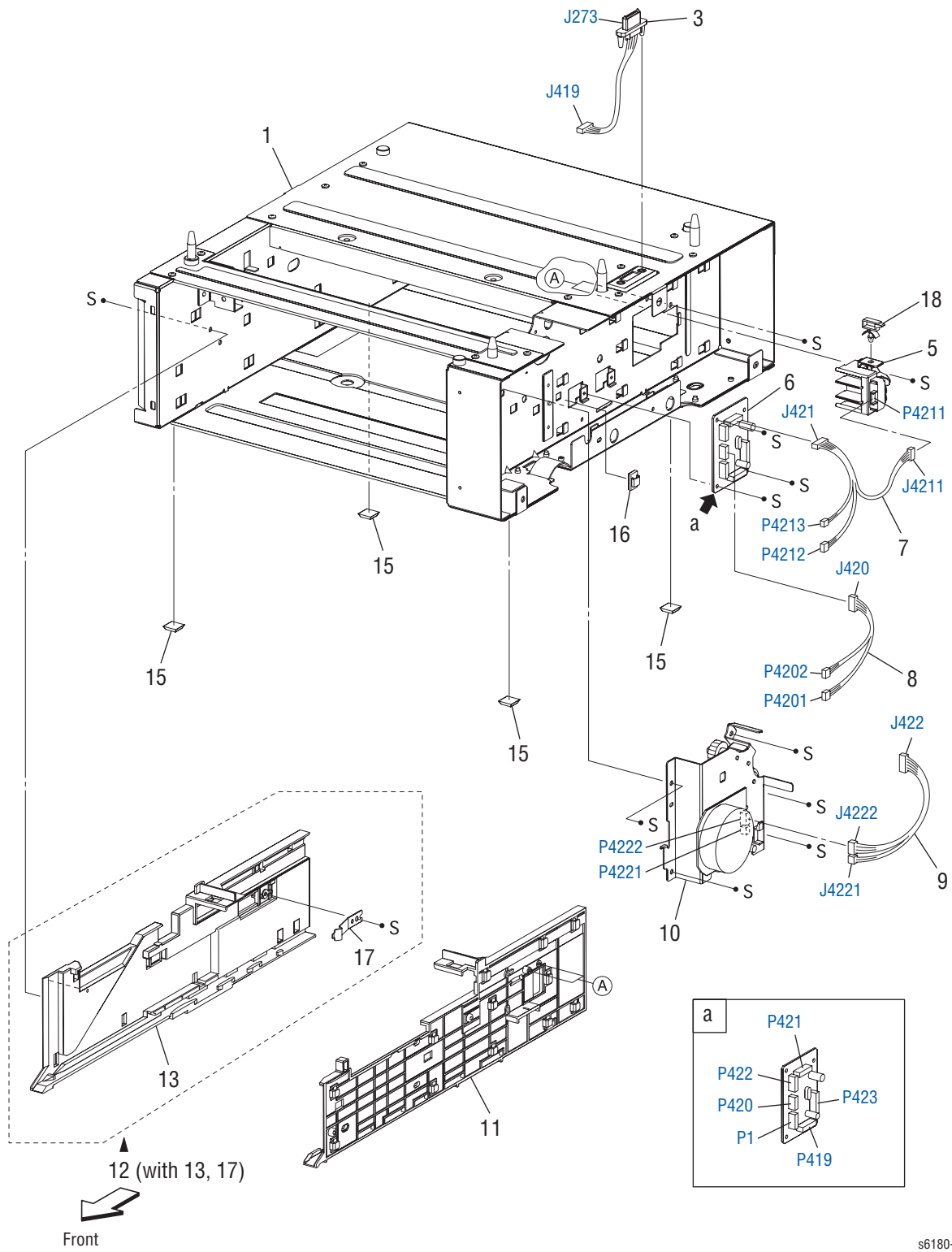
Parts List 11.1 Duplex

ID No.	Name/Description	Part Number
1.	Kit Duplex Module (with 2-7, 9-20, 22-26)	675K47078
2.	Stopper Latch Pivot	
3.	Handle Latch Duplex	
4.	Latch Duplex	
5.	Holder Main	
6.	Spring Chute Duplex	
7.	Bracket Holder Duplex	
8.	-----	
9.	Actuator Duplex	
10.	Spring Sensor Duplex	
11.	Holder Sensor Duplex	
12.	Sensor Photo (Duplex Jam Sensor)	
13.	Harness Assy Duplex Sensor (J430-J4301)	
14.	Clamp Mini	
15.	PWBA Duplex	
16.	Cover PWBA Duplex	
17.	Cover Connect Duplex	
18.	Harness Assy Duplex Unit (J428-J2711)	
19.	Holder Connect Duplex	
20.	Spring Connect Duplex	
21.	-----	
22.	Bracket Fan Duplex	
23.	Cover Harness Fan	
24.	Cover Harness Chute	
25.	Fan Duplex	
26.	Seal Duplex	

Parts List 12.1 Optional 550-Sheet Feeder - Tray 3 (1 of 3)

ID No.	Name/Description	Part Number
1.	550 Option Feeder (with 2, 5-7, PL12.2-12.5)	675K47066
2.	Cover Left	
3.	Screw Joint	
4.	Cover Tray 550	
5.	Clutch Assy PH Turn	
6.	Clutch Assy PH Feed	
7.	Cover Right	
8.	Feed Assy Option	05948273
9.	Roll Assy Feed (Periodic Replacement Part - per 100K prints)	PL2.2.17

Parts List 12.2 Optional 550-Sheet Feeder - Tray 3 (2 of 3)

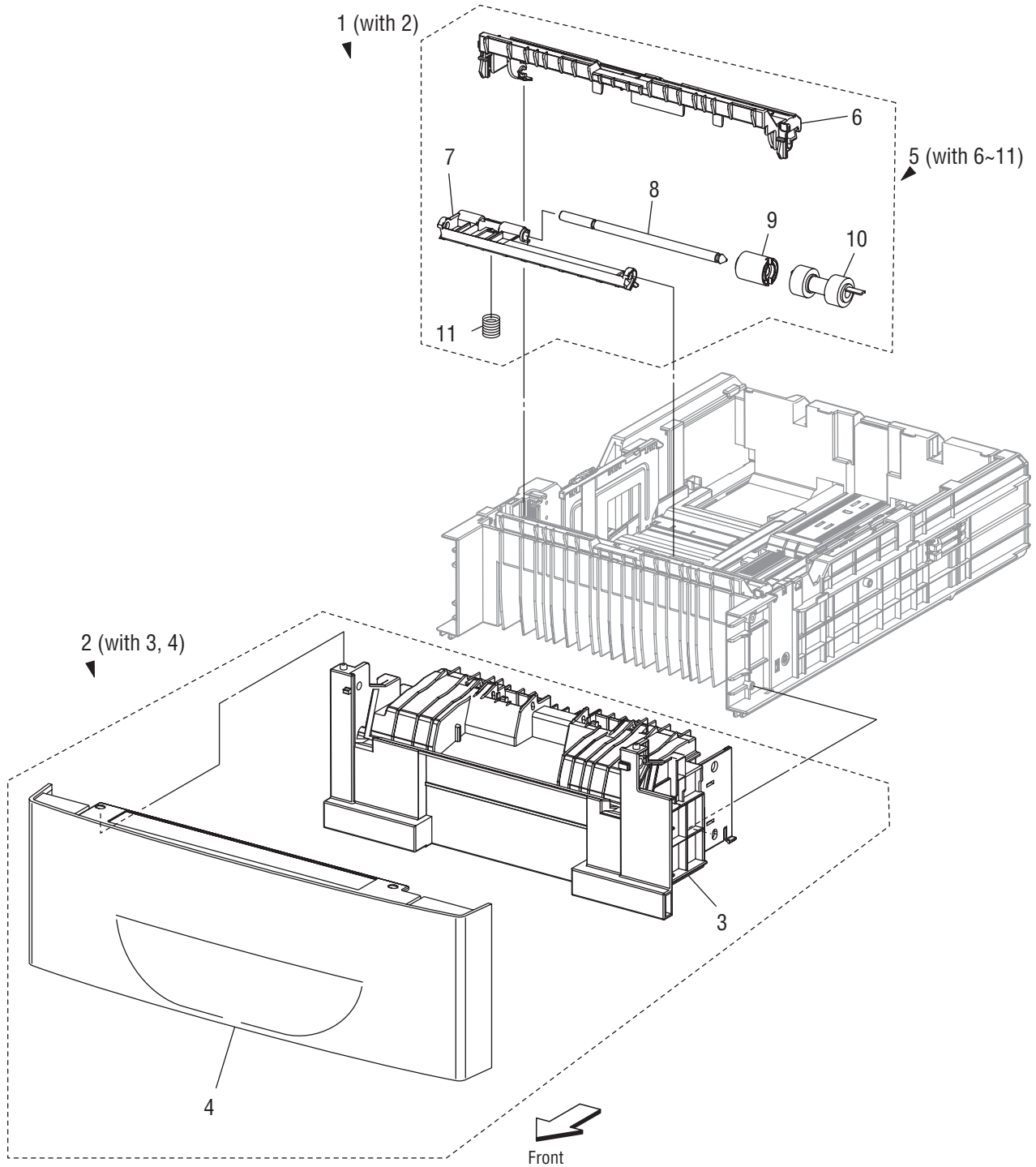


s6180-170

Parts List 12.2 Optional 550-Sheet Feeder - Tray 3 (2 of 3)

ID No.	Name/Description	Part Number
1.	Frame Assy Option	
2.	-----	
3.	Harness Assy Feeder Unit (J273-J419)	
4.	-----	
5.	Switch Assy Size Option	
6.	PWBA Option Feeder (Tray 3 Feeder Board)	
7.	Harness Assy C2 Chute (J421-J4211, P4212, P4213)	
8.	Harness Assy C2 Turn (J420-P4201, P4202)	
9.	Harness Assy C2 Motor (J422-J4221, J4222)	
10.	Drive Assy Option Feeder	
11.	Guide Tray Right 550	
12.	Guide Tray Assy 550 Left (with 13, 17)	
13.	Guide Tray Left 550	
14.	-----	
15.	Foot	675K35450
16.	Clamp Mini	
17.	Spring Tray Lock	
18.	Clamp Locking	

Parts List 12.3 Optional 550-Sheet Feeder - Tray 3 (3 of 3)



s6180-172

Parts List 12.3 550-Sheet Feeder - Tray 3 (3 of 3)

ID No.	Name/Description	Part Number
1.	Cassette Assy 550 Option (Tray 3) (with 2)	050K57921
2.	Cassette Assy Front 550 Option (with 3, 4) (Tray 3 Front Assy)	
3.	Housing Base FR 550 (Tray 3 Housing Base)	
4.	Handle CST 550 Option (Tray 3 Handle)	
5.	Holder Assy Separator (with 6-11)	
6.	CVR RTD CST (Tray 3 Retard Cover)	
7.	Holder Separator	
8.	Shaft Separator	
9.	Clutch Friction RET (Clutch Friction Retard)	
10.	Roll Assy Retard (Periodic Replacement Part - per 100K prints)	657K47670
11.	Sprint Separator	

Xerox Supplies and Accessories

World Kit/Documentation

Description	Part Number
World Kit	650K27620

Consumable and Maintenance Items

Parts List Reference	Description	Part Number
PL2.2.17 PL3.2.53 PL12.3.10	Kit, Roll Assy Feed (100K)	675K47670
PL4.1.1	Kit Belt CRU (Transfer Unit) (100K)	675K47084
PL6.1.10	Fuser Assy - 115V (100K)	675K47094
	Fuser Assy - 230V (100K)	675K47105
PL5.1.18	Print Cartridge (K), High Capacity (8K)	113R00726
	Print Cartridge (K), Standard Capacity (3K)	113R00722
PL5.1.19	Print Cartridge (C), High Capacity (6K)	113R00723
	Print Cartridge (C), Standard Capacity (2K)	113R00719
PL5.1.20	Print Cartridge (M), High Capacity (6K)	113R00724
	Print Cartridge (M), Standard Capacity (2K)	113R00720
PL5.1.21	Print Cartridge (Y), High Capacity (6K)	113R00725
	Print Cartridge (Y), Standard Capacity (2K)	113R00721

Options

Parts List Reference	Description	Part Number
PL9.1.30	512 MB DDR2 Memory (1x 512 MB)	604K48400
	256 MB DDR2 Memory (1x 256 MB)	604K48180
PL9.1.31	Multi-Protocol Network Card	675K47113
PL11.1.1	Kit Duplex Unit	675K47078
PL12.1.1	550-Sheet Feeder	675K47066, PL12.2-12.3

Power Cords

Description	Part Number
Power Cord, North America (NEMA 5-15), 125 V, 13A	117E35170
Power Cord, Italy, 230 V	117E29450
Power Cord, Denmark, 230 V	117E29460
Power Cord, India/South Africa, 230 V	117E29470
Power Cord, Israel, 230 V	117E29480
Power Cord, Australia, 230 V	117E29490
Power Cord, Euro, 230 V	117E29500
Power Cord, UK, 240 V	117E29510
Power Cord, China, 220 V	117E35030
Power Cord, Argentina, 220 V	117E35040
Power Cord, Switzerland, 230 V	117E35050

Service Kits

Service Kits are developed to provide an easy means to obtain spare parts normally associated with larger assemblies. A number of Service Kits have been developed for the Phaser 6180. The following tables list the contents for each kit.

Kits

Pin Kit

Parts List Reference	Description	Part Number
99.99.95	Kit Pin BKY	675K47432
<i>PL 1.2.98</i>	<i>Kit Pin BKY (with 8, 17, 30 - 2pcs each)</i>	

Hardware Kit

Parts List Reference	Description	Part Number
99.99.99	Hardware Kit	604K34030
	<i>Screw, Bind Head Del (1)</i>	
	<i>Screw, 8 mm Plastic (1)</i>	
	<i>Screw, Tap Bind Head (1)</i>	
	<i>Screw, M3x6 B (1)</i>	
	<i>Screw, DT3x8 B (1)</i>	
	<i>E-Ring, 3 mm (1)</i>	
	<i>E-Ring, 4 mm (1)</i>	

Packaging Kit

Parts List Reference	Description	Part Number
	Packaging Kit	604K48130

Harness Kits

Parts List Reference	Description	Part Number
99.99.96	Kit Harness Front Cover STD	604K38541
<i>PL 1.2.11</i>	<i>Harness Assy Front Cover (J272-P2720, P2721)</i>	
<i>PL 1.2.15</i>	<i>Harness Assy Operation Panel (J220-P2900)</i>	
<i>PL 1.2.32</i>	<i>Harness Assy ESS (P29-J2900)</i>	
<i>PL 3.2.99</i>	<i>Kit Feeder Assy (with 1, PL3.2.1, 19-20)</i>	
99.99.97	Kit Harness Feeder/Fuser/Interlock STD	604K38550
<i>PL 3.1.17</i>	<i>Harness Assy MPT NPP (J275-J2751)</i>	
<i>PL 3.2.37</i>	<i>Harness Assy Regi Sensor (J232-J2321, J2322)</i>	
<i>PL 6.1.11</i>	<i>Harness Assy Fuser (P171-J17, J47), 100V/115V</i>	
<i>PL 6.1.11</i>	<i>Harness Assy Fuser (P171-J17, J47), 230V</i>	
<i>PL 9.1.03</i>	<i>Harness Assy Interlock</i>	
<i>PL 10.1.14</i>	<i>Harness Assy Exit CLT (J276-J2761)</i>	
99.99.98	Kit Harness Power Switch STD	604K38560
<i>PL 9.1.13</i>	<i>Power Switch</i>	
<i>PL 9.1.16</i>	<i>Harness Assy Inlet, 100 V (J48-J481)</i>	
<i>PL 9.1.16</i>	<i>Harness Assy Inlet, 200 V (J48-J481)</i>	
<i>PL 10.1.4</i>	<i>Harness Assy Humidity (J26-J261)</i>	
<i>PL 10.1.7</i>	<i>Harness Assy ESS (J10-J101)</i>	
<i>PL 10.1.8</i>	<i>Harness Assy Video (J11-J111)</i>	
<i>PL 10.1.9</i>	<i>Harness Assy Toner Sensor (J19-J191, J192, J193, J194)</i>	
<i>PL 10.1.13</i>	<i>Harness Assy CRUM (J31, J311, J312, J313, J314)</i>	