

# Parts List

## In this chapter...

- Serial Number Format
- Using the Parts List
- Parts Lists
- Xerox Supplies and Accessories
- Service Kits

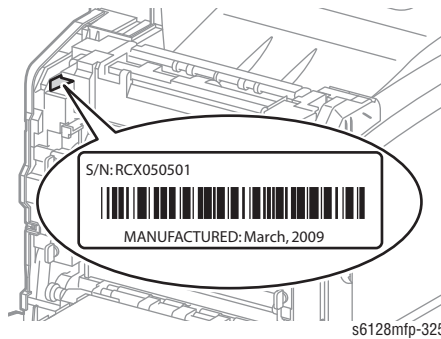
## Chapter 9

## Serial Number Format

Changes to Xerox products are made to accommodate improved components as they become available. It is important when ordering parts to include the following information:

- Component's part number
- Product type or model number
- Serial Number of the printer

The serial number is found on a label located on the left-side frame near the Fuser. The Front Cover must be opened to locate the Serial Number.



The nine-digit serial number uses the format **PPRSSSSS**.

- **PPP** = Three digit alphanumeric product code

Product Code	Product
RCX	6128MFP, 110 V Engine
RDA	6128MFPV, 220 V Engine

- **R** = Single digit numeric revision digit, 0-9. To be rolled when the ending serial number is reached or when a major product change occurs.
- **SSSSS** = Five digit numeric serial number based on the following table. The serial numbers are reset only when the ending number is reached or when the revision number is rolled.

Product	Starting Serial Number	Ending Serial Number
6128MFP_N, 110V Engine	050501	500500
6128MFPV_N, 220V Engine	050501	500500

### Example

**RCX253072**: Xerox Serial Number

**RCX**: Product Code for the Phaser 6128MFP, 110V printer

**2** = Revision Level

**53072** = Serial Number for 6128 N

## Using the Parts List

- **ID No.:** The callout number from the exploded part diagram.
- **Name/Description:** The name of the part to be ordered and the number of parts supplied per order.
- **Part Number:** The material part number used to order that specific part.
- Parts identified throughout this manual are referenced **PL#.##.**; For example, PL3.1.10 means the part is item 10 of Parts List 3.1.
- A black triangle preceding a number followed by a parenthetical statement in an illustrated parts list means the item is a parent assembly, made up of the individual parts called out in parentheses.
- The notation “**with X~Y**” following a part name indicates an assembly that is made up of components X through Y. For example, “1 (with 2~4)” means part 1 consists of part 2, part 3, and part 4.
- An asterisk (\*) following a part name indicates the page contains a note about this part.
- The notation (NS) next to a part indicates that particular part is not spared, but contained in a kit or major assembly.
- The notation “**J1<>J2 and P2**” is attached to a wire harness. It indicates that connector Jack 1 is attached to one end of the wire harness and connector J2 is attached to the other end that is plugged into P2.

### Note

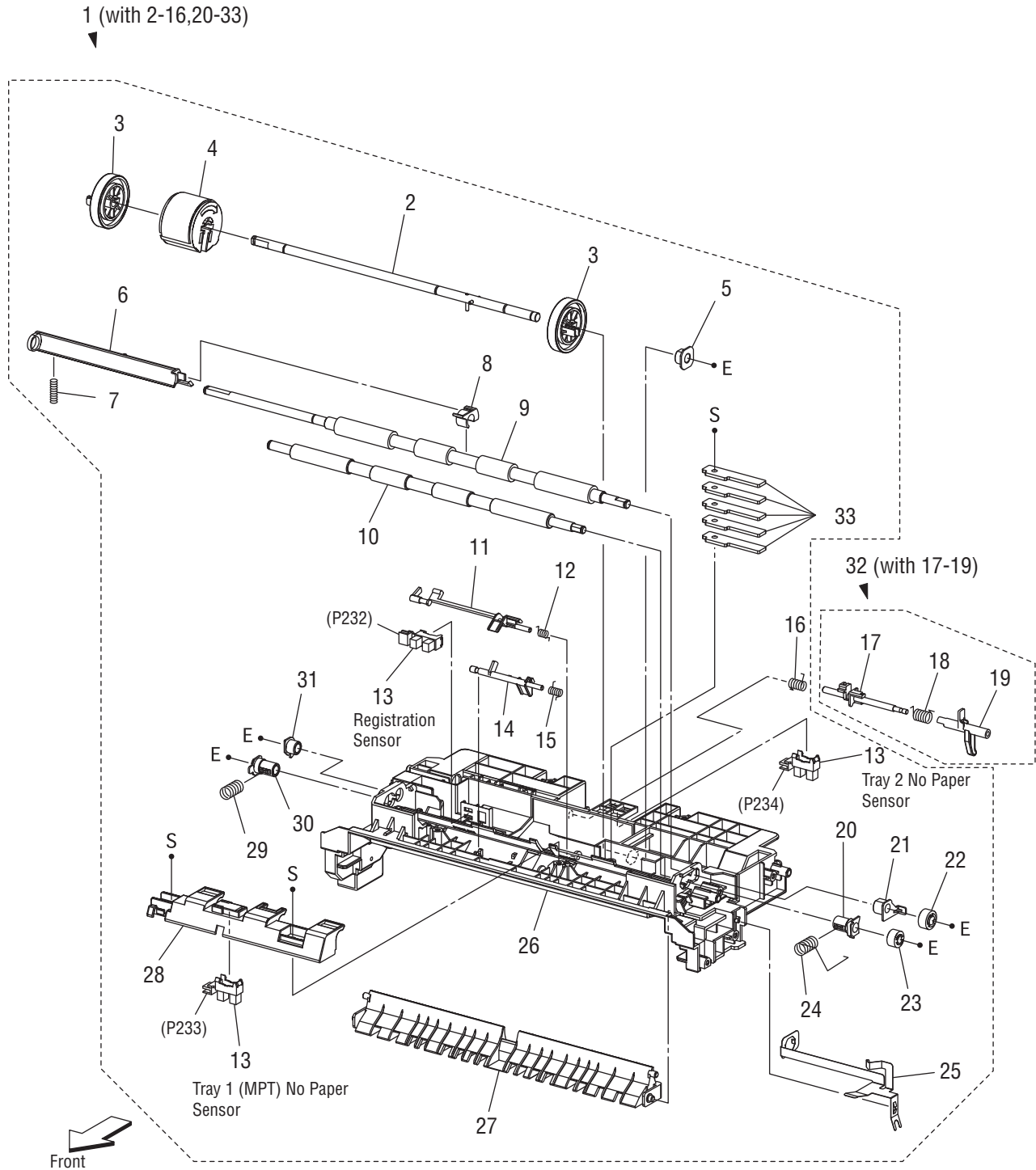
Only parts showing part numbers are available for ordering by support. Parts not showing part numbers are available on the parent assembly.

### Abbreviations

Abbreviation	Meaning
C	C-ring
E	E-ring
KL	K-clip
S	Screw

# Parts Lists

## Parts List 3.2 Feeder

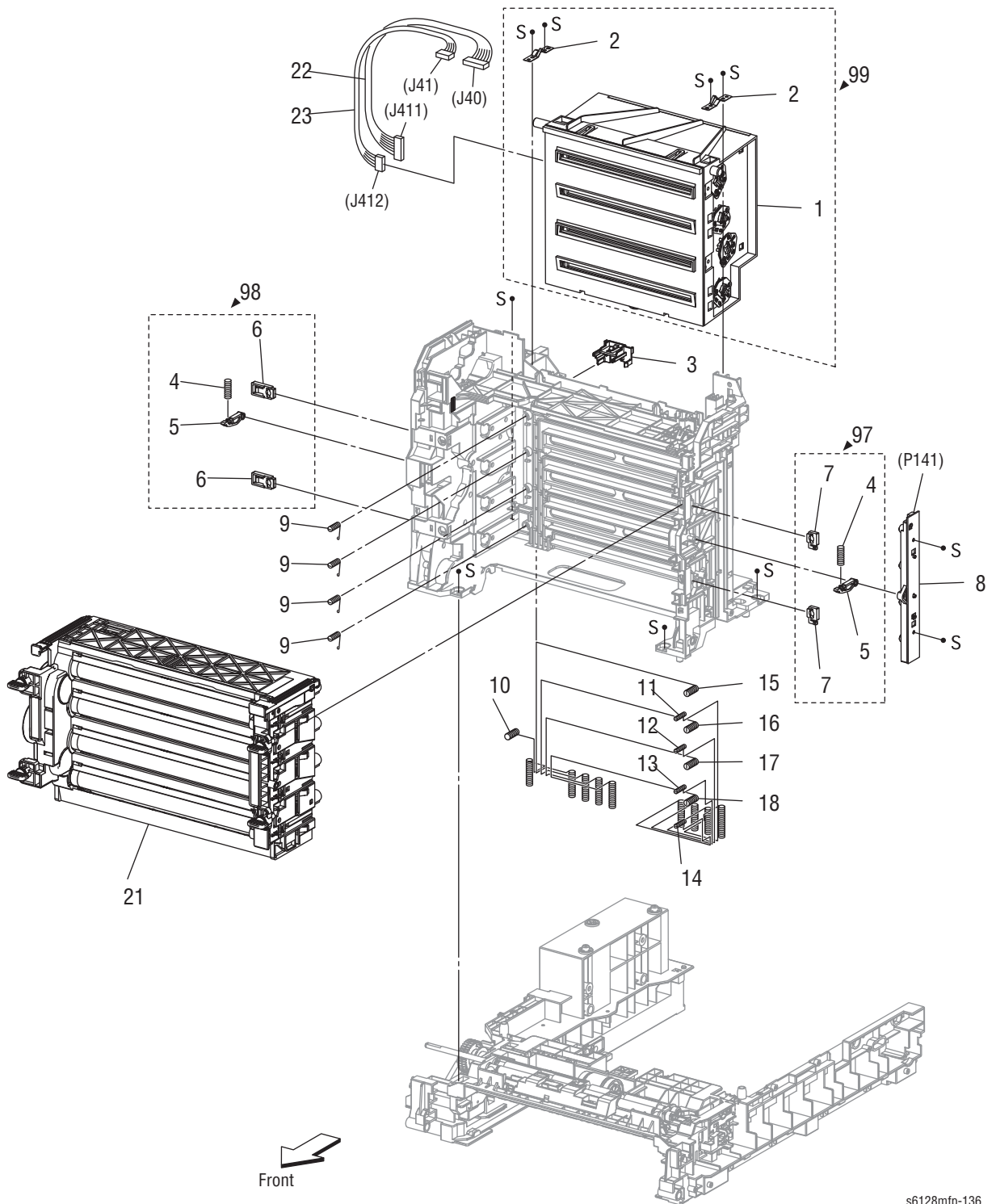


s6128mfp-135

## Parts List 3.2 Feeder

Item	Parts name	Part number
1	Chute Assy Fdr Regi (With 2-16,20-33)	—
2	Shaf Assy Feed	—
3	Roll Core Msi	—
4	Roll Assy Feed	657K81230
5	Bearing Earth	—
6	Actuator Regi Out	—
7	Spring Regi Out	—
8	Actuator Regi Roll	—
9	Roll Assy Regi	—
10	Roll Regi Metal	—
11	Actuator Regi In	120E27820
12	Spring Act Regi	—
13	Sensor Photo	130E87090
14	Actuator SSI (Manual Feed)	120E27850
15	Spring Act SSI	—
16	Spring Stp	—
17	Stopper Act	—
18	Spring Act Np	—
19	Actuator No Paper	—
20	Bearing M Earth	—
21	Bearing Earth Regi	—
22	Gear Regi R	—
23	Gear Regi M	—
24	Spring Regi R M	—
25	Plate Earth Regi	—
26	Chute Up	—
27	Chute Low	—
28	Bracket SNS	—
29	Spring Regi L M	—
30	Bearing M	—
31	Bearing R	—
32	Actuator Assy No Paper (With 17-19)	120K92294
33	Plate Weight	—

# Parts List 4.1 Xerographics



s6128mfp-136

## Parts List 4.1 Xerographics

ID No.	Name/Description	Part Number
1	ROS Assy (Laser Unit) <sup>a</sup>	
2	Spring Ros	—
3	Holder Crum	—
4	Spring PHD	—
5	Lever PHD	—
6	Block Stopper PHD D	—
7	Block Stopper PHD AD	—
8	Led Assy Erase	122K94041
9	Spring Tracking	—
10	Spring Cf	—
11	Spring Tr4	—
12	Spring Tr3	—
13	Spring Tr2	—
14	Spring Tr1	—
15	Spring D4	—
16	Spring D3	—
17	Spring D2	—
18	Spring D1	—
19		
20		
21	PHD Assy (Imaging Unit)	675K69240
22	Harn Assy ROS Re (J40-j411)	—
23	Harn Assy ROS Video (J41-j412)	—
97	Kit Block PHD Right (With 4,5,7 × 2pcs)	675K54241
98	Kit Block PHD Left (With 4,5,6 × 2pcs)	675K54251
99	Kit ROS (With 1,2 × 2pcs) (Laser Unit Kit)	604K43050

a. Use PL4.1.99, Laser Unit kit, when ordering the Laser Unit.

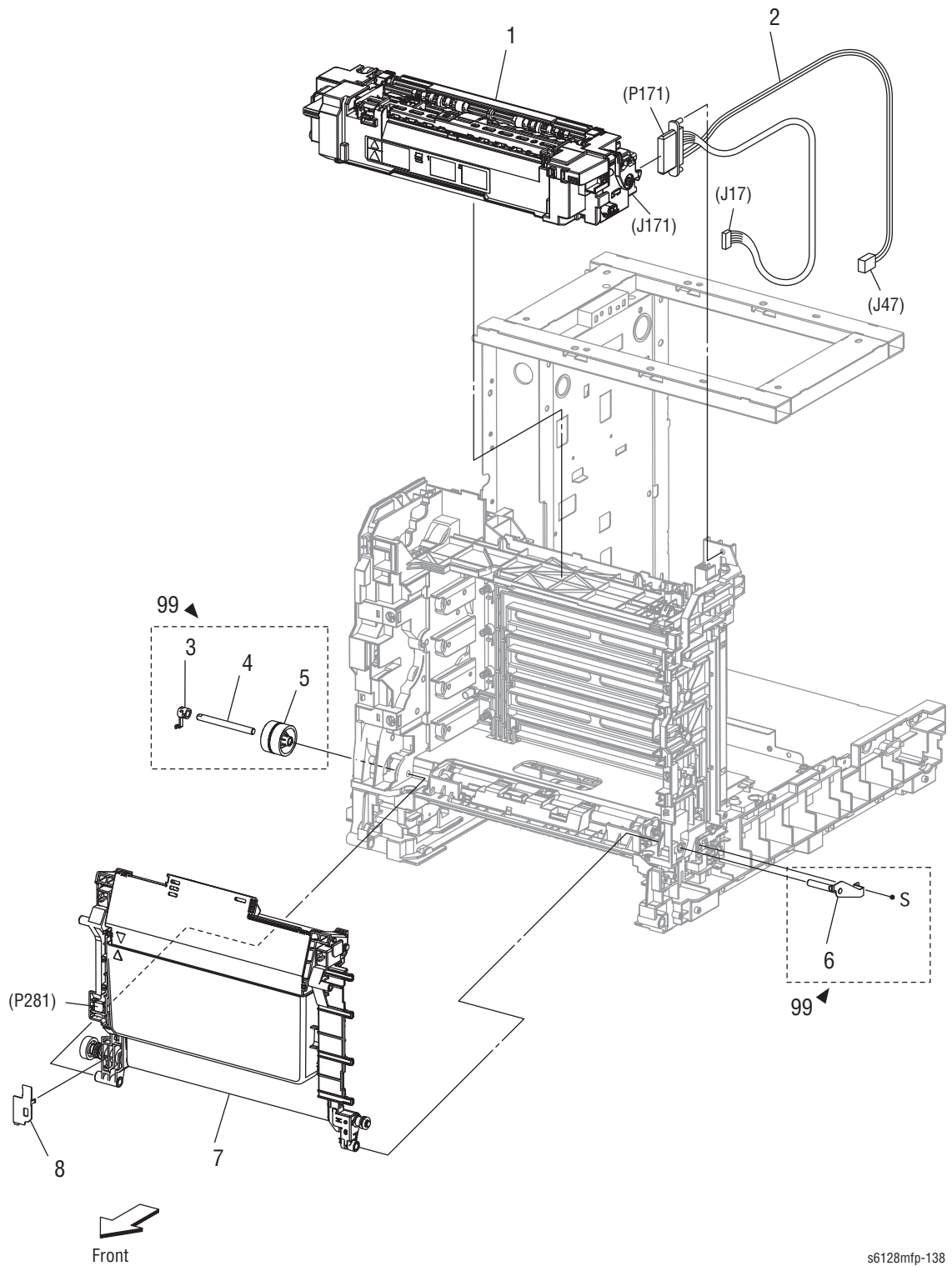




## Parts List 5.1 Dispenser

ID No.	Name/Description	Part Number
1	Dispense Assy (With 2,9-11,14-16,25-27)	094K92290
2	Frame Assy Mot (With 3-8)	—
3	Motor Assy Disp	—
4	Conductor Motor	—
5	Frame Motor	—
6	Gear Idler	—
7	Gear Idler Aug	—
8	Gear Idler Agi	—
9	Switch (R Side Door)	110E10200
10	Housing Assy Auger	—
11	Frame Assy Disp (With 12,13)	—
12	Frame Disp	—
13	Seal Disp Aug	—
14	Connector Crum	—
15	Spring Disp	—
16	Joint Assy Disp	—
17	Holder TCRU K	604K44920
18	Holder TCRU C	604K44930
19	Holder TCRU M	604K44940
20	Holder TCRU Y	604K44950
21B	Toner Cartridge US/EU 2.5k (K)	675K59231
21C	Toner Cartridge DMO 2.5k (K)	675K59311
22B	Toner Cartridge US/EU 2k (C)	675K59241
22C	Toner Cartridge DMO 2k (C)	675K59321
23B	Toner Cartridge US/EU 2k (M)	675K59251
23C	Toner Cartridge DMO 2k (M)	675K59331
24B	Toner Cartridge US/EU 2k (Y)	675K59261
24C	Toner Cartridge DMO 2k (Y)	675K59341
25	Harn Assy Tnr Mot (J18,J19-J181,J182,J191,J192)	—
26	Harn Assy Toner Crum (J31-J311,J312,J313,J314)	—
27	Harn Assy Side SW (J29-J291)	—
28		—
29	Label Holder	—

# Parts List 6.1 Transfer & Fuser



s6128mp-138

## Parts List 6.1 Transfer &amp; Fuser

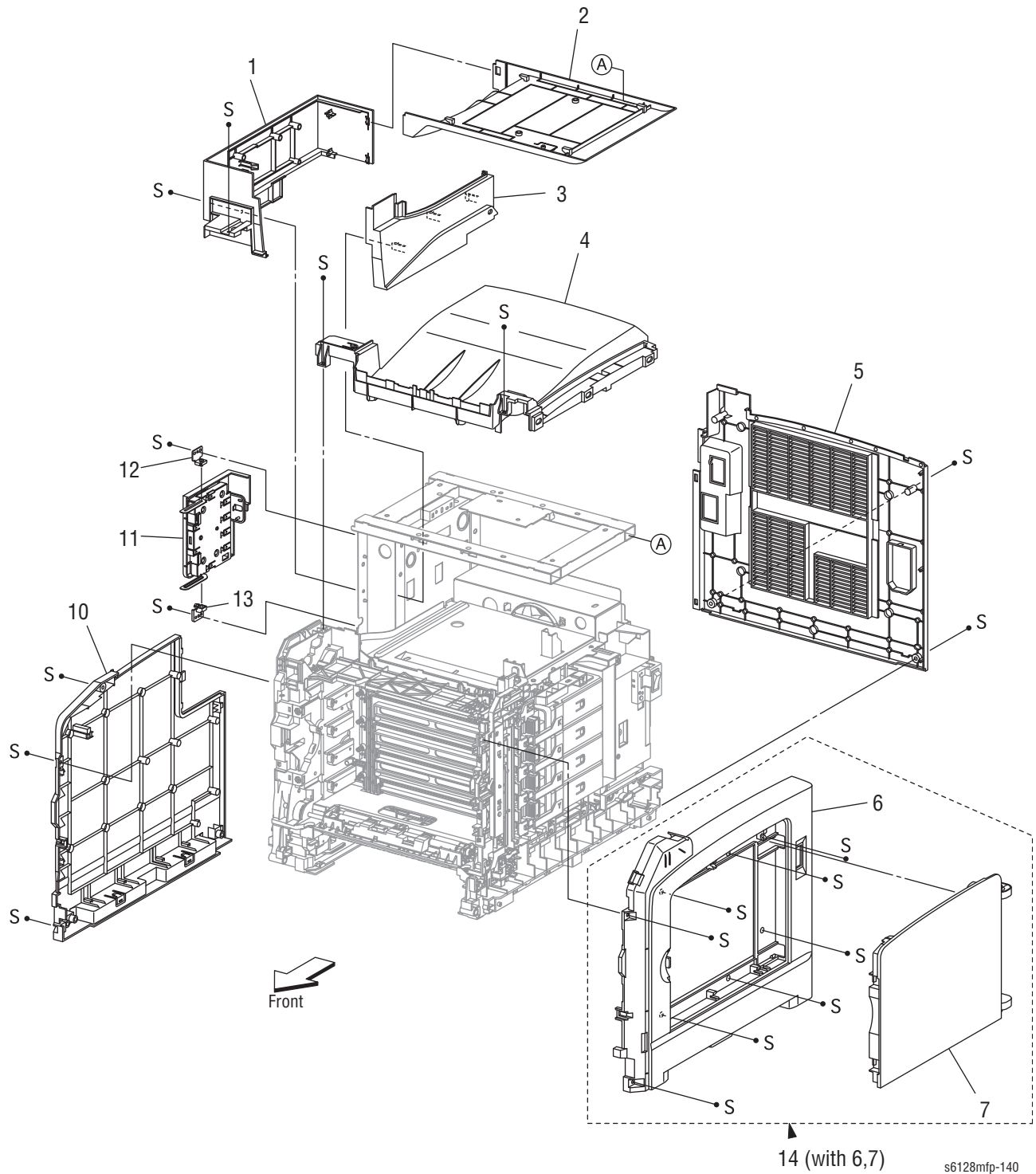
ID No.	Name/Description	Part Number
1A 1B	Fuser 115V Fuser 220V	675K65653 675K65663
2	Harn Assy Fuser (J17,J47-P171)	—
3	Stopper Pivot	—
4	Pivot Trans L	—
5	Gear T4	—
6	Shaft Assy Pivot	—
7	Transfer (Unit) Belt	848K03270
8	Cover Harness 2	—
99	Kit Pivot (with 3-6)	675K54121



## Parts List 7.1 Drive

<b>ID No.</b>	<b>Name/Description</b>	<b>Part Number</b>
1	Drive Assy Sub (Sub Drive Assembly)	007K94692
2	Drive Assy Main (Main Drive Assembly)	007K94686
3	Gear P2	807E15100
4	Drive Assy PH (Feed Drive Assembly)	007K94706
5	Harness Assy Gnd	

# Parts List 10.1 Covers



## Parts List 10-1 Covers

Item	Parts name	Part Number
1	Cover Pole Out	848E31790
2	Cover Scanner Low	848E31780
3	Cover Pole In	848E31770
4	Cover Top	848E31850
5	Cover Rear	848E31840
6	Cover Side R	
7	Cover Window Tnr	
8	--	
9	--	
10	Cover Side L	848K31831
11	Cover Assy ESS	848K33010
12	Pivot Assy	029K92730
13	Housing Pivot	848E30320
14	Cover Assy Side R (With 6,7)	848K27343

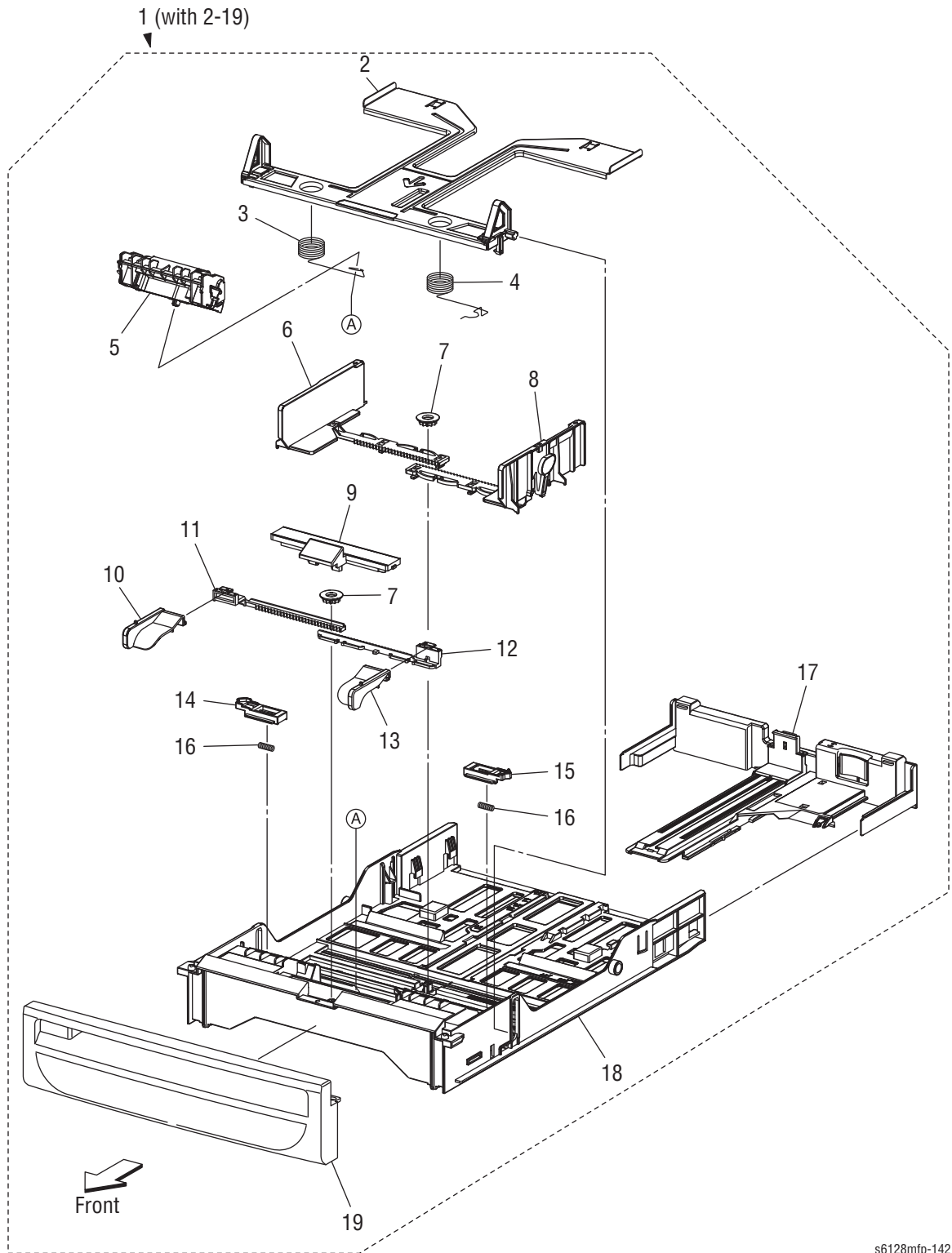




## Parts List 10.2 Front Cover

Item	Parts name	Part Number
1	Cover Assy Front (With 2,3,5-13)	848K27329
2	Console Assy Panel (Control Panel)	848K26097
3	Cover Front	
4	Cover Inner Front	
5	Latch Front	
6	Plate Latch	
7	Spring Latch Out	
8	Button Latch	
9	Cover Harness	
10	Guide Belt R	
11	Damper Front L Aio	
12	Damper Front S	
13	Harness A-op-opp (J202-J5301)	
14	Shaft Pivot	
99	Kit Shaft Pivot	675K54051

# Parts List 10.3 Media Tray

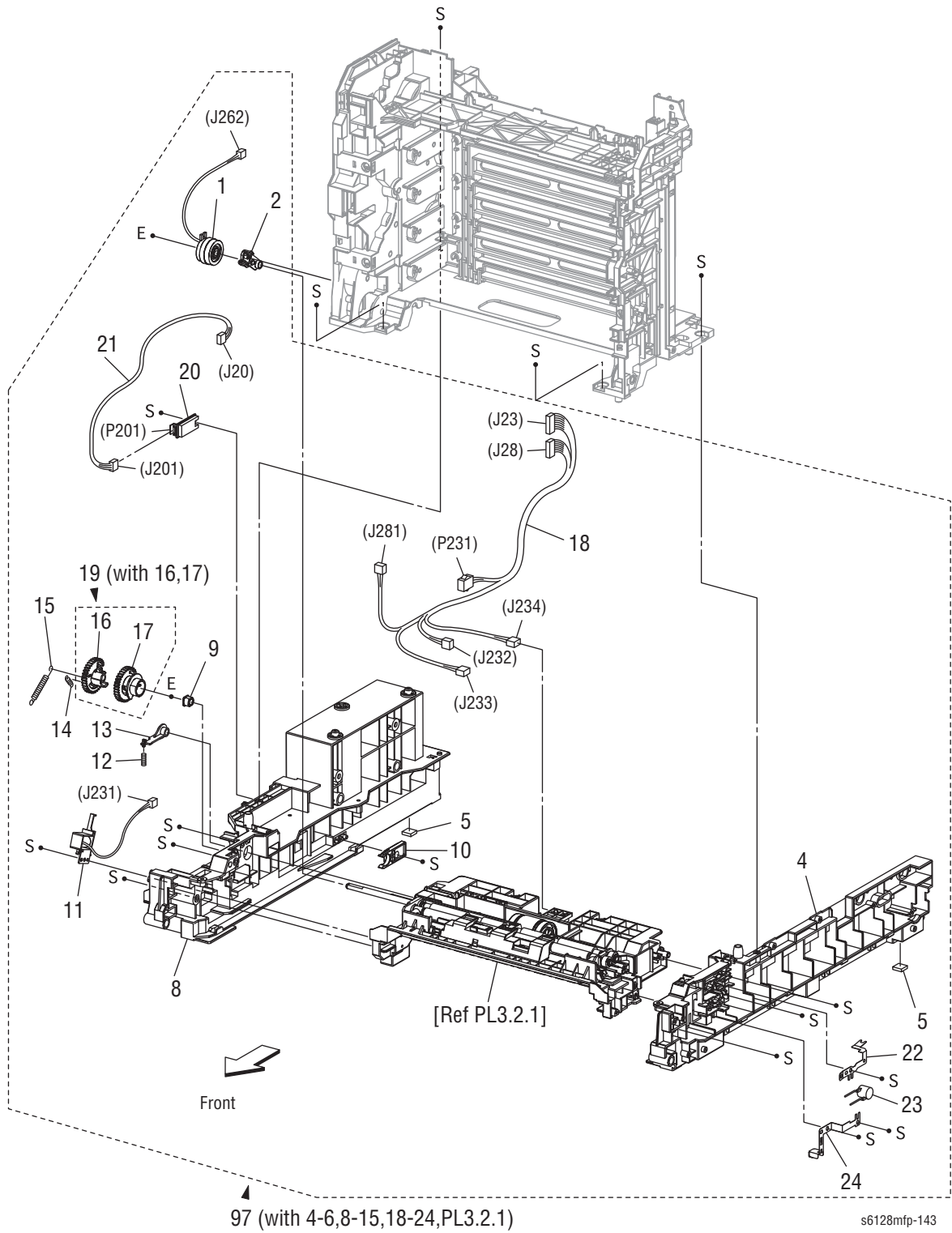


s6128mfp-142

## Parts List 10.3 Media Tray

<b>ID No.</b>	<b>Name/Description</b>	<b>Part Number</b>
1	Cassette Assy 250 (With 2-19) (Tray)	050K64020
2	Plate Assy Bottom	—
3	Spring N/f L	—
4	Spring N/f R	—
5	Separator Roller Assembly	675K81220
6	Guide Side L	—
7	Gear Pinion	—
8	Guide Side Assy R	—
9	Cover Ssi	—
10	Guide Side Ssi L	—
11	Rack Guide Side Ssi L	—
12	Rack Guide Side Ssi R	—
13	Guide Side Ssi R	—
14	Latch Bottom L	—
15	Latch Bottom R	—
16	Spring Latch B	—
17	Tray Assy Extension	—
18	Housing Cst 250	—
19	Handle Cst AIO	—

# Parts List 10.4 Feeder

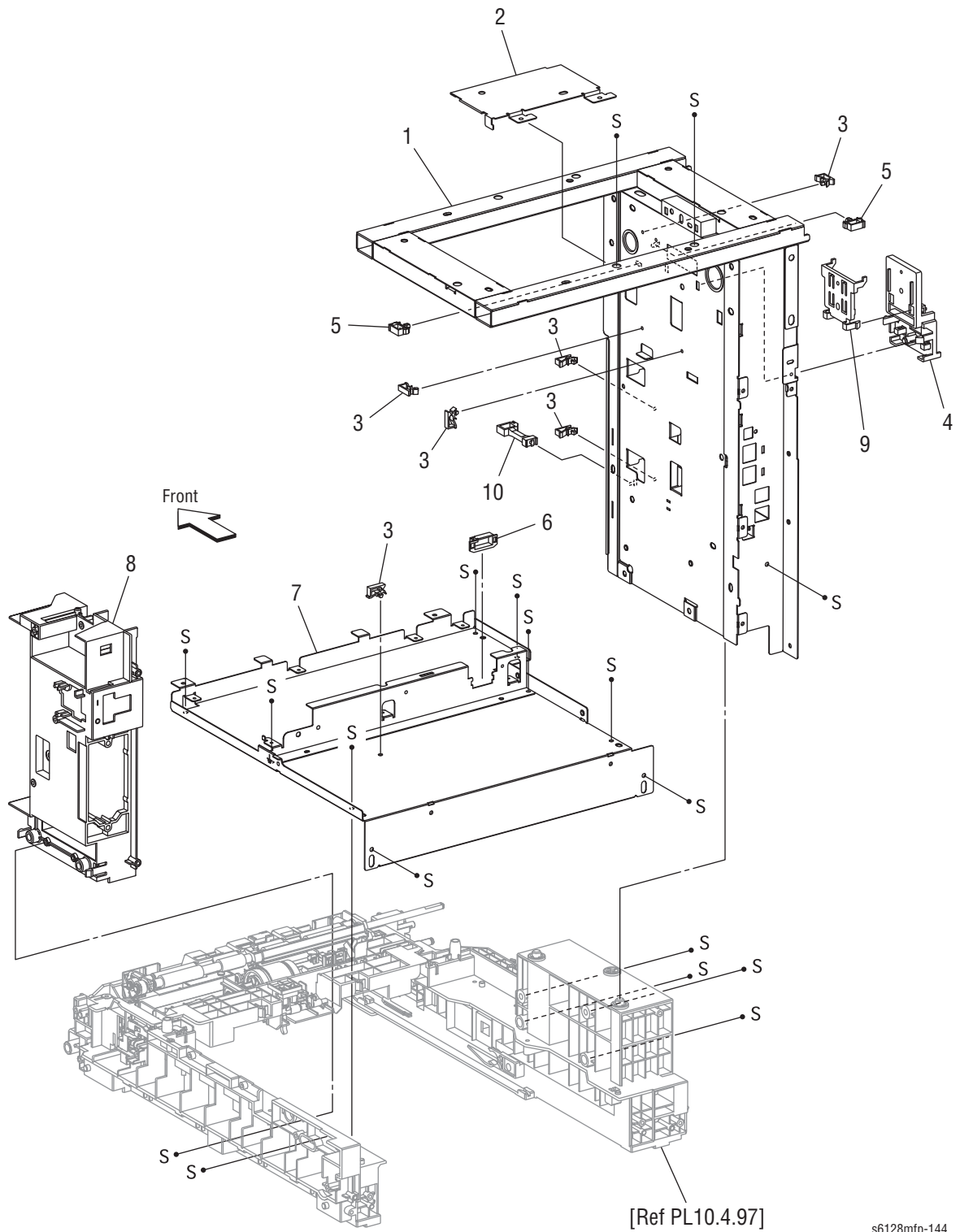


s6128mfp-143

## Parts List 10.4 Feeder

Item	Parts name	Part Number
1	Clutch Assy Drv	—
2	Bearing Regi	—
3		—
4	Chassis Fdr R	—
5	Foot	—
6		—
7		
8	Chassis Fdr L	—
9	Bearing	—
10	Stopper CST	003E73341
11	Solenoid Feed MSI	—
12	Spring Lever	—
13	Lever Feed	—
14	Spring Feed In	—
15	Spring Feed Out	—
16	Gear Feed Out	—
17	Gear Feed In	—
18	Harn Assy L Side (J23,J28-P231,J232,J233,J234,J281)	962K57541
19	Gear Assy Feed (With 15,16) Gear Kit (With 16, 17)	
20	Sensor, Temp Humidity	
21	Harn Assy Temp Humidity	
22	Plate Earth FDR	
23	Arrester ENE 112d-10a	
24	Plate Earth CST	
97	Feeder Assy V AIO (with 4-6, 8-15, 18-24, PL3.2.1)	059K56390
98	Kit Solenoid Feed (With 9-14)	675K54150
99	Kit Clutch Assy Drv (With 1,2)	675K54230

# Parts List 10.5 Frame



s6128mfp-144

## Parts List 10.5 Frame

Item	Parts name	Part Number
1	Frame Assy Aio	
2	Shield IIT	
3	Clamp Mst-10v0	
4	Holder FFC	
5	Clamp Rlwc-1sv0	
6	Edging Saddle	
7	Chassis Assy HVPS	
8	Chassis Breaker	
9	Cover FFC	
10	Clamp Locking	

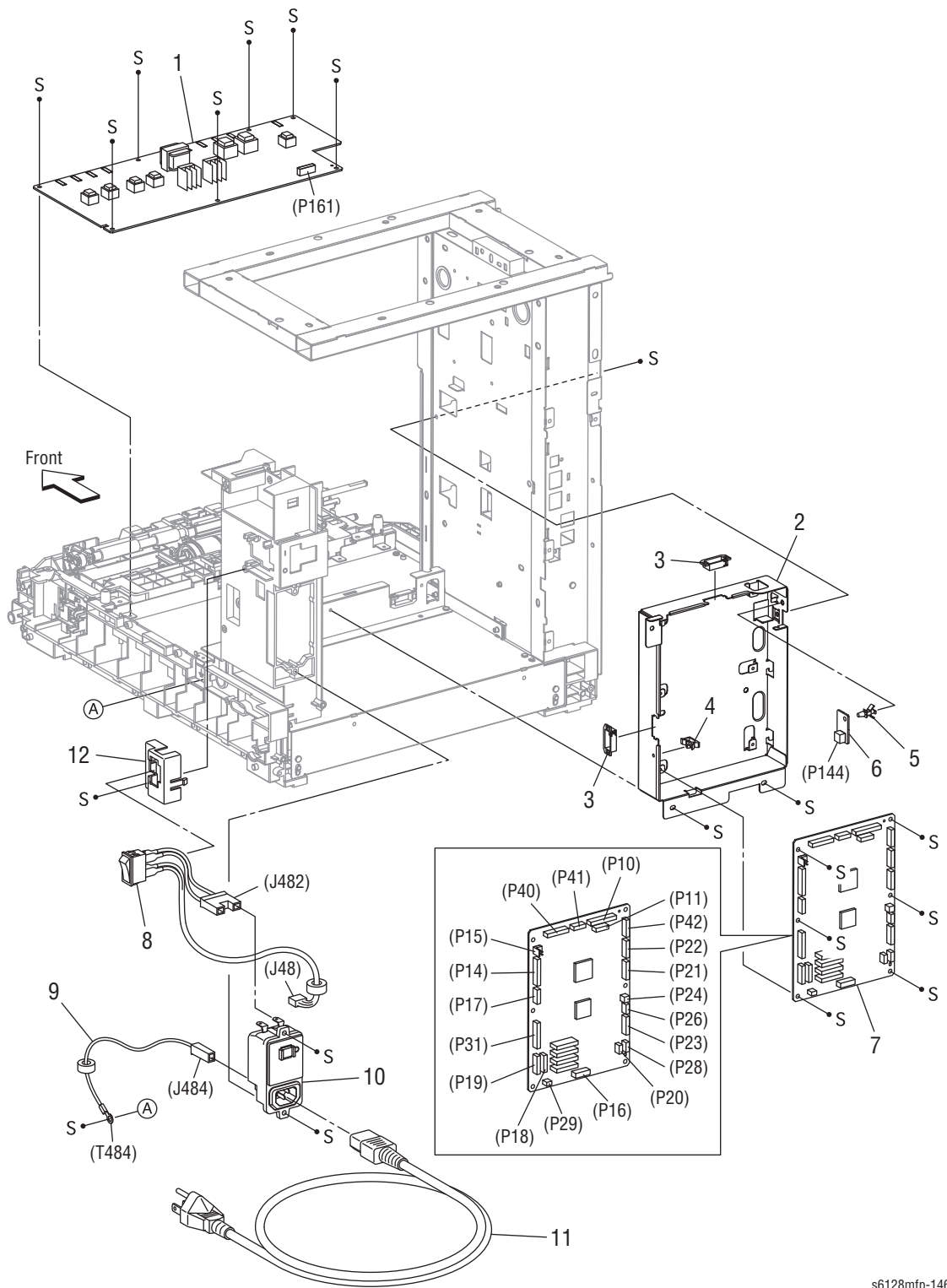




## Parts List 10.6 Electrical (1/2)

Item	Parts name	Part Number
1	Plate Assy Duct	
2	Clamp Mst-10v0	
3	Edge Saddle	
4	Harn Assy Interlock (Aio) (SW-J44)	962K65360
5	- -	
6	Pwba Cont Aio (I/P Board) (With 7)	960K45742
7	NVM Rom	
8	Memory Card	133K25920
9	Pwba Fax	960K38811
10	Shield Ess	
11	Cover Inner Upr	
12	Cover Inner Btm	
13	Chassis LVPS	
14	Clamp	
15	Support Pwb	
16a	LVPS (110v)	105K23210
16b	LVPS (220v)	105K23470
17	Duct Fan Assy (With 18)	054K40530
18	Duct Fan	
19	Shield Assy Ess (With 10-12)	
20	Plate Earth Drum	
21	Plate Earth Fsr	
22	Arrester ENE 112d-10a	

## Parts List 10.7 Electrical (2/2)

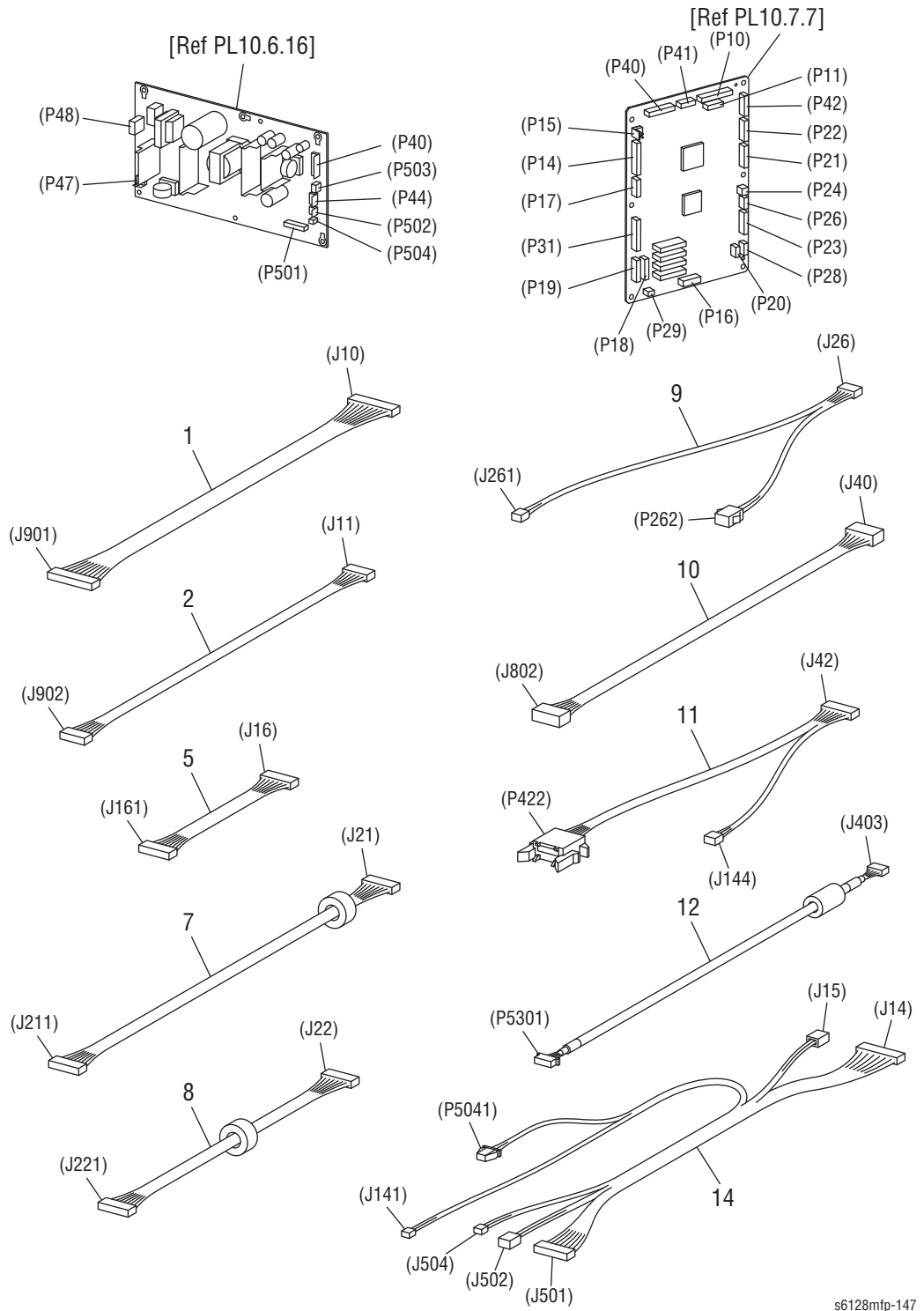


s6128mfp-146

## Parts List 10.7 Electrical (2/2)

Item	Parts name	Part Number
1	HVPS	105K22661
2	Chassis MCU	
3	Edging Saddle	
4	Clamp Mst-10v0	
5	Support Pwb Rcbt-11s	
6	Pwba EEPROM (Xpro)	
7	Pwba MCU	960K47041
8	Harn Assy Sw Pwr (Aio) (SW-J48,J482)	
9	Harn Assy GFI Gnd (J484-t484)	
10	Breaker GFI	908W01201
11	Power Cord	
12	Bracket SW	

# Parts List 10.8 Harnesses



s6128mfp-147

## Parts List 10.8 Harnesses

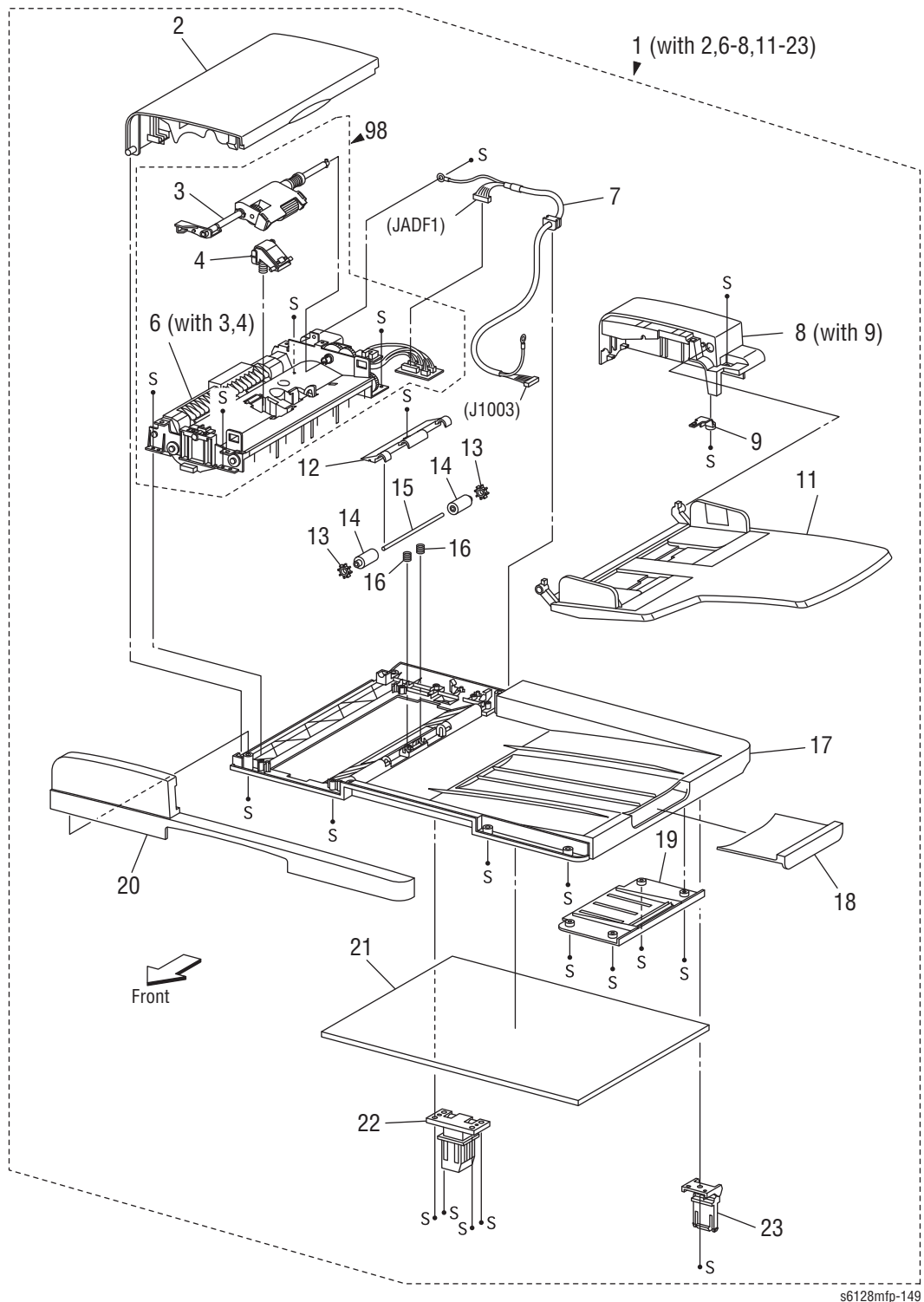
Item	Parts name	Part Number
1	Harn Assy Ess (Aio) (J10-J901)	
2	Harn Assy Ess Video (Aio) (J11-J902)	
3	--	
4	--	
5	Harn Assy HVPS (Aio) (J16-J161)	
6	--	
7	Harn Assy Main Mot (J21,J211)	
8	Harn Assy Sub Mot (Aio) (J22-J221)	
9	Harn Assy KSNR Regcl (J26-J261,P262)	
10	Harn Assy IIT Power (J40-J802)	
11	Harn Assy PHD Xpro (J42-J144,P422)	
12	Harness A-op-ess (J403-P5301)	
13	--	
14	Harness Assy Lvps Main (J14,J15,P5041- J141,J501,J502,J504)	



## Parts List 10.9 Scanner

Item	Parts name	Part Number
1	Scanner Assy (With 2,pl10.10.1)	
2	IIT Assy Sub (With 3)	604K52480
3	Glass Assy Platen	
4	Core Ferr Ffc	121E22020

Parts List 10.10 ADF



s6128mfp-149



## Parts List 10.10 ADF

Item	Part Name	Part Number
1	ADF Assy (With 2,6-8,11-23)	059K61840
2	Cover ADF Jam	
3	Roll Assy Feed	059K61850
4	Pad Assy Separator	019K10390
5	--	
6	Feeder Assy ADF (With 3,4)	
7	Harn Assy ADF (J1003-jadf1)	
8	Cover ADF Rear (With 9)	
9	Arm Interlock	
10	--	
11	Tray Assy ADF Input	050K63720
12	Cover Roll Exit	
13	Roll Fin Exit	
14	Roll Pinch Exit	
15	Shaft Roll Exit	
16	Spring Roll Exit	
17	Cover ADF Base	
18	Output Tray Extension	
19	Cover Tray Extension	
20	Cover ADF Front	
21	Cushion ADF Platen	
22	Counter Balance L	
23	Counter Balance R	
98	Kit Feed roll and Pad (with 3, 4 and instruction sheet)	604K52220

## Xerox Supplies and Accessories

### Consumable and Maintenance Items

Parts List Reference	Description	Part Number
PL5.1.21B	Toner Cartridge US/EU 2.5K (K)	675K59231
PL5.1.21C	Toner Cartridge DMO 2.5K (K)	675K59311
PL5.1.22B	Toner Cartridge US/EU 2.5K (C)	675K59241
PL5.1.22C	Toner Cartridge DMO 2.5K (C)	675K59321
PL5.1.23B	Toner Cartridge US/EU 2.5K (M)	675K59251
PL5.1.23C	Toner Cartridge DMO 2.5K (M)	675K59331
PL5.1.24B	Toner Cartridge US/EU 2.5K (Y)	675K59261
PL5.1.24C	Toner Cartridge DMO 2.5K (Y)	675K59341

### Customer-replaceable Service Items

Parts List Reference	Description	Part Number
PL6.1.1A	Fuser 115V	675K65653
PL6.1.1B	Fuser 220V	675K65663
PL4.1.21	Imaging Unit	675K59860
PL3.2.4	Feed Roller Assembly	657K81230
PL10.3.5	Separator Roller Assembly	675K81220

## Service Kits

Service Kits provide spare parts normally associated with larger assemblies.

### Hardware Kit

#### Hardware Kit

Description	Part Number
Hardware Kit	604K34030
<i>Screw, Bind Head Del (1)</i>	
<i>Screw, 8 mm Plastic (1)</i>	
<i>Screw, Tap Bind Head (1)</i>	
<i>Screw, M3x6 B (1)</i>	
<i>Screw, DT3x8 B (1)</i>	
<i>E-Ring, 3 mm (1)</i>	
<i>E-Ring, 4 mm (1)</i>	