

Parts List

In this chapter...

- Serial Number Format
- Using the Parts List
- Print Engine Parts
- Options
- Xerox Supplies and Accessories

Chapter 9

Serial Number Format

Changes to Xerox products are made to accommodate improved components as they become available. It is important when ordering parts to include the following information:

- Component's part number
- Product type or model number
- Serial Number of the printer

The serial number is found on a label located on the frame of the printer.

The nine-digit serial number has the following format:

- **PPPRSSSSS**
- **PPP** = Three digit alphanumeric product code
- **R** = Single digit numeric revision digit, 0~9. To be rolled when a major product change occurs and initiated with a change request.

Product Code	Product
MXV	3250D, 110 V Engine
MXW	3250D, 220 V Engine
MXX	3250DN, 110 V Engine
MYX	3250DN, 220 V Engine

Mass Production Units (MP Build)

PPP1SSSSS

SSSSS = Five digit numeric serial number based on the following table:

Product	Starting Serial Number	Ending Serial Number
3250D, 110V Engine	085501	11225
3250DN, 110V Engine	158001	183750
3250D, 220V Engine	112251	158000
3250DN, 220V Engine	183751	239500

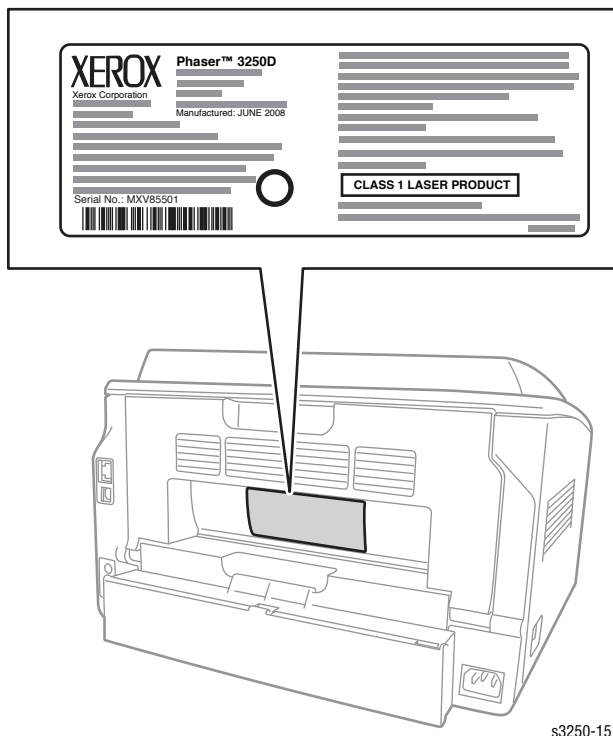
Example

MXV85501: Xerox Serial Number

MXV: Product Code for the Phaser 3250, configuration D or DN, 110V printer

85501 = Serial Number for 3250_D

Serial Number Label and Location



s3250-151

Using the Parts List

- **ID No.:** The callout number from the exploded part diagram.
- **Name/Description:** The name of the part to be ordered and the number of parts supplied per order.
- **Part Number:** The material part number used to order that specific part.
- Parts identified throughout this manual are referenced **PL#.#. #**; For example, PL3.1.10 means the part is item 10 of Parts List 3.1.
- A black triangle preceding a number followed by a parenthetical statement in an illustrated parts list means the item is a parent assembly, made up of the individual parts called out in parentheses.
- The notation “**with X~Y**” following a part name indicates an assembly that is made up of components X through Y. For example, “1 (with 2~4)” means part 1 consists of part 2, part 3, and part 4.
- An asterisk (*) following a part name indicates the page contains a note about this part.
- The notation (NS) next to a part indicates that particular part is not spared, but contained in a kit or major assembly.
- The notation “**J1<>J2 and P2**” is attached to a wire harness. It indicates that connector Jack 1 is attached to one end of the wire harness and connector J2 is attached to the other end that is plugged into P2.

Note

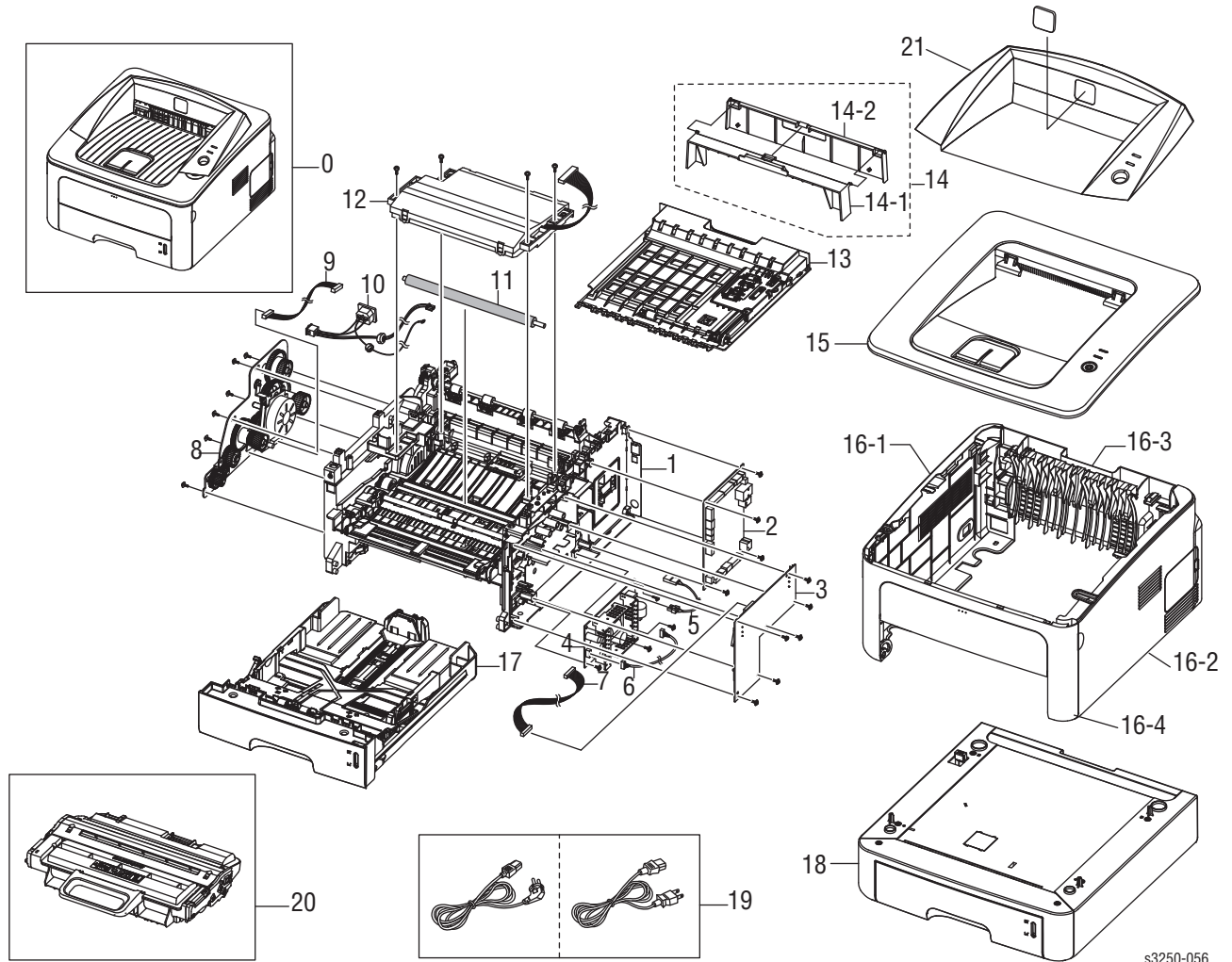
Only parts showing part numbers are available for ordering by support. Parts not showing part numbers are available on the parent assembly.

Abbreviations

Abbreviation	Meaning
C	C-ring
E	E-ring
KL	K-clip
S	Screw

Print Engine Parts

Parts List 1.1 Main

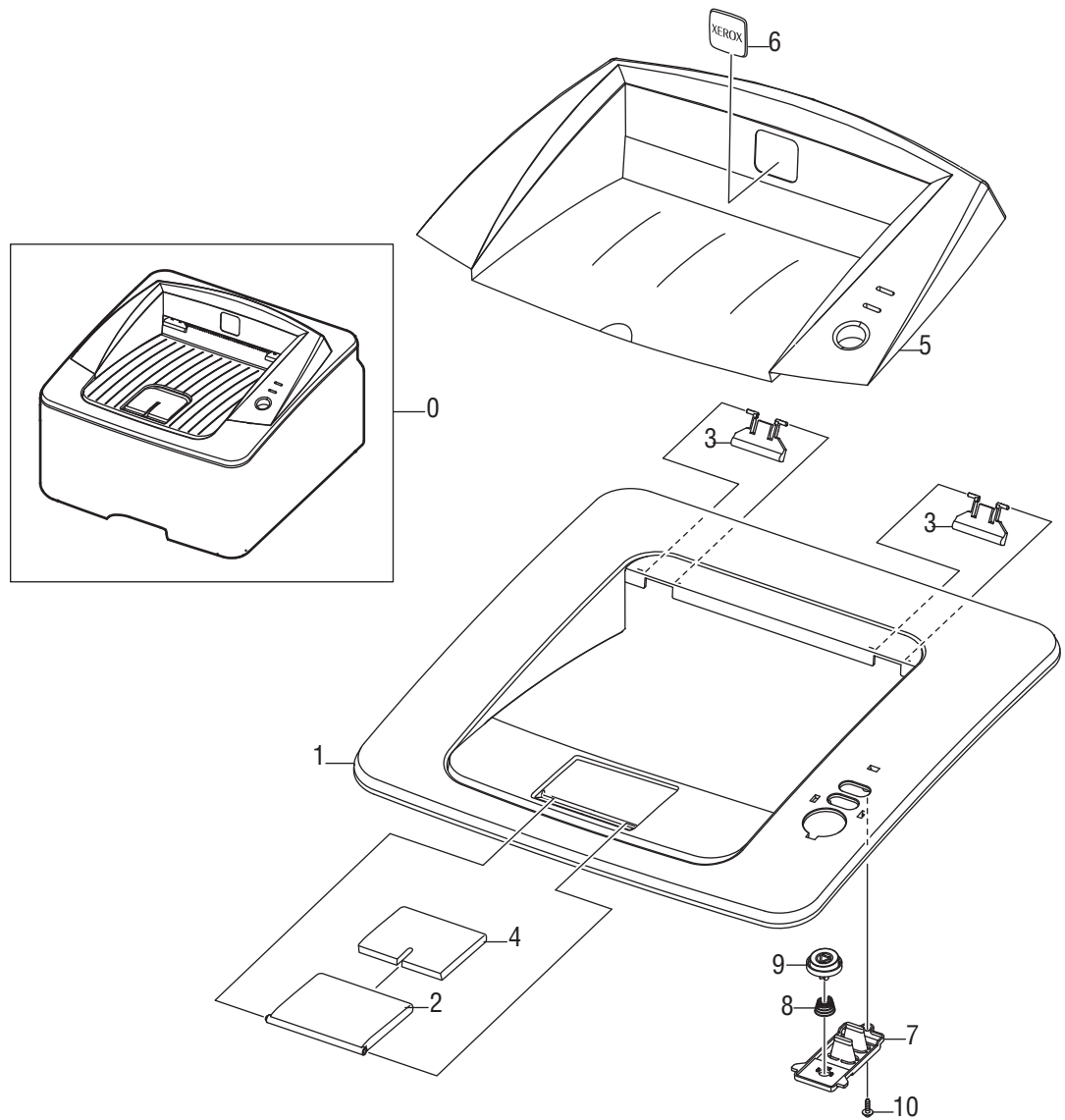


s3250-056

Parts List 1.1 Main

ID No.	Name/Description	Part Number
0.	Set - MEA Unit Cover Top (P3250DN)	002N02738
1.	Shield Controller	
2.	PBA Main Controller (P3250 D)	140N63322
	PBA Main Controller (P3250 DN)	140N63323
3.	HVPS	105N02147
4.	SMPS-PSP-Type 2 V2C (110V) (LVPS)	105N02139
	SMPS-PSP-Type 2 V2C (220V) (LVPS)	105N02140
5.	CBF Harness Fuser AC (SMPS)	
6.	Cable from Conn Coax	
7.	CBF Harness HVPS	
8.	ELA Unit Drive (Drive Assembly)	007N01601
9.	CBF Harness Motor & Solenoid	
10.	CBF Harness AC Inlet	
11.	Roller Transfer	022N02354
12.	ELA Unit LSU (Laser Unit)	122N00279
13.	MEA Unit Duplex	097N01682
14.	Duplex Rear Cover Assy	002N02736
14-1.	Cover Duplex	
14-2.	Cover Rear Duplex	
15.	Cover Top Lower	002N02739
16-1.	MEA Unit Cover Left	002N02731
16-2.	MEA Unit Cover Right (P3250D)	002N02733
	MEA Unit Cover Right (P3250DN)	002N02732
16-3.	MEA Unit Cover Rear	002N02734
16-4.	MEA Unit Cover Front	002N02735
17.	MEA Unit Cassette	050N00521
18.	ELA Unit SCF (Optional Tray 2)	098N02194
19.	CBF-Power Cord, 110V	105N02072
	CBF-Power Cord, 220V	117N01769
20.	ELA HOU-DEVE (Print Cartridge - 3.5K)	106R01373
	ELA HOU-DEVE (Print Cartridge - 5K)	106R01374
21.	Cover Top Upper	

Parts List 2.1 Top Cover

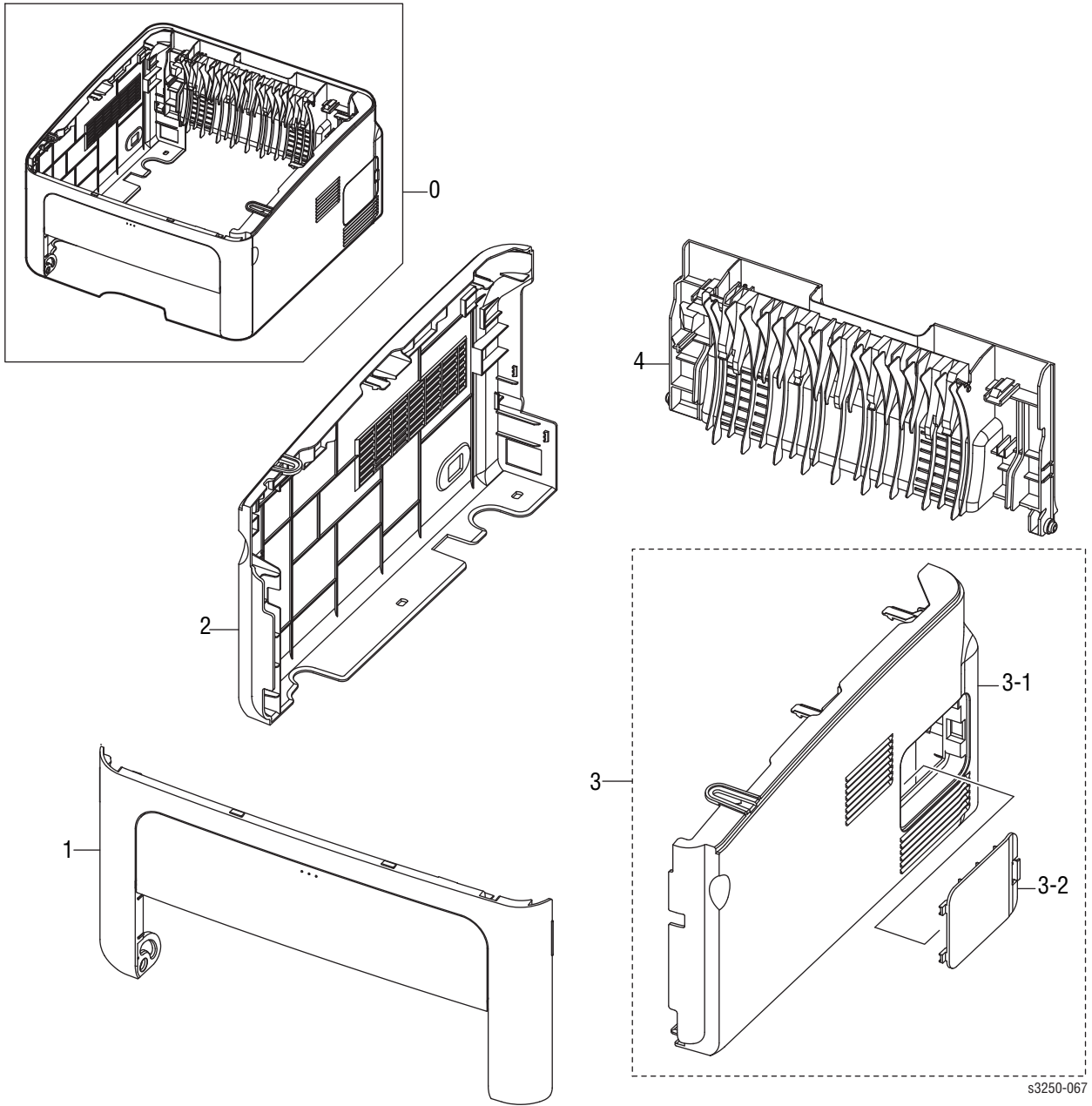


s3250-066

Parts List 2.1 Top Cover

ID No.	Name/Description	Part Number
0.	MEA Unit Cover Top (P3250DN)	002N02738
1.	Cover Top Lower	002N02739
2.	Stacker Large	
3.	PMO Sub M-Stacker	
4.	Stacker Small	
5.	Cover Top Upper	
6.	Badge Xerox	
7.	Lens LED	
8.	Spring CS	
9.	Key On-Line	
10.	Screw Taptite	
11.	Sponge Cover Top (not shown)	

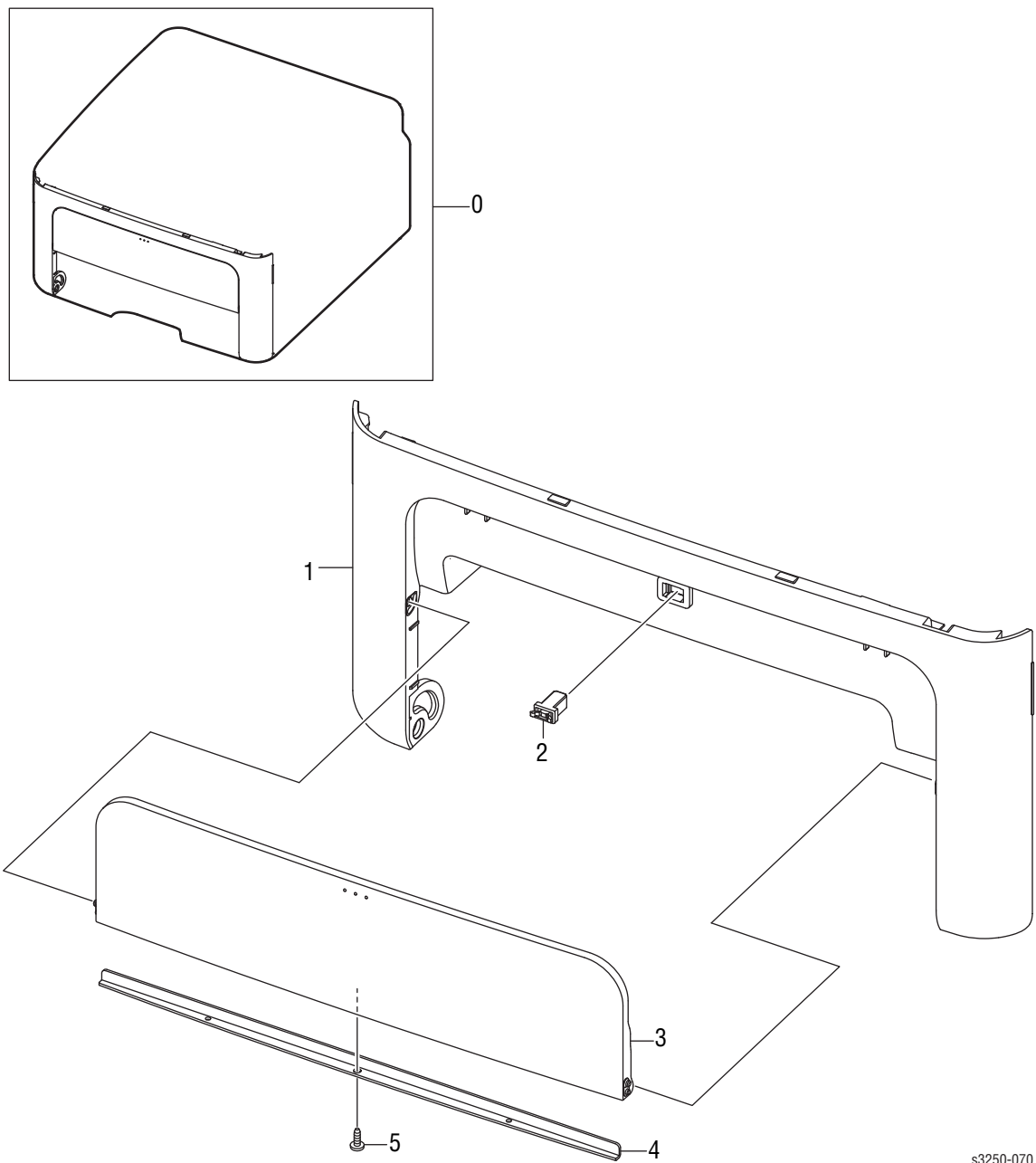
Parts List 3.1 Cover Assembly



Parts List 3.1 Cover Assembly

No.	Name/Description	Part Number
0.	ELA HOU Cover	
1.	MEA Unit Cover Front	002N02735
2.	MEA Unit Cover Left	002N02731
3.	MEA Unit Cover Right (P3250D)	002N02733
	MEA Unit Cover Right (P3250DN)	002N02733
3-1.	Cover Right	
3-2.	Cover Right DIMM	
4.	MEA Unit Cover Rear	002N02734

Parts List 4.1 Front Cover

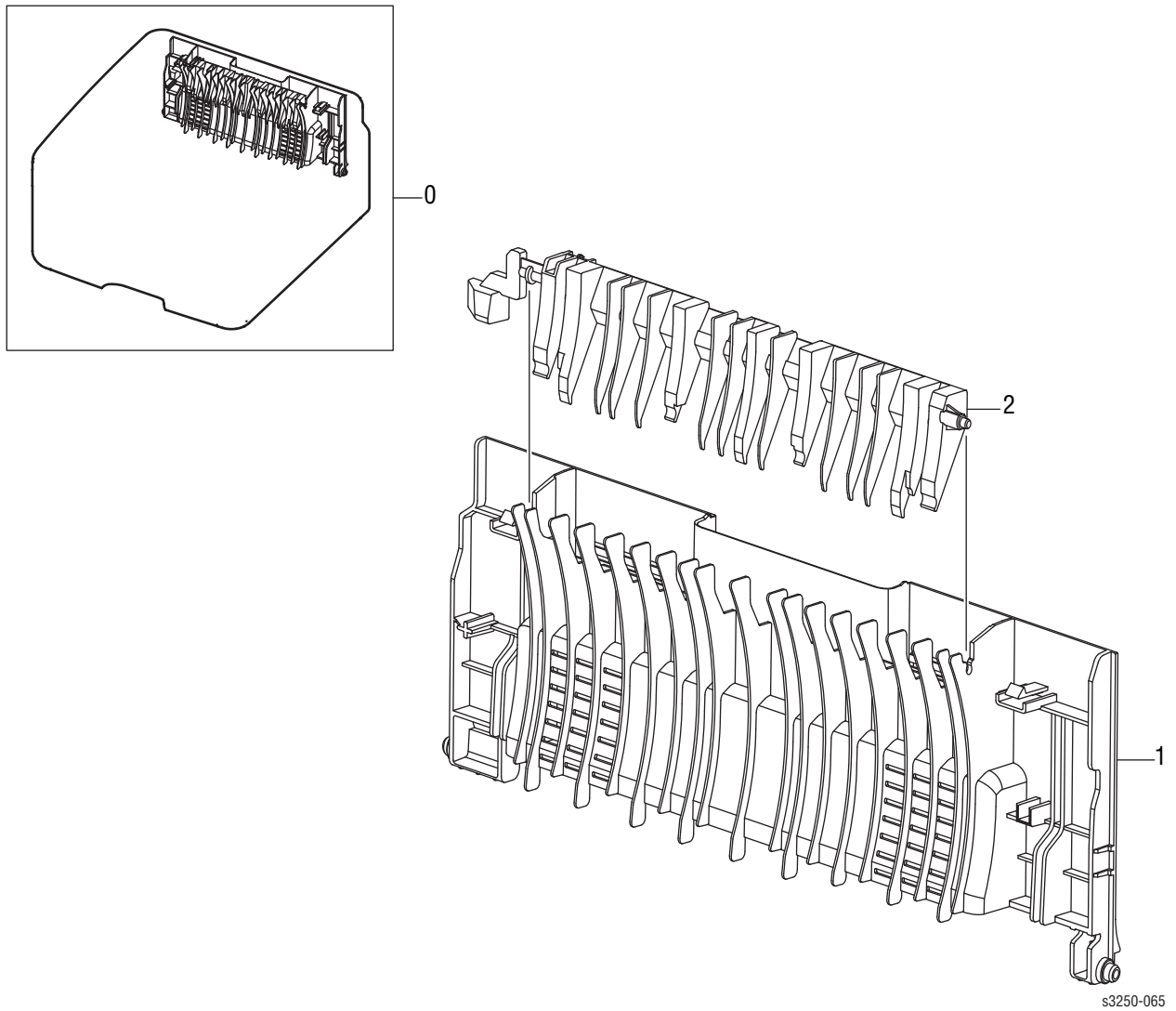


s3250-070

Parts List 4.1 Front Cover

ID No.	Name/Description	Part Number
0.	MEA Unit Cover Front	002N02735
1.	Cover Front	
2.	Locker Latch Push	
3.	Cover Manual	
4.	Bracket Manual	
5.	Screw Taptite	

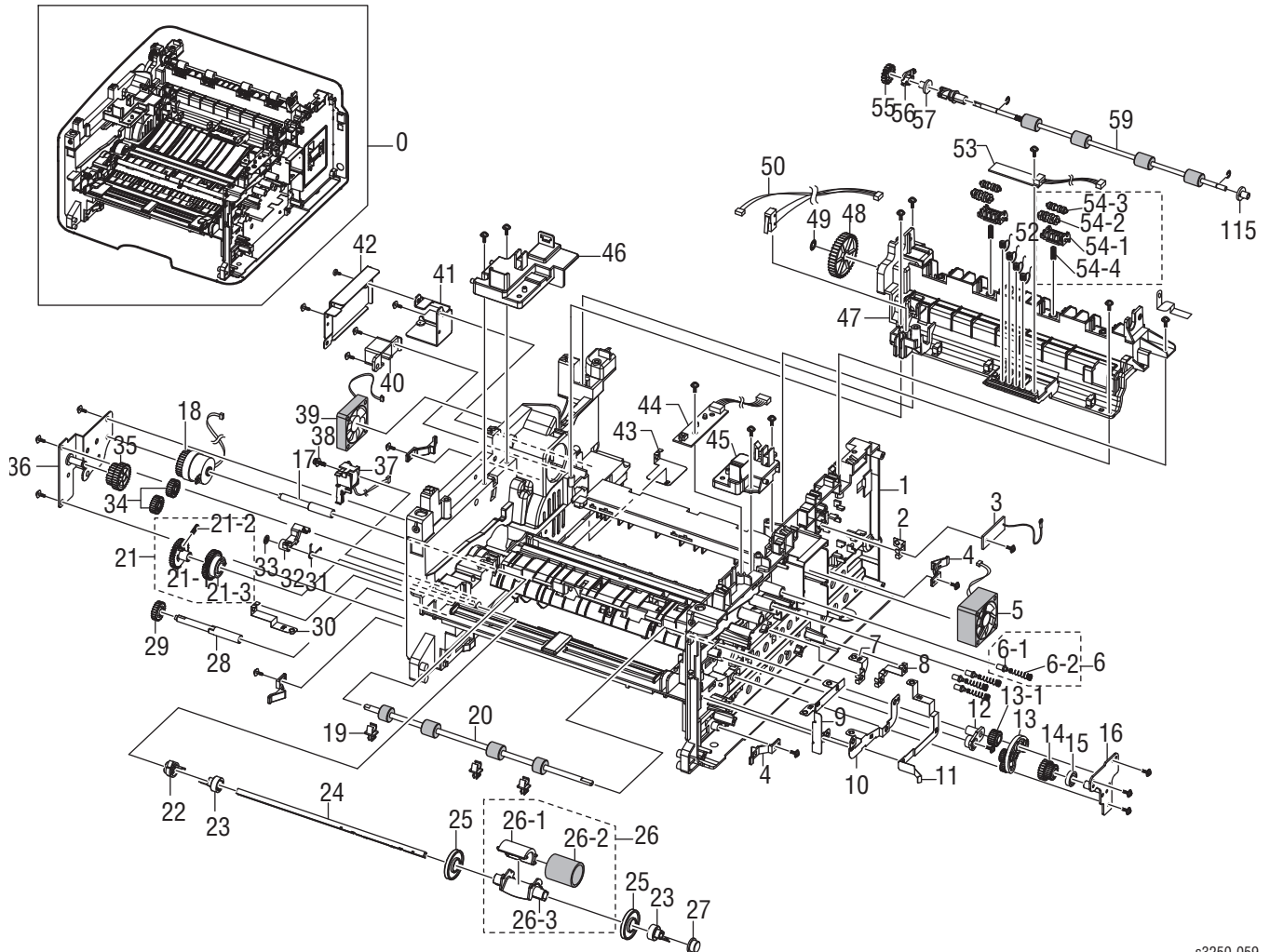
Parts List 5.1 Rear Cover



Parts List 5.1 Rear Cover

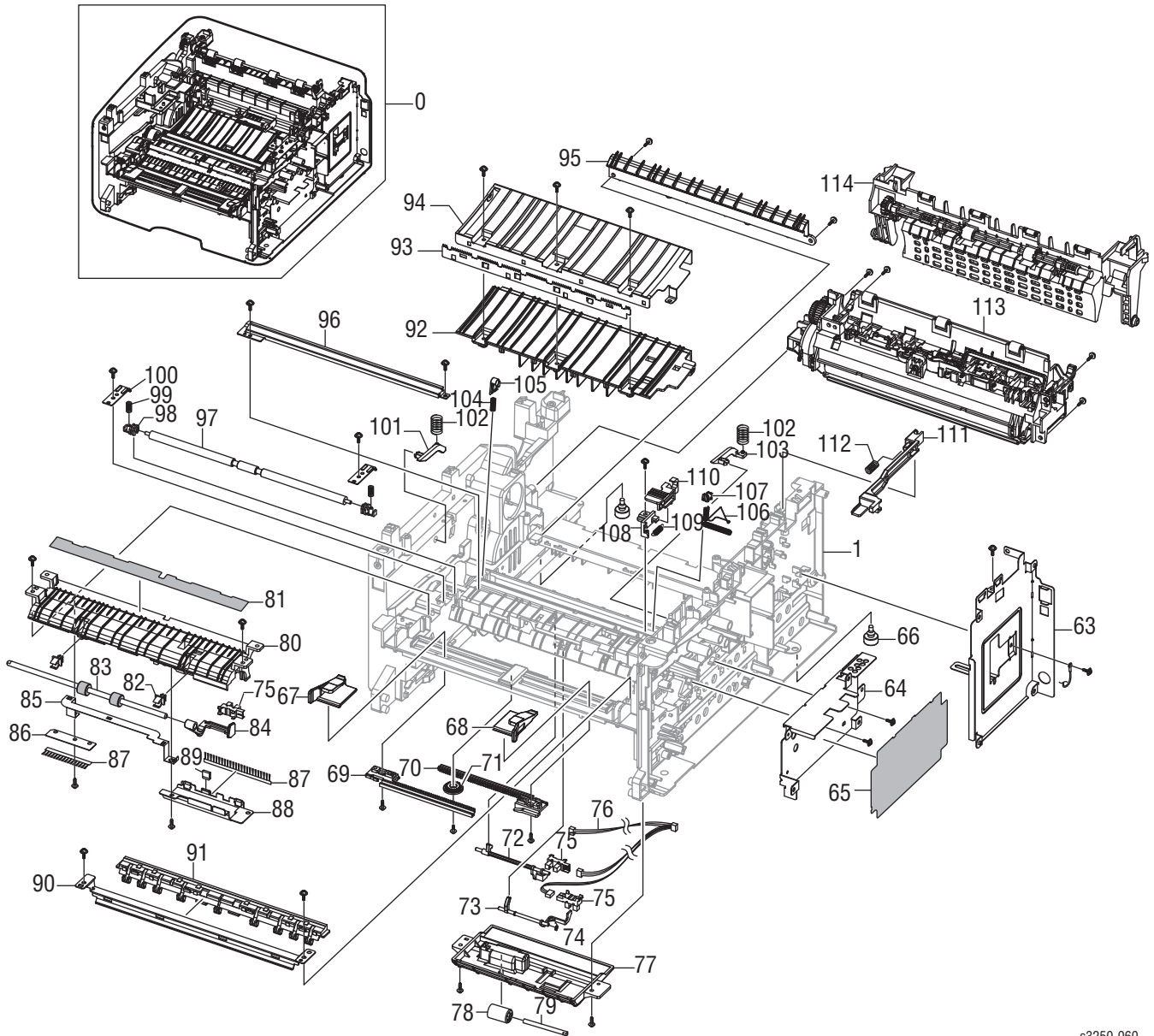
ID No.	Name/Description	Part Number
0.	MEA Unit Cover Rear	002N02734
1.	Cover Rear	
2.	Guide Change DUP	

Parts List 6.1 Frame



s3250-059

Parts List 6.1 Frame (continued)



s3250-060

Parts List 6.1 Frame

ID No.	Name/Description	Part Number
0.	ELA HOU Frame 110V	
1.	Frame Base	
2.	Ground Zenor	
3.	PBA Main Zener	140N63324
4.	PMO Locker CST	
5.	Fan DC Main	127N07572
6.	ELA Unit Terminal TR L	
6-1.	ICT Shaft HV Large	
6-2.	Spring ETC-HV Large	
7.	Ground Motor Main	
8.	Ground Controller	
9.	Ground Paper	
10.	Ground BRKT Front	
11.	Ground Transfer	
12.	Holder Regi	
13.	MEA Unit Swing	
13-1.	Gear Duplex DR 28	
14.	Gear RDCN 23/23	
15.	Collar Swing	
16.	BRKT Swing (Bracket)	
17.	Shaft Feed Regi	
18.	Clutch Electric	121N01169
19.	PMO Bushing Feed	
20.	Roller Feed Regi	
21.	MEA Unit Gear Pick-Up (with 22, 23, 24, 25, 26, 27)	130N01538
21-1.	Gear Pick-Up A	
21-2.	Spring CS	
21-3.	Gear Pick-Up B	
22.	CAM Pick-Up	
23.	PMO Idle Pick-Up	
24.	Shaft-P Pick-Up	
25.	Stopper-M Pick-Up R2	
26.	MEA Unit Pick-Up	130N01540
26-1.	Rubber Pick-Up	
26-2.	Housing-M Pick-Up 2-R2	
26-3.	Housing-M Pick-Up R2	
27.	Bush-M Pick-Up R	
28.	Shaft Feed	
29.	Gear Feed DR 16	
30.	Ground Guide TR	

Parts List 6.1 Frame (continued)

ID No.	Name/Description	Part Number
31.	Spring TS	
32.	CAM-M Pick-Up	
33.	Ring CS; ID3, OD3, T0.25, Black, SU	
34.	Gear Exit, Idle (Z17)	
35.	Gear Feed RDCN 24/19	
36.	Bracket Feed	
37.	Solenoid Pick-Up	121N01168
38.	Screw Taptite	
39.	Fan DC	127N07572
40.	Holder Power	
41.	Shield Power Switch	
42.	Plate Power Cap	
43.	Ground SCF	
44.	PBA LED Panel (LED Board)	101N01330
45.	Frame LSU Holder R	
46.	Frame LSU Holder L	
47.	Frame Exit High	
48.	Gear-M Fuser Idle 1	
49.	Ring CS	
50.	Harness LSU SW & Fan	
51.	-----	
52.	Terminal CRUM	
53.	PBA Sub Terminal (CRUM Board)	
54.	-----	
54-1.	Holder-M Exit F/Down	
54-2.	Roller Exit Main	
54-3.	Roller Exit FR	
54-4.	Spring CS	
55.	Gear-M Exit	
56.	PMO Bearing Shaft	
57.	Support Roller	
58.	-----	
59.	Roller Exit F/Down	
60.	-----	
61.	-----	
62.	-----	
63.	Shield Controller	
64.	Shield SMPS (LVPS)	
65.	Insulation SMPS (LVPS)	
66.	Foot ML80	

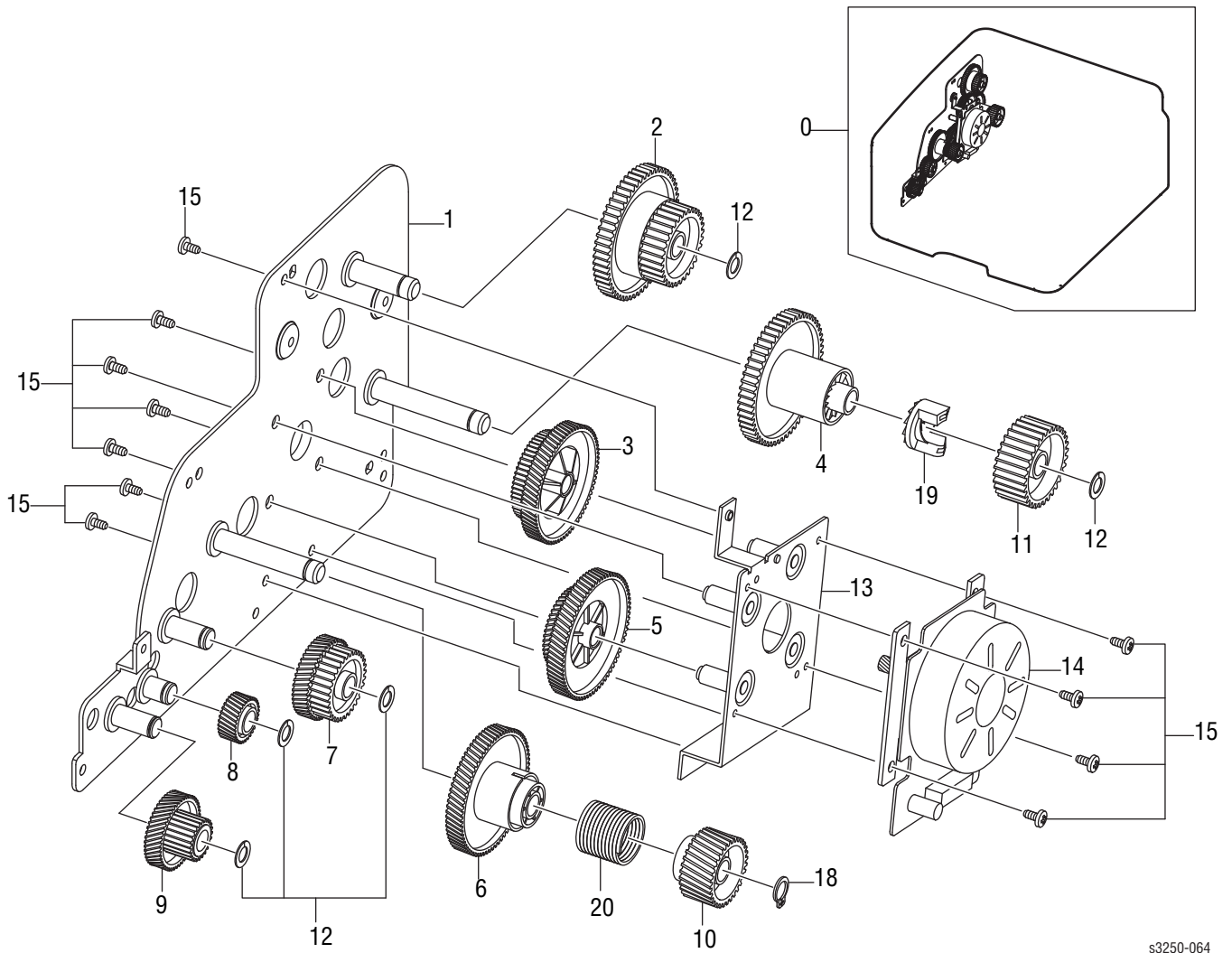
Parts List 6.1 Frame (continued)

ID No.	Name/Description	Part Number
67.	Adjust Manual L	
68.	Adjust Manual R	
69.	Adjust Rack-M Manual	
70.	Adjust Rack-M-Manual	
71.	Gear Rack Pinion	
72.	Actuator Feed	120N00522
73.	Actuator Duplex	120N00521
74.	Spring TS	
75.	Photo Interrupter (Feed Sensor, Paper Empty Sensor)	130N01274
76.	CBF Harness HVPS	
77.	Frame Duplex Path	
78.	Roller-M Idle SCF	
79.	Shaft DUP Roller	
80.	Guide Frame Duplex	
81.	Sheet Guide DUP Path	
82.	PMO Bushing Feed	
83.	Roller Feed	022N02355
84.	Actuator Empty	120N00523
85.	Ground Pick Up	
86.	Sheet Brush	
87.	MEC Brush Pick Up	
88.	Bracket Cover Front	
89.	Ground Brush Pick Up	
90.	Guide Paper	
91.	Guide Front Paper	
92.	Guide TR-RIB	
93.	Plate E-SAW	
94.	Guide TR	
95.	Guide Input	
96.	Plate Earth Transfer	
97.	Shaft Feed Idle	
98.	Bush-M Feed Idle	
99.	Spring ETC-TR	
100.	Plate-P Push Bushing	
101.	PMO Plate Guide DEVE-L	
102.	Spring ETC-Guide DEVE	
103.	PMO-Plate Guide DEVE-R	
104.	Spring TR	
105.	Bush TR-L	
106.	Terminal Spring TR	

Parts List 6.1 Frame (continued)

ID No.	Name/Description	Part Number
107.	PMO Bushing TR(L)	
108.	Guide Holder TR	
109.	Spring ETC-ES (Guide Holder TR)	
110.	Holder Transfer	
111.	Link Cover Rear	
112.	Spring CS	
113.	ELA Unit Fuser (110V)	126N00295
	ELA Unit Fuser (220V)	126N00296
114.	MEA Unit Guide Rear	032N00491
115.	Bush 4	

Parts List 7.1 Main Drive

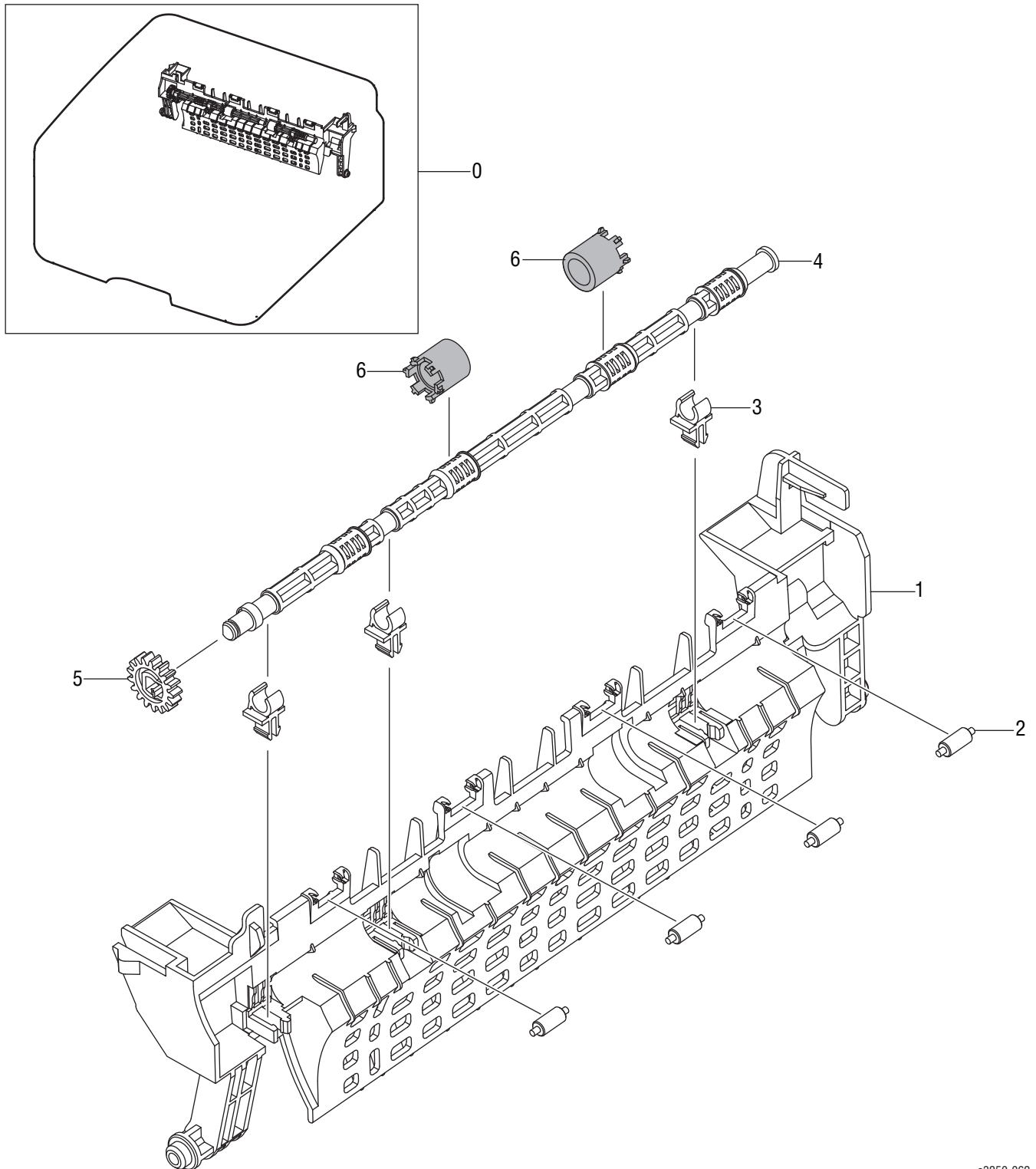


s3250-064

Parts List 7.1 Main Drive

ID No.	Name/Description	Part Number
0.	ELA Unit Drive (Drive Assembly)	007N01601
1.	Bracket Gear	
2.	Gear Exit RDCN 61/28	
3.	Gear RDCN 83/40	
4.	Gear Fuser DR IN 61	
5.	Gear RDCN 89/55	
6.	Gear OPC DR IN 89	
7.	Gear Feed RDCN 56/25	
8.	Gear Pick Up Idle 31	
9.	Gear RDCN 52/18	
10.	Gear OPC Clutch 29	
11.	Gear Fuser DR OUT 37	
12.	Washer Plain	
13.	Bracket Motor	
14.	Motor BLDC	
15.	Screw Taptite	
16.	-----	
17.	-----	
18.	Ring C	
19.	Hub Clutch	
20.	Spring Clutch	

Parts List 8.1 Rear Guide

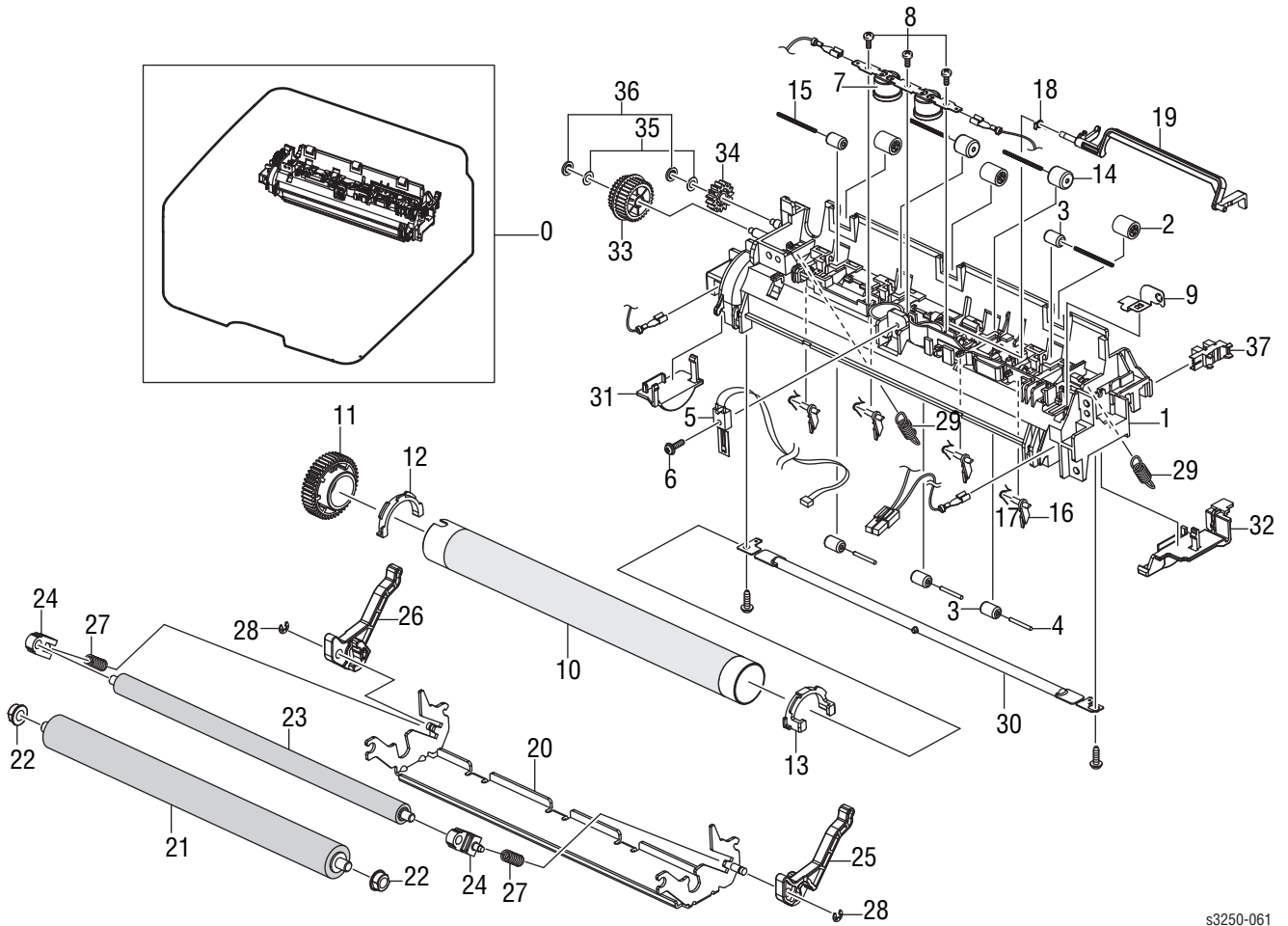


s3250-062

Parts List 8.1 Rear Guide

ID No.	Name/Description	Part Number
0.	MEA Unit Guide Rear	032N00491
1.	Guide Rear	
2.	Roller Idle Exit	
3.	Bush TX	
4.	Shaft Exit-F/Up	
5.	Gear Exit	
6.	Rubber Exit-F/Up	

Parts List 9.1 Fuser

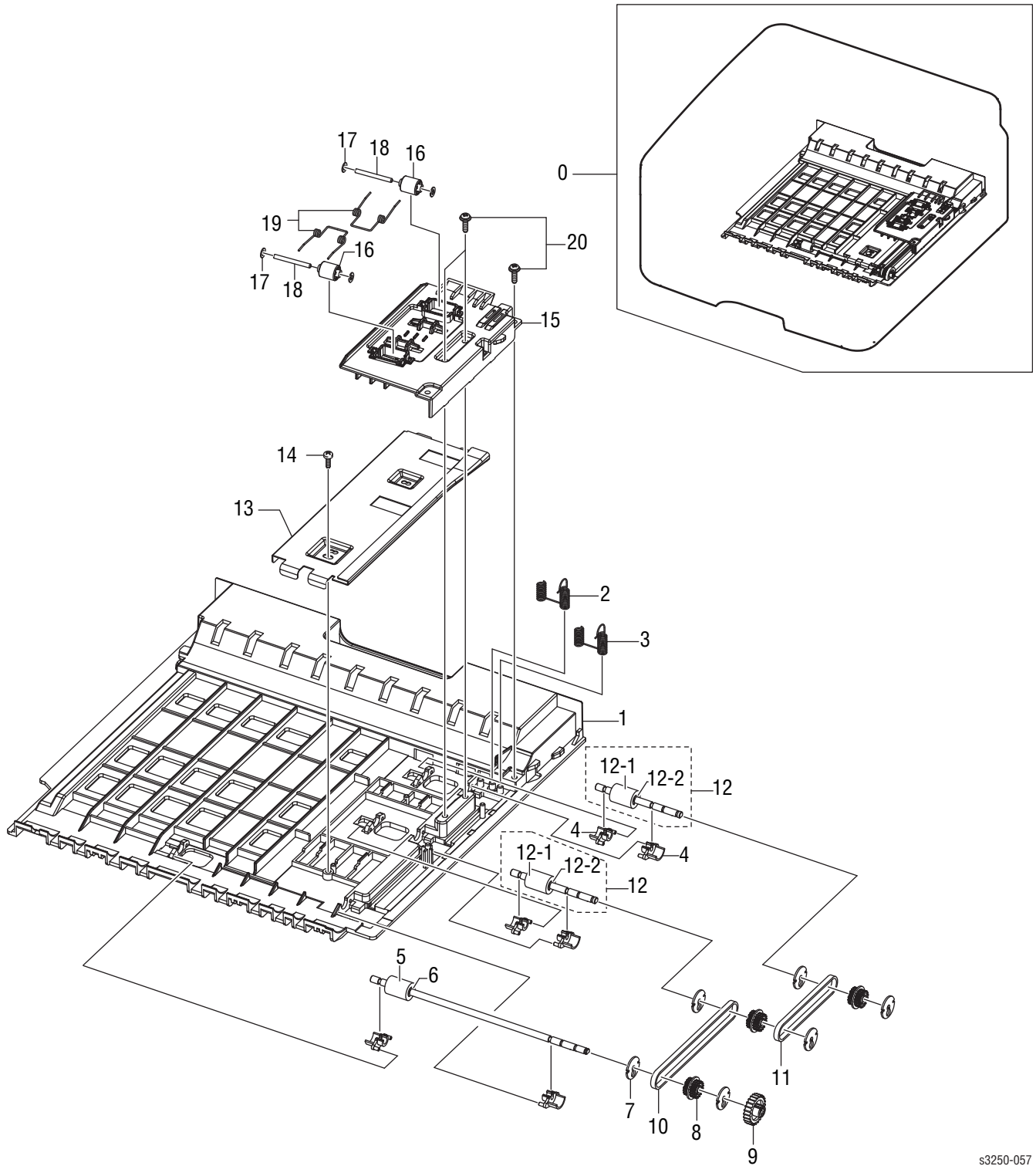


s3250-061

Parts List 9.1 Fuser

ID No.	Name/Description	Part Number
0.	ELA Unit Fuser (110V)	126N00295
	ELA Unit Fuser (220V)	126N00296
1.	Cover Fuser	
2.	PMO Roller Upper DP	
3.	Roller Idle	
4.	IEX Shaft Idle, F/Up	
5.	Thermistor NTC Assy	130N01539
6.	Screw Taptite	
7.	Thermostat	130N01490
8.	Screw Taptite	
9.	Ground Fuser	
10.	Roller Heat	022N02356
11.	Gear Fuser	
12.	Bush HR-L	
13.	Bush HR-R	
14.	PEX Roller F/Up (2)	
15.	Spring ETC	
16.	Guide Claw	
17.	Spring ETC Claw	
18.	Spring TS	
19.	Actuator Exit	120N00524
20.	Frame Fuser	
21.	Roller Pressure	022N02357
22.	Bush PR-1st	
23.	Roller Pressure-2nd	022N02358
24.	Bush PR-2nd	
25.	Lever Link Jam-R	
26.	Lever Link Jam-L	
27.	Spring CS	
28.	Ring-C	
29.	Spring ES	
30.	Lamp Halogen, 110V	122N00269
	Lamp Halogen, 220V	122N00270
31.	CAP Lamp-L	
32.	CAP Lamp-R	
33.	Gear Fuser RDCN 28-20	
34.	Gear MPF 5	
35.	Washer Plain	
36.	Ring CS	
37.	Photo Interrupter (Exit Sensor)	130N01274

Parts List 10.1 Duplex Unit

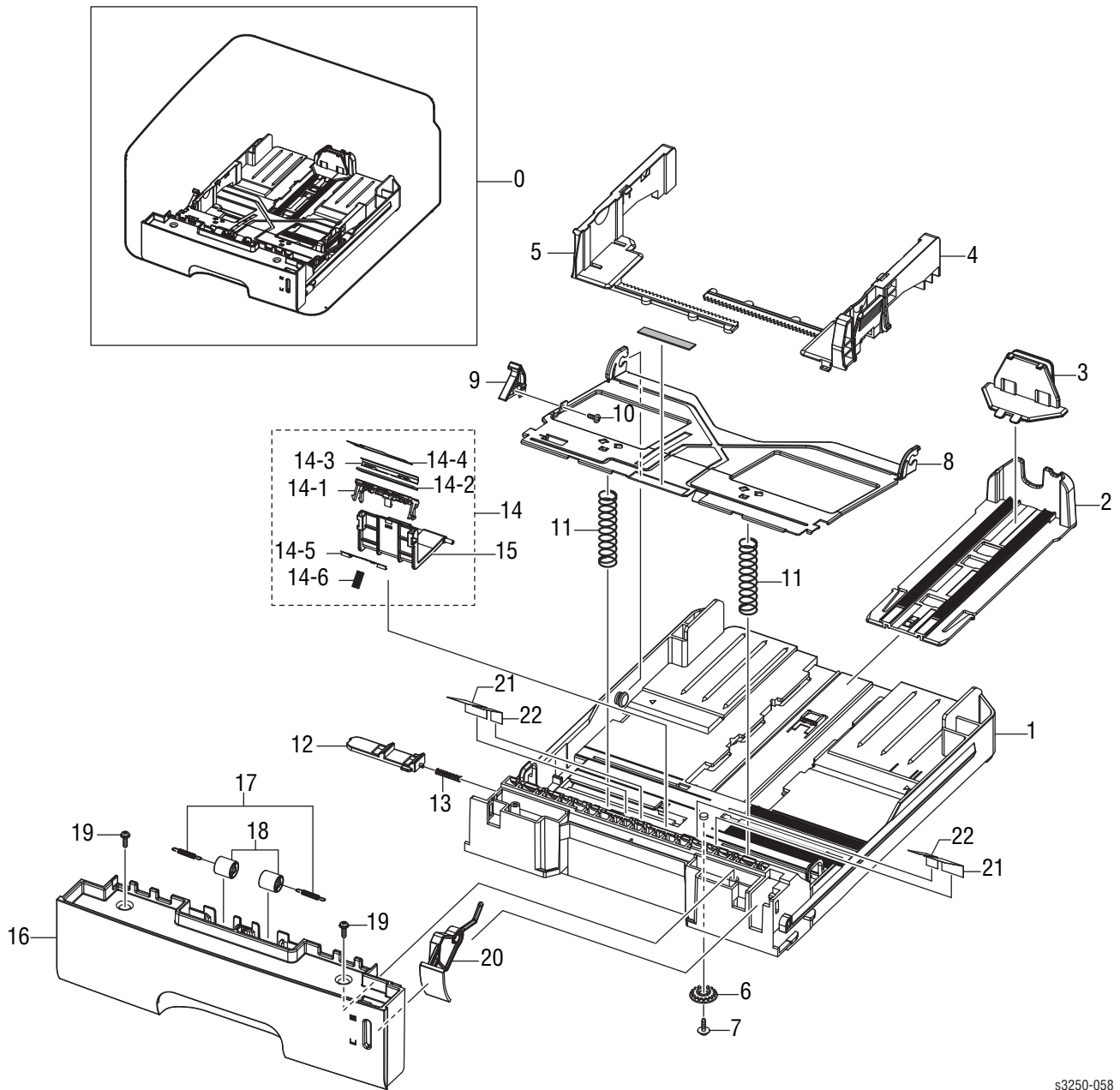


s3250-057

Parts List 10.1 Duplex Unit

ID No.	Name/Description	Part Number
0.	ELA Unit Duplex	097N01682
1.	Frame Duplex Base	
2.	Terminal GND-DUP L	
3.	Terminal GND-DUP S	
4.	Bush M Feed, DUP	
5.	Roller Feed-DUP2	
6.	Ring-C	
7.	Pulley M-18 Dummy-DUP	
8.	Pulley 18-DUP	
9.	Gear Exit F/Down	
10.	Belt Timing Gear	
11.	Belt Timing Gear	
12.	ELA Unit Roller-DUP	
12-1.	Roller Feed-DUP	
12-2.	Ring-C	
13.	Bracket Duplex-Align	
14.	Screw Tapping	
15.	Guide Duplex-Upper	
16.	Roller M-Idle-DUP	
17.	PCT-SILP Washer	
18.	Shaft Idle Roll, DUP	
19.	Spring-TS	
20.	Screw Taptite	

Parts List 11.1 Tray 1



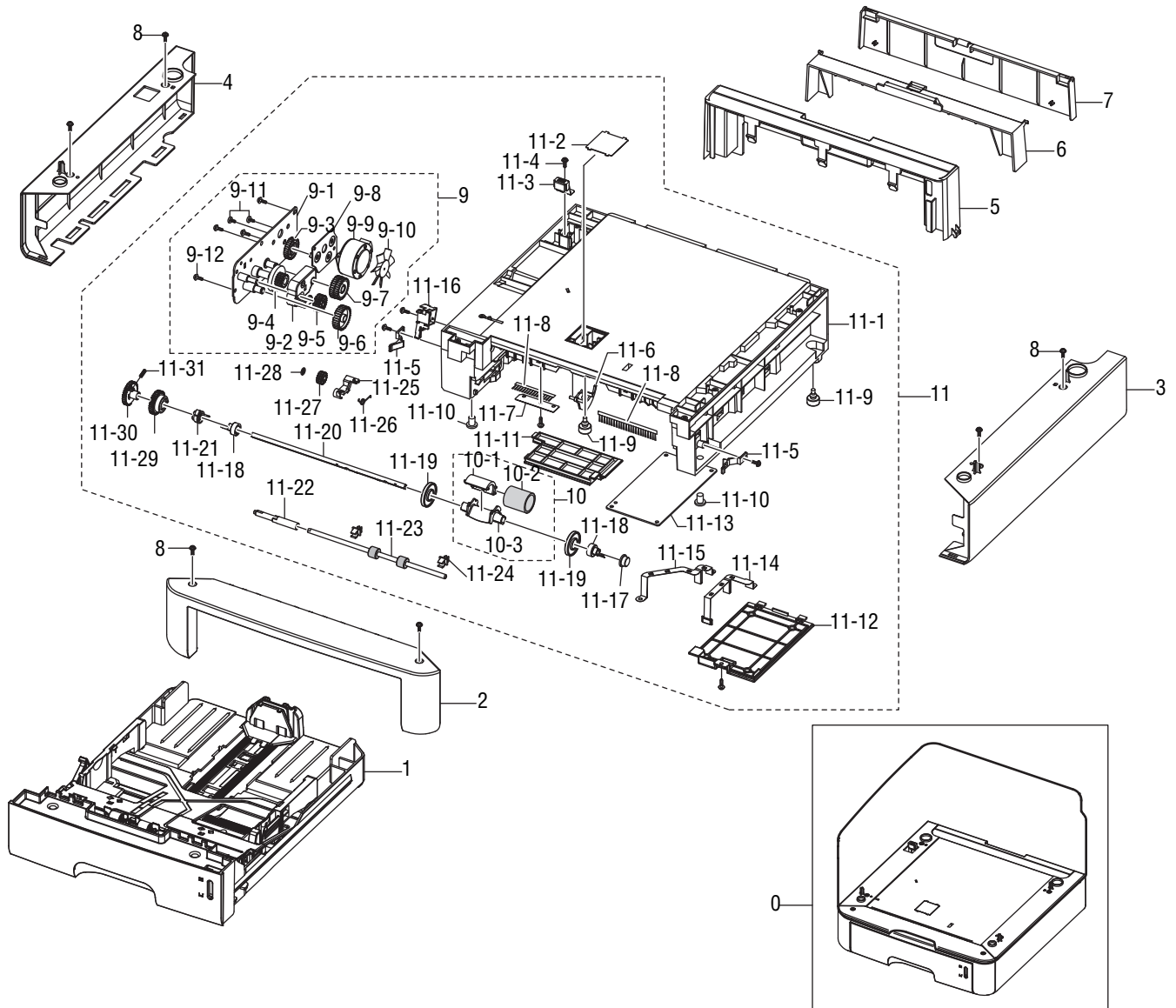
s3250-058

Parts List 11.1 Tray 1

ID No.	Name/Description	Part Number
0.	MEA Unit Cassette (Tray 1)	050N00521
1.	Frame-M Cassette	
2.	Guide-M Extension L2	
3.	PMO Extension Small	
4.	Adjust-M Cassette-R	
5.	Adjust-M Cassette-L	
6.	Gear Pinion	
7.	Screw Taptite	
8.	Plate-P Knock-Up	
9.	CAM-M Knock-Up	
10.	Screw Taptite	
11.	Spring-CS	
12.	PMO Plate-Locker	
13.	Spring ETC-Locker, Plate	
14.	ELA HOU Holder-Pad	019N00957
14-1.	Holder Pad	
14-2.	RPR-Friction Pad	
14-3.	Plate Pad	
14-4.	Sheet Pad	
14-5.	Ground Pad	
14-6.	Spring ETC Exit Roll FD	
15.	Housing Holder Pad	
16.	Cover Handle-Cassette	
17.	Spring-ES	
18.	Roller-M Idle Feed	
19.	Screw Taptite	
20.	Indicator Paper	
21.	Sheet Guide-Side-Far	
22.	Sheet Guide-Side-Near	

Options

Parts List 12.1 Tray 2



s3250-063

Parts List 12.1 Tray 2

ID No.	Name/Description	Part Number
0.	ELA Unit SCF (Optional 250-Sheet Feeder)	098N02194
1.	MEA Unit Cassette (Tray 2)	050N00521
2.	Cover Front-SCF	
3.	Cover Right-SCF	
4.	Cover Left-SCF	
5.	Cover Rear-SCF	
6.	Cover Duplex	
7.	Cover Rear Duplex	
8.	Screw Taptite	
9.	ELA HOU Motor-SCF	
9-1.	Bracket Motor-SCF	
9-2.	Support Feed-SCF	
9-3.	Gear Idle 59	
9-4.	Gear 61/47 Idle	
9-5.	Gear Idle 23	
9-6.	Gear-35 Idle	
9-7.	Gear RDCN 57/18	
9-8.	Bracket Gear-SCF	
9-9.	Motor Step	
9-10.	PMO Impeller-DRV	
9-11.	Screw Taptite	
9-12.	Washer Plain	
10.	MEA Unit Pick-Up	
10-1.	Housing-M Pick-Up R2	
10-2.	Rubber Pick-Up	
10-3.	Housing-M Pick-Up UP2-R2	
11.	ELA HOU Frame-SCF	
11-1.	Frame SCF	
11-2.	Sheet Cover Sensor	
11-3.	IPR Ground Top	
11-4.	Screw Taptite	
11-5.	PMO Locker CST	
11-6.	PMO Actuator Empty	
11-7.	Sheet Brush	
11-8.	MEC Brush Antistatic	
11-9.	Foot ML80	
11-10.	Foot Front	
11-11.	Cover Harness-SCF	
11-12.	Cover M-SIMM R2	
11-13.	PBA SCF	

Parts List 12.1 Tray 2 (continued)

ID No.	Name/Description	Part Number
11-14.	Ground Paper-SCF	
11-15.	Ground Brush-SCF	
11-16.	Solenoid Pick-Up	
11-17.	Bush-M Pick-Up R	
11-18.	Stopper-M Pick-Up-R2	
11-19.	PMO Idle Pick-Up	
11-20.	Shaft-P Pick-Up	
11-21.	Bush-M Pick-Up L	
11-22.	Shaft Feed-SCF	
11-23.	Roller Feed	
11-24.	PMO Bushing Feed	
11-25.	CAM M Pick-Up	
11-26.	Spring-TS	
11-27.	Gear Feed 2	
11-28.	Ring CS; ID3, OD3, T0.25, Black, SU	
11-29.	PMO Gear Pick-Up B	
11-30.	Gear Pick-Up A	
11-31.	Spring-TS	

Xerox Supplies and Accessories

World Kit

Description	Part Number
World Kit 1 - NA & DMO-W110V	600N03310
World Kit 1 - XE, DMO-W & E 220V	600N03311

Consumables and Maintenance Items

Parts List Reference	Description	Part Number
PL1.1.11	Transfer Roller (50K)	022N02354
PL9.1.0	Fuser Assy - 115V (50K)	126N00295
	Fuser Assy - 220V (50K)	126N00296
PL1.1.20	ELA HOU-DEVE (Print Cartridge - 5K)	106R01374
	ELA HOU-DEVE (Print Cartridge - 3.5K)	106R01373

Options

Parts List Reference	Description	Part Number
N/A	128 MB DDR2 Memory (1x 128 MB)	098N02195
PL12.1.0	Optional 250-Sheet Feeder	098N02194

Power Cords

Description	Part Number
CBF-Power Cord, 110V	105N02072
CBF-Power Cord, 220V	117N01769

Tools

Parts List Reference	Description	Part Number
N/A	Toner Vacuum	003-1496-00