

Overview

Introduction ..... 5-3
Subsystem Information ..... 5-4
Symbology ..... 5-5

Parts Lists

Drives

PL 1.1 Drive Unit (1 of 2)..... 5-7
PL 1.2 Drive Unit (2 of 2)..... 5-8
PL 1.3 Fuser Drive Assembly..... 5-9
PL 1.4 Main Drive Assembly ..... 5-10
PL 1.5 Developer Drive Assembly (K)..... 5-11
PL 1.6 Developer Drive Assembly (Y, M, C)..... 5-12

Trays

PL 2.1 Tray 1/2..... 5-13
PL 2.2 Tray 3/4 (1 of 2) ..... 5-14
PL 2.3 Tray 3/4 (2 of 2) ..... 5-15
PL 2.4 Tray 1 Assembly ..... 5-16
PL 2.5 Tray 2 Assembly ..... 5-17
PL 2.6 Tray 1 Feed Assembly (1 of 2) ..... 5-18
PL 2.7 Tray 1 Feed Assembly (2 of 2) ..... 5-19
PL 2.8 Tray 2 Feed Assembly (1 of 2) ..... 5-20
PL 2.9 Tray 2 Feed Assembly (2 of 2) ..... 5-21
PL 2.10 Tray 3 Feed Assembly (1 of 2) ..... 5-22
PL 2.11 Tray 3 Feed Assembly (2 of 2) ..... 5-23
PL 2.12 Tray 4 Feed Assembly (1 of 2) ..... 5-24
PL 2.13 Tray 4 Feed Assembly (2 of 2) ..... 5-25
PL 2.14 Tray 3 Assembly ..... 5-26
PL 2.15 Tray 4 Assembly ..... 5-27
PL 2.16 Tray 5 / Bypass Chute Assembly..... 5-28
PL 2.17 Pre Registration Motor Assembly ..... 5-29
PL 2.18 Takeaway Roll ..... 5-30
PL 2.19 Left Chute Cover..... 5-31
PL 2.20 T/A Drive..... 5-32
PL 2.21 Tray 3/4 Gear Assembly ..... 5-33

Bypass

PL 3.1 Tray 5 / Bypass Accessory ..... 5-34
PL 3.2 Tray 5 / Bypass Cover ..... 5-35
PL 3.3 Tray 5 / Bypass Component (1 of 2)..... 5-36
PL 3.5 Tray 5 / Bypass Tray Component ..... 5-37
PL 3.6 Tray 5 / Bypass Feeder Component..... 5-38
PL 3.7 Tray 5 / Bypass Upper Feeder Component ..... 5-39
PL 3.8 Tray 5 / Bypass Lower Feeder Component ..... 5-40
PL 3.9 Retard/Feed/Nudger Roll Component ..... 5-41
PL 3.10 Feed/Nudger Shaft Component..... 5-42

Drawer Unit

PL 4.1 Transfer Module Assembly (1 of 2)..... 5-43
PL 4.2 Transfer Module Assembly (2 of 2)..... 5-44
PL 4.3 Duplex Transport ..... 5-45
PL 4.4 Registration Transport Assembly..... 5-46
PL 4.5 Pre Registration Slide Assembly..... 5-47
PL 4.6 Vacuum Transport Assembly..... 5-48

ROS

PL 5.1 ROS ..... 5-49

Developer

PL 6.1 Drum/Toner Cartridge ..... 5-50
PL 6.2 Dispense Unit..... 5-51
PL 6.3 Dispense Assembly (Y, M, C, K)..... 5-52
PL 6.4 Dispense Assembly ..... 5-53
PL 6.5 Dispense Unit (1 of 3) ..... 5-54
PL 6.6 Dispense Unit (2 of 3) ..... 5-55
PL 6.7 Dispense Unit (3 of 3) ..... 5-56
PL 6.8 Rear Frame (1 of 2) ..... 5-57
PL 6.9 Rear Frame (2 of 2) ..... 5-58
PL 6.10 Direct Pipe Assembly..... 5-59
PL 6.11 Joint/Leveler Box Assembly..... 5-60

IBT

PL 7.1 IBT Unit (1 of 2)..... 5-61
PL 7.2 IBT Unit (2 of 2)..... 5-62
PL 7.3 Transfer Belt Unit..... 5-63
PL 7.4 IBT Frame Assembly (1 of 4) ..... 5-64
PL 7.5 IBT Frame Assembly (2 of 4) ..... 5-65
PL 7.6 IBT Frame Assembly (3 of 4) ..... 5-66
PL 7.7 IBT Frame Assembly (4 of 4) ..... 5-67
PL 7.8 2nd BTR Roll Assembly (1 of 2)..... 5-68
PL 7.9 2nd BTR Roll Assembly (2 of 2)..... 5-69
PL 7.10 IBT Drawer..... 5-70

Fuser

PL 8.1 Fuser Unit ..... 5-71

Air System

PL 9.1 Air System (1 of 3) ..... 5-72
PL 9.2 Air System (2 of 3) ..... 5-73
PL 9.3 Air System (3 of 3) ..... 5-74

Inverter

PL 10.1 Inverter..... 5-75
PL 10.2 Inverter 1 Transport (1 of 2) ..... 5-76
PL 10.3 Inverter 1 Transport (2 of 2) ..... 5-77
PL 10.4 Inverter 2 Transport (1 of 2) ..... 5-78

PL 10.5 Inverter 2 Transport (2 of 2).....	5-79	PL 14.24 Exit Lower Chute Component.....	5-120
<b>Electrical</b>		PL 14.25 Registration Out Chute Component.....	5-121
PL 11.1 Electrical (1 of 3).....	5-80	PL 14.26 Feeder Lower Chute Component.....	5-122
PL 11.2 Electrical (2 of 3).....	5-81	<b>UI</b>	
PL 11.3 Electrical (3 of 3).....	5-82	PL 15.1 Control Panel (Part 1 of 2).....	5-123
PL 11.4 Wire Harness.....	5-83	PL 15.2 Control Panel (Part 2 of 2).....	5-124
PL 11.5 Control Unit (1 of 2).....	5-84	<b>SCT/OCT</b>	
PL 11.6 Control Unit (2 of 2).....	5-85	PL 16.1 SCT.....	5-125
<b>Cover</b>		PL 16.2 OCT (1 of 2).....	5-126
PL 12.1 Cover (1 of 2).....	5-86	PL 16.3 OCT (2 of 2).....	5-127
PL 12.2 Cover (2 of 2).....	5-87	<b>HCF</b>	
<b>Convenience Stapler</b>		PL 18.1 HCF Unit.....	5-128
PL 12.4 Convenience Stapler.....	5-88	PL 18.2 HCF Tray 6 (1 of 2).....	5-129
<b>IIT</b>		PL 18.3 HCF Tray 6 (2 of 2).....	5-130
PL 13.1 IIT Cover - Front/Top.....	5-89	PL 18.4 HCF Feeder (1 of 3).....	5-131
PL 13.2 IIT Cover - Rear/Right, Power Chassis.....	5-90	PL 18.5 HCF Feeder (2 of 3).....	5-132
PL 13.3 IIT Bottom Bracket.....	5-91	PL 18.6 HCF Feeder (3 of 3).....	5-133
PL 13.4 IIT Component.....	5-92	PL 18.7 HCF Top Cover Unit.....	5-134
PL 13.6 IIT Housing - Electrical.....	5-93	PL 18.8 HCF Electrical and Rail.....	5-135
PL 13.7 IIT Housing - Carriage.....	5-94	<b>Common Hardware</b>	
PL 13.8 IIT Unit.....	5-95	Common Hardware.....	5-136
PL 13.9 Full Rate Carriage Component.....	5-96	Part Number Index.....	5-147
PL 13.10 Half Rate Carriage Component.....	5-97		
<b>DADF</b>			
PL 14.1 DADF.....	5-98		
PL 14.2 DADF Cover.....	5-99		
PL 14.3 DADF PWB, Counter Balance.....	5-100		
PL 14.4 DADF Document Tray, Tray Motor.....	5-101		
PL 14.5 Feeder Upper Chute, DADF Left Upper Cover.....	5-102		
PL 14.6 Feed Motor, Feed Clutch, Invert Drive Roll.....	5-103		
PL 14.7 Pre Registration Motor, Pre Registration Roll Chute, Take Away Roll, Baffle Solenoid	5-104		
PL 14.8 Registration Motor, Registration Roll.....	5-105		
PL 14.9 Platen Motor, Platen Roll, Out Roll.....	5-106		
PL 14.10 Exit Motor, Exit Roll.....	5-107		
PL 14.11 Exit Gate Solenoid, Simp/Dup Gate Solenoid, Nip Solenoid, Inverter Exit Chute, Guide	5-108		
Chute.....	5-108		
PL 14.12 Exit Upper/Lower Chute, Registration Out Chute, Feeder Lower Chute.....	5-109		
PL 14.14 DADF Document Tray Component.....	5-110		
PL 14.15 DADF Document Bottom Tray Component.....	5-111		
PL 14.16 DADF Document Upper Tray Component.....	5-112		
PL 14.17 Feeder Upper Chute Component.....	5-113		
PL 14.18 Feeder/Nudger Roll Component.....	5-114		
PL 14.19 DADF Left Upper Cover Component.....	5-115		
PL 14.20 Pre Registration Roll Chute Component.....	5-116		
PL 14.21 Inverter Exit Chute Component.....	5-117		
PL 14.22 Guide Chute Component.....	5-118		
PL 14.23 Exit Upper Chute Component.....	5-119		

# Introduction

## Overview

The Parts List section identifies all part numbers and the corresponding location of all spared subsystem components.

## Organization

### Parts Lists

Each item number in the part number listing corresponds to an item number in the related illustration. All the parts in a given subsystem of the machine will be located in the same illustration or in a series of associated illustrations.

### Electrical Connectors and Fasteners

This section contains the illustrations and descriptions of the plugs, jacks, and fasteners used in the machine. A part number listing of the connectors is included.

### Common Hardware

The common hardware is listed in alphabetical order by the letter or letters used to identify each item in the part number listing and in the illustrations. Dimensions are in millimeters unless otherwise identified.

### Part Number Index

This index lists all the spared parts in the machine in numerical order. Each number is followed by a reference to the parts list on which the part may be found.

## Other Information

### Abbreviations

Abbreviations are used in the parts lists and the exploded view illustrations to provide information in a limited amount of space. The following abbreviations are used in this manual:

**Table 1 Abbreviations**

Abbreviation	Meaning
<b>A3</b>	297 x 594 Millimeters
<b>A4</b>	210 x 297 Millimeters
<b>A5</b>	148 x 210 Millimeters
<b>AD</b>	Auto Duplex
<b>AWG</b>	American Wire Gauge
<b>EMI</b>	Electro Magnetic Induction
<b>GB</b>	Giga Byte
<b>KB</b>	Kilo Byte
<b>MB</b>	Mega Byte
<b>MM</b>	Millimeters
<b>MOD</b>	Magneto Optical Drive
<b>NOHAD</b>	Noise Ozone Heat Air Dirt
<b>PL</b>	Parts List
<b>P/O</b>	Part of

**Table 1 Abbreviations**

Abbreviation	Meaning
<b>R/E</b>	Reduction/Enlargement
<b>REF:</b>	Refer to
<b>SCSI</b>	Small Computer Systems Interface
<b>W/</b>	With
<b>W/O</b>	Without

**Table 2 Operating Companies**

Operating Companies	
Abbreviation	Meaning
<b>AO</b>	Americas Operations
<b>NASG - US</b>	North American Solutions Group - US
<b>NASG - Canada</b>	North American Solutions Group - Canada
<b>XE</b>	Xerox Europe

## Symbology

Symbology used in the Parts List section is identified in the Symbology section.

## Service Procedure Referencing

If a part or assembly has an associated repair or adjustment procedure, the procedure number will be listed at the end of the part description in the parts lists e.g. (REP 5.1, ADJ 5.3)

## Subsystem Information

### Use of the Term “Assembly”

The term “assembly” will be used for items in the part number listing that include other itemized parts in the part number listing. When the word “assembly” is found in the part number listing, there will be a corresponding item number on the illustrations followed by a bracket and a listing of the contents of the assembly.

### Brackets

A bracket is used when an assembly or kit is spared, but is not shown in the illustration. The item number of the assembly or kit precedes the bracket; the item numbers of the piece parts follow the bracket.

### Tag

The notation “W/Tag” in the parts description indicates that the part configuration has been updated. Check the change Tag index in the General Information section of the Service Data for the name and purpose of the modification.

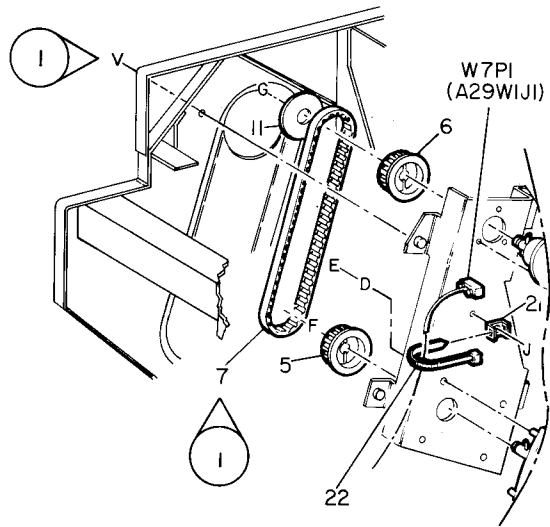
In some cases, a part or assembly may be spared in two versions: with the Tag and without the Tag. In those cases, use whichever part is appropriate for the configuration of the machine on which the part is to be installed. If the machine does not have a particular Tag and the only replacement part available is listed as “W/Tag”, install the Tag kit or all of the piece parts. The Change Tag Index tells you which kit or piece parts you need.

Whenever you install a Tag kit or all the piece parts that make up a Tag, mark the appropriate number on the Tag matrix.

# Symbology

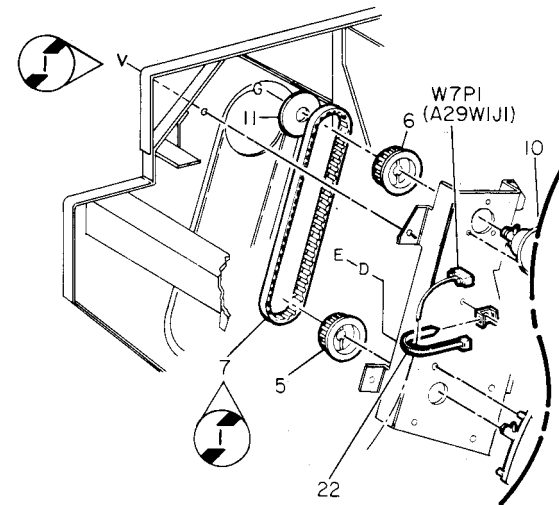
A Tag number within a circle pointing to an item number shows that the part has been changed by the tag number within the circle (Figure 1). Information on the modification is in the Change Tag Index.

A Tag number within a circle having a shaded bar and pointing to an item number shows that the configuration of the part shown is the configuration before the part was changed by the Tag number within the circle (Figure 2).



O	Z004	A
850	PL	M I

Figure 1 With Tag Symbol



O	Z005	A
850	PL	M I

Figure 2 Without Tag Symbol

A tag number within a circle with no apex shows that the entire drawing has been changed by the tag number within the circle (Figure 3). Information on the modification is in the Change Tag Index.

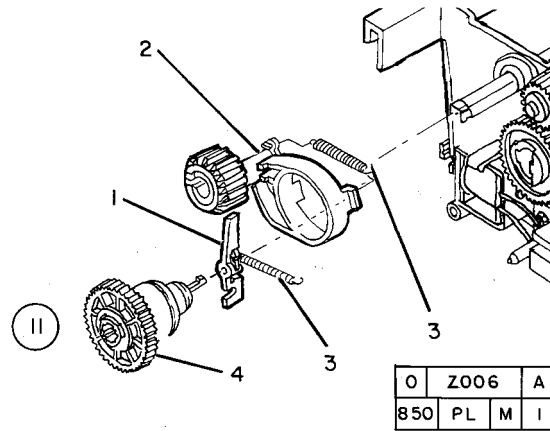


Figure 3 Entire Drawing With Tag Symbol

A tag number within a circle with no apex and having a shaded bar shows that the entire drawing was the configuration before being changed by the tag number within the circle (Figure 4).

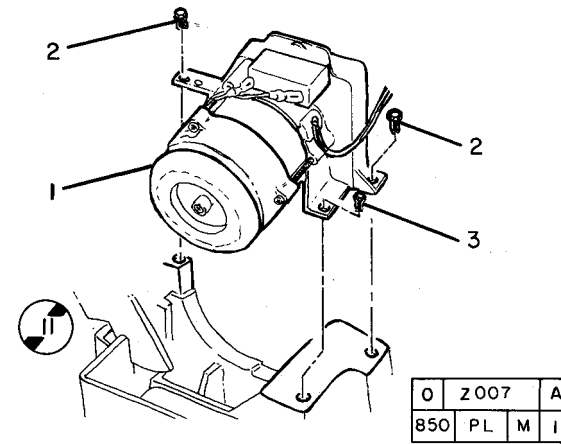
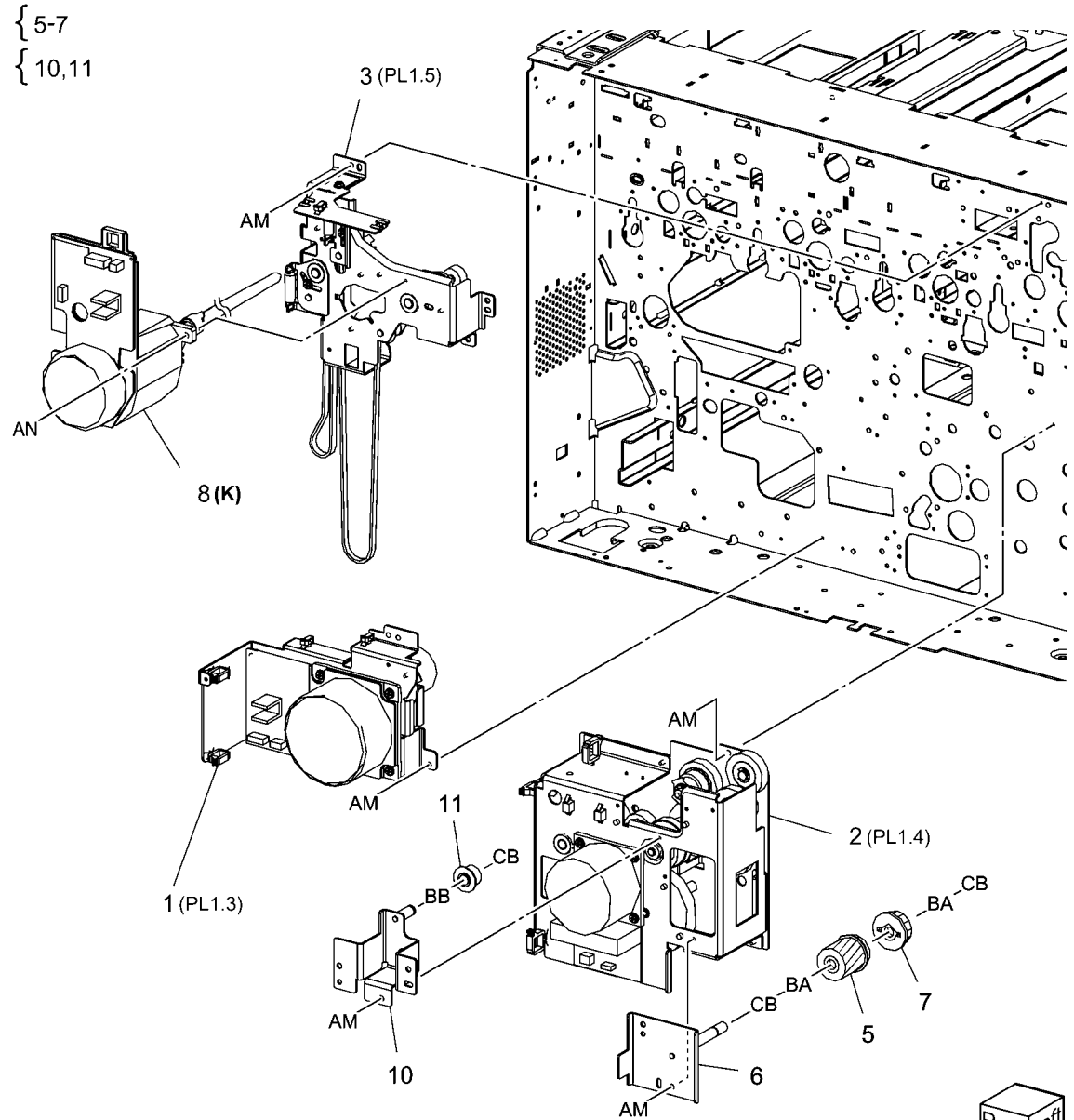


Figure 4 Entire Drawing Without Tag Symbol

## PL 1.1 Drive Unit (1 of 2)

Item	Part	Description
1	007K87844	Fuser Drive Assembly (REP 10.4)
2	007K17410	Main Drive Assembly (REP 3.3)
3	007K93773	Developer Drive Assembly (K) (REP 9.11)
4	068K24230	Gear Bracket Assembly
5	-	Gear Assembly (28/31T) (P/O PL 1.1 Item 4)
6	-	Gear Bracket (P/O PL 1.1 Item 4)
7	-	Gear Assembly (31/33) (P/O PL 1.1 Item 4)
8	127K57161	Drum Motor Assembly (K) (REP 9.10)
9	-	Tension Bracket Assembly
10	-	Tension Bracket (P/O PL 1.1 Item 9)
11	-	Pulley (P/O PL 1.1 Item 9)

4 { 5-7  
9 { 10,11

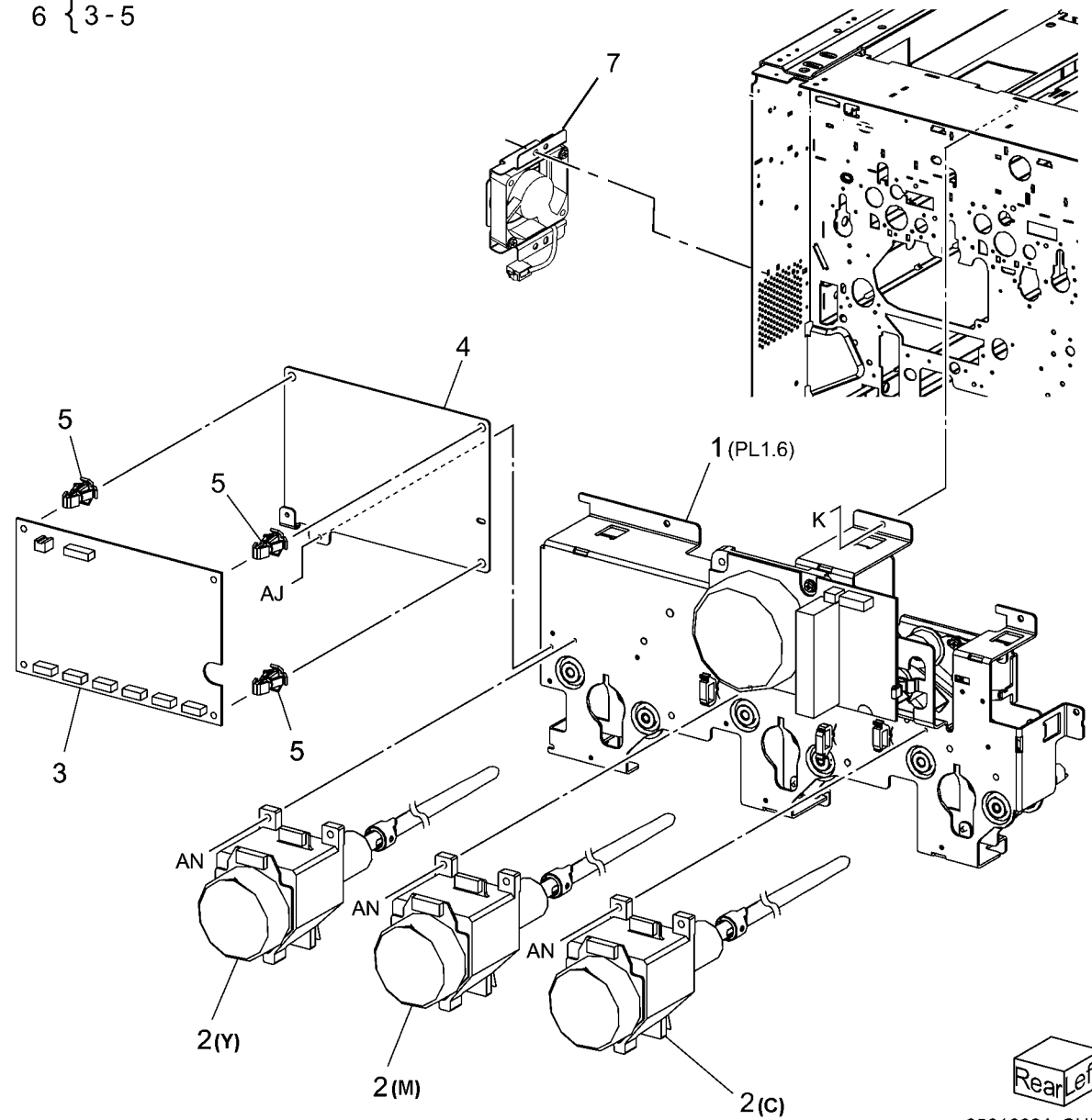


RearLeft  
0501001A-OLY

## PL 1.2 Drive Unit (2 of 2)

Item	Part	Description
1	007K14751	Developer Drive Assembly (Y, M, C) (REP 9.12)
2	127K57172	Drum Motor Assembly (Y, M, C)
3	-	Drum Motor YMC PWB (P/O PL 1.2 Item 6)
4	-	Plate (P/O PL 1.2 Item 6)
5	-	PWB Support (P/O PL 1.2 Item 6)
6	960K35931	Drum Motor YMC PWB Assembly (Y, M, C)
7	127K63040	Rear Add Fan Assembly

6 { 3-5



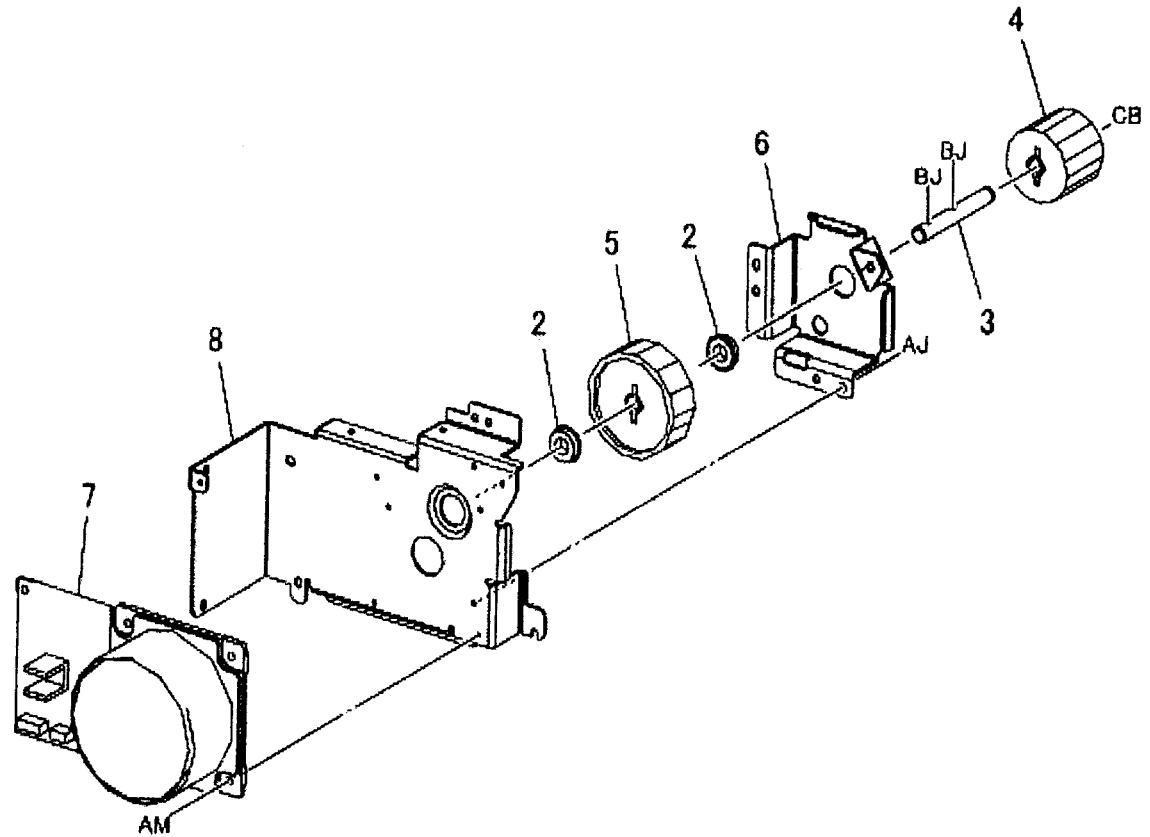
RearLeft  
0501002A-CHN



## PL 1.3 Fuser Drive Assembly

Item	Part	Description
1	-	Gear Assembly (P/O PL 1.1 Item 1)
2	413W08350	Bearing
3	-	Shaft (P/O PL 1.3 Item 1)
4	-	Gear (35T) (P/O PL 1.3 Item 1)
5	-	Gear (62T) (P/O PL 1.3 Item 1)
6	-	Bracket (P/O PL 1.3 Item 1)
7	-	Fuser Motor Assembly (P/O PL 1.1 Item 1)
8	-	Bracket (P/O PL 1.1 Item 1)

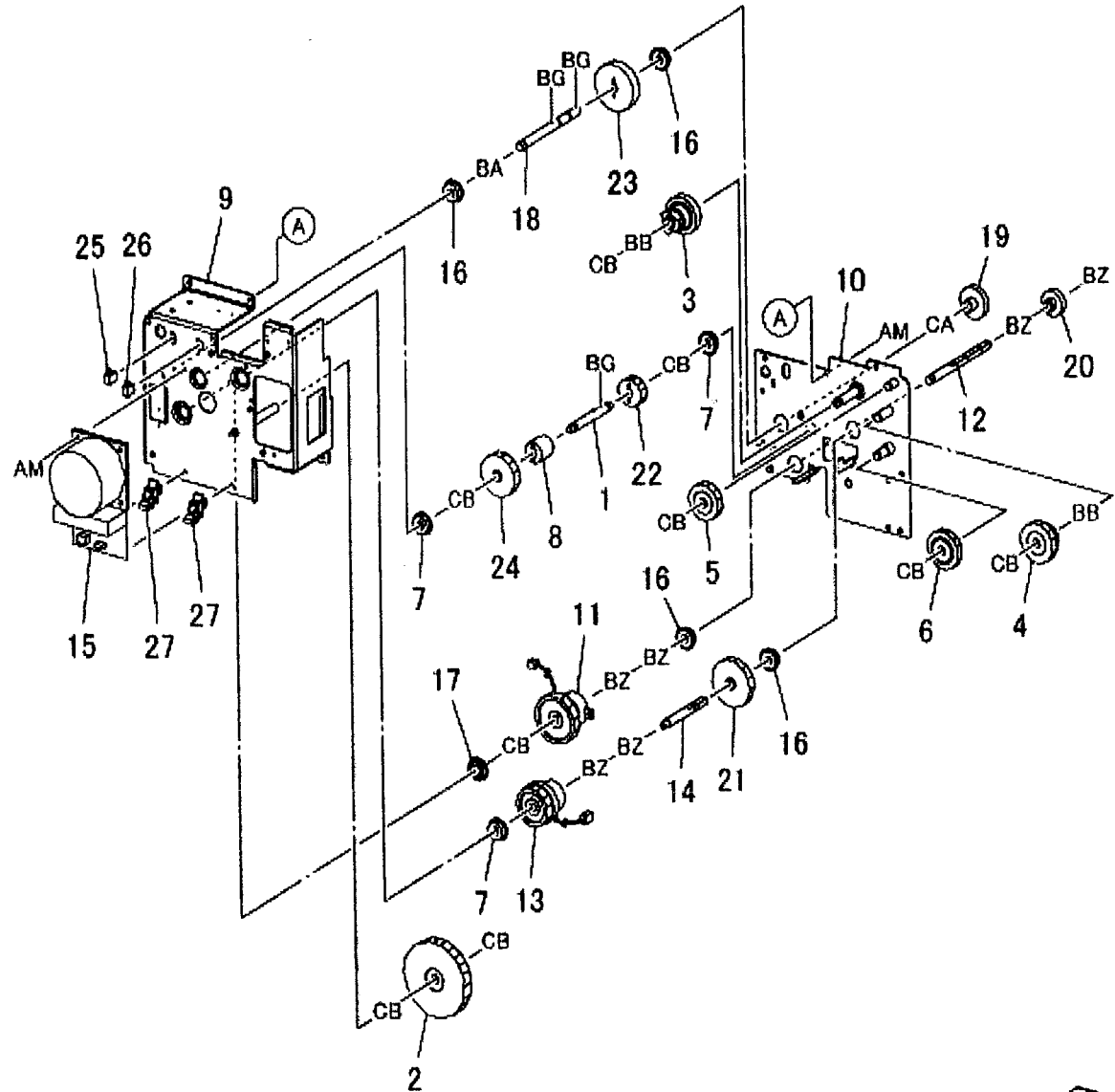
1 {2-6



0501003A-OLY

## PL 1.4 Main Drive Assembly

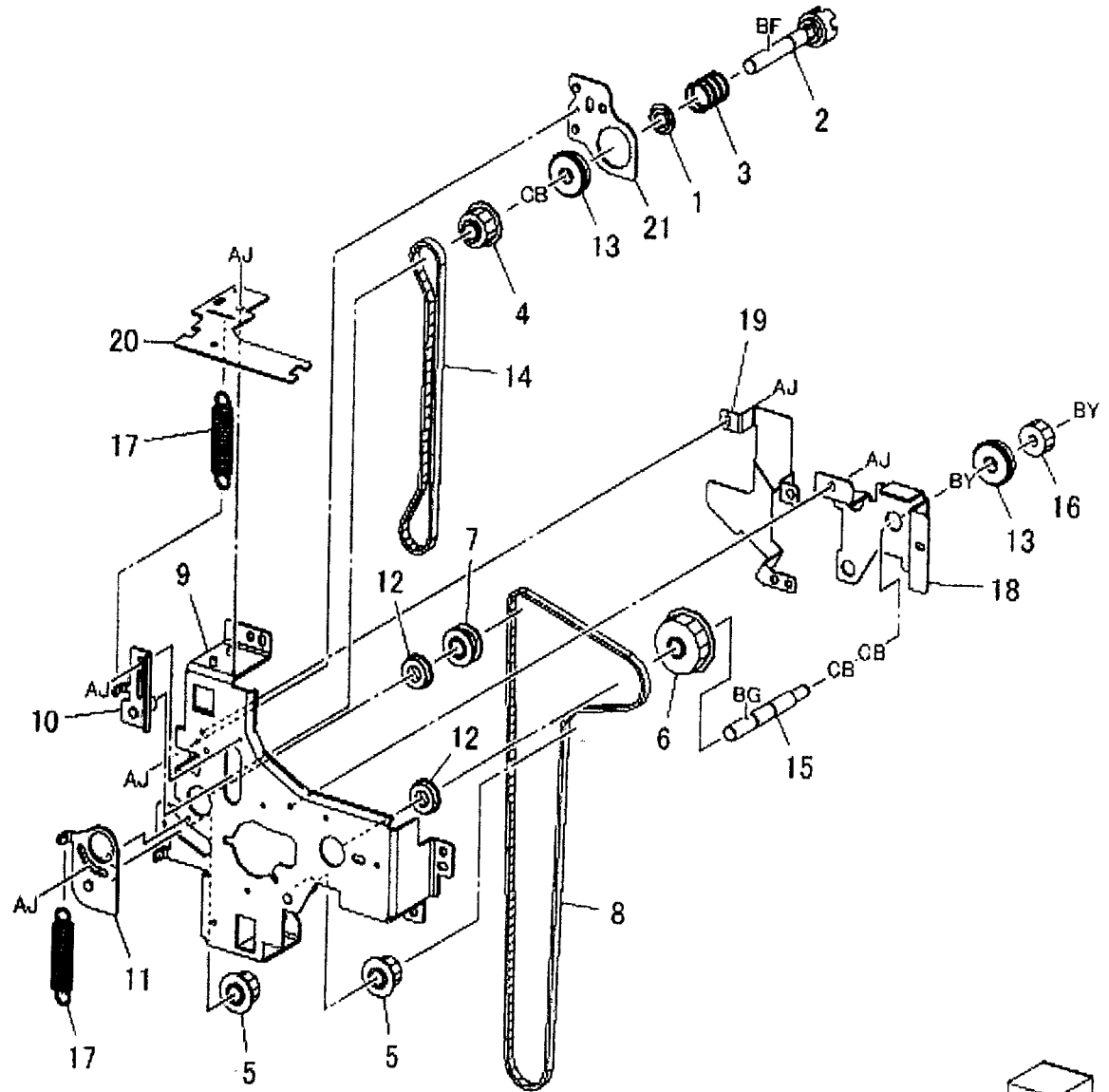
Item	Part	Description
1	-	Shaft Assembly (P/O PL 1.1 Item 2)
2	-	Gear Assembly (86T) (P/O PL 1.1 Item 2)
3	-	Gear Assembly (21T/42T) (P/O PL 1.1 Item 2)
4	-	Gear Assembly (31T/44T) (P/O PL 1.1 Item 2)
5	-	Gear Assembly (40T) (P/O PL 1.1 Item 2)
6	-	Gear Assembly (42T) (P/O PL 1.1 Item 2)
7	-	Ball Bearing (P/O PL 1.1 Item 2)
8	-	Brake Assembly (P/O PL 1.1 Item 2)
9	-	Upper Bracket (P/O PL 1.1 Item 2)
10	-	Lower Bracket (P/O PL 1.1 Item 2)
11	121K33941	2nd BTR Cam Clutch
12	-	Shaft (P/O PL 1.1 Item 2)
13	121K42230	Developer K Drive Clutch Assembly (Not Spared)
14	-	Shaft (P/O PL 1.1 Item 2)
15	-	Main Motor Assembly (P/O PL 1.1 Item 2)
16	-	Bearing (P/O PL 1.1 Item 2)
17	-	Bearing (P/O PL 1.1 Item 2)
18	-	Shaft (P/O PL 1.1 Item 2)
19	-	Gear (17T) (P/O PL 1.1 Item 2)
20	-	Gear (18T) (P/O PL 1.1 Item 2)
21	-	Gear (53T) (P/O PL 1.1 Item 2)
22	-	Gear (30T) (P/O PL 1.1 Item 2)
23	-	Gear (53T) (P/O PL 1.1 Item 2)
24	-	Gear (47T) (P/O PL 1.1 Item 2)
25	-	Connector (P/O PL 1.1 Item 2)
26	-	Housing (P/O PL 1.1 Item 2)
27	-	PWB Support (P/O PL 1.1 Item 2)



0501004A-OLY

# PL 1.5 Developer Drive Assembly (K)

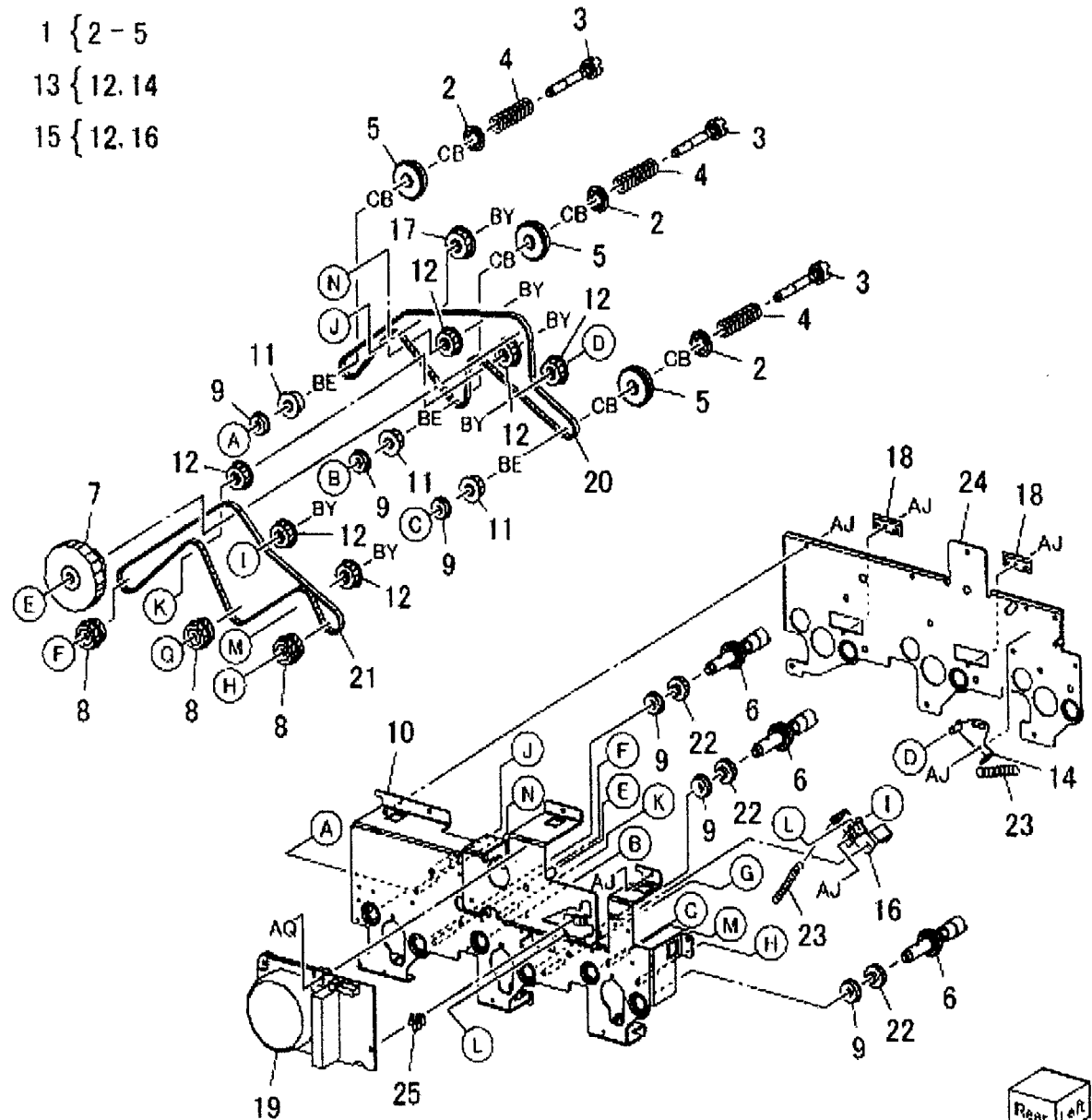
Item	Part	Description
1	-	Retainer (P/O PL 1.1 Item 3)
2	-	Shaft Assembly (P/O PL 1.1 Item 3)
3	-	Spring (P/O PL 1.1 Item 3)
4	-	Pulley (20T) (P/O PL 1.1 Item 3)
5	-	Idler Pulley (P/O PL 1.1 Item 3)
6	-	Pulley (31T) (P/O PL 1.1 Item 3)
7	-	Pulley Assembly (P/O PL 1.1 Item 3)
8	-	Belt (P/O PL 1.1 Item 3) (REP 9.11)
9	-	Bracket Assembly (P/O PL 1.1 Item 3)
10	-	Tension Bracket (P/O PL 1.1 Item 3)
11	-	Tension Bracket (P/O PL 1.1 Item 3)
12	413W08350	Bearing
13	-	Bearing (P/O PL 1.1 Item 3)
14	-	Belt (REP 9.11)
15	-	Shaft (P/O PL 1.1 Item 3)
16	-	Gear (18T) (P/O PL 1.1 Item 3)
17	-	Spring (P/O PL 1.1 Item 3)
18	-	Bracket (P/O PL 1.1 Item 3)
19	-	Bracket (P/O PL 1.1 Item 3)
20	-	Support (P/O PL 1.1 Item 3)
21	-	Bracket (P/O PL 1.1 Item 3)



0501005A-OLY

# PL 1.6 Developer Drive Assembly (Y, M, C)

Item	Part	Description
1	-	Coupling Assembly (P/O PL 1.2 Item 1)
2	-	Retainer (P/O PL 1.6 Item 1)
3	-	Coupling (P/O PL 1.6 Item 1)
4	-	Spring (P/O PL 1.6 Item 1)
5	-	Bearing (P/O PL 1.6 Item 1)
6	-	Coupling Assembly (P/O PL 1.2 Item 1)
7	-	Gear Assembly (P/O PL 1.2 Item 1)
8	-	Gear Assembly (P/O PL 1.2 Item 1)
9	-	Ball Bearing (P/O PL 1.2 Item 1)
10	-	Bracket Assembly (P/O PL 1.2 Item 1)
11	-	Pulley (P/O PL 1.2 Item 1)
12	-	Pulley Assembly (P/O PL 1.6 Item 13)
13	-	Tension Pulley Assembly (P/O PL 1.2 Item 1)
14	-	Bracket (P/O PL 1.6 Item 13)
15	-	Tension Pulley Assembly (P/O PL 1.2 Item 1)
16	-	Bracket (P/O PL 1.6 Item 15)
17	-	Pulley (P/O PL 1.2 Item 1)
18	-	Film (P/O PL 1.2 Item 1)
19	-	Developer Motor Assembly (Y, M, C)
20	-	Belt (P/O PL 1.2 Item 1)
21	-	Belt (P/O PL 1.2 Item 1)
22	-	Gear (P/O PL 1.2 Item 1)
23	-	Spring (P/O PL 1.2 Item 1)
24	-	Bracket (P/O PL 1.2 Item 1)
25	-	Clamp (P/O PL 1.2 Item 1)

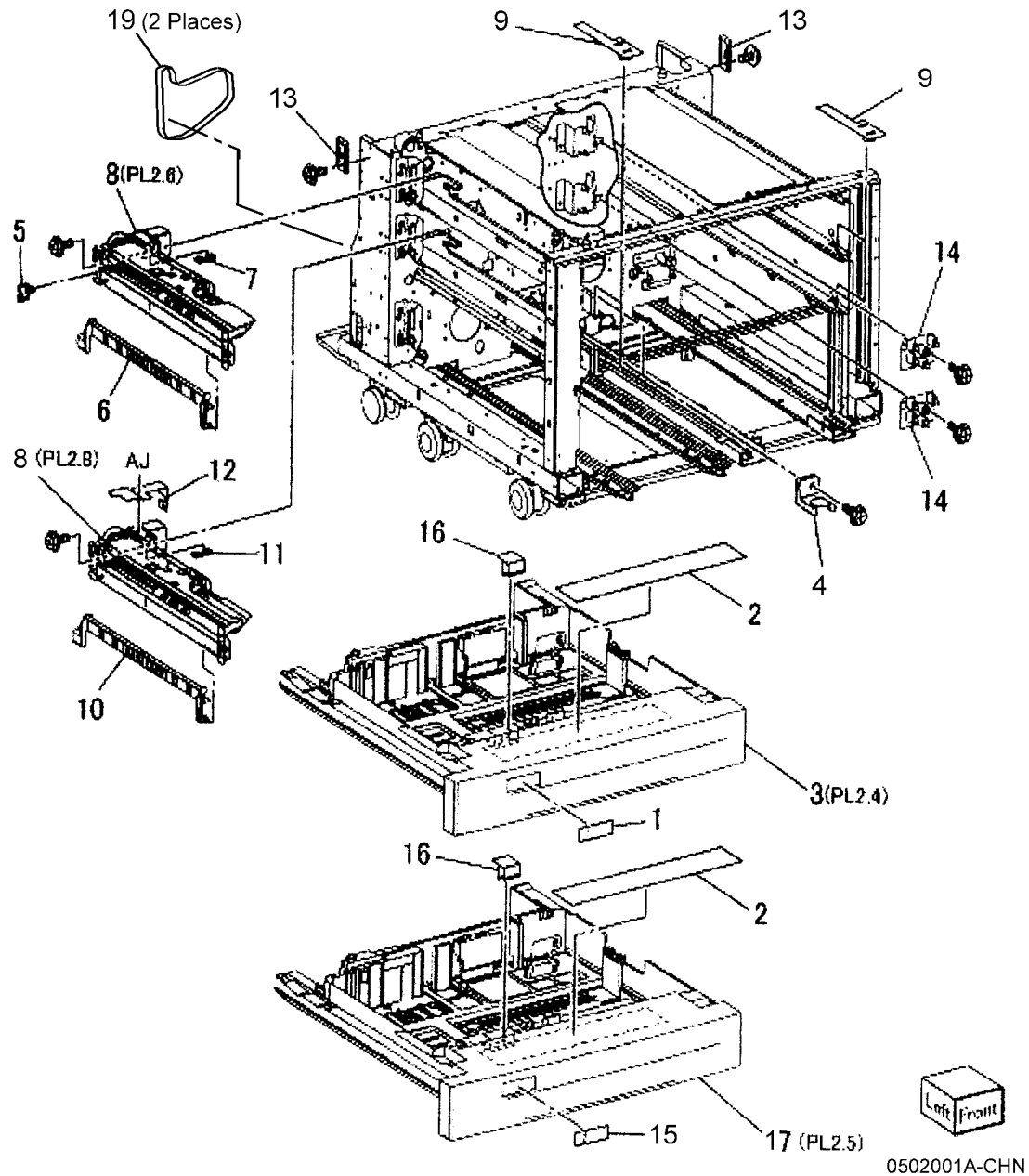


1 { 2 - 5  
 13 { 12, 14  
 15 { 12, 16

0501006A-OLY

## PL 2.1 Tray 1/2

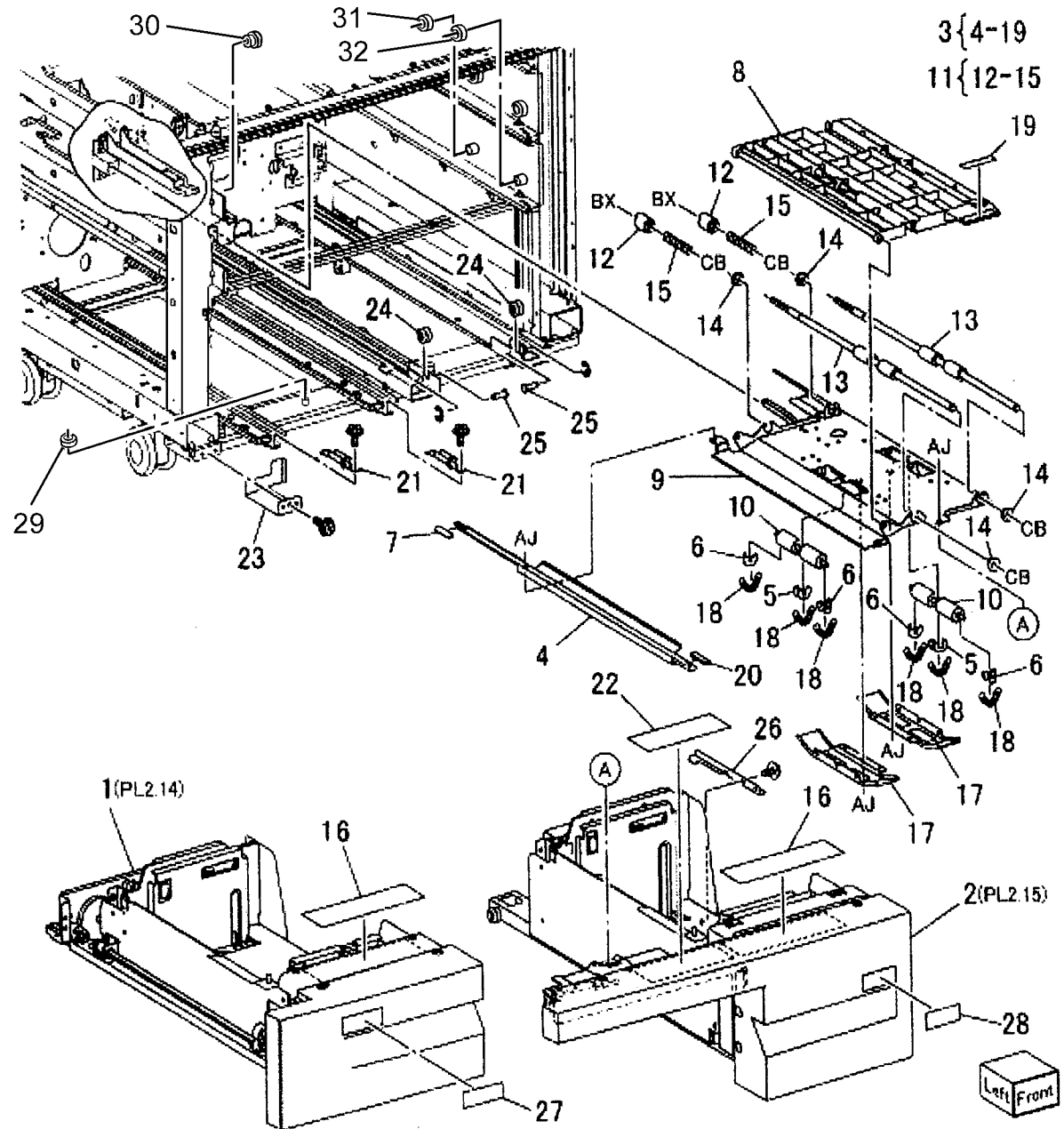
Item	Part	Description
1	897E09920	Tray Label (1)
2	-	Label (Instruction)
3	050K65770	Tray 1 Assembly
4	-	Stopper (Not Spared)
5	-	Harness Holder (Not Spared)
6	054E36441	Feed Out Chute
7	-	Cover (Not Spared)
8	059K65870	Tray 1 Feed Assembly (REP 7.18), Tray 2 Feed Assembly (REP 7.19)
9	-	Spacer (Not Spared)
10	054E33802	Feed Out Chute
11	-	Cover (Not Spared)
12	-	Rear Cover (Not Spared)
13	-	Plate (Not Spared)
14	110K11680	Tray 1 Paper Size Switch, Tray 2 Paper Size Switch
15	-	Tray Label (Not Spared)
16	-	Slide Lock (Not Spared)
17	050K65781	Tray 2 Assembly
18	059K66620	Tray 2 Feed Assembly
19	423W50454	Synchronous Belt (QTY 2)



0502001A-CHN

# PL 2.2 Tray 3/4 (1 of 2)

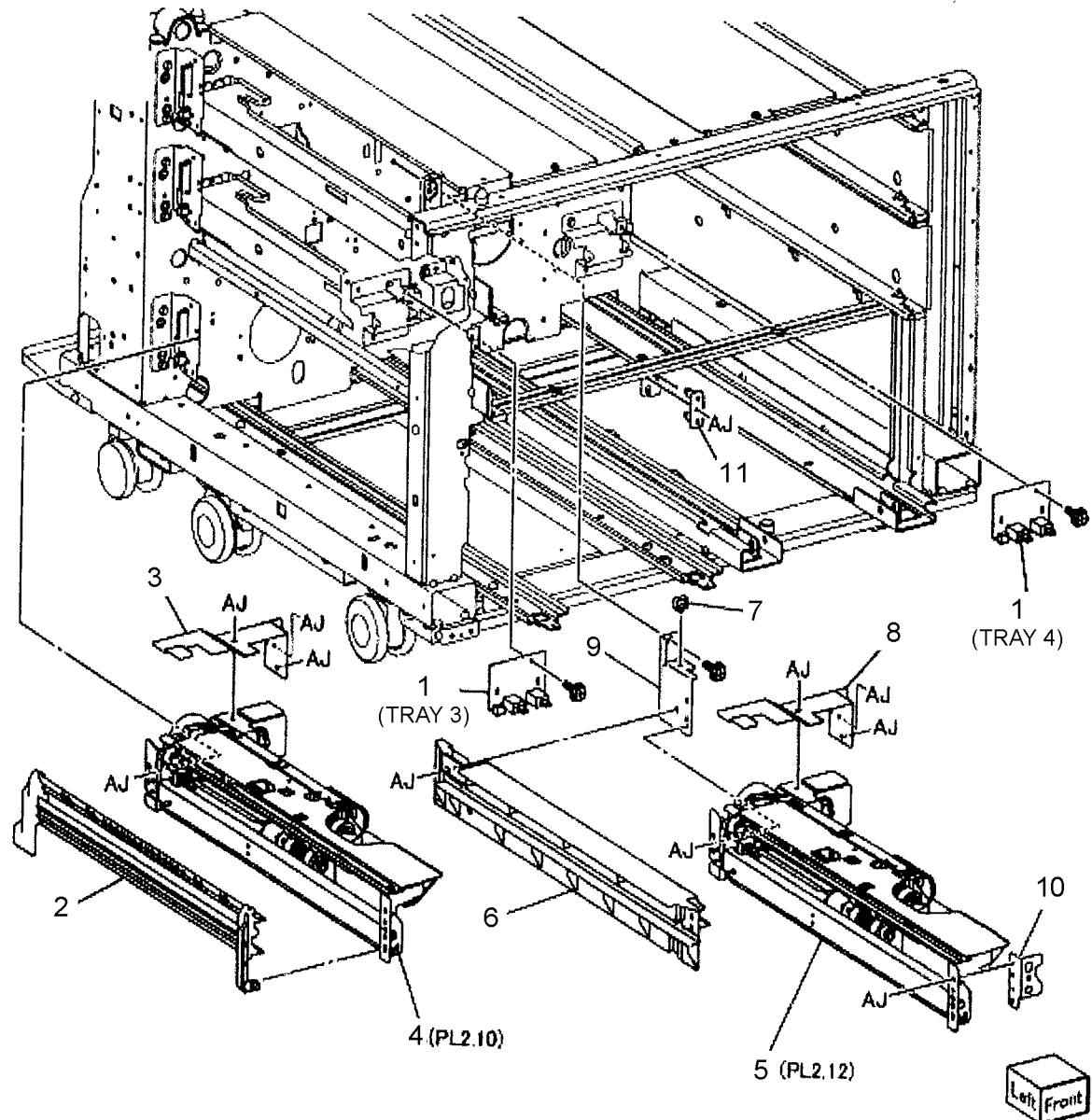
Item	Part	Description
1	050K65790	Tray 3 Assembly (REP 7.20)
2	050K65810	Tray 4 Assembly (REP 7.21)
3	059K68090	Tray 4 Transport Assembly
4	-	Rail (P/O PL 2.2 Item 3)
5	-	Bearing (P/O PL 2.2 Item 3)
6	-	Bearing (P/O PL 2.2 Item 3)
7	-	Spacer (P/O PL 2.2 Item 3)
8	-	Upper Chute (P/O PL 2.2 Item 3)
9	-	Lower Chute (P/O PL 2.2 Item 3)
10	-	Pinch Roll (P/O PL 2.2 Item 3)
11	-	Transport Roll Assembly (P/O PL 2.2 Item 3)
12	-	Joint (P/O PL 2.2 Item 11)
13	-	Takeaway Roll 4/5 (P/O PL 2.2 Item 11)
14	413W77559	Bearing
15	-	Spring (P/O PL 2.2 Item 11)
16	-	Label (Instruction) (P/O PL 2.2 Item 3)
17	-	Pinch Cover (P/O PL 2.2 Item 3)
18	-	Spring (Not Spared)
19	-	Label (P/O PL 2.2 Item 3)
20	-	Spacer (Not Spared)
21	-	Roll Assembly (Not Spared)
22	-	Label (Jam Clearance Instruction) (Not Spared)
23	-	Bracket (Not Spared)
24	-	Roll (Not Spared)
25	-	Shaft (Not Spared)
26	-	Stopper (Tray 4) (Not Spared)
27	-	Tray 3 Label (Not Spared)
28	-	Tray 4 Label (Not Spared)
29	059E05060	Upper Roller (QTY 4)
30	059E07240	Left Roller (QTY 2)
31	059E07260	Right Rear Roller (QTY 2)
32	059E03510	Front Roller (QTY 4)



0502002A-CHN

## PL 2.3 Tray 3/4 (2 of 2)

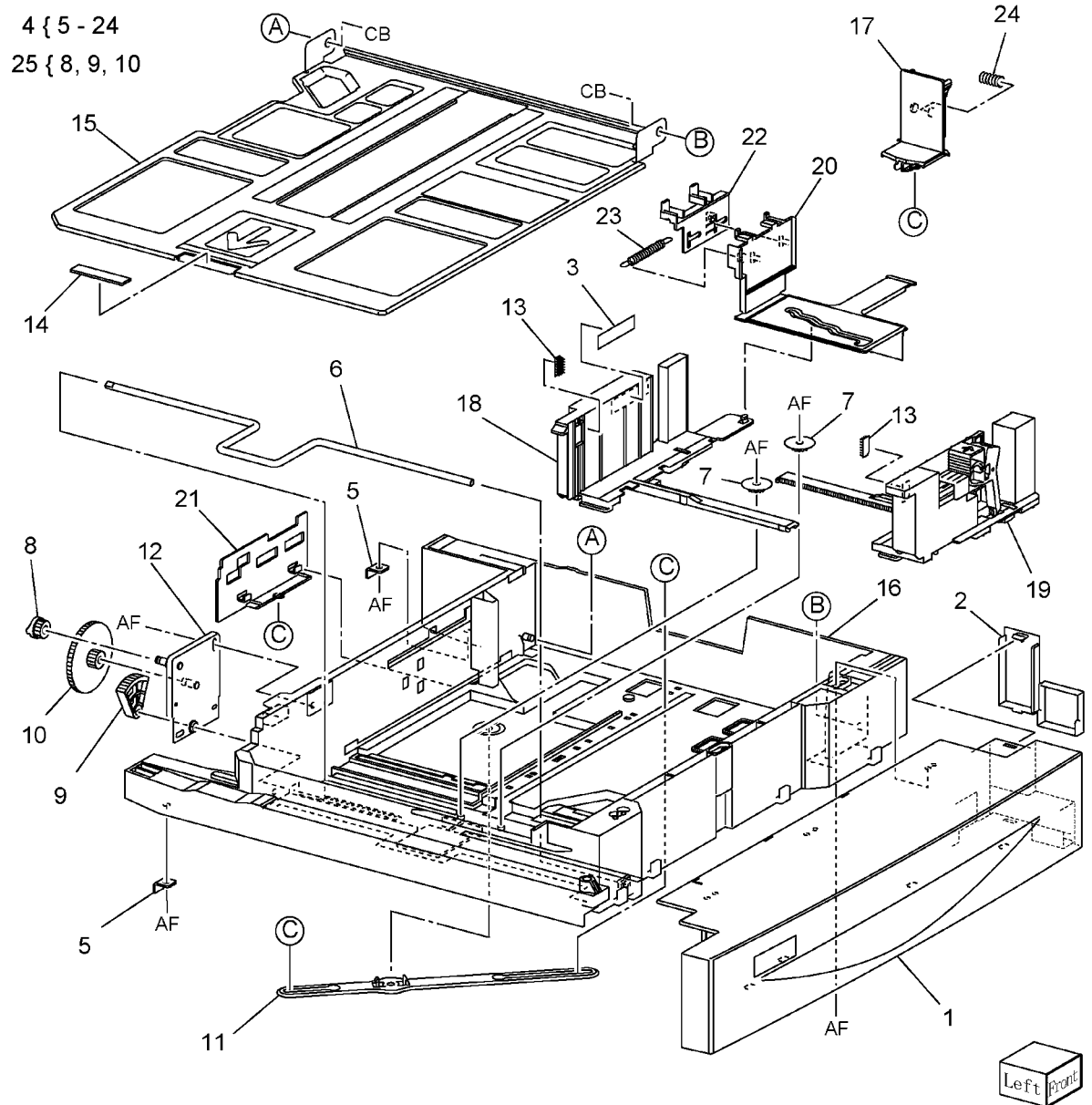
Item	Part	Description
1	110K15040	Tray 3 Paper Size Switch, Tray 4 Paper Size Switch
2	054E44560	Feed Out Chute
3	-	Cover (Not Spared)
4	059K66620	Tray 3 Feed Assembly (REP 7.22)
5	059K68100	Tray 4 Feed Assembly (REP 7.23)
6	-	Lower Chute (Not Spared)
7	-	Saddle (Not Spared)
8	-	Cover (Not Spared)
9	-	Bracket (Not Spared)
10	-	Front Bracket (Not Spared)
11	-	Pivot Bracket (Not Spared)



0502003B-OLY

# PL 2.4 Tray 1 Assembly

Item	Part	Description
1	-	Tray 1 Cover (Not Spared)
2	-	Cover (Not Spared)
3	-	Label (Max) (Not Spared)
4	-	Tray 1 (P/O PL 2.1 Item 3)
5	-	Stopper (P/O PL 2.4 Item 4)
6	-	Lift Shaft (P/O PL 2.4 Item 4)
7	807E13520	Pinion Gear
8	-	Tray Gear (P/O PL 2.4 Item 25)
9	-	Gear (13T) (P/O PL 2.4 Item 25)
10	-	Gear (13T/60T) (P/O PL 2.4 Item 25)
11	-	End Guide Link (P/O PL 2.4 Item 4)
12	-	Plate (P/O PL 2.4 Item 4)
13	019E71680	Pad
14	019K09580	Bottom Plate Pad
15	-	Bottom Plate (P/O PL 2.4 Item 4)
16	-	Cassette (P/O PL 2.4 Item 4)
17	-	End Guide (P/O PL 2.4 Item 4)
18	-	Rear Guide (P/O PL 2.4 Item 4)
19	-	Front Guide (P/O PL 2.4 Item 4)
20	-	Actuator (P/O PL 2.4 Item 4)
21	-	Actuator (P/O PL 2.4 Item 4)
22	-	Actuator (P/O PL 2.4 Item 4)
23	-	Spring (P/O PL 2.4 Item 4)
24	-	Spring (P/O PL 2.4 Item 4)
25	604K20541	Tray Gear Kit

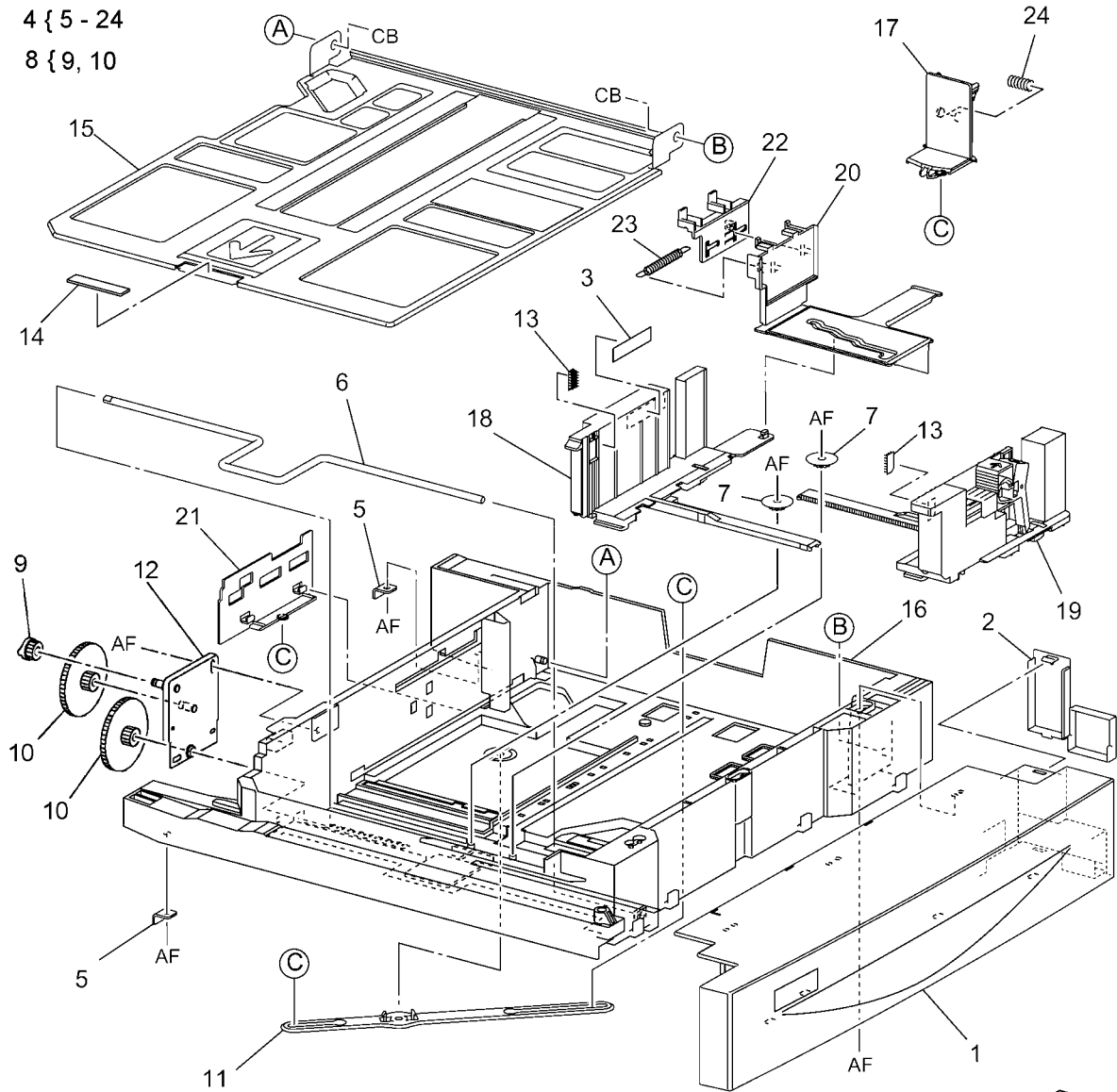


0502004B-OLY



# PL 2.5 Tray 2 Assembly

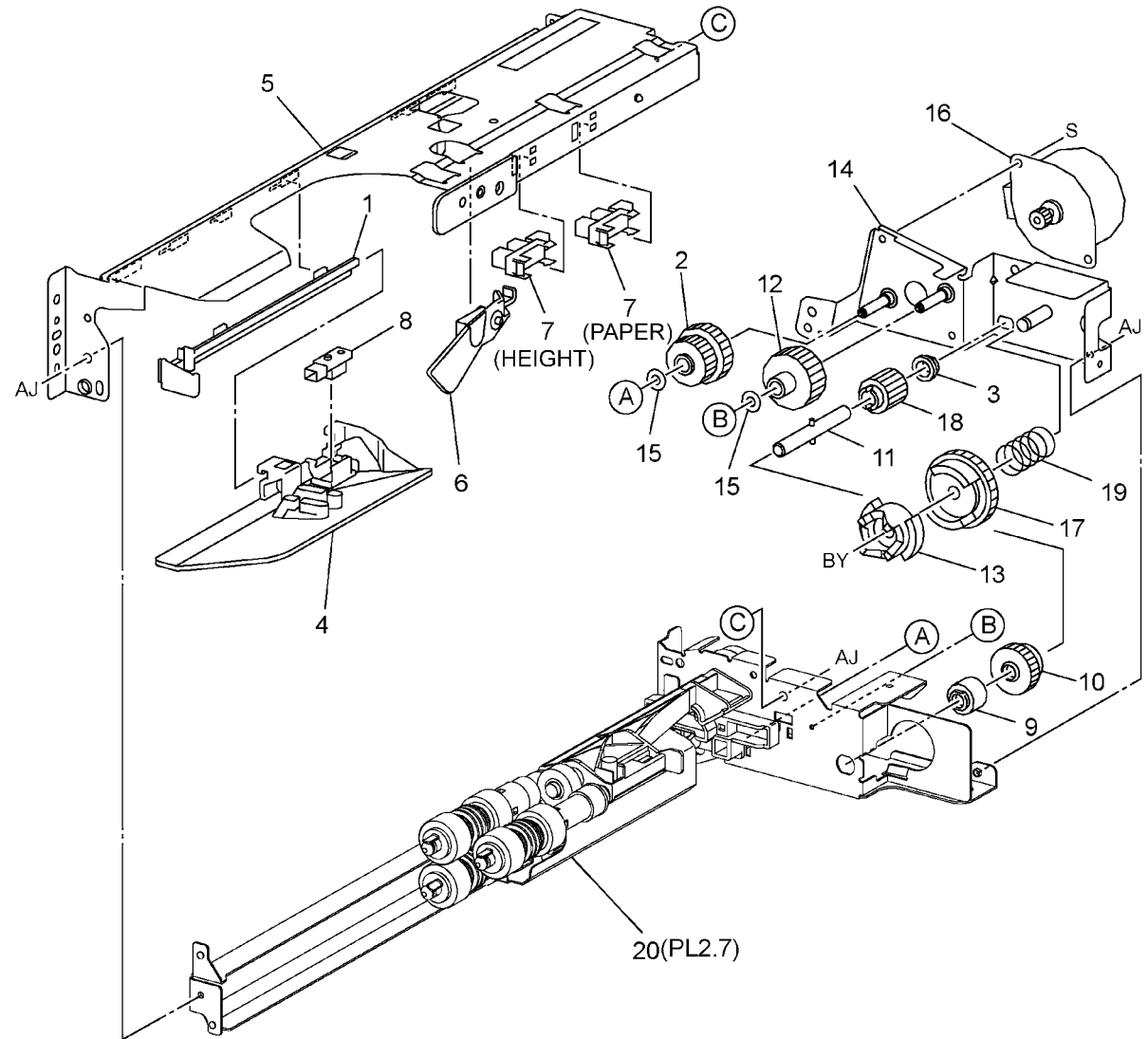
Item	Part	Description
1	-	Tray 2 Cover (P/O PL 2.1 Item 17)
2	-	Cover (P/O PL 2.1 Item 17)
3	-	Label (Max) (Not Spared)
4	-	Tray 2 (P/O PL 2.1 Item 17)
5	-	Stopper (P/O PL 2.5 Item 4)
6	-	Lift Shaft (P/O PL 2.5 Item 4)
7	807E13520	Pinion
8	604K20541	Tray Gear Kit
9	-	Gear (13T) (P/O PL 2.5 Item 8)
10	-	Gear (13T/60T) (P/O PL 2.5 Item 8)
11	-	End Guide Link (P/O PL 2.5 Item 4)
12	-	Plate (P/O PL 2.5 Item 4)
13	019E71680	Pad
14	019K09580	Bottom Plate Pad
15	-	Bottom Plate (P/O PL 2.5 Item 4)
16	-	Cassette (P/O PL 2.5 Item 4)
17	-	End Guide (P/O PL 2.5 Item 4)
18	-	Rear Guide (P/O PL 2.5 Item 4)
19	-	Front Guide (P/O PL 2.5 Item 4)
20	-	Actuator (P/O PL 2.5 Item 4)
21	-	Actuator (P/O PL 2.5 Item 4)
22	-	Actuator (P/O PL 2.5 Item 4)
23	-	Spring (P/O PL 2.5 Item 4)
24	-	Spring (P/O PL 2.5 Item 4)



0502005B-OLY

## PL 2.6 Tray 1 Feed Assembly (1 of 2)

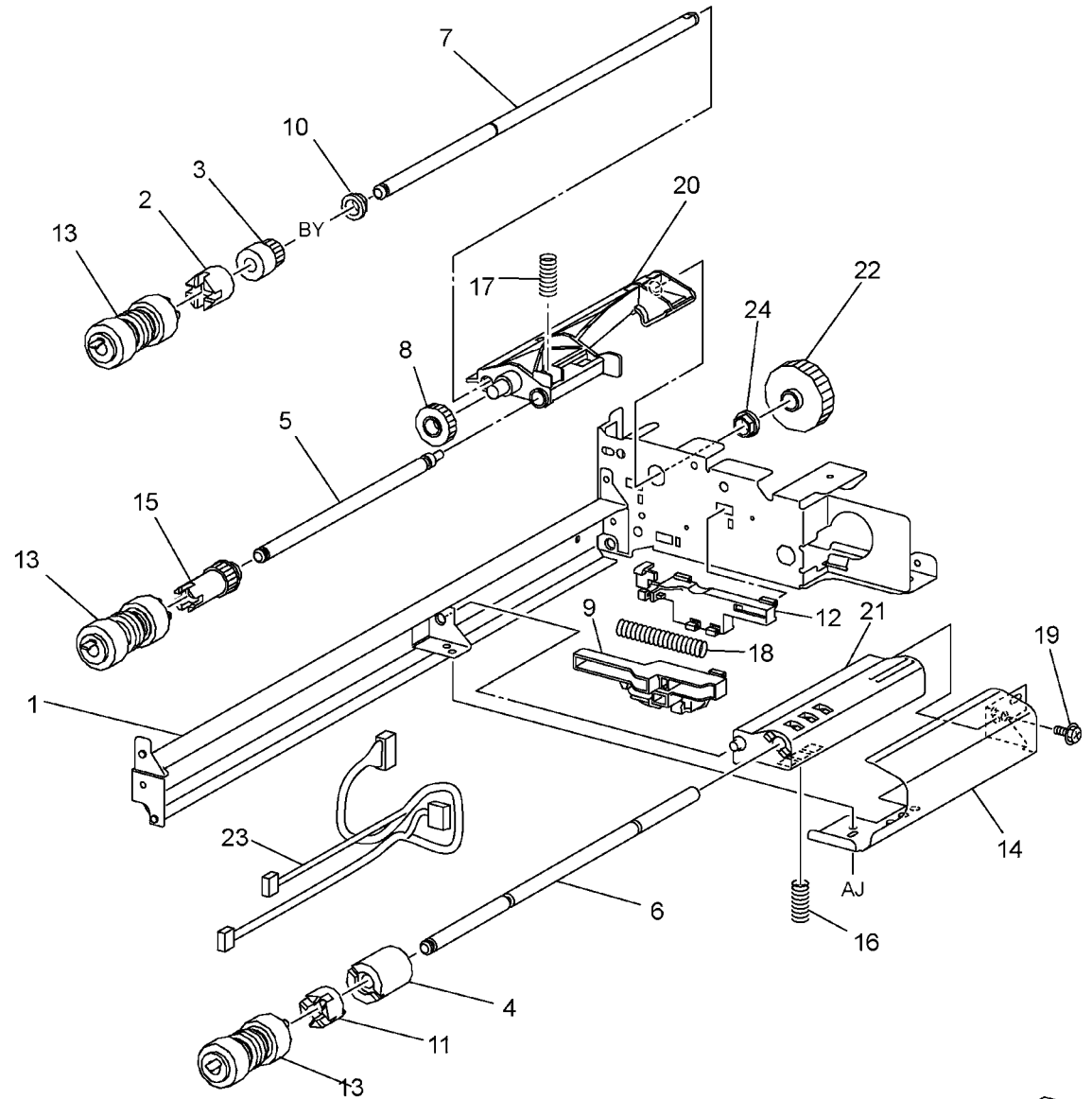
Item	Part	Description
1	-	Rail (P/O PL 2.1 Item 8)
2	-	Gear (28T/21T) (P/O PL 2.1 Item 8)
3	013E92890	Bearing (6)
4	-	Chute (P/O PL 2.1 Item 8)
5	-	Upper Frame Assembly (P/O PL 2.1 Item 8)
6	120E22481	Actuator
7	930W00123	Tray 1 Stack Height Sensor, Tray 1 Paper Sensor
8	930W00211	Tray 1 Pre Feed Sensor
9	005K83081	One Way Clutch
10	-	One Way Gear (Not Spared)
11	-	Shaft Assembly Drive (P/O PL 2.1 Item 8)
12	-	Gear (29T) (P/O PL 2.1 Item 8)
13	-	Spacer (P/O PL 2.1 Item 8)
14	-	Bracket (P/O PL 2.1 Item 8)
15	-	Washer (P/O PL 2.1 Item 8)
16	127K52790	Tray 1 Lift/Feed Motor
17	-	Gear (31T) (P/O PL 2.1 Item 8)
18	-	Gear (13T) (P/O PL 2.1 Item 8)
19	-	Spring (P/O PL 2.1 Item 8)
20	-	Rear Frame Assembly (P/O PL 2.1 Item 8)



0502006A-OLY

## PL 2.7 Tray 1 Feed Assembly (2 of 2)

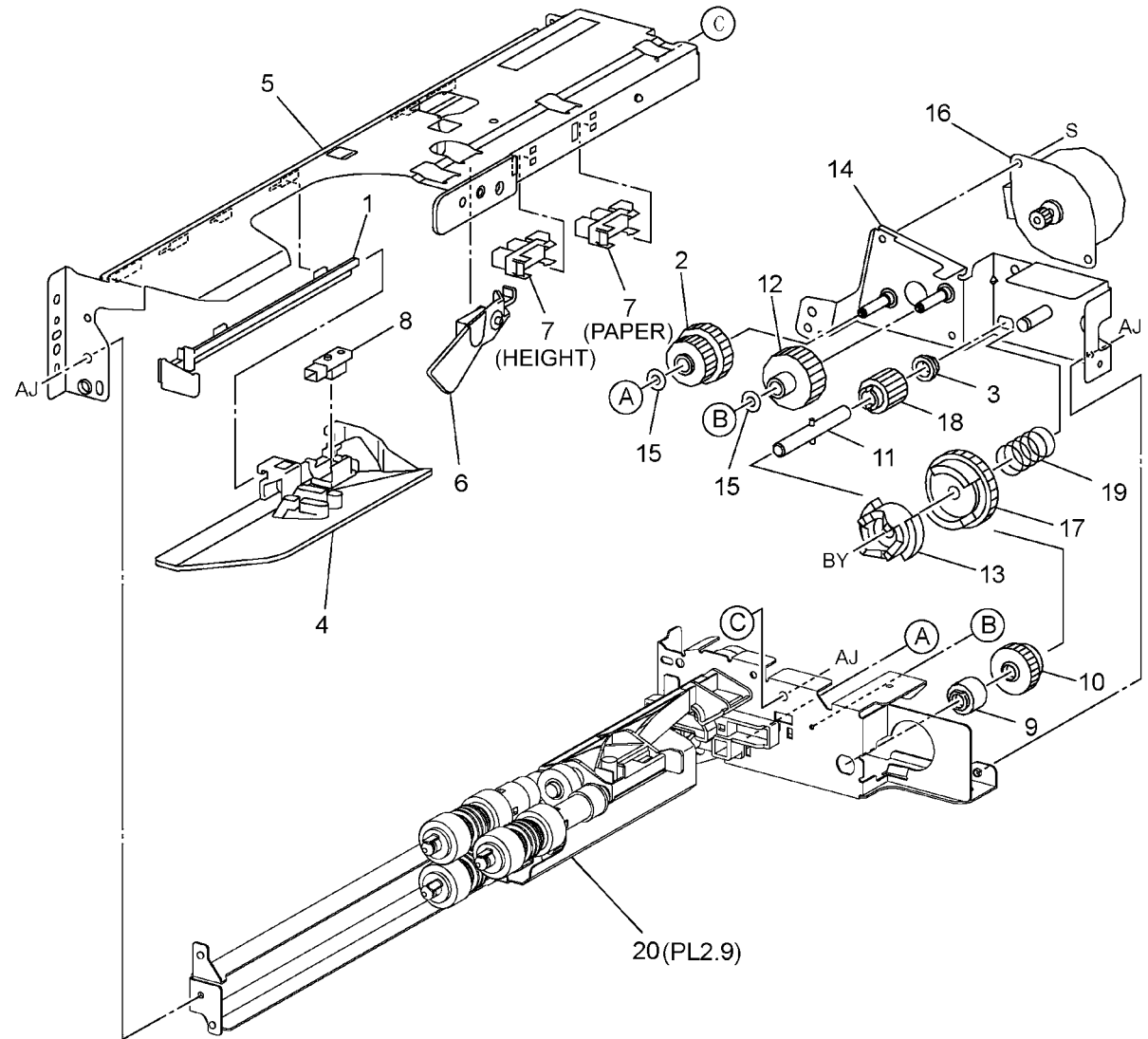
Item	Part	Description
1	-	Rear Frame (P/O PL 2.6 Item 20)
2	005K05890	Oneway Clutch
3	005K08820	Clutch (22T)
4	-	Friction Clutch (P/O PL 2.6 Item 20)
5	-	Nudger Shaft (P/O PL 2.6 Item 20)
6	-	Retard Shaft (P/O PL 2.6 Item 20)
7	-	Feed Shaft (P/O PL 2.6 Item 20)
8	-	Gear (33T) (P/O PL 2.6 Item 20)
9	-	Lever (P/O PL 2.6 Item 20)
10	013E92890	Bearing (6)
11	-	Spacer (P/O PL 2.6 Item 20)
12	-	Holder (P/O PL 2.6 Item 20)
13	604K56080	Feed/Nudger/Retard Roll Kit (Contains All 3 Rolls) (REP 7.24)
14	-	Feed in Chute (P/O PL 2.6 Item 20)
15	-	Gear (25T) (P/O PL 2.6 Item 20)
16	-	Spring (P/O PL 2.6 Item 20)
17	-	Spring (P/O PL 2.6 Item 20)
18	-	Spring (P/O PL 2.6 Item 20)
19	-	Screw (P/O PL 2.6 Item 20)
20	-	Nudger Support (P/O PL 2.6 Item 20)
21	-	Retard Support (P/O PL 2.6 Item 20)
22	-	Gear (27T) (P/O PL 2.6 Item 20)
23	-	Wire Harness (P/O PL 2.6 Item 20)
24	-	Bearing (P/O PL 2.6 Item 20)



0502007A-OLY

## PL 2.8 Tray 2 Feed Assembly (1 of 2)

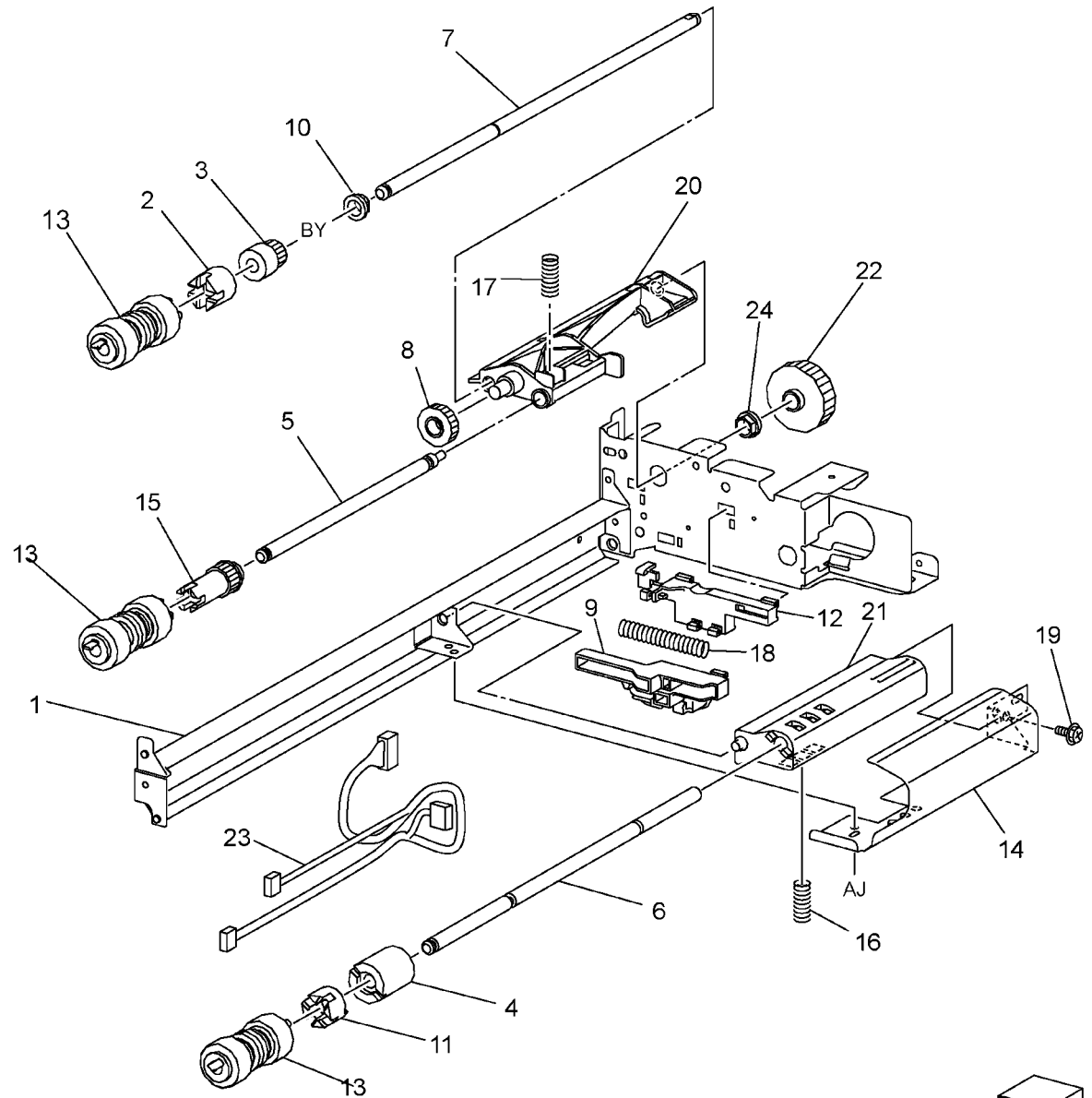
Item	Part	Description
1	-	Rail (P/O PL 2.1 Item 8)
2	-	Gear (28T/21T) (P/O PL 2.1 Item 8)
3	013E92890	Bearing (6)
4	-	Chute (P/O PL 2.1 Item 8)
5	-	Upper Frame Assembly (P/O PL 2.1 Item 8)
6	120E22481	Actuator
7	930W00113	Tray 2 Stack Height Sensor, Tray 2 Paper Sensor
8	930W00211	Tray 2 Pre Feed Sensor
9	005K83081	One Way Clutch Assembly
10	-	One Way Gear Assembly (P/O PL 2.1 Item 8)
11	-	Shaft Assembly Drive (P/O PL 2.1 Item 8)
12	-	Gear (29T) (P/O PL 2.1 Item 8)
13	-	Spacer (P/O PL 2.1 Item 8)
14	-	Bracket (P/O PL 2.1 Item 8)
15	-	Washer (P/O PL 2.1 Item 8)
16	127K52790	Tray 2 Lift/Feed Motor
17	-	Gear (31T) (P/O PL 2.1 Item 8)
18	-	Gear (13T) (P/O PL 2.1 Item 8)
19	-	Spring (P/O PL 2.1 Item 8)
20	-	Rear Frame Assembly (P/O PL 2.1 Item 8)



0502008A-OLY

## PL 2.9 Tray 2 Feed Assembly (2 of 2)

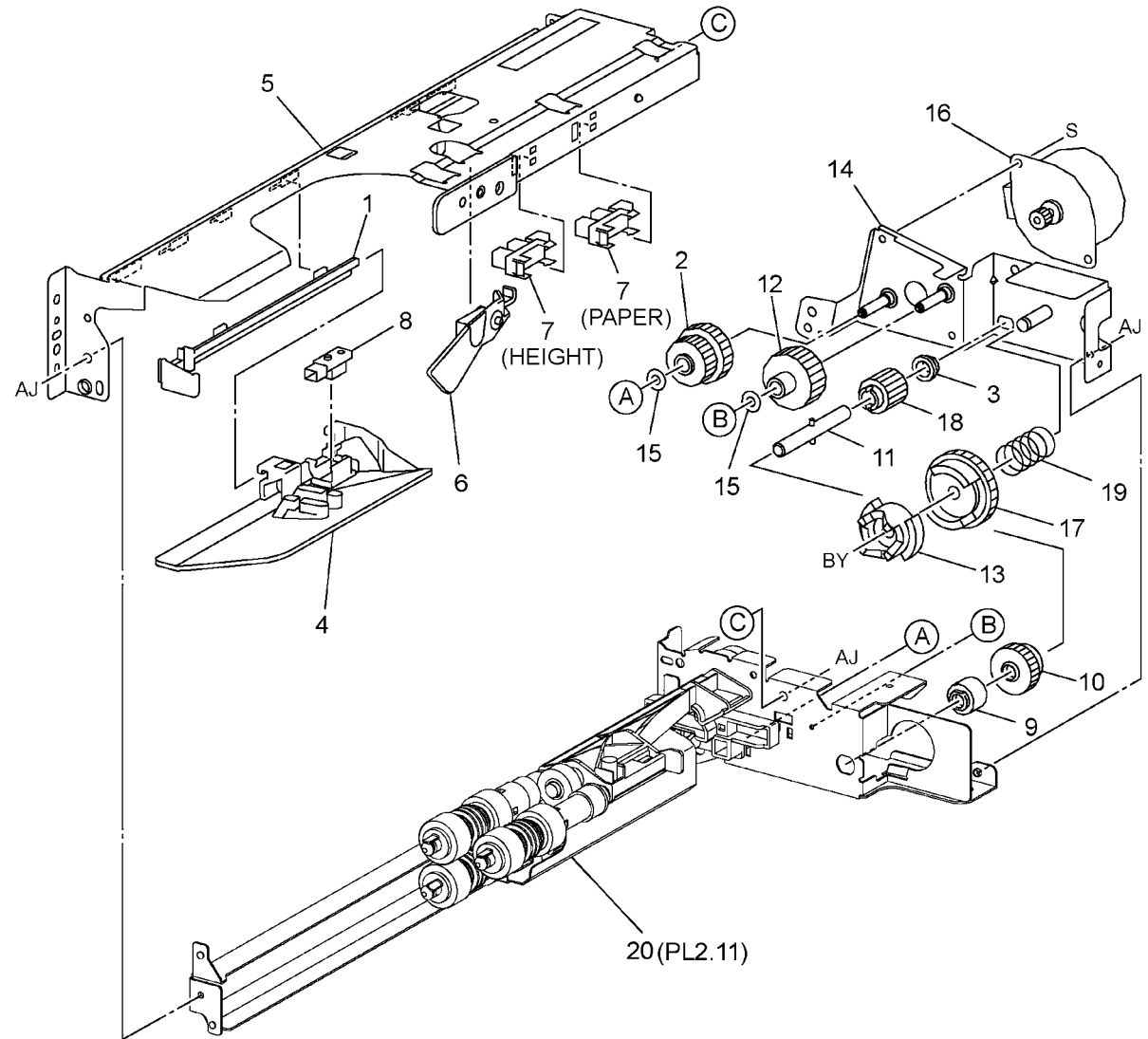
Item	Part	Description
1	-	Rear Frame (P/O PL 2.8 Item 20)
2	005K05890	One Way Clutch
3	005K08820	Clutch (22T)
4	-	Friction Clutch
5	-	Nudger Shaft (P/O PL 2.8 Item 20)
6	-	Retard Shaft (P/O PL 2.8 Item 20)
7	-	Feed Shaft (P/O PL 2.8 Item 20)
8	-	Gear (33T) (P/O PL 2.8 Item 20)
9	-	Lever (P/O PL 2.8 Item 20)
10	013E92890	Bearing (6)
11	-	Spacer (P/O PL 2.8 Item 20)
12	-	Holder (P/O PL 2.8 Item 20)
13	604K56080	Feed/Nudger/Retard Roll Kit (Contains All 3 Rolls) (REP 7.24)
14	-	Feed In Chute (P/O PL 2.8 Item 20)
15	-	Gear (25T) (P/O PL 2.8 Item 20)
16	-	Spring (P/O PL 2.8 Item 20)
17	-	Spring (P/O PL 2.8 Item 20)
18	-	Spring (P/O PL 2.8 Item 20)
19	-	Screw (P/O PL 2.8 Item 20)
20	-	Nudger Support (P/O PL 2.8 Item 20)
21	-	Retard Support (P/O PL 2.8 Item 20)
22	-	Gear (27T) (P/O PL 2.8 Item 20)
23	-	Wire Harness (P/O PL 2.8 Item 20)
24	-	Bearing (P/O PL 2.8 Item 20)



0502009B-OLY

## PL 2.10 Tray 3 Feed Assembly (1 of 2)

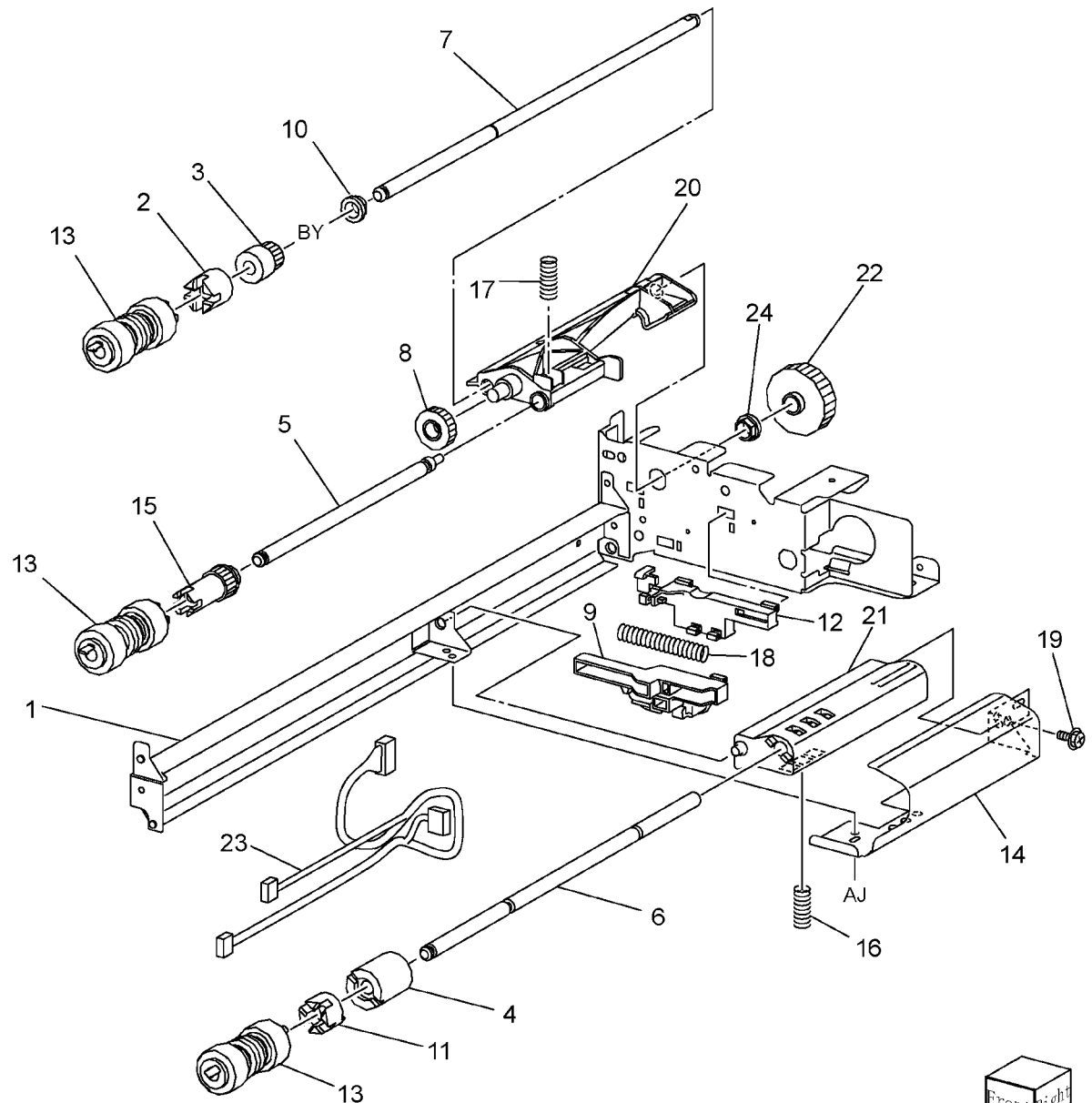
Item	Part	Description
1	-	Rail (P/O PL 2.3 Item 4)
2	-	Gear (28T/21T) (P/O PL 2.3 Item 4)
3	013E92890	Bearing (6)
4	-	Chute (P/O PL 2.3 Item 4)
5	-	Upper Frame Assembly (P/O PL 2.3 Item 4)
6	120E22481	Actuator
7	930W00113	Tray 3 Stack Height Sensor, Tray 3 Paper Sensor
8	930W00211	Tray 3 Pre Feed Sensor
9	005K83081	One Way Clutch Assembly
10	-	One Way Gear Assembly (P/O PL 2.3 Item 4)
11	-	Shaft Assembly Drive (P/O PL 2.3 Item 4)
12	-	Gear (29T)
13	-	Spacer (P/O PL 2.3 Item 4)
14	-	Washer (P/O PL 2.3 Item 4)
15	-	Washer (P/O PL 2.3 Item 4)
16	-	Tray 3 Lift/Feed Motor (P/O PL 2.3 Item 4)
17	-	Gear (31T) (P/O PL 2.3 Item 4)
18	-	Gear (13T) (P/O PL 2.3 Item 4)
19	-	Spring (P/O PL 2.3 Item 4)
20	-	Rear Frame Assembly (P/O PL 2.3 Item 4)



0502010A-OLY

## PL 2.11 Tray 3 Feed Assembly (2 of 2)

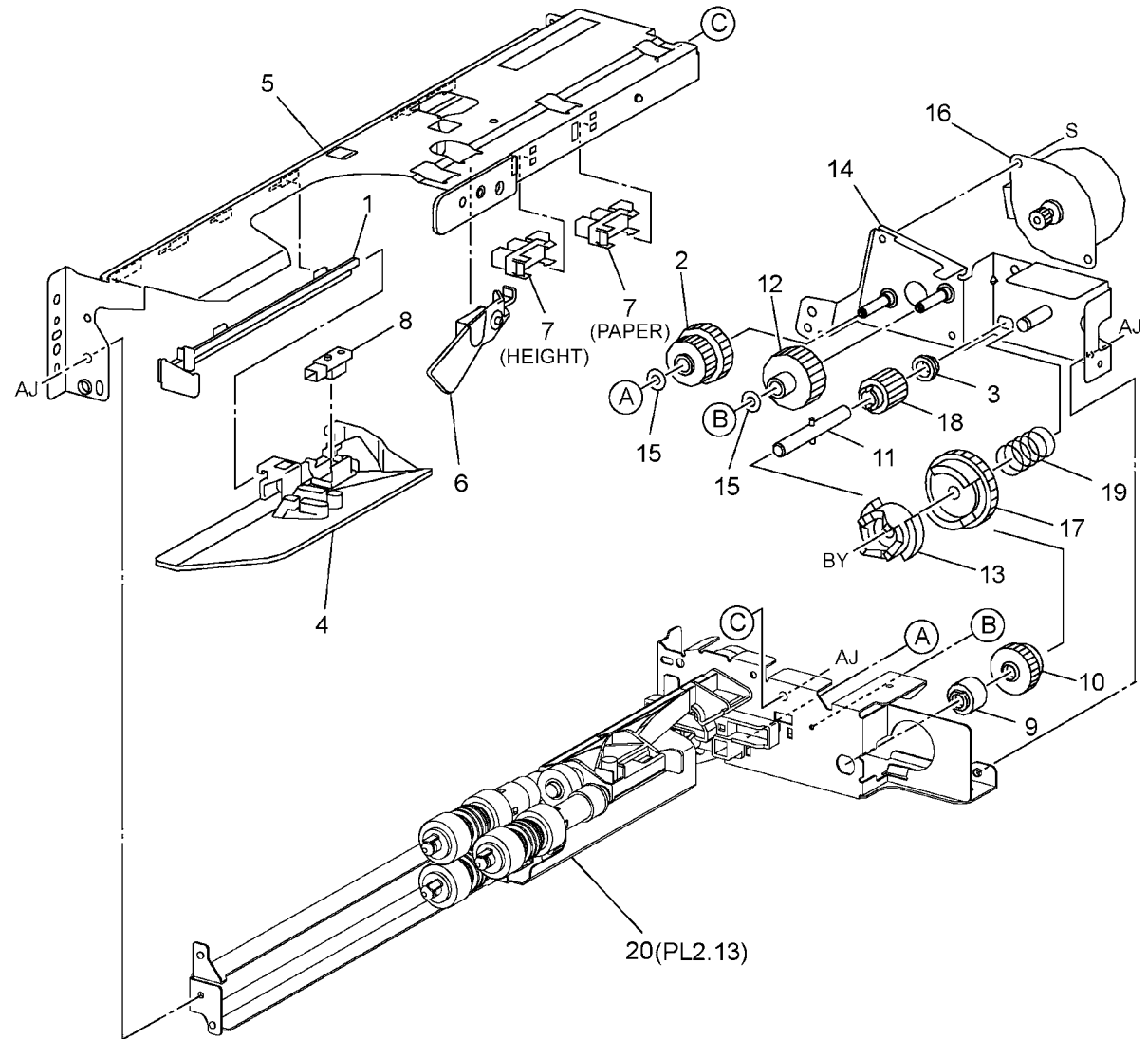
Item	Part	Description
1	-	Rear Frame (P/O PL 2.10 Item 20)
2	005K05890	Oneway Clutch
3	-	Clutch (22T) (Not Spared)
4	-	Friction Clutch (Not Spared)
5	-	Nudger Shaft (P/O PL 2.10 Item 20)
6	-	Retard Shaft (P/O PL 2.10 Item 20)
7	-	Feed Shaft (P/O PL 2.10 Item 20)
8	-	Gear (33T) (Not Spared)
9	-	Lever (P/O PL 2.10 Item 20)
10	013E92890	Bearing (6)
11	-	Spacer (P/O PL 2.10 Item 20)
12	-	Holder (P/O PL 2.10 Item 20)
13	604K56080	Feed/Nudger/Retard Roll Kit (Contains All 3 Rolls) (REP 7.25)
14	-	Feed In Chute (P/O PL 2.10 Item 20)
15	-	Gear (25T) (P/O PL 2.10 Item 20)
16	-	Spring (P/O PL 2.10 Item 20)
17	-	Spring (P/O PL 2.10 Item 20)
18	-	Spring (P/O PL 2.10 Item 20)
19	-	Screw (P/O PL 2.10 Item 20)
20	-	Nudger Support (P/O PL 2.10 Item 20)
21	-	Retard Support (P/O PL 2.10 Item 20)
22	-	Gear (27T) (P/O PL 2.10 Item 20)
23	-	Wire Harness (P/O PL 2.10 Item 20)
24	-	Bearing (P/O PL 2.10 Item 20)



0502011A-OLY

## PL 2.12 Tray 4 Feed Assembly (1 of 2)

Item	Part	Description
1	-	Rail (Not Spared)
2	-	Gear (28T/21T) (P/O PL 2.3 Item 4)
3	013E92890	Bearing (6)
4	-	Chute (P/O PL 2.3 Item 4)
5	-	Upper Frame Assembly (P/O PL 2.3 Item 4)
6	120E22481	Actuator
7	930W00113	Tray 4 Stack Height Sensor, Tray 4 Paper Sensor
8	930W00211	Tray 4 Pre Feed Sensor
9	005K83081	Oneway Clutch Assembly
10	-	Oneway Gear Assembly (P/O PL 2.3 Item 4)
11	-	Shaft Assembly Drive (P/O PL 2.3 Item 4)
12	-	Gear (29T) (P/O PL 2.3 Item 4)
13	-	Spacer (P/O PL 2.3 Item 4)
14	-	Bracket (P/O PL 2.3 Item 4)
15	-	Washer (P/O PL 2.3 Item 4)
16	-	Tray 4 Lift/Feed Motor (P/O PL 2.3 Item 4)
17	-	Gear (31T) (P/O PL 2.3 Item 4)
18	-	Gear (13T) (P/O PL 2.3 Item 4)
19	-	Spring (P/O PL 2.3 Item 4)
20	-	Rear Frame Assembly (P/O PL 2.3 Item 4)

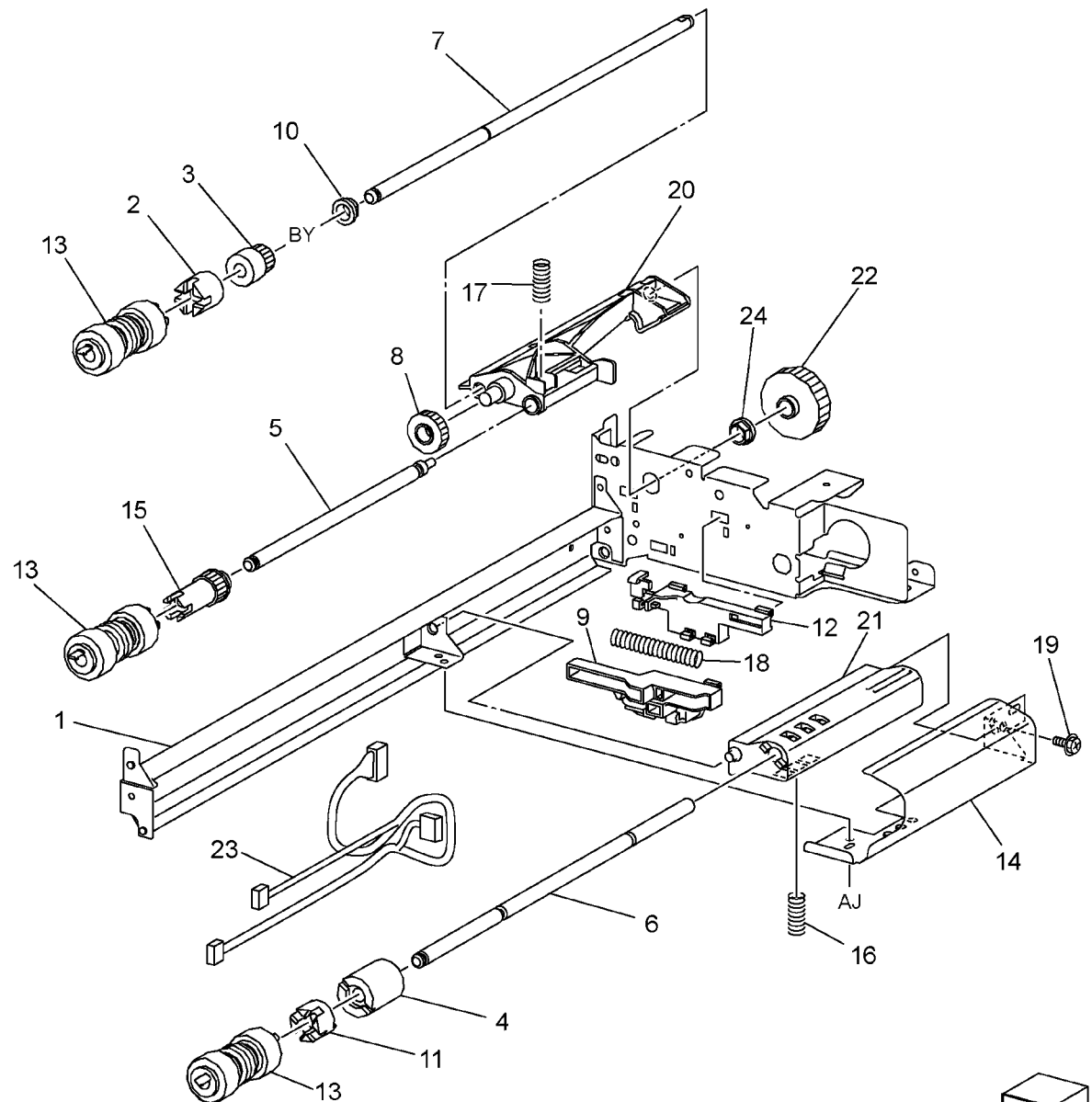


0502012A-OLY



## PL 2.13 Tray 4 Feed Assembly (2 of 2)

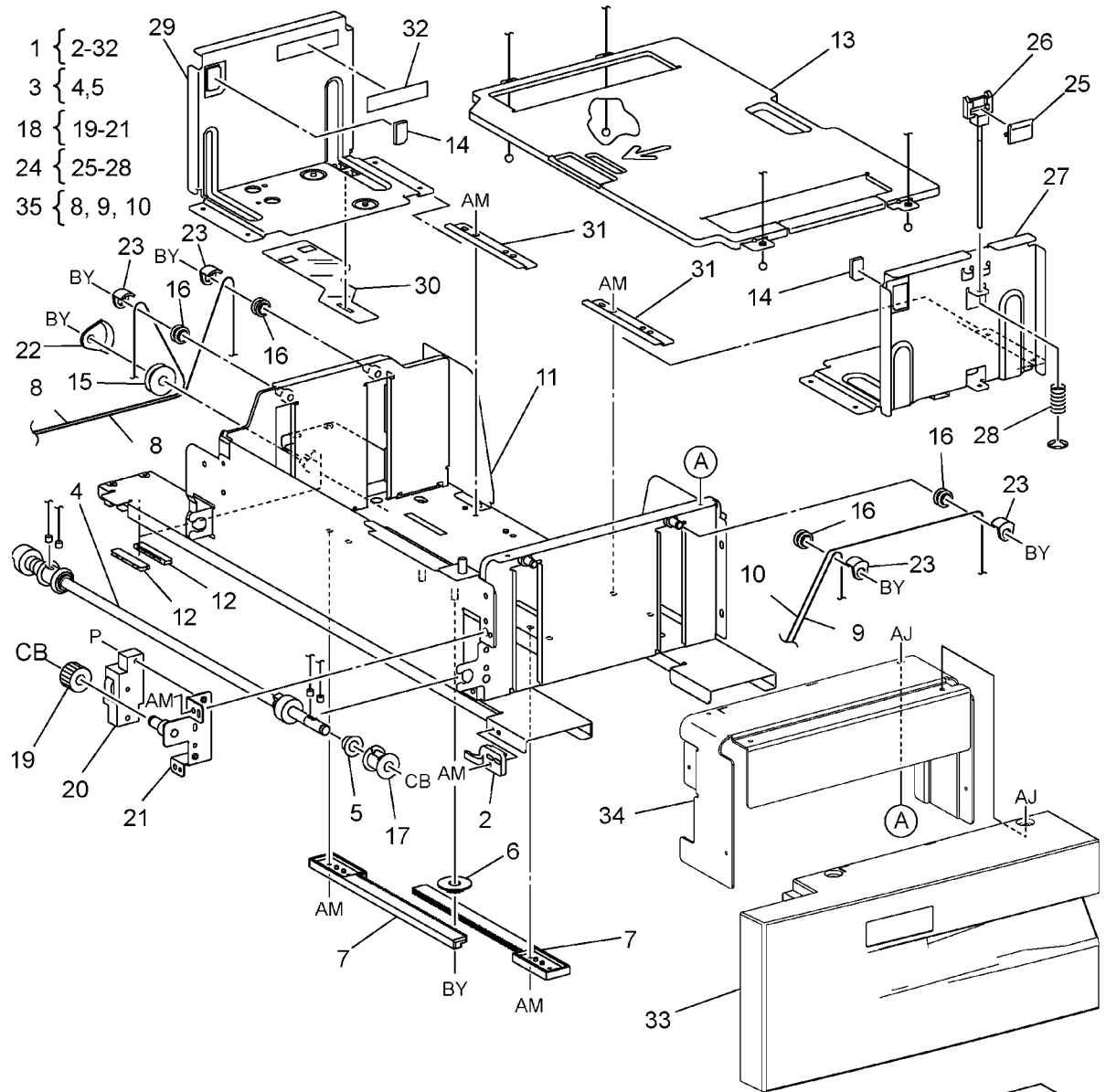
Item	Part	Description
1	-	Rear Frame (Not Spared)
2	005K05890	Oneway Clutch
3	-	Clutch (22T) (Not Spared)
4	-	Friction Clutch (Not Spared)
5	-	Nudger Shaft (P/O PL 2.12 Item 20)
6	-	Retard Shaft (P/O PL 2.12 Item 20)
7	-	Feed Shaft
8	-	Gear (33T) (Not Spared)
9	-	Lever (Not Spared)
10	013E92890	Bearing (6)
11	-	Spacer (Not Spared)
12	-	Holder (P/O PL 2.12 Item 20)
13	604K56080	Feed/Nudger/Retard Roll Kit (Contains All 3 Rolls) (REP 7.26)
14	-	Feed In Chute (P/O PL 2.12 Item 20)
15	-	Gear (25T) (P/O PL 2.12 Item 20)
16	-	Spring (P/O PL 2.12 Item 20)
17	-	Spring (P/O PL 2.12 Item 20)
18	-	Spring (P/O PL 2.12 Item 20)
19	-	Screw (P/O PL 2.12 Item 20)
20	-	Nudger Support (P/O PL 2.12 Item 20)
21	-	Retard Support (P/O PL 2.12 Item 20)
22	-	Gear (27T) (P/O PL 2.12 Item 20)
23	-	Wire Harness (P/O PL 2.12 Item 20)
24	-	Bearing (P/O PL 2.12 Item 20)



0502013A-OLY

# PL 2.14 Tray 3 Assembly

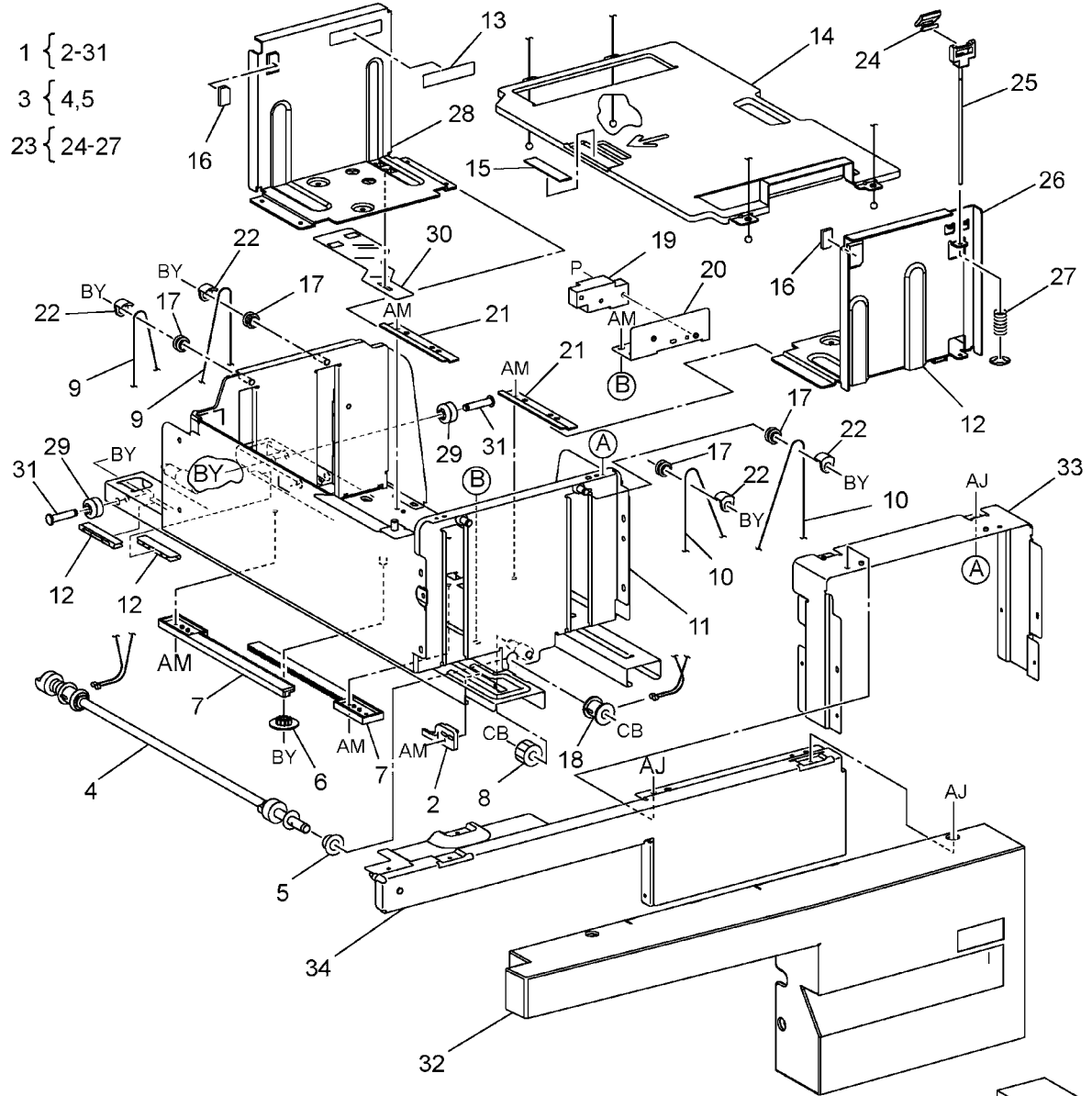
Item	Part	Description
1	-	Tray 3 (P/O PL 2.2 Item 1)
2	803E07460	Stopper
3	006K86350	Lift Shaft Assembly
4	-	Lift Shaft (P/O PL 2.14 Item 3)
5	413W77559	Bearing
6	007E78190	Pinion
7	-	Rack (P/O PL 2.14 Item 1)
8	-	Rear Cable (P/O PL 2.14 Item 35) (REP 7.27)
9	-	Front Left Cable (P/O PL 2.14 Item 35) (REP 7.28)
10	-	Front Right Cable (P/O PL 2.14 Item 35) (REP 7.28)
11	-	Frame Assembly (P/O PL 2.14 Item 1)
12	-	Spacer (P/O PL 2.14 Item 1)
13	-	Bottom Plate (P/O PL 2.14 Item 1)
14	019E71680	Pad
15	-	Pulley (P/O PL 2.14 Item 1)
16	-	TMM Pulley Kit (P/O PL 2.14 Item 1)
17	-	Pulley (P/O PL 2.14 Item 1)
18	-	Brake Assembly (P/O PL 2.14 Item 1)
19	-	Gear (18T) (P/O PL 2.14 Item 1)
20	019K93921	Brake
21	-	Bracket Assembly (P/O PL 2.14 Item 18)
22	-	Wire Guide (P/O PL 2.14 Item 1)
23	-	TTM Cable Guide (P/O PL 2.14 Item 1)
24	-	Front Guide Assembly (P/O PL 2.14 Item 1)
25	-	Knob (P/O PL 2.14 Item 24)
26	-	Knob Assembly (P/O PL 2.14 Item 24)
27	-	Front Guide (P/O PL 2.14 Item 24)
28	-	Spring (P/O PL 2.14 Item 24)
29	-	Rear Guide Assembly (P/O PL 2.14 Item 1)
30	-	Actuator (P/O PL 2.14 Item 1)
31	-	Bracket (P/O PL 2.14 Item 1)
32	-	Label (Max)
33	-	Tray 3 Cover (Not Spared)
34	-	Bracket (Not Spared)
35	604K20750	Tray Cable Kit



0502014A-OLY

# PL 2.15 Tray 4 Assembly

Item	Part	Description
1	-	Tray 4 (P/O PL 2.2 Item 2)
2	-	Stopper (P/O PL 2.15 Item 1)
3	-	Lift Shaft Assembly (P/O PL 2.15 Item 1)
4	-	Lift Shaft (P/O PL 2.15 Item 3)
5	413W77559	Bearing
6	007E78190	Pinion
7	-	Rack
8	-	Gear (18T) (P/O PL 2.15 Item 1)
9	-	Rear Cable (Not Spared) (REP 7.30)
10	604K20750	Front Cable (REP 7.29)
11	-	Frame Assembly (P/O PL 2.15 Item 1)
12	-	Spacer (P/O PL 2.15 Item 1)
13	-	Label (Max) (Not Spared)
14	-	Bottom Plate (P/O PL 2.15 Item 1)
15	-	Bottom Pad (Not Spared)
16	-	Pad
17	-	TMM Pulley (P/O PL 2.15 Item 1)
18	-	Pulley (P/O PL 2.15 Item 1)
19	019K93921	Brake Assembly
20	-	Bracket (P/O PL 2.15 Item 1)
21	-	Bracket (P/O PL 2.15 Item 1)
22	-	TTM Cable Guide (P/O PL 2.15 Item 1)
23	-	Front Guide Assembly (P/O PL 2.15 Item 1)
24	-	Knob (P/O PL 2.15 Item 23)
25	-	Knob Assembly (P/O PL 2.15 Item 23)
26	-	Front Guide (P/O PL 2.15 Item 23)
27	-	Spring (P/O PL 2.15 Item 23)
28	-	Rear Guide Assembly (P/O PL 2.15 Item 1)
29	-	Roller (P/O PL 2.15 Item 1)
30	-	Actuator (P/O PL 2.15 Item 1)
31	-	Shaft (P/O PL 2.15 Item 1)
32	-	Tray 4 Cover (Not Spared)
33	-	Bracket (Not Spared)
34	-	Frame Assembly (Not Spared)

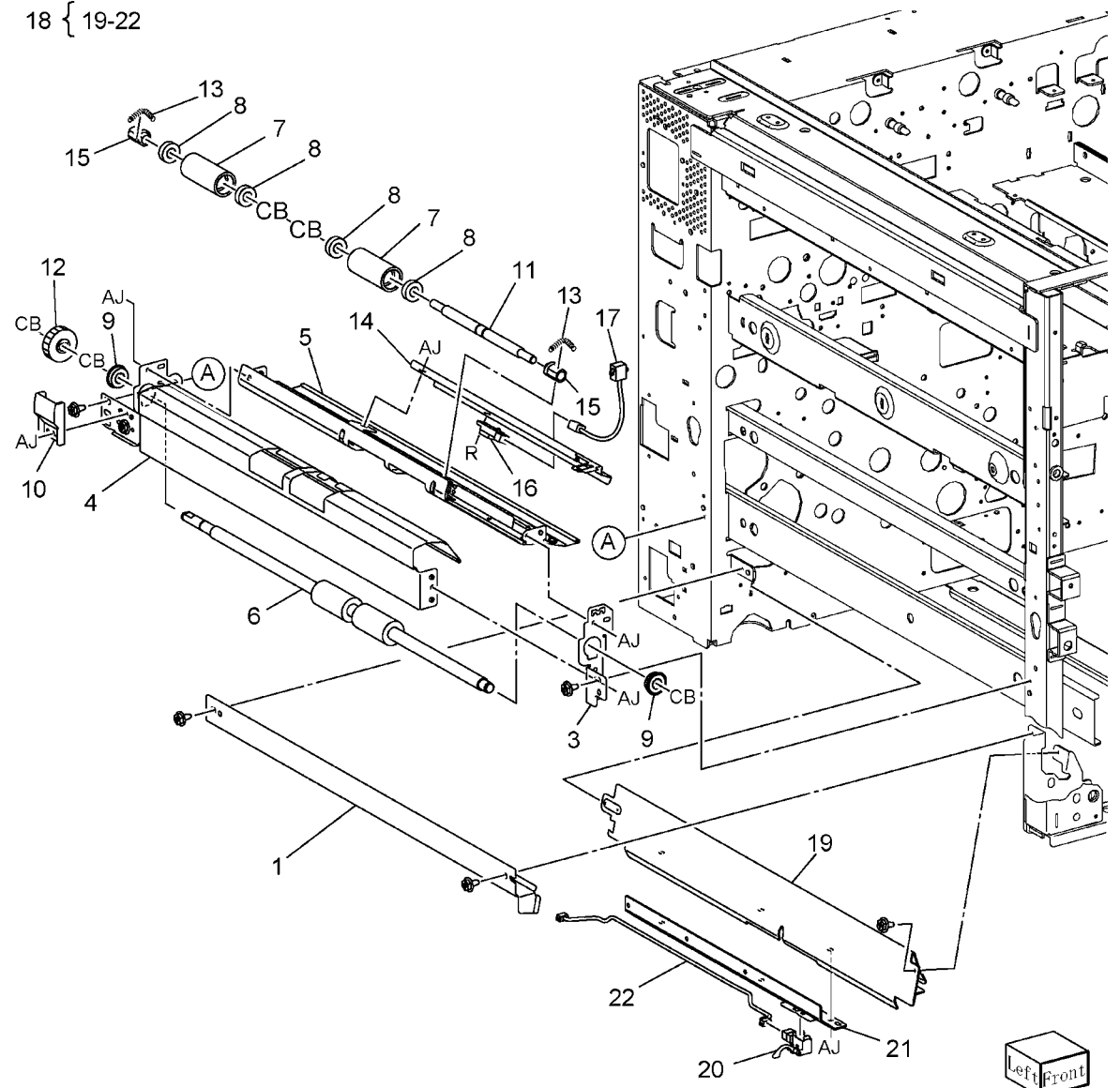


0502015A-OLY

# PL 2.16 Tray 5 / Bypass Chute Assembly

Item	Part	Description
1	-	Chute
2	054K26317	Chute Assembly (REP 7.31)
3	-	Frame Assembly (P/O PL 2.16 Item 2)
4	-	Lower chute Assembly (P/O PL 2.16 Item 2)
5	-	Upper Chute (P/O PL 2.16 Item 2)
6	-	Roll Assembly (P/O PL 2.16 Item 2)
7	-	Pinch Roll (P/O PL 2.16 Item 2)
8	413W08050	Ball Bearing
9	413W82370	Bearing
10	-	Gear Cover (P/O PL 2.16 Item 2)
11	-	Shaft (P/O PL 2.16 Item 2)
12	-	Gear (25T) (P/O PL 2.16 Item 2)
13	-	Spring (P/O PL 2.16 Item 2)
14	-	Bracket (P/O PL 2.16 Item 2)
15	-	Support (P/O PL 2.16 Item 2)
16	930W00211	Pre Registration Sensor
17	-	Wire Harness (P/O PL 2.16 Item 2)
18	-	Chute Assembly (Not Spared)
19	-	Chute (P/O PL 2.16 Item 18)
20	130K71370	Tray 1 Feed Out Sensor
21	-	Bracket (P/O PL 2.16 Item 18)
22	-	Wire Harness (P/O PL 2.16 Item 18)

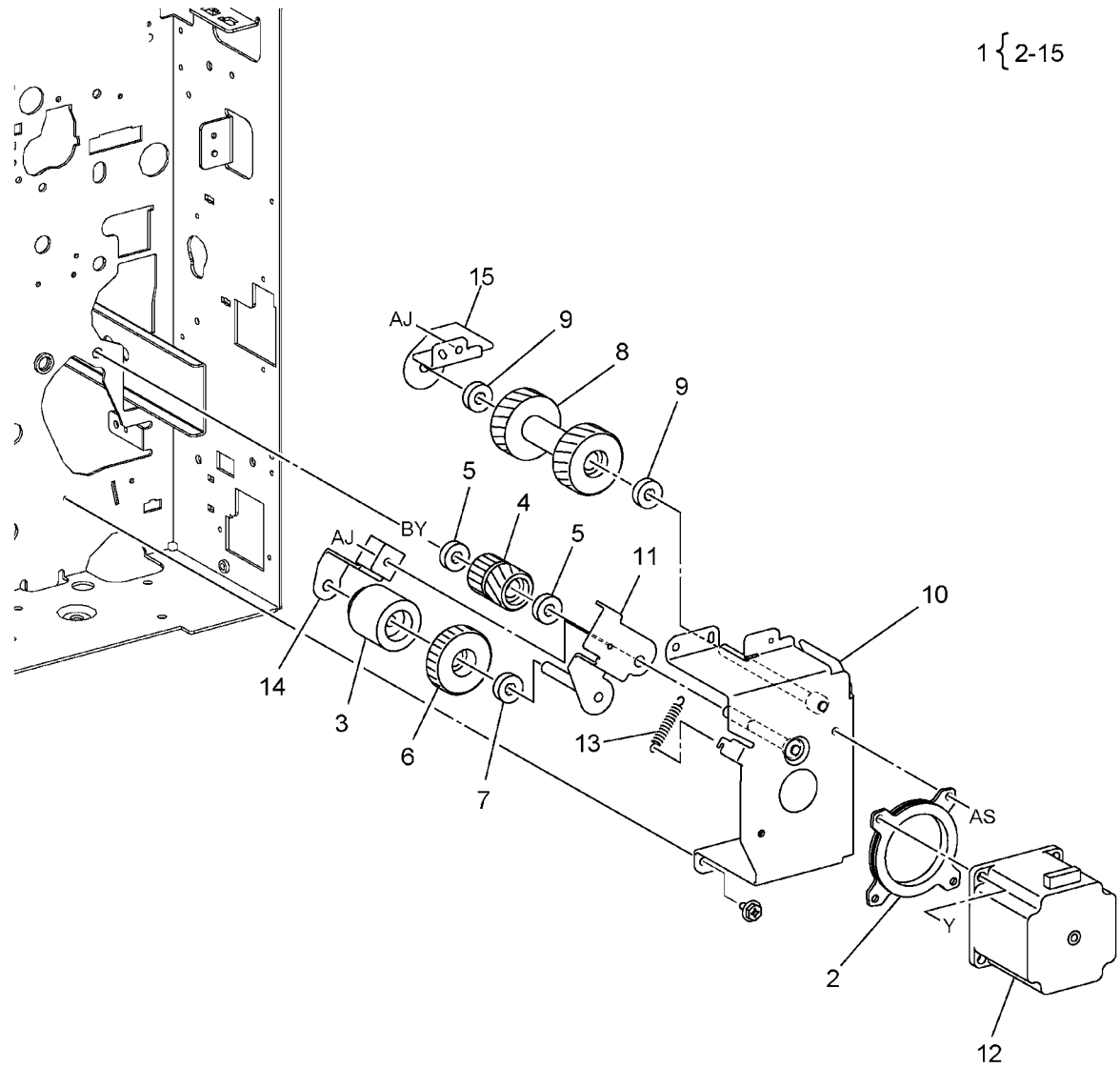
2 { 3-17  
 18 { 19-22



0502016A-OLY

## PL 2.17 Pre Registration Motor Assembly

Item	Part	Description
1	015K64792	Pre Registration Motor Assembly
2	-	Damper (P/O PL 2.17 Item 1)
3	-	Collar (P/O PL 2.17 Item 1)
4	-	Gear (20T) (P/O PL 2.17 Item 1)
5	-	Bearing (P/O PL 2.17 Item 1)
6	-	Gear (34T) (P/O PL 2.17 Item 1)
7	-	Bearing (P/O PL 2.17 Item 1)
8	-	Gear (34T) (P/O PL 2.17 Item 1)
9	-	Bearing (P/O PL 2.17 Item 1)
10	-	Bracket Assembly (P/O PL 2.17 Item 1)
11	-	Bracket Assembly (P/O PL 2.17 Item 1)
12	-	Pre Registration Motor (P/O PL 2.17 Item 1)
13	-	Spring (P/O PL 2.17 Item 1)
14	-	Bracket (P/O PL 2.17 Item 1)
15	-	Bracket (P/O PL 2.17 Item 1)



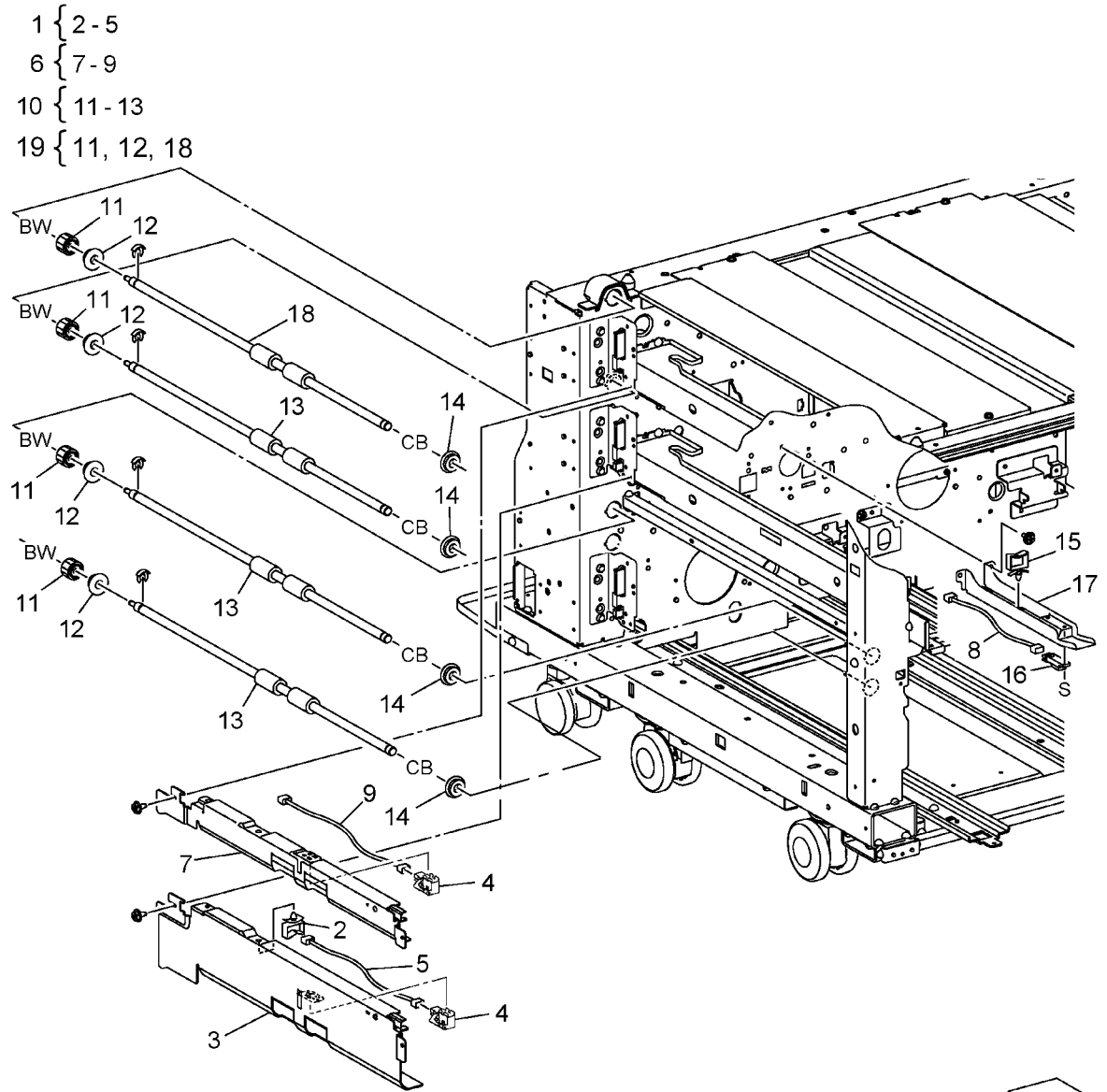
1 { 2-15



0502017A-OLY

## PL 2.18 Takeaway Roll

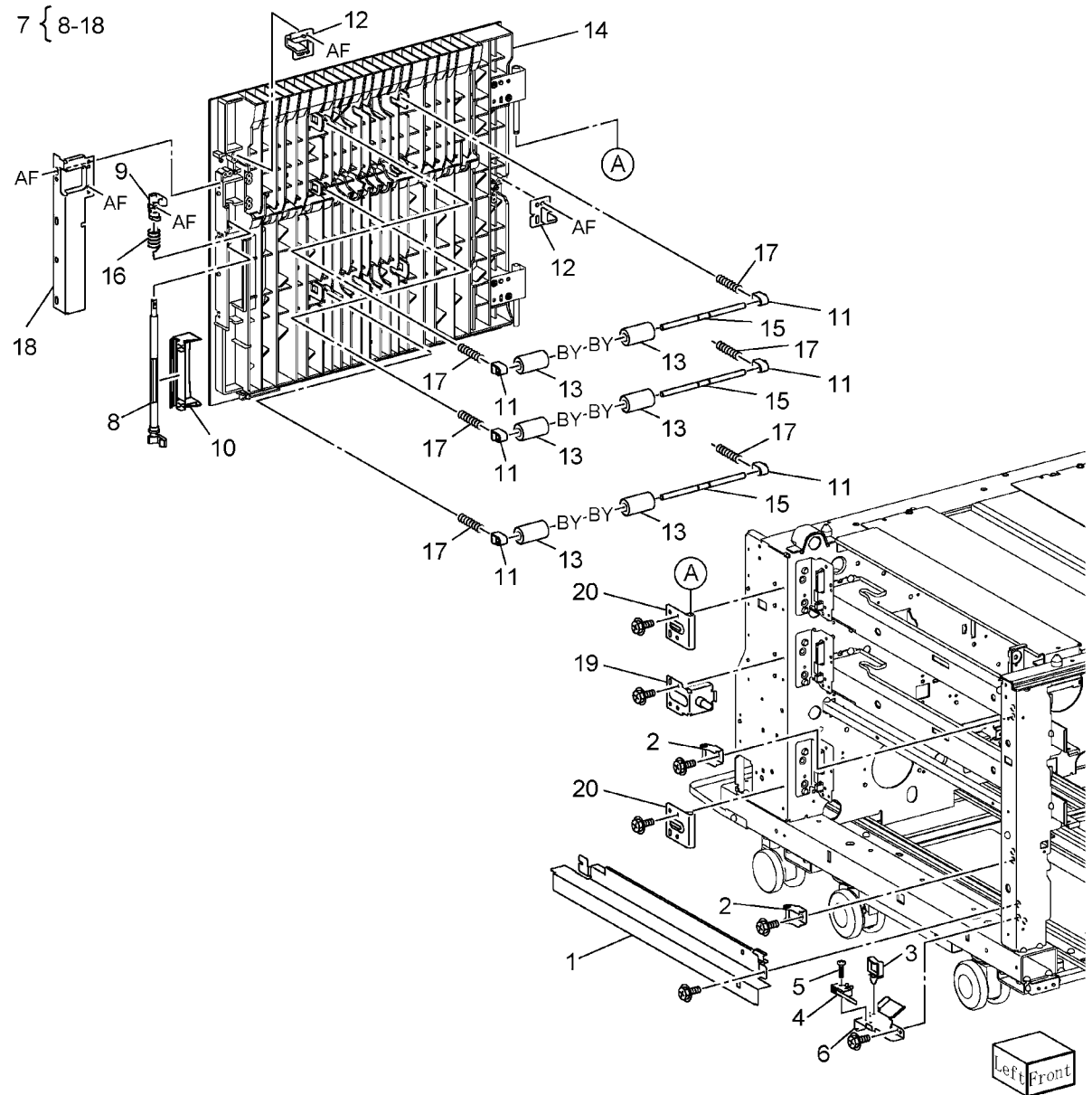
Item	Part	Description
1	054K44050	Chute Assembly (Not Spared)
2	-	Harness Holder (P/O PL 2.18 Item 1)
3	-	Chute (P/O PL 2.18 Item 1)
4	130K76910	Tray 2/3 Feed Out Sensor
5	-	Wire Harness (P/O PL 2.18 Item 1)
6	054K44040	Upper Chute Assembly
7	-	Chute (P/O PL 2.18 Item 6)
8	-	Wire Harness (P/O PL 2.18 Item 6)
9	-	Wire Harness (P/O PL 2.18 Item 6)
10	059K68160	Takeaway Roll Assembly
11	-	Gear (18T) (P/O PL 2.18 Item 10, PL 2.18 Item 19)
12	-	Bearing (P/O PL 2.18 Item 10, PL 2.18 Item 19)
13	-	Takeaway Roll 1/2/3/4 (P/O PL 2.18 Item 10)
14	-	Bearing (Not Spared)
15	-	Harness Holder (Not Spared)
16	130E84300	Tray 4 Feed Out Sensor
17	-	Bracket (Not Spared)
18	-	Takeaway High Roll (P/O PL 2.18 Item 19)
19	059K68140	High Roller Takeaway Roll Assembly



0502018A-CHN

## PL 2.19 Left Chute Cover

Item	Part	Description
1	-	Cover Bracket (Not Spared)
2	-	Latch Bracket (Not Spared)
3	-	Harness Holder (Not Spared)
4	110E11420	L/H Cover Interlock Switch
5	-	Screw (Not Spared)
6	-	Bracket (Not Spared)
7	848K43290	Left Chute Cover Assembly
8	-	Latch (P/O PL 2.19 Item 7)
9	-	Hook (P/O PL 2.19 Item 7)
10	-	Handle (P/O PL 2.19 Item 7)
11	-	Bearing (P/O PL 2.19 Item 7)
12	-	Guide (P/O PL 2.19 Item 7)
13	-	Pinch Roll (P/O PL 2.19 Item 7)
14	-	Left Chute Cover (P/O PL 2.19 Item 7)
15	-	Shaft (P/O PL 2.19 Item 7)
16	-	Spring (P/O PL 2.19 Item 7)
17	-	Spring (P/O PL 2.19 Item 7)
18	-	Guide Bracket (P/O PL 2.19 Item 7)
19	-	Bracket (Not Spared)
20	-	Bracket (Not Spared)

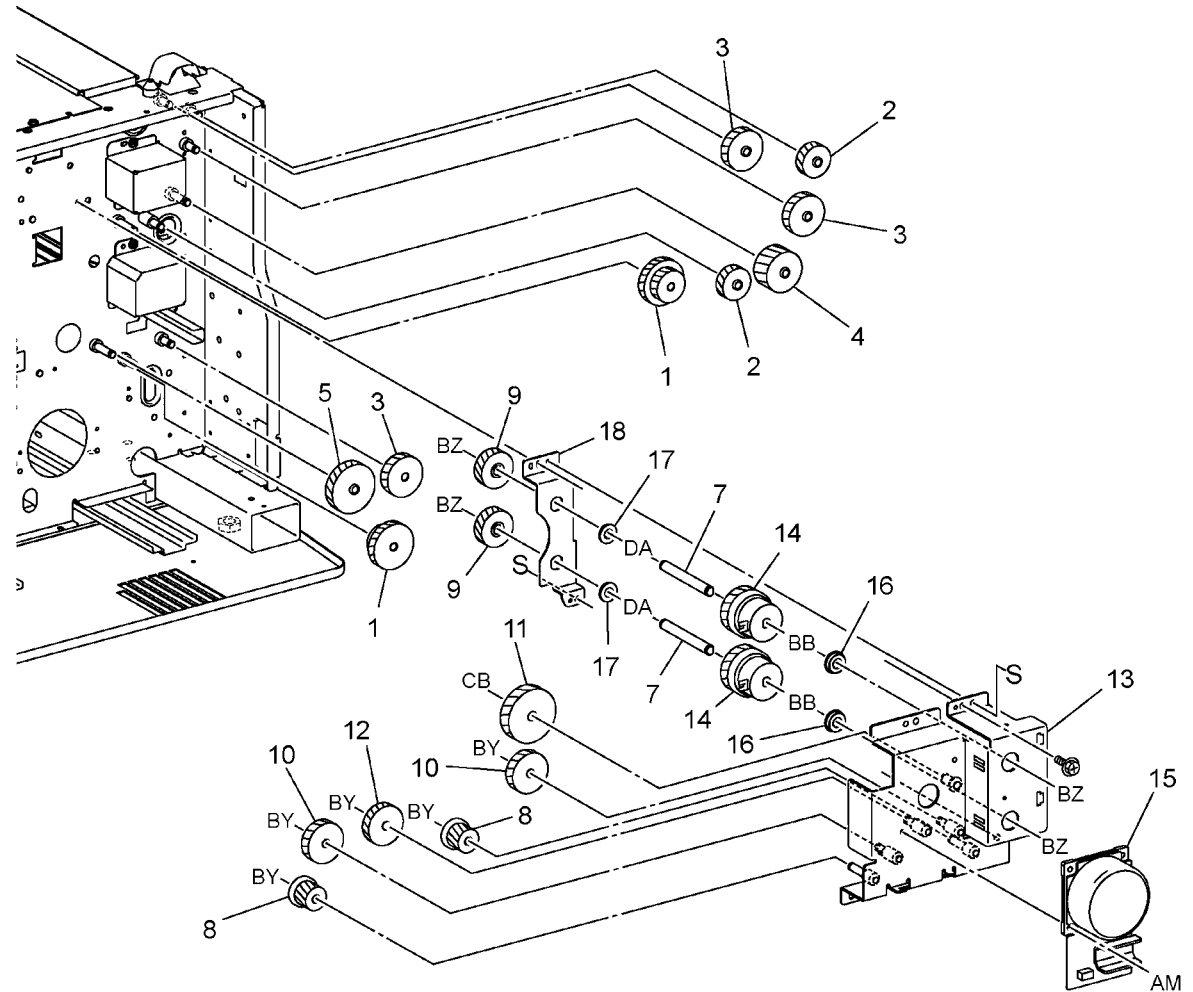


0502019A-OLY

# PL 2.20 T/A Drive

Item	Part	Description
1	-	Gear (36T/25T) (Not Spared)
2	-	Gear (36T) (Not Spared)
3	-	Gear (46T) (Not Spared)
4	-	Gear (46T) (Not Spared)
5	-	Gear (56T) (P/O)
6	007K17370	T/A Drive Assembly
7	-	Shaft (P/O PL 2.20 Item 6)
8	-	Gear (26T) (P/O PL 2.20 Item 6)
9	-	Gear (41T) (P/O PL 2.20 Item 6)
10	-	Gear (46T) (P/O PL 2.20 Item 6)
11	-	Gear (54T) (P/O PL 2.20 Item 6)
12	-	Gear (45T) (P/O PL 2.20 Item 6)
13	-	Bracket (P/O PL 2.20 Item 6)
14	121K47590	Take Away Clutch 1 And 2
15	-	T/A Motor (P/O PL 2.20 Item 6) (REP 8.4)
16	413W08350	Ball Bearing
17	413W77359	Bearing
18	-	Bracket (P/O PL 2.20 Item 6)

6 { 7-18

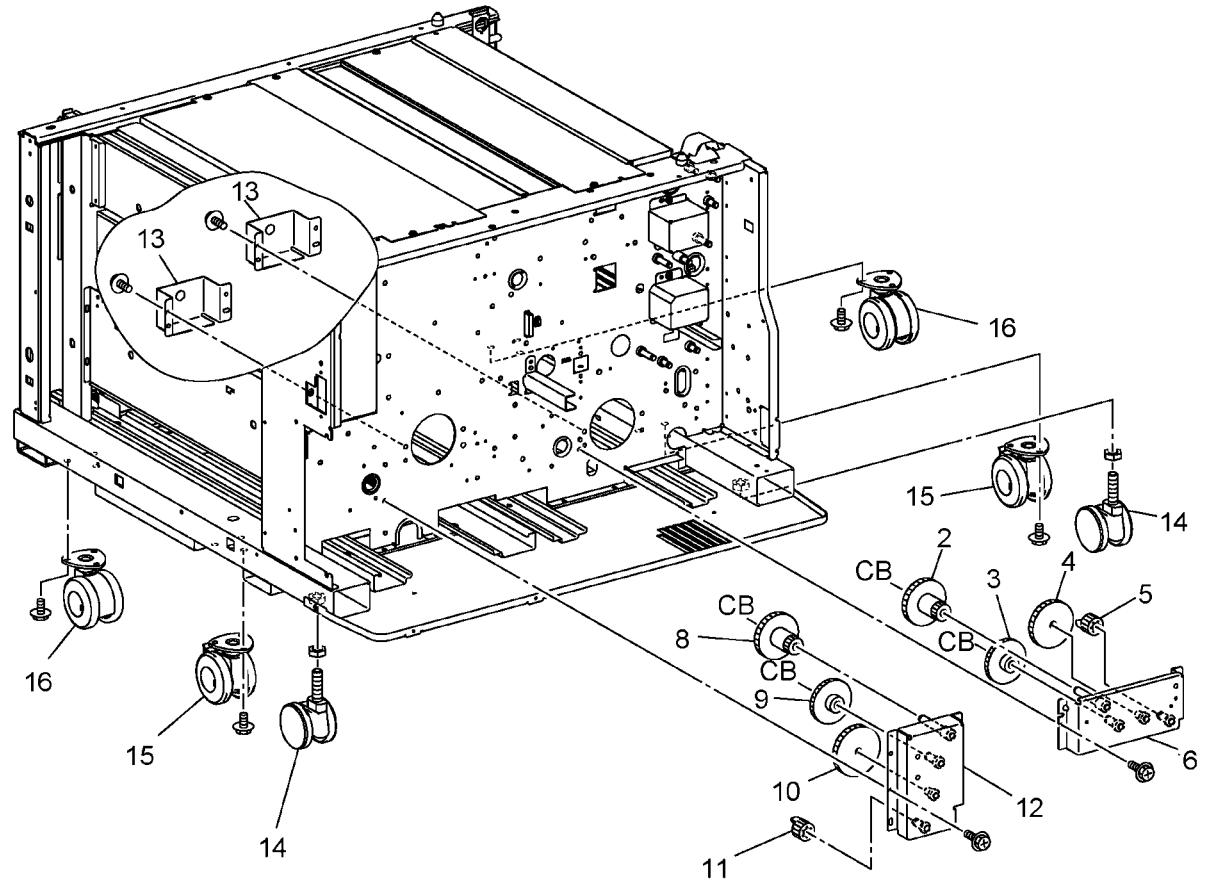


0502020A-OLY



## PL 2.21 Tray 3/4 Gear Assembly

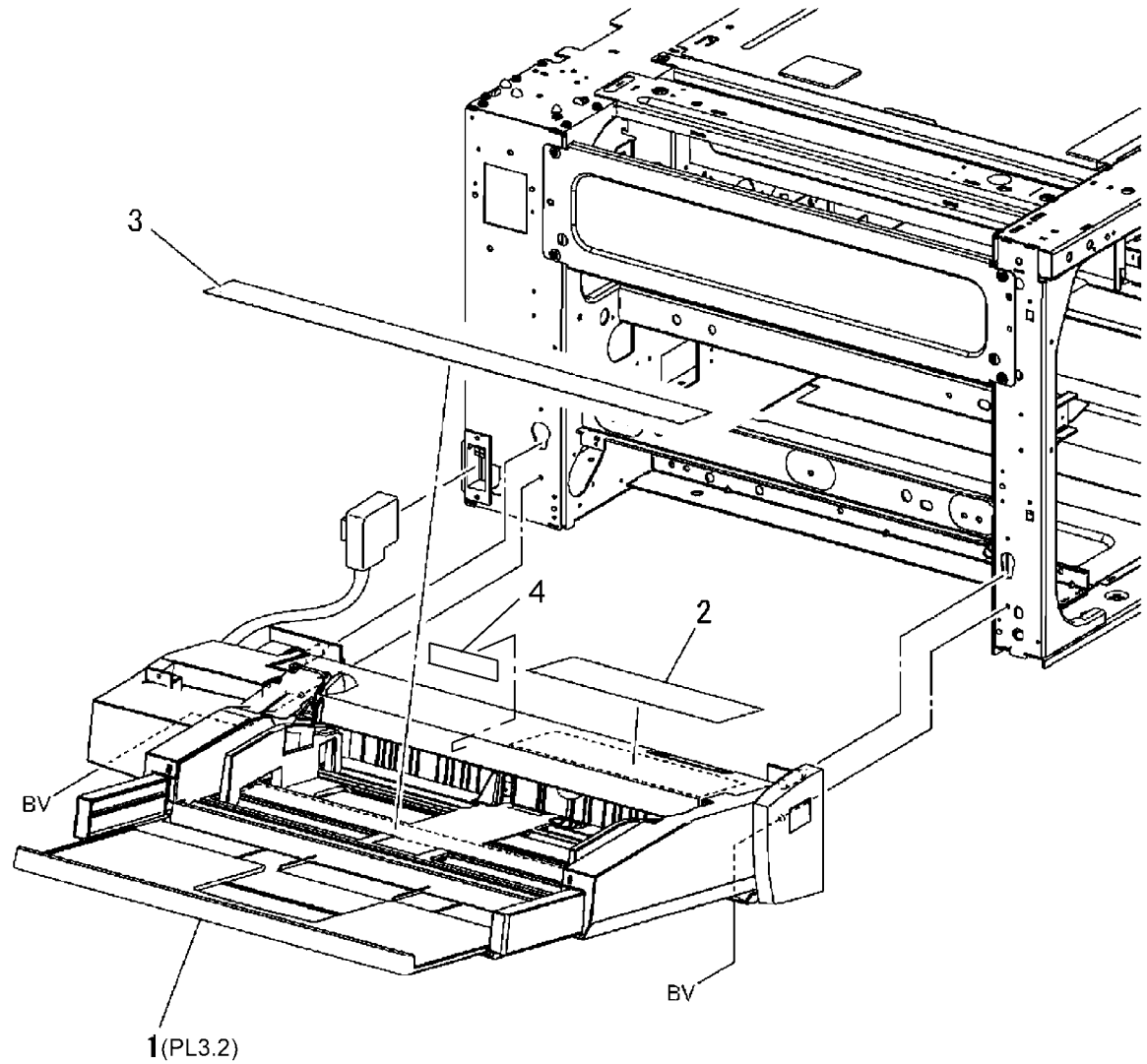
Item	Part	Description	
1	049K04240	Tray 3 Gear Assembly	1 { 2-6
2	-	Gear (17T/50T) (P/O PL 2.21 Item 1)	
3	-	Gear (16T/48T) (P/O PL 2.21 Item 1)	7 { 8-12
4	-	Gear (51T) (P/O PL 2.21 Item 1)	
5	-	Gear (18T) (P/O PL 2.21 Item 1)	
6	-	Bracket (P/O PL 2.21 Item 1)	
7	049K04260	Tray 4 Gear Assembly	
8	-	Gear (17T/50T) (P/O PL 2.21 Item 7)	
9	-	Gear (16T/48T) (P/O PL 2.21 Item 7)	
10	-	Gear (57T) (P/O PL 2.21 Item 7)	
11	-	Gear (18T) (P/O PL 2.21 Item 7)	
12	-	Bracket (P/O PL 2.21 Item 7)	
13	-	Bracket (Not Spared)	
14	-	Caster (Not Spared)	
15	-	Caster (Not Spared)	
16	-	Caster (Not Spared)	



0502021A-OLY

## PL 3.1 Tray 5 / Bypass Accessory

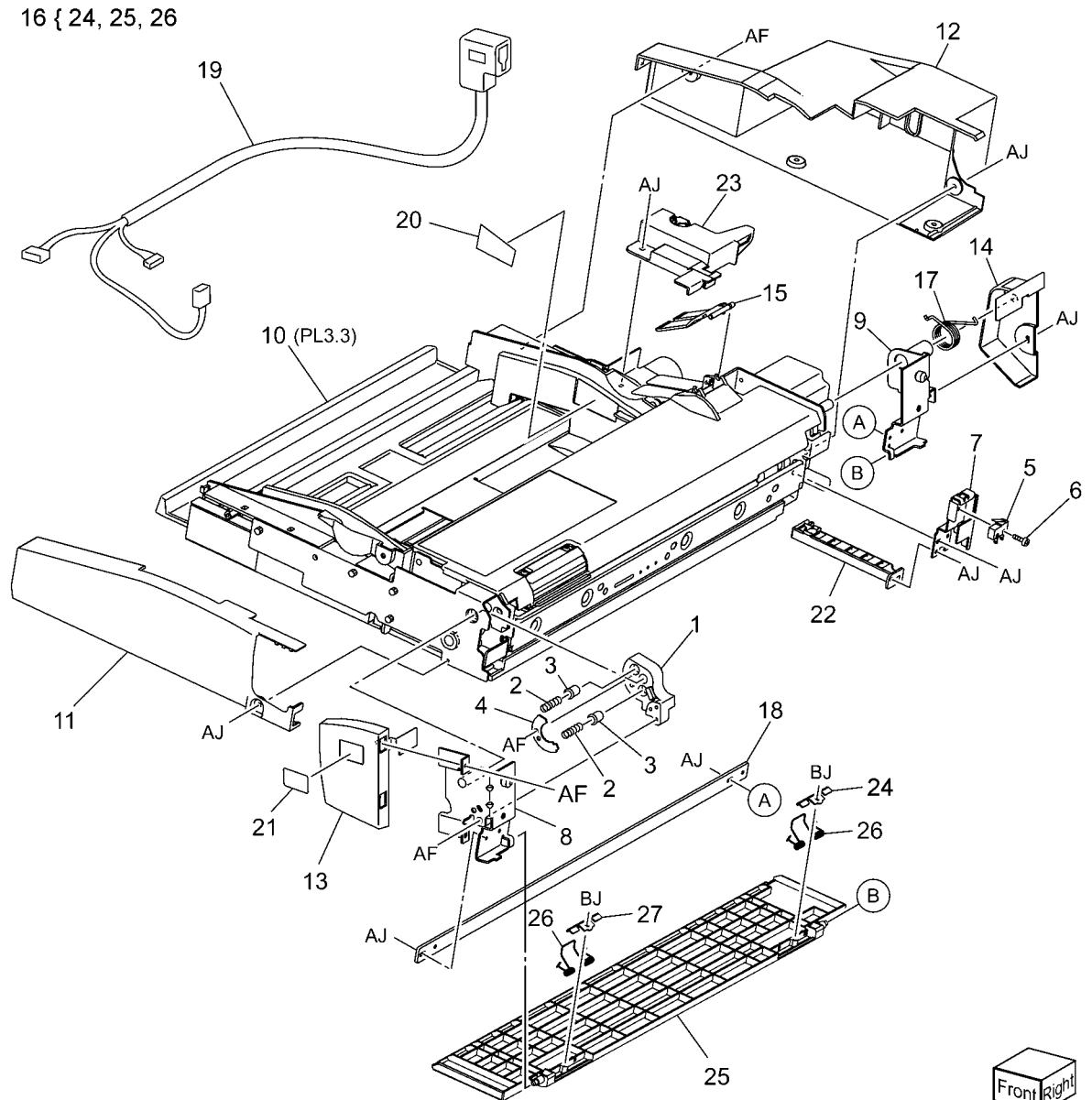
Item	Part	Description
1	059K62161	Tray 5 / Bypass (with Cover)
2	893E44110	Label (Instruction)
3	893E44121	Label (Size) (Not Spared)
4	-	Label (Caution)



0503001B-OLY

## PL 3.2 Tray 5 / Bypass Cover

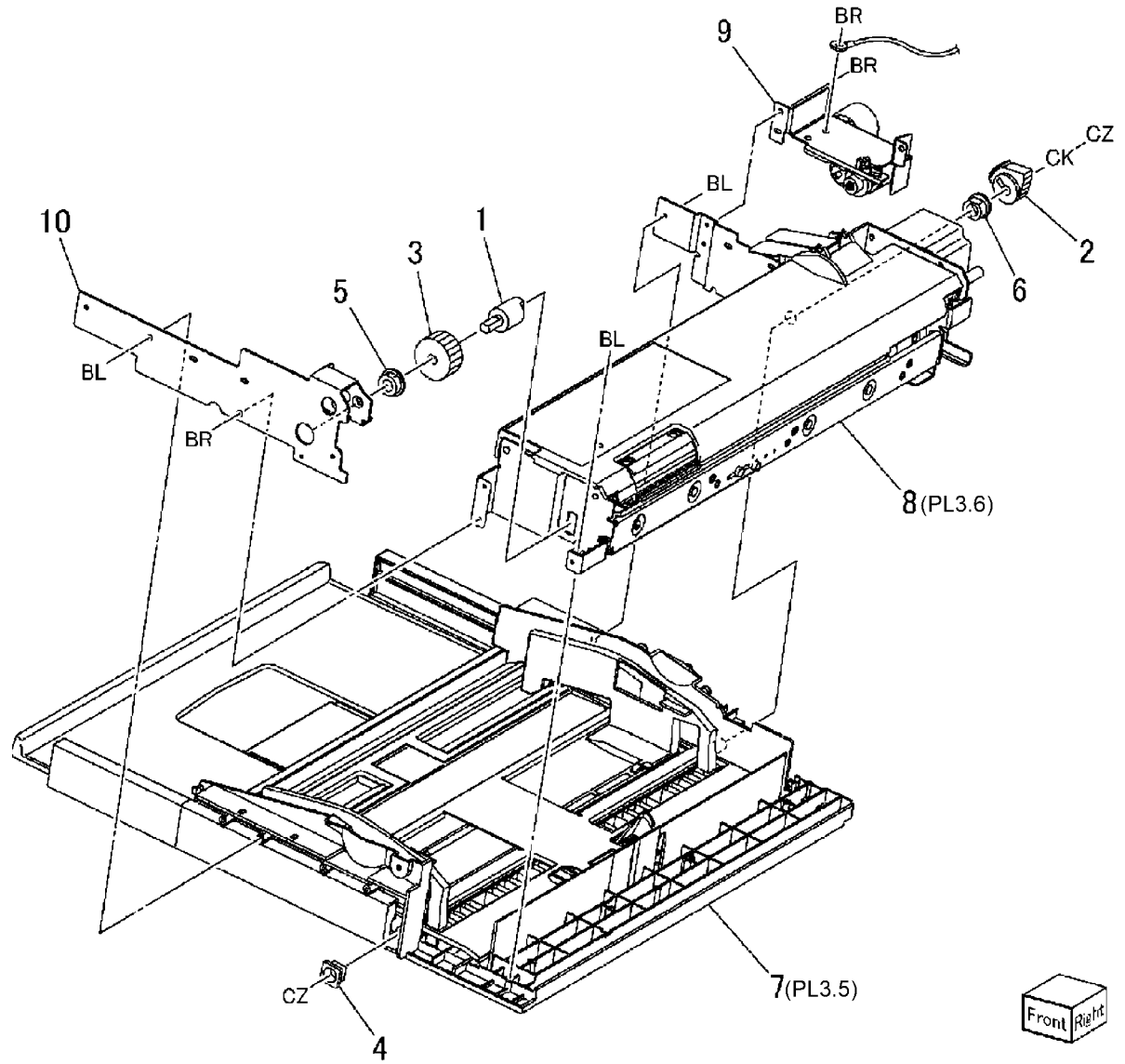
Item	Part	Description
1	-	Sector Gear (P/O PL 3.1 Item 1)
2	-	Compression Spring (P/O PL 3.1 Item 1)
3	-	Lock Pin (P/O PL 3.1 Item 1)
4	-	Lock Plate (P/O PL 3.1 Item 1)
5	-	Cover Interlock Switch (P/O PL 3.1 Item 1)
6	-	Screw (M2.3x9) (P/O PL 3.1 Item 1)
7	-	Switch Bracket (P/O PL 3.1 Item 1)
8	-	Front Bracket (P/O PL 3.1 Item 1)
9	-	Rear Bracket (P/O PL 3.1 Item 1)
10	-	Tray 5/Bypass
11	-	Front Cover 1 (P/O PL 3.1 Item 1)
12	-	Rear Cover 1 (P/O PL 3.1 Item 1)
13	-	Front Cover 2 (P/O PL 3.1 Item 1)
14	-	Rear Cover 2 (P/O PL 3.1 Item 1)
15	-	Upper Cover (P/O PL 3.1 Item 1)
16	-	Lower Cover Assembly (P/O PL 3.1 Item 1)
17	-	Torsion Spring (P/O PL 3.1 Item 1)
18	-	Lower Plate (P/O PL 3.1 Item 1)
19	-	Wire Harness (Not Spared)
20	-	Label (Max) (Not Spared)
21	-	Label (Number) (Not Spared)
22	-	Harness Guide (P/O PL 3.1 Item 1)
23	-	Harness Cover (P/O PL 3.1 Item 1)
24	-	Bracket (P/O PL 3.2 Item 16)
25	-	Lower Cover (P/O PL 3.2 Item 16)
26	-	Spring (P/O PL 3.2 Item 16)



0503002B-OLY

## PL 3.3 Tray 5 / Bypass Component (1 of 2)

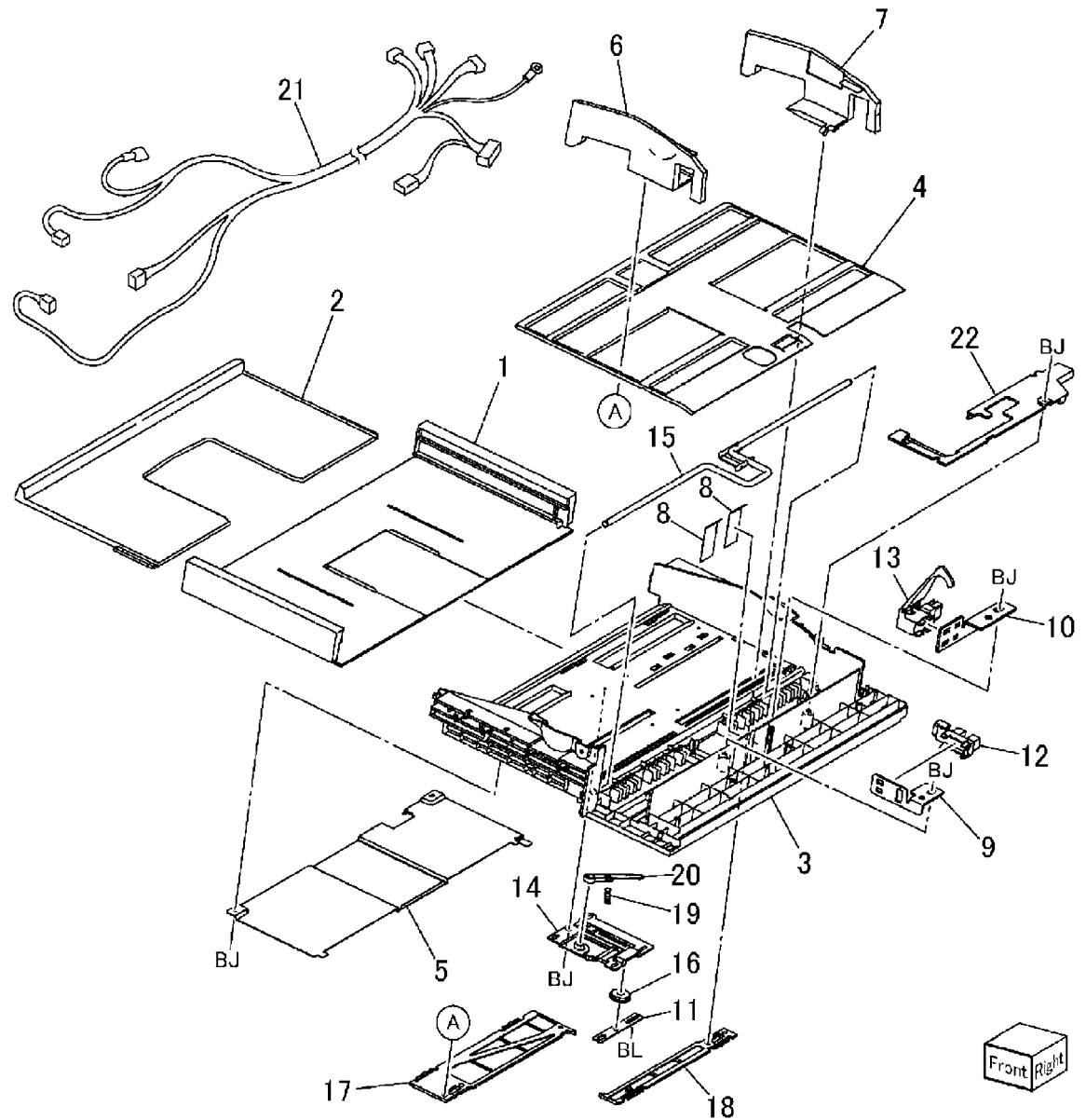
Item	Part	Description
1	-	Damper
2	-	Sector Gear (P/O PL 3.1 Item 1)
3	-	Gear (19T) (P/O PL 3.1 Item 1)
4	-	Sleeve Bearing (P/O PL 3.1 Item 1)
5	-	Sleeve Bearing (Not Spared)
6	013E92890	Sleeve Bearing
7	-	Tray (P/O PL 3.1 Item 1)
8	-	Feeder (P/O PL 3.1 Item 1) (REP 7.14)
9	801K05036	Lift Up Motor
10	-	Front Frame (P/O PL 3.1 Item 1)



0503003A-OLY

# PL 3.5 Tray 5 / Bypass Tray Component

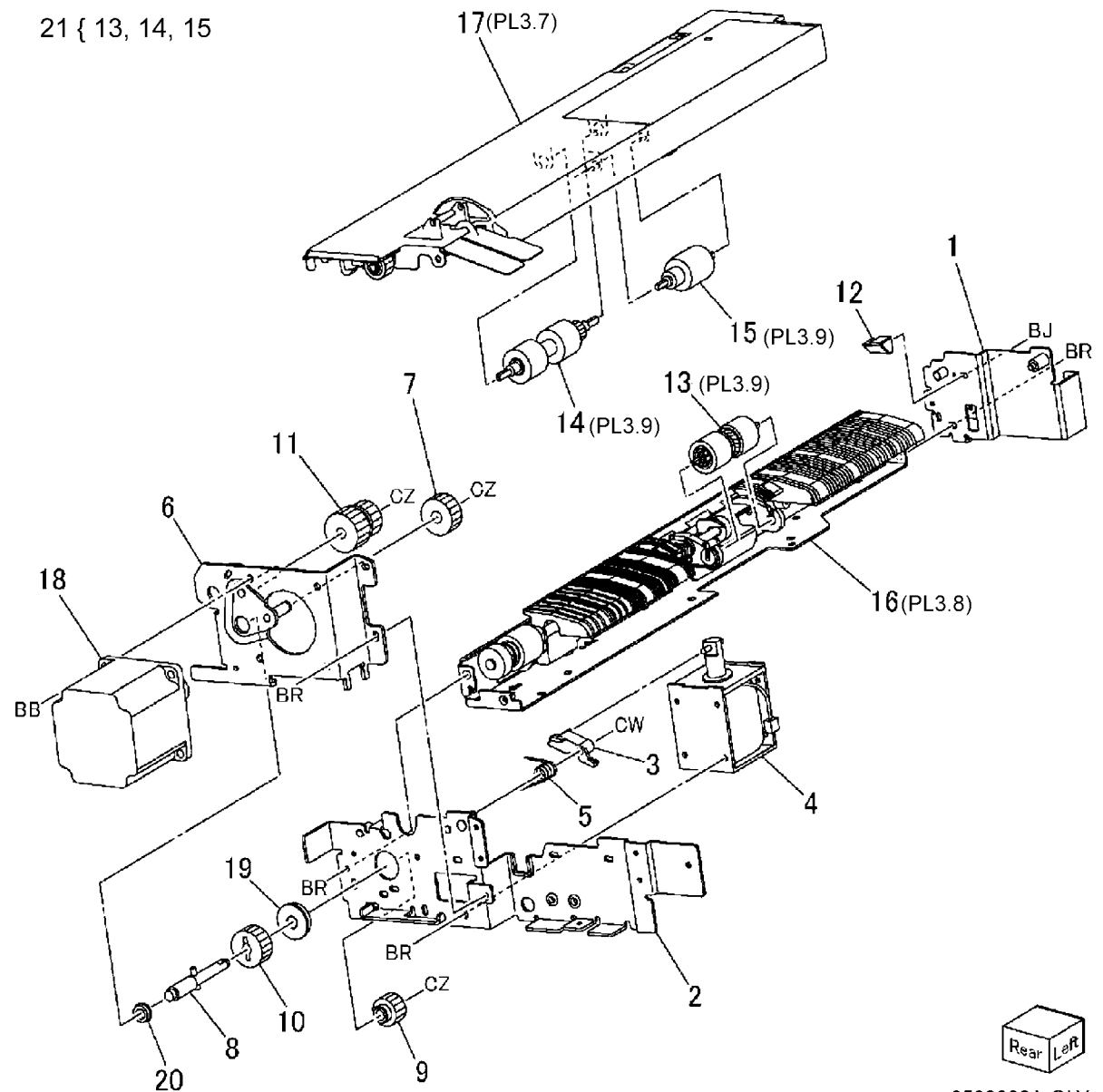
Item	Part	Description
1	-	Lower Tray (P/O PL 3.1 Item 1)
2	-	Extension Tray (P/O PL 3.1 Item 1)
3	-	Tray (P/O PL 3.1 Item 1)
4	-	Bottom Plate (P/O PL 3.1 Item 1)
5	-	Tray Lower Cover (P/O PL 3.1 Item 1)
6	038E26770	Front Side Guide
7	038E26780	Rear Side Guide
8	-	Paper Guide (P/O PL 3.1 Item 1)
9	-	Sensor Bracket (P/O PL 3.1 Item 1)
10	-	Sensor Bracket (P/O PL 3.1 Item 1)
11	-	Gear Plate (P/O PL 3.1 Item 1)
12	930W00111	Lift Down Sensor
13	130K64360	Paper Set Sensor
14	-	Size Sensor (P/O PL 3.1 Item 1)
15	-	Shaft (P/O PL 3.1 Item 1)
16	-	Pinion Gear (P/O PL 3.1 Item 1)
17	-	Front Rack Gear (P/O PL 3.1 Item 1)
18	-	Rear Rack Gear (P/O PL 3.1 Item 1)
19	-	Compression Spring (P/O PL 3.1 Item 1)
20	-	Sensor Link (P/O PL 3.1 Item 1)
21	-	Tray Wire Harness (P/O PL 3.1 Item 1)
22	-	Harness Cover (P/O PL 3.1 Item 1)



0503005A-OLY

## PL 3.6 Tray 5 / Bypass Feeder Component

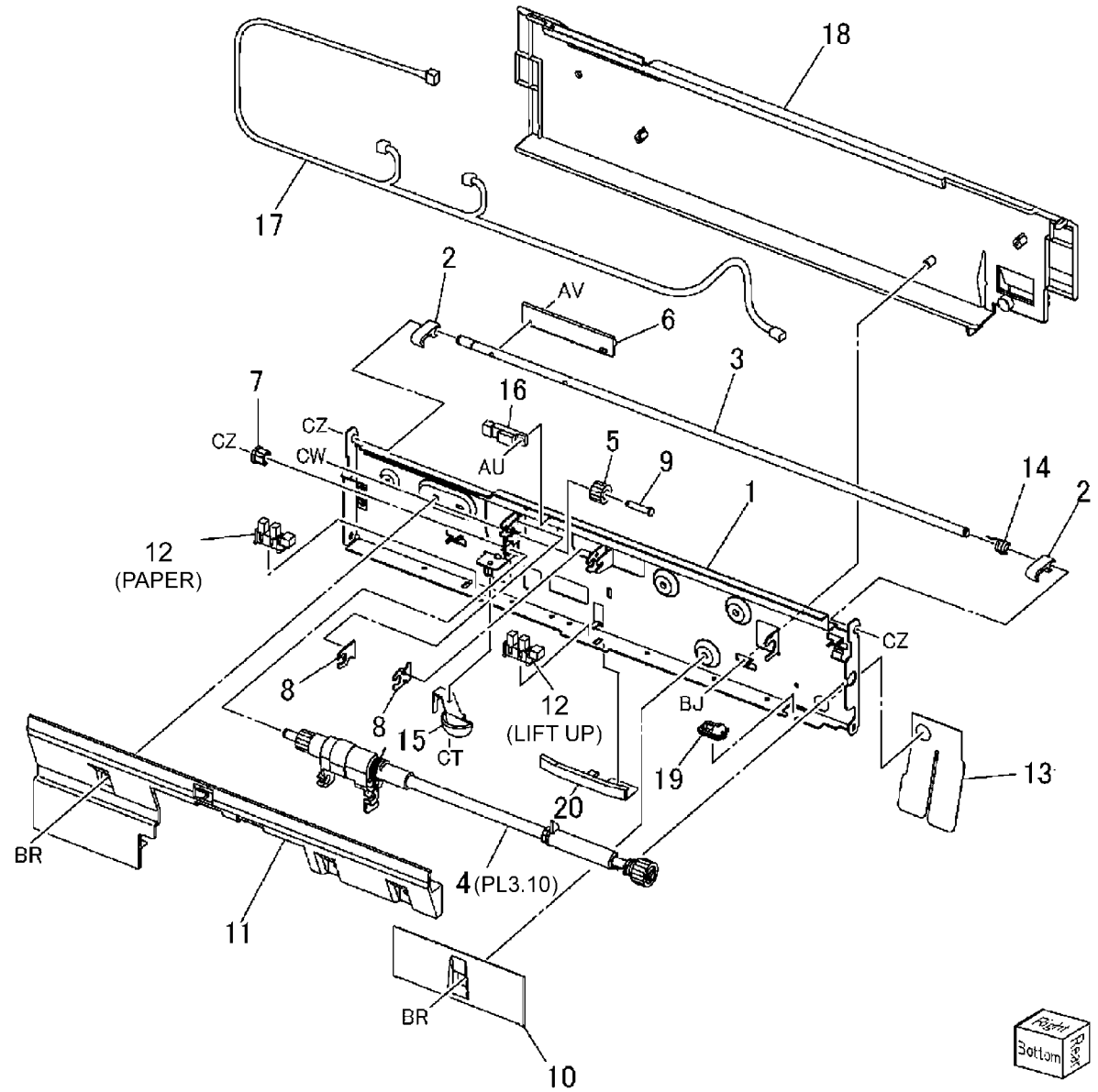
Item	Part	Description
1	-	Feeder Front Frame (P/O PL 3.3 Item 8)
2	-	Feeder Rear Frame (P/O PL 3.3 Item 8)
3	-	Solenoid Link (P/O PL 3.3 Item 8)
4	121K31341	Nudger Solenoid
5	-	Torsion Spring (Not Spared)
6	-	Motor Bracket (P/O PL 3.3 Item 8)
7	-	Gear (25T) (P/O PL 3.3 Item 8)
8	-	Shaft (P/O PL 3.3 Item 8)
9	-	Gear (19T) (P/O PL 3.3 Item 8)
10	-	Gear (25T) (P/O PL 3.3 Item 8)
11	-	One Way Clutch Gear (23T/27T) (P/O PL 3.1 Item 1)
12	-	Block (P/O PL 3.3 Item 8)
13	-	Retard Roll (P/O PL 3.6 Item 21) (REP 7.15)
14	-	Feed Roll (P/O PL 3.6 Item 21) (REP 7.15)
15	-	Nudger Roll (P/O PL 3.6 Item 21) (REP 7.15)
16	-	Lower Feeder (P/O PL 3.3 Item 6)
17	059K29537	Upper Feeder
18	127K38252	Feed Motor
19	-	Sleeve Bearing (Not Spared)
20	413W66250	Ball Bearing
21	604K23660	Retard, Feed, Nudger Roll Kit (Contains All 3 Rolls)



0503006A-OLY

# PL 3.7 Tray 5 / Bypass Upper Feeder Component

Item	Part	Description
1	-	Upper Feeder Frame (P/O PL 3.6 Item 17)
2	-	Latch (P/O PL 3.6 Item 17)
3	-	Latch Shaft (P/O PL 3.6 Item 17)
4	006K23313	Feed/Nudger Shaft (REP 7.17)
5	007E78180	Gear (25T)
6	-	Lever (P/O PL 3.6 Item 17)
7	-	Sleeve Bearing (P/O PL 3.6 Item 17)
8	-	Spacer (P/O PL 3.6 Item 17)
9	-	Pin (P/O PL 3.6 Item 17)
10	-	Upper Rear Chute (P/O PL 3.6 Item 17)
11	-	Upper Chute (P/O PL 3.6 Item 17)
12	930W00112	Lift Up Sensor, No Paper Sensor
13	-	Solenoid Guide (P/O PL 3.6 Item 17)
14	-	Torsion Spring (P/O PL 3.6 Item 17)
15	-	Actuator (P/O PL 3.6 Item 17)
16	930W00211	Pre Feed Sensor
17	-	Upper Feeder Wire Harness (P/O PL 3.6 Item 17)
18	-	Upper Feeder Cover (P/O PL 3.6 Item 17)
19	-	Guide (P/O PL 3.6 Item 17)
20	-	Upper Guide (P/O PL 3.6 Item 17)

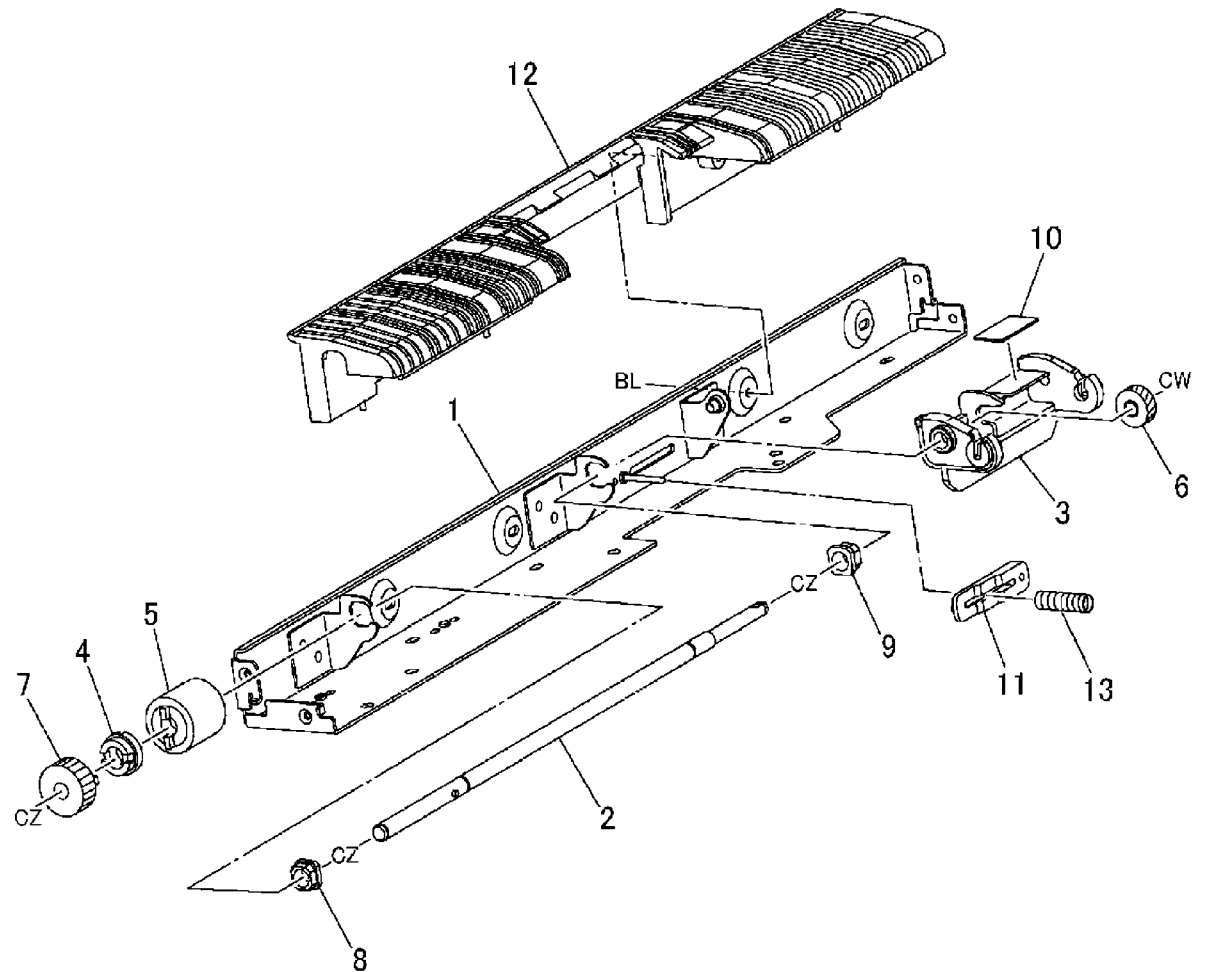


0503007A-OLY

# PL 3.8 Tray 5 / Bypass Lower Feeder Component

Item	Part	Description
1	-	Lower Feeder Frame (P/O PL 3.3 Item 8)
2	-	Retard Shaft (P/O PL 3.8 Item 14)
3	-	Retard Bracket (P/O PL 3.8 Item 14)
4	-	Collar (P/O PL 3.8 Item 14)
5	005K06701	Friction Clutch
6	-	Gear (15T) (P/O PL 3.8 Item 14)
7	-	Gear (22T) (Not Spared)
8	-	Sleeve Bearing (Length: 5mm) (Not Spared)
9	-	Sleeve Bearing (Length: 6.6mm) (Not Spared)
10	-	Pad (P/O PL 3.3 Item 8)
11	-	Retard Slide (P/O PL 3.3 Item 8)
12	-	Lower Chute (P/O PL 3.3 Item 8)
13	-	Compression Spring
14	-	Retard Shaft Assembly (Not Spared)

14 { 2 - 8

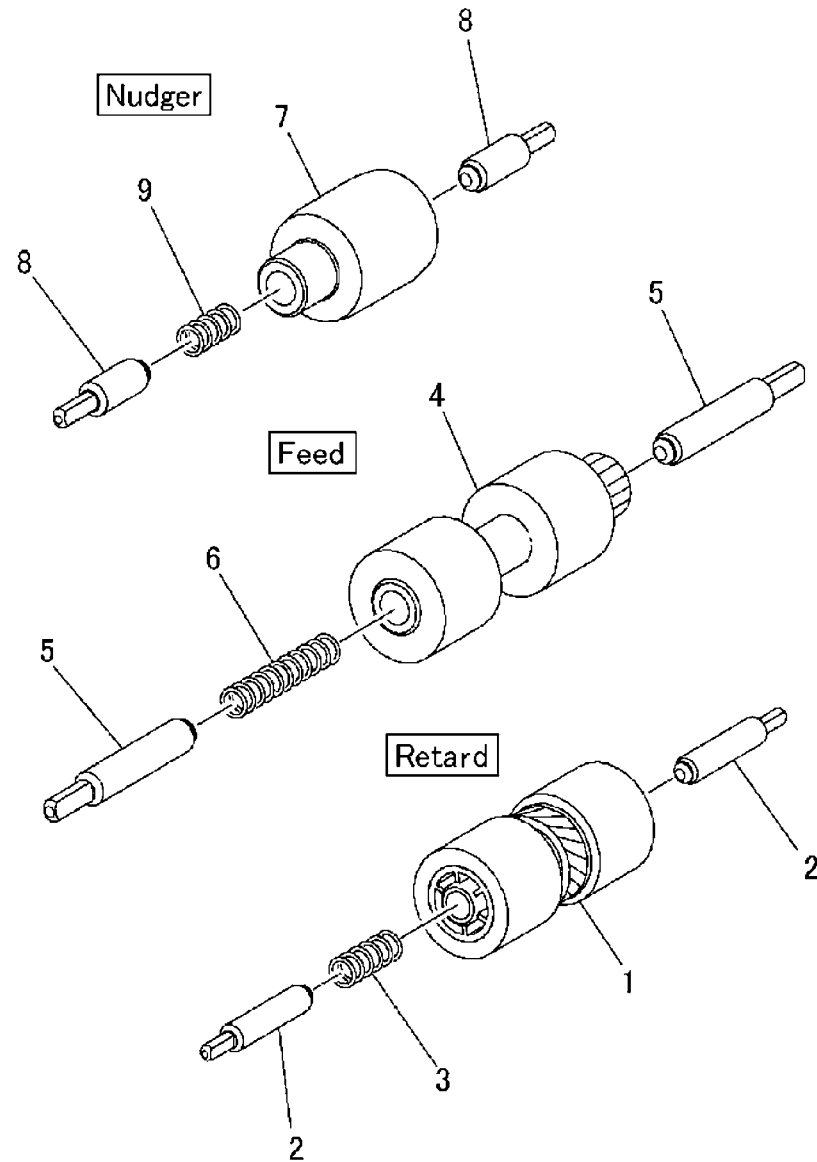


0503008A-OL



## PL 3.9 Retard/Feed/Nudger Roll Component

Item	Part	Description
1	-	Retard Roll (P/O PL 3.6 Item 13)
2	-	Pin (P/O PL 3.6 Item 13)
3	-	Compression Spring (P/O PL 3.6 Item 13)
4	-	Feed Roll (P/O PL 3.6 Item 14)
5	-	Pin (P/O PL 3.6 Item 14)
6	-	Compression Spring (P/O PL 3.6 Item 14)
7	-	Nudger Roll (P/O PL 3.6 Item 15)
8	-	Pin (P/O PL 3.6 Item 15)
9	-	Compression Spring (P/O PL 3.6 Item 15)

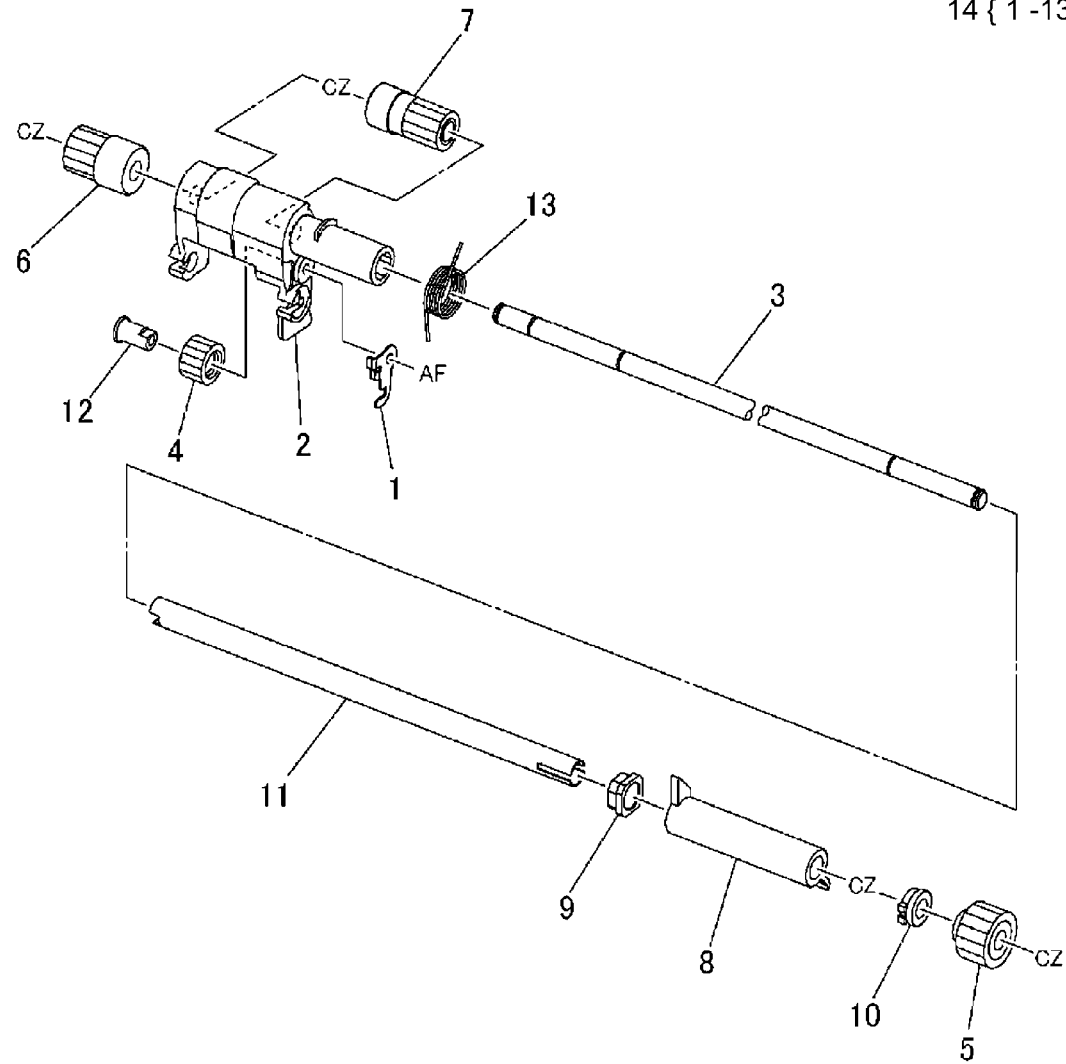


0503009A-OLY

## PL 3.10 Feed/Nudger Shaft Component

Item	Part	Description
1	-	Nudger Support (P/O PL 3.7 Item 4)
2	-	Nudger Bracket (P/O PL 3.7 Item 4) (REP 7.16)
3	-	Shaft (P/O PL 3.7 Item 4)
4	-	Gear (23T) (P/O PL 3.7 Item 4)
5	-	Gear (20T) (P/O PL 3.7 Item 4)
6	-	One Way Clutch Gear (26T) (P/O PL 3.7 Item 4)
7	-	One Way Clutch Gear (22T) (P/O PL 3.7 Item 4)
8	-	Nudger Lever (P/O PL 3.7 Item 4) (REP 7.16)
9	-	Sleeve Bearing (P/O PL 3.7 Item 4)
10	-	Sleeve Bearing (P/O PL 3.7 Item 4)
11	-	Spacer (P/O PL 3.7 Item 4)
12	-	Pin (P/O PL 3.7 Item 4)
13	-	Torsion Spring (P/O PL 3.7 Item 4) (REP 7.16)
14	006K23313	Feed/Nudger Shaft Assembly (REP 7.17)

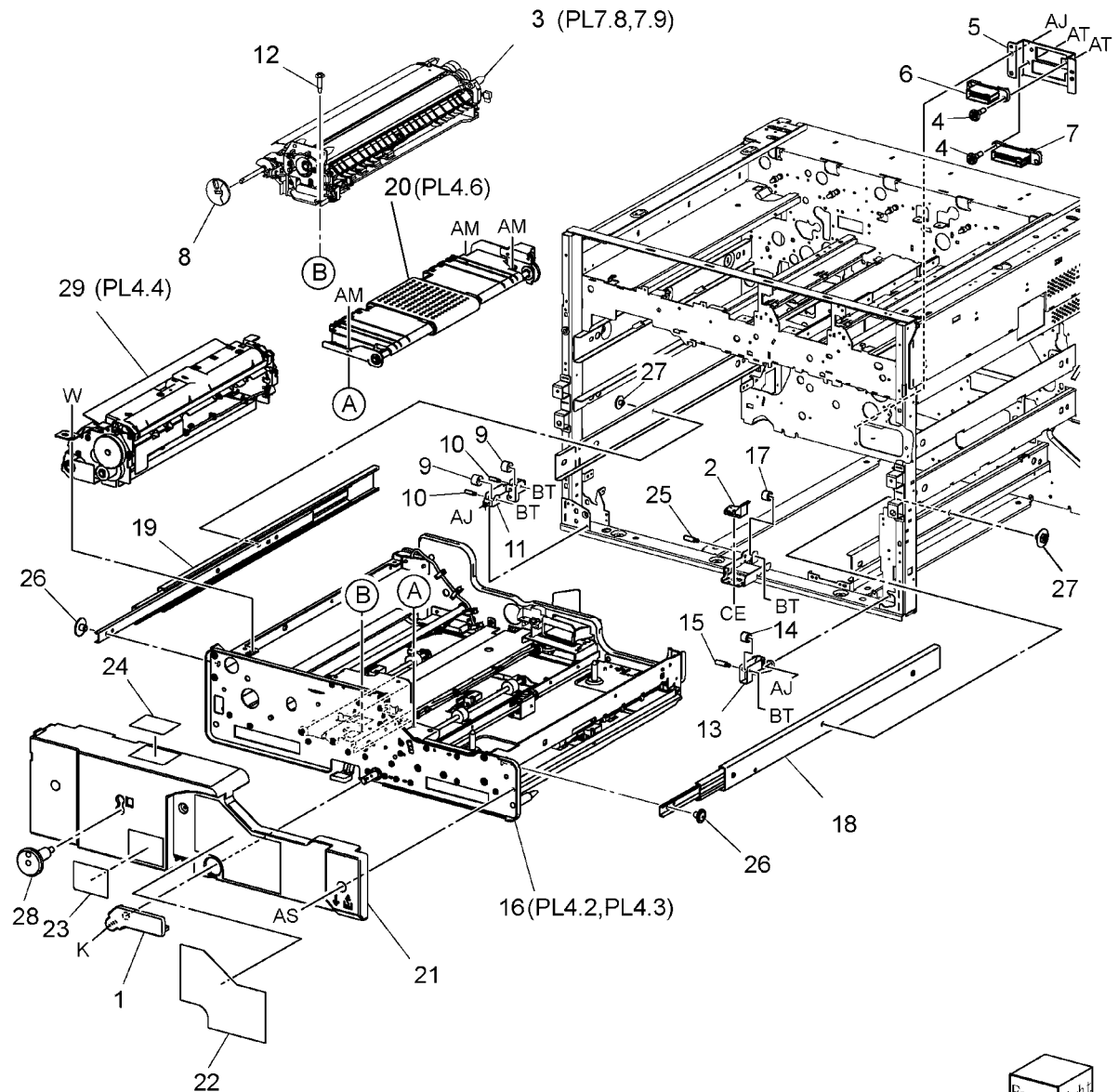
14 { 1 -13



0503010A-OLY

# PL 4.1 Transfer Module Assembly (1 of 2)

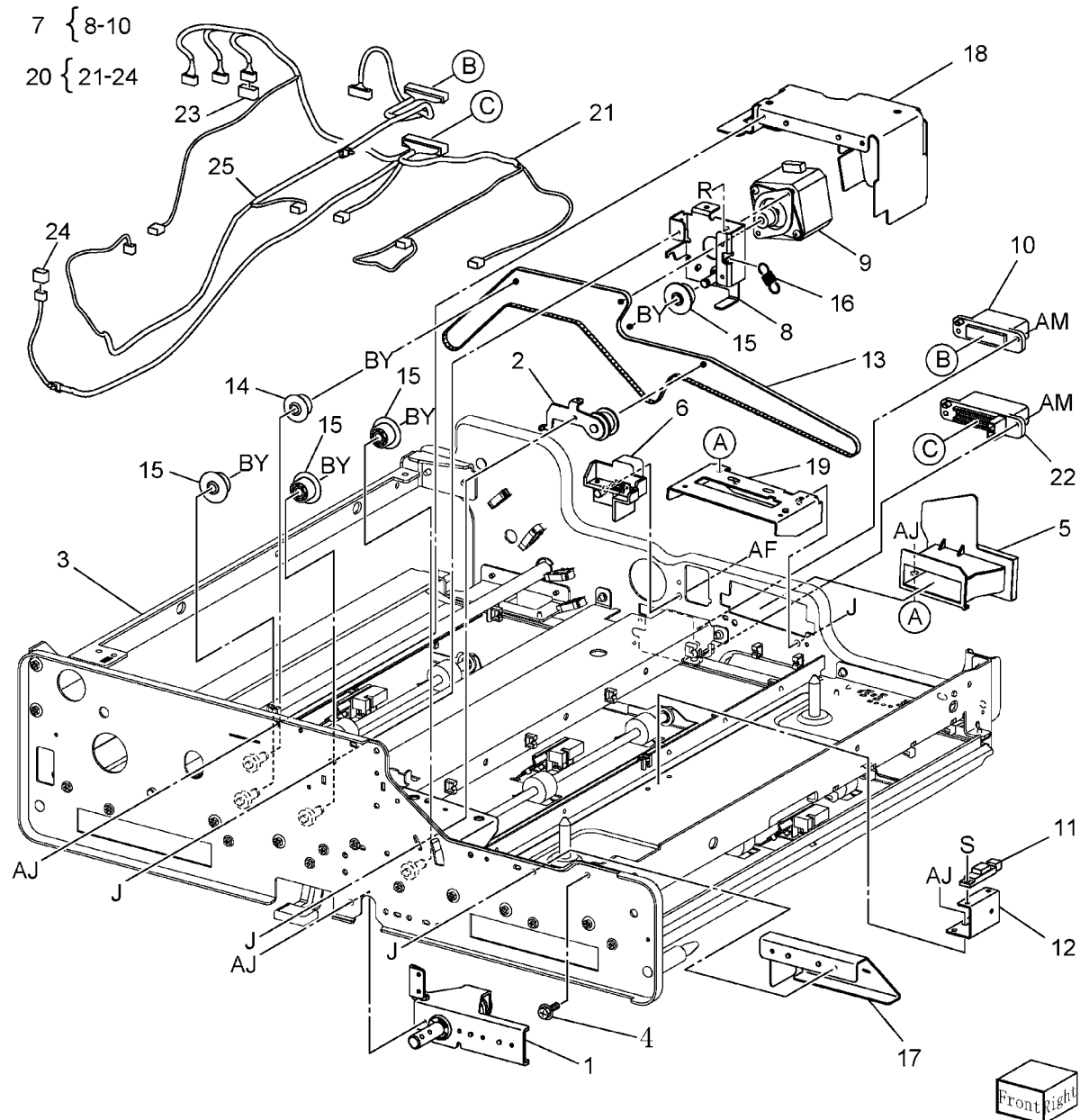
Item	Part	Description
1	003E61300	Knob
2	-	Block (Not Spared)
3	059K68391	2nd BTR Assembly (REP 9.4)
4	-	Shoulder Screw (Not Spared)
5	-	Bracket (Not Spared)
6	913W12117	Connector
7	913W12124	Connector
8	-	Indicator (Not Spared)
9	-	Roller (Not Spared)
10	-	Shaft (Not Spared)
11	-	Bracket (Not Spared)
12	-	Guide Pin (Not Spared)
13	-	Bracket (Not Spared)
14	-	Roller (Not Spared)
15	-	Shaft (Not Spared)
16	050K65832	Transfer Module Assembly
17	-	Roller (Not Spared)
18	801K14921	Right Rail
19	801K14911	Left Rail
20	059K33528	Vacuum Transport Assembly (REP 10.2)
21	-	Cover (Not Spared)
22	-	Label (Not Spared)
23	-	Label (Instruction 2A) (Not Spared)
24	-	Label (Instruction 2B) (Not Spared)
25	-	Shaft (Not Spared)
26	-	Shoulder Screw (Not Spared)
27	-	Screw (Not Spared)
28	-	Indicator Stopper (Not Spared)
29	059K67930	Registration Transport Assembly (REP 8.1)



0504001A-OLY

## PL 4.2 Transfer Module Assembly (2 of 2)

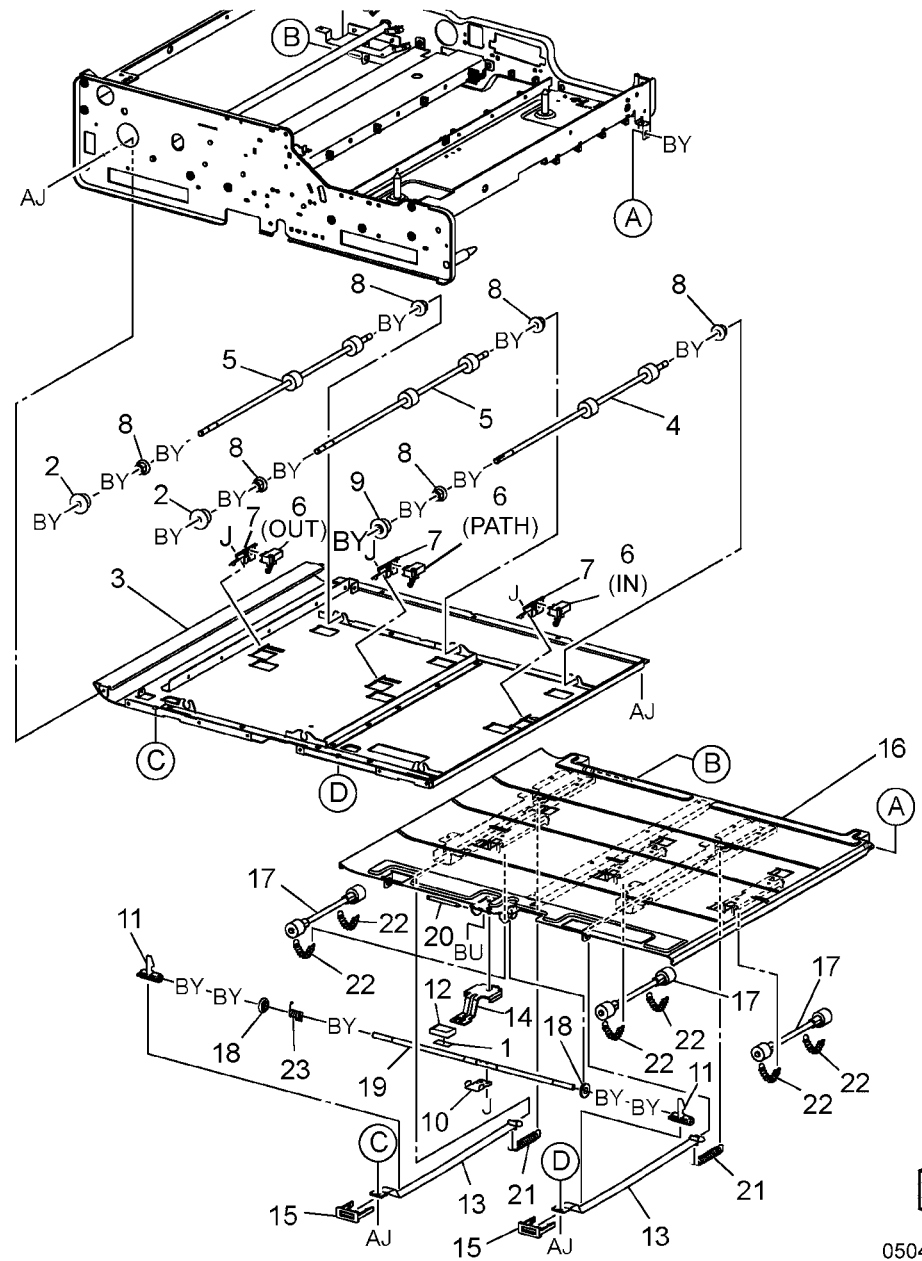
Item	Part	Description
1	003K13455	Drawer Latch
2	-	Tensioner (P/O PL 4.1 Item 16)
3	-	Frame Assembly (P/O PL 4.1 Item 16)
4	-	Screw (P/O PL 4.1 Item 16)
5	-	Duct (P/O PL 4.1 Item 16)
6	-	Connector (P/O PL 4.1 Item 16)
7	127K49690	Dup Motor Assembly (REP 8.2)
8	-	Bracket (P/O PL 4.2 Item 7)
9	-	Dup Motor (P/O PL 4.2 Item 7)
10	913W12113	Connector
11	130K87770	Fuser Entrance Sensor
12	-	Bracket (P/O PL 4.1 Item 16)
13	423W01554	Belt
14	499W14524	Pulley
15	499W17061	Idler Pulley
16	-	Spring (P/O PL 4.1 Item 16)
17	-	Bracket (P/O PL 4.1 Item 16)
18	-	Bracket (P/O PL 4.1 Item 16)
19	-	Bracket (P/O PL 4.1 Item 16)
20	-	Wire Harness Assembly (P/O PL 4.1 Item 16)
21	-	Wire Harness (P/O PL 4.1 Item 16)
22	913W12114	Connector
23	-	Connector (P/O PL 4.2 Item 20)
24	-	Connector (P/O PL 4.2 Item 20)
25	-	Wire Harness Assembly (P/O PL 4.1 Item 16)



0504002B-OLY

## PL 4.3 Duplex Transport

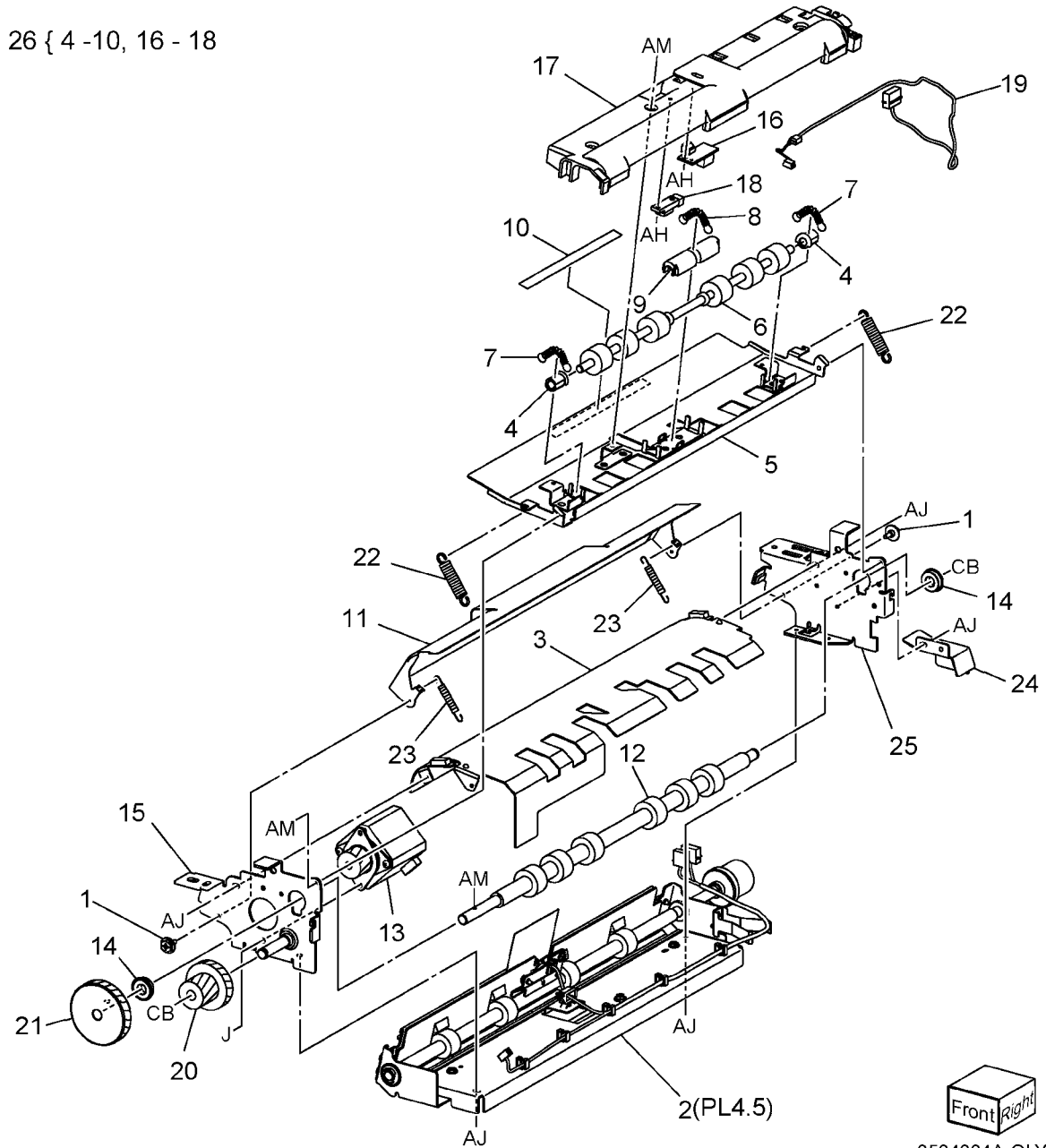
Item	Part	Description
1	-	Label (Not Spared)
2	-	Pulley (Not Spared)
3	-	Upper Duplex Chute (Not Spared)
4	059K33501	Dup Roller 2
5	059K33511	Dup Roller 3
6	130K87880	Dup In Sensor, Dup Path Sensor, Dup Out Sensor
7	-	Bracket (Not Spared)
8	413W75959	Bearing
9	499W14124	Pulley
10	-	Bracket (Not Spared)
11	-	Latch (Not Spared)
12	-	Knob (Not Spared)
13	-	Stopper (Not Spared)
14	-	Lever (Not Spared)
15	-	Tape Guide (Not Spared)
16	054K26524	Lower Duplex Chute
17	059K33351	Pinch Roll
18	-	Bearing (Not Spared)
19	-	Latch Shaft (Not Spared)
20	-	Lever Shaft (Not Spared)
21	-	Spring (Not Spared)
22	809E55080	Spring
23	-	Spring (Not Spared)



# PL 4.4 Registration Transport Assembly

Item	Part	Description
1	-	Screw (P/O PL 4.1 Item 29)
2	010K92020	Pre Registration Slide
3	-	Lower Chute (P/O PL 4.1 Item 29)
4	-	Bearing (P/O PL 4.1 Item 29)
5	-	Roll Assembly (P/O PL 4.1 Item 29)
6	-	Registration Pinch Roll (P/O PL 4.1 Item 29)
7	-	Spring (P/O PL 4.1 Item 29)
8	-	Spring (P/O PL 4.1 Item 29)
9	-	Support (P/O PL 4.1 Item 29)
10	-	Label (P/O PL 4.1 Item 29)
11	-	Registration Chute Assembly (P/O PL 4.1 Item 29)
12	059K62290	Registration Roll
13	127K39641	Registration Motor
14	413W82370	Bearing
15	-	Front Frame Assembly (P/O PL 4.1 Item 29)
16	960K16660	Transparency Sensor
17	-	Registration Cover (P/O PL 4.1 Item 29)
18	930W00211	Registration Sensor
19	-	Wire Harness (P/O PL 4.1 Item 29)
20	-	Gear (20T/35T) (P/O PL 4.1 Item 29)
21	-	Gear (47T) (P/O PL 4.1 Item 29)
22	-	Spring (P/O PL 4.1 Item 29)
23	-	Spring (P/O PL 4.1 Item 29)
24	-	Bracket Assembly (P/O PL 4.1 Item 29)
25	-	Rear Frame Assembly (P/O PL 4.1 Item 29)
26	054K43730	Upper Registration Chute Assembly

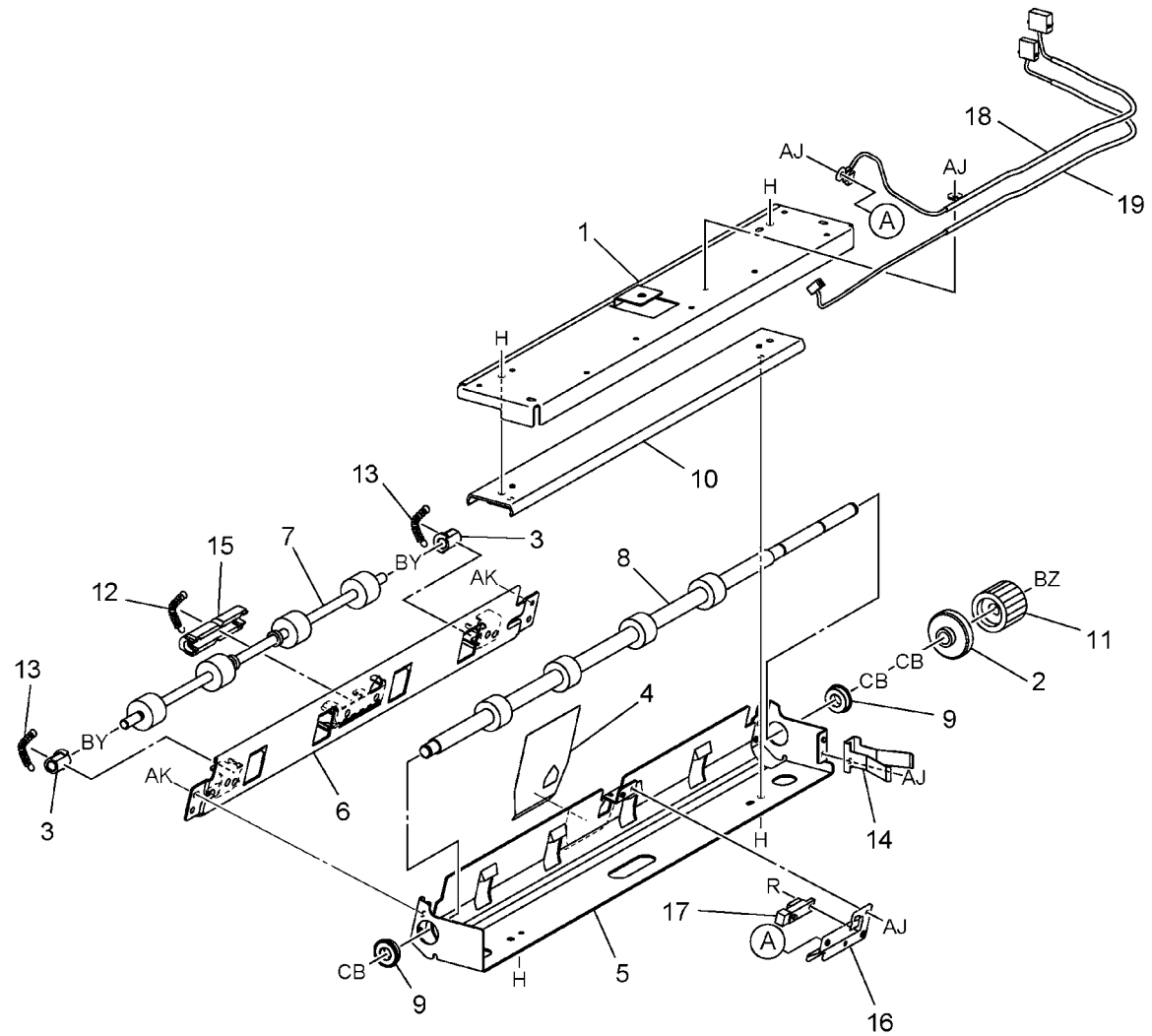
26 { 4 -10, 16 - 18



054004A-OLY

## PL 4.5 Pre Registration Slide Assembly

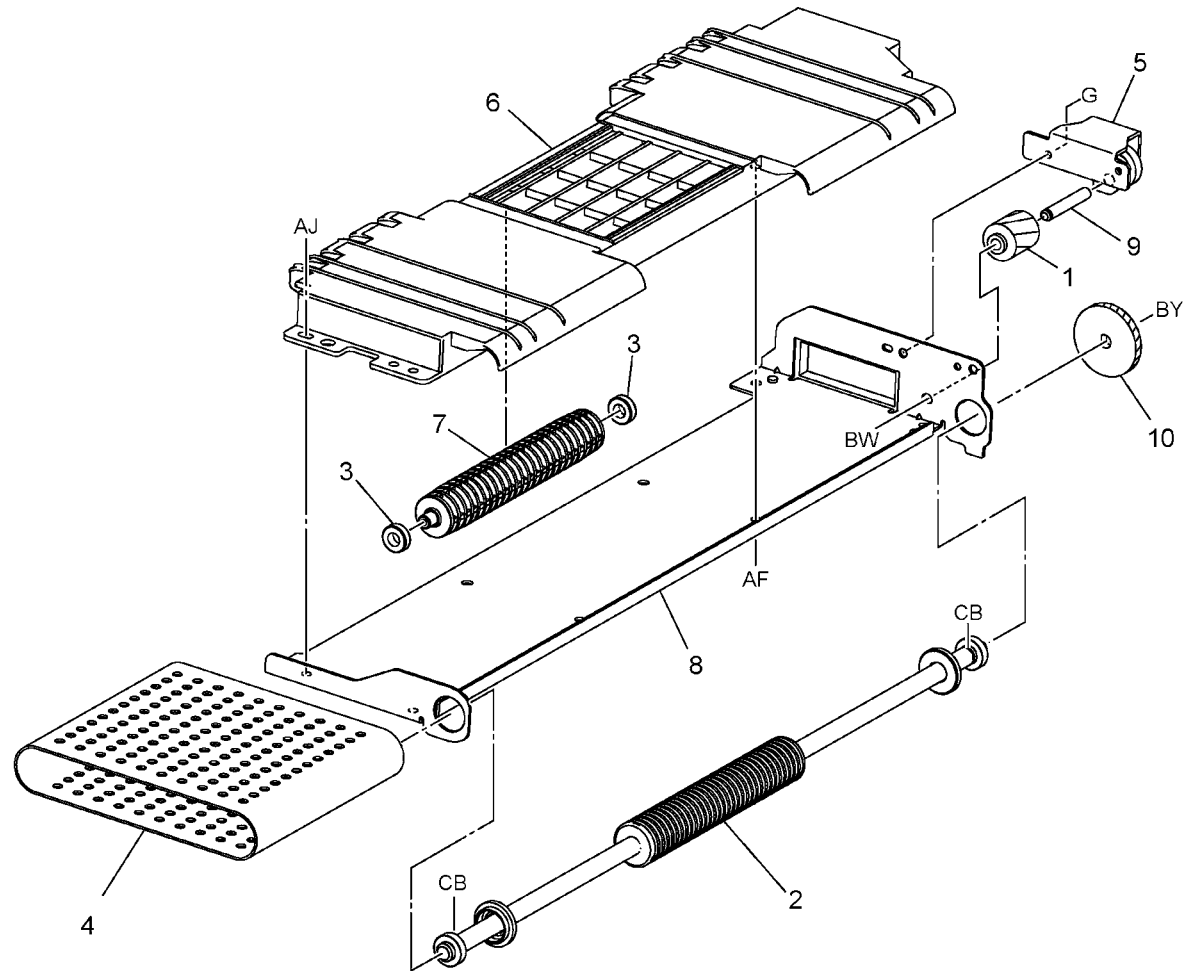
Item	Part	Description
1	-	Inner Frame (P/O PL 4.4 Item 2)
2	-	Collar (P/O PL 4.4 Item 2)
3	-	Bearing (P/O PL 4.4 Item 2)
4	-	Paper Guide (P/O PL 4.4 Item 2)
5	-	Pre Registration Lower Chute (P/O PL 4.4 Item 2)
6	-	Chute Assembly (P/O PL 4.4 Item 2)
7	-	Pinch Roll (P/O PL 4.4 Item 2)
8	-	Pre Registration Roll (P/O PL 4.4 Item 2)
9	413W08350	Bearing
10	-	Rail (P/O PL 4.4 Item 2)
11	-	Gear (25T) (P/O PL 4.4 Item 2)
12	-	Spring (P/O PL 4.4 Item 2)
13	-	Spring (P/O PL 4.4 Item 2)
14	-	Spring (P/O PL 4.4 Item 2)
15	-	Support (P/O PL 4.4 Item 2)
16	-	Bracket (P/O PL 4.4 Item 2)
17	930W00211	Pre Registration Sensor
18	-	Wire Harness (P/O PL 4.4 Item 2)
19	-	Wire Harness (P/O PL 4.4 Item 2)



0504005A-OLY

## PL 4.6 Vacuum Transport Assembly

Item	Part	Description
1	-	Gear (15T) (P/O PL 4.1 Item 20)
2	-	Shaft (P/O PL 4.1 Item 20)
3	-	Ball Bearing (P/O PL 4.1 Item 20)
4	-	Transport Belt (P/O PL 4.1 Item 20) (REP 10.3)
5	-	Bracket (P/O PL 4.1 Item 20)
6	-	Transport Chute (P/O PL 4.1 Item 20)
7	-	Roller (P/O PL 4.1 Item 20)
8	-	Frame Assembly (P/O PL 4.1 Item 20)
9	-	Shaft (P/O PL 4.1 Item 20)
10	-	Gear (29T) (P/O PL 4.1 Item 20)

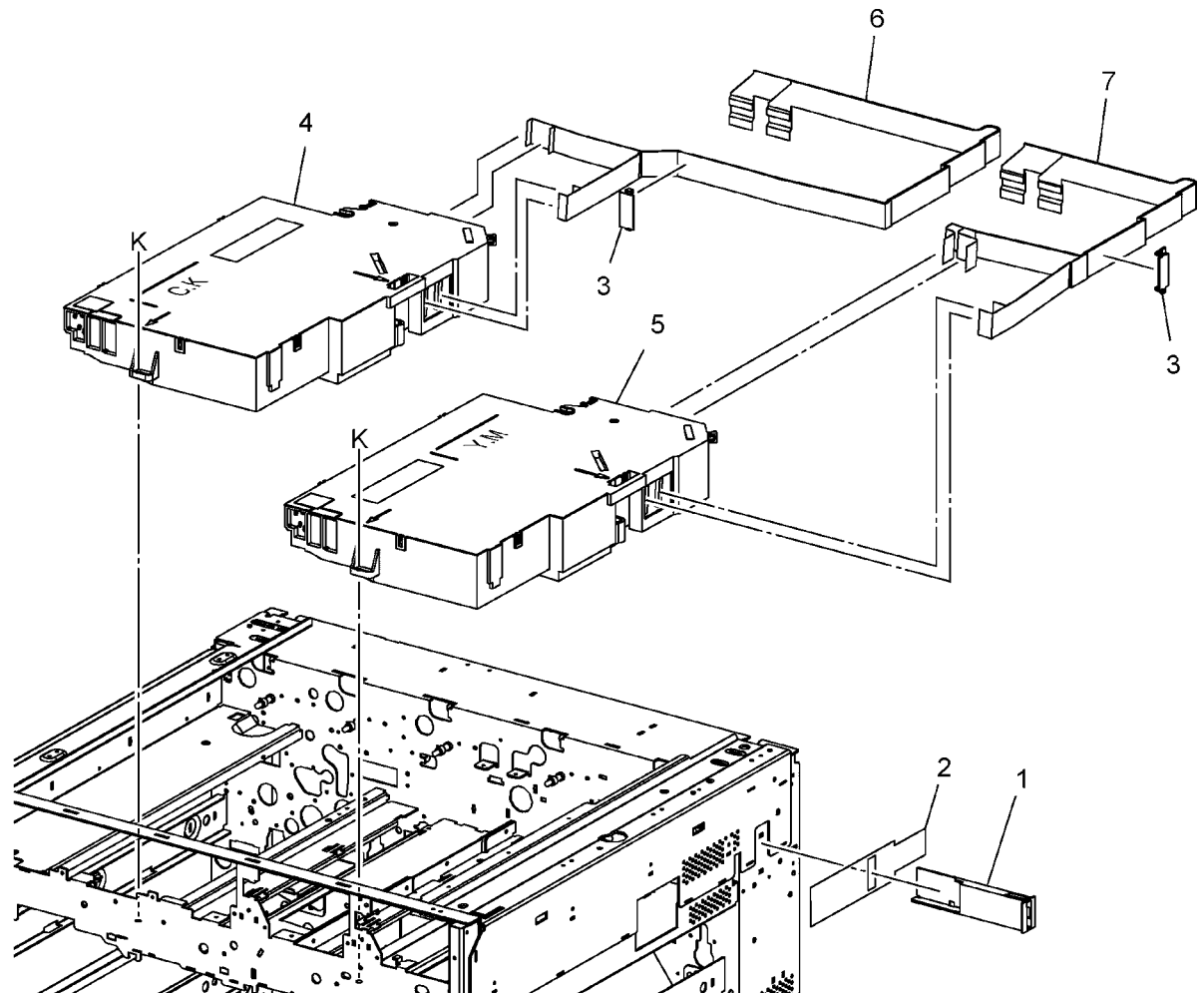


0504006A-OLY



# PL 5.1 ROS

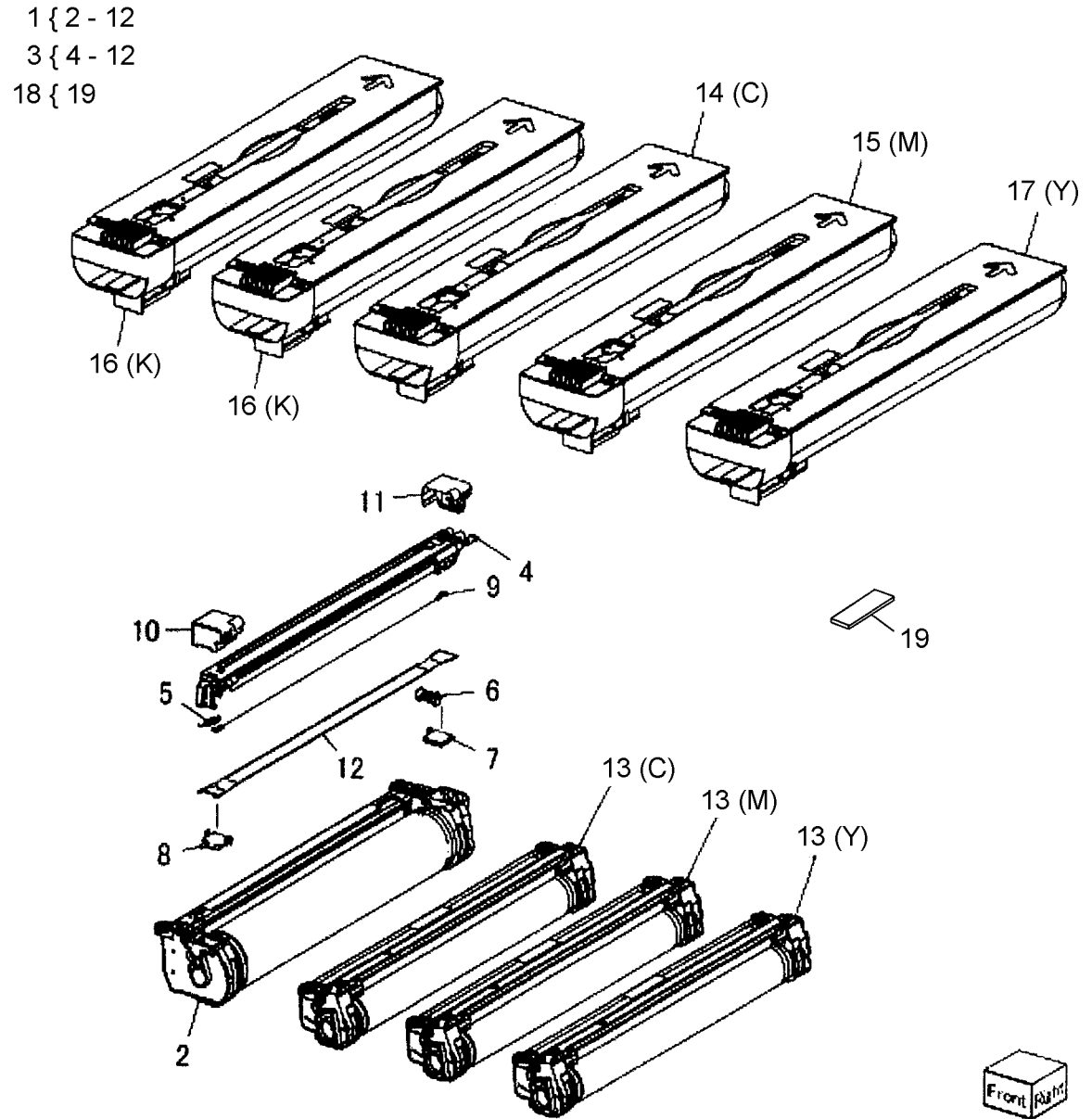
Item	Part	Description
1	-	Guide (Not Spared)
2	-	Seal (Not Spared)
3	-	Clamp (Not Spared)
4	062K19103	ROS Assembly (C, K) (REP 6.1)
5	062K19113	ROS Assembly (Y, M) (REP 6.2)
6	962K85690	Flat Cable (C, K)
7	962K85700	Flat Cable (Y, M)



0505001A-OLY

# PL 6.1 Drum/Toner Cartridge

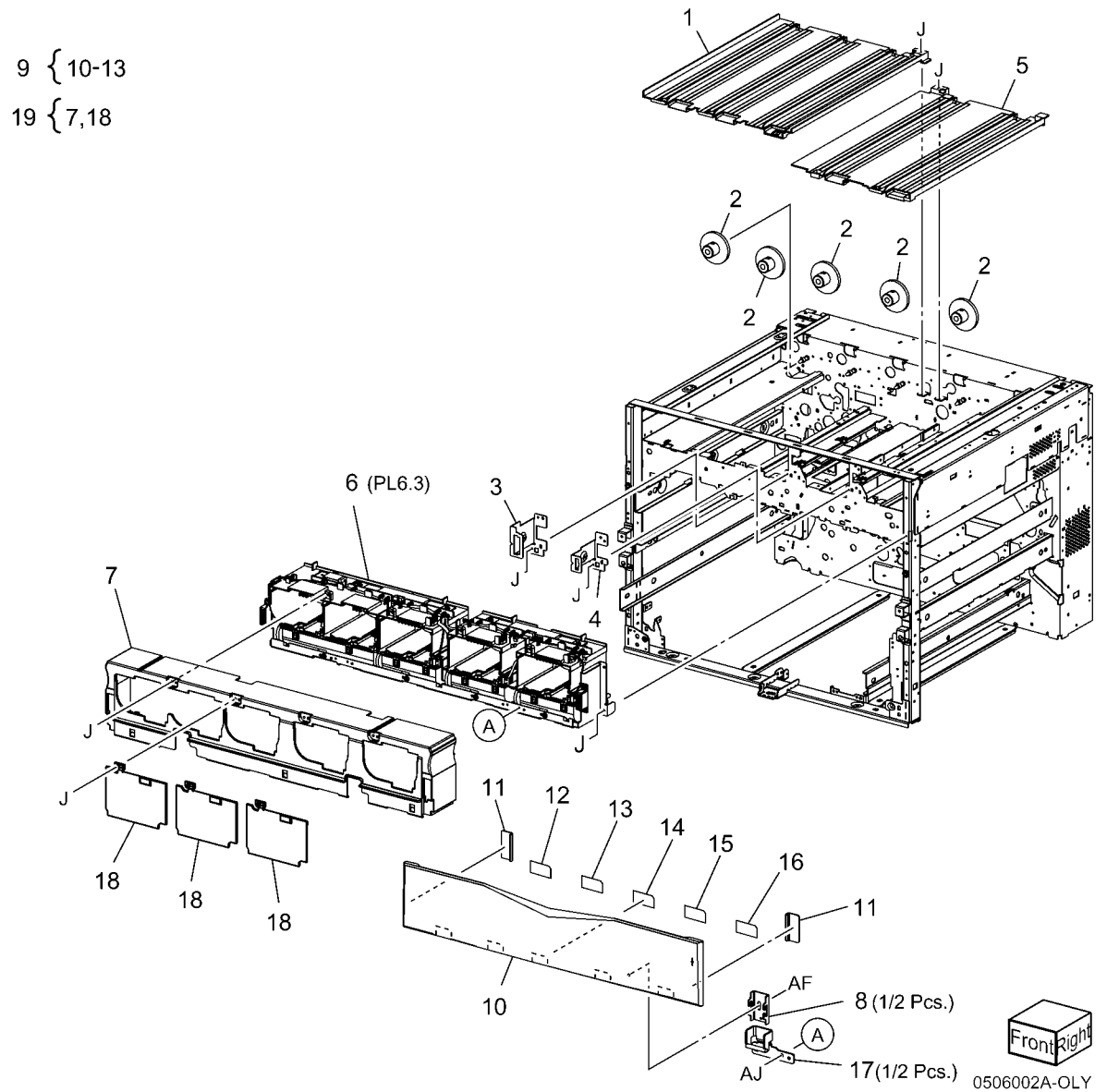
Item	Part	Description
1	013R00663	Drum Cartridge Assembly (K) (REP 9.8)
2	-	Drum (P/O PL 6.1 Item 1)
3	013R00650	Scorotron Unit Assembly (Not Spared)
4	-	Scorotron (P/O PL 6.1 Item 1, 3)
5	-	Spring Wire (Not Spared)
6	-	Cleaner (P/O PL 6.1 Item 1, 3)
7	-	Rear Shield (P/O PL 6.1 Item 1, 3)
8	-	Front Shield (P/O PL 6.1 Item 1, 3)
9	-	Corotron Wire (P/O PL 6.1 Item 1, 3)
10	-	Front Cover (P/O PL 6.1 Item 1, 3)
11	-	Rear Cover (P/O PL 6.1 Item 1, 3)
12	-	Grid Plate (P/O PL 6.1 Item 1, 3)
13	013R00664	Drum Cartridge (REP 9.8)
14	006R01524	Toner Cartridge (C) (WW/ME)
-	006R01528	Toner Cartridge (C) (NA/ESGS)
-	006R01532	Toner Cartridge (C) (DMO-W/XIN)
15	006R01523	Toner Cartridge (M) (WW/ME)
-	006R01527	Toner Cartridge (M) (NA/ESGS)
-	006R01531	Toner Cartridge (M) (DMO-W/XIN)
16	006R01521	Toner Cartridge (K) (WW/ME)
-	006R01529	Toner Cartridge (K) (DMO-W/XIN)
-	006R01525	Toner Cartridge (K) (NA/ESGS)
17	006R01522	Toner Cartridge (Y) (WW/ME)
-	006R01526	Toner Cartridge (Y) (NA/ESGS)
-	006R01530	Toner Cartridge (Y) (DMO-W/XIN)
18	-	CC Shield Ground Kit (Not Spared)
19	-	EME Seal (P/O PL 6.1 Item 18)



0506001C-OLY

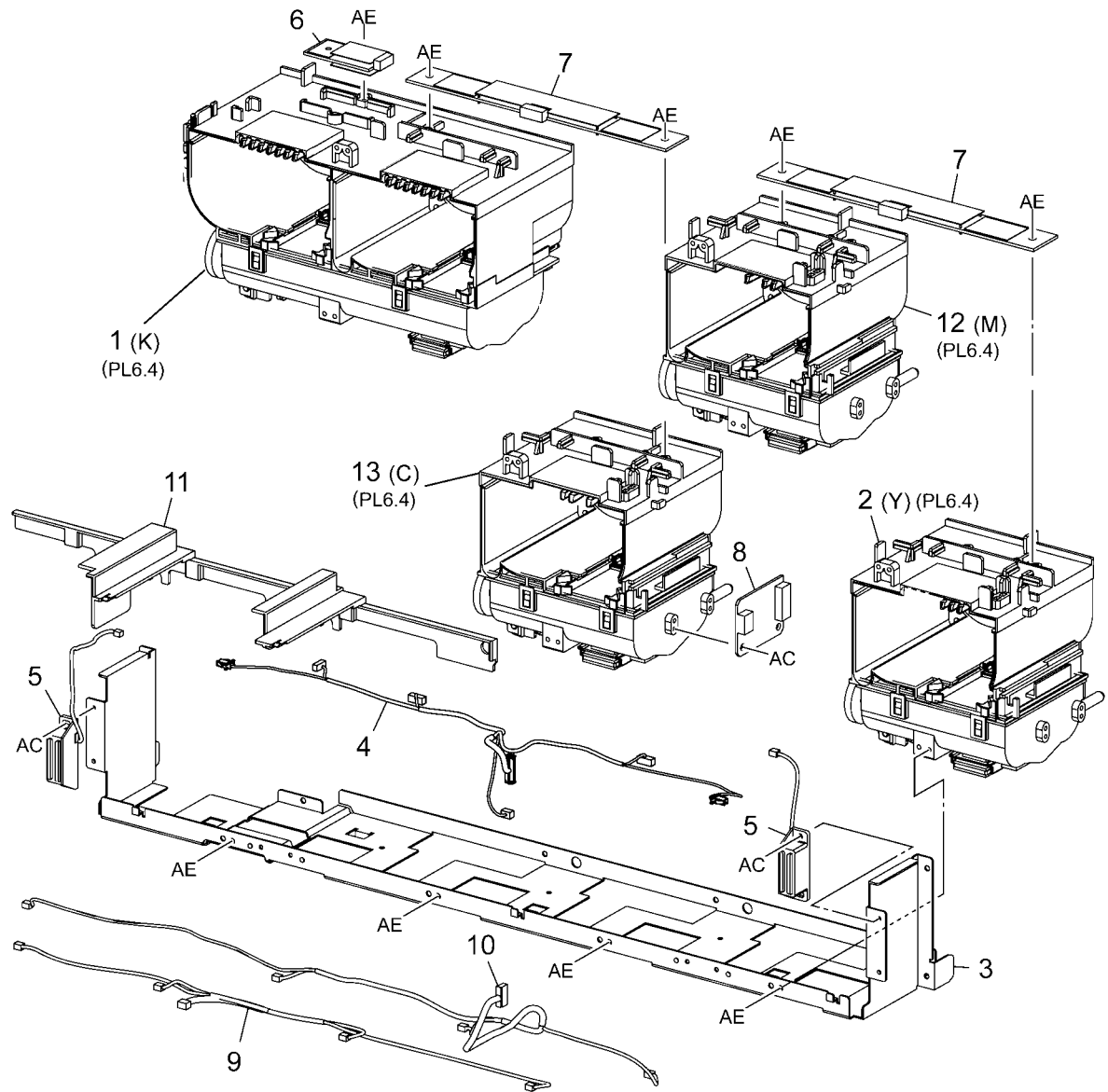
## PL 6.2 Dispense Unit

Item	Part	Description
1	-	Left Plate (Not Spared)
2	807E02800	Gear
3	-	Bracket (Not Spared)
4	-	Bracket (Not Spared)
5	-	Right Plate (Not Spared)
6	-	Dispense (Y, M, C, K) (Not Spared) (REP 9.9)
7	-	Inner Cover (P/O PL 6.2 Item 19)
8	-	Hinge (Not Spared)
9	848K42270	Toner Cartridge Cover Assembly
10	-	Toner Cartridge Cover (P/O PL 6.2 Item 9)
11	-	Magnet Plate (P/O PL 6.2 Item 9)
12	-	K1 Label (P/O PL 6.2 Item 9)
13	-	K2 Label (P/O PL 6.2 Item 9)
14	-	Y Label (Not Spared)
15	-	M Label (Not Spared)
16	-	C Label (Not Spared)
17	-	Hinge (Not Spared)
18	-	Plate (P/O PL 6.2 Item 19)
19	-	Inner Cover Assembly (Not Spared)



## PL 6.3 Dispense Assembly (Y, M, C, K)

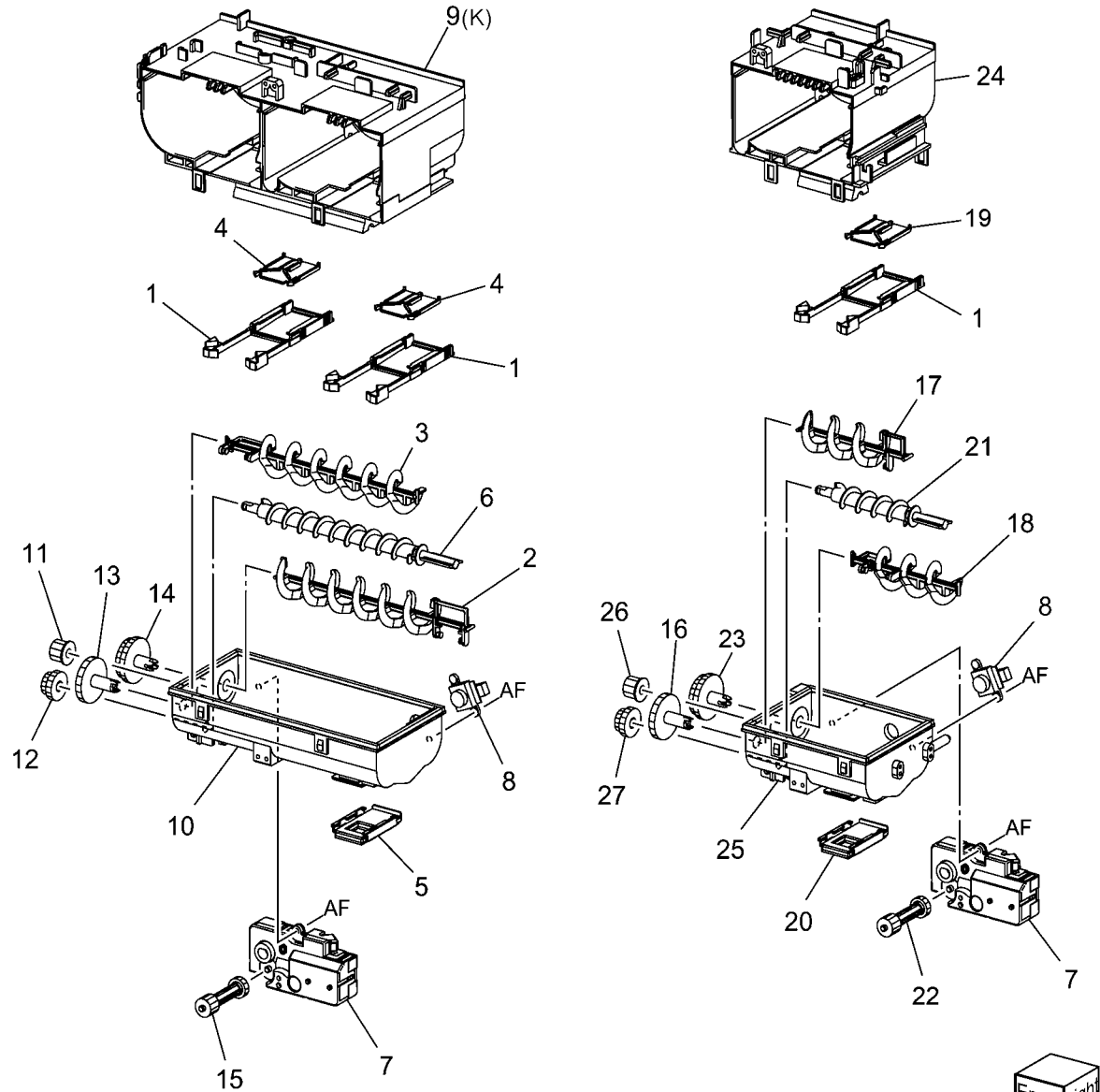
Item	Part	Description
1	094K92860	Dispenser (K) (REP 9.16)
2	094K92870	Dispenser (Y) (REP 9.19)
3	-	Base
4	-	Wire Harness
5	110K12080	Dispense Cover Switch 1, 2
6	160K95832	Toner Cartridge CRUM PWB (K)
7	160K95843	Toner Cartridge CRUM PWB (C, M, Y)
8	960K01281	Low Toner Sensor PWB (REP 9.20)
9	-	Wire Harness
10	-	Wire Harness
11	-	Guide
12	094K92880	Dispenser (M) (REP 9.18)
13	094K92890	Dispenser (C) (REP 9.17)



0506003C-OLY

# PL 6.4 Dispense Assembly

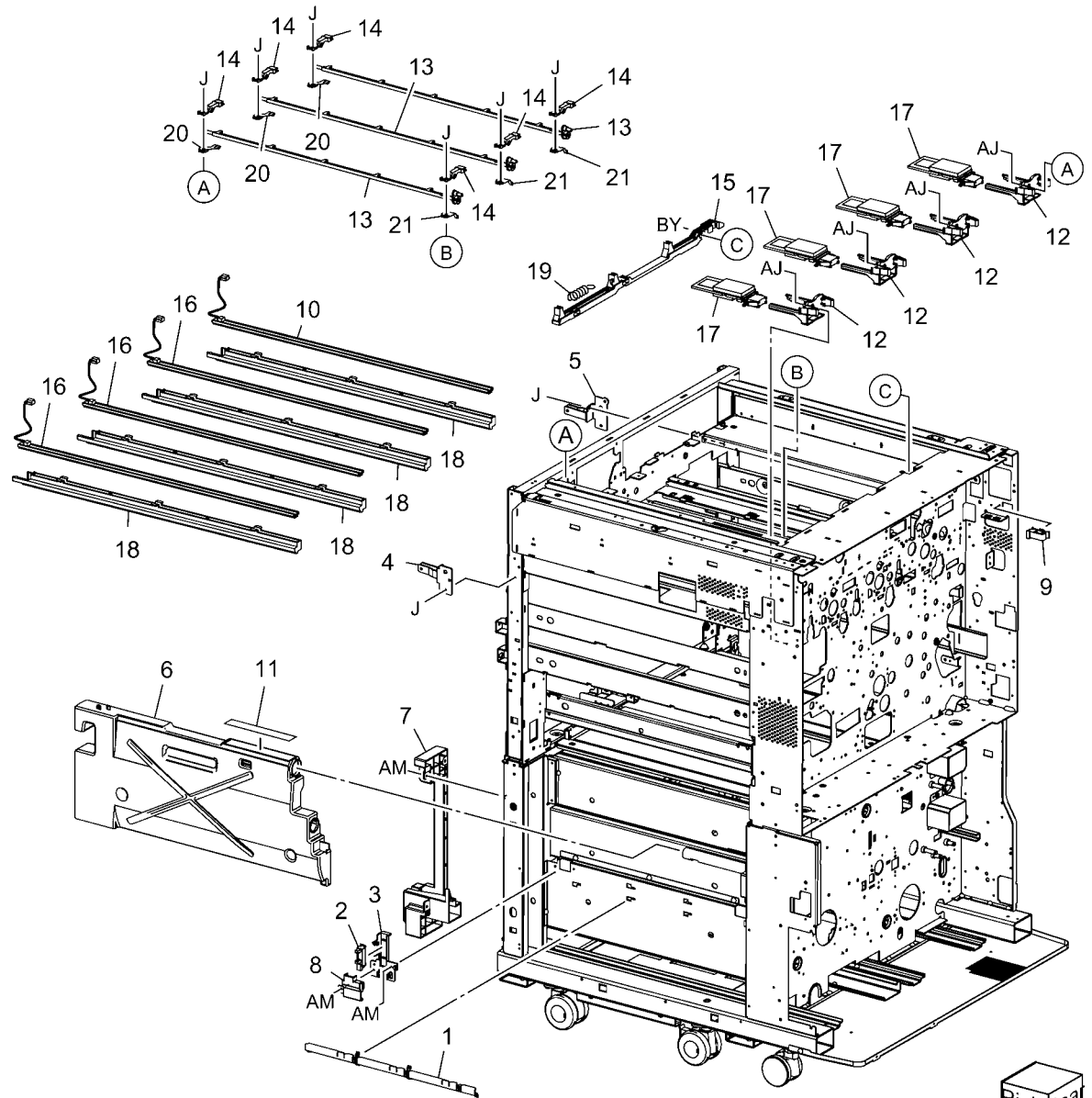
Item	Part	Description
1	-	Stopper (P/O PL 6.3 Item 1, PL 6.3 Item 2, PL 6.3 Item 12, PL 6.3 Item 13)
2	-	K Agitator (P/O PL 6.3 Item 1)
3	-	K Agitator (P/O PL 6.3 Item 1)
4	-	Shutter (P/O PL 6.3 Item 1)
5	-	Shutter (P/O PL 6.3 Item 1)
6	-	K Auger (P/O PL 6.3 Item 1)
7	127K39530	Motor Assembly
8	130E85200	Low Toner Sensor (REP 9.21, REP 9.22, REP 9.23, REP 9.24)
9	-	K Cover (P/O PL 6.3 Item 1)
10	-	Housing (P/O PL 6.3 Item 1)
11	-	Gear (15T) (P/O PL 6.3 Item 1)
12	-	Gear (23T) (P/O PL 6.3 Item 1)
13	-	Gear (35T) (Front) (P/O PL 6.3 Item 1)
14	-	Gear (35T) (Rear) (P/O PL 6.3 Item 1)
15	-	Gear (P/O PL 6.3 Item 1)
16	-	Gear (35T) (Front) (P/O PL 6.3 Item 2, PL 6.3 Item 12, PL 6.3 Item 13)
17	-	Actuator (Y, M, C) (P/O PL 6.3 Item 2, PL 6.3 Item 12, PL 6.3 Item 13)
18	-	Agitator (Y, M, C) (P/O PL 6.3 Item 2, PL 6.3 Item 12, PL 6.3 Item 13)
19	-	Shutter (P/O PL 6.3 Item 2, PL 6.3 Item 12, PL 6.3 Item 13)
20	-	Shutter (P/O PL 6.3 Item 2, PL 6.3 Item 12, PL 6.3 Item 13)
21	-	Auger (Y, M, C) (P/O PL 6.3 Item 2, PL 6.3 Item 12, PL 6.3 Item 13)
22	-	Gear (P/O PL 6.3 Item 2, PL 6.3 Item 12, PL 6.3 Item 13)
23	-	Gear (35T) (Rear) (P/O PL 6.3 Item 2, PL 6.3 Item 12, PL 6.3 Item 13)
24	-	Cover (P/O PL 6.3 Item 2, PL 6.3 Item 12, PL 6.3 Item 13)
25	-	Housing (P/O PL 6.3 Item 2, PL 6.3 Item 12, PL 6.3 Item 13)
26	-	Gear (15T) (P/O PL 6.3 Item 2, PL 6.3 Item 12, PL 6.3 Item 13)
27	-	Gear (23T) (Not Spared)



0506004B-OLY

# PL 6.5 Dispense Unit (1 of 3)

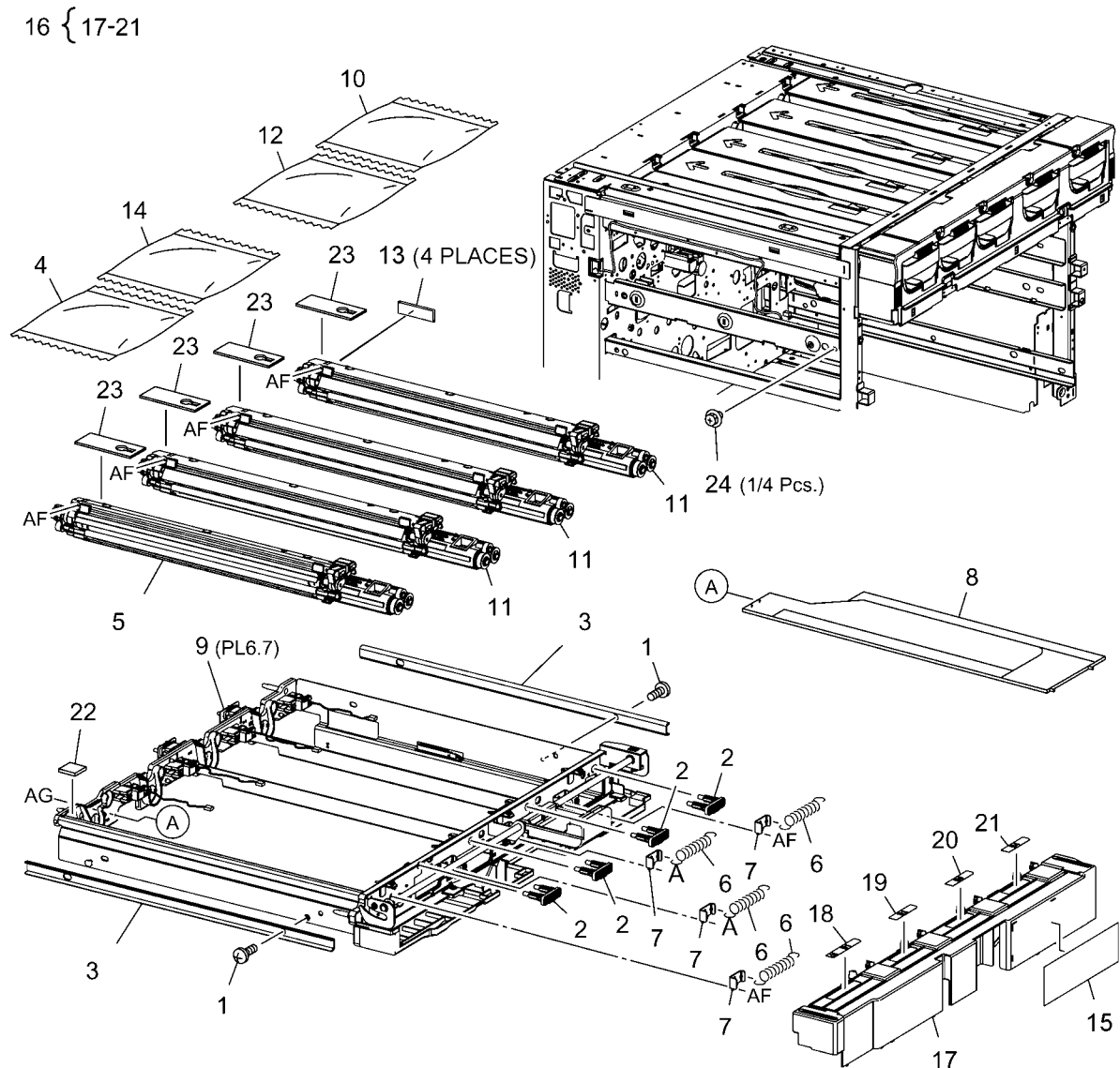
Item	Part	Description
1	-	Harness Guide (Not Spared)
2	130E91010	Waste Bottle Full Sensor
3	-	Bracket (Not Spared)
4	-	Right Bracket (Not Spared)
5	-	Left Bracket (Not Spared)
6	008R12990	Waste Bottle
-	930W00511	Waste Bottle
7	-	Inner Cover (Not Spared)
8	-	Connector Cover (Not Spared)
9	-	Wire (Not Spared)
10	122K93640	Erase Lamp
11	-	Label (Not Spared)
12	-	Cam Holder (Not Spared)
13	-	Cam (Not Spared)
14	-	Holder (Not Spared)
15	-	Bar (Not Spared)
16	122K93570	Erase Lamp
17	160K95832	Xero CRUM PWB (M, K, C, Y)
18	-	Erase Lamp Rail (Not Spared)
19	-	Spring (Not Spared)
20	-	Ground Clip (Not Spared)
21	-	Ground Clip (Not Spared)



0506005B-OLY

# PL 6.6 Dispense Unit (2 of 3)

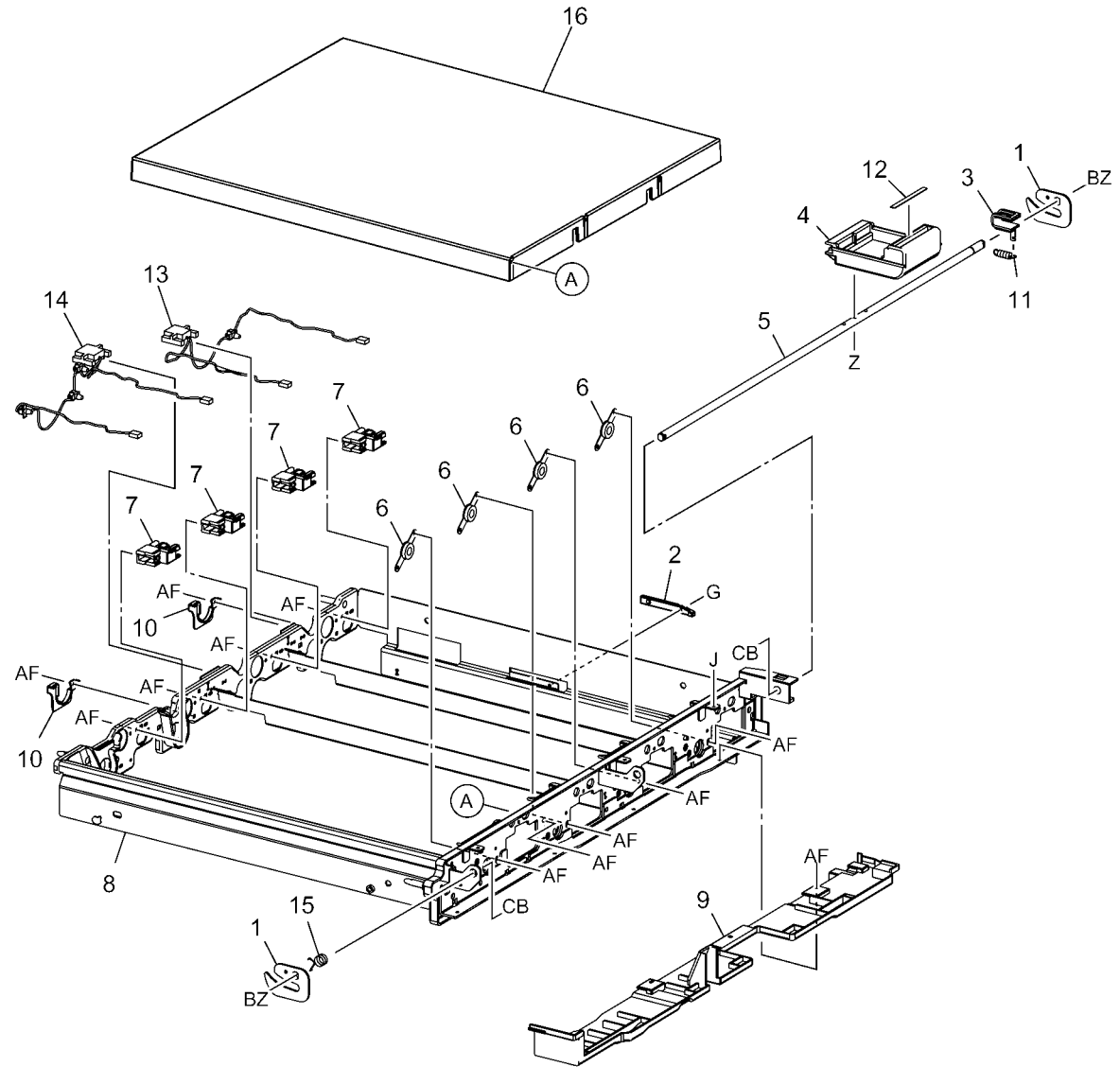
Item	Part	Description
1	-	Screw (Not Spared)
2	068K24114	Bracket
3	801K44630	Rail
4	505S00030	K Developer (REP 9.15)
5	604K50042	K Developer Housing Kit (REP 9.14)
6	-	Spring (Not Spared)
7	-	Tension Plate (Not Spared)
8	054K27361	Duct
9	-	Xero/Dev Drawer Unit (Not Spared)
10	505S00033	Y Developer (REP 9.15)
11	604K50032	Developer Housing Kit (Y, M, C) (REP 9.14)
12	505S00032	M Developer (REP 9.15)
13	130K67340	ATC Sensor Assembly (REP 9.14)
14	505S00031	C Developer (REP 9.15)
15	-	Label (Not Spared) (9.14)
16	802K65485	Inner Cover Assembly
17	-	Inner Cover (P/O PL 6.6 Item 16)
18	-	Label Drum ID R1 (P/O PL 6.6 Item 16)
19	-	Label Drum ID R2 (P/O PL 6.6 Item 16)
20	-	Label Drum ID R3 (P/O PL 6.6 Item 16)
21	-	Label Drum ID R4 (P/O PL 6.6 Item 16)
22	035E72821	Gasket
23	-	ATC Cover
24	-	Screw (Not Spared)



0506006A-OLY

## PL 6.7 Dispense Unit (3 of 3)

Item	Part	Description
1	-	Cam (Not Spared)
2	-	Plate (Not Spared)
3	-	Stopper (Not Spared)
4	003K88070	Handle
5	-	Shaft (Not Spared)
6	-	Bearing (Not Spared)
7	014K82103	Block
8	-	Xerographic Developer Drawer (Not Spared)
9	-	Base Cover (Not Spared)
10	-	Harness Cover (Not Spared)
11	-	Spring (Not Spared)
12	-	Label (Not Spared)
13	962K23382	Wire Harness (Y, M)
14	962K23392	Wire Harness (C, K)
15	-	Spring (Not Spared)
16	-	Cover (Not Spared)

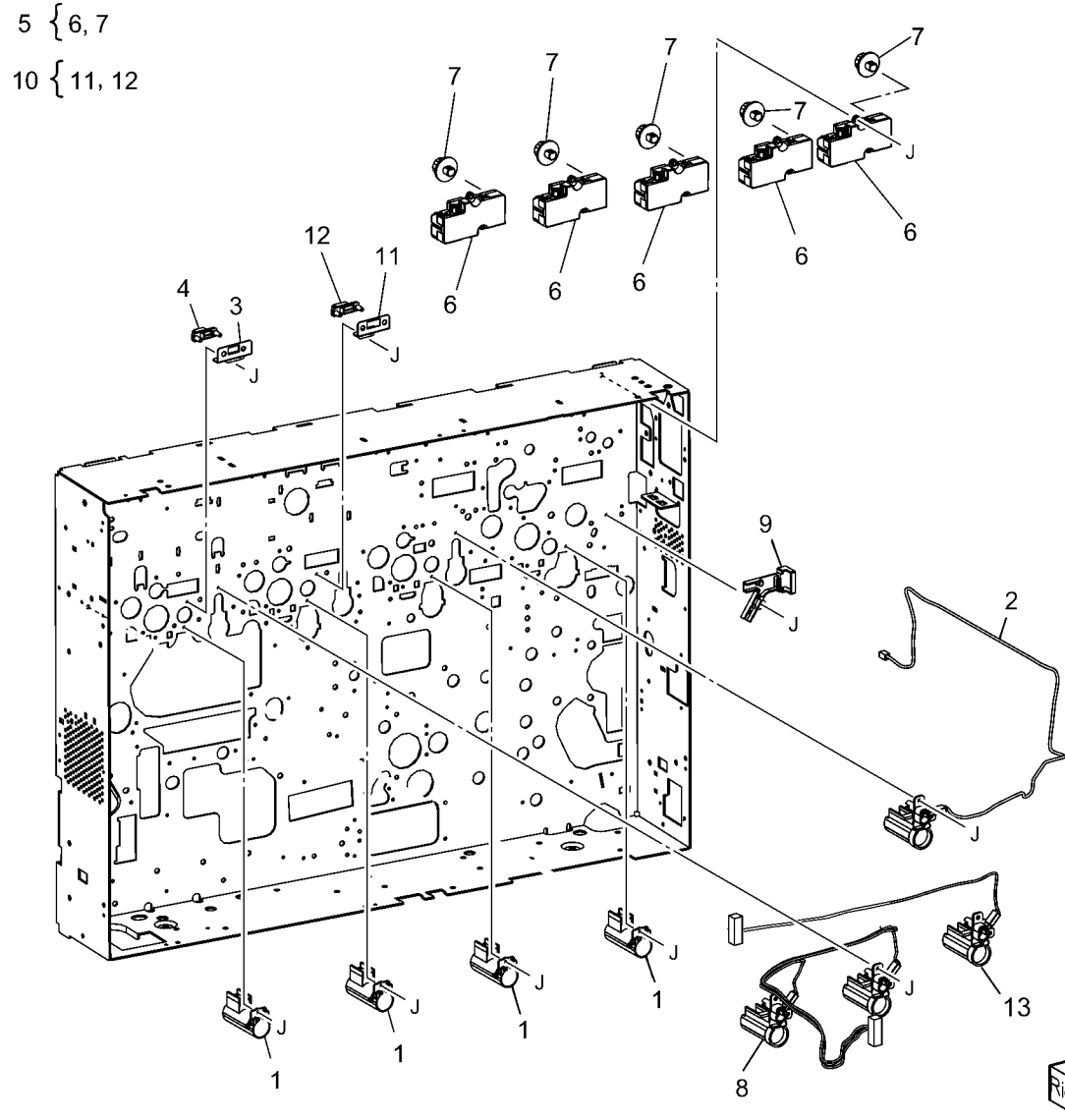


0506007A-OLY



## PL 6.8 Rear Frame (1 of 2)

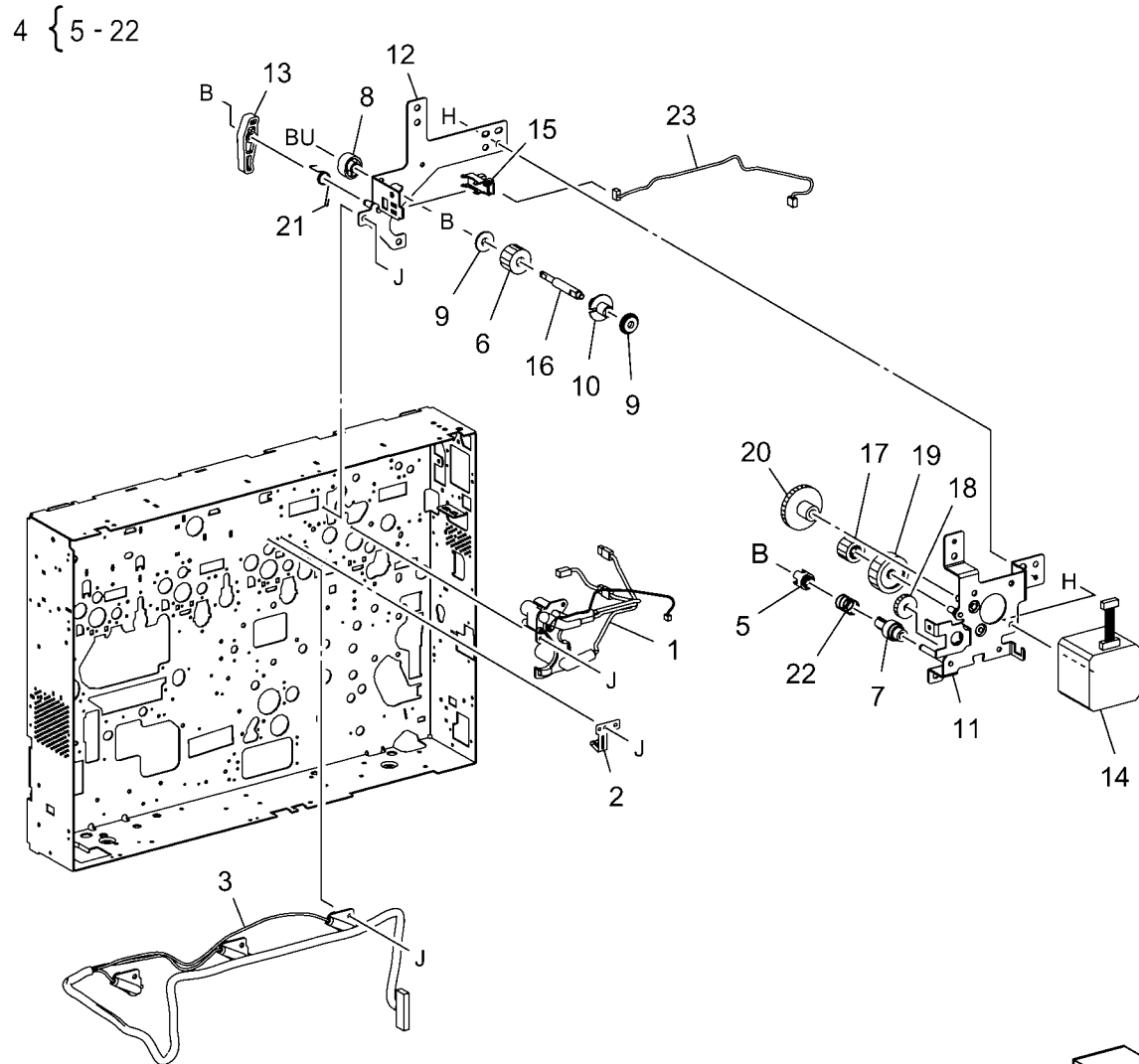
Item	Part	Description
1	030K76360	Support Assembly
2	962K23524	Wire Harness (K)
3	-	Bracket (Not Spared)
4	-	Connector (Not Spared)
5	127K39540	Toner Cartridge Motor
6	-	Toner Cartridge Motor Kit (K1, K2) (P/O PL 6.8 Item 5)
7	-	Gear (P/O PL 6.8 Item 5)
8	962K85860	Wire Harness (Y, M)
9	-	Guide
10	-	Bracket Assembly
11	-	Bracket (P/O PL 6.8 Item 10)
12	-	Connector (P/O PL 6.8 Item 10)
13	962K85880	Wire Harness (C)



0506008A-OLY

## PL 6.9 Rear Frame (2 of 2)

Item	Part	Description
1	114K81991	Connector (K)
2	-	Ground Clip (Not Spared)
3	114K81973	Connector Assembly (BCR)
4	127K45923	Cleaning Motor Assembly (REP 9.25)
5	-	Coupling (P/O PL 6.9 Item 4)
6	-	Gear (34T) (P/O PL 6.9 Item 4)
7	-	Gear (P/O PL 6.9 Item 4)
8	-	Cam (P/O PL 6.9 Item 4)
9	-	Bearing (P/O PL 6.9 Item 4)
10	-	Spacer (P/O PL 6.9 Item 4)
11	-	Bracket (P/O PL 6.9 Item 4)
12	-	Bracket (P/O PL 6.9 Item 4)
13	-	Arm (P/O PL 6.9 Item 4)
14	-	BCR/Scoro-tron Cleaner Motor (P/O PL 6.9 Item 4)
15	-	BCR Cleaner Position Sensor (P/O PL 6.9 Item 4)
16	-	Shaft (P/O PL 6.9 Item 4)
17	-	Gear (29T) (P/O PL 6.9 Item 4)
18	-	Gear (31T) (P/O PL 6.9 Item 4)
19	-	Gear (18T/52T) (P/O PL 6.9 Item 4)
20	-	Gear (20T/61T) (P/O PL 6.9 Item 4)
21	-	Spring (P/O PL 6.9 Item 4)
22	-	Spring (P/O PL 6.9 Item 4)
23	-	Wire Harness (Not Spared)

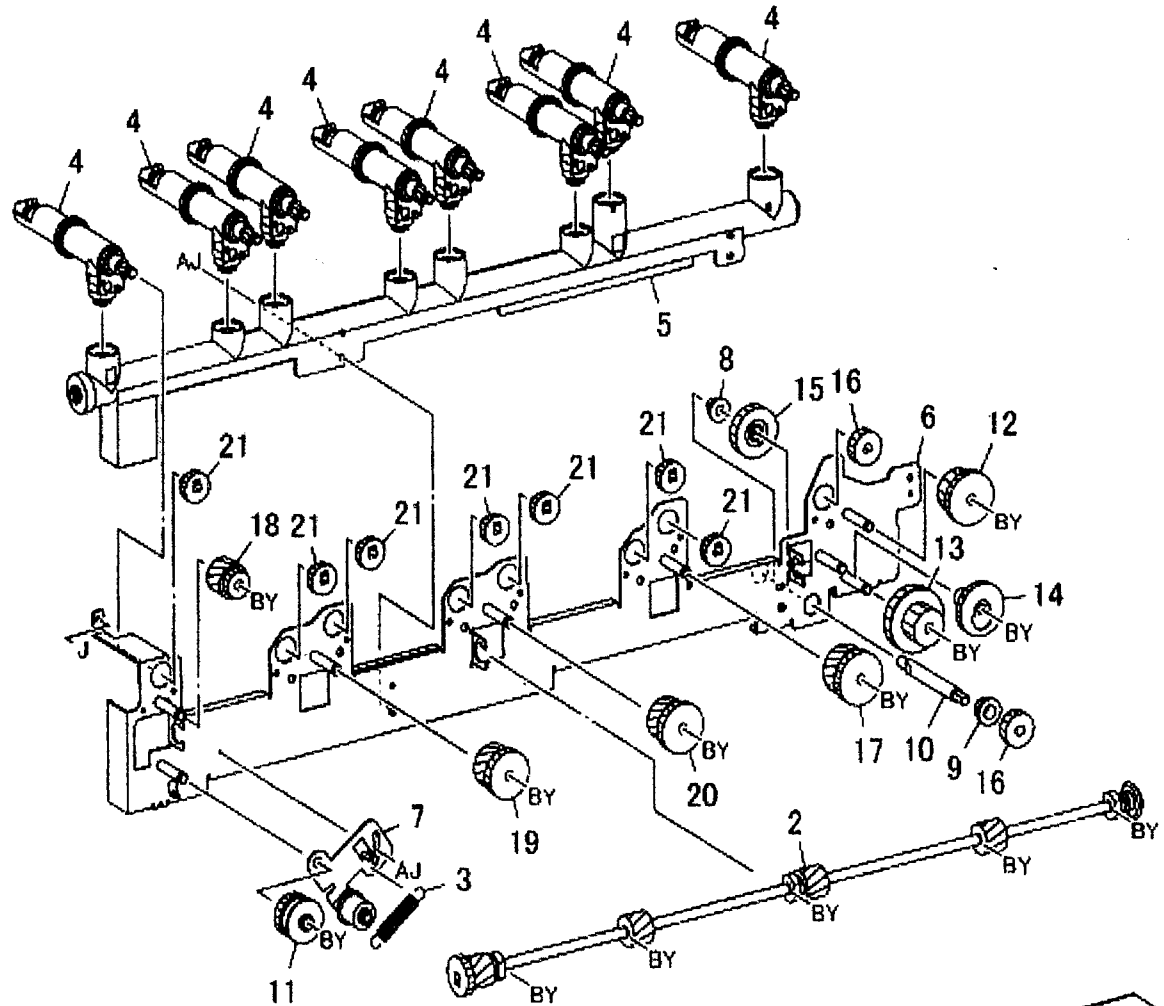


0506009A-OLY

# PL 6.10 Direct Pipe Assembly

Item	Part	Description
1	068K24137	Direct Pipe Assembly
2	-	Direct Shaft (P/O PL 6.10 Item 1)
3	-	Spring (P/O PL 6.10 Item 1)
4	-	Joint (P/O PL 6.10 Item 1)
5	-	Pipe (P/O PL 6.10 Item 1)
6	-	Bracket (P/O PL 6.10 Item 1)
7	-	Bracket (P/O PL 6.10 Item 1)
8	-	Bearing (P/O PL 6.10 Item 1)
9	413W77559	Bearing
10	-	Drive Shaft (P/O PL 6.10 Item 1)
11	-	Gear Pulley (21T/24T) (P/O PL 6.10 Item 1)
12	-	Gear (38T/30T) (P/O PL 6.10 Item 1)
13	-	Gear (45T/25T) (P/O PL 6.10 Item 1)
14	-	Gear (22T/35T) (P/O PL 6.10 Item 1)
15	-	Drive Gear (P/O PL 6.10 Item 1)
16	-	Drive Gear (23T) (P/O PL 6.10 Item 1)
17	-	Gear (K) (P/O PL 6.10 Item 1)
18	-	Gear (Y) (P/O PL 6.10 Item 1)
19	-	Gear (M) (P/O PL 6.10 Item 1)
20	-	Gear (C) (P/O PL 6.10 Item 1)
21	-	Joint Gear (21T) (P/O PL 6.10 Item 1)

1 { 2-21

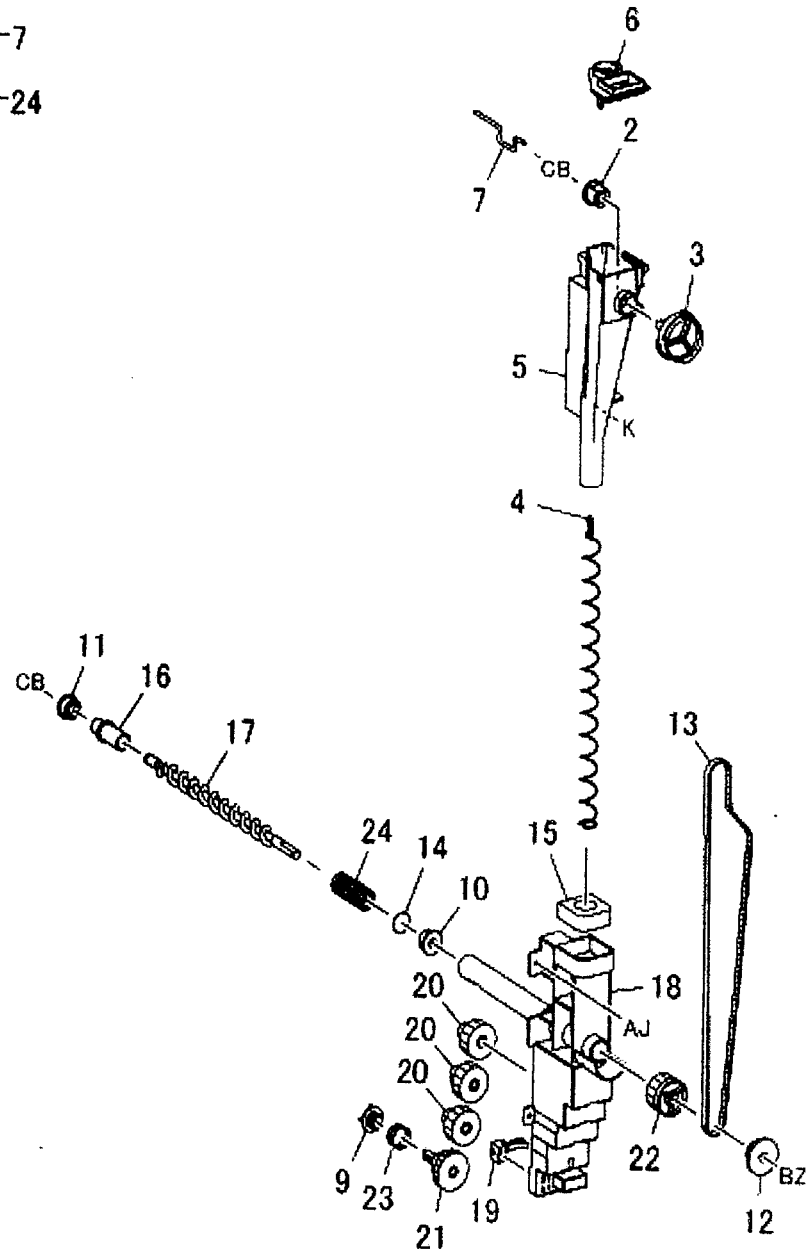


0506010A-OLY

## PL 6.11 Joint/Leveler Box Assembly

Item	Part	Description
1	093K20000	Joint Assembly
2	-	Bearing (P/O PL 6.11 Item 1)
3	-	Pulley (P/O PL 6.11 Item 1)
4	-	Agitator (P/O PL 6.11 Item 1)
5	-	Joint (Down) (P/O PL 6.11 Item 1)
6	-	Joint (UP) (P/O PL 6.11 Item 1)
7	-	Crank Shaft (P/O PL 6.11 Item 1)
8	052K98930	Leveler Box Assembly
9	-	Joint (P/O PL 6.11 Item 8)
10	-	Bearing (P/O PL 6.11 Item 8)
11	-	Bearing (P/O PL 6.11 Item 8)
12	-	Pulley (P/O PL 6.11 Item 8)
13	-	Belt (P/O PL 6.11 Item 8)
14	-	Oil Seal (P/O PL 6.11 Item 8)
15	-	Seal (P/O PL 6.11 Item 8)
16	-	Shutter (P/O PL 6.11 Item 8)
17	-	Auger (P/O PL 6.11 Item 8)
18	-	Leveler Box (P/O PL 6.11 Item 8)
19	130K76860	Waste Bottle Set Sensor
20	-	Gear (18T/37T) (P/O PL 6.11 Item 8)
21	-	Gear (40T) (P/O PL 6.11 Item 8)
22	-	Gear (35T) (P/O PL 6.11 Item 8)
23	-	Spring (P/O PL 6.11 Item 8)
24	-	Spring (P/O PL 6.11 Item 8)

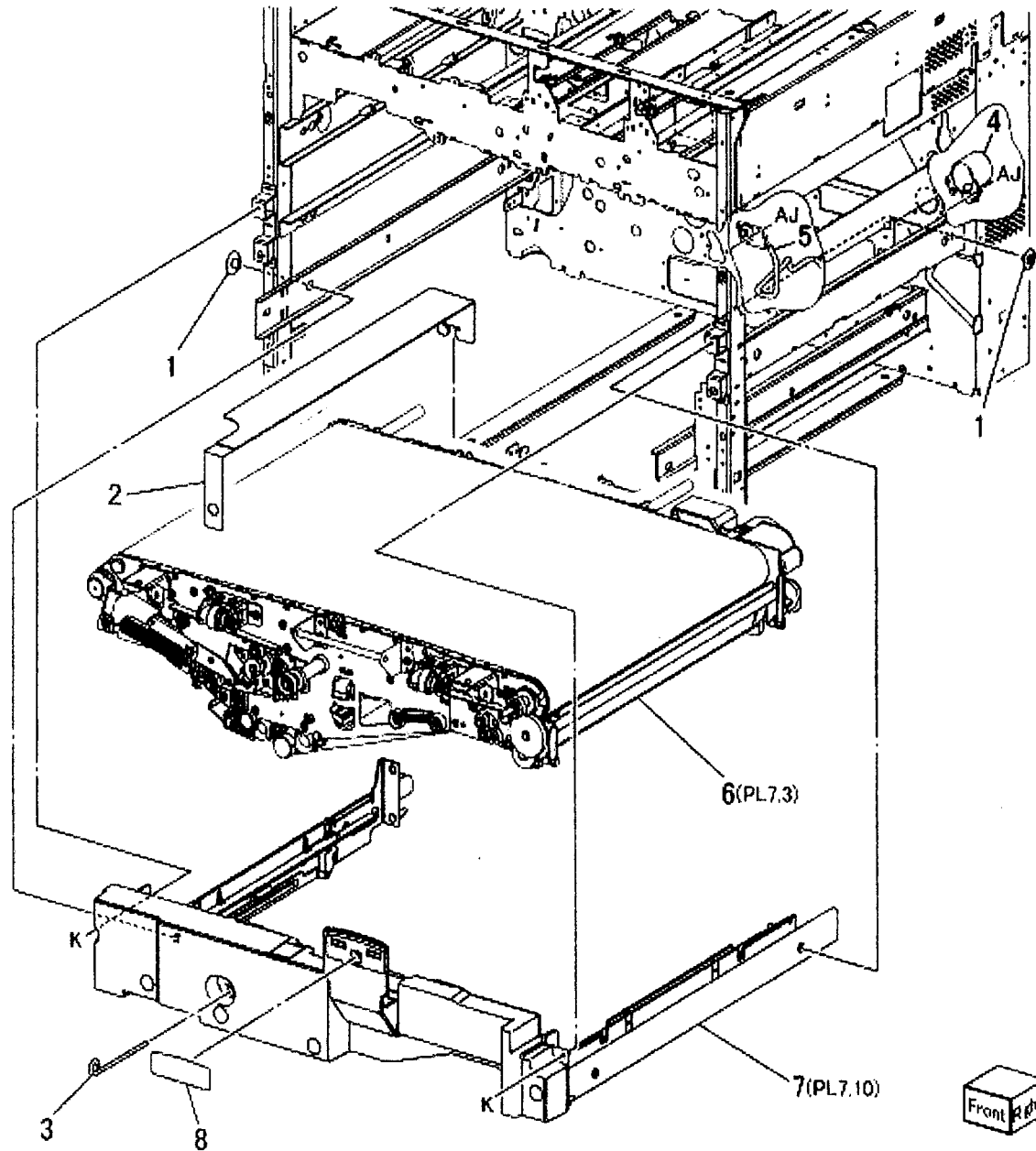
1 { 2-7  
8 { 9-24



0506011A-OLY

## PL 7.1 IBT Unit (1 of 2)

Item	Part	Description
1	-	Screw (Not Spared)
2	-	Cushion (Not Spared)
3	-	Shaft (Not Spared)
4	-	Joint (Not Spared)
5	-	Connector (Not Spared)
6	-	Transfer Belt Unit (Not Spared) (REP 9.1)
7	-	IBT Drawer (Not Spared)
8	-	Label (Not Spared)

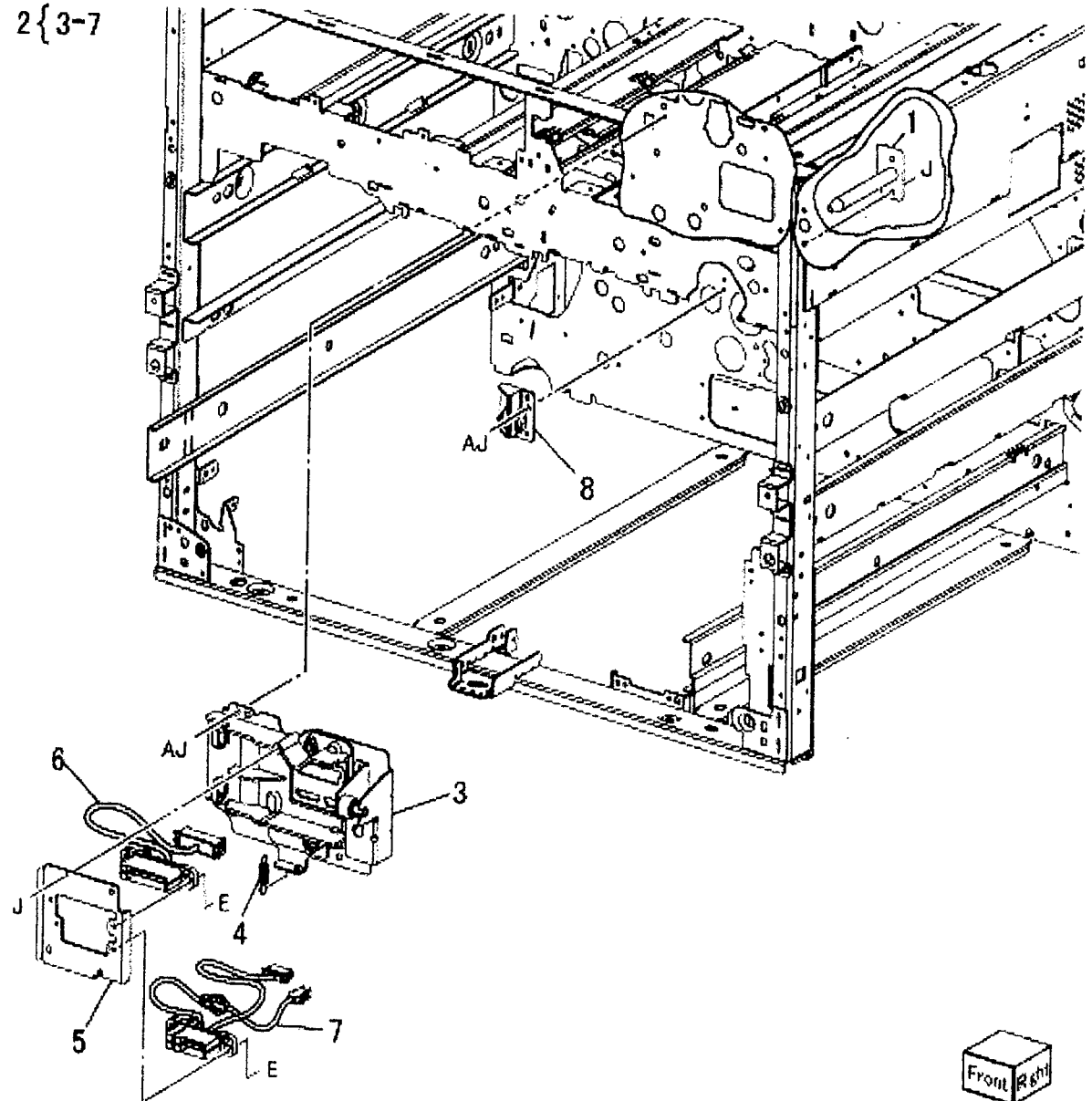


0507001B-OLY

## PL 7.2 IBT Unit (2 of 2)

Item	Part	Description
1	-	Bracket (Not Spared)
2	114K82051	Connector Assembly
3	-	Bracket (P/O PL 7.2 Item 2)
4	-	Spring (P/O PL 7.2 Item 2)
5	-	Bracket (P/O PL 7.2 Item 2)
6	-	Wire Harness (P/O PL 7.2 Item 2)
7	-	Wire Harness (P/O PL 7.2 Item 2)
8	-	Block (Not Spared)

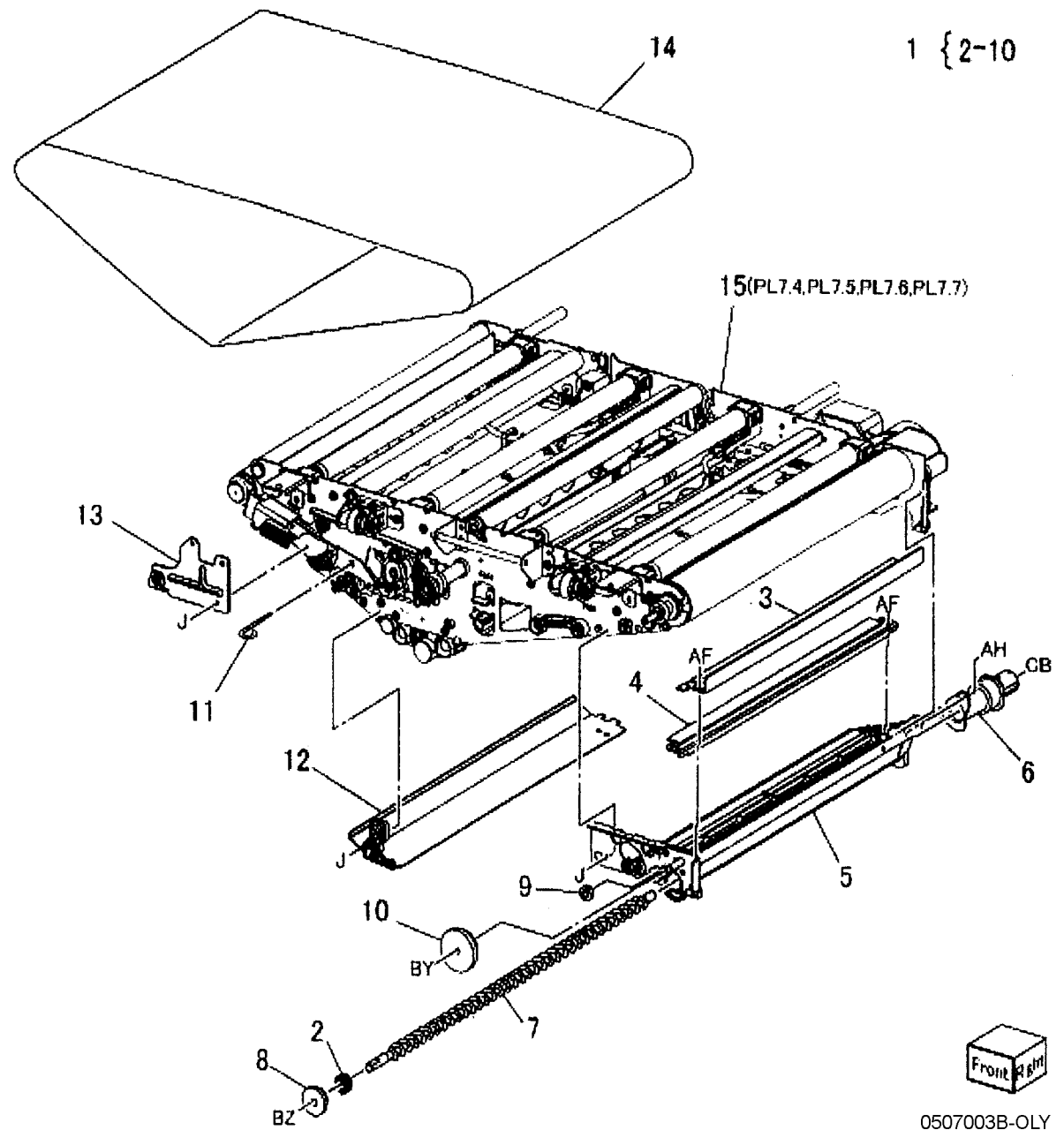
2 { 3-7



0507002A-OLY

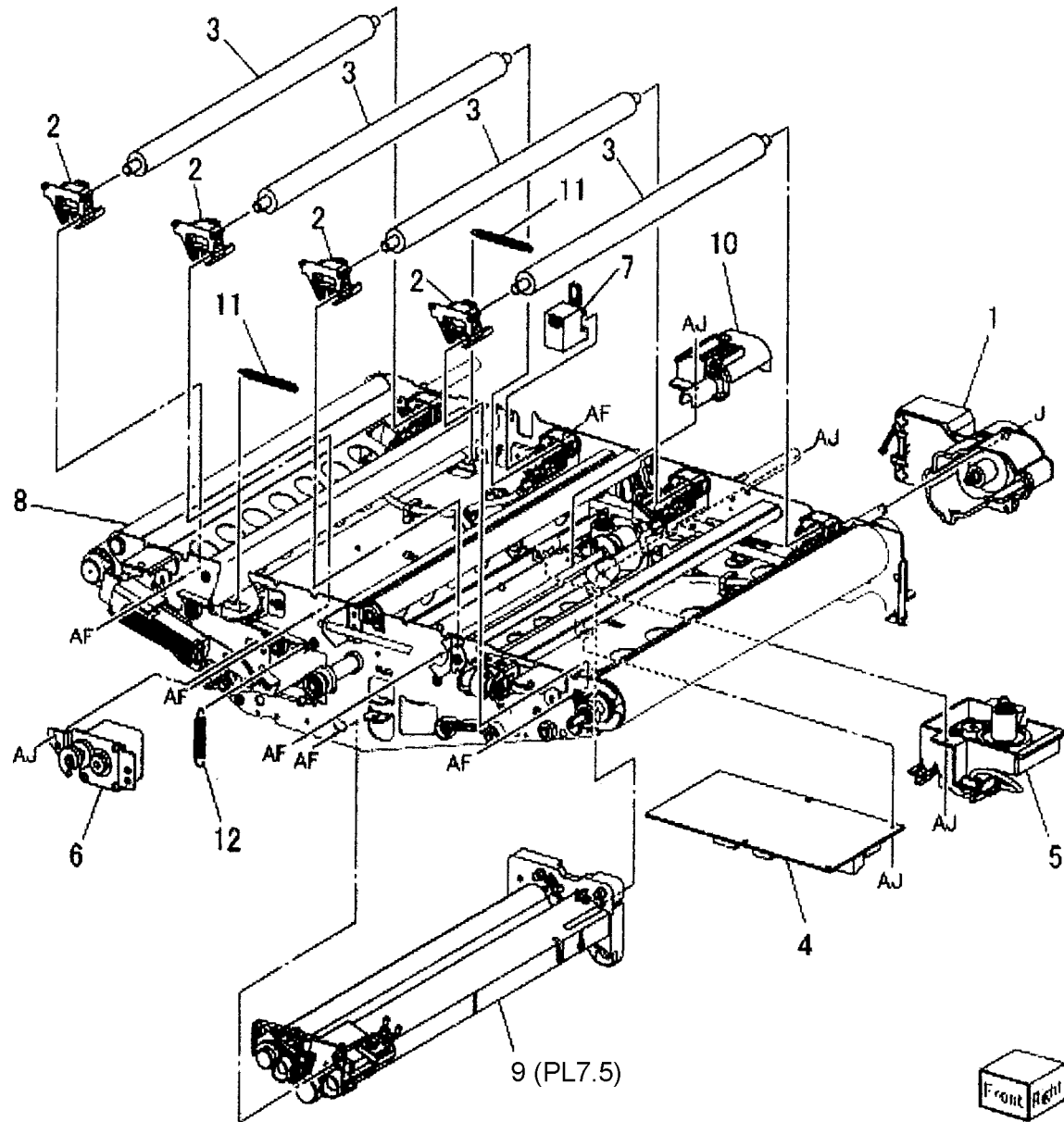
## PL 7.3 Transfer Belt Unit

Item	Part	Description
1	042K93482	IBT Cleaner Assembly (REP 9.2)
2	-	Bearing (P/O PL 7.3 Item 1)
3	-	Plate (P/O PL 7.3 Item 1)
4	-	Blade (P/O PL 7.3 Item 1)
5	-	Cleaner Housing (P/O PL 7.3 Item 1)
6	-	Cleaner Cover (P/O PL 7.3 Item 1)
7	-	Auger (P/O PL 7.3 Item 1)
8	-	Auger Gear (P/O PL 7.3 Item 1)
9	-	Gear (P/O PL 7.3 Item 1)
10	-	Gear (P/O PL 7.3 Item 1)
11	-	Pin (P/O PL 7.1 Item 6)
12	815K06810	Inlet Plate Assembly
13	-	Support (P/O PL 7.1 Item 6)
14	675K72180	Transfer Belt (REP 9.3)
15	-	IBT Frame (P/O PL 7.1 Item 6)



## PL 7.4 IBT Frame Assembly (1 of 4)

Item	Part	Description
1	007K87835	IBT Drive Assembly
2	019K98883	BTR Holder Assembly
3	059K32492	1ST BTR Roll (Y, M.C)
-	059K55890	1ST BTR Roll (M)
4	105E12580	1ST BTR HVPS (REP 9.7)
5	127K39100	1st BTR Retract Motor
6	127K39120	IBT Steering Motor
7	130K60830	Transfer Belt Edge Sensor (ADJ 9.13)
8	-	Frame (P/O PL 7.1 Item 6)
9	848K50280	BTR Housing
10	802K59470	Contact / Retract Sensor Cover
11	-	Spring (P/O PL 7.1 Item 6)
12	-	Spring (P/O PL 7.1 Item 6)

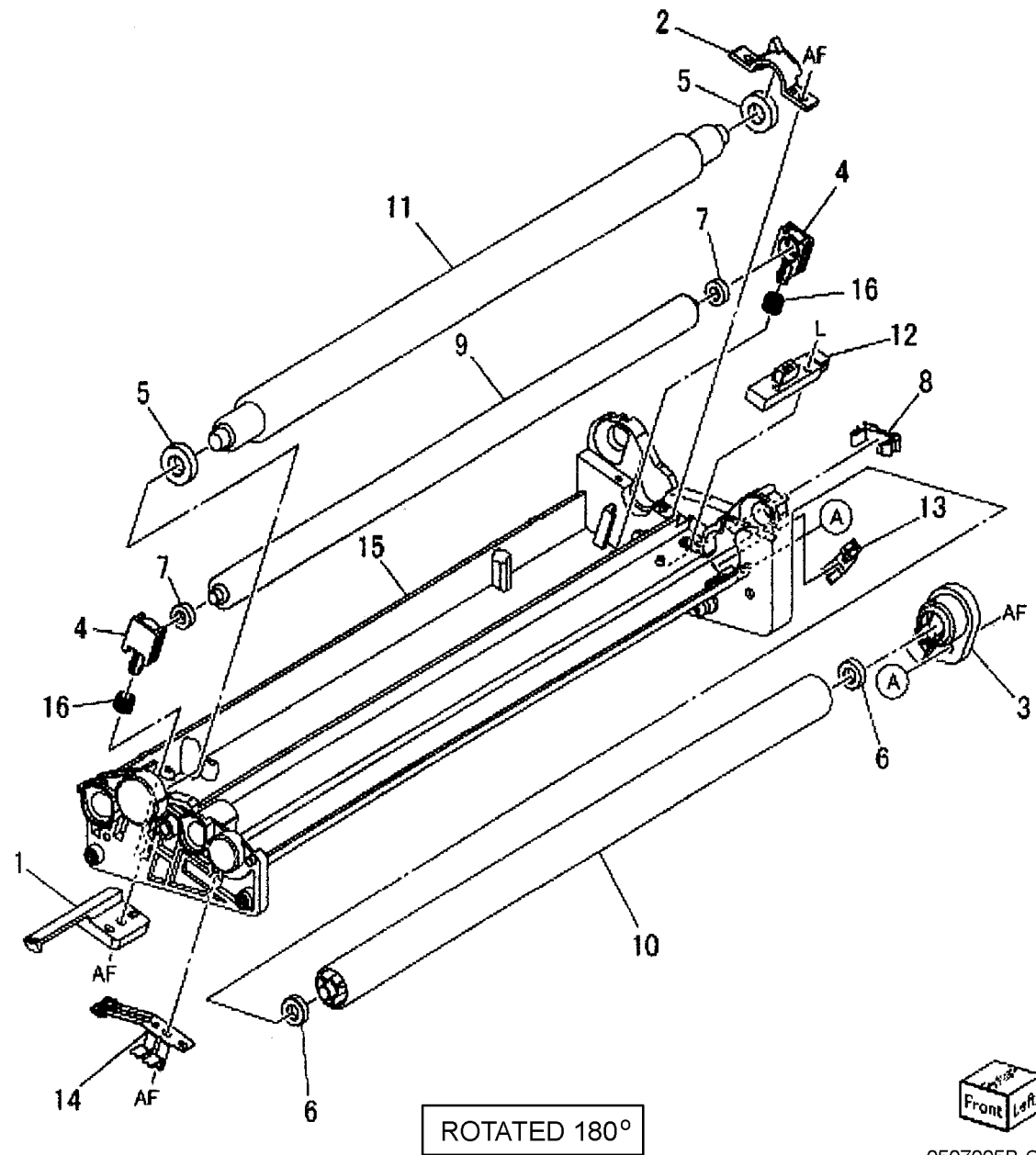


0507004B-OLY



## PL 7.5 IBT Frame Assembly (2 of 4)

Item	Part	Description
1	-	Stopper (Front) (P/O PL 7.4 Item 9)
2	-	Stopper (Rear) (P/O PL 7.4 Item 9)
3	-	Collar (P/O PL 7.4 Item 9)
4	-	Collar (P/O PL 7.4 Item 9)
5	-	Ball Bearing (8x16) (P/O PL 7.4 Item 9)
6	-	Sleeve Bearing (P/O PL 7.4 Item 9)
7	-	Ball Bearing (5x10) (P/O PL 7.4 Item 9)
8	-	Clamp (P/O PL 7.4 Item 9)
9	-	Contact Roll (P/O PL 7.9 Item 9)
10	-	Idler Roll (P/O PL 7.4 Item 9)
11	-	Backup Roll (P/O PL 7.4 Item 9)
12	130E84270	Transfer Belt Home Sensor
13	-	Contact (P/O PL 7.4 Item 9)
14	-	Conductor (P/O PL 7.4 Item 9)
15	-	BTR Housing (P/O PL 7.4 Item 9)
16	-	Spring (P/O PL 7.4 Item 9)

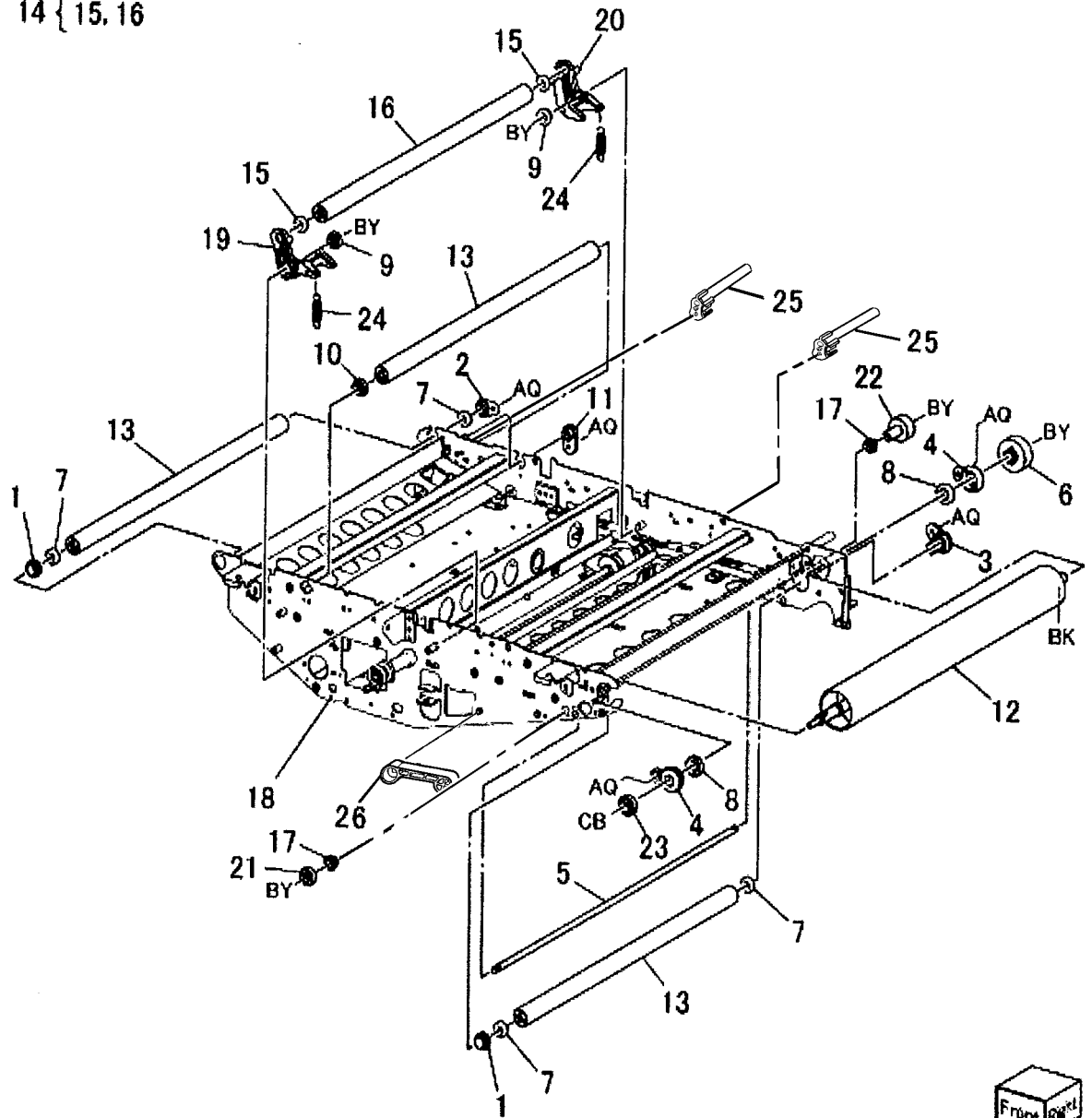


0507005B-OLY

# PL 7.6 IBT Frame Assembly (3 of 4)

Item	Part	Description
1	-	Collar (P/O PL 7.1 Item 6)
2	-	Collar (P/O PL 7.1 Item 6)
3	-	Collar (P/O PL 7.1 Item 6)
4	-	Collar (P/O PL 7.1 Item 6)
5	-	Shaft (P/O PL 7.1 Item 6)
6	-	Drive Gear (P/O PL 7.1 Item 6)
7	-	Ball Bearing (6x12) (Not Spared)
8	013E25410	Ball Bearing (10x19)
9	-	Bearing (P/O PL 7.1 Item 6)
10	-	Bearing (Front) (P/O PL 7.1 Item 6)
11	-	Bearing (Rear) (P/O PL 7.1 Item 6)
12	059K32500	Drive Roll
13	-	Idler Roll (P/O PL 7.1 Item 6)
14	059K32791	Retract Roll Assembly
15	-	Ball Bearing (6x12) (P/O PL 7.6 Item 14)
16	-	Retract Roll (P/O PL 7.6 Item 14)
17	-	Sleeve Bearing (P/O PL 7.1 Item 6)
18	-	Rear Frame (P/O PL 7.1 Item 6)
19	-	Front Housing (P/O PL 7.1 Item 6)
20	-	Rear Housing (P/O PL 7.1 Item 6)
21	-	Gear (Front) (P/O PL 7.1 Item 6)
22	-	Gear (Rear) (P/O PL 7.1 Item 6)
23	-	Drive Gear (P/O PL 7.1 Item 6)
24	-	Spring (P/O PL 7.1 Item 6)
25	003E60760	IBT Support (Rear)
26	003E60770	IBT Support (Out)

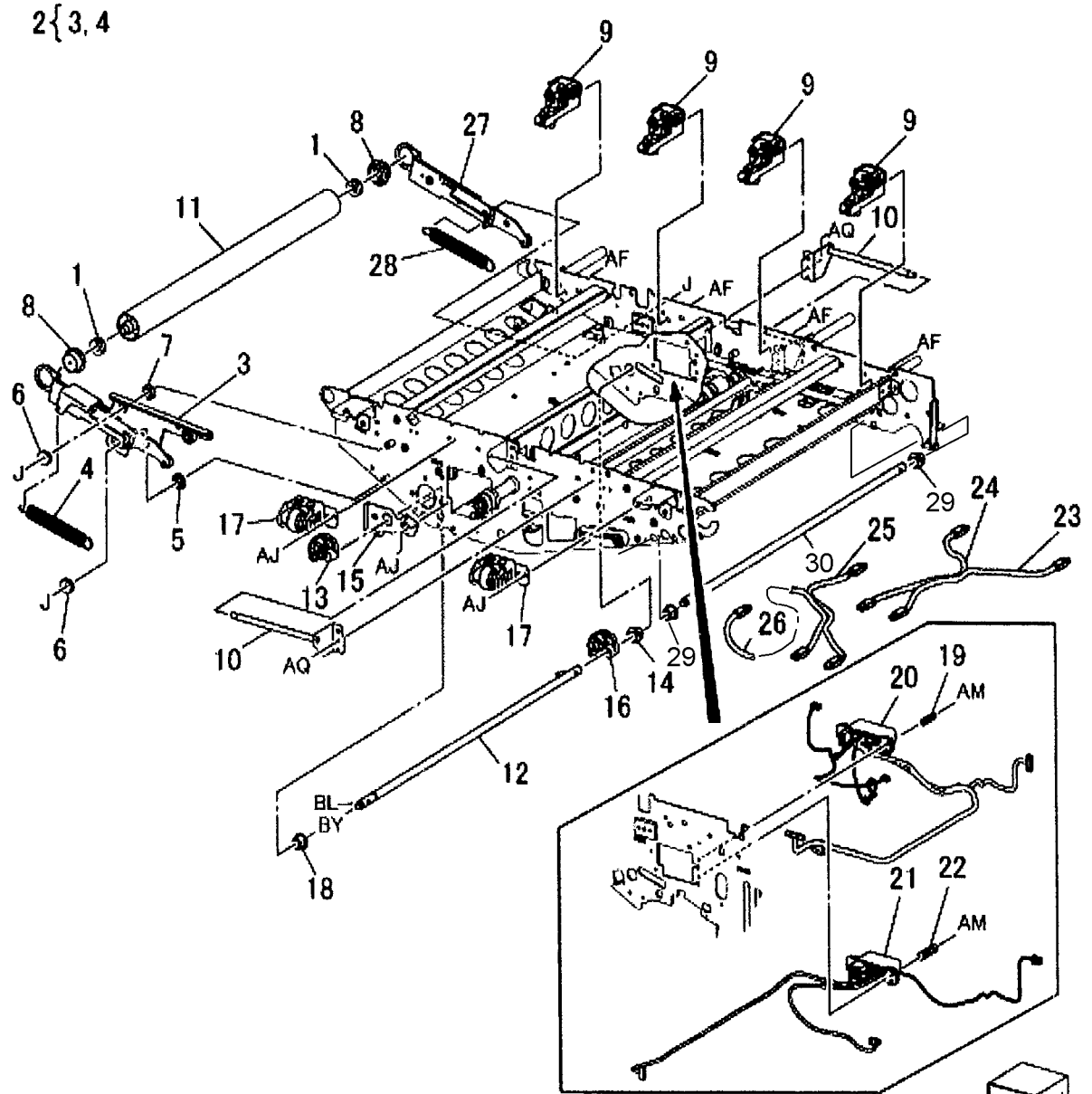
14 { 15, 16



0507006B-OLY

## PL 7.7 IBT Frame Assembly (4 of 4)

Item	Part	Description
1	-	Ball Bearing (8x16) (P/O PL 7.1 Item 6)
2	-	Tension Plate Assembly (P/O PL 7.1 Item 6)
3	-	Tension Plate (P/O PL 7.7 Item 2)
4	-	Tension Spring (P/O PL 7.7 Item 2)
5	-	Bush (Inner)
6	-	Bush (Outer) (P/O PL 7.1 Item 6)
7	-	Bush (Inner) (P/O PL 7.1 Item 6)
8	-	Holder (P/O PL 7.1 Item 6)
9	019K99042	Holder
10	-	Bracket (P/O PL 7.1 Item 6)
11	059K32520	Steering Roll
12	-	Shaft (P/O PL 7.1 Item 6)
13	-	Cam (P/O PL 7.1 Item 6)
14	-	Bearing (P/O PL 7.1 Item 6)
15	-	Cam Plate (P/O PL 7.1 Item 6)
16	-	Tension Cam (P/O PL 7.1 Item 6)
17	-	Slider (P/O PL 7.1 Item 6)
18	-	Bearing (P/O PL 7.1 Item 6)
19	-	Spring (P/O PL 7.1 Item 6)
20	-	Wire Harness (IBT1) (P/O PL 7.1 Item 6)
21	-	Wire Harness (IBT2) (P/O PL 7.1 Item 6)
22	-	Spring (P/O PL 7.1 Item 6)
23	-	Wire Harness (BTR, Y) (P/O PL 7.1 Item 6)
24	-	Wire Harness (BTR, M) (P/O PL 7.1 Item 6)
25	-	Wire Harness (BTR, C) (P/O PL 7.1 Item 6)
26	-	Wire Harness (BTR, K) (P/O PL 7.1 Item 6)
27	-	Tension Plate (P/O PL 7.1 Item 6)
28	-	Tension Spring (P/O PL 7.1 Item 6)

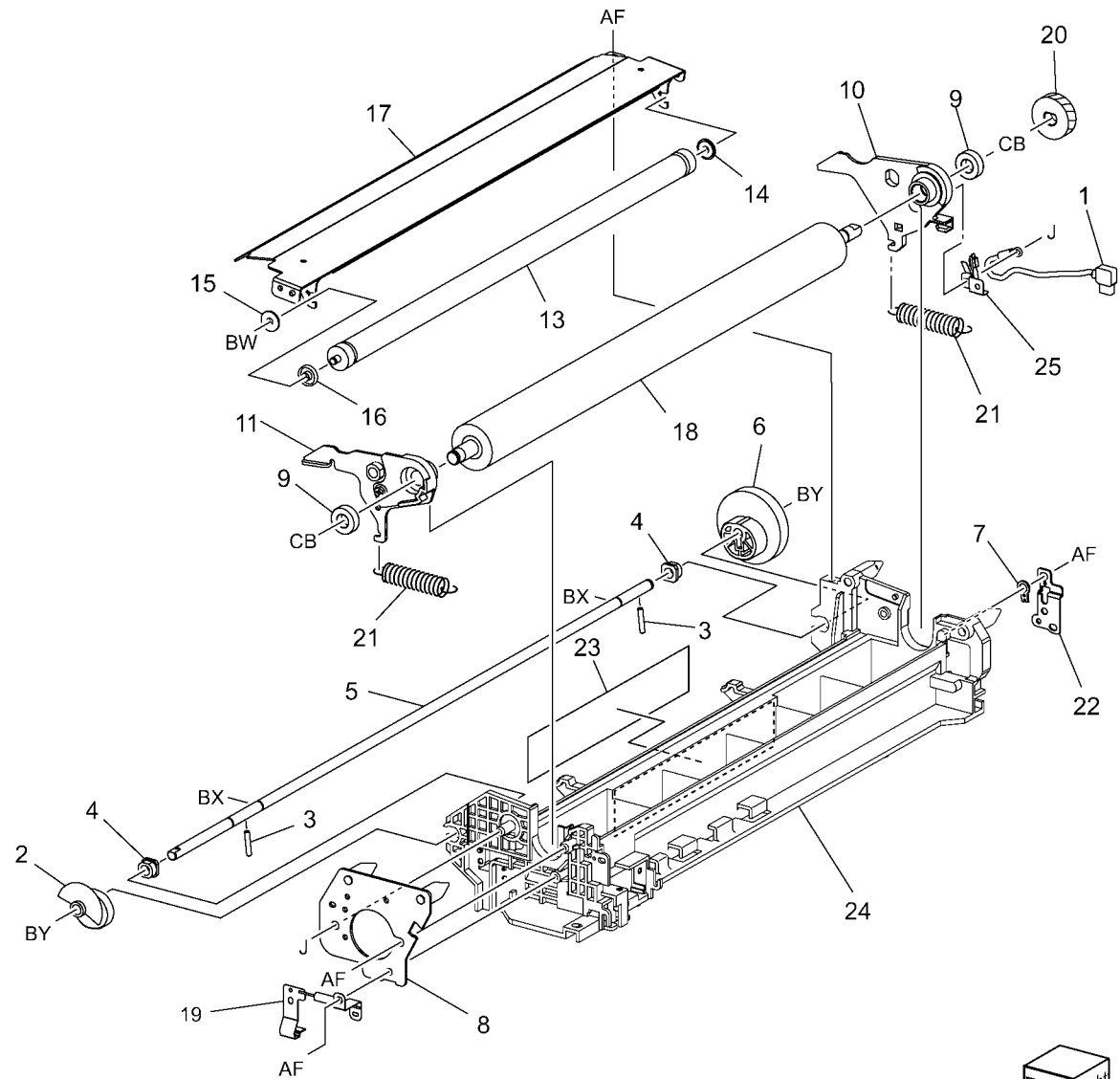


0507007B-OLY

# PL 7.8 2nd BTR Roll Assembly (1 of 2)

Item	Part	Description
1	-	Wire Harness (P/O PL 4.1 Item 3)
2	-	Cam (P/O PL 4.1 Item 3)
3	-	Pin (P/O PL 4.1 Item 3)
4	413W11660	Sleeve Bearing
5	-	Shaft (P/O PL 4.1 Item 3)
6	-	Gear (P/O PL 4.1 Item 3)
7	-	Lever (P/O PL 4.1 Item 3)
8	-	Plate (P/O PL 4.1 Item 3)
9	-	Ball Bearing (8x16) (P/O PL 4.1 Item 3)
10	-	Rear Arm (P/O PL 4.1 Item 3)
11	-	Front Arm (P/O PL 4.1 Item 3)
12	-	Inlet Chute Assembly (P/O PL 4.1 Item 3)
13	-	Brush (P/O PL 7.8 Item 12)
14	-	Bearing (P/O PL 7.8 Item 12)
15	-	Bearing (P/O PL 7.8 Item 12)
16	-	Insulator (P/O PL 7.8 Item 12)
17	-	Inlet Chute (P/O PL 7.8 Item 12)
18	-	2nd BTR Roll (P/O PL 4.1 Item 3) (REP 9.5)
19	-	Resistor (P/O PL 4.1 Item 3)
20	-	Gear (P/O PL 4.1 Item 3)
21	-	Spring (P/O PL 4.1 Item 3)
22	-	Bracket (P/O PL 4.1 Item 3)
23	-	Warning Label (P/O PL 4.1 Item 3)
24	-	BTR Housing (P/O PL 4.1 Item 3)
25	-	Conductor (P/O PL 4.1 Item 3)

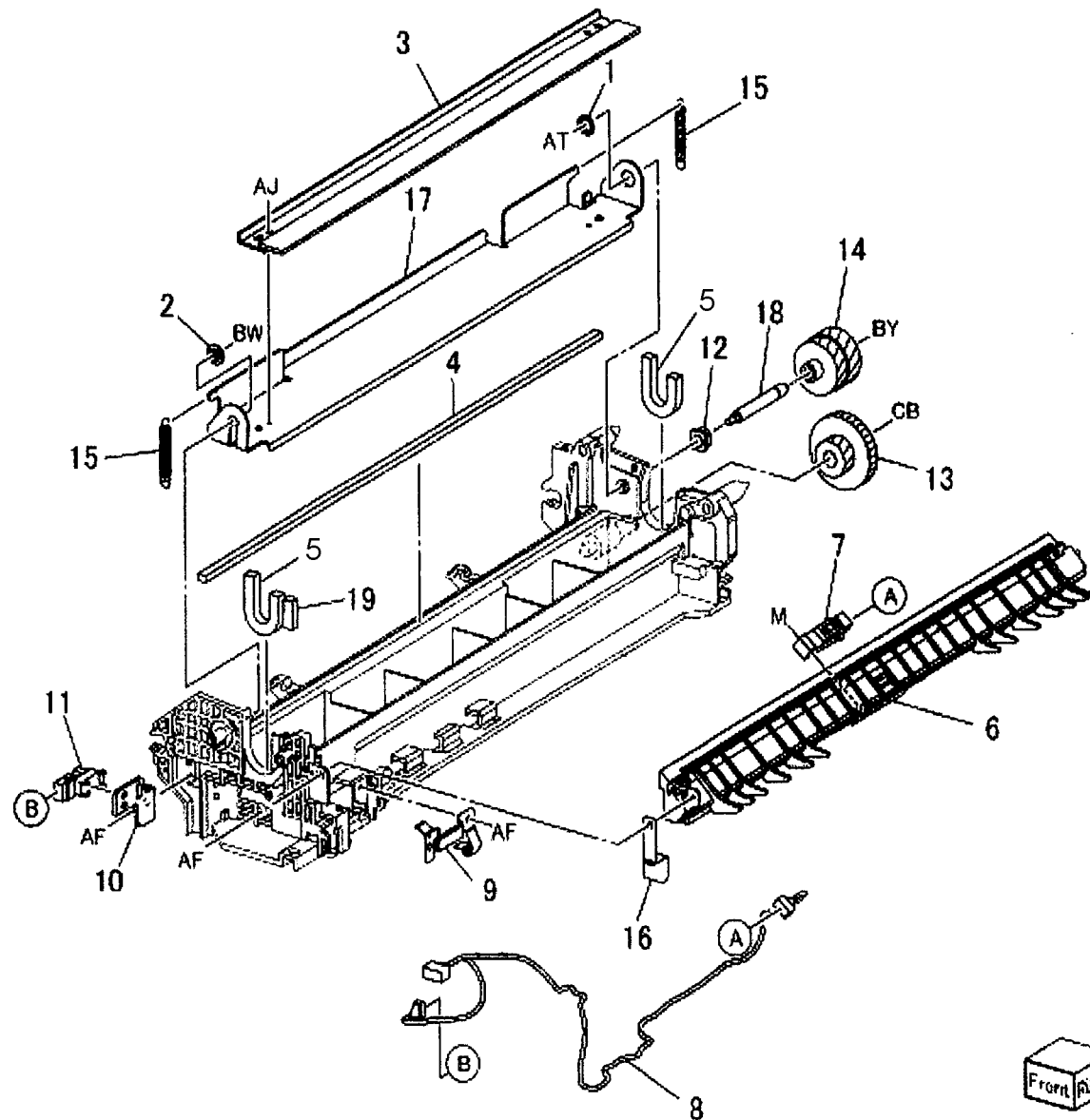
12 { 13 - 17



0507008B-OLY

## PL 7.9 2nd BTR Roll Assembly (2 of 2)

Item	Part	Description
1	-	Bearing (Rear) (P/O PL 4.1 Item 3)
2	-	Bearing (Front) (P/O PL 4.1 Item 3)
3	033K96880	Blade Assembly (REP 9.6)
4	-	Housing Seal (P/O PL 4.1 Item 3)
5	-	Side Housing Seal (P/O PL 4.1 Item 3)
6	-	Exit Chute (P/O PL 4.1 Item 3)
7	-	Post 2nd BTR Sensor (P/O PL 4.1 Item 3) (Not Replaced in Field)
8	-	Wire Harness (P/O PL 7.9 Item 5)
9	-	Resistor (P/O PL 4.1 Item 3)
10	-	2nd BTR Contact Retract (P/O PL 4.1 Item 3)
11	930W00111	2nd BTR Contact Retract Sensor
12	-	Sleeve Bearing (P/O PL 4.1 Item 3)
13	-	Gear (P/O PL 4.1 Item 3)
14	-	Gear (P/O PL 4.1 Item 3)
15	-	Spring (P/O PL 4.1 Item 3)
16	-	Ground Clip (P/O PL 4.1 Item 3)
17	-	Plate (P/O PL 4.1 Item 3)
18	-	Stud (P/O PL 4.1 Item 3)
19	-	Exit Housing Seal (P/O PL 4.1 Item 3)

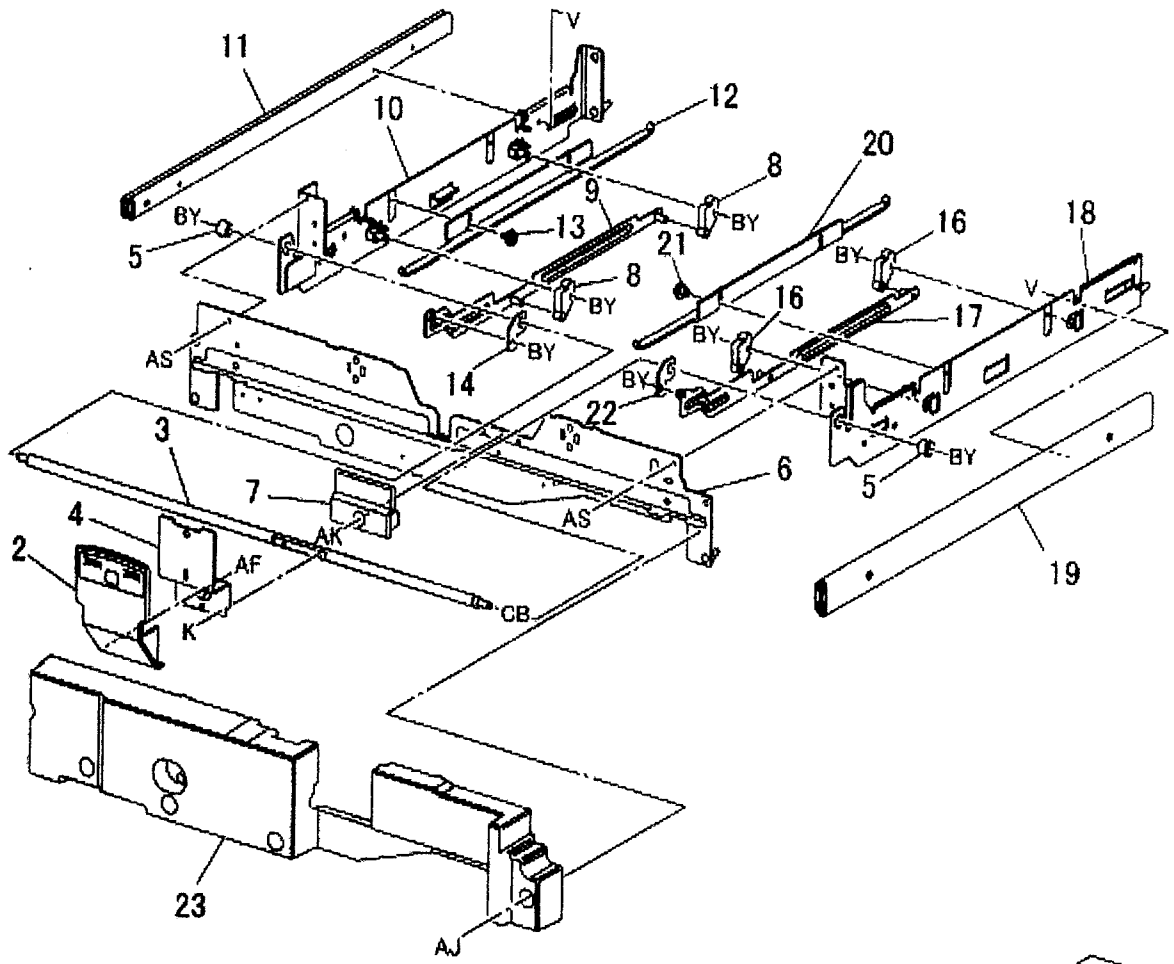


0507009B-OLY

# PL 7.10 IBT Drawer

Item	Part	Description
1	-	Handle Assembly (Not Spared)
2	-	Handle (P/O PL 7.10 Item 1)
3	-	Shaft (P/O PL 7.10 Item 1)
4	-	Plate (P/O PL 7.10 Item 1)
5	-	Bearing (Not Spared)
6	-	Front Frame (Not Spared)
7	-	Cover (Not Spared)
8	-	Cam (P/O PL 7.10 Item 24)
9	-	Link (P/O PL 7.10 Item 24)
10	-	Frame (P/O PL 7.10 Item 24)
11	801K14911	Left Rail
12	-	Plate Spring (P/O PL 7.10 Item 24)
13	-	Shoulder Screw (P/O PL 7.10 Item 24)
14	-	Plate (P/O PL 7.10 Item 24)
15	-	Right Rail Assembly (Not Spared)
16	-	Cam (P/O PL 7.10 Item 15)
17	-	Link (P/O PL 7.10 Item 15)
18	-	Frame (P/O PL 7.10 Item 15)
19	801K14921	Right Rail
20	-	Plate Spring (P/O PL 7.10 Item 15)
21	-	Shoulder Screw (P/O PL 7.10 Item 15)
22	-	Plate (P/O PL 7.10 Item 15)
23	-	Inner Cover (Not Spared)
24	-	Left Rail Assembly (Not Spared)

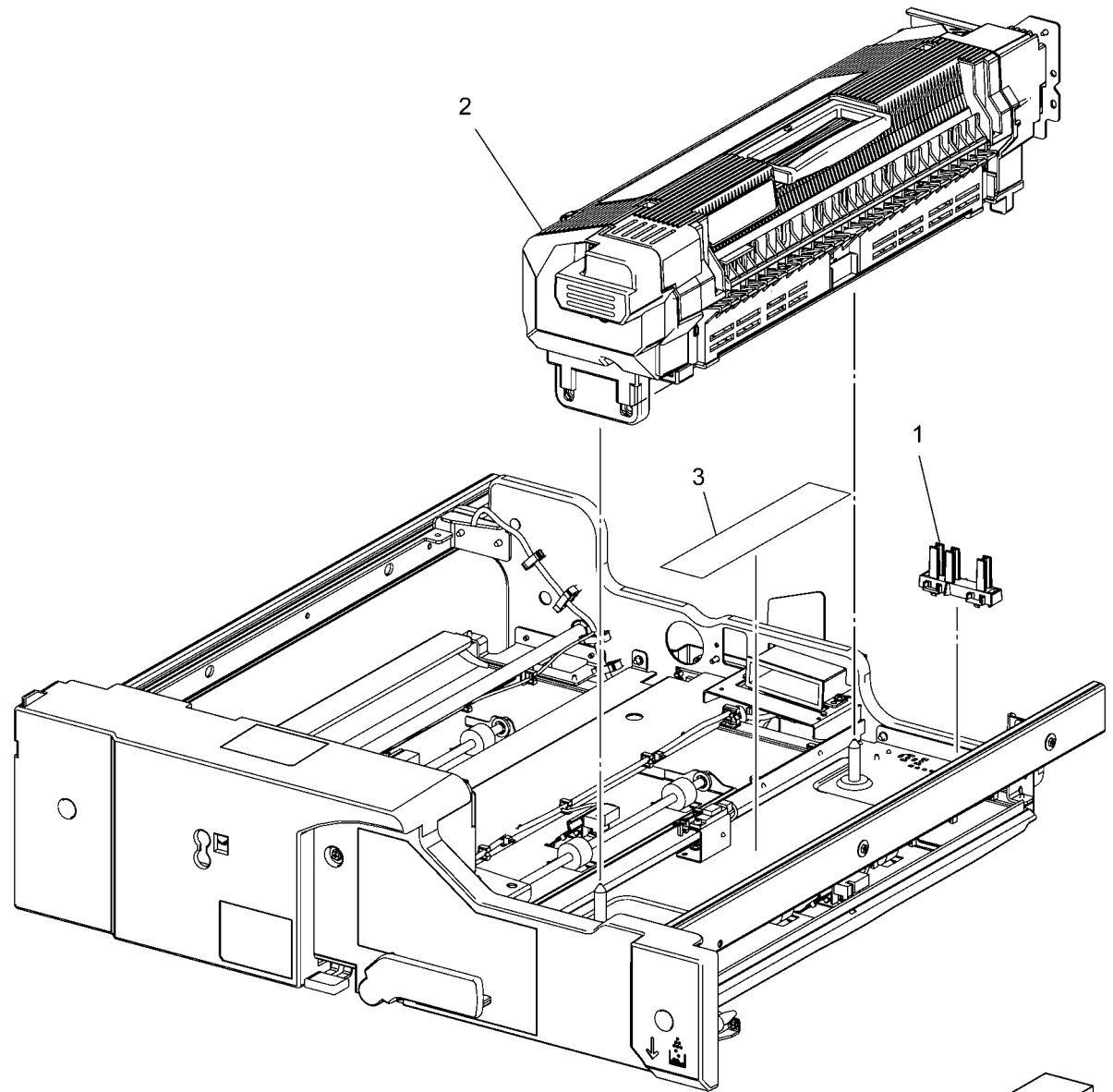
1 { 2 - 4  
 15 { 16 - 22  
 24 { 8 - 14



0507010B-OLY

## PL 8.1 Fuser Unit

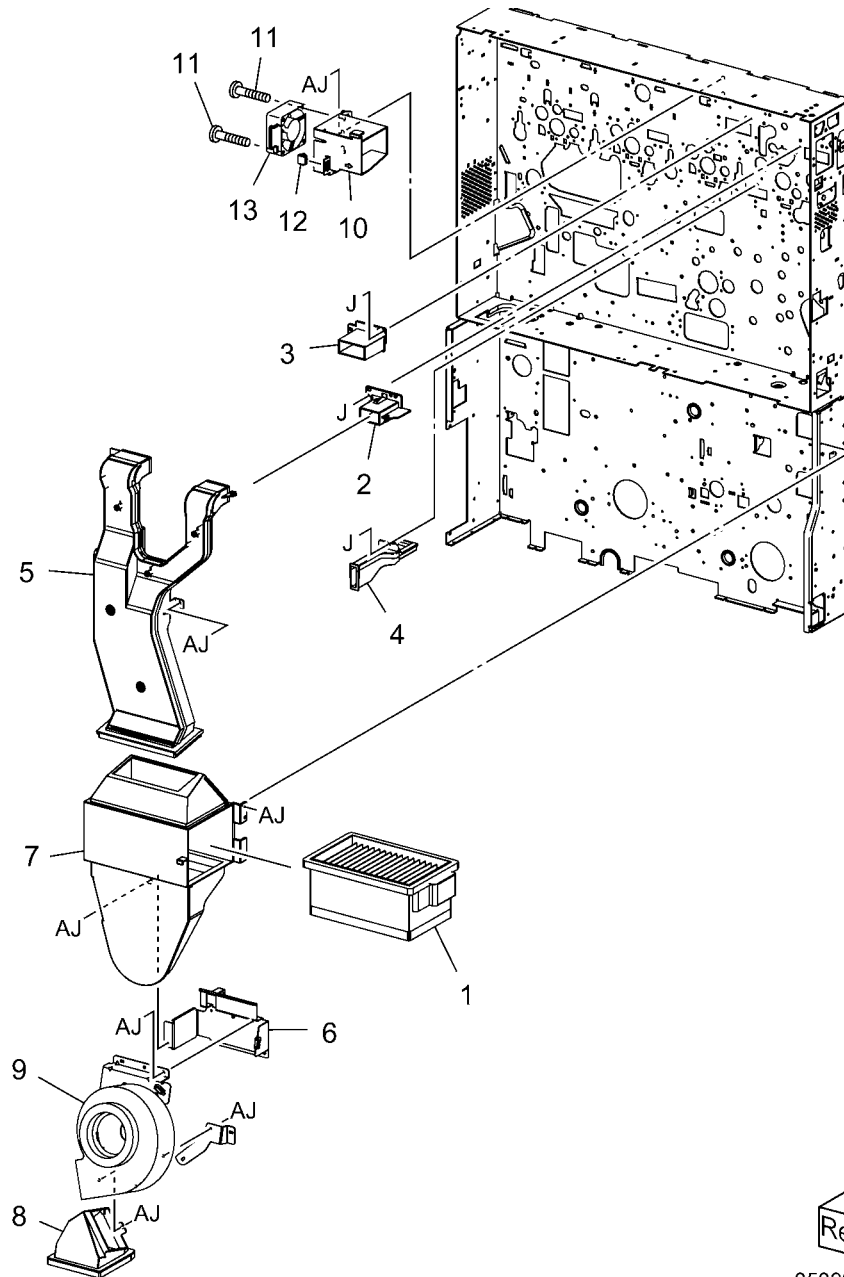
Item	Part	Description
1	014E48601	Block
-	014E59750	Block (220V)
2	008R13065	Fuser (220V)
-	126K26734	Envelope Fuser (220V)
-	126K28350	Envelope Fuser (110V)
-	126K28360	Heavy Fuser (220V)
-	126K28340	Heavy Fuser (110V)
-	008R13102	Fuser (110V)
3	-	Label (Not Spared)



0508001A-OLY

## PL 9.1 Air System (1 of 3)

Item	Part	Description
1	053K91902	Suction Filter
-	053K91910	Ozone Filter
2	-	PCC Duct (Not Spared)
3	-	CC Duct (Not Spared)
4	-	Duct (Not Spared)
5	-	Main - K Duct (Not Spared)
6	-	Bracket Assembly (Not Spared)
7	-	Filter Case (Not Spared)
8	-	Blower Duct (P/O PL 9.1 Item 7)
9	127K37892	Blower
10	-	Fan Duct (Not Spared)
11	-	Screw (Not Spared)
12	-	Connector (Not Spared)
13	127K63050	Rear Cooling Fan

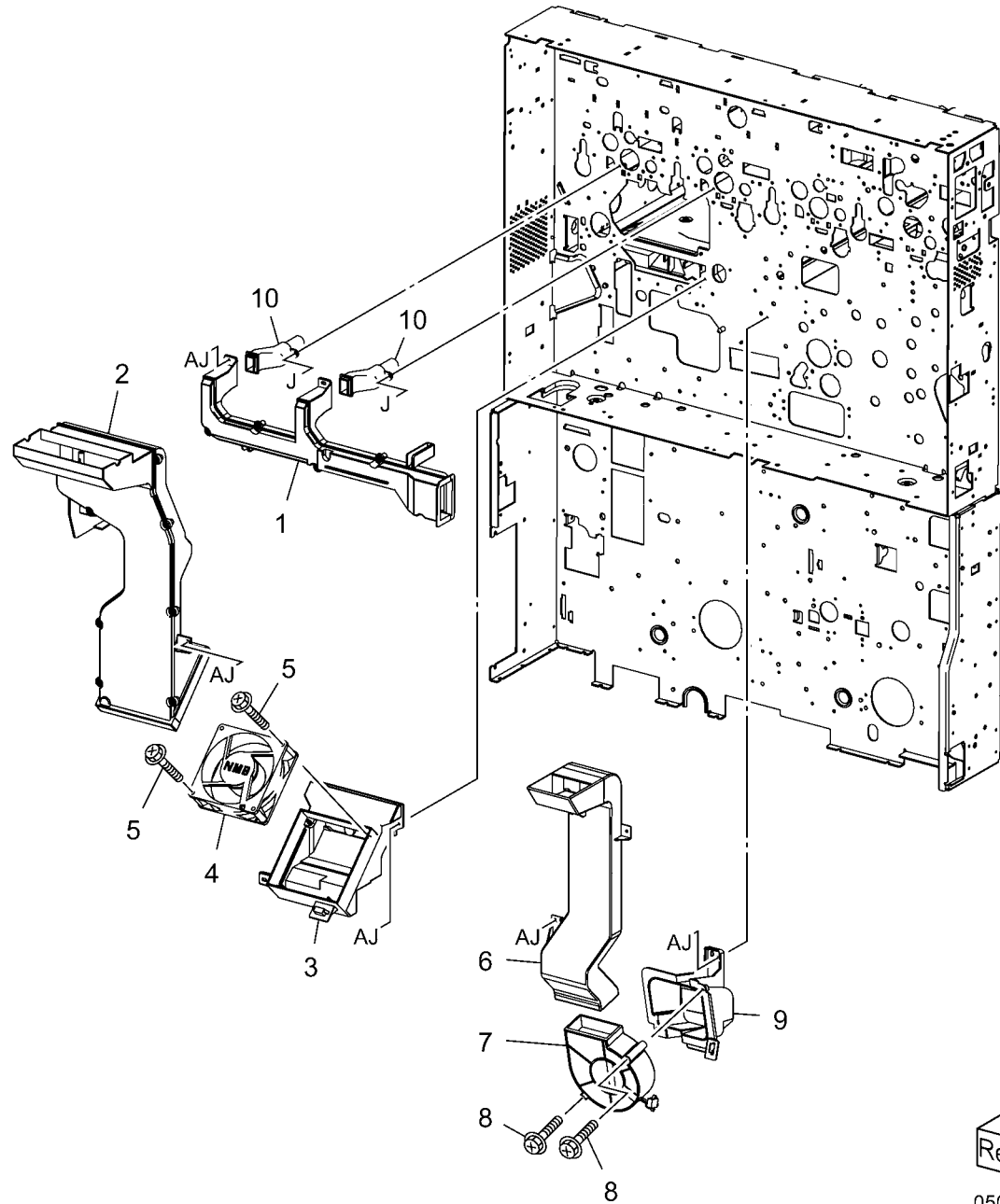


0509001B-OLY



## PL 9.2 Air System (2 of 3)

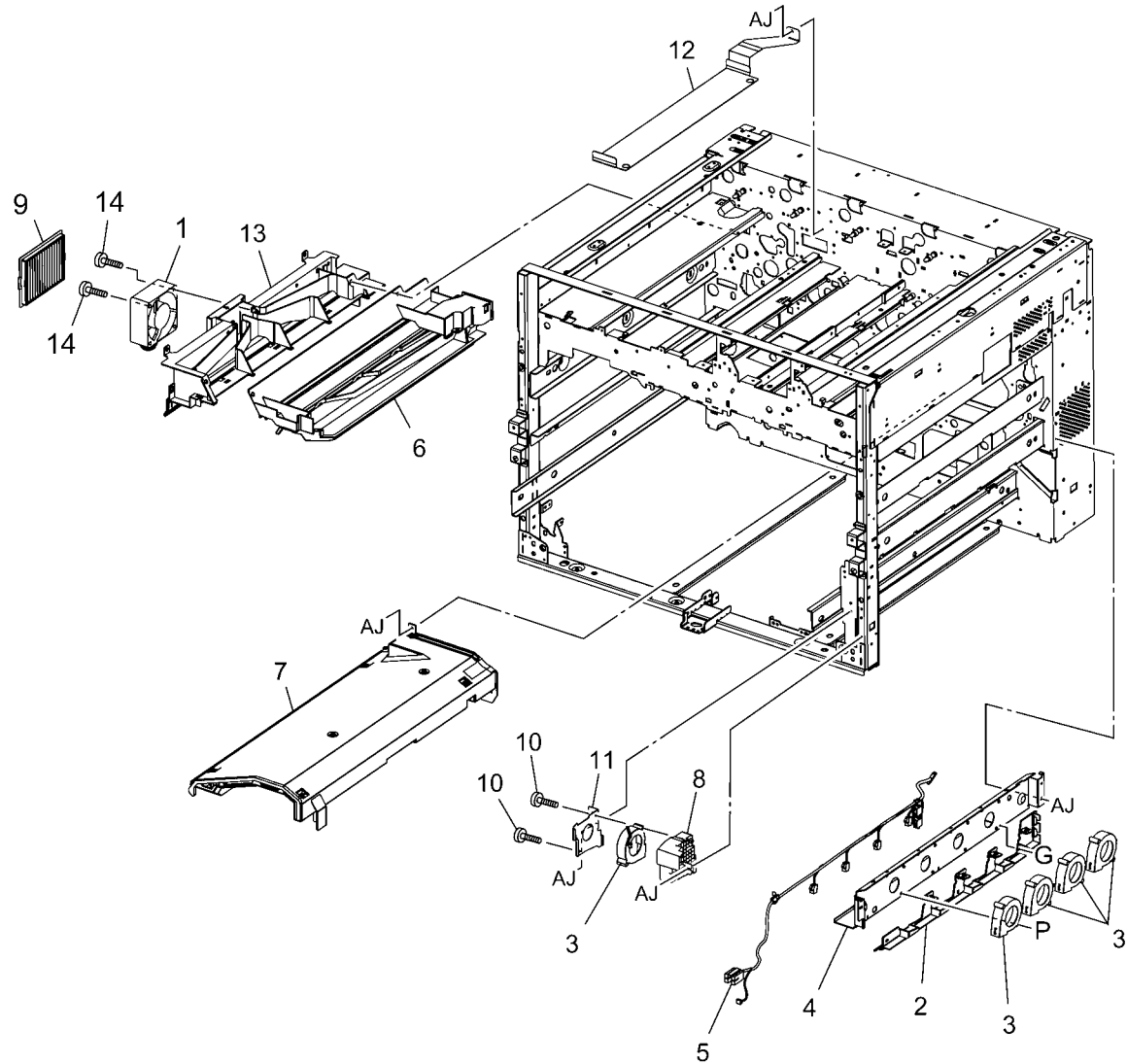
Item	Part	Description
1	-	Y,M Cooling Duct (Not Spared)
2	-	Duct (Not Spared)
3	-	Duct (Not Spared)
4	127K45851	Fuser Exhaust Fan
5	-	Screw (Not Spared)
6	-	Vacuum Transport Duct (Not Spared)
7	127K39571	Vacuum Transport Fan
8	-	Screw (Not Spared)
9	-	Duct (Not Spared)
10	-	Duct (Not Spared)



0509002A-OLY

## PL 9.3 Air System (3 of 3)

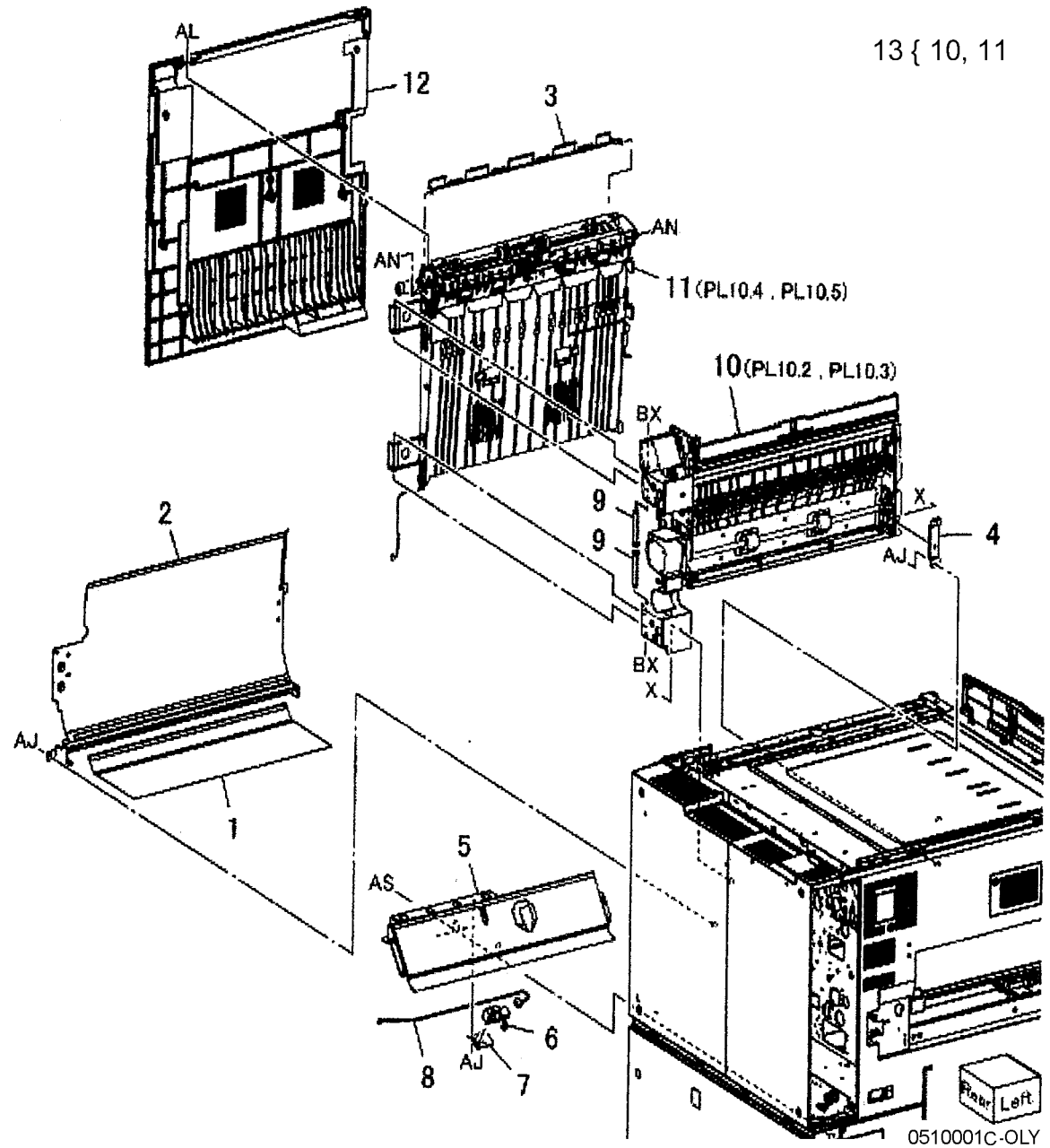
Item	Part	Description
1	127K60990	CC Fan
2	-	Duct (P/O PL 9.3 Item 1)
3	127K39581	Exit Roll Fan 1, Exit Roll Fan 2, Exit Roll Fan 3, Front Fan
4	-	Bracket (P/O PL 9.3 Item 1)
5	-	Wire Harness (Not Spared)
6	-	CC Duct (Not Spared)
7	-	Fuser Duct (Not Spared)
8	-	Duct (Not Spared)
9	053K91980	CC Filter
10	-	Screw (Not Spared)
11	-	Bracket (Not Spared)
12	-	CC Seal (Not Spared)
13	-	Duct (Not Spared)
14	-	Screw



0509003B-OLY

## PL 10.1 Inverter

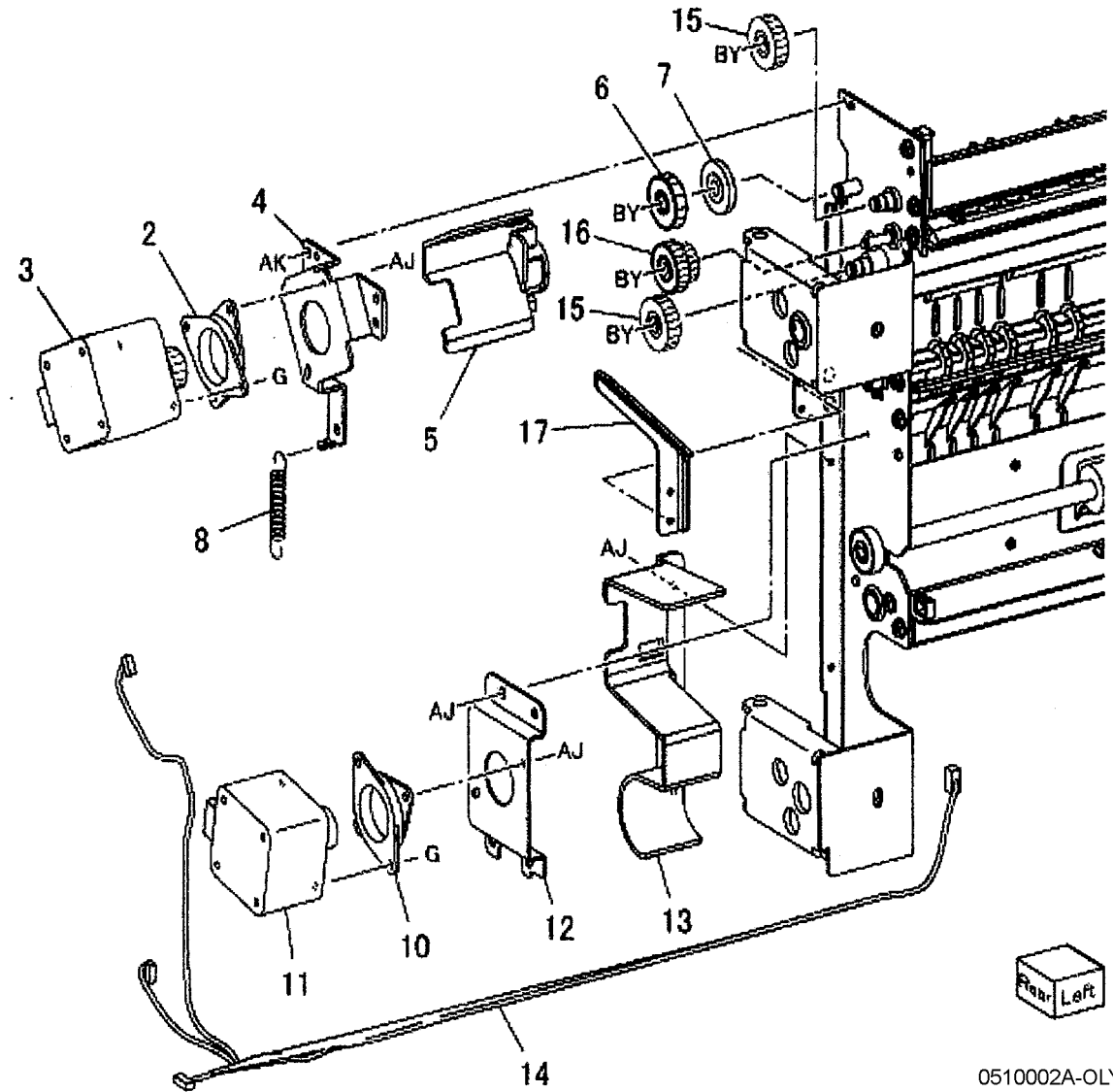
Item	Part	Description
1	-	Bottom Guide (Not Spared)
2	-	Inverter 3 Chute (Not Spared)
3	054E26893	OCT Exit Chute
4	-	Bracket (Not Spared)
5	-	Inverter 4 Chute (Not Spared)
6	130K87810	Inverter End Sensor
7	-	Bracket (P/O PL 10.1 Item 4)
8	-	Wire Harness (Not Spared)
9	-	Pin (Not Spared)
10	059K68331	Inverter 1, 2 Transport (REP 8.3)
11	-	Invert 2 Transport (P/O PL 10.1 Item 13) (REP 8.3)
12	-	Inverter Cover (Not Spared)
13	-	Inverter Transport Assembly (Not Spared)



## PL 10.2 Inverter 1 Transport (1 of 2)

Item	Part	Description
1	127K48390	Exit Motor Assembly
2	-	Damper (P/O PL 10.2 Item 1)
3	-	Exit Motor (P/O PL 10.2 Item 1)
4	-	Bracket (P/O PL 10.2 Item 1)
5	-	Gear Cover (P/O PL 10.1 Item 10)
6	-	Gear (26T) (P/O PL 10.1 Item 10)
7	-	Collar (P/O PL 10.1 Item 10)
8	-	Spring (P/O PL 10.1 Item 10)
9	127K63010	Inverter Motor Assembly
10	-	Damper (P/O PL 10.2 Item 9)
11	-	Inverter Motor (P/O PL 10.2 Item 9)
12	-	Bracket (P/O PL 10.2 Item 9)
13	-	Motor Cover (P/O PL 10.1 Item 10)
14	-	Wire Harness (P/O PL 10.1 Item 10)
15	-	Gear Assembly (23T) (P/O PL 10.1 Item 10)
16	-	Gear Assembly (22T/16T) (P/O PL 10.1 Item 10)
17	-	Support Bracket (P/O PL 10.1 Item 10)

1 { 2 - 4  
9 { 10 - 12

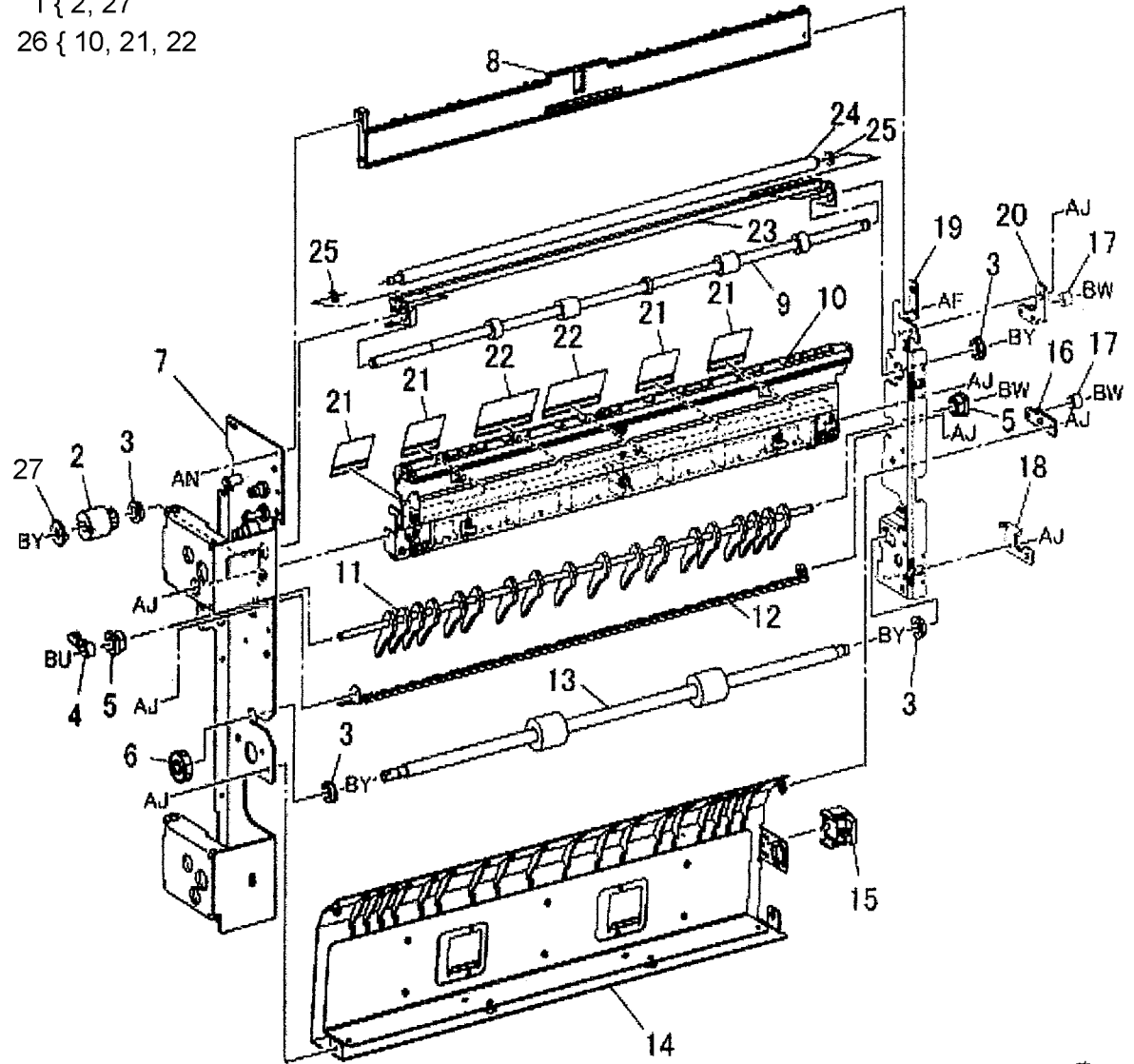


0510002A-OLY

## PL 10.3 Inverter 1 Transport (2 of 2)

Item	Part	Description
1	-	Gear Clutch Assembly (14T) (P/O PL 10.1 Item 10)
2	-	Gear Clutch (P/O PL 10.1 Item 10)
3	-	Bearing (P/O PL 10.1 Item 10)
4	-	Gate Link
5	-	Bearing (P/O PL 10.1 Item 10)
6	-	Gear (17T) (P/O PL 10.1 Item 10)
7	-	Rear Frame (P/O PL 10.1 Item 10)
8	-	Top Chute (P/O PL 10.1 Item 10)
9	-	Inverter Roll (P/O PL 10.2 Item 10)
10	-	Upper Chute (P/O PL 10.3 Item 26)
11	-	Gate (P/O PL 10.1 Item 10)
12	-	Middle Chute (P/O PL 10.1 Item 10)
13	-	Inverter Duplicator Roll (P/O PL 10.1 Item 10)
14	-	Lower Chute (P/O PL 10.1 Item 10)
15	110E93440	R/H Cover Interlock Switch (ACO)
16	-	Hinge (P/O PL 10.1 Item 10)
17	-	Collar (P/O PL 10.1 Item 10)
18	-	Stopper (P/O PL 10.1 Item 10)
19	-	Front Frame (P/O PL 10.1 Item 10)
20	-	inverter Upper Hinge (P/O PL 10.1 Item 10)
21	038E32631	Decurler Guide 1
22	038E32620	Decurler Guide 2
23	-	Tie Bracket (P/O PL 10.1 Item 10)
24	-	Pinch Shaft (P/O PL 10.1 Item 10)
25	-	Bearing (P/O PL 10.1 Item 10)
26	-	Upper Chute Assembly (P/O PL 10.1 Item 10)
27	-	Stopper (P/O PL 10.3 Item 1)

1 { 2, 27  
26 { 10, 21, 22

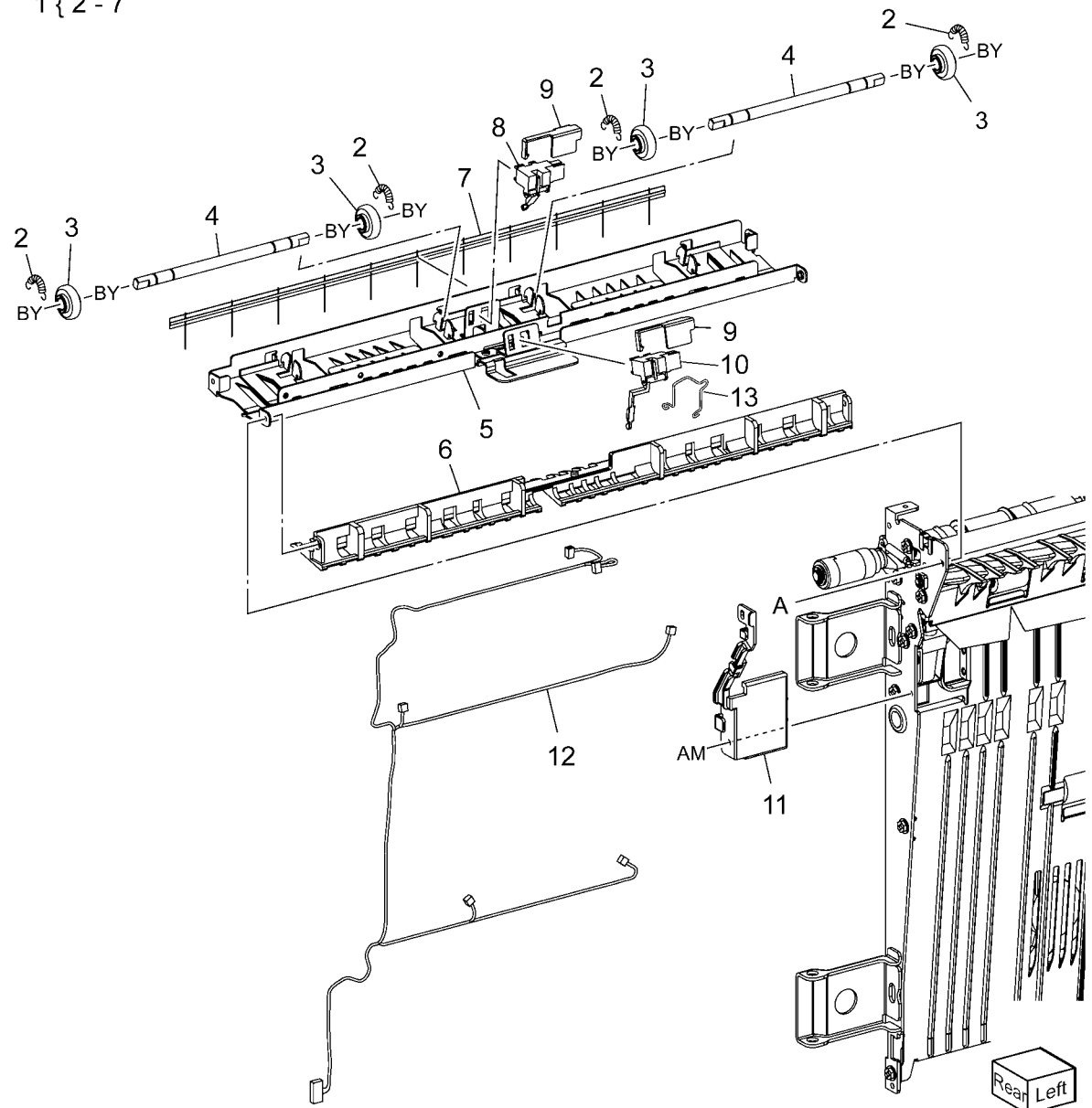


0510003C -OLY

## PL 10.4 Inverter 2 Transport (1 of 2)

Item	Part	Description
1	054K46110	Upper Chute Assembly
2	-	Spring (P/O PL 10.4 Item 1)
3	-	Pinch Roll (P/O PL 10.4 Item 1)
4	-	Shaft (P/O PL 10.4 Item 1)
5	-	Chute (P/O PL 10.4 Item 1)
6	-	Upper Chute (P/O PL 10.4 Item 1)
7	105E98690	Eliminator
8	130K88400	IOT Exit Sensor
9	-	Sensor Cover (P/O PL 10.1 Item 11)
10	130K87711	Invert In Sensor
11	-	Nip Solenoid Cover (P/O PL 10.1 Item 11)
12	-	Wire Harness (P/O PL 10.1 Item 11)
13	130E15170	Sensor Conductor

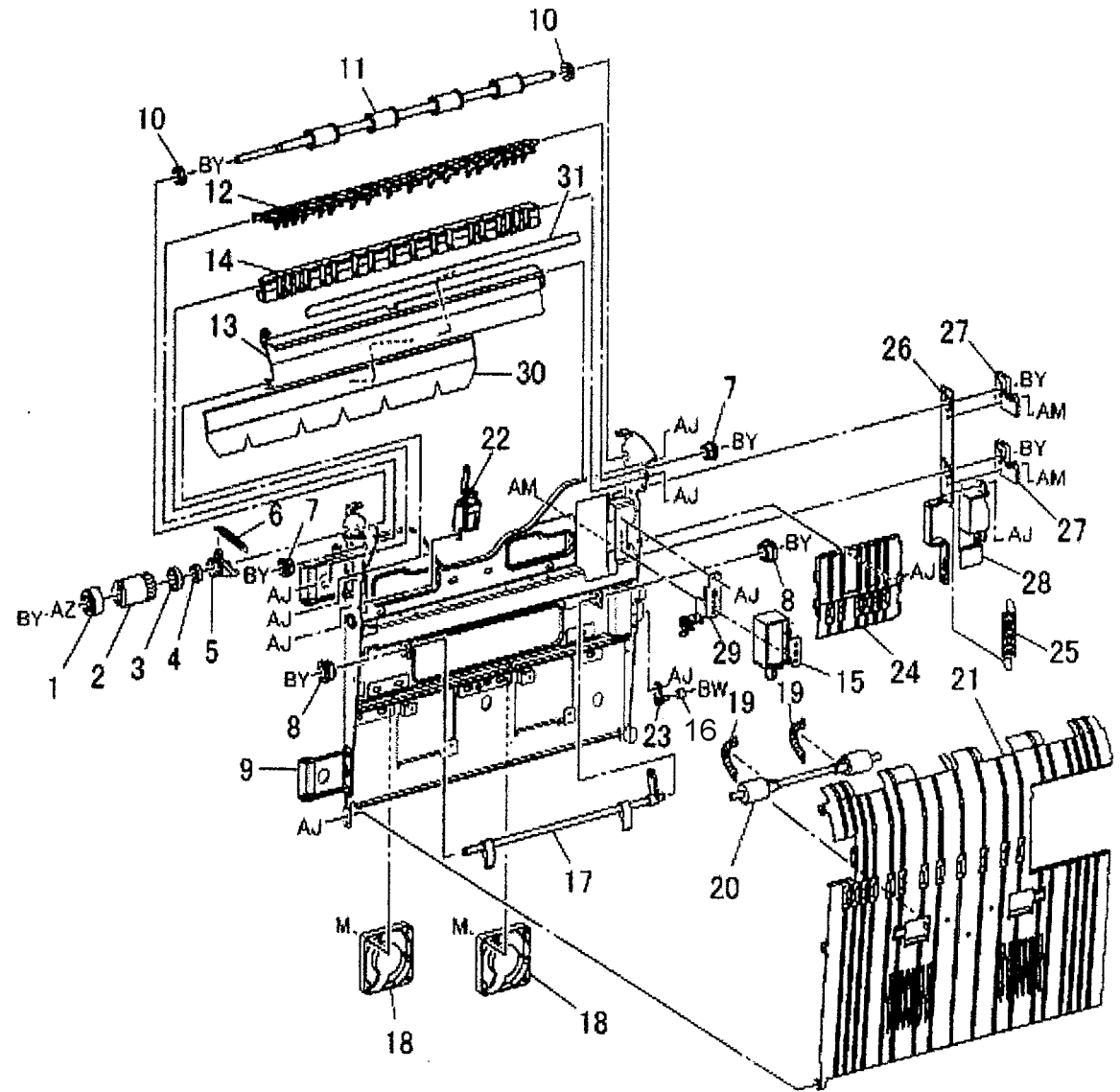
1 { 2 - 7



0510004A-OLY

## PL 10.5 Inverter 2 Transport (2 of 2)

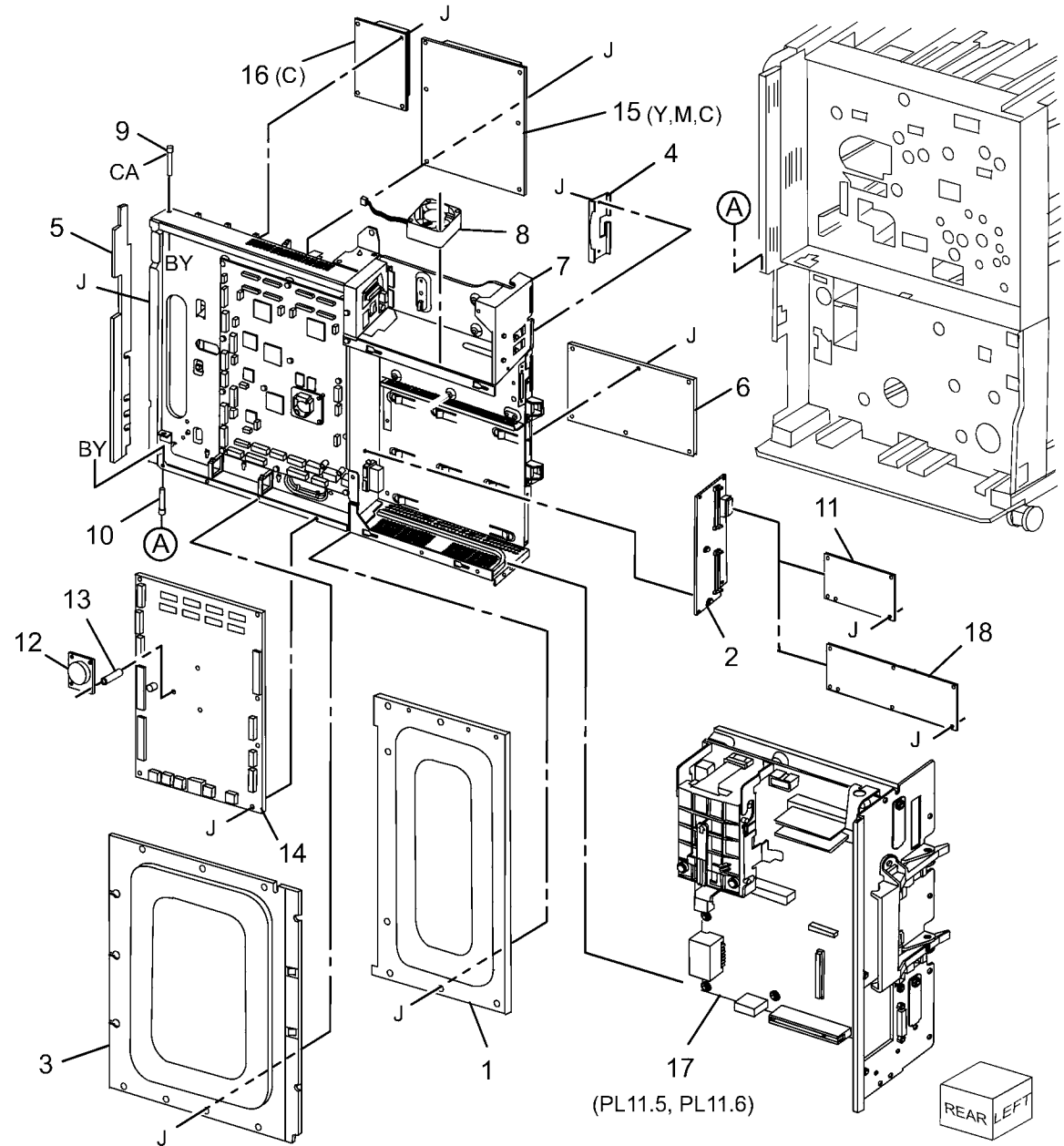
Item	Part	Description
1	005K07230	Exit Clutch
2	005K07081	Gear (18T)
3	-	Collar (P/O PL 10.1 Item 11)
4	413W66150	Ball Bearing
5	-	Exit Roll Stopper (P/O PL 10.1 Item 11)
6	-	Spring (P/O PL 10.1 Item 11)
7	-	Bearing (P/O PL 10.1 Item 11)
8	-	Bearing (P/O PL 10.1 Item 11)
9	-	Inverter 2 Frame (P/O PL 10.1 Item 11)
10	-	Bearing (P/O PL 10.1 Item 11)
11	059K69341	Exit Roll
12	050K52540	Exit Gate
13	-	Middle 2 Chute (P/O PL 10.1 Item 11)
14	-	Middle Chute (P/O PL 10.1 Item 11)
15	121K33883	Reverse Inverter Solenoid
16	-	Collar (P/O PL 10.1 Item 11)
17	-	Link (P/O PL 10.1 Item 11)
18	-	Cooling Fan (P/O PL 10.1 Item 11)
19	-	Roll Pinch Spring (P/O PL 10.1 Item 11)
20	-	Pinch Roll (P/O PL 10.1 Item 11)
21	-	Lower Chute (P/O PL 10.1 Item 11)
22	121K35071	Inverter Gate Solenoid
23	-	Stopper (P/O PL 10.1 Item 11)
24	-	Gate Solenoid Cover (P/O PL 10.1 Item 11)
25	-	Latch Spring (P/O PL 10.1 Item 11)
26	-	Lever Bracket (P/O PL 10.1 Item 11)
27	-	Cover Latch (P/O PL 10.1 Item 11)
28	-	Latch Lever (P/O PL 10.1 Item 11)
29	-	Link Assembly (P/O PL 10.1 Item 11)
30	-	Paper Guide (P/O PL 10.1 Item 11)
31	-	Pad (P/O PL 10.1 Item 11)



0510005A-OLY

# PL 11.1 Electrical (1 of 3)

Item	Part	Description
1	-	Control Cover (Not Spared)
2	960K54321	BP PWBA
3	-	MCU Cover (Not Spared)
4	-	Bracket (Not Spared)
5	-	Bracket (Not Spared)
6	960K53200	IOT Drive PWB
7	-	Chassis Assembly (Not Spared) (REP 3.1)
8	127K63080	ESS Fan Assembly
9	-	Pin (Upper) (Not Spared)
10	-	Pin (Lower) (Not Spared)
11	960K53630	Jumper PWBA
12	160K95232	MCU NVM PWB (REP 3.8)
13	-	Spacer (P/O PL 11.1 Item 11)
14	960K51604	MCU PWB (REP 3.7)
15	105E19580	Bias Charge Roll HVPS (Y, M, C)
16	105E17730	Developer Bias HVPS (C) (REP 9.29)
17	-	Control Unit (Not Spared) (REP 3.2)
18	960K54021	VSEL PWBA

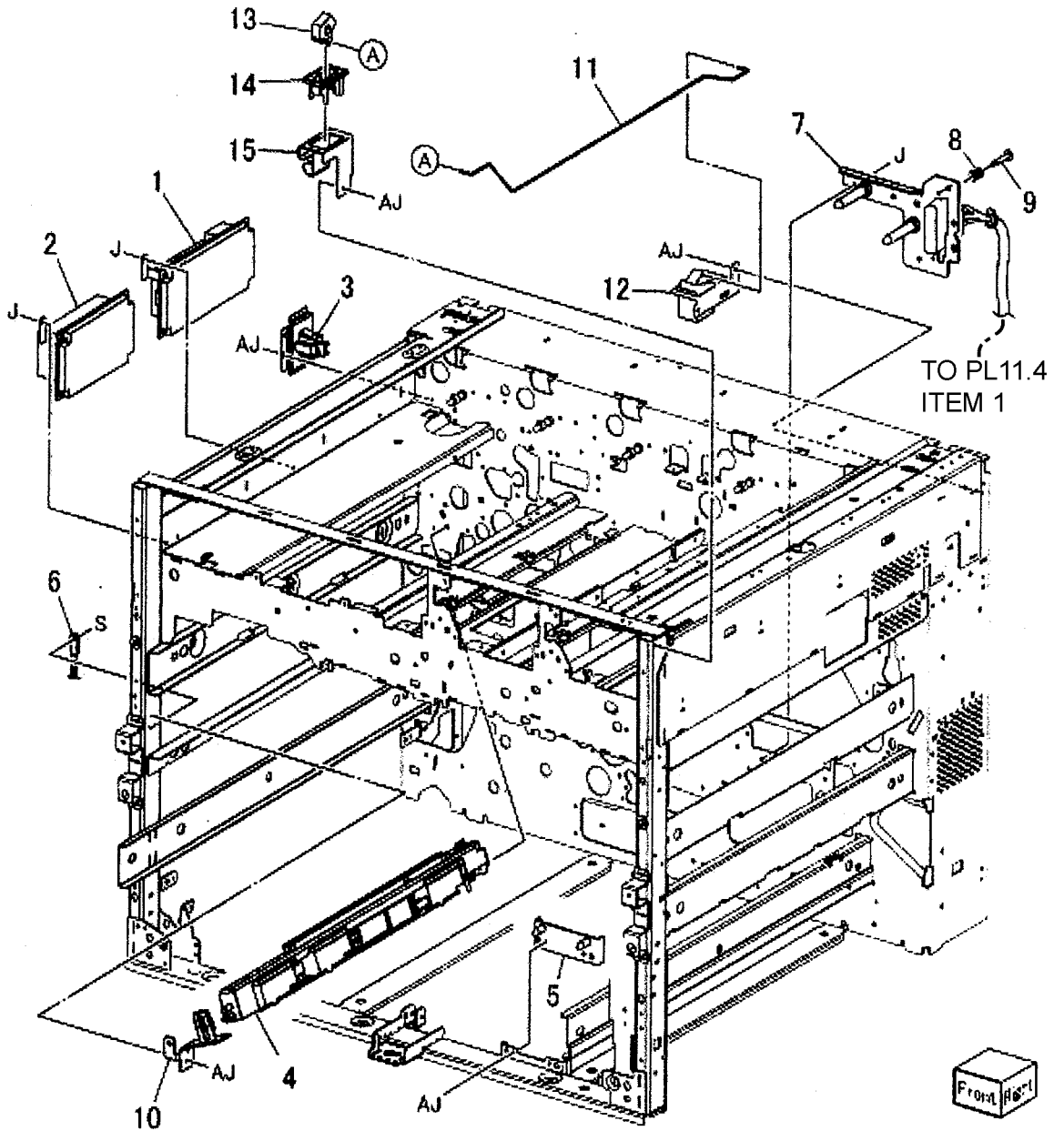


0511001C-CHN



## PL 11.2 Electrical (2 of 3)

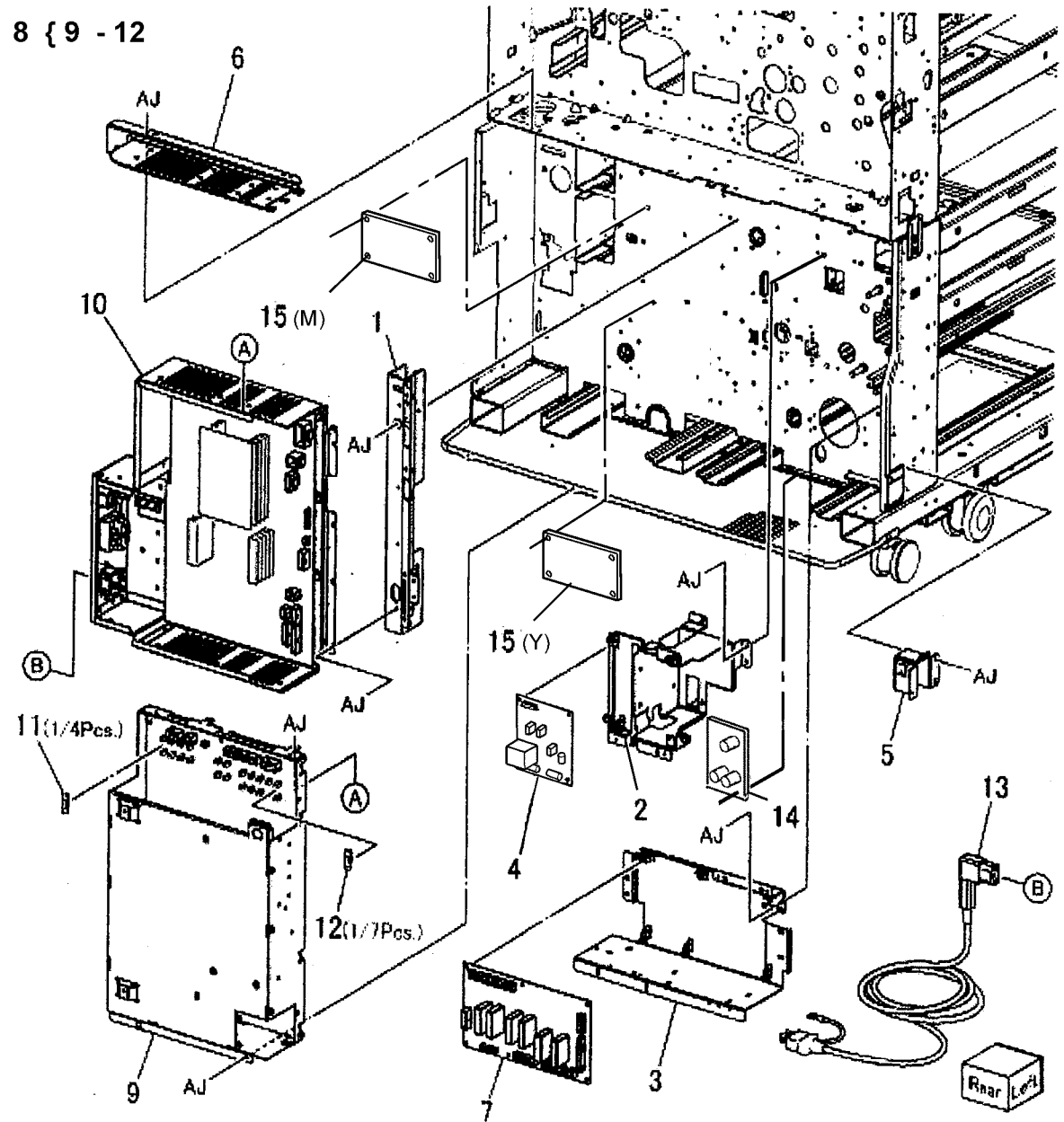
Item	Part	Description
1	105E12592	Charge / Preclean HVPS (K)
2	105E17730	Developer Bias HVPS (K)
3	-	Outlet (Not Spared)
4	130K71492	MOB ADC Assembly (REP 9.13)
5	-	Bracket (Not Spared)
6	130K88740	Environment Sensor
7	-	Frame Assembly (Not Spared)
8	-	Spring (Not Spared)
9	-	Shoulder Screw (Not Spared)
10	-	Plate Assembly (Not Spared)
11	-	Switch Rod (Not Spared)
12	110K16290	Power Switch
13	-	Cam (Not Spared)
14	-	Main Switch Case (Not Spared)
15	-	Switch Bracket (Not Spared)



0511002B-OLY

# PL 11.3 Electrical (3 of 3)

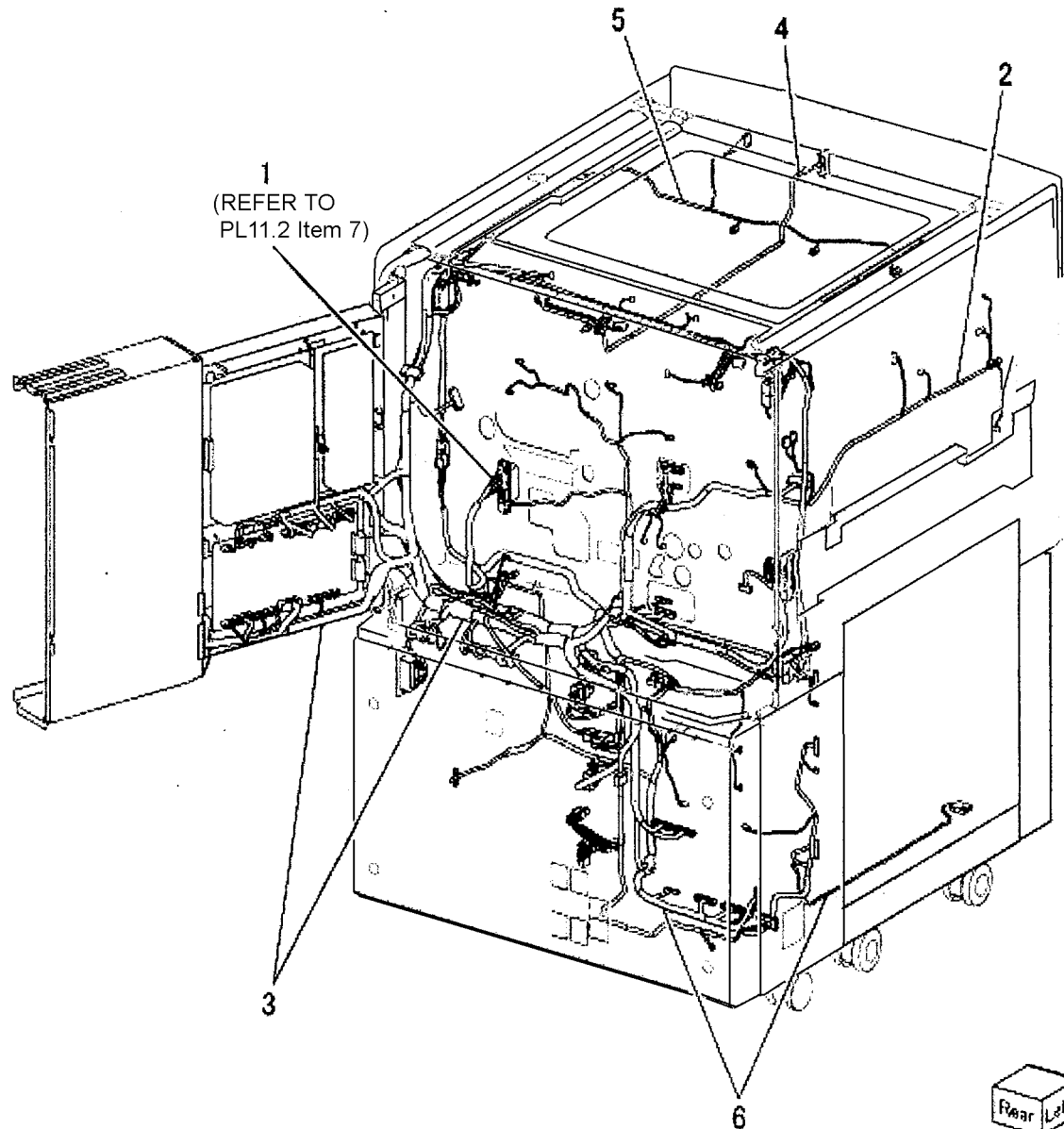
Item	Part	Description
1	-	Bracket Assembly (Not Spared)
2	-	Bracket Assembly (Not Spared)
3	-	Bracket Assembly (Not Spared)
4	105E17720	2nd BTR HVPS
5	-	Bracket (Not Spared)
6	-	Bracket (Not Spared)
7	960K53210	Tray Module PWB (REP 7.32)
8	105K24320	AC Power Supply (XE) (REP 1.1)
-	105K24330	AC Power Supply (XNA)
-	105K24340	AC Power Supply
-	105K24350	AC Power Supply (XE)
9	-	LVPS (P/O PL 11.3 Item 8)
10	-	AC Unit (P/O PL 11.3 Item 8)
11	-	5A Fuse (P/O PL 11.3 Item 8) (XE)
12	-	6.3A Fuse 5/6/7/8/9/10/11 (P/O PL 11.3 Item 8) (XE)
13	-	Power Cord (Not Spared)
14	105E19210	IIT LVPS
15	105E17730	Developer Bias HVPS (M, Y)



0511003B-OLY

## PL 11.4 Wire Harness

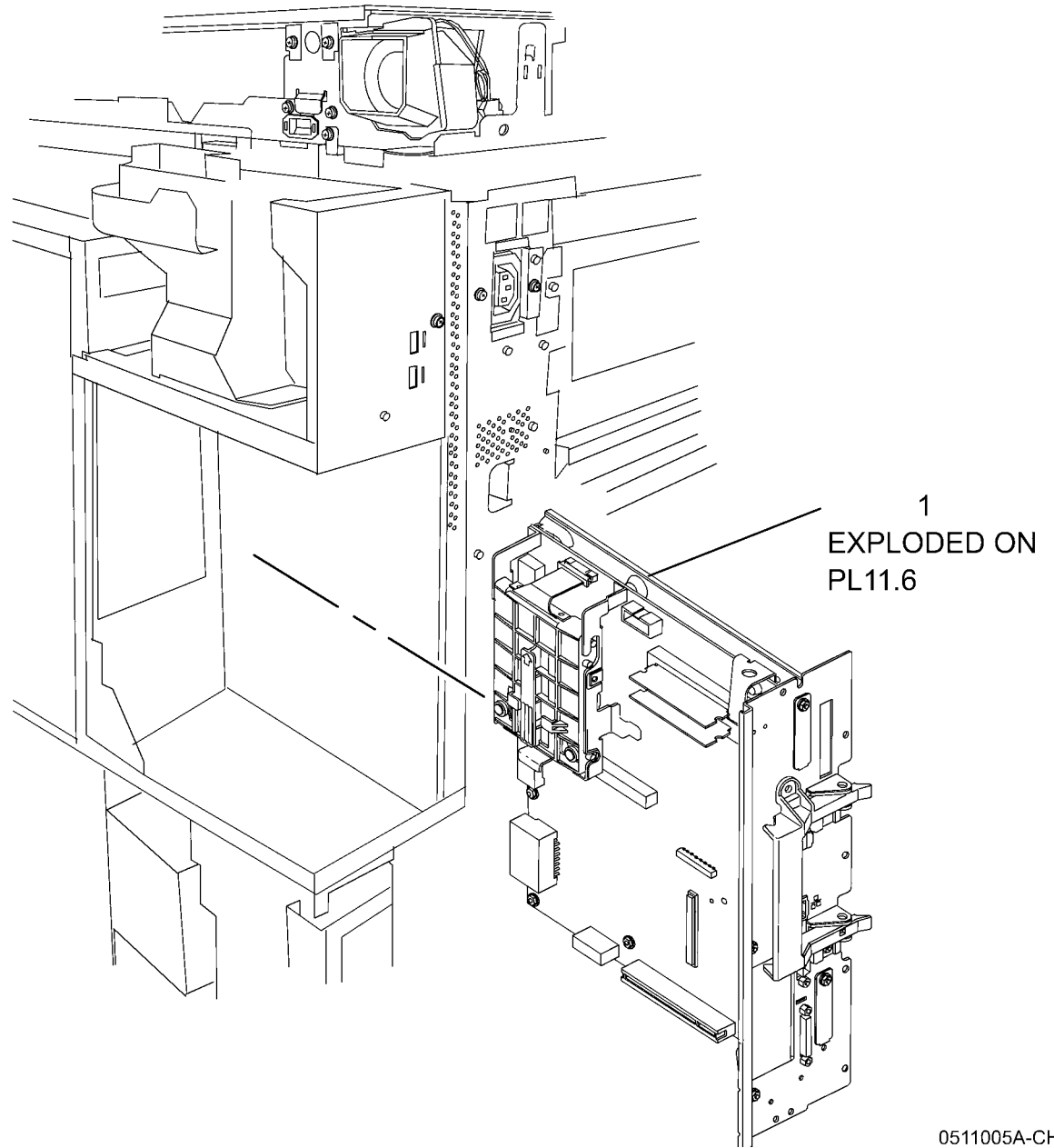
Item	Part	Description
1	962K85660	Fuser AC Wire Harness
2	-	Wire Harness (Signal) (Not Spared)
3	-	Wire Harness (Power) (Not Spared)
4	-	Wire Harness (Control) (Not Spared)
5	-	Wire Harness (R/H) (Not Spared)
6	-	Tray Module Harness (Not Spared)



0511004B-OLY

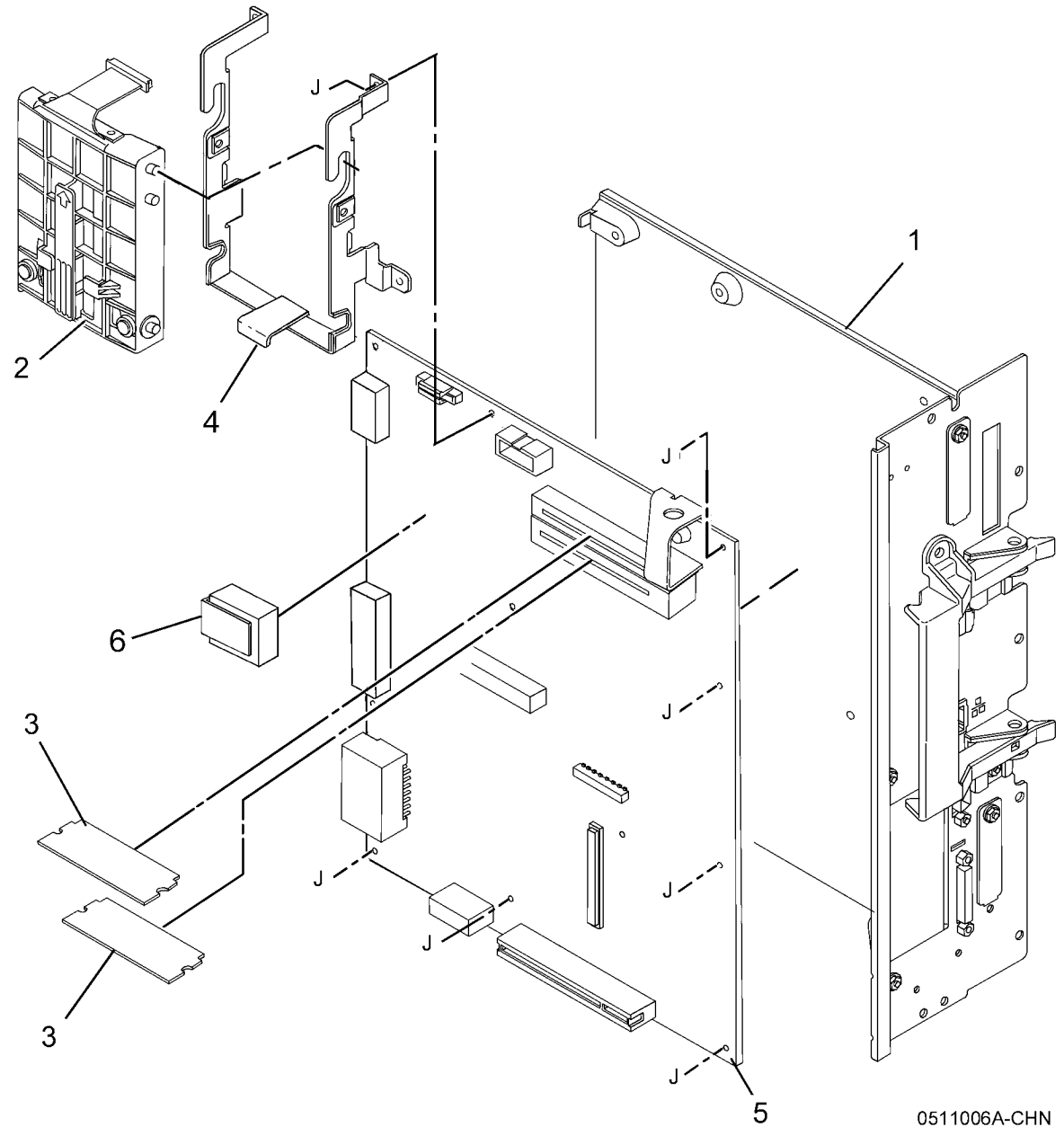
# PL 11.5 Control Unit (1 of 2)

Item	Part	Description
1	-	Control Housing Assembly (REP 3.2)



## PL 11.6 Control Unit (2 of 2)

Item	Part	Description
1	-	Control Frame (Not Spared)
2	101K61600	Hard Drive
3	133K26361	System Memory
4	-	Hard Drive Bracket (Not Spared)
5	960K54261	ESS PWB Assembly (REP 3.5)
6	101K60791	ESS NVM PWB (REP 3.16)

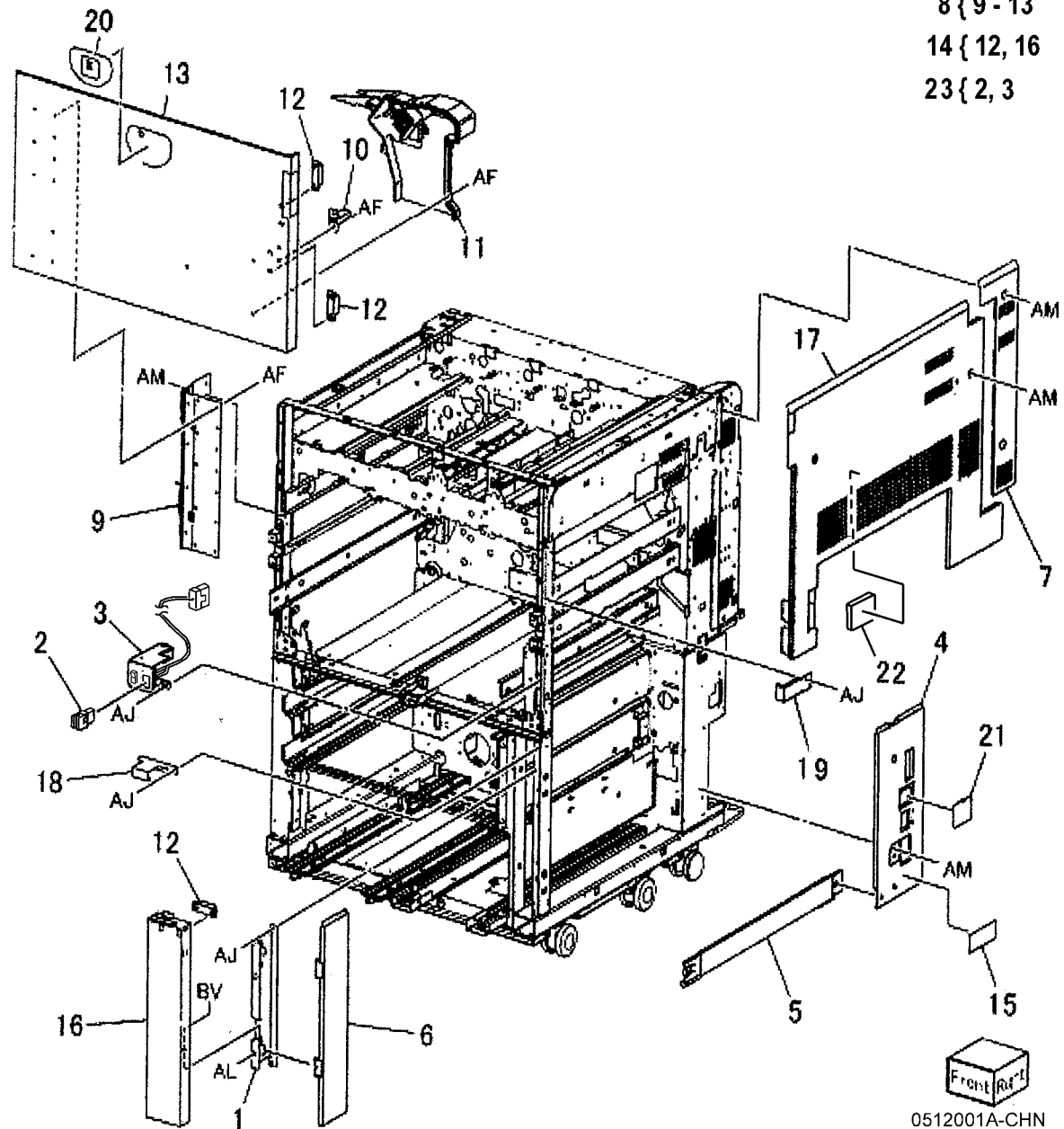


0511006A-CHN

# PL 12.1 Cover (1 of 2)

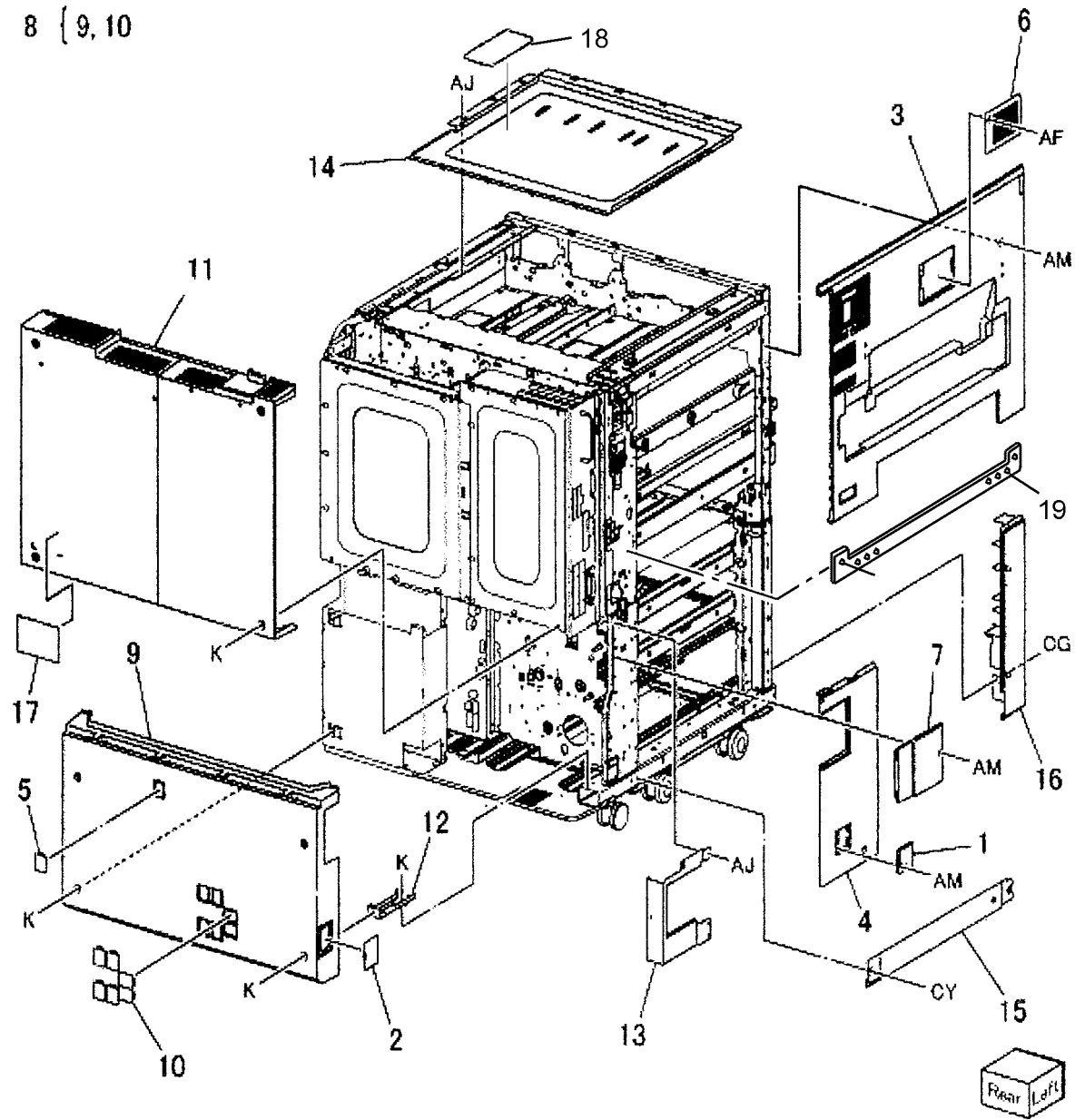
Item	Part	Description
1	-	Hinge
2	110E11980	Front Cover Interlock Switch
3	-	Bracket (Not Spared)
4	-	Right Rear Lower Cover
5	-	Right Lower Cover
6	-	Right Front Lower Cover
7	-	Right Rear Upper Cover
8	848K42260	Front Cover Assembly
-	848K47980	Front Cover Assembly (XNA)
9	-	Hinge (P/O PL 12.1 Item 8)
10	-	Guide (Not Spared)
11	-	Fuser Duct (P/O PL 12.1 Item 8)
12	121E92870	Magnet Catch
13	-	Front Cover (P/O PL 12.1 Item 8)
14	848K42280	Bottle Cover
15	-	Label (Earth) (Not Spared)
16	-	Bottle Cover (P/O PL 12.1 Item 14)
17	-	Right Upper Cover
18	-	Bracket (Not Spared)
19	-	Bracket (Not Spared)
20	-	Logo Plate (Not Spared)
21	-	Blind Cover (Not Spared)
22	053K93540	Right Hand Front Filter Assembly
23	110K16280	Main Switch Assembly

8 { 9 - 13  
 14 { 12, 16  
 23 { 2, 3



## PL 12.2 Cover (2 of 2)

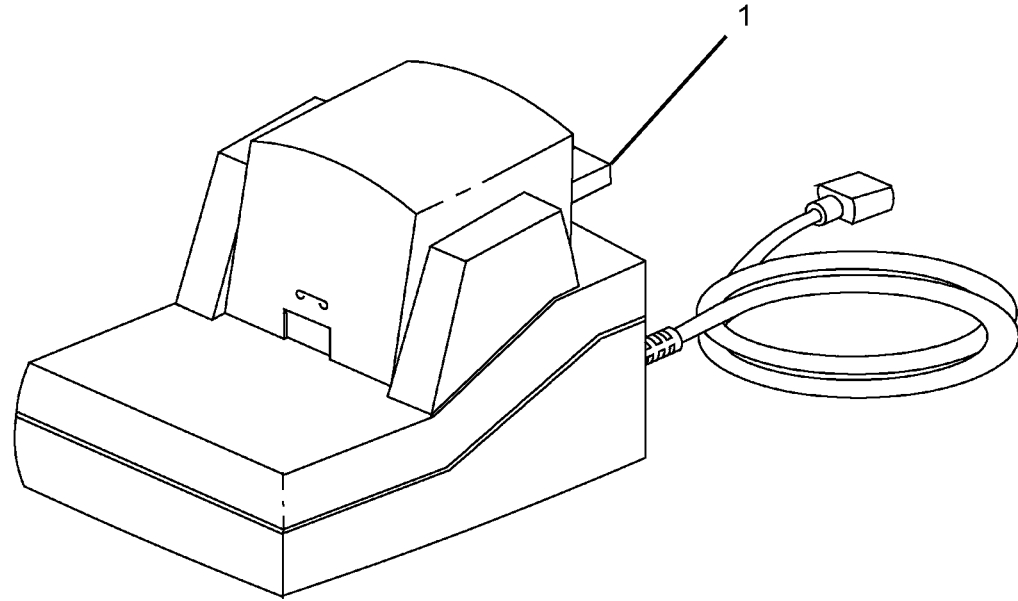
Item	Part	Description
1	-	Cover (Not Spared)
2	-	Blind Cover (Not Spared)
3	-	Left Upper Cover (Not Spared)
4	-	Left Rear Lower Cover (Not Spared)
5	-	Cover (Not Spared)
6	-	Filter Cover (Not Spared)
7	-	Filter Cover (Not Spared)
8	-	Rear Lower Cover (Not Spared)
9	-	Rear Lower Cover (P/O PL 12.2 Item 8)
10	-	Blind Cover (P/O PL 12.2 Item 8)
11	-	Rear Upper Cover (Not Spared)
12	-	Bracket (Not Spared)
13	-	Bracket (Not Spared)
14	-	IIT Plate (Not Spared)
15	-	Cover (Not Spared)
16	-	Cover (Not Spared)
17	-	Data Plate (Not Spared)
18	-	Label (CE) (Not Spared)
19	015K73210	C Finisher Mounting Plate
-	015K73250	D Finisher Mounting Plate
-	015K78590	IFM Mounting Plate



0512002B-OLY

## PL 12.4 Convenience Stapler

Item	Part	Description
1	604K35700	Convenience Stapler (XE)
-	604K35710	Convenience Stapler (XNA)

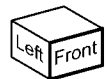
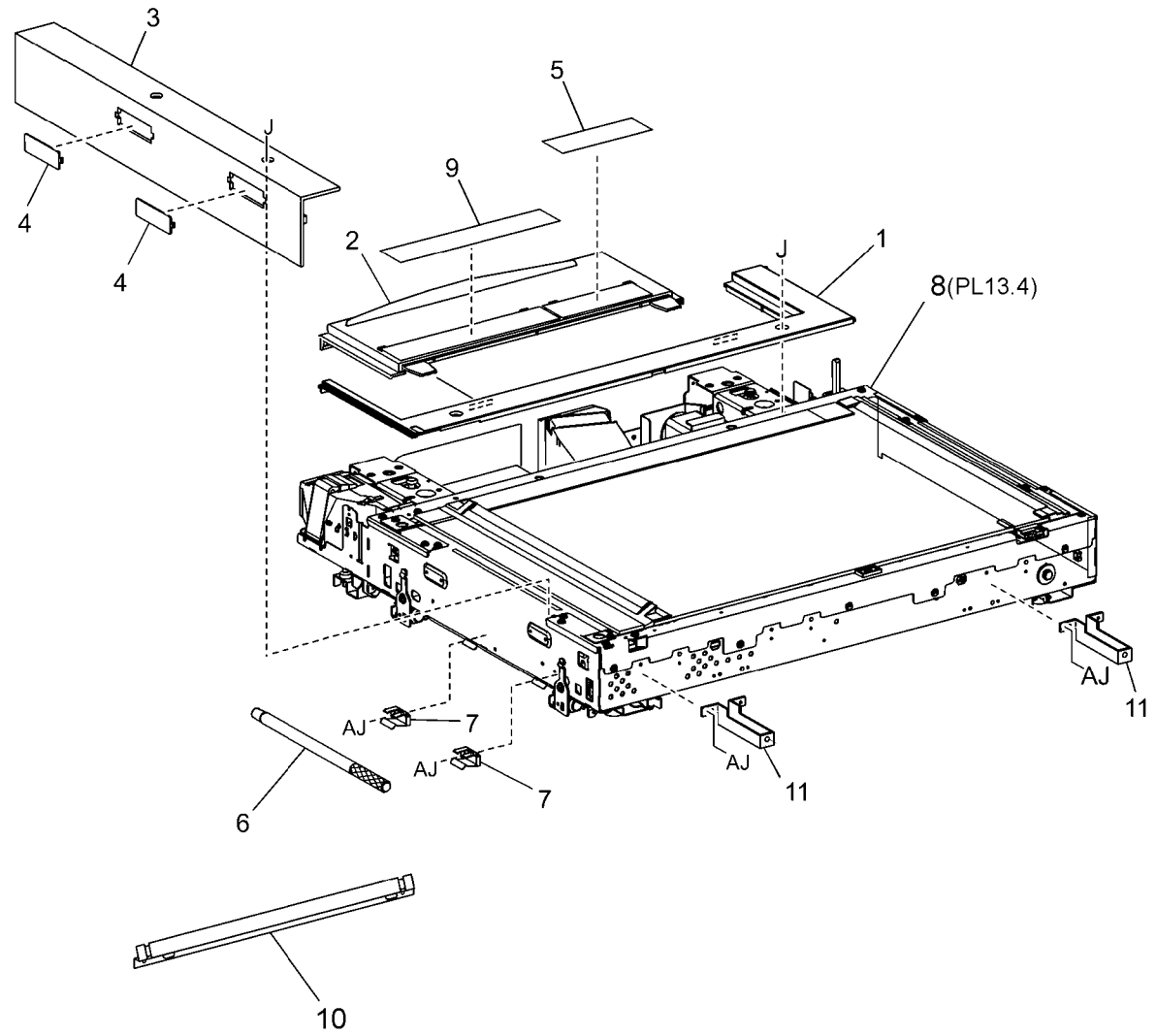


0512004A-OLY



## PL 13.1 IIT Cover - Front/Top

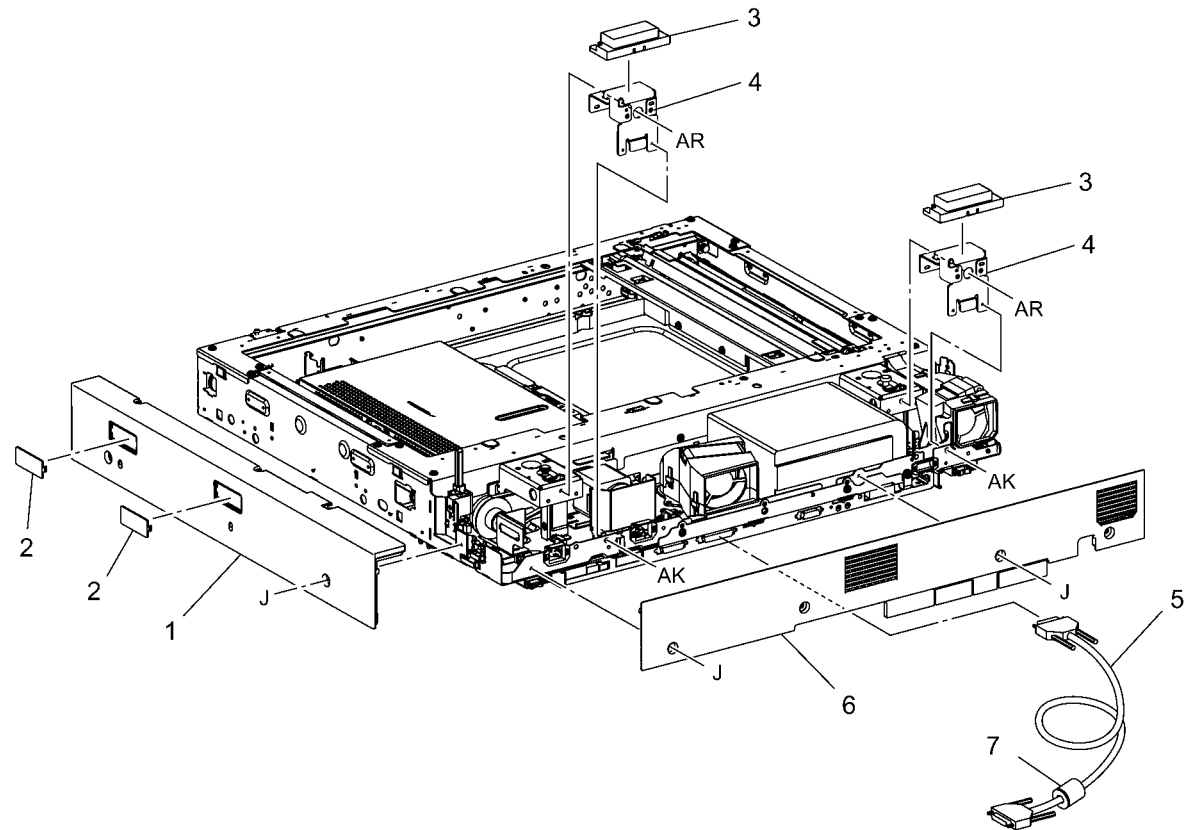
Item	Part	Description
1	-	Top Rear Cover 1 (Not Spared)
2	-	Top Rear Cover 2 (Not Spared)
3	-	IIT Left Cover (Not Spared)
4	-	Blind Cover (Not Spared)
5	-	Sensor Shield (Not Spared)
6	-	Lift Arm (Not Spared)
7	-	Arm Holder (Not Spared)
8	-	IIT Assembly (Not Spared) (REP 5.24)
9	-	Caution Label (Not Spared)
10	-	Shading Jig (Not Spared)
11	-	Bracket (Not Spared)



0513001A-CHN

## PL 13.2 IIT Cover - Rear/Right, Power Chassis

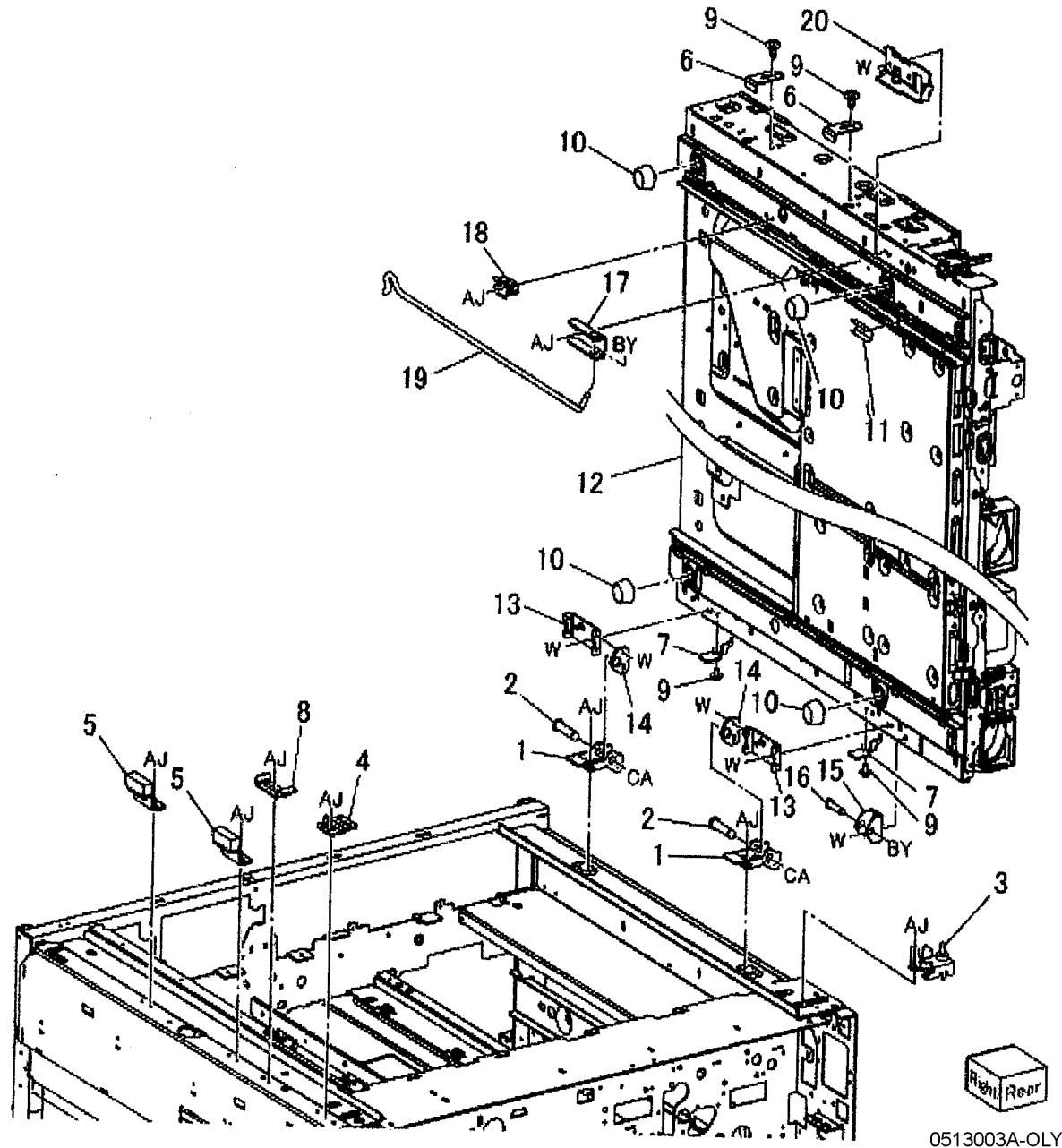
Item	Part	Description
1	-	IIT Right Cover (Not Spared)
2	-	Blind Cover (Not Spared)
3	-	Blind Cover
4	-	DADF Support Bracket (Not Spared)
5	117K44260	IIT-ESS Cable
6	-	IIT Rear Cover (Not Spared)
7	-	Cord



0513002A-OLY

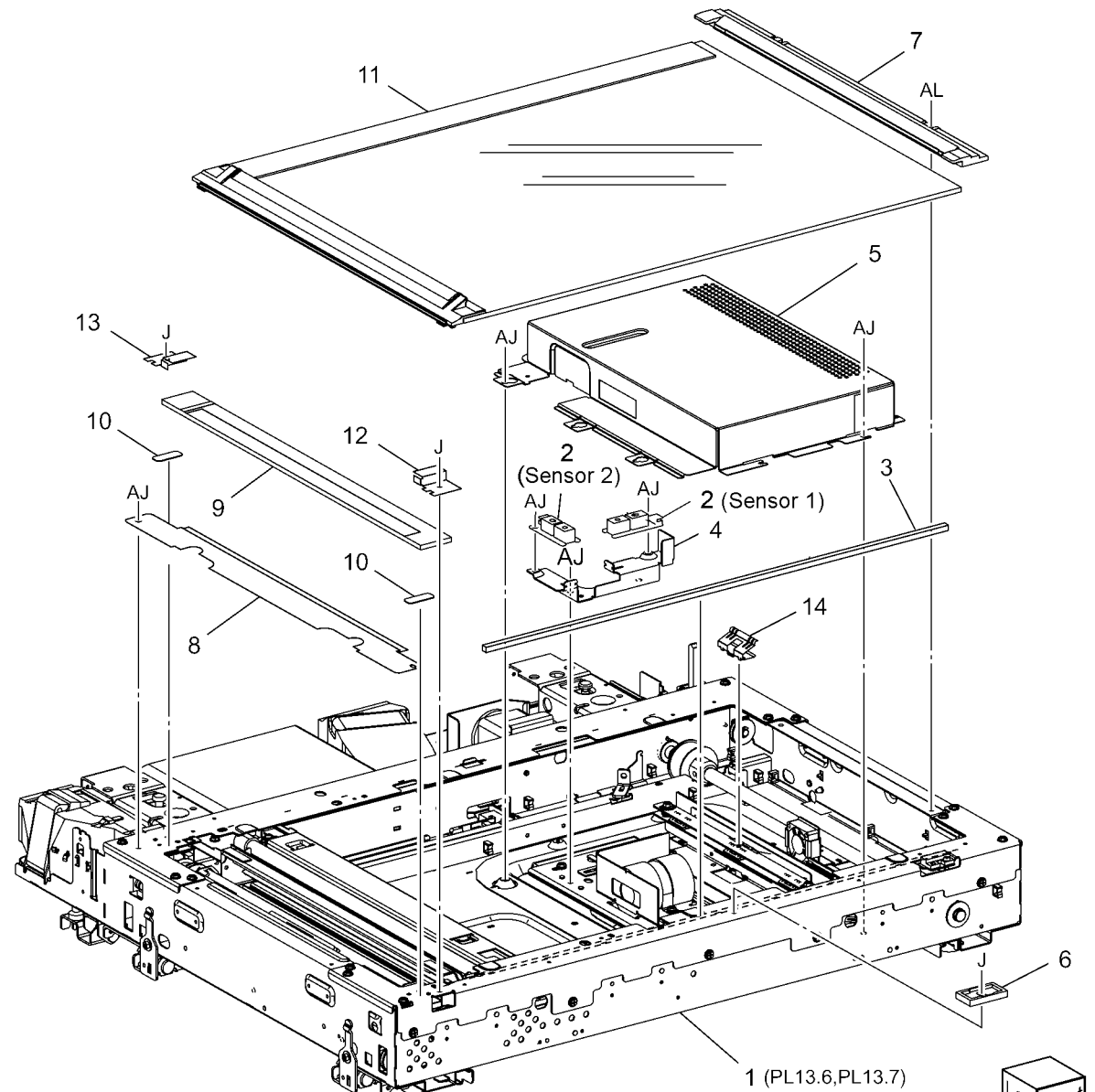
## PL 13.3 IIT Bottom Bracket

Item	Part	Description
1	-	Pivot Bracket (Not Spared)
2	-	Pivot Stud (Not Spared)
3	-	Left Locator Bracket (Not Spared)
4	-	Right Locator Bracket (Not Spared)
5	-	Foot Bracket (Not Spared)
6	-	Right Stopper (Not Spared)
7	-	Left Stopper (Not Spared)
8	-	Lock Brace Bracket (Not Spared)
9	-	Forming Screw (Not Spared)
10	017E94750	Foot
11	-	Bottom Seal (Not Spared)
12	-	IIT Frame (Not Spared)
13	-	Pivot Bracket (Not Spared)
14	-	Pivot Plate (Not Spared)
15	-	Locate Bracket (Not Spared)
16	-	Locate Stud (Not Spared)
17	-	Brace Bracket (Not Spared)
18	-	Brace Holder (Not Spared)
19	-	Brace Shaft Kit (Not Spared)
20	-	Arm Bracket (Not Spared)



## PL 13.4 IIT Component

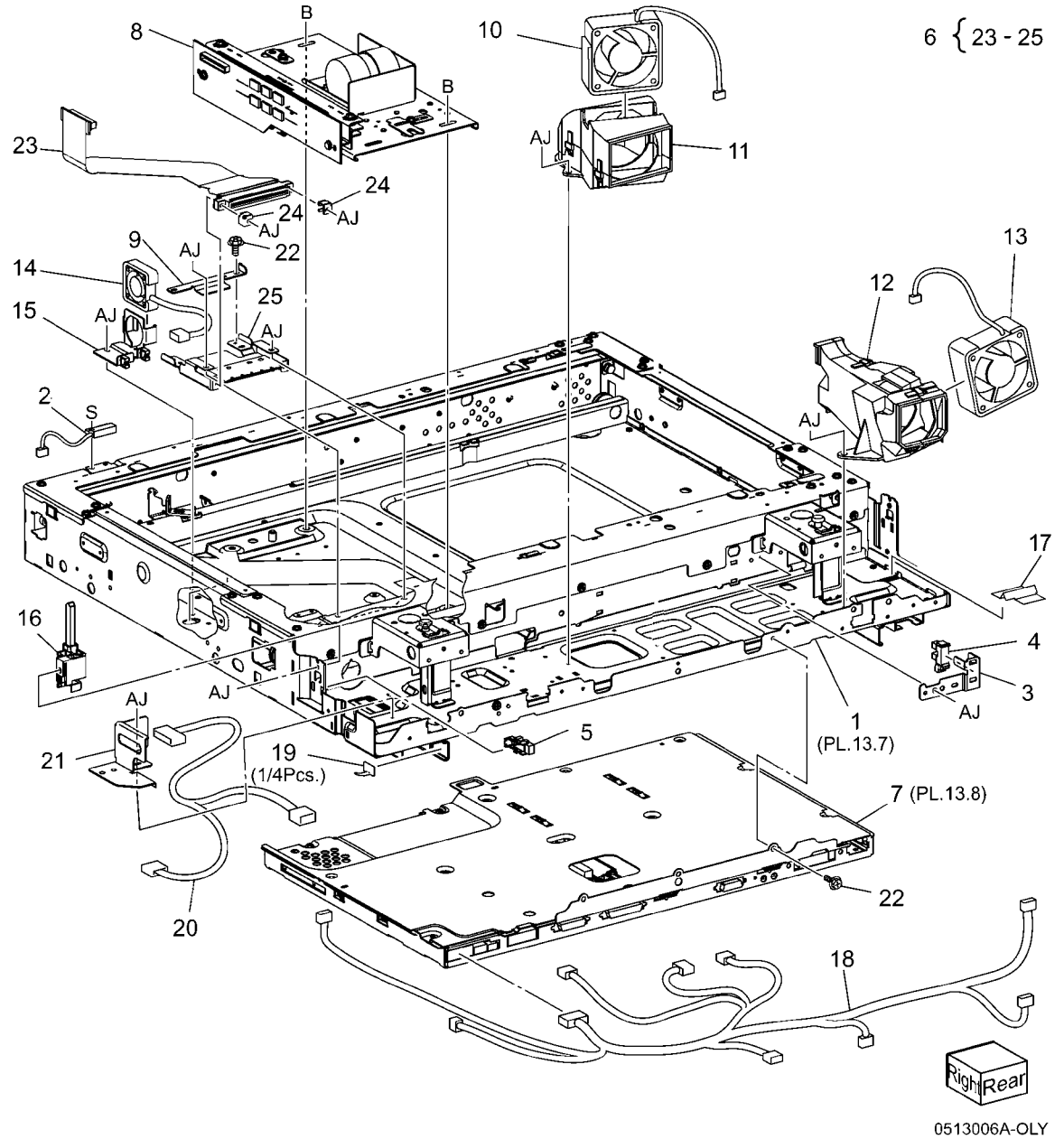
Item	Part	Description
1	-	IIT Housing
2	130K64150	APS Sensor 1, APS Sensor 2
3	-	Front Seal
4	-	Sensor Bracket (Not Spared)
5	-	Lens Cover (Not Spared) (REP 5.25)
6	-	Platen Glass Support (Not Spared)
7	-	Right Plate (Not Spared)
8	-	CVT Glass Plate (Not Spared)
9	090K93270	CVT Platen Glass
10	-	Spacer
11	090K93220	Platen Glass
12	-	Front Support (Not Spared)
13	-	Rear Support (Not Spared)
14	-	Conductor Plate (Not Spared)



Left Front  
0513004B-OLY

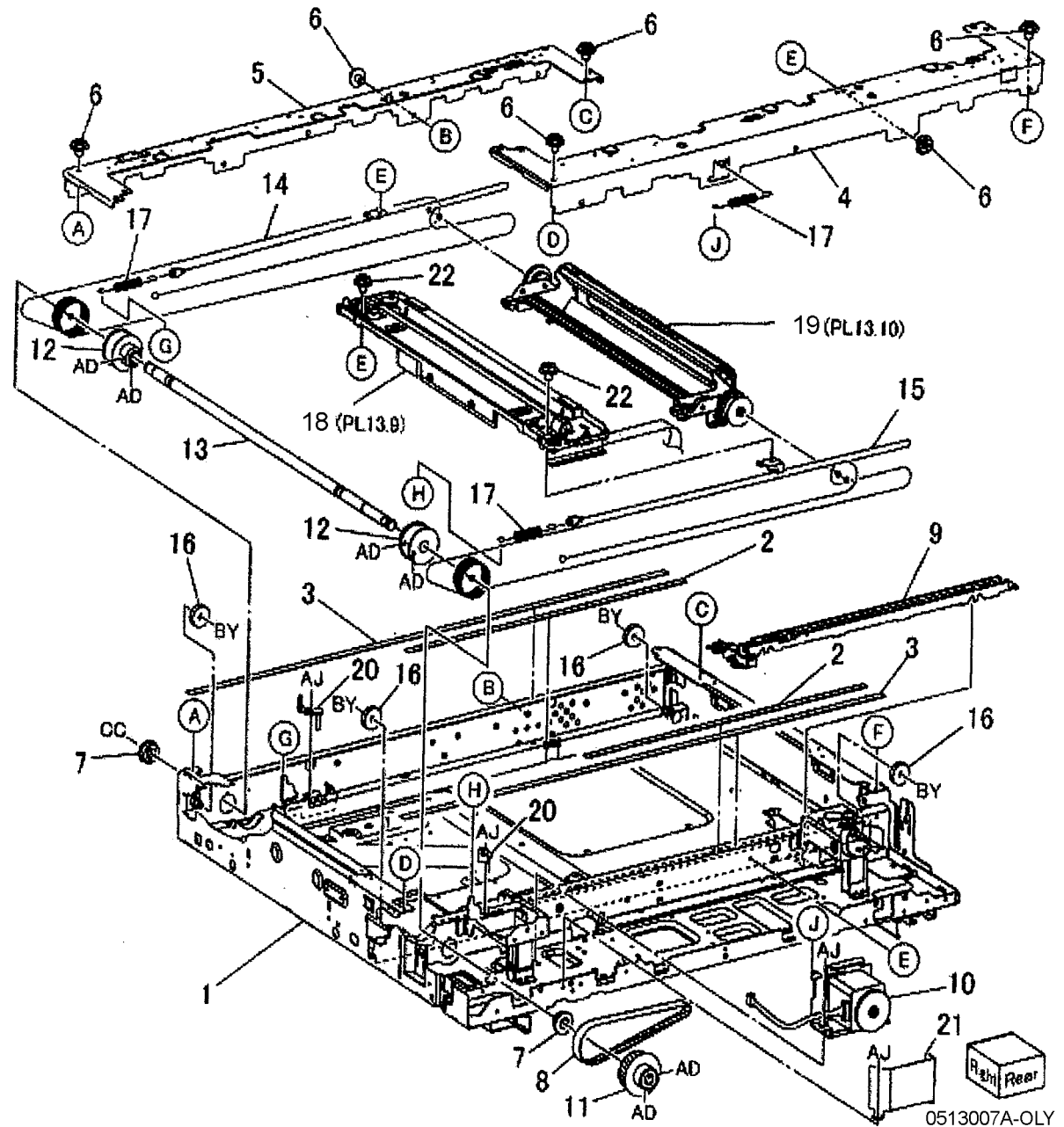
# PL 13.6 IIT Housing - Electrical

Item	Part	Description
1	-	IIT Frame
2	110K14940	Platen Interlock Switch
3	-	Sensor Bracket (Not Spared)
4	-	IIT Registration Sensor (Not Spared) (REP 5.26)
5	130E87280	Platen Angle Sensor (REP 5.27)
6	-	Charge Coupling Device Flex Print Cable (REP 5.28)
7	-	IIT Unit (REP 5.36)
8	604K47410	Lens Assembly (REP 5.29)
9	-	Gasket Bracket (Not Spared)
10	127K38620	IPS Fan (REP 5.30)
11	-	Duct (Not Spared)
12	-	Duct (Not Spared)
13	127K38632	Lamp Fan (REP 5.31)
14	127K38641	Charge Coupling Device Fan (REP 5.32)
15	-	Fan Bracket (Not Spared)
16	-	Actuator (Not Spared)
17	-	Seal
18	-	IIT Wire Harness (Not Spared)
19	-	Clamp
20	-	DC Wire Harness (Not Spared)
21	-	Connection Bracket (Not Spared)
22	-	Screw (Blue) (Not Spared)
23	962K19802	Cable
24	-	Spacer (Not Spared)
25	-	Bracket (Not Spared)



# PL 13.7 IIT Housing - Carriage

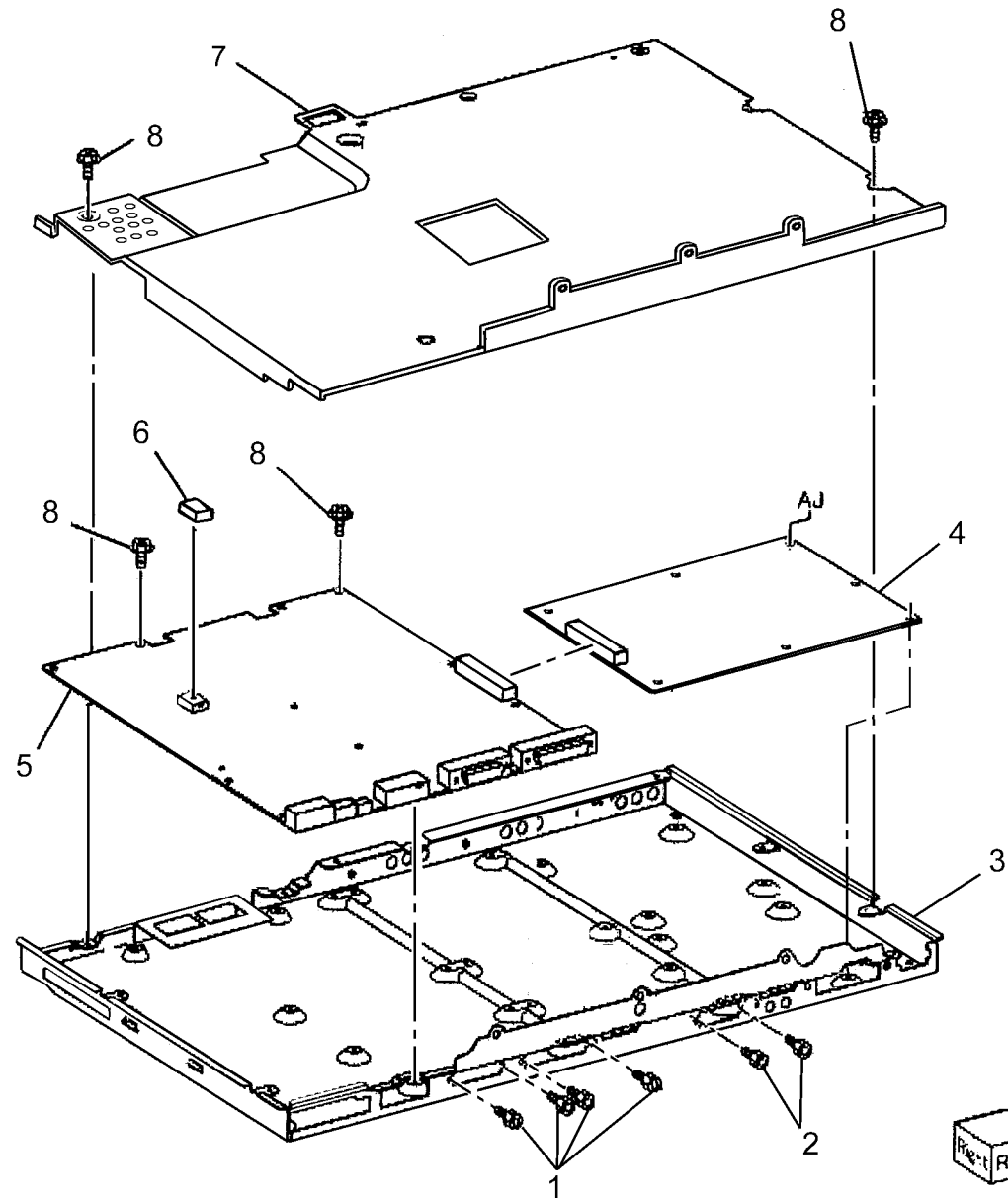
Item	Part	Description
1	-	IIT Frame (Not Spared)
2	-	Tape (Half Rate Carriage) (Not Spared)
3	-	Tape (Full Rate Carriage) (Not Spared)
4	-	Front Top Frame (Not Spared)
5	-	Rear Top Frame (Not Spared)
6	-	Screw (Red) (Not Spared)
7	013E24910	Sleeve Bearing
8	023E26740	Belt
9	-	Harness Guide (Not Spared)
10	127K38491	Carriage Motor (REP 5.33)
11	-	Pulley
12	-	Capstan Pulley (Not Spared)
13	-	Capstan Shaft (Not Spared)
14	-	Front Carriage Cable (Black) (Not Spared)
15	-	Rear Carriage Cable (Silver) (Not Spared) (REP 5.35)
16	-	Pulley
17	-	Spring Kit (Not Spared)
18	041K95840	Full Rate Carriage (REP 5.34)
19	041K95850	Half Rate Carriage
20	-	Jig (Not Spared)
21	-	Motor Guard (Not Spared)
22	-	Screw (Blue)



0513007A-OLY

# PL 13.8 IIT Unit

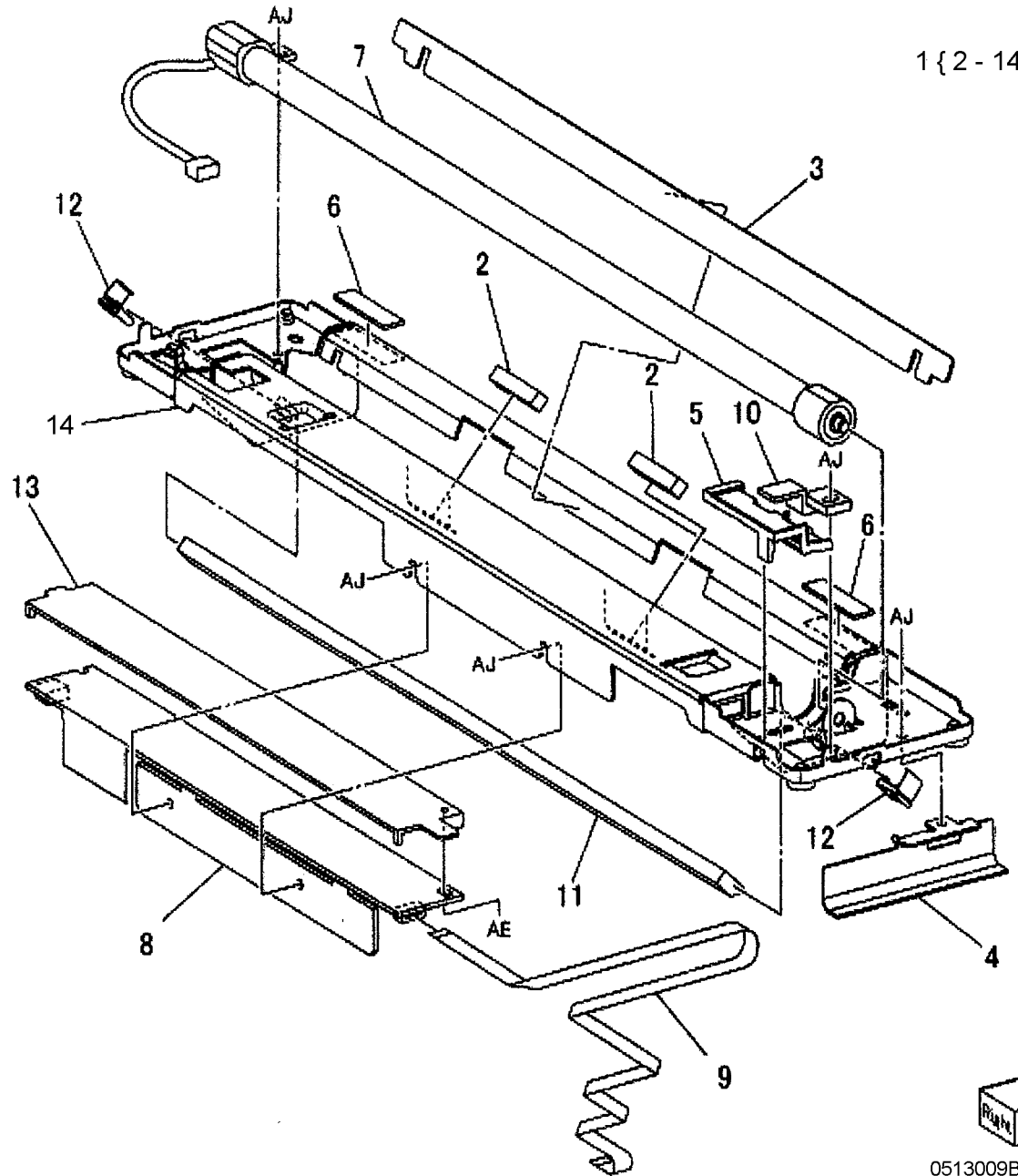
Item	Part	Description
1	-	Screw
2	-	Screw (Not Spared)
3	-	IIT/IPS Chassis (Not Spared)
4	960K53570	Connector PWB
5	960K53560	IIT PWB (REP 5.36)
6	-	EEPROM (P/O PL 13.8 Item 5)
7	-	IIT/IPS Cover (Not Spared)
8	-	TP Screw (Not Spared)



0513008A-CHN

## PL 13.9 Full Rate Carriage Component

Item	Part	Description
1	-	Full Rate Carriage (P/O PL 13.7 Item 18)
2	-	Damper (P/O PL 13.9 Item 1)
3	-	Reflector Plate (P/O PL 13.9 Item 1)
4	-	Actuator Plate (P/O PL 13.9 Item 1)
5	-	Harness Guide (P/O PL 13.9 Item 1)
6	-	Cushion (P/O PL 13.9 Item 1)
7	122E92130	Exposure Lamp (REP 5.37)
8	105E12301	Lamp Ballast PWB (REP 5.38)
9	-	Slide Cord (P/O PL 13.9 Item 1) (REP 5.39)
10	-	Harness Guide (P/O PL 13.9 Item 1)
11	-	No. 1 Mirror (P/O PL 13.9 Item 1)
12	-	Clip (Single) (P/O PL 13.9 Item 1)
13	-	Insulator (P/O PL 13.9 Item 1)
14	-	Full Rate Carriage Base (P/O PL 13.9 Item 1)



1 { 2 - 14



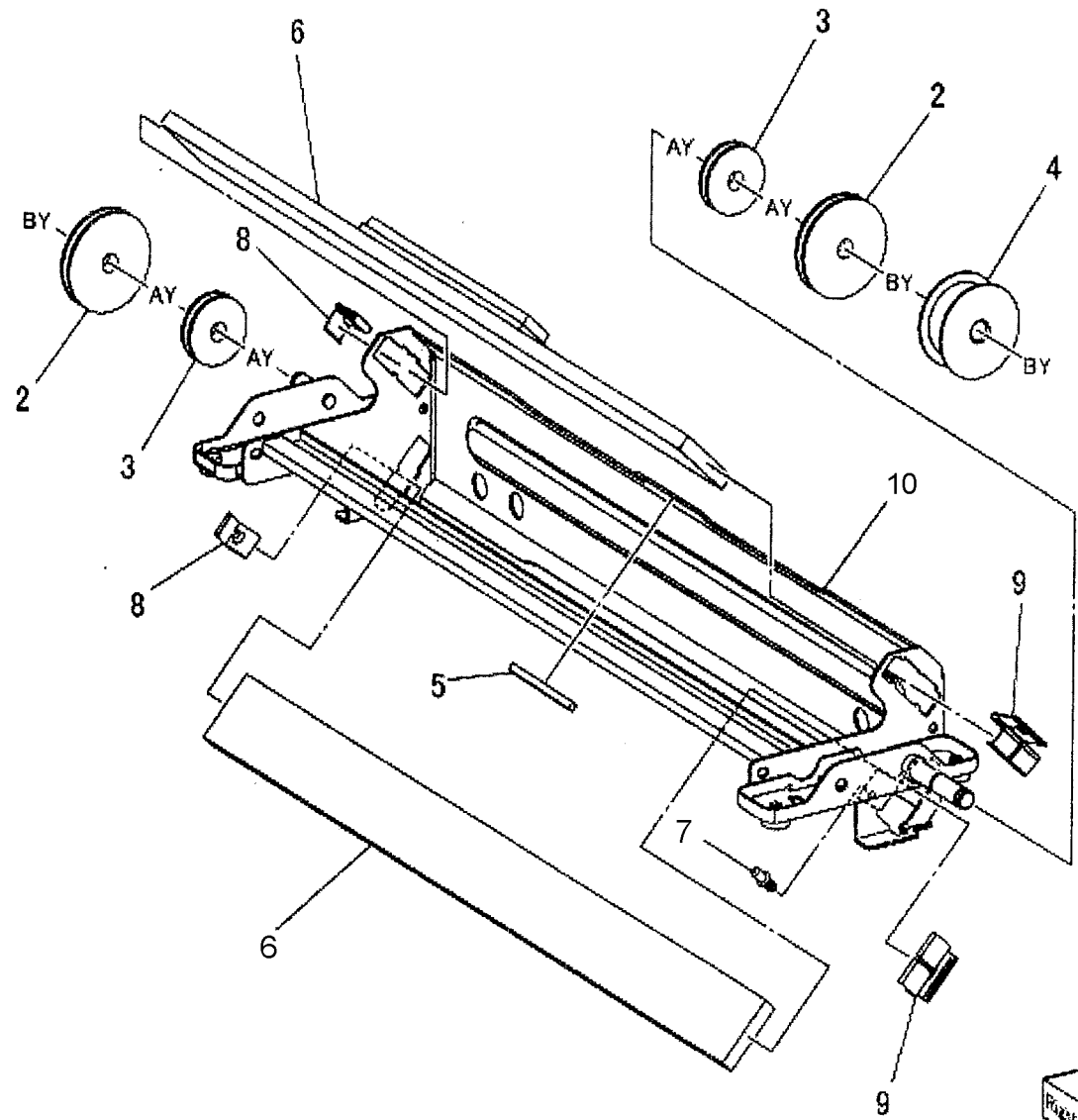
0513009B-OLY



## PL 13.10 Half Rate Carriage Component

Item	Part	Description
1	-	Half Rate Carriage (P/O PL 13.7 Item 19)
2	-	Pulley (P/O PL 13.10 Item 1)
3	-	Pulley (P/O PL 13.10 Item 1)
4	-	Harness Pulley (P/O PL 13.10 Item 1)
5	-	Damper (P/O PL 13.10 Item 1)
6	-	No.2 Mirror (P/O PL 13.10 Item 1)
7	-	Adjust Screw (P/O PL 13.10 Item 1)
8	-	Clip (Single) (P/O PL 13.10 Item 1)
9	-	Clip (Double) (P/O PL 13.10 Item 1)
10	-	Half Rate Carriage (P/O PL 13.10 Item 1)

1 { 2 - 10

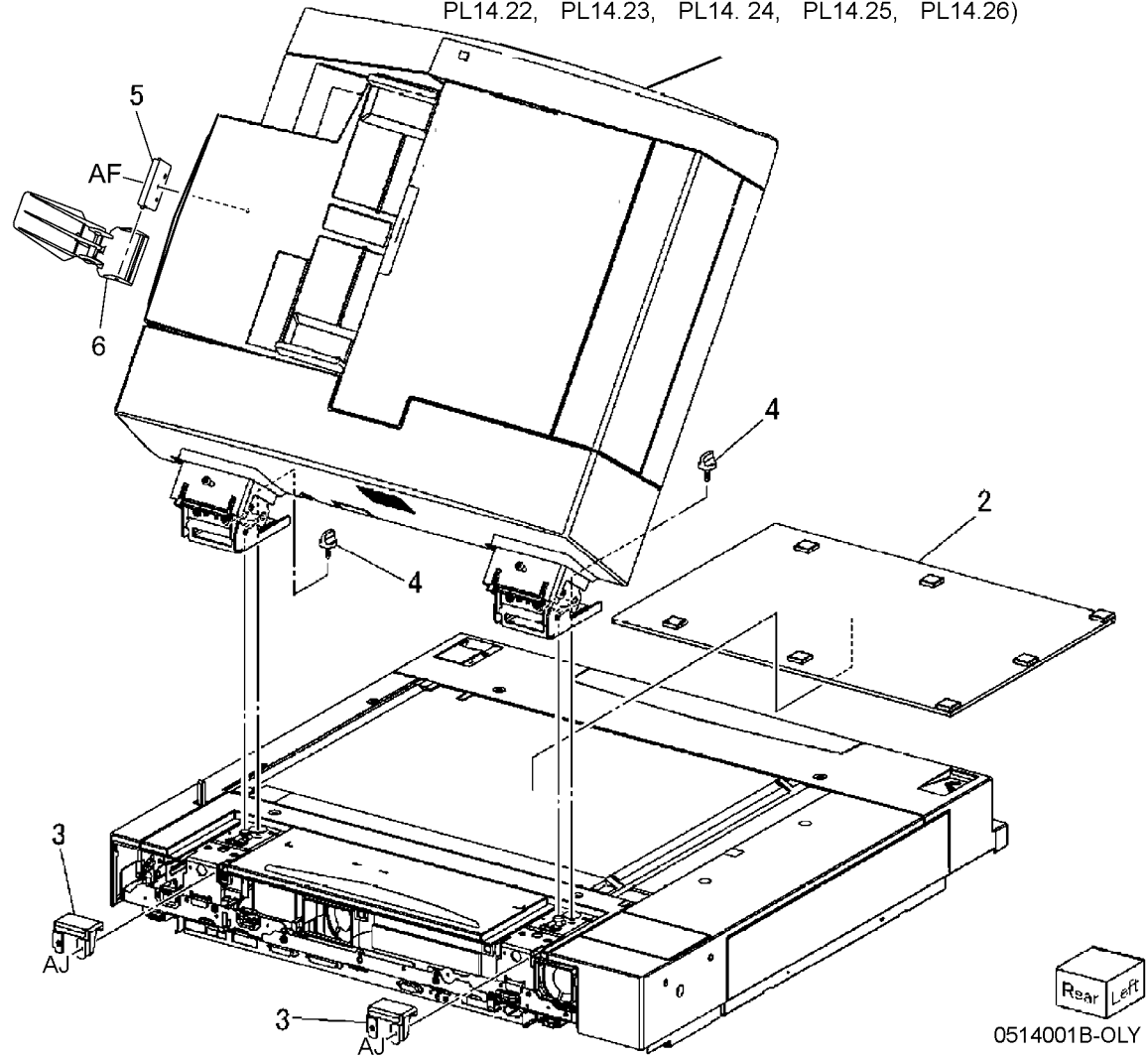


0513010B-OLY

# PL 14.1 DADF

Item	Part	Description
1	059K71390	DADF Assembly (REP 5.1, REP 5.2)
2	004K92582	Platen Cushion
3	-	DADF Support
4	003K91881	Knob Screw
5	003E62120	Hinge
6	003K13752	Paper Stop

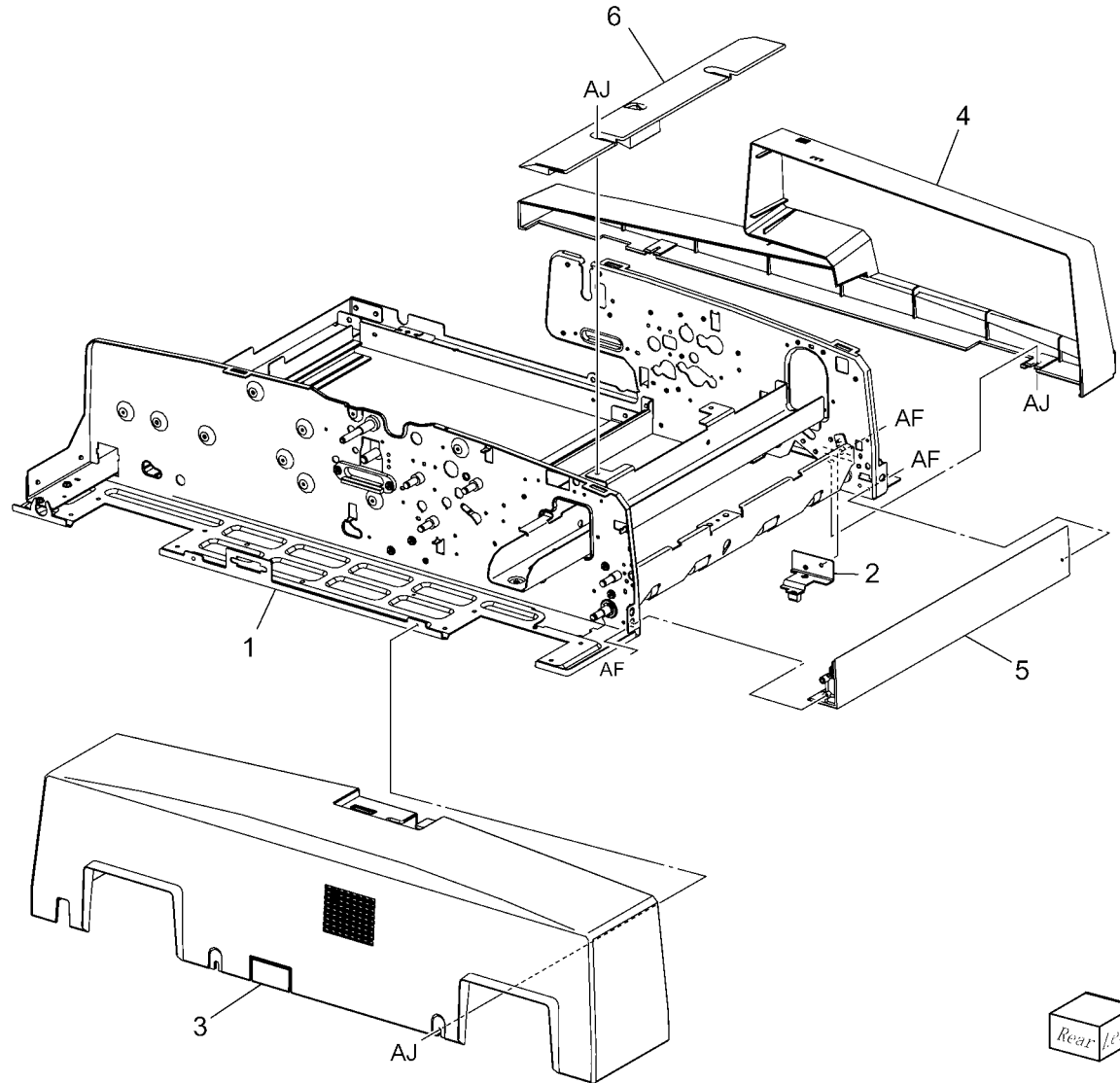
1 (PL14.2, PL14.3, PL14.4, PL14.5, PL14.6, PL14.7, PL14.8,  
 PL14.9, PL14.10, PL14.11, PL14.12, PL14.14, PL14.15,  
 PL14.16,, PL14.17, PL14.18, PL14.19, PL14.20, PL14.21  
 PL14.22, PL14.23, PL14.24, PL14.25, PL14.26)



0514001B-OLY

## PL 14.2 DADF Cover

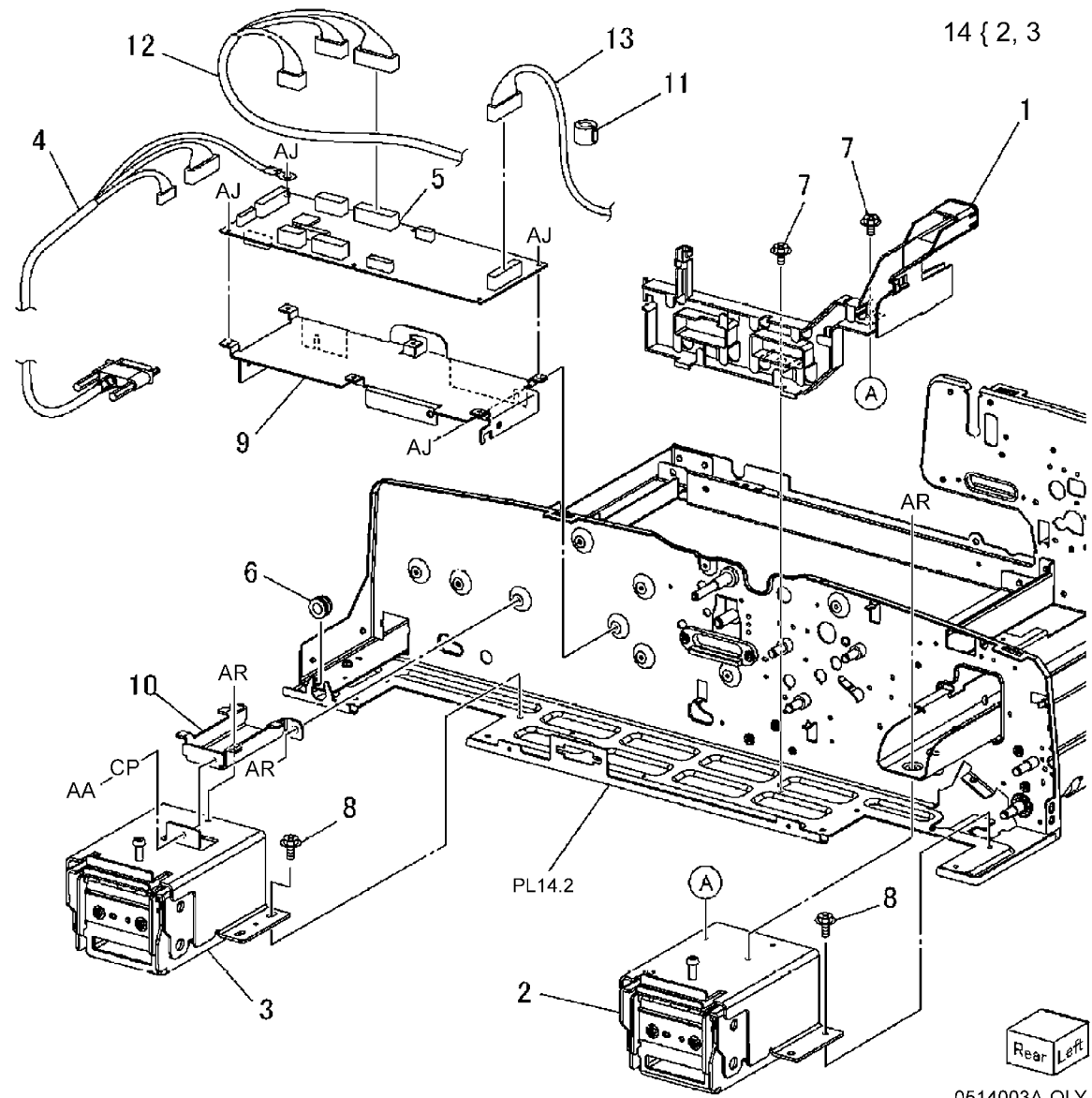
Item	Part	Description
1	-	Frame (P/O PL 14.1 Item 1)
2	-	Harness Guide (P/O PL 14.1 Item 1)
3	-	DADF Rear Cover (P/O PL 14.1 Item 1) (REP 5.3)
4	802E56892	DADF Front Cover (REP 5.3)
5	802E56902	DADF Left Lower Cover (REP 5.3)
6	-	Upper Guide Chute (P/O PL 14.1 Item 1)



0514002A-OLY

## PL 14.3 DADF PWB, Counter Balance

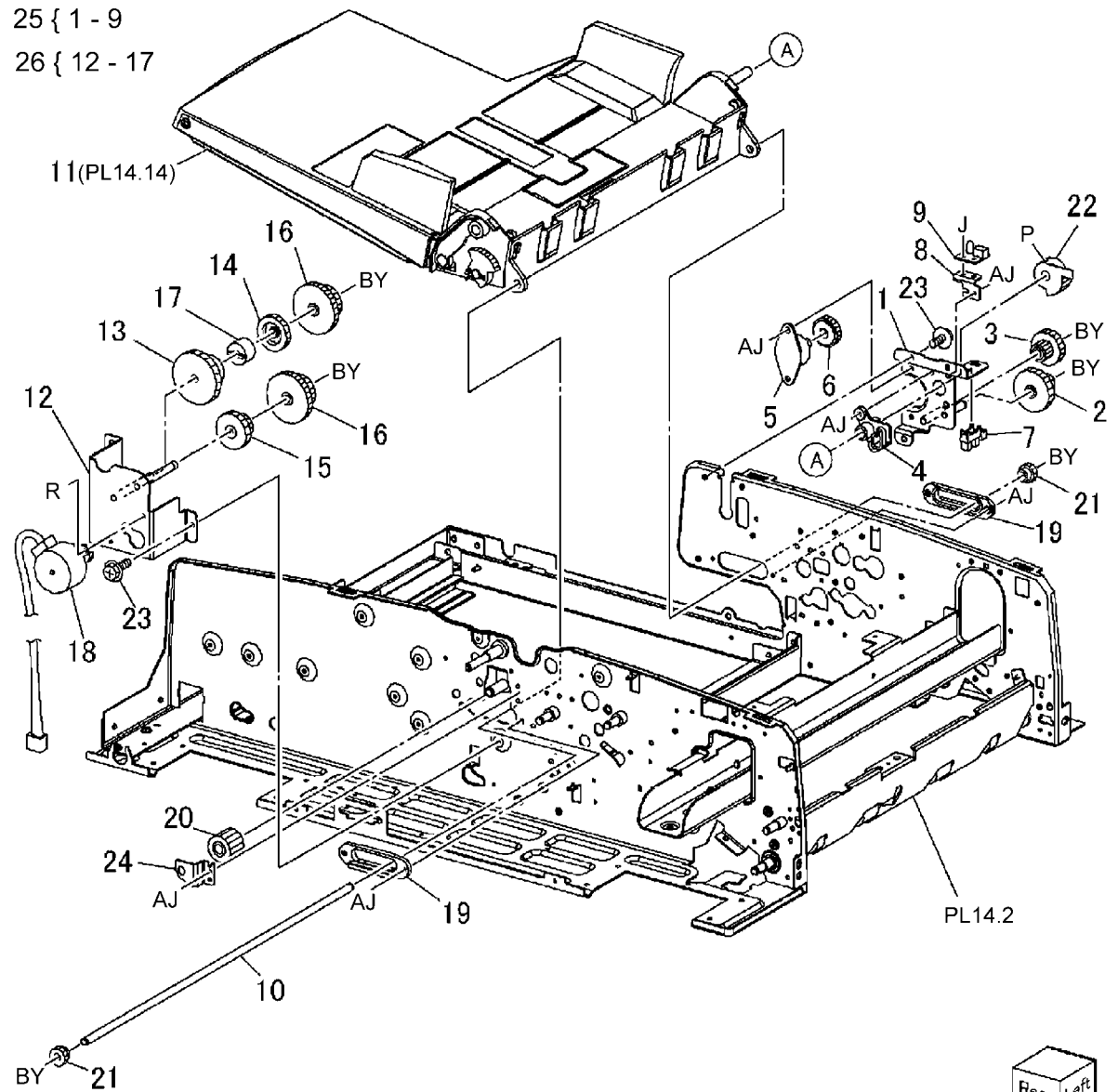
Item	Part	Description
1	-	Harness Guide (P/O PL 14.1 Item 1)
2	-	Right Counter Balance (P/O PL 14.3 Item 14) (REP 5.5)
3	-	Left Counter Balance (P/O PL 14.3 Item 14) (REP 5.4)
4	117E27450	IIT-DADF Cable
5	160K97359	DADF PWB (REP 5.6)
6	-	Grommet (P/O PL 14.1 Item 1)
7	-	Round Point Screw (M3) (Not Spared)
8	-	Round Point Screw (M4) (P/O PL 14.1 Item 1)
9	-	PWB Bracket (P/O PL 14.1 Item 1)
10	-	Bracket (P/O PL 14.1 Item 1)
11	-	Core (P/O PL 14.1 Item 1)
12	-	DADF Front Wire Harness (P/O PL 14.1 Item 1)
13	-	DADF Motor Wire Harness (P/O PL 14.1 Item 1)
14	604K25240	Counter Balance Kit



0514003A-OLY

# PL 14.4 DADF Document Tray, Tray Motor

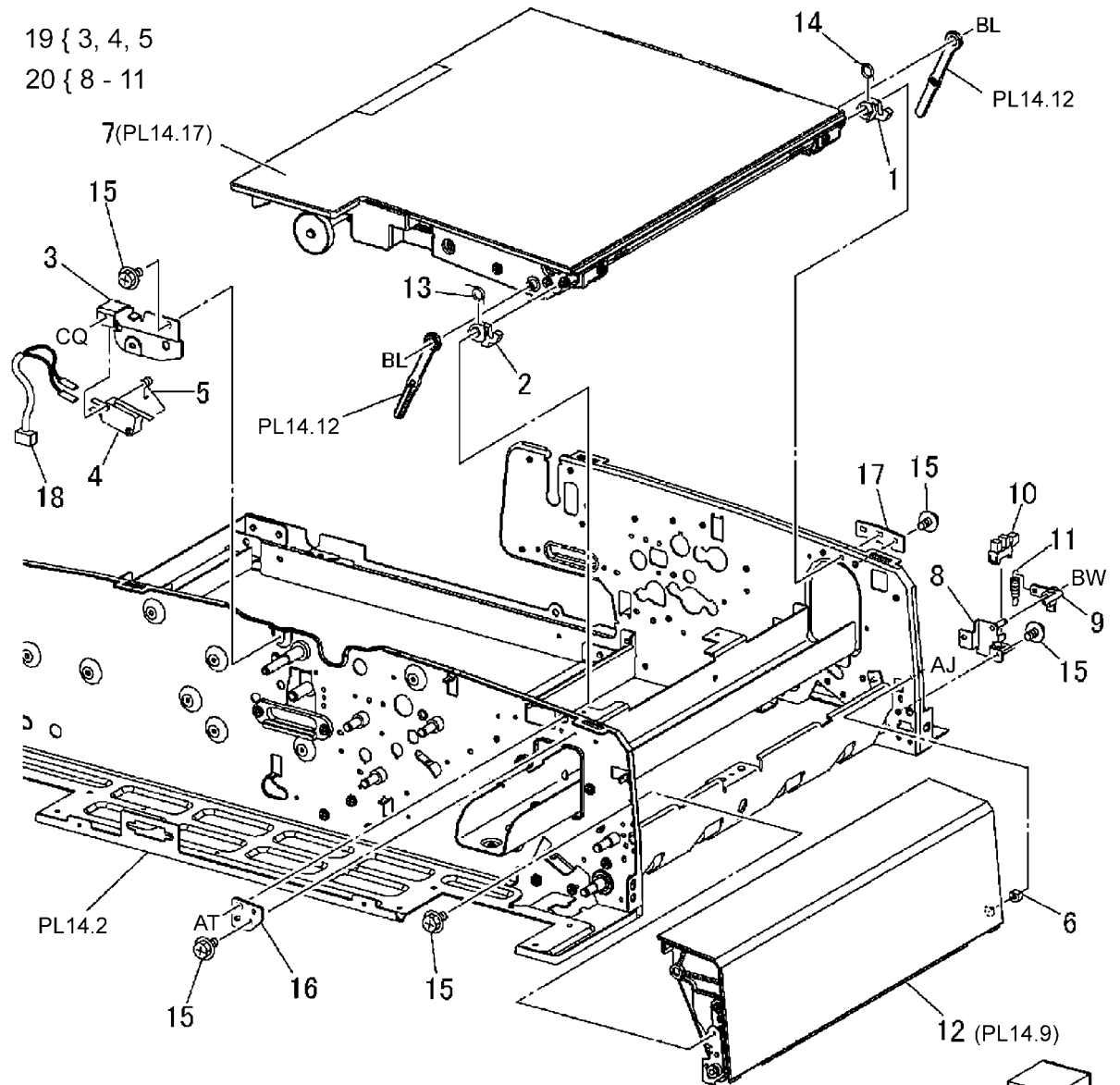
Item	Part	Description
1	-	Bracket (P/O PL 14.4 Item 25)
2	-	Gear (40T/16T) (P/O PL 14.4 Item 25)
3	-	Gear (32T/16T) (P/O PL 14.4 Item 25)
4	-	Hinge (P/O PL 14.4 Item 25)
5	-	Oil Damper (P/O PL 14.4 Item 25)
6	-	One Way Clutch Gear (27T) (P/O PL 14.4 Item 25)
7	130E84280	Tray Interlock Sensor
8	-	LED Bracket (P/O PL 14.4 Item 25)
9	160K97600	Document Set LED
10	-	Pinion Shaft (P/O PL 14.1 Item 1)
11	050K52415	DADF Document Tray
12	-	Bracket (P/O PL 14.4 Item 26)
13	-	Gear (48T) (P/O PL 14.4 Item 26)
14	-	Gear (33T) (P/O PL 14.4 Item 26)
15	-	Gear (33T/18T) (P/O PL 14.4 Item 26)
16	-	Gear (48T/18T) (P/O PL 14.4 Item 26)
17	-	Torque Limiter (P/O PL 14.4 Item 26)
18	127K38402	Tray Motor
19	-	Rack Guide (P/O PL 14.4 Item 26)
20	807E00310	Gear (25T)
21	-	Pinion Gear (P/O PL 14.4 Item 26)
22	807E00672	Sector Gear
23	-	Round Point Screw (P/O PL 14.1 Item 1)
24	-	Bracket (P/O PL 14.1 Item 1)
25	-	Damper Assembly (P/O PL 14.4 Item 1)
26	-	Lift Gear Assembly (Not Spared)



0514004A-OLY

# PL 14.5 Feeder Upper Chute, DADF Left Upper Cover

Item	Part	Description
1	003E60310	Left Cover Front Latch
2	003E60321	Left Cover Rear Latch
3	-	Switch Bracket (P/O PL 14.5 Item 19)
4	-	Feeder Cover Interlock Switch (P/O PL 14.5 Item 19)
5	-	Torsion Spring (P/O PL 14.5 Item 19)
6	-	Bushing (P/O PL 14.1 Item 1)
7	054K24448	Feeder Upper Chute
8	-	Bracket (P/O PL 14.5 Item 20)
9	-	Actuator (P/O PL 14.5 Item 20)
10	130E84280	L/H Cover Interlock Sensor
11	-	Tension Spring (P/O PL 14.5 Item 20)
12	802K57193	DADF Left Upper Cover
13	-	Torsion Spring (Not Spared)
14	-	Torsion Spring (Not Spared)
15	-	Round Point Screw (Not Spared)
16	-	Hinge Bracket (P/O PL 14.1 Item 1)
17	-	Hinge Bracket (P/O PL 14.1 Item 1)
18	-	Wire Harness (P/O PL 14.1 Item 1)
19	003K13291	Feeder Cover Interlock Switch Assembly
20	-	Left Hand Cover Interlock Switch Assembly (P/O PL 14.1 Item 1)

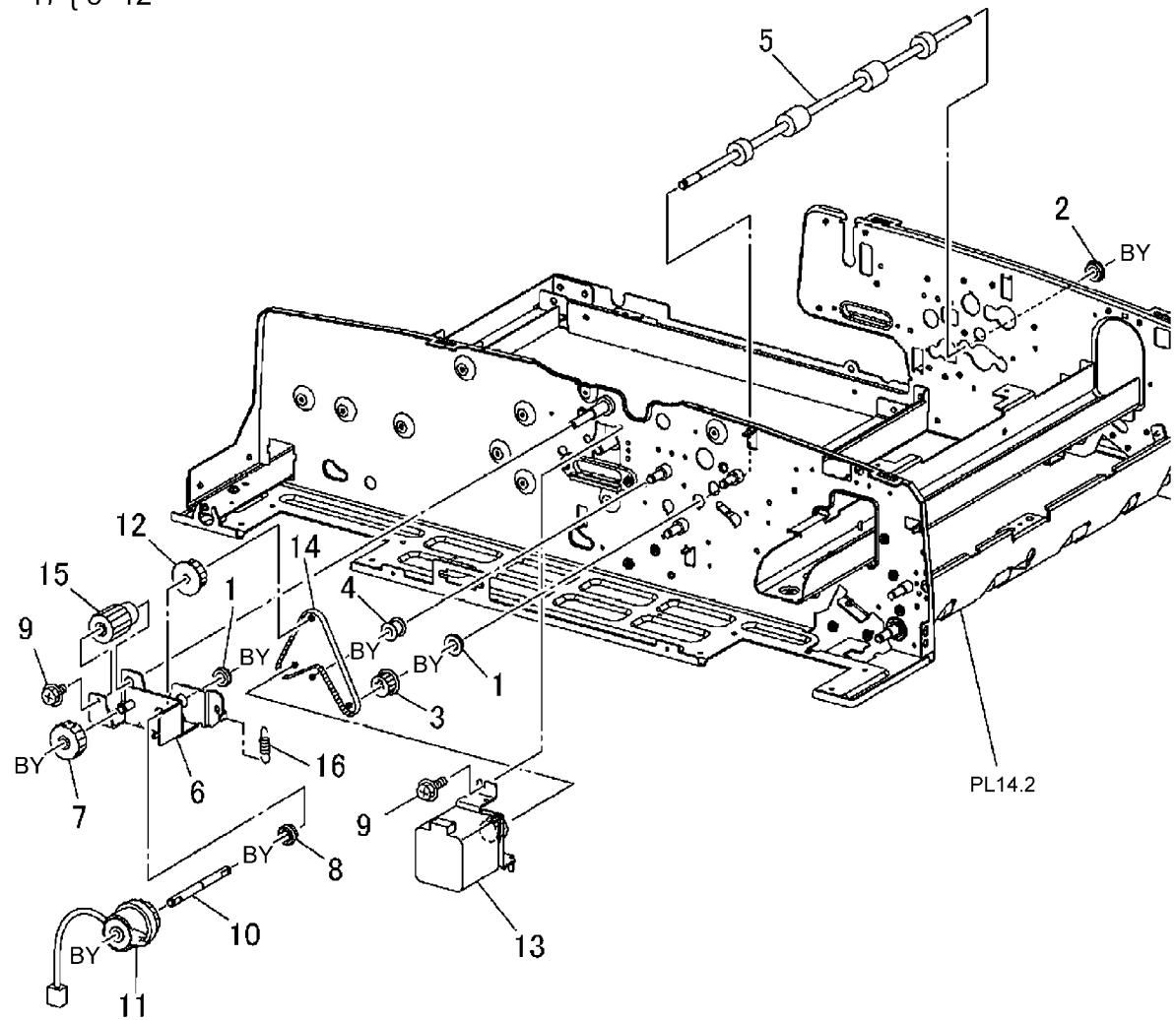


0514005B-OLY

# PL 14.6 Feed Motor, Feed Clutch, Invert Drive Roll

17 { 6 -12

Item	Part	Description
1	-	Ball Bearing (P/O PL 14.1 Item 1)
2	-	Sleeve Bearing (P/O PL 14.1 Item 1)
3	-	Pulley (P/O PL 14.1 Item 1)
4	-	Pulley (P/O PL 14.1 Item 1)
5	-	Invert Drive Roll (P/O PL 14.1 Item 1) (REP 5.7)
6	-	Clutch Bracket (P/O PL 14.6 Item 17)
7	-	Gear (24T) (P/O PL 14.6 Item 17)
8	-	Sleeve Bearing (P/O PL 14.6 Item 17)
9	-	Round Point Screw (P/O PL 14.6 Item 17)
10	-	Clutch Shaft (P/O PL 14.6 Item 17)
11	121K31860	DADF Feed Clutch (REP 5.8)
12	-	Pulley (P/O PL 14.6 Item 17)
13	127K38301	DADF Feed Motor
14	423W32055	Feed Motor Belt (REP 5.9)
15	-	Gear (20T) (P/O PL 14.1 Item 1)
16	-	Tension Spring (P/O PL 14.1 Item 1)
17	121K31884	DADF Feed Clutch Assembly

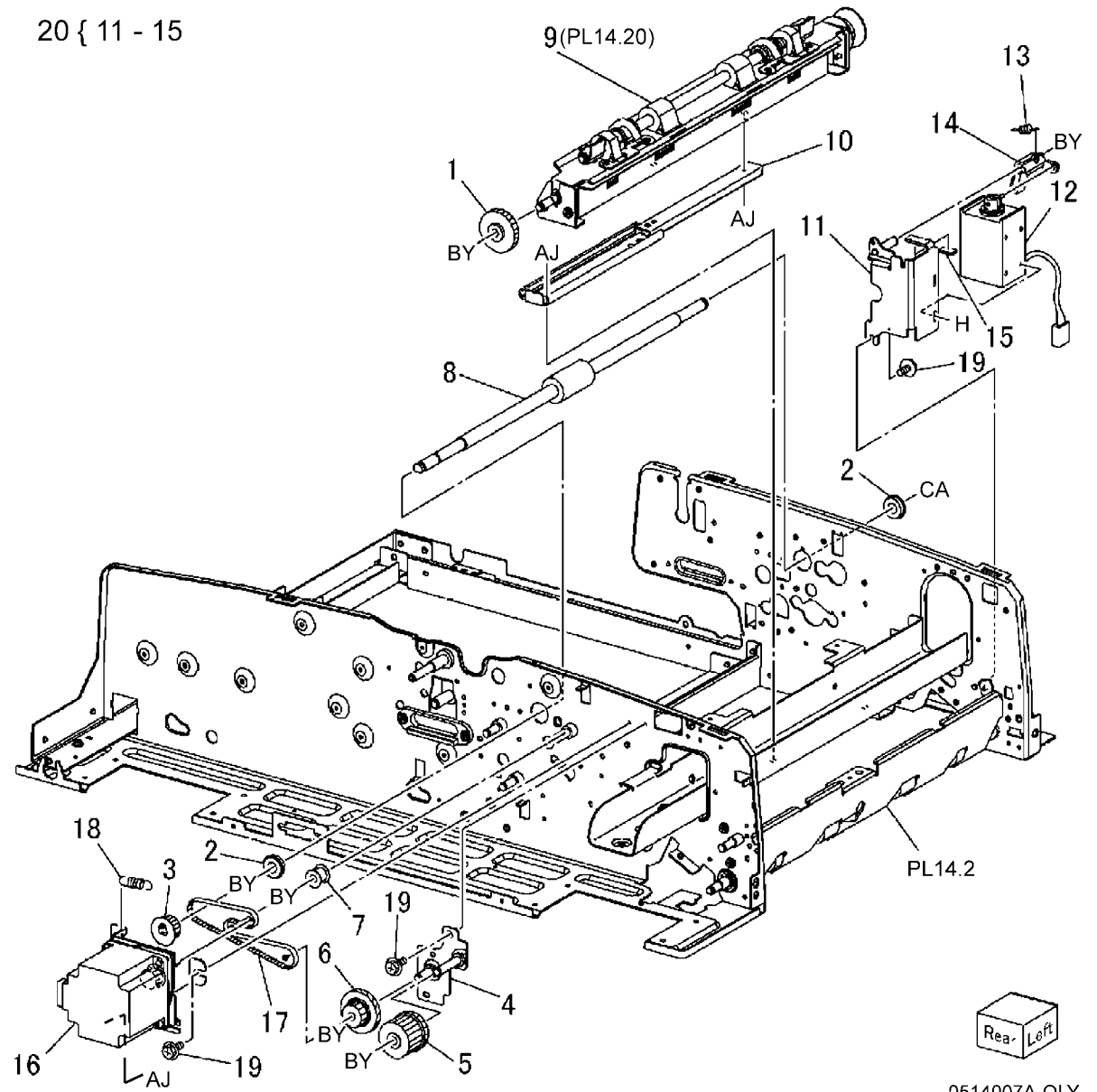


0514006A-OLY

**PL 14.7 Pre Registration Motor, Pre Registration Roll Chute, Take Away Roll, Baffle Solenoid**

20 { 11 - 15

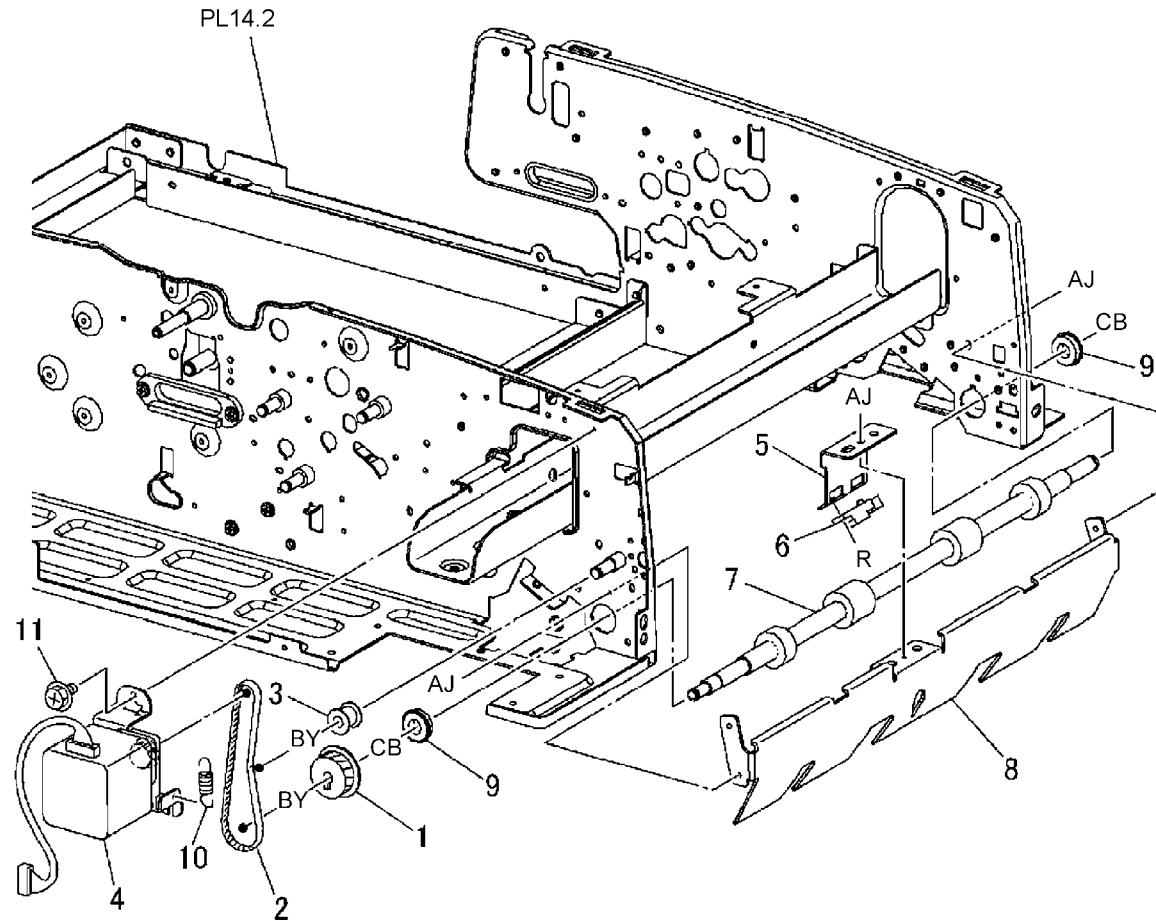
Item	Part	Description
1	807E10690	One Way Clutch Gear (38T)
2	-	Ball Bearing (P/O PL 14.1 Item 1)
3	-	Pulley (P/O PL 14.1 Item 1)
4	-	Stud Bracket (P/O PL 14.1 Item 1)
5	-	Gear (33T/ 33T) (P/O PL 14.1 Item 1)
6	-	Gear Pulley (P/O PL 14.1 Item 1)
7	-	Pulley (P/O PL 14.1 Item 1)
8	059K31091	Take Away Roll (REP 5.10)
9	-	Pre Registration Roll Chute Assembly (P/O PL 14.1 Item 1)
10	-	Rail (P/O PL 14.1 Item 1)
11	-	Solenoid Bracket (P/O PL 14.7 Item 20)
12	-	Baffle Solenoid (P/O PL 14.7 Item 20)
13	-	Tension Spring (P/O PL 14.7 Item 20)
14	-	Actuator (P/O PL 14.7 Item 20)
15	-	Damper (P/O PL 14.7 Item 20)
16	127K38321	DADF Pre Registration Motor
17	423W34555	Pre Registration Motor Belt
18	-	Tension Spring (P/O PL 14.1 Item 1)
19	-	Round Point Screw (P/O PL 14.1 Item 1)
20	121K31890	Baffle Solenoid Assembly





## PL 14.8 Registration Motor, Registration Roll

Item	Part	Description
1	-	Pulley (P/O PL 14.1 Item 1)
2	023E21300	Registration Motor Belt
3	-	Pulley (P/O PL 14.1 Item 1)
4	127K38341	DADF Registration Motor
5	-	Sensor Bracket (P/O PL 14.1 Item 1)
6	930W00211	Lead Registration Sensor (REP 5.11)
7	059K31082	Registration Roll (REP 5.12)
8	-	Registration In 2 Chute (P/O PL 14.1 Item 1)
9	-	Ball Bearing (P/O PL 14.1 Item 1)
10	-	Tension Spring (P/O PL 14.1 Item 1)
11	-	Round Point Screw (Not Spared)

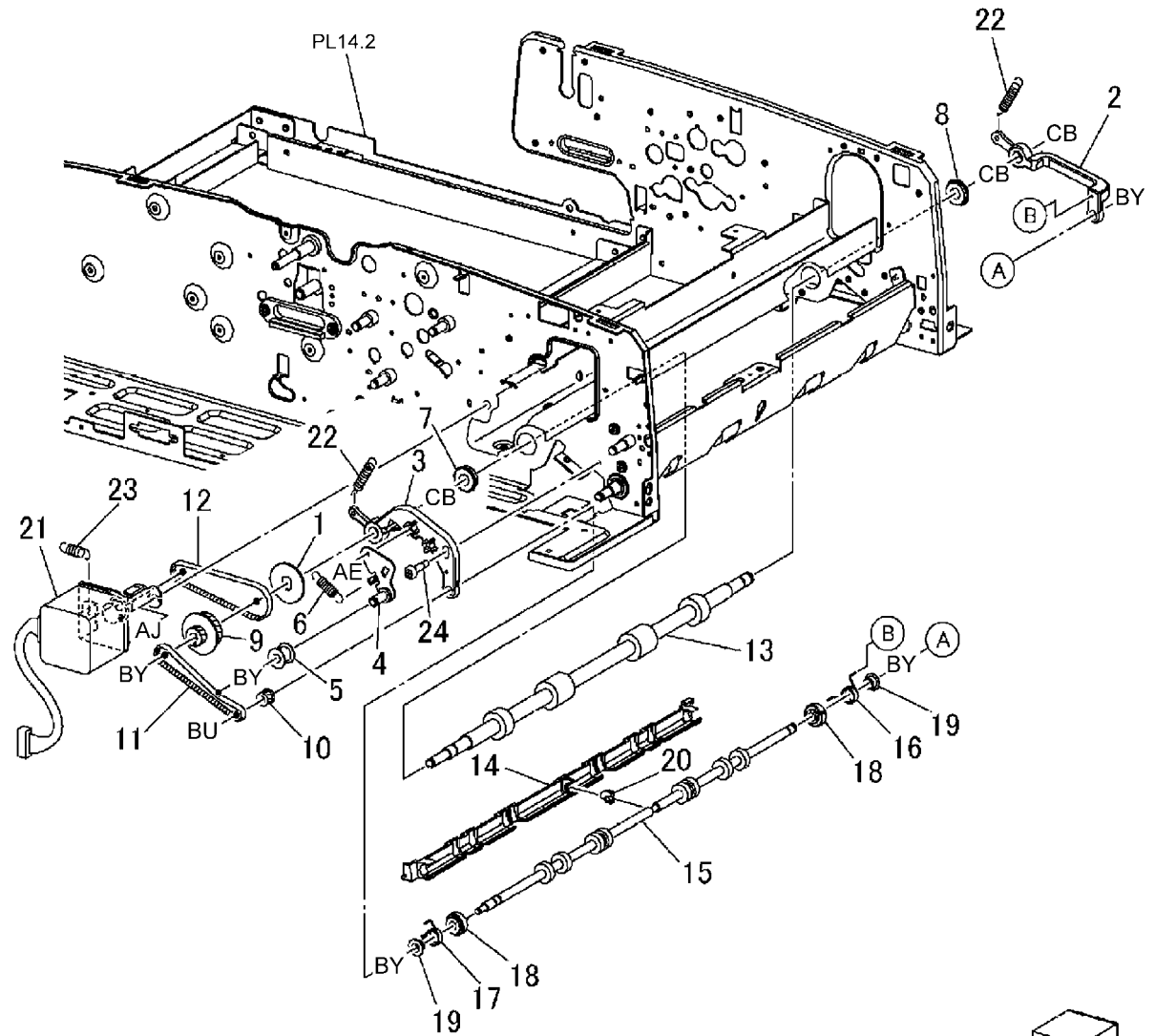


0514008A-OLY

# PL 14.9 Platen Motor, Platen Roll, Out Roll

Item	Part	Description
1	-	Flange (P/O PL 14.9 Item 25)
2	-	Platen Front Link (P/O PL 14.1 Item 1)
3	-	Platen Rear Link (P/O PL 14.1 Item 1)
4	-	Tension Bracket (P/O PL 14.1 Item 1)
5	-	Pulley (P/O PL 14.9 Item 25)
6	-	Tension Spring (P/O PL 14.9 Item 25)
7	-	Ball Bearing (P/O PL 14.1 Item 1)
8	-	Sleeve Bearing (P/O PL 14.1 Item 1)
9	-	Pulley (P/O PL 14.9 Item 25)
10	020E36800	Pulley
11	-	Belt (Width:4mm) (P/O PL 14.9 Item 25)
12	-	Platen Motor Belt (Width:6mm) (P/O PL 14.9 Item 25)
13	-	Platen Exit Roll (P/O PL 14.1 Item 1) (REP 5.23)
14	-	Platen Back Plate (P/O PL 14.1 Item 1)
15	-	Platen Roll (P/O PL 14.1 Item 1)
16	-	Torsion Spring (P/O PL 14.1 Item 1)
17	-	Torsion Spring (P/O PL 14.1 Item 1)
18	-	Sleeve Bearing (P/O PL 14.1 Item 1)
19	-	Collar (P/O PL 14.1 Item 1)
20	-	Platen Collar (P/O PL 14.1 Item 1)
21	127K38341	Platen Motor
22	-	Platen Spring (Length 30.8mm) (P/O PL 14.9 Item 25)
23	-	Platen Spring (Length 23mm) (P/O PL 14.1 Item 1)
24	-	Shoulder Screw (P/O PL 14.1 Item 1)
25	604K25230	Platen Motor Drive Kit

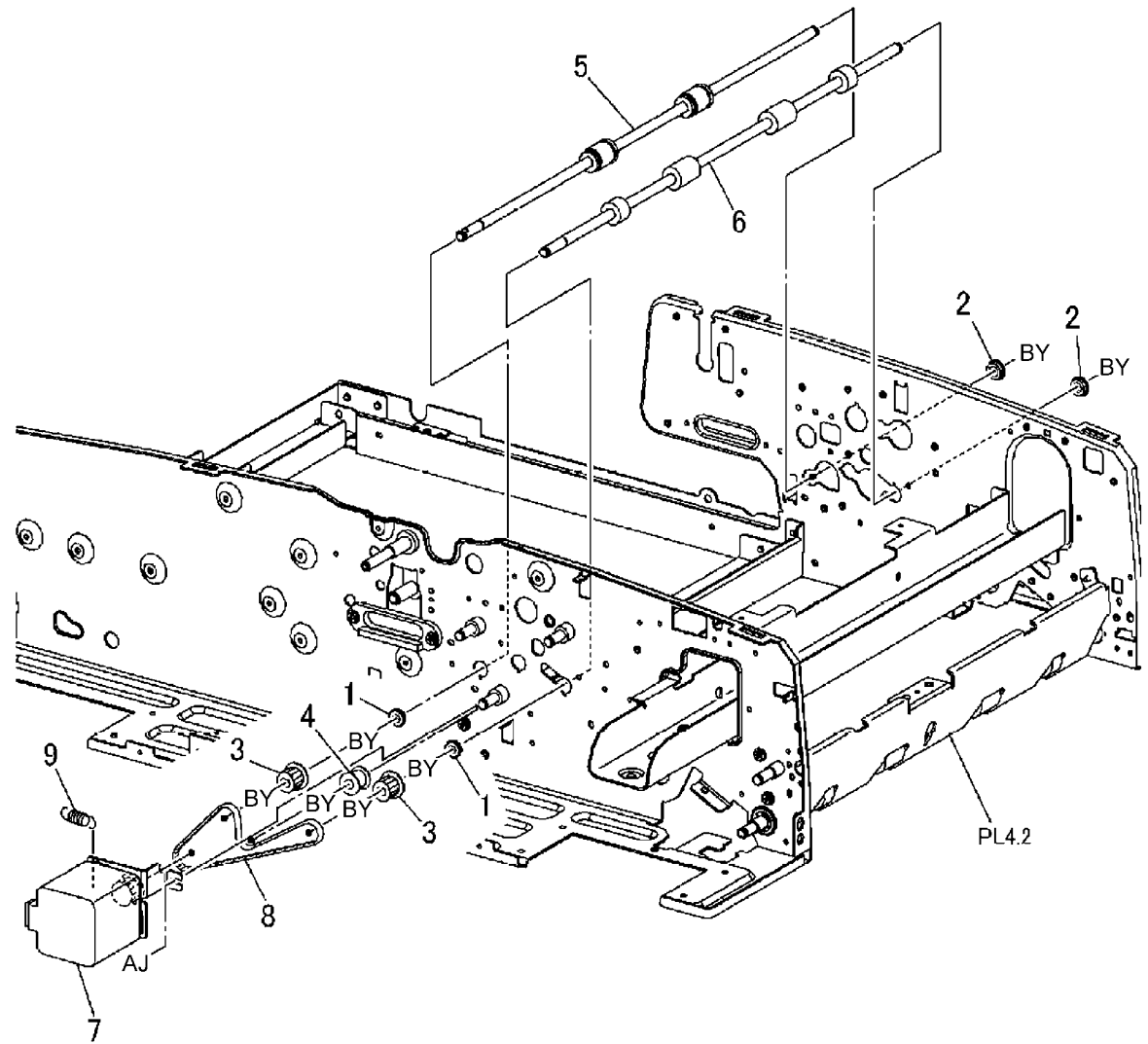
25 { 1, 5, 6, 9, 10, 11, 12, 22



0514009A-OLY

## PL 14.10 Exit Motor, Exit Roll

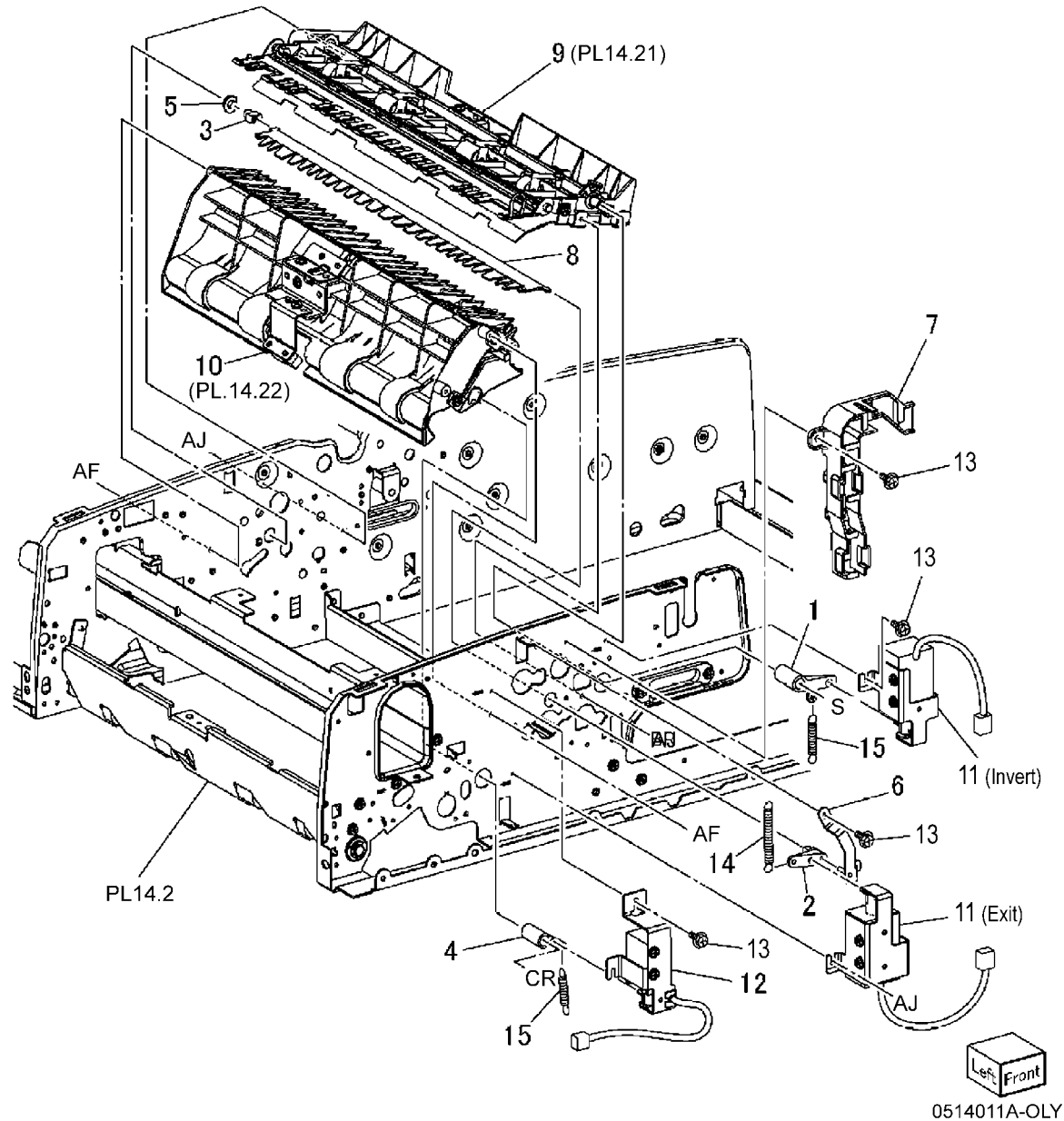
Item	Part	Description
1	-	Ball Bearing (P/O PL 14.1 Item 1)
2	-	Sleeve Bearing (P/O PL 14.1 Item 1)
3	020E36810	Pulley
4	-	Pulley (P/O PL 14.1 Item 1)
5	-	Exit Roll 1 (P/O PL 14.1 Item 1) (REP 5.13)
6	-	Exit Roll 2 (P/O PL 14.1 Item 1) (REP 5.14)
7	127K38301	DADF Exit Motor
8	423W33555	Exit Motor Belt
9	-	Tension Spring (P/O PL 14.1 Item 1)



0514010A-OLY

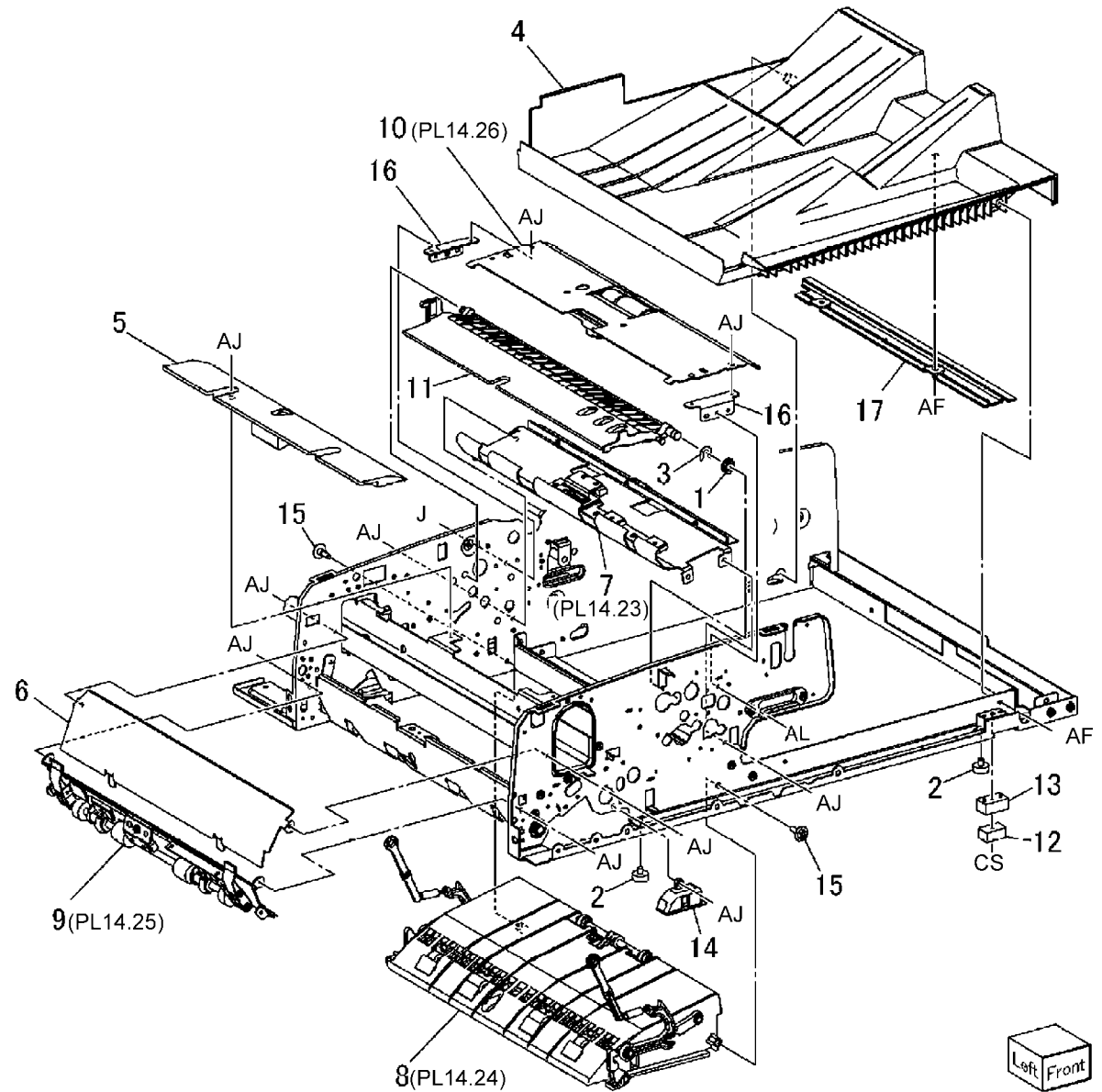
# PL 14.11 Exit Gate Solenoid, Simp/Dup Gate Solenoid, Nip Solenoid, Inverter Exit Chute, Guide Chute

Item	Part	Description
1	012E11270	Link
2	-	Link (Not Spared)
3	-	Gate Rear Link (Not Spared)
4	-	Link (Not Spared)
5	-	Sleeve Bearing (P/O PL 14.1 Item 1)
6	-	Gate Link Bracket (P/O PL 14.1 Item 1)
7	-	Harness Guide (P/O PL 14.1 Item 1)
8	-	Inverter Lower Gate (P/O PL 14.1 Item 1)
9	054K24219	Inverter Exit Chute
10	-	Guide Chute (P/O PL 14.1 Item 1)
11	121K31680	Exit Gate Solenoid, Invert Roll Nip/Release Solenoid
12	121K31700	Simplex / Duplex Gate Solenoid
13	-	Round Point Screw (Not Spared)
14	-	Tension Spring (Length 34.15mm)
15	-	Tension Spring (Length 22.5mm) (P/O PL 14.1 Item 1)



## PL 14.12 Exit Upper/Lower Chute, Registration Out Chute, Feeder Lower Chute

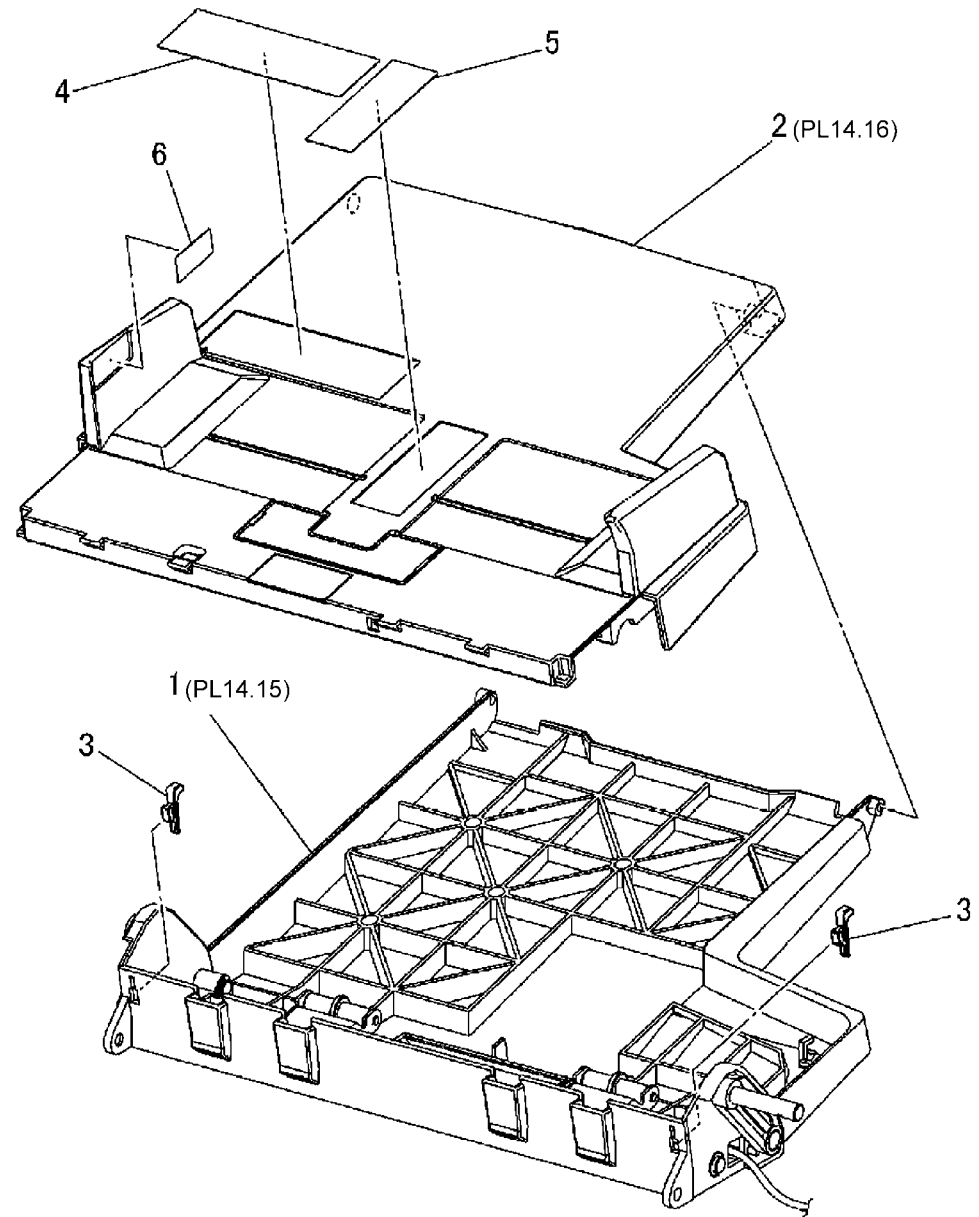
Item	Part	Description
1	013E24172	Sleeve Bearing
2	-	Foot (P/O PL 14.1 Item 1)
3	-	C-Clip (Not Spared)
4	050E19953	DADF Exit Tray
5	-	Guide Upper Chute (P/O PL 14.1 Item 1))
6	-	Registration In Chute (P/O PL 14.1 Item 1)
7	-	Exit Upper Chute (P/O PL 14.1 Item 1)
8	054K30563	Exit Low Chute
9	054K24463	Registration Out Chute
10	-	Feeder Lower Chute (P/O PL 14.1 Item 1)
11	-	Invert Chute (P/O PL 14.1 Item 1)
12	121E90620	Interlock Magnet
13	-	Magnet Cover (P/O PL 14.1 Item 1)
14	-	Cover (P/O PL 14.1 Item 1)
15	-	Shoulder Screw
16	-	Bracket (P/O PL 14.1 Item 1)
17	-	Tray Plate (P/O PL 14.1 Item 1)



Left Front  
0514012B-OLY

## PL 14.14 DADF Document Tray Component

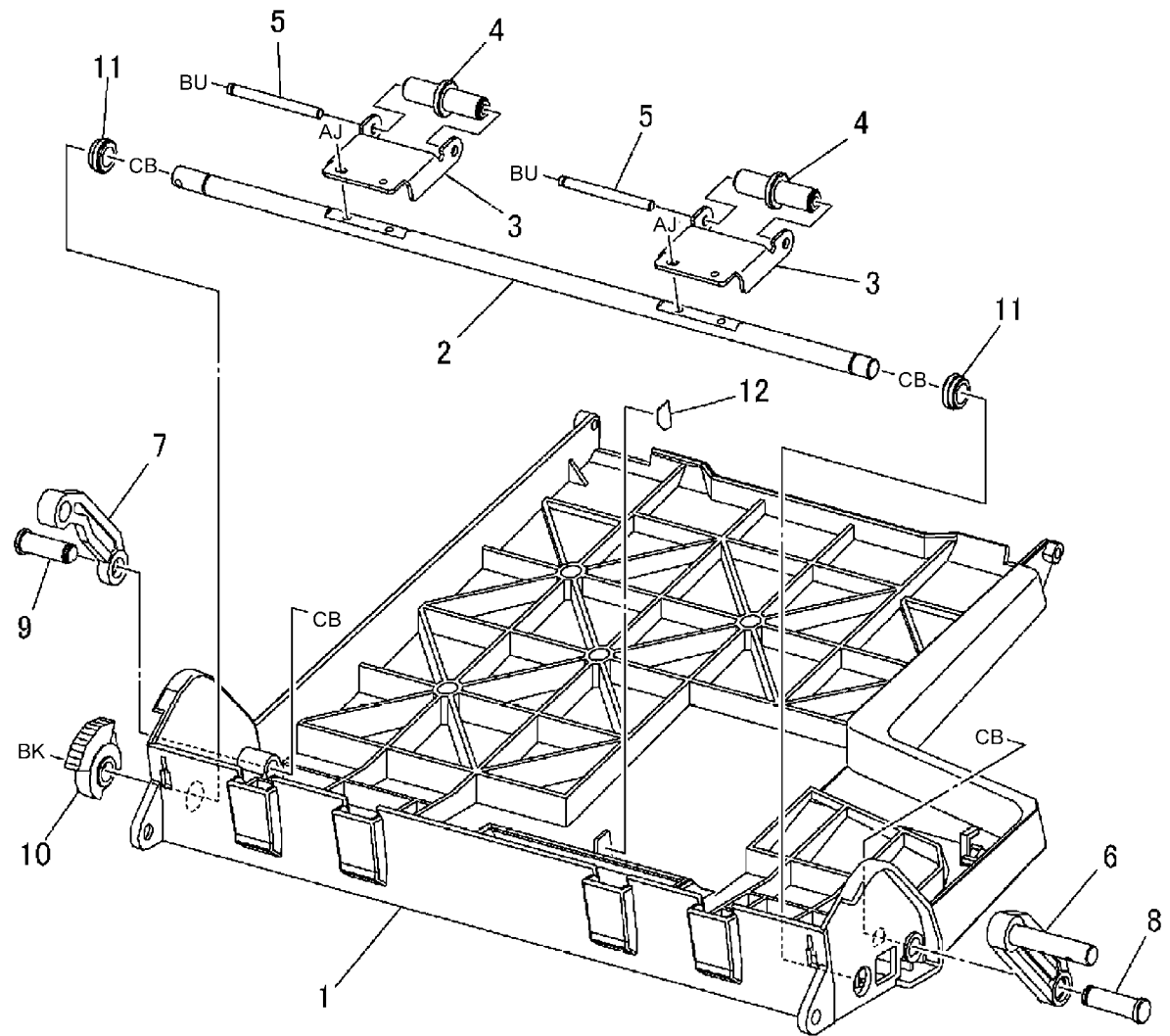
Item	Part	Description
1	-	DADF Document Bottom Tray (P/O PL 14.1 Item 1)
2	-	DADF Document Upper Tray (P/O PL 14.1 Item 1)
3	014E44882	Tray Block
4	893E09601	Label (Size)
5	893E03340	Label (Instruction)
6	893E09660	Label (Max)



0514014A-OLY

# PL 14.15 DADF Document Bottom Tray Component

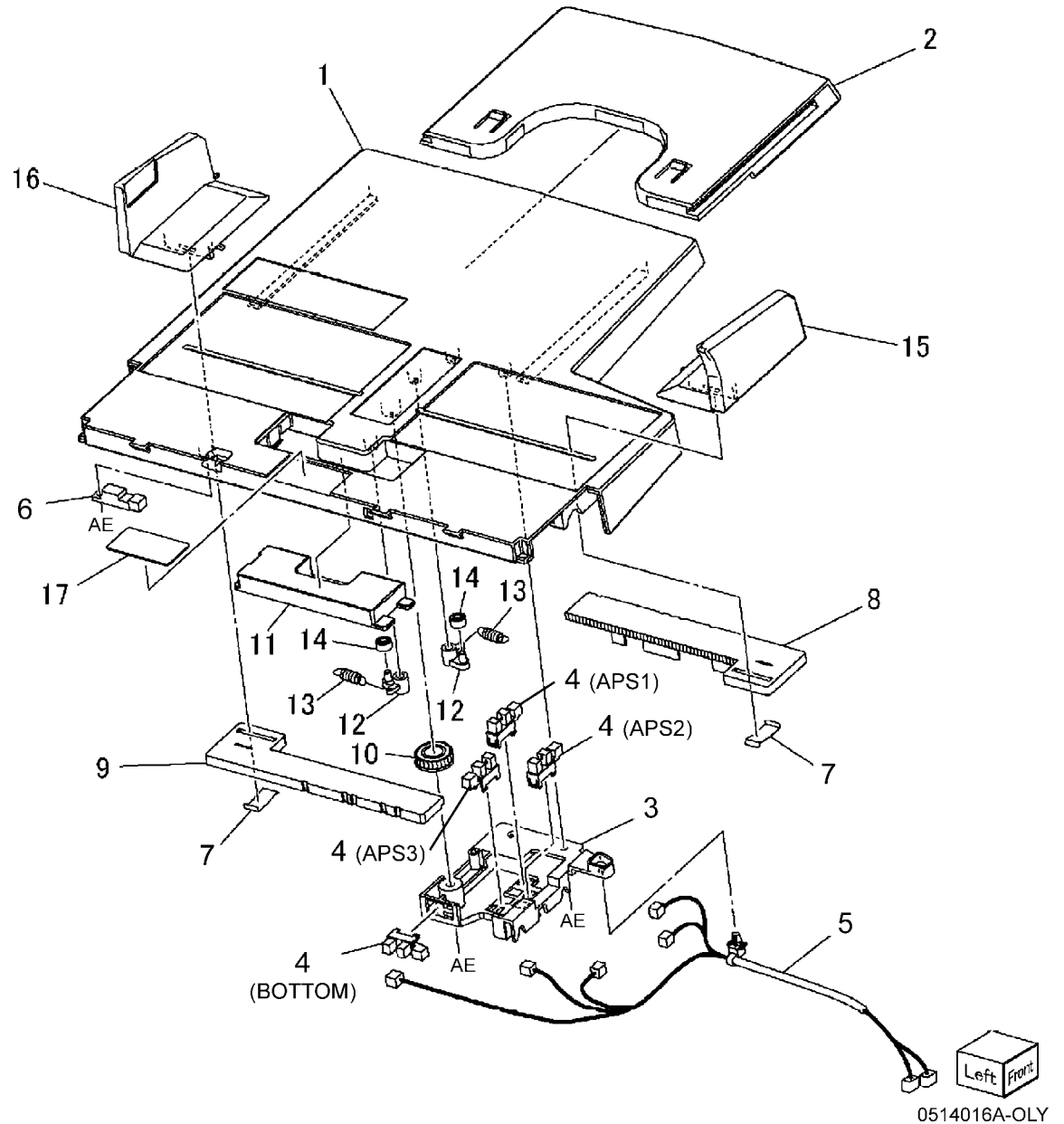
Item	Part	Description
1	-	Bottom Tray (P/O PL 14.4 Item 11)
2	-	Lift Shaft (P/O PL 14.4 Item 11)
3	-	Lift Lever (P/O PL 14.4 Item 11)
4	-	Roll (P/O PL 14.4 Item 11)
5	-	Shaft (P/O PL 14.4 Item 11)
6	-	Front Link (P/O PL 14.4 Item 11)
7	-	Rear Link (P/O PL 14.4 Item 11)
8	-	Front Stud (P/O PL 14.4 Item 11)
9	-	Rear Stud (P/O PL 14.4 Item 11)
10	-	Sector Gear (P/O PL 14.4 Item 11)
11	-	Sleeve Bearing (P/O PL 14.4 Item 11)
12	-	Sensor Film (P/O PL 14.4 Item 11)



0514015A-OLY

# PL 14.16 DADF Document Upper Tray Component

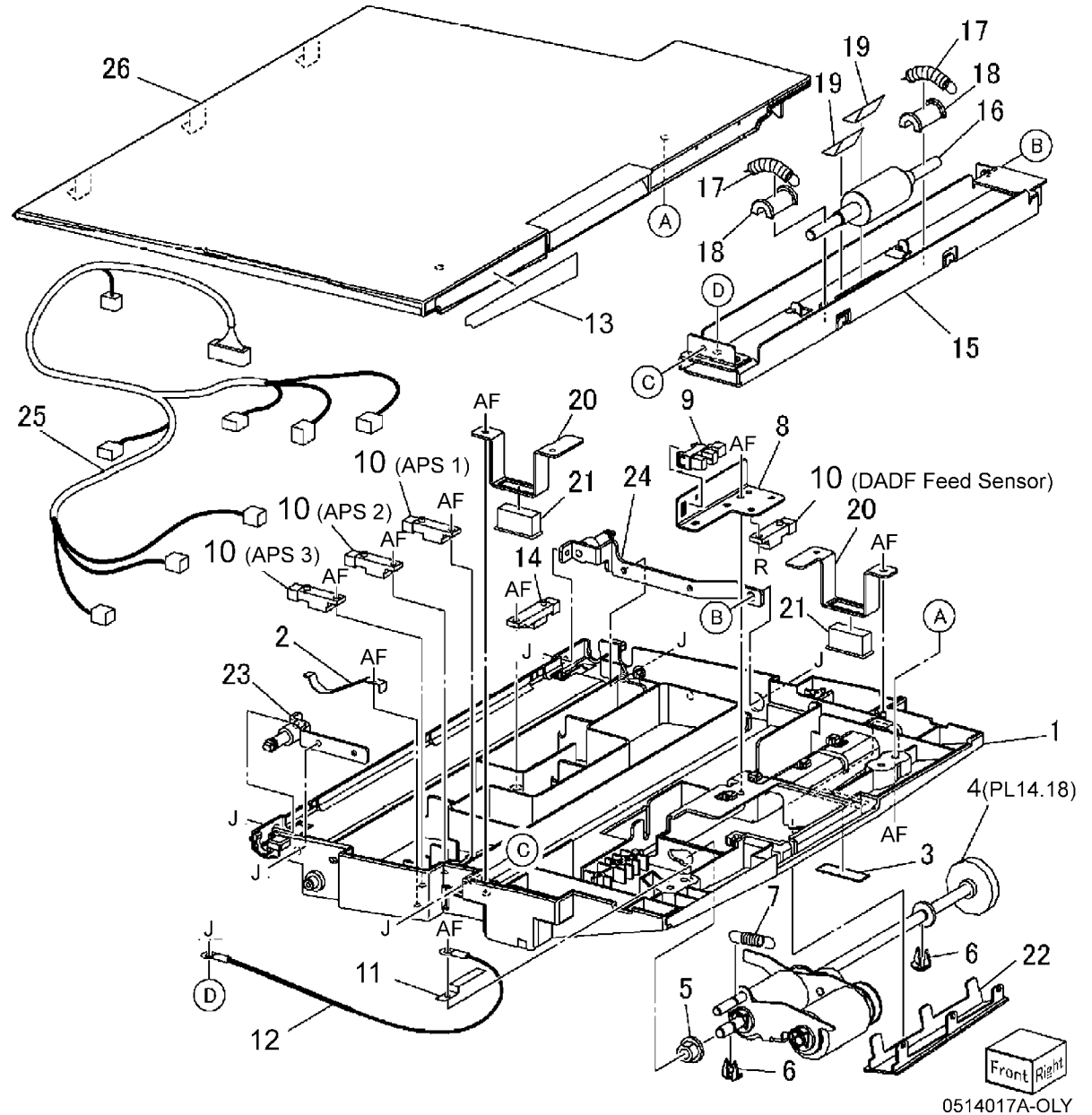
Item	Part	Description
1	-	Upper Tray (P/O PL 14.4 Item 11)
2	050E20041	Entrance Add Tray
3	-	Sensor Housing (P/O PL 14.4 Item 11)
4	930W00111	Tray APS1, APS2, APS3, Bottom Sensor
5	-	DADF Tray Wire Harness (P/O PL 14.4 Item 11)
6	930W00211	Document Set Sensor
7	-	Rear Gear Spring (P/O PL 14.4 Item 11)
8	-	Front Rack Gear (P/O PL 14.4 Item 11)
9	-	Rear Rack Gear (P/O PL 14.4 Item 11)
10	-	Pinion Gear (P/O PL 14.4 Item 11)
11	-	Window Plate (P/O PL 4.4 Item 11)
12	-	Roll Link (P/O PL 14.4 Item 11)
13	-	Tension Spring (P/O PL 14.4 Item 11)
14	-	Roll (P/O PL 14.4 Item 11)
15	032E21201	Front Side Guide
16	032E21210	Rear Side Guide
17	019K99061	Retard Pad





# PL 14.17 Feeder Upper Chute Component

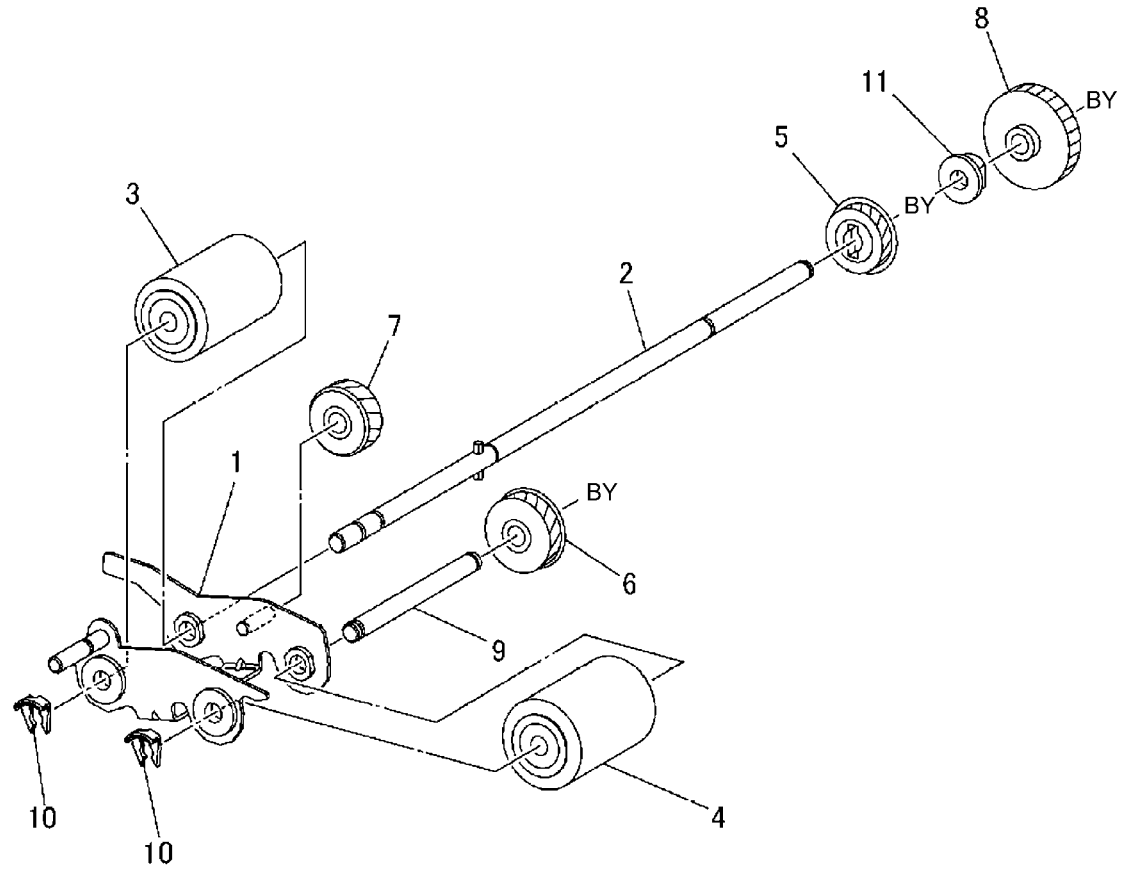
Item	Part	Description
1	-	Feeder Upper Chute
2	-	Plate Spring (P/O PL 14.5 Item 7)
3	-	Sensor Shield (P/O PL 14.5 Item 7)
4	802K57201	Feeder/Nudger Roll
5	-	Sleeve Bearing (P/O PL 14.5 Item 7)
6	028E94260	KL-Clip
7	809E50120	Tension Spring
8	-	Sensor Bracket (P/O PL 14.5 Item 7)
9	930W00111	DADF Stack Height Sensor
10	930W00211	DADF Feed Sensor, APS1 Sensor, APS2 Sensor, APS3 Sensor
11	-	Plate Spring (P/O PL 14.5 Item 7)
12	-	Ground Wire (P/O PL 14.5 Item 7)
13	893E09611	Label (Size)
14	130E84300	Pre Registration Sensor
15	-	Pinch Roll Housing (P/O PL 14.5 Item 7)
16	-	Pinch Roll (P/O PL 14.5 Item 7)
17	-	Tension Spring (P/O PL 14.5 Item 7)
18	013E24660	Garter Bearing
19	-	Eliminator (P/O PL 14.5 Item 7)
20	-	Magnet Bracket (P/O PL 14.5 Item 7)
21	-	Magnet Catch (P/O PL 14.5 Item 7)
22	032E21170	Chute Guide
23	-	Front Hinge (P/O PL 14.5 Item 7)
24	-	Rear Hinge (P/O PL 14.5 Item 7)
25	-	DADF Feeder Wire Harness (P/O PL 14.5 Item 7)
26	802E56931	Feeder Upper Cover



0514017A-OLY

## PL 14.18 Feeder/Nudger Roll Component

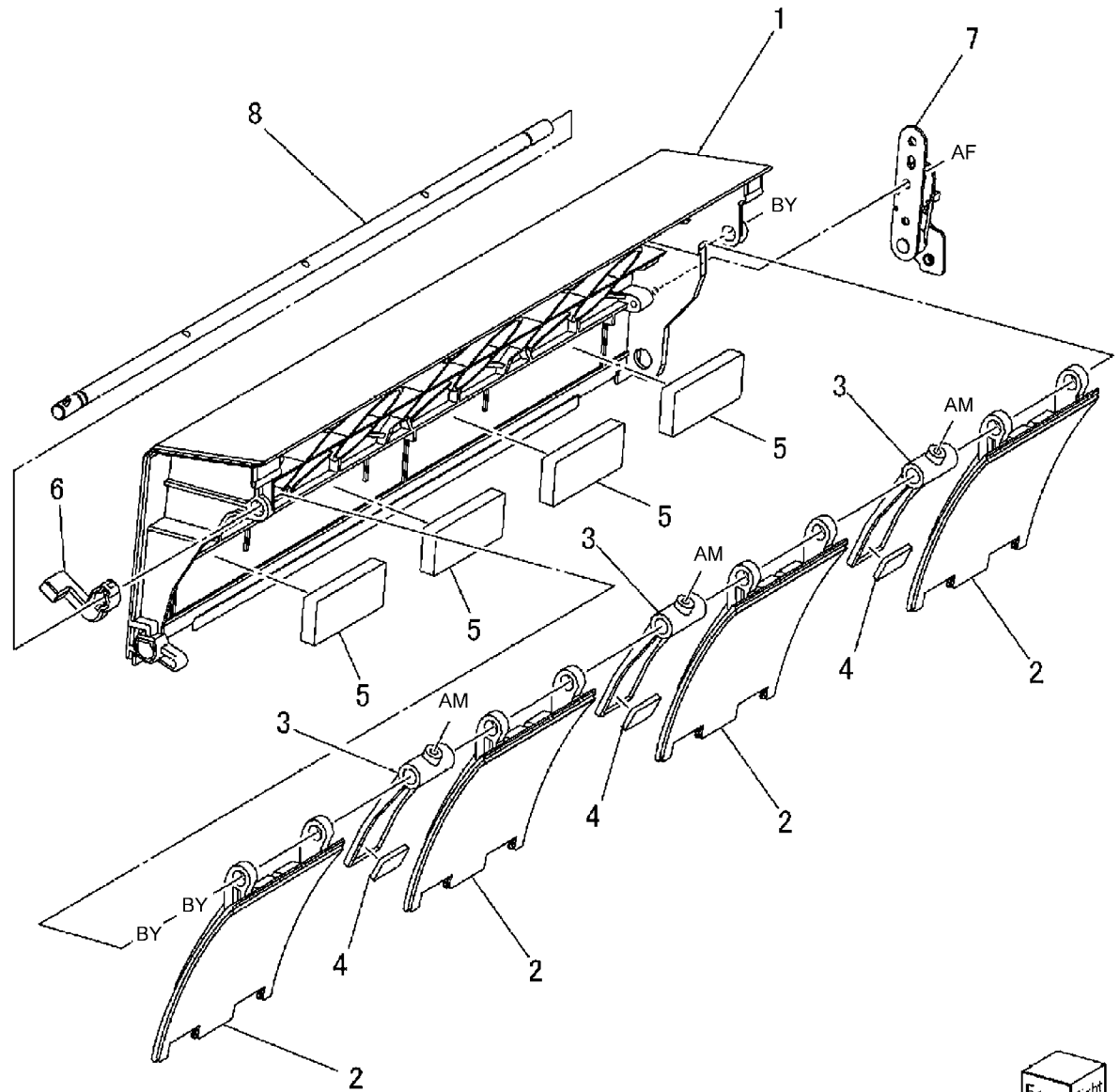
Item	Part	Description
1	-	Nudger Bracket (P/O PL 14.17 Item 4)
2	-	Feed Shaft (P/O PL 14.17 Item 4)
3	059K29520	Feed Roll (REP 5.15)
4	059K29510	Nudger Roll (REP 5.16)
5	-	Gear (38T) (P/O PL 14.17 Item 4)
6	-	Gear (44T) (P/O PL 14.17 Item 4)
7	-	Gear (39T) (P/O PL 14.17 Item 4)
8	-	Gear (29T) (P/O PL 14.17 Item 4)
9	-	Nudger Shaft (P/O PL 14.17 Item 4)
10	028E94260	KL-Clip
11	-	Sleeve Bearing (P/O PL 14.17 Item 4)



0514018A-OLY

# PL 14.19 DADF Left Upper Cover Component

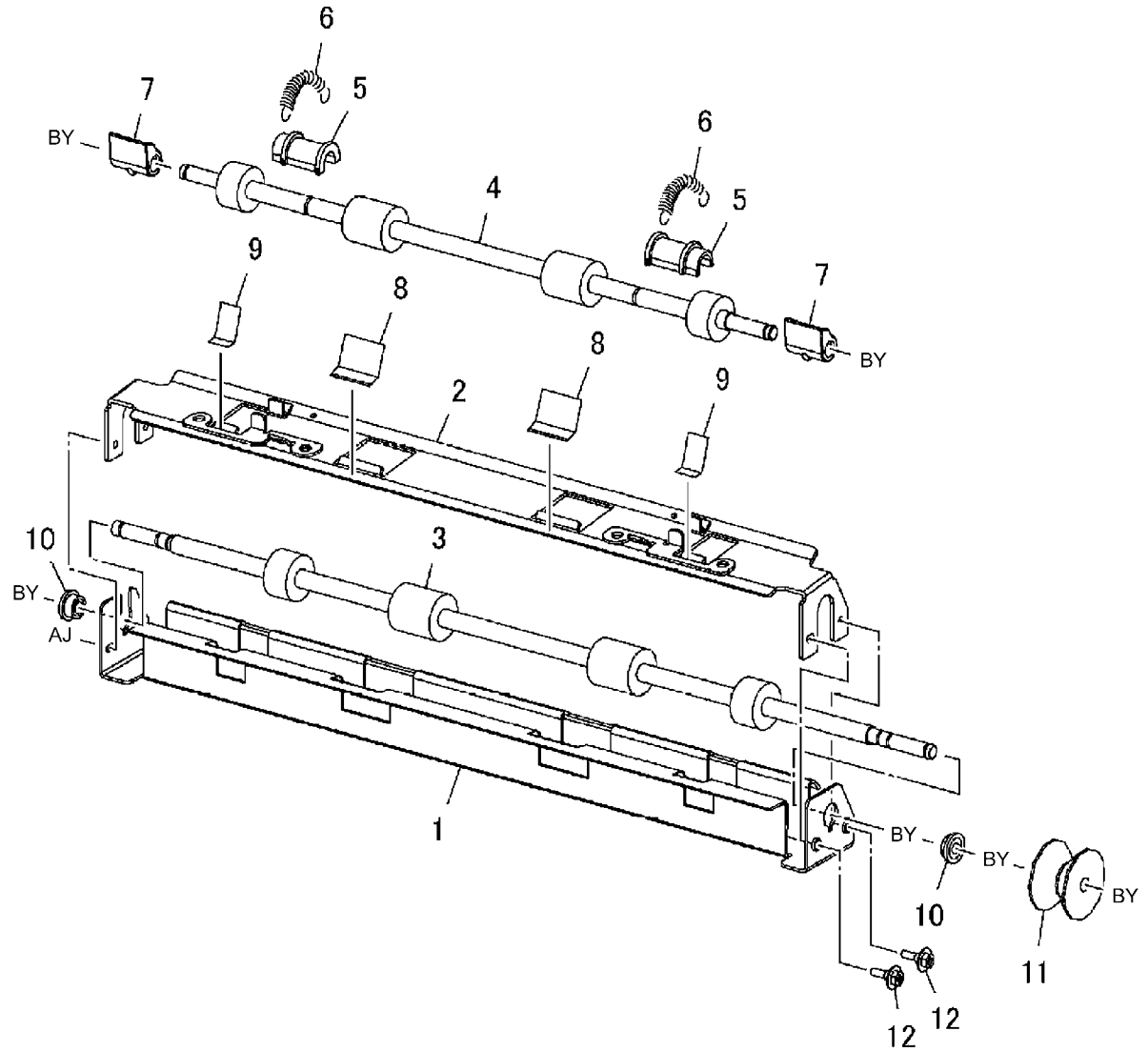
Item	Part	Description
1	-	Left Upper Cover (PL 14.5 Item 12)
2	-	Baffle (PL 14.5 Item 12)
3	-	Baffle Stopper (PL 14.5 Item 12)
4	-	Damper (PL 14.5 Item 12)
5	-	Baffle Cushion (PL 14.5 Item 12)
6	-	Actuator (PL 14.5 Item 12)
7	-	Hinge (PL 14.5 Item 12)
8	-	Baffle Shaft (PL 14.5 Item 12)



0514019A-OLY

# PL 14.20 Pre Registration Roll Chute Component

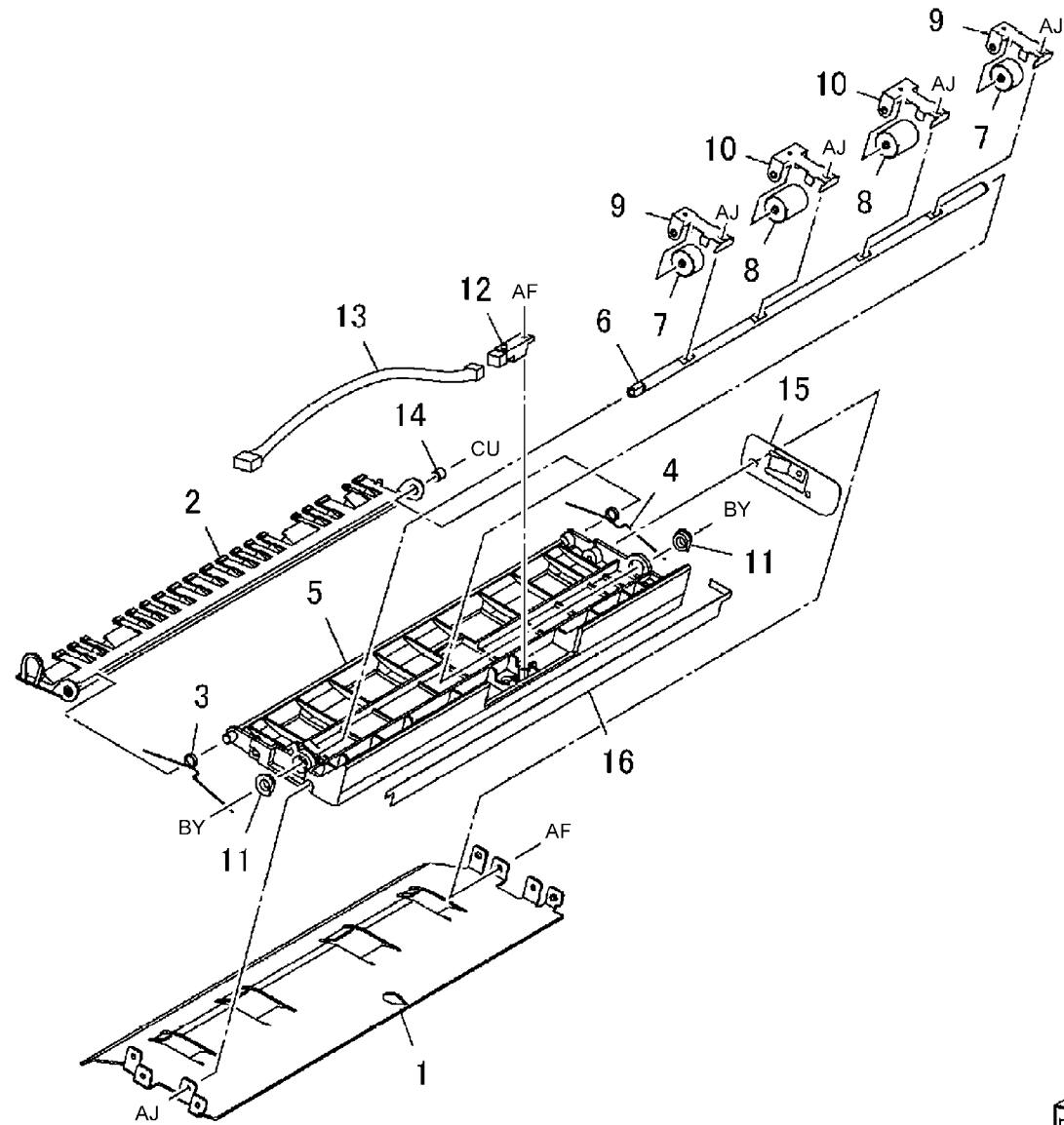
Item	Part	Description
1	-	Pre Registration Lower Chute (PL 14.7 Item 9)
2	-	Pre Registration Upper Chute (PL 14.7 Item 9)
3	-	Pre Registration Roll (PL 14.7 Item 9)
4	-	Pinch Roll (PL 14.7 Item 9)
5	-	Garter Bearing (PL 14.7 Item 9)
6	-	Tension Spring (PL 14.7 Item 9)
7	-	Release Cam (PL 14.7 Item 9)
8	-	Eliminator
9	-	Eliminator (PL 14.7 Item 9)
10	-	Ball Bearing (P/O PL 14.7 Item 9)
11	-	Home Pulley (PL 14.7 Item 9)
12	-	Shoulder Screw



0514020A-OLY

## PL 14.21 Inverter Exit Chute Component

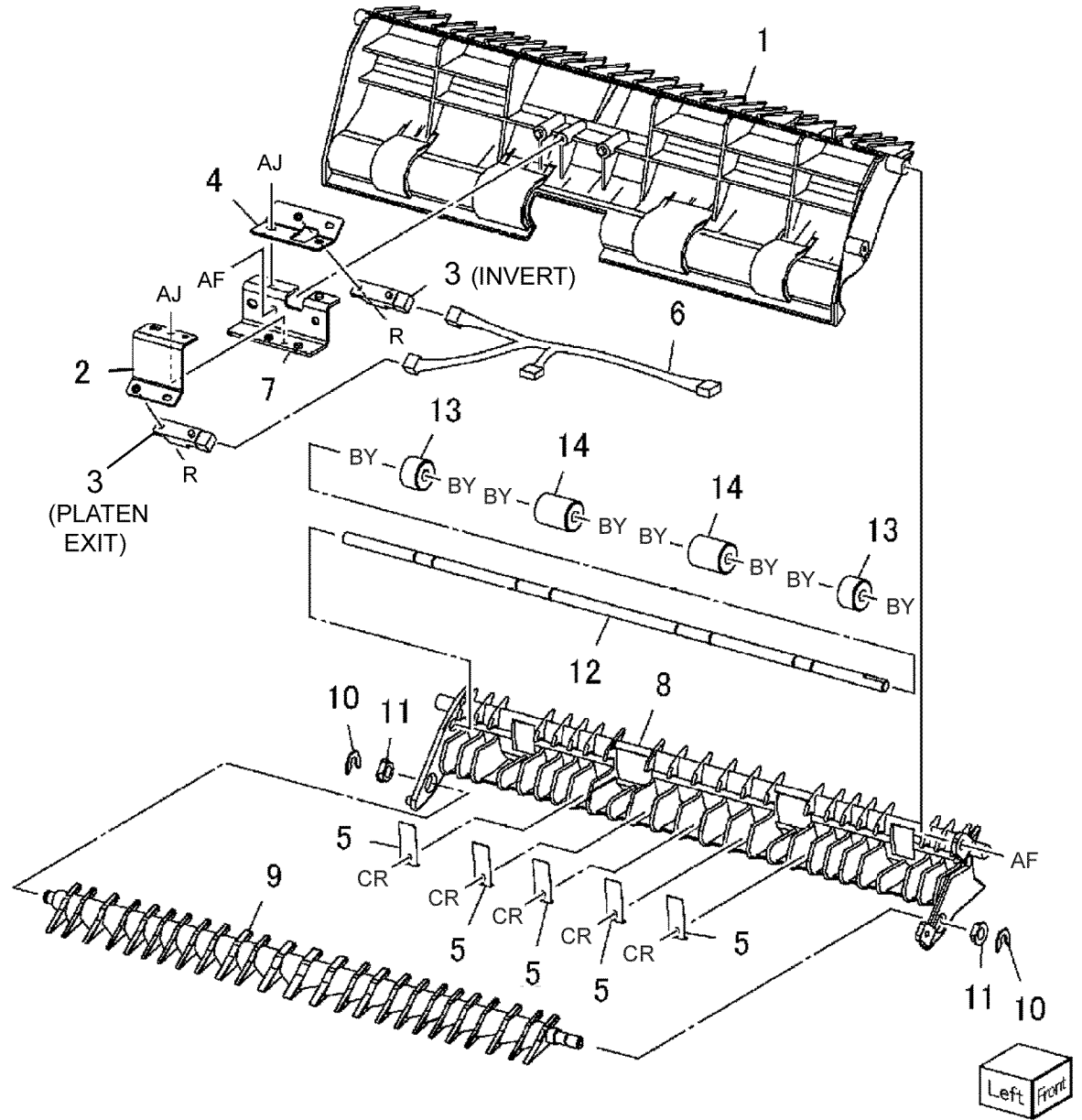
Item	Part	Description
1	-	Inverter Exit Chute (P/O PL 14.11 Item 9)
2	-	Inverter Upper Gate (P/O PL 14.11 Item 9)
3	-	Torsion Spring (P/O PL 14.11 Item 9)
4	-	Torsion Spring (P/O PL 14.11 Item 9)
5	-	Pinch Roll Housing (P/O PL 14.11 Item 9)
6	-	Shaft (P/O PL 14.11 Item 9)
7	-	Pinch Roll (P/O PL 14.11 Item 9)
8	-	Pinch Roll (P/O PL 14.11 Item 9)
9	-	Pinch Spring (P/O PL 14.11 Item 9)
10	-	Pinch Spring (P/O PL 14.11 Item 9)
11	-	Sleeve Bearing (P/O PL 14.11 Item 9)
12	930W00211	Invert Sensor 2
13	-	Sensor Wire Harness (P/O PL 14.11 Item 9)
14	-	Spacer (P/O PL 14.11 Item 9)
15	-	Earth Spring (P/O PL 14.11 Item 9)
16	-	Eliminator (P/O PL 14.11 Item 9)



0514021A-OLY

## PL 14.22 Guide Chute Component

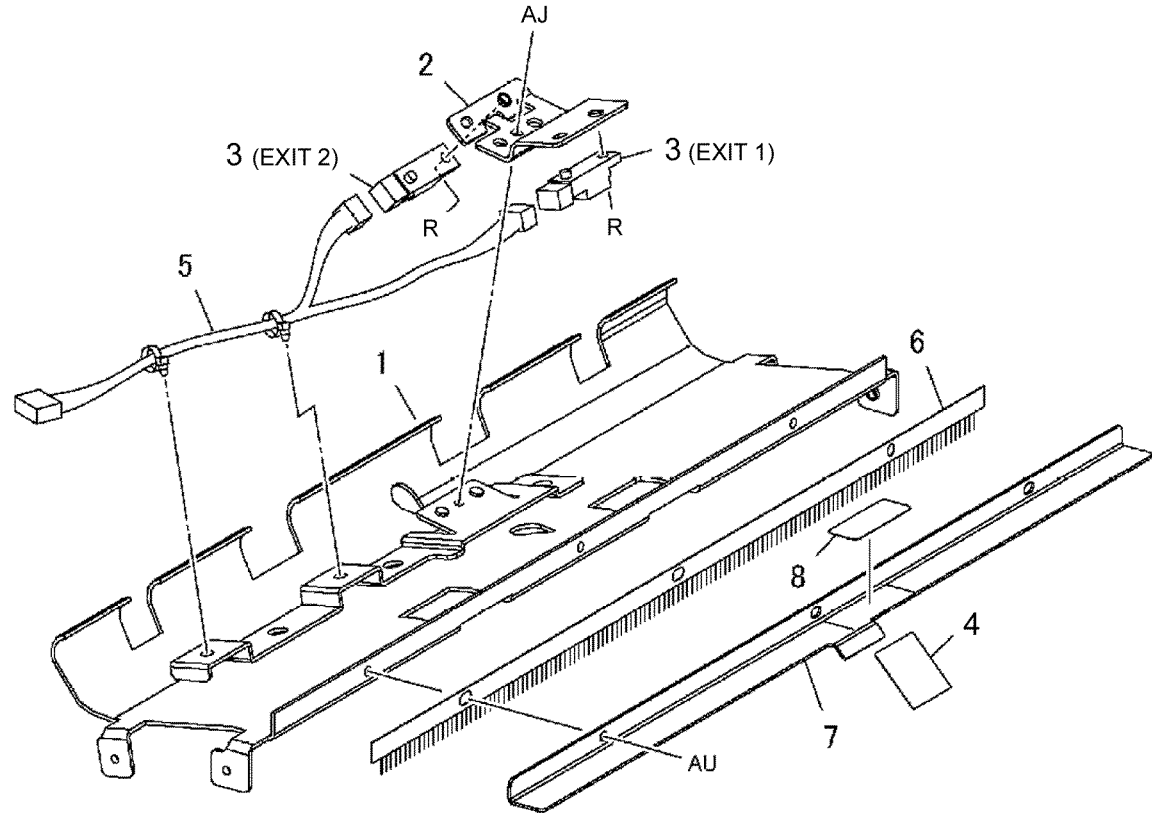
Item	Part	Description
1	-	Guide Chute (P/O PL 14.11 Item 10)
2	-	Sensor Bracket (P/O PL 14.11 Item 10)
3	930W00211	Platen Exit Sensor (REP 5.17), Invert Sensor (REP 5.18)
4	-	Sensor Bracket (P/O PL 14.11 Item 10)
5	-	Pinch Spring (P/O PL 14.11 Item 10)
6	-	Sensor Wire Harness (P/O PL 14.11 Item 10)
7	-	Sensor Bracket (P/O PL 14.11 Item 10)
8	-	Gate Housing (P/O PL 14.11 Item 10)
9	-	Simp/Dup Gate (P/O PL 14.11 Item 10)
10	-	C-Clip (P/O PL 14.11 Item 10)
11	-	Sleeve Bearing (P/O PL 14.11 Item 10)
12	-	Shaft (P/O PL 14.11 Item 10)
13	-	Pinch Roll (P/O PL 14.11 Item 10)
14	-	Pinch Roll (P/O PL 14.11 Item 10)



0514022A-OLY

## PL 14.23 Exit Upper Chute Component

Item	Part	Description
1	-	Exit Upper Chute (P/O PL 14.12 Item 7)
2	-	Sensor Bracket (P/O PL 14.12 Item 7)
3	930W00211	DADF Exit Sensor 1 (REP 5.19), Exit Sensor 2 (REP 5.20)
4	-	Guide Film (P/O PL 14.12 Item 7)
5	-	Sensor Wire Harness (P/O PL 14.12 Item 7)
6	105E12240	Static Eliminator
7	-	Guide Bracket (P/O PL 14.12 Item 7)
8	-	Sensor Shield (P/O PL 14.12 Item 7)

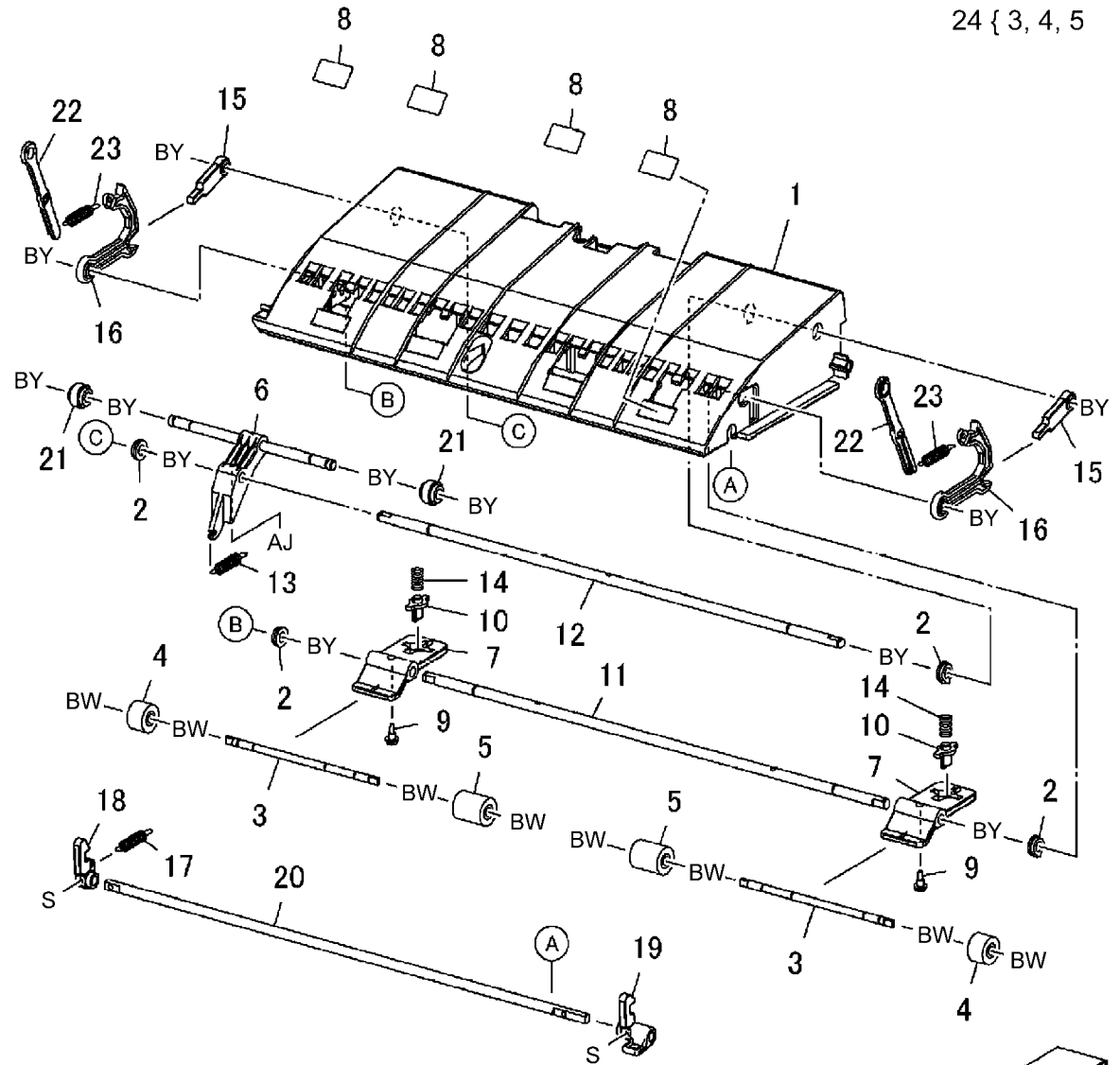


0514023A-OLY

# PL 14.24 Exit Lower Chute Component

24 { 3, 4, 5

Item	Part	Description
1	-	Exit Lower Chute (P/O PL 14.12 Item 8)
2	-	Sleeve Bearing (P/O PL 14.12 Item 8)
3	-	Pinch Roll Shaft (P/O PL 14.24 Item 24)
4	-	Pinch Roll (P/O PL 14.24 Item 24)
5	-	Pinch Roll (P/O PL 14.24 Item 24)
6	-	Pinch Roll Shaft (P/O PL 14.12 Item 8)
7	-	Pinch Plate (P/O PL 14.12 Item 8)
8	103E29870	Film
9	-	Shoulder Screw (P/O PL 14.12 Item 8)
10	-	Spring Cap (P/O PL 14.12 Item 8)
11	-	Shaft (P/O PL 14.12 Item 8)
12	-	Shaft (P/O PL 14.12 Item 8)
13	-	Tension Spring (P/O PL 14.12 Item 8)
14	-	Compression Spring (P/O PL 14.12 Item 8)
15	-	Link (P/O PL 14.12 Item 8)
16	-	Link (P/O PL 14.12 Item 8)
17	-	Tension Spring (P/O PL 14.12 Item 8)
18	-	Rear Latch (P/O PL 14.12 Item 8)
19	-	Front Latch (P/O PL 14.12 Item 8)
20	-	Latch Shaft (P/O PL 14.12 Item 8)
21	-	Pinch Roll (P/O PL 14.12 Item 8)
22	-	Link (P/O PL 14.12 Item 8)
23	-	Tension Spring (P/O PL 14.12 Item 8)
24	-	Pinch Roll Assembly (P/O PL 14.12 Item 8)

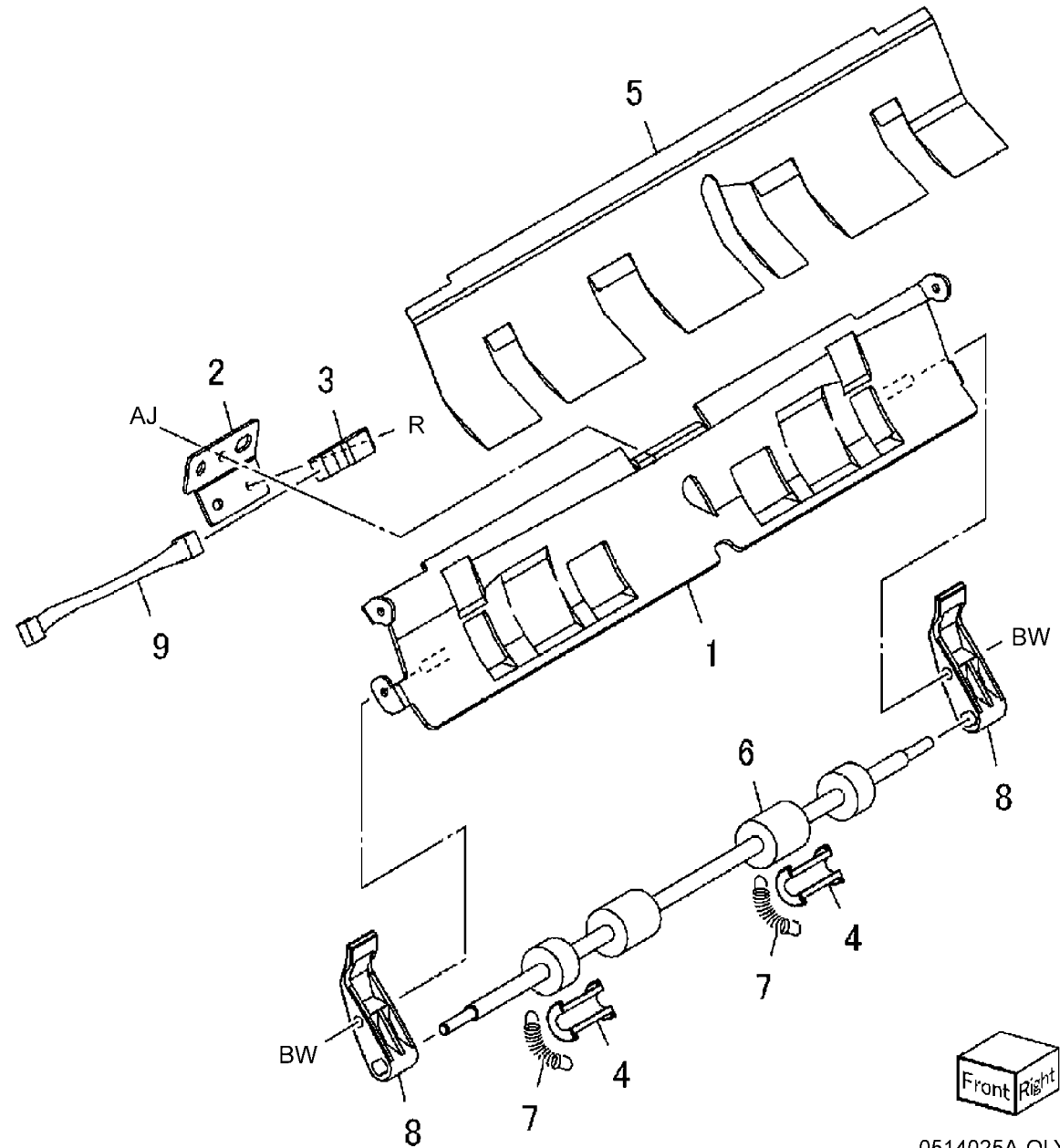


0514024A-OLY



## PL 14.25 Registration Out Chute Component

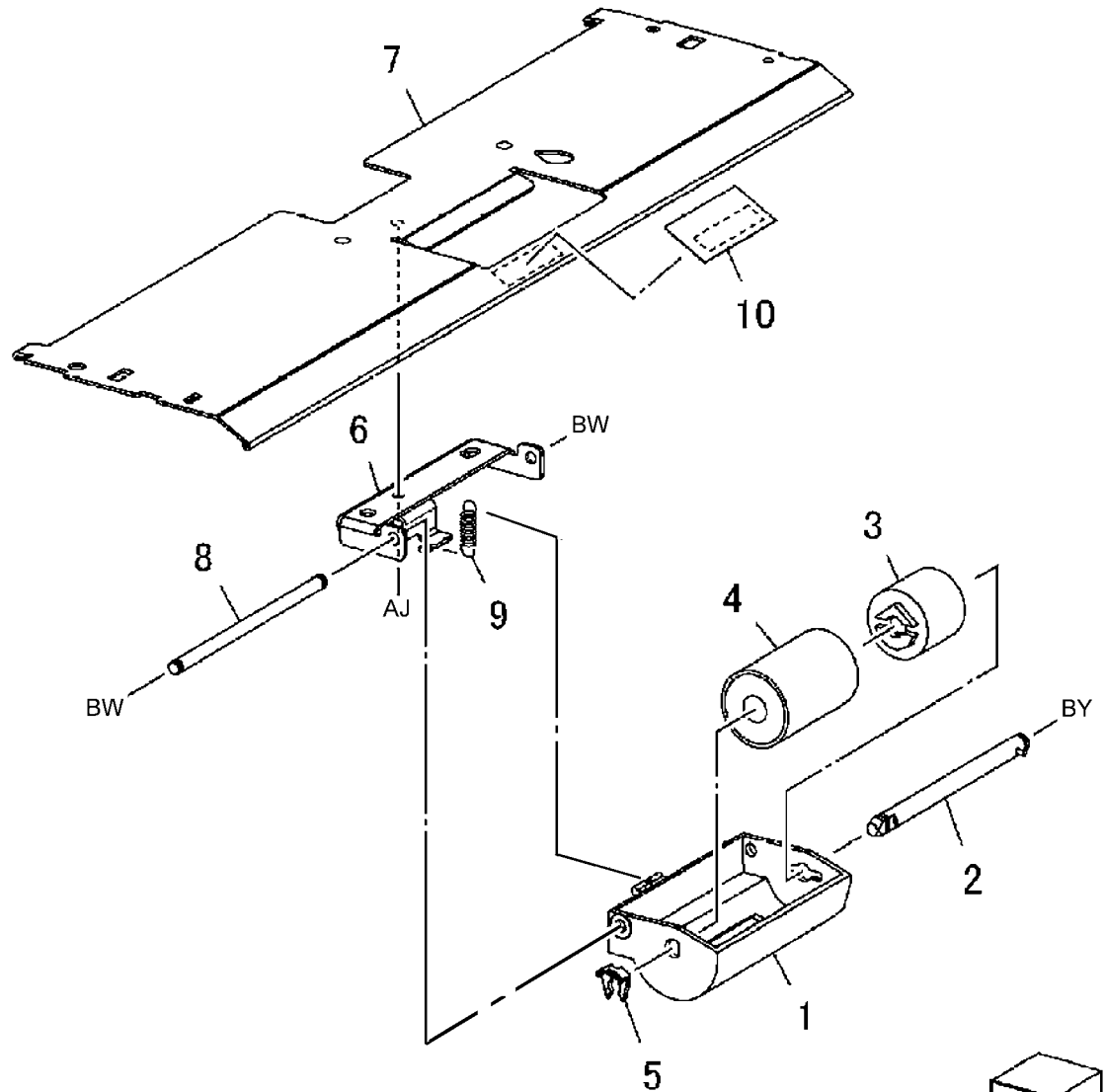
Item	Part	Description
1	-	Registration Out Chute (P/O PL 14.12 Item 9)
2	-	Sensor Bracket (P/O PL 14.12 Item 9)
3	930W00211	DADF Registration Sensor (REP 5.21)
4	013E24660	Garter Bearing
5	-	Film (P/O PL 14.12 Item 9)
6	-	Pinch Roll (P/O PL 14.12 Item 9)
7	-	Tension Spring (P/O PL 14.12 Item 9)
8	-	Link (P/O PL 14.12 Item 9)
9	-	Sensor Wire Harness (P/O PL 14.12 Item 9)



0514025A-OLY

## PL 14.26 Feeder Lower Chute Component

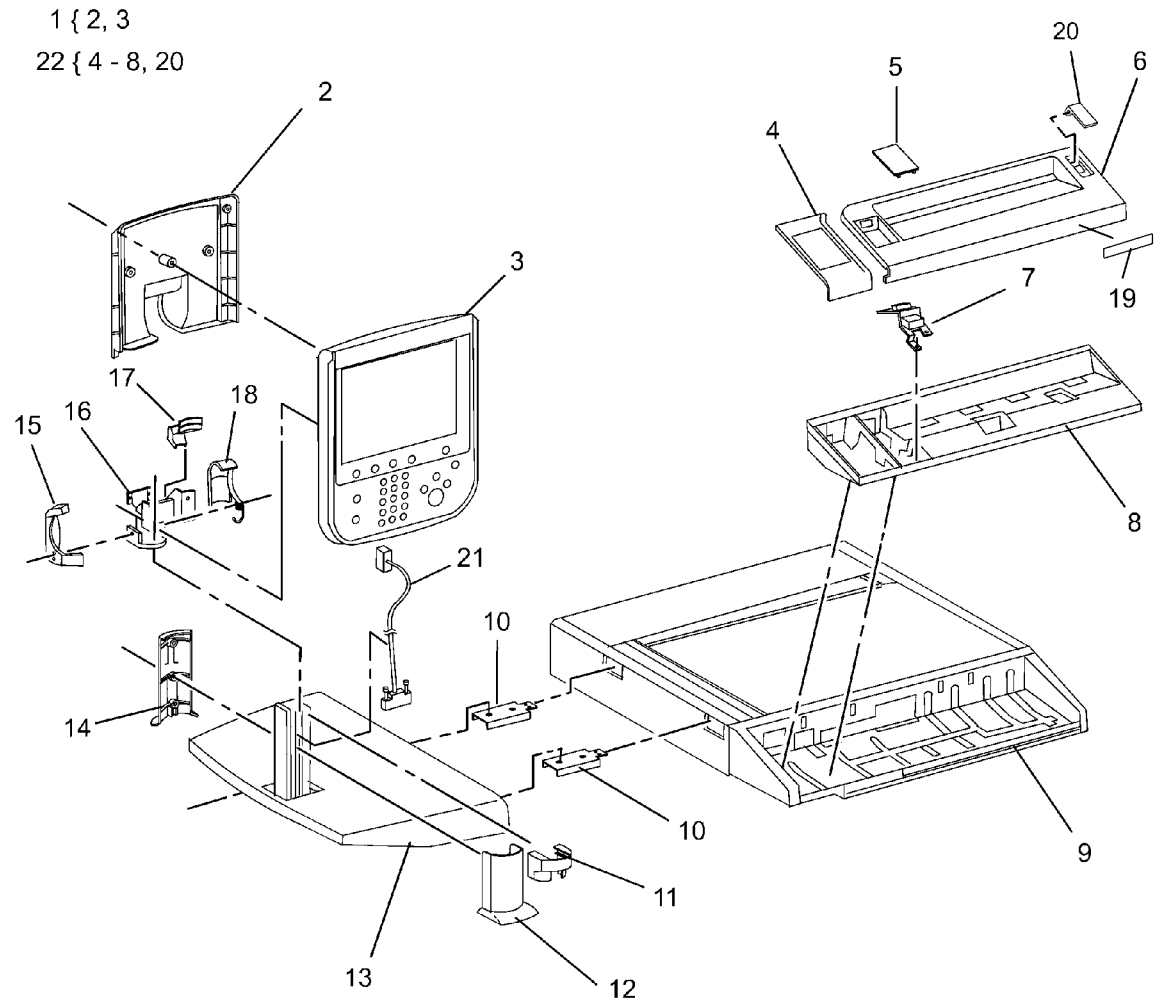
Item	Part	Description
1	-	Retard Roll Housing (P/O PL 14.12 Item 10)
2	-	Retard Roll Shaft (P/O PL 14.12 Item 10)
3	005K06810	Torque Limiter
4	059K30951	Retard Roll (REP 5.22)
5	028E94260	KL-Clip
6	-	Bracket (P/O PL 14.12 Item 10)
7	054K24496	Feeder Lower Chute
8	-	Shaft (P/O PL 14.12 Item 10)
9	-	Tension Spring (P/O PL 14.12 Item 10)
10	-	Film (P/O PL 14.12 Item 10)



0514026A-OL'

## PL 15.1 Control Panel (Part 1 of 2)

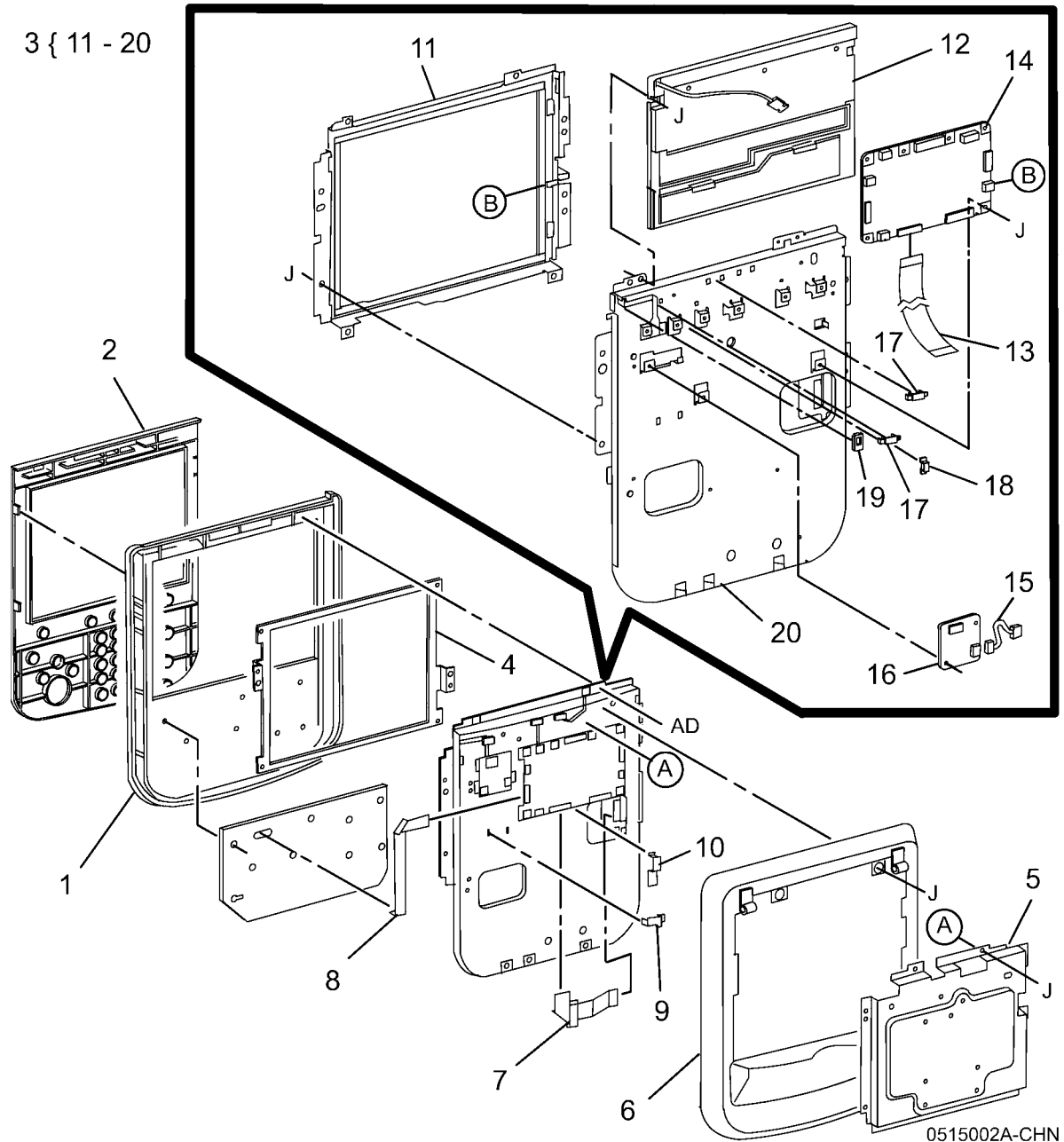
Item	Part	Description
1	848K43821	Control Panel (XNA)
-	848K45811	Control Panel (XE)
2	-	Rear Panel Cover (P/O PL 15.1 Item 1)
3	-	Control Panel (P/O PL 15.1 Item 1)
4	-	Clip Cover (Not Spared)
5	-	USB Cover (Not Spared)
6	-	Top Cover (Not Spared)
7	-	USB Connector
8	-	Housing (Not Spared)
9	-	IIT Cover (Not Spared)
10	-	Wing Bracket
11	-	Neck Post Cover
12	-	Front Post Cover
13	-	Wing Tray (Not Spared)
14	-	Rear Post Cover (Not Spared)
15	-	Left Hinge Cover (Not Spared)
16	-	Hinge (Not Spared)
17	-	Harness Guard (Not Spared)
18	-	Right Hinge Cover (Not Spared)
19	897E71020	COLOR 570 Label
-	897E76670	COLOUR 56 Label
-	897E76680	COLOUR 57 Label
-	897E71000	COLOR 550 Label
-	897E71010	COLOR 560 Label
20	055E58940	Power Switch Cover
21	962K84531	UI Interface Cable
22	848K45800	Console Assembly



0515002A-CHN

## PL 15.2 Control Panel (Part 2 of 2)

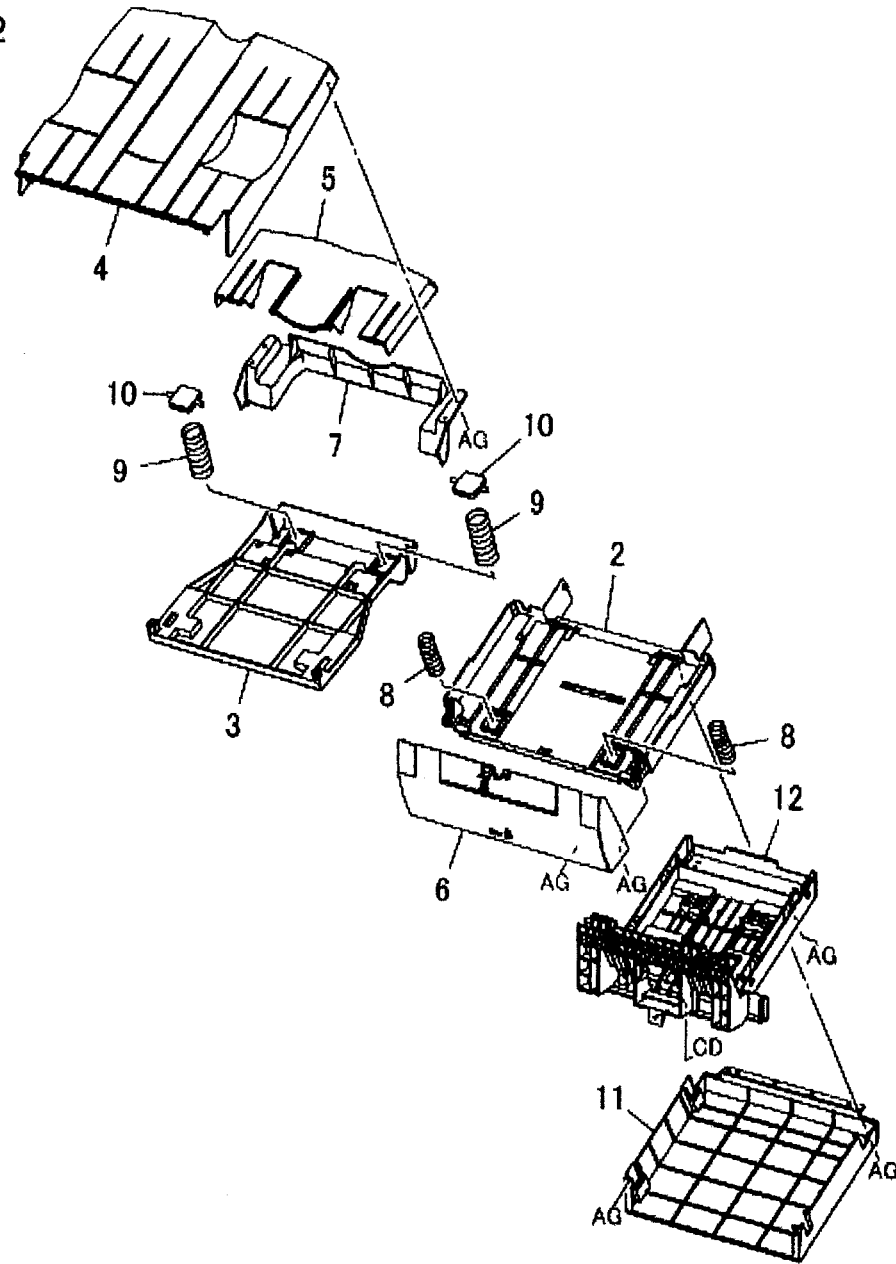
Item	Part	Description
1	-	Front Panel (Not Spared)
2	-	Front Panel Cover (Not Spared)
3	-	Display Panel (Not Spared)
4	-	Ground Plate (Not Spared)
5	-	Neck Bracket
6	-	Rear Panel Cover (Not Spared)
7	-	UI Flexible Print Cable (Not Spared)
8	-	UI Flexible Print Cable (Not Spared)
9	-	Clamp (Not Spared)
10	-	Clamp (Not Spared)
11	801K40160	Touch Screen
12	-	Display Panel PWB (Not Spared)
13	-	UI Wire Harness (Not Spared)
14	960K46910	UI PWB
15	-	UI Wire Harness
16	960K46941	Display Driver PWB
17	-	Clamp (Not Spared)
18	-	Clamp (Not Spared)
19	-	Square Bushing (Not Spared)
20	-	LCD Frame (Not Spared)



# PL 16.1 SCT

Item	Part	Description
1	050K50991	SCT
2	-	Base Tray (P/O PL 16.1 Item 1)
3	-	Center Tray (P/O PL 16.1 Item 1)
4	-	Catch Tray (P/O PL 16.1 Item 1)
5	-	Extension Tray (P/O PL 16.1 Item 1)
6	-	Wall Tray (P/O PL 16.1 Item 1)
7	-	Catch Tray Cover (P/O PL 16.1 Item 1)
8	-	Spring (P/O PL 16.1 Item 1)
9	-	Spring (P/O PL 16.1 Item 1)
10	-	Plate (P/O PL 16.1 Item 1)
11	-	Bottom Cover (P/O PL 16.1 Item 1)
12	-	Support (P/O PL 16.1 Item 1)

1 {2-12}

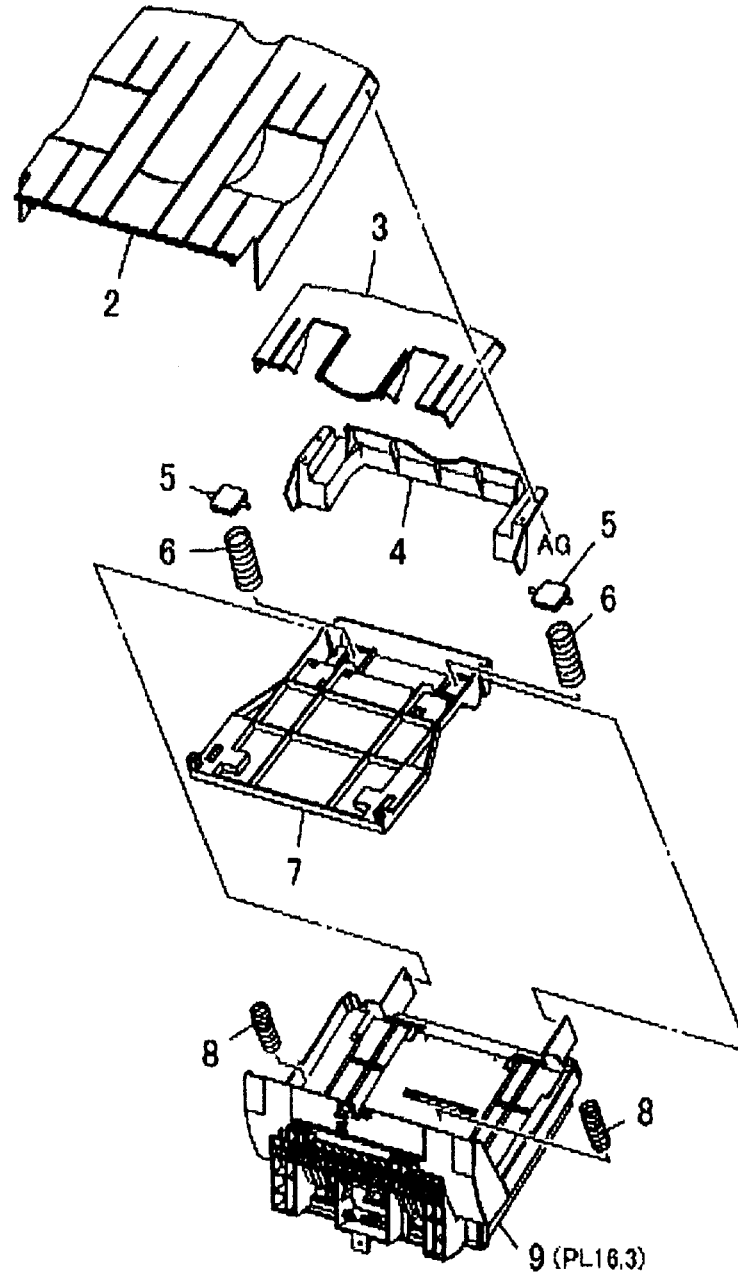


0516001A-OLY

# PL 16.2 OCT (1 of 2)

Item	Part	Description
1	050K50985	OCT
2	-	Catch Tray (P/O PL 16.2 Item 1)
3	-	Extension Tray (P/O PL 16.2 Item 1)
4	-	Catch Tray Cover (P/O PL 16.2 Item 1)
5	-	Plate (P/O PL 16.2 Item 1)
6	-	Spring (P/O PL 16.2 Item 1)
7	-	Center Tray (P/O PL 16.2 Item 1)
8	-	Spring (P/O PL 16.2 Item 1)
9	-	Base Tray Assembly (P/O PL 16.2 Item 1)

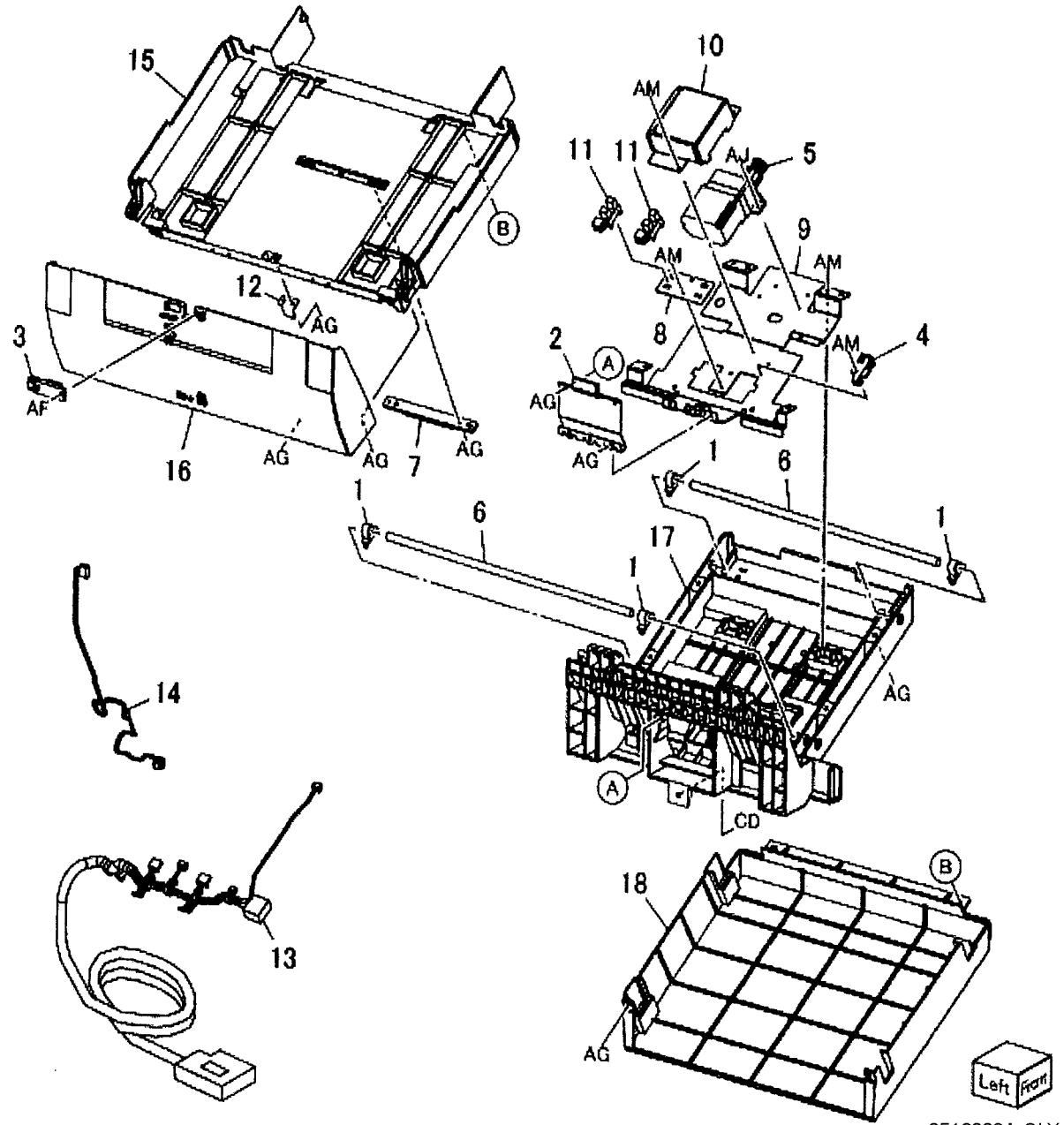
1 { 2 - 9



Left Front  
0516002A-OLY

# PL 16.3 OCT (2 of 2)

Item	Part	Description
1	-	Bearing (P/O PL 16.2 Item 1)
2	-	Gasket (P/O PL 16.2 Item 1)
3	930W00211	Tray Full Sensor
4	-	Clamp (P/O PL 16.2 Item 1)
5	127K39971	OCT Motor
6	-	Shaft (P/O PL 16.2 Item 1)
7	-	Rack (P/O PL 16.2 Item 1)
8	-	Bracket (P/O PL 16.2 Item 1)
9	-	Plate (P/O PL 16.2 Item 1)
10	-	Motor Cover (P/O PL 16.2 Item 1)
11	930W00111	Rear Position Sensor
12	-	Actuator (P/O PL 16.2 Item 1)
13	-	Wire Harness (Not Spared)
14	-	Wire Harness (Not Spared)
15	-	Base Tray (P/O PL 16.2 Item 1)
16	-	Wall Tray (P/O PL 16.2 Item 1)
17	-	Support (P/O PL 16.2 Item 1)
18	-	Bottom Cover (P/O PL 16.2 Item 1)

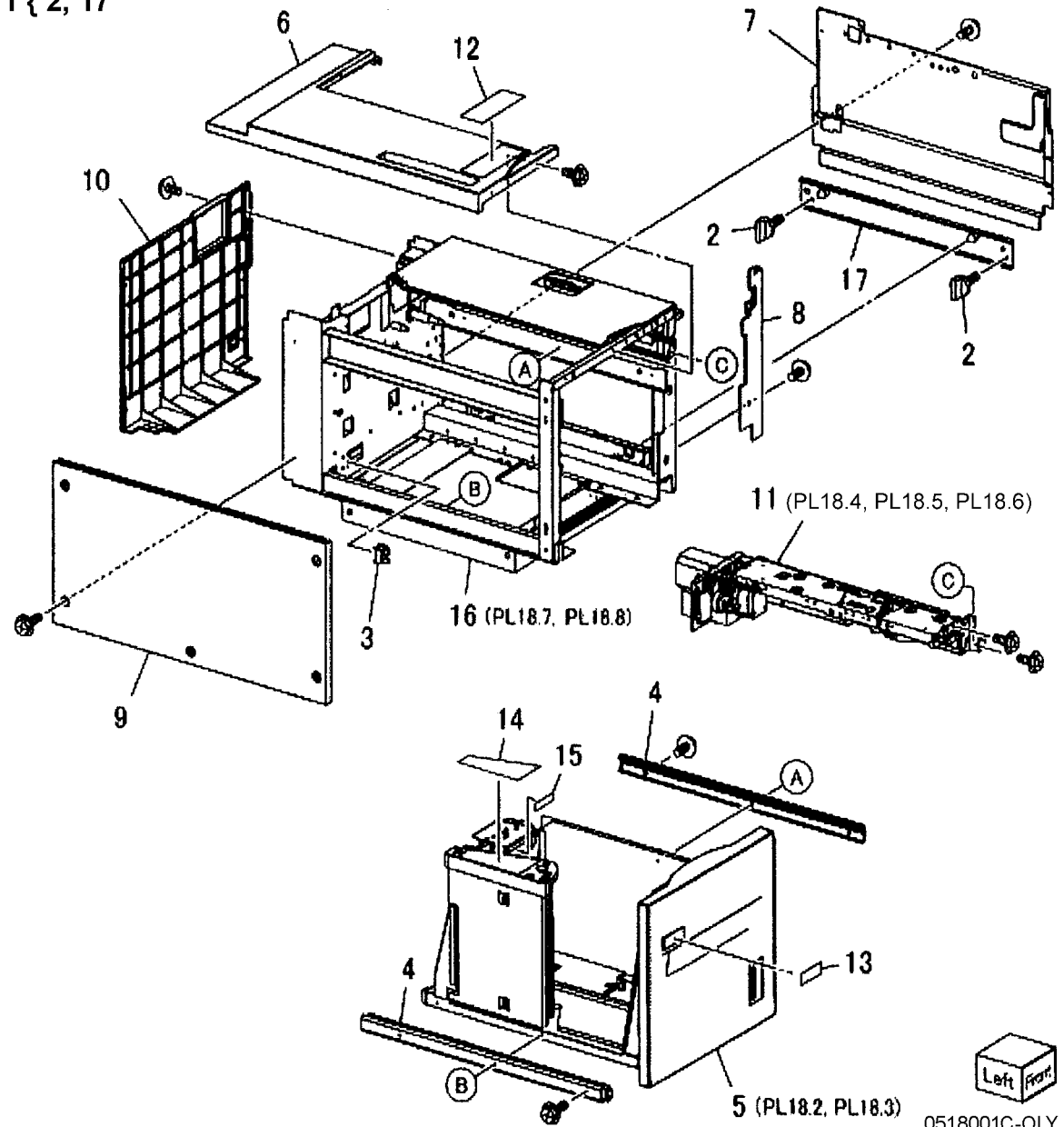


0516003A-OLY

# PL 18.1 HCF Unit

Item	Part	Description
1	604K23830	HCF Docking Kit
2	-	Knob (Not Spared)
3	130K55590	HCF Tray Set Sensor
4	801K15700	Tray Rail
5	050K51973	HCF Tray 6 (REP 7.1)
6	-	Left Top Cover (Not Spared)
7	-	Right Cover (Not Spared)
8	-	Front Right Cover (Not Spared)
9	-	Left Cover (Not Spared)
10	-	Rear Cover (Not Spared)
11	059K53385	HCF Feeder (REP 7.2)
12	-	Label (Top) (Not Spared)
13	897E73760	Label (Tray Number)
14	893E46210	Label (End)
15	893E46200	Label (Size)
16	-	Frame Assembly (Not Spared)
17	-	Joint Plate (P/O PL 18.1 Item 1)

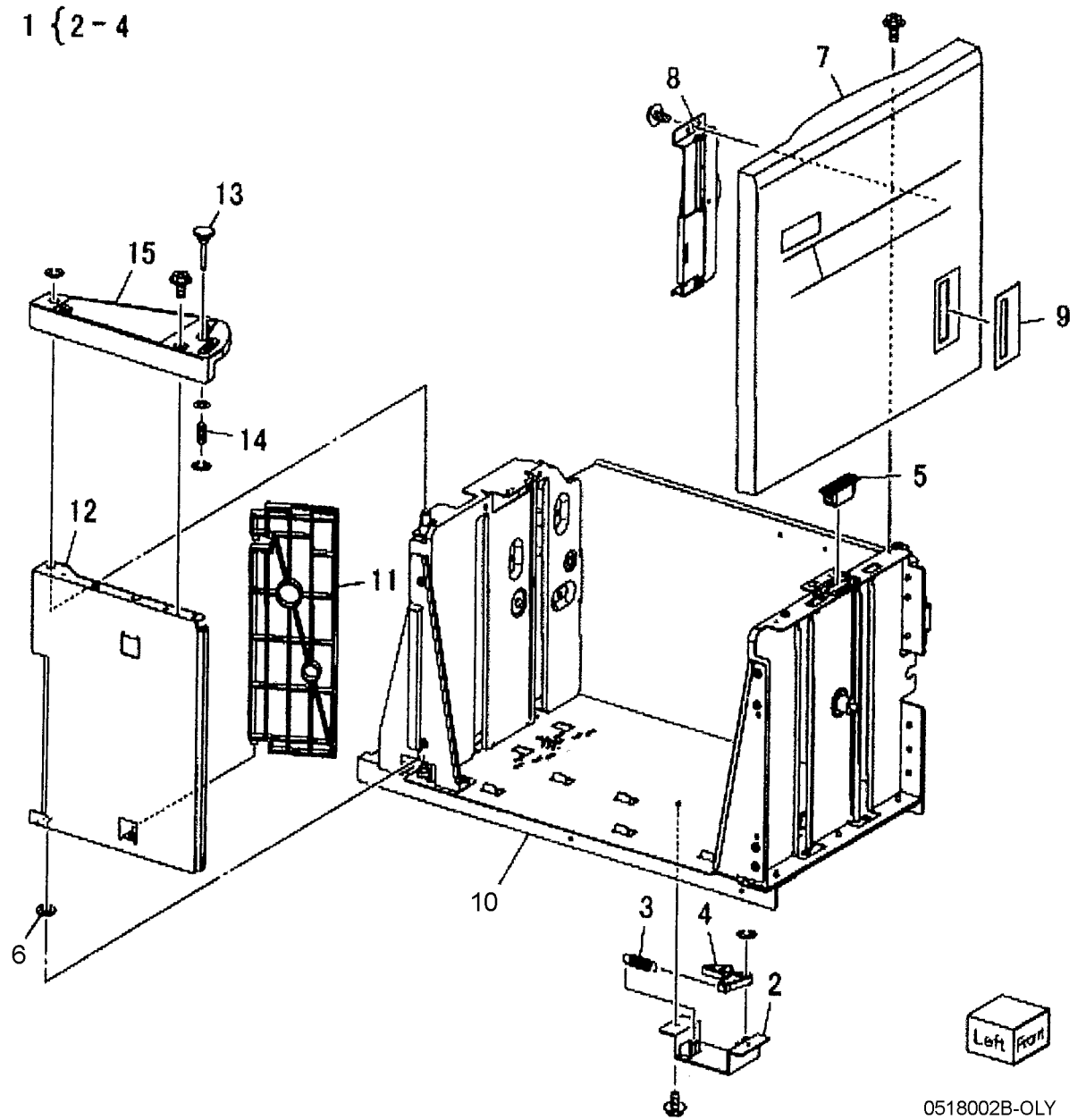
1 { 2, 17





## PL 18.2 HCF Tray 6 (1 of 2)

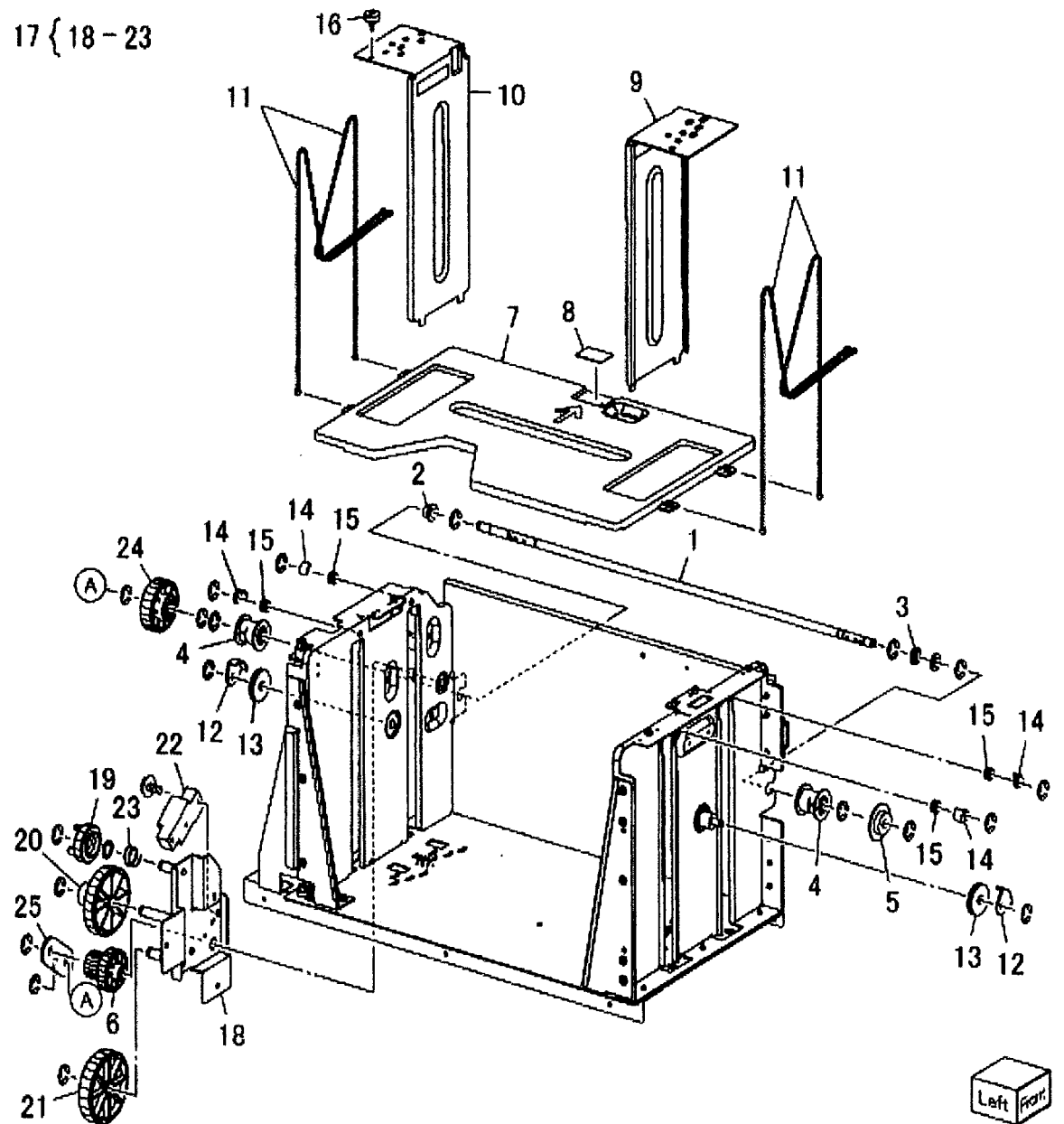
Item	Part	Description
1	003K13592	Tray Latch Assembly
2	-	Tray Latch (P/O PL 18.2 Item 1)
3	-	Spring (P/O PL 18.2 Item 1)
4	-	Latch Lever (P/O PL 18.2 Item 1)
5	-	Magnet (P/O PL 18.1 Item 5)
6	-	Wave Washer (P/O PL 18.1 Item 5)
7	-	Front Cover (P/O PL 18.1 Item 5)
8	068K25372	Gear Bracket
9	-	Label (Gauge) (P/O PL 18.1 Item 5)
10	-	Frame (P/O PL 18.1 Item 5)
11	-	Plate (P/O PL 18.1 Item 5)
12	-	Bracket (P/O PL 18.1 Item 5)
13	-	Pin (P/O PL 18.1 Item 5)
14	-	Spring (P/O PL 18.1 Item 5)
15	-	Top Plate (P/O PL 18.1 Item 5)



# PL 18.3 HCF Tray 6 (2 of 2)

Item	Part	Description
1	-	Lift Shaft (P/O PL 18.1 Item 5)
2	-	Bearing (P/O PL 18.1 Item 5)
3	-	Bearing (P/O PL 18.1 Item 5)
4	020E37620	Tray Cable Pulley
5	-	Gear (P/O PL 18.1 Item 5)
6	-	Gear (P/O PL 18.1 Item 5)
7	815E09030	Bottom Plate
8	019E58620	Pad
9	-	front Side Guide (P/O PL 18.1 Item 5)
10	-	Rear Side Guide (P/O PL 18.1 Item 5)
11	604K19981	Tray Pulley Cable (REP 7.4)
12	032E22410	Wire Guide (L)
13	020E37630	Pulley
14	-	Wire Guide (S) (P/O PL 18.1 Item 5)
15	-	Pulley (P/O PL 18.1 Item 5)
16	826E11701	Screw
17	015K65532	Gear Bracket Assembly
18	-	Gear Bracket (P/O PL 18.3 Item 17)
19	-	Contact Gear (P/O PL 18.3 Item 17)
20	-	Gear (P/O PL 18.3 Item 17)
21	-	Gear (P/O PL 18.3 Item 17)
22	-	Brake (P/O PL 18.3 Item 17)
23	-	Spring (P/O PL 18.3 Item 17)
24	807E04500	Lift Gear
25	-	Plate (P/O PL 18.1 Item 5)

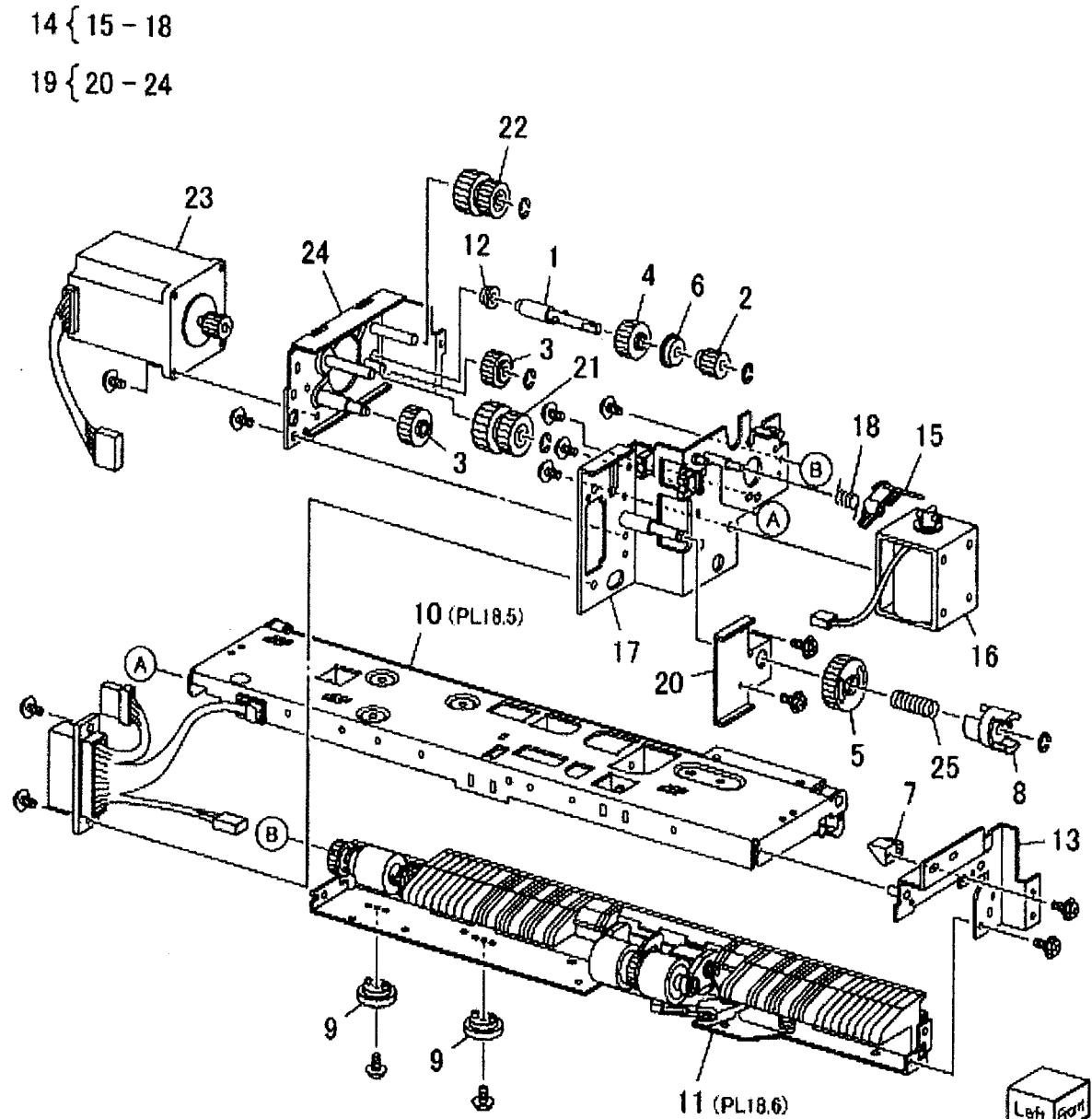
17 { 18 - 23



0518003B-OLY

## PL 18.4 HCF Feeder (1 of 3)

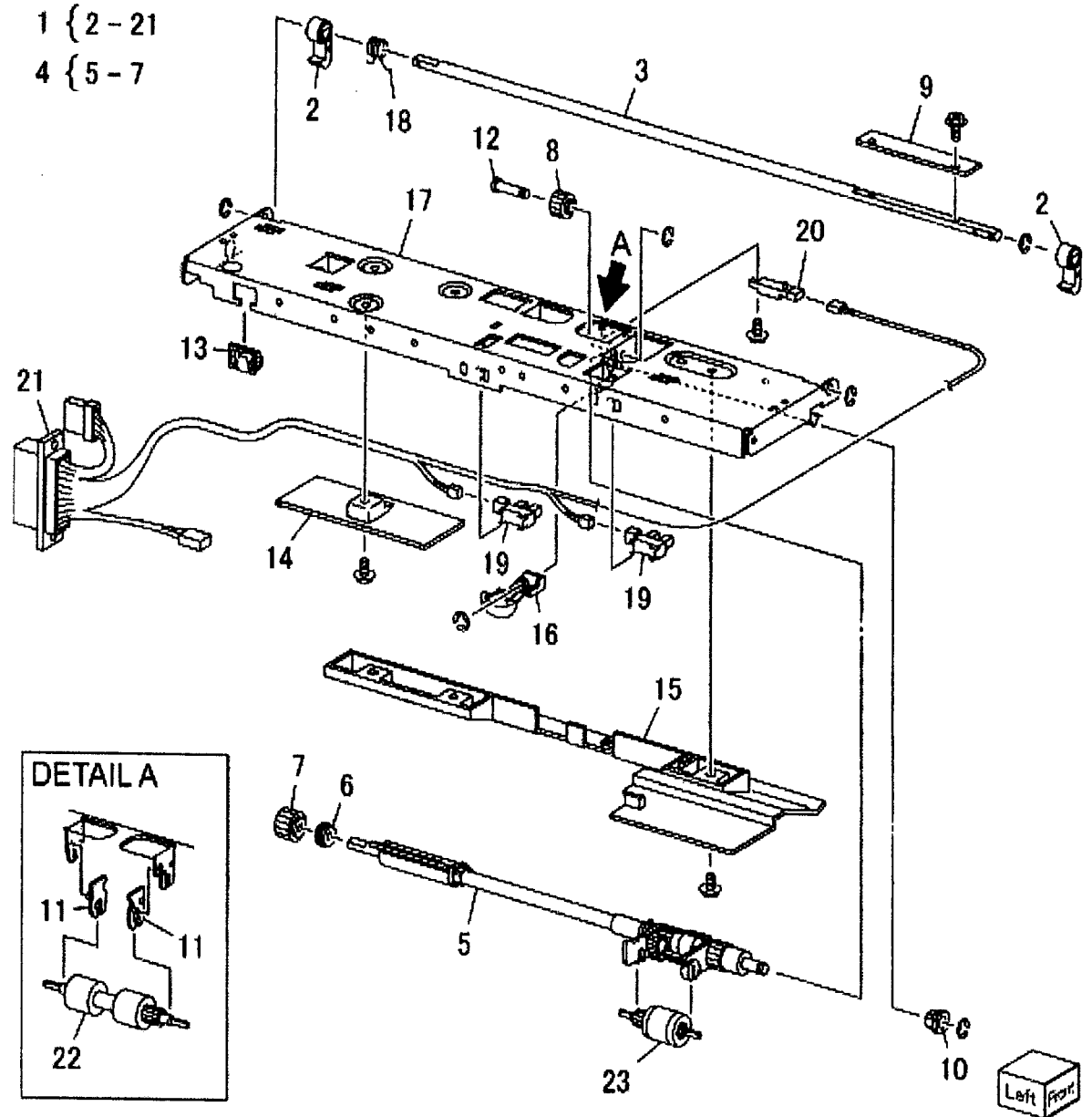
Item	Part	Description
1	-	Shaft (P/O PL 18.1 Item 11)
2	007E78760	Gear (19T)
3	007E78770	Gear (25T)
4	007E78780	Gear (25T)
5	007E78790	Gear (40)
6	013E25530	Bearing
7	-	Block (P/O PL 18.1 Item 11)
8	-	Spacer (P/O PL 18.1 Item 11)
9	019E56470	Holder
10	-	Upper Feeder Assembly (P/O PL 18.1 Item 11)
11	-	Lower Feeder Assembly (P/O PL 18.1 Item 11)
12	413W66250	Ball Bearing
13	-	Front Frame (P/O PL 18.1 Item 11)
14	-	Spring (P/O PL 18.1 Item 11)
15	012E11041	Solenoid Link
16	121K31341	Nudger Solenoid (REP 7.13)
17	-	Rear Frame (P/O PL 18.1 Item 11)
18	-	Spring (P/O PL 18.1 Item 11) (REP 7.8)
19	-	Lift/Motor Frame (P/O PL 18.1 Item 11)
20	-	Bracket (P/O PL 18.1 Item 11)
21	007K88520	Gear (23T/27T) (FX)
22	007K88530	Gear (31T/36T)
23	127K37901	Lift/Feed Motor (REP 7.12)
24	-	Plate
25	-	Spring (Not Spared)



0518004A-OLY

# PL 18.5 HCF Feeder (2 of 3)

Item	Part	Description
1	-	Upper Feeder Assembly
2	003E59570	Latch
3	-	Shaft Latch (P/O PL 18.5 Item 1)
4	006K23124	Feed Shaft Assembly
5	-	Feed Shaft (P/O PL 18.5 Item 4) (REP 7.6)
6	-	Ball Bearing (P/O PL 18.5 Item 4)
7	-	Gear (20T) (P/O PL 18.5 Item 4)
8	-	Feed Gear (25T) (P/O PL 18.5 Item 1)
9	-	Lever (P/O PL 18.5 Item 1)
10	-	Bearing (P/O PL 18.5 Item 1)
11	-	Spacer (P/O PL 18.5 Item 1)
12	-	Pin Drive (P/O PL 18.5 Item 1)
13	-	Guide
14	-	Rear Upper Chute (P/O PL 18.5 Item 1)
15	-	Upper Chute (P/O PL 18.5 Item 1)
16	120E21900	Actuator
17	-	Upper Frame (P/O PL 18.5 Item 1)
18	-	Spring (P/O PL 18.5 Item 1)
19	930W00112	HCF Stack Height Sensor, HCF Paper Sensor
20	930W00211	HCF Pre Feed Sensor
21	-	Wire Harness (P/O PL 18.5 Item 1)
22	059K26691	Feed Roll (REP 7.5)
23	059K26702	Nudger Roll (REP 7.5)

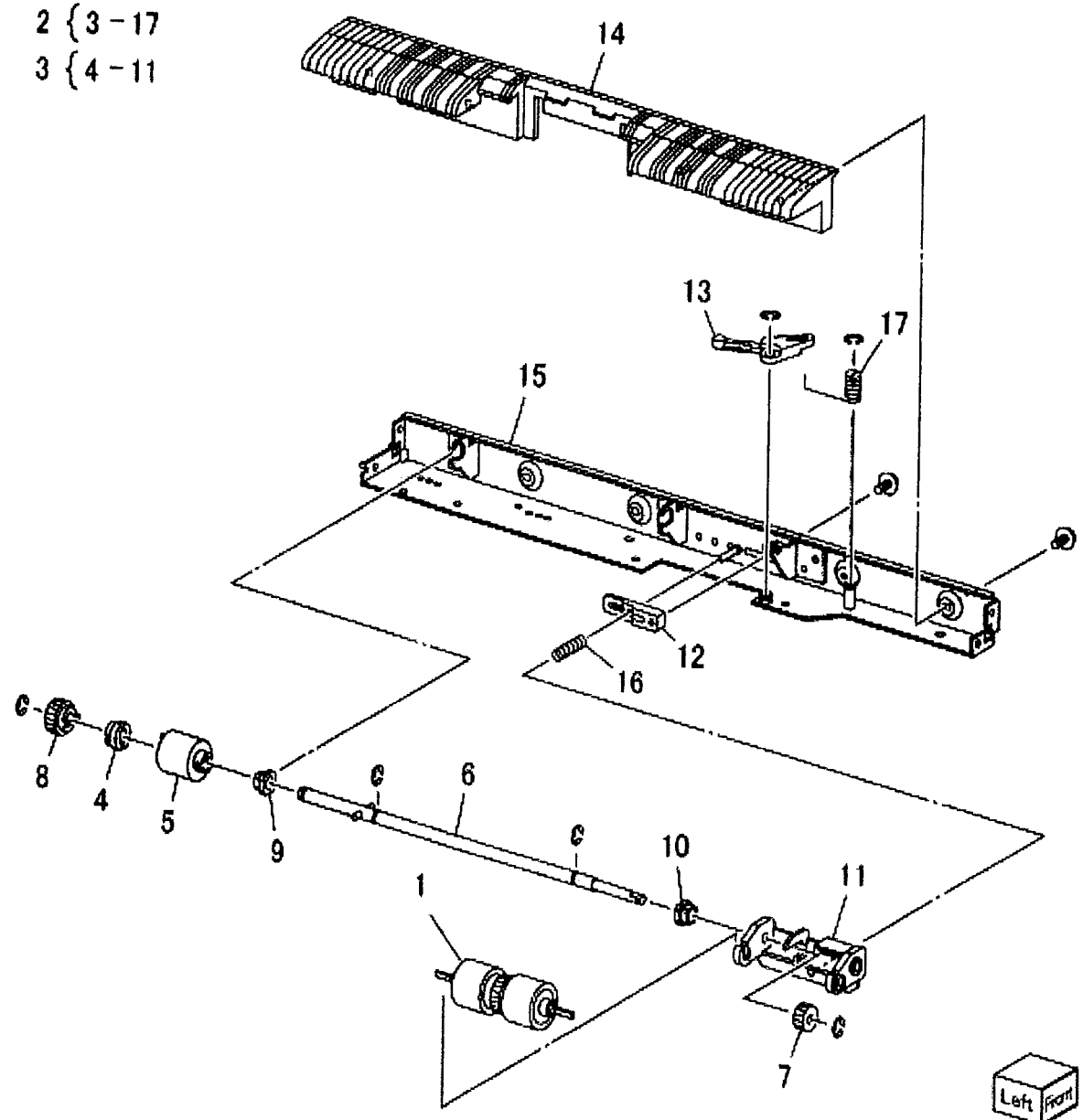


0518005A-OLY

## PL 18.6 HCF Feeder (3 of 3)

Item	Part	Description
1	059K26591	Retard Roll (REP 7.5)
2	-	Lower Feeder Assembly
3	-	Retard Shaft Assembly (P/O PL 18.6 Item 2)
4	-	Collar (P/O PL 18.6 Item 3)
5	-	Friction Clutch (P/O PL 18.6 Item 3)
6	-	Shaft (P/O PL 18.6 Item 3)
7	007E78170	Gear (15T)
8	007E89760	Gear (22T)
9	013E23600	Bearing
10	013E23610	Bearing
11	-	Retard Bracket (P/O PL 18.6 Item 2)
12	-	Slide (P/O PL 18.6 Item 2)
13	-	Lever (P/O PL 18.6 Item 2)
14	-	Lower Chute (P/O PL 18.6 Item 2)
15	-	Lower Frame (P/O PL 18.6 Item 2)
16	-	Spring (P/O PL 18.6 Item 2)
17	-	Spring (P/O PL 18.6 Item 2) (REP 7.7)

2 { 3 - 17  
3 { 4 - 11

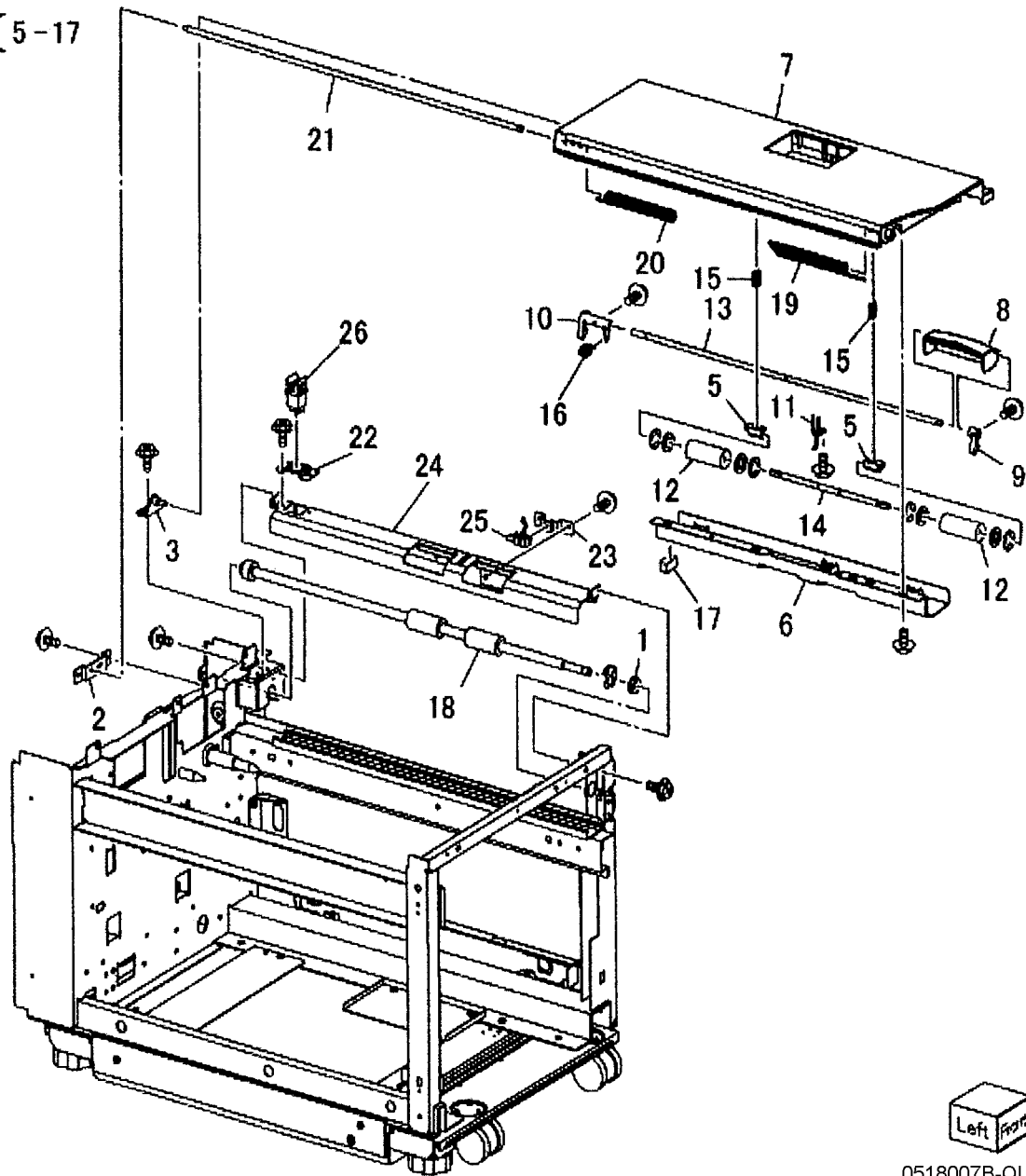


0518006A-OLY

## PL 18.7 HCF Top Cover Unit

Item	Part	Description
1	013E17100	Bearing
2	-	Bracket
3	-	Pivot Bracket
4	802K67082	Top Cover Assembly
5	-	Bearing
6	-	Upper Chute (P/O PL 18.7 Item 4)
7	-	Top Cover
8	-	Knob
9	-	Latch
10	-	Latch
11	-	Spring
12	059E01430	Pinch Roller
13	-	Shaft
14	-	Shaft
15	-	Spring
16	-	Spring
17	-	Gasket (P/O PL 18.7 Item 4)
18	059K36260	Takeaway Roll (REP 7.10)
19	-	Spring (Left) (P/O PL 18.1 Item 16)
20	-	Spring (Right) (P/O PL 18.1 Item 16)
21	-	Pivot Shaft (P/O PL 18.1 Item 16)
22	-	Bracket (P/O PL 18.1 Item 16)
23	-	Bracket (P/O PL 18.1 Item 16)
24	-	Lower Chute (P/O PL 18.1 Item 16)
25	130K88150	Feed Out Sensor
26	110E94770	Top Cover Interlock Switch

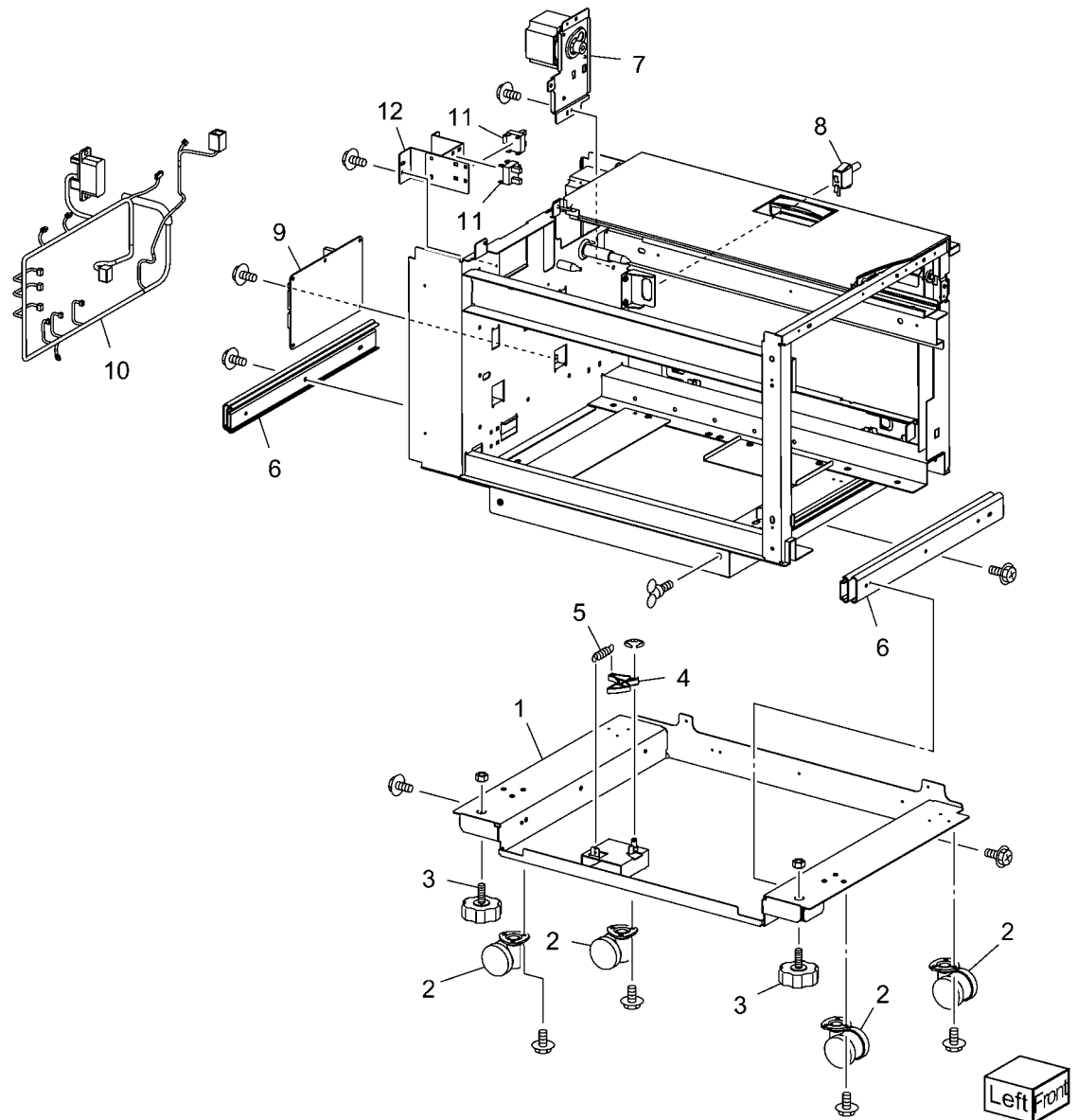
4 { 5-17



0518007B-OLY

## PL 18.8 HCF Electrical and Rail

Item	Part	Description
1	-	Plate (Not Spared)
2	017E92820	Rack Caster (REP 7.9)
3	-	Foot (Not Spared)
4	-	Latch Lever (Not Spared)
5	-	Spring (Not Spared)
6	801K15690	Rail
7	127K47150	Takeaway Motor
8	110E10380	Docking Interlock Switch
9	960K30592	HCF PWB (REP 7.11)
10	-	Wire Harness (P/O PL 18.1 Item 16)
11	130K55590	HCF Size Sensor R and L
12	-	Bracket (P/O PL 18.1 Item 16)



0518008B-OLY

## Common Hardware

Item	Part	Description
A	112W27677	Sems Screw (M3x6)
B	112W27678	Sems Screw (M3x6)
C	112W27898	Screw (M3x8)
D	112W28098	Sems Screw (M3x10)
E	113W15588	Pan Head Screw (M2x5)
F	113W16088	Screw (M2x10)
G	113W20478	Tapping Screw (M3x4)
H	113W20677	Screw (M3x6)
J	113W20678	Screw (M3x6)
K	113W20688	Pan Head Screw (M2.5x6)
L	113W20878	Screw (M3x8)
M	113W21078	Screw (M3x10)
N	113W21278	Screw (M3x12)
Q	113W27488	Pan Head Screw (M3x4)
R	113W27588	Pan Head Screw (M3x5)
S	113W27688	Pan Head Screw (M3x6)
T	113W27888	Pan Head Screw (M3x8)
U	113W35878	Screw (M4x8)
V	113W35888	Pan Head Screw (M4x8)
W	114W27678	Bind Head Screw (M3x6)
X	141W27451	Set Screw (M3x4)
Y	141W35651	Set Screw (M4x6)
Z	153W15888	Tapping Screw (M4x8)
AA	153W16288	Tapping Screw (M4x12)
AB	153W17688	Tapping Screw (M3x6)
AC	153W17888	Tapping Screw (M3x8)
AD	153W18088	Tapping Screw (M3x10)
AE	153W27878	Tapping Screw (M3x8)
AF	153W28078	Tapping Screw (M3x10)
AG	158W27678	Screw
AH	158W27688	Round Screw (M3x7)
AJ	158W27878	Screw (M3x8)
AK	158W28078	Screw (M3x10)
AL	158W35878	Tapping Screw (M4x8)
AM	220W21278	Flange Nut (3)
AN	251W19278	Washer (2.5) (10.5)
AP	251W21278	Washer (3) (10.5)
AQ	251W24278	Washer (4) (10.8)
AR	251W26278	Washer (5)
AS	252W24350	Nylon Washer (4)
AT	252W26450	Nylon Washer (5)
AU	252W27350	Nylon Washer (6) (10.5)
AV	252W27450	Nylon Washer (6) (11)
AW	252W29350	Nylon Washer (8) (10.5)
AX	252W31250	Nylon Washer (10) (10.25)
AY	252W31350	Nylon Washer (10) (10.5)
AZ	256W15278	Spring Washer (2) (10.5)
BA	271W10850	Dowel Pin (1.6x8)
BB	271W16250	Dowel Pin (2x12)
BC	271W28250	Dowel Pin (3x12)
BD	271W28450	Dowel Pin (3x14)
BE	271W28650	Dowel Pin (3x16)
BG	285W16251	Pin Spring (2x12)
BH	285W28051	Spring Pin (3x10)
BL	354W13278	E-Clip (1.5)
BM	354W15278	E-Ring (2)
BN	354W19278	E-Ring (2.5)
BP	354W21254	Ring KL (4)
BQ	354W21278	E-Ring (3)
BR	354W24254	KL Ring (6)
BS	354W24278	E-Clip (4)
BT	354W26278	E-Clip (5)
BU	354W27254	KL-Clip (8)
BV	354W27278	E-Ring (6)
BW	354W29278	E-Ring (8)
BX	180W16878	Wing Screw
BY	113W35678	Screw (M4x6)
BZ	153W27678	Screw (M6x6)
CA	271W16050	Dowel Pin (2x10)
CB	112W27659	Sems Screw (M3x6)
CC	158W27663	Screw (M3x6)
CD	113W27551	Screw (M3x5)
CE	113W16051	Screw (M2x10)
CF	114W27878	Bind Head Screw (M3x8)
CG	113W21778	Screw (M3x18)
CH	113W20698	Round Screw (M3x6)
CJ	153W16088	Tapping Screw (M4x8)
CK	271W21050	Dowel Pin (3x10)
CL	158W27888	Round Screw (M3x9)
CM	252W29450	Nylon Washer (8) (11)
CP	-	E-Ring
CS	285W16051	Dowel Pin (2x10)
CT	285W15851	Pin Spring (2x8)
CV	113W35578	Tapping Screw (M4x5)
CW	113W27651	Screw (M3x6)
CX	251W21178	Washer (3) (10.5)
CY	354W31278	E-Clip (10)
CZ	112W27851	Screw (M3x8)
DA	113W15488	Screw (M2x4)
DB	113W20857	Screw (M3x8)
DC	237W00178	Nut Screw
DD	-	Screw

























## Part Number Index

The Part Number Index Table has been deleted from the EDOC.

Use SearchLite to search for Part Numbers and Part Descriptions.

