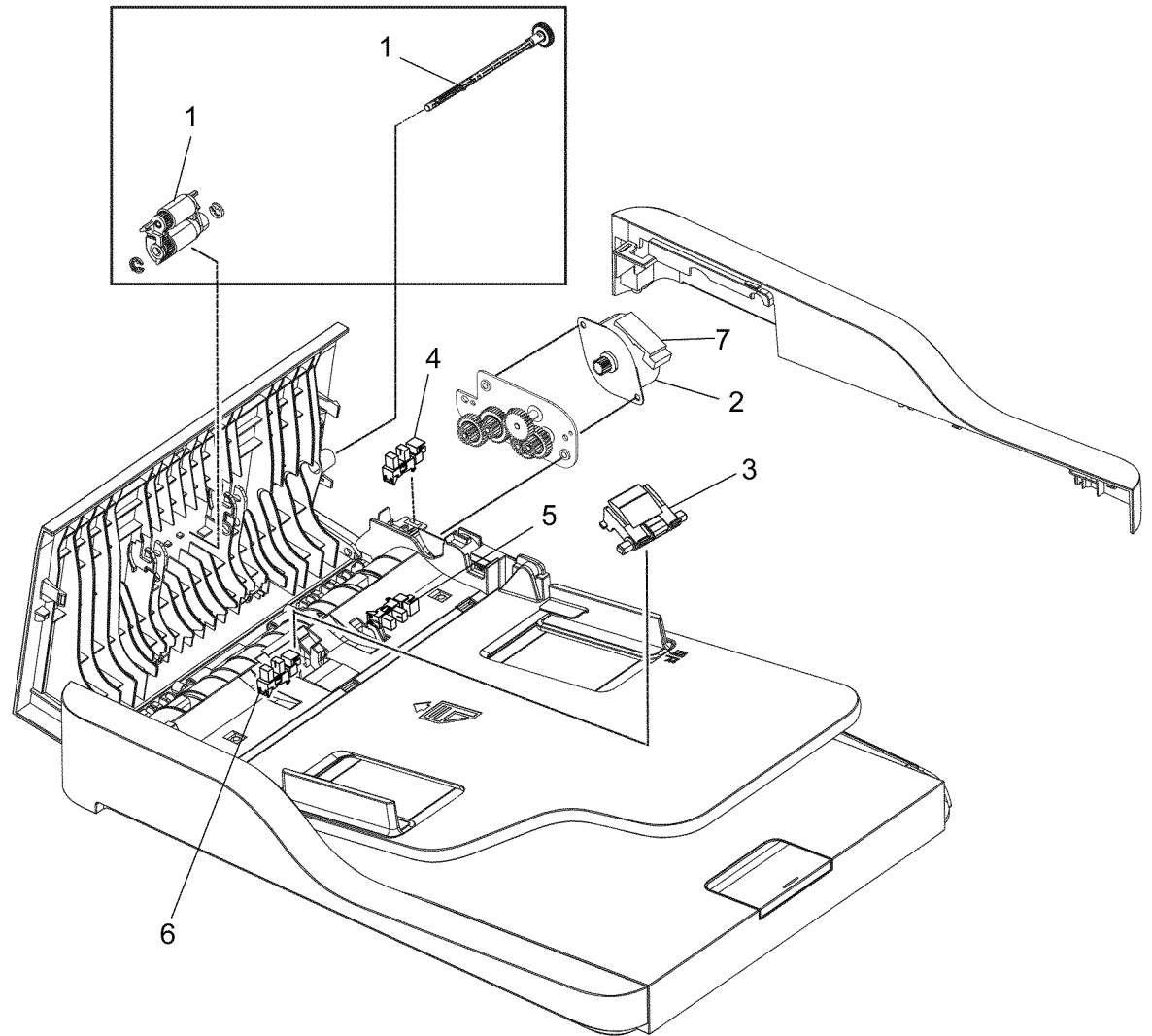




## PL 1.2 ADF

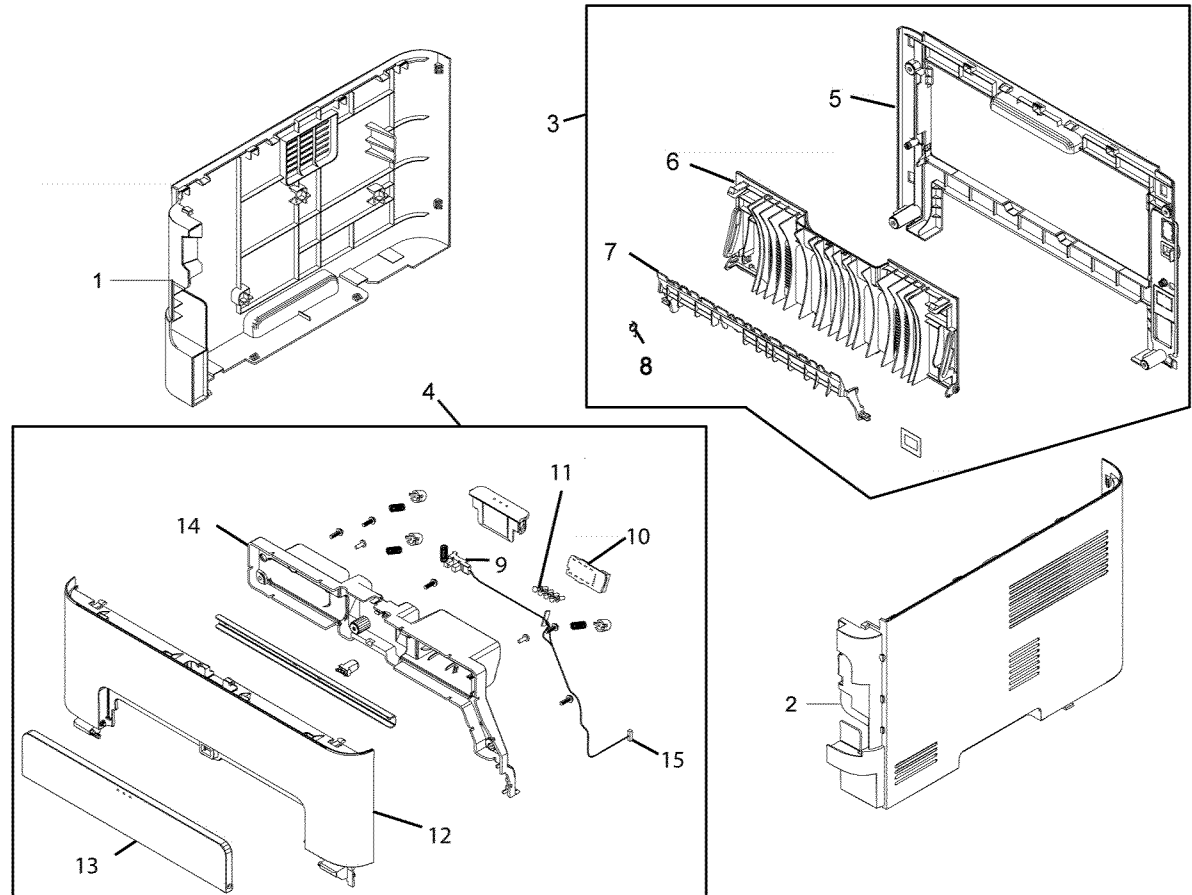
Item	Part	Description
1	022N02801	ADF Feed Roll Assembly (REP 1.5)
2	-	ADF Drive Motor (REP 1.6)
3	022N02800	ADF Retard Pad (REP 1.7)
4	-	Top Cover Sensor
5	-	Paper Present Sensor
6	-	Paper Position Sensor
7	-	ADF PWB (P/O Item 2)



N-8-0002-A

## PL 2.1 Covers

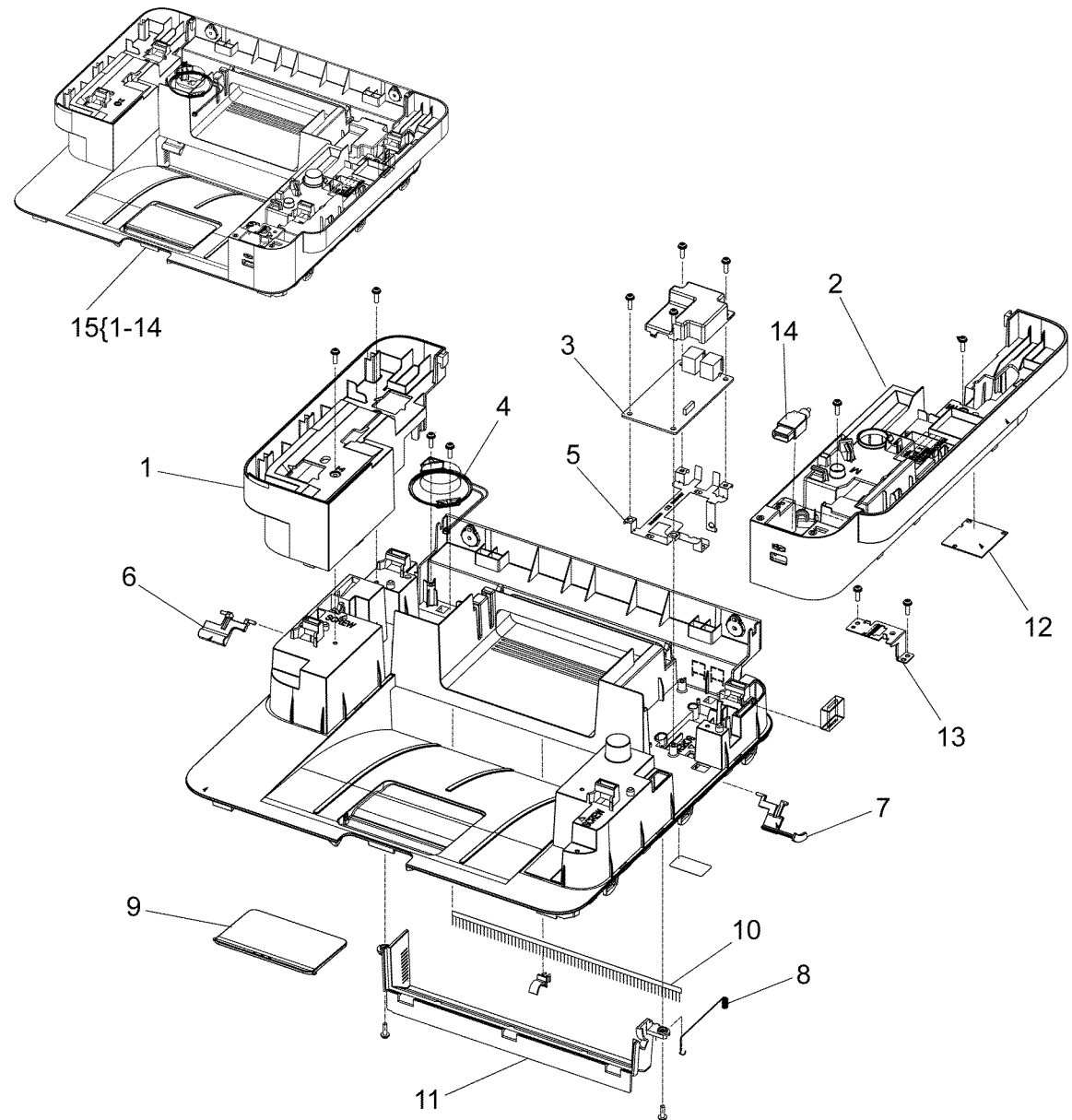
Item	Part	Description	
1	-	Left Cover (REP 2.2)	3 { 5-8
2	-	Right Cover (REP 2.2)	4 { 9-14
3	002N03172	Rear Cover Assembly (REP 2.3)	
4	002N03350	Front Cover Assembly (REP 2.1)	
5	-	Rear Cover (REP 2.3)	
6	-	Exit Paper Guide	
7	-	Duplex Gate	
8	-	Spring	
9	-	Front Cover Latch Sensor	
10	-	CRUM PWB	
11	-	CRUM Contacts	
12	-	Front Cover	
13	-	Manual Feed Cover (REP 2.4)	
14	-	Front Harness Cover	
15	-	CRUM Harness	



N-8-0003-A

## PL 2.2 Middle Cover

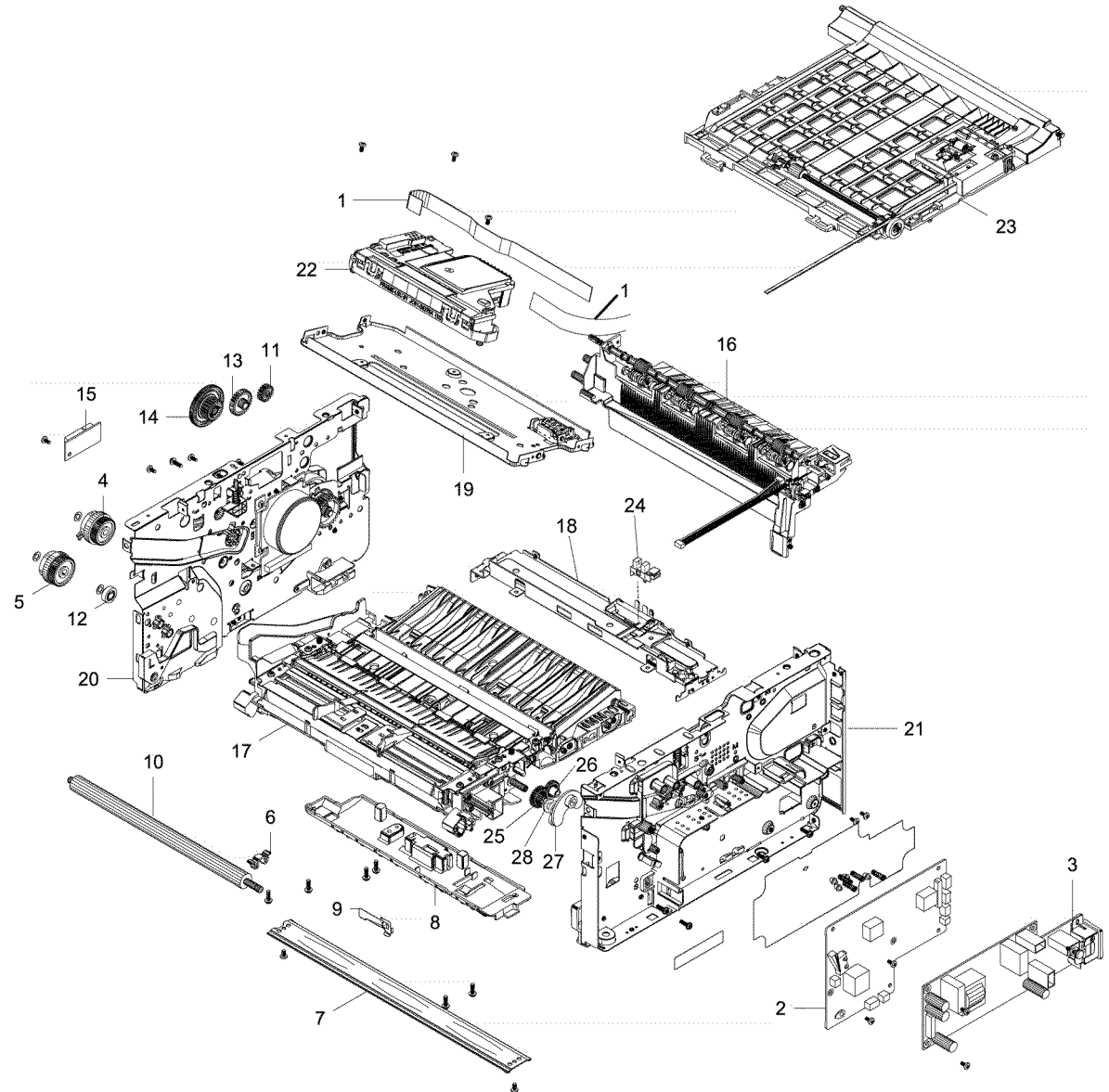
Item	Part	Description
1	—	Left Middle Cover (REP 2.5)
2	—	Right Middle Cover (REP 2.5)
3	140N63863	FAX PWB (B215) (REP 2.6)
4	—	Speaker
5	—	FAX Ground
6	—	Paper Stacker
7	—	Bin Full Sensor Actuator
8	—	Spring
9	—	Output Support
10	—	Antistatic Brush
11	—	Exit Cover
12	—	WNPC (WIFI) PWB (REP 2.7)
13	—	Bracket Holder
14	—	USB Connector
15	—	Middle Cover Assembly



N-8-0004-A

## PL 4.1 Frame

Item	Part	Description
1	117N01969	Flat Cable
2	105N02301	HVPS (REP 4.1)
3	105N02351	LVPS 220V (REP 4.2)
–	105N02350	LVPS 110V (REP 4.2)
4	121N01269	Registration Clutch (REP 4.3)
5	121N01248	Feed Clutch (REP 4.3)
6	–	Transfer Roll Holder
7	–	Bottom Bar
8	–	Feed Frame
9	–	Ground Clip
10	022N02309	Transfer Roller (REP 4.4)
11	–	Exit Gear
12	–	Feed Gear
13	–	Exit Idle Gear
14	–	Exit Gear
15	011N00581	Paper Feed PWB
16	–	Main Exit Frame
17	–	Paper Path Frame
18	–	Exit Sensor Frame
19	–	LSU Bracket Frame
20	–	Left Main Frame
21	–	Right Main Frame
22	062N00292	LSU (REP 4.5)
23	–	Duplex (PL 4.2) (REP 4.6)
24	130N01574	Exit Sensor
25	–	Registration Roll Pivot Gear
26	–	Registration Roll Drive Gear
27	–	Pivot Plate
28	–	Collar

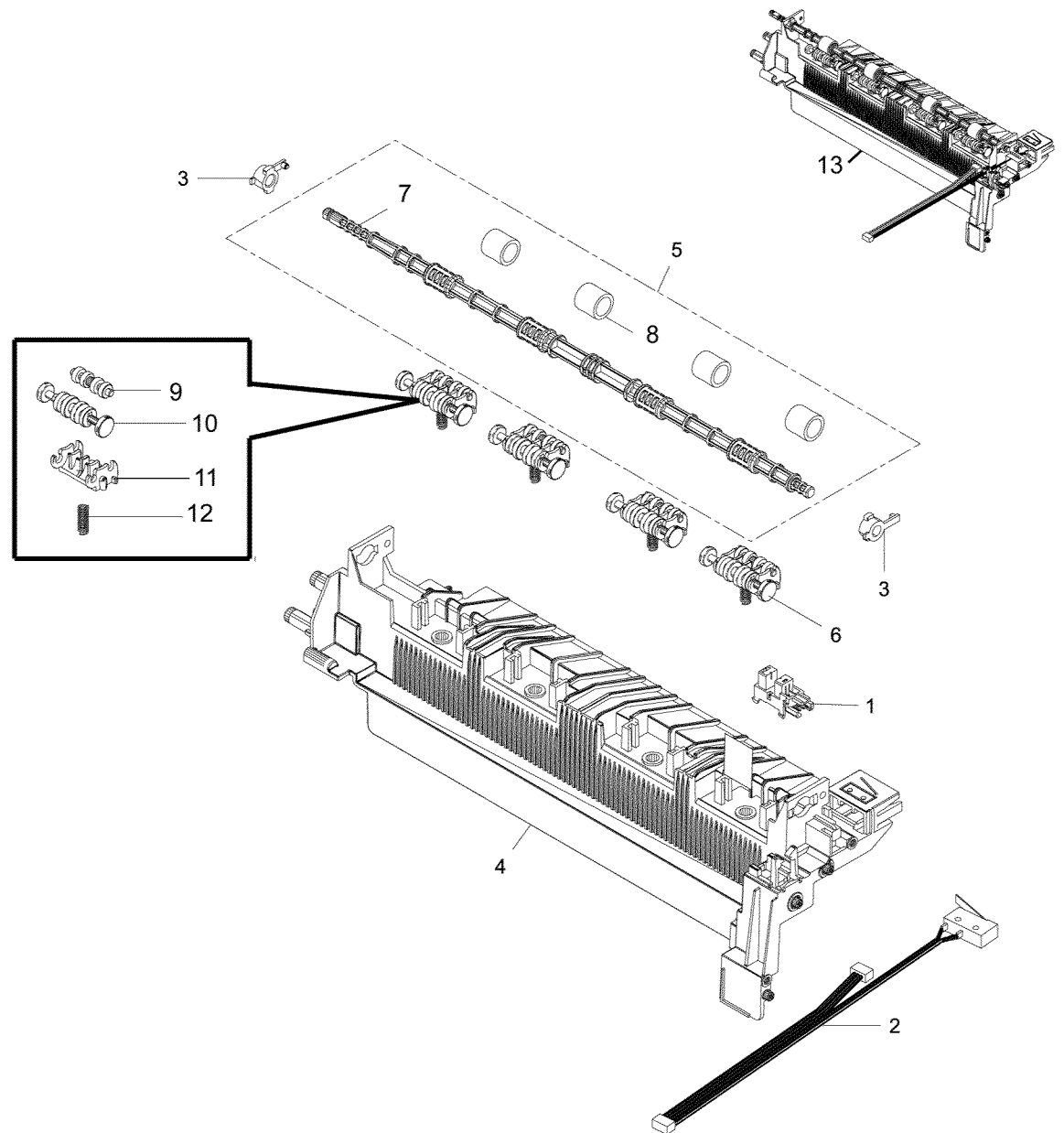


N-8-0005-A



## PL 4.3 Exit Frame

Item	Part	Description
1	130N01574	Output Tray Full Sensor (REP 4.7)
2	-	Harness
3	-	Bushing
4	-	Exit Frame
5	001N00546	Exit Roller (REP 4.8)
6	-	Decurler Roller
7	-	Exit Shaft
8	-	Rubber Exit Dup
9	-	Inner Exit Roller
10	-	Outer Exit Roller
11	-	Exit Roll Holder
12	-	Spring
13	-	Exit Frame Assembly

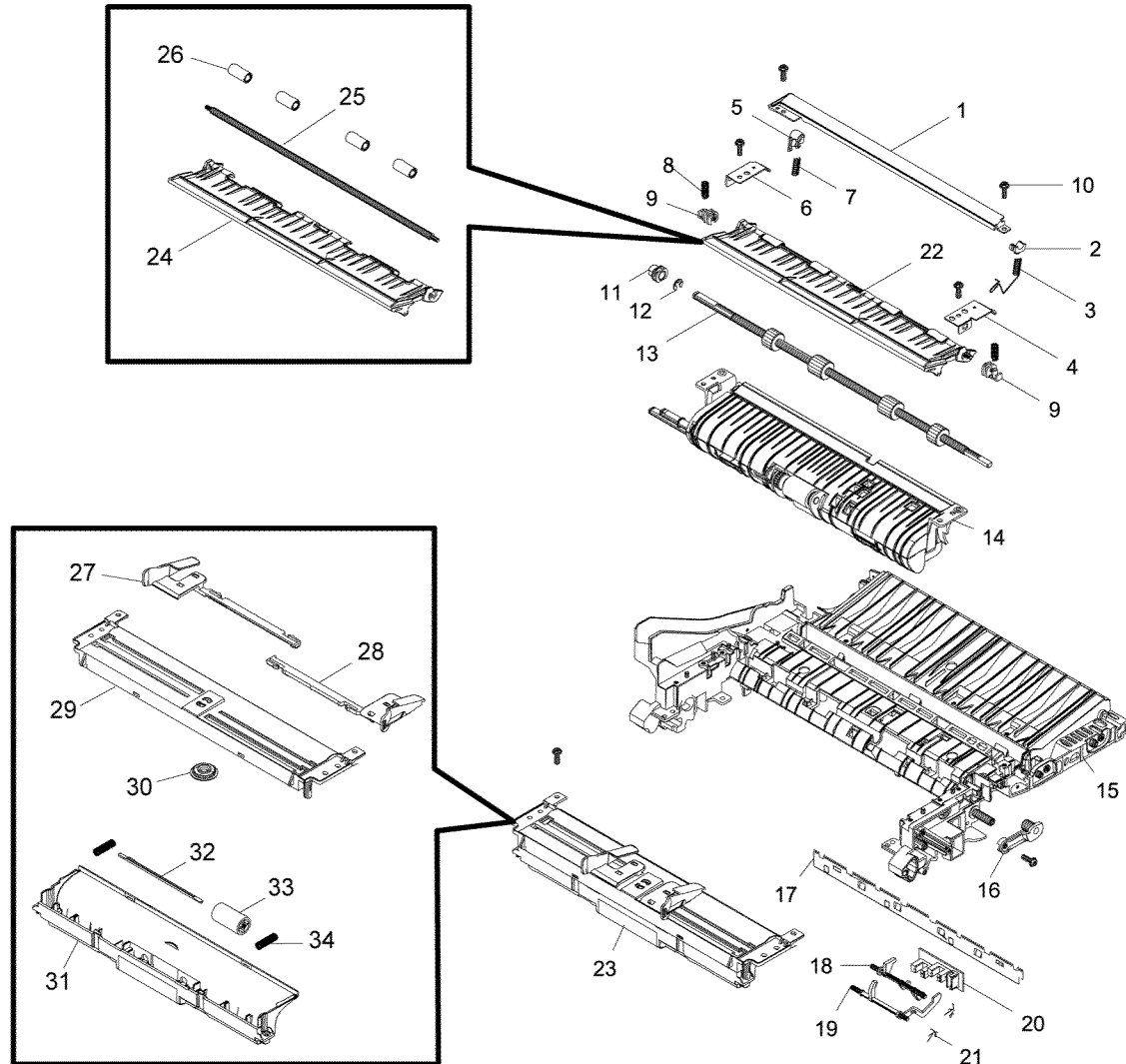


N-8-0007-A

## PL 4.4 Paper Path

Item	Part	Description
1	–	Earth Transfer Plate
2	–	Bushing
3	–	Spring
4	–	Right Push Brush Plate
5	–	Bushing
6	–	Left Push Brush Plate
7	–	Spring
8	–	Spring
9	–	Feed Bushing
10	–	Screw
11	–	Exit Shaft Bushing
12	–	E-Ring
13	022N02797	Registration Roller (REP 4.9)
14	–	Pickup Frame Base
15	–	Middle Frame
16	–	Registration Holder
17	–	P SAW Plate
18	120N00545	Feed Sensor Actuator (REP 4.10)
19	120N00548	Registration Sensor Actuator
20	130N01759	Paper Feed Sensor PWB (REP 4.10)
21	–	Spring
22	–	Registration Base Assembly
23	050N00681	Manual Paper Tray (REP 4.11)
24	–	Paper Guide Cover
25	–	Registration Idle Shaft
26	–	Registration Idle Roller
27	–	Manual Left Adjust
28	–	Manual Right Adjust
29	–	Lower Paper Guide
30	–	Pinion Gear
31	–	Roller Cover
32	–	Pin
33	–	Idle Roller
34	–	Spring
35	–	Sub-Holder Idle

22 { 24 - 26  
23 { 27 - 30  
35 { 31-34

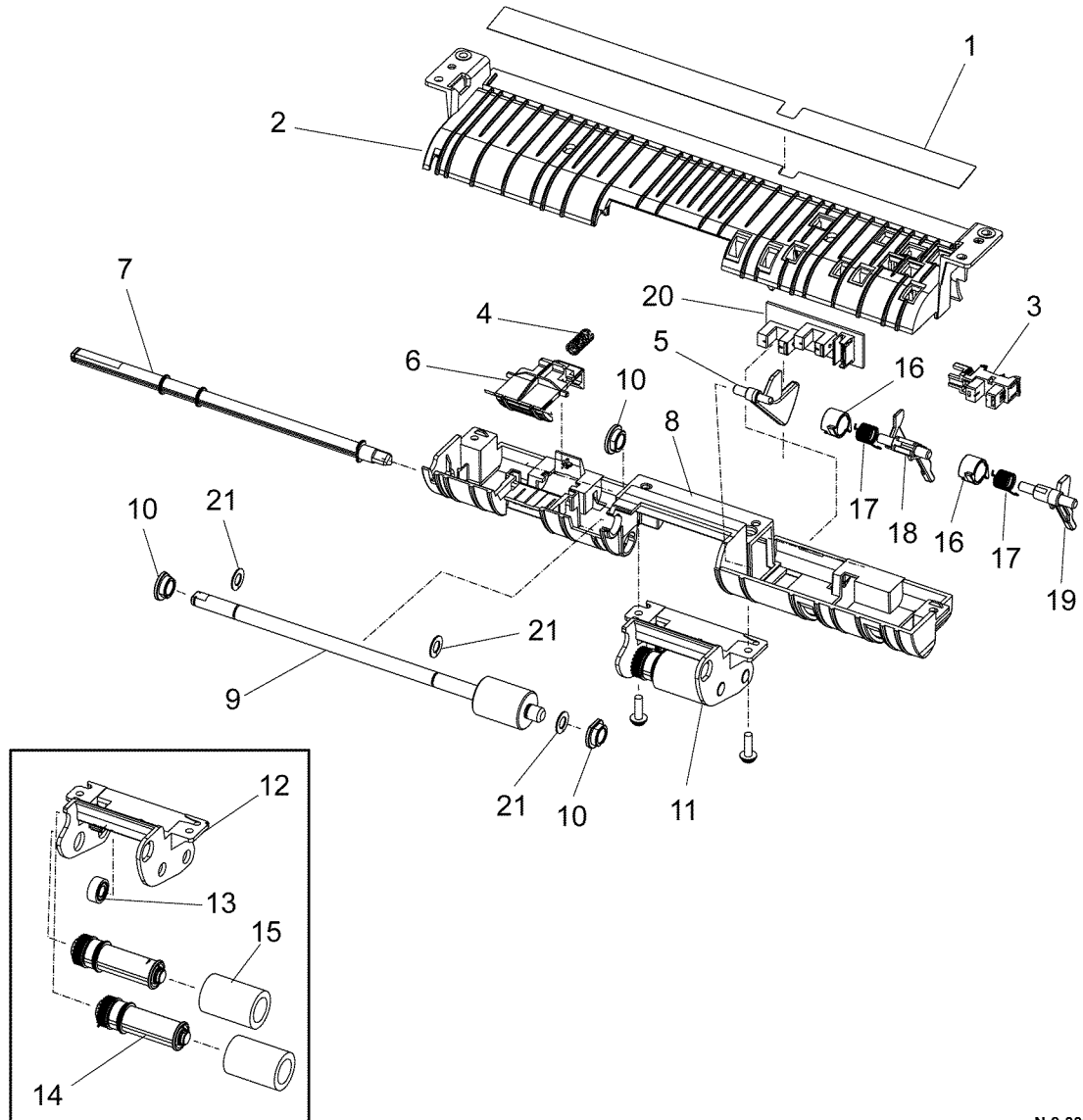


N-8-0008-A



## PL 4.5 Base Pick Up

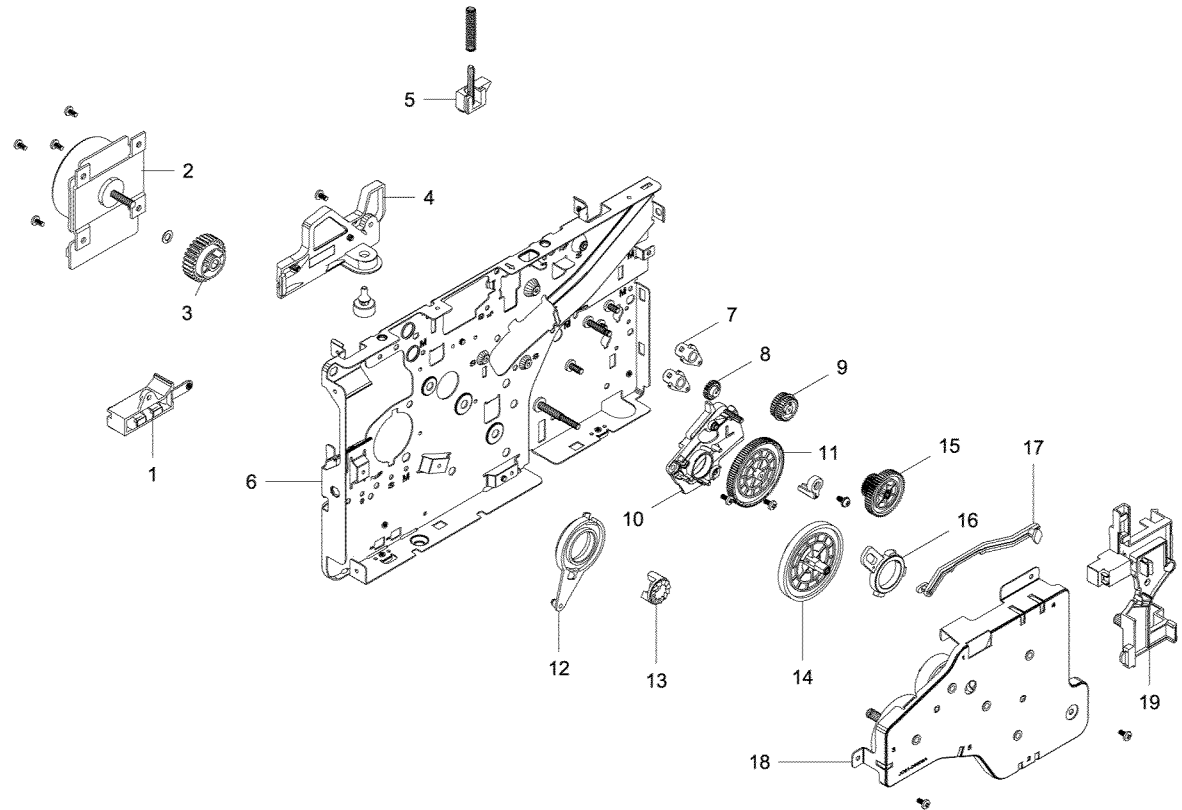
Item	Part	Description
1	–	Duplex Path Sheet
2	–	Duplex Guide
3	130N01574	Exit Sensor (REP 4.12)
4	–	Spring
5	–	Exit Sensor Actuator
6	–	Duplex Guide Lever
7	–	Pick Up Shaft
8	–	Pick Up Guide
9	022N02802	Paper Drive Roll (REP 4.13)
10	–	Bushing
11	130N01760	Paper Feed Roll Assembly (REP 4.14)
12	–	Feed Roll Holder
13	–	Idle Pick Up Gear
14	–	One Way Clutch
15	–	Retard Roller
16	–	Actuator Empty Holder (REP 4.18)
17	–	Spring TS (REP 4.18)
18	–	Actuator - Width (REP 4.18)
19	–	Actuator - Paper (REP 4.18)
20	–	Feed Sensor PWB (REP 4.18)
21	–	Washer



N-8-0009-A

## PL 4.6 Left Main Frame

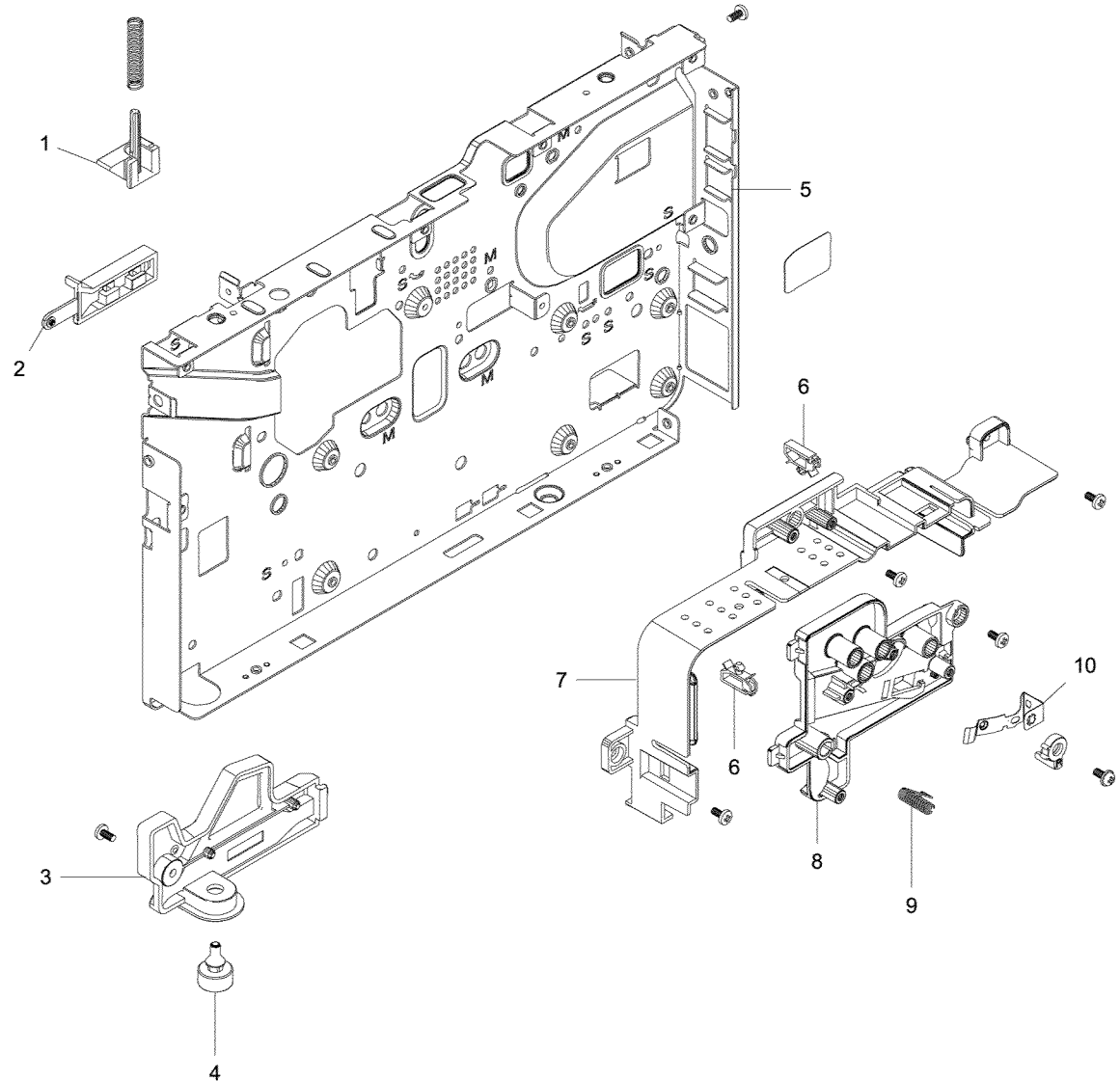
Item	Part	Description
1	—	Left Rear Guide
2	127N07919	Main Drive Motor (REP 4.15)
3	—	Fuser Drive Out Gear
4	—	Knock Up Left Guide
5	—	Left Developer Guide Plate
6	—	Left Frame
7	—	Shaft Bushing
8	007N01802	Paper Feed Idler Gear (REP 4.16)
9	—	Idler Gear
10	—	Pivot Frame
11	—	Idler Gear
12	—	Fuser Locking Lever
13	—	Hub Clutch Gear
14	—	Feed Gear
15	—	Feed Gear 2
16	—	Cam Coupler
17	—	Coupling Lever
18	007N01842	Main Drive Unit (REP 4.17)
19	—	Harness Cover



N-8-0010-A

## PL 4.7 Right Main Frame

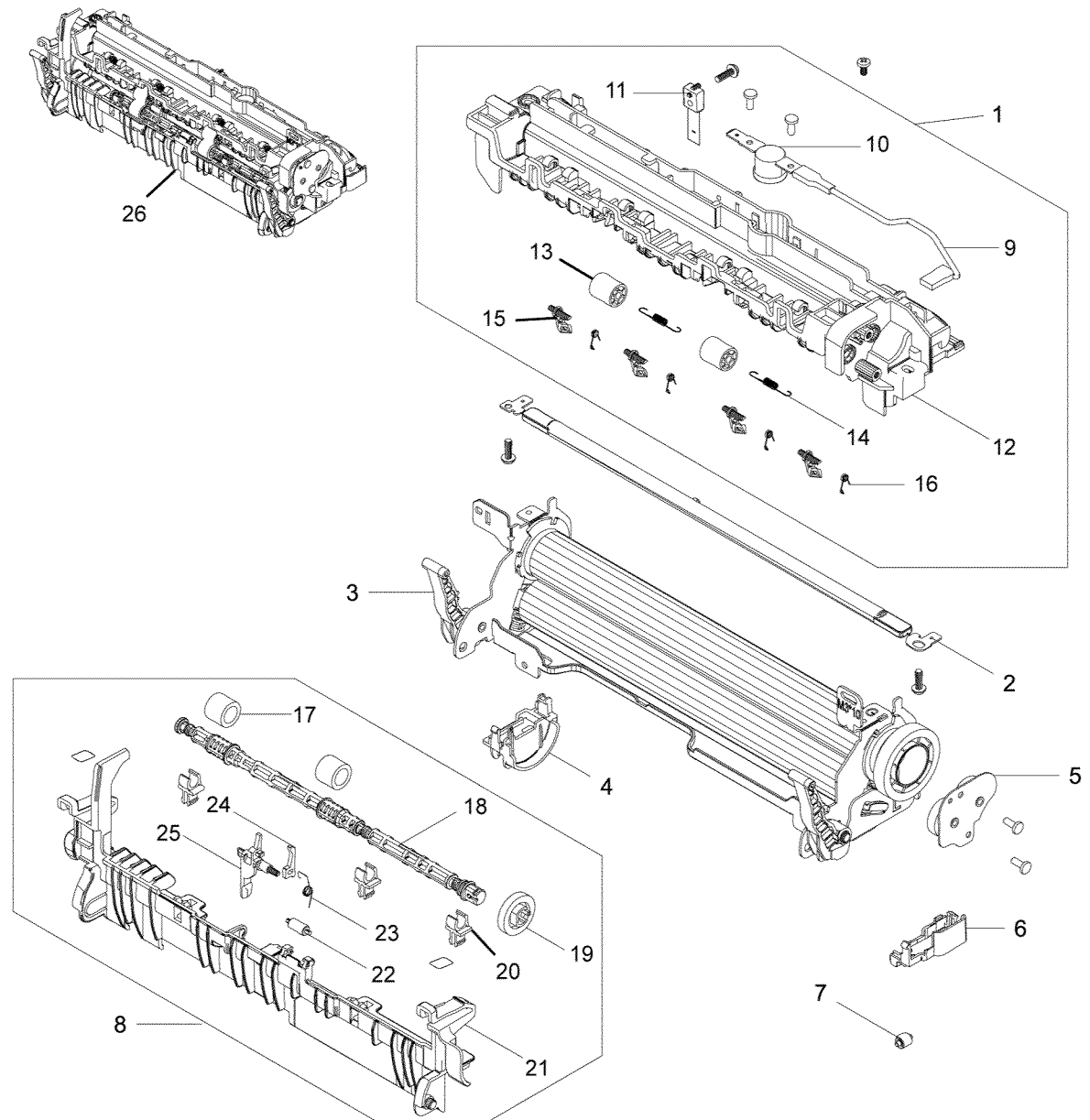
Item	Part	Description
1	—	Right Developer Guide Plate
2	—	Rear Guide
3	—	Lower Guide
4	—	Foot
5	—	Right Frame
6	—	Cable Clamp
7	—	LVPS Cover
8	—	Developer Right Guide
9	—	Spring
10	—	Ground Clip



N-8-0011-A

## PL 5.1 Fuser

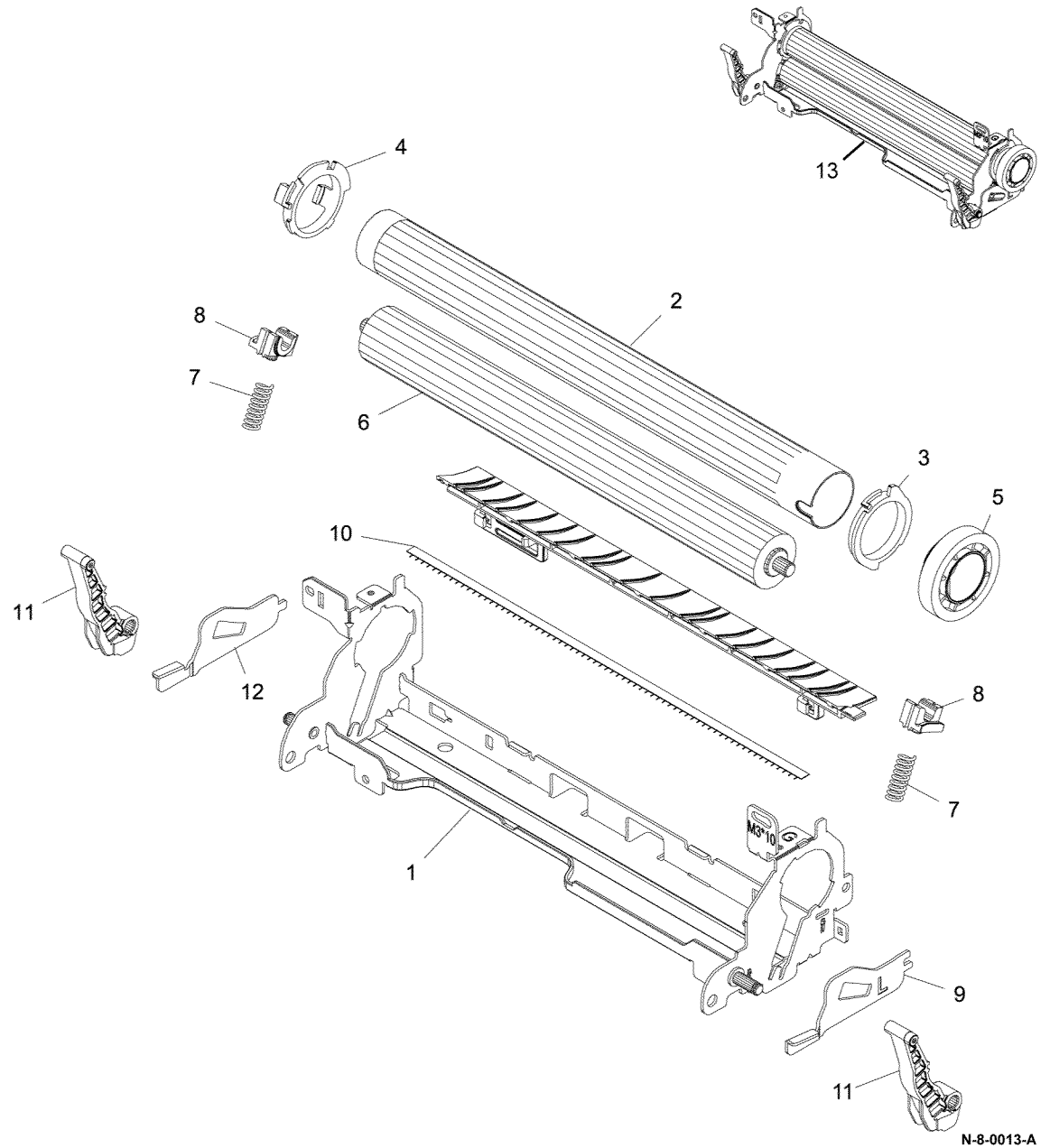
Item	Part	Description
1	—	Upper Fuser
2	—	Fuser Lamp
3	—	Lower Fuser
4	—	Right Lamp Cap
5	—	Fuser Exit Drive
6	—	Left Lamp Cap
7	—	Fuser Gear Stopper
8	—	Fuser Rear
9	—	Fuser Joint Harness
10	—	Thermostat
11	—	Thermistor
12	—	Fuser Cover
13	—	Exit Roller
14	—	Spring
15	—	Guide
16	—	Spring
17	—	Exit Roller
18	—	Exit Shaft
19	—	Exit Gear
20	—	Bushing
21	—	Rear Guide
22	—	Exit Idle Roller
23	—	Spring
24	—	Actuator Holder
25	—	Exit Sensor Actuator
26	126N00430	Fuser Module 110V (REP 5.1)
—	126N00431	Fuser Module 220V (REP 5.1)



N-8-0012-A

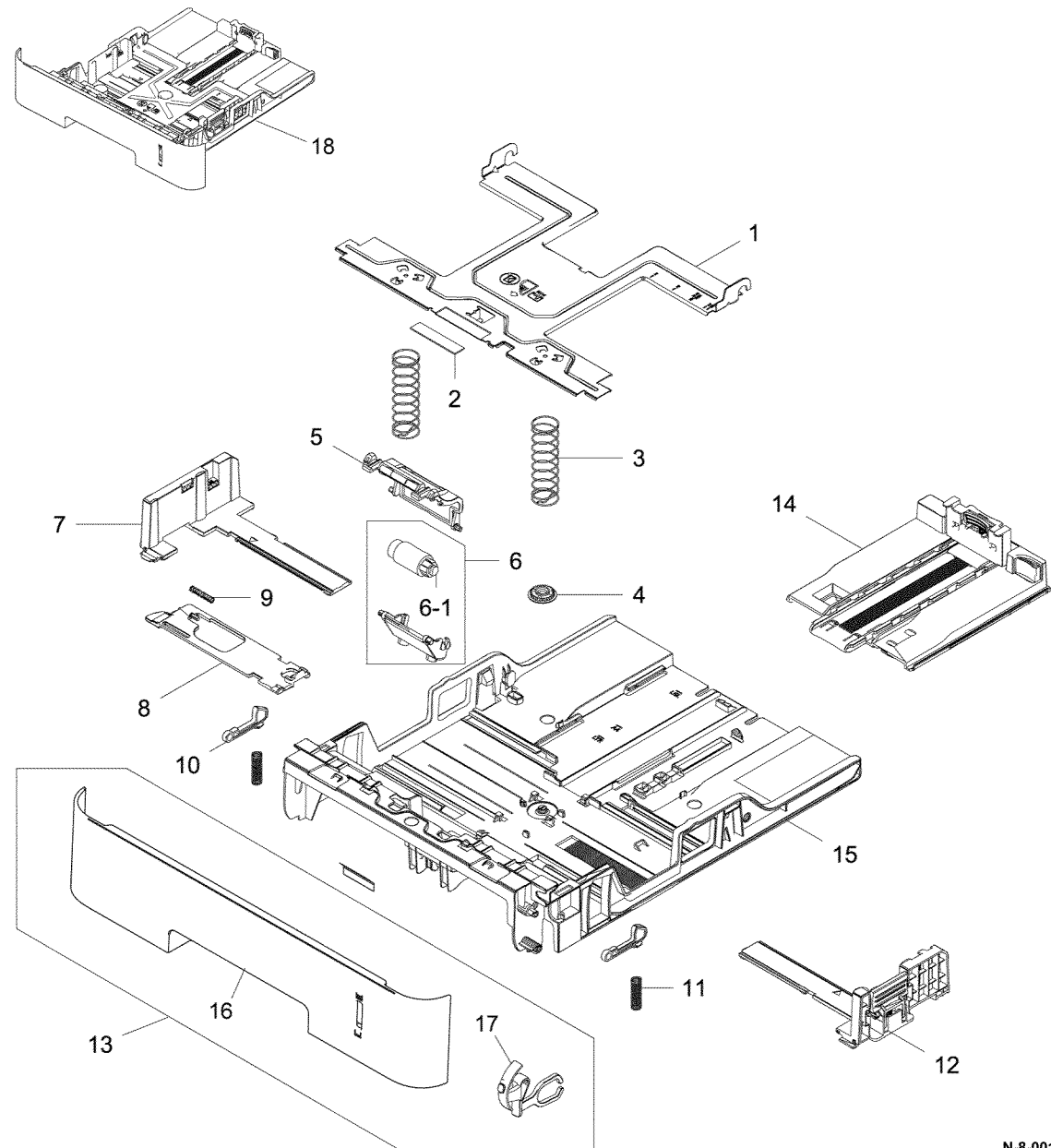
## PL 5.2 Lower Fuser

Item	Part	Description
1	—	Fuser Frame
2	—	Heat Roller
3	—	Left Bushing
4	—	Right Bushing
5	—	Gear
6	—	Roller
7	—	Spring
8	—	Bushing
9	—	Left Jam Lever Link
10	—	Antistatic Brush
11	—	Jam Lever
12	—	Paper Guide Holder
13	—	Lower Fuser Assembly



## PL 6.1 Paper Tray

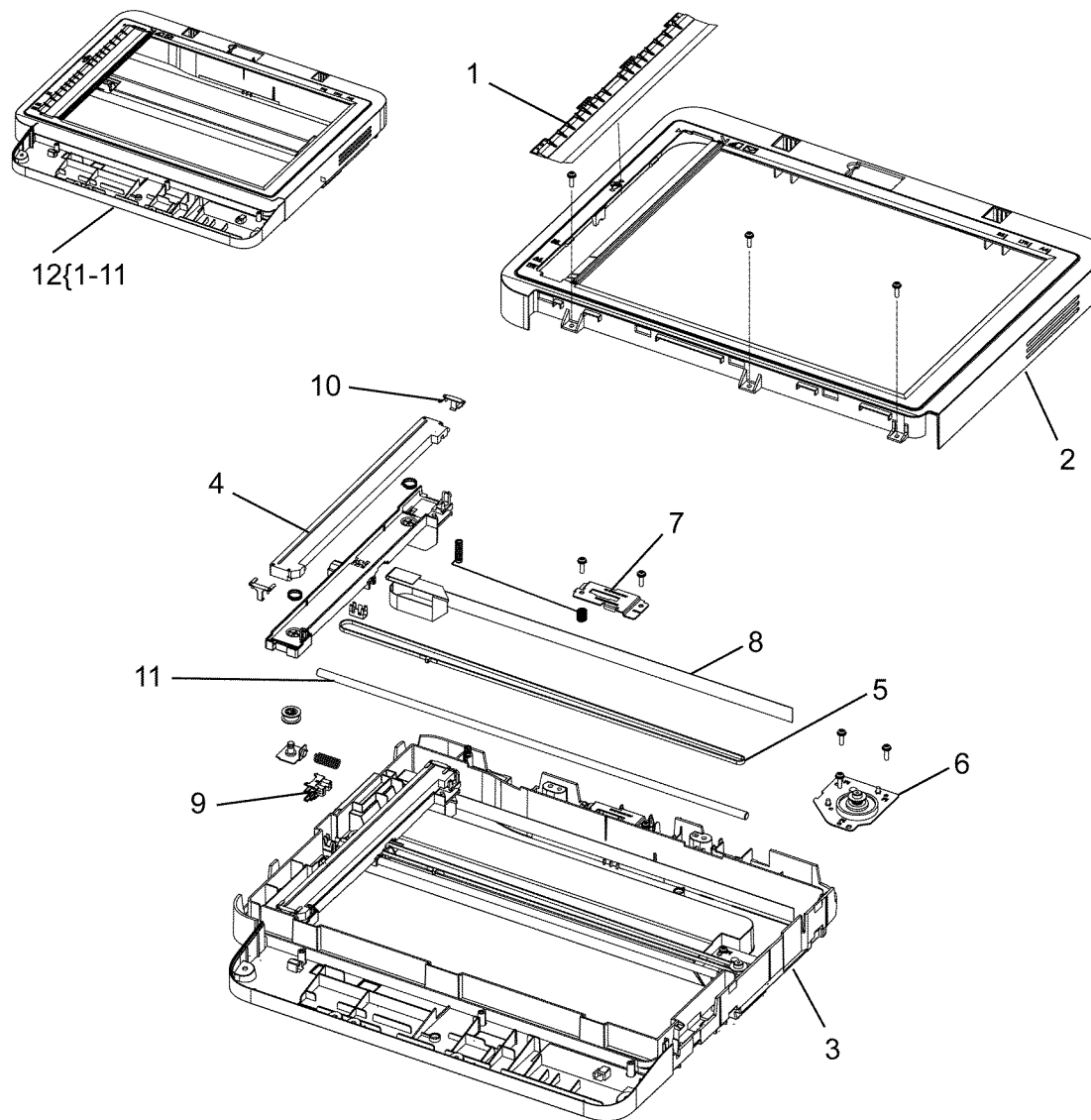
Item	Part	Description
1	—	Lift Plate
2	—	Pad
3	—	Spring
4	—	Pinion Gear
5	—	Retard Roll Cover
6	050N00683	Retard Roll Assembly (REP 6.1)
7	—	Left Paper Guide
8	—	Latch Plate
9	—	Spring
10	—	Paper Tray Latch
11	—	Spring
12	—	Right Paper Guide
13	—	Paper Tray Handle
14	—	Paper Tray Rear Guide
15	—	Paper Tray Frame
16	—	Paper Tray Handle
17	—	Paper Indicator
18	050N00700	Paper Tray



N-8-0014-A

## PL 7.1 Scanner Module (B205)

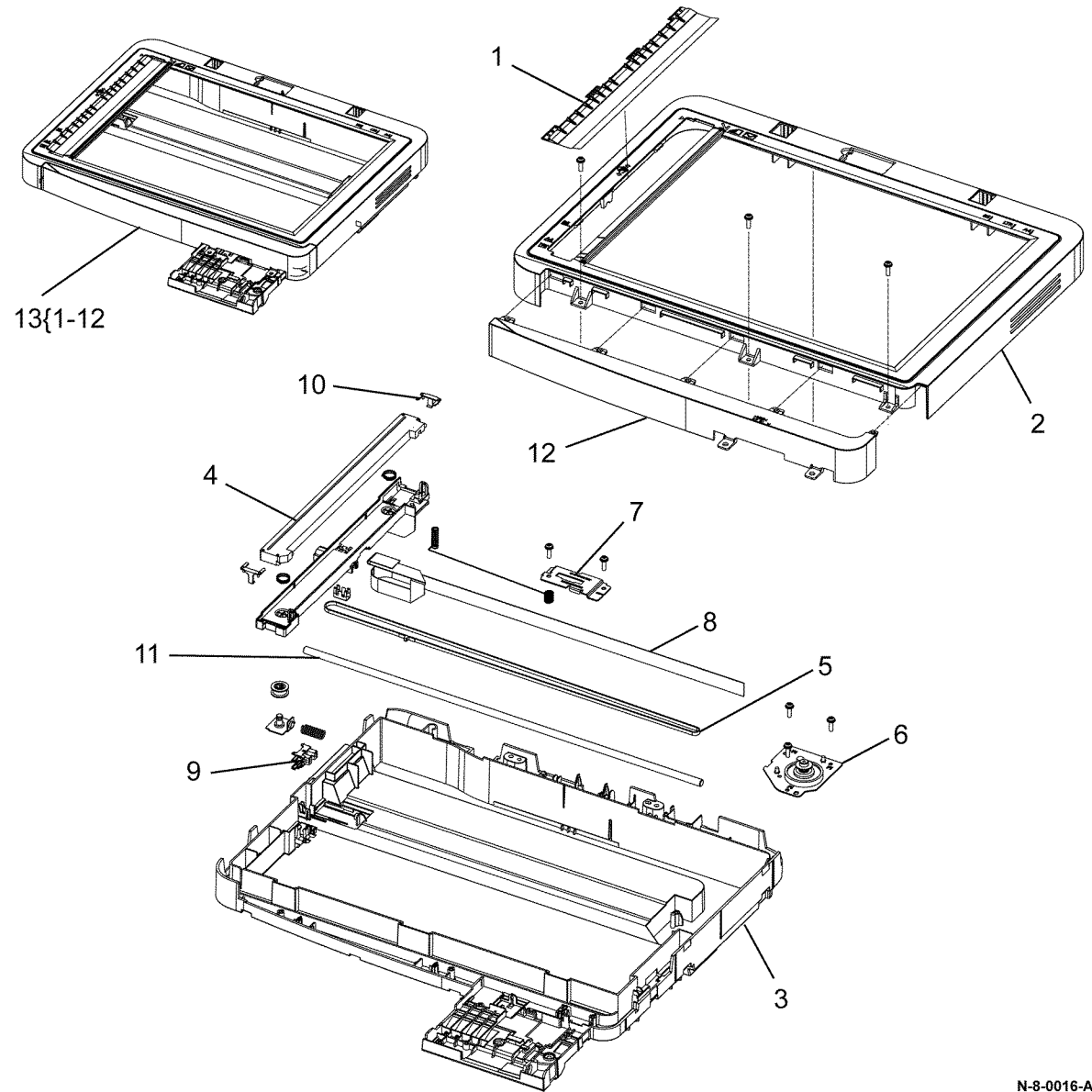
Item	Part	Description
1	—	Paper Guide
2	—	Upper Scanner Frame
3	—	Lower Scanner Frame
4	—	Contact Image Sensor (CIS)
5	—	Drive Belt
6	—	Scanner Drive Motor
7	—	Connector Bracket (REP 7.1)
8	—	Flat Cable
9	—	Scanner Home Sensor
10	—	CIS Holder
11	—	CIS Guide Shaft
12	090N00182	Scanner Module (REP 7.2)



N-8-0015-A

## PL 7.2 Scanner Module (B215)

Item	Part	Description
1	—	Paper Guide
2	—	Upper Scanner Frame
3	—	Lower Scanner Frame
4	—	Contact Image Sensor (CIS)
5	—	Drive Belt
6	—	Scanner Drive Motor
7	—	Connector Bracket (REP 7.1)
8	—	Flat Cable
9	—	Scanner Home Sensor
10	—	CIS Holder
11	—	CIS Guide Shaft
12	—	Front Cover
13	090N00191	Scanner Module (REP 7.2)

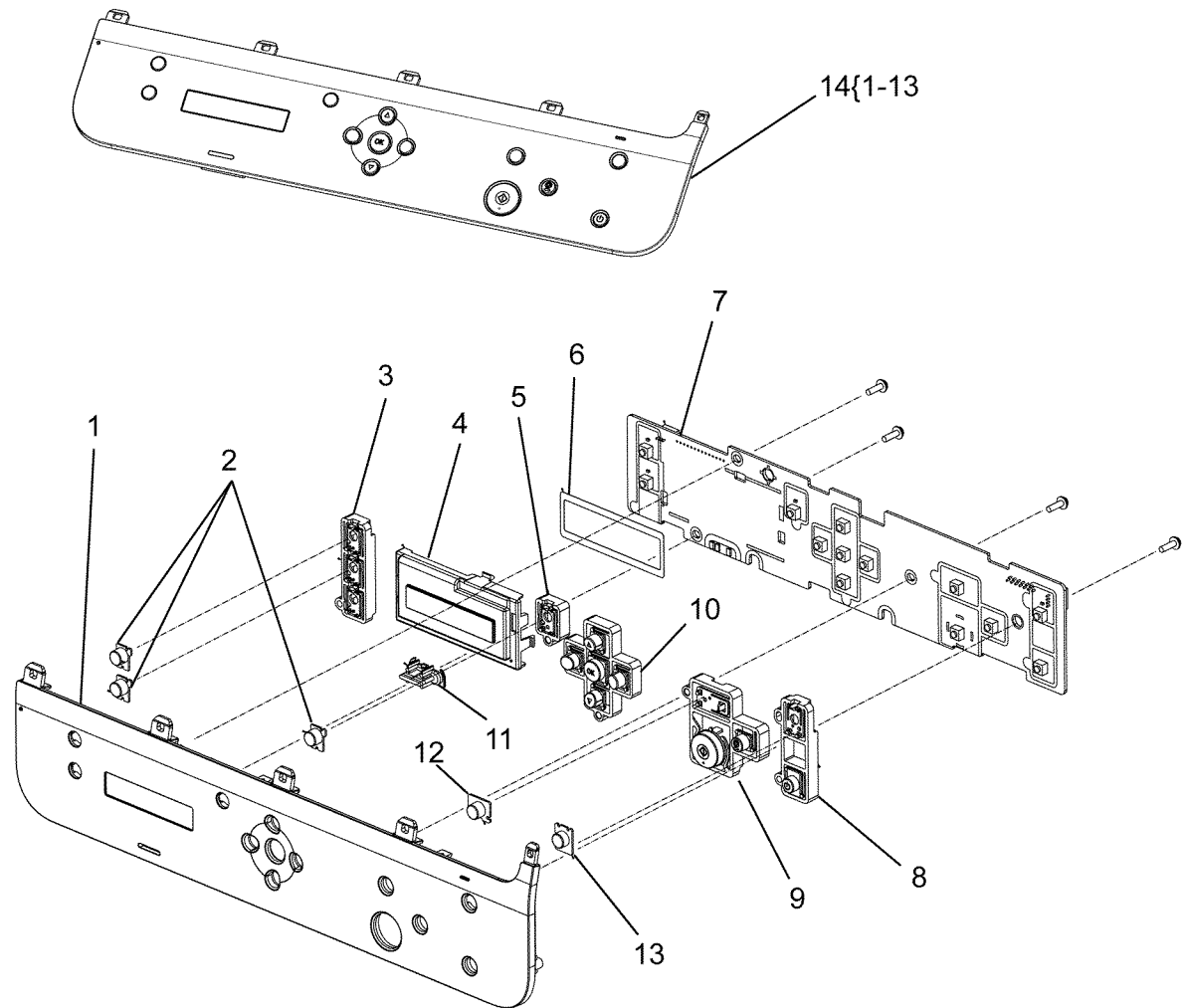


N-8-0016-A



## PL 8.1 Control Panel (B205)

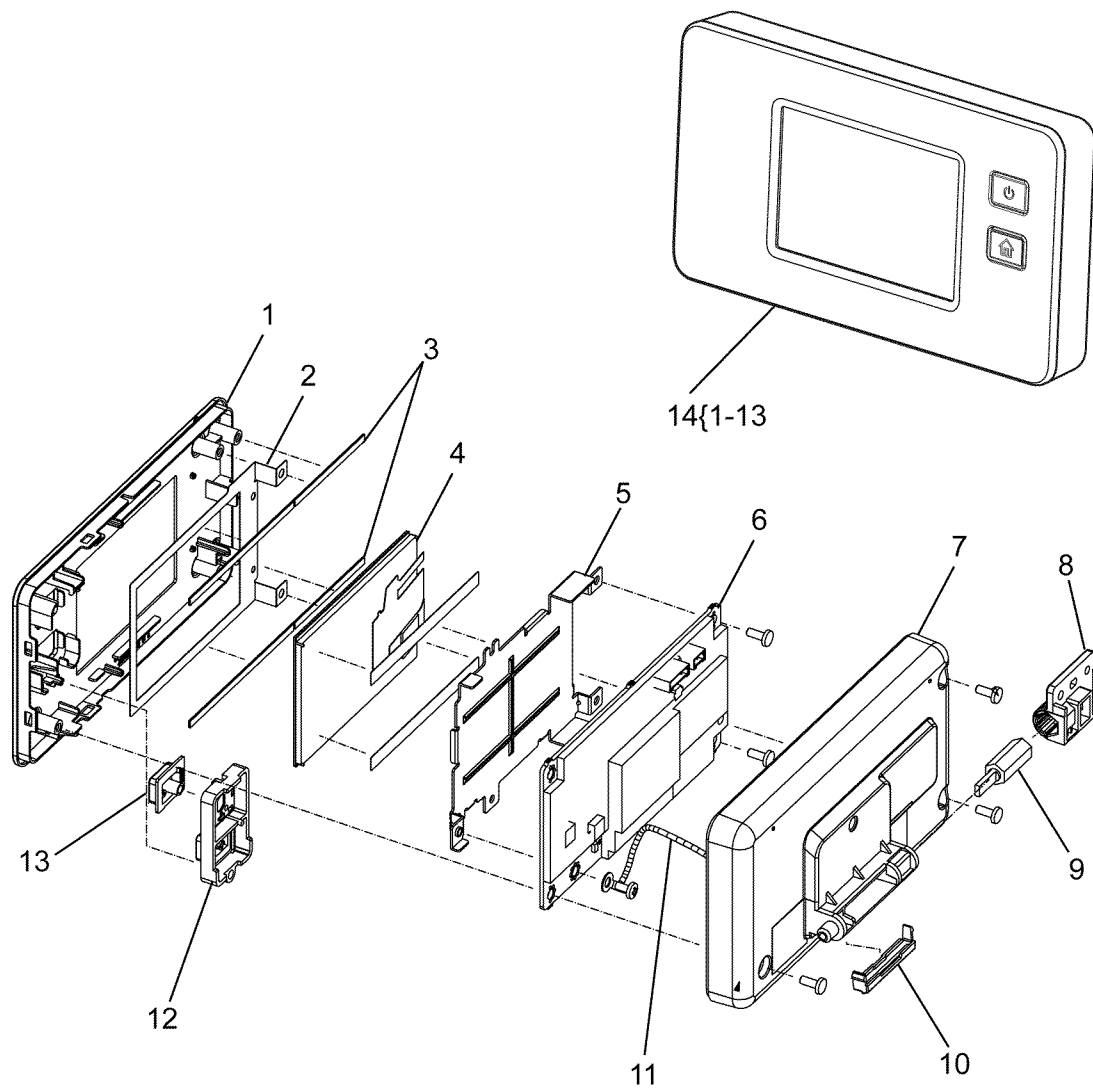
Item	Part	Description
1	–	Top Cover
2	–	Function Keys A
3	–	Function Keys B
4	–	LCU Cover
5	–	Menu Key
6	–	FAX Key
7	140N63724	Control Panel PWB (REP 8.2)
8	–	Power Key (REP 8.5)
9	–	Start Key
10	–	Navigation Keys
11	–	Status Lens
12	–	Clear All Key
13	–	Power Save Key
14	140N63860	Control Panel Assembly (Dup / NW / WiFi) (REP 8.1)



N-8-0017-A

## PL 8.2 Control Panel (B215)

Item	Part	Description
1	—	Front Cover
2	—	Ground Plate
3	—	Seal
4	—	LCD Screen (3.5") (REP 8.5)
5	—	LCD Plate
6	140N63861	Control Panel PWB (REP 8.4)
7	—	Lower Cover
8	—	Hinge Holder
9	—	Damper Link
10	—	Stopper Cover
11	—	Ground Harness
12	—	Home Key (REP 8.5)
13	—	Power Key (REP 8.5)
14	140N63859	Control Panel Assembly (REP 8.3)



N-8-0018-A

## Part Number Index

Table 1 Part Number Index

Part Number	Part List
001N00546	PL 4.3
002N03172	PL 2.1
002N03350	PL 2.1
003N01117	PL 1.1
007N01802	PL 4.6
007N01842	PL 4.6
011N00581	PL 4.1
022N02309	PL 4.1
022N02797	PL 4.4
022N02799	PL 1.1
022N02800	PL 1.2
022N02801	PL 1.2
022N02802	PL 4.5
022N02815	PL 4.2
050N00680	PL 1.1
050N00681	PL 4.4
050N00683	PL 6.1
050N00700	PL 6.1
062N00292	PL 4.1
090N00182	PL 7.1
090N00191	PL 7.2
105N02301	PL 4.1
105N02350	PL 4.1
105N02351	PL 4.1
117N01969	PL 4.1
120N00545	PL 4.4
120N00548	PL 4.4
121N01248	PL 4.1
121N01269	PL 4.1
126N00430	PL 5.1
126N00431	PL 5.1
127N07919	PL 4.6
130N01574	PL 4.3
130N01574	PL 4.5
130N01574	PL 4.1
130N01759	PL 4.4
130N01760	PL 4.5
140N63724	PL 8.1
140N63857	PL 1.1

Table 1 Part Number Index

Part Number	Part List
140N63858	PL 1.1
140N63859	PL 8.2
140N63860	PL 8.1
140N63861	PL 8.2
140N63862	PL 1.1
140N63863	PL 2.2