

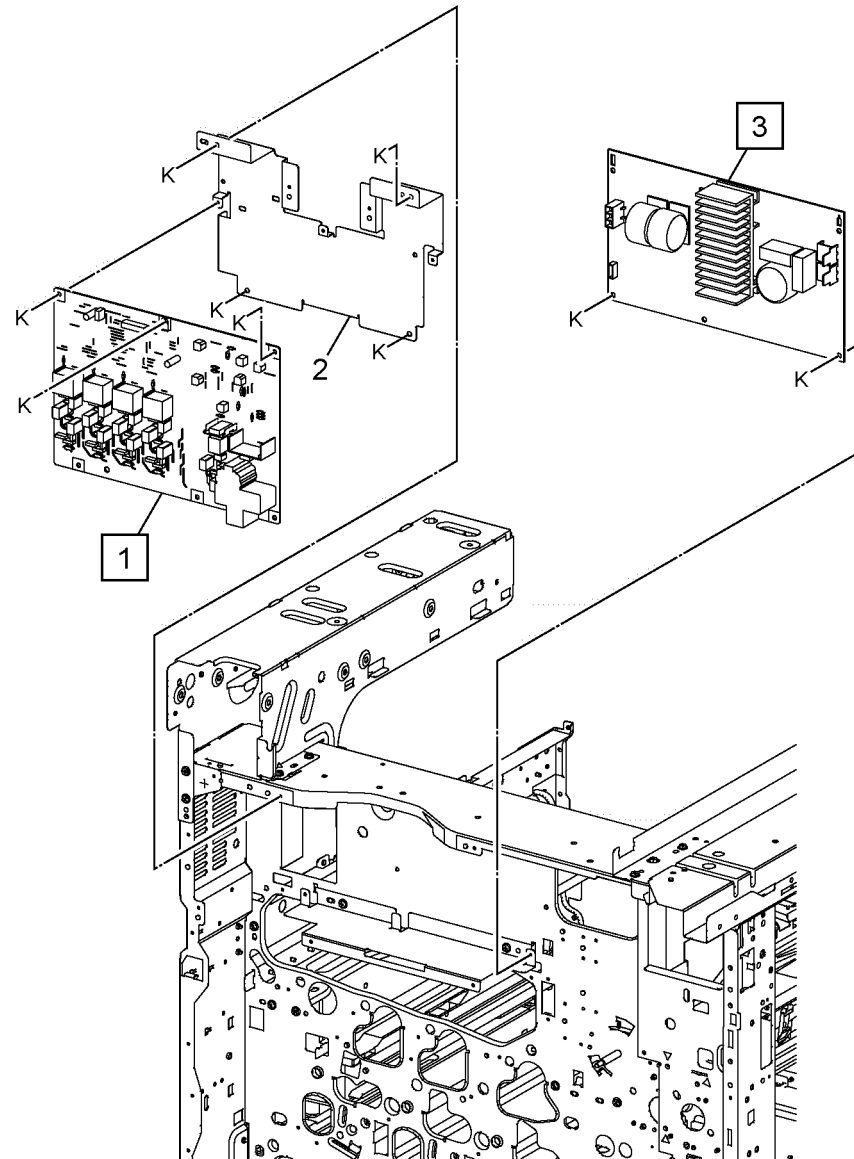
5 Parts List

Parts Lists	684	PL 28.20 Covers (B8170).....	740
PL 1 - Standby Power	685	PL 28.25 Front Left Cover Compartment.....	741
PL 1.05 Electrical - Rear (1 of 3).....	686	PL 28.30 Workshelf.....	742
PL 1.10 Electrical - Rear (2 of 3).....	687	PL 40 - Main Drive Assembly	743
PL 1.15 Electrical - Rear (3 of 3).....	688	PL 40.05 Main Drive Assembly.....	744
PL 1.20 Electrical - Front/Right.....	689	PL 40.10 NOHAD (front).....	745
PL 1.25 Wire Harness.....	690	PL 40.15 NOHAD (rear).....	746
PL 2 - User Interface	691	PL 60 - Imaging	747
PL 2.05 User Interface (B8145/B8155).....	692	PL 60.05 LPH Module.....	748
PL 2.10 User Interface (B8170).....	693	PL 60.10 Platen/IIT Cover (B8170).....	749
PL 3 - Machine Run Control	694	PL 60.15 Platen Glass (B8170).....	750
PL 3.05 Control Unit (ESS PWB).....	695	PL 60.20 CCD Lens (B8170).....	751
PL 3.10 Video Contact Chassis Unit.....	696	PL 60.25 Carriage Cable/Motor (B8170).....	752
PL 3.15 Video Contact Chassis Assembly.....	697	PL 60.30 Full/Half Carriage (B8170).....	753
PL 5 - DADF (250)	698	PL 60.35 Platen/IIT Cover (B8145/B8155).....	754
PL 5.1 DADF Component (250) (B8170).....	699	PL 60.40 Platen Glass (B8145/B8155).....	755
PL 5.2 DADF, DADF Cover (250) (B8170).....	700	PL 60.45 CCD Lens (B8145/B8155).....	756
PL 5.3 DADF PWB (250) (B8170).....	701	PL 60.50 Carriage Cable/Motor (B8145/B8155).....	757
PL 5.4 DCDC PWB (250) (B8170).....	702	PL 60.55 Full/Half Carriage (B8145/B8155).....	758
PL 5.5 Document Tray, Tray Feed (250)(B8170).....	703	PL 70 - Paper Supply	759
PL 5.6 DADF Document Tray (250) (B8170).....	704	PL 70.05 Tray 1 2 Assembly.....	760
PL 5.7 DADF Feeder Cover Unit (250) (B8170).....	705	PL 70.10 Tray 1 Assembly.....	761
PL 5.8 DADF Feeder Cover Assembly (250) (B8170).....	706	PL 70.15 Tray 2 Assembly.....	762
PL 5.9 Sensor Component (250) (B8170).....	707	PL 70.30 TTM Components.....	763
PL 5.10 Drive Component (250) (B8170).....	708	PL 70.35 TTM Covers and Tray 3/4 Assembly.....	764
PL 5.11 Lower Chute Assembly, Retard Roll (250) (B8170).....	709	PL 70.40 TTM Tray 3 Assembly.....	765
PL 5.12 Pre Regi. In Chute, Platen High Roll (250) (B8170).....	710	PL 70.45 TTM Tray 4 Assembly.....	766
PL 5.13 Exit Lower Chute, Out Chute Assembly (250) (B8170).....	711	PL 70.50 Bypass Tray Components.....	767
PL 5.14 DADF Nudger Housing Assembly (250) (B8170).....	712	PL 70.55 Bypass Tray Assembly.....	768
PL 5 - DADF (130)	713	PL 70.70 Envelope Tray.....	769
PL 5.50 DADF Component (130) (B8145/B8155).....	714	PL 80 - Paper Transport	770
PL 5.51 DADF Cover (130) (B8145/B8155).....	715	PL 80.05 Tray 1 2 Feedhead Assembly.....	771
PL 5.52 DADF Top Cover, Document Tray (130) (B8145/B8155).....	716	PL 80.10 Tray 1 Feedhead Assembly.....	772
PL 5.53 DADF Base Frame Assembly (130) (B8145/B8155).....	717	PL 80.15 Tray 2 Feedhead Assembly.....	773
PL 5.54 Regi. / Retard Chute/ Invert Unit (130) (B8145/B8155).....	718	PL 80.40 TTM Transport Assembly / Tray 3 4 Feedhead Assembly.....	774
PL 5.55 Top Cover (130) (B8145/B8155).....	719	PL 80.45 TTM Drive Assembly.....	775
PL 5.56 Feeder / Nudger Roll Assembly (130) (B8145/B8155).....	720	PL 80.50 TTM Tray 3 Feedhead Assembly.....	776
PL 5.57 DADF Document Tray (130) (B8145/B8155).....	721	PL 80.55 TTM Tray 4 Feedhead Assembly.....	777
PL 5.58 DADF Drive (130) (B8145/B8155).....	722	PL 80.60 TTM Transport Assembly.....	778
PL 10 - Copy Transportation and Fusing	723	PL 80.65 Left Cover Components.....	779
PL 10.05 Fuser.....	724	PL 80.70 Left Cover Transport Components.....	780
PL 10.10 Exit 1 Transport Components.....	725	PL 80.75 Left Cover Transport Assembly.....	781
PL 10.15 Exit 2 Transport Components.....	726	PL 80.80 Duplex Inner Chute Assembly.....	782
PL 10.20 Face Up Tray Assembly.....	727	PL 80.85 Duplex Chute Assembly.....	783
PL 10.25 Exit 2 Transport Assembly.....	728	PL 80.90 Registration Transport Assembly.....	784
PL 10.30 Face Up Chute Assembly.....	729	PL 80.95 Registration Drive Assembly.....	785
PL 20 - Fax	730	PL 80.115 Bypass Tray Takeaway Assembly.....	786
PL 20.10 Fax Module.....	731	PL 80.120 Bypass Tray Feedhead Assembly.....	787
PL 25 - Accessories	732	PL 90 - Xerographics	788
PL 25.10 Accessories.....	733	PL 90.05 Developer Unit.....	789
PL 26 - Consumables and Tools	734	PL 90.10 Toner Dispense.....	790
PL 26.10 Consumables and Tools.....	735	PL 90.15 Xerographic Components.....	791
PL 28 - Covers	736	PL 90.20 Xerographic Assembly (1 of 2).....	792
PL 28.05 Covers (Front).....	737	PL 90.25 Xerographic Assembly (2 of 2).....	793
PL 28.10 Covers (Rear).....	738	PL 90.30 IBT Belt Unit Components.....	794
PL 28.15 Covers (B8145/B8155).....	739	PL 90.35 IBT Belt Unit Assembly.....	795

PLCH - Common Hardware.....	796
Common Hardware	797

PL 1.05 Electrical - Rear (1 of 3)

Item	Part	Description
1	105E23490	BTR HVPS PWB (B8145/B8155) (REP 1.1)
—	105E25370	BTR HVPS PWB (B8170) (REP 1.1)
2	—	Bracket (Not Spared)
3	105E23510	Fuser heater power supply (110V) (B8145/B8155) (REP 1.2)
—	105E23530	Fuser heater power supply (110V) (B8170) (REP 1.2)
—	105E23521	Fuser heater power supply (220V) (B8145/B8155) (REP 1.2)
—	105E23541	Fuser heater power supply (220V) (B8170) (REP 1.2)

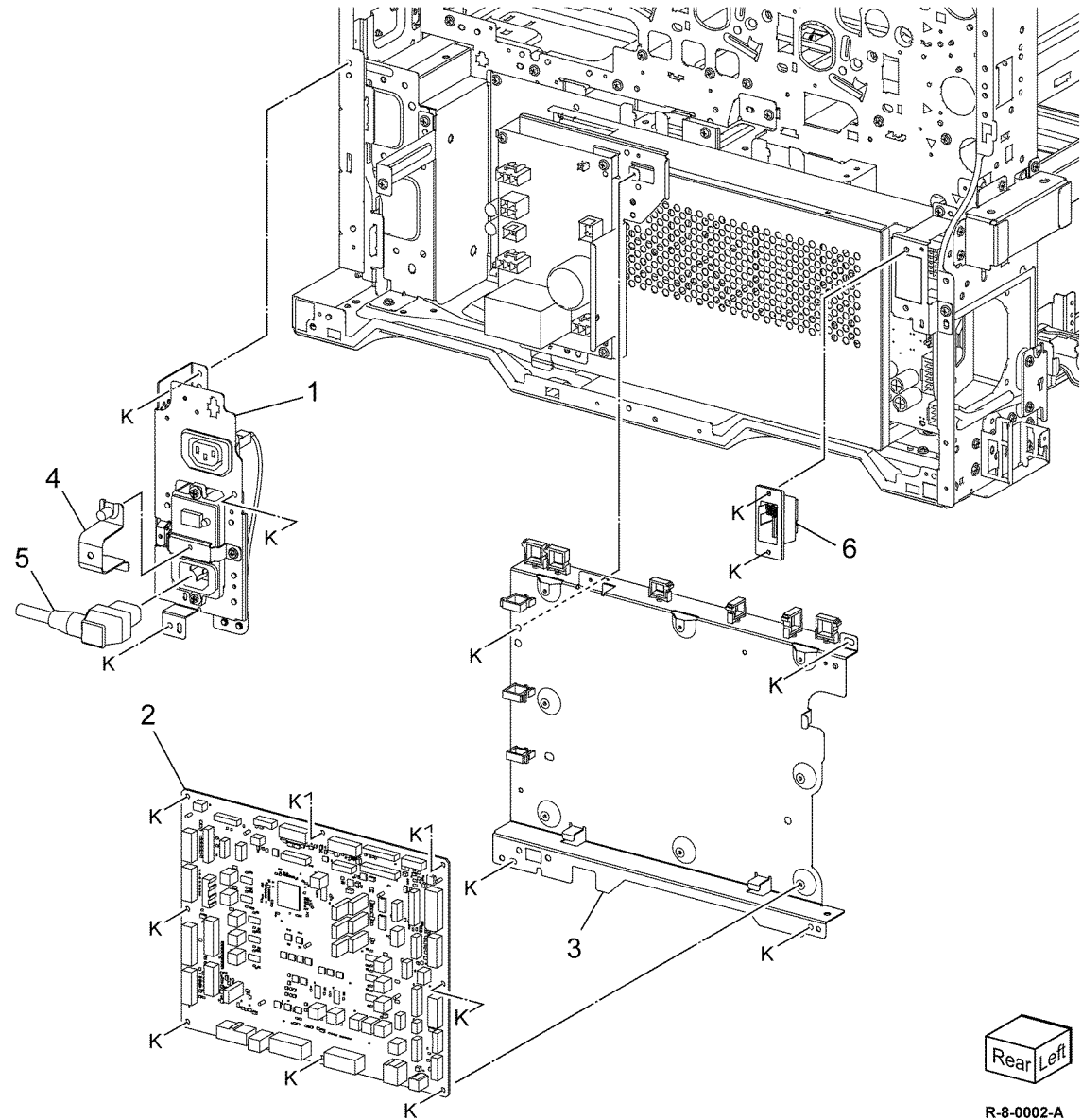


Rear Left

R-8-0001-A

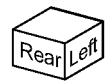
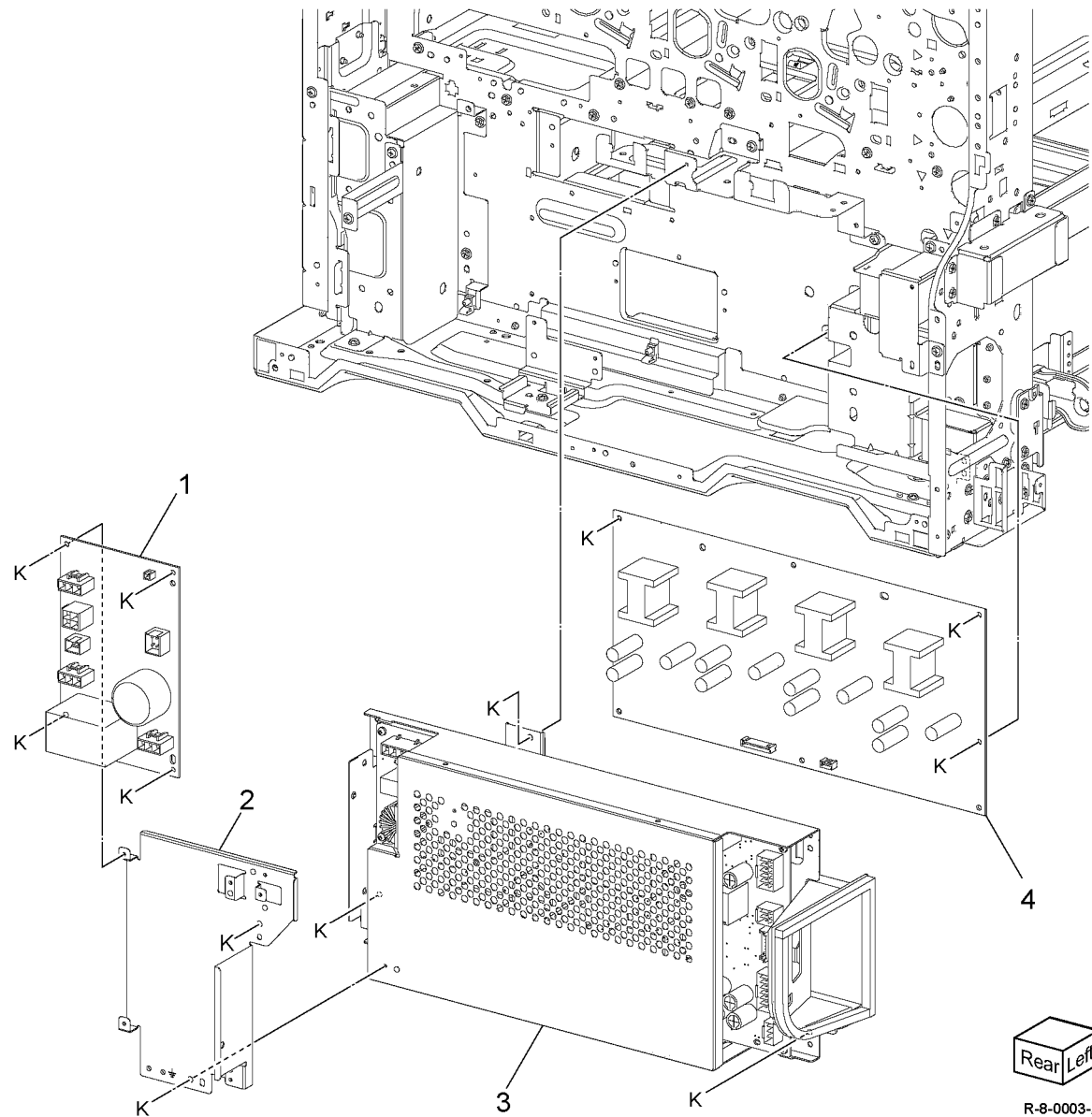
PL 1.10 Electrical - Rear (2 of 3)

Item	Part	Description
1	101K69950	GFI chassis assembly (B8130/ B8135/B8145/B8155)
—	101K69960	GFI chassis assembly (B8170)
2	960K81550	Motor drive PWB (REP 1.4)
3	—	Motor drive chassis assembly (Not Spared)
4	—	Power cord bracket (Not Spared)
5	917W03005	Power cord (110V) (USSG/XCL)
—	117E24670	Power cord (125V) (USSG/XCL)
6	—	HCF conector switch



PL 1.15 Electrical - Rear (3 of 3)

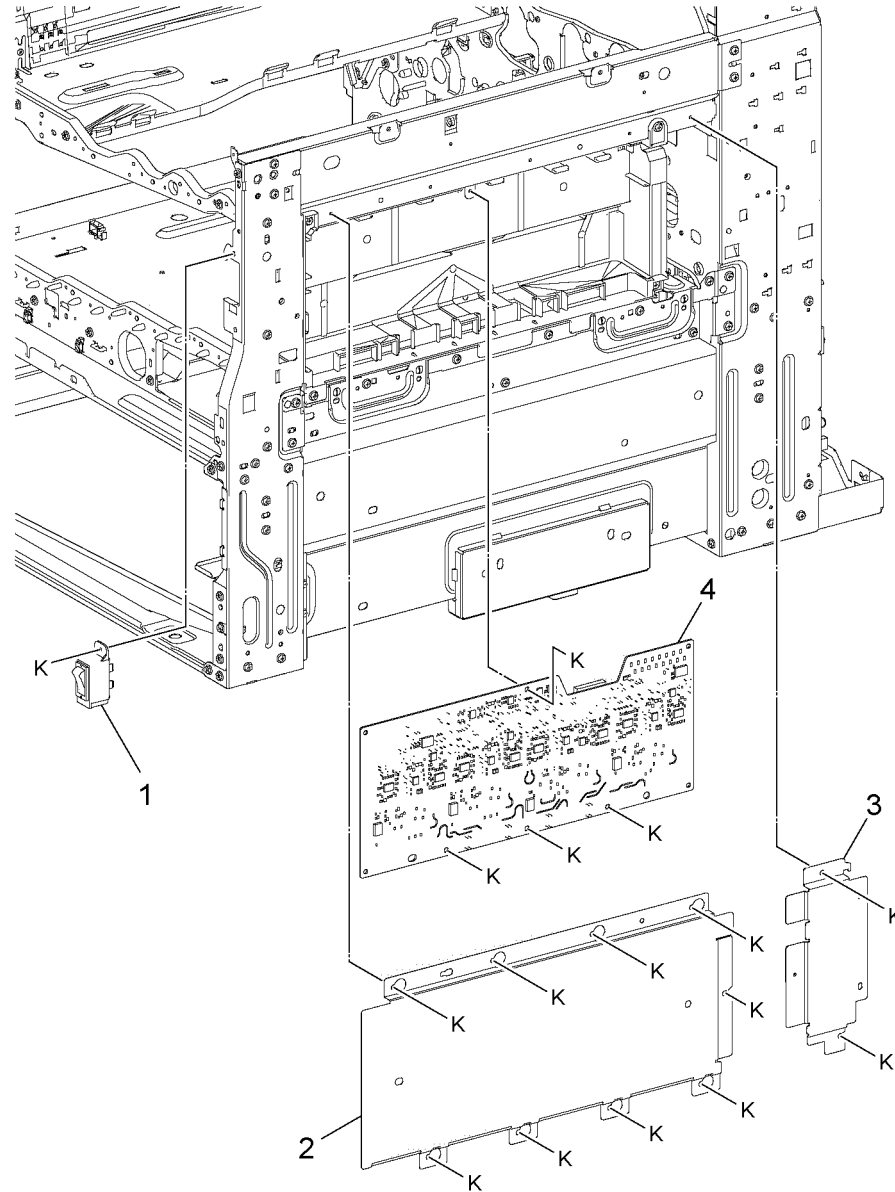
Item	Part	Description
1	105K34181	AC Drive PWB (110V) (B8145/ B8155) (REP 1.5)
—	105K34201	AC Drive PWB (110V) (B8170) (REP 1.5)
—	105K34191	AC Drive PWB (220V) (REP 1.5)
2	—	AC bracket (Not Spared)
3	112K91400	LVPS (REP 1.6)
4	105E23480	Developer bias HVPS PWB (REP 1.7)



R-8-0003-A

PL 1.20 Electrical - Front/Right

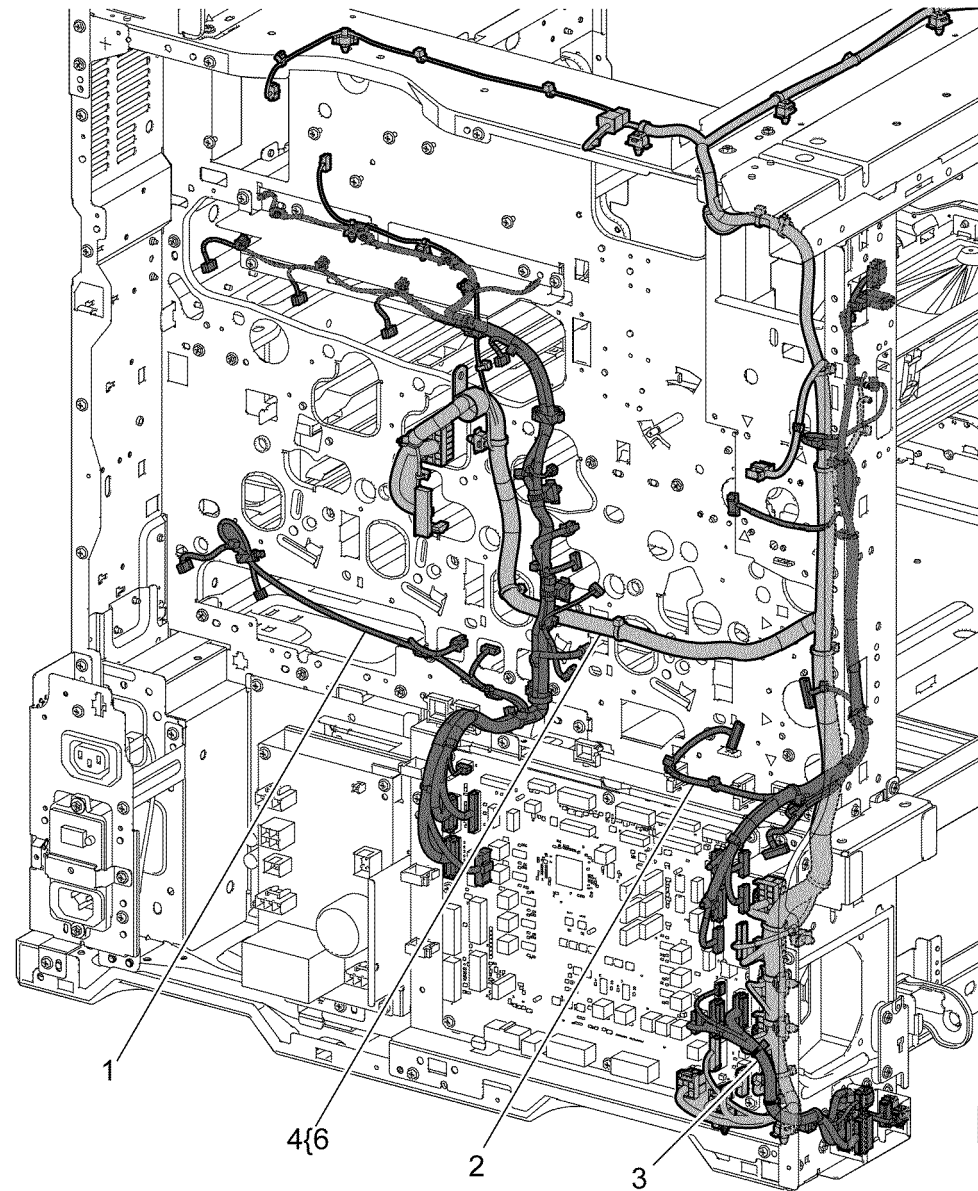
Item	Part	Description
1	049K46300	Main power switch (REP 1.8)
2	—	BCR HVPS cover (Not Spared)
3	—	Cover (Not Spared)
4	105K34171	BCR HVPS PWB (B8145/B8155) (REP 1.9)
—	105E25360	BCR HVPS PWB (B8170) (REP 1.9)



R-8-0004-A

PL 1.25 Wire Harness

Item	Part	Description
1	—	Drive harness (B8145/B8155)
—	—	Drive Harness (B8170)
2	—	PH drive harness (B8145/B8155)
—	—	PH drive harness (B8170)
3	—	LH harness (B8145/B8155)
—	—	LH harness (B8170)
4	—	DC power harness (B8145/B8155)
—	—	DC power harness (B8170)
5	952K13252	HCF interface harness (Not shown)
6	952K44950	Fuser harness (B8145/B8155) (P/O PL 1.25 Item 4)
—	952K44960	Fuser harness (B8170) (P/O PL 1.25 Item 4)

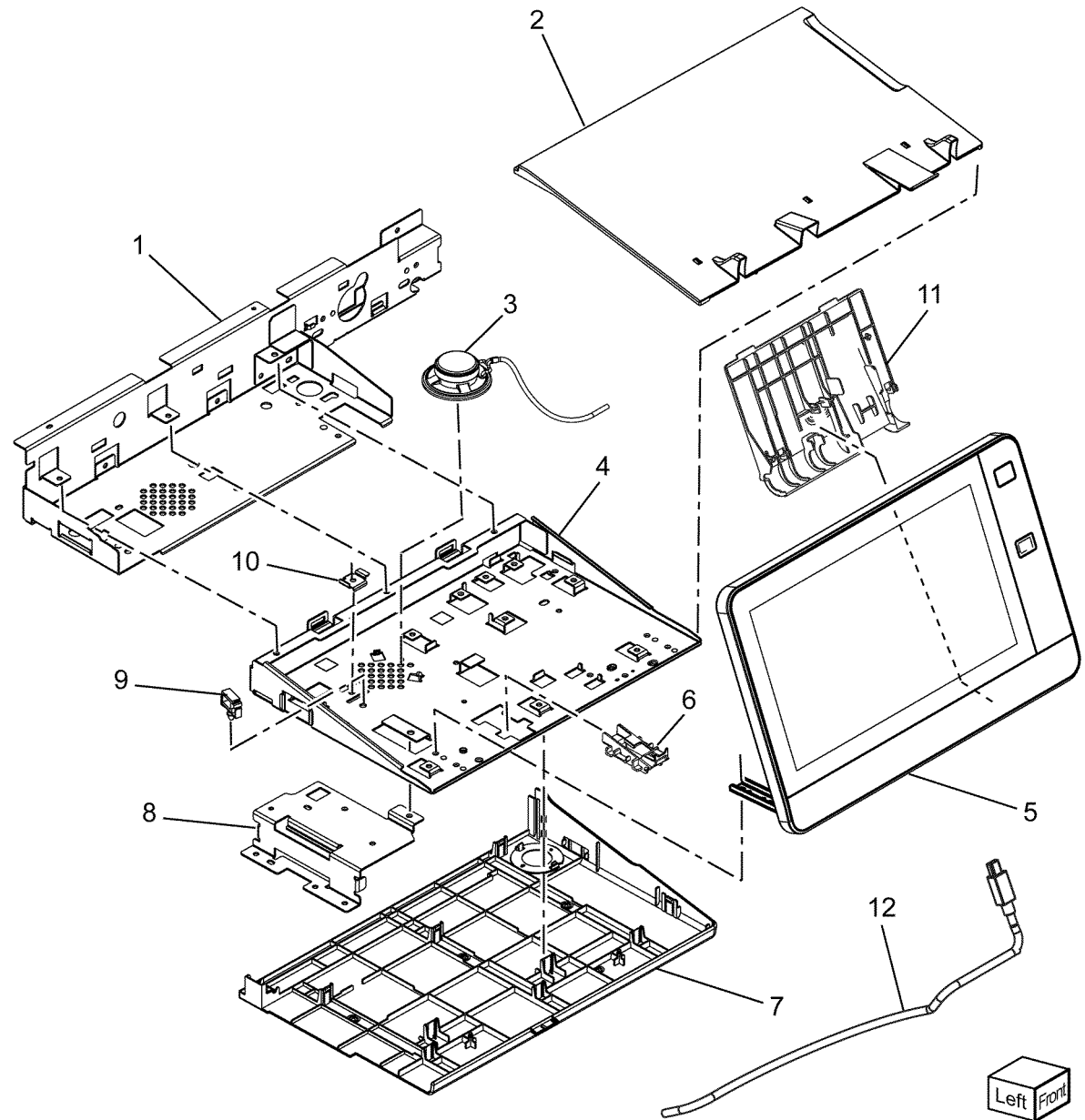


Rear Left

R-8-0005-A

PL 2.05 User Interface (B8145/B8155)

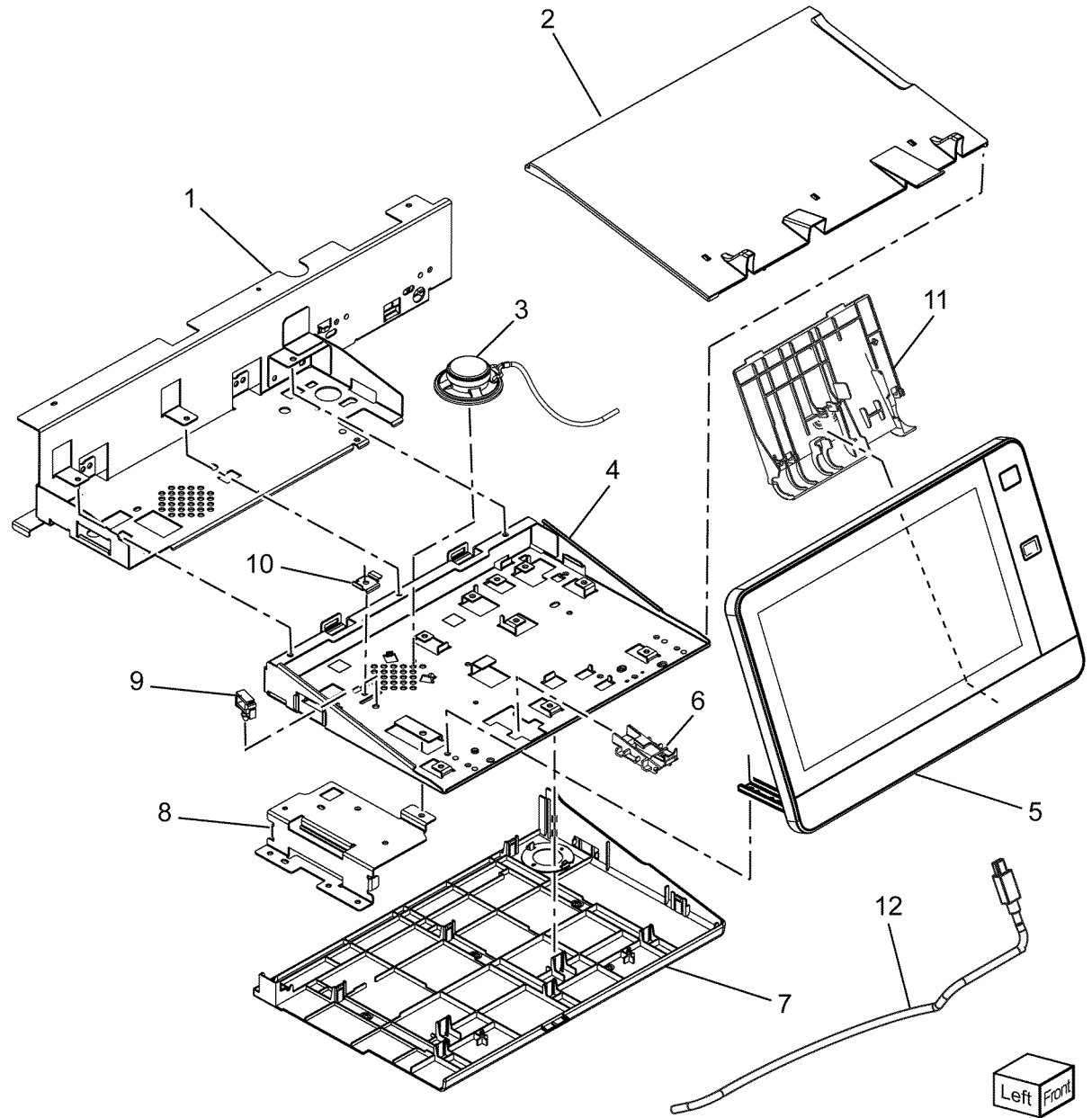
Item	Part	Description
1	—	Mounting bracket
2	—	Top cover
3	930K00420	Speaker
4	—	Base plate
5	084K43260	User interface assembly
6	—	Cable bracket
7	—	Base cover
8	—	Bracket
9	—	Cable clamp
10	—	Speaker clamp plate
11	—	Cable cover
12	952K36970	UI cable



R-8-0109-A

PL 2.10 User Interface (B8170)

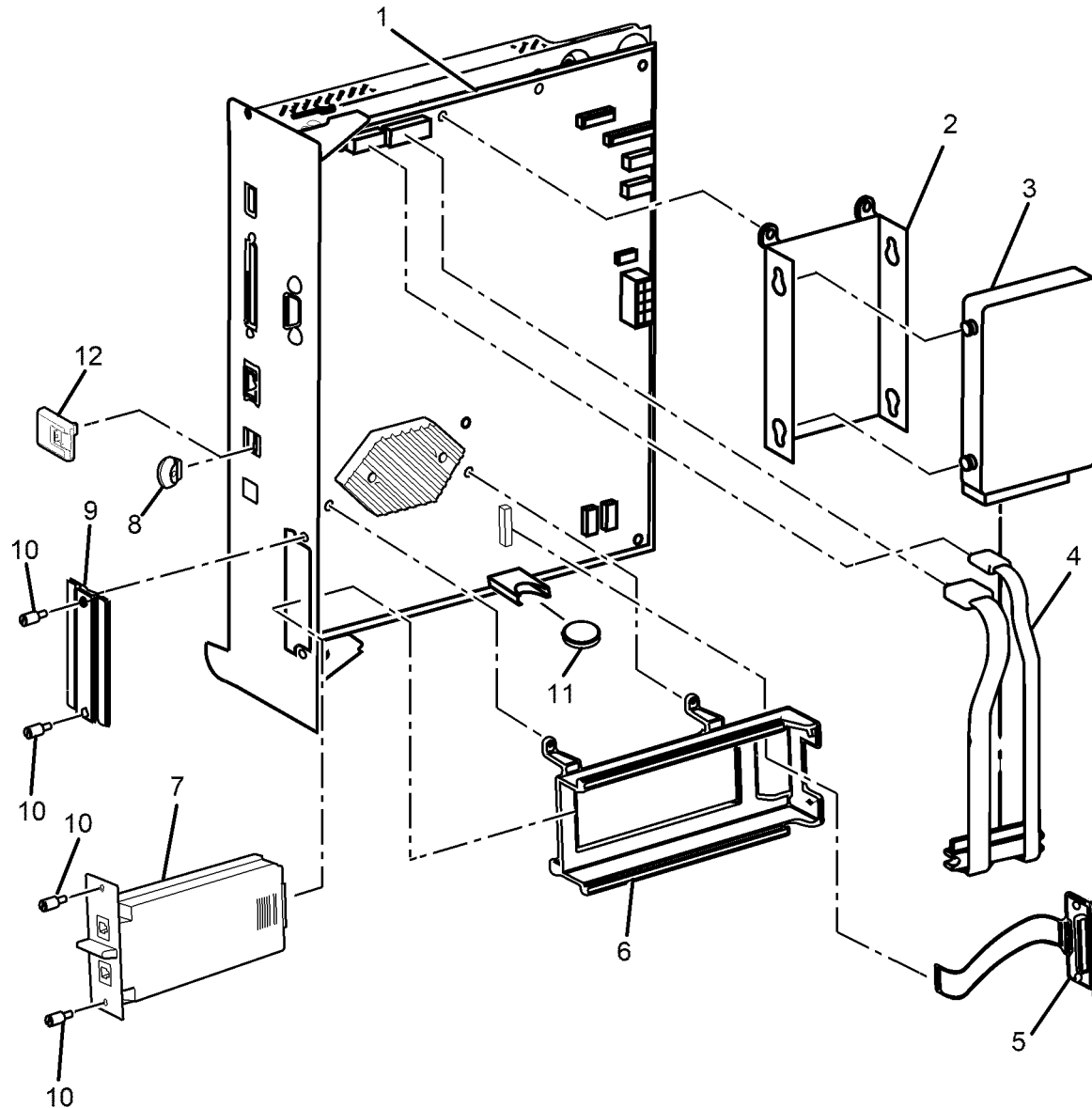
Item	Part	Description
1	—	Mounting bracket
2	—	Top cover
3	930K00420	Speaker
4	—	Base plate
5	084K43260	User interface assembly
6	—	Cable bracket
7	—	Base cover
8	—	Bracket
9	—	Cable clamp
10	—	Speaker clamp plate
11	—	Cable cover
12	952K36970	UI cable



R-8-0006-A

PL 3.05 Control Unit (ESS PWB)

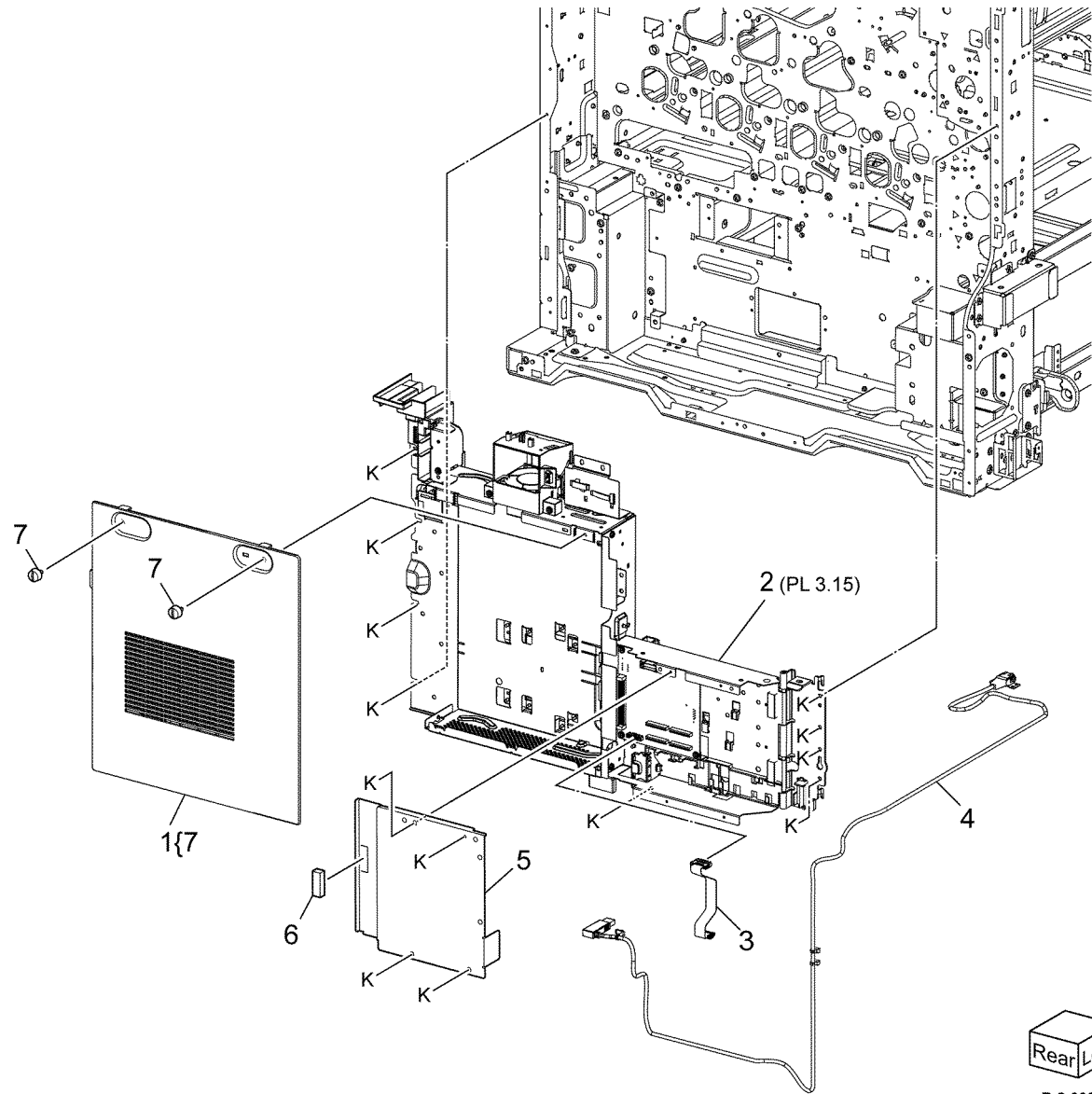
Item	Part	Description
1	607K30340	Controller PWB assembly (B8145/ B8155) (REP 3.1)
—	607K30111	Controller PWB assembly (B8170) (REP 3.1)
2	—	HDD bracket
3	121E32860	HDD (500GB) (GSA- option) (REP 3.5)
—	121E32820	SSD (128GB) (REP 3.5)
4	962K40460	Power/Data harness
5	112K01140	Riser PWB
6	—	Fax cradle (Not Spared)
7	—	Fax module (REF: PL 20.10)
8	—	Bluetooth dongle (P/O PL 25.10 Item 4)
9	—	Fax blanking plate
10	—	Thumbscrew
11	207E22240	Battery (CR2032- 3V)
12	—	Wi-fi dongle (P/O PL 25.10 Item 3)



R-3-0007-A

PL 3.10 Video Contact Chassis Unit

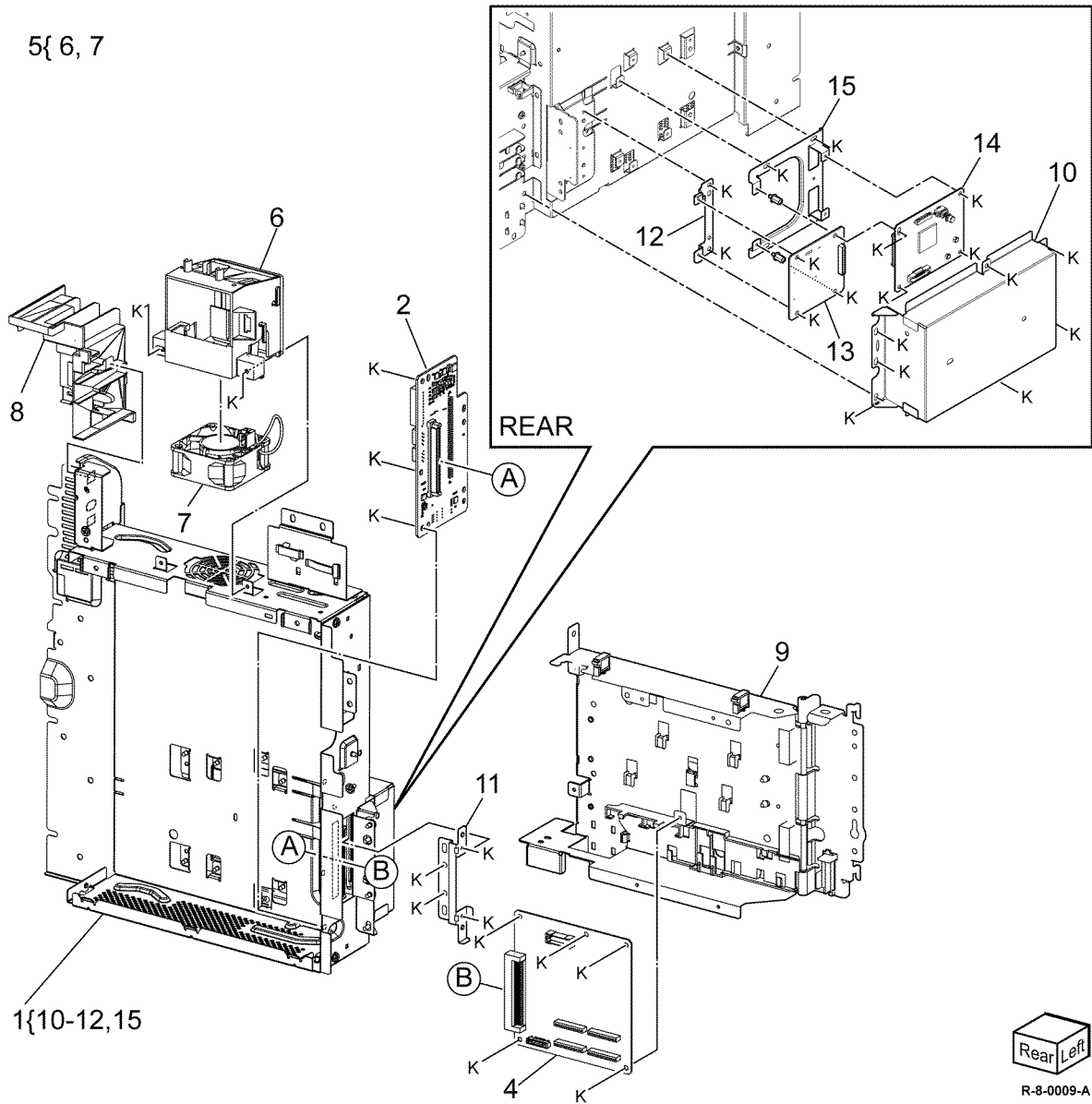
Item	Part	Description
1	—	Controller cover assembly kit
2	—	Video contact chassis assembly (Not Spared)
3	117K50450	Motor drive ribbon cable
4	117K50370	USB cable
5	—	DFE cover (Not Spared)
6	—	Shield gasket (Not Spared)
7	—	Thumbscrew (P/O PL 3.10 Item 1)



R-8-0008-A

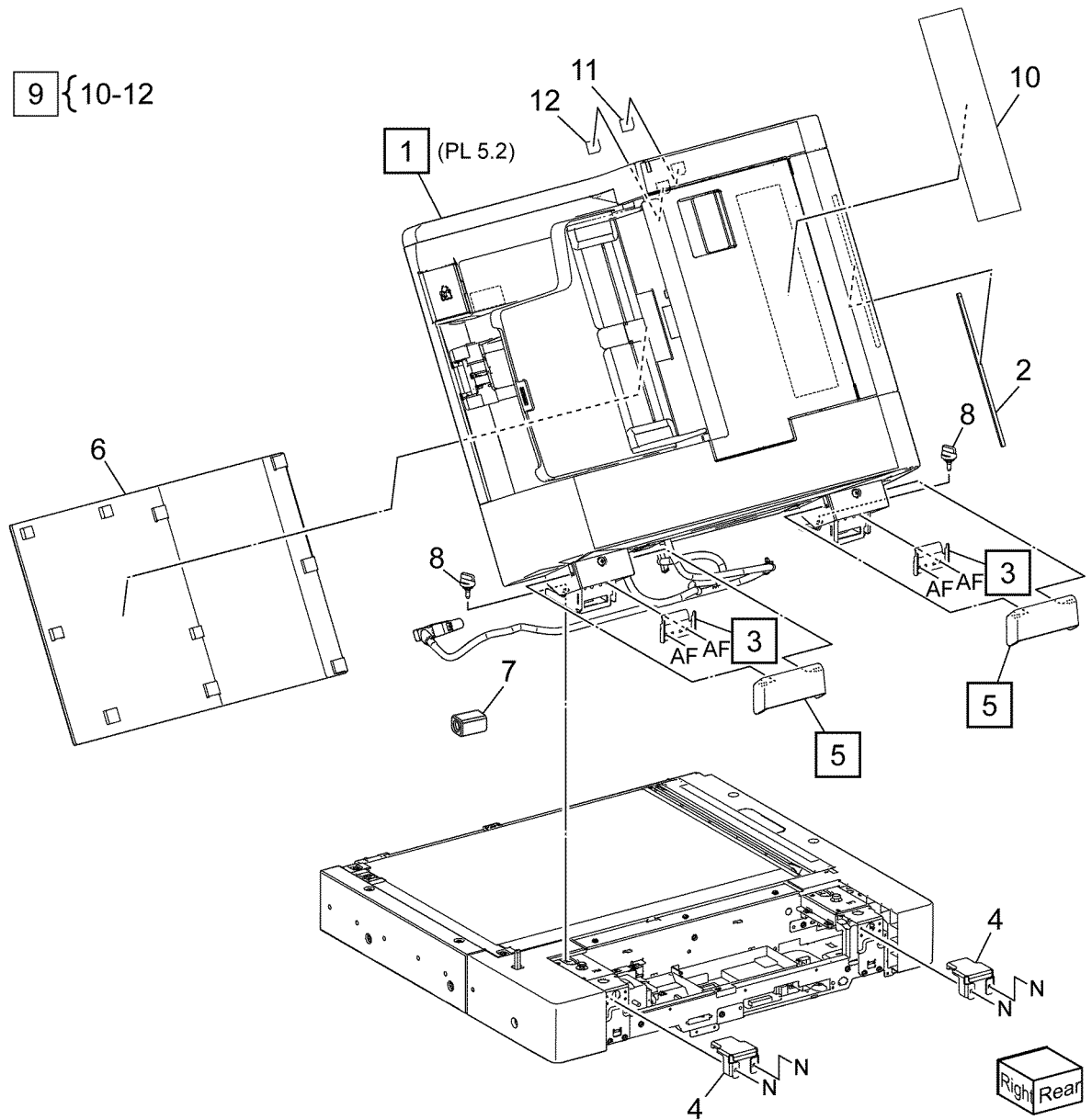
PL 3.15 Video Contact Chassis Assembly

Item	Part	Description
1	—	Controller chassis assembly (Not Spared)
2	960K81580	Back plane PWB (REP 3.3)
3	—	Not used
4	960K95650	Half tone PWB (REP 3.4)
5	054K55232	ESS duct assembly
6	—	ESS duct (P/O PL 3.15 Item 5)
7	—	ESS fan (P/O PL 3.15 Item 5)
8	—	ESS inner cover (Not Spared)
9	—	Video chassis assembly (P/O PL 3.15 Item 1)
10	—	MCU PWB cover (P/O PL 3.15 Item 1)
11	—	BP bracket (P/O PL 3.15 Item 1)
12	—	Support bracket
13	960K81590	Relay PWB (REP 3.2)
14	961K02031	MCU PWB (B8145/B8155) (REP 3.6)
—	961K02021	MCU PWB (B8170) (REP 3.6)
15	—	MCU PWB support bracket (P/O PL 3.15 Item 1)



PL 5.1 DADF Component (250) (B8170)

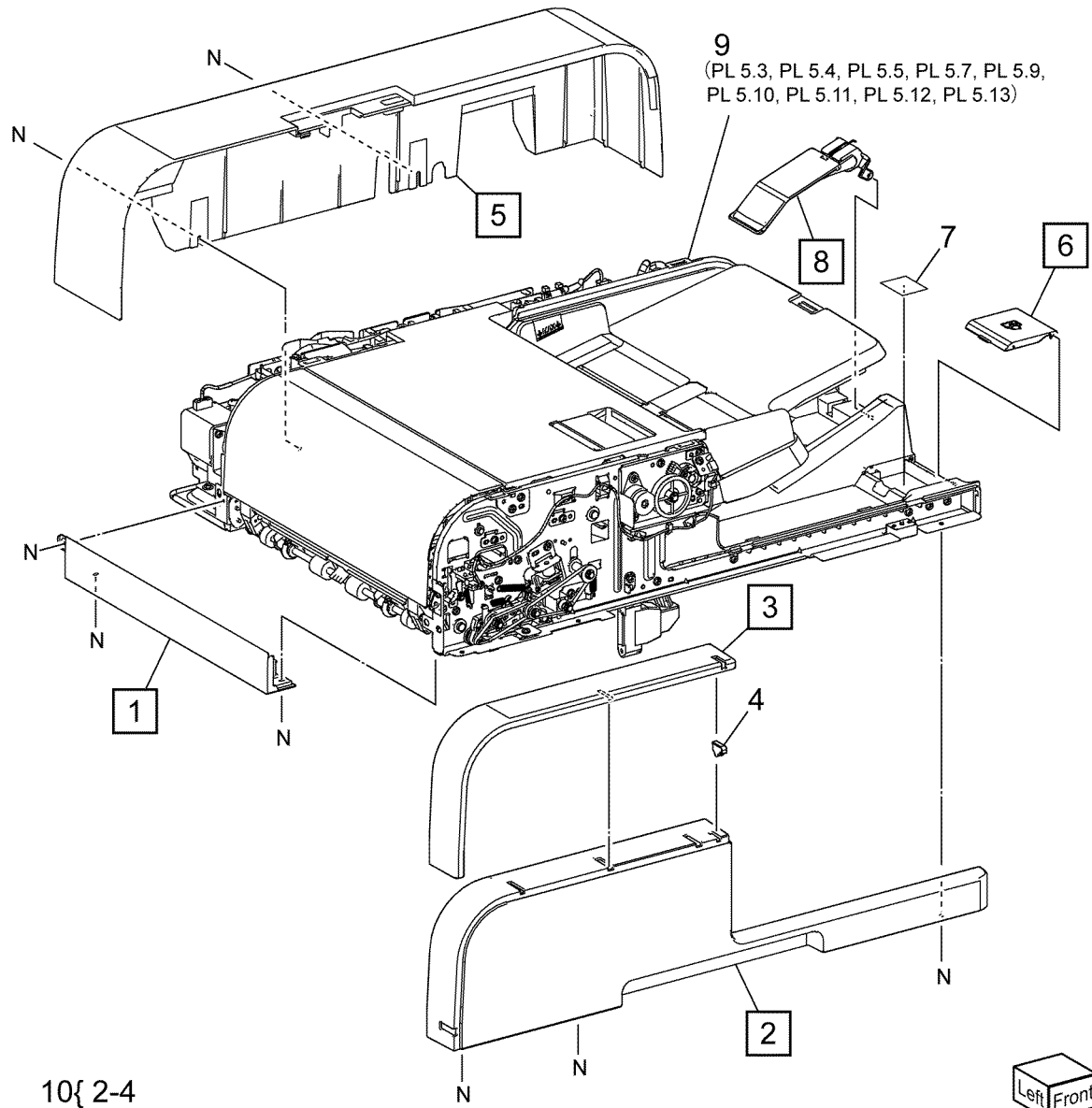
Item	Part	Description
1	859K15665	DADF (DADF-250) (REF: PL 5.2) (REP 5.1)
2	—	Seal (Not Spared)
3	—	Counterbalance Bracket
4	—	DADF Support (Not Spared)
5	—	Counterbalance Cover
6	004K03761	DADF Platen Cushion
7	—	Ferrite Core (Not Spared)
8	003K91881	Thumbscrew
9	—	Label Kit (Eng)
10	—	Label (Instruction) (P/O PL 5.1 Item 9)
11	—	Label (Clean) (P/O PL 5.1 Item 9)
12	—	Label (Clean Point) (P/O PL 5.1 Item 9)



R-8-0010-A

PL 5.2 DADF, DADF Cover (250) (B8170)

Item	Part	Description
1	822E38552	DADF Left Lower Cover (REP 5.2)
2	822E38503	DADF Front Cover (REP 5.3)
3	822E38511	DADF Front Top Cover (REP 5.4)
4	062E18370	LED Lens
5	822E38523	DADF Rear Cover (REP 5.5)
6	822E38581	Exit Cloth Cover
7	042E92802	Cloth Cleaner
8	003K22351	Stopper
9	—	DADF (REF: PL 5.3, PL 5.4, PL 5.5, PL 5.7, PL 5.9, PL 5.10, PL 5.11, PL 5.12, PL 5.13)
10	948K35130	DADF Front Cover Assembly



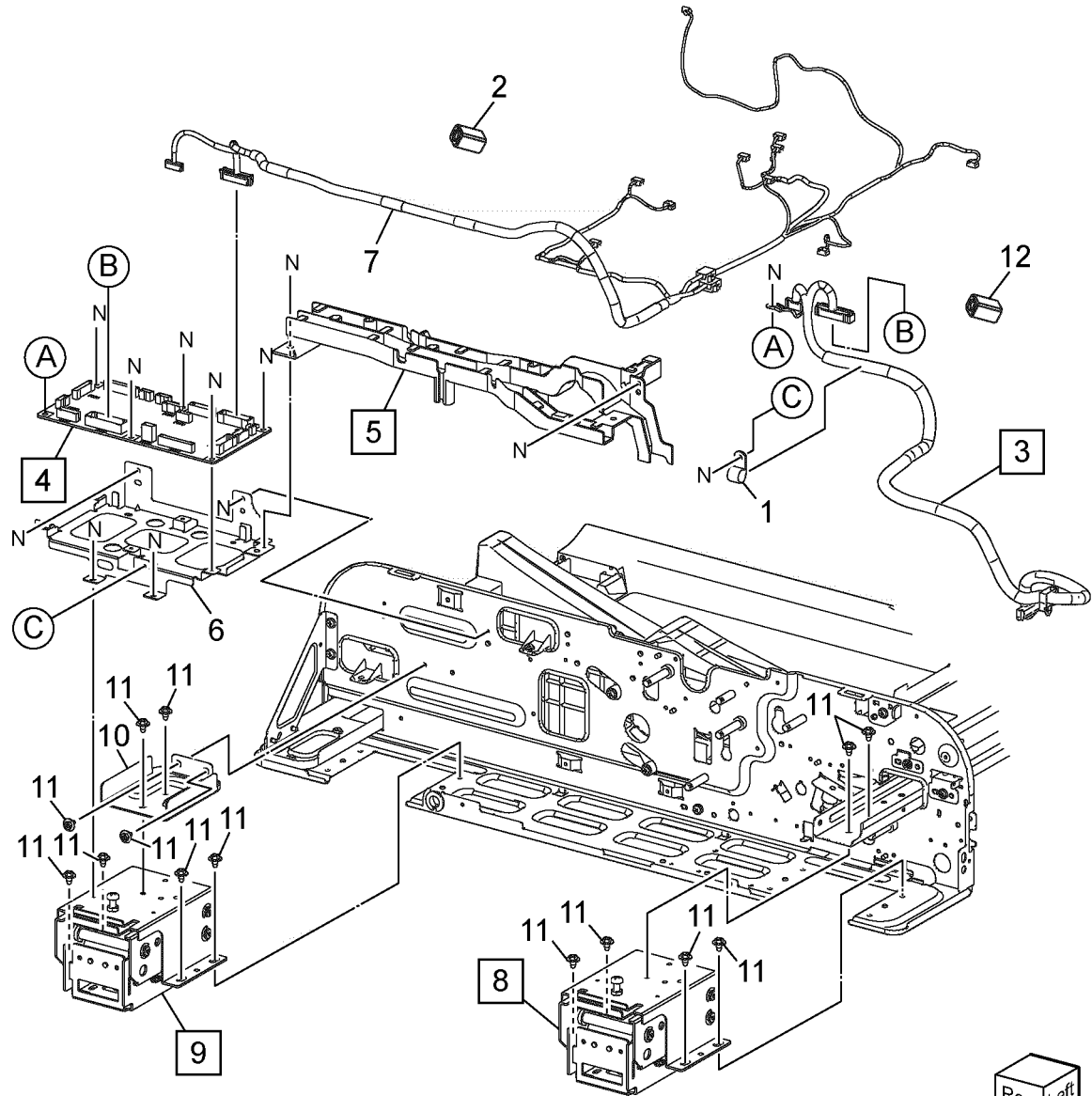
10{ 2-4



R-8-0011-A

PL 5.3 DADF PWB (250) (B8170)

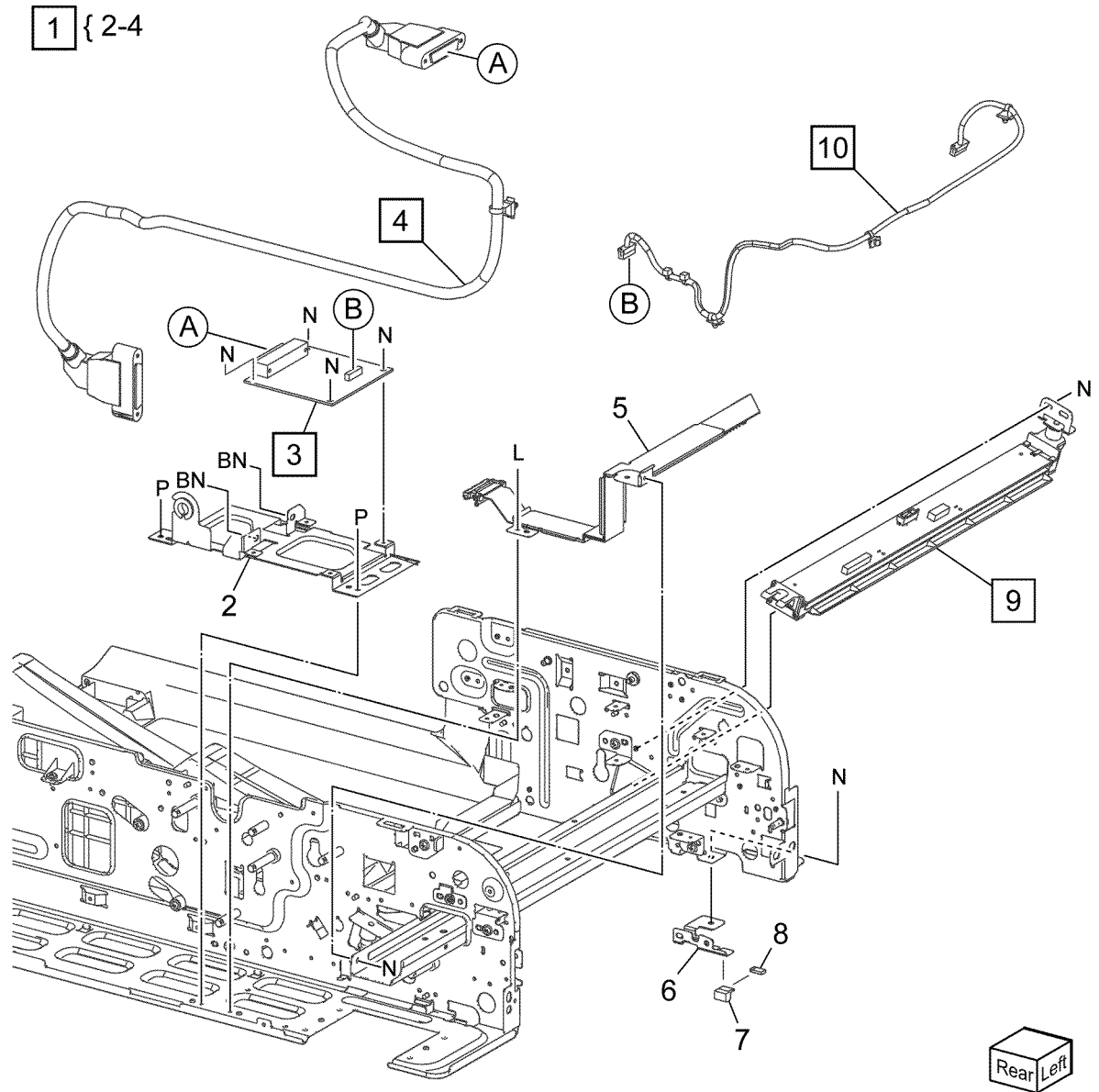
Item	Part	Description
1	—	P Clamp (Not Spared)
2	121E25180	Core (NFT-10)
3	117K48791	IIT-DADF Cable (REP 5.7)
4	960K98360	DADF PWB (REP 5.8)
5	—	Harness Guide (Not Spared) (REP 5.56)
6	—	Bracket PWB (Not Spared)
7	952K37150	Wire Harness (Sig)
8	036K92480	Left Counter Balance (REP 5.9)
9	036K92490	Right Counter Balance (REP 5.10)
10	—	Right Bracket (Not Spared)
11	—	Screw (Not Spared)
12	121E88780	Core (TFT-10201ON)



R-8-0012-A

PL 5.4 DCDC PWB (250) (B8170)

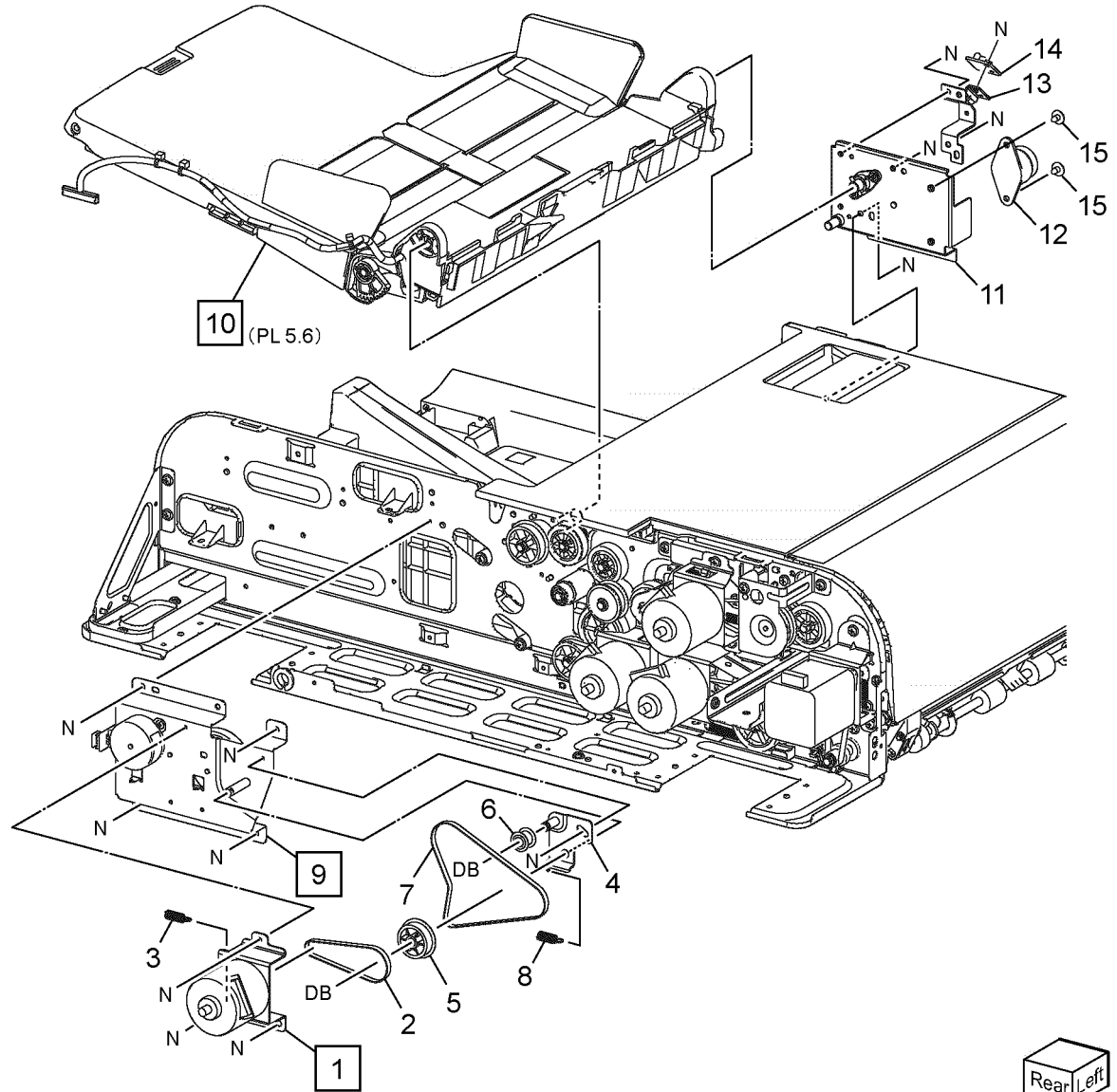
Item	Part	Description
1	—	DCDC PWB Assembly
2	—	Bracket PWB (P/O PL 5.4 Item 1)
3	960K96780	DCDC PWB (REP 5.11)
4	117K50391	DADF-Controller Cable
5	049K45911	Flat Cable (DCDC-CIS)
6	—	Stopper Bracket (Not Spared)
7	835E12131	Gasket
8	—	Tape (Not Spared)
9	930K04140	CIS (REP 5.12)
10	952K47100	Wire Harness (DCDC-CIS) (REP 5.13)



R-8-0013-A

PL 5.5 Document Tray, Tray Feed (250)(B8170)

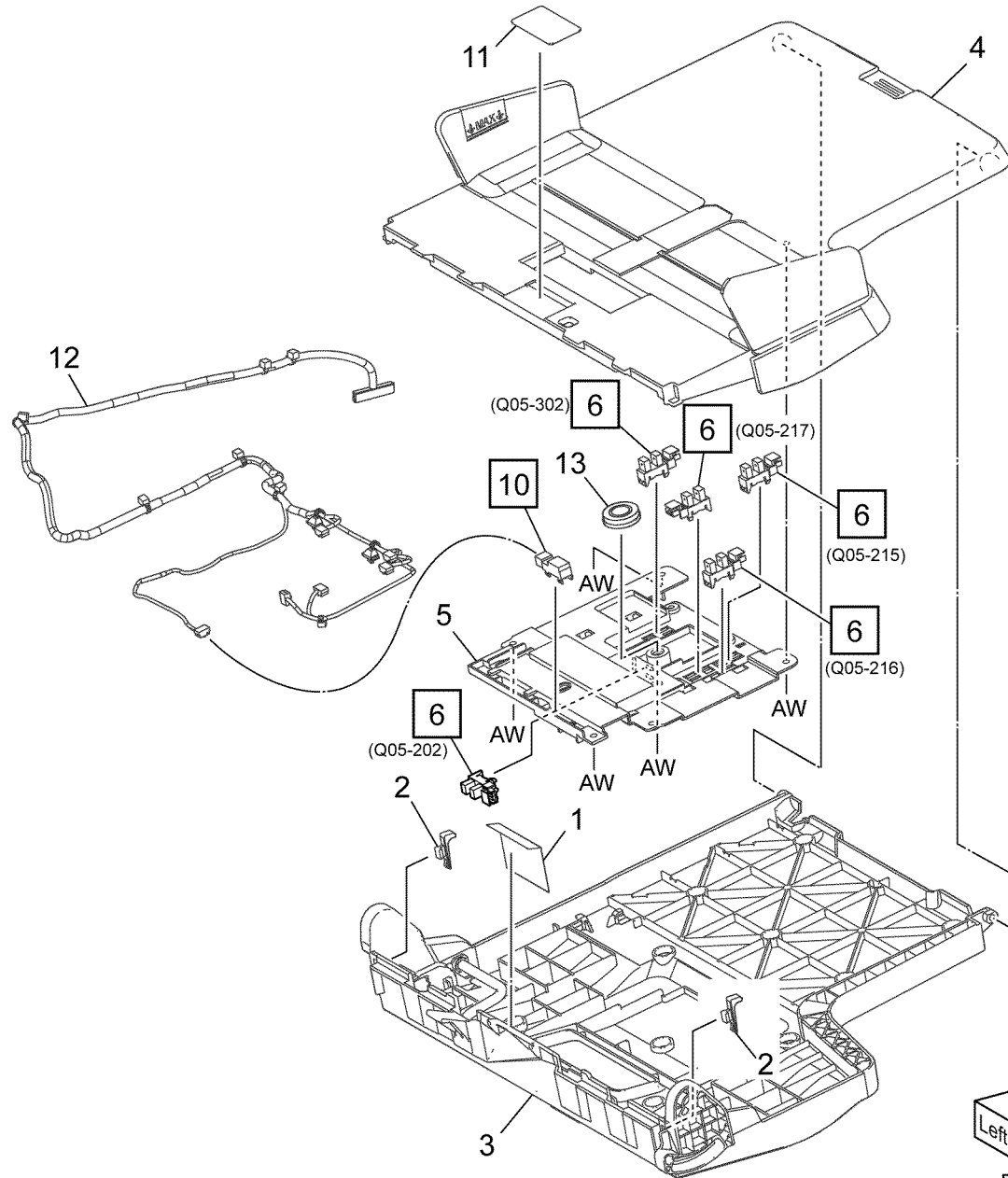
Item	Part	Description
1	127K74090	DADF Feed Motor (MOT05-001) (REP 5.14)
2	023E28620	Belt
3	899E14300	Tension Spring
4	—	Feed Idler Bracket Assembly (Not Spared)
5	—	Pulley (52T/23T) (Not Spared)
6	—	Idler Roller (Not Spared)
7	023E28661	Belt (REP 5.14)
8	—	Tension Spring (Not Spared)
9	127K74030	DADF Tray Motor Assembly (MOT05-051) (REP 5.16)
10	050K75074	DADF Document Tray (REF: PL 5.6) (REP 5.55)
11	—	Tray Damper Bracket Assembly (Not Spared)
12	—	Oil Damper (REP 5.17)
13	—	LED Bracket (Not Spared)
14	—	Document Set LED (Q05-084) (REP 5.17)
15	—	Screw (Not Spared)



R-8-0014-A

PL 5.6 DADF Document Tray (250) (B8170)

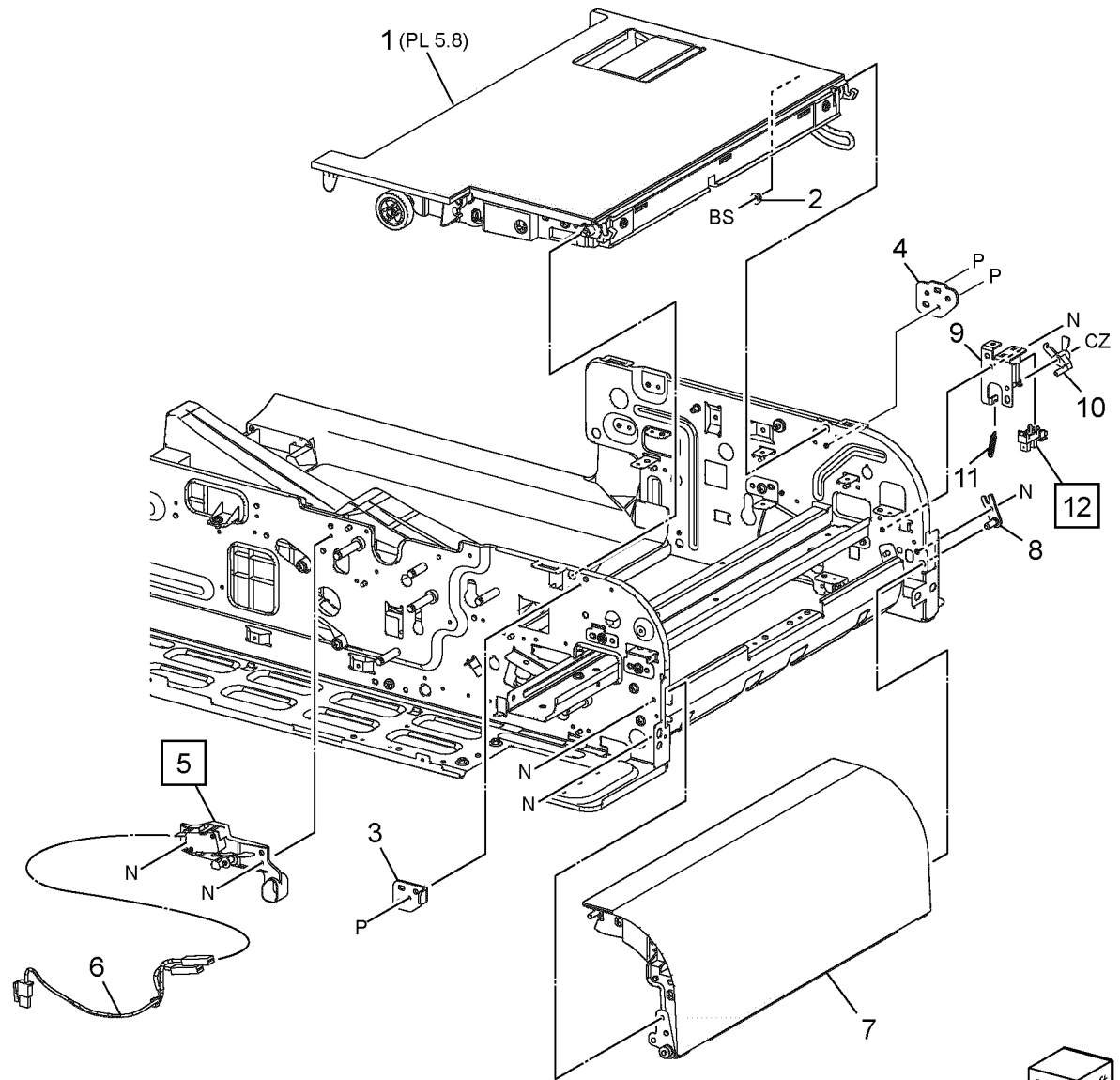
Item	Part	Description
1	063K00762	Film and Tape Assembly
2	—	Tray Block (P/O PL 5.5 Item 10)
3	—	Bottom Tray Assembly (P/O PL 5.5 Item 10)
4	—	Upper Tray Assembly (P/O PL 5.5 Item 10)
5	—	Inner Cover (P/O PL 5.5 Item 10)
6	930W00122	Tray APS Sensor 1 (Q05-215)/Tray APS Sensor 2 (Q05-216)/Tray APS Sensor 3 (Q05-217)/Tray APS Sensor 4 (Q05-302)/Bottom Sensor (Q05-202) (REP 5.19)
7	—	Not Used
8	—	Not Used
9	—	Not Used
10	930W00212	DADF Document Set Sensor (Q05-102) (REP 5.20)
11	019K99061	Retard Pad
12	—	Wire Harness (Tray) (P/O PL 5.5 Item 10)
13	—	Pinion Gear (P/O PL 5.5 Item 10)



R-8-0015-A

PL 5.7 DADF Feeder Cover Unit (250) (B8170)

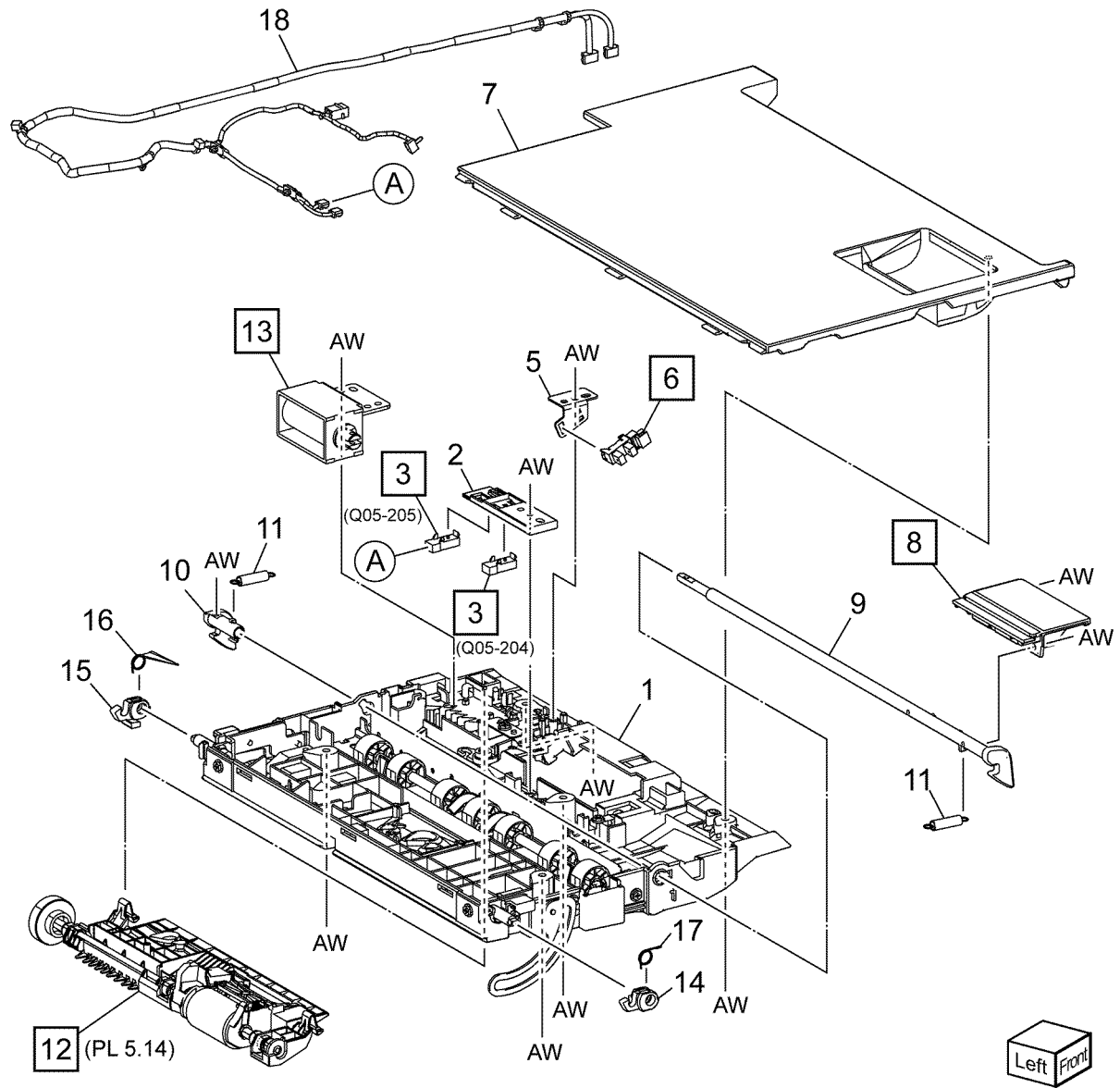
Item	Part	Description
1	054K55155	DADF Feeder Cover Assembly (REF: PL 5.8) (REP 5.21)
2	—	Stopper Roll (Not Spared)
3	—	Rear Hinge (Not Spared)
4	—	Front Hinge (Not Spared)
5	110K18130	DADF Feeder Cover Interlock Switch (S05-212) (REP 5.22)
6	—	Wire Harness (Interlock Switch) (Not Spared)
7	948K00991	DADF Left Cover Assembly (REP 5.23)
8	—	Front Bracket Assembly (Not Spared)
9	—	Switch Bracket (Not Spared)
10	120E35980	Actuator (REP 5.24)
11	899E15560	Tension Spring
12	930W00122	DADF L/H Cover Interlock Sensor (Q05-223) (REP 5.24)



R-8-0016-A

PL 5.8 DADF Feeder Cover Assembly (250) (B8170)

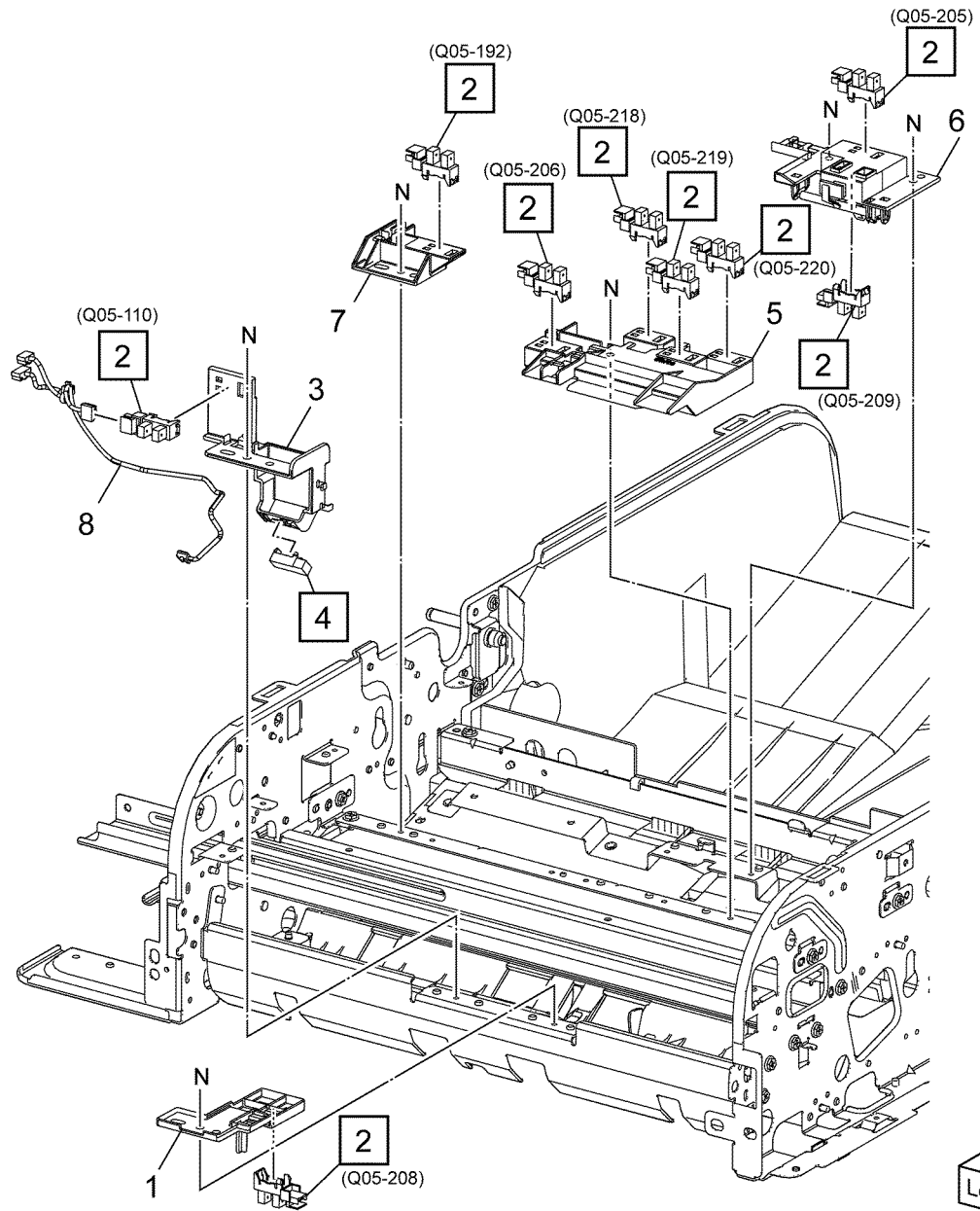
Item	Part	Description
1	—	DADF Feeder Cover (P/O PL 5.7 Item 1)
2	—	Feed Sensor Bracket (P/O PL 5.7 Item 1)
3	930W00222	DADF Feed In Sensor 1 (Q05-204) /DADF Feed In Sensor 2 (Q05-205) (REP 5.25)
4	—	Not Used
5	—	DADF Level Sensor Bracket (P/O PL 5.7 Item 1)
6	930W00122	DADF Level Sensor (Q05-203) (REP 5.26)
7	—	Upper Feeder Cover (P/O PL 5.7 Item 1)
8	011E29160	Latch Lever (REP 5.27)
9	806E47360	Latch Shaft (REP 5.27)
10	803E26090	Rear Latch (REP 5.27)
11	809E99510	Lever Spring (REP 5.27)
12	948K00881	DADF Nudger Housing Assembly (REF: PL 5.14) (REP 5.28)
13	121K57831	DADF Nudger Solenoid Assembly (SOL05-086) (REP 5.29)
14	803E08630	Left Latch Front Cover (REP 5.30)
15	803E08640	Left Latch Rear Cover (REP 5.30)
16	—	Rear Spring (P/O PL 5.7 Item 1)
17	—	Front Spring (P/O PL 5.7 Item 1)
18	—	Wire Harness (Top Sig) (P/O PL 5.7 Item 1)



R-8-0017-A

PL 5.9 Sensor Component (250) (B8170)

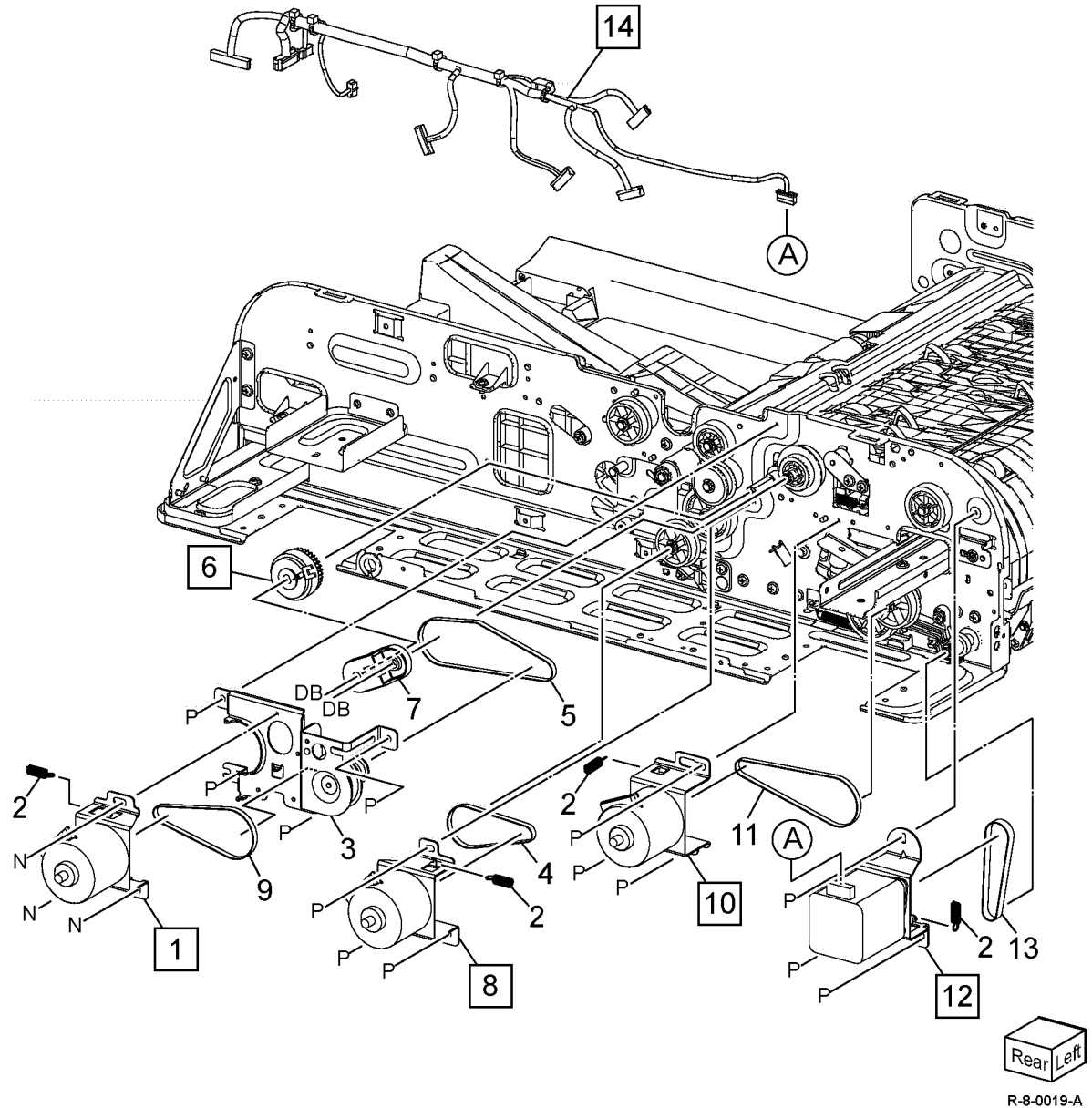
Item	Part	Description
1	—	Out Sensor Bracket (Not Spared)
2	930W00122	DADF Out Sensor (Q05-208) (REP 5.31)/DADF Registration Sensor (Q05-110) (REP 5.32)/DADF Pre Registration Sensor (Q05-206) (REP 5.33)/DADF APS Sensor 1 (Q05-218), DADF APS Sensor 2 (Q05-219), DADF APS Sensor 3 (Q05-220) (REP 5.33)/DADF Feed Out Sensor (Q05-205) (REP 5.34)/DADF Exit Sensor (Q05-209) (REP 5.34)/Skew Detect Sensor (Q05-192) (REP 5.35)
3	—	DADF Lead Registration Sensor Bracket (Not Spared)
4	930W00222	DADF Lead Registration Sensor (Q05-207) (REP 5.36)
5	—	APS Sensor Bracket (Not Spared)
6	—	Exit Sensor Assembly (Not Spared)
7	—	Skew Sensor Bracket (Not Spared)
8	—	Wire Harness (DADF Regi. Sensor)



R-8-0018-A

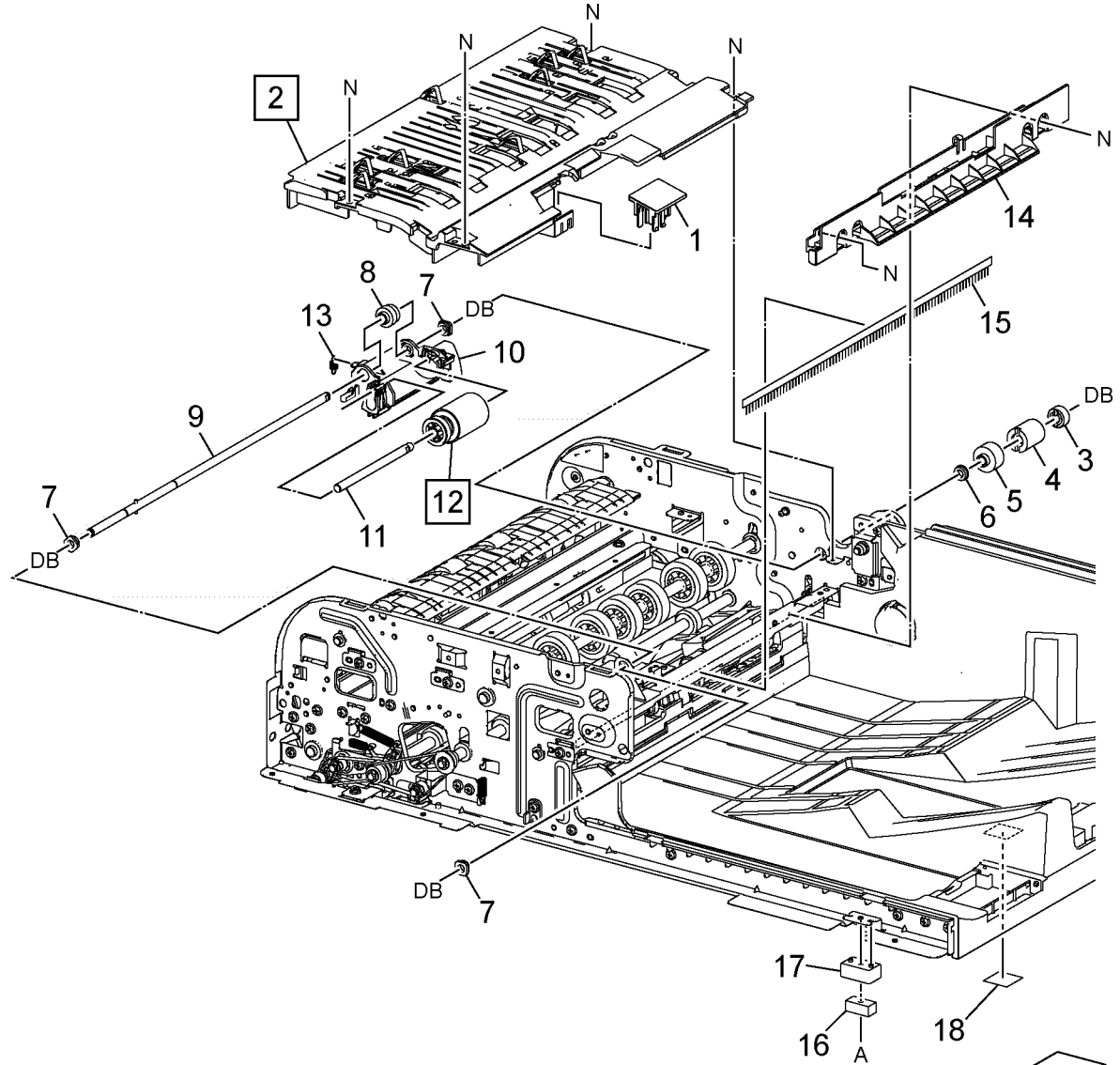
PL 5.10 Drive Component (250) (B8170)

Item	Part	Description
1	127K75920	DADF Pre Registration Motor (MOT05-011) (REP 5.37)
2	899E15560	Tension Spring
3	—	Drive Bracket Assembly (Not Spared)
4	023E28620	Belt (DADF Exit) (REP 5.39)
5	—	Belt (DADF Take Away Clutch) (REP 5.38)
6	121K52310	DADF Take Away Clutch Assembly (CL05-087) (REP 5.38)
7	—	DADF Take Away Clutch Stopper (Not Spared)
8	127K74121	DADF Exit Motor (MOT05-041) (REP 5.39)
9	023E28630	Belt (DADF Pre Regi.) (REP 5.38)
10	127K74101	DADF Platen Motor (MOT05-031) (REP 5.40)
11	023E28640	Belt (DADF Platen) (REP 5.40)
12	127K74000	DADF Regi. Motor (MOT05-021) (REP 5.41)
13	023E28760	Belt (DADF Regi.) (REP 5.41)
14	—	Motor Assembly Harness (Not Spared)



PL 5.11 Lower Chute Assembly, Retard Roll (250) (B8170)

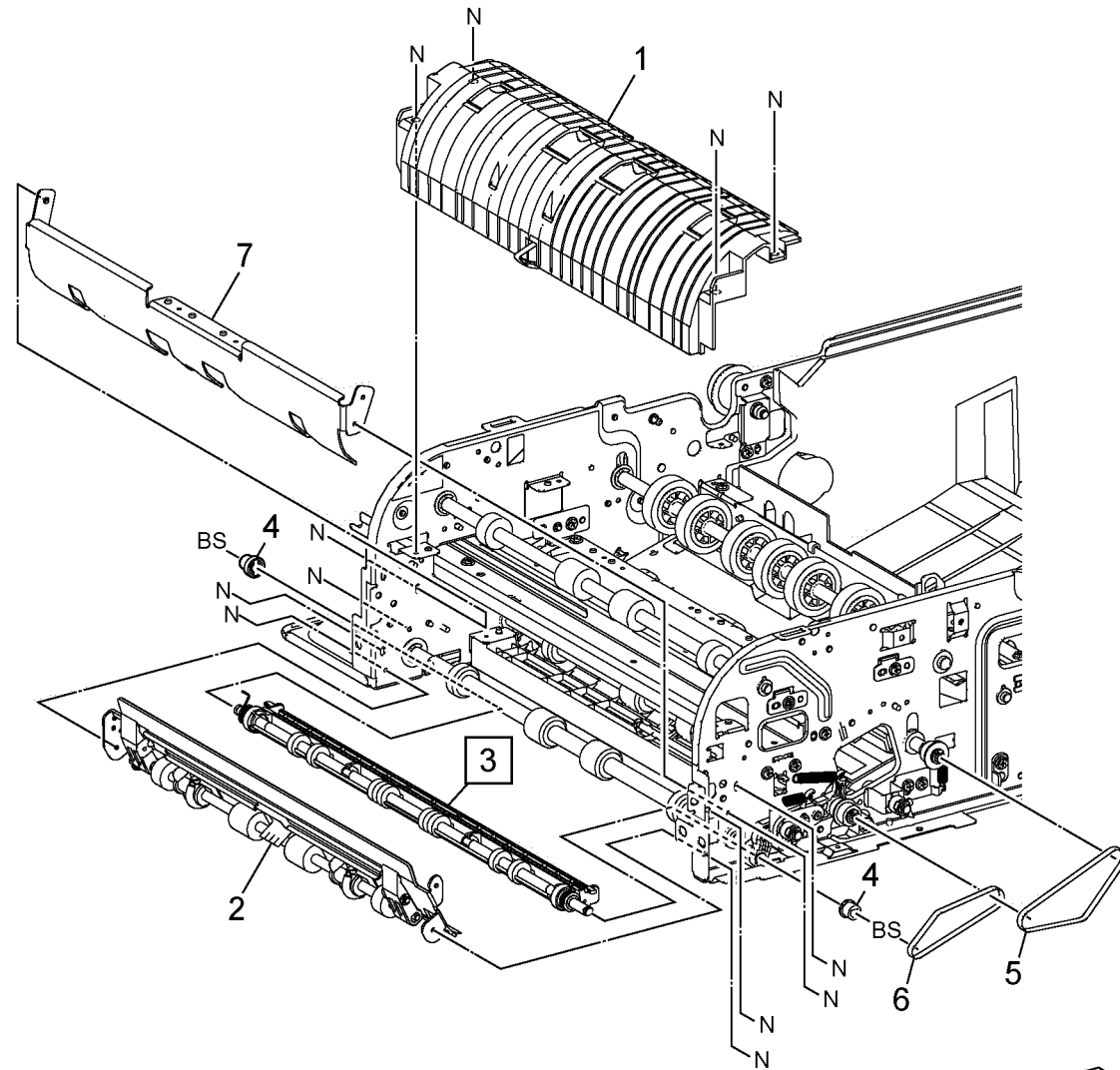
Item	Part	Description
1	054E60531	Retard Chute Cover
2	054K55143	Lower Chute Assembly (REP 5.42)
3	—	Clutch Stopper (Not Spared)
4	005K14230	Friction Clutch (REP 5.43)
5	—	Gear (21T) (Not Spared)
6	—	Ball Bearing (Not Spared)
7	—	Sleeve Bearing (Not Spared)
8	—	Pivot Gear (Not Spared)
9	—	Pivot Shaft (Not Spared)
10	—	Retard Holder (Not Spared)
11	—	Retard Shaft (Not Spared)
12	859K02461	Retard Roll (REP 5.44)
13	899E13651	Retard Spring (REP 5.44)
14	—	Exit Guide (Not Spared)
15	105E22470	Exit Eliminator (REP 5.45)
16	921W20101	Magnet Interlock (REP 5.46)
17	—	Magnet Cover (Not Spared)
18	063E07290	Cushion Fastener Tape



Front/Right
R-8-0020-A

PL 5.12 Pre Regi. In Chute, Platen High Roll (250) (B8170)

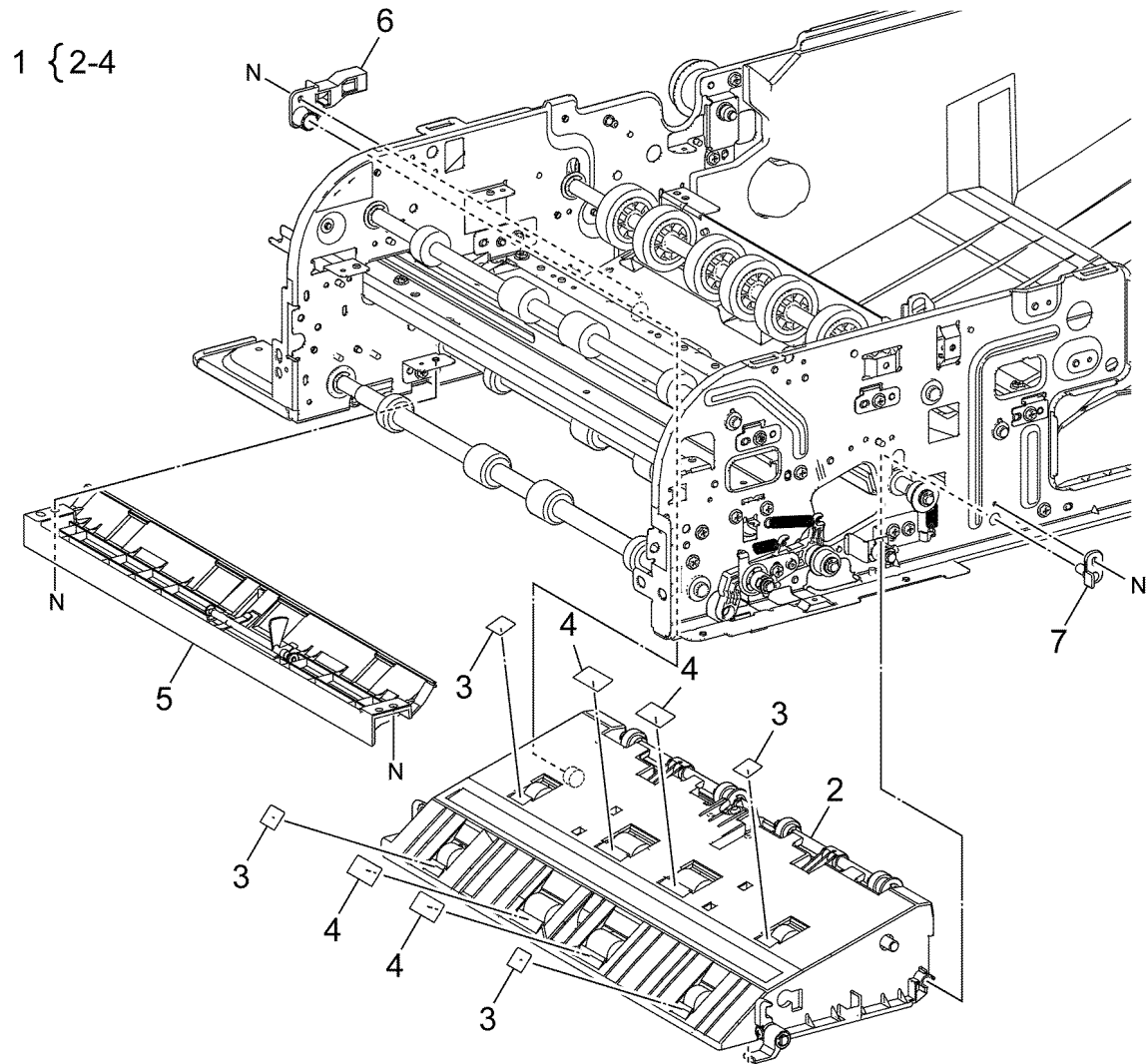
Item	Part	Description
1	054K55160	Pre Registration In Chute Assembly (REP 5.47)
2	054K55100	Registration Out Chute Assembly (REP 5.48)
3	859K02620	Platen High Roll Assembly (REP 5.49)
4	—	Pulley (20T) (Not Spared)
5	023E28630	Belt (Exit 1) (REP 5.50)
6	023E28620	Belt (Platen) (REP 5.50)
7	—	Regi. In Chute (Not Spared)



R-8-0021-A

PL 5.13 Exit Lower Chute, Out Chute Assembly (250) (B8170)

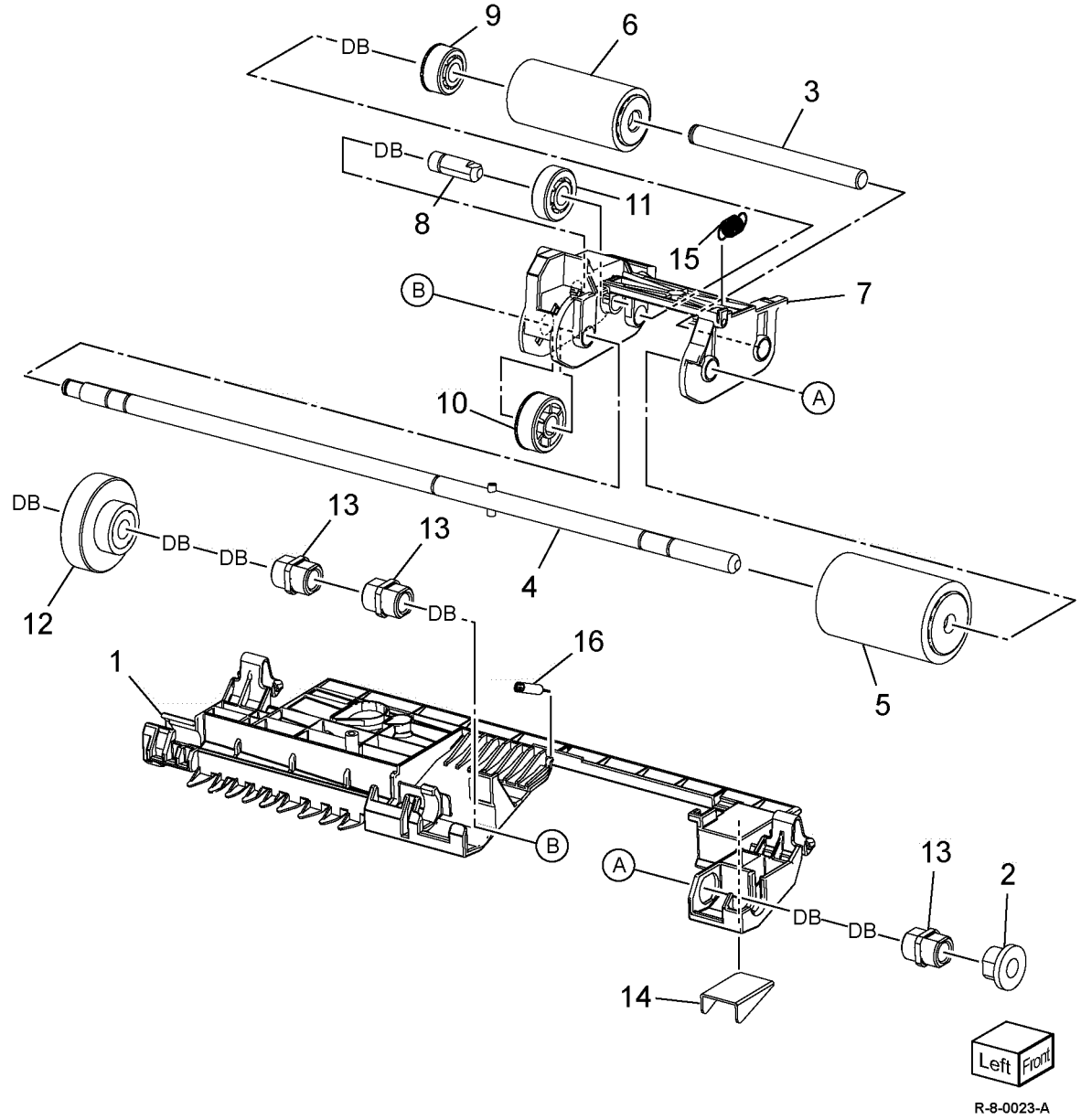
Item	Part	Description
1	054K60741	Exit Lower Chute Assembly (REP 5.51)
2	—	Exit Lower Chute (P/O PL 5.13 Item 1)
3	—	Film S
4	—	Film W
5	—	Out Chute Assembly (REP 5.53)
6	—	Exit Rear Hinge (Not Spared)
7	—	Front Hinge (Not Spared)



R-8-0022-A

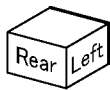
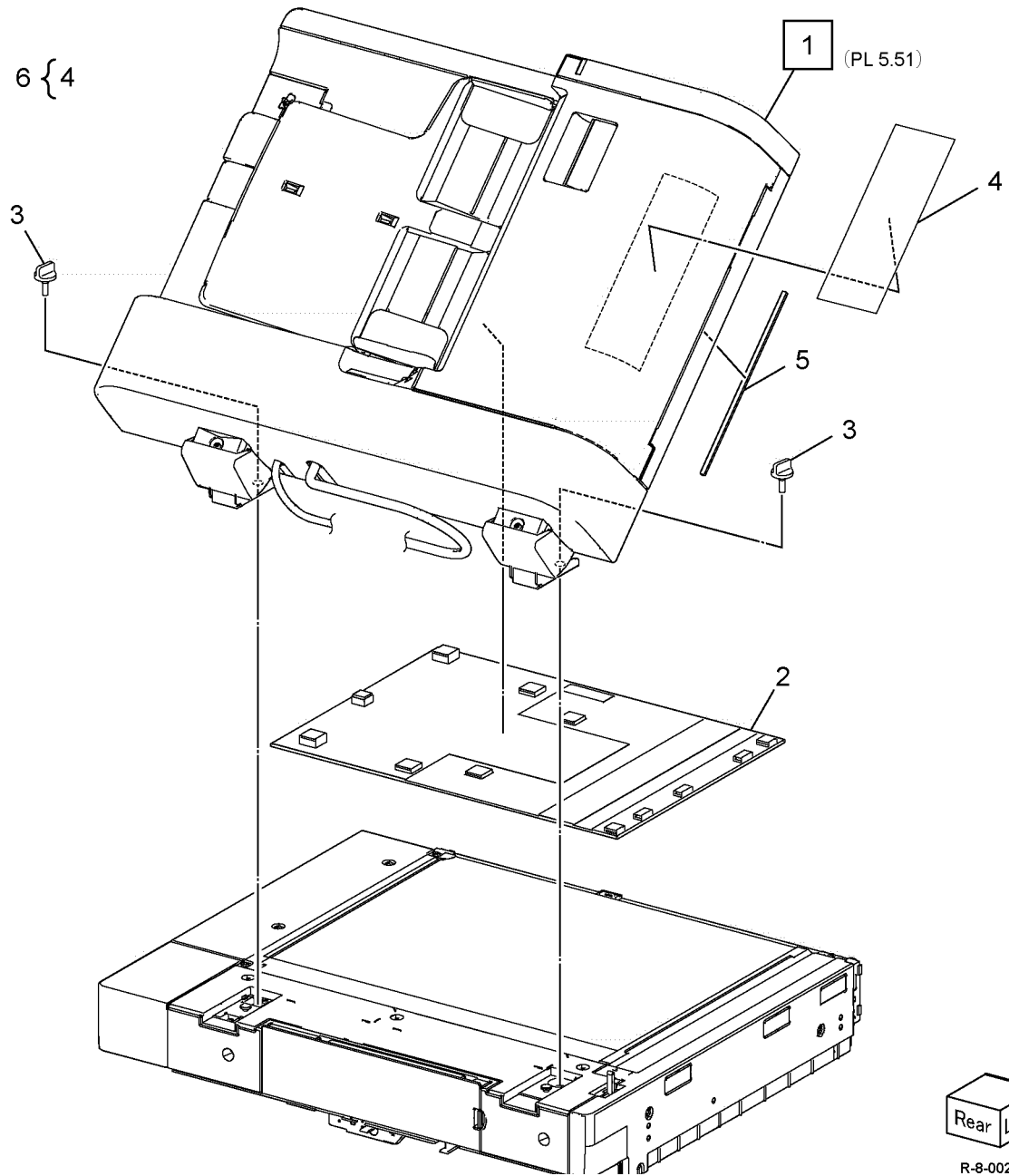
PL 5.14 DADF Nudger Housing Assembly (250) (B8170)

Item	Part	Description
1	—	Feeder Chute Cover (Not Spared)
2	—	Bearing (Not Spared)
3	—	Nudger Shaft (Not Spared)
4	—	Feed Shaft (Not Spared)
5	059K29520	Feed Roll (REP 5.54)
6	059K31270	Nudger Roll
7	—	Nudger Housing (Not Spared)
8	—	Idler Gear Shaft (Not Spared)
9	—	Gear (27T) (Not Spared)
10	—	Gear (33T) (Not Spared)
11	—	Gear (31T) (Not Spared)
12	—	Gear Assembly (26T) (Not Spared)
13	—	Bearing (PF101) (Not Spared)
14	—	Sensor Shield (Not Spared)
15	—	Front Nudger Spring (Not Spared)
16	—	Rear Nudger Spring (Not Spared)



PL 5.50 DADF Component (130) (B8145/B8155)

Item	Part	Description
1	859K16553	DADF (130) (REP 5.60)
2	004K03890	DADF platen cushion (REP 5.61)
3	003K91881	Thumbscrew
4	—	Label (instruction) (P/O PL 5.50 Item 6)
5	—	Seal base frame
6	—	DADF label kit

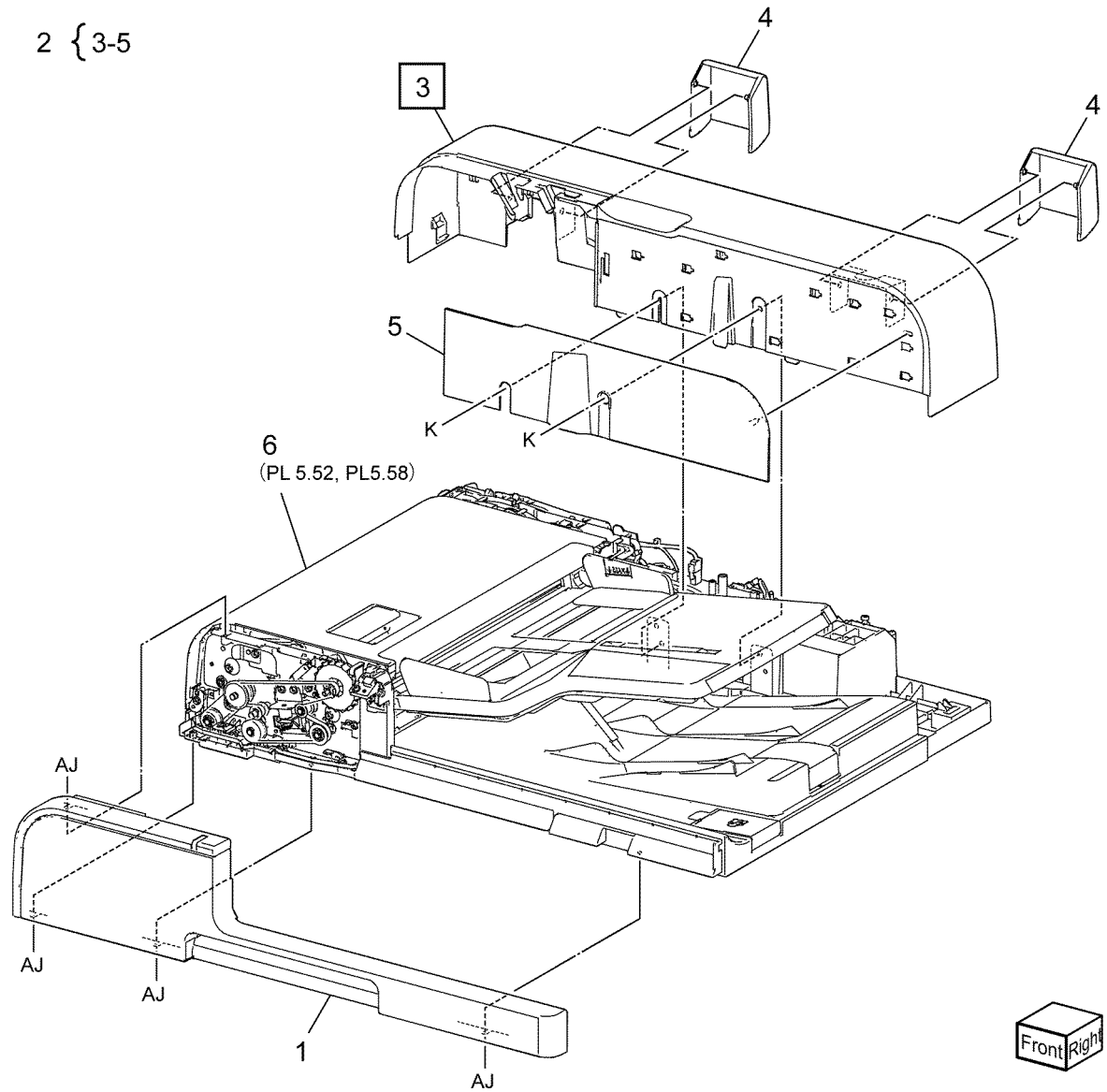


R-8-0024-A

PL 5.51 DADF Cover (130) (B8145/B8155)

Item	Part	Description
1	948K26800	Front cover (REP 5.62)
2	—	Rear cover assembly (REP 5.63)
3	—	Rear cover (P/O PL 5.51 Item 2)
4	—	Counter balance cover (P/O PL 5.51 Item 2)
5	—	Rear cover base (P/O PL 5.51 Item 2)
6	—	Feeder assembly (REP 5.64)

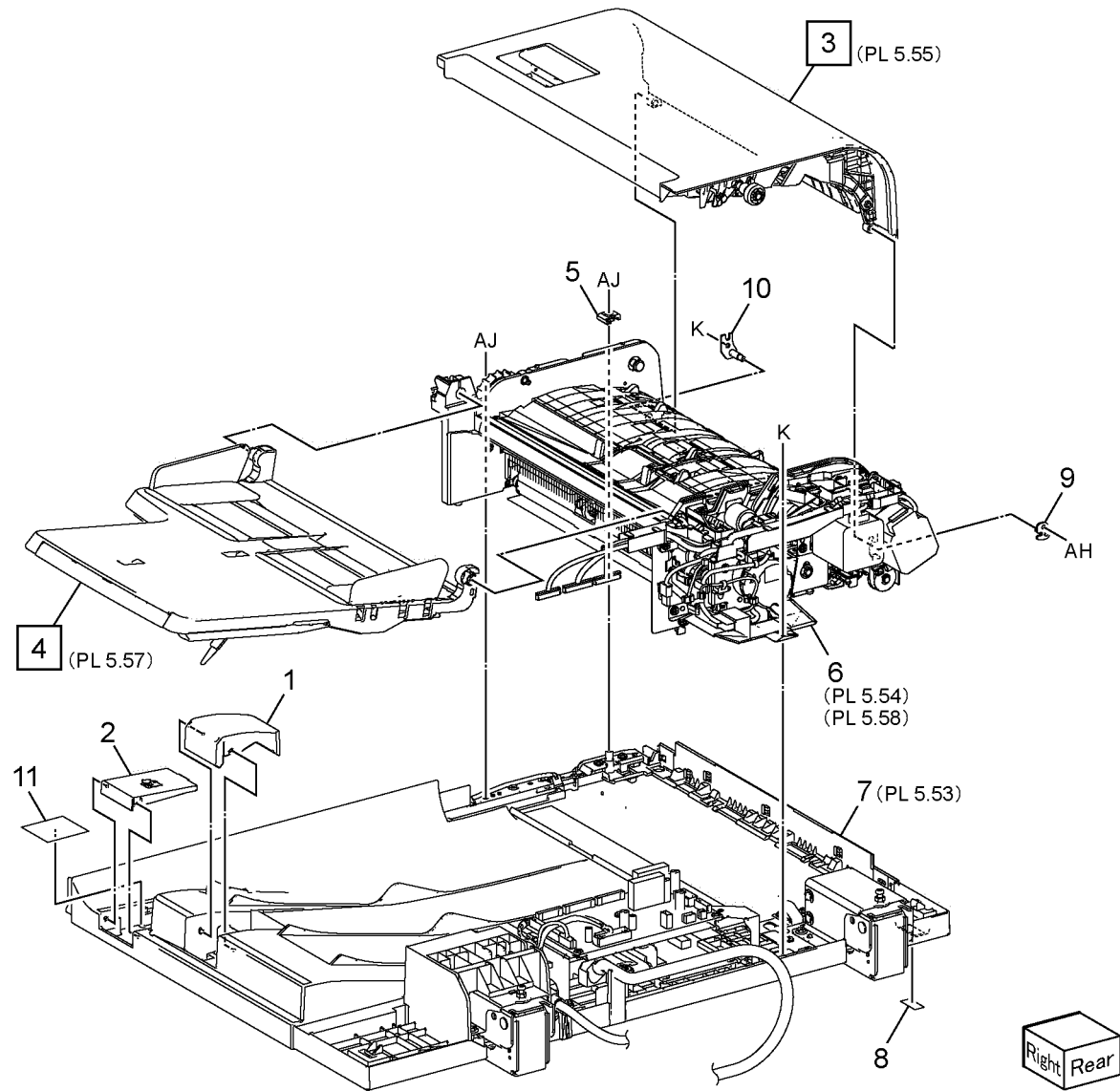
2 { 3-5



R-8-0025-A

PL 5.52 DADF Top Cover, Document Tray (130) (B8145/B8155)

Item	Part	Description
1	803E30190	Stopper
2	819E01660	Cloth holder
3	859K02254	Top cover (REP 5.70)
4	050K79643	Document tray (REP 5.69)
5	—	Collar
6	—	Regi./Retard chute/Invert unit (REP 5.75)
7	—	Base frame unit
8	—	Label (Clean)
9	—	Stud bracket (rear)
10	—	Stud bracket (front)
11	042E92802	Cloth cleaner

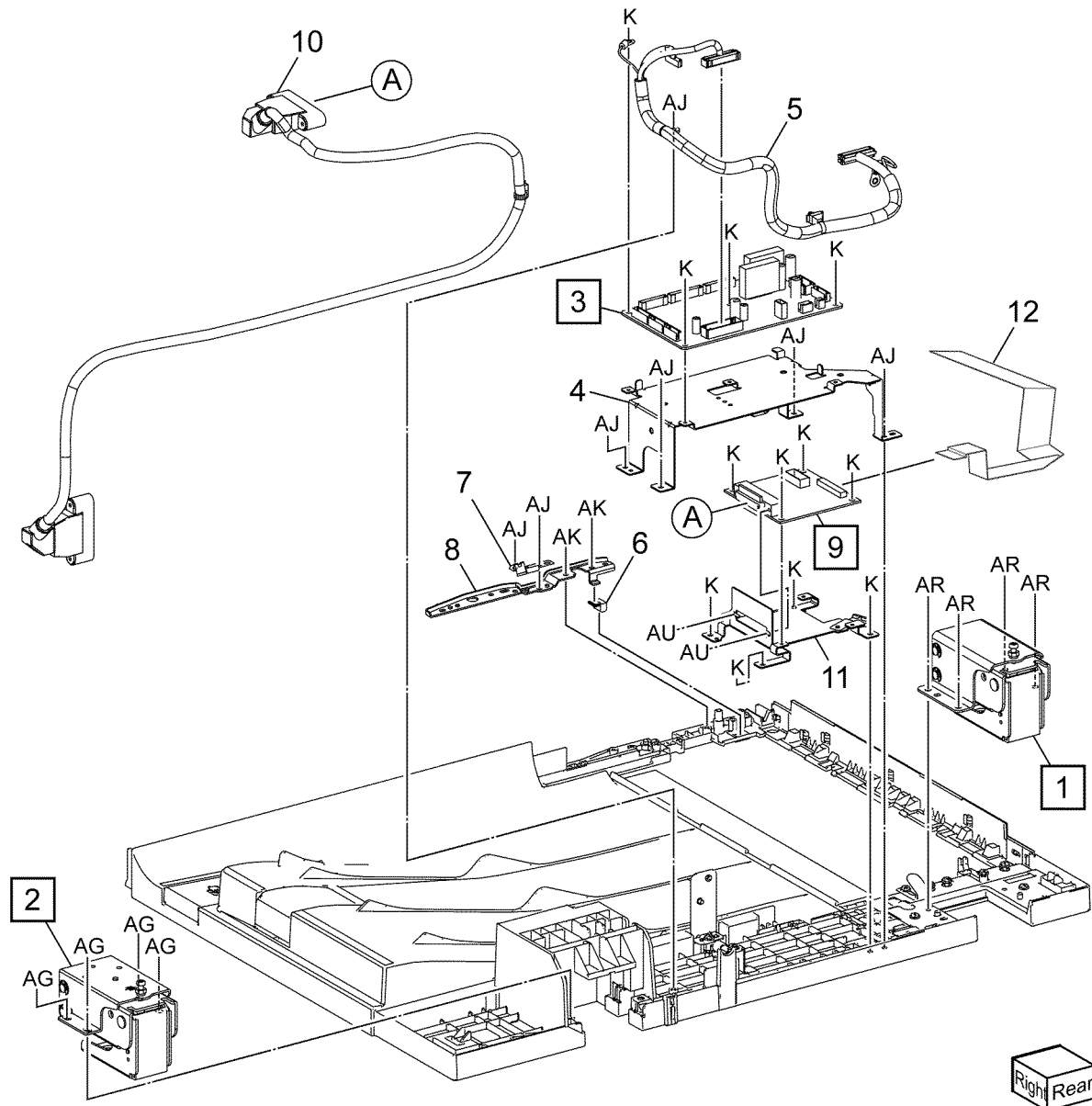


Right Rear

R-8-0026-A

PL 5.53 DADF Base Frame Assembly (130) (B8145/B8155)

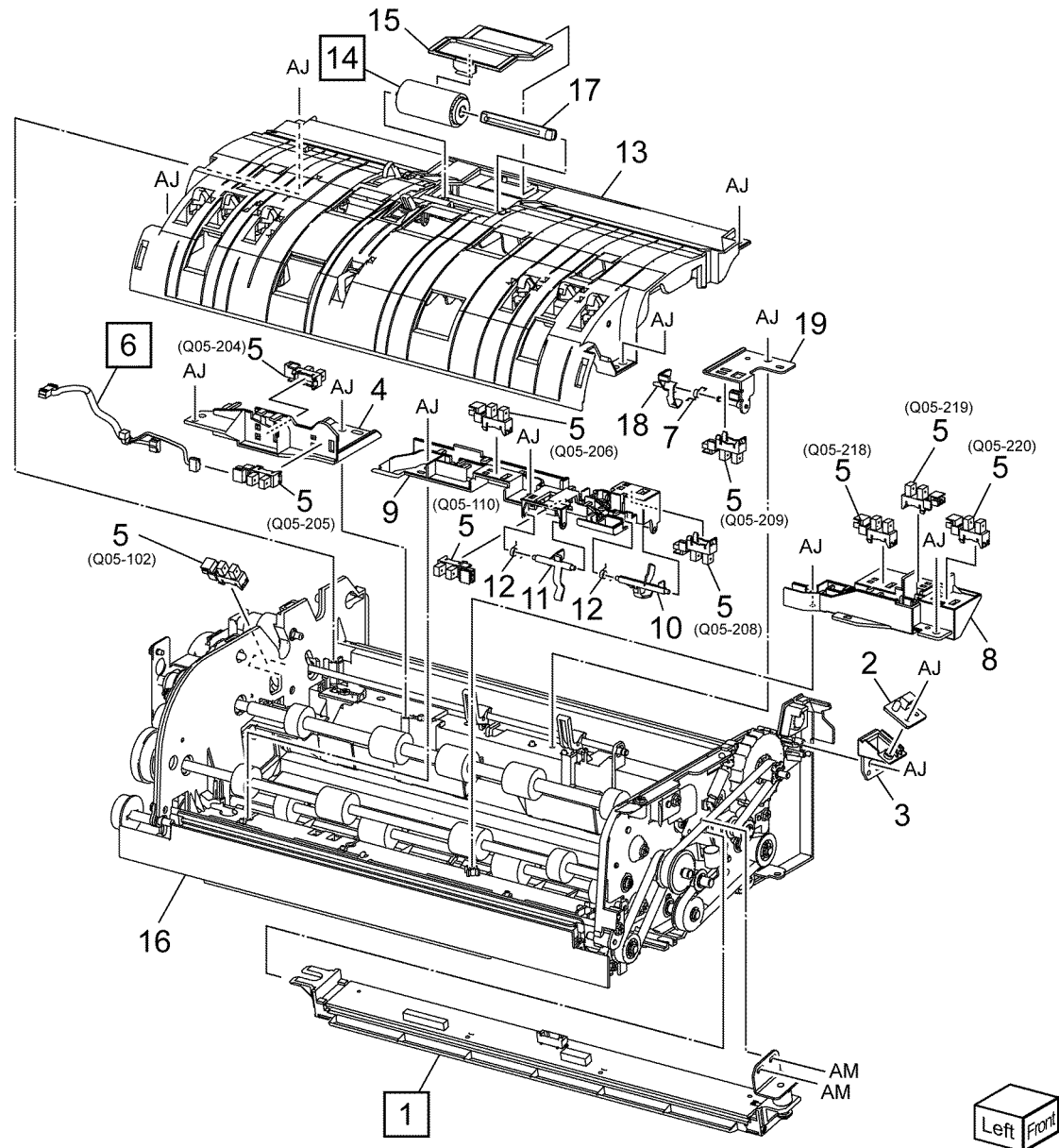
Item	Part	Description
1	036K92372	Left counter balance (REP 5.67)
2	036K92382	Right counter balance (REP 5.68)
—	036K92091	Right counter balance (alternative)
3	960K97240	DADF PWB (REP 5.65)
4	—	PWB bracket
5	117K48791	DADF signal cable assembly (DADF-IIT)
6	835E12131	Gasket
7	—	Ground plate
8	—	Front base bracket
9	960K81482	DCDC PWB (REP 5.66)
10	117K50441	DADF controller cable
11	—	PWB bracket
12	—	Flat Cable (DCDC-CIS)



R-8-0027-A

PL 5.54 Regi. / Retard Chute/ Invert Unit (130) (B8145/B8155)

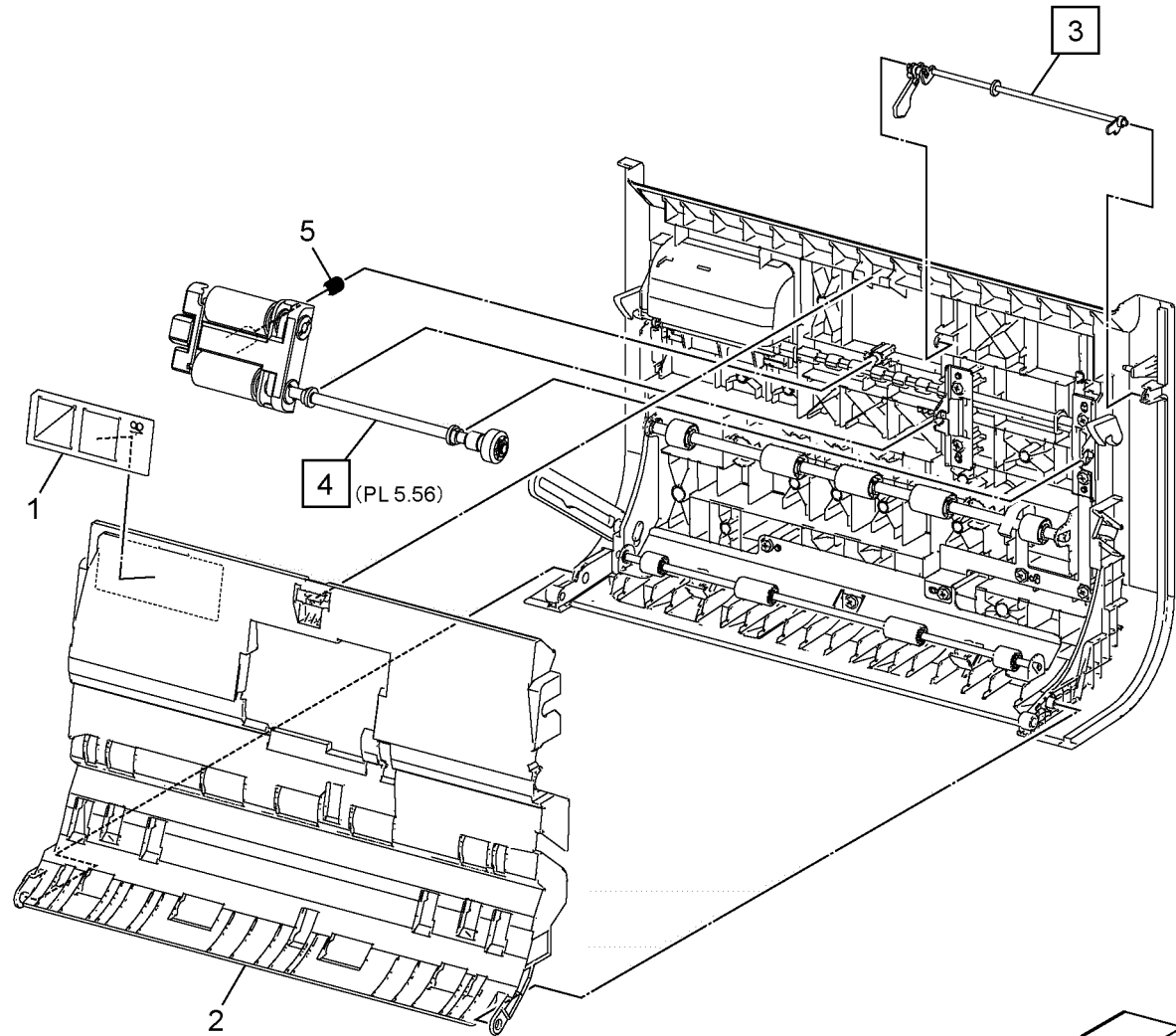
Item	Part	Description
1	930K04170	CIS (REP 5.78)
2	—	Document set LED
3	—	Document set LED PWB
4	869E17370	LED bracket
5	930W00122	DADF feed out sensor (Q05-205) (REP 5.82)/DADF feed in sensor (Q05-204) (REP 5.82)/DADF Exit sensor (Q05-209) (REP 5.83)/DADF APS sensor 1 (Q05-218) (REP 5.84)/DADF APS sensor 2 (Q05-219) (REP 5.84)/DADF APS sensor 3 (Q05-220) (REP 5.84)/DADF Regi.sensor (Q05-110) (REP 5.85)/DADF Out sensor (Q05-208) (REP 5.85)/DADF Pre Regi. sensor (Q05-206)/ DADF Document set sensor (Q05-102) (RE
6	—	Wire harness (DADF feed out sensor)
7	—	Spring
8	—	DADF APS sensor guide
9	—	DADF sensor guide
10	—	Actuator (Out)
11	—	Actuator (Regi.)
12	—	Spring
13	—	Retard chute assembly (REP 5.76)
14	059K78301	Retard roll (REP 5.81)
15	848K99190	Retard roll cover
16	—	Frame assembly
17	—	Retard shaft
18	—	Actuator
19	—	Bracket (REP 5.79)



R-8-0028-A

PL 5.55 Top Cover (130) (B8145/B8155)

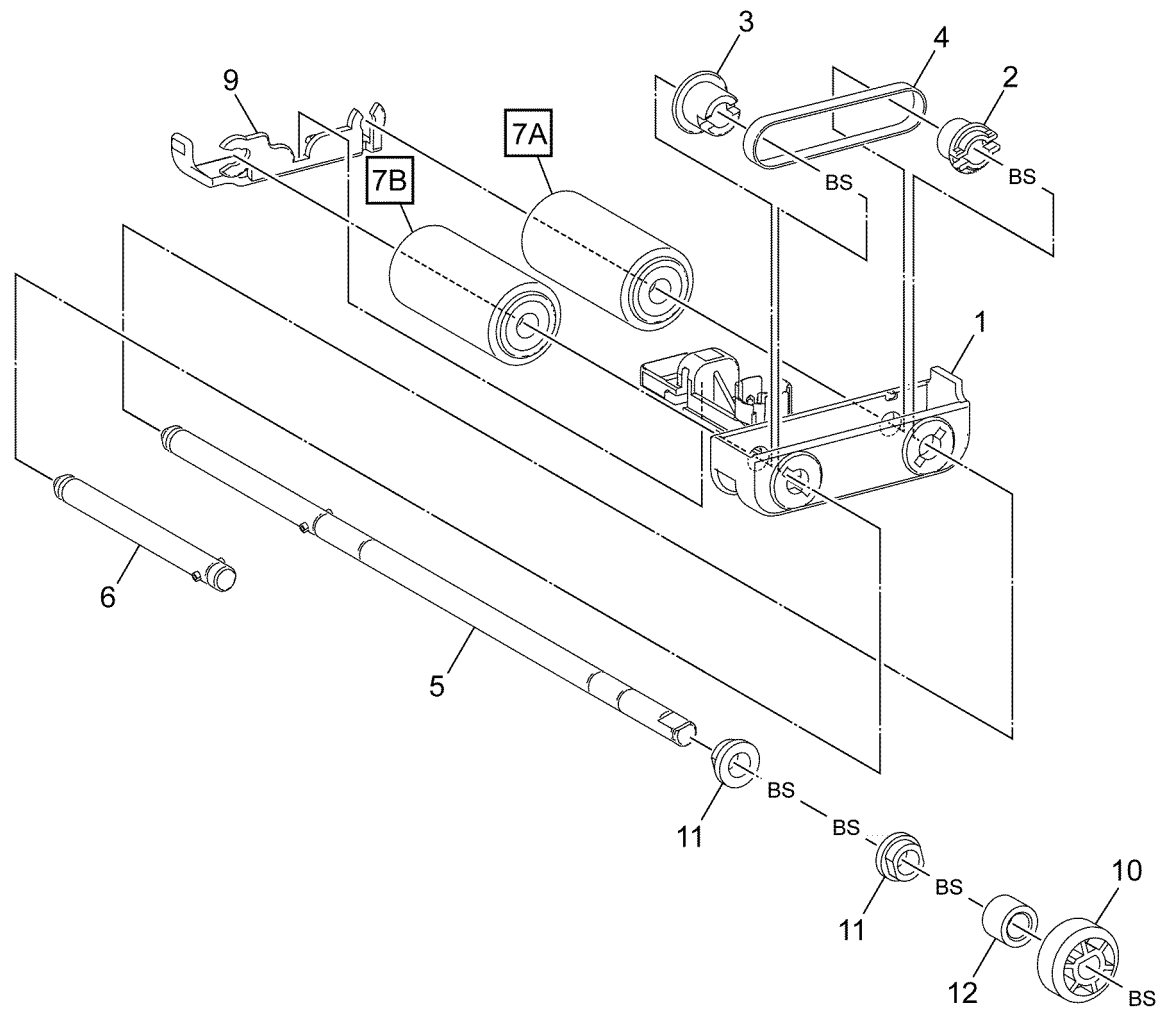
Item	Part	Description
1	—	Label (Jam clear)
2	—	Feed upper chute
3	120K92810	Document set actuator (REP 5.87)
4	059K73511	Feed/Nudger roll assembly (REP 5.88)
5	—	Spring



R-8-0029-A

PL 5.56 Feeder / Nudger Roll Assembly (130) (B8145/B8155)

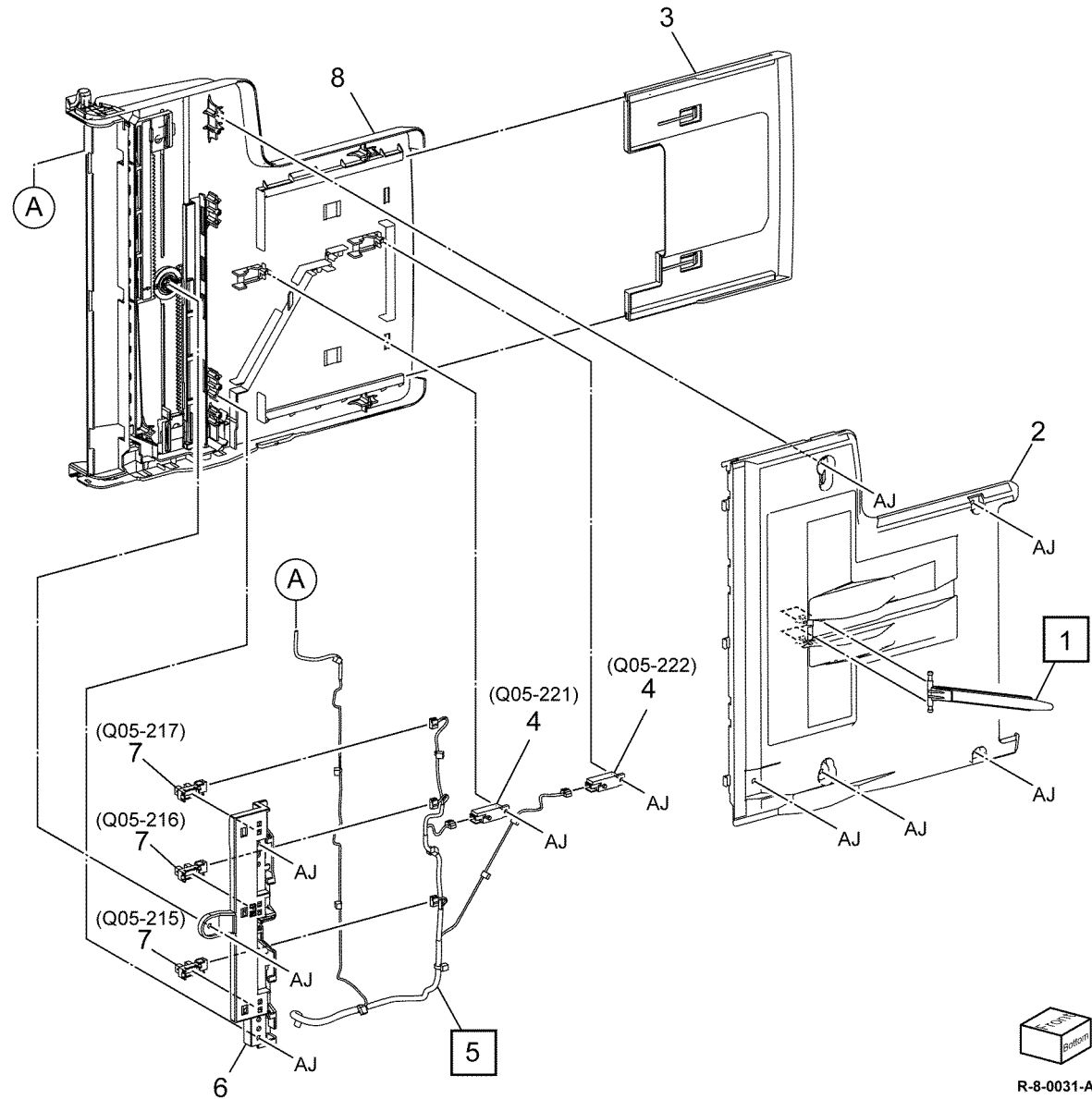
Item	Part	Description
1	—	Housing
2	—	Feed pulley
3	—	Nudger pulley
4	—	Belt
5	—	Feed shaft
6	—	Nudger shaft
7	859K23440	Feed roll (A)/Nudger roll (B) (REP 5.80)
8	—	Not used (REP 5.80)
9	—	Housing
10	—	Gear
11	—	Bearing
12	—	Collar



R-8-0030-A

PL 5.57 DADF Document Tray (130) (B8145/B8155)

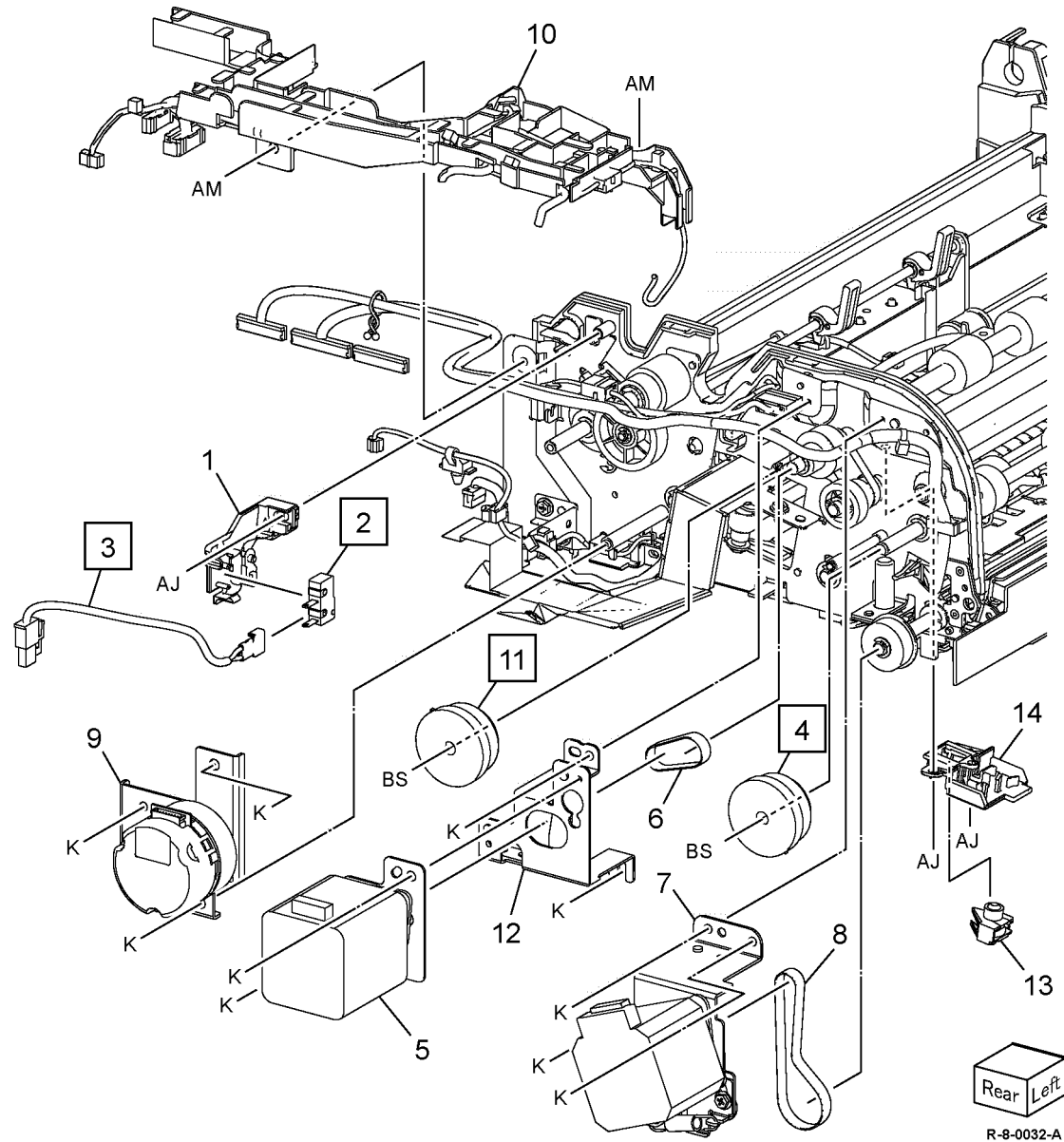
Item	Part	Description
1	—	Guide
2	—	Tray cover
3	—	End tray
4	930W00241	Document tray size sensor 1 (Q05-221) /Document tray size sensor 2 (Q05-222) (REP 5.90)
5	—	Tray wire harness
6	—	DADF Tray APS sensor bracket
7	930W00121	DADF Tray APS sensor 1 (Q05-215)/DADF Tray APS sensor 2 (Q05-216)/DADF Tray APS sensor 3 (Q05-217) (REP 5.89)
8	—	Upper tray assembly



R-8-0031-A

PL 5.58 DADF Drive (130) (B8145/B8155)

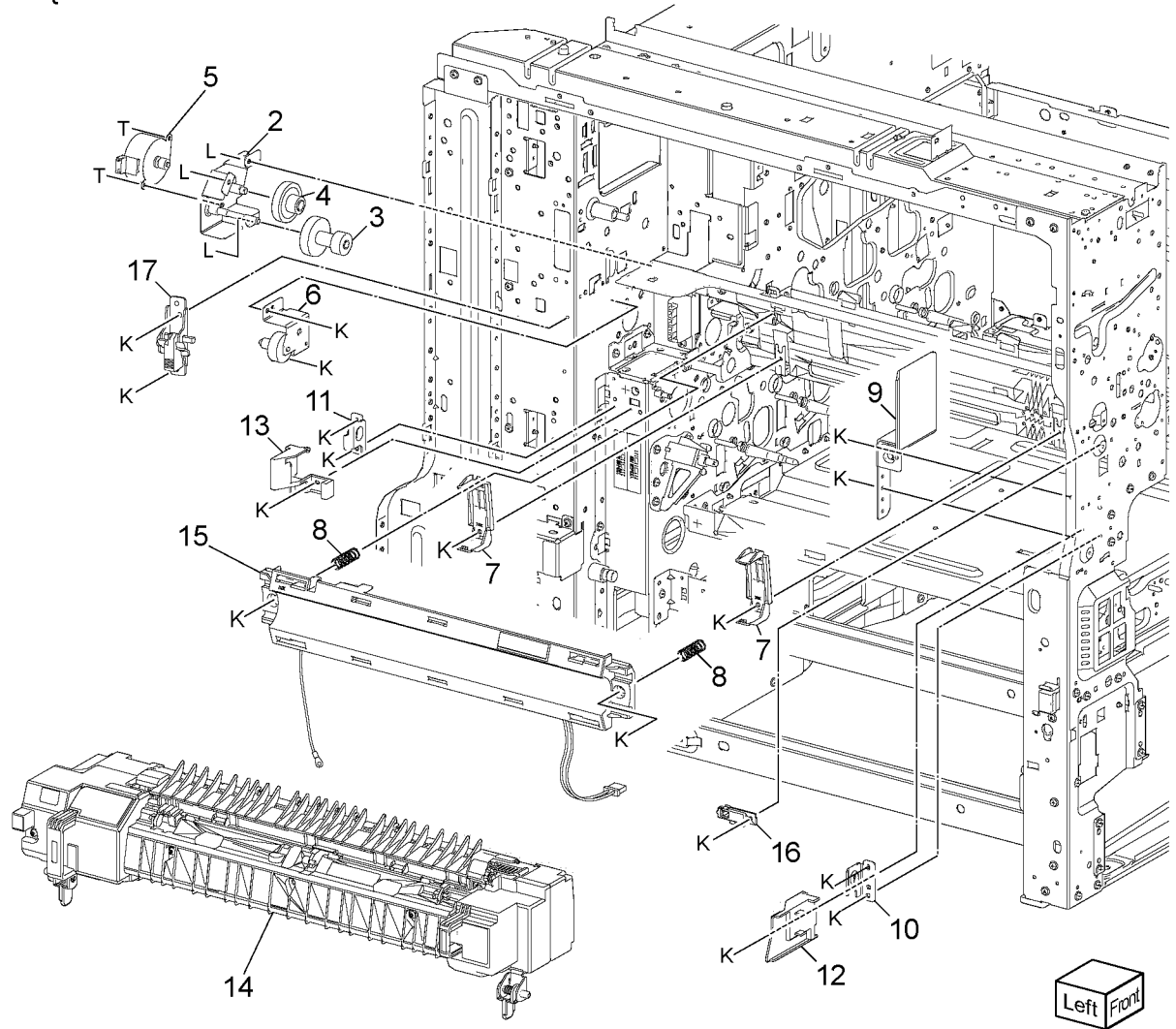
Item	Part	Description
1	—	Interlock bracket
2	110K16320	DADF interlock switch
3	952K08300	Harness assembly
4	—	Holder
5	127K79230	DADF Pre Regi. motor (REP 5.74)
6	423W23654	Belt
7	127K73990	DADF Regi. motor (REP 5.72)
8	423W28155	Belt
9	127K75780	DADF feed motor (REP 5.73)
10	—	Harness guide
11	121K53461	DADF take away clutch (A)/DADF Pre Regi. clutch (B)
12	—	Bracket assembly
13	—	Stamp solenoid



PL 10.05 Fuser

Item	Part	Description
1	007K21640	Retract motor assembly (REP 10.1)
2	—	Motor bracket (P/O PL 10.05 Item 1)
3	—	Gear (17/40T) (P/O PL 10.05 Item 1)
4	—	Gear (17/54T) (P/O PL 10.05 Item 1)
5	—	Roll latch motor (P/O PL 10.05 Item 1)
6	007K21650	Retract gear assembly
7	—	Support (Not Spared)
8	—	Spring (Not Spared)
9	—	Adjust plate (Not Spared)
10	—	Front fuser bracket (Not Spared)
11	—	Rear fuser bracket (Not Spared)
12	—	Front stopper lever (Not Spared)
13	—	Rear stopper lever (Not Spared)
14	607K22320	Fuser (110/220V) (B8145/B8155) (REP 10.2)
—	607K22330	Fuser (110/220V) (B8170) (REP 10.2)
15	—	Fuser heater coil - see below for variants
—	104K91480	110V (B8145/B8155) (REP 10.3)
—	104K91294	110V (B8170) (REP 10.3)
—	104K91279	220V (B8145/B8155) (REP 10.3)
—	104K91304	220V (B8170) (REP 10.3)
16	—	Holder (Not Spared)
17	011K05090	Stopper lever assembly

1{ 2-5



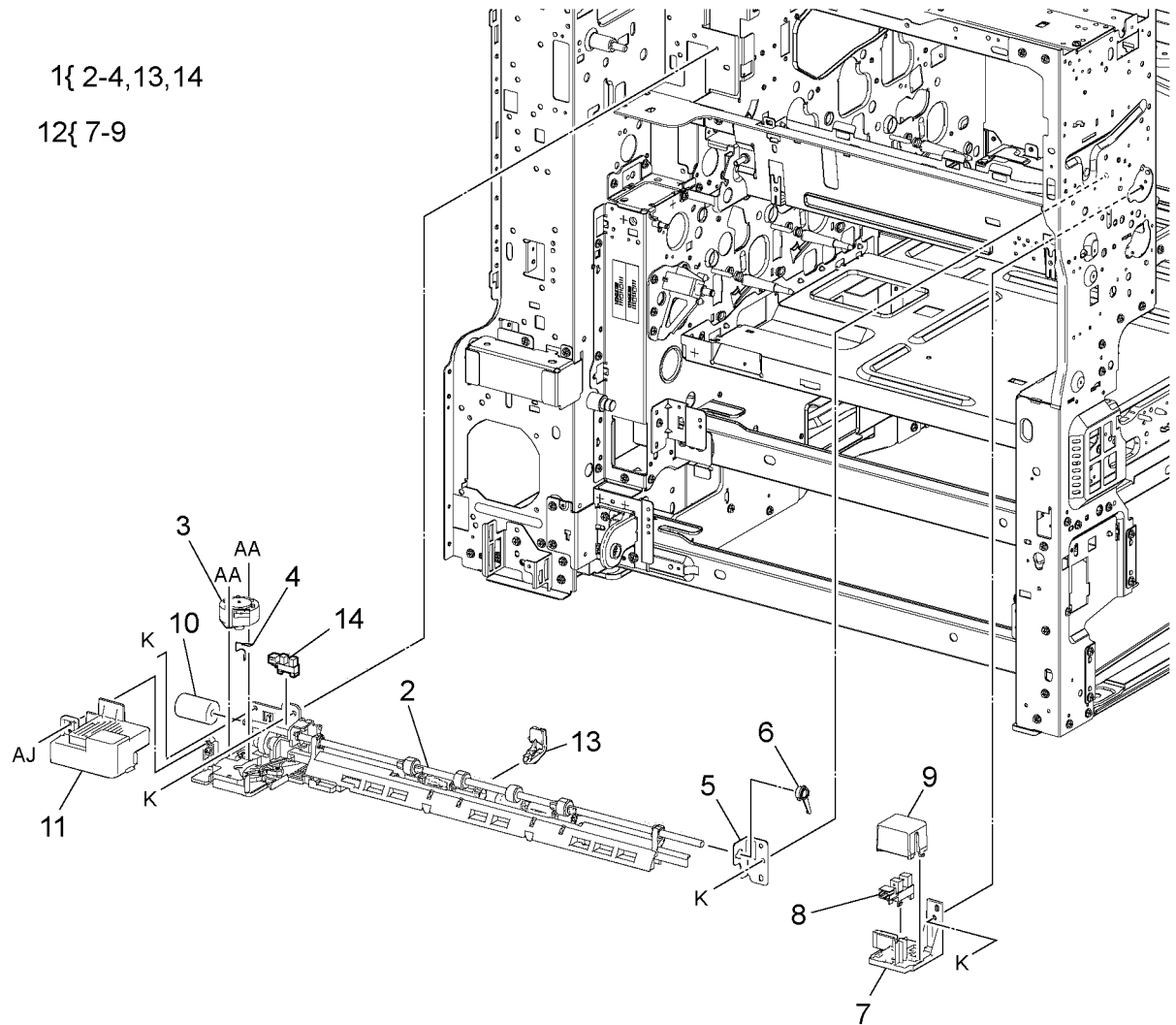
R-8-0033-A

PL 10.10 Exit 1 Transport Components

Item	Part	Description
1	859K03381	Exit 1 transport assembly (REP 10.4)
2	—	Exit 1 transport (P/O PL 10.10 Item 1)
3	127K60880	Exit 1 OCT motor (MOT77-040) (REP 10.5)
4	—	Ground spring (P/O PL 10.10 Item 1)
5	—	Bracket (Not Spared)
6	013E46800	Bearing
7	—	Front guide (P/O PL 10.10 Item 12)
8	930W00113	Exit 1 OCT home position sensor (Q77-109) (REP 10.6)
9	—	Exit 1 OCT home position sensor cover (P/O PL 10.10 Item 12)
10	807E20620	Exit 1 drive gear (REP 10.7)
11	948K02070	Motor cover
12	032K10662	Exit 1 sensor guide assembly
13	055E58970	Guard
14	—	Exit 1 OCT full stack sensor (Q77-124)

1{ 2-4,13,14

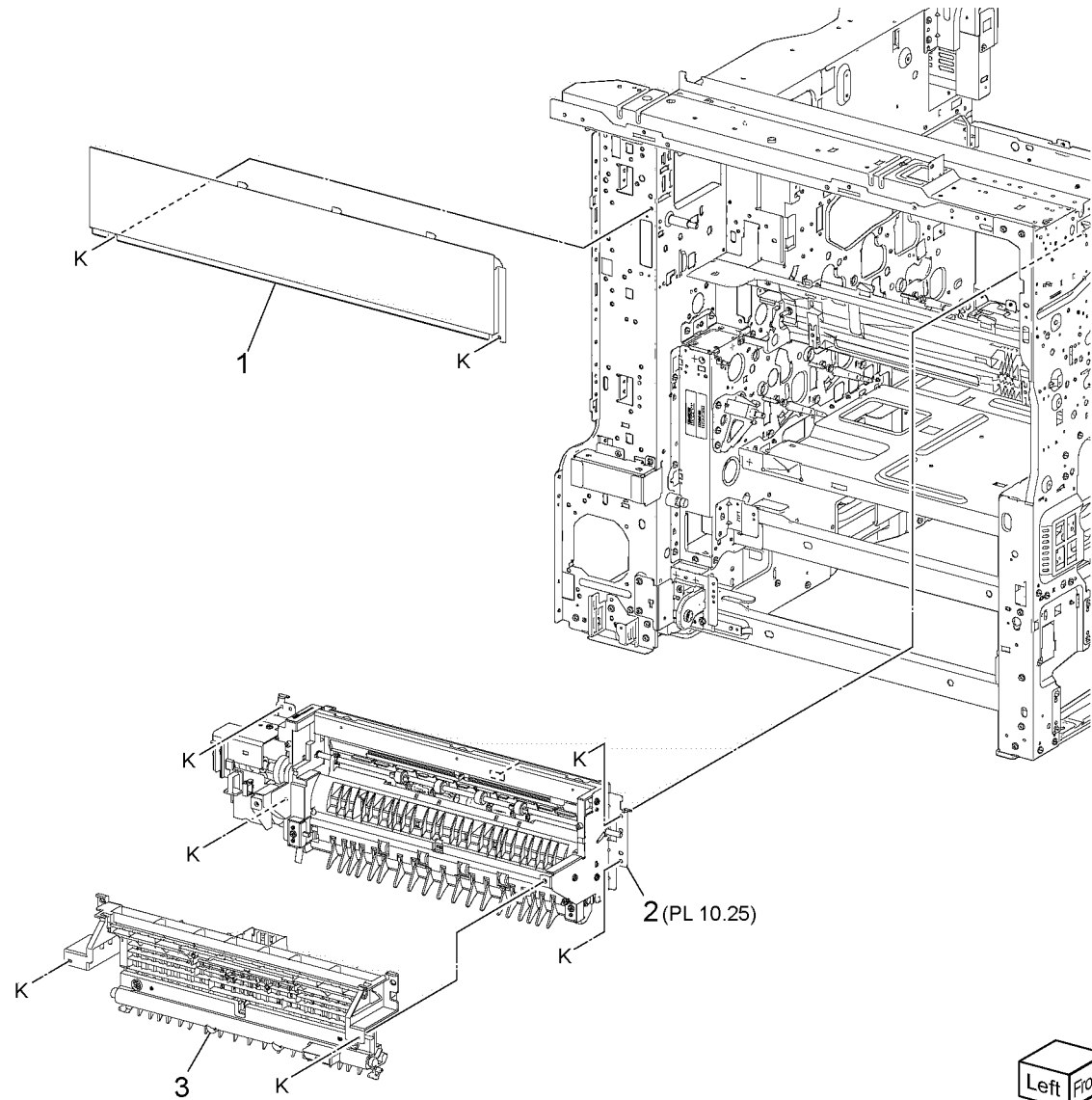
12{ 7-9



R-8-0034-A

PL 10.15 Exit 2 Transport Components

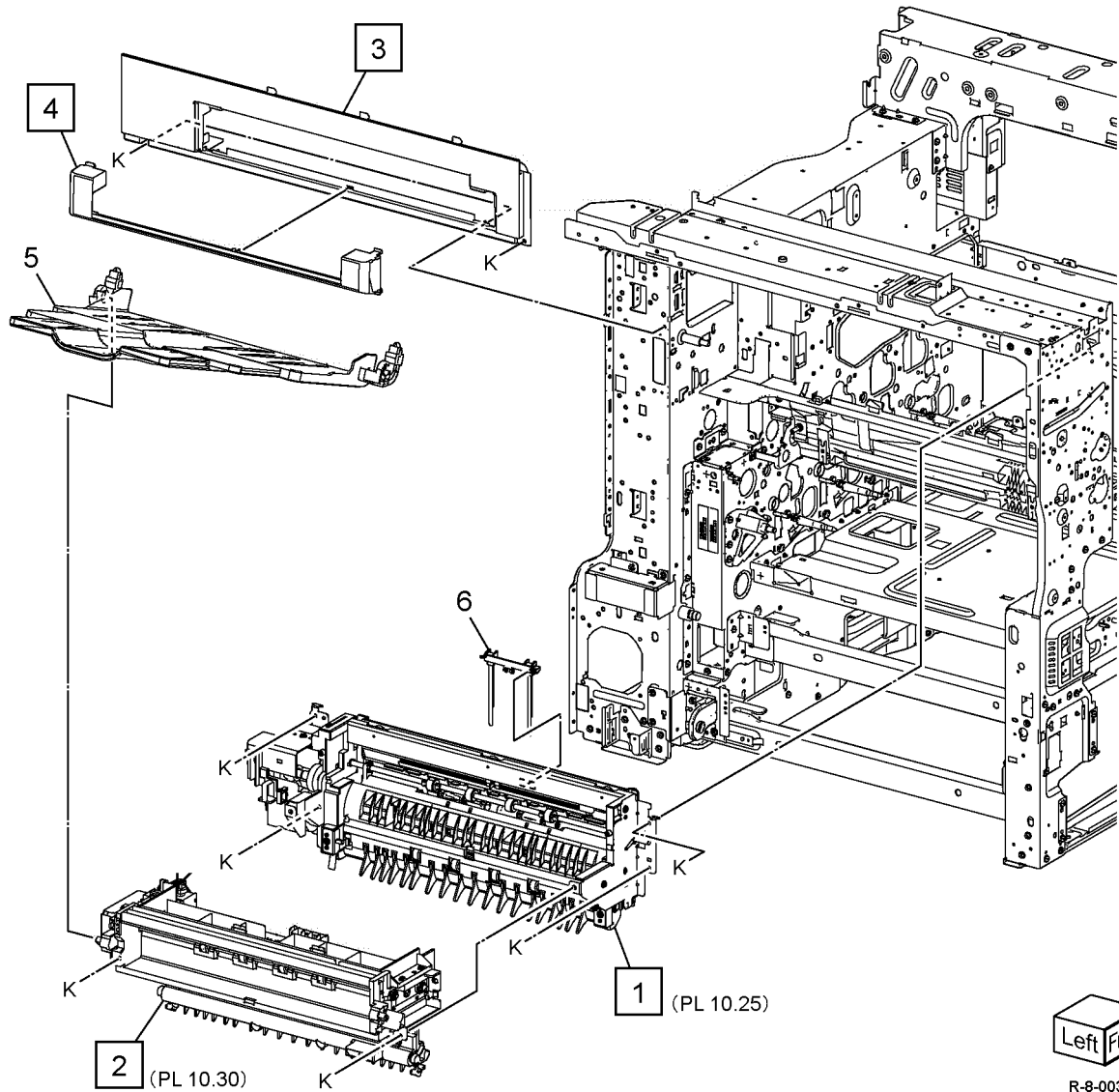
Item	Part	Description
1	822E33800	Left top cover
2	—	Exit 2 transport assembly (REP 10.8)
3	—	Top chute assembly (Not Spared)



R-8-0035-A

PL 10.20 Face Up Tray Assembly

Item	Part	Description
1	859K03419	Exit 2 transport assembly (REP 10.8)
2	054K56102	Face up chute assembly
3	—	Left hand top cover
4	822E39130	Face up tray cover
5	050K75161	Face up tray
6	—	Exit 2 paper weight assembly



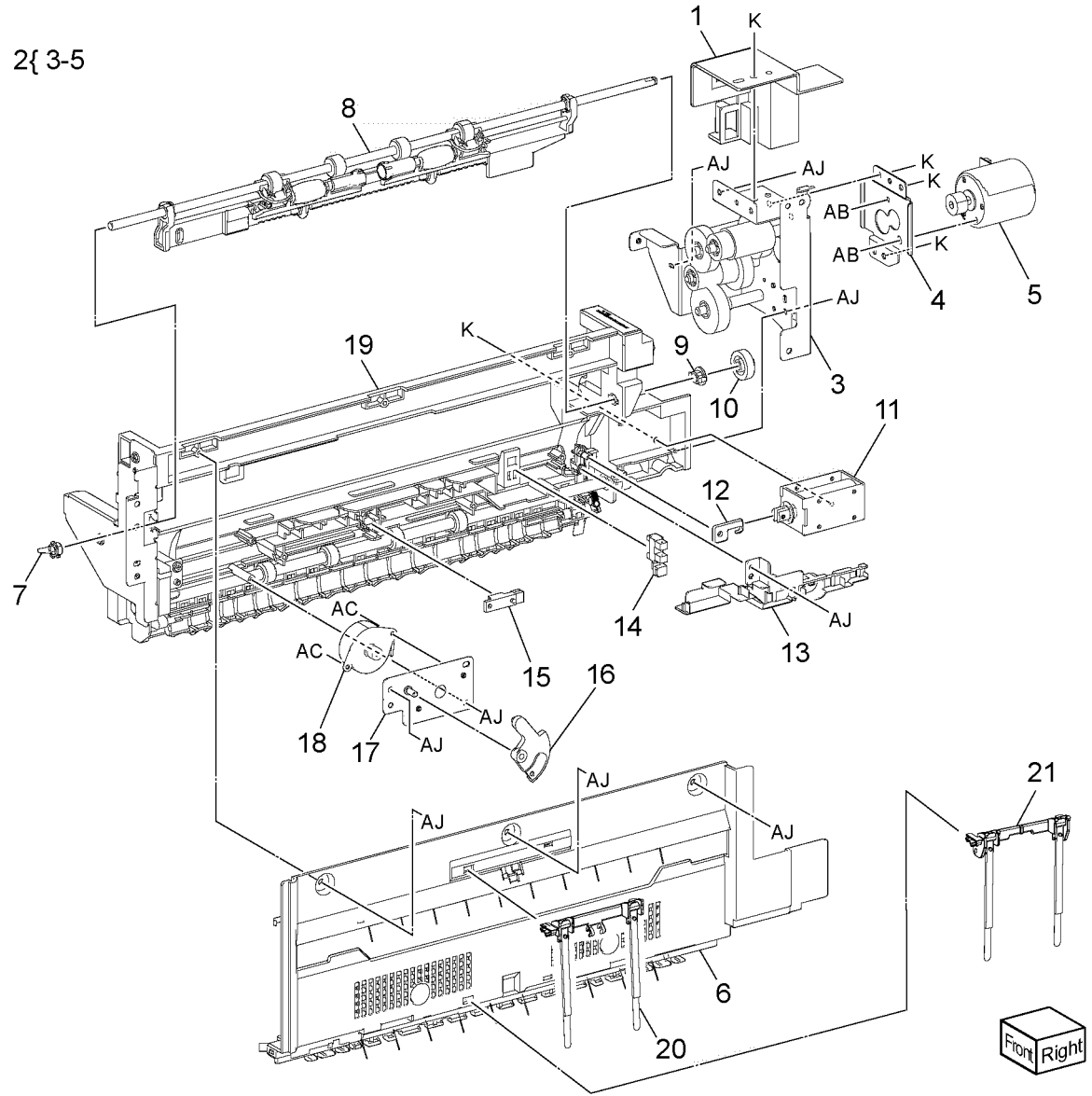
Left Front

R-8-0037-A

PL 10.25 Exit 2 Transport Assembly

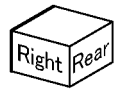
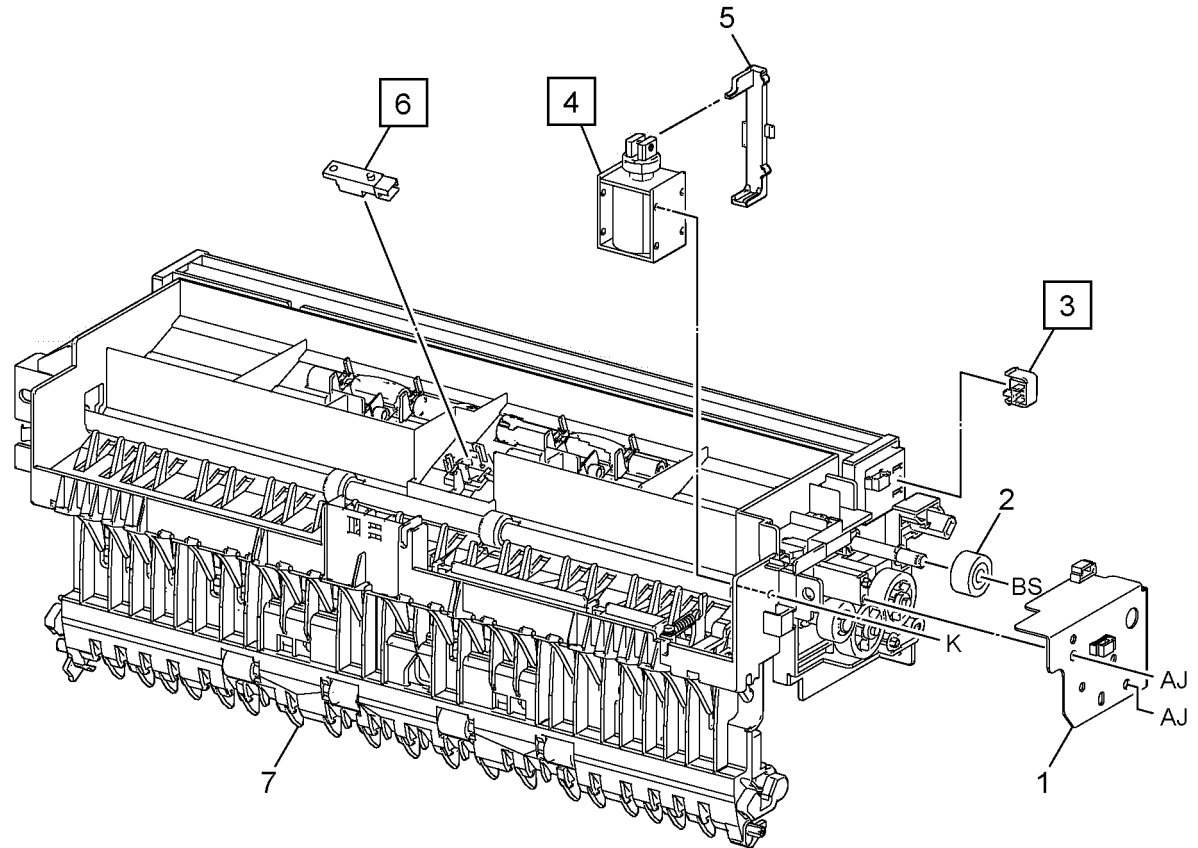
Item	Part	Description
1	—	Harness guide (P/O PL 10.15 Item 2)
2	007K21701	Exit 2 drive assembly (REP 10.9)
3	—	Exit 2 drive bracket assembly (P/O PL 10.25 Item 2)
4	—	Motor bracket (P/O PL 10.25 Item 2)
5	—	Exit 2 drive motor (MOT77-060) (P/O PL 10.25 Item 2)
6	—	Exit 2 guide assembly (P/O PL 10.15 Item 2)
7	—	Bearing (P/O PL 10.15 Item 2)
8	—	Exit 2 chute assembly (P/O PL 10.15 Item 2)
9	—	Bearing (P/O PL 10.15 Item 2)
10	—	Gear (P/O PL 10.15 Item 2)
11	121K58240	Exit 1 gate solenoid (SOL77-003) (REP 10.10)
12	—	Link (P/O PL 10.15 Item 2)
13	—	Harness guide (P/O PL 10.15 Item 2)
14	930W00113	Exit 2 OCT home position sensor (Q77-110) (REP 10.11)
15	930W00211	Exit 2 sensor (Q77-113)
16	—	Offset gear (P/O PL 10.15 Item 2) (REP 10.12)
17	—	Motor bracket (P/O PL 10.15 Item 2)
18	127K60880	Exit 2 OCT motor (MOT77-045)
19	—	Exit 2 transport chassis (P/O PL 10.15 Item 2)
20	036K92441	Exit 2 bail arm assembly
21	036K92411	Exit 1 bail arm assembly

2{ 3-5



PL 10.30 Face Up Chute Assembly

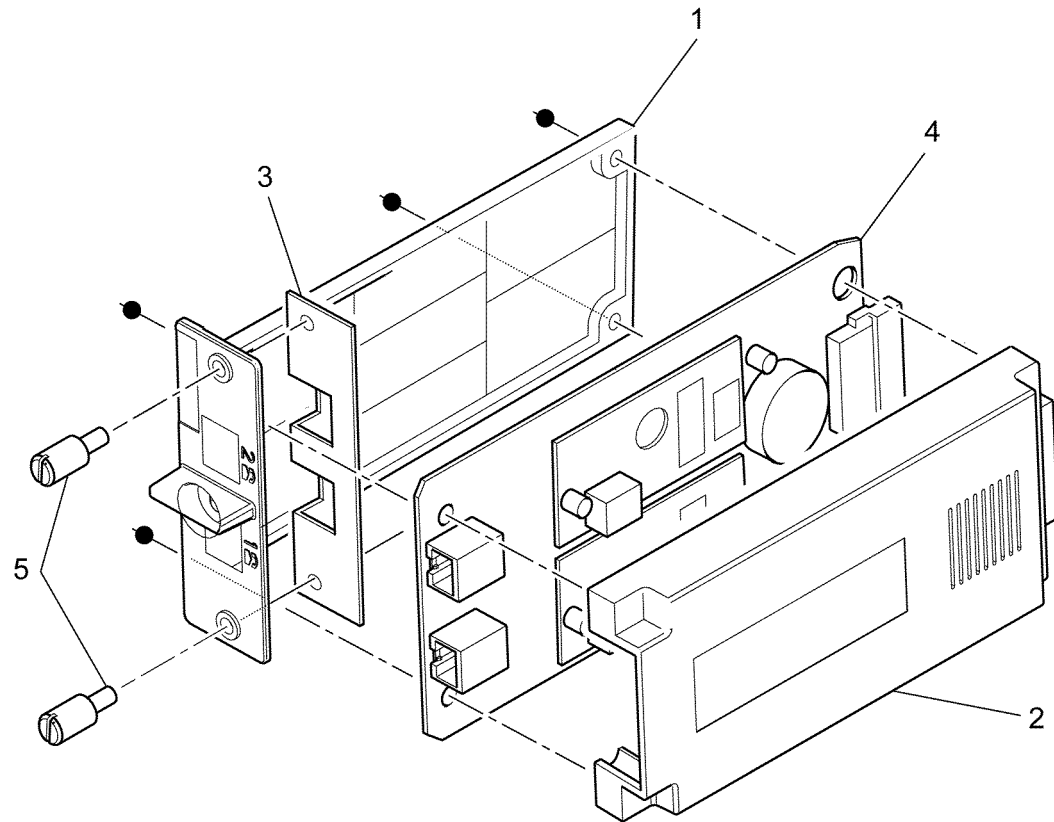
Item	Part	Description
1	—	Gear bracket
2	007K23630	One way gear
3	110E11580	Face up tray switch
4	921W11601	Face up gate solenoid
5	—	Solenoid link
6	930W00211	Face up exit sensor
7	—	Face up chute



R-8-0038-A

PL 20.10 Fax Module

Item	Part	Description
1	—	Front cover (P/O PL 20.10 Item 7)
2	—	Rear Cover (P/O PL 20.10 Item 7)
3	—	Ground Plate (P/O PL 20.10 Item 6)
4	—	Fax PWB (P/O PL 20.10 Item 6)
5	—	Thumbscrew (P/O PL 20.10 Item 6)
6	497K16440	2 Line fax kit (XC)
—	497K16430	1 Line Fax kit (XC)
—	497K16420	2 Line fax kit (XE)
—	497K16410	1 Line fax kit (XE)
—	497K16560	2 Line fax kit (CFax 34)
—	497K16550	1 line fax kit (CFax 34)
—	—	Fax Module
7	—	Fax Covers Assembly



6 {1-5

7 {1,2



R-8-0112-A

PL 25.10 Accessories

Item	Part	Description
1	498K08260	Convenience stapler (XE)
2	498K08250	Convenience stapler (XC)
3	497K21540	Wireless kit
4	497K21550	Bluetooth kit
5	—	HDD / IJO kit
6	—	RFID Reader
7	—	USB keyboard/ Shelf kit
8	—	Banner feed kit
9	—	Foreign device interface kit

**NO EXPLODED
VIEW PROVIDED**

R-8-0113-A

PL 26.10 Consumables and Tools

Item	Part	Description
1	—	Toner cartridge (K)- see below for variants
—	006R01770	Worldwide (Metered)
—	006R01771	NASG/XE
—	006R01772	DMO (B8145/B8155)
—	006R01773	DMO (B8170)

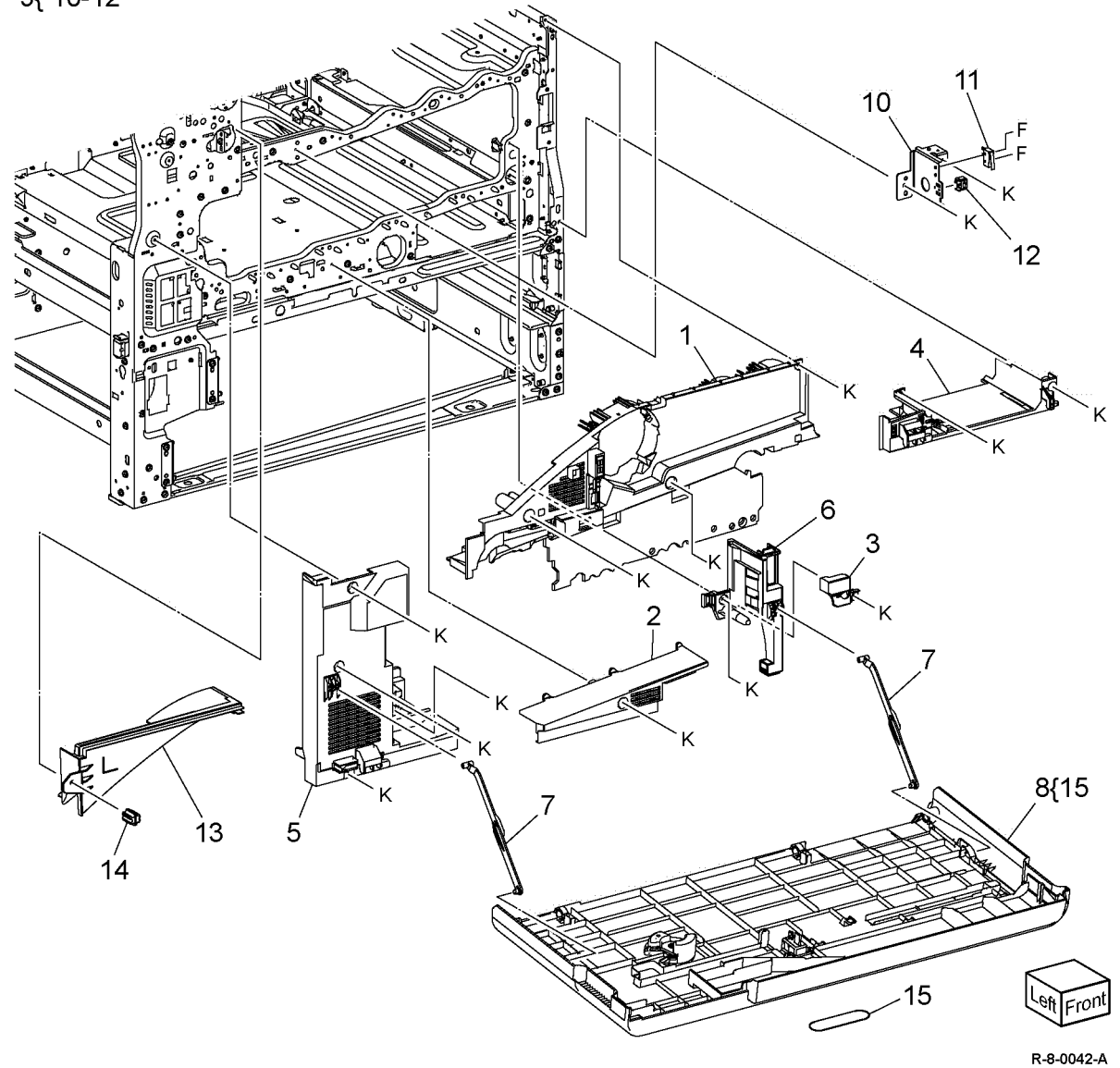
**NO EXPLODED
VIEW PROVIDED**

R-8-0114-A

PL 28.05 Covers (Front)

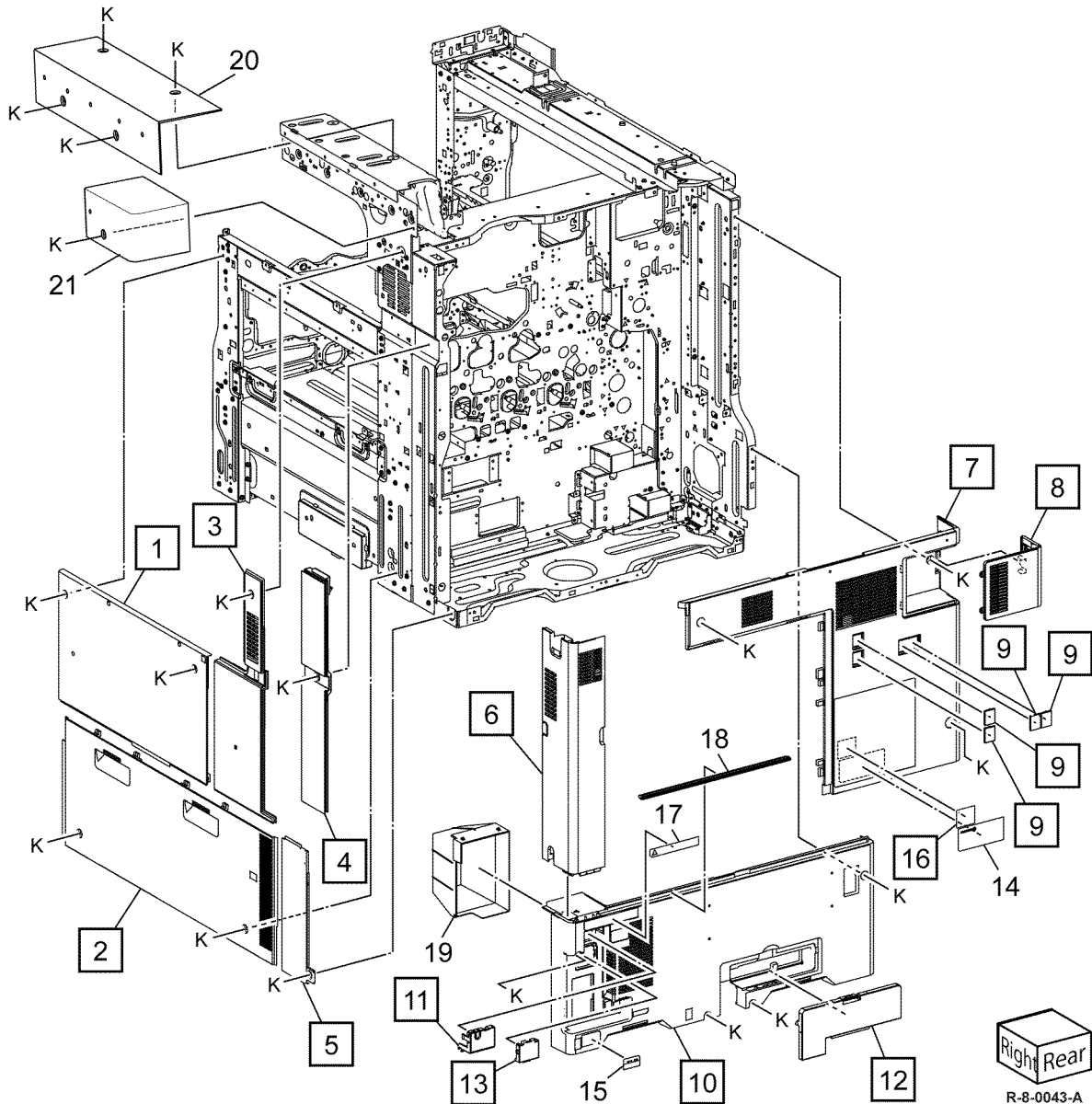
Item	Part	Description
1	948K24100	Inner cover assembly
2	822E35582	Inner lower cover
3	—	Inner right cap cover (Not Spared)
4	—	Inner hinge cover assembly (Not Spared)
5	—	Inner left cover (Not Spared)
6	—	Inner right cover (Not Spared)
7	674K05081	Front cover strap kit
8	948K32930-948K32931	Front cover assembly (B8170) Front cover assembly (B8145/ B8155)
9	110K18350	Front cover interlock switch as- sembly (S77-303)
10	—	Bracket (P/O PL 28.05 Item 9)
11	—	Front cover interlock switch (P/O PL 28.05 Item 9)
12	—	Front cover open switch (P/O PL 28.05 Item 9)
13	822E25031	Inner upper cover
14	003K23140	Knob
15	971E14990	Logo badge

9{ 10-12



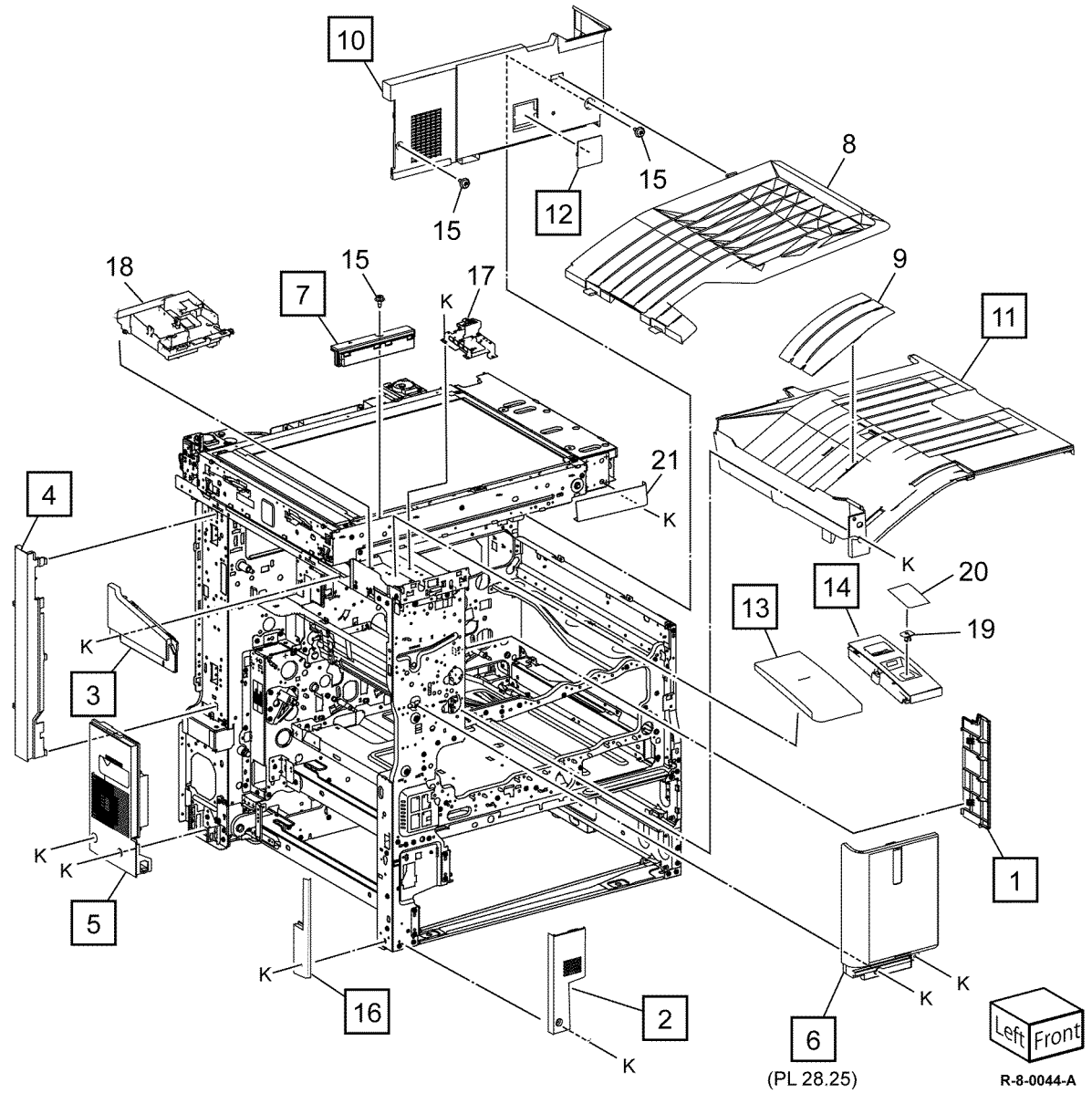
PL 28.10 Covers (Rear)

Item	Part	Description
1	822E25191	Upper right front cover
2	822E25133	Lower right front cover
3	822E33951	Upper right rear cover 1
4	—	Upper right rear cover 2 (B8170)
5	—	Upper rear cover (B8170)
6	822E25311	ESS rear cover
7	—	Upper rear cover
8	822E25420	Left rear cover
9	—	Cap cover (Not Spared)
10	822E25443	Lower rear cover
11	—	EPSV cover (Not Spared)
12	822E25602	MCU cover
13	—	Outlet cover (Not Spared)
14	—	Label (Date) (Not Spared)
15	—	Label (GFI) (Not Spared)
16	—	Label (Warning) (Not Spared)
17	—	Label (Earth) (Not Spared)
18	—	Gasket (Not Spared)
19	—	Rear suction duct (B8170) (Not Spared)
20	—	Right cover (Blue) (B8145/B8155)
21	—	Rear right cover (White) (B8145/B8155)



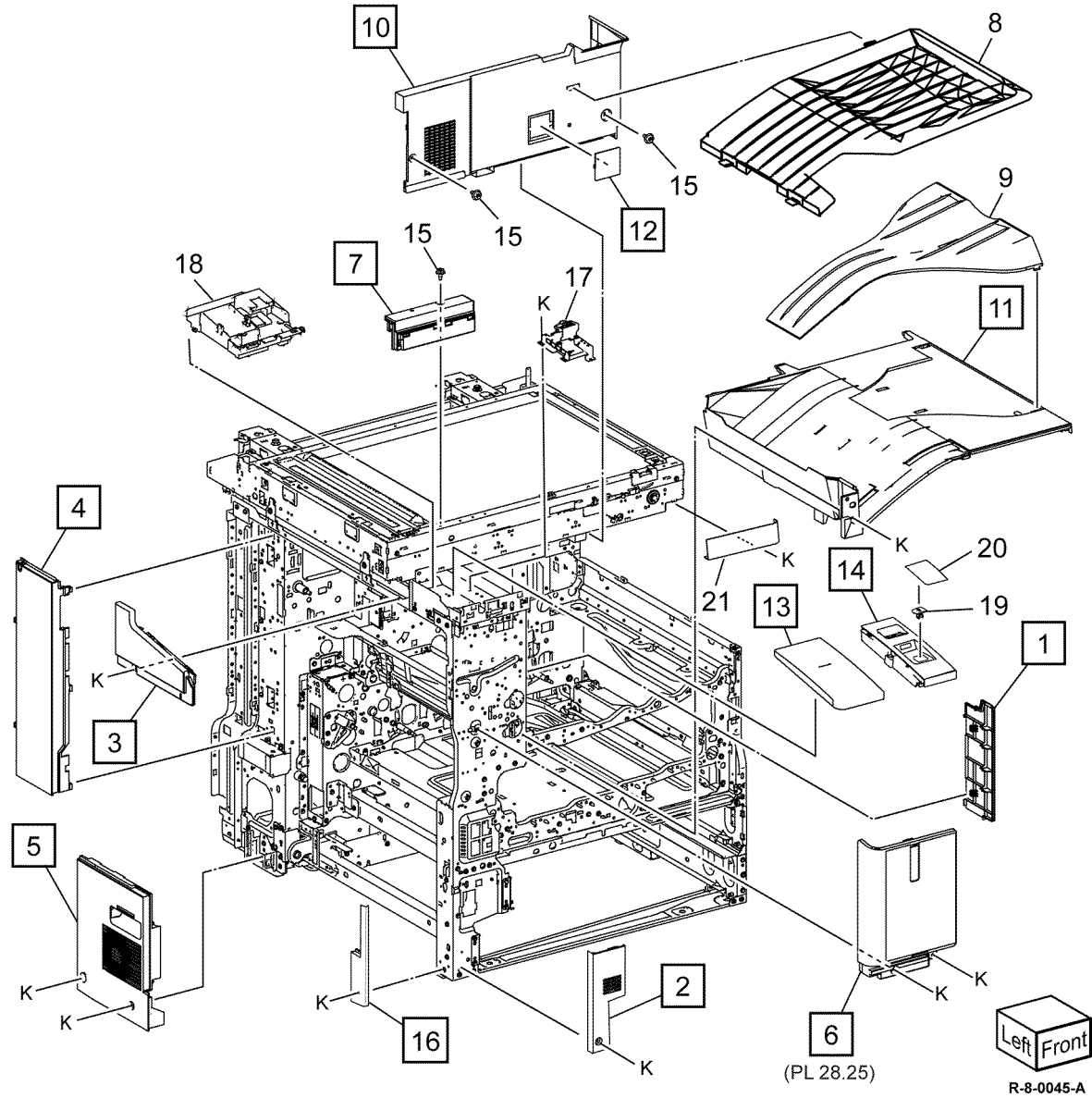
PL 28.15 Covers (B8145/B8155)

Item	Part	Description
1	—	Front exit cover (Not Spared)
2	—	Tray inner cover (Not Spared)
3	—	Pillar cover
4	822E25072	Upper left cover
5	822E25112	Lower left cover
6	—	Front Left Cover (with Human Motion Sensor)
7	—	IIT front cover
8	050E32924	Exit 2 tray
9	—	Add tray
10	—	Top rear cover (Not Spared)
11	—	Top cover
12	—	Blind cover
13	—	Card reader cover
14	—	SWEA cover 2 (REP 28.2)
15	—	Thumbscrew (Not Spared)
16	—	Inner tray LH cover
17	—	USB bracket
18	—	Inner cover
19	—	Icon USB cover
20	822E35423	USB cover
21	—	IIT Lower front right cover



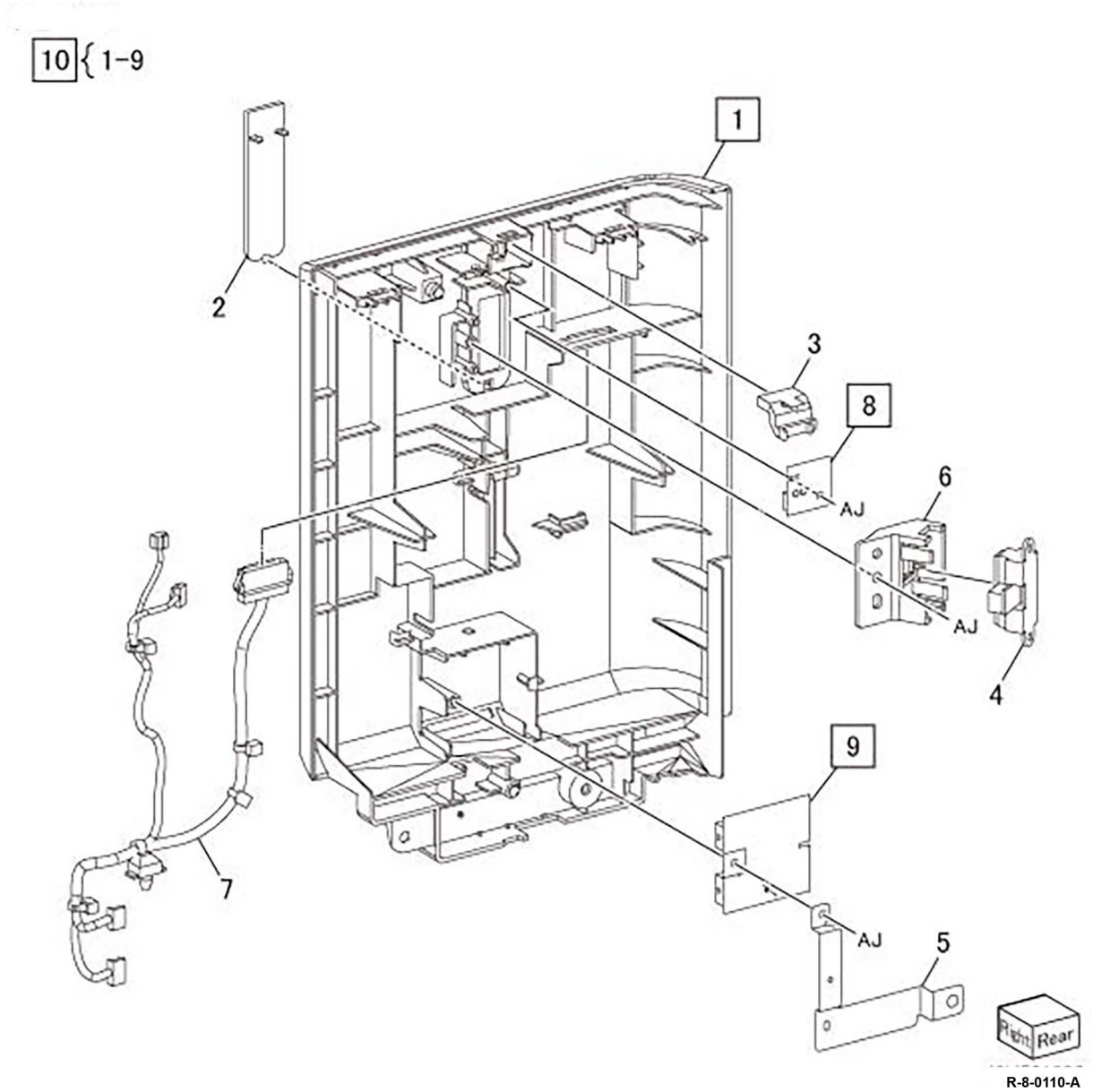
PL 28.20 Covers (B8170)

Item	Part	Description
1	—	Front exit cover
2	—	Tray inner front cover
3	—	Top pillar cover
4	—	L/H upper cover
5	—	L/H lower cover
6	948K23770	Front left cover (with Human Motion Sensor) (REF: PL 28.25) (REP 28.1)
7	—	IIT front cover
8	—	Exit 2 tray
9	—	Add tray
10	—	Top rear cover
11	—	Top cover
12	—	Blind cover
13	—	IC card reader cover
14	—	SWEA cover 2 (REP 28.2)
15	—	Thumbscrew (Not Spared)
16	—	Tray inner LH cover
17	—	USB bracket assembly
18	—	Inner cover
19	—	Icon USB cover
20	822E35423	USB cover
21	—	IIT Lower front right cover



PL 28.25 Front Left Cover Compartment

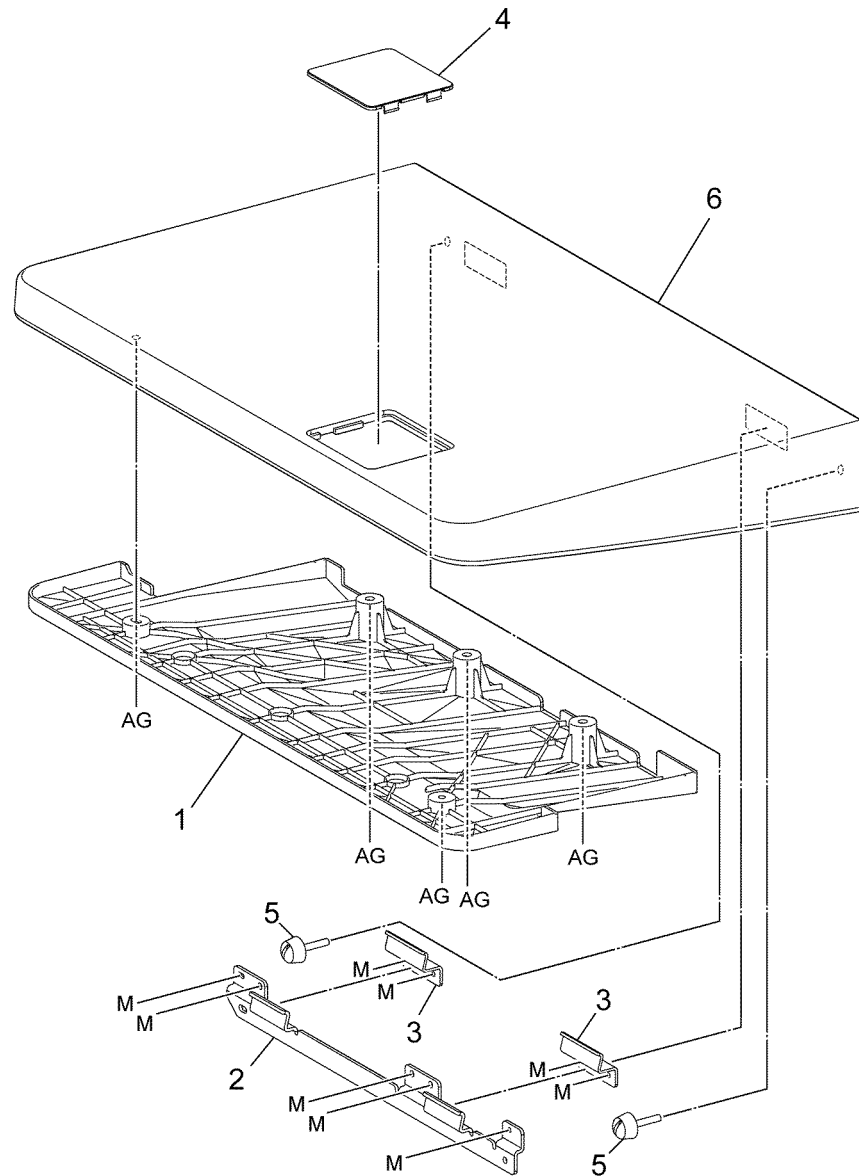
Item	Part	Description
1	—	Front left cover (P/O PL 28.25 Item 10)
2	—	Lens (P/O PL 28.25 Item 10)
3	—	LED lens (P/O PL 28.25 Item 10)
4	130E20270	Human motion sensor (REP 28.1)
5	—	Ground plate (P/O PL 28.25 Item 10)
6	—	Human motion sensor bracket (P/O PL 28.25 Item 10)
7	—	Wire harness (P/O PL 28.25 Item 10)
8	960K76290	Human motion LED
9	960K86660	Human motion sensor PWB
10	—	Pillar cover assembly



PL 28.30 Workshelf

Item	Part	Description
1	—	Workshelf base cover (P/O PL 28.30 Item 7)
2	—	Bracket (P/O PL 28.30 Item 7)
3	—	Workshelf bracket (P/O PL 28.30 Item 7)
4	—	Blind cover (P/O PL 28.30 Item 7)
5	—	Thumbscrew (P/O PL 28.30 Item 7)
6	—	Workshelf top cover (P/O PL 28.30 Item 7)
7	497K20750	Workshelf kit

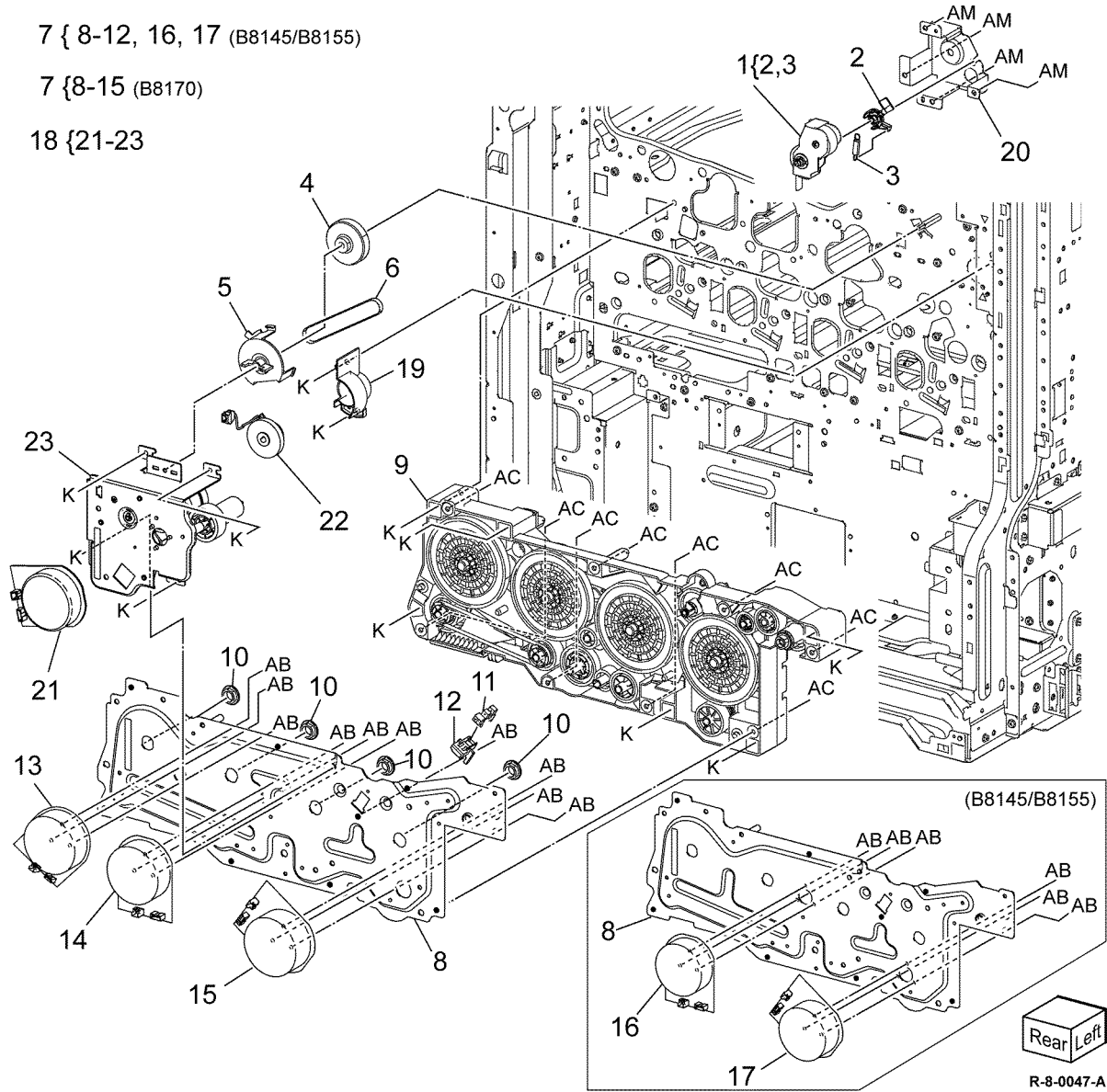
7{ 1-6



R-8-0111-A

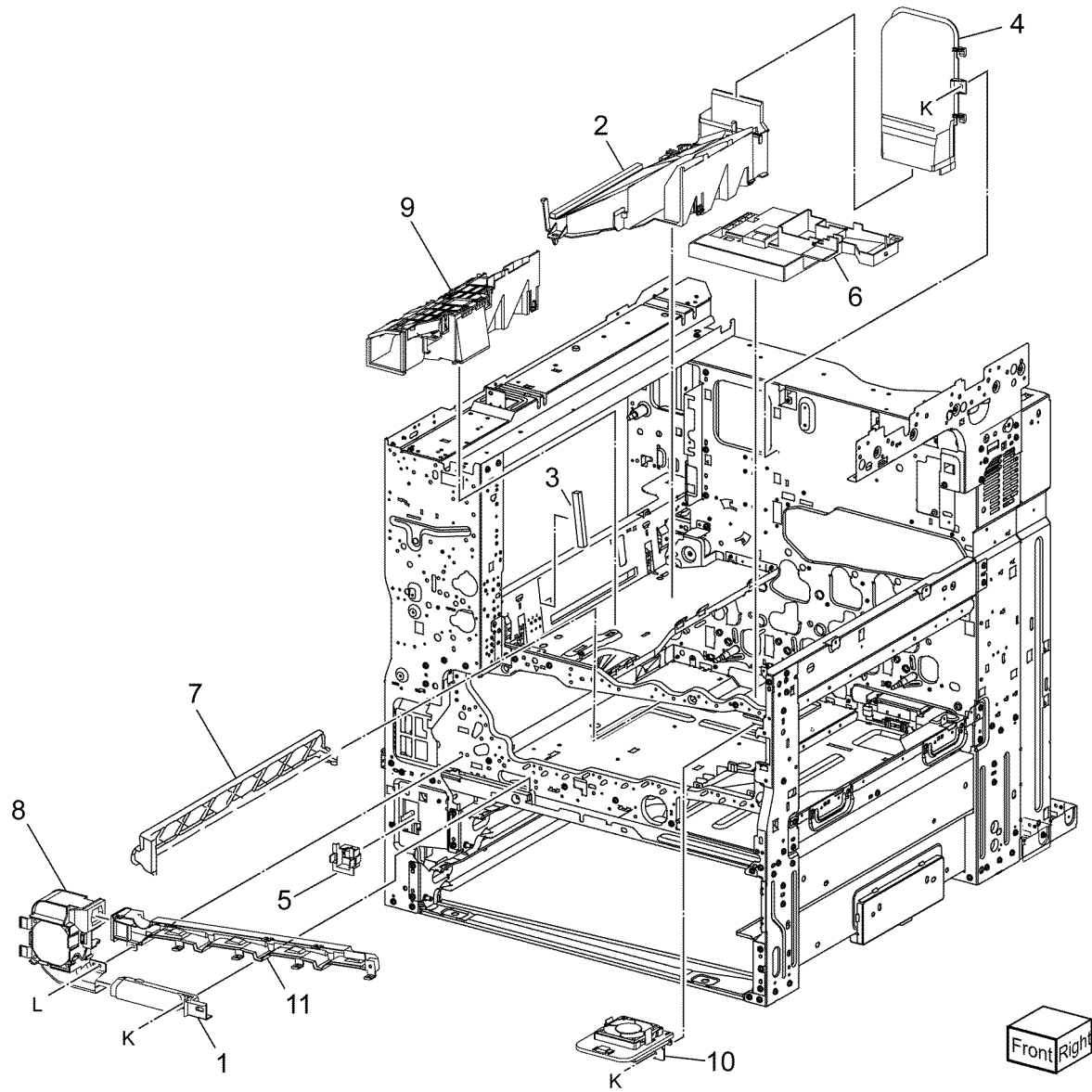
PL 40.05 Main Drive Assembly

Item	Part	Description
1	607K20470	Fuser input bracket assembly (B8145/B8155)
—	607K20480	Fuser input bracket assembly (B8170)
2	—	Spacer (Not Spared)
3	—	Spring (Not Spared)
4	807E51730	Helical gear
5	005E38390	Flange
6	423W10354	Drive belt
—	423W10355	Drive belt (alternative)
7	007K23920	Main drive assembly (B8145/ B8155) (MOT42-018) (REP 40.1)
—	007K23940	Main drive assembly (B8170) (REP 40.1)
—	007K21553	Main drive assembly (B8170-TTM) (REP 40.1)
8	—	Drum drive bracket assembly (P/O PL 40.05 Item 7)
9	—	Drum drive housing assembly (P/O PL 40.05 Item 7)
10	—	Bearing (P/O PL 40.05 Item 7)
11	930W00121	BTR contact/retract sensor (Q94-200)
12	—	Sensor bracket (P/O PL 40.05 Item 7)
13	—	Drum (K) motor (B8170) (MOT42-007) (P/O PL 40.05 Item 7)
14	—	Developer (K) motor (B8170) (P/O PL 40.05 Item 7)
15	—	Drum/Developer (K)/ IBT Motor (B8170) (P/O PL 40.05 Item 7)
16	—	Drum (K) motor (B8145/B8155) (P/O PL 40.05 Item 7)
17	—	Drum/developer (K)/ IBT motor (B8145/B8155) (MOT42-001) (P/O PL 40.05 Item 7)
18	007K23960	Fuser drive assembly (REP 40.2)
19	—	Gear lever (Not Spared)
20	—	Bracket (Not Spared)
21	—	Fuser unit drive motor (P/O PL 40.05 Item 16)
22	—	BTR contact/retract clutch assembly (P/O PL 40.05 Item 16)
23	—	Fuser drive bracket assembly (P/O PL 40.05 Item 18)



PL 40.10 NOHAD (front)

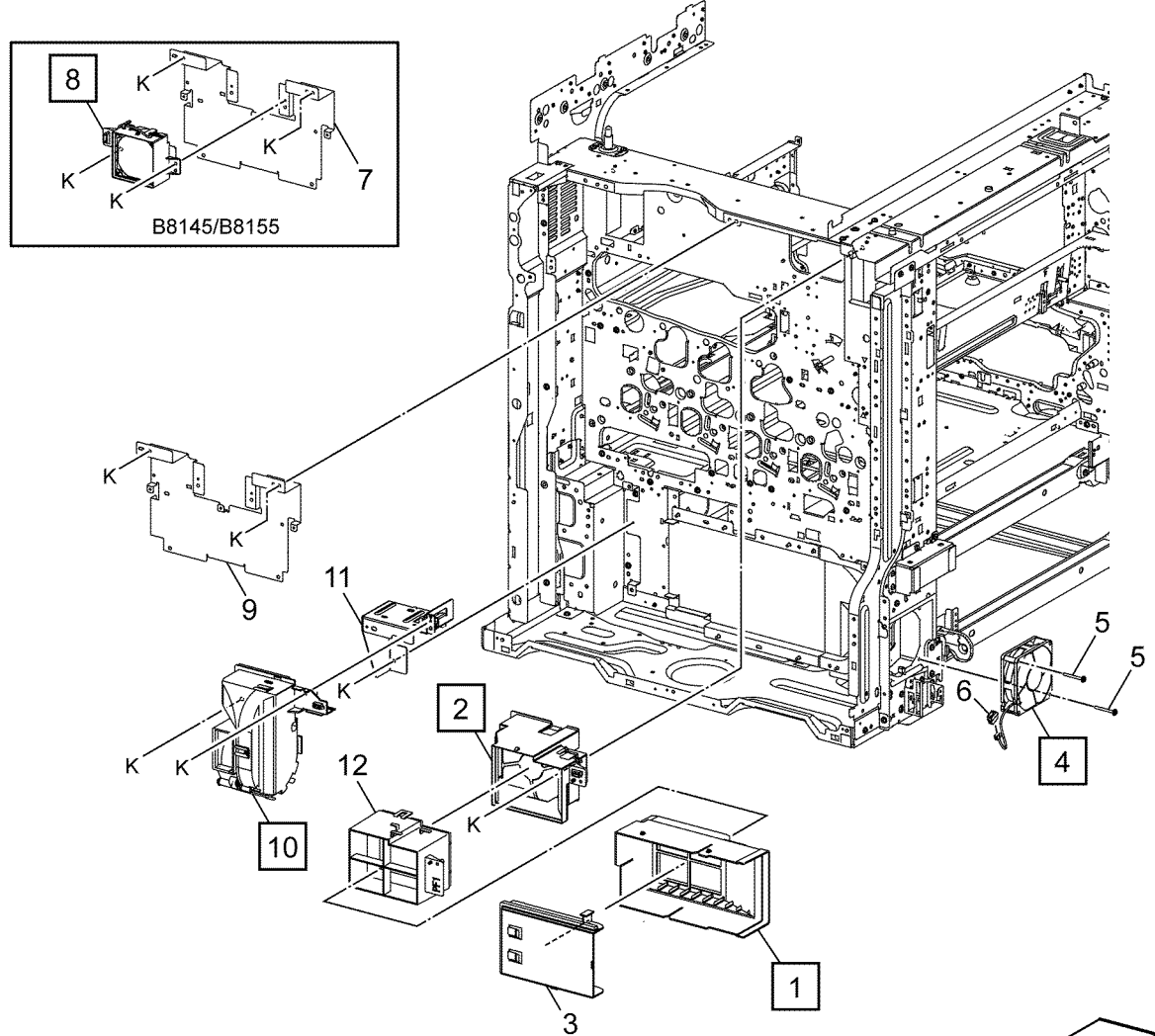
Item	Part	Description
1	054E59370	Duct
2	—	Fuser duct assembly (Not Spared)
3	—	Fuser seal (Not Spared)
4	—	Fuser duct (Not Spared)
5	930K00500	Temp/Humidity sensor (external) (REP 40.3[File not referenced in map]_ATI_File_Not_Found_x-wc_-file=d@[migration[riptide [xml][dita[svc.rip.1000377307.dita]23svc.rip.1000377307.xml])
6	—	Rear duct (Not Spared)
7	—	Housing toner cartridge side
8	054K55030	Front/left marking fan assembly (MOT42-067) (REP 40.6)
9	054K54981	Toner cartridge cooling fan assembly
10	054K55060	Marking fan duct assembly (MOT42-025)
11	—	Front duct (Not Spared)



R-8-0048-A

PL 40.15 NOHAD (rear)

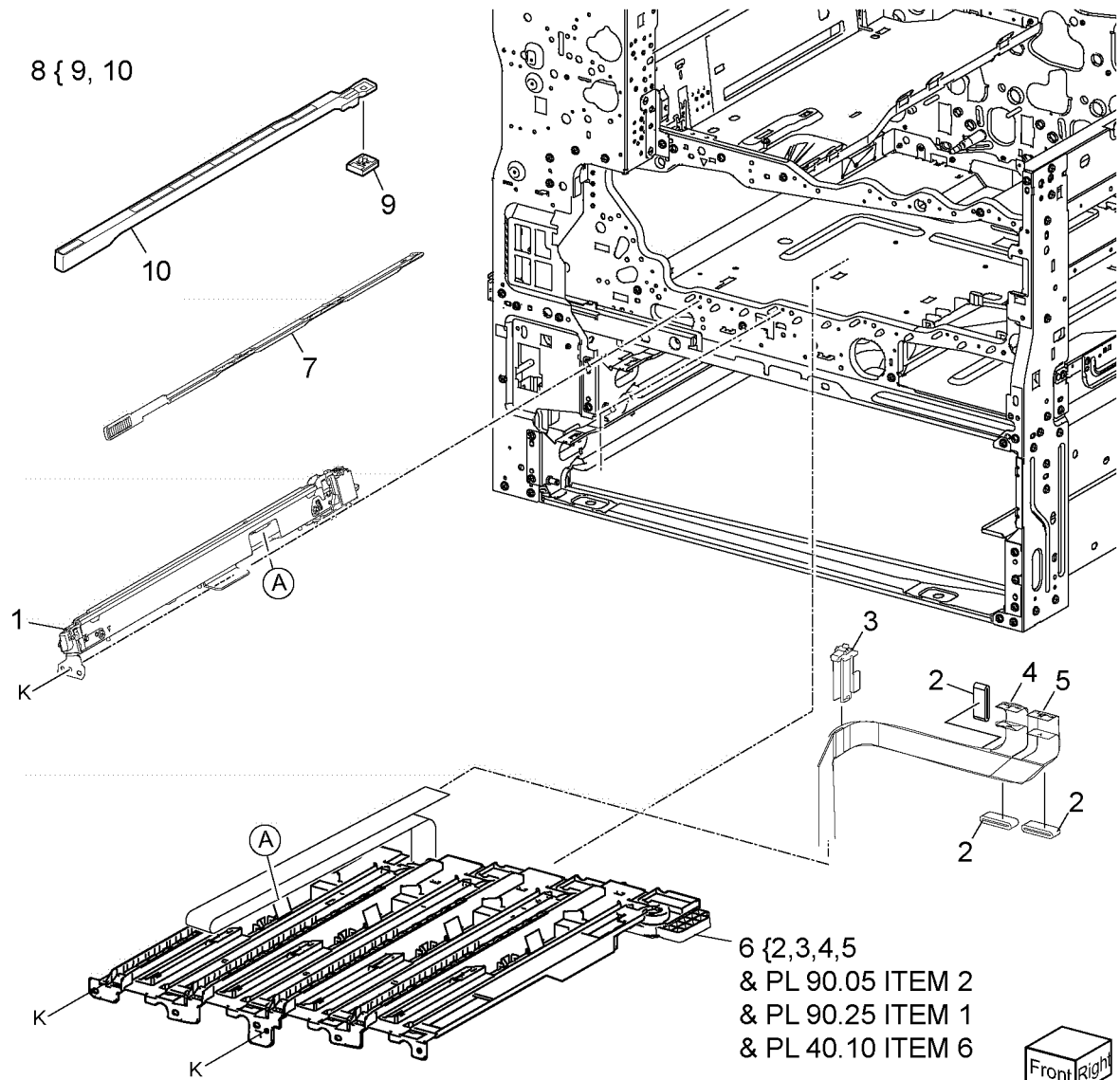
Item	Part	Description
1	054K55010	Rear fusor duct assembly (REP 40.7)
2	054K55050	Fuser unit exhaust fan assembly (MOT42-058)
3	815K16761	Side plate
4	127K74210	LVPS fan assembly (MOT42-052) (REP 40.8)
5	—	Screw (P/O PL 40.15 Item 4)
6	—	Connector (P/O PL 40.15 Item 4)
7	—	Bracket (B8145/B8155) (P/O PL 40.15 Item 8)
8	054K55210	IHPS intake duct assembly (B8145/B8155) (MOT42-069) (REP 40.9)
9	—	Bracket (B8170)
10	054K60390	Suction fan duct assembly (B8170)
11	—	Suction base plate assembly (B8170)
12	054E58220	Fusing unit exhaust duct (B8170)



R-8-0049-A

PL 60.05 LPH Module

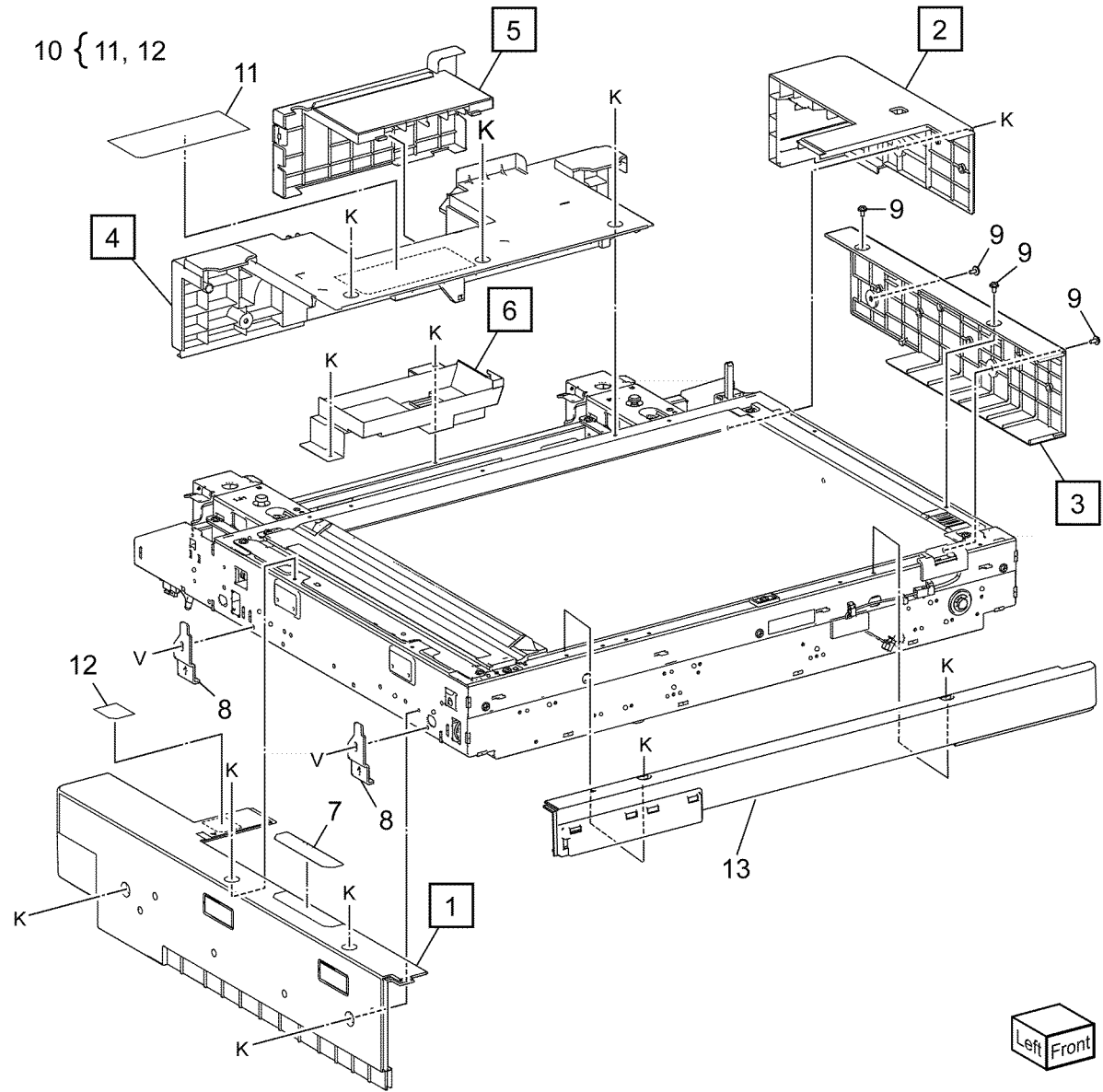
Item	Part	Description
1	930K00722	LPH assembly (B8145/B8155) (REP 60.1)
—	—	LPH assembly (B8170)
2	121E24600	Core ferrite
3	—	FFC guide (P/O PL 60.05 Item 6)
4	—	FFC cable (P/O PL 60.05 Item 6)
5	—	FFC cable (P/O PL 60.05 Item 6)
6	607K14370	FFC cable assembly kit (B8145/B8155) (REP 60.2)
—	607K14360	FFC cable assembly kit (B8170) (REP 60.2)
7	042K94930	LPH cleaner
8	042K95890	Cleaner assembly kit
9	—	Cleaner base assembly (P/O PL 60.05 Item 8)
10	—	Cleaner rod (P/O PL 60.05 Item 8)



R-8-0050-A

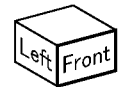
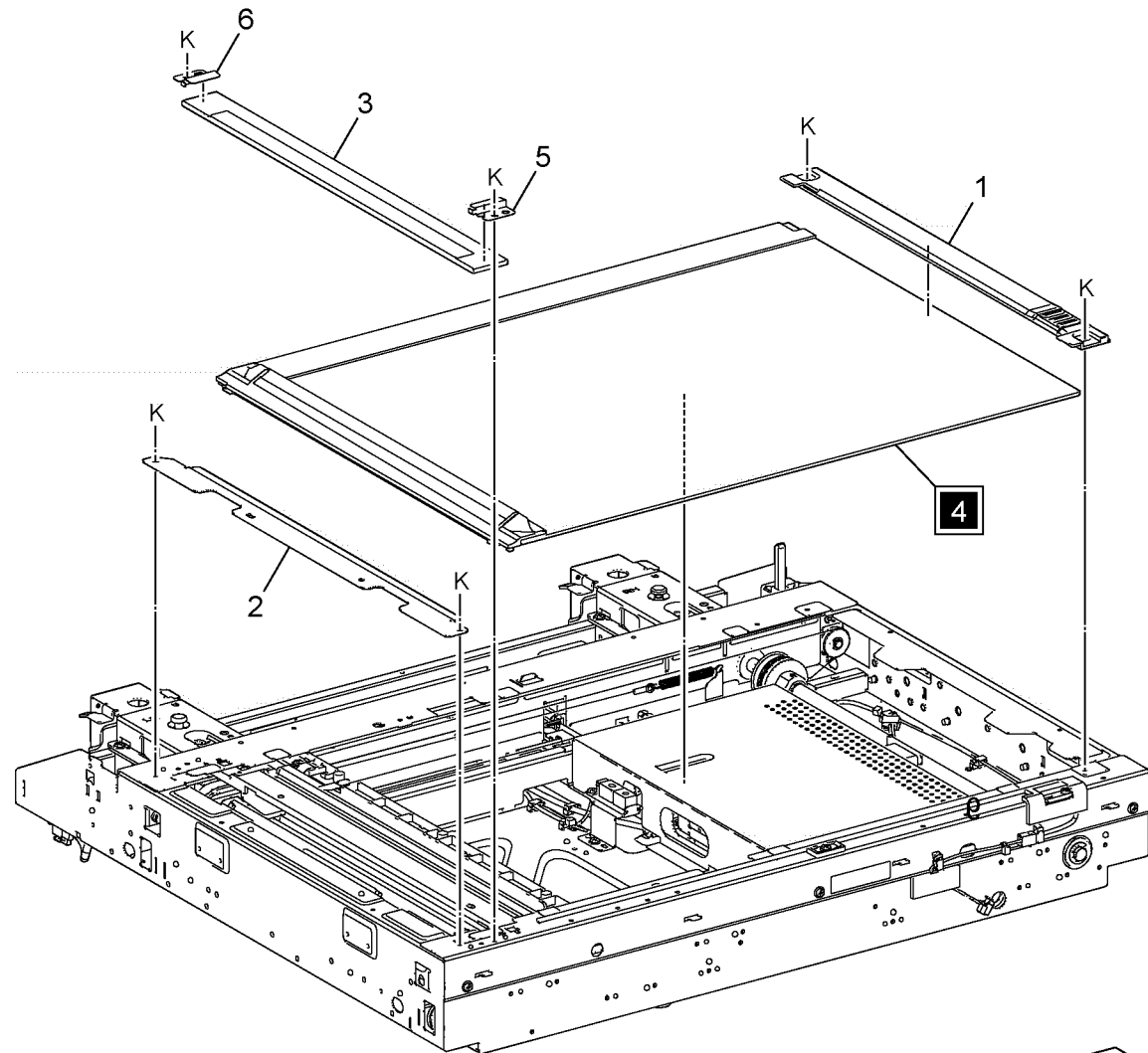
PL 60.10 Platen/IIT Cover (B8170)

Item	Part	Description
1	—	IIT Left cover
2	—	IIT Right cover (W)
3	—	IIT Right cover (B)
4	—	IIT Rear cover
5	822E26471	DADF IF cover
6	—	IIT Trans PWB cover
7	—	Sensor shield
8	—	Left stopper
9	—	Screw (Black)
10	—	Label kit
11	—	Label (Caution) (P/O PL 60.10 Item 10)
12	—	Label (Clean) (P/O PL 60.10 Item 10)
13	—	IIT Front cover



PL 60.15 Platen Glass (B8170)

Item	Part	Description
1	815K10441	Right Plate
2	—	CVT Glass Plate
3	090K93660	CVT Platen Glass (REP 60.3)
4	090K93570	Platen Glass (REP 60.3)
5	—	Front Glass Support
6	—	Rear Glass Support

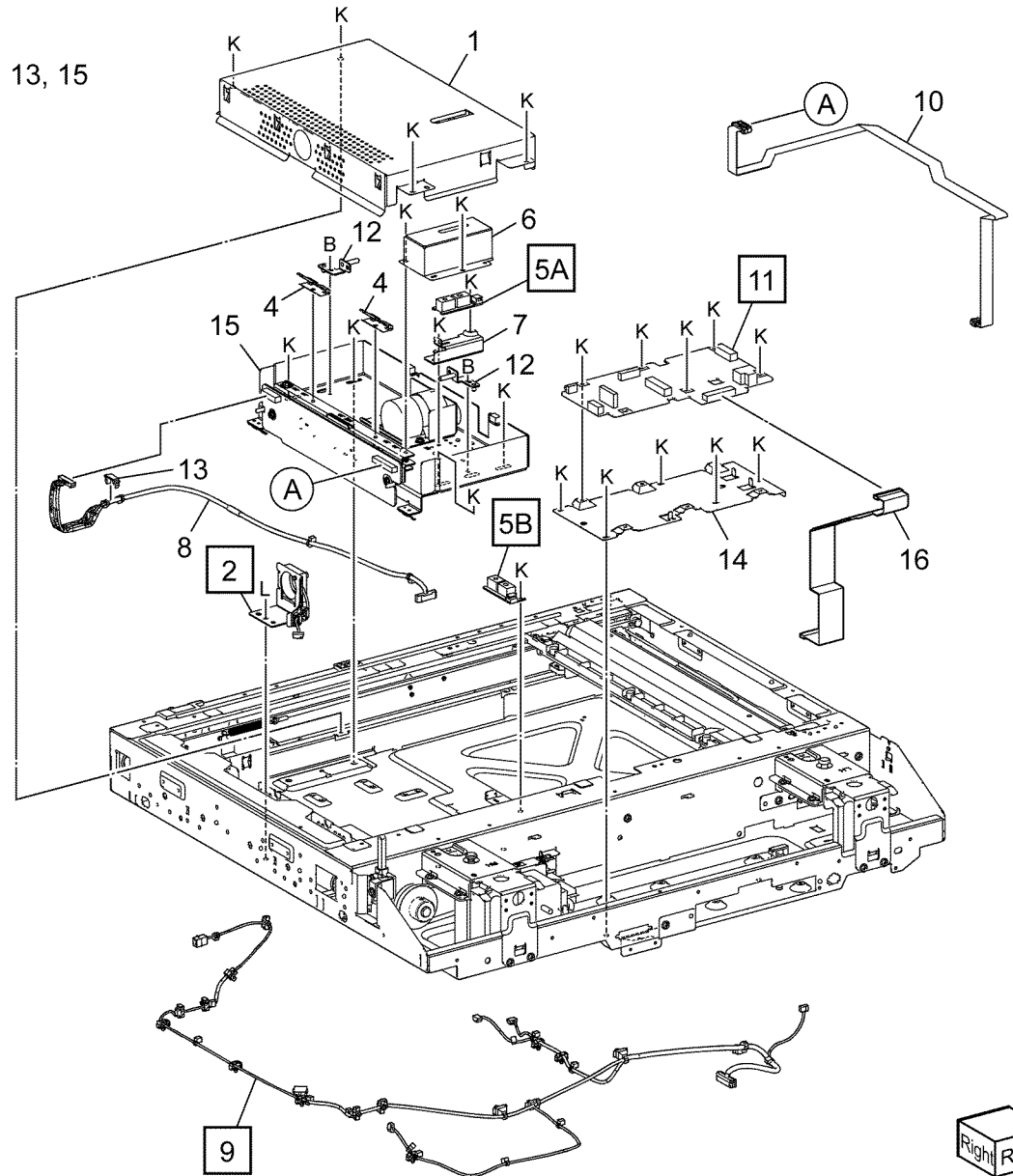


R-8-0054-A

PL 60.20 CCD Lens (B8170)

Item	Part	Description
1	—	CCD Lens cover assembly
2	—	CCD Fan assembly
3	607K02350	CCD Lens kit (REP 60.11)
4	—	Conductor (P/O PL 60.20 Item 3)
5	130K64150	APS Sensor 1 (A)/ APS Sensor 2 (B)
6	—	APS Sensor cover
7	—	APS Sensor bracket
8	952K35020	CCD Power harness
9	952K45130	Signal harness
10	952K31270	CCD Cont video ribbon cable
11	960K98030	IIT Trans PWB (REP 60.20)
12	—	Pin assembly (P/O PL 60.20 Item 3)
13	—	Clamp
14	—	PWB bracket
15	—	Lens assembly (P/O PL 60.20 Item 3)
16	117K49220	IIT Cont I/O ribbon cable

3 { 4, 13, 15

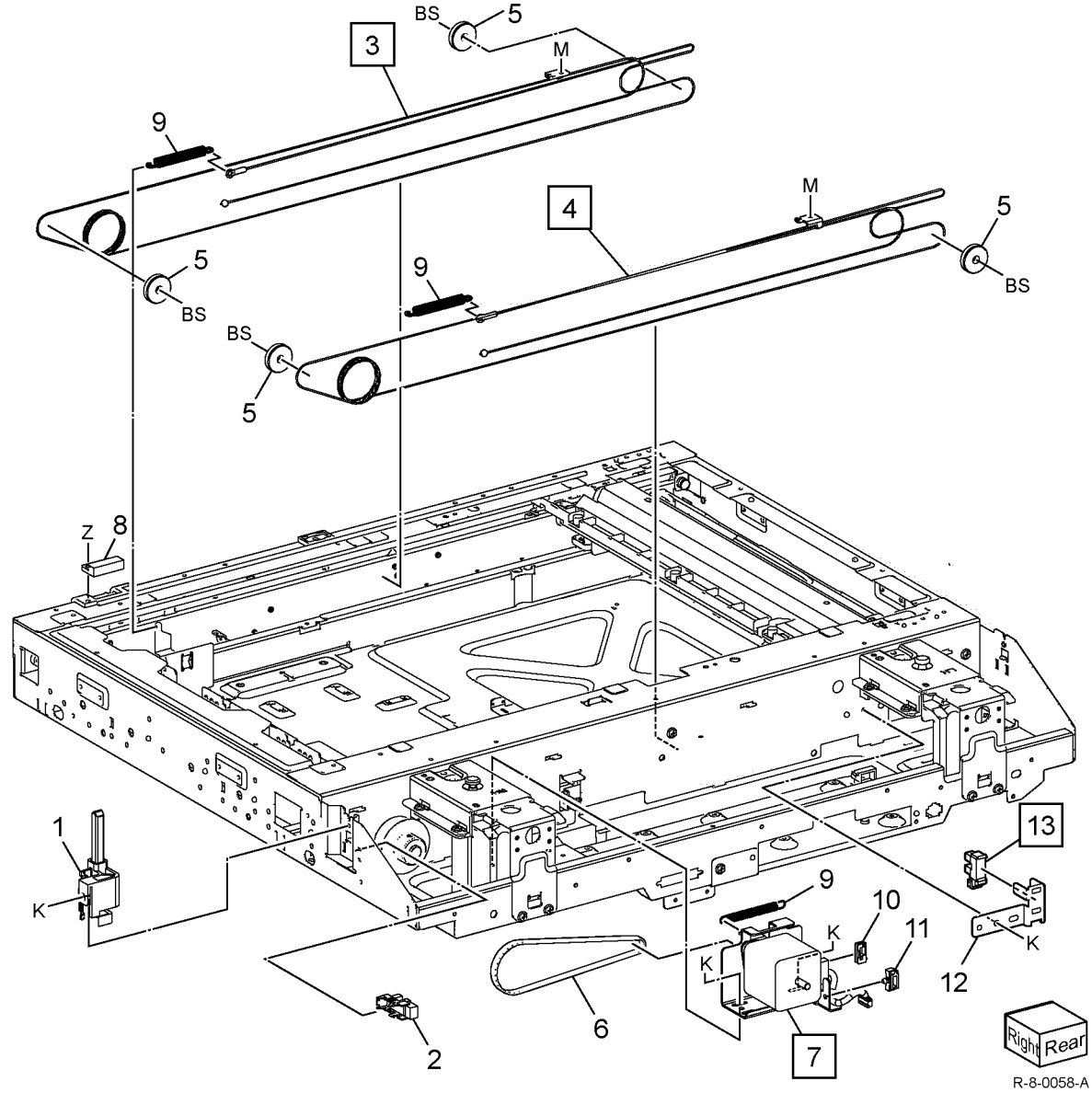


Right Rear

R-8-0056-A

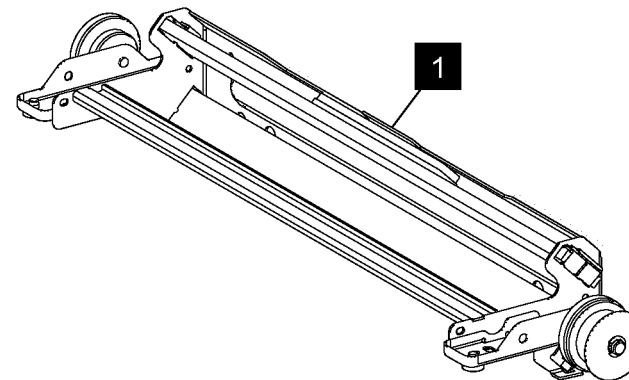
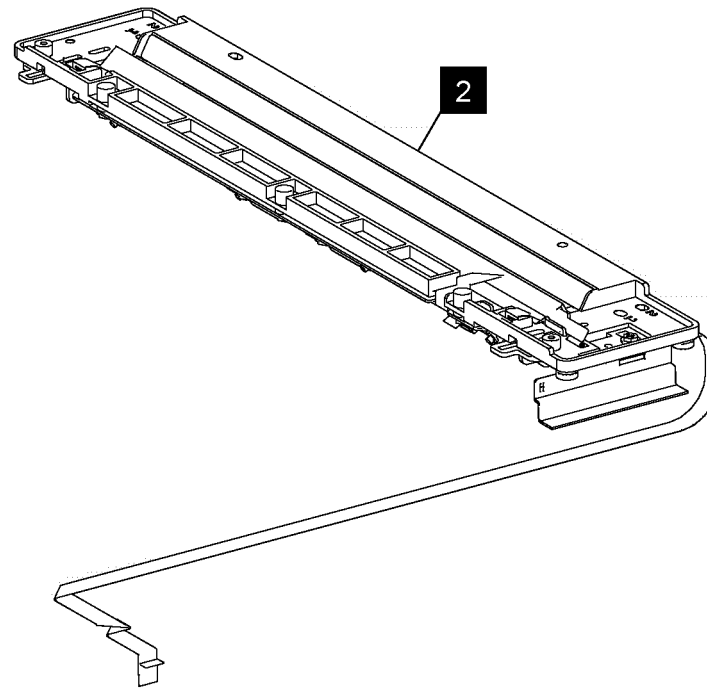
PL 60.25 Carriage Cable/Motor (B8170)

Item	Part	Description
1	—	Actuator assembly
2	130E87280	Platen Angle Sensor (REP 60.13)
3	—	Front Carriage Cable
4	—	Rear Carriage Cable
5	—	Idler Pulley
6	023E26740	Drive Belt
7	127K77850	Carriage Motor (REP 60.17)
8	—	Platen Interlock Switch
9	—	Tension Spring
10	—	Clamp
11	—	Clamp
12	—	IIT Regi. Sensor Bracket
13	930W00112	IIT Regi. Sensor (REP 60.12)



PL 60.30 Full/Half Carriage (B8170)

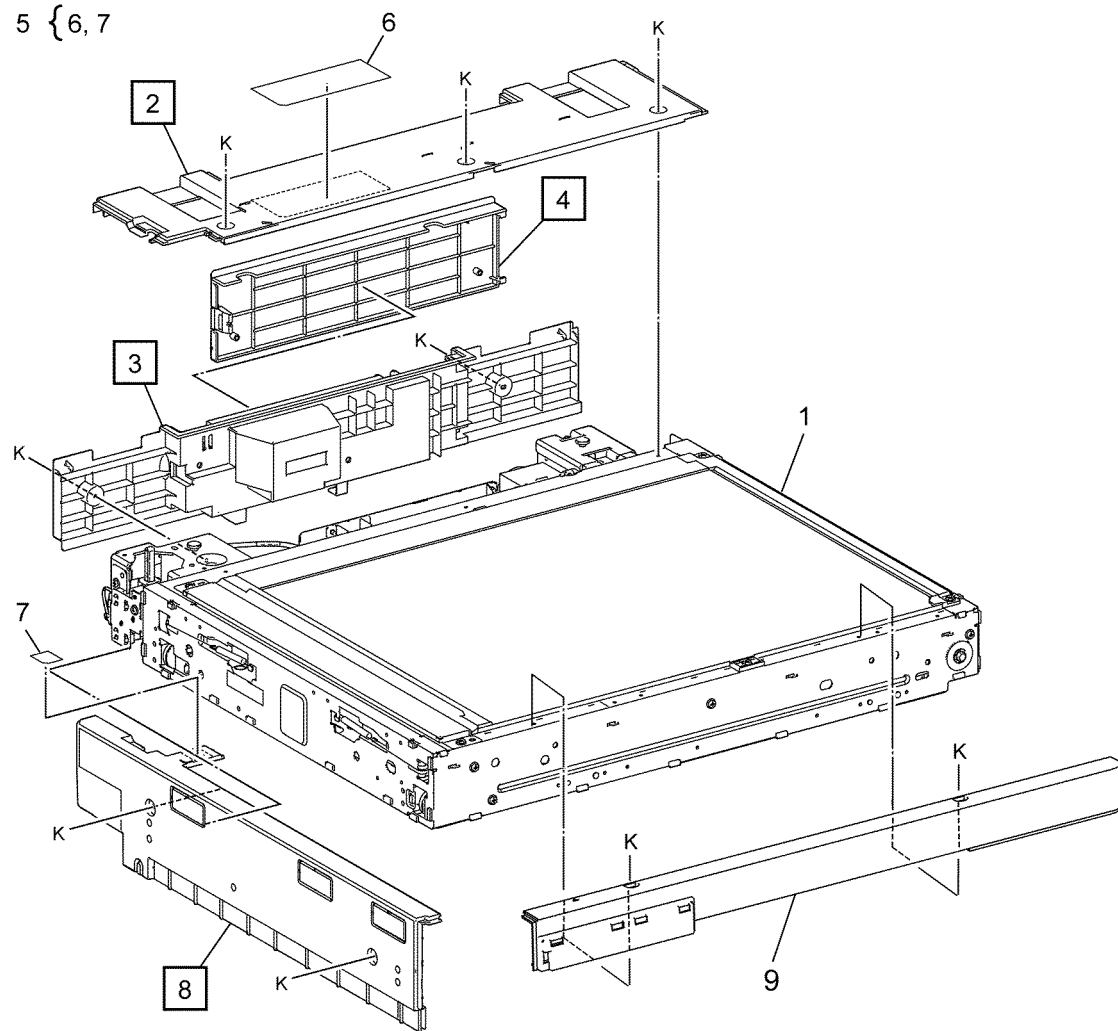
Item	Part	Description
1	041K95850	Half Rate Carriage Assembly
2	041K96632	Full Rate Carriage Assembly (REP 60.18)



R-8-0060-A

PL 60.35 Platen/IIT Cover (B8145/B8155)

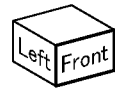
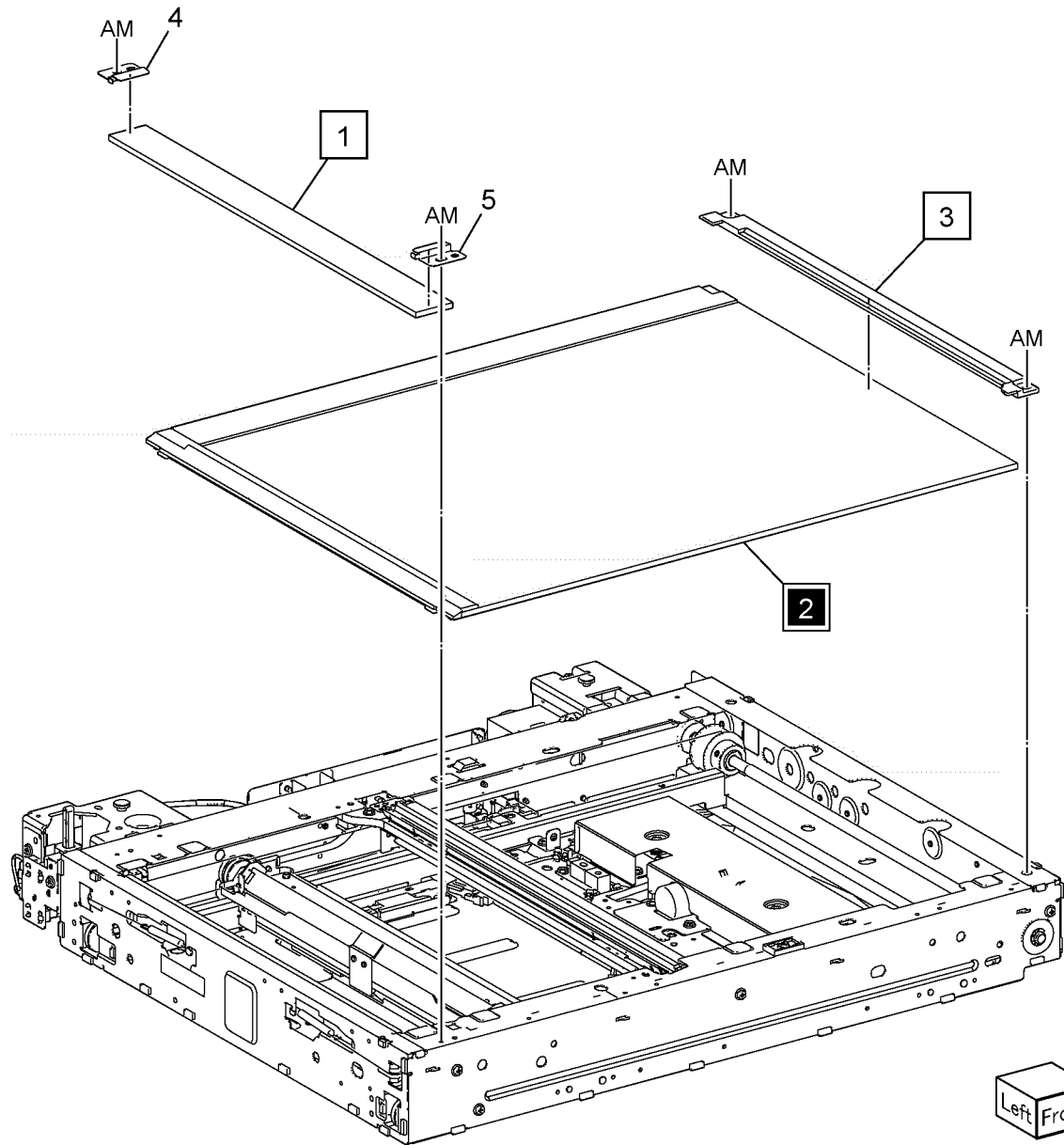
Item	Part	Description
1	—	IIT assembly
2	—	IIT Top cover
3	—	IIT Rear cover
4	822E26611	DADF IF cover
5	—	Label kit
6	—	Label (Caution) (P/O PL 60.35 Item 5)
7	—	Label (Clean) (P/O PL 60.35 Item 5)
8	—	IIT Left cover
9	—	IIT Front cover



R-8-0051-A

PL 60.40 Platen Glass (B8145/B8155)

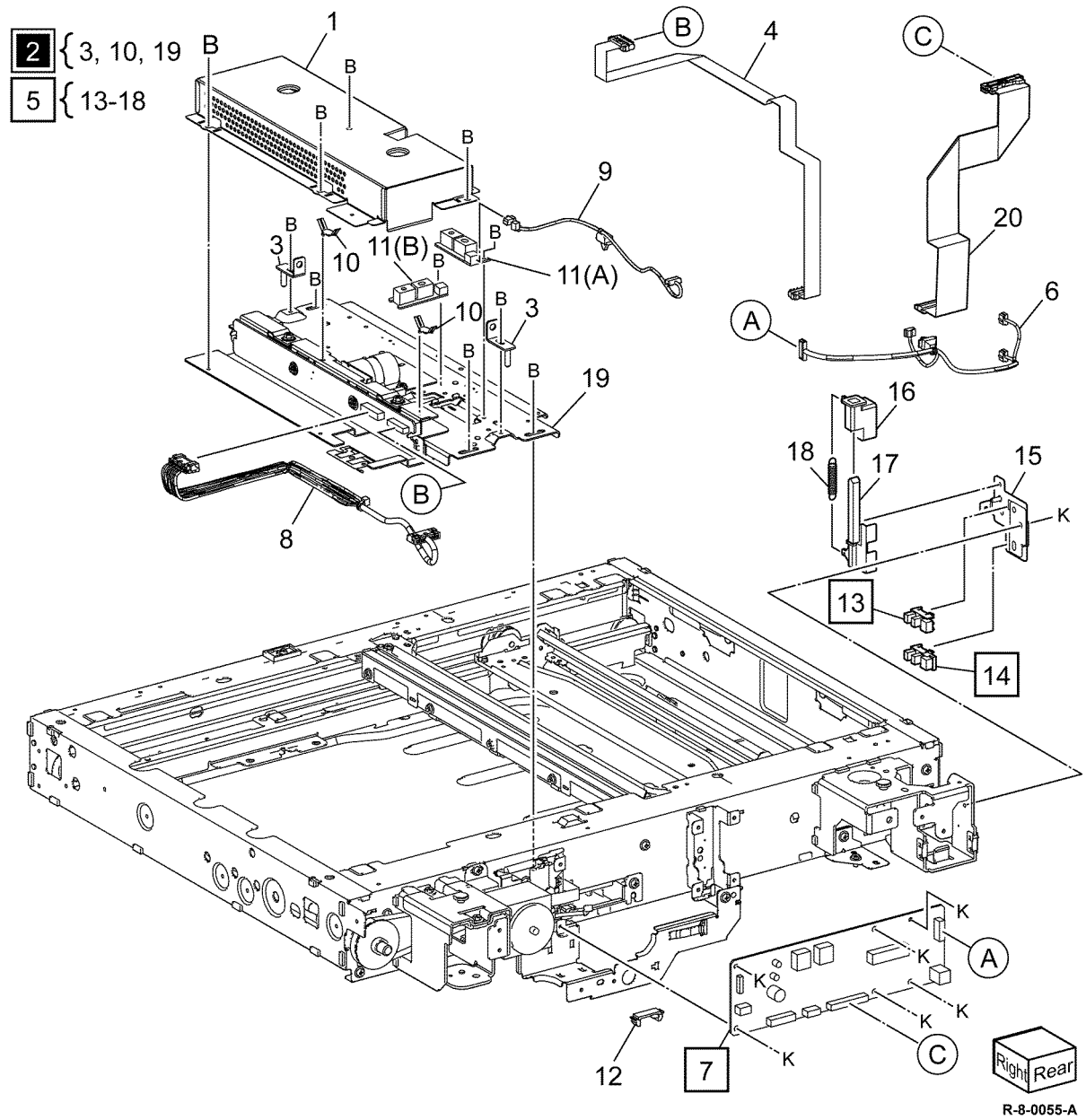
Item	Part	Description
1	090K93650	CVT platen glass (REP 60.25[File not referenced in map]_ATI_File_Not_Found_x-wc_-file=0000626192.xml)
2	090K93580	Platen glass (REP 60.25[File not referenced in map]_ATI_File_Not_Found_x-wc_-file=0000626192.xml)
3	815E58942	Right plate
4	—	Rear glass support
5	—	Front glass support



R-8-0053-A

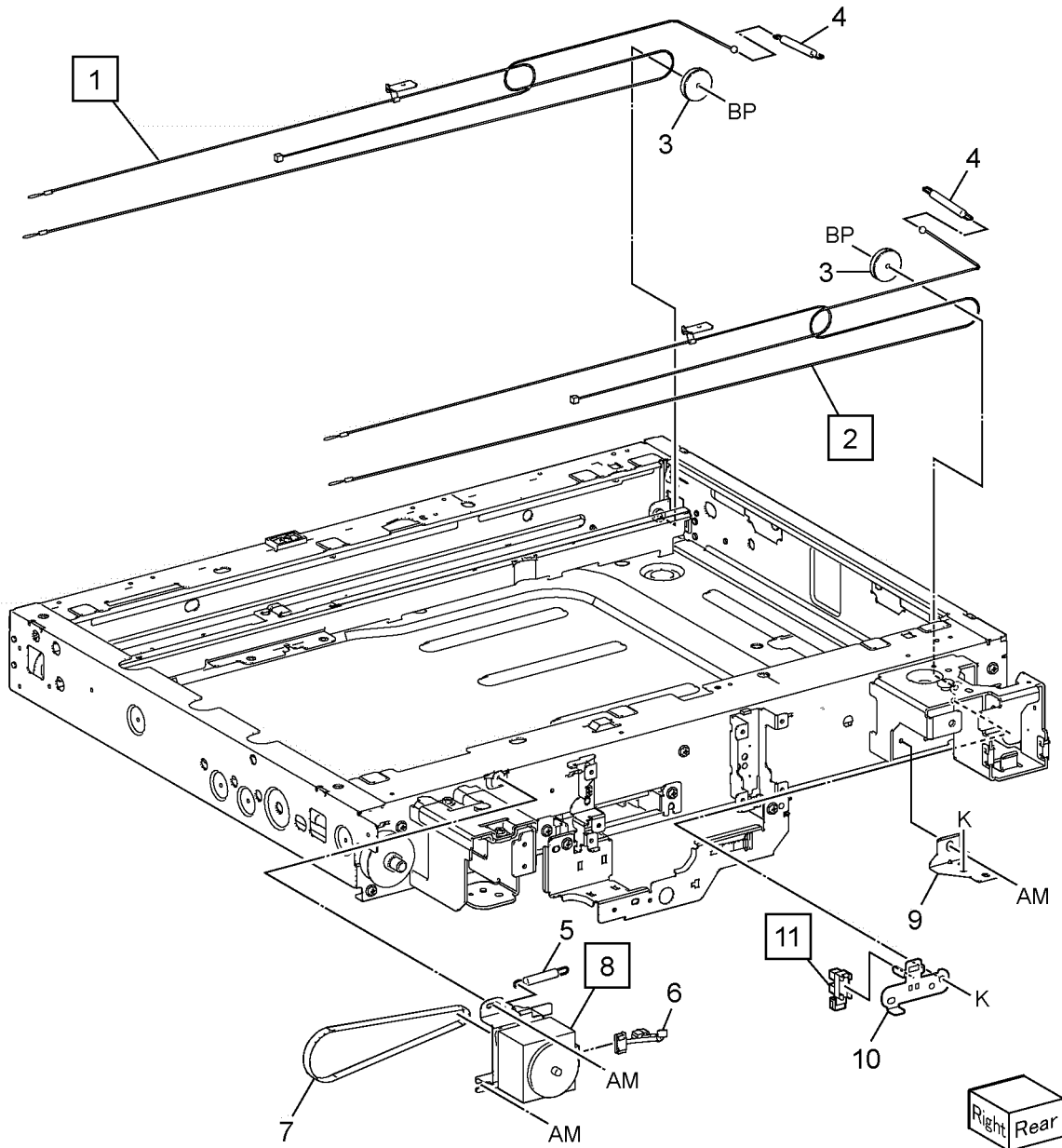
PL 60.45 CCD Lens (B8145/B8155)

Item	Part	Description
1	—	CCD Lens cover
2	607K13310	CCD Lens kit (REP 60.29[File not referenced in map]_ATI_File_Not_Found_x-wc_-file=0000626195.xml)
3	—	Pin assembly (P/O PL 60.45 Item 2)
4	952K31240	CCD Cont video ribbon cable (REP 60.35)
5	120K93101	Actuator assembly
6	952K31662	Platen angle sensor/Platen sensor harness
7	960K97880	IIT Trans PWB (REP 60.36[File not referenced in map]_ATI_File_Not_Found_x-wc_-file=0000626194.xml)
8	952K31301	CCD Power harness
9	952K36950	APS Sensor harness
10	—	Conductor (P/O PL 60.45 Item 2)
11	130K64150	APS Sensor 1 (A)/ APS Sensor 2 (B)
12	—	Clamp
13	—	Platen angle sensor (P/O PL 60.45 Item 5)
14	—	Platen close sensor (P/O PL 60.45 Item 5)
15	—	Angle sensor bracket (P/O PL 60.45 Item 5)
16	—	Actuator support (P/O PL 60.45 Item 5)
17	—	Actuator (P/O PL 60.45 Item 5)
18	—	Extension spring (P/O PL 60.45 Item 5)
19	—	Lens assembly (P/O PL 60.45 Item 2)
20	117K48921	IIT Cont I/O Ribbon Cable



PL 60.50 Carriage Cable/Motor (B8145/B8155)

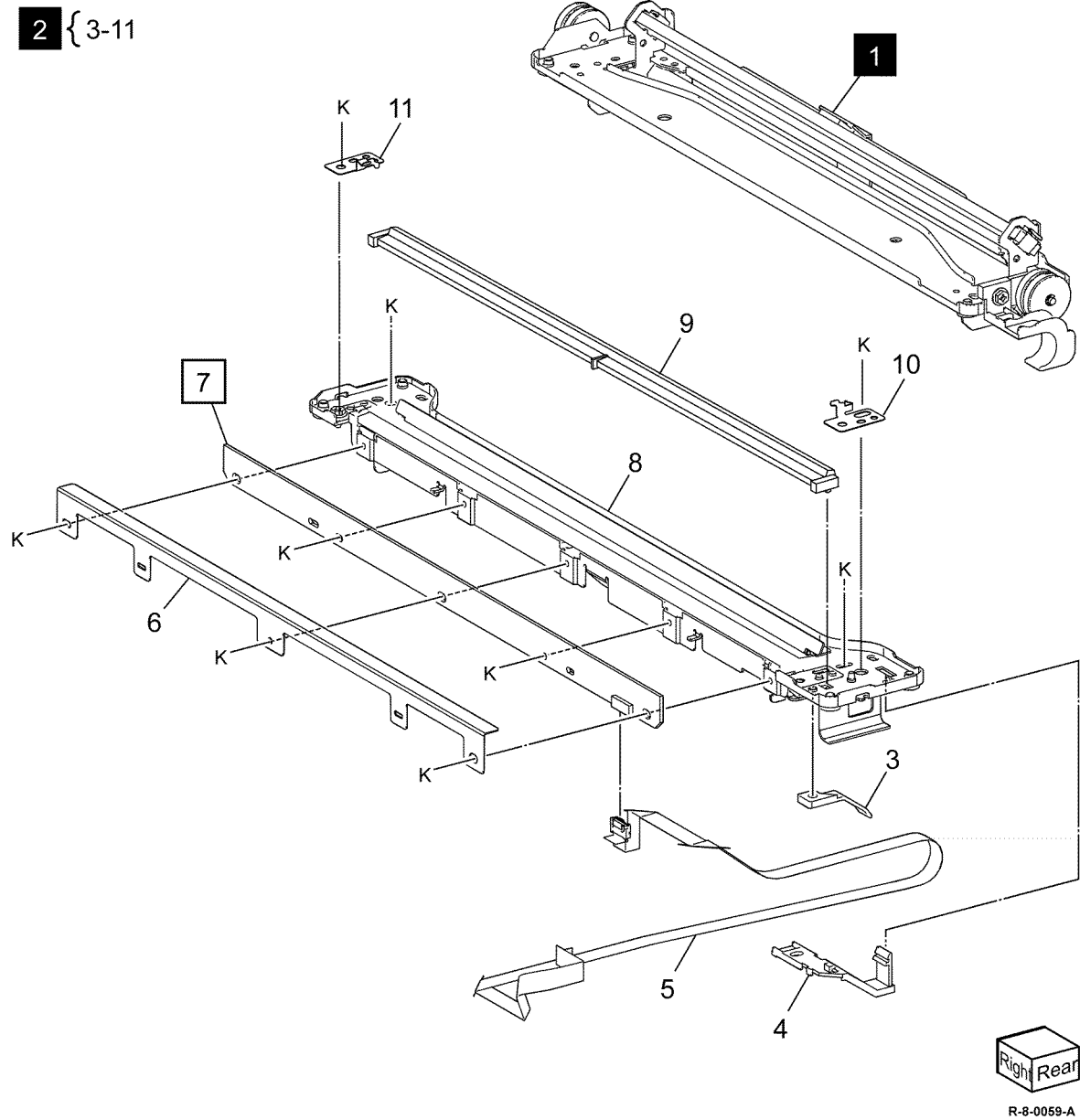
Item	Part	Description
1	—	Front carriage cable (REP 60.30 [File not referenced in map] _ATI_File_Not_Found_x-wc_-file=0000626191.xml)
2	—	Rear carriage cable (REP 60.30 [File not referenced in map] _ATI_File_Not_Found_x-wc_-file=0000626191.xml)
3	—	Idler Pulley
4	—	Tension Spring
5	—	Tension Spring
6	952K31250	Carriage Motor Harness
7	023E27590	Timing Belt
8	127K61330	Carriage Motor (REP 60.34[File not referenced in map] _ATI_File_Not_Found_x-wc_-file=0000626193.xml)
9	—	Bracket
10	—	IIT Regi. Sensor bracket
11	930W00123	IIT Regi Sensor



Right Rear
R-8-0057-A

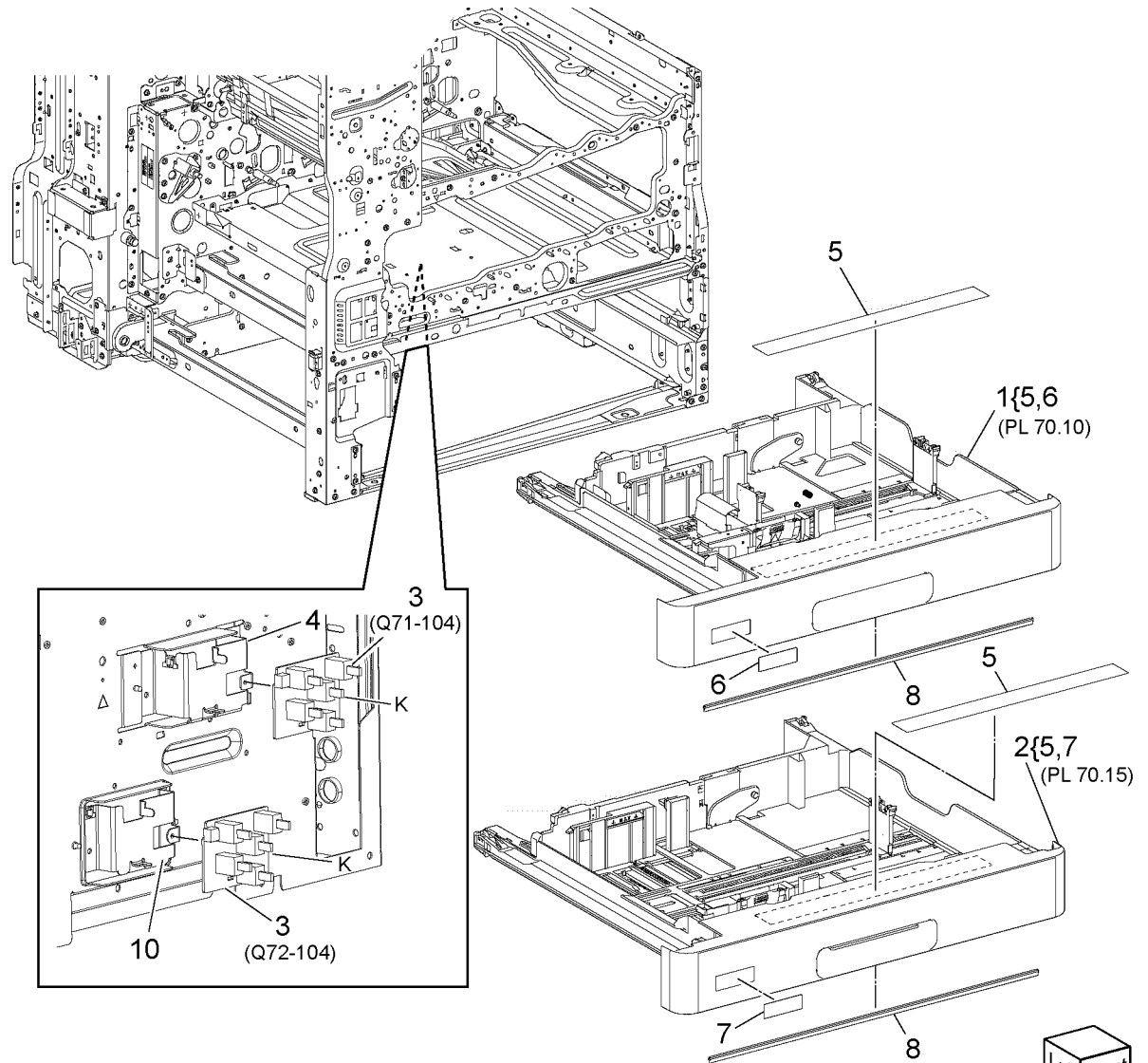
PL 60.55 Full/Half Carriage (B8145/B8155)

Item	Part	Description
1	041K96431	Half rate carriage assembly
2	041K96641	Full rate carriage assembly
3	—	Cord guide (P/O PL 60.55 Item 2)
4	—	Cord guide (P/O PL 60.55 Item 2)
5	952K43480	LED ribbon cable (REP 60.32[File not referenced in map] _ATI_File_Not_Found_x-wc_-file=0000626190.xml)
6	—	LED bracket (P/O PL 60.55 Item 2)
7	960K81532	LED PWB
8	—	LED lamp assembly (P/O PL 60.55 Item 2) (REP 60.31[File not referenced in map] _ATI_File_Not_Found_x-wc_-file=0000626196.xml)
9	—	Light guide (P/O PL 60.55 Item 2)
10	—	Rear securing plate (P/O PL 60.55 Item 2)
11	—	Front securing plate



PL 70.05 Tray 1 2 Assembly

Item	Part	Description
1	607K10600	Tray 1 assembly
2	607K10610	Tray 2 assembly
3	110K11680	Tray 1 paper size sensor (Q71-104) / Tray 2 paper size sensor (Q72-104) (REP 70.1)
4	—	Bracket (Not Spared)
5	—	Label (instruction) (P/O PL 70.05 Item 1, PL 70.05 item 2)
6	—	Label (No. 1) (P/O PL 70.05 Item 1)
7	—	Label (No. 2) (P/O PL 70.05 Item 2)
8	—	Gasket (Not Spared)
9	—	Not used
10	—	Bracket (Not Spared)

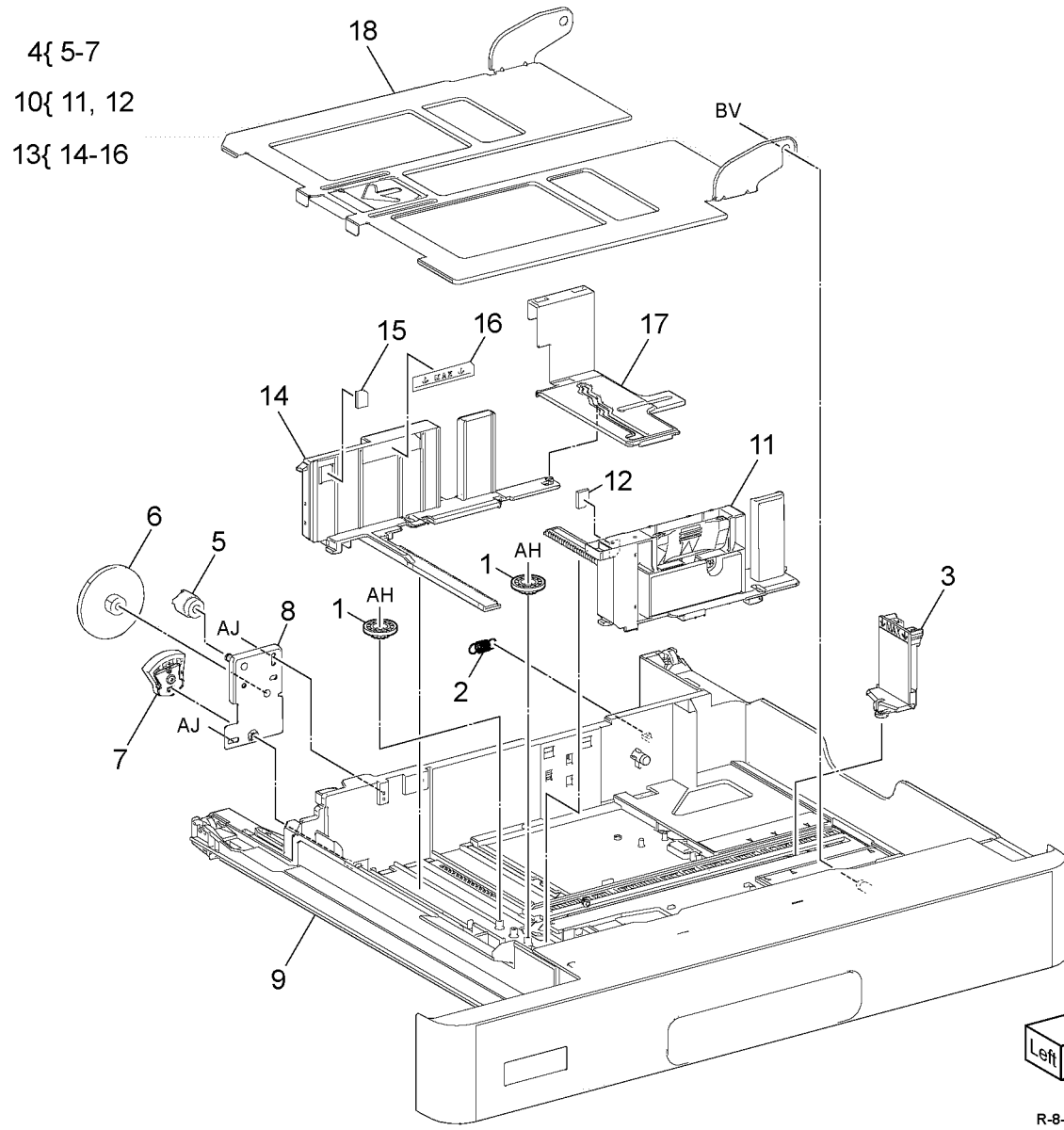


Left Front

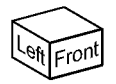
R-8-0061-A

PL 70.10 Tray 1 Assembly

Item	Part	Description
1	807E13521	Pinion
2	809E89880	Spring
3	—	End guide kit (Not Spared)
4	—	Tray gear kit
5	—	Gear (13) (P/O PL 70.10 Item 4)
6	—	Gear (13/60) (P/O PL 70.10 Item 4)
7	—	Gear assembly (P/O PL 70.10 Item 4)
8	—	Bracket (P/O PL 70.05 Item 1)
9	—	Cassette assembly (P/O PL 70.05 Item 1)
10	—	Front side guide kit (Not Spared)
11	—	Front side guide (P/O PL 70.10 Item 10)
12	—	Pad (P/O PL 70.10 Item 10)
13	—	Rear side guide kit (Not Spared)
14	—	Rear side guide (P/O PL 70.10 Item 13)
15	—	Pad (P/O PL 70.10 Item 13)
16	—	Label (MAX) (P/O PL 70.10 Item 13)
17	—	Side actuator (P/O PL 70.05 Item 1)
18	—	Lift plate (P/O PL 70.05 Item 1)



Note: All parts are part of PL 70.05 Item 1.

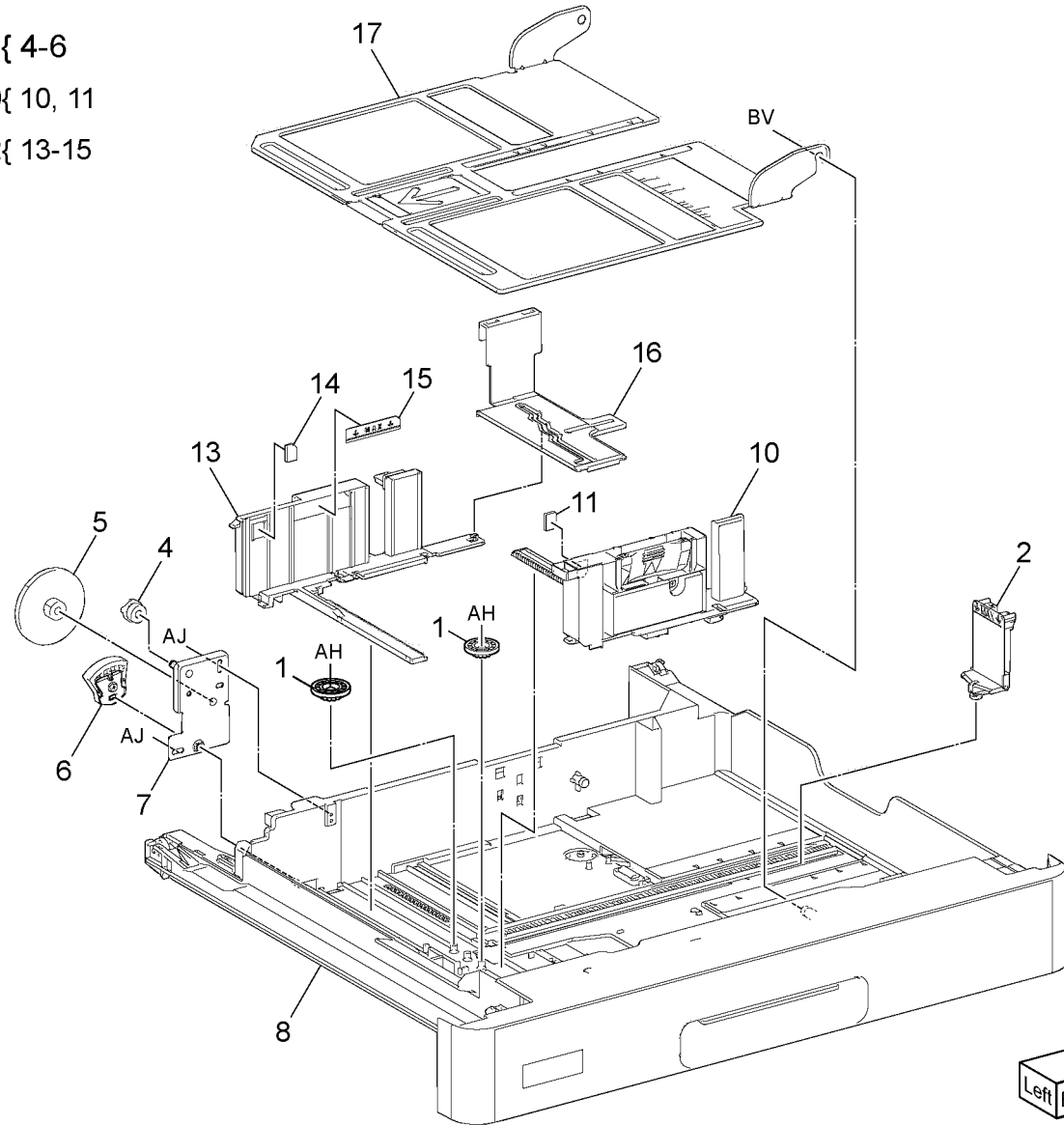


R-8-0062-A

PL 70.15 Tray 2 Assembly

Item	Part	Description
1	807E13521	Pinion
2	—	End guide kit (Not Spared)
3	—	Tray gear kit (Not Spared)
4	—	Gear (13) (P/O PL 70.15 Item 3)
5	—	Gear (13/60) (P/O PL 70.15 Item 3)
6	—	Gear assembly (P/O PL 70.15 Item 3)
7	—	Bracket (P/O PL 70.05 Item 2)
8	—	Cassette assembly (P/O PL 70.05 Item 2)
9	—	Front side guide kit (Not Spared)
10	—	Front side guide (P/O PL 70.15 Item 9)
11	—	Pad (P/O PL 70.15 Item 9)
12	—	Rear side guide kit (Not Spared)
13	—	Rear side guide (P/O PL 70.15 Item 12)
14	—	Pad (P/O PL 70.15 Item 12)
15	—	Label (MAX) (P/O PL 70.15 Item 12)
16	—	Side actuator (P/O PL 70.05 Item 2)
17	—	Lift plate (P/O PL 70.05 Item 2)

3{ 4-6
 9{ 10, 11
 12{ 13-15



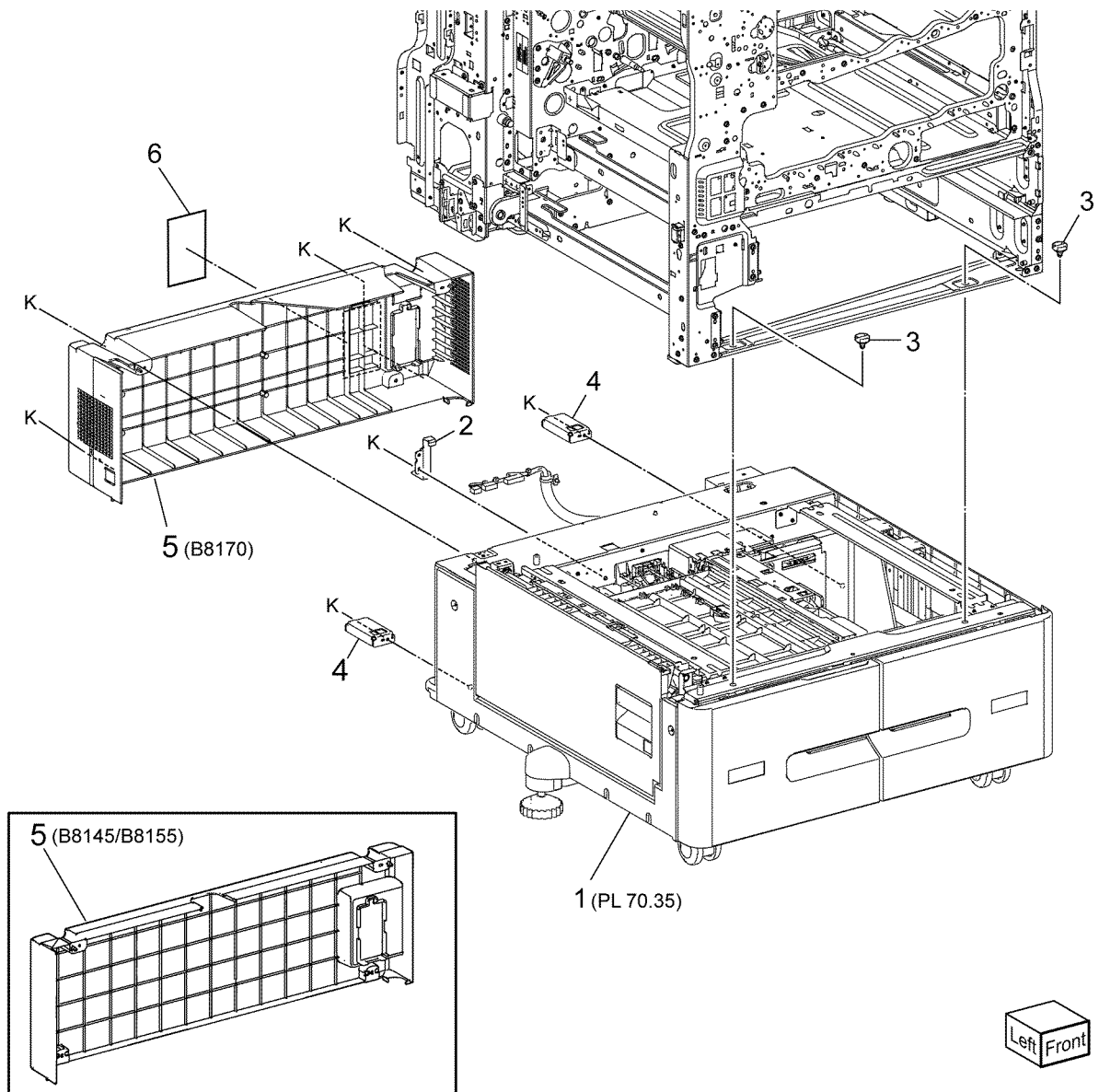
Note: All parts are part of PL 70.05 Item 2.



R-8-0063-A

PL 70.30 TTM Components

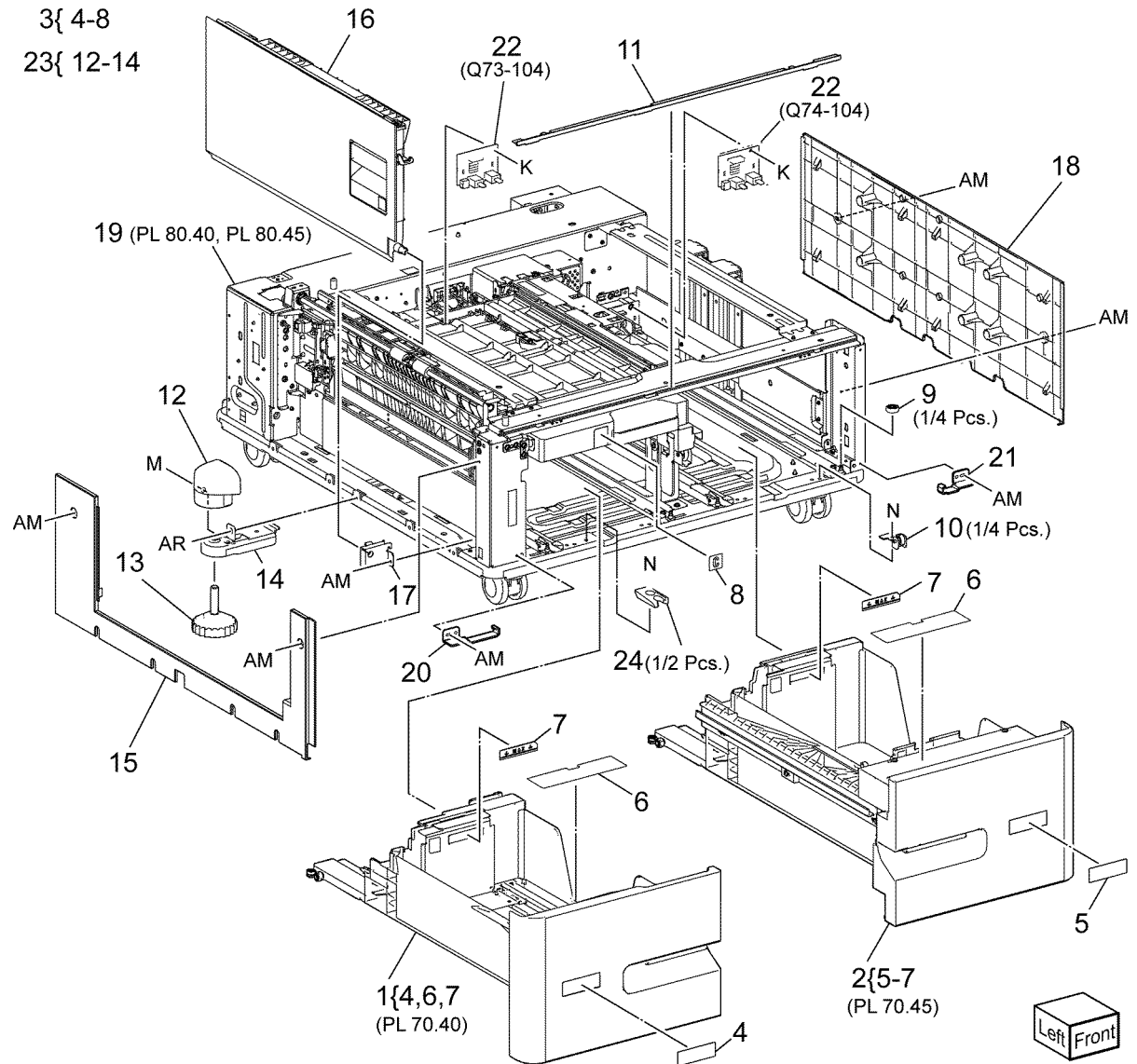
Item	Part	Description
1	—	TTM module
2	—	Joint bracket (Not Spared)
3	—	Docking screw (Not Spared)
4	—	Cover bracket (Not Spared)
5	822E41013	Rear cover (B8145/B8155)
—	—	Rear cover (B8170)
6	—	Label (Caution) (B8170)



R-8-0066-A

PL 70.35 TTM Covers and Tray 3/4 Assembly

Item	Part	Description
1	607K10500	TTM Tray 3 assembly
2	607K10491	TTM Tray 4 assembly
3	607K02290	TTM label kit
4	—	Label (No. 3) (P/O PL 70.35 Item 1)
5	—	Label (No. 4) (P/O PL 70.35 Item 2)
6	—	Label (instruction) (P/O PL 70.35 Item 1, PL 70.35 Item 2)
7	—	Label (MAX) (P/O PL 70.35 Item 1, PL 70.35 Item 2)
8	—	Label (C) (Not Spared)
9	059E05060	Upper roller
10	—	Roller bracket assembly (Not Spared)
11	—	Top cover (Not Spared)
12	822E41860	Foot cover
13	—	Adjuster foot (P/O PL 70.35 Item 23)
14	869E29540	Foot bracket
15	822E41053	Left cover
16	948K12040	Left door assembly
17	—	Pivot bracket (Not Spared)
18	822E41071	Right cover
19	—	TTM frame assembly (Not Spared)
20	803E25172	Left stopper
21	803E25161	Right stopper
22	110K11820	Tray 3 paper size sensor (Q73-104)/ Tray 4 paper size sensor (Q74-104) (alternative) (REP 70.6)
—	110K17961	Tray 3 paper size sensor (Q73-104)/ Tray 4 paper size sensor (Q74-104) (REP 70.6)
23	—	Adjuster foot assembly
24	803E01200	Tray stopper

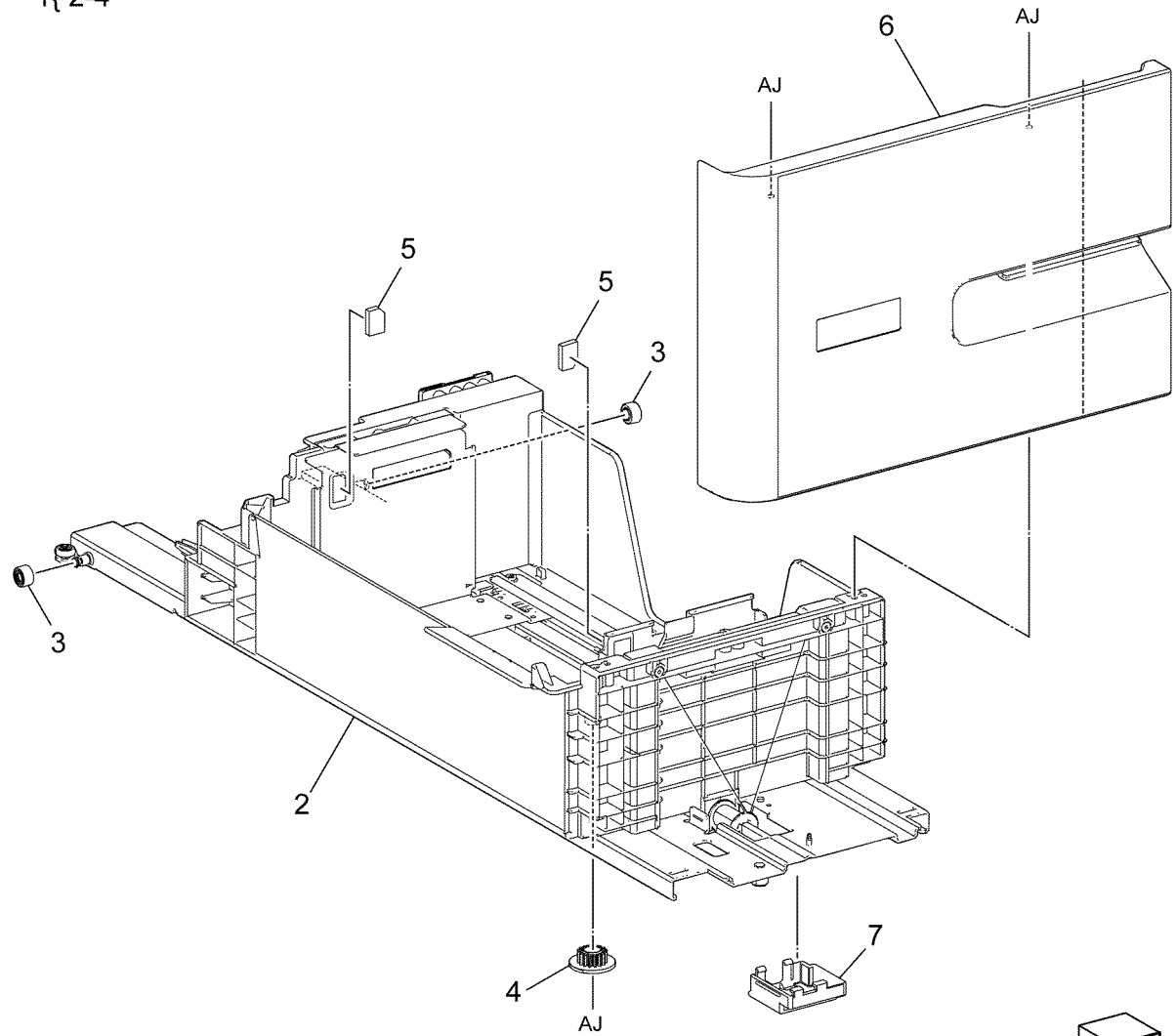


R-8-0067-A

PL 70.40 TTM Tray 3 Assembly

Item	Part	Description
1	—	Tray 3 chassis assembly
2	—	Tray 3 chassis (P/O PL 70.40 Item 1)
3	059E13120	Upper roller
4	807E55441	Pinion
5	019E71680	Pad
6	948K01846	Tray 3 cover assembly
7	822E45010	Plate cover

1{ 2-4

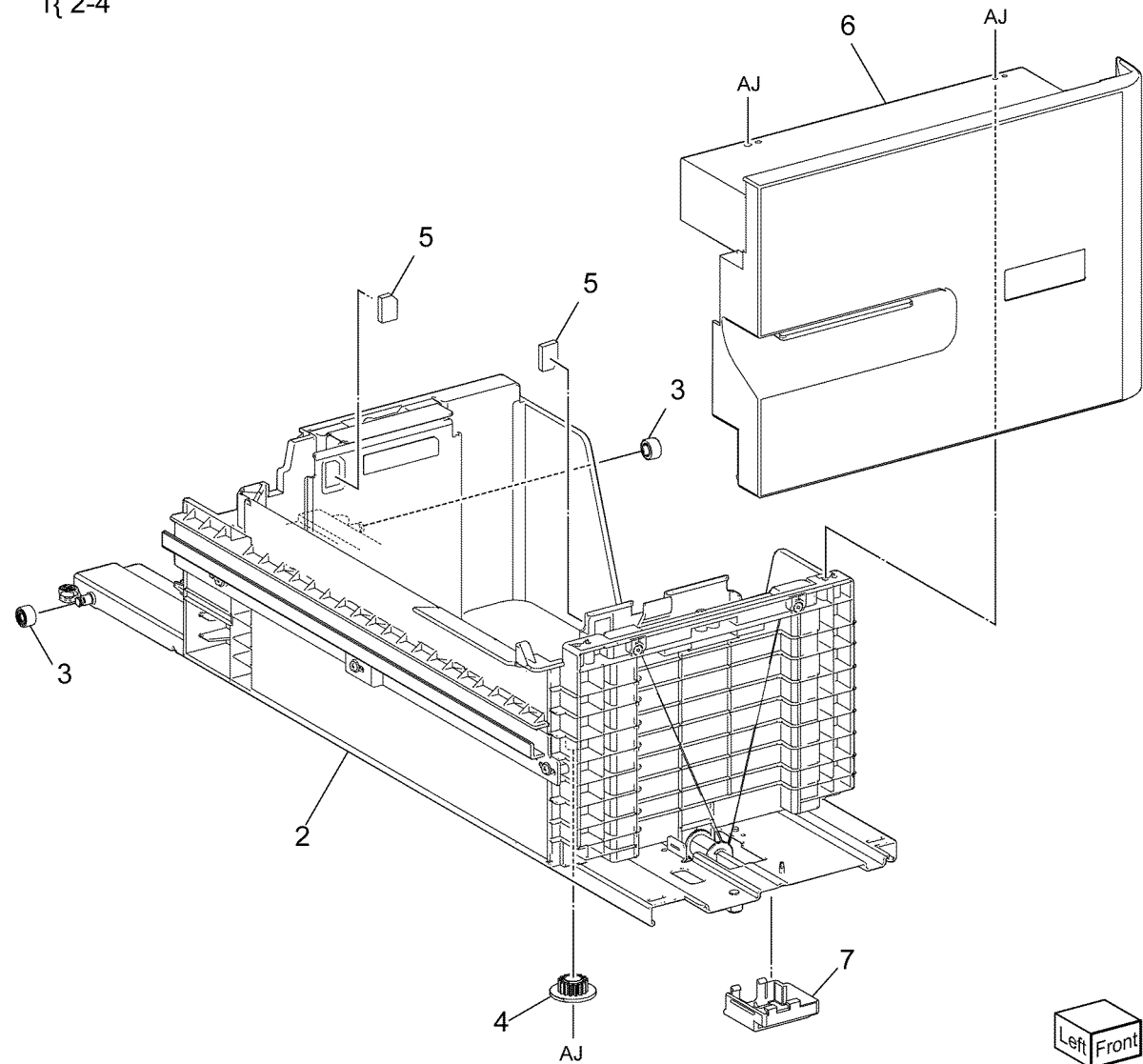


R-8-0068-A

PL 70.45 TTM Tray 4 Assembly

Item	Part	Description
1	—	Tray 4 chassis assembly (P/O PL 70.35 Item 2)
2	—	Tray 4 chassis (P/O PL 70.45 Item 1)
3	059E13120	Upper roller
4	807E55441	Pinion
5	019E71680	Pad
6	948K01835	Tray 4 cover assembly
7	822E45010	Plate cover

1{ 2-4



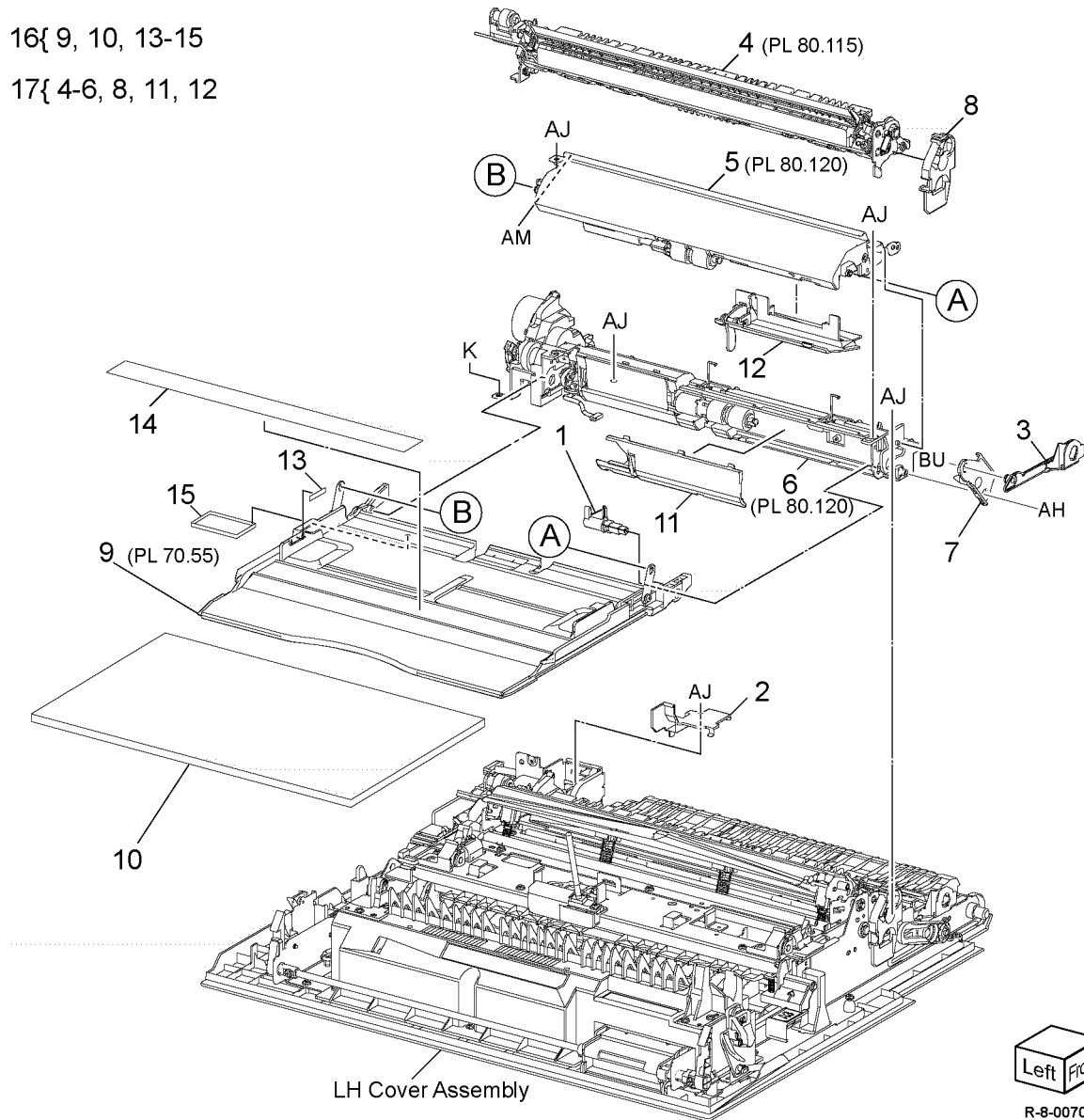
R-8-0069-A

PL 70.50 Bypass Tray Components

Item	Part	Description
1	029E54810	Pivot (REP 70.2)
2	—	Harness guide (Not Spared)
3	—	Stopper link (Not Spared)
4	054K59296	Takeaway assembly
5	—	Upper feedhead assembly (P/O PL 70.50 Item 17)
6	—	Lower feedhead assembly (P/O PL 70.50 Item 17)
7	—	Stopper plate (Not Spared)
8	—	Knob (P/O PL 70.50 Item 17)
9	—	Tray assembly (P/O PL 70.50 Item 16)
10	—	Extension tray (P/O PL 70.50 Item 16)
11	—	Chute front (P/O PL 70.50 Item 17)
12	—	Top chute assembly (P/O PL 70.50 Item 17)
13	—	Label (MAX) (P/O PL 70.50 Item 16)
14	—	Label (instruction) (P/O PL 70.50 Item 16)
15	—	Harness cover (P/O PL 70.50 Item 16)
16	607K10633	Bypass tray kit
17	607K15040	Bypass feeder kit

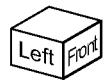
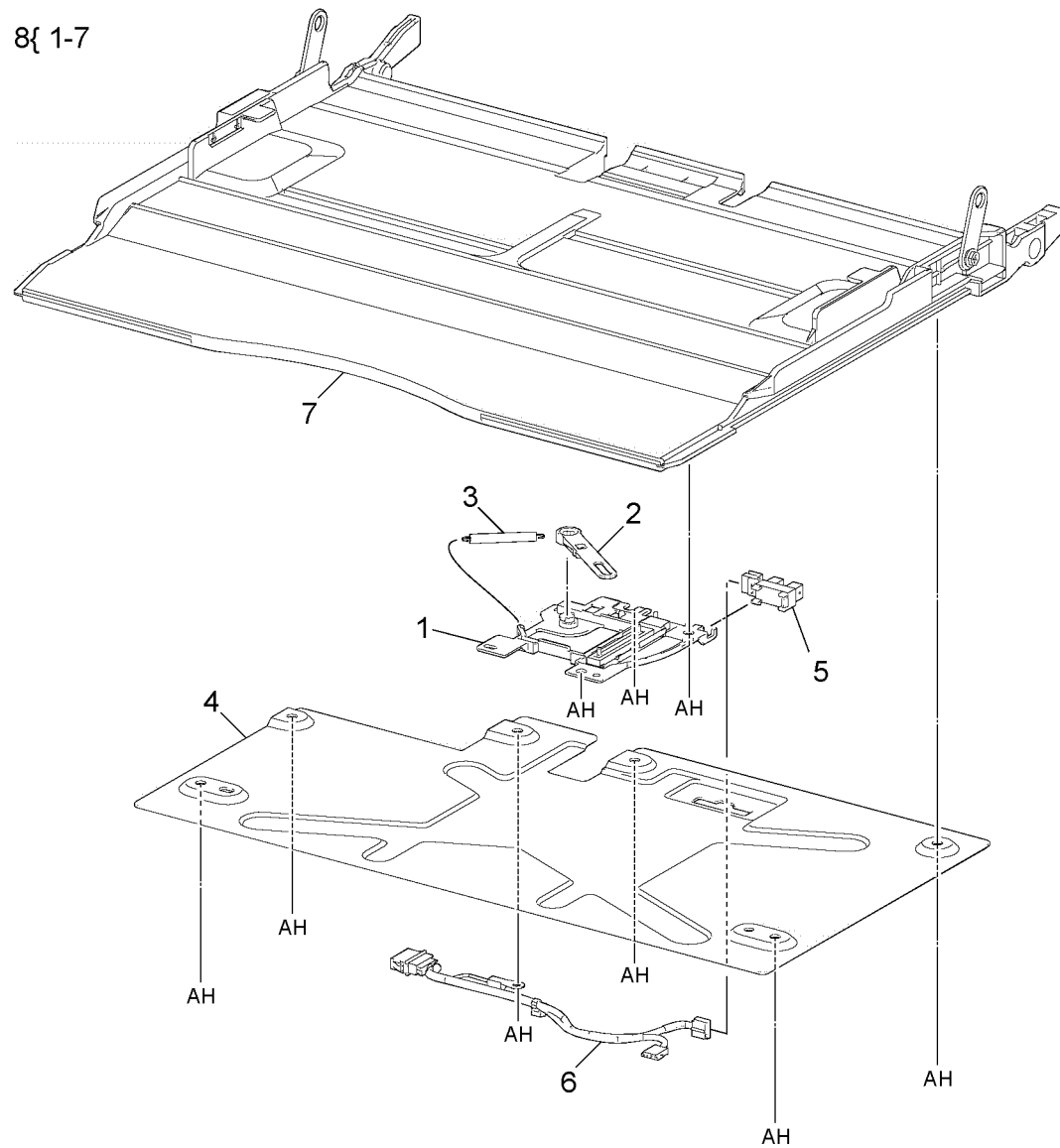
16{ 9, 10, 13-15

17{ 4-6, 8, 11, 12



PL 70.55 Bypass Tray Assembly

Item	Part	Description
1	930K01010	Paper size sensor assembly (REP 70.4)
2	—	Link (P/O PL 70.55 Item 8)
3	—	Spring (P/O PL 70.55 Item 8)
4	—	Tray plate (P/O PL 70.55 Item 8)
5	930W00113	No paper sensor (Q75-101)
6	—	No paper sensor harness (P/O PL 70.55 Item 8)
7	—	Bypass tray (P/O PL 70.55 Item 8)
8	050K78354	Bypass tray assembly (REP 70.3)

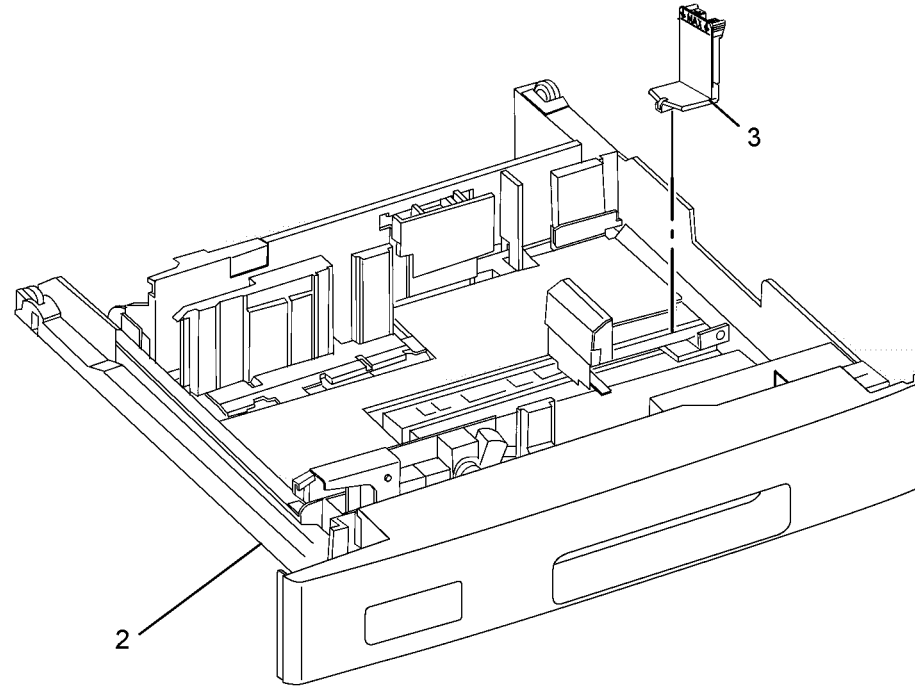


R-8-0071-A

PL 70.70 Envelope Tray

Item	Part	Description
1	497K17880	Envelope tray assembly
2	—	Envelope tray (P/O PL 70.70 Item 1)
3	—	End guide (P/O PL 70.70 Item 1)

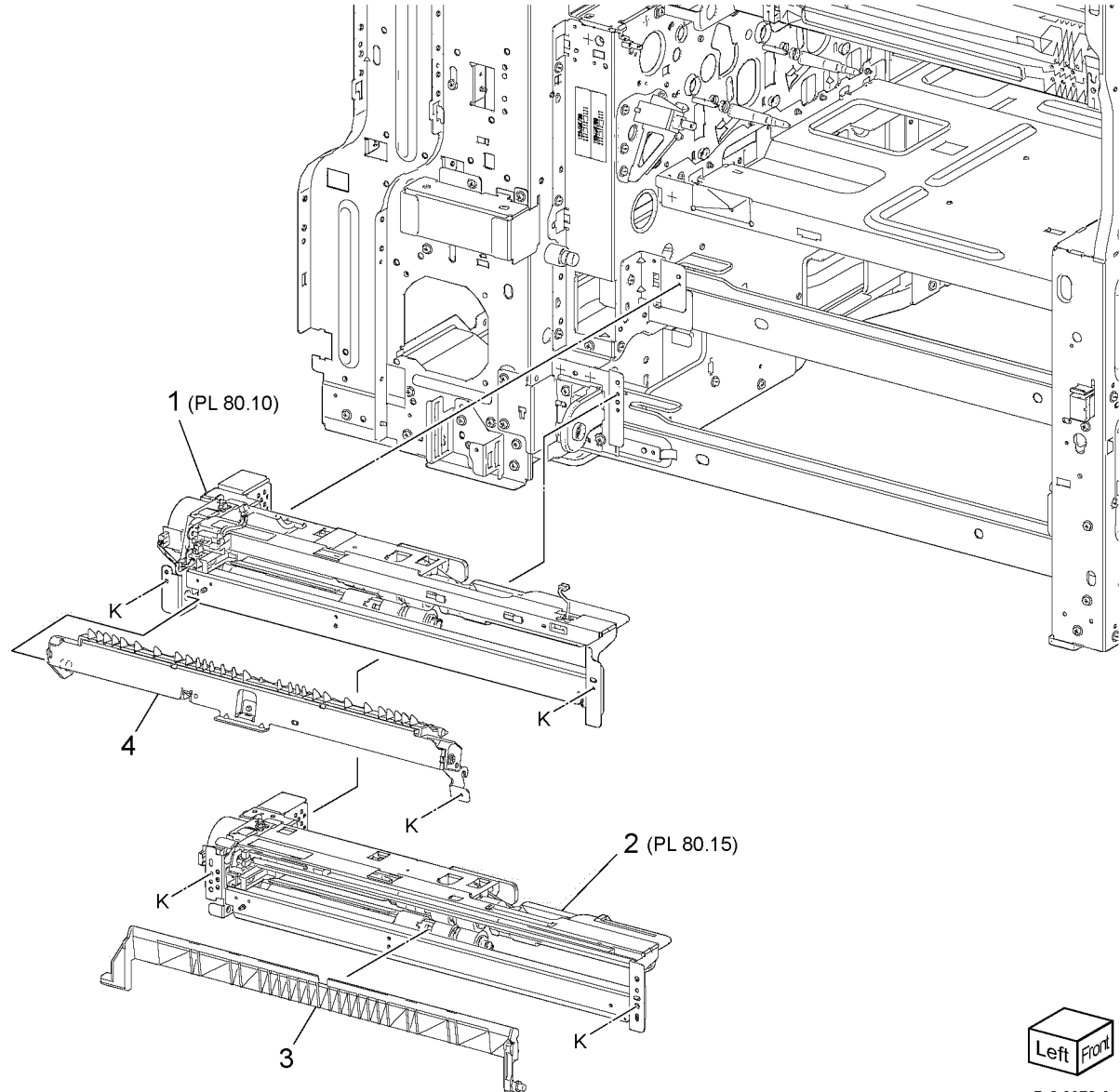
1 { 2 , 3



R-8-0072-A

PL 80.05 Tray 1 2 Feedhead Assembly

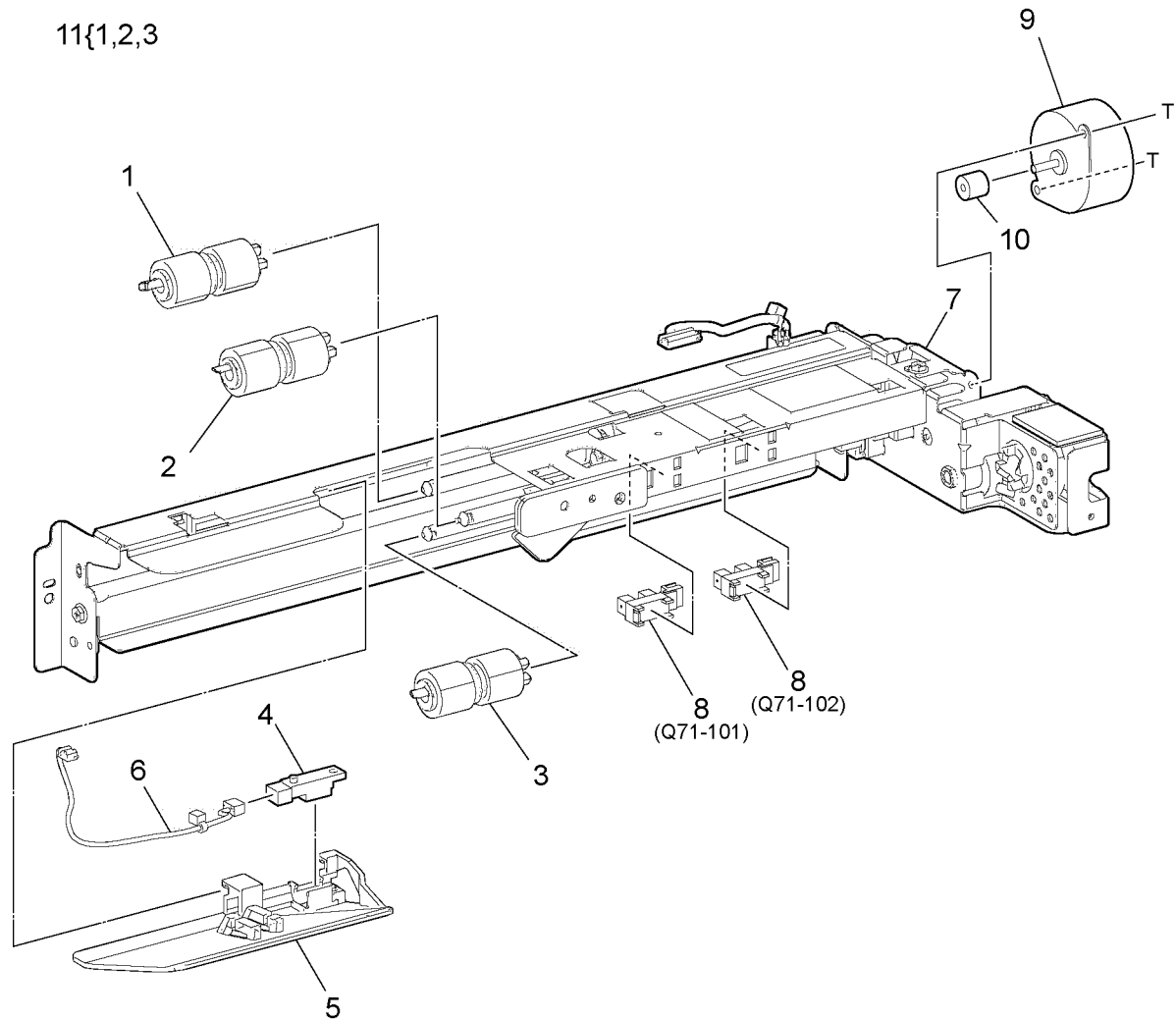
Item	Part	Description
1	859K14321	Tray 1 feedhead assembly (REP 80.1)
2	859K14340	Tray 2 feedhead assembly (REP 80.2)
3	054E36442	Feed out chute
4	054K55444	Feedhead chute assembly



R-8-0078-A

PL 80.10 Tray 1 Feedhead Assembly

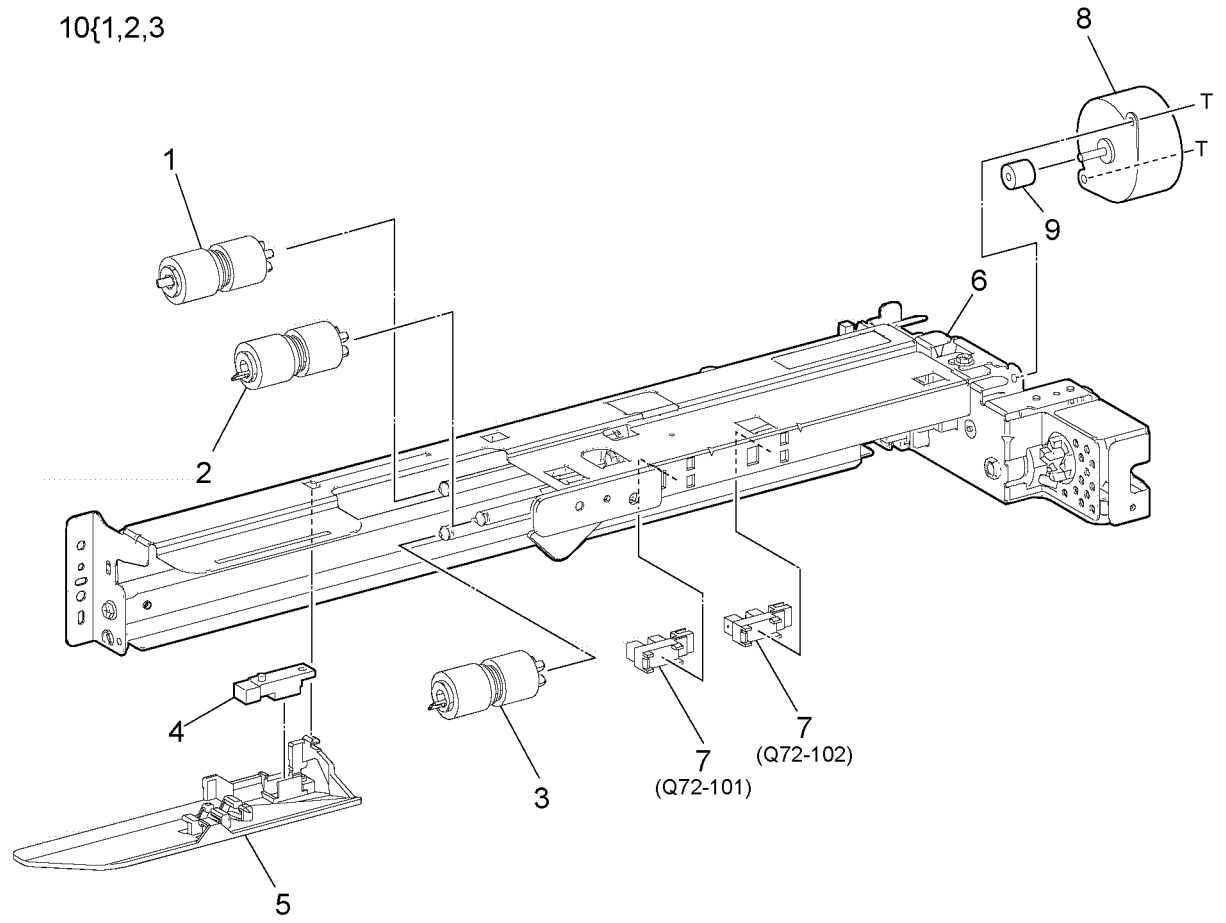
Item	Part	Description
1	—	Feed roll (P/O PL 80.10 Item 11) (REP 80.3)
2	—	Nudger roll (P/O PL 80.10 Item 11) (REP 80.3)
3	—	Retard roll (P/O PL 80.10 Item 11) (REP 80.3)
4	930W00211	Tray 1 pre-feed sensor (Q71-105)
5	054E49660	Chute
6	—	Wire harness (P/O PL 80.10 Item 7)
7	—	Feedhead frame assembly (P/O PL 80.05 Item 1)
8	930W00113	Tray 1 no paper sensor (Q71-101)/ Tray 1 level sensor (Q71-102)
9	127K52790	Tray 1 feed /lift motor (MOT71-001)
10	—	Gear (P/O PL 80.10 Item 9)
11	676K12691	Tray 1-4 feed rolls



R-8-0079-A

PL 80.15 Tray 2 Feedhead Assembly

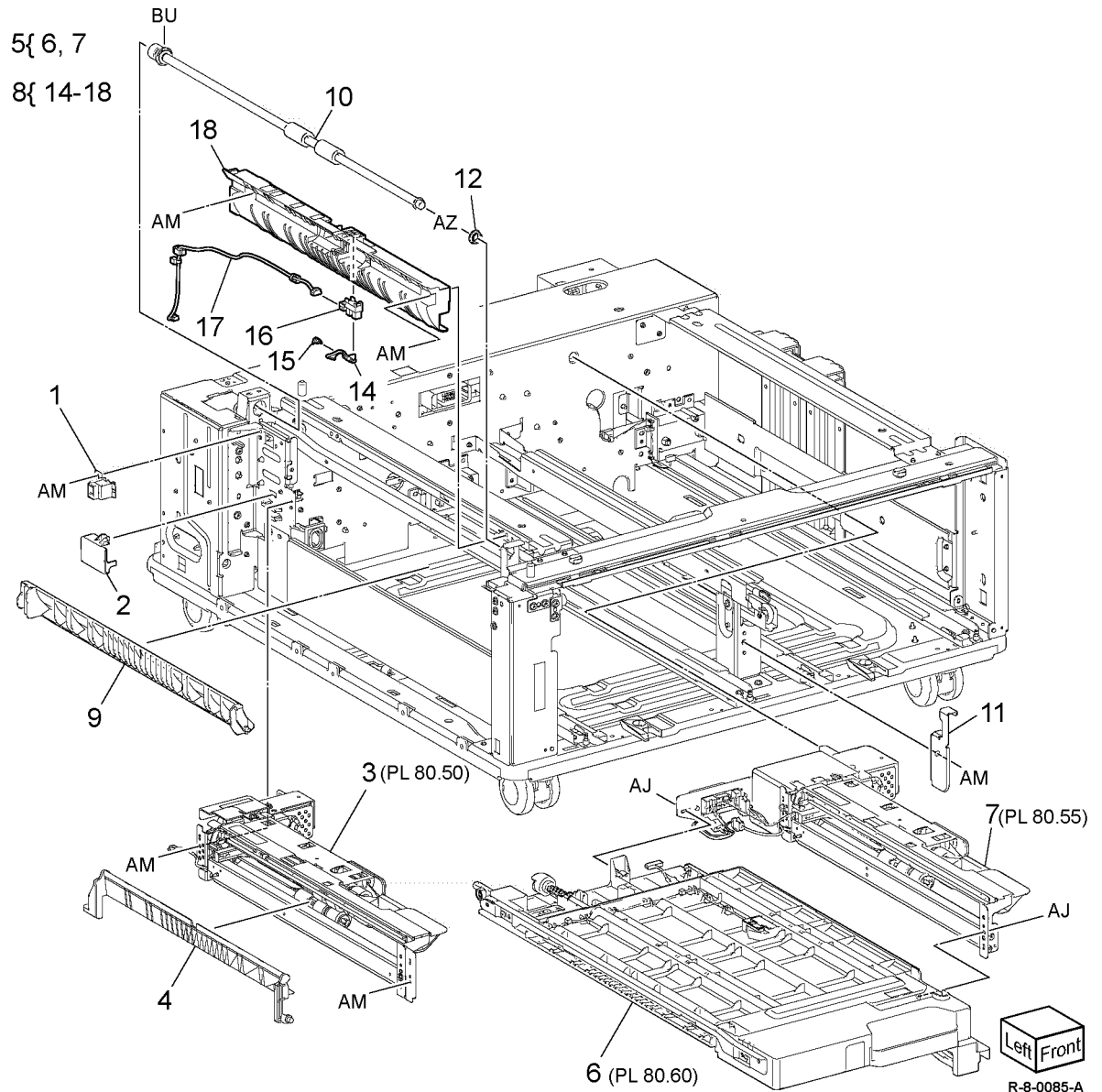
Item	Part	Description
1	—	Feed roll (P/O PL 80.15 Item 10) (REP 80.3)
2	—	Nudger roll (P/O PL 80.15 Item 10) (REP 80.3)
3	—	Retard roll (P/O PL 80.15 Item 10) (REP 80.3)
4	930W00211	Tray 2 pre-feed sensor (Q72-105)
5	—	Chute (P/O PL 80.15 Item 6)
6	—	Feedhead frame assembly (P/O PL 80.05 Item 2)
7	930W00113	Tray 2 no paper sensor (Q72-101) / Tray 2 level sensor (Q72-102)
8	127K52790	Tray 2 feed/lift motor (MOT72-001)
9	—	Gear (P/O PL 80.15 Item 8)
10	676K12691	Tray 1-4 feed rolls



R-8-0080-A

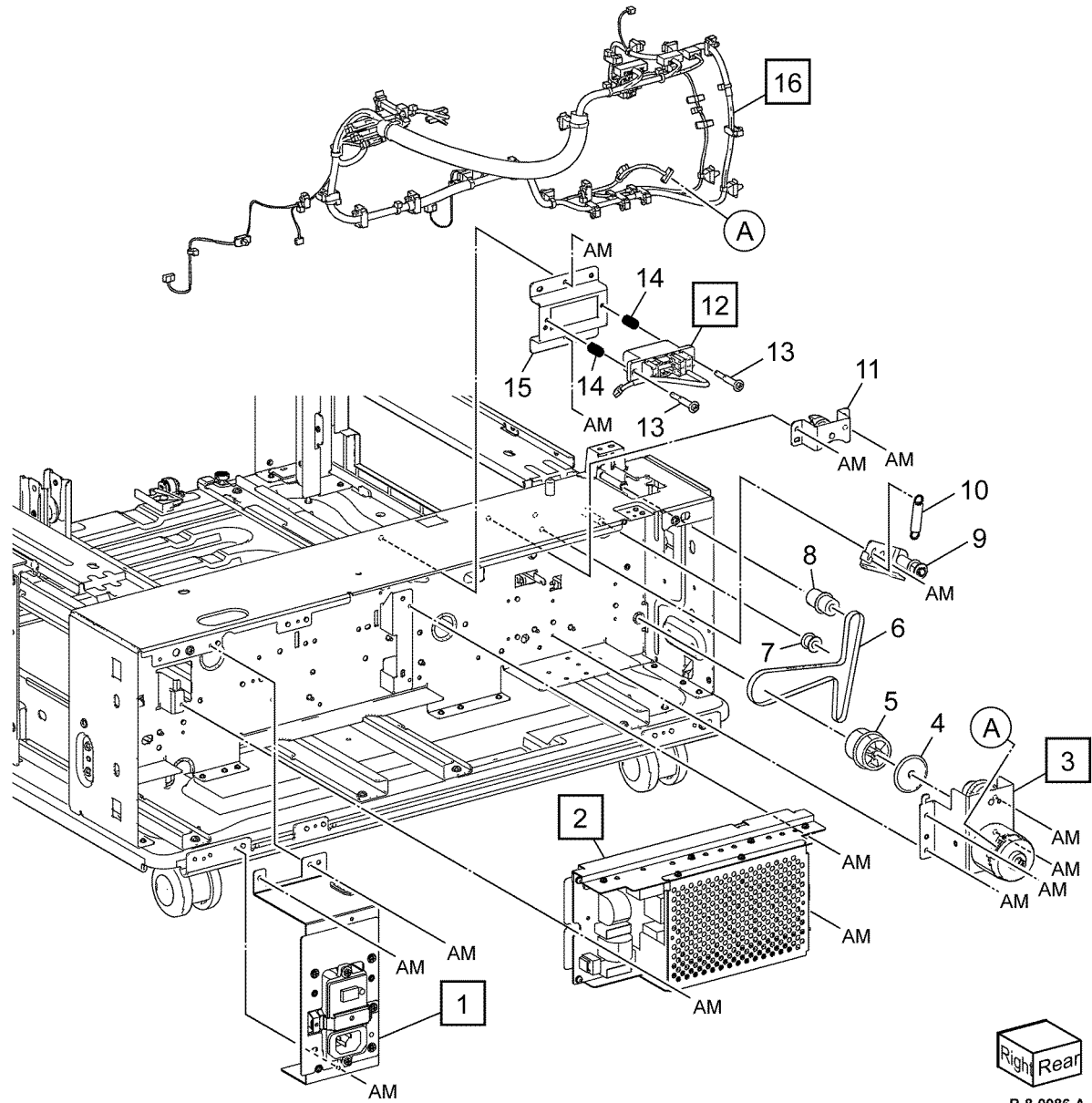
PL 80.40 TTM Transport Assembly / Tray 3 4 Feedhead Assembly

Item	Part	Description
1	948K01811	TTM left door interlock switch (S77-306)
2	—	Connector cover (Not Spared)
3	859K14420	Tray 3 feedhead assembly (REP 80.14)
4	054E33803	Feed out chute
5	859K14440	Transport assembly (REF: PL 80.60)
6	—	TTM transport assembly
7	859K17810	Tray 4 feedhead assembly (REP 80.15)
8	—	Takeaway chute assembly
9	054E39560	Transport feed chute
10	859K07790	Takeaway roll assembly
11	—	Transport stopper (Not Spared)
12	413W88650	Bearing
13	—	Not used
14	—	Actuator (P/O PL 80.40 Item 8)
15	—	Spring (P/O PL 80.40 Item 8)
16	—	Feed out sensor 3 (Q73-103) (P/O PL 80.40 Item 8)
17	—	Harness assembly (P/O PL 80.40 Item 8)
18	—	Takeaway chute (P/O PL 80.40 Item 8)



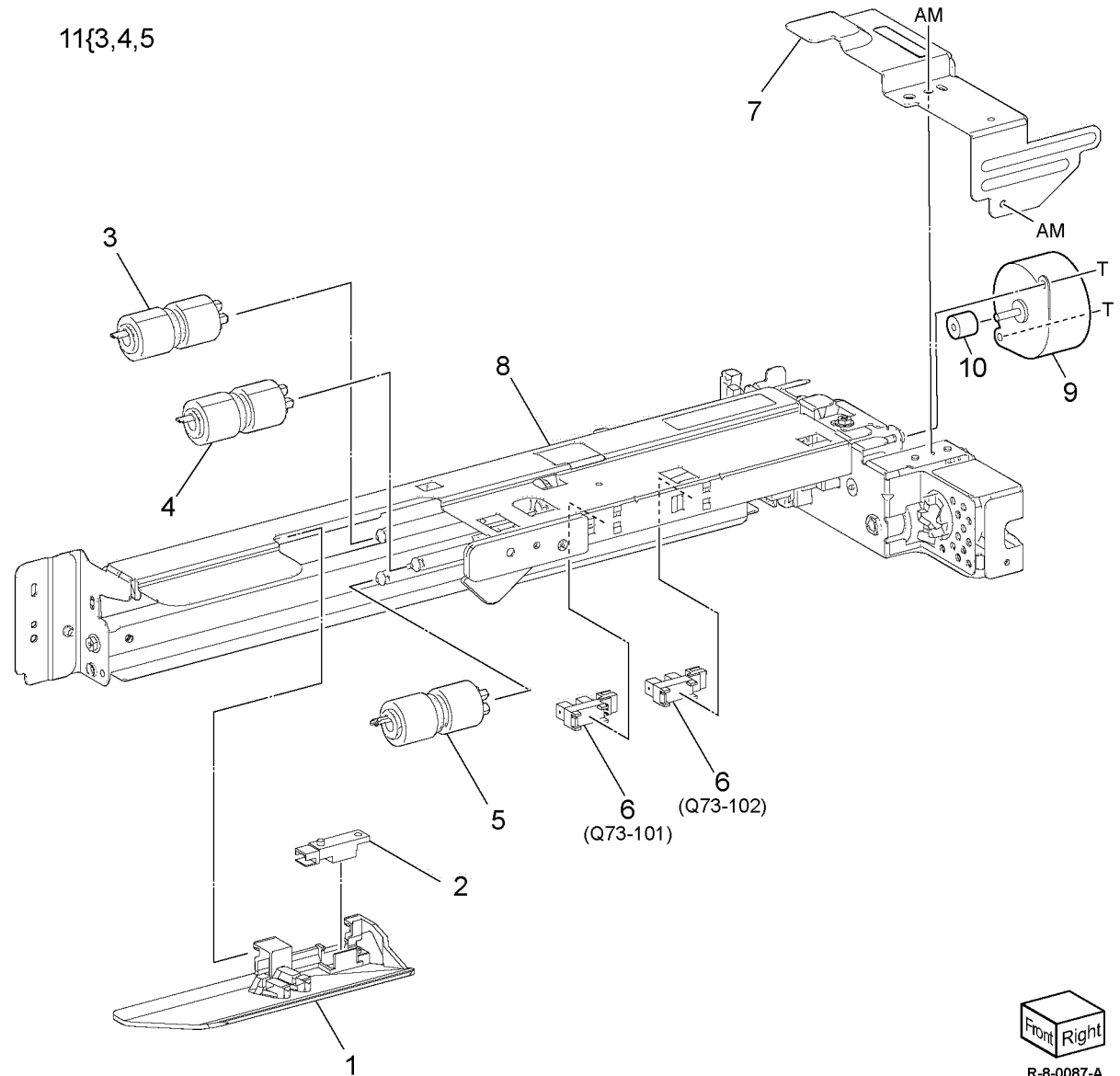
PL 80.45 TTM Drive Assembly

Item	Part	Description
1	101K69981	GFI chassis assembly
2	105E21602	LVPS CC4 (B8170)
3	049K31911	Takeaway motor bracket assembly (MOT77-035)
4	005E37900	Collar
5	020E51640	Pulley (48T)
6	—	Belt
7	059E03590	Roller
8	020E51630	Pulley (24T)
9	—	Tension bracket assembly (Not Spared)
10	899E15320	Spring
11	049K35270	Transport bracket assembly
12	952K31631	Drawer harness
13	—	Shoulder screw (Not Spared)
14	—	Spring (Not Spared)
15	—	Connector bracket (Not Spared)
16	952K45380	Wire harness



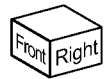
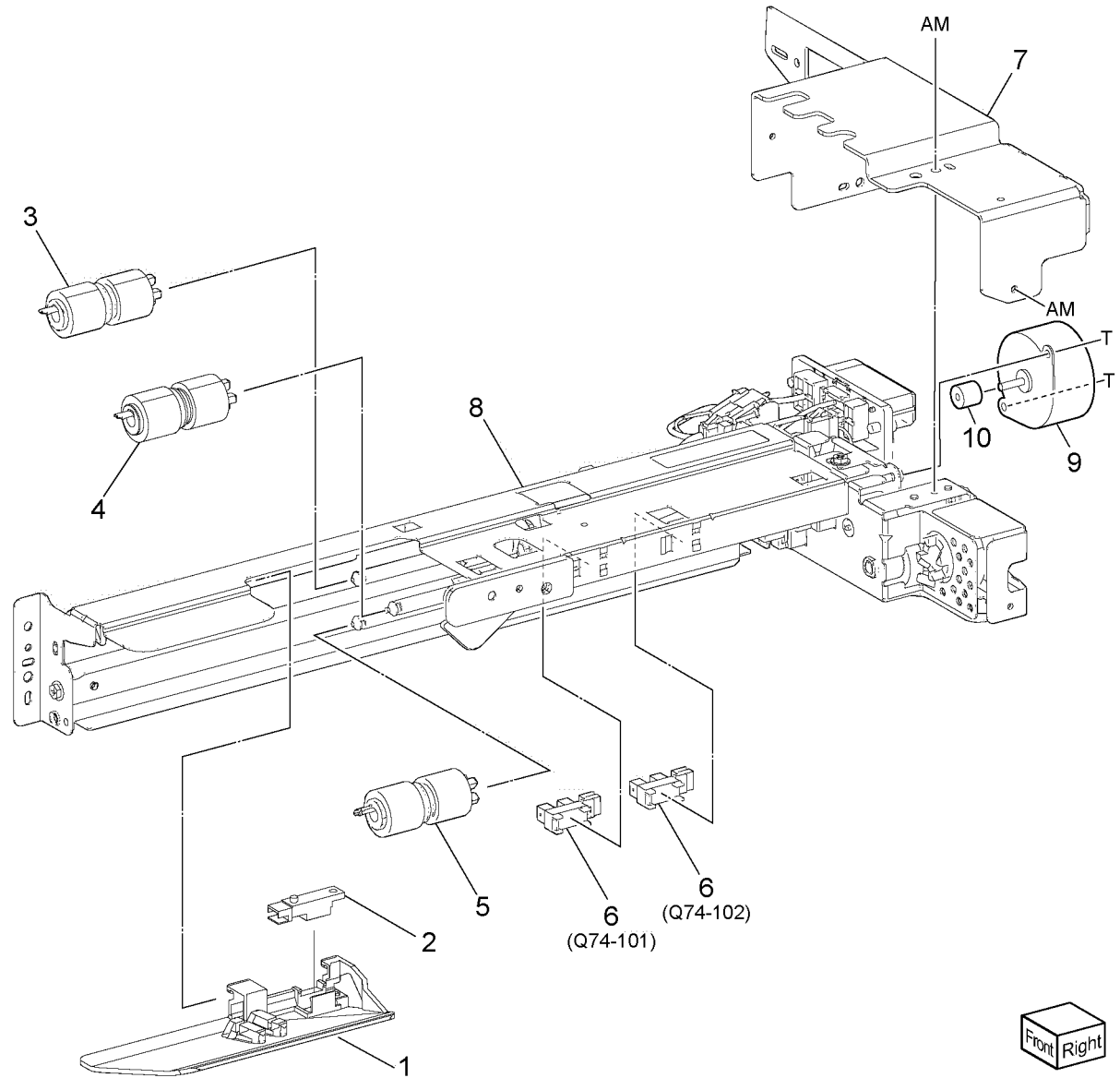
PL 80.50 TTM Tray 3 Feedhead Assembly

Item	Part	Description
1	054E23461	Chute
2	930W00211	Tray 3 pre-feed sensor (Q73-105)
3	—	Feed roll (P/O PL 80.50 Item 11) (REP 80.16)
4	—	Nudger roll (P/O PL 80.50 Item 11) (REP 80.16)
5	—	Retard roll (P/O PL 80.50 Item 11) (REP 80.16)
6	930W00113	Tray 3 no paper sensor (Q73-101)/ Tray 3 level sensor (Q73-102)
7	—	Feedhead cover (P/O PL 80.40 Item 3)
8	—	Feedhead frame (P/O PL 80.40 Item 3)
9	—	Tray 3 feed/lift motor (MOT73-001) (P/O PL 80.40 Item 3)
10	—	Gear (P/O PL 80.50 Item 9)
11	676K12691	Tray 1-4 feed rolls (REP 80.16)



PL 80.55 TTM Tray 4 Feedhead Assembly

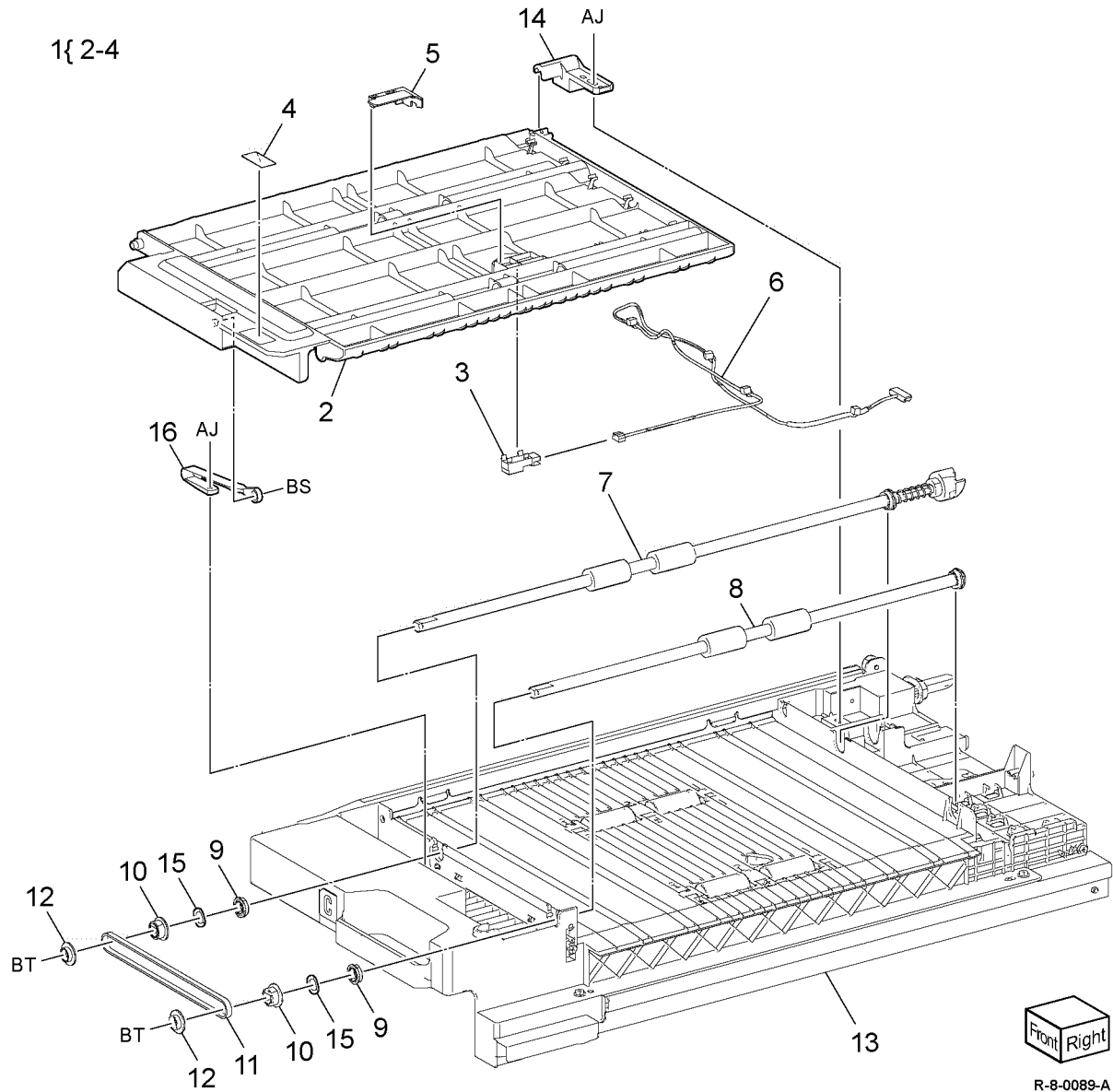
Item	Part	Description
1	054E23461	Chute
2	930W00211	Tray 4 pre-feed sensor (Q74-105)
3	—	Feed roll (P/O PL 80.55 Item 11) (REP 80.16)
4	—	Nudger roll (P/O PL 80.55 Item 11) (REP 80.16)
5	—	Retard roll (P/O PL 80.55 Item 11) (REP 80.16)
6	930W00113	Tray 4 no paper sensor (Q74-101)/ Tray 4 level sensor (Q74-102)
7	—	Feedhead cover (P/O PL 80.40 Item 7)
8	—	Feedhead frame (P/O PL 80.40 Item 7)
9	—	Tray 4 feed/lift motor (MOT74-001) (P/O PL 80.40 Item 7)
10	—	Gear (P/O PL 80.55 Item 9)
11	676K12691	Tray 1-4 feed rolls (REP 80.16)



R-8-0088-A

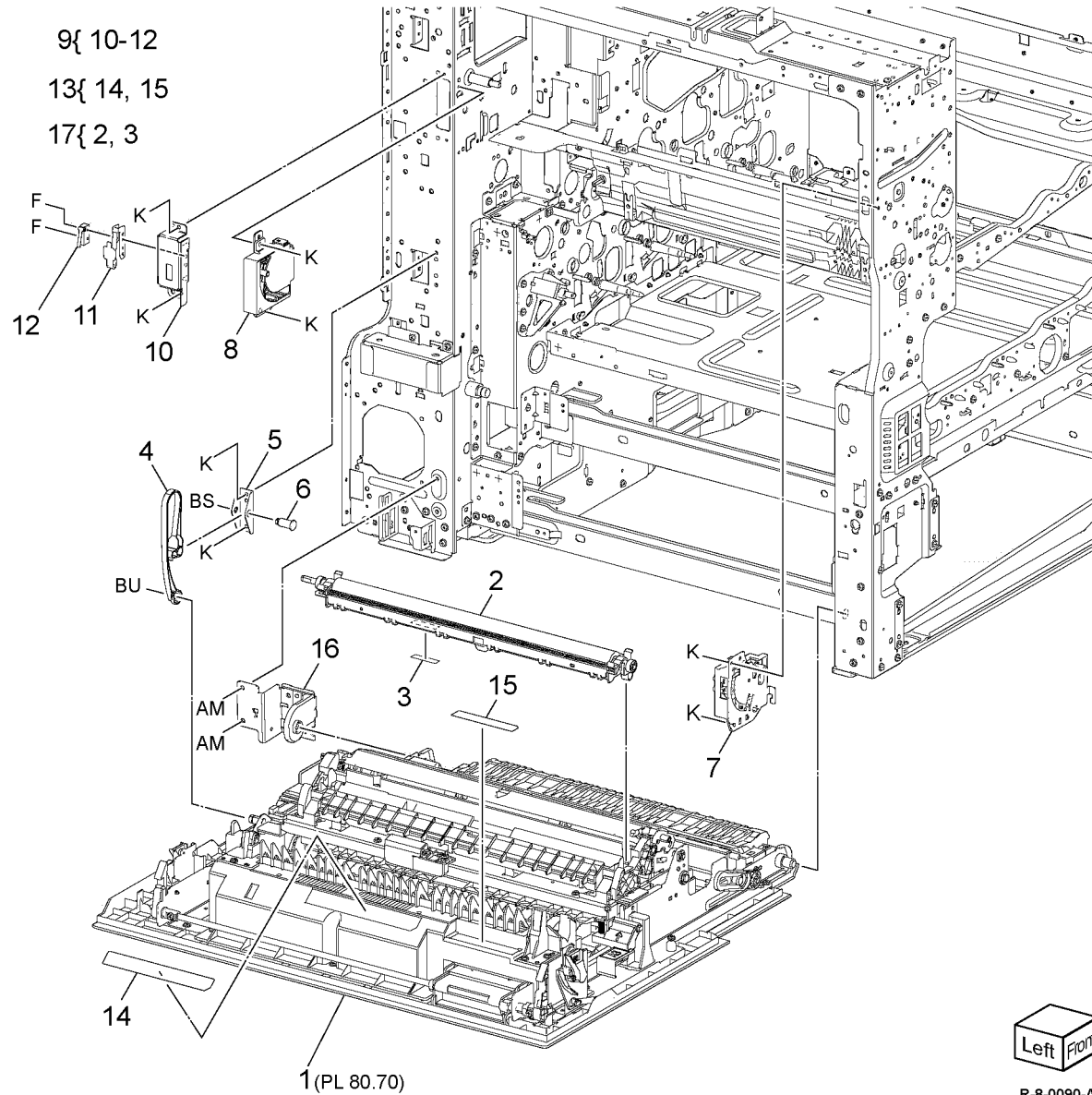
PL 80.60 TTM Transport Assembly

Item	Part	Description
1	607K02280	Upper chute transport kit (REF: PL 80.40 Item 5)
2	—	Upper chute transport (P/O PL 80.60 Item 1)
3	930W00212	Feed out sensor 4 (Q74-103)
4	—	Label (Transport) (P/O PL 80.60 Item 1)
5	—	Feed out sensor cover (Not Spared)
6	—	Feed out sensor harness (Not Spared)
7	859K02971	Transport roll assembly (REP 80.17)
8	859K07801	Transport roll
9	413W88650	Bearing
10	—	Pulley (Not Spared)
11	—	Belt (Not Spared)
12	—	Collar (Not Spared)
13	—	Lower chute transport (Not Spared)
14	—	Rear jam clearance handle (Not Spared)
15	—	Washer (Not Spared)
16	—	Front jam clearance handle (Not Spared)



PL 80.65 Left Cover Components

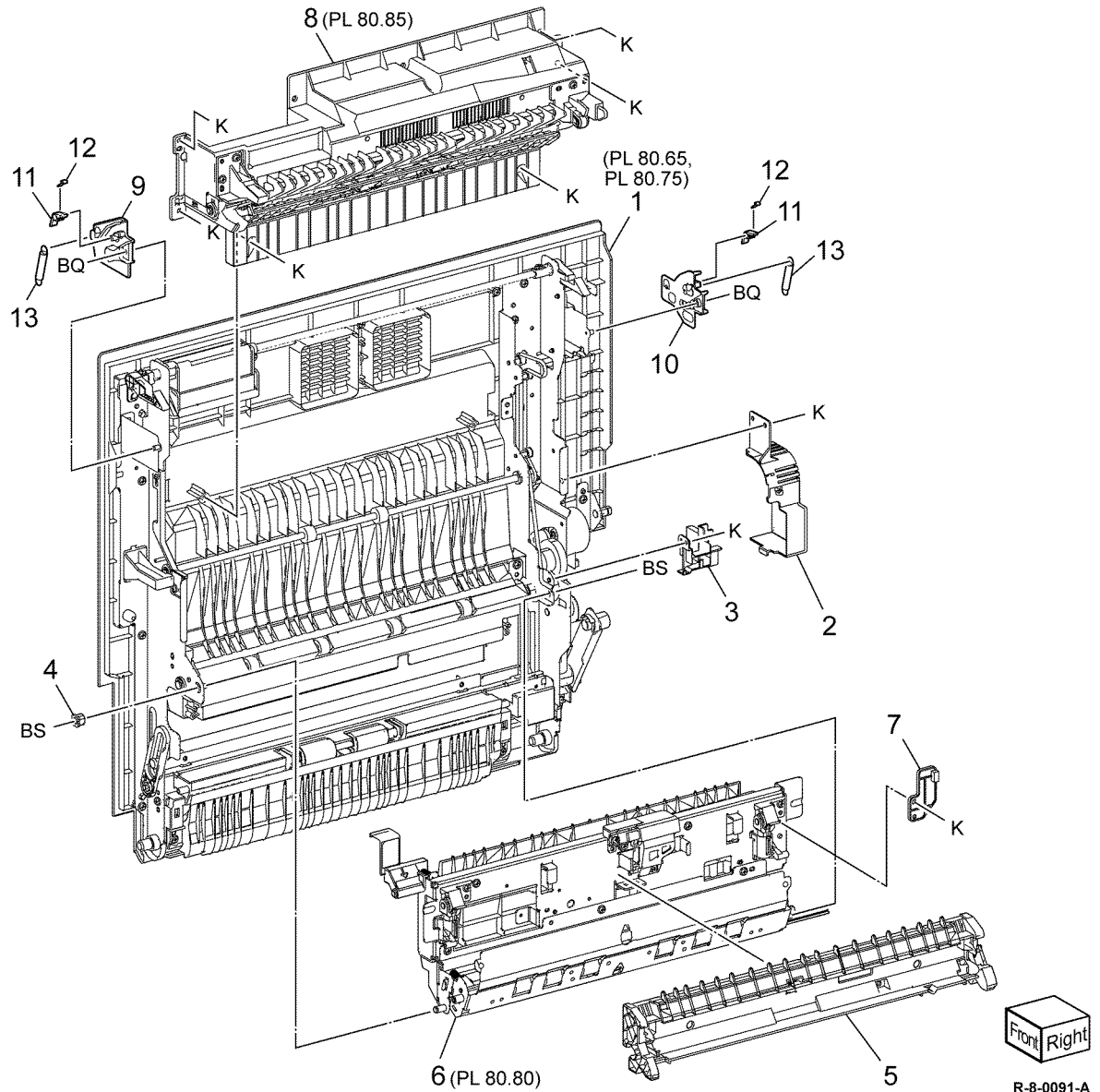
Item	Part	Description
1	859K17554	Left cover assembly (B8145/ B8155) (REP 80.21)
—	859K24470	Left cover assembly (B8170) (REP 80.21)
2	008R08103	2nd BTR roll assembly (REP 80.22)
3	—	Label (P/O PL 80.65 Item 17)
4	869E24730	Rear left support
5	—	Support bracket (Not Spared)
6	—	Shaft (Not Spared)
7	011K04800	Front lever assembly
8	011K04810	Rear lever assembly
9	110K18150	Interlock switch assembly (S77-300) (REP 80.29)
10	—	Switch bracket (P/O PL 80.65 Item 9)
11	—	Switch plate (P/O PL 80.65 Item 9)
12	—	Left cover interlock switch (P/O PL 80.65 Item 9)
13	—	Caution label kit (Not Spared)
14	—	Label (Finger caution) (P/O PL 80.65 Item 1)
15	—	Label (Caution) (P/O PL 80.65 Item 1)
16	—	Rear bracket (Not Spared)
17	—	2nd BTR assembly



R-8-0090-A

PL 80.70 Left Cover Transport Components

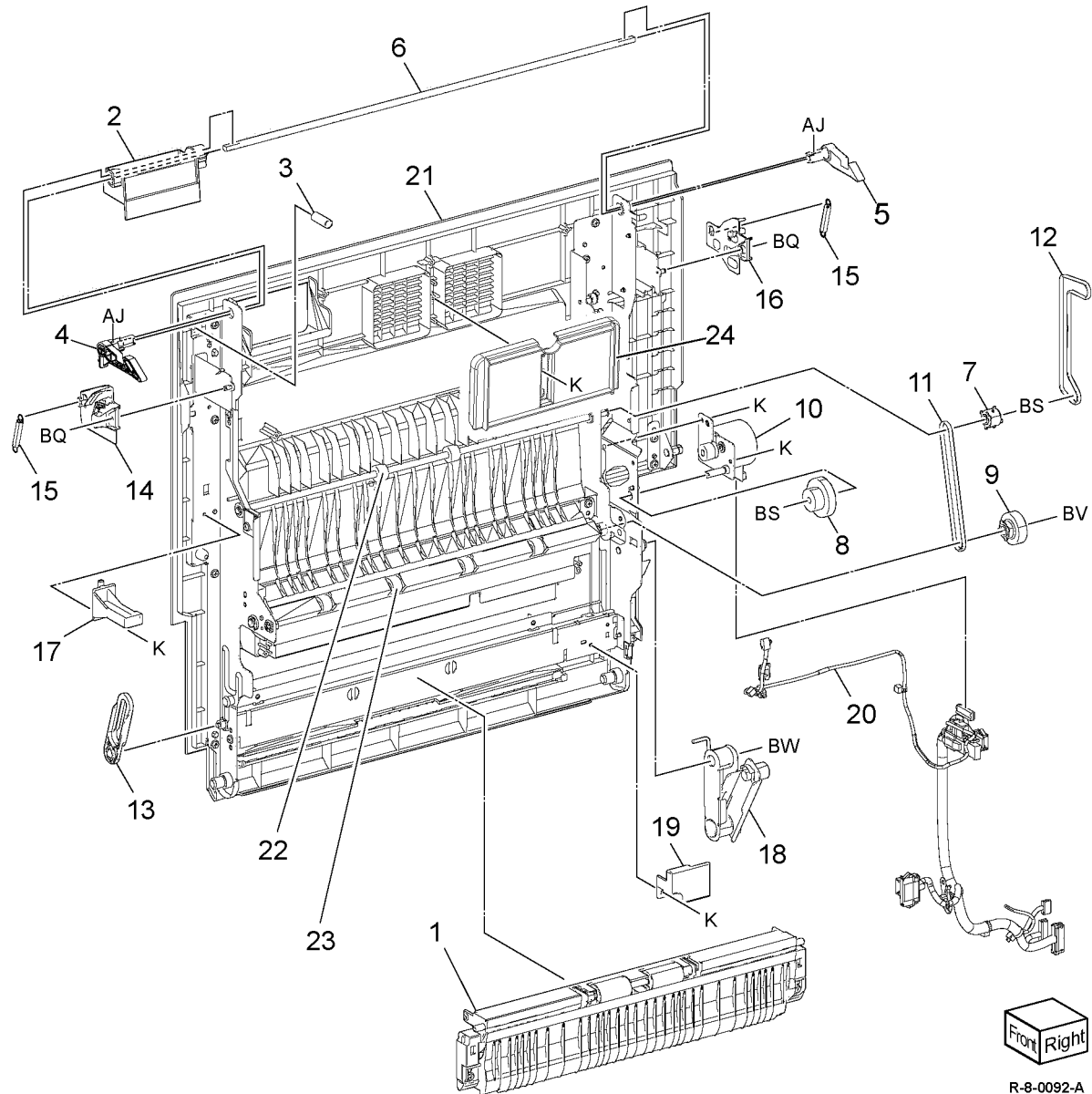
Item	Part	Description
1	—	Left cover assembly (REF: PL 80.75)
2	—	Duplex motor cover
3	—	Harness guide
4	—	Bearing
5	948K01623	2nd BTR housing assembly (REF: PL 80.65 Item 17) (REP 80.23)
6	—	Duplex inner chute assembly (REF: PL 80.80) (REP 80.24)
7	—	Link (P/O PL 80.70 Item 6)
8	054K56213	Duplex chute assembly (B8145/B8155) (REF: PL 80.85)
—	054K57964	Duplex chute assembly (B8170) (REF: PL 80.85)
9	—	Front toggle guide
10	—	Rear toggle guide
11	—	Toggle gate
12	—	Spring
13	—	Toggle spring



Note: All parts are part of PL 80.65 Item 1.

PL 80.75 Left Cover Transport Assembly

Item	Part	Description
1	054K56131	Lower chute assembly (REP 80.25)
2	011E28973	Handle
3	—	Spring
4	011E28993	Front latch
5	011E29000	Rear latch
6	—	Shaft
7	—	Pulley
8	—	Gear
9	—	Gear/pulley
10	—	Duplex motor (MOT77-071)
11	—	Belt
12	—	Belt
13	869E18601	Front support
14	—	Front toggle guide assembly
15	—	Spring
16	—	Rear toggle guide assembly
17	—	Close stopper
18	—	Link assembly
19	—	Connector cover
20	—	Harness assembly
21	—	Left cover assembly
22	—	Mid duplex roll assembly
23	—	Lower duplex roll assembly
24	—	Bracket (P/O PL 80.75 Item 27)
25	—	Belt (P/O PL 80.75 Item 27)
26	—	Pad (P/O PL 80.75 Item 27)
27	049K45260	Duplex drive assembly



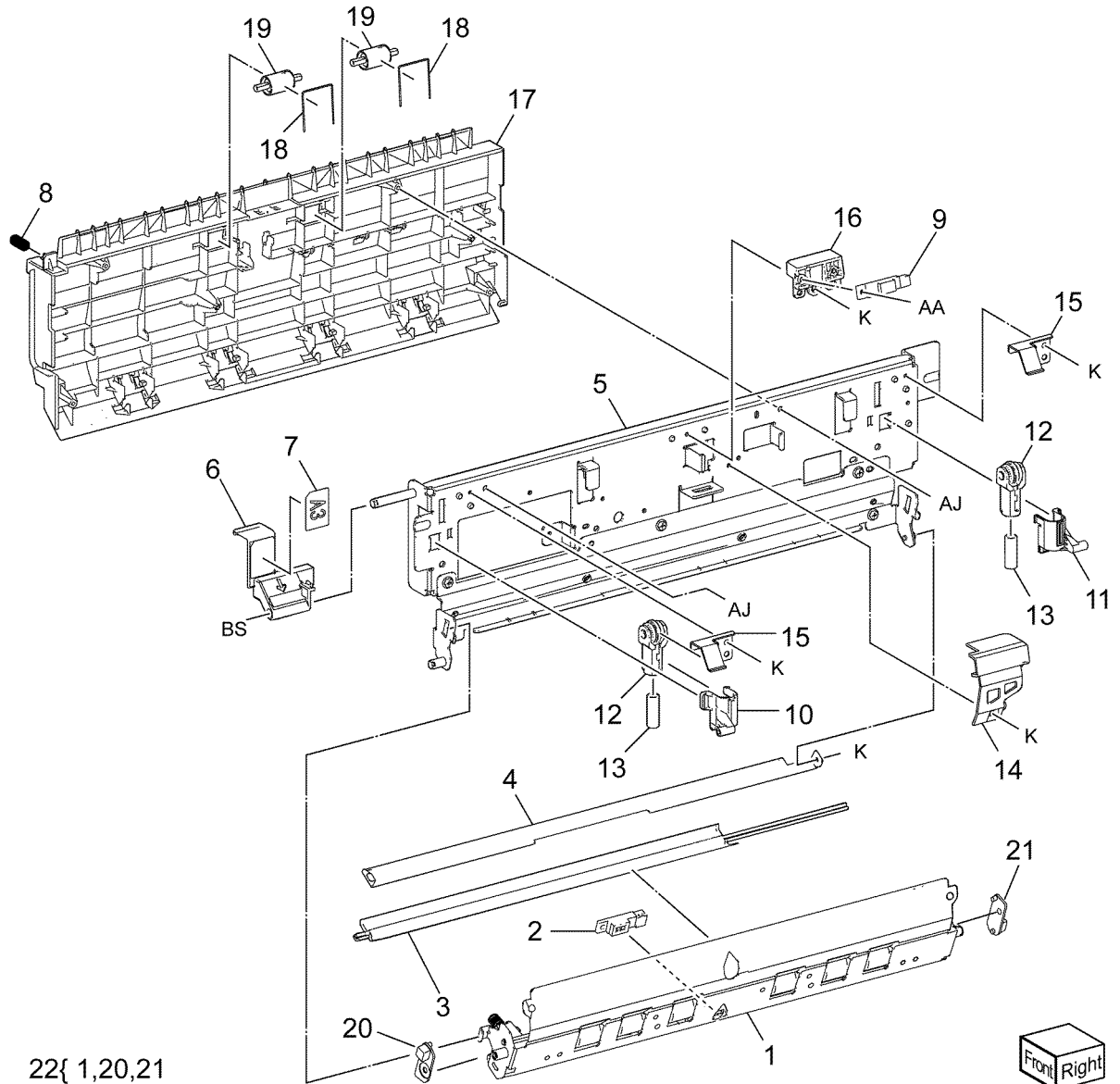
Note: All components are part of PL 80.65 Item 1



R-8-0092-A

PL 80.80 Duplex Inner Chute Assembly

Item	Part	Description
1	—	Registration chute assembly (P/O PL 80.80 Item 22)
2	930W00211	Registration sensor (Q77-103) (REP 80.26)
3	—	Registration heater assembly
4	—	Registration heater bracket
5	—	Registration tie plate
6	—	Handle (REP 80.27)
7	—	Label (A3)
8	—	Spring
9	130E87410	POB jam sensor (Q94-201) (REP 80.28)
10	—	Front spring housing
11	—	Rear spring housing
12	—	2nd roller assembly
13	—	Spring
14	—	Harness cover
15	—	BTR bracket
16	—	POB jam sensor holder
17	—	Duplex inner chute
18	899E15700	Pinch spring
19	607K20560	Pinch roller
20	—	Registration front pinch plate (P/O PL 80.80 Item 22)
21	—	Registration rear pinch plate (P/O PL 80.80 Item 22)
22	607K14930	Registration chute assembly kit



22{ 1,20,21

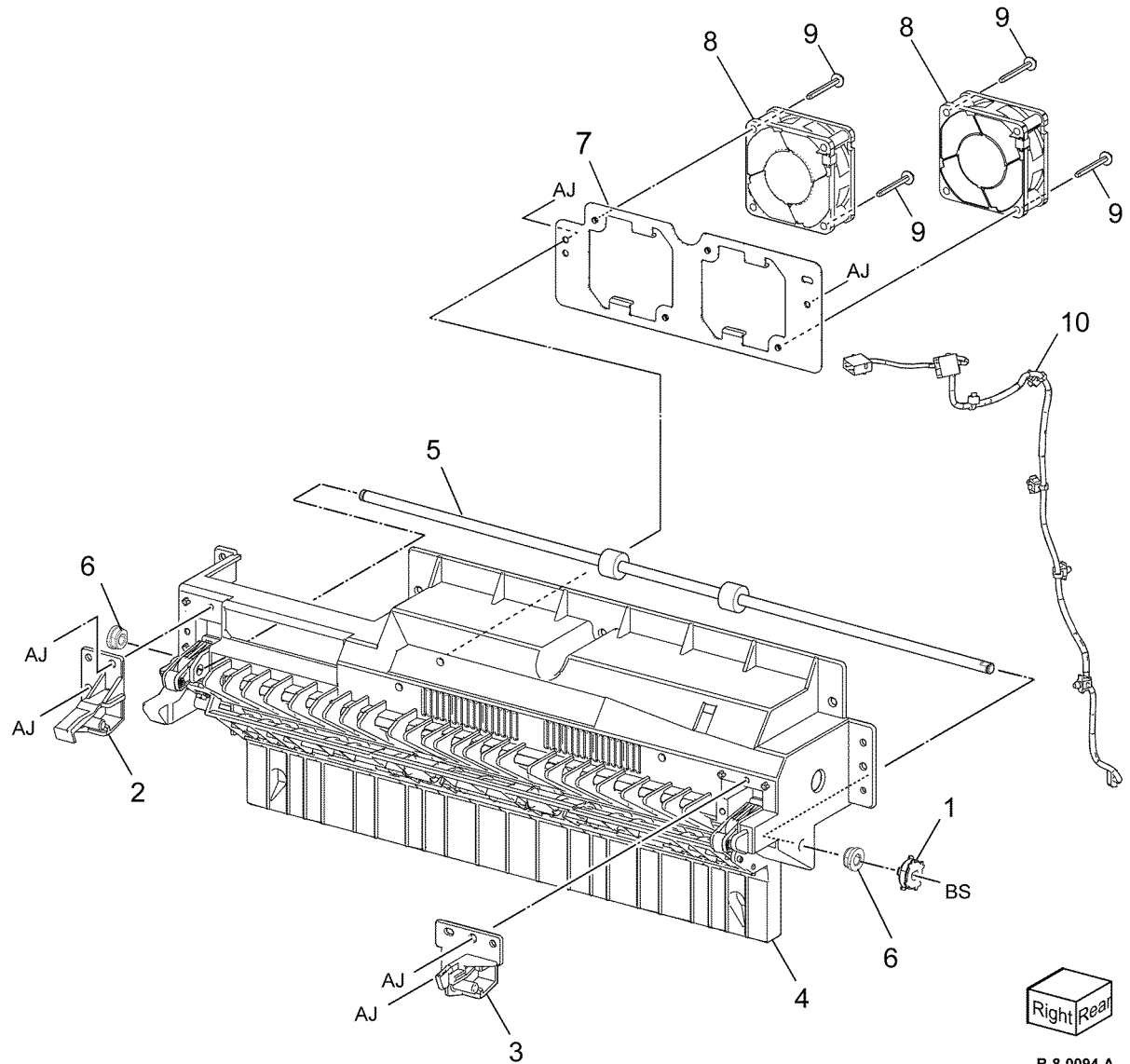


R-8-0093-A

PL 80.85 Duplex Chute Assembly

Item	Part	Description
1	—	Pulley
2	—	Front holder assembly
3	—	Rear holder assembly
4	—	Duplex chute housing assembly
5	—	Upper duplex roll assembly
6	—	Bearing
7	—	Fan bracket (B8170)
8	127K74180	L/H Fan (B8170)
9	—	Screw (B8170)
10	—	Wire harness (B8170)

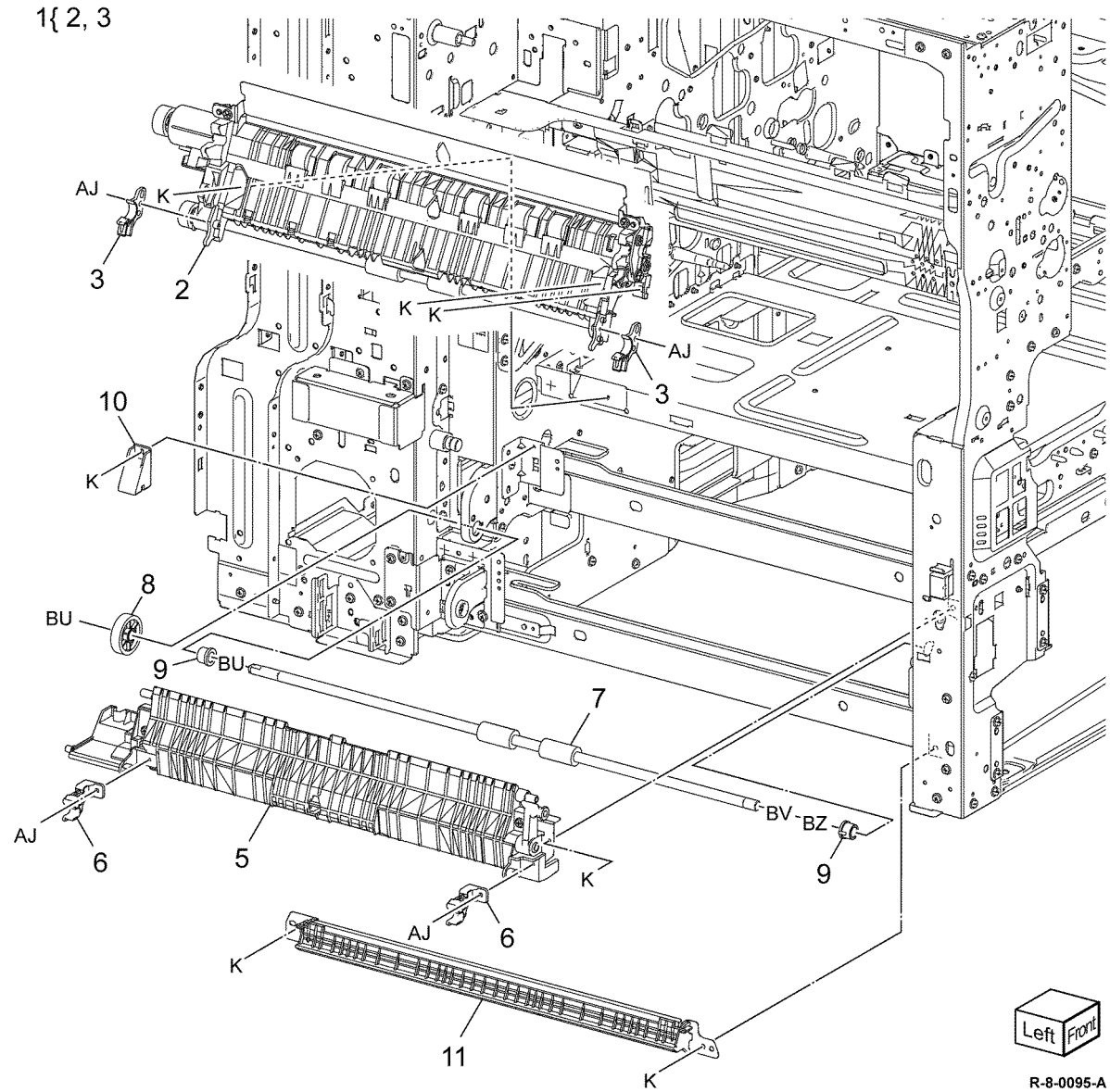
Note: All components are part of PL 80.65 Item 1



R-8-0094-A

PL 80.90 Registration Transport Assembly

Item	Part	Description
1	859K15190	Registration transport assembly (REP 80.30)
2	—	Registration transport (P/O PL 80.90 Item 1)
3	—	Chute holder (P/O PL 80.90 Item 1)
4	—	Not used
5	054K55492	Chute (REP 80.31)
6	032E48421	Chute guide
7	859K02290	Takeaway roll 2 assembly (alternative) (REP 80.32)
—	859K07200	Takeaway roll 2 assembly (REP 80.32)
8	807E52000	Drive gear
9	013E46820	Bearing
10	—	Connector cover (Not Spared)
11	054K56173	Upper chute assembly



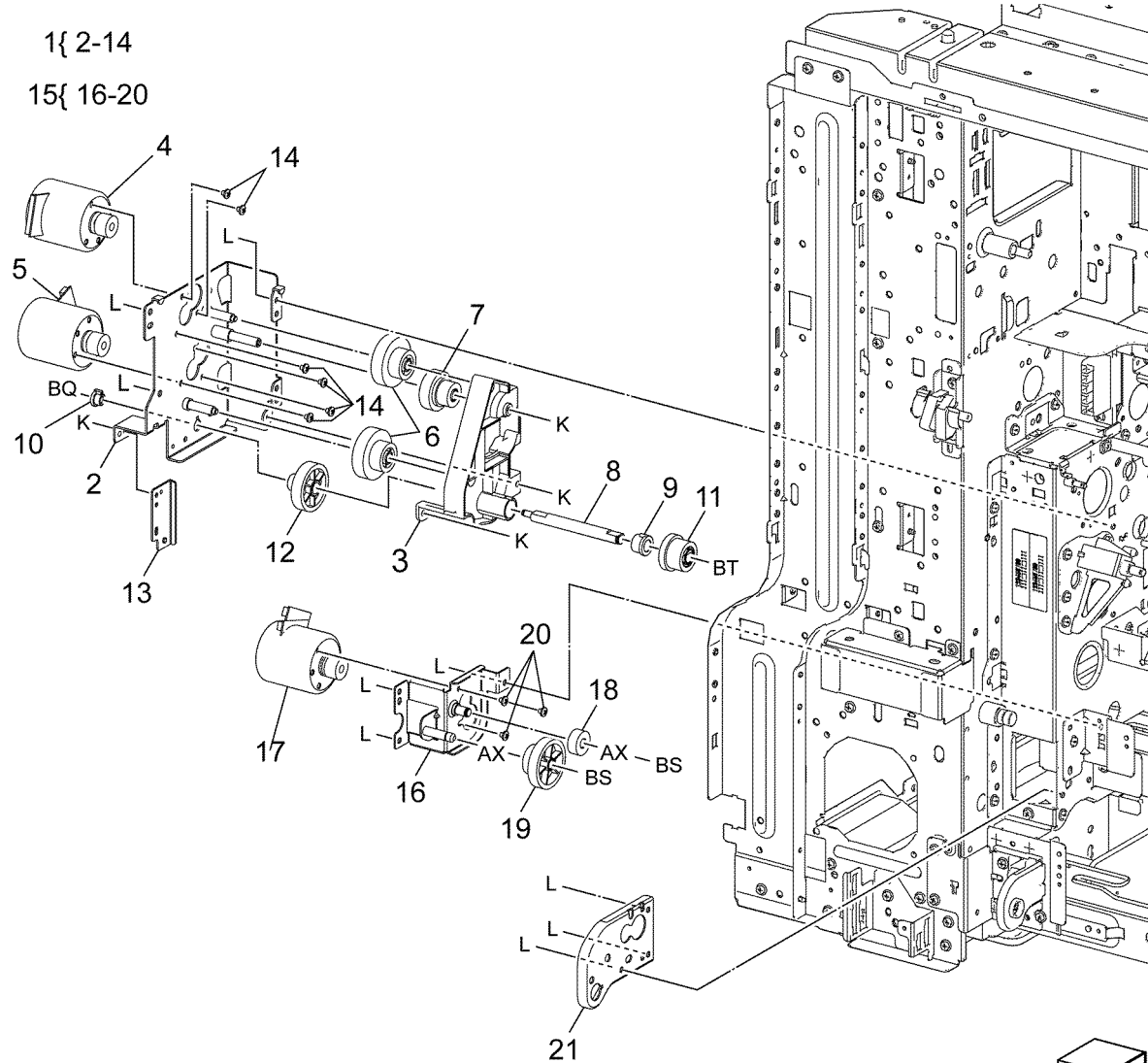
Left Front

R-8-0095-A

PL 80.95 Registration Drive Assembly

Item	Part	Description
1	007K23700	Registration drive assembly (REP 80.33)
2	—	Motor bracket (P/O PL 80.95 Item 1)
3	—	Block (P/O PL 80.95 Item 1)
4	—	Registration motor (MOT77-055) (P/O PL 80.95 Item 1)
5	—	Takeaway motor 1 (MOT77-050) (P/O PL 80.95 Item 1)
6	—	Gear (39/22) (P/O PL 80.95 Item 1)
7	—	Gear (30/18) (P/O PL 80.95 Item 1)
8	—	Shaft (P/O PL 80.95 Item 1)
9	—	Bearing
10	—	Bearing (P/O PL 80.95 Item 1)
11	—	Gear (37) (P/O PL 80.95 Item 1)
12	—	Gear (25) (P/O PL 80.95 Item 1)
13	—	Bracket (P/O PL 80.95 Item 1)
14	—	Screw (P/O PL 80.95 Item 1)
15	007K22022	Takeaway drive assembly (REP 80.34)
16	—	Takeaway motor 2 bracket (P/O PL 80.95 Item 15)
17	—	Takeaway motor 2 (MOT77-051) (P/O PL 80.95 Item 15)
18	—	Gear (18) (P/O PL 80.95 Item 15)
19	—	Gear (Z39/22) (P/O PL 80.95 Item 15)
20	—	Screw (P/O PL 80.95 Item 15)
21	—	Drive bracket (Not Spared)

1{ 2-14
15{ 16-20

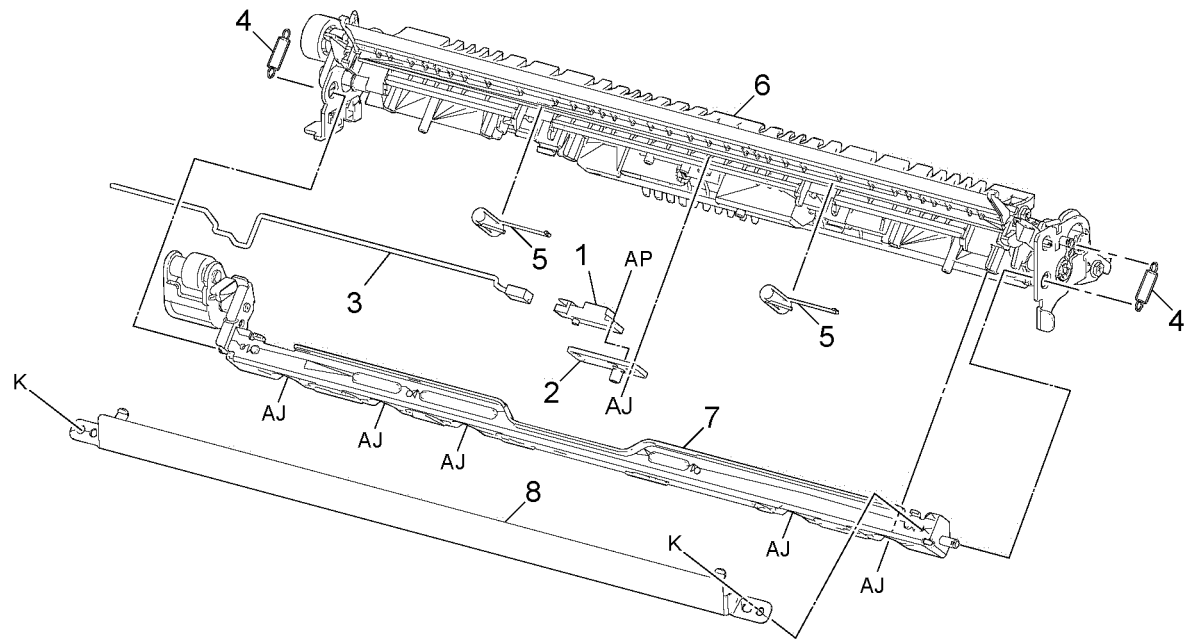


R-8-0096-A

PL 80.115 Bypass Tray Takeaway Assembly

Item	Part	Description
1	930W00211	Feed out sensor (Q77-104)
2	—	Feed out sensor holder
3	—	Feed out sensor harness
4	—	Spring
5	—	Spring
6	—	Pinch chute
7	—	Tie plate
8	—	Miler plate

Note: All parts are part of PL 70.50 Item 4.

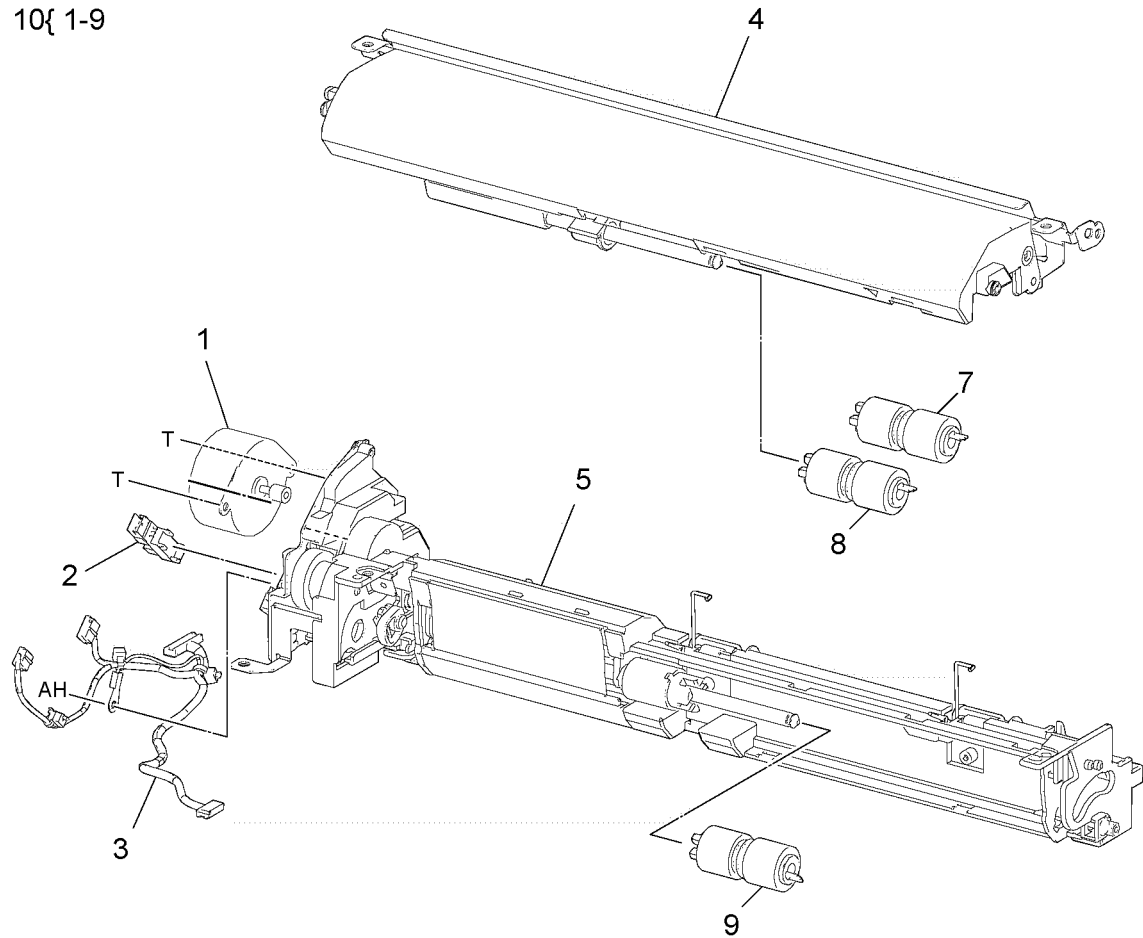


R-8-0100-A

PL 80.120 Bypass Tray Feedhead Assembly

Item	Part	Description
1	127K52790	Bypass tray feed/lift motor (MOT75-003)
2	930W00113	Bypass tray nudger position sensor (Q75-102)
3	952K30302	Harness assembly
4	—	Upper feedhead assembly (P/O PL 80.120 Item 10)
5	—	Lower frame (P/O PL 80.120 Item 10)
6	607K12430	Bypass tray roll kit (REP 80.20[File not referenced in map] _ATI_File_Not_Found_x-wc_-file=d@[migration[riptide.xml[dita[svc.rip.1000407627.dita]23svc.rip.1000407627.xml])
7	—	Feed roll (P/O PL 80.120 Item 6)
8	—	Nudger roll (P/O PL 80.120 Item 6)
9	—	Retard roll (P/O PL 80.120 Item 6)
10	607K15040	Bypass tray feedhead kit (REP 80.19)

6{ 7-9
10{ 1-9

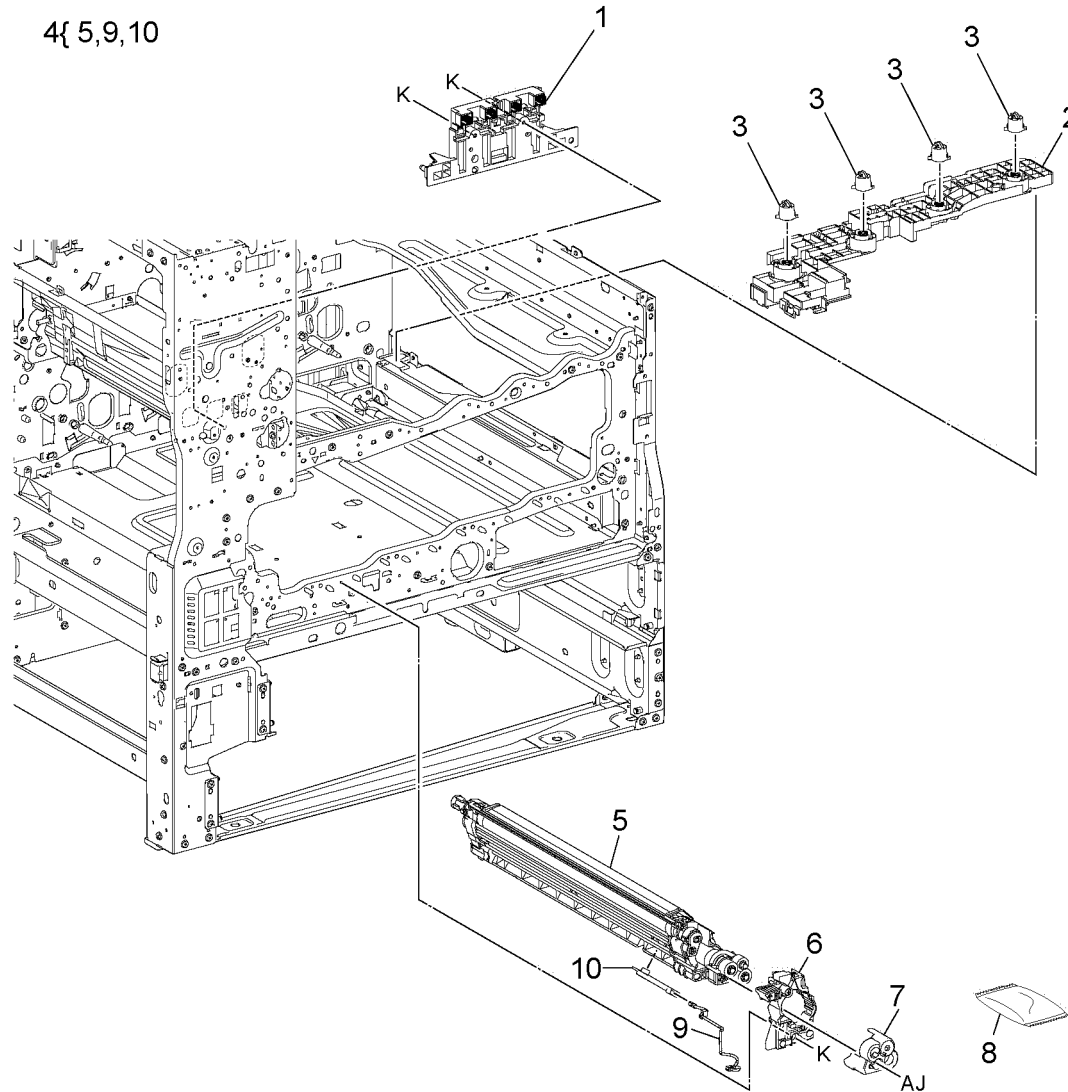


R-8-0101-A

PL 90.05 Developer Unit

Item	Part	Description
1	948K28430	Conductor housing assembly (REP 90.1)
2	948K28420	Developer conductor housing assembly
3	010E96730	Plunger (REP 90.2)
4	948K13034	Developer housing kit (See NOTE)
5	—	Developer assembly (P/O PL 90.05 Item 4) (See NOTE) (REP 90.3)
6	815K16910	Developer plate assembly
7	—	Gear cover (Not Spared)
8	676K51531	Developer material (K) (REP 90.7)
9	—	Wire harness (P/O PL 90.05 Item 4)
10	—	ATC sensor (P/O PL 90.05 Item 4)

Note: When ordering item 4 also order Developer material item 8.



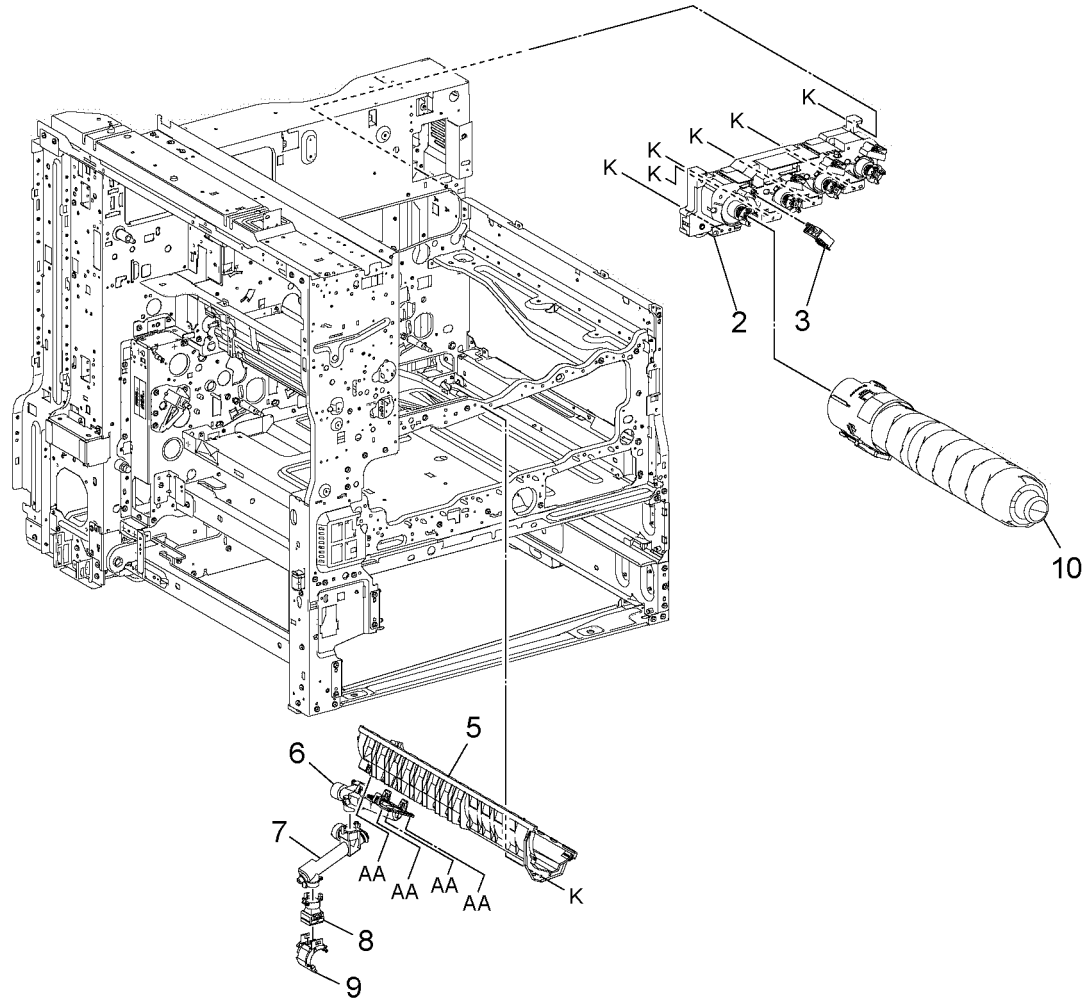
Left Front
R-8-0102-A

PL 90.10 Toner Dispense

Item	Part	Description
1	007K23950	Toner dispense motor assembly (MOT92-005) (REP 90.4)
2	—	Drive assembly (P/O PL 90.10 Item 1)
3	019K16490	Toner CRUM connector assembly (REP 90.5)
4	094K94171	Dispenser assembly (K) (REP 90.6)
5	—	Toner guide assembly (K) (P/O PL 90.10 Item 4)
6	—	Main pipe (K) (P/O PL 90.10 Item 4)
7	—	Sub pipe (K) (P/O PL 90.10 Item 4)
8	—	Lower pipe (K) (P/O PL 90.10 Item 4)
9	—	Shutter (K) (P/O PL 90.10 Item 4)
10	—	Toner cartridge (K) (REF: PL 25.10 Item 2)

1{ 2, 3

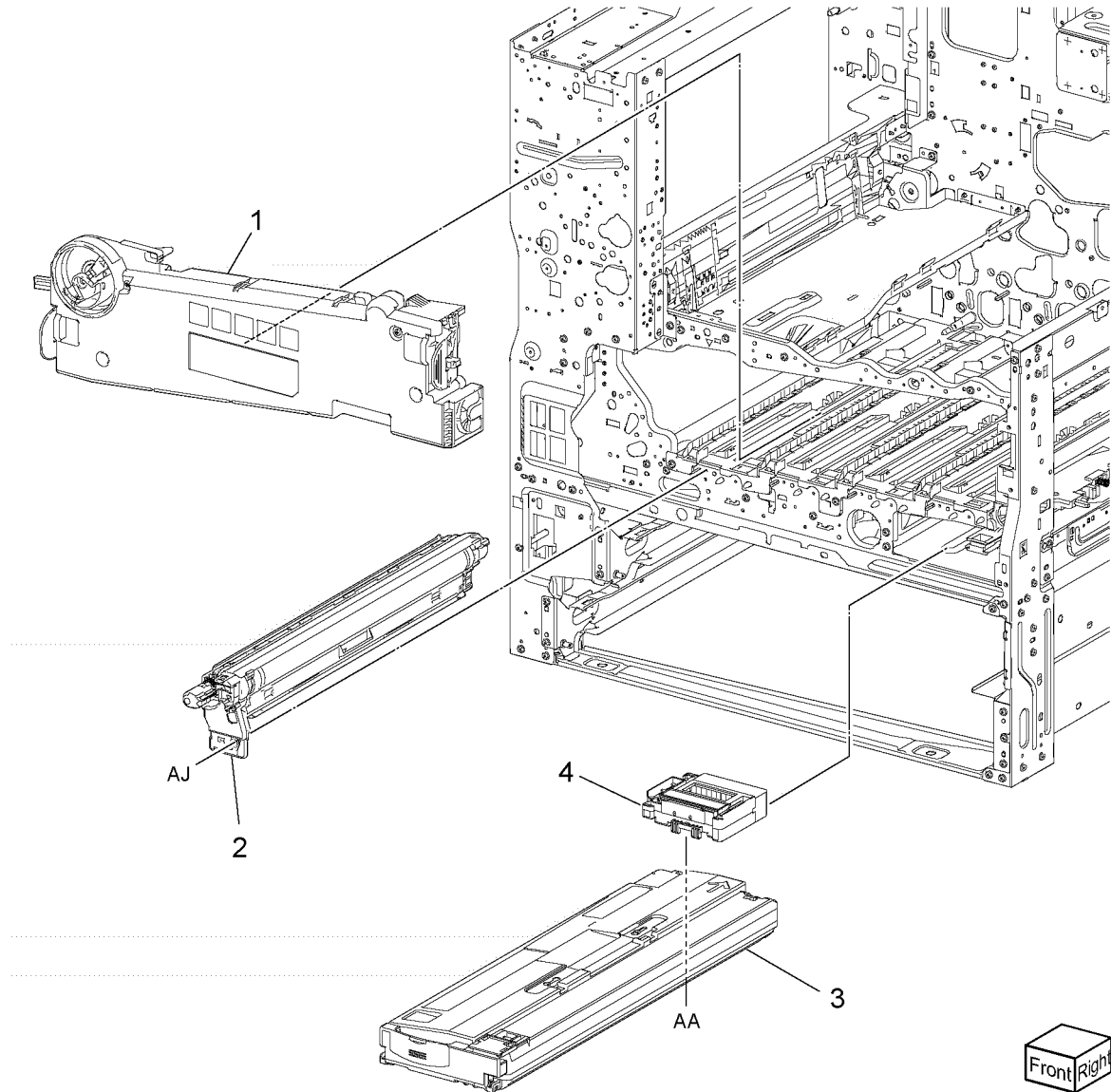
4{ 5-9



R-8-0103-A

PL 90.15 Xerographic Components

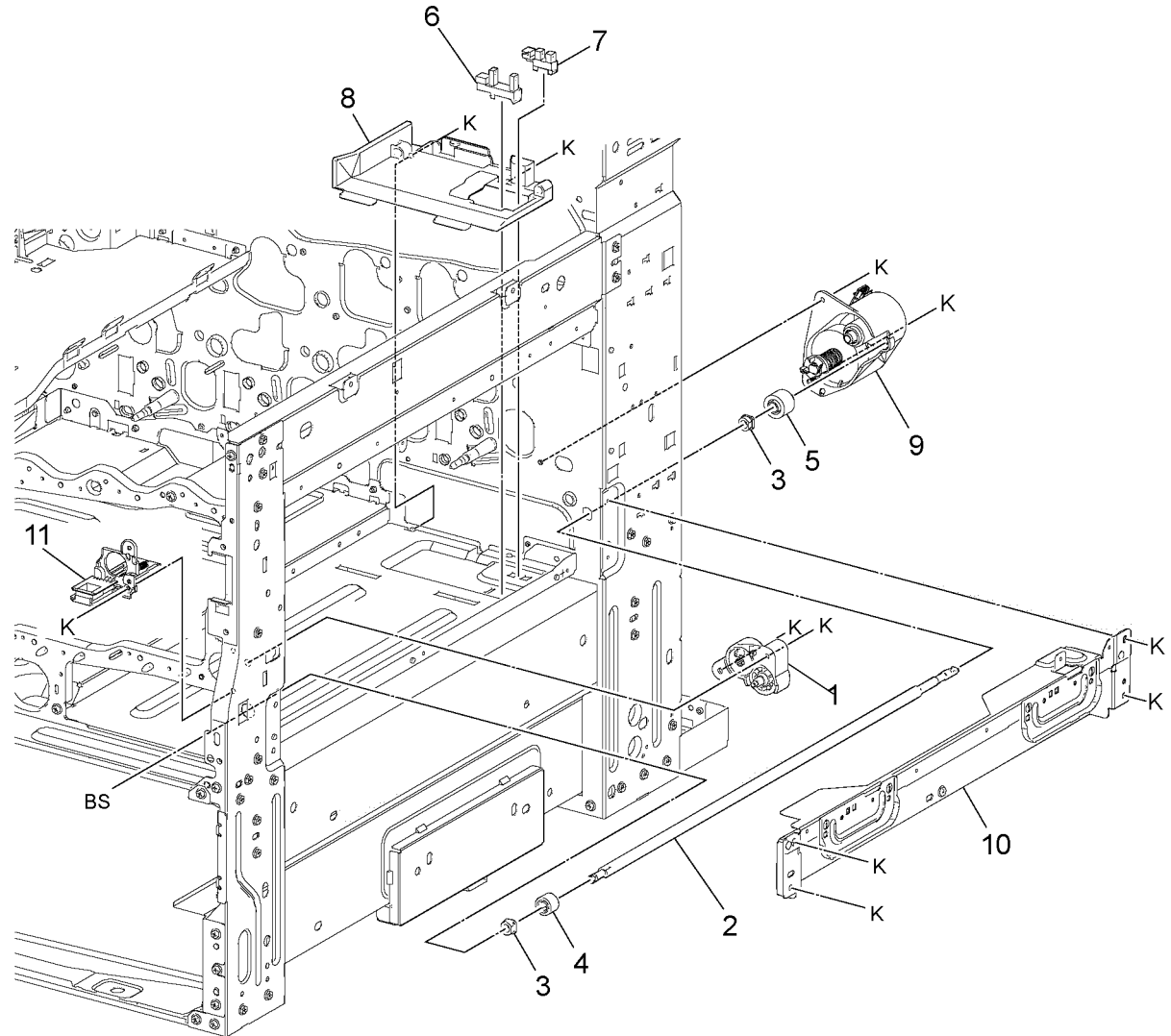
Item	Part	Description
1	948K28412	Waste toner transport assembly
2	013R00686	Drum assembly (K) (NOTE) (REP 90.11)
3	008R08101	Waste cartridge (B8145/B8155)
—	008R08102	Waste cartridge (B8170)
4	—	Suction Case (B8170)



R-8-0104-A

PL 90.20 Xerographic Assembly (1 of 2)

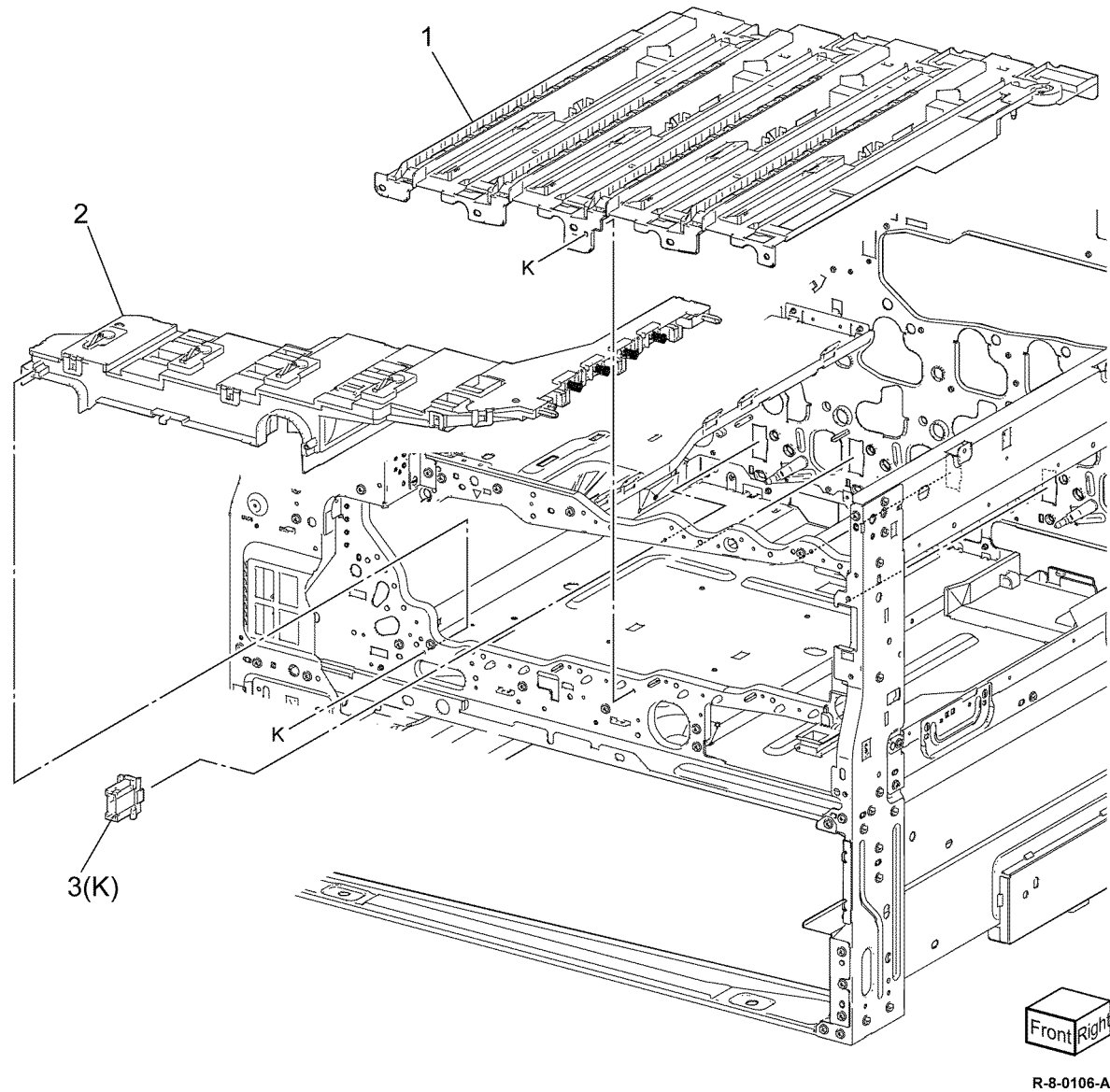
Item	Part	Description
1	948K02890	Gear housing assembly (REP 90.12)
2	806E47221	Drive shaft (REP 90.13)
3	413W11660	Sleeve bearing (REP 90.17)
4	807E52060	Gear
5	807E51980	Helical gear
6	930W00511	Waste toner bottle full sensor (Q91-201) (REP 90.18)
7	130E81600	Waste toner bottle position sensor (Q91-200) (REP 90.18)
8	032E47030	Bottle guide
9	948K00350	Agitator motor assembly (MOT91-006) (REP 90.14)
10	—	Handle assembly (Not Spared)
11	052K14000	Joint pipe assembly (REP 90.15)



R-8-0105-A

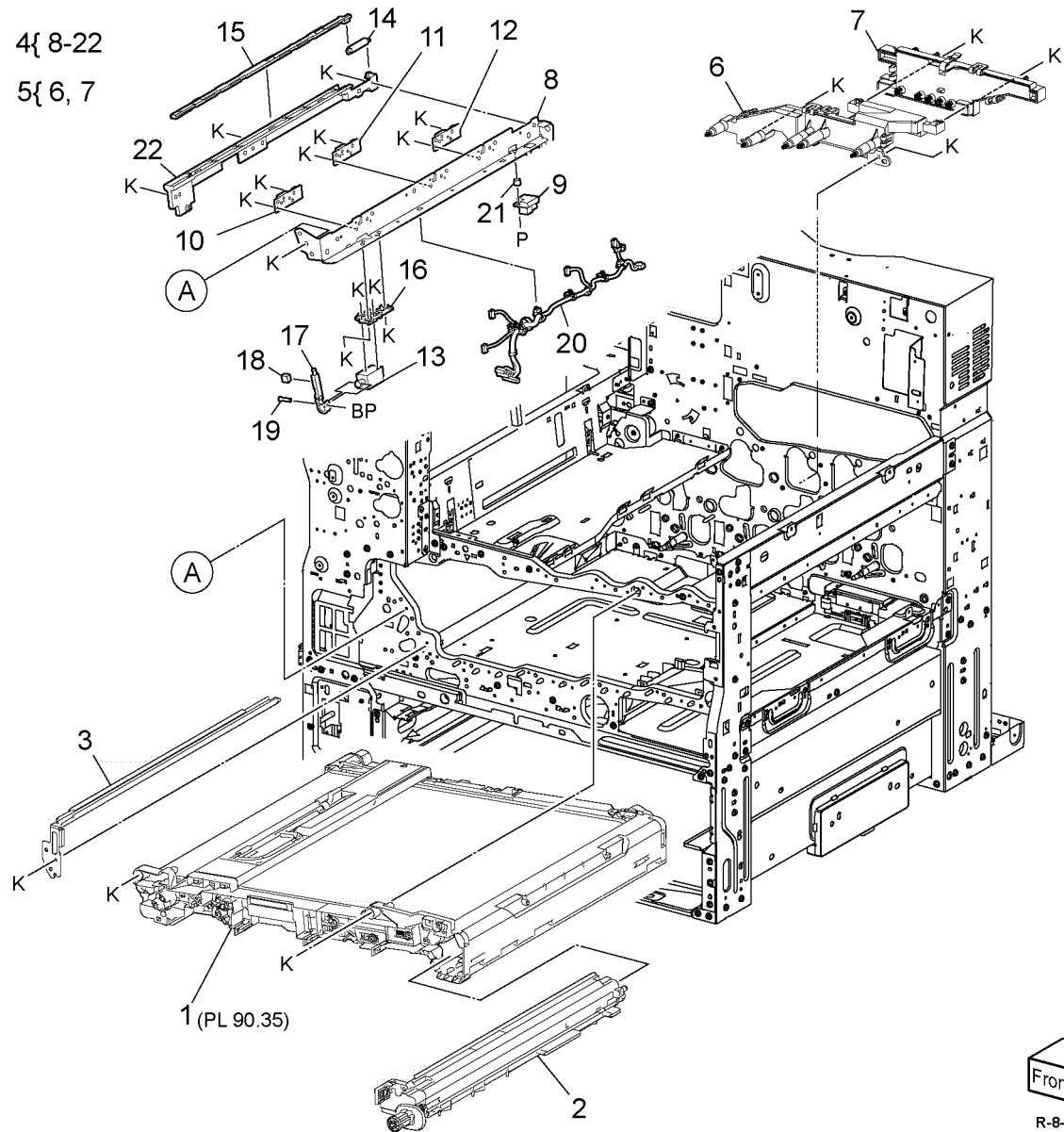
PL 90.25 Xerographic Assembly (2 of 2)

Item	Part	Description
1	—	Marking guide (P/O PL 60.05 Item 1)
2	948K29050	Housing assembly (REP 90.16)
3	113E48880	Drum CRUM connector



PL 90.30 IBT Belt Unit Components

Item	Part	Description
1	064K02774	IBT belt assembly (REP 90.8)
2	001R00623	IBT belt cleaner assembly
3	—	IBT lower guide (Not Spared)
4	930K02760	MOB/ADC Assembly (REP 90.9)
5	948K05250	Conductor housing assembly (REP 90.10)
6	—	Lower conductor housing assembly (P/O PL 90.30 Item 5)
7	—	Upper conductor housing assembly (P/O PL 90.30 Item 5)
8	—	Bracket (P/O PL 90.30 Item 4)
9	—	Temp/Humidity sensor (internal) (P/O PL 90.30 Item 4)
10	—	Front MOB sensor (P/O PL 90.30 Item 4)
11	—	ADC sensor (Q92-029) (P/O PL 90.30 Item 4)
12	—	Rear MOB sensor (P/O PL 90.30 Item 4)
13	—	Shutter solenoid (P/O PL 90.30 Item 4)
14	—	Spring (P/O PL 90.30 Item 4)
15	—	Shutter (P/O PL 90.30 Item 4)
16	—	Solenoid holder (P/O PL 90.30 Item 4)
17	—	Arm (P/O PL 90.30 Item 4)
18	—	Cushion (P/O PL 90.30 Item 4)
19	—	Pin (P/O PL 90.30 Item 4)
20	—	MOBC harness assembly (P/O PL 90.30 Item 4)
21	—	Humidity spacer (P/O PL 90.30 Item 4)
22	—	Cover (P/O PL 90.30 Item 4)

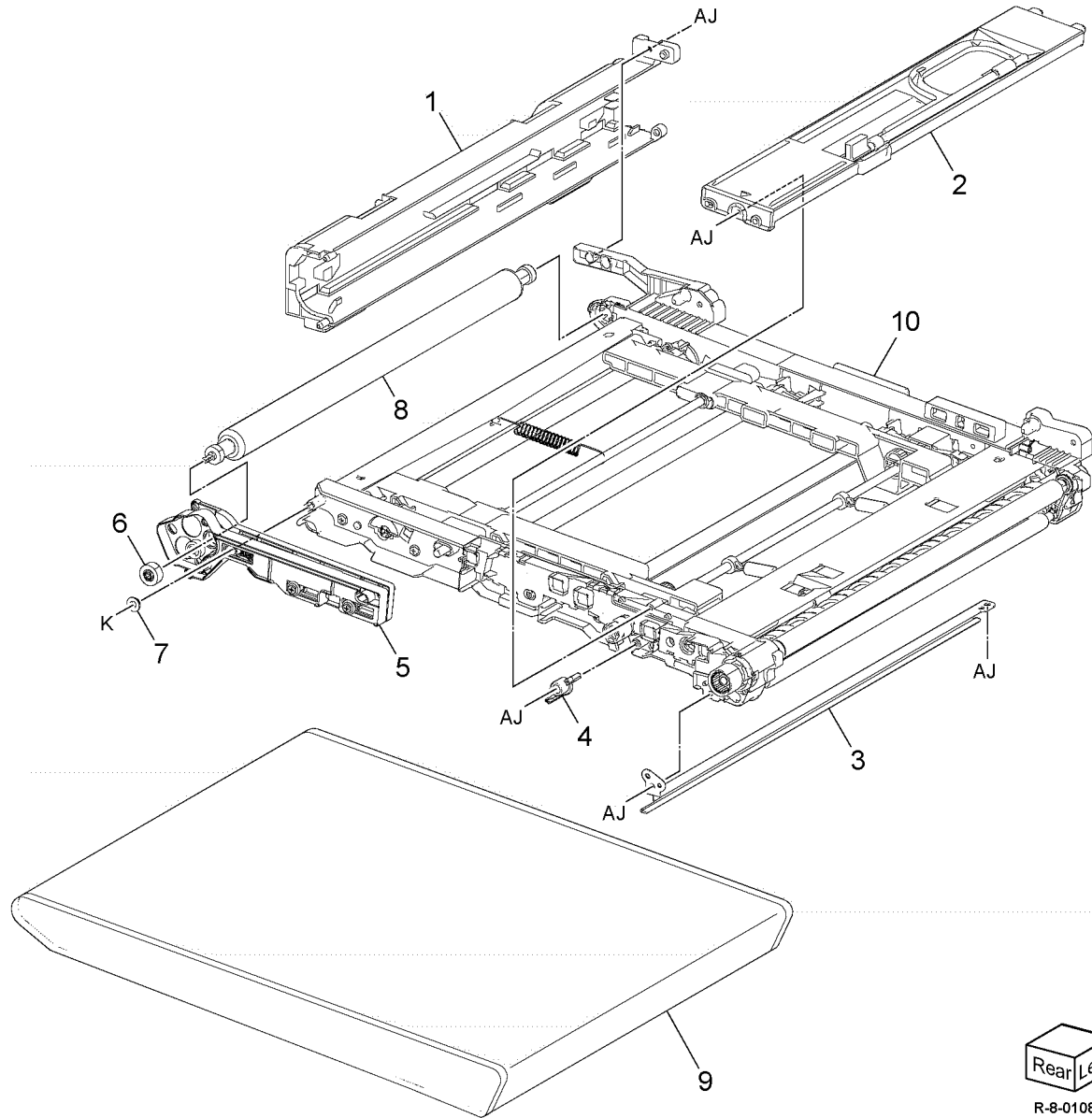


R-8-0107-A

PL 90.35 IBT Belt Unit Assembly

Item	Part	Description
1	—	Cleaner housing guide
2	—	Handle holder
3	—	IBT upper guide
4	—	Belt arm
5	—	Tension holder assembly
6	—	Tension gear
7	—	Tension collar
8	859K02811	Tension roller assembly
9	064K94660	IBT belt
10	—	IBT handle unit

Note: All parts are part of PL 90.30 Item 1.



Common Hardware

Item	Part	Description
A	—	Flat head screw (M3 x 14)
B	—	Screw (M3x6:Red)
C	—	Sems screw (M3x6)
D	—	Sems screw (M3x8)
E	—	Sems screw (M8x20)
F	—	Pan head screw (M2x10)
G	—	Screw (M3x4:Blue)
H	—	Screw (M3x4:White)
J	—	Screw (M3x6:Red)
K	—	Screw (M3x6:White)
L	—	Round point screw (M3x6:White)
M	—	Screw (M3x8)
N	—	Screw (M3x8)
P	—	Screw (M3x10)
Q	—	Screw (M3x12:White)
R	—	Screw (M3x14:White)
S	—	Screw (M3x16)
T	—	Pan head screw (M3x6:White)
U	—	Pan head screw (M3x14)
V	—	Screw (M4x6:White)
W	—	Screw (M4x8:White)
X	—	Pan head screw (M4x8:White)
Y	—	Screw (M4x10:White)
Z	—	Bind head screw (M3x6)
AA	—	Bind shthead screw (3x8)
AB	—	Bind head screw (M3x4)
AC	—	Bind head screw (M3x6)
AD	—	Shoulder screw
AE	—	Setscrew (M4x4)
AF	—	Setscrew (M4x6)
AG	—	Tapping screw (M4x10)
AH	—	Tapping screw (M3x6:White)
AJ	—	Tapping screw (M3x8:White)
AK	—	Tapping screw (M3x10:White)
AL	—	Tapping screw (M3x10)
AM	—	Screw (M3x6)
AN	—	Round point screw (M3x7:White)
AP	—	Screw (M3x8:White)
AQ	—	Round point screw (M3x9:White)
AR	—	Screw (M4x8:White)
AS	—	Flat head knurling screw
AT	—	Flange nut (3)
AU	—	Special nut
AV	—	Washer (4)
AW	—	Nylon washer (6) (t 0.25)
AX	—	Nylon washer (6) (t 0.5)
AY	—	Nylon washer (6) (t 1)
AZ	—	Nylon washer (8) (t 1)
BA	—	Nylon washer (10) (t1.5)

BB	—	Dowel pin (1.6x8)
BC	—	Dowel pin (2.5x10)
BD	—	Dowel pin (2.5x16)
BE	—	Dowel pin (2.5x14)
BF	—	Dowel pin (3x10)
BG	—	Dowel pin (4x20)
BH	—	Spring pin (2x8)
BJ	—	Spring pin (2x12)
BK	—	Slotted tubular pin spring (2.5x10)
BL	—	Slotted tubular pin spring (3x10)
BM	—	Slotted tubular pin spring (3x16)
BN	—	C-clip (8)
BP	—	E-Clip (2:White)
BQ	—	E-Clip (3:White)
BR	—	KL-Clip (4)
BS	—	E-Clip (4:White)
BT	—	E-Clip (5:White)
BU	—	KL-Clip (6)
BV	—	E-Clip (6:White)
BW	—	E-clip (7)
BX	—	Pan Head Screw (M3x4:White)
BY	—	Knurling screw
BZ	—	Nylon washer (8) (t0.5)
CA	—	E-Clip (10:White)
CB	—	Screw (M4x16:White)
CC	—	Screw (M3x10:White)
CD	—	Screw (M4x30:White)
CE	—	Shoulder Screw
CF	—	Tapping Screw (M4x8:White)
CG	—	Tapping Screw (M3x14:White)
CH	—	Screw (M3x12:White)
CJ	—	Screw (M4x6:White)
CK	—	Screw (M4x10:White)
CL	—	Hexagon Nut
CM	—	Washer (10:White)
CN	—	Nylon Washer (8) (t 0.25)
CP	—	Nylon Washer (8) (t 1.5)
CQ	—	Spring Washer
CR	—	Dowel Pin (2x10)
CS	—	Dowel Pin (3x16)
CT	—	KL-Clip (3)
CU	—	KL-Clip (8)
CV	—	E-Clip (8:White)
CW	—	Sems Screw (M3x10)
CX	—	Pan Head Screw (Mx5)
CY	—	Screw (M2x10)
CZ	—	Tapping screw (M3x4)
DA	—	Pan Head Screw (M2.5x6)
DB	—	Pan Head Screw (M3x4)
DC	—	Pan head screw (M3x8)
DD	—	Set screw (M3x4)

DE	—	Tapping screw (M4x12)
DF	—	Tapping screw (M3x8)
DG	—	Washer (2.5(10.5))
DH	—	Washer (4) (10.8)
DJ	—	Washer (5)
DK	—	Nylon washer (4)
DL	—	Nylon washer (5)
DM	—	Nylon washer (10) (10.25)
DN	—	Nylon washer (10) (10.5)
DP	—	Spring washer
DQ	—	Dowel pin (2x12)
DR	—	Dowel pin (3x12)
DS	—	Dowel pin (3x14)
DT	—	Dowel pin (4x16)
DU	—	E-clip (1.5)
DV	—	E ring (2.5)
DW	—	Wing screw
DX	—	Screw (M4x6)
DY	—	Sems Screw (M3x6)
DZ	—	Screw (M3x6)
EA	—	Screw (M3x5)
EB	—	Screw (M2x10)
EC	—	Bind Head Screw (M3x8)
ED	—	screw (3x18)
EE	—	E-ring
EF	—	Dowel pin (2x10)
EG	—	Tapping screw (M4x5)
EH	—	Screw (3x6)
EJ	—	Washer (3) (10.5)
EK	—	Screw (3x8)
EL	—	Screw (2x4)
EM	—	Screw (3x8)

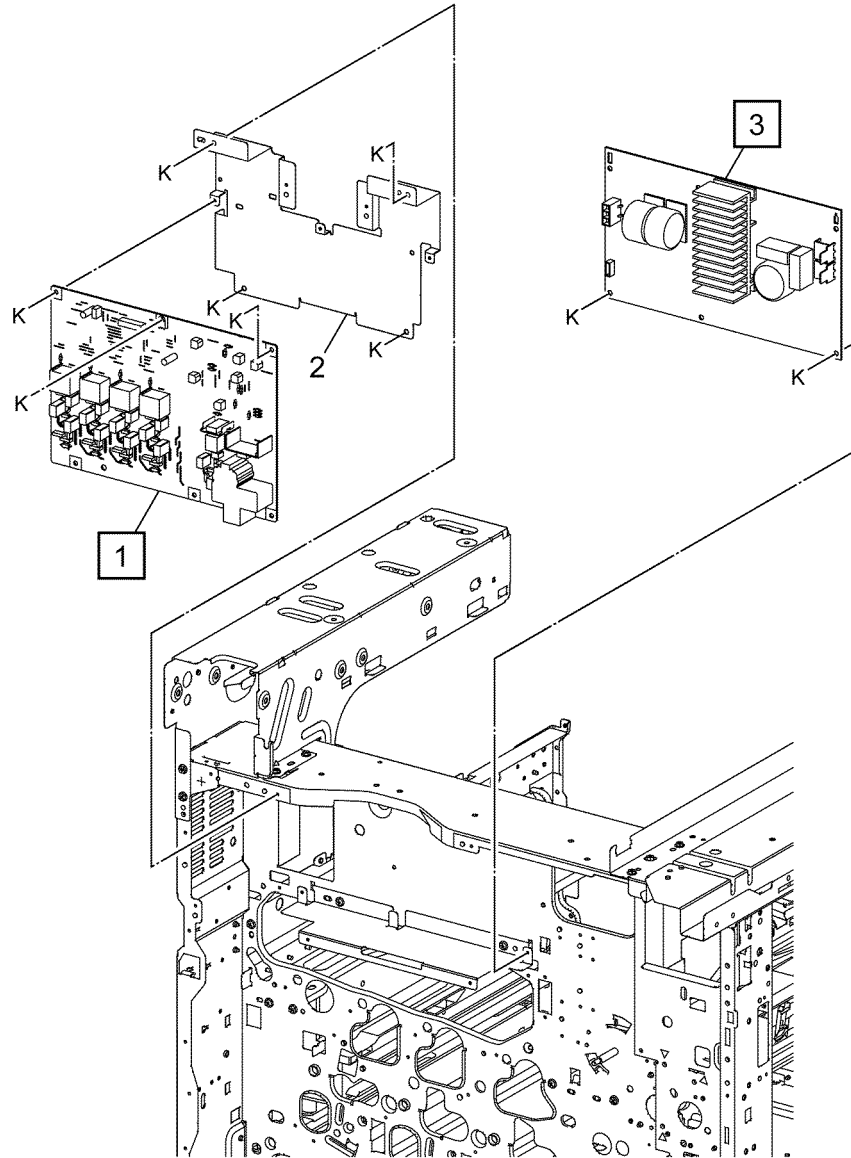
5 Parts List

Parts Lists	755	PL 28.20 Covers (C8170).....	811
PL 1 - Standby Power	756	PL 28.25 Front Left Cover Compartment.....	812
PL 1.05 Electrical - Rear (1 of 3).....	757	PL 28.30 Workshelf.....	813
PL 1.10 Electrical - Rear (2 of 3).....	758	PL 40 - Main Drive Assembly	814
PL 1.15 Electrical - Rear (3 of 3).....	759	PL 40.05 Main Drive Assembly.....	815
PL 1.20 Electrical - Front/Right.....	760	PL 40.10 NOHAD (front).....	816
PL 1.25 Wire Harness.....	761	PL 40.15 NOHAD (rear).....	817
PL 2 - User Interface	762	PL 60 - Imaging	818
PL 2.05 User Interface (C8130/C8135/C8145/C8155).....	763	PL 60.05 LPH Module.....	819
PL 2.10 User Interface (C8170).....	764	PL 60.10 Platen/IIT Cover (C8170).....	820
PL 3 - Machine Run Control	765	PL 60.15 Platen Glass (C8170).....	821
PL 3.05 Control Unit (ESS PWB).....	766	PL 60.20 CCD Lens (C8170).....	822
PL 3.10 Video Contact Chassis Unit.....	767	PL 60.25 Carriage Cable/Motor (C8170).....	823
PL 3.15 Video Contact Chassis Assembly.....	768	PL 60.30 Full/Half Carriage (C8170).....	824
PL 5 - DADF (250)	769	PL 60.35 Platen/IIT Cover (C8130/C8135/C8145/C8155).....	825
PL 5.1 DADF Component (250) (C8170).....	770	PL 60.40 Platen Glass (C8130/C8135/C8145/C8155).....	826
PL 5.2 DADF, DADF Cover (250) (C8170).....	771	PL 60.45 CCD Lens (C8130/C8135/C8145/C8155).....	827
PL 5.3 DADF PWB (250) (C8170).....	772	PL 60.50 Carriage Cable/Motor (C8130/C8135/C8145/C8155).....	828
PL 5.4 DCDC PWB (250) (C8170).....	773	PL 60.55 Full/Half Carriage (C8130/C8135/C8145/C8155).....	829
PL 5.5 Document Tray, Tray Feed (250) (C8170).....	774	PL 70 - Paper Supply	830
PL 5.6 DADF Document Tray (250) (C8170).....	775	PL 70.05 Tray 1 2 Assembly.....	831
PL 5.7 DADF Feeder Cover Unit (250) (C8170).....	776	PL 70.10 Tray 1 Assembly.....	832
PL 5.8 DADF Feeder Cover Assembly (250) (C8170).....	777	PL 70.15 Tray 2 Assembly.....	833
PL 5.9 Sensor Component (250) (C8170).....	778	PL 70.20 2TM Components (C8130/C8135).....	834
PL 5.10 Drive Component (250) (C8170).....	779	PL 70.25 2TM Tray 3/4 Assembly (C8130/C8135).....	835
PL 5.11 Lower Chute Assembly, Retard Roll (250) (C8170).....	780	PL 70.30 TTM Components.....	836
PL 5.12 Pre Regi. In Chute, Platen High Roll (250) (C8170).....	781	PL 70.35 TTM Covers and Tray 3/4 Assembly.....	837
PL 5.13 Exit Lower Chute, Out Chute Assembly (250) (C8170).....	782	PL 70.40 TTM Tray 3 Assembly.....	838
PL 5.14 DADF Nudger Housing Assembly (250) (C8170).....	783	PL 70.45 TTM Tray 4 Assembly.....	839
PL 5 - DADF (130)	784	PL 70.50 Bypass Tray Components.....	840
PL 5.50 DADF Component (130) (C8130/C8135/C8145/C8155).....	785	PL 70.55 Bypass Tray Assembly.....	841
PL 5.51 DADF Cover (130) (C8130/C8135/C8145/C8155).....	786	PL 70.70 Envelope Tray.....	842
PL 5.52 DADF Top Cover, Document Tray (130) (C8130/C8135/C8145/C8155).....	787	PL 80 - Paper Transport	843
PL 5.53 DADF Base Frame Assembly (130) (C8130/C8135/C8145/C8155).....	788	PL 80.05 Tray 1 2 Feedhead Assembly.....	844
PL 5.54 Regi. / Retard Chute/ Invert Unit (130) (C8130/C8135/C8145/C8155).....	789	PL 80.10 Tray 1 Feedhead Assembly.....	845
PL 5.55 Top Cover (130) (C8130/C8135/C8145/C8155).....	790	PL 80.15 Tray 2 Feedhead Assembly.....	846
PL 5.56 Feeder / Nudger Roll Assembly (130) (C8130/C8135/C8145/C8155).....	791	PL 80.20 2TM Left Cover Feedhead Assembly (C8130/C8135).....	847
PL 5.57 DADF Document Tray (130) (C8130/C8135/C8145/C8155).....	792	PL 80.25 2TM Takeaway Assembly (C8130/C8135).....	848
PL 5.58 DADF Drive (130) (C8130/C8135/C8145/C8155).....	793	PL 80.30 2TM Drive Assembly (C8130/C8135).....	849
PL 10 - Copy Transportation and Fusing	794	PL 80.35 2TM Tray 3 4 Feedhead Assembly (C8130/C8135).....	850
PL 10.05 Fuser.....	795	PL 80.40 TTM Transport Assembly / Tray 3 4 Feedhead Assembly.....	851
PL 10.10 Exit 1 Transport Components.....	796	PL 80.45 TTM Drive Assembly.....	852
PL 10.15 Exit 2 Transport Components.....	797	PL 80.50 TTM Tray 3 Feedhead Assembly.....	853
PL 10.20 Face Up Tray Assembly.....	798	PL 80.55 TTM Tray 4 Feedhead Assembly.....	854
PL 10.25 Exit 2 Transport Assembly.....	799	PL 80.60 TTM Transport Assembly.....	855
PL 10.30 Face Up Chute Assembly.....	800	PL 80.65 Left Cover Components.....	856
PL 20 - Fax	801	PL 80.70 Left Cover Transport Components.....	857
PL 20.10 Fax Module.....	802	PL 80.75 Left Cover Transport Assembly.....	858
PL 25 - Accessories	803	PL 80.80 Duplex Inner Chute Assembly.....	859
PL 25.10 Accessories.....	804	PL 80.85 Duplex Chute Assembly.....	860
PL 26 - Consumables and Tools	805	PL 80.90 Registration Transport Assembly.....	861
PL 26.10 Consumables and Tools.....	806	PL 80.95 Registration Drive Assembly.....	862
PL 28 - Covers	807	PL 80.115 Bypass Tray Takeaway Assembly.....	863
PL 28.05 Covers (Front).....	808	PL 80.120 Bypass Tray Feedhead Assembly.....	864
PL 28.10 Covers (Rear).....	809	PL 90 - Xerographics	865
PL 28.15 Covers (C8130/C8135/C8145/C8155).....	810	PL 90.05 Developer Unit.....	866

PL 90.10 Toner Dispense	867
PL 90.15 Xerographic Components	869
PL 90.20 Xerographic Assembly (1 of 2)	870
PL 90.25 Xerographic Assembly (2 of 2)	871
PL 90.30 IBT Belt Unit Components	872
PL 90.35 IBT Belt Unit Assembly	873
PLCH - Common Hardware	874
Common Hardware	875

PL 1.05 Electrical - Rear (1 of 3)

Item	Part	Description
1	105E23241	BTR HVPS PWB (C8130/C8135/C8145/C8155) (REP 1.1)
—	105E23261	BTR HVPS PWB (C8170) (REP 1.1)
2	—	Bracket (Not Spared)
3	105E23510	Fuser heater power supply (110V) (C8130/C8135/C8145/C8155) (REP 1.2)
—	105E23530	Fuser heater power supply (110V) (C8170) (REP 1.2)
—	105E23521	Fuser heater power supply (220V) (C8130/C8135/C8145/C8155) (REP 1.2)
—	105E23541	Fuser heater power supply (220V) (C8170) (REP 1.2)

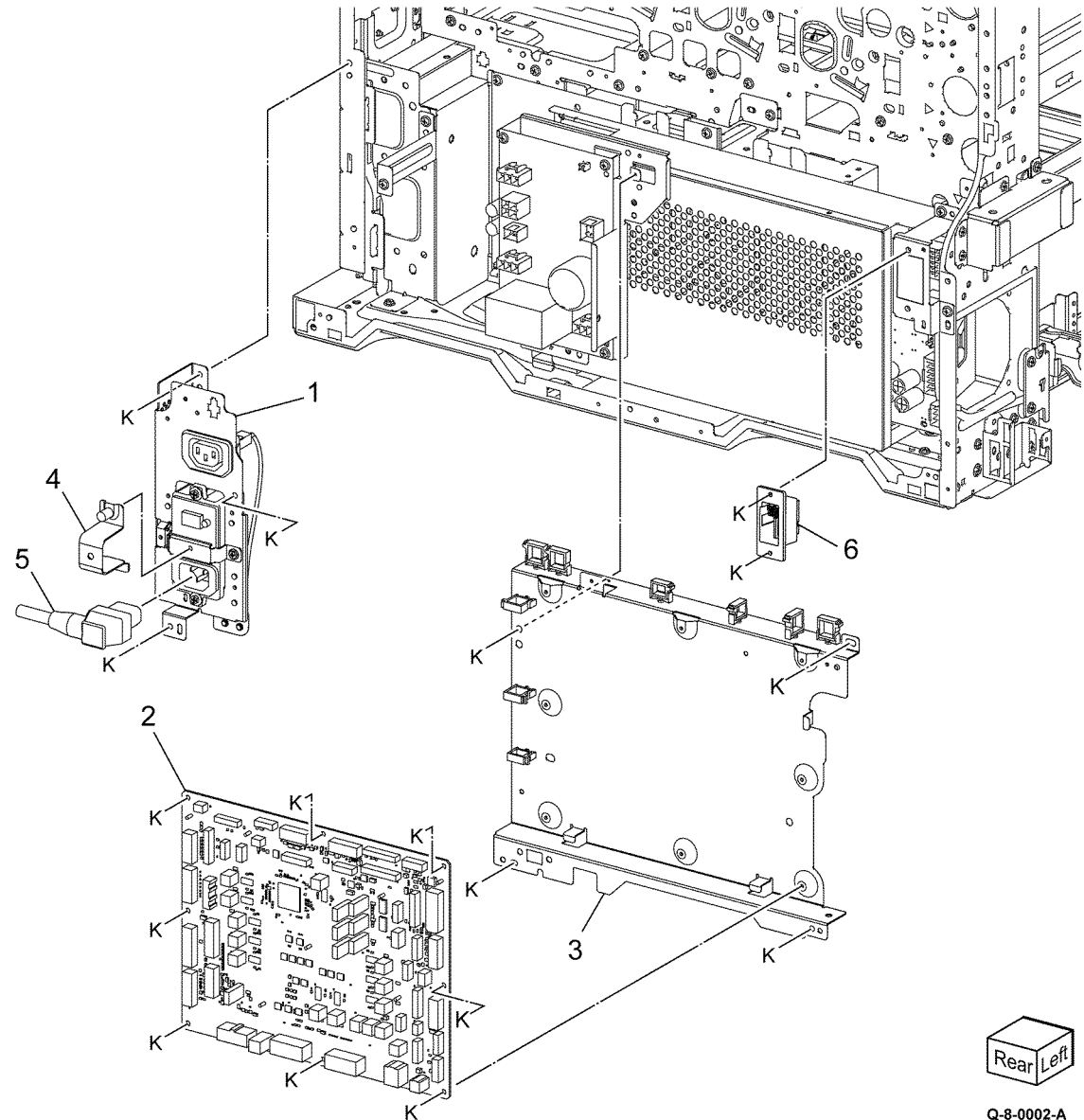


Rear Left

Q-8-0001-A

PL 1.10 Electrical - Rear (2 of 3)

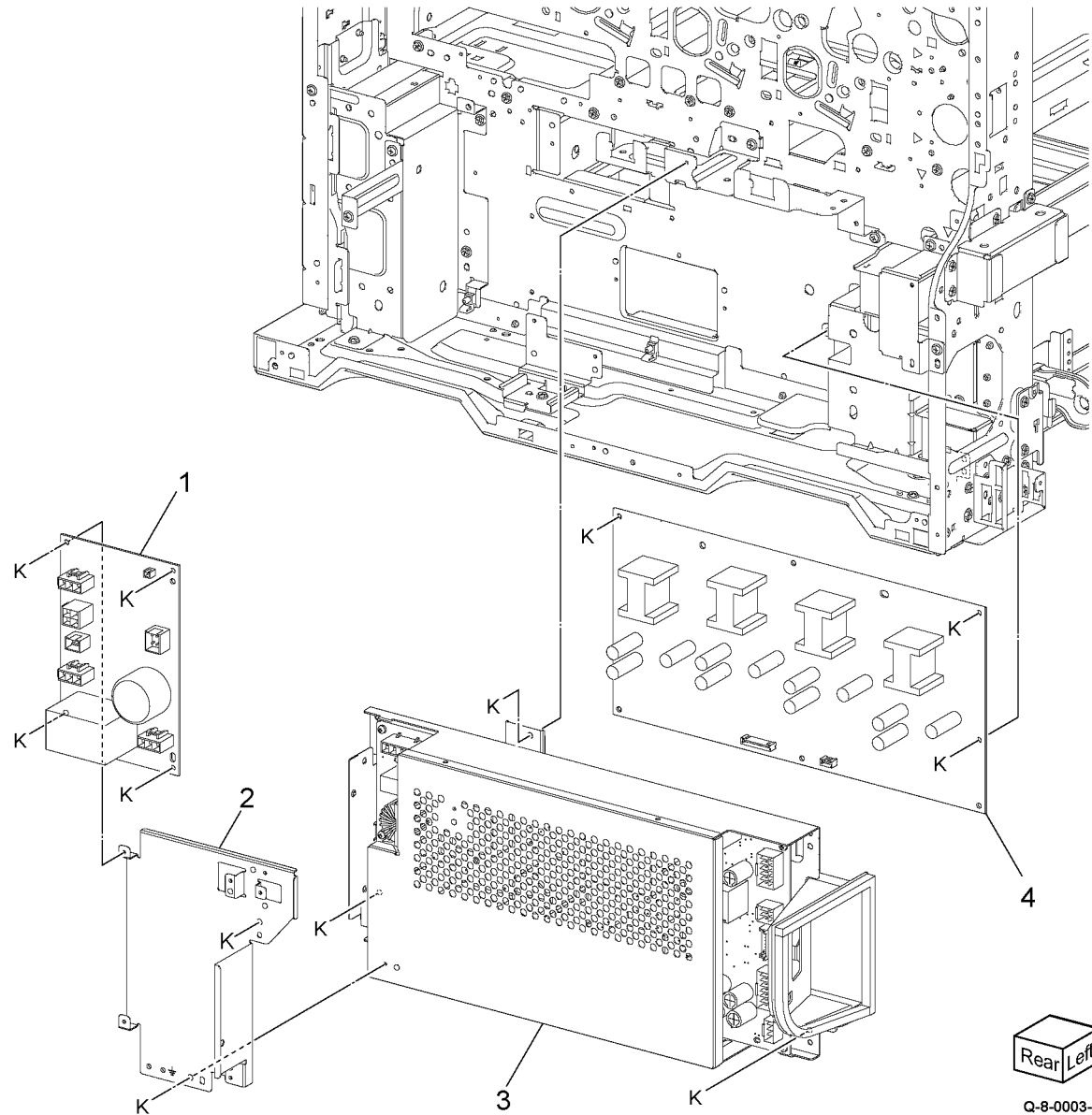
Item	Part	Description
1	101K69950	GFI chassis assembly (C8130/ C8135/C8145/C8155) (REP 1.3)
—	101K69960	GFI chassis assembly (C8170) (REP 1.3)
2	961K01400	Motor drive PWB (REP 1.4)
3	—	Motor drive chassis assembly (Not Spared)
4	—	Power cord bracket (Not Spared)
5	117E24670	Power cord (125V/20A) (USSG/ XCL)
—	917W03005	Power cord (125V/15A) (USSG/ XCL)
—	917W03102	Power cord (250V/10A) (XE)
6	—	HCF connector switch



Q-8-0002-A

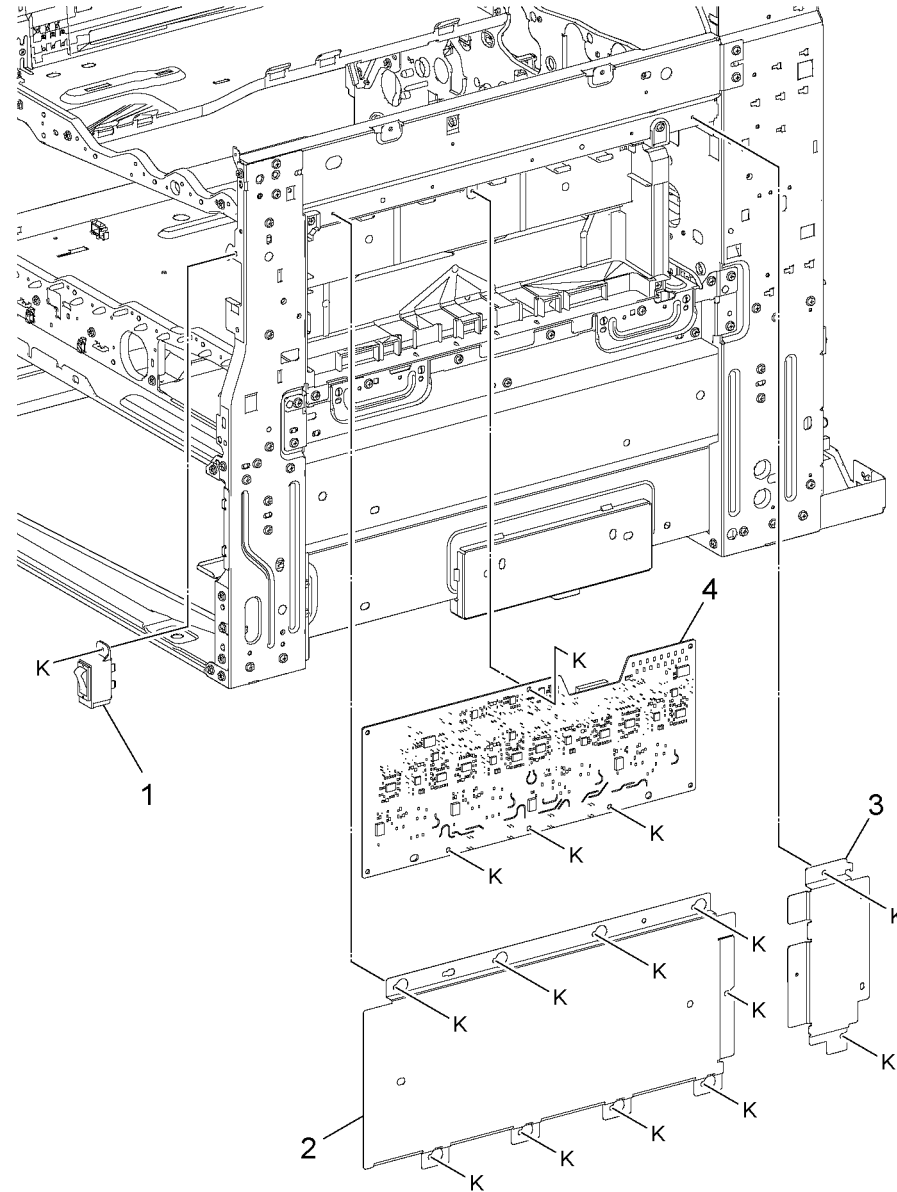
PL 1.15 Electrical - Rear (3 of 3)

Item	Part	Description
1	105K34181	AC Drive PWB (110V) (C8130/ C8135/C8145/C8155) (REP 1.5)
—	105K34200	AC Drive PWB (110V) (C8170) (REP 1.5)
—	105K34191	AC Drive PWB (220V) (REP 1.5)
2	—	AC bracket (Not Spared)
3	112K91400	LVPS (REP 1.6)
4	105E22573	Developer bias HVPS PWB (REP 1.7)



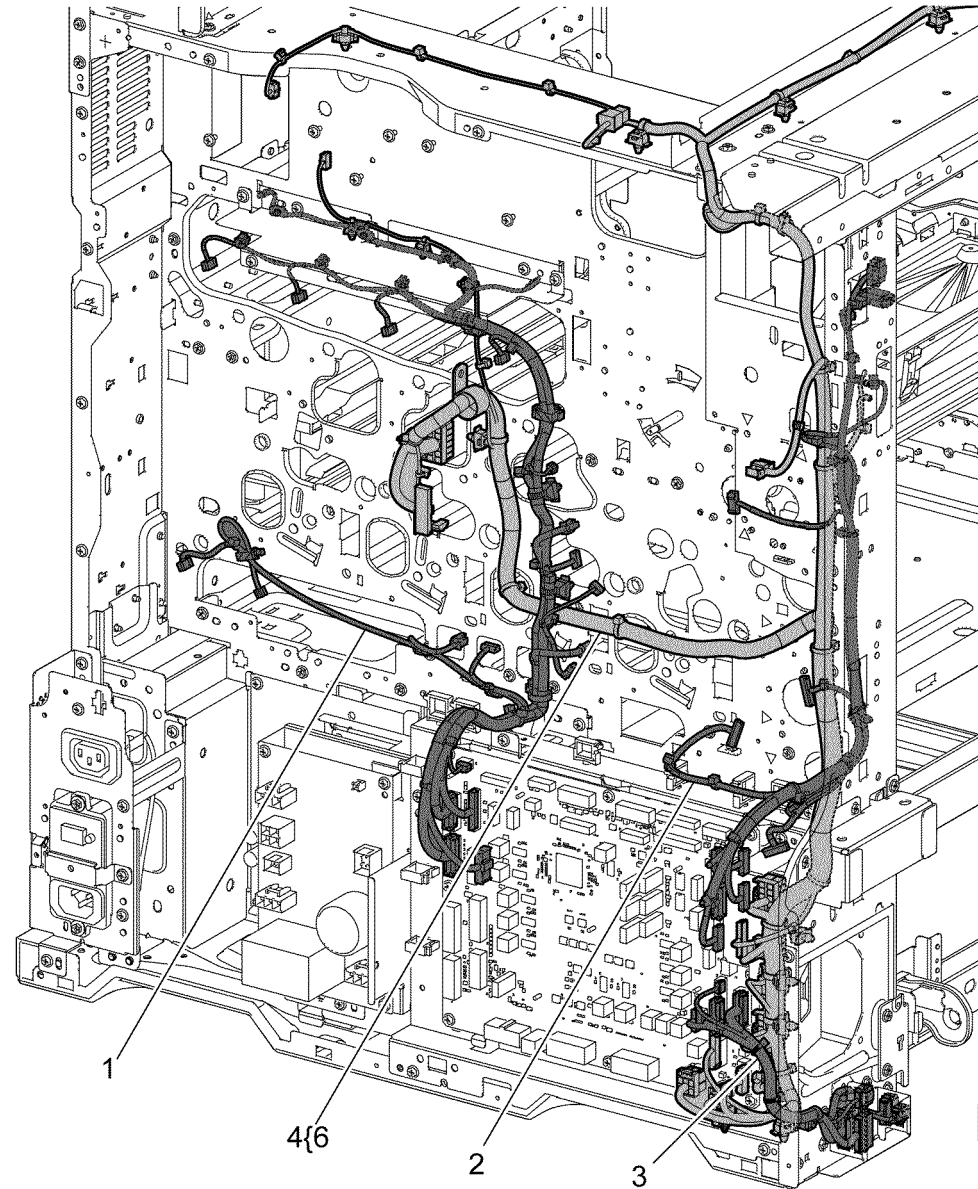
PL 1.20 Electrical - Front/Right

Item	Part	Description
1	049K46300	Main power switch (REP 1.8)
2	—	BCR HVPS cover (Not Spared)
3	—	Cover (Not Spared)
4	105E23230	BCR HVPS PWB (C8130/C8135/ C8145/C8155) (REP 1.9)
—	105E23250	BCR HVPS PWB (C8170) (REP 1.9)



PL 1.25 Wire Harness

Item	Part	Description
1	—	Drive harness (C8130/C8135/ C8145/C8155)
—	—	Drive Harness (C8170)
2	—	PH drive harness (C8130/C8135/ C8145/C8155)
—	—	PH drive harness (C8170)
3	—	LH harness (C8130/C8135)
—	—	LH harness (C8145/C8155)
—	—	LH harness (C8170)
4	—	DC power harness (C8130/C8135)
—	—	DC power harness (C8145/C8155)
—	—	DC power harness (C8170)
5	952K13252	HCF interface harness (Not shown)
6	952K44950	Fuser harness (C8130/C8135/ C8145/C8155) (P/O PL 1.25 Item 4)
—	952K44960	Fuser harness (C8170) (P/O PL 1.25 Item 4)

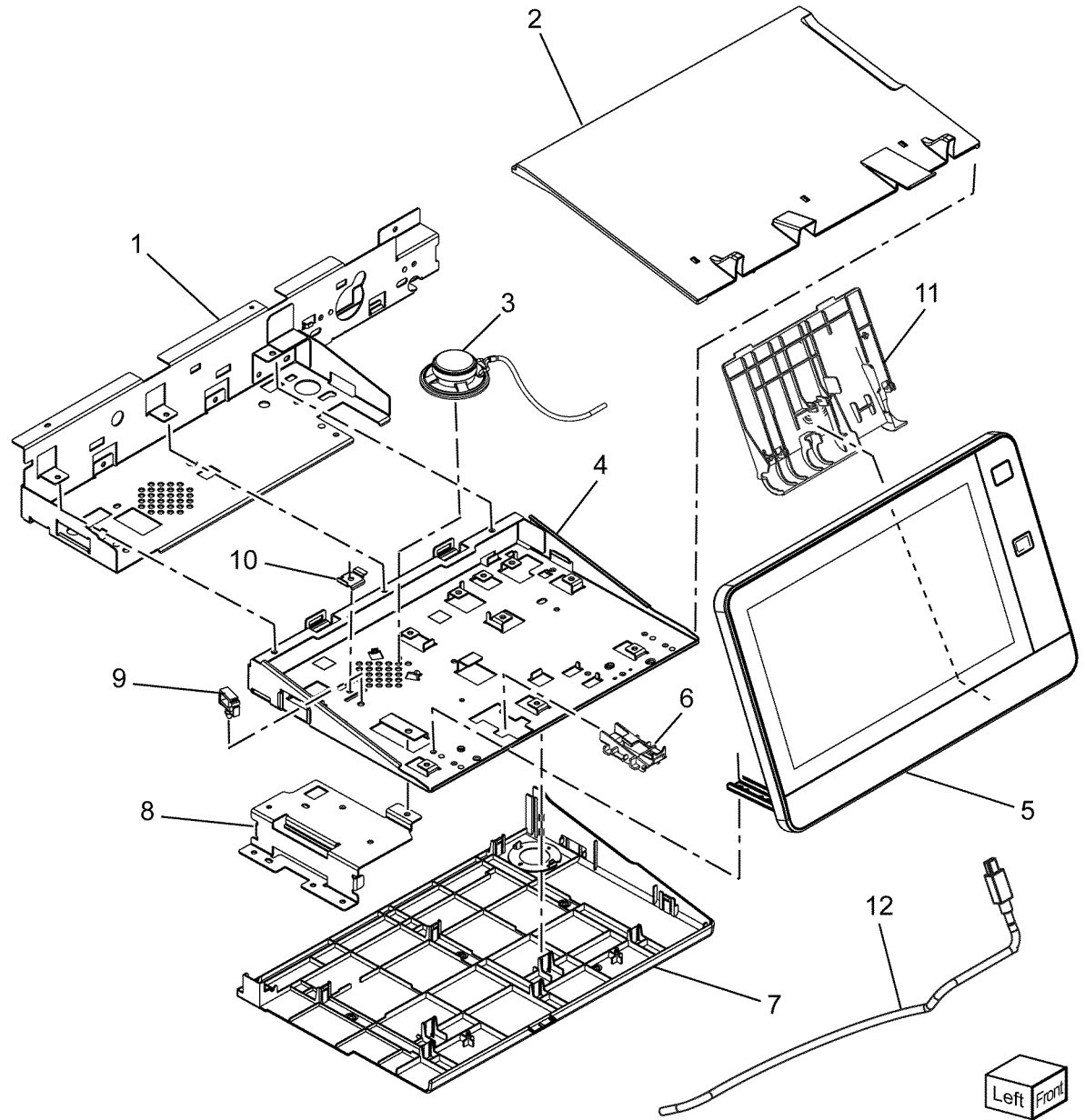


Rear Left

Q-8-0005-A

PL 2.05 User Interface (C8130/C8135/C8145/C8155)

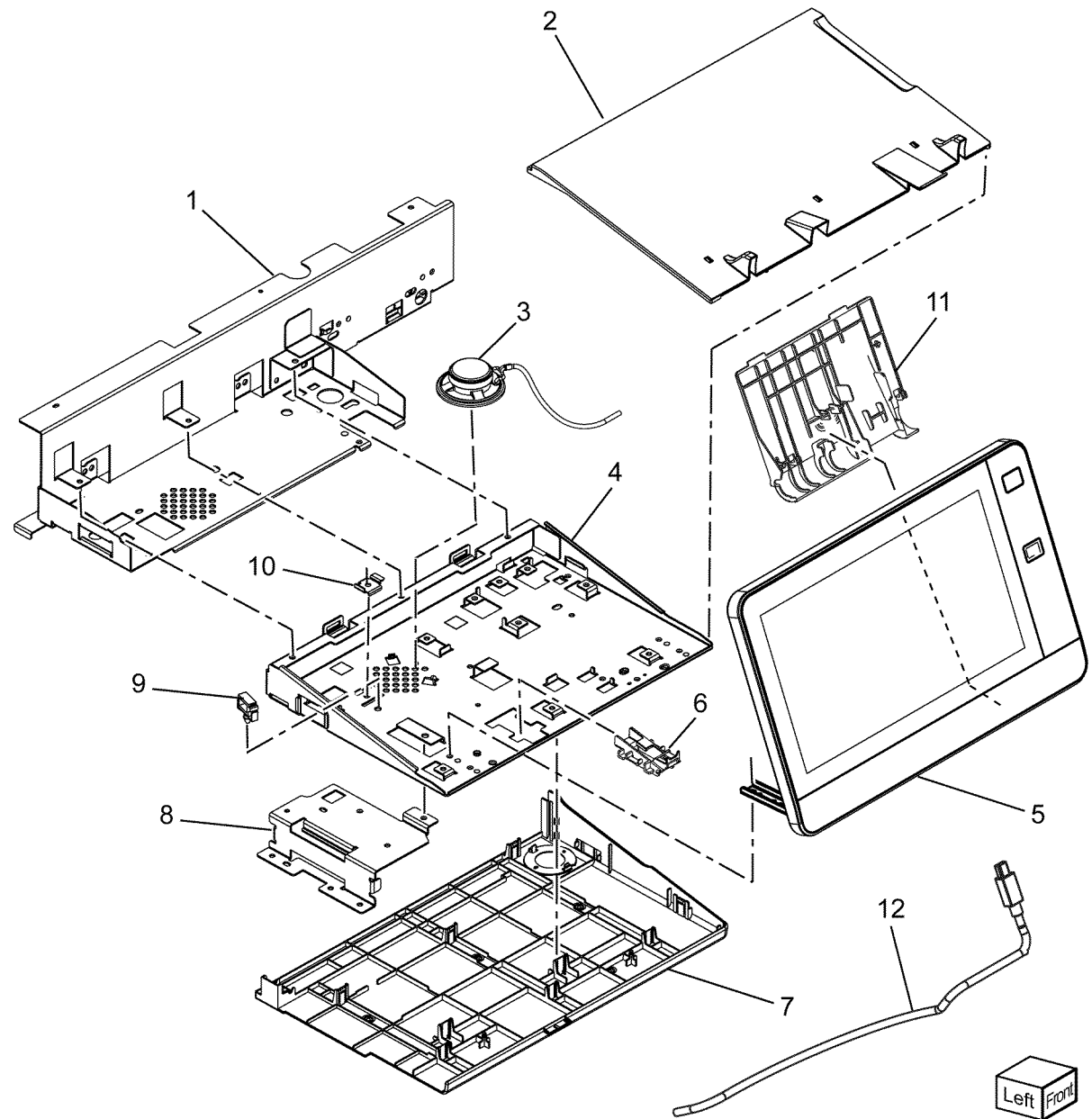
Item	Part	Description
1	—	Mounting bracket
2	—	Top cover
3	930K00420	Speaker
4	—	Base plate
5	084K43260	User interface assembly (REP 2.1)
6	—	Cable bracket
7	—	Base cover
8	—	Bracket
9	—	Cable clamp
10	—	Speaker clamp plate
11	—	Cable cover (P/O PL 2.05 Item 5)
12	952K36970	UI cable



Q-8-0109-A

PL 2.10 User Interface (C8170)

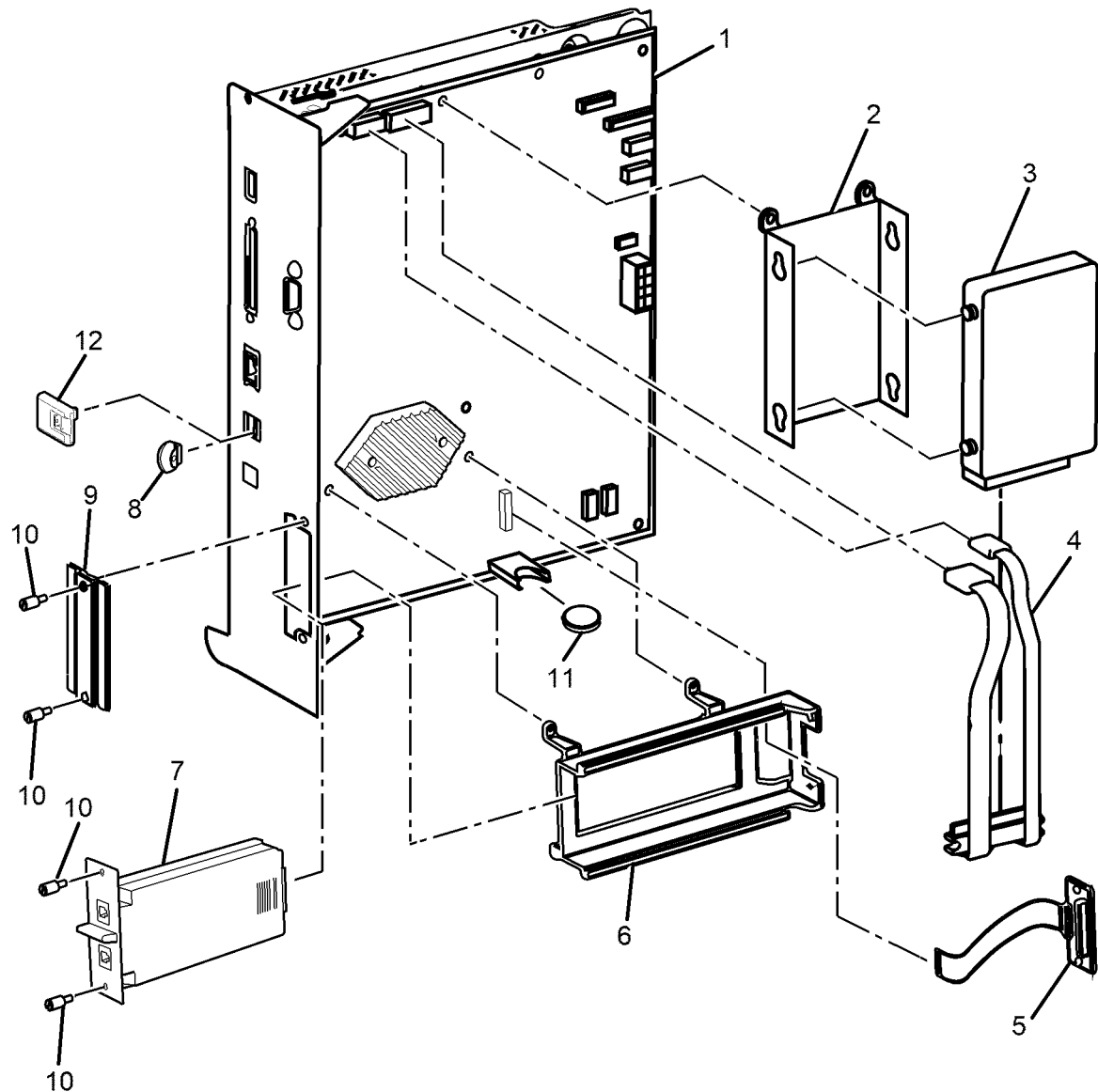
Item	Part	Description
1	—	Mounting bracket
2	—	Top cover
3	930K00420	Speaker
4	—	Base plate
5	084K43260	User interface assembly (REP 2.1)
6	—	Cable bracket
7	—	Base cover
8	—	Bracket
9	—	Cable clamp
10	—	Speaker clamp plate
11	—	Cable cover (P/O PL 2.10 Item 5)
12	952K36970	UI cable



Q-8-0006-A

PL 3.05 Control Unit (ESS PWB)

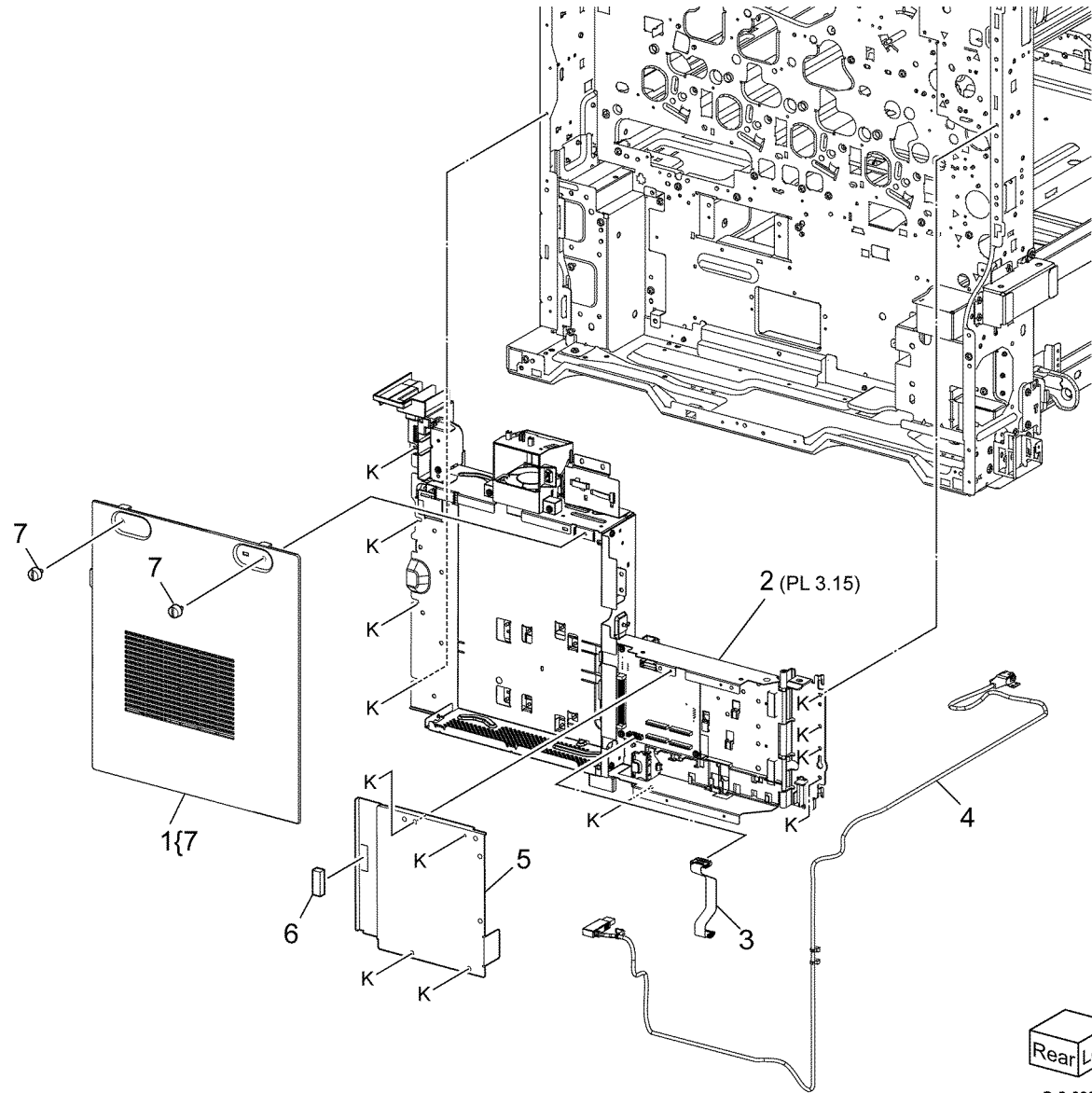
Item	Part	Description
1	607K30340	Controller PWB assembly (C8130/ C8135/C8145/C8155) (REP 3.1)
—	607K30091	Controller PWB assembly (C8170) (REP 3.1)
2	—	HDD bracket
3	121E32860	HDD (500GB) (GSA- option)
—	121E32880	SSD (128GB)
4	962K40460	Power/Data harness
5	112K01140	Riser PWB
6	—	Fax cradle (Not Spared)
7	—	Fax module
8	—	Bluetooth dongle (P/O PL 25.10 Item 4)
9	—	Fax blanking plate
10	—	Thumbscrew
11	207E22240	Battery (CR2032- 3V)
12	—	Wi-fi dongle (P/O PL 25.10 Item 3)



Q-8-0007-A

PL 3.10 Video Contact Chassis Unit

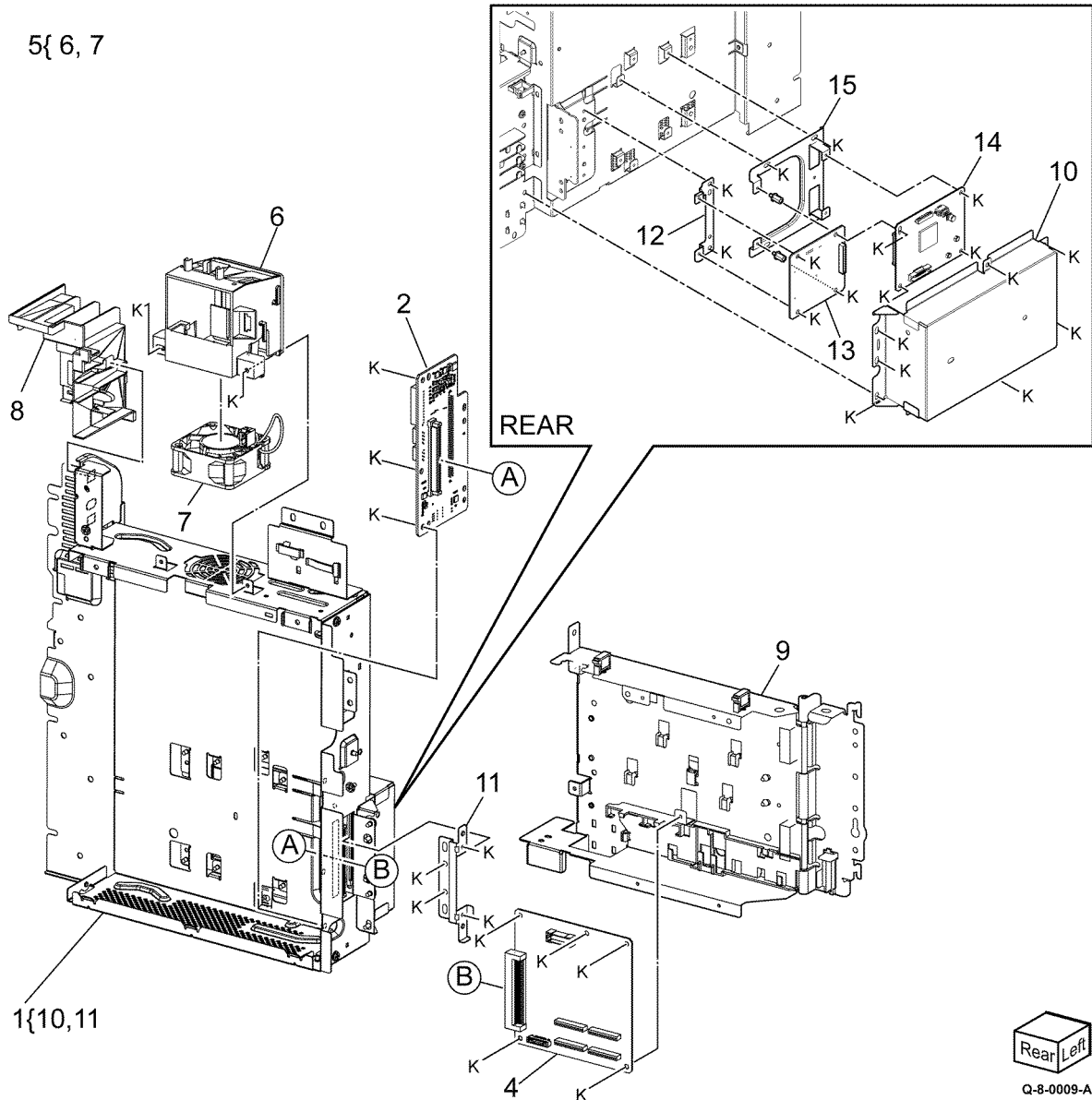
Item	Part	Description
1	—	Controller cover assembly kit
2	—	Video contact chassis assembly (Not Spared)
3	117K50450	Motor drive ribbon cable
4	117K50370	USB cable
5	—	DFE cover (Not Spared)
6	—	Shield gasket (Not Spared)
7	—	Thumbscrew (P/O PL 3.10 Item 1)



Q-8-0008-A

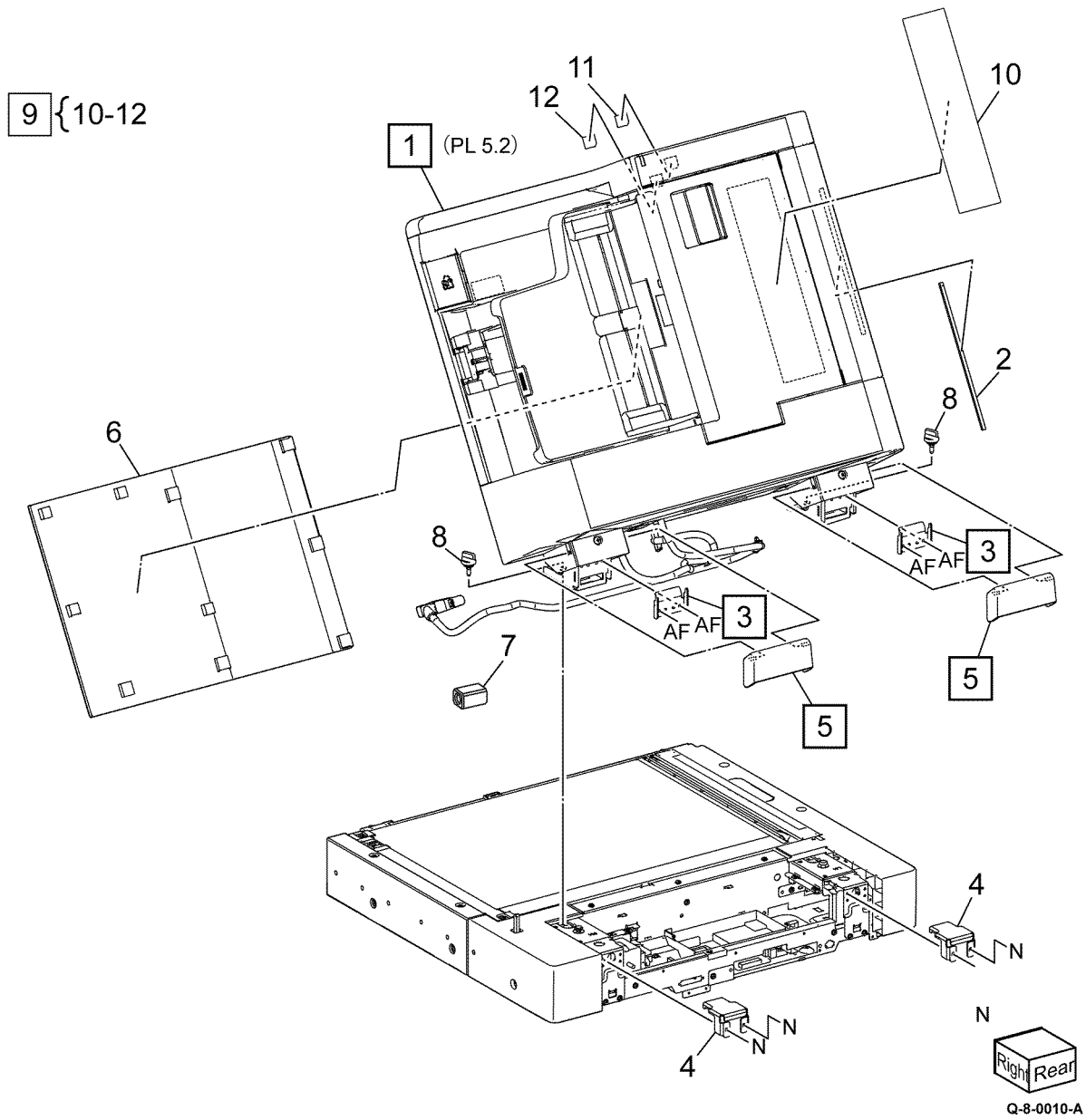
PL 3.15 Video Contact Chassis Assembly

Item	Part	Description
1	—	Controller chassis assembly (Not Spared)
2	960K81580	Back plane PWB (REP 3.3)
3	—	Not used
4	960K81372	Half tone PWB (REP 3.4)
5	054K55232	ESS duct assembly
6	—	ESS duct (P/O PL 3.15 Item 5)
7	—	ESS fan (P/O PL 3.15 Item 5)
8	—	ESS inner cover
9	—	Video chassis assembly (P/O PL 3.15 Item 1)
10	—	MCU PWB cover (P/O PL 3.15 Item 1)
11	—	BP bracket (P/O PL 3.15 Item 1)
12	—	Support bracket
13	960K81590	Relay PWB
14	961K02011	MCU PWB (C8130/C8135)
—	961K02001	MCU PWB (C8145/C8155)
—	961K01991	MCU PWB (C8170)
15	—	MCU PWB support bracket (P/O PL 3.15 Item 1)



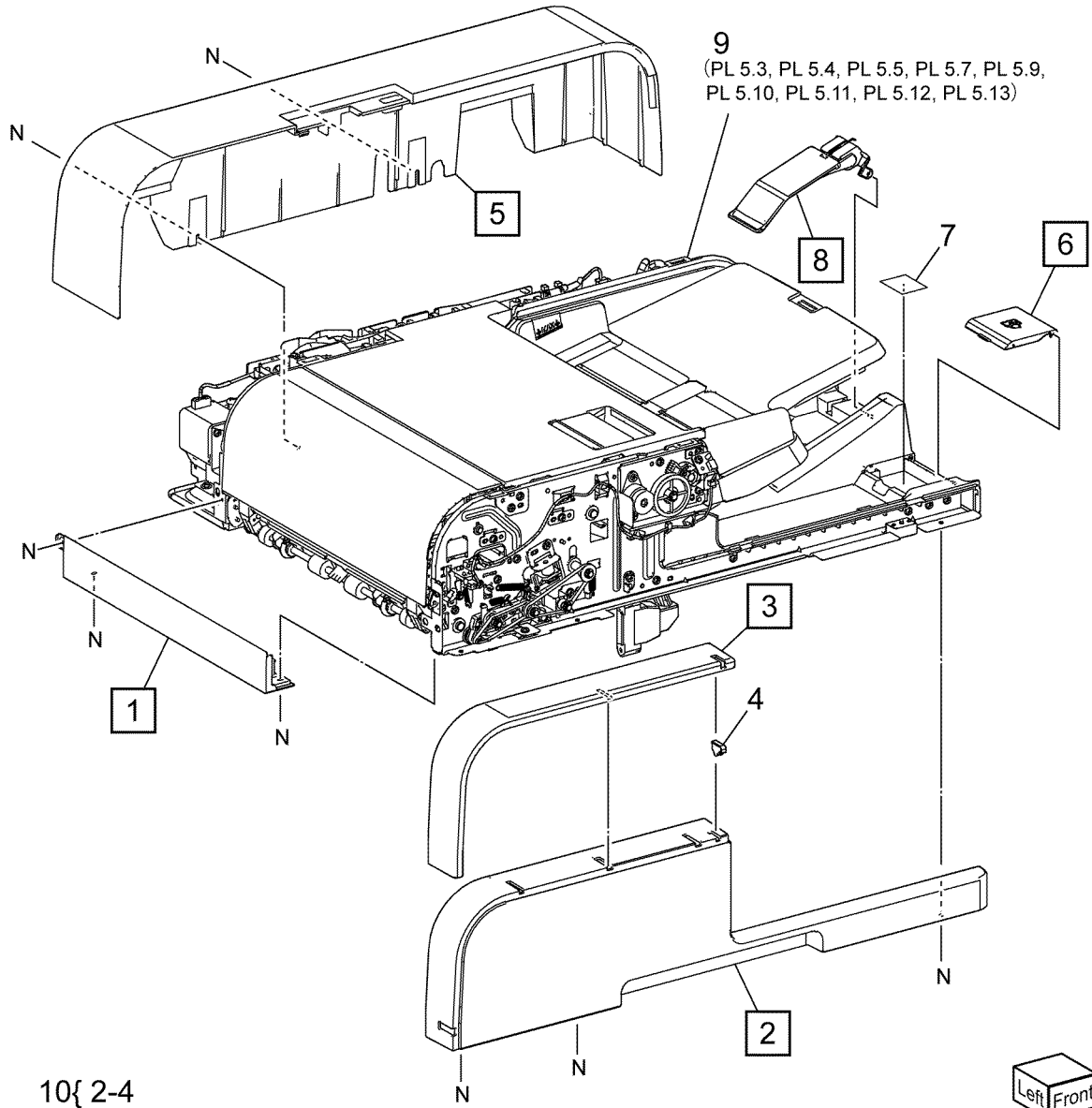
PL 5.1 DADF Component (250) (C8170)

Item	Part	Description
1	859K15665	DADF (DADF-250) (REF: PL 5.2) (REP 5.1)
2	—	Seal (Not Spared)
3	—	Counterbalance Bracket (Not Spared)
4	—	DADF Support (Not Spared)
5	—	Counterbalance Cover (Not Spared)
6	004K03761	DADF Platen Cushion
7	—	Ferrite Core (Not Spared)
8	003K91881	Thumbscrew
9	—	Label Kit (Eng)
10	—	Label (Instruction) (P/O PL 5.1 Item 9)
11	—	Label (Clean) (P/O PL 5.1 Item 9)
12	—	Label (Clean Point) (P/O PL 5.1 Item 9)



PL 5.2 DADF, DADF Cover (250) (C8170)

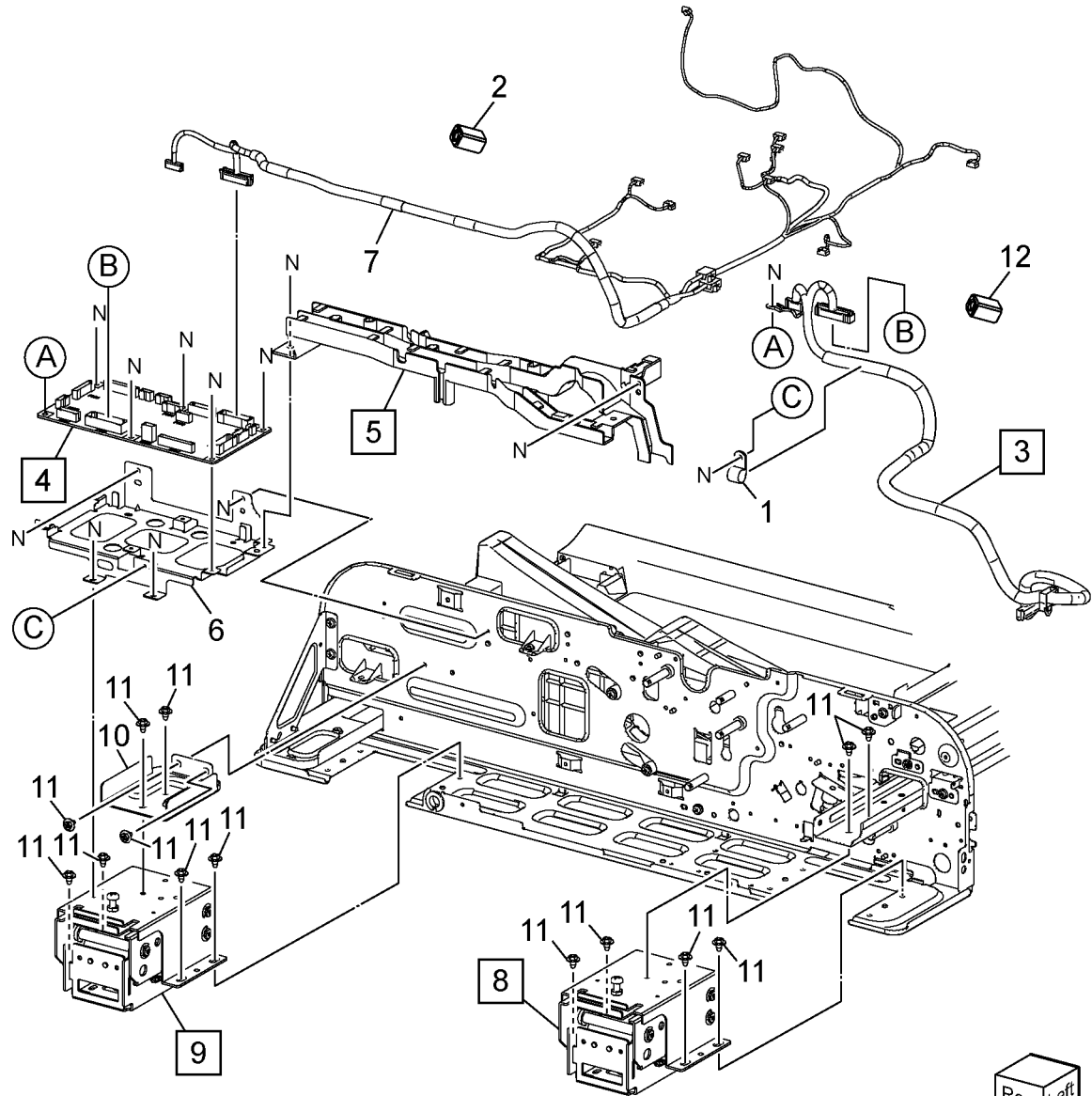
Item	Part	Description
1	822E38552	DADF Left Lower Cover (REP 5.2)
2	822E38503	DADF Front Cover (REP 5.3)
3	822E38511	DADF Front Top Cover
4	062E18370	LED Lens
5	822E38523	DADF Rear Cover (REP 5.5)
6	822E38581	Exit Cloth Cover
7	042E92802	Cloth Cleaner
8	003K22351	Stopper
9	—	DADF (REF: PL 5.3, PL 5.4, PL 5.5, PL 5.7, PL 5.9, PL 5.10, PL 5.11, PL 5.12, PL 5.13)
10	948K35130	DADF Front Cover Assembly



Left Front
Q-8-0011-A

PL 5.3 DADF PWB (250) (C8170)

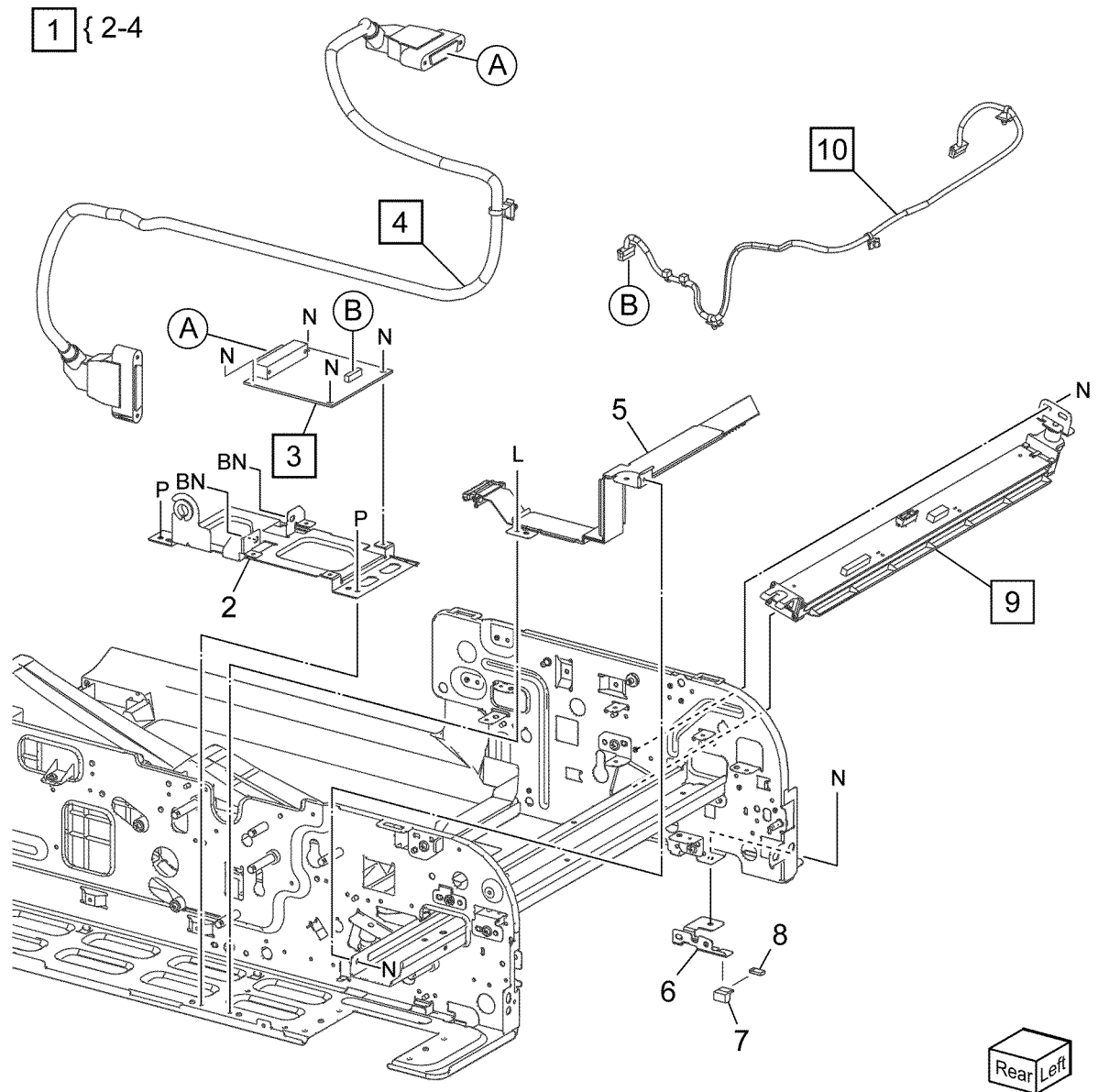
Item	Part	Description
1	—	P Clamp (Not Spared)
2	121E25180	Core (NFT-10)
3	117K48791	IIT-DADF Cable (REP 5.7)
4	960K98360	DADF PWB (REP 5.8)
5	—	Harness Guide (REP 5.56)
6	—	Bracket PWB (Not Spared)
7	952K37150	Wire Harness (Sig)
8	036K92480	Left Counter Balance (REP 5.9)
9	036K92490	Right Counter Balance (REP 5.10)
10	—	Right Bracket (Not Spared)
11	—	Screw (Not Spared)
12	121E88780	Core (TFT-102010N)



Q-8-0012-A

PL 5.4 DCDC PWB (250) (C8170)

Item	Part	Description
1	—	DCDC PWB Assembly
2	—	Bracket PWB (Not Spared)
3	960K96780	DCDC PWB (REP 5.11)
4	117K50391	DADF-Controller Cable
5	049K45911	Flat Cable (DCDC-CIS)
6	—	Stopper Bracket (Not Spared)
7	835E12131	Gasket
8	—	Tape (Not Spared)
9	930K04140	CIS (REP 5.12)
10	952K47100	Wire Harness (DCDC-CIS)

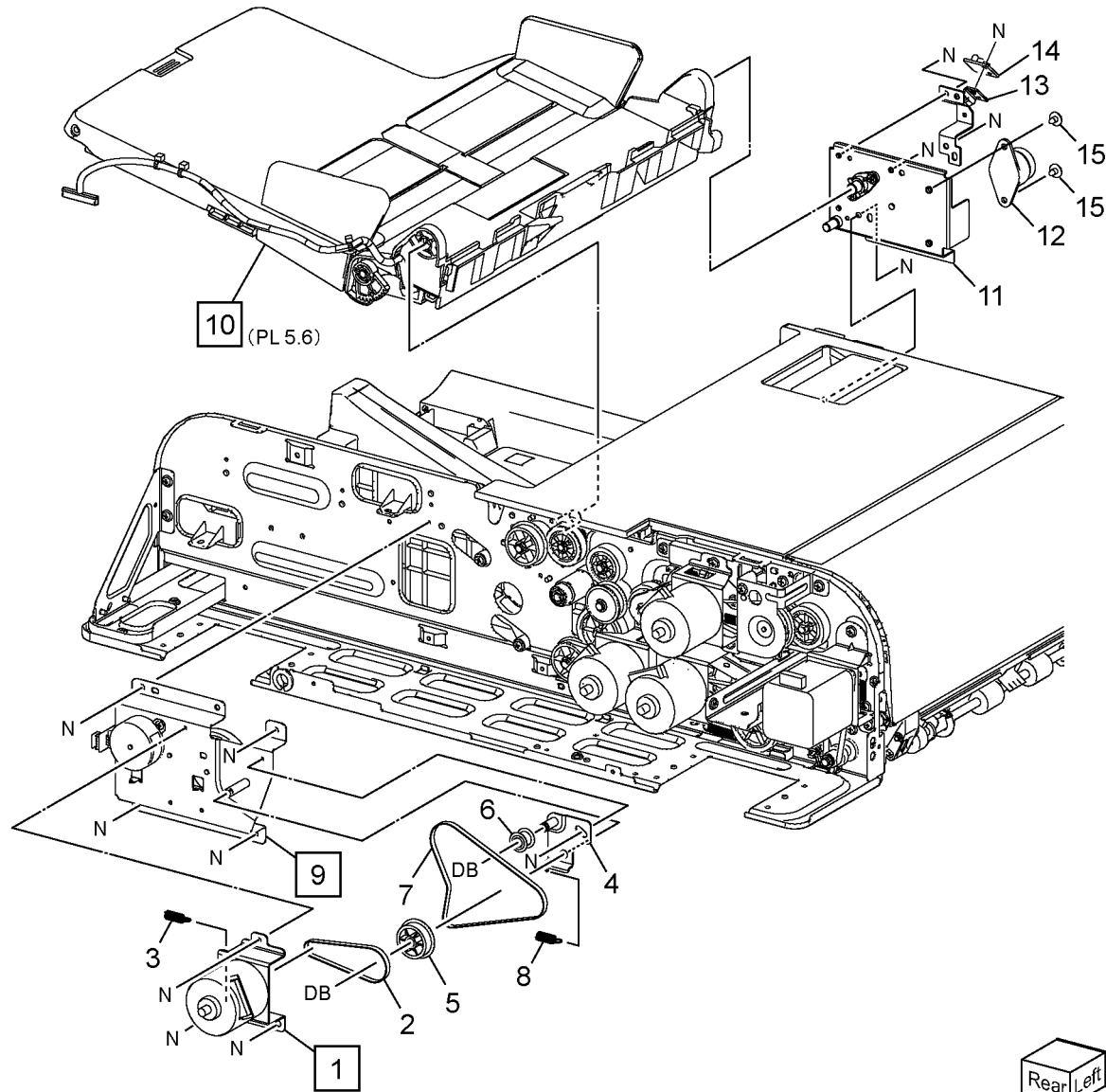


Rear Left

Q-8-0013-A

PL 5.5 Document Tray, Tray Feed (250) (C8170)

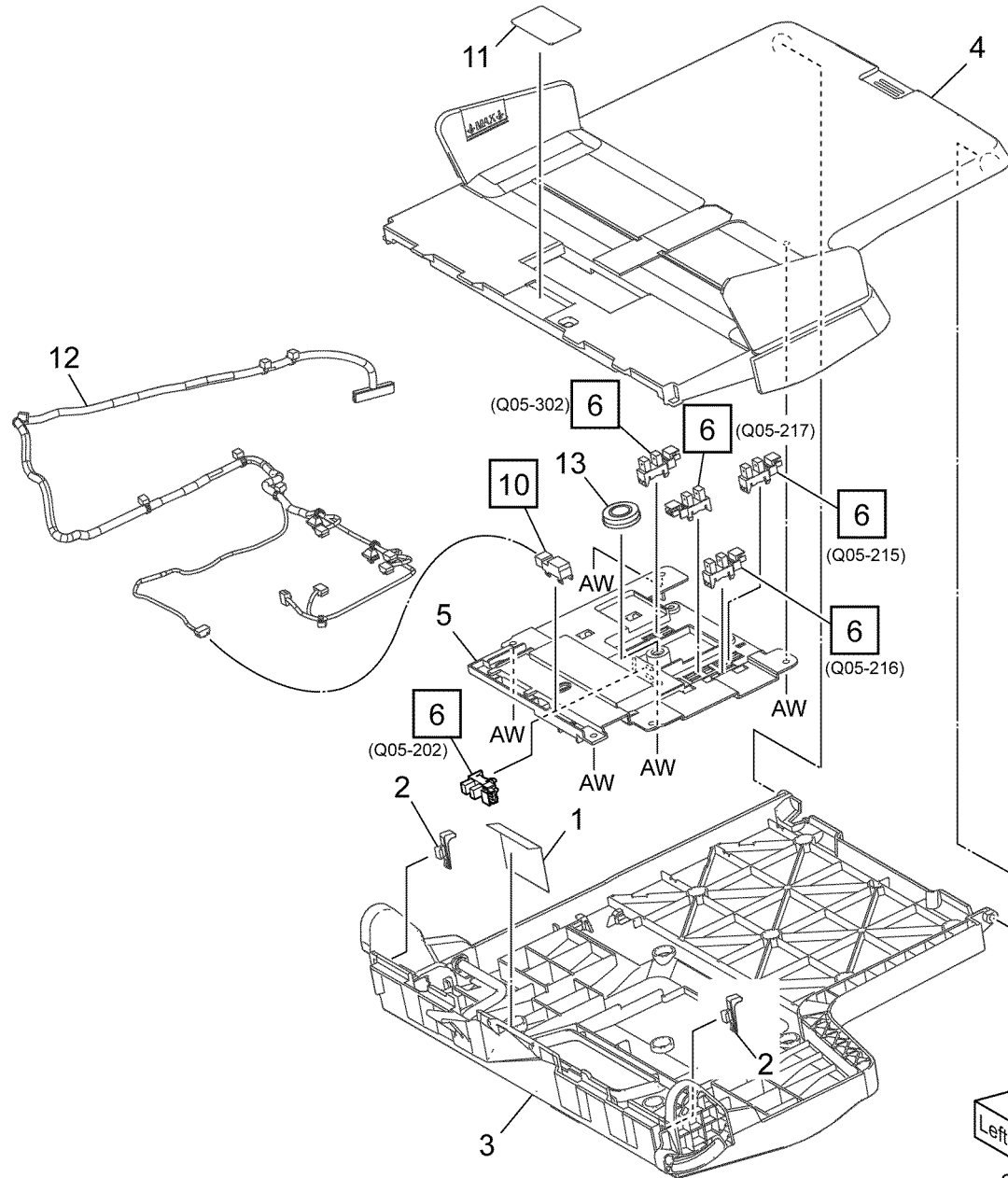
Item	Part	Description
1	127K74090	DADF Feed Motor (REP 5.14)
2	023E28620	Belt
3	899E14300	Tension Spring
4	—	Feed Idler Bracket Assembly (Not Spared)
5	—	Pulley (52T/23T) (Not Spared)
6	—	Idler Roller
7	023E28661	Belt (REP 5.14)
8	—	Tension Spring (Not Spared)
9	127K74030	DADF Tray Motor Assembly (REP 5.16)
10	050K75074	DADF Document Tray (REF: PL 5.6) (REP 5.55)
11	—	Tray Damper Bracket Assembly (Not Spared)
12	—	Oil Damper (REP 5.17)
13	—	LED Bracket (Not Spared)
14	—	Document Set LED (REP 5.17)
15	—	Screw (Not Spared)



Q-8-0014-A

PL 5.6 DADF Document Tray (250) (C8170)

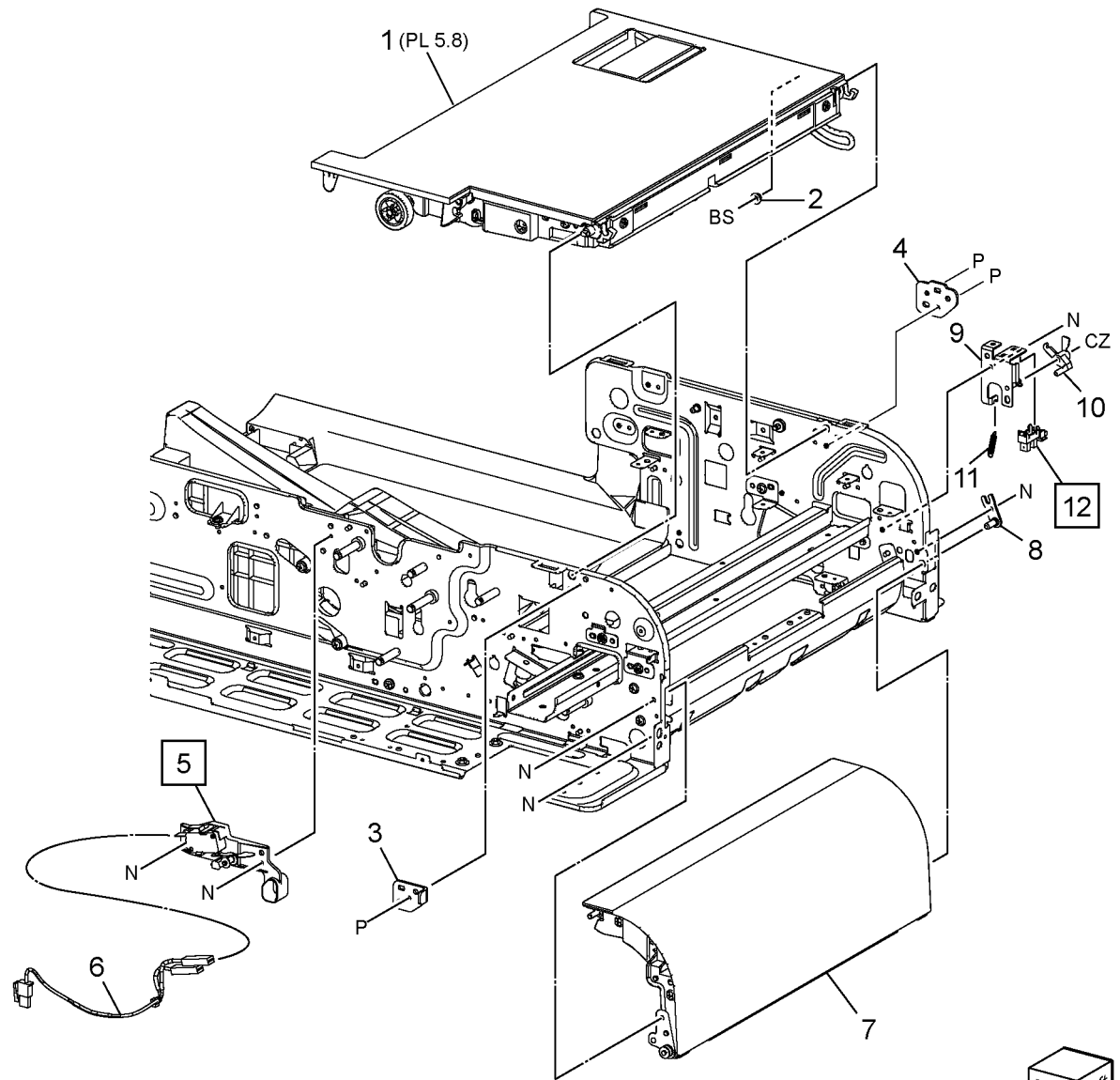
Item	Part	Description
1	063K00762	Film and Tape Assembly
2	—	Tray Block (P/O PL 5.5 Item 10)
3	—	Bottom Tray Assembly (P/O PL 5.5 Item 10)
4	—	Upper Tray Assembly (P/O PL 5.5 Item 10)
5	—	Inner Cover (P/O PL 5.5 Item 10)
6	930W00122	Tray APS Sensor 1 (Q05-215)/Tray APS Sensor 2 (Q05-216)/Tray APS Sensor 3 (Q05-217)/Tray APS Sensor 4 (Q05-302)/Bottom Sensor (Q05-202) (REP 5.19)
7	—	Not Used
8	—	Not Used
9	—	Not Used
10	930W00212	DADF Document Set Sensor (Q05-102) (REP 5.20)
11	019K99061	Retard Pad
12	—	Wire Harness (Tray) (P/O PL 5.5 Item 10)
13	—	Pinion Gear (P/O PL 5.5 Item 10)



Q-8-0015-A

PL 5.7 DADF Feeder Cover Unit (250) (C8170)

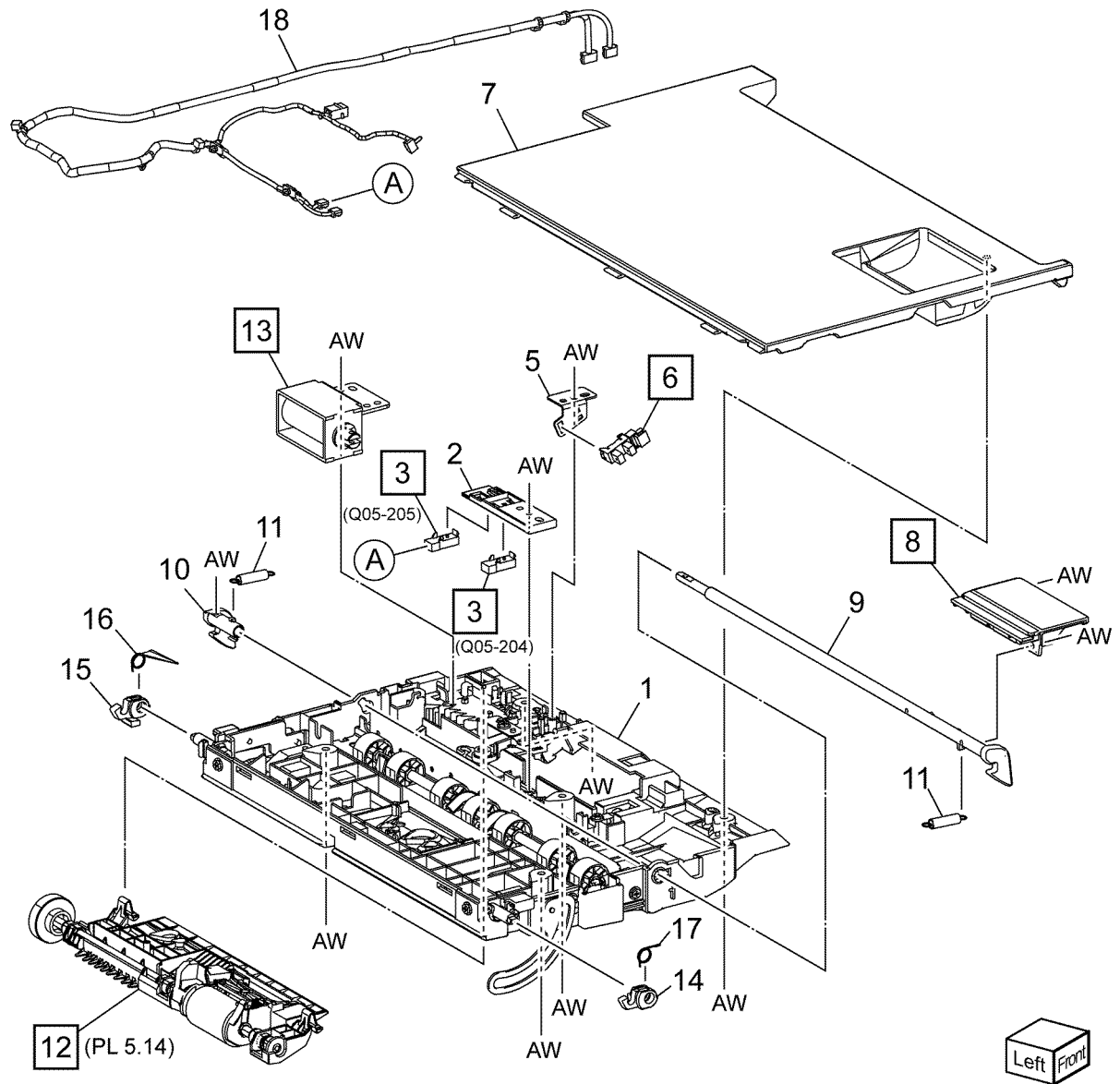
Item	Part	Description
1	054K55155	DADF Feeder Cover Assembly (REF: PL 5.8) (REP 5.21)
2	—	Stopper Roll (Not Spared)
3	—	Rear Hinge (Not Spared)
4	—	Front Hinge (Not Spared)
5	110K18130	DADF Feeder Cover Interlock Switch (S05-212) (REP 5.22)
6	—	Wire Harness (Interlock Switch) (Not Spared)
7	948K00991	DADF Left Cover Assembly (REP 5.23)
8	—	Front Bracket Assembly (Not Spared)
9	—	Switch Bracket (Not Spared)
10	120E35980	Actuator (REP 5.24)
11	899E15560	Tension Spring
12	930W00122	DADF L/H Cover Interlock Sensor (Q05-212) (REP 5.24)



Q-8-0016-A

PL 5.8 DADF Feeder Cover Assembly (250) (C8170)

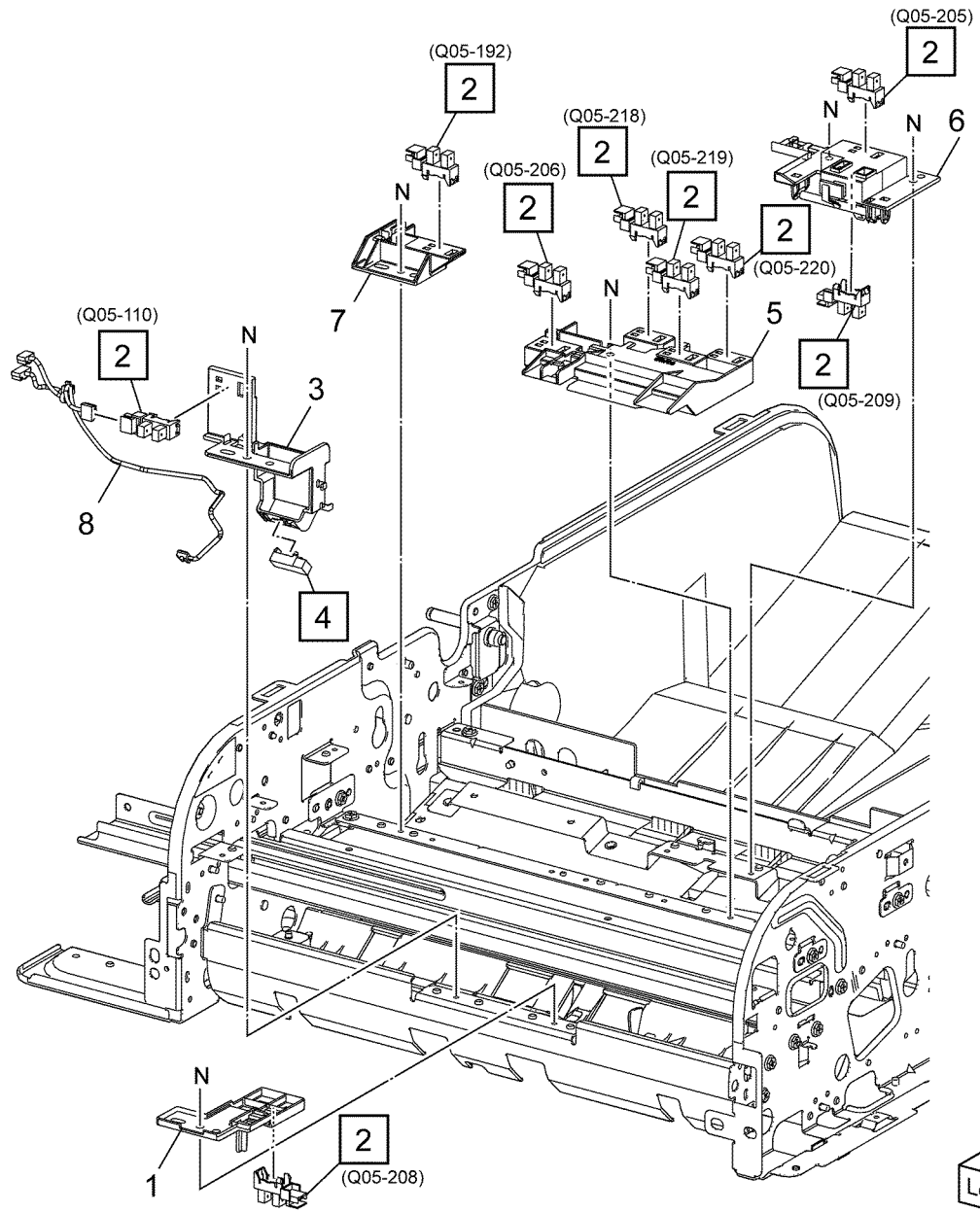
Item	Part	Description
1	—	DADF Feeder Cover (P/O PL 5.7 Item 1)
2	—	Feed Sensor Bracket (P/O PL 5.7 Item 1)
3	930W00222	DADF Feed In Sensor 1 (Q05-204) /DADF Feed In Sensor 2 (Q05-205) (REP 5.25)
4	—	Not Used
5	—	DADF Level Sensor Bracket (P/O PL 5.7 Item 1)
6	930W00122	DADF Level Sensor (Q05-203) (REP 5.26)
7	—	Upper Feeder Cover (P/O PL 5.7 Item 1)
8	011E29160	Latch Lever (REP 5.27)
9	806E47360	Latch Shaft (REP 5.27)
10	803E26090	Rear Latch (REP 5.27)
11	809E99510	Lever Spring (REP 5.27)
12	948K00881	DADF Nudger Housing Assembly (REF: PL 5.14) (REP 5.28)
13	121K57831	DADF Nudger Solenoid Assembly (REP 5.29)
14	803E08630	Left Latch Front Cover
15	803E08640	Left Latch Rear Cover
16	—	Rear Spring (P/O PL 5.7 Item 1)
17	—	Front Spring (P/O PL 5.7 Item 1)
18	—	Wire Harness (Top Sig) (P/O PL 5.7 Item 1)



Q-8-0017-A

PL 5.9 Sensor Component (250) (C8170)

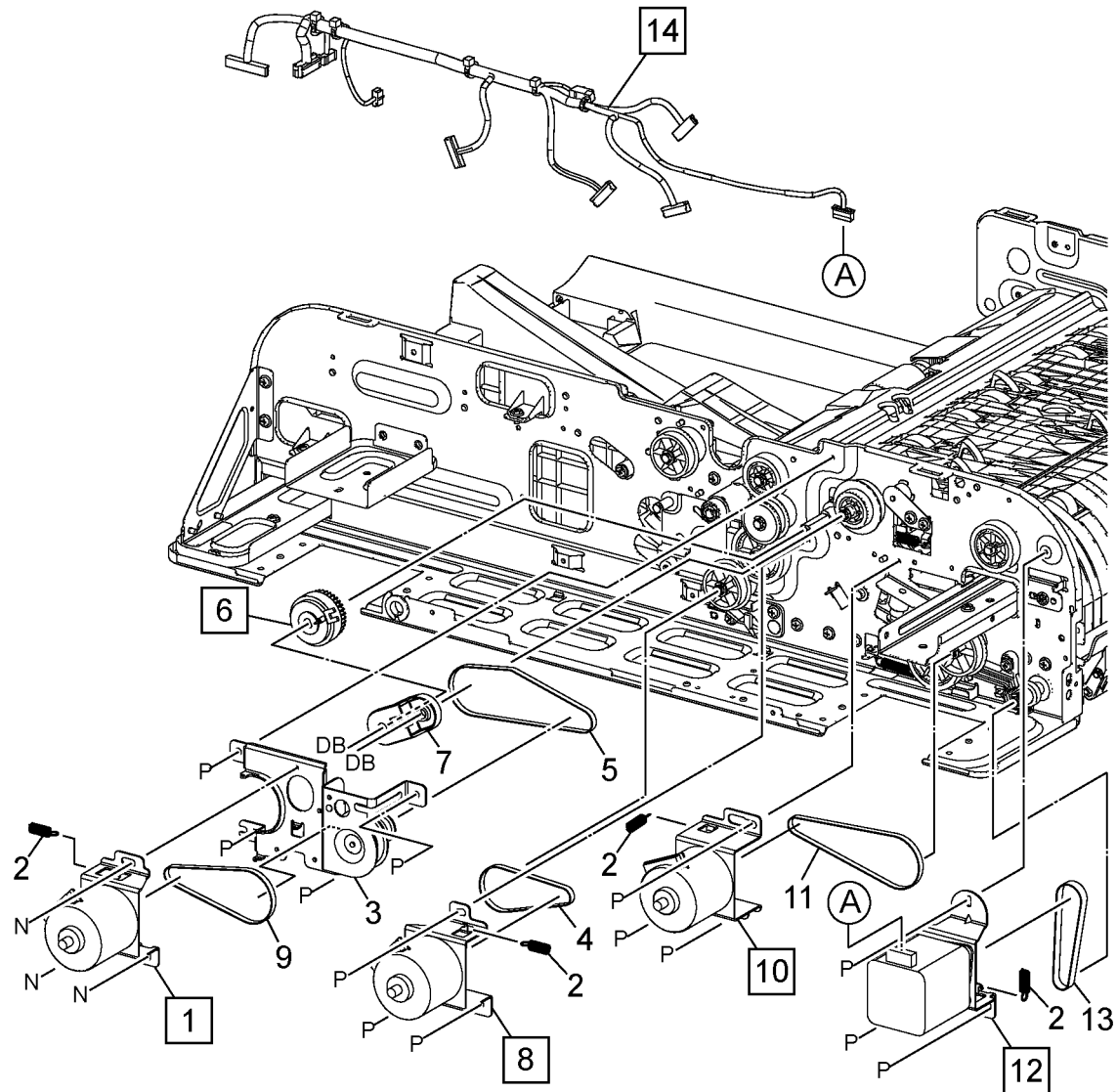
Item	Part	Description
1	—	Out Sensor Bracket (Not Spared)
2	930W00122	DADF Out Sensor (Q05-208) (REP 5.31)/DADF Registration Sensor (Q05-110) (REP 5.32)/DADF Pre Registration Sensor (Q05-206) (REP 5.33)/DADF APS Sensor 1 (Q05-218), DADF APS Sensor 2 (Q05-219), DADF APS Sensor 3 (Q05-220) (REP 5.33)/DADF Feed Out Sensor (Q05-205) (REP 5.34)/DADF Exit Sensor (Q05-209) (REP 5.34)/Skew Detect Sensor (Q05-192) (REP 5.35)
3	—	DADF Lead Registration Sensor Bracket (Not Spared)
4	930W00222	DADF Lead Registration Sensor (Q05-207) (REP 5.36)
5	—	APS Sensor Bracket (Not Spared)
6	—	Exit Sensor Assembly (Not Spared)
7	—	Skew Sensor Bracket (Not Spared)
8	—	Wire Harness (DADF Regi. Sensor)



Q-8-0018-A

PL 5.10 Drive Component (250) (C8170)

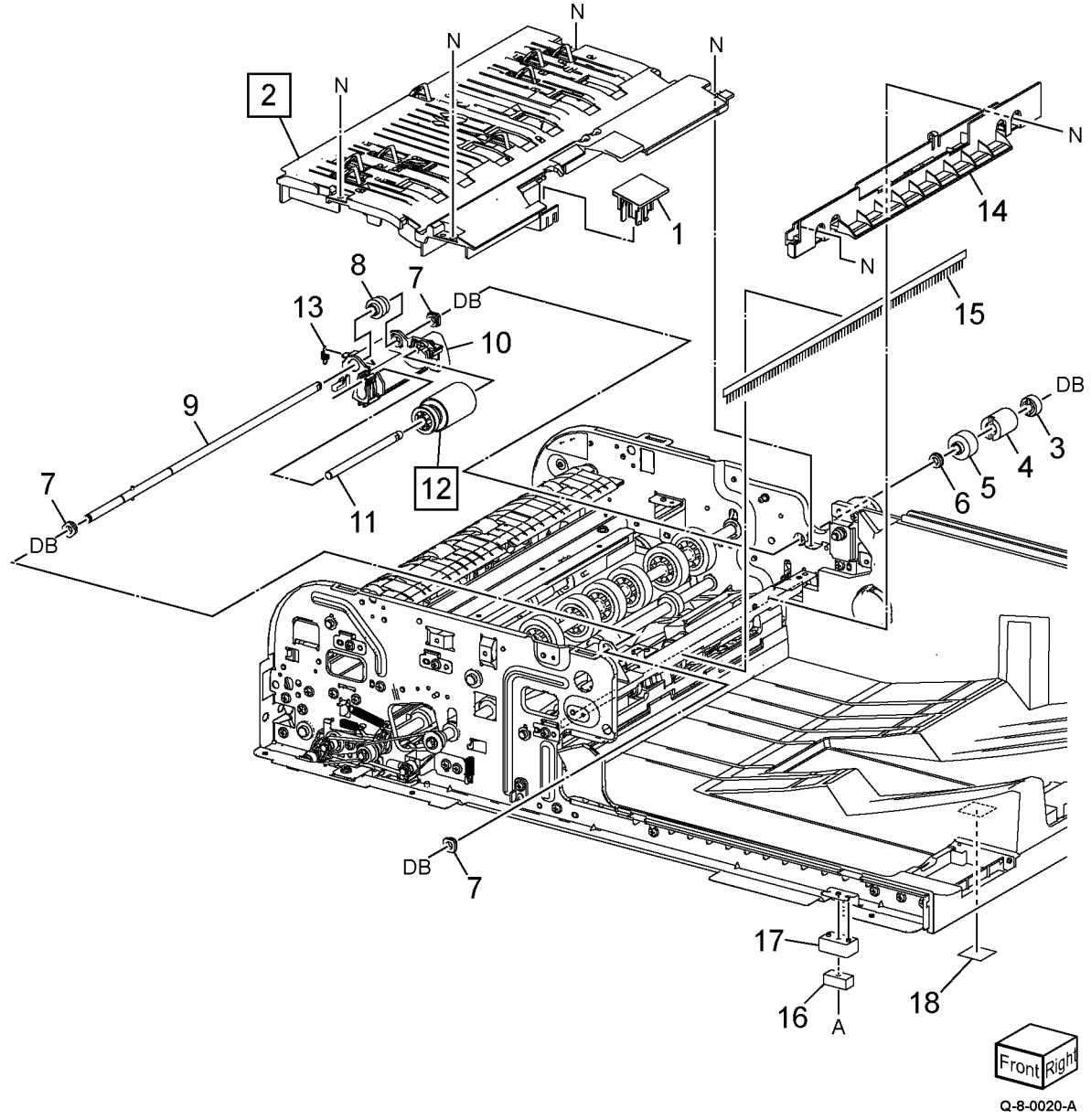
Item	Part	Description
1	127K75920	DADF Pre Registration Motor (MOT05-011) (REP 5.37)
2	899E15560	Tension Spring
3	—	Drive Bracket Assembly (Not Spared)
4	023E28620	Belt (DADF Exit) (REP 5.39)
5	—	Belt (DADF Take Away Clutch) (REP 5.38)
6	121K52310	DADF Take Away Clutch Assembly (CL05-087) (REP 5.38)
7	—	DADF Take Away Clutch Stopper (Not Spared)
8	127K74121	DADF Exit Motor (MOT05-041) (REP 5.39)
9	023E28630	Belt (DADF Pre Regi.) (REP 5.38)
10	127K74101	DADF Platen Motor (MOT05-031) (REP 5.40)
11	023E28640	Belt (DADF Platen) (REP 5.40)
12	127K74000	DADF Regi. Motor (MOT05-021) (REP 5.41)
13	023E28760	Belt (DADF Regi.) (REP 5.41)
14	—	Motor Assembly Harness (Not Spared)



Q-8-0019-A

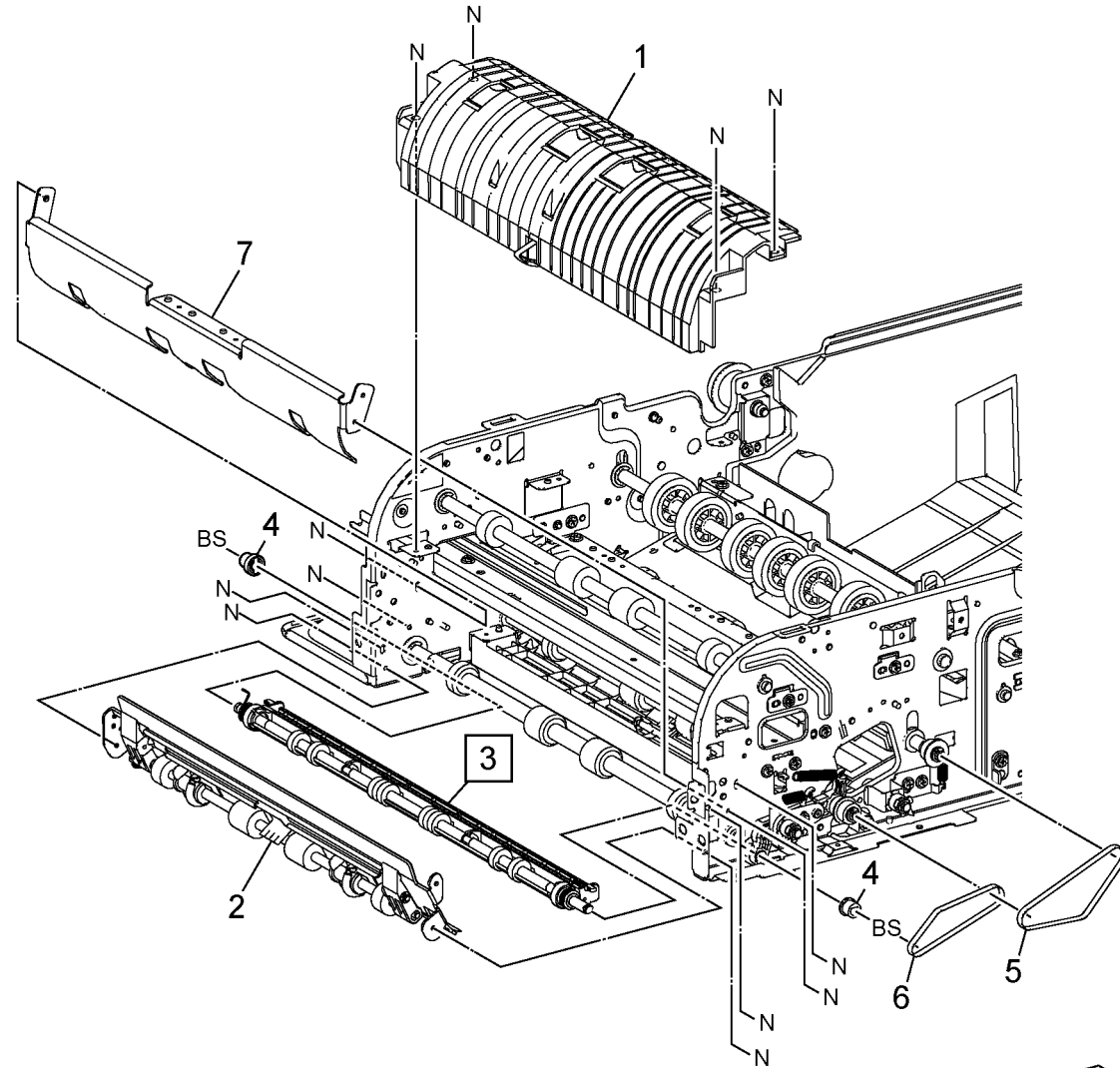
PL 5.11 Lower Chute Assembly, Retard Roll (250) (C8170)

Item	Part	Description
1	054E60531	Retard Chute Cover
2	054K55143	Lower Chute Assembly (REP 5.42)
3	—	Clutch Stopper (Not Spared)
4	005K14230	Friction Clutch (REP 5.43)
5	—	Gear (21T) (Not Spared)
6	—	Ball Bearing (Not Spared)
7	—	Sleeve Bearing (Not Spared)
8	—	Pivot Gear (Not Spared)
9	—	Pivot Shaft (Not Spared)
10	—	Retard Holder (Not Spared)
11	—	Retard Shaft (Not Spared)
12	859K02461	Retard Roll (REP 5.44)
13	899E13651	Retard Spring (REP 5.44)
14	—	Exit Guide (Not Spared)
15	105E22470	Exit Eliminator (REP 5.45)
16	921W20101	Magnet Interlock
17	—	Magnet Cover (Not Spared)
18	063E07290	Cushion Fastener Tape



PL 5.12 Pre Regi. In Chute, Platen High Roll (250) (C8170)

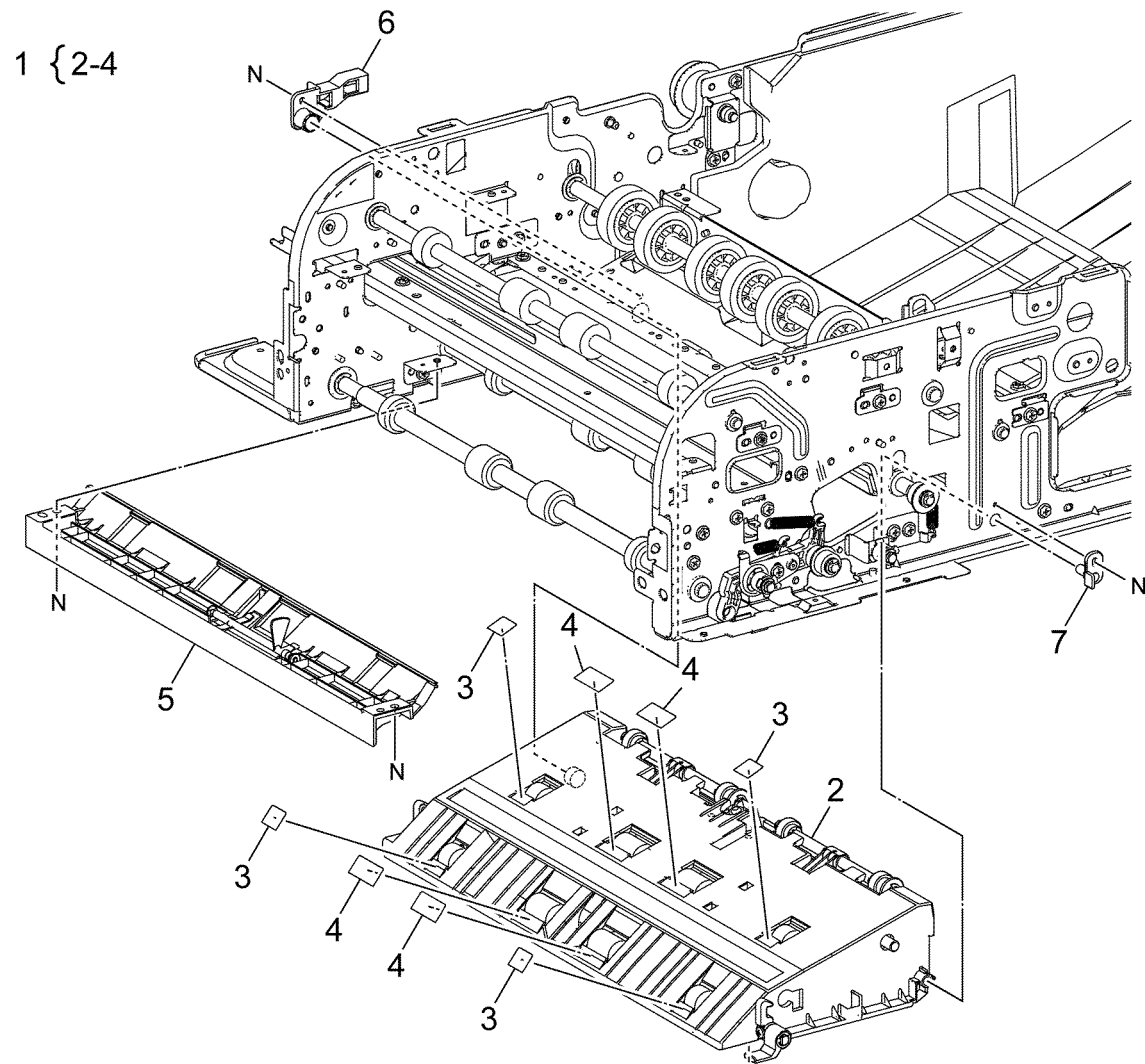
Item	Part	Description
1	054K55160	Pre Registration In Chute Assembly (REP 5.47)
2	054K55100	Registration Out Chute Assembly (REP 5.48)
3	859K02620	Platen High Roll Assembly (REP 5.49)
4	—	Pulley (20T) (Not Spared)
5	023E28630	Belt (Exit 1) (REP 5.50)
6	023E28620	Belt (Platen) (REP 5.50)
7	—	Regi. In Chute (Not Spared)



Q-8-0021-A

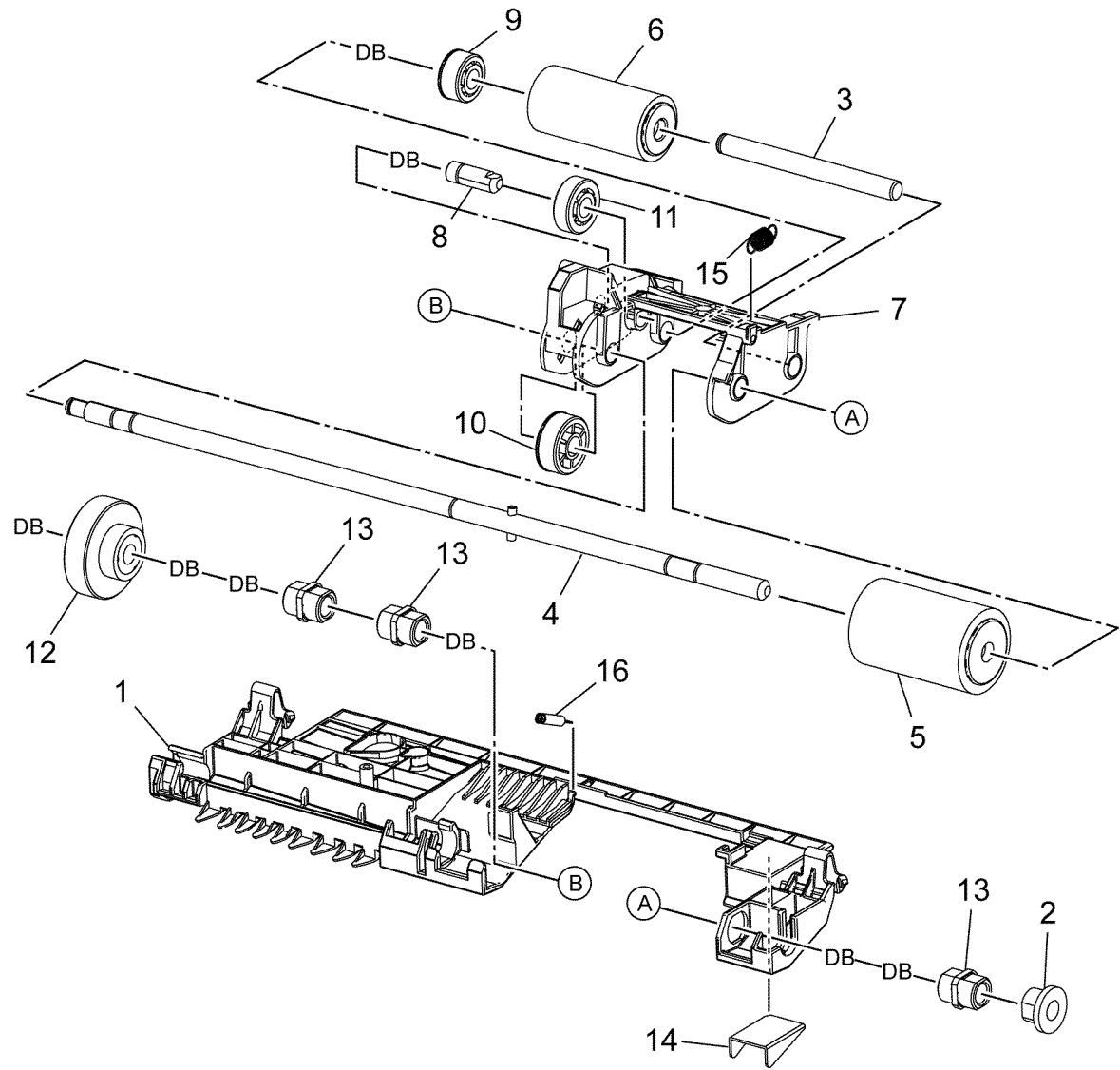
PL 5.13 Exit Lower Chute, Out Chute Assembly (250) (C8170)

Item	Part	Description
1	054K60741	Exit Lower Chute Assembly (REP 5.51)
2	—	Exit Lower Chute (P/O PL 5.13 Item 1)
3	063K00710	Film S (REP 5.52)
4	063K00720	Film W (REP 5.52)
5	054K55130	Out Chute Assembly (REP 5.53)
6	—	Exit Rear Hinge (Not Spared)
7	—	Front Hinge (Not Spared)



PL 5.14 DADF Nudger Housing Assembly (250) (C8170)

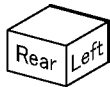
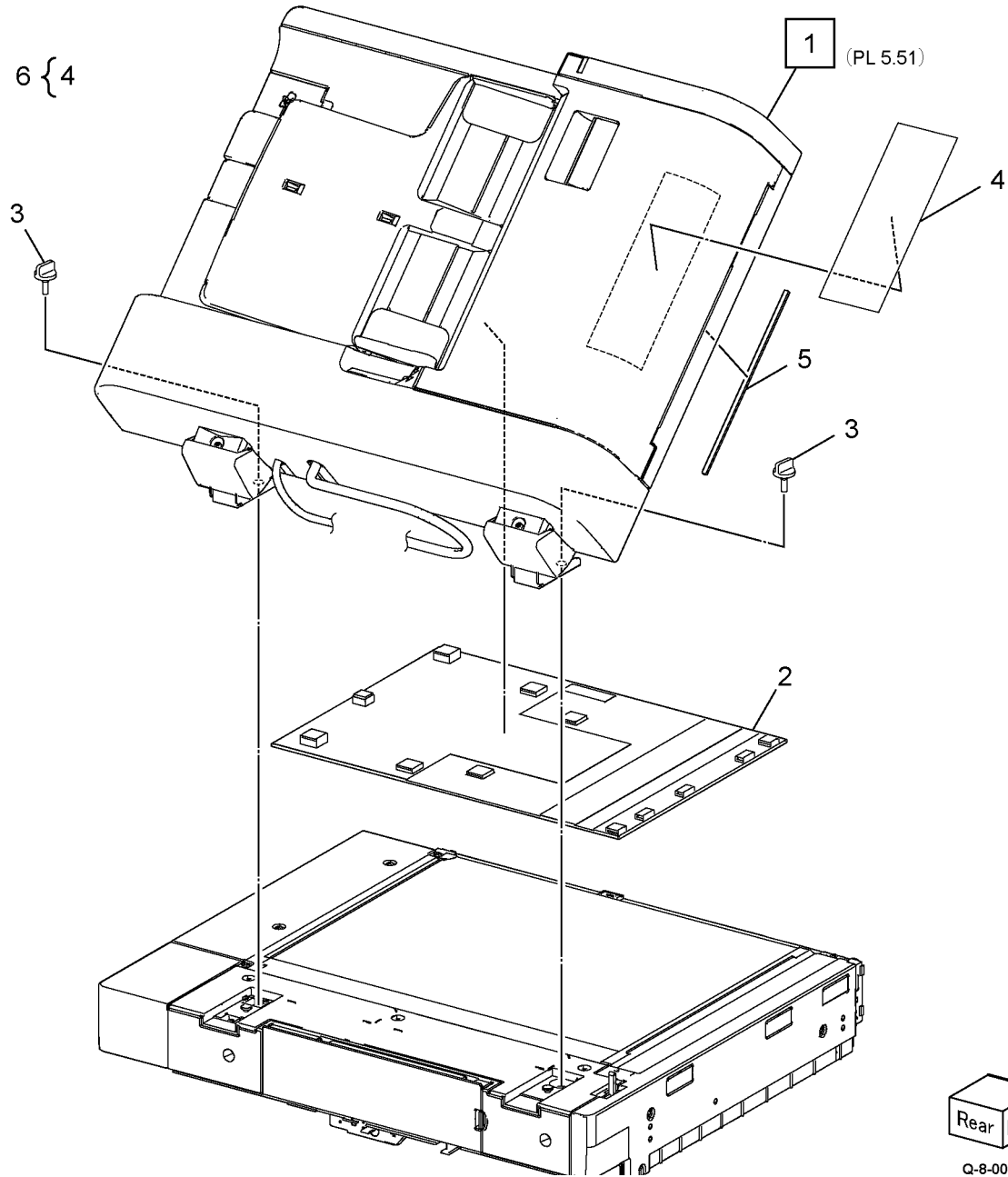
Item	Part	Description
1	—	Feeder Chute Cover (Not Spared)
2	—	Bearing (Not Spared)
3	—	Nudger Shaft (Not Spared)
4	—	Feed Shaft (Not Spared)
5	059K29520	Feed Roll (REP 5.54)
6	059K31270	Nudger Roll
7	—	Nudger Housing (Not Spared)
8	—	Idler Gear Shaft (Not Spared)
9	—	Gear (27T) (Not Spared)
10	—	Gear (33T) (Not Spared)
11	—	Gear (31T) (Not Spared)
12	—	Gear Assembly (26T) (Not Spared)
13	—	Bearing (PF101) (Not Spared)
14	—	Sensor Shield (Not Spared)
15	—	Front Nudger Spring (Not Spared)
16	—	Rear Nudger Spring (Not Spared)



Q-8-0023-A

PL 5.50 DADF Component (130) (C8130/C8135/C8145/C8155)

Item	Part	Description
1	859K16553	DADF (130) (REP 5.60)
2	004K03890	DADF platen cushion (REP 5.61)
3	003K91881	Thumbscrew
4	—	Label (instruction) (P/O PL 5.50 Item 6)
5	—	Seal base frame
6	—	DADF label kit

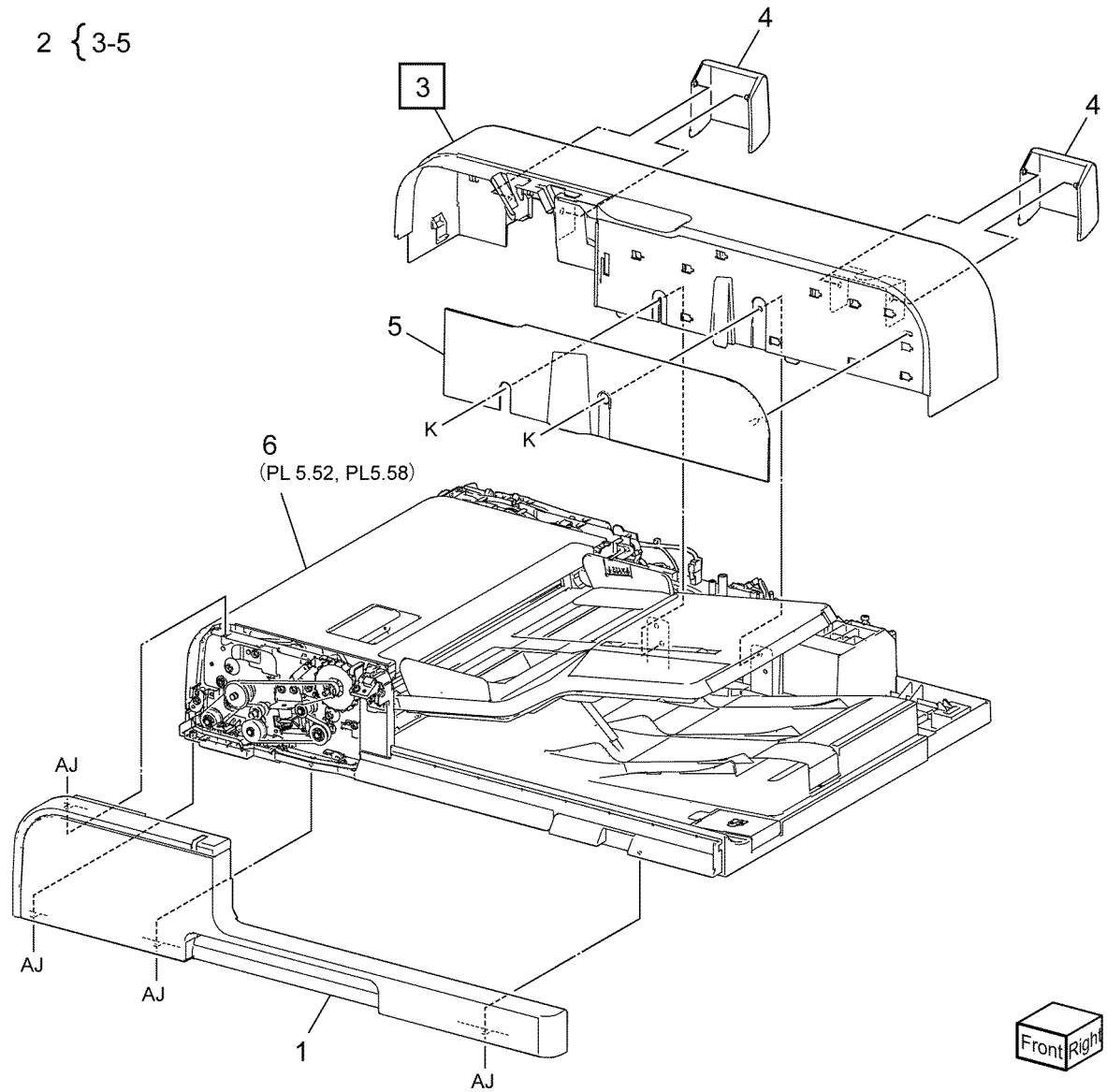


Q-8-0024-A

PL 5.51 DADF Cover (130) (C8130/C8135/C8145/C8155)

Item	Part	Description
1	948K26800	Front cover (REP 5.62)
2	—	Rear cover assembly (REP 5.63)
3	—	Rear cover (P/O PL 5.51 Item 2)
4	—	Counter balance cover (P/O PL 5.51 Item 2)
5	—	Rear cover base (P/O PL 5.51 Item 2)
6	—	Feeder assembly (REP 5.64)

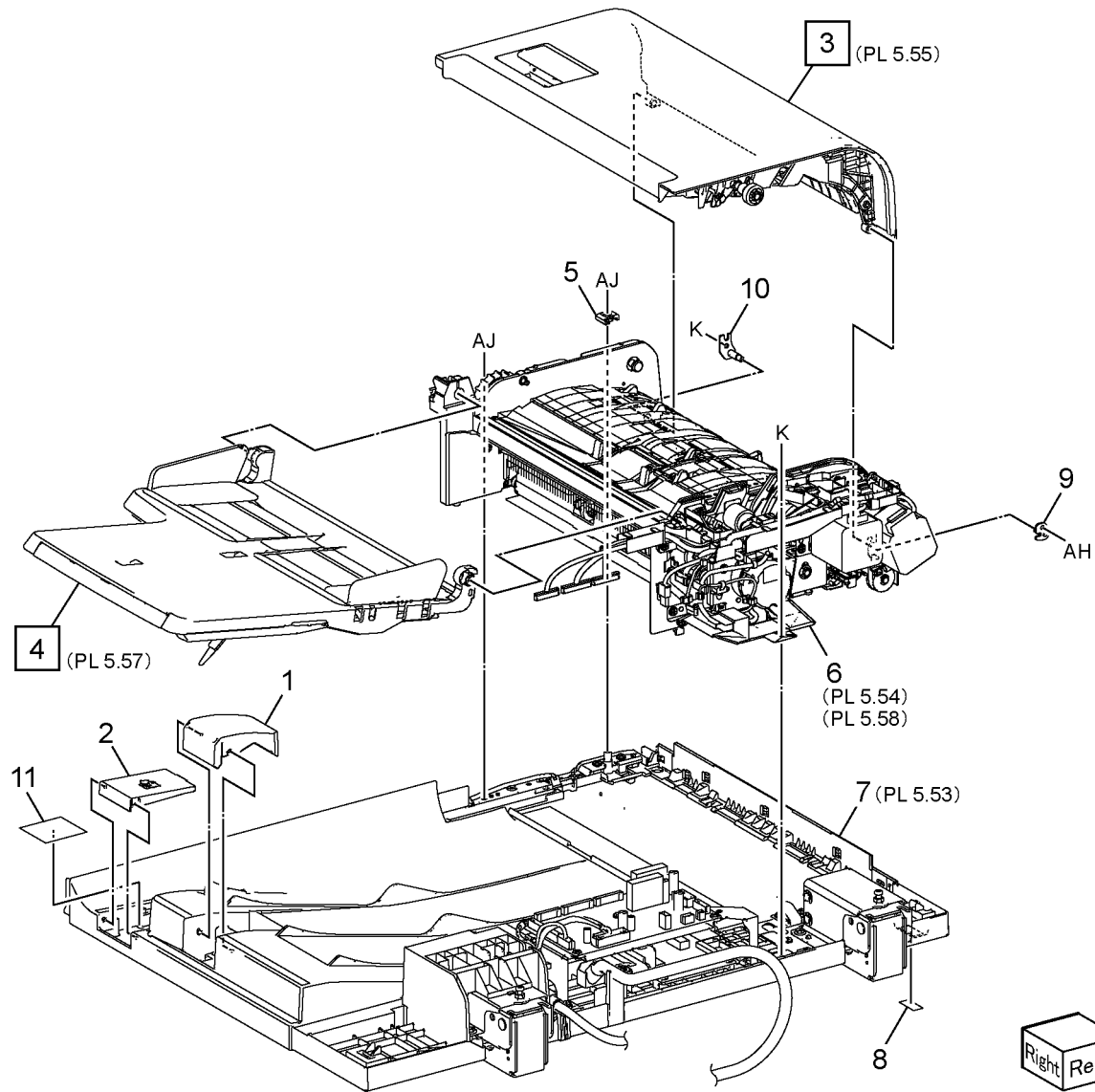
2 { 3-5



Q-8-0025-A

PL 5.52 DADF Top Cover, Document Tray (130) (C8130/C8135/C8145/C8155)

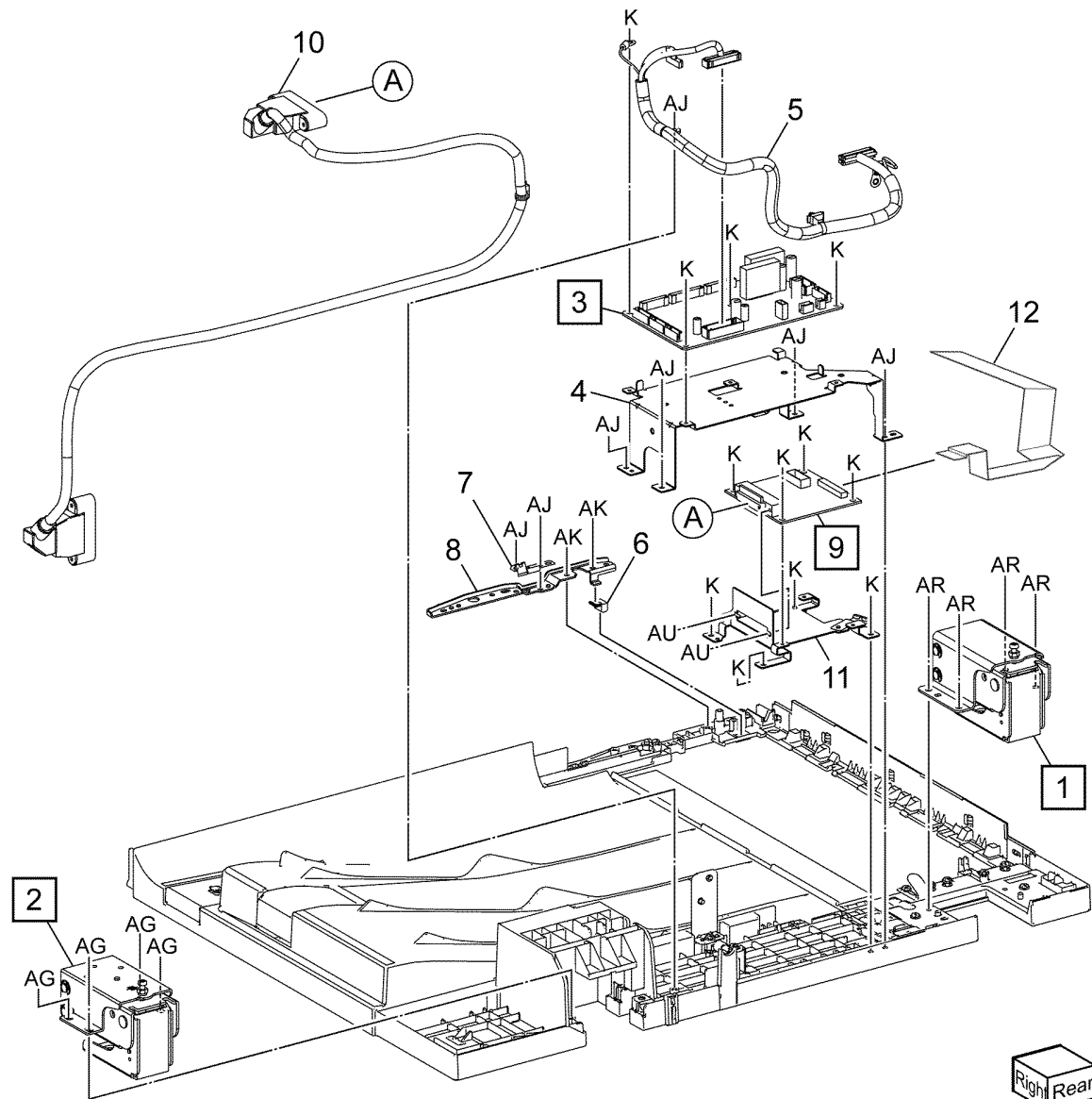
Item	Part	Description
1	803E30190	Stopper
2	819E01660	Cloth holder
3	859K02254	Top cover (REP 5.70)
4	050K79643	Document tray (REP 5.69)
5	—	Collar
6	—	Regi./Retard chute/Invert unit (REP 5.75)
7	—	Base frame unit
8	—	Label (Clean)
9	—	Stud bracket (rear)
10	—	Stud bracket (front)
11	042E92802	Cloth cleaner



Q-8-0026-A

PL 5.53 DADF Base Frame Assembly (130) (C8130/C8135/C8145/C8155)

Item	Part	Description
1	036K92372	Left counter balance (REP 5.67)
2	036K92382	Right counter balance (REP 5.68)
—	036K92091	Right counter balance (alternative)
3	960K97240	DADF PWB (REP 5.65)
4	—	PWB bracket
5	117K48791	DADF signal cable assembly (DADF-IIT)
6	835E12131	Gasket
7	—	Ground plate
8	—	Front base bracket
9	960K81482	DCDC PWB (REP 5.66)
10	117K50441	DADF controller cable
11	—	PWB bracket
12	—	Flat Cable (DCDC-CIS)

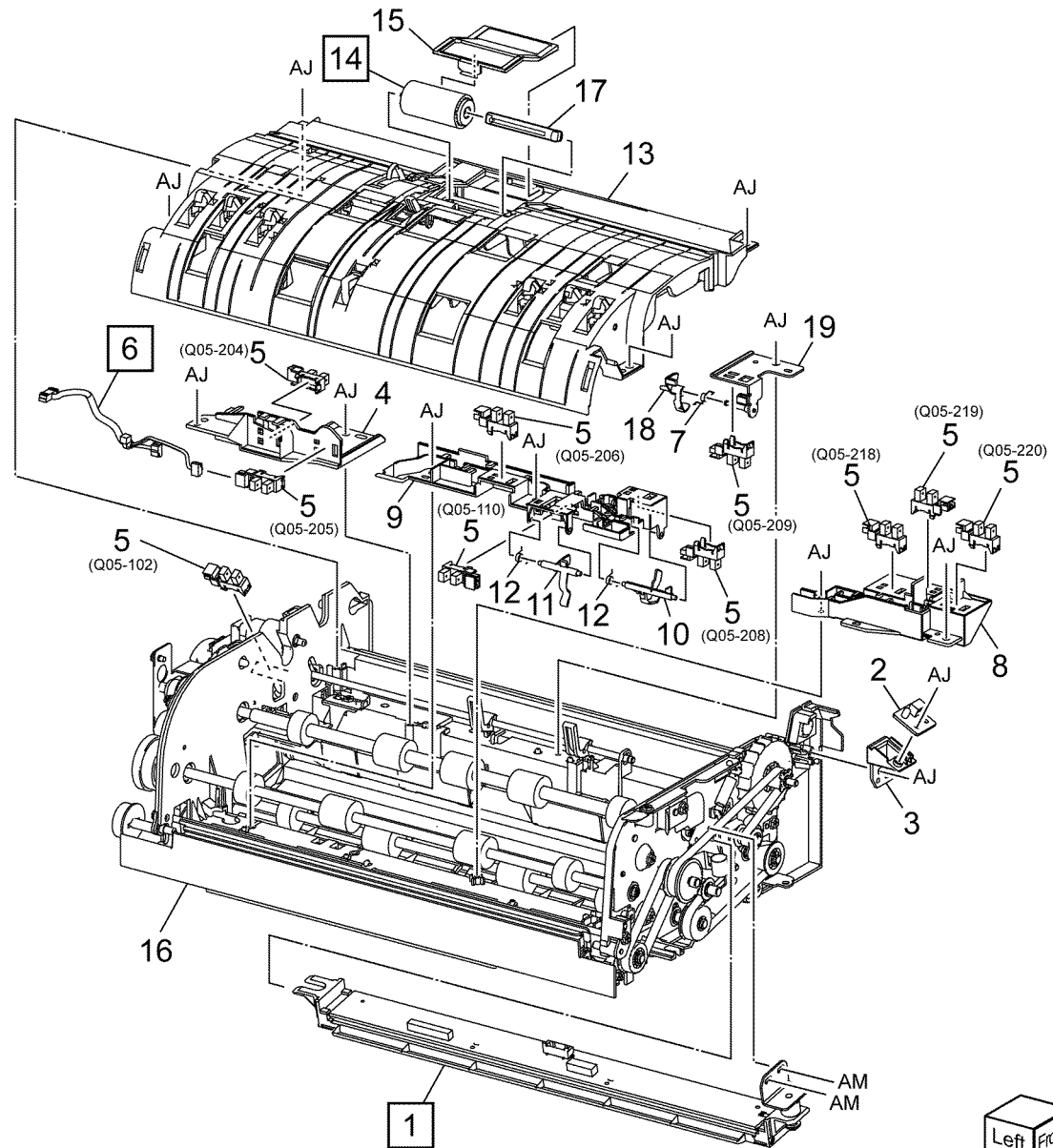


Right Rear

Q-8-0027-A

PL 5.54 Regi. / Retard Chute/ Invert Unit (130) (C8130/C8135/C8145/C8155)

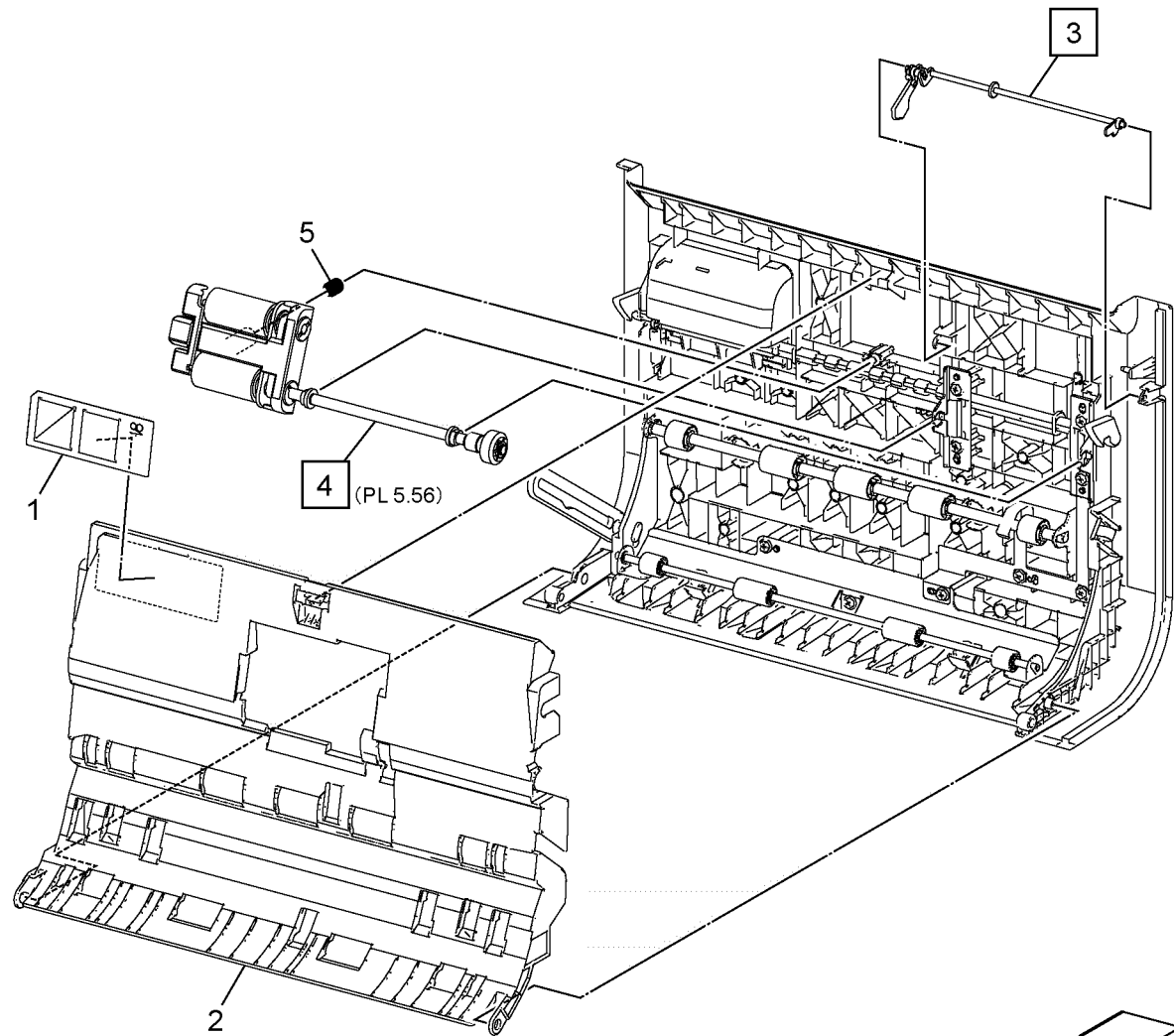
Item	Part	Description
1	930K04170	CIS (REP 5.78)
2	—	Document set LED
3	—	Document set LED PWB
4	869E17370	LED bracket
5	930W00122	DADF feed out sensor (Q05-205) (REP 5.82)/DADF feed in sensor (Q05-204) (REP 5.82)/DADF Exit sensor (Q05-209) (REP 5.83)/DADF APS sensor 1 (Q05-218) (REP 5.84)/DADF APS sensor 2 (Q05-219) (REP 5.84)/DADF APS sensor 3 (Q05-220) (REP 5.84)/DADF Regi.sensor (Q05-110) (REP 5.85)/DADF Out sensor (Q05-208) (REP 5.85)/DADF Pre Regi. sensor (Q05-206)/ DADF Document set sensor (Q05-102) (RE
6	—	Wire harness (DADF feed out sensor)
7	—	Spring
8	—	DADF APS sensor guide
9	—	DADF sensor guide
10	—	Actuator (Out)
11	—	Actuator (Regi.)
12	—	Spring
13	—	Retard chute assembly (REP 5.76)
14	059K78301	Retard roll (REP 5.81)
15	848K99190	Retard roll cover
16	—	Frame assembly
17	—	Retard shaft
18	—	Actuator
19	—	Bracket



Q-8-0028-A

PL 5.55 Top Cover (130) (C8130/C8135/C8145/C8155)

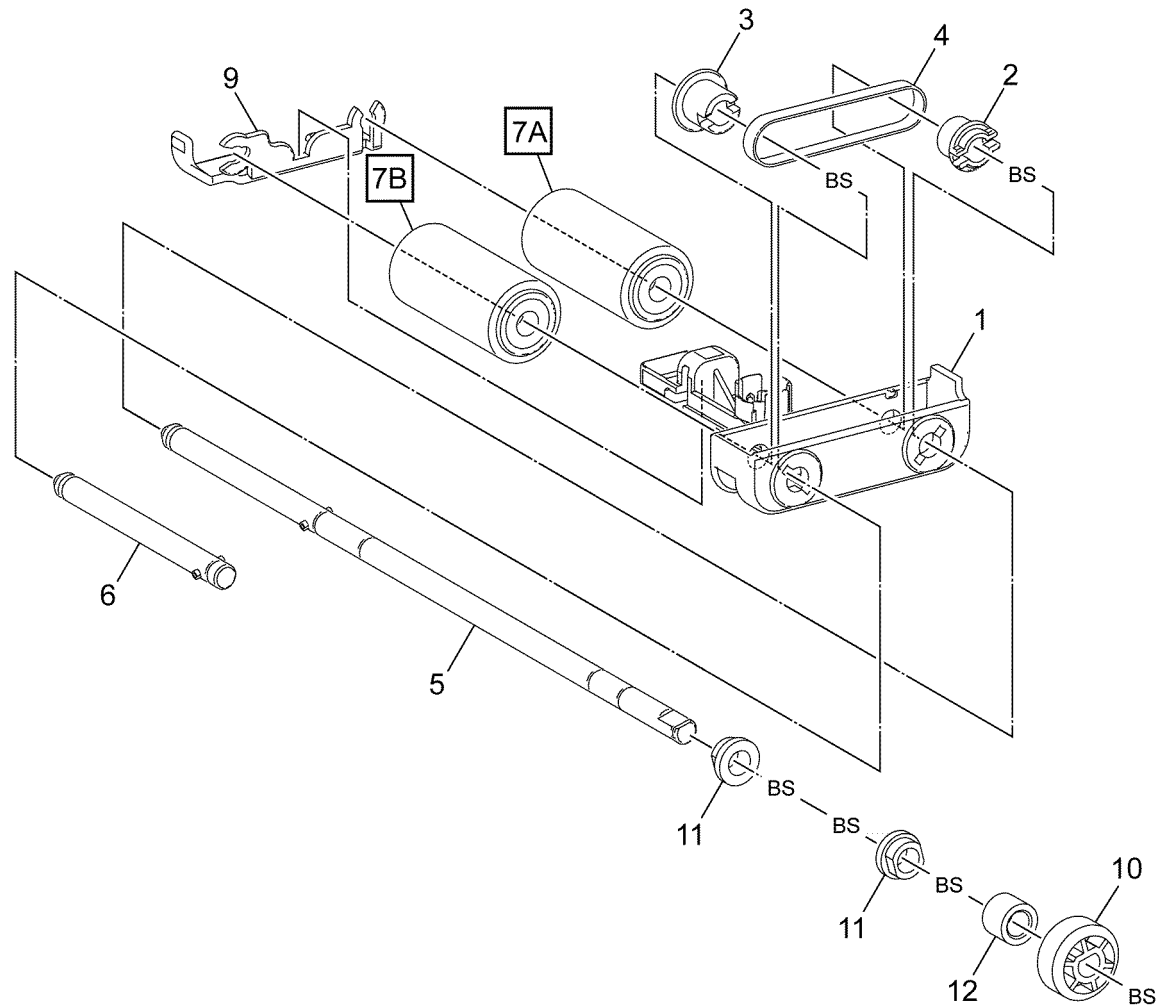
Item	Part	Description
1	—	Label (Jam clear)
2	—	Feed upper chute
3	120K92810	Document set actuator (REP 5.87)
4	059K73511	Feed/Nudger roll assembly (REP 5.88)
5	—	Spring



Q-8-0029-A

PL 5.56 Feeder / Nudger Roll Assembly (130) (C8130/C8135/C8145/C8155)

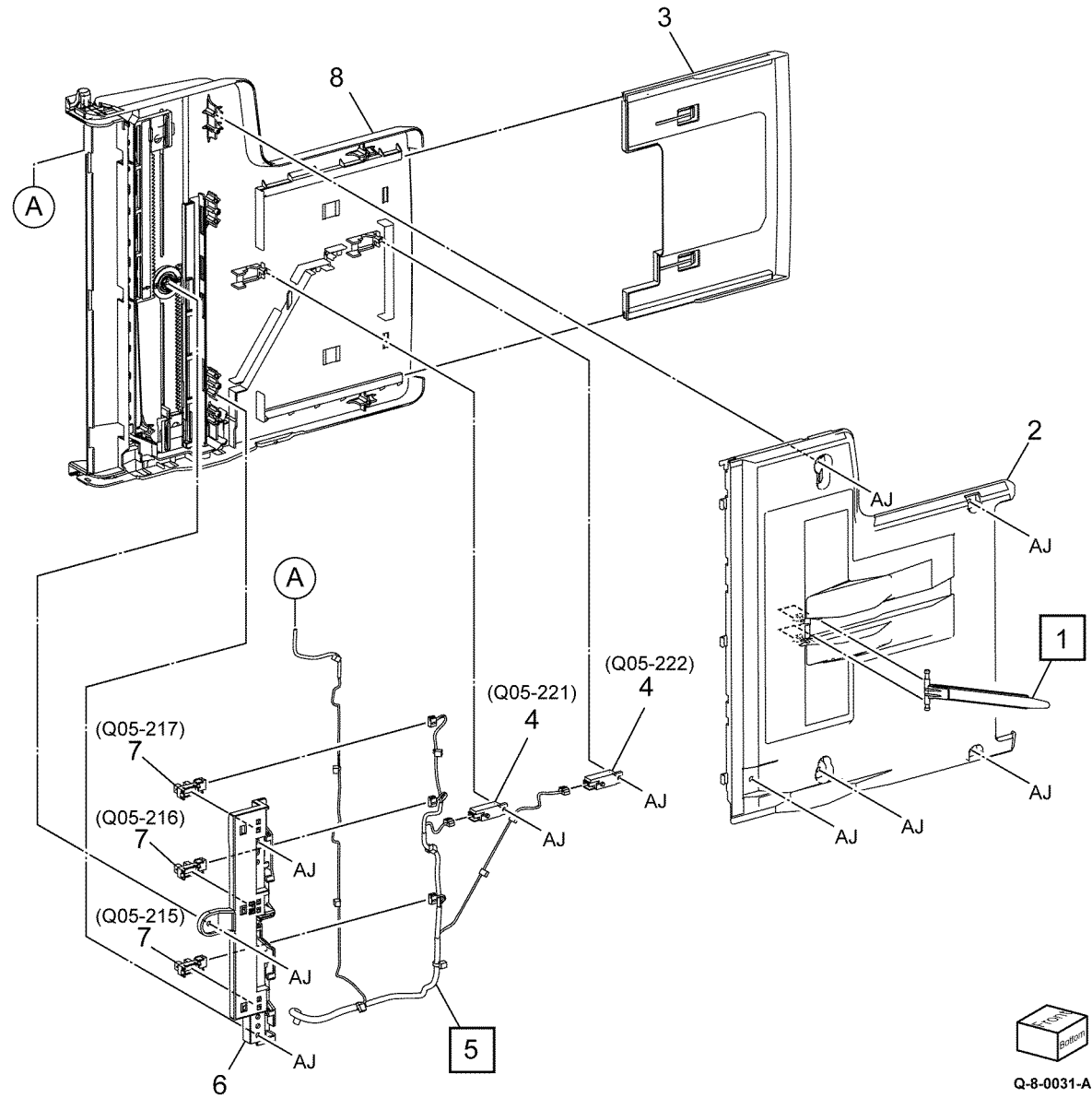
Item	Part	Description
1	—	Housing
2	—	Feed pulley
3	—	Nudger pulley
4	—	Belt
5	—	Feed shaft
6	—	Nudger shaft
7	859K23440	Feed roll (A)/Nudger roll (B) (REP 5.80)
8	—	Not used
9	—	Housing
10	—	Gear
11	—	Bearing
12	—	Collar



Q-8-0030-A

PL 5.57 DADF Document Tray (130) (C8130/C8135/C8145/C8155)

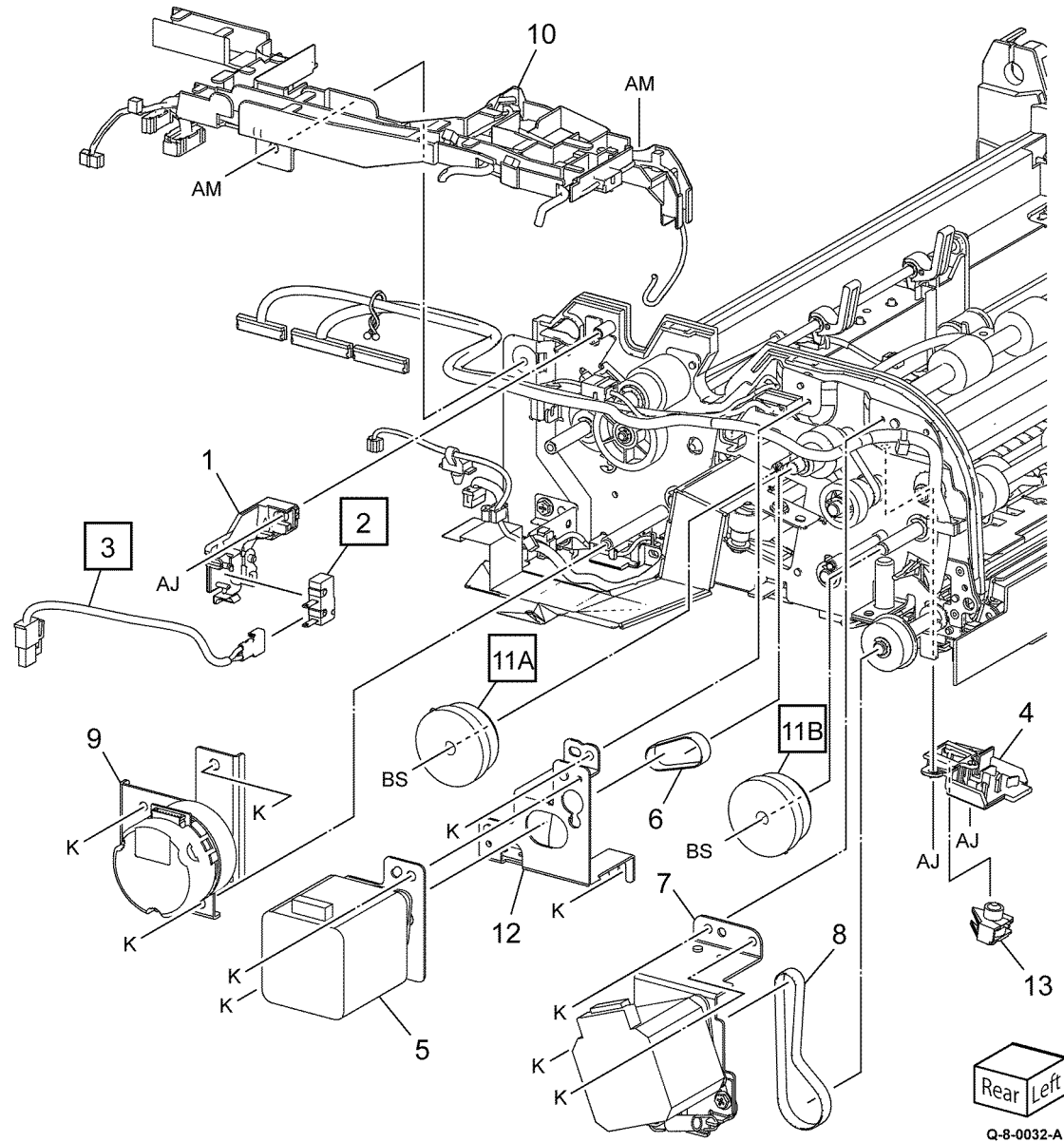
Item	Part	Description
1	—	Guide
2	—	Tray cover
3	—	End tray
4	930W00241	Document tray size sensor 1 (Q05-221) /Document tray size sensor 2 (Q05-222) (REP 5.90)
5	—	Tray wire harness
6	—	DADF Tray APS sensor bracket
7	930W00121	DADF Tray APS sensor 1 (Q05-215)/DADF Tray APS sensor 2 (Q05-216)/DADF Tray APS sensor 3 (Q05-217) (REP 5.89)
8	—	Upper tray assembly



Q-8-0031-A

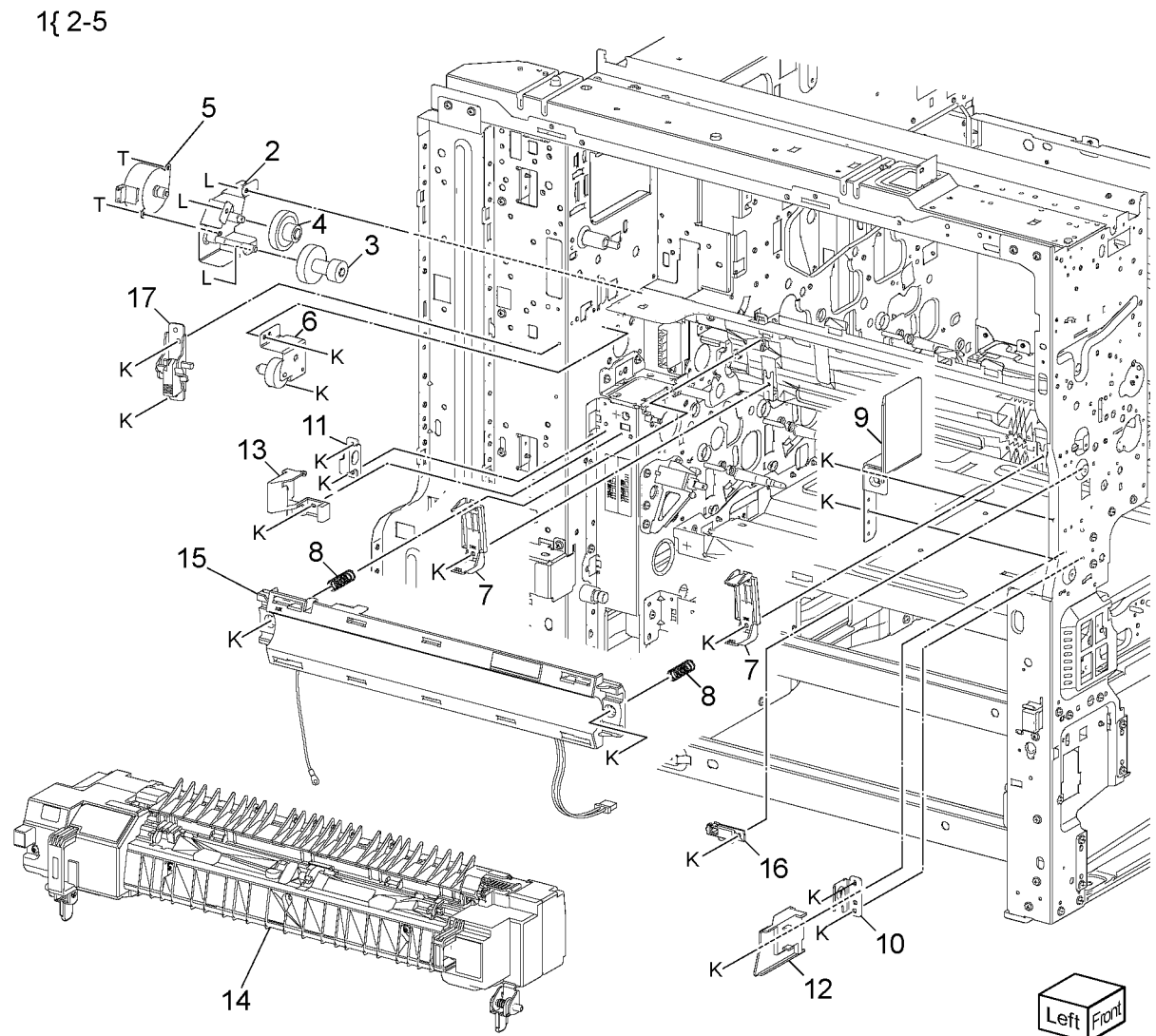
PL 5.58 DADF Drive (130) (C8130/C8135/C8145/C8155)

Item	Part	Description
1	—	Interlock bracket
2	110K16320	DADF interlock switch
3	952K08300	Harness assembly
4	—	Holder
5	127K79230	DADF Pre Regi. motor (REP 5.74)
6	423W23654	Belt
7	127K73990	DADF Regi. motor (REP 5.72)
8	423W28155	Belt
9	127K75451	DADF feed motor (REP 5.73)
10	—	Harness guide
11	121K53461	DADF take away clutch (A)/DADF Pre Regi. clutch (B)
12	—	Bracket assembly
13	—	Stamp solenoid



PL 10.05 Fuser

Item	Part	Description
1	007K21640	Retract motor assembly (REP 10.1)
2	—	Motor bracket (P/O PL 10.05 Item 1)
3	—	Gear (17/40T) (P/O PL 10.05 Item 1)
4	—	Gear (17/54T) (P/O PL 10.05 Item 1)
5	—	Roll latch motor (P/O PL 10.05 Item 1)
6	007K21650	Retract gear assembly
7	—	Support (Not Spared)
8	—	Spring (Not Spared)
9	—	Adjust plate (Not Spared)
10	—	Front fuser bracket (Not Spared)
11	—	Rear fuser bracket (Not Spared)
12	—	Front stopper lever (Not Spared)
13	—	Rear stopper lever (Not Spared)
14	607K22310	Fuser (C8130/C8135) (REP 10.2)
—	607K22320	Fuser (C8145/C8155) (REP 10.2)
—	607K22330	Fuser (C8170) (REP 10.2)
15	—	Fuser heater coil - see below for variants
—	104K91480	110V (C8130/C8135/C8145/C8155) (REP 10.3)
—	104K91294	110V (C8170)
—	104K91279	220V (C8130/C8135/C8145/C8155) (REP 10.3)
—	104K91304	220V (C8170)
16	—	Holder (Not Spared)
17	011K05090	Stopper lever assembly

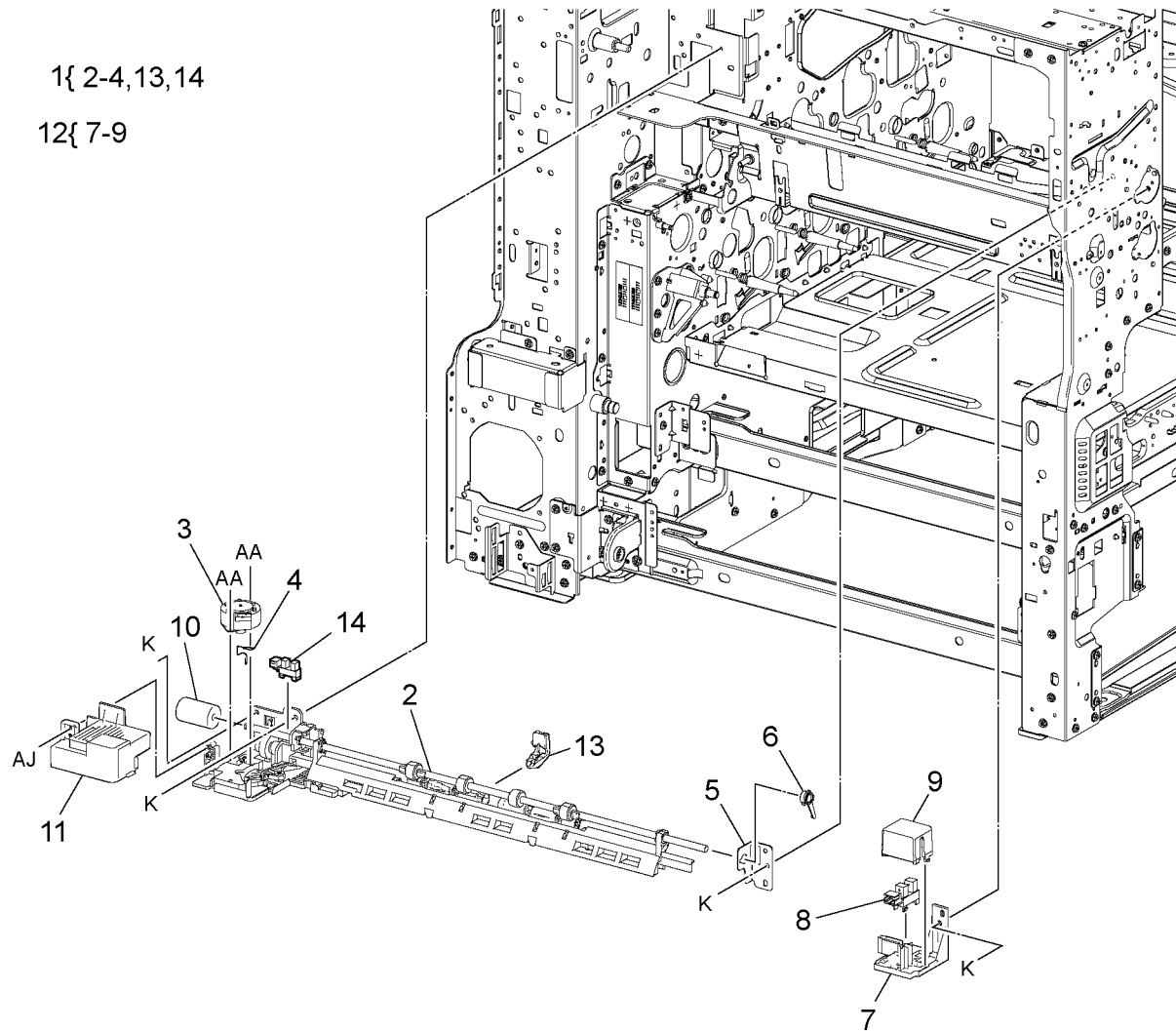


Q-8-0033-A

PL 10.10 Exit 1 Transport Components

Item	Part	Description
1	859K03371	Exit 1 transport assembly (C8130/C8135) (REP 10.4)
—	859K03381	Exit 1 transport assembly (C8145/C8155/C8170) (REP 10.4)
2	—	Exit 1 transport (P/O PL 10.10 Item 1)
3	127K52280	Exit 1 OCT motor (C8130/C8135) (MOT77-040) (REP 10.5)
—	127K60880	Exit 1 OCT motor (C8145/C8155/C8170) (REP 10.5)
4	—	Ground spring (P/O PL 10.10 Item 1)
5	—	Bracket (Not Spared)
6	013E46800	Bearing
7	—	Front guide (P/O PL 10.10 Item 12)
8	930W00113	Exit 1 OCT home position sensor (Q77-109) (REP 10.6)
9	—	Exit 1 OCT home position sensor cover (P/O PL 10.10 Item 12)
10	807E20620	Exit 1 drive gear (REP 10.7)
11	948K02070	Motor cover
12	032K10662	Exit 1 sensor guide assembly
13	055E58970	Guard
14	—	Exit 1 OCT full stack sensor (Q77-124) (P/O PL 10.10 Item 1)

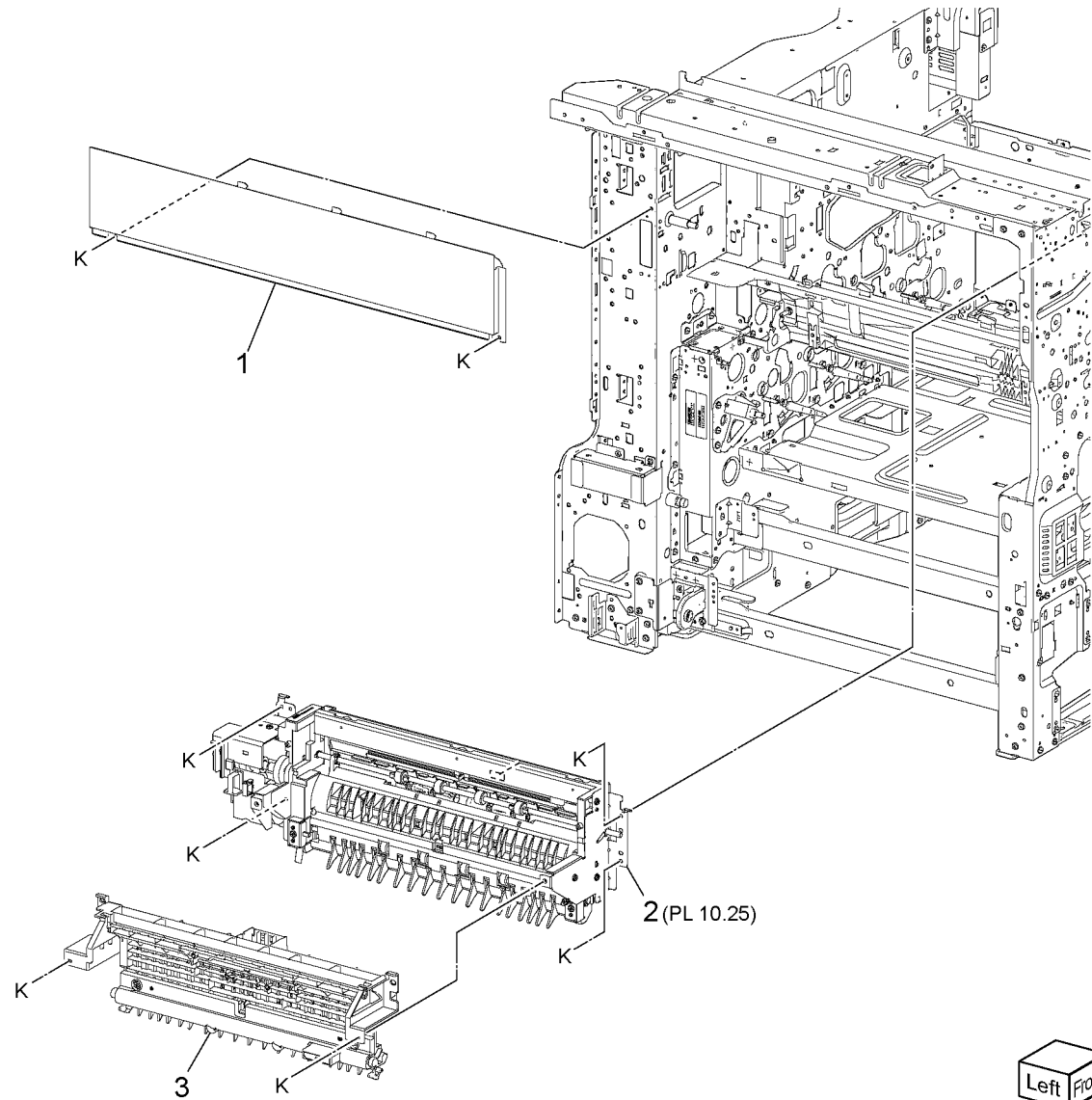
1{ 2-4,13,14
12{ 7-9



Q-8-0034-A

PL 10.15 Exit 2 Transport Components

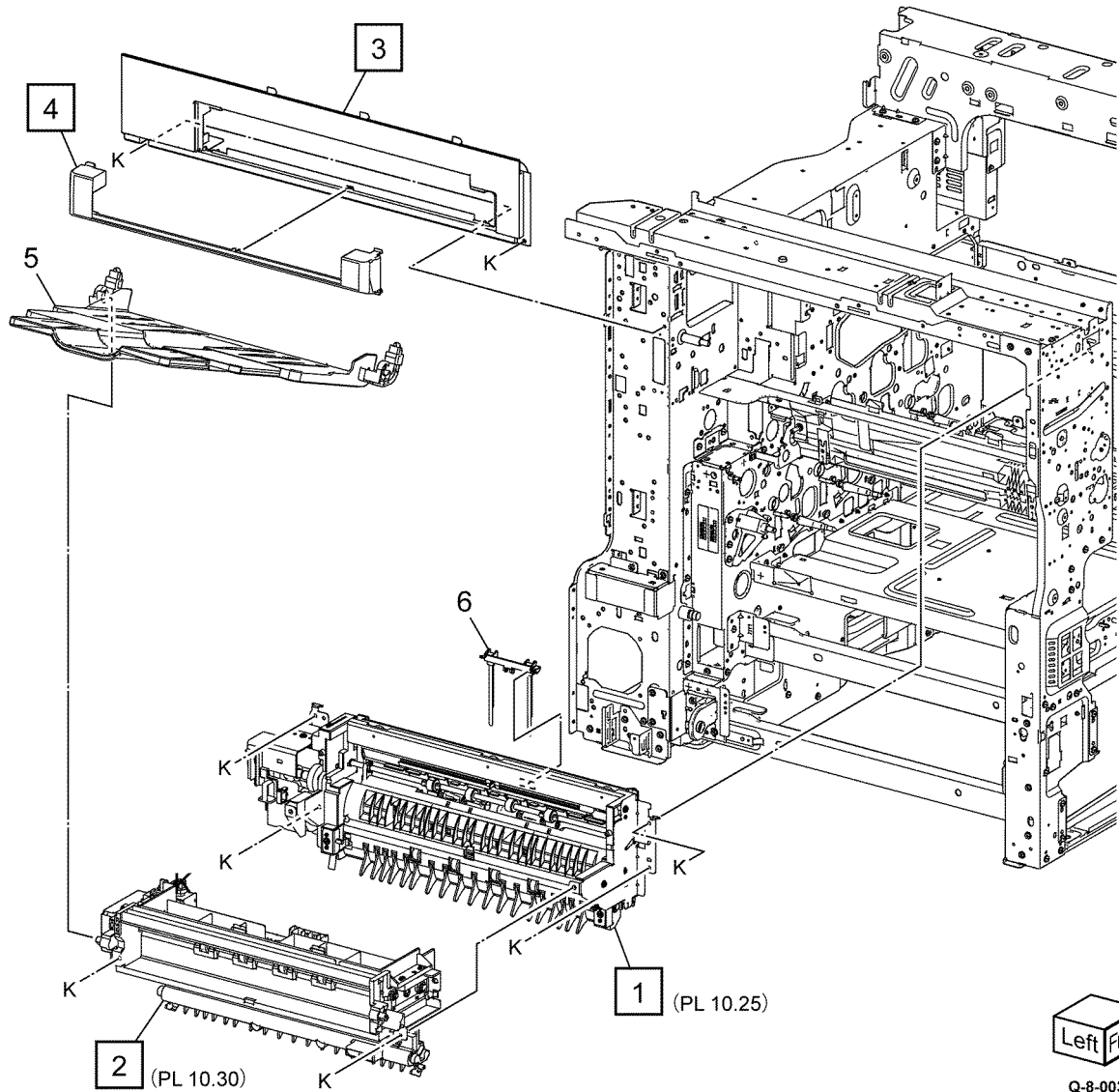
Item	Part	Description
1	822E33800	Left top cover
2	—	Exit 2 transport assembly (C8130/ C8135) (REP 10.8)
—	—	Exit 2 transport assembly (C8145/ C8155/C8170) (REP 10.8)
3	—	Top chute assembly (Not Spared)



Q-8-0035-A

PL 10.20 Face Up Tray Assembly

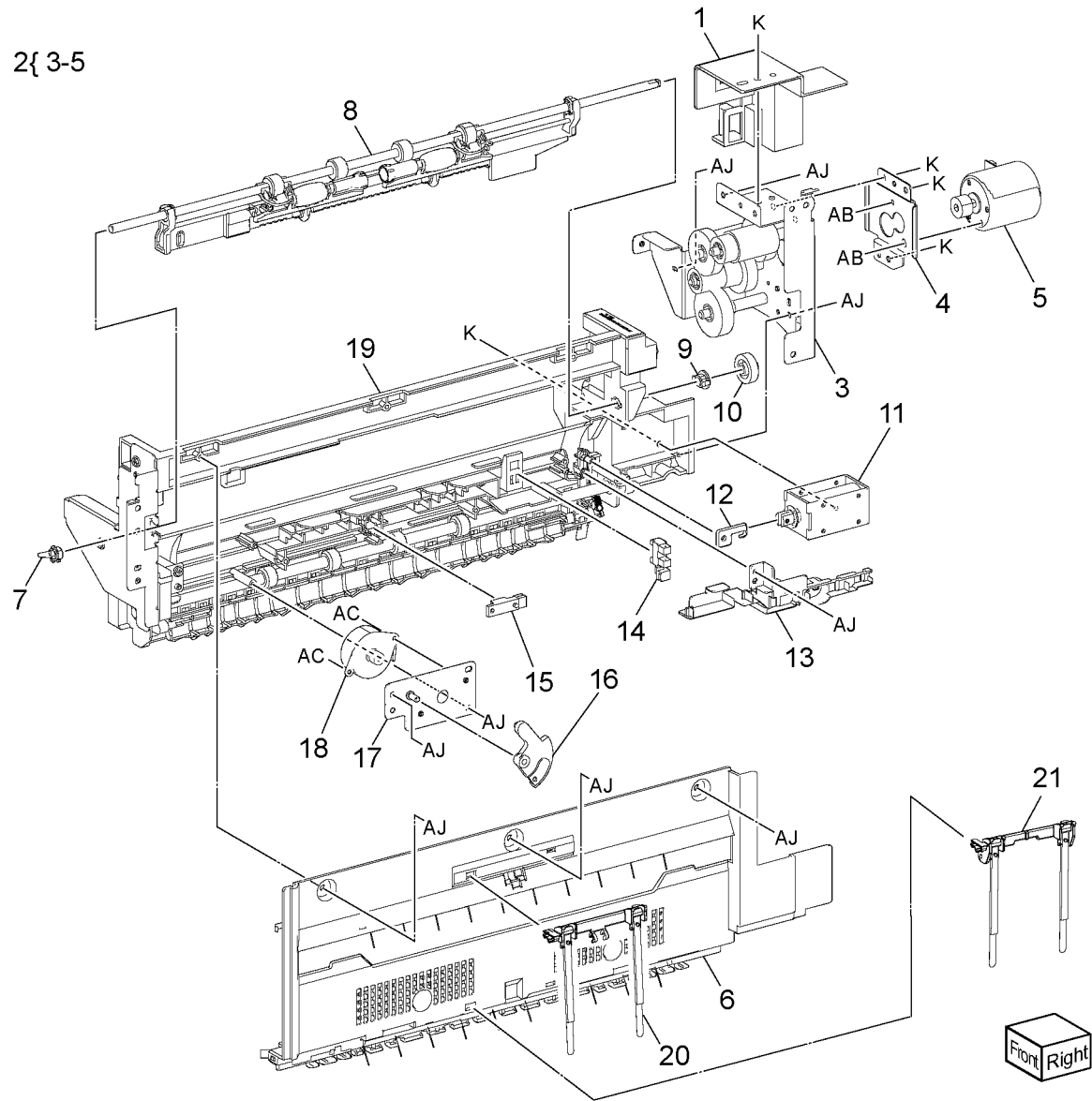
Item	Part	Description
1	859K03409	Exit 2 transport assembly (C8130/C8135) (REP 10.8)
—	859K03419	Exit 2 transport assembly (C8145/C8155/C8170) (REP 10.8)
2	054K56102	Face up chute assembly
3	—	Left hand top cover
4	822E39130	Face up tray cover
5	050K75161	Face up tray
6	—	Exit 2 paper weight assembly



PL 10.25 Exit 2 Transport Assembly

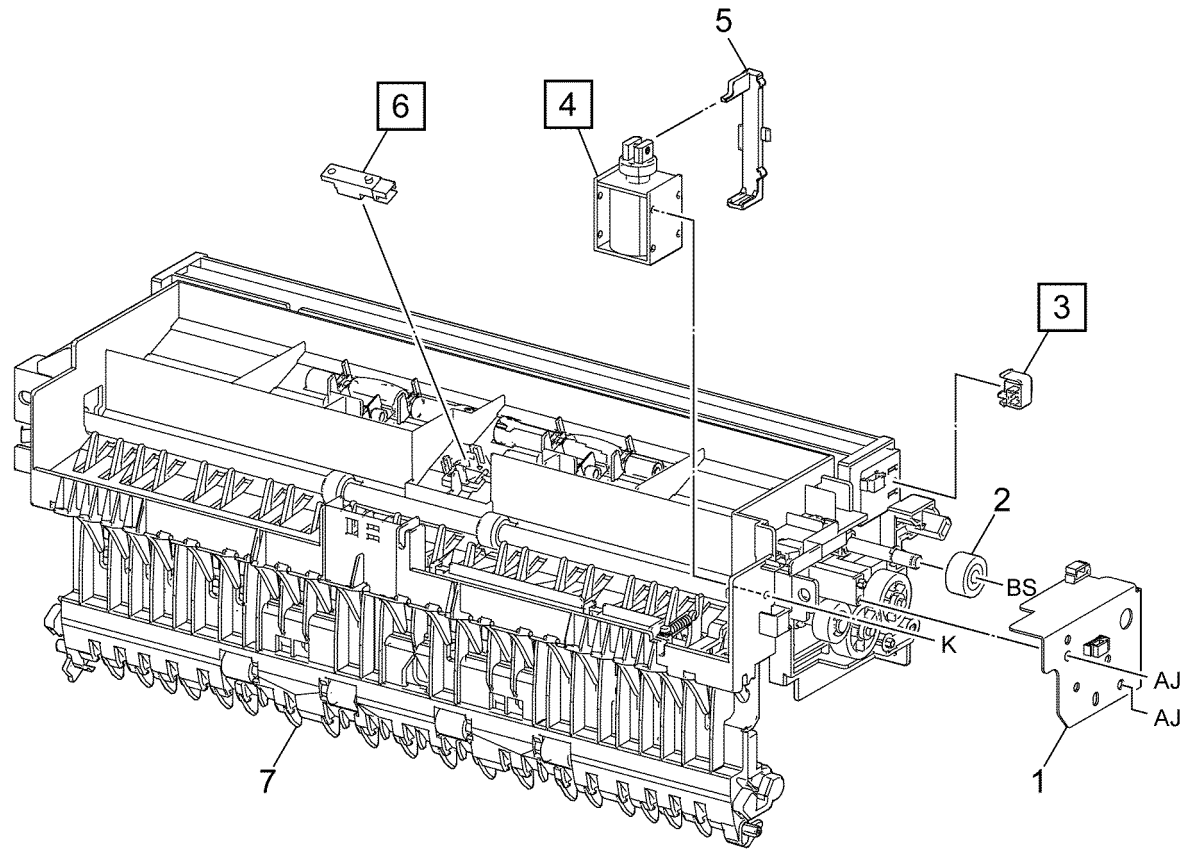
Item	Part	Description
1	—	Harness guide (P/O PL 10.15 Item 2)
2	007K21701	Exit 2 drive assembly (REP 10.9)
3	—	Exit 2 drive bracket assembly (P/O PL 10.25 Item 2)
4	—	Motor bracket (P/O PL 10.25 Item 2)
5	—	Exit 2 drive motor (MOT77-060) (P/O PL 10.25 Item 2)
6	—	Exit 2 guide assembly (P/O PL 10.15 Item 2)
7	—	Bearing (P/O PL 10.15 Item 2)
8	—	Exit 2 chute assembly (P/O PL 10.15 Item 2)
9	—	Bearing (P/O PL 10.15 Item 2)
10	—	Gear (P/O PL 10.15 Item 2)
11	121K58240	Exit 1 gate solenoid (SOL77-003) (REP 10.10)
12	—	Link (P/O PL 10.15 Item 2)
13	—	Harness guide (P/O PL 10.15 Item 2)
14	930W00113	Exit 2 OCT home position sensor (Q77-110) (REP 10.11)
15	930W00211	Exit 2 sensor (Q77-100)
16	—	Offset gear (P/O PL 10.15 Item 2) (REP 10.12)
17	—	Motor bracket (P/O PL 10.15 Item 2)
18	127K52280	Exit 2 OCT motor (C8130/C8135) (MOT77-045)
—	127K60880	Exit 2 OCT motor (C8145/C8155/C8170) (MOT77-045)
19	—	Exit 2 transport chassis (P/O PL 10.15 Item 2)
20	036K92441	Exit 2 bail arm assembly
21	036K92411	Exit 1 bail arm assembly

2{ 3-5



PL 10.30 Face Up Chute Assembly

Item	Part	Description
1	—	Gear bracket
2	007K23630	One way gear
3	110E11580	Face up tray switch (S77-201)
4	921W11601	Face up gate solenoid (SOL77-004)
5	—	Solenoid link
6	930W00211	Face up exit sensor (Q77-112)
7	—	Face up chute

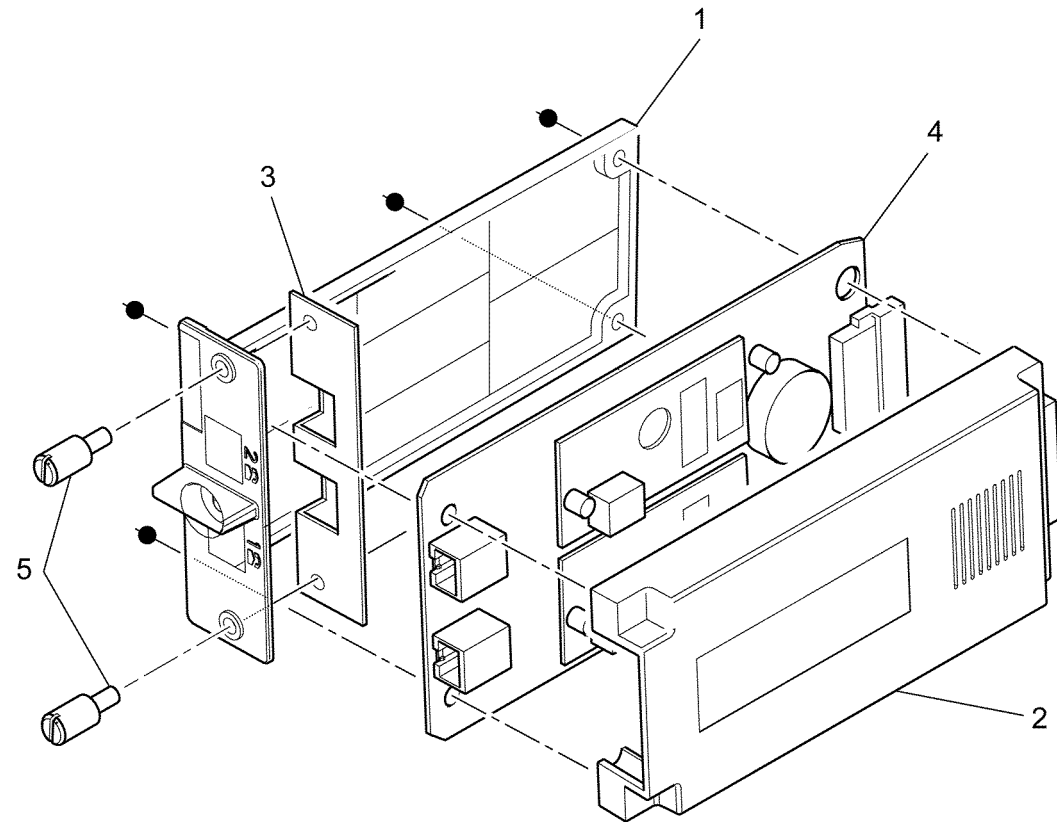


Q-8-0038-A

PL 20.10 Fax Module

Item	Part	Description
1	—	Front cover (P/O PL 20.10 Item 7)
2	—	Rear Cover (P/O PL 20.10 Item 7)
3	—	Ground Plate (P/O PL 20.10 Item 6)
4	—	Fax PWB (P/O PL 20.10 Item 6)
5	—	Thumbscrew (P/O PL 20.10 Item 6)
6	497K16440	2 Line fax kit (XC)
—	497K16430	1 Line Fax kit (XC)
—	497K16420	2 Line fax kit (XE)
—	497K16410	1 Line fax kit (XE)
—	497K16560	2 Line fax kit (CFax 34)
—	497K16550	1 line fax kit (CFax 34)
—	—	Fax Module
7	—	Fax Covers Assembly

Note: 497K part numbers are for reference only.



6 {1-5

7 {1,2



Q-8-0112-A

PL 25.10 Accessories

Item	Part	Description
1	498K08260	Convenience stapler (XE)
2	498K08250	Convenience stapler (XC)
3	497K21540	Wireless kit
4	497K21550	Bluetooth kit
5	—	HDD / IJO kit
6	—	RFID Reader
7	—	USB keyboard/ Shelf kit
8	—	Long sheet feed kit
9	—	Foreign device interface kit

Note: 497K/498K part numbers are for reference only.

**NO EXPLODED
VIEW PROVIDED**

Q-8-0113-A

PL 26.10 Consumables and Tools

Item	Part	Description
1	—	Toner cartridge (Y)- see below for variants
—	006R01745	Worldwide (Metered)
—	006R01749	NASG/XE
—	006R01757	DMO (C8130/C8135)
—	006R01761	DMO (C8145/C8155/C8170)
2	—	Toner cartridge (M)- see below for variants
—	006R01744	Worldwide (Metered)
—	006R01748	NASG/XE
—	006R01760	DMO (C8145/C8155/C8170)
3	—	Toner cartridge (C)- see below for variants
—	006R01743	Worldwide (Metered)
—	006R01747	NASG/XE
—	006R01756	DMO (C8130/C8135)
—	006R01755	DMO (C8130/C8135)
—	006R01759	DMO (C8145/C8155/C8170)
4	—	Toner cartridge (K)- see below for variants
—	006R01742	Worldwide (Metered)
—	006R01746	NASG/XE
—	006R01754	DMO (C8130/C8135)
—	006R01758	DMO (C8145/C8155/C8170)

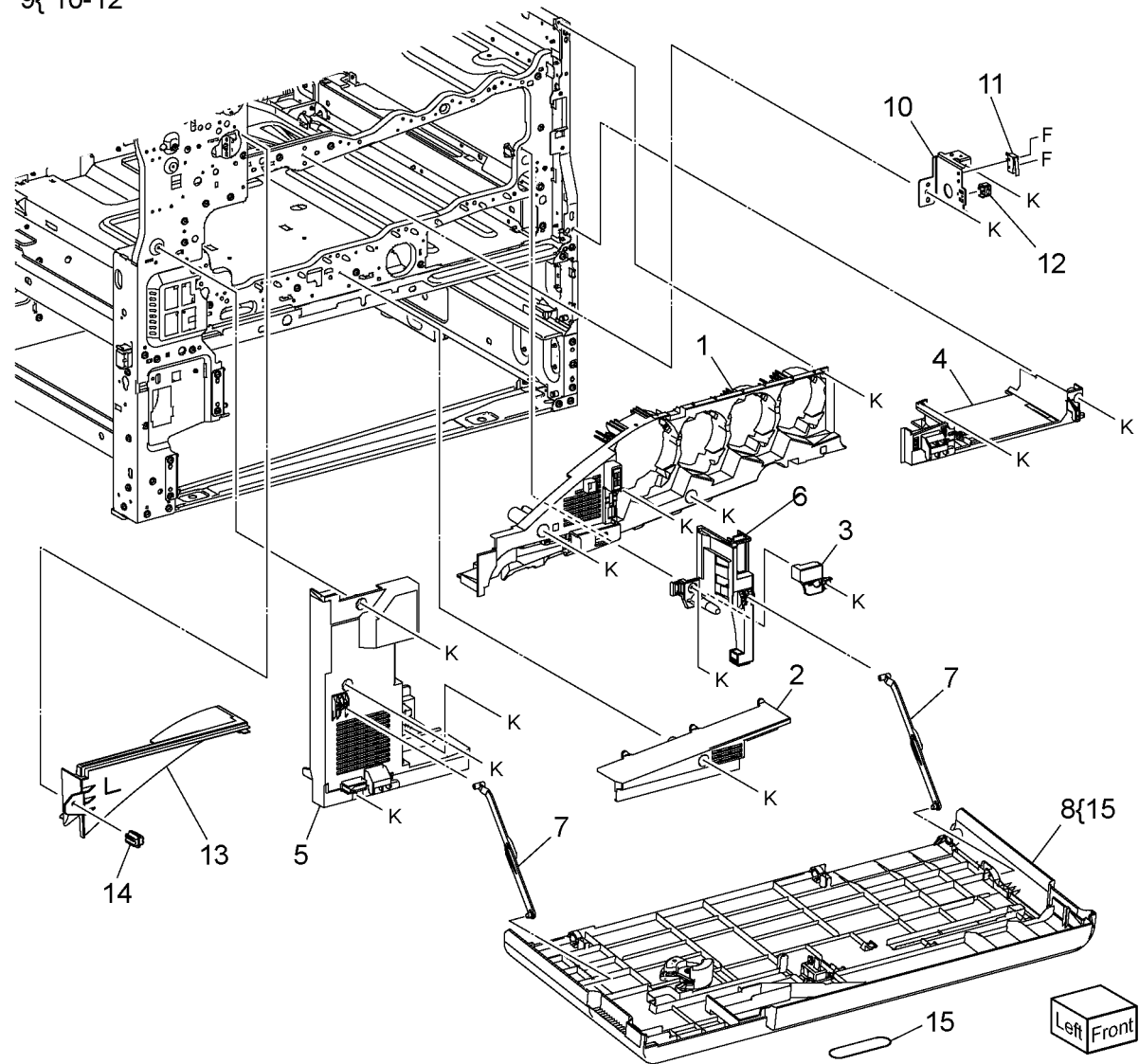
**NO EXPLODED
VIEW PROVIDED**

Q-8-0114-A

PL 28.05 Covers (Front)

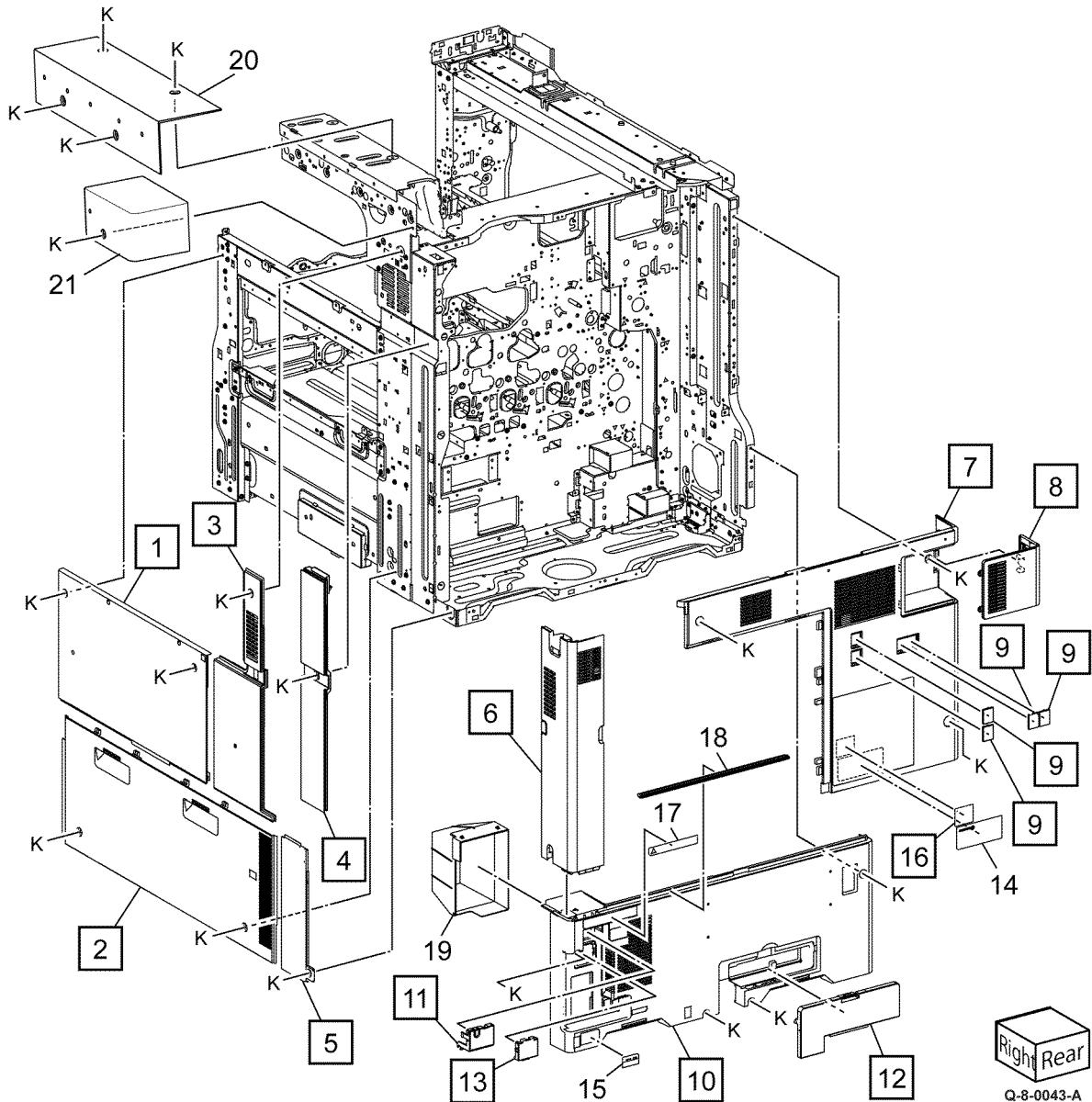
Item	Part	Description
1	948K00255	Inner cover assembly
2	822E35582	Inner lower cover
3	—	Inner right cap cover (Not Spared)
4	—	Inner hinge cover assembly (Not Spared)
5	—	Inner left cover (Not Spared)
6	—	Inner right cover (Not Spared)
7	674K05081	Front cover strap kit
8	948K32930	Front cover assembly
9	110K18350	Front cover interlock switch assembly (S77-303)
10	—	Bracket (P/O PL 28.05 Item 9)
11	—	Front cover interlock switch (P/O PL 28.05 Item 9)
12	—	Front cover open switch (P/O PL 28.05 Item 9)
13	822E25031	Inner upper cover
14	003K23140	Knob
15	971E14990	Logo badge

9{ 10-12



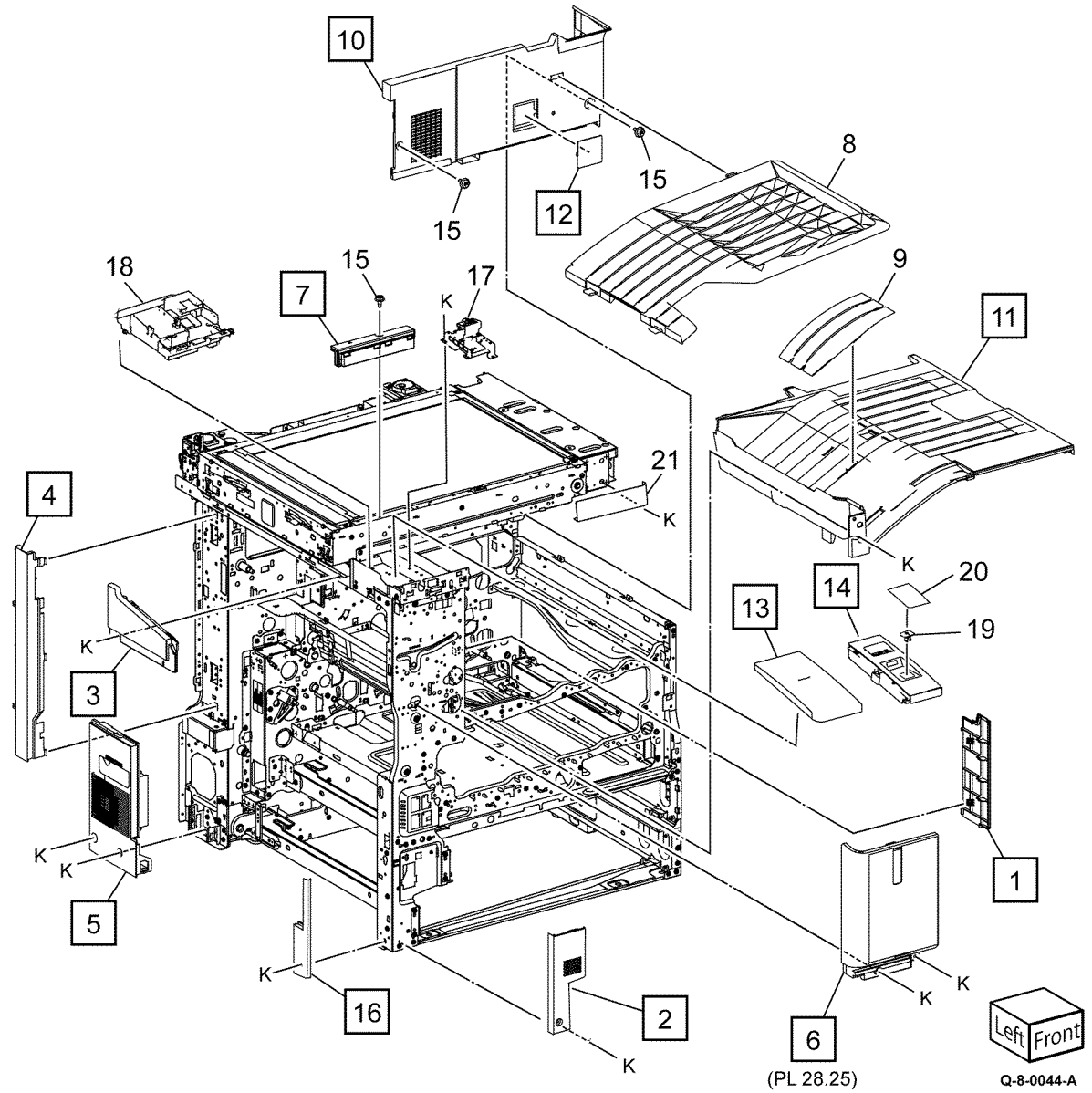
PL 28.10 Covers (Rear)

Item	Part	Description
1	822E25191	Upper right front cover
2	822E25133	Lower right front cover
3	822E33951	Upper right rear cover 1
4	—	Upper right rear cover 2 (C8170)
5	—	Upper rear cover (C8170)
6	822E25311	ESS rear cover
7	—	Upper rear cover
8	822E25420	Left rear cover
9	—	Cap cover (Not Spared)
10	822E25443	Lower right rear cover
11	—	EPSV cover (Not Spared)
12	822E25602	MCU cover
13	—	Outlet cover (Not Spared)
14	—	Label (Date) (Not Spared)
15	—	Label (GFI) (Not Spared)
16	—	Label (Warning) (Not Spared)
17	—	Label (Earth) (Not Spared)
18	—	Gasket (Not Spared)
19	—	Rear suction duct (C8170) (Not Spared)
20	—	Right cover (Blue) (C8130/C8135/C8145/C8155)
21	—	Rear right cover (White) (C8130/C8135/C8145/C8155)



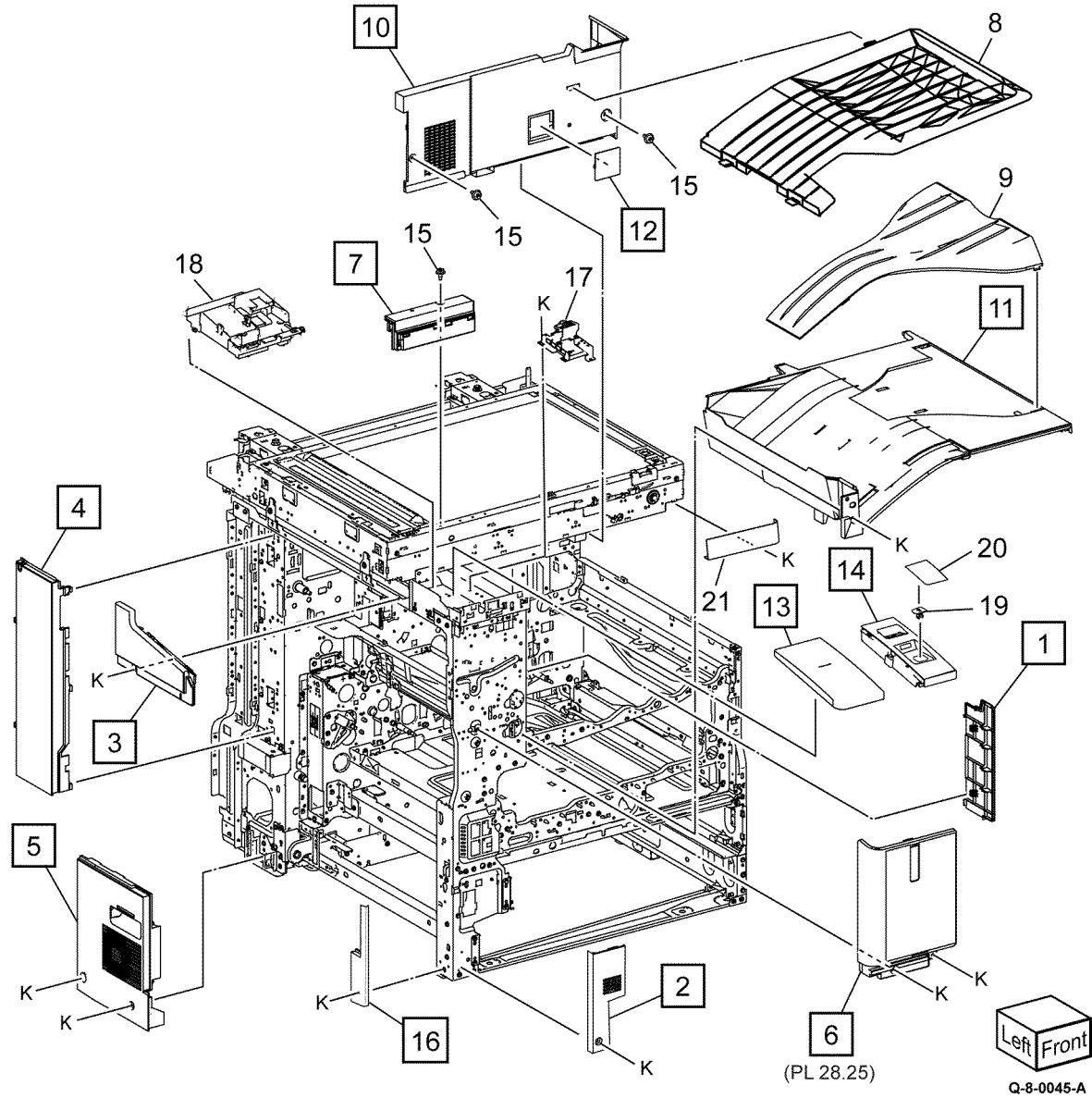
PL 28.15 Covers (C8130/C8135/C8145/C8155)

Item	Part	Description
1	—	Front exit cover (Not Spared)
2	—	Tray inner cover (Not Spared)
3	—	Pillar cover
4	822E25072	Upper left cover
5	822E25112	Lower left cover
6	—	Front left cover (with Human Motion Sensor) (REF: PL 28.25) (REP 28.1)
7	—	IIT front cover
8	050E32924	Exit 2 tray
9	—	Add tray
10	—	Top rear cover (Not Spared)
11	—	Top cover (C8130/C8135)
—	—	Top cover (C8145/C8155)
12	—	Blind cover
13	—	Card reader cover
14	—	SWEA cover 2 (REP 28.2)
15	—	Screw (Not Spared)
16	—	Inner tray LH cover
17	—	USB bracket assembly
18	—	Inner cover
19	—	Icon USB cover
20	822E35423	USB cover
21	—	IIT Lower front right cover



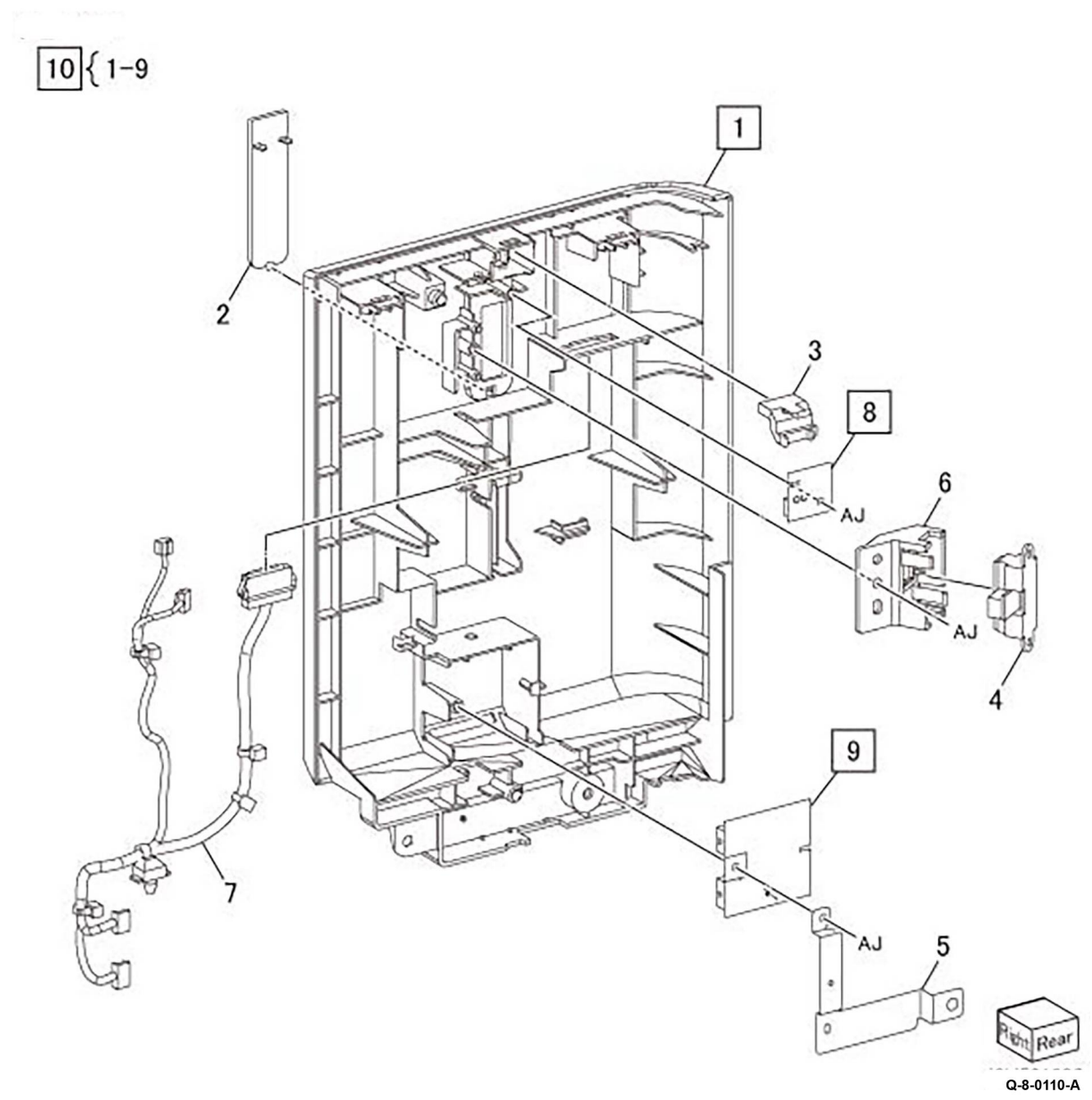
PL 28.20 Covers (C8170)

Item	Part	Description
1	—	Front exit cover
2	—	Tray inner front cover
3	—	Top pillar cover
4	—	L/H upper cover
5	—	L/H lower cover
6	948K23770	Front left cover (with Human Motion Sensor) (REF: PL 28.25) (REP 28.1)
7	—	IIT front cover
8	—	Exit 2 tray
9	—	Add tray
10	—	Top rear cover
11	—	Top cover
12	—	Blind cover
13	—	IC card reader cover
14	—	SWEA cover 2 (REP 28.2)
15	—	Screw (Not Spared)
16	—	Tray inner LH cover
17	—	USB bracket assembly
18	—	Inner cover
19	—	Icon USB cover
20	822E35423	USB cover
21	—	IIT Lower front right cover



PL 28.25 Front Left Cover Compartment

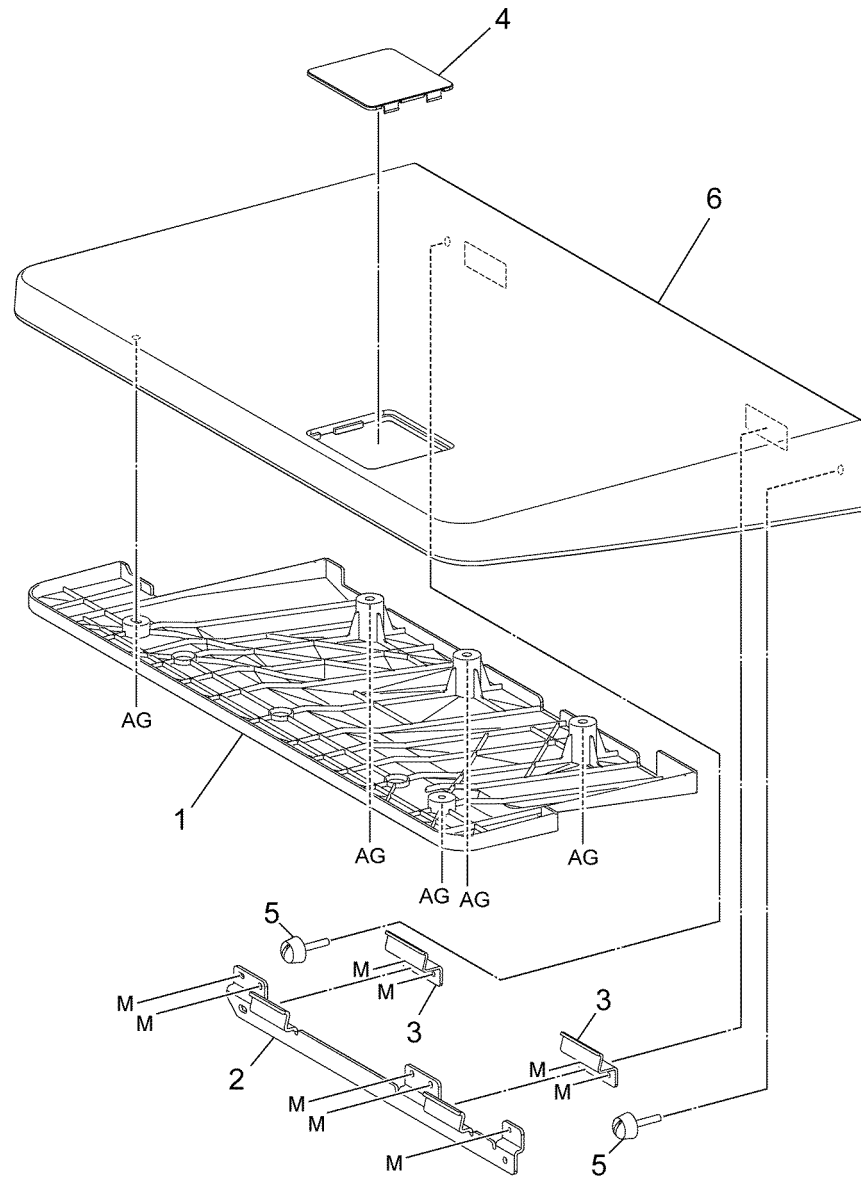
Item	Part	Description
1	—	Front left cover (P/O PL 28.25 Item 10)
2	—	Lens (P/O PL 28.25 Item 10)
3	—	LED lens (P/O PL 28.25 Item 10)
4	130E20270	Human motion sensor
5	—	Ground plate (P/O PL 28.25 Item 10)
6	—	Human motion sensor bracket (P/O PL 28.25 Item 10)
7	—	Wire harness (P/O PL 28.25 Item 10)
8	960K76290	Human motion LED
9	960K86660	Human motion sensor PWB
10	—	Pillar cover assembly



PL 28.30 Workshelf

Item	Part	Description
1	—	Workshelf base cover (P/O PL 28.30 Item 7)
2	—	Bracket (P/O PL 28.30 Item 7)
3	—	Workshelf bracket (P/O PL 28.30 Item 7)
4	—	Blind cover (P/O PL 28.30 Item 7)
5	—	Thumbscrew (P/O PL 28.30 Item 7)
6	—	Workshelf top cover (P/O PL 28.30 Item 7)
7	497K20750	Workshelf kit

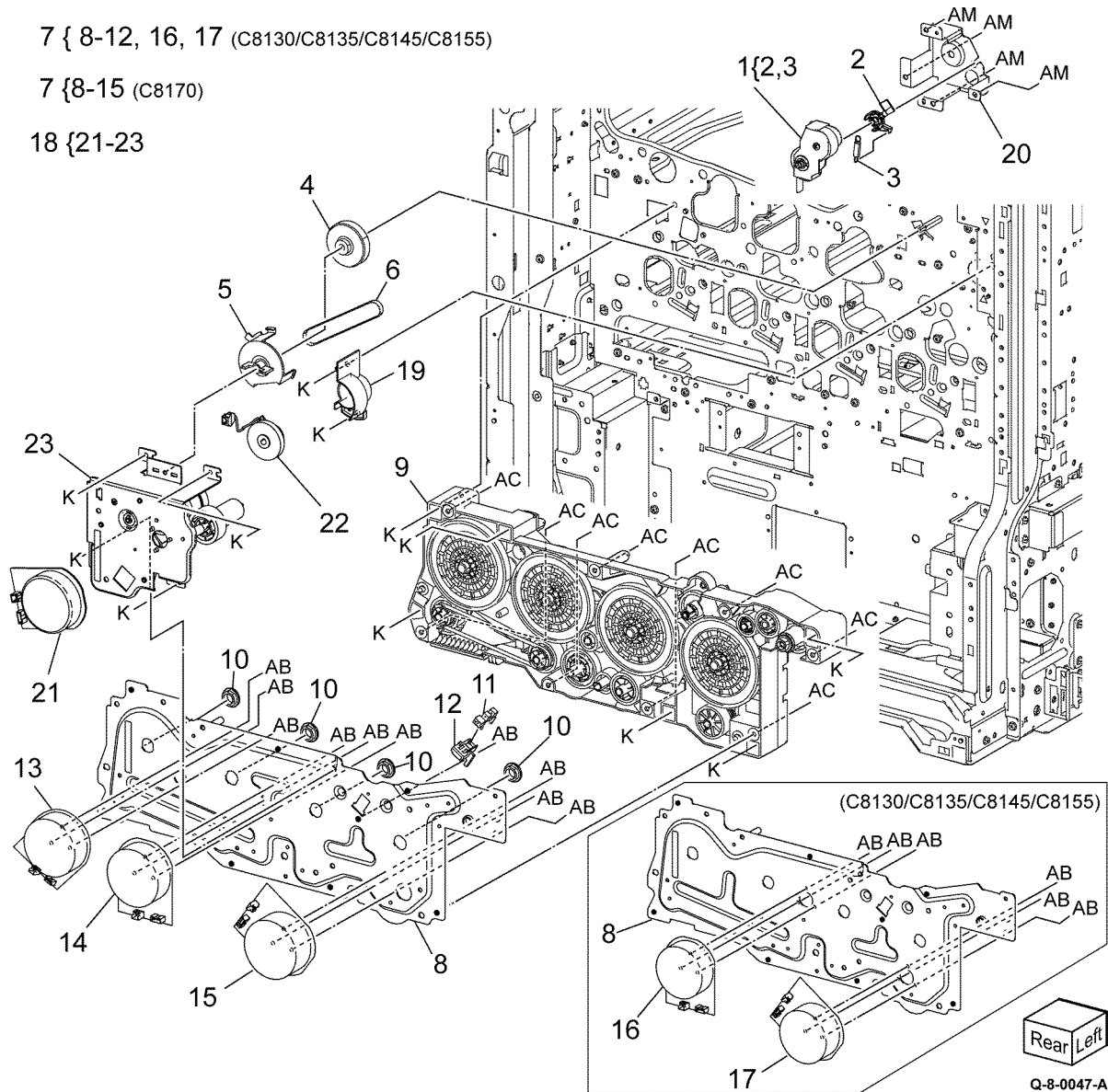
7{ 1-6



Q-8-0111-A

PL 40.05 Main Drive Assembly

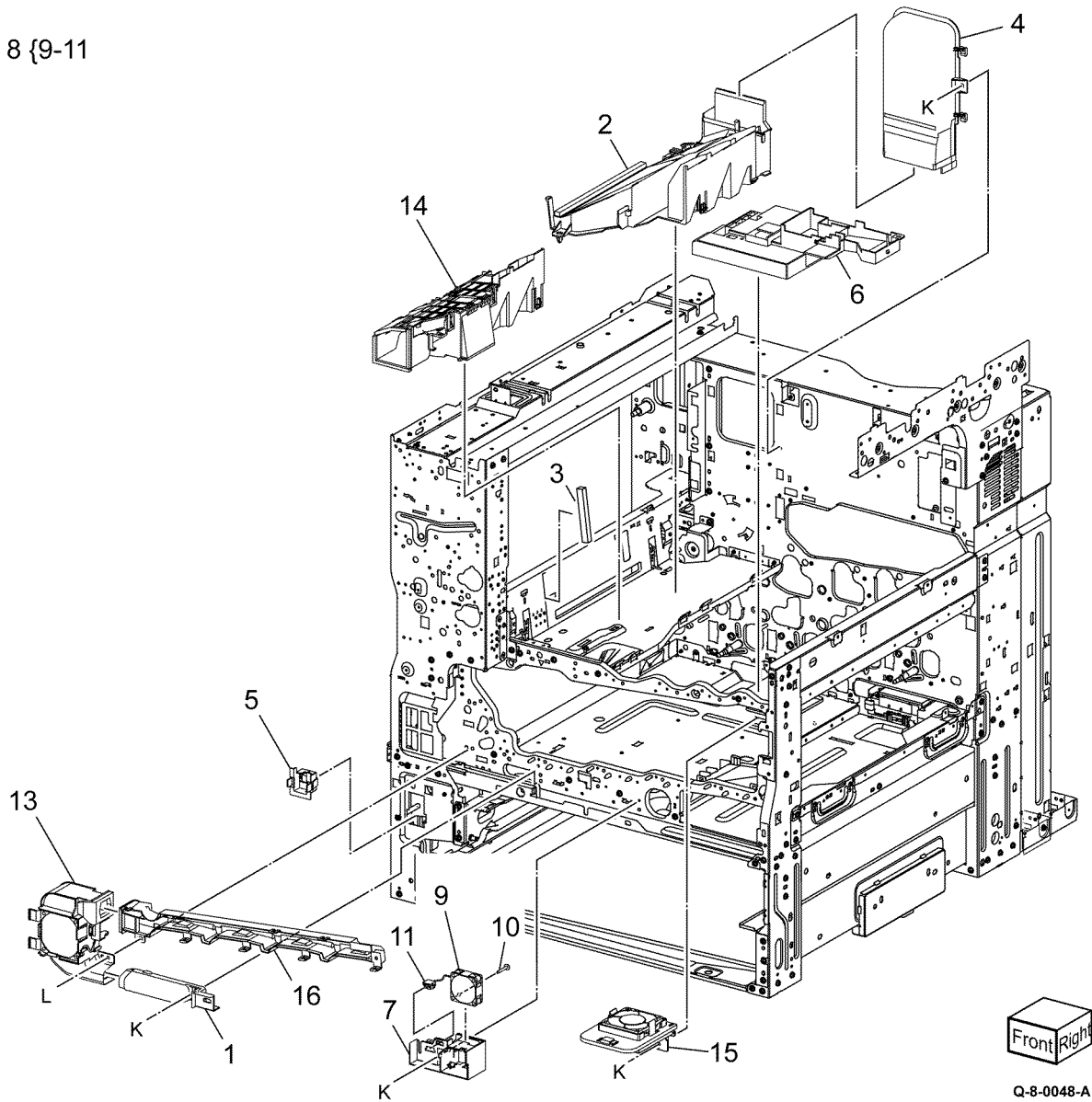
Item	Part	Description
1	607K20460	Fuser input bracket assembly (C8130/C8135)
—	607K20470	Fuser input bracket assembly (C8145/C8155)
—	607K20480	Fuser input bracket assembly (C8170)
2	—	Spacer (P/O PL 40.05 Item 1)
3	—	Spring (P/O PL 40.05 Item 1)
4	807E51730	Helical gear
5	005E38390	Flange
6	423W10354	Drive belt
—	423W10355	Drive belt (alternative)
7	007K21545	Main drive assembly (C8130/C8135) (REP 40.1)
—	007K22595	Main drive assembly (C8145/C8155) (MOT42-018) (REP 40.1)
—	007K21554	Main drive assembly (C8170) (REP 40.1)
8	—	Drum drive bracket assembly (P/O PL 40.05 Item 7)
9	—	Drum drive housing assembly (P/O PL 40.05 Item 7)
10	—	Bearing (P/O PL 40.05 Item 7)
11	930W00121	BTR contact/retract sensor (Q94-200)
12	—	Sensor bracket (P/O PL 40.05 Item 7)
13	—	Drum (C, M, Y) motor (C8170) (MOT42-007) (P/O PL 40.05 Item 7)
14	—	Developer motor (C8170) (P/O PL 40.05 Item 7)
15	—	Drum/developer (K)/ IBT motor (C8170) (P/O PL 40.05 Item 7)
16	—	Drum (C, M, Y) motor (C8130/C8135/C8145/C8155) (P/O PL 40.05 Item 7)
17	—	Drum/developer (K)/ IBT motor (C8130/C8135/C8145/C8155) (MOT42-001) (P/O PL 40.05 Item 7)
18	007K21444	Fuser drive assembly (REP 40.2)
19	—	Gear cover (Not Spared)
20	—	Bracket (Not Spared)
21	—	Fuser unit drive motor (P/O PL 40.05 Item 16)
22	—	BTR contact/retract clutch assembly (P/O PL 40.05 Item 16)
23	—	Fuser drive bracket assembly (P/O PL 40.05 Item 18)



PL 40.10 NOHAD (front)

Item	Part	Description
1	054E59370	Duct
2	—	Fuser duct assembly (Not Spared)
3	—	Fuser seal (Not Spared)
4	—	Fuser duct (Not Spared)
5	930K00500	Temp/Humidity sensor (external) (REP 40.3)
6	—	Rear duct (Not Spared)
7	054E58001	P1 duct
8	054K55040	Duct assembly (C8145/C8155/ C8170) (REP 40.4)
9	—	Front/right marking fan (C8145/ C8155/C8170) (P/O PL 40.10 Item 8)
10	—	Screw (P/O PL 40.10 Item 8)
11	—	Connector (P/O PL 40.10 Item 8)
12	—	Not used
13	054K55030	Front/left marking fan assembly (C8145/C8155/C8170) (MOT42- 067) (REP 40.6)
14	054K54981	Toner cartridge cooling fan assem- bly (C8145/C8155/C8170) (REP 40.5)
15	054K55060	Marking fan duct assembly (C8145/C8155/C8170) (MOT42- 025)
16	—	Front duct (C8145/C8155/C8170) (Not Spared)

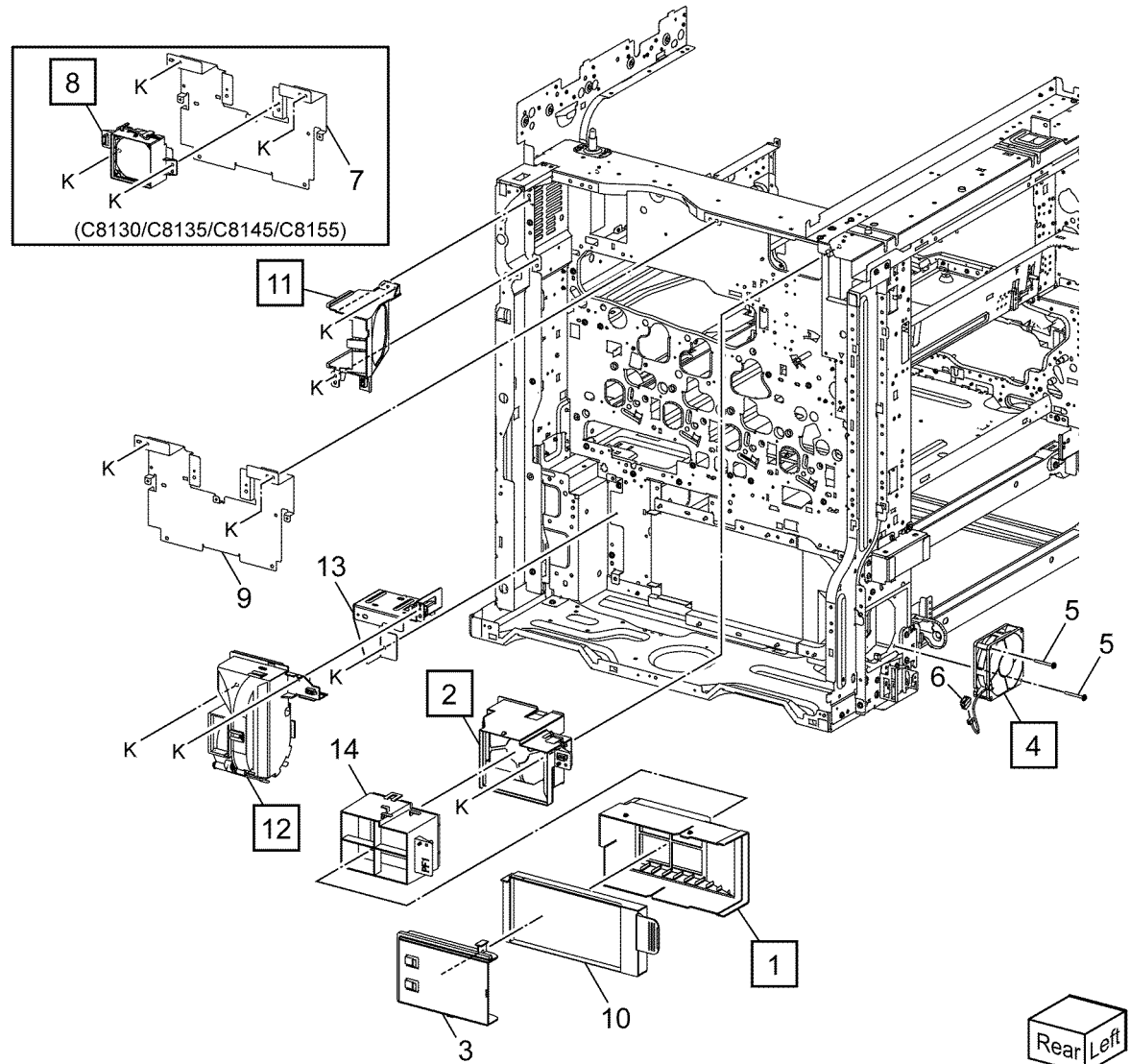
8 {9-11



Q-8-0048-A

PL 40.15 NOHAD (rear)

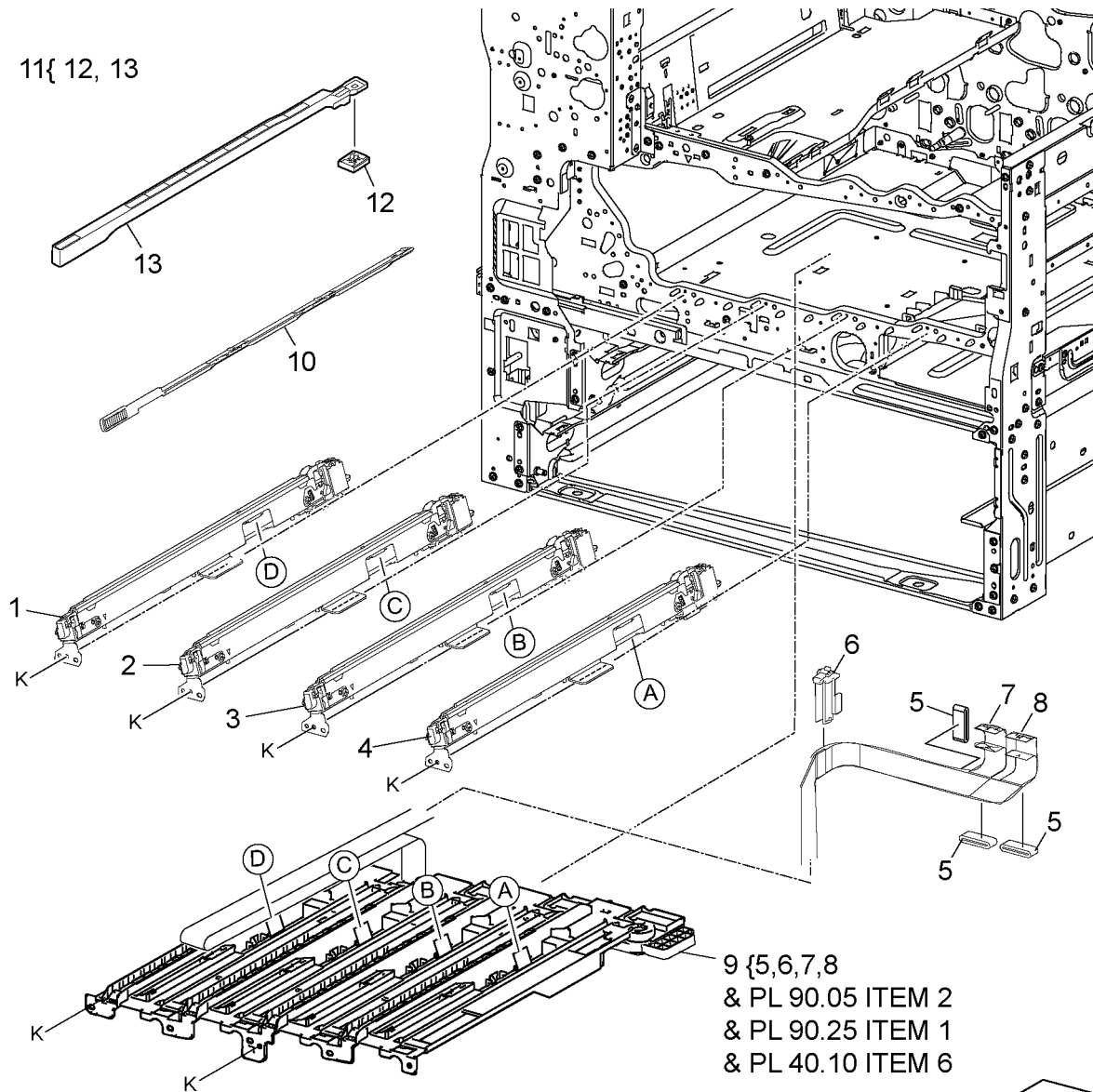
Item	Part	Description
1	054K55010	Rear fuser duct assembly (REP 40.7)
2	054K55050	Fuser unit exhaust fan assembly (MOT42-058)
3	815K16761	Side plate
4	127K74210	LVPS fan assembly (MOT42-052) (REP 40.8)
5	—	Screw (P/O PL 40.15 Item 4)
6	—	Connector (P/O PL 40.15 Item 4)
7	—	Bracket (C8130/C8135/C8145/C8155) (P/O PL 40.15 Item 8)
8	054K55210	IHPS intake duct assembly (C8130/C8135/C8145/C8155) (MOT42-069) (REP 40.9)
9	—	Bracket (C8170)
10	008R08104	UFP filter assembly (C8170)
11	054K54990	Toner cartridge exhaust fan assembly (C8145/C8155/C8170) (REP 40.10)
12	054K60390	Suction fan duct assembly (C8170)
13	—	Suction base plate assembly (C8170)
14	054E58220	Fusing unit exhaust duct (C8170)



Q-8-0049-A

PL 60.05 LPH Module

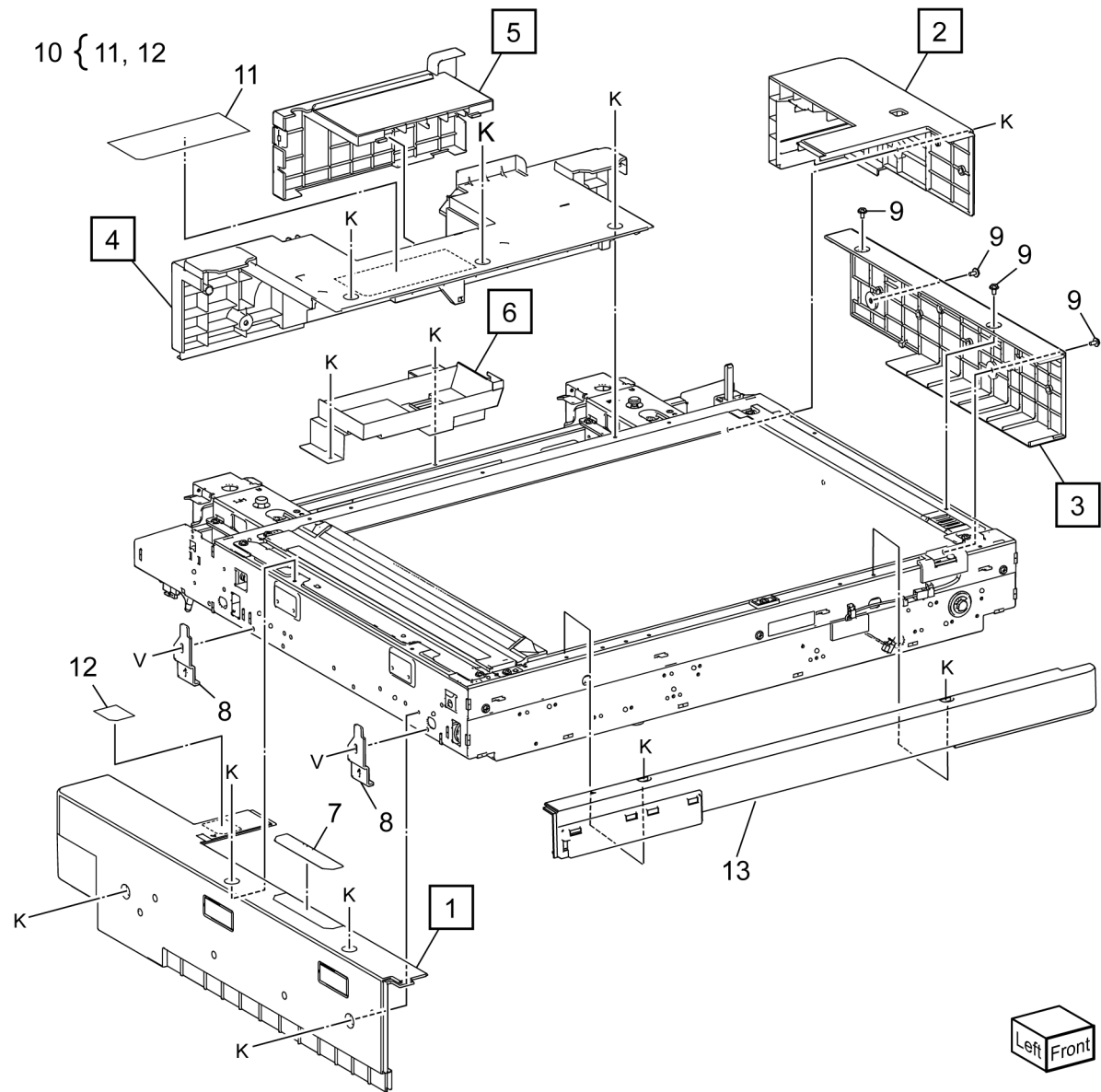
Item	Part	Description
1	930K00722	LPH assembly (Y, M, C, K) (C8130/C8135/C8145/C8155) (REP 60.1)
—	930K02795	LPH assembly (Y, M, C, K) (C8170) (REP 60.1)
2	—	LPH assembly (C) (REP 60.1)
3	—	LPH assembly (M) (REP 60.1)
4	—	LPH assembly (Y) (REP 60.1)
5	121E24600	Core ferrite
6	—	FFC guide (P/O PL 60.05 Item 9)
7	—	FFC cable (P/O PL 60.05 Item 9)
8	—	FFC cable (P/O PL 60.05 Item 9)
9	607K02720	FFC cable assembly kit (C8130/C8135/C8145/C8155) (REP 60.2)
—	607K02730	FFC cable assembly kit (C8170) (REP 60.2)
10	042K94930	LPH cleaner
11	042K95890	Cleaner assembly kit
12	—	Cleaner base assembly (P/O PL 60.05 Item 11)
13	—	Cleaner rod (P/O PL 60.05 Item 11)



Q-8-0050-A

PL 60.10 Platen/IIT Cover (C8170)

Item	Part	Description
1	—	IIT Left cover
2	—	IIT Right cover (W)
3	—	IIT Right cover (B)
4	—	IIT Rear cover
5	822E26471	DADF IF cover
6	—	IIT Trans PWB cover
7	—	Sensor shield
8	—	Left stopper
9	—	Screw (Black)
10	—	Label kit
11	—	Label (Caution) (P/O PL 60.10 Item 10)
12	—	Label (Clean) (P/O PL 60.10 Item 10)
13	—	IIT Front cover

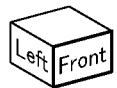
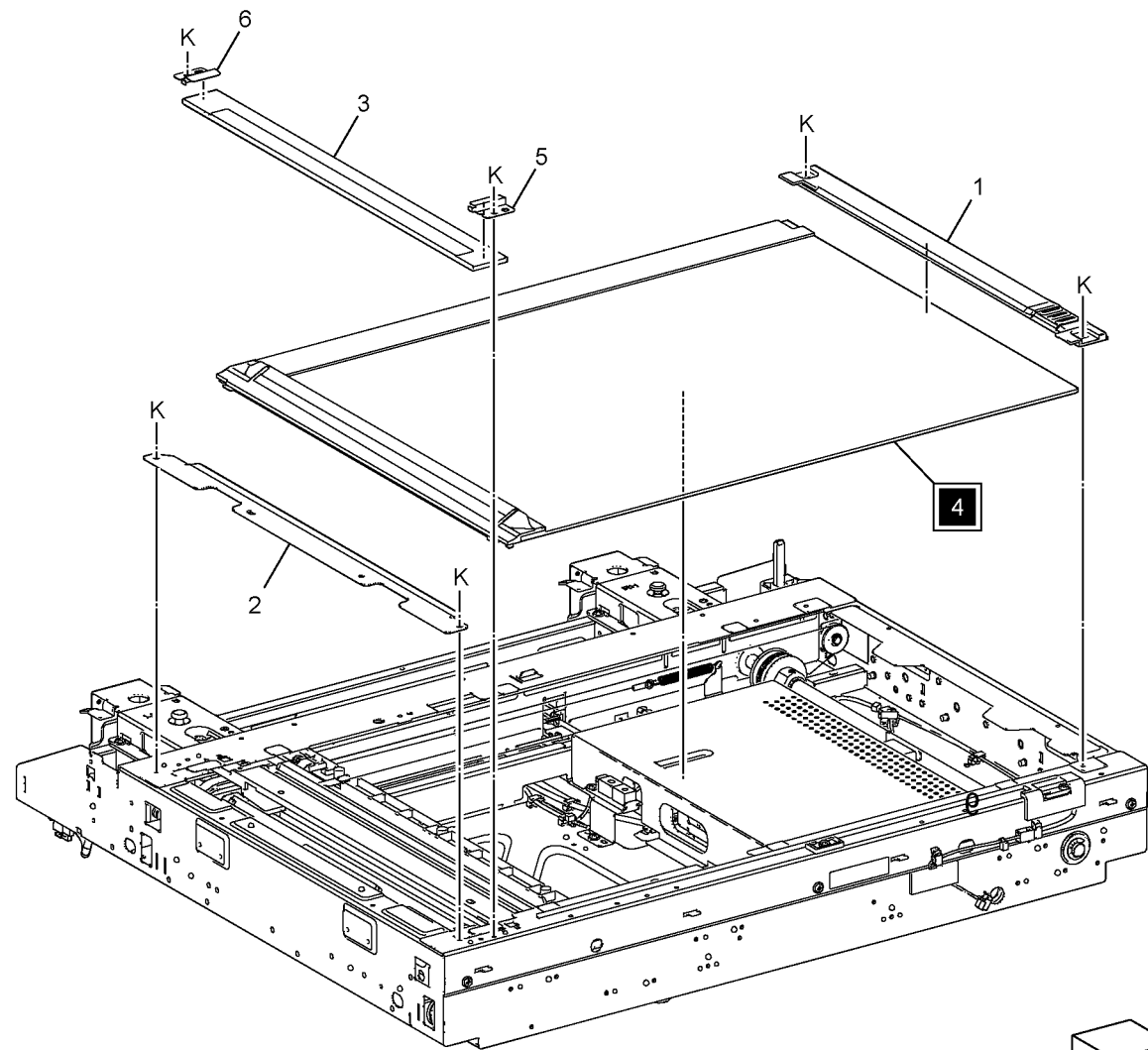


Left Front

Q-8-0052-A

PL 60.15 Platen Glass (C8170)

Item	Part	Description
1	815K10441	Right Plate
2	—	CVT Glass Plate (REP 60.3)
3	090K93660	CVT Platen Glass (REP 60.3)
4	090K93570	Platen Glass
5	—	Front Glass Support
6	—	Rear Glass Support

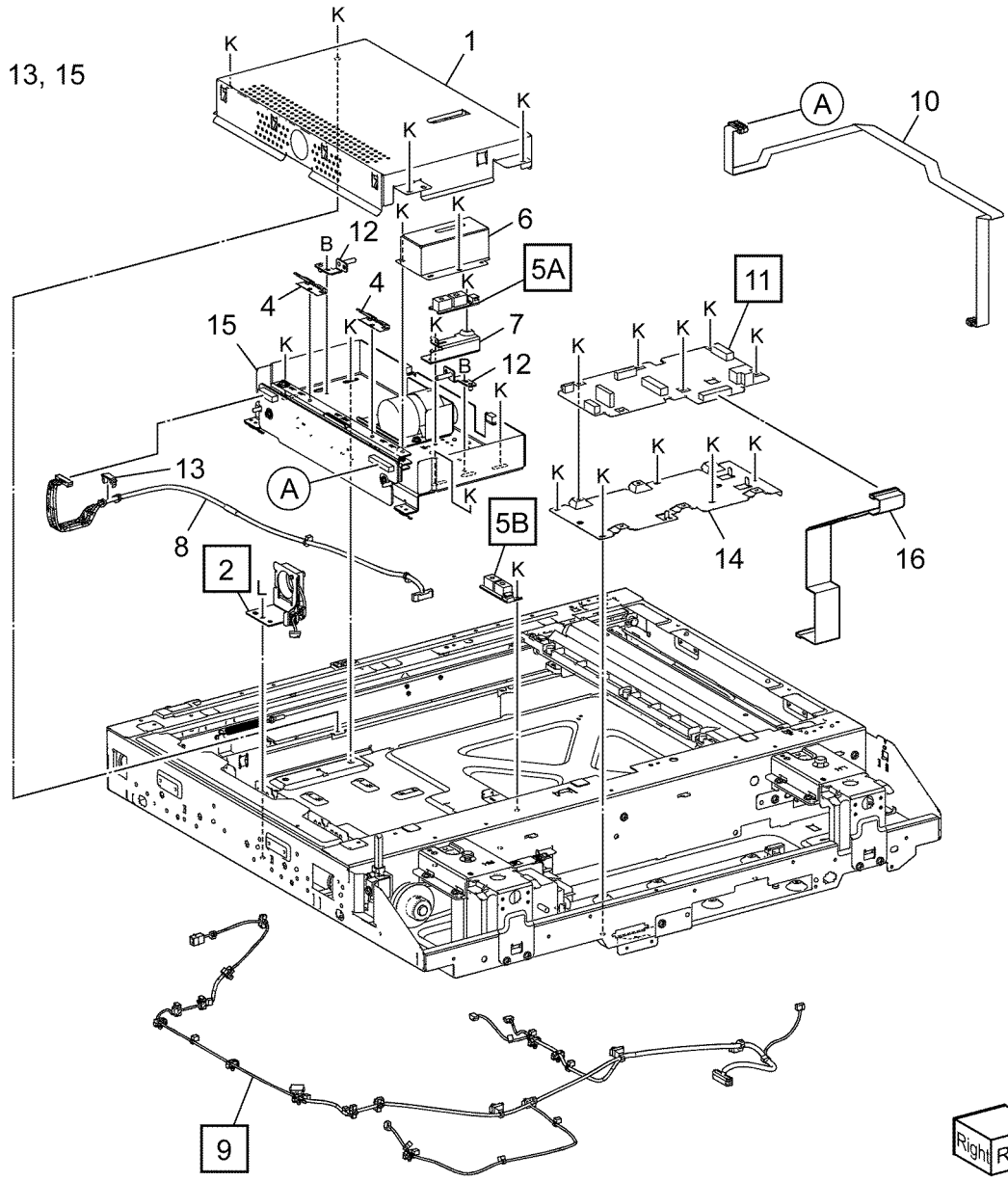


Q-8-0054-A

PL 60.20 CCD Lens (C8170)

Item	Part	Description
1	—	CCD Lens cover assembly
2	—	CCD Fan assembly
3	607K02350	CCD Lens kit
4	—	Conductor (P/O PL 60.20 Item 3)
5	130K64150	APS Sensor 1 (A)/ APS Sensor 2 (B)
6	—	APS Sensor cover
7	—	APS Sensor bracket
8	952K35020	CCD Power harness
9	952K45130	Signal harness
10	952K31270	CCD Cont video ribbon cable
11	960K98030	IIT Trans PWB
12	—	Pin assembly (P/O PL 60.20 Item 3)
13	—	Clamp
14	—	PWB bracket
15	—	Lens assembly (P/O PL 60.20 Item 3)
16	117K49220	IIT Cont I/O ribbon cable

3 { 4, 13, 15

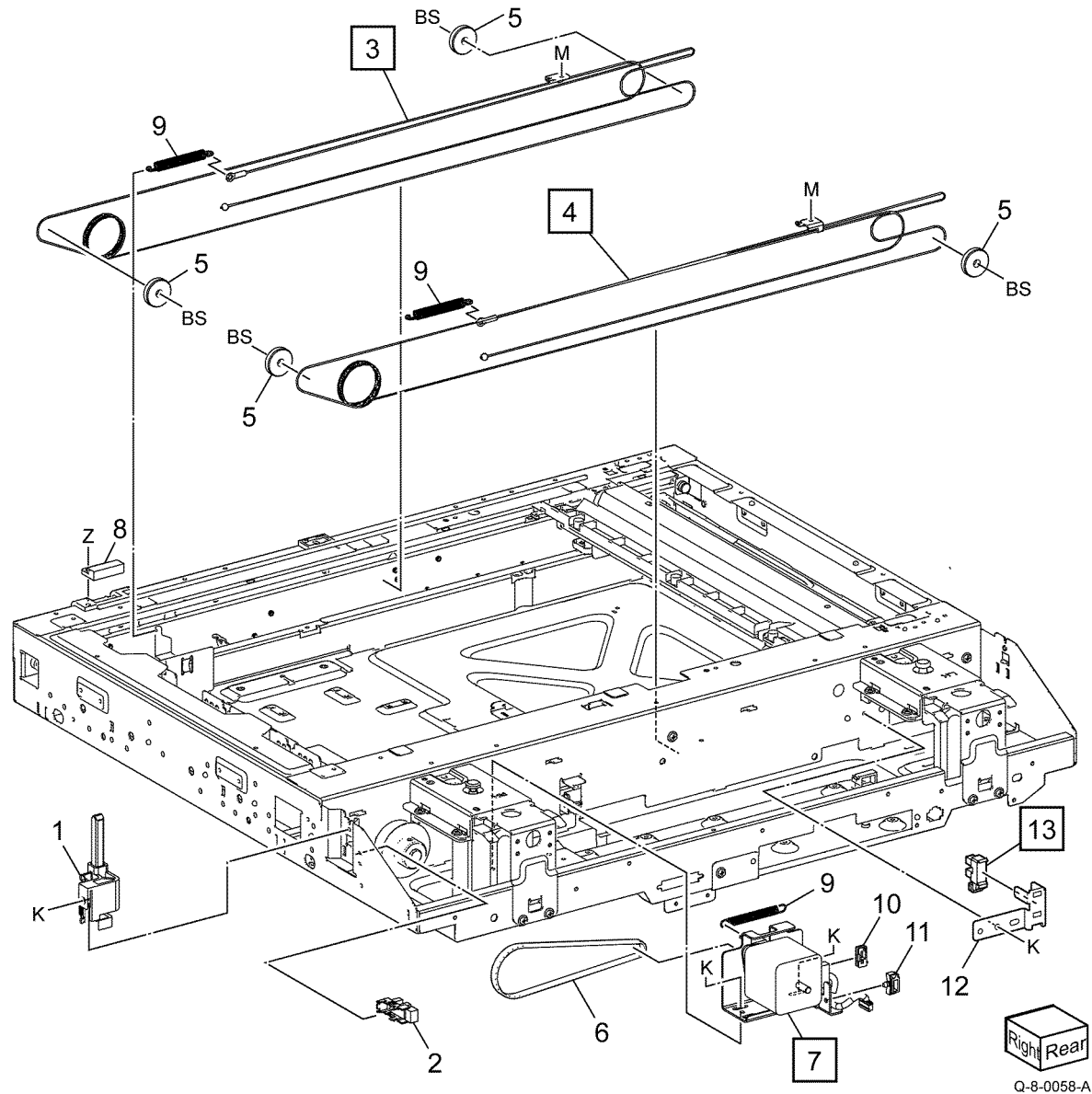


Right Rear

Q-8-0056-A

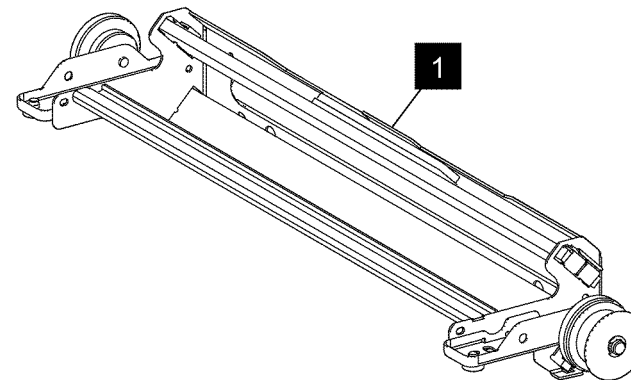
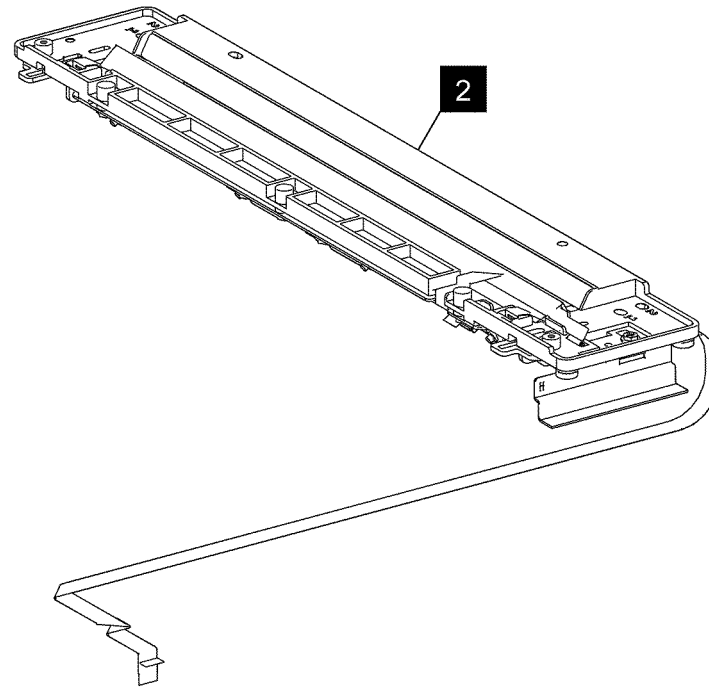
PL 60.25 Carriage Cable/Motor (C8170)

Item	Part	Description
1	—	Actuator assembly
2	130E87280	Platen Angle Sensor
3	—	Front Carriage Cable
4	—	Rear Carriage Cable (REP 60.19)
5	—	Idler Pulley
6	023E26740	Drive Belt
7	127K77850	Carriage Motor (REP 60.17)
8	—	Platen Interlock Switch
9	—	Tension Spring
10	—	Clamp
11	—	Clamp
12	—	IIT Regi. Sensor Bracket
13	930W00112	IIT Regi Sensor



PL 60.30 Full/Half Carriage (C8170)

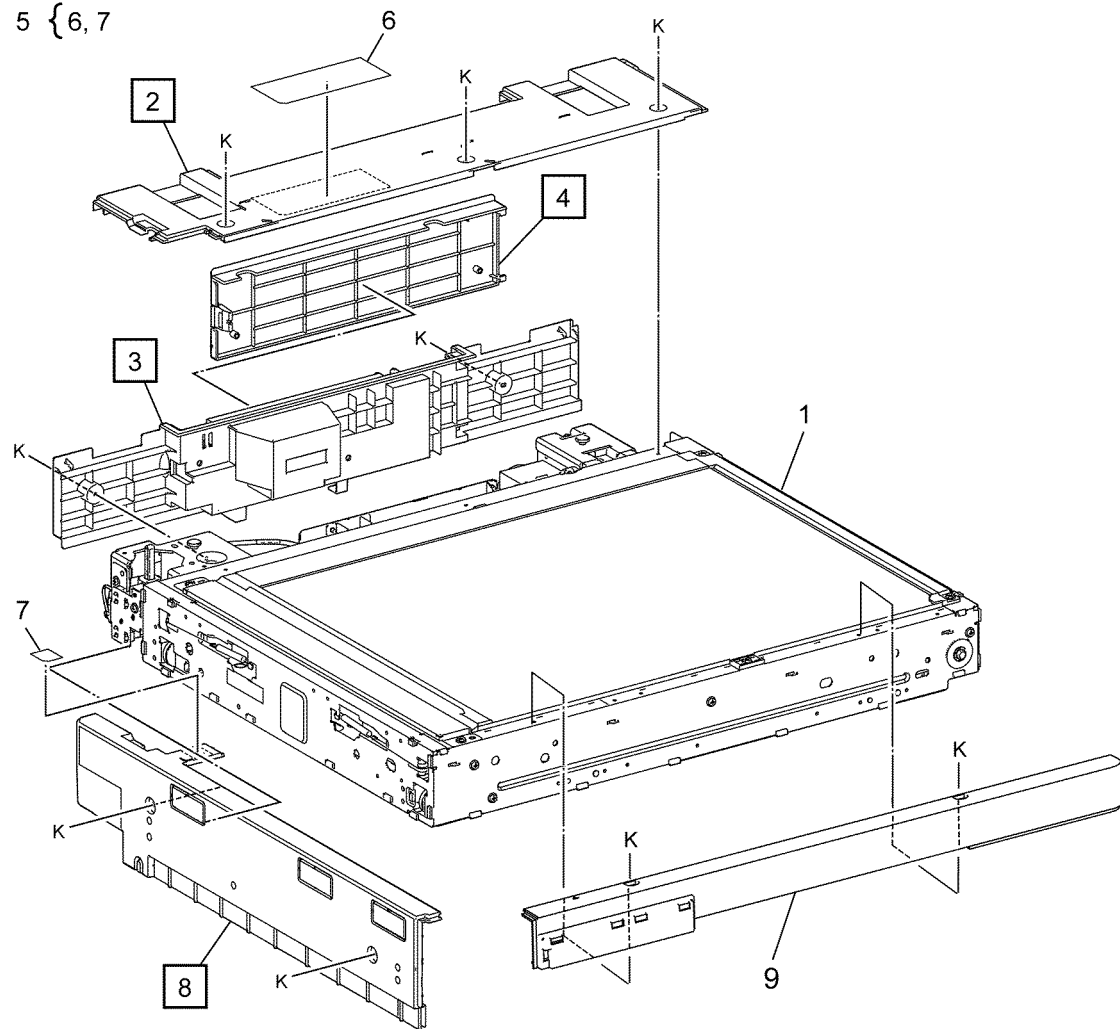
Item	Part	Description
1	041K95850	Half Rate Carriage Assembly
2	041K96632	Full Rate Carriage Assembly (REP 60.18)



Q-8-0060-A

PL 60.35 Platen/IIT Cover (C8130/C8135/C8145/C8155)

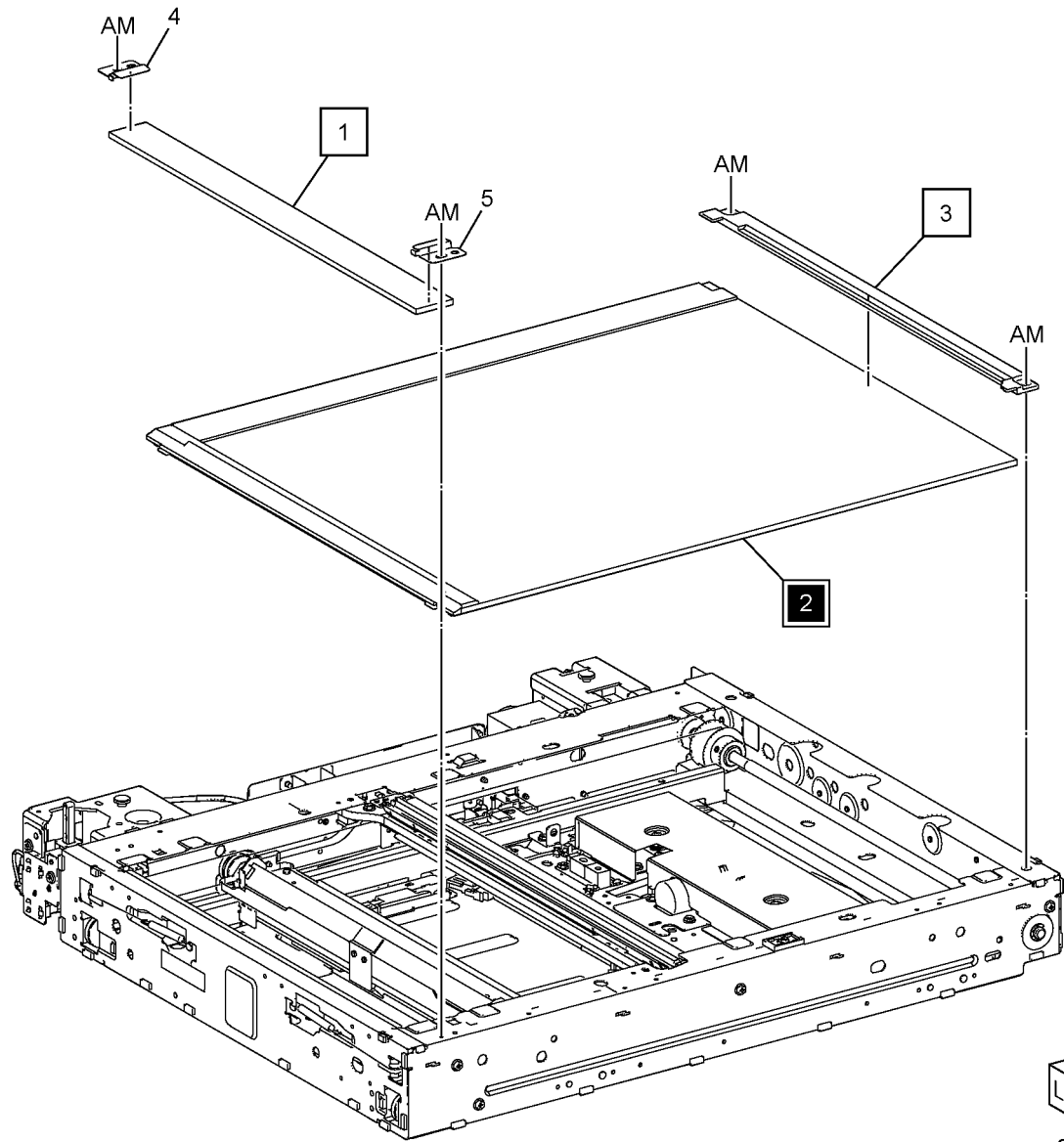
Item	Part	Description
1	—	IIT assembly
2	—	IIT Top cover
3	—	IIT Rear cover
4	822E26611	DADF IF cover
5	—	Label kit
6	—	Label (Caution) (P/O PL 60.35 Item 5)
7	—	Label (Clean) (P/O PL 60.35 Item 5)
8	—	IIT Left cover
9	—	IIT Front cover



Q-8-0051-A

PL 60.40 Platen Glass (C8130/C8135/C8145/C8155)

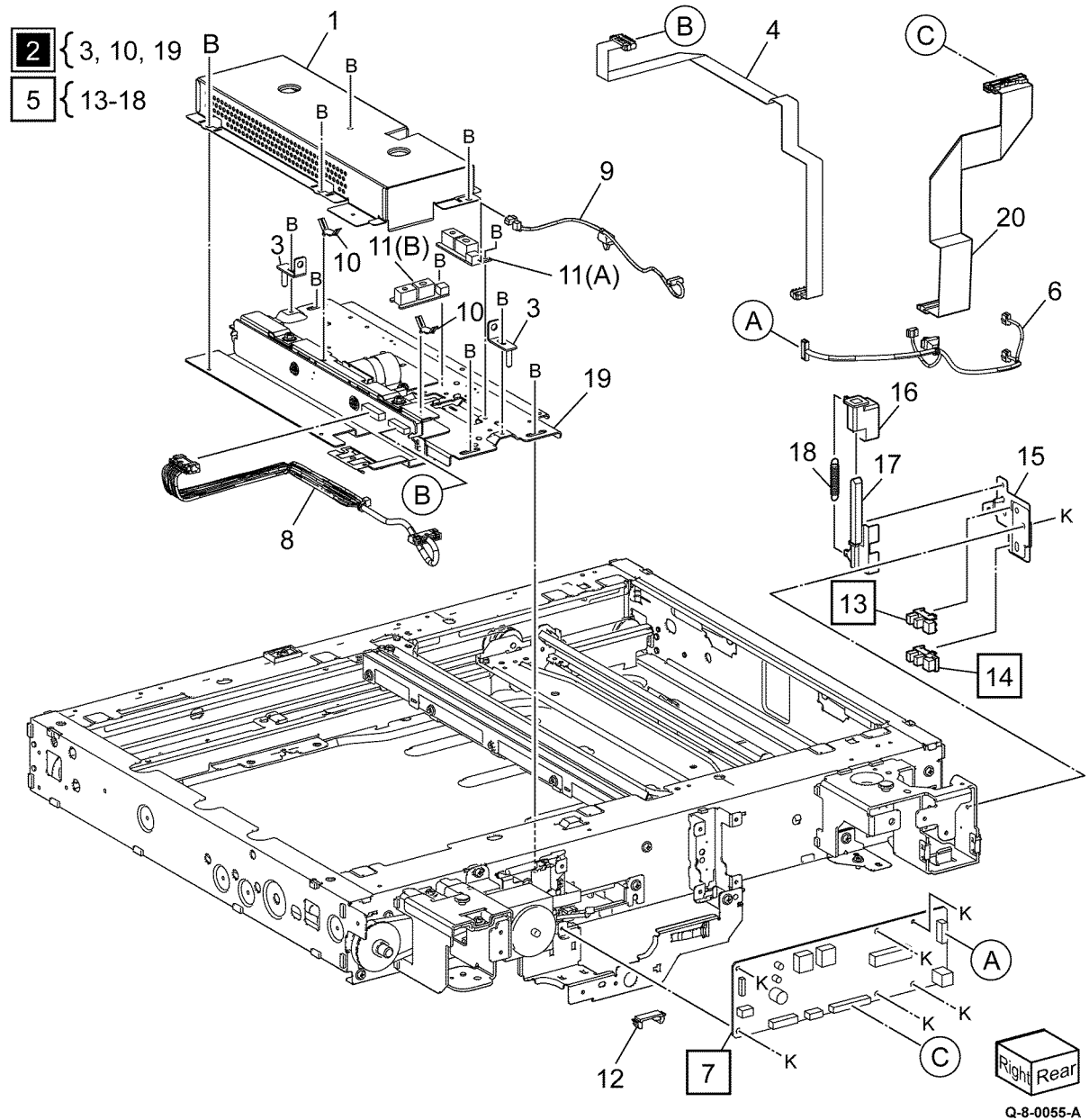
Item	Part	Description
1	090K93650	CVT platen glass
2	090K93580	Platen glass (REP 60.25)
3	815E58942	Right plate
4	—	Rear glass support
5	—	Front glass support



Q-8-0053-A

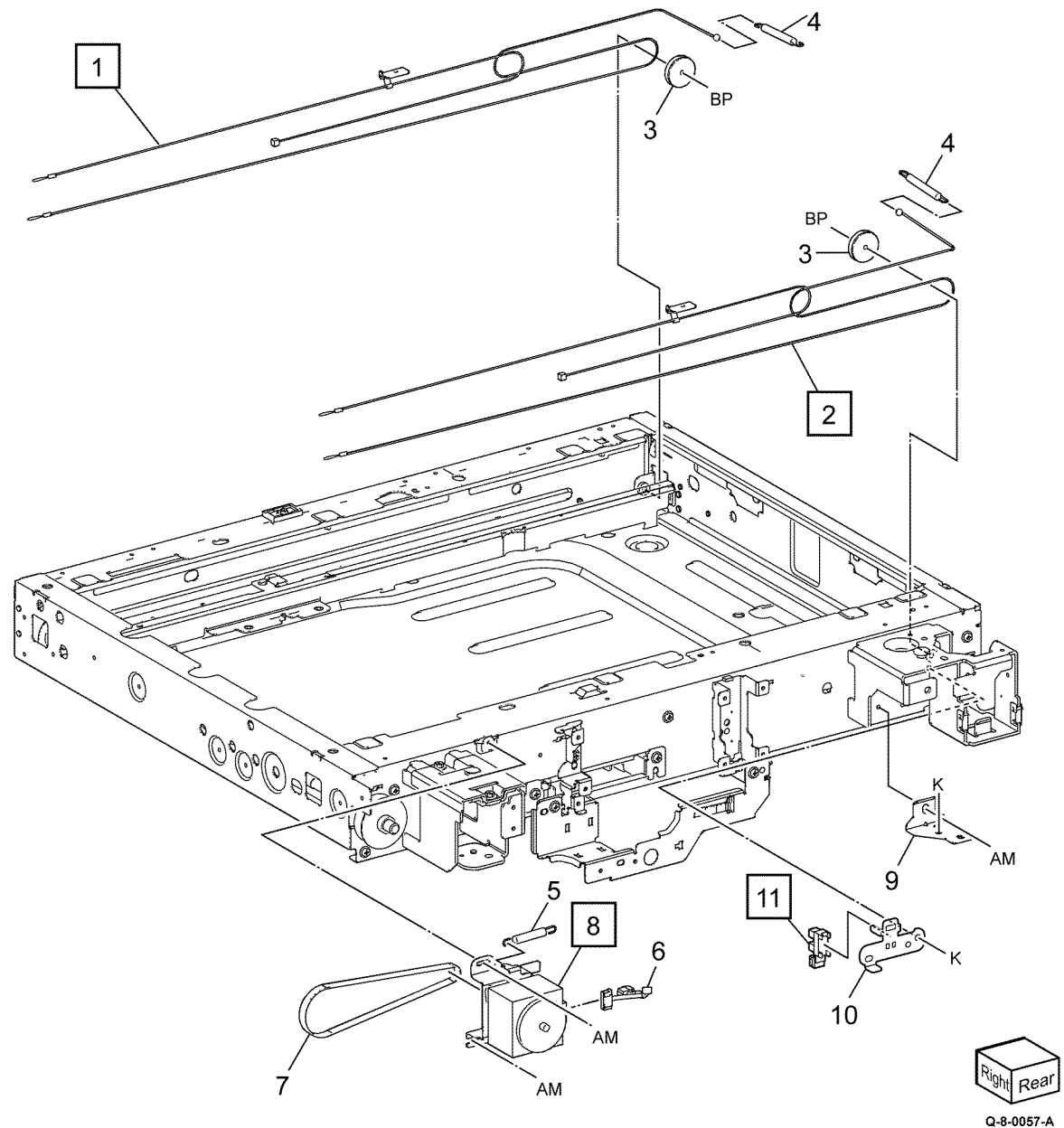
PL 60.45 CCD Lens (C8130/C8135/C8145/C8155)

Item	Part	Description
1	—	CCD Lens cover
2	607K13310	CCD Lens kit (REP 60.29)
3	—	Pin assembly (P/O PL 60.45 Item 2)
4	952K31240	CCD Cont video ribbon cable
5	120K93101	Actuator assembly
6	952K31662	Platen angle sensor/Platen sensor harness
7	960K97880	IIT Trans PWB
8	952K31301	CCD Power harness
9	952K36950	APS Sensor harness
10	—	Conductor (P/O PL 60.45 Item 2)
11	130K64150	APS Sensor 1 (A)/ APS Sensor 2 (B)
12	—	Clamp
13	—	Platen angle sensor (P/O PL 60.45 Item 5)
14	—	Platen close sensor (P/O PL 60.45 Item 5)
15	—	Angle sensor bracket (P/O PL 60.45 Item 5)
16	—	Actuator support (P/O PL 60.45 Item 5)
17	—	Actuator (P/O PL 60.45 Item 5)
18	—	Extension spring (P/O PL 60.45 Item 5)
19	—	Lens assembly (P/O PL 60.45 Item 2)
20	117K48921	IIT Cont I/O Ribbon Cable



PL 60.50 Carriage Cable/Motor (C8130/C8135/C8145/C8155)

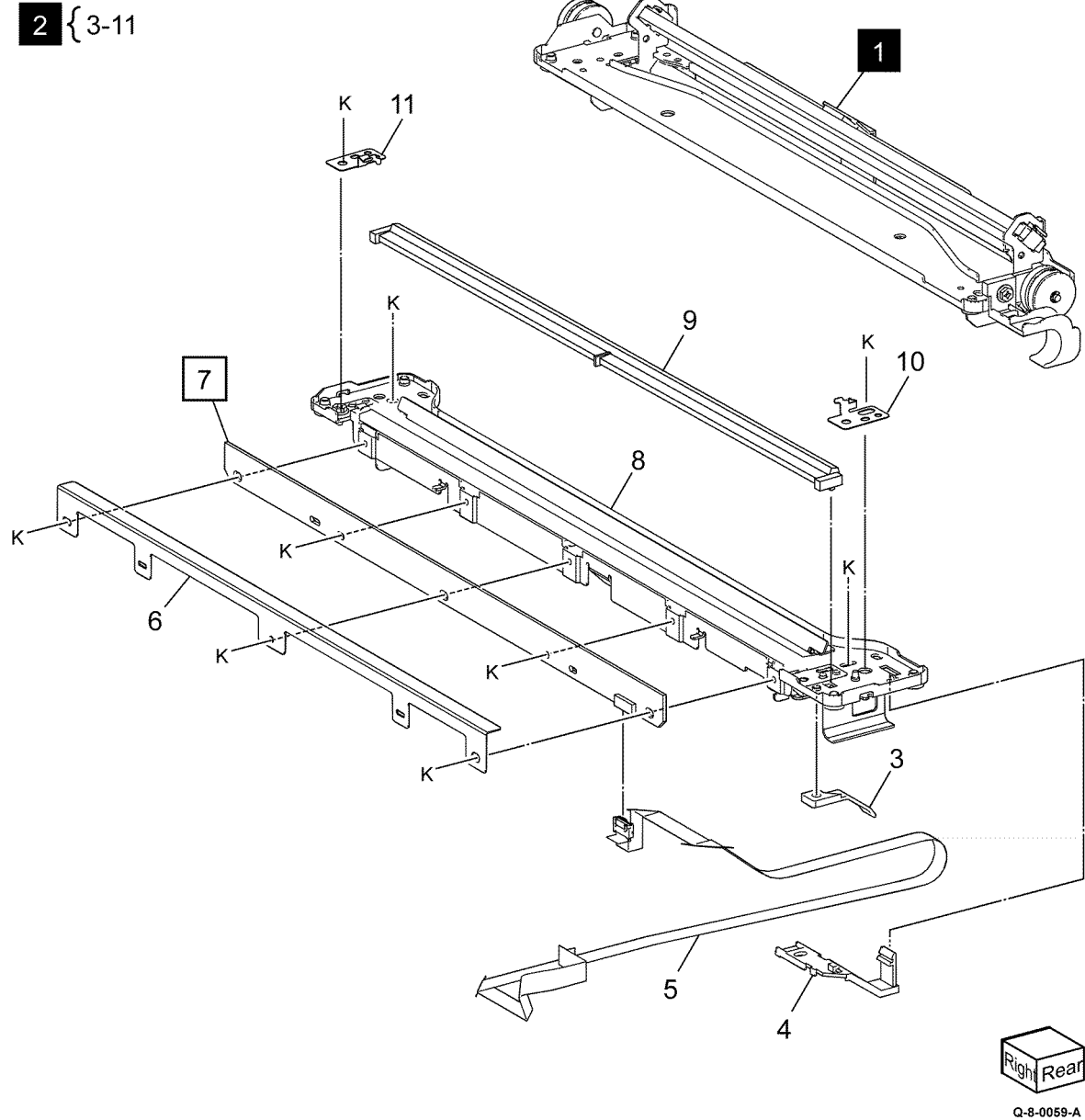
Item	Part	Description
1	—	Front carriage cable (REP 60.30)
2	—	Rear carriage cable (REP 60.30)
3	—	Idler Pulley
4	—	Tension Spring
5	—	Tension Spring
6	952K31250	Carriage Motor Harness
7	023E27590	Timing Belt
8	127K61330	Carriage Motor (REP 60.34)
9	—	Bracket
10	—	IIT Regi. Sensor bracket
11	930W00123	IIT Regi Sensor



Right Rear
Q-8-0057-A

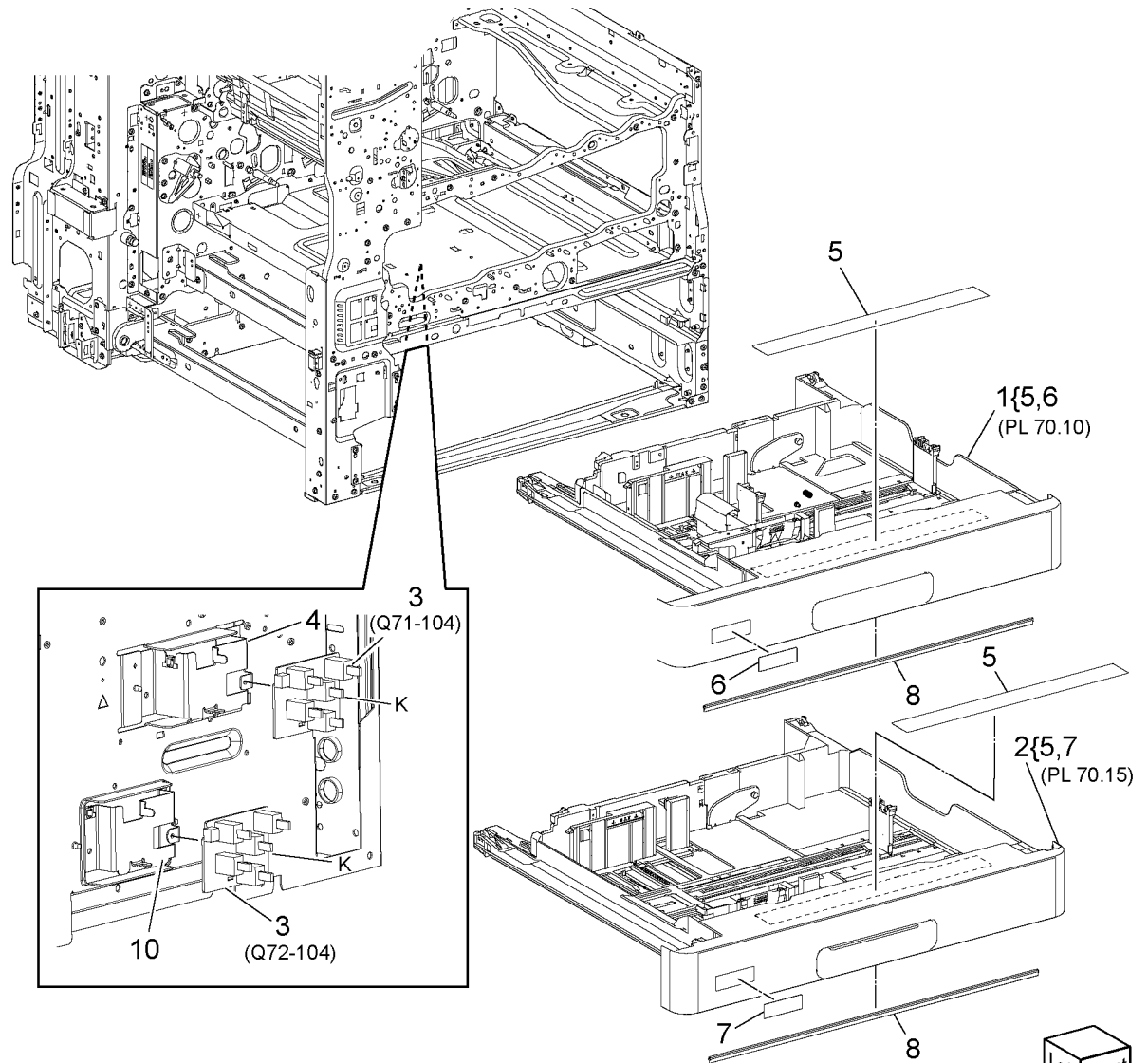
PL 60.55 Full/Half Carriage (C8130/C8135/C8145/C8155)

Item	Part	Description
1	041K96431	Half Rate Carriage Assembly
2	041K96641	Full Rate Carriage Assembly
3	—	Cord Guide (P/O PL 60.55 Item 2)
4	—	Cord Guide (P/O PL 60.55 Item 2)
5	952K31260	LED Ribbon Cable (REP 60.32)
—	952K43480	LED Ribbon cable (Alternative) (REP 60.32)
6	—	LED Bracket (P/O PL 60.55 Item 2)
7	960K81532	LED PWB
8	—	LED Lamp Assembly (P/O PL 60.55 Item 2) (REP 60.31)
9	—	Light guide (P/O PL 60.55 Item 2) (REP 60.33)
10	—	Rear securing plate (P/O PL 60.55 Item 2)
11	—	Front securing plate (P/O PL 60.55 Item 2)



PL 70.05 Tray 1 2 Assembly

Item	Part	Description
1	607K10600	Tray 1 assembly
2	607K10610	Tray 2 assembly
3	110K11680	Tray 1 paper size sensor (Q71-104) / Tray 2 paper size sensor (Q72-104) (REP 70.1)
4	—	Bracket (Not Spared)
5	—	Label (instruction) (P/O PL 70.05 Item 1 PL 70.05 item 2)
6	—	Label (No. 1) (P/O PL 70.05 Item 1)
7	—	Label (No. 2) (P/O PL 70.05 Item 2)
8	—	Gasket (Not Spared)
9	—	Not used
10	—	Bracket (Not Spared)



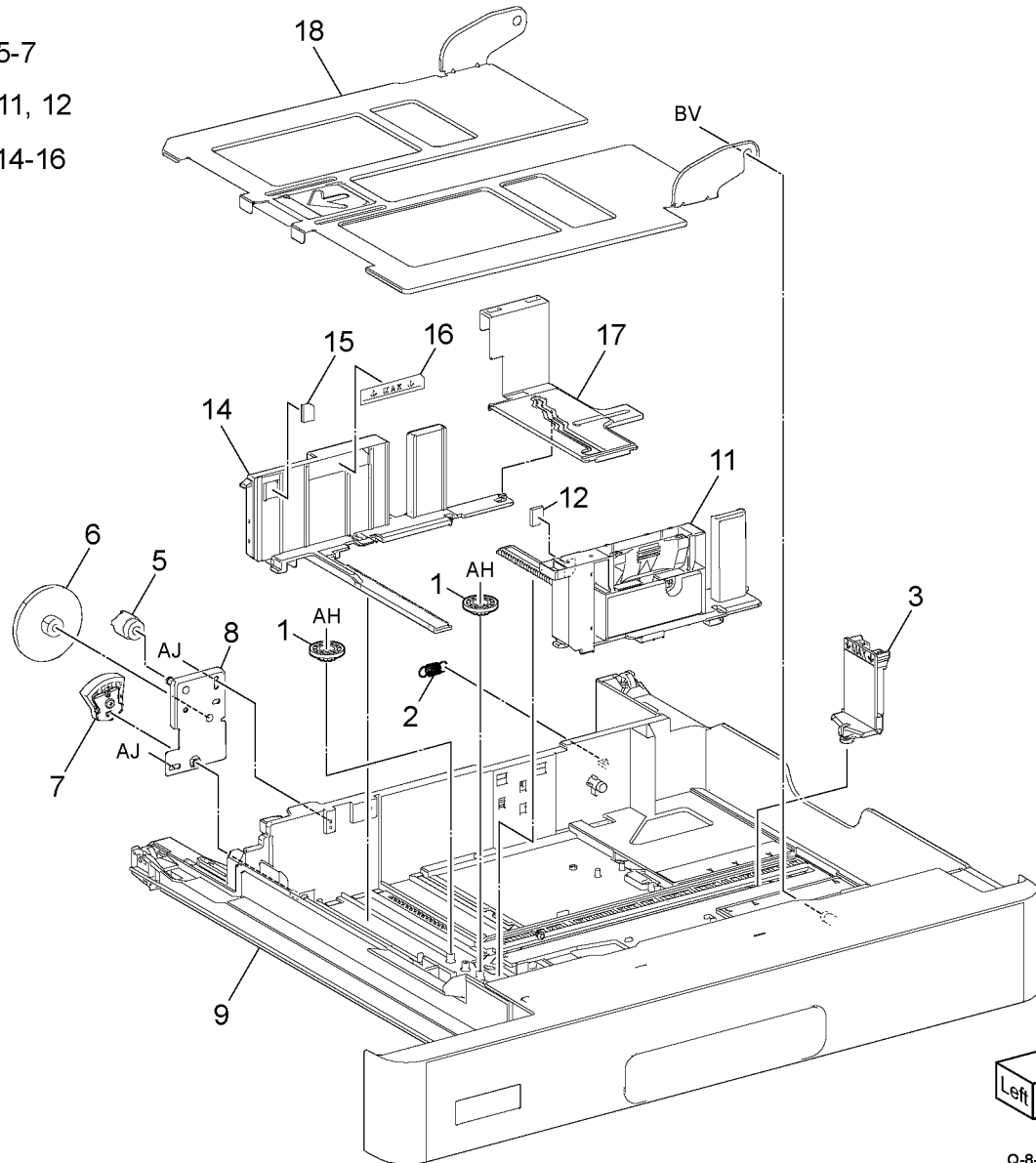
Left Front

Q-8-0061-A

PL 70.10 Tray 1 Assembly

Item	Part	Description
1	807E13521	Pinion
2	809E89880	Spring
3	607K02250	End guide kit
4	604K20542	Tray gear kit
5	—	Gear (13) (P/O PL 70.10 Item 4)
6	—	Gear (13/60) (P/O PL 70.10 Item 4)
7	—	Gear assembly (P/O PL 70.10 Item 4)
8	—	Bracket (P/O PL 70.05 Item 1)
9	—	Cassette assembly (P/O PL 70.05 Item 1)
10	607K02261	Front side guide kit
11	—	Front side guide (P/O PL 70.10 Item 10)
12	—	Pad (P/O PL 70.10 Item 10)
13	607K02274	Rear side guide kit
14	—	Rear side guide (P/O PL 70.10 Item 13)
15	—	Pad (P/O PL 70.10 Item 13)
16	—	Label (MAX) (P/O PL 70.10 Item 13)
17	—	Side actuator (P/O PL 70.05 Item 1)
18	—	Lift plate (P/O PL 70.05 Item 1)

4{ 5-7
10{ 11, 12
13{ 14-16



Note: All parts are part of PL 70.05 Item 1.

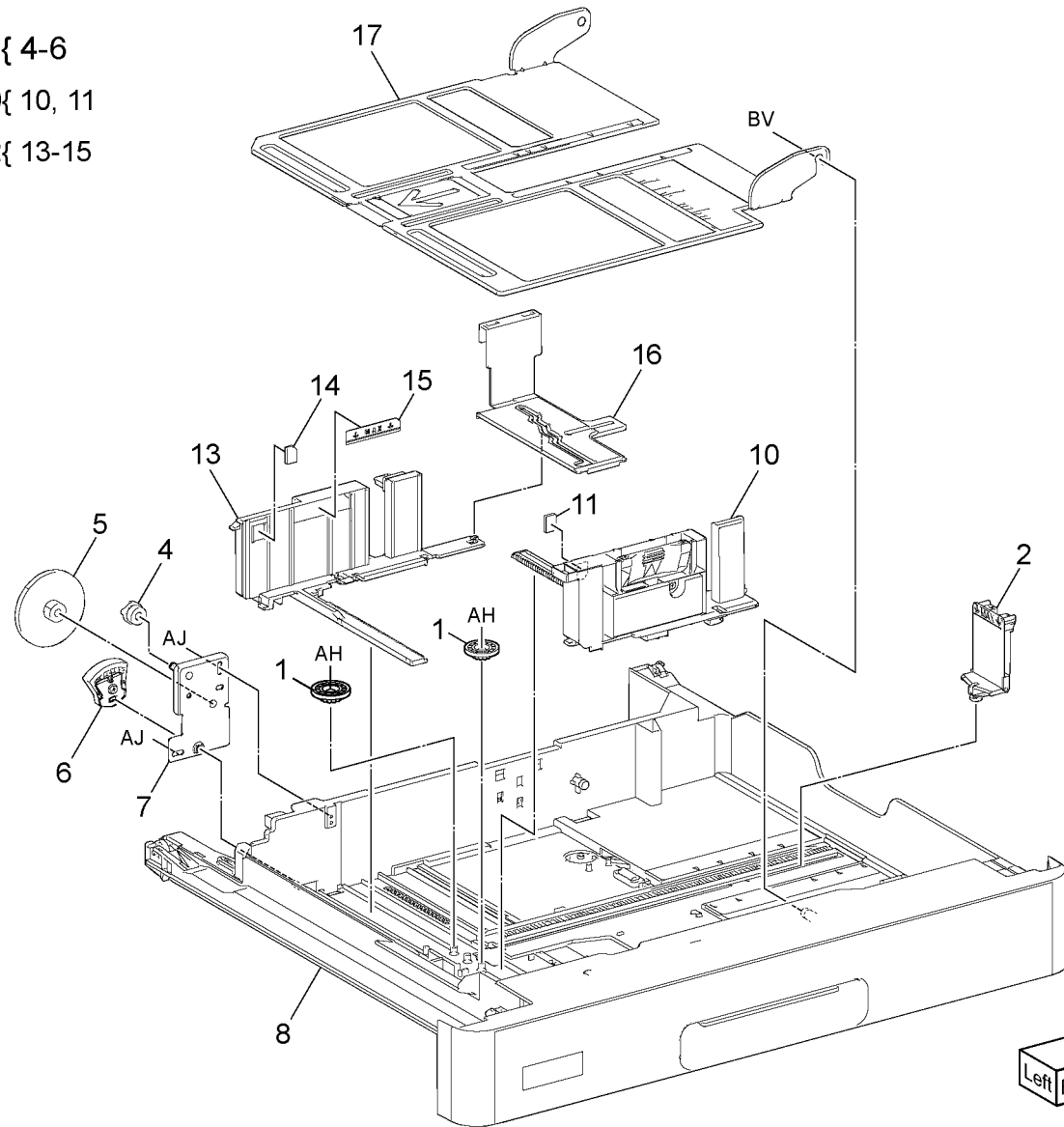


Q-8-0062-A

PL 70.15 Tray 2 Assembly

Item	Part	Description
1	807E13521	Pinion
2	607K02250	End guide kit
3	—	Tray gear kit (Not Spared)
4	—	Gear (13) (P/O PL 70.15 Item 3)
5	—	Gear (13/60) (P/O PL 70.15 Item 3)
6	—	Gear assembly (P/O PL 70.15 Item 3)
7	—	Bracket (P/O PL 70.05 Item 2)
8	—	Cassette assembly (P/O PL 70.05 Item 2)
9	607K02261	Front side guide kit
10	—	Front side guide (P/O PL 70.15 Item 9)
11	—	Pad (P/O PL 70.15 Item 9)
12	607K02274	Rear side guide kit
13	—	Rear side guide (P/O PL 70.15 Item 12)
14	—	Pad (P/O PL 70.15 Item 12)
15	—	Label (MAX) (P/O PL 70.15 Item 12)
16	—	Side actuator (P/O PL 70.05 Item 2)
17	—	Lift plate (P/O PL 70.05 Item 2)

3{ 4-6
 9{ 10, 11
 12{ 13-15



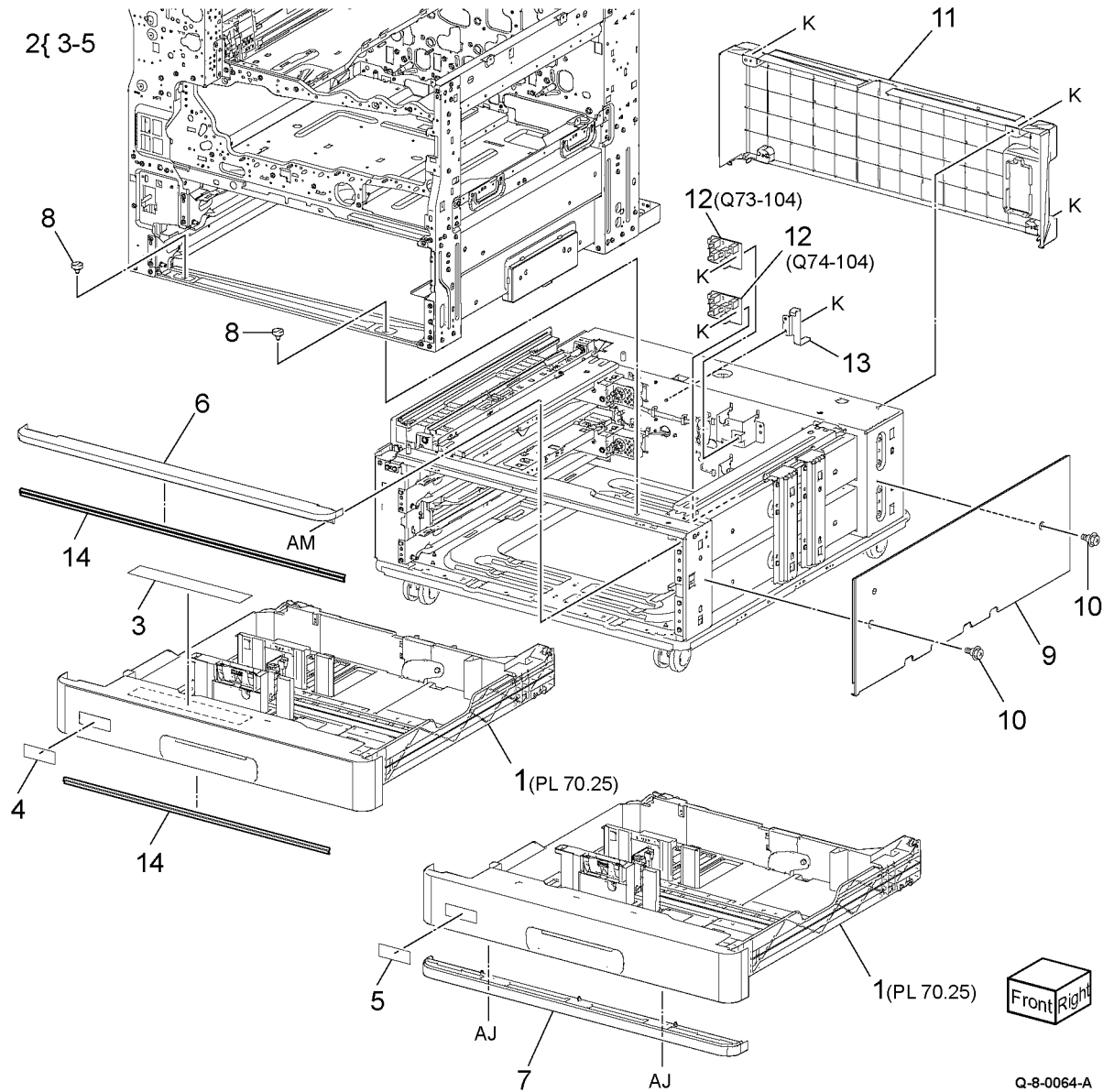
Note: All parts are part of PL 70.05 Item 2.



Q-8-0063-A

PL 70.20 2TM Components (C8130/C8135)

Item	Part	Description
1	607K10610	Tray 3 4 assembly (REF: PL 70.25)
2	—	2TM tray label kit
3	—	Label (instruction) (P/O PL 70.20 Item 2)
4	—	Label (No. 3) (P/O PL 70.20 Item 2)
5	—	Label (No. 4) (P/O PL 70.20 Item 2)
6	—	Top cover (Not Spared)
7	822E41111	Foot cover
8	—	Docking screw (Not Spared)
9	822E41071	Right cover
10	—	Shoulder screw (Not Spared)
11	822E41013	Rear cover
12	110K11680	Tray 3 paper size sensor (Q73-104) / Tray 4 paper size sensor (Q74-104) (REP 70.5)
13	—	Joint bracket (Not Spared)
14	—	Gasket (Not Spared)

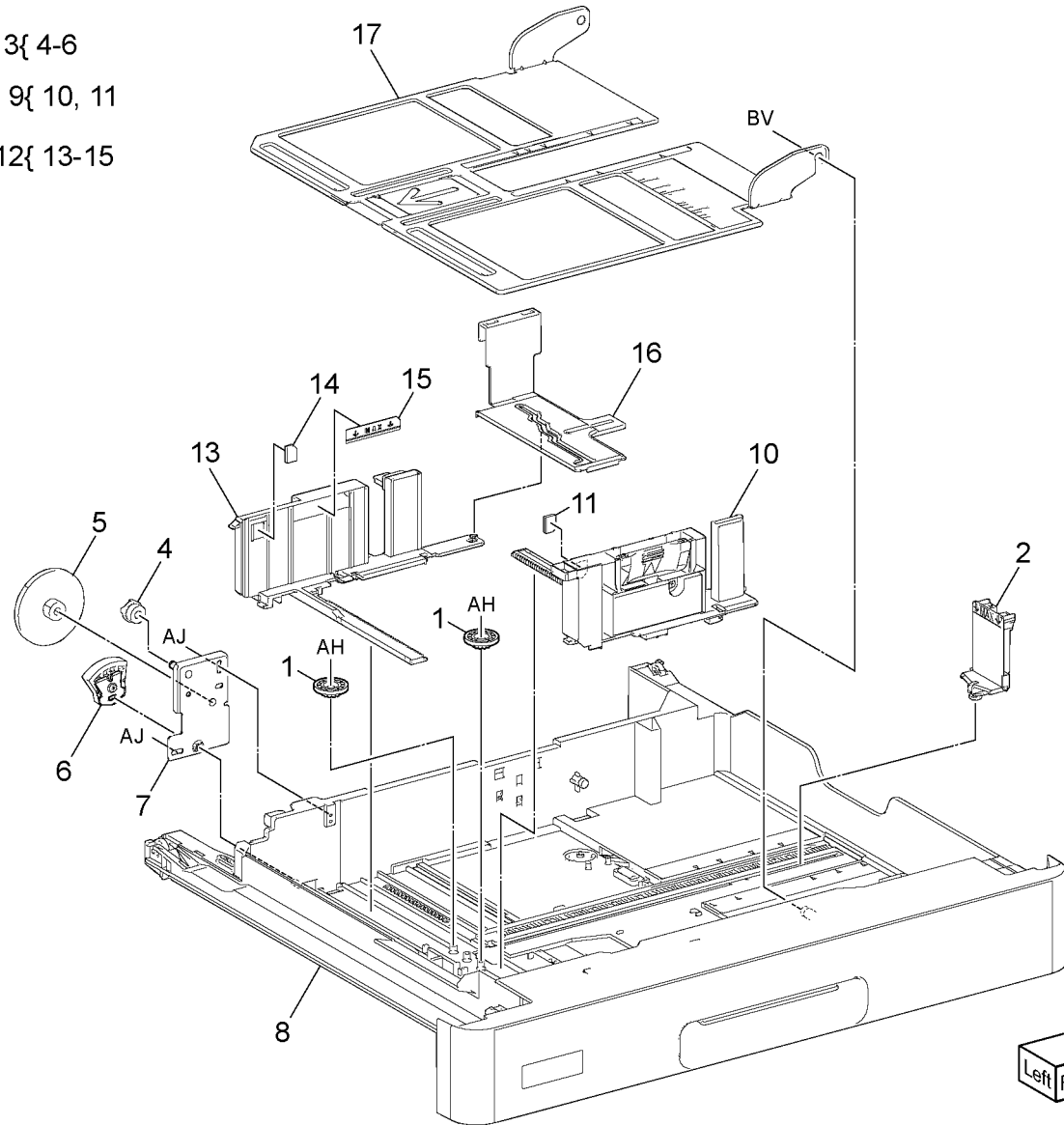


Q-8-0064-A

PL 70.25 2TM Tray 3/4 Assembly (C8130/C8135)

Item	Part	Description	
1	807E13521	Pinion	
2	607K02250	End guide kit	3{ 4-6
3	604K20542	Tray gear kit	
4	—	Gear (13) (P/O PL 70.25 Item 3)	9{ 10, 11
5	—	Gear (13/60) (P/O PL 70.25 Item 3)	
6	—	Gear assembly (P/O PL 70.25 Item 3)	12{ 13-15
7	—	Bracket (P/O PL 70.20 Item 1)	
8	—	Tray assembly (P/O PL 70.20 Item 1)	
9	607K02261	Front side guide kit	
10	—	Front side guide (P/O PL 70.25 Item 9)	
11	—	Pad (P/O PL 70.25 Item 9)	
12	607K02274	Rear side guide kit	
13	—	Rear side guide (P/O PL 70.25 Item 12)	
14	—	Pad (P/O PL 70.25 Item 12)	
15	—	Label (MAX) (P/O PL 70.25 Item 12)	
16	—	Side actuator (P/O PL 70.20 Item 1)	
17	—	Lift plate (P/O PL 70.20 Item 1)	

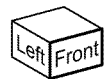
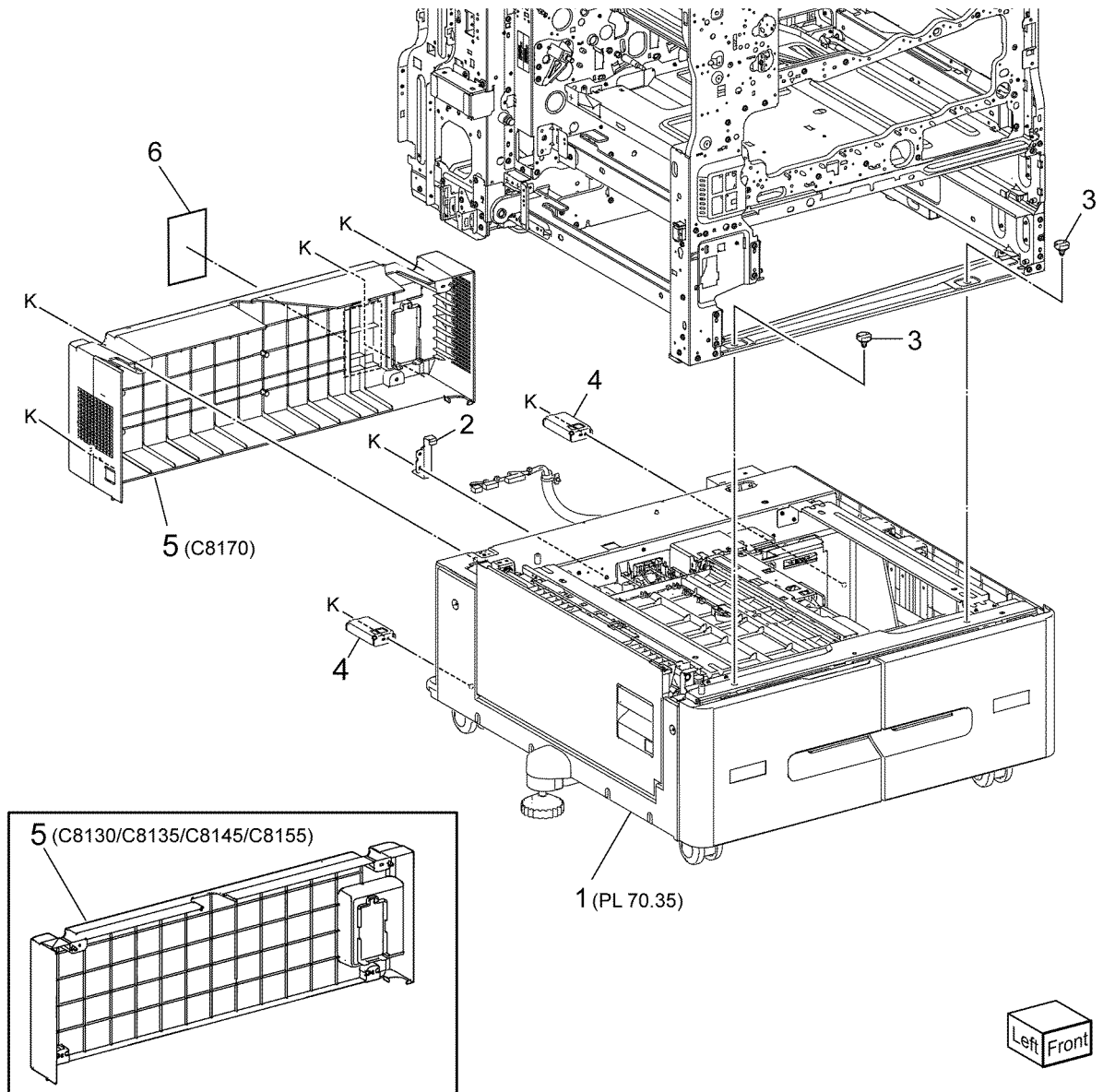
Note: All parts are part of PL 70.20 Item 1.



Q-8-0065-A

PL 70.30 TTM Components

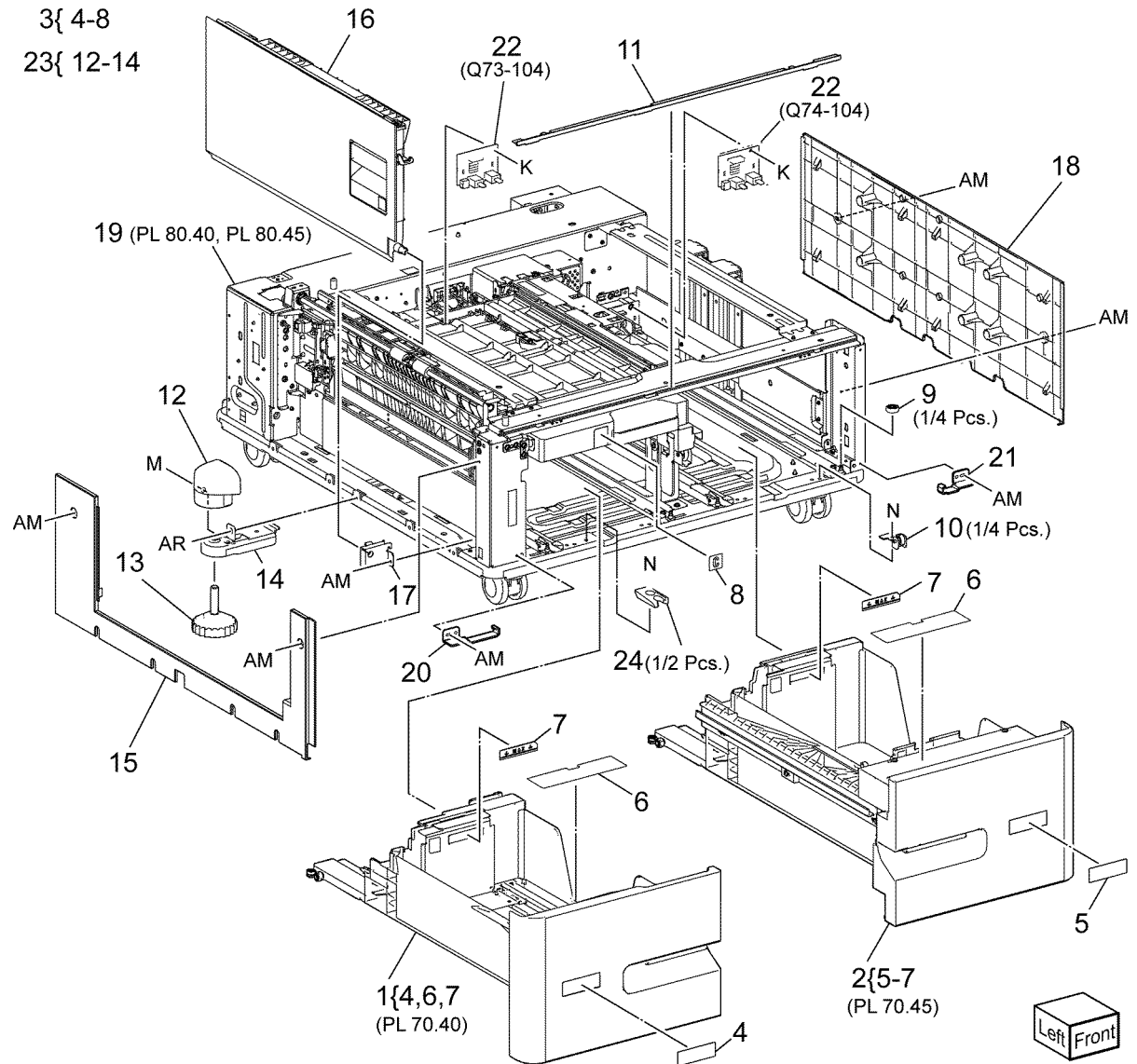
Item	Part	Description
1	—	TTM module
2	—	Joint bracket (Not Spared)
3	—	Docking screw (Not Spared)
4	—	Cover bracket (Not Spared)
5	822E41013	Rear cover (C8130/C8135/C8145/C8155)
—	—	Rear cover (C8170)
6	—	Label (Caution) (C8170)



Q-8-0066-A

PL 70.35 TTM Covers and Tray 3/4 Assembly

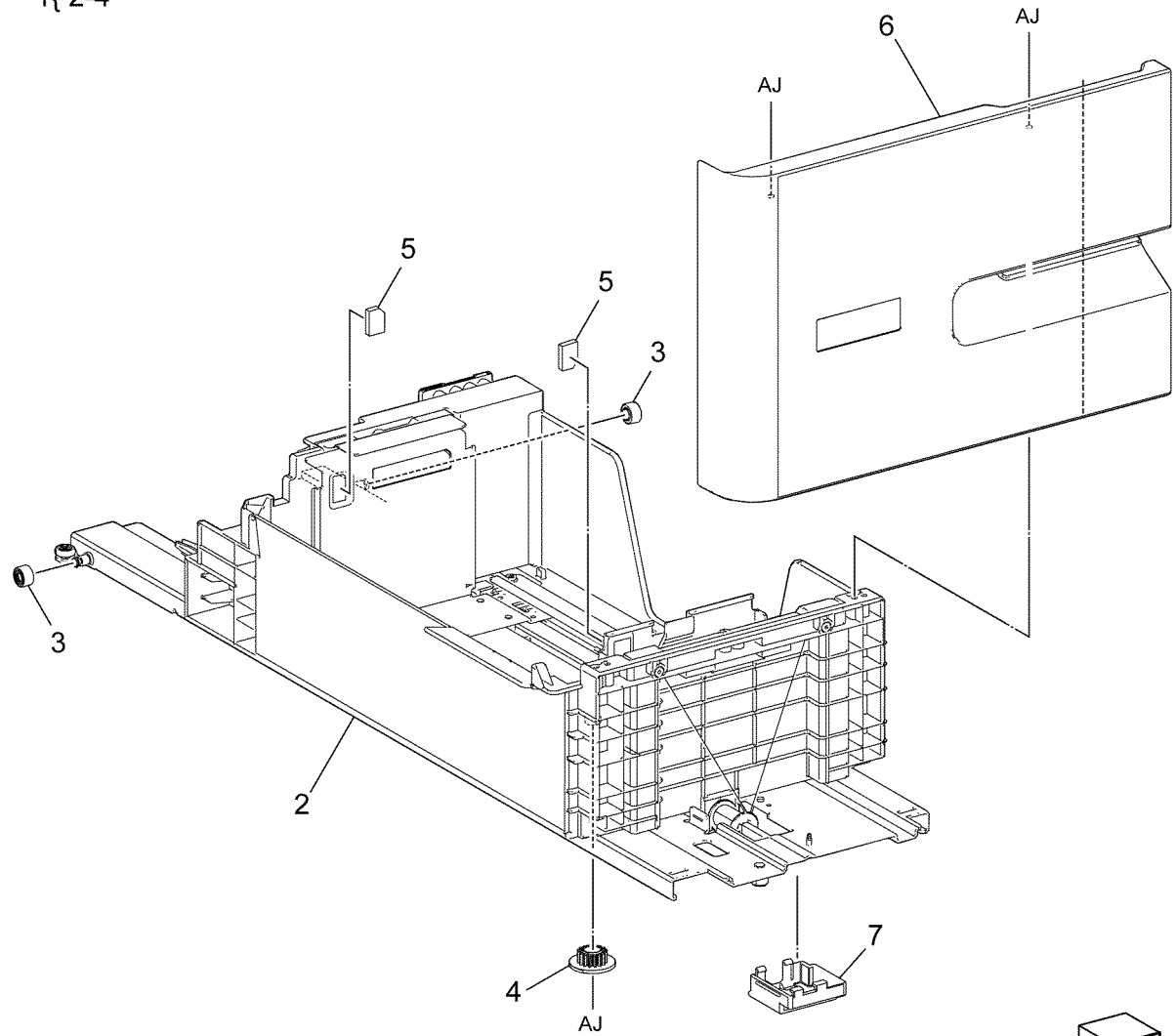
Item	Part	Description
1	607K10500	TTM Tray 3 assembly
2	607K10491	TTM Tray 4 assembly
3	607K02290	TTM label kit
4	—	Label (No. 3) (P/O PL 70.35 Item 1)
5	—	Label (No. 4) (P/O PL 70.35 Item 2)
6	—	Label (instruction) (P/O PL 70.35 Item 1 PL 70.35 Item 2)
7	—	Label (MAX) (P/O PL 70.35 Item 1 PL 70.35 Item 2)
8	—	Label (C) (Not Spared)
9	059E05060	Upper roller
10	—	Roller bracket assembly (Not Spared)
11	—	Top cover (Not Spared)
12	822E41860	Foot cover
13	—	Adjuster foot (P/O PL 70.35 Item 23)
14	869E29540	Foot bracket
15	822E41053	Left cover
16	948K12040	Left door assembly
17	—	Pivot bracket (Not Spared)
18	822E41071	Right cover
19	—	TTM frame assembly (Not Spared)
20	803E25172	Left stopper
21	803E25161	Right stopper
22	110K11820	Tray 3 paper size sensor (Q73-104)/ Tray 4 paper size sensor (Q74-104) (alternative) (REP 70.6)
—	110K17960	Tray 3 paper size sensor (Q73-104)/ Tray 4 paper size sensor (Q74-104) (REP 70.6)
23	—	Adjuster foot assembly
24	803E01200	Tray stopper



PL 70.40 TTM Tray 3 Assembly

Item	Part	Description
1	—	Tray 3 chassis assembly
2	—	Tray 3 chassis (P/O PL 70.40 Item 1)
3	059E13120	Upper roller
4	807E55441	Pinion
5	019E71680	Pad
6	948K01846	Tray 3 cover assembly
7	822E45010	Plate cover

1{ 2-4

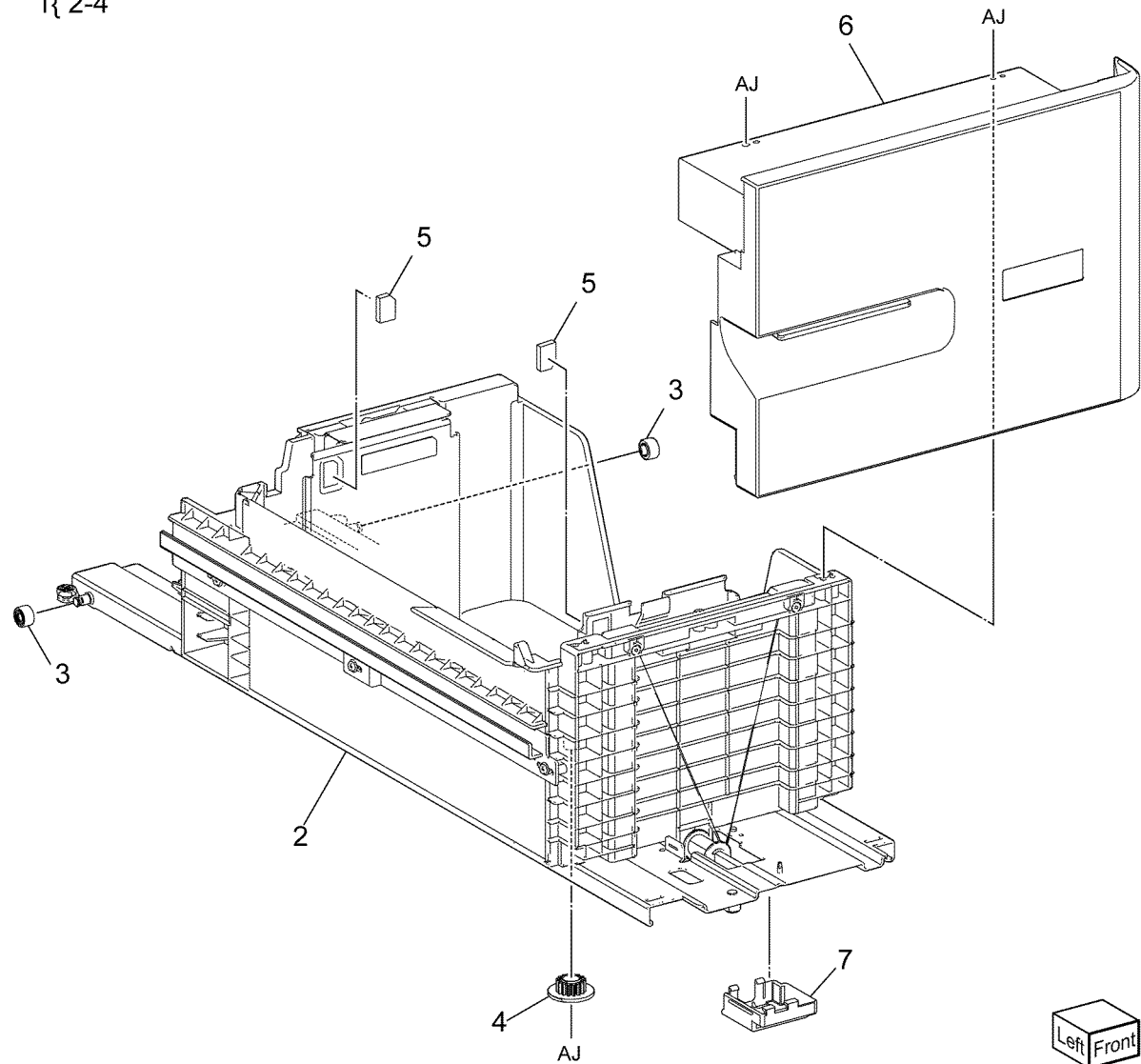


Q-8-0068-A

PL 70.45 TTM Tray 4 Assembly

Item	Part	Description
1	—	Tray 4 chassis assembly (P/O PL 70.35 Item 2)
2	—	Tray 4 chassis (P/O PL 70.45 Item 1)
3	059E13120	Upper roller
4	807E55441	Pinion
5	019E71680	Pad
6	948K01835	Tray 4 cover assembly
7	822E45010	Plate cover

1{ 2-4

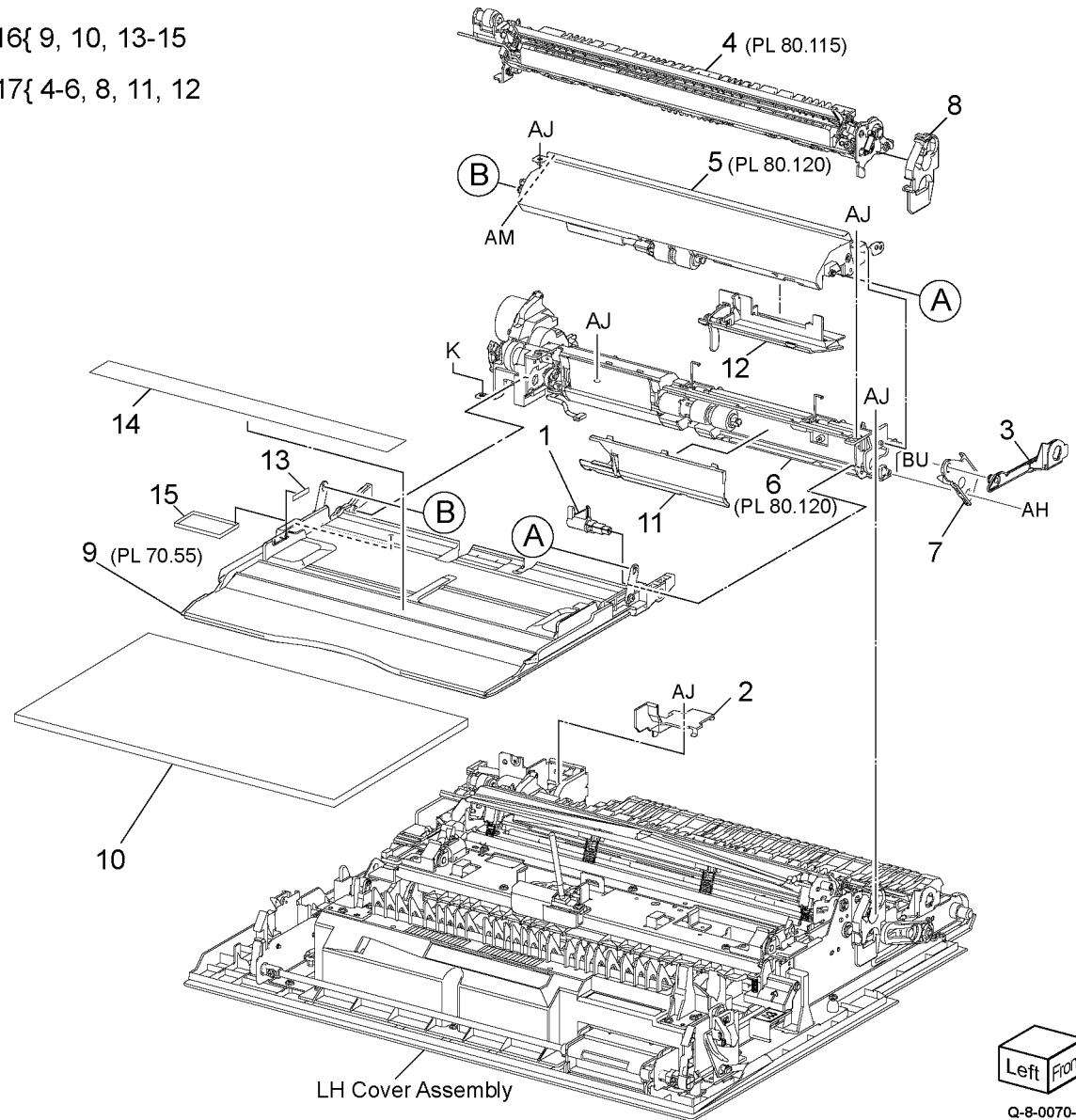


Q-8-0069-A

PL 70.50 Bypass Tray Components

Item	Part	Description
1	029E54810	Pivot (REP 70.2)
2	—	Harness guide (Not Spared)
3	—	Stopper link (Not Spared)
4	054K59296	Takeaway assembly
5	—	Upper feedhead assembly (P/O PL 70.50 Item 17)
6	—	Lower feedhead assembly (P/O PL 70.50 Item 17)
7	—	Stopper plate (Not Spared)
8	—	Knob (P/O PL 70.50 Item 17)
9	—	Tray assembly (P/O PL 70.50 Item 16)
10	—	Extension tray (P/O PL 70.50 Item 16)
11	—	Chute front (P/O PL 70.50 Item 17)
12	—	Top chute assembly (P/O PL 70.50 Item 17)
13	—	Label (MAX) (P/O PL 70.50 Item 16)
14	—	Label (instruction) (P/O PL 70.50 Item 16)
15	—	Harness cover (P/O PL 70.50 Item 16)
16	607K10633	Bypass tray kit
17	607K15040	Bypass feeder kit

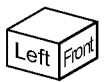
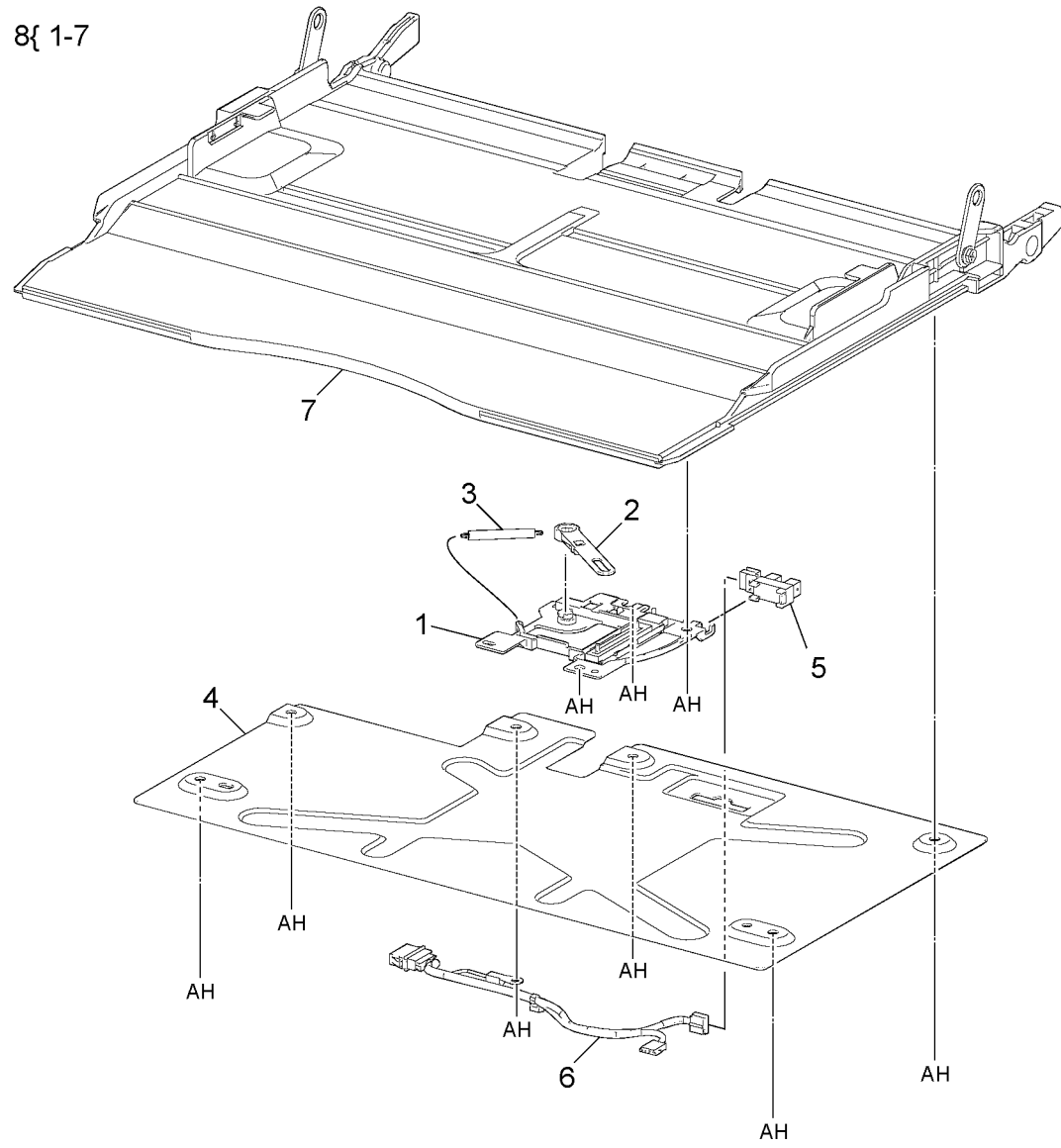
16{ 9, 10, 13-15
 17{ 4-6, 8, 11, 12



PL 70.55 Bypass Tray Assembly

Item	Part	Description
1	930K01010	Paper size sensor assembly (REP 70.4)
2	—	Link (P/O PL 70.55 Item 8)
3	—	Spring (P/O PL 70.55 Item 8)
4	—	Tray plate (P/O PL 70.55 Item 8)
5	930W00113	No paper sensor (Q75-101)
6	—	No paper sensor harness (P/O PL 70.55 Item 8)
7	—	Bypass tray (P/O PL 70.55 Item 8)
8	050K78354	Bypass tray assembly (REP 70.3)

8{ 1-7

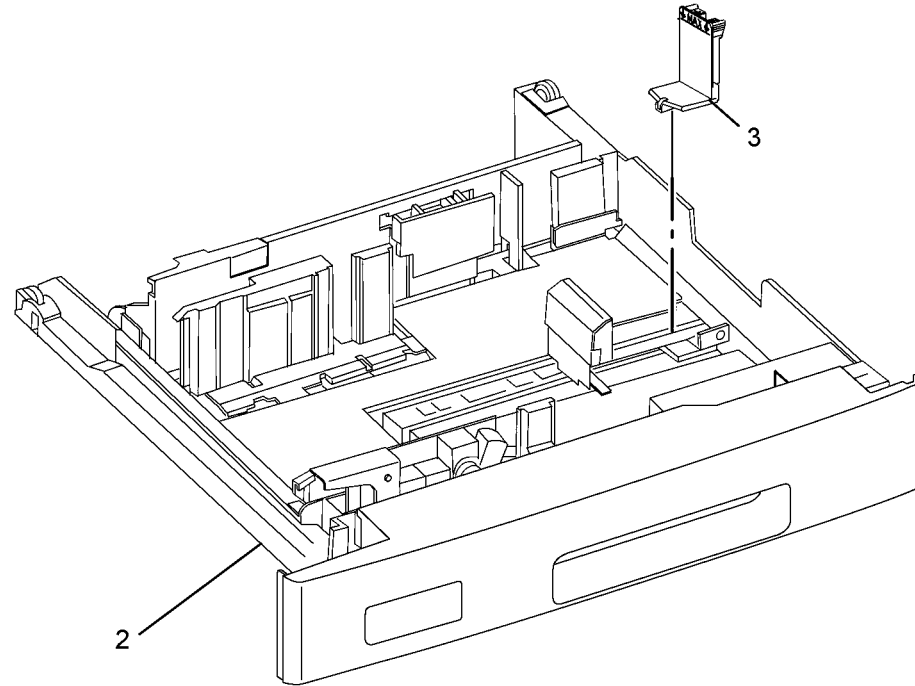


Q-8-0071-A

PL 70.70 Envelope Tray

Item	Part	Description
1	497K17880	Envelope tray assembly
2	—	Envelope tray (P/O PL 70.70 Item 1)
3	—	End guide (P/O PL 70.70 Item 1)

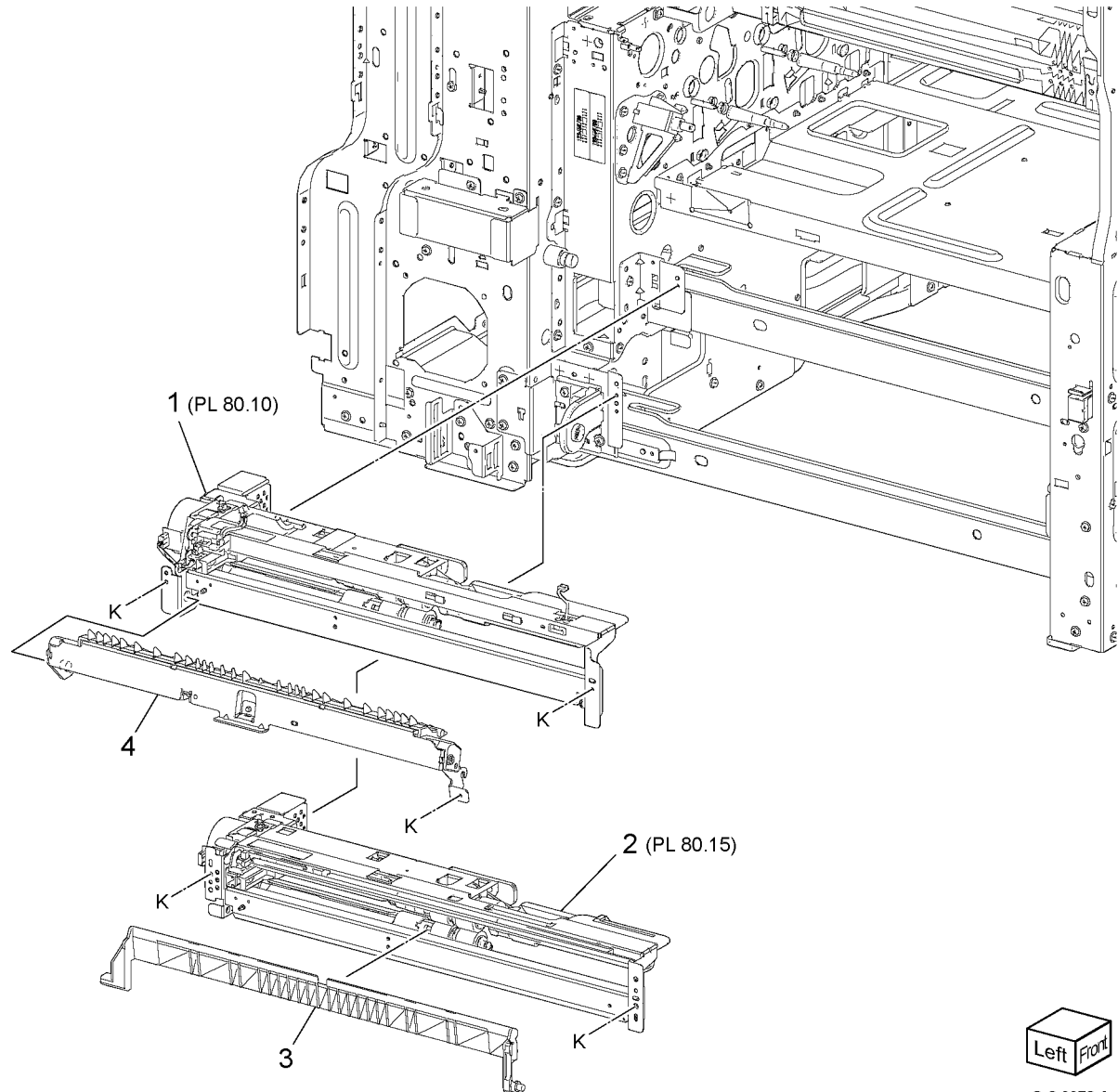
1 { 2 , 3



Q-8-0072-A

PL 80.05 Tray 1 2 Feedhead Assembly

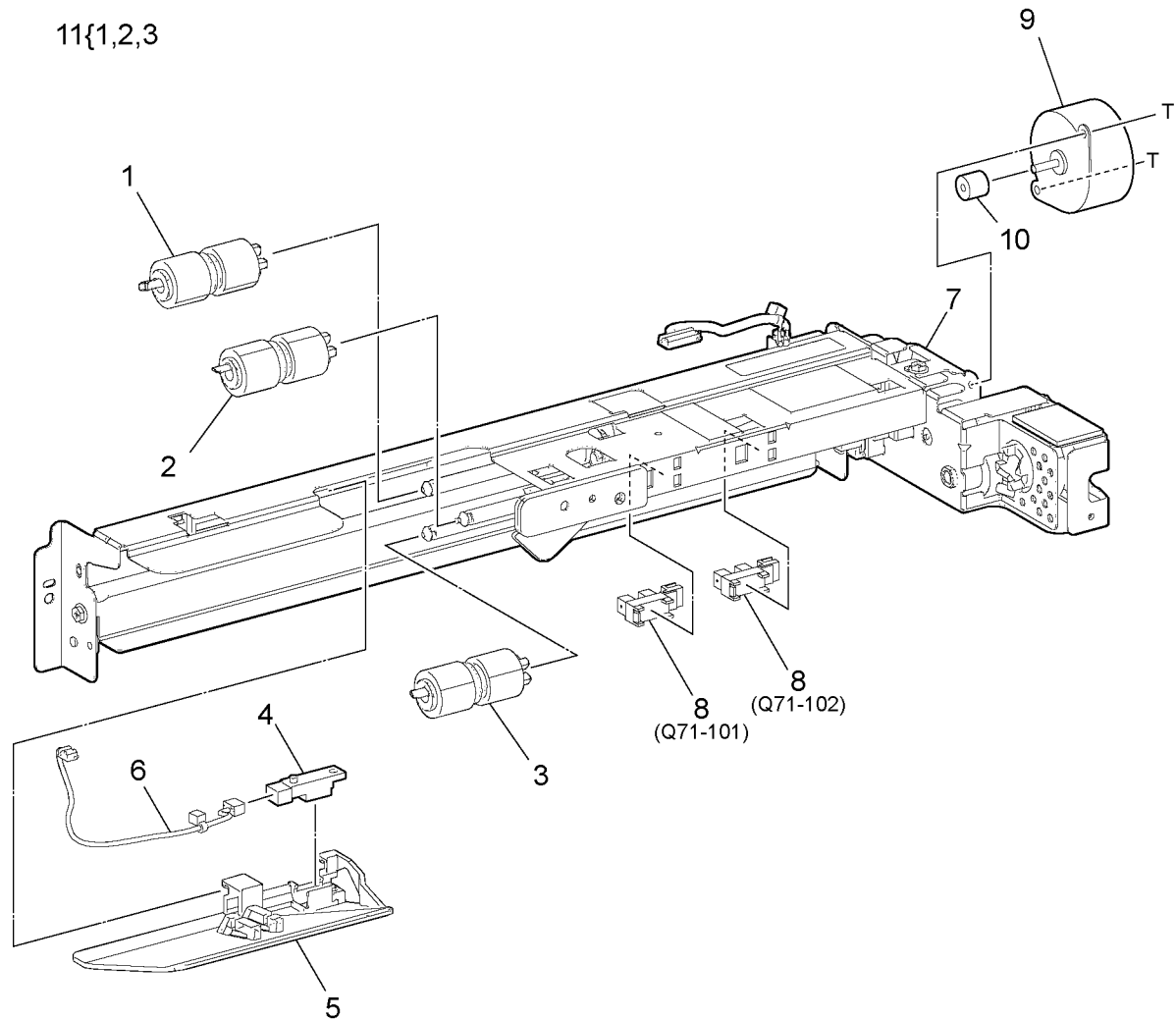
Item	Part	Description
1	859K14371	Tray 1 feedhead assembly (C8130/C8135) (REP 80.1)
—	859K14321	Tray 1 feedhead assembly (C8145/C8155/C8170) (REP 80.1)
2	859K14390	Tray 2 feedhead assembly (C8130/C8135) (REP 80.2)
—	859K14340	Tray 2 feedhead assembly (C8145/C8155/C8170) (REP 80.2)
3	054E36442	Feed out chute
4	054K55444	Feedhead chute assembly



Q-8-0078-A

PL 80.10 Tray 1 Feedhead Assembly

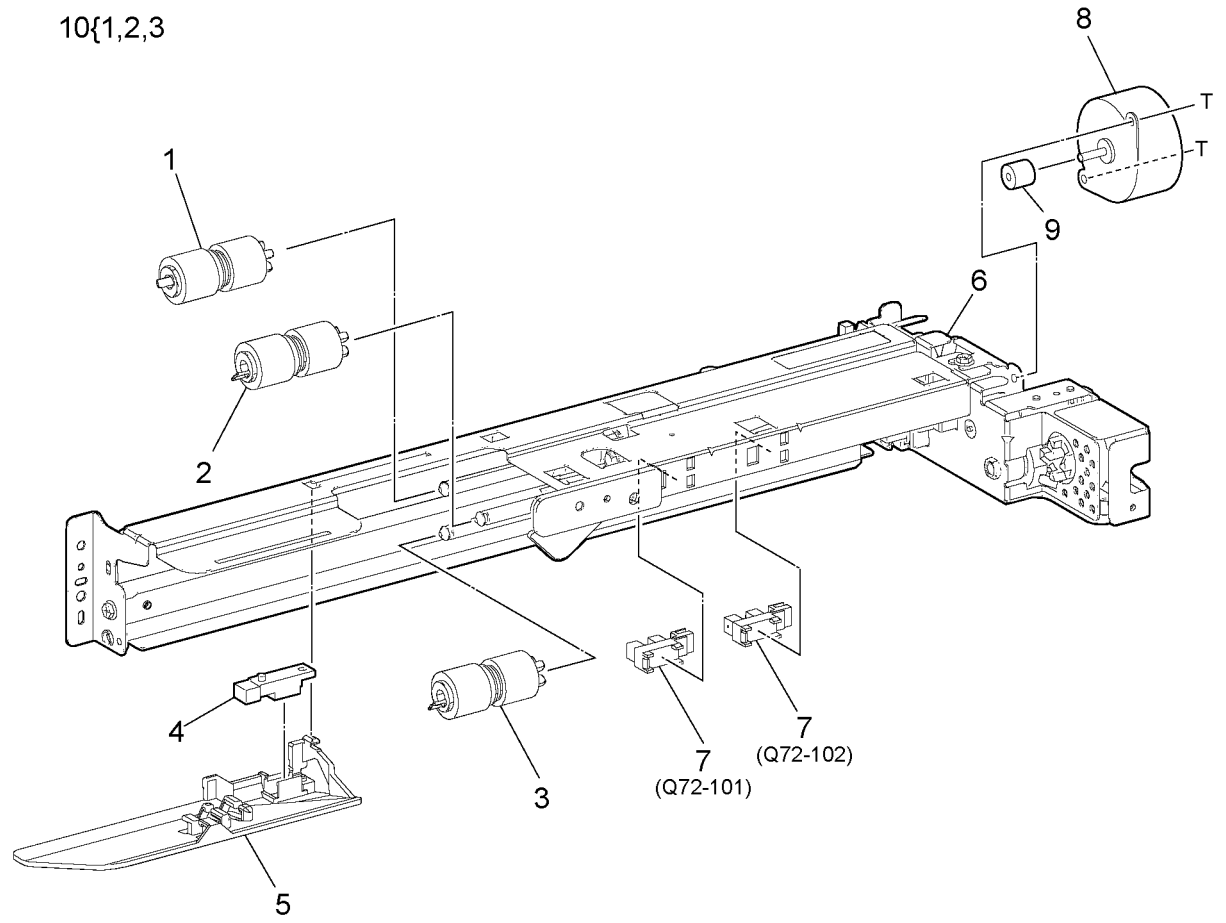
Item	Part	Description
1	—	Feed roll (P/O PL 80.10 Item 11) (REP 80.3)
2	—	Nudger roll (P/O PL 80.10 Item 11) (REP 80.3)
3	—	Retard roll (P/O PL 80.10 Item 11) (REP 80.3)
4	930W00211	Tray 1 pre-feed sensor (Q71-105)
5	054E49660	Chute
6	—	Wire harness (P/O PL 80.10 Item 7)
7	—	Feedhead frame assembly (P/O PL 80.05 Item 1)
8	930W00113	Tray 1 no paper sensor (Q71-101)/ Tray 1 level sensor (Q71-102)
9	127K52790	Tray 1 feed /lift motor (MOT71-001)
10	—	Gear (P/O PL 80.10 Item 9)
11	676K12691	Tray 1-4 feed rolls



Q-8-0079-A

PL 80.15 Tray 2 Feedhead Assembly

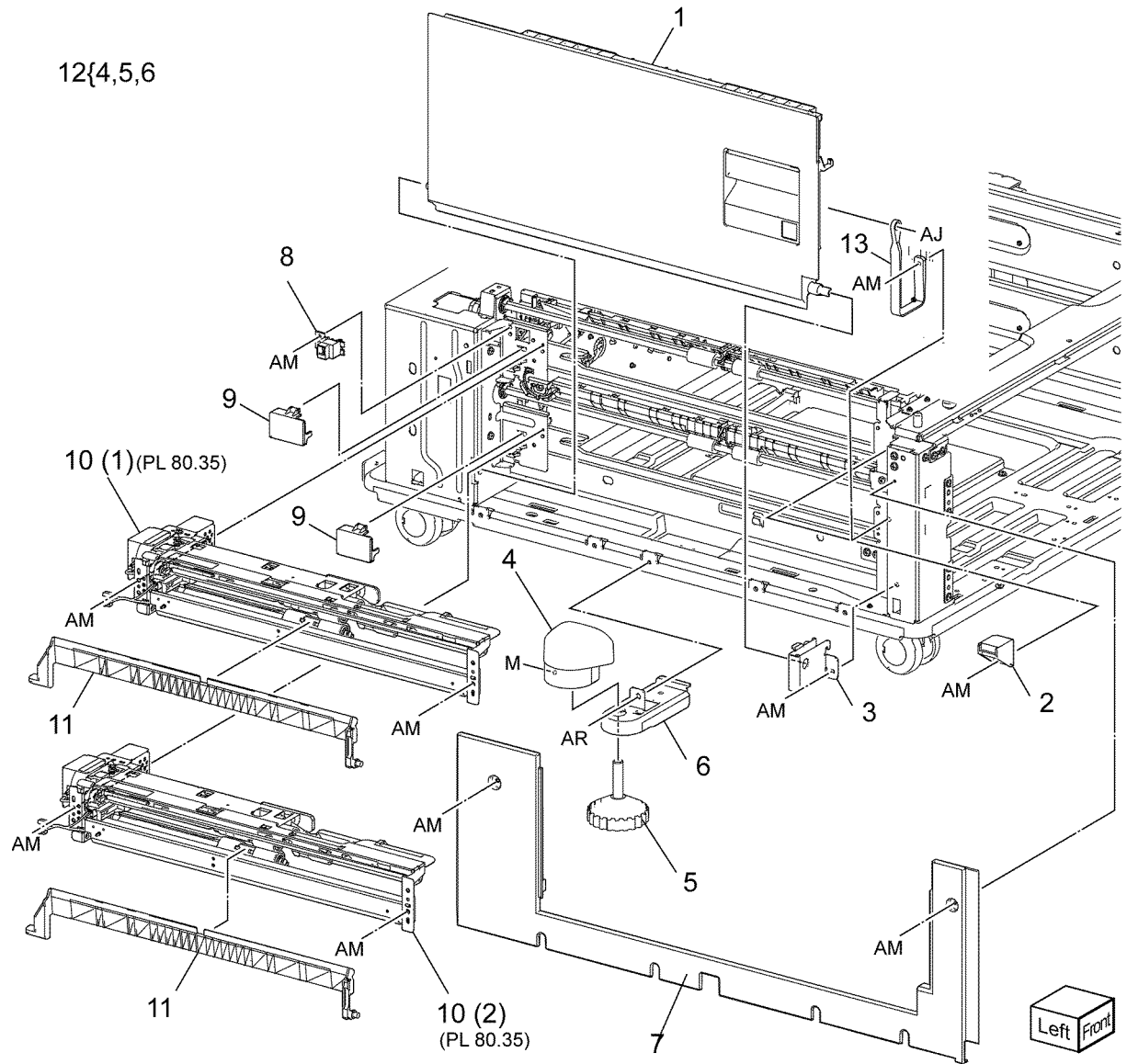
Item	Part	Description
1	—	Feed roll (P/O PL 80.15 Item 10) (REP 80.3)
2	—	Nudger roll (P/O PL 80.15 Item 10) (REP 80.3)
3	—	Retard roll (P/O PL 80.15 Item 10) (REP 80.3)
4	930W00211	Tray 2 pre-feed sensor (Q72-105)
5	—	Chute (P/O PL 80.15 Item 6)
6	—	Feedhead frame assembly (P/O PL 80.05 Item 2)
7	930W00113	Tray 2 no paper sensor (Q72-101) / Tray 2 level sensor (Q72-102)
8	127K52790	Tray 2 feed/lift motor (MOT72-001)
9	—	Gear (P/O PL 80.15 Item 8)
10	676K12691	Tray 1-4 feed rolls



Q-8-0080-A

PL 80.20 2TM Left Cover Feedhead Assembly (C8130/C8135)

Item	Part	Description
1	948K12050	Left door assembly
2	—	Latch holder (Not Spared)
3	—	Pivot bracket (Not Spared)
4	822E41860	Foot cover
5	—	Adjuster foot (P/O PL 80.20 Item 12)
6	869E29540	Foot bracket
7	822E41053	Left cover
8	948K01811	2TM left door interlock switch (S77-306)
9	822E27982	Connector cover
10	859K14410	2TM feedhead 1 assembly (REP 80.4)/ 2TM feedhead 2 assembly (REP 80.5) (REF: PL 80.35)
11	054E36442	Feed out chute
12	607K11480	Adjuster foot assembly
13	—	L/H cover support

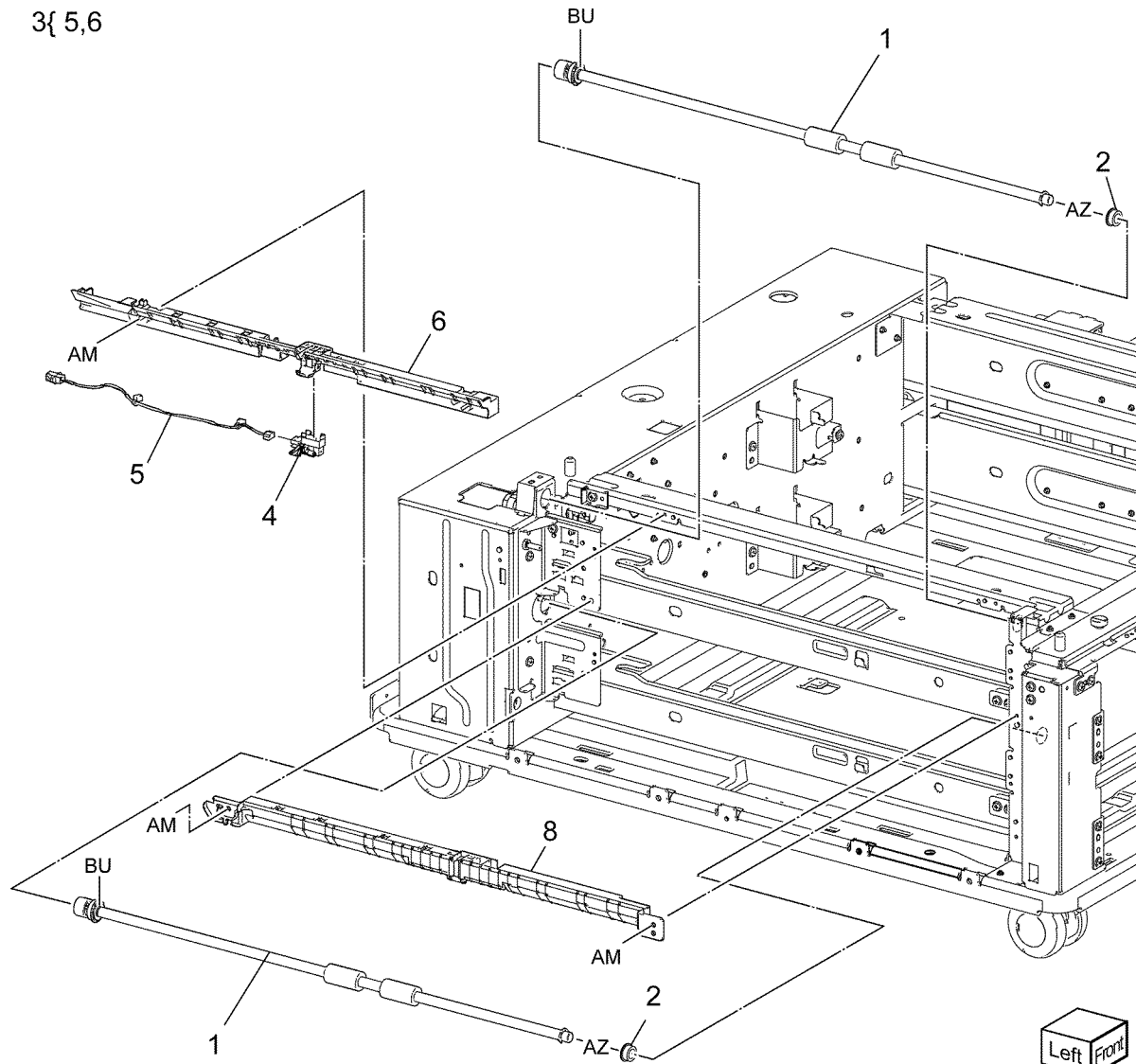


Q-8-0081-A

PL 80.25 2TM Takeaway Assembly (C8130/C8135)

Item	Part	Description
1	859K07790	Takeaway roll assembly (upper) (REP 80.6)/ Takeaway roll assembly (lower) (REP 80.8)
2	413W88650	Bearing
3	054K55191	Tray 3 chute assembly (REP 80.7)
4	930W00123	Tray 3 feed out sensor
5	—	Tray 3 feed out sensor harness (P/O PL 80.25 Item 3)
6	—	Tray 3 chute (P/O PL 80.25 Item 3)
7	—	Not used
8	054E59620	Tray 4 chute assembly

3{ 5,6

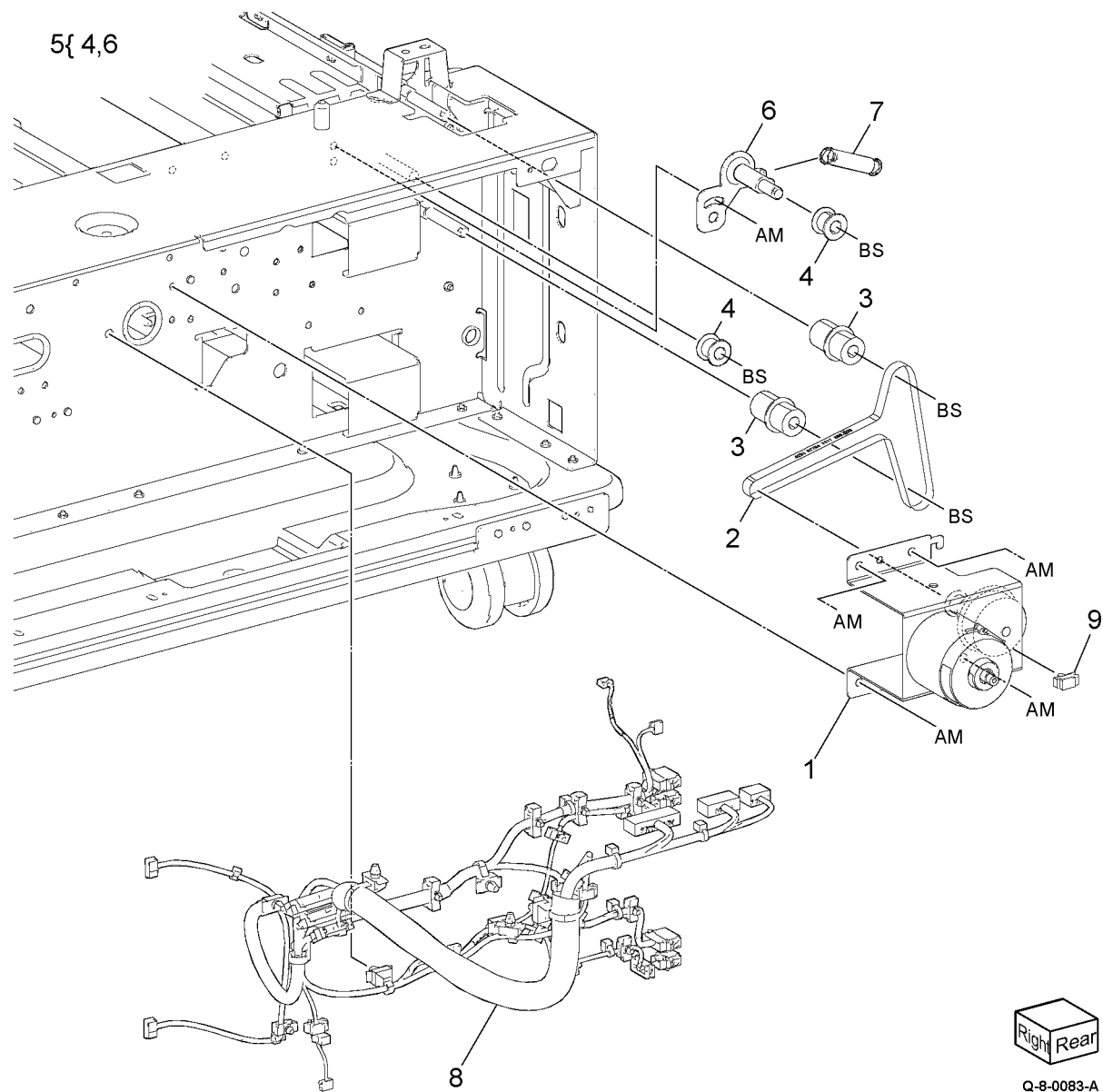


Left Front

Q-8-0082-A

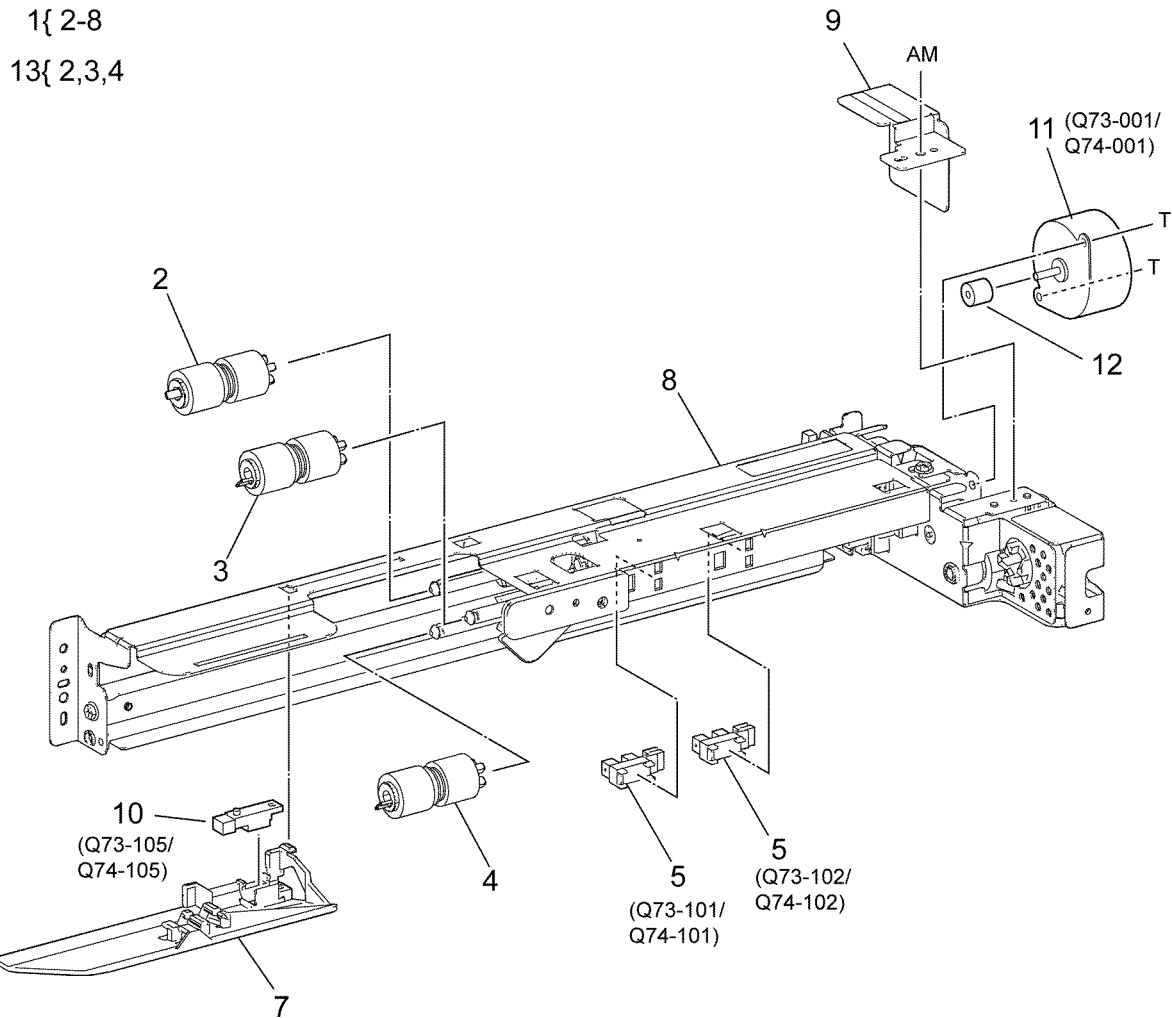
PL 80.30 2TM Drive Assembly (C8130/C8135)

Item	Part	Description
1	049K41791	Takeaway motor assembly (REP 80.9)
2	423W37754	Belt (REP 80.10)
3	020E51630	Pulley (24T)
4	059E03590	Roller
5	049K31890	Tension bracket assembly
6	—	Tension bracket (P/O PL 80.30 Item 5)
7	899E15320	Spring
8	952K45580	Wire harness assembly
9	—	Clamp (Not Spared)



PL 80.35 2TM Tray 3 4 Feedhead Assembly (C8130/C8135)

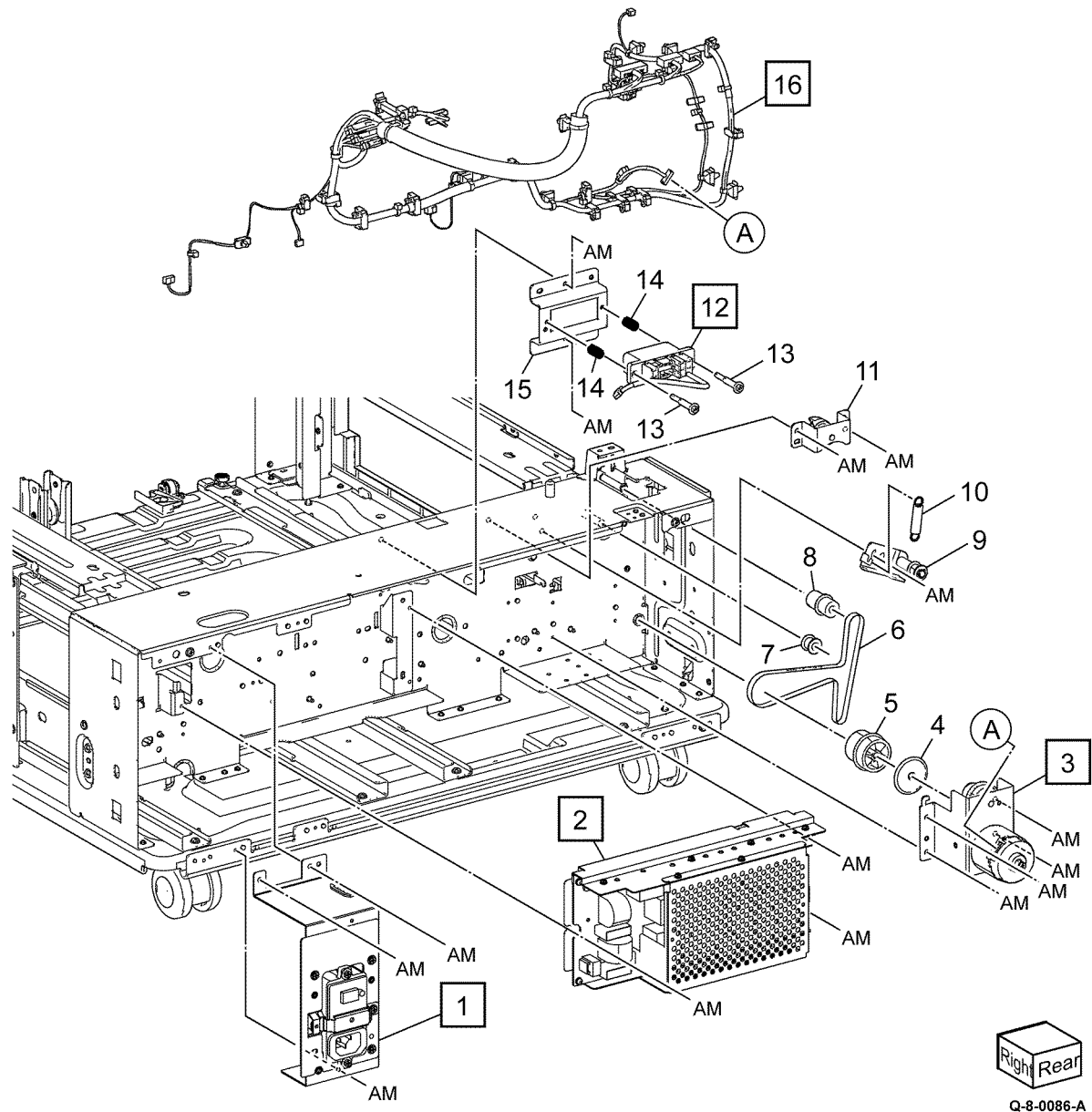
Item	Part	Description
1	859K14410	Feedhead assembly (REF: PL 80.40 Item 3 PL 80.40 Item 7)
2	—	Feed roll (P/O PL 80.35 Item 13) (REP 80.12)
3	—	Nudger roll (P/O PL 80.35 Item 13) (REP 80.12)
4	—	Retard roll (P/O PL 80.35 Item 13) (REP 80.12)
5	930W00113	Tray 3 no paper sensor (Q73-101)/ Tray 4 no paper sensor (Q74-101)/Tray 3 level sensor (Q73-102)/ Tray 4 level sensor (Q74-102)
6	—	Not used
7	—	Chute
8	—	Feedhead frame (P/O PL 80.35 Item 1)
9	—	Bracket (Not Spared)
10	930W00211	Tray 3 pre-feed sensor (Q73-105)/ Tray 4 pre-feed sensor (Q74-105)
11	127K52790	Tray 3 lift motor (MOT73-001)/ Tray 4 lift motor (MOT74-001)
12	—	Gear (P/O PL 80.35 Item 11)
13	676K12691	Tray 1-4 feed rolls (REP 80.12)



Q-8-0084-A

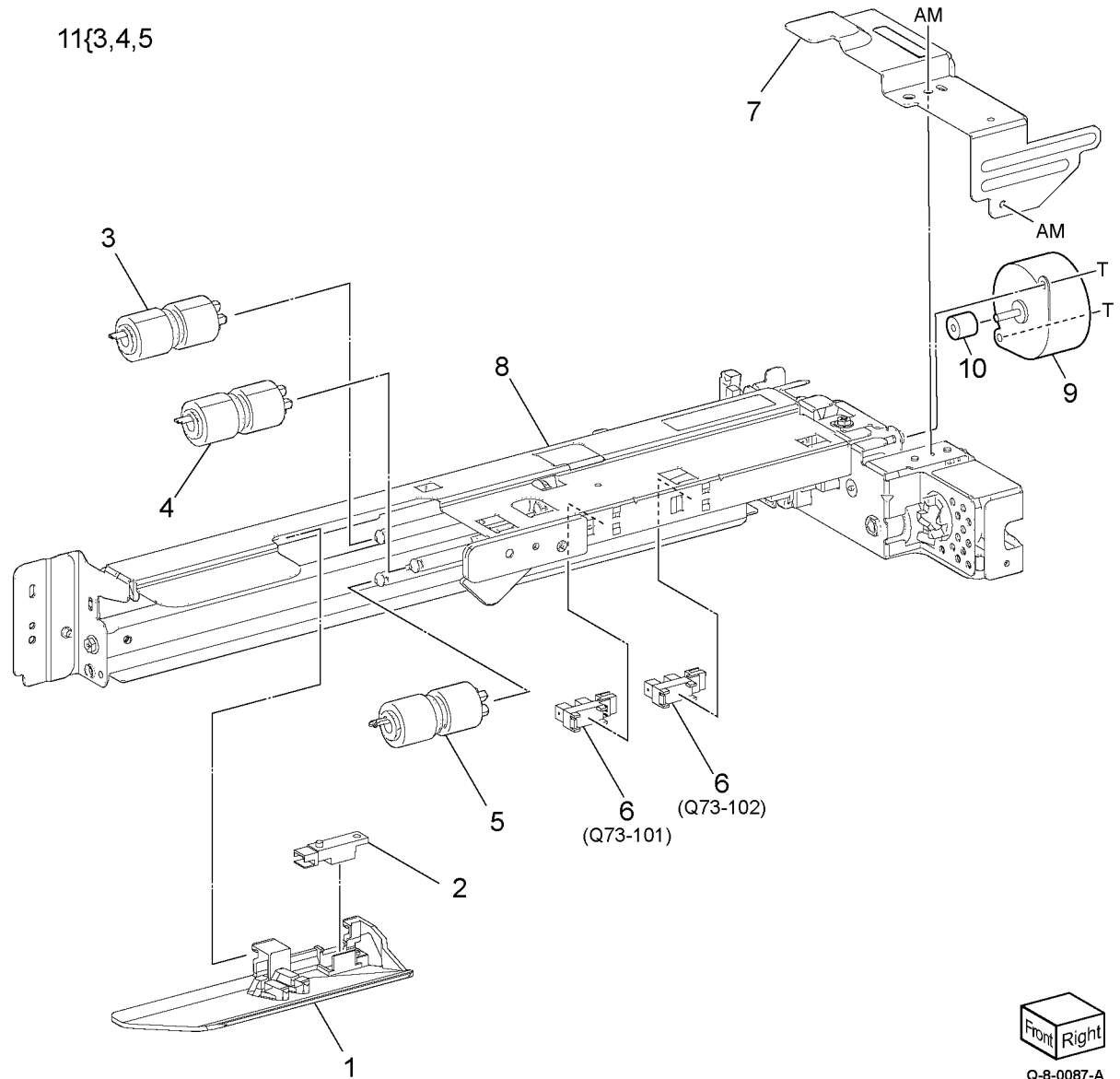
PL 80.45 TTM Drive Assembly

Item	Part	Description
1	101K69981	GFI chassis assembly
2	105E21602	LVPS CC4 (C8170)
3	049K31911	Takeaway motor bracket assembly (MOT77-035)
4	005E37900	Collar
5	020E51640	Pulley (48T)
6	—	Belt
7	059E03590	Roller
8	020E51630	Pulley
9	—	Tension bracket assembly (Not Spared)
10	899E15320	Spring
11	049K35270	Transport bracket assembly
12	952K31631	Drawer harness
13	—	Shoulder screw (Not Spared)
14	—	Spring (Not Spared)
15	—	Connector bracket (Not Spared)
16	952K45380	Wire harness



PL 80.50 TTM Tray 3 Feedhead Assembly

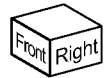
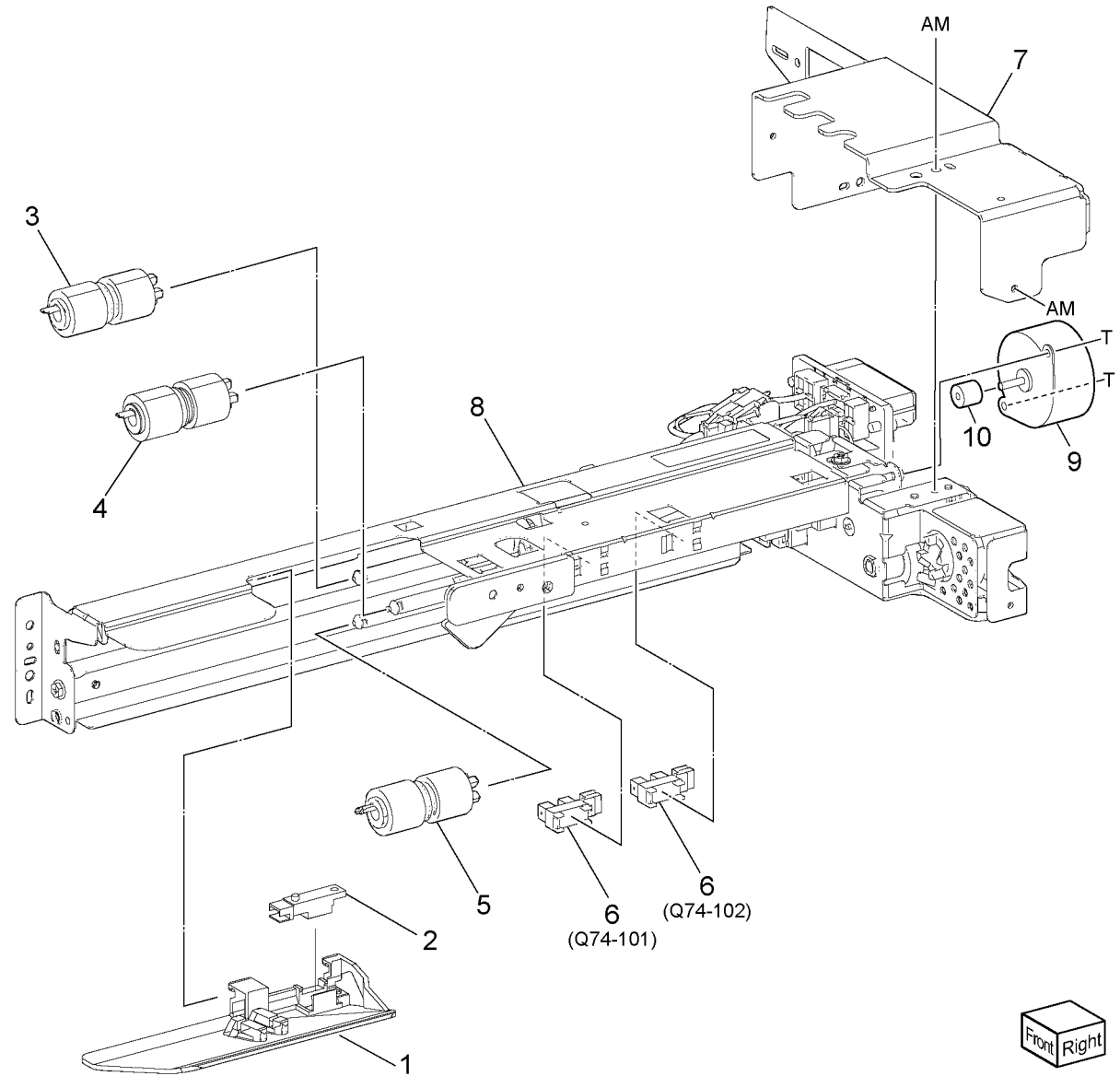
Item	Part	Description
1	054E23461	Chute
2	930W00211	Tray 3 pre-feed sensor (Q73-105)
3	—	Feed roll (P/O PL 80.50 Item 11) (REP 80.16)
4	—	Nudger roll (P/O PL 80.50 Item 11) (REP 80.16)
5	—	Retard roll (P/O PL 80.50 Item 11) (REP 80.16)
6	930W00113	Tray 3 no paper sensor (Q73-101)/ Tray 3 level sensor (Q73-102)
7	—	Feedhead cover (P/O PL 80.40 Item 3)
8	—	Feedhead frame (P/O PL 80.40 Item 3)
9	—	Tray 3 feed/lift motor (MOT73-001) (P/O PL 80.40 Item 3)
10	—	Gear (P/O PL 80.50 Item 9)
11	676K12691	Tray 1-4 feed rolls (REP 80.16)



Front Right
Q-8-0087-A

PL 80.55 TTM Tray 4 Feedhead Assembly

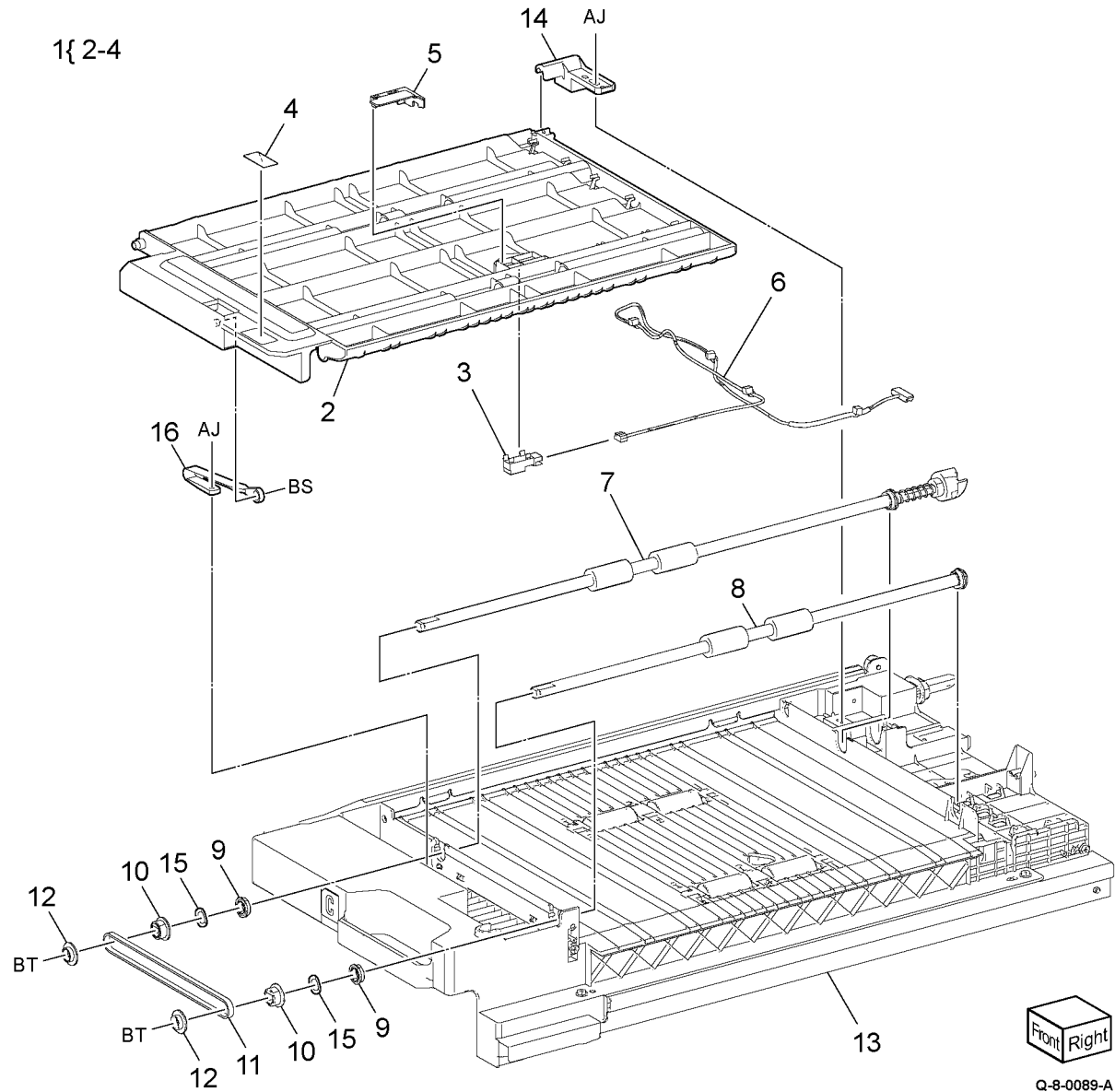
Item	Part	Description
1	054E23461	Chute
2	930W00211	Tray 4 pre-feed sensor (Q74-105)
3	—	Feed roll (P/O PL 80.55 Item 11) (REP 80.16)
4	—	Nudger roll (P/O PL 80.55 Item 11) (REP 80.16)
5	—	Retard roll (P/O PL 80.55 Item 11) (REP 80.16)
6	930W00113	Tray 4 no paper sensor (Q74-101)/ Tray 4 level sensor (Q74-102)
7	—	Feedhead cover (P/O PL 80.40 Item 7)
8	—	Feedhead frame (P/O PL 80.40 Item 7)
9	—	Tray 4 feed/lift motor (MOT74-001) (P/O PL 80.40 Item 7)
10	—	Gear (P/O PL 80.55 Item 9)
11	676K12691	Tray 1-4 feed rolls (REP 80.16)



Q-8-0088-A

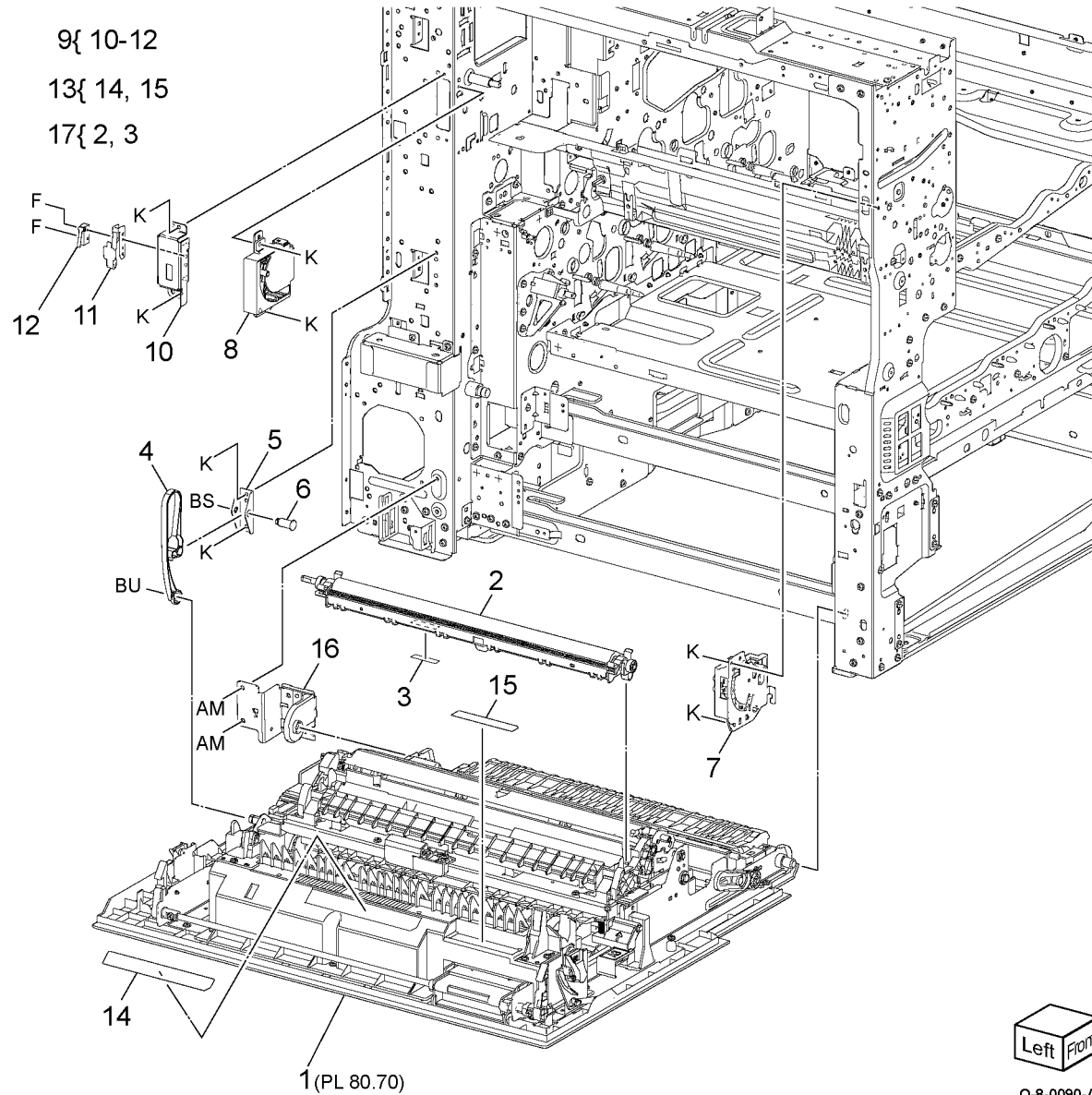
PL 80.60 TTM Transport Assembly

Item	Part	Description
1	607K02280	Upper chute transport kit
2	—	Upper chute transport (P/O PL 80.60 Item 1)
3	930W00212	Feed out sensor 4 (Q74-103) (P/O PL 80.60 Item 1)
4	—	Label (Transport) (P/O PL 80.60 Item 1)
5	—	Feed out sensor cover (Not Spared)
6	—	Feed out sensor harness (Not Spared)
7	859K02971	Transport roll assembly (REP 80.17)
8	859K07801	Transport roll
9	413W88650	Bearing
10	—	Pulley (Not Spared)
11	—	Belt (Not Spared)
12	—	Collar (Not Spared)
13	—	Lower chute transport (Not Spared)
14	—	Rear jam clearance handle (Not Spared)
15	—	Washer (Not Spared)
16	—	Front jam clearance handle (Not Spared)



PL 80.65 Left Cover Components

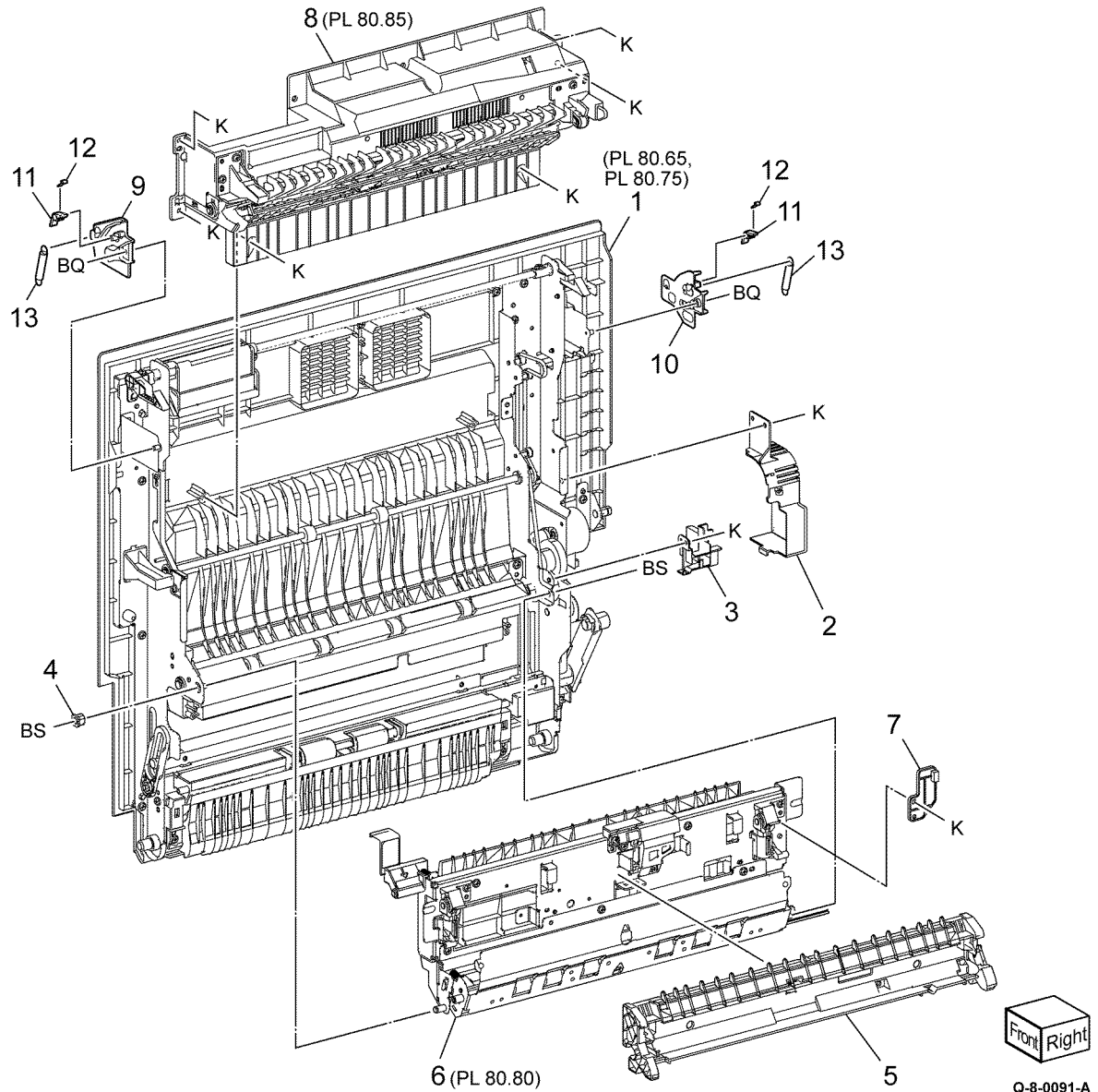
Item	Part	Description
1	859K24470	Left cover assembly (C8170) (REP 80.21)
—	859K24460	Left cover assembly (C8130/C8135/C8145/C8155) (REP 80.21)
2	008R08103	2nd BTR roll assembly (REP 80.22)
3	—	Label (P/O PL 80.65 Item 17)
4	869E24730	Rear left support
5	—	Support bracket (Not Spared)
6	—	Shaft (Not Spared)
7	011K04800	Front lever assembly
8	011K04810	Rear lever assembly
9	110K18150	Interlock switch assembly (S77-300) (REP 80.29)
10	—	Switch bracket (P/O PL 80.65 Item 9)
11	—	Switch plate (P/O PL 80.65 Item 9)
12	—	Left cover interlock switch (P/O PL 80.65 Item 9)
13	—	Caution label kit (Not Spared)
14	—	Label (Finger caution) (P/O PL 80.65 Item 1)
15	—	Label (Caution) (P/O PL 80.65 Item 1)
16	—	Rear bracket (Not Spared)
17	—	2nd BTR assembly



Q-8-0090-A

PL 80.70 Left Cover Transport Components

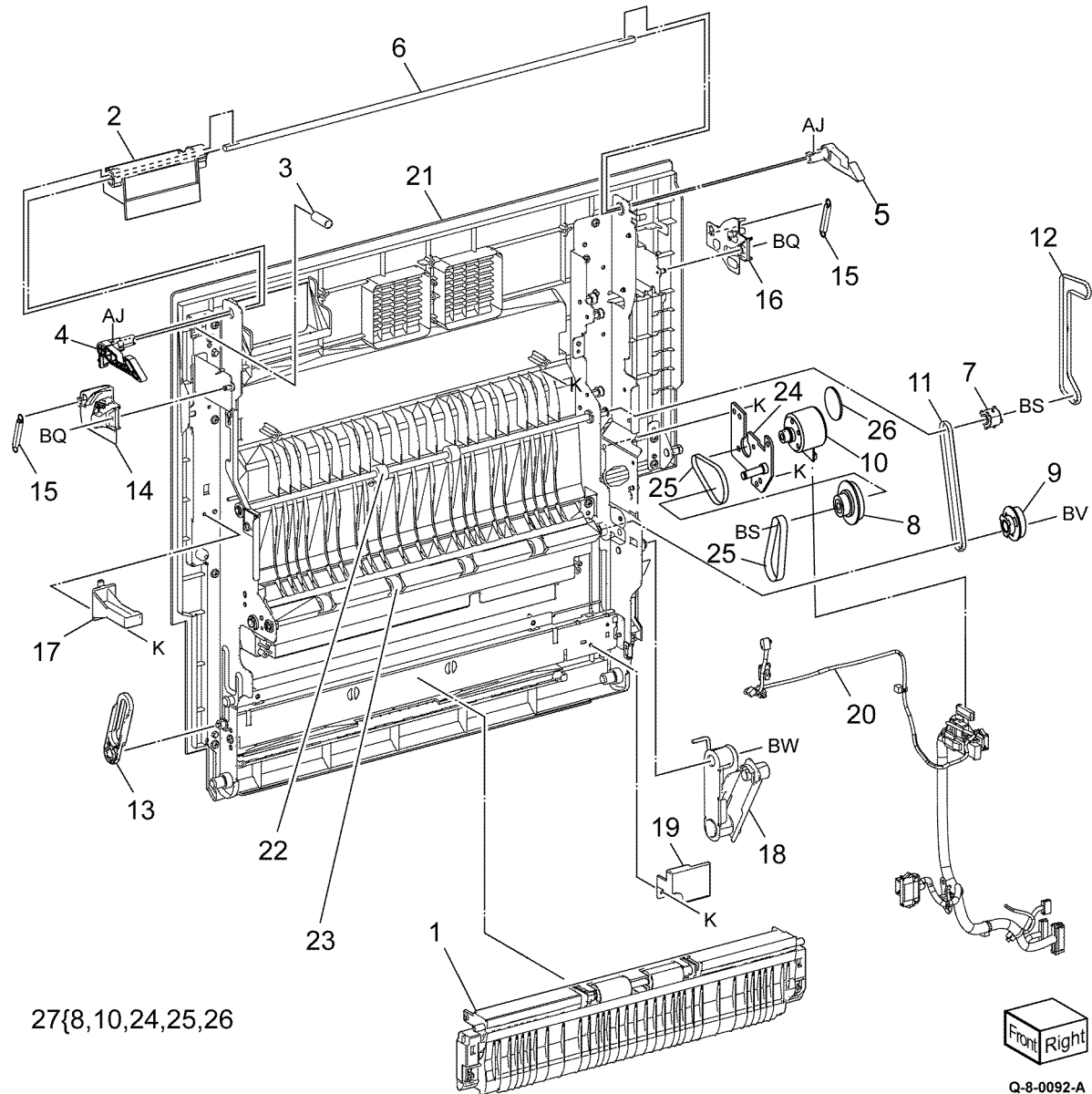
Item	Part	Description
1	—	Left cover assembly (REF: PL 80.75)
2	—	Duplex motor cover
3	—	Harness guide
4	—	Bearing
5	948K01623	2nd BTR housing assembly (REF: PL 80.65 Item 17) (REP 80.23)
6	—	Duplex inner chute assembly (REF: PL 80.80) (REP 80.24)
7	—	Link (P/O PL 80.70 Item 6)
8	054K56213	Duplex chute assembly (C8130/C8135/C8145/C8155) (REF: PL 80.85)
—	054K57964	Duplex chute assembly (C8170)
9	—	Front toggle guide
10	—	Rear toggle guide
11	—	Toggle gate
12	—	Spring
13	—	Toggle spring



Note: All parts are part of PL 80.65 Item 1.

PL 80.75 Left Cover Transport Assembly

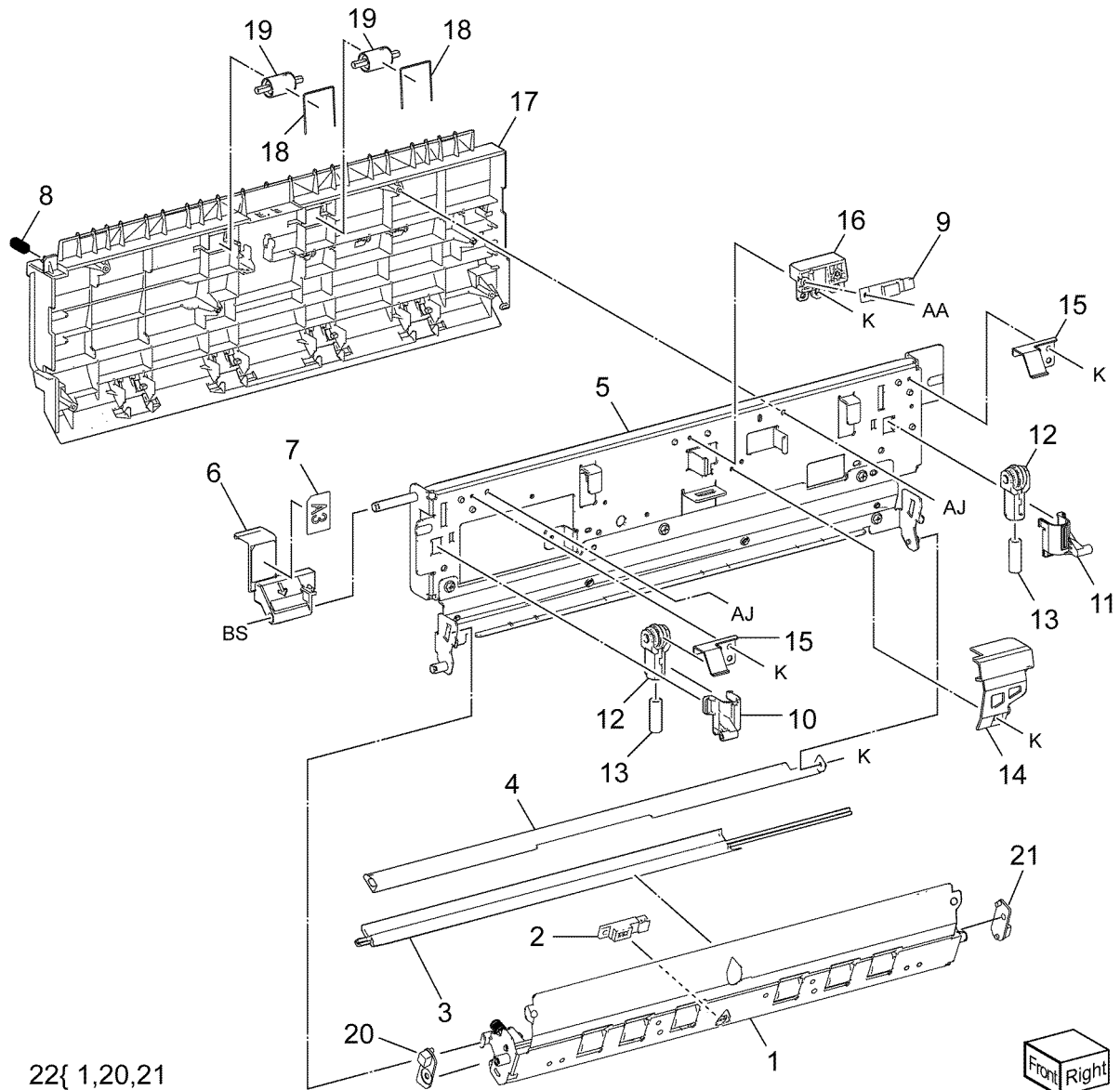
Item	Part	Description
1	054K56131	Lower chute assembly (REP 80.25)
2	011E28973	Handle
3	—	Spring
4	011E28993	Front latch
5	011E29000	Rear latch
6	—	Shaft
7	—	Pulley
8	—	Gear (P/O PL 80.75 Item 27)
9	—	Gear/pulley
10	—	Duplex motor (MOT77-071) (P/O PL 80.75 Item 27)
11	—	Belt
12	—	Belt
13	869E18601	Front support
14	—	Front toggle guide assembly
15	—	Spring
16	—	Rear toggle guide assembly
17	—	Close stopper
18	—	Link assembly
19	—	Connector cover
20	—	Harness assembly
21	—	Left cover assembly
22	—	Mid duplex roll assembly
23	—	Lower duplex roll assembly
24	—	Bracket (P/O PL 80.75 Item 27)
25	—	Belt (P/O PL 80.75 Item 27)
26	—	Pad (P/O PL 80.75 Item 27)
27	049K45260	Duplex drive assembly



Note: All components are part of PL 80.65 Item 1

PL 80.80 Duplex Inner Chute Assembly

Item	Part	Description
1	—	Registration chute assembly (P/O PL 80.80 Item 22)
2	930W00211	Registration sensor (Q77-103) (REP 80.26)
3	—	Registration heater assembly
4	—	Registration heater bracket
5	—	Registration tie plate
6	—	Handle (REP 80.27)
7	—	Label (A3)
8	—	Spring
9	130E87410	POB jam sensor (Q94-201) (REP 80.28)
10	—	Front spring housing
11	—	Rear spring housing
12	—	2nd roller assembly
13	—	Spring
14	—	Harness cover
15	—	BTR bracket
16	—	POB jam sensor holder
17	—	Duplex inner chute
18	899E15700	Pinch spring
19	607K20560	Pinch roller
20	—	Registration front pinch plate (P/O PL 80.80 Item 22)
21	—	Registration rear pinch plate (P/O PL 80.80 Item 22)
22	607K14930	Registration chute assembly kit



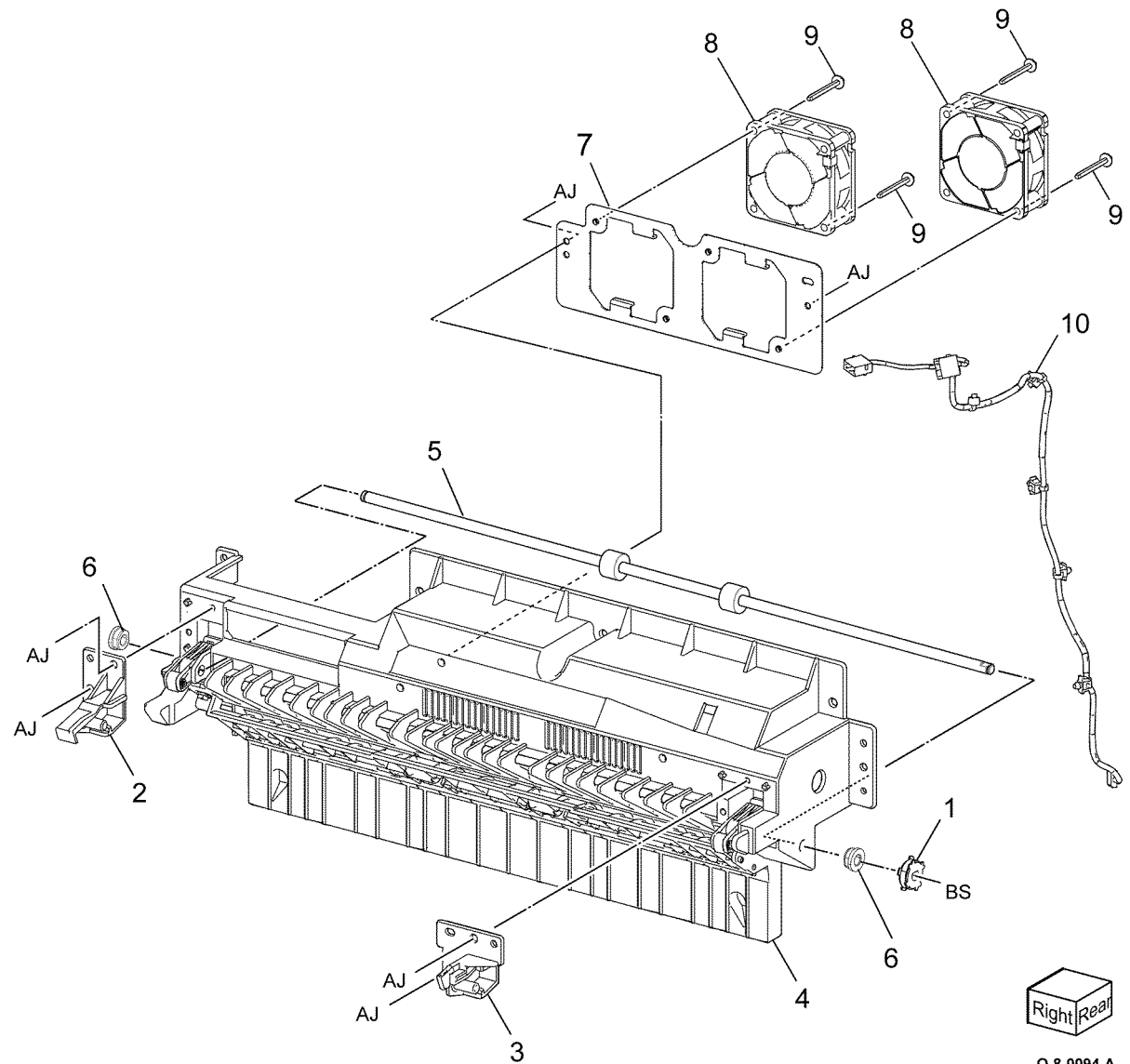
22{ 1,20,21

Front Right
Q-8-0093-A

PL 80.85 Duplex Chute Assembly

Item	Part	Description
1	—	Pulley
2	—	Front holder assembly
3	—	Rear holder assembly
4	—	Duplex chute housing assembly
5	—	Upper duplex roll assembly
6	—	Bearing
7	—	Fan bracket (C8170)
8	127K74180	L/H Fan (C8170)
9	—	Screw (C8170)
10	—	Wire harness (C8170)

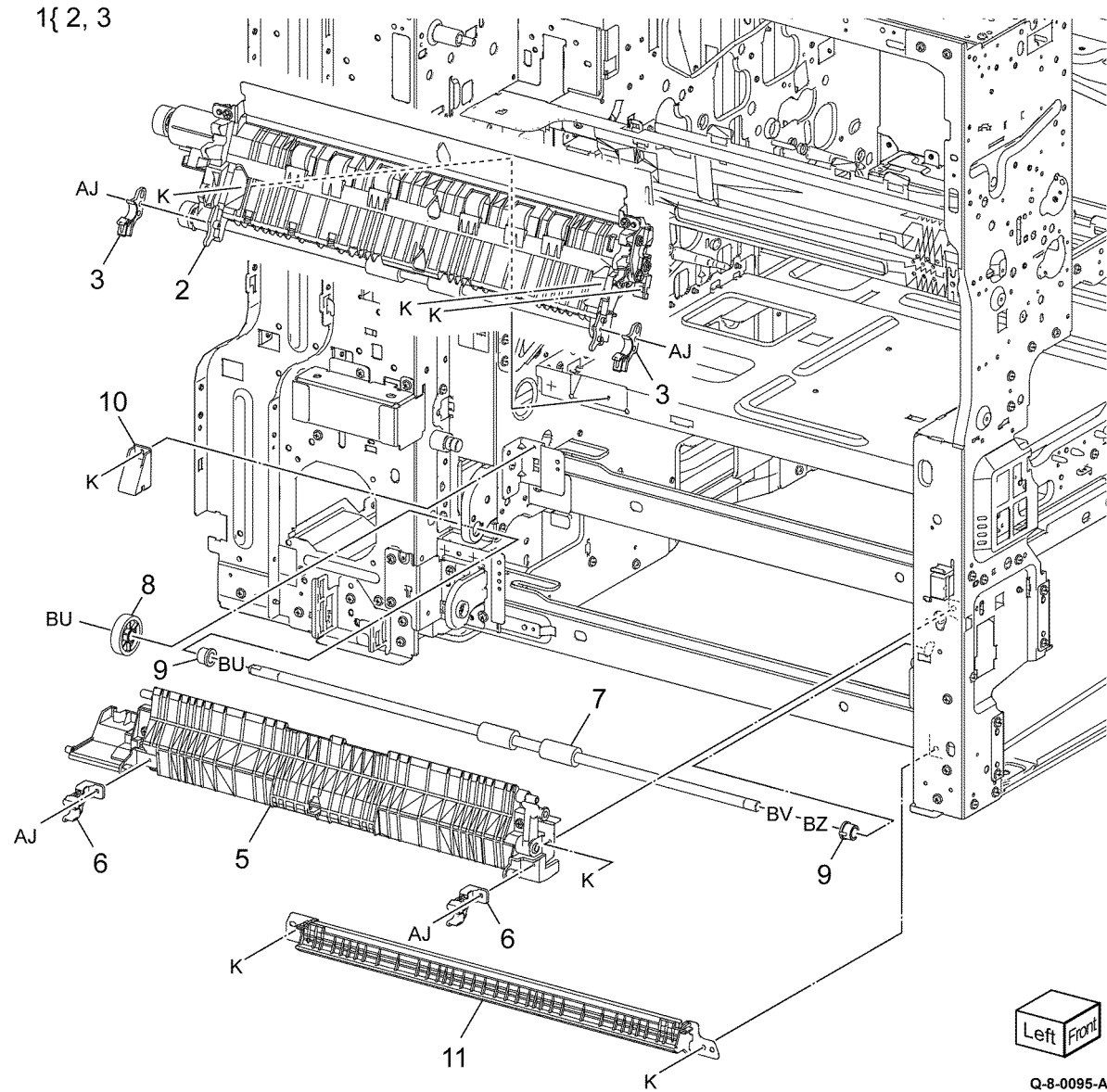
Note: All components are part of PL 80.65 Item 1



Q-8-0094-A

PL 80.90 Registration Transport Assembly

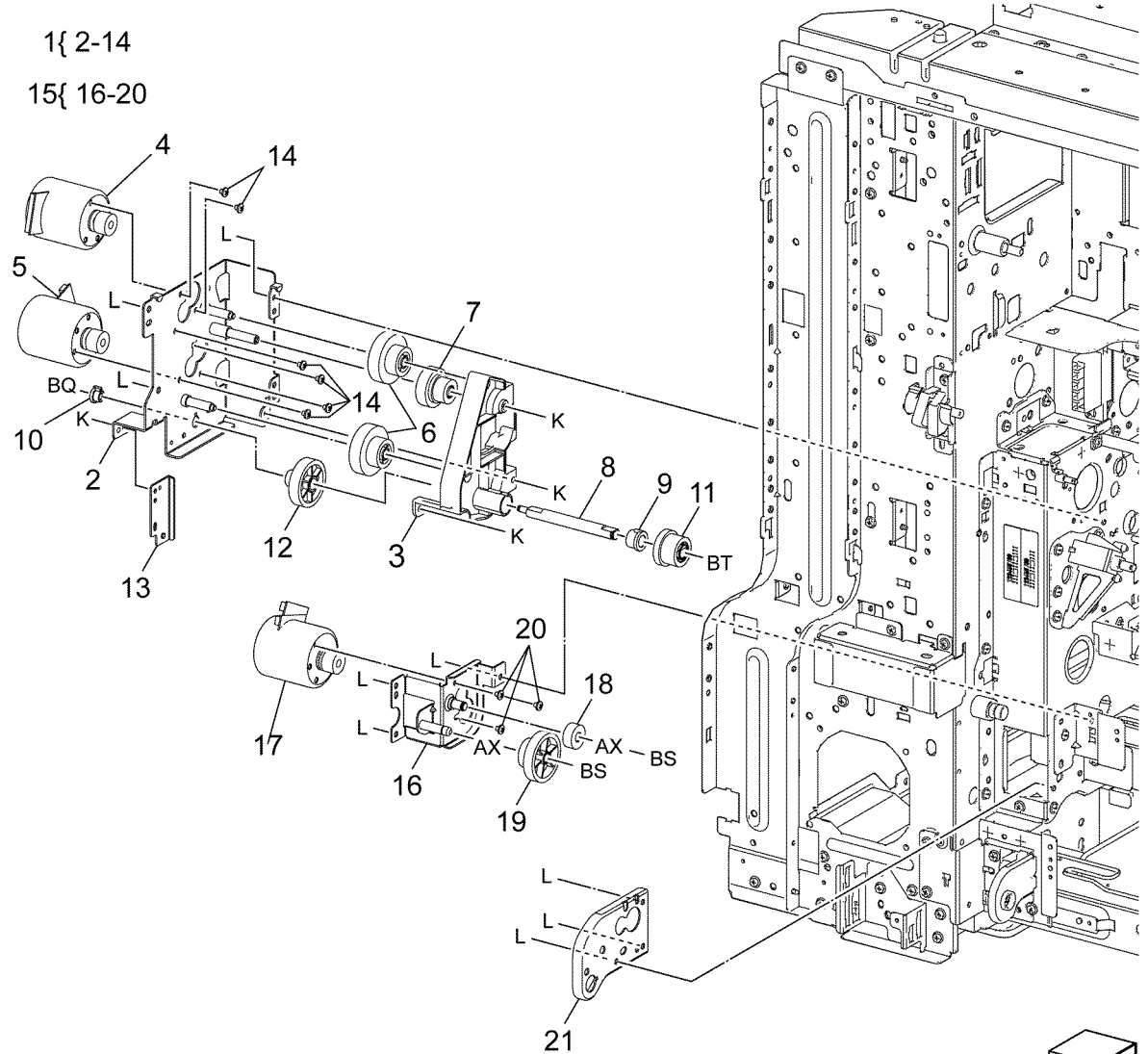
Item	Part	Description
1	859K15190	Registration transport assembly (REP 80.30)
2	—	Registration transport (P/O PL 80.90 Item 1)
3	—	Chute holder (P/O PL 80.90 Item 1)
4	—	Not used
5	054K55492	Chute (REP 80.31)
6	032E48421	Chute guide
7	859K02290	Takeaway roll 2 assembly (alternative) (REP 80.32)
—	859K07200	Takeaway roll 2 assembly (REP 80.32)
8	807E52000	Drive gear
9	013E46820	Bearing
10	—	Connector cover (Not Spared)
11	054K56173	Upper chute assembly



PL 80.95 Registration Drive Assembly

Item	Part	Description
1	007K23700	Registration drive assembly (REP 80.33)
2	—	Motor bracket (P/O PL 80.95 Item 1)
3	—	Block (P/O PL 80.95 Item 1)
4	—	Registration motor (MOT77-055) (P/O PL 80.95 Item 1)
5	—	Takeaway motor 1 (MOT77-050) (P/O PL 80.95 Item 1)
6	—	Gear (39/22) (P/O PL 80.95 Item 1)
7	—	Gear (30/18) (P/O PL 80.95 Item 1)
8	—	Shaft (P/O PL 80.95 Item 1)
9	—	Bearing (P/O PL 80.95 Item 1)
10	—	Bearing (P/O PL 80.95 Item 1)
11	—	Gear (37) (P/O PL 80.95 Item 1)
12	—	Gear (25) (P/O PL 80.95 Item 1)
13	—	Bracket (P/O PL 80.95 Item 1)
14	—	Screw (P/O PL 80.95 Item 1)
15	007K22022	Takeaway drive assembly (REP 80.34)
16	—	Takeaway motor 2 bracket (P/O PL 80.95 Item 15)
17	—	Takeaway motor 2 (MOT77-051) (P/O PL 80.95 Item 15)
18	—	Gear (18) (P/O PL 80.95 Item 15)
19	—	Gear (Z39/22) (P/O PL 80.95 Item 15)
20	—	Screw (P/O PL 80.95 Item 15)
21	—	Drive bracket (Not Spared)

1{ 2-14
15{ 16-20

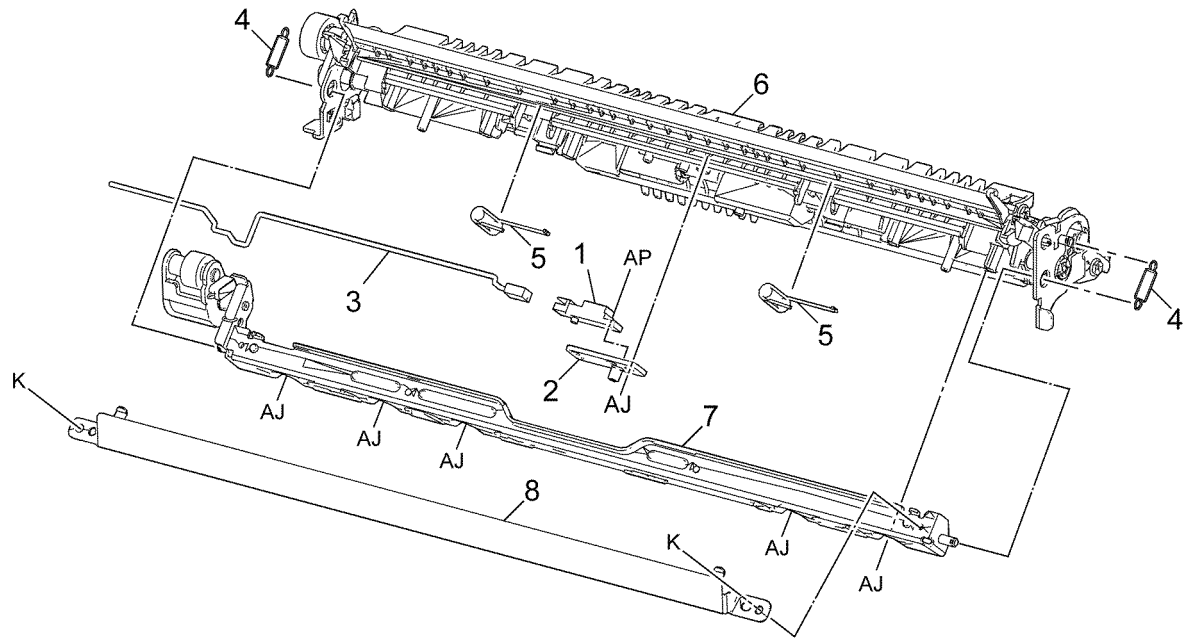


Q-8-0096-A

PL 80.115 Bypass Tray Takeaway Assembly

Item	Part	Description
1	930W00211	Feed out sensor (Q77-104)
2	—	Feed out sensor holder
3	—	Feed out sensor harness
4	—	Spring
5	—	Spring
6	—	Pinch chute
7	—	Tie plate
8	—	Miler plate

Note: All parts are part of PL 70.50 Item 4.



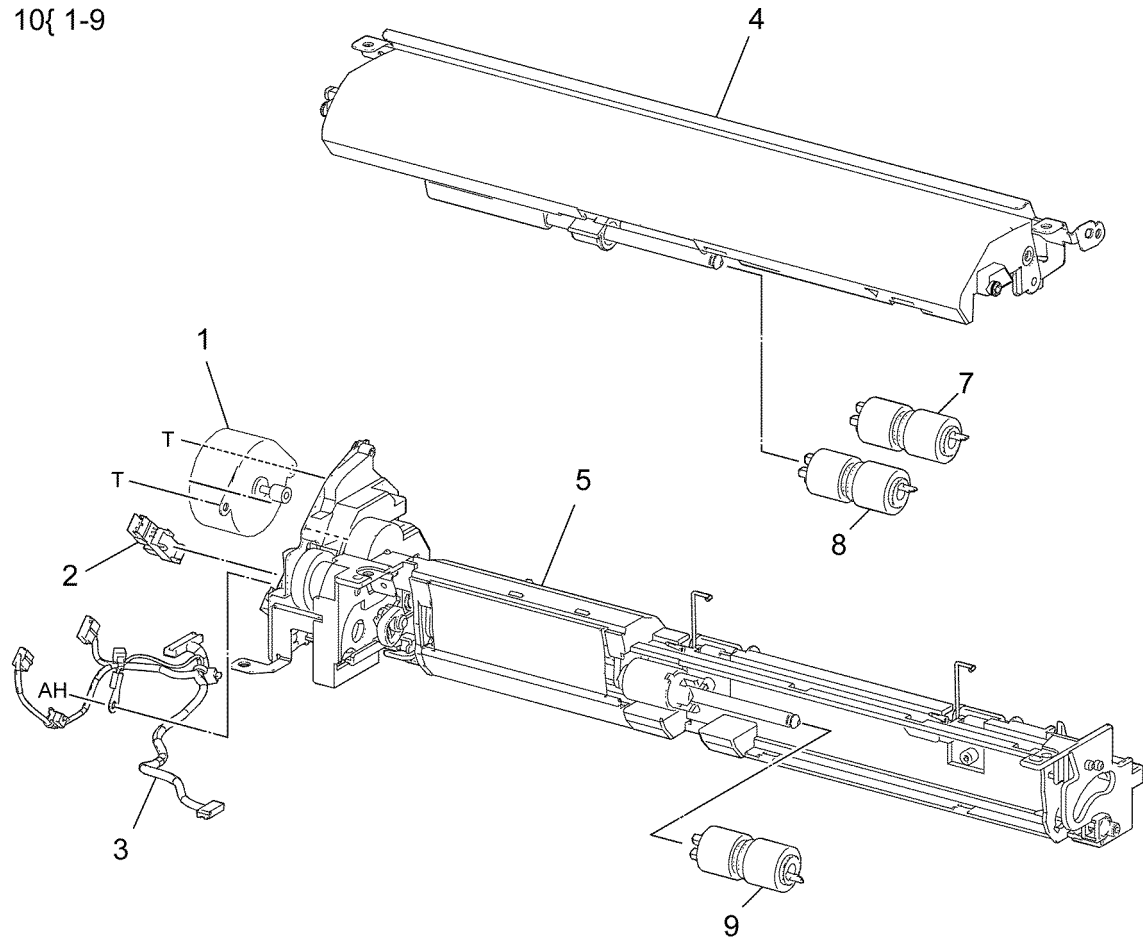
Q-8-0100-A

PL 80.120 Bypass Tray Feedhead Assembly

Item	Part	Description
1	127K52790	Bypass tray feed/lift motor (MOT75-003)
2	930W00113	Bypass tray nudger position sensor (Q75-102)
3	952K30302	Harness assembly
4	—	Upper feedhead assembly (P/O PL 80.120 Item 10)
5	—	Lower frame (P/O PL 80.120 Item 10)
6	676K61351	Bypass tray roll kit (REP 80.20)
7	—	Feed roll (P/O PL 80.120 Item 6)
8	—	Nudger roll (P/O PL 80.120 Item 6)
9	—	Retard roll (P/O PL 80.120 Item 6)
10	607K15040	Bypass tray feeder kit (REP 80.19)

6{ 7-9

10{ 1-9



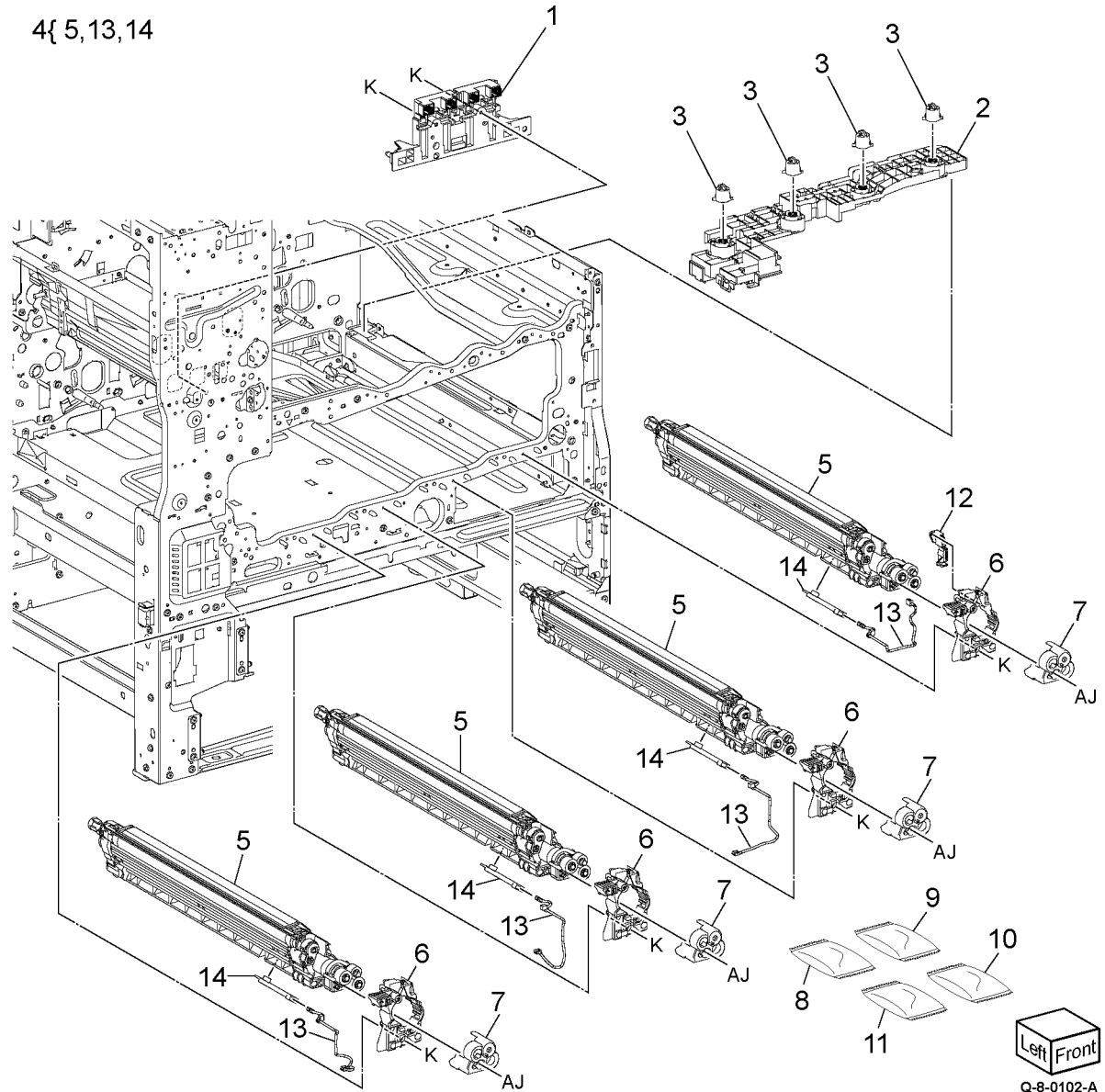
Q-8-0101-A

PL 90.05 Developer Unit

Item	Part	Description
1	948K01510	Conductor housing assembly (REP 90.1)
2	948K01530	Developer conductor housing assembly
3	010E96730	Plunger (REP 90.2)
4	948K13034	Developer housing kit (C8145/C8155/C8170)
—	948K13024	Developer housing kit (C8130/C8135)
5	—	Developer assembly (P/O PL 90.05 Item 4) (See NOTE) (REP 90.3)
6	815K16880	Developer plate assembly (Y)
—	815K16910	Developer plate assembly (K)
—	815K16900	Developer plate assembly (C)
—	815K16890	Developer plate assembly (M)
7	948K11800	Gear cover
8	676K51561	Developer material (Y) (REP 90.7)
9	676K51551	Developer material (M) (REP 90.7)
10	676K51541	Developer material (C) (REP 90.7)
11	676K51531	Developer material (K) (REP 90.7)
12	—	Harness guide (Not Spared)
13	—	Wire harness (P/O PL 90.05 Item 4)
14	930K00330	ATC sensor

Note: When ordering item 4 also order relevant Developer material items 8,9,10 or 11.

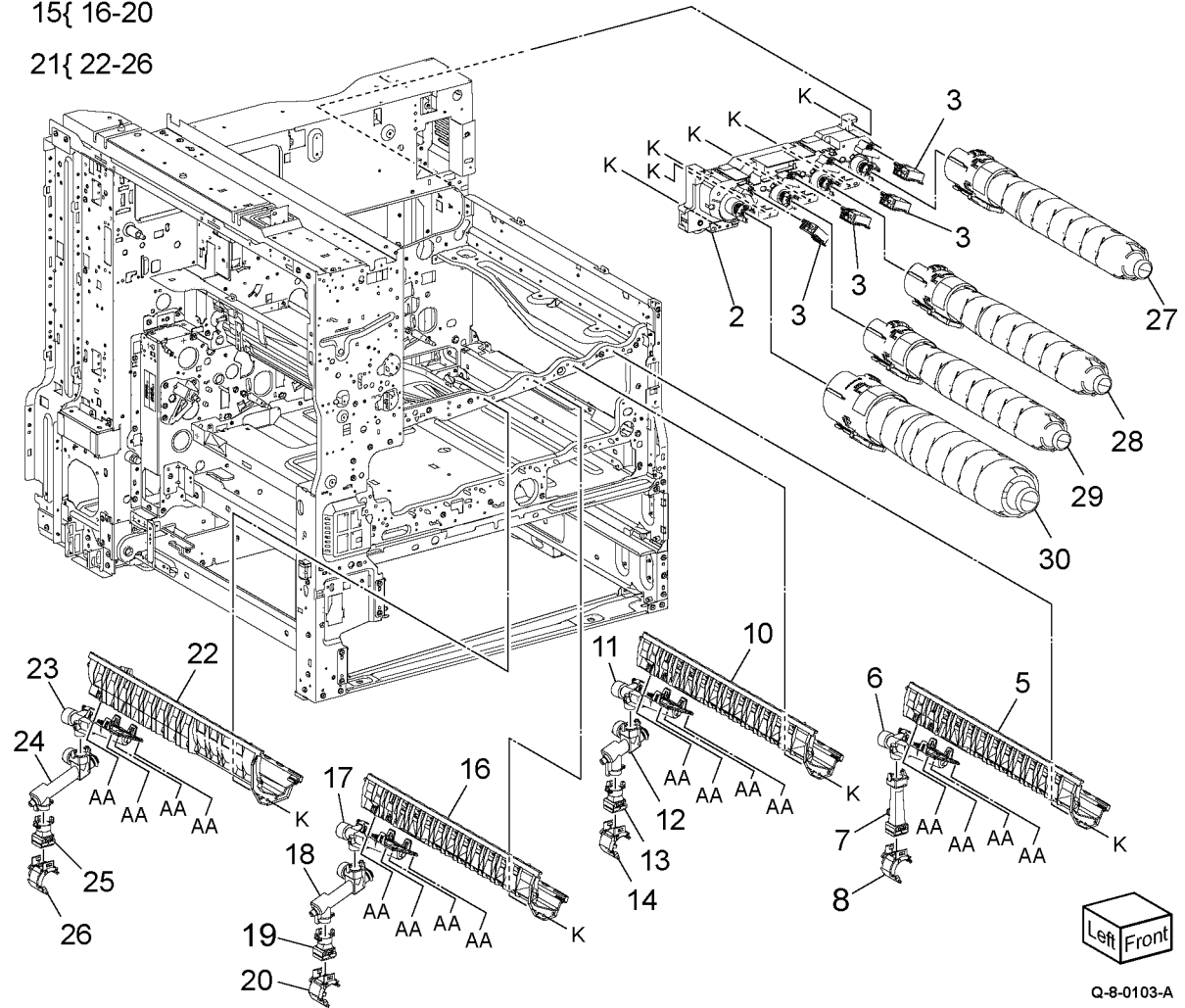
4{ 5,13,14



PL 90.10 Toner Dispense

Item	Part	Description
1	007K21500	Toner dispense motor assembly (MOT92-005) (REP 90.4)
2	—	Drive assembly (P/O PL 90.10 Item 1)
3	019K16490	Toner CRUM connector assembly (REP 90.5)
4	094K94141	Dispenser assembly (Y) (REP 90.6)
5	—	Toner guide assembly (P/O PL 90.10 Item 4)
6	—	Main pipe (Y) (P/O PL 90.10 Item 4)
7	—	Lower pipe (Y) (P/O PL 90.10 Item 4)
8	—	Shutter (Y) (P/O PL 90.10 Item 4)
9	094K94151	Dispenser assembly (M) (REP 90.6)
10	—	Toner guide assembly (M) (P/O PL 90.10 Item 9)
11	—	Main pipe (M) (P/O PL 90.10 Item 9)
12	—	Sub pipe (M) (P/O PL 90.10 Item 9)
13	—	Lower pipe (M) (P/O PL 90.10 Item 9)
14	—	Shutter (M) (P/O PL 90.10 Item 9)
15	094K94161	Dispenser assembly (C) (REP 90.6)
16	—	Toner guide assembly (C) (P/O PL 90.10 Item 15)
17	—	Main pipe (C) (P/O PL 90.10 Item 15)
18	—	Sub pipe (C) (P/O PL 90.10 Item 15)
19	—	Lower pipe (C) (P/O PL 90.10 Item 15)
20	—	Shutter (C) (P/O PL 90.10 Item 15)
21	094K94171	Dispenser assembly (K) (REP 90.6)
22	—	Toner guide assembly (K) (P/O PL 90.10 Item 21)
23	—	Main pipe (K) (P/O PL 90.10 Item 21)
24	—	Sub pipe (K) (P/O PL 90.10 Item 21)
25	—	Lower pipe (K) (P/O PL 90.10 Item 21)
26	—	Shutter (K) (P/O PL 90.10 Item 21)
27	—	Toner cartridge (Y) (REF: PL 26.10 Item 1)
28	—	Toner cartridge (M) (REF: PL 26.10 Item 2)
29	—	Toner cartridge (C) (REF: PL 26.10 Item 3)

1{ 2, 3
 4{ 5-8
 9{ 10-14
 15{ 16-20
 21{ 22-26



Q-8-0103-A

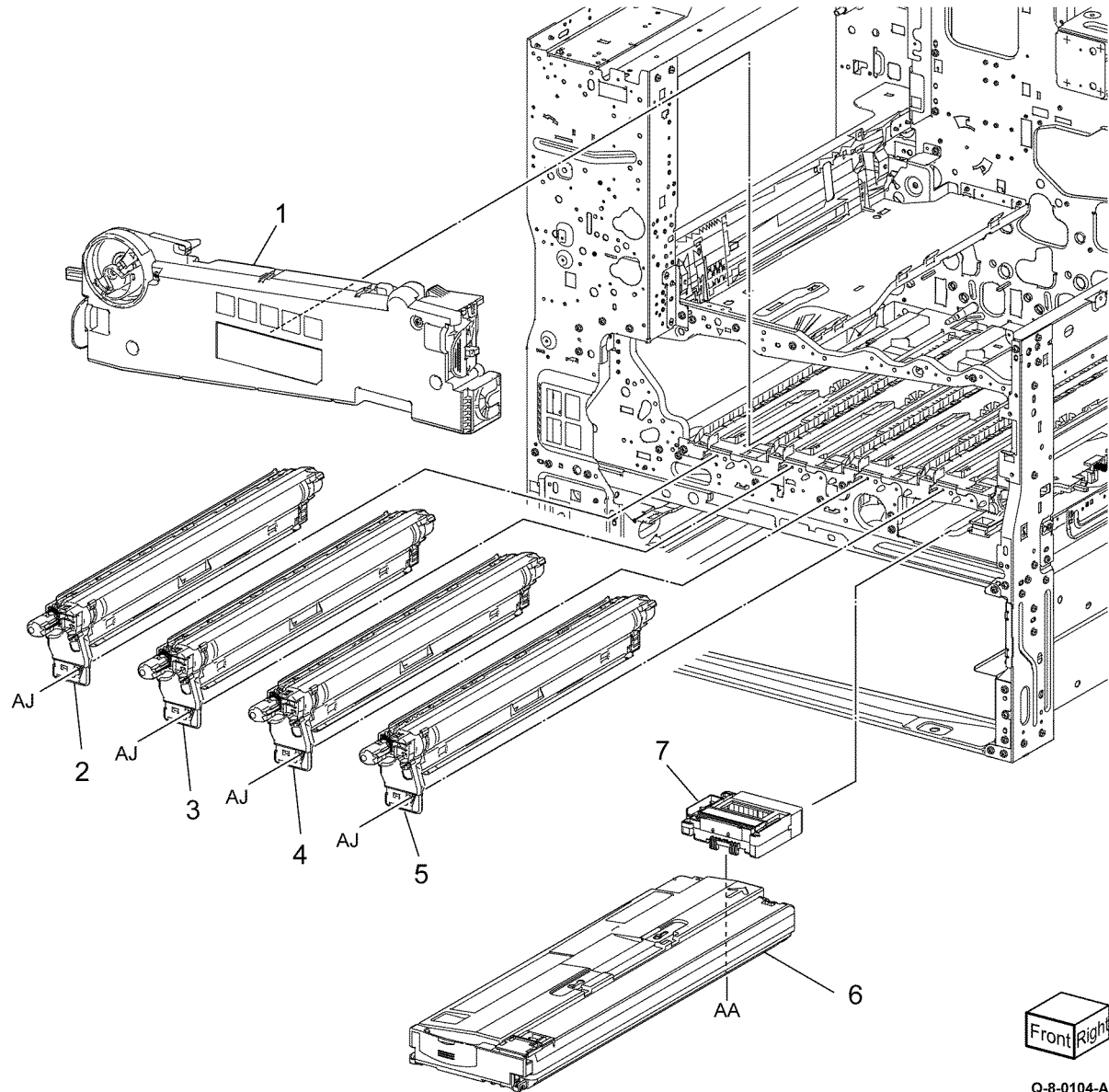
30 —

Toner cartridge (K) (REF: [PL 26.10](#)
Item 4)

PL 90.15 Xerographic Components

Item	Part	Description
1	948K00016	Waste toner transport assembly
2	—	Drum assembly (K) (NOTE) (REP 90.11)
3	—	Drum assembly (C) (NOTE) (REP 90.11)
4	—	Drum assembly (M) (NOTE) (REP 90.11)
5	—	Drum assembly (Y) (NOTE) (REP 90.11)
6	008R08101	Waste cartridge (C8130/C8135/C8145/C8155)
—	008R08102	Waste cartridge (C8170)
7	—	Suction case (C8170)

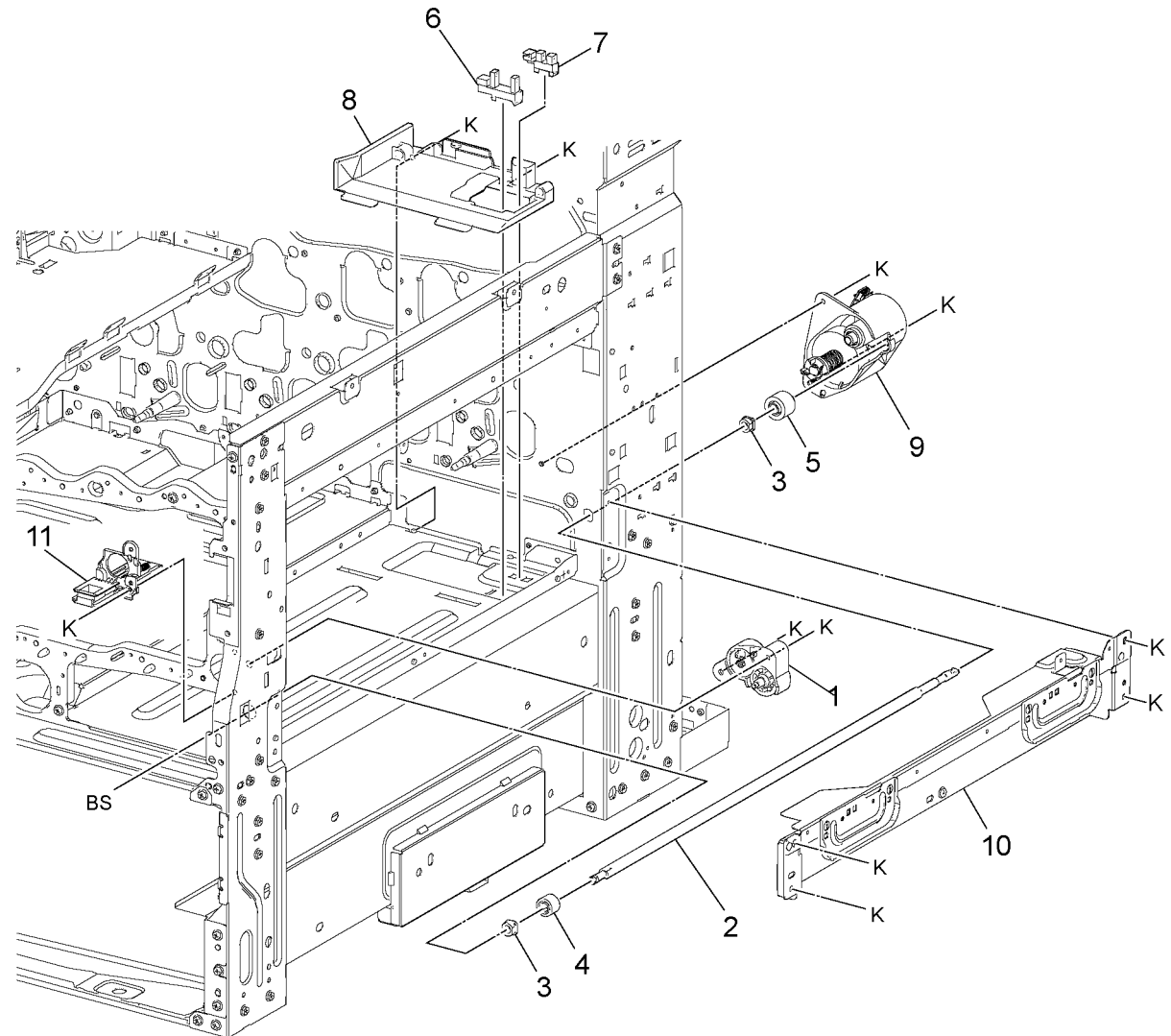
Note: The part number for all Drum assemblies is 013R00681.



Q-8-0104-A

PL 90.20 Xerographic Assembly (1 of 2)

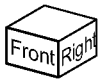
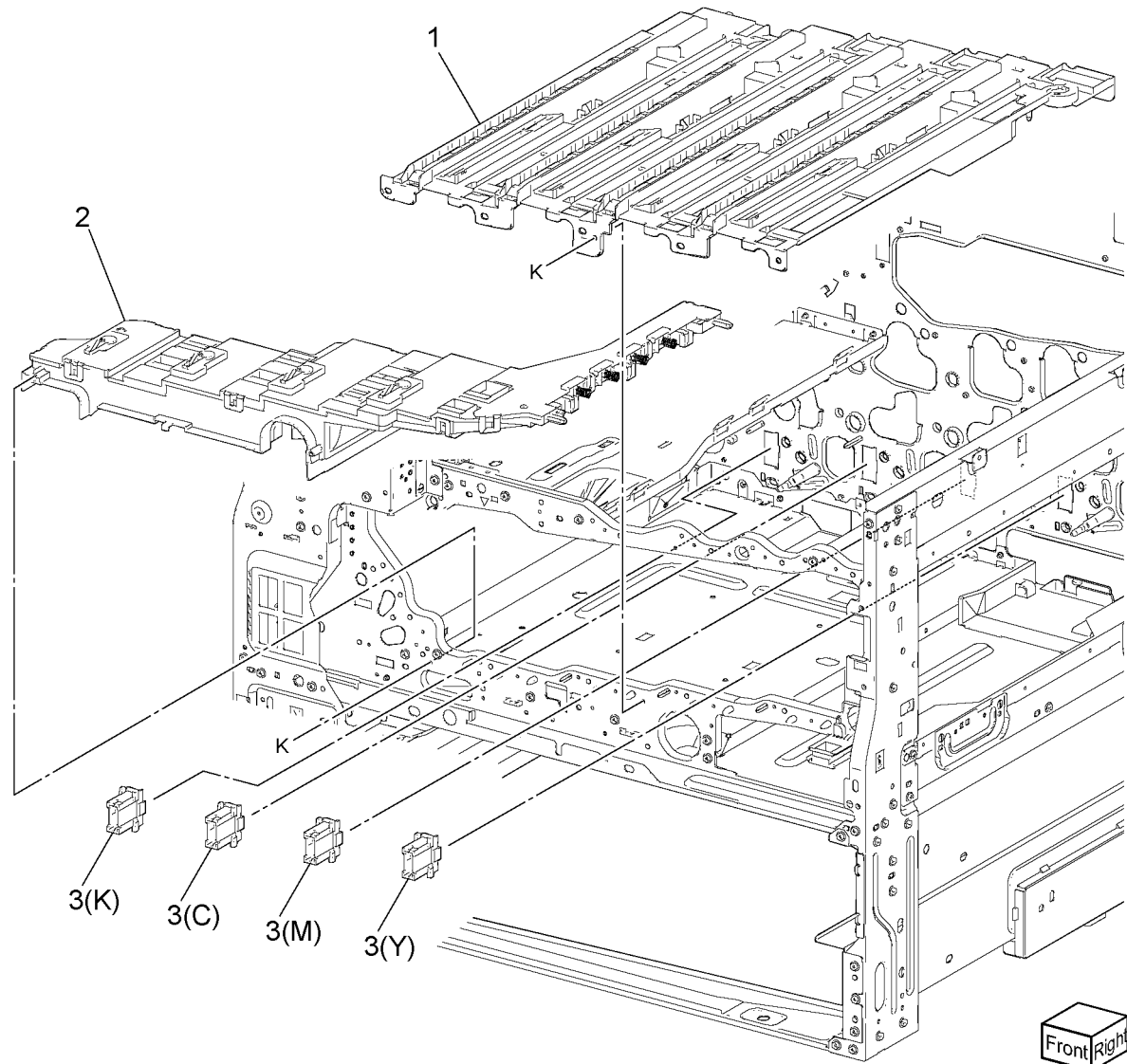
Item	Part	Description
1	948K02890	Gear housing assembly (REP 90.12)
2	806E47221	Drive shaft (REP 90.13)
3	413W11660	Sleeve bearing (REP 90.17)
4	807E52060	Gear
5	807E51980	Helical gear
6	930W00511	Waste toner bottle full sensor (Q91-201) (REP 90.18)
7	130E81600	Waste toner bottle position sensor (Q91-200) (REP 90.18)
8	032E47030	Bottle guide
9	948K00350	Agitator motor assembly (MOT91-006) (REP 90.14)
10	—	Handle assembly (Not Spared)
11	052K14000	Joint pipe assembly (REP 90.15)



Q-8-0105-A

PL 90.25 Xerographic Assembly (2 of 2)

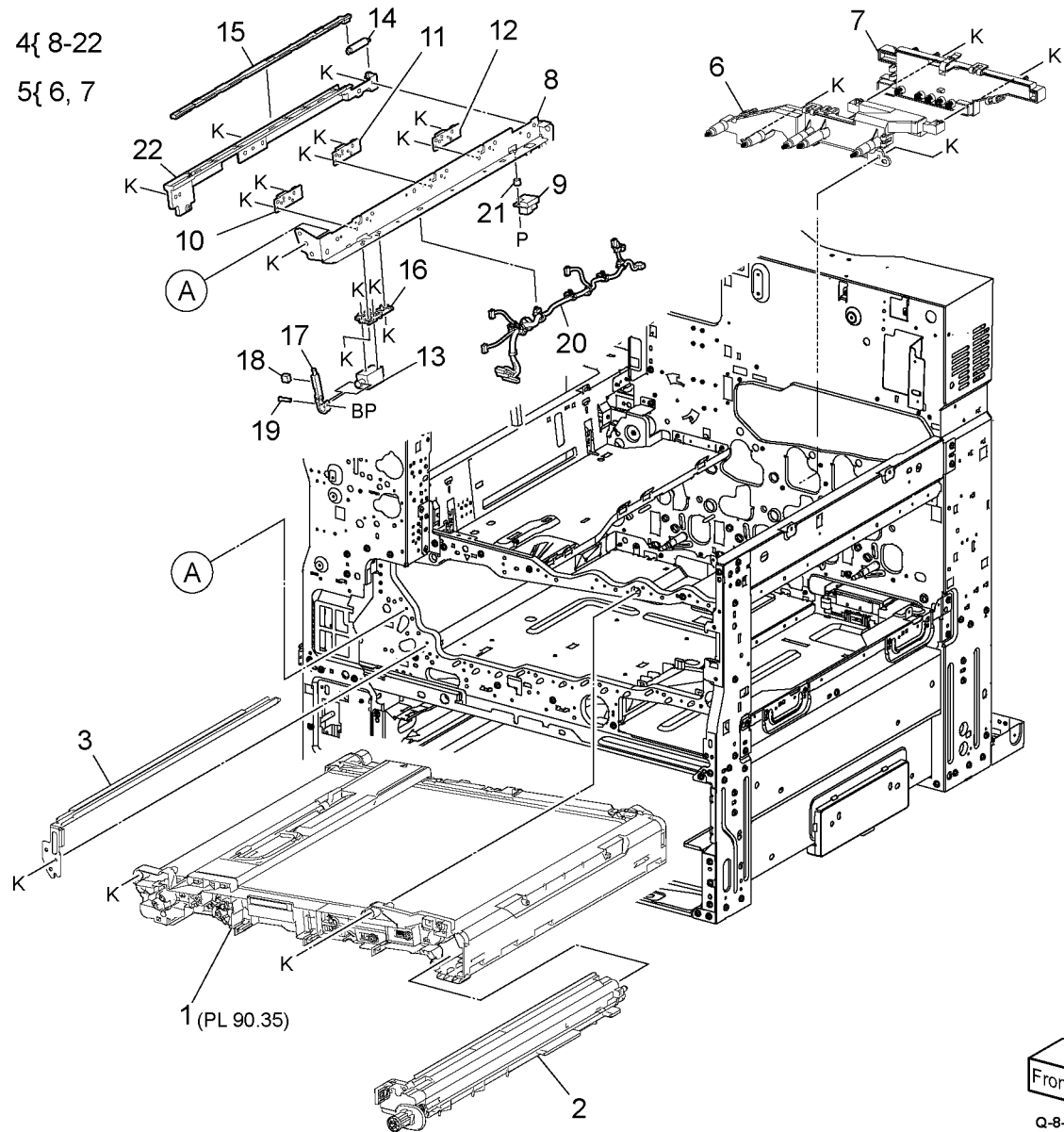
Item	Part	Description
1	—	Marking guide (P/O PL 60.05 Item 1)
2	948K00060	Housing assembly (REP 90.16)
3	113E48880	Drum CRUM connector



Q-8-0106-A

PL 90.30 IBT Belt Unit Components

Item	Part	Description
1	607K08607	IBT belt assembly (REP 90.8)
2	001R00623	IBT belt cleaner assembly
3	—	IBT lower guide (Not Spared)
4	930K02752	MOB/ADC Assembly (REP 90.9)
5	948K01955	Conductor housing assembly (REP 90.10)
6	—	Lower conductor housing assembly (P/O PL 90.30 Item 5)
7	—	Upper conductor housing assembly (P/O PL 90.30 Item 5)
8	—	Bracket (P/O PL 90.30 Item 4)
9	—	Temp/Humidity sensor (internal) (P/O PL 90.30 Item 4)
10	—	Front MOB sensor (P/O PL 90.30 Item 4)
11	—	ADC sensor (Q92-029) (P/O PL 90.30 Item 4)
12	—	Rear MOB sensor (P/O PL 90.30 Item 4)
13	—	Shutter solenoid (P/O PL 90.30 Item 4)
14	—	Spring (P/O PL 90.30 Item 4)
15	—	Shutter (P/O PL 90.30 Item 4)
16	—	Solenoid holder (P/O PL 90.30 Item 4)
17	—	Arm (P/O PL 90.30 Item 4)
18	—	Cushion (P/O PL 90.30 Item 4)
19	—	Pin (P/O PL 90.30 Item 4)
20	—	MOBC harness assembly (P/O PL 90.30 Item 4)
21	—	Humidity spacer (P/O PL 90.30 Item 4)
22	—	Cover (P/O PL 90.30 Item 4)

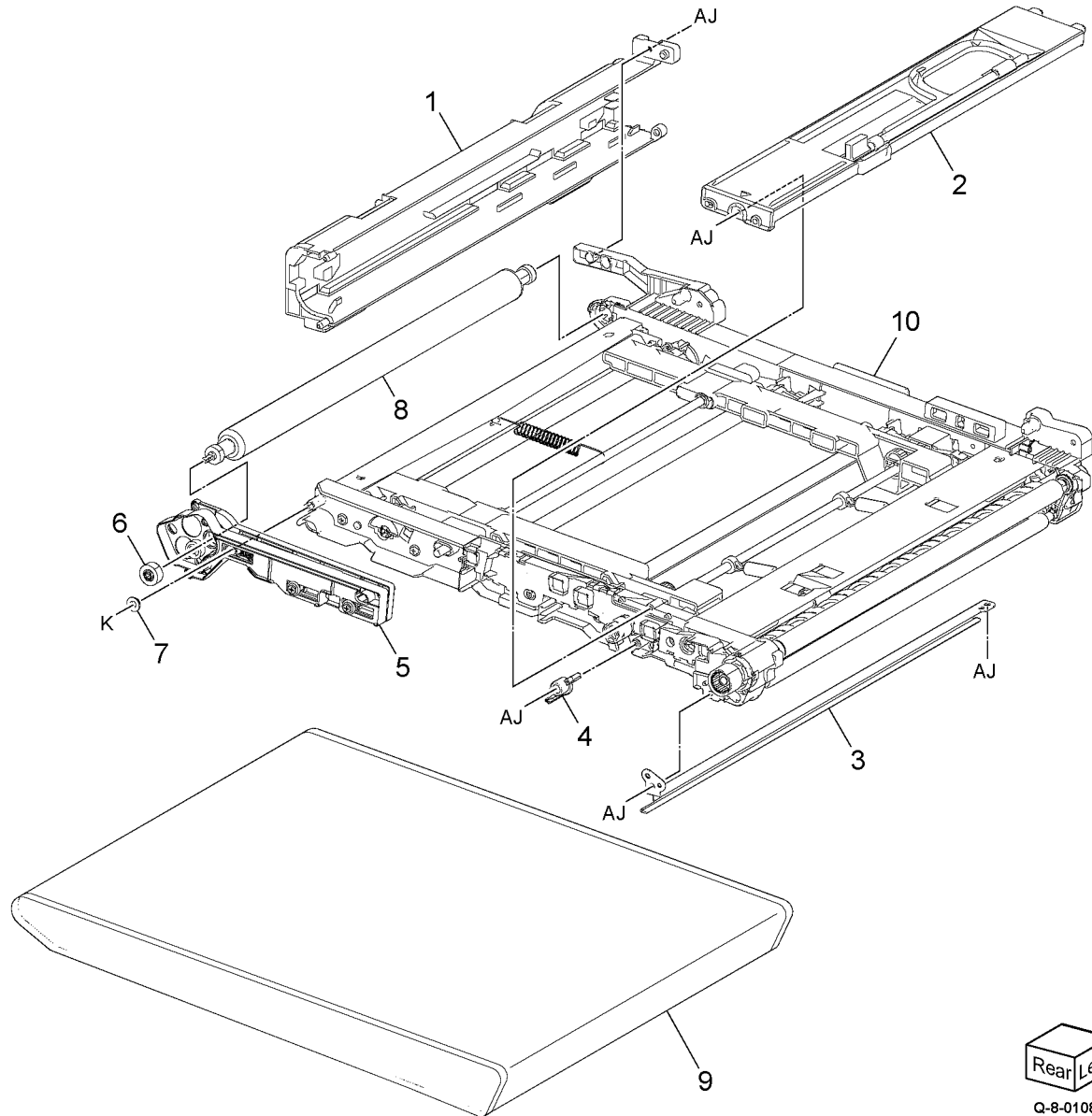


Q-8-0107-A

PL 90.35 IBT Belt Unit Assembly

Item	Part	Description
1	—	Cleaner housing guide
2	—	Handle holder
3	—	IBT upper guide
4	—	Belt arm
5	—	Tension holder assembly
6	—	Tension gear
7	—	Tension collar
8	859K02811	Tension roller assembly
9	064K94660	IBT belt
10	—	IBT handle unit

Note: All parts are part of PL 90.30 Item 1.



Q-8-0108-A

Common Hardware

Item	Part	Description
A	—	Flat head screw (M3 x 14)
B	—	Screw (M3x6:Red)
C	—	Sems screw (M3x6)
D	—	Sems screw (M3x8)
E	—	Sems screw (M8x20)
F	—	Pan head screw (M2x10)
G	—	Screw (M3x4:Blue)
H	—	Screw (M3x4:White)
J	—	Screw (M3x6:Red)
K	—	Screw (M3x6:White)
L	—	Round point screw (M3x6:White)
M	—	Screw (M3x8)
N	—	Screw (M3x8)
P	—	Screw (M3x10)
Q	—	Screw (M3x12:White)
R	—	Screw (M3x14:White)
S	—	Screw (M3x16)
T	—	Pan head screw (M3x6:White)
U	—	Pan head screw (M3x14)
V	—	Screw (M4x6:White)
W	—	Screw (M4x8:White)
X	—	Pan head screw (M4x8:White)
Y	—	Screw (M4x10:White)
Z	—	Bind head screw (M3x6)
AA	—	Bind shthead screw (3x8)
AB	—	Bind head screw (M3x4)
AC	—	Bind head screw (M3x6)
AD	—	Shoulder screw
AE	—	Setscrew (M4x4)
AF	—	Setscrew (M4x6)
AG	—	Tapping screw (M4x10)
AH	—	Tapping screw (M3x6:White)
AJ	—	Tapping screw (M3x8:White)
AK	—	Tapping screw (M3x10:White)
AL	—	Tapping screw (M3x10)
AM	—	Screw (M3x6)
AN	—	Round point screw (M3x7:White)
AP	—	Screw (M3x8:White)
AQ	—	Round point screw (M3x9:White)
AR	—	Screw (M4x8:White)
AS	—	Flat head knurling screw
AT	—	Flange nut (3)
AU	—	Special nut
AV	—	Washer (4)
AW	—	Nylon washer (6) (t 0.25)
AX	—	Nylon washer (6) (t 0.5)
AY	—	Nylon washer (6) (t 1)
AZ	—	Nylon washer (8) (t 1)
BA	—	Nylon washer (10) (t1.5)

BB	—	Dowel pin (1.6x8)
BC	—	Dowel pin (2.5x10)
BD	—	Dowel pin (2.5x16)
BE	—	Dowel pin (2.5x14)
BF	—	Dowel pin (3x10)
BG	—	Dowel pin (4x20)
BH	—	Spring pin (2x8)
BJ	—	Spring pin (2x12)
BK	—	Slotted tubular pin spring (2.5x10)
BL	—	Slotted tubular pin spring (3x10)
BM	—	Slotted tubular pin spring (3x16)
BN	—	C-clip (8)
BP	—	E-Clip (2:White)
BQ	—	E-Clip (3:White)
BR	—	KL-Clip (4)
BS	—	E-Clip (4:White)
BT	—	E-Clip (5:White)
BU	—	KL-Clip (6)
BV	—	E-Clip (6:White)
BW	—	E-clip (7)
BX	—	Pan Head Screw (M3x4:White)
BY	—	Knurling screw
BZ	—	Nylon washer (8) (t0.5)
CA	—	E-Clip (10:White)
CB	—	Screw (M4x16:White)
CC	—	Screw (M3x10:White)
CD	—	Screw (M4x30:White)
CE	—	Shoulder Screw
CF	—	Tapping Screw (M4x8:White)
CG	—	Tapping Screw (M3x14:White)
CH	—	Screw (M3x12:White)
CJ	—	Screw (M4x6:White)
CK	—	Screw (M4x10:White)
CL	—	Hexagon Nut
CM	—	Washer (10:White)
CN	—	Nylon Washer (8) (t 0.25)
CP	—	Nylon Washer (8) (t 1.5)
CQ	—	Spring Washer
CR	—	Dowel Pin (2x10)
CS	—	Dowel Pin (3x16)
CT	—	KL-Clip (3)
CU	—	KL-Clip (8)
CV	—	E-Clip (8:White)
CW	—	Sems Screw (M3x10)
CX	—	Pan Head Screw (Mx5)
CY	—	Screw (M2x10)
CZ	—	Tapping screw (M3x4)
DA	—	Pan Head Screw (M2.5x6)
DB	—	Pan Head Screw (M3x4)
DC	—	Pan head screw (M3x8)
DD	—	Set screw (M3x4)

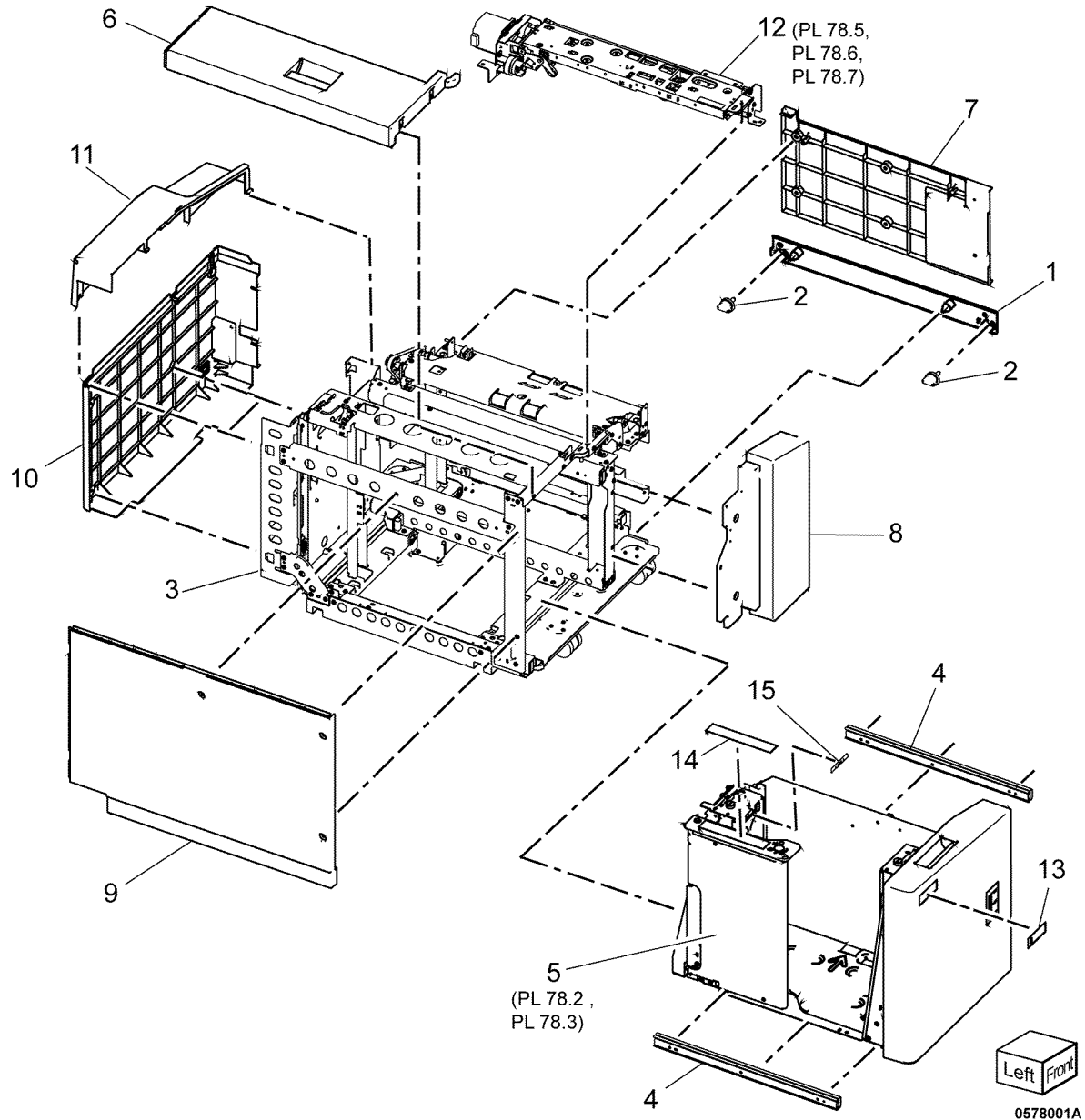
DE	—	Tapping screw (M4x12)
DF	—	Tapping screw (M3x8)
DG	—	Washer (2.5(10.5))
DH	—	Washer (4) (10.8)
DJ	—	Washer (5)
DK	—	Nylon washer (4)
DL	—	Nylon washer (5)
DM	—	Nylon washer (10) (10.25)
DN	—	Nylon washer (10) (10.5)
DP	—	Spring washer
DQ	—	Dowel pin (2x12)
DR	—	Dowel pin (3x12)
DS	—	Dowel pin (3x14)
DT	—	Dowel pin (4x16)
DU	—	E-clip (1.5)
DV	—	E ring (2.5)
DW	—	Wing screw
DX	—	Screw (M4x6)
DY	—	Sems Screw (M3x6)
DZ	—	Screw (M3x6)
EA	—	Screw (M3x5)
EB	—	Screw (M2x10)
EC	—	Bind Head Screw (M3x8)
ED	—	screw (3x18)
EE	—	E-ring
EF	—	Dowel pin (2x10)
EG	—	Tapping screw (M4x5)
EH	—	Screw (3x6)
EJ	—	Washer (3) (10.5)
EK	—	Screw (3x8)
EL	—	Screw (2x4)
EM	—	Screw (3x8)

5 Parts List

3000-Sheet High-Capacity Feeder	68
PL 78.1 HCF Unit	69
PL 78.2 HCF Tray 6 (1 of 2)	70
PL 78.3 HCF Tray 6 (2 of 2)	71
PL 78.4 HCF Top Chute Cover	72
PL 78.5 HCF Feeder (1 of 3)	73
PL 78.6 HCF Feeder (2 of 3)	74
PL 78.7 HCF Feeder (3 of 3)	75
PL 78.8 HCF Electrical and Rail	76

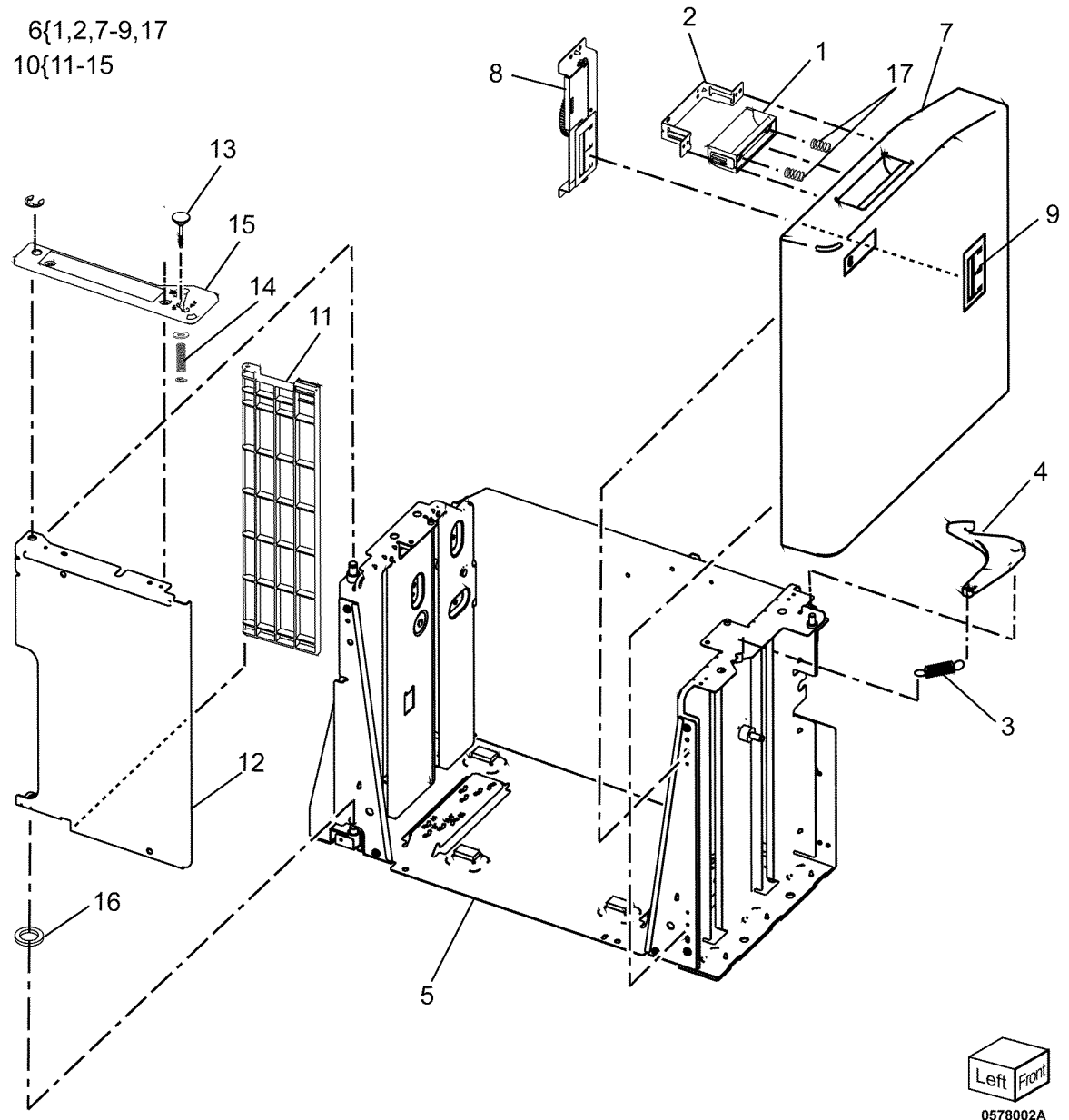
PL 78.1 HCF Unit

Item	Part	Description
1	815K17621	Docking plate
2	—	Knob (Not Spared)
3	—	Frame assembly (Not Spared)
4	801K68380	Tray rail (REP 78.1, REP 78.2)
5	050K75051	HCF tray assembly (REP 78.3)
6	948K01900	Top cover assembly
7	—	Right cover (Not Spared)
8	—	Front right cover (Not Spared)
9	—	Left cover (Not Spared)
10	—	Lower rear cover (Not Spared)
11	—	Upper rear cover
12	859K02872	HCF feed head (REP 78.4)
13	890E86280	Label (Tray No.)
14	890E86291	Label (End top)
15	890E92600	Label (Max)



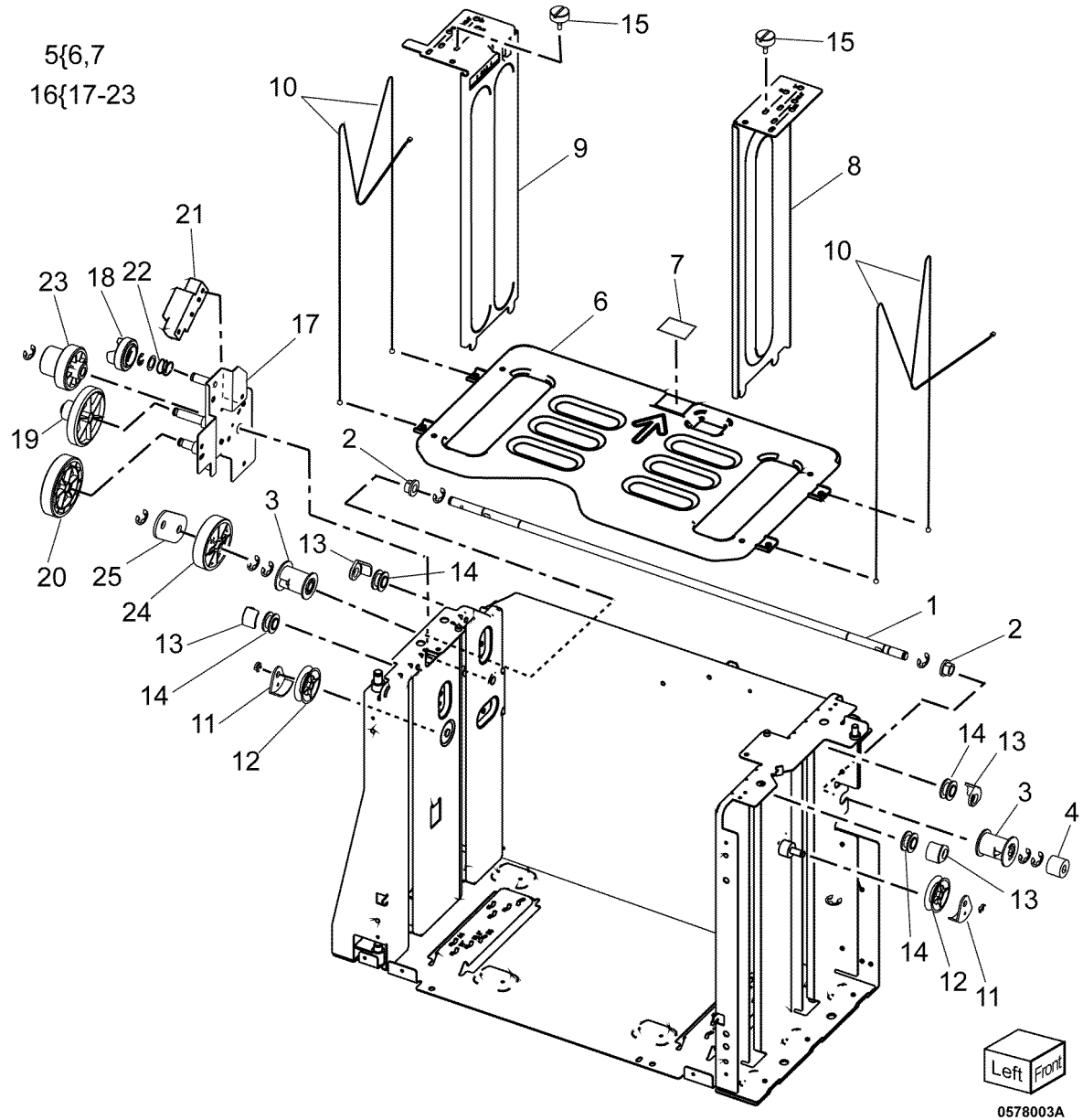
PL 78.2 HCF Tray 6 (1 of 2)

Item	Part	Description
1	—	Tray handle assembly (P/O PL 78.2 Item 6)
2	—	Bracket (P/O PL 78.2 Item 6)
3	899E14080	Spring
4	803E25850	Latch lever
5	—	Tray frame assembly (Not Spared)
6	948K01860	Front cover assembly (REP 78.5)
7	—	Front cover (P/O PL 78.2 Item 6)
8	—	Gear bracket (P/O PL 78.2 Item 6)
9	—	Label (Gauge) (P/O PL 78.2 Item 6)
10	032K09310	End guide assembly (REP 78.6)
11	—	End guide (P/O PL 78.2 Item 10)
12	—	End guide bracket (P/O PL 78.2 Item 10)
13	—	Pin (P/O PL 78.2 Item 10)
14	—	Spring (P/O PL 78.2 Item 10)
15	—	End guide support (P/O PL 78.2 Item 10)
16	028E93800	Wave washer
17	—	Spring (P/O PL 78.2 Item 6)



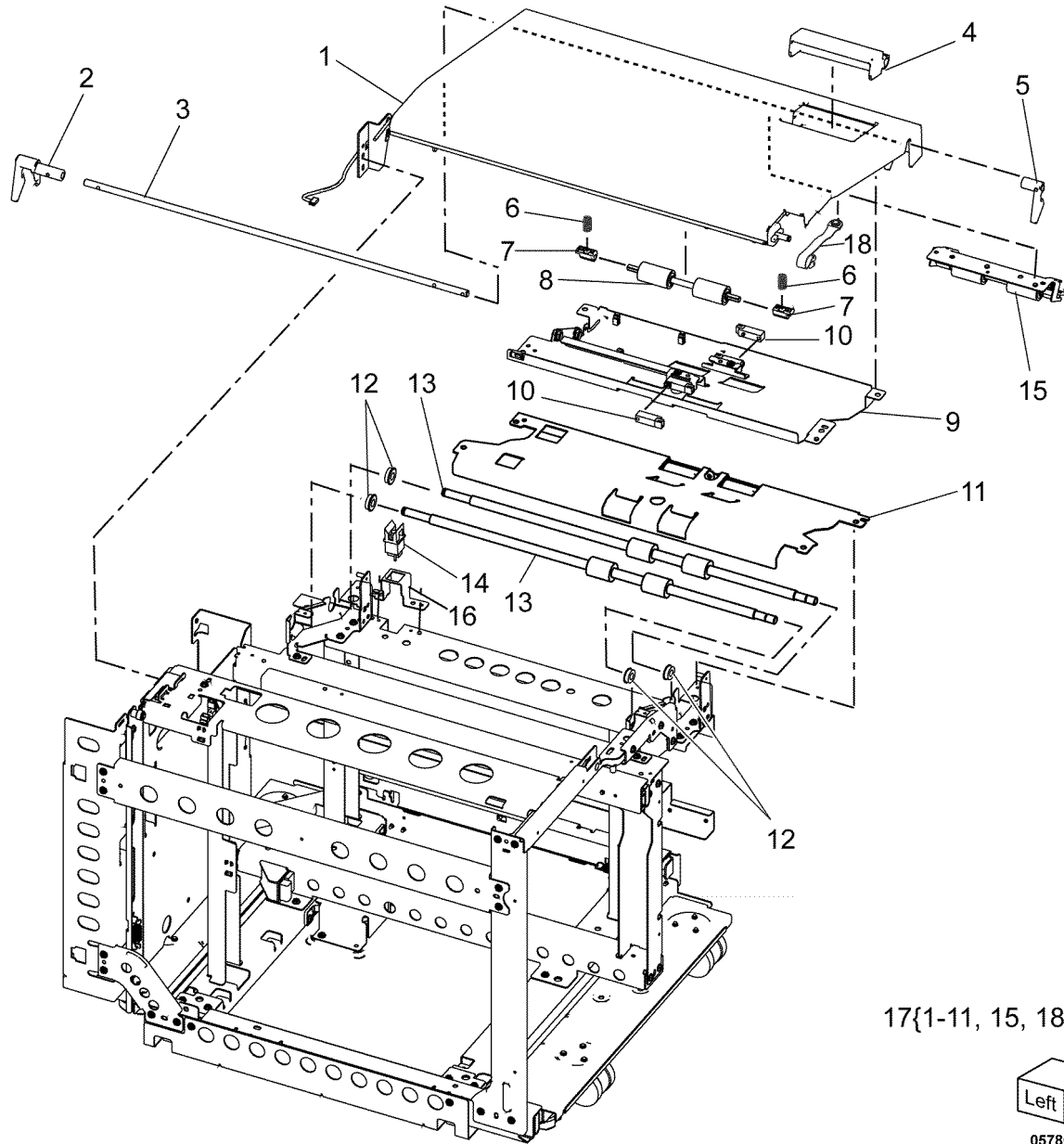
PL 78.3 HCF Tray 6 (2 of 2)

Item	Part	Description
1	—	Lift shaft
2	—	Bearing
3	020E51830	Pulley
4	—	Gear (Not Spared)
5	815K17410	Bottom plate assembly (REP 78.7)
6	—	Bottom plate (P/O PL 78.3 Item 5)
7	—	Pad (P/O PL 78.3 Item 5)
8	032K09320	Front side guide
9	032K09330	Rear side guide
10	012E20120	Cable (REP 78.8)
—	012E20620	Cable (Black) (REP 78.8)
11	—	Long wire guide (Not Spared)
12	—	Pulley (Not Spared)
13	—	Short wire guide (Not Spared)
14	020E36830	Pulley
15	—	Screw (Not Spared)
16	049K33260	Gear bracket assembly (REP 78.9)
17	—	Gear bracket (P/O PL 78.3 Item 16)
18	—	Contact gear (P/O PL 78.3 Item 16)
19	—	Gear (P/O PL 78.3 Item 16)
20	—	Gear (P/O PL 78.3 Item 16)
21	—	Brake (P/O PL 78.3 Item 16)
22	—	Spring (P/O PL 78.3 Item 16)
23	807E52710	Gear
24	807E52730	Lift gear
25	—	Plate (Not Spared)



PL 78.4 HCF Top Chute Cover

Item	Part	Description
1	—	Top chute cover (P/O PL 78.4 Item 17)
2	—	Rear latch (P/O PL 78.4 Item 17)
3	—	Shaft (P/O PL 78.4 Item 17)
4	—	Handle (P/O PL 78.4 Item 17)
5	—	Front latch (P/O PL 78.4 Item 17)
6	—	Spring (P/O PL 78.4 Item 17)
7	—	Bearing (P/O PL 78.4 Item 17)
8	—	Pinch roll assembly (P/O PL 78.4 Item 17)
9	—	Upper chute assembly (P/O PL 78.4 Item 17)
10	130E89381	Sensor (REP 78.10)
11	054K55270	Lower chute assembly (REP 78.11)
12	413W08350	Bearing
—	413W82370	Bearing (alternative)
13	859K02890	Takeaway roll assembly (REP 78.12)
14	—	Interlock switch
15	—	Roller assembly (P/O PL 78.4 Item 17)
16	674E05980	Bracket
17	948K01851	Top chute cover assembly (REP 78.13)
18	—	Strap (P/O PL 78.4 Item 17)



17{1-11, 15, 18

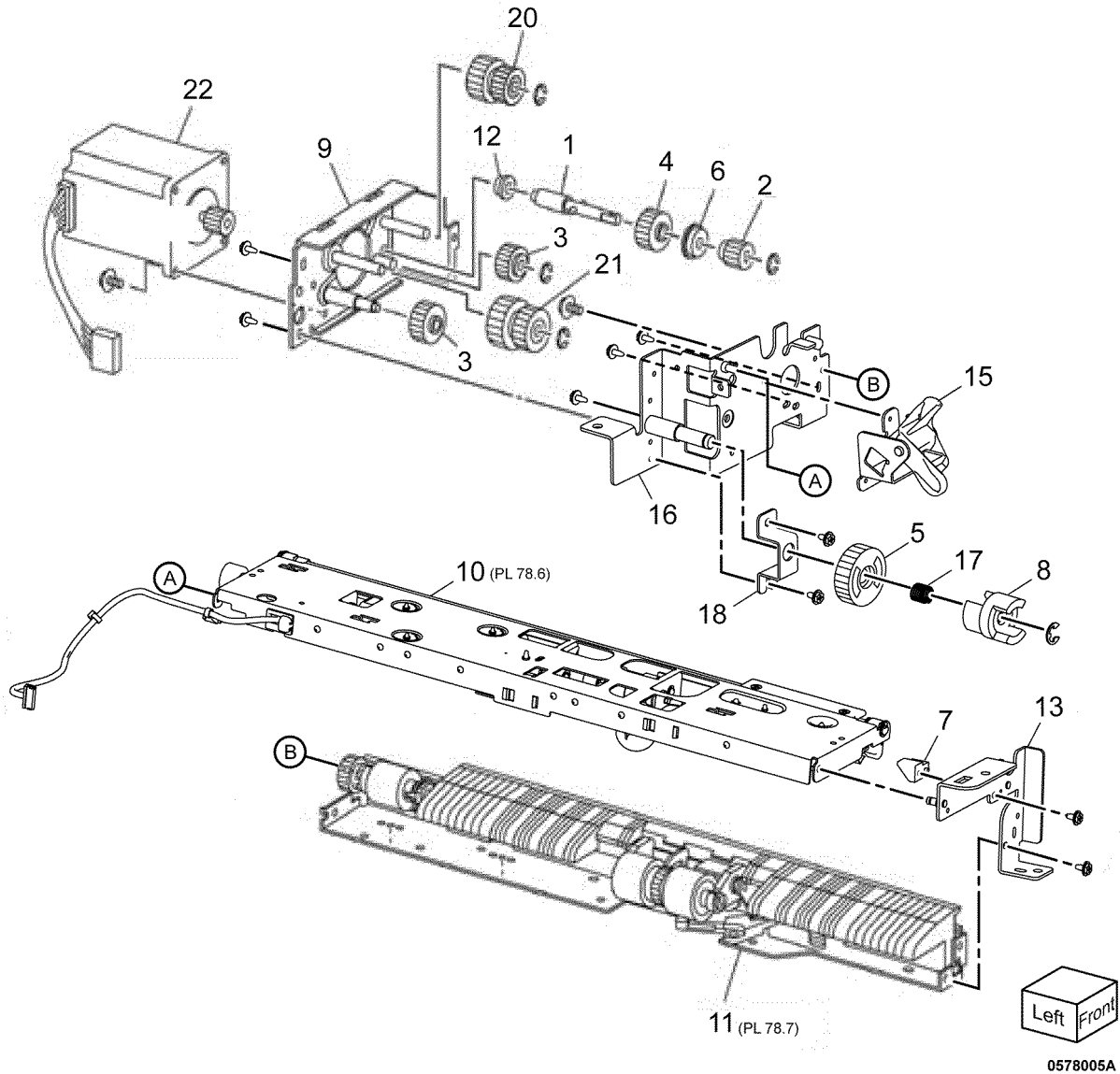


0578004A

PL 78.5 HCF Feeder (1 of 3)

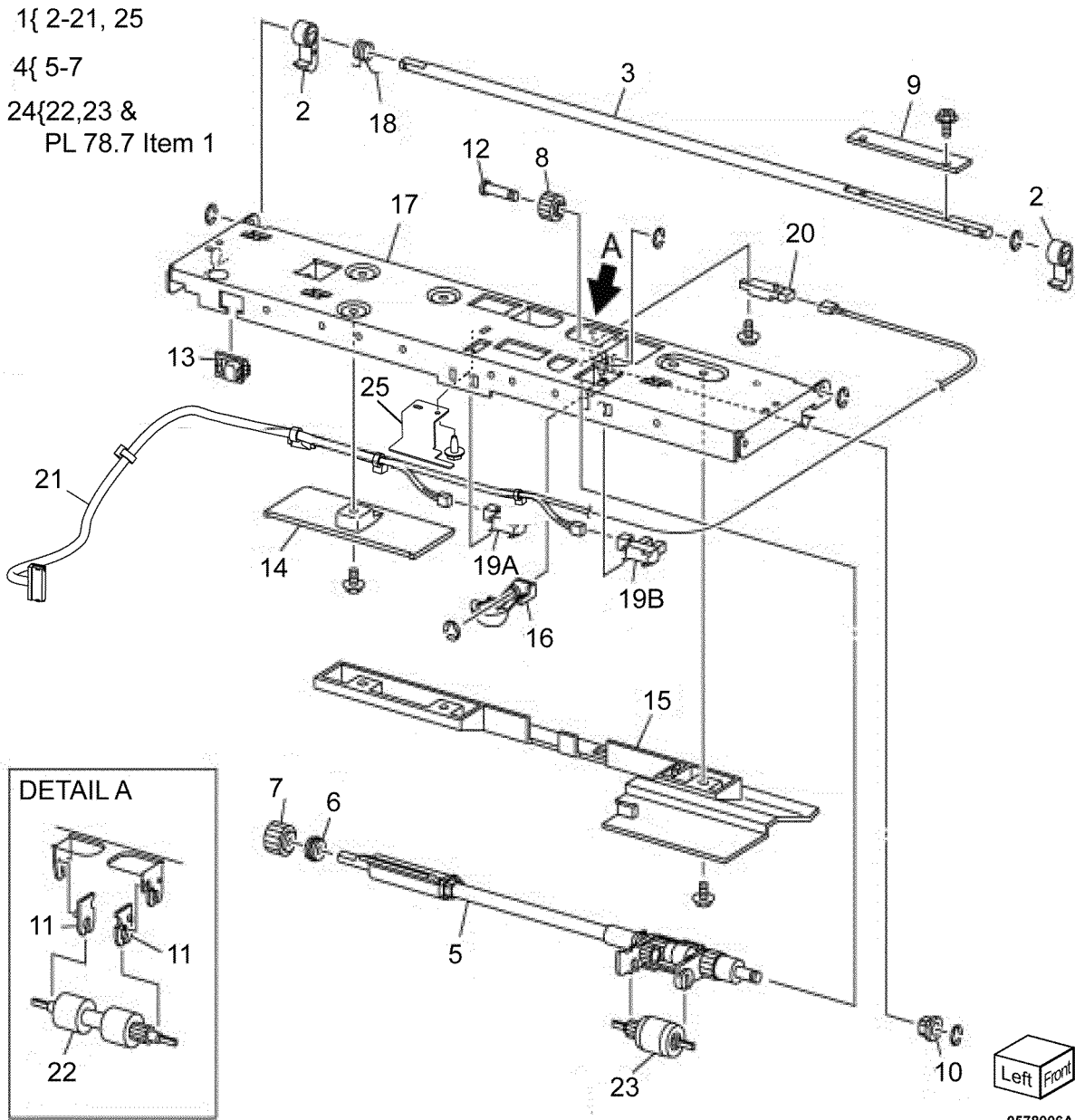
Item	Part	Description
1	006K23112	Shaft (REP 78.14)
2	—	Gear (19T)
3	007E78770	Gear (25T) (REP 78.15)
4	007E78780	Gear (25T) (REP 78.16)
5	—	Gear (40T) (P/O PL 78.1 Item 12)
6	—	Bearing (P/O PL 78.1 Item 12)
7	—	Block (P/O PL 78.1 Item 12)
8	—	Spacer (P/O PL 78.1 Item 12)
9	—	Motor frame (P/O PL 78.5 Item 19)
10	—	Upper feeder assembly (REF: PL 78.6)
11	—	Lower feeder assembly (REF: PL 78.7)
12	413W66250	Ball bearing (REP 78.17)
13	—	Front feeder frame assembly (P/O PL 78.1 Item 12)
14	—	Rear frame assembly (P/O PL 78.1 Item 12)
15	—	Link assembly (P/O PL 78.5 Item 14)
16	—	Rear frame (P/O PL 78.5 Item 14)
17	—	Spring (P/O PL 78.1 Item 12)
18	—	Bracket (P/O PL 78.1 Item 12)
19	801K70190	Drive gear assembly (REP 78.18)
20	—	Gear (23T/27T) (P/O PL 78.5 Item 19)
21	—	Gear (31T/36T) (P/O PL 78.5 Item 19)
22	—	HCF feed lift motor (MOT78-003) (P/O PL 78.5 Item 19)

14{15,16
19{3,9,20-22



PL 78.6 HCF Feeder (2 of 3)

Item	Part	Description
1	859K05270	Upper feeder assembly (REP 78.19)
2	—	Latch (P/O PL 78.6 Item 1)
3	—	Shaft latch (P/O PL 78.6 Item 1)
4	006K23124	Feed shaft assembly (REP 78.20)
5	—	Feed shaft (P/O PL 78.6 Item 4)
6	413W66250	Ball bearing (REP 78.21)
7	—	Gear (20T) (P/O PL 78.6 Item 4)
8	007E78180	Feed gear (25T) (REP 78.22)
9	—	Lever (P/O PL 78.6 Item 1)
10	—	Bearing (P/O PL 78.6 Item 1)
11	—	Spacer (P/O PL 78.6 Item 1)
12	—	Pin drive (P/O PL 78.6 Item 1)
13	—	Guide (P/O PL 78.6 Item 1)
14	—	Rear upper chute (P/O PL 78.6 Item 1)
15	—	Upper chute (P/O PL 78.6 Item 1)
16	—	Actuator
17	—	Upper Frame (P/O PL 78.6 Item 1)
18	—	Spring (P/O PL 78.6 Item 1)
19	930W00112	HCF level sensor (REP 78.23)/ HCF no paper sensor (REP 78.24)
20	930W00211	HCF pre feed sensor (REP 78.25)
21	—	Wire harness (P/O PL 78.6 Item 1)
22	—	Feed roll (P/O PL 78.6 Item 24)
23	—	Nudger roll (P/O PL 78.6 Item 24)
24	604K23660	Feed roll kit
25	—	Sensor bracket (P/O PL 78.6 Item 1)

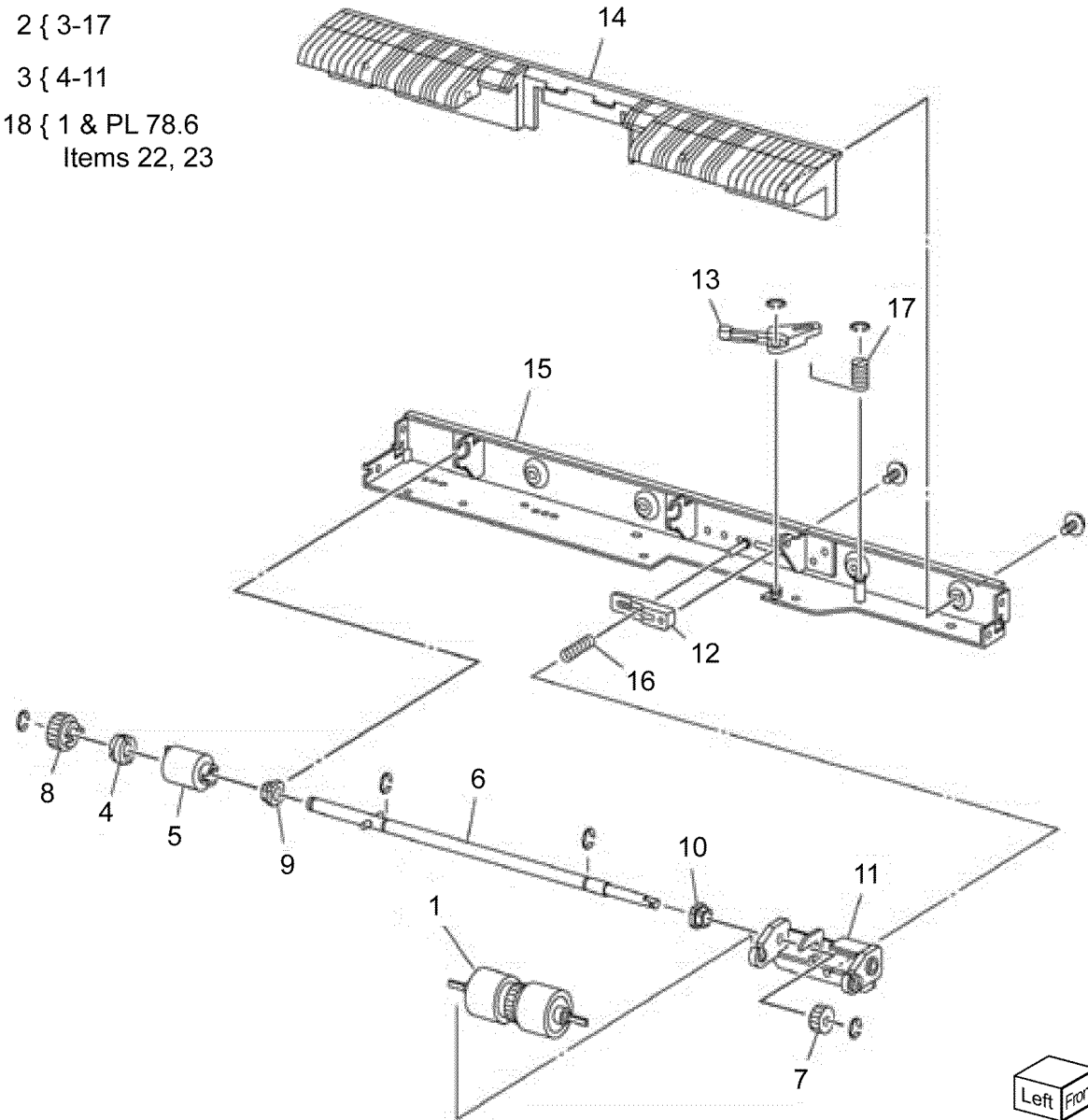


0578006A

PL 78.7 HCF Feeder (3 of 3)

Item	Part	Description
1	—	Retard roll (P/O PL 78.7 Item 18)
2	059K26687	Lower feeder assembly (REP 78.26)
3	006K23135	Retard shaft assembly (REP 78.27)
4	—	Collar (P/O PL 78.7 Item 3)
5	005K06701	Friction clutch
6	—	Shaft (P/O PL 78.7 Item 3)
7	007E78170	Gear (15T)
8	007E89760	Gear (22T)
9	—	Bearing
10	—	Bearing
11	—	Retard bracket (P/O PL 78.7 Item 3)
12	—	Slide (P/O PL 78.7 Item 2)
13	—	Lever (P/O PL 78.7 Item 2)
14	—	Lower chute (P/O PL 78.7 Item 2)
15	—	Lower frame (P/O PL 78.7 Item 2)
16	—	Spring (P/O PL 78.7 Item 2)
17	—	Spring (P/O PL 78.7 Item 2)
18	604K23660	Feed roll kit

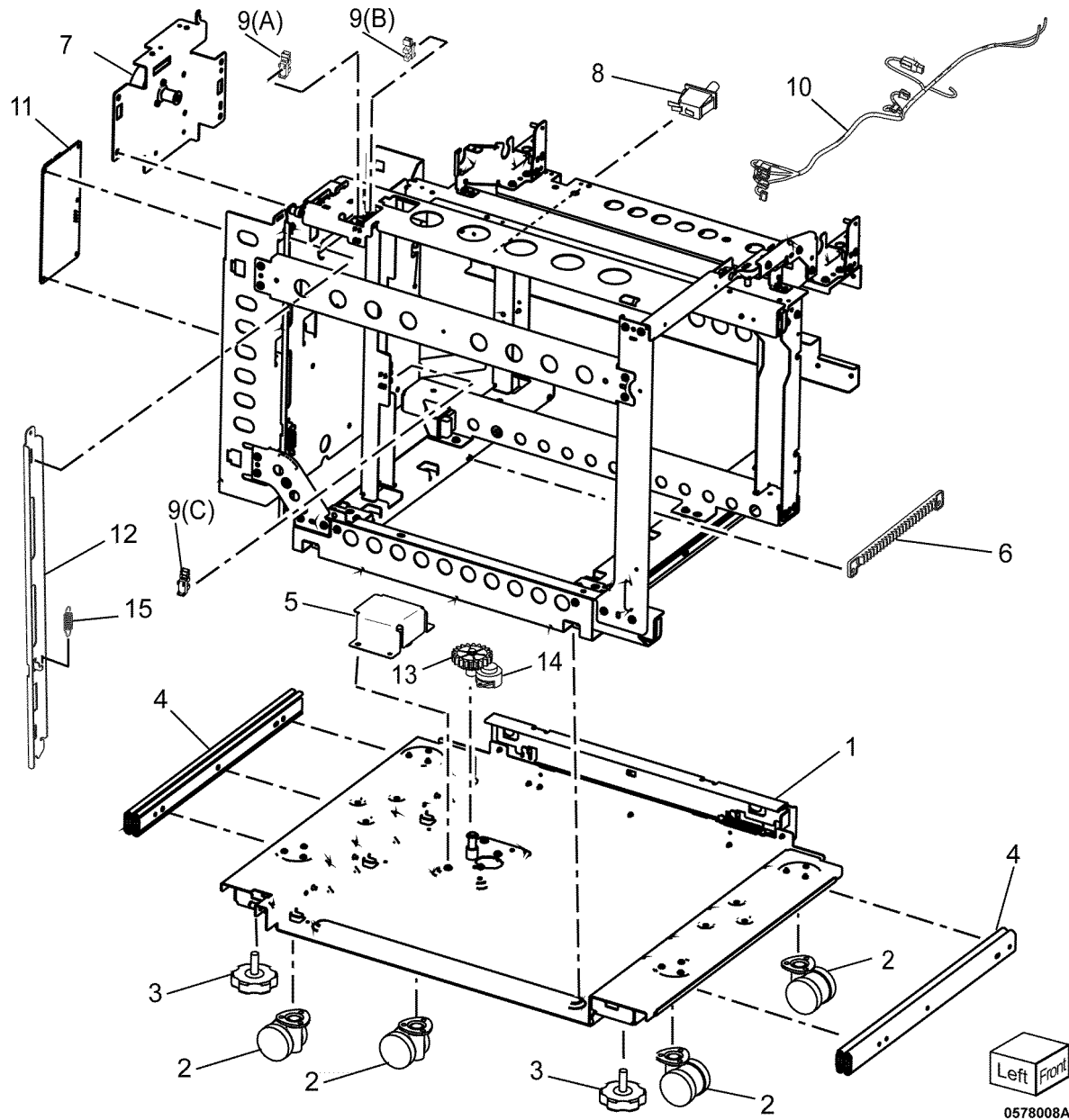
2 { 3-17
 3 { 4-11
 18 { 1 & PL 78.6
 Items 22, 23



0578007A

PL 78.8 HCF Electrical and Rail

Item	Part	Description
1	—	Plate (Not Spared)
2	017E92820	Rack caster (REP 78.28)
3	017E14140	Adjuster foot (REP 78.28)
4	801K67280	Rail assembly (REP 78.29)
5	—	Bracket (Not Spared)
6	807E53510	Gear rack (REP 78.30)
7	007K21610	Drive assembly (REP 78.31)
8	—	Docking switch
9	930W00111	HCF paper size sensor (Letter) (Q78-202) / HCF paper size sensor (A4) (Q78-203)/HCF In sensor (Q78-xxx) (REP 78.32)
10	117K49400	Cable assembly (REP 78.33)
11	960K86530	HCF PWB (REP 78.34)
12	—	Latch Plate (Not Spared)
13	807E55980	Pinion (REP 78.35)
14	004E24810	Damper (REP 78.35)
15	—	Latch Spring (Not Spared)

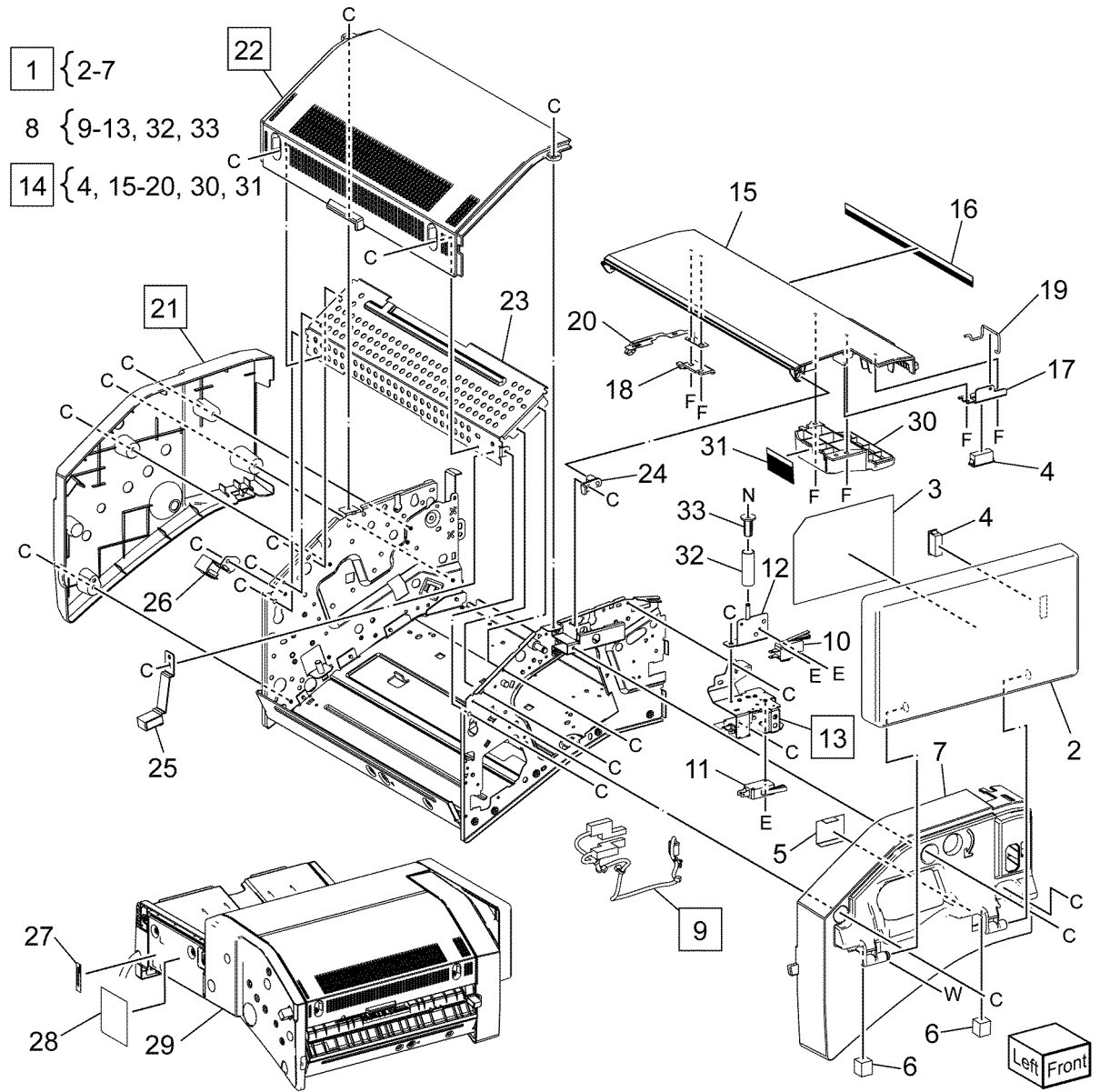


5 Parts List

Integrated Office Finisher A2	77
PL 70.1 Finisher Assembly.....	78
PL 70.2 Stacker Base Assembly (1 of 2)	79
PL 70.3 Stacker Base Assembly (2 of 2)	80
PL 70.4 Eject Assembly (1 of 3).....	81
PL 70.5 Eject Assembly (2 of 3).....	83
PL 70.6 Eject Assembly (3 of 3).....	84
PL 70.7 Export Assembly (1 of 2).....	85
PL 70.8 Export Assembly (2 of 2).....	86
PL 70.9 Stapler Assembly	87
PL 70.10 Compile Assembly.....	88
Common Hardware	89
Common Hardware	90

PL 70.1 Finisher Assembly

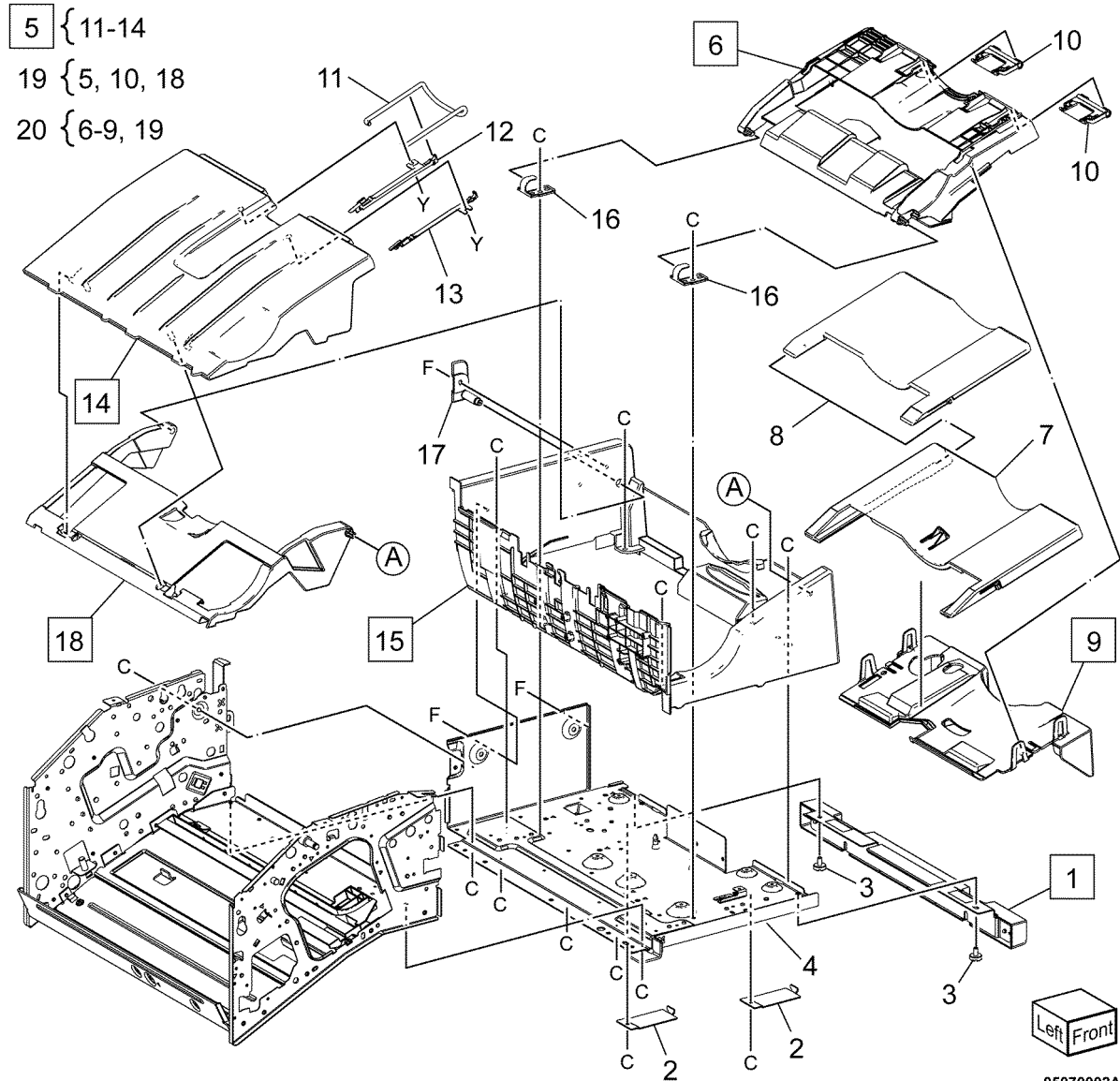
Item	Part	Description
1	948K10750	Front Cover Assembly (REP 1.1)
2	—	Front Cover (P/O PL 70.1 Item 1)
3	—	Stapler Label (P/O PL 70.1 Item 1)
4	—	Box Catch Magnet (P/O PL 70.1 Item 1, 14)
5	—	Cover Inner Tape (P/O PL 70.1 Item 1)
6	—	Cover Inner Pad (P/O PL 70.1 Item 1)
7	—	Front Inner Cover (P/O PL 70.1 Item 1)
8	049K45130	Front Interlock Bracket Assembly
9	—	Wire Harness (Interlock) (P/O PL 70.1 Item 8)
10	—	Finisher Top Cover Interlock Switch (P/O PL 70.1 Item 8)
11	—	Finisher Front Door Interlock Switch (P/O PL 70.1 Item 8)
12	—	Top Interlock Bracket (P/O PL 70.1 Item 8)
13	—	Front Interlock Bracket (P/O PL 70.1 Item 8) (REP 1.5)
14	948K23920	Top Eject Cover Sub Assembly (REP 1.4)
15	—	Top Eject Cover Assembly (P/O PL 70.1 Item 14)
16	—	Eject Eliminator (P/O PL 70.1 Item 14)
17	—	Magnet Bracket (P/O PL 70.1 Item 14)
18	—	Stopper Bracket (P/O PL 70.1 Item 14)
19	—	Top Cover Support (P/O PL 70.1 Item 14)
20	—	FG Spring (P/O PL 70.1 Item 14)
21	—	Rear Cover (REP 1.2)
22	—	Top LH Cover (REP 1.3)
23	—	Upper Tie Plate
24	—	Front Hinge Bracket
25	049K37110	Front Ground Bracket Assembly
26	049K37121	Rear Ground Bracket Assembly
27	—	Data Plate Label
28	—	Serial Label
29	—	Transport Assembly
30	—	IEC Eject Chute (P/O PL 70.1 Item 14)
31	—	IEC Eject Eliminator (P/O PL 70.1 Item 14)
32	—	IEC Spring (P/O PL 70.1 Item 8)
33	—	IEC Collar (P/O PL 70.1 Item 8)



0570001A

PL 70.2 Stacker Base Assembly (1 of 2)

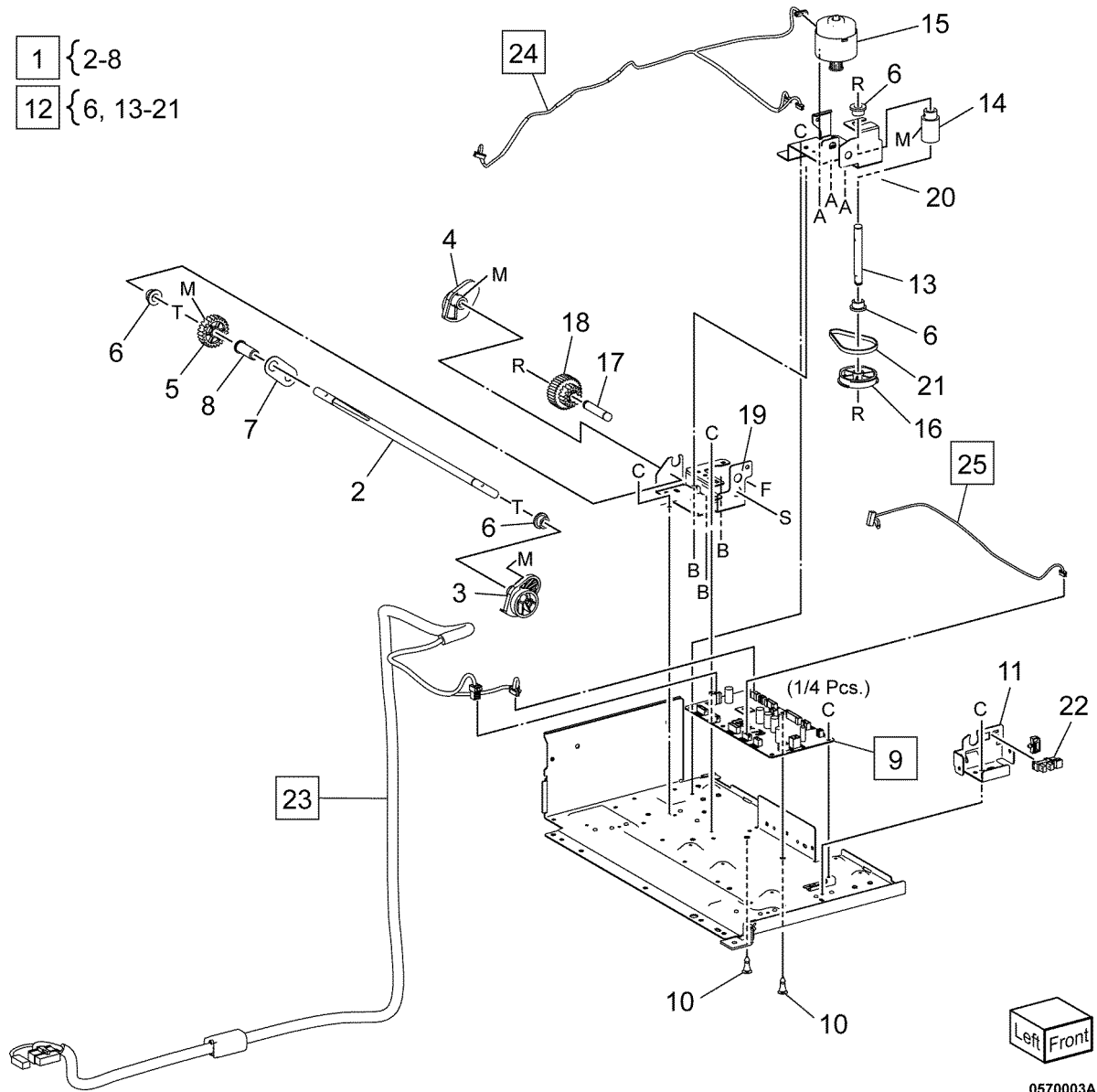
Item	Part	Description
1	049K44580	Docking Bracket Assembly (REP 2.3)
2	—	Tray Guide Bracket
3	—	Docking Screw
4	—	Bottom Plate Assembly
5	050K78870	Base Tray Assembly (REP 2.1)
6	—	Extension Base Tray (P/O PL 70.2 Item 20)
7	—	Stacker Extension Tray (P/O PL 70.2 Item 20)
8	—	Stacker Extension Tray 2 (P/O PL 70.2 Item 20)
9	—	Stacker Cover (P/O PL 70.2 Item 20)
10	012E22851	Link C
11	—	Paper Guide (P/O PL 70.2 Item 5)
12	—	Rear Stacker Rail (P/O PL 70.2 Item 5)
13	—	Front Stacker Rail (P/O PL 70.2 Item 5)
14	—	Base Tray (P/O PL 70.2 Item 5)
15	—	Stacker Base Tray (REP 2.2)
16	—	Tray Hinge
17	—	Tray Hinge 2
18	—	Tray Stacker (Link A) (P/O PL 70.2 Item 19)
19	—	Base Tray Unit (P/O PL 70.2 Item 20)
20	050K79550	GAR SP Stacker Tray Assembly



05070002A

PL 70.3 Stacker Base Assembly (2 of 2)

Item	Part	Description
1	006K35691	Lift Shaft Assembly (REP 3.1)
2	—	Lift Shaft (P/O PL 70.3 Item 1)
3	—	Cam (P/O PL 70.3 Item 1)
4	—	Rear Cam (P/O PL 70.3 Item 1)
5	—	Gear (Z24) (P/O PL 70.3 Item 1)
6	—	Powdered Metal Bearing (P/O PL 70.3 Item 1 & 12)
7	—	Shaft Bracket (P/O PL 70.3 Item 1)
8	—	Latch Bearing (P/O PL 70.3 Item 1)
9	960K93602	Finisher PWB (REP 3.3)
10	—	PWB Cap Supplement
11	—	Lift Bracket
12	049K44590	Lift Motor Bracket Assembly (REP 3.2)
13	—	Worm Shaft (P/O PL 70.3 Item 12)
14	—	Worm Gear (P/O PL 70.3 Item 12)
15	—	Stacker Motor (P/O PL 70.3 Item 12)
16	—	Pulley (T60) (P/O PL 70.3 Item 12)
17	—	Worm Wheel Shaft (P/O PL 70.3 Item 12)
18	—	Gear (Z16/Z32) (P/O PL 70.3 Item 12)
19	—	Lift Bracket (P/O PL 70.3 Item 12)
20	—	Lift Motor Bracket (P/O PL 70.3 Item 12)
21	—	Synchronous Bare Back Belt (P/O PL 70.3 Item 12)
22	—	Stacker No Paper Sensor
23	952K43340	Wire Harness (IF)
24	952K41460	Wire Harness (Stacker Motor)
25	—	Wire Harness (Eject Motor)



Left Front

0570003A

PL 70.4 Eject Assembly (1 of 3)

Item	Part	Description
1	—	Bottom Frame Assembly
2	—	Bottom Spacer
3	—	Hole Guide
4	019K18880	Low Eject Clamp Assembly (REP 4.2)
5	—	Eject Clamp Assembly (P/O PL 70.4 Item 4)
6	815K17653	Upper Eject Plate Assembly (REP 4.1)
7	006K35201	Set Clamp Shaft Assembly 2 (REP 4.3)
8	—	Set Clamp Shaft 2 (P/O PL 70.4 Item 7)
9	—	Shelf Set Clamp Gear (Z24) (P/O PL 70.4 Item 7)
10	—	Gear (Z17) (P/O PL 70.4 Item 7)
11	—	Brake Assembly (P/O PL 70.4 Item 7)
12	013E88260	Bearing
13	—	Eject Roll Collar (P/O PL 70.4 Item 7)
14	006K35440	Clutch Shaft Assembly
15	—	Clutch Shaft (P/O PL 70.4 Item 14)
16	—	Eject Cam Clutch (P/O PL 70.4 Item 14) (REP 4.4)
17	—	Brake Bearing (P/O PL 70.4 Item 14)
18	—	Gear (Z36) (P/O PL 70.4 Item 14)
19	—	Eject Cam Assembly (P/O PL 70.4 Item 4)
20	—	Cam Shaft (P/O PL 70.4 Item 19)
21	—	Paper Guide Cam (P/O PL 70.4 Item 19)
22	—	Shelf Lock Cam (P/O PL 70.4 Item 19)
23	—	Sensor Bracket Assembly (P/O PL 70.4 Item 4)
24	930W00121	Stacker Height Sensor
25	—	Eject Cam Home Sensor
26	012K97270	Cam Link Assembly
27	022E33741	Cam Roll
28	—	Sensor Bracket (P/O PL 70.4 Item 23)
29	899E16580	Eject Pinch Spring
30	899E16590	Link Spring
31	012E20400	Sub Shaft Link
32	012E20413	Sub Paddle Link
33	008E98951	Eject Clamp Cam
34	807E55721	Cam Clutch Gear (Z21)
35	869E28310	Stopper Bracket
36	806E48690	Cam Upper Shaft

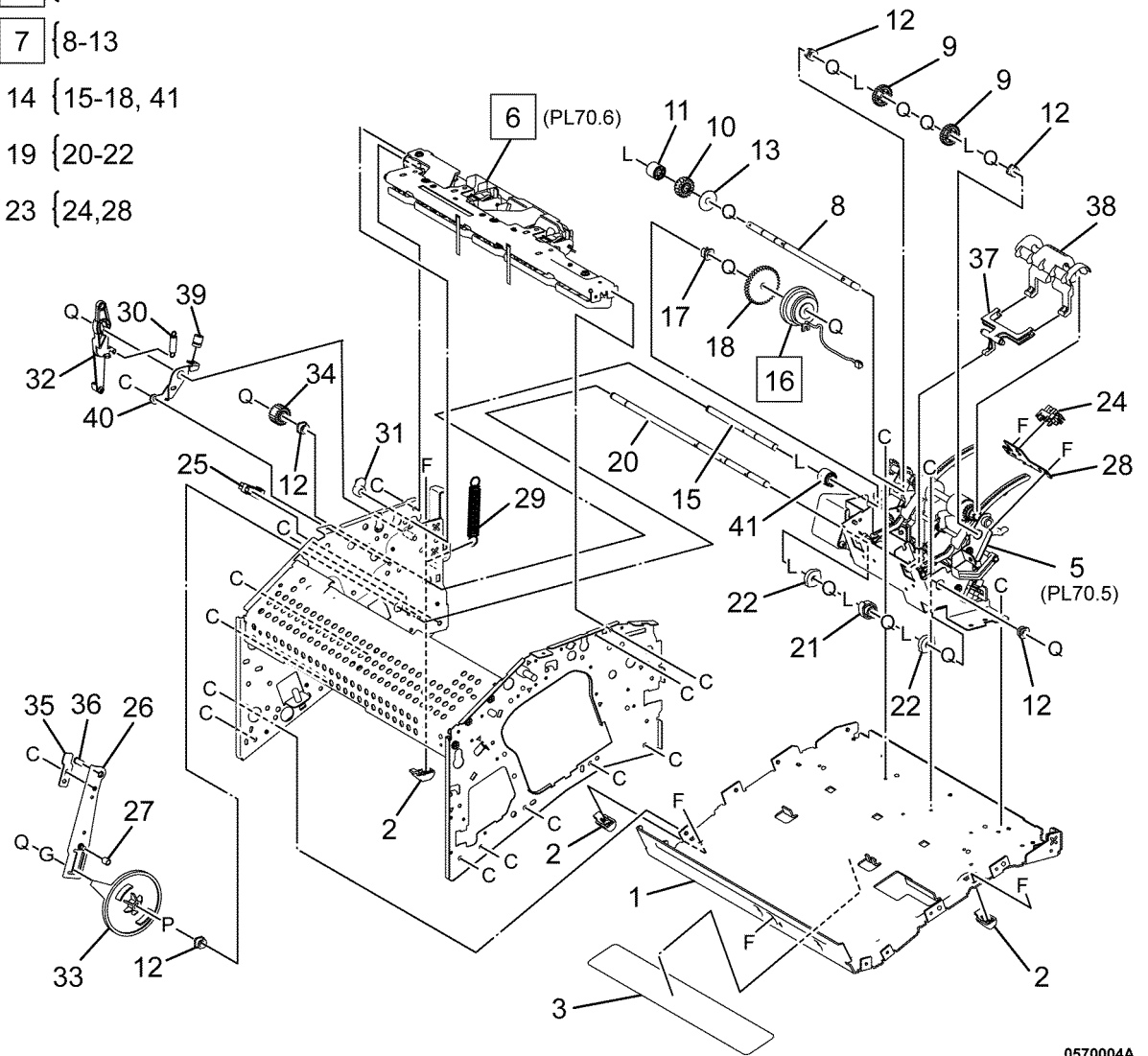
4 { 5,7,14,19,23,37,38

7 { 8-13

14 { 15-18, 41

19 { 20-22

23 { 24,28

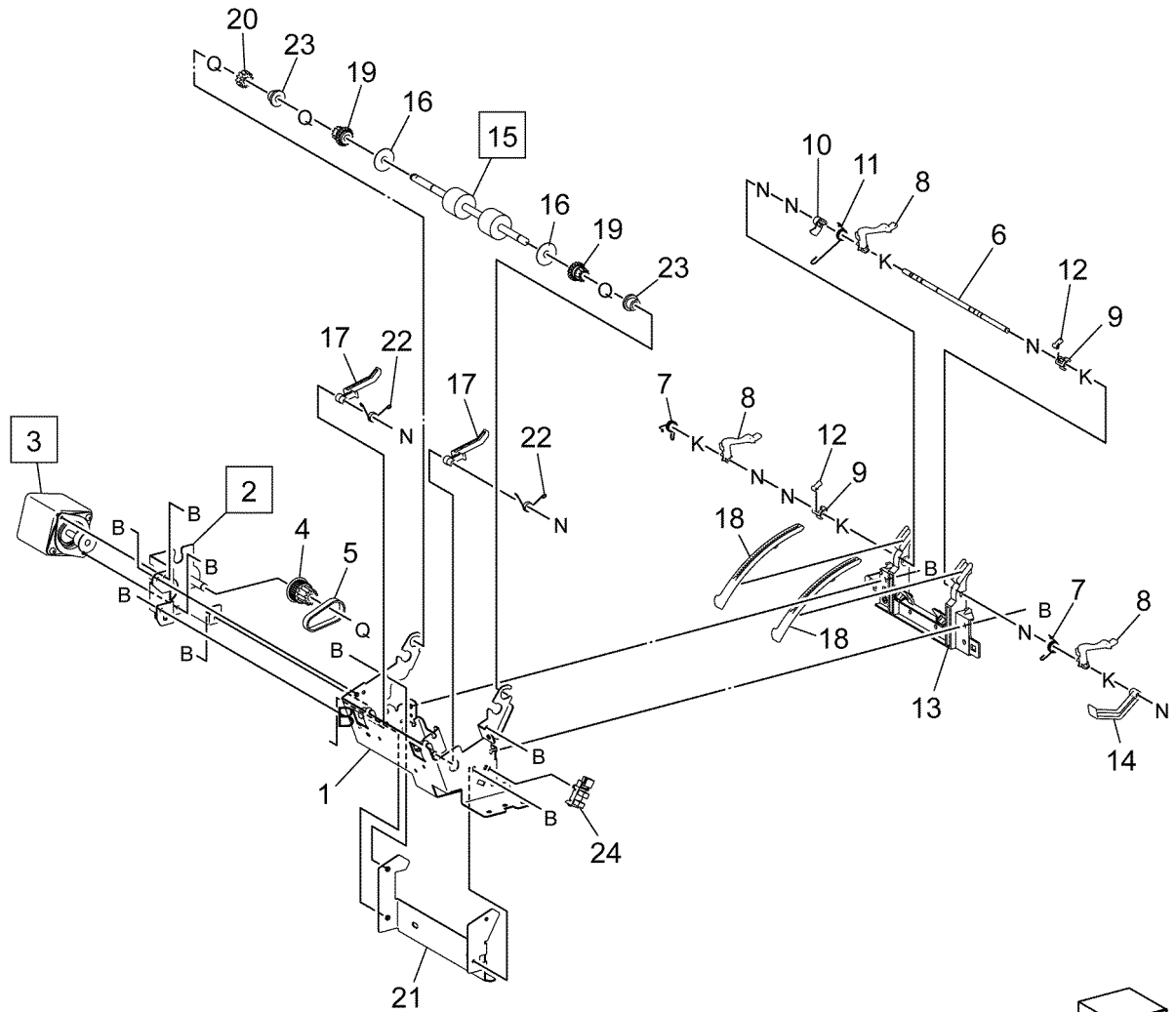


0570004A

37	—	Paper Guide Arm (P/O PL 70.4 Item 4)
38	—	Paper Eject Guide (P/O PL 70.4 Item 4)
39	004E25030	Gel Damper
40	—	Gel Bracket
41	—	Brake Assembly (P/O PL 70.4 Item 14)

PL 70.5 Eject Assembly (2 of 3)

Item	Part	Description
1	—	Eject Drive Bracket Assembly
2	—	Eject Motor Bracket Assembly (REP 5.2)
3	127K76510	Eject Motor
4	—	Gear Pulley (Z12/T30)
5	—	Synchronous Bare Back Belt
6	—	Set Clamp Shaft
7	—	Set Clamp Spring
8	—	Set Clamp Holder Assembly
9	—	Set Clamp Link
10	—	Set Clamp Actuator Link
11	—	Set Clamp L Spring
12	—	Set Clamp Link
13	—	Shelf Guide
14	—	Set Clamp Actuator
15	859K06140	Roll Assembly (REP 5.1)
16	—	Eject Roll Collar
17	—	Stopper Link
18	—	Shelf Guide
19	—	Shelf Eject Gear (Z12/Z18)
20	—	Eject Roll Gear (Z12)
21	—	Tie Eject Bracket
22	—	Stopper Spring
23	—	Powdered Metal Bearing
24	930W00121	Set Clamp Home Sensor

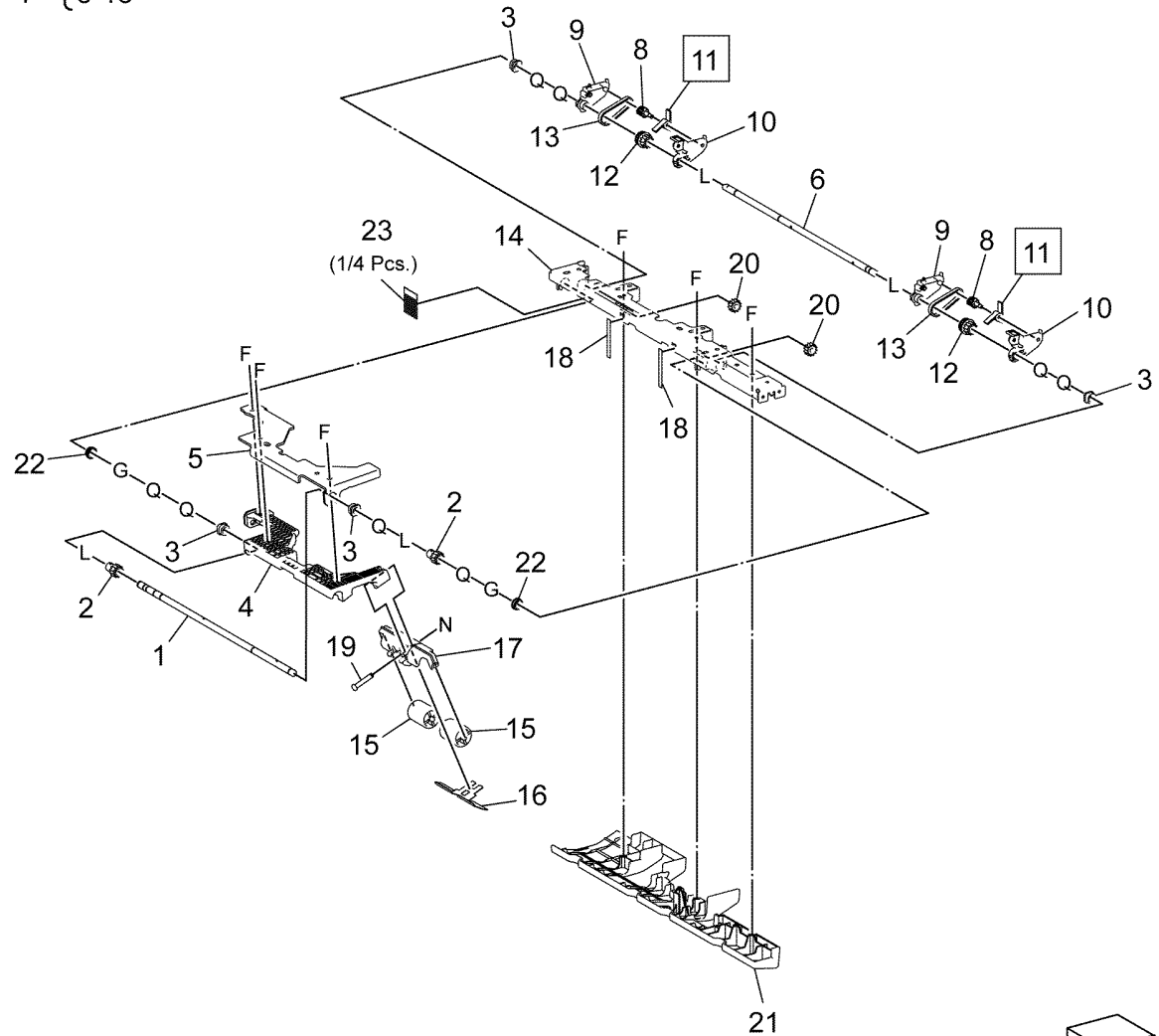


0570005A

PL 70.6 Eject Assembly (3 of 3)

Item	Part	Description
1	—	Sub Paddle Drive Shaft
2	—	Gear (Z12)
3	013E88260	Bearing
4	—	Eject Clamp Arm
5	—	Pinch Arm Bracket
6	—	Sub Paddle Arm Shaft
7	—	Sub Paddle Arm Assembly
8	—	Sub Paddle Pulley (T14) (P/O PL 70.6 Item 7)
9	—	Sub Paddle Arm (P/O PL 70.6 Item 7)
10	—	Sub Paddle Arm 2 (P/O PL 70.6 Item 7)
11	—	Sub Paddle (P/O PL 70.6 Item 7) (REP 6.1)
12	—	Gear (Z12) (P/O PL 70.6 Item 7)
13	—	Synchronous Bare Back Belt (P/O PL 70.6 Item 7)
14	—	Tie Eject Plate Assembly
15	—	Roll Bearing Assembly
16	—	Paper Eject Clamp Guide
17	—	Pinch Exit Holder
18	—	Paper Exit Guide
19	—	Pinch Eject L Shaft
20	—	Gear (Z12)
21	—	Eject Cover
22	—	Ball Bearing
23	—	Compile Eject Eliminator

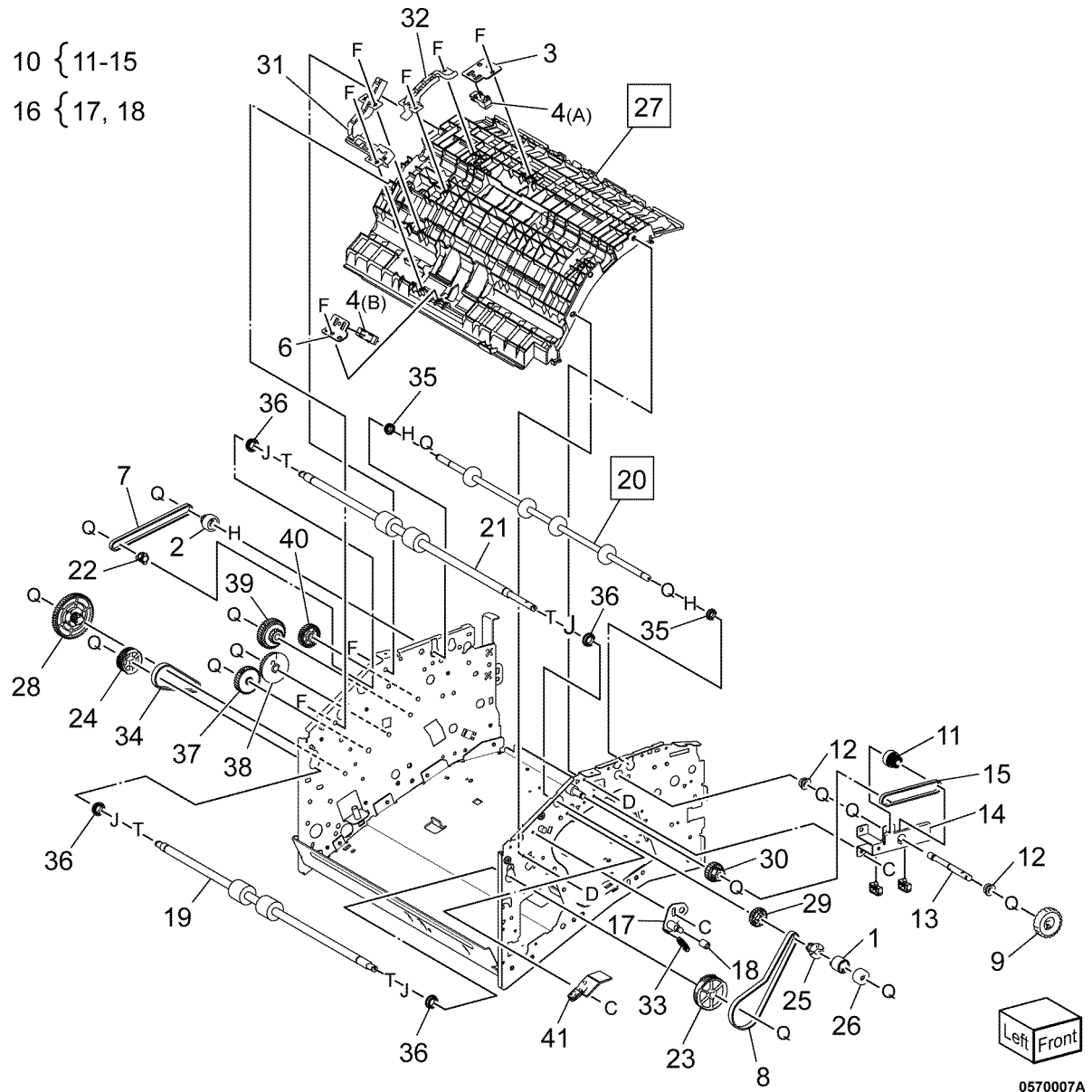
7 {8-13



0570006A

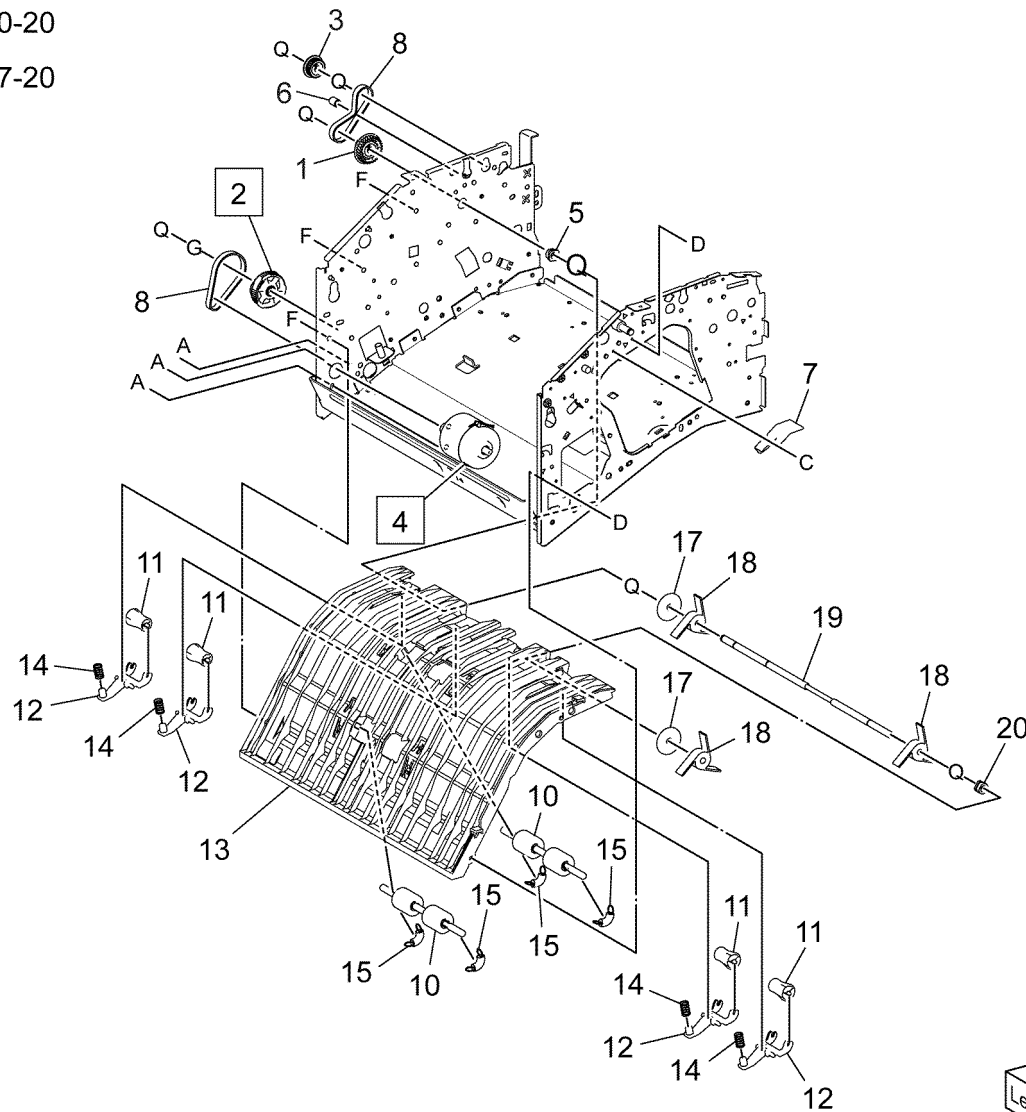
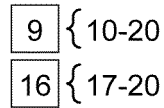
PL 70.7 Export Assembly (1 of 2)

Item	Part	Description
1	019K17541	400 Brake Assembly
2	020K18860	Oneway Pulley (T16) Assembly
3	—	Out Sensor Bracket
4	930W00212	Compile Exit Sensor (A) / Finisher Entrance Sensor (B)
5	—	Not used
6	—	In Sensor Bracket
7	423W10654	Synchronous Bare Back Belt
8	—	Synchronous Bare Back Belt
9	803E26931	Roll Knob
10	049K35250	Jam Shaft Bracket Assembly
11	—	Jam Pulley (T20) Assembly (P/O PL 70.7 Item 10)
12	013E88260	Bearing
13	—	Jam Knob Shaft (P/O PL 70.7 Item 10)
14	—	Jam Shaft Bracket (P/O PL 70.7 Item 10)
15	—	Synchronous Bare Back Belt (P/O PL 70.7 Item 10)
16	049K36910	Tension Belt Bracket Assembly
17	—	Tension Belt Bracket (P/O PL 70.7 Item 16)
18	—	Pulley (P/O PL 70.7 Item 16)
19	859K05200	Transport Roll 1 Assembly
20	859K05340	Compile Exit Roll Assembly (REP 7.2)
21	859K06130	Transport Roll 2 Assembly
22	020E49970	Main Idler Pulley
23	020E52380	Transport Roll 1 Pulley (T55)
24	020E52390	Transport Roll 1 Rear Pulley (T40)
25	020E52470	Clutch Pulley (T16)
26	—	Clutch Lock Cap
27	—	Upper Chute (REP 7.1)
28	807E55080	Motor Idler Gear 2 (Z55L/T17)
29	807E56170	Clutch Gear (Z22)
30	807E56180	Gear (Z22/T20)
31	—	Lower Export Harness Support
32	—	Upper Export Harness Support
33	899E16870	Tension Spring
34	423W27154	Synchronous Bare Back Belt
35	—	Ball Bearing
36	—	Ball Bearing
37	007E78040	Gear (32T)
38	807E20870	Gear (Z34)
39	807E55250	Paddle Idler Gear (Z16/Z35)
40	807E13240	Gear (Z27L)
41	—	Xport Harness Guide



PL 70.8 Export Assembly (2 of 2)

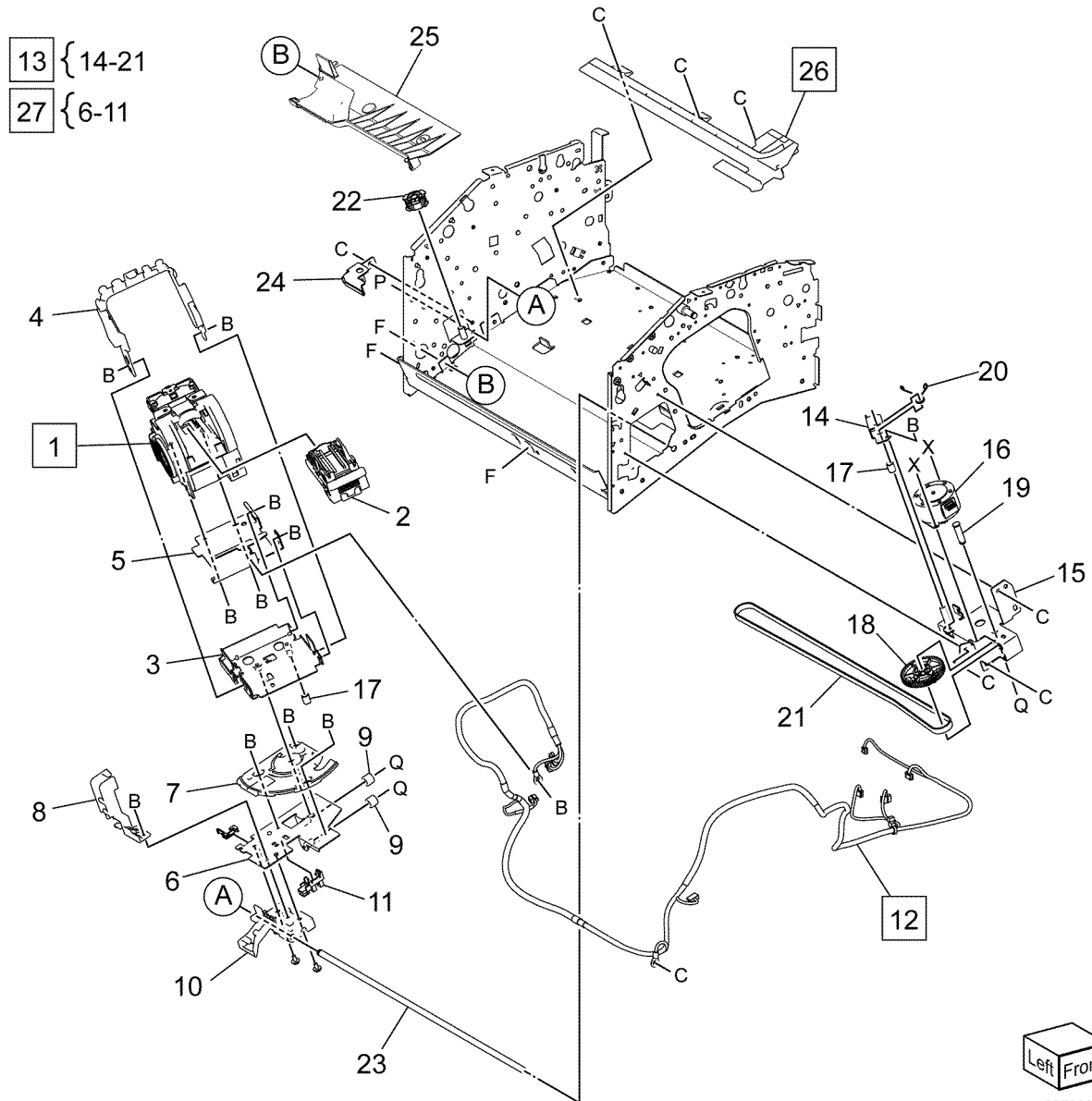
Item	Part	Description
1	007K22400	Main Paddle Gear (Z29/T28) Assembly
2	007K23720	Motor Idler Gear 1 (Z21/T43) Assembly (REP 8.4)
3	020K18971	Oneway Pulley (28T) Assembly
4	127K75550	Finisher Transport Motor (REP 8.3)
5	013E88260	Bearing
6	—	Pulley
7	—	Export Harness Guide
8	—	Synchronous Bare Back Belt
9	054K56612	Lower Chute Assembly (REP 8.1)
10	—	Pinch Roll Shaft Assembly (P/O PL 70.8 Item 9)
11	—	Pinch Exit Out Roller (P/O PL 70.8 Item 9)
12	—	Pinch Exit Out Holder (P/O PL 70.8 Item 9)
13	—	Lower Chute (P/O PL 70.8 Item 9)
14	—	Pinch Exit Spring (P/O PL 70.8 Item 9)
15	—	Pinch No.1 No.2 Roll Spring (P/O PL 70.8 Item 9)
16	033K99051	Main Sub Paddle Assembly (REP 8.2)
17	—	Collar (P/O PL 70.8 Item 9 & 16)
18	—	Cyclone Paddle (P/O PL 70.8 Item 9 & 16)
19	—	Main Paddle Shaft (P/O PL 70.8 Item 9 & 16)
20	—	Plastic Sleeve Bearing (P/O PL 70.8 Item 9 & 16)



0570008A

PL 70.9 Stapler Assembly

Item	Part	Description
1	029K93260	Staple Assembly (REP 9.2)
2	050K51250	Cartridge Assembly
3	—	Holder Bracket Assembly
4	—	Staple Harness Guide 2
5	—	Holder Bracket 2
6	—	Move Bracket Assembly (P/O PL 70.9 Item 27)
7	—	Move Staple Spacer (P/O PL 70.9 Item 27)
8	—	Staple Harness Guide (P/O PL 70.9 Item 27)
9	—	Roller (P/O PL 70.9 Item 27)
10	—	Belt Clamp (P/O PL 70.9 Item 27)
11	930W00121	Stapler Move Position Sensor
12	952K34072	Wire Harness (Staple)
13	049K36723	Staple Drive Bracket Assembly (REP 9.1)
14	—	Tension Bracket Assembly (P/O PL 70.9 Item 13)
15	—	Motor Bracket Assembly (P/O PL 70.9 Item 13)
16	—	Stapler Move Motor (P/O PL 70.9 Item 13)
17	—	Pulley (P/O PL 70.9 Item 13)
18	—	Gear (Z50L/T33) (P/O PL 70.9 Item 13)
19	—	Staple Move Belt Stud (P/O PL 70.9 Item 13)
20	—	Tension Spring (P/O PL 70.9 Item 13)
21	—	Synchronous Bare Back Belt (P/O PL 70.9 Item 13)
22	—	Pulley (T33/S2M)
23	—	Staple Move Shaft
24	—	Tension Bracket 2
25	—	Staple Harness Guide 3
26	—	Staple Move Rail (REP 9.3)
27	049K35160	Move Staple Bracket Assembly



Note: 1. Staple cartridges can be ordered 008R12964.

Note: 2. Staple refills can be ordered 008R12941.

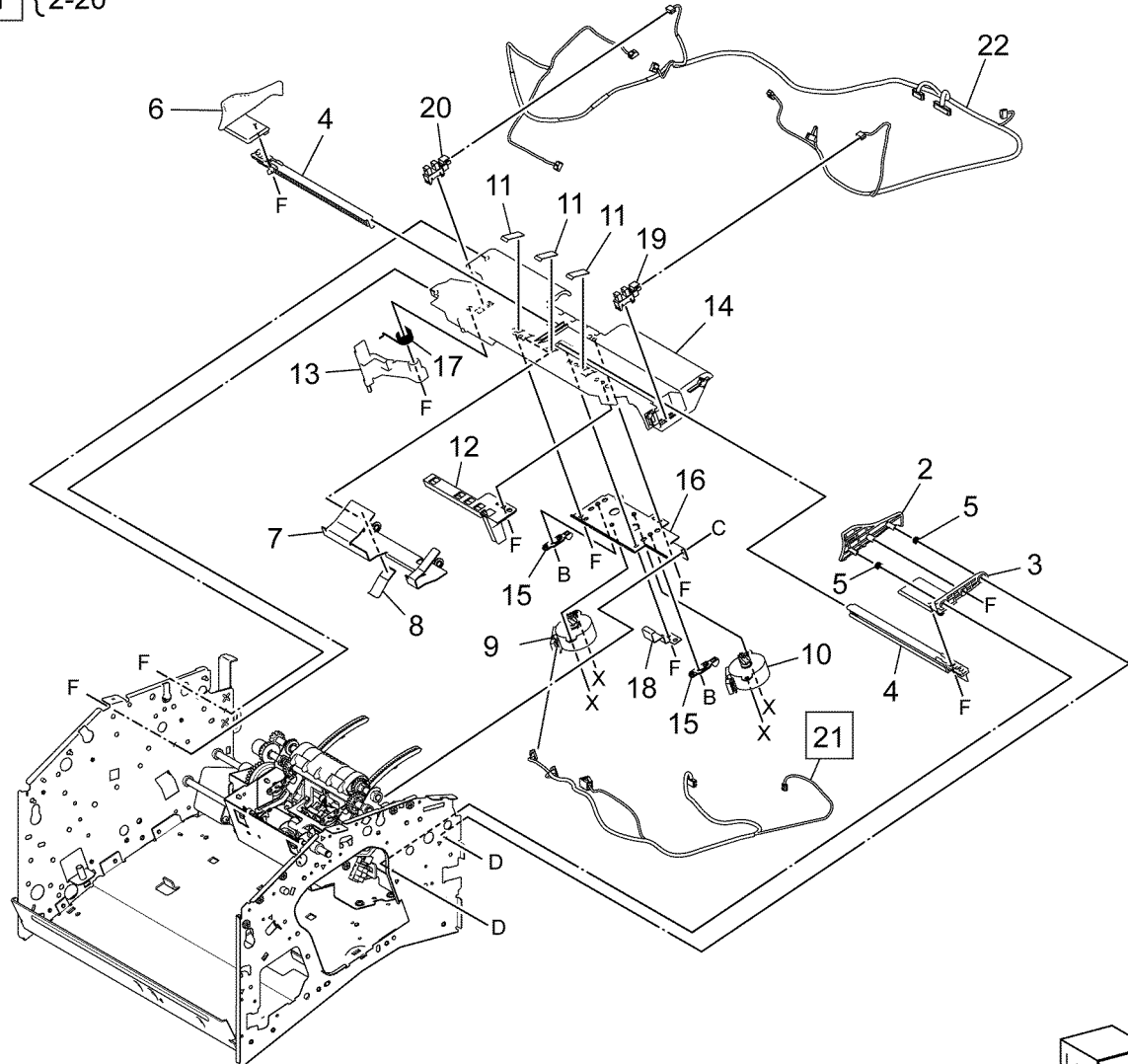


0570009A

PL 70.10 Compile Assembly

Item	Part	Description
1	050K79370	Compile Tray Assembly (REP 10.1)
2	—	Front Tamper Guide (P/O PL 70.10 Item 1)
3	—	Front Tamper Base (P/O PL 70.10 Item 1)
4	—	Tamper Rack (P/O PL 70.10 Item 1)
5	—	Tamper Spring (P/O PL 70.10 Item 1)
6	—	Rear Tamper Guide (P/O PL 70.10 Item 1)
7	—	End Wall Guide (P/O PL 70.10 Item 1)
8	—	Paper End Wall Guide (P/O PL 70.10 Item 1)
9	—	Rear Tamper Motor (P/O PL 70.10 Item 1)
10	—	Front Tamper Motor (P/O PL 70.10 Item 1)
11	—	Paper Compile Guide (P/O PL 70.10 Item 1)
12	—	Compile Tray Harness Guide (P/O PL 70.10 Item 1)
13	—	Rear Paper Compile Guide (P/O PL 70.10 Item 1)
14	—	Compile Tray (P/O PL 70.10 Item 1)
15	—	Shelf Stopper (P/O PL 70.10 Item 1)
16	—	Tamper Motor Bracket (P/O PL 70.10 Item 1)
17	—	Rear End Wall Spring (P/O PL 70.10 Item 1)
18	—	End Wall Spring (P/O PL 70.10 Item 1)
19	930W00121	Front Tamper Home Sensor (A)/ Rear Tamper home Sensor (B)
20	—	Not used
21	952K34092	Wire Harness (Tamper Motor)
22	952K34111	Wire Harness (Sensor)

1 {2-20



0570010A

Common Hardware

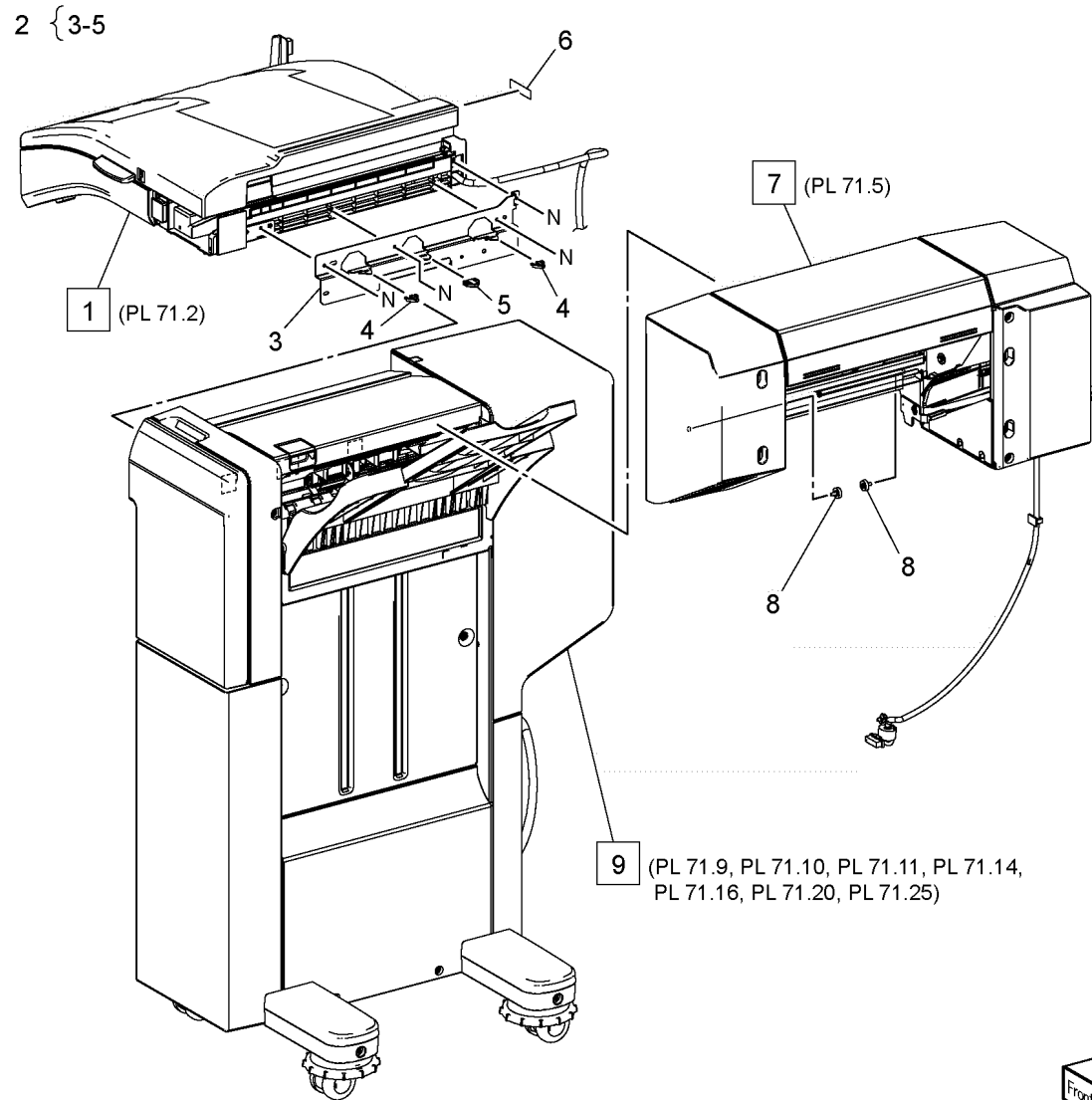
Item	Part	Description
A	113W20478	Screw (M3 x 4)
B	113W20678	Screw (M3x6)
C	113W20698	Screw (M3x6)
D	113W21278	Screw (M3x12)
E	113W21478	Screw (M3x14)
F	153W17888	Tapping Screw (M3x8)
G	252W27450	Nylon Washer (6) (t1)
H	252W27550	Nylon Washer (6) (t1.5)
J	252W29550	Nylon Washer (8) (t1.5)
K	285W15651	Spring Pin (2x6)
L	285W16051	Spring Pin (2x10)
M	285W21451	Spring Pin (2.5x14)
N	354W21278	E-Clip (3)
P	354W24254	KL-CLIP
Q	354W24278	E-Clip (4)
R	354W26278	E-Clip (5)
S	354W27254	KL-CLIP
T	354W27278	E-Clip (6)
W	354W29254	KL-CLIP
X	113W27488	Screw (M3x4)
Y	153W17688	Tapping Screw (M3x6)

5 Parts List

Finishers	107
PL 71.1 Finisher-B3	108
PL 71.2 H-Transport Assembly, Punch Assembly	109
PL 71.3 Lower Chute Assembly	110
PL 71.4 Punch Assembly (Option)	111
PL 71.5 Booklet Cover (Option)	112
PL 71.6 Booklet Electrical (Option)	113
PL 71.7 Booklet Stapler Assembly (Option) (1 of 2)	114
PL 71.8 Booklet Stapler Assembly (Option) (2 of 2)	115
PL 71.9 Finisher Cover	116
PL 71.10 Stacker Assembly	117
PL 71.11 Eject Assembly	118
PL 71.12 Eject Motor Drive Assembly	119
PL 71.13 Eject Chute Assembly	120
PL 71.14 Compile Tray Assembly (1 of 2)	121
PL 71.15 Compile Tray Assembly (2 of 2)	122
PL 71.16 Transport Assembly	123
PL 71.17 Finisher Transport Motor Assembly	124
PL 71.18 Folder Assembly (1 of 2)	125
PL 71.19 Folder Assembly (2 of 2)	126
PL 71.20 Finisher-B3 Electrical	127
PL 71.25 Stapler Assembly	128
PL 71.26 Staple Holder Assembly	129
PL 71.27 Stapler Rail Assembly	130
PL 71.28 Stapler Drive Assembly	131
Common Hardware	132
Common Hardware	133

PL 71.1 Finisher-B3

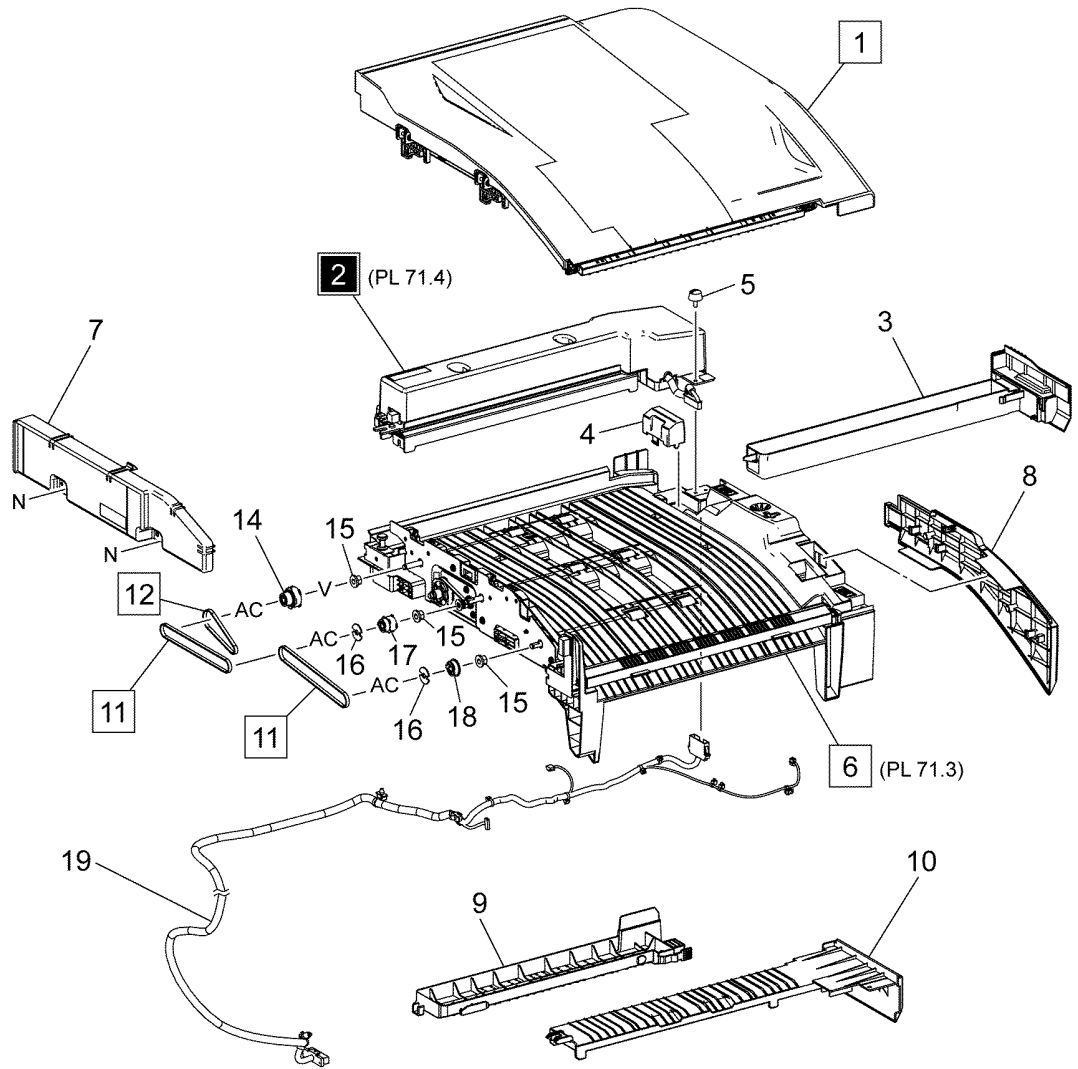
Item	Part	Description
1	859K13283	H-Transport Assembly (REF: PL 71.2) (REP 1.1)
2	049K44680	Docking Bracket Assembly
3	—	Docking Bracket (P/O PL 71.1 Item 2)
4	—	Side Guide (P/O PL 71.1 Item 2)
5	—	Center Guide (P/O PL 71.1 Item 2)
6	—	Label (H-Transport Serial)
7	497K20590	Booklet Assembly (Option) (REF: PL 71.5) (REP 1.2)
8	826E31870	Thumb Screw (Option)
9	—	Finisher-B3 Assembly (REF: PL 71.9, PL 71.10, PL 71.11, PL 71.14, PL 71.16, PL 71.20, PL 71.25) (REP 1.3)



0571001A

PL 71.2 H-Transport Assembly, Punch Assembly

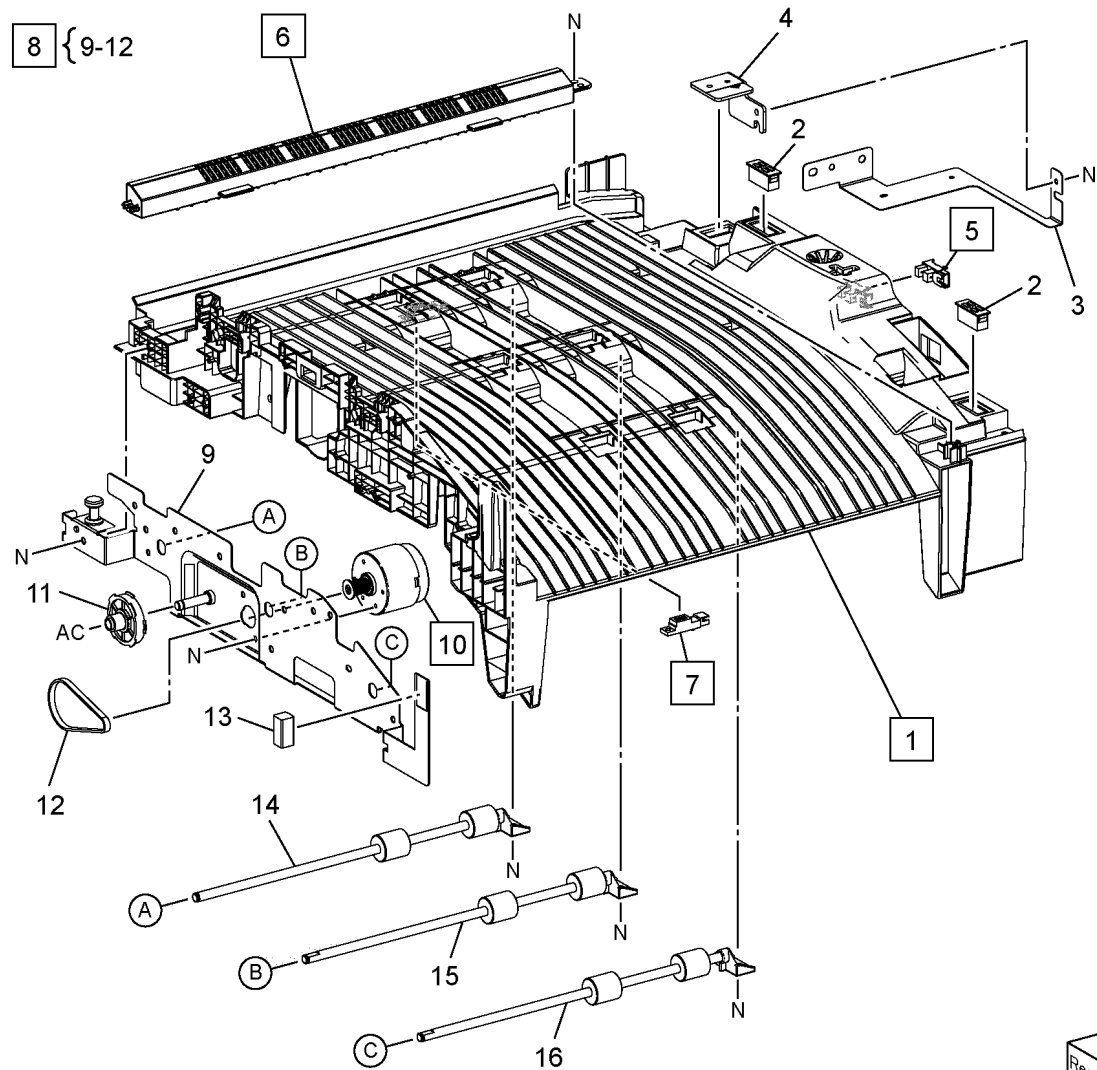
Item	Part	Description
1	948K20940	Top Cover Assembly
2	497K20600	Punch Assembly (2/3 Hole) (Option) (REF: PL 71.4) (ADJ 2.1)
—	497K20610	Punch Assembly (2/4 Hole) (Option) (REF: PL 71.4) (ADJ 2.1)
3	948K21970	Dust Box Cover Assembly (Option)
4	822E55780	Connector Cover
5	026K81200	Thumb Screw
6	054K59882	Lower Chute Assembly (REF: PL 71.3)
7	—	Rear Cover
8	822E53650	Front Cover
9	054E63081	Top Dummy Chute
10	822E53141	Lower Dummy Chute
11	423W15054	Belt (REP 2.1)
12	423W08054	Idler Belt (REP 2.1)
13	—	Not used
14	020K19201	Pulley (Exit)
15	413W75959	Bearing
16	—	Collar
17	—	Pulley (Middle)
18	—	Pulley (Entrance)
19	117K50350	Wire Harness (H-Transport)



0571002A

PL 71.3 Lower Chute Assembly

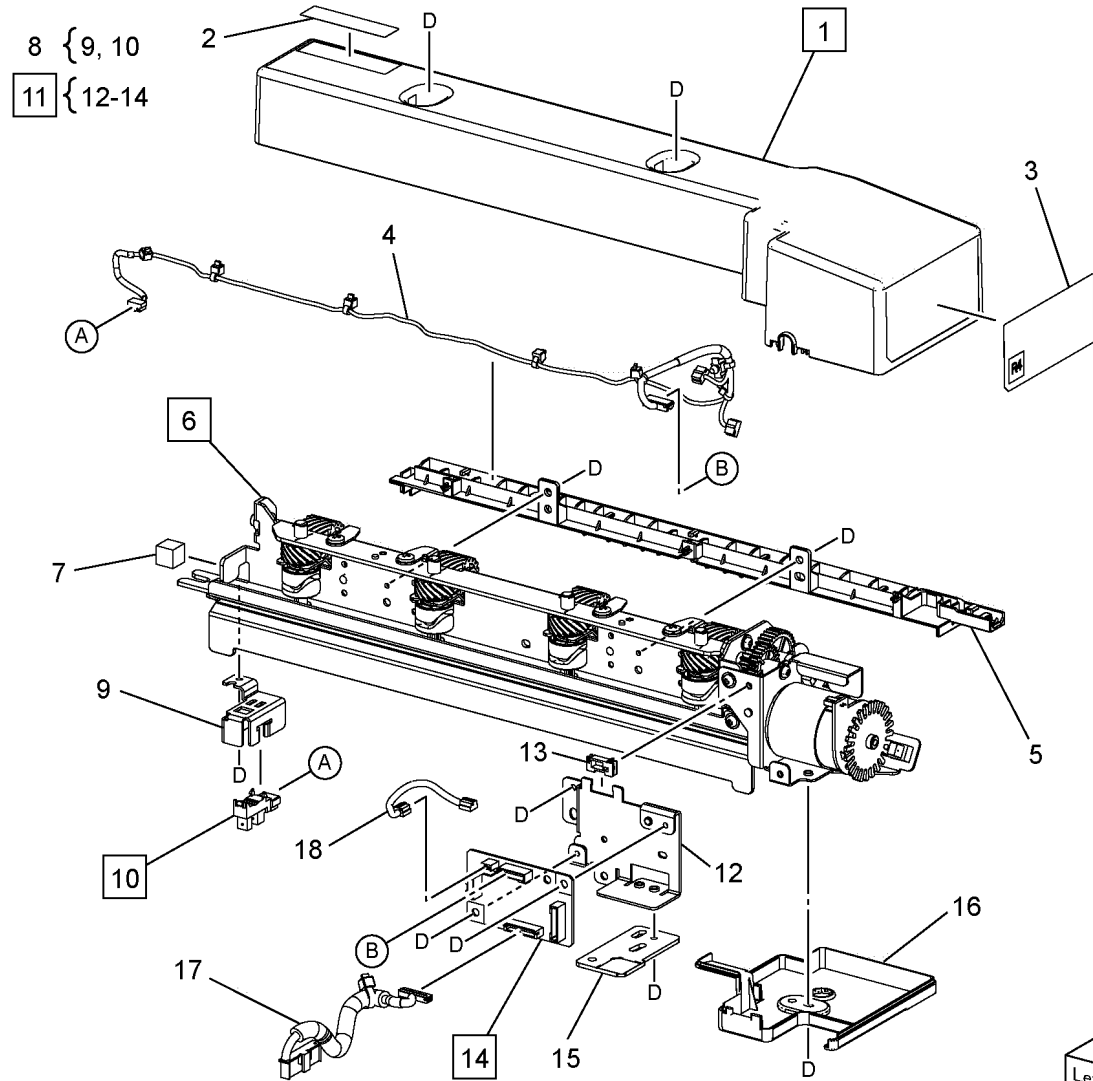
Item	Part	Description
1	—	H-Transport Lower Chute
2	421W00101	Magnet Box
3	—	Earth Ground Plate
4	—	Punch Bracket
5	930W00122	H-Transport Open Sensor
6	—	H-Transport In Lower Chute
7	130E21140	H-Transport Entrance Sensor
8	049K44660	Cover Bracket Assembly (REP 3.1)
9	—	Drive Bracket Assembly (P/O PL 71.3 Item 8)
10	—	H-Transport Motor Assembly (P/O PL 71.3 Item 8) (REP 3.1)
11	—	Idler Pulley (P/O PL 71.3 Item 8)
12	—	Idler Belt (P/O PL 71.3 Item 8)
13	—	Shield Gasket
14	859K13651	Bearing Exit Roll Assembly
15	859K13151	Bearing Middle Roll Assembly
16	859K13131	Bearing Entrance Roll Assembly



0571003A

PL 71.4 Punch Assembly (Option)

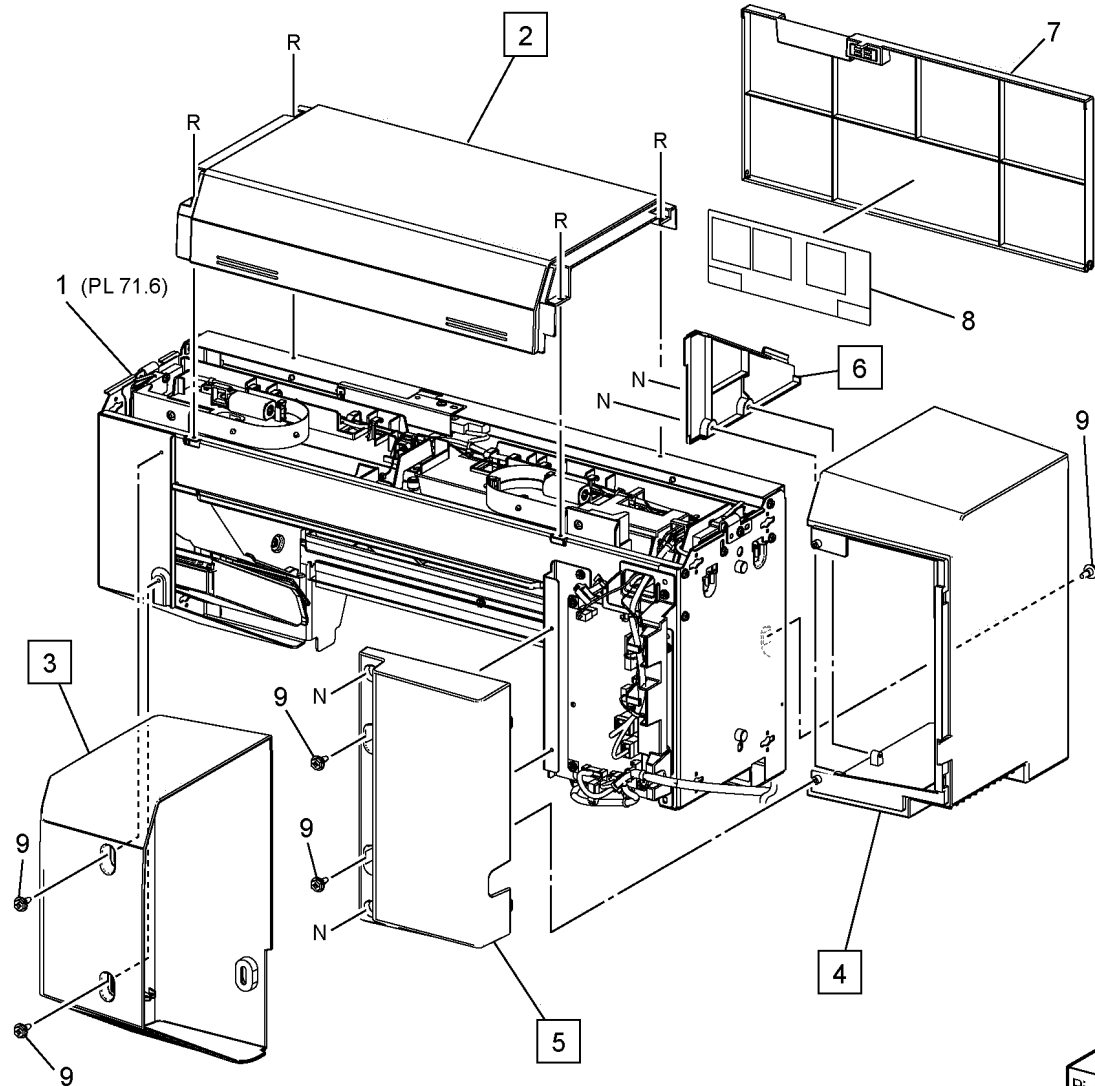
Item	Part	Description
1	—	Top Punch Cover
2	—	Label (Punch Serial 2/4 Hole)
3	—	Label (R4)
4	—	Wire Harness (Punch Sensor)
5	—	Punch Harness Chute
6	—	Punch Frame Assembly (2/4 Hole)
7	—	Shield Gasket
8	—	Dust Box Set Sensor Bracket Assembly
9	—	Dust Box Set Sensor Bracket (P/O PL 71.4 Item 8)
10	930W00122	Punch Dust Box Set Sensor
11	—	Punch PWB Assembly
12	—	Punch PWB Bracket (P/O PL 71.4 Item 11)
13	—	Bush (P/O PL 71.4 Item 11)
14	—	Punch PWB (P/O PL 71.4 Item 11)
15	—	Docking Punch Bracket Assembly
16	—	Punch Cover Motor
17	—	Wire Harness (Punch Interface)
18	—	Wire Harness (Punch Motor)
2A	—	Label (Punch Serial 2/3 Hole)
6A	—	Punch Frame Assembly (2/3 Hole)



0571004A

PL 71.5 Booklet Cover (Option)

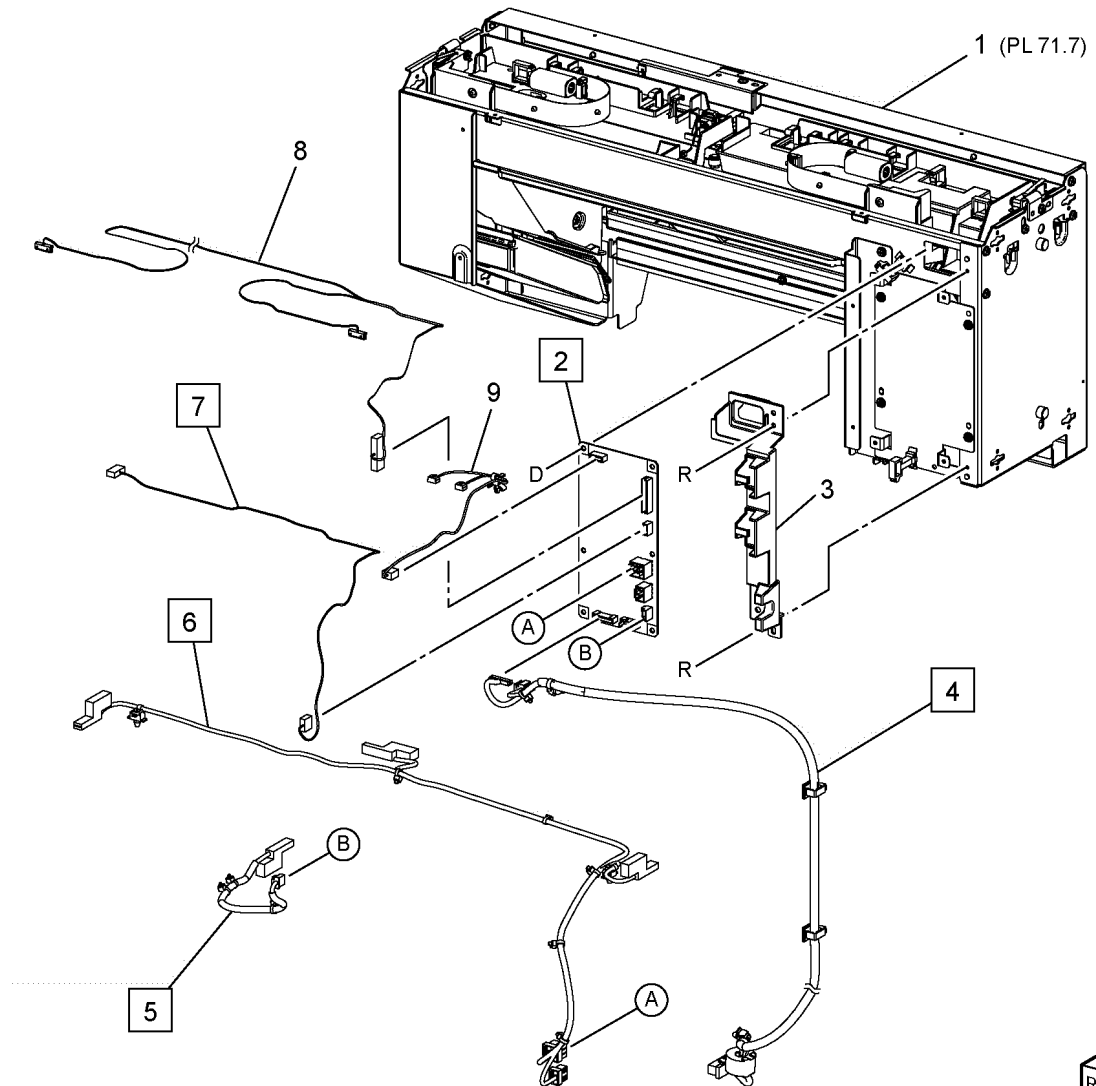
Item	Part	Description
1	—	Booklet Frame Unit (REF: PL 71.6)
2	—	Top Cover
3	—	Front Cover
4	—	Rear Cover
5	—	PWB Cover
6	—	Rear Side Cover
7	—	Left Cover Assembly
8	—	Label (Book 1)
9	—	Shoulder Screw



0571005A

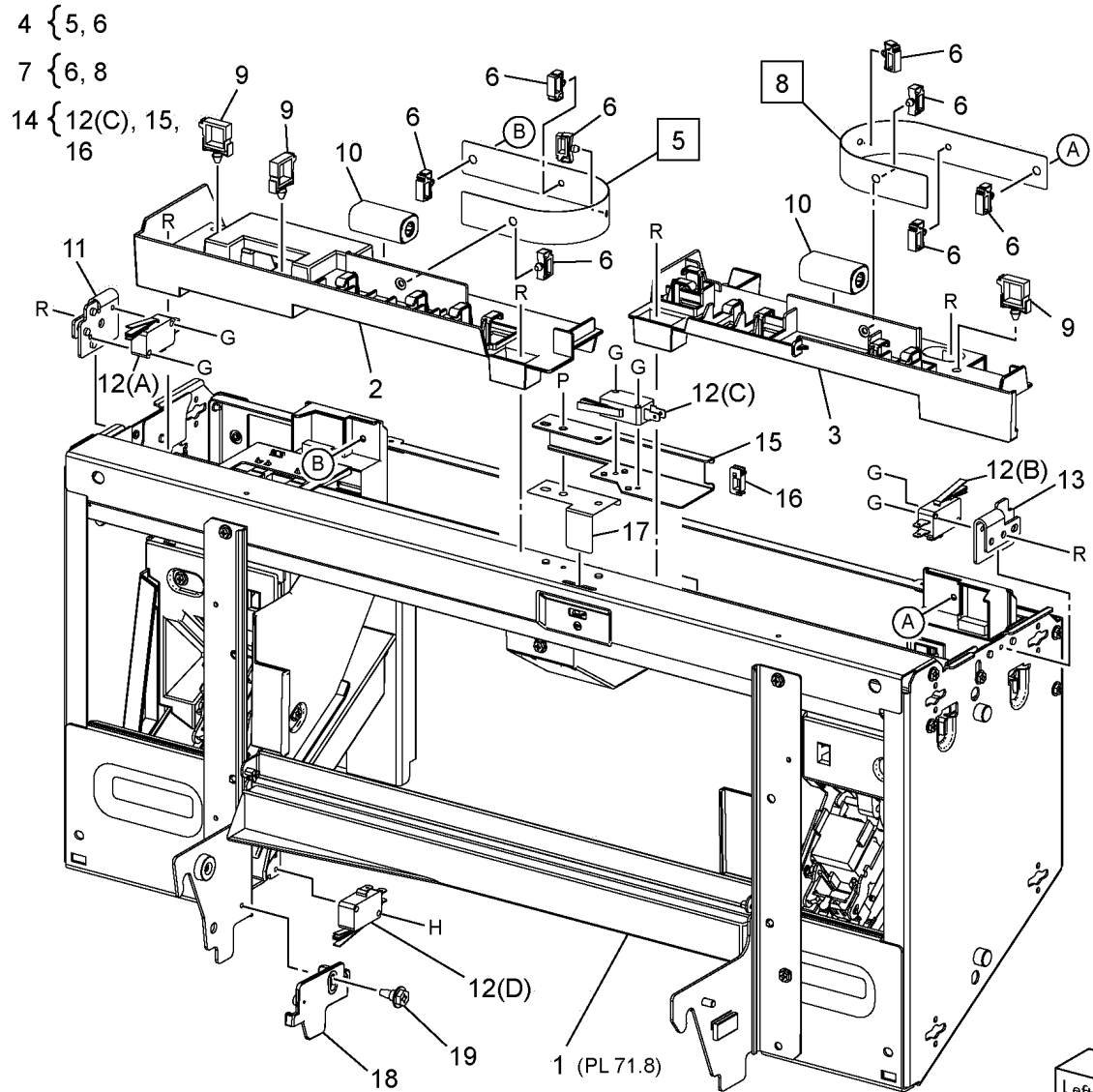
PL 71.6 Booklet Electrical (Option)

Item	Part	Description
1	—	Frame Assembly (REF: PL 71.7)
2	960K92082	Booklet PWB
3	—	Booklet PWB Harness Guide
4	952K43250	Wire Harness (Booklet Interface)
5	—	Wire Harness (Booklet Interlock 1)
6	—	Wire Harness (Booklet Interlock 2)
7	—	Wire Harness (Booklet Motor)
8	—	Wire Harness (Booklet Staple)
9	—	Wire Harness (Booklet Sensor)



PL 71.7 Booklet Stapler Assembly (Option) (1 of 2)

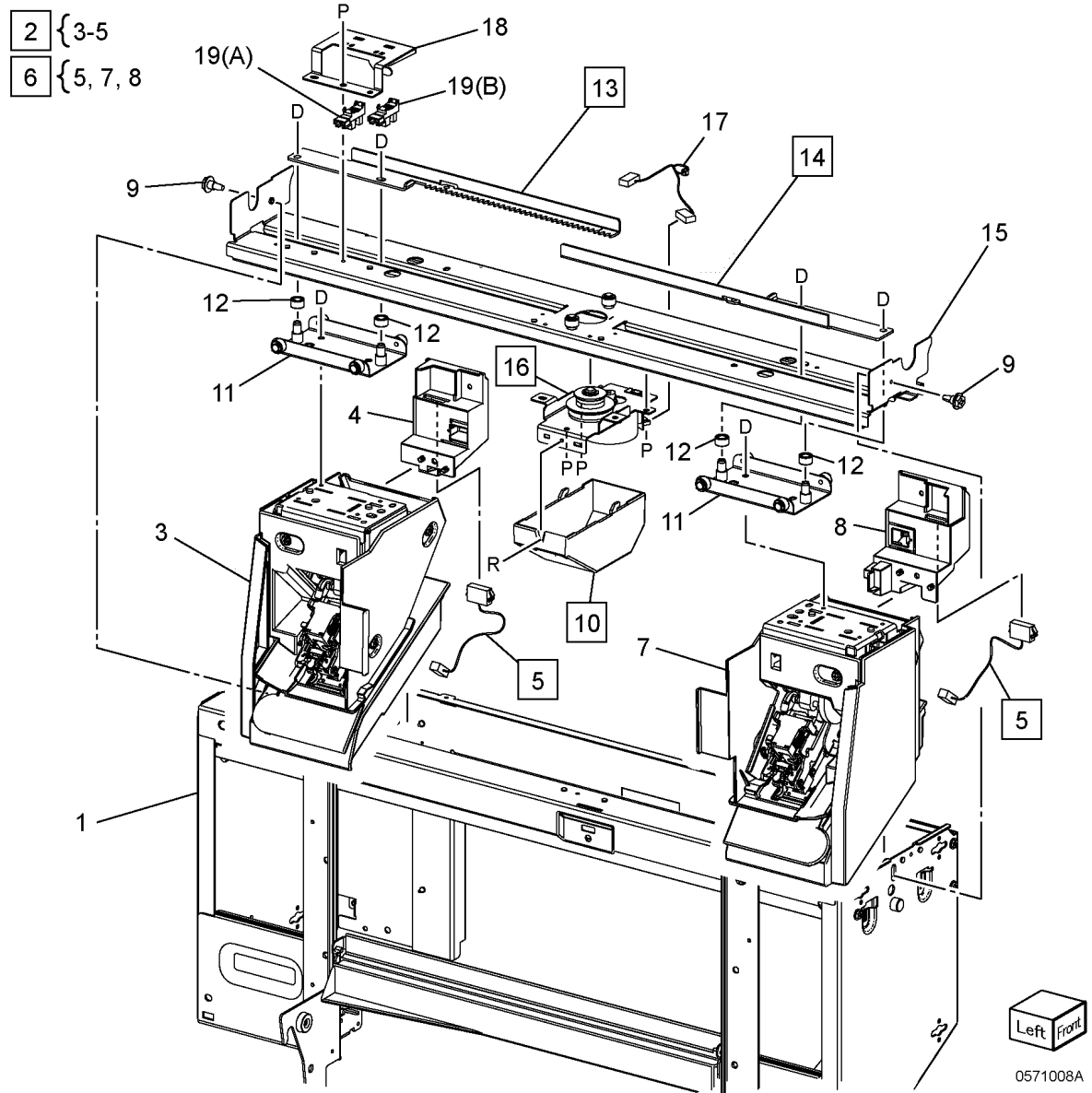
Item	Part	Description
1	—	Booklet Frame Assembly (REF: PL 71.8)
2	—	Rear Harness Guide
3	—	Front Harness Guide
4	—	Rear Stapler Harness Guide Assembly
5	—	Rear Stapler Harness Guide (P/O PL 71.7 Item 4)
6	—	Clamp
7	—	Front Stapler Harness Guide Assembly
8	—	Front Stapler Harness Guide (P/O PL 71.7 Item 7)
9	—	Clamp
10	—	Core
11	—	Rear Interlock Bracket
12	110E15060	Booklet Rear Safety Switch (A)/ Booklet Front Safety Switch (B)/ Booklet Cover Open Switch (C)/ Option Switch (D)
13	—	Front Interlock Bracket
14	—	Booklet Interlock Bracket Assembly
15	—	Booklet Interlock Bracket (P/O PL 71.7 Item 14)
16	—	Bush (P/O PL 71.7 Item 14)
17	—	Switch Plate
18	120E39372	Interlock Actuator
19	—	Shoulder Screw



0571007A

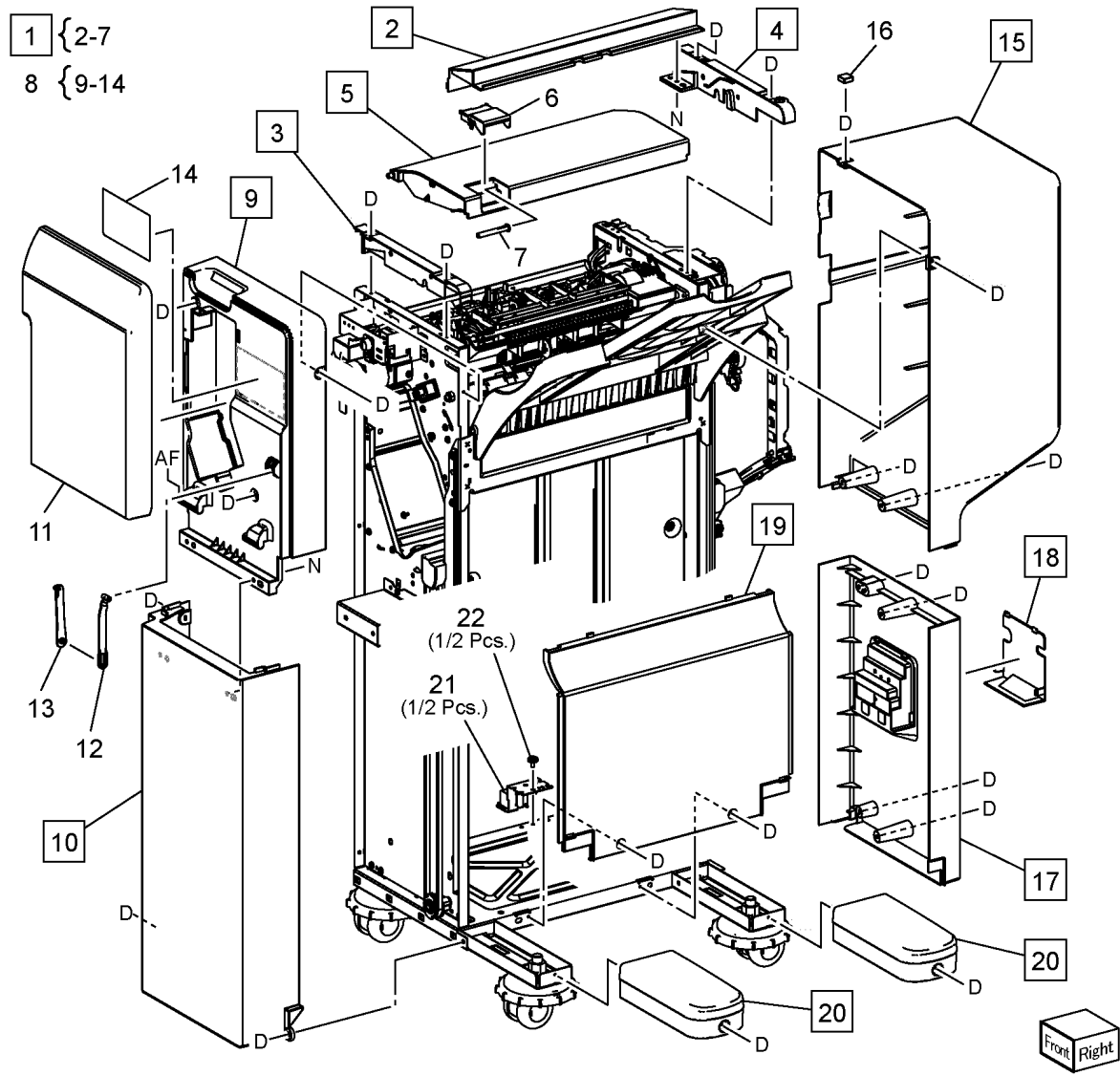
PL 71.8 Booklet Stapler Assembly (Option) (2 of 2)

Item	Part	Description
1	—	Booklet Frame
2	029K93591	Rear Stapler Assembly (REP 8.1)
3	—	Rear Stapler Bracket Assembly (P/O PL 71.8 Item 2)
4	—	Rear Booklet Stapler Harness Guide (P/O PL 71.8 Item 2)
5	—	Wire Harness (Booklet Stapler Exit) (P/O PL 71.8 Item 2)
6	029K93581	Front Stapler Assembly (REP 8.1)
7	—	Front Stapler Bracket Assembly (P/O PL 71.8 Item 6)
8	—	Front Booklet Stapler Harness Guide (P/O PL 71.8 Item 6)
9	—	Shoulder Screw
10	—	Center Cover
11	—	Carriage Assembly
12	—	Core
13	—	Rear Rack Gear (REP 8.2)
14	—	Front Rack Gear (REP 8.2)
15	—	Carriage Rail Assembly
16	—	Booklet Staple Move Motor Assembly (REP 8.3)
17	962K64630	Wire Harness (Booklet Staple Move Motor)
18	—	Sensor Bracket
19	930W00122	Booklet Stapler Move Home Sensor (A)/ Booklet Stapler Move Position Sensor (B)



PL 71.9 Finisher Cover

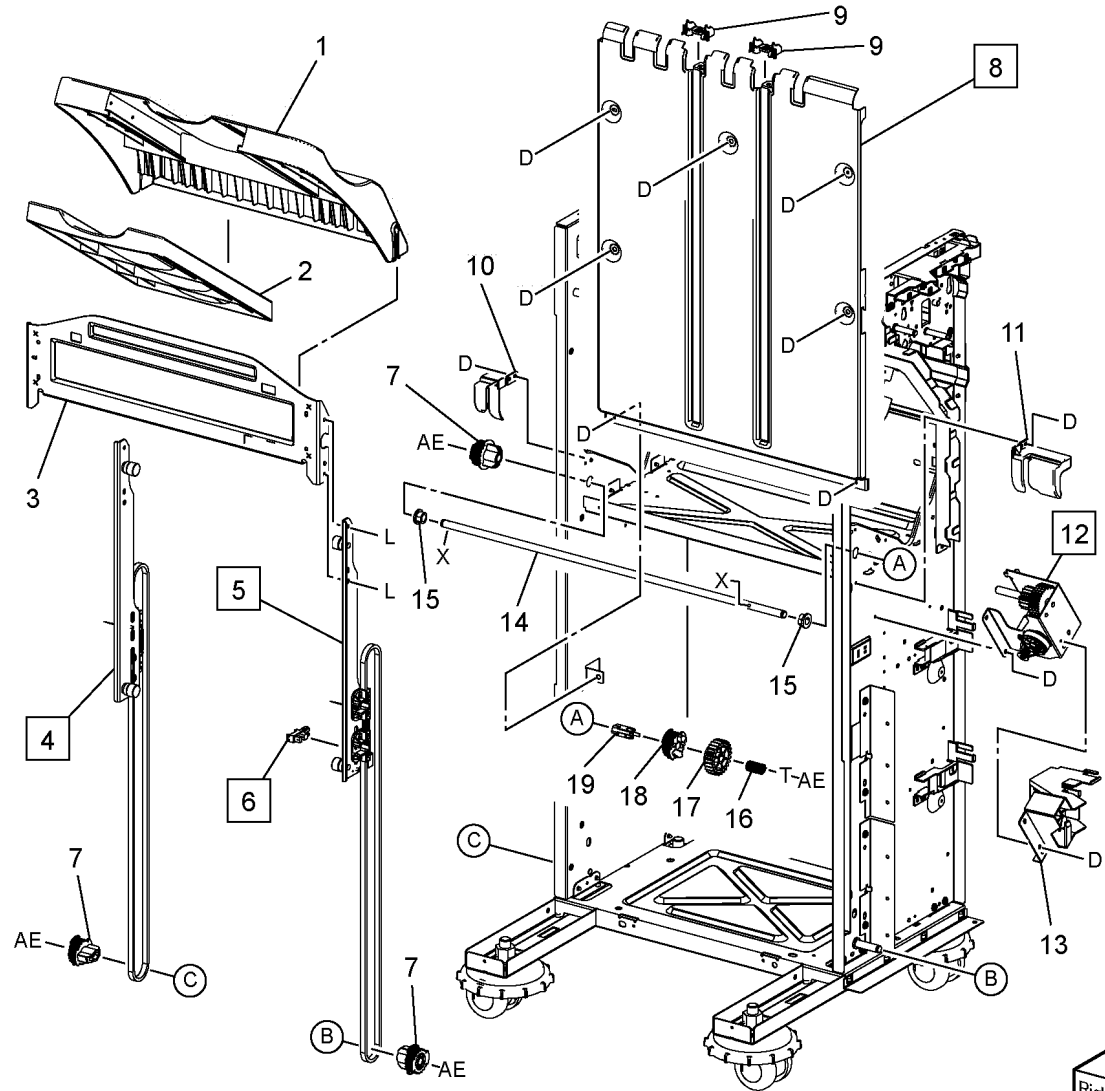
Item	Part	Description
1	948K20552	Top Cover Assembly (REP 9.1)
2	—	LH Top Cover (P/O PL 71.9 Item 1)
3	—	Front Top Cover (P/O PL 71.9 Item 1)
4	—	Rear Top Cover (P/O PL 71.9 Item 1)
5	—	RH Top Cover (P/O PL 71.9 Item 1)
6	—	Eject Top Lever (P/O PL 71.9 Item 1)
7	—	Top Lever Shaft (P/O PL 71.9 Item 1)
8	948K20560	Front Cover Assembly
9	—	Front Inner Cover (P/O PL 71.9 Item 8)
10	—	Front Lower Cover (P/O PL 71.9 Item 8)
11	—	Door Cover Assembly (P/O PL 71.9 Item 8)
12	822E24391	Strip C1
13	822E24401	Strip C2
14	—	Label (Caution)
15	—	Rear Upper Cover
16	—	Cap Screw
17	—	Rear Lower Cover
18	—	Connector Cover
19	—	RH Cover
20	—	Foot Cover
21	815K22210	VCCI Plate Assembly
22	—	Docking Screw



0571009A

PL 71.10 Stacker Assembly

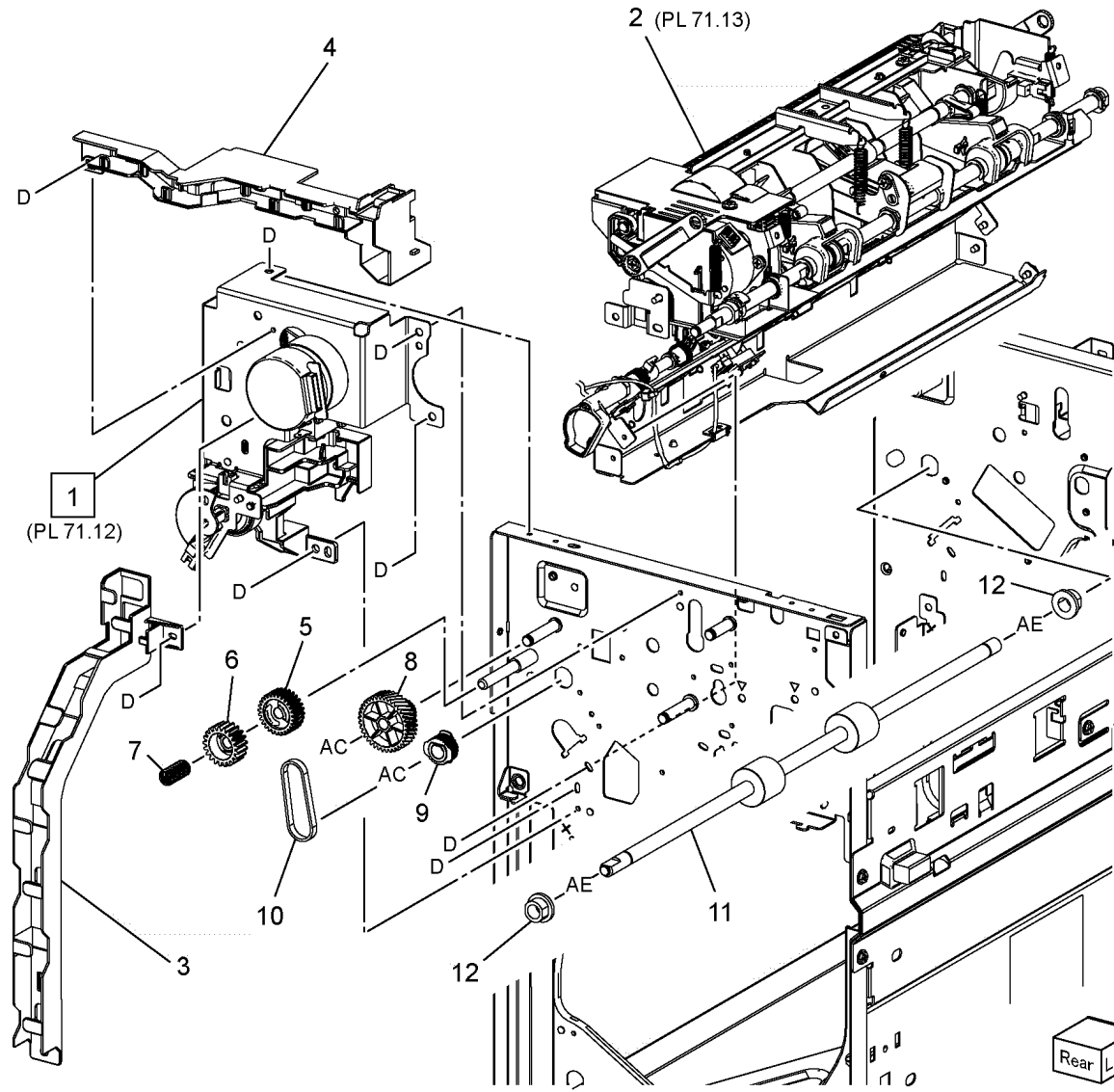
Item	Part	Description
1	050E33870	Stacker Tray
2	050E27481	Extension Tray
3	—	Carriage Tray Assembly
4	041K96720	Front Clamp Belt Carriage Assembly (REP 10.1)
5	041K96740	Rear Clamp Belt Carriage Assembly (REP 10.1)
6	930W00122	Stacker Home Sensor
7	—	Pulley (T18)
8	—	Tray Guide (REP 10.2)
9	032E51562	Roller Guide
10	—	Front Pulley Cover
11	—	Rear Pulley Cover
12	127K77832	Stacker Motor Assembly (REP 10.3)
13	—	Lower Harness Guide
14	—	Shaft
15	—	Bearing
16	—	Spring
17	—	Gear
18	—	Pulley
19	—	Stopper



0571010A

PL 71.11 Eject Assembly

Item	Part	Description
1	049K44380	Eject Motor Drive Bracket Assembly (REF: PL 71.12) (REP 11.1)
2	054K62970	Eject Assembly (REF: PL 71.13)
3	—	Upper Harness Guide
4	—	Interlock Harness Guide
5	807E60770	Gear (Z28)
6	807E60780	Gear (Z21)
7	899E21521	Spring
8	807E60480	Gear (Z37/T22)
9	020E53610	Pulley (T25)
10	423W05455	Belt
11	859K13090	Eject Roller Assembly
12	—	Bearing

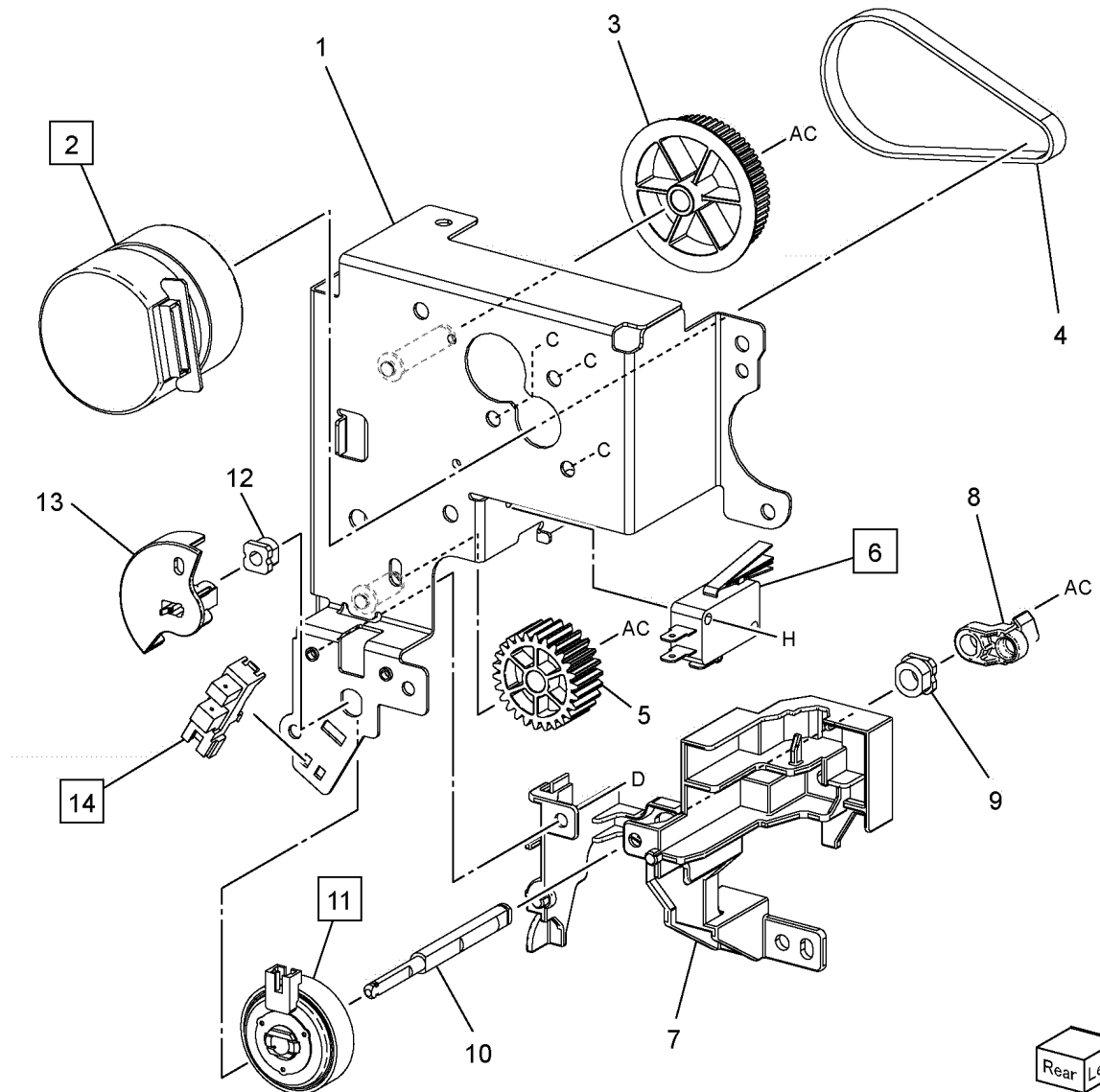


Rear Left

0571011A

PL 71.12 Eject Motor Drive Assembly

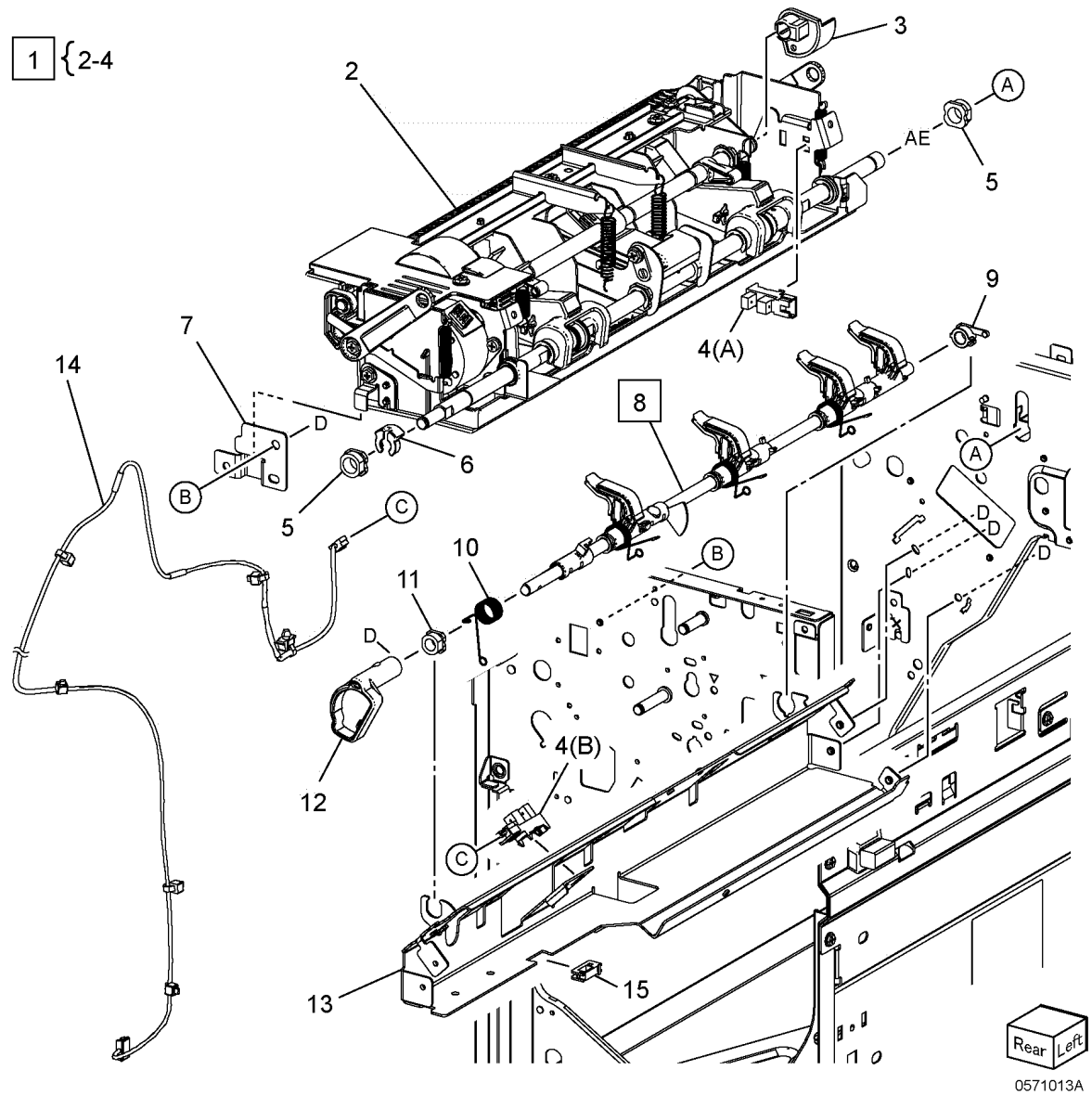
Item	Part	Description
1	—	Eject Drive Bracket Assembly
2	127K76510	Eject Motor Assembly
3	—	Pulley (T63/Z24)
4	—	Belt
5	—	Gear (Z26)
6	110E15060	Eject Cover Switch
7	—	Clutch Cover
8	—	Clamp Set Link
9	413W14660	Bearing
10	—	Link Shaft
11	005K84450	Set Clamp Clutch Assembly
12	—	Bearing
13	120E39352	Set Clamp Home Actuator
14	930W00122	Set Clamp Home Sensor



0571012A

PL 71.13 Eject Chute Assembly

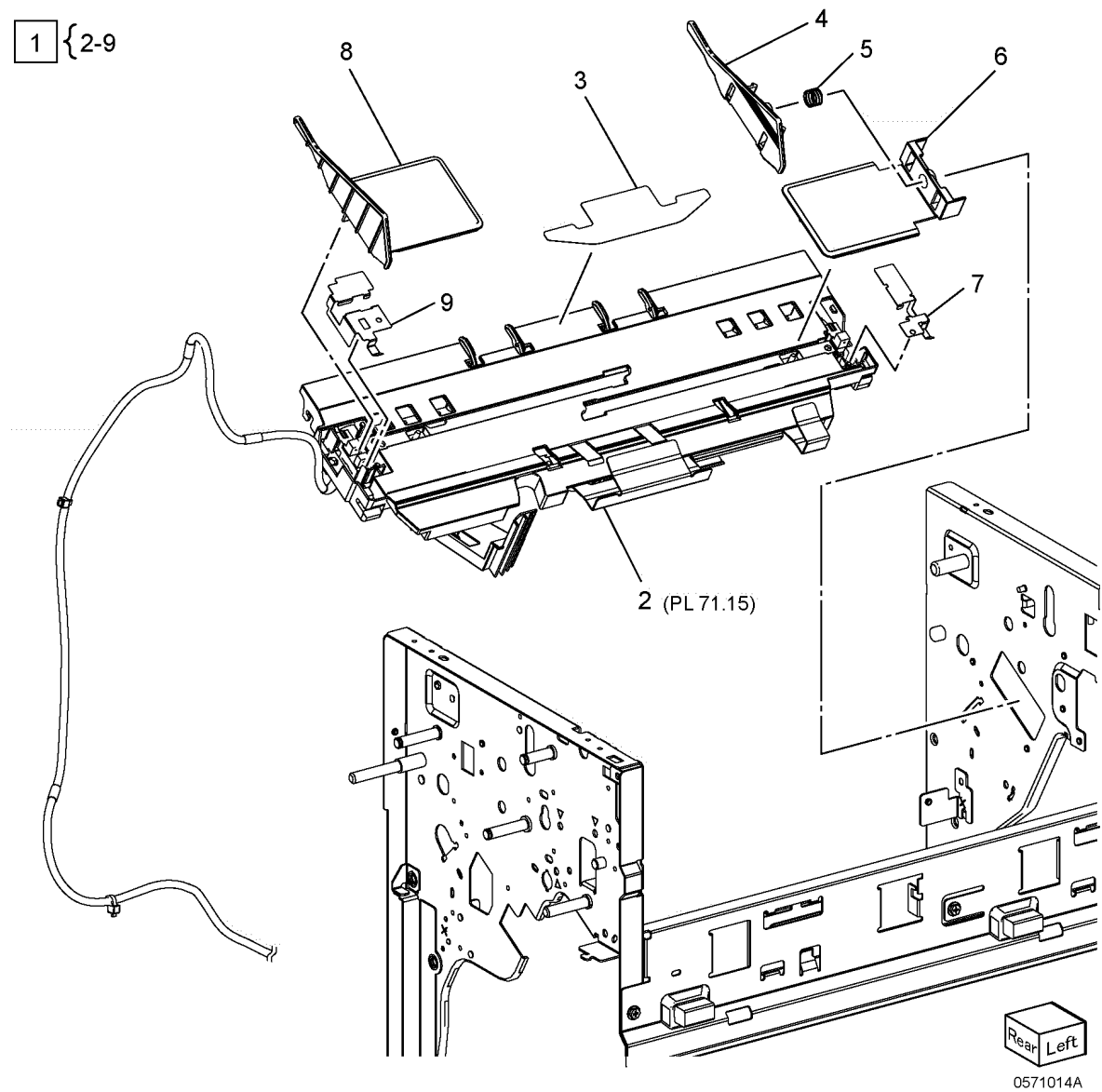
Item	Part	Description
1	—	Eject Chute Assembly (REP 13.1)
2	—	Eject Clamp Assembly (P/O PL 71.13 Item 1)
3	—	Sub Paddle Actuator (P/O PL 71.13 Item 1)
4	930W00122	Eject Cam Home Sensor (A)/ Stacker Height Sensor (B)
5	—	Bearing
6	—	KL-Clip (6)
7	—	Interlock Guide
8	006K35810	Set Clamp Main Shaft Assembly (REP 13.2)
9	013E40770	TA Bearing
10	006K35201	Set Clamp Spring Shaft
11	413W14660	Bearing
12	—	Set Clamp Holder
13	—	Set Clamp Bracket
14	—	Wire Harness (Sensor 2)
15	—	Bush



PL 71.14 Compile Tray Assembly (1 of 2)

Item	Part	Description
1	050K78310	Compile Tray Assembly (REP 14.1)
2	—	Compile Guide Tray (REF: PL 71.15, PL 71.15 Item 1)
3	—	Lower Eject Guide (P/O PL 71.14 Item 1)
4	—	Front Tamper Guide (P/O PL 71.14 Item 1)
5	—	Spring (P/O PL 71.14 Item 1)
6	—	Front Tamper Base (P/O PL 71.14 Item 1)
7	—	Front Earth Plate (P/O PL 71.14 Item 1)
8	—	Rear Tamper Base (P/O PL 71.14 Item 1)
9	—	Rear Earth Plate (P/O PL 71.14 Item 1)

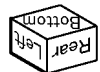
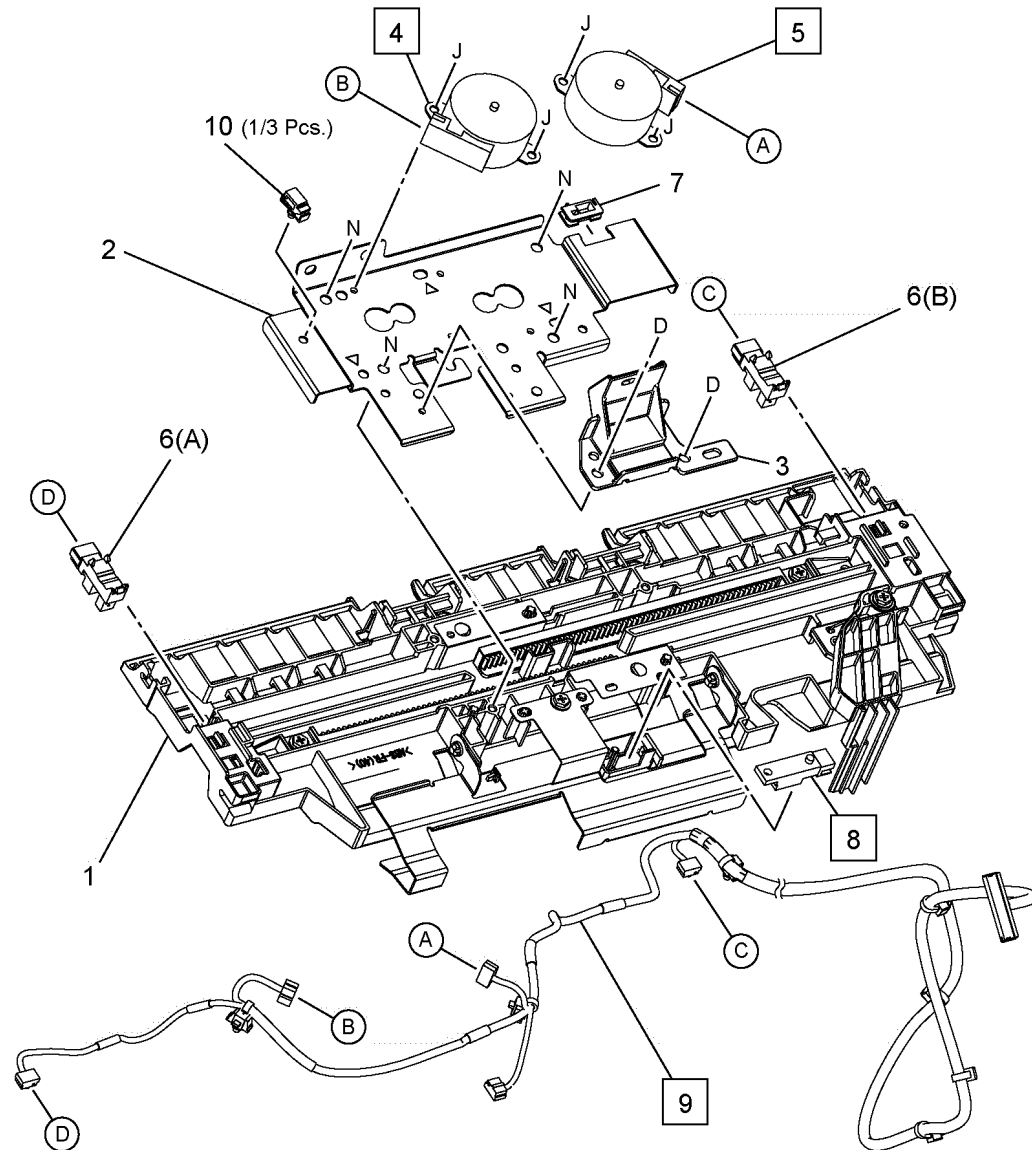
1 {2-9}



0571014A

PL 71.15 Compile Tray Assembly (2 of 2)

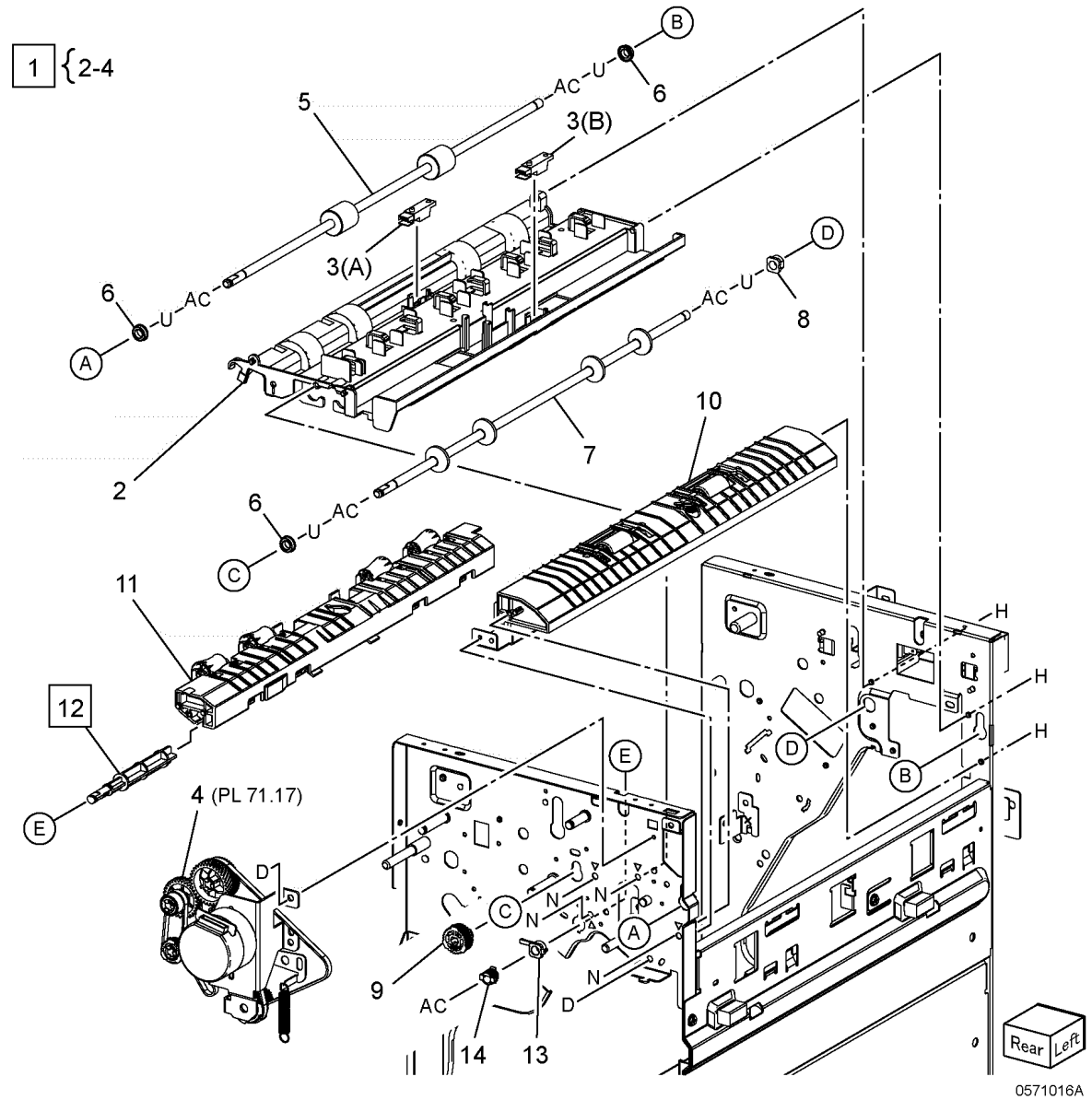
Item	Part	Description
1	—	Compile Tray
2	—	Tamper Motor Bracket
3	—	Compile Guide
4	—	Rear Tamper Motor Assembly
5	—	Front Tamper Motor Assembly
6	930W00122	Front Tamper Home Sensor (A)/ Rear Tamper Home Sensor (B)
7	—	Bush
8	130E21140	Compile Tray No Paper Sensor
9	—	Wire Harness (Compile)
10	—	Clamp



0571015A

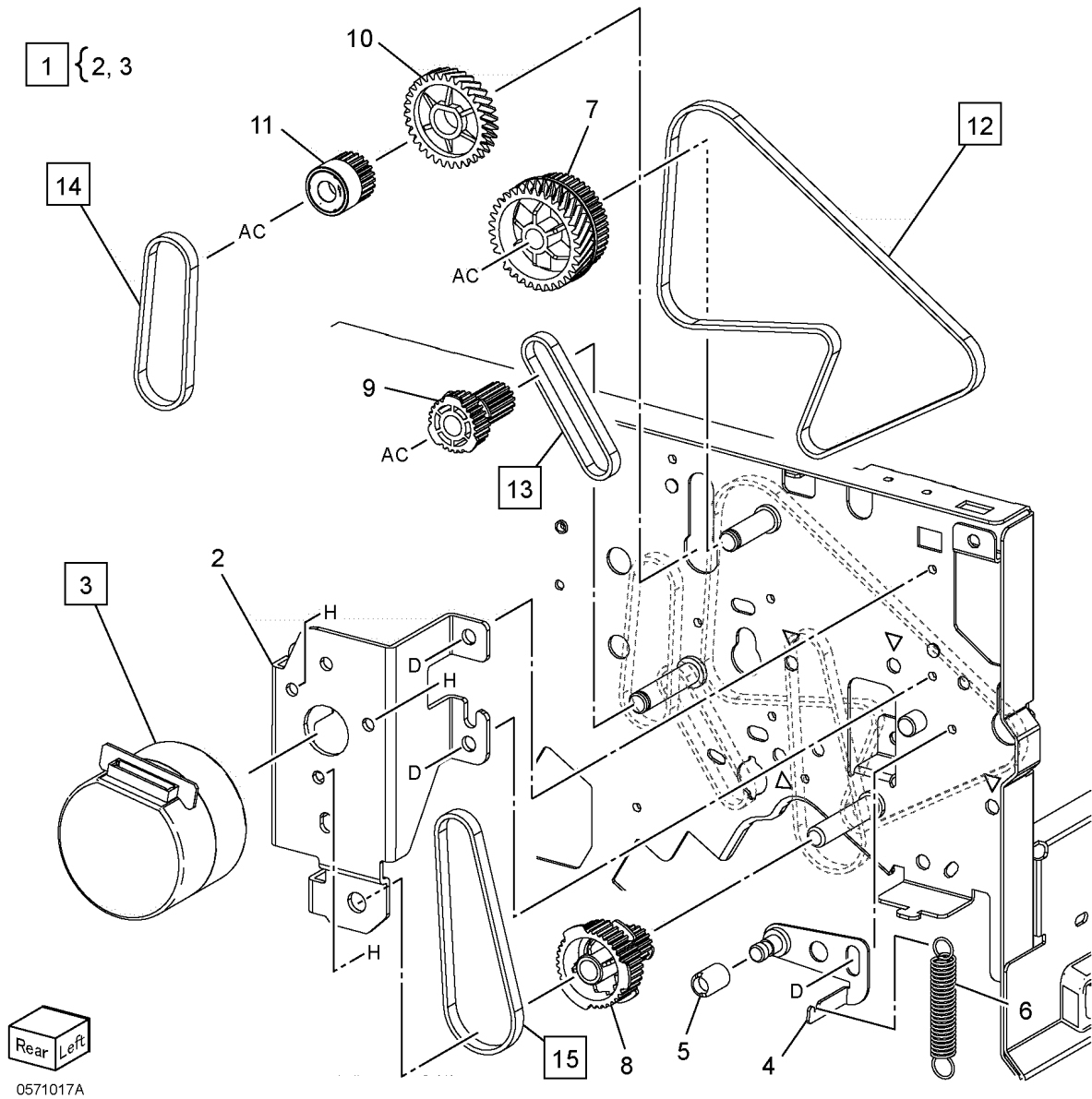
PL 71.16 Transport Assembly

Item	Part	Description
1	054K59750	Upper Chute Assembly (REP 16.1)
2	—	Upper Entrance Chute Assembly (P/O PL 71.16 Item 1)
3	130E21140	Compile Exit Sensor (A)/ Finisher Entrance Sensor (B) (REP 16.2)
4	859K23380	Transport Main Drive Assembly (REF: PL 71.17)
5	859K13051	Entrance Roll Assembly
6	—	Bearing
7	859K13063	Exit Roll Assembly
8	413W14660	Bearing
9	—	Pulley (T30)
10	054K59760	Lower Entrance Chute Assembly
11	054K59770	Lower Exit Chute Assembly
12	806E51680	Main Paddle Shaft (REP 16.3)
13	013E40770	TA Bearing
14	020E49970	Main Idler Pulley



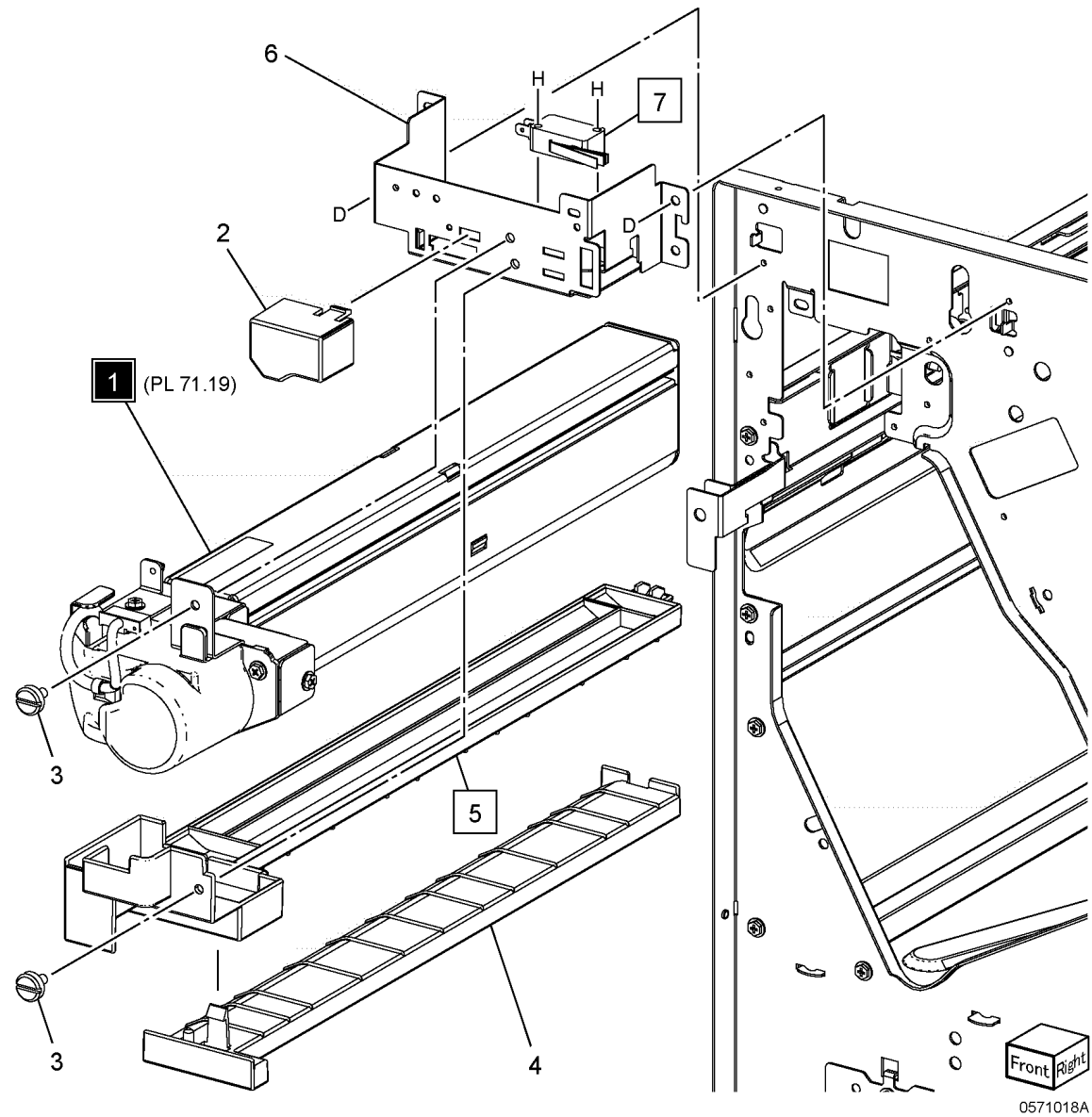
PL 71.17 Finisher Transport Motor Assembly

Item	Part	Description
1	—	Finisher Transport Motor Assembly (REP 17.1)
2	—	Transport Bracket (P/O PL 71.17 Item 1)
3	—	Finisher Transport Motor (P/O PL 71.17 Item 1)
4	049K36910	Tension Bracket Assembly
5	—	Pulley
6	—	Tension Spring
7	—	Pulley Gear (Z34/T45)
8	—	Pulley (T37/T17)
9	—	Pulley (T26/T16)
10	—	Gear (Z31)
11	020K19240	One Way Pulley Assembly (T23)
12	—	Transport Belt (REP 17.2)
13	—	Belt (REP 17.2)
14	—	Belt (REP 17.2)
15	—	Belt (REP 17.2)



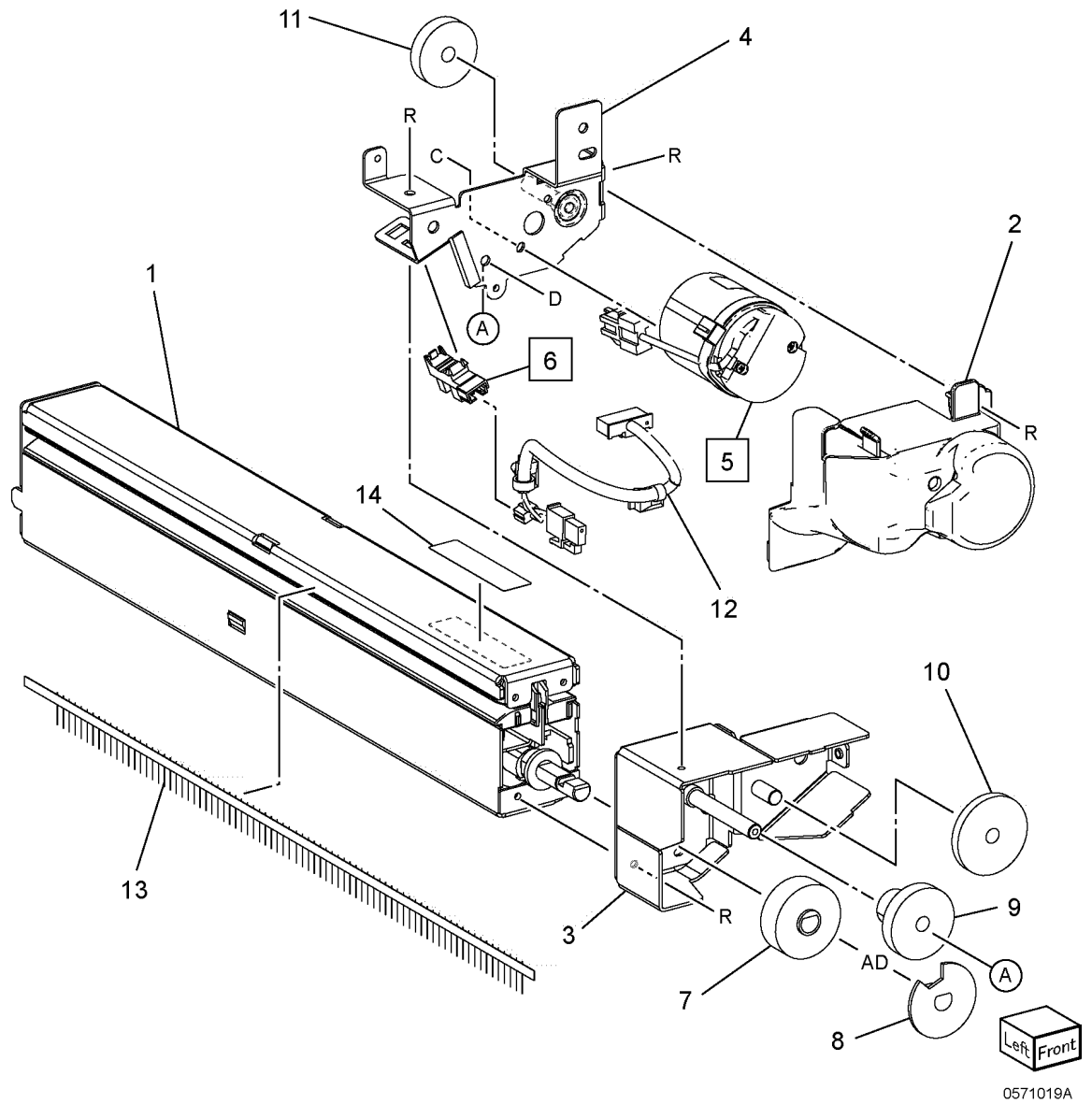
PL 71.18 Folder Assembly (1 of 2)

Item	Part	Description
1	695K34130	Folder Assembly (Option) (REF: PL 71.19) (REP 18.1, ADJ 18.1)
2	—	Connector Cover
3	826E07210	Docking Screw
4	054E34691	Lower Fold Dummy Chute
5	054E34702	Upper Fold Dummy Chute (REP 18.2)
6	—	Interlock Bracket
7	110E15060	Finisher Front Door Switch



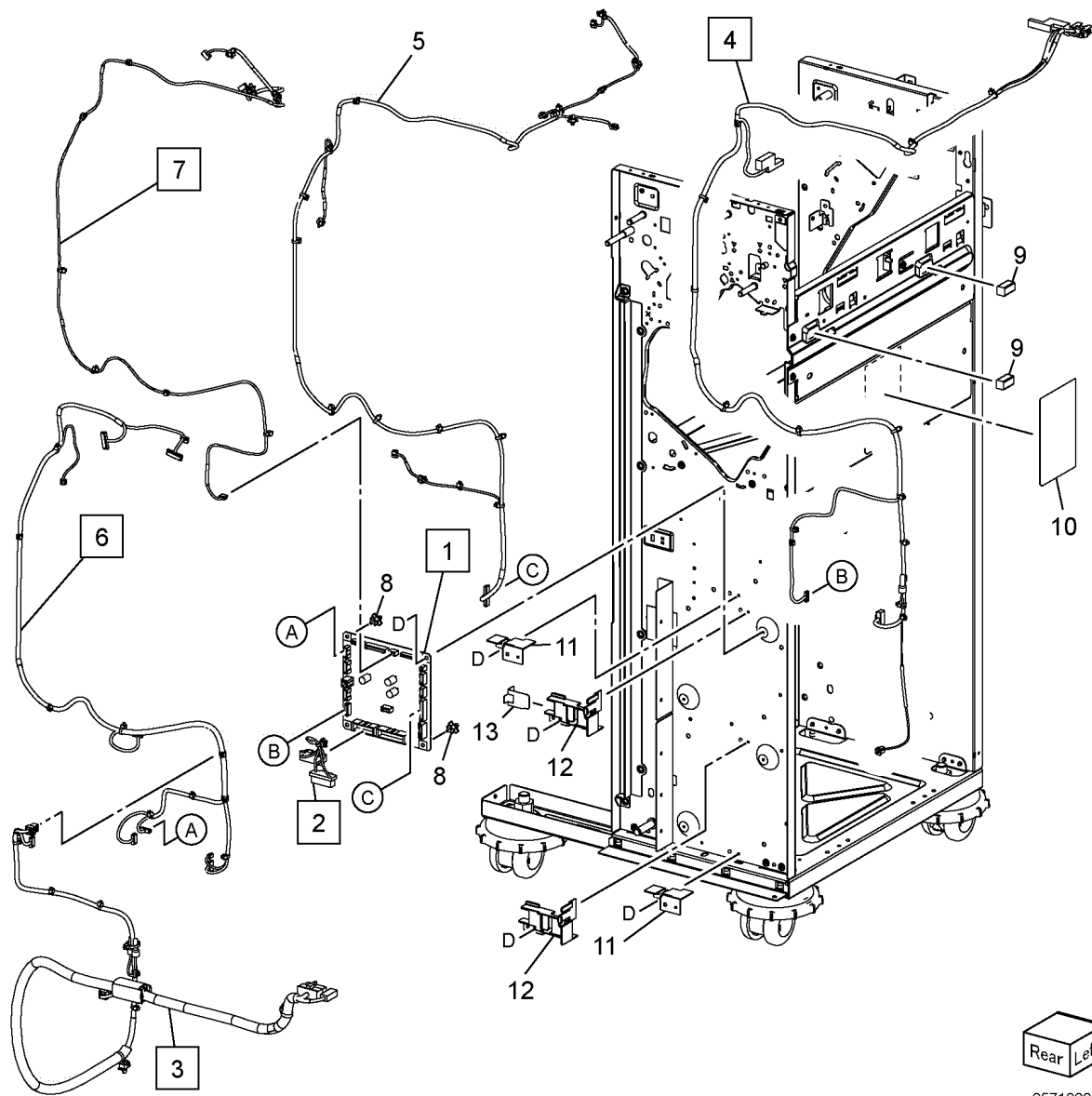
PL 71.19 Folder Assembly (2 of 2)

Item	Part	Description
1	—	Folder Bracket Assembly
2	—	Front Cover
3	—	Front Frame Assembly
4	—	Folder Knife Motor Bracket Assembly
5	—	Folder Knife Motor Assembly
6	930W00122	Folder Knife Home Sensor
7	—	Gear (28)
8	—	Encoder
9	—	Gear (12/27)
10	—	Gear (12/30)
11	—	Gear (12/51)
12	—	Wire Harness (Folder)
13	—	Eliminator
14	—	Label (Traceability)



PL 71.20 Finisher-B3 Electrical

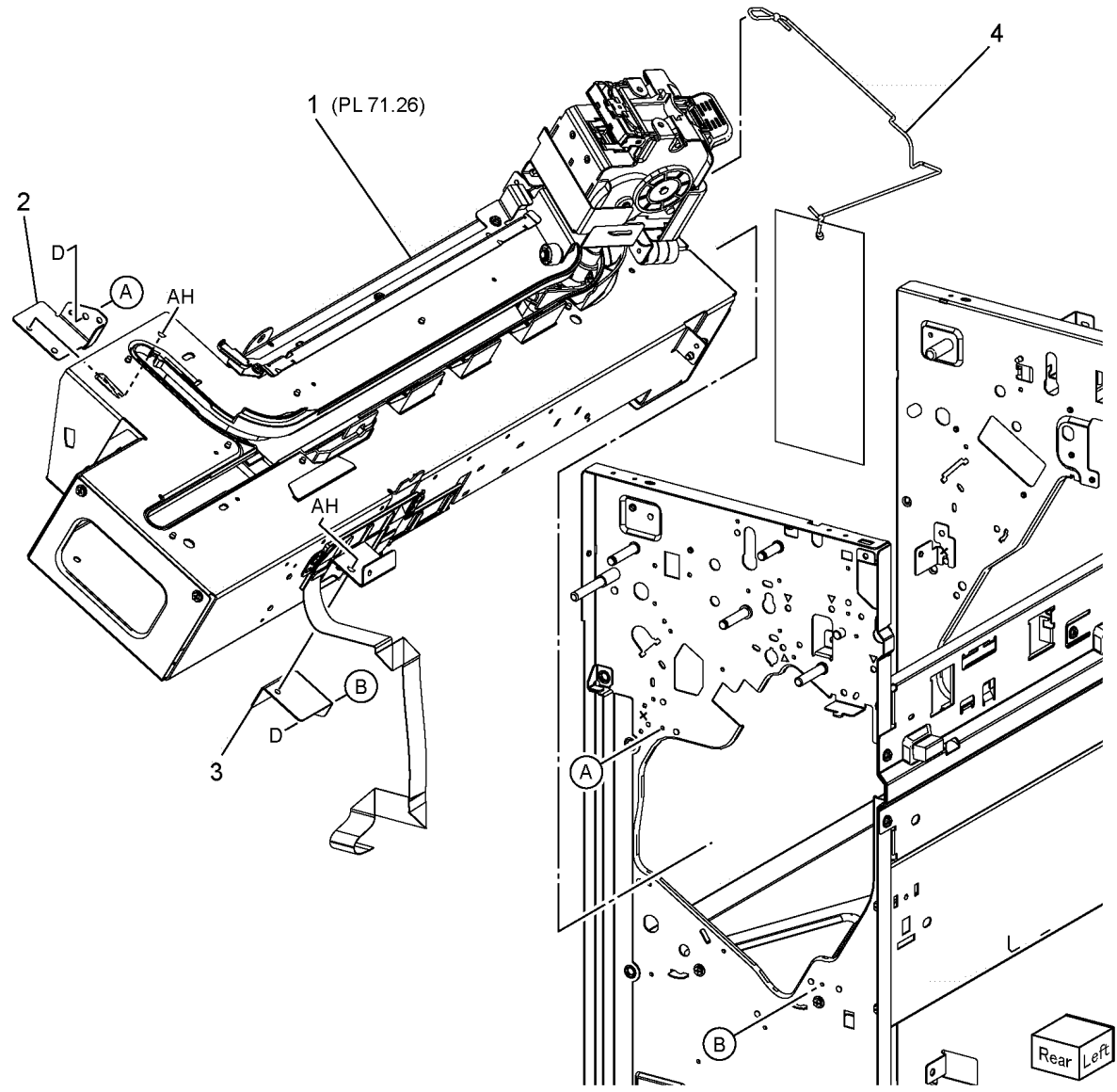
Item	Part	Description
1	960K92066	Finisher Main PWB
2	—	Wire Harness (Booklet Chute)
3	952K42940	Wire Harness (Interface)
4	—	Wire Harness (Interlock)
5	—	Wire Harness (Sensor 1)
6	—	Wire Harness (Drive)
7	—	Wire Harness (Eject)
8	—	PWB Support
9	—	Shield Gasket
10	—	Label (Caution)
11	—	Rear Lower Bracket
12	—	Flat Cable Harness Guide
13	—	Flat Cable Guide



0571020A

PL 71.25 Stapler Assembly

Item	Part	Description
1	—	Stapler Assembly (REF: PL 71.26)
2	—	Staple Connect Bracket
3	—	Lower Staple Connect Bracket
4	—	Front Side Plate Assembly



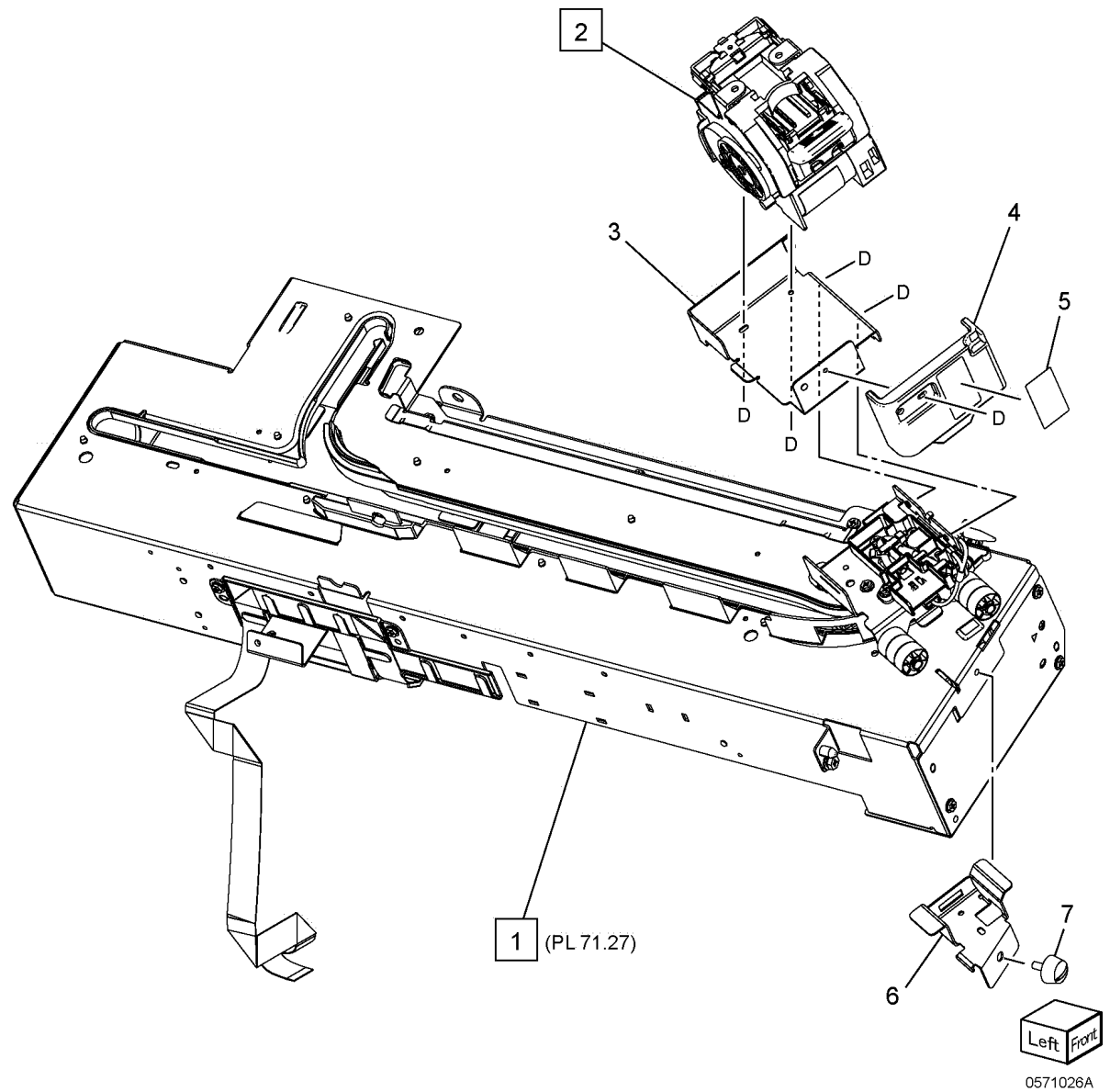
0571025A

PL 71.26 Staple Holder Assembly

Item	Part	Description
1	—	Rail Assembly (REF: PL 71.27) (REP 22.1)
2	029K93260	Stapler Assembly (REP 22.2)
3	—	Holder Stapler Bracket
4	—	Stapler Connector Cover
5	—	Label (R1 XE)
6	—	Staple Stopper Bracket
7	026K81200	Thumb Screw

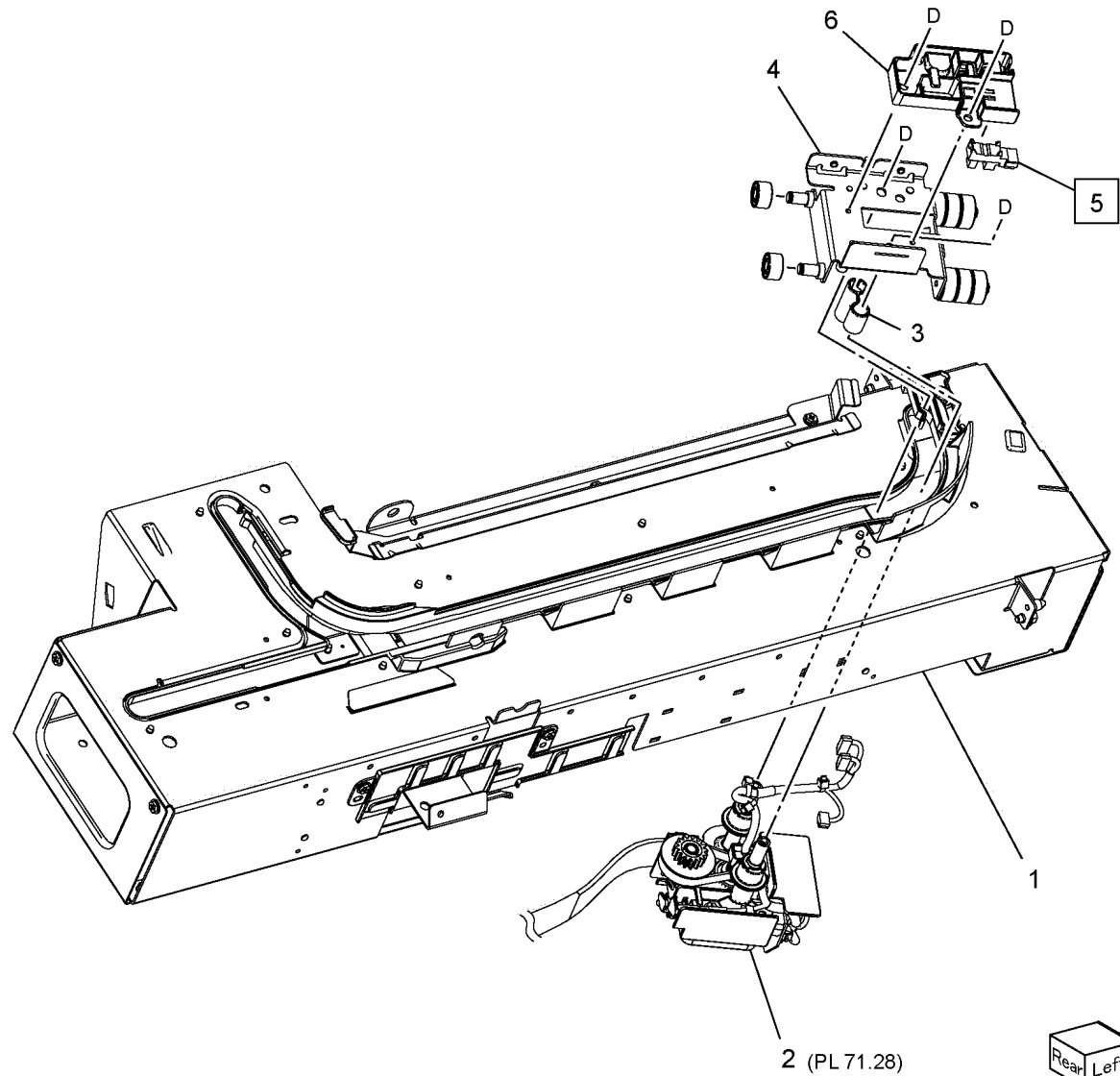
Note: 1. Staple cartridge Part number is 008R12964.

Note: 2. Staple refill Part number is 008R12941



PL 71.27 Stapler Rail Assembly

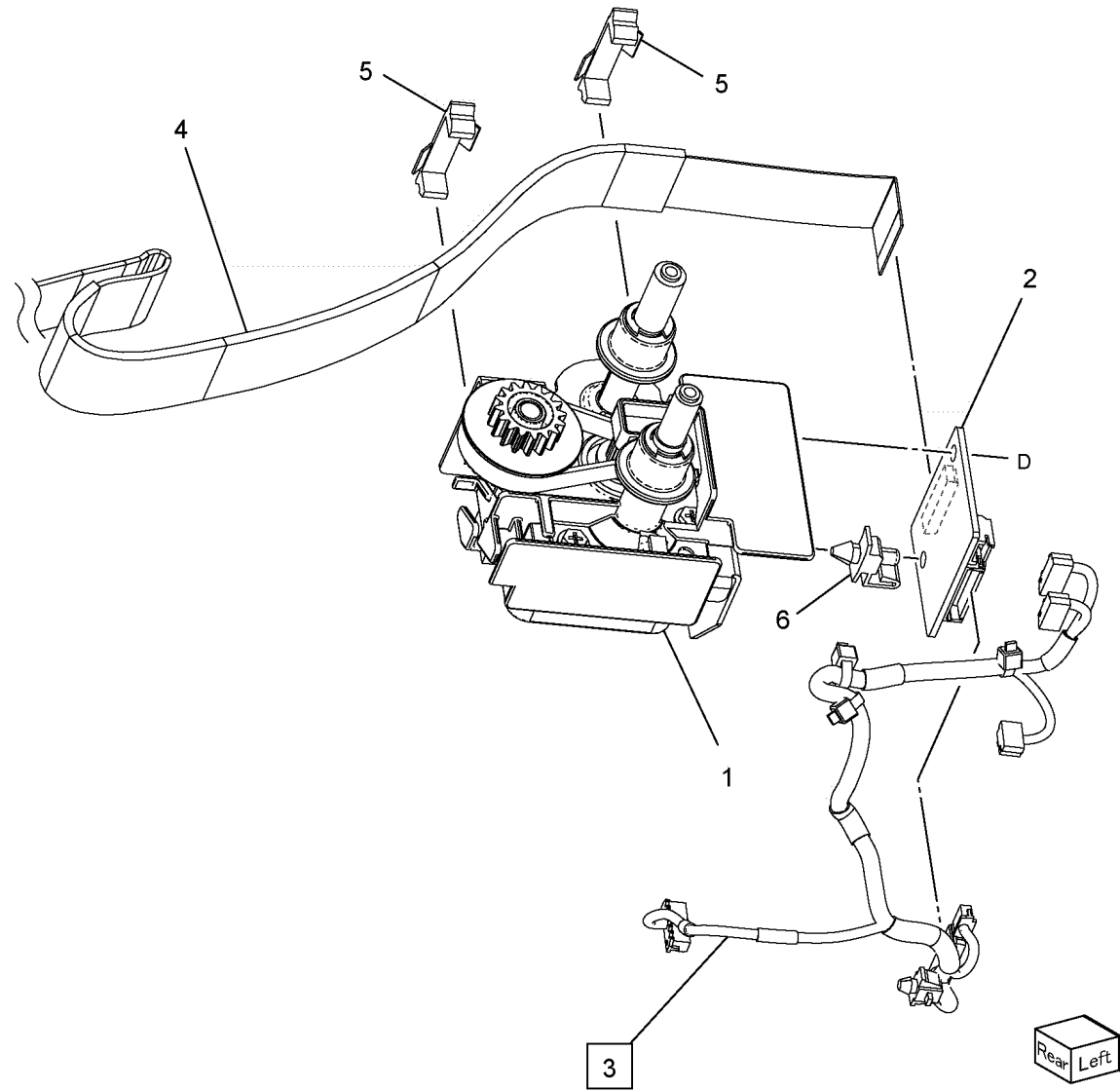
Item	Part	Description
1	—	Rail Base Plate Assembly
2	049K44430	Staple Drive Bracket Assembly (Stapler) (REF: PL 71.28)
3	—	Stud Harness Guide
4	—	Staple Carrier Bracket Assembly (Stapler)
5	930W00122	Stapler Move Position Sensor (Stapler)
6	—	Upper Staple Harness Guide



0571027A

PL 71.28 Stapler Drive Assembly

Item	Part	Description
1	—	Staple Move Motor Assembly
2	960K92140	Staple FFC PWB
3	952K42970	Wire Harness (Stapler)
4	117E42800	Flat Cable (Stapler)
5	019E66920	Press Clamp
6	—	PWB Support



0571028A

Common Hardware

Item	Part	Description
A	—	Sems Screw (M3x8)
B	—	Screw (BLUE) (M3x4)
C	—	Screw (M3x4)
D	—	Screw (M3x6)
E	—	Round Screw (M3x6)
F	—	Screw (M3x8)
G	—	Screw (M3x12)
H	—	Screw (M3x14)
J	—	Pan Head Screw (M3x4)
K	—	Pan Head Screw (M3x6)
L	—	Screw (M4x5)
M	—	Screw (M4x8)
N	—	Tapping Screw (M3x8)
P	—	Screw (M3x6)
Q	—	Round Screw (M3x7)
R	—	Screw (M3x8)
S	—	Washer (8)
T	—	Washer (8)
U	—	Nylon Washer (6) (t1)
V	—	Nylon Washer (6) (t1.5)
W	—	Nylon Washer (8) (t1.5)
X	—	Dowel Pin (3x16)
Y	—	Spring Pin (2x10)
Z	—	Spring Pin (2.5x14)
AA	—	Spring Pin (2.5x16)
AB	—	E-Clip (3)
AC	—	E-Clip (4)
AD	—	E-Clip (5)
AE	—	E-Clip (6)
AF	—	KL-Clip
AG	—	E-Clip (10)