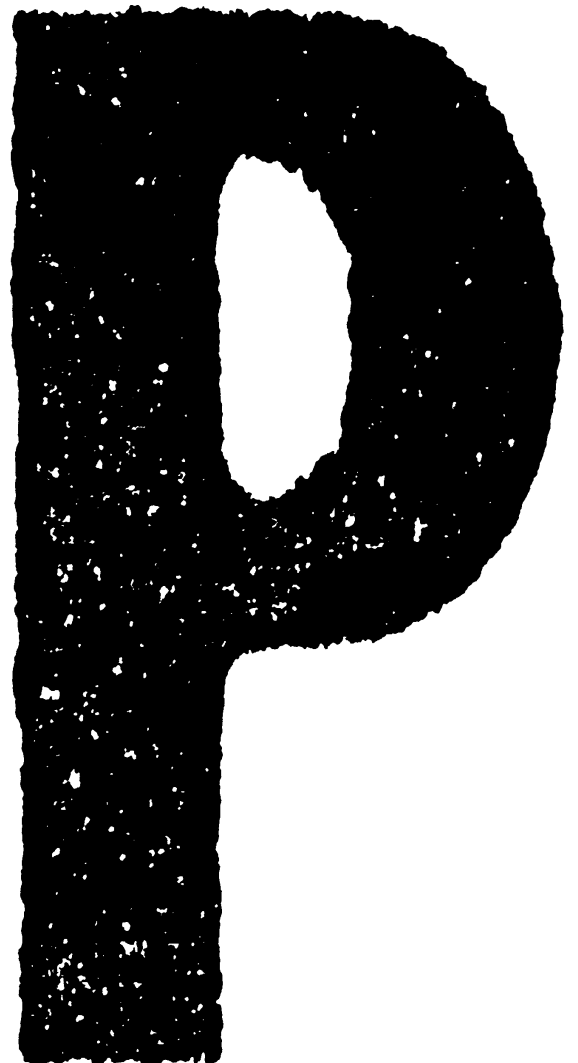


TOSHIBA

SERVICE PARTS LIST

Saddle Stitch Finisher

MJ-1033

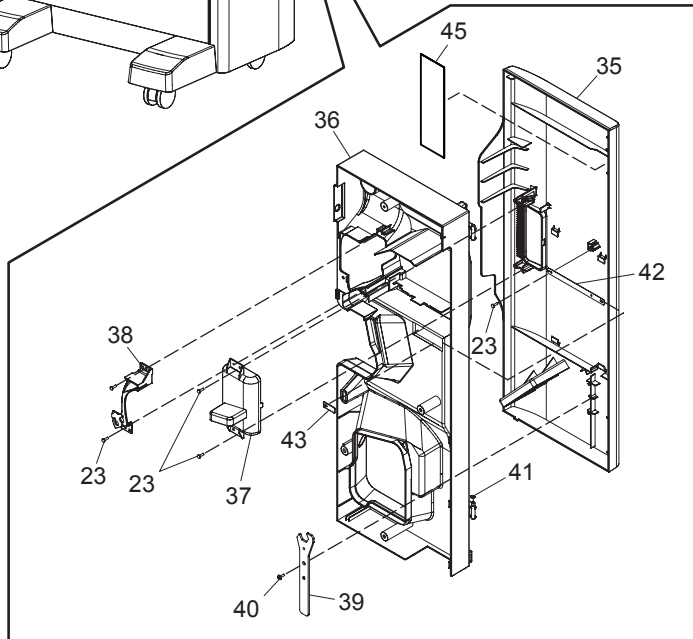
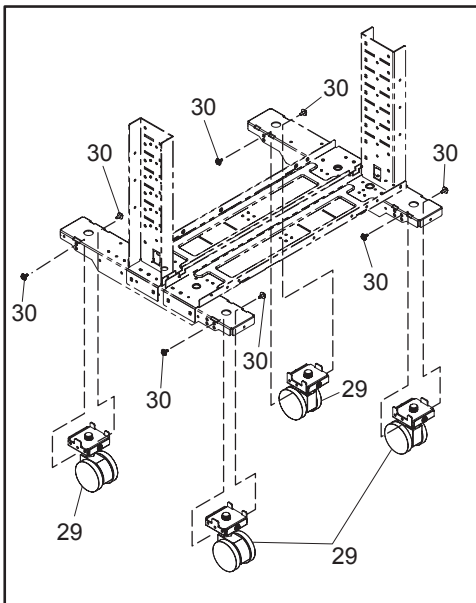
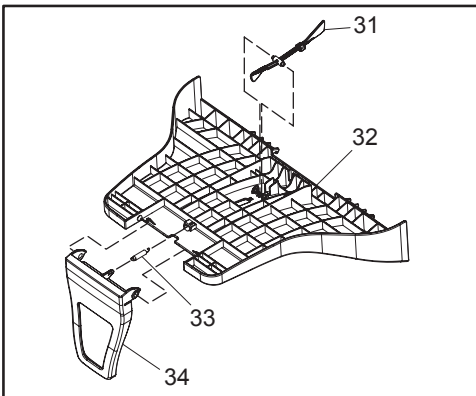
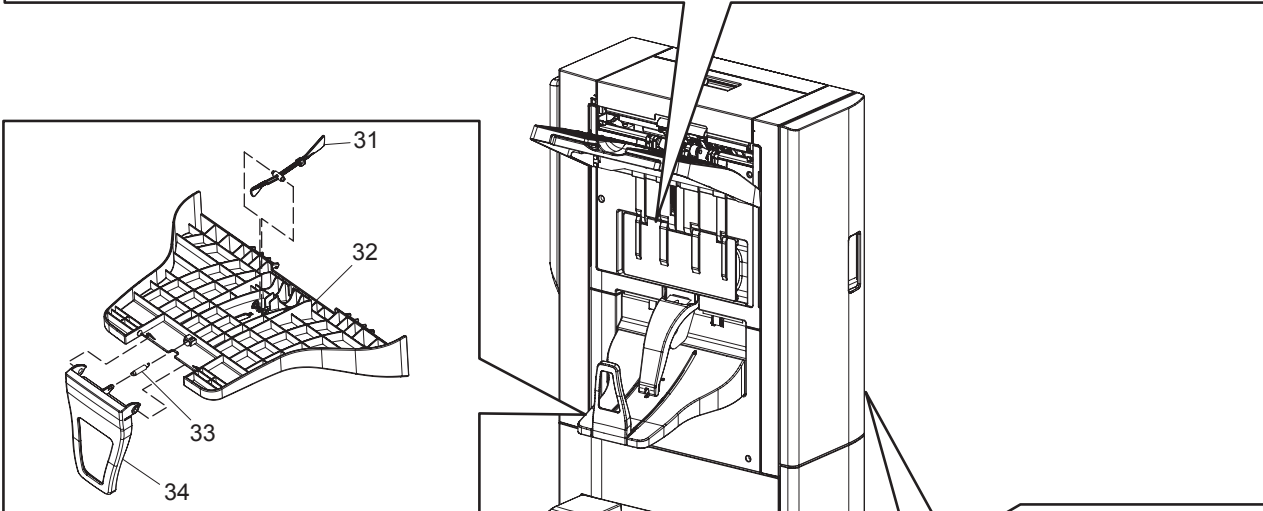
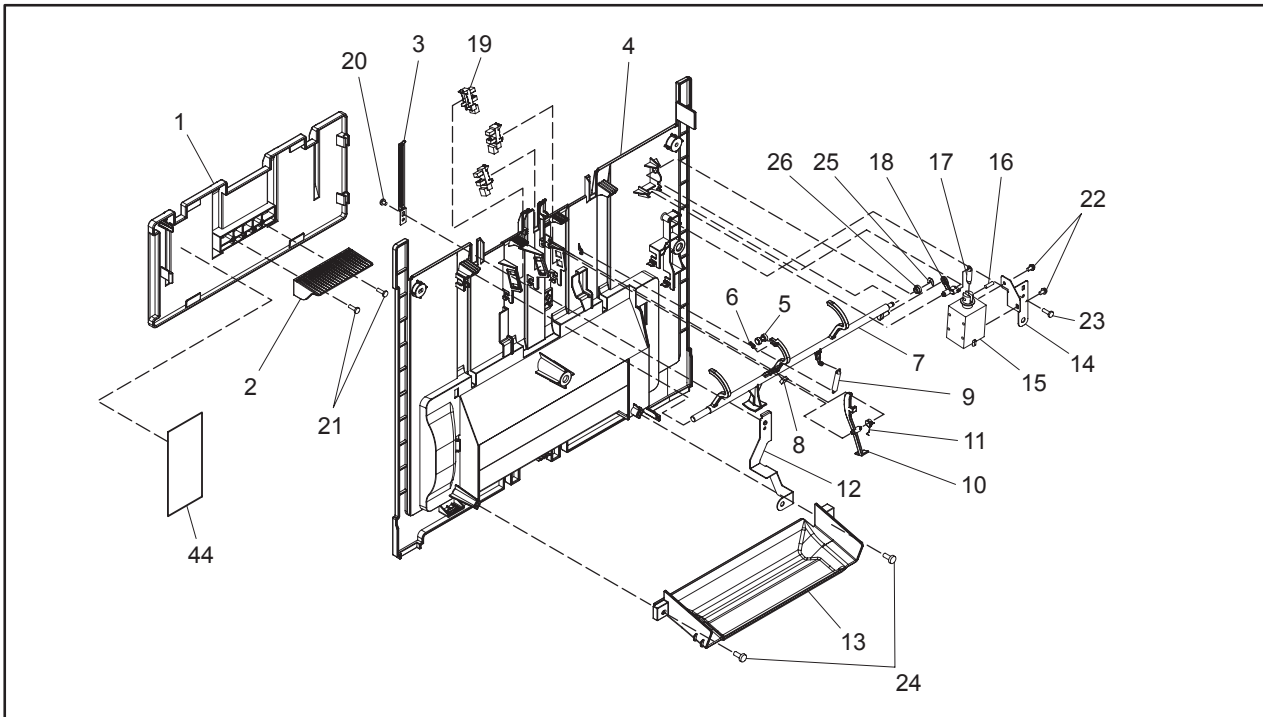


© 2011 TOSHIBA TEC CORPORATION All rights reserved

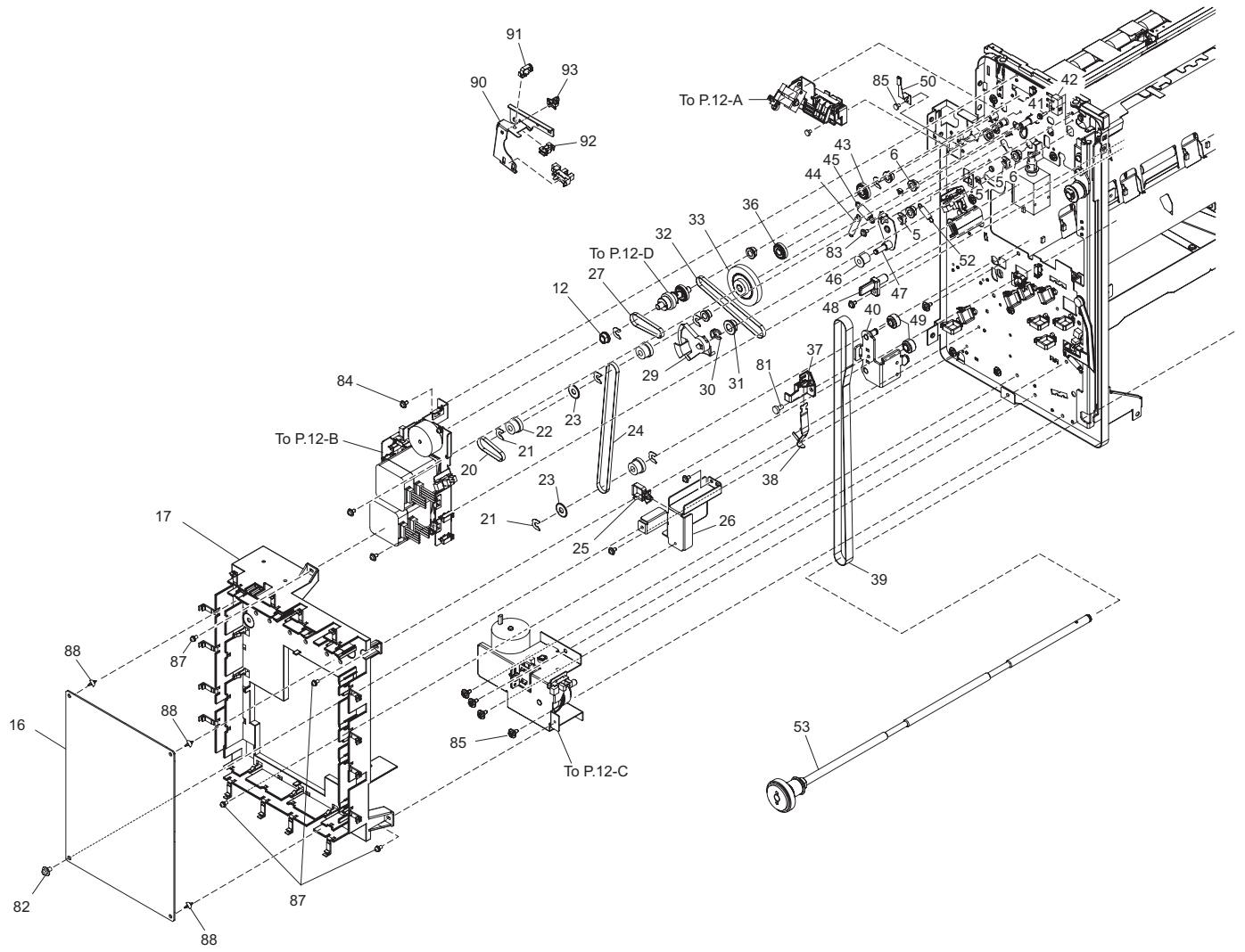
Under the copyright laws, this manual cannot be reproduced in any form without prior written permission of TOSHIBA TEC CORPORATION. No patent liability is assumed, however, with respect to the use of the information contained herein.

CONTENTS

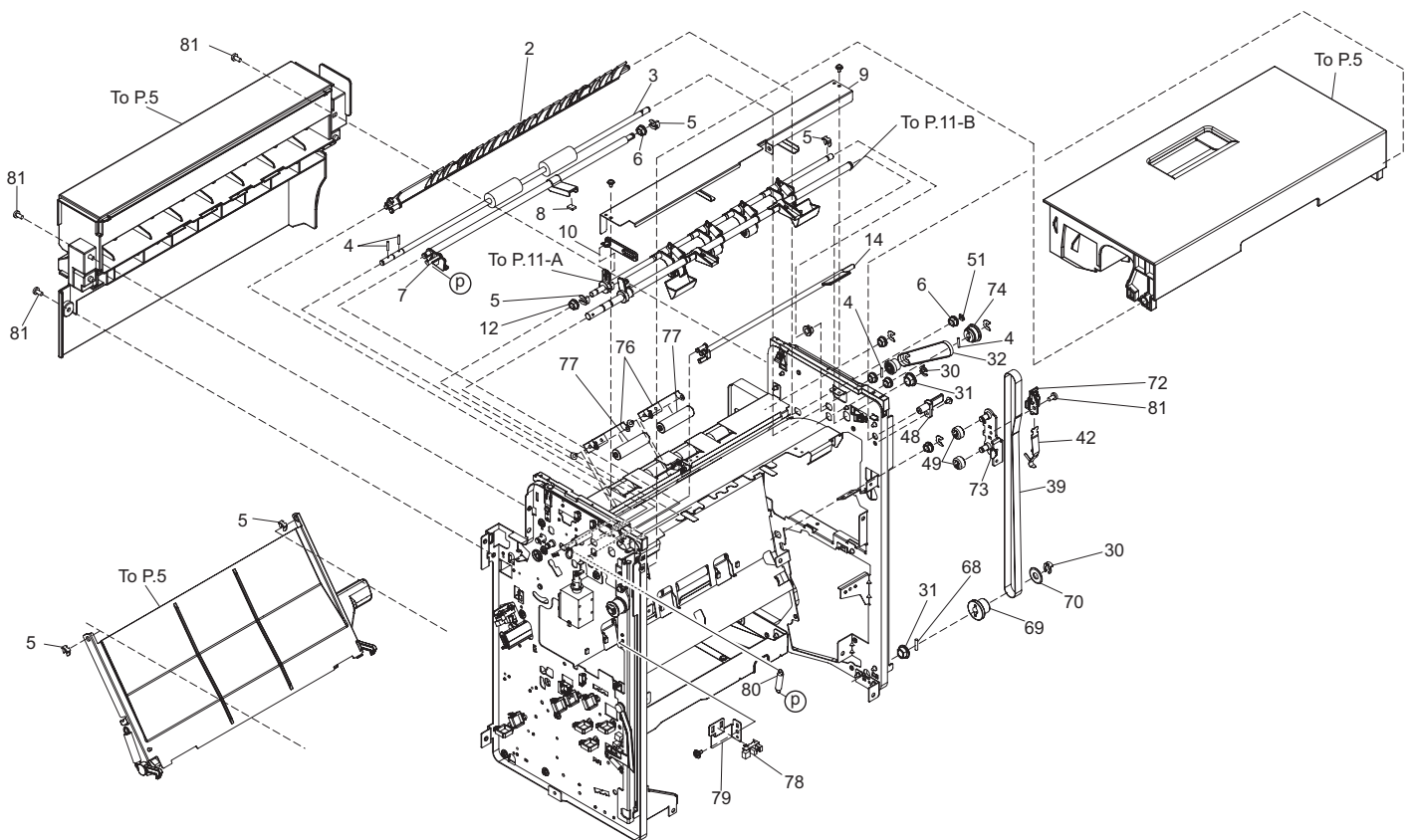
ASYB-KDI-UNIT-FIX_&_CVR-TR-WALL.....	1
ASYB-SR-UNIT-1	2
ASYB-SR-UNIT-2.....	3
ASYB-SR-UNIT-3.....	4
ASYB-GID-SD-JAM-OPEN	5
ASYB-SR-FRM	6
ASYB-SR-STP-UNIT.....	7
ASYB-SR-STP-GP-MAIN.....	8
ASYB-SEG.....	9
ASYB-SFT-FE-BLT.....	10
ASYB-SR-UNIT-SUB	11
ASYB-SD-STP-DOR_SEN.....	12
ASYB-SD-UNIT	13
ASYB-SD-UNIT-SUB-1	14
ASYB-SD-UNIT-SUB-2	15
ASYB-SD-UNIT-SUB-3	16
ASYB-SD-UNIT-SUB-4	17
ASYB-SD-FRM	18
ASYB-SD-FRM-SUB-1.....	19
ASYB-SD-FRM-SUB-2.....	20
ASYB-SD-FRM-SUB-3.....	21
ASYB-SD-FRM-SUB-4.....	22
DOWNLOAD JIGS	51



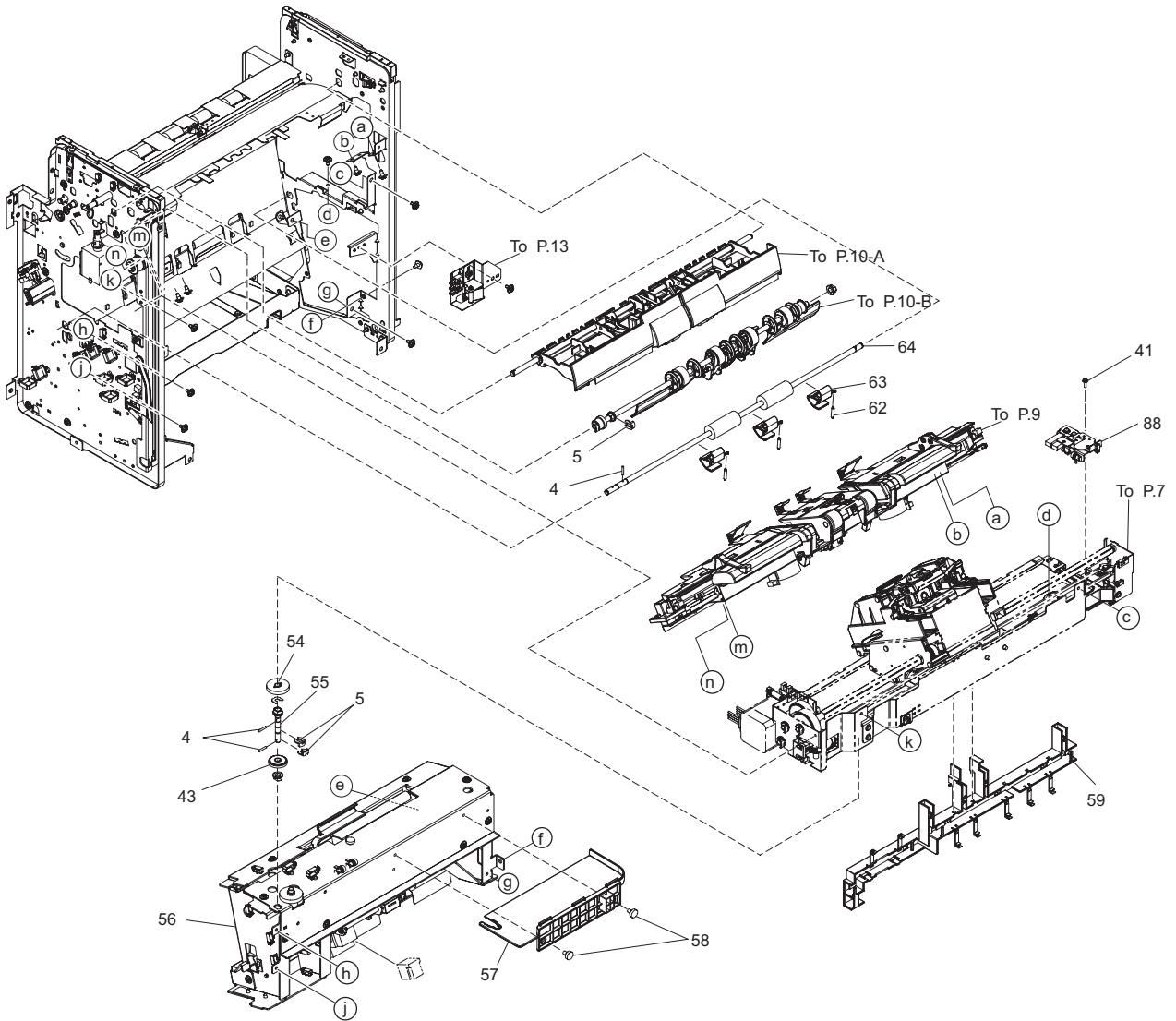
ITEM No.	PART No.	PART NAME	Q'TY / PAGE	Q'TY / PACK	REMARKS
1	6LJ20653000	DOOR TR WALL TT	1	1/PP	
2	6LJ20655000	STOP BTR DOOR TT	1	1/P	
3	6LJ20252000	PLT-TR-EARTH-TRY	1	1/P	
4	6LJ20651000	COVER TR WALL TT	1	1/PP	
5	6LJ20484000	ROL-TR-YO	1	1/P	
6	6LJ20415000	LVR-TR-YO-ROL-STOP	1	1/P	
7	6LJ20355000	LVR-TR-YO	1	1/P	
8	6LJ20453000	DMP-TR-YO	1	1/P	
9	6LJ20455000	SP-TR-YO-LVR	1	1/P	
10	6LJ20356000	LVR-TR-EMPTY	1	1/P	
11	6LJ20454000	SP-TR-EMPTY	1	1/P	
12	6LJ20254000	BKT-TR-EARTH-TRY	1	1/P	
13	6LJ20652000	TRAY TR WALL TT	1	1/PP	
14	6LJ20251000	BKT-TR-YO-SOL	1	1/P	
15	6LJ20486000	SOL-TDS-10A-1100	1	1/D	
16	6LJ20671000	SP-030	1	1/P	
17	6LJ20452000	SP-TR-YO-SOL	1	1/P	
18	6LJ20412000	LVR-TR-YO-LNK	1	1/P	
19	6LJ20675000	SG2481-NY	3	1/P	
20	6LJ20691000	SCR030060FWBI	1	1/P	
21	6LJ20004000	SCR03T100-W	2	1/P	
22	6LJ19998000	SCR-030-060	2	1/P	
23	6LJ20071000	SCR03T100-W	5	1/P	
24	6LJ20070000	SCR04T100-W	2	1/P	
25	6LJ20097000	CLIP-CB3	1	1/P	
26	6LJ20084000	BRG-6X8	1	1/P	
29	6LJ20636000	ASSEMBLY CSTR FIX TT	4	1/P	
30	6LJ20068000	SCR04T080SR-W	2	1/P	
31	6LJ20417000	LVR-SD-TRY-SNS	1	1/P	
32	6LJ20656000	TRAY SD BASE TT	1	1/PP	
33	6LJ20460000	SP-SD-TRY-STOP	1	1/P	
34	6LJ20657000	STOP SD TRAY TT	1	1/P	
35	6LJ19902000	CVR-F-TT	1	1/PP	
36	6LJ19903000	COVER-F-IN-TT	1	1/PP	
37	6LJ19905000	COVER-F-HDL-TT	1	1/P	
38	6LJ19904000	COVER-F-IN-PART-TT	1	1/P	
39	6LJ20025000	SPAN-19	1	1/P	
40	6LJ20069000	SCR03T100-D	1	1/P	
41	6LJ20053000	CLIP040100G	1	1/P	
42	6LJ20664000	SHEET COVER F DOOR	1	1/P	
43	6LJ20418000	PLT-CVR-F-BND	1	1/P	



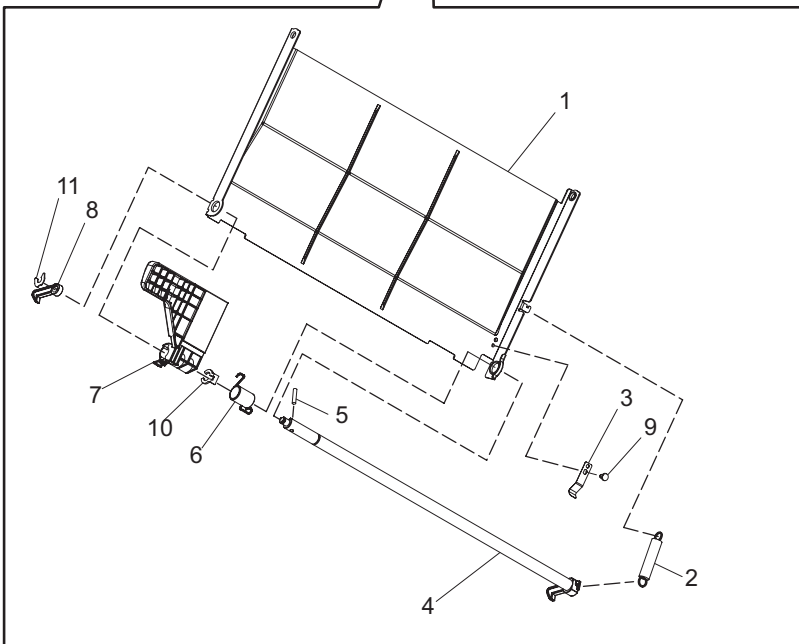
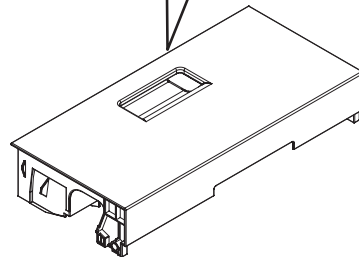
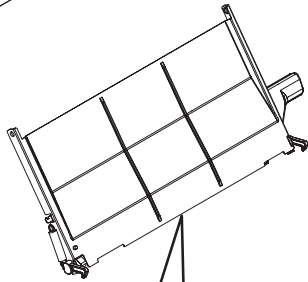
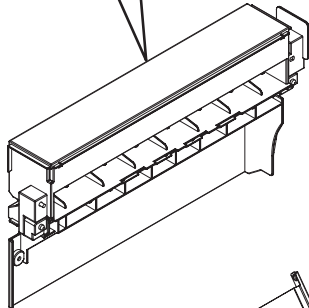
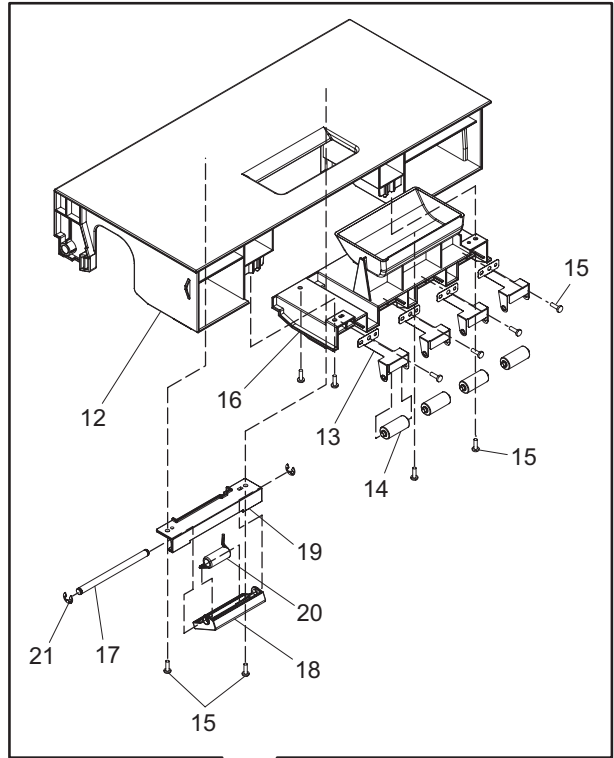
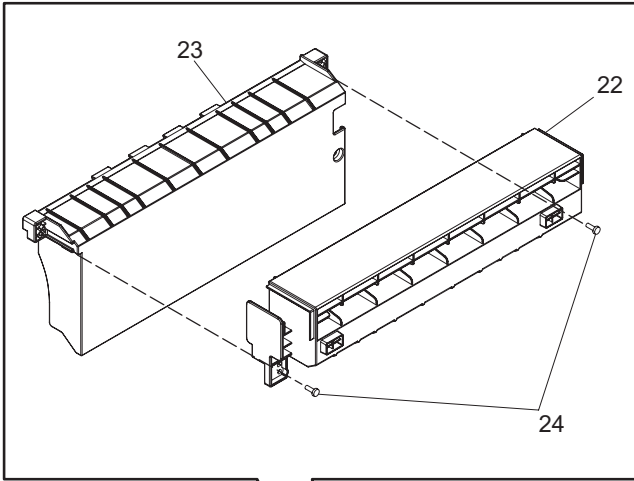
ITEM No.	PART No.	PART NAME	Q'TY / PAGE	Q'TY / PACK	REMARKS
5	6LJ20055000	CLIP050140W	12	1/P	
6	6LJ20051000	BUSH060060MYU	4	1/P	
12	6LJ20060000	METAL060060FC	14	1/P	
16	6LJ19908000	PBA-CONT	1	1/SB	
17	6LJ20430000	DUCT-PCB	1	1/PP	
20	6LJ20034000	BELTS2M044040	1	1/P	
21	6LJ20054000	CLIP050060W	13	1/P	
22	6LJ20103000	PLY-S2M-22L	4	1/P	
23	6LJ20083000	FLG-FEED-PLY	2	1/P	
24	6LJ20040000	BELTS2M180040	1	1/P	
25	6LJ20687000	LWSR-1211	1	1/P	
26	6LJ20280000	PLT-SUPPORT-KIBAN-S	1	1/P	
27	6LJ20036000	BELTS2M053040	1	1/P	
29	6LJ20393000	GEAR-100 56-SWING	1	1/P	
30	6LJ20056000	CLIP070140B	3	1/P	
31	6LJ20061000	METAL080070FC	3	1/P	
32	6LJ20038000	BELTS2M110040	1	1/P	
33	6LJ20392000	GEAR-100 16 050 88-SWING	1	1/P	
36	6LJ20497000	GER-080-20	1	1/P	
37	6LJ20354000	HLDR-TR-BLT-R	1	1/P	
38	6LJ20250000	SP-TR-TS-FLAT	1	1/P	
39	6LJ20048000	BELTS3M215100	1	1/P	
40	6LJ20633000	ASSEMBLY BRACKET TRAY WELD R	1	1/P	
42	6LJ20008000	DE2L-FJ15	1	1/P	
43	6LJ20496000	GER-080-26	2	1/P	
44	6LJ20474000	SP-SR-FLP	1	1/P	
45	6LJ20473000	SP-SD-GP-TEN	1	1/P	
46	6LJ20080000	ROL-TENSION-10-5	1	1/P	
47	6LJ20232000	K-BKT-SD-BLD-TEN	1	1/P	
48	6LJ20363000	PIN-CVR-TOP	2	1/P	
49	6LJ20361000	COL-TR-RAIL	4	1/P	
50	6LJ20281000	SP-FRM-EARTH	1	1/P	
52	6LJ20458000	SP-UDG-SW	1	1/P	
53	6LJ20213000	ASY-SFT-TR-BLT	1	1/P	
81	6LJ20693000	SCR-040-080	5	1/P	
82	6LJ20003000	SCR040080FWWS	1	1/P	
83	6LJ19998000	SCR-030-060	1	1/P	
84	6LJ20064000	SCR03T060SR-W	13	1/P	
85	6LJ20068000	SCR04T080SR-W	19	1/P	
87	6LJ20691000	SCR030060FWBI	4	1/P	
91	6LJ20012000	JCM-0509S	2	1/P	
92	6LJ20684000	LES-0510	1	1/P	
93	6LJ20013000	JCM-0404S	1	1/P	
112	6LJ20668000	RLS-2E-V0	3	1/P	



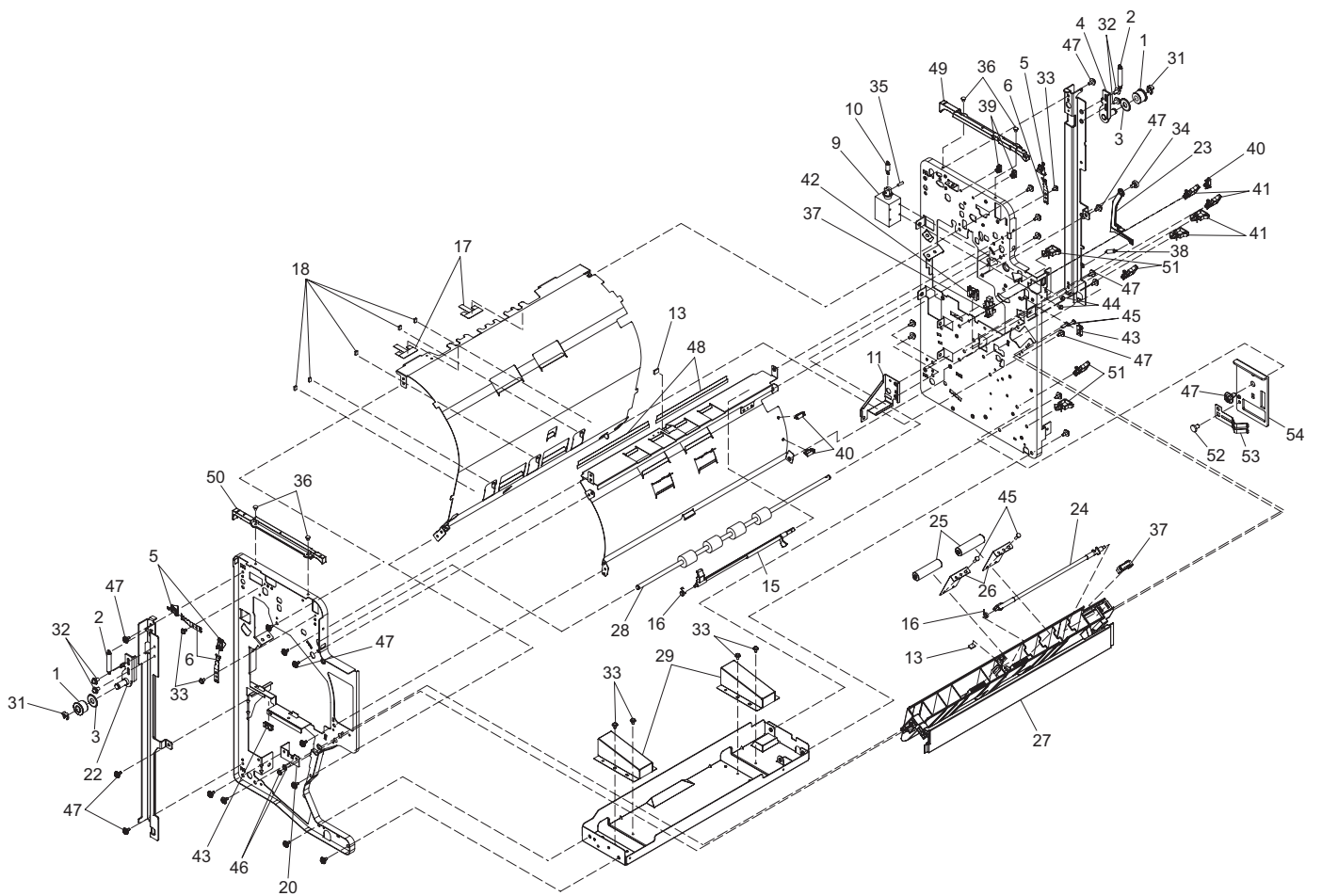
ITEM No.	PART No.	PART NAME	Q'TY / PAGE	Q'TY / PACK	REMARKS
2	6LJ20341000	FLP-SR-SD	1	1/P	
3	6LJ20436000	ROL-SR-SD	1	1/KP	
4	6LJ20713000	HP-020	8	1/P	
5	6LJ20055000	CLIP050140W	12	1/P	
6	6LJ20051000	BUSH060060MYU	4	1/P	
7	6LJ20370000	LVR-FE-PUSH	1	1/P	
8	6LJ20095000	DMP-FE-LVR-ENT	1	1/P	
9	6LJ20632000	ASSEMBLY STY UDG EXIT WELD	1	1/P	
10	6LJ20375000	LNK-FE-RIKAN	1	1/P	
12	6LJ20060000	METAL060060FC	14	1/P	
14	6LJ20498000	LVR-UDG-SW	1	1/P	
30	6LJ20056000	CLIP070140B	3	1/P	
31	6LJ20061000	METAL080070FC	3	1/P	
32	6LJ20038000	BELTS2M110040	1	1/P	
42	6LJ20006000	DE2L-FAAA	1	1/P	
48	6LJ20363000	PIN-CVR-TOP	2	1/P	
49	6LJ20361000	COL-TR-RAIL	4	1/P	
51	6LJ20053000	CLIP040100G	3	1/P	
68	6LJ20715000	HP-030	1	1/P	
69	6LJ20351000	PLY-S3M-18-DOWN	1	1/P	
70	6LJ20360000	FLNG-20-8	1	1/P	
71	6LJ20048000	BELTS3M215100	1	1/P	
72	6LJ20353000	HLDR-TR-BLT-F	1	1/P	
73	6LJ20889000	K-BKT-TR-COL-F	1	1/P	
74	6LJ20487000	PLY-S2M-28	1	1/P	
76	6LJ20279000	PLT-SR-SB-ROL	2	1/P	
77	6LJ20432000	ROL-SD-FEED	2	1/KP	
78	6LJ20675000	SG2481-NY	1	1/P	
79	6LJ20248000	BKT-TR-SNS-TRY	1	1/P	
80	6LJ20440000	SP-FE-PUSH-LNK-UP	1	1/P	
81	6LJ20693000	SCR-040-080	5	1/P	



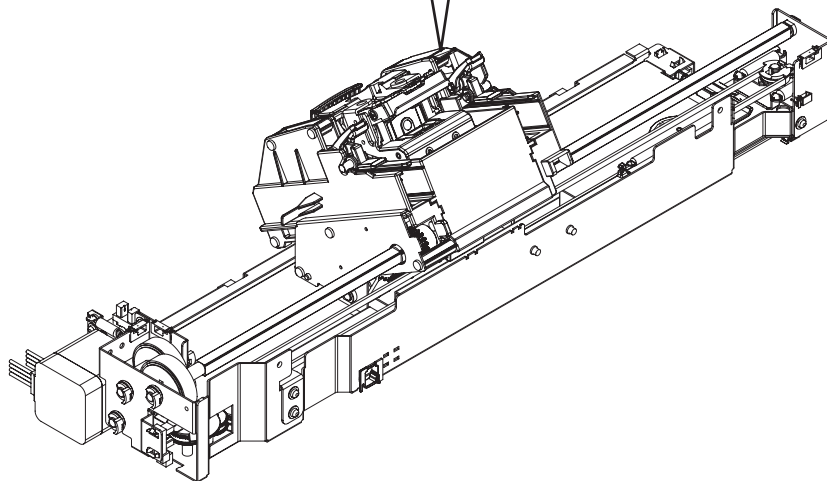
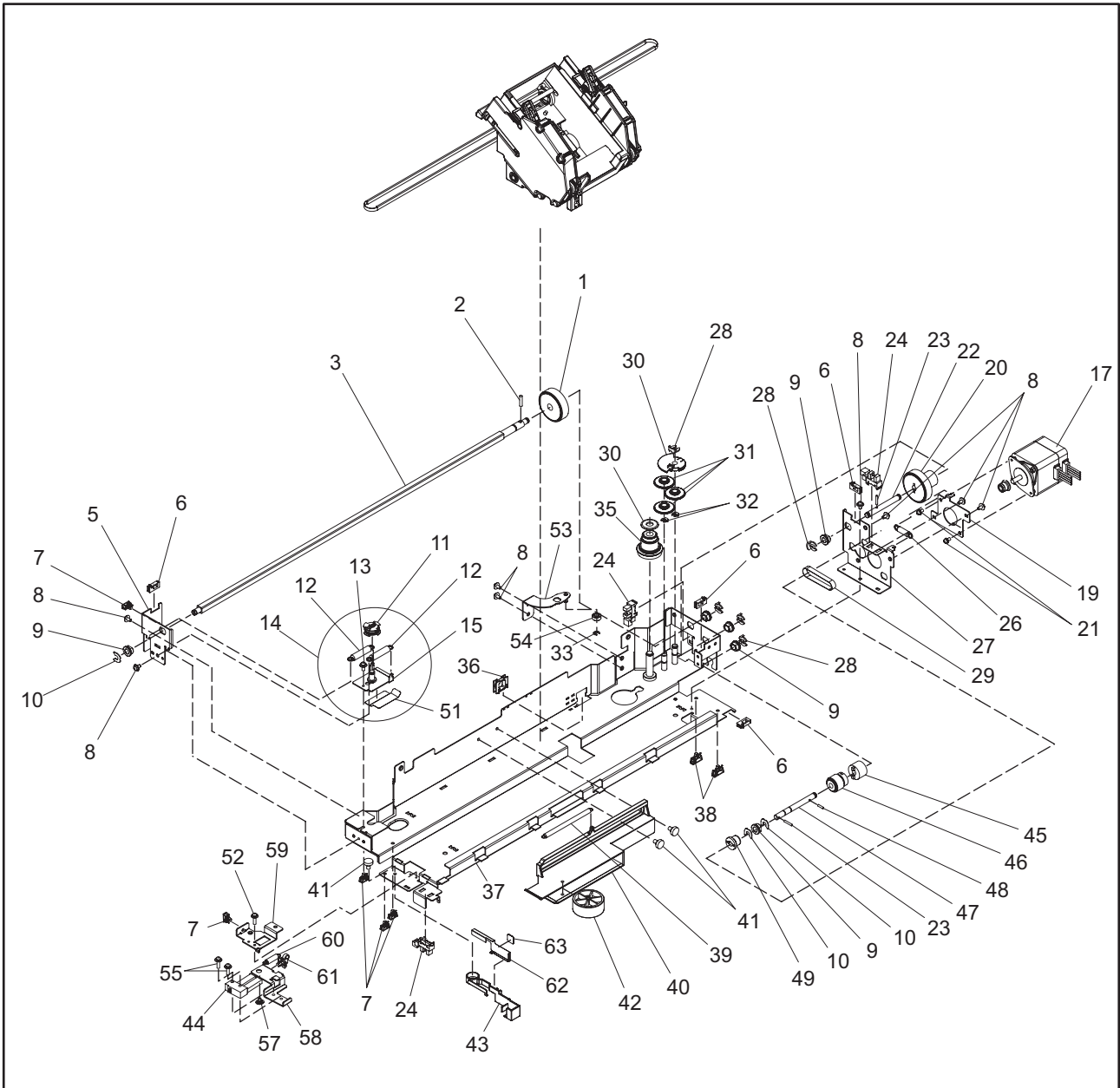
ITEM No.	PART No.	PART NAME	Q'TY / PAGE	Q'TY / PACK	REMARKS
4	6LJ20713000	HP-020	8	1/P	
5	6LJ20055000	CLIP050140W	12	1/P	
41	6LJ19995000	SCR-023-100ZWS	3	1/P	
43	6LJ20496000	GER-080-26	2	1/P	
54	6LJ20424000	GER-080-32-SST	1	1/P	
55	6LJ20298000	SFT-SR-STP-SD	1	1/P	
56	6LJ20634000	ASSEMBLY SD STP UNIT TT	1	1/D	
57	6LJ20431000	GID-SST-HNS	1	1/P	
58	6LJ20081000	SCR-M4-DAN2.2	2	1/P	
59	6LJ20490000	DUCT-SR-BOARD	1	1/PP	
62	6LJ20447000	SP-TEN-TU-LVR	3	1/P	
63	6LJ20386000	WGT-SD-TUU-LVR	3	1/P	
64	6LJ20436000	ROL-SR-SD	1	1/KP	
88	6LJ20635000	ASSEMBLY SWITCH F	1	1/P	



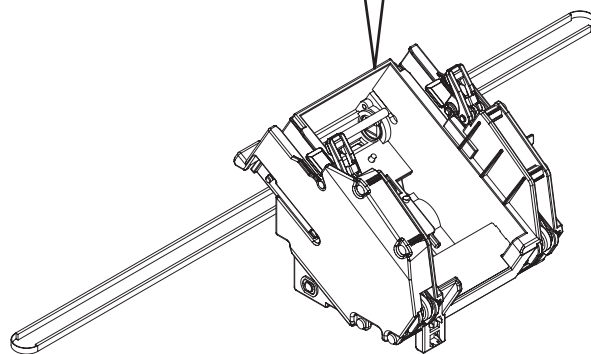
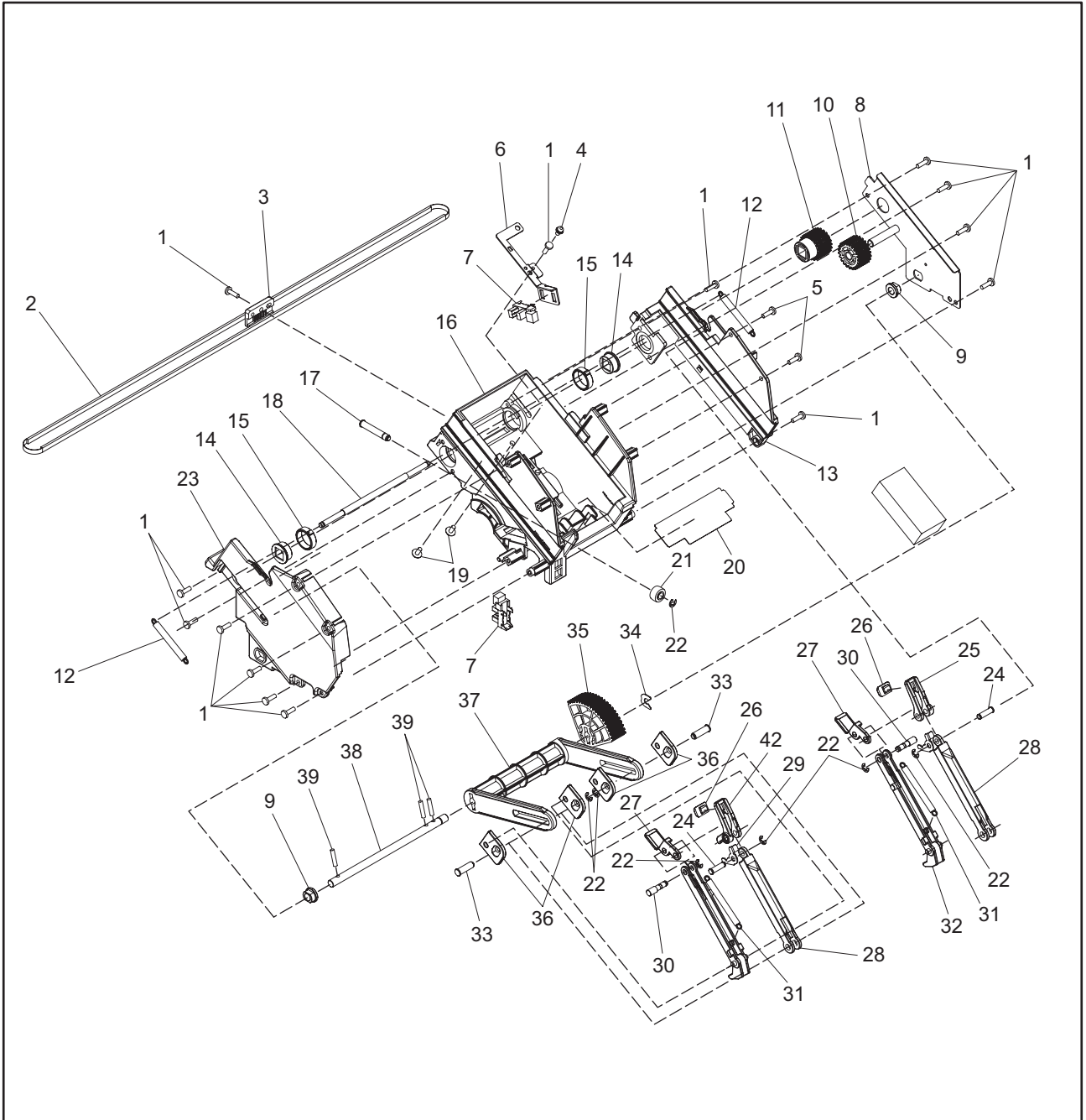
ITEM No.	PART No.	PART NAME	Q'TY / PAGE	Q'TY / PACK	REMARKS
1	6LJ20259000	GID-SD-FEED-OPEN	1	1/PP	
2	6LJ20471000	SP-SD-CLOSE	1	1/P	
3	6LJ20247000	SP-SD-JAM-OPEN-EARTH	1	1/P	
4	6LJ20428000	GID-SD-FEED-JAM-KNB	1	1/P	
5	6LJ20715000	HP-030	1	1/P	
6	6LJ20468000	SP-SD-KNB-U	1	1/P	
7	6LJ20665000	KNOB SD U TT	1	1/P	
8	6LJ20429000	HOK-SD-LOCK	1	1/P	
9	6LJ20063000	SCR03T060SR-W	1	1/P	
10	6LJ20078000	CLIP080150W	1	1/P	
11	6LJ20054000	CLIP050060W	1	1/P	
12	6LJ19898000	COVER-TOP-TT	1	1/PP	
13	6LJ20241000	PLT-SR-SP-ENT	4	1/P	
14	6LJ20489000	ROL-SR-ENT-KORO	4	1/KP	
15	6LJ20071000	SCR03T100-W	10	1/P	
16	6LJ19899000	COVER-TOP-HDL-TT	1	1/PP	
17	6LJ20642000	SHAFT TOP STOP	1	1/P	
18	6LJ19891000	LVR-TOP-STOP	1	1/P	
19	6LJ19892000	HLD-TOP-STOP	1	1/P	
20	6LJ20659000	SPRING TOP STOP	1	1/P	
21	6LJ20706000	ER-050	2	1/P	
22	6LJ19897000	COVER-ENT-DM-U-TT	1	1/PP	
23	6LJ20654000	COVER ENT DM L TT	1	1/PP	
24	6LJ20070000	SCR04T100-W	2	1/P	



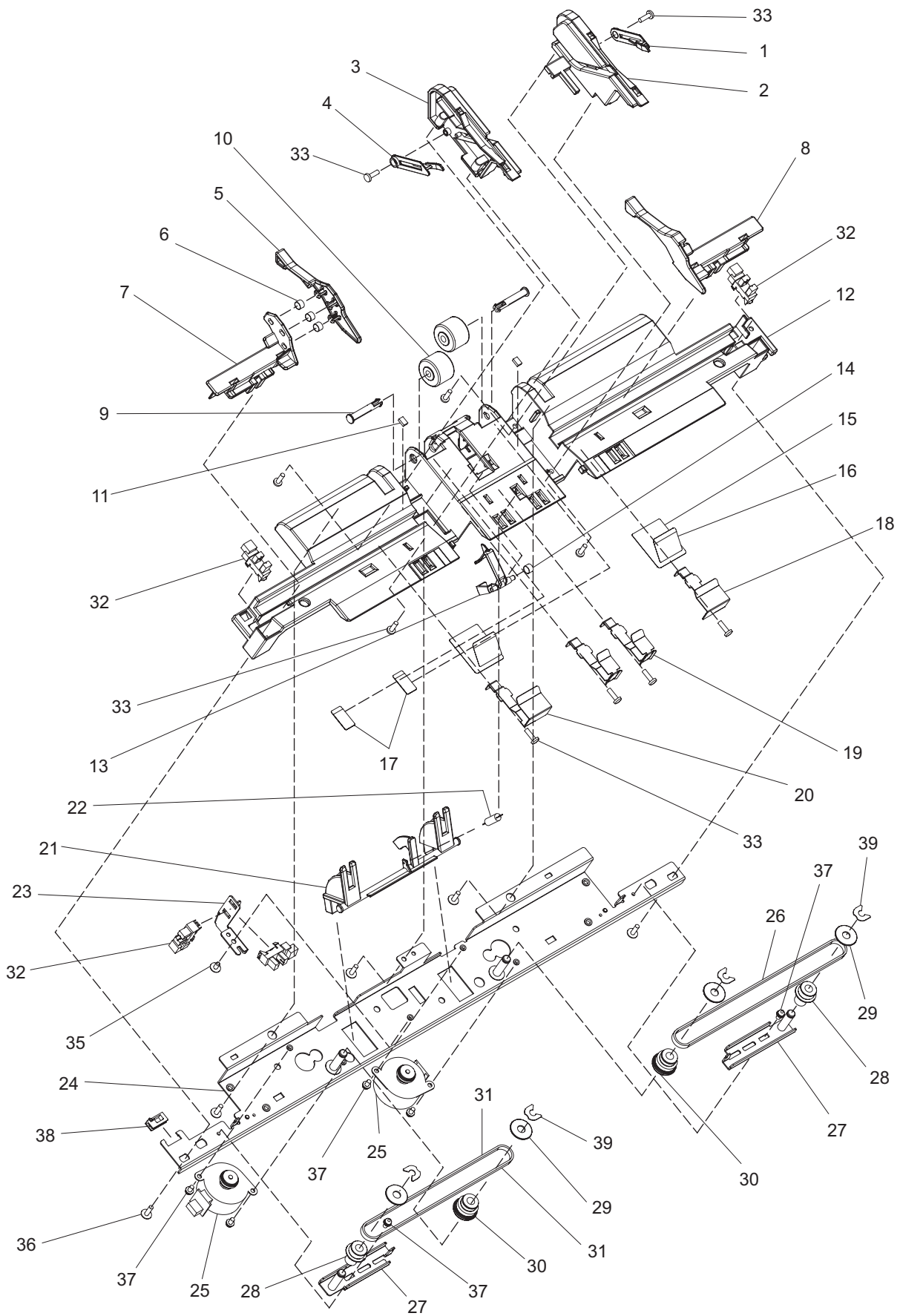
ITEM No.	PART No.	PART NAME	Q'TY / PAGE	Q'TY / PACK	REMARKS
1	6LJ20350000	PLY-S3M-18-UP	2	1/P	
2	6LJ20451000	SP-TR-TS-T	2	1/P	
3	6LJ20360000	FLNG-20-8	2	1/P	
4	6LJ20892000	K-BKT-TR-TS-T-R	1	1/P	
5	6LJ20105000	CVR-PLT-SP-LOCK	3	1/P	
6	6LJ20244000	PLT-FRM-LOCK	3	1/P	
9	6LJ20486000	SOL-TDS-10A-1100	1	1/D	
10	6LJ20090000	SP-PR-SOL-YO	1	1/P	
11	6LJ20277000	STY-SD-FRM-R-JNT	1	1/P	
13	6LJ20095000	DMP-FE-LVR-ENT	2	1/P	
15	6LJ20362000	LVR-SR-SEN-ENT	1	1/P	
16	6LJ20116000	SP-FE-SEN-ENT	2	1/P	
17	6LJ20459000	MLR-FE-COL	2	1/P	
18	6LJ20437000	SPNG-TU-LVR	5	1/P	
20	6LJ20278000	STY-SD-FRM-F-JNT	1	1/P	
22	6LJ20891000	K-BKT-TR-TS-T-F	1	1/P	
23	6LJ20488000	LVR-TR-MDL-SNS	1	1/P	
24	6LJ20426000	LVR-SEN-STR	1	1/P	
25	6LJ20432000	ROL-SD-FEED	2	1/KP	
26	6LJ20266000	PLT-SD-PDL-ROL	2	1/P	
27	6LJ20658000	GUIDE SR SB D TT	1	1/P	
28	6LJ20475000	ROL-SR-ENT	1	1/P	
29	6LJ20282000	BKT-SD-CV-CAM	2	1/P	
31	6LJ20056000	CLIP070140B	2	1/P	
32	6LJ20003000	SCR040080FWWS	4	1/P	
33	6LJ20064000	SCR03T060SR-W	7	1/P	
34	6LJ20081000	SCR-M4-DAN2.2	1	1/P	
35	6LJ20671000	SP-030	1	1/P	
36	6LJ20691000	SCR030060FWBI	4	1/P	
37	6LJ20675000	SG2481-NY	2	1/P	
38	6LJ20456000	SP-TR-MDL-SNS	1	1/P	
39	6LJ20013000	JCM-0404S	2	1/P	
41	6LJ20687000	LWSR-1211	4	1/P	
42	6LJ20679000	LES-1010	1	1/P	
43	6LJ20684000	LES-0510	2	1/P	
44	6LJ19998000	SCR-030-060	2	1/P	
45	6LJ20077000	M3X10	4	1/P	
46	6LJ20069000	SCR03T100-D	2	1/P	
47	6LJ20068000	SCR04T080SR-W	25	1/P	
48	6LJ20450000	BRSH-GID-ENT	2	1/P	
49	6LJ19896000	COVER-R-INSIDE-TT	1	1/PP	
50	6LJ20648000	COVER F INSIDE TT	1	1/P	
51	6LJ20686000	LWSR-0511	4	1/P	
52	6LJ20063000	SCR03T060SR-W	1	1/P	



ITEM No.	PART No.	PART NAME	Q'TY / PAGE	Q'TY / PACK	REMARKS
1	6LJ20382000	GER-010-36	1	1/P	
2	6LJ20715000	HP-030	1	1/P	
3	6LJ20358000	SFT-SR-STP-GID-ES	1	1/P	
5	6LJ20893000	BKT-SR-STP-SFT	1	1/P	
6	6LJ20684000	LES-0510	6	1/P	
7	6LJ20013000	JCM-0404S	2	1/P	
8	6LJ20064000	SCR03T060SR-W	6	1/P	
9	6LJ20060000	METAL060060FC	5	1/P	
10	6LJ20054000	CLIP050060W	1	1/P	
11	6LJ20099000	PLY-S3M-18	1	1/P	
12	6LJ20115000	SP-STP-TN	2	1/P	
13	6LJ20000000	SCR030080FWWS	3	1/P	
14	6LJ20212000	ASY-SR-STP-PLY	1	1/P	
15	6LJ20226000	K-BKT-SR-STP-TEN	1	1/P	
17	6LJ20236000	MOT-17PM-J344-P4VS	1	1/D	
19	6LJ20897000	BKT-FEDRV-TEN	1	1/P	
20	6LJ20383000	GER-010-16-36	1	1/P	
21	6LJ19998000	SCR-030-060	2	1/P	
22	6LJ20297000	SFT-GP-DRV-IDL	1	1/P	
23	6LJ20713000	HP-020	2	1/P	
24	6LJ20675000	SG2481-NY	3	1/P	
26	6LJ20117000	SP-MOT	1	1/P	
27	6LJ20895000	BKT-GP-DRV-D	1	1/P	
28	6LJ20055000	CLIP050140W	5	1/P	
29	6LJ20042000	BELTS2M053060	1	1/P	
30	6LJ20333000	PLT-SR-STP-HPS	1	1/P	
31	6LJ20330000	GER-050-22-46	3	1/P	
32	6LJ20053000	CLIP040100G	2	1/P	
33	6LJ20705000	ER-032	1	1/P	
35	6LJ20343000	GER-080-32-PLY-S3M-1	1	1/P	
36	6LJ20679000	LES-1010	1	1/P	
37	6LJ20225000	K-STY-SR-STP	1	1/P	
39	6LJ20481000	SP-SR-STP-HRNS	1	1/P	
40	6LJ20345000	HLDR-SR-STP-HRNS	1	1/PP	
41	6LJ20081000	SCR-M4-DAN2.2	3	1/P	
42	6LJ20352000	ROL-SR-STP-HRNS	1	1/P	
43	6LJ20318000	LVR-CVR-F-SW	1	1/P	
44	6LJ20673000	DP1L-AAAA	1	1/P	
45	6LJ20457000	TQL-GP-DRV	1	1/P	
46	6LJ20384000	GER-100-16-TRQ	1	1/P	
47	6LJ20296000	SFT-GP-DRV-TRQ	1	1/P	
48	6LJ20711000	SFT-020-080SCH	1	1/P	
49	6LJ20385000	PLY-S2M-18	1	1/P	
51	6LJ20461000	MLR-SR-STP	1	1/P	
52	6LJ19995000	SCR-023-100ZWS	1	1/P	
53	6LJ20230000	K-BKT-STP-BLT-HLDR	1	1/P	
54	6LJ20752000	COL-PC-SLD	1	1/P	
55	6LJ20002000	SCR-030-120	2	1/P	
57	6LJ20075000	SCR03M035-D060014	1	1/P	
58	6LJ20637000	BRACKET SWITCH TURN F	1	1/P	
59	6LJ20638000	BRACKET SWITCH FIX F	1	1/P	
60	6LJ20661000	SPRING SWITCH F	1	1/P	
61	6LJ20677000	RSG-100	1	1/P	
62	6LJ20641000	PLATE SWITCH F	1	1/P	

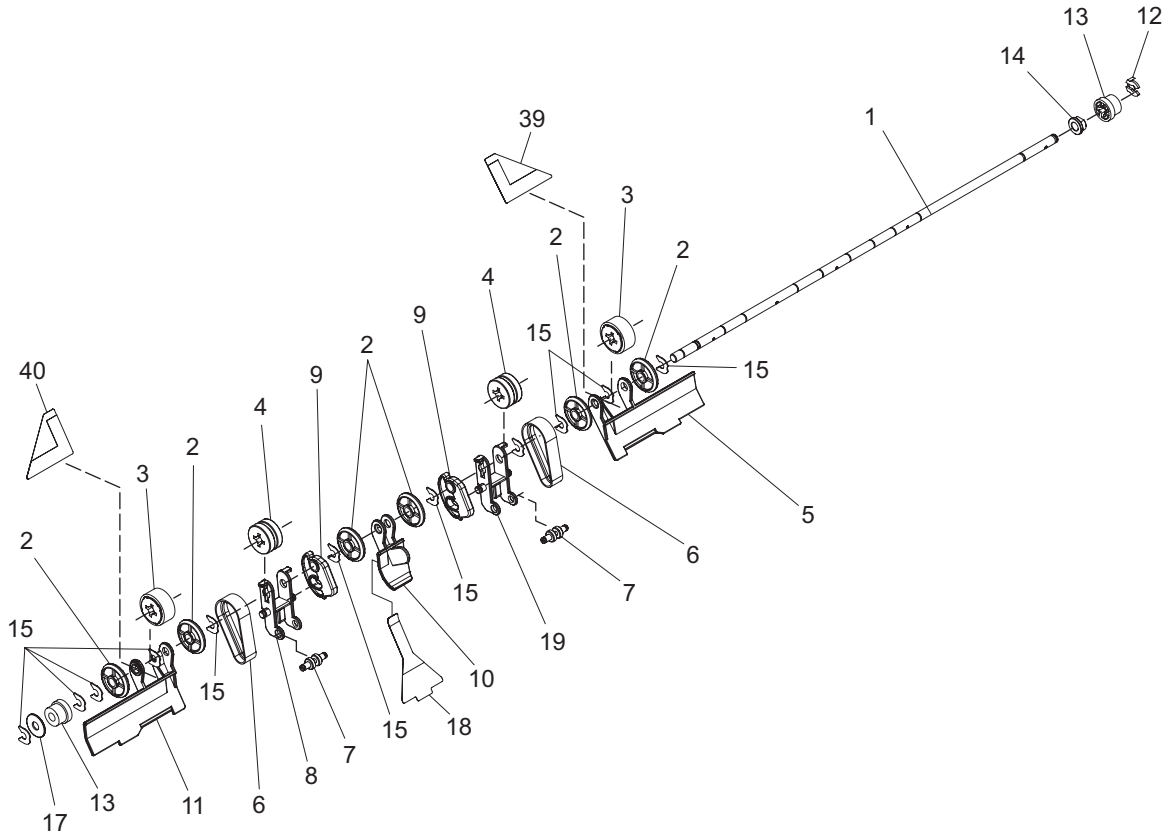


ITEM No.	PART No.	PART NAME	Q'TY / PAGE	Q'TY / PACK	REMARKS
1	6LJ20699000	M3X10	28	1/P	
2	6LJ20041000	BELTS3M318040	1	1/P	
3	6LJ20100000	PLT-STP-BLT	1	1/P	
4	6LJ19998000	SCR-030-060	1	1/P	
6	6LJ20894000	PLT-GP-EARTH	1	1/P	
7	6LJ20675000	SG2481-NY	2	1/P	
8	6LJ20229000	K-PLT-GP-DRV	1	1/P	
9	6LJ20051000	BUSH060060MYU	2	1/P	
10	6LJ20332000	GER-100-22-GP-IDL	1	1/P	
11	6LJ20364000	GER-100-20-GP-DRV-ES	1	1/P	
12	6LJ20435000	SP-GP-ARM-DN	2	1/P	
13	6LJ20327000	GID-GP-R	1	1/P	
14	6LJ20365000	BUSH-SR-STP-IN-ES	2	1/P	
15	6LJ20331000	BUSH-SR-STP-OUT	2	1/P	
16	6LJ20380000	BASE-GP-MAIN	1	1/PP	
17	6LJ20289000	STD-SR-STP-BS	1	1/P	
18	6LJ20288000	SFT-GP-ARM-DN	1	1/P	
19	6LJ20000000	SCR030080FWWS	2	1/P	
20	6LJ20439000	CVR-GP-HRNS	1	1/P	
21	6LJ20342000	ROL-SR-STP	1	1/P	
22	6LJ20705000	ER-032	7	1/P	
23	6LJ20317000	GID-GP-F	1	1/P	
24	6LJ20287000	SFT-GP-HND	2	1/P	
25	6LJ20329000	HND-GP-U-R	1	1/P	
26	6LJ20441000	RUB-GP	2	1/P	
27	6LJ20323000	HND-GP-L	2	1/P	
28	6LJ20321000	ARM-GP-U	2	1/P	
29	6LJ20243000	PLT-GP-SP	2	1/P	
30	6LJ20286000	SFT-GP-HND-G	2	1/P	
31	6LJ20434000	SP-GP-CLS	2	1/P	
32	6LJ20328000	ARM-GP-L-R	1	1/P	
33	6LJ20285000	SFT-GP-ARM-L	2	1/P	
34	6LJ20054000	CLIP050060W	1	1/P	
35	6LJ20326000	GER-010-60-GP	1	1/P	
36	6LJ20322000	BLK-GP-ARM	4	1/P	
37	6LJ20319000	LVR-GP-SLD	1	1/P	
38	6LJ20284000	SFT-GP-DRV	1	1/P	
39	6LJ20715000	HP-030	3	1/P	
42	6LJ20324000	HND-GP-U-F	1	1/P	
43	6LJ20320000	ARM-GP-L-F	1	1/P	

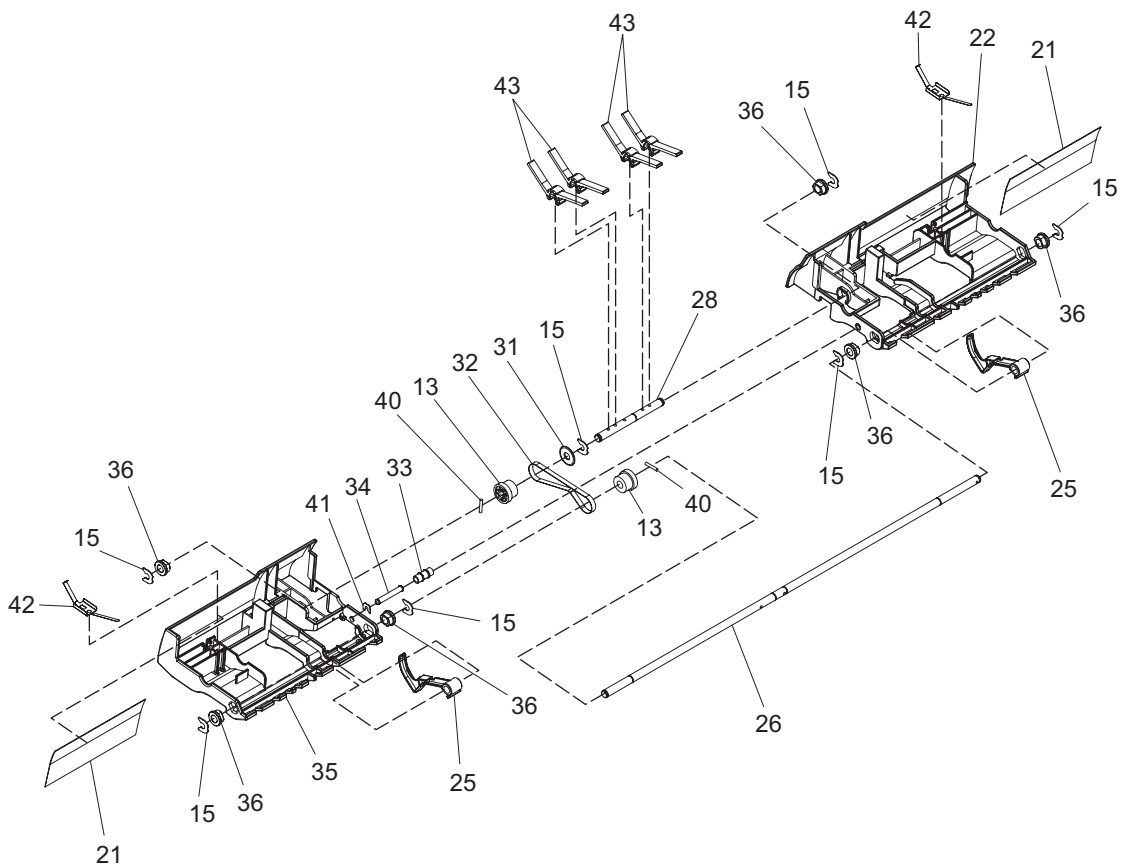


ITEM No.	PART No.	PART NAME	Q'TY / PAGE	Q'TY / PACK	REMARKS
1	6LJ20325000	LVR-SR-OW-R	1	1/P	
2	6LJ20335000	GID-SR-SG-GP-R	1	1/PP	
3	6LJ20334000	GID-SR-SG-GP-F	1	1/PP	
4	6LJ20316000	LVR-SR-OW-F	1	1/P	
5	6LJ20337000	PLT-SR-SG-F-2	1	1/P	
6	6LJ20093000	SP-PR-SEG	3	1/P	
7	6LJ20336000	PLT-SR-SG-F-1	1	1/P	
8	6LJ20338000	PLT-SR-SG-R	1	1/P	
9	6LJ20381000	PIN-SR-EX-KORO	2	1/P	
10	6LJ20379000	ROL-SR-EX	2	1/KP	
11	6LJ20437000	SPNG-TU-LVR	2	1/P	
12	6LJ20647000	BASE SR MAIN TT	1	1/PP	
13	6LJ20098000	LVR-PR-SEIGO-SEN	1	1/P	
14	6LJ20114000	SP-PR-SEIGO-SEN	1	1/P	
15	6LJ20462000	MLR-SR-TRY-STP	2	1/P	
16	6LJ20445000	MLR-SR-SEIG-STOP-L	2	1/P	
17	6LJ20663000	SHEET SR UDG ROL	2	1/P	
18	6LJ20245000	STP-SR-LR	1	1/P	
19	6LJ20242000	STP-SR-S	2	1/P	
20	6LJ20246000	STP-SR-LF	1	1/P	
21	6LJ20376000	PLT-GP-STOP	1	1/P	
22	6LJ20444000	SP-SR-STOP-GP	1	1/P	
23	6LJ20240000	BKT-SR-SEN	1	1/P	
24	6LJ20227000	K-STY-SR-SG	1	1/D	
25	6LJ20239000	MOT-PM35S-048-NSG8	2	1/C	
26	6LJ20040000	BELTS2M180040	1	1/P	
27	6LJ20228000	K-SR-SG-TEN	2	1/P	
28	6LJ20339000	PLY-S2M-20	2	1/P	
29	6LJ20079000	FLNG-17-RK	4	1/P	
30	6LJ20340000	PLYG-S2M-20-050-35	2	1/P	
31	6LJ20039000	BELTS2M157040	1	1/P	
32	6LJ20675000	SG2481-NY	4	1/P	
33	6LJ20699000	M3X10	2	1/P	
35	6LJ20064000	SCR03T060SR-W	1	1/P	
36	6LJ20069000	SCR03T100-D	5	1/P	
37	6LJ19998000	SCR-030-060	6	1/P	
38	6LJ20684000	LES-0510	1	1/P	
39	6LJ20054000	CLIP050060W	4	1/P	

A

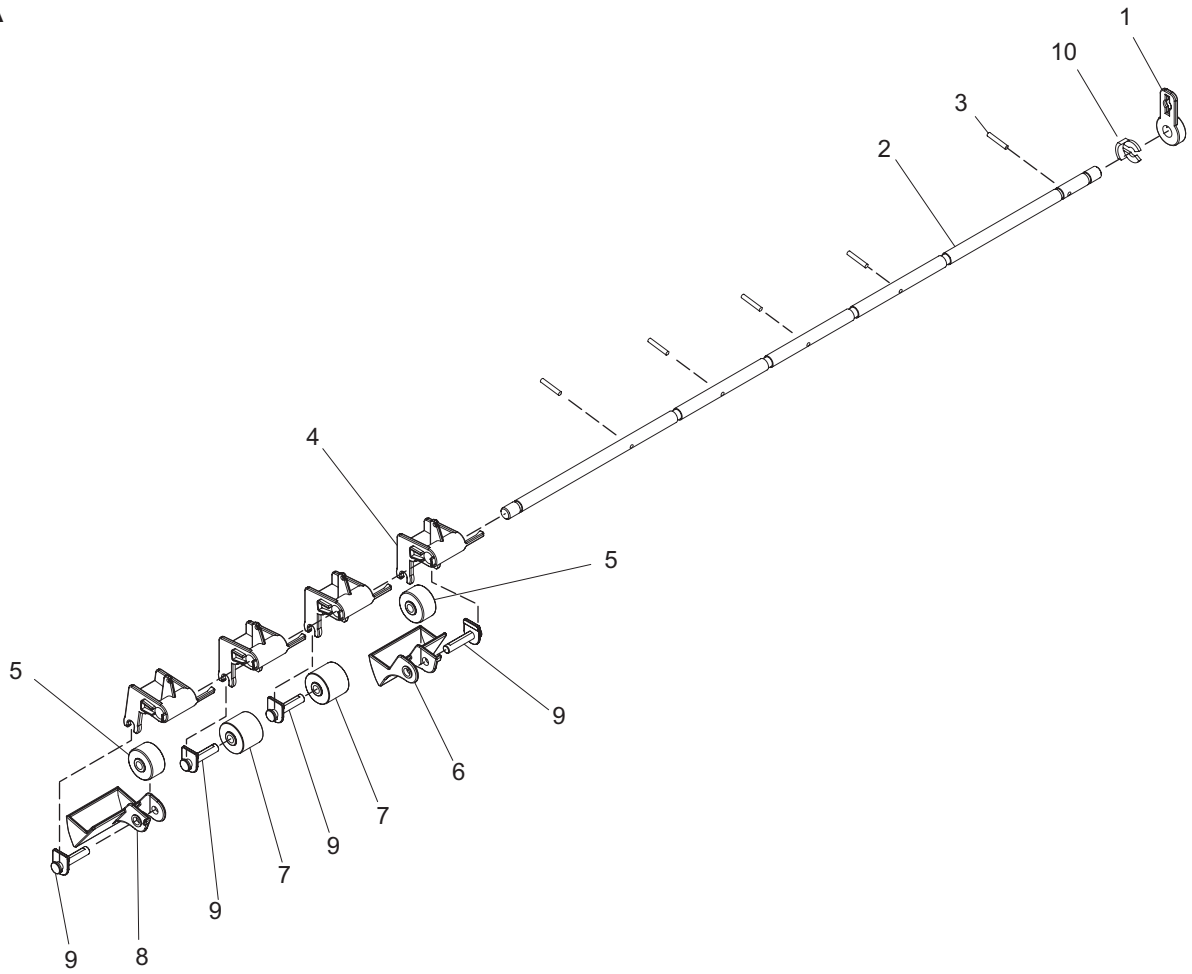


B

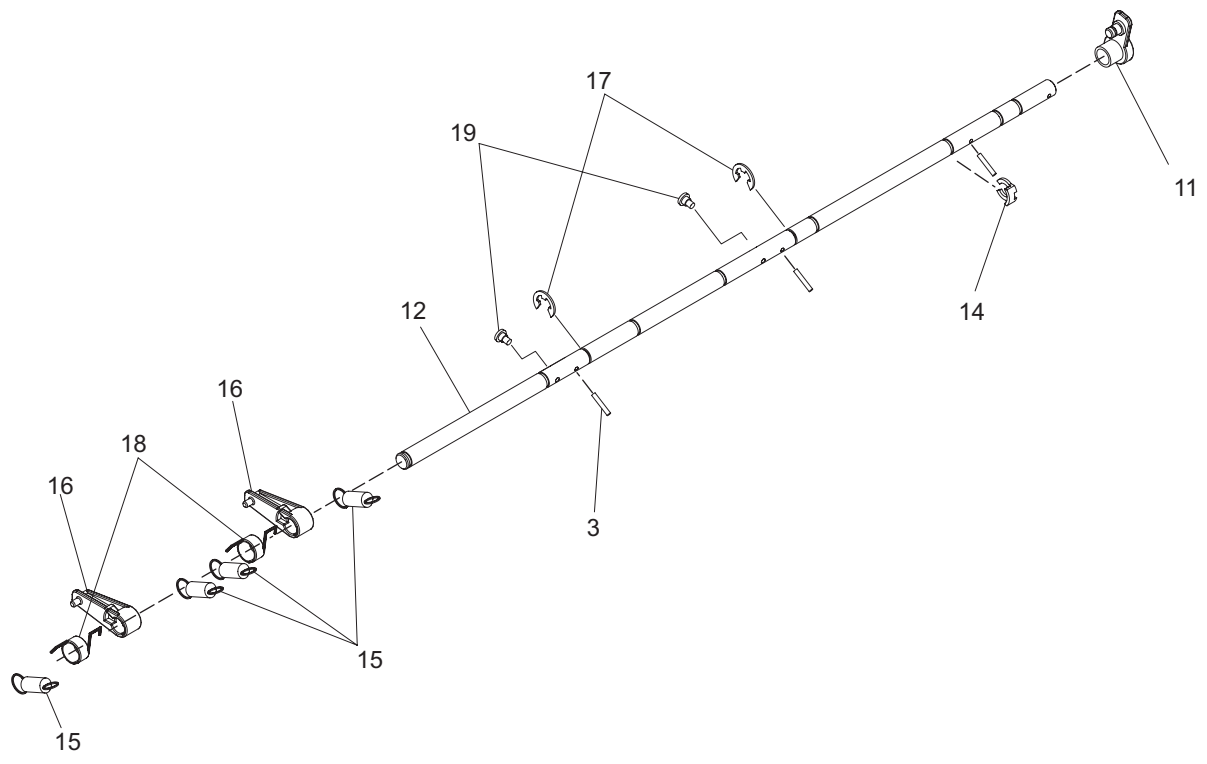


ITEM No.	PART No.	PART NAME	Q'TY / PAGE	Q'TY / PACK	REMARKS
1	6LJ20290000	SFT-FE-BLT	1	1/P	
2	6LJ20088000	KORO-FE-COR	6	1/P	
3	6LJ20442000	ROL-FE-EXIT	2	1/KP	
4	6LJ20087000	ROL-FE-BLT	2	1/KP	
5	6LJ20347000	WGT-FE-R	1	1/P	
6	6LJ20211000	RUB-FE-CTP-S50	2	1/P	
7	6LJ20291000	SFT-FE-BLT-HLDR	2	1/P	
8	6LJ20501000	HLDR-SR-BLT-F	1	1/P	
9	6LJ20111000	GID-FE-BLT	2	1/P	
10	6LJ20346000	WGT-FE-C	1	1/P	
11	6LJ20344000	WGT-FE-F	1	1/P	
12	6LJ20055000	CLIP050140W	1	1/P	
13	6LJ20103000	PLY-S2M-22L	4	1/P	
14	6LJ20060000	METAL060060FC	1	1/P	
15	6LJ20054000	CLIP050060W	20	1/P	
17	6LJ20079000	FLNG-17-RK	1	1/P	
18	6LJ20449000	SHT-SR-WGT	1	1/P	
19	6LJ20502000	HLDR-SR-BLT-R	1	1/P	
21	6LJ20446000	BRSH-UDG-GID	2	1/KP	
22	6LJ20650000	GUIDE UDG R TT	1	1/PP	
25	6LJ20503000	WGT-SR-PRO	2	1/P	
26	6LJ20292000	SFT-UDG-DRV	1	1/P	
28	6LJ20293000	SFT-UDG-R	1	1/P	
29	6LJ20443000	ROL-FE-UD	2	1/P	
31	6LJ20083000	FLG-FEED-PLY	1	1/P	
32	6LJ20049000	BELTS2M102040	1	1/P	
33	6LJ20108000	ROL-PICK-IDLER	1	1/P	
34	6LJ20113000	SFT-PICK-IDLER	1	1/P	
35	6LJ20649000	GUIDE UDG F TT	1	1/PP	
36	6LJ20051000	BUSH060060MYU	6	1/P	
40	6LJ20713000	HP-020	2	1/P	
43	6LJ20443000	ROL-FE-UD	4	1/P	

A

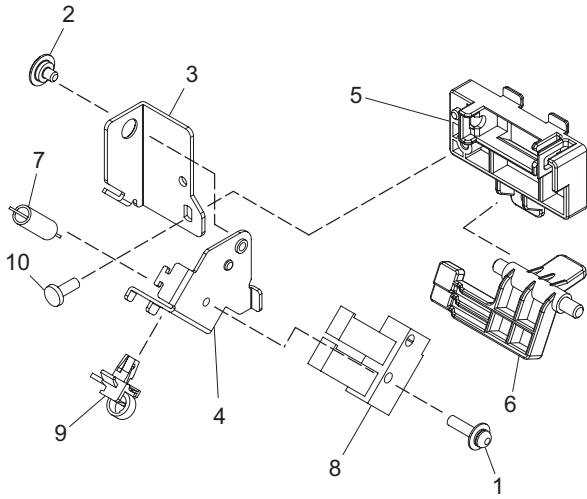


B

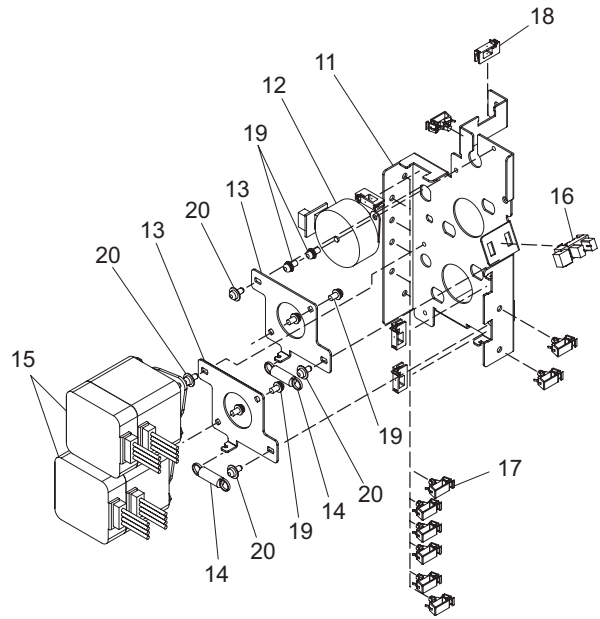


ITEM No.	PART No.	PART NAME	Q'TY / PAGE	Q'TY / PACK	REMARKS
1	6LJ20373000	LVR-FE-RIKAN-1	1	1/P	
2	6LJ20294000	SFT-UDG-RIKAN	1	1/P	
3	6LJ20713000	HP-020	8	1/P	
4	6LJ20348000	HLDR-UDG-KORO	4	1/P	
5	6LJ20104000	ROL-FE-KO-BLT	2	1/KP	
6	6LJ20107000	WGT-FE-PRO-R	1	1/P	
7	6LJ20089000	ROL-FE-KO-BLT-W	2	1/P	
8	6LJ20106000	WGT-FE-PRO-F	1	1/P	
9	6LJ20349000	PIN-UDG-KORO	4	1/P	
10	6LJ20055000	CLIP050140W	1	1/P	
11	6LJ20374000	LVR-RIKAN-2	1	1/P	
12	6LJ20643000	SHAFT UD GUIDE ARM	1	1/P	
14	6LJ20056000	CLIP070140B	1	1/P	
15	6LJ20438000	SP-SB-KORO	4	1/P	
16	6LJ20646000	LEVER UD GUIDE ARM	2	1/P	
17	6LJ20707000	ER-064	2	1/P	
18	6LJ20662000	SPRING SWITC STOP STP2	2	1/P	
19	6LJ20073000	SCR03M030-D040022	2	1/P	

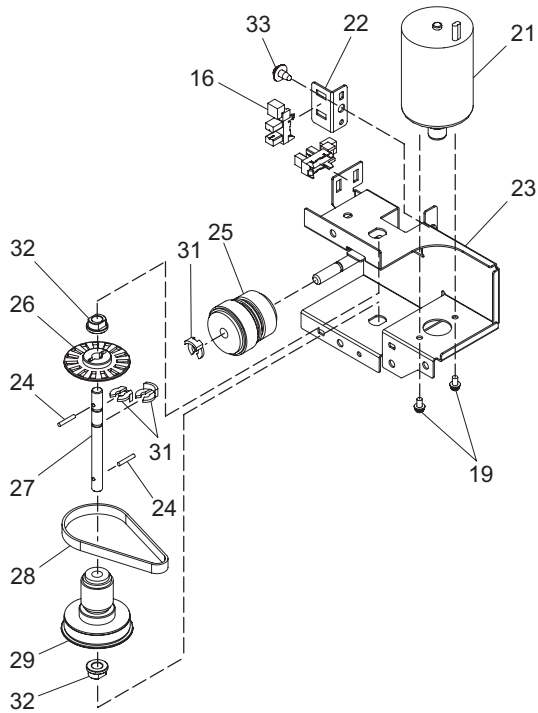
A



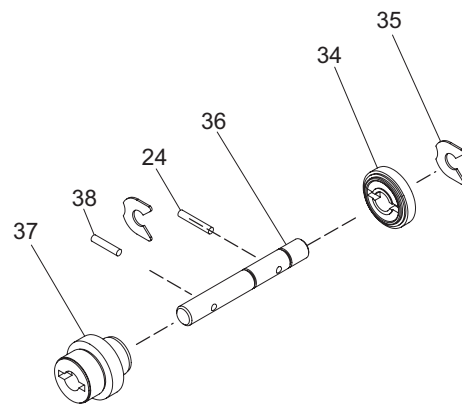
B



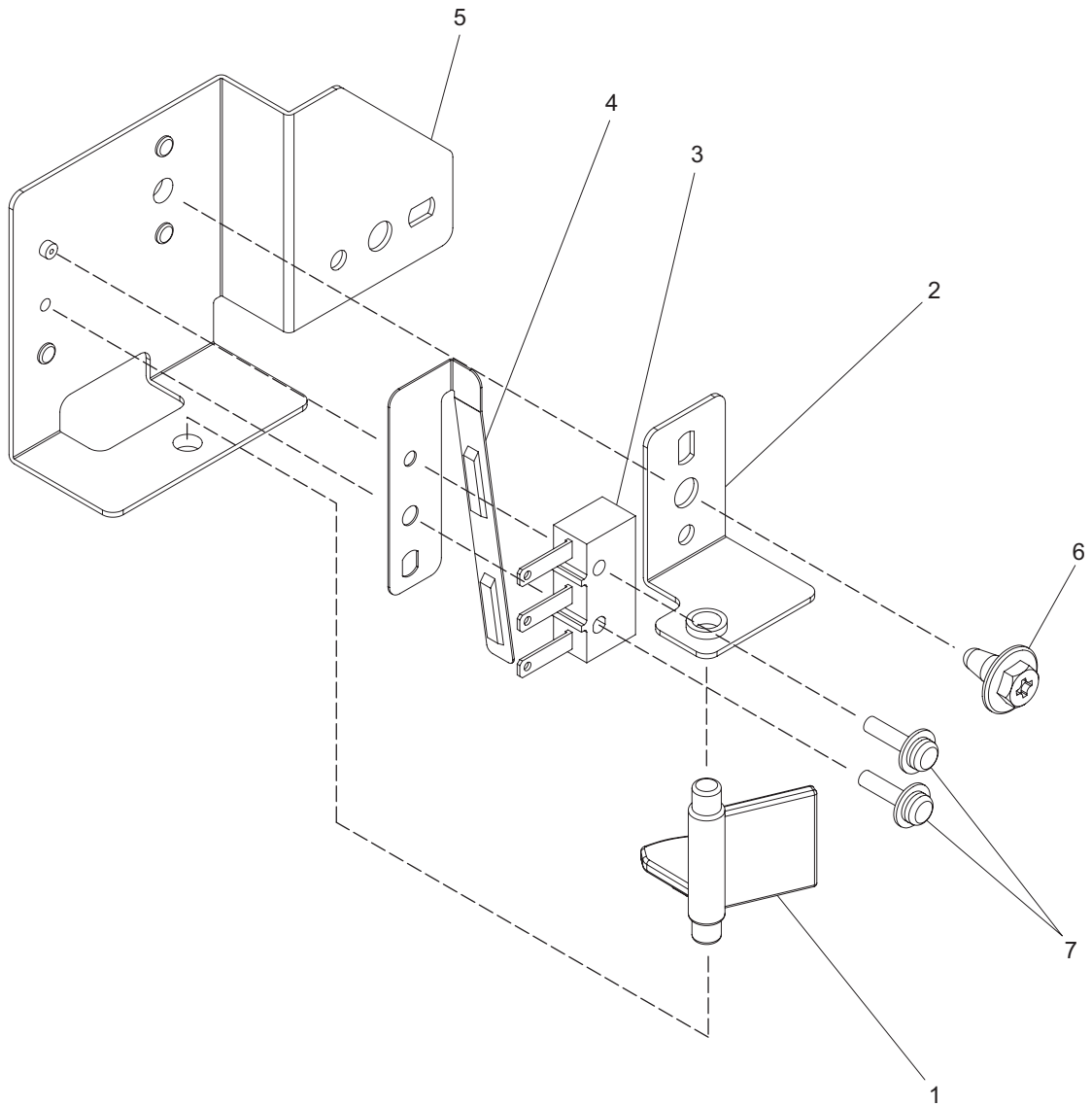
C



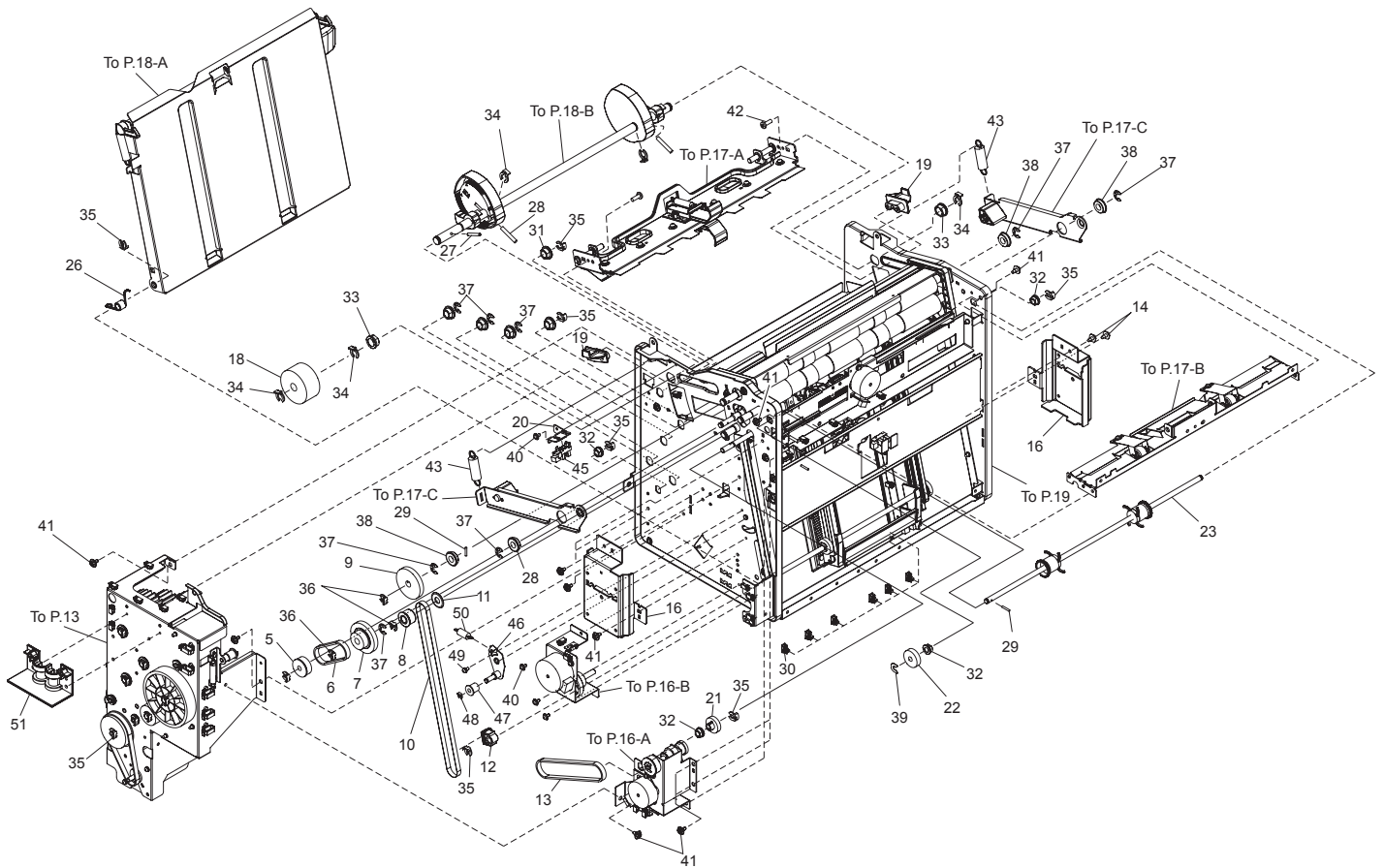
D



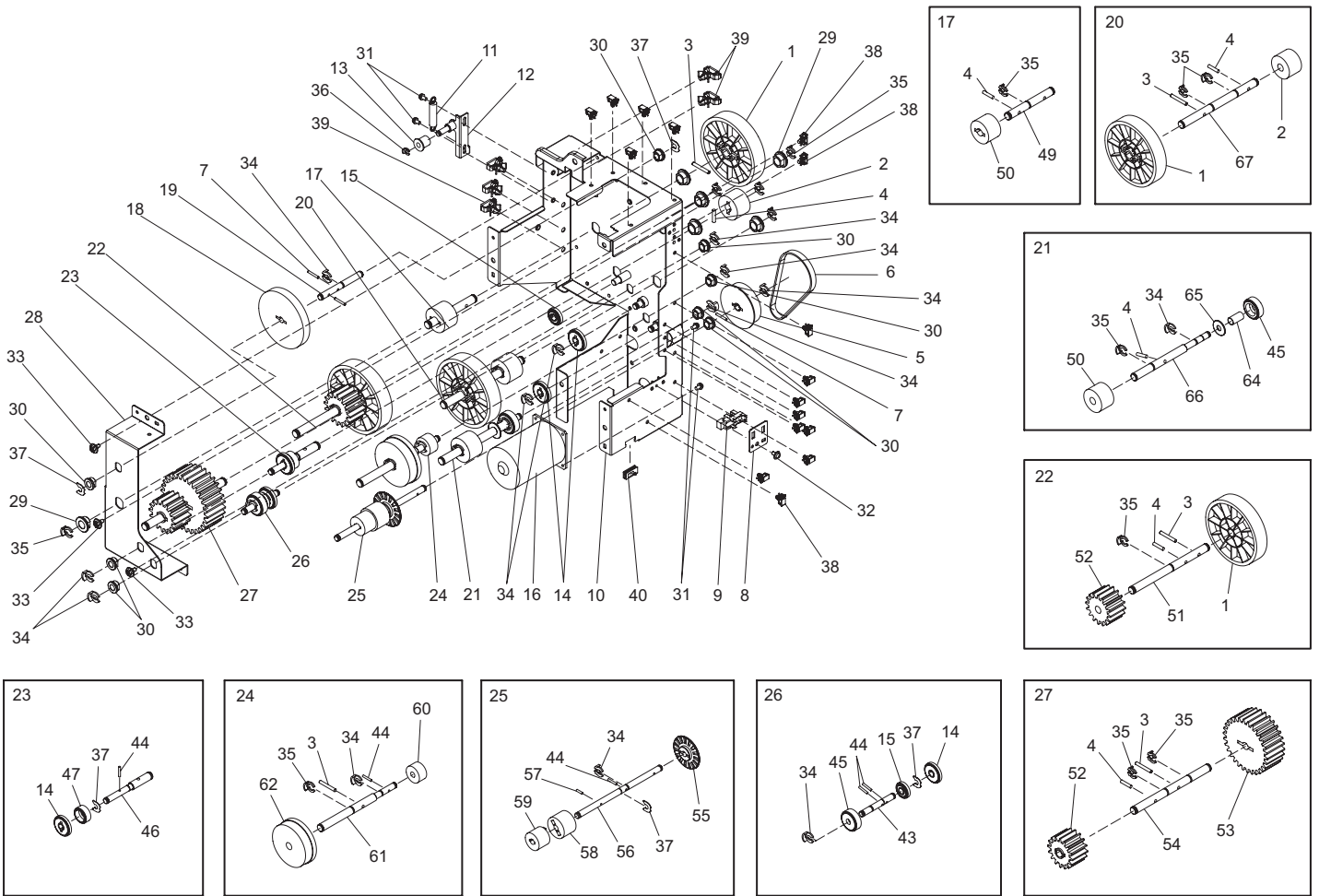
ITEM No.	PART No.	PART NAME	Q'TY / PAGE	Q'TY / PACK	REMARKS
1	6LJ20002000	SCR-030-120	1	1/P	
2	6LJ20075000	SCR03M035-D060014	1	1/P	
3	6LJ20639000	BRACKET SWITCH FIX TOP	1	1/P	
4	6LJ20640000	BRACKET SWITCH TURN TOP	1	1/P	
5	6LJ20644000	HOLDER SWITCH FIX TOP	1	1/P	
6	6LJ20645000	LEVER SWITCH FIX TOP	1	1/P	
7	6LJ20660000	SPRING SWITCH TOP	1	1/P	
8	6LJ20673000	DP1L-AAAA	1	1/P	
9	6LJ20677000	RSG-100	1	1/P	
10	6LJ20697000	SCREW P M3X8B	1	1/P	
11	6LJ20896000	BKT-DRV-MOT-FE	1	1/P	
12	6LJ20239000	MOT-PM35S-048-NSG8	1	1/C	
13	6LJ20897000	BKT-FEDRV-TEN	2	1/P	
14	6LJ20117000	SP-MOT	2	1/P	
15	6LJ20236000	MOT-17PM-J344-P4VS	2	1/D	
16	6LJ20675000	SG2481-NY	3	1/P	
17	6LJ20012000	JCM-0509S	9	1/P	
18	6LJ20684000	LES-0510	4	1/P	
19	6LJ19998000	SCR-030-060	8	1/P	
20	6LJ20000000	SCR030080FWWS	4	1/P	
21	6LJ20237000	MOT-NA4056B04C-ASY	1	1/D	
22	6LJ20256000	BKT-SST-SNS-SLIDE	1	1/P	
23	6LJ20890000	K-BKT-TR-MOT	1	1/P	
24	6LJ20713000	HP-020	3	1/P	
25	6LJ20414000	GER-100-28-150-16	1	1/P	
26	6LJ20359000	PLT-CLK-15	1	1/P	
27	6LJ20299000	SFT-TR-CLK	1	1/P	
28	6LJ20043000	BELTS2M086060	1	1/P	
29	6LJ20413000	PLY-S2M-58-WM-100-1	1	1/P	
31	6LJ20055000	CLIP050140W	3	1/P	
32	6LJ20060000	METAL060060FC	2	1/P	
33	6LJ20068000	SCR04T080SR-W	1	1/P	
34	6LJ20497000	GER-080-20	1	1/P	
35	6LJ20054000	CLIP050060W	2	1/P	
36	6LJ20898000	SFT-FEDRV-2	1	1/P	
37	6LJ20369000	PLY-S2M-18-22	1	1/P	
38	6LJ20712000	HPIN-2X10	1	1/P	



ITEM No.	PART No.	PART NAME	Q'TY / PAGE	Q'TY / PACK	REMARKS
1	6LJ20357000	LVR-TR-SW	1	1/P	
2	6LJ20255000	BKT-TR-SW-LVR	1	1/P	
3	6LJ20008000	DE2L-FJ15	1	1/P	
4	6LJ20112000	SP-STP-SW	1	1/P	
5	6LJ20253000	BKT-TR-DOR-SW	1	1/P	
6	6LJ20068000	SCR04T080SR-W	1	1/P	
7	6LJ19995000	SCR-023-100ZWS	2	1/P	

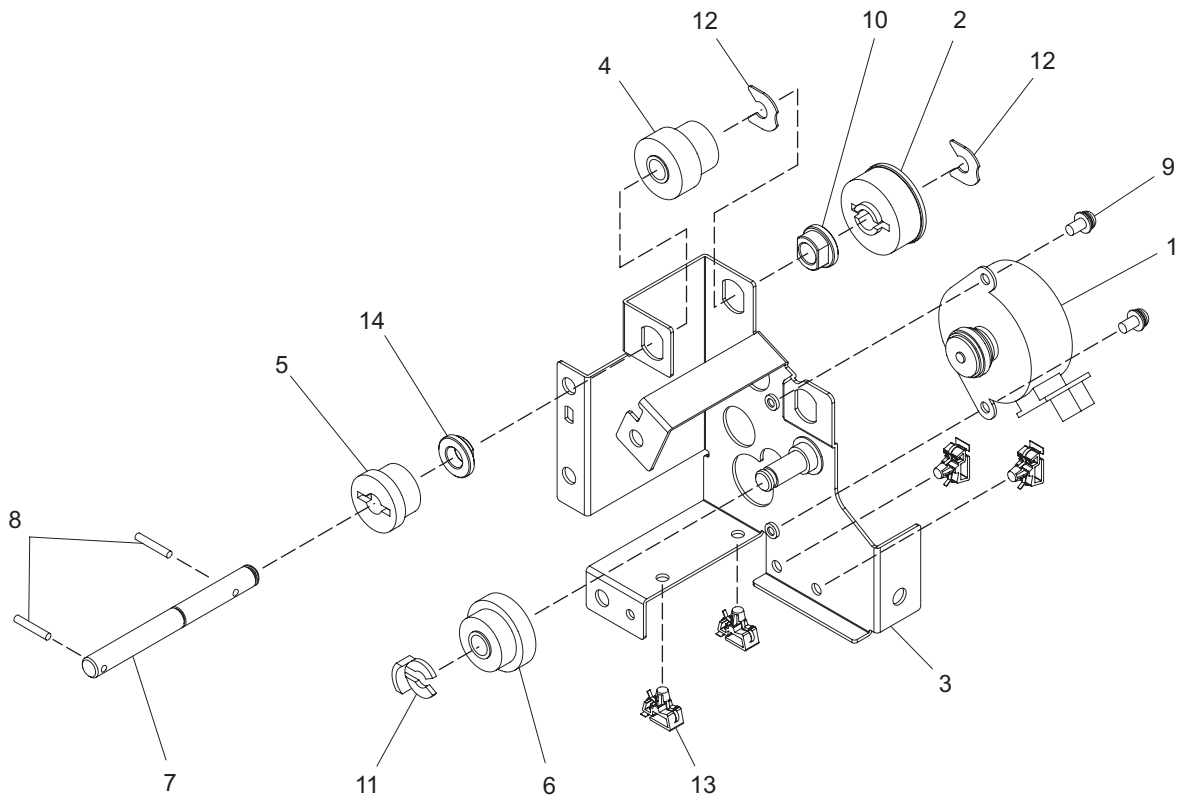


ITEM No.	PART No.	PART NAME	Q'TY / PAGE	Q'TY / PACK	REMARKS
5	6LJ20409000	PLY-S3M-24-SD	1	1/P	
6	6LJ20044000	BELTS3M050060	1	1/P	
7	6LJ20408000	GER-100-38-S3M-24-SD	1	1/P	
8	6LJ20350000	PLY-S3M-18-UP	1	1/P	
9	6LJ20410000	GER-100-38-SD	1	1/P	
10	6LJ20047000	BELTS3M162060	1	1/P	
11	6LJ20360000	FLNG-20-8	1	1/P	
12	6LJ20425000	HLD-SD-BLD-BLT	1	1/P	
13	6LJ20046000	BELTS3M089060	1	1/P	
16	6LJ20272000	BKT-KDI-FOT	2	1/P	
18	6LJ20401000	GER-200-20-SD	1	1/P	
19	6LJ20396000	LVR-SD-PLT-SDL	2	1/P	
20	6LJ20215000	ASY-SD-PLT-SNS	1	1/P	
21	6LJ20423000	GER-080-23-SD	1	1/P	
22	6LJ20405000	GER-080-26-SD	1	1/P	
23	6LJ20470000	ROL-SD-OUT	1	1/KP	
26	6LJ20466000	SP-SD-GID-BRK	1	1/P	
27	6LJ20718000	HP-030	1	1/P	
28	6LJ20027000	HP-040	2	1/P	
29	6LJ20713000	HP-020	3	1/P	
30	6LJ20013000	JCM-0404S	6	1/P	
31	6LJ20061000	METAL080070FC	5	1/P	
32	6LJ20060000	METAL060060FC	4	1/P	
33	6LJ20062000	METAL100070FC	2	1/P	
34	6LJ20078000	CLIP080150W	5	1/P	
35	6LJ20055000	CLIP050140W	6	1/P	
36	6LJ20056000	CLIP070140B	5	1/P	
37	6LJ20707000	ER-064	8	1/P	
38	6LJ20050000	BEARINGRBB080160F	4	1/P	
39	6LJ20054000	CLIP050060W	1	1/P	
40	6LJ20064000	SCR03T060SR-W	4	1/P	
41	6LJ20068000	SCR04T080SR-W	15	1/P	
42	6LJ20694000	SCR-040-120	2	1/P	
43	6LJ20477000	SP-SD-ROL-NIP	2	1/P	
45	6LJ20675000	SG2481-NY	1	1/P	
46	6LJ20232000	K-BKT-SD-BLD-TEN	1	1/P	
47	6LJ20080000	ROL-TENSION-10-5	1	1/P	
48	6LJ20053000	CLIP040100G	1	1/P	
49	6LJ19998000	SCR-030-060	1	1/P	
50	6LJ20473000	SP-SD-GP-TEN	1	1/P	

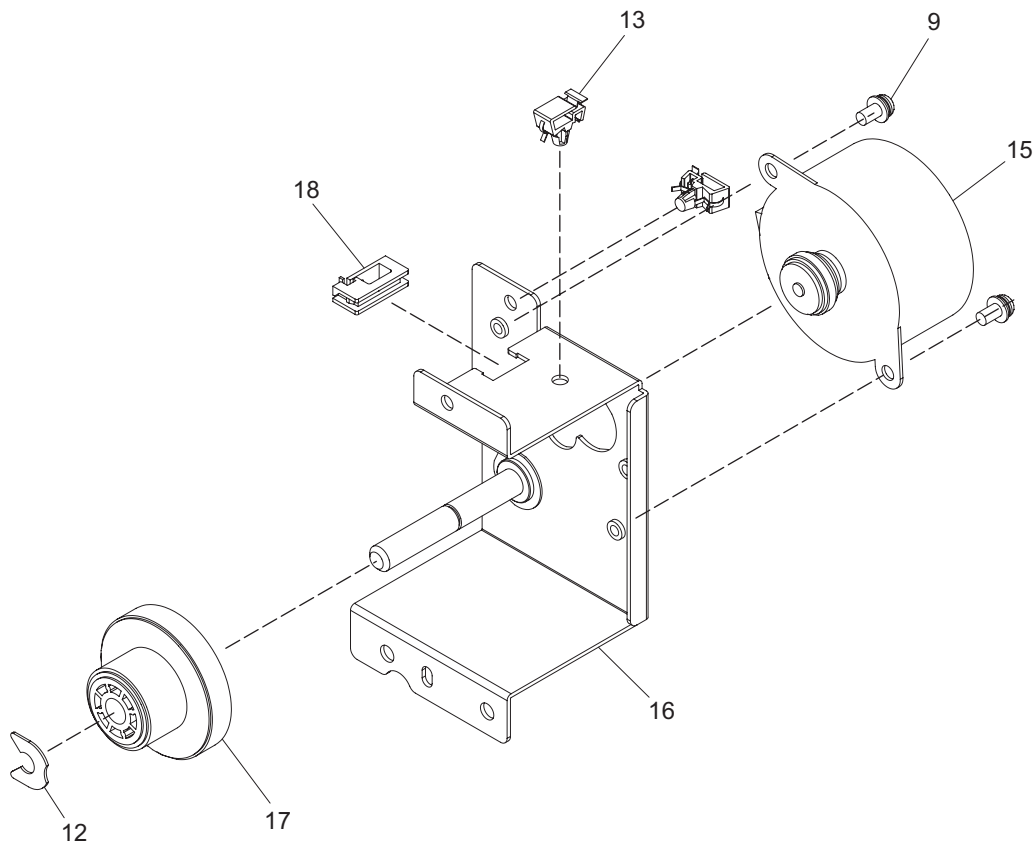


ITEM No.	PART No.	PART NAME	Q'TY / PAGE	Q'TY / PACK	REMARKS
1	6LJ20402000	GER-100-72-SD	3	1/P	
2	6LJ20407000	GER-100-24-SD	6	1/P	
3	6LJ20718000	HP-030	5	1/P	
4	6LJ20715000	HP-030	6	1/P	
5	6LJ20491000	PLY-S3M-45-SD	1	1/P	
6	6LJ20045000	BELTS3M074060	1	1/P	
7	6LJ20714000	SFT-020-140SCH	3	1/P	
8	6LJ20249000	BKT-TR-SNS-CLK	1	1/P	
9	6LJ20675000	SG2481-NY	1	1/P	
10	6LJ20234000	K-BKT-SD-PLT-DRV	1	1/P	
11	6LJ20115000	SP-STP-TN	1	1/P	
12	6LJ20233000	K-BKT-SD-TEN-ROL	1	1/P	
13	6LJ20080000	ROL-TENSION-10-5	1	1/P	
14	6LJ20496000	GER-080-26	3	1/P	
15	6LJ20497000	GER-080-20	2	1/P	
16	6LJ20238000	MOT-NA4565G03C-ASY	1	1/C	
17	6LJ20218000	ASY-SFT-SD-DRV-6	1	1/P	
18	6LJ20314000	SFT-SD-SDL-DRV-7	1	1/P	
19	6LJ20314000	SFT-SD-SDL-DRV-7	1	1/P	
20	6LJ20224000	ASY-SFT-SD-DRV-1	1	1/P	
21	6LJ20223000	ASY-SFT-SD-DRV-2	1	1/P	
22	6LJ20219000	ASY-SFT-SD-DRV-10	1	1/P	
23	6LJ20217000	ASY-SFT-SD-DRV-5	1	1/P	
24	6LJ20222000	ASY-SFT-SD-DRV-8	1	1/P	
25	6LJ20221000	ASY-SFT-SD-DRV-3	1	1/P	
26	6LJ20216000	ASY-SFT-SD-DRV-4	1	1/P	
27	6LJ20220000	ASY-SFT-SD-DRV-9	1	1/P	
28	6LJ20267000	BKT-SD-MOT-ROL-SUB	1	1/P	
29	6LJ20061000	METAL080070FC	6	1/P	
30	6LJ20060000	METAL060060FC	8	1/P	
31	6LJ19998000	SCR-030-060	4	1/P	
32	6LJ20064000	SCR03T060SR-W	1	1/P	
33	6LJ20068000	SCR04T080SR-W	3	1/P	
34	6LJ20055000	CLIP050140W	13	1/P	
35	6LJ20056000	CLIP070140B	14	1/P	
36	6LJ20053000	CLIP040100G	1	1/P	
37	6LJ20054000	CLIP050060W	5	1/P	
38	6LJ20013000	JCM-0404S	16	1/P	
39	6LJ20686000	LWSR-0511	5	1/P	
40	6LJ20684000	LES-0510	1	1/P	
43	6LJ20311000	SFT-SD-SDL-DRV-4	1	1/P	
44	6LJ20713000	HP-020	5	1/P	
45	6LJ20366000	GER-080-26-OW	2	1/P	
46	6LJ20312000	SFT-SD-SDL-DRV-5	1	1/P	
47	6LJ20367000	GER-080-20-OW	1	1/P	
49	6LJ20313000	SFT-SD-SDL-DRV-6	1	1/P	
51	6LJ20305000	SFT-SD-SDL-DRV-10	1	1/P	
52	6LJ20399000	GER-200-16-SD	2	1/P	
53	6LJ20398000	GER-200-30-SD	1	1/P	
54	6LJ20306000	SFT-SD-SDL-DRV-9	1	1/P	
55	6LJ20359000	PLT-CLK-15	1	1/P	
56	6LJ20303000	SFT-SD-SDL-DRV-3	1	1/P	
57	6LJ20711000	SFT-020-080SCH	1	1/P	
58	6LJ20404000	GER-080-28-SD-TQL	1	1/P	
59	6LJ20472000	TQL-SD-SADDLE	1	1/D	
60	6LJ20411000	GER-080-22-SD	1	1/P	
61	6LJ20307000	SFT-SD-SDL-DRV-8	1	1/P	
62	6LJ20403000	GER-080-60-SD	1	1/P	
64	6LJ20480000	SP-SD-OW	1	1/P	
65	6LJ20079000	FLNG-17-RK	1	1/P	
66	6LJ20304000	SFT-SD-SDL-DRV-2	1	1/P	
67	6LJ20302000	SFT-SD-SDL-DRV-1	2	1/P	

A

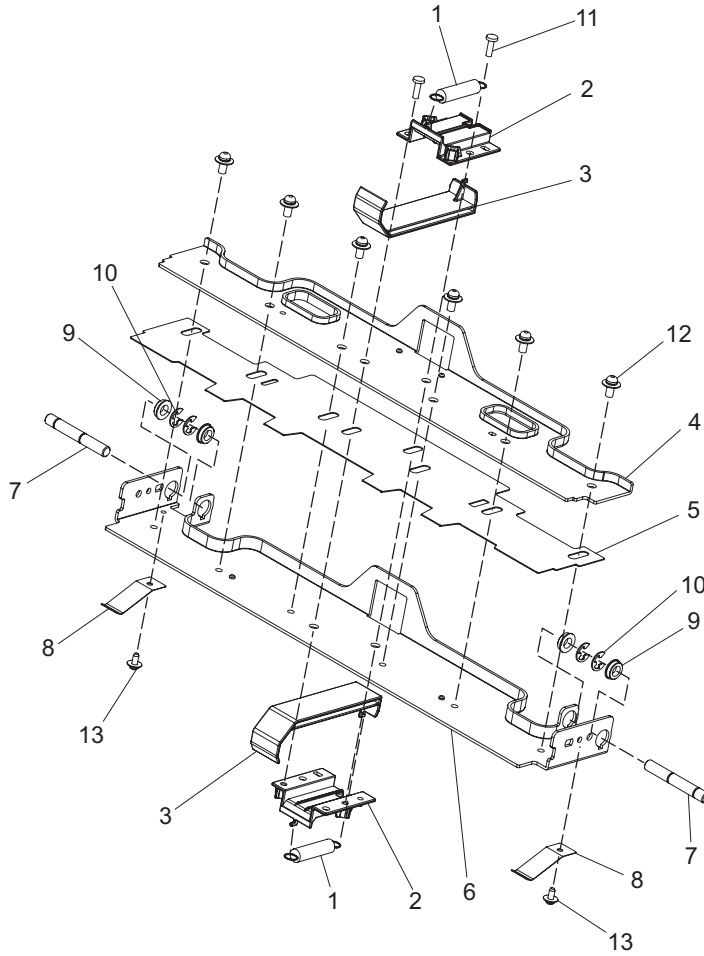


B

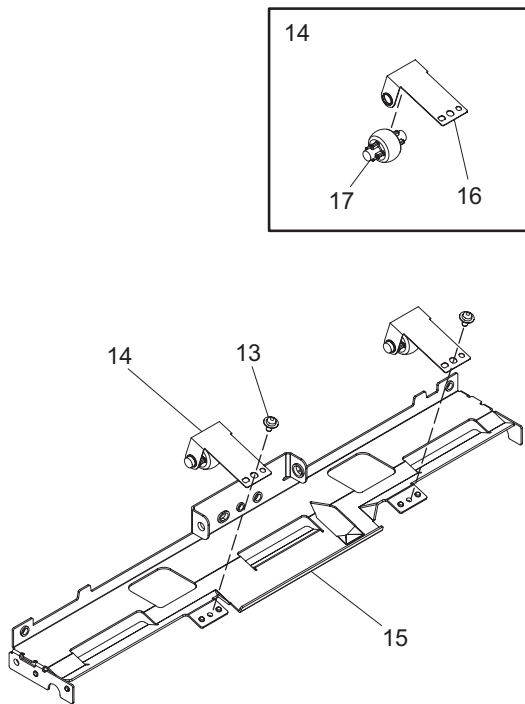


ITEM No.	PART No.	PART NAME	Q'TY / PAGE	Q'TY / PACK	REMARKS
1	6LJ20239000	MOT-PM35S-048-NSG8	1	1/C	
2	6LJ20409000	PLY-S3M-24-SD	1	1/P	
3	6LJ20235000	K-BKT-SD-MOT-FEED3	1	1/P	
4	6LJ20406000	GER-100-16SD-OW	1	1/P	
5	6LJ20419000	GER-080-16-SD	1	1/P	
6	6LJ20368000	GER-080-18-050-40-SD	1	1/P	
7	6LJ20308000	SFT-SD-ROL-DRV	1	1/P	
8	6LJ20713000	HP-020	2	1/P	
9	6LJ19998000	SCR-030-060	4	1/P	
10	6LJ20060000	METAL060060FC	1	1/P	
11	6LJ20055000	CLIP050140W	1	1/P	
12	6LJ20054000	CLIP050060W	3	1/P	
13	6LJ20013000	JCM-0404S	6	1/P	
14	6LJ20058000	METAL060035CU	1	1/P	
15	6LJ20888000	MOT-PM42L-048-NSH8	1	1/C	
16	6LJ20231000	K-BKT-SD-BLD-MOT	1	1/P	
17	6LJ20388000	GER-080-40-080-22	1	1/P	
18	6LJ20684000	LES-0510	1	1/P	

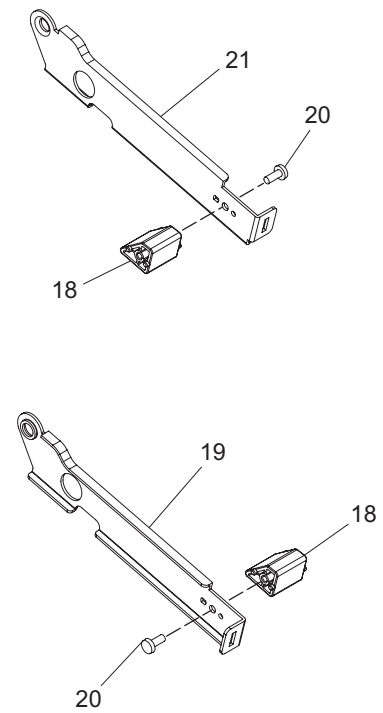
A



B

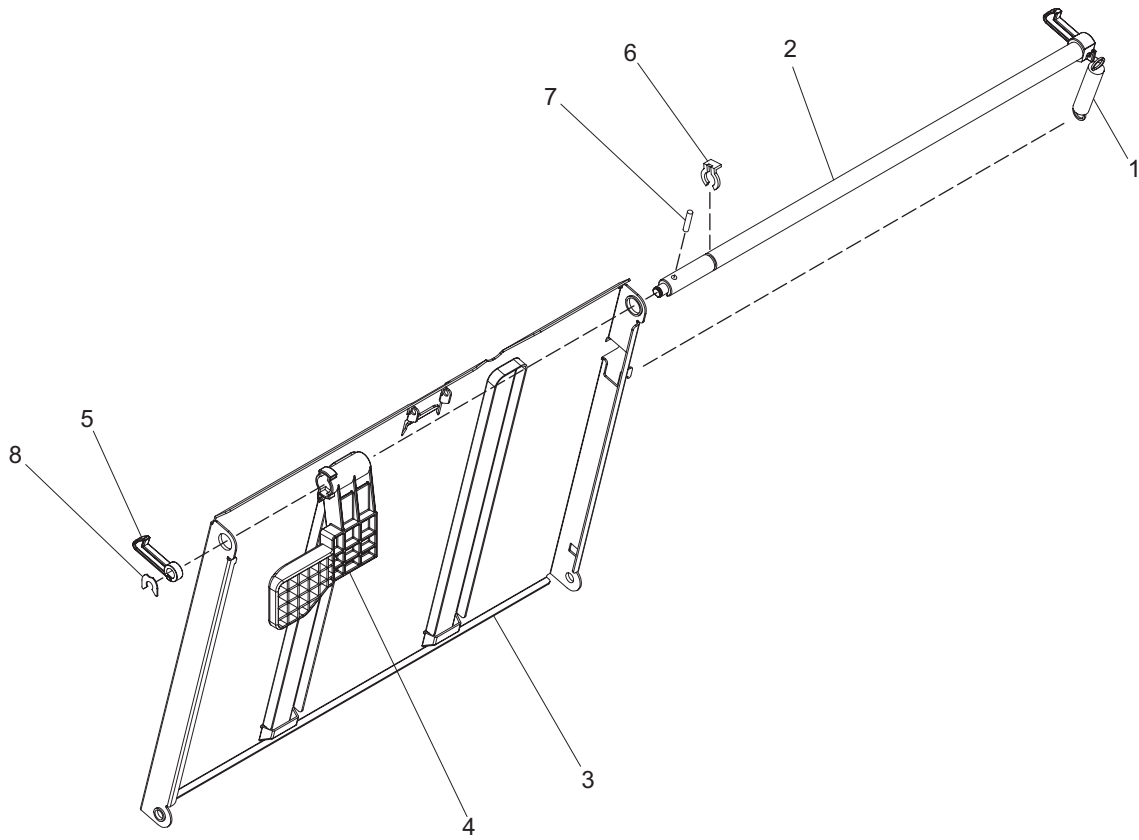


C

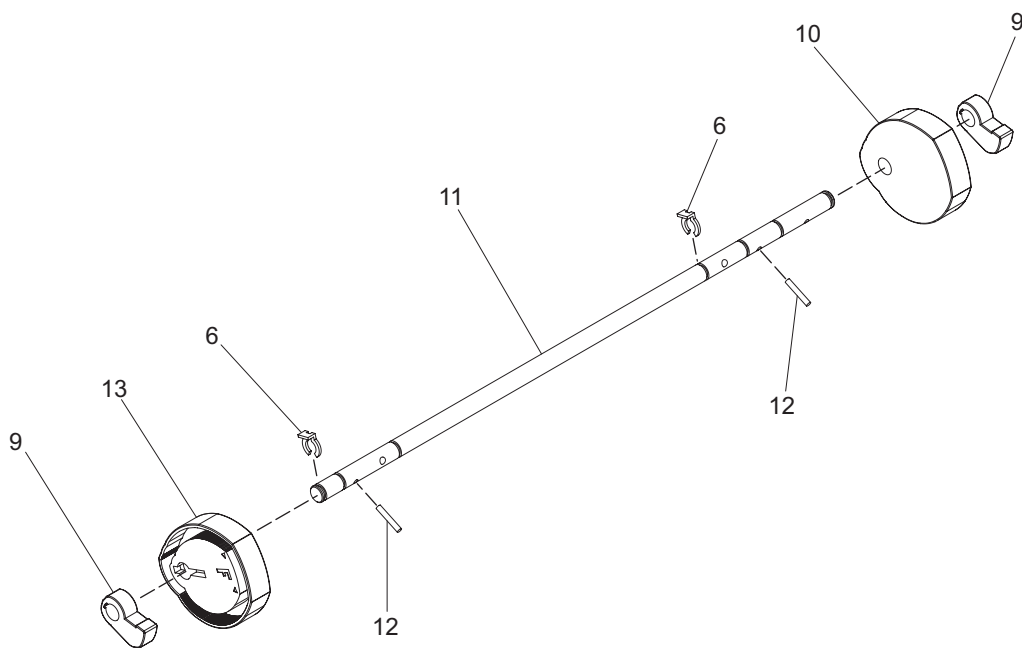


ITEM No.	PART No.	PART NAME	Q'TY / PAGE	Q'TY / PACK	REMARKS
1	6LJ20467000	SP-SD-LVR-SDL	2	1/P	
2	6LJ20493000	HLDR-LVR-SD-SADDLE	2	1/P	
3	6LJ20492000	LVR-SD-SDL	2	1/P	
4	6LJ20263000	PLT-SD-SADDLE-SUB	1	1/P	
5	6LJ20262000	PLT-SD-SADDLE	1	1/P	
6	6LJ20261000	BKT-SD-SADDLE	1	1/P	
7	6LJ20300000	SFT-SD-PLT-SADDLE	2	1/P	
8	6LJ20268000	PLT-SD-SADDLE-UD	2	1/P	
9	6LJ20059000	METAL060060CU	4	1/P	
10	6LJ20706000	ER-050	4	1/P	
11	6LJ20699000	M3X10	2	1/P	
12	6LJ20003000	SCR040080FWWS	6	1/P	
13	6LJ20064000	SCR03T060SR-W	4	1/P	
14	6LJ20214000	ASY-SD-ROL-OUT-F	2	1/P	
15	6LJ20271000	GID-SD-OUT-U	1	1/P	
16	6LJ20273000	PLT-SP-SD-ROL-OUT	1	1/P	
17	6LJ20397000	ROL-SD-OUT-FW	1	1/P	
18	6LJ20394000	CAM-SD-LNK-ROL	2	1/P	
19	6LJ20264000	LNK-SD-ROL-SDL-F	1	1/P	
20	6LJ20700000	SCR040100FWBB	2	1/P	
21	6LJ20260000	LNK-SD-ROL-SDL-R	2	1/P	

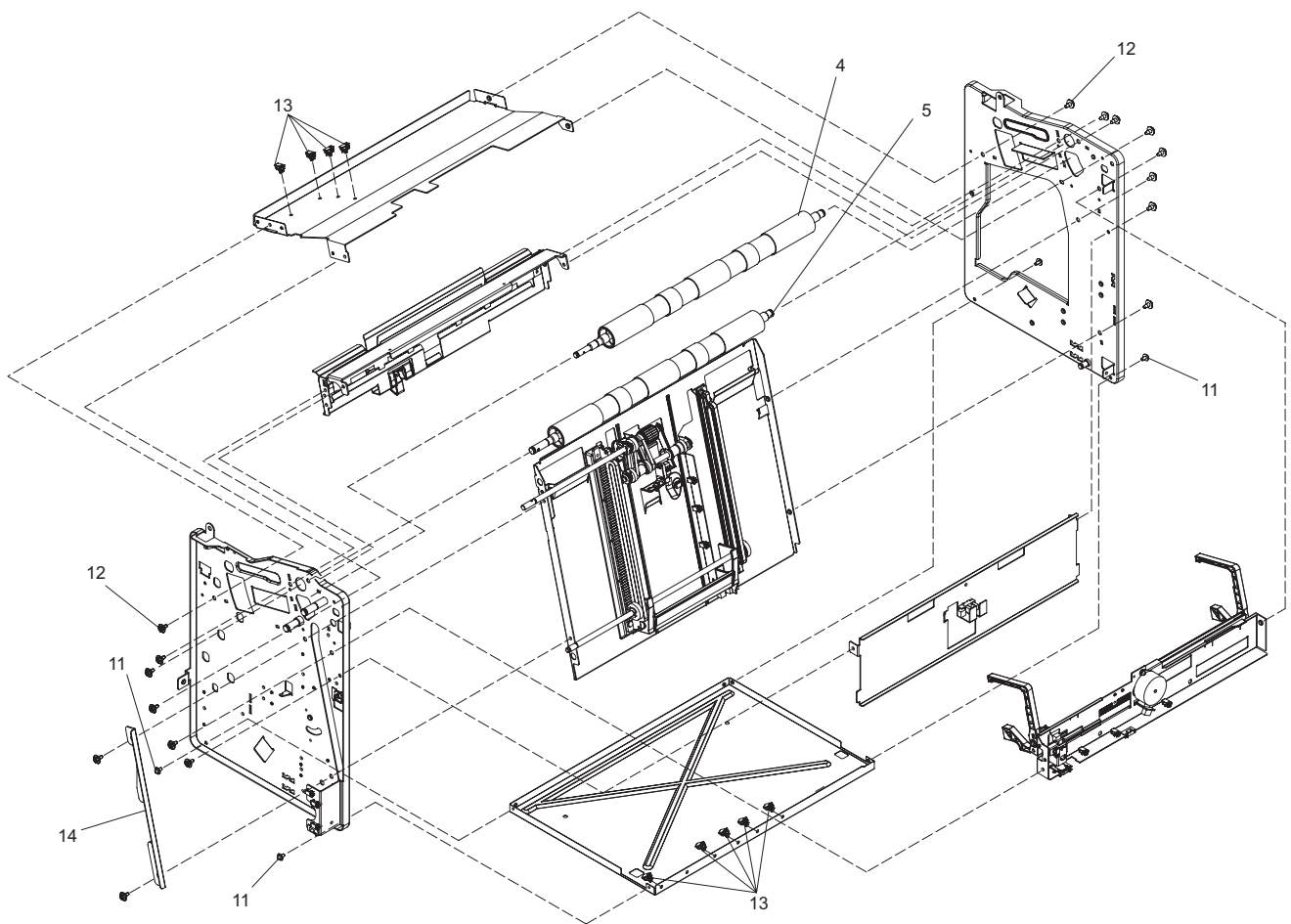
A



B

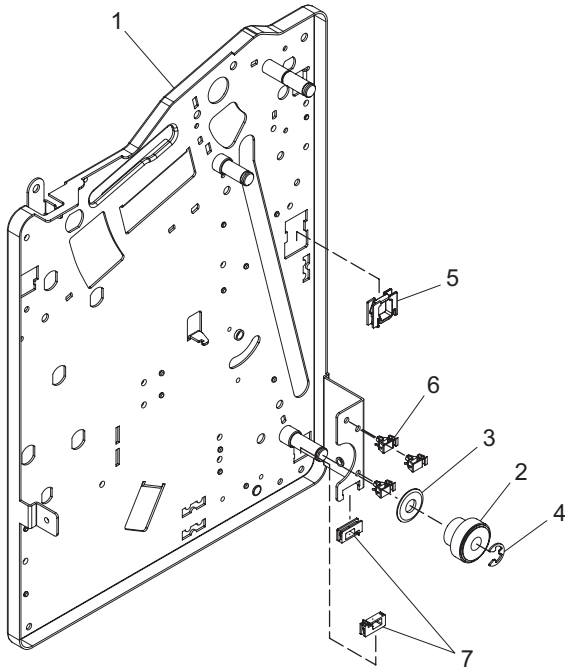


ITEM No.	PART No.	PART NAME	Q'TY / PAGE	Q'TY / PACK	REMARKS
1	6LJ20471000	SP-SD-CLOSE	1	1/P	
2	6LJ20427000	GID-SD-JA-KNB	1	1/P	
3	6LJ20265000	GID-SD-OPEN	1	1/P	
4	6LJ20666000	KNOB SD D TT	1	1/P	
5	6LJ20429000	HOK-SD-LOCK	1	1/P	
6	6LJ20078000	CLIP080150W	3	1/P	
7	6LJ20715000	HP-030	1	1/P	
8	6LJ20054000	CLIP050060W	1	1/P	
9	6LJ20495000	LVR-SD-CAM	2	1/P	
10	6LJ20494000	CAM-SD-GUTTER	1	1/P	
11	6LJ20301000	SFT-SD-PLT-SDL-DRV	1	1/P	
12	6LJ20717000	HP3X18	2	1/P	
13	6LJ20499000	CAM-SD-GUTTER-2	1	1/P	

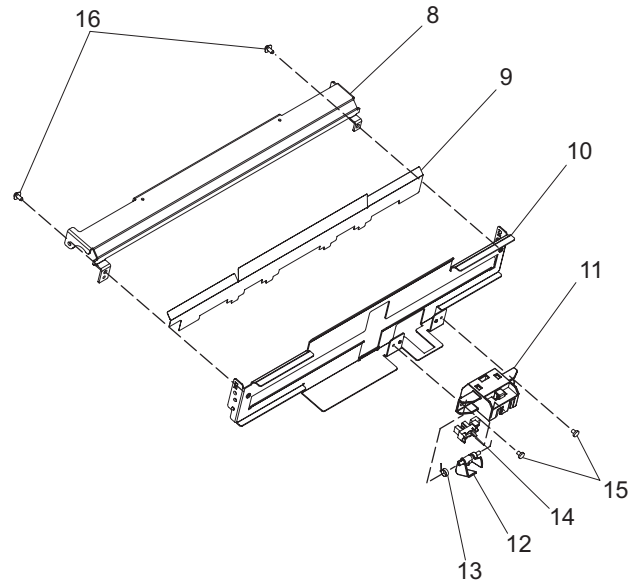


ITEM No.	PART No.	PART NAME	Q'TY / PAGE	Q'TY / PACK	REMARKS
4	6LJ20483000	ROL-SD-SADDLE-D	1	1/KP	
5	6LJ20482000	ROL-SD-SADDLE-U	1	1/KP	
11	6LJ20064000	SCR03T060SR-W	4	1/P	
12	6LJ20068000	SCR04T080SR-W	16	1/P	
13	6LJ20013000	JCM-0404S	9	1/P	
14	6LJ20283000	PLT-SD-BLT-GID	1	1/P	

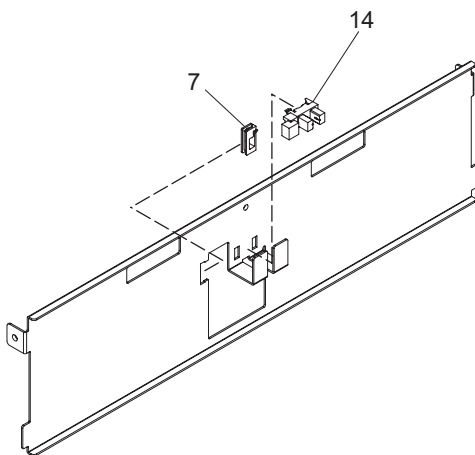
A



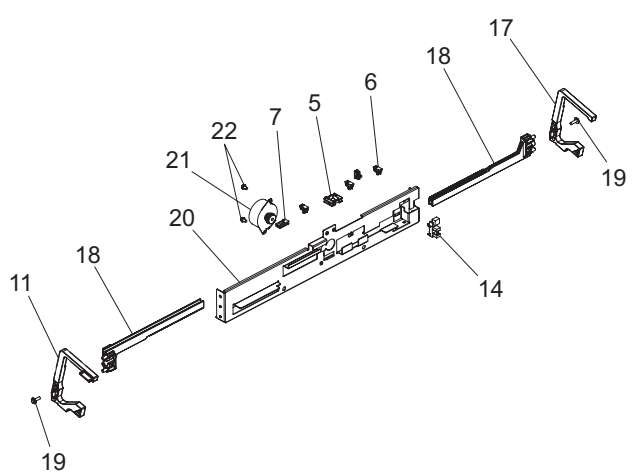
B



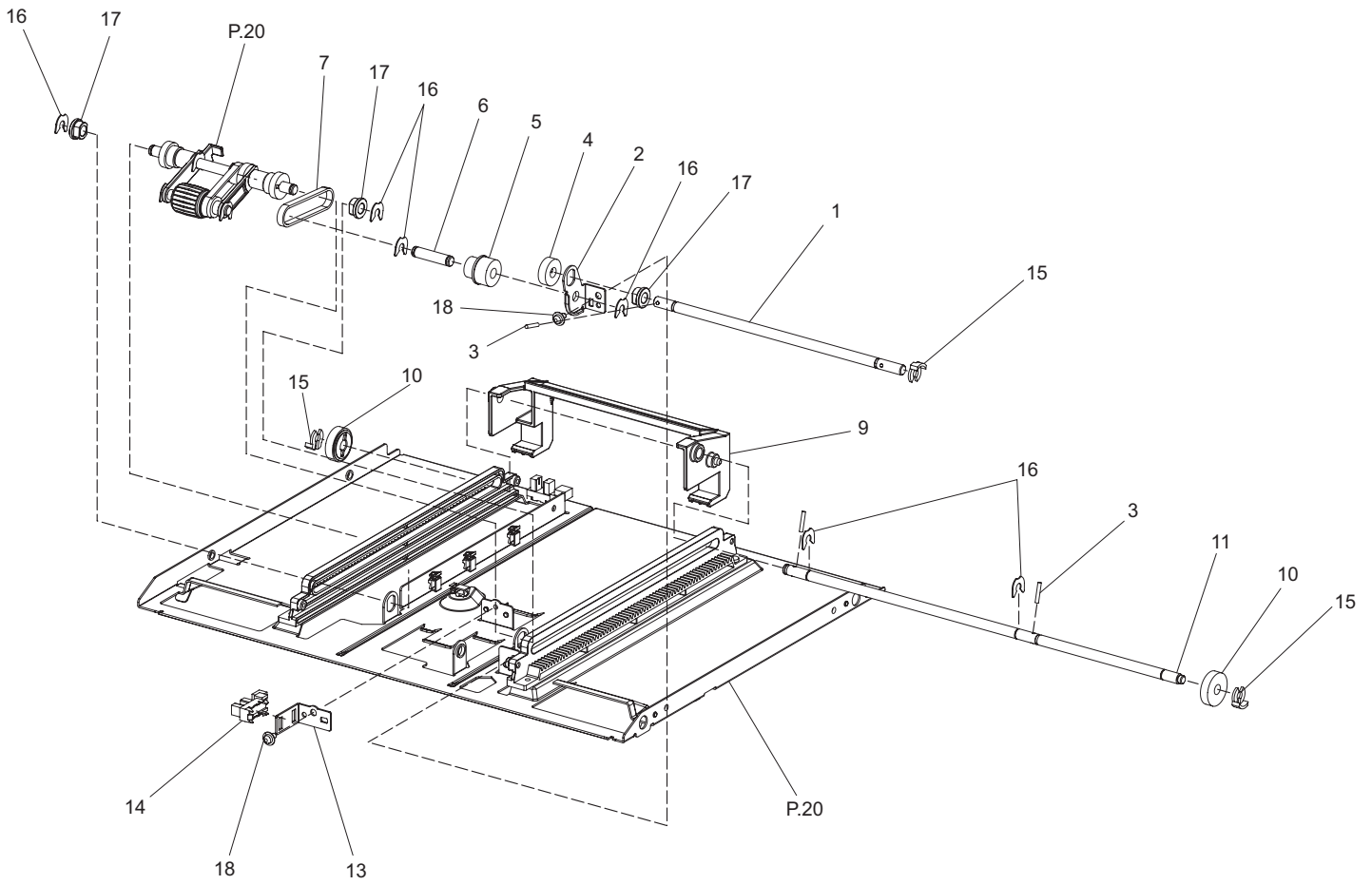
C



D

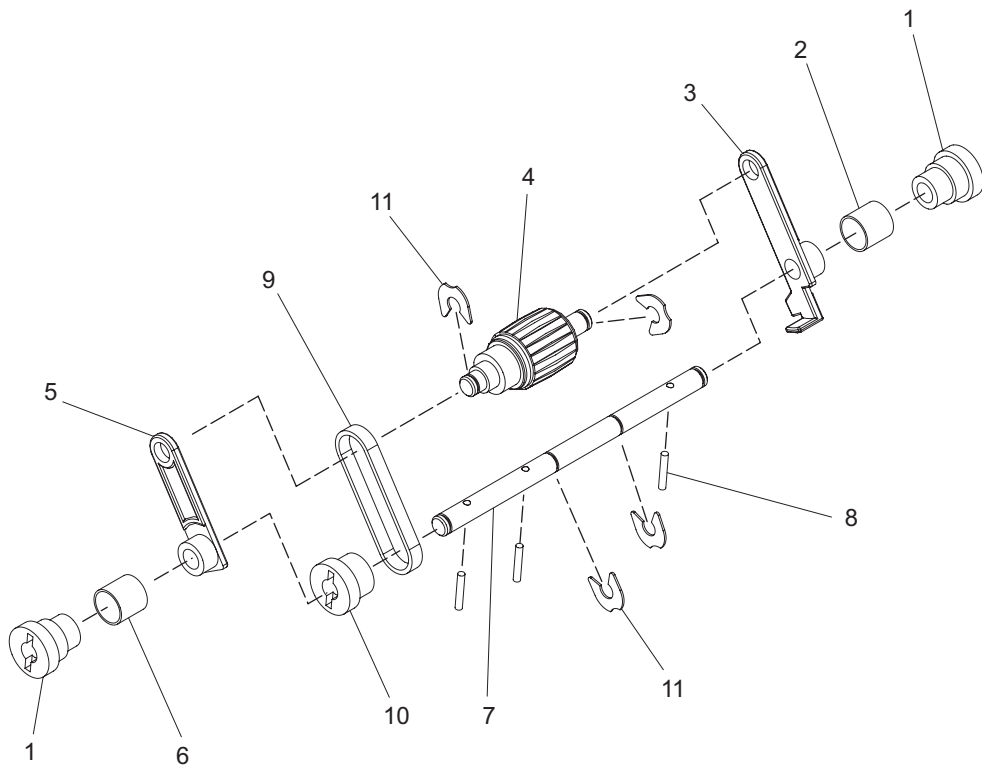


ITEM No.	PART No.	PART NAME	Q'TY / PAGE	Q'TY / PACK	REMARKS
2	6LJ20390000	PLYG-S3M-18-G080-28	1	1/P	
3	6LJ20360000	FLNG-20-8	1	1/P	
4	6LJ20707000	ER-064	1	1/P	
5	6LJ20679000	LES-1010	2	1/P	
6	6LJ20013000	JCM-0404S	7	1/P	
7	6LJ20684000	LES-0510	4	1/P	
8	6LJ20269000	GID-SD-ROL-SDL	1	1/P	
9	6LJ20485000	SHT-SD-GID-ROL-U	1	1/P	
10	6LJ20257000	GID-SD-SNS	1	1/P	
11	6LJ20420000	PLT-SD-SG-F	2	1/P	
12	6LJ20400000	LVR-SD-SNS	1	1/P	
13	6LJ20116000	SP-FE-SEN-ENT	1	1/P	
14	6LJ20675000	SG2481-NY	3	1/P	
15	6LJ20691000	SCR030060FWBI	2	1/P	
16	6LJ20064000	SCR03T060SR-W	2	1/P	
17	6LJ20421000	PLT-SD-SG-R	1	1/P	
18	6LJ20416000	RCK-SD-SIG	2	1/P	
19	6LJ20069000	SCR03T100-D	2	1/P	
20	6LJ20274000	STY-SD-SG	1	1/P	
21	6LJ20239000	MOT-PM35S-048-NSG8	1	1/C	
22	6LJ19998000	SCR-030-060	2	1/P	

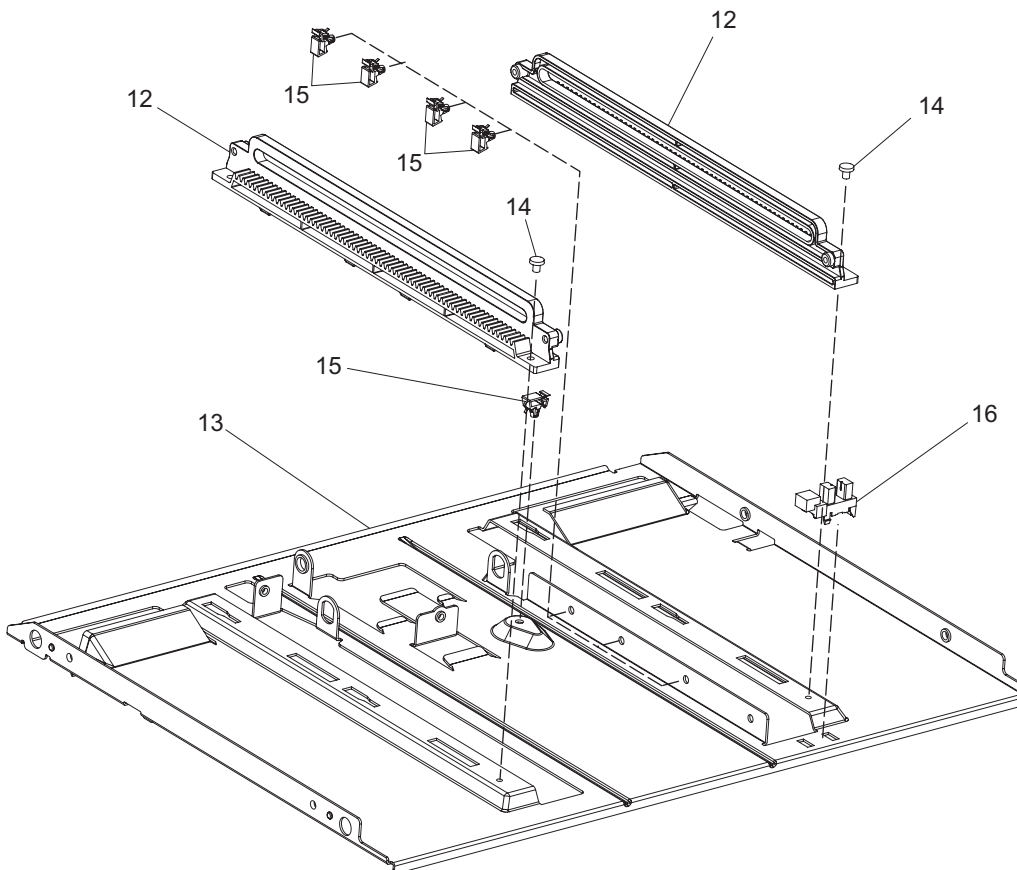


ITEM No.	PART No.	PART NAME	Q'TY / PAGE	Q'TY / PACK	REMARKS
1	6LJ20309000	SFT-SD-ROL-FEED3-DRV	1	1/P	
2	6LJ20275000	BKT-SD-FEED3	1	1/P	
3	6LJ20713000	HP-020	3	1/P	
4	6LJ20371000	GER-080-18-SD	1	1/P	
5	6LJ20372000	GER-080-18-S2M-20	1	1/P	
6	6LJ20315000	SFT-SD-FEED3	1	1/P	
7	6LJ20037000	BELTS2M059040	1	1/P	
9	6LJ20391000	HLD-SD-BLD-MAIN	1	1/P	
10	6LJ20387000	GER-100-20	2	1/P	
11	6LJ20295000	SFT-SD-MAIN	1	1/P	
13	6LJ20276000	BKT-SD-SNS-FEED3	1	1/P	
14	6LJ20675000	SG2481-NY	1	1/P	
15	6LJ20055000	CLIP050140W	3	1/P	
16	6LJ20054000	CLIP050060W	6	1/P	
17	6LJ20060000	METAL060060FC	3	1/P	
18	6LJ20064000	SCR03T060SR-W	2	1/P	

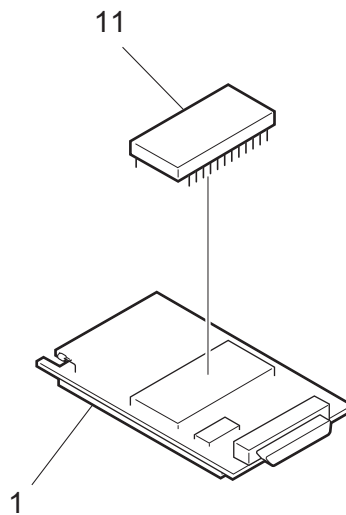
A



B



ITEM No.	PART No.	PART NAME	Q'TY / PAGE	Q'TY / PACK	REMARKS
1	6LJ20377000	PLY-S2M-20-SD-TQL	2	1/P	
2	6LJ20478000	SP-SD-TQL-R	1	1/P	
3	6LJ20422000	ARM-SD-FEED3	1	1/P	
4	6LJ20469000	ROL-SD-FEED-3	1	1/KP	
5	6LJ20500000	ARM-SD-FEED3-DR	1	1/P	
6	6LJ20479000	SP-SD-TQL-L	1	1/P	
7	6LJ20310000	SFT-SD-ROL-FEED3-UD	1	1/P	
8	6LJ20713000	HP-020	3	1/P	
9	6LJ20035000	BELTS2M050040	1	1/P	
10	6LJ20378000	PLY-S2M-20-SD	1	1/P	
11	6LJ20054000	CLIP050060W	4	1/P	
12	6LJ20389000	SD-MAIN-RCK	2	1/P	
13	6LJ20258000	GID-SD	1	1/P	
14	6LJ20691000	SCR030060FWBI	2	1/P	
15	6LJ20013000	JCM-0404S	5	1/P	
16	6LJ20675000	SG2481-NY	1	1/P	



ITEM No.	PART No.	PART NAME	Q'TY / PAGE	Q'TY / PACK	REMARKS
1 11	44205829000 C0-04530000	K-PWA-DLM-320 M27C4001-10F1	1 1	1/C 1/S	

TOSHIBA

TOSHIBA TEC CORPORATION

2-17-2, HIGASHIGOTANDA, SHINAGAWA-KU, TOKYO, 141-8664, JAPAN