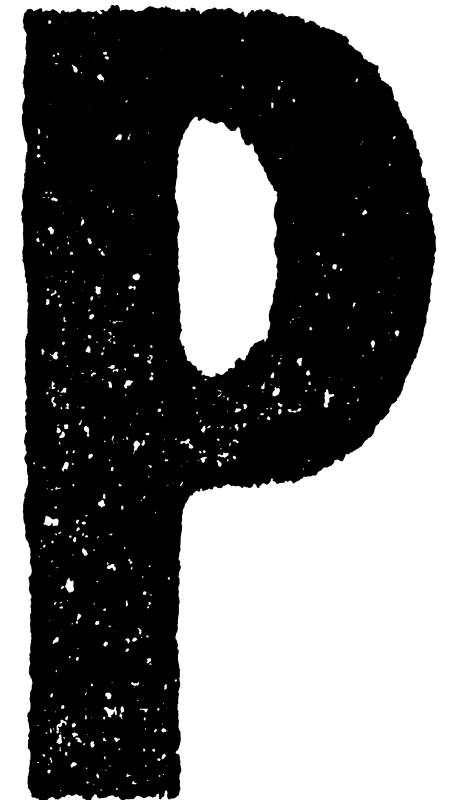


SERVICE PARTS LIST

High Capacity Stacker

SK5010



High Capacity Stacker SK5010 (D447)

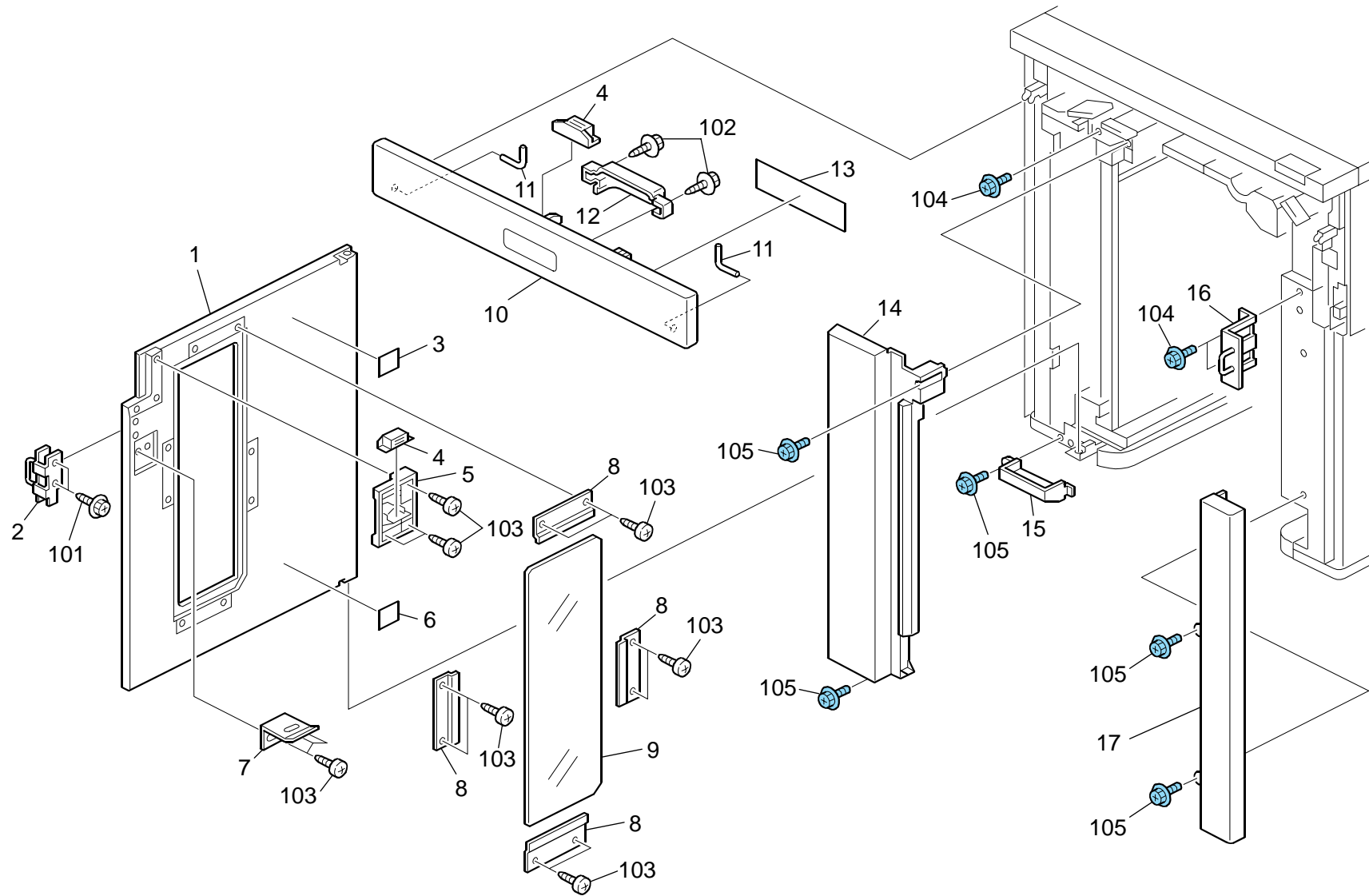
PARTS CATALOG

This catalog gives the numbers and names of parts on this machine.

1.Exterior 1 (D447)	2	19.Electrical Section 1 (D447)	38
2.Exterior 2 (D447)	4	20.Electrical Section 2 (D447)	40
3.Exterior 3 (D447)	6	21.Electrical Section 3 (D447)	42
4.Paper Transfer 1 (D447).....	8	22.Frame Section (D447).....	44
5.Paper Transfer 2 (D447).....	10	Parts Index.....	48
6.Proof Tray Exit Section (D447).....	12		
7.Transport (D447)	14		
8.Paper Exit Section (D447)	16		
9.Paper Tray Exit Section (D447).....	18		
10.Jogger Section 1 (D447).....	20		
11.Jogger Section 2 (D447).....	22		
12.Jogger Section 3 (D447).....	24		
13.Jogger Section 4 (D447).....	26		
14.Paper Tray Drive Section (D447)	28		
15.Paper Cart Section (D447)	30		
16.Drive Section 1 (D447)	32		
17.Drive Section 2 (D447)	34		
18.Drive Section 3 (D447)	36		

July 20, 2010

1.Exterior 1 (D447)

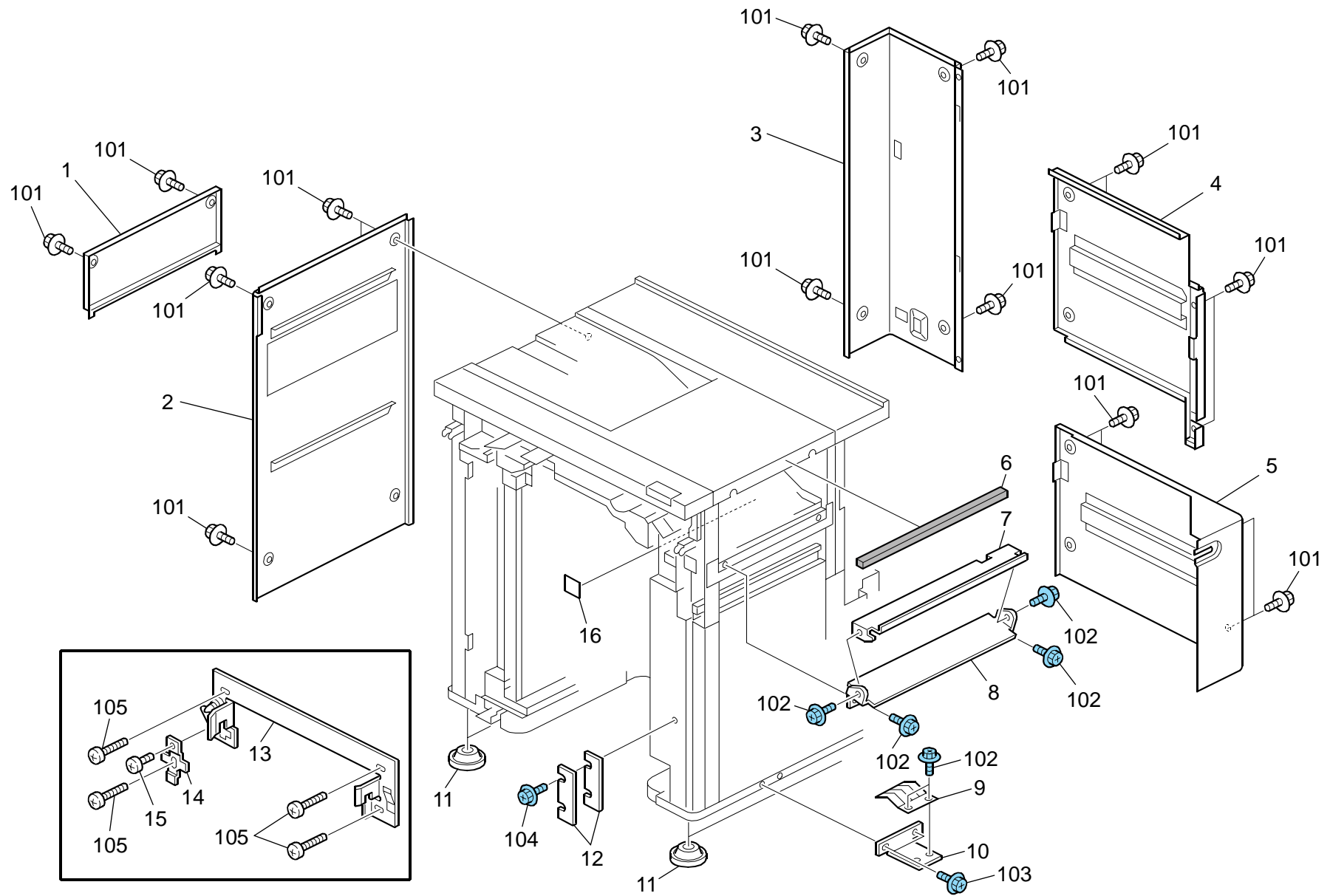


1.Exterior 1 (D447)

Index No.	Part No.	Description	Q'ty Per Assembly
1	D447 6140	Door:Front	1
2	D447 7521	Lock:Door:Front:Left	1
3	D447 7706	Decal:Shift Tray	1
4	AG07 0512	Magnet Catch:Ass'y	2
5	D447 6145	Grip:Door:Front	1
6	D447 6149	Decal:Tray:Middle:Caution	1
7	D447 6143	Bracket:Lock:Door	1
8	D447 6142	Bracket:Window:Fix	4
9	D447 6141	Window Board:Door:Front	1
10	D447 6051	Door:Front Upper	1
11	G020 1332	Hinge - Front Cover	2
12	D447 6052	Grip:Front Upper:Door	1
13	D447 7705	Decal:Misfeed Removal:Paper	1
14	D447 6155	Cover:Front Left	1
15	D447 6156	Cover:Hinge:Lower	1
16	D447 7526	Lock:Door:Right	1
17	D447 6160	Cover:Front Right	1

Index No.	Part No.	Description	Q'ty Per Assembly
101	0450 4008N	Tapping Screw - M4x8	
102	0450 3008N	Tapping Screw - M3x8	
103	0452 4008N	Tapping Screw:M4x8	
104	0454 3006Q	Tapping Screw - M3x6	
105	0454 3008Q	Tapping Screw:3x8	

2.Exterior 2 (D447)

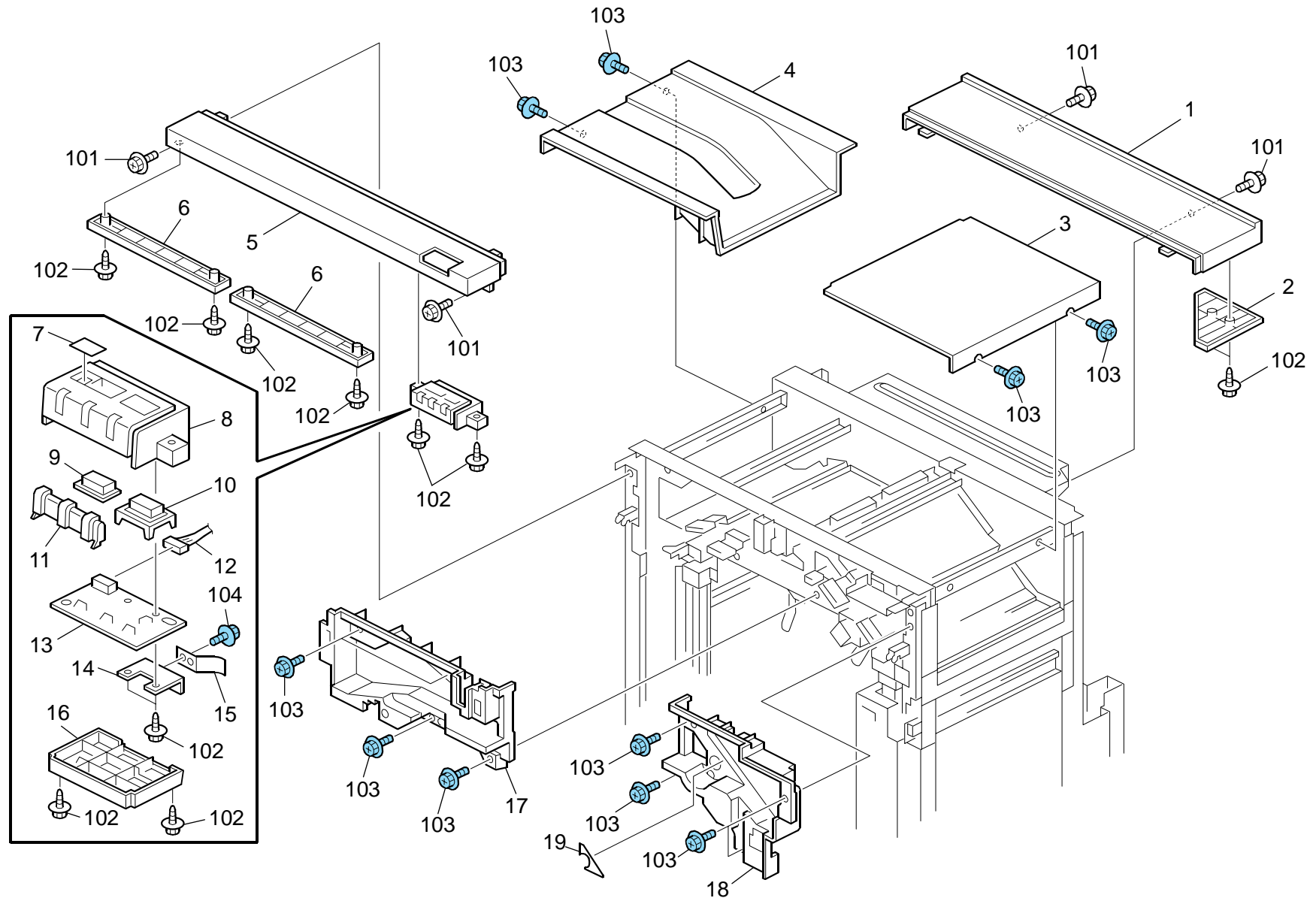


2.Exterior 2 (D447)

Index No.	Part No.	Description	Q'ty Per Assembly
1	D447 6185	Cover:Exit	1
2	D447 6180	Cover:Left	1
3	D447 6166	Cover:Left Rear	1
4	D447 6170	Cover:Rear Upper:Ass'y	1
5	D447 6175	Cover:Rear Lower	1
6	D447 7591	Cushion:Spacer:440mm	1
7	B830 7516	Guide Plate:Connecting:Upper	1
8	B830 7511	Connecting Guide Plate - Lower	1
9	B302 1163	Grounding Plate	1
10	D447 7512	Ground Plate:Bracket	1
11	B132 1226	Holder:Stand	4
12	B830 7537	Adjusting Plate:Bracket:Coupling	2
13	D434 1476	Bracket:Coupling:Main:Ass'y	1
14	B830 7536	Coupling Bracket - Correct	1
15	AA14 3396	Screw - M4x4	1

Index No.	Part No.	Description	Q'ty Per Assembly
101	0451 3006N	Tapping Screw - 3x6	
102	0454 3006Q	Tapping Screw - M3x6	
103	0454 4006Q	Tapping Screw:4x6	
104	0454 3008Q	Tapping Screw:3x8	
105	0354 0140N	Screw M4x14	

3.Exterior 3 (D447)

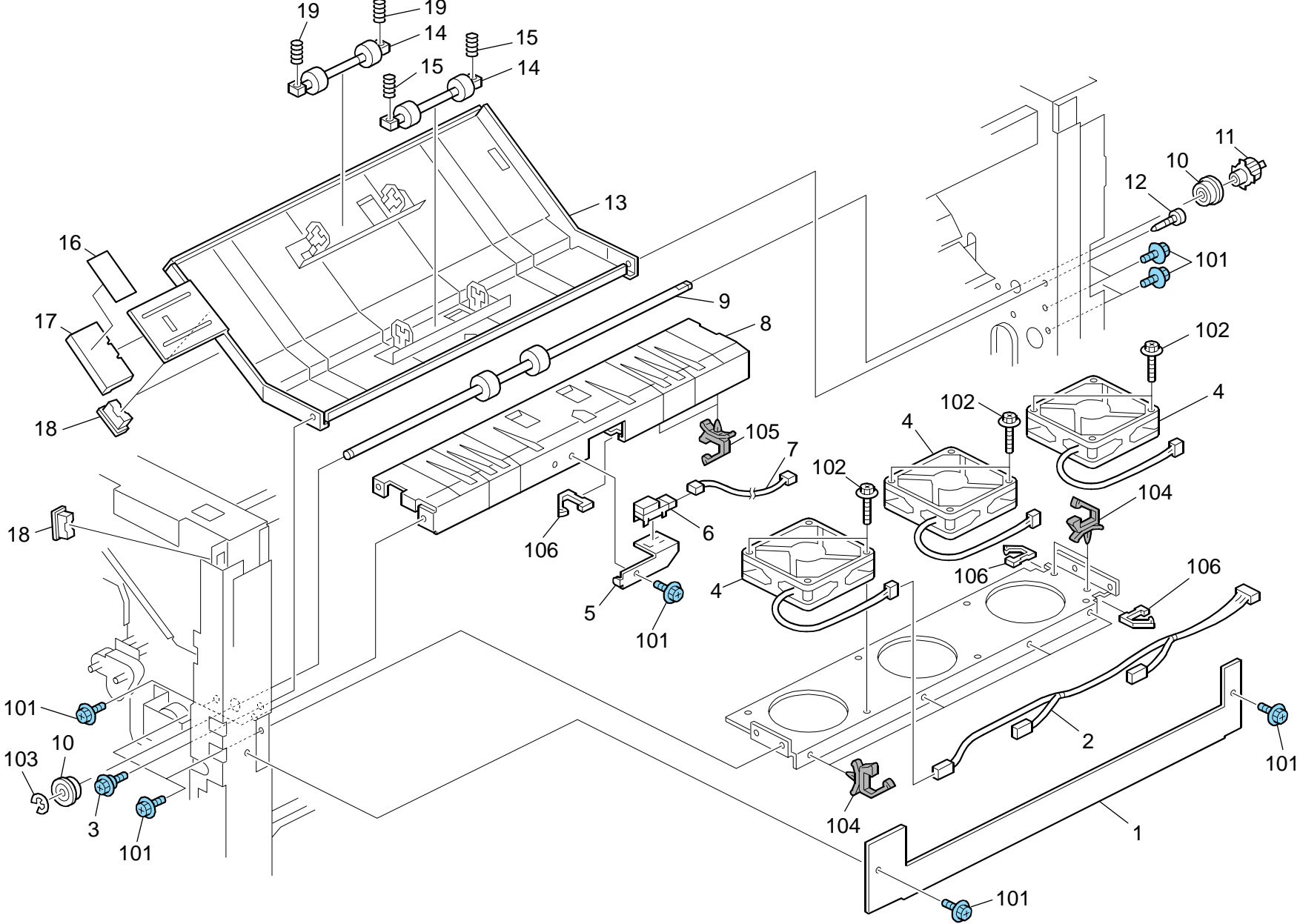


3.Exterior 3 (D447)

Index No.	Part No.	Description	Q'ty Per Assembly
1	D447 6131	Cover:Upper Rear	1
2	D447 6132	Guard:Cover:Rear Upper	1
3	D447 6133	Cover:Upper:Middle	1
4	D447 6134	Proof Tray	1
5	D447 6111	Cover:Upper Front	1
6	D447 6112	Guard:Cover:Upper Front	2
7	D447 7701	Sheet:Shift Tray:Design Sketch	1
8	D447 6114	Cover:Upper:Operation Sub-unit	1
9	D447 6116	Keytop:Shift Tray:Fall	1
10	D447 6117	Keytop:Jam	1
11	D447 6115	Lens:LED	1
12	D447 5291	Harness:Operation Sub-unit:Connecting	1
13	D447 5120	PCB:Operation Sub-unit	1
14	D447 6119	Ground Plate:Operation Sub-unit	1
15	A697 1147	Ground Plate:Finishing Sub-unit	1
16	D447 6118	Cover:Lower:Operation Sub-unit	1
17	D447 6195	Inner Cover:Front Left	1
18	D447 6196	Inner Cover:Front Right	1
19	D447 7709	Decal:Knob:L4	1

Index No.	Part No.	Description	Q'ty Per Assembly
101	0451 3008N	Tapping Screw - M3x8	
102	0450 3008N	Tapping Screw - M3x8	
103	0454 3008Q	Tapping Screw:3x8	
104	0454 3006Q	Tapping Screw - M3x6	

4.Paper Transfer 1 (D447)

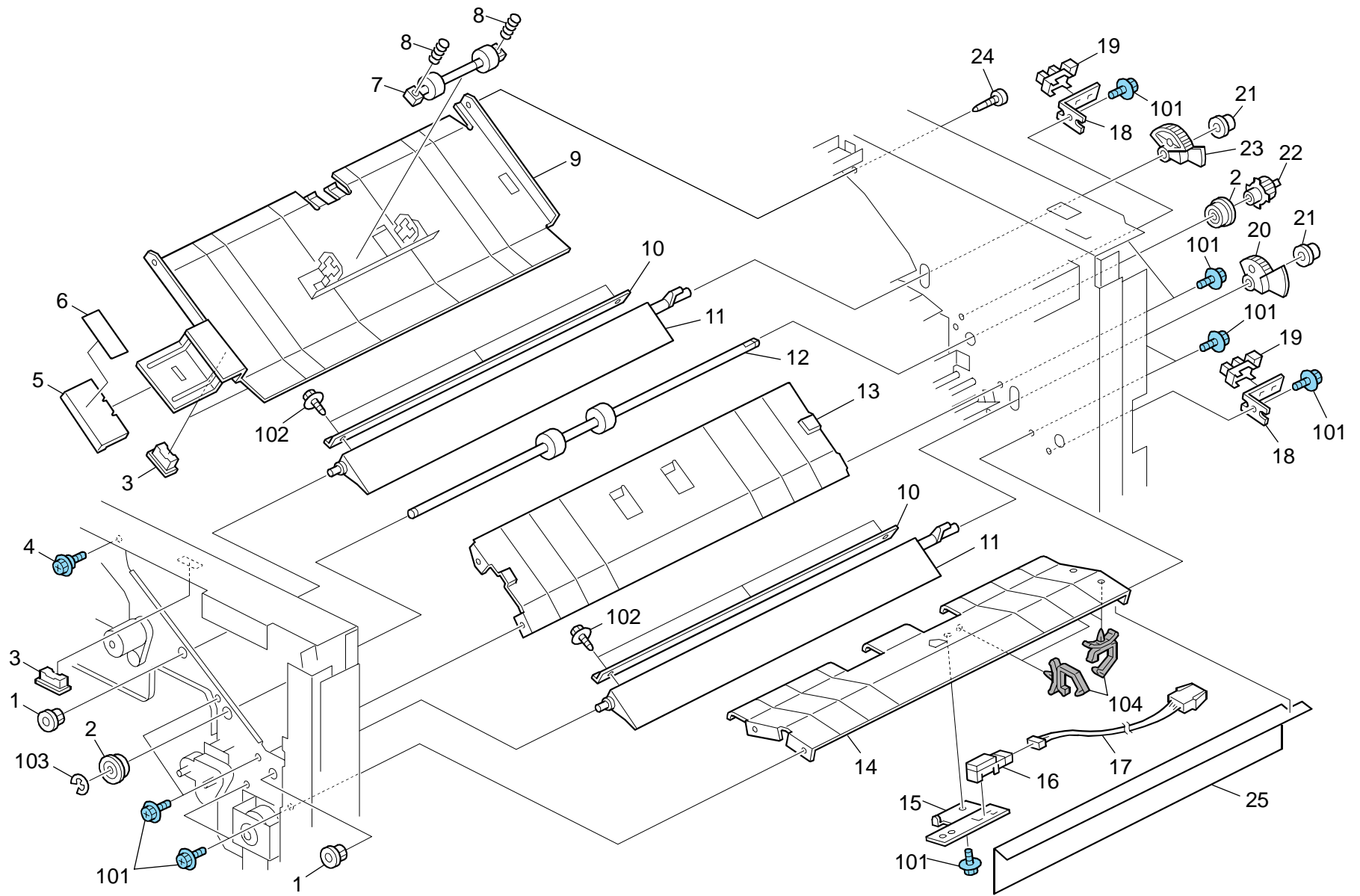


4.Paper Transfer 1 (D447)

Index No.	Part No.	Description	Q'ty Per Assembly
1	D447 2142	Cover:Entrance	1
2	D447 5211	Harness:DC Fan Motor:Interface	1
3	B830 1135	Screw	1
4	GX64 0024	Fan Motor - DC 3.12W	3
5	D447 2113	Bracket:Sensor:Entrance	1
6	AW01 0107	Paper Feed Sensor	1
7	D447 5225	Harness:Sensor:Interface	1
8	D447 2111	Guide Plate:Entrance:Fix	1
9	D447 2132	Transport Roller	1
10	A859 2230	Ball Bearing - 6x13x5	2
11	B352 1607	Timing Pulley - T20-S3M	1
12	AA14 3788	Pin:Guide Plate:Paper Feed	1
13	D447 2121	Guide Plate:Entrance	1
14	AF02 2147	Driven Roller	2
15	D447 2126	Compression Spring:2N	2
16	D447 7707	Decal:Entrance:L1	1
17	B234 6424	Release Grip	1
18	AG07 0515	Magnet Catch:13N	3
19	D447 2127	Compression Spring:3.6N	2

Index No.	Part No.	Description	Q'ty Per Assembly
101	0454 3006Q	Tapping Screw - M3x6	
102	0451 4030N	Tapping Screw:M4x30	
103	0720 0040E	Retaining Ring - M4	
104	1105 0619	Clamp:LBWS-0605S-V0	
105	1105 0717	Clamp:JDW-1S	
106	1105 0692	Clamp:LES-0503	

5.Paper Transfer 2 (D447)

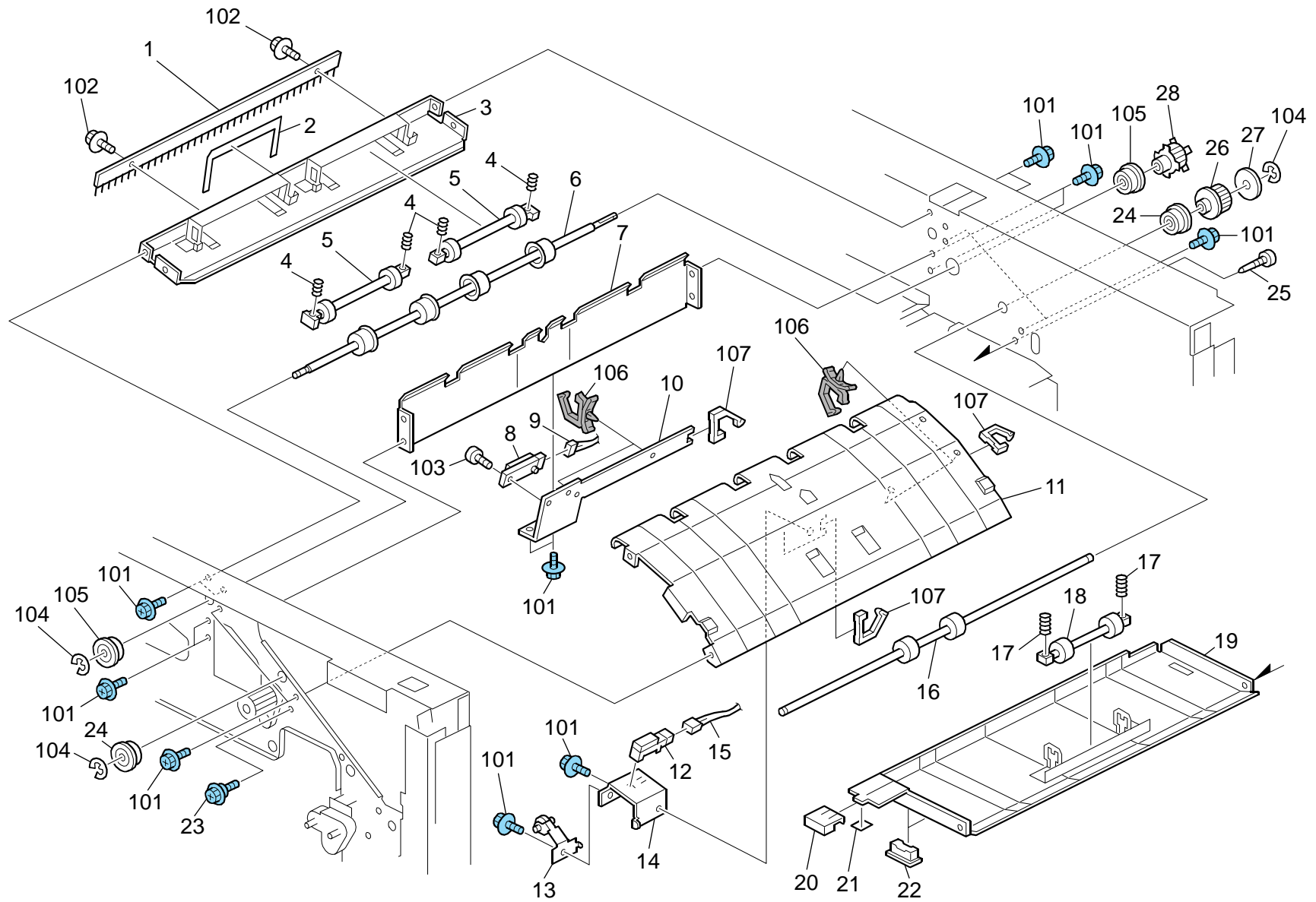


5.Paper Transfer 2 (D447)

Index No.	Part No.	Description	Q'ty Per Assembly
1	A259 6590	Bushing	2
2	A859 2230	Ball Bearing - 6x13x5	2
3	AG07 0515	Magnet Catch:13N	3
4	B830 1135	Screw	1
5	B234 6424	Release Grip	1
6	D447 7708	Decal:Proof Tray:L2	1
7	AF02 2147	Driven Roller	1
8	D447 2126	Compression Spring:2N	2
9	D447 2441	Guide Plate:Proof Tray	1
10	D447 2226	Supporting Plate:Gate Pawl	2
11	D447 2211	Gate Pawl	2
12	D447 2132	Transport Roller	1
13	D447 2431	Guide Plate:Proof Tray:Left Lower	1
14	D447 2321	Guide Plate:Exit:Lower:Ass'y	1
15	D447 2324	Bracket:Sensor:Shift	1
16	AW01 0107	Paper Feed Sensor	1
17	D447 5223	Harness:Sensor:Shift:Exit:Connecting	1
18	B830 2522	Sensor Bracket	2
19	AW02 0156	Photointerruptor:EE-SX4235A-P2	2
20	D447 2212	Gear:Gate Pawl:Shift	1
21	AA08 0072	Bushing - 6x10x3	2
22	B352 1607	Timing Pulley - T20-S3M	1
23	D447 2225	Gear:Gate Pawl:Proof Tray	1
24	AA14 3788	Pin:Guide Plate:Paper Feed	1
25	D447 2326	Film:Guard:Fan	1

Index No.	Part No.	Description	Q'ty Per Assembly
101	0454 3006Q	Tapping Screw - M3x6	
102	0450 3008N	Tapping Screw - M3x8	
103	0720 0040E	Retaining Ring - M4	
104	1105 0717	Clamp:JDW-1S	

6.Proof Tray Exit Section (D447)

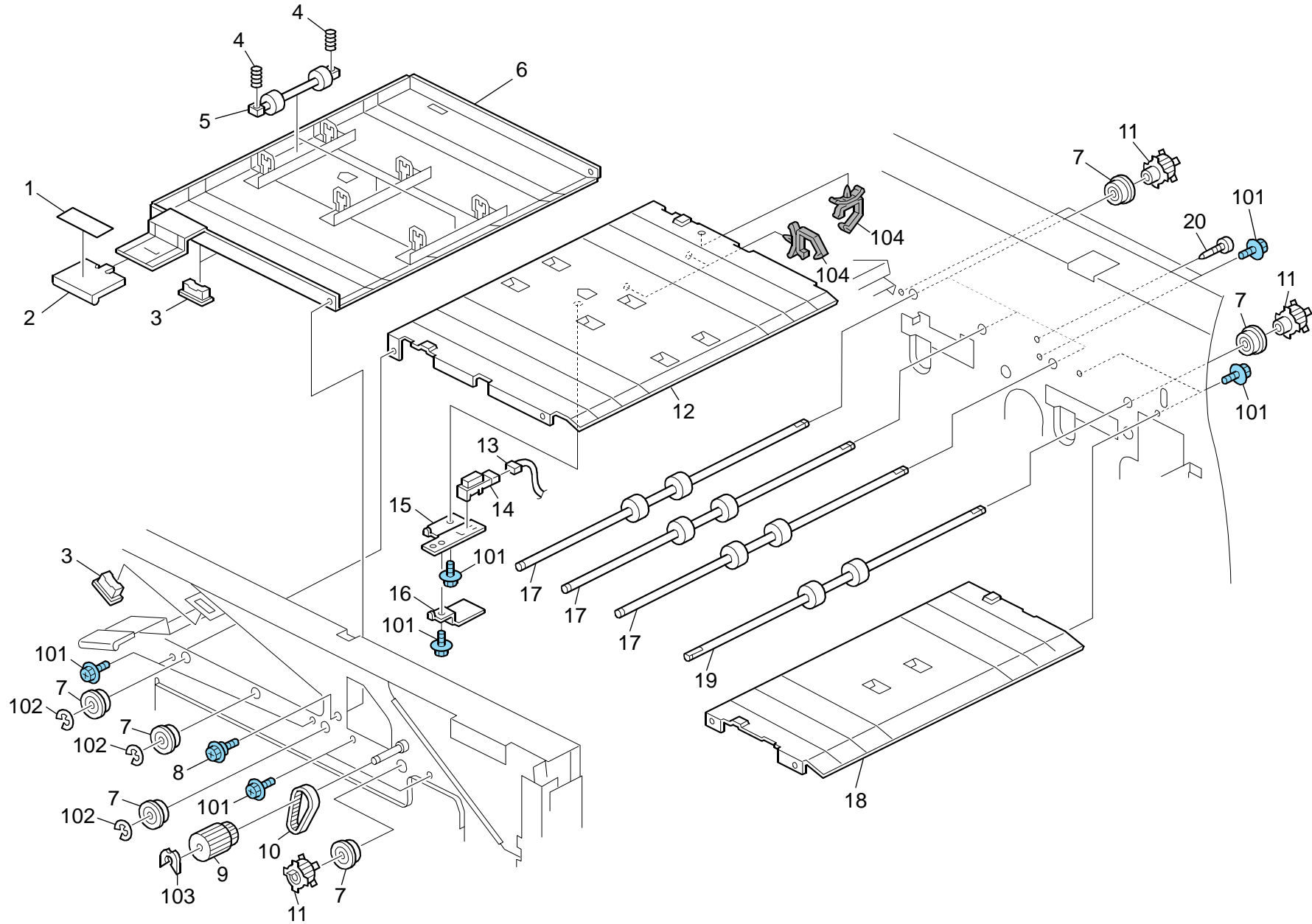


6.Proof Tray Exit Section (D447)

Index No.	Part No.	Description	Q'ty Per Assembly
1	B700 2317	Discharge Brush	1
2	B302 2216	Exit Guide - Upper Exit Guide	1
3	D447 2411	Guide Plate:Proof Tray:Upper:Ass'y	1
4	AA06 3529	Pressure Spring - 14.5mm	4
5	AF02 2148	Roller:Driven:L=125	2
6	D434 2571	Exit Roller:Proof Tray	1
7	D447 2451	Guide Plate:End Fence:Proof Tray	1
8	AW01 0129	Photo Reflection Sensor	1
9	D447 5245	Harness:Sensor:Overflow:Interface	1
10	D447 2453	Bracket:Photo Refiection Sensor:Overflow	1
11	D447 2421	Guide Plate:Proof Tray:Left Upper	1
12	AW01 0107	Paper Feed Sensor	1
13	B478 2231	Roller:Exit:Auxiliary:Ass'y	1
14	D447 2425	Bracket:Sensor:Proof Tray	1
15	D447 5225	Harness:Sensor:Interface	1
16	D447 2461	Transport Roller:One-way Roller Clutch	1
17	D447 2126	Compression Spring:2N	2
18	AF02 2147	Driven Roller	1
19	D447 2561	Guide Plate:Rear Right	1
20	D447 2564	Knob:Turn	1
21	AA15 0394	End Fence Feeler	1
22	AG07 0515	Magnet Catch:13N	2
23	B830 1135	Screw	1
24	A859 2230	Ball Bearing - 6x13x5	2
25	AA14 3788	Pin:Guide Plate:Paper Feed	1
26	B302 1517	Timing Pulley - 20Z	1
27	B478 3569	Spacer	1
28	B352 1607	Timing Pulley - T20-S3M	1

Index No.	Part No.	Description	Q'ty Per Assembly
101	0454 3006Q	Tapping Screw - M3x6	
102	0451 3006N	Tapping Screw - 3x6	
103	0453 3006N	Tapping Screw - M3x6	
104	0720 0040E	Retaining Ring - M4	
105	0741 3506	Ball Bearing - 6x12x4 mm	
106	1105 0717	Clamp:JDW-1S	
107	1105 0692	Clamp:LES-0503	

7.Transport (D447)

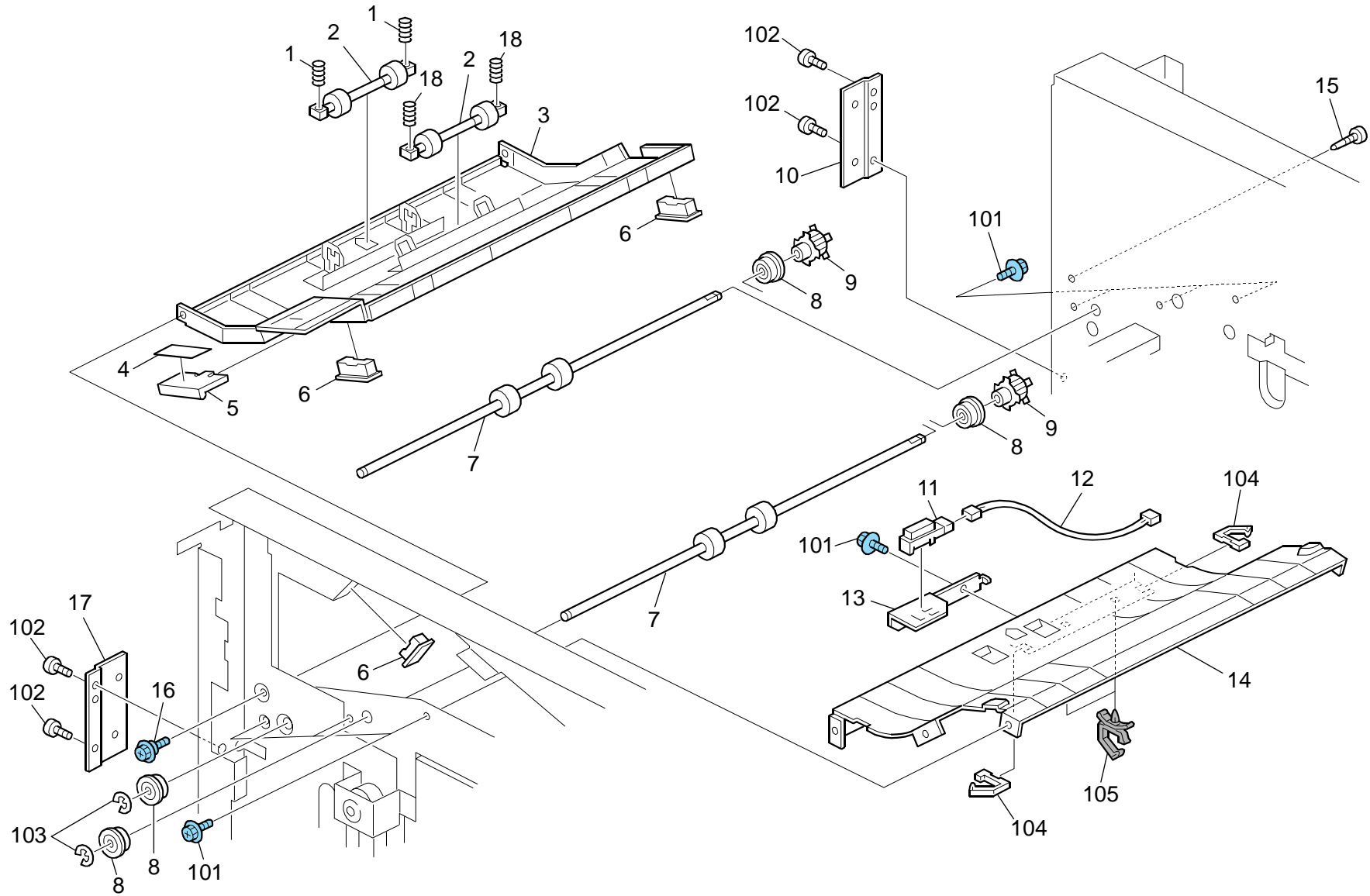


7.Transport (D447)

Index No.	Part No.	Description	Q'ty Per Assembly
1	D447 7710	Decal:Rear:Middle:L3	1
2	B234 6424	Release Grip	1
3	AG07 0515	Magnet Catch:13N	3
4	D447 2126	Compression Spring:2N	6
5	AF02 2147	Driven Roller	3
6	D447 2541	Guide Plate:Rear Middle	1
7	A859 2230	Ball Bearing - 6x13x5	8
8	B830 1135	Screw	1
9	D447 2573	Timing Pulley:T28	1
10	G178 6874	Timing Belt:S3M129	1
11	B352 1607	Timing Pulley - T20-S3M	5
12	D447 2531	Guide Plate:Rear Middle	1
13	D447 5225	Harness:Sensor:Interface	1
14	AW01 0107	Paper Feed Sensor	1
15	D447 2324	Bracket:Sensor:Shift	1
16	D447 2325	Cover:Bracket:Sensor:Shift	1
17	D447 2132	Transport Roller	3
18	D447 2551	Guide Plate:Rear Right	1
19	D447 2571	Transport Roller:Long	1
20	AA14 3788	Pin:Guide Plate:Paper Feed	1

Index No.	Part No.	Description	Q'ty Per Assembly
101	0454 3006Q	Tapping Screw - M3x6	
102	0720 0040E	Retaining Ring - M4	
103	0805 0088	Retaining Ring - M6	
104	1105 0717	Clamp:JDW-1S	

8. Paper Exit Section (D447)

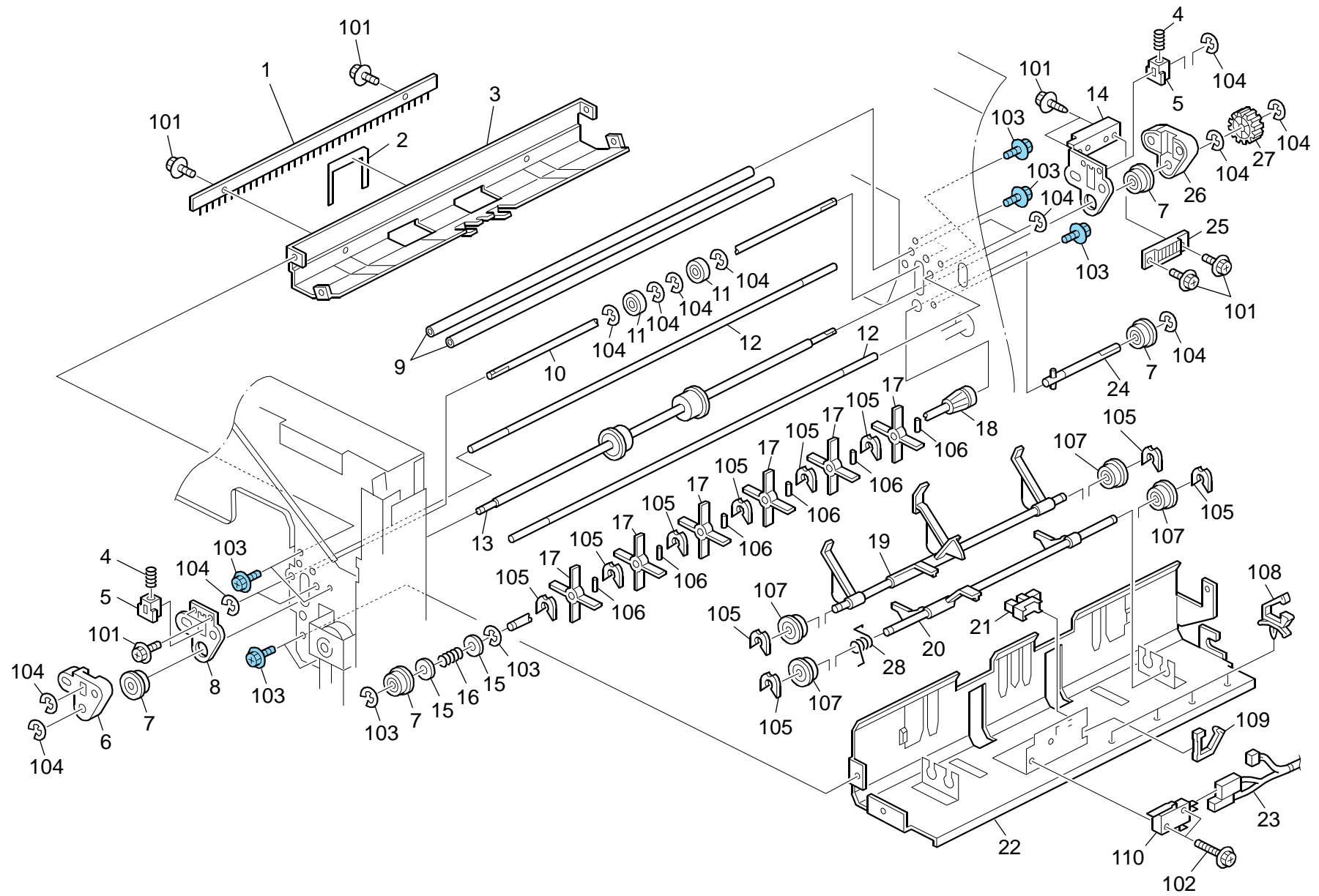


8.Paper Exit Section (D447)

Index No.	Part No.	Description	Q'ty Per Assembly
1	D447 2126	Compression Spring:2N	2
2	AF02 2147	Driven Roller	2
3	D447 2521	Guide Plate:Rear Left	1
4	D447 7711	Decal:Rear:Left:L5	1
5	B234 6424	Release Grip	1
6	AG07 0515	Magnet Catch:13N	3
7	D447 2132	Transport Roller	2
8	A859 2230	Ball Bearing - 6x13x5	4
9	B352 1607	Timing Pulley - T20-S3M	2
10	D447 1153	Bracket:Connection:Rear	1
11	AW01 0107	Paper Feed Sensor	1
12	D447 5225	Harness:Sensor:Interface	1
13	D447 2513	Bracket:Sensor:Exit	1
14	D447 2511	Guide Plate:Rear Left	1
15	AA14 3788	Pin:Guide Plate:Paper Feed	1
16	B830 1135	Screw	1
17	D447 1143	Bracket:Connection:Front	1
18	D447 2127	Compression Spring:3.6N	2

Index No.	Part No.	Description	Q'ty Per Assembly
101	0454 3006Q	Tapping Screw - M3x6	
102	0453 3006N	Tapping Screw - M3x6	
103	0720 0040E	Retaining Ring - M4	
104	1105 0692	Clamp:LES-0503	
105	1105 0717	Clamp:JDW-1S	

9.Paper Tray Exit Section (D447)

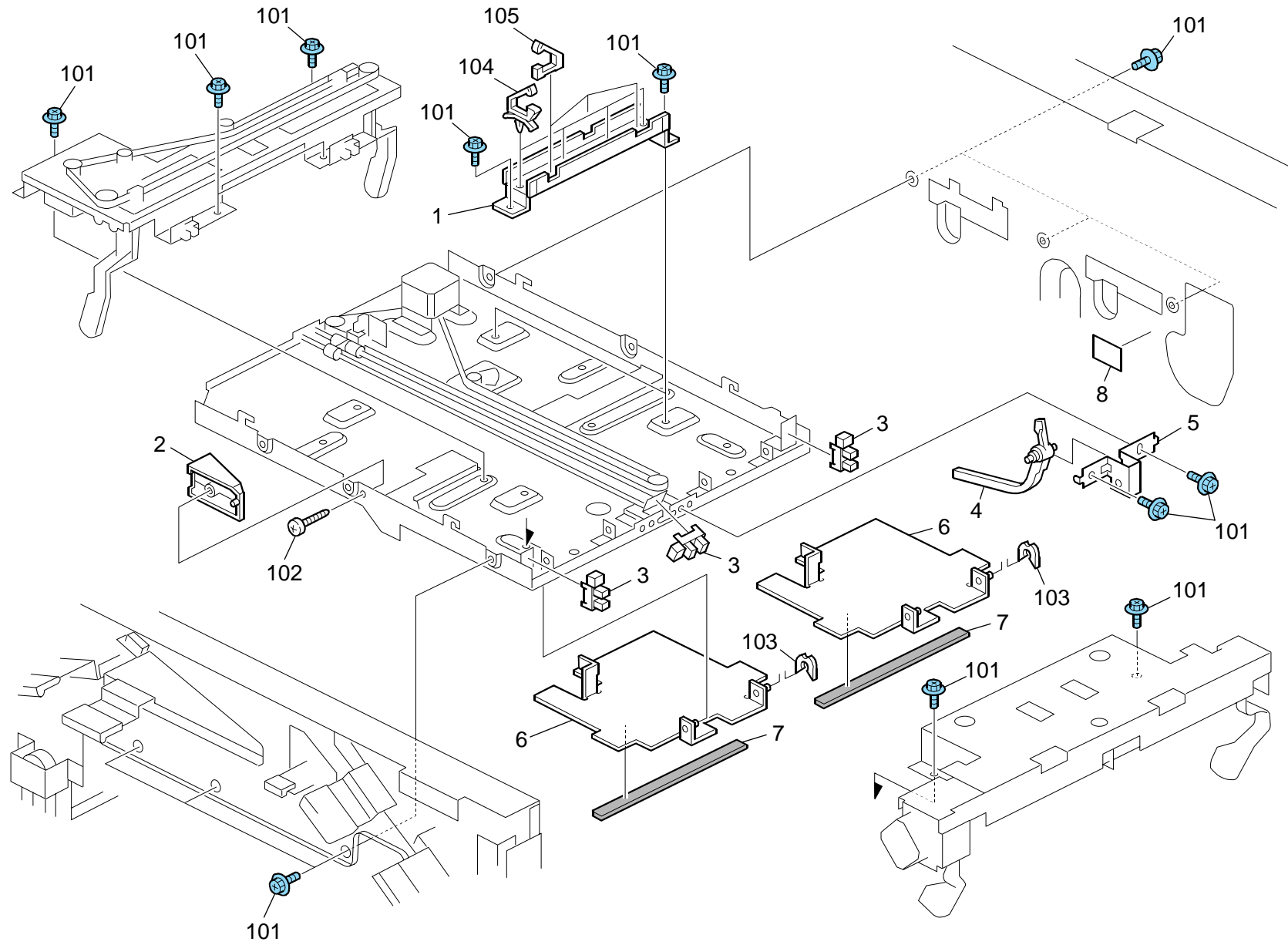


9.Paper Tray Exit Section (D447)

Index No.	Part No.	Description	Q'ty Per Assembly
1	B700 2317	Discharge Brush	1
2	D447 2312	Plate:Trailing Edge:Shift:Exit	1
3	D447 2311	Guide Plate:Exit:Upper	1
4	B477 4127	Exit Arm Spring	2
5	D447 2841	Holder:Coil Spring:Shift:Driven	2
6	D447 2842	Link:Shift:Front	1
7	A859 2230	Ball Bearing - 6x13x5	4
8	D447 2843	Bracket:Shift:Bearing:Front	1
9	D447 2848	Shaft:Shift:Coupling	2
10	D447 2838	Shaft:Shift:Driven	1
11	B478 2328	Exit Roller:Driven	2
12	D447 2849	Shaft:Shift:Slide	2
13	D447 2836	Exit Roller:Shift	1
14	D447 2847	Bracket:Shift:Rear	1
15	AA13 2208	Spacer - M6	2
16	AB06 3449	Compression Spring:Drive:Brush Roller	1
17	D447 2914	Paddle:Ass'y	6
18	D447 2817	Shaft:Paddle	1
19	D447 2821	Feeler:Paper Sensor	1
20	D447 2826	Lever:Switch:Rising Tray	1
21	GW02 0020	Photointerruptor:LG248NL1	1
22	D447 2822	End Fence:Shift:Ass'y	1
23	D447 5222	Harness:Sensor:Shift:Connecting	1
24	D447 2811	Shaft:Paddle:Drive:Ass'y	1
25	B702 7215	Rack:Punch Unit:Move	1
26	D447 2846	Link:Shift:Rear	1
27	B223 3463	Gear:Toner Bottle:Drive	1
28	D447 2828	Torsion Spring:Lever:Switch	1

Index No.	Part No.	Description	Q'ty Per Assembly
101	0451 3006N	Tapping Screw - 3x6	
102	0451 3014N	Tapping Screw:3x14	
103	0454 3006Q	Tapping Screw - M3x6	
104	0720 0040E	Retaining Ring - M4	
105	0805 0089	Retaining Ring - M4	
106	0632 0080G	Parallel Key - 2x8mm	
107	0741 3506	Ball Bearing - 6x12x4 mm	
108	1105 0619	Clamp:LBWS-0605S-V0	
109	1105 0692	Clamp:LES-0503	
110	1204 2466	Micro Switch - V-16506-1C25	

10.Jogger Section 1 (D447)

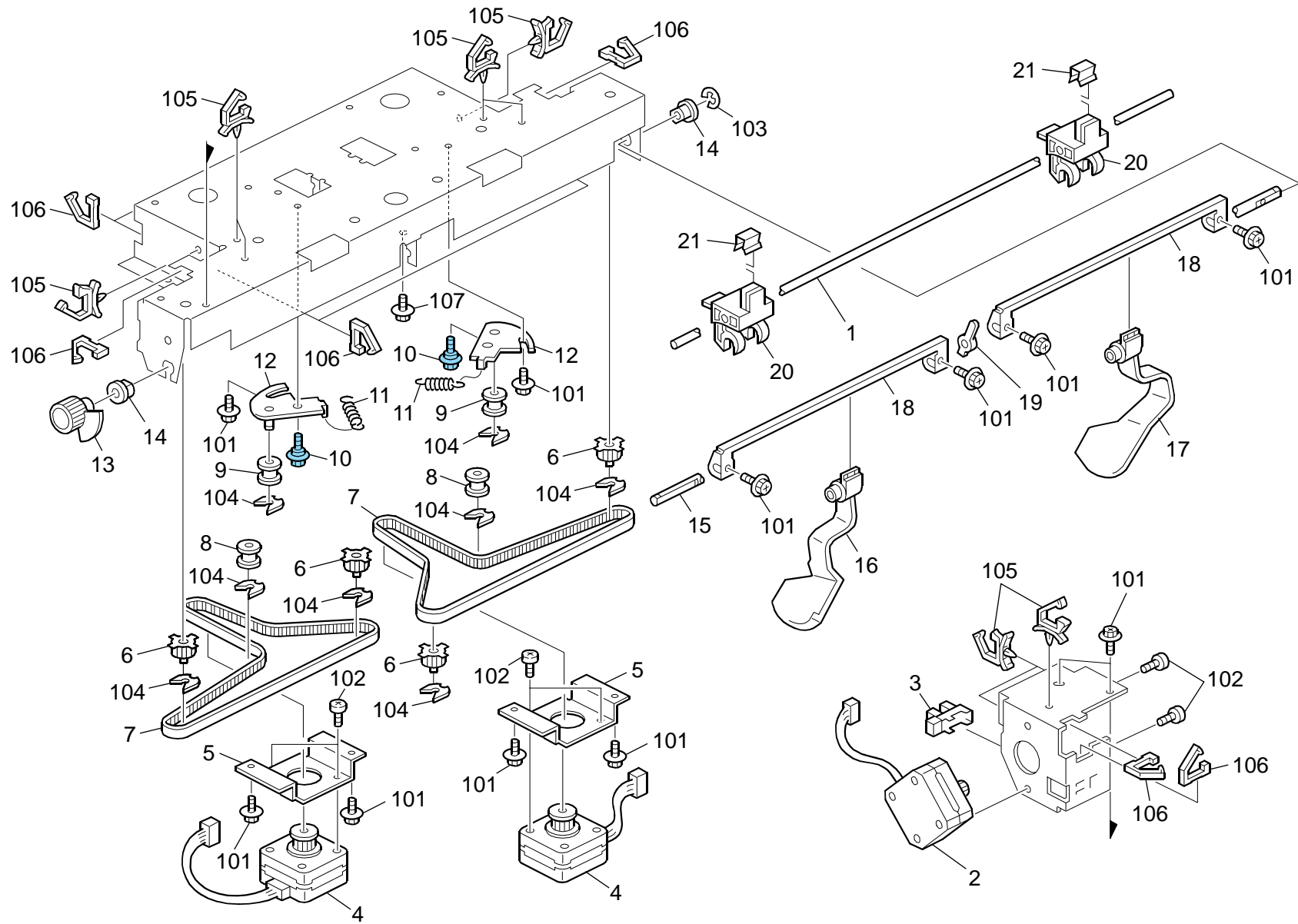


10.Jogger Section 1 (D447)

Index No.	Part No.	Description	Q'ty Per Assembly
1	D447 3121	Guide:Harness	2
2	D447 3161	Guide:Jogger:Sub	1
3	GW02 0020	Photointerruptor:LG248NL1	3
4	D447 3142	Feeler:Paper Detector	1
5	D447 3141	Stay:Feeler:Paper Detector	1
6	D447 3151	Vibrating Plate:Ass'y	2
7	D447 3158	Cushion:Vibrating Plate	2
8	D447 1157	Decal:H-temp Warning:Shift	1

Index No.	Part No.	Description	Q'ty Per Assembly
101	0454 3006Q	Tapping Screw - M3x6	
102	0452 3008N	Tapping Screw - M3x8	
103	0805 0089	Retaining Ring - M4	
104	1105 0516	Clamp	
105	1105 0522	Edge Saddle - LES0510	

11.Jogger Section 2 (D447)

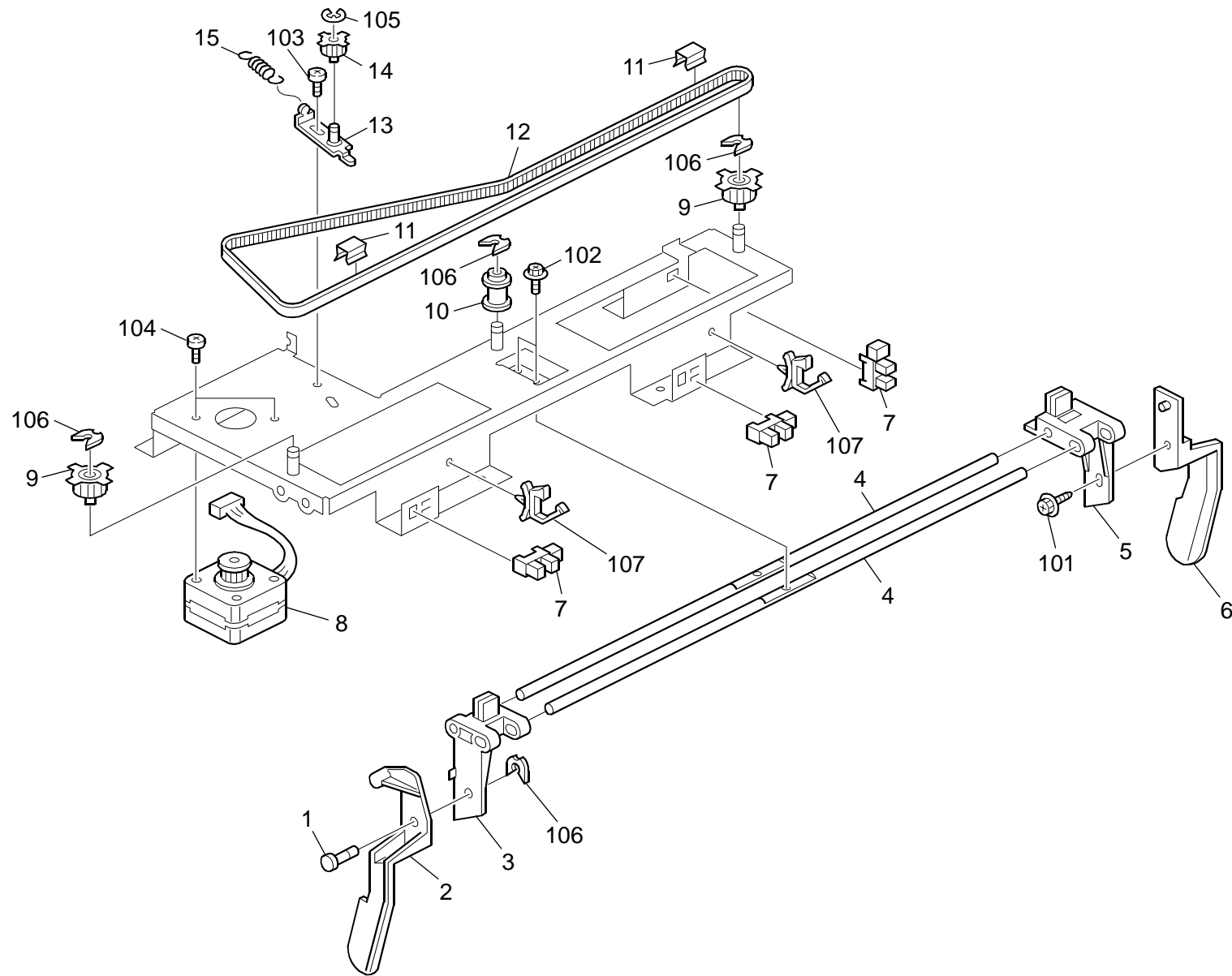


11.Jogger Section 2 (D447)

Index No.	Part No.	Description	Q'ty Per Assembly
1	D447 3221	Shaft:Slide	1
2	B830 5570	Stepper Motor DC3.1V 7.4W	1
3	GW02 0020	Photointerruptor:LG248NL1	1
4	B830 5569	Stepper Motor DC3.3V 3.9W	2
5	D447 3252	Bracket:Jogger:Uniform	2
6	AB03 0732	Jogger Pulley	4
7	B830 4889	Timing Belt - 40S2M500	2
8	A548 2139	Pulley	2
9	AB03 0431	Transport Pulley	2
10	B830 1135	Screw	2
11	B700 2635	Tension Spring	2
12	D447 3257	Bracket:Tightener:Ass'y	2
13	D447 3239	Gear:Z35	1
14	5053 0447	Bushing - 6mm	2
15	D447 3238	Shaft:Jogger Fence:Moveable	1
16	D447 3232	Jogger Fence:Main:Front:Ass'y	1
17	D447 3235	Jogger Fence:Main:Rear:Ass'y	1
18	B830 3676	Lever - Jogger Fence	2
19	B352 3572	Bushing - 6mm	1
20	D447 3222	Holder:Jogger Fence:Main	2
21	A300 3634	Spring Plate - Timing Belt	2

Index No.	Part No.	Description	Q'ty Per Assembly
101	0451 3006N	Tapping Screw - 3x6	
102	0353 0040N	Screw - M3x4	
103	0720 0040E	Retaining Ring - M4	
104	0805 0089	Retaining Ring - M4	
105	1105 0623	Clamp - LBWS-0206S-V0	
106	1105 0522	Edge Saddle - LES0510	
107	0451 3008N	Tapping Screw - M3x8	

12.Jogger Section 3 (D447)

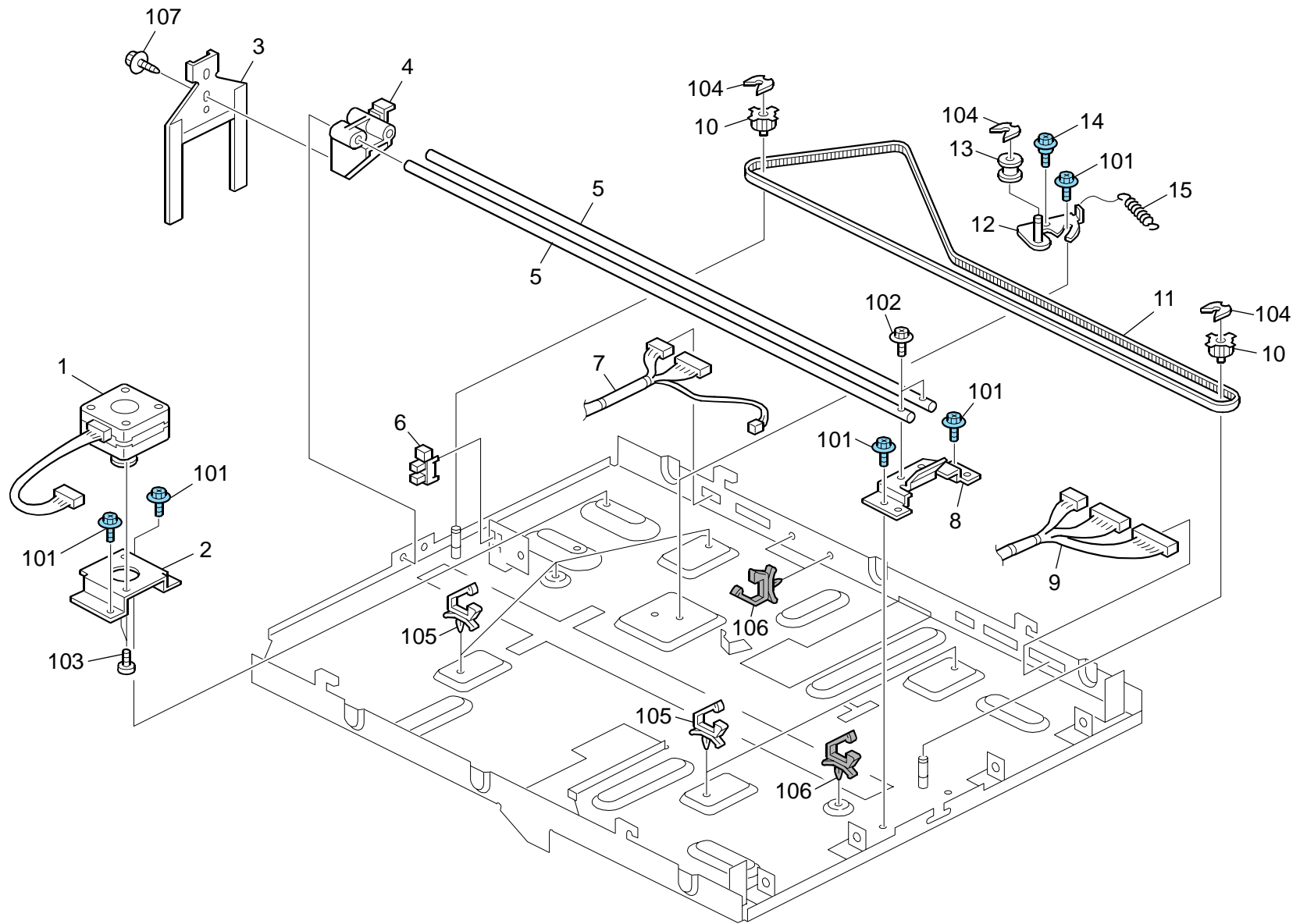


12.Jogger Section 3 (D447)

Index No.	Part No.	Description	Q'ty Per Assembly
1	D447 3329	Shaft:Jogger:Sub:Turn	1
2	D447 3327	Jogger Fence:Sub:Front	1
3	D447 3326	Holder:Jogger:Sub:Front	1
4	D447 3324	Shaft:Jogger:Sub	2
5	D447 3322	Holder:Jogger:Sub:Rear	1
6	D447 3323	Jogger Fence:Sub:Rear	1
7	GW02 0020	Photointerruptor:LG248NL1	3
8	B830 5569	Stepper Motor DC3.3V 3.9W	1
9	AB03 0732	Jogger Pulley	2
10	A548 2139	Pulley	1
11	A300 3634	Spring Plate - Timing Belt	2
12	AA04 3435	Timing Belt:40S2M810	1
13	B702 7125	Bracket:Belt Tensioner:Ass'y	1
14	B702 7135	Timing Pulley:18T	1
15	B700 2635	Tension Spring	1

Index No.	Part No.	Description	Q'ty Per Assembly
101	0450 3008N	Tapping Screw - M3x8	
102	0451 3008N	Tapping Screw - M3x8	
103	0453 3006N	Tapping Screw - M3x6	
104	0353 0040N	Screw - M3x4	
105	0720 0030E	Retaining Ring - M3	
106	0805 0089	Retaining Ring - M4	
107	1105 0623	Clamp - LBWS-0206S-V0	

13.Jogger Section 4 (D447)

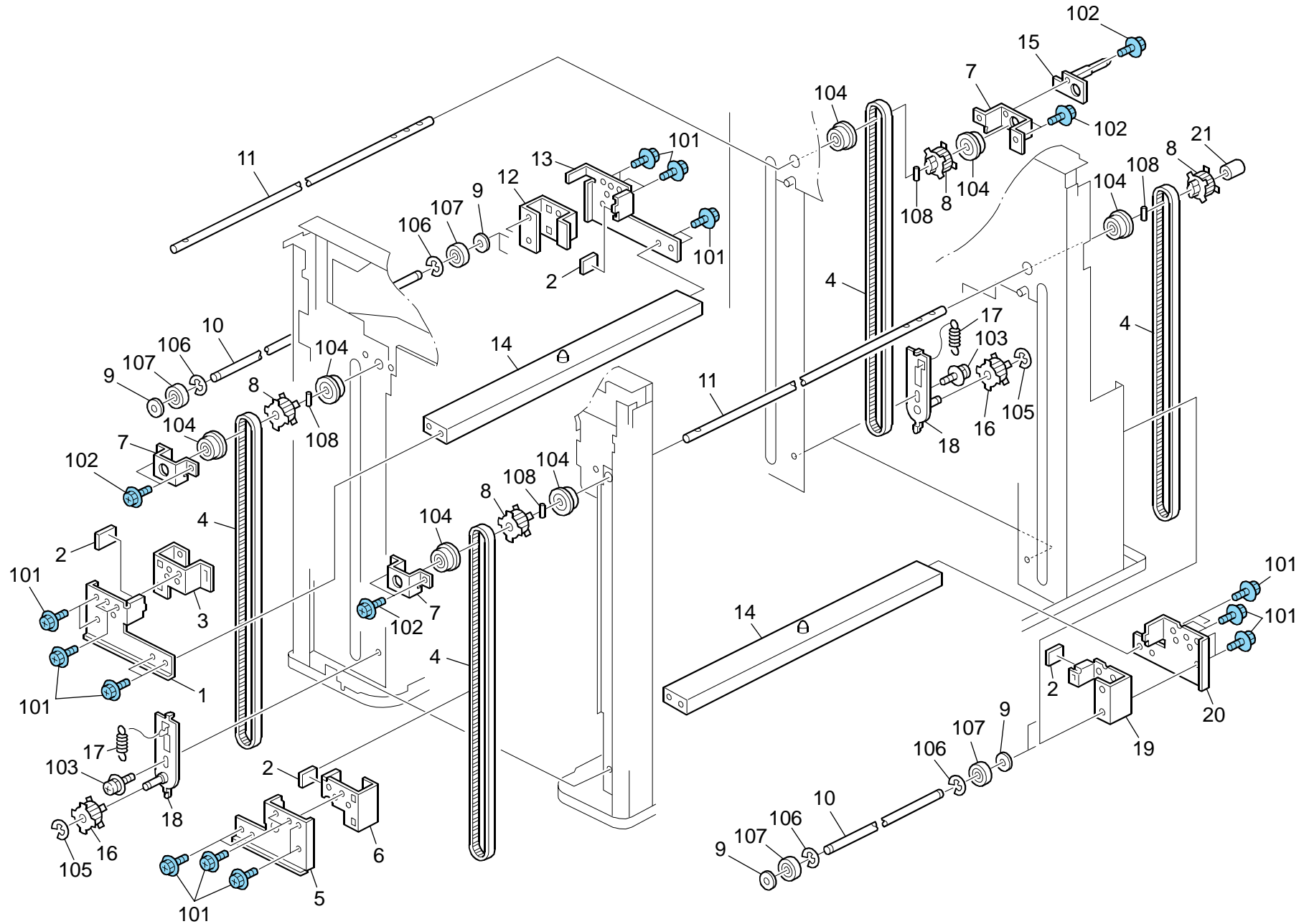


13.Jogger Section 4 (D447)

Index No.	Part No.	Description	Q'ty Per Assembly
1	B830 5569	Stepper Motor DC3.3V 3.9W	
2	D447 3252	Bracket:Jogger:Uniform	1
3	D447 3412	Stopper:Leading Edge:Sub-ass'y	1
4	D447 3411	Slider:Stopper:Leading Edge	1
5	D447 3415	Shaft:Stopper:Leading Edge	2
6	GW02 0020	Photointerruptor:LG248NL1	1
7	D447 5285	Harness:Jogger:Uni:Sub:Connecting	1
8	D447 3131	Bracket:Sensor:Paper Detector	1
9	D447 5280	Harness:Jogger:Uni:Main:Connecting	1
10	AB03 0732	Jogger Pulley	2
11	AA04 3436	Timing Belt:40S2M976	1
12	B830 4891	Tightener	1
13	A548 2139	Pulley	1
14	B830 1135	Screw	1
15	D447 3432	Tension Spring:Tensioner:Leading Edge	1

Index No.	Part No.	Description	Q'ty Per Assembly
101	0454 3006Q	Tapping Screw - M3x6	
102	0451 3008N	Tapping Screw - M3x8	
103	0353 0040N	Screw - M3x4	
104	0805 0089	Retaining Ring - M4	
105	1105 0516	Clamp	
106	1105 0717	Clamp:JDW-1S	
107	0450 3008N	Tapping Screw - M3x8	

14. Paper Tray Drive Section (D447)

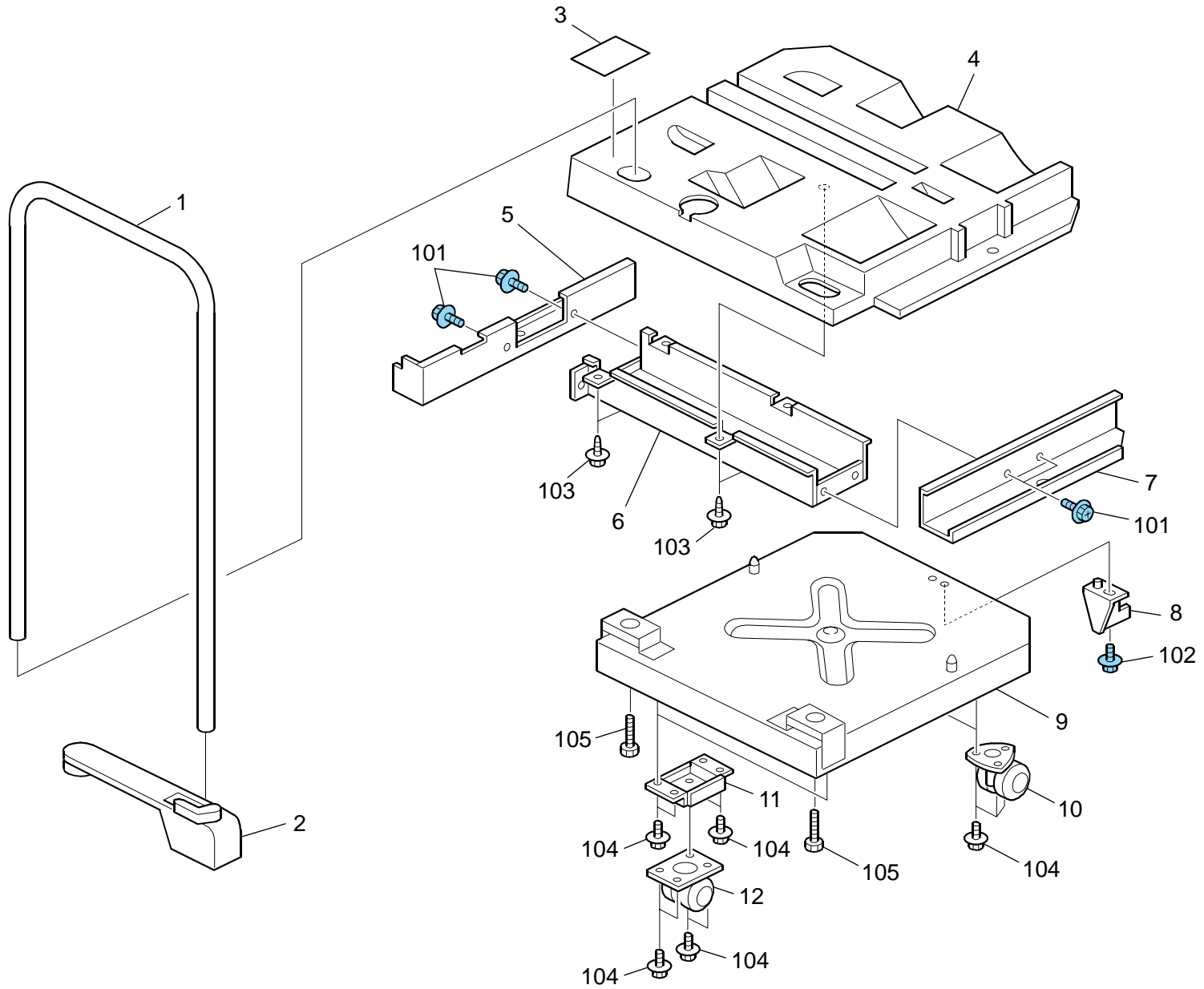


14.Paper Tray Drive Section (D447)

Index No.	Part No.	Description	Q'ty Per Assembly
1	D447 4221	Side Plate:Shift Tray:Left Front	1
2	D447 4214	Joint:Synchronous Belt	4
3	D447 4223	Stay:Synchronous Belt:Left Front	1
4	AA04 3437	Timing Belt:150S5M1420	4
5	D447 4216	Side Plate:Shift Tray:Right Front	1
6	D447 4215	Stay:Synchronous Belt:Right Front	1
7	D447 4323	Bracket:Protect:Shaft	3
8	D447 4322	Timing Pulley:Drive:T22	4
9	AA13 2013	Spacer	4
10	D447 4219	Shaft:Holder:Shift Tray	2
11	D447 4321	Shaft:Drive:Upper Lower	2
12	D447 4224	Stay:Synchronous Belt:Left Inner Rear	1
13	D447 4222	Side Plate:Shift Tray:Left Inner Rear	1
14	D447 4211	Holder:Shift Tray:Ass'y	2
15	D447 4421	Bracket:Auxiliary:Timing Pulley	1
16	D447 4316	Timing Pulley:Driven:T22	4
17	D447 4315	Tension Spring:Tensioner	4
18	D447 4312	Tensioner:Driven:Ass'y	4
19	D447 4218	Stay:Synchronous Belt:Right Inner Rear	1
20	D447 4217	Side Plate:Shift Tray:Right Inner Rear	1
21	D447 4327	Collar:Drive:Shaft	1

Index No.	Part No.	Description	Q'ty Per Assembly
101	0454 4008Q	Tapping Screw - M4x8	
102	0454 3006Q	Tapping Screw - M3x6	
103	0954 4010N	Screw:Polished Round/Spring:M4x10	
104	0742 3910	Ball Bearing:10x22x6	
105	0720 0080E	Retaining Ring - M8	
106	0720 0060E	Retaining Ring - M6	
107	0740 3008	Ball Bearing - 8x22x7	
108	0634 0200G	Parallel Pin - 4x20	

15. Paper Cart Section (D447)

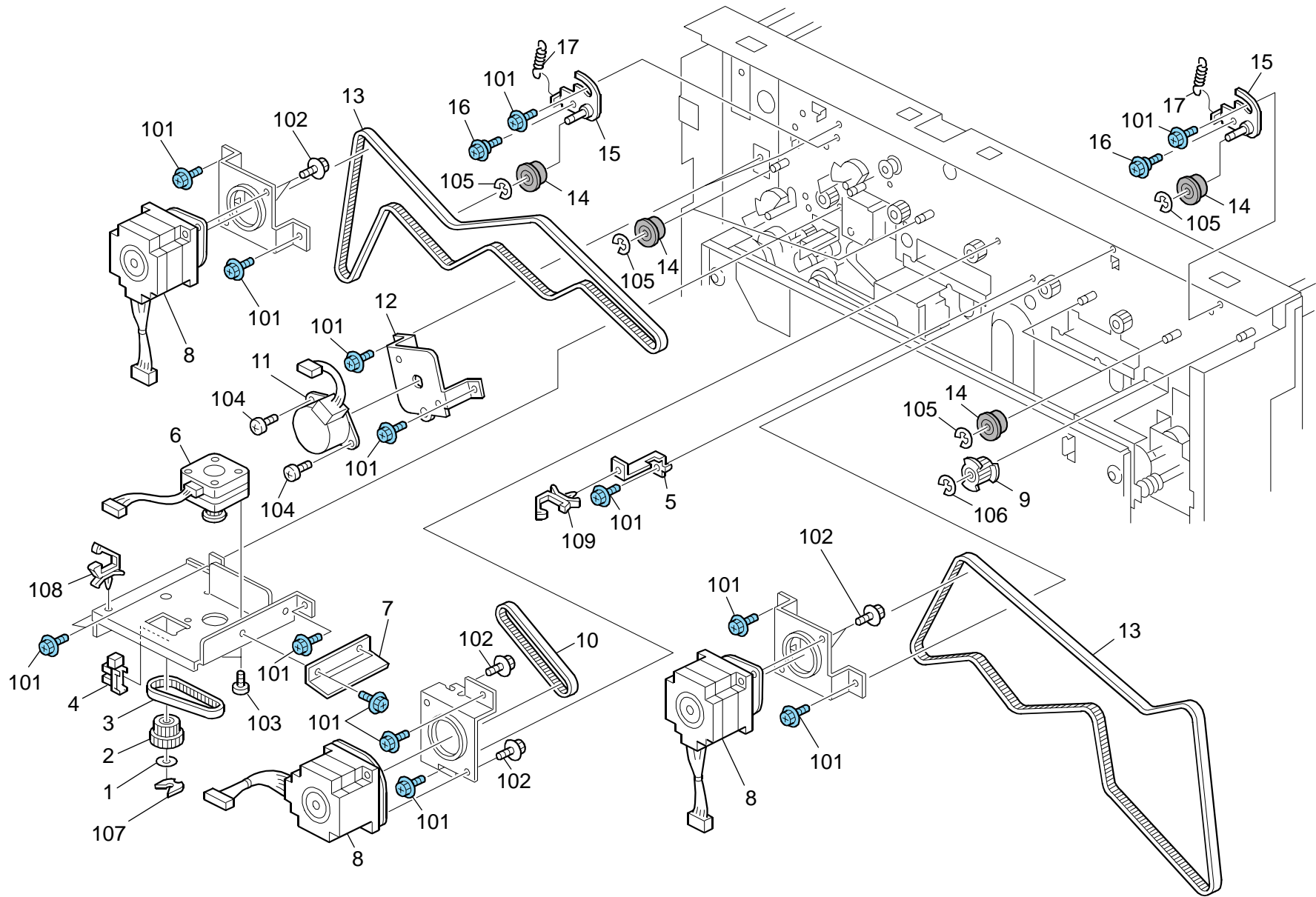


15.Paper Cart Section (D447)

Index No.	Part No.	Description	Q'ty Per Assembly
1	D447 7545	Grip:Shift Tray:Ass'y	1
2	D447 7551	Plate:Shift Tray:Ass'y	1
3	D447 7577	Decal:Tray:Caution	1
4	D447 7575	Shift Tray	1
5	D447 7574	Stay:Shift Tray:Trailing Edge	1
6	D447 7572	Stay:Shift Tray:Middle	1
7	D447 7573	Stay:Shift Tray:Leading Edge	1
8	D447 7543	Feeler:Safety Switch:Base:Shift Tray	1
9	D447 7533	Base:Shift Tray:Ass'y	1
10	B804 1035	Caster:DIA50:400N	2
11	D447 7541	Bracket:Caster:Shift Tray	2
12	D447 7542	Caster:Fix	2

Index No.	Part No.	Description	Q'ty Per Assembly
101	0454 4008Q	Tapping Screw - M4x8	
102	0454 3008Q	Tapping Screw:3x8	
103	0450 4008N	Tapping Screw - M4x8	
104	0451 4008N	Tapping Screw:4x8	
105	0589 9251N	Hexagonal Head Bolt:M10x25	

16. Drive Section 1 (D447)

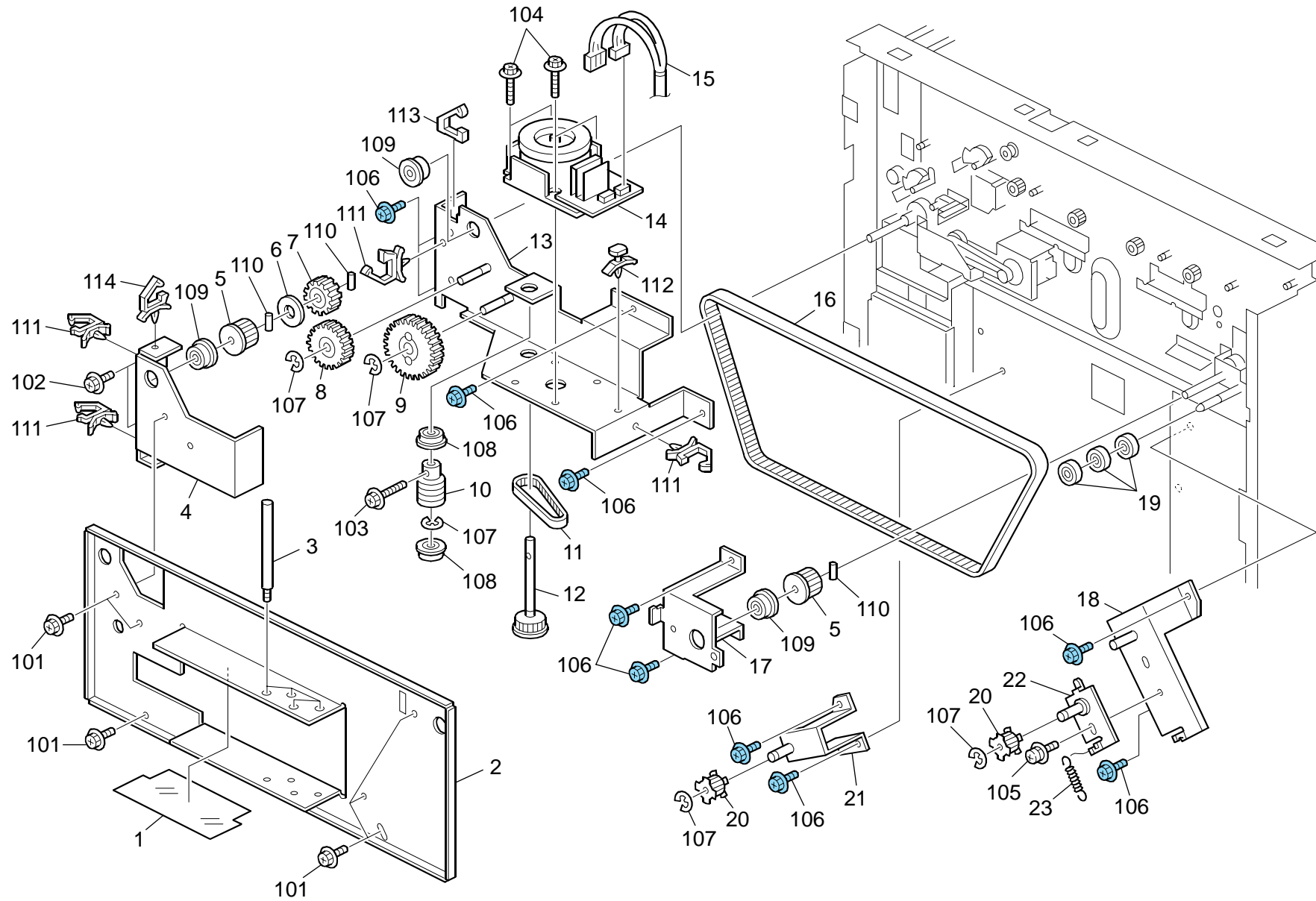


16. Drive Section 1 (D447)

Index No.	Part No.	Description	Q'ty Per Assembly
1	H072 2220	Spacer - M6x10	1
2	D447 2851	Pinion:Shift:Move	1
3	D046 4655	Timing Belt:S2M180	1
4	GW02 0020	Photointerruptor:LG248NL1	1
5	B706 5151	Angle:Printed Circuit Board:ST	1
6	D447 5850	DC Stepper Motor:Drive:DC 1.8W	1
7	D447 2584	Cover:Harness:Rear Left	1
8	B830 5562	Stepper Motor DC1.56V 3.7W	3
9	B302 1542	Timing Pulley - 20Z	1
10	B830 1534	Timing Belt - 60S3M216	1
11	B700 5804	Stepper Motor:DIA42:Z17:Ass'y	2
12	D447 2224	Bracket:Motor:Gate Pawl	2
13	AA04 3434	Timing Belt:60S3M999	2
14	A458 3281	Idler Roller	7
15	B700 4308	Bracket:Tightener:Stapler:Ass'y	2
16	B830 1135	Screw	2
17	AA06 2334	Tension Spring:4.9N	2

Index No.	Part No.	Description	Q'ty Per Assembly
101	0454 3006Q	Tapping Screw - M3x6	
102	0451 4006N	Tapping Screw - 4x6	
103	0353 0040N	Screw - M3x4	
104	0453 3006N	Tapping Screw - M3x6	
105	0720 0060E	Retaining Ring - M6	
106	0720 0040E	Retaining Ring - M4	
107	0805 0089	Retaining Ring - M4	
108	1105 0619	Clamp:LBWS-0605S-V0	
109	1105 0487	Harness Clamp	

17. Drive Section 2 (D447)

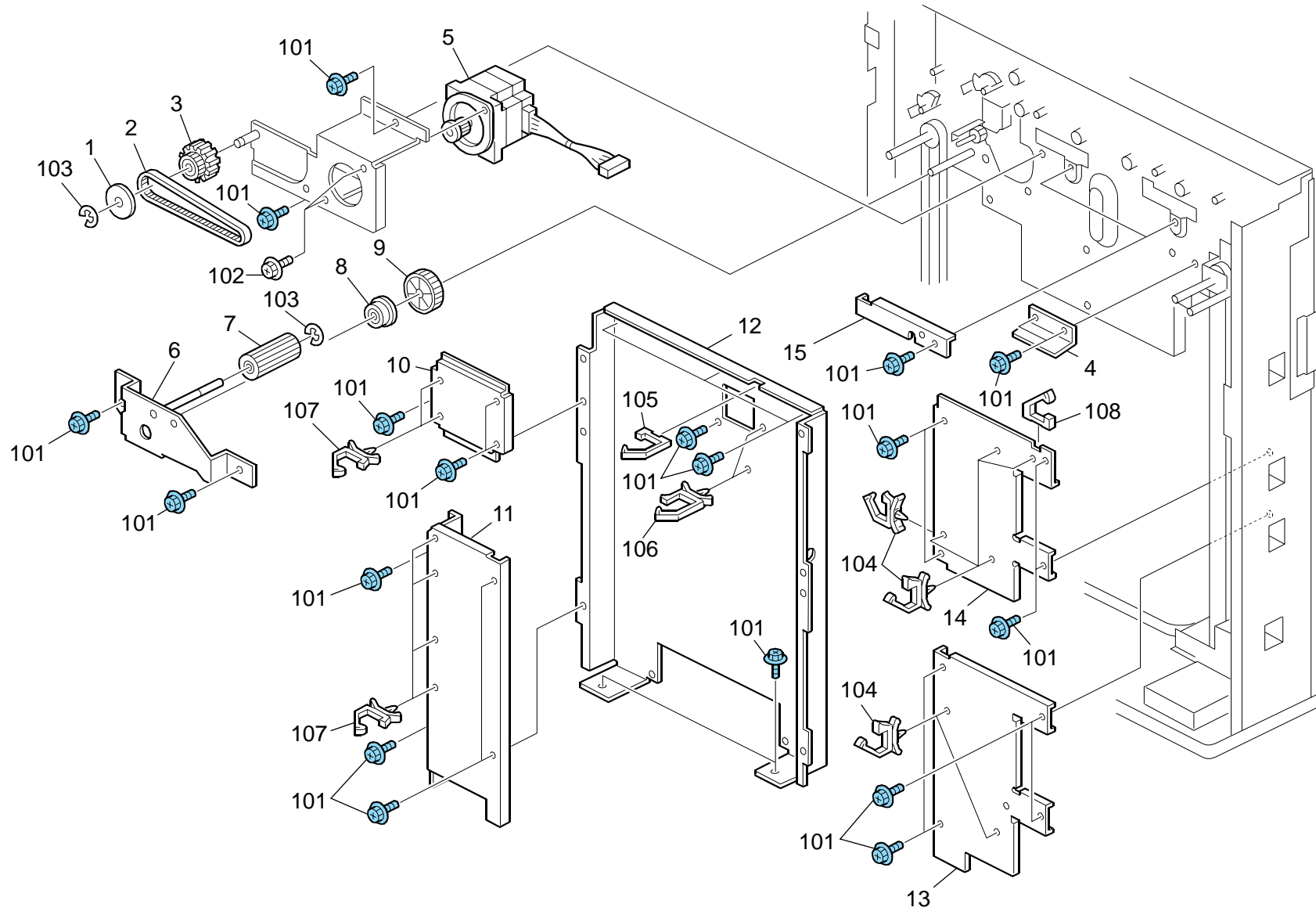


17. Drive Section 2 (D447)

Index No.	Part No.	Description	Q'ty Per Assembly
1	D447 4533	Film:Guard:Dc Brushless Motor	1
2	D447 4531	Supporting Plate:Timing Belt	1
3	D447 4532	Stand:Base:Jogger	4
4	D447 4118	Bracket:Protect:Drive Sub-unit	1
5	D447 4324	Timing Pulley:T26	1
6	D447 4326	Spacer:DIA45	1
7	D447 4325	Gear:Z22	1
8	D447 4117	Gear:Z29	1
9	D447 4116	Worm Wheel:Z40:Gear:Z22	1
10	D447 4115	Worm Gear:Upper Lower	1
11	B700 4787	Timing Belt:B80S3M237	1
12	D447 4119	Shaft:Pulley:T32	1
13	D447 4111	Bracket:Drive:Upper Lower:Ass'y	1
14	D447 4120	DC Brushless Motor:DC24V:86.6W	1
15	D447 5235	Harness:Tray:Motor Control:PCB	1
16	AA04 3438	Timing Belt:250S5M1595	1
17	D447 4424	Bracket:Protect:Shaft:Left Inner Rear	1
18	D447 4513	Bracket:Fix:Tensioner	1
19	AE03 0030	Ball Bearing - 8x19x6	3
20	D447 4516	Timing Pulley:T18	2
21	D447 4522	Bracket:Fix:Timing Pulley:Ass'y	1
22	D447 4517	Bracket:Belt Tensioner:Ass'y	1
23	D447 4501	Tension Spring:Tension:Shift Tray:50N	1

Index No.	Part No.	Description	Q'ty Per Assembly
101	0451 4008N	Tapping Screw:4x8	
102	0451 4006N	Tapping Screw - 4x6	
103	0451 4014N	Tapping Screw:M4x14	
104	0451 3014N	Tapping Screw:3x14	
105	0954 4010N	Screw:Polished Round/Spring:M4x10	
106	0454 3006Q	Tapping Screw - M3x6	
107	0720 0080E	Retaining Ring - M8	
108	0741 3810	Ball Bearing:10x19x7mm	
109	0742 3910	Ball Bearing:10x22x6	
110	0634 0200G	Parallel Pin - 4x20	
111	1105 0487	Harness Clamp	
112	1105 0410	Card Spacer - 9.4mm	
113	1105 0522	Edge Saddle - LES0510	
114	1105 0619	Clamp:LBWS-0605S-V0	

18. Drive Section 3 (D447)

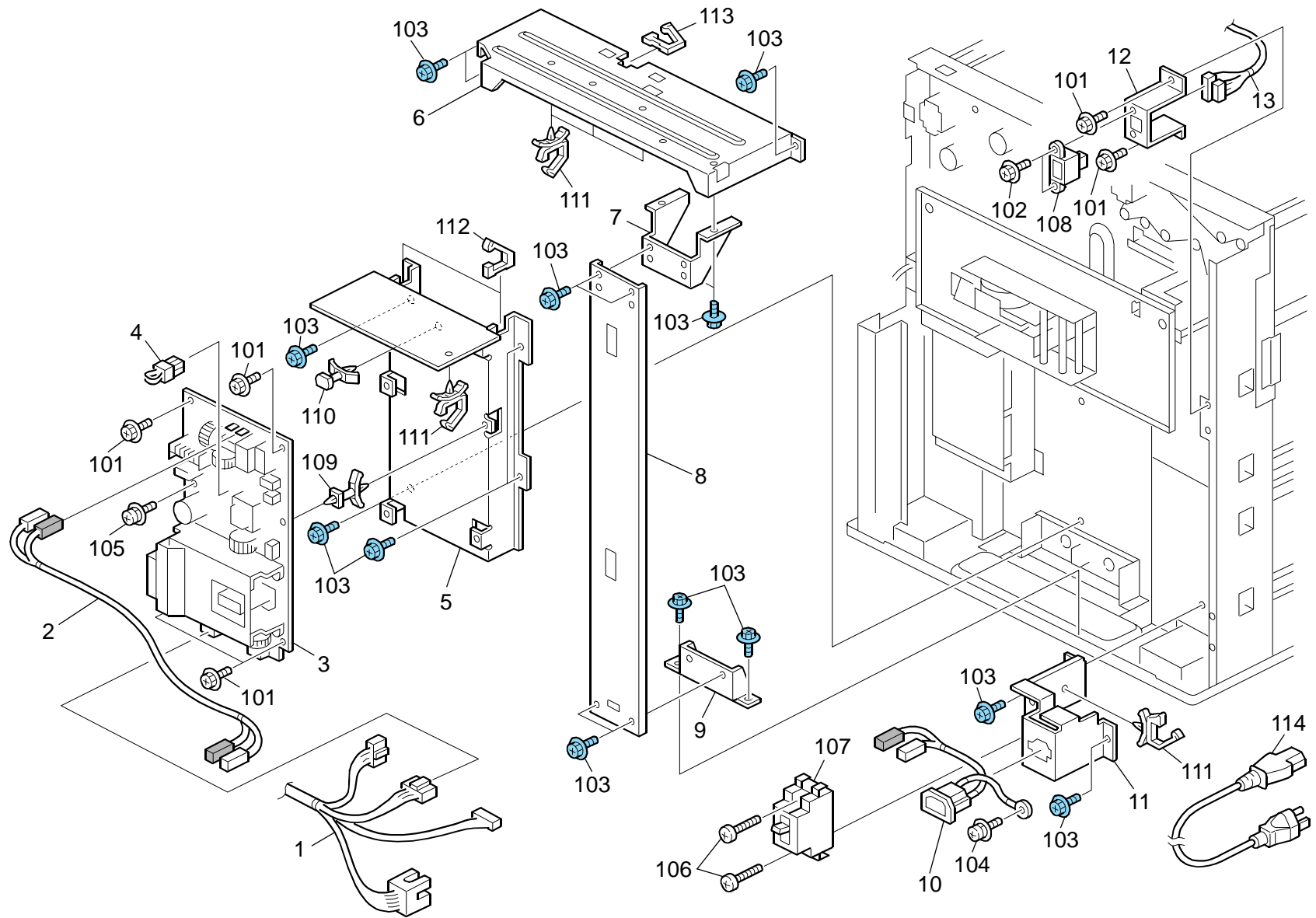


18. Drive Section 3 (D447)

Index No.	Part No.	Description	Q'ty Per Assembly
1	D447 1634	Spacer:DIA27.5	1
2	D300 2238	Timing Belt:B60S3M273	1
3	D447 1632	Timing Pulley:T26:Gear:Z30	1
4	D447 2584	Cover:Harness:Rear Left	1
5	B830 5562	Stepper Motor DC1.56V 3.7W	1
6	D447 2861	Bracket:Paddle:Shaft	1
7	D447 2819	Gear:Z17	1
8	A859 2230	Ball Bearing - 6x13x5	1
9	AB01 2009	Gear - 34Z	1
10	D447 1237	Inner Cover:Rear Left:Upper	1
11	D447 1233	Inner Cover:Rear Left	1
12	D447 1238	Inner Cover:Rear Lower	1
13	D447 1231	Inner Cover:Rear Right	1
14	D447 1235	Inner Cover:Rear Right:Upper	1
15	D447 3511	Guard:Harness	2

Index No.	Part No.	Description	Q'ty Per Assembly
101	0454 3006Q	Tapping Screw - M3x6	
102	0451 4006N	Tapping Screw - 4x6	
103	0720 0040E	Retaining Ring - M4	
104	1105 0487	Harness Clamp	
105	1105 0521	Clamp - LES-1017	
106	1105 0488	Harness Clamp	
107	1105 0508	Harness Clamp - LWS-0711	
108	1105 0522	Edge Saddle - LES0510	

19. Electrical Section 1 (D447)

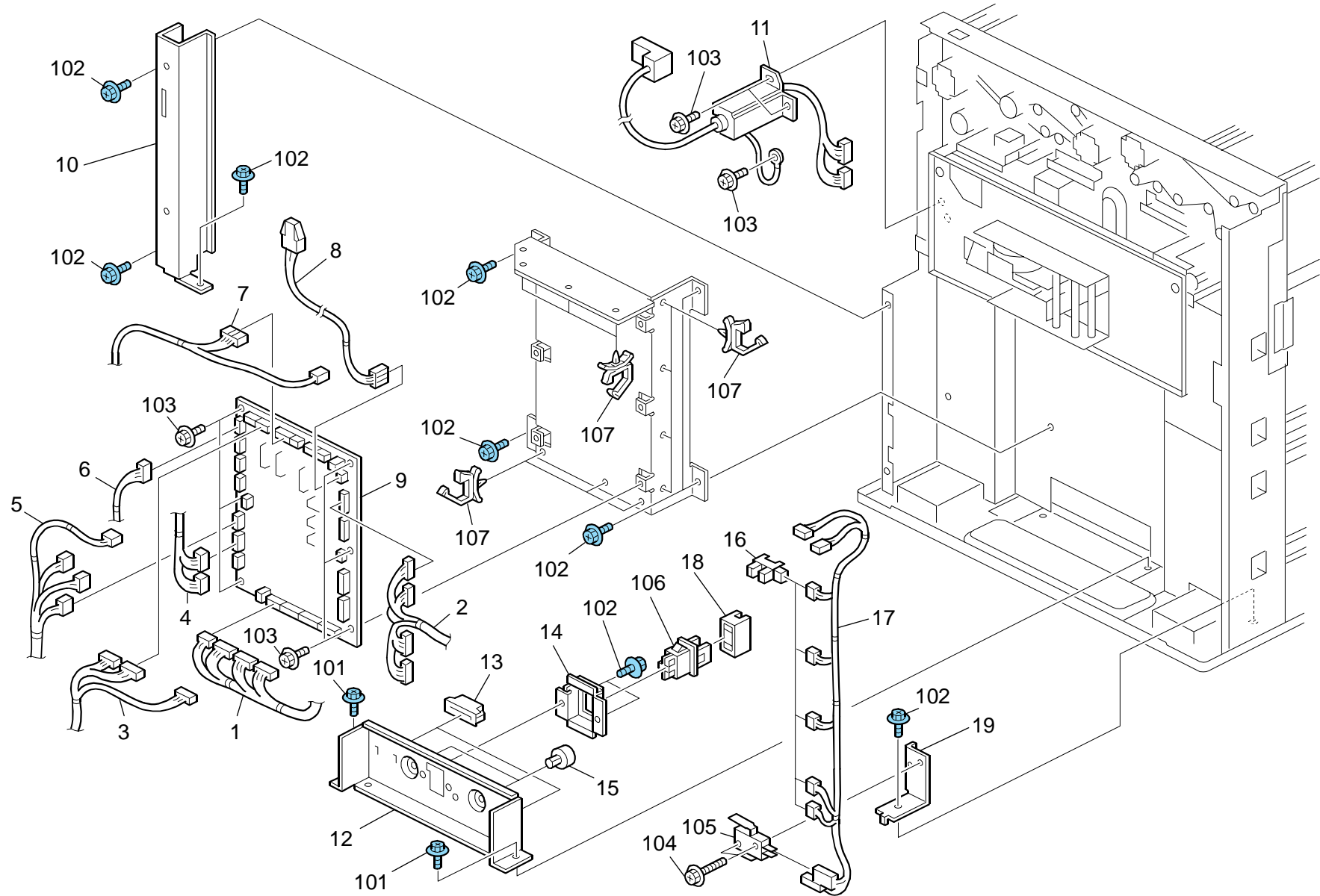


19.Electrical Section 1 (D447)

Index No.	Part No.	Description	Q'ty Per Assembly
1	D447 5255	Harness:Power Supply Unit	1
2	D447 5252	Harness:AC:Leak Breaker	1
3	GZ23 0028	Power Supply Unit:DOM/NA	1
4	D447 5253	Harness:Power Supply Unit:Connector	1
5	D447 5010	Bracket:Power Supply Unit	1
6	D447 6137	Bracket:Cover:Upper Rear	1
7	D447 6136	Bracket:Cover:Rear	1
8	D447 6191	Bracket:Lengthwise:Cover:Rear	1
9	D447 6190	Bracket:Lower:Cover:Rear	1
10	D447 5251	Harness:AC:Inlet	1
11	D447 1204	Bracket:Inlet:Leak Breaker	1
12	D447 1205	Bracket:Connector	1
13	D447 5206	Harness:Interface:PCB	1

Index No.	Part No.	Description	Q'ty Per Assembly
101	0451 3006N	Tapping Screw - 3x6	
102	0451 3008N	Tapping Screw - M3x8	
103	0454 3006Q	Tapping Screw - M3x6	
104	0954 4010N	Screw:Polished Round/Spring:M4x10	
105	0954 3006N	Screw - M3x6	
106	0434 0200N	Pan Self-Tapping Screw:4x20	
107	1107 1280	Fuse:BJS1512F2	
108	1102 8502	Connector - 54679-1615	
109	1105 0194	PCB Stud	
110	1105 0410	Card Spacer - 9.4mm	
111	1105 0487	Harness Clamp	
112	1105 0521	Clamp - LES-1017	
113	1105 0522	Edge Saddle - LES0510	
114	1150 0373	Power Supply Code:125V 15A NA	

20. Electrical Section 2 (D447)

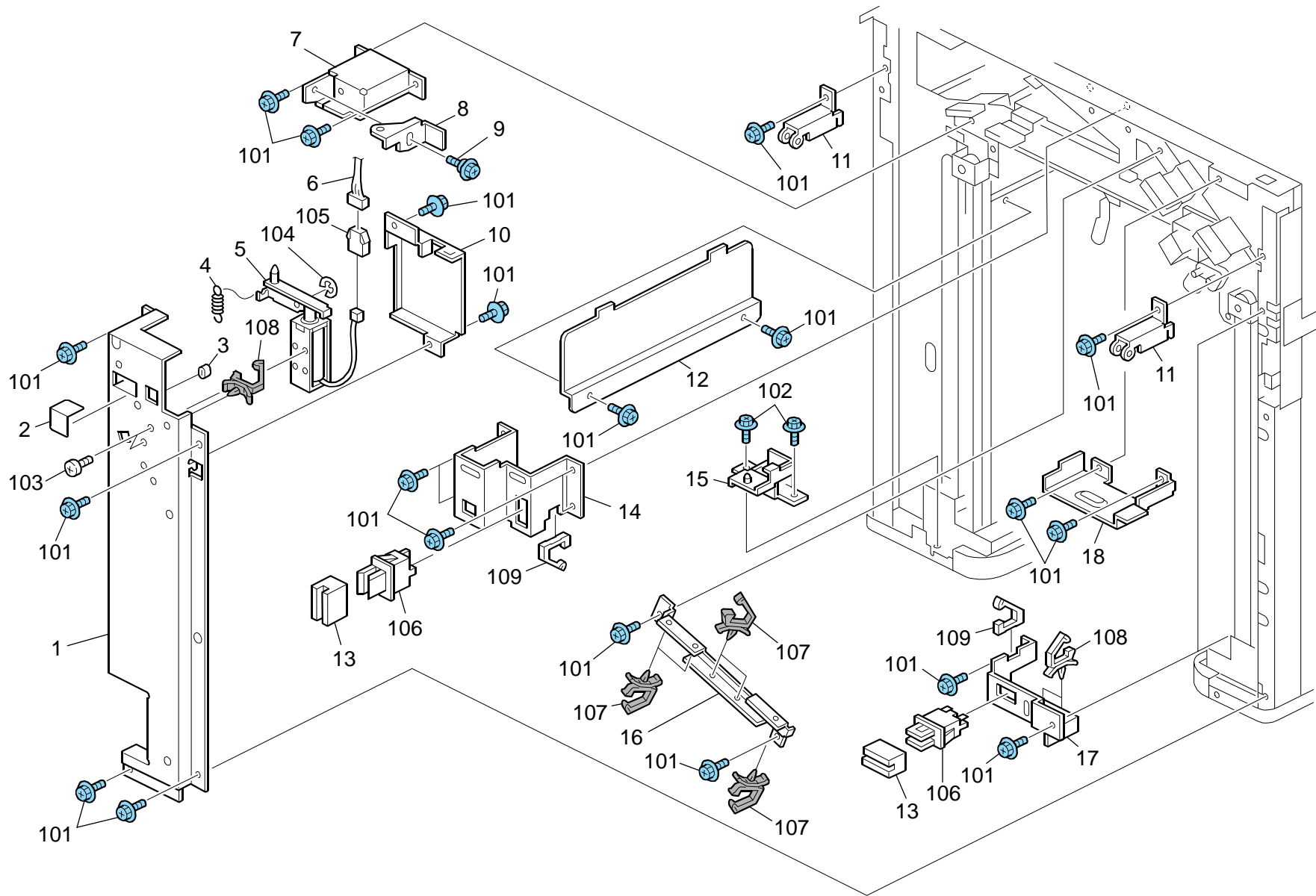


20.Electrical Section 2 (D447)

Index No.	Part No.	Description	Q'ty Per Assembly
1	D447 5240	Harness:Main:Sensor:Right	1
2	D447 5230	Harness:Main:Motor:Right	1
3	D447 5210	Harness:Main:Motor:Left	1
4	D447 5220	Harness:Main:Sensor:Left	1
5	D447 5255	Harness:Power Supply Unit	1
6	D447 5290	Harness:Main:Operation Sub-unit	1
7	D447 5260	Harness:Main:Door Switch	1
8	D447 5265	Harness:Main:Fall:Switch	1
9	D447 5505	PCB:Main Control:Ass'y	1
10	D447 1184	Bracket:Cover:Rear Lower	1
11	D460 5201	Harness:Interface	1
12	D447 1111	Shift Tray:Base:Stopper:Ass'y	1
13	AG07 1012	Magnet Catch:Ass'y	2
14	D447 1116	Bracket:Switch:Base:Shift Tray	1
15	D447 1114	Rubber Foot:H10mm	2
16	AW02 0114	Photo Interruptor - Lower Limit	1
17	D447 5244	Harness:Sensor:Overflow:Interface	1
18	D355 1325	Cover:Push Switch	1
19	D447 4611	Bracket:Micro Switch	1

Index No.	Part No.	Description	Q'ty Per Assembly
101	0454 4008Q	Tapping Screw - M4x8	
102	0454 3006Q	Tapping Screw - M3x6	
103	0451 3006N	Tapping Screw - 3x6	
104	0451 3014N	Tapping Screw:3x14	
105	1204 2466	Micro Switch - V-16506-1C25	
106	1204 2835	Switch:FA4L-CA22	
107	1105 0488	Harness Clamp	

21.Electrical Section 3 (D447)

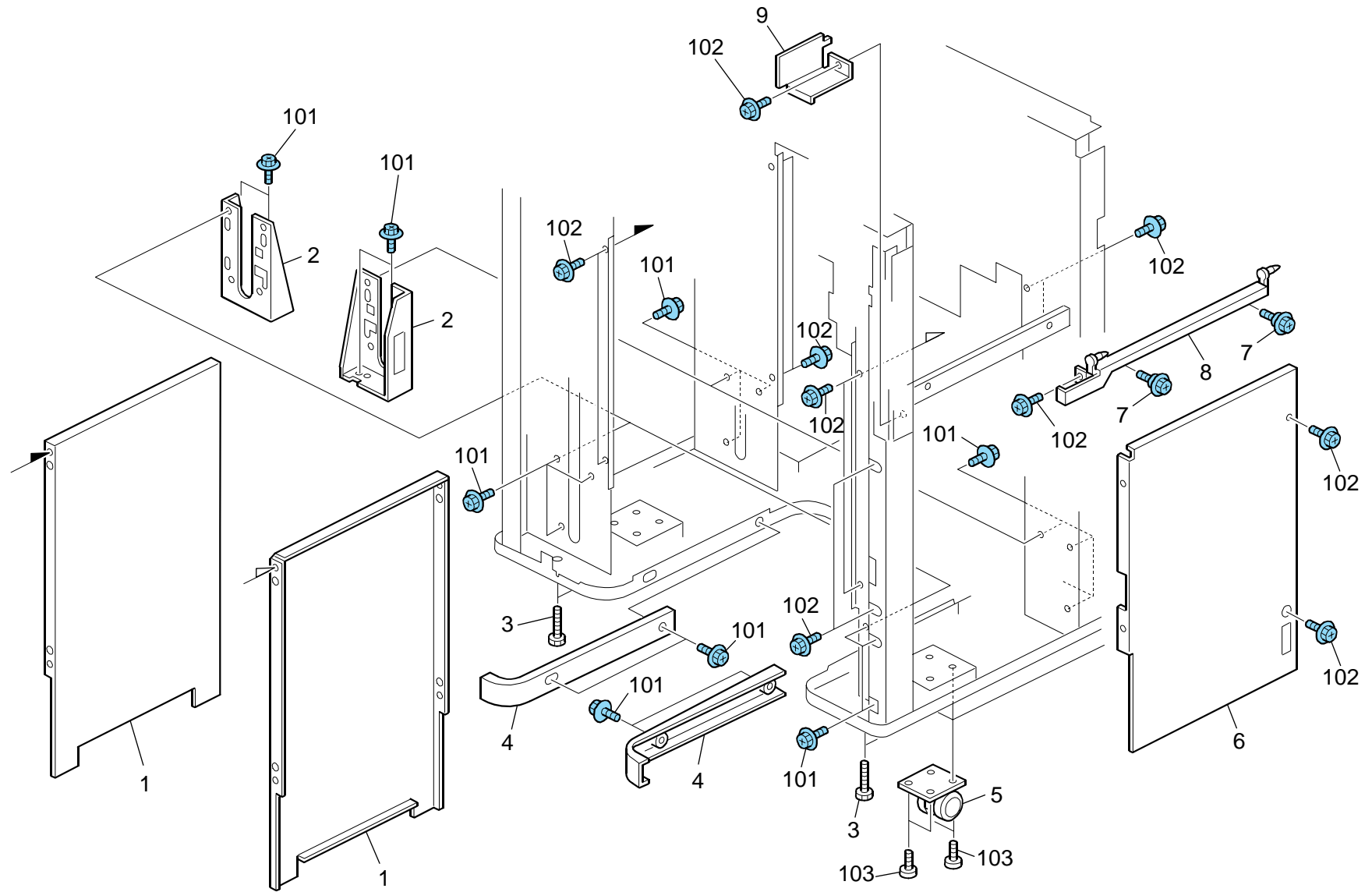


21.Electrical Section 3 (D447)

Index No.	Part No.	Description	Q'ty Per Assembly
1	D447 1165	Bracket:Cover:Right Front	1
2	D447 1178	Sheet:Door:Lock	1
3	A697 2102	Damper - Junction Gate Solenoid	1
4	AA06 0710	Spring:Release	1
5	D447 1177	Bracket:Lock:Door:Solenoid:Ass'y	1
6	D447 5212	Harness:Door:Lock:Solenoid	1
7	D447 1145	Bracket:Cover:Front Left	1
8	D447 1135	Hinge:Upper:Door:Front:Ass'y	1
9	AA14 3578	Screw:M3	1
10	D447 1171	Cover:Dc Solenoid:Rear	1
11	D447 1175	Bracket:Hinge:Door:Front Upper	2
12	D447 2583	Guard:Exit Roller	1
13	D355 1325	Cover:Push Switch	3
14	D447 1138	Bracket:Front Upper:Door Switch	1
15	D447 1117	Hinge:Lower:Ass'y	1
16	D447 1144	Bracket:Harness:Door Switch	1
17	D447 1173	Bracket:Front:Door Switch	2
18	D447 1174	Bracket:Cover:Upper Front	1

Index No.	Part No.	Description	Q'ty Per Assembly
101	0454 3006Q	Tapping Screw - M3x6	
102	0454 4008Q	Tapping Screw - M4x8	
103	0353 0040N	Screw - M3x4	
104	0720 0040E	Retaining Ring - M4	
105	1102 6245	Relay Connector - 2P	
106	1204 2839	Switch:FA3L-CA23	
107	1105 0717	Clamp:JDW-1S	
108	1105 0623	Clamp - LBWS-0206S-V0	
109	1105 0522	Edge Saddle - LES0510	

22.Frame Section (D447)



22.Frame Section (D447)

Index No.	Part No.	Description	Q'ty Per Assembly
1	D447 1213	Inner Cover:Lower:Inner	2
2	D447 1122	Stand:Fix Stand	4
3	B706 1156	Hexagonal Bolt - M12x30	4
4	D447 1121	Guide:Shift Tray:Base	2
5	D447 1119	Caster:2000N	4
6	D447 1210	Inner Cover:Lower:Entrance:Ass'y	1
7	B830 1135	Screw	2
8	D447 1140	Lever:Coupling:Ass'y	1
9	D447 1142	Bracket:Coupling:Lever:Screw:Holder	1

Index No.	Part No.	Description	Q'ty Per Assembly
101	0454 4008Q	Tapping Screw - M4x8	
102	0454 3006Q	Tapping Screw - M3x6	
103	0355 0100N	Screw:M5x10	

Parts Index

Parts Index

Part No.	Description	Page and Index No.
D447 1111	Shift Tray:Base:Stopper:Ass'y	41 - 12
D447 1114	Rubber Foot:H10mm	41 - 15
D447 1116	Bracket:Switch:Base:Shift Tray	41 - 14
D447 1117	Hinge:Lower:Ass'y	43 - 15
D447 1119	Caster:2000N	45 - 5
D447 1121	Guide:Shift Tray:Base	45 - 4
D447 1122	Stand:Fix Stand	45 - 2
D447 1135	Hinge:Upper:Door:Front:Ass'y	43 - 8
D447 1138	Bracket:Front Upper:Door Switch	43 - 14
D447 1140	Lever:Coupling:Ass'y	45 - 8
D447 1142	Bracket:Coupling:Lever:Screw:Holder	45 - 9
D447 1143	Bracket:Connection:Front	17 - 17
D447 1144	Bracket:Harness:Door Switch	43 - 16
D447 1145	Bracket:Cover:Front Left	43 - 7
D447 1153	Bracket:Connection:Rear	17 - 10
D447 1157	Decal:H-temp Warning:Shift	21 - 8
D447 1165	Bracket:Cover:Right Front	43 - 1
D447 1171	Cover:Dc Solenoid:Rear	43 - 10
D447 1173	Bracket:Front:Door Switch	43 - 17
D447 1174	Bracket:Cover:Upper Front	43 - 18
D447 1175	Bracket:Hinge:Door:Front Upper	43 - 11
D447 1177	Bracket:Lock:Door:Solenoid:Ass'y	43 - 5
D447 1178	Sheet:Door:Lock	43 - 2
D447 1184	Bracket:Cover:Rear Lower	41 - 10
D447 1204	Bracket:Inlet:Leak Breaker	39 - 11
D447 1205	Bracket:Connector	39 - 12
D447 1210	Inner Cover:Lower:Entrance:Ass'y	45 - 6
D447 1213	Inner Cover:Lower:Inner	45 - 1
D447 1231	Inner Cover:Rear Right	37 - 13
D447 1233	Inner Cover:Rear Left	37 - 11
D447 1235	Inner Cover:Rear Right:Upper	37 - 14
D447 1237	Inner Cover:Rear Left:Upper	37 - 10
D447 1238	Inner Cover:Rear Lower	37 - 12
D447 1632	Timing Pulley:T26:Gear:Z30	37 - 3
D447 1634	Spacer:DIA27.5	37 - 1

Part No.	Description	Page and Index No.
D447 2111	Guide Plate:Entrance:Fix	9 - 8
D447 2113	Bracket:Sensor:Entrance	9 - 5
D447 2121	Guide Plate:Entrance	9 - 13
D447 2126	Compression Spring:2N	11 - 8
D447 2126	Compression Spring:2N	17 - 1
D447 2126	Compression Spring:2N	9 - 15
D447 2126	Compression Spring:2N	13 - 17
D447 2126	Compression Spring:2N	15 - 4
D447 2127	Compression Spring:3.6N	9 - 19
D447 2127	Compression Spring:3.6N	17 - 18
D447 2132	Transport Roller	17 - 7
D447 2132	Transport Roller	11 - 12
D447 2132	Transport Roller	15 - 17
D447 2132	Transport Roller	9 - 9
D447 2142	Cover:Entrance	9 - 1
D447 2211	Gate Pawl	11 - 11
D447 2212	Gear:Gate Pawl:Shift	11 - 20
D447 2224	Bracket:Motor:Gate Pawl	33 - 12
D447 2225	Gear:Gate Pawl:Proof Tray	11 - 23
D447 2226	Supporting Plate:Gate Pawl	11 - 10
D447 2311	Guide Plate:Exit:Upper	19 - 3
D447 2312	Plate:Trailing Edge:Shift:Exit	19 - 2
D447 2321	Guide Plate:Exit:Lower:Ass'y	11 - 14
D447 2324	Bracket:Sensor:Shift	15 - 15
D447 2324	Bracket:Sensor:Shift	11 - 15
D447 2325	Cover:Bracket:Sensor:Shift	15 - 16
D447 2326	Film:Guard:Fan	11 - 25
D447 2411	Guide Plate:Proof Tray:Upper:Ass'y	13 - 3
D447 2421	Guide Plate:Proof Tray:Left Upper	13 - 11
D447 2425	Bracket:Sensor:Proof Tray	13 - 14
D447 2431	Guide Plate:Proof Tray:Left Lower	11 - 13
D447 2441	Guide Plate:Proof Tray	11 - 9
D447 2451	Guide Plate:End Fence:Proof Tray	13 - 7
D447 2453	Bracket:Photo Refiection Sensor:Overflow	13 - 10
D447 2461	Transport Roller:One-way Roller Clutch	13 - 16

Part No.	Description	Page and Index No.
D447 2511	Guide Plate:Rear Left	17 - 14
D447 2513	Bracket:Sensor:Exit	17 - 13
D447 2521	Guide Plate:Rear Left	17 - 3
D447 2531	Guide Plate:Rear Middle	15 - 12
D447 2541	Guide Plate:Rear Middle	15 - 6
D447 2551	Guide Plate:Rear Right	15 - 18
D447 2561	Guide Plate:Rear Right	13 - 19
D447 2564	Knob:Turn	13 - 20
D447 2571	Transport Roller:Long	15 - 19
D447 2573	Timing Pulley:T28	15 - 9
D447 2583	Guard:Exit Roller	43 - 12
D447 2584	Cover:Harness:Rear Left	33 - 7
D447 2584	Cover:Harness:Rear Left	37 - 4
D447 2811	Shaft:Paddle:Drive:Ass'y	19 - 24
D447 2817	Shaft:Paddle	19 - 18
D447 2819	Gear:Z17	37 - 7
D447 2821	Feeler:Paper Sensor	19 - 19
D447 2822	End Fence:Shift:Ass'y	19 - 22
D447 2826	Lever:Switch:Rising Tray	19 - 20
D447 2828	Torsion Spring:Lever:Switch	19 - 28
D447 2836	Exit Roller:Shift	19 - 13
D447 2838	Shaft:Shift:Driven	19 - 10
D447 2841	Holder:Coil Spring:Shift:Driven	19 - 5
D447 2842	Link:Shift:Front	19 - 6
D447 2843	Bracket:Shift:Bearing:Front	19 - 8
D447 2846	Link:Shift:Rear	19 - 26
D447 2847	Bracket:Shift:Rear	19 - 14
D447 2848	Shaft:Shift:Coupling	19 - 9
D447 2849	Shaft:Shift:Slide	19 - 12
D447 2851	Pinion:Shift:Move	33 - 2
D447 2861	Bracket:Paddle:Shaft	37 - 6
D447 2914	Paddle:Ass'y	19 - 17
D447 3121	Guide:Harness	21 - 1
D447 3131	Bracket:Sensor:Paper Detector	27 - 8
D447 3141	Stay:Feeler:Paper Detector	21 - 5

Part No.	Description	Page and Index No.
D447 3142	Feeler:Paper Detector	21 - 4
D447 3151	Vibrating Plate:Ass'y	21 - 6
D447 3158	Cushion:Vibrating Plate	21 - 7
D447 3161	Guide:Jogger:Sub	21 - 2
D447 3221	Shaft:Slide	23 - 1
D447 3222	Holder:Jogger Fence:Main	23 - 20
D447 3232	Jogger Fence:Main:Front:Ass'y	23 - 16
D447 3235	Jogger Fence:Main:Rear:Ass'y	23 - 17
D447 3238	Shaft:Jogger Fence:Moveable	23 - 15
D447 3239	Gear:Z35	23 - 13
D447 3252	Bracket:Jogger:Uniform	27 - 2
D447 3252	Bracket:Jogger:Uniform	23 - 5
D447 3257	Bracket:Tightener:Ass'y	23 - 12
D447 3322	Holder:Jogger:Sub:Rear	25 - 5
D447 3323	Jogger Fence:Sub:Rear	25 - 6
D447 3324	Shaft:Jogger:Sub	25 - 4
D447 3326	Holder:Jogger:Sub:Front	25 - 3
D447 3327	Jogger Fence:Sub:Front	25 - 2
D447 3329	Shaft:Jogger:Sub:Turn	25 - 1
D447 3411	Slider:Stopper:Leading Edge	27 - 4
D447 3412	Stopper:Leading Edge:Sub-ass'y	27 - 3
D447 3415	Shaft:Stopper:Leading Edge	27 - 5
D447 3432	Tension Spring:Tensioner:Leading Edge	27 - 15
D447 3511	Guard:Harness	37 - 15
D447 4111	Bracket:Drive:Upper Lower:Ass'y	35 - 13
D447 4115	Worm Gear:Upper Lower	35 - 10
D447 4116	Worm Wheel:Z40:Gear:Z22	35 - 9
D447 4117	Gear:Z29	35 - 8
D447 4118	Bracket:Protect:Drive Sub-unit	35 - 4
D447 4119	Shaft:Pulley:T32	35 - 12
D447 4120	DC Brushless Motor:DC24V:86.6W	35 - 14
D447 4211	Holder:Shift Tray:Ass'y	29 - 14
D447 4214	Joint:Synchronous Belt	29 - 2
D447 4215	Stay:Synchronous Belt:Right Front	29 - 6
D447 4216	Side Plate:Shift Tray:Right Front	29 - 5

Part No.	Description	Page and Index No.
D447 4217	Side Plate:Shift Tray:Right Inner Rear	29 - 20
D447 4218	Stay:Synchronous Belt:Right Inner Rear	29 - 19
D447 4219	Shaft:Holder:Shift Tray	29 - 10
D447 4221	Side Plate:Shift Tray:Left Front	29 - 1
D447 4222	Side Plate:Shift Tray:Left Inner Rear	29 - 13
D447 4223	Stay:Synchronous Belt:Left Front	29 - 3
D447 4224	Stay:Synchronous Belt:Left Inner Rear	29 - 12
D447 4312	Tensioner:Driven:Ass'y	29 - 18
D447 4315	Tension Spring:Tensioner	29 - 17
D447 4316	Timing Pulley:Driven:T22	29 - 16
D447 4321	Shaft:Drive:Upper Lower	29 - 11
D447 4322	Timing Pulley:Drive:T22	29 - 8
D447 4323	Bracket:Protect:Shaft	29 - 7
D447 4324	Timing Pulley:T26	35 - 5
D447 4325	Gear:Z22	35 - 7
D447 4326	Spacer:DIA45	35 - 6
D447 4327	Collar:Drive:Shaft	29 - 21
D447 4421	Bracket:Auxiliary:Timing Pulley	29 - 15
D447 4424	Bracket:Protect:Shaft:Left Inner Rear	35 - 17
D447 4501	Tension Spring:Tension:Shift Tray:50N	35 - 23
D447 4513	Bracket:Fix:Tensioner	35 - 18
D447 4516	Timing Pulley:T18	35 - 20
D447 4517	Bracket:Belt Tensioner:Ass'y	35 - 22
D447 4522	Bracket:Fix:Timing Pulley:Ass'y	35 - 21
D447 4531	Supporting Plate:Timing Belt	35 - 2
D447 4532	Stand:Base:Jogger	35 - 3
D447 4533	Film:Guard:Dc Brushless Motor	35 - 1
D447 4611	Bracket:Micro Switch	41 - 19
D447 5010	Bracket:Power Supply Unit	39 - 5
D447 5120	PCB:Operation Sub-unit	7 - 13
D447 5206	Harness:Interface:PCB	39 - 13
D447 5210	Harness:Main:Motor:Left	41 - 3
D447 5211	Harness:DC Fan Motor:Interface	9 - 2
D447 5212	Harness:Door:Lock:Solenoid	43 - 6
D447 5220	Harness:Main:Sensor:Left	41 - 4

Part No.	Description	Page and Index No.
D447 5222	Harness:Sensor:Shift:Connecting	19 - 23
D447 5223	Harness:Sensor:Shift:Exit:Connecting	11 - 17
D447 5225	Harness:Sensor:Interface	15 - 13
D447 5225	Harness:Sensor:Interface	13 - 15
D447 5225	Harness:Sensor:Interface	17 - 12
D447 5225	Harness:Sensor:Interface	9 - 7
D447 5230	Harness:Main:Motor:Right	41 - 2
D447 5235	Harness:Tray:Motor Control:PCB	35 - 15
D447 5240	Harness:Main:Sensor:Right	41 - 1
D447 5244	Harness:Sensor:Overflow:Interface	41 - 17
D447 5245	Harness:Sensor:Overflow:Interface	13 - 9
D447 5251	Harness:AC:Inlet	39 - 10
D447 5252	Harness:AC:Leak Breaker	39 - 2
D447 5253	Harness:Power Supply Unit:Connector	39 - 4
D447 5255	Harness:Power Supply Unit	41 - 5
D447 5255	Harness:Power Supply Unit	39 - 1
D447 5260	Harness:Main:Door Switch	41 - 7
D447 5265	Harness:Main:Fall:Switch	41 - 8
D447 5280	Harness:Jogger:Uni:Main:Connecting	27 - 9
D447 5285	Harness:Jogger:Uni:Sub:Connecting	27 - 7
D447 5290	Harness:Main:Operation Sub-unit	41 - 6
D447 5291	Harness:Operation Sub-unit:Connecting	7 - 12
D447 5505	PCB:Main Control:Ass'y	41 - 9
D447 5850	DC Stepper Motor:Drive:DC 1.8W	33 - 6
D447 6051	Door:Front Upper	3 - 10
D447 6052	Grip:Front Upper:Door	3 - 12
D447 6111	Cover:Upper Front	7 - 5
D447 6112	Guard:Cover:Upper Front	7 - 6
D447 6114	Cover:Upper:Operation Sub-unit	7 - 8
D447 6115	Lens:LED	7 - 11
D447 6116	Keytop:Shift Tray:Fall	7 - 9
D447 6117	Keytop:Jam	7 - 10
D447 6118	Cover:Lower:Operation Sub-unit	7 - 16
D447 6119	Ground Plate:Operation Sub-unit	7 - 14
D447 6131	Cover:Upper Rear	7 - 1

Part No.	Description	Page and Index No.
D447 6132	Guard:Cover:Rear Upper	7 - 2
D447 6133	Cover:Upper:Middle	7 - 3
D447 6134	Proof Tray	7 - 4
D447 6136	Bracket:Cover:Rear	39 - 7
D447 6137	Bracket:Cover:Upper Rear	39 - 6
D447 6140	Door:Front	3 - 1
D447 6141	Window Board:Door:Front	3 - 9
D447 6142	Bracket:Window:Fix	3 - 8
D447 6143	Bracket:Lock:Door	3 - 7
D447 6145	Grip:Door:Front	3 - 5
D447 6149	Decal:Tray:Middle:Caution	3 - 6
D447 6155	Cover:Front Left	3 - 14
D447 6156	Cover:Hinge:Lower	3 - 15
D447 6160	Cover:Front Right	3 - 17
D447 6166	Cover:Left Rear	5 - 3
D447 6170	Cover:Rear Upper:Ass'y	5 - 4
D447 6175	Cover:Rear Lower	5 - 5
D447 6180	Cover:Left	5 - 2
D447 6185	Cover:Exit	5 - 1
D447 6190	Bracket:Lower:Cover:Rear	39 - 9
D447 6191	Bracket:Lengthwise:Cover:Rear	39 - 8
D447 6195	Inner Cover:Front Left	7 - 17
D447 6196	Inner Cover:Front Right	7 - 18
D447 7512	Ground Plate:Bracket	5 - 10
D447 7521	Lock:Door:Front:Left	3 - 2
D447 7526	Lock:Door:Right	3 - 16
D447 7533	Base:Shift Tray:Ass'y	31 - 9
D447 7541	Bracket:Caster:Shift Tray	31 - 11
D447 7542	Caster:Fix	31 - 12
D447 7543	Feeler:Safety Switch:Base:Shift Tray	31 - 8
D447 7545	Grip:Shift Tray:Ass'y	31 - 1
D447 7551	Plate:Shift Tray:Ass'y	31 - 2
D447 7572	Stay:Shift Tray:Middle	31 - 6
D447 7573	Stay:Shift Tray:Leading Edge	31 - 7
D447 7574	Stay:Shift Tray:Trailing Edge	31 - 5

Part No.	Description	Page and Index No.
D447 7575	Shift Tray	31 - 4
D447 7577	Decal:Tray:Caution	31 - 3
D447 7591	Cushion:Spacer:440mm	5 - 6
D447 7701	Sheet:Shift Tray:Design Sketch	7 - 7
D447 7705	Decal:Misfeed Removal:Paper	3 - 13
D447 7706	Decal:Shift Tray	3 - 3
D447 7707	Decal:Entrance:L1	9 - 16
D447 7708	Decal:Proof Tray:L2	11 - 6
D447 7709	Decal:Knob:L4	7 - 19
D447 7710	Decal:Rear:Middle:L3	15 - 1
D447 7711	Decal:Rear:Left:L5	17 - 4

Part No.	Description	Page and Index No.
A259 6590	Bushing	11 - 1
A300 3634	Spring Plate - Timing Belt	25 - 11
A300 3634	Spring Plate - Timing Belt	23 - 21
A458 3281	Idler Roller	33 - 14
A548 2139	Pulley	25 - 10
A548 2139	Pulley	23 - 8
A548 2139	Pulley	27 - 13
A697 1147	Ground Plate:Finishing Sub-unit	7 - 15
A697 2102	Damper - Junction Gate Solenoid	43 - 3
A859 2230	Ball Bearing - 6x13x5	13 - 24
A859 2230	Ball Bearing - 6x13x5	15 - 7
A859 2230	Ball Bearing - 6x13x5	17 - 8
A859 2230	Ball Bearing - 6x13x5	11 - 2
A859 2230	Ball Bearing - 6x13x5	19 - 7
A859 2230	Ball Bearing - 6x13x5	9 - 10
A859 2230	Ball Bearing - 6x13x5	37 - 8
B132 1226	Holder:Stand	5 - 11
B223 3463	Gear:Toner Bottle:Drive	19 - 27
B234 6424	Release Grip	9 - 17
B234 6424	Release Grip	11 - 5
B234 6424	Release Grip	17 - 5
B234 6424	Release Grip	15 - 2
B302 1163	Grounding Plate	5 - 9
B302 1517	Timing Pulley - 20Z	13 - 26
B302 1542	Timing Pulley - 20Z	33 - 9
B302 2216	Exit Guide - Upper Exit Guide	13 - 2
B352 1607	Timing Pulley - T20-S3M	13 - 28
B352 1607	Timing Pulley - T20-S3M	9 - 11
B352 1607	Timing Pulley - T20-S3M	15 - 11
B352 1607	Timing Pulley - T20-S3M	11 - 22
B352 1607	Timing Pulley - T20-S3M	17 - 9
B352 3572	Bushing - 6mm	23 - 19
B477 4127	Exit Arm Spring	19 - 4
B478 2231	Roller:Exit:Auxiliary:Ass'y	13 - 13
B478 2328	Exit Roller:Driven	19 - 11

Part No.	Description	Page and Index No.
B478 3569	Spacer	13 - 27
B700 2317	Discharge Brush	19 - 1
B700 2317	Discharge Brush	13 - 1
B700 2635	Tension Spring	25 - 15
B700 2635	Tension Spring	23 - 11
B700 4308	Bracket:Tightener:Stapler:Ass'y	33 - 15
B700 4787	Timing Belt:B80S3M237	35 - 11
B700 5804	Stepper Motor:DIA42:Z17:Ass'y	33 - 11
B702 7125	Bracket:Belt Tensioner:Ass'y	25 - 13
B702 7135	Timing Pulley:18T	25 - 14
B702 7215	Rack:Punch Unit:Move	19 - 25
B706 1156	Hexagonal Bolt - M12x30	45 - 3
B706 5151	Angle:Printed Circuit Board:ST	33 - 5
B804 1035	Caster:DIA50:400N	31 - 10
B830 1135	Screw	27 - 14
B830 1135	Screw	33 - 16
B830 1135	Screw	45 - 7
B830 1135	Screw	13 - 23
B830 1135	Screw	23 - 10
B830 1135	Screw	9 - 3
B830 1135	Screw	11 - 4
B830 1135	Screw	17 - 16
B830 1135	Screw	15 - 8
B830 1534	Timing Belt - 60S3M216	33 - 10
B830 2522	Sensor Bracket	11 - 18
B830 3676	Lever - Jogger Fence	23 - 18
B830 4889	Timing Belt - 40S2M500	23 - 7
B830 4891	Tightener	27 - 12
B830 5562	Stepper Motor DC1.56V 3.7W	33 - 8
B830 5562	Stepper Motor DC1.56V 3.7W	37 - 5
B830 5569	Stepper Motor DC3.3V 3.9W	25 - 8
B830 5569	Stepper Motor DC3.3V 3.9W	27 - 1
B830 5569	Stepper Motor DC3.3V 3.9W	23 - 4
B830 5570	Stepper Motor DC3.1V 7.4W	23 - 2
B830 7511	Connecting Guide Plate - Lower	5 - 8

Part No.	Description	Page and Index No.
B830 7516	Guide Plate:Connecting:Upper	5 - 7
B830 7536	Coupling Bracket - Correct	5 - 14
B830 7537	Adjusting Plate:Bracket:Coupling	5 - 12
D046 4655	Timing Belt:S2M180	33 - 3
D300 2238	Timing Belt:B60S3M273	37 - 2
D355 1325	Cover:Push Switch	43 - 13
D355 1325	Cover:Push Switch	41 - 18
D434 1476	Bracket:Coupling:Main:Ass'y	5 - 13
D434 2571	Exit Roller:Proof Tray	13 - 6
D460 5201	Harness:Interface	41 - 11
G020 1332	Hinge - Front Cover	3 - 11
G178 6874	Timing Belt:S3M129	15 - 10
H072 2220	Spacer - M6x10	33 - 1

Part No.	Description	Page and Index No.
AA04 3434	Timing Belt:60S3M999	33 - 13
AA04 3435	Timing Belt:40S2M810	25 - 12
AA04 3436	Timing Belt:40S2M976	27 - 11
AA04 3437	Timing Belt:150S5M1420	29 - 4
AA04 3438	Timing Belt:250S5M1595	35 - 16
AA06 0710	Spring:Release	43 - 4
AA06 2334	Tension Spring:4.9N	33 - 17
AA06 3529	Pressure Spring - 14.5mm	13 - 4
AA08 0072	Bushing - 6x10x3	11 - 21
AA13 2013	Spacer	29 - 9
AA13 2208	Spacer - M6	19 - 15
AA14 3396	Screw - M4x4	5 - 15
AA14 3578	Screw:M3	43 - 9
AA14 3788	Pin:Guide Plate:Paper Feed	17 - 15
AA14 3788	Pin:Guide Plate:Paper Feed	9 - 12
AA14 3788	Pin:Guide Plate:Paper Feed	11 - 24
AA14 3788	Pin:Guide Plate:Paper Feed	15 - 20
AA14 3788	Pin:Guide Plate:Paper Feed	13 - 25
AA15 0394	End Fence Feeler	13 - 21
AB01 2009	Gear - 34Z	37 - 9
AB03 0431	Transport Pulley	23 - 9
AB03 0732	Jogger Pulley	27 - 10
AB03 0732	Jogger Pulley	25 - 9
AB03 0732	Jogger Pulley	23 - 6
AB06 3449	Compression Spring:Drive:Brush Roller	19 - 16
AE03 0030	Ball Bearing - 8x19x6	35 - 19
AF02 2147	Driven Roller	15 - 5
AF02 2147	Driven Roller	13 - 18
AF02 2147	Driven Roller	17 - 2
AF02 2147	Driven Roller	11 - 7
AF02 2147	Driven Roller	9 - 14
AF02 2148	Roller:Driven:L=125	13 - 5
AG07 0512	Magnet Catch:Ass'y	3 - 4
AG07 0515	Magnet Catch:13N	9 - 18
AG07 0515	Magnet Catch:13N	17 - 6

Part No.	Description	Page and Index No.
AG07 0515	Magnet Catch:13N	11 - 3
AG07 0515	Magnet Catch:13N	15 - 3
AG07 0515	Magnet Catch:13N	13 - 22
AG07 1012	Magnet Catch:Ass'y	41 - 13
AW01 0107	Paper Feed Sensor	11 - 16
AW01 0107	Paper Feed Sensor	9 - 6
AW01 0107	Paper Feed Sensor	15 - 14
AW01 0107	Paper Feed Sensor	13 - 12
AW01 0107	Paper Feed Sensor	17 - 11
AW01 0129	Photo Reflection Sensor	13 - 8
AW02 0114	Photo Interruptor - Lower Limit	41 - 16
AW02 0156	Photointerruptor:EE-SX4235A-P2	11 - 19
GW02 0020	Photointerruptor:LG248NL1	33 - 4
GW02 0020	Photointerruptor:LG248NL1	27 - 6
GW02 0020	Photointerruptor:LG248NL1	25 - 7
GW02 0020	Photointerruptor:LG248NL1	19 - 21
GW02 0020	Photointerruptor:LG248NL1	21 - 3
GW02 0020	Photointerruptor:LG248NL1	23 - 3
GX64 0024	Fan Motor - DC 3.12W	9 - 4
GZ23 0028	Power Supply Unit:DOM/NA	39 - 3

Part No.	Description	Page and Index No.
0353 0040N	Screw - M3x4	43 - 103
0353 0040N	Screw - M3x4	33 - 103
0353 0040N	Screw - M3x4	27 - 103
0353 0040N	Screw - M3x4	25 - 104
0353 0040N	Screw - M3x4	23 - 102
0354 0140N	Screw M4x14	5 - 105
0355 0100N	Screw:M5x10	45 - 103
0434 0200N	Pan Self-Tapping Screw:4x20	39 - 106
0450 3008N	Tapping Screw - M3x8	11 - 102
0450 3008N	Tapping Screw - M3x8	3 - 102
0450 3008N	Tapping Screw - M3x8	27 - 107
0450 3008N	Tapping Screw - M3x8	7 - 102
0450 3008N	Tapping Screw - M3x8	25 - 101
0450 4008N	Tapping Screw - M4x8	31 - 103
0450 4008N	Tapping Screw - M4x8	3 - 101
0451 3006N	Tapping Screw - 3x6	5 - 101
0451 3006N	Tapping Screw - 3x6	19 - 101
0451 3006N	Tapping Screw - 3x6	13 - 102
0451 3006N	Tapping Screw - 3x6	41 - 103
0451 3006N	Tapping Screw - 3x6	39 - 101
0451 3006N	Tapping Screw - 3x6	23 - 101
0451 3008N	Tapping Screw - M3x8	27 - 102
0451 3008N	Tapping Screw - M3x8	7 - 101
0451 3008N	Tapping Screw - M3x8	25 - 102
0451 3008N	Tapping Screw - M3x8	23 - 107
0451 3008N	Tapping Screw - M3x8	39 - 102
0451 3014N	Tapping Screw:3x14	35 - 104
0451 3014N	Tapping Screw:3x14	19 - 102
0451 3014N	Tapping Screw:3x14	41 - 104
0451 4006N	Tapping Screw - 4x6	35 - 102
0451 4006N	Tapping Screw - 4x6	37 - 102
0451 4006N	Tapping Screw - 4x6	33 - 102
0451 4008N	Tapping Screw:4x8	31 - 104
0451 4008N	Tapping Screw:4x8	35 - 101
0451 4014N	Tapping Screw:M4x14	35 - 103

Part No.	Description	Page and Index No.
0451 4030N	Tapping Screw:M4x30	9 - 102
0452 3008N	Tapping Screw - M3x8	21 - 102
0452 4008N	Tapping Screw:M4x8	3 - 103
0453 3006N	Tapping Screw - M3x6	17 - 102
0453 3006N	Tapping Screw - M3x6	13 - 103
0453 3006N	Tapping Screw - M3x6	25 - 103
0453 3006N	Tapping Screw - M3x6	33 - 104
0454 3006Q	Tapping Screw - M3x6	7 - 104
0454 3006Q	Tapping Screw - M3x6	33 - 101
0454 3006Q	Tapping Screw - M3x6	21 - 101
0454 3006Q	Tapping Screw - M3x6	29 - 102
0454 3006Q	Tapping Screw - M3x6	5 - 102
0454 3006Q	Tapping Screw - M3x6	27 - 101
0454 3006Q	Tapping Screw - M3x6	19 - 103
0454 3006Q	Tapping Screw - M3x6	3 - 104
0454 3006Q	Tapping Screw - M3x6	11 - 101
0454 3006Q	Tapping Screw - M3x6	9 - 101
0454 3006Q	Tapping Screw - M3x6	43 - 101
0454 3006Q	Tapping Screw - M3x6	13 - 101
0454 3006Q	Tapping Screw - M3x6	41 - 102
0454 3006Q	Tapping Screw - M3x6	45 - 102
0454 3006Q	Tapping Screw - M3x6	15 - 101
0454 3006Q	Tapping Screw - M3x6	39 - 103
0454 3006Q	Tapping Screw - M3x6	17 - 101
0454 3006Q	Tapping Screw - M3x6	37 - 101
0454 3006Q	Tapping Screw - M3x6	35 - 106
0454 3008Q	Tapping Screw:3x8	31 - 102
0454 3008Q	Tapping Screw:3x8	7 - 103
0454 3008Q	Tapping Screw:3x8	5 - 104
0454 3008Q	Tapping Screw:3x8	3 - 105
0454 4006Q	Tapping Screw:4x6	5 - 103
0454 4008Q	Tapping Screw - M4x8	41 - 101
0454 4008Q	Tapping Screw - M4x8	31 - 101
0454 4008Q	Tapping Screw - M4x8	43 - 102
0454 4008Q	Tapping Screw - M4x8	45 - 101

Part No.	Description	Page and Index No.
0454 4008Q	Tapping Screw - M4x8	29 - 101
0589 9251N	Hexagonal Head Bolt:M10x25	31 - 105
0632 0080G	Parallel Key - 2x8mm	19 - 106
0634 0200G	Parallel Pin - 4x20	35 - 110
0634 0200G	Parallel Pin - 4x20	29 - 108
0720 0030E	Retaining Ring - M3	25 - 105
0720 0040E	Retaining Ring - M4	23 - 103
0720 0040E	Retaining Ring - M4	17 - 103
0720 0040E	Retaining Ring - M4	37 - 103
0720 0040E	Retaining Ring - M4	19 - 104
0720 0040E	Retaining Ring - M4	11 - 103
0720 0040E	Retaining Ring - M4	33 - 106
0720 0040E	Retaining Ring - M4	43 - 104
0720 0040E	Retaining Ring - M4	15 - 102
0720 0040E	Retaining Ring - M4	13 - 104
0720 0040E	Retaining Ring - M4	9 - 103
0720 0060E	Retaining Ring - M6	29 - 106
0720 0060E	Retaining Ring - M6	33 - 105
0720 0080E	Retaining Ring - M8	35 - 107
0720 0080E	Retaining Ring - M8	29 - 105
0740 3008	Ball Bearing - 8x22x7	29 - 107
0741 3506	Ball Bearing - 6x12x4 mm	13 - 105
0741 3506	Ball Bearing - 6x12x4 mm	19 - 107
0741 3810	Ball Bearing:10x19x7mm	35 - 108
0742 3910	Ball Bearing:10x22x6	35 - 109
0742 3910	Ball Bearing:10x22x6	29 - 104
0805 0088	Retaining Ring - M6	15 - 103
0805 0089	Retaining Ring - M4	33 - 107
0805 0089	Retaining Ring - M4	19 - 105
0805 0089	Retaining Ring - M4	25 - 106
0805 0089	Retaining Ring - M4	21 - 103
0805 0089	Retaining Ring - M4	27 - 104
0805 0089	Retaining Ring - M4	23 - 104
0954 3006N	Screw - M3x6	39 - 105
0954 4010N	Screw:Polished Round/Spring:M4x10	29 - 103

Part No.	Description	Page and Index No.
0954 4010N	Screw:Polished Round/Spring:M4x10	35 - 105
0954 4010N	Screw:Polished Round/Spring:M4x10	39 - 104
1102 6245	Relay Connector - 2P	43 - 105
1102 8502	Connector - 54679-1615	39 - 108
1105 0194	PCB Stud	39 - 109
1105 0410	Card Spacer - 9.4mm	39 - 110
1105 0410	Card Spacer - 9.4mm	35 - 112
1105 0487	Harness Clamp	37 - 104
1105 0487	Harness Clamp	33 - 109
1105 0487	Harness Clamp	39 - 111
1105 0487	Harness Clamp	35 - 111
1105 0488	Harness Clamp	41 - 107
1105 0488	Harness Clamp	37 - 106
1105 0508	Harness Clamp - LWS-0711	37 - 107
1105 0516	Clamp	21 - 104
1105 0516	Clamp	27 - 105
1105 0521	Clamp - LES-1017	37 - 105
1105 0521	Clamp - LES-1017	39 - 112
1105 0522	Edge Saddle - LES0510	37 - 108
1105 0522	Edge Saddle - LES0510	43 - 109
1105 0522	Edge Saddle - LES0510	21 - 105
1105 0522	Edge Saddle - LES0510	39 - 113
1105 0522	Edge Saddle - LES0510	23 - 106
1105 0522	Edge Saddle - LES0510	35 - 113
1105 0619	Clamp:LBWS-0605S-V0	9 - 104
1105 0619	Clamp:LBWS-0605S-V0	35 - 114
1105 0619	Clamp:LBWS-0605S-V0	33 - 108
1105 0619	Clamp:LBWS-0605S-V0	19 - 108
1105 0623	Clamp - LBWS-0206S-V0	23 - 105
1105 0623	Clamp - LBWS-0206S-V0	43 - 108
1105 0623	Clamp - LBWS-0206S-V0	25 - 107
1105 0692	Clamp:LES-0503	13 - 107
1105 0692	Clamp:LES-0503	19 - 109
1105 0692	Clamp:LES-0503	17 - 104
1105 0692	Clamp:LES-0503	9 - 106

Part No.	Description	Page and Index No.
1105 0717	Clamp:JDW-1S	9 - 105
1105 0717	Clamp:JDW-1S	27 - 106
1105 0717	Clamp:JDW-1S	43 - 107
1105 0717	Clamp:JDW-1S	13 - 106
1105 0717	Clamp:JDW-1S	15 - 104
1105 0717	Clamp:JDW-1S	17 - 105
1105 0717	Clamp:JDW-1S	11 - 104
1107 1280	Fuse:BJS1512F2	39 - 107
1150 0373	Power Supply Code:125V 15A NA	39 - 114
1204 2466	Micro Switch - V-16506-1C25	19 - 110
1204 2466	Micro Switch - V-16506-1C25	41 - 105
1204 2835	Switch:FA4L-CA22	41 - 106
1204 2839	Switch:FA3L-CA23	43 - 106

Part No.	Description	Page and Index No.
5053 0447	Bushing - 6mm	23 - 14

Part No.	Description	Page and Index No.