

SERVICE PARTS LIST

Ring Binder

RB5000

P

Ring Binder RB5000 (D392)

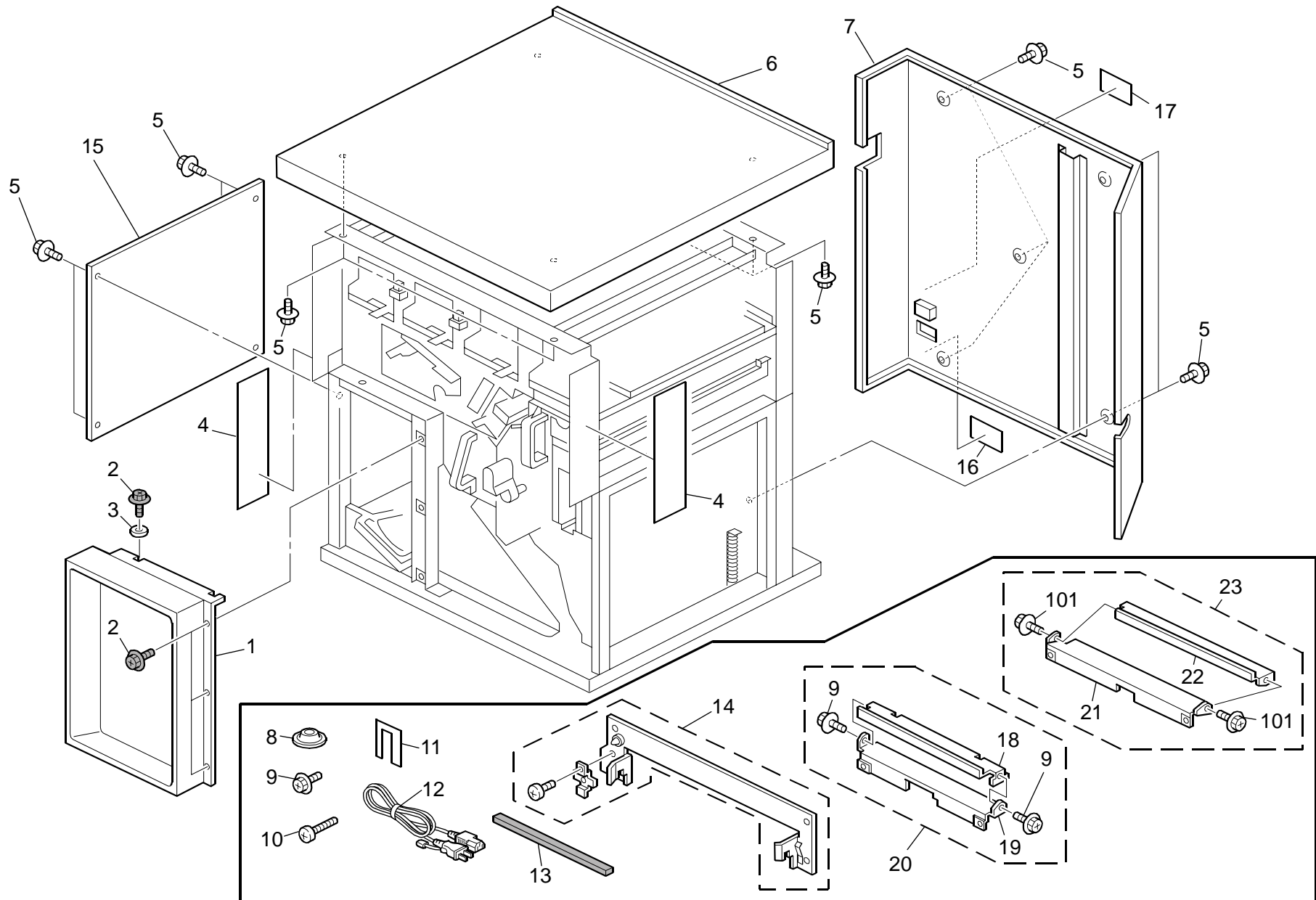
PARTS CATALOG

This catalog gives the numbers and names of parts on this machine.

1.Exterior 1 (D392)	2	19.Stacker Section 1 (D392).....	18
2.Exterior 2 (D392)	4	20.Stacker Section 2 (D392).....	40
3.Paper Feed Section 1 (D392).....	6	21.Stacker Section 3 (D392).....	42
4.Paper Feed Section 2 (D392).....	8	22.Stacker Section 4 (D392).....	44
5.Paper Feed Section 3 (D392).....	10	23.Drive Section 1 (D392).....	46
6.Side Jogger Unit (D392)	12	24.Drive Section 2 (D392).....	48
7.Punch Unit 1 (D392)	14	25.Drive Section 3 (D392).....	50
8.Punch Unit 2 (D392)	16	26.Electrical Section 1 (D392)	52
9.Ring Binder Unit 1 (D392)	20	27.Electrical Section 2 (D392)	54
10.Ring Binder Unit 2 (D392)	22	28.Frame Section (D392).....	56
11.Ring Binder Unit 3 (D392)	24	Parts Index.....	60
12.Ring Binder Unit 4 (D392)	26		
13.Ring Binder Unit 5 (D392)	28		
14.Ring Binder Unit 6 (D392)	30		
15.Paper Exit Section 1 (D392).....	32		
16.Paper Exit Section 2 (D392).....	34		
17.Paper Exit Section 3 (D392).....	36		
18.Paper Exit Section 4 (D392).....	38		

July 20, 2010

1.Exterior 1 (D392)

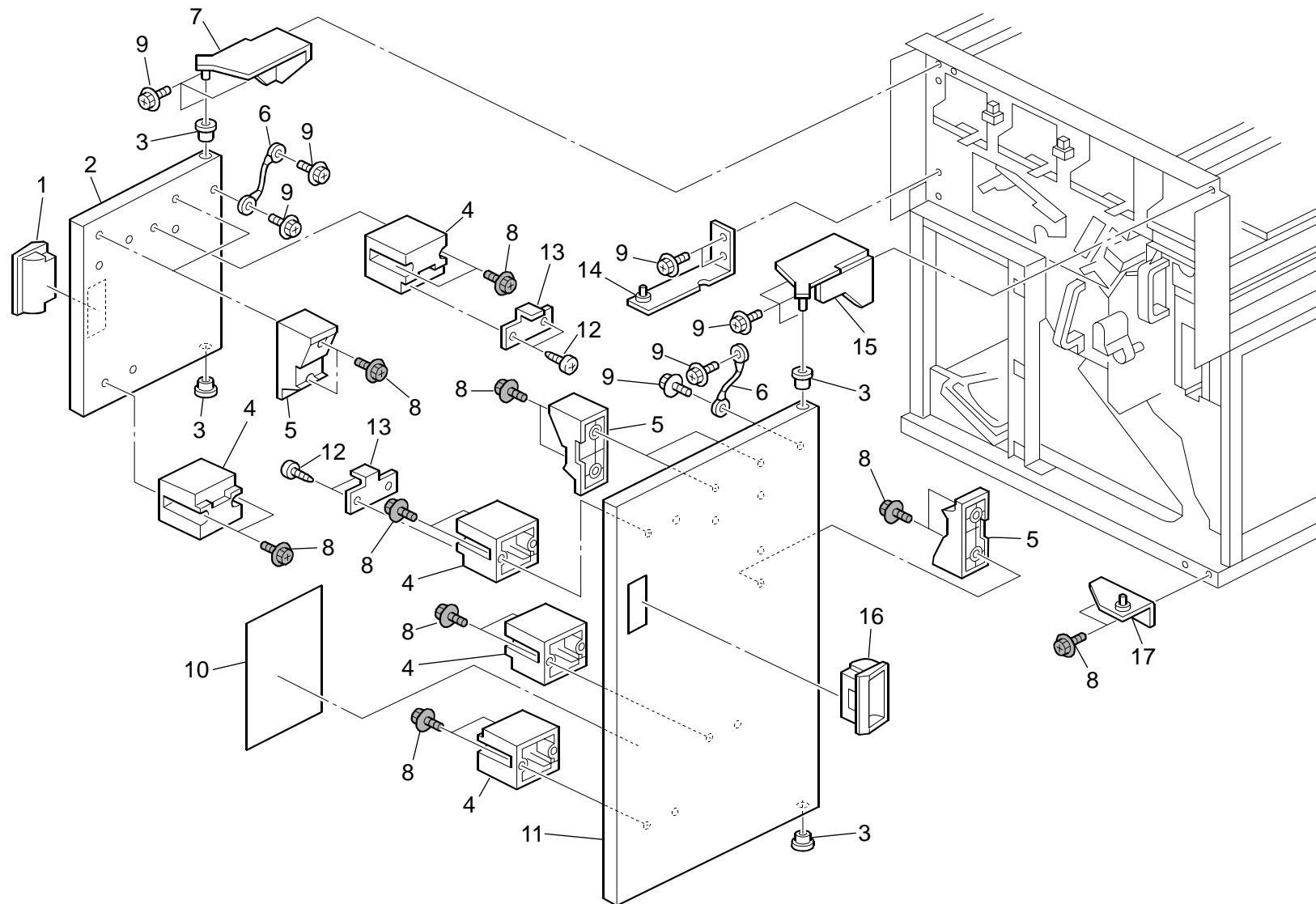


1.Exterior 1 (D392)

Index No.	Part No.	Description	Q'ty Per Assembly
1	D392 6111	Cover:Exit:MB11431	1
2	D392 3114	Tapping Screw:M3x8:AA05570	4
3	D392 3130	Washer:Line3.1x11.8x1:EE39184	1
4	D392 1285	Sheet:Protection:MB11427	2
5	D392 3113	Tapping Screw:M3x6:AA05569	13
6	D392 6113	Cover:Upper:MB70182	1
7	D392 6114	Cover:Rear:MB70183	1
8	B132 1226	Holder:Stand	4
9	D392 4120	Tapping Screw:M3x6	6
10	D392 4121	Screw:M4x14	4
11	D392 7711	Label:Cartridge	1
12	D392 5174	Power Supply Cord:NA:MB11476	1
13	D392 4119	Sponge:Cover	1
14	D434 1476	Bracket:Coupling:Main:Ass'y	1
15	D392 1324	Cover:Left Lower:MB10592	1
16	D392 7720	Decal:Design Sketch:Earth:MB11451	1
17	D392 7719	Decal:Design Sketch:Leak Breaker	1
18	B830 7511	Connecting Guide Plate - Lower	1
19	B835 1188	Guide Plate - Upper	1
20	D392 4112	Guide Plate:Connecting:13inch:Ass'y	1
21	B408 2191	Guide Plate - Connecting Lower	1
22	B468 2196	Upper Guide Plate	1
23	B468 T021	Guide Plate:Connecting:Ass'y	1

Index No.	Part No.	Description	Q'ty Per Assembly
101	0802 5276	Tapping Screw With Washer - M3x6	

2.Exterior 2 (D392)

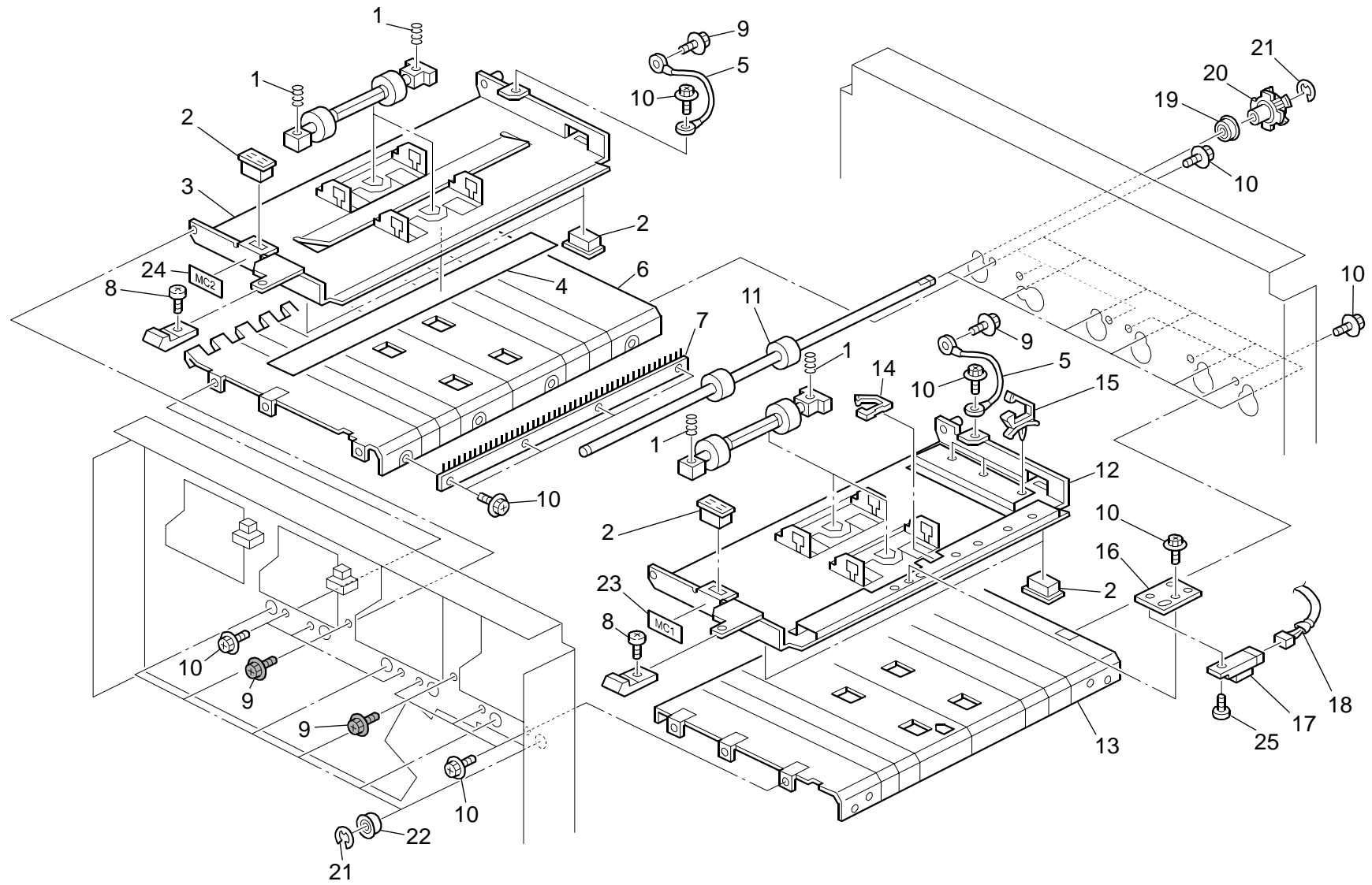


2.Exterior 2 (D392)

Index No.	Part No.	Description	Q'ty Per Assembly
1	D392 1282	Grip:Front:Left:MB11410	1
2	D392 6112	Cover:Front Left:MB70181	1
3	D392 1284	Hinge:Bushing:MB11421	4
4	D392 1283	Stopper:Guide Plate:MB11415	5
5	B234 1294	Stopper - Vertical Transport	5
6	D392 5134	Ground Wire:MB11386	2
7	D392 1314	Hinge:Left Upper:MB70191	1
8	D392 3114	Tapping Screw:M3x8:AA05570	22
9	D392 3113	Tapping Screw:M3x6:AA05569	12
10	D392 7712	Decal:Pick-up Paper Jam:MB11443	1
11	D392 6115	Cover:Front Right:MB70186	1
12	D392 3115	Tapping Screw:M3:AA05580	4
13	D392 1281	Lever:Safety Switch:MB11409	2
14	D392 1315	Hinge:Left Lower:MB70192	1
15	D392 1316	Hinge:Right Upper:MB70193	1
16	D392 1280	Grip:Cover:Front:Right:MB11400	1
17	D392 1317	Hinge:Right Lower:MB70194	1

Index No.	Part No.	Description	Q'ty Per Assembly

3.Paper Feed Section 1 (D392)

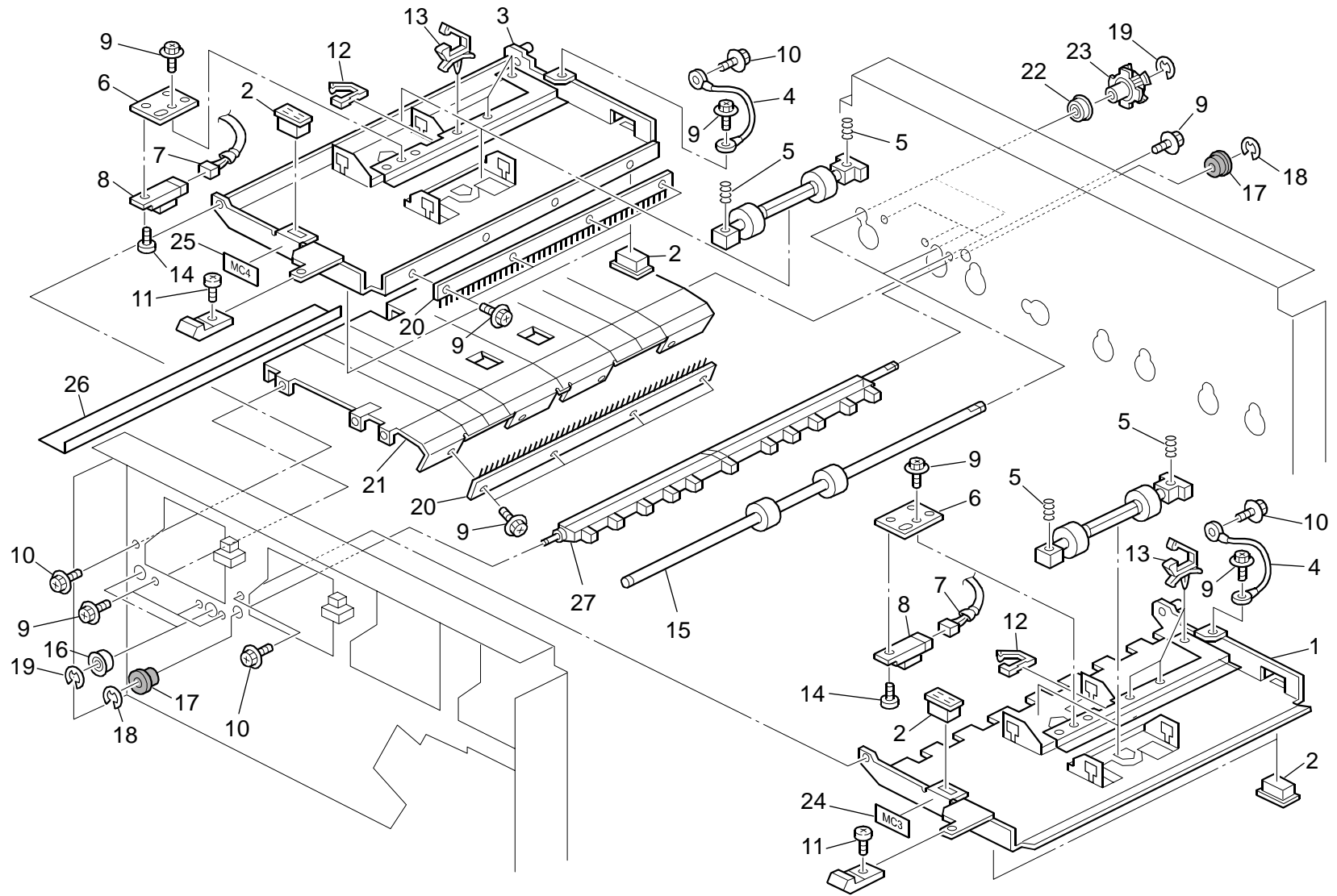


3.Paper Feed Section 1 (D392)

Index No.	Part No.	Description	Q'ty Per Assembly
1	D392 3153	Compression Spring:KK23990	8
2	D392 1267	Magnet Catch:CA-0149:MB10834	6
3	D392 1305	Guide Plate:Transport:B:MB70082	1
4	D392 1256	Sheet:Discharge Brush:MB10803	1
5	D392 5169	Ground Wire:MB11934	2
6	D392 1241	Guide Plate:Transport:C:MB10730	1
7	D392 1243	Discharge Brush:L300:MB10732	1
8	D392 3122	Screw:M3x5:AA25124	2
9	D392 3114	Tapping Screw:M3x8:AA05570	4
10	D392 3113	Tapping Screw:M3x6:AA05569	19
11	D392 1237	Roller:A:MB10721	6
12	D392 1304	Guide Plate:Transport:A:MB70081	1
13	D392 1240	Guide Plate:Transport:C:MB10729	1
14	D392 5123	Clamp:EDS-0704L-V0:YY21018	1
15	D392 5116	Clamp:RLMS-2V0:YY20015	3
16	D392 1244	Bracket:Sensor:MB10736	1
17	AW01 0129	Photo Reflection Sensor	1
18	D392 5146	Harness:Sensor:MB11908	1
19	D392 3160	Radial Ball Bearing:LNR-1360x3ZZ:LI11726	6
20	D392 1239	Pulley:MB10725	6
21	D392 3138	Retaining Rings-E:PairJJ10509	12
22	D392 1236	Radial Ball Bearing:MB10720	6
23	D392 7700	Decal:Lever:MC1	1
24	D392 7701	Decal:Lever:MC2	1
25	D392 3119	Screw:M3x6:AA25112	1

Index No.	Part No.	Description	Q'ty Per Assembly

4.Paper Feed Section 2 (D392)

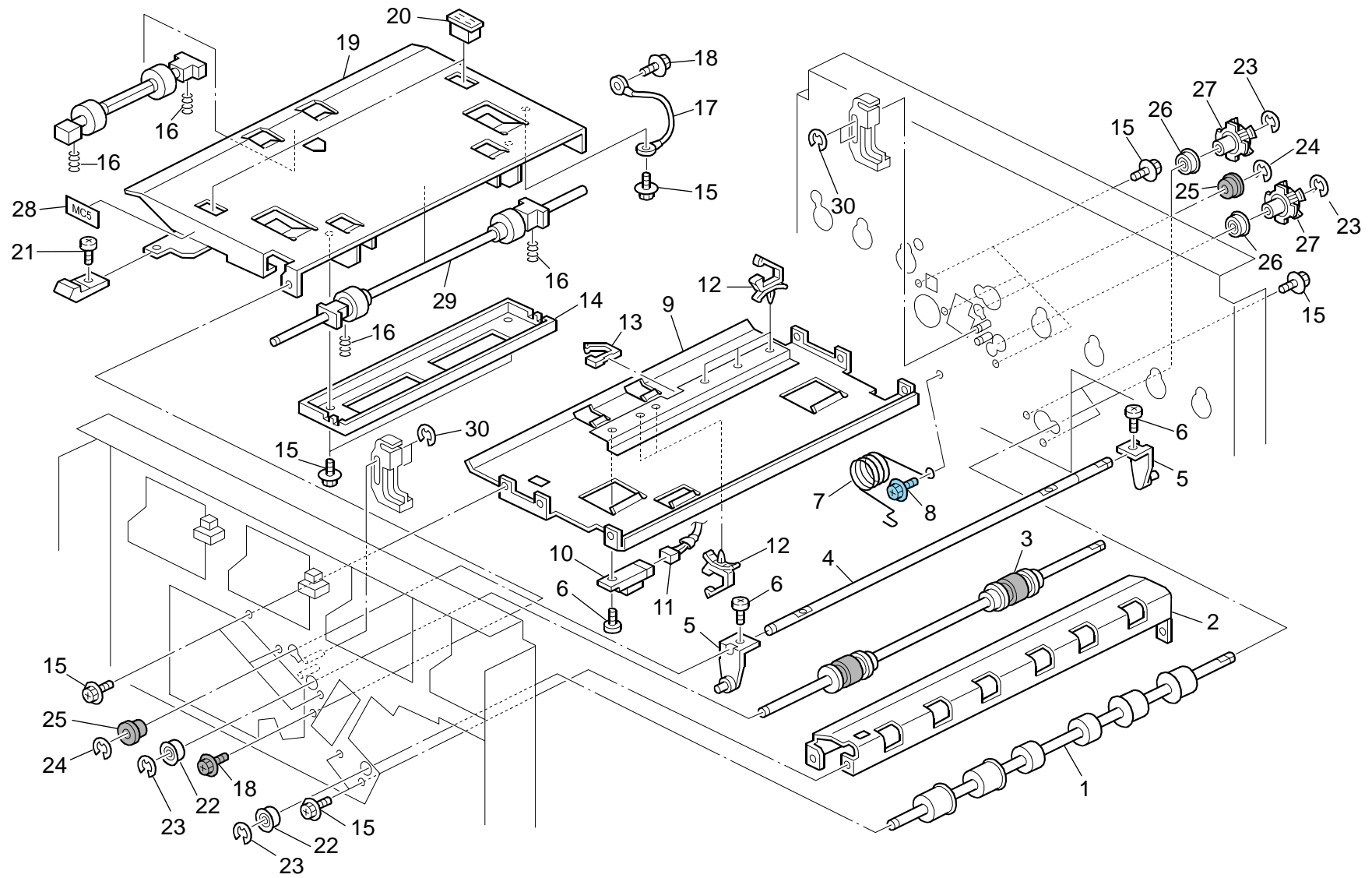


4.Paper Feed Section 2 (D392)

Index No.	Part No.	Description	Q'ty Per Assembly
1	D392 1306	Guide Plate:Transport:C:MB70083	1
2	D392 1267	Magnet Catch:CA-0149:MB10834	6
3	D392 1307	Guide Plate:Transport:D:MB70085	1
4	D392 5169	Ground Wire:MB11934	2
5	D392 3153	Compression Spring:KK23990	8
6	D392 1244	Bracket:Sensor:MB10736	2
7	D392 5146	Harness:Sensor:MB11908	2
8	AW01 0129	Photo Reflection Sensor	2
9	D392 3113	Tapping Screw:M3x6:AA05569	18
10	D392 3114	Tapping Screw:M3x8:AA05570	4
11	D392 3122	Screw:M3x5:AA25124	2
12	D392 5123	Clamp:EDS-0704L-V0:YY21018	2
13	D392 5116	Clamp:RLMS-2V0:YY20015	6
14	D392 3119	Screw:M3x6:AA25112	2
15	D392 1237	Roller:A:MB10721	2
16	D392 1236	Radial Ball Bearing:MB10720	2
17	D392 3161	Bushing:80F-0603:LL62007	2
18	D392 3139	Retaining Rings-E:JJ10512	2
19	D392 3138	Retaining Rings-E:PairJJ10509	4
20	D392 1243	Discharge Brush:L300:MB10732	2
21	D392 1242	Guide Plate:Transport:C:MB10731	1
22	D392 3160	Radial Ball Bearing:LNR-1360x3ZZ:LI11726	2
23	D392 1239	Pulley:MB10725	2
24	D392 7702	Decal:Lever:MC3	1
25	D392 7703	Decal:Lever:MC4	1
26	D392 1257	Sheet:Discharge Brush:MB10807	1
27	D392 1122	Shaft:Gate Pawl:MB80002:Ass'y	1

Index No.	Part No.	Description	Q'ty Per Assembly

5. Paper Feed Section 3 (D392)

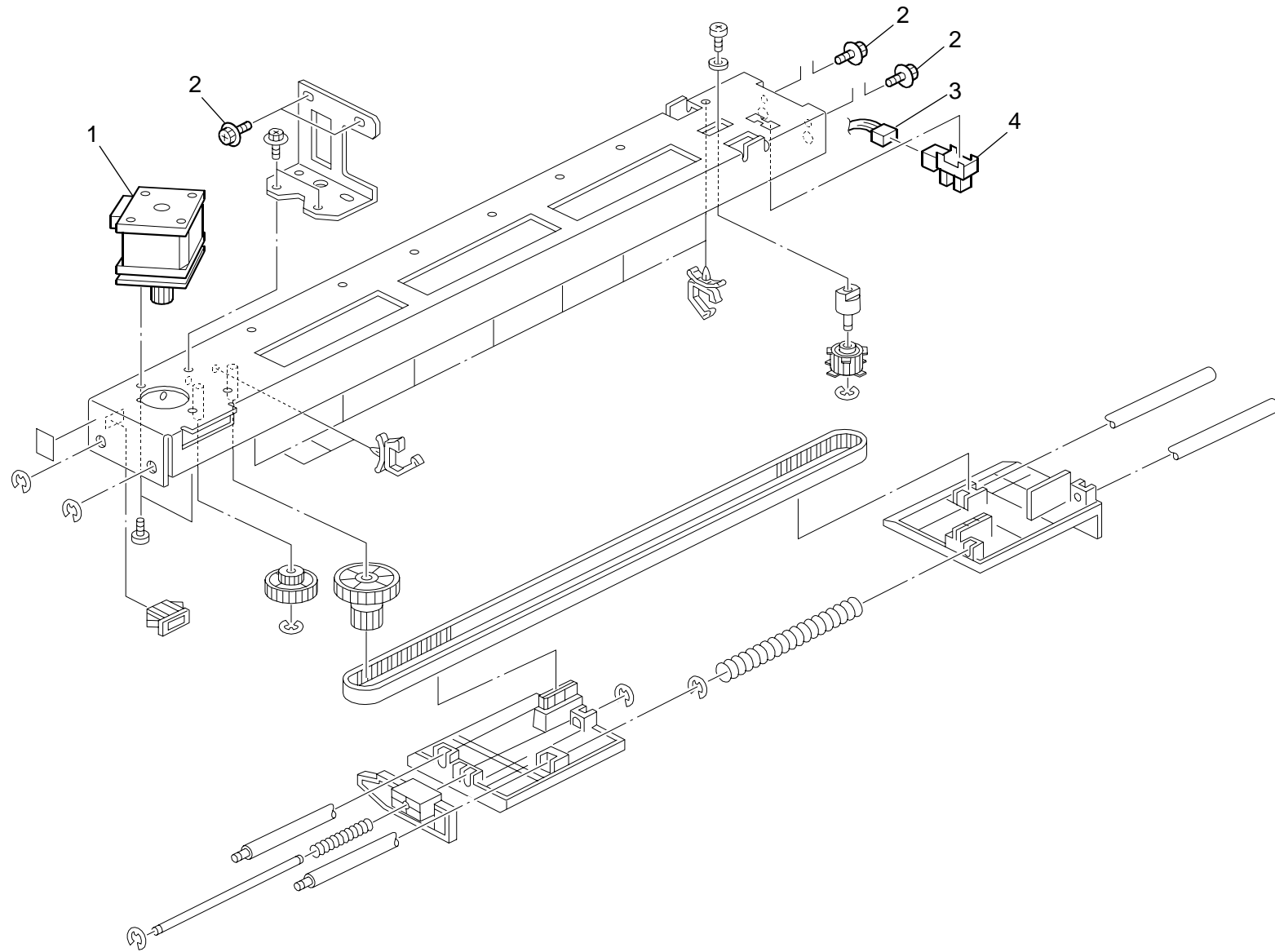


5.Paper Feed Section 3 (D392)

Index No.	Part No.	Description	Q'ty Per Assembly
1	D392 1238	Roller:B:MB10723	1
2	D392 1245	Guide Plate:Punch:Rear:MB10738	1
3	D392 1123	Shaft:Jogger:MB70051	1
4	D392 1249	Shaft:Moveable:MB10771	1
5	D392 1302	Link:Roller:MB70072	2
6	D392 3119	Screw:M3x6:AA25112	3
7	D392 3156	Torsion Spring:KK34087	1
8	D392 1235	Screw:3x5:MB10718	1
9	D392 1300	Guide Plate:Punch:Front:MB70055	1
10	AW01 0129	Photo Reflection Sensor	1
11	D392 5146	Harness:Sensor:MB11908	1
12	D392 5116	Clamp:RLMS-2V0:YY20015	5
13	D392 5123	Clamp:EDS-0704L-V0:YY21018	1
14	D392 1258	Bracket:Roller:MB10812	1
15	D392 3113	Tapping Screw:M3x6:AA05569	13
16	D392 3153	Compression Spring:KK23990	4
17	D392 5169	Ground Wire:MB11934	1
18	D392 3114	Tapping Screw:M3x8:AA05570	2
19	D392 1308	Guide Plate:Transport:E:MB70087	1
20	D392 1267	Magnet Catch:CA-0149:MB10834	2
21	D392 3122	Screw:M3x5:AA25124	1
22	D392 1236	Radial Ball Bearing:MB10720	2
23	D392 3138	Retaining Rings-E:PairJJ10509	4
24	D392 3139	Retaining Rings-E:JJ10512	2
25	D392 3161	Bushing:80F-0603:LL62007	2
26	D392 3160	Radial Ball Bearing:LNR-1360x3ZZ:LI11726	2
27	D392 1239	Pulley:MB10725	2
28	D392 7704	Decal:Lever:MC5	1
29	D392 1124	Shaft:Uniform:MB80003:Ass'y	1
30	D392 3141	Retaining Rings-E:JJ18501	4

Index No.	Part No.	Description	Q'ty Per Assembly

6.Side Jogger Unit (D392)

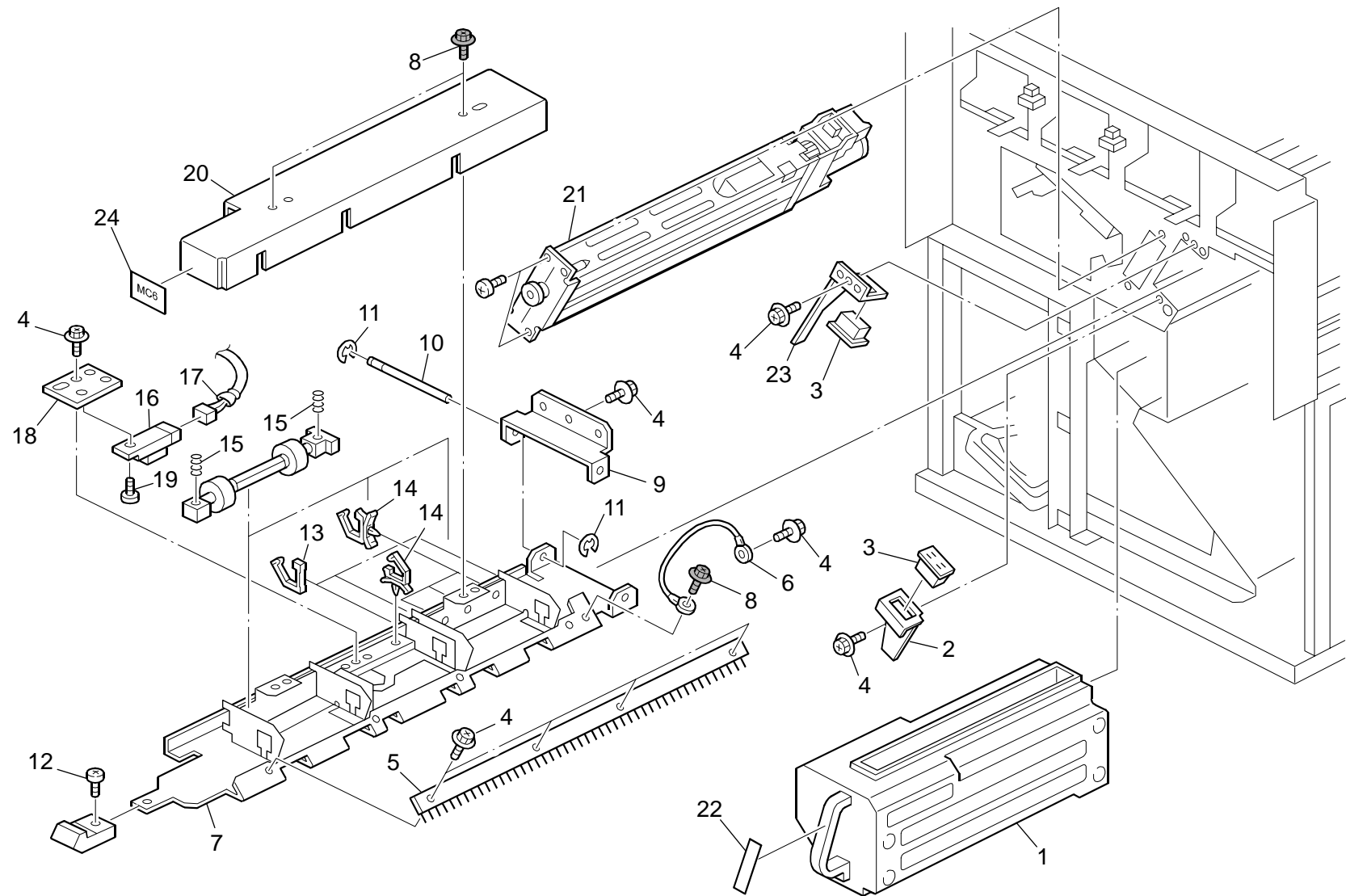


6.Side Jogger Unit (D392)

Index No.	Part No.	Description	Q'ty Per Assembly
*	D392 1115	Jogger Sub-unit:Punch:MB92009	1
1	D392 1301	DC Stepper Motor:MB70060	1
2	D392 3113	Tapping Screw:M3x6:AA05569	4
3	D392 5147	Harness:Sensor:MB11909	1
4	AW02 0141	Photointerruptor	1

Index No.	Part No.	Description	Q'ty Per Assembly

7.Punch Unit 1 (D392)

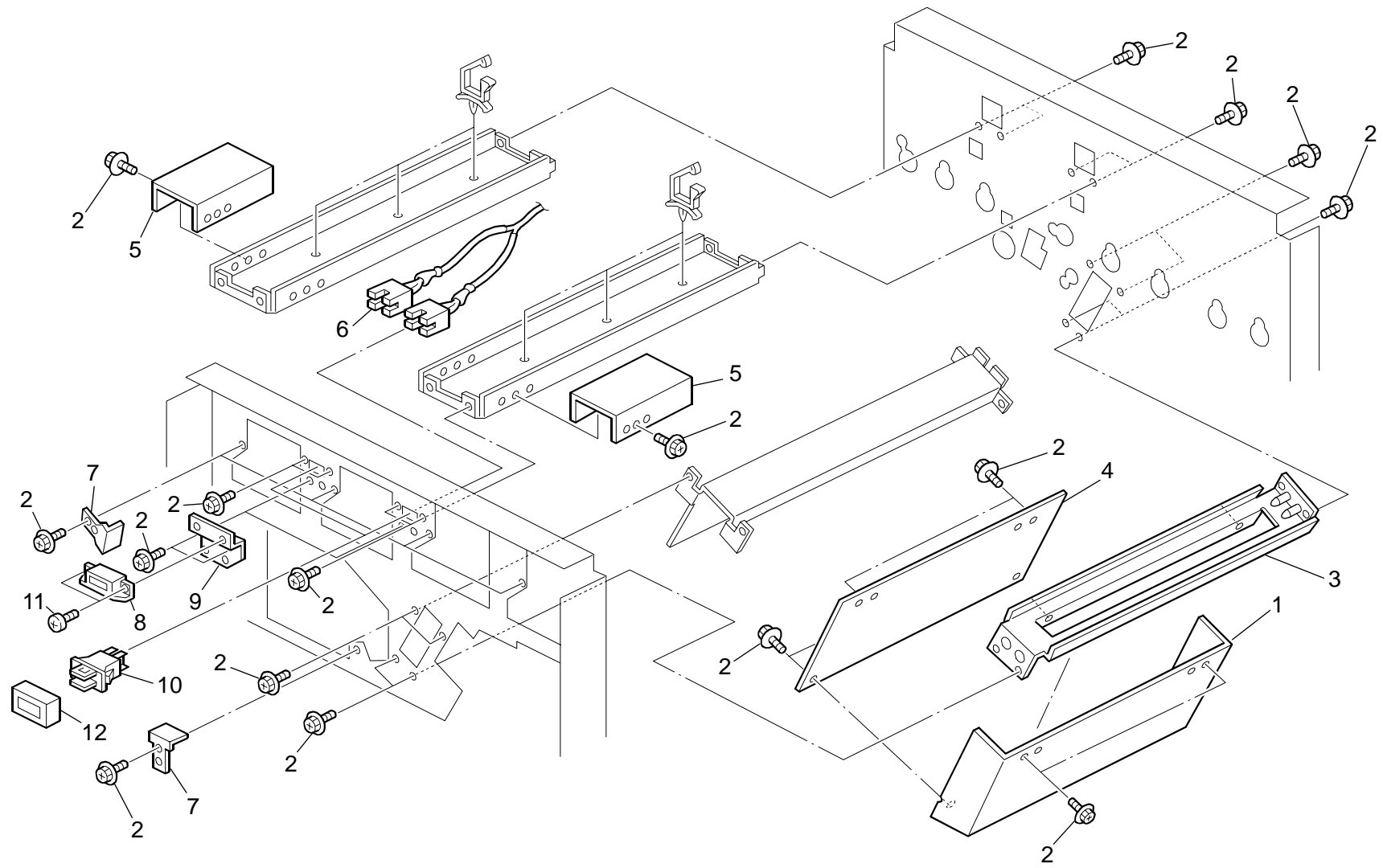


7.Punch Unit 1 (D392)

Index No.	Part No.	Description	Q'ty Per Assembly
1	D392 1320	Toner Hopper:Punch:MB80006	1
2	D392 1268	Bracket:Magnet Catch:MB10835	1
3	D392 1267	Magnet Catch:CA-0149:MB10834	2
4	D392 3113	Tapping Screw:M3x6:AA05569	9
5	D392 1243	Discharge Brush:L300:MB10732	1
6	D392 5158	Ground Wire:MB11919	1
7	D392 1309	Guide Plate:Punch:Rear:MB70092	1
8	D392 3114	Tapping Screw:M3x8:AA05570	3
9	D392 1260	Bracket:Guide Plate:Punch:MB10816	1
10	D392 1261	Shaft:Guide Plate:Punch:MB10817	1
11	D392 3141	Retaining Rings-E:JJ18501	2
12	D392 3122	Screw:M3x5:AA25124	1
13	D392 5123	Clamp:EDS-0704L-V0:YY21018	3
14	D392 5117	Clamp:RLMS-1V0:YY21010	4
15	D392 3153	Compression Spring:KK23990	6
16	AW01 0129	Photo Reflection Sensor	1
17	D392 5147	Harness:Sensor:MB11909	1
18	D392 1262	Bracket:Sensor:MB10823	1
19	D392 3119	Screw:M3x6:AA25112	1
20	D392 1263	Cover:Guide Plate:MB10829	1
21	D392 1118	Punch Unit:Letter:MB70100	1
22	D392 7709	Decal:Toner Hopper:Punch	1
23	D392 1266	Bracket:Magnet Catch:MB10833	1
24	D392 7705	Decal:Lever:MC6	1

Index No.	Part No.	Description	Q'ty Per Assembly

8.Punch Unit 2 (D392)

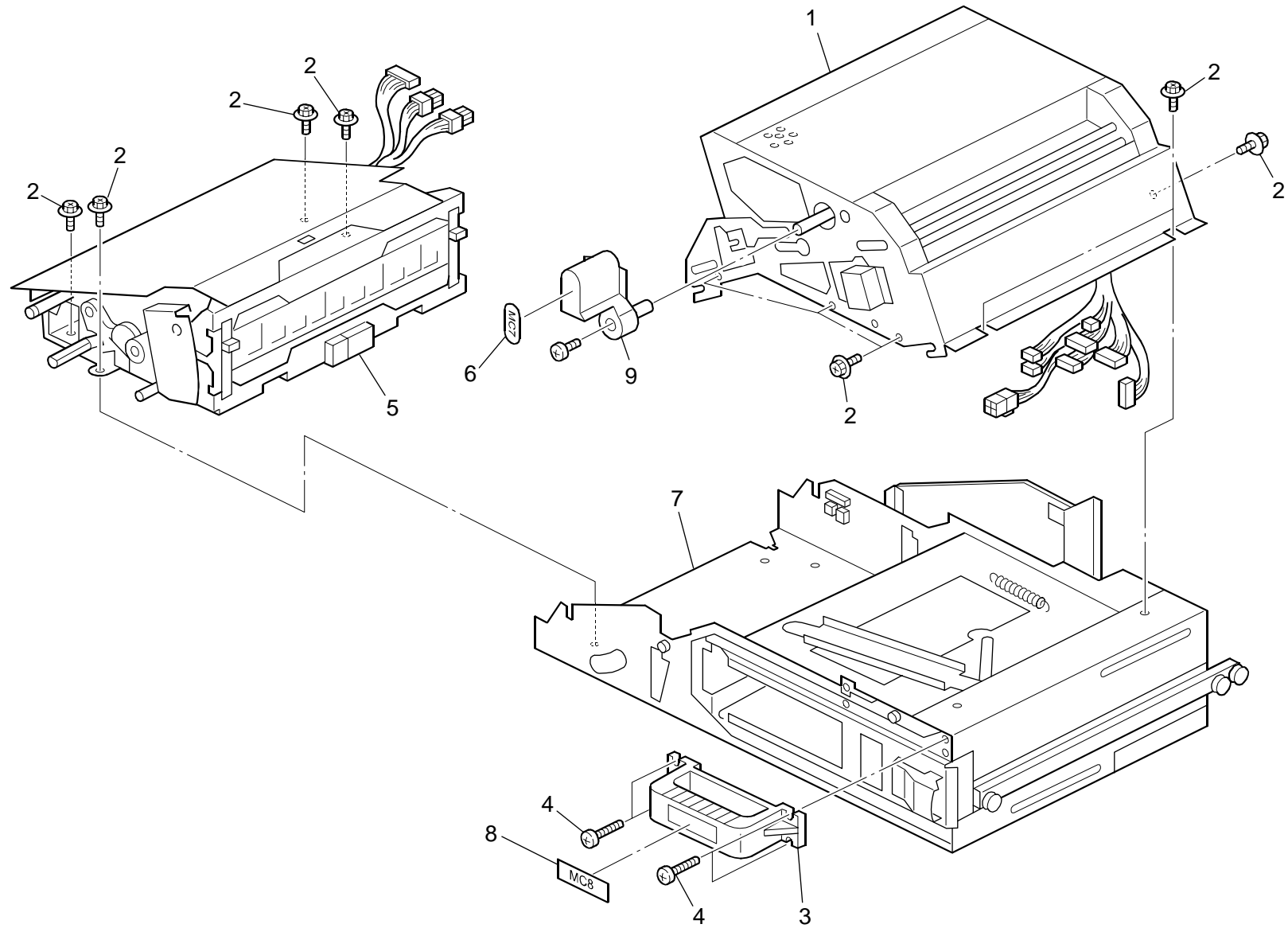


8.Punch Unit 2 (D392)

Index No.	Part No.	Description	Q'ty Per Assembly
1	D392 1233	Frame:Punch:B:MB10713	1
2	D392 3113	Tapping Screw:M3x6:AA05569	32
3	D392 1299	Frame:Punch:Lower:MB70048	1
4	D392 1234	Frame:Punch:C:MB10714	1
5	D392 1232	Cover:Safety Switch:MB10708	2
6	D392 5159	Harness:Safety Switch:MB11920	1
7	D392 1259	Bracket:Magnet Catch:MB10814	5
8	D392 1270	Magnet Catch:CA-0124:MB10843	2
9	D392 1269	Bracket:Magnet Catch:MB10839	2
10	D392 5128	Safety Switch:FA3L-CA22:MB10840	1
11	D392 3125	Screw:M3x5:AA25519	4
12	D392 1323	Cover:Safety Switch:MB10838	2

Index No.	Part No.	Description	Q'ty Per Assembly

9. Ring Binder Unit 1 (D392)

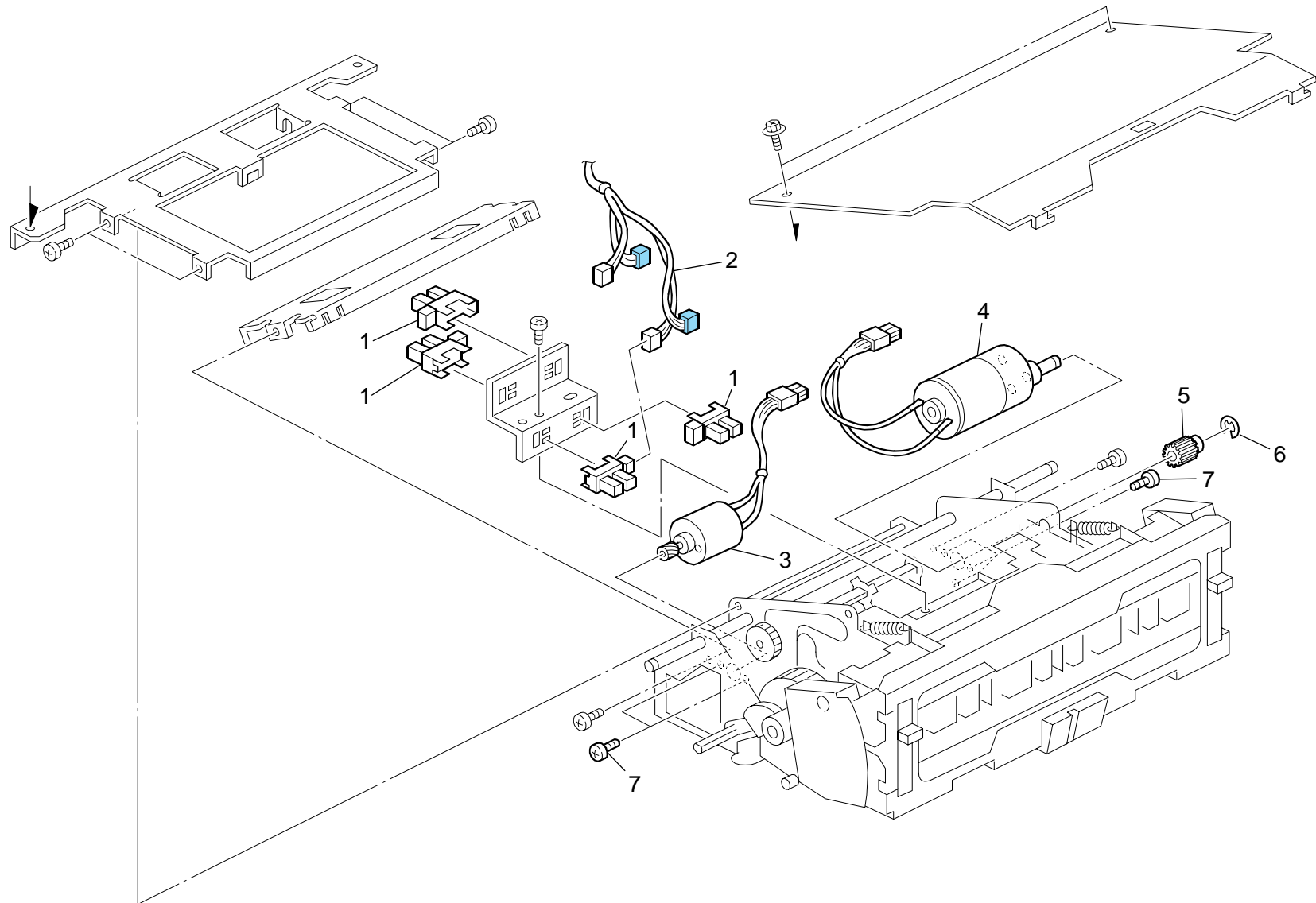


9.Ring Binder Unit 1 (D392)

Index No.	Part No.	Description	Q'ty Per Assembly
1	D392 1120	Uniform Unit:MB92006:Ass'y	1
2	D392 3113	Tapping Screw:M3x6:AA05569	10
3	D392 1275	Handle:MB11294	1
4	D392 3117	Screw:M4x10:AA25005	4
5	D392 1112	Clamp:UNI:MB92004:Ass'y	1
6	D392 7706	Decal:Lever:MC7	1
7	D392 1113	Frame:Cartridge:MB92005:Ass'y	1
8	D392 7707	Decal:Lever:MC8	1
9	AG05 1113	Handle - Transfer Unit	1

Index No.	Part No.	Description	Q'ty Per Assembly

10. Ring Binder Unit 2 (D392)

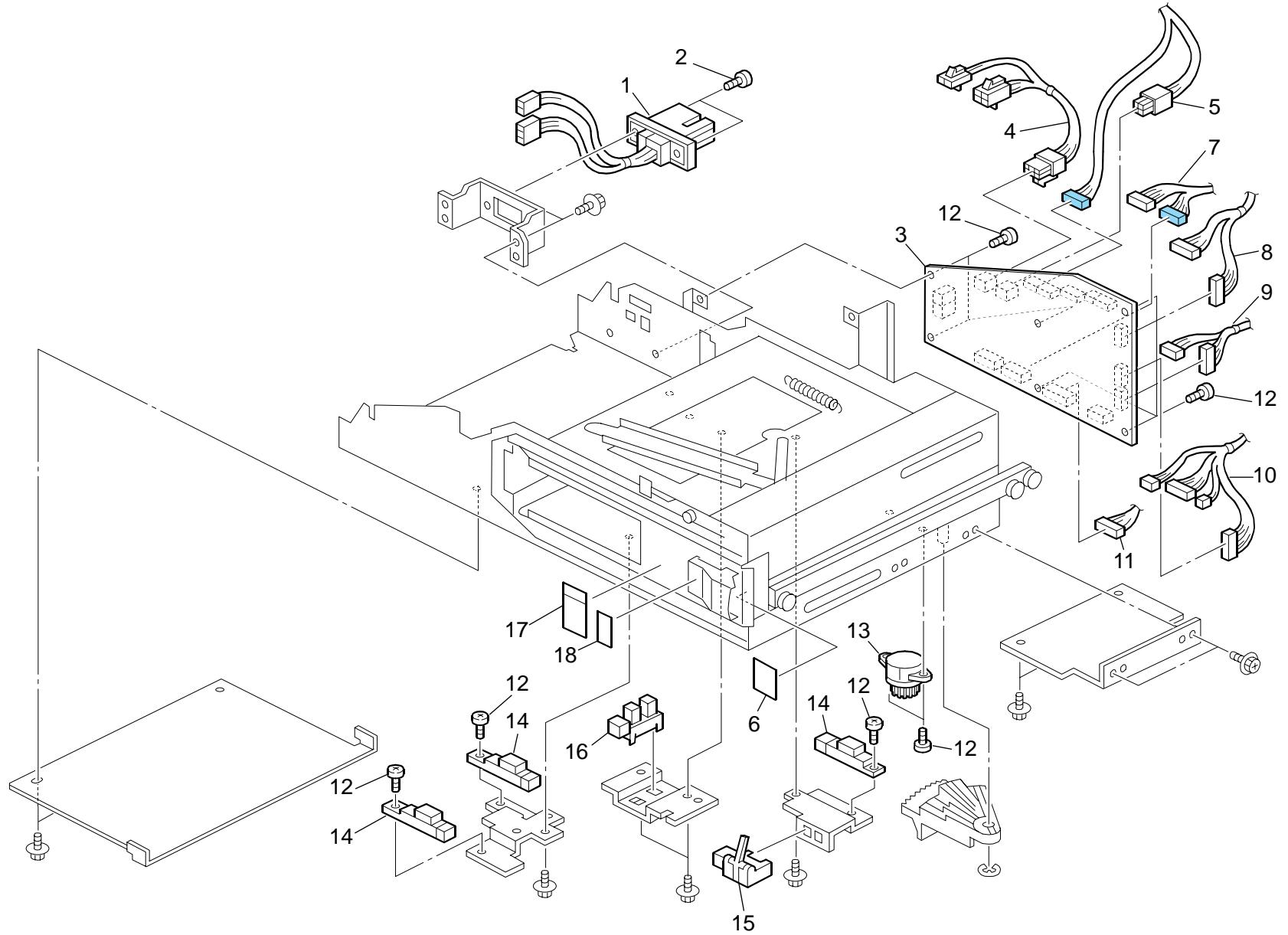


10.Ring Binder Unit 2 (D392)

Index No.	Part No.	Description	Q'ty Per Assembly
1	AW02 0141	Photointerruptor	4
2	D392 5166	Harness:Sensor:MB11928	1
3	D392 1319	DC Motor:MB80005	1
4	D392 1318	DC Motor:LineMB70224	1
5	D392 1274	Gear:Motor:MB11163	1
6	D392 3138	Retaining Rings-E:PairJJ10509	1
7	D392 3123	Screw:M2.6x4:AA25514	5

Index No.	Part No.	Description	Q'ty Per Assembly

11. Ring Binder Unit 3 (D392)

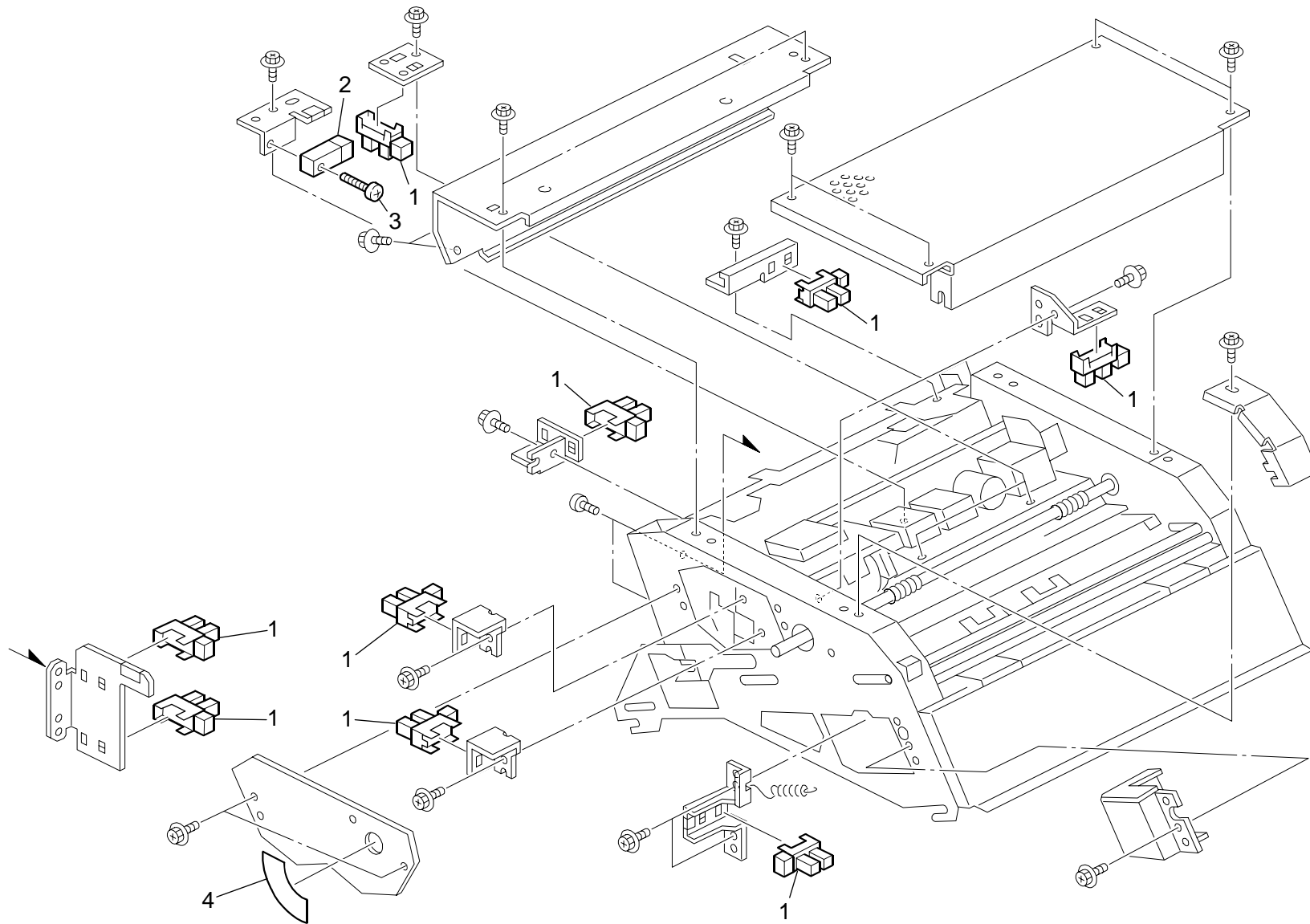


11.Ring Binder Unit 3 (D392)

Index No.	Part No.	Description	Q'ty Per Assembly
1	D392 5172	Harness:Drawer:Sub:MB11932	1
2	D392 3117	Screw:M4x10:AA25005	2
3	D392 5563	Base:Sub:MB70242:Ass'y	1
4	D392 5171	Harness:Motor:MB11931	1
5	D392 5167	Harness:Motor:MB11929	1
6	D392 7714	Decal:Caution:Supply	1
7	D392 5164	Harness:Sensor:MB11926	1
8	D392 5168	Harness:Motor:MB11930	1
9	D392 3163	Harness:Sensor:MB11925	1
10	D392 5170	Harness:Sensor:MB11935	1
11	D392 5165	Harness:Sensor:MB11927	1
12	D392 3119	Screw:M3x6:AA25112	11
13	D392 1276	Damper:TD62R1-1500:MB11295	1
14	AW01 0129	Photo Reflection Sensor	3
15	D392 5126	Registration Sensor:Actuator:ZO10058	1
16	AW02 0141	Photointerruptor	1
17	D392 7713	Decal:Caution:Supply:Lever	1
18	D392 7708	Decal:Lever:Supply:MB11445	1

Index No.	Part No.	Description	Q'ty Per Assembly

12. Ring Binder Unit 4 (D392)

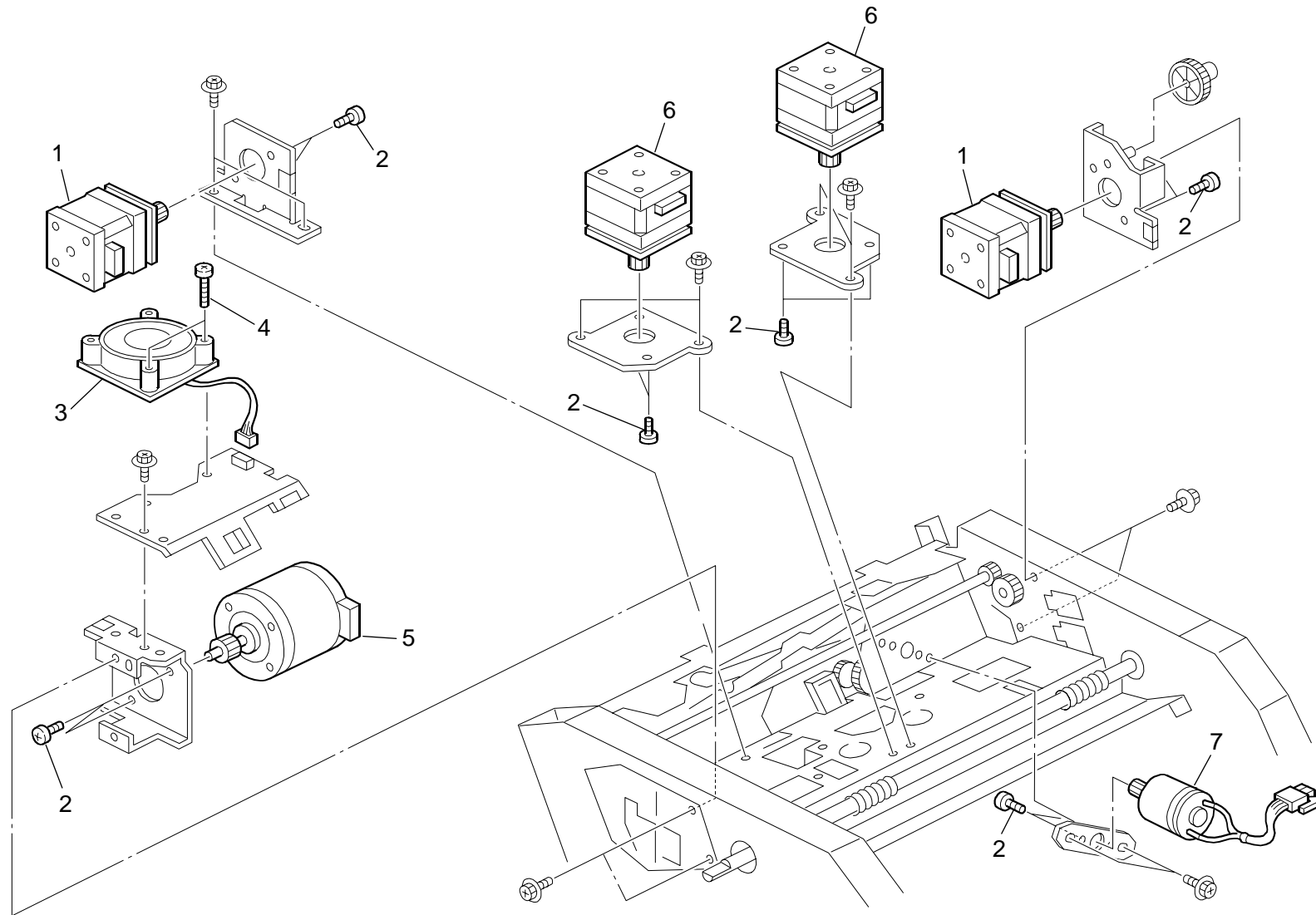


12.Ring Binder Unit 4 (D392)

Index No.	Part No.	Description	Q'ty Per Assembly
1	AW02 0141	Photointerruptor	10
2	D392 5125	Photo Refiection Sensor:ZO10056	1
3	D392 3118	Screw:M3x12:AA25108	1
4	D392 7717	Decal:Turn:MC7	1

Index No.	Part No.	Description	Q'ty Per Assembly

13. Ring Binder Unit 5 (D392)

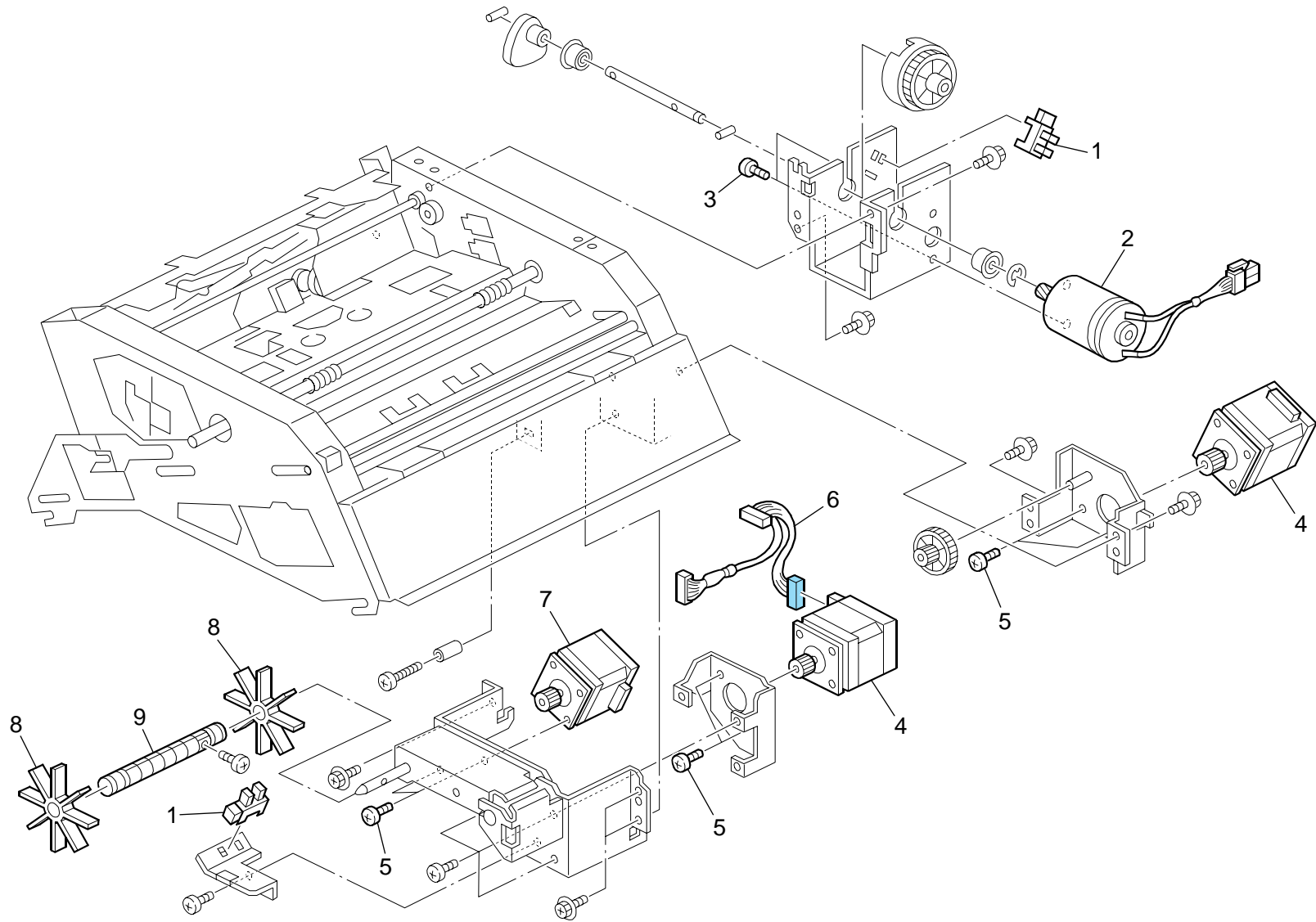


13.Ring Binder Unit 5 (D392)

Index No.	Part No.	Description	Q'ty Per Assembly
1	D392 1310	DC Stepper Motor:MB70118	2
2	D392 3119	Screw:M3x6:AA25112	12
3	D392 5129	Fan:EUDC24B8:MB11064	1
4	D392 3126	Screw:M3x16:AA25521	2
5	D392 1313	DC Stepper Motor:MB70138	1
6	D392 1311	DC Stepper Motor:MB70119	2
7	D392 1312	DC Motor:MB70125	1

Index No.	Part No.	Description	Q'ty Per Assembly

14. Ring Binder Unit 6 (D392)

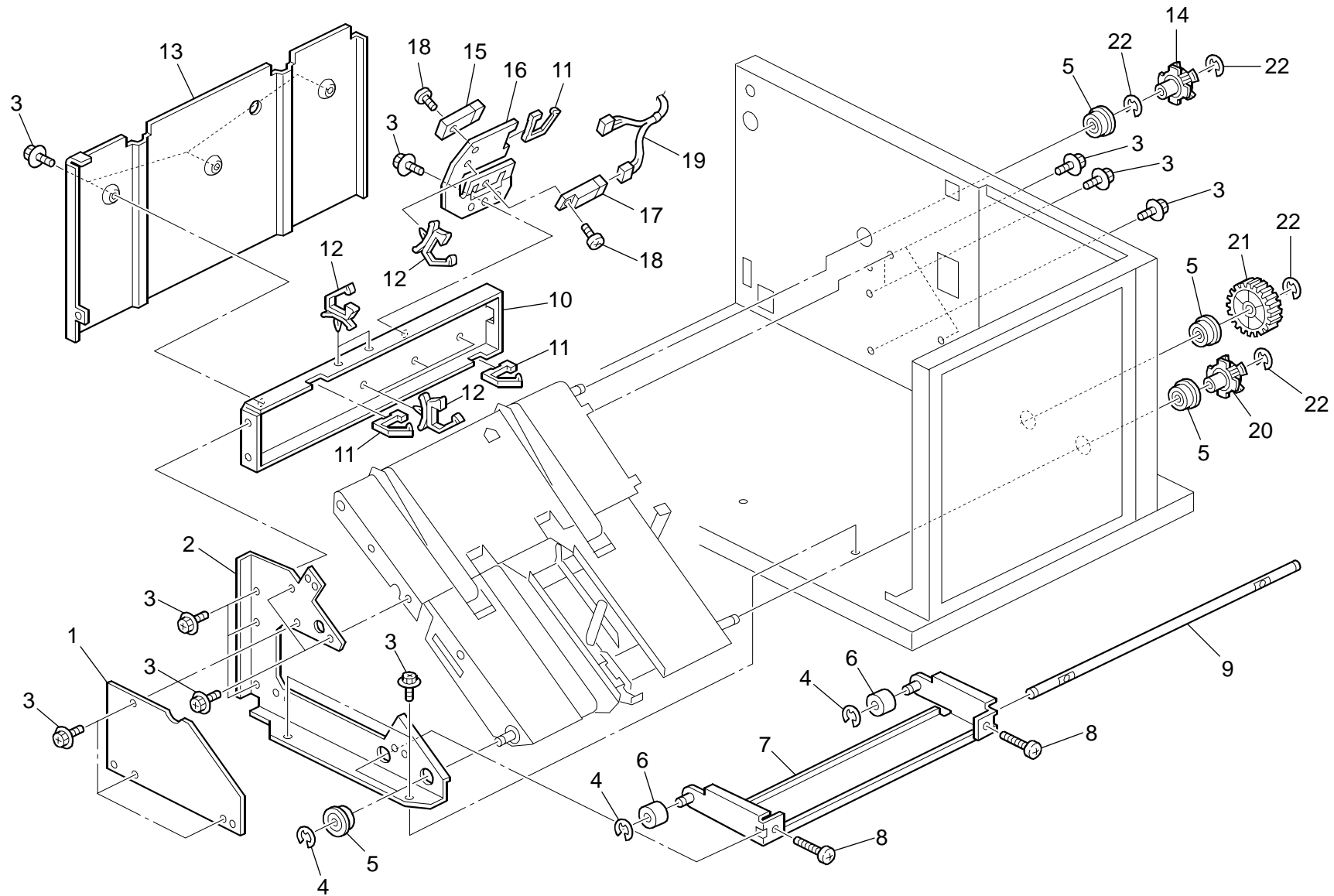


14.Ring Binder Unit 6 (D392)

Index No.	Part No.	Description	Q'ty Per Assembly
1	AW02 0141	Photointerruptor	2
2	D392 1312	DC Motor:MB70125	1
3	D392 3124	Screw:M3x4:AA25516	2
4	D392 1310	DC Stepper Motor:MB70118	2
5	D392 3119	Screw:M3x6:AA25112	6
6	D392 5168	Harness:Motor:MB11930	1
7	D392 1311	DC Stepper Motor:MB70119	1
8	D392 1273	Paddle:MB10953	2
9	D392 1272	Boss:Paddle:MB10952	1

Index No.	Part No.	Description	Q'ty Per Assembly

15.Paper Exit Section 1 (D392)

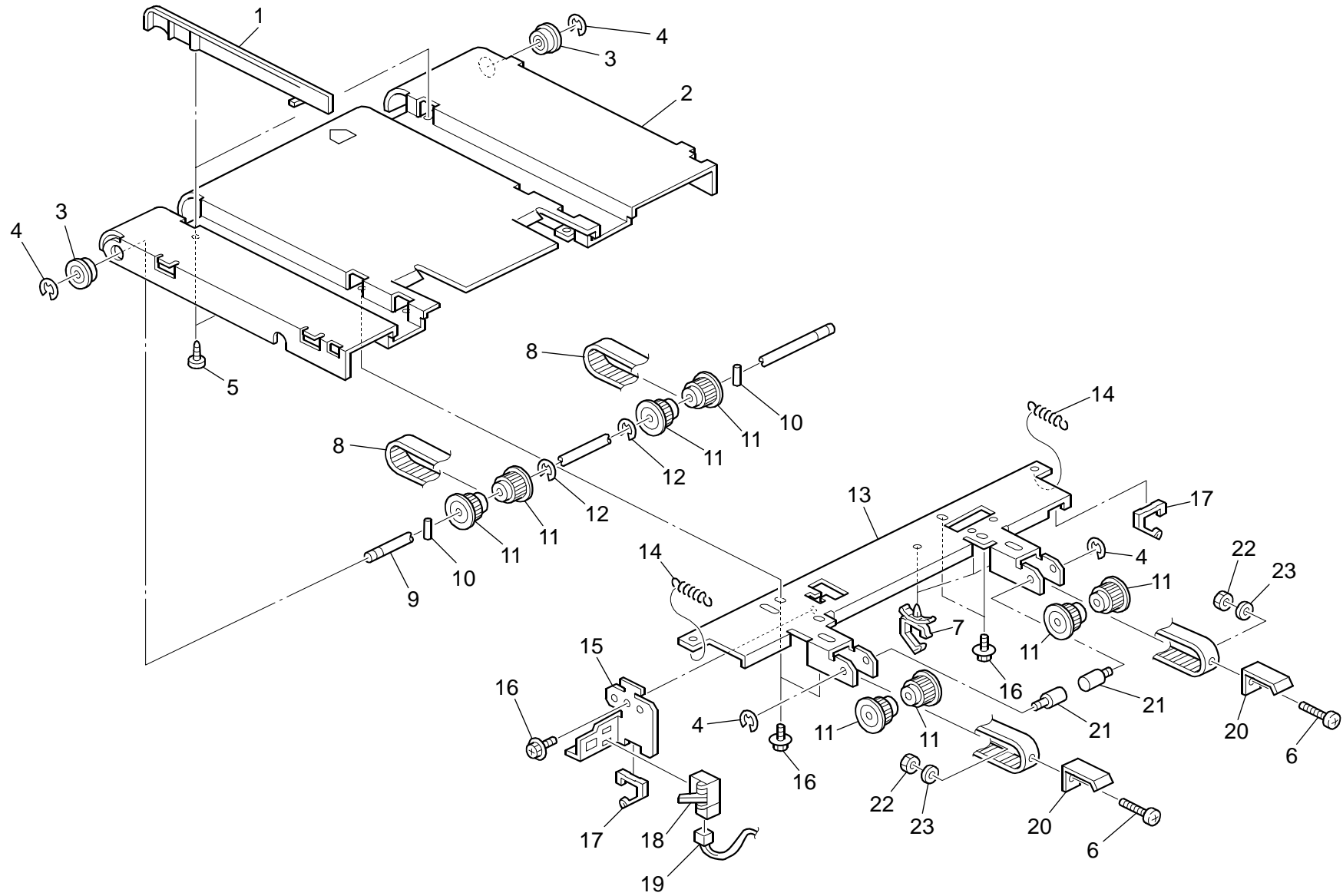


15.Paper Exit Section 1 (D392)

Index No.	Part No.	Description	Q'ty Per Assembly
1	D392 1154	Cover:Frame:MB10552	1
2	D392 1148	Frame:Exit:MB10541	1
3	D392 3113	Tapping Screw:M3x6:AA05569	19
4	D392 3140	Retaining Rings-E:JJ10513	4
5	D392 3157	Radial Ball Bearing:LNR-1680HH:LI11718	5
6	D392 1153	Roller:Tray:MB10551	2
7	D392 1287	Link:MB70014	1
8	D392 3118	Screw:M3x12:AA25108	2
9	D392 1152	Shaft:Link:MB10548	1
10	D392 1151	Stay:Exit:MB10546	1
11	D392 5123	Clamp:EDS-0704L-V0:YY21018	3
12	D392 5117	Clamp:RLMS-1V0:YY21010	6
13	D392 1149	End Fence:Tray:MB10542	1
14	D392 1178	Pulley:MB10586	1
15	D392 5125	Photo Refiection Sensor:ZO10056	1
16	D392 1150	Bracket:Sensor:MB10543	1
17	B889 1354	Photointerruptor:Paper Crimp	1
18	D392 3119	Screw:M3x6:AA25112	2
19	D392 5152	Harness:Sensor:Exit:MB11914	1
20	D392 1239	Pulley:MB10725	1
21	D392 1177	Gear:MB10585	1
22	D392 3138	Retaining Rings-E:PairJJ10509	4

Index No.	Part No.	Description	Q'ty Per Assembly

16.Paper Exit Section 2 (D392)

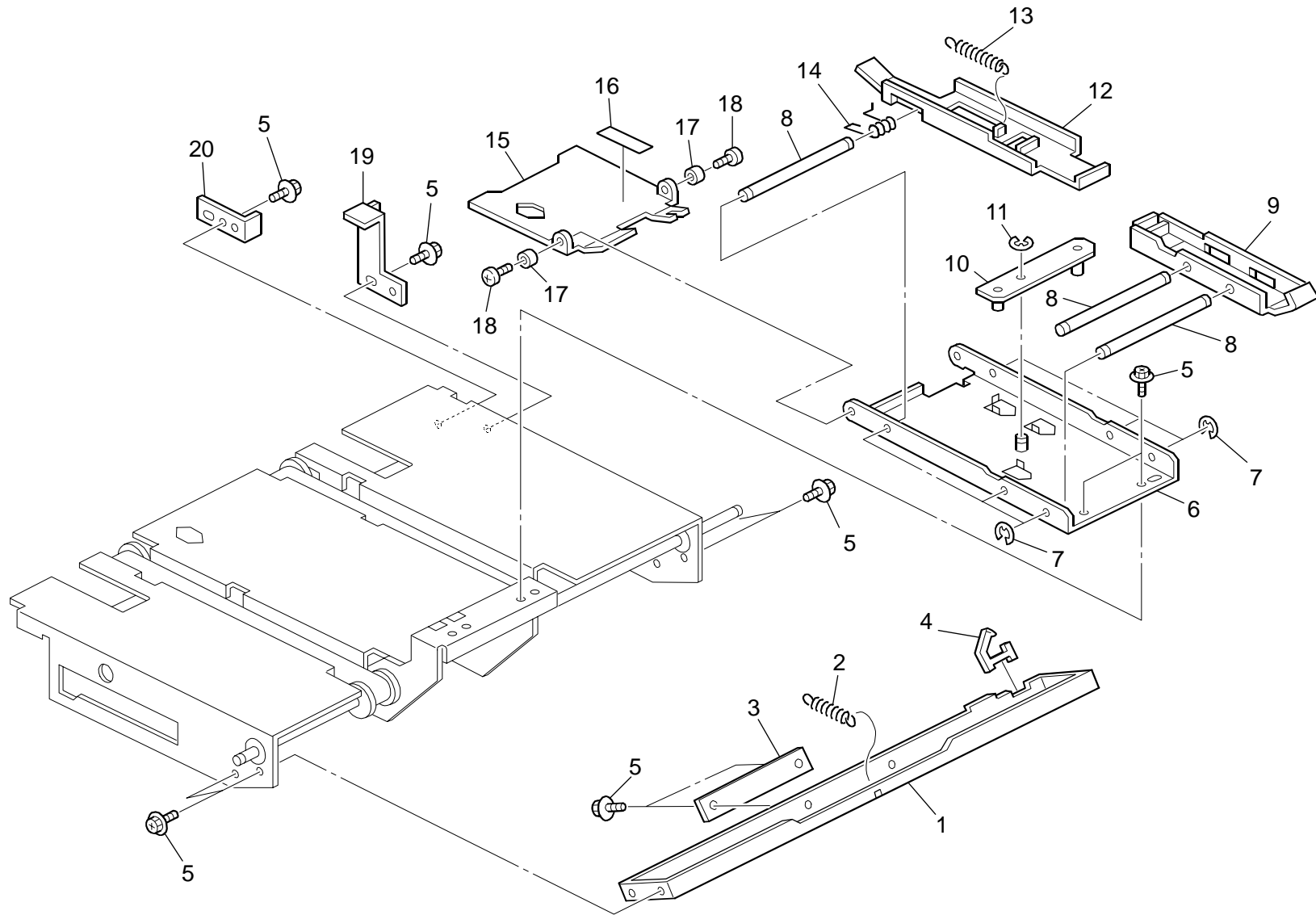


16.Paper Exit Section 2 (D392)

Index No.	Part No.	Description	Q'ty Per Assembly
1	D392 1330	Guide:Exit:MB10562	2
2	D392 1155	Guide Plate:MB10555	1
3	D392 3159	Radial Ball Bearing:LF-1060ZZ:LI11725	2
4	D392 3138	Retaining Rings-E:PairJJ10509	4
5	D392 3112	Tapping Screw:M3x8:AA05562	2
6	D392 3127	Screw:M2x5:AA25523	2
7	D392 5117	Clamp:RLMS-1V0:YY21010	3
8	D392 1163	Synchronous Belt:S3M:MB10565	2
9	D392 1159	Shaft:Drive:MB10560	1
10	D392 6132	Parallel Pin:FF31560	2
11	D392 1162	Pulley:MB10564	8
12	D392 3140	Retaining Rings-E:JJ10513	2
13	D392 1156	Stay:Idler:MB10556	1
14	D392 3152	Tension Spring:KK19001	2
15	D392 1157	Bracket:Sensor:MB10558	1
16	D392 3113	Tapping Screw:M3x6:AA05569	5
17	D392 5123	Clamp:EDS-0704L-V0:YY21018	2
18	D392 5126	Registration Sensor:Actuator:ZO10058	1
19	D392 5151	Harness:Sensor:MB11913	1
20	D392 1160	Pawl:Exit Belt:MB10561	2
21	D392 1158	Shaft:Idler:MB10559	2
22	D392 3129	Hexagonal Nut:3-2:CC43109	2
23	D392 3131	Washer:2.3x6.5x0.5:EE39839	2

Index No.	Part No.	Description	Q'ty Per Assembly

17.Paper Exit Section 3 (D392)

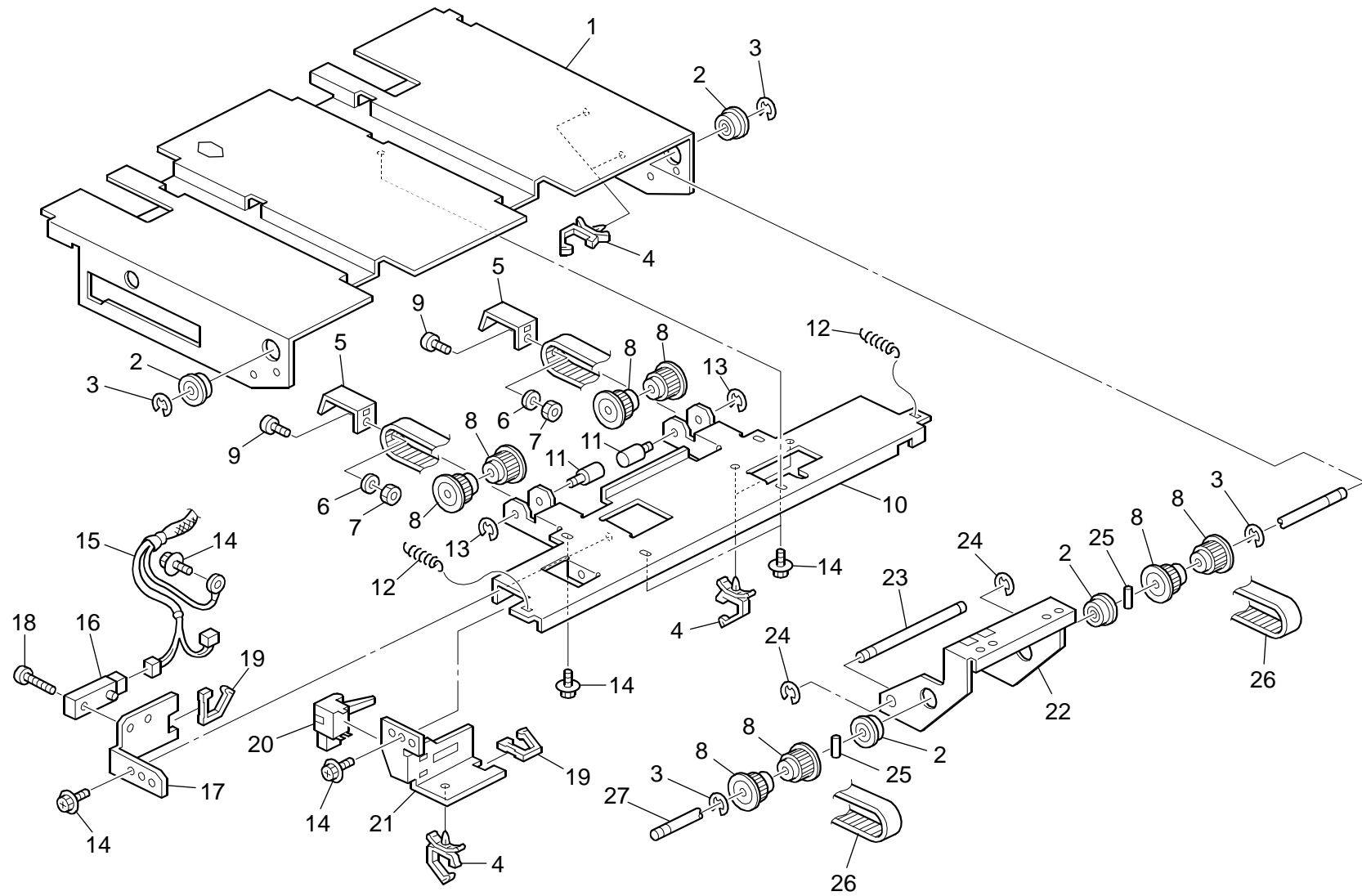


17.Paper Exit Section 3 (D392)

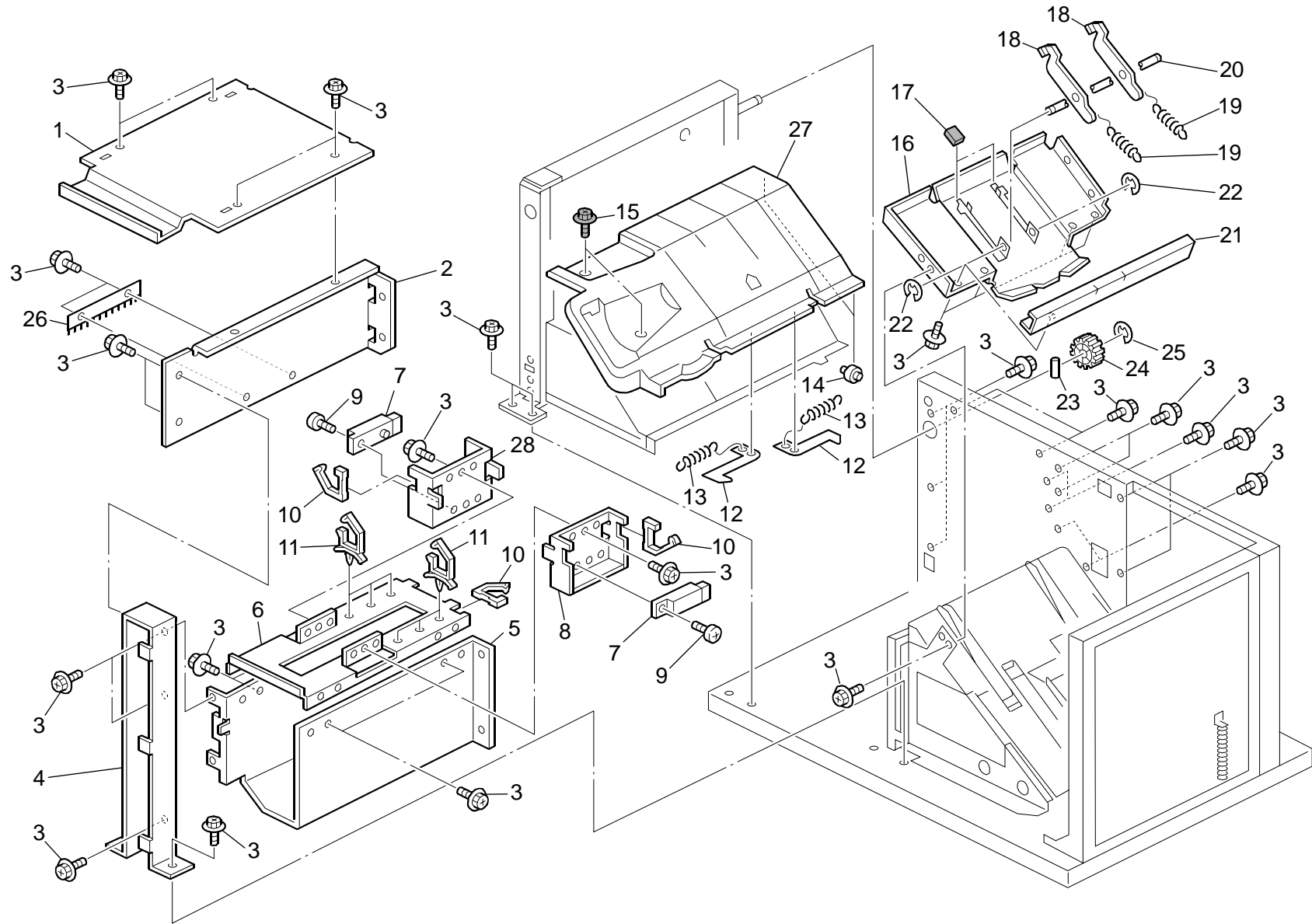
Index No.	Part No.	Description	Q'ty Per Assembly
1	D392 1166	Stay:Guide Plate:MB10571	1
2	D392 3145	Tension Spring:KK14054	1
3	D392 1169	Adjusting Plate:MB10574	1
4	D392 5123	Clamp:EDS-0704L-V0:YY21018	1
5	D392 3113	Tapping Screw:M3x6:AA05569	10
6	D392 1291	Guide Plate:Exit:Upper:MB70026	1
7	D392 3137	Retaining Rings-E:JJ10109	6
8	D392 1174	Shaft:Guide Plate:MB10582	3
9	D392 1181	Link:Guide Plate:MB10589	1
10	D392 1292	Link:Exit:MB70027	1
11	D392 3139	Retaining Rings-E:JJ10512	1
12	D392 1180	Link:Guide Plate:MB10588	1
13	D392 3146	Tension Spring:KK14055	1
14	D392 3155	Torsion Spring:KK34086	1
15	D392 1172	Guide Plate:MB10580	1
16	D392 1179	Sheet:Guide Plate:MB10589	1
17	D392 3136	Pin:FF51682	2
18	D392 3127	Screw:M2x5:AA25523	2
19	D392 1170	Bracket:MB10575	1
20	D392 1176	Bracket:MB10584	1

Index No.	Part No.	Description	Q'ty Per Assembly

18.Paper Exit Section 4 (D392)



19.Stacker Section 1 (D392)

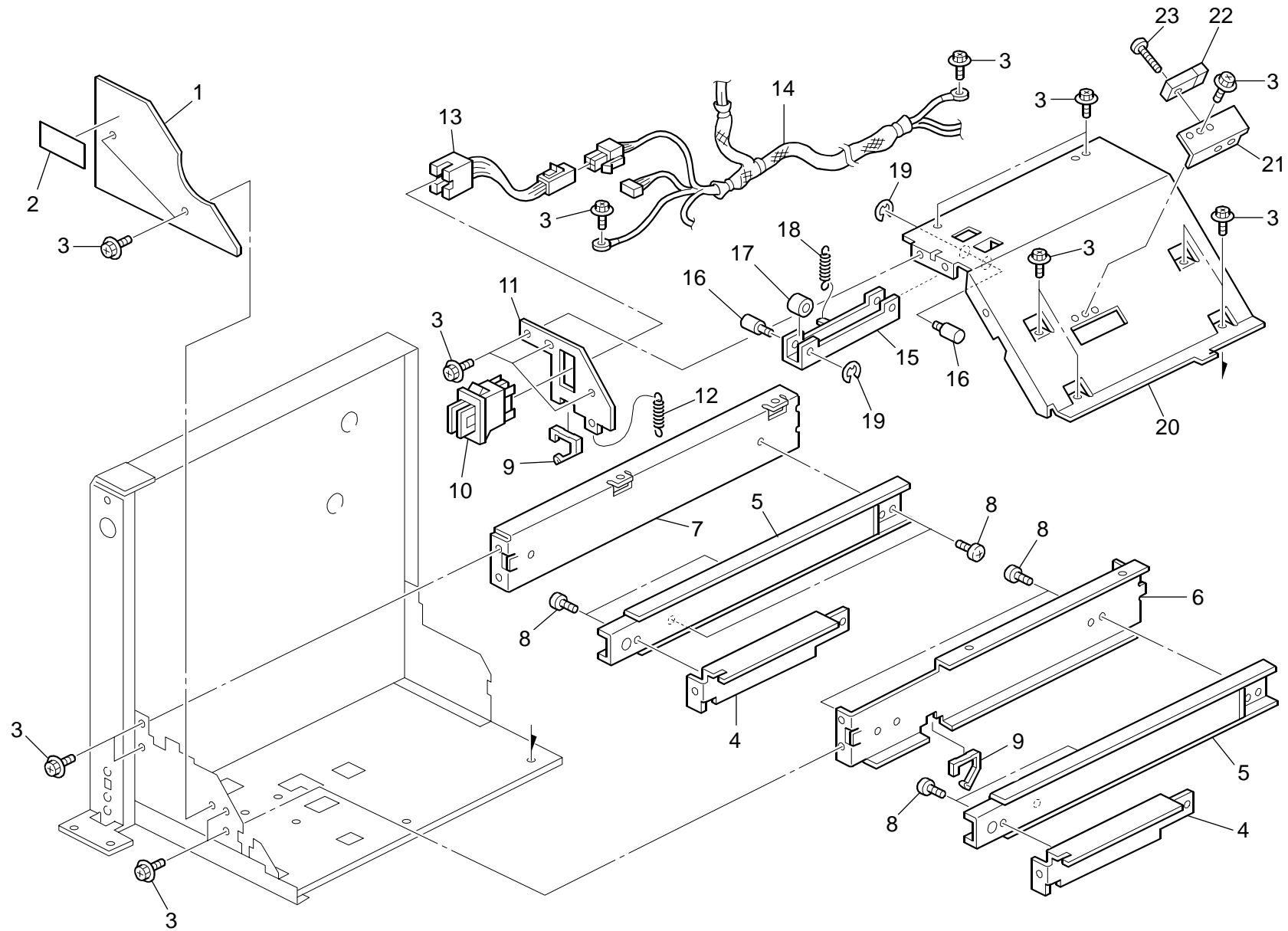


19.Stacker Section 1 (D392)

Index No.	Part No.	Description	Q'ty Per Assembly
1	D392 1222	Cover:Tray:Upper:MB10665	1
2	D392 1187	Stay:MB10602	1
3	D392 3113	Tapping Screw:M3x6:AA05569	38
4	D392 1140	Stay:Frame:MB10523	1
5	D392 1143	Frame:Toner Hopper:MB10531	1
6	D392 1144	Frame:Toner Hopper:Upper:MB10532	1
7	B889 1354	Photointerruptor:Paper Crimp	2
8	D392 1145	Bracket:Sensor:MB10533	1
9	D392 3119	Screw:M3x6:AA25112	2
10	D392 5123	Clamp:EDS-0704L-V0:YY21018	3
11	D392 5117	Clamp:RLMS-1V0:YY21010	6
12	D392 1218	Guide:Auxiliary:MB10660	2
13	D392 3150	Tension Spring:KK14059	2
14	D392 1219	Roller:Tray:MB10661	2
15	D392 3114	Tapping Screw:M3x8:AA05570	2
16	D392 1189	Guide Plate:Exit:MB10605	1
17	D392 1194	Cushion:MB10615	2
18	D392 1191	Lever:Exit:MB10609	2
19	D392 3147	Tension Spring:KK14056	2
20	D392 1192	Shaft:Lever:MB10611	1
21	D392 1190	Stay:Guide Plate:MB10606	1
22	D392 3139	Retaining Rings-E:JJ10512	2
23	D392 3134	Parallel Pin:FF31584	1
24	D392 1223	Gear:MB10666	1
25	D392 3140	Retaining Rings-E:JJ10513	1
26	D392 1322	Discharge Brush:MB10607	1
27	D392 1217	Tray:Exit:MB10659	1
28	D392 1321	Bracket:Sensor:MB10534	1

Index No.	Part No.	Description	Q'ty Per Assembly

20.Stacker Section 2 (D392)

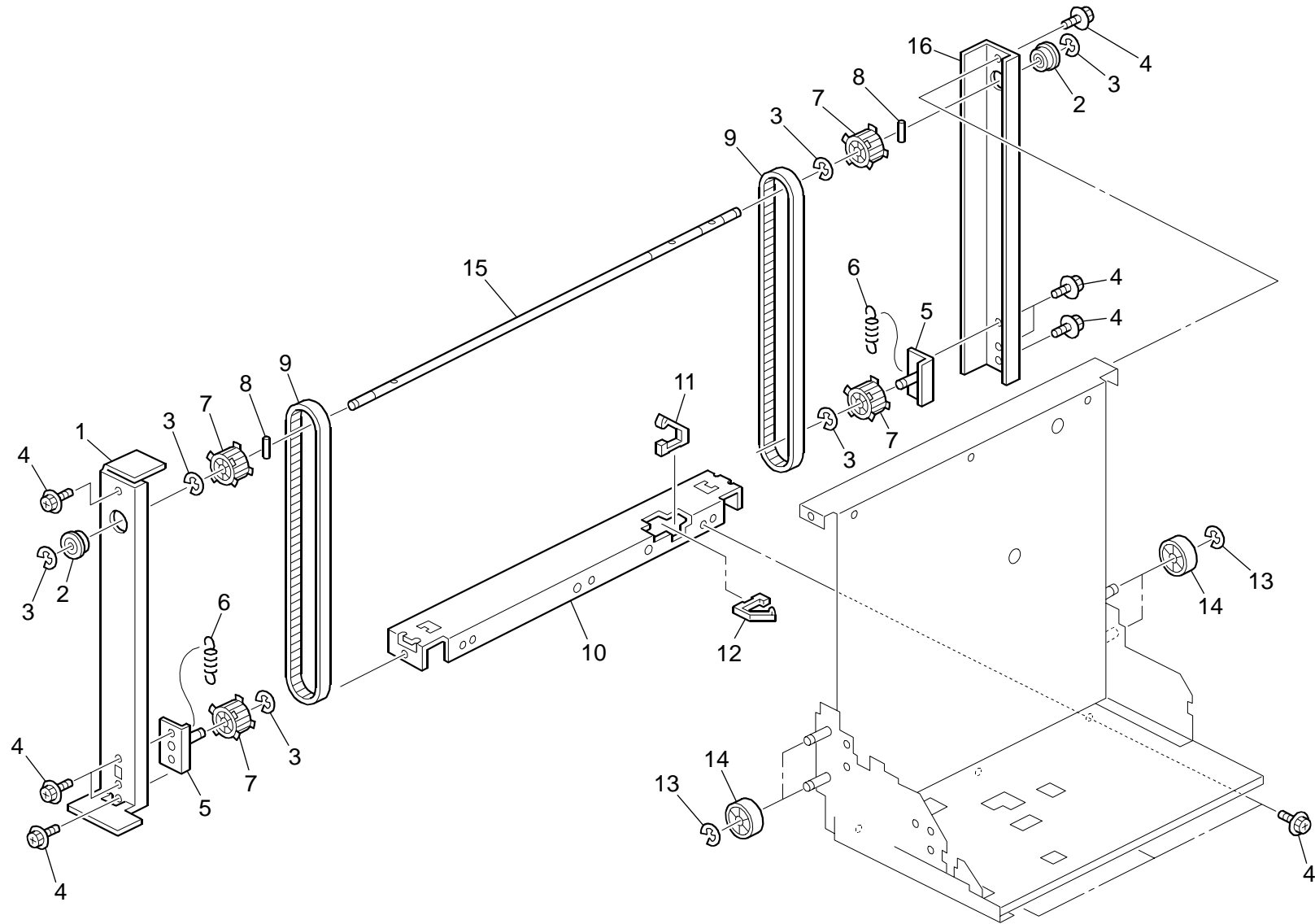


20.Stacker Section 2 (D392)

Index No.	Part No.	Description	Q'ty Per Assembly
1	D392 1220	Cover:Tray:Front:MB10663	1
2	D392 7710	Decal:Lever:Tray	1
3	D392 3113	Tapping Screw:M3x6:AA05569	18
4	D392 1204	Bracket:Tray:MB10635	2
5	D392 1214	Slide Rail:C201-6947:MB10647	2
6	D392 1202	Stay:Tray:Frame:MB10633	1
7	D392 1201	Stay:Tray:Frame:MB10632	1
8	D392 3120	Screw:M4x8:AA25118	8
9	D392 5123	Clamp:EDS-0704L-V0:YY21018	2
10	D392 5128	Safety Switch:FA3L-CA22:MB10840	1
11	D392 1208	Bracket:Safety Switch:MB10639	1
12	D392 3144	Tension Spring:KK14053	1
13	D392 5144	Harness:Safety Switch:MB11906	1
14	D392 5143	Harness:Stack:MB11905	1
15	D392 1215	Lock:Tray:MB10652	1
16	D392 1216	Shaft:Tray:Auxiliary:MB10653	2
17	D392 1153	Roller:Tray:MB10551	1
18	D392 3151	Tension Spring:KK14060	1
19	D392 3139	Retaining Rings-E:JJ10512	2
20	D392 1207	Tray:Auxiliary:MB10638	1
21	D392 1210	Bracket:Sensor:MB10641	1
22	D392 5125	Photo Refiection Sensor:ZO10056	1
23	D392 3118	Screw:M3x12:AA25108	1

Index No.	Part No.	Description	Q'ty Per Assembly

21.Stacker Section 3 (D392)

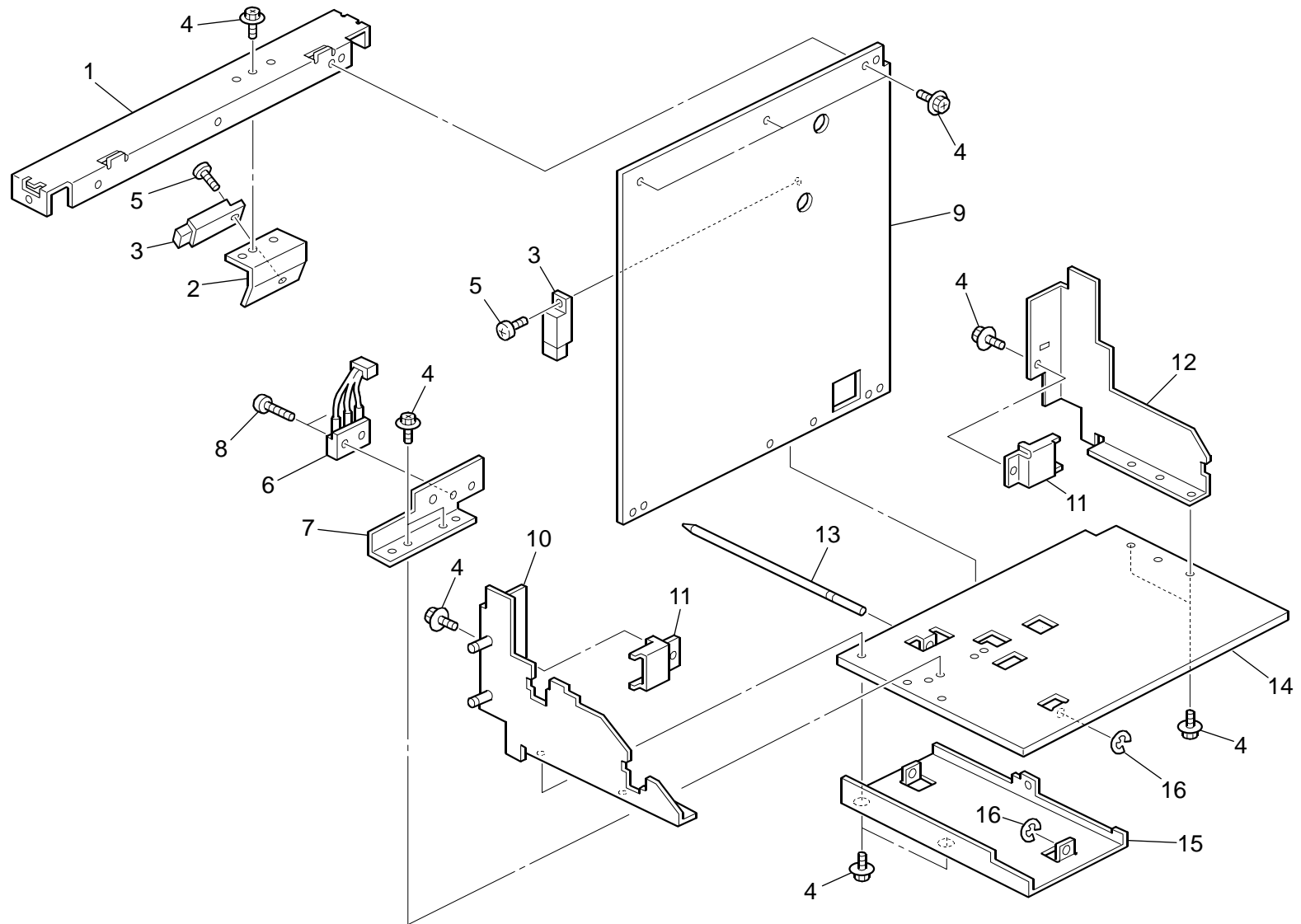


21.Stacker Section 3 (D392)

Index No.	Part No.	Description	Q'ty Per Assembly
1	D392 1196	Stay:Tray:Front:MB10622	1
2	D392 3157	Radial Ball Bearing:LNR-1680HH:LI11718	2
3	D392 3140	Retaining Rings-E:JJ10513	6
4	D392 3113	Tapping Screw:M3x6:AA05569	11
5	D392 1294	Bracket:Tightener:Tray:MB70032	2
6	D392 3149	Tension Spring:KK14058	2
7	D392 1200	Pulley:MB10627	4
8	D392 3133	Parallel Pin:FF31583	2
9	D392 1213	Synchronous Belt:S5M:MB10646	2
10	D392 1197	Stay:Tray:Lower:MB10623	1
11	D392 5123	Clamp:EDS-0704L-V0:YY21018	1
12	D392 5121	Clamp:LES-1010:YY21016	1
13	D392 3139	Retaining Rings-E:JJ10512	4
14	D392 1203	Roller:Tray:MB10634	4
15	D392 1199	Shaft:Tray:Drive:MB10626	1
16	D392 1195	Stay:Tray:Rear:MB10620	1

Index No.	Part No.	Description	Q'ty Per Assembly

22.Stacker Section 4 (D392)

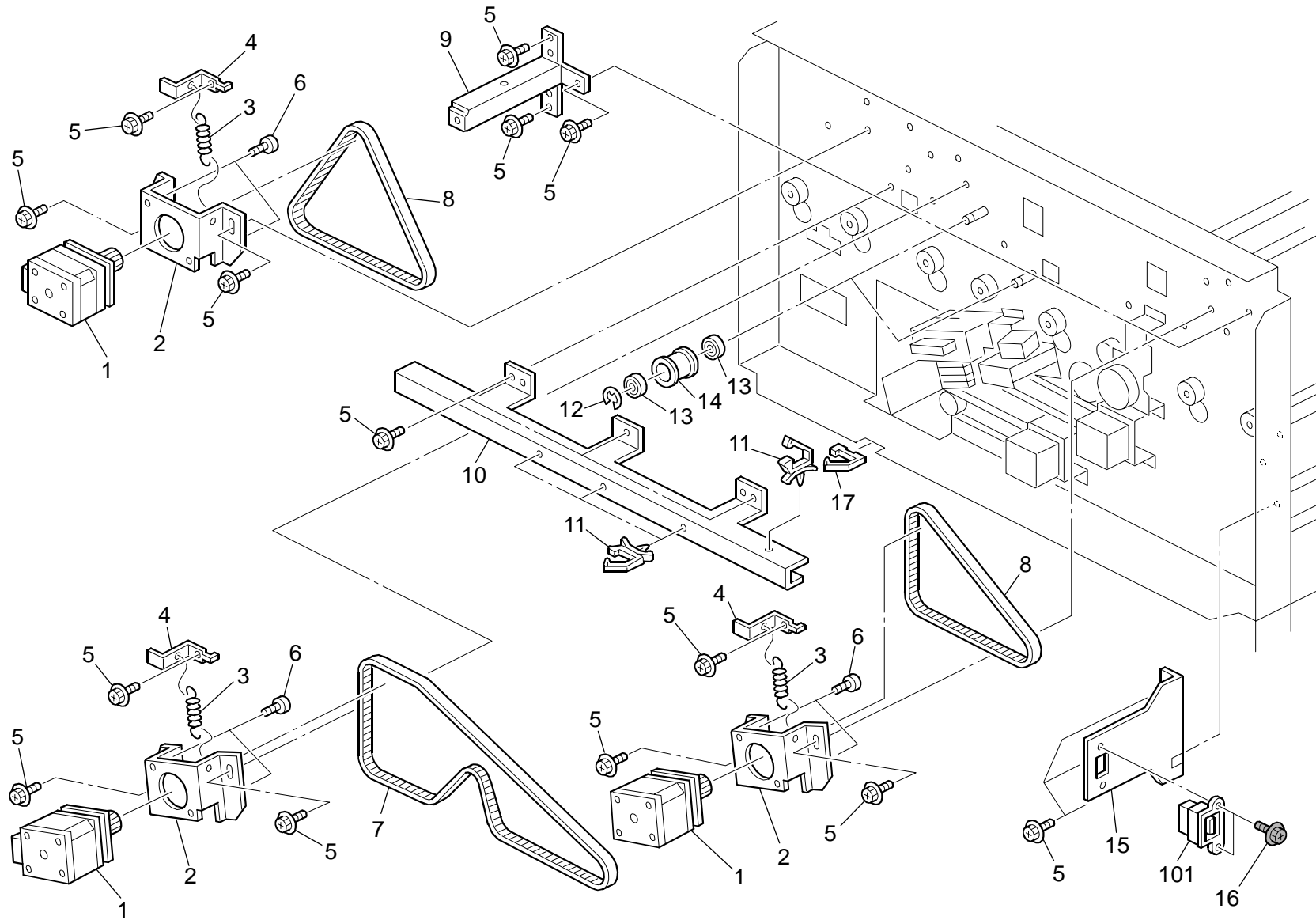


22.Stacker Section 4 (D392)

Index No.	Part No.	Description	Q'ty Per Assembly
1	D392 1212	Stay:Tray:Upper:MB10644	1
2	D392 1211	Bracket:Sensor:MB10642	1
3	B889 1354	Photointerruptor:Paper Crimp	2
4	D392 3113	Tapping Screw:M3x6:AA05569	12
5	D392 3119	Screw:M3x6:AA25112	2
6	D392 5153	Micro Switch:MB11915	1
7	D392 1205	Bracket:Micro Switch:MB10636	1
8	D392 3121	Screw:M2x10:AA25120	2
9	D392 1295	Frame:Left:Tray:Left:MB70034	1
10	D392 1297	Frame:Tray:Front:MB70037	1
11	D392 1209	Protection:Synchronous Belt:MB10640	2
12	D392 1296	Frame:Tray:Rear:MB70036	1
13	D392 1221	Shaft:Plate:MB10664	1
14	D392 1206	Tray:Auxiliary:MB10636	1
15	D392 1224	Plate:Micro Switch:MB10668	1
16	D392 3141	Retaining Rings-E:JJ18501	2

Index No.	Part No.	Description	Q'ty Per Assembly

23. Drive Section 1 (D392)

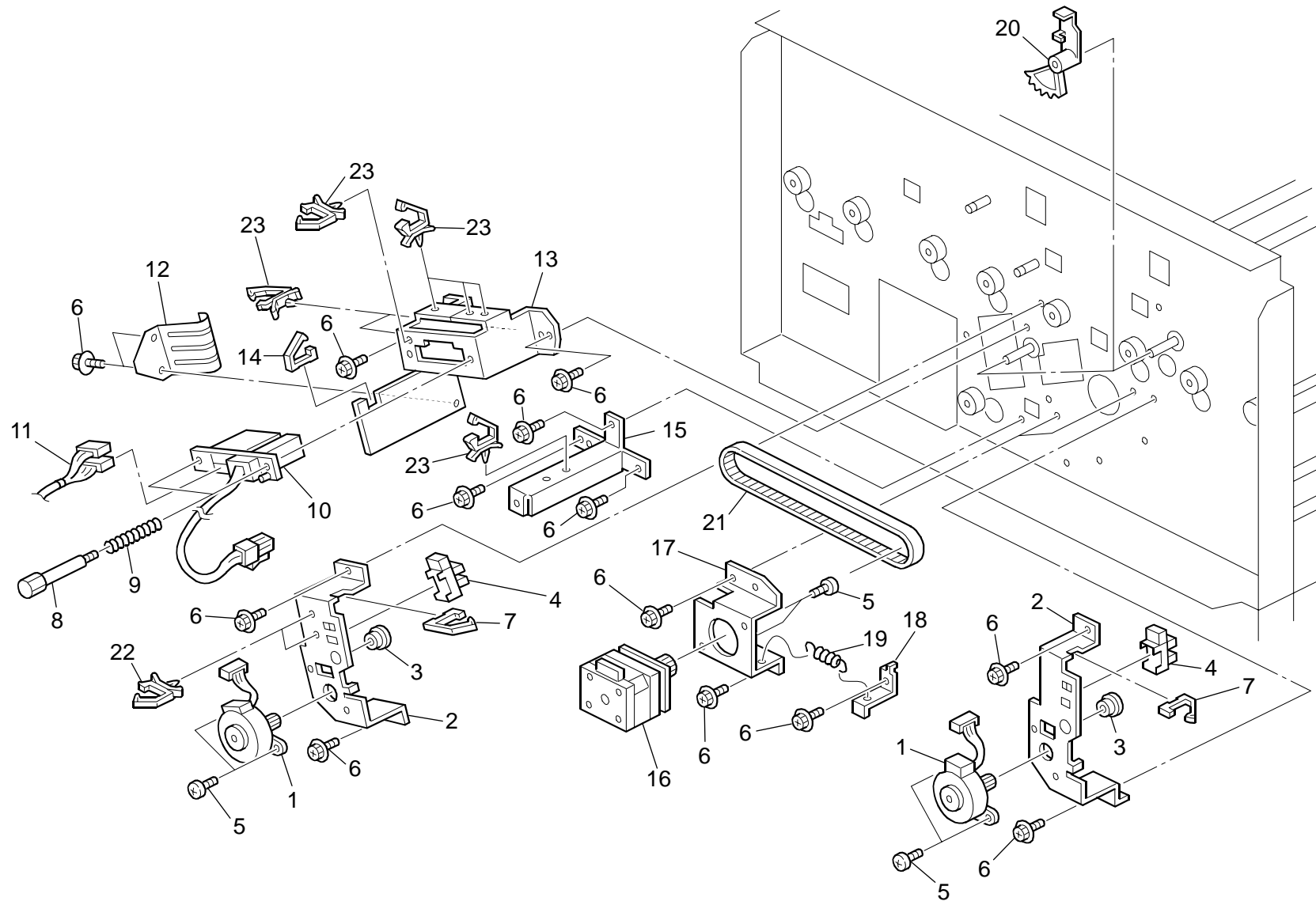


23. Drive Section 1 (D392)

Index No.	Part No.	Description	Q'ty Per Assembly
1	D392 1303	DC Stepper Motor:MB70080	3
2	D392 1253	Bracket:Motor:MB10789	3
3	D392 3143	Tension Spring:Kk13361	3
4	D392 1251	Hook:Tension Spring:MB10785	3
5	D392 3113	Tapping Screw:M3x6:AA05569	18
6	D392 3119	Screw:M3x6:AA25112	6
7	D392 1255	Synchronous Belt:S2M:MB10792	1
8	D392 1254	Synchronous Belt:S2M:MB10791	2
9	D392 1286	Bracket:Cover:Rear:MB11428	1
10	D392 1252	Bracket:Harness:MB10786	1
11	D392 5119	Clamp:RLWC-2SV0:YY21012	4
12	D392 3141	Retaining Rings-E:JJ18501	2
13	D392 3158	Radial Ball Bearing:R-1140ZZ:LI11724	4
14	D392 1250	Roller:Idler:MB10783	2
15	D392 1271	Bracket:Outside I/F Connector:MB10845	1
16	D392 3114	Tapping Screw:M3x8:AA05570	2
17	D392 5122	Clamp:LES-1017:YY21017	1

Index No.	Part No.	Description	Q'ty Per Assembly
101	1102 8502	Connector - 54679-1615	

24. Drive Section 2 (D392)

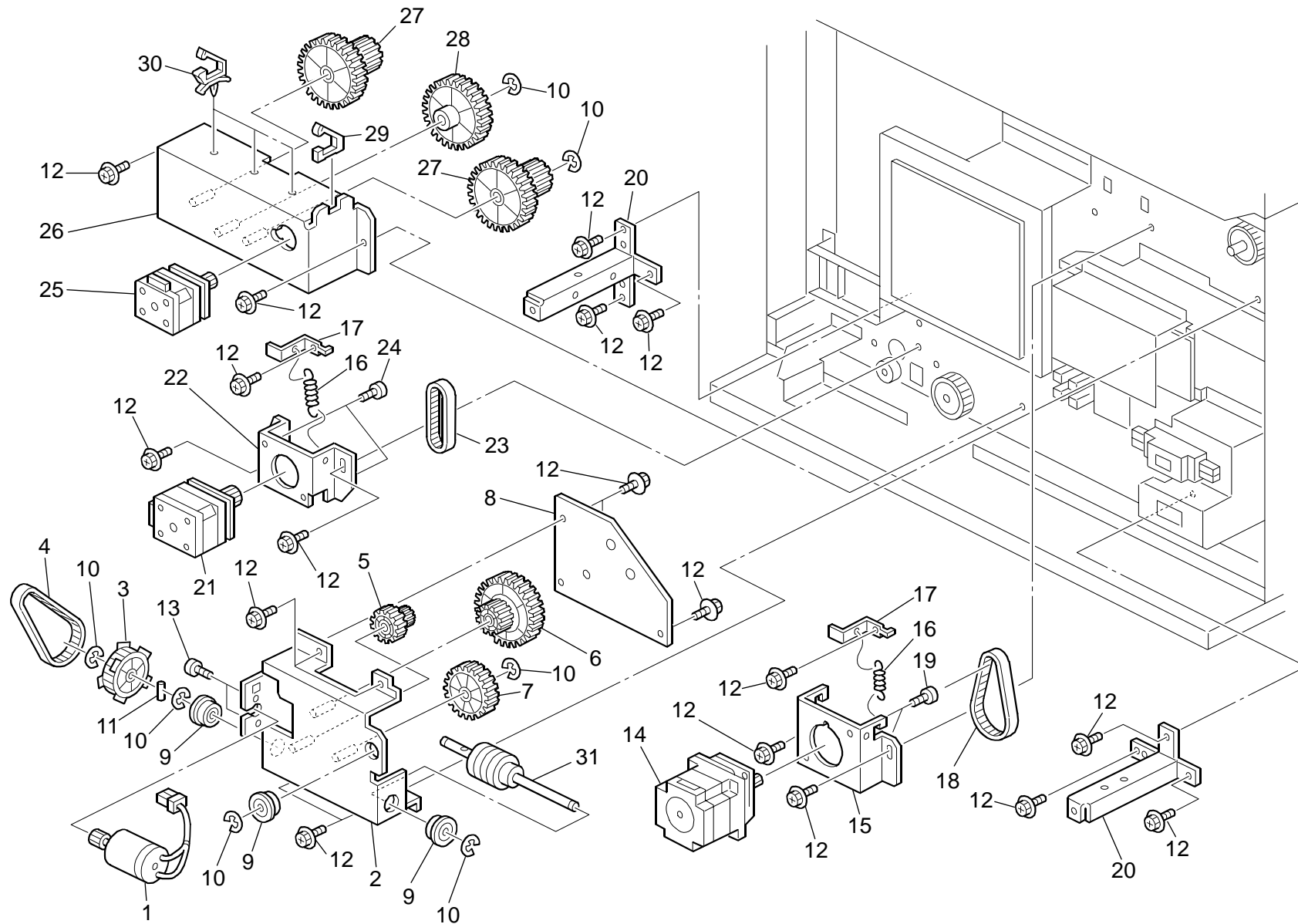


24. Drive Section 2 (D392)

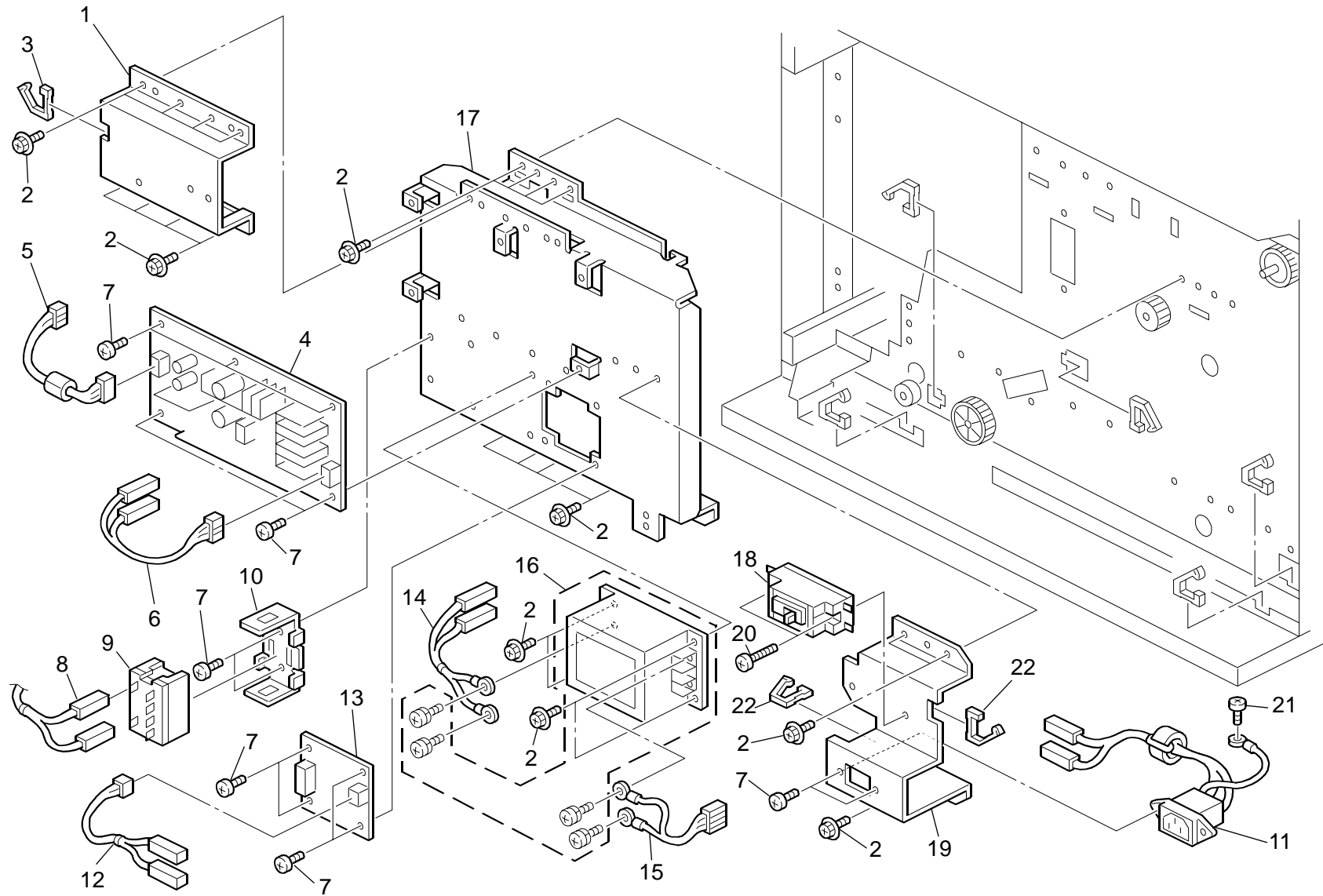
Index No.	Part No.	Description	Q'ty Per Assembly
1	D392 1247	DC Stepper Motor:MB10767	2
2	D392 1246	Bracket:Motor:MB10766	2
3	D392 3161	Bushing:80F-0603:LL62007	2
4	AW02 0141	Photointerruptor	2
5	D392 3119	Screw:M3x6:AA25112	8
6	D392 3113	Tapping Screw:M3x6:AA05569	17
7	D392 5123	Clamp:EDS-0704L-V0:YY21018	2
8	D392 1265	Screw:Drawer:MB10831	2
9	D392 3154	Compression Spring:KK23992	2
10	D392 5156	Harness:Motor:Punch:MB11917	1
11	D392 5157	Harness:Sensor:Punch:MB11918	1
12	D392 1137	Ground Plate:MB10517	1
13	D392 1264	Bracket:Drawer:Punch:MB10830	1
14	D392 5121	Clamp:LES-1010:YY21016	1
15	D392 1286	Bracket:Cover:Rear:MB11428	1
16	D392 1303	DC Stepper Motor:MB70080	2
17	D392 1253	Bracket:Motor:MB10789	2
18	D392 1251	Hook:Tension Spring:MB10785	2
19	D392 3143	Tension Spring:Kk13361	2
20	D392 1248	Gear:MB10768	2
21	D392 1254	Synchronous Belt:S2M:MB10791	2
22	D392 5116	Clamp:RLMS-2V0:YY20015	4
23	D392 5115	Clamp:RST-1N:YY20015	7

Index No.	Part No.	Description	Q'ty Per Assembly

25. Drive Section 3 (D392)



26.Electrical Section 1 (D392)

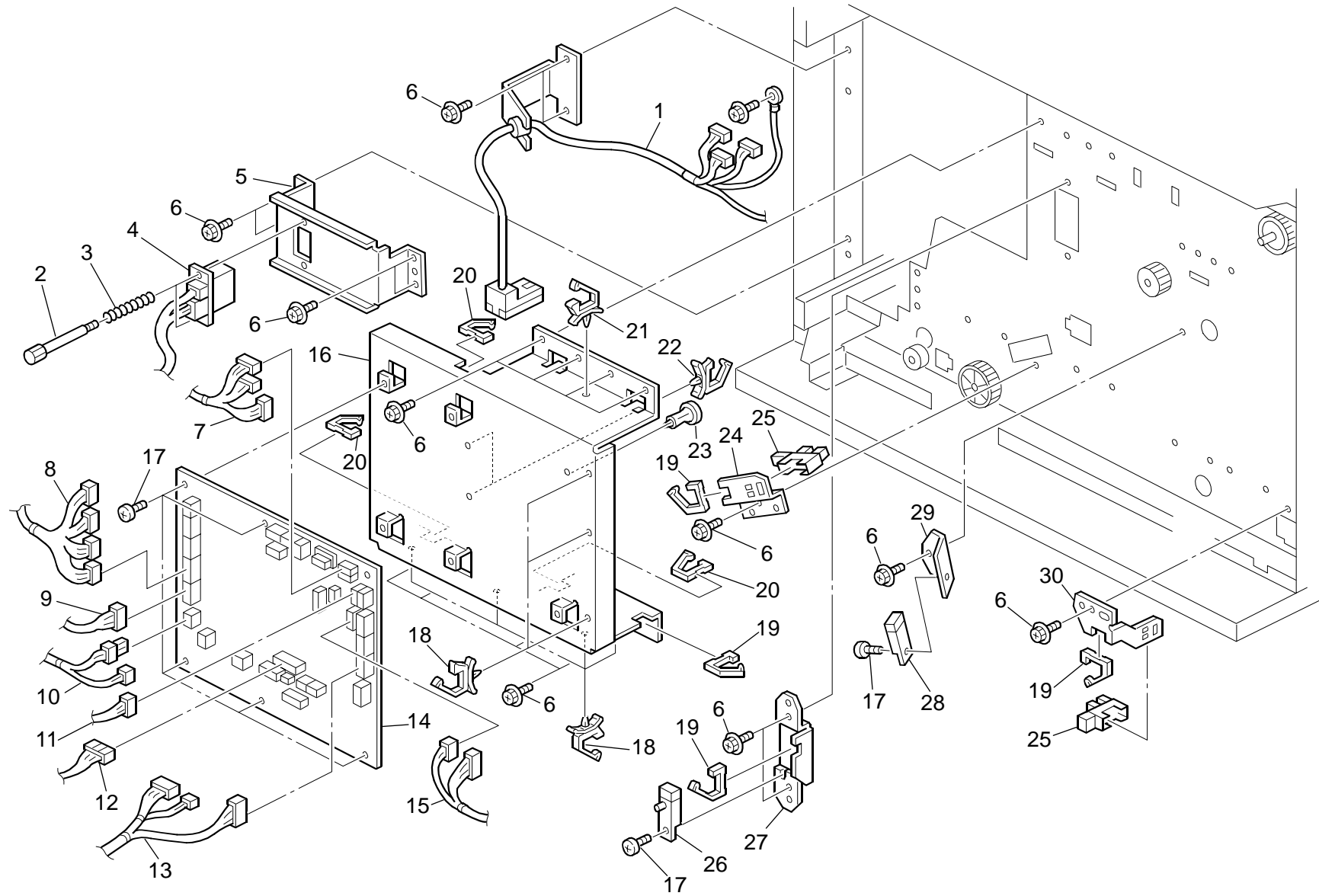


26.Electrical Section 1 (D392)

Index No.	Part No.	Description	Q'ty Per Assembly
1	D392 1279	Cover:AC Power Supply:MB11312	1
2	D392 3113	Tapping Screw:M3x6:AA05569	23
3	D392 5121	Clamp:LES-1010:YY21016	1
4	D392 5111	Power Supply Unit:LEP240F24:MB80004	1
5	D392 5162	Harness:Power Supply Unit:MB11923	1
6	D392 5160	Harness:AC Power Supply:MB11921	1
7	D392 3119	Screw:M3x6:AA25112	13
8	D392 5161	Harness:Relay:MB11922	1
9	D392 5131	Relay:G7L-2A-T-DC24V:MB11306	1
10	D392 5133	Socket:Relay:R99-07:MB11315	1
11	D392 5135	Inlet:AC Power Supply:MB11387	1
12	D392 5136	Harness:AC Power Supply:MB11388	1
13	D392 5114	PCB:Surge Absorber:MB70243	1
14	D392 5138	Harness:AC Power Supply:MB11390	1
15	D392 5137	Harness:AC Power Supply:MB11389	1
16	D392 5132	Noise Filter:SUP-EK10-ER-6:MB11307	1
17	D392 1278	Bracket:AC Power Supply:MB11311	1
18	D392 5178	Leak Breaker:BJ51522F1:MB11302	1
19	D392 1277	Bracket:Inlet:MB11301	1
20	D392 3116	Pan Head Screw:M3x22:AA21122	2
21	D392 3111	Screw With Washer:M4x8:AA00555	1
22	D392 5123	Clamp:EDS-0704L-V0:YY21018	2

Index No.	Part No.	Description	Q'ty Per Assembly

27.Electrical Section 2 (D392)

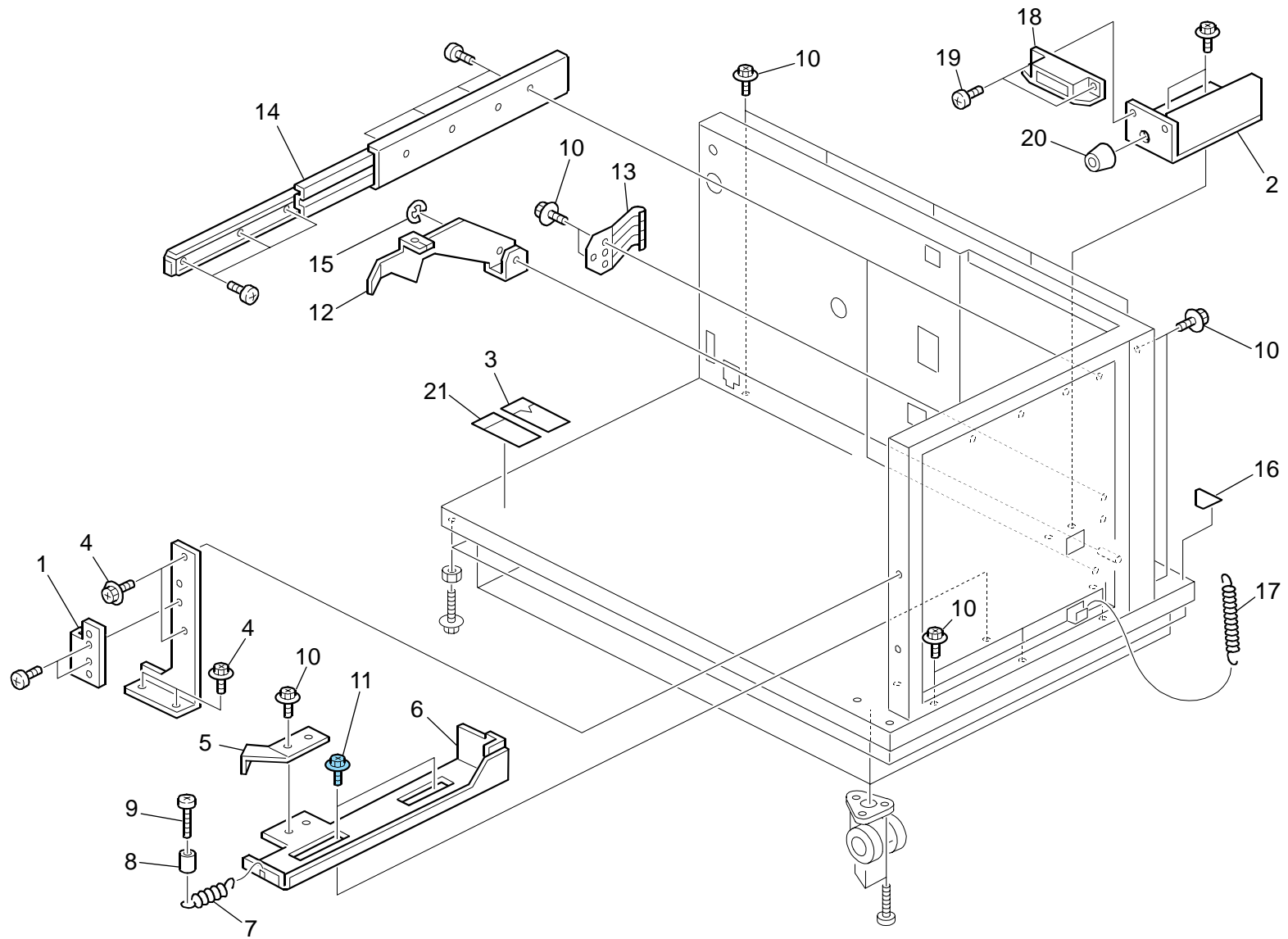


27.Electrical Section 2 (D392)

Index No.	Part No.	Description	Q'ty Per Assembly
1	D392 5176	Harness:Interface:Mb70162	1
2	D392 1265	Screw:Drawer:MB10831	2
3	D392 3154	Compression Spring:KK23992	2
4	D392 5154	Harness:Drawer:Main:MB11916	1
5	D392 1135	Bracket:Drawer:MB10514	1
6	D392 3113	Tapping Screw:M3x6:AA05569	19
7	D392 5145	Harness:Sensor:MB11907	1
8	D392 5139	Harness:Motor:MB11901	1
9	D392 5141	Harness:Motor:MB11903	1
10	D392 5140	Harness:Motor:MB11902	1
11	D392 5148	Harness:Sensor:Line:MB11910	1
12	D392 5159	Harness:Safety Switch:MB11920	1
13	D392 5142	Harness:Stack:MB11904	1
14	D392 5556	Base:Main:MB70241:Ass'y	1
15	D392 5150	Harness:Sensor:MB11912	1
16	D392 1134	Bracket:Base:Main:MB10513	1
17	D392 3119	Screw:M3x6:AA25112	7
18	D392 5118	Clamp:RLWC-3SV0:YY21011	7
19	D392 5123	Clamp:EDS-0704L-V0:YY21018	4
20	D392 5121	Clamp:LES-1010:YY21016	3
21	D392 5115	Clamp:RST-1N:YY20015	1
22	D392 5120	Clamp:RLWC-1SV0:YY21013	2
23	D392 5124	Locking Support:LCS-10S:YZ35025	1
24	D392 1186	Bracket:Sensor:MB10601	1
25	AW02 0141	Photointerruptor	2
26	AW01 0129	Photo Reflection Sensor	1
27	D392 1146	Bracket:Sensor:MB10535	1
28	B889 1354	Photointerruptor:Paper Crimp	1
29	D392 1198	Bracket:Sensor:MB10625	1
30	D392 1225	Bracket:Sensor:MB10670	1

Index No.	Part No.	Description	Q'ty Per Assembly
-----------	----------	-------------	-------------------

28.Frame Section (D392)



28.Frame Section (D392)

Index No.	Part No.	Description	Q'ty Per Assembly
1	D392 1142	Bracket:Stopper:MB10528	1
2	D392 1138	Bracket:Stopper:MB10519	1
3	D392 7715	Decal:Exit:Caution	1
4	D392 3114	Tapping Screw:M3x8:AA05570	4
5	D392 1226	Spring Plate:MB10677	1
6	D392 1193	Bracket:Link:MB10614	1
7	D392 3148	Tension Spring:KK14057	1
8	D392 3135	Pin:FF51670	1
9	D392 3118	Screw:M3x12:AA25108	1
10	D392 3113	Tapping Screw:M3x6:AA05569	13
11	D392 1235	Screw:3x5:MB10718	2
12	D392 1136	Lever:Set:MB10516	1
13	D392 1137	Ground Plate:MB10517	1
14	D392 1141	Slide Rail:C3300-6942:MB10524	2
15	D392 3139	Retaining Rings-E:JJ10512	1
16	D392 7718	Decal:Base:MB11473	1
17	D392 3142	Tension Spring:KK13360	1
18	D392 1270	Magnet Catch:CA-0124:MB10843	1
19	D392 3125	Screw:M3x5:AA25519	2
20	D392 1139	Spacer:FF001:MB10520	1
21	D392 7716	Decal:Tray:Exit:Caution	1

Index No.	Part No.	Description	Q'ty Per Assembly

Parts Index

Parts Index

Part No.	Description	Page and Index No.
D392 1112	Clamp:UNI:MB92004:Ass'y	21 - 5
D392 1113	Frame:Cartridge:MB92005:Ass'y	21 - 7
D392 1115	Jogger Sub-unit:Punch:MB92009	13 - *
D392 1118	Punch Unit:Letter:MB70100	15 - 21
D392 1120	Uniform Unit:MB92006:Ass'y	21 - 1
D392 1121	Drive Sub-unit:Tray:MB80001:Ass'y	51 - 31
D392 1122	Shaft:Gate Pawl:MB80002:Ass'y	9 - 27
D392 1123	Shaft:Jogger:MB70051	11 - 3
D392 1124	Shaft:Uniform:MB80003:Ass'y	11 - 29
D392 1134	Bracket:Base:Main:MB10513	55 - 16
D392 1135	Bracket:Drawer:MB10514	55 - 5
D392 1136	Lever:Set:MB10516	57 - 12
D392 1137	Ground Plate:MB10517	49 - 12
D392 1137	Ground Plate:MB10517	57 - 13
D392 1138	Bracket:Stopper:MB10519	57 - 2
D392 1139	Spacer:FF001:MB10520	57 - 20
D392 1140	Stay:Frame:MB10523	19 - 4
D392 1141	Slide Rail:C3300-6942:MB10524	57 - 14
D392 1142	Bracket:Stopper:MB10528	57 - 1
D392 1143	Frame:Toner Hopper:MB10531	19 - 5
D392 1144	Frame:Toner Hopper:Upper:MB10532	19 - 6
D392 1145	Bracket:Sensor:MB10533	19 - 8
D392 1146	Bracket:Sensor:MB10535	55 - 27
D392 1148	Frame:Exit:MB10541	33 - 2
D392 1149	End Fence:Tray:MB10542	33 - 13
D392 1150	Bracket:Sensor:MB10543	33 - 16
D392 1151	Stay:Exit:MB10546	33 - 10
D392 1152	Shaft:Link:MB10548	33 - 9
D392 1153	Roller:Tray:MB10551	33 - 6
D392 1153	Roller:Tray:MB10551	41 - 17
D392 1154	Cover:Frame:MB10552	33 - 1
D392 1155	Guide Plate:MB10555	35 - 2
D392 1156	Stay:Idler:MB10556	35 - 13
D392 1157	Bracket:Sensor:MB10558	35 - 15
D392 1158	Shaft:Idler:MB10559	35 - 21

Part No.	Description	Page and Index No.
D392 1158	Shaft:Idler:MB10559	39 - 11
D392 1159	Shaft:Drive:MB10560	35 - 9
D392 1160	Pawl:Exit Belt:MB10561	39 - 5
D392 1160	Pawl:Exit Belt:MB10561	35 - 20
D392 1162	Pulley:MB10564	39 - 8
D392 1162	Pulley:MB10564	35 - 11
D392 1163	Synchronous Belt:S3M:MB10565	39 - 26
D392 1163	Synchronous Belt:S3M:MB10565	35 - 8
D392 1164	Guide Plate:MB10569	39 - 1
D392 1165	Stay:Idler:MB10570	39 - 10
D392 1166	Stay:Guide Plate:MB10571	37 - 1
D392 1167	Shaft:Drive:MB10572	39 - 27
D392 1168	Bracket:Sensor:MB10573	39 - 21
D392 1169	Adjusting Plate:MB10574	37 - 3
D392 1170	Bracket:MB10575	37 - 19
D392 1171	Bracket:Sensor:Entrance:MB10576	39 - 17
D392 1172	Guide Plate:MB10580	37 - 15
D392 1173	Bracket:Shaft:Support:MB10581	39 - 22
D392 1174	Shaft:Guide Plate:MB10582	37 - 8
D392 1175	Shaft:Guide Plate:MB10583	39 - 23
D392 1176	Bracket:MB10584	37 - 20
D392 1177	Gear:MB10585	33 - 21
D392 1178	Pulley:MB10586	33 - 14
D392 1179	Sheet:Guide Plate:MB10589	37 - 16
D392 1180	Link:Guide Plate:MB10588	37 - 12
D392 1181	Link:Guide Plate:MB10589	37 - 9
D392 1182	Gear:MB10593	51 - 27
D392 1183	Gear:MB10594	51 - 28
D392 1184	Synchronous Belt:S2M:MB10598	51 - 23
D392 1185	Bracket:Motor:MB10600	51 - 15
D392 1186	Bracket:Sensor:MB10601	55 - 24
D392 1187	Stay:MB10602	19 - 2
D392 1188	Synchronous Belt:S2M:MB10604	51 - 18
D392 1188	Synchronous Belt:S2M:MB10604	51 - 4
D392 1189	Guide Plate:Exit:MB10605	19 - 16

Part No.	Description	Page and Index No.
D392 1190	Stay:Guide Plate:MB10606	19 - 21
D392 1191	Lever:Exit:MB10609	19 - 18
D392 1192	Shaft:Lever:MB10611	19 - 20
D392 1193	Bracket:Link:MB10614	57 - 6
D392 1194	Cushion:MB10615	19 - 17
D392 1195	Stay:Tray:Rear:MB10620	43 - 16
D392 1196	Stay:Tray:Front:MB10622	43 - 1
D392 1197	Stay:Tray:Lower:MB10623	43 - 10
D392 1198	Bracket:Sensor:MB10625	55 - 29
D392 1199	Shaft:Tray:Drive:MB10626	43 - 15
D392 1200	Pulley:MB10627	43 - 7
D392 1201	Stay:Tray:Frame:MB10632	41 - 7
D392 1202	Stay:Tray:Frame:MB10633	41 - 6
D392 1203	Roller:Tray:MB10634	43 - 14
D392 1204	Bracket:Tray:MB10635	41 - 4
D392 1205	Bracket:Micro Switch:MB10636	45 - 7
D392 1206	Tray:Auxiliary:MB10636	45 - 14
D392 1207	Tray:Auxiliary:MB10638	41 - 20
D392 1208	Bracket:Safety Switch:MB10639	41 - 11
D392 1209	Protection:Synchronous Belt:MB10640	45 - 11
D392 1210	Bracket:Sensor:MB10641	41 - 21
D392 1211	Bracket:Sensor:MB10642	45 - 2
D392 1212	Stay:Tray:Upper:MB10644	45 - 1
D392 1213	Synchronous Belt:S5M:MB10646	43 - 9
D392 1214	Slide Rail:C201-6947:MB10647	41 - 5
D392 1215	Lock:Tray:MB10652	41 - 15
D392 1216	Shaft:Tray:Auxiliary:MB10653	41 - 16
D392 1217	Tray:Exit:MB10659	19 - 27
D392 1218	Guide:Auxiliary:MB10660	19 - 12
D392 1219	Roller:Tray:MB10661	19 - 14
D392 1220	Cover:Tray:Front:MB10663	41 - 1
D392 1221	Shaft:Plate:MB10664	45 - 13
D392 1222	Cover:Tray:Upper:MB10665	19 - 1
D392 1223	Gear:MB10666	19 - 24
D392 1224	Plate:Micro Switch:MB10668	45 - 15

Part No.	Description	Page and Index No.
D392 1225	Bracket:Sensor:MB10670	55 - 30
D392 1226	Spring Plate:MB10677	57 - 5
D392 1227	Cover:Drive:MB10679	51 - 8
D392 1228	Gear:MB10686	51 - 5
D392 1229	Gear:MB10687	51 - 6
D392 1230	Gear:MB10688	51 - 7
D392 1231	Pulley:MB10689	51 - 3
D392 1232	Cover:Safety Switch:MB10708	17 - 5
D392 1233	Frame:Punch:B:MB10713	17 - 1
D392 1234	Frame:Punch:C:MB10714	17 - 4
D392 1235	Screw:3x5:MB10718	11 - 8
D392 1235	Screw:3x5:MB10718	57 - 11
D392 1236	Radial Ball Bearing:MB10720	11 - 22
D392 1236	Radial Ball Bearing:MB10720	7 - 22
D392 1236	Radial Ball Bearing:MB10720	9 - 16
D392 1237	Roller:A:MB10721	9 - 15
D392 1237	Roller:A:MB10721	7 - 11
D392 1238	Roller:B:MB10723	11 - 1
D392 1239	Pulley:MB10725	7 - 20
D392 1239	Pulley:MB10725	33 - 20
D392 1239	Pulley:MB10725	11 - 27
D392 1239	Pulley:MB10725	9 - 23
D392 1240	Guide Plate:Transport:C:MB10729	7 - 13
D392 1241	Guide Plate:Transport:C:MB10730	7 - 6
D392 1242	Guide Plate:Transport:C:MB10731	9 - 21
D392 1243	Discharge Brush:L300:MB10732	9 - 20
D392 1243	Discharge Brush:L300:MB10732	15 - 5
D392 1243	Discharge Brush:L300:MB10732	7 - 7
D392 1244	Bracket:Sensor:MB10736	7 - 16
D392 1244	Bracket:Sensor:MB10736	9 - 6
D392 1245	Guide Plate:Punch:Rear:MB10738	11 - 2
D392 1246	Bracket:Motor:MB10766	49 - 2
D392 1247	DC Stepper Motor:MB10767	49 - 1
D392 1248	Gear:MB10768	49 - 20
D392 1249	Shaft:Moveable:MB10771	11 - 4

Part No.	Description	Page and Index No.
D392 1250	Roller:Idler:MB10783	47 - 14
D392 1251	Hook:Tension Spring:MB10785	47 - 4
D392 1251	Hook:Tension Spring:MB10785	49 - 18
D392 1251	Hook:Tension Spring:MB10785	51 - 17
D392 1252	Bracket:Harness:MB10786	47 - 10
D392 1253	Bracket:Motor:MB10789	49 - 17
D392 1253	Bracket:Motor:MB10789	51 - 22
D392 1253	Bracket:Motor:MB10789	47 - 2
D392 1254	Synchronous Belt:S2M:MB10791	49 - 21
D392 1254	Synchronous Belt:S2M:MB10791	47 - 8
D392 1255	Synchronous Belt:S2M:MB10792	47 - 7
D392 1256	Sheet:Discharge Brush:MB10803	7 - 4
D392 1257	Sheet:Discharge Brush:MB10807	9 - 26
D392 1258	Bracket:Roller:MB10812	11 - 14
D392 1259	Bracket:Magnet Catch:MB10814	17 - 7
D392 1260	Bracket:Guide Plate:Punch:MB10816	15 - 9
D392 1261	Shaft:Guide Plate:Punch:MB10817	15 - 10
D392 1262	Bracket:Sensor:MB10823	15 - 18
D392 1263	Cover:Guide Plate:MB10829	15 - 20
D392 1264	Bracket:Drawer:Punch:MB10830	49 - 13
D392 1265	Screw:Drawer:MB10831	55 - 2
D392 1265	Screw:Drawer:MB10831	49 - 8
D392 1266	Bracket:Magnet Catch:MB10833	15 - 23
D392 1267	Magnet Catch:CA-0149:MB10834	11 - 20
D392 1267	Magnet Catch:CA-0149:MB10834	9 - 2
D392 1267	Magnet Catch:CA-0149:MB10834	7 - 2
D392 1267	Magnet Catch:CA-0149:MB10834	15 - 3
D392 1268	Bracket:Magnet Catch:MB10835	15 - 2
D392 1269	Bracket:Magnet Catch:MB10839	17 - 9
D392 1270	Magnet Catch:CA-0124:MB10843	57 - 18
D392 1270	Magnet Catch:CA-0124:MB10843	17 - 8
D392 1271	Bracket:Outside I/F Connector:MB10845	47 - 15
D392 1272	Boss:Paddle:MB10952	31 - 9
D392 1273	Paddle:MB10953	31 - 8
D392 1274	Gear:Motor:MB11163	23 - 5

Part No.	Description	Page and Index No.
D392 1275	Handle:MB11294	21 - 3
D392 1276	Damper:TD62R1-1500:MB11295	25 - 13
D392 1277	Bracket:Inlet:MB11301	53 - 19
D392 1278	Bracket:AC Power Supply:MB11311	53 - 17
D392 1279	Cover:AC Power Supply:MB11312	53 - 1
D392 1280	Grip:Cover:Front:Right:MB11400	5 - 16
D392 1281	Lever:Safety Switch:MB11409	5 - 13
D392 1282	Grip:Front:Left:MB11410	5 - 1
D392 1283	Stopper:Guide Plate:MB11415	5 - 4
D392 1284	Hinge:Bushing:MB11421	5 - 3
D392 1285	Sheet:Protection:MB11427	3 - 4
D392 1286	Bracket:Cover:Rear:MB11428	51 - 20
D392 1286	Bracket:Cover:Rear:MB11428	49 - 15
D392 1286	Bracket:Cover:Rear:MB11428	47 - 9
D392 1287	Link:MB70014	33 - 7
D392 1288	Housing:Drive:MB70019	51 - 26
D392 1289	DC Stepper Motor:MB70022	51 - 21
D392 1290	DC Stepper Motor:MB70024	51 - 14
D392 1291	Guide Plate:Exit:Upper:MB70026	37 - 6
D392 1292	Link:Exit:MB70027	37 - 10
D392 1293	Housing:Drive:MB70030	51 - 2
D392 1294	Bracket:Tightener:Tray:MB70032	43 - 5
D392 1295	Frame:Left:Tray:Left:MB70034	45 - 9
D392 1296	Frame:Tray:Rear:MB70036	45 - 12
D392 1297	Frame:Tray:Front:MB70037	45 - 10
D392 1298	DC Motor:MB70040	51 - 1
D392 1299	Frame:Punch:Lower:MB70048	17 - 3
D392 1300	Guide Plate:Punch:Front:MB70055	11 - 9
D392 1301	DC Stepper Motor:MB70060	13 - 1
D392 1302	Link:Roller:MB70072	11 - 5
D392 1303	DC Stepper Motor:MB70080	49 - 16
D392 1303	DC Stepper Motor:MB70080	47 - 1
D392 1304	Guide Plate:Transport:A:MB70081	7 - 12
D392 1305	Guide Plate:Transport:B:MB70082	7 - 3
D392 1306	Guide Plate:Transport:C:MB70083	9 - 1

Part No.	Description	Page and Index No.
D392 1307	Guide Plate:Transport:D:MB70085	9 - 3
D392 1308	Guide Plate:Transport:E:MB70087	11 - 19
D392 1309	Guide Plate:Punch:Rear:MB70092	15 - 7
D392 1310	DC Stepper Motor:MB70118	29 - 1
D392 1310	DC Stepper Motor:MB70118	31 - 4
D392 1310	DC Stepper Motor:MB70118	51 - 25
D392 1311	DC Stepper Motor:MB70119	31 - 7
D392 1311	DC Stepper Motor:MB70119	29 - 6
D392 1312	DC Motor:MB70125	29 - 7
D392 1312	DC Motor:MB70125	31 - 2
D392 1313	DC Stepper Motor:MB70138	29 - 5
D392 1314	Hinge:Left Upper:MB70191	5 - 7
D392 1315	Hinge:Left Lower:MB70192	5 - 14
D392 1316	Hinge:Right Upper:MB70193	5 - 15
D392 1317	Hinge:Right Lower:MB70194	5 - 17
D392 1318	DC Motor:LineMB70224	23 - 4
D392 1319	DC Motor:MB80005	23 - 3
D392 1320	Toner Hopper:Punch:MB80006	15 - 1
D392 1321	Bracket:Sensor:MB10534	19 - 28
D392 1322	Discharge Brush:MB10607	19 - 26
D392 1323	Cover:Safety Switch:MB10838	17 - 12
D392 1324	Cover:Left Lower:MB10592	3 - 15
D392 1330	Guide:Exit:MB10562	35 - 1
D392 3111	Screw With Washer:M4x8:AA00555	53 - 21
D392 3112	Tapping Screw:M3x8:AA05562	35 - 5
D392 3113	Tapping Screw:M3x6:AA05569	19 - 3
D392 3113	Tapping Screw:M3x6:AA05569	13 - 2
D392 3113	Tapping Screw:M3x6:AA05569	57 - 10
D392 3113	Tapping Screw:M3x6:AA05569	39 - 14
D392 3113	Tapping Screw:M3x6:AA05569	21 - 2
D392 3113	Tapping Screw:M3x6:AA05569	35 - 16
D392 3113	Tapping Screw:M3x6:AA05569	7 - 10
D392 3113	Tapping Screw:M3x6:AA05569	55 - 6
D392 3113	Tapping Screw:M3x6:AA05569	15 - 4
D392 3113	Tapping Screw:M3x6:AA05569	9 - 9

Part No.	Description	Page and Index No.
D392 3113	Tapping Screw:M3x6:AA05569	51 - 12
D392 3113	Tapping Screw:M3x6:AA05569	45 - 4
D392 3113	Tapping Screw:M3x6:AA05569	43 - 4
D392 3113	Tapping Screw:M3x6:AA05569	3 - 5
D392 3113	Tapping Screw:M3x6:AA05569	53 - 2
D392 3113	Tapping Screw:M3x6:AA05569	17 - 2
D392 3113	Tapping Screw:M3x6:AA05569	5 - 9
D392 3113	Tapping Screw:M3x6:AA05569	49 - 6
D392 3113	Tapping Screw:M3x6:AA05569	47 - 5
D392 3113	Tapping Screw:M3x6:AA05569	33 - 3
D392 3113	Tapping Screw:M3x6:AA05569	41 - 3
D392 3113	Tapping Screw:M3x6:AA05569	11 - 15
D392 3113	Tapping Screw:M3x6:AA05569	37 - 5
D392 3114	Tapping Screw:M3x8:AA05570	47 - 16
D392 3114	Tapping Screw:M3x8:AA05570	57 - 4
D392 3114	Tapping Screw:M3x8:AA05570	3 - 2
D392 3114	Tapping Screw:M3x8:AA05570	5 - 8
D392 3114	Tapping Screw:M3x8:AA05570	11 - 18
D392 3114	Tapping Screw:M3x8:AA05570	15 - 8
D392 3114	Tapping Screw:M3x8:AA05570	7 - 9
D392 3114	Tapping Screw:M3x8:AA05570	9 - 10
D392 3114	Tapping Screw:M3x8:AA05570	19 - 15
D392 3115	Tapping Screw:M3:AA05580	5 - 12
D392 3116	Pan Head Screw:M3x22:AA21122	53 - 20
D392 3117	Screw:M4x10:AA25005	21 - 4
D392 3117	Screw:M4x10:AA25005	25 - 2
D392 3118	Screw:M3x12:AA25108	39 - 18
D392 3118	Screw:M3x12:AA25108	27 - 3
D392 3118	Screw:M3x12:AA25108	57 - 9
D392 3118	Screw:M3x12:AA25108	41 - 23
D392 3118	Screw:M3x12:AA25108	33 - 8
D392 3119	Screw:M3x6:AA25112	7 - 25
D392 3119	Screw:M3x6:AA25112	19 - 9
D392 3119	Screw:M3x6:AA25112	49 - 5
D392 3119	Screw:M3x6:AA25112	11 - 6

Part No.	Description	Page and Index No.
D392 3119	Screw:M3x6:AA25112	45 - 5
D392 3119	Screw:M3x6:AA25112	47 - 6
D392 3119	Screw:M3x6:AA25112	9 - 14
D392 3119	Screw:M3x6:AA25112	25 - 12
D392 3119	Screw:M3x6:AA25112	15 - 19
D392 3119	Screw:M3x6:AA25112	53 - 7
D392 3119	Screw:M3x6:AA25112	33 - 18
D392 3119	Screw:M3x6:AA25112	55 - 17
D392 3119	Screw:M3x6:AA25112	29 - 2
D392 3119	Screw:M3x6:AA25112	31 - 5
D392 3119	Screw:M3x6:AA25112	51 - 24
D392 3120	Screw:M4x8:AA25118	41 - 8
D392 3120	Screw:M4x8:AA25118	51 - 19
D392 3121	Screw:M2x10:AA25120	45 - 8
D392 3122	Screw:M3x5:AA25124	15 - 12
D392 3122	Screw:M3x5:AA25124	11 - 21
D392 3122	Screw:M3x5:AA25124	7 - 8
D392 3122	Screw:M3x5:AA25124	9 - 11
D392 3123	Screw:M2.6x4:AA25514	23 - 7
D392 3124	Screw:M3x4:AA25516	31 - 3
D392 3124	Screw:M3x4:AA25516	51 - 13
D392 3125	Screw:M3x5:AA25519	57 - 19
D392 3125	Screw:M3x5:AA25519	17 - 11
D392 3126	Screw:M3x16:AA25521	29 - 4
D392 3127	Screw:M2x5:AA25523	37 - 18
D392 3127	Screw:M2x5:AA25523	35 - 6
D392 3127	Screw:M2x5:AA25523	39 - 9
D392 3129	Hexagonal Nut:3-2:CC43109	39 - 7
D392 3129	Hexagonal Nut:3-2:CC43109	35 - 22
D392 3130	Washer:Line3.1x11.8x1:EE39184	3 - 3
D392 3131	Washer:2.3x6.5x0.5:EE39839	35 - 23
D392 3131	Washer:2.3x6.5x0.5:EE39839	39 - 6
D392 3133	Parallel Pin:FF31583	51 - 11
D392 3133	Parallel Pin:FF31583	43 - 8
D392 3134	Parallel Pin:FF31584	19 - 23

Part No.	Description	Page and Index No.
D392 3135	Pin:FF51670	57 - 8
D392 3136	Pin:FF51682	37 - 17
D392 3137	Retaining Rings-E:JJ10109	37 - 7
D392 3138	Retaining Rings-E:PairJJ10509	39 - 13
D392 3138	Retaining Rings-E:PairJJ10509	9 - 19
D392 3138	Retaining Rings-E:PairJJ10509	7 - 21
D392 3138	Retaining Rings-E:PairJJ10509	33 - 22
D392 3138	Retaining Rings-E:PairJJ10509	35 - 4
D392 3138	Retaining Rings-E:PairJJ10509	23 - 6
D392 3138	Retaining Rings-E:PairJJ10509	11 - 23
D392 3139	Retaining Rings-E:JJ10512	9 - 18
D392 3139	Retaining Rings-E:JJ10512	41 - 19
D392 3139	Retaining Rings-E:JJ10512	43 - 13
D392 3139	Retaining Rings-E:JJ10512	11 - 24
D392 3139	Retaining Rings-E:JJ10512	37 - 11
D392 3139	Retaining Rings-E:JJ10512	39 - 24
D392 3139	Retaining Rings-E:JJ10512	57 - 15
D392 3139	Retaining Rings-E:JJ10512	19 - 22
D392 3140	Retaining Rings-E:JJ10513	39 - 3
D392 3140	Retaining Rings-E:JJ10513	51 - 10
D392 3140	Retaining Rings-E:JJ10513	35 - 12
D392 3140	Retaining Rings-E:JJ10513	43 - 3
D392 3140	Retaining Rings-E:JJ10513	33 - 4
D392 3140	Retaining Rings-E:JJ10513	19 - 25
D392 3141	Retaining Rings-E:JJ18501	45 - 16
D392 3141	Retaining Rings-E:JJ18501	15 - 11
D392 3141	Retaining Rings-E:JJ18501	11 - 30
D392 3141	Retaining Rings-E:JJ18501	47 - 12
D392 3142	Tension Spring:KK13360	57 - 17
D392 3143	Tension Spring:Kk13361	47 - 3
D392 3143	Tension Spring:Kk13361	49 - 19
D392 3144	Tension Spring:KK14053	41 - 12
D392 3144	Tension Spring:KK14053	51 - 16
D392 3145	Tension Spring:KK14054	37 - 2
D392 3146	Tension Spring:KK14055	37 - 13

Part No.	Description	Page and Index No.
D392 3147	Tension Spring:KK14056	19 - 19
D392 3148	Tension Spring:KK14057	57 - 7
D392 3149	Tension Spring:KK14058	43 - 6
D392 3150	Tension Spring:KK14059	19 - 13
D392 3151	Tension Spring:KK14060	41 - 18
D392 3152	Tension Spring:KK19001	35 - 14
D392 3152	Tension Spring:KK19001	39 - 12
D392 3153	Compression Spring:KK23990	9 - 5
D392 3153	Compression Spring:KK23990	11 - 16
D392 3153	Compression Spring:KK23990	7 - 1
D392 3153	Compression Spring:KK23990	15 - 15
D392 3154	Compression Spring:KK23992	55 - 3
D392 3154	Compression Spring:KK23992	49 - 9
D392 3155	Torsion Spring:KK34086	37 - 14
D392 3156	Torsion Spring:KK34087	11 - 7
D392 3157	Radial Ball Bearing:LNR-1680HH:LI11718	33 - 5
D392 3157	Radial Ball Bearing:LNR-1680HH:LI11718	43 - 2
D392 3157	Radial Ball Bearing:LNR-1680HH:LI11718	39 - 2
D392 3157	Radial Ball Bearing:LNR-1680HH:LI11718	51 - 9
D392 3158	Radial Ball Bearing:R-1140ZZ:LI11724	47 - 13
D392 3159	Radial Ball Bearing:LF-1060ZZ:LI11725	35 - 3
D392 3160	Radial Ball Bearing:LNR-1360x3ZZ:LI11726	11 - 26
D392 3160	Radial Ball Bearing:LNR-1360x3ZZ:LI11726	7 - 19
D392 3160	Radial Ball Bearing:LNR-1360x3ZZ:LI11726	9 - 22
D392 3161	Bushing:80F-0603:LL62007	11 - 25
D392 3161	Bushing:80F-0603:LL62007	49 - 3
D392 3161	Bushing:80F-0603:LL62007	9 - 17
D392 3163	Harness:Sensor:MB11925	25 - 9
D392 4112	Guide Plate:Connecting:13inch:Ass'y	3 - 20
D392 4119	Sponge:Cover	3 - 13
D392 4120	Tapping Screw:M3x6	3 - 9
D392 4121	Screw:M4x14	3 - 10
D392 5111	Power Supply Unit:LEP240F24:MB80004	53 - 4
D392 5114	PCB:Surge Absorber:MB70243	53 - 13
D392 5115	Clamp:RST-1N:YY20015	49 - 23

Part No.	Description	Page and Index No.
D392 5115	Clamp:RST-1N:YY20015	55 - 21
D392 5116	Clamp:RLMS-2V0:YY20015	7 - 15
D392 5116	Clamp:RLMS-2V0:YY20015	9 - 13
D392 5116	Clamp:RLMS-2V0:YY20015	11 - 12
D392 5116	Clamp:RLMS-2V0:YY20015	49 - 22
D392 5117	Clamp:RLMS-1V0:YY21010	15 - 14
D392 5117	Clamp:RLMS-1V0:YY21010	39 - 4
D392 5117	Clamp:RLMS-1V0:YY21010	35 - 7
D392 5117	Clamp:RLMS-1V0:YY21010	33 - 12
D392 5117	Clamp:RLMS-1V0:YY21010	19 - 11
D392 5117	Clamp:RLMS-1V0:YY21010	51 - 30
D392 5118	Clamp:RLWC-3SV0:YY21011	55 - 18
D392 5119	Clamp:RLWC-2SV0:YY21012	47 - 11
D392 5120	Clamp:RLWC-1SV0:YY21013	55 - 22
D392 5121	Clamp:LES-1010:YY21016	55 - 20
D392 5121	Clamp:LES-1010:YY21016	53 - 3
D392 5121	Clamp:LES-1010:YY21016	43 - 12
D392 5121	Clamp:LES-1010:YY21016	49 - 14
D392 5122	Clamp:LES-1017:YY21017	47 - 17
D392 5123	Clamp:EDS-0704L-V0:YY21018	11 - 13
D392 5123	Clamp:EDS-0704L-V0:YY21018	43 - 11
D392 5123	Clamp:EDS-0704L-V0:YY21018	53 - 22
D392 5123	Clamp:EDS-0704L-V0:YY21018	9 - 12
D392 5123	Clamp:EDS-0704L-V0:YY21018	33 - 11
D392 5123	Clamp:EDS-0704L-V0:YY21018	41 - 9
D392 5123	Clamp:EDS-0704L-V0:YY21018	19 - 10
D392 5123	Clamp:EDS-0704L-V0:YY21018	7 - 14
D392 5123	Clamp:EDS-0704L-V0:YY21018	35 - 17
D392 5123	Clamp:EDS-0704L-V0:YY21018	15 - 13
D392 5123	Clamp:EDS-0704L-V0:YY21018	51 - 29
D392 5123	Clamp:EDS-0704L-V0:YY21018	37 - 4
D392 5123	Clamp:EDS-0704L-V0:YY21018	49 - 7
D392 5123	Clamp:EDS-0704L-V0:YY21018	39 - 19
D392 5123	Clamp:EDS-0704L-V0:YY21018	55 - 19
D392 5124	Locking Support:LCS-10S:YZ35025	55 - 23

Part No.	Description	Page and Index No.
D392 5125	Photo Refiection Sensor:ZO10056	41 - 22
D392 5125	Photo Refiection Sensor:ZO10056	39 - 16
D392 5125	Photo Refiection Sensor:ZO10056	27 - 2
D392 5125	Photo Refiection Sensor:ZO10056	33 - 15
D392 5126	Registration Sensor:Actuator:ZO10058	39 - 20
D392 5126	Registration Sensor:Actuator:ZO10058	25 - 15
D392 5126	Registration Sensor:Actuator:ZO10058	35 - 18
D392 5128	Safety Switch:FA3L-CA22:MB10840	17 - 10
D392 5128	Safety Switch:FA3L-CA22:MB10840	41 - 10
D392 5129	Fan:EUDC24B8:MB11064	29 - 3
D392 5131	Relay:G7L-2A-T-DC24V:MB11306	53 - 9
D392 5132	Noise Filter:SUP-EK10-ER-6:MB11307	53 - 16
D392 5133	Socket:Relay:R99-07:MB11315	53 - 10
D392 5134	Ground Wire:MB11386	5 - 6
D392 5135	Inlet:AC Power Supply:MB11387	53 - 11
D392 5136	Harness:AC Power Supply:MB11388	53 - 12
D392 5137	Harness:AC Power Supply:MB11389	53 - 15
D392 5138	Harness:AC Power Supply:MB11390	53 - 14
D392 5139	Harness:Motor:MB11901	55 - 8
D392 5140	Harness:Motor:MB11902	55 - 10
D392 5141	Harness:Motor:MB11903	55 - 9
D392 5142	Harness:Stack:MB11904	55 - 13
D392 5143	Harness:Stack:MB11905	41 - 14
D392 5144	Harness:Safety Switch:MB11906	41 - 13
D392 5145	Harness:Sensor:MB11907	55 - 7
D392 5146	Harness:Sensor:MB11908	7 - 18
D392 5146	Harness:Sensor:MB11908	9 - 7
D392 5146	Harness:Sensor:MB11908	11 - 11
D392 5147	Harness:Sensor:MB11909	13 - 3
D392 5147	Harness:Sensor:MB11909	15 - 17
D392 5148	Harness:Sensor:Line:MB11910	55 - 11
D392 5149	Harness:Sensor:MB11911	39 - 15
D392 5150	Harness:Sensor:MB11912	55 - 15
D392 5151	Harness:Sensor:MB11913	35 - 19
D392 5152	Harness:Sensor:Exit:MB11914	33 - 19

Part No.	Description	Page and Index No.
D392 5153	Micro Switch:MB11915	45 - 6
D392 5154	Harness:Drawer:Main:MB11916	55 - 4
D392 5156	Harness:Motor:Punch:MB11917	49 - 10
D392 5157	Harness:Sensor:Punch:MB11918	49 - 11
D392 5158	Ground Wire:MB11919	15 - 6
D392 5159	Harness:Safety Switch:MB11920	17 - 6
D392 5159	Harness:Safety Switch:MB11920	55 - 12
D392 5160	Harness:AC Power Supply:MB11921	53 - 6
D392 5161	Harness:Relay:MB11922	53 - 8
D392 5162	Harness:Power Supply Unit:MB11923	53 - 5
D392 5164	Harness:Sensor:MB11926	25 - 7
D392 5165	Harness:Sensor:MB11927	25 - 11
D392 5166	Harness:Sensor:MB11928	23 - 2
D392 5167	Harness:Motor:MB11929	25 - 5
D392 5168	Harness:Motor:MB11930	25 - 8
D392 5168	Harness:Motor:MB11930	31 - 6
D392 5169	Ground Wire:MB11934	11 - 17
D392 5169	Ground Wire:MB11934	7 - 5
D392 5169	Ground Wire:MB11934	9 - 4
D392 5170	Harness:Sensor:MB11935	25 - 10
D392 5171	Harness:Motor:MB11931	25 - 4
D392 5172	Harness:Drawer:Sub:MB11932	25 - 1
D392 5174	Power Supply Cord:NA:MB11476	3 - 12
D392 5176	Harness:Interface:Mb70162	55 - 1
D392 5178	Leak Breaker:BJS1522F1:MB11302	53 - 18
D392 5556	Base:Main:MB70241:Ass'y	55 - 14
D392 5563	Base:Sub:MB70242:Ass'y	25 - 3
D392 6111	Cover:Exit:MB11431	3 - 1
D392 6112	Cover:Front Left:MB70181	5 - 2
D392 6113	Cover:Upper:MB70182	3 - 6
D392 6114	Cover:Rear:MB70183	3 - 7
D392 6115	Cover:Front Right:MB70186	5 - 11
D392 6132	Parallel Pin:FF31560	39 - 25
D392 6132	Parallel Pin:FF31560	35 - 10
D392 7700	Decal:Lever:MC1	7 - 23

Part No.	Description	Page and Index No.
D392 7701	Decal:Lever:MC2	7 - 24
D392 7702	Decal:Lever:MC3	9 - 24
D392 7703	Decal:Lever:MC4	9 - 25
D392 7704	Decal:Lever:MC5	11 - 28
D392 7705	Decal:Lever:MC6	15 - 24
D392 7706	Decal:Lever:MC7	21 - 6
D392 7707	Decal:Lever:MC8	21 - 8
D392 7708	Decal:Lever:Supply:MB11445	25 - 18
D392 7709	Decal:Toner Hopper:Punch	15 - 22
D392 7710	Decal:Lever:Tray	41 - 2
D392 7711	Label:Cartridge	3 - 11
D392 7712	Decal:Pick-up Paper Jam:MB11443	5 - 10
D392 7713	Decal:Caution:Supply:Lever	25 - 17
D392 7714	Decal:Caution:Supply	25 - 6
D392 7715	Decal:Exit:Caution	57 - 3
D392 7716	Decal:Tray:Exit:Caution	57 - 21
D392 7717	Decal:Turn:MC7	27 - 4
D392 7718	Decal:Base:MB11473	57 - 16
D392 7719	Decal:Design Sketch:Leak Breaker	3 - 17
D392 7720	Decal:Design Sketch:Earth:MB11451	3 - 16

Part No.	Description	Page and Index No.
B132 1226	Holder:Stand	3 - 8
B234 1294	Stopper - Vertical Transport	5 - 5
B408 2191	Guide Plate - Connecting Lower	3 - 21
B468 2196	Upper Guide Plate	3 - 22
B468 T021	Guide Plate:Connecting:Ass'y	3 - 23
B830 7511	Connecting Guide Plate - Lower	3 - 18
B835 1188	Guide Plate - Upper	3 - 19
B889 1354	Photointerruptor:Paper Crimp	19 - 7
B889 1354	Photointerruptor:Paper Crimp	33 - 17
B889 1354	Photointerruptor:Paper Crimp	45 - 3
B889 1354	Photointerruptor:Paper Crimp	55 - 28
D434 1476	Bracket:Coupling:Main:Ass'y	3 - 14

Part No.	Description	Page and Index No.
AG05 1113	Handle - Transfer Unit	21 - 9
AW01 0129	Photo Reflection Sensor	15 - 16
AW01 0129	Photo Reflection Sensor	25 - 14
AW01 0129	Photo Reflection Sensor	7 - 17
AW01 0129	Photo Reflection Sensor	55 - 26
AW01 0129	Photo Reflection Sensor	11 - 10
AW01 0129	Photo Reflection Sensor	9 - 8
AW02 0141	Photointerruptor	13 - 4
AW02 0141	Photointerruptor	25 - 16
AW02 0141	Photointerruptor	27 - 1
AW02 0141	Photointerruptor	31 - 1
AW02 0141	Photointerruptor	49 - 4
AW02 0141	Photointerruptor	55 - 25
AW02 0141	Photointerruptor	23 - 1

Part No.	Description	Page and Index No.
0802 5276	Tapping Screw With Washer - M3x6	3 - 101
1102 8502	Connector - 54679-1615	47 - 101