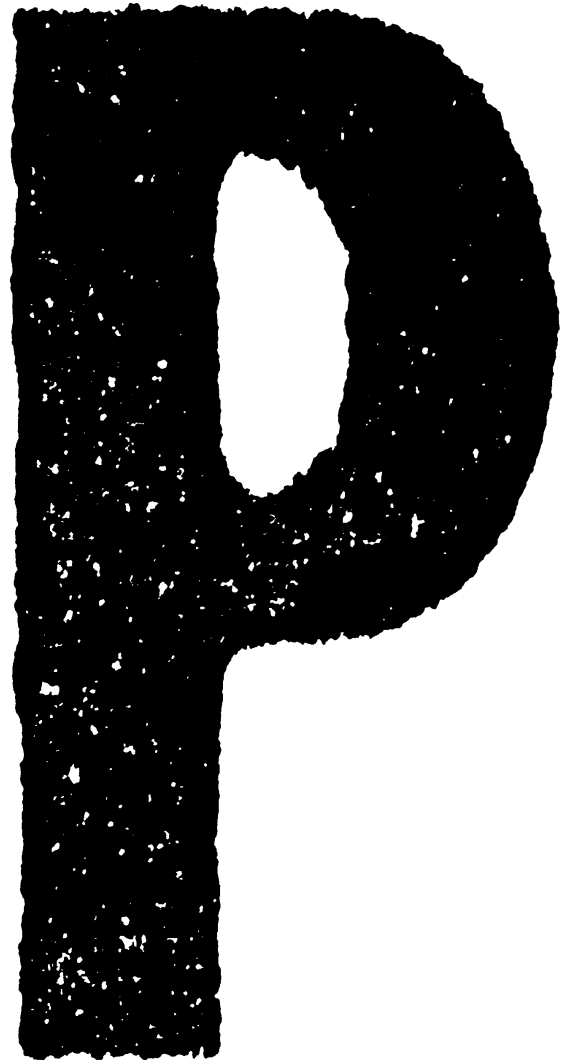


TOSHIBA

SERVICE PARTS LIST
PAPER FEED PEDESTAL

KD-1013



© 2006 TOSHIBA TEC CORPORATION All rights reserved

Under the copyright laws, this manual cannot be reproduced in any form without prior written permission of TOSHIBA TEC CORPORATION. No patent liability is assumed, however, with respect to the use of the information contained herein.

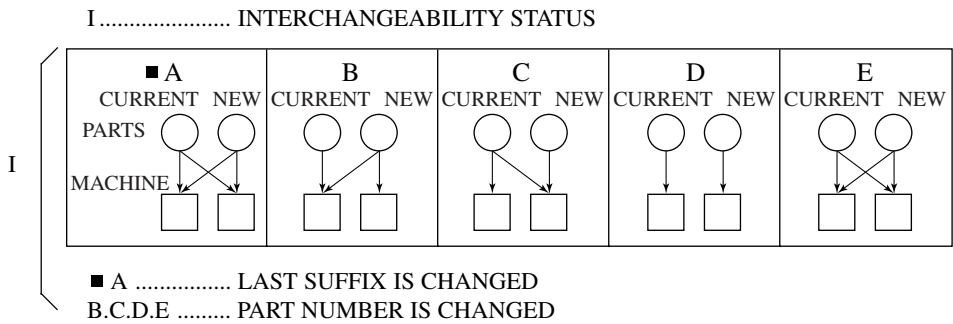
EXPLANATION OF SERVICE-PARTS LIST

1. HOW TO READ THE PARTS LIST

- (1) Number of pieces
The number of pieces in the list denotes total pieces used per unit. But the numbers in the list for PACKING MATERIAL and ACCESSORY denote total pieces used per machine.
- (2) One pack of screws in the list includes 50 pieces.
- (3) ABBREVIATED CODES

QTY/PAC	{	QTY	one piece
		PAC	one pack
		1/P	one piece packed in polyethylene bag
		1/S	one piece packed in special pack
		1/C	one piece packed in carton box
		1/PP	one piece packed in paper and polyethylene bag
		1/KP	one piece packed in polyethylene bag with cardboard
		1/D	one piece packed in polyethylene-cushion bag
N/A	not available		

P	{	P	PURPOSE
		A	ADD
		B	DELETE
		C	CHANGE
		D	QTY, CHANGE
		E	MISENTRY
		F	OMISSION



2. HOW TO PLACE ORDER FOR PARTS

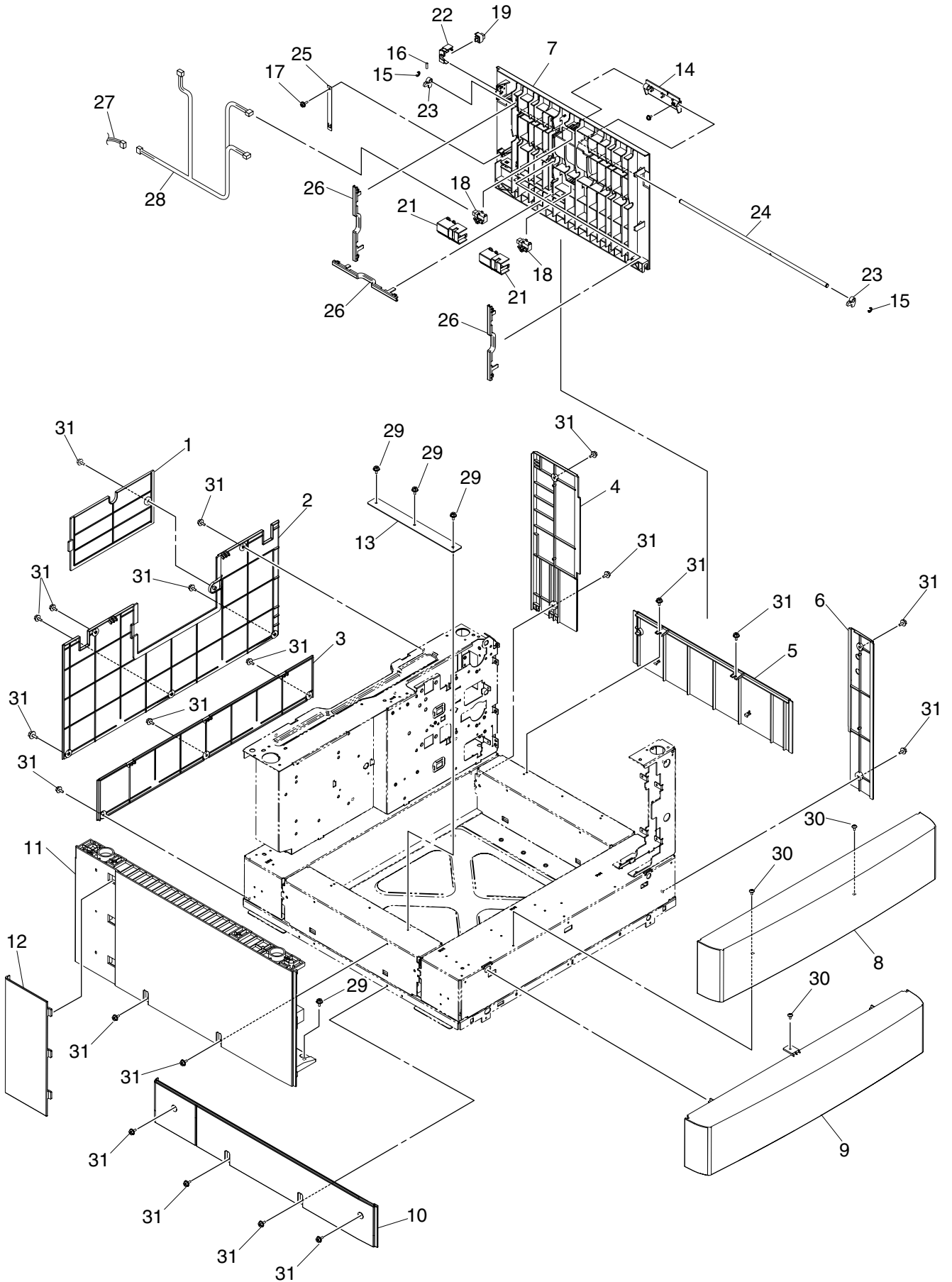
- (1) The parts handled as service parts are only those with their "QTY/PACK" column listed with a quantity other than "N/A***" or "SUPPLY".
Those parts with "N/A***" are listed only for the purpose of showing the mechanical construction, those listed with "SUPPLY" are handled only as a sales item, and therefore both types of parts are not supplied as service parts.
- (2) Orders for any parts which form a component of a semi-assembled unit are not acceptable.
Note: All the screws and nuts used are ISO standard.

3. REGION

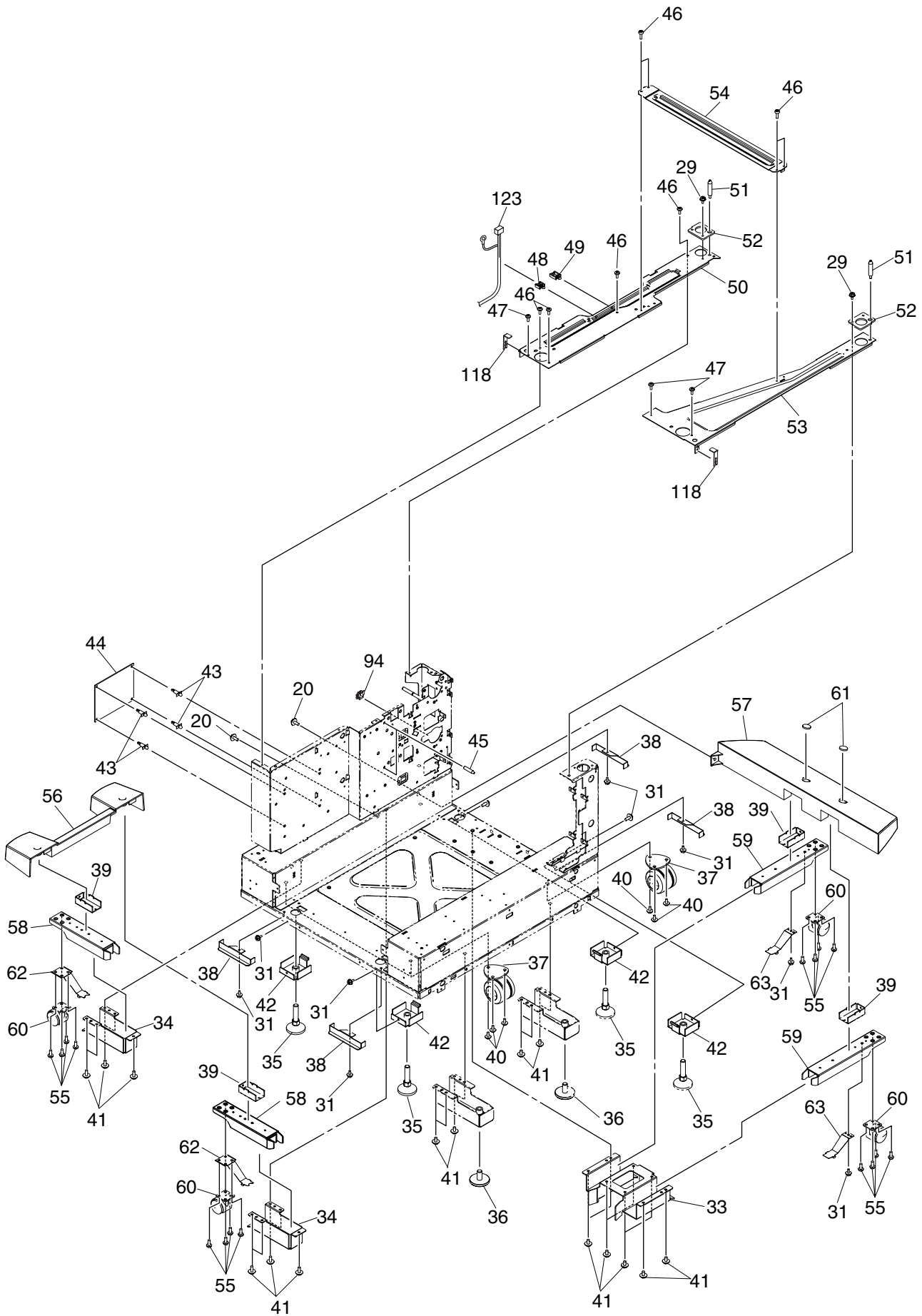
NAD	115V
	50/60Hz, NORTH AMERICA, SOUTH AMERICA
TWD	110/220V
	50/60Hz, TAIWAN
SAD	127V/60Hz, SAUDI ARABIA
ASD	220-240V
	50/60Hz, ASIA, SOUTH AMERICA, etc.
ASU	220-240V
	50/60Hz, ASIA, etc.
AUD	220-240V
	50/60Hz, AUSTRALIA
MJD	220-240V
	50/60Hz, EUROPE
CND	220-240V
	50/60Hz, CHINA
KRD	220-240V
	50/60Hz, KOREA

CONTENTS

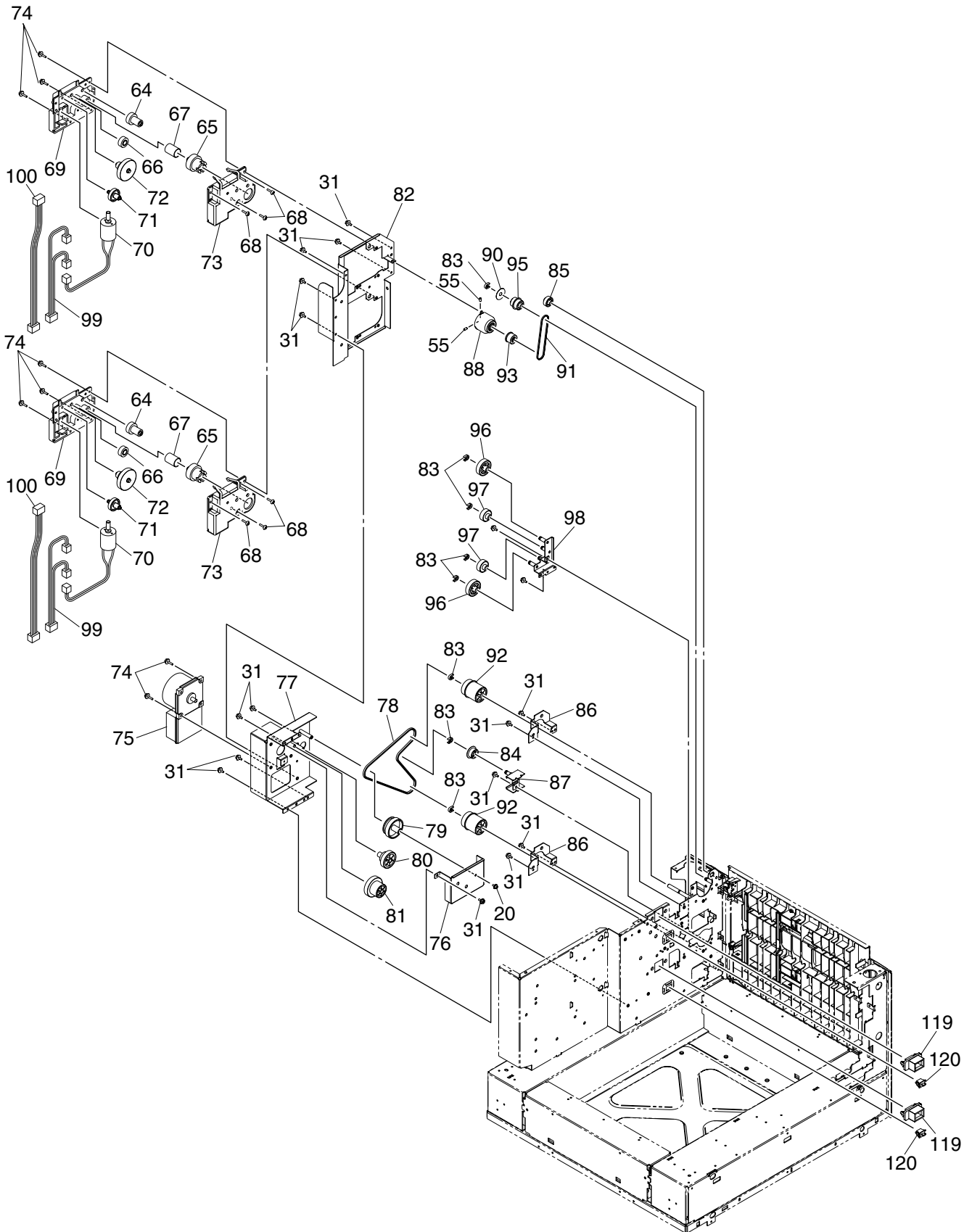
COVER.....	1
FRAME.....	2
DRIVE	3
FEEDER/TRANSPORT 1	4
FEEDER/TRANSPORT 2	5
DRAWER	6



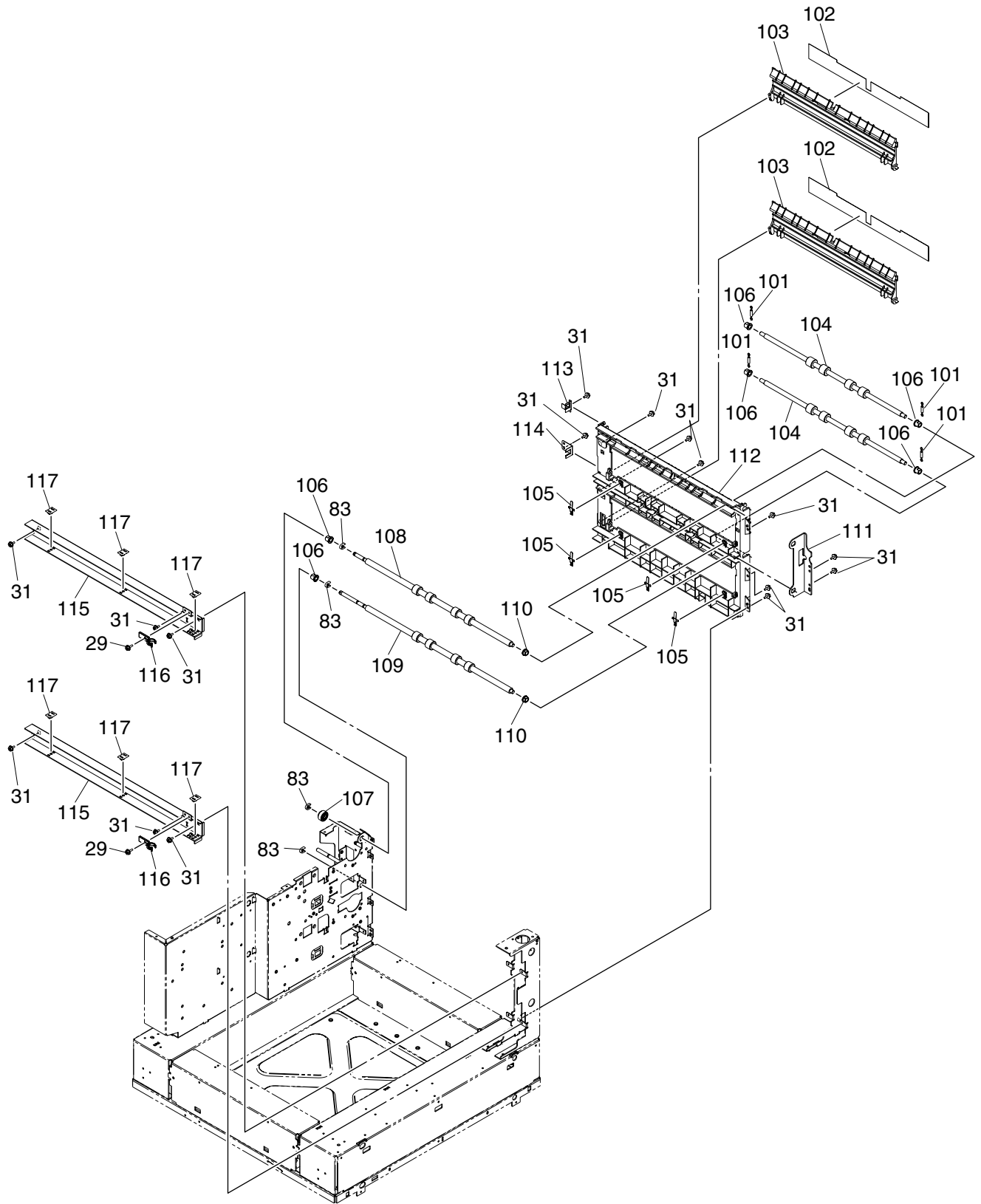
ITEM NO.	PARTS NO.	PARTS NAME	Q'TY / PAGE	Q'TY / PACK	P I R	B S I NO.	T O	T	F R O M	S E R I A L NO.	R E M A R K S	C
1	6LA47825100	COVER-REAR-CON-639		1/1/PP								
2	6LA47883100	COVER-REAR-639		1/1/PP								
3	6LE60133000	COVER-REAR-LOW		1/1/PP								
4	6LE60129000	COVER-R-R		1/1/PP								
5	6LE60131000	COVER-R-LOW		1/1/PP								
6	6LE60127000	COVER-R-F		1/1/PP								
7	6LE60135000	COVER-PAP-GUIDE-639		1/1/PP								
8	6LE60121000	COVER-FRONT-DUMY		1/1/PP								
9	6LE60125000	COVER-FRONT-LOW		1/1/PP								
10	6LE60123000	COVER-LEFT-LOW		1/1/PP								
11	6LA47885100	COV-LEFT-PFP-639		1/1/PP								
12	6LA47886100	COVER-L-DSGN-639		1/1/PP								
13	6LA47867000	PLT-FOOT-LOCK		1/1/P								
14	6LA47880100	KNOB-COVER-639		1/1/P								
15	X0-00965000	RR/E-4-SS		2/10/P								
16	41319007000	SPE-HOOK		1/5/P								
17	X0-02247000	S/TPP/FHEXM-3X8-NI		1/10/P								
18	6LA56855000	SNSR-FED-PFP25		2/1/C								
19	4402859600	SP-CS3A-B2BA		1/1/D								
20	X0-00060000	S/PAN/SWWP-M3X6-NI		1/10/P								
21	41319101000	COVER-P-SENSOR		2/1/PP								
22	41319100000	COVER-D-SENSOR		1/1/PP								
23	41319411000	HOOK-COVER		2/1/P								
24	41319082000	SHAFT-HOOK		1/1/P								
25	41319175000	STOPPER-STRING		1/5/P								
26	41319086000	COVER-WIRING		3/1/P								
27	6LA41757000	HRNS-PFP-FED-CV-576		1/1/P								
28	6LA41756000	HRNS-PFP-CV-576		1/1/P								
29	X0-02239000	S/TPS/FHEXM-3X8-ZU3		5/10/P								
30	6LA08935000	SCR-M3X6BISR-NI		2/10/P								
31	X0-02238000	S/TPS/FHEXM-3X6-ZU3		14/10/P								



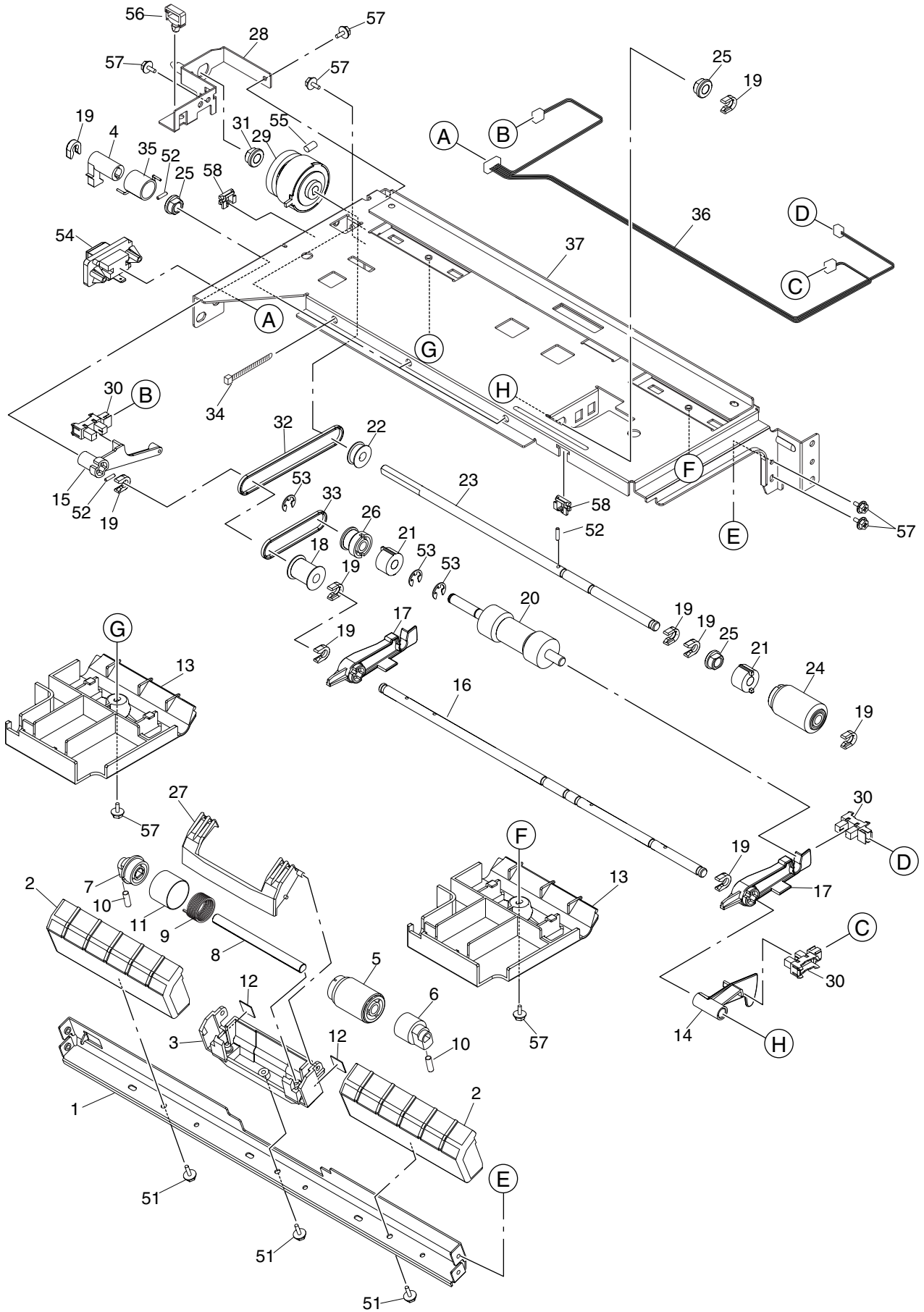
ITEM NO.	PARTS NO.	PARTS NAME	Q'TY / PAGE	Q'TY / PACK	P I R	B S I NO.	T O	T	F R O M	S E R I A L NO.	R E M A R K S	C
20	X0-00060000	S/PAN/SWWP-M3X6-NI		2/10/P								
30	6LA08935000	SCR-M3X6BISR-NI		13/10/P								
31	X0-02238000	S/TPS/FHEXM-3X6-ZU3		31/10/P								
33	6LA47837000	BRKT-ARM-HLD-SD		1/1/D								
34	6LA47838000	BRKT-ARM-HLD-FR		2/1/P								
35	6LA48006000	FOOT-PFP_ZN3		4/1/P								
36	6LA48005000	ADJ-FOOT-40_ZN3		2/1/P								
37	6LE27028000	CASTER-TKS-51		4/1/P								
38	6LA47833000	BRKT-HANDRING		4/1/P								
39	6LA47836000	BRKT-SPACER-PFP		4/1/P								
40	X0-02243000	S/TPS/FHEXM-4X8-ZU3		12/10/P								
41	X0-02242000	S/TPS/FHEXM-4X6-ZU3		26/10/P								
42	6LA48009000	ASYS-BRKT-ADJ-PFP		4/1/P								
43	F0-00343000	SPLSN-8U		2/5/P								
44	6LE62768000	PWA-F-PFP-639		1/1/SB								
45	41319169000	STUD-280		2/1/P								
46	X0-00676000	S/TPS/BID-3X6-NI		8/10/P								
47	X0-00602000	S/TPP/PAN-3X8-NI		4/10/P								
48	F0-00337000	WS-1U		1/5/P								
49	F0-00338000	WS-2U		1/5/P								
50	6LA47865000	STAY-TOP-R-PFP		1/1/P								
51	41319167000	PIN-LOCAT-PFP		2/5/P								
52	41319163000	PLT-SPACER		2/1/P								
53	6LA47866000	STAY-TOP-F-PFP		1/1/P								
54	6LA47869000	STAY-TOP-SUP		1/1/P								
55	X0-02063000	S/TPS/PAN-4X8-ZU3		8/10/P								
56	6LA47824100	COVER-FOOT-REAR-639		1/1/PP								
57	6LA47823100	COVER-FOOT-SIDE-639		1/1/PP								
58	6LA47842000	ASYS-BRKT-ARM-FR		1/1/P								
59	6LA47846000	ASYS-BRKT-ARM-SD		1/1/P								
60	6LA48007000	CASTOR-FOOT-PFP		2/1/P								
61	6LA47828100	LID-SCREW-PFP-W		1/1/P								
62	41319465000	SPL-ARM-LOCK-FR		1/1/P								
63	41319419000	SPL-ARM-LOCK-SD		1/1/P								
94	F0-00671000	EDS-0607M		1/5/P								
118	F0-00358000	4253		1/5/P								
123	6LE63336000	HRNS-PFC-PFP-639		1/1/P								



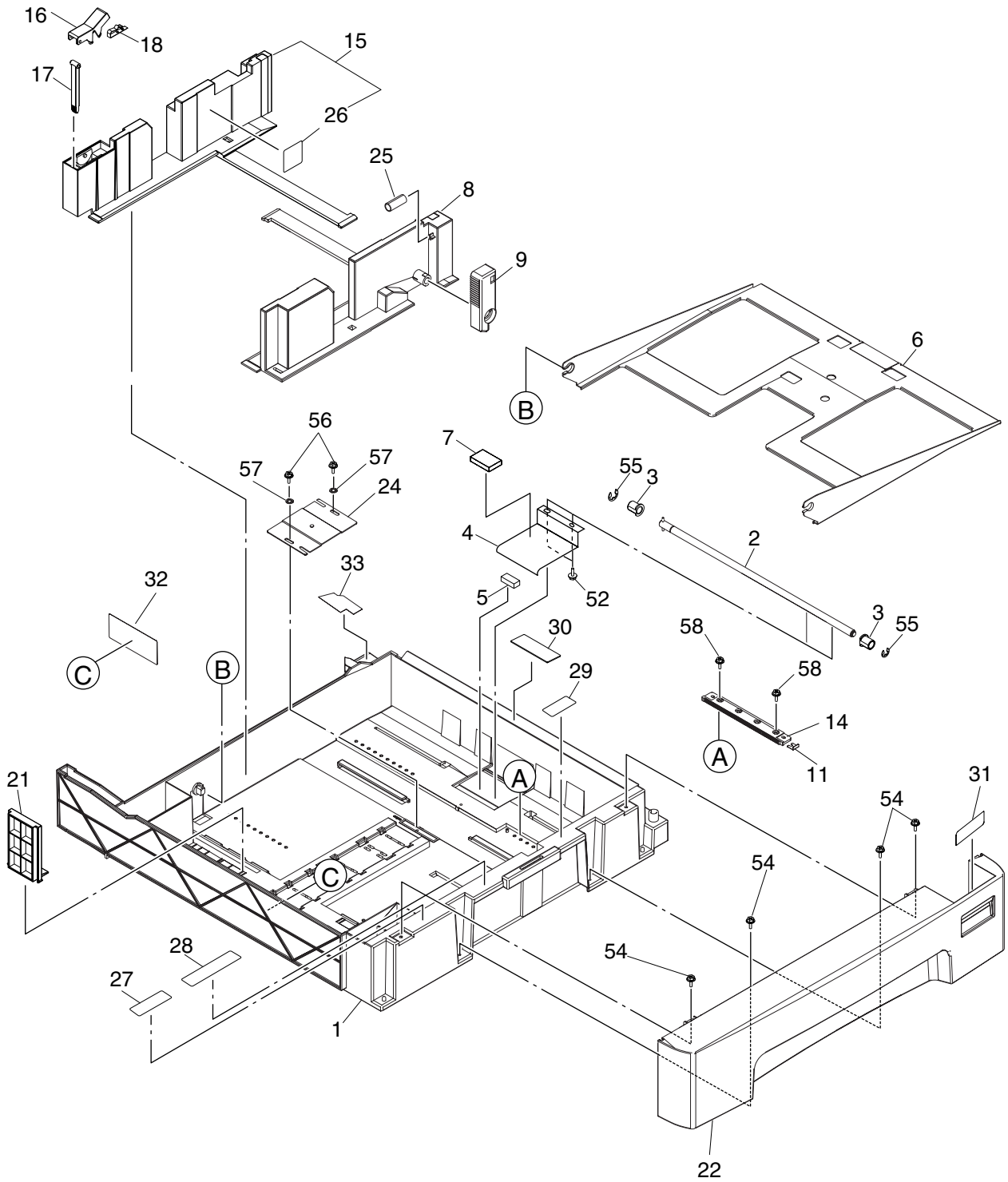
ITEM NO.	PARTS NO.	PARTS NAME	Q'TY / PAGE	Q'TY / PACK	P I R	B S I NO.	T O	T	F R O M	S E R I A L NO.	R E M A R K S	C
20	X0-00060000	S/PAN/SWWP-M3X6-NI		1/10/P								
31	X0-02238000	S/TPS/FHEXM-3X6-ZU3		1/10/P								
64	41306024000	GER-TRAY-24-14		2/1/P								
65	41306022000	CPG-LIFT-28		1/1/P								
66	41306025000	GER-TRAY-21		2/1/P								
67	41305502000	SPC-CPG-LIFT		2/1/P								
68	X0-01581000	S/TPP/BRZ-3X10-NC		3/10/P								
69	41306026000	CASE-TRY-DEV-R		2/1/P								
70	6LA56976000	MOTR.D-TRAY-CST		2/1/D								
71	41306276000	G05H-45/G05S-15		2/1/P								
72	41306023000	GER-TRAY-80-13		2/1/P								
73	41306027000	CASE-TRY-DEV-F		2/1/P								
74	X0-02240000	S/TPS/FHEXM-3X10-ZU3		6/10/P								
75	6LE69602000	MOTR-D-MAIN-141		1/1/C								
76	6LE60155000	BRKT-MTR-SUP		1/1/P								
77	6LE60154000	ASYS-BRKT-MOTOR		1/1/P								
78	41319024000	BLT/T-480-3GT-6		1/1/P								
79	6LE60142000	GP-10S036-3GT031		1/1/P								
80	6LE60141000	GEAR-10S030-10S018		1/1/P								
81	6LE60140000	GEAR-10S24-05H070		1/1/P								
82	6LA47868000	BRKT-GEAR-BOX		1/1/P								
83	4407972860	STOP-RING-6-5		9/5/P								
84	41319059000	PLY-TENSION		1/1/P								
85	41319071000	GEAR-10S016-06		1/1/P								
86	6LA47863000	BRKT-FED-LOC		2/1/P								
87	6LA47861000	ASYS-BRKT-TENS-1		1/1/P								
88	6LA47907000	CLUCH-33C-6-CCW-GEAR22		1/1/D								
89	X0-00730000	S/SET/K-M3X4-B		2/10/P								
90	41319076000	HWAS-PFP-SUS		1/10/P								
91	41319168000	BLT/T-202-2GT-6		1/1/P								
92	41319074000	GP10S028/3GT031		1/1/P								
93	41319156000	K-PLY-2GT027		1/1/P								
95	41319072000	GP10S016/2GT027		1/1/P								
96	41319033000	GEAR-10S028-06		2/1/P								
97	41319034000	GEAR-10S020-06		2/1/P								
98	6LA47852000	ASYS-BRKT-IDL-GEAR		1/1/P								
99	6LA41758000	HRNS-PFP-FEDUNT-576		1/1/P								
100	6LA41755000	HRNS-PFP-TM-MM-576		1/1/P								
119	E0-08733000	55533-1219		2/5/P								
120	E0-01853000	CS1A-B2CA		2/1/D								



ITEM NO.	PARTS NO.	PARTS NAME	Q'TY / PAGE	Q'TY / PACK	P I R	B S I NO.	T O	T	F R O M	S E R I A L NO.	R E M A R K S	C
29	X0-02239000	S/TPS/FHEXM-3X8-ZU3		2/10/P								
31	X0-02238000	S/TPS/FHEXM-3X6-ZU3		17/10/P								
83	4407972860	STOP-RING-6-5		3/5/P								
101	41319102000	SPRING-ROLLER		4/5/P								
102	6LA55251000	SHEET-PAP-GUIDE-J		2/1/KP								
103	6LA55250000	K-GUIDE-PAPER2		2/1/P								
104	41319096000	ROL-TR-P		2/1/KP								
105	41319098000	SPL-GUIDE-LOC		4/1/P								
106	4407976990	BUSH-D6-GCB		4/1/P								
107	41319157000	K-GEAR-10516-06		1/1/P								
108	41319153000	ROL-TR-2		1/1/KP								
109	41319150000	ROL-TR-1		1/1/KP								
110	44201492000	BUSH-6-POM		5/5/P								
111	6LA47870000	BRKT-ROLLER-PFP		1/1/P								
112	41319093000	GUIDE-PAPER1		1/1/P								
113	6LA47923000	BRKT-GRD-PFP-N		1/1/P								
114	41319069000	BRKT-GRD		1/1/P								
115	6LA47872000	RAIL-CASSETTE		2/1/P								
116	6LA56341000	CATCH-CST-N2		2/1/P								
117	41306007000	SLIDER-CST		6/1/P								



ITEM NO.	PARTS NO.	PARTS NAME	Q'TY / PAGE	Q'TY / PACK	P I R	B S I NO.	T O	T	F R O M	S E R I A L NO.	R E M A R K S	C
1	6LA47898000	BRKT-ROL-SEP		1/1/P								
2	41318623000	GUIDE-P-SEP		2/1/P								
3	44201805000	HLD-SEP-ROL-DM		1/1/P								
4	6LA47910000	LEVER-RLR-PICK		1/1/P								
5	41304047100	K-ROLL-SPT		1/1/P								
6	4401964360	ARBOR-SPT-F		1/1/P								
7	4401964270	ARBOR-SPT-R		1/1/P								
8	41304506000	SFT-SEP-AT		1/1/P								
9	44201817000	SPR-1.0-15.6ORF		1/5/P								
10	6LA47909000	SPC055-045-01525		2/5/P								
11	44201773000	COV-SPE/ARBOR		1/1/P								
12	41319491000	CHIP-HLDR-SEP		2/1/P								
13	6LA47908000	GUIDE-P-FEED		2/1/P								
14	41306012000	ACTR-EMPTY-PPR		1/1/P								
15	41318603000	ARM-FEED-UNIT		1/1/P								
16	41318604000	SFT-DRV-PICK		1/1/P								
17	41306011000	ARM-RLR-PICK		2/1/P								
18	41306002000	PLY/T-PICK-20		1/1/P								
19	4407972860	STOP-RING-6-5		9/5/P								
20	41306719000	ROLLER-PICK-AT		1/1/KP								
21	4402833110	CLUTCH-6-L		2/1/P								
22	4402231780	PLY-20-2M		1/1/P								
23	41304508000	SFT-ROL-FEED		1/1/P								
24	4401964410	K-ROLL-FEED		1/1/P								
25	44201492000	BUSH-6-POM		3/5/P								
26	4400884670	PLY-20-ROL		1/1/P								
27	44201810000	LEV-ROL-SEP-DM		1/1/P								
28	6LA47895000	ASYS-BRKT-CLT		1/1/P								
29	6LA31944000	CLUTCH-33C-6-CW-GEAR		1/1/D								
30	C0-10813000	GP1A73ARJ00F		3/1/P								
31	4407734980	BUSH-6-GCB		1/5/P								
32	41306504000	BLT/T-194-2GT-2		1/1/P								
33	41306502000	BLT/T-124-2GT-2		1/1/P								
34	F0-01470000	KI-100M		4/5/P								
35	41305501000	SPR-LVR-PICK		1/1/P								
36	6LA41754000	HRNS-PFP-FED-UNIT-576		1/1/P								
37	6LA47892000	ASYS-BRKT-FEED-UNIT		1/1/PP								
51	X0-02247000	S/TPP/FHEXM-3X8-NI		3/10/P								
52	X0-00979000	P/PRL/AH7-2X8-SS		3/10/P								
53	X0-00966000	RR/E-5-SS		3/10/P								
54	E0-08732000	54702-1219		1/5/P								
55	X0-00730000	S/SET/K-M3X4-B		1/10/P								
56	F0-00235000	LWS-1S		1/5/P								
57	X0-02238000	S/TPS/FHEXM-3X6-ZU3		8/10/P								
58	F0-00671000	EDS-0607M		3/5/P								



ITEM NO.	PARTS NO.	PARTS NAME	Q'TY / PAGE	Q'TY / PACK	P I R	B S I NO.	T O	T	F R O M	S E R I A L NO.	R E M A R K S	C
1	6LA56960000	CASE-CST		1/1/PP								
2	41304004000	K-SFT-LIFT-TRAY		1/1/P								
3	41306028000	BUSH-SFT-LIFT		2/5/P								
4	6LA60307000	LEVER-LIFT-TRAY		1/1/P								
5	41306614000	CUSH-LVR-LIFT		1/5/P								
6	6LA56688000	ASY-TRAY-CST-AT/DM		1/1/PP								
7	41306517000	CUSH-TRAY-CST		1/1/P								
8	6LA56692200	WALL-SIDE-F-AT/DM		1/1/PP								
9	6LA56693200	LVR-ADJUST-WALL		1/1/P								
11	6LA56707000	SPACER-RACK-CST		1/1/P								
14	6LA56706200	PLATE-RACK-CST		1/1/PP								
15	6LA56703200	K-WALL-SIDE-R		1/1/PP								
16	6LA29058000	LEVER-LOCK-WALL-RER		1/1/P								
17	41306260000	LOCK-WALL-R		1/1/P								
18	41305546000	SPL-LOCK-WALL-R		1/1/P								
21	6LA29061000	WALL-CSSIT-END		1/1/P								
22	6LE60119000	COV-CST-PFP-LEX		1/1/PP								
24	6LA56961000	ASYS-PL-PINION-TRY		1/1/P								
25	6LA56695000	SPC-LVR-WALL-F		1/1/P								
26	41307701000	LBL/O-P-MAX		1/5/KP								
27	6LE40703000	LBL_O-PAPER-2		1/1/KP								
28	6LE40701000	LBL_O-GUIDE-2		1/1/KP								
29	6LE40702000	LBL_O-GUIDE-LCD		1/1/KP								
30	41307599000	SHEET-CST		1/1/KP								
31A	6LE03708000	SIZE-CST-390-UC		1/1/KP							NAD	
31B	6LE03709000	SIZE-CST-390-E		1/1/KP							Except for NAD,CND	
31C	6LE03715000	SIZE-CST-390-C		1/1/KP							CND	
32	6LE40700000	LBL_O-LD-2		1/1/KP								
33	6LA60306000	MYLAR-CST-BK		1/1/KP								
51	X0-00963000	RR/E-2-SS		1/10/P								
52	X0-00434000	S/BID-M3X8-NI		2/10/P								
54	X0-02247000	S/TPP/FHEXM-3X8-NI		7/10/P								
55	X0-00968000	RR/E-7-SS		2/10/P								
56	X0-01989000	S/TPP/BID-3X8-NI		2/10/P								
57	X0-02116000	W/TH/A-3-SS		2/10/P								
58	X0-01414000	S/TPP/BID-3X6-NC		2/10/P								

TOSHIBA

TOSHIBA TEC CORPORATION

2-17-2, HIGASHIGOTANDA, SHINAGAWA-KU, TOKYO, 141-8664, JAPAN