

**TOSHIBA**

# **SERVICE PARTS LIST**

Envelope Drawer

**MY-1049**

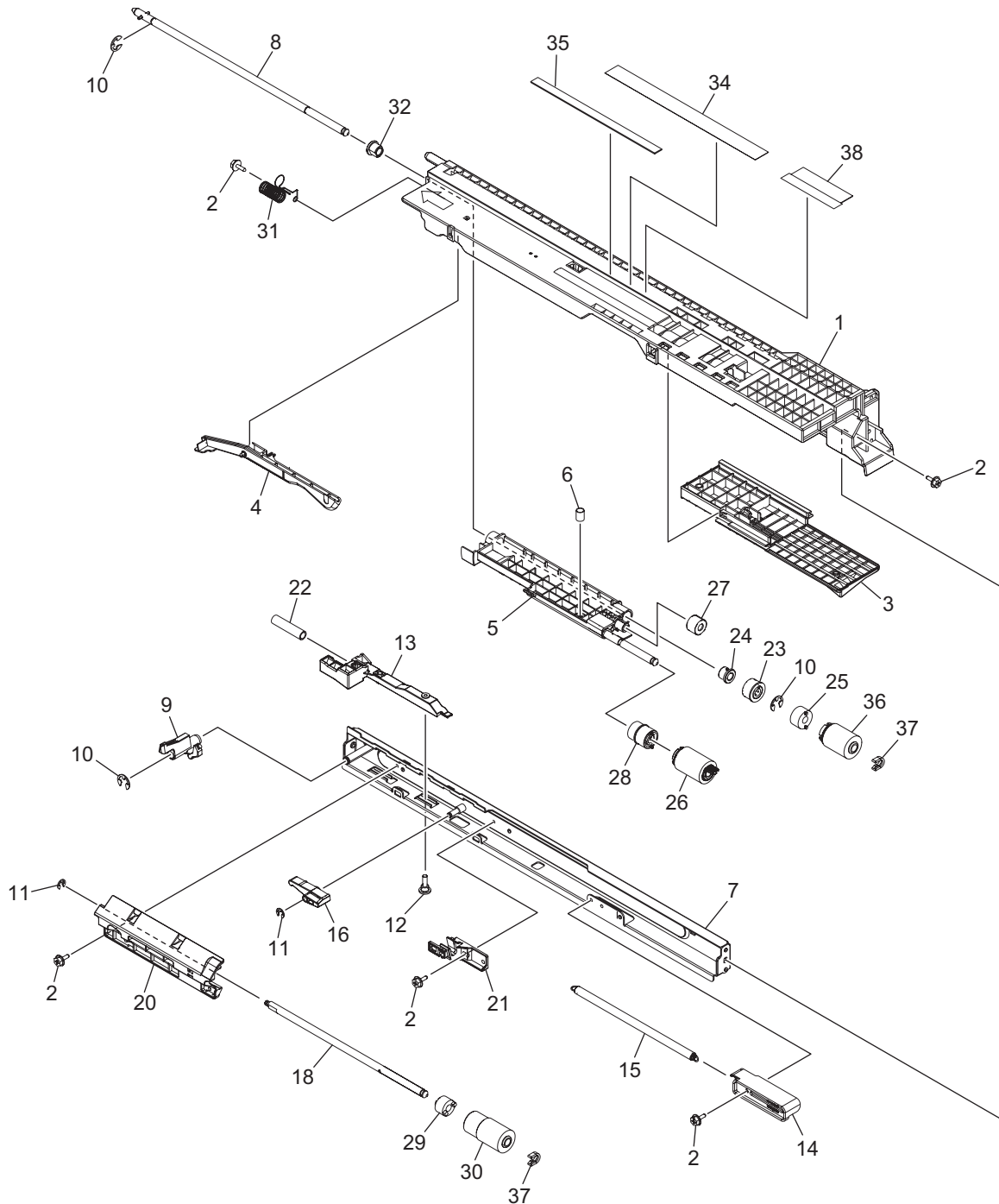
© 2016 TOSHIBA TEC CORPORATION All rights reserved

Under the copyright laws, this manual cannot be reproduced in any form without prior written permission of TOSHIBA TEC CORPORATION. No patent liability is assumed, however, with respect to the use of the information contained herein.

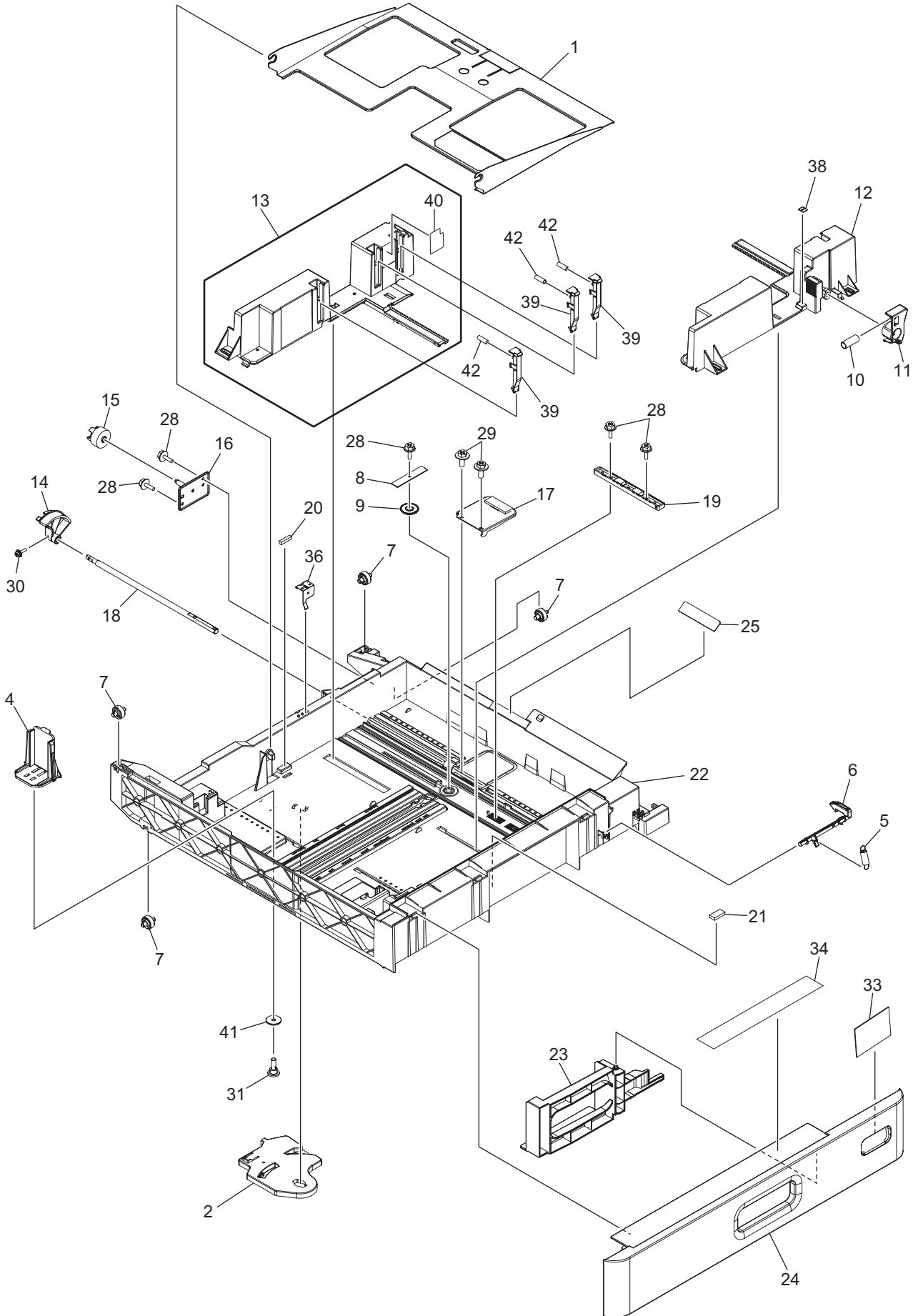
# CONTENTS

FEED-ASY .....	1
DRAWER-ASY .....	2
ROL-KIT .....	10



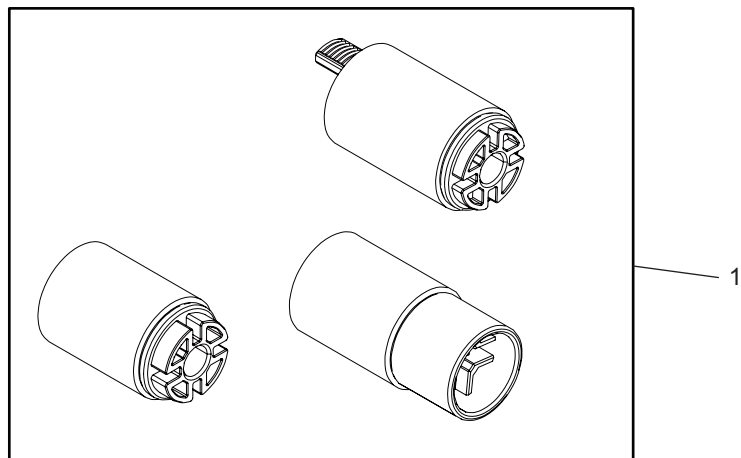


ITEM No.	PART No.	PART NAME	Q'TY / PAGE	Q'TY / PACK	REMARKS
1	6LK50705000	FRAME-FEED-H373	1	1/PP	
2	X0-02420000	S/TPS/FHEXM/R-3X8-ZU3	5	10/P	
3	6LJ56263100	GUIDE-FEED-UP-F-21X_HS	1	1/PP	
4	6LJ56248100	ACTR-EMPTY-CST-2X_HS	1	1/P	
5	6LJ56275000	ARM-PICK-H21X_H	1	1/PP	
6	6LJ56359000	SPG-C-PU-H21Y	1	1/P	
7	6LK50706000	ASYS-STAY-FEED-H373	1	1/P	
8	6LJ56276000	ASYS-SFT-ROL-FEED-H21X_H	1	1/P	
9	6LJ56250000	LEVER-PU-LINK-H21X_H	1	1/P	
10	X0-00966000	RR/E-5-SS	3	10/P	
11	X0-00964000	RR/E-3-SS	2	10/P	
12	6LH05511000	SCREW-M3X8-3.2-P	1	5/P	
13	6LK50754000	SLIDER-SPT-H21X_H	1	1/P	
14	6LJ56247100	HOLDER-SPE-SPT-21X_HS	1	1/P	
15	6LK51232000	SPG-E-SPT-H373	1	1/P	
16	6LJ56249000	ARM-SFT-SPT-H21X_H	1	1/P	
18	6LJ56279000	ASYS-SHAFT-ROL-SPT-H21X_H	1	1/P	
20	6LJ56264100	GUIDE-FEED-R-21X_HS	1	1/P	
21	6LJ56258000	GUIDE-SFT-SPT-H21X_H	1	1/P	
22	6LK50747000	SPG-C-SLIDER-H370	1	1/P	
23	6LJ56239000	ASYS-GEAR-5S30-6L	1	1/P	
24	6LJ56246000	BUSH-6X10X9F-POM	1	1/P	
25	4406584800	CLUTCH-6-08L2	1	1/P	
26	6LJ56242000	ASYS-ROLL-FEED-H21X_H	1	1/P	
27	6LJ56244000	GEAR-5S25-8	1	1/P	
28	6LJ56245000	GEAR-5S30-6	1	1/P	
29	6LJ56289000	TL-SEP-ORG-400	1	1/P	
30	6LK50742000	ASYS-ROLL-SPT-H373	1	1/P	
31	6LJ56267000	SPG-EARTH-FEED-UNIT	1	1/P	
32	6LA03977000	BUSH-F6-GCB	1	5/P	
34	6LJ56295000	MYLAR-SPACE-FEED	1	1/P	
35	6LJ56296000	RUBBER-SPACE-FEED	1	1/P	
36	6LK50739000	ASYS-ROLL-FEED-H373	1	1/P	
37	4407972860	STOP-RING-6-5	2	5/P	
38	6LJ56369000	BRUSH-ERS-FEED-H21Y	1	1/KP	



ITEM No.	PART No.	PART NAME	Q'TY / PAGE	Q'TY / PACK	REMARKS
1	6LK51228000	ASYS-TRAY-CST-ENV-H373	1	1/PP	
2	6LK51213000	PUSHER-CST-ENV-H373	1	1/P	
4	6LK51210000	WALL-END-CST-ENV-H373	1	1/P	
5	6LJ56839000	SPG-E-8R9XR9X29R5	1	1/P	
6	6LJ56925000	LVR-CST2-H-H21X_E_SHAFT	1	1/P	
7	6LJ56845000	ROLL-CST-H21X	4	1/P	
8	6LK51241000	PLT-WALL-GEAR-H370	1	1/P	
9	6LE53717000	GEAR-10S18-8-TRAY	1	1/P	
10	6LA56695000	SPC-LVR-WALL-F	1	1/P	
11	6LJ56802100	LEVER-LOCK-WALL-H21X_S	1	1/P	
12	6LK51208000	SLIDE-WALL-F-ENV-H373	1	1/KP	
13	6LK51223000	ASYS-SLIDE-WALL-R-E-H373	1	1/PP	
14	6LJ56832100	GEAR-DRV-TRAYUP-SFT-H37X	1	1/P	
15	6LJ56847100	CPG-TRAY-UP-H37X	1	1/P	
16	6LJ56851000	ASYS-PLATE-DRV-CST-H21X	1	1/P	
17	6LH05746000	ASYS-LEVER-ELV-CST-F43X	1	1/P	
18	6LJ56910000	SHAFT-ELV-CST-H21X	1	1/P	
19	6LJ56815000	WALL-STOP-H21X	1	1/P	
20	6LH51643000	CHSH-CST-F47X	1	1/P	
21	6LH05741000	CUSH-CST-S	1	1/P	
22	6LJ56938000	CST-H21X-SR	1	1/PP	
23	6LJ56838200	HNDL-CST-H370	1	1/PP	
24	6LK51218000	COVER-CST-H373	1	1/PP	
25	6LJ66823000	SHEET-CST-H21X	1	1/P	
28	X0-02247000	S/TPP/FHEXM-3X8-NI	5	10/P	
29	X0-02235000	S/FHEXM-M4X8-NI	2	10/P	
30	X0-00094000	S/PAN/SWWP-M3X10-NI	1	10/P	
31	6LH05511000	SCREW-M3X8-3.2-P	1	5/P	
33 A	6LK51245000	SIZE-CST-37X-A4	1	1/KP	A4 size
33 B	6LK51245100	SIZE-CST-37X-LT	1	1/KP	LT size
33 C	6LK51256000	SIZE-CST-37X-ENV	1	1/P	Envelope
34	6LK51253000	LBL_O-GUIDE-CST-ENV-H370	1	1/KP	
36	6LJ56943000	SPG-F-TRAY-CST-H21Y	1	1/C	
38	6LJ56953000	LBL_P-SIZE-REF-H21X	1	1/P	
39	6LK51211000	PUSHER-SLIDE-WALL-H373	3	1/P	
40	6LK51254000	LBL_O-MAX-CST-ENV-H370	1	1/KP	
41	6LK51214000	WASHER-WALL-END-ENV-H373	1	1/P	
42	6LK51233000	SPG-SLIDE-WALL-ENV-H373	3	1/P	









**TOSHIBA**

**TOSHIBA TEC CORPORATION**

1-11-1, OSAKI, SHINAGAWA-KU, TOKYO, 141-8562, JAPAN