

TOSHIBA

SERVICE PARTS LIST

Drawer Module

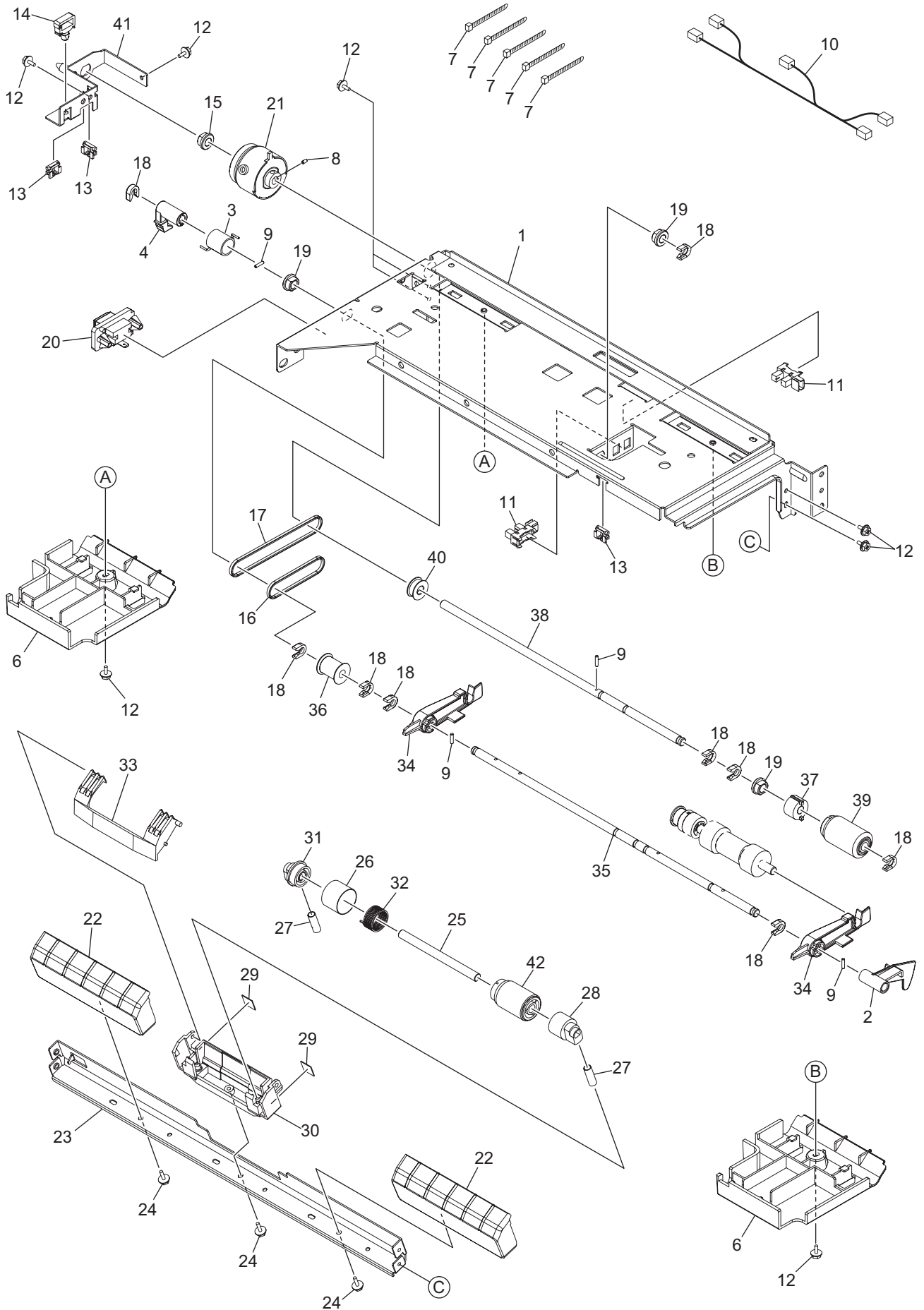
MY-1044

© 2013 TOSHIBA TEC CORPORATION All rights reserved

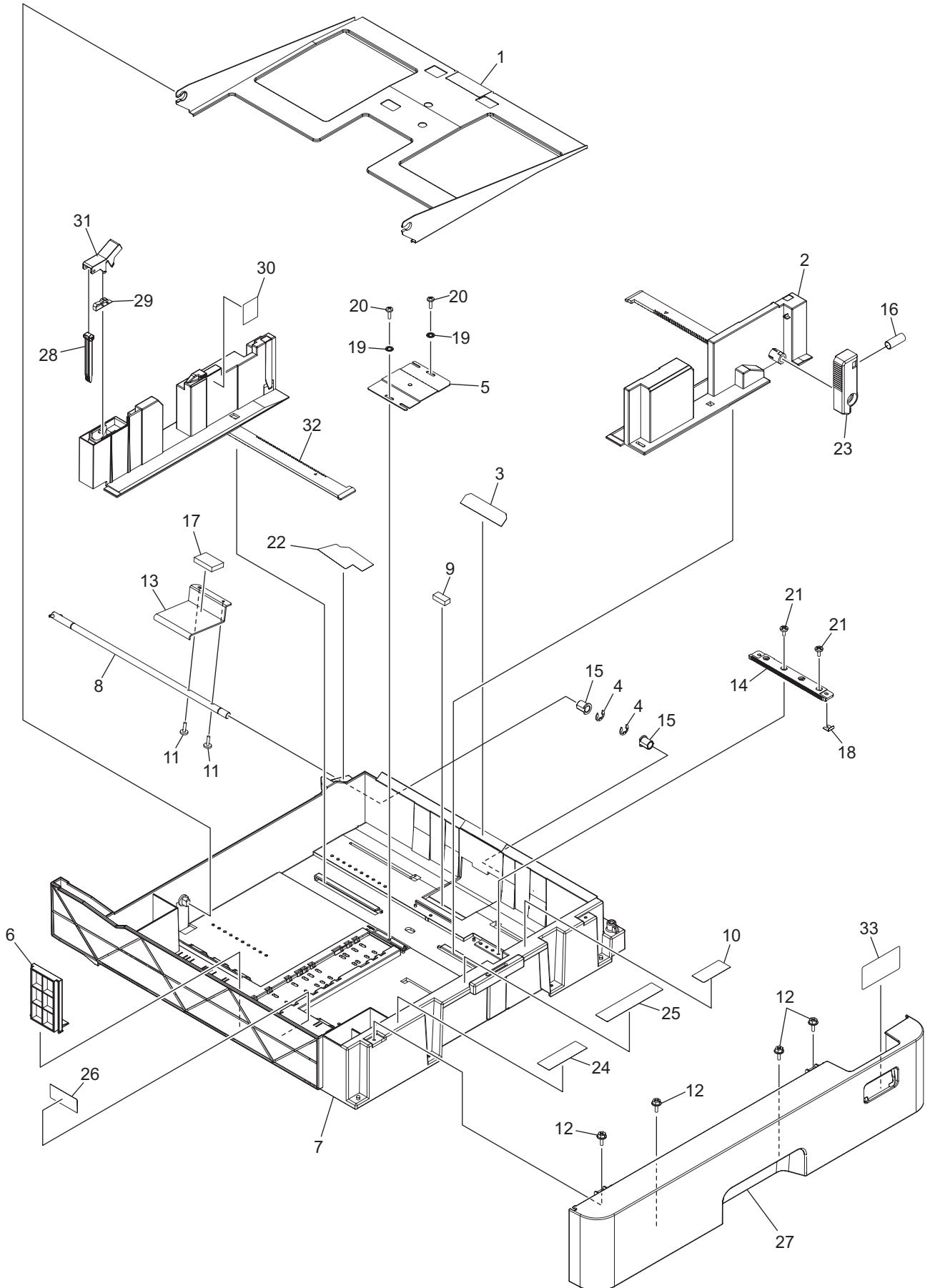
Under the copyright laws, this manual cannot be reproduced in any form without prior written permission of TOSHIBA TEC CORPORATION. No patent liability is assumed, however, with respect to the use of the information contained herein.

CONTENTS

FEEDER-ASY	1
DRAWER-ASY	2



ITEM No.	PART No.	PART NAME	Q'TY / PAGE	Q'TY / PACK	REMARKS
1	6LA47892000	ASYS-BRKT-FEED-UNIT	1	1/PP	
2	41306012000	ACTR-EMPTY-PPR	1	1/P	
3	41305501000	SPR-LVR-PICK	1	1/P	
4	6LA47910000	LEVER-RLR-PICK	1	1/P	
6	6LA47908000	GUIDE-P-FEED	2	1/P	
7	F0-01012000	T18R	4	5/P	
8	X0-00730000	S/SET/K-M3X4-B	1	10/P	
9	X0-00979000	P/PRL/AH7-2X8-SS	5	10/P	
10	6LH27709000	HRNS-PFP-FED-UNIT-667	1	1/P	
11	C0-10813000	GP1A73ARJ00F	2	1/P	
12	X0-02592000	S/TPD3/FHEXM-3X6-ZU3	8	10/P	
13	F0-00671000	EDS-0607M	3	5/P	
14	F0-00235000	LWS-1S	1	5/P	
15	4407734980	BUSH-6-GCB	1	5/P	
16	41306502000	BLT/T-124-2GT-2	1	1/P	
17	41306504000	BLT/T-194-2GT-2	1	1/P	
18	4407972860	STOP-RING-6-5	9	5/P	
19	44201492000	BUSH-6-POM	3	5/P	
20	E0-08732000	54702-1219	1	5/P	
21	6LA31944000	CLUCH-33C-6-CW-GEAR	1	1/D	
22	41318623000	GUIDE-P-SEP	2	1/P	
23	6LA47898000	BRKT-ROL-SEP	1	1/P	
24	X0-02247000	S/TPP/FHEXM-3X8-NI	3	10/P	
25	41304506000	SFT-SEP-AT	1	1/P	
26	44201773000	COV-SPE/ARBOR	1	1/P	
27	6LA47909000	SPC055-045-01525	2	5/P	
28	41306279000	ARBOR-SPT-F	1	1/P	
29	41319491000	CHIP-HLDR-SEP	2	1/P	
30	44201805000	HLDR-SEP-ROL-DM	1	1/P	
31	41306278000	ARBOR-SPT-R	1	1/P	
32	44201817000	SPR-1.0-15.60RF	1	5/P	
33	44201810000	LEV-ROL-SEP-DM	1	1/P	
34	41306011000	ARM-RLR-PICK	2	1/P	
35	41318604000	SFT-DRV-PICK	1	1/P	
36	41306002000	PLY/T-PICK-20	1	1/P	
37	4406584800	CLUTCH-6-08L2	1	1/P	
38	41304508000	SFT-ROL-FEED	1	1/P	
39	41304048000	K-ROLL-FEED	1	1/P	
40	41306274000	PLY/T-20-ROL-2G	1	1/P	
41	6LA47895000	ASYS-BRKT-CLT	1	1/P	
42	6LH46302000	ASYS-ROLL-SPT	1	1/P	



ITEM No.	PART No.	PART NAME	Q'TY / PAGE	Q'TY / PACK	REMARKS
1	6LA56688000	ASY-TRAY-CST-AT/DM	1	1/PP	
2	6LJ00503300	ASYS-WALL-SIDE-F-TECPW	1	1/KP	
3	41307599000	SHEET-CST	1	1/KP	
4	X0-00968000	RR/E-7-SS	2	10/P	
5	6LA56961000	ASYS-PL-PINION-TRY	1	1/P	
6	6LA29061100	WALL-CSSTT-END_G	1	1/P	
7	6LE84460100	CASE-CST-N_PW	1	1/PP	
8	41304004000	K-SFT-LIFT-TRAY	1	1/P	
9	41306614000	CUSH-LVR-LIFT	1	5/P	
10	6LE40702000	LBL_O-GUIDE-LCD	1	1/KP	
11	X0-00434000	S/BID-M3X8-NI	2	10/P	
12	X0-02247000	S/TPP/FHEXM-3X8-NI	4	10/P	
13	6LA60307000	LEVER-LIFT-TRAY	1	1/P	
14	6LA56706400	PLATE-RACK-CSTPW	1	1/P	
15	41306028000	BUSH-SFT-LIFT	2	5/P	
16	6LA56695000	SPC-LVR-WALL-F	1	1/P	
17	41306517000	CUSH-TRAY-CST	1	1/P	
18	6LA56707000	SPACER-RACK-CST	1	1/P	
19	X0-02116000	W/TH/A-3-SS	2	10/P	
20	X0-01989000	S/TPP/BID-3X8-NI	2	10/P	
21	X0-01414000	S/TPP/BID-3X6-NC	2	10/P	
22	6LA60306000	MYLAR-CST-BK	1	1/KP	
23	6LH31915300	LVR-ADJUST-WALL-GG	1	1/P	
24	6LE40703000	LBL_O-PAPER-2	1	1/KP	
25	6LE40701000	LBL_O-GUIDE-2	1	1/KP	
26	6LE40700000	LBL_O-LD-2	1	1/KP	
27	6LJ78719000	COVER-CST-H241-PFP	1	1/PP	
28	6LH05748000	LOCK-WALL-R	1	1/P	
29	41305546000	SPL-LOCK-WALL-R	1	1/P	
30	41307701000	LBL/O-P-MAX	1	5/KP	
31	6LA29058100	LEVER-LOCK-WALL-RER_G	1	1/P	
32	6LE84464300	ASYS-WALL-SIDE-R-TECPW	1	1/PP	
33 A	6LH31900000	SIZE-CST-450-A4	1	1/KP	A4 SIZE
33 B	6LH31900100	SIZE-CST-450-LT	1	1/KP	LT SIZE
33 C	6LH31900200	SIZE-CST-450-K	1	1/KP	K SIZE

TOSHIBA

TOSHIBA TEC CORPORATION

1-11-1, OSAKI, SHINAGAWA-KU, TOKYO, 141-8562, JAPAN