

**TOSHIBA**

# **SERVICE PARTS LIST**

Trimmer Unit

**MX-TM10**

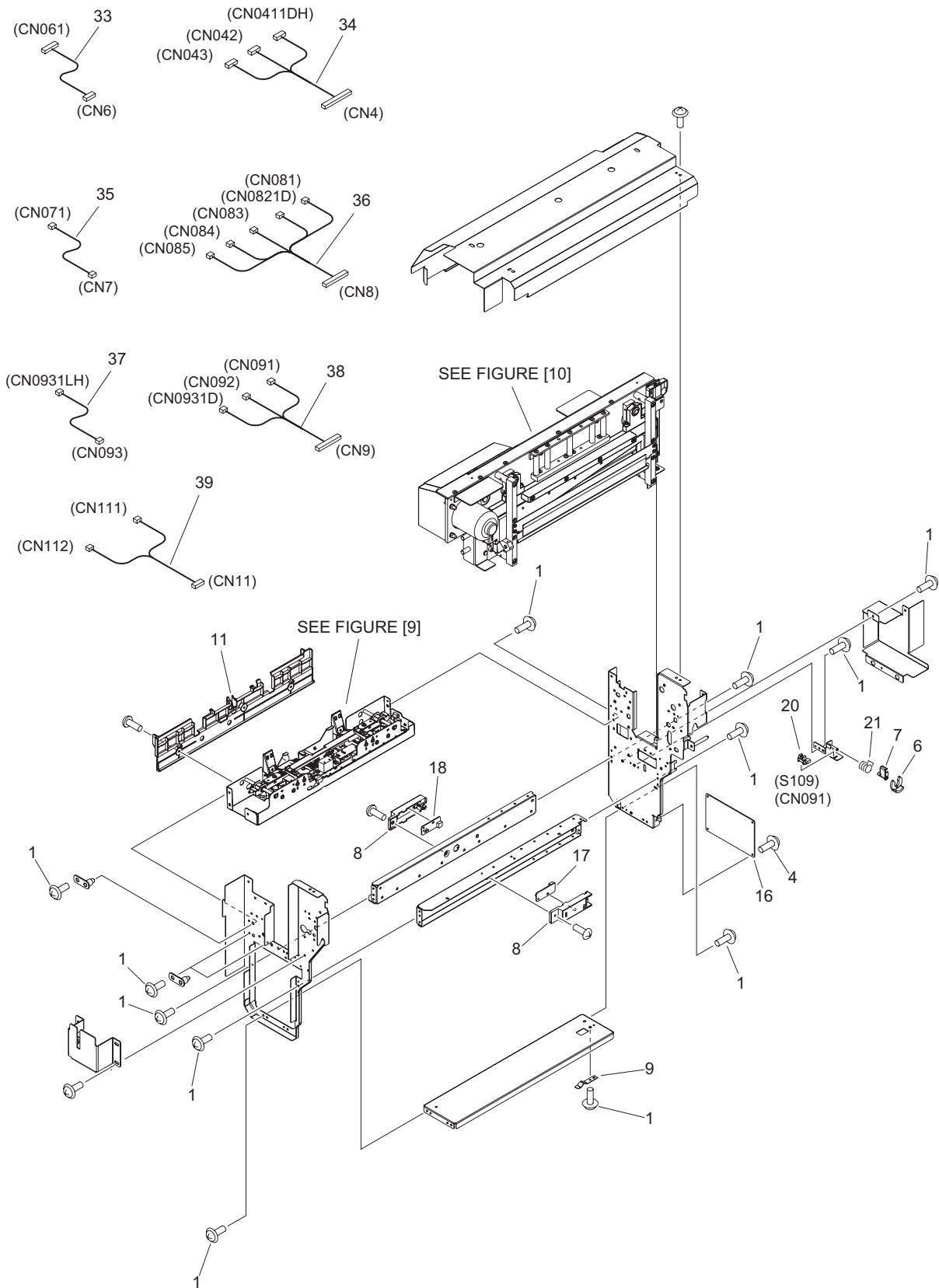
© 2014 TOSHIBA TEC CORPORATION All rights reserved

Under the copyright laws, this manual cannot be reproduced in any form without prior written permission of TOSHIBA TEC CORPORATION. No patent liability is assumed, however, with respect to the use of the information contained herein.

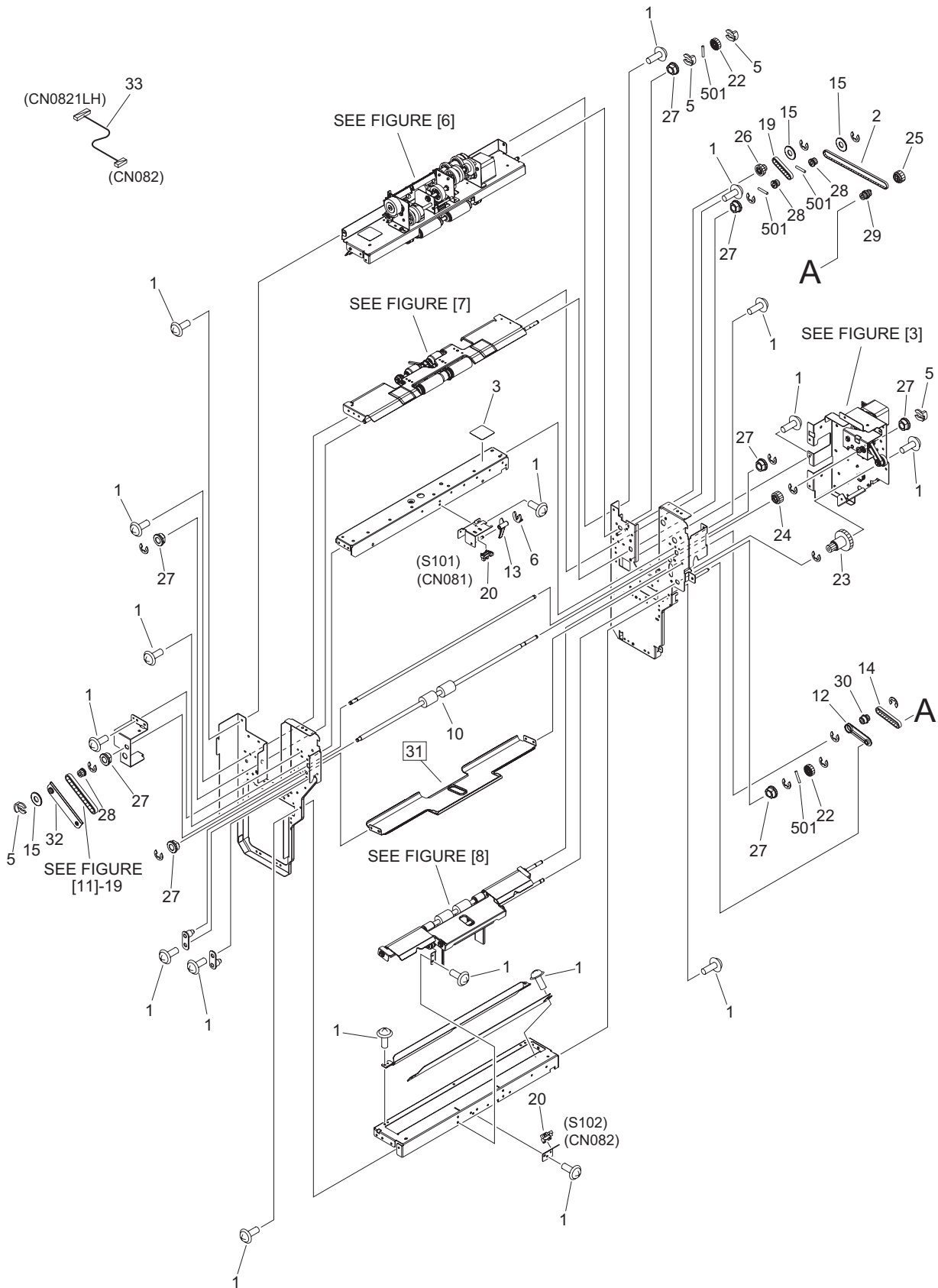
# CONTENTS

TRIMMER_MAIN_BODY-1 .....	1
TRIMMER_MAIN_BODY-2 .....	2
PAPER_FEED_DRIVE_ASSEMBLY.....	3
DELIVERY_ROLLER_DRIVE_ASSEMBLY .....	4
PRESS_ROLLER_DRIVE_ASSEMBLY.....	5
PAPER_FEED_UPPER_ASSEMBLY .....	6
ENTRANCE_LOWER_GUIDE__ASSEMBLY.....	7
PAPER_DELIVERY_PATH_ASSEMBLY .....	8
REGISTRATION_ASSEMBLY .....	9
CUTTER_ASSEMBLY.....	10
ACCESSORIES .....	11



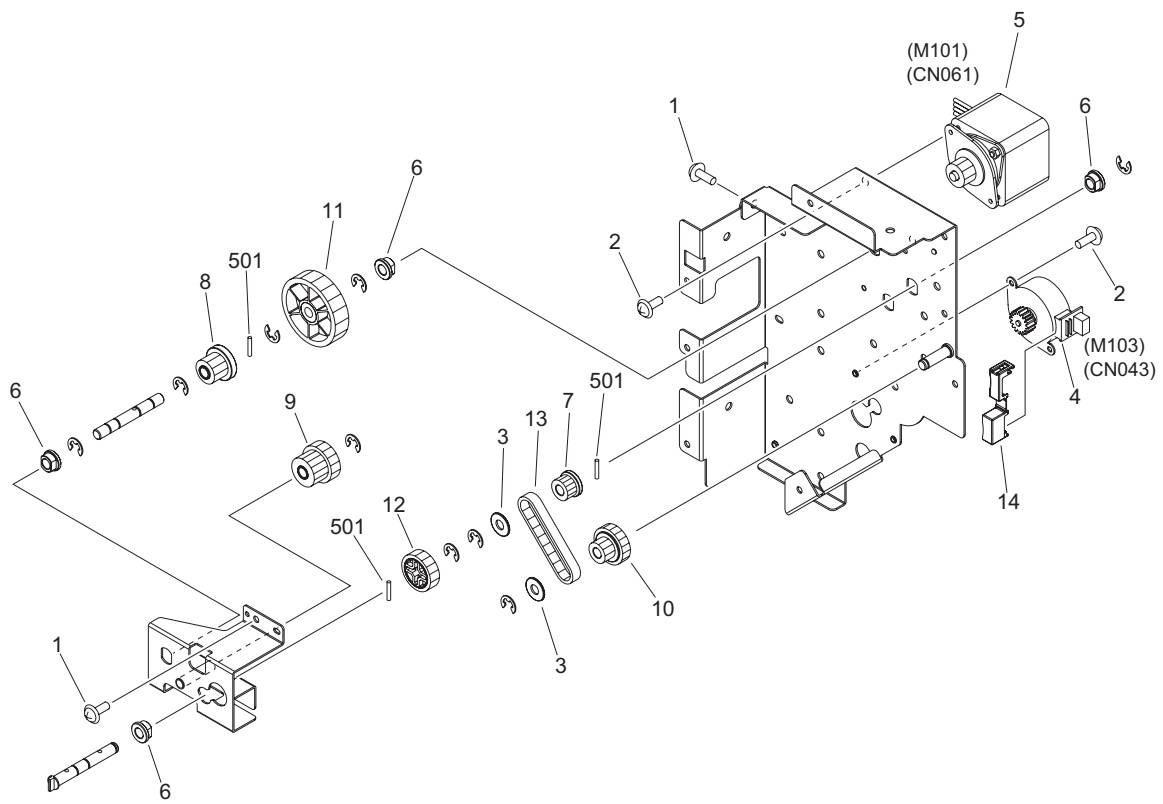


ITEM No.	PART No.	PART NAME	Q'TY / PAGE	Q'TY / PACK	REMARKS
1	6LS00231000	SCREW,CT,M3X6			
4	6LS00238000	SCREW.W/WASHER,M3X6			
6	6LS00592000	CLIP3			
7	6LS00824000	LEVER,DUST BOX SENSOR			
8	6LS00825000	HOLDER,DUST BOX FULL SENSOR			
9	6LS00826000	SPRING,LEAF			
11	6LS00845000	COVER,PAPER DELIVERY TRAY			
16	6LS00488000	CONTROL TRIMMER PWB ASSEMBLY			
17	6LS01199000	DUST LED PWB ASSEMBLY			
18	6LS01200000	DUST PTR PWB ASSEMBLY			
20	6LS01641000	PHOTO-INTERRUPTER,GP1A173LCS0F			
21	6LS01551000	SPRING,TORSION			
33	6LS01202000	CABLE,PAPER FEED MOTOR			
34	6LS01203000	CABLE,MOTOR			
35	6LS01204000	CABLE,CUTTER DC MOTOR			
36	6LS01205000	CABLE,SENSOR,1			
37	6LS01206000	CABLE,SENSOR CONNECTING			
38	6LS01207000	CABLE,SENSOR,2			
39	6LS01208000	CABLE,DUST SENSOR			

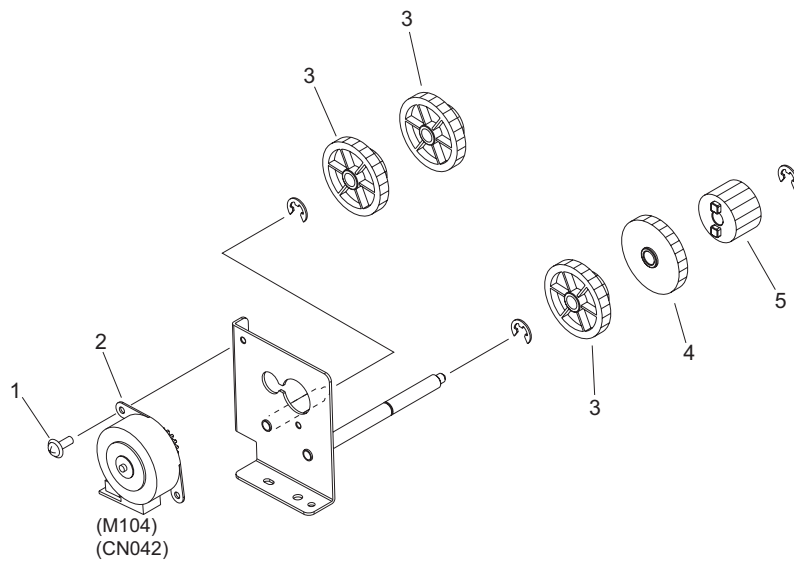


ITEM No.	PART No.	PART NAME	Q'TY / PAGE	Q'TY / PACK	REMARKS
1	6LS00231000	SCREW,CT,M3X6			
2	6LS01779000	BELT,TIMING			
3	6LS00863000	LABEL,LIFTER POSITIONING			
5	6LS00580000	CLIP			
6	6LS00592000	CLIP3			
10	6LS00834000	ROLLER,ENTRANCE,UPPER			
12	6LS00853000	ARM,ENTRANCE ROLLER			
13	6LS00858000	LEVER,ENTRANCE SENSOR			
14	6LS01757000	BELT,TIMING			
15	6LS00941000	FLANGE,PULLEY			
19	6LS01754000	BELT,TIMING			
20	6LS01641000	PHOTO-INTERRUPTER,GP1A173LCS0F			
22	6LS01514000	GEAR,26T			
23	6LS01503000	GEAR,50T/16T			
24	6LS01502000	GEAR,26T			
25	6LS01501000	GEAR,26T			
26	6LS01499000	GEAR,26T/PULLEY,14T			
27	6LS01294000	BUSHING,CU			
28	6LS01349000	PULLEY,14T			
29	6LS01350000	PULLEY,14T			
30	6LS01351000	PULLEY,14T			
31	6LS01198000	ENTRANCE UPPER GUIDE ASSEMBLY			
32	6LS00866000	PLATE,JAM CLEARING BELT			
33	6LS01285000	CABLE,SENSOR,3			
501	6LS01714000	PIN,PARALLEL,HARD			

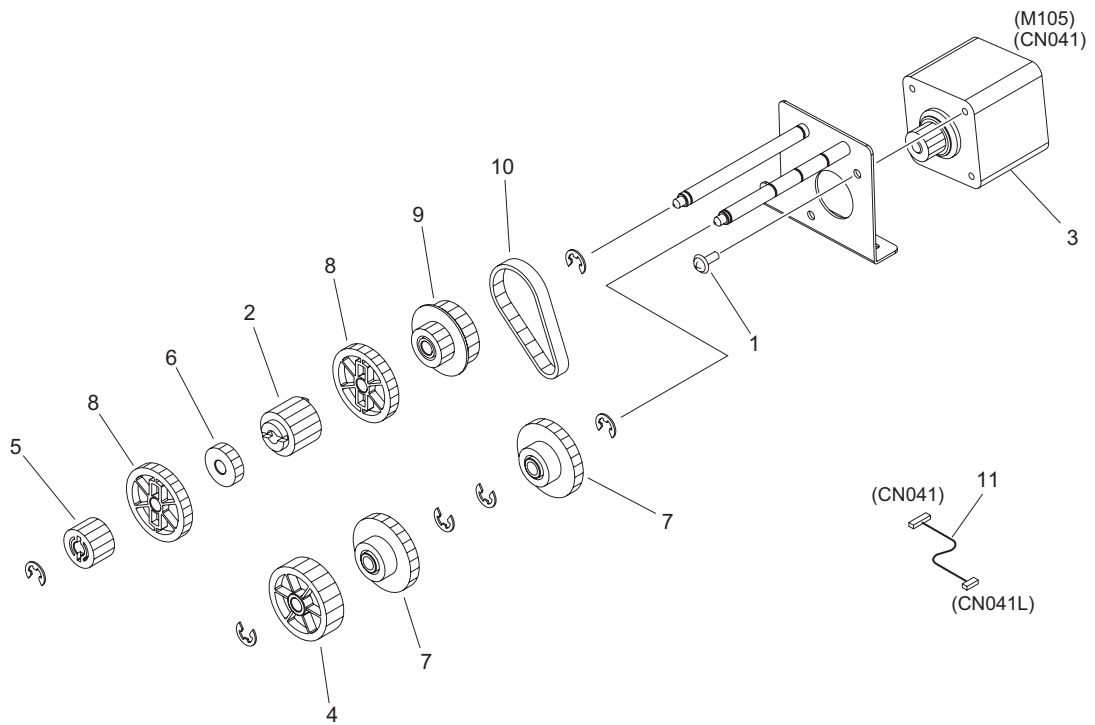




ITEM No.	PART No.	PART NAME	Q'TY / PAGE	Q'TY / PACK	REMARKS
1	6LS01656000	SCREW, RS, M3X6			
2	6LS00238000	SCREW.W/WASHER,M3X6			
3	6LS00941000	FLANGE,PULLEY			
4	6LS01108000	MOTOR,DC STEPPING			
5	6LS01111000	MOTOR,DC STEPPING			
6	6LS01294000	BUSHING,CU			
7	6LS01349000	PULLEY,14T			
8	6LS01497000	GEAR,16T			
9	6LS01498000	GEAR,26T/20T			
10	6LS01499000	GEAR,26T/PULLEY,14T			
11	6LS01500000	GEAR,50T			
12	6LS01514000	GEAR,26T			
13	6LS01754000	BELT,TIMING			
14	6LS00890000	COVER,MOTOR CONNECTOR			
501	6LS01714000	PIN,PARALLEL,HARD			
901	6LS01192000	PAPER FEED DRIVE ASSEMBLY			

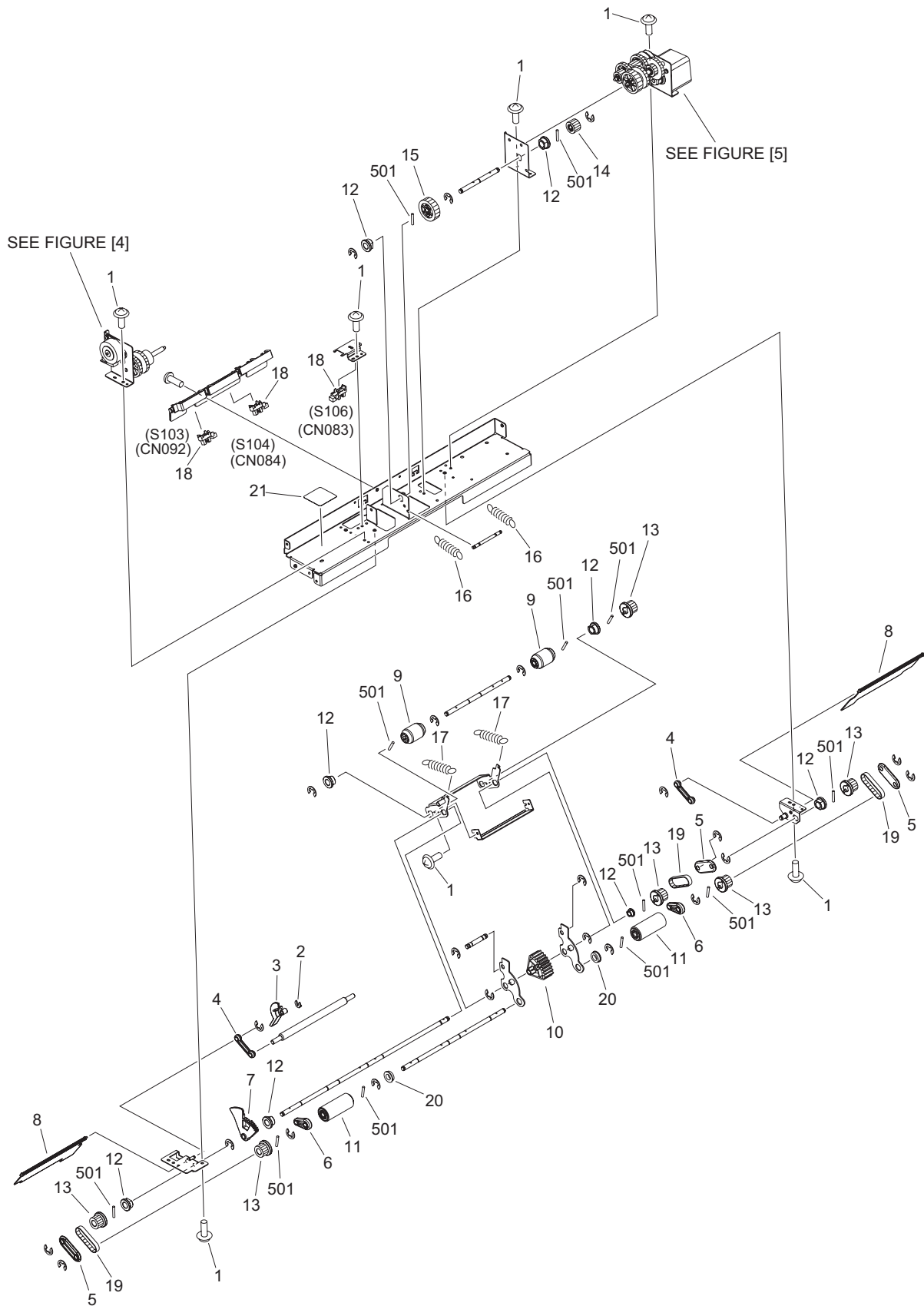


ITEM No.	PART No.	PART NAME	Q'TY / PAGE	Q'TY / PACK	REMARKS
1	6LS00238000	SCREW.W/WASHER,M3X6			
2	6LS01108000	MOTOR,DC STEPPING			
3	6LS01490000	GEAR,40T/20T			
4	6LS01491000	GEAR,40T			
5	6LS01493000	GEAR,20T			
901	6LS01194000	DELIVERY ROLLER DRIVE ASSEMBLY			



NOTE : This assembly is included in the assembly shown in Figure [6].

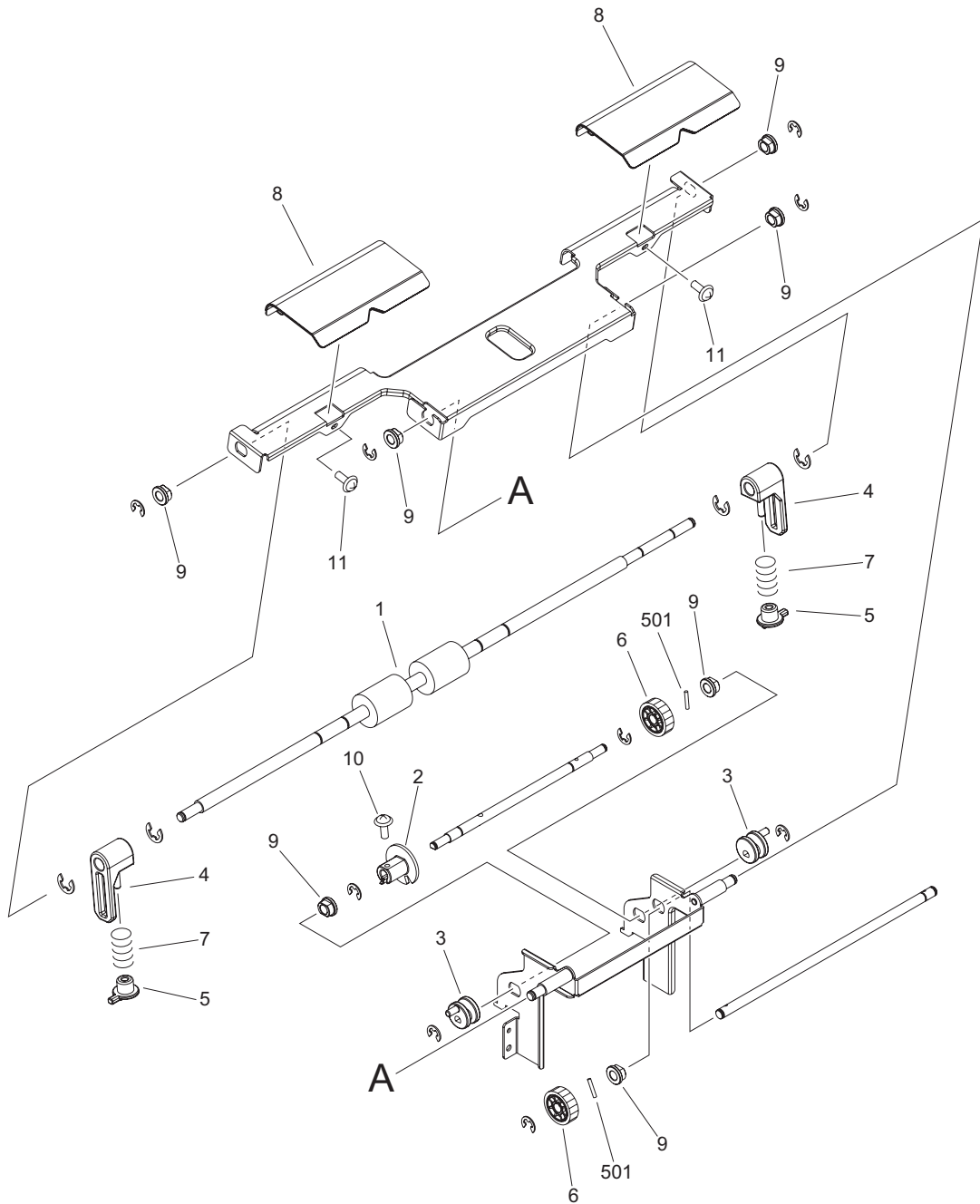
ITEM No.	PART No.	PART NAME	Q'TY / PAGE	Q'TY / PACK	REMARKS
1	6LS00238000	SCREW.W/WASHER,M3X6			
2	6LS00852000	LIMITER,TORQUE			
3	6LS01099000	MOTOR,DC STEPPING			
4	6LS01486000	GEAR,40T			
5	6LS01487000	GEAR,20T			
6	6LS01489000	GEAR,20T			
7	6LS01490000	GEAR,40T/20T			
8	6LS01491000	GEAR,40T			
9	6LS01492000	GEAR,20T/PULLEY,30T			
10	6LS01732000	BELT,TIMING			
11	6LS01214000	CABLE,ENTRANCE TRANSFER MOTOR			
901	6LS01195000	PRESS ROLLER DRIVE ASSEMBLY			



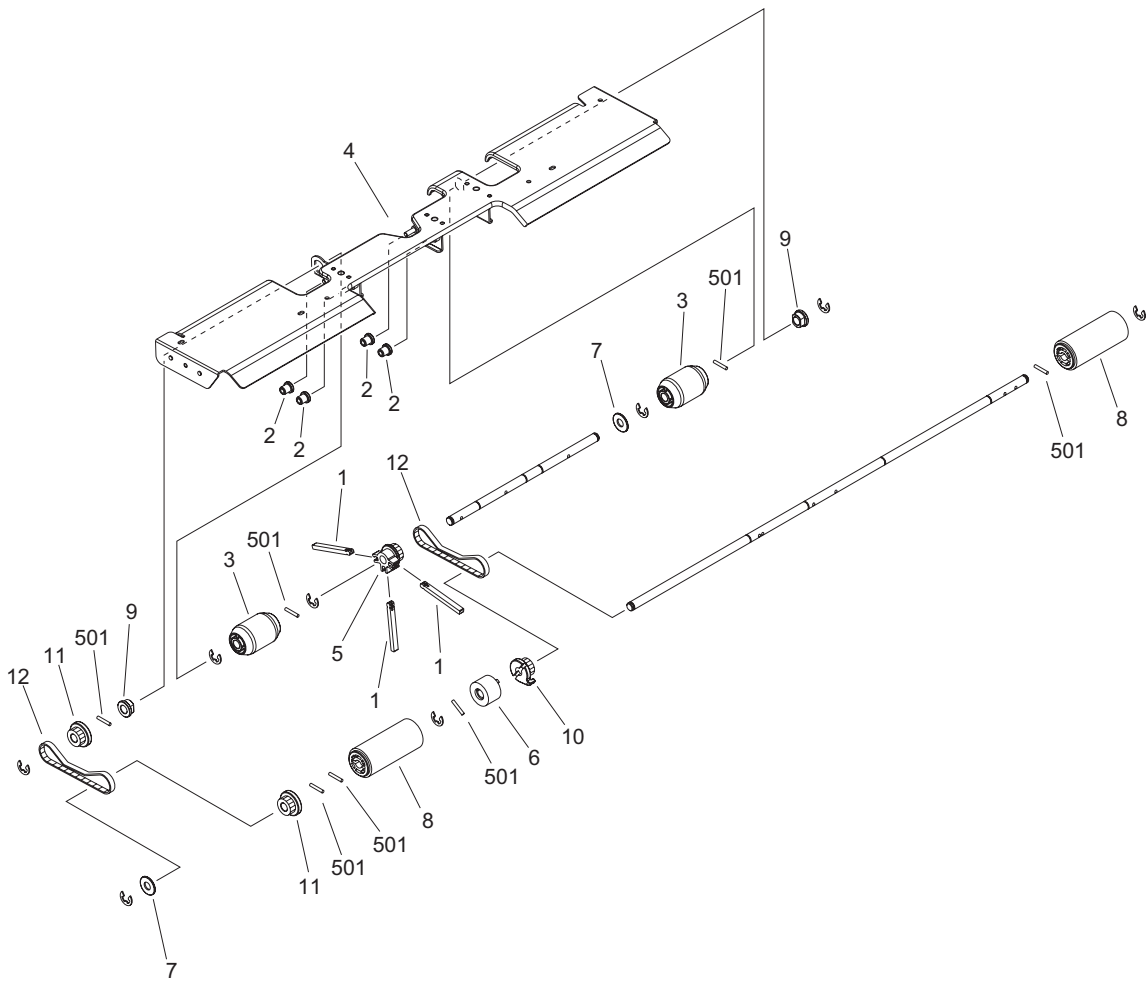
NOTE : This assembly includes the assemblies shown in Figure [4] and [5].

ITEM No.	PART No.	PART NAME	Q'TY / PAGE	Q'TY / PACK	REMARKS
1	6LS01656000	SCREW, RS, M3X6			
2	6LS00592000	CLIP3			
3	6LS00827000	LEVER,PAPER DELIVERY SENSOR			
4	6LS00828000	LINK,PRESSURE ROLLER			
5	6LS00829000	ARM,PULLEY			
6	6LS00830000	ARM,PRESSURE ROLLER			
7	6LS00831000	FLAG,PAPER DELIVERY ROLLER			
8	6LS00832000	PLATE,PAPER RETAINING			
9	6LS00850000	ROLLER,PAPER FEED			
10	6LS00851000	GEAR,40T			
11	6LS01124000	ROLLER,PRESSURE			
12	6LS01294000	BUSHING,CU			
13	6LS01347000	PULLEY,13T			
14	6LS01487000	GEAR,20T			
15	6LS01488000	GEAR,20T			
16	6LS01552000	SPRING,TENSION			
17	6LS01553000	SPRING,TENSION			
18	6LS01641000	PHOTO-INTERRUPTER,GP1A173LCS0F			
19	6LS01753000	BELT,TIMING			
20	6LS01798000	BEARING,BALL,NMB,PO,11.2MM			
21	6LS00863000	LABEL,LIFTER POSITIONING			
501	6LS01714000	PIN,PARALLEL,HARD			
901	6LS01190000	PAPER FEED UPPER ASSEMBLY			

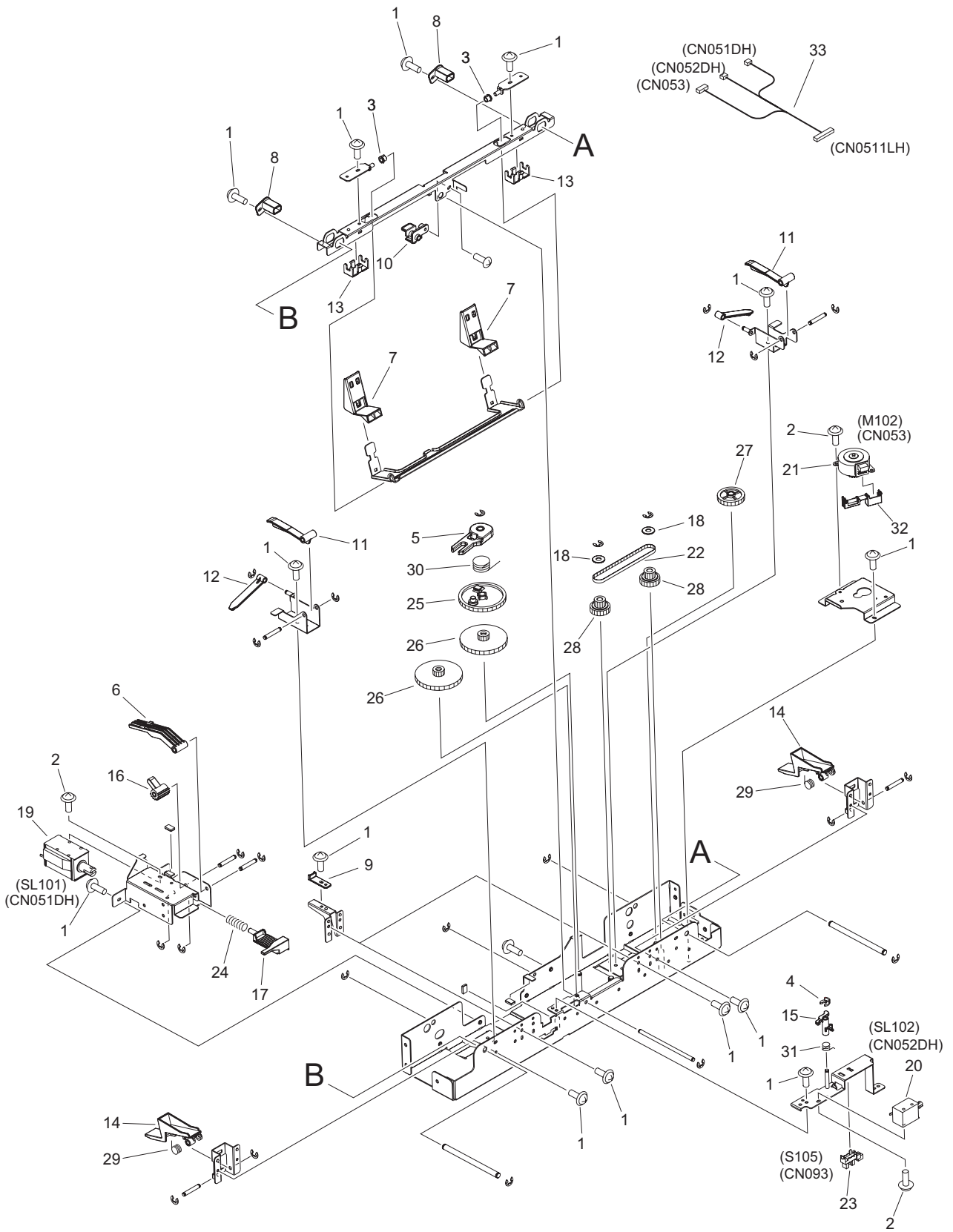




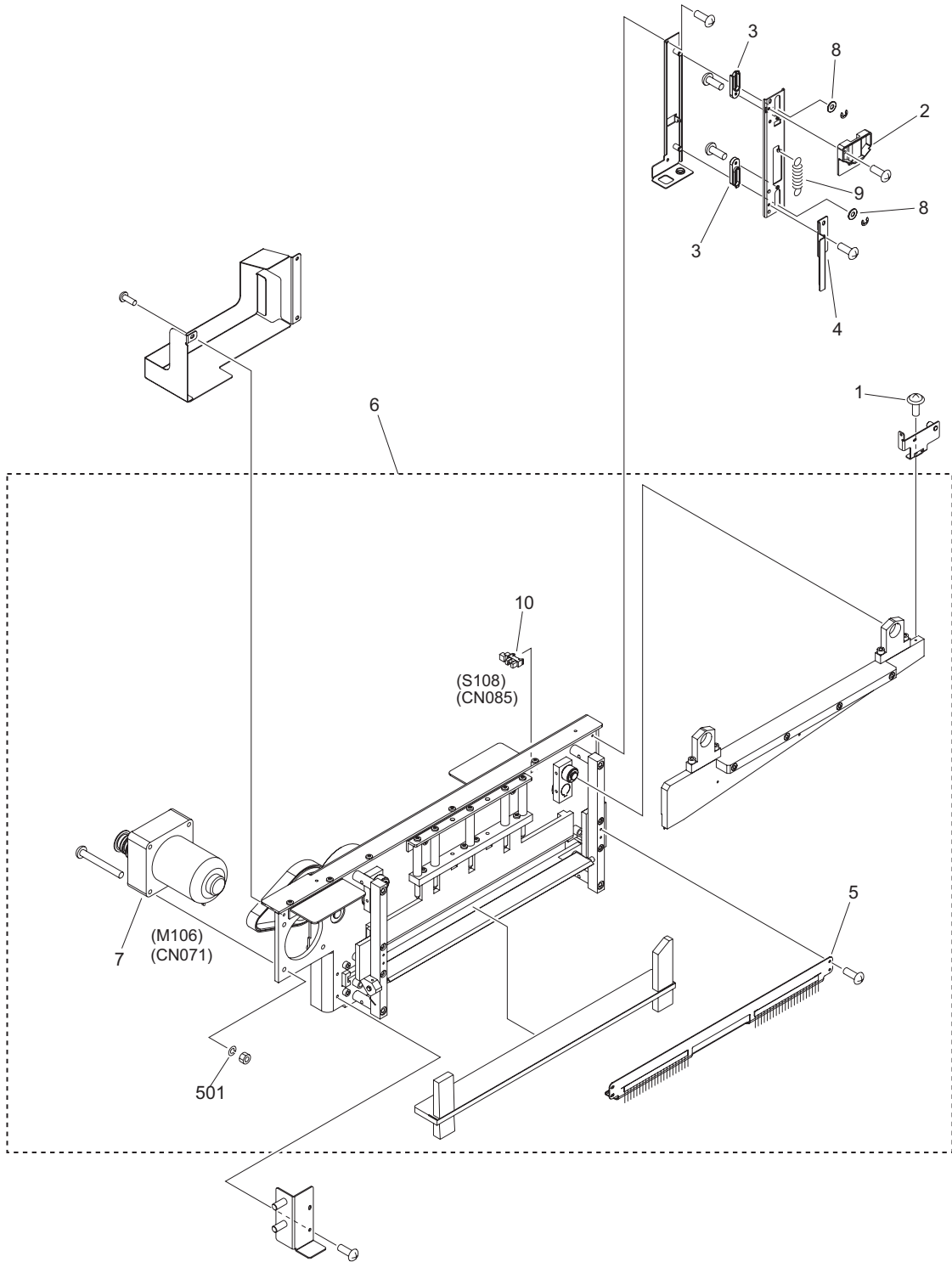
ITEM No.	PART No.	PART NAME	Q'TY / PAGE	Q'TY / PACK	REMARKS
1	6LS00833000	ROLLER,ENTRANCE,LOWER			
2	6LS00854000	FLAG,ENTRANCE LIFTER SENSOR			
3	6LS00855000	CAM,ENTRANCE GUIDE			
4	6LS00856000	HOLDER,ENTRANCE GUIDE			
5	6LS00857000	SUPPORT,SPRING			
6	6LS01514000	GEAR,26T			
7	6LS01558000	SPRING,COMPRESSION			
8	6LS01197000	ENTRANCE LOWER GUIDE ASSEMBLY			
9	6LS01294000	BUSHING,CU			
10	6LS00238000	SCREW.W/WASHER,M3X6			
11	6LS01656000	SCREW, RS, M3X6			
501	6LS01714000	PIN,PARALLEL,HARD			
901	6LS01196000	ENTRANCE LOWER GUIDE ASSEMBLY			



ITEM No.	PART No.	PART NAME	Q'TY / PAGE	Q'TY / PACK	REMARKS
1	6LS00807000	PADDLE			
2	6LS00849000	ROLLER,DELIVERY PATH IDLER,LW.			
3	6LS00850000	ROLLER,PAPER FEED			
4	6LS01148000	GUIDE,DELIVERY LOWER PATH			
5	6LS00859000	PULLEY,14T			
6	6LS00864000	LIMITER,TORQUE			
7	6LS00941000	FLANGE,PULLEY			
8	6LS01124000	ROLLER,PRESSURE			
9	6LS01294000	BUSHING,CU			
10	6LS01348000	PULLEY,14T			
11	6LS01374000	PULLEY,14T			
12	6LS01759000	BELT,TIMING			
501	6LS01714000	PIN,PARALLEL,HARD			

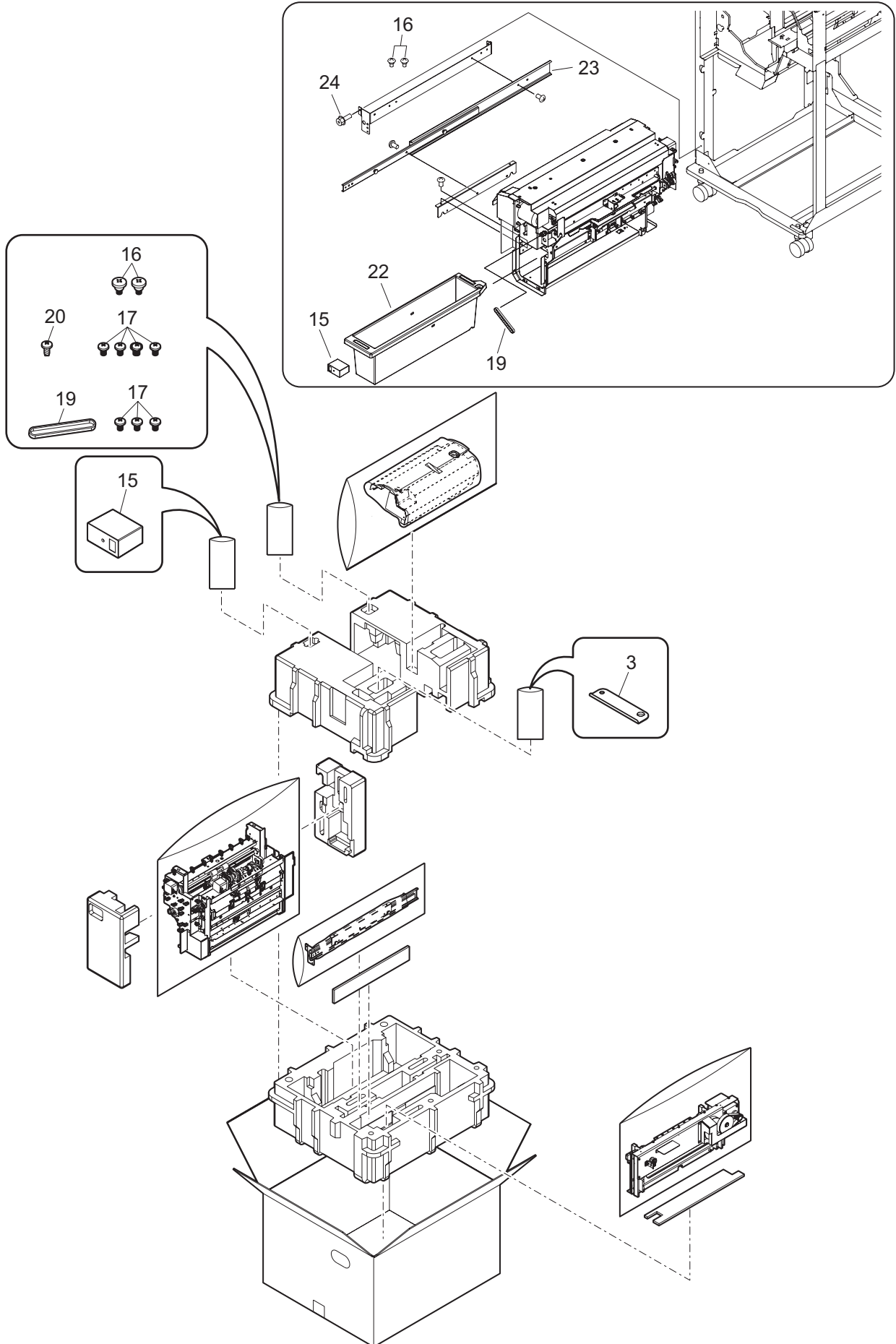


ITEM No.	PART No.	PART NAME	Q'TY / PAGE	Q'TY / PACK	REMARKS
1	6LS01656000	SCREW, RS, M3X6			
2	6LS00238000	SCREW.W/WASHER,M3X6			
3	6LS00565000	BUSHING			
4	6LS00592000	CLIP3			
5	6LS00835000	SLIDER,LINK			
6	6LS00836000	GUIDE,SWING REGISTRATION			
7	6LS00837000	COVER,PLATE			
8	6LS00838000	BUSHING			
9	6LS00839000	PLATE,BACK-UP			
10	6LS00840000	BUSHING			
11	6LS00841000	LINK,STOPPER,1			
12	6LS00842000	LINK,STOPPER,2			
13	6LS00843000	COVER,SLIDER			
14	6LS00844000	STOPPER,2			
15	6LS00846000	LEVER,PADDLE CLUTCH			
16	6LS00847000	LINK,SWING			
17	6LS00848000	GUIDE,SWING REGISTRATION			
18	6LS00941000	FLANGE,PULLEY			
19	6LS01096000	SOLENOID			
20	6LS01097000	SOLENOID			
21	6LS01108000	MOTOR,DC STEPPING			
22	6LS01768000	BELT,TIMING			
23	6LS01641000	PHOTO-INTERRUPTER,GP1A173LCS0F			
24	6LS01557000	SPRING,COMPRESSION			
25	6LS01494000	GEAR,64T			
26	6LS01495000	GEAR,64T/14T			
27	6LS01496000	GEAR,36T			
28	6LS01499000	GEAR,26T/PULLEY,14T			
29	6LS01554000	SPRING,TORSION			
30	6LS01555000	SPRING,TORSION			
31	6LS01556000	SPRING,TORSION			
32	6LS00890000	COVER,MOTOR CONNECTOR			
33	6LS01201000	CABLE,RELEASE MOTOR			
901	6LS01193000	REGISTRATION ASSEMBLY			



ITEM No.	PART No.	PART NAME	Q'TY / PAGE	Q'TY / PACK	REMARKS
1	6LS00238000	SCREW,W/WASHER,M3X6			
2	6LS00860000	CAM,DUST LOCK			
3	6LS00861000	SLIDER,DUST LOCK			
4	6LS00862000	PLATE,DUST LOCK			
5	6LS01149000	ELIMINATOR,STATIC CHARGE			
6	6LS00527000	MAIN CUTTER ASSEMBLY			
7	6LS01098000	MOTOR,DC			
8	6LS00941000	FLANGE,PULLEY			
9	6LS01559000	SPRING,TENSION			
10	6LS01639000	IC,PHOTO-INTERRUPTER,LG248NL1A			
501	6LS01694000	WASHER,SPRING			
901	6LS01191000	CUTTER ASSEMBLY			





ITEM No.	PART No.	PART NAME	Q'TY / PAGE	Q'TY / PACK	REMARKS
3	6LS00866000	PLATE,JAM CLEARING BELT			
15	6LS00865000	BLOCK,DUST BOX PUSH			
16	6LS01398000	SCREW,STEP			
17	6LS01673000	SCREW			
19	6LS01770000	BELT,TIMING			
20	6LS01683000	SCREW04T080WAVE-W			
22	6LS00454000	BOX,DUST			
23	6LS00804000	SLIDE RAIL RIGHT			
24	6LS01654000	SCREW,RS,M4X8			



**TOSHIBA**

**TOSHIBA TEC CORPORATION**

1-11-1, OSAKI, SHINAGAWA-KU, TOKYO, 141-8562, JAPAN